

# Haier

User Manual

Refrigerator-Freezer

HDR5818DNSS  
HDR5818DNPW  
HDR5818DNMB



<u>4 Safety information</u>	•	<u>Before first use</u>	5
		<u>Installation</u>	5
		<u>Daily use</u>	6
<u>8 Intended use</u>	•		
<u>9 Product description</u>	•		
<u>10 Control panel</u>	•		
<u>11 Use</u>	•	<u>Adjust the temperature for fridge</u>	12
		<u>Adjust the temperature for freezer</u>	12
		<u>Super Cool Function</u>	13
		<u>Super Freeze Function</u>	13
		<u>AI Cooling Function</u>	14
<u>17 Equipment</u>	•		
<u>19 Energy saving tips</u>	•		
<u>20 Care and cleaning</u>	•		
<u>22 Troubleshooting</u>	•		
<u>26 Installation</u>	•		
<u>30 Technical data</u>	•		
<u>32 Customer service</u>	•		

## Thank you for purchasing a Haier Product.

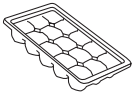
Please read these instructions carefully before using this appliance. The instructions contain important information which will help you get the best out of the appliance and ensure safe and proper installation, use and maintenance.

Keep this manual in a convenient place so you can always refer to it for the safe and proper use of the appliance.

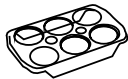
If you sell the appliance, give it away, or leave it behind when you move house, make sure you also pass this manual so that the new owner can become familiar with the appliance and safety warnings.

## Accessories

Check the accessories and literature with this list:



Ice cube tray



Egg tray × 2



Energy label



Warranty card



User manual



Stop blocking × 2



middle hinge



Upper hinge



Upper hinge bent hook



lower hinge



Upper trim cover



Middle front beam screw cap



fixture

**WARNING – Important Safety information**

---

**NOTICE-General information and tips**

---

**Environmental information**

---

**Disposal**

Help protect the environment and human health. Put the packaging in applicable containers to recycle it. Help to recycle waste of electrical and electronic appliances. Do not dispose appliances marked with this symbol with the household waste. Return the product to your local recycling facility or contact your municipal office.

**WARNING: Risk of fire/flammable material**

The symbol indicates there is a risk of fire since flammable materials are used. Take care to avoid causing a fire by igniting flammable material.

---

**WARNING!**

Risk of injury or suffocation!

Refrigerants and gases must be disposed of professionally. Ensure that the tubing of the refrigerant circuit is not damaged before being properly disposed of. Disconnect the appliance from the mains supply. Cut off the mains cable and dispose of it. Remove the trays and drawers as well as the door catch and seals, to prevent children and pets to get closed in the appliance.

## Before switching on the appliance for the first time read the following safety hints!



### WARNING!

#### Before first use

- ▶ Make sure there is no transport damage.
- ▶ Remove all packaging and keep out of children's reach.
- ▶ Wait at least two hours before installing the appliance in order to ensure the refrigerant circuit is fully efficient.
- ▶ Handle the appliance always with at least two persons because it is heavy.

#### Installation

- ▶ The appliance should be placed in a well-ventilated place. Ensure a space of at least 10 cm above and around the appliance.
- ▶ Never place the appliance in a damp area or location where it might be splashed with water. Clean and dry water splashes and stains with a soft clean cloth.
- ▶ Do not install the appliance in direct sunlight or in the near of heat sources (e.g. stoves, heaters).
- ▶ Install and level the appliance in an area suitable for its size and use.
- ▶ Keep ventilation openings in the appliance or in the in-built structure clear of obstruction.
- ▶ Make sure that the electrical information on the rating plate agrees with the power supply. If it does not, contact an electrician.
- ▶ The appliance is operated by a 220-240 VAC/50 Hz power supply. Abnormal voltage fluctuation may cause the appliance to fail to start, or damage to the temperature control or compressor, or there may be an abnormal noise when operating. In such case, an automatic regulator shall be mounted.
- ▶ Do not use multi-plug adapters and extension cables.
- ▶ Do not locate multiple portable socket-outlets or portable power supplies at the rear of the appliance.
- ▶ Ensure that the power cable is not trapped by the refrigerator. Do not step on the power cable.
- ▶ Use a separate earthed socket for the power supply which is easy accessible. The appliance must be earthed.  
Only for UK: The appliance's power cable is fitted with 3-cord (grounding) plug that fits a standard 3-cord (grounded) socket. Never cut off or dismount the third pin (grounding). After the appliance is installed, the plug should be accessible.
- ▶ Do not damage the refrigerant circuit.



## WARNING!

### Daily use

- ▶ This appliance can be used by children aged from 8 years and above and persons with reduced physical, sensory or mental capabilities or lack of experience and knowledge if they have been given supervision or instruction concerning use of the appliance in a safe way and understand the hazards involved.
- ▶ Children aged from 3 to 8 years are allowed to load and unload, but not allowed to clean or install the refrigerating appliances.
- ▶ Keep away children under 3 years of age from the appliance unless they are constantly supervised.
- ▶ Children shall not play with the appliance.
- ▶ If cool gas or other inflammable gas is leaking in the vicinity of the appliance, turn off the valve of the leaking gas, open the doors and windows and do not unplug a plug in the power cable of the refrigerator or any other appliance.
- ▶ Notice that the appliance is set for operation at a specific ambient range between 10 and 43°C. The appliance may not work properly if it is left for a long period at a temperature above or below the indicated range.
- ▶ Do not place unstable articles (heavy objects, containers filled with water) on top of the refrigerator, to avoid personal injury caused by falling or electric shock caused by contact with water.
- ▶ Do not pull on the door shelves. The door may be pulled slant, the bottle rack, may be pulled away, or the appliance may topple.
- ▶ Open and close the doors only with the handles. The gap between the doors and between the doors and the cabinet is very narrow. Do not extend your hands in these areas to avoid pinching your fingers. Open or close the refrigerator doors only when there are no children standing within the range of door movement.
- ▶ Do not store or use inflammable, explosive or corrosive materials in the appliance or in the vicinity.
- ▶ Do not store medicines, bacteria or chemical agents in the appliance. This appliance is a household appliance. It is not recommended to store materials that require strict temperatures.
- ▶ Never store liquids in bottles or cans (besides high percentage spirits) especially carbonated beverages in the freezer, as these will burst during freezing.
- ▶ Check the condition of food if a warming in the freezer has taken place.
- ▶ Do not set unnecessarily low temperature in the refrigerator compartment. Minus temperatures may occur at high settings. Attention: Bottles can burst
- ▶ Do not touch frozen goods with wet hands (wear gloves). Especially do not eat ice lollies immediately after removal from the freezer compartment. There is the risk to freeze or the formation of frost blisters. FIRST aid: keep immediately under running cold water. Do not pull away!
- ▶ Do not touch the inside surface of the freezer storage compartment when in operation, especially with wet hands, as your hands may freeze onto the surface.



## WARNING!

### Daily use

- ▶ Unplug the appliance in the event of a power interruption or before cleaning. Allow at least 7 minutes before restarting the appliance, as frequent starting may damage the compressor.
  - ▶ Do not use electrical devices inside the food storage compartments of the appliance, unless they are of the type recommended by the manufacturer.
- Maintenance / cleaning
- ▶ Make sure children are supervised if they carry out cleaning and maintenance.
  - ▶ Disconnect the appliance from the electrical supply before undertaking any routine maintenance. Allow at least 5 minutes before restarting the appliance, as frequent starting may damage the compressor.
  - ▶ Hold the plug, not the cable, when unplugging the appliance.
  - ▶ Do not clean the appliance with hard brushes, wire brushes, detergent powder, petrol, amyl acetate, acetone and similar organic solutions, acid or alkaline solutions. Please clean with special refrigerator detergent to avoid damage.
  - ▶ Do not scrape off frost and ice with sharp objects. Do not use sprays, electric heaters like heater, hair dryer, steam cleaners or other sources of heat in order to avoid damage to the plastic parts.
  - ▶ Do not use mechanical devices or other means to accelerate the defrosting process, other than those recommended by the manufacturer.
  - ▶ If the supply cord is damaged, it must be replaced by the manufacturer, its service agent or similarly qualified persons in order to avoid a hazard.
  - ▶ Do not try to repair, disassemble or modify the appliance by yourself. In case of repair please contact our customer service.
  - ▶ Eliminate the dust on the back of the unit at least once in the year to avoid hazard by fire, as well as increased energy consumption.
  - ▶ Do not spray or flush the appliance during cleaning.
  - ▶ Do not use water spray or steam to clean the appliance.
  - ▶ Do not clean the cold glass shelves with hot water. Sudden temperature change may cause the glass to break.

### Refrigerant gas information

- ▶ The appliance contains the flammable refrigerant ISOBUTANE (R600a). Make sure the refrigerant circuit is not damaged during transportation or installation. Leaking refrigerant may cause eye injuries or ignite. If a damage has occurred, keep away open fire sources, thoroughly ventilate the room, do not plug or unplug the power cords of the appliance or any other appliance. Inform the customer service.
- ▶ In case of eyes get into contact with the refrigerant, rinse immediately it under running water and call immediately the eye specialist.

---

## Intended use

This appliance is intended for cooling and freezing food. It has been designed exclusively for use in household and similar applications such as staff kitchen areas in shops, offices and other working environments; farm houses and by clients in hotels, motels and other residential type environments as well as in bed-and-breakfast and catering business. It is not intended for commercial or industrial use.

Changes or modifications to the device are not allowed. Unintended use may cause hazards and loss of warranty claims.

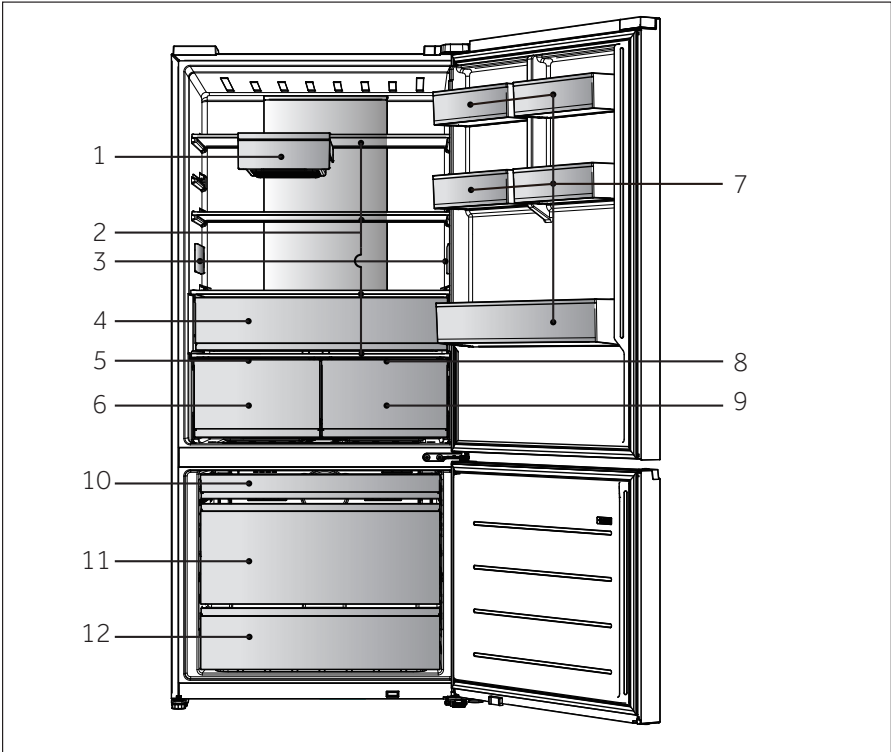
## Standards and directives



This product meets the requirements of all applicable EC directives with the corresponding harmonised standards, which provide for CE marking.

## **i** NOTICE

Due to technical changes and different models, some of the illustrations in this manual may differ from your model.



A: Refrigerator compartment

B: Freezer compartment

1 Lunch box

10 Sliding shelf

2 Glass shelves

11 Freeze zone

3 AI Cooling

12 Freeze zone

4 Fresh zone

5 Humidity zone cover

6 Humidity zone

7 Bottle holders

8 My zone cover

9 My zone



## Before first use

- ▶ Remove all packaging materials, keep them out of children`s reach and dispose them in an environmentally friendly manner.
- ▶ Clean the inside and outside of the appliance with water and a mild detergent before putting any food in it.
- ▶ After the appliance has been levelled and cleaned, wait for at least 2-5 hours before connecting it to the power supply. See Section INSTALLATION.
- ▶ Precool the compartments at high settings before loading with food. The function Power- Freeze helps to cool down the compartments quickly.
- ▶ The refrigerator temperature and freezer temperature are automatically set to 5° C and -18° C respectively. These are the recommended settings. If desired, you can change these temperatures manually. Please see ADJUST THE TEMPERATURE.

## Sensor keys

The buttons on the control panel are sensor keys, which already respond when lightly touched with the finger.

## Switch on /off the appliance

The appliance is in operation as soon as it is connected to the power supply.

When the refrigerator is first powered on, the indicator Temperature display illuminates. The fridge temperature and freezer temperature are automatically set to 5° C and -18° C respectively.

Maybe the panel lock is active.



## NOTICE

When the appliance is switched on after disconnection from the main power supply, it may take up to 12 hours for the correct temperatures to be reached.

Empty the appliance before switching off. To switch off the appliance, pull the power cord out off the power socket.

## Lock/unlock panel

Automatic lock: When the fridge door and freezer door are closed and there is no key operation within 30 seconds, the display screen will be automatically extinguished and locked.

Manual lock: When the display screen is unlocked, press the Eco function button and hold for 3 seconds, the buzzer rings once, the Lock function Icon illuminates, and the display is locked.

## Adjust the temperature

The indoor temperatures are influenced by the following factors:

- Ambient temperature
- Frequency of door opening
- Amount of stored foods
- Installation of the appliance

## Adjust the temperature for fridge

When unlocked, press the Zone Selection button to select refrigerator zone (refrigerator icon lights up). Each press of "+" / "-" adjusts the temperature level by 1°C.

Settings are confirmed after 5 seconds of inactivity (screen turns off), or immediately if other buttons are pressed. Adjustment sequence:

"+": 1°C ➔ 2°C ➔ 3°C ➔ 4°C ➔ 5°C ➔ 6°C ➔ 7°C ➔ 8°C ➔ 9°C

"-": 9°C ➔ 8°C ➔ 7°C ➔ 6°C ➔ 5°C ➔ 4°C ➔ 3°C ➔ 2°C ➔ 1°C



### NOTICE

The refrigeration temperature cannot be adjusted in the Super Cool or Lock state.

## Adjust the temperature for freezer

When the display is unlocked during operation, press the Zone Selection button to select freezer zone (freezer icon lights up). Each press of "+" / "-" adjusts the temperature by 1°C (flashing at 1Hz).

Settings auto-save after 5 seconds of inactivity. Pressing other buttons immediately confirms the setting and switches functions.

Adjustment sequence:

"+": -24°C ➔ -23°C ➔ -22°C ➔ -21°C ➔ -20°C ➔ -19°C ➔ -18°C ➔ -17°C ➔ -16°C

"-": -16°C ➔ -17°C ➔ -18°C ➔ -19°C ➔ -20°C ➔ -21°C ➔ -22°C ➔ -23°C ➔ -24°C



### NOTICE

The freeze temperature cannot be adjusted in the Super Freeze or Lock state.



## NOTICE

After setting the temperature, if there is no operation within 5 seconds, the system will be automatically determined and save the set temperature.

### Super-Cool function

Enter the super cool state:

In the unlocked state, click the [ Super Cool ] button, the [ Super Cool ] icon will light up, and the refrigerator will enter the super cool state.

Exit the super cool state:

1. In the unlocked and super cool state, click the [SuperCool] button, the [SuperCool] icon turns off, and is manually out of the super cool state.
2. When the refrigerator reaches the set time, it will automatically quit the super cool function. After 4 hours of entering Super Cool mode, it will automatically exit.

### Super-Frz function

Enter super freeze state:

In the unlocked state, click the [ Super Frz. ] button, the [ Super Frz. ] icon will light up, and the refrigerator will enter the super freeze state.

Exit super freeze state:

1. In the unlocked and super freeze state, click the [SuperFrz.] button, the [SuperFrz.] icon turns off, and is manually out of the super freeze state.
2. When the refrigerator reaches the set time, it automatically exits the super freeze function. After 50 hours of entering Super Frz mode, it will automatically exit.

Super-Freeze function is designed to keep nutrition value of frozen food, it will be freeze food in the shortest time. If large quantities of frozen food are to be frozen at one time, it is recommended to set the Super-Freeze function. Meanwhile, Super-Freeze function should be set 24h in advance, to make the freezer own relatively low temperature and put food in. At this time, the freezing speed of the freezer is improved, food can be frozen quickly, the nutrition of food is effectively kept, and the storage become quite convenient.

## AI Cooling function

When you need to quickly cool stewed or cooked food, you can place the food on the glass shelf corresponding to this function for rapid cooling.

When the refrigerator senses a heat source in the glass shelf space corresponding to this function, the blue lights on both sides begin to flash. If the sensed heat source persists for more than 5 seconds, it enters this function and the blue lights on both sides illuminate. If the sensed heat source persists for less than 5 seconds, this function does not start, and the blue lights flash for about 5 seconds and then turn off.

After this function starts, the blue lights on both sides are on (when the door is open), and the fans on both sides begin to operate. After the door is closed, the blue lights on both sides turn off, and the fans on both sides continue to operate. After the heat source has cooled down, this function exits, the blue lights on both sides turn off, and the fans on both sides turn off.



### NOTICE

- 1 When placing a soup pot or other foods that release steam, please use a sealed container with a lid or seal it with plastic wrap before placing it inside.
- 2 It is recommended that you place melons, fruits, and vegetables in the fruit and vegetable drawer to obtain better freshness and moisturizing effects. When placing food in this functional area, please do not block the circular air inlets on both sides or the long air outlet.
- 3 The startup test for this function was conducted using a stainless steel soup pot (a mainstream local Turkish stainless steel soup pot with a pot body diameter of 275mm, a pot body height of 150mm, and a total height with lid of 200mm) placed on the shelf at the illustrated position. The liquid level inside the pot was 2/3, the outer wall temperature of the pot was 35°C, the ambient temperature during testing was 25°C, and the refrigerator was operating stably at the factory default setting.
- 4 When the heat source is too small or the temperature is too low, this function may not start automatically.
- 5 When the user's access actions in this functional space take too long or the door is open for too long, it may also trigger this function.
6. If you activate Holiday Mode while the AI Cooling function is running, the AI Cooling function will turn off.

## My Zone Function

My Zone is adjusted and set according to the functional settings. They are sequentially represented by three functional icons: "Fruits & Vegetables (5°C), Cool Drink (2°C), 0°C Fresh (0°C)". Upon initial power-on, the default state is the "Fruits & Vegetables (5°C)" setting. When unlocked, press the My Zone key on the home page to enter the My Zone setting adjustment page. Click the My Zone setting button to switch My Zone to the corresponding setting. The My Zone setting status is retained after power loss.



### NOTICE

In Holiday Mode, the refrigerated variable temperature compartment is controlled at 17°C, operating according to the on/off setpoints of on at 20°C / off at 16°C.

## Human Detection Function

The human detection function is on by default. Press and hold the "Super Frz." button for 3 seconds to turn the human detection function off or on. After entering this function, when you approach the refrigerator, its display screen lights up, and the blue door light enters a breathing mode of brightening and dimming.

## Holiday function

Press Holiday button in unlocked state:

First press: The holiday function activates (icon lights, beep sounds)

Second press: The holiday function deactivates (icon turns off, beep sounds)

## Eco function

After the display panel lights up, if the refrigerator has not entered the Eco function and the display panel is unlocked, press the "Eco" button once, the smart function icon will appear, the buzzer will sound once, and the Eco function will be activated.

After the display panel lights up, if the refrigerator has entered the Eco function and the display panel is unlocked, press the "Eco" button once, the smart function icon will turn off, the buzzer will sound once, and the Eco function will be deactivated.



## NOTICE

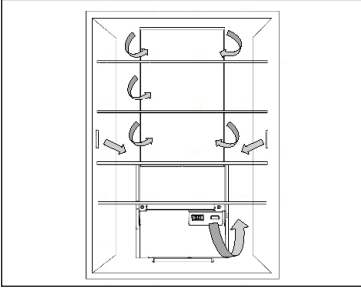
Under Eco Mode, the refrigerator will automatically set and display the temperature of the fresh food compartment at 5°C and the freezer compartment at -18°C.

In this mode, the temperatures of the fridge and freezer compartments cannot be manually adjusted.

The temperature of the My Zone compartment can be set individually and will operate according to the user's setting.

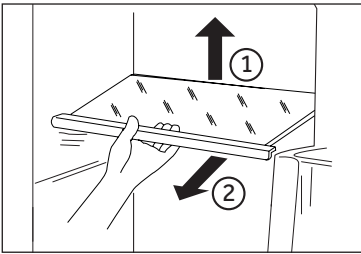
After exiting Eco mode, the fridge and freezer compartments will revert to the temperature settings you had selected before entering Eco Mode.

The My Zone compartment settings will remain unchanged, and other operational statuses will not be affected.



### Multi-air-flow

1. The refrigerator is equipped with a multi-air-flow system, with which cool air flows are located on every shelf level. This helps to maintain a uniform temperature to ensure that your food is kept fresher for longer.



### Adjustable shelves

1. The height of the shelves can be adjusted to fit your storage needs.
2. To relocate a shelf, remove it first by uplifting its hind edge (1) and pulling it out (2).
3. To reinstall it, put it on the lugs on both sides and push it to the most rearward position until the rear of the shelf is fixed inside the slots in the sides.
4. The shelf 'POT STATION' has a maximum load capacity of 200kg and the shelf remains undamaged, when the load exceeds 80kg, it may affect the normal operation of the drawer 'Fresh Zone' (data sourced from internal laboratory).



## NOTICE

Ensure that all ends of a shelf are level.

### My Zone drawer

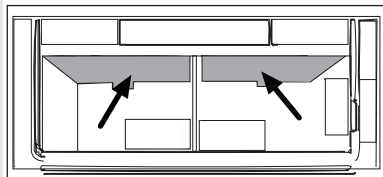
1. In this compartment the humidity level is lower than fridge compartment. This drawer is suitable to store dry fruit and other dry food with low water content like butter, fats and oil or chocolate.

### Humidity box drawer

1. In this compartment the humidity level is higher than fridge compartment. It is controlled automatically by the system and is suitable to store fruits, vegetables, salads etc.

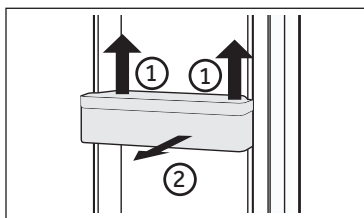
## NOTICE

1. Do not remove the plastic cover inside the two zones.
2. They maintain the humidity.
3. Cold-sensitive fruits like pineapple, avocado, bananas, grapefruits are not recommended to be stored in these two drawers.



## Removable door racks/bottle holder

1. The door racks can be removed for cleaning:
2. Place hands on each side of the rack, lift it upwards ① and pull it out ②.
3. In order to insert the door rack, the above steps are carried out in reverse order.



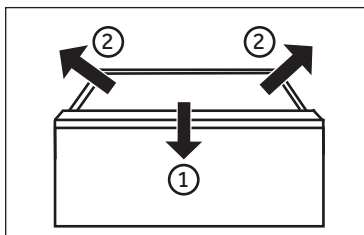
## NOTICE

When the appliance is switched on, it may take up to 12 hours for the correct temperatures to be reached.

## Removable drawer

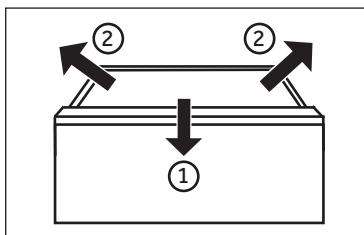
To remove the drawer out, pull out to the maximum extent ①, lift and remove ②.

In order to insert the drawer, the above steps are carried out in reverse order.



**Storing large items** Large items of e.g. frozen food can be stored after:

removing the upper freezing tray, or  
after removing both upper freezing trays as well as the middle freezer drawer and storing the food directly on the shelf.



## The Light

The LED interior light comes on when the door is opened. The performance of the lights is not affected by any of the appliances other settings.

## The Drawer

Please push or pull smoothly along the middle position of the drawer handle to avoid problems such as poor operation or detachment of the drawer.



## Energy saving tips

- ▶ Make sure the appliance is properly ventilated (see INSTALLATION).
- ▶ Do not install the appliance in direct sunlight or in the near of heat sources (e.g. stoves, heaters).
- ▶ Avoid unnecessarily low temperature in the appliance. The energy consumption increases the lower the temperature in the appliance is set.
- ▶ Functions like POWER- FREEZE consume more energy.
- ▶ Allow warm food to cool down before placing it in the appliance.
- ▶ Open the appliance door as little and as briefly as possible.
- ▶ Do not overfill the appliance to avoid obstructing the air flow.
- ▶ Avoid air within the food packaging.
- ▶ Keep door seals clean so that the door always closes correctly.
- ▶ Defreeze frozen food in the fridge storage compartment.
- ▶ The most energy-saving configuration requires the appliance keep drawers, food box and shelves on factory-fresh condition, and food should be places as far as possible without blocking the air outlet of the duct.



## WARNING!

Disconnect the appliance from the power supply before cleaning.

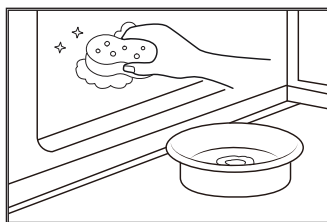
### Cleaning

1. Clean the appliance when only little or no food is stored.
2. The appliance should be cleaned every four weeks for good maintenance and to prevent bad stored food odors.



## WARNING!

- ▶ Do not clean the appliance with hard brushes, wire brushes, detergent powder, petrol, amyl acetate, acetone and similar organic solutions, acid or alkaline solutions. Please clean with special refrigerator detergent to avoid damage.
- ▶ Do not spray or flush the appliance during cleaning.
- ▶ Do not use water spray or steam to clean the appliance.
- ▶ Do not clean the cold glass shelves with hot water. Sudden temperature change may cause the glass to break.
- ▶ Do not touch the inside surface of the freezer storage compartment, especially with wet hands, as your hands may freeze onto the surface.
- ▶ In case of heating check the condition of frozen goods.



- ▶ Always keep the door gasket clean.
- ▶ Clean the inside and housing of the appliance with a sponge dampened in warm water and neutral detergent.
  1. Please scrub the interior and exterior of the refrigerator, including door sealing, door rack, glass shelves, boxes and so on, with a soft towel or sponge dipped in warm water (you may add neutral detergent into the warm water).
- ▶ 2. If there is liquid spilled, remove all the contaminated parts, directly rinse with the flow water, dry and place it back into the fridge.
- ▶ 3. If there is spilled cream (such as the cream, melting ice cream), please remove all the contaminated parts, put into the warm water with about 40 °C for some time, then rinse with the flow water, dry and place it back into the fridge.
- ▶ 4. In case some small part or component gets stuck inside of the fridge (between shelves or drawers), use small soft brush to release it. If you could not reach the part, please contact Haier service
- ▶ Rinse and dry with soft cloth.
- ▶ Do not clean any of the parts of the appliance in a dishwasher.
- ▶ Allow at least 5 minutes before restarting the appliance as frequent starting may damage the compressor.

### Defrosting

The defrosting of the refrigerator and the freezer compartment are done automatically; no manual operation is needed.

## Replacing the LED-lamps



### WARNING!

Do not replace the LED lamp yourself, it must only be replaced by either the manufacturer or the authorised service agent.

The lamps adopts LED as its light source, featuring low energy consumption and long service life. If there is any abnormality, please contact the customer service. See CUSTOMER SERVICE.

Parameters of the lamps:

Refrigerator compartment: 12 V max 8 W

Freezer compartment: 12 V max 2 W

Bule door light: 12V max 3W

### Non-use for a longer period

If the appliance is not used for an extended period of time, and you will not use the Holiday-function for the refrigerator:

Take out the food.

Unplug the power cord.

Clean the appliance as described above.

Keep the doors open to prevent the creation of bad odours inside.



### NOTICE

Turn the appliance off only if strictly necessary.

## Moving the appliance

1. Remove all food and unplug the appliance.
2. Secure shelves and other moveable parts in the fridge and the freezer with adhesive tape.
3. Do not tilt the refrigerator more than 45° to avoid damaging the refrigerating system.



### WARNING!

- ▶ Do not lift the appliance by its handles.
- ▶ Never place the appliance horizontally on the ground.

Many occurring problems could be solved by yourself without specific expertise. In case of a problem please check all shown possibilities and follow below instructions before you contact an after sales service. See CUSTOMER SERVICE.



## WARNING!

- ▶ Before maintenance, deactivate the appliance and disconnect the mains plug from the mains socket.
- ▶ Electrical equipment should be serviced only by qualified electrical experts, because improper repairs can cause considerable consequential damages.
- ▶ A damaged supply should only be replaced by the manufacturer, its service agent or similarly qualified persons in order to avoid a hazard.

Problem	Possible Cause	Possible Solution
The compressor does not work.	<ul style="list-style-type: none"> <li>• Mains plug is not connected in the mains socket.</li> <li>• The appliance is in the defrosting cycle</li> </ul>	<ul style="list-style-type: none"> <li>• Connect the mains plug.</li> <li>• This is normal for an automatic defrosting</li> </ul>
The appliance runs frequently or runs for a too long period of time.	<ul style="list-style-type: none"> <li>• The indoor or outdoor temperature is too high.</li> <li>• The appliance has been off power for a period of time.</li> <li>• A door of the appliance is not tightly closed.</li> <li>• The door has been opened too frequently or for too long.</li> <li>• The temperature setting for the freezer compartment is too low.</li> <li>• The door gasket is dirty, worn, cracked or mismatched.</li> <li>• The required air circulation is not guaranteed.</li> </ul>	<ul style="list-style-type: none"> <li>• In this case, it is normal for the appliance to run longer.</li> <li>• Normally, it takes 8 to 12 hours for the appliance to cool down completely.</li> <li>• Close the door/drawer and ensure the appliance is located on a level ground and there is no food or container jarring the door.</li> <li>• Do not open the door/drawer too frequently.</li> <li>• Set the temperature higher until a satisfactory refrigerator temperature is obtained. It takes 24 hours for the refrigerator temperature to become stable.</li> <li>• Clean the door/drawer gasket or replace them by the customer service.</li> <li>• Ensure adequate ventilation.</li> </ul>
The inside of the refrigerator is dirty and/or smells.	<ul style="list-style-type: none"> <li>• The inside of the refrigerator needs cleaning.</li> <li>• Food of strong odour is stored in the refrigerator.</li> </ul>	<ul style="list-style-type: none"> <li>• Clean the inside of the refrigerator.</li> <li>• Wrap the food thoroughly..</li> </ul>

Problem	Possible Cause	Possible Solution
It is not cold enough inside the appliance.	<ul style="list-style-type: none"> <li>• The temperature is set too high.</li> <li>• Too warm goods has been stored.</li> <li>• Too much food has been stored at one time.</li> <li>• The goods are too close to each other.</li> <li>• A door/drawer of the appliance is not tightly closed.</li> <li>• The door/drawer has been opened too frequently or for too long.</li> </ul>	<ul style="list-style-type: none"> <li>• Reset the temperature.</li> <li>• Always cool down goods before storing them.</li> <li>• Always store small quantities of food.</li> <li>• Leave a gap between several foods allowing air flowing.</li> <li>• Close the door/drawer.</li> <li>• Do not open the door/drawer too frequently.</li> </ul>
It is too cold inside the appliance.	<ul style="list-style-type: none"> <li>• The temperature is set too low.</li> <li>• The Super-Frz/Super-Coolfunction is activated or is running too long.</li> </ul>	<ul style="list-style-type: none"> <li>• Reset the temperature.</li> <li>• Switch off the Super-Frz/Super-Cool function</li> </ul>
Moisture formation on the inside of the refrigerator compartment.	<ul style="list-style-type: none"> <li>• The climate is too warm and toodamp.</li> <li>• A door/drawer of the appliance is not tightly closed.</li> <li>• The door/drawer has been opened too frequently or for too long.</li> <li>• Food containers or liquids are left open.</li> </ul>	<ul style="list-style-type: none"> <li>• Increase the temperature.</li> <li>• Close the door/drawer.</li> <li>• Do not open the door/drawer too frequently.</li> <li>• Let hot foods cool to room temperature and cover foods and liquids.</li> </ul>
Moisture accumulates on the refrigerators outside surface or between the doors/door and drawer.	<ul style="list-style-type: none"> <li>• The climate is too warm and too damp.</li> <li>• The door is not closed tightly. The cold air in the appliance and the warm air outside it condensates.</li> </ul>	<ul style="list-style-type: none"> <li>• This is normal in damp climate and will change when the humidity decreases.</li> <li>• Ensure that he door/drawer is tightly shut.</li> </ul>

Problem	Possible Cause	Possible Solution
Strong ice and frost in the freezer compartment.	<ul style="list-style-type: none"> <li>• The goods were not adequately packaged .</li> <li>• A door/drawer of the appliance is not tightly closed.</li> <li>• The door/drawer has been opened too frequently or for too long.</li> <li>• The door/drawer gasket is dirty, worn, cracked or mismatched.</li> <li>• Something on the inside prevents the door/drawer to close properly.</li> </ul>	<ul style="list-style-type: none"> <li>• Always pack the goods well.</li> <li>• Close the door/drawer.</li> <li>• Do not open the door/drawer too frequently.</li> <li>• Clean the door/drawer gasket or replace them by new ones.</li> <li>• Reposition the shelves, door racks, or internal containers to allow the door/drawer to close.</li> </ul>
The sides of the cabinet and door strip get warm.		<ul style="list-style-type: none"> <li>• This is normal.</li> </ul>
The appliance makes abnormal sounds.	<ul style="list-style-type: none"> <li>• The appliance is not located on level ground.</li> <li>• The appliance touches some object around it.</li> </ul>	<ul style="list-style-type: none"> <li>• Adjust the feet to level the appliance.</li> <li>• Remove objects around the appliance.</li> </ul>
A slight sound is to be heard similar to that of flowing water.		<ul style="list-style-type: none"> <li>• This is normal.</li> </ul>
You will hear an alarm beep.	<ul style="list-style-type: none"> <li>• The fridge storage compartment door is open.</li> </ul>	<ul style="list-style-type: none"> <li>• Close the door.</li> </ul>
You will hear a faint hum.	<ul style="list-style-type: none"> <li>• The anti-condensation system is working</li> </ul>	<ul style="list-style-type: none"> <li>• This prevents condensation and is normal</li> </ul>
The interior lighting or cooling system does not work.	<ul style="list-style-type: none"> <li>• Mains plug is not connected in the mains socket.</li> <li>• The power supply is not intact.</li> <li>• The LED-lamp is out of order.</li> </ul>	<ul style="list-style-type: none"> <li>• Connect the mains plug.</li> <li>• Check the electrical supply to the room. Call the local electricity company!</li> <li>• Please call the service for changing the lamp.</li> </ul>

To contact the technical assistance, visit our website: <https://corporate.haier-europe.com/en/>

Under the section "website", choose the brand of your product and your country. You will be redirected to the specific website where you can find the telephone number and form to contact the technical assistance.

## Power interruption

In the event of a power cut, food should remain safely cold for about 5 hours. Follow these tips during a prolonged power interruption, especially in summer:

- ▶ Open the door/drawer as few times as possible.
- ▶ Do not put additional food into the appliance during a power interruption.
- ▶ If prior notice of a power interruption is given and the interruption duration is longer than 5 hours, make some ice and put it in a container in the top of the refrigerator compartment.
- ▶ An inspection of the goods is required immediately after the interruption.
- ▶ As temperature in the refrigerator will rise during a power interruption or other failure, the storage period and edible quality of food will be reduced. Any food that defrosts should be either consumed, or cooked and refrozen (where suitable) soon afterwards in order to prevent health risks.

## Memory function during power interruption

After restoration of power the appliance continues with the settings that were set before the power failure.

## Unpacking



### WARNING!

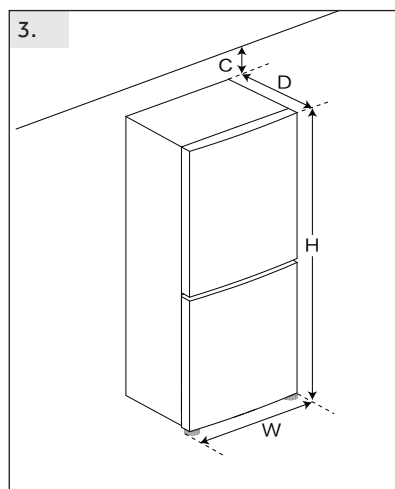
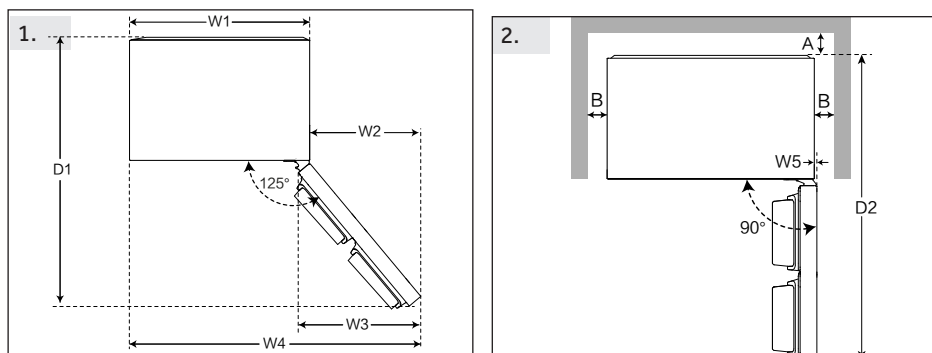
- ▶ The appliance is heavy. Always handle with at least two persons.
- ▶ Keep all packaging materials out of children's reach and dispose them in an environmentally friendly manner.
- ▶ Take the appliance out of the packaging.
- ▶ Remove all packaging materials.

## Environmental conditions

The room temperature should always be between 10° C and 43° C, since it can influence the temperature inside the appliance and its energy consumption. Do not install the appliance near other heat-emitting appliances (ovens, refrigerators) without isolation.

## Space recommendation

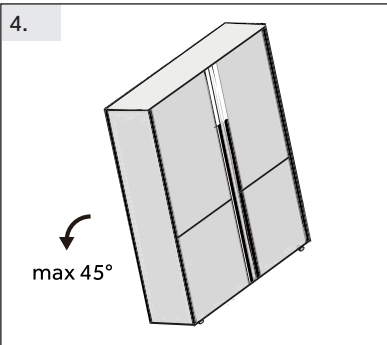
Recommended space when door is opened (Fig. 1.2.)



(Unit : mm)	Model#1	Model#2
Width	W1	830
	W2	500
	W3	529
	W4	1330
	W5	21
	W	830
Depth	D1	1362
	D2	1502
	D	725
Distance to back wall	A	50
Distance to lateral walls	B	50
Distance to ceiling	C	50
Overall Height	H	1850

## Ventilaton cross-section

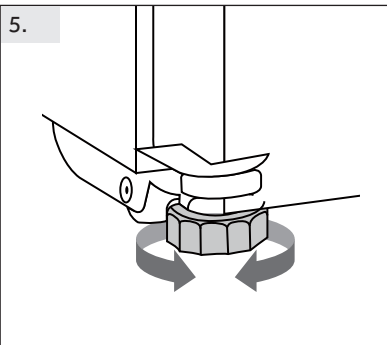
To achieve sufficient ventilation of the appliance for safety reasons, the information of the required ventilation cross sections must be observed.



### Aligning the appliance (Fig.4.5.6.)

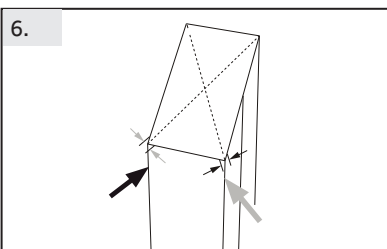
The appliance should be placed on a flat and solid surface.

4. Tilt the refrigerator slightly backwards.



5. Set the feet to the desired level.

Make sure the distance to the wall on the hinge side is at least 50 mm for the door to open properly.

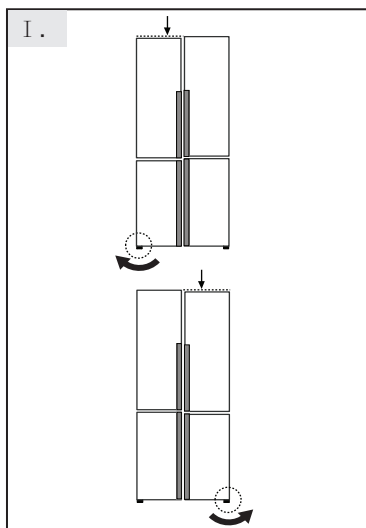


6. The stability can be checked by alternately bumping on the diagonals. The slightly swaying should be the same in both directions. Otherwise the frame can warp; possible leaking door seals are the result. A low tendency to the rear facilitates the closing of the doors.



## NOTICE

For a free standing appliance: this refrigerating appliance is not intended to be used as a built-in appliance

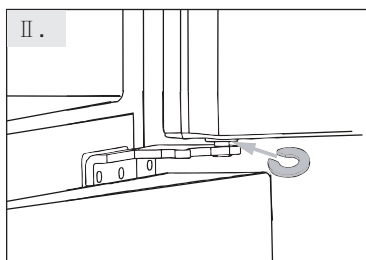


### Fine tuning of the doors

If the doors are not in one level, this mismatch can be remedied by following:

#### I Using adjustable foot

Rotate the adjustable foot according to the direction of arrow to turn up or down the foot.



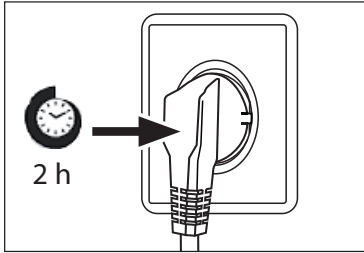
#### II Using spacers

- ▶ Open the upper door and lift it.
- ▶ Carefully clip the spacer (enclosed in the accessory bag) in the white plastic ring of the middle hinge by hand or using tools like pliers. Do not scratch or bruise the door.



## NOTICE

In the future use of refrigerator, doors uneven phenomenon may occur to the weight of stored food. Then please adjust according to the above methods.



### Waiting time

To the maintenance-free lubrication oil is located in the capsule of the compressor. This oil can get through the closed pipe system during slanting transport. Before connecting the appliance to the power supply you have to wait at least 2 hours so that the oil runs back into the capsule.

### Electrical connection

Before each connection check if:

- ▶ power supply, socket and fusing are appropriate to the rating plate.
- ▶ the power socket is earthed and no multi-plug or extension.
- ▶ the power plug and socket are strictly according.

Connect the plug to a properly installed household socket.



### WARNING!

To avoid risks a damaged power cord must be replaced by the customer service (see warranty card).

Product fiche according to regulation EU No. 2019/2016

Brand	Haier
Model name / identifier	HDR5818DNSS HDR5818DNPW HDR5818DNMB
Category of the model	Refrigerator-freezer
Energy efficiency class	D
Annual energy consumption(kWh/year)(1)	273
Total volume(L)	640
Volume refrigerator(L)	413
Volume freezer(L)	184
Volume chiller section(L)	43
Star rating	*/***
Temperature of other compartments>14°C	Non applicable
Frost-free system	Yes
Freezing capacity(kg/24h)	10
Climate rating(2)	SN-N-ST-T
Noise emission class and airborne acoustical noise emissions(db(A) re 1pW)	B(35)
Temperature rise time (h)	10
Type of appliance	freestanding

Explanations:

- Yes, featured

- (1) Based on the results of the standards conformance test over 24 hours. The actual consumption depends on the use and the location of the appliance.
- (2) Climate rating SN: This appliance is intended for use in an ambient temperature of between + 10°C and +32°C

Climate rating N: This appliance is intended for use in an ambient temperature of between + 16°C and +32°C

Climate rating ST: This appliance is intended for use in an ambient temperature of between + 16°C and +38°C

Climate rating T: This appliance is intended for use in an ambient temperature of between + 16°C and +43°C

Additional technical data

Voltage / Frequency	220-240V ~/ 50Hz
Input current (A)	2
Main fuse (A)	8
Coolant	R600a
Dimensions (H/W/D in mm)	1850 / 830/725

We recommend our Haier Customer Service and the use of original spare parts. If you have a problem with your appliance, please first check section TROUBLE-SHOOTING.

If you cannot find a solution there, please contact

- ▶ your local dealer or
- ▶ our European Call Service-Center (see listed phone numbers below) or
- ▶ the Service & Support area at [www.haier.com](http://www.haier.com) where you can activate the service claim and also find FAQs.

To contact our Service, ensure that you have the following data available. The information can be found on the rating plate.

Model \_\_\_\_\_

Serial No. \_\_\_\_\_

Also check the Warranty Card supplied with the product in case of warranty.

European Call Service-Center		
Country*	Phone number	Costs
Haier Italy (IT)	199 100 912	
Haier Spain (ES)	902 509 123	
Haier Germany (DE)	0180 5 39 39 99	<ul style="list-style-type: none"> <li>• 14 Ct/Min Landline</li> <li>• max 42 Ct/Min Mobile</li> </ul>
Haier Austria (AT)	0820 001 205	<ul style="list-style-type: none"> <li>• 14,53 Ct/Min Landline</li> <li>• max 20 Ct/Min all others</li> </ul>
Haier United Kingdom (UK)	0333 003 8122	
Haier France (FR)	0980 406 409	

\* For other countries please refer to [www.haier.com](http://www.haier.com)

Haier Europe Trading S.r.l

Branch UK

Westgate House, Westgate, Ealing

London, W5 1YY

\*Duration of the guarantee of the refrigerating appliance:

Minimum guarantee is: 2 years for EU Countries, 3 years for Turkey, 1 year for UK, 1 year for Russia, 3 years for Sweden, 2 years for Serbia, 5 years for Norway, 1 year for Morocco, 6 months for Algeria, Tunisia no legal warranty required.

\*The period of spare parts for the repair of the appliance:

Thermostats, temperature sensors, printed circuit boards and light sources are available for a minimum period of seven years after placing the last unit of the model on the market.

Door handles, door hinges, trays and baskets for a minimum period of seven years and door gaskets for a minimum period of 10 year, after placing the last unit of the model on the market.

\*For further information about the product, please consult <https://eprel.ec.europa.eu/> or scan the QR on the energy label supplied with the appliance.

CERTIFICATE OF QUALITY

DESIGNATION: REFRIGERATOR

Q.C.PASSED

CHECKER No.

QC01

**Haier**



0060543301  
2025 Version A

# Haier

Ръководство  
за потребителя

Хладилник с фризер

HDR5818DNSS  
HDR5818DNPW  
HDR5818DNMB



<u>4</u>	<u>Информация</u>	
	<u>за безопасност</u>	
		●
		Преди първоначална употреба 5
		Монтиране 5
		Ежедневна употреба 6
<u>8</u>	<u>Предвидена употреба</u>	●
<u>9</u>	<u>Описание на продукта</u>	●
<u>10</u>	<u>Панел за управление</u>	●
<u>11</u>	<u>Употреба</u>	●
		Регулиране на температурата на хладилника 12
		Регулиране на температурата на фризера 12
		Функция „Super Cool“ 13
		Функция „Super Freeze“ 13
		Функция за AI Cooling 14
<u>17</u>	<u>Оборудване</u>	●
<u>19</u>	<u>Съвети за пестене</u>	●
	<u>на енергия</u>	
<u>20</u>	<u>Грижа и почистване</u>	●
<u>22</u>	<u>Отстраняване</u>	●
	<u>на неизправности</u>	
<u>26</u>	<u>Монтиране</u>	●
<u>30</u>	<u>Технически данни</u>	●
<u>32</u>	<u>Обслужване на клиенти</u>	●

## Благодарим ви, че закупихте продукт на Haier.

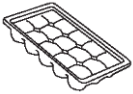
Моля, прочетете внимателно тези инструкции, преди да използвате този уред. Инструкциите съдържат важна информация, която ще ви помогне да използвате уреда по възможно най-пълноценен начин и да се уверите, че той ще бъде монтиран, използван, и поддържан правилно и безопасно.

Съхранявайте това ръководство на удобно място, за да можете по всяко време да направите справка относно безопасното и правилно използване на уреда.

Ако продадете, подарите или оставите уреда в старото си жилище, когато се преместите, моля, предайте и това ръководство на новия собственик, за да може той да се запознае с уреда и с предупрежденията за безопасност.

## Принадлежности

Проверете дали принадлежностите и книжните материали са в съответствие с този списък:



Форма за лед



Поставка за яйца × 2



Енергиен етикет



Гаранционна карта



Ръководство за потребителя



Стопер × 2



Средна панта



Горна панта



Горна панта, огънатата скоба



Долна панта



Горен капак за вграждане



Капачка за винт на средната предна лента



Монтажно приспособление



**ПРЕДУПРЕЖДЕНИЕ – Важна информация за безопасност**



**ЗАБЕЛЕЖКА – Обща информация и съвети**



**Информация за околната среда**



### Обезвреждане

Помогнете за опазването на околната среда и човешкото здраве. Поставете опаковъчните материали в подходящите контейнери, за да бъдат рециклирани. Помогнете за рециклирането на отпадъци от електрически и електронни уреди. Уреди, обозначени с този символ, не бива да бъдат изхвърляни заедно с битовите отпадъци. Върнете продукта в местното съоръжение за рециклиране или се свържете с общинската служба.



### ПРЕДУПРЕЖДЕНИЕ: Опасност от пожар/запалим материал

Символът показва, че съществува опасност от пожар, тъй като се използват запалими материали. Внимавайте да не предизвикате пожар чрез подпалване на запалим материал.



### ПРЕДУПРЕЖДЕНИЕ!

Опасност от нараняване или задушаване!

Хладилните агенти и газовете трябва да се обезвреждат по професионален начин. Уверете, че тръбите на охладителната верига не са повредени, преди да ги изхвърлите по подходящ начин. Изключете уреда от захранването. Отрежете захранващия кабел и го изхвърлете. Отстранете тавите и чекмеджетата, както и уплътненията на вратата и механизма за затваряне ѝ, за да предотвратите затварянето на деца и домашни любимци в уреда.

**Преди да включите уреда за първи път, прочетете следните съвети за безопасност!**



## **ПРЕДУПРЕЖДЕНИЕ!**

### **Преди първоначална употреба**

- ▶ Уверете се, че няма транспортни повреди.
- ▶ Отстранете всички опаковъчни материали и ги оставете на място, недостъпно за деца.
- ▶ Изчакайте поне два часа, преди да монтирате уреда, за да сте сигурни, че охладителната верига е напълно ефективна.
- ▶ За преместването на уреда са нужни поне двама души, защото е тежък.

### **Монтаж**

- ▶ Уредът трябва да бъде поставен на място с добра вентилация. Осигурете пространство от най-малко 10 см над уреда и около уреда.
- ▶ Никога не поставяйте уреда на влажно място или на място, където има опасност да бъде напръскан с вода. Петна и пръски вода трябва да се почистват и подсушават с чиста мека кърпа.
- ▶ Не поставяйте уреда на пряка слънчева светлина или в близост до източници на топлина (напр. печки, нагреватели).
- ▶ Монтирайте и подравнете уреда на място, подходящо за неговия размер и употреба.
- ▶ Не запречвайте вентилационните отвори на уреда или на вградената конструкция.
- ▶ Уверете се, че електрическата информация на табелката с данни съответства на захранването. Ако не съответства, обърнете се към електротехник.
- ▶ Уредът работи при захранване 220 – 240 VAC/50 Hz. Необичайни колебания в електрическото напрежение могат да доведат до неуспешно стартиране на уреда, да повредят системата за управление на температурата или компресора или да причинят необичаен шум при работа. В такъв случай трябва да се монтира автоматичен регулатор.
- ▶ Не използвайте разклонители и удължители.
- ▶ Не разполагайте преносими разклонители или преносими източници на захранване в задната част на уреда.
- ▶ Уверете се, че захранващият кабел не е заклещен под хладилника. Не стъпвайте върху захранващия кабел.
- ▶ Използвайте отделен заземен контакт за захранването, който е леснодостъпен. Уредът трябва да бъде заземен.
- ▶ Само за Обединеното кралство: Захранващият кабел на уреда е снабден с троен (заземяващ) щепсел, който отговаря на стандартен троен (заземен) контакт. В никакъв случай не режете и не демонтирайте третия (заземяващ) щифт. След монтирането на уреда до щепсела трябва да има достъп.
- ▶ Не причинявайте повреди на охладителната верига.



## ПРЕДУПРЕЖДЕНИЕ!

### Ежедневна употреба

- ▶ Този уред може да се използва от деца над 8-годишна възраст и от лица с намалени физически, сетивни или умствени способности или липса на опит и познания, ако се наблюдават или са инструктирани за използването на уреда по безопасен начин и разбират свързаните с това опасности.
- ▶ Деца на възраст от 3 до 8 години могат да товарят и разтоварват, но не могат да почистват или монтират хладилни уреди.
- ▶ Деца под 3-годишна възраст трябва да се пазят далеч от уреда, с изключение на случаите, когато са под постоянен надзор.
- ▶ Децата не бива да използват уреда за игра.
- ▶ Ако в близост до уреда изтича охладителен газ или друг запалим газ, изключете вентила на изтичащия газ, отворете вратите и прозорците и не включвайте и не изключвайте захранващите кабели на хладилника или на друг уред.
- ▶ Обърнете внимание, че уредът е настроен за работа в определен диапазон на температурата на околната среда между 10 и 43°C. Уредът може да не работи правилно, ако е оставен за дълъг период при температура над или под посочения диапазон.
- ▶ Не поставяйте нестабилни предмети (тежки предмети, съдове, пълни с вода) върху хладилника, за да избегнете нараняване, причинено от падане или токов удар при контакт с вода.
- ▶ Не дърпайте рафтовете на вратата. Вратата може да бъде издърпана под наклон, поставката за бутилка може да бъде изтеглена или уредът може да се събори.
- ▶ Отваряйте и затваряйте вратите само посредством дръжките. Пролуката между вратите и между вратите и шкафа е много тясна. Не поставяйте ръцете си в тези зони, за да избегнете прищипване на пръстите. Отваряйте или затваряйте вратите на хладилника само когато в обсега на движението на вратата няма деца.
- ▶ Не съхранявайте и не използвайте запалими, експлозивни или корозивни материали в уреда или в близост до него.
- ▶ Не съхранявайте лекарства, бактерии или химически агенти в уреда. Това е домакински уред. Не се препоръчва да съхранявате материали, които изискват строги температури.
- ▶ Никога във фризера не съхранявайте течности в бутилки или консерви (освен високоалкохолни спиртни напитки), особено газирани напитки, тъй като те ще се спукат по време на замразяването.
- ▶ Проверете състоянието на храната, ако във фризера е настъпило затопляне.
- ▶ Не задавайте излишно ниска температура в хладилното отделение. При високи настройки могат да възникнат минусови температури. Внимание: Бутилките могат да се пръснат
- ▶ Не докосвайте замразени продукти с мокри ръце (носете ръкавици). В никакъв случай не яжте ледени близалки веднага след изваждането им от фризерното отделение. Съществува риск от измръзване или образуване на мехури. ПЪРВА помощ: незабавно поставете под течаща студена вода. Не дърпайте!
- ▶ Не докосвайте вътрешната повърхност на фризерното отделение за съхранение, докато уредът работи, особено с мокри ръце, тъй като ръцете Ви може да замръзнат върху повърхността.



## ПРЕДУПРЕЖДЕНИЕ!

### Ежедневна употреба

- ▶ Изключете уреда от електрическата мрежа в случай на прекъсване на захранването или преди почистване. Изчакайте поне 7 минути, преди да включите отново уреда, тъй като честото стартиране може да повреди компресора.
- ▶ Не използвайте електрически уреди в отделенията за съхранение на храна на уреда, освен ако не са от вид, препоръчан от производителя. Поддръжка/почистване
- ▶ Ако почистване и поддръжка се извършва от деца, уверете се, че те са под надзор.
- ▶ Изключете уреда от електрическото захранване, преди да предприемете каквато и да е рутинна поддръжка. Изчакайте поне 5 минути, преди да включите отново уреда, тъй като честото стартиране може да повреди компресора.
- ▶ При изключване на уреда хващайте щепсела, а не кабела.
- ▶ Не почиствайте уреда с твърди четки, телени четки, прахообразни препарати, бензин, амилацетат, ацетон или подобни органични разтвори, киселинни или алкални разтвори. Моля, почиствайте със специален препарат за хладилник, за да избегнете повреди.
- ▶ Не стържете скреж и лед с остри предмети. Не използвайте спрейове, електрически нагреватели като сешоари, парочистачки или други източници на топлина, за да се избегне повреда на пластмасовите части.
- ▶ Не използвайте механични устройства или други средства за ускоряване процеса на размразяване, различни от препоръчаните от производителя.
- ▶ Ако захранващият кабел се повреди, той трябва да бъде заменен от производителя, негов обслужващ представител или лице с подобна квалификация, за да се избегне потенциална опасност.
- ▶ Не се опитвайте сами да ремонтирате, разглобявате или модифицирате уреда. При необходимост от ремонт се свържете с нашия отдел за обслужване на клиенти.
- ▶ Отстранявайте прахта по гърба на уреда поне веднъж годишно, за да се избегне пожар, както и повишен разход на енергия.
- ▶ Не пръскайте и не плискайте уреда по време на почистване.
- ▶ Не използвайте водна струя или пара за почистване на уреда.
- ▶ Не почиствайте студените стъклени рафтове с гореща вода. Рязката промяна в температурата може да причини напукване на стъклото.

### Информация за хладилния газ

- ▶ Уредът съдържа запалимия хладилен агент ИЗОБУТАН (R600a). Уверете се, че охладителната верига не е била повредена по време на транспортирането или монтажа. Течът на хладилен агент може да причини нараняване на очите или възпламеняване. При възникване на повреда се пазете от открити източниците на огън, проветрете добре помещението, не включвайте и не изключвайте захранващите кабели на уреда или на друг уред. Информирайте центъра за обслужване на клиенти.
- ▶ В случай че в очите Ви попадне хладилен агент, изплакнете веднага с течаща вода и незабавно се свържете с офталмолог.

## Предвидена употреба

Този уред е предназначен за охлаждане и замразяване на храни. Този уред е предназначен единствено за употреба в домакинството и в други подобни пространства, като кухненски помещения за персонал в магазини, офиси и други работни пространства, земеделски стопанства и за клиенти в хотели, мотели и други помещения за настаняване, като полупансионни и фирми за кетъринг. Не е предназначен за търговска или промишлена употреба.

Не е разрешено извършването на промени или модификации на устройството. Използването не по предназначение може да доведе до опасности и до загуба на гаранционно покритие.

## Стандарти и директиви

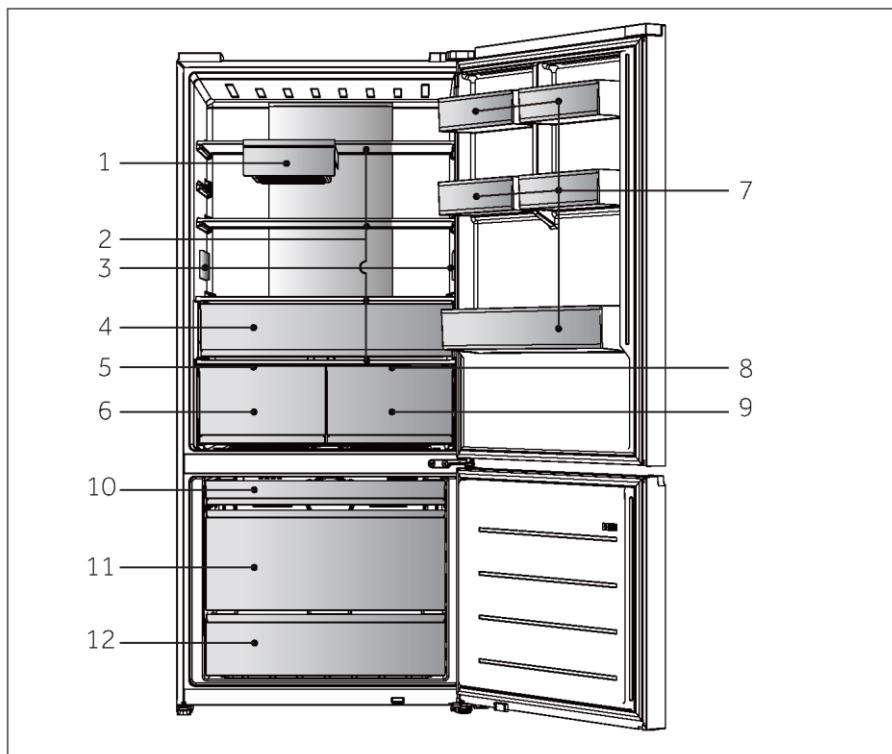


Този продукт отговаря на изискванията на всички приложими директиви на ЕО със съответстващите хармонизирани стандарти, които предвиждат маркировка „CE“.



## ЗАБЕЛЕЖКА

Поради технически промени и наличие на различни модели, някои от илюстрациите в това ръководство може да се различават от вашия модел.



A: Хладилно отделение

B: Отделение на фризера

1 Кутия за обяд

10 Плъзгащ се рафт

2 Стъклени рафтове

11 Зона за замразяване

3 AI Cooling

12 Зона за замразяване

4 Fresh zone

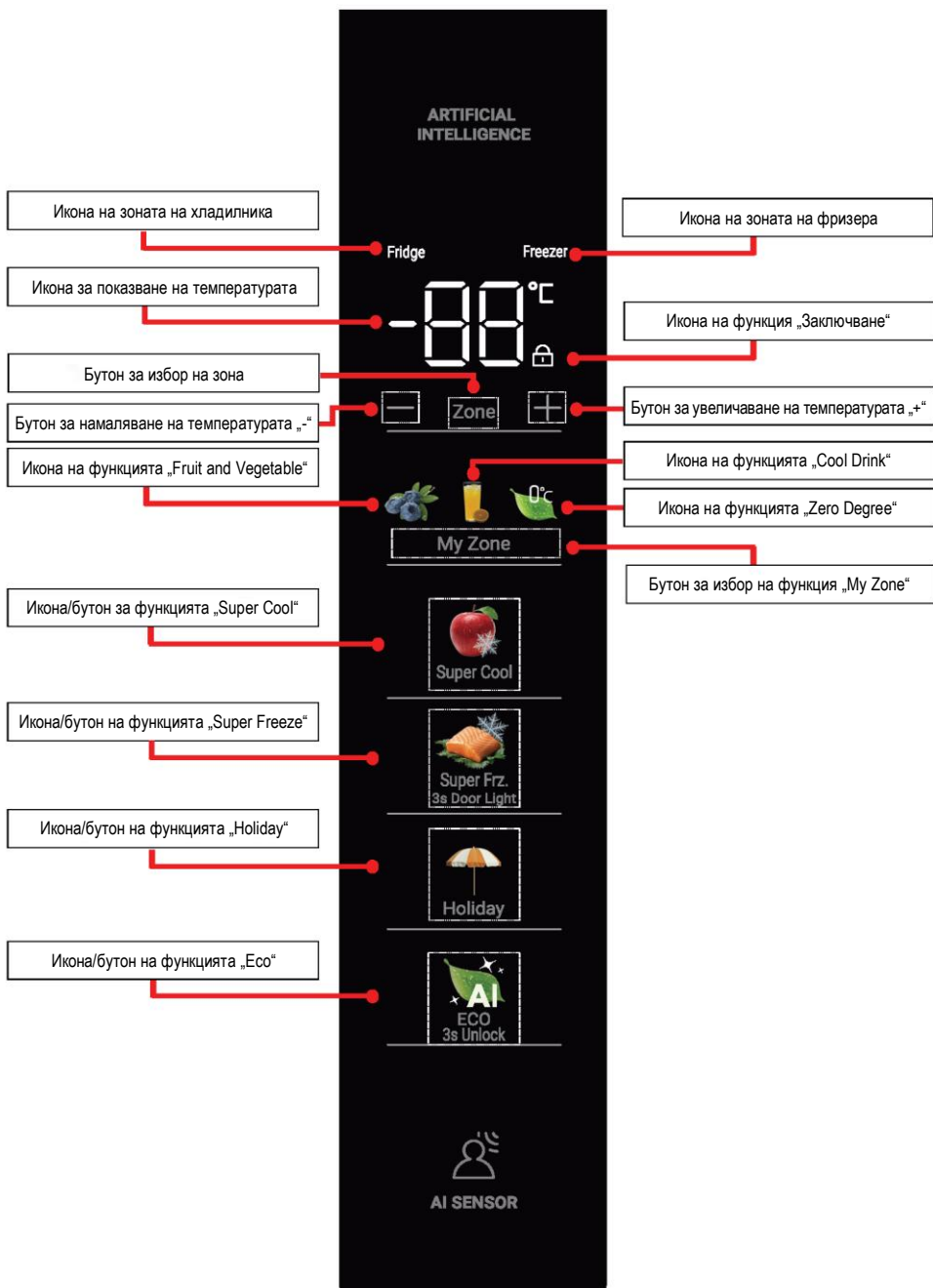
5 Капак на „Humidity Zone“

6 Humidity Zone

7 Поставка за бутилки

8 Капак на My Zone

9 My Zone



## Преди първоначална употреба

- ▶ Отстранете всички опаковъчни материали, дръжте ги далеч от деца, и ги изхвърлете по природосъобразен начин.
- ▶ Почистете вътрешните и външните повърхности на уреда с вода и мек почистващ препарат, преди да поставите храна в него.
- ▶ След като уредът е бил подравнен и почистен, изчакайте поне 2 – 5 часа, преди да го свържете към захранването. Вижте раздел „МОНТАЖ“.
- ▶ Преди да заредите с храна, предварително охладете отделенията при високи настройки. Функцията „Power-Freeze“ помага за бързото охлаждане на отделенията.
- ▶ Температурата на хладилника и на фризера се задава автоматично съответно на 5°C и на -18°C. Това са препоръчителните настройки. По желание може да промените тези температури ръчно. Моля вижте раздел „РЕГУЛИРАНЕ НА ТЕМПЕРАТУРАТА“.

## Сензорни бутони

Бутоните на панела за управление са сензорни и реагират при леко докосване с пръст.

### Включване/Изключване на уреда

Уредът започва да работи, веднага щом бъде свързан към захранването.

Когато хладилникът бъде включен за първи път, индикаторът „Дисплей за температурата“ светва. Температурата на хладилника и на фризера се задава автоматично съответно на 5°C и на -18°C.

Възможно е функцията „Заклучване на панела“ да е включена.



## ЗАБЕЛЕЖКА

Когато уредът бъде включен след прекъсване на захранването, може да са необходими до 12 часа, за да бъдат достигнати правилните температури.

Изпразнете уреда, преди да го изключите. За да изключите уреда, извадете захранващия кабел от контакта.

### Заклучване/Отключване на панела

Автоматично заключване: След като вратата на хладилника и вратата на фризера са били затворени и бутоните не са били използвани в продължение на 30 секунди, екранът на дисплея автоматично се изключва и заключва.

Ръчно заключване: Когато екранът на дисплея е отключен, натиснете бутона за Есо функцията и задръжте за 3 секунди. Ще прозвучи сигнал, иконата на функцията „Заклучване“ ще светне и дисплеят ще бъде заключен.

## Регулиране на температурата

Температурите в уреда се влияят от следните фактори:

Температура на околната среда

Честота на отваряне на вратата

Количество на съхраняваните храни

Монтиране на уреда

## Регулиране на температурата на хладилника

Когато екранът е отключен, натиснете бутона за избор на зона, за да изберете зоната на хладилника (иконата на хладилника светва). Всяко натискане на бутона променя нивото на температурата с 1°C. Настройките се потвърждават след 5 секунди неактивност (екранът се изключва) или веднага, ако бъдат натиснати други бутони.

Последователност на регулиране:

„+“: 1°C ➔ 2°C ➔ 3°C ➔ 4°C ➔ 5°C ➔ 6°C ➔ 7°C ➔ 8°C ➔ 9°C

„-“: 9°C ➔ 8°C ➔ 7°C ➔ 6°C ➔ 5°C ➔ 4°C ➔ 3°C ➔ 2°C ➔ 1°C



### ЗАБЕЛЕЖКА

Температурата на охлаждане не може да се регулира в режим „Super Cool“ или „Заклучване“.

## Регулиране на температурата на фризера

Когато дисплеят е отключен по време на работа, натиснете бутона за избор на зона, за да изберете зоната на фризера (иконата на фризера светва). Всяко натискане на бутоните „+“/„-“ променя нивото на температурата с 1°C (примигва с 1Hz).

Настройките се запазват автоматично след 5 секунди неактивност. Натискането на други бутони незабавно потвърждава настройката и превключва функциите.

Последователност на регулиране:

„+“: -24°C ➔ -23°C ➔ -22°C ➔ -21°C ➔ -20°C ➔ -19°C ➔ -18°C ➔ -17°C ➔ -16°C

„-“: -16°C ➔ -17°C ➔ -18°C ➔ -19°C ➔ -20°C ➔ -21°C ➔ -22°C ➔ -23°C ➔ -24°C



### ЗАБЕЛЕЖКА

Температурата на замразяване не може да се регулира в режим „Super Freeze“ или „Заклучване“.



## ЗАБЕЛЕЖКА

Ако не се извърши никаква манипулация в рамките на 5 секунди след задаване на температурата, системата автоматично ще запази зададената температура.

### Функция „Super-Cool“

Влизане в режим „Super Cool“:

В отключено състояние на екрана натиснете бутона [Super Cool], иконата [Super Cool] ще светне и хладилникът ще влезе в режим на Super Cool.

Излизане от режим „Super Cool“:

1. В отключено състояние на екрана и режим на Super Cool, натиснете бутона [Super Cool], иконата [SuperCool] се изключва и уредът излиза от режима на Super Cool ръчно.
2. Когато хладилникът достигне зададеното време, той автоматично ще изключи функцията за Super Cool. Четири часа след влизането му в режим на Super Cool, режимът ще се изключи автоматично.

### Функция „Super-Frz“

Влизане в режим „Super Freeze“:

В отключено състояние на екрана натиснете бутона [Super Frz.], иконата [Super Frz.] ще светне и хладилникът ще влезе в режим на Super Freeze.

Излизане от режим „Super Freeze“:

1. В отключено състояние и състояние на Super Freeze, щракнете върху бутона [Super Frz.], иконата [Super Frz.] се изключва и ръчно се излиза от състоянието на Super Freeze.
2. Когато хладилникът достигне зададеното време, той автоматично ще излезе от функцията за Super Freeze. Петдесет часа след влизането му в режим на Super Frz, режимът ще се изключи автоматично.

Функцията „Super-Freeze“ е предназначен за замразяване на храни във възможно най-кратък период от време, с цел да се запази хранителната им стойност. Ако ще замразявате големи количества храна наведнъж, се препоръчва да настроите функцията „Super-Freeze“. Функцията „Super-Freeze“ трябва да се настрои 24 часа предварително, за да се поддържа относително ниска температура във фризера когато се поставят продуктите. По този начин се съкращава времето, необходимо за замразяване във фризера, храната може да бъде замразена бързо, нейната хранителна стойност се запазва и съхранението ѝ става много удобно.

## Функция за AI Cooling

Когато е необходимо бързо да охладите сготвена храна, можете да поставите храната върху стъкления рафт, съответстващ на тази функция, за бързо охлаждане. Когато хладилникът засече източник на топлина върху стъкления рафт, съответстващ на тази функция, сините светлини от двете страни започват да мигат. Ако топлината се отчита в продължение на повече от 5 секунди, хладилникът активира тази функция и сините светлини от двете страни светват. Ако топлината се отчита в продължение на по-малко от 5 секунди, функцията не се стартира и сините светлини мигат за около 5 секунди, след което се изключват.

След стартиране на тази функция, сините светлини от двете страни светят (когато вратата е отворена) и вентилаторите от двете страни започват да работят. След като вратата се затвори, сините светлини от двете страни се изключват, а вентилаторите от двете страни продължават да работят. След като източникът на топлина се охлади, функцията се изключва – сините светлини и вентилаторите от двете страни се изключват.



### ЗАБЕЛЕЖКА

- 1 Когато поставяте тенджерата със супа или други храни, които отделят пара, моля, използвайте затворен съд с капак или го запечатайте с домакинско фолио, преди да го поставите въртре.
- 2 Препоръчително е да поставяте пъпеши, плодове и зеленчуци в отделението за плодове и зеленчуци, за да постигнете по-добра свежест и хидратация. Когато поставяте храна в тази функционална зона, моля, не блокирайте кръглите отвори за въздух от двете страни или дългия отвор за въздух.
- 3 Първоначалният тест на тази функция е проведен с помощта на тенджерата за супа от неръждаема стомана (обикновена турска тенджерата за супа от неръждаема стомана с диаметър 275 мм, височина 150 мм и обща височина с капака 200 мм), поставена на рафта на илюстрираната позиция. Тестът е проведен при ниво на течността в съда от 2/3 от пълния обем, температура на външните стени на съда – 35°C, температура на околната среда по време на теста – 25°C и хладилник, работещ с фабрични настройки по подразбиране.
- 4 Когато източникът на топлина е твърде малък или температурата е твърде ниска, тази функция може да не се стартира автоматично.
- 5 Когато действията на потребителят отнемат твърде много време или вратата е отворена твърде дълго, функцията също може да се задейства.
6. Ако активирате режим „Holiday“, докато функцията за AI Cooling, то функцията AI Cooling ще се изключи.

## Функция „My Zone“

„My Zone“ се регулира и настройва според функционалните настройки.

Те са последователно представени от три функционални икони: „Fruits & Vegetables (5°C)“, „Cool Drink (2°C)“, „0°C Fresh (0°C)“. При първоначално включване, настройката по подразбиране е „Fruits & Vegetables (5°C)“. Когато екранът е отключен, натиснете бутона „My Zone“, за да влезете в менюто за регулиране на настройките на „My Zone“. Натиснете бутона за настройка на „My Zone“, за да превключите „My Zone“ към съответната настройка. Настройката „My Zone“ се запазва при прекъсване на захранването.



## ЗАБЕЛЕЖКА

В режим „Holiday“, хладилното отделение с променлива температура се контролира на 17°C, работейки според зададените стойности за включване/изключване: включване при 20°C, изключване при 16°C.

## Функция за разпознаване на човешко присъствие

Функцията за разпознаване на човешко присъствие е включена по подразбиране.

Натиснете и задръжте бутона „Super Frz.“ за 3 секунди, за да включите или изключите функцията за разпознаване на човешко присъствие. При включена функция когато се приближите до хладилника, екранът му светва, а синята светлина на вратата преминава в режим на примигване, като увеличава и намалява яркостта си.

## Функция „Holiday“

Натискане на бутона „Holiday“ при отключен екран:

Първо натискане: Функцията „Holiday“ се активира (иконата светва, прозвучава звуков сигнал)

Второ натискане: Функцията „Holiday“ се деактивира (иконата изгасва, прозвучава звуков сигнал)

## Функция „Eco“

След като дисплеят светне, ако хладилникът не е влязъл в режим „Eco“ и екранът е отключен, натиснете бутона „Eco“ веднъж. Иконата на Smart функция ще се появи, звуковият сигнал ще прозвучи веднъж и функцията „Eco“ ще се активира.

След като дисплеят светне, ако хладилникът е влязъл в режим „Eco“ и екранът е отключен, натиснете бутона „Eco“ веднъж. Иконата на Smart функция ще се изключи, звуковият сигнал ще прозвучи веднъж и функцията „Eco“ ще се деактивира.



## ЗАБЕЛЕЖКА

В режим „Есо“ хладилникът автоматично ще настрои и покаже температурата в отделението за пресни храни на 5°C, а във фризерното отделение на -18°C. В този режим температурите на хладилното и на фризерното отделение не могат да се регулират ръчно.

Температурата в отделението „My Zone“ може да се зададе индивидуално и ще работи според настройките на потребителя.

След излизане от режим „Есо“, хладилното и фризерното отделение ще се върнат към температурните настройки, които сте избрали преди активирането на режима.

Настройките на отделението „My Zone“ ще останат непроменени и другите оперативни състояния няма да бъдат засегнати.

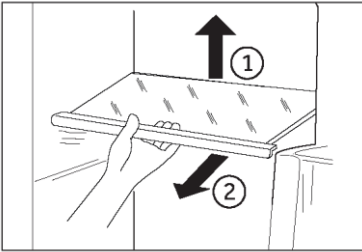


### Многоточков въздушен поток

1. Хладилникът е оборудван със система за многоточков въздушен поток, което позволява студени въздушни струи да текат през всеки рафт. Това помага за поддържането на постоянна температура, за да може храната Ви да остане свежа за по-дълго.

### Регулируеми рафтове

1. Височината на рафтовете може да се регулира според вашите нужди за съхранение.
2. За да преместите рафт, първо го извадете, като повдигнете задния му ръб ① и го издърпате навън ②.
3. За да го поставите обратно, го сложете на релсите от двете страни и го избутайте до най-задното положение, докато задната част на рафта не се застопори в страничните отвори.
4. Рафтът „POT STATION“ има максимален товароносимост от 200 кг и остава невредим. Когато товарът надвиши 80 кг, това може да повлияе на нормалната работа на чекмеджето. „Fresh Zone“ (данни от вътрешна



## ЗАБЕЛЕЖКА

Уверете се, че всички страни на рафта са подравнени.

### Чекмедже „My Zone“

1. В това отделение нивото на влажност е по-ниско от това в отделението на хладилника. Това чекмедже е подходящо за съхранение на сухи плодове и други сухи храни с ниско съдържание на вода като масло, мазнини и олио или шоколад.

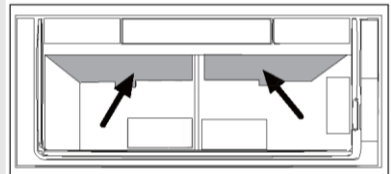
### Чекмедже „Humidity box“

1. В това отделение нивото на влажност е по-високо от това в отделението на хладилника. Управлява се автоматично от системата и е подходящо за съхранение на плодове, зеленчуци, салати и др.



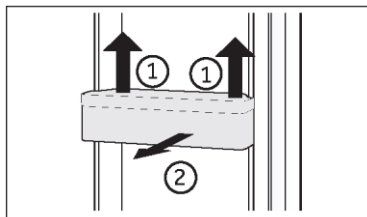
## ЗАБЕЛЕЖКА

1. Не отстранявайте пластмасовите капаци, които се намират вътре в двете отделения.
2. Те поддържат влажността.
3. Плодове, чувствителни към студени температури, като ананас, авокадо, банан, грейпфрут, не бива да се съхраняват в тези две чекмеджета.



## Подвижни рафтове на вратата/Поставки за бутилки

1. Рафтовете на вратата могат да се свалят за почистване:
2. Хванете рафта с ръце от двете страни, повдигнете го нагоре ① и го извадете ②.
3. За да поставите рафта на вратата, следвайте горните стъпки в обратен ред.



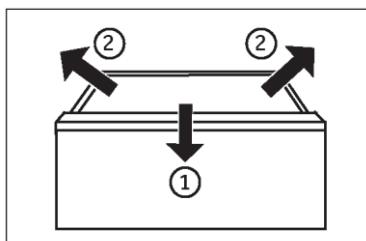
## ЗАБЕЛЕЖКА

След като уредът бъде включен, може да са необходими до 12 часа, за да бъдат достигнати правилните температури.

### Вадещо се чекмедже

За да извадите чекмеджето, го издърпайте максимално назад ①, повдигнете го и го извадете ②.

За да поставите чекмеджето обратно, следвайте горните стъпки в обратен ред.

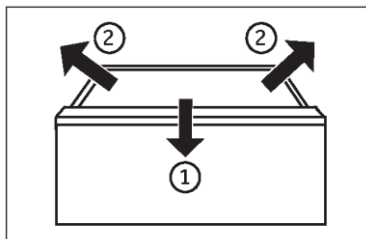


### Съхранение на големи артикули

Големи артикули, като напр. замразена храна, могат да се съхраняват след:

премахване на горната тава за замразяване или

след като извадите двете горни тави за замразяване, както и средното чекмедже на фризера и съхранявате храната директно на рафта.



### Светлина

При отваряне на вратата се включва вътрешното LED осветление.

Работата на светлините не се влияе от никоя друга настройка на уреда.

### Чекмеджето

Моля, натиснете или издърпайте плавно по средната позиция на дръжката на чекмеджето, за да избегнете проблеми като лошо функциониране или отделяне на чекмеджето.



## Съвети за пестене на енергия

- ▶ Уверете се, че уредът е монтиран така, че да е осигурена добра вентилация (вижте раздел „МОНТАЖ“).
- ▶ Не монтирайте уреда така, че да е изложен на пряка слънчева светлина или да е в близост до източници на топлина (напр. готварски печки, нагреватели).
- ▶ Избягвайте ненужно ниска температура в уреда. Консумацията на енергия се увеличава, колкото по-ниско е зададена температурата в уреда.
- ▶ Функции като „POWER-FREEZE“ консумират повече енергия.
- ▶ Оставете топлата храна да се охлади, преди да я поставите в уреда.
- ▶ Отваряйте вратата на уреда възможно най-малко и за възможно най-кратко време.
- ▶ Не препълвайте уреда, за да не се нарушава циркулацията на въздуха.
- ▶ Избягвайте поставянето на хранителни опаковки, в които има въздух.
- ▶ Поддържайте уплътненията на вратата чисти, така че вратата винаги да се затваря добре.
- ▶ Размразявайте замразените храни в отделението за съхранение на хладилника.
- ▶ Най-енергоспестяващата конфигурация изисква чекмеджетата, кутиите за храна и рафтовете в уреда да се поддържат в състояние възможно най-близко до фабричното, а храната да се поставя възможно най-далеч от въздухопроводите, за да не пречи на циркулацията на въздуха.



## ПРЕДУПРЕЖДЕНИЕ!

Изключвайте уреда от захранването преди почистване.

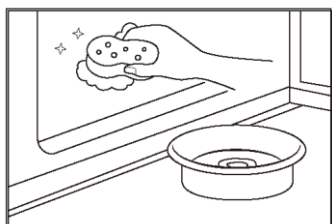
### Почистване

1. Почиствайте уреда, когато в него се съхранява малко или никаква храна.
2. Уредът трябва да бъде почистван на всеки четири седмици за добра поддръжка и за предотвратяване на лоши миризми от съхраняваните храни.



## ПРЕДУПРЕЖДЕНИЕ!

- ▶ Не почиствайте уреда с твърди четки, телени четки, прахообразни препарати, бензин, амилцетат, ацетон или подобни органични разтвори, киселинни или алкални разтвори. Моля, почиствайте със специален препарат за хладилник, за да избегнете повреди.
- ▶ Не пръскайте и не глискайте уреда по време на почистване.
- ▶ Не използвайте водна струя или пара за почистване на уреда.
- ▶ Не почиствайте студените стъклени рафтове с гореща вода. Рязката промяна в температурата може да причини напукване на стъклото.
- ▶ Не докосвайте вътрешната повърхност на фризерното отделение за съхранение, особено с мокри ръце, тъй като ръцете ви може да замръзнат върху повърхността.
- ▶ В случай на повишаване на температурата проверете състоянието на замразените храни.



- ▶ Винаги поддържайте уплътнението на вратата чисто.
- ▶ Почиствайте вътрешността и корпуса на уреда с гъба, навлажнена с топла вода и неутрален препарат.

1. Моля, търкайте вътрешната и външната част на хладилника, включително уплътненията на вратата, рафтовете за врата, стъклените рафтове, кутиите и т.н., с мека кърпа или гъба, натопена в топла вода (може да добавите неутрален препарат към топлата вода).

- ▶ 2. Ако има разлята течност, отстранете всички замърсени части, изплакнете директно с течащата вода, подсушете и ги поставете обратно в хладилника.
- ▶ 3. Ако има разлята гъста течност (като сметана или разтопен сладолед), моля, отстранете всички замърсени части, поставете ги за известно време в топла вода с температура около 40°C, след това изплакнете с течаща вода, подсушете и ги поставете обратно в хладилника.
- ▶ 4. В случай че малка част или компонент заседне вътре в хладилника (между рафтовете или чекмеджетата), използвайте малка мека четка, за да го отстраните. Ако не можете да достигнете частта, моля, свържете се с отдела за обслужване на клиенти на Haier
- ▶ Изплакнете и подсушете с мека кърпа.
- ▶ Не почиствайте никоя от частите на уреда в съдомиялна машина.
- ▶ Изчакайте поне 5 минути, преди да включите отново уреда, тъй като честото стартиране може да повреди компресора.

### Размразяване

Размразяването на хладилното и фризерното отделение се извършва автоматично: не е необходимо ръчно управление.

## Смяна на LED лампите



### ПРЕДУПРЕЖДЕНИЕ!

Не заменяйте LED лампите сами. Те трябва да бъдат заменяни единствено от производителя или от упълномощен сервизен представител.

Лампите използват LED технология, отличаваща се с ниско потребление на енергия и дълъг експлоатационен живот. В случай на аномалии, моля, свържете се с отдела за обслужване на клиенти. Вижте раздел „ОБСЛУЖВАНЕ НА КЛИЕНТИ“.

Параметри на лампите:

Хладилно отделение: 12 V макс. 8 W

Фризерно отделение: 12 V макс. 2 W

Синя светлина на вратата: 12 V макс. 3 W

### При липса на употреба за дълъг период от време

Ако уредът не се употребява за продължителен период от време и няма да се използва функцията „Holiday“:

Извадете храната.

Изключете захранващия кабел от контакта.

Почистете уреда, както е описано по-горе.

Оставете вратите отворени, за да се предотврати появата на неприятни миризми вътре.



### ЗАБЕЛЕЖКА

Изключете уреда само ако е абсолютно необходимо.

### Преместване на уреда

1. Извадете всичката храна и изключете уреда от контакта.
2. Закрепете всички рафтове и други подвижни част в хладилник и фризера с тиксо.
3. Не наклоняйте хладилника повече от 45°, за да избегнете повреда на охладителната система.



### ПРЕДУПРЕЖДЕНИЕ!

- ▶ Не хващайте уреда за дръжките при повдигане.
- ▶ Никога не поставяйте уреда в хоризонтално положение на земята.

Много от възникналите проблеми могат да бъдат решени от вас самите без нужда от специфични умения. В случай на проблем, моля, проверете всички показани възможности и последвайте инструкциите по-долу, преди да се свържете с отдела за следпродажбено обслужване. Вижте раздел „ОБСЛУЖВАНЕ НА КЛИЕНТИ“.



### ПРЕДУПРЕЖДЕНИЕ!

- ▶ Преди извършване на поддръжка изключете уреда и извадете щепсела от контакта.
- ▶ Електрическото оборудване трябва да се обслужва само от квалифицирани експерти, тъй като неправилният ремонт може да причини значителни последващи щети.
- ▶ Повреда в захранващия кабел може да бъде отстранена единствено от производителя, негов обслужващ представител или лице с подобна квалификация, за да се избегне потенциална опасност.

Проблем	Възможна причина	Възможно решение
Компресорът не работи.	<ul style="list-style-type: none"> <li>• Щепселът не е включен в контакта.</li> <li>• Уредът е в цикъл на размразяване.</li> </ul>	<ul style="list-style-type: none"> <li>• Включете щепсела.</li> <li>• Това е нормално при автоматично размразяване.</li> </ul>
Уредът се включва често или работи за прекалено дълги периоди от време.	<ul style="list-style-type: none"> <li>• Вътрешната или външната температура е твърде висока.</li> <li>• Уредът е бил изключен за продължително време.</li> <li>• Вратата на уреда не е затворена плътно.</li> <li>• Вратата е била отваряна твърде често или за прекалено дълго време.</li> <li>• Температурата на фризерното отделение е настроена на твърде ниски стойности.</li> <li>• Уплътнението на вратата е замърсено, износено, напукано или разместено.</li> <li>• Необходимата циркулация на въздуха е възпрепятствана.</li> </ul>	<ul style="list-style-type: none"> <li>• В такъв случай е нормално уредът да работи по-дълго.</li> <li>• Обикновено са необходими от 8 до 12 часа, за да се охлади уредът напълно.</li> <li>• Затворете вратата/чекмеджето и се уверете, че уредът се намира върху нивелирана повърхност, както и че затварянето на вратата не е възпрепятствано от храна или контейнер</li> <li>• Не отваряйте вратата/чекмеджето твърде често.</li> <li>• Задайте по-висока температура, докато температурата в хладилника стане задоволителна. Необходими са 24 часа за достигане на стабилна температура в хладилника.</li> <li>• Почистете уплътненията на вратата/чекмеджето или ги сменете с помощта на отдела за обслужване на клиенти.</li> <li>• Осигурете подходяща вентилация.</li> </ul>
Във вътрешната част на хладилника има замърсяване или лоша миризма.	<ul style="list-style-type: none"> <li>• Вътрешността на хладилника трябва да бъде почистена.</li> <li>• В хладилника се съхранява храна със силен мирис</li> </ul>	<ul style="list-style-type: none"> <li>• Почистете вътрешността на хладилника</li> <li>• Опаковайте добре храната..</li> </ul>

Проблем	Възможна причина	Възможно решение
В уреда не е достатъчно студено.	<ul style="list-style-type: none"> <li>Зададена е прекалено висока температура.</li> <li>Съхранявани са твърде топли стоки.</li> <li>Съхранявано е прекалено голямо количество храна наведнъж.</li> <li>Храните са поставени прекалено близко една до друга.</li> <li>Врата/чекмедже на уреда не е затворена/о плътно.</li> <li>Вратите/чекмеджетата са били отворяни твърде често или за прекалено дълго време.</li> </ul>	<ul style="list-style-type: none"> <li>Върнете първоначалната настройка на температурата.</li> <li>Винаги оставайте храните да изстинат, преди да ги приберете.</li> <li>Винаги съхранявайте малки количества храна.</li> <li>Оставайте празно място между храните, за да осигурите възможност на въздуха да циркулира.</li> <li>Затворете вратата/чекмеджето.</li> <li>Не отваряйте вратата/чекмеджето твърде често.</li> </ul>
В уреда е твърде студено.	<ul style="list-style-type: none"> <li>Зададена е прекалено ниска температура.</li> <li>Функцията „Super-Frz/Super-Cool“ е активирана или е работила прекалено дълго.</li> </ul>	<ul style="list-style-type: none"> <li>Върнете първоначалната настройка на температурата.</li> <li>Изключете функцията „Super-Frz/Super-Cool“.</li> </ul>
По вътрешността на хладилното отделение се образува кондензация.	<ul style="list-style-type: none"> <li>Климатът е твърде топъл и твърде влажен.</li> <li>Врата/чекмедже на уреда не е затворена/о плътно.</li> <li>Вратите/чекмеджетата са били отворяни твърде често или за прекалено дълго време.</li> <li>Контейнери, съдържащи течности или храни, са оставени отворени.</li> </ul>	<ul style="list-style-type: none"> <li>Увеличете температурата.</li> <li>Затворете вратата/чекмеджето.</li> <li>Не отваряйте вратата/чекмеджето твърде често.</li> <li>Оставете горещите храни да изстинат до стайна температура и покривайте храните и течностите.</li> </ul>
По външната повърхност на хладилника или между вратите/вратата и чекмеджето се образува кондензация.	<ul style="list-style-type: none"> <li>Климатът е твърде топъл и твърде влажен.</li> <li>Вратата не е затворена плътно. Студеният въздух в уреда и топлият въздух извън него образуват кондензация.</li> </ul>	<ul style="list-style-type: none"> <li>Това е нормално при влажен климат и ще се промени, когато влажността намалее.</li> <li>Уверете се, че вратите/чекмеджетата са затворени плътно.</li> </ul>

Проблем	Възможна причина	Възможно решение
Много лед и скреж във фризерното отделение.	<ul style="list-style-type: none"> <li>Храните не са опаковани добре.</li> <li>Врата/чекмедже на уреда не е затворена/о плътно.</li> <li>Вратите/чекмеджетата са били отворяни твърде често или за прекалено дълго време.</li> <li>Уплътнението на вратата/чекмеджето е замърсено, износено, напукано или разместено.</li> <li>Нещо от вътрешната страна пречи на вратата/чекмеджето да се затвори добре.</li> </ul>	<ul style="list-style-type: none"> <li>Винаги опаковайте храните добре.</li> <li>Затворете вратата/чекмеджето.</li> <li>Не отваряйте вратата/чекмеджето твърде често.</li> <li>Почистете уплътненията на вратата/чекмеджето или ги сменете с нови.</li> <li>Разместете рафтовете, рафтовете за вратите или вътрешните контейнери, така че да може вратата/чекмеджето да се затвори.</li> </ul>
Страните на шкафа и лентата на вратата се затоплят.		<ul style="list-style-type: none"> <li>Това е нормално.</li> </ul>
Уредът издава необичайни звуци.	<ul style="list-style-type: none"> <li>Уредът не е разположен върху равна повърхност.</li> <li>Уредът докосва някакъв предмет около него.</li> </ul>	<ul style="list-style-type: none"> <li>Регулирайте крачетата, за да нивелирате уреда.</li> <li>Отстранете близкостоящите предмети.</li> </ul>
Чува се слаб звук, наподобяващ звука от течаща вода.		<ul style="list-style-type: none"> <li>Това е нормално.</li> </ul>
Чува се звуков сигнал.	<ul style="list-style-type: none"> <li>Вратата на хладилника е отворена.</li> </ul>	<ul style="list-style-type: none"> <li>Затворете вратата.</li> </ul>
Чува се слабо бръмчене.	<ul style="list-style-type: none"> <li>Системата против кондензация работи.</li> </ul>	<ul style="list-style-type: none"> <li>Това предотвратява кондензацията и е нормално.</li> </ul>
Вътрешната осветителна система или охладителната система не работи.	<ul style="list-style-type: none"> <li>Щепселът не е включен в контакта.</li> <li>Захранването не е цялостно.</li> <li>Светодиодната лампа е повредена.</li> </ul>	<ul style="list-style-type: none"> <li>Включете щепсела.</li> <li>Проверете електрическото захранване на помещението. Свържете се с местната електрическа компания!</li> <li>Моля, свържете се с центъра за обслужване на клиенти за смяна на лампата.</li> </ul>

За да се свържете с отдела за техническа помощ, посетете уебсайта ни:

<https://corporate.haier-europe.com/en/>

В раздела „Уебсайт“ изберете марката на своя продукт и Вашата държава. Ще бъдете пренасочени към конкретния уебсайт, където може да намерите телефонния номер и формуляра за връзка с отдела за техническа помощ.

## Прекъсване на електрозахранването

При прекъсване на електрозахранването храната би трябвало да остане студена в продължение на около 5 часа. Следвайте следните съвети по време на продължително прекъсване на електрозахранването, особено през лятото:

- ▶ Отваряйте вратата/чекмеджето възможно най-рядко.
- ▶ Не поставяйте друга храна в уреда по време на прекъсването на електрозахранването.
- ▶ Ако е дадено предварително известие за прекъсване на електрозахранването и продължителността на прекъсването надвишава 5 часа, направете малко лед и го поставете в съд в горната част на хладилното отделение.
- ▶ Необходима е проверка на храните веднага след прекъсването.
- ▶ Тъй като температурата в хладилника ще се повиши по време на прекъсване на захранването или при друга повреда, срокът на годност на храната ще бъде съкратен. Всички храни, които се размразят, трябва или да бъдат изконсумирани, или сготвени и замразени отново в най-кратък срок (ако това е възможно), за да се предотвратят възможни рискове за здравето.

## Функция за запаметяване при прекъсване на електрозахранването

След възстановяване на захранването уредът продължава да работи с настройките, зададени преди спиране на тока.

## Разопаковане

**ПРЕДУПРЕЖДЕНИЕ!**

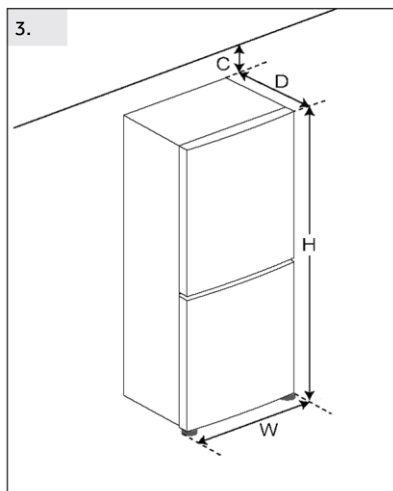
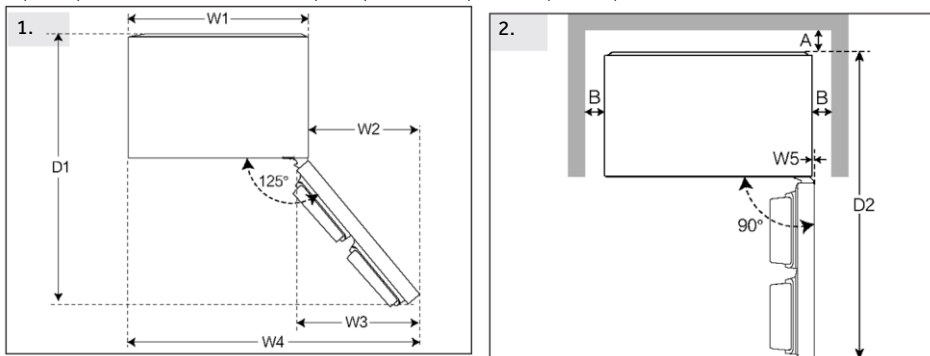
- ▶ Уредът е тежък. При преместването му винаги трябва да участват поне двама души.
- ▶ Пазете всички опаковъчни материали на място, недостъпно за деца, и ги изхвърлете по природосъобразен начин.
- ▶ Разопакувайте уреда.
- ▶ Отстранете всички опаковъчни материали.

## Условия на обкръжаващата среда

Температурата в помещението винаги трябва да бъде между 10°C и 43°C, тъй като това може да повлияе на температурата вътре в уреда и консумацията на енергия. Не поставяйте уреда близо до други излъчващи топлина уреди (фурни, хладилници) без изолация.

## Препоръки за свободно пространство

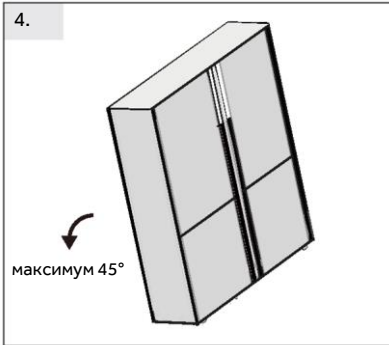
Препоръчително свободно пространство при отворена врата (Фиг. 1.2.)



(Единица: мм)	Модел#1	Модел#2
Ширина	W1	830
	W2	500
	W3	529
	W4	1330
	W5	21
	W	830
Дълбочина	D1	1362
	D2	1502
	D	725
Разстояние до задна стена	A	50
Разстояние до странични стени	B	50
Разстояние до тавана	C	50
Обща височина	H	1850

## Вентилационно сечение

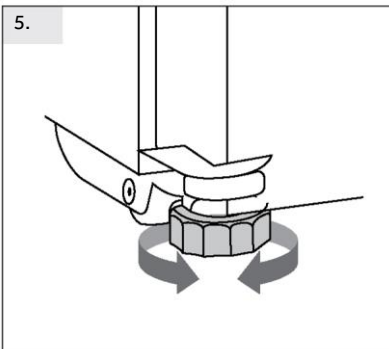
За да се осигури на уреда достатъчно добро ниво на вентилация от съображения за безопасност, трябва да се спазват изискванията, показани във вентилационното напречно сечение.



### Подравняване на уреда (Фиг. 4.5.6)

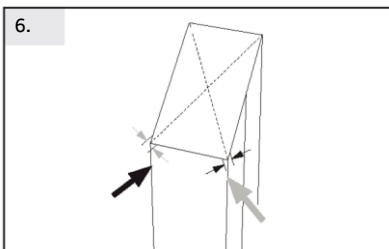
Уредът трябва да бъде поставен на равна и твърда повърхност.

4. Наклонете хладилника леко назад.



5. Нагласете крачетата до желаното ниво.

Уверете се, че разстоянието до стената от страните на пантите е поне 50 мм, за да се отворят свободно вратите.



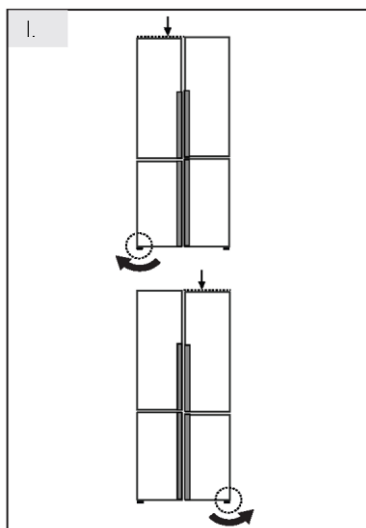
6. Стабилността може да се провери чрез последователно побутване по диагоналите. И в двете посоки трябва да се получава еднакво леко люлеене. В противен случай рамката може да се изкриви, в резултат на което уплътненията на вратата няма да прилепват плътно.

Лекият наклон назад улеснява затварянето на вратите.



## ЗАБЕЛЕЖКА

За свободно стоящ уред: този хладилник не е предназначен за вграждане

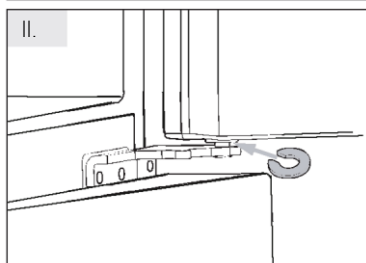


### Фина настройка на вратите

Ако вратите не са подравнени, това несъответствие може да бъде отстранено по следния начин:

#### I Използване на регулируемо краче

Завъртете регулируемото краче в посоката на стрелката, за да го повдигнете или свалите надолу.



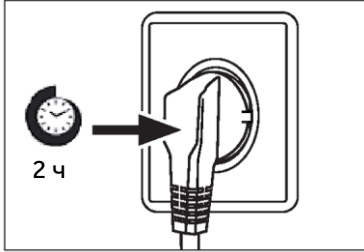
#### II Използване на разделители

- ▶ Отворете горната врата и я повдигнете.
- ▶ Внимателно прикачете разделителя (предоставен с пакета аксесоари) към белия пластмасов пръстен на средната панта на ръка или с помощта на инструменти като клещи. Не драскайте и не наранявайте повърхността на вратата.



### ЗАБЕЛЕЖКА

При бъдещо използване на хладилника денивелирането на вратите може да възникне в резултат на тежестта на съхраняваната храна. В такъв случай, моля, коригирайте според горните методи.



### Време на изчакване

Смазочното масло, което не се нуждае от поддръжка, се намира в капсулата на компресора. Това масло може да се разнесе из затворената система от тръби, докато уредът се пренася в наклонено положение. Преди да свържете уреда към захранването, трябва да изчакате поне 2 часа, за да може маслото да се върне обратно в капсулата.

### Свързване към електрозахранването

Преди всяко свързване проверявайте дали:

- ▶ захранването, контактът и предпазителите са подходящи според табелката с данни.
- ▶ електрическият контакт е заземен и няма включен разклонител или удължител.
- ▶ щепселът и контактът са в пълно съответствие.

Свържете щепсела към правилно инсталиран контакт за битова употреба.



### ПРЕДУПРЕЖДЕНИЕ!

За да се избегнат рискове, при повреда на захранващия кабел той трябва да бъде заменен от отдела за обслужване на клиенти (вижте гаранционната карта).

Функции на продукта съгласно регламент (ЕС) № 2019/2016

Марка	Haier
Наименование на модела/идентификатор	HDR5818DNSS HDR5818DNPW HDR5818DNMB
Категория на модела	Хладилник с фризер
Клас на енергийна ефективност	D
Годишно потребление на енергия (kWh/година)(1)	273
Общ обем (л)	640
Обем на хладилника (л)	413
Обем на фризера (л)	184
Обем на отделението за охлаждане (л)	43
Оценка със звезди	*/***
Температура на другите отделения > 14°C	Не е приложимо
Система против заскрежаване	Да
Капацитет на замразяване (кг/24 ч)	10
Клас на климатизация <sup>(2)</sup>	SN-N-ST-T
Клас на шумовите емисии и излъчваните във въздуха шумови емисии (db(A) re 1pW)	B(35)
Време на покачване на температурата (ч)	10
Вид на уреда	свободно стоящ

Обяснения:

- Да, включен

- (1) Въз основа на резултатите от теста за съответствие на стандартите за 24 часа. Действителното потребление зависи от употребата и местоположението на уреда.
- (2) Клас на климатизация SN: Уредът е предназначен за използване при температура на околната среда между +10°C и +32°C  
Клас на климатизация N: Уредът е предназначен за използване при температура на околната среда между +16°C и +32°C  
Клас на климатизация ST: Уредът е предназначен за използване при температура на околната среда между +16°C и +38°C  
Клас на климатизация T: Уредът е предназначен за използване при температура на околната среда между +16°C и +43°C

#### Допълнителни технически данни

Напрежение/Честота	220 – 240 V ~ / 50 Hz
Входящ ток (A)	2
Главен предпазител (A)	8
Хладилен агент	R600a
Размери (В/Ш/Д в мм)	1850 / 830 / 725

Препоръчваме да се консултирате с отдела по обслужване на клиенти на Haier и да използвате оригинални резервни части.

Ако имате проблем с вашия уред, първо проверете раздела „ОТСТРАНЯВАНЕ НА НЕИЗПРАВНОСТИ“.

Ако не успеете да намерите решение там, моля, обърнете се към

- ▶ Вашия местен търговец или
- ▶ нашия Европейски център за обслужване на клиенти по телефона (вижте телефонните номера по-долу) или
- ▶ раздела „Обслужване и поддръжката“ на адрес [www.haier.com](http://www.haier.com), където можете да направите
- ▶ заявка за обслужване, както и да намерите често задавани въпроси.

За да се свържете с нашия отдел за обслужване на клиенти, се уверете, че разполагате със следните данни.

Информацията може да бъде намерена на табелката с данни.

Модел \_\_\_\_\_

Сериен № \_\_\_\_\_

Също така проверете предоставената с продукта гаранционна карта, в случай че е предоставена гаранция.

Европейски център за обслужване на клиенти по телефона		
Държава*	Телефонен номер	Цена
Haier Italy (IT)	199 100 912	
Haier Spain (ES)	902 509 123	
Haier Germany (DE)	0180 5 39 39 99	<ul style="list-style-type: none"> <li>• 14 цента/мин стационарен</li> <li>• макс. 42 цента/мин мобилен</li> </ul>
Haier Austria (AT)	0820 001 205	<ul style="list-style-type: none"> <li>• 14,53 цента/мин стационарен</li> <li>• макс. 20 цента/мин всички останали</li> </ul>
Haier United Kingdom (UK)	0333 003 8122	
Haier France (FR)	0980 406 409	

\* За други държави, вижте [www.haier.com](http://www.haier.com)

Haier Europe Trading S.r.l

Branch UK

Westgate House, Westgate, Ealing

London, W5 1YY

\*Продължителност на гаранцията на хладилния уред:

Минималната гаранция е: 2 години за държавите от ЕС, 3 години за Турция, 1 година за Великобритания, 1 година за Русия, 3 години за Швеция, 2 години за Сърбия, 5 години за Норвегия, 1 година за Мароко, 6 месеца за Алжир, за Тунис не се изисква правна гаранция.

\*Период на наличие на резервни части за ремонт на уреда:

Термостати, температурни сензори, платки и светлинни източници се предлагат за минимален период от седем години след излизане на последния уред от модела на пазара.

Дръжки за врата, панти за врата, тави и кошници се предлагат за минимален период от седем години, а уплътнения за вратата за минимален период от 10 години след излизане на последния уред от модела на пазара.

\*За допълнителна информация относно продукта, моля, вижте <https://eprel.ec.europa.eu/> или сканирайте QR кода на енергийния етикет, предоставен с уреда.

СЕРТИФИКАТ ЗА КАЧЕСТВО

ОБОЗНАЧЕНИЕ: ХЛАДИЛНИК

Q.C.PASSED

ПРОВЕРКА №

QC01

**Haier**



0060543301

2025 г. Версия А

# Haier

Uživatelská příručka

Chladnička-mraznička

HDR5818DNSS  
HDR5818DNPW  
HDR5818DNMB



<u>4 Bezpečnostní informace</u>	•	<u>Před prvním použitím</u>	<u>5</u>
		<u>Instalace</u>	<u>5</u>
		<u>Každodenní používání</u>	<u>6</u>
<u>8 Určené použití</u>	•		
<u>9 Popis výrobku</u>	•		
<u>10 Ovládací panel</u>	•		
<u>11 Používání</u>	•	<u>Nastavení teploty v chladničce</u>	<u>12</u>
		<u>Nastavení teploty v mrazničce</u>	<u>12</u>
		<u>Funkce Super Cool</u>	<u>13</u>
		<u>Funkce Super Freeze</u>	<u>13</u>
		<u>Funkce AI Cooling</u>	<u>14</u>
<u>17 Vybavení</u>	•		
<u>19 Tipy pro úsporu energie</u>	•		
<u>20 Čištění a údržba</u>	•		
<u>22 Řešení problémů</u>	•		
<u>26 Instalace</u>	•		
<u>30 Technické údaje</u>	•		
<u>32 Zákaznický servis</u>	•		

## Děkujeme vám, že jste si koupili výrobek značky Haier.

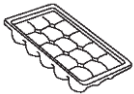
Před použitím spotřebiče si pozorně přečtěte tyto pokyny. Obsahují důležité informace, které vám pomohou co nejlépe využít spotřebič a zajistit jeho bezpečnou a správnou instalaci, používání a údržbu.

Uschovejte tuto příručku na praktickém místě, abyste do ní mohli kdykoli nahlédnout ohledně bezpečného a správného používání spotřebiče.

Pokud spotřebič prodáváte, věnujete nebo necháváte ve starém domě, předejte společně s ním také tuto příručku, aby se mohl nový vlastník seznámit se spotřebičem a přečíst si bezpečnostní varování.

## Příslušenství

Zkontrolujte příslušenství a literaturu podle tohoto seznamu:



Forma  
na kostky ledu



Zásobník  
na vejce × 2



Energetický  
štítek



Záruční list



Uživatelská  
příručka



Zarážka × 2



Prostřední  
závěs



Horní závěs



Ohnutý  
háček horního  
závěsu



Dolní závěs



Kryt horní lišty



Krytka šroubu  
prostřední přední  
vzpěry



Úchyt

**VAROVÁNÍ – Důležité bezpečnostní informace****UPOZORNĚNÍ – Všeobecné informace a tipy****Informace týkající se životního prostředí****Likvidace**

Pomáhejte chránit životní prostředí a lidské zdraví. Vložte obalový materiál do vhodných kontejnerů pro recyklaci. Pomáhejte recyklovat odpadní elektrické a elektronické spotřebiče. Spotřebiče označené tímto symbolem nevyhazujte do domovního odpadu. Zašlete výrobek do místního recyklačního závodu, nebo se obraťte na váš obecní úřad.

**VAROVÁNÍ: Nebezpečí požáru / hořlavý materiál**

Tento symbol signalizuje, že hrozí nebezpečí požáru kvůli použití hořlavých materiálů. Dejte pozor, abyste zamezili způsobení požáru zapálením hořlavého materiálu.

**VAROVÁNÍ!**

Nebezpečí poranění nebo udušení!

Chladiva a plyny vyžadují profesionální likvidaci. Zajistěte, aby se potrubí chladicího okruhu nepoškodilo, než bude náležitě zlikvidováno. Odpojte spotřebič od síťového napájení. Odstrihněte síťový kabel a zlikvidujte ho. Odstraňte police a přihrádky, stejně jako západku a těsnění dveří, aby nedošlo k uzavření dětí a domácích zvířat uvnitř spotřebiče.

## Před prvním zapnutím spotřebiče si přečtěte následující rady týkající se bezpečnosti!



### VAROVÁNÍ!

#### Před prvním použitím

- ▶ Ujistěte se, že při přepravě nedošlo k žádnému poškození.
- ▶ Odstraňte veškerý obalový materiál a uschovejte ho mimo dosah dětí.
- ▶ Před instalací spotřebiče počkejte alespoň dvě hodiny, aby byla zaručena plná účinnost okruhu chladiva.
- ▶ Se spotřebičem vždy manipulujte alespoň ve dvou osobách, protože je těžký.

#### Instalace

- ▶ Spotřebič by se měl umístit do dobře větrané místnosti. Nad spotřebičem a kolem něj zajistěte volný prostor alespoň 10 cm.
- ▶ Nikdy neumístujte spotřebič do vlhkého prostoru nebo na místo, kde by na něj mohla stříkat voda. Vodu a skvrny odstraňte a vysušte měkkou, čistou látkou.
- ▶ Neinstalujte spotřebič na přímé sluneční světlo nebo do blízkosti zdrojů tepla (např. sporáků nebo ohřívačů).
- ▶ Nainstalujte spotřebič na místo odpovídající jeho velikost a používání a vyrovnejte ho.
- ▶ Zajistěte, aby nic nezakrývalo větrací otvory ve spotřebiči nebo v konstrukci pro vestavění.
- ▶ Ujistěte se, že parametry elektrického napájení se shodují s údaji na výrobním štítku. V opačném případě kontaktujte elektrikáře.
- ▶ Spotřebič pracuje s napájením 220–240 VAC/50 Hz. Nenormální kolísání napětí může způsobit, že spotřebič se nespustí, nebo se poškodí regulátor teploty či kompresor, případně se může za chodu ozývat neobvyklý hluk. V takovém případě by se měl nainstalovat automatický regulátor.
- ▶ Nepoužívejte rozbočovací adaptéry ani prodlužovací kabely.
- ▶ Neumístujte za spotřebič přenosné rozbočovací zásuvky ani prodlužovací kabely.
- ▶ Ujistěte se, že napájecí kabel není zachycen chladničkou. Nešlapejte na napájecí kabel.
- ▶ K napájení použijte samostatnou, snadno přístupnou uzemněnou zásuvku. Tento spotřebič musí být uzemněn.
- ▶ Pouze pro Spojené království: Napájecí kabel spotřebiče je vybaven trojpólovou zástrčkou (s uzemněním), která se zapojuje do standardní trojpólové zásuvky (s uzemněním). Nikdy neodřezávejte ani nedemontujte třetí kolík (uzemnění). Zástrčka by měla být přístupná i po instalaci spotřebiče.
- ▶ Nepoškodte okruh chladiva.



## VAROVÁNÍ!

### Každodenní používání

- ▶ Tento spotřebič mohou používat děti starší osmi let a osoby s omezenými fyzickými, smyslovými nebo duševními schopnostmi nebo osoby nezkušené a neznalé za předpokladu, že mají zajištěný dohled nebo byly poučeny o bezpečném používání spotřebiče a chápou související rizika.
- ▶ Děti ve věku od 3 do 8 let mohou spotřebič plnit a vyprazdňovat, ale nesmějí jej čistit ani instalovat.
- ▶ Zabraňte dětem mladším 3 let v přístupu ke spotřebiči, pokud nejsou pod nepřetržitým dozorem.
- ▶ Děti si se spotřebičem nesmějí hrát.
- ▶ Jestliže v blízkosti spotřebiče uniká chladný plyn nebo jiný hořlavý plyn, vypněte ventil unikajícího plynu, otevřete dveře a okna a neodpojujte zástrčku napájecího kabelu chladničky nebo jakéhokoli jiného spotřebiče od zásuvky.
- ▶ Upozorňujeme, že spotřebič je nastaven na provoz při určitém rozsahu teplot mezi 10 a 43 °C. Spotřebič nemusí řádně fungovat, pokud je po dlouhou dobu vystaven teplotám nad nebo pod indikovaným rozsahem.
- ▶ Nepokládejte na horní stranu chladničky nestabilní předměty (těžké předměty, nádoby naplněné vodou), aby se předešlo zranění způsobenému pádem nebo elektrickým proudem v důsledku styku s vodou.
- ▶ Netahejte za police ve dvířkách. Dvířka by se mohla vychýlit, mohla by se vytáhnout police na láhve nebo by se spotřebič mohl převrhnout.
- ▶ Otvírejte a zavírejte dvířka pouze pomocí madel. Mezera mezi dvířky a mezi dvířky a skříní je velmi úzká. Nedávejte do těchto míst ruce, abyste si nepřiskřípli prsty. Dvířka chladničky otvírejte nebo zavírejte pouze v případě, že v dosahu jejich pohybu nestojí žádné děti.
- ▶ Ve spotřebiči nebo v jeho blízkosti neskladujte ani nepoužívejte hořlavé, výbušné nebo korozivní látky.
- ▶ Ve spotřebiči neskladujte léky, bakterie ani chemické látky. Tento spotřebič je určen k použití v domácnosti. Nedoporučuje se skladovat materiály, které vyžadují přesně stanovené teploty.
- ▶ Do mrazničky nikdy neukládejte tekutiny v láhvích nebo plechovkách (kromě vysokoprocentních lihovin), a zejména nápoje syčené oxidem uhličitým, protože by během mrazení praskly.
- ▶ Pokud se v mrazničce zvýší teplota, zkontrolujte stav potravin.
- ▶ Nenastavujte zbytečně nízkou teplotu ve vnitřním prostoru chladničky. Při vysokém nastavení může teplota klesnout do záporných hodnot. Pozor: Láhve mohou prasknout
- ▶ Nedotýkejte se mražených potravin mokřýma rukama (noste rukavice). Zejména nejezte nanuky bezprostředně po vyjmutí z prostoru mrazničky. Hrozí nebezpečí přimrznutí nebo vzniku omrzlin. PRVNÍ POMOC: ihned umístěte zasažené místo pod tekoucí studenou vodu. Neodtrhujte!
- ▶ Za provozu se nedotýkejte vnitřního povrchu úložného prostoru mrazničky, zejména ne mokřýma rukama, protože by mohly přimrznout k povrchu.



## VAROVÁNÍ!

### Každodenní používání

- ▶ V případě výpadku napájení nebo před čištěním odpojte spotřebič od napájení. Před opětovným spuštěním spotřebiče počkejte alespoň 7 minut, protože časté spouštění by mohlo poškodit kompresor.
- ▶ Uvnitř prostoru pro skladování potravin ve spotřebiči nepoužívejte elektrická zařízení, pokud se nejedná o zařízení doporučené výrobcem. Údržba/čištění
- ▶ Jestliže jsou čištění a údržba prováděny dětmi, je nutné na ně dohlížet.
- ▶ Před zahájením jakékoli pravidelné údržby odpojte spotřebič od elektrického napájení. Před opětovným spuštěním spotřebiče počkejte alespoň 5 minut, protože časté spouštění by mohlo poškodit kompresor.
- ▶ Při odpojování spotřebiče od napájení držte zástrčku, nikoli kabel.
- ▶ Nečistěte spotřebič tvrdými kartáči, drátěnými kartáči, práškovými čisticími prostředky, benzínem, amylacetátem, acetonem a podobnými organickými roztoky a kyselými nebo zásaditými roztoky. K čištění použijte speciální čisticí prostředek na chladničky, aby se zamezilo poškození.
- ▶ Neseškrabávejte námrazu a led ostrými předměty. Nepoužívejte spreje, elektrické ohřívače jako fén na vlasy, parní čističe ani jiné zdroje tepla, aby nedošlo k poškození plastových součástí.
- ▶ K rozmrazování nepoužívejte mechanické nástroje ani jiné prostředky. Používejte pouze prostředky doporučené výrobcem.
- ▶ Pokud se poškodí napájecí kabel, výměnu musí provést výrobce, jeho servisní zástupce nebo osoba s podobnou kvalifikací, aby se vyloučilo riziko.
- ▶ Nepokoušejte se opravovat, rozebírat nebo upravovat spotřebič vlastními silami. Je-li nutná oprava, obraťte se na náš zákaznický servis.
- ▶ Alespoň jednou za rok odstraňte prach ze zadní strany spotřebiče, aby se předešlo nebezpečí požáru a nezvyšovala se spotřeba energie.
- ▶ Během čištění na spotřebič nestříkejte ani jej neoplachujte.
- ▶ K čištění spotřebiče nepoužívejte vodní postřik ani proud vody.
- ▶ Nečistěte chladné skleněné police horkou vodou. Náhlá změna teploty by mohla způsobit, že sklo praskne.

### Informace o plynném chladivu

- ▶ Spotřebič obsahuje hořlavé chladivo ISOBUTAN (R600a). Ujistěte se, že během přepravy nebo instalace nedošlo k poškození okruhu chladiva. Unikající chladivo by mohlo způsobit zranění očí, nebo by se mohlo vznítit. Pokud dojde k poškození, nepřibližujte se s otevřeným plamenem, důkladně vyvětrejte místnost a nezapojte ani neodpojte napájecí kabely tohoto či jiných spotřebičů. Informujte zákaznický servis.
- ▶ V případě zasažení očí chladivem důkladně vypláchněte oči pod tekoucí vodou a ihned zavolejte očnímu lékaři.

## Určené použití

Tento spotřebič je určen k chlazení a mrazení potravin. Je určen výhradně k používání v domácnostech a podobných oblastech, jako jsou kuchyňky pro personál v obchodech, kancelářích a na dalších pracovištích, chalupy a hotely, motely a další obytné objekty, kde je používají zákazníci, stejně jako ubytovací zařízení typu penzionu se snídaní a cateringové služby. Není určen k používání v komerčním nebo průmyslovém prostředí.

Na spotřebiči neprovádějte žádné změny nebo úpravy. Používání k jinému než určenému účelu může představovat nebezpečí a vést ke ztrátě platnosti záruky.

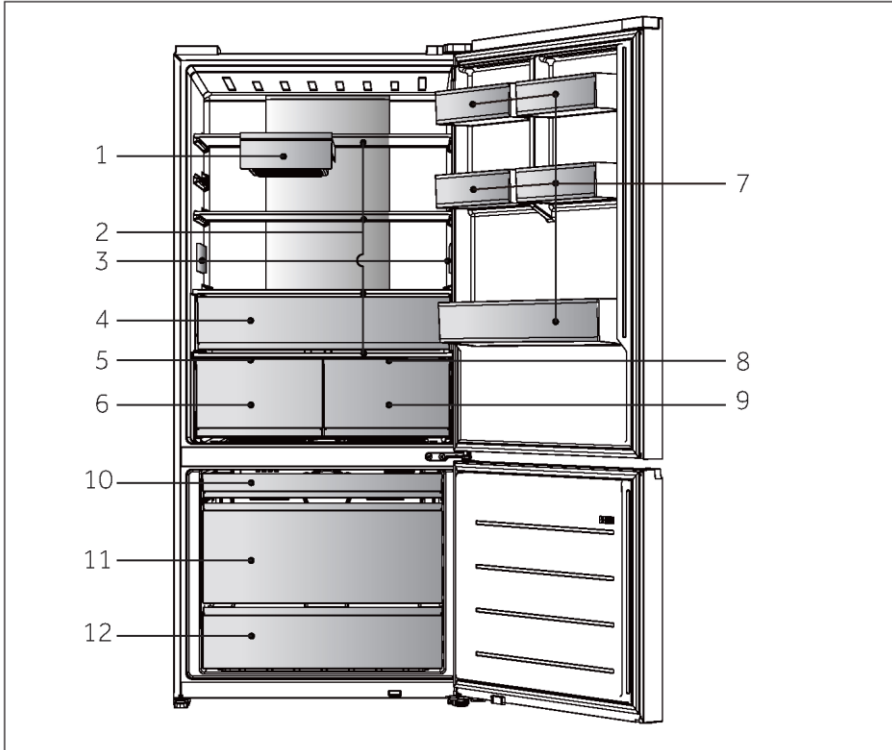
## Normy a směrnice

Tento výrobek splňuje požadavky všech platných směrnic ES s odpovídajícími harmonizovanými normami, které stanoví používání označení CE.



## UPOZORNĚNÍ

Vzhledem k technickým změnám a různým modelům nemusí některé obrázky v této příručce přesně zobrazovat váš model.

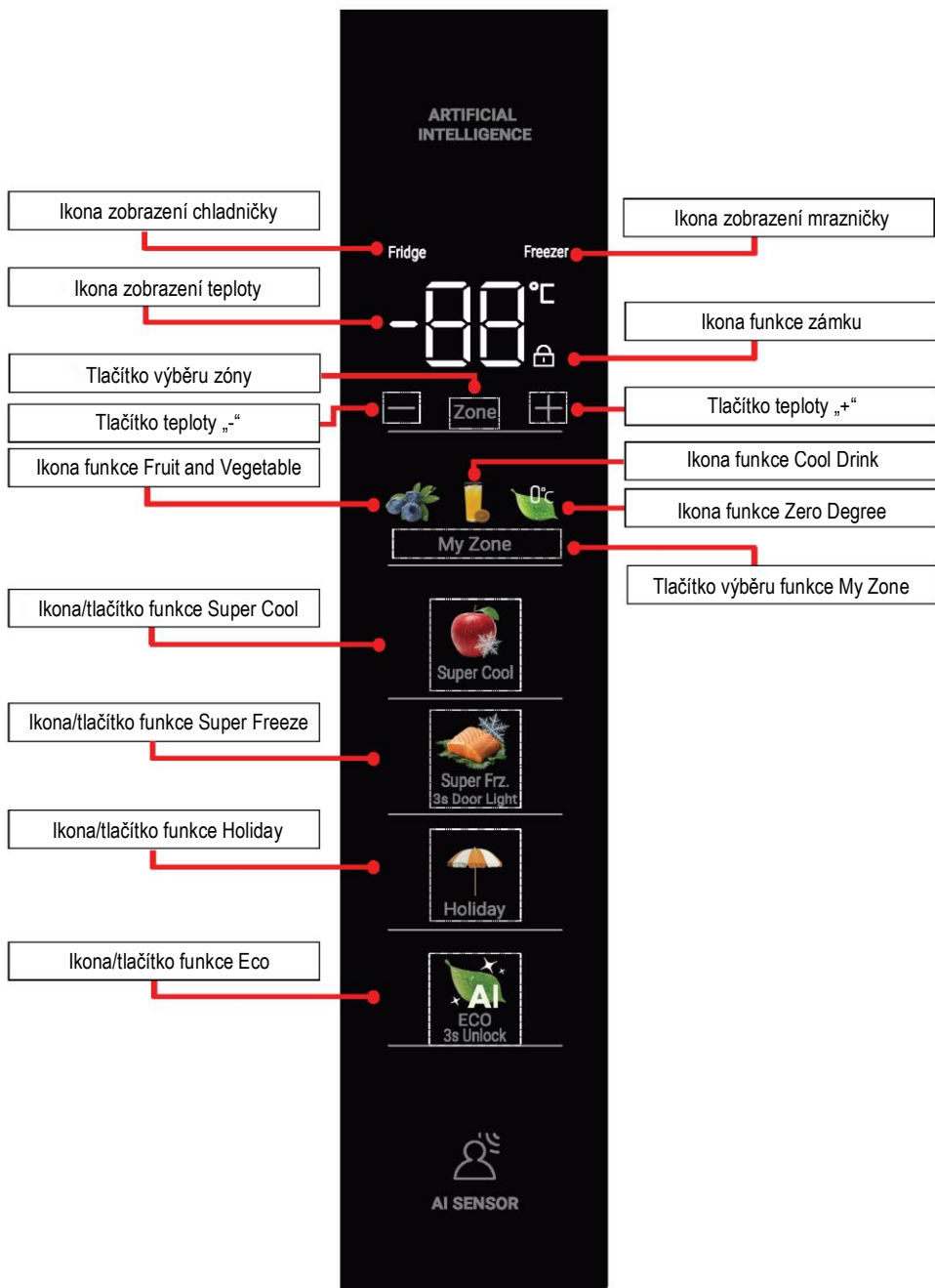


A: Prostor chladničky

- 1 Svačínová přihrádka
- 2 Skleněné police
- 3 AI Cooling
- 4 Fresh Zone
- 5 Kryt Humidity Zone
- 6 Humidity Zone
- 7 Držáky láhví
- 8 Kryt My Zone
- 9 My Zone

B: Prostor mrazničky

- 10 Výsuvná police
- 11 Mraznička
- 12 Mraznička



## Před prvním použitím

- ▶ Odstraňte veškerý obalový materiál, uschovejte ho mimo dosah dětí a zlikvidujte ho způsobem šetrným k životnímu prostředí.
- ▶ Než do spotřebiče vložíte jakékoli potraviny, vyčistěte jeho vnitřní i vnější povrchy vodou a slabým saponátem.
- ▶ Po vyrovnání a vyčištění počkejte alespoň 2–5 hodin, než spotřebič připojíte k napájení. Viz část **INSTALACE**.
- ▶ Než naplníte prostory potravinami, nejprve je nechte ochladit na vysoké nastavení. Funkce Power-Freeze pomůže rychle ochladit prostory.
- ▶ Teploty chladničky a mrazničky jsou automaticky nastaveny na 5 °C a -18 °C. Jedná se o doporučené nastavení. V případě potřeby můžete tyto teploty změnit ručně. Viz **NASTAVOVÁNÍ TEPLoty**.

## Dotyková tlačítka

Na ovládacím panelu jsou dotyková tlačítka, která reagují již na lehký dotyk prstem.

## Zapínání/vypínání spotřebiče

Spotřebič se spustí ihned po připojení k napájení.

Při prvním zapnutí chladničky se rozsvítí indikátor ukazatele teploty. Teploty chladničky a mrazničky jsou automaticky nastaveny na 5 °C a -18 °C.

Pravděpodobně je aktivní zámek panelu.



## UPOZORNĚNÍ

Když se spotřebič zapne poté, co byl odpojen od napájení, může trvat až 12 hodin, než dosáhne správné teploty.

Před vypnutím vyprázdněte spotřebič. Chcete-li spotřebič vypnout, vytáhněte napájecí kabel ze sítové zásuvky.

## Zamknutí/odemknutí panelu

Automatický zámek: Pokud budou dvířka chladničky a mrazničky zavřená, a během 30 sekund nedojde k žádné manipulaci s klíčem, displej automaticky zhasne a zamkne se.

Ruční zamykání: Když je obrazovka displeje odemčená, stiskněte tlačítko funkce Eco a podržte ho 3 sekundy, ozve se jeden zvukový signál, rozsvítí se ikona funkce zámku a displej se zamkne.

## Nastavování teploty

Vnitřní teploty jsou ovlivňovány následujícími faktory:

Okolní teplota

Četnost otevírání dvířek

Množství uskladněných potravin

Instalace spotřebiče

## Nastavení teploty v chladničce

V odemčeném stavu stisknutím tlačítka výběru zóny vyberte zónu chladničky

(rozsvítí se ikona chladničky). Při každém stisknutí tlačítka se teplota změní o 1 °C.

Nastavení se potvrdí po 5 sekundách nečinnosti (obrazovka zhasne), nebo okamžitě

v případě, že je stisknuto jiné tlačítko. Posloupnost nastavování:

„+“: 1°C ➔ 2°C ➔ 3°C ➔ 4°C ➔ 5°C ➔ 6°C ➔ 7°C ➔ 8°C ➔ 9°C

„-“: 9°C ➔ 8°C ➔ 7°C ➔ 6°C ➔ 5°C ➔ 4°C ➔ 3°C ➔ 2°C ➔ 1°C



### UPOZORNĚNÍ

Teplotu chladničky nelze upravovat ve stavu Super Cool nebo v zamknutém stavu.

## Nastavení teploty v mrazničce

Když je displej odemčený, stisknutím tlačítka výběru zóny vyberte zónu mrazničky

(rozsvítí se ikona mrazničky). Při každém stisknutím tlačítka „+“/„-“ se teplota změní

o 1 °C (bliká s frekvencí 1 Hz).

Po 5 sekundách nečinnosti se nastavení automaticky uloží. Při stisknutí jiného tlačítka

se nastavení okamžitě potvrdí a přepne se funkce.

Posloupnost nastavování:

„+“: -24°C ➔ -23°C ➔ -22°C ➔ -21°C ➔ -20°C ➔ -19°C ➔ -18°C ➔ -17°C ➔ -16°C

„-“: -16°C ➔ -17°C ➔ -18°C ➔ -19°C ➔ -20°C ➔ -21°C ➔ -22°C ➔ -23°C ➔ -24°C



### UPOZORNĚNÍ

Teplotu mrazničky nelze upravovat ve stavu Super Freeze nebo v zamknutém stavu.



## UPOZORNĚNÍ

Pokud po nastavení teploty neproběhne do 5 sekund žádná akce, systém automaticky určí a uloží nastavenou teplotu.

### Funkce Super-Cool

Vstup do stavu Super Cool:

V odemčeném stavu klepněte na tlačítko [ Super Cool ], rozsvítí se ikona [ Super Cool ] a chladnička vstoupí do stavu Super Cool.

Opuštění stavu Super Cool:

1. V odemčeném stavu během aktivního stavu Super Cool klepněte na tlačítko [Super Cool], ikona [SuperCool] zhasne a ručně se ukončí stav Super Cool.
2. Až chladnička dosáhne nastaveného času, automaticky ukončí funkci Super Cool. Režim Super Cool se automaticky ukončí po 4 hodinách od jeho aktivace.

### Funkce Super-Frz

Vstup do stavu Super Freeze:

V odemčeném stavu klepněte na tlačítko [ Super Frz. ], rozsvítí se ikona [ Super Frz. ] a chladnička vstoupí do stavu Super Freeze.

Opuštění stavu Super Freeze:

1. V odemčeném stavu během aktivního stavu Super Freeze klepněte na tlačítko [Super Frz.], ikona [SuperFrz.] zhasne a ručně se ukončí stav Super Freeze.
2. Až chladnička dosáhne nastaveného času, automaticky ukončí funkci Super Freeze. Režim Super Frz se automaticky ukončí po 50 hodinách od jeho aktivace.

Funkce Super-Freeze je navržena tak, aby zachovala nutriční hodnotu zmrazených potravin, a umožňuje zmrazit potraviny v co nejkratší době. Jestliže se má najednou zmrazit velké množství potravin, doporučuje se nastavit funkci Super-Freeze. Funkce Super-Freeze by se měla zapnout 24 h předem, aby měla mraznička poměrně nízkou teplotu pro vložení potravin. Rychlost zmrazování mrazničky se zvýší, potraviny lze rychle zmrazit, účinně se zachová jejich výživná hodnota a budou vhodně uskladněny.

## Funkce AI Cooling

Když potřebujete rychle ochladit dušený nebo vařený pokrm, můžete ho položit na skleněnou polici určenou pro tuto funkci, kde se rychle ochladí.

Když chladnička zaznamená zdroj tepla v prostoru skleněné police odpovídající této funkci, začnou blikat modrá světla na obou stranách. Jestliže snímání zdroje tepla trvá déle než 5 sekund, aktivuje se tato funkce a modrá světla na obou stranách budou svítit. Jestliže snímání zdroje tepla trvá méně než 5 sekund, tato funkce se nespustí, modrá světla budou blikat asi 5 sekund a potom zhasnou.

Po aktivaci této funkce budou svítit modrá světla na obou stranách (když se otevřou dvířka) a spustí se ventilátory na obou stranách. Po zavření dvířek modrá světla na obou stranách zhasnou a ventilátory na obou stranách poběží dále. Po ochlazení zdroje tepla se tato funkce ukončí, modrá světla na obou stranách zhasnou a ventilátory na obou stranách se vypnou.



### UPOZORNĚNÍ

1. Než vložíte dovnitř hrnec polévky nebo jiné pokrmy, z nichž vychází pára, použijte uzavřenou nádobu s víkem, nebo zakryjte nádobu plastovou fólií.
2. Doporučuje se vkládat melouny, ovoce a zeleninu do přihrádky na ovoce a zeleninu, která lépe zachovává čerstvost a zvlhčuje obsah. Při vkládání potravin do tohoto funkčního prostoru nezakrývejte kruhové přívody vzduchu na obou stranách ani dlouhý výstup vzduchu.
3. Ověřovací zkouška této funkce byla provedena s použitím hrnce na polévku z nerezové oceli (běžně prodávaného tureckého hrnce na polévku z nerezové oceli o průměru 275 mm, výšce 150 mm a celkové výšce s pokličkou 200 mm) položeného na vyobrazené místo na polici. Hladina tekutiny uvnitř hrnce sahala do 2/3, teplota vnější stěny hrnce byla 35 °C, teplota okolí během zkoušky byla 25 °C a chladnička byla ve stabilním provozu s výchozím nastavením z výroby.
4. Když je zdroj tepla příliš malý nebo je teplota příliš nízká, tato funkce se nemusí automaticky spustit.
5. Tato funkce se může aktivovat také v případě, že uživatel přistupuje k tomuto funkčnímu prostoru příliš dlouho nebo jsou příliš dlouho otevřená dvířka.
6. Jestliže aktivujete režim Holiday za chodu funkce AI Cooling, tato funkce se vypne.

## Funkce My Zone

My Zone se reguluje a nastavuje podle funkčních nastavení. Ta jsou postupně reprezentována třemi funkčními ikonami: „Fruits & Vegetables (5 °C)“, „Cool Drink (2 °C)“, „0°C Fresh (0 °C)“. Po prvním zapnutí je výchozí stav nastaven na „Fruits & Vegetables (5 °C)“. Po odemknutí stiskněte tlačítko My Zone na úvodní stránce, abyste vstoupili na stránku úprav nastavení My Zone. Klepnutím na tlačítko nastavení My Zone přepnete My Zone na odpovídající nastavení. Stav nastavení My Zone zůstane zachován i po výpadku napájení.



## UPOZORNĚNÍ

V režimu Holiday je v prostoru chladničky s proměnlivou teplotou udržována teplota 17 °C podle nastavených hodnot 20 °C pro zapnutí a 16 °C pro vypnutí.

## Funkce detekce osob

Funkce detekce osob je standardně zapnutá. Chcete-li funkci detekce osob vypnout nebo zapnout, stiskněte a 3 sekundy podržte tlačítko „Super Frz.“. Když je tato funkce aktivní a přiblížíte se k chladničce, rozsvítí se obrazovka displeje a modré světlo ve dvířkách začne pozvolna pulzovat.

## Funkce Holiday

V odemčeném stavu stiskněte tlačítko Holiday:

První stisknutí: Aktivuje se funkce Holiday (rozsvítí se ikona, ozve se pípnutí)

Druhé stisknutí: Funkce Holiday se deaktivuje (ikona zhasne, ozve se pípnutí)

## Funkce Eco

Pokud není funkce Eco aktivní a panel displeje není zamčený, po jeho rozsvícení jednou stiskněte tlačítko „Eco“. Zobrazí se ikona funkce Smart, ozve se jeden zvukový signál a aktivuje se funkce Eco.

Pokud je funkce Eco aktivní a panel displeje není zamčený, po jeho rozsvícení jednou stiskněte tlačítko „Eco“. Ikona funkce Smart zhasne, ozve se jeden zvukový signál a funkce Eco se deaktivuje.



## UPOZORNĚNÍ

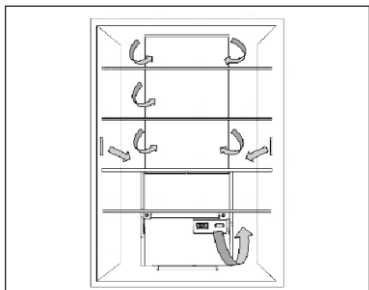
V režimu Eco chladnička automaticky nastaví a bude zobrazovat teplotu prostoru pro čerstvé potraviny 5 °C a teplotu v prostoru mrazničky -18 °C.

V tomto režimu nelze ručně upravovat teplotu chladničky ani mrazničky.

Teplotu prostoru My Zone lze nastavit individuálně a bude udržována podle nastavení uživatele.

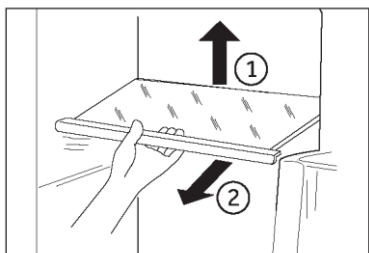
Po opuštění režimu Eco se teplota chladničky i mrazničky vrátí k nastavení, které jste vybrali před vstupem do režimu Eco.

Nastavení prostoru My Zone zůstane beze změny a nedojde k ovlivnění ostatních provozních režimů.



### Vícecestný průtok vzduchu

1. Chladnička je vybavena systémem vícecestného průtoku vzduchu, který zajišťuje proudění chladného vzduchu v každé úrovni polic. Pomáhá to udržovat jednotnou teplotu, která zaručí, že potraviny vydrží déle v čerstvém stavu.



### Nastavitelné police

1. Výšku polic lze upravovat tak, aby vyhovovala vašim požadavkům na ukládání.
2. Chcete-li přemístit nějakou polici, vyjměte ji tak, že nejprve nadzdvihnete zadní okraj ① a potom ji vytáhnete ven ②.
3. Při instalaci ji položte na výstupky na obou stranách a zatlačte ji až dozadu tak, aby se zadní strana police usadila uvnitř drážek v bočních stranách.
4. Police „POT STATION“ má maximální nosnost 200 kg a police zůstanou nepoškozená. Pokud zatížení překročí 80 kg, může to ovlivnit normální provoz zásuvky „Fresh Zone“ (data pocházejí z interní laboratoře).



## UPOZORNĚNÍ

Ujistěte se, že oba konce police jsou v rovině.

### Zásuvka My Zone

1. V této přihrádce je nižší vlhkost než v přihrádce chladničky. Tato zásuvka je vhodná pro skladování suchého ovoce a jiných suchých potravin s nízkým obsahem vody, jako je máslo, tuky a olej nebo čokoláda.

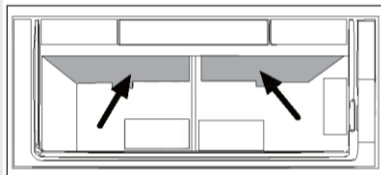
### Zásuvka Humidity Box

1. V tomto prostoru je vlhkost vyšší než v chladničce. Je regulována automaticky systémem a vhodná k ukládání ovoce, zeleniny, salátů a jiných potravin.



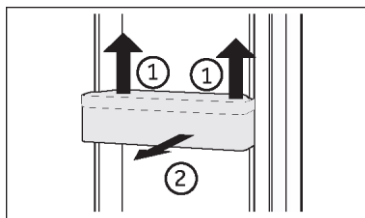
## UPOZORNĚNÍ

1. Plastový kryt uvnitř obou zón neodstraňujte.
2. Udržuje vlhkost.
3. V těchto dvou zásuvkách se nedoporučuje skladovat ovoce citlivé na chlad, jako je ananas, avokádo, banány a grapefruity.



### Odnímatelné poličky / držák na láhve umístěné ve dvířkách

1. Police ve dvířkách lze vyjmout za účelem čištění:
2. Uchopte rukama obě strany police, zdvihněte ji nahoru ① a vytáhněte ji ven ②.
3. Při vkládání dveřní police proveďte výše popsané kroky v opačném pořadí.



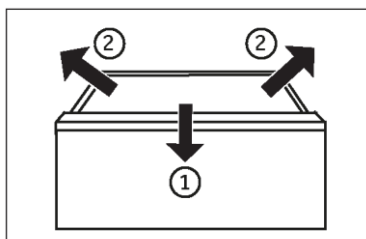
### UPOZORNĚNÍ

Když se spotřebič zapne, může trvat až 12 hodin, než dosáhne správné teploty.

### Vyjímatelná zásuvka

Chcete-li vyndat zásuvku, vytáhněte ji, jak nejdále to půjde ①, zdvihněte ji a vyjměte ②.

Při vkládání zásuvky proveďte výše popsané kroky v opačném pořadí.



### Ukládání velkých kusů potravin

Velké kusy např. zmrazených potravin lze skladovat:

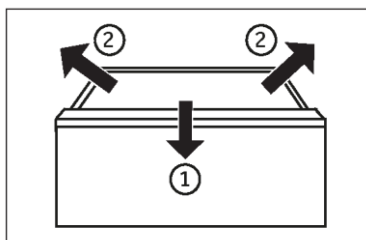
vyjmutím horního mrazicího tácku nebo po vyjmutí obou horních mrazicích přihrádek i prostřední zásuvky mrazničky a uložení potravin přímo na polici.

### Světlo

Po otevření dvířek se rozsvítí světlo LED osvětlující interiér. Fungování světel není ovlivňováno žádným z nastavení spotřebiče.

### o Zásuvka

- o Prosím, zatlačte nebo zatáhněte plynule za madlo zásuvky ve střední poloze, abyste předešli problémům, jako je špatný chod nebo uvolnění zásuvky.





## Tipy pro úsporu energie

- ▶ Zajistěte, aby měl spotřebič náležité větrání (viz INSTALACE).
- ▶ Neinstalujte spotřebič na přímé sluneční světlo nebo do blízkosti zdrojů tepla (např. sporáků nebo ohřivačů).
- ▶ Vyhýbejte se zbytečně nízké teplotě uvnitř spotřebiče. Čím nižší je nastavená teplota ve spotřebiči, tím vyšší je spotřeba energie.
- ▶ Funkce jako POWER-FREEZE spotřebovávají více energie.
- ▶ Teplé jídlo nechte před vložením do spotřebiče vychladnout.
- ▶ Otvírejte dvířka spotřebiče co nejméně a na co nejkratší dobu.
- ▶ Nepřepněte spotřebič, aby se nenarušilo proudění vzduchu.
- ▶ Zamezte přítomnosti vzduchu v obalech potravin.
- ▶ Udržujte těsnění dvířek v čistém stavu, aby se dvířka vždy správně zavírala.
- ▶ Rozmrazujte zmrazené potraviny v úložném prostoru chladničky.
- ▶ Energeticky nejúspornější konfigurace vyžaduje, aby byly ve spotřebiči nainstalovány přihrádky, schránka na potraviny a police ve stavu jako z výroby a aby potraviny byly uloženy co nejvíce vzadu, aniž by zakrývaly výstup vzduchového kanálu.



## VAROVÁNÍ!

Před čištěním odpojte spotřebič od napájení.

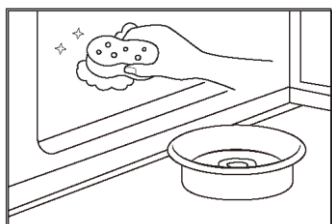
### Čištění

1. Spotřebič čistěte pouze tehdy, když je v něm uloženo jen málo potravin, nebo je prázdný.
2. Spotřebič by se měl čistit každé čtyři týdny, aby byl dobře udržovaný a zamezilo se zápachu z uložených potravin.



## VAROVÁNÍ!

- ▶ Nečistěte spotřebič tvrdými kartáči, drátěnými kartáči, práškovými čisticími prostředky, benzínem, amylacetátem, acetonem a podobnými organickými roztoky a kyselými nebo zásaditými roztoky. K čištění použijte speciální čisticí prostředek na chladničky, aby se zamezilo poškození.
- ▶ Během čištění na spotřebič nestříkejte ani jej neoplachujte.
- ▶ K čištění spotřebiče nepoužívejte vodní postřik ani proud vody.
- ▶ Nečistěte chladné skleněné police horkou vodou. Náhlá změna teploty by mohla způsobit, že sklo praskne.
- ▶ Nedotýkejte se vnitřního povrchu úložného prostoru mrazničky, zejména ne mokřkýma rukama, protože by mohly přimrznout k povrchu.
- ▶ V případě ohřátí zkontrolujte stav mražených potravin.



- ▶ Vždy udržujte těsnění dvířek v čistém stavu.
- ▶ Očistěte vnitřek a skříň spotřebiče houbou navlhčenou v teplé vodě s neutrálním čisticím prostředkem.
  1. Vydrhněte vnitřní a vnější povrchy chladničky včetně těsnění dvířek, polic ve dvířkách, skleněných polic, přihrádek apod. měkkou utěrkou nebo houbou namočenou v teplé vodě (do teplé vody můžete přidat neutrální saponát).
  2. Pokud se rozlije nějaká tekutina, vyjměte všechny zasažené součásti, opláchněte je přímo pod tekoucí vodou, osušte a vraťte zpět do chladničky.
  3. Pokud se rozlije smetana (například šlehačka nebo roztátá zmrzlina), vyjměte všechny zasažené součásti, na nějakou dobu je vložte do teplé vody o teplotě asi 40 °C, potom je opláchněte pod tekoucí vodou, osušte a vraťte zpět do chladničky.
  4. V případě, že uvnitř chladničky uvíznou nějaké malé díly nebo součásti (mezi policemi nebo zásuvkami), uvolněte je měkkým kartáčkem. Pokud na nějakou součást nedosáhnete, obraťte se na servis společnosti Haier
- ▶ Opláchněte povrch a vysušte ho měkkou látkou.
- ▶ Nemyjte žádné součásti spotřebiče v myčce.
- ▶ Před opětovným spuštěním spotřebiče počkejte alespoň 5 minut, protože časté spuštění by mohlo poškodit kompresor.

### Odmrazování

Prostory chladničky a mrazničky se odmrázují automaticky; není nutný žádný ruční zásah.

## Výměna žárovek LED



### VAROVÁNÍ!

Nevyměňujte žárovku LED vlastními silami, její výměnu musí provést buď výrobce, nebo autorizovaný servisní zástupce.

Jako zdroj světla v žárovce se využívají diody LED, které se vyznačují nízkou spotřebou energie a dlouhou životností. Pokud se vyskytne nějaký neobvyklý stav, kontaktujte zákaznický servis. Viz ZÁKAZNICKÝ SERVIS.

Parametry žárovek:

Prostor chladničky: 12 V, max. 8 W

Prostor mrazničky: 12 V, max. 2 W

Modré světlo ve dvířkách: 12 V, max. 3 W

### Když se spotřebič delší dobu nepoužívá

Jestliže se spotřebič nebude delší dobu používat a nebudete využívat funkci chladničky Holiday:

Vyjměte potraviny.

Vytáhněte napájecí kabel ze zásuvky.

Vyčistěte spotřebič podle výše uvedeného popisu.

Nechte dvířka otevřená, aby se uvnitř nevytvořil zápach.



### UPOZORNĚNÍ

Spotřebič vypínejte pouze v nezbytně nutných případech.

### Přemístování spotřebiče

1. Vyjměte všechny potraviny a odpojte spotřebič od napájení.
2. Připevněte police a ostatní pohyblivé součásti v chladničce a mrazničce lepicí páskou.
3. Nenaklánějte chladničku v úhlu větším než 45°, aby se předešlo poškození chladicího systému.



### VAROVÁNÍ!

- ▶ Nezdvihejte spotřebič za madla.
- ▶ Nikdy nepokládejte spotřebič vodorovně na zem.

Mnoho problémů můžete vyřešit sami bez konkrétních odborných znalostí. V případě problému zkontrolujte všechny možnosti a řiďte se níže uvedenými pokyny, než se obrátíte na poprodejní servis. Viz ZÁKAZNICKÝ SERVIS.



## VAROVÁNÍ!

- ▶ Před zahájením údržby vypněte spotřebič a vytáhněte zástrčku napájecího kabelu ze zásuvky.
- ▶ Servis elektrického zařízení by měli provádět pouze kvalifikovaní elektrikáři, protože nepatřičné opravy mohou vést k vážným následným škodám.
- ▶ Poškozený napájecí kabel by měl vyměnit pouze výrobce, jeho servisní zástupce nebo osoby s podobnou kvalifikací, aby se vyloučilo riziko.

Problém	Možná příčina	Možné řešení
Kompresor nepracuje.	<ul style="list-style-type: none"> <li>• Síťová zástrčka není zapojena do síťové zásuvky.</li> <li>• Spotřebič provádí cyklus odmrazování.</li> </ul>	<ul style="list-style-type: none"> <li>• Zapojte síťovou zástrčku.</li> <li>• Jedná se o normální jev při automatickém odmrazování.</li> </ul>
Spotřebič se spouští často nebo běží příliš dlouho.	<ul style="list-style-type: none"> <li>• Vnitřní nebo venkovní teplota je příliš vysoká.</li> <li>• Spotřebič byl určitou dobu vypnutý.</li> <li>• Dvířka spotřebiče nejsou těsně zavřená.</li> <li>• Dvířka se otvírala příliš často, nebo byla příliš dlouho otevřená.</li> <li>• Nastavená teplota pro prostor mrazničky je příliš nízká.</li> <li>• Těsnění dvířek je znečištěné, opotřebené, popraskané nebo nesprávně nainstalované.</li> <li>• Není zaručena požadovaná cirkulace vzduchu.</li> </ul>	<ul style="list-style-type: none"> <li>• V tomto případě je normální, že spotřebič běží déle.</li> <li>• Normálně trvá 8 až 12 hodin, než se spotřebič úplně ochladí.</li> <li>• Zavřete dvířka/zásuvku a ujistěte se, že spotřebič je umístěn na rovné zemi a dveřím nepřekáží žádné potraviny nebo nádoby.</li> <li>• Neotvírejte dvířka/zásuvku příliš často.</li> <li>• Nastavte vyšší teplotu tak, abyste dosáhli uspokojivé teploty chladničky. Trvá 24 hodin, než se teplota chladničky ustálí.</li> <li>• Vyčistěte těsnění dvířek/zásuvky, nebo ho nechte vyměnit zákaznickým servisem.</li> <li>• Zajistěte odpovídající větrání.</li> </ul>
Vnitřek chladničky je znečištěný a/nebo zapáchá.	<ul style="list-style-type: none"> <li>• Je třeba vyčistit vnitřek chladničky.</li> <li>• V chladničce je uloženo nějaké jídlo se silným zápachem</li> </ul>	<ul style="list-style-type: none"> <li>• Vyčistěte vnitřek chladničky.</li> <li>• Jídlo důkladně zabalte.</li> </ul>

Problém	Možná příčina	Možné řešení
Uvnitř spotřebiče není dostatečně chladno.	<ul style="list-style-type: none"> <li>Je nastavena příliš vysoká teplota.</li> <li>Bylo uloženo příliš teplé jídlo.</li> <li>Bylo uloženo příliš potravin najednou.</li> <li>Potraviny jsou příliš blízko sebe.</li> <li>Dvířka/zásuvka spotřebiče nejsou těsně zavřené.</li> <li>Dvířka/zásuvka se otvírala příliš často, nebo byla příliš dlouho otevřená.</li> </ul>	<ul style="list-style-type: none"> <li>Znovu nastavte teplotu.</li> <li>Před uložením vždy nechte jídlo vychladnout.</li> <li>Vždy ukládejte menší množství potravin.</li> <li>Nechte mezi potravinami mezery umožňující proudění vzduchu.</li> <li>Zavřete dvířka/zásuvku.</li> <li>Neotvírejte dvířka/zásuvku příliš často.</li> </ul>
Uvnitř spotřebiče je příliš chladno.	<ul style="list-style-type: none"> <li>Je nastavena příliš nízká teplota.</li> <li>Je aktivována funkce Super-Frz/Super-Cool, nebo běží příliš dlouho.</li> </ul>	<ul style="list-style-type: none"> <li>Znovu nastavte teplotu.</li> <li>Vypněte funkci Super-Frz/Super-Cool</li> </ul>
Tvoření vlhkosti na vnitřním povrchu chladicího prostoru.	<ul style="list-style-type: none"> <li>Prostředí je příliš teplé a vlhké.</li> <li>Dvířka/zásuvka spotřebiče nejsou těsně zavřené.</li> <li>Dvířka/zásuvka se otvírala příliš často, nebo byla příliš dlouho otevřená.</li> <li>Nádoby na potraviny nebo tekutiny zůstaly otevřené.</li> </ul>	<ul style="list-style-type: none"> <li>Zvyšte teplotu.</li> <li>Zavřete dvířka/zásuvku.</li> <li>Neotvírejte dvířka/zásuvku příliš často.</li> <li>Nechte horké potraviny vychladnout na pokojovou teplotu a potraviny a tekutiny zakryjte.</li> </ul>
Na vnějším povrchu chladničky nebo mezi dvířky / dvířky a zásuvkou se hromadí vlhkost.	<ul style="list-style-type: none"> <li>Prostředí je příliš teplé a vlhké.</li> <li>Dvířka nejsou těsně zavřené. Chladný vzduch ve spotřebiči a teplý vnější vzduch, dochází ke kondenzaci.</li> </ul>	<ul style="list-style-type: none"> <li>Jedná se o normální jev ve vlhkém prostředí; až se sníží vlhkost, situace se změní.</li> <li>Ujistěte se, že dvířka/zásuvka jsou těsně zavřené.</li> </ul>

Problém	Možná příčina	Možné řešení
V prostoru mrazničky je silná vrstva ledu a námrazy.	<ul style="list-style-type: none"> <li>Potraviny nebyly náležitě zabalené.</li> <li>Dvířka/zásuvka spotřebiče nejsou těsně zavřené.</li> <li>Dvířka/zásuvka se otvírala příliš často, nebo byla příliš dlouho otevřená.</li> <li>Těsnění dvířek/zásuvky je znečištěné, opotřebené, popraskané nebo nesprávně nainstalované.</li> <li>Něco uvnitř brání správnému zavření dvířek/zásuvky.</li> </ul>	<ul style="list-style-type: none"> <li>Vždy dobře zabalte potraviny.</li> <li>Zavřete dvířka/zásuvku.</li> <li>Neotvírejte dvířka/zásuvku příliš často.</li> <li>Vyčistěte těsnění dvířek/zásuvky nebo ho vyměňte za nové.</li> <li>Přemístěte vnitřní police, police na dvířkách nebo vnitřní nádoby, aby se mohla dvířka/zásuvka zavřít.</li> </ul>
Boční strany skříně a lišta na dvířkách jsou teplé.		<ul style="list-style-type: none"> <li>Jedná se o normální jev.</li> </ul>
Spotřebič vydává neobvyklé zvuky.	<ul style="list-style-type: none"> <li>Spotřebič nestojí na rovné zemi.</li> <li>Spotřebič se dotýká nějakého předmětu ve svém okolí.</li> </ul>	<ul style="list-style-type: none"> <li>Seřídte nožky, aby stál spotřebič rovně.</li> <li>Odstraňte předměty z okolí spotřebiče.</li> </ul>
Ozývá se slabý zvuk podobný proudění vody.		<ul style="list-style-type: none"> <li>Jedná se o normální jev.</li> </ul>
Ozývá se pípání alarmu.	<ul style="list-style-type: none"> <li>Dvířka úložného prostoru chladničky jsou otevřená.</li> </ul>	<ul style="list-style-type: none"> <li>Zavřete dvířka.</li> </ul>
Ozývá se slabé hučení.	<ul style="list-style-type: none"> <li>Protikondenzační systém je v chodu.</li> </ul>	<ul style="list-style-type: none"> <li>Zabraňuje kondenzaci, jedná se o normální jev.</li> </ul>
Nefunguje osvětlení interiéru nebo chladicí systém.	<ul style="list-style-type: none"> <li>Síťová zástrčka není zapojena do síťové zásuvky.</li> <li>Napájení nemá správné parametry.</li> <li>Žárovka LED je porouchaná.</li> </ul>	<ul style="list-style-type: none"> <li>Zapojte síťovou zástrčku.</li> <li>Zkontrolujte přívod elektrického napájení do místnosti. Zavolejte místnímu dodavateli elektřiny!</li> <li>Zavolejte servis se žádostí o výměnu žárovky.</li> </ul>

Chcete-li kontaktovat technickou pomoc, navštivte naše webové stránky:

<https://corporate.haier-europe.com/en/>

V části „Website“ zvolte značku svého výrobku a svou zemi. Budete přesměrováni na konkrétní webovou stránku, kde najdete telefonní číslo a kontaktní formulář technické pomoci.

## Výpadek napájení

V případě výpadku napájení by měly potraviny zůstat bezpečně v chladu po dobu asi 5 hodin. Během delšího výpadku napájení se řiďte těmito tipy, zejména v létě:

- ▶ Otvírejte dvířka/zásuvku co nejméně často.
- ▶ Během výpadku napájení nevkládejte do spotřebiče další potraviny.
- ▶ Pokud je výpadek napájení oznámen předem a jeho délka překračuje 5 hodin, vyrobte trochu ledu a umístěte ho do nádoby v horní části prostoru chladničky.
- ▶ Ihned po výpadku napájení je nutné zkontrolovat potraviny.
- ▶ Vzhledem k tomu, že během výpadku napájení nebo jiné závady vzroste teplota v chladničce, doba skladování a požitelnost potravin se zkrátí. Jakékoli potraviny, které se rozmrazí, by se měly buď zkonsumovat, nebo tepelně upravit a znovu zmrazit (je-li to vhodné), aby se předešlo zdravotním rizikům.

## Funkce paměti během výpadku napájení

Po obnovení napájení bude spotřebič pokračovat v činnosti s parametry, které byly nastaveny před výpadkem.

## Vybalení

**VAROVÁNÍ!**

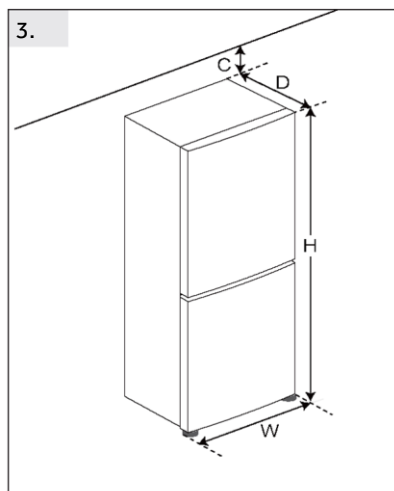
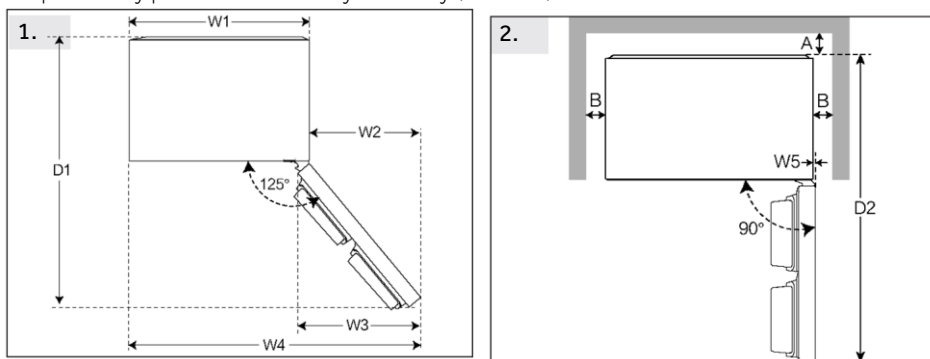
- ▶ Spotřebič je těžký. Vždy s ním manipulujte alespoň ve dvou osobách.
- ▶ Uchovávejte všechny obalové materiály mimo dosah dětí a zlikvidujte je způsobem šetrným k životnímu prostředí.
- ▶ Vyměte spotřebič z obalu.
- ▶ Odstraňte všechny obalové materiály.

**Podmínky prostředí**

Pokojeová teplota by měla být vždy mezi 10 °C a 43 °C, protože může ovlivňovat teplotu uvnitř spotřebiče a jeho spotřebu energie. Bez náležité izolace neinstalujte spotřebič do blízkosti jiných spotřebičů vytvářejících teplo (trub, chladniček).

**Doporučení ohledně prostoru**

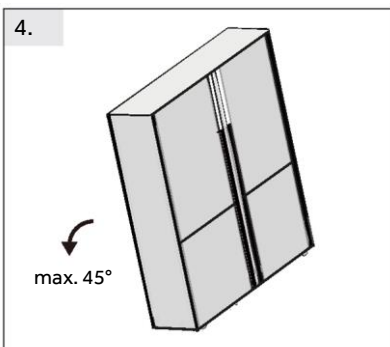
Doporučený prostor s otevřenými dvířky (obr. 1.2).



(Jednotky: mm)	Model č. 1		Model č. 2
Šířka	W1	830	
	W2	500	
	W3	529	
	W4	1330	
	W5	21	
Hloubka	D1	1362	
	D2	1502	
	D	725	
Vzdálenost od zadní stěny	A	50	
Vzdálenost od bočních stěn	B	50	
Vzdálenost od stropu	C	50	
Celková výška	H	1850	

## Prostor pro větrání

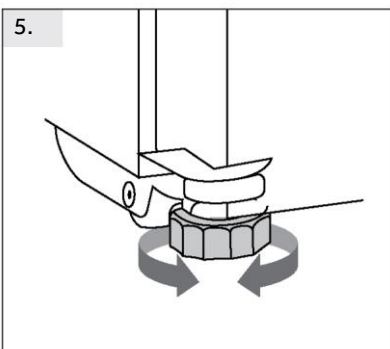
Z bezpečnostních důvodů je nutné dodržet informace o požadovaném prostoru pro větrání, aby byl spotřebič dostatečně větraný.



### Vyrovnaní spotřebiče (obr. 4.5.6)

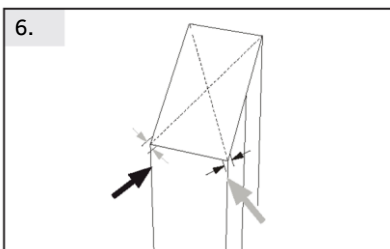
Spotřebič by se měl postavit na rovný a pevný povrch.

4. Nakloňte chladničku mírně dozadu.



5. Nastavte nohy na požadovanou výšku.

Ujistěte se, že vzdálenost od stěny na straně se závěsem je nejméně 50 mm, aby se mohla dvířka správně otvírat.



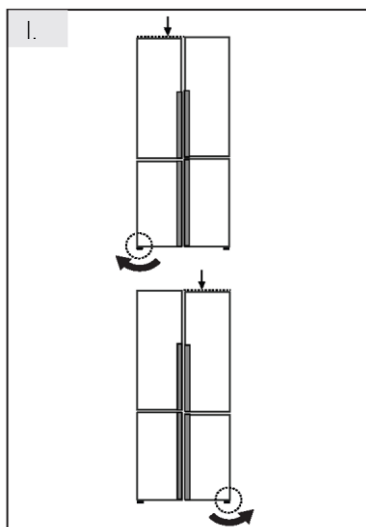
6. Stabilitu lze zkontrolovat střídavým kýváním po úhlopříčkách. Mírné kymácení by mělo být v obou směrech stejné. Jinak by se mohl rám zdeformovat, což by mohlo mít za následek, že těsnění dvířek nebude přiléhat.

Mírný náklon dozadu usnadňuje zavírání dvířek.



## UPOZORNĚNÍ

Pro volně stojící spotřebič: tento chladicí spotřebič není určen k používání jako vestavný spotřebič

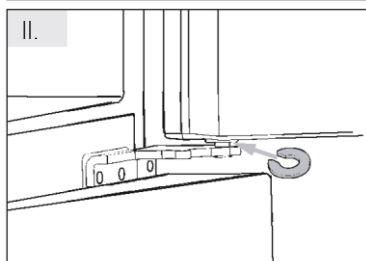


### Jemné nastavení dvířek

Jestliže nejsou dvířka v rovině, lze to napravit následujícím způsobem:

#### I Pomocí nastavitelné nožky

Otáčením nastavitelné nožky ve směru šipky zvyšujete nebo snižujete výšku.



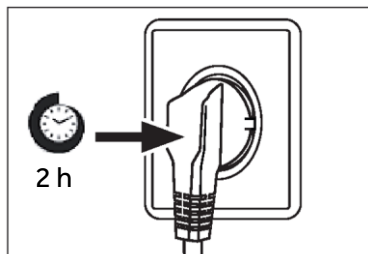
#### II Pomocí rozpěrek

- ▶ Otevřete horní dvířka a zdvihněte je.
- ▶ Rukou nebo pomocí nářadí, například kleští, opatrně upněte rozpěrku (dodanou v sáčku s příslušenstvím) do bílého plastového kroužku uprostřed závěsu. Dejte pozor, abyste nepoškrábali nebo nepotloukli dvířka.



## UPOZORNĚNÍ

V průběhu používání chladničky může dojít k vychýlení dvířek způsobenému hmotností uložených potravin. V takovém případě je vyrovnejte výše popsanými metodami.



### Doba čekání

V kapsli kompresoru se nachází bezúdržbový mazací olej. V případě naklonění během přepravy se olej může dostat do uzavřeného hadicového systému. Před připojením spotřebiče k napájení musíte počkat 2 hodiny, aby všude olej natekl zpět do kapsle.

### Připojení k elektrickému napájení

Před každým připojením zkontrolujte:

- ▶ zda napájení, zásuvka a jištění odpovídají údajům na výrobním štítku.
- ▶ zda je síťová zásuvka uzemněná a nepoužívá se rozbočovací adaptér ani prodlužovací kabel.
- ▶ zda zástrčka přesně pasuje do zásuvky.

Zapojte zástrčku do náležitě nainstalované domácí zásuvky.



### VAROVÁNÍ!

Aby se zamezilo rizikům, výměnu poškozeného napájecího kabelu musí provést zákaznický servis (viz záruční list).

## Informační list výrobku podle nařízení EU 2019/2016

Značka	Haier
Název/označení modelu	HDR5818DNSS HDR5818DNPW HDR5818DNMB
Kategorie modelu	Chladnička- mraznička
Třída energetické účinnosti	D
Roční spotřeba energie (kWh/rok)(1)	273
Celkový objem (l)	640
Objem chladničky (l)	413
Objem mrazničky (l)	184
Objem mrazicího boxu (l)	43
Hodnocení hvězdičkami	*/***
Teplota ostatních prostorů > 14 °C	Neuvádí se
Beznámrazový systém	Ano
Mrazicí výkon (kg/24 h)	10
Klimatická třída (2)	SN-N-ST-T
Třída emisí hluku a emise hluku šířeného vzduchem (db(A) re 1 pW)	B(35)
Doba náběhu teploty (h)	10
Typ spotřebiče	volně stojící

## Vysvětlení:

## • Ano, ve výbavě

(1) Na základě výsledků zkoušky shody s normami v průběhu 24 hodin. Skutečná spotřeba je závislá na způsobu používání a umístění spotřebiče.

(2) Klimatická třída SN: Tento spotřebič je určen k používání při teplotě okolí mezi +10 °C a +32°C

Klimatická třída N: Tento spotřebič je určen k používání při teplotě okolí mezi +16 °C a +32°C

Klimatická třída ST: Tento spotřebič je určen k používání při teplotě okolí mezi +16 °C a +38°C

Klimatická třída T: Tento spotřebič je určen k používání při teplotě okolí mezi +16 °C a +43°C

## Další technické údaje

Napětí/frekvence	220–240 V~/50 Hz
Vstupní proud (A)	2
Hlavní pojistka (A)	8
Chladivo	R600a
Rozměry (V/Š/H v mm)	1850 / 830 / 725

Doporučujeme využívat zákaznický servis společnosti Haier a používat originální náhradní díly.

V případě problému se spotřebičem si nejprve přečtete část ŘEŠENÍ PROBLÉMŮ.

Pokud v ní nenajdete řešení, kontaktujte

- ▶ místního prodejce nebo
- ▶ naše Evropské středisko telefonické podpory (viz telefonní čísla uvedená níže) nebo
- ▶ část Servis a podpora na stránkách [www.haier.com](http://www.haier.com), kde můžete aktivovat požadavek na servis
- ▶ a kde najdete také časté dotazy.

Chcete-li kontaktovat náš servis, ujistěte se, že máte k dispozici následující údaje. Tyto údaje lze najít na výrobním štítku.

Model \_\_\_\_\_

Výrobní číslo \_\_\_\_\_

V případě záruky se také podívejte do záručního listu dodaného s výrobkem.

Evropské středisko telefonické podpory		
Země*	Telefonní číslo	Ceny
Haier Italy (IT)	199 100 912	
Haier Spain (ES)	902 509 123	
Haier Germany (DE)	0180 5 39 39 99	<ul style="list-style-type: none"> <li>• 14 ct/min pevná linka</li> <li>• max. 42 ct/min mobil</li> </ul>
Haier Austria (AT)	0820 001 205	<ul style="list-style-type: none"> <li>• 14,53 ct/min pevná linka</li> <li>• max. 20 ct/min vše ostatní</li> </ul>
Haier United Kingdom (UK)	0333 003 8122	
Haier France (FR)	0980 406 409	

\* Údaje o ostatních zemích najdete na [www.haier.com](http://www.haier.com)

Haier Europe Trading S.r.l

Branch UK

Westgate House, Westgate, Ealing

London, W5 1YY

\*Doba záruky chladničky:

Minimální záruka: 2 roky pro země EU, 3 roky pro Turecko, 1 rok pro Spojené království, 1 rok pro Rusko, 3 roky pro Švédsko, 2 roky pro Srbsko, 5 let pro Norsko, 1 rok pro Maroko, 6 měsíců pro Alžírsko, Tunisko nevyžaduje žádnou zákonnou záruku.

\*Doba dostupnosti náhradních dílů pro opravu spotřebiče:

Termostaty, snímače teploty, desky s plošnými spoji a světelné zdroje budou k dispozici po dobu nejméně sedmi let od uvedení posledního modelu spotřebiče na trh.

Madla dvířek, závěsy dvířek, přihrádky a koše budou k dispozici po dobu nejméně sedmi let a těsnění dvířek po dobu nejméně deseti let od uvedení posledního modelu spotřebiče na trh.

\* Chcete-li další informace o výrobku, navštivte stránky <https://eprel.ec.europa.eu/> nebo naskenujte kód QR na energetickém štítku dodaném se spotřebičem.

CERTIFIKÁT KVALITY

OZNAČENÍ: CHLADNIČKA

Q.C.PASSED

KONTROLOR č.

QC01

**Haier**



0060543301  
Verze A 2025

# Haier

Benutzerhandbuch



Kühl-Gefrierkombination

HDR5818DNSS  
HDR5818DNPW  
HDR5818DNMB

<u>4</u>	<u>Sicherheitsinformationen</u>	•	<u>Vor der ersten Inbetriebnahme</u>	5
			<u>Installation</u>	5
			<u>Täglicher Gebrauch</u>	6
<u>8</u>	<u>Bestimmungsgemäße Verwendung</u>	•		
<u>9</u>	<u>Produktbeschreibung</u>	•		
<u>10</u>	<u>Bedienfeld</u>	•		
<u>11</u>	<u>Verwendung</u>	•	<u>Temperatur für den Kühlschrank einstellen</u>	12
			<u>Temperatur für den Gefrierschrank einstellen</u>	12
			<u>Super Cool-Funktion</u>	13
			<u>Super Freeze-Funktion</u>	13
			<u>AI Cooling-Funktion</u>	14
<u>17</u>	<u>Ausrüstung</u>	•		
<u>19</u>	<u>Energiespartipps</u>	•		
<u>20</u>	<u>Pflege und Reinigung</u>	•		
<u>22</u>	<u>Fehlerbehebung</u>	•		
<u>26</u>	<u>Installation</u>	•		
<u>30</u>	<u>Technische Daten</u>	•		
<u>32</u>	<u>Kundenservice</u>	•		

## Vielen Dank für den Kauf eines Haier-Produkts.

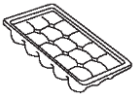
Bitte lesen Sie diese Anweisungen sorgfältig durch, bevor Sie dieses Gerät benutzen. Die Anleitung enthält wichtige Informationen, die Ihnen dabei helfen, das Gerät optimal zu nutzen und eine sichere und ordnungsgemäße Installation, Verwendung und Wartung zu gewährleisten.

Bewahren Sie diese Anleitung an einem geeigneten Ort auf, damit Sie jederzeit für die sichere und ordnungsgemäße Verwendung des Geräts darauf zurückgreifen können.

Wenn Sie das Gerät verkaufen, weggeben oder bei einem Umzug zurücklassen, vergewissern Sie sich, dass diese Anleitung auch beigelegt wird, damit sich der neue Besitzer bzw. die neue Besitzerin mit dem Gerät und den Sicherheitshinweisen vertraut machen kann.

## Zubehör

Überprüfen Sie das Zubehör und die Literatur mit dieser Liste:



Eiswürfelschale



Eierablage × 2



Energie-  
Kennzeichnung



Garantiekarte



Benutzerhandbuch



Blockierung  
stoppen × 2



Mittelgelenk



Oberes  
Scharnier



Oberes  
Scharnier  
gebogener  
Haken



Unteres  
Scharnier



Obere  
Verkleidungsabde-  
ckung



Schraubkappe  
mittlerer  
Frontbalken



Vorrichtung



## WARNUNG - Wichtige Sicherheitsinformationen



## HINWEIS - Allgemeine Informationen und Tipps



## Umweltinformationen



### Entsorgung

Tragen Sie zum Schutz der Umwelt und der menschlichen Gesundheit bei. Entsorgen Sie die Verpackung zum Recyceln in die entsprechenden Behälter. Unterstützen Sie das Recycling von Elektro- und Elektronik-Altgeräten. Entsorgen Sie Geräte, die mit diesem Symbol gekennzeichnet sind, nicht mit dem Hausmüll. Geben Sie das Produkt an Ihre lokale Recyclinganlage zurück oder wenden Sie sich an Ihre Stadtverwaltung.



### WARNUNG: Brandgefahr/brennbares Material

Das Symbol zeigt an, dass Brandgefahr besteht, da brennbare Materialien verwendet werden. Achten Sie darauf, dass kein Feuer entstehen kann, indem brennbares Material sich entzündet.



## WARNUNG!

Verletzungs- oder Erstickungsgefahr!

Kältemittel und Gase müssen fachgerecht entsorgt werden. Stellen Sie sicher, dass der Schlauch des Kühlkreislaufs nicht beschädigt ist, bevor er ordnungsgemäß entsorgt wird. Trennen Sie das Gerät von der Stromversorgung. Trennen Sie das Netzkabel und entsorgen Sie es. Entfernen Sie die Fächer und Schubladen sowie die Türöffnung und die Dichtungen, um zu verhindern, dass Kinder und Haustiere im Gerät eingeschlossen werden.

## Lesen Sie vor dem ersten Einschalten des Geräts folgende Sicherheitshinweise:



### WARNUNG!

#### Vor der ersten Inbetriebnahme

- ▶ Vergewissern Sie sich, dass keine Transportschäden vorliegen.
- ▶ Entfernen Sie alle Verpackungsteile und bewahren Sie sie außerhalb der Reichweite von Kindern auf.
- ▶ Warten Sie vor dem Einschalten des Geräts mindestens zwei Stunden, damit der Kühlkreislauf auch sicher und effektiv arbeitet.
- ▶ Das Gerät immer mit mindestens zwei Personen transportieren, da es schwer ist.

#### Installation

- ▶ Das Gerät sollte an einem gut belüfteten Ort aufgestellt werden. Idealerweise müssen mindestens 10 cm rund um das Gerät frei bleiben.
- ▶ Stellen Sie das Gerät niemals in einem feuchten Bereich oder an einem Ort auf, wo es mit Wasser nassgespritzt werden könnte. Reinigen Sie Wasserspritzer und Flecken mit einem weichen, sauberen Tuch.
- ▶ Stellen Sie das Gerät nicht in direktem Sonnenlicht oder in der Nähe von Hitzequellen (z. B. Herden, Heizungen) auf.
- ▶ Installieren und richten Sie das Gerät in einem Bereich ein, der für seine Größe und Verwendung geeignet ist.
- ▶ Halten Sie die Lüftungsschlitze am Gerät oder in der Einbaustruktur frei.
- ▶ Stellen Sie sicher, dass die elektrischen Informationen auf dem Typenschild der Stromversorgung entsprechen. Ist dies nicht der Fall, wenden Sie sich an einen Elektriker.
- ▶ Das Gerät wird über eine 220-240 V /50 Hz Stromversorgung betrieben. Abnormale Spannungsschwankungen könnten dazu führen, dass sich das Gerät nicht einschaltet, der Temperaturregler oder Kompressor beschädigt wird, oder dass während des Betriebs ein abnormales Geräusch auftritt. In einem solchen Fall ist ein automatischer Regler anzubringen.
- ▶ Verwenden Sie keine Mehrfachsteckadapter und Verlängerungskabel.
- ▶ Positionieren Sie keine Mehrfachsteckdosen oder Verlängerungen hinter dem Gerät.
- ▶ Stellen Sie sicher, dass das Netzkabel nicht durch den Kühlschrank eingeklemmt wird. Nicht auf das Netzkabel treten.
- ▶ Verwenden Sie eine separate, geerdete Steckdose für eine leicht zugängliche Stromversorgung. Das Gerät muss geerdet werden.
- ▶ Nur für Großbritannien: Das Gerätenetzkabel ist mit einem 3-adrigen Stecker (Erdungsstecker) ausgestattet, der in eine 3-adrige Norm-Buchse (geerdet) passt. Der dritte Stift (Erdung) darf auf keinen Fall gekappt oder entfernt werden. Das Gerät muss so installiert werden, dass der Stecker erreichbar ist.
- ▶ Achten Sie darauf, den Kühlkreislauf nicht zu beschädigen.



## WARNUNG!

### Täglicher Gebrauch

- ▶ Dieses Gerät kann von Kindern ab 8 Jahren und Personen mit eingeschränkten körperlichen, sensorischen oder geistigen Fähigkeiten oder mangelnder Erfahrung und mangelndem Wissen benutzt werden, wenn diese in die sichere Bedienung des Geräts eingewiesen wurden oder beaufsichtigt werden und die damit verbundenen Gefahren verstanden haben.
- ▶ Kinder im Alter von 3 bis 8 Jahren dürfen Kühlschränke be- und entladen, aber nicht reinigen und installieren.
- ▶ Kinder unter 3 Jahren vom Gerät fernhalten, es sei denn, sie werden ständig beaufsichtigt.
- ▶ Kinder dürfen nicht mit dem Gerät spielen.
- ▶ Wenn Kühlgas oder ein anderes brennbares Gas in der Nähe des Geräts austritt, drehen Sie das Ventil des austretenden Gases ab. Öffnen Sie die Türen und Fenster, und ziehen Sie nicht den Netzstecker des Kühlschranks oder eines anderen Haushaltsgeräts.
- ▶ Beachten Sie, dass das Gerät für den Betrieb bei einer bestimmten Umgebungstemperatur zwischen 10 und 43 °C eingestellt ist. Das Gerät funktioniert möglicherweise nicht ordnungsgemäß, wenn es über einen längeren Zeitraum bei einer Temperatur oberhalb oder unterhalb des angegebenen Bereichs betrieben wird.
- ▶ Stellen Sie keine instabilen Gegenstände (schwere Gegenstände, mit Wasser gefüllte Behälter) auf den Kühlschrank, um Verletzungen durch Herunterfallen oder elektrische Schläge durch Kontakt mit Wasser zu vermeiden.
- ▶ Ziehen Sie nicht an den Türfächern. Die Tür kann schief verzogen werden, das Flaschenregal kann herausgezogen werden, oder das Gerät kann umkippen.
- ▶ Schließen und öffnen Sie die Tür nur mit den Griffen. Der Spalt zwischen den Türen sowie zwischen den Türen und dem Schrank ist sehr schmal. Stecken Sie nicht Ihre Hände in diese Bereiche, um zu vermeiden, dass Sie Ihre Finger eingeklemmt werden. Die Kühlschranktüren nur dann öffnen oder schließen, wenn keine Kinder im Bewegungsbereich der Tür stehen.
- ▶ Keine brennbaren, explosionsfähigen oder korrosiven Substanzen im Gerät oder in der Nähe verwenden.
- ▶ Lagern Sie keine Arzneimittel, Bakterien oder Chemikalien im Gerät. Dieses Gerät ist ein Haushaltsgerät. Es wird davon abgeraten, Materialien zu lagern, die extreme Temperaturen erfordern.
- ▶ Lagern Sie niemals Flüssigkeiten in Flaschen oder Dosen (außer hochprozentige Spirituosen), insbesondere kohlenensäurehaltige Getränke, im Gefrierschrank, da diese beim Einfrieren platzen können.
- ▶ Überprüfen Sie den Zustand der Lebensmittel, wenn die Temperatur im Gefrierschrank angestiegen ist.
- ▶ Stellen Sie keine unnötig niedrigen Temperaturen im Kühlfach ein. Bei hohen Einstellungen kann es zu Minustemperaturen kommen. Achtung: Flaschen können platzen.
- ▶ Berühren Sie Gefriergut nicht mit nassen Händen (Handschuhe tragen). Verzehren Sie insbesondere Eis am Stiel nicht sofort nach der Entnahme aus dem Gefrierfach. Es besteht die Gefahr des Erfrierens oder der Bildung von Frostblasen an Mund und Zunge. ERSTE HILFE: Sofort unter fließend kaltes Wasser halten. Nicht mit Gewalt abziehen!
- ▶ Berühren Sie nicht die Innenfläche des Gefrierfachs, wenn es in Betrieb ist, insbesondere nicht mit nassen Händen, da Ihre Hände an der Oberfläche festfrieren könnten.



## WARNUNG!

### Täglicher Gebrauch

- ▶ Ziehen Sie den Gerätestecker aus der Steckdose, falls die Stromversorgung unterbrochen wird oder bevor Sie das Gerät reinigen. Warten Sie vor dem Neustart mindestens 7 Minuten, da durch häufiges Einschalten der Kompressor beschädigt werden kann.
- ▶ Verwenden Sie Im Inneren des Haushaltsgeräts keine elektrischen Geräte, es sei denn, sie werden vom Hersteller empfohlen. Wartung / Reinigung
- ▶ Kinder müssen beaufsichtigt werden, wenn sie das Gerät reinigen und warten.
- ▶ Trennen Sie das Gerät von der Stromversorgung, bevor Sie eine routinemäßige Wartung durchführen. Warten Sie vor dem Neustart mindestens 5 Minuten, da durch häufiges Einschalten der Kompressor beschädigt werden kann.
- ▶ Fassen Sie beim Herausziehen des Gerätesteckers aus der Steckdose den Stecker und nicht das Kabel an.
- ▶ Reinigen Sie das Gerät nicht mit harten Bürsten, Drahtbürsten, Reinigungspulver, Benzin, Amylacetat, Aceton und ähnlichen organischen Lösungen, Säure oder Alkalilösungen. Reinigen Sie das Gerät mit einem speziellen Reinigungsmittel für Kühlgeräte, um Beschädigungen zu vermeiden.
- ▶ Kratzen Sie Eis nicht mit scharfkantigen Gegenständen ab. Verwenden Sie keine Sprays, elektrischen Heizgeräte, Haartrockner zum Abtauen oder Dampfreiniger im Gerät, um Beschädigungen der Kunststoffteile zu vermeiden.
- ▶ Verwenden Sie keine mechanischen oder sonstigen Hilfsmittel, um den Abtauvorgang zu beschleunigen, es sei denn, dies wird vom Hersteller so empfohlen.
- ▶ Wenn das Stromkabel beschädigt ist, muss es vom Hersteller, von seinem Service-Mitarbeiter oder einer gleichwertig qualifizierten Person ausgetauscht werden, um jegliches Risiko zu vermeiden.
- ▶ Versuchen Sie nicht, das Gerät selbst zu reparieren, zu zerlegen oder zu verändern. Bei Reparaturen wenden Sie sich bitte an unseren Kundenservice.
- ▶ Entfernen Sie den Staub auf der Geräterückseite mindestens einmal im Jahr, um Brandgefahr und einen erhöhten Energieverbrauch zu vermeiden.
- ▶ Das Gerät darf während der Reinigung nicht besprüht oder mit Wasser beschüttet werden.
- ▶ Das Gerät darf nicht mit Wasser besprüht oder mit Dampf gereinigt werden.
- ▶ Reinigen Sie die kalten Einlegeböden aus Glas nicht mit heißem Wasser. Plötzliche Temperaturschwankungen können dazu führen, dass das Glas zerspringt.

### Informationen zum Kältemittelgas

- ▶ Das Gerät enthält das entzündliche Kältemittel ISOBUTAN (R600a). Stellen Sie sicher, dass der Kühlkreislauf während des Transports oder der Installation nicht beschädigt wird. Auslaufendes Kältemittel kann Augenverletzungen verursachen oder sich entzünden. Falls Schäden aufgetreten sind, halten Sie sich von offenen Brandquellen fern, lüften Sie den Raum gründlich, stecken Sie die Netzkabel des Geräts oder eines anderen Geräts nicht ein oder aus. Informieren Sie den Kundenservice.
- ▶ Falls die Augen mit dem Kältemittel in Kontakt kommen, spülen Sie sofort unter fließendem Wasser aus und verständigen Sie den Augenarzt.

## Bestimmungsgemäße Verwendung

Dieses Gerät ist zum Kühlen und Gefrieren von Lebensmitteln bestimmt. Es ist ausschließlich für den Einsatz in Haushalten und ähnlichen Bereichen konzipiert, wie z. B. in Personalküchen in Geschäften, Büros und anderen Arbeitsumgebungen, auf Bauernhöfen und in Hotels, Motels und anderen wohnähnlichen Umgebungen sowie in Bed-and-Breakfasts und für Catering-Zwecke. Das Gerät ist nicht für die kommerzielle oder industrielle Nutzung bestimmt.

Änderungen oder Anpassungen am Gerät sind nicht erlaubt. Eine unsachgemäße Verwendung kann zu Gefahren und zum Verlust von Garantieansprüchen führen.

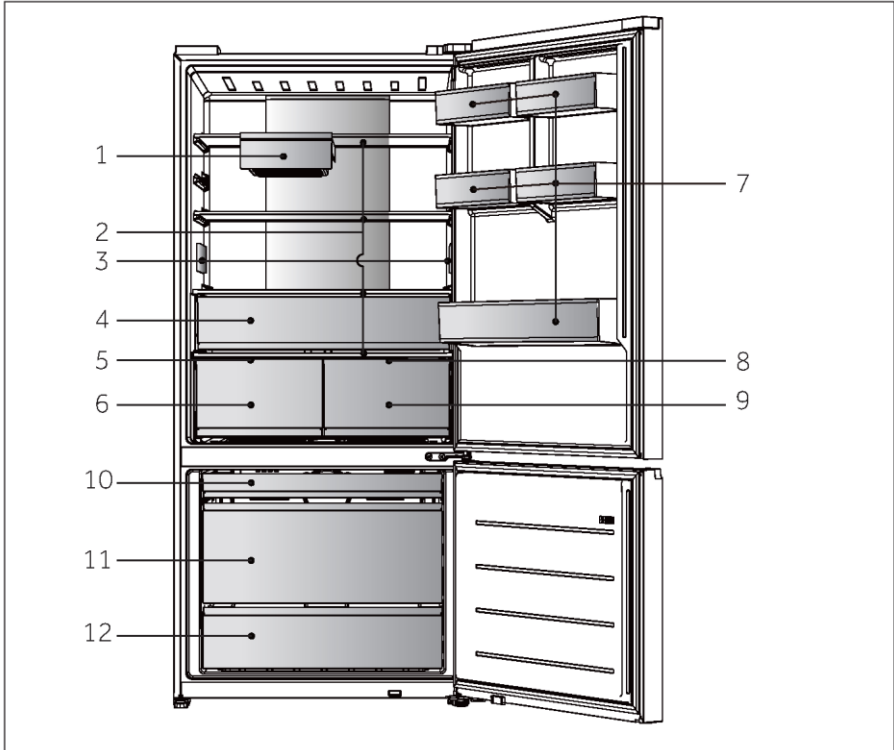
## Normen und Richtlinien

Dieses Produkt erfüllt die Anforderungen aller geltenden EG-Richtlinien mit den entsprechenden harmonisierten Normen, die eine CE-Kennzeichnung vorsehen.



## HINWEIS

Aufgrund von technischen Änderungen und unterschiedlichen Modellen können einige der Abbildungen in dieser Anleitung von Ihrem Modell abweichen.



A: Kühlfach des Kühlschranks

B: Gefrierfach

1 Lunchbox

10 Herausziehbare Ablage

2 Einlegeböden aus Glas

11 Gefrierzone

3 AI Cooling

12 Gefrierzone

4 Fresh Zone

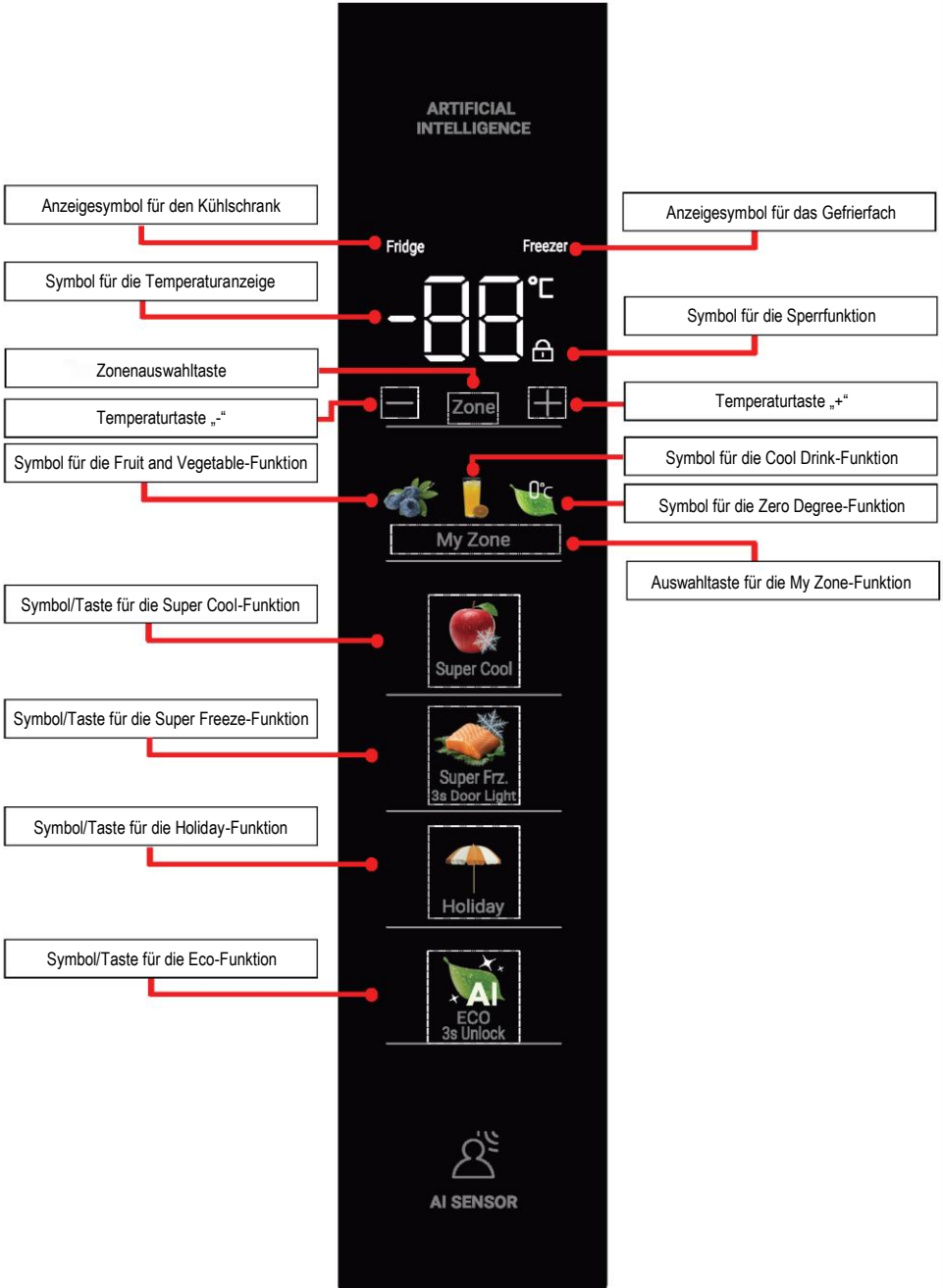
5 Abdeckung Humidity Zone

6 Humidity Zone

7 Flaschenhalter

8 Abdeckung My Zone

9 My Zone



## Vor der ersten Inbetriebnahme

- ▶ Entfernen Sie sämtliches Verpackungsmaterial, bewahren Sie es außerhalb der Reichweite von Kindern auf und entsorgen Sie es umweltfreundlich.
- ▶ Reinigen Sie das Gerät innen und außen mit Wasser und einem milden Reinigungsmittel, bevor Sie Lebensmittel hineinlegen.
- ▶ Warten Sie nach dem Nivellieren und Reinigen mindestens 2-5 Stunden, bevor Sie das Gerät an die Stromversorgung anschließen. Siehe Abschnitt INSTALLATION.
- ▶ Kühlen Sie die Fächer auf hoher Stufe vor, bevor Sie die Lebensmittel einlegen. Die Power-Freeze-Funktion sorgt für eine schnelle Abkühlung des Gefrierfachs.
- ▶ Kühl- und Gefriertemperatur werden automatisch auf 5°C bzw. -18°C eingestellt. Dies sind die empfohlenen Einstellungen. Falls gewünscht, können Sie diese Temperatur manuell ändern. Siehe EINSTELLEN DER TEMPERATUR.

## Sensortasten

Die Tasten auf dem Bedienfeld sind Sensortasten, die schon bei leichter Berührung mit dem Finger ansprechen.

## Gerät ein-/ausschalten

Das Gerät ist sofort in Betrieb, wenn es an die Stromversorgung angeschlossen wird.

Wenn der Kühlschrank zum ersten Mal eingeschaltet wird, leuchtet die Temperaturanzeige.

Kühl- und Gefriertemperatur werden automatisch auf 5°C bzw. -18°C eingestellt.

Möglicherweise ist die Bedienfeldsperre aktiv.



## HINWEIS

Wenn das Gerät, nachdem es von der Hauptstromversorgung getrennt wurde, eingeschaltet wird, kann es bis zu 12 Stunden dauern, bis die richtigen Temperaturen erreicht sind.

Räumen Sie das Gerät vor dem Ausschalten aus. Schalten Sie das Gerät aus, indem Sie den Netzstecker aus der Steckdose ziehen.

## Bedienfeld sperren/entsperren

Automatische Sperre: Wenn die Kühlschranktür und die Gefrierschranktür geschlossen sind und innerhalb von 30 Sekunden keine Tastenbetätigung erfolgt, wird der Bildschirm automatisch gelöscht und gesperrt.

Manuelle Sperre: Wenn das Anzeigefeld entsperrt ist, drücken Sie die Taste der Eco-Funktion und halten Sie sie 3 Sekunden lang gedrückt; der Summer ertönt einmal, das Symbol für die Sperrfunktion leuchtet auf und das Anzeigefeld ist gesperrt.

## Temperatur einstellen

Die Temperaturen im Inneren werden durch folgende Faktoren beeinflusst:

Umgebungstemperatur

Häufigkeit der Türöffnung

Menge der gelagerten Lebensmittel

Installation des Geräts

### Einstellen der Temperatur für den Kühlschrank

Drücken Sie nach dem Entsperren die Zonenauswahltaaste, um die Zone des Kühlschranks auszuwählen (das Kühlschranksymbol leuchtet auf). Mit jedem Tastendruck wird die Temperatur um 1 °C angepasst. Die Einstellungen werden nach 5 Sekunden Inaktivität (der Bildschirm schaltet sich aus) bestätigt oder sofort, wenn andere Tasten gedrückt werden. Anpassungssequenz:

„+“: 1°C ➔ 2°C ➔ 3°C ➔ 4°C ➔ 5°C ➔ 6°C ➔ 7°C ➔ 8°C ➔ 9°C

„-“: 9°C ➔ 8°C ➔ 7°C ➔ 6°C ➔ 5°C ➔ 4°C ➔ 3°C ➔ 2°C ➔ 1°C



#### HINWEIS

Die Kühltemperatur kann im Super Cool-Modus oder im gesperrten Modus nicht eingestellt werden.

### Einstellen der Temperatur für den Gefrierschrank

Wenn das Anzeigefeld während des Betriebs entsperrt ist, drücken Sie die Zonenauswahltaaste, um die Zone des Gefrierschranks auszuwählen (das Gefrierschranksymbol leuchtet auf). Mit jedem Drücken von „+“/„-“ wird die Temperatur um 1 °C angepasst (Blinken mit 1-Hz-Frequenz).

Die Einstellungen werden nach 5 Sekunden Inaktivität automatisch gespeichert. Durch Drücken anderer Tasten wird die Einstellung sofort bestätigt und die Funktion gewechselt.

Reihenfolge der Einstellung:

„+“: -24°C ➔ -23°C ➔ -22°C ➔ -21°C ➔ -20°C ➔ -19°C ➔ -18°C ➔ -17°C ➔ -16°C

„-“: -16°C ➔ -17°C ➔ -18°C ➔ -19°C ➔ -20°C ➔ -21°C ➔ -22°C ➔ -23°C ➔ -24°C



#### HINWEIS

Die Gefriertemperatur kann im Super Freeze- oder im gesperrten Modus nicht eingestellt werden.



## HINWEIS

Wenn nach dem Einstellen der Temperatur innerhalb von 5 Sekunden kein Betätigungsvorgang erfolgt, ermittelt und speichert das System automatisch die eingestellte Temperatur.

## Super-Cool-Funktion

Aktivieren des Super Cool-Modus:

Klicken Sie im entsperreten Modus auf die Taste [ Super Cool ], das Symbol [ Super Cool ] leuchtet auf und der Kühlschrank schaltet in den Super Cool-Modus.

Deaktivieren des Super Cool-Modus:

1. Klicken Sie im entsperreten und Super Cool-Modus auf die [Super Cool]-Schaltfläche, das [SuperCool]-Symbol erlischt und der Super Cool-Modus wird manuell aufgehoben.
2. Wenn der Kühlschrank die eingestellte Zeit erreicht hat, schaltet er automatisch den Super Cool-Modus aus. 4 Stunden nach Aktivierung des Super Cool-Modus, verlässt das Gerät diesen automatisch.

## Super-Frz-Funktion

Aktivieren des Super Freeze-Modus:

Klicken Sie im entsperreten Modus auf die Taste [ Super Frz. ], das Symbol [ Super Frz. ] leuchtet auf und der Kühlschrank wird in den Super Freeze-Modus versetzt.

Deaktivieren des Super Freeze-Modus:

1. Klicken Sie im entsperreten und Super Freeze-Modus auf die Schaltfläche [Super Frz.], das Symbol [SuperFrz.] erlischt und der Super Freeze-Modus wird manuell aufgehoben.
2. Wenn der Kühlschrank die eingestellte Zeit erreicht hat, schaltet er automatisch den Super Freeze-Modus aus. 50 Stunden nach Aktivierung des Super Frz-Modus verlässt das Gerät diesen automatisch.

Die Super Freeze-Funktion ist so konzipiert, dass der Nährwert der gefrorenen Lebensmittel erhalten bleibt und die Lebensmittel in kürzester Zeit eingefroren werden. Wenn große Mengen an Gefriergut auf einmal eingefroren werden sollen, sollte die Super-Freeze-Funktion genutzt werden. Die Super-Freeze-Funktion sollte 24 Stunden im Voraus eingestellt werden, damit der Gefrierschrank eine niedrige Temperatur hat und das Gefriergut hineingelegt werden kann. In diesem Fall wird die Gefriereschwindigkeit des Gefrierschranks beschleunigt, die Lebensmittel können schnell eingefroren werden, der Nährwert von Lebensmitteln bleibt erhalten, und die Lagerung wird optimiert.

## AI Cooling-Funktion

Wenn Sie geschmorte oder gekochte Speisen schnell abkühlen müssen, können Sie die Speisen zum schnellen Abkühlen auf den dieser Funktion entsprechenden Einlegeboden aus Glas stellen.

Wenn der Kühlschrank eine Wärmequelle auf dem Einlegeboden aus Glas erkennt, der dieser Funktion entspricht, beginnen die blauen Lichter auf beiden Seiten zu blinken. Wenn die erfasste Wärmequelle länger als 5 Sekunden anhält, geht das Gerät in diese Funktion über und die blauen Lichter auf beiden Seiten leuchten auf. Wenn die erfasste Wärmequelle weniger als 5 Sekunden lang anhält, wird diese Funktion nicht gestartet, und die blauen Lichter blinken für etwa 5 Sekunden und erlöschen dann.

Nach dem Start dieser Funktion leuchten die blauen Lichter auf beiden Seiten (wenn die Tür geöffnet ist), und die Ventilatoren auf beiden Seiten beginnen zu arbeiten. Nach dem Schließen der Tür erlöschen die blauen Lichter auf beiden Seiten, und die Ventilatoren auf beiden Seiten arbeiten weiter. Nachdem die Wärmequelle abgekühlt ist, wird diese Funktion beendet, die blauen Lichter auf beiden Seiten erlöschen und die Ventilatoren auf beiden Seiten werden ausgeschaltet.



### HINWEIS

1 Wenn Sie einen Suppentopf oder andere dampfabgebende Lebensmittel hineinstellen, verschließen Sie den Behälter bitte mit einem Deckel oder bedecken Sie ihn mit Frischhaltefolie, bevor Sie ihn hineinstellen.

2 Es wird empfohlen, Melonen, Obst und Gemüse in die Obst- und Gemüseschublade zu legen, damit es frisch bleibt und nicht austrocknet. Wenn Sie Lebensmittel in diesen Funktionsbereich stellen, blockieren Sie bitte nicht die runden Lufteinlässe auf beiden Seiten oder den langen Luftauslass.

3 Der Starttest für diese Funktion wurde mit einem Suppentopf aus rostfreiem Stahl durchgeführt (ein handelsüblicher türkischer Suppentopf aus rostfreiem Stahl mit einem Durchmesser des Topfkörpers von 275 mm, einer Höhe des Topfkörpers von 150 mm und einer Gesamthöhe mit Deckel von 200 mm), der auf dem Einlegeboden in der abgebildeten Position platziert wurde. Der Topf war zu 2/3 mit Flüssigkeit gefüllt, die Außenwandtemperatur des Topfes lag bei 35 °C, die Umgebungstemperatur während des Tests betrug 25 °C, und der Kühlschrank arbeitete stabil mit der werkseitigen Standardeinstellung.

4 Wenn die Wärmequelle zu klein oder die Temperatur zu niedrig ist, startet diese Funktion möglicherweise nicht automatisch.

5 Wenn die Zugriffsaktionen des Benutzers in diesem Funktionsbereich zu lange dauern oder die Tür zu lange geöffnet ist, kann diese Funktion ebenfalls ausgelöst werden.

6. Wenn Sie den Holiday-Modus aktivieren, während die AI Cooling-Funktion läuft, wird die AI Cooling-Funktion ausgeschaltet.

## My Zone-Funktion

Die My Zone-Funktion ist entsprechend den Funktionseinstellungen angepasst und eingestellt. Sie werden nacheinander durch drei Funktionssymbole dargestellt: „Fruits & Vegetables (5°C), Cool Drink (2°C), 0°C Fresh (0°C)“. Beim ersten Einschalten ist die Standardeinstellung „Fruits & Vegetables (5°C)“. Wenn sie entsperrt ist, drücken Sie die My Zone-Taste auf der Startseite, um die Einstellungsseite für die My Zone-Funktion aufzurufen. Klicken Sie auf die My Zone-Taste, um My Zone auf die entsprechende Einstellung umzuschalten. Der Status der My Zone-Einstellung bleibt auch nach einem Stromausfall erhalten.



### HINWEIS

Im Holiday-Modus wird das Kühlfach mit variabler Temperatur auf 17°C eingestellt und arbeitet entsprechend den Ein-/Aus-Sollwerten von Ein bei 20°C / Aus bei 16°C.

## Personenerkennungsfunktion

Die Personenerkennungsfunktion ist standardmäßig aktiviert. Halten Sie die Taste „Super Frz.“ 3 Sekunden lang gedrückt, um die Personenerkennungsfunktion ein- oder auszuschalten. Nachdem Sie diese Funktion aktiviert haben, leuchtet das Anzeigefeld auf, wenn Sie sich dem Kühlschrank nähern, und die blaue Türbeleuchtung wird im Wechsel heller und dunkler.

## Holiday-Funktion

Drücken Sie die Holiday-Taste im entsperrten Modus:

Erstes Drücken: Die Holiday-Funktion wird aktiviert (Symbol leuchtet, Signalton ertönt)

Zweites Drücken: Die Holiday-Funktion wird deaktiviert (Symbol erlischt, Piepton ertönt)

## Eco-Funktion

Wenn das Anzeigefeld aufleuchtet, der Kühlschrank noch nicht im Eco-Modus läuft und das Anzeigefeld entsperrt ist, drücken Sie einmal die „Eco“-Taste: Das Symbol für die Smart-Funktion erscheint, der Summer ertönt einmal und die Eco-Funktion wird aktiviert.

Wenn das Anzeigefeld aufleuchtet, der Kühlschrank im Eco-Modus läuft und das Anzeigefeld entsperrt ist, drücken Sie einmal die „Eco“-Taste: Das Symbol für die Smart-Funktion wird ausgeschaltet, der Summer ertönt einmal und die Eco-Funktion wird deaktiviert.



## HINWEIS

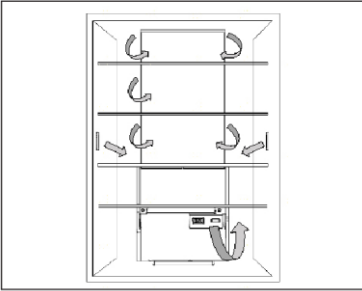
Im Eco-Modus stellt der Kühlschrank die Temperatur des Frischhaltefachs automatisch auf 5 °C und die des Gefrierfachs auf -18 °C ein und zeigt sie an.

In diesem Modus können die Temperaturen der Kühl- und Gefrierfächer nicht manuell eingestellt werden.

Die Temperatur des My Zone-Fachs kann individuell eingestellt werden und wird entsprechend der Einstellung des Benutzers betrieben.

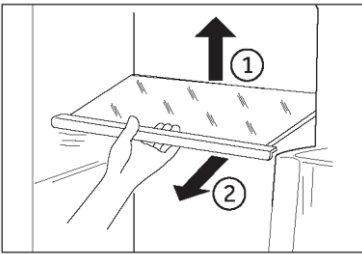
Nach dem Verlassen des Eco-Modus kehren die Kühl- und Gefrierfächer zu den Temperatureinstellungen zurück, die Sie vor dem Eintritt in den Eco-Modus gewählt hatten.

Die Einstellungen für das My Zone-Fach bleiben unverändert, und andere Betriebsmodi werden nicht beeinträchtigt.



### Mehrfach-Luftstrom

1. Der Kühlschrank ist mit einem Mehrfach-Luftstrom-System ausgestattet, bei dem auf jeder Einlegebodenebene kühle Luftströme zirkulieren. Dadurch wird eine gleichmäßige Temperatur aufrechterhalten, um sicherzustellen, dass Ihre Lebensmittel länger frisch bleiben.



### Verstellbare Einlegeböden

1. Die Höhe der Einlegeböden kann an Ihren Lagerbedarf angepasst werden.
2. Um einen Einlegeboden zu versetzen, heben Sie ihn an der Hinterkante an ① und ziehen Sie ihn heraus ②.
3. Um ihn wieder einzubauen, setzen Sie ihn auf die Träger an beiden Seiten und schieben Sie ihn ganz nach hinten, bis die Rückseite des Einlegebodens in den Schlitz an den Seiten steckt.
4. Das Regal „POT STATION“ hat eine maximale Tragfähigkeit von 200 kg und bleibt unbeschädigt. Bei einer Belastung von über 80 kg kann die normale Funktion der Schublade „Fresh Zone“ beeinträchtigt werden (Daten aus dem internen Labor).



### HINWEIS

Prüfen Sie, ob alle Seiten des Regalbodens waagrecht sind.

### My Zone-Schublade

1. In diesem Fach ist die Luftfeuchtigkeit niedriger als im restlichen Kühlschrank. Diese Schublade eignet sich für die Lagerung von Trockenobst und anderen trockenen Lebensmitteln mit geringem Wassergehalt wie Butter, Fette und Öle oder Schokolade.

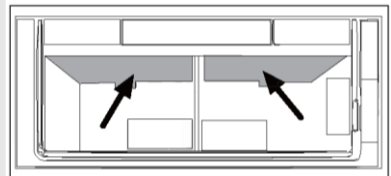
### Humidity Box-Schublade

1. In diesem Fach ist die Luftfeuchtigkeit höher als im Kühlfach. Sie wird automatisch vom System gesteuert und eignet sich für die Lagerung von Obst, Gemüse, Salaten usw.



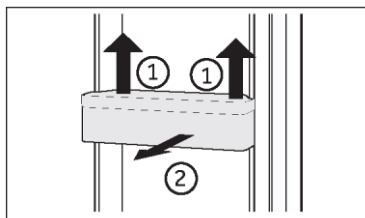
### HINWEIS

1. Entfernen Sie nicht die Kunststoffabdeckung in den beiden Zonen.
2. Sie halten die Feuchtigkeit aufrecht.
3. Kälteempfindliche Früchte wie Ananas, Avocado, Bananen und Grapefruits sollten nicht in diesen beiden Fächern gelagert werden.



## Abnehmbare Türfächer/Flaschenhalter

1. Die Türablagen können zur Reinigung herausgenommen werden:
2. Halten Sie dazu die Ablage mit beiden Händen fest, heben Sie sie nach oben ① und ziehen Sie sie heraus ②.
3. Um die Ablage wieder einzusetzen, werden die oben genannten Schritte in umgekehrter Reihenfolge durchgeführt.



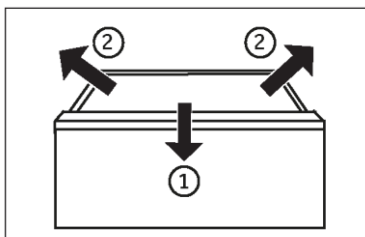
## HINWEIS

Wenn das Gerät eingeschaltet wird, kann es bis zu 12 Stunden dauern, bis die richtigen Temperaturen erreicht sind.

## Herausnehmbare Schublade

Um die Schublade herauszunehmen, diese bis zum Anschlag herausziehen ①, anheben und herausnehmen ②.

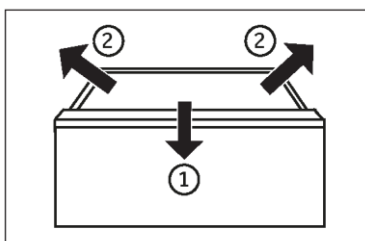
Um die Schublade wieder einzusetzen, werden die oben genannten Schritte in umgekehrter Reihenfolge durchgeführt.



## Aufbewahrung großer Lebensmittel

Große Lebensmittel, wie z. B. Tiefkühlware, können wie folgt gelagert werden:

Entfernen der oberen Gefrierschale, oder die beiden oberen Gefrierablagen sowie die mittlere Gefrierschublade herausnehmen und die Lebensmittel direkt auf der Regalfläche lagern.



## Das Licht

Die LED-Innenbeleuchtung leuchtet, wenn die Tür geöffnet wird. Die Leistung der LEDs wird durch keine der anderen Geräteeinstellungen beeinflusst.

## Die Schublade

Bitte schieben oder ziehen Sie den Schubladengriff gleichmäßig in der Mitte, um Probleme wie Funktionsstörungen oder ein Herausfallen der Schublade zu vermeiden.



## Energiespartipps

- ▶ Stellen Sie sicher, dass das Gerät ordnungsgemäß belüftet ist (siehe INSTALLATION).
- ▶ Stellen Sie das Gerät nicht in direktem Sonnenlicht oder in der Nähe von Hitzequellen (z. B. Herden, Heizungen) auf.
- ▶ Vermeiden Sie unnötig niedrige Temperaturen im Gerät. Je niedriger die im Gerät eingestellte Temperatur, umso höher der Energieverbrauch.
- ▶ Funktionen wie POWER-FREEZE verbrauchen mehr Energie.
- ▶ Lassen Sie warme Mahlzeiten abkühlen, bevor Sie diese in den Kühlschrank stellen.
- ▶ Öffnen Sie die Gerätetür so wenig und so kurz wie möglich.
- ▶ Achten Sie darauf, das Gerät nicht zu überladen, um den Luftstrom nicht zu behindern.
- ▶ Vermeiden Sie Luft innerhalb der Lebensmittelverpackung.
- ▶ Halten Sie die Türdichtungen sauber, damit die Tür immer richtig schließt.
- ▶ Tauen Sie gefrorene Lebensmittel im Vorratsfach des Kühlschranks auf.
- ▶ Die energiesparendste Konfiguration erfordert, dass das Gerät Schubladen, Lebensmittelboxen und Einlegeböden in fabriksauberem Zustand enthält, und die Lebensmittel sollten so weit wie möglich von den Auslässen des Luftkanals eingeräumt werden und diesen nicht blockieren.



## WARNUNG!

Trennen Sie das Gerät vor der Reinigung von der Stromversorgung.

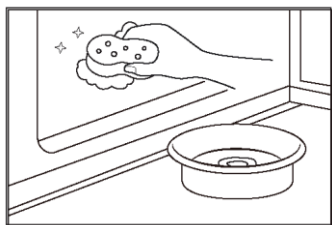
### Reinigung

1. Reinigen Sie das Gerät, wenn nur wenig oder keine Lebensmittel gelagert werden.
2. Das Gerät sollte alle vier Wochen gereinigt werden, um eine gute Wartung zu gewährleisten und um schlechte Gerüche von gelagerten Lebensmitteln zu vermeiden.



## WARNUNG!

- ▶ Reinigen Sie das Gerät nicht mit harten Bürsten, Drahtbürsten, Reinigungspulver, Benzin, Amylacetat, Aceton und ähnlichen organischen Lösungen, Säure oder Alkalilösungen. Reinigen Sie das Gerät mit einem speziellen Reinigungsmittel für Kühlgeräte, um Beschädigungen zu vermeiden.
- ▶ Das Gerät darf während der Reinigung nicht besprüht oder mit Wasser beschüttet werden.
- ▶ Das Gerät darf nicht mit Wasser besprüht oder mit Dampf gereinigt werden.
- ▶ Reinigen Sie die kalten Einlegeböden aus Glas nicht mit heißem Wasser. Plötzliche Temperaturschwankungen können dazu führen, dass das Glas zerspringt.
- ▶ Berühren Sie nicht die Innenfläche des Gefrierfachs, wenn es in Betrieb ist, insbesondere nicht mit nassen Händen, da Ihre Hände an der Oberfläche festfrieren könnten.
- ▶ Überprüfen Sie bei einem eventuellen Temperaturanstieg den Zustand des Gefrierguts.



- ▶ Halten Sie die Türdichtung immer sauber.
- ▶ Reinigen Sie das Innere und das Gehäuse des Geräts mit einem Schwamm, der mit warmem Wasser und einem neutralen Reinigungsmittel angefeuchtet wurde.
  1. Säubern Sie den Kühlschrank innen und außen, einschließlich Türdichtungen, Türablage, Einlegeböden aus Glas, Schubladen usw., gründlich mit einem weichen Geschirrtuch oder einem Schwamm, der in warmes Wasser eingetaucht wurde (eventuell mit etwas neutralem Reinigungsmittel im Wasser).
- ▶ 2. Wenn Flüssigkeit verschüttet wurde, nehmen Sie alle verschmutzten Teile heraus, spülen Sie sie unter fließendem Wasser ab, trocknen Sie sie ab und setzen Sie sie wieder in den Kühlschrank ein.
- ▶ 3. Bei verschütteten Milchprodukten (z. B. Sahne, schmelzendes Eis) entfernen Sie die verunreinigten Teile, legen Sie sie für eine Weile in ca. 40 °C warmes Wasser, spülen Sie sie dann unter fließendem Wasser ab, trocknen Sie sie ab und setzen Sie sie wieder in den Kühlschrank ein.
- ▶ 4. Falls ein kleines Teil oder Krümel im Inneren des Kühlschranks (zwischen die Ablagen oder Schubladen) festsitzen, lösen Sie die Verunreinigung mit einer weichen Zahnbürste. Wenn Sie die Verunreinigung nicht entfernen konnten, wenden Sie sich bitte an den Haier-Kundendienst.
- ▶ Wischen Sie den Kühlschrank mit einem feuchten Tuch gründlich aus und trocknen Sie ihn mit einem weichen Tuch ab.
- ▶ Reinigen Sie Geräteteile nicht in einer Geschirrspülmaschine.
- ▶ Warten Sie vor dem Neustart des Geräts mindestens 5 Minuten, da ein häufiger Neustart den Kompressor beschädigen kann.

### Abtauen

Das Abtauen des Kühl- und Gefrierschranks erfolgt automatisch, es ist keine manuelle Tätigkeit erforderlich.

## Austausch der LED-Leuchten



### WARNUNG!

Wechseln Sie die LED nicht selbst. Sie darf nur vom Hersteller oder von einem autorisierten Service-Mitarbeiter ausgetauscht werden.

Die Leuchte nutzt als Lichtquelle eine LED mit geringem Energieverbrauch und langer Lebensdauer. Bei Anomalien wenden Sie sich bitte an den Kundenservice. Siehe KUNDENSERVICE.

Parameter der Leuchte:

Kühlfach: 12 V max. 8 W

Gefrierschrank: 12 V max. 2 W

Blaue Türleuchte: 12 V max. 3 W

### Nichtverwendung für einen längeren Zeitraum

Wenn das Gerät über einen längeren Zeitraum nicht benutzt wird und Sie die Holiday-Funktion für den Kühlschrank nicht verwenden:

Nehmen Sie die Lebensmittel heraus.

Ziehen Sie das Netzkabel ab.

Reinigen Sie das Gerät wie oben beschrieben.

Lassen Sie die Türen auf, um die Bildung von schlechten Gerüchen zu verhindern.



### HINWEIS

Schalten Sie das Gerät nur aus, wenn es unbedingt nötig ist.

### Verstellen des Geräts

1. Nehmen Sie alle Lebensmittel heraus und ziehen Sie den Gerätestecker aus der Steckdose.
2. Fixieren Sie die Einlegeböden und andere bewegliche Teile im Kühlschrank und im Gefrierschrank mit Klebeband.
3. Den Kühlschrank um maximal 45° kippen, um eine Beschädigung des Kühlsystems zu vermeiden.



### WARNUNG!

- ▶ Heben Sie das Gerät nicht an seinen Griffen an.
- ▶ Stellen Sie das Gerät niemals waagrecht auf den Boden.

Viele auftretende Probleme können von Ihnen selbst ohne spezifische Fachkenntnisse gelöst werden. Bei Problemen prüfen Sie bitte alle angezeigten Möglichkeiten und befolgen Sie die nachstehenden Anweisungen, bevor Sie einen Kundendienst kontaktieren. Siehe KUNDENSERVICE.



## WARNUNG!

- ▶ Schalten Sie das Gerät vor der Wartung aus und ziehen Sie den Netzstecker aus der Steckdose.
- ▶ Elektrische Geräte sollten nur von qualifizierten Fachelektrikern repariert werden, da unsachgemäße Reparaturen erhebliche Folgeschäden verursachen können.
- ▶ Eine beschädigte Lieferung sollte nur vom Hersteller, von seinem Service-Mitarbeiter oder einer gleichwertig qualifizierten Person ausgetauscht werden, um jegliches Risiko zu vermeiden.

Problem	Mögliche Ursache	Mögliche Behebung
Der Kompressor funktioniert nicht.	<ul style="list-style-type: none"> <li>• Der Netzstecker ist nicht an die Steckdose angeschlossen.</li> <li>• Das Gerät befindet sich im Abtauvorgang.</li> </ul>	<ul style="list-style-type: none"> <li>• Den Netzstecker anschließen.</li> <li>• Dies ist normal für eine automatische Abtaugung.</li> </ul>
Das Gerät läuft häufig oder zu lange.	<ul style="list-style-type: none"> <li>• Die Innen- oder Außentemperatur ist zu hoch.</li> <li>• Das Gerät wurde über einen längeren Zeitraum ausgeschaltet.</li> <li>• Eine Gerätetür wurde nicht richtig geschlossen.</li> <li>• Die Tür wurde zu häufig oder zu lange geöffnet.</li> <li>• Die Temperatur für den Gefrierschrank ist zu niedrig.</li> <li>• Die Türdichtungen sind verschmutzt, verschlissen, gerissen oder verrutscht.</li> <li>• Die erforderliche Luftzirkulation ist nicht gewährleistet.</li> </ul>	<ul style="list-style-type: none"> <li>• In diesem Fall ist es normal, dass das Gerät länger läuft.</li> <li>• Normalerweise dauert es 8 bis 12 Stunden, bis das Gerät vollständig abgekühlt ist.</li> <li>• Tür/Schublade schließen und sicherstellen, dass das Gerät auf einem ebenem Untergrund steht und dass keine Lebensmittel oder Behälter gegen die Tür stoßen.</li> <li>• Die Tür/Schublade nicht zu häufig öffnen.</li> <li>• Die Temperatur höher einstellen, bis eine zufriedenstellende Kühlschranktemperatur erreicht ist. Es dauert 24 Stunden, bis sich die Kühlschranktemperatur stabilisiert hat.</li> <li>• Die Tür-/Schubladendichtungen reinigen oder vom Kundenservice ersetzen lassen.</li> <li>• Für eine ausreichende Belüftung sorgen.</li> </ul>
Das Innere des Kühlschranks ist schmutzig und/oder übelriechend.	<ul style="list-style-type: none"> <li>• Das Innere des Kühlschranks muss gereinigt werden.</li> <li>• Lebensmittel mit starkem Geruch werden im Kühlschrank gelagert.</li> </ul>	<ul style="list-style-type: none"> <li>• Das Innere des Kühlschranks reinigen.</li> <li>• Diese Lebensmittel sorgfältig einpacken.</li> </ul>

Problem	Mögliche Ursache	Mögliche Behebung
Das Innere des Geräts ist nicht kalt genug.	<ul style="list-style-type: none"> <li>Die Temperatur ist zu hoch eingestellt.</li> <li>Es wurden zu warme Lebensmittel eingelagert.</li> <li>Es wurden zu viele Lebensmittel auf einmal hineingelegt.</li> <li>Die Lebensmittel liegen zu dicht beieinander.</li> <li>Eine Tür/Schublade wurde nicht richtig geschlossen.</li> <li>Die Tür/Schublade wurde zu häufig oder zu lange geöffnet.</li> </ul>	<ul style="list-style-type: none"> <li>Die Temperatur zurücksetzen.</li> <li>Die Lebensmittel immer erst abkühlen lassen, bevor Sie sie hineinlegen.</li> <li>Nur kleinere Mengen an Lebensmitteln hineinlegen.</li> <li>Zwischen mehreren Lebensmitteln einen Abstand lassen, damit die Luft zirkulieren kann.</li> <li>Die Tür/Schublade schließen.</li> <li>Die Tür/Schublade nicht zu häufig öffnen.</li> </ul>
Das Innere des Geräts ist zu kalt.	<ul style="list-style-type: none"> <li>Die Temperatur ist zu niedrig eingestellt.</li> <li>Die Super-Frz-/Super-Cool-Funktion ist aktiviert oder läuft zu lange.</li> </ul>	<ul style="list-style-type: none"> <li>Die Temperatur zurücksetzen.</li> <li>Die Super-Frz-/Super-Cool-Funktion ausschalten.</li> </ul>
Feuchtigkeitsbildung im Innern des Kühlfachs.	<ul style="list-style-type: none"> <li>Das Klima ist zu warm und zu feucht.</li> <li>Eine Tür/Schublade wurde nicht richtig geschlossen.</li> <li>Die Tür/Schublade wurde zu häufig oder zu lange geöffnet.</li> <li>Lebensmittelbehälter oder Flüssigkeiten werden offen gelassen.</li> </ul>	<ul style="list-style-type: none"> <li>Die Temperatur erhöhen.</li> <li>Die Tür/Schublade schließen.</li> <li>Die Tür/Schublade nicht zu häufig öffnen.</li> <li>Heiße Speisen auf Raumtemperatur abkühlen lassen und Speisen und Flüssigkeiten abdecken.</li> </ul>
Feuchtigkeit sammelt sich außen am Kühlschrankschrank oder zwischen der Tür oder den Türen und der Schublade.	<ul style="list-style-type: none"> <li>Das Klima ist zu warm und zu feucht.</li> <li>Die Tür ist nicht richtig geschlossen. Die kalte Luft im Gerät und die warme Außenluft kondensieren.</li> </ul>	<ul style="list-style-type: none"> <li>Das ist bei feuchtem Klima normal und ändert sich, wenn die Feuchtigkeit abnimmt.</li> <li>Prüfen Sie, ob die Tür/Schublade fest geschlossen ist.</li> </ul>

Problem	Mögliche Ursache	Mögliche Behebung
Starke Eisbildung und Frost im Gefrierfach.	<ul style="list-style-type: none"> <li>Die Lebensmittel sind nicht angemessen verpackt.</li> <li>Eine Tür/Schublade wurde nicht richtig geschlossen.</li> <li>Die Tür/Schublade wurde zu häufig oder zu lange geöffnet.</li> <li>Die Tür-/Schubladendichtungen sind verschmutzt, verschlissen, gerissen oder verrutscht.</li> <li>Etwas im Inneren verhindert, dass die Tür/Schublade richtig schließt.</li> </ul>	<ul style="list-style-type: none"> <li>Die Lebensmittel immer gut verpacken.</li> <li>Die Tür/Schublade schließen.</li> <li>Die Tür/Schublade nicht zu häufig öffnen.</li> <li>Die Tür-/Schubladendichtungen reinigen oder austauschen.</li> <li>Die Einlegeböden, Türfächer oder Behälter so versetzen, dass die Tür/Schublade richtig schließt.</li> </ul>
Die Seitenwände des Geräts und die Türleiste werden warm.		<ul style="list-style-type: none"> <li>Das ist normal.</li> </ul>
Das Gerät macht ungewöhnliche Geräusche.	<ul style="list-style-type: none"> <li>Das Gerät befindet sich nicht auf einem ebenen Untergrund.</li> <li>Das Gerät berührt einige Gegenstände um es herum.</li> </ul>	<ul style="list-style-type: none"> <li>Die Füße entsprechend einstellen, um das Gerät zu nivellieren.</li> <li>Die Gegenstände um das Gerät herum entfernen.</li> </ul>
Es ist ein leichtes Geräusch zu hören, ähnlich wie dem von fließendem Wasser.		<ul style="list-style-type: none"> <li>Das ist normal.</li> </ul>
Sie hören einen Signalton.	<ul style="list-style-type: none"> <li>Die Kühlfachtür ist offen.</li> </ul>	<ul style="list-style-type: none"> <li>Die Tür schließen.</li> </ul>
Sie hören ein schwaches Brummen.	<ul style="list-style-type: none"> <li>Das Antikondensations-system arbeitet.</li> </ul>	<ul style="list-style-type: none"> <li>Dies verhindert Kondensation und ist normal.</li> </ul>
Die Innenbeleuchtung oder das Kühlsystem funktioniert nicht.	<ul style="list-style-type: none"> <li>Der Netzstecker ist nicht an die Steckdose angeschlossen.</li> <li>Die Stromversorgung ist nicht intakt.</li> <li>Die LED-Leuchte ist defekt.</li> </ul>	<ul style="list-style-type: none"> <li>Den Netzstecker anschließen.</li> <li>Die Stromversorgung des Raums überprüfen. Den örtlichen Stromversorger anrufen!</li> <li>Den Kundenservice kontaktieren, um die Leuchte auszutauschen.</li> </ul>

Um den technischen Kundendienst zu kontaktieren, besuchen Sie unsere Website:

<https://corporate.haier-eu-ropo.com/en/>

Wählen Sie im Abschnitt „Website“ die Marke Ihres Produkts und Ihr Land aus. Sie werden auf die entsprechende Website weitergeleitet, auf der Sie die Telefonnummer und das Formular zur Kontaktaufnahme mit dem technischen Kundendienst finden.

## Stromunterbrechung

Bei Stromausfall sollten die gelagerten Lebensmittel noch 5 Stunden lang frisch gekühlt bleiben. Beachten Sie diese Tipps bei einer längeren Stromunterbrechung, insbesondere im Sommer:

- ▶ Öffnen Sie die Tür/Schublade so selten wie möglich.
- ▶ Legen Sie während eines Stromausfalls keine weiteren Lebensmittel in das Gerät.
- ▶ Wenn der Stromausfall vorher angekündigt wurde und die Unterbrechungsdauer länger als 5 Stunden ist, frieren Sie im Voraus ein paar Eiswürfel oder Kühlakkus ein, und legen Sie diese beim Stromausfall oben in das Kühlfach.
- ▶ Prüfen Sie nach dem Stromausfall sofort, ob die Lebensmittel verdorben sind.
- ▶ Da die Temperatur im Kühlschrank während einer Stromunterbrechung oder eines anderen Fehlers ansteigt, werden die Haltbarkeit und die Qualität der Lebensmittel reduziert. Aufgetaute Lebensmittel sollten entweder verzehrt oder gekocht und (sofern geeignet) gleich danach wieder eingefroren werden, um Gesundheitsrisiken zu vermeiden.

## Speicherfunktion bei Stromunterbrechung

Nach Wiederherstellung der Stromversorgung fährt das Gerät mit den Einstellungen fort, die vor dem Stromausfall eingestellt waren.

## Auspacken



### WARNUNG!

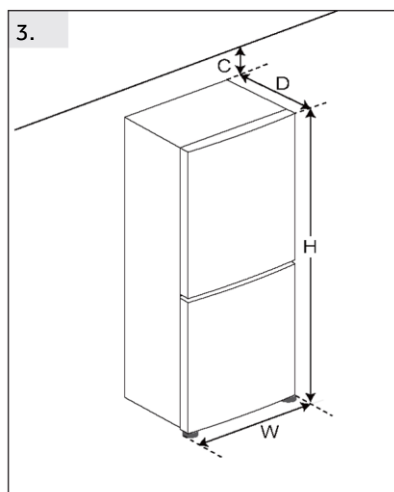
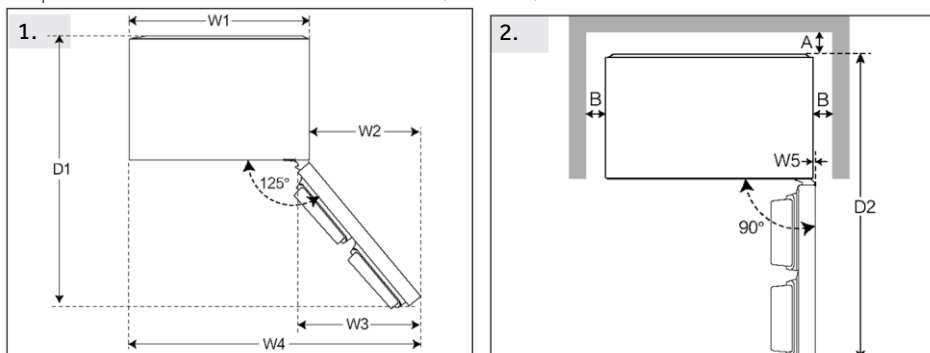
- ▶ Das Gerät ist schwer. Transportieren oder bewegen Sie es immer mit mindestens zwei Personen.
- ▶ Bewahren Sie sämtliche Verpackungsmaterialien außerhalb der Reichweite von Kindern auf und entsorgen Sie sie umweltfreundlich.
- ▶ Nehmen Sie das Gerät aus der Verpackung.
- ▶ Entfernen Sie alle Verpackungsmaterialien.

## Umgebungsbedingungen

Die Raumtemperatur sollte immer zwischen 10 °C und 43 °C liegen, da sie die Temperatur im Inneren des Geräts und dessen Energieverbrauch beeinflussen kann. Installieren Sie das Gerät nicht in der Nähe anderer wärmeemittierender Geräte (Ofen, Kühlschränke).

## Empfohlener Abstand

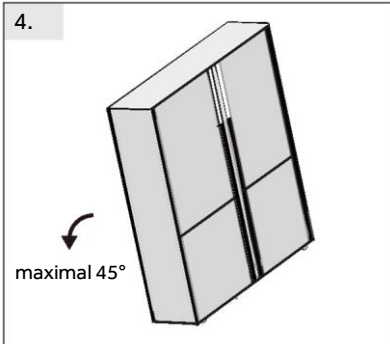
Empfohlener Abstand beim Öffnen der Tür (Abb. 1.2.)



(Einheit: mm)	Modell Nr. 1	Modell Nr. 2	
Breite	W1	830	
	W2	500	
	W3	529	
	W4	1330	
	W5	21	
	W	830	
Tiefe	D1	1362	
	D2	1502	
	D	725	
Abstand zur Rückwand	A	50	
Abstand zu den Seitenwänden	B	50	
Abstand zur Decke	C	50	
Gesamthöhe	H	1850	

## Platzbedarf für eine ausreichende Belüftung

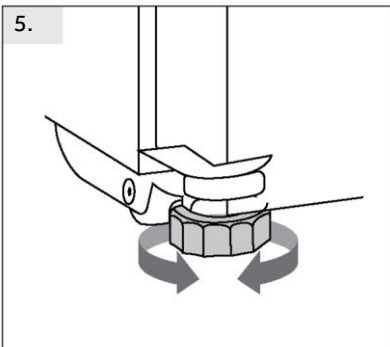
Damit eine ausreichende Belüftung des Geräts gewährleistet wird, dürfen die Hinweise zum ausreichenden Platzbedarf aus Sicherheitsgründen nicht missachtet werden.



### Geräteausrichtung (Abb. 4.5.6)

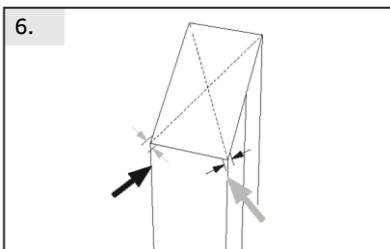
Das Gerät sollte auf einer flachen und festen Oberfläche aufgestellt werden.

4. Kippen Sie den Kühlschrank leicht nach hinten.



5. Justieren Sie die Stellfüße auf die gewünschte Höhe.

Stellen Sie sicher, dass der Abstand zur Wand auf der Scharnierseite mindestens 50 mm beträgt, damit sich die Tür richtig öffnen lässt.

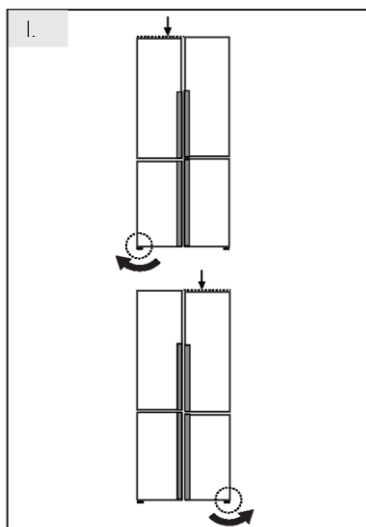


6. Die Stabilität kann durch abwechselndes Anschlagen gegen die Diagonalen überprüft werden. Das leichte Schwanken sollte in beide Richtungen gleich sein. Anderenfalls kann sich der Rahmen verziehen; mögliche undichte Türdichtungen sind die Folge. Eine geringe Neigung nach hinten erleichtert das Schließen der Türen.



### HINWEIS

Für ein frei stehendes Gerät: Dieses Kühlgerät ist nicht zur Verwendung als Einbaugerät bestimmt.

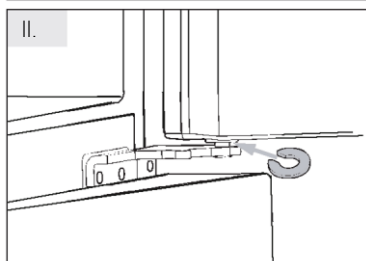


## Feinabstimmung der Türen

Wenn sich die Türen nicht gleichmäßig auf einer Ebene befinden, kann dies wie folgt behoben werden:

### I Durch Justieren der Stellfüße

Drehen Sie den Stellfuß entsprechend der Pfeilrichtung, um ihn nach oben oder unten zu justieren.



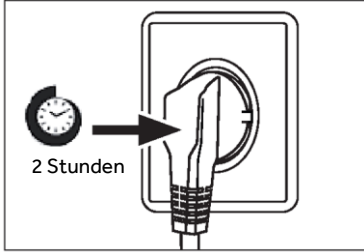
### II Verwendung von Abstandshaltern

- ▶ Öffnen Sie die obere Tür und heben Sie sie an.
- ▶ Klipsen Sie den Abstandshalter (im Zubehörbeutel beiliegend) vorsichtig mit der Hand oder mit Werkzeugen wie einer Zange auf den weißen Kunststoffring des mittleren Scharniers. Dabei darauf achten, die Tür nicht zu zerkratzen oder einzudellen.



## HINWEIS

Bei der zukünftigen Verwendung des Kühlschranks kann sich das Gewicht der gelagerten Lebensmittel ungleichmäßig auf die Türen einwirken. Dann stellen Sie diese nach den oben genannten Methoden ein.



### Wartezeit

Das wartungsfreie Schmieröl befindet sich in der Kapsel des Kompressors. Dieses Öl kann beim Transport durch das geschlossene Rohrsystem gelangen, wenn das Gerät gekippt wird. Warten Sie mindestens 2 Stunden, bevor Sie das Gerät an die Stromversorgung anschließen, damit das Öl wieder in die Kapsel zurückfließt.

### Elektrischer Anschluss

Stellen Sie vor jedem Anschluss sicher, dass:

- ▶ die Stromversorgung, Steckdose und Sicherung den Angaben auf dem Typenschild entsprechen.
- ▶ die Steckdose geerdet ist und kein Mehrfachstecker oder Verlängerungskabel vorhanden ist.
- ▶ der Netzstecker und die Steckdose richtig zusammenpassen.

Schließen Sie den Stecker an eine ordnungsgemäß installierte Haushaltssteckdose an.



### WARNUNG!

Um Gefahren zu vermeiden, muss ein beschädigtes Netzkabel vom Kundenservice ausgetauscht werden (siehe Garantiekarte).

## Produktdatenblatt gemäß der EU-Verordnung Nr. 2019/2016

Marke	Haier
Modellname / Kennung	HDR5818DNSS HDR5818DNPW HDR5818DNMB
Kategorie des Modells	Kühl- Gefrierkombination
Energieeffizienzklasse	D
Jährlicher Energieverbrauch (kWh/Jahr) (1)	273
Gesamtvolumen (L)	640
Volumen Kühlschrank (L)	413
Volumen Gefrierschrank (L)	184
Volumen Kühlfach (L)	43
Sterne-Bewertung	*/***
Temperatur der anderen Fächer > 14 °C	Nicht anwendbar
Frostfreies System	Ja
Gefrierleistung (kg/24h)	10
Klima-Bewertung (2)	SN-N-ST-T
Geräuschemissionsklasse und Luftschallemissionen (db(A) re 1pW)	B(35)
Temperaturanstiegszeit (h)	10
Gerätetyp	Freistehend

## Erläuterungen:

- Ja, vorhanden

- (1) Basierend auf den Ergebnissen des Normenkonformitätstests über 24 Stunden.  
Der tatsächliche Verbrauch hängt von der Verwendung und dem Standort des Geräts ab.
- (2) Klima-Bewertung SN: Dieses Gerät ist für die Verwendung bei einer Umgebungstemperatur zwischen +10 °C und +32 °C ausgelegt.  
Klima-Bewertung N: Dieses Gerät ist für die Verwendung bei einer Umgebungstemperatur zwischen +16 °C und +32 °C ausgelegt.  
Klima-Bewertung ST: Dieses Gerät ist für die Verwendung bei einer Umgebungstemperatur zwischen +16 °C und +38 °C ausgelegt.  
Klima-Bewertung T: Dieses Gerät ist für die Verwendung bei einer Umgebungstemperatur zwischen +16 °C und +43 °C ausgelegt.

## Zusätzliche technische Daten

Spannung / Frequenz	220-240 V ~ / 50 Hz
Eingangsstrom (A)	2
Hauptsicherung (A)	8
Kühlmittel	R600a
Abmessungen (H/B/T in mm)	1850 / 830 / 725

Wir empfehlen unseren Haier Kundendienst und die Verwendung von Original-Ersatzteilen. Wenn Sie Probleme mit dem Gerät haben, lesen Sie bitte zuerst den Abschnitt „FEHLERBEHEBUNG“.

Wenn Sie dort keine Lösung finden, wenden Sie sich bitte an

- ▶ Ihren Händler vor Ort oder
- ▶ an unser Europäisches Call-Service-Center (siehe unten aufgeführte Telefonnummern) oder
- ▶ an den Service und Support unter [www.haier.com](http://www.haier.com), wo Sie den Service aktivieren können.
- ▶ Hier finden Sie auch die FAQs.

Um unseren Kundendienst zu kontaktieren, stellen Sie sicher, dass Sie die nachfolgend aufgeführten Daten zur Hand haben.

Die Informationen finden Sie auf dem Typenschild.

Modell \_\_\_\_\_

Seriennummer \_\_\_\_\_

Prüfen Sie im Garantiefall auch die mit dem Produkt mitgelieferte Garantiekarte.

Europäisches Call-Service-Center		
Land*	Telefonnummer	Kosten
Haier Italy (IT)	199 100 912	
Haier Spain (ES)	902 509 123	
Haier Germany (DE)	0180 5 39 39 99	<ul style="list-style-type: none"> <li>• 14 Ct/min Festnetz</li> <li>• max. 42 Ct/min Mobil</li> </ul>
Haier Austria (AT)	0820 001 205	<ul style="list-style-type: none"> <li>• 14,53 Ct/min Festnetz</li> <li>• max. 20 Ct/min alle anderen</li> </ul>
Haier United Kingdom (UK)	0333 003 8122	
Haier France (FR)	0980 406 409	

\* Weitere Informationen finden Sie unter [www.haier.com](http://www.haier.com)

Haier Europe Trading S.r.l

Niederlassung UK

Westgate House, Westgate, Ealing

London, W5 1YY

\*Gewährleistungsdauer des Kühlgeräts:

Die Mindestgarantie beträgt: 2 Jahre für EU-Länder, 3 Jahre für die Türkei, 1 Jahr für Großbritannien, 1 Jahr für Russland, 3 Jahre für Schweden, 2 Jahre für Serbien, 5 Jahre für Norwegen, 1 Jahr für Marokko, 6 Monate für Algerien, Tunesien keine gesetzliche Gewährleistung erforderlich.

\*Der Zeitraum für die Beschaffung von Ersatzteilen für die Reparatur des Geräts:

Thermostate, Temperatursensoren, Leiterplatten und Leuchtmittel sind für einen Zeitraum von mindestens sieben Jahren nach Inverkehrbringen des letzten Gerätes des Modells erhältlich.

Türgriffe, Türscharniere, Auszüge und Schubladen für eine Mindestdauer von sieben Jahren und Türdichtungen für eine Mindestdauer von 10 Jahren, nachdem das letzte Gerät des Modells in Verkehr gebracht wurde.

\*Weitere Informationen zum Produkt finden Sie entweder unter <https://eprel.ec.europa.eu/> oder Sie scannen den QR-Code auf dem Energielabel, das dem Gerät beiliegt.

## QUALITÄTSZERTIFIKAT

BEZEICHNUNG: KÜHLSCHRANK

QC PASSED

PRÜFER Nr.

QC01

# Haier



0060543301

2025 Version A

# Haier

Εγχειρίδιο χρήστη

Ψυγειοκαταψύκτης

HDR5818DNSS  
HDR5818DNPW  
HDR5818DNMB



<u>4 Πληροφορίες ασφάλειας</u>	<u>Πριν από την πρώτη χρήση</u>	5
	<u>Εγκατάσταση</u>	5
	<u>Καθημερινή χρήση</u>	6
<u>8 Προβλεπόμενη χρήση</u>		
<u>9 Περιγραφή προϊόντος</u>		
<u>10 Πίνακας ελέγχου</u>		
<u>11 Χρήση</u>	<u>Ρύθμιση θερμοκρασίας του ψυγείου</u>	12
	<u>Ρύθμιση θερμοκρασίας του καταψύκτη</u>	12
	<u>Λειτουργία Super Cool</u>	13
	<u>Λειτουργία Super Freeze</u>	13
	<u>Λειτουργία AI Cooling</u>	14
<u>17 Εξοπλισμός</u>		
<u>19 Συμβουλές εξοικονόμησης ενέργειας</u>		
<u>20 Φροντίδα και καθαρισμός</u>		
<u>22 Αντιμετώπιση προβλημάτων</u>		
<u>26 Εγκατάσταση</u>		
<u>30 Τεχνικά δεδομένα</u>		
<u>32 Εξυπηρέτηση πελατών</u>		

## Ευχαριστούμε που αγοράσατε ένα προϊόν Haier.

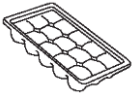
Παρακαλούμε διαβάστε προσεκτικά αυτές τις οδηγίες πριν από την χρήση αυτής της συσκευής. Οι οδηγίες περιέχουν σημαντικές πληροφορίες που θα σας βοηθήσουν να αξιοποιήσετε στο έπακρο τη συσκευή και να εξασφαλίσετε την ασφαλή και σωστή εγκατάσταση, χρήση και συντήρησή.

Φυλάξτε αυτό το εγχειρίδιο σε μια προσβάσιμη θέση, ώστε να μπορείτε πάντα να ανατρέξετε σε αυτό για την ασφαλή και σωστή χρήση της συσκευής.

Εάν πουλήσετε τη συσκευή, την χαρίσετε ή την αφήσετε πίσω όταν μετακομίσετε από το σπίτι, βεβαιωθείτε ότι έχετε αφήσει επίσης και αυτό το εγχειρίδιο, ώστε ο νέος ιδιοκτήτης να εξοικειωθεί με τη συσκευή και τις προειδοποιήσεις ασφαλείας.

## Εξαρτήματα

Ελέγξτε τα εξαρτήματα και τη βιβλιογραφία με αυτόν τον κατάλογο:



Παγοθήκη



Αυγοθήκη × 2



Ενεργειακή  
ετικέτα



Κάρτα  
εγγύησης



Εγχειρίδιο  
χρήστη



Στοπ ακινητο-  
ποίησης × 2



μεσαίος  
μεντεσές



Επάνω  
μεντεσές



Επάνω  
μεντεσές  
με κυρτό  
άγκιστρο



κάτω μεντεσές



Επάνω κάλυμμα  
ρύθμισης



Καπάκι βίδας  
μεσαίας  
μπροστινής δοκού



σταθερό  
στοιχείο



**ΠΡΟΕΙΔΟΠΟΙΗΣΗ – Σημαντικές πληροφορίες ασφάλειας**



**ΕΙΔΟΠΟΙΗΣΗ-Γενικές πληροφορίες και συμβουλές**



**Περιβαλλοντικές πληροφορίες**



### Απόρριψη

Βοήθεια και συμβολή στην προστασία του περιβάλλοντος και της ανθρώπινης υγείας. Τοποθετήστε τη συσκευασία σε κατάλληλα δοχεία για την ανακύκλωση της. Συμβολή στην ανακύκλωση των αποβλήτων ηλεκτρικών και ηλεκτρονικών συσκευών. Συσκευές που φέρουν αυτό το σύμβολο μην τις απορρίπτετε μαζί με τα οικιακά απορρίμματα. Επιστρέψτε το προϊόν στην τοπική μονάδα ανακύκλωσης ή επικοινωνήστε με το αρμόδιο δημοτικό γραφείο του Δήμου σας.



### ΠΡΟΕΙΔΟΠΟΙΗΣΗ: Κίνδυνος πυρκαγιάς/εύφλεκτα υλικά

Το σύμβολο υποδεικνύει ότι υπάρχει κίνδυνος πυρκαγιάς, καθώς χρησιμοποιούνται εύφλεκτα υλικά. Επιδείξτε προσοχή για την αποτροπή της πρόκλησης πυρκαγιάς εξαιτίας της ανάφλεξης εύφλεκτου υλικού.



### ΠΡΟΕΙΔΟΠΟΙΗΣΗ!

Κίνδυνος τραυματισμού ή ασφυξίας!

Τα ψυκτικά μέσα και τα αέρια πρέπει να απορρίπτονται επαγγελματικά. Βεβαιωθείτε ότι η σωλήνωση του κυκλώματος ψυκτικού δεν έχει υποστεί ζημιά πριν απορριφθεί σωστά. Αποσυνδέστε τη συσκευή από την πρίζα παροχής ρεύματος. Κόψτε το καλώδιο τροφοδοσίας και απορρίψτε το. Αφαιρέστε τους δίσκους και τα συρτάρια, καθώς και τα αλιεύματα και τις σφραγίδες της πόρτας, για να αποτρέψετε τα παιδιά και τα κατοικίδια ζώα να κλείσουν στη συσκευή.

## Διαβάστε τις παρακάτω υποδείξεις ασφαλείας πριν ενεργοποιήσετε τη συσκευή για πρώτη φορά!



### ΠΡΟΕΙΔΟΠΟΙΗΣΗ!

#### Πριν από την πρώτη χρήση

- ▶ Βεβαιωθείτε ότι δεν υπάρχει ζημιά εξαιτίας της μεταφοράς.
- ▶ Αφαιρέστε όλες τις συσκευασίες και κρατήστε τις μακριά από τα παιδιά.
- ▶ Περιμένετε τουλάχιστον δύο ώρες πριν τοποθετήσετε τη συσκευή για να βεβαιωθείτε ότι το κύκλωμα του ψυκτικού είναι πλήρως αποτελεσματικό.
- ▶ Χειριστείτε τη συσκευή πάντοτε με δύο άτομα τουλάχιστον, διότι είναι βαριά.

#### Εγκατάσταση

- ▶ Η συσκευή πρέπει να τοποθετηθεί σε καλά αεριζόμενο μέρος. Βεβαιωθείτε ότι υπάρχει χώρος τουλάχιστον 10 εκατοστών πάνω και γύρω από τη συσκευή.
- ▶ Μην τοποθετείτε ποτέ τη συσκευή σε υγρή περιοχή ή θέση όπου μπορεί να πιτσιλιστεί ή βραχεί με νερό. Καθαρίστε και ξύστε τις ξεραμένες πιτσιλιές νερού και λεκέδες με ένα μαλακό καθαρό πανί.
- ▶ Μην εγκαθιστάτε τη συσκευή σε σημείο με άμεσο ηλιακό φως ή κοντά σε πηγές θερμότητας (π.χ. σόμπες, θερμαντήρες).
- ▶ Εγκαταστήστε και τοποθετήστε τη συσκευή σε μια περιοχή κατάλληλη για το μέγεθος και τη χρήση της.
- ▶ Διατηρείτε τα ανοίγματα εξαερισμού στη συσκευή ή την ενσωματωμένη δομή ελεύθερα εμποδίων.
- ▶ Βεβαιωθείτε ότι οι ηλεκτρολογικές πληροφορίες στην πινακίδα τύπου συμφωνούν με την αντίστοιχη παροχή ρεύματος. Εάν όχι, επικοινωνήστε με έναν ηλεκτρολόγο.
- ▶ Η συσκευή λειτουργεί με τροφοδοσία 220-240 VAC / 50 Hz. Η μη φυσιολογική διακύμανση της τάσης μπορεί να προκαλέσει την αποτυχία εκκίνησης της συσκευής ή ζημιά στον έλεγχο θερμοκρασίας ή τον συμπιεστή ή μπορεί να υπάρχει ανώμαλος θόρυβος κατά τη λειτουργία. Στην περίπτωση αυτή, πρέπει να τοποθετηθεί ένας αυτόματος ρυθμιστής.
- ▶ Μη χρησιμοποιείτε προσαρμογείς πολλαπλών θέσεων (πολύπριζα) και καλώδια επέκτασης/προέκτασης.
- ▶ Μην τοποθετείτε πολλαπλές φορητές πρίζες ή φορητά τροφοδοτικά στο πίσω μέρος της συσκευής.
- ▶ Βεβαιωθείτε ότι το καλώδιο τροφοδοσίας δεν έχει παγιδευτεί από το ψυγείο. Μην πατάτε το καλώδιο τροφοδοσίας.
- ▶ Χρησιμοποιήστε μια ξεχωριστή γειωμένη πρίζα για την παροχή ηλεκτρικού ρεύματος, η οποία να είναι εύκολα προσβάσιμη. Αυτή η συσκευή πρέπει να είναι γειωμένη.
- ▶ Μόνο για το Ηνωμένο Βασίλειο: Το καλώδιο τροφοδοσίας της συσκευής είναι εξοπλισμένο με βύσμα 3-καλωδίων (με γείωση) που ταιριάζει σε μια τυπική πρίζα 3-καλωδίων (πρίζα με γείωση). Ποτέ μην κόβετε ή αποσυναρμολογείτε τον τρίτο πείρο (γείωση). Μετά την εγκατάσταση της συσκευής, το βύσμα πρέπει να είναι άμεσα προσβάσιμο.
- ▶ Αποφύγετε την πρόκληση ζημιών στο κύκλωμα ψύξης.



## ΠΡΟΕΙΔΟΠΟΙΗΣΗ!

### Καθημερινή χρήση

- ▶ Η συσκευή αυτή μπορεί να χρησιμοποιηθεί από παιδιά ηλικίας 8 ετών και άνω και από άτομα με μειωμένες σωματικές, αισθητηριακές ή διανοητικές ικανότητες ή έλλειψη εμπειρίας και γνώσης, εφόσον βρίσκονται υπό εποπτεία ή εάν τους έχουν δοθεί σαφείς οδηγίες σχετικά με τη χρήση της συσκευής με ασφαλή τρόπο και έχουν κατανοήσει επακριβώς τους σχετικούς κινδύνους.
- ▶ Τα παιδιά ηλικίας 3 έως 8 ετών επιτρέπεται να τοποθετούν και να βγάζουν (αντικείμενα) από τις ψυκτικές συσκευές, αλλά δεν επιτρέπεται να τις καθαρίζουν ή να τις εγκαθιστούν.
- ▶ Κρατήστε μακριά τα παιδιά κάτω των 3 ετών από τη συσκευή, εκτός εάν επιβλέπονται συνεχώς.
- ▶ Τα παιδιά δεν επιτρέπεται να παίζουν με τη συσκευή.
- ▶ Εάν υπάρχει διαρροή ψυκτικού αερίου ή άλλου εύφλεκτου αερίου κοντά στη συσκευή, κλείστε τη βαλβίδα του αερίου που διαρρέει, ανοίξτε τις πόρτες και τα παράθυρα και μην αποσυνδέσετε ή συνδέσετε το καλώδιο τροφοδοσίας του ψυγείου ή οποιασδήποτε άλλης συσκευής.
- ▶ Σημειώστε ότι η συσκευή έχει ρυθμιστεί για λειτουργία σε συγκεκριμένο εύρος θερμοκρασίας περιβάλλοντος μεταξύ 10 και 43°C. Η συσκευή ενδέχεται να μη λειτουργεί σωστά εάν αφεθεί για μεγάλο χρονικό διάστημα σε θερμοκρασία υψηλότερη ή χαμηλότερη από το υποδεικνυόμενο εύρος τιμών.
- ▶ Μην τοποθετείτε ασταθή αντικείμενα (βαριά αντικείμενα, δοχεία γεμάτα με νερό) στο πάνω μέρος του ψυγείου, για να αποφύγετε τραυματισμούς από πτώση ή ηλεκτροπληξία από επαφή με νερό.
- ▶ Μην τραβάτε τα ράφια των θυρών της πόρτας. Η πόρτα μπορεί να βγει από τη θέση της, η σχάρα για τα μπουκάλια μπορεί να τραβηχτεί μακριά ή η συσκευή μπορεί να ανατραπεί.
- ▶ Ανοίγετε και κλείνετε την πόρτα μόνο από τις λαβές. Το κενό ανάμεσα στις πόρτες και ανάμεσα στις πόρτες και το ντουλάπι είναι πολύ στενό. Μην βάζετε τα χέρια σας σε αυτές τις περιοχές για να αποφύγετε να πιαστούν (μαγκωθούν) τα δάκτυλά σας. Ανοίξτε ή κλείστε τις πόρτες ψυγείου μόνο όταν δεν υπάρχουν παιδιά που να στέκονται εντός του εύρους κίνησης της πόρτας.
- ▶ Μην αποθηκεύετε και μην χρησιμοποιείτε εύφλεκτα, εκρηκτικά ή διαβρωτικά υλικά εντός ή γύρω της συσκευής.
- ▶ Μην αποθηκεύετε φάρμακα, βακτήρια ή χημικούς παράγοντες στη συσκευή. Αυτή η συσκευή είναι μια οικιακή συσκευή. Δεν συνιστάται η αποθήκευση υλικών που απαιτούν αυστηρές θερμοκρασίες.
- ▶ Ποτέ μην αποθηκεύετε υγρά σε φιάλες ή δοχεία (πέραν των αλκοολούχων υψηλού βαθμού) και ιδιαίτερα ανθρακούχα αναψυκτικά στον καταψύκτη καθώς θα διαρραγούν κατά την ψύξη.
- ▶ Ελέγξτε την κατάσταση των τροφίμων εάν έχουν προηγηθεί συνθήκες θέρμανσης στον καταψύκτη.
- ▶ Μην ορίσετε άσκοπα χαμηλή θερμοκρασία στον θάλαμο του ψυγείου. Οι αρνητικές θερμοκρασίες μπορεί να εμφανιστούν σε υψηλές ρυθμίσεις. Προσοχή: Τα μπουκάλια μπορούν να σκάσουν.
- ▶ Μην αγγίζετε κατεψυγμένα προϊόντα με βρεγμένα χέρια (φοράτε γάντια). Ειδικά μην πιείτε (τρώπε) γρανίτες αμέσως μετά την αφαίρεση από τον θάλαμο κατάψυξης. Υπάρχει ο κίνδυνος κατάψυξης ή σχηματισμός φουσκάλων παγετού. ΠΡΩΤΕΣ ΒΟΗΘΕΙΕΣ: Κρατήστε αμέσως κάτω από τρεχούμενο κρύο νερό. Μην τις τραβάτε μακριά!
- ▶ Μην αγγίζετε την εσωτερική επιφάνεια του χώρου αποθήκευσης του καταψύκτη όταν λειτουργεί, ειδικά με βρεγμένα χέρια, καθώς τα χέρια σας μπορεί να παγώσουν στην επιφάνεια.



## ΠΡΟΕΙΔΟΠΟΙΗΣΗ!

### Καθημερινή χρήση

- ▶ Αποσυνδέστε τη συσκευή από την πρίζα σε περίπτωση διακοπής ρεύματος ή πριν από τον καθαρισμό. Αφήστε τουλάχιστον 7 λεπτά πριν από την επανεκκίνηση της συσκευής, καθώς η συχνή εκκίνηση μπορεί να προκαλέσει ζημιά στον συμπιεστή.
- ▶ Μη χρησιμοποιείτε ηλεκτρικές συσκευές στο εσωτερικό των θαλάμων αποθήκευσης τροφίμων της συσκευής, εκτός αν είναι συσκευές που συνιστά ο κατασκευαστής. Συντήρηση / καθαρισμός
- ▶ Βεβαιωθείτε ότι τα παιδιά επιβλέπονται εάν πραγματοποιούν καθαρισμό και συντήρηση.
- ▶ Αποσυνδέστε τη συσκευή από την ηλεκτρική τροφοδοσία πριν πραγματοποιήσετε οποιαδήποτε συντήρηση ρουτίνας. Αφήστε τουλάχιστον 5 λεπτά πριν από την επανεκκίνηση της συσκευής, καθώς η συχνή εκκίνηση μπορεί να προκαλέσει ζημιά στον συμπιεστή.
- ▶ Κρατήστε το φιλτράκι, όταν αποσυνδέετε τη συσκευή.
- ▶ Μην καθαρίζετε τη συσκευή με σκληρές βούρτσες, συμπίεσες βούρτσες, σκόνη απορρυπαντικού, βενζίνη, οξικό αμύλιο, ακετόνη και παρόμοια οργανικά διαλύματα, όξινα ή αλκαλικά διαλύματα. Καθαρίστε με ειδικό απορρυπαντικό ψυγείου για να αποφύγετε ζημιές.
- ▶ Μην ξύσετε τον δροσοπάγο και τον πάγο με αιχμηρά αντικείμενα. Μη χρησιμοποιείτε σπρέι, ηλεκτρικούς θερμαντήρες όπως θερμαντήρα, στεγνωτήρα μαλλιών, ατμοκαθαριστές ή άλλες πηγές θερμότητας για να αποφύγετε ζημιές στα πλαστικά μέρη.
- ▶ Μην χρησιμοποιείτε μηχανικές συσκευές ή άλλα μέσα για να επιταχύνετε τη διαδικασία απόψυξης, παρά μόνο όσα συνιστώνται από τον κατασκευαστή.
- ▶ Αν το καλώδιο παροχής ρεύματος έχει φθαρεί πρέπει να αντικατασταθεί από τον κατασκευαστή ή τον αντιπρόσωπο του σέρβις ή παρόμοια εξουσιοδοτημένα πρόσωπα, προς αποφυγή του κινδύνου.
- ▶ Μην προσπαθήσετε να επισκευάσετε, να αποσυναρμολογήσετε ή να τροποποιήσετε τη συσκευή μόνοι σας. Σε περίπτωση επισκευής επικοινωνήστε με την εξυπηρέτηση πελατών μας.
- ▶ Εξαλείψτε τη σκόνη στο πίσω μέρος της μονάδας τουλάχιστον μία φορά τον χρόνο για να αποφύγετε τον κίνδυνο από πυρκαγιά, καθώς και την αυξημένη κατανάλωση ενέργειας.
- ▶ Μην ψεκάσετε ή ξεπλένετε τη συσκευή κατά τον καθαρισμό.
- ▶ Μην χρησιμοποιείτε σπρέι νερού ή ατμού για να καθαρίσετε τη συσκευή.
- ▶ Μην καθαρίζετε τα κρύα γυάλινα ράφια με ζεστό νερό. Η απότομη αλλαγή θερμοκρασίας μπορεί να προκαλέσει το σπάσιμο του γυαλιού.

### Πληροφορίες για τα ψυκτικά αέρια

- ▶ Η συσκευή περιέχει το εύφλεκτο ψυκτικό μέσο ΙΣΟΒΟΥΤΑΝΙΟ (R600a). Βεβαιωθείτε ότι το κύκλωμα ψυκτικού δεν έχει υποστεί ζημιά κατά τη μεταφορά ή την εγκατάσταση. Η διαρροή ψυκτικού μπορεί να προκαλέσει τραυματισμούς στα μάτια ή ανάφλεξη. Εάν έχει προκληθεί ζημιά, κρατήστε το μακριά από ακάλυπτες πηγές φωτιάς, αερίστε καλά το δωμάτιο, μην συνδέσετε ή αποσυνδέσετε τα καλώδια τροφοδοσίας της συσκευής ή οποιασδήποτε άλλης συσκευής. Ενημερώστε την εξυπηρέτηση πελατών.
- ▶ Σε περίπτωση που τα μάτια έρθουν σε επαφή με το ψυκτικό μέσο, ξεπλύνετε τα αμέσως κάτω από τρεχούμενο νερό και καλέστε αμέσως τον οφθαλμίατρο.

## Προβλεπόμενη χρήση

Αυτή η συσκευή προορίζεται για ψύξη και κατάψυξη τροφίμων. Έχει σχεδιαστεί αποκλειστικά για χρήση σε οικιακές και παρόμοιες εφαρμογές, όπως χώρους κουζίνας προσωπικού σε καταστήματα, γραφεία και άλλα εργασιακά περιβάλλοντα- αγροικίες και από πελάτες σε ξενοδοχεία, μοτέλ και άλλα περιβάλλοντα οικιστικού τύπου, καθώς και σε ξενοδοχειακές επιχειρήσεις bed-and-breakfast και catering. Δεν προορίζεται για εμπορική ή βιομηχανική χρήση.

Δεν επιτρέπονται αλλαγές ή τροποποιήσεις στη συσκευή. Η ακούσια χρήση μπορεί να προκαλέσει κινδύνους και απώλεια αξιώσεων εγγύησης.

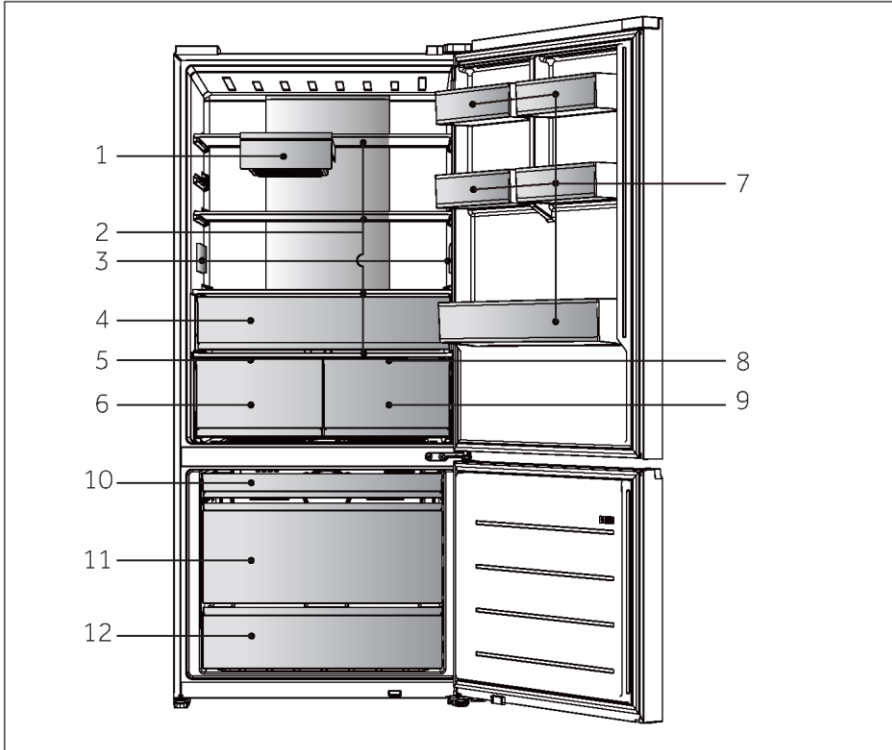
## Πρότυπα και οδηγίες

Αυτό το προϊόν πληροί τις απαιτήσεις όλων των εφαρμοστέων οδηγιών της ΕΚ με τα αντίστοιχα εναρμονισμένα πρότυπα, τα οποία προβλέπονται για την σήμανση CE.



## ΕΙΔΟΠΟΙΗΣΗ

Λόγω τεχνικών αλλαγών και διαφορετικών μοντέλων, ορισμένες από τις εικόνες σε αυτό το εγχειρίδιο ενδέχεται να διαφέρουν από το μοντέλο σας.



A: Θάλαμος ψυγείου

1 Δοχείο φαγητού

2 Γυάλινα ράφια

3 AI Cooling

4 Fresh zone

5 Κάλυμμα Humidity zone

6 Humidity zone

7 Μπουκαλοθήκες

8 Κάλυμμα My Zone

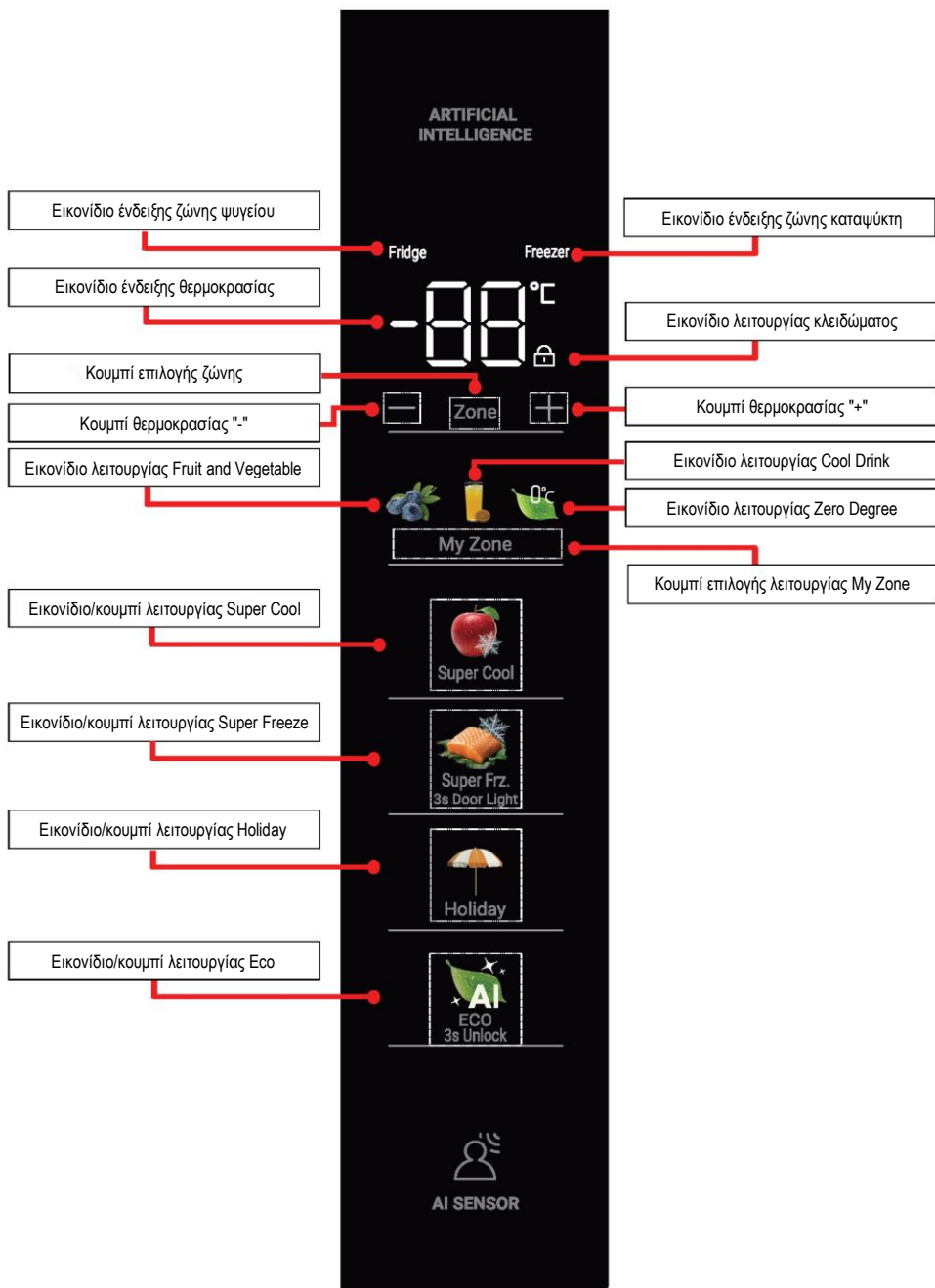
9 My Zone

B: Διαμέρισμα καταψύκτη

10 Συρόμενο ράφι

11 Ζώνη κατάψυξης

12 Ζώνη κατάψυξης



## Πριν από την πρώτη χρήση

- ▶ Αφαιρέστε όλα τα υλικά συσκευασίας, κρατήστε τα μακριά από τα παιδιά και απορρίψτε τα με φιλικό προς το περιβάλλον τρόπο.
- ▶ Καθαρίστε το εσωτερικό και το εξωτερικό της συσκευής με νερό και ένα ήπιο απορρυπαντικό πριν βάλετε οποιοδήποτε φαγητό σε αυτό.
- ▶ Αφού η συσκευή τοποθετηθεί απολύτως ίσια στο δάπεδο και καθαριστεί, περιμένετε τουλάχιστον 2-5 ώρες πριν τη συνδέσετε στην παροχή ρεύματος. Ανατρέξτε στην ενότητα ΕΓΚΑΤΑΣΤΑΣΗ.
- ▶ Προψύξτε τους θαλάμους σε υψηλές ρυθμίσεις πριν τοποθετήσετε τρόφιμα. Η λειτουργία Power-Freeze βοηθά στην γρήγορη ψύξη των θαλάμων.
- ▶ Η θερμοκρασία ψυγείου και η θερμοκρασία καταψύκτη ρυθμίζονται αυτόματα στους 5 °C και -18 °C αντίστοιχα. Αυτές είναι οι προτεινόμενες ρυθμίσεις. Εάν θέλετε, μπορείτε να αλλάξετε αυτές τις θερμοκρασίες χειροκίνητα. Ανατρέξτε στην ενότητα ΡΥΘΜΙΣΗ ΘΕΡΜΟΚΡΑΣΙΑΣ.

## Πλήκτρα αισθητήρων

Τα κουμπιά στον πίνακα ελέγχου είναι πλήκτρα αισθητήρων, τα οποία ανταποκρίνονται ήδη όταν αγγίζονται ελαφρά με το δάχτυλο.

### Ενεργοποίηση /απενεργοποίηση της συσκευής

Η συσκευή λειτουργεί μόλις συνδεθεί με την παροχή ρεύματος.

Όταν ενεργοποιηθεί για πρώτη φορά το ψυγείο, ανάβει η ένδειξη εμφάνισης θερμοκρασίας.

Η θερμοκρασία ψυγείου και η θερμοκρασία καταψύκτη ρυθμίζονται αυτόματα στους 5°C και -18°C αντίστοιχα.

Ίσως το κλείδωμα του πίνακα να είναι ενεργό.



## ΕΙΔΟΠΟΙΗΣΗ

Όταν η συσκευή είναι ενεργοποιημένη μετά την αποσύνδεση από την κύρια παροχή ρεύματος, μπορεί να χρειαστούν έως και 12 ώρες για να επιτευχθούν οι σωστές θερμοκρασίες.

Αδειάστε τη συσκευή πριν τη σβήσετε. Για να απενεργοποιήσετε τη συσκευή, τραβήξτε το καλώδιο τροφοδοσίας από την πρίζα.

### Κλείδωμα/ξεκλείδωμα πίνακα

Αυτόματο κλείδωμα: Όταν η πόρτα του ψυγείου και η πόρτα του καταψύκτη είναι κλειστές και δεν εκτελεστεί καμία βασική λειτουργία εντός 30 δευτερολέπτων, η οθόνη θα σβήσει αυτόματα και θα κλειδώσει.

Χειροκίνητο κλείδωμα: Όταν η οθόνη ενδείξεων είναι ξεκλειδωτή, πατήστε το κουμπί λειτουργίας Eco και κρατήστε το πατημένο για 3 δευτερόλεπτα. Ακούγεται ο βομβητής μία φορά, φωτίζεται το εικονίδιο λειτουργίας κλειδώματος και η οθόνη κλειδώνει.

## Ρύθμιση θερμοκρασίας

Οι εσωτερικές θερμοκρασίες επηρεάζονται από τους ακόλουθους παράγοντες:

Θερμοκρασία περιβάλλοντος

Συχνότητα ανοίγματος πόρτας

Ποσότητα αποθηκευμένων τροφίμων

Εγκατάσταση της συσκευής

## Ρύθμιση θερμοκρασίας του ψυγείου

Όταν είναι ξεκλειδωτο, πατήστε το κουμπί επιλογής ζώνης για να επιλέξετε τη ζώνη ψυγείου (ανάβει το εικονίδιο ψυγείου). Κάθε πάτημά του ρυθμίζει το επίπεδο θερμοκρασίας κατά 1°C. Οι ρυθμίσεις επιβεβαιώνονται μετά από 5 δευτερόλεπτα αδράνειας (η οθόνη σβήνει), ή αμέσως, εάν πατηθούν άλλα κουμπιά. Ακολουθία ρύθμισης:

"+": 1°C ➔ 2°C ➔ 3°C ➔ 4°C ➔ 5°C ➔ 6°C ➔ 7°C ➔ 8°C ➔ 9°C

"-": 9°C ➔ 8°C ➔ 7°C ➔ 6°C ➔ 5°C ➔ 4°C ➔ 3°C ➔ 2°C ➔ 1°C



### ΕΙΔΟΠΟΙΗΣΗ

Η θερμοκρασία ψύξης δεν μπορεί να ρυθμιστεί στην κατάσταση Super Cool ή κλειδώματος.

## Ρύθμιση θερμοκρασίας του καταψύκτη

Όταν η οθόνη είναι ξεκλειδωτή κατά τη λειτουργία, πατήστε το κουμπί επιλογής ζώνης για να επιλέξετε τη ζώνη καταψύκτη (ανάβει το εικονίδιο καταψύκτη). Κάθε πάτημα του "+" / "-" ρυθμίζει τη θερμοκρασία κατά 1°C (αναβοσβήνει στο 1Hz).

Οι ρυθμίσεις αποθηκεύονται αυτόματα μετά από 5 δευτερόλεπτα αδράνειας. Το πάτημα άλλων κουμπιών επιβεβαιώνει αμέσως τη ρύθμιση και αλλάζει λειτουργίες.

Ακολουθία ρύθμισης:

"+": -24°C ➔ -23°C ➔ -22°C ➔ -21°C ➔ -20°C ➔ -19°C ➔ -18°C ➔ -17°C ➔ -16°C

"-": -16°C ➔ -17°C ➔ -18°C ➔ -19°C ➔ -20°C ➔ -21°C ➔ -22°C ➔ -23°C ➔ -24°C



### ΕΙΔΟΠΟΙΗΣΗ

Η θερμοκρασία κατάψυξης δεν μπορεί να ρυθμιστεί στην κατάσταση Super Freeze ή κλειδώματος.



## ΕΙΔΟΠΟΙΗΣΗ

Μετά τη ρύθμιση της θερμοκρασίας, εάν δεν εκτελεστεί κάποια λειτουργία εντός 5 δευτερολέπτων, το σύστημα θα προσδιοριστεί αυτόματα και θα αποθηκεύσει τη ρυθμισμένη θερμοκρασία.

### Λειτουργία Super-Cool

Καταχώριση της κατάστασης Super Cool:

Στην ξεκλειδωτή κατάσταση, κάντε κλικ στο κουμπί [ Super Cool ], το εικονίδιο [ Super Cool ] θα ανάψει και το ψυγείο θα καταχωρίσει την κατάσταση super cool.

Έξοδος από την κατάσταση Super Cool:

1. Στην ξεκλειδωτή και Super Cool κατάσταση, κάντε κλικ στο κουμπί [Super Cool], το εικονίδιο [SuperCool] σβήνει και γίνεται χειροκίνητα η έξοδος από την κατάσταση Super Cool.
2. Όταν το ψυγείο φτάσει στον καθορισμένο χρόνο, θα τερματίσει αυτόματα τη λειτουργία Super Cool. Μετά από 4 ώρες καταχώρισης η λειτουργία Super Cool θα εξέλθει αυτόματα.

### Λειτουργία Super-Frz

Καταχώριση κατάστασης super freeze:

Στην ξεκλειδωτή κατάσταση, κάντε κλικ στο κουμπί [ Super Frz. ], το εικονίδιο [ Super Frz. ] θα ανάψει και το ψυγείο θα καταχωρίσει την κατάσταση super freeze.

Έξοδος από την κατάσταση super freeze:

1. Στην ξεκλειδωτή και super freeze κατάσταση, κάντε κλικ στο κουμπί [Super Frz.], το εικονίδιο [Super Frz.] σβήνει και γίνεται χειροκίνητα η έξοδος από την κατάσταση super freeze.
2. Όταν το ψυγείο φτάσει στον καθορισμένο χρόνο, εξέρχεται αυτόματα από τη λειτουργία super freeze. Μετά από 50 ώρες καταχώρισης η λειτουργία Super Frz θα εξέλθει αυτόματα. Η λειτουργία Super-Freeze έχει σχεδιαστεί για να διατηρεί τη θρεπτική αξία των κατεψυγμένων τροφίμων, καταψύχει τα τρόφιμα σε σύντομο χρονικό διάστημα. Εάν πρόκειται να καταψυχθούν μεγάλες ποσότητες κατεψυγμένων τροφίμων ταυτόχρονα συνιστάται να ρυθμίσετε τη λειτουργία Super-Freeze. Εντωμεταξύ, η λειτουργία Super-Freeze θα πρέπει να ρυθμιστεί 24 ώρες νωρίτερα, ώστε ο καταψύκτης να έχει σχετικά χαμηλή θερμοκρασία και να τοποθετηθούν τα τρόφιμα μέσα. Σε αυτό το χρονικό διάστημα, η ταχύτητα κατάψυξης του καταψύκτη έχει βελτιωθεί, τα τρόφιμα μπορούν να καταψυχθούν γρήγορα, τα θρεπτικά συστατικά των τροφίμων διατηρούνται αποτελεσματικά και η αποθήκευση είναι βολική.

## Λειτουργία AI Cooling

Όταν πρέπει να ψύξετε γρήγορα βραστά ή μαγειρεμένα τρόφιμα, μπορείτε να τοποθετήσετε τα τρόφιμα στο γυάλινο ράφι που αντιστοιχεί σε αυτή τη λειτουργία για γρήγορη ψύξη.

Όταν το ψυγείο ανιχνεύει πηγή θερμότητας στο χώρο του γυάλινου ραφίου, που αντιστοιχεί σε αυτή τη λειτουργία, οι μπλε λυχνίες σε αμφότερες τις πλευρές αρχίζουν να αναβοσβήνουν. Εάν η ανιχνευμένη πηγή θερμότητας παραμείνει για περισσότερο από 5 δευτερόλεπτα, εισέρχεται σε αυτή τη λειτουργία και ανάβουν οι μπλε λυχνίες σε αμφότερες τις πλευρές. Εάν η ανιχνευμένη πηγή θερμότητας παραμείνει για λιγότερο από 5 δευτερόλεπτα, η λειτουργία αυτή δεν ξεκινά και οι μπλε λυχνίες αναβοσβήνουν για περίπου 5 δευτερόλεπτα και στη συνέχεια σβήνουν.

Αφού ξεκινήσει αυτή η λειτουργία, οι μπλε λυχνίες σε αμφότερες τις πλευρές ανάβουν (όταν η πόρτα είναι ανοιχτή) και οι ανεμιστήρες σε αμφότερες τις πλευρές αρχίζουν να λειτουργούν. Μετά το κλείσιμο της πόρτας, οι μπλε λυχνίες σε αμφότερες τις πλευρές σβήνουν και οι ανεμιστήρες σε αμφότερες τις πλευρές συνεχίζουν να λειτουργούν.

Όταν η πηγή θερμότητας κρυώσει, η λειτουργία αυτή εξέρχεται, οι μπλε λυχνίες σε αμφότερες τις πλευρές σβήνουν και οι ανεμιστήρες σε αμφότερες τις πλευρές σβήνουν.



### ΕΙΔΟΠΟΙΗΣΗ

1 Όταν τοποθετείτε σούπα ή άλλα τρόφιμα που απελευθερώνουν ατμό, χρησιμοποιήστε ένα ερμητικά κλειστό με καπάκι δοχείο ή σφραγίστε το με πλαστική μεμβράνη πριν το τοποθετήσετε μέσα.

2 Συνιστάται να τοποθετείτε πεπόνια, φρούτα και λαχανικά στο συρτάρι φρούτων και λαχανικών για να πετύχετε καλύτερα αποτελέσματα φρεσκάδας και ενυδάτωσης. Όταν τοποθετείτε τρόφιμα σε αυτή τη λειτουργική περιοχή μην μπλοκάρτε τις κυκλικές εισόδους αέρα σε αμφότερες τις πλευρές ή τη μακριά έξοδο αέρα.

3 Η δοκιμή εκκίνησης για αυτή τη λειτουργία διενεργήθηκε χρησιμοποιώντας ανοξειδωτή κατσαρόλα (συνηθισμένη τούρκικη ανοξειδωτή κατσαρόλα με διάμετρο 275 mm, ύψος 150 mm και συνολικό ύψος με καπάκι 200 mm) τοποθετημένο στο ράφι της απεικονιζόμενης θέσης. Η στάθμη του υγρού στο εσωτερικό της κατσαρόλας ήταν 2/3, η θερμοκρασία του εξωτερικού τοιχώματος της κατσαρόλας ήταν 35°C, η θερμοκρασία περιβάλλοντος κατά τη διάρκεια της δοκιμής ήταν 25°C και το ψυγείο λειτουργούσε σταθερά στην προεπιλεγμένη εργοστασιακή ρύθμιση.

4 Όταν η πηγή θερμότητας είναι πολύ μικρή ή η θερμοκρασία είναι πολύ χαμηλή, η λειτουργία αυτή ενδέχεται να μην ξεκινήσει αυτόματα.

5 Όταν οι ενέργειες πρόσβασης του χρήστη σε αυτόν τον λειτουργικό χώρο διαρκούν πολύ ή η πόρτα είναι ανοιχτή για πολύ ώρα, μπορεί επίσης να ενεργοποιηθεί αυτή η λειτουργία.

6 Εάν ενεργοποιήσετε τη λειτουργία Holiday ενώ εκτελείται η λειτουργία AI Cooling, η λειτουργία AI Cooling θα απενεργοποιηθεί.

## Λειτουργία My Zone

Η My Zone είναι προσαρμοσμένη και ρυθμισμένη σύμφωνα με τις λειτουργικές ρυθμίσεις. Αντιπροσωπεύονται διαδοχικά από τρία λειτουργικά εικονίδια: "Fruits & Vegetables (5°C), Cool Drink (2°C), 0°C Fresh (0°C)". Κατά την αρχική ενεργοποίηση, η προεπιλεγμένη κατάσταση είναι η ρύθμιση "Fruits & Vegetables (5°C)". Όταν είναι ξεκλειδωτο, πατήστε το πλήκτρο My Zone στην αρχική σελίδα για να εισέλθετε στη σελίδα προσαρμογής ρύθμισης My Zone. Κάντε κλικ στο κουμπί ρύθμισης My Zone για να αλλάξετε τη My Zone στην αντίστοιχη ρύθμιση. Η κατάσταση ρύθμισης My Zone διατηρείται μετά από διακοπή ρεύματος.



### ΕΙΔΟΠΟΙΗΣΗ

Στη λειτουργία Holiday, ο ψυχόμενος θάλαμος μεταβλητής θερμοκρασίας ελέγχεται στους 17°C, λειτουργώντας σύμφωνα με τα σημεία ρύθμισης ενεργοποίησης/απενεργοποίησης: ενεργοποίηση στους 20°C / απενεργοποίηση στους 16°C.

## Λειτουργία ανίχνευσης ανθρώπου

Η λειτουργία ανίχνευσης ανθρώπου είναι ενεργοποιημένη από προεπιλογή. Πατήστε παρατεταμένα το κουμπί "Super Frz." για 3 δευτερόλεπτα, για να απενεργοποιήσετε ή ενεργοποιήσετε τη λειτουργία ανίχνευσης ανθρώπου. Μετά την καταχώριση αυτής της λειτουργίας, όταν πλησιάζετε το ψυγείο, ανάβει η οθόνη του και το μπλε φως της πόρτας εισέρχεται σε μια ζωντανή λειτουργία αυξομείωσης του φωτισμού.

## Λειτουργία Holiday

Πατήστε το κουμπί Holiday σε ξεκλειδωτη κατάσταση:

Πρώτο πάτημα: Ενεργοποιείται η λειτουργία Holiday (ανάβει το εικονίδιο, ακούγεται το μπιπ)

Δεύτερο πάτημα: Απενεργοποιείται η λειτουργία Holiday (σβήνει το εικονίδιο, ακούγεται το μπιπ)

## Λειτουργία Eco

Αφού ανάψει ο πίνακας ενδείξεων, εάν το ψυγείο δεν έχει εισέλθει στη λειτουργία Eco και ο πίνακας ενδείξεων είναι ξεκλειδωμένος, πατήστε μία φορά το κουμπί "Eco", θα εμφανιστεί το εικονίδιο της λειτουργίας Smart, θα ακουστεί μία φορά ο βομβητής και θα ενεργοποιηθεί η λειτουργία Eco.

Αφού ανάψει ο πίνακας ενδείξεων, εάν το ψυγείο έχει εισέλθει στη λειτουργία Eco και ο πίνακας ενδείξεων είναι ξεκλειδωμένος, πατήστε μία φορά το κουμπί "Eco", θα σβήσει το εικονίδιο της λειτουργίας Smart, θα ακουστεί μία φορά ο βομβητής και θα απενεργοποιηθεί η λειτουργία Eco.



## ΕΙΔΟΠΟΙΗΣΗ

Στη λειτουργία Eco, το ψυγείο θα ρυθμίζει και εμφανίζει αυτόματα τη θερμοκρασία του θαλάμου νωπών τροφίμων στους 5°C και του θαλάμου καταψύκτη στους -18°C.

Σε αυτή τη λειτουργία, οι θερμοκρασίες των θαλάμων ψυγείου και καταψύκτη δεν μπορούν να ρυθμιστούν χειροκίνητα.

Η θερμοκρασία του θαλάμου My Zone μπορεί να ρυθμιστεί μεμονωμένα και θα λειτουργεί σύμφωνα με τη ρύθμιση του χρήστη.

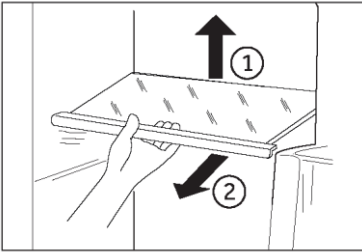
Μετά την έξοδο από τη λειτουργία Eco, οι θάλαμοι ψυγείου και καταψύκτη θα επανέλθουν στις ρυθμίσεις θερμοκρασίας που είχατε επιλέξει πριν από την καταχώριση της λειτουργίας Eco.

Οι ρυθμίσεις του θαλάμου My Zone θα παραμείνουν αμετάβλητες και οι άλλες καταστάσεις λειτουργίας δεν θα επηρεαστούν.



## Πολλαπλή ροή αέρα

1. Το ψυγείο είναι εξοπλισμένο με σύστημα πολλαπλών ροών αέρα, το οποίο παρέχει ροή κρύου αέρα σε κάθε επίπεδο στα ράφια. Αυτό βοηθά στη διατήρηση μιας ομοιόμορφης θερμοκρασίας για να διασφαλιστεί ότι τα τρόφιμά σας διατηρούνται πιο φρέσκα για μεγαλύτερο χρονικό διάστημα.



## Ρυθμιζόμενα ράφια

1. Το ύψος των ραφιών μπορεί να ρυθμιστεί ώστε να ταιριάζει στις ανάγκες αποθήκευσης.
2. Για να μετακινήσετε ένα ράφι, αφαιρέστε το πρώτα ανυψώνοντας την οπίσθια άκρη του και τραβώντας το έξω ②.
3. Για να το επανατοποθετήσετε, τοποθετήστε το στις υποδοχές και στις δύο πλευρές και σπρώξτε το στην πίσω θέση μέχρι το πίσω μέρος του ραφίου να στερεωθεί στις πλαϊνές σχισμές.
4. Το ράφι 'POT STATION' έχει μέγιστη χωρητικότητα φορτίου 200 kg και παραμένει άθικτο. Όταν το φορτίο υπερβαίνει τα 80 kg, ενδέχεται να επηρεαστεί η κανονική λειτουργία του συρταριού. 'Fresh Zone' (δεδομένα προέρχονται από εσωτερικό εργαστήριο).



## ΕΙΔΟΠΟΙΗΣΗ

Βεβαιωθείτε ότι όλα τα άκρα ενός ραφίου είναι επίπεδα.

### Συρτάρι My Zone

1. Σε αυτόν τον θάλαμο το επίπεδο υγρασίας είναι χαμηλότερο από τον θάλαμο ψυγείου. Αυτό το συρτάρι είναι κατάλληλο για αποθήκευση ξηρών φρούτων και άλλων ξηρών τροφών με χαμηλή περιεκτικότητα σε νερό όπως βούτυρο, λίπη και λάδια ή σοκολάτα.

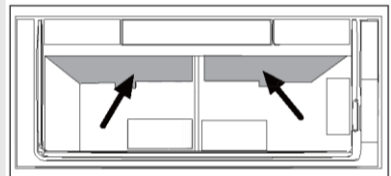
### Συρτάρι Humidity Box

1. Σε αυτό το τμήμα, το επίπεδο υγρασίας είναι υψηλότερο από ό,τι στο τμήμα του ψυγείου. Ελέγχεται αυτόματα από το σύστημα και είναι κατάλληλο για αποθήκευση φρούτων, λαχανικών, σαλατικών κλπ.



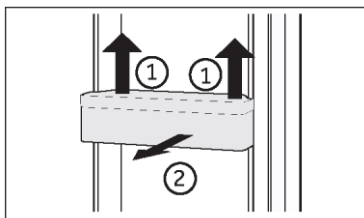
## ΕΙΔΟΠΟΙΗΣΗ

1. Μην αφαιρείτε το πλαστικό κάλυμμα μέσα στις δύο ζώνες.
2. Διατηρούν την υγρασία.
3. Φρούτα ευαίσθητα στο κρύο όπως ο ανανάς, το αβοκάντο, οι μπανάνες και τα γκρέιπφρουτ δεν συνιστάται να αποθηκεύονται σε αυτά τα δύο συρτάρια.



## Αφαιρούμενες σχάρες πόρτας/αφαιρούμενη μπουκαλοθήκη

1. Τα ράφια των πορτών μπορούν να αφαιρεθούν για καθαρισμό:
2. Τοποθετήστε τα χέρια σε κάθε πλευρά της σχάρας, σηκώστε την προς τα πάνω ① και τραβήξτε την προς τα έξω ②.
3. Για την εισαγωγή της σχάρας της πόρτας, τα παραπάνω βήματα πραγματοποιούνται με αντίστροφη σειρά.



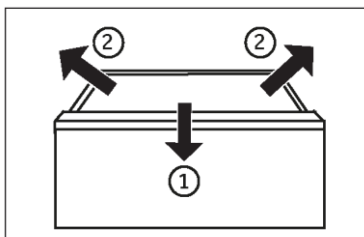
## ΕΙΔΟΠΟΙΗΣΗ

Όταν η συσκευή είναι ενεργοποιημένη, μπορεί να χρειαστούν έως και 12 ώρες για να επιτευχθούν οι σωστές θερμοκρασίες.

## Αφαιρούμενο συρτάρι

Για να αφαιρέσετε το συρτάρι προς τα έξω, τραβήξτε προς τα έξω στο μέγιστο βαθμό ①, σηκώστε και αφαιρέστε ②.

Για την τοποθέτηση του συρταριού, τα παραπάνω βήματα γίνονται με αντίστροφη σειρά.

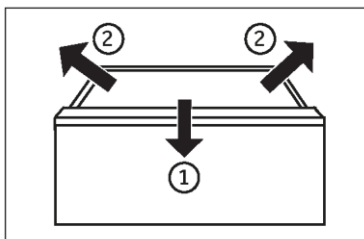


## Αποθήκευση μεγάλων αντικειμένων

Μεγάλα αντικείμενα, όπως κατεψυγμένα τρόφιμα, μπορούν να αποθηκευτούν μετά από:

αφαίρεση του άνω δίσκου κατάψυξης ή

αφαίρεση και των δύο επάνω θηκών κατάψυξης, καθώς και του μεσαίου συρταριού του καταψύκτη και αποθήκευση των τροφίμων κατευθείαν στο ράφι.



## Το φως

Το εσωτερικό φως LED ανάβει όταν ανοίγει η πόρτα. Η απόδοση των φώτων δεν επηρεάζεται από καμία από τις άλλες ρυθμίσεις της συσκευής.

## Το Συρτάρι

Παρακαλούμε πιέστε ή τραβήξτε ομαλά κατά μήκος της μεσαίας θέσης της λαβής του συρταριού για να αποφύγετε προβλήματα όπως κακή λειτουργία ή αποκόλληση του συρταριού.



## Συμβουλές εξοικονόμησης ενέργειας

- ▶ Βεβαιωθείτε ότι η συσκευή αερίζεται σωστά (δείτε ΕΓΚΑΤΑΣΤΑΣΗ).
- ▶ Μην εγκαθιστάτε τη συσκευή σε σημείο με άμεσο ηλιακό φως ή κοντά σε πηγές θερμότητας (π.χ. σόμπες, θερμαντήρες).
- ▶ Αποφύγετε την άσκοπα χαμηλή θερμοκρασία στη συσκευή. Η κατανάλωση ενέργειας αυξάνεται όσο χαμηλότερη είναι η θερμοκρασία στη συσκευή.
- ▶ Λειτουργίες όπως το POWER-FREEZE καταναλώνουν περισσότερη ενέργεια.
- ▶ Αφήστε το ζεστό φαγητό να κρυώσει πριν το τοποθετήσετε μέσα στη συσκευή.
- ▶ Να ανοίγετε την πόρτα της συσκευής όσο το δυνατόν λιγότερες φορές και για όσο πιο σύντομα γίνεται.
- ▶ Μην γεμίζετε και φορτώνετε υπερβολικά τη συσκευή για να αποφύγετε τη φραγή του αέρα χαμηλά.
- ▶ Αποφύγετε το να υπάρχει αέρας μέσα στη συσκευασία των τροφίμων.
- ▶ Διατηρείτε τα λάστιχα της πόρτας καθαρά, ώστε η πόρτα να κλείνει πάντα σωστά.
- ▶ Να αποψύχετε τα κατεψυγμένα τρόφιμα στο χώρο αποθήκευσης του ψυγείου.
- ▶ Η διαμόρφωση εξοικονόμησης ενέργειας απαιτεί τη διατήρηση του συρταριού, του κουτιού τροφίμων και των ραφιών όπως ακριβώς είναι, δηλαδή στην εργοστασιακή τους κατάσταση, και την τοποθέτηση των τροφίμων με τέτοιο τρόπο, ώστε να μην εμποδίζεται η έξοδος αεραγωγού.



## ΠΡΟΕΙΔΟΠΟΙΗΣΗ!

Αποσυνδέστε τη συσκευή από την τροφοδοσία πριν από τον καθαρισμό.

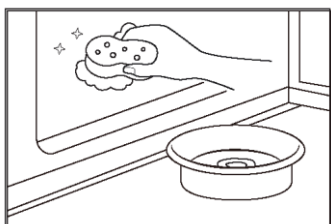
### Καθαρισμός

1. Καθαρίστε τη συσκευή μόνο όταν αποθηκεύεται λίγο ή καθόλου φαγητό.
2. Η συσκευή πρέπει να καθαρίζεται κάθε τέσσερις εβδομάδες για καλή συντήρηση και για την αποφυγή αποθηκευμένων τροφίμων με δυσάρεστες οσμές.



## ΠΡΟΕΙΔΟΠΟΙΗΣΗ!

- ▶ Μην καθαρίζετε τη συσκευή με σκληρές βούρτσες, συμπίετες βούρτσες, σκόνη απορρυπαντικού, βενζίνη, οξικό αμύλιο, ακετόνη και παρόμοια οργανικά διαλύματα, όξινα ή αλκαλικά διαλύματα. Καθαρίστε με ειδικό απορρυπαντικό ψυγείου για να αποφύγετε ζημιές.
- ▶ Μην ψεκάσετε ή ξεπλύνετε τη συσκευή κατά τον καθαρισμό.
- ▶ Μην χρησιμοποιείτε σπρέι νερού ή ατμό για να καθαρίσετε τη συσκευή.
- ▶ Μην καθαρίζετε τα κρύα γυάλινα ράφια με ζεστό νερό. Η απότομη αλλαγή θερμοκρασίας μπορεί να προκαλέσει το σπάσιμο του γυαλιού.
- ▶ Μην αγγίζετε την εσωτερική επιφάνεια του χώρου αποθήκευσης του καταψύκτη, ειδικά με βρεγμένα χέρια, καθώς τα χέρια σας μπορεί να παγώσουν στην επιφάνεια.
- ▶ Σε περίπτωση θέρμανσης ελέγξτε την κατάσταση των κατεψυγμένων αγαθών.



- ▶ Διατηρείτε πάντα το λάστιχο της πόρτας καθαρό.
- ▶ Καθαρίστε το εσωτερικό και το περίβλημα της συσκευής με ένα σφουγγάρι βρεγμένο σε ζεστό νερό και ουδέτερο απορρυπαντικό.
- ▶ 1. Τρίψτε το εσωτερικό και το εξωτερικό του ψυγείου, συμπεριλαμβανομένων των λάστιχων της πόρτας, της σχάρας της πόρτας, των γυάλινων ραφιών, των κουτιών και ούτω καθεξής, με μια μαλακή πετσέτα ή ένα σφουγγάρι βουτηγμένο σε ζεστό νερό (μπορείτε να προσθέσετε ουδέτερο απορρυπαντικό στο ζεστό νερό).

- ▶ 2. Εάν χυθεί υγρό, αφαιρέστε όλα τα μολυσμένα μέρη, ξεπλύνετε απευθείας με το νερό ροής, στεγνώστε και τοποθετήστε το πίσω στο ψυγείο.
- ▶ 3. Εάν υπάρχει χυμένη κρέμα (όπως η κρέμα γάλακτος, το παγωτό που λιώνει), αφαιρέστε όλα τα μολυσμένα μέρη, βάλτε στο ζεστό νερό με περίπου 40 °C για κάποιο χρονικό διάστημα, στη συνέχεια ξεπλύνετε με το νερό ροής, στεγνώστε και τοποθετήστε το ξανά στο ψυγείο.
- ▶ 4. Σε περίπτωση που κάποιο μικρό μέρος ή εξάρτημα κολλήσει μέσα στο ψυγείο (ανάμεσα σε ράφια ή συρτάρια), χρησιμοποιήστε μια μικρή μαλακή βούρτσα για να το απελευθερώσετε. Εάν δεν μπορέσετε να φτάσετε το εξάρτημα, επικοινωνήστε με την υπηρεσία Haier
- ▶ Ξεπλύνετε και στεγνώστε με μαλακό πανί.
- ▶ Μην καθαρίζετε κανένα από τα μέρη της συσκευής σε πλυντήριο πιάτων.
- ▶ Αφήστε τουλάχιστον 5 λεπτά πριν από την επανεκκίνηση της συσκευής, καθώς η συχνή εκκίνηση μπορεί να προκαλέσει ζημιά στον συμπιεστή.

### Απόψυξη

Η απόψυξη των θαλάμων του ψυγείου και της κατάψυξης γίνεται αυτόματα, δεν απαιτείται χειροκίνητη λειτουργία.

## Αντικατάσταση των λυχνιών LED



### ΠΡΟΕΙΔΟΠΟΙΗΣΗ!

Μην αντικαθιστάτε μόνοι σας τον λαμπτήρα LED, πρέπει να αντικατασταθεί μόνον από τον κατασκευαστή ή από τον εξουσιοδοτημένο αντιπρόσωπο σέρβις.

Ο λαμπτήρας υιοθετεί το LED ως πηγή φωτός του, που χαρακτηρίζεται για τη χαμηλή κατανάλωση ενέργειας και τη μακριά διάρκεια ζωής. Εάν υπάρχει κάποια ανωμαλία, επικοινωνήστε με την εξυπηρέτηση πελατών. Δείτε την ενότητα ΕΞΥΠΗΡΕΤΗΣΗ ΠΕΛΑΤΩΝ.

Παράμετροι του λαμπτήρα:

Θάλαμος ψυγείου: 12 V μέγ. 8 W

Θάλαμος καταψύκτη: 12 V μέγιστο 2 W

Μπλε φως πόρτας: 12V μέγ. 3W

### Μη χρήση για παρατεταμένο χρονικό διάστημα

Εάν η συσκευή δεν χρησιμοποιηθεί για μεγάλο χρονικό διάστημα και δεν σκοπεύετε να χρησιμοποιήσετε τη λειτουργία Holiday για το ψυγείο:

Αφαιρέστε τα τρόφιμα.

Αποσυνδέστε το καλώδιο τροφοδοσίας.

Καθαρίστε τη συσκευή, όπως περιγράφεται παραπάνω.

Διατηρήστε τις πόρτες ανοικτές για να αποτρέψετε τη δημιουργία δυσοσμίας στο εσωτερικό.



### ΕΙΔΟΠΟΙΗΣΗ

Απενεργοποιήστε τη συσκευή μόνο εάν είναι απολύτως απαραίτητο.

### Μετακίνηση της συσκευής

1. Αφαιρέστε όλα τα τρόφιμα και αποσυνδέστε τη συσκευή.
2. Ασφαλίστε τα ράφια και τα άλλα κινητά μέρη στο ψυγείο και στον καταψύκτη με κολλητική ταινία.
3. Μην γέρνετε το ψυγείο περισσότερο από 45° ώστε να αποφύγετε ζημιά στο ψυκτικό σύστημα.



### ΠΡΟΕΙΔΟΠΟΙΗΣΗ!

- ▶ Μην σηκώνετε τη συσκευή από τις λαβές της.
- ▶ Μην τοποθετείτε ποτέ τη συσκευή οριζόντια στο έδαφος.

Πολλά προβλήματα που παρουσάζονται θα μπορούσαν να επιλυθούν από τον εαυτό σας χωρίς ειδική εμπειρογνώμοσύνη. Σε περίπτωση προβλήματος, ελέγξτε όλες τις εμφανιζόμενες δυνατότητες και ακολουθήστε τις παρακάτω οδηγίες προτού επικοινωνήσετε με το τμήμα εξυπηρέτησης πελατών μετά την πώληση. Δείτε την ενότητα ΕΞΥΠΗΡΕΤΗΣΗ ΠΕΛΑΤΩΝ.



### ΠΡΟΕΙΔΟΠΟΙΗΣΗ!

- ▶ Πριν από τη συντήρηση, απενεργοποιήστε τη συσκευή και αποσυνδέστε το φως από την πρίζα.
- ▶ Ο ηλεκτρικός εξοπλισμός πρέπει να συντηρείται μόνο από εξειδικευμένους ηλεκτρολόγους, επειδή οι ακατάλληλες επισκευές μπορούν να προκαλέσουν σημαντικές επακόλουθες ζημιές.
- ▶ Μια κατεστραμμένη τροφοδοσία θα πρέπει να αντικατασταθεί από τον κατασκευαστή ή τον αντιπρόσωπο του σέρβις ή παρόμοια εξουσιοδοτημένα πρόσωπα, προς αποφυγή του κινδύνου.

Πρόβλημα	Πιθανή αιτία	Πιθανή λύση
Ο συμπίεστής δεν λειτουργεί.	<ul style="list-style-type: none"> <li>• Το βύσμα δικτύου δεν είναι συνδεδεμένο στην πρίζα.</li> <li>• Η συσκευή βρίσκεται στον κύκλο απόψυξης.</li> </ul>	<ul style="list-style-type: none"> <li>• Συνδέστε την πρίζα.</li> <li>• Αυτό είναι φυσιολογικό για αυτόματα απόψυξη.</li> </ul>
Η συσκευή λειτουργεί συχνά ή λειτουργεί για πολύ μεγάλο χρονικό διάστημα.	<ul style="list-style-type: none"> <li>• Η εσωτερική και η εξωτερική θερμοκρασία είναι πολύ υψηλή.</li> <li>• Η συσκευή απενεργοποιήθηκε για ένα χρονικό διάστημα.</li> <li>• Η πόρτα της συσκευής δεν είναι ερμητικά κλειστή.</li> <li>• Η πόρτα ανοίγει πολύ συχνά ή για μεγάλα χρονικά διαστήματα.</li> <li>• Η ρύθμιση θερμοκρασίας για την κατάψυξη είναι πολύ χαμηλή.</li> <li>• Το λάστιχο της πόρτας είναι βρώμικο, έχει φθαρεί, έχει ρωγμές ή δεν ταιριάζει.</li> <li>• Η απαιτούμενη κυκλοφορία του αέρα δεν είναι εγγυημένη.</li> </ul>	<ul style="list-style-type: none"> <li>• Είναι φυσιολογικό η συσκευή να λειτουργεί περισσότερο.</li> <li>• Κανονικά, χρειάζονται 8 έως 12 ώρες για να κρυώσει εντελώς η συσκευή.</li> <li>• Κλείστε την πόρτα / συρτάρι και βεβαιωθείτε ότι η συσκευή βρίσκεται σε επίπεδη επιφάνεια και ότι δεν υπάρχει τροφή ή δοχείο που να «χτυπά» πάνω στην πόρτα</li> <li>• Μην ανοίγετε την πόρτα / το συρτάρι πολύ συχνά.</li> <li>• Ρυθμίστε τη θερμοκρασία ψηλότερα μέχρι να ληφθεί ικανοποιητική θερμοκρασία ψυγείου. Χρειάζονται 24 ώρες για να σταθεροποιηθεί η θερμοκρασία του ψυγείου.</li> <li>• Καθαρίστε την πόρτα/ το φλάουτο του συρταριού ή αντικαταστήστε τα από την εξυπηρέτηση πελατών.</li> <li>• Εξασφαλίστε επαρκή αερισμό.</li> </ul>
Το εσωτερικό του ψυγείου είναι βρώμικο ή/και μυρίζει άσχημα.	<ul style="list-style-type: none"> <li>• Το εσωτερικό του ψυγείου χρειάζεται καθαρισμό.</li> <li>• Τα τρόφιμα με έντονη οσμή αποθηκεύονται στο ψυγείο.</li> </ul>	<ul style="list-style-type: none"> <li>• Καθαρίστε το εσωτερικό του ψυγείου.</li> <li>• Τυλίξτε καλά το φαγητό.</li> </ul>

Πρόβλημα	Πιθανή αιτία	Πιθανή λύση
Δεν υπάρχει αρκετή ψύξη στο εσωτερικό της συσκευής.	<ul style="list-style-type: none"> <li>• Η θερμοκρασία είναι πολύ υψηλή.</li> <li>• Πολύ ζεστά αγαθά έχουν αποθηκευτεί.</li> <li>• Πάρα πολύ φαγητό έχει αποθηκευτεί ταυτόχρονα.</li> <li>• Τα αγαθά είναι πολύ κοντά το ένα στο άλλο.</li> <li>• Η πόρτα / συρτάρι της συσκευής δεν είναι κλειστά.</li> <li>• Η πόρτα/το συρτάρι ανοίγει πολύ συχνά ή για μεγάλα χρονικά διαστήματα.</li> </ul>	<ul style="list-style-type: none"> <li>• Επαναφέρετε τη θερμοκρασία.</li> <li>• Πάντα να ψύχετε τα αγαθά πριν τα αποθηκεύετε.</li> <li>• Να αποθηκεύετε πάντα μικρές ποσότητες τροφίμων.</li> <li>• Αφήστε ένα κενό μεταξύ πολλών τροφίμων που επιτρέπουν τη ροή του αέρα.</li> <li>• Κλείστε την πόρτα / τα συρτάρια.</li> <li>• Μην ανοίγετε την πόρτα / το συρτάρι πολύ συχνά.</li> </ul>
Υπάρχει αρκετή ψύξη στο εσωτερικό της συσκευής.	<ul style="list-style-type: none"> <li>• Η θερμοκρασία είναι πολύ χαμηλή.</li> <li>• Η λειτουργία Super-Frz/ Super-Cool είναι ενεργοποιημένη ή λειτουργεί για μεγάλο διάστημα.</li> </ul>	<ul style="list-style-type: none"> <li>• Επαναφέρετε τη θερμοκρασία.</li> <li>• Απενεργοποιήστε τη λειτουργία Super-Frz/ Super-Cool</li> </ul>
Σχηματισμός υγρασίας στο εσωτερικό του θαλάμου του ψυγείου.	<ul style="list-style-type: none"> <li>• Το κλίμα είναι πολύ ζεστό και πολύ υγρό.</li> <li>• Η πόρτα / συρτάρι της συσκευής δεν είναι κλειστά.</li> <li>• Η πόρτα/το συρτάρι ανοίγει πολύ συχνά ή για μεγάλα χρονικά διαστήματα.</li> <li>• Τα δοχεία τροφίμων ή τα υγρά παραμένουν ανοιχτά.</li> </ul>	<ul style="list-style-type: none"> <li>• Αυξήστε τη θερμοκρασία.</li> <li>• Κλείστε την πόρτα / τα συρτάρια.</li> <li>• Μην ανοίγετε την πόρτα / το συρτάρι πολύ συχνά.</li> <li>• Αφήστε τα ζεστά τρόφιμα να κρυσώσουν σε θερμοκρασία δωματίου και καλύψτε τα τρόφιμα και τα υγρά.</li> </ul>
Η υγρασία συσσωρεύεται στα ψυγεία έξω από την επιφάνεια ή ανάμεσα στις πόρτες / την πόρτα και τα συρτάρια.	<ul style="list-style-type: none"> <li>• Το κλίμα είναι πολύ ζεστό και πολύ υγρό.</li> <li>• Η πόρτα δεν είναι ερμητικά κλειστή. Ο κρύος αέρας στη συσκευή και ο ζεστός αέρας έξω από αυτήν συμπυκνώνονται.</li> </ul>	<ul style="list-style-type: none"> <li>• Αυτό είναι φυσιολογικό σε υγρό κλίμα και θα αλλάξει όταν μειώνεται η υγρασία.</li> <li>• Βεβαιωθείτε ότι η πόρτα/το συρτάρι είναι καλά κλειστά.</li> </ul>

Πρόβλημα	Πιθανή αιτία	Πιθανή λύση
Ισχυρός πάγος και παγετός στο διαμέρισμα του καταψύκτη.	<ul style="list-style-type: none"> <li>• Τα εμπορεύματα δεν είχαν συσκευαστεί επαρκώς.</li> <li>• Η πόρτα / συρτάρια της συσκευής δεν είναι κλειστά.</li> <li>• Η πόρτα/το συρτάρι ανοίγει πολύ συχνά ή για μεγάλα χρονικά διαστήματα.</li> <li>• Η φλάντζα πόρτας/συρταριού είναι βρώμικη, φθαρμένη, ραγισμένη ή αταίριαστη.</li> <li>• Κάτι στο εσωτερικό εμποδίζει την πόρτα / συρτάρι να κλείσει σωστά.</li> </ul>	<ul style="list-style-type: none"> <li>• Πάντα να συσκευάζετε καλά τα προϊόντα.</li> <li>• Κλείστε την πόρτα / τα συρτάρια.</li> <li>• Μην ανοίγετε την πόρτα / το συρτάρι πολύ συχνά.</li> <li>• Καθαρίστε την τσιμούχα πόρτας/συρταριού ή αντικαταστήστε την με νέα.</li> <li>• Επανατοποθετήστε τα ράφια, τα ράφια των θυρών ή τα εσωτερικά δοχεία για να επιτρέψετε στο κλείσιμο της πόρτας / συρταριού.</li> </ul>
Οι πλευρές του ντουλαπιού και του λάστιχου της πόρτας θερμαίνονται.		<ul style="list-style-type: none"> <li>• Αυτό είναι φυσιολογικό.</li> </ul>
Η συσκευή κάνει αφύσικους ήχους.	<ul style="list-style-type: none"> <li>• Η συσκευή δεν βρίσκεται σε επίπεδο έδαφος.</li> <li>• Η συσκευή αγγίζει κάποιο αντικείμενο γύρω της.</li> </ul>	<ul style="list-style-type: none"> <li>• Ρυθμίστε τα πόδια για να ισιώσετε τη συσκευή.</li> <li>• Αφαιρέστε τα αντικείμενα γύρω από τη συσκευή.</li> </ul>
Ένας ελαφρύς ήχος πρέπει να ακούγεται παρόμοιος με αυτόν του ρέοντος νερού.		<ul style="list-style-type: none"> <li>• Αυτό είναι φυσιολογικό.</li> </ul>
Θα ακούσετε ένα ηχητικό σήμα συναγερμού.	<ul style="list-style-type: none"> <li>• Η πόρτα του χώρου αποθήκευσης ψυγείου είναι ανοιχτή.</li> </ul>	<ul style="list-style-type: none"> <li>• Κλείστε την πόρτα.</li> </ul>
Θα ακούσετε ένα αχνό βουητό.	<ul style="list-style-type: none"> <li>• Το σύστημα κατά της συμπύκνωσης λειτουργεί.</li> </ul>	<ul style="list-style-type: none"> <li>• Αυτό αποτρέπει τη συμπύκνωση και είναι φυσιολογικό.</li> </ul>
Το σύστημα εσωτερικού φωτισμού ή ψύξης δεν λειτουργεί.	<ul style="list-style-type: none"> <li>• Το βύσμα δικτύου δεν είναι συνδεδεμένο στην πρίζα.</li> <li>• Η παροχή ρεύματος δεν είναι άθικτη.</li> <li>• Η λυχνία-LED είναι εκτός λειτουργίας.</li> </ul>	<ul style="list-style-type: none"> <li>• Συνδέστε την πρίζα.</li> <li>• Ελέγξτε την παροχή ηλεκτρικού ρεύματος στο δωμάτιο. Καλέστε την τοπική εταιρεία ηλεκτρισμού!</li> <li>• Καλέστε την υπηρεσία για αλλαγή της λυχνίας.</li> </ul>

Για να επικοινωνήσετε με την τεχνική βοήθεια, επισκεφθείτε τον ιστότοπό μας:

<https://corporate.haier-europe.com/en/>

Στην ενότητα "ιστότοπος", επιλέξτε τη μάρκα του προϊόντος σας και τη χώρα σας.

Θα ανακατευθυνθείτε στον συγκεκριμένο ιστότοπο, όπου μπορείτε να βρείτε τον αριθμό τηλεφώνου και τη φόρμα για να επικοινωνήσετε με την τεχνική υποστήριξη.

## Διακοπή ρεύματος

Σε περίπτωση διακοπής ρεύματος, τα τρόφιμα πρέπει να παραμείνουν με ασφάλεια κρύα και σε συνθήκες ψύξης για περίπου 5 ώρες. Ακολουθήστε αυτές τις συμβουλές κατά τη διάρκεια παρατεταμένης διακοπής ρεύματος, ειδικά το καλοκαίρι:

- ▶ Ανοίγετε την πόρτα / συρτάρια όσο το δυνατόν λιγότερες φορές.
- ▶ Μη βάζετε επιπλέον τρόφιμα στη συσκευή κατά τη διάρκεια διακοπής ρεύματος.
- ▶ Εάν δοθεί προηγούμενη ειδοποίηση για διακοπή ρεύματος και η διάρκεια διακοπής είναι μεγαλύτερη από 5 ώρες, φτιάξτε λίγο πάγο και τοποθετήστε τον σε ένα δοχείο στο πάνω μέρος του ψυγείου.
- ▶ Ο έλεγχος των εμπορευμάτων απαιτείται αμέσως μετά τη διακοπή.
- ▶ Καθώς η θερμοκρασία στο ψυγείο θα αυξηθεί κατά τη διάρκεια διακοπής ρεύματος ή άλλης βλάβης, η περίοδος αποθήκευσης και η βρώσιμη ποιότητα των τροφίμων θα μειωθούν. Οποιοδήποτε φαγητό αποψύχεται πρέπει να καταναλώνεται ή να μαγειρεύεται και να καταψύχεται (όταν επιτρέπεται αυτή η διαδικασία) λίγο μετά για την αποφυγή κινδύνων για την υγεία.

## Λειτουργία μνήμης κατά τη διακοπή ρεύματος

Μετά την αποκατάσταση του ρεύματος, η συσκευή συνεχίζει με τις ρυθμίσεις που είχαν ρυθμιστεί πριν από την διακοπή ρεύματος.

## Αποσυσκευασία



## ΠΡΟΕΙΔΟΠΟΙΗΣΗ!

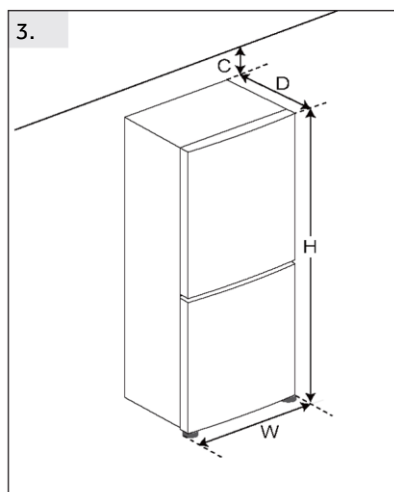
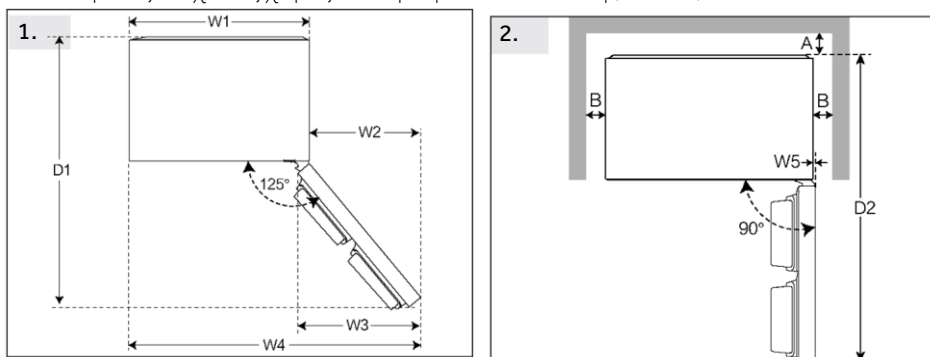
- ▶ Η συσκευή είναι βαριά. Πάντοτε θα πρέπει να χειρίζονται τη συσκευή δύο άτομα τουλάχιστον.
- ▶ Κρατήστε όλα τα υλικά συσκευασίας μακριά από τα παιδιά και απορρίψτε τα με φιλικό προς το περιβάλλον τρόπο.
- ▶ Βγάλε τη συσκευή από τη συσκευασία.
- ▶ Αφαιρέστε όλα τα υλικά συσκευασίας.

## Περιβαλλοντικές συνθήκες

Η θερμοκρασία δωματίου πρέπει να είναι πάντα μεταξύ 10°C και 43°C, καθώς μπορεί να επηρεάσει τη θερμοκρασία στο εσωτερικό της συσκευής και την κατανάλωση ενέργειας της. Μην εγκαθιστάτε τη συσκευή κοντά σε άλλες συσκευές που εκπέμπουν θερμότητα (φούρνους, ψυγεία) χωρίς μόνωση.

## Σύσταση για τον χώρο

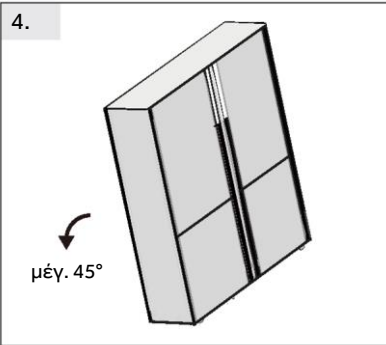
Συνιστώμενος ελάχιστος χώρος όταν η πόρτα είναι ανοικτή (Εικ. 1.2.)



(Μονάδα: mm)	Μοντέλο#1	Μοντέλο#2
Πλάτος	W1	830
	W2	500
	W3	529
	W4	1330
	W5	21
	W	830
Βάθος	D1	1362
	D2	1502
	D	725
Απόσταση από πίσω τοίχο	A	50
Απόσταση πλευρικούς τοίχους	B	50
Απόσταση από οροφή	C	50
Συνολικό ύψος	H	1850

## Διατομή εξαερισμού

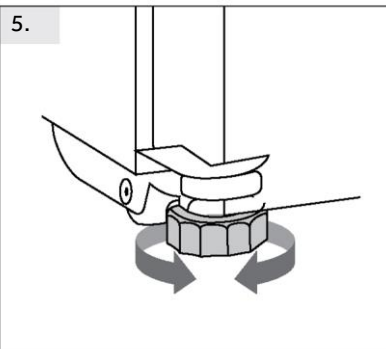
Για να επιτευχθεί επαρκής αερισμός της συσκευής για λόγους ασφαλείας, πρέπει να τηρούνται οι πληροφορίες των απαιτούμενων διατομών εξαερισμού.



### Ευθυγράμμιση της συσκευής (Εικ.4.5.6.)

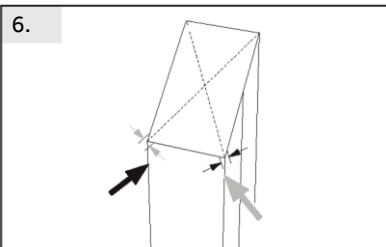
Η συσκευή πρέπει να τοποθετηθεί σε επίπεδη και συμπαγή επιφάνεια.

4. Γείρετε ελαφρά το ψυγείο προς τα πίσω.



5. Ρυθμίστε τα πόδια στο επιθυμητό επίπεδο.

Βεβαιωθείτε ότι η απόσταση από τον τοίχο στην πλευρά του μεντεσέ είναι τουλάχιστον 50 mm για να ανοίξει σωστά η πόρτα.

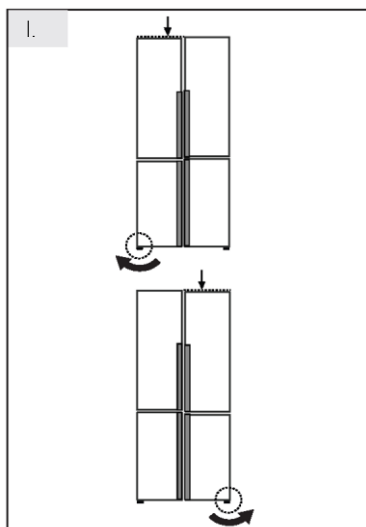


6. Η σταθερότητα μπορεί να ελεγχθεί χτυπώντας εναλλάξ τις διαγώνιες πλευρές. Η ελαφριά ταλάντωση πρέπει να είναι ίδια και προς τις δύο κατευθύνσεις. Διαφορετικά το πλαίσιο μπορεί να στρεβλώσει, και το αποτέλεσμα μπορεί να είναι πιθανές διαρροές στις σφραγίδες της πόρτας. Μια χαμηλή κλίση προς τα πίσω διευκολύνει το κλείσιμο των θυρών.



## ΕΙΔΟΠΟΙΗΣΗ

Για μια συσκευή ελεύθερης τοποθέτησης; αυτή η ψυκτική συσκευή δεν προορίζεται για χρήση ως εντοιχιζόμενη συσκευή

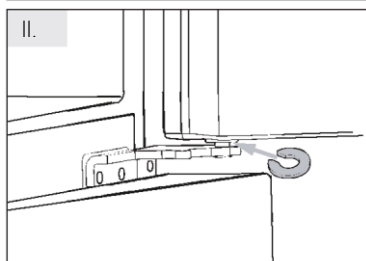


### Ρύθμιση των θυρών

Εάν οι πόρτες δεν είναι σε ένα επίπεδο, αυτή η αναντιστοιχία μπορεί να διορθωθεί με τα εξής:

#### I Χρήση ρυθμιζόμενου ποδιού

Περιστρέψτε το ρυθμιζόμενο πόδι σύμφωνα με την κατεύθυνση του βέλους για να γυρίσετε προς τα πάνω ή προς τα κάτω το πόδι.



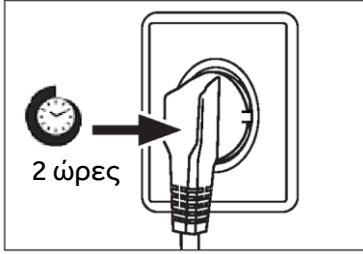
#### II Χρήση αποστάτη

- ▶ Ανοίξτε την πάνω πόρτα και σήκωσε την.
- ▶ Κόψτε προσεκτικά τον αποστάτη (που περικλείεται στην τσάντα εξαρτημάτων) στον λευκό πλαστικό δακτύλιο του μεσαίου μεντεσέ με το χέρι ή χρησιμοποιώντας εργαλεία όπως πένσες. Μην γρατζουνάτε ή αφήνετε βαθουλώματα στην πόρτα.



### ΕΙΔΟΠΟΙΗΣΗ

Στη μελλοντική χρήση ψυγείου, μπορεί να εμφανιστεί ανομοιόμορφο φαινόμενο στις πόρτες στο βάρος των αποθηκευμένων τροφίμων. Στη συνέχεια, προσαρμόστε σύμφωνα με τις παραπάνω μεθόδους.



### Χρόνος αναμονής

Το λάδι λίπανσης χωρίς συντήρηση βρίσκεται στην κάψουλα του συμπιεστή. Αυτό το λάδι μπορεί να περάσει από το κλειστό σύστημα σωλήνων κατά τη διάρκεια της κεκλιμένης μεταφοράς. Πριν συνδέσετε τη συσκευή στην παροχή ρεύματος θα πρέπει να περιμένετε τουλάχιστον 2 ώρες, ώστε το λάδι να επιστρέψει στην κάψουλα.

### Ηλεκτρική σύνδεση

Πριν από κάθε σύνδεση ελέγξτε αν:

- ▶ η τροφοδοσία ρεύματος, η πρίζα και η ασφάλεια είναι κατάλληλα σύμφωνα με την πινακίδα ονομαστικών στοιχείων.
- ▶ η πρίζα είναι γειωμένη και δεν υπάρχει πολλαπλή πρίζα ή επέκταση.
- ▶ το βύσμα τροφοδοσίας και η πρίζα είναι σύμφωνα με.

Συνδέστε το βύσμα σε μια σωστά εγκατεστημένη οικιακή πρίζα.



### ΠΡΟΕΙΔΟΠΟΙΗΣΗ!

Για να αποφύγετε τους κινδύνους, ένα κατεστραμμένο καλώδιο τροφοδοσίας πρέπει να αντικατασταθεί από την εξυπηρέτηση πελατών (βλ. κάρτα εγγύησης).

Δελτίο προϊόντος σύμφωνα με τον κανονισμό ΕΕ υπ' αριθ. 2019/2016

Μάρκα	Haier
Όνομα μοντέλου / αναγνωριστικό	HDR5818DNSS HDR5818DNPW HDR5818DNMB
Κατηγορία του μοντέλου	Ψυγειοκαταψύκτης
Κατηγορία ενεργειακής απόδοσης	D
Ετήσια κατανάλωση ενέργειας (kWh/έτος)(1)	273
Συνολικός όγκος (L)	640
Όγκος ψυγείου (Λίτρα)	413
Όγκος καταψύκτη (L)	184
Όγκος τμήματος ψύκτη (L)	43
Αξιολόγηση με αστέρια	*/***
Θερμοκρασία άλλων διαμερισμάτων > 14 °C	Δεν υφίσταται
Σύστημα χωρίς πάγο	Ναι
Χωρητικότητα καταψύκτη (κιλά/24 ώρες)	10
Βαθμολογία κλίματος (2)	SN-N-ST-T
Κατηγορία εκπομπών θορύβου και εκπομπών αερομεταφερόμενου ακουστικού θορύβου (db(A) re 1pW)	B(35)
Χρόνος αύξησης θερμοκρασίας (ώρες)	10
Τύπος συσκευής	Αυτόνομη ελεύθερη τοποθέτηση

Επεξηγήσεις:

• Ναι, υπάρχει

- (1) Με βάση τα αποτελέσματα της δοκιμής συμμόρφωσης προτύπων για 24 ώρες. Η πραγματική κατανάλωση εξαρτάται από τη χρήση και τη θέση της συσκευής.
- (2) Κλιματική κατάταξη SN: Αυτή η συσκευή προορίζεται για χρήση σε θερμοκρασία περιβάλλοντος μεταξύ + 10 °C και +32 °C  
Κλιματική κατάταξη N: Αυτή η συσκευή προορίζεται για χρήση σε θερμοκρασία περιβάλλοντος μεταξύ + 16 °C και +32 °C  
Κλιματική κατάταξη ST: Αυτή η συσκευή προορίζεται για χρήση σε θερμοκρασία περιβάλλοντος μεταξύ + 16 °C και +38 °C  
Κλιματική κατάταξη T: Αυτή η συσκευή προορίζεται για χρήση σε θερμοκρασία περιβάλλοντος μεταξύ + 16 °C και +43 °C

### Πρόσθετα τεχνικά δεδομένα

Τάση / Συχνότητα	220-240V ~ / 50Hz
Ρεύμα εισόδου (A)	2
Ασφάλεια κεντρική (A)	8
Ψυκτικό	R600a
Διαστάσεις (Υ/Π/Β σε mm)	1850 / 830/725

Συνιστούμε την Εξυπηρέτηση Πελατών της Haier και τη χρήση γνήσιων ανταλλακτικών. Εάν έχετε κάποιο πρόβλημα με τη συσκευή σας, ελέγξτε πρώτα την ενότητα ΑΝΤΙΜΕΤΩΠΙΣΗ ΠΡΟΒΛΗΜΑΤΩΝ.

Εάν δεν μπορείτε να βρείτε μια λύση εκεί, επικοινωνήστε

- ▶ με τον τοπικό σας αντιπρόσωπο ή
- ▶ το Ευρωπαϊκό τηλεφωνικό κέντρο εξυπηρέτησης (βλ. παρακάτω αριθμούς τηλεφώνου) ή
- ▶ πηγαίνετε στην ενότητα Εξυπηρέτηση και Υποστήριξη στη διεύθυνση [www.haier.com](http://www.haier.com) όπου μπορείτε να υποβάλετε αίτημα εξυπηρέτησης
- ▶ και επίσης να βρείτε τις συχνές ερωτήσεις.

Για να επικοινωνήσετε με την Υπηρεσία μας, βεβαιωθείτε ότι έχετε τα ακόλουθα δεδομένα διαθέσιμα.

Οι πληροφορίες μπορούν να βρεθούν στην πινακίδα ονομαστικών στοιχείων.

Μοντέλο \_\_\_\_\_

Σειριακός αριθμός, \_\_\_\_\_

Επίσης, ελέγξτε την Κάρτα Εγγύησης που παρέχεται με το προϊόν σε περίπτωση εγγύησης.

Ευρωπαϊκό Τηλεφωνικό Κέντρο		
Χώρα*	Αριθμός τηλεφώνου	Έξοδα
Haier Italy (IT)	199 100 912	
Haier Spain (ES)	902 509 123	
Haier Germany (DE)	0180 5 39 39 99	<ul style="list-style-type: none"> <li>• 14 λεπτά/λεπτό από σταθερό</li> <li>• μέγιστο 42 λεπτά/λεπτό από κινητό</li> </ul>
Haier Austria (AT)	0820 001 205	<ul style="list-style-type: none"> <li>• 14,53 λεπτά/λεπτό από σταθερό</li> <li>• μέγιστο 20 λεπτά/λεπτό όλα τα άλλα</li> </ul>
Haier United Kingdom (UK)	0333 003 8122	
Haier France (FR)	0980 406 409	

\* Για άλλες χώρες, ανατρέξτε στη διεύθυνση [www.haier.com](http://www.haier.com)

Haier Europe Trading S.r.l

Branch UK

Westgate House, Westgate, Ealing

Λονδίνο, W5 1YY

\*Διάρκεια εγγύησης της ψυκτικής συσκευής:

Η ελάχιστη εγγύηση είναι: 2 χρόνια για τις χώρες της ΕΕ, 3 χρόνια για την Τουρκία, 1 χρόνο για το Ηνωμένο Βασίλειο, 1 χρόνο για τη Ρωσία, 3 χρόνια για τη Σουηδία, 2 χρόνια για τη Σερβία, 5 χρόνια για τη Νορβηγία, 1 χρόνο για το Μαρόκο, 6 μήνες για την Αλγερία, για την Τυνησία δεν απαιτείται νομική εγγύηση.

\*Περίοδος διάθεσης ανταλλακτικών για επισκευή της συσκευής:

Θερμοστάτες, αισθητήρες θερμοκρασίας, πλακέτες τυπωμένων κυκλωμάτων και πηγές φωτός διατίθενται για επτά τουλάχιστον χρόνια μετά τη διάθεση της τελευταίας μονάδας του μοντέλου στην αγορά.

Λαβές πόρτας, μεντεσέδες πόρτας, δίσκοι και καλάθια για περίοδο τουλάχιστον επτά ετών και λάστιχα πόρτας για ελάχιστη περίοδο 10 ετών, μετά τη διάθεση και της τελευταίας μονάδας του μοντέλου στην αγορά.

\*Για περισσότερες πληροφορίες σχετικά με το προϊόν, συμβουλευτείτε τη διεύθυνση <https://eprel.ec.europa.eu/> ή σαρώστε τον κωδικό QR στην ενεργειακή ετικέτα που παρέχεται με τη συσκευή.

**ΠΙΣΤΟΠΟΙΗΤΙΚΟ ΠΟΙΟΤΗΤΑΣ**

ΟΝΟΜΑΣΙΑ: ΨΥΓΕΙΟ  
ΕΠΙΤΥΧΗΣ ΕΛ.ΠΟΙΟΤ.  
ΕΛΕΓΚΤΗΣ Αρ.θ. QC01

**Haier**



0060543301  
2025 Έκδοση Α

# Haier

Manual de usuario

Frigorífico-congelador

HDR5818DNSS  
HDR5818DNPW  
HDR5818DNMB



## 4 Información de seguridad

Antes del primer uso 5

Instalación 5

Uso diario 6

## 8 Uso previsto

## 9 Descripción del producto

## 10 Panel de control

## 11 Uso

Ajustar la temperatura del frigorífico 12

Ajustar la temperatura del congelador 12

Función Super Cool 13

Función Super Freeze 13

Función AI Cooling 14

## 17 Equipo

## 19 Consejos de ahorro de energía

## 20 Cuidado y limpieza

## 22 Solución de problemas

## 26 Instalación

## 30 Datos técnicos

## 32 Atención al cliente

## Gracias por comprar un producto Haier.

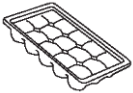
Lea atentamente estas instrucciones antes de utilizar este electrodoméstico. Estas instrucciones contienen información importante que le ayudará a sacar el máximo provecho del electrodoméstico y a garantizar una instalación, uso y mantenimiento seguros y adecuados.

Guarde este manual en un lugar seguro para poder consultarlo en cualquier momento y garantizar un uso seguro y adecuado del electrodoméstico.

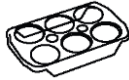
Si vende este electrodoméstico, lo dona o lo deja al mudarse, asegúrese de entregar también este manual para que el nuevo propietario pueda familiarizarse con el electrodoméstico y las advertencias de seguridad.

## Accesorios

Compruebe los accesorios y la documentación con esta lista:



Bandeja de cubitos de hielo



Huevera x 2



Etiqueta energética



Tarjeta de garantía



Manual de usuario



Tope de bloqueo x 2



Bisagra central



Bisagra superior



Gancho doblado de la bisagra superior



Bisagra inferior



Tapa del embellecedor superior



Tapón de rosca del marco delantero central



Fijación



## ADVERTENCIA: Información de seguridad importante



## AVISO: Información general y consejos



## Información medioambiental



### Eliminación

Ayude a proteger el medio ambiente y la salud humana. Tire el embalaje en los contenedores correspondientes para reciclarlo. Ayude a reciclar los residuos de aparatos eléctricos y electrónicos. No deseché los aparatos marcados con este símbolo en la basura doméstica. Lleve el producto a su centro de reciclaje local o póngase en contacto con su oficina municipal.



### ADVERTENCIA: riesgo de incendio/ material inflamable

El símbolo indica que existe riesgo de incendio dado que se utilizan materiales inflamables. Tenga cuidado de no provocar un incendio por la ignición del material inflamable.



## ¡ADVERTENCIA!

¡Peligro de lesiones o asfixia!

Los refrigerantes y gases deben ser eliminados de forma profesional. Asegúrese de que la tubería del circuito refrigerante no está dañada antes de desecharla adecuadamente. Desconecte el electrodoméstico de la red eléctrica. Corte el cable de red y deséchelo. Quite las bandejas y los cajones, así como el asa de la puerta y las juntas, para evitar que los niños y las mascotas se queden encerrados en el electrodoméstico.

**¡Antes de encender el electrodoméstico por primera vez, lea las siguientes directrices de seguridad!**



## **¡ADVERTENCIA!**

### **Antes del primer uso**

- ▶ Asegúrese de que no haya daños causados por el transporte.
- ▶ Retire todo el embalaje y manténgalo fuera del alcance de los niños.
- ▶ Espere al menos dos horas antes de instalar el electrodoméstico para asegurarse de que el circuito refrigerante sea totalmente eficiente.
- ▶ Este electrodoméstico pesa mucho: manipúlelo con la ayuda de otra persona.

### **Instalación**

- ▶ Este electrodoméstico debe colocarse en un lugar bien ventilado. Asegúrese de dejar un espacio libre de al menos 10 cm por encima y alrededor del electrodoméstico.
- ▶ No coloque el electrodoméstico en un área húmeda o en un lugar donde pueda recibir salpicaduras de agua. Limpie y seque las salpicaduras y manchas con un paño suave y limpio.
- ▶ No instale el electrodoméstico bajo la luz directa del sol o cerca de fuentes de calor (p. ej.: fogones, estufas...).
- ▶ Instale y nivele el electrodoméstico en un lugar adecuado para su tamaño y uso.
- ▶ No obstruya las aberturas de ventilación del armazón del electrodoméstico o de la estructura integrada.
- ▶ Asegúrese de que la información eléctrica de la placa de características técnicas coincida con la fuente de alimentación. Si no es así, póngase en contacto con un electricista.
- ▶ Este electrodoméstico funciona mediante una fuente de alimentación de 220-240 V CA / 50 Hz. Una fluctuación anormal del voltaje puede provocar que el electrodoméstico no se ponga en marcha o que se dañe el control de temperatura o el compresor, o que se oiga un ruido anormal durante el funcionamiento. En tal caso, se deberá instalar un regulador automático.
- ▶ No utilice adaptadores de múltiples contactos ni cables de extensión.
- ▶ No ubique tomas de corriente múltiples portátiles ni fuentes de alimentación portátiles en la parte trasera del electrodoméstico.
- ▶ Asegúrese de que el cable de alimentación no quede aprisionado por el frigorífico. No oprima el cable de alimentación.
- ▶ Utilice una toma de corriente independiente puesta a tierra como fuente de alimentación, que sea de fácil acceso. Este electrodoméstico debe conectarse a tierra.
- ▶ Solo para el Reino Unido: El cable de alimentación de este electrodoméstico está equipado con un enchufe de 3 cables (con puesta a tierra) que se ajusta a una toma de corriente estándar de 3 cables (puesta a tierra). No corte ni desmonte la tercera patilla (toma de tierra). Una vez instalado el electrodoméstico, el enchufe debe estar accesible.
- ▶ No dañe el circuito del refrigerante.



## ¡ADVERTENCIA!

### Uso diario

- ▶ Este electrodoméstico puede ser utilizado por niños a partir de 8 años y por personas con capacidades físicas, sensoriales o mentales reducidas, o sin experiencia o conocimientos previos, siempre y cuando hayan recibido la supervisión y las instrucciones necesarias para utilizar el electrodoméstico de forma segura y comprendan los riesgos que implica.
- ▶ Los niños de 3 a 8 años pueden llenar y vaciar los electrodomésticos de refrigeración, pero no están autorizados a limpiarlos o instalarlos.
- ▶ Mantenga alejados del electrodoméstico a los niños menores de 3 años a menos que estén constantemente supervisados.
- ▶ Los niños no deben jugar con este electrodoméstico.
- ▶ Si se filtra gas refrigerante u otro gas inflamable en las proximidades del electrodoméstico, apague la válvula del gas filtrado, abra las puertas y ventanas y no desconecte un enchufe en el cable de alimentación del frigorífico/congelador o cualquier otro electrodoméstico.
- ▶ Tenga en cuenta que el electrodoméstico está configurado para funcionar en un intervalo de temperatura ambiente específico de entre 10 y 43 °C. El electrodoméstico no puede funcionar correctamente si se deja durante mucho tiempo a una temperatura superior o inferior al intervalo indicado.
- ▶ No coloque artículos inestables (objetos pesados, recipientes llenos de agua) en la parte superior del frigorífico, a fin de evitar lesiones personales causadas por caídas o descargas eléctricas causadas por el contacto con el agua.
- ▶ No tire de los estantes de la puerta. Se puede tirar de la puerta de forma inclinada, el botellero puede retirarse o el electrodoméstico puede volcar.
- ▶ Abra y cierre las puertas solamente usando las asas. El hueco entre las puertas y entre las puertas y el armario es muy estrecho. No ponga las manos en estas áreas para evitar pillarse los dedos. Abra o cierre las puertas del frigorífico solo cuando no haya niños dentro del área de movimiento de la puerta.
- ▶ No almacene ni utilice elementos inflamables, explosivos o corrosivos en el electrodoméstico ni cerca de él.
- ▶ No guarde medicamentos, bacterias ni agentes químicos en el electrodoméstico. Este aparato es un electrodoméstico. No se recomienda almacenar materiales que requieran temperaturas extremas.
- ▶ Nunca almacene líquidos en botellas o latas (aparte de bebidas de alto grado alcohólico), especialmente las bebidas carbonatadas, en el congelador, ya que se romperían durante la congelación.
- ▶ Compruebe el estado de los alimentos si se ha producido un calentamiento en el congelador.
- ▶ No ajuste una temperatura demasiado baja sin necesidad en el compartimento frigorífico. Los ajustes más altos pueden generar temperaturas bajo cero. Atención: las botellas pueden reventar.
- ▶ No toque los productos congelados con las manos mojadas (use guantes). Sobre todo, no coma hielo inmediatamente después de haberlo sacado del congelador. Existe el riesgo de congelación o de formación de ampollas. **PRIMEROS AUXILIOS:** poner inmediatamente bajo el grifo de agua fría. ¡No tirar!
- ▶ No toque la superficie interior del compartimento de almacenamiento del congelador cuando esté en funcionamiento, especialmente con las manos mojadas, ya que las manos pueden congelarse por la superficie.



## ¡ADVERTENCIA!

### Uso diario

- ▶ Desenchufe el electrodoméstico en caso de interrupción del suministro eléctrico o antes de limpiarlo. Espere al menos 7 minutos antes de volver a poner en marcha el aparato, ya que un arranque frecuente puede dañar el compresor.
- ▶ No deben utilizarse dispositivos eléctricos dentro de los compartimentos para alimentos del electrodoméstico, salvo que sean del tipo recomendado por el fabricante. Mantenimiento / limpieza
- ▶ Asegúrese de que los niños están bajo supervisión si realizan tareas de limpieza y mantenimiento.
- ▶ Desconecte el electrodoméstico de la red eléctrica antes de realizar cualquier mantenimiento rutinario. Deje pasar al menos 5 minutos antes de reiniciar el electrodoméstico, ya que el arranque frecuente puede dañar el compresor.
- ▶ Cuando desenchufe el electrodoméstico, hágalo por la clavija, no por el cable.
- ▶ No limpie el electrodoméstico con cepillos duros, cepillos de alambre, detergente en polvo, gasolina, acetato de amilo, acetona y soluciones orgánicas similares, ni con soluciones ácidas o alcalinas. Limpie con un detergente especial para frigoríficos a fin de evitar daños.
- ▶ No raspe la escarcha y el hielo con objetos afilados. No utilice aerosoles, calentadores eléctricos como secadores de pelo, limpiadores a vapor u otras fuentes de calor para evitar dañar las piezas de plástico.
- ▶ No utilice dispositivos mecánicos ni otros equipos para acelerar el proceso de descongelación, salvo aquellos recomendados por el fabricante.
- ▶ Si el cable de alimentación está dañado, debe ser sustituido por el fabricante, por su servicio técnico o por cualquier profesional cualificado similar para evitar riesgos.
- ▶ No intente reparar, desmontar o modificar este electrodoméstico por su cuenta. En caso de reparación, póngase en contacto con nuestro servicio de atención al cliente.
- ▶ Saque el polvo de la parte posterior de la unidad al menos una vez al año para evitar el riesgo de incendio, así como un mayor consumo de energía.
- ▶ No rocíe ni enjuague el electrodoméstico durante la limpieza.
- ▶ No use agua pulverizada o vapor para limpiar el electrodoméstico.
- ▶ No limpie los estantes de cristal fríos con agua caliente. Un cambio repentino de temperatura puede causar que el cristal se rompa.

### Información sobre el gas refrigerante

- ▶ Este electrodoméstico contiene el refrigerante inflamable ISOBUTANO (R600a). Asegúrese de no dañar el circuito refrigerante durante el transporte o la instalación. La fuga de refrigerante puede causar lesiones oculares o incendios. Si se produce algún daño, manténgase alejado de llamas abiertas, ventile bien la habitación y no conecte o desconecte los cables de alimentación de este ni de cualquier otro electrodoméstico. Informe al servicio de atención al cliente.
- ▶ En caso de que los ojos entren en contacto con el refrigerante, enjuáguelos inmediatamente con agua corriente y llame inmediatamente a un oftalmólogo.

## Uso previsto

Este electrodoméstico está diseñado para enfriar y congelar alimentos. Ha sido diseñado exclusivamente para su uso en aplicaciones domésticas y similares, como áreas de cocina para personal de tiendas, oficinas y otros entornos de trabajo; granjas y el uso por clientes en hoteles, moteles y otros entornos de tipo residencial, así como en alojamientos y restauración. No está destinado a un uso comercial o industrial.

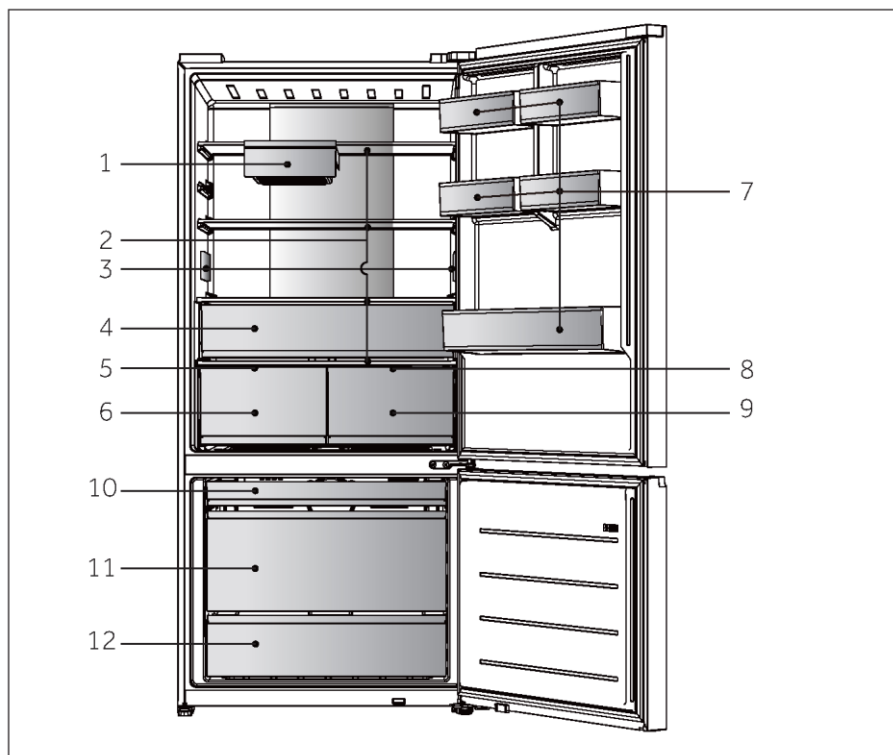
No se permite realizar cambios o modificaciones en el electrodoméstico. Un uso no previsto puede causar riesgos y la pérdida de reclamaciones de garantía.

## Normas y directivas

Este producto cumple los requisitos de todas las directivas CE aplicables, junto con las correspondientes normas armonizadas, que establece el marcado CE.

**i** AVISO

Debido a cambios técnicos y a las diferencias entre modelos, algunas de las ilustraciones de este manual pueden diferir de su modelo.



A: Compartimento frigorífico

B: Compartimento congelador

1 Fiambrera

10 Estante corredizo

2 Estantes de cristal

11 Zona de congelación

3 AI Cooling

12 Zona de congelación

4 Fresh zone

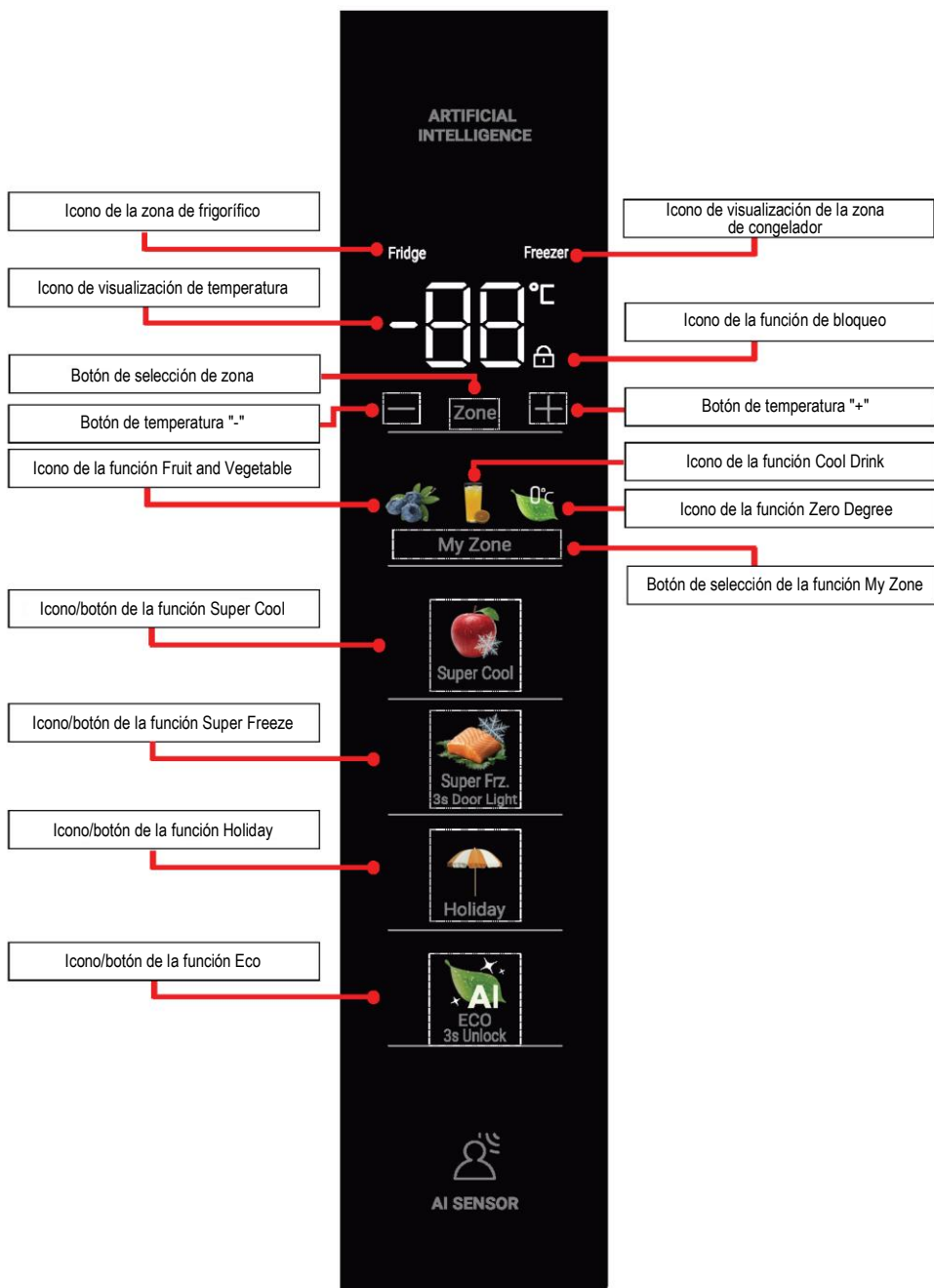
5 Cubierta de la Humidity Zone

6 Humidity Zone

7 Soportes para botellas

8 Cubierta de My Zone

9 My Zone



## Antes del primer uso

- ▶ Retire todo el material de embalaje, manténgalo fuera del alcance de los niños y deséchelo de forma respetuosa con el medio ambiente.
- ▶ Limpie el interior y el exterior del electrodoméstico con agua y un detergente suave antes de introducir cualquier alimento en él.
- ▶ Después de nivelar y limpiar el electrodoméstico, espere de 2 a 5 horas como mínimo antes de conectarlo a la fuente de alimentación. Ver sección INSTALACIÓN.
- ▶ Enfríe previamente los compartimentos a altas temperaturas antes de cargarlos con alimentos. La función Power-Freeze ayuda a enfriar rápidamente los compartimentos.
- ▶ La temperatura del frigorífico y la temperatura del congelador se ajustan automáticamente a 5 °C y -18 °C respectivamente. Estos son los ajustes recomendados. Si lo desea, puede cambiar estas temperaturas manualmente. Consulte la sección AJUSTE DE LA TEMPERATURA.

## Teclas táctiles

Los botones del panel de control son teclas táctiles, que responden aun cuando las toca ligeramente con el dedo.

## Encender/apagar el electrodoméstico

El electrodoméstico se pondrá en marcha en cuanto se conecte a la fuente de alimentación.

Cuando el frigorífico se enciende por primera vez, se ilumina el indicador de temperatura.

La temperatura del frigorífico y la temperatura del congelador se ajustan automáticamente entre 5 °C y -18 °C respectivamente.

Puede que el bloqueo del panel esté activo.



## AVISO

Cuando se enciende el electrodoméstico después de desconectarlo de la fuente de alimentación principal, alcanzar las temperaturas correctas puede tomar hasta 12 horas.

Vacíe el electrodoméstico antes de apagarlo. Para apagar el electrodoméstico, retire el cable de alimentación de la toma de corriente.

## Panel de bloqueo/desbloqueo

Bloqueo automático: cuando la puerta del frigorífico y la del congelador están cerradas y no se acciona ninguna tecla en 30 segundos, la pantalla se apaga y se bloquea automáticamente.

Bloqueo manual: cuando la pantalla esté desbloqueada, pulse el botón de función Eco y manténgalo pulsado durante 3 segundos, el zumbador sonará una vez, se iluminará el icono de función de bloqueo y la pantalla quedará bloqueada.

## Ajuste de la temperatura

Las temperaturas interiores están influenciadas por los siguientes factores:

Temperatura ambiente

Frecuencia de apertura de la puerta

Cantidad de alimentos almacenados

Instalación del electrodoméstico

## Ajuste de la temperatura del frigorífico

Cuando esté desbloqueado, pulse el botón de selección de zona para seleccionar la zona del frigorífico (el icono del frigorífico se ilumina). Cada pulsación ajusta el nivel de temperatura en 1 °C. Los ajustes se confirman tras 5 segundos de inactividad (la pantalla se apaga), o inmediatamente si se pulsan otros botones. Secuencia de ajuste:

"+": 1 °C ➔ 2 °C ➔ 3 °C ➔ 4 °C ➔ 5 °C ➔ 6 °C ➔ 7 °C ➔ 8 °C ➔ 9 °C

"-": 9 °C ➔ 8 °C ➔ 7 °C ➔ 6 °C ➔ 5 °C ➔ 4 °C ➔ 3 °C ➔ 2 °C ➔ 1 °C



### AVISO

La temperatura de refrigeración no se puede ajustar en el estado de Super Cool o bloqueo.

## Ajuste de la temperatura del congelador

Cuando la pantalla esté desbloqueada durante el funcionamiento, pulse el botón de selección de zona para seleccionar la zona del congelador (el icono del congelador se ilumina).

Cada pulsación de "+"/"-" ajusta la temperatura en 1°C (parpadea a 1 Hz).

Los ajustes se guardan automáticamente tras 5 segundos de inactividad. Al pulsar otros botones, se confirma inmediatamente el ajuste y se cambia de función.

Secuencia de ajuste:

"+": -24 °C ➔ -23 °C ➔ -22 °C ➔ -21 °C ➔ -20 °C ➔ -19 °C ➔ -18 °C ➔ -17 °C ➔ -16 °C

"-": -16 °C ➔ -17 °C ➔ -18 °C ➔ -19 °C ➔ -20 °C ➔ -21 °C ➔ -22 °C ➔ -23 °C ➔ -24 °C



### AVISO

La temperatura de congelación no puede ajustarse en estado de Super Freeze o bloqueo.



## AVISO

Después de ajustar la temperatura, si no se realiza otra ninguna acción en 5 segundos, el sistema guardará automáticamente la temperatura seleccionada.

## Función Super-Cool

Entrar en el estado Super Cool:

En el estado desbloqueado, haga clic en el botón [ Super Cool ], se encenderá el icono [ Super Cool ] y el frigorífico entrará en el estado Super Cool.

Salir del estado Super Cool:

1. En el estado desbloqueado y Super Cool, haga clic en el botón [Super Cool], el icono [SuperCool] se apaga y se sale manualmente del estado Super Cool.
2. Cuando el frigorífico alcance el tiempo programado, saldrá automáticamente de la función Super Cool. Después de 4 horas de entrar en modo Super Super Cool, saldrá automáticamente.

## Función Super-Frz

Entrar en estado Super Freeze:

En el estado desbloqueado, haga clic en el botón [ Super Frz. ], el icono [ Super Frz. ] se iluminará y el frigorífico entrará en el estado Super Freeze.

Salir del estado Super Freeze:

1. En estado desbloqueado y con la función Super Freeze activada, haga clic en el botón [Super Frz.], el icono [SuperFrz.] se apagará y se desactivará manualmente el estado Super Freeze.
  2. Cuando el frigorífico alcanza el tiempo programado, sale automáticamente de la función Super Freeze. Después de 50 horas de entrar en modo Super Frz, saldrá automáticamente.
- La función Super-Freeze está diseñada para mantener el valor nutritivo de los alimentos congelados y congelar los alimentos en el menor tiempo posible. Si se van a congelar grandes cantidades de alimentos de una sola vez, se recomienda ajustar la función Super-Freeze. Además, esta función debe activarse con 24 horas de antelación para que el congelador alcance una temperatura relativamente baja e introducir los alimentos. En ese momento, la velocidad de congelación del congelador aumenta, los alimentos se congelan rápidamente, los alimentos mantienen sus propiedades nutritivas y su conservación es más buena.

## Función AI Cooling

Cuando necesite enfriar rápidamente alimentos guisados o cocinados, puede colocarlos en el estante de cristal correspondiente a esta función para enfriarlos rápidamente.

Cuando el frigorífico detecta una fuente de calor en el espacio del estante de cristal correspondiente a esta función, las luces azules de ambos lados comienzan a parpadear.

Si la fuente de calor detectada persiste durante más de 5 segundos, entra en esta función y se encienden las luces azules de ambos lados. Si la fuente de calor detectada persiste durante menos de 5 segundos, esta función no se inicia y las luces azules parpadean durante unos 5 segundos y luego se apagan.

Una vez iniciada esta función, las luces azules de ambos lados se encienden (cuando la puerta está abierta) y los ventiladores de ambos lados comienzan a funcionar. Una vez cerrada la puerta, las luces azules de ambos lados se apagan y los ventiladores de ambos lados siguen funcionando. Una vez que la fuente de calor se ha enfriado, se sale de esta función, las luces azules de ambos lados se apagan y los ventiladores de ambos lados se apagan.



### AVISO

- 1 Al colocar una olla de sopa u otros alimentos que desprenden vapor, utilice un recipiente hermético con tapa o cúbralo con film plástico antes de introducirlo en el frigorífico.
- 2 Se recomienda colocar los melones, las frutas y las verduras en el cajón de frutas y verduras para obtener una mayor frescura y efectos hidratantes. Cuando coloque alimentos en esta zona funcional, no bloquee las entradas de aire circulares de ambos lados ni la salida de aire larga.
- 3 La prueba de puesta en marcha de esta función se realizó con una olla de sopa de acero inoxidable (una olla sopera de acero inoxidable turca común con un diámetro de 275 mm, una altura de 150 mm y una altura total con tapa de 200 mm) colocada en el estante en la posición ilustrada. El nivel de líquido en el interior del recipiente era de 2/3, la temperatura de la pared exterior del recipiente era de 35 °C, la temperatura ambiente durante la prueba era de 25 °C y el frigorífico funcionaba de forma estable con el ajuste predeterminado de fábrica.
- 4 Si la fuente de calor es demasiado pequeña o la temperatura es demasiado baja, es posible que esta función no se inicie automáticamente.
- 5 Cuando las acciones de acceso del usuario en este espacio funcional duran demasiado tiempo o la puerta está abierta durante demasiado tiempo, esta función también puede activarse.
6. Si activa el modo Holiday mientras la función AI Cooling está en marcha, la función AI Cooling se apagará.

## Función My Zone

My Zone se ajusta y configura según los valores de función. Están representados secuencialmente por tres iconos funcionales: "Fruits & Vegetables (5 °C), Cool Drink (2 °C), 0°C Fresh (0 °C)". Tras el encendido inicial, el estado por defecto es el ajuste "Fruits & Vegetables (5 °C)". Cuando esté desbloqueado, pulse la tecla My Zone en la página de inicio para acceder a la página de ajuste de la configuración de My Zone. Pulse el botón de configuración de My Zone para cambiar My Zone a la configuración correspondiente. El estado de configuración de My Zone se mantiene tras la pérdida de alimentación.



### AVISO

En el modo Holiday, el compartimento refrigerado de temperatura variable se controla a 17 °C, funcionando según los puntos de ajuste de encendido/apagado de encendido a 20 °C / apagado a 16 °C.

## Función de detección de personas

La función de detección de personas está activada por defecto. Mantenga pulsado el botón "Super Frz." durante 3 segundos para desactivar o activar la función de detección de personas. Después de entrar en esta función, cuando se acerca al frigorífico, la pantalla de visualización se ilumina y la luz azul de la puerta entra en un modo de respiración, alternando entre brillo y atenuación.

## Función Holiday

Pulse el botón Holiday en estado desbloqueado:

Primera pulsación: la función Holiday se activa (el icono se ilumina, suena un pitido).

Segunda pulsación: La función Holiday se desactiva (el icono se apaga, suena un pitido).

## Función Eco

Después de que se encienda el panel de visualización, si el frigorífico no ha entrado en la función Eco y el panel de visualización está desbloqueado, pulse el botón "Eco" una vez, aparecerá el icono de la función Smart, el zumbador sonará una vez y se activará la función Eco.

Después de que el panel de visualización se encienda, si el frigorífico ha entrado en la función Eco y el panel de visualización está desbloqueado, pulse el botón "Eco" una vez, el icono de la función Smart se apagará, el zumbador sonará una vez y la función Eco se desactivará.



## AVISO

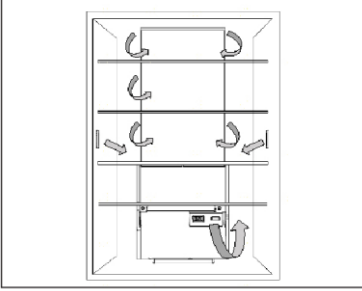
En modo Eco, el frigorífico ajustará y mostrará automáticamente la temperatura del compartimento de alimentos frescos a 5 °C y la del compartimento del congelador a -18 °C.

En este modo, las temperaturas de los compartimentos frigorífico y congelador no se pueden ajustar manualmente.

La temperatura del compartimento My Zone puede ajustarse individualmente y funcionará según la configuración del usuario.

Después de salir del modo Eco, los compartimentos frigorífico y congelador volverán a los ajustes de temperatura que había seleccionado antes de entrar en el modo Eco.

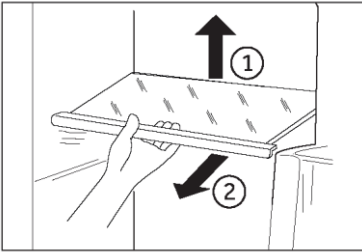
Los ajustes del compartimento My Zone permanecerán sin cambios y los demás estados operativos no se verán afectados.



### Flujo de aire múltiple

1. El refrigerador está equipado con un sistema de flujo de aire múltiple, con el que se aseguran corrientes de aire frío en cada nivel de estante. Esto ayuda a mantener una temperatura uniforme para asegurar que sus alimentos se mantienen frescos por más tiempo.

### Estantes ajustables



1. La altura de los estantes se puede ajustar para adaptarse a sus necesidades de almacenamiento.
2. Para reubicar un estante, retírelo primero levantando su borde posterior ① y extráigalo ②.
3. Para volver a instalarlo, colóquelo en los rieles de ambos lados y empuje hasta que la parte trasera del estante se fije dentro de las ranuras laterales.
4. El estante 'POT STATION' tiene una capacidad de carga máxima de 200 kg y permanece intacto. Si la carga supera los 80 kg, podría afectar el funcionamiento normal del cajón 'Fresh Zone' (datos procedentes de laboratorio interno).



## AVISO

Asegúrese de que todos los extremos del estante estén nivelados.

### Cajón My Zone

1. En este compartimento, el nivel de humedad es menor al del compartimento refrigerador. Este cajón es adecuado para almacenar fruta seca y otros alimentos secos con bajo contenido de agua, como mantequilla, grasas y aceite o chocolate.

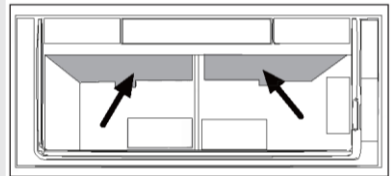
### Cajón Humidity Box

1. En este compartimento el nivel de humedad es superior al del compartimento refrigerador. Está controlado automáticamente por el sistema y es adecuado para guardar fruta, verdura, ensaladas, etc.



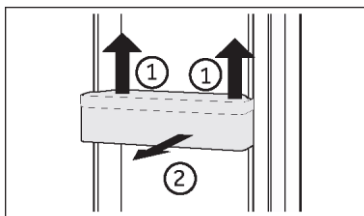
## AVISO

1. No retire la cubierta de plástico del interior de las dos zonas.
2. Mantienen la humedad.
3. No se recomienda guardar en estos dos cajones frutas sensibles al frío como piña, aguacate, plátanos o pomelos.



## Estantes de puerta/soportes para botellas desmontables

1. Los estantes de la puerta se pueden desmontar para limpiarlos:
2. Coloque las manos en cada lado del estante, levántelo hacia arriba ① y extráigalo ②.
3. Para insertar el estante de la puerta, realice los pasos anteriores en orden inverso.



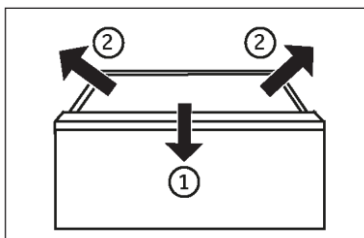
### AVISO

Cuando se enciende el aparato, pueden pasar hasta 12 horas hasta que se alcancen las temperaturas correctas.

### Cajón extraíble

Para sacar el cajón, tire al máximo ①, levante y retire ②.

Para insertar el cajón, realice los pasos anteriores en orden inverso.

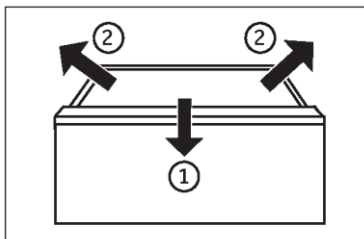


### Guardar artículos grandes

Los artículos grandes de, por ejemplo, alimentos congelados, pueden guardarse después de:

retirar la bandeja superior de congelación, o

quitar las dos bandejas superiores de congelación, así como el cajón central del congelador, y guardar los alimentos directamente en el estante.



### Luz

La luz interior LED se enciende al abrir la puerta. El rendimiento de las luces no se ve afectado por ninguna de las otras configuraciones del electrodoméstico.

### El cajón

Empuje o tire suavemente por la parte central del tirador del cajón para evitar problemas como un mal funcionamiento o que el cajón se desprenda.



## Consejos de ahorro de energía

- ▶ Asegúrese de que el electrodoméstico esté bien ventilado (vea INSTALACIÓN).
- ▶ No instale el electrodoméstico bajo la luz directa del sol o cerca de fuentes de calor (p. ej.: fogones, estufas, etc.).
- ▶ Evite una temperatura innecesariamente baja en el electrodoméstico. El consumo de energía aumenta la temperatura del electrodoméstico.
- ▶ Las funciones como POWER-FREEZE consumen más energía.
- ▶ Deje enfriar los alimentos calientes antes de introducirlos en el electrodoméstico.
- ▶ Abra la puerta del electrodoméstico lo menos y lo más brevemente posible.
- ▶ No llene en exceso el electrodoméstico para evitar obstruir la circulación de aire.
- ▶ Evite la presencia de aire dentro del embalaje de los alimentos.
- ▶ Mantenga las juntas de la puerta limpias para que la puerta se cierre siempre correctamente.
- ▶ Descongele los alimentos congelados en el compartimento frigorífico.
- ▶ La configuración de más ahorro energético requiere que el electrodoméstico mantenga los cajones, las cajas de alimentos y los estantes, en condiciones de fábrica, y los alimentos deben colocarse lo más lejos posible sin bloquear la salida de aire del conducto.



## ¡ADVERTENCIA!

Desconecte el electrodoméstico de la fuente de alimentación antes de limpiarlo.

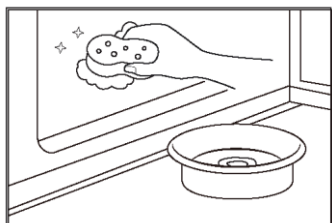
### Limpieza

1. Limpie el electrodoméstico solo cuando haya pocos o ningún alimento guardado.
2. Este electrodoméstico debe limpiarse cada cuatro semanas para realizar un buen mantenimiento y evitar malos olores.



## ¡ADVERTENCIA!

- ▶ No limpie el electrodoméstico con cepillos duros, cepillos de alambre, detergente en polvo, gasolina, acetato de amilo, acetona y soluciones orgánicas similares, ni con soluciones ácidas o alcalinas. Limpie con un detergente especial para frigoríficos a fin de evitar daños.
- ▶ No rocíe ni enjuague el electrodoméstico durante la limpieza.
- ▶ No use agua pulverizada o vapor para limpiar el electrodoméstico.
- ▶ No limpie los estantes de cristal fríos con agua caliente. Un cambio repentino de temperatura puede causar que el cristal se rompa.
- ▶ No toque la superficie interior del compartimento del electrodoméstico, especialmente con las manos mojadas, ya que las manos pueden congelarse en la superficie.
- ▶ En caso de calentamiento, compruebe el estado de los productos congelados.



- ▶ Mantenga siempre limpia la junta de la puerta.
- ▶ Limpie el interior y el armazón del electrodoméstico con una esponja humedecida en agua tibia y detergente neutro.
- ▶ 1. Frote el interior y el exterior del frigorífico, incluyendo la junta de la puerta, los estantes de la puerta, los estantes de cristal, los cajones, etc., con una toalla suave o una esponja sumergida en agua caliente (se puede añadir detergente neutro).

- ▶ 2. Si hay líquido derramado, retire todas las piezas contaminadas, enjuague directamente con agua corriente, seque y coloque las piezas de nuevo en el frigorífico.
- ▶ 3. Si hay productos cremosos derramados (como nata, helado derretido...), retire todas las piezas contaminadas, póngalas en agua caliente a unos 40 °C durante un rato, enjuague con agua corriente, séquelas y colóquelas de nuevo en el frigorífico.
- ▶ 4. En caso de que alguna parte o componente pequeño quede atascada dentro del frigorífico (entre las estanterías o los cajones), utilice un cepillo suave pequeño para sacarlo. Si no la alcanza, póngase en contacto con el servicio de Haier.
- ▶ Aclare y seque con un paño suave.
- ▶ No limpie ninguna de las piezas o partes de este electrodoméstico en un lavavajillas.
- ▶ Deje pasar al menos 5 minutos antes de reiniciar el electrodoméstico, ya que el arranque frecuente puede dañar el compresor.

### Descongelación

La descongelación de los compartimentos frigorífico y congelador se realiza automáticamente: no se requiere ninguna operación manual.

## Sustitución de las lámparas LED



### ¡ADVERTENCIA!

No sustituya usted mismo la lámpara LED, solo debe cambiarla el fabricante o un técnico autorizado.

Las lámparas utilizan LED como fuente de luz, con bajo consumo energético y larga vida útil. Si detecta alguna anomalía, póngase en contacto con el servicio de atención al cliente. Vea ATENCIÓN AL CLIENTE.

Parámetros de las lámparas:

Compartimento frigorífico: 12 V máx. 8 W

Compartimento congelador: 12 V máx. 2 W

Luz azul de la puerta: 12 V máx. 3 W

### Si no se utiliza durante un período más largo

Si el aparato no se utiliza durante un periodo de tiempo prolongado, y no va a utilizar la función Holiday para el frigorífico:

Saque la comida.

Desenchufe el cable de la toma de corriente.

Limpie el electrodoméstico como se ha descrito anteriormente.

Mantenga las puertas abiertas para evitar que se generen malos olores en el interior.



### AVISO

Apague el electrodoméstico solo si es estrictamente necesario.

## Desplazar el electrodoméstico

1. Retire toda la comida y desenchufe el electrodoméstico.
2. Fije los estantes y otras partes móviles en el frigorífico y el congelador con cinta adhesiva.
3. No incline el frigorífico más de 45° para evitar dañar el sistema de refrigeración.



### ¡ADVERTENCIA!

- ▶ No levante el electrodoméstico por las asas.
- ▶ No coloque el electrodoméstico horizontalmente sobre el suelo.

Usted mismo puede resolver muchos de los problemas que puedan presentarse sin tener conocimientos específicos. En caso de que se produzca algún problema, compruebe todas las posibilidades ilustradas y siga las instrucciones pertinentes antes de ponerse en contacto con un servicio posventa. Vea **ATENCIÓN AL CLIENTE**.



## ¡ADVERTENCIA!

- ▶ Antes de realizar tareas de mantenimiento, desactive el electrodoméstico y desconecte el enchufe de la toma de corriente.
- ▶ Los equipos eléctricos solo deben ser revisados y manejados por electricistas expertos cualificados, ya que las reparaciones incorrectas pueden causar daños considerables en consecuencia.
- ▶ Si el sistema de alimentación está dañado, debe ser sustituido por el fabricante, por su servicio técnico o por cualquier profesional cualificado similar para evitar riesgos.

Problema	Causa posible	Solución posible
El compresor no funciona.	<ul style="list-style-type: none"> <li>• El enchufe no está conectado a la toma de corriente.</li> <li>• El electrodoméstico está en el ciclo de descongelación.</li> </ul>	<ul style="list-style-type: none"> <li>• Conecte el enchufe.</li> <li>• Esto es normal para una descongelación automática.</li> </ul>
El electrodoméstico funciona con frecuencia o funciona durante un período de tiempo demasiado largo.	<ul style="list-style-type: none"> <li>• La temperatura interior o exterior es demasiado alta.</li> <li>• El electrodoméstico ha estado apagado durante cierto de tiempo.</li> <li>• Una puerta del electrodoméstico no está bien cerrada.</li> <li>• La puerta se ha abierto con demasiada frecuencia o durante mucho tiempo.</li> <li>• El ajuste de temperatura del compartimento congelador es demasiado bajo.</li> <li>• La junta de la puerta está sucia, desgastada, agrietada o desaparejada.</li> <li>• La circulación de aire requerida no está garantizada.</li> </ul>	<ul style="list-style-type: none"> <li>• En este caso, es normal que el electrodoméstico funcione más tiempo.</li> <li>• Normalmente, lleva de 8 a 12 horas que el electrodoméstico se enfríe completamente.</li> <li>• Cierre la puerta/cajón y asegúrese de que el electrodoméstico esté ubicado sobre una superficie plana y que no haya alimentos o recipientes que impidan que la puerta se cierre bien.</li> <li>• No abra la puerta/cajón con demasiada frecuencia.</li> <li>• Ajuste una temperatura más alta hasta obtener una temperatura satisfactoria para el frigorífico. Se necesitan 24 horas para que la temperatura del frigorífico se mantenga estable.</li> <li>• Limpie la junta de la puerta/cajón o pídale al servicio de atención al cliente que la cambie.</li> <li>• Garantice una ventilación adecuada.</li> </ul>

Problema	Causa posible	Solución posible
El interior del frigorífico está sucio y/o huele mal.	<ul style="list-style-type: none"> <li>El interior del frigorífico necesita limpieza.</li> <li>Hay alimentos de olor fuerte guardados en el frigorífico.</li> </ul>	<ul style="list-style-type: none"> <li>Limpie el interior del frigorífico.</li> <li>Envuelva bien los alimentos.</li> </ul>
La temperatura del interior del electrodoméstico no es lo suficientemente fría.	<ul style="list-style-type: none"> <li>La temperatura establecida es demasiado alta.</li> <li>Se han almacenado alimentos demasiado calientes.</li> <li>Se ha almacenado demasiada comida a la vez.</li> <li>Los alimentos están demasiado cerca entre sí.</li> <li>Una puerta/cajón del electrodoméstico no está bien cerrada.</li> <li>La puerta/cajón se ha abierto con demasiada frecuencia o durante mucho tiempo.</li> </ul>	<ul style="list-style-type: none"> <li>Restablezca la temperatura.</li> <li>Enfríe siempre los alimentos antes de guardarlos.</li> <li>Guarde siempre pequeñas cantidades de alimentos.</li> <li>Deje un espacio entre varios alimentos para permitir que el aire fluya.</li> <li>Cierre la puerta/cajón.</li> <li>No abra la puerta/cajón con demasiada frecuencia.</li> </ul>
La temperatura del interior del electrodoméstico es demasiado fría.	<ul style="list-style-type: none"> <li>La temperatura establecida es demasiado baja.</li> <li>La función Super-Frz/ Super-Cool está activada o funciona demasiado tiempo.</li> </ul>	<ul style="list-style-type: none"> <li>Restablezca la temperatura.</li> <li>Apague la función Super-Frz/ Super-Cool.</li> </ul>
Formación de humedad en el interior del compartimento frigorífico.	<ul style="list-style-type: none"> <li>El ambiente es demasiado cálido y demasiado húmedo.</li> <li>Una puerta/cajón del electrodoméstico no está bien cerrada.</li> <li>La puerta/cajón se ha abierto con demasiada frecuencia o durante mucho tiempo.</li> <li>Hay recipientes de alimentos o líquidos abiertos.</li> </ul>	<ul style="list-style-type: none"> <li>Aumente la temperatura.</li> <li>Cierre la puerta/cajón.</li> <li>No abra la puerta/cajón con demasiada frecuencia.</li> <li>Deje que los alimentos calientes se enfríen a temperatura ambiente y cubra los alimentos y líquidos.</li> </ul>
Se acumula humedad fuera de la superficie externa de los frigoríficos o entre las puertas/puerta y cajón.	<ul style="list-style-type: none"> <li>El ambiente es demasiado cálido y demasiado húmedo.</li> <li>La puerta no está bien cerrada. Hay aire frío dentro del electrodoméstico y aire caliente en el exterior, y se produce condensación.</li> </ul>	<ul style="list-style-type: none"> <li>Esto es normal en un ambiente húmedo y cambiará cuando la humedad disminuya.</li> <li>Asegúrese de que la puerta/cajón está bien cerrada.</li> </ul>

Problema	Causa posible	Solución posible
Hay mucho hielo y escarcha en el compartimento congelador.	<ul style="list-style-type: none"> <li>• Los alimentos no están correctamente embalados.</li> <li>• Una puerta/cajón del electrodoméstico no está bien cerrada.</li> <li>• La puerta/cajón se ha abierto con demasiada frecuencia o durante mucho tiempo.</li> <li>• La junta de la puerta/cajón está sucia, desgastada, agrietada o desaparecida.</li> <li>• Algo en el interior impide que la puerta/cajón se cierren correctamente.</li> </ul>	<ul style="list-style-type: none"> <li>• Embale bien los alimentos.</li> <li>• Cierre la puerta/cajón.</li> <li>• No abra la puerta/cajón con demasiada frecuencia.</li> <li>• Limpie la junta de la puerta/cajón o cámbiela por una nueva.</li> <li>• Vuelva a colocar los estantes, estantes de la puerta o contenedores internos para permitir que la puerta/cajón se cierre.</li> </ul>
Los lados del frigorífico y la tira de la puerta se calientan.		<ul style="list-style-type: none"> <li>• Esto es normal.</li> </ul>
El electrodoméstico hace sonidos anormales.	<ul style="list-style-type: none"> <li>• El electrodoméstico no está ubicado sobre una superficie plana.</li> <li>• El electrodoméstico toca algún objeto a su alrededor.</li> </ul>	<ul style="list-style-type: none"> <li>• Ajuste las patas para nivelar el electrodoméstico.</li> <li>• Retire los objetos que haya alrededor del electrodoméstico.</li> </ul>
Se oye un ligero sonido similar al del flujo de agua.		<ul style="list-style-type: none"> <li>• Esto es normal.</li> </ul>
Oirá un pitido de alarma.	<ul style="list-style-type: none"> <li>• La puerta del compartimento frigorífico está abierta.</li> </ul>	<ul style="list-style-type: none"> <li>• Cierre la puerta.</li> </ul>
Oirá un débil zumbido.	<ul style="list-style-type: none"> <li>• El sistema anticondensación está en marcha.</li> </ul>	<ul style="list-style-type: none"> <li>• Esto evita la condensación y es normal.</li> </ul>
El sistema de iluminación o refrigeración interior no funciona.	<ul style="list-style-type: none"> <li>• El enchufe no está conectado a la toma de corriente.</li> <li>• La fuente de alimentación presenta alguna alteración.</li> <li>• La lámpara LED no funciona.</li> </ul>	<ul style="list-style-type: none"> <li>• Conecte el enchufe.</li> <li>• Compruebe el suministro eléctrico a la habitación. Llame a la compañía eléctrica local.</li> <li>• Llame al servicio técnico para cambiar la lámpara.</li> </ul>

Para ponerse en contacto con el servicio de asistencia técnica, visite nuestro sitio web:

<https://corporate.haier-eu-roe.com/en/>

En la sección "website", elija la marca de su producto y su país. Se le redirigirá a la página web específica donde podrá encontrar el número de teléfono y el formulario para ponerse en contacto con el servicio de asistencia técnica.

## Interrupción del suministro

En caso de un corte de luz, los alimentos deberían permanecer frescos y a salvo durante 5 horas. Siga estos consejos durante una interrupción prolongada del suministro, especialmente en verano:

- ▶ Abra la puerta/cajón lo menos posible.
- ▶ No introduzca más alimentos en el electrodoméstico durante un corte de luz.
- ▶ Si se da el aviso previo de un corte de luz y la duración de la interrupción es superior a 5 horas, fabrique algo de hielo y póngalo en un recipiente en la parte superior del compartimento frigorífico.
- ▶ Inmediatamente después de la interrupción, es necesario llevar a cabo una inspección de los alimentos.
- ▶ Como la temperatura del frigorífico subirá durante una interrupción del suministro eléctrico u otro fallo, el período de conservación y la calidad comestible de los alimentos se reducirán. Cualquier alimento que se descongele debe consumirse, o bien cocinarse y volver a congelarse (cuando proceda) rápidamente para evitar riesgos para la salud.

## Función de memoria durante el corte de luz

En cuanto vuelva la luz, el electrodoméstico restablecerá los ajustes establecidos antes del corte de luz.

## Desempaquetado



### ¡ADVERTENCIA!

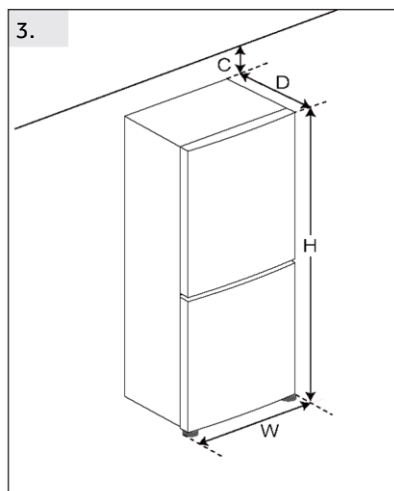
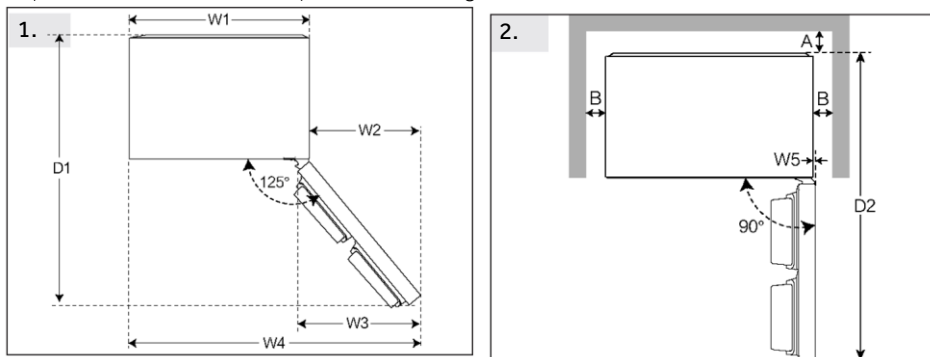
- ▶ Este es un electrodoméstico pesado. Manipúlelo con la ayuda de otra persona.
- ▶ Mantenga todo el material de embalaje fuera del alcance de los niños y deséchelo de forma respetuosa con el medio ambiente.
- ▶ Saque el electrodoméstico de su embalaje.
- ▶ Retire todos los materiales de embalaje.

## Condiciones ambientales

La temperatura ambiente debería encontrarse siempre entre 10°C y 43°C, ya que puede influir en la temperatura del interior del frigorífico y en su consumo de energía. No instale el electrodoméstico cerca de otros electrodomésticos emisores de calor (hornos, frigoríficos) sin aislamiento.

## Recomendaciones de espacio

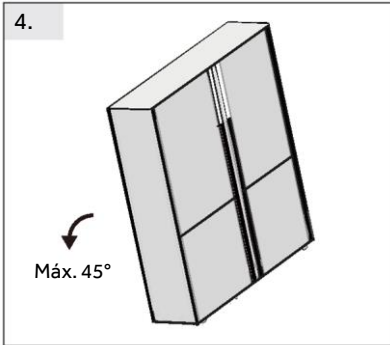
Espacio recomendado con la puerta abierta (fig. 1.2)



(Unidad: mm)	Modelo n.º 1		Modelo n.º 2
Ancho	W1	830	
	W2	500	
	W3	529	
	W4	1330	
	W5	21	
	W	830	
Profundidad	D1	1362	
	D2	1502	
	D	725	
Distancia a la pared trasera	A	50	
Distancia a las paredes laterales	B	50	
Distancia al techo	C	50	
Altura total	H	1850	

## Sección cruzada de ventilación

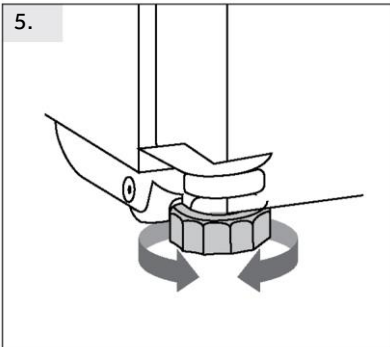
Para lograr una ventilación suficiente del electrodoméstico por razones de seguridad, debe observarse la información de las secciones cruzadas de ventilación requeridas.



### Alineación del aparato (Fig. 4.5.6).

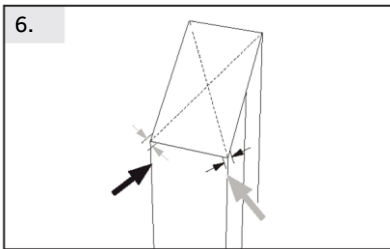
Este electrodoméstico debe colocarse sobre una superficie plana y sólida.

4. Incline el frigorífico ligeramente hacia atrás.



5. Ajuste las patas al nivel deseado.

Asegúrese de que la distancia a la pared del lado de la bisagra sea de al menos 50 mm para que la puerta se abra correctamente.



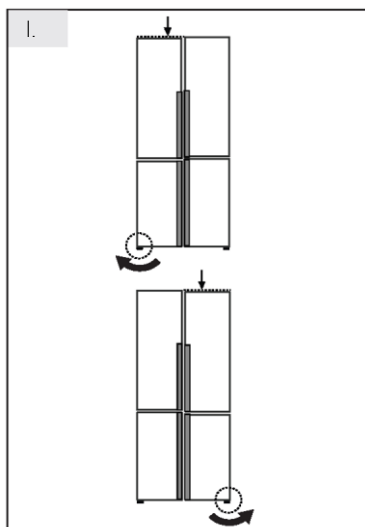
6. Puede comprobarse la estabilidad golpeando alternativamente las diagonales. El ligero bamboleo debe ser el mismo en ambas direcciones. De lo contrario, el marco puede deformarse y resultar en fugas en las juntas de la puerta.

Una ligerísima inclinación hacia atrás facilita el cierre de las puertas.



## AVISO

Para un electrodoméstico independiente: este electrodoméstico de refrigeración no está diseñado para ser utilizado como un electrodoméstico integrado.

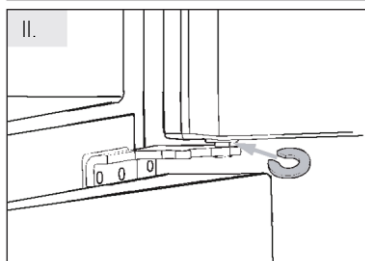


## Ajuste de las puertas

Si las puertas no están niveladas, este desajuste puede ser solucionado de la siguiente manera:

### I Uso de las patas ajustables

Gire la pata ajustable según la dirección de la flecha para subir o bajar la pata.



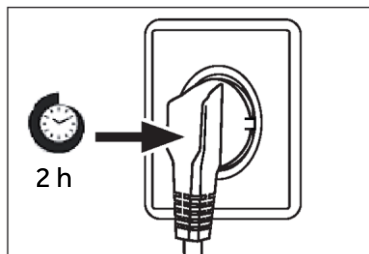
### II Uso de separadores

- ▶ Abra la puerta superior y levántela.
- ▶ Fije cuidadosamente el separador (incluido en la bolsa de accesorios) en el anillo de plástico blanco de la bisagra central, a mano o utilizando herramientas como alicates. No raye ni abole la puerta.



## AVISO

Durante el uso futuro del frigorífico, las puertas pueden desnivelarse por el peso de los alimentos almacenados. En ese caso, ajuste siguiendo las instrucciones anteriores.



## Tiempo de espera

El aceite de lubricación sin mantenimiento se encuentra en la cápsula del compresor. Este aceite puede pasar por el sistema de tuberías cerradas durante el transporte si el electrodoméstico está inclinado. Antes de conectar el electrodoméstico a la fuente de alimentación, espere al menos 2 horas para que el aceite vuelva a entrar en la cápsula.

## Conexión eléctrica

Antes de cada conexión, compruebe si:

- ▶ La fuente de alimentación, la toma de corriente y el fusible son adecuados para la placa de clasificación.
- ▶ La toma de corriente tiene conexión a tierra y no tiene múltiples contactos ni extensiones.
- ▶ El enchufe y la toma de corriente encajan perfectamente.

Conecte el enchufe a una toma de corriente doméstica correctamente instalada.



## ¡ADVERTENCIA!

Para evitar riesgos, solo el servicio de atención al cliente debe reemplazar un cable de alimentación dañado (ver tarjeta de garantía).

## Ficha del producto conforme al Reglamento UE n.º 2019/2016

Marca	Haier
Nombre del modelo / identificador	HDR5818DNSS HDR5818DNPW HDR5818DNMB
Categoría del modelo	Frigorífico-congelador
Clase de eficiencia energética	D
Consumo anual de energía (kWh/año)(1)	273
Volumen total (l)	640
Volumen del frigorífico (l)	413
Volumen del congelador (l)	184
Volumen de la sección de refrigeración (l)	43
Estrellas	*/***
Temperatura de otros compartimentos > 14 °C	No aplicable
Sistema Frost-free	Sí
Capacidad de congelación (kg/24 h)	10
Clasificación climática(2)	SN-N-ST-T
Clase de emisión de ruido y emisiones de ruido acústico en el aire (db (A) re 1pW)	B(35)
Tiempo de aumento de la temperatura (h)	10
Tipo de electrodoméstico	Independiente

Explicaciones:

• Sí

- (1) Basado en los resultados de la prueba de conformidad normativa durante 24 horas. El consumo real depende del uso y de la ubicación del electrodoméstico.
- (2) Calificación climática SN: Este electrodoméstico está diseñado para ser utilizado a una temperatura ambiente comprendida entre + 10 °C y +32 °C  
 Calificación climática N: Este electrodoméstico está diseñado para ser utilizado a una temperatura ambiente comprendida entre + 16 °C y +32 °C  
 Calificación climática ST: Este electrodoméstico está diseñado para ser utilizado a una temperatura ambiente comprendida entre + 16 °C y +38 °C  
 Calificación climática T: Este electrodoméstico está diseñado para ser utilizado a una temperatura ambiente comprendida entre + 16 °C y +43 °C

Datos técnicos adicionales

Voltaje / Frecuencia	220-240 V ~ / 50 Hz
Corriente de entrada (A)	2
Fusible principal (A)	8
Refrigerante	R600a
Tamaño (Al/An/Pr en mm)	1850 / 830/725

Recomendamos nuestro Servicio de atención al cliente Haier y el uso de repuestos originales. Si tiene algún problema con su electrodoméstico, compruebe primero la sección SOLUCIÓN DE PROBLEMAS.

Si no encuentra una solución allí, póngase en contacto con

- ▶ su distribuidor local o
- ▶ nuestro Centro europeo de atención al cliente (ver números de teléfono listados abajo) o
- ▶ el área de servicio y asistencia en [www.haier.com](http://www.haier.com), donde puede activar la
- ▶ solicitud de servicio y encontrar las Preguntas frecuentes.

Para ponerse en contacto con nuestro Servicio, asegúrese de tener los siguientes datos disponibles.

Puede encontrar la información en la placa de datos.

Modelo \_\_\_\_\_

N.º de serie \_\_\_\_\_

Compruebe también la tarjeta de garantía suministrada con el producto en caso de garantía.

Centro europeo de atención al cliente		
País*	Número de teléfono	Costes
Haier Italy (IT)	199 100 912	
Haier Spain (ES)	902 509 123	
Haier Germany (DE)	0180 5 39 39 99	<ul style="list-style-type: none"> <li>• 14 ct/min. teléfono fijo</li> <li>• máx. 42 ct/min. móvil</li> </ul>
Haier Austria (AT)	0820 001 205	<ul style="list-style-type: none"> <li>• 14,53 ct/min. teléfono fijo</li> <li>• máx. 20 ct/min. el resto</li> </ul>
Haier United Kingdom (UK)	0333 003 8122	
Haier France (FR)	0980 406 409	

\* Para otros países, consulte [www.haier.com](http://www.haier.com)

Haier Europe Trading S.r.l

Sucursal Reino Unido

Westgate House, Westgate, Ealing

Londres, W5 1YY

\*Duración de la garantía del electrodoméstico de refrigeración:

La garantía mínima es de: 2 años para los países de la UE, 3 años para Turquía, 1 año para el Reino Unido, 1 año para Rusia, 3 años para Suecia, 2 años para Serbia, 5 años para Noruega, 1 año para Marruecos, 6 meses para Argelia, Túnez no tiene garantía legal, al no requerirse.

\*Período de disponibilidad de las piezas de repuesto para la reparación del aparato:

Los termostatos, los sensores de temperatura, las placas de circuito impresas y las fuentes de luz están disponibles durante un período mínimo de 7 años después de la comercialización de la última unidad del modelo.

Las asas, bisagras, bandejas y cestas lo están durante un período mínimo de 7 años, y las juntas durante un período mínimo de 10 años después de la comercialización de la última unidad del modelo.

\*Para más información sobre el producto, consulte <https://eprel.ec.europa.eu/> o escanee el código QR en la etiqueta energética suministrada con el electrodoméstico.

## CERTIFICADO DE CALIDAD

DESIGNACIÓN: FRIGORÍFICO

C.C. APROBADO

N.º DE COMPROBADOR

# Haier



0060543301  
2025 Versión A

# Haier

Manuel d'utilisation

Réfrigérateur-congélateur

HDR5818DNSS

HDR5818DNPW

HDR5818DNMB



<b><u>4 Informations sur la sécurité</u></b>	
	● Avant la première utilisation 5
	● Installation 5
	● Utilisation quotidienne 6
<b><u>8 Utilisation prévue</u></b>	●
<b><u>9 Description du produit</u></b>	●
<b><u>10 Panneau de commande</u></b>	●
<b><u>11 Utilisation</u></b>	● Réglage de la température du réfrigérateur 12
	● Réglage de la température du congélateur 12
	● Fonction Super Cool 13
	● Fonction Super Freeze 13
	● Fonction AI Cooling 14
<b><u>17 Matériel</u></b>	●
<b><u>19 Conseils d'économies d'énergie</u></b>	●
<b><u>20 Entretien et nettoyage</u></b>	●
<b><u>22 Dépannage</u></b>	●
<b><u>26 Installation</u></b>	●
<b><u>30 Données techniques</u></b>	●
<b><u>32 Service clientèle</u></b>	●

## Merci d'avoir acheté un produit Haier.

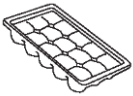
Veillez lire attentivement ces instructions avant d'utiliser cet appareil. Les instructions contiennent des informations importantes qui vous aideront à tirer le meilleur parti de l'appareil et à assurer l'installation, l'utilisation et l'entretien sûrs et appropriés de celui-ci.

Conservez ce manuel dans un endroit facilement accessible afin que vous puissiez toujours vous y référer pour une utilisation sûre et appropriée de l'appareil.

Si vous vendez l'appareil, si vous le donnez ou si vous le confiez à quelqu'un lorsque vous déménagez, assurez-vous que vous transmettez également ce manuel pour que le nouveau propriétaire puisse se familiariser avec l'appareil et les consignes de sécurité.

## Accessoires

Vérifier les accessoires et la littérature à l'aide de cette liste :



Bac à glaçons



Casier à œufs x 2



Étiquette énergie



Carte de garantie



Manuel d'utilisation



Bloc d'arrêt x 2



Charnière centrale



Charnière supérieure



Charnière supérieure crochet plié



Charnière inférieure



Cache de la garniture supérieure



Capuchon de vis montant avant central



fixation



## AVERTISSEMENT – Informations importantes sur la sécurité



## REMARQUE : informations générales et conseils



## Informations environnementales



### Mise au rebut

Contribuez à protéger l'environnement et la santé humaine. Jetez l'emballage dans les bacs correspondants pour le recycler. Participez au recyclage des déchets d'appareils électriques et électroniques. Ne jetez pas les appareils marqués de ce symbole avec les déchets ménagers. Ramenez le produit à votre déchetterie locale ou contactez votre bureau municipal.



### AVERTISSEMENT : risque d'incendie/ matière inflammable

Le symbole indique qu'il y a un risque d'incendie, étant donné que des matières inflammables sont utilisées. Évitez de provoquer un incendie en brûlant des matières inflammables.



## AVERTISSEMENT !

Risque de blessure ou de suffocation !

Les frigorigènes et les gaz doivent être éliminés par un professionnel. Assurez-vous que le tube du circuit réfrigérant n'est pas endommagé avant d'être correctement éliminé. Débranchez l'appareil du secteur. Coupez le câble d'alimentation et jetez-le. Retirez les clayettes et les tiroirs ainsi que le verrou et les joints de la porte, afin d'éviter que les enfants et les animaux domestiques ne se retrouvent enfermés dans l'appareil.

## Avant d'allumer l'appareil pour la première fois, lisez les conseils de sécurité suivants !



### AVERTISSEMENT !

#### Avant la première utilisation

- ▶ Assurez-vous qu'il n'a pas été endommagé pendant le transport.
- ▶ Retirez tous les emballages et gardez-les hors de portée des enfants.
- ▶ Attendez au moins deux heures avant d'installer l'appareil afin de vous assurer que le circuit réfrigérant fonctionne parfaitement.
- ▶ Manipulez toujours l'appareil avec au moins deux personnes parce qu'il est lourd.

#### Installation

- ▶ L'appareil doit être placé dans un endroit bien ventilé. Garantisiez un espace d'au moins 10 cm au-dessus et autour de l'appareil.
- ▶ Ne placez jamais l'appareil dans un endroit humide ou un endroit où il pourrait être éclaboussé d'eau. Nettoyez et séchez les éclaboussures d'eau et les taches avec un chiffon doux et propre.
- ▶ N'installez pas l'appareil en plein soleil ou à proximité de sources de chaleur (par ex. cuisinières, chauffages).
- ▶ Installez et mettez à niveau l'appareil dans une zone adaptée à sa taille et à son utilisation.
- ▶ Maintenez les ouvertures de ventilation situées dans l'appareil ou dans la structure encastrée libres de toute obstruction.
- ▶ Assurez-vous que les informations électriques figurant sur la plaque signalétique sont conformes à l'alimentation électrique. Si ce n'est pas le cas, contactez un électricien.
- ▶ L'appareil est alimenté par une alimentation de 220-240 VCA/50 Hz. Les variations anormales de tension peuvent provoquer l'arrêt de l'appareil ou endommager le régulateur de température ou le compresseur, ou il peut y avoir un bruit anormal lors du fonctionnement. Dans ce cas, un régulateur automatique doit être monté.
- ▶ N'utilisez pas d'adaptateurs multiprises ni de rallonges.
- ▶ Ne placez pas de systèmes multiprises portatifs ou d'alimentations portatives à l'arrière de l'appareil.
- ▶ Assurez-vous que le câble d'alimentation n'est pas coincé par le réfrigérateur. Ne marchez pas sur le câble d'alimentation.
- ▶ Utilisez une prise de terre séparée pour l'alimentation électrique qui soit facile d'accès. L'appareil doit être mis à la terre.
- ▶ Uniquement pour le Royaume-Uni : le câble d'alimentation de l'appareil est équipé d'une fiche 3 pôles (de mise à la terre) qui s'adapte à une prise standard 3 pôles (de mise à la terre). Ne coupez jamais ou ne démontez jamais la troisième broche (mise à la terre). Une fois l'appareil installé, la fiche doit être accessible.
- ▶ N'endommagez pas le circuit réfrigérant.



## AVERTISSEMENT !

### Utilisation quotidienne

- ▶ Cet appareil peut être utilisé par des enfants à partir de 8 ans et par des personnes ayant des capacités physiques, sensorielles ou mentales réduites ou un manque d'expérience et de connaissances, s'ils sont sous surveillance ou si on leur a appris à utiliser l'appareil en toute sécurité et s'ils comprennent les risques courus.
- ▶ Les enfants âgés de 3 à 8 ans sont autorisés à remplir et vider les appareils de réfrigération, mais ne sont pas autorisés à les nettoyer ni à les installer.
- ▶ Gardez les enfants âgés de moins de 3 ans à l'écart de l'appareil à moins qu'ils ne soient constamment surveillés.
- ▶ Les enfants ne doivent pas jouer avec l'appareil.
- ▶ Si du gaz réfrigérant ou tout autre gaz inflammable fuit à proximité de l'appareil, fermez la vanne du gaz qui fuit, ouvrez les portes et les fenêtres et ne débranchez pas le câble d'alimentation du réfrigérateur ou de tout autre appareil.
- ▶ Notez que l'appareil est conçu pour fonctionner dans une plage de température ambiante spécifique comprise entre 10 °C et 43 °C. L'appareil peut ne pas fonctionner correctement s'il est laissé pendant une longue période à une température inférieure ou supérieure à la plage indiquée.
- ▶ Ne placez pas d'objets instables (objets lourds, récipients remplis d'eau) sur le dessus du réfrigérateur, pour éviter les blessures corporelles causées par une chute ou une électrocution causée par le contact avec de l'eau.
- ▶ Ne tirez pas sur les balconnets. La porte peut être tirée en biais, le porte-bouteilles peut être retiré ou l'appareil risque de basculer.
- ▶ Ouvrez et fermez les portes uniquement avec les poignées. L'écart entre les portes et entre les portes et le compartiment est très étroit. Ne mettez pas vos mains dans ces zones pour éviter de vous pincer les doigts. Ouvrez ou fermez les portes du réfrigérateur uniquement lorsqu'il n'y a pas d'enfants dans le rayon de mouvement de la porte.
- ▶ Ne conservez pas et n'utilisez pas de matières corrosives, explosives ou inflammables dans l'appareil ou à proximité.
- ▶ Ne conservez pas de médicaments, de bactéries ou d'agents chimiques dans l'appareil. Cet appareil est un appareil électroménager. Il n'est pas recommandé pour stocker des produits qui nécessitent des températures strictes.
- ▶ Ne conservez jamais des liquides dans des bouteilles ou des canettes (en dehors des spiritueux avec un degré d'alcool très élevé), en particulier les boissons gazeuses, dans le congélateur car ceux-ci pourraient exploser durant la congélation.
- ▶ Vérifiez l'état des aliments si l'intérieur du congélateur s'est réchauffé.
- ▶ Ne réglez pas une température inutilement basse dans le compartiment du réfrigérateur. Des températures négatives peuvent se produire à des réglages élevés. Attention : les bouteilles peuvent éclater.
- ▶ Ne touchez pas les produits surgelés avec les mains mouillées (portez des gants). Ne mangez surtout pas les glaces à l'eau juste après les avoir sorties du compartiment congélateur. Vous risquez de vous blesser ou de vous brûler à cause du froid. Premiers secours : mettez immédiatement sous l'eau froide. Ne retirez pas !
- ▶ Ne touchez pas la surface intérieure du compartiment congélateur lorsqu'il est en fonctionnement, en particulier avec les mains mouillées, car vos mains peuvent geler sur la surface.



## AVERTISSEMENT !

### Utilisation quotidienne

- ▶ Débranchez l'appareil en cas de coupure de courant ou avant de le nettoyer. Attendez au moins 7 minutes avant de redémarrer l'appareil, car des démarrages trop fréquents risqueraient d'endommager le compresseur.
- ▶ N'utilisez pas des appareils électriques à l'intérieur des compartiments de conservation des aliments de l'appareil, sauf s'ils correspondent aux modèles recommandés par le fabricant. Entretien / nettoyage
- ▶ Veillez à superviser les enfants s'ils effectuent le nettoyage et l'entretien.
- ▶ Débranchez l'appareil du secteur avant d'effectuer tout entretien courant. Attendez au moins 5 minutes avant de redémarrer l'appareil, car des démarrages trop fréquents risqueraient d'endommager le compresseur.
- ▶ Tenez la fiche, pas le câble, lorsque vous débranchez l'appareil.
- ▶ Ne nettoyez pas l'appareil à l'aide de brosses dures, de brosses métalliques, de détergents en poudre, d'essence, d'acétate d'amyle, d'acétone et de solutions organiques similaires, d'acides ou de solutions alcalines. Nettoyez-le avec un détergent spécial pour réfrigérateur afin d'éviter de l'endommager.
- ▶ Ne raclez pas le givre et la glace avec des objets tranchants. N'utilisez pas de pulvérisateurs ni de réchauffeurs électriques comme des nettoyeurs à vapeur, des sèche-cheveux ou d'autres sources de chaleur pour éviter d'endommager les pièces en plastique.
- ▶ N'utilisez pas de dispositifs mécaniques ou d'autres moyens pour accélérer le processus de dégivrage, hormis ceux recommandés par le fabricant.
- ▶ Si le cordon d'alimentation est endommagé, faites-le remplacer par le fabricant, le service clientèle ou un électricien qualifié pour éviter tout risque d'accident.
- ▶ N'essayez pas de réparer, démonter ou modifier l'appareil vous-même. En cas de réparation, veuillez contacter notre service clientèle.
- ▶ Éliminez la poussière à l'arrière de l'appareil au moins une fois par an pour éviter tout risque d'incendie, ainsi que l'augmentation de la consommation d'énergie.
- ▶ Ne pulvérisez pas et ne rincez pas l'appareil pendant le nettoyage.
- ▶ N'utilisez pas de jet d'eau ou de vapeur pour nettoyer l'appareil.
- ▶ Ne nettoyez pas les clayettes froides en verre à l'eau chaude. Un changement soudain de température peut casser le verre.

### Informations sur les gaz réfrigérants

- ▶ L'appareil contient de l'ISOBUTANE, un réfrigérant inflammable (R600a). Assurez-vous que le circuit de réfrigérant n'est pas endommagé pendant le transport ou l'installation. Les fuites de frigorigène peuvent provoquer des blessures oculaires ou s'enflammer. Si un dommage s'est produit, gardez les sources de feu ouvert à l'écart, aérez complètement la pièce, ne branchez pas ou ne débranchez pas les cordons d'alimentation de l'appareil ou de tout autre appareil. Informez le service clientèle.
- ▶ En cas de contact du réfrigérant avec les yeux, rincez-les immédiatement à l'eau courante et appelez immédiatement un oculiste.

## Utilisation prévue

Cet appareil est destiné à réfrigérer et à congeler les aliments. Il a été conçu exclusivement pour une utilisation dans les habitations et des applications similaires telles que les espaces de cuisine dans les magasins, bureaux et autres environnements de travail ; les habitations rurales et par les clients dans les hôtels, motels et autres environnements de type résidentiel, ainsi que dans les chambres d'hôtes ou B&B et activités de restauration. Il n'est pas destiné à un usage commercial ou industriel.

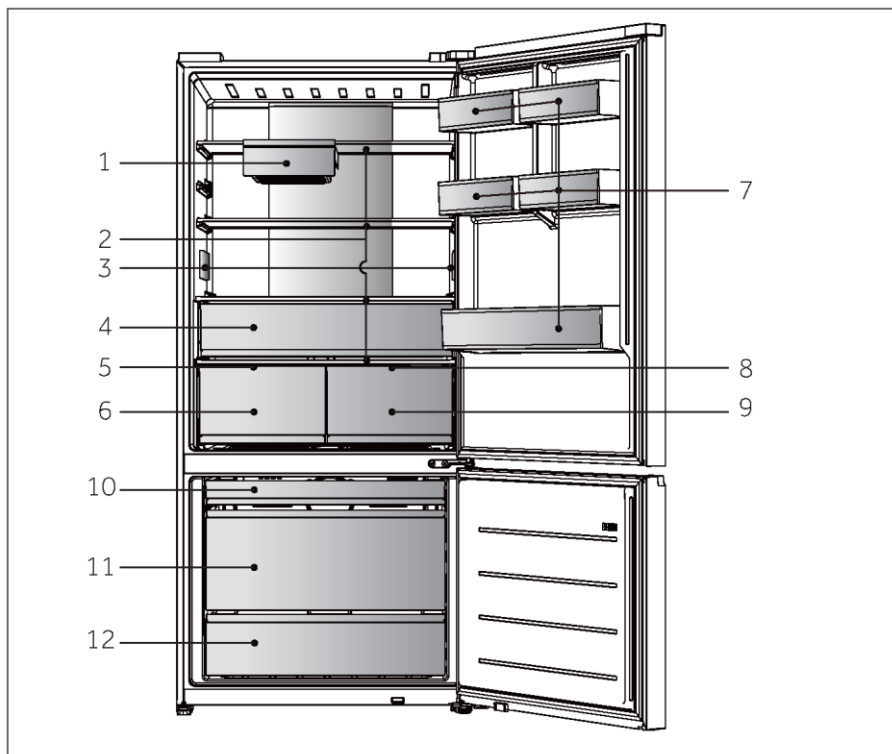
Les changements ou modifications apportés à l'appareil ne sont pas autorisés. Une utilisation non prévue peut entraîner des risques et la perte de garantie.

## Normes et directives

Ce produit satisfait aux exigences de toutes les directives CE applicables avec les normes harmonisées correspondantes, qui prévoient le marquage CE.

## **i** INFORMATION

En raison des changements techniques et de différents modèles, certaines des illustrations de ce manuel peuvent différer de votre modèle.



A : Compartiment réfrigérateur

B : Compartiment congélateur

1 Lunch box

10 Clayette coulissante

2 Clayettes en verre

11 Zone de gel

3 AI Cooling

12 Zone de gel

4 Fresh zone

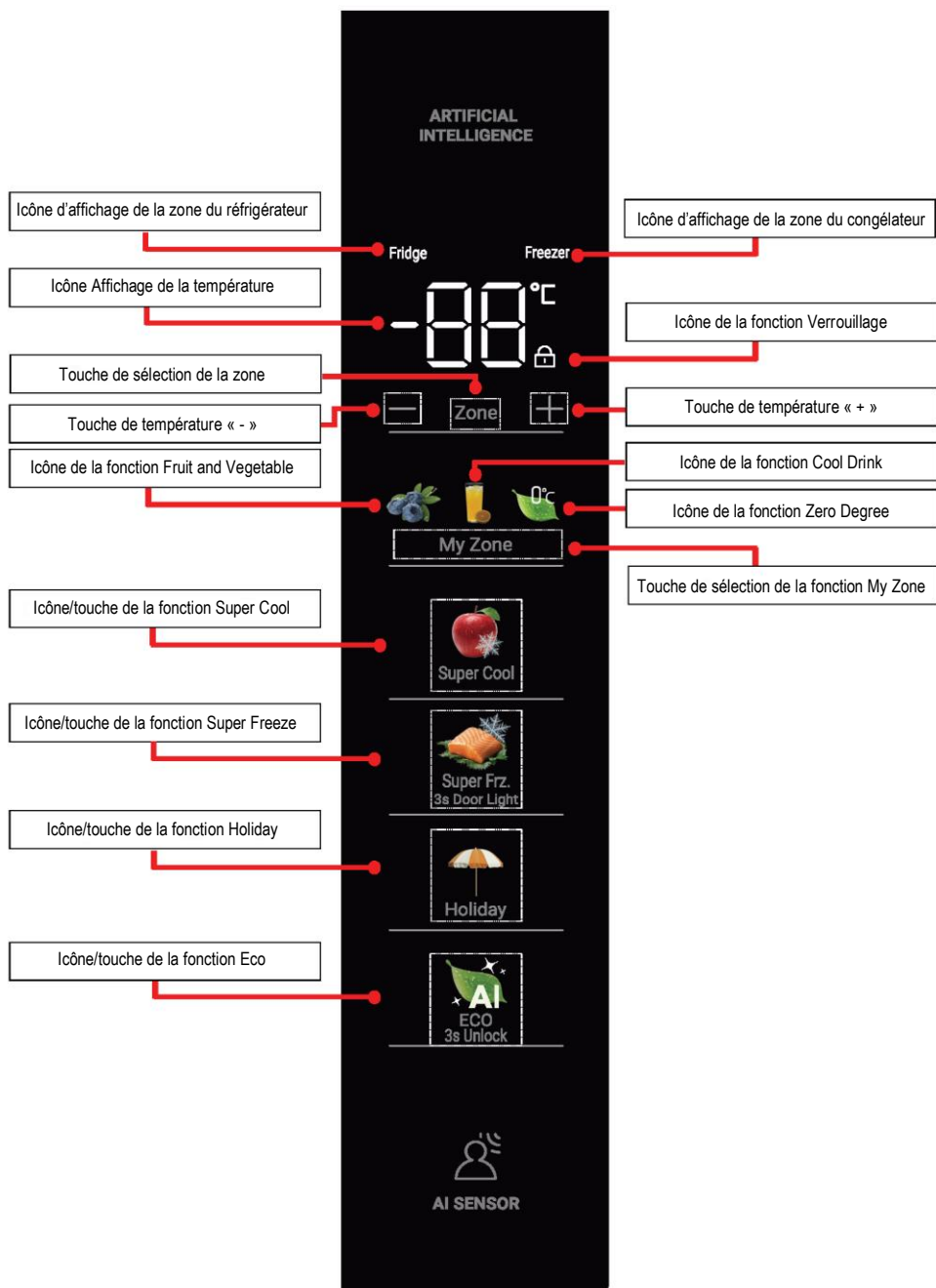
5 Couvercle Humidity Zone

6 Humidity Zone

7 Balconnets

8 Couvercle My Zone

9 My Zone



## Avant la première utilisation

- ▶ Retirez tous les emballages, gardez-les hors de la portée des enfants, puis jetez-les dans le respect de l'environnement.
- ▶ Nettoyez l'intérieur et l'extérieur de l'appareil avec de l'eau et un détergent doux avant d'y mettre des aliments.
- ▶ Une fois l'appareil à plat et nettoyé, attendez au moins 2 à 5 heures avant de le brancher à l'alimentation électrique. Voir la section INSTALLATION.
- ▶ Pré-réfrigérez les compartiments à des réglages élevés avant de les remplir d'aliments. La fonction Power-Freeze permet de refroidir rapidement les compartiments.
- ▶ La température du réfrigérateur et celle du congélateur sont réglées automatiquement sur 5 °C et -18 °C respectivement. Il s'agit des réglages recommandés. Si vous le souhaitez, vous pouvez modifier ces températures manuellement. Voir RÉGLAGE DE LA TEMPÉRATURE.

## Touches tactiles

Les touches du panneau de commande sont des touches tactiles qui réagissent dès que le doigt les touche légèrement.

### Allumer / éteindre l'appareil

L'appareil fonctionne dès qu'il est branché sur l'alimentation électrique.

Lors de la première mise sous tension du réfrigérateur, le voyant Affichage de la température s'allume. La température du réfrigérateur et celle du congélateur sont réglées automatiquement sur 5 °C et -18 °C respectivement.

Le verrouillage du panneau est peut-être actif.



## INFORMATION

Lorsque l'appareil est allumé après avoir été débranché de l'alimentation secteur, il peut falloir jusqu'à 12 heures pour que les températures correctes soient atteintes.

Videz l'appareil avant de l'éteindre. Pour éteindre l'appareil, tirez le cordon d'alimentation pour le sortir de la prise d'alimentation.

## Verrouillage/Déverrouillage du panneau

Verrouillage automatique : lorsque la porte du réfrigérateur et la porte du congélateur sont fermées et qu'aucune touche n'est actionnée dans les 30 secondes, l'écran s'éteint et se verrouille automatiquement.

Verrouillage manuel : Lorsque l'écran est déverrouillé, appuyez sur la touche de fonction Eco et maintenez-la enfoncée pendant 3 secondes, l'avertisseur sonore retentit une fois, l'icône de la fonction de verrouillage s'allume et l'écran est verrouillé.

## Réglage de la température

Les températures intérieures sont influencées par les facteurs suivants :

Température ambiante

Fréquence d'ouverture de la porte

Quantité d'aliments stockés

Installation de l'appareil

### Régler la température du réfrigérateur

Lorsqu'il est déverrouillé, appuyez sur la touche de sélection de zone pour sélectionner la zone du réfrigérateur (l'icône du réfrigérateur s'allume). Chaque pression sur le bouton ajuste le niveau de température de 1 °C. Les réglages sont confirmés après 5 secondes d'inactivité (l'écran s'éteint), ou immédiatement si l'on appuie sur d'autres touches.

Séquence d'ajustement :

« + » : 1°C ➔ 2°C ➔ 3°C ➔ 4°C ➔ 5°C ➔ 6°C ➔ 7°C ➔ 8°C ➔ 9°C

« - » : 9°C ➔ 8°C ➔ 7°C ➔ 6°C ➔ 5°C ➔ 4°C ➔ 3°C ➔ 2°C ➔ 1°C



### INFORMATION

La température de réfrigération ne peut pas être réglée en mode Super Cool ou de verrouillage.

### Régler la température du congélateur

Lorsque l'écran est déverrouillé en cours de fonctionnement, appuyez sur la touche de sélection de zone pour sélectionner la zone de congélation (l'icône du congélateur s'allume). Chaque pression sur « + »/« - » permet de régler la température de 1°C (clignotement à 1Hz). Les réglages sont sauvegardés automatiquement après 5 secondes d'inactivité. Une pression sur d'autres touches confirme immédiatement le réglage et permet de passer d'une fonction à l'autre.

Séquence de réglage :

«+» : -24°C ➔ -23°C ➔ -22°C ➔ -21°C ➔ -20°C ➔ -19°C ➔ -18°C ➔ -17°C ➔ -16°C

« - » : -16°C ➔ -17°C ➔ -18°C ➔ -19°C ➔ -20°C ➔ -21°C ➔ -22°C ➔ -23°C ➔ -24°C



### INFORMATION

La température de congélation ne peut pas être réglée en mode Super Freeze ou de verrouillage.



## INFORMATION

Après avoir réglé la température, s'il n'y a pas d'opération dans les 5 secondes, le système enregistrera automatiquement la température définie.

### Fonction Super-Cool

Entrer en mode Super Cool :

Lorsque le réfrigérateur est déverrouillé, cliquez sur la touche [Super Cool], l'icône [Super Cool] s'allume et le réfrigérateur passe en mode Super Cool.

Quitter le mode Super Cool :

1. En mode déverrouillé et Super Cool, cliquez sur la touche [Super Cool], l'icône [Super Cool] s'éteint et l'appareil sort manuellement du mode Super Cool.
2. Lorsque le réfrigérateur atteint le temps réglé, il quitte automatiquement le mode Super Cool. Quatre heures après l'entrée en mode Super Cool, l'appareil en sort automatiquement.

### Fonction Super-Frz

Entrer en mode Super Freeze :

En mode déverrouillé, cliquez sur la touche [Super Frz.], l'icône [Super Frz.] s'allume et le réfrigérateur passe en mode Super Freeze.

Quitter le mode Super Freeze :

1. En mode déverrouillé et Super Freeze, cliquez sur la touche [Super Frz.], l'icône [SuperFrz.] s'éteint et l'appareil sort manuellement du mode Super Freeze.
2. Lorsque le réfrigérateur atteint le temps défini, il quitte automatiquement le mode Super Freeze. 50 heures après être entré en mode Super Frz, il en sort automatiquement.

La fonction Super-Freeze est conçue pour conserver la valeur nutritive des aliments congelés, elle congèlera les aliments dans les plus brefs délais. Si de grandes quantités d'aliments doivent être congelées en même temps, il est recommandé de régler la fonction Super-Freeze 24 h à l'avance, pour que le congélateur soit à basse température avant de mettre les aliments à l'intérieur. À ce moment-là, la vitesse de congélation du congélateur est améliorée, les aliments peuvent être congelés rapidement, la valeur nutritive des aliments est efficacement conservée et les conserver devient plus pratique.

## Fonction AI Cooling

Lorsque vous avez besoin de refroidir rapidement des aliments mijotés ou cuits, vous pouvez placer les aliments sur la tablette en verre correspondant à cette fonction pour un refroidissement rapide.

Lorsque le réfrigérateur détecte une source de chaleur dans l'espace vitré correspondant à cette fonction, les lumières bleues des deux côtés commencent à clignoter. Si la source de chaleur détectée persiste pendant plus de 5 secondes, il entre dans cette fonction et les voyants bleus des deux côtés s'allument. Si la source de chaleur détectée persiste pendant moins de 5 secondes, cette fonction ne démarre pas et les voyants bleus clignotent pendant environ 5 secondes avant de s'éteindre.

Après le démarrage de cette fonction, les lumières bleues des deux côtés s'allument (lorsque la porte est ouverte) et les ventilateurs des deux côtés commencent à fonctionner. Après la fermeture de la porte, les lumières bleues des deux côtés s'éteignent et les ventilateurs des deux côtés continuent de fonctionner. Une fois que la source de chaleur a refroidi, cette fonction s'arrête, les lumières bleues des deux côtés s'éteignent et les ventilateurs des deux côtés s'arrêtent.



### INFORMATION

1 Lorsque vous placez une marmite de soupe ou d'autres aliments qui dégagent de la vapeur, utilisez un récipient hermétique muni d'un couvercle ou scellez-le avec un film plastique avant de le placer à l'intérieur.

2 Il est recommandé de placer les melons, les fruits et les légumes dans le tiroir à fruits et légumes pour obtenir une meilleure fraîcheur et des effets hydratants. Lorsque vous placez des aliments dans cette zone fonctionnelle, ne bloquez pas les entrées d'air circulaires des deux côtés ni la longue sortie d'air.

3 L'essai de démarrage de cette fonction a été effectué à l'aide d'une marmite en acier inoxydable (une marmite en acier inoxydable turque courante dont le diamètre du corps est de 275 mm, la hauteur du corps de 150 mm et la hauteur totale avec le couvercle de 200 mm) placée sur l'étagère à l'emplacement illustré. Le niveau de liquide à l'intérieur du pot était de 2/3, la température de la paroi extérieure du pot était de 35°C, la température ambiante pendant le test était de 25°C, et le réfrigérateur fonctionnait de manière stable avec le réglage d'usine par défaut.

4 Si la source de chaleur est trop petite ou si la température est trop basse, il se peut que cette fonction ne démarre pas automatiquement.

5 Lorsque les actions d'accès de l'utilisateur dans cet espace fonctionnel prennent trop de temps ou que la porte reste ouverte trop longtemps, cette fonction peut également se déclencher.

6. Si vous activez le mode Holiday alors que la fonction AI Cooling est en cours, la fonction AI Cooling s'éteindra.

## Fonction My Zone

La fonction My Zone est réglée selon les paramètres fonctionnels. Ils sont représentés de manière séquentielle par trois icônes fonctionnelles : « Fruits & Vegetables (5°C), Cool Drink (2°C), 0°C Fresh (0°C) ». Lors de la mise sous tension initiale le réglage par défaut est « Fruits & Vegetables (5°C) ». Lorsqu'elle est déverrouillée, appuyez sur la touche My Zone de la page d'accueil pour accéder à la page de réglage des paramètres My Zone. Cliquez sur la touche de réglage My Zone pour faire passer My Zone au réglage correspondant. L'état du réglage My Zone est conservé après une coupure de courant.



### INFORMATION

En mode Holiday, le compartiment réfrigéré à température variable est réglé à 17°C, fonctionnant selon les points de consigne marche/arrêt à 20°C / arrêt à 16°C.

## Fonction de détection humaine

La fonction de détection humaine est activée par défaut. Appuyez et maintenez la touche « Super Frz. » pendant 3 secondes pour désactiver ou activer la fonction de détection humaine. Une fois cette fonction activée, lorsque vous vous approchez du réfrigérateur, son écran d'affichage s'allume et l'éclairage bleu de la porte entre dans un mode d'aération pour éclaircir et assombrir.

## Fonction Holiday

Appuyer sur la touche Holiday en position déverrouillée :

Première pression : La fonction Holiday est activée (l'icône s'allume, un signal sonore retentit).

Deuxième pression : La fonction Holiday est désactivée (l'icône s'éteint, un signal sonore retentit).

## Fonction Eco

Après l'allumage du panneau d'affichage, si le réfrigérateur n'est pas entré en mode fonction Eco et que le panneau d'affichage est déverrouillé, appuyez une fois sur la touche « Eco », l'icône de la fonction Smart apparaîtra, l'avertisseur sonore retentira une fois et la fonction Eco sera activée.

Après l'allumage du panneau d'affichage, si le réfrigérateur est entré en mode Eco et que le panneau d'affichage est déverrouillé, appuyez une fois sur la touche « Eco », l'icône de la fonction Smart s'éteint, l'avertisseur sonore retentit une fois et la fonction Eco est désactivée.



## INFORMATION

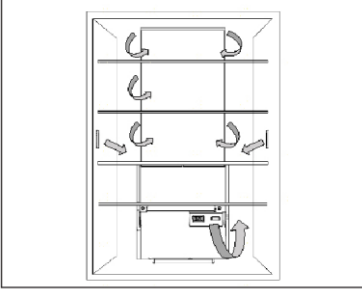
En mode Eco, le réfrigérateur règle et affiche automatiquement la température du compartiment des aliments frais à 5°C et celle du compartiment congélateur à -18°C.

Dans ce mode, les températures des compartiments réfrigérateur et congélateur ne peuvent pas être réglées manuellement.

La température du compartiment My Zone peut être réglée individuellement et fonctionnera selon le réglage de l'utilisateur.

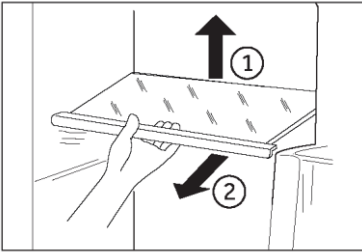
Après avoir quitté le mode Eco, les compartiments réfrigérateur et congélateur reprennent les réglages de température que vous aviez sélectionnés avant d'entrer en mode Eco.

Les paramètres du compartiment My Zone resteront inchangés, tout comme les autres modes de fonctionnement.



### Flux multi-air

1. Le réfrigérateur est équipé d'un système à flux multi-air, avec lequel des flux d'air froid se trouvent au niveau de chaque clayette. Cela permet de maintenir une température uniforme afin de garantir que vos aliments conservent leur fraîcheur pendant plus longtemps.



### Clayettes réglables

1. La hauteur des clayettes peut être réglée en fonction de vos besoins de rangement.
2. Pour déplacer une clayette, retirez-la d'abord en levant son bord arrière ① et en la tirant ②.
3. Pour la remettre en place, placez-la sur les ergots des deux côtés et poussez-la dans la position la plus reculée jusqu'à ce que l'arrière de la clayette soit fixé à l'intérieur des fentes sur les côtés.
4. L'étagère « POT STATION » a une capacité de charge maximale de 200 kg et reste intacte. Lorsque la charge dépasse 80 kg, cela peut affecter le fonctionnement normal du tiroir « Fresh Zone » (données provenant d'un laboratoire interne).



## INFORMATION

Assurez-vous que toutes les extrémités d'une clayette sont au même niveau.

### Tiroir My Zone

1. Dans ce compartiment, le taux d'humidité est plus bas que dans le compartiment du réfrigérateur. Ce tiroir est conçu pour stocker des fruits secs et autres aliments secs à faible teneur en eau comme le beurre, les graisses et les huiles ou le chocolat.

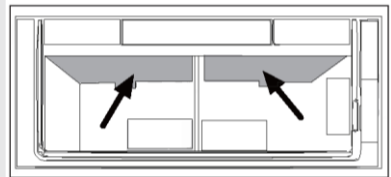
### Tiroir Humidity box

1. Dans ce compartiment, le niveau d'humidité est supérieur au compartiment du réfrigérateur. Il est contrôlé automatiquement par le système et convient au stockage des fruits, des légumes, des salades, etc.



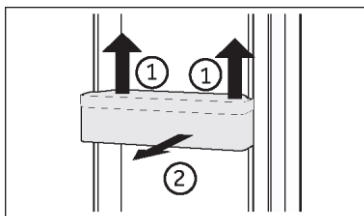
## INFORMATION

1. Ne retirez pas les couvercles en plastique à l'intérieur des deux zones.
2. Ils maintiennent l'humidité.
3. Il n'est pas recommandé de ranger les fruits sensibles au froid comme l'ananas, l'avocat, les bananes et les pamplemousses dans ces deux tiroirs.



## Balconnets de porte amovibles/Porte-bouteilles

1. Les balconnets de porte peuvent être retirés pour le nettoyage :
2. Placez les mains de chaque côté du balconnet, soulevez-le ① et tirez-le ②.
3. Pour insérer le balconnet de porte, vous devez suivre les étapes ci-dessus dans l'ordre inverse.



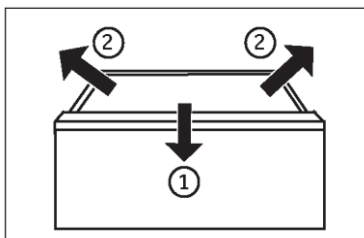
## INFORMATION

Lorsque vous allumez l'appareil, il peut falloir jusqu'à 12 heures pour que les températures appropriées soient atteintes.

## Tiroir amovible

Pour retirer le tiroir, sortez-le au maximum ①, soulevez-le et retirez-le ②.

Pour introduire le tiroir, vous devez effectuer les étapes ci-dessus dans l'ordre inverse.

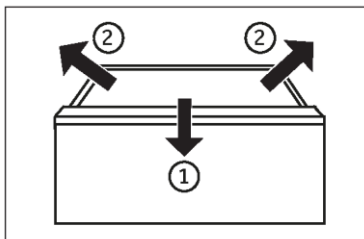


## Conservation d'éléments de grande taille

Les éléments de grande taille comme les aliments surgelés peuvent être conservés après :

retirer le bac de congélation supérieur, ou

avoir retiré les deux plateaux de congélation supérieurs ainsi que le tiroir central du congélateur et avoir posé les aliments directement sur la clayette.



## La lumière

La lumière LED à l'intérieur s'allume lorsque la porte est ouverte. Le fonctionnement des lampes n'est affecté par aucun des autres réglages de l'appareil.

## Le tiroir

Veillez pousser ou tirer doucement le long de la position médiane de la poignée du tiroir afin d'éviter des problèmes tels qu'un mauvais fonctionnement ou le détachement du tiroir.



## Conseils d'économies d'énergie

- ▶ Assurez-vous que l'appareil est bien ventilé (voir INSTALLATION).
- ▶ N'installez pas l'appareil en plein soleil ou à proximité de sources de chaleur (par ex. cuisinières, chauffages).
- ▶ Évitez une température inutilement basse dans l'appareil. Plus vous réglez bas la température de l'appareil, plus la consommation d'énergie augmente.
- ▶ Des fonctions comme POWER-FREEZE consomment plus d'énergie.
- ▶ Laissez les aliments chauds refroidir avant de les mettre dans l'appareil.
- ▶ Ouvrez la porte de l'appareil le moins souvent et le plus rapidement possible.
- ▶ Ne remplissez pas trop l'appareil pour éviter de bloquer la circulation de l'air.
- ▶ Évitez l'air dans l'emballage des aliments.
- ▶ Gardez les joints de la porte propres afin que la porte se ferme toujours correctement.
- ▶ Décongelez les aliments surgelés dans le compartiment de rangement du réfrigérateur.
- ▶ La configuration la plus économe en énergie exige que l'appareil conserve les tiroirs, la boîte de rangement et les clayettes en parfait état, et les aliments doivent être placés le plus loin possible des orifices de sortie de la conduite d'air.



## AVERTISSEMENT !

Débranchez l'appareil de l'alimentation électrique avant de le nettoyer.

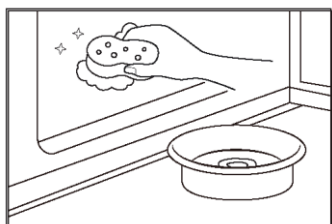
### Nettoyage

1. Nettoyez l'appareil lorsqu'il n'y a qu'un peu de nourriture ou qu'il n'y a pas de nourriture à l'intérieur.
2. L'appareil doit être nettoyé toutes les quatre semaines pour un bon entretien et pour éviter les mauvaises odeurs des aliments conservés à l'intérieur.



## AVERTISSEMENT !

- ▶ Ne nettoyez pas l'appareil à l'aide de brosses dures, de brosses métalliques, de détergents en poudre, d'essence, d'acétate d'amyle, d'acétone et de solutions organiques similaires, d'acides ou de solutions alcalines. Nettoyez-le avec un détergent spécial pour réfrigérateur afin d'éviter de l'endommager.
- ▶ Ne pulvérisiez pas et ne rincez pas l'appareil pendant le nettoyage.
- ▶ N'utilisez pas de jet d'eau ou de vapeur pour nettoyer l'appareil.
- ▶ Ne nettoyez pas les clayettes froides en verre à l'eau chaude. Un changement soudain de température peut casser le verre.
- ▶ Ne touchez pas la surface intérieure du compartiment de l'appareil, en particulier avec les mains mouillées, car vos mains peuvent geler sur la surface.
- ▶ En cas de réchauffement, vérifiez l'état des produits surgelés.



- ▶ Gardez toujours le joint de la porte propre.
  - ▶ Nettoyez l'intérieur et le bâti de l'appareil à l'aide d'une éponge imbibée d'eau tiède et de détergent neutre.
1. Veuillez frotter l'intérieur et l'extérieur du réfrigérateur, y compris le joint de porte, le porte-bouteille, les clayettes en verre, les boîtes, etc., avec un torchon doux ou une éponge imbibée d'eau chaude (vous pouvez ajouter un détergent neutre dans l'eau chaude).

- ▶ 2. S'il y a du liquide renversé, retirez toutes les parties contaminées, rincez-les directement sous l'eau du robinet, séchez-les et remettez-les dans le réfrigérateur.
- ▶ 3. S'il y a de la crème (par exemple de la crème, de la crème glacée qui fond), retirez toutes les parties contaminées, placez-les dans de l'eau chaude à 40 °C pendant un certain temps, puis rincez-les à l'eau courante, séchez-les et remettez-les dans le réfrigérateur.
- ▶ 4. Si une petite pièce ou un élément reste coincé à l'intérieur du réfrigérateur (entre les clayettes ou les tiroirs), utilisez une petite brosse souple pour l'éliminer. Si vous ne pouvez pas atteindre la pièce, veuillez contacter le service clientèle Haier
- ▶ Rincez et séchez avec un chiffon doux.
- ▶ Ne nettoyez aucune des parties de l'appareil au lave-vaisselle.
- ▶ Attendez au moins 5 minutes avant de redémarrer l'appareil, car le démarrage fréquent risque d'endommager le compresseur.

### Dégivrage

Le dégivrage des compartiments réfrigérateur et congélateur se fait automatiquement ; aucune opération manuelle n'est nécessaire.

## Remplacement des lampes LED



### AVERTISSEMENT !

Ne remplacez pas la lampe LED vous-même, elle ne doit être remplacée que par le fabricant ou l'agent de maintenance agréé.

Les lampes utilisent des LED comme source lumineuse, avec une faible consommation d'énergie et une longue durée de vie. En cas d'anomalie, veuillez contacter le service clientèle. Reportez-vous au paragraphe SERVICE CLIENTÈLE.

Paramètres des lampes :

Compartiment réfrigérateur : 12 V max 8 W

Compartiment congélateur : 12 V max 2 W

Éclairage de la porte bleue : 12 V max. 3 W

### Non-utilisation pendant une période prolongée

Si l'appareil n'est pas utilisé pendant une période prolongée et que vous n'utiliserez pas la fonction Holiday pour le réfrigérateur :

Sortez les aliments.

Débranchez le cordon d'alimentation.

Nettoyez l'appareil selon les instructions ci-dessus.

Gardez les portes ouvertes pour éviter la formation de mauvaises odeurs à l'intérieur.



### INFORMATION

N'éteignez l'appareil que si cela est strictement nécessaire.

### Déplacement de l'appareil

1. Retirez tous les aliments et débranchez l'appareil.
2. Fixez les clayettes et les autres parties mobiles dans le réfrigérateur et dans le congélateur avec du ruban adhésif.
3. N'inclinez pas le réfrigérateur à plus de 45° pour éviter d'endommager le système de réfrigération.



### AVERTISSEMENT !

- ▶ Ne soulevez pas l'appareil par ses poignées.
- ▶ Ne placez jamais l'appareil à l'horizontale sur le sol.

Vous pouvez résoudre de nombreux problèmes vous-même sans expertise spécifique. En cas de problème, veuillez vérifier toutes les possibilités indiquées et suivre les instructions ci-dessous avant de contacter un service clientèle. Reportez-vous au paragraphe SERVICE CLIENTÈLE.



## AVERTISSEMENT !

- ▶ Avant l'entretien, désactivez l'appareil et débranchez la fiche secteur de la prise secteur.
- ▶ L'équipement électrique ne doit être entretenu que par des experts en électricité qualifiés, car des réparations inappropriées peuvent causer des dommages consécutifs considérables.
- ▶ Une alimentation endommagée ne devrait être remplacée que par le fabricant, son agent de maintenance ou des personnes avec une qualification similaire de manière à éviter tout danger.

Problème	Cause possible	Solution possible
Le compresseur ne fonctionne pas.	<ul style="list-style-type: none"> <li>• La fiche secteur n'est pas branchée dans la prise secteur.</li> <li>• L'appareil est en cours de dégivrage.</li> </ul>	<ul style="list-style-type: none"> <li>• Branchez la fiche secteur.</li> <li>• C'est normal pour un dégivrage automatique.</li> </ul>
L'appareil fonctionne fréquemment ou fonctionne trop longtemps.	<ul style="list-style-type: none"> <li>• La température intérieure ou extérieure est trop élevée.</li> <li>• L'appareil a été hors tension pendant un certain temps.</li> <li>• Une porte de l'appareil n'est pas bien fermée.</li> <li>• La porte a été ouverte trop fréquemment ou trop longtemps.</li> <li>• Le réglage de la température du compartiment congélateur est trop bas.</li> <li>• Le joint de la porte est sale, usé, fissuré ou ne correspond pas.</li> <li>• La circulation de l'air requise n'est pas garantie.</li> </ul>	<ul style="list-style-type: none"> <li>• Dans ce cas, il est normal que l'appareil fonctionne plus longtemps.</li> <li>• Normalement, il faut 8 à 12 heures pour que l'appareil refroidisse complètement.</li> <li>• Fermez la porte/le tiroir et assurez-vous que l'appareil est situé sur un sol à niveau et qu'il n'y a pas d'aliment ou de récipient bloquant la porte.</li> <li>• N'ouvrez pas trop souvent la porte/le tiroir.</li> <li>• Réglez une température plus élevée jusqu'à l'obtention d'une température satisfaisante dans le réfrigérateur. Il faut 24 heures pour que la température du réfrigérateur devienne stable.</li> <li>• Nettoyez le joint de la porte/du tiroir ou faites-le remplacer par le service clientèle.</li> <li>• Assurez une ventilation adéquate.</li> </ul>
L'intérieur du réfrigérateur est sale et/ou dégage une odeur.	<ul style="list-style-type: none"> <li>• L'intérieur du réfrigérateur a besoin d'être nettoyé.</li> <li>• Des aliments à forte odeur sont conservés au réfrigérateur.</li> </ul>	<ul style="list-style-type: none"> <li>• Nettoyez l'intérieur du réfrigérateur</li> <li>• Enveloppez soigneusement les aliments.</li> </ul>

Problème	Cause possible	Solution possible
Il ne fait pas suffisamment froid à l'intérieur de l'appareil.	<ul style="list-style-type: none"> <li>• La température réglée est trop élevée.</li> <li>• Des produits trop chauds ont été stockés.</li> <li>• Trop d'aliments ont été mis à l'intérieur en même temps.</li> <li>• Les aliments sont trop proches les uns des autres.</li> <li>• Une porte/un tiroir de l'appareil n'est pas bien fermé(e).</li> <li>• La porte/le tiroir a été ouvert(e) trop fréquemment ou trop longtemps.</li> </ul>	<ul style="list-style-type: none"> <li>• Réinitialisez la température.</li> <li>• Laissez toujours refroidir les aliments avant de les mettre à l'intérieur.</li> <li>• Conservez toujours de petites quantités d'aliments.</li> <li>• Laissez de la place entre plusieurs aliments pour permettre la circulation de l'air.</li> <li>• Fermez la porte/le tiroir.</li> <li>• N'ouvrez pas trop souvent la porte/le tiroir.</li> </ul>
Il fait trop froid à l'intérieur de l'appareil.	<ul style="list-style-type: none"> <li>• La température réglée est trop basse.</li> <li>• La fonction Super-Frz / Super-Cool est activée ou fonctionne trop longtemps.</li> </ul>	<ul style="list-style-type: none"> <li>• Réinitialisez la température.</li> <li>• Éteignez la fonction Super-Freeze/Super-Cool.</li> </ul>
Formation d'humidité à l'intérieur du compartiment réfrigérateur.	<ul style="list-style-type: none"> <li>• Le climat est trop chaud et trop humide.</li> <li>• Une porte/un tiroir de l'appareil n'est pas bien fermé(e).</li> <li>• La porte/le tiroir a été ouvert(e) trop fréquemment ou trop longtemps.</li> <li>• Les récipients contenant des aliments ou des liquides sont laissés ouverts.</li> </ul>	<ul style="list-style-type: none"> <li>• Augmentez la température.</li> <li>• Fermez la porte/le tiroir.</li> <li>• N'ouvrez pas trop souvent la porte/le tiroir.</li> <li>• Laissez refroidir les aliments chauds à température ambiante et couvrez les aliments et les liquides.</li> </ul>
L'humidité s'accumule sur le réfrigérateur à l'extérieur de la surface ou la porte et le tiroir.	<ul style="list-style-type: none"> <li>• Le climat est trop chaud et trop humide.</li> <li>• La porte n'est pas fermée hermétiquement. L'air froid de l'appareil et l'air chaud à l'extérieur de celui-ci se condense.</li> </ul>	<ul style="list-style-type: none"> <li>• C'est normal dans un climat humide et cela va changer lorsque l'humidité diminuera.</li> <li>• Assurez-vous que la porte/le tiroir est bien fermé(e).</li> </ul>

Problème	Cause possible	Solution possible
Glace dure et givre dans le compartiment congélateur.	<ul style="list-style-type: none"> <li>• Les produits n'ont pas été correctement emballés.</li> <li>• Une porte/un tiroir de l'appareil n'est pas bien fermé(e).</li> <li>• La porte/le tiroir a été ouvert(e) trop fréquemment ou trop longtemps.</li> <li>• Le joint de la porte/du tiroir est sale, usé, fissuré ou ne correspond pas.</li> <li>• Quelque chose à l'intérieur empêche la porte / le tiroir de se fermer correctement.</li> </ul>	<ul style="list-style-type: none"> <li>• Emballez toujours bien les produits.</li> <li>• Fermez la porte/le tiroir.</li> <li>• N'ouvrez pas trop souvent la porte/le tiroir.</li> <li>• Nettoyez le joint de la porte / du tiroir ou remplacez-les par des joints neufs.</li> <li>• Repositionnez les clayettes, les balconnets de porte ou les récipients à l'intérieur pour permettre à la porte / au tiroir de se fermer.</li> </ul>
Les côtés de l'appareil et de la bande de la porte se réchauffent.		<ul style="list-style-type: none"> <li>• Cela est normal.</li> </ul>
L'appareil émet des sons anormaux.	<ul style="list-style-type: none"> <li>• L'appareil n'est pas situé sur un sol plan.</li> <li>• L'appareil touche un objet situé à proximité.</li> </ul>	<ul style="list-style-type: none"> <li>• Réglez le pied pour mettre l'appareil à niveau.</li> <li>• Retirez les objets autour de l'appareil.</li> </ul>
Un léger son doit être entendu comme celui de l'eau courante.		<ul style="list-style-type: none"> <li>• Cela est normal.</li> </ul>
Un bip d'alarme retentit.	<ul style="list-style-type: none"> <li>• La porte du compartiment de rangement du réfrigérateur est ouverte.</li> </ul>	<ul style="list-style-type: none"> <li>• Fermez la porte.</li> </ul>
Vous entendrez un petit « hum ».	<ul style="list-style-type: none"> <li>• Le système anti-condensation fonctionne.</li> </ul>	<ul style="list-style-type: none"> <li>• Cela empêche la condensation et c'est normal.</li> </ul>
Le système d'éclairage ou de refroidissement à l'intérieur ne fonctionne pas.	<ul style="list-style-type: none"> <li>• La fiche secteur n'est pas branchée dans la prise secteur.</li> <li>• L'alimentation n'est pas intacte.</li> <li>• La lampe LED est hors service.</li> </ul>	<ul style="list-style-type: none"> <li>• Branchez la fiche secteur.</li> <li>• Vérifiez l'alimentation électrique de la pièce. Appelez la société d'électricité locale !</li> <li>• Veuillez appeler le service technique pour faire changer la lampe.</li> </ul>

Pour contacter l'assistance technique, visitez notre site Web : <https://corporate.haier-europe.com/en/>

Dans la rubrique « site web », choisissez la marque de votre produit et votre pays. Vous serez redirigé vers le site web spécifique où vous trouverez le numéro de téléphone et le formulaire pour contacter l'assistance technique.

## Coupure de courant

En cas de coupure de courant, les aliments devraient rester froids en toute sécurité pendant 5 heures environ. Suivez ces conseils pendant une coupure de courant prolongée, en particulier en été :

- ▶ Ouvrez la porte/le tiroir le moins possible.
- ▶ Ne mettez pas d'aliments supplémentaires dans l'appareil pendant une coupure de courant.
- ▶ Si un préavis de coupure de courant est donné et que la durée de la coupure est supérieure à 5 heures, préparez des glaçons et placez-les dans un récipient en haut du compartiment réfrigérateur.
- ▶ Une inspection des produits est requise immédiatement après la coupure de courant.
- ▶ Étant donné que la température du réfrigérateur augmentera lors d'une coupure de courant ou d'une autre panne, la durée de conservation et la qualité alimentaire des aliments seront réduites. Tout aliment décongelé doit être consommé ou cuit et recongelé (le cas échéant) peu de temps après afin de prévenir les risques pour la santé.

## Fonction mémoire pendant la coupure de courant

Lorsque le courant revient, l'appareil continue à fonctionner avec les réglages réglés avant la panne de courant.

## Déballage



### AVERTISSEMENT !

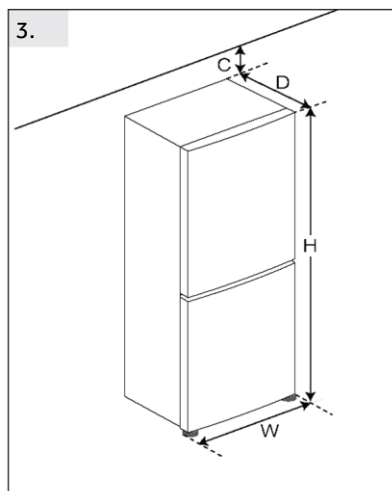
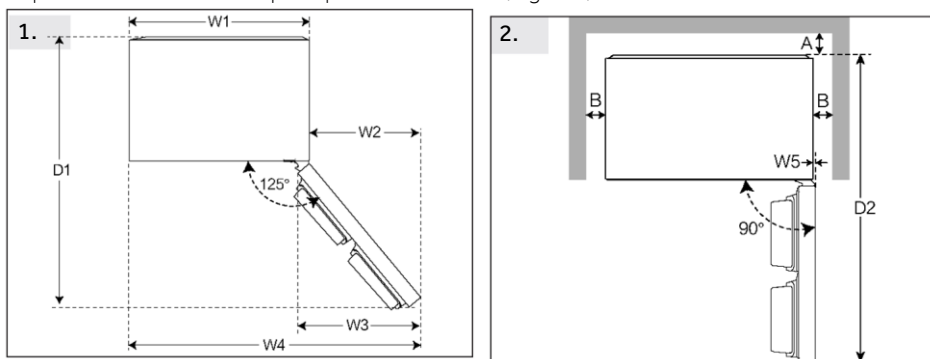
- ▶ L'appareil est lourd. Manipulez-le toujours avec au moins deux personnes.
- ▶ Conservez tous les emballages hors de la portée des enfants, puis jetez-les d'une manière respectueuse de l'environnement.
- ▶ Sortez l'appareil de l'emballage.
- ▶ Retirez tous les matériaux d'emballage.

## Conditions environnementales

La température ambiante doit toujours être comprise entre 10 °C et 43 °C, car elle peut influencer sur la température à l'intérieur de l'appareil et sa consommation d'énergie. N'installez pas l'appareil à proximité d'autres appareils générant de la chaleur (fours, réfrigérateurs) sans isolation.

## Espace recommandé

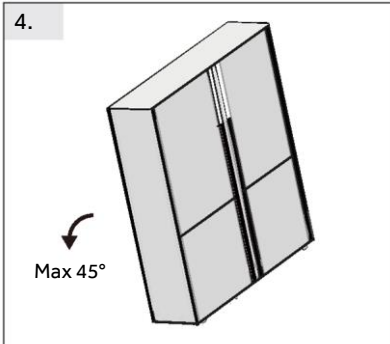
Espace recommandé lorsque la porte est ouverte (Fig. 1.2.)



(unité : mm)	Modèle#1	Modèle#2
Largeur	W1	830
	W2	500
	W3	529
	W4	1330
	W5	21
	W	830
Profondeur	D1	1362
	D2	1502
	D	725
Distance par rapport à la paroi arrière	A	50
Distance par rapport aux murs latéraux	B	50
Distance par rapport au plafond	C	50
Hauteur totale	H	1850

## Coupe transversale de ventilation

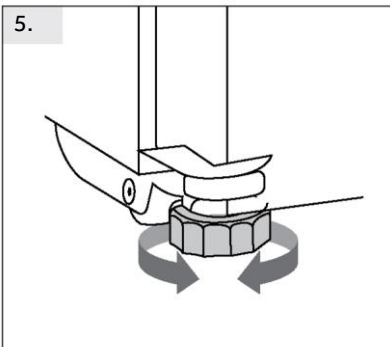
Pour obtenir une ventilation suffisante de l'appareil pour des raisons de sécurité, il convient de respecter les informations relatives aux coupes transversales de ventilation requises.



### Alignement de l'appareil (Fig. 4.5.6.)

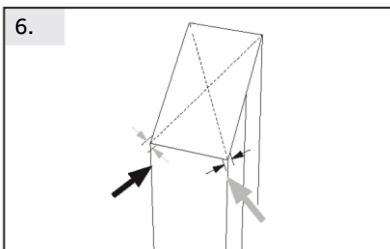
L'appareil doit être placé sur une surface plane et solide.

4. Inclinez le réfrigérateur légèrement vers l'arrière.



5. Réglez les pieds au niveau souhaité.

Assurez-vous que la distance entre le mur et le côté de la charnière est d'au moins 50 mm pour que la porte s'ouvre correctement.

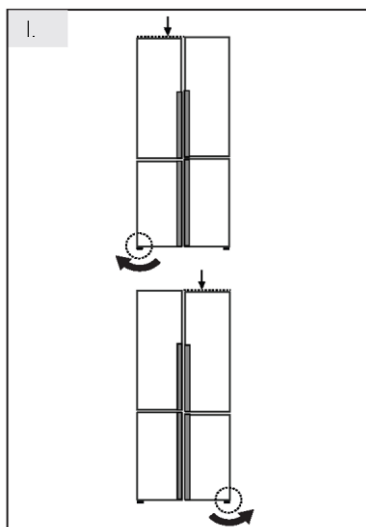


6. La stabilité peut être vérifiée en alternant les diagonales. Le léger flottement doit être le même dans les deux directions. Dans le cas contraire, le cadre peut se déformer ; cela se traduit par des fuites au niveau des joints de la porte. Une faible tendance vers l'arrière facilite la fermeture des portes.



## INFORMATION

Pour un appareil en pose libre : cet appareil de réfrigération n'est pas destiné à être utilisé comme un appareil encastré

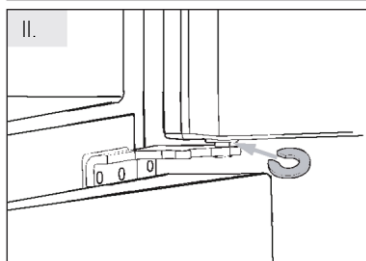


## Réglage fin des portes

Si les portes ne se retrouvent pas au même niveau, vous pouvez y remédier de la manière suivante :

### I En utilisant un pied réglable

Faites tourner le pied réglable selon le sens de la flèche pour faire tourner le pied vers le haut ou vers le bas.



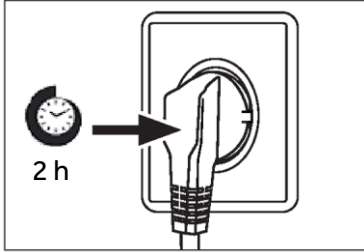
### II En utilisant des entretoises

- ▶ Ouvrez la porte supérieure et soulevez-la.
- ▶ Clipsez avec précaution l'entretoise (fournie dans le sac d'accessoires) dans l'anneau en plastique blanc de la charnière centrale à la main ou à l'aide d'outils comme des pinces. Ne rayez pas et n'abîmez pas la porte.



## INFORMATION

Dans l'utilisation future du réfrigérateur, les portes peuvent se retrouver désalignées à cause du poids des aliments stockés. Veuillez ensuite les ajuster selon les méthodes ci-dessus.



### Temps d'attente

L'huile de lubrification sans entretien se trouve dans la capsule du compresseur. Cette huile peut passer par le système fermé de tuyauterie pendant le transport incliné. Avant de brancher l'appareil sur l'alimentation électrique, attendez au moins 2 heures afin que l'huile revienne dans la capsule.

### Branchement électrique

Avant chaque branchement, vérifiez si :

- ▶ l'alimentation, la prise et le fusible sont adaptés à la plaque signalétique.
- ▶ la prise de courant est mise à la terre et sans multiprise ni rallonge.
- ▶ la fiche d'alimentation et la prise sont adaptées l'une à l'autre.

Branchez la fiche sur une prise domestique correctement installée.



### AVERTISSEMENT !

Pour éviter tout risque, un câble d'alimentation endommagé doit être remplacé par le service à la clientèle (voir carte de garantie).

## Fiche du produit selon la réglementation UE n° 2019/2016

Marque	Haier
Nom du modèle / identifiant	HDR5818DNSS HDR5818DNPW HDR5818DNMB
Catégorie du modèle	Réfrigérateur- congélateur
Classe d'efficacité énergétique	D
Consommation d'énergie annuelle (kWh/an)(1)	273
Volume total (L)	640
Volume du réfrigérateur (L)	413
Volume du congélateur (L)	184
Volume section refroidisseur (L)	43
Nombre d'étoiles	*/***
Température des autres compartiments > 14 °C	Non applicable
Système sans givre	Oui
Capacité de congélation (kg/24h)	10
Classe climatique (2)	SN-N-ST-T
Classe d'émission de bruit et émissions acoustiques dans l'air (db(A) re 1pW)	B(35)
Temps de montée en température (h)	10
Type d'appareil	Autonome

## Explications :

- Oui, fonction présente

- (1) Sur la base des résultats de l'essai de conformité aux normes pendant plus de 24 heures. La consommation réelle dépend de l'utilisation et de l'emplacement de l'appareil.
- (2) Classe climatique SN : cet appareil est destiné à être utilisé à une température ambiante comprise entre +10 °C et +32 °C  
 Classe climatique N : cet appareil est destiné à être utilisé à une température ambiante comprise entre +16 °C et +32 °C  
 Classe climatique ST : cet appareil est destiné à être utilisé à une température ambiante comprise entre +16 °C et +38 °C  
 Classe climatique T : cet appareil est destiné à être utilisé à une température ambiante comprise entre +16 °C et +43 °C

## Données techniques supplémentaires

Tension / Fréquence	220-240 V ~/50 Hz
Courant d'entrée (A)	2
Fusible principal (A)	8
Réfrigérant	R600a
Dimensions (H/L/P en mm)	1850 / 830/725

Nous recommandons notre Service clientèle Haier et l'utilisation de pièces détachées d'origine. Si vous rencontrez un problème avec votre appareil, veuillez d'abord consulter le paragraphe DÉPANNAGE.

Si vous ne trouvez pas de solution, veuillez contacter

- ▶ votre revendeur local ou
- ▶ notre centre de service d'appel européen (voir les numéros de téléphone ci-dessous) ou
- ▶ l'espace Service & Assistance à l'adresse [www.haier.com](http://www.haier.com) où vous pouvez activer la demande de service et trouver également les FAQ.

Pour contacter notre Service, assurez-vous que vous disposez des données suivantes. Les informations se trouvent sur la plaque signalétique.

Modèle \_\_\_\_\_

N° de série \_\_\_\_\_

Vérifiez également la carte de garantie fournie avec le produit en cas de garantie.

Centre de service d'appel européen		
Pays*	Numéro de téléphone	Coûts
Haier Italy (IT)	199 100 912	
Haier Spain (ES)	902 509 123	
Haier Germany (DE)	0180 5 39 39 99	<ul style="list-style-type: none"> <li>• 14 centimes/min ligne fixe</li> <li>• max 42 centimes/min mobile</li> </ul>
Haier Austria (AT)	0820 001 205	<ul style="list-style-type: none"> <li>• 14,53 centimes/min ligne fixe</li> <li>• max 20 centimes/min pour tous les autres</li> </ul>
Haier United Kingdom (UK)	0333 003 8122	
Haier France (FR)	0980 406 409	

\* Pour d'autres pays, veuillez vous référer à [www.haier.com](http://www.haier.com)

Haier Europe Trading S.r.l

Filiale Royaume-Uni

Westgate House, Westgate, Ealing

Londres, W5 1YY

\*Durée de la garantie de l'appareil de réfrigération :

La garantie minimale est : 2 ans pour les pays de l'UE, 3 ans pour la Turquie, 1 an pour le Royaume-Uni, 1 an pour la Russie, 3 ans pour la Suède, 2 ans pour la Serbie, 5 ans pour la Norvège, 1 an pour le Maroc, 6 mois pour l'Algérie, aucune garantie légale pour la Tunisie.

\*La période des pièces détachées pour la réparation de l'appareil :

Les thermostats, les capteurs de température, les circuits imprimés et les sources de lumière sont disponibles pendant une période minimale de sept ans après la mise sur le marché de la dernière unité du modèle.

Poignées de porte, charnières de porte, bacs et paniers pendant une période minimale de sept ans et joints de porte pendant une période minimale de 10 ans, après la mise sur le marché de la dernière unité du modèle.

\*Pour plus d'informations sur le produit, consultez <https://eprel.ec.europa.eu/> ou scannez le code QR sur l'étiquette énergie fournie avec l'appareil.

CERTIFICAT DE QUALITÉ

DÉSIGNATION : RÉFRIGÉRATEUR  
C.Q. PASSÉ   
VÉRIFICATEUR N°

**Haier**



0060543301  
2025 version A

# Haier

Felhasználói kézikönyv

Hűtő-fagyasztó

HDR5818DNSS

HDR5818DNPW

HDR5818DNMB



<b><u>4 Biztonsági információk</u></b>	<b><u>Első használat előtt</u></b>	<b>5</b>
	<u>Telepítés</u>	5
	<u>Napi használat</u>	6
<b><u>8 Rendeltetésszerű használat</u></b>		
<b><u>9 Termékleírás</u></b>		
<b><u>10 Vezérlőpanel</u></b>		
<b><u>11 Használat</u></b>	<u>Hűtő hőmérsékletének a beállítása</u>	12
	<u>Fagyasztó hőmérsékletének a beállítása</u>	12
	<u>Super Cool funkció</u>	13
	<u>Super Freeze funkció</u>	13
	<u>AI Cooling funkció</u>	14
<b><u>17 Berendezés</u></b>		
<b><u>19 Energiatakarékosági tippek</u></b>		
<b><u>20 Ápolás és tisztítás</u></b>		
<b><u>22 Hibaelhárítás</u></b>		
<b><u>26 Telepítés</u></b>		
<b><u>30 Műszaki adatok</u></b>		
<b><u>32 Ügyfélszolgálat</u></b>		

## Köszönjük, hogy Haier terméket vásárolt.

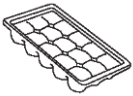
A készülék használata előtt olvassa el figyelmesen ezeket az utasításokat. Az utasítások fontos információkat tartalmaznak, amelyek segítenek abban, hogy a lehető legtöbbet hozza ki a készülékből, és szavatolják a biztonságos és megfelelő telepítést, használatot és karbantartást.

Tartsa ezt a kézikönyvet könnyen elérhető helyen, hogy bármikor fellapozhassa a készülék biztonságos és megfelelő használatához.

Ha eladja a készüléket, elajándékozza, vagy a lakásban hagyja költözéskor, győződjön meg arról, hogy ezt a kézikönyvet is átadja, hogy az új tulajdonos megismerhesse a készüléket és a biztonsági figyelmeztetéseket.

## Tartozékok

Ellenőrizze a tartozékokat és a szakirodalmat az alábbi listának megfelelően:



Jégkocka tartó tálca



Tojástálca × 2



Energiacímke



Jótállási jegy



Felhasználói kézikönyv



Leállítás blokk × 2



Középső zsanér



Felső zsanér



Felső zsanér hajtított kampó



Alsó zsanér



Felső díszbrukolat



Középső elülső tartószerelvény csavaros kupak



szerelvény



## FIGYELMEZTETÉS – Fontos biztonsági információk



## MEGJEGYZÉS - Általános információk és tippek



## Környezetvédelmi információk



### Ártalmatlanítás

Járuljon hozzá a környezet és az emberi egészség védelméhez. Az újrahasznosítás érdekében a csomagolást a megfelelő hulladéktárolóba selejtezze ki. Járuljon hozzá az elektromos és elektronikus berendezések hulladékainak az újrahasznosításához. Ne a háztartási hulladékkal együtt dobja ki az ezzel a szimbólummal jelölt készülékeket. Vigye vissza a terméket a helyi újrahasznosító létesítménybe, vagy vegye fel a kapcsolatot a helyi hivatallal.



### FIGYELMEZTETÉS: Tűzveszély/ gyúlékony anyagok

A szimbólum a tűzveszélyről tájékoztat, ami a gyúlékony anyagok használatából adódik. Ügyeljen a tűz megelőzésére, mivel a gyúlékony anyag lángra kaphat.



## FIGYELMEZTETÉS!

Sérülés vagy fulladás veszélye!

A hűtőközegeket és a gázokat szakszerűen kell ártalmatlanítani. Győződjön meg a hűtőkör csövének a sértetlenségéről, mielőtt megfelelően ártalmatlanítaná. Válassza le a készüléket a hálózati tápellátásról. Vágja el a hálózati kábelt és selejtezze ki. Távolítsa el a tálcákat és fiókokat, valamint az ajtóreteszt és a tömítéseket, hogy megakadályozza a gyermekek és háziállatok bezáródását a készülékbe.

## A készülék első bekapcsolása előtt olvassa el a következő biztonsági tanácsokat!



### FIGYELMEZTETÉS!

#### Első használat előtt

- ▶ Győződjön meg arról, hogy szállítás során a termék nem sérült.
- ▶ Távolítsa el az összes csomagolóanyagot, és tartsa gyermekektől elzárva.
- ▶ A készülék telepítése előtt várjon legalább két órát a hűtőkör teljes hatékonyságának biztosítása érdekében.
- ▶ Mivel a készülék nehéz, mindig legalább két személy szükséges a kezeléséhez vagy mozgatásához.

#### Telepítés

- ▶ A készüléket jól szellőző helyre telepítse. Biztosítson legalább 10 cm-es helyet a készülék felett és körül.
- ▶ Soha ne helyezze a készüléket nedves területre vagy olyan helyre, ahol víz fröccsenhet rá. A vízfröccsenéseket és a foltokat törölje le és szárazra puha, tiszta törülközővel.
- ▶ Ne szerelje be a készüléket közvetlen napsugárzásnak kitett helyre vagy hőforrások (pl. kályhák, fűtőberendezések) közelébe.
- ▶ A méretének és felhasználásnak megfelelő helyre szerelje be és állítsa szintbe a készüléket.
- ▶ A berendezésen vagy a beépített szerkezetben a szellőzőnyílásokat ne takarja el.
- ▶ Bizonyosodjon meg arról, hogy az adattáblán olvasható elektromos jellemzők megfelelnek az elérhető tápellátás jellemzőinek. Ellenkező esetben forduljon villanyszerelőhöz.
- ▶ A készülék 220–240 V váltóáramú, 50 Hz-es tápellátást igényel. A rendellenes feszültségingadozás nyomán előfordulhat, hogy a készülék nem indul be, károsodhat a hőmérsékletvezérlő vagy a kompresszor, illetve működés során rendellenes zaj jelentkezhet. Hasonló esetben szereljen fel automatikus feszültségszabályozót.
- ▶ Ne használjon többdugós adaptereket és hosszabbítókábeleket.
- ▶ Ne helyezzen több hordozható csatlakozót vagy hordozható tápegységet a berendezés mögé.
- ▶ Ügyeljen arra, hogy a tápkábel ne szoruljon a hűtőberendezés alá. Ne lépjen a tápkábelre.
- ▶ A tápegységhez külön földelt aljzatot használjon, amely könnyen hozzáférhető. A készülék mindenképpen földelésre szorul.
- ▶ Csak az Egyesült Királyság esetén: A készülék tápkábele 3 érintkezős (földelések) dugással rendelkezik, amelyik szabványos 3 érintkezős (földelések) aljzathoz illeszkedik. Soha ne vágja le vagy távolítsa el a harmadik érintkezőt (földelést). A készülék beszerelését követően a dugasznak hozzáférhetőnek kell maradnia.
- ▶ Ügyeljen a hűtőkör épségére!



## FIGYELMEZTETÉS!

### Napi használat

- ▶ A berendezést 8 évnél idősebb gyermekek vagy csökkent fizikai, érzékszervi vagy mentális képességű, vagy tapasztalattal és ismerettel nem rendelkező személyek akkor használhatják, ha felügyelet alatt állnak vagy ha megfelelő utasításokkal látták el őket a berendezés biztonságos használatát illetően, és megértették a használatból eredő veszélyeket.
- ▶ A 3 és 8 év közötti gyermekek be- és kirakodhatják a hűtőkészülékeket, de a hűtőkészülékek tisztítását és szerelését nem végezhetik.
- ▶ Tartsa távol a 3 évesnél fiatalabb gyermekeket a készüléktől, kivéve, ha biztosítja a folyamatos felügyeletet.
- ▶ Gyermekek nem játszhatnak a berendezéssel.
- ▶ Ha hűtőgáz vagy más gyúlékony gáz szivárog a készülék közelében, zárja el a szivárgó gáz szelepet, nyissa ki az ajtókat és ablakokat, és ne húzza ki a hűtőszekrény/fagyasztó vagy más készülék tápkábelének a dugaszát.
- ▶ Vegye figyelembe, hogy a készülék 10 és 43 °C közötti környezeti hőmérsékletben való működésre készült. Előfordulhat, hogy a készülék nem működik megfelelően, ha hosszabb ideig a jelzett tartomány feletti vagy alatti hőmérsékleten üzemel.
- ▶ Ne helyezzen instabil cikkeket (nehéz tárgyakat, vízzel teli edényeket) a hűtőberendezés tetejére, elkerülve így a személyi sérüléseket, amiket ezen tárgyak leesése vagy a vízzel való érintkezés nyomán bekövetkező áramütés okozhat.
- ▶ Ne húzza meg az ajtópolcokat. Az ajtó elferdülhet, kihúzhatja a helyéről a palacktartót, vagy a készülék felborulhat.
- ▶ Az ajtók nyitását vagy becsukását kizárólag a fogantyúkkal végezze. Az ajtók közötti, ill. az ajtó és a szekrény közötti rés nagyon szűk. Ne nyújtsa a kezét ezekre a területekre, mivel az ujjai becsípődhetnek. Csak akkor nyissa ki vagy csukja be a hűtőszekrény ajtaját, ha nem állnak gyermekek az ajtó mozgási tartományán belül.
- ▶ Ne tároljon, ill. használjon gyúlékony, robbanásveszélyes vagy maró hatású anyagokat a készülékben vagy a közelében.
- ▶ A készülékben ne tároljon gyógyszereket, baktériumokat vagy vegyszereket. Ez a készülék háztartási készülék. Nem javasoljuk olyan anyagok tárolását, amelyek szűk hőmérséklet-tartományban tárolhatók.
- ▶ Soha ne tároljon folyadékokat palackokban vagy kannákban (magas alkoholtartalmú italok kivételével), különösen szénsavas italokat a fagyasztóban, mert ezek szétrobbannak fagyasztás közben.
- ▶ Ellenőrizze az élelmiszer állapotát, ha a fagyasztóban felmelegedett a hőmérséklet.
- ▶ Ne állítson be szűkségtelenül alacsony hőmérsékletet a hűtőrekeszben. Magas teljesítmény-beállítások esetén mínusz fokok alakulhatnak ki. Figyelem: A palackok szétrobbanhatnak
- ▶ Ne nyúljon fagyott tárgyakhoz nedves kézzel (viseljen kesztyűt). Különösen ne egyen jeges nyalókát közvetlenül a fagyasztóból való kivétel után. Fennáll a fagsérülések vagy a hólyagok kialakulásának veszélye. **ELSŐSEGÉLYNYÚJTÁS:** tartsa a sérülést azonnal folyó hideg víz alá. Ne húzza el!
- ▶ Működés közben ne érintse meg a fagyasztórekesz belső felületét, különösen nedves kézzel, mert a keze a felülethez fagyhat.



## FIGYELMEZTETÉS!

### Napi használat

- ▶ Áramszünet esetén vagy tisztítás előtt húzza ki a készüléket az aljzatból. A készülék újraindítása előtt várjon legalább 7 perct, mivel a készülék gyakori indítása során károsodhat a kompresszor.
- ▶ Ne használjon elektromos készülékeket a berendezés élelmiszer tároló rekeszében, kivéve a gyártó által jóváhagyott típust. Karbantartás / tisztítás
- ▶ Gondoskodjon a gyermekek felügyeletéről, ha tisztítást vagy karbantartást végeznek.
- ▶ A rutinszerű karbantartás megkezdése előtt húzza ki a készüléket a villanyhálózathoz. A készülék újraindítása előtt várjon legalább 5 perct, mivel a készülék gyakori indítása során károsodhat a kompresszor.
- ▶ A készülék aljzatból való leválasztásakor ne a kábelt, hanem a csatlakozódugót húzza.
- ▶ Ne tisztítsa a készüléket keménysörtés kefékkel, drótkéfékkel, mosóporral, benzinnel, ammóniacetáttal, acetonnal és hasonló szerves oldatokkal, valamint savas vagy lúgos oldatokkal. A károsodások elkerülése érdekében a hűtőszekrény tisztítását speciális, adott célra kialakított tisztítószerrel végezze.
- ▶ Ne kaparja le a fagyot és a jeget éles tárgyakkal. A műanyag alkatrészek károsodásának elkerülése érdekében ne használjon spray-t, elektromos hevítő berendezést, például fűtőberendezést, hajszárítót, gőztisztítót vagy más hőforrást.
- ▶ A kiolvasztási folyamat felgyorsításához csak a gyártó által javasolt mechanikai berendezéseket vagy egyéb eszközöket használja.
- ▶ Ha a tápkábel megsérül, a veszély elkerülése érdekében cseréltesse ki a gyártóval, a gyártó szervizközpontjával vagy más szakemberrel.
- ▶ Ne tegyen kísérletet a készülék saját kezű javítására, szétszerelésére vagy módosítására. Javítás szükségessége esetén vegye fel a kapcsolatot az ügyfélszolgálatunkkal.
- ▶ Évente legalább egyszer távolítsa el a port a készülék hátoldaláról, így elkerülve a tűzveszélyt, valamint a megnövekedett energiafogyasztást.
- ▶ Tisztítás közben ne permetezze vagy öblítse le a készüléket.
- ▶ Ne használjon vízpermetet vagy gőzt a készülék tisztításához.
- ▶ A hideg üvegpohlocokat ne tisztítsa forró vízzel. A hirtelen hőmérséklet-változás nyomán az üveg megrepedhet.

### Gázalapú hűtőközegre vonatkozó információk

- ▶ A készülék gyűlékony IZOBUTÁN (R600a) hűtőközeget tartalmaz. Győződjön meg arról, hogy a hűtőközeg köre nem sérült meg szállítás vagy beszerelés közben. A szivárgó hűtőközeg szemsérülést okozhat, vagy belobbanhat. Sérülés esetén tartsa távol a tűzforrásokat, szellőztesse ki alaposan a helyiséget, ne csatlakoztassa, vagy húzza ki a készülék vagy egyéb készülék tápkábelét. Tájékoztassa az ügyfélszolgálatot.
- ▶ Ha a hűtőközeg szembe kerül, akkor azonnal öblítse ki folyó víz alatt, és azonnal forduljon szemész szakorvoshoz.

## Rendeltetészerű használat

Ez a készülék élelmiszerek hűtésére és fagyasztására szolgál. Kizárólag háztartási és hasonló alkalmazásokra tervezték, mint például az üzletek, irodák és egyéb munkakörnyezetek személyzeti konyháinak területei; tanyasi házakban és szállodák, motelek és egyéb lakókörnyezetben, valamint panziós és vendéglátóipari vállalkozásokban való használatra ügyfelek számára. Tervezéséből adódóan nem alkalmas kereskedelmi vagy ipari használatra.

A készüléken változtatások vagy módosítások végrehajtása nem megengedett. A nem rendeltetészerű használat veszélyeket eredményezhet, illetve a szavatossági igények érvénytelenítésével járhat.

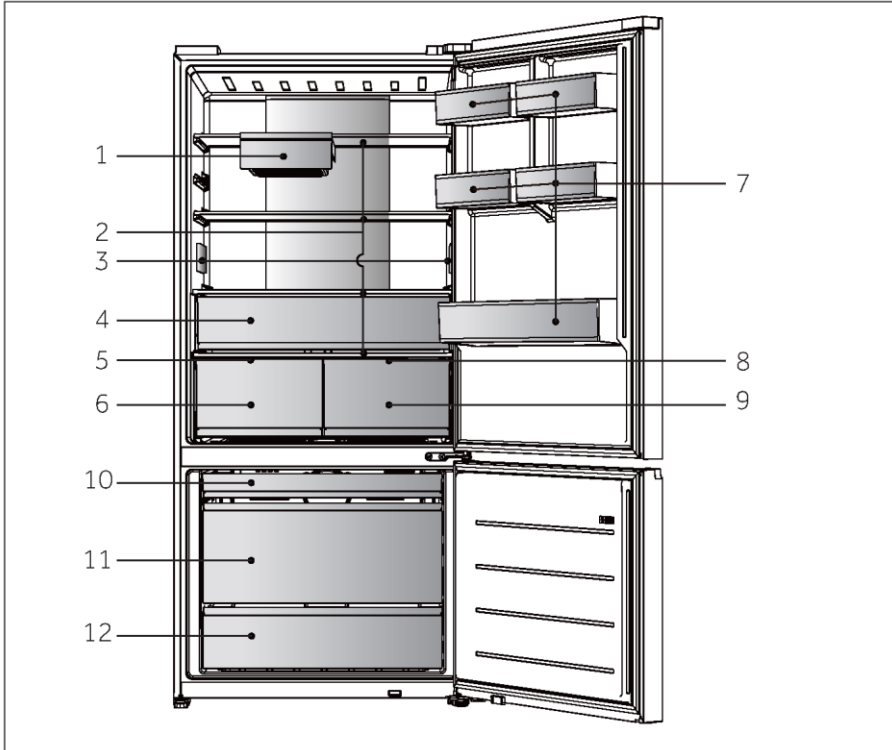
## Szabványok és irányelvek

A termék megfelel az összes vonatkozó EK irányelvben meghatározott követelménynek, illetve a vonatkozó harmonizált szabványoknak, amelyek alapján megilleti a CE-jelölés.



## MEGJEGYZÉS

A műszaki módosítások és különböző modellek miatt előfordulhat, hogy a kézikönyvben látható egyes ábrák eltérőek az Ön modelljéhez képest.

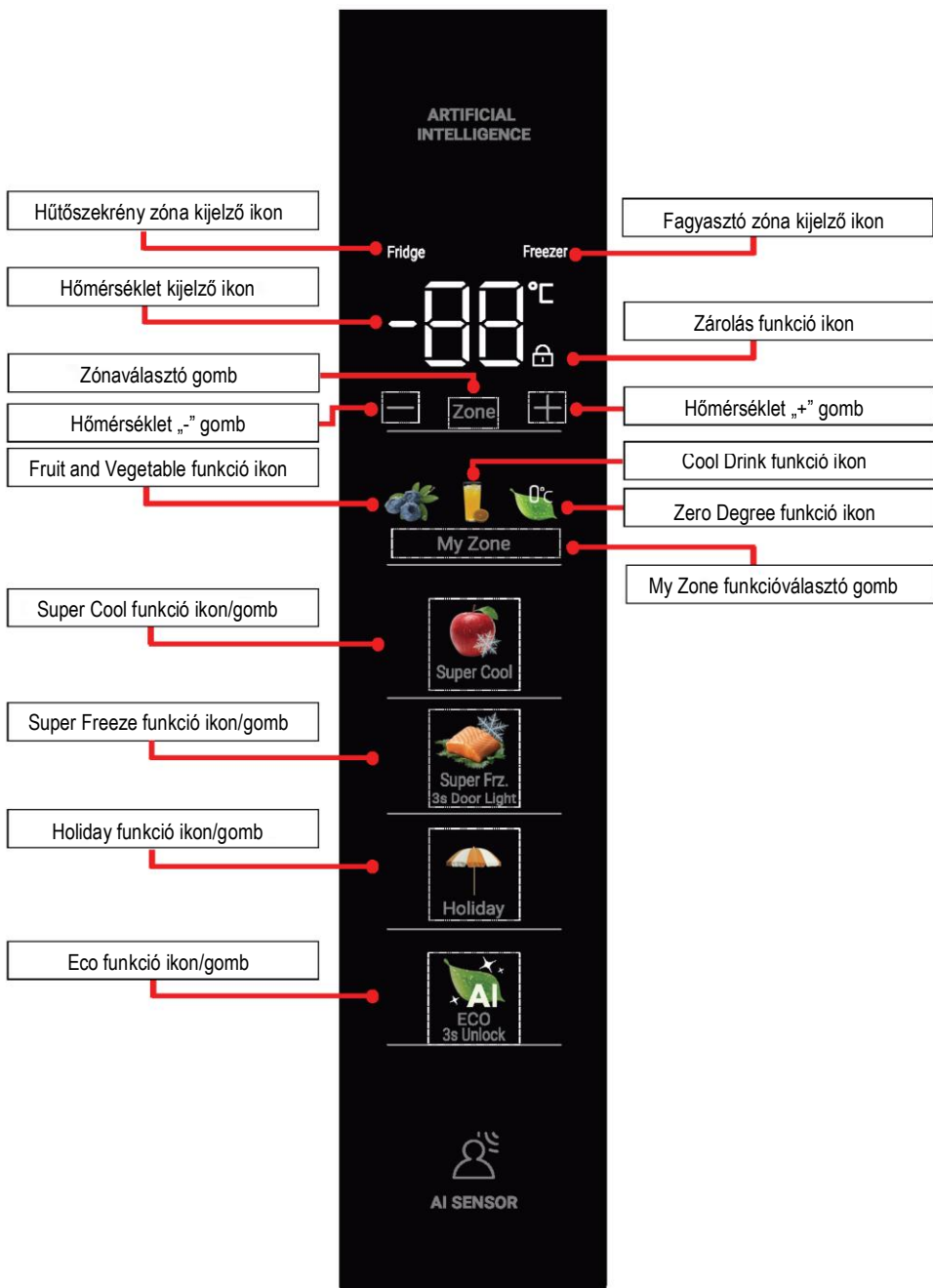


A: A hűtőszekrény rekeszei

- 1 Uzsonnádoboz
- 2 Üvegpolek
- 3 AI Cooling
- 4 Fresh zone
- 5 Humidity Zone fedél
- 6 Humidity Zone
- 7 Palacktartók
- 8 My zone fedél
- 9 My Zone

B: Fagyasztó rekesz

- 10 Csúsztatható polc
- 11 Fagyasztózóna
- 12 Fagyasztózóna



## Első használat előtt

- ▶ Távolítsa el minden csomagolóanyagot, tartsa azokat gyermekektől elzárva, kiselejtezésüket pedig környezetbarát módon végezze.
- ▶ Tisztítsa meg a készülék belsejét és külsejét vízzel és kíméletes tisztítószerrel, mielőtt bármilyen ételt tenne bele.
- ▶ A készülék szintbeállítását és tisztítását követően várjon legalább 2–5 órát, mielőtt csatlakoztatná a tápellátáshoz. Lásd a TELEPÍTÉS részt.
- ▶ Az étellel való feltöltés előtt hűtse le a rekeszeket magas beállítások alkalmazásával. A Power-Freeze funkció elősegíti a rekeszek gyors lehűtését.
- ▶ A hűtőrekesz, illetve a fagyasztó hőmérséklete gyári alapbeállítás szerint automatikusan 5 °C és -18 °C. Ezek a javasolt beállítások. Ha kívánja, ezeket a hőmérsékleteket módosíthatja manuálisan. Lásd a HŐMÉRSÉKLET BEÁLLÍTÁSA c. részt.

## Érintésérzékeny gombok

A vezérlőpulton található gombok érintésérzékenyek, és már akkor reagálnak, ha enyhén megérinti az ujjával.

### A készülék be- és kikapcsolása

A készülék működésbe lép, amint csatlakoztatja tápellátáshoz.

A hűtőszekrény első bekapcsolásakor a Hőmérséklet kijelző jelzés világít. A hűtőrekesz, illetve a fagyasztó hőmérséklete gyári alapbeállítás szerint automatikusan 5 °C és -18 °C.

Talán aktív a panelzár.



## MEGJEGYZÉS

Amikor a készüléket visszakapcsolja a hálózati tápellátásról való leválasztás után, akár 12 órát is igénybe vehet a megfelelő hőmérséklet elérése.

A kikapcsolás előtt ürítse ki a készüléket. A készülék kikapcsolásához húzza ki a tápkábel dugaszát az aljzatból.

### Panel zárolása/feloldása

Automatikus zárolás: Amikor a hűtőszekrény ajtaja és a fagyasztó ajtaja becsukódik, és 30 másodpercen belül nem nyomnak meg semmilyen gombot, a kijelző automatikusan kialszik és lezáródik.

Kézi lezárás: A kijelző feloldása után nyomja meg az Eco funkció gombot, és tartsa lenyomva 3 másodpercig, a hangjelzés egyszer megszólal, a Zárolás funkció ikonja világítani kezd, ekkor a kijelző zárolva van.

## Hőmérséklet beállítása

A beltéri hőmérsékletet a következő tényezők befolyásolják:

Környezeti hőmérséklet

Az ajtónyitás gyakorisága

A tárolt élelmiszerek mennyisége

A berendezés beszerelése

## Hűtő hőmérsékletének a beállítása

Feloldott állapotban nyomja meg a Zóna kiválasztása gombot a hűtőzóna kiválasztásához (a hűtő ikonja világít). A gomb minden egyes megnyomása 1 °C-kal módosítja a hőmérsékletet.

A beállítások 5 másodperc tétlenség után automatikusan megerősítésre kerülnek (a képernyő kikapcsol), vagy azonnal, ha más gombot nyom meg. Beállítási sorrend:

„+”: 1 °C ➔ 2 °C ➔ 3 °C ➔ 4 °C ➔ 5 °C ➔ 6 °C ➔ 7 °C ➔ 8 °C ➔ 9 °C

„-”: 9 °C ➔ 8 °C ➔ 7 °C ➔ 6 °C ➔ 5 °C ➔ 4 °C ➔ 3 °C ➔ 2 °C ➔ 1 °C



### MEGJEGYZÉS

A hűtési hőmérséklet nem állítható be Super Cool funkció vagy zárolt állapot esetén.

## Fagyasztó hőmérsékletének a beállítása

Működés közben, ha a kijelző fel van oldva, nyomja meg a Zónaválasztó gombot a fagyasztózóna kiválasztásához (a fagyasztó ikonja világít). A „+”/„-” gomb minden egyes megnyomása 1 °C-kal módosítja a hőmérsékletet (1 Hz-es villogás).

A beállítások 5 másodperc inaktivitás után automatikusan mentésre kerülnek.

Más gombok megnyomása azonnal megerősíti a beállítást, és átváltja a funkciókat.

Beállítási sorrend:

„+”: -24 °C ➔ -23 °C ➔ -22 °C ➔ -21 °C ➔ -20 °C ➔ -19 °C ➔ -18 °C ➔ -17 °C ➔ -16 °C

„-”: -16 °C ➔ -17 °C ➔ -18 °C ➔ -19 °C ➔ -20 °C ➔ -21 °C ➔ -22 °C ➔ -23 °C ➔ -24 °C



### MEGJEGYZÉS

A fagyasztó hőmérséklete nem állítható be Super Freeze funkció vagy zárolt állapot esetén.



## MEGJEGYZÉS

A hőmérséklet beállítása után, ha 5 másodpercen belül nem végeznek semmilyen műveletet, a rendszer automatikusan meghatározza és menti a beállított hőmérsékletet.

### Super-Cool funkció

Lépjen be a Super Cool állapotba:

Feloldott állapotban kattintson a [Super Cool] gombra, ekkor a [Super Cool] ikon kigyullad, és a hűtőszekrény Super Cool állapotba lép.

Kilépés a Super Cool állapotból:

1. Feloldott és Super Cool állapotban kattintson a [Super Cool] gombra, ekkor a [SuperCool] ikon kikapcsol, és a készülék manuálisan kilép a Super Cool állapotból.
2. Amikor a hűtőszekrény eléri a beállított időt, automatikusan kikapcsolja a Super Cool funkciót. 4 óra Super Cool üzemmódban töltött idő után automatikusan kilép.

### Super-Frz funkció

Lépjen be a Super Freeze állapotba:

Feloldott állapotban kattintson a [Super Frz.] gombra, a [Super Frz.] ikon kigyullad, és a hűtőszekrény Super Freeze üzemmódba lép.

Kilépés a Super Freeze állapotból:

1. Feloldott és Super Freeze állapotban kattintson a [Super Frz.] gombra, a [SuperFrz.] ikon kikapcsol, és a készülék manuálisan kilép a Super Freeze állapotból.
2. Amikor a hűtőszekrény eléri a beállított időt, automatikusan kilép a Super Freeze funkcióból.

A Super Frz módba lépést követően 50 óra elteltével automatikusan kikapcsol.

A Super-Freeze funkció a fagyasztott élelmiszerek tápértékének megőrzésére szolgál, és a legrövidebb idő alatt lefagyasztja az ételt. Ha egyszerre nagy mennyiségű fagyasztott élelmiszert kell lefagyasztania, ajánlott a Super-Freeze funkciót 24 órával előre beállítani, hogy a fagyasztó viszonylag alacsony hőmérsékletű legyen, amikor behelyezi az ételt. Ekkor a fagyasztó fagyasztási sebessége javul, az élelmiszerek gyorsan lefagyaszthatók, az élelmiszerek tápanyagtartalma hatékonyan megőrizhető, és a tárolás kényelmesebbé válik.

## AI Cooling funkció

Ha gyorsan szeretné lehűteni a párolt vagy főtt ételeket, helyezze az ételt az ehhez a funkcióhoz tartozó üvegpolcra a gyors hűtés érdekében.

Amikor a hűtőszekrény hőforrást érzékel az ehhez a funkcióhoz tartozó üvegpolcon, a kék jelzőfények mindkét oldalon villogni kezdenek. Ha az érzékelt hőforrás több mint 5 másodpercig áll fenn, a készülék belép ebbe a funkcióba, és mindkét oldalon kigyulladnak a kék jelzőfények. Ha az érzékelt hőforrás kevesebb mint 5 másodpercig áll fenn, a funkció nem indul el, és a kék jelzőfények körülbelül 5 másodpercig villognak, majd kialszanak.

A funkció elindítása után mindkét oldalon bekapcsolnak a kék fények (amikor az ajtó nyitva van), és mindkét oldalon elindulnak a ventilátorok. Az ajtó becsukása után a kék jelzőfények mindkét oldalon kialszanak, a ventilátorok azonban mindkét oldalon tovább működnek. Miután a hőforrás lehűlt, ez a funkció kilép, mindkét oldalon kialszik a kék jelzőfény, és mindkét oldalon kikapcsolnak a ventilátorok.



### MEGJEGYZÉS

1 Amikor leveses fazekat vagy más, gőzt kibocsátó élelmiszert helyez be, használjon fedeles, zárt edényt, vagy fedje le az ételt fóliával, mielőtt behelyezi.

2 Javasoljuk, hogy a dinnyét, gyümölcsöket és zöldségeket a gyümölcs- és zöldségtároló fiókban helyezze el, hogy hosszabb ideig megőrizze frissességüket és nedvességtartalmukat. Amikor ételt helyez ebbe a funkcionális térbe, kérjük, ne takarja el a két oldalon lévő kör alakú levegőbeömlőket vagy a hosszú levegőkimeneti nyílást.

3 A funkció indítási tesztjét egy rozsdamentes acél leveses fazékkal végeztük (egy helyi, Törökországban elterjedt rozsdamentes acél leveses fazék, amelynek átmérője 275 mm, a fazék magassága 150 mm, a fedővel együtt mért teljes magassága pedig 200 mm), amelyet a polcon a képen látható pozícióban helyeztünk el. A fazékban lévő folyadékszint 2/3 volt, az edény külső falának hőmérséklete 35 °C, a tesztelés során a környezeti hőmérséklet 25 °C volt, és a hűtőszekrény a gyári alapbeállításon stabilan működött.

4 Ha a hőforrás túl kicsi vagy a hőmérséklet túl alacsony, előfordulhat, hogy ez a funkció nem indul el automatikusan.

5 Ha a felhasználó ebben a funkcionális térben végzett hozzáférési műveletei túl sokáig tartanak, vagy az ajtó túl hosszú ideig nyitva marad, ez a funkció is aktiválódhat.

6. Ha a Holiday módot aktiválja, miközben az AI Cooling funkció működik, az AI Cooling funkció kikapcsol.

## My Zone funkció

A My Zone a funkcionális beállításoknak megfelelően kerül beállításra és konfigurálásra. Három funkció ikon jelzi őket sorrendben: „Fruits & Vegetables (5 °C), Cool Drink (2 °C), 0°C Fresh (0 °C)”. Bekapcsoláskor az alapértelmezett állapot a „Fruits & Vegetables (5 °C)” beállítás. Feloldott állapotban nyomja meg a My Zone gombot a kezdőoldalon, hogy belépjen a My Zone beállítási oldalra. Kattintson a My Zone beállítás gombra a My Zone megfelelő beállítására való átváltáshoz. Az áramkimaradás után a My Zone beállítási állapota megmarad.



## MEGJEGYZÉS

Holiday mód esetén a hűtött, változtatható hőmérsékletű rekesz hőmérsékletét 17 °C-on tartja a készülék, a be- és kikapcsolási értékek szerint: bekapcsol 20 °C-nál, kikapcsol 16 °C-nál.

## Emberi jelenlét érzékelése funkció

Az emberi jelenlét érzékelése funkció alapértelmezés szerint be van kapcsolva. Nyomja meg és tartsa lenyomva a „Super Frz.” gombot 3 másodpercig az emberi jelenlét érzékelő funkció ki- vagy bekapcsolásához. Miután belép ebbe a funkcióba, amikor a hűtőszekrényhez közelít, a kijelző felvillan, és a kék ajtófény világítás pulzáló, halványuló-erősödő üzemmódba kapcsol.

## Holiday funkció

Nyomja meg a Holiday gombot feloldott állapotban.

Első megnyomás: A Holiday funkció aktiválódik (az ikon világít, hangjelzés hallható).

Második megnyomás: A Holiday funkció kikapcsol (az ikon kialszik, hangjelzés hallható).

## Eco funkció

Miután a kijelzőpanel kigyullad, ha a hűtőszekrény még nem lépett be az Eco funkcióba, és a kijelzőpanel fel van oldva, nyomja meg egyszer az „Eco” gombot, megjelenik az „Smart” funkció ikonja, a hangjelzés egyszer megszólal, és az Eco funkció aktiválódik.

Miután a kijelzőpanel kigyullad, ha a hűtőszekrény belépett az Eco funkcióba, és a kijelzőpanel fel van oldva, nyomja meg egyszer az „Eco” gombot, az „Smart” funkció ikonja kialszik, a hangjelzés egyszer megszólal, és az Eco funkció deaktiválódik.



## MEGJEGYZÉS

Eco módban a hűtőszekrény automatikusan beállítja és kijelzi a friss élelmiszer rekesz hőmérsékletét (5 °C) és a fagyasztó rekesz hőmérsékletét (-18 °C).

Ebben a módban a hűtő- és a fagyasztórekesz hőmérséklete nem állítható be manuálisan. A My Zone rekesz hőmérséklete egyedileg beállítható, és a felhasználó beállításainak megfelelően működik.

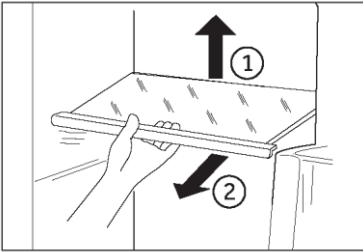
Az Eco módból való kilépés után a hűtő- és fagyasztórekesz visszaáll az Eco módba lépés előtt kiválasztott hőmérsékleti beállításokra.

A My Zone rekesz beállításai változatlanok maradnak, és a többi működési állapotot ez nem befolyásolja.



### Többirányú légáramlás

1. A hűtőszekrény többirányú légáramlási rendszerrel van felszerelve, amely hűvös légárammal látja el az összes polcszintet. Ez segít az egységes hőmérséklet megőrzésében a készülékben, így az étel hosszabb ideig frissebb maradhat.



### Állítható polcok

1. A polcok magasságát az Ön tárolási igényeihez igazíthatja.
2. Egy polc áthelyezéséhez először emelje fel a hátsó szélét ①, majd húzza ki a polcot ②.
3. A visszaszereléshez helyezze mindkét oldalon a fülekre, és tolja a leghátsó helyzetbe, amíg a polc hátulja nem rögzül az oldalsó nyílásokban.
4. A „POT STATION” polc maximális teherbírása 200 kg, és a polc sértetlen marad. Ha a terhelés meghaladja a 80 kg-ot, az befolyásolhatja a fiók „Fresh Zone” normál működését (adatok belső laboratóriumból származnak).



## MEGJEGYZÉS

Győződjön meg arról, hogy a polc mindegyik éle vízszintesen helyezkedik el.

### My Zone fiók

1. Ebben a rekeszben a páratartalom alacsonyabb, mint a hűtőrekesz páratartalma. A fiók megfelelő környezetet száraz gyümölcsök és egyéb száraz élelmiszerek tárolására, alacsony víztartalommal, amilyen a vaj, zsírok és olajok vagy a csokoládé.

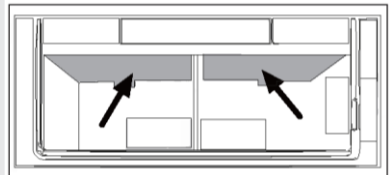
### Humidity box fiók

1. Ebben a rekeszben a páratartalom magasabb, mint a hűtőrekeszben. Automatikusan vezéri a rendszer, és a rekesz gyümölcsök, zöldségek, saláták stb. tárolására alkalmas.



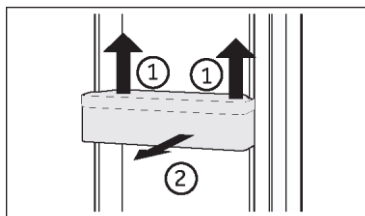
## MEGJEGYZÉS

1. Ne távolítsa el a műanyag fedelet a két zónán belül.
2. Ezek segítenek a páratartalom fenntartásában.
3. A hidegre érzékeny gyümölcsöket, például ananászt, avokádót, banánt, grapefruitot nem ajánlott ebben a két fiókban tárolni.



## Levehető ajtópolcok/palacktartó

1. Az ajtó polcai tisztítás céljából eltávolíthatók:
2. Tegye a kezét az állvány két oldalára, emelje fel ①, majd húzza ki a polcot ②.
3. Az ajtópolc behelyezéséhez hajtsa végre a fenti lépéseket fordított sorrendben.



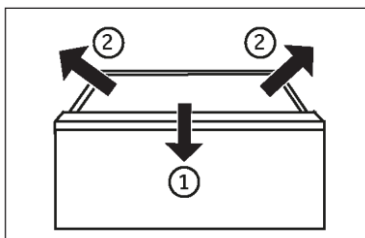
## MEGJEGYZÉS

Amikor a készüléket bekapcsolja, akár 12 órát is igénybe vehet a megfelelő hőmérséklet elérése.

## Eltávolítható fiók

A fiók eltávolításához húzza ki azt a végpontig ①, majd emelje fel és vegye ki ②.

A fiók behelyezéséhez hajtsa végre a fenti lépéseket fordított sorrendben.

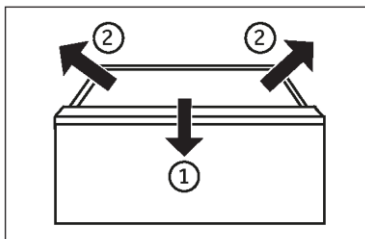


## Nagyméretű tételek tárolása

A nagyméretű élelmiszereket, például fagyasztott élelmiszereket a következő műveletek végrehajtása után lehet tárolni:

a felső fagyasztótálca eltávolítása, vagy

a felső és a középső fagyasztórekesz eltávolítása után az élelmiszerek közvetlenül a polcra helyezhetők.



## A világítás

A LED-es belső világítás bekapcsol az ajtó nyitásakor. A lámpák teljesítményét a készülék semmilyen egyéb beállítása nem befolyásolja.

## A fiók

Kérjük, a fiók fogantyúját simán nyomja vagy húzza középső helyzetében, hogy elkerülje az olyan problémákat, mint a fiók rossz működése vagy leválása.



## Energiatakarékossági tippek

- ▶ Bizonyosodjon meg arról, hogy a készülék megfelelő szellőzéssel rendelkezik (lásd BESZERELÉS).
- ▶ Ne szerelje be a készüléket közvetlen napsugárzásnak kitett helyre vagy hőforrások (pl. kályhák, fűtőberendezések) közelébe.
- ▶ Kerülje a szükségtelenül alacsony hőmérsékletet a készülékben. Minél alacsonyabb hőmérsékletet állít be, annál jobban növekszik az energiafogyasztás.
- ▶ Az olyan funkciók, mint a POWER-FREEZE, több energiát fogyasztanak.
- ▶ Mielőtt a készülékbe tenné, hagyja, hogy a meleg ételmezszer kihűljön.
- ▶ Minél kevésbé és minél rövidebb ideig nyissa ki a készülék ajtaját.
- ▶ Ne töltsé túlságosan meg a készüléket, mivel ez akadályozza a légáramlást.
- ▶ Kerülje, hogy levegő legyen az ételmezszer csomagolásában.
- ▶ Az ajtó tömítéseket tartsa tisztán, hogy az ajtó mindig megfelelően becsukódhasson.
- ▶ A fagyas ételmezszer a hűtőrekeszben olvassza ki.
- ▶ Az energiatakarékosság szempontjából leghatékonyabb konfiguráció biztosításához a készüléknek gyári állapotú és tisztaságú fiókokra, ételmezszerdobozokra, polcokra van szüksége, és az ételmezszer úgy kell elhelyezni, hogy az a legkevésbé korlátozza a levegőáramlást a légcsatorna levegőkimeneteinél.



## FIGYELMEZTETÉS!

Tisztítás előtt válassza le a hálózatról a készüléket.

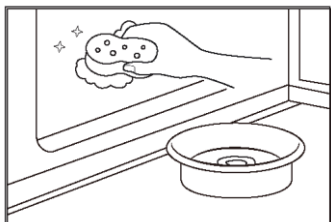
### Tisztítás

1. Akkor tisztítsa meg a készüléket, amikor kevés vagy semmilyen élelmiszer nem található benne.
2. A készüléket tisztítsa meg négyhetente a megfelelő karbantartás jegyében, illetve megelőzendő a kellemetlen élelmiszer illatok kialakulását.



## FIGYELMEZTETÉS!

- ▶ Ne tisztítsa a készüléket keménysörtés kefékkel, drótkefékkel, mosóporral, benzinnel, amil-acetáttal, acetonnal és hasonló szerves oldatokkal, valamint savas vagy lúgos oldatokkal. A károsodások elkerülése érdekében a hűtőszekrény tisztítását speciális, adott célra kialakított tisztítószerrel végezze.
- ▶ Tisztítás közben ne permetezze vagy öblítse le a készüléket.
- ▶ Ne használjon vízpermetet vagy gőzt a készülék tisztításához.
- ▶ A hideg üvegpolicokat ne tisztítsa forró vízzel. A hirtelen hőmérséklet-változás nyomán az üveg megrepedhet.
- ▶ Ne érintse meg a fagyasztórekesz belső felületét, különösen nedves kézzel, mert a keze a felülethez fagyhat.
- ▶ Felmelegítés esetén ellenőrizze a fagyasztott áruk állapotát.



- ▶ Mindig tartsa tisztán az ajtótomítést.
- ▶ Tisztítsa meg a készülék belsejét és burkolatát meleg vízzel és semleges tisztítószerrel átnedvesített szivaccsal.
- ▶ 1. Tisztítsa meg a hűtőszekrény belsejét és külsőjét, beleértve az ajtótomítést, az ajtópolcot, az üvegpolicokat, a dobozokat és így tovább, puha törlőkendővel vagy meleg vízbe mártott szivaccsal (a művelethez a meleg vízbe elegyíthet semleges tisztítószer).

- ▶ 2. Ha folyadék ömlött ki, távolítsa el az összes szennyezett alkatrészt, öblítse át ezeket közvetlenül folyó víz alatt, majd szárítsa meg és tegye vissza az alkatrészeket a hűtőbe.
- ▶ 3. Krémszerű termékek (például tejszín, olvadó jégkrém) kiömlése esetén, kérjük, távolítsa el az összes szennyezett alkatrészt, helyezze adott időtartamra meleg, kb. 40 °C-os vízbe, majd öblítse át folyó vízzel, szárítsa meg, és tegye vissza a hűtőszekrénybe.
- ▶ 4. Abban az esetben, ha egy kisebb alkatrész vagy alkotóelem reked a hűtőszekrény belsejébe (a polcok vagy fiókok közé), az eltávolításhoz kis puha keféet használjon. Ha az alkatrész nem elérhető, kérjük, vegye fel a kapcsolatot a Haier szervizzel
- ▶ Öblítse le a felületeket, majd törölje szárazra egy puha törlőkendővel.
- ▶ A készülék egyetlen részét vagy tartozékát se tisztítsa mosogatógépben.
- ▶ A készülék újraindítása előtt várjon legalább 5 percet, mivel a készülék gyakori indítása során károsodhat a kompresszor.

### Leolvasztás

A hűtőszekrény és a fagyasztórekeszek kiolvasztása automatikusan történik: nincs szükség felhasználói beavatkozásra.

## A LED-es lámpák cseréje



### FIGYELMEZTETÉS!

Ne tegyen kísérletet a LED-es lámpák saját kezű cseréjére, ezeket csak a gyártó vagy a hivatalos szerviz munkatársa cserélheti ki.

A lámpa fényforrása LED alapú, amely alacsony fogyasztást és hosszú élettartamot szavatol. Bármilyen rendellenesség esetén vegye fel a kapcsolatot az ügyfélszolgálattal. Lásd az ÜGYFÉLSZOLGÁLAT részt.

A lámpák paraméterei:

Hűtőrekesz: 12 V max. 8 W

Fagyasztórekesz: 12 V, max. 2 W

Kék ajtóvilágítás: 12 V max. 3 W

### Hosszabb használaton kívüli időszak

Ha a készüléket hosszabb ideig nem használja, és a Holiday funkciót nem használja:

Vegye ki az ételt.

Húzza ki a tápkábelt.

Tisztítsa meg a készüléket a fent leírtak szerint.

A kellemetlen szagok készüléken belüli megjelenésének elkerülése érdekében hagyja nyitva az ajtókat.



### MEGJEGYZÉS

Csak akkor kapcsolja ki a készüléket, ha feltétlenül szükséges.

### A készülék mozgatása

1. Távolítsa el az összes élelmiszert, és húzza ki a készülék csatlakozódugóját.
2. Rögzítse a polcokat és az egyéb mozgatható alkatrészeket a hűtőben és a fagyasztóban szigetelőszalaggal.
3. A hűtőrendszer károsodásának az elkerülése érdekében ne döntse meg a hűtőberendezést 45°-nál nagyobb szögben.



### FIGYELMEZTETÉS!

- ▶ Ne emelje a készüléket a fogantyúitól.
- ▶ Soha ne fektesse a készüléket vízszintesen a földre.

Sok felmerülő problémát saját maga is megoldhat speciális szakértelem nélkül. Probléma felmerülése esetén ellenőrizze az összes felsorolt lehetőséget, és kövesse az alábbi utasításokat, mielőtt felvenné a kapcsolatot egy ügyfélszolgálattal. Lásd az ÜGYFÉLSZOLGÁLAT részt.



## FIGYELMEZTETÉS!

- ▶ Karbantartás előtt kapcsolja ki a készüléket, és húzza ki a hálózati dugaszt a hálózati aljzatból.
- ▶ Az elektromos berendezéseket csak szakképzett villamossági szakemberek szervizelhetik, mert a nem megfelelő javítások jelentős károkat okozhatnak.
- ▶ Sérült tápkábel esetén a veszély elkerülése érdekében cseréltesse ki azt a gyártóval, a gyártó szervizközpontjával vagy más szakemberrel.

Probléma	Lehetséges ok	Lehetséges megoldás
A kompresszor nem működik.	<ul style="list-style-type: none"> <li>• A hálózati dugasz nem csatlakozik a hálózati aljzathoz.</li> <li>• A készülék leolvasztási ciklust végez.</li> </ul>	<ul style="list-style-type: none"> <li>• Csatlakoztassa a hálózati csatlakozódugót.</li> <li>• Ez természetes jelenség automatikus leolvasztásnál.</li> </ul>
A készülék gyakran bekapcsol vagy túlságosan hosszú ideig üzemel.	<ul style="list-style-type: none"> <li>• A beltéri vagy kültéri hőmérséklet túl magas.</li> <li>• A készülék hosszabb ideig kikapcsolt állapotban volt.</li> <li>• Egy ajtó a készülékben nem záródik megfelelően.</li> <li>• Az ajtót túlságosan gyakran nyitotta ki, vagy túlságosan sokáig tartotta nyitva.</li> <li>• A fagyasztórekesz hőmérsékletének a beállítása túl alacsony.</li> <li>• Az ajtó tömitése szennyezett, kopott, repedt vagy nem megfelelő.</li> <li>• A szükséges szellőzés nem biztosított.</li> </ul>	<ul style="list-style-type: none"> <li>• Ebben az esetben természetes, hogy a készülék üzemi ideje megnövekedett.</li> <li>• Normál esetben 8 és 12 óra közötti időtartam szükséges a készülék teljes lehűléséhez.</li> <li>• Csukja be az ajtót/fiókot, és bizonyosodjon meg arról, hogy a készülék egyenes felületen található, és hogy élelmiszer vagy tárolóedény nem akadályozza az ajtó záródását.</li> <li>• Ne nyissa ki az ajtót/fiókot túl gyakran.</li> <li>• Állítsa a hőmérsékletet magasabbra, amíg a hűtőszekrény hőmérséklete megfelelő nem lesz. A hűtőszekrény hőmérsékletének a stabilizálódása 24 órát vesz igénybe.</li> <li>• Tisztítsa meg az ajtó/fiók tömitését, vagy cserélje ki ezt az ügyfélszolgálat bevonásával.</li> <li>• Bizonyosodjon meg arról, hogy megfelelő a szellőzés.</li> </ul>

Probléma	Lehetséges ok	Lehetséges megoldás
A hűtőberendezés belső része szennyezett és/vagy kellemetlen szagú.	<ul style="list-style-type: none"> <li>A hűtőszekrény belső része tisztítást igényel.</li> <li>Erős illatú élelmiszer tárol a hűtőberendezésben.</li> </ul>	<ul style="list-style-type: none"> <li>Tisztítsa meg a hűtőszekrény belső részét.</li> <li>Alaposan csomagolja be az élelmiszert.</li> </ul>
Nincs elég hideg a készülék belsejében.	<ul style="list-style-type: none"> <li>A beállított hőmérséklet túl magas.</li> <li>Túl meleg árukat helyezett a készülékbe.</li> <li>Túl sok ételt helyezett egyszerre a készülékbe.</li> <li>Az élelmiszert egymáshoz túl közel helyezte.</li> <li>Egy ajtó/fiók a készülékben nem záródik megfelelően.</li> <li>Az ajtót/fiókot túlságosan gyakran nyitotta ki, vagy túlságosan sokáig tartotta nyitva.</li> </ul>	<ul style="list-style-type: none"> <li>Állítsa vissza a hőmérsékletet.</li> <li>Tárolás előtt mindig hagyja lehűlni az élelmiszert.</li> <li>Az élelmiszereket mindig kis mennyiségben helyezze be.</li> <li>Hagyjon rést az élelmiszerek között, ami lehetővé teszi a levegő áramlását.</li> <li>Csukja be az ajtót/fiókot.</li> <li>Ne nyissa ki az ajtót/fiókot túl gyakran.</li> </ul>
Túl hideg van a készülék belsejében.	<ul style="list-style-type: none"> <li>A beállított hőmérséklet túl alacsony.</li> <li>A Super-Frz/Super-Cool funkció aktív, vagy túl sokáig működik.</li> </ul>	<ul style="list-style-type: none"> <li>Állítsa vissza a hőmérsékletet.</li> <li>Kapcsolja ki a Super-Frz/Super-Cool funkciót.</li> </ul>
Pára csapódik le a hűtőrekesz belső részén.	<ul style="list-style-type: none"> <li>Az éghajlat túl meleg vagy túl nedves.</li> <li>Egy ajtó/fiók a készülékben nem záródik megfelelően.</li> <li>Az ajtót/fiókot túlságosan gyakran nyitotta ki, vagy túlságosan sokáig tartotta nyitva.</li> <li>Étel- vagy folyadéktárolók nyitott állapotban maradtak a hűtőben.</li> </ul>	<ul style="list-style-type: none"> <li>Növelje a hőmérsékletet.</li> <li>Csukja be az ajtót/fiókot.</li> <li>Ne nyissa ki az ajtót/fiókot túl gyakran.</li> <li>A forró élelmiszereket hagyja szobahőmérsékletre hűlni, illetve fedje le az élelmiszereket és folyadékokat.</li> </ul>
Nedvesség gyűlik fel a hűtőberendezés külső felületén vagy az ajtó/ajtók és a fiók között.	<ul style="list-style-type: none"> <li>Az éghajlat túl meleg vagy túl nedves.</li> <li>Az ajtó nincs megfelelően becsukva. A készülékben lévő hideg levegő és az azon kívüli meleg levegő páralecsapódást eredményez.</li> </ul>	<ul style="list-style-type: none"> <li>Ez természetes jelenség nedves éghajlati viszonyok között, és megszűnik, amint csökken a páratartalom.</li> <li>Bizonyosodjon meg arról, hogy megfelelően becsukta az ajtót/fiókot.</li> </ul>

Probléma	Lehetséges ok	Lehetséges megoldás
Vastag jég és zúzmara található a fagyasztó-rekeszben.	<ul style="list-style-type: none"> <li>Az élelmiszereket nem csomagolta be megfelelően.</li> <li>Egy ajtó/fiók a készülékben nem záródik megfelelően.</li> <li>Az ajtót/fiókot túlságosan gyakran nyitotta ki, vagy túlságosan sokáig tartotta nyitva.</li> <li>Az ajtó/fiók tömítése szennyezett, kopott, repedt vagy nem megfelelő.</li> <li>Valami belülről megakadályozza az ajtó/fiók megfelelő záródását.</li> </ul>	<ul style="list-style-type: none"> <li>Mindig csomagolja be alaposan az élelmiszereket.</li> <li>Csukja be az ajtót/fiókot.</li> <li>Ne nyissa ki az ajtót/fiókot túl gyakran.</li> <li>Tisztítsa meg az ajtó/fiók tömítését, vagy cserélje ki ezt újjal.</li> <li>Helyezze vissza a polcokat, az ajtópolcokat vagy belső tartályokat, hogy az ajtó/fiók becsukódhasson.</li> </ul>
A szekrény oldalai és az ajtó-tömítés felmelegedik.		<ul style="list-style-type: none"> <li>Ez természetes jelenség.</li> </ul>
A készülék rendellenes hangokat ad ki.	<ul style="list-style-type: none"> <li>A készülék nem vízszintes talajon helyezkedik el.</li> <li>A készülék hozzáér valamilyen körülötte lévő tárgyhöz.</li> </ul>	<ul style="list-style-type: none"> <li>Allítsa be a lábakat a készülék szintbe állításához.</li> <li>Távolítsa el a készülék mellett lévő tárgyakat.</li> </ul>
Az áramló vízhez hasonló halk hang hallható.		<ul style="list-style-type: none"> <li>Ez természetes jelenség.</li> </ul>
Riasztó hangjelzése hallható.	<ul style="list-style-type: none"> <li>A hűtőrekesz ajtója nyitva maradt.</li> </ul>	<ul style="list-style-type: none"> <li>Csukja be az ajtót.</li> </ul>
Halk zümmögés hallható.	<ul style="list-style-type: none"> <li>A kondenzációgátló rendszer működik</li> </ul>	<ul style="list-style-type: none"> <li>Ez megakadályozza a páralecsapódást és normális</li> </ul>
A belső világítás vagy hűtőrendszer nem működik.	<ul style="list-style-type: none"> <li>A hálózati dugasz nem csatlakozik a hálózati aljzathoz.</li> <li>Az áramellátás nem megfelelő.</li> <li>A LED-es lámpa meghibásodott.</li> </ul>	<ul style="list-style-type: none"> <li>Csatlakoztassa a hálózati csatlakozódugót.</li> <li>Ellenőrizze a helyiség áramellátását. Vegye fel a kapcsolatot a helyi áramszolgáltatóval!</li> <li>Vegye fel a kapcsolatot a szervizzel a lámpa kicseréléséhez.</li> </ul>

A műszaki támogatással való kapcsolatfelvételhez látogasson el a következő webhelyre:

<https://corporate.haier-europe.com/en/>

A „webhely” (website) rész alatt válassza ki a termék márkáját és országát. Az oldal átirányítja az adott webhelyre, ahol megtalálható a műszaki támogatás eléréséhez szükséges telefonszám és űrlap.

## Tápellátás megszakadása

Tápkimaradás esetén az élelmiszer biztonságos hidegben marad megközelítőleg 5 órán át. Hosszabb tápkimaradás esetén, különösen nyáron, kövesse az alábbi tippeket:

- ▶ Minél kevesebbszer nyissa ki az ajtót/fiókot.
- ▶ Tápkimaradás esetén ne tegyen további élelmiszereket a készülékbe.
- ▶ Ha a szolgáltató előzetesen tájékoztat a várható tápkimaradásról, és ha a tápkimaradás időtartama meghaladja az 5 órát, gyártson némi jeget, és helyezze a hűtőrekesz felső részébe.
- ▶ A megszakitást követően azonnal vizsgálja meg az élelmiszert.
- ▶ Mivel a hűtőszekrényben a hőmérséklet áramkimaradás vagy egyéb meghibásodás esetén emelkedni fog, a tárolási időtartam és az élelmiszer fogyaszthatósági időtartama lecsökken. Röviddel a kimaradást követően a kiolvadt élelmiszert fogyassza el, vagy főzze meg, és fagyassza le ismét (ha lehetséges) az egészségügyi kockázatok elkerülése érdekében.

## Memória funkció áramkimaradás esetén

Az áramellátás helyreállítása után a készülék az áramkimaradás előtt meghatározott beállításokkal folytatja a működést.

## Kicsomagolás



## FIGYELMEZTETÉS!

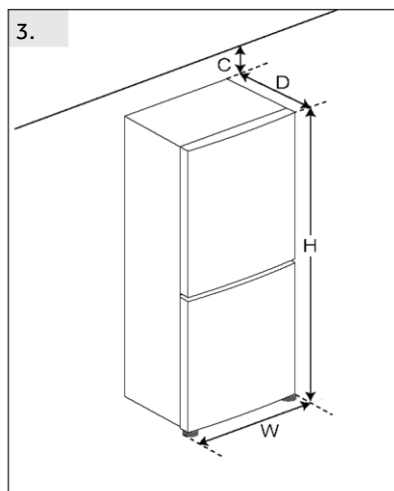
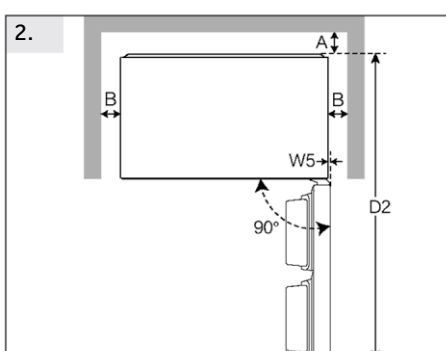
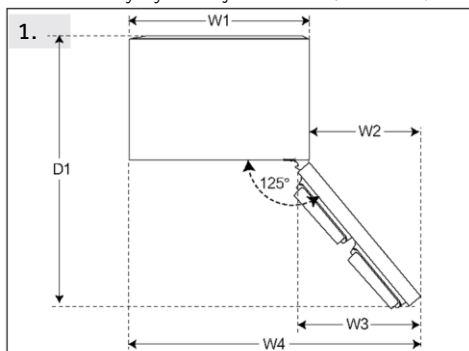
- ▶ A készülék nehéz. A készülék mozgatásához mindig legalább két személy szükséges.
- ▶ Tartson minden csomagolóanyagot gyermekektől elzárva, kiselejtezésüket pedig környezetbarát módon végezze.
- ▶ Vegye ki a készüléket a csomagolásból.
- ▶ Távolítsa el az összes csomagolóanyagot.

## Környezeti körülmények

A szobahőmérsékletnek mindig 10 °C és 43 °C között kell lennie, mivel befolyásolhatja a készülék belsejének hőmérsékletét és energiafogyasztását. Szigetelés nélkül ne telepítse a készüléket egyéb hőkibocsátó készülékek (sütők, hűtőgépek) közelébe.

## Helyigényt illető javaslatok

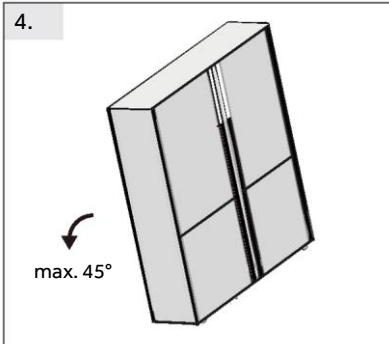
Javasolt hely nyitott ajtó mellett (1. 2. ábra)



(mértékegység: mm)	1. modell:		2. modell:	
Szélesség	Sz1	830		
	Sz2	500		
	Sz3	529		
	Sz4	1330		
	Sz5	21		
	SZ	830		
Mélység	Mé1	1362		
	Mé2	1502		
	Mé	725		
Távolság a hátsó faltól	A	50		
Távolság az oldalfalaktól	B	50		
Távolság a mennyezettől	C	50		
Teljes magasság	H	1850		

## Szellőzés keresztmetszet

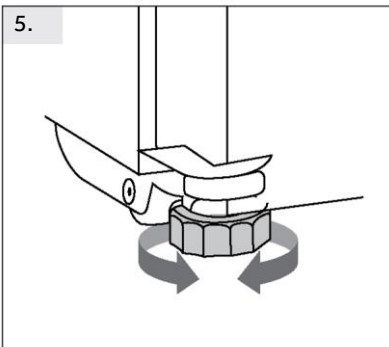
A készülék számára biztonsági okokból szükséges szellőzése érdekében kötelezően vegye figyelembe a szellőzés keresztmetszetére vonatkozó tájékoztatást.



### A készülék elhelyezése (4.5.6. ábra)

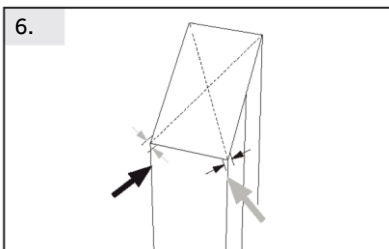
A készüléket sík és szilárd felületre telepítse.

4. Döntse a hűtőszekrényt kissé hátrafelé.



5. Állítsa a lábakat a kívánt szintre.

Bizonyosodjon meg arról, a zsanér felőli oldalon a fal legalább 50 mm-re található, így biztosítható az ajtó megfelelő nyithatósága.

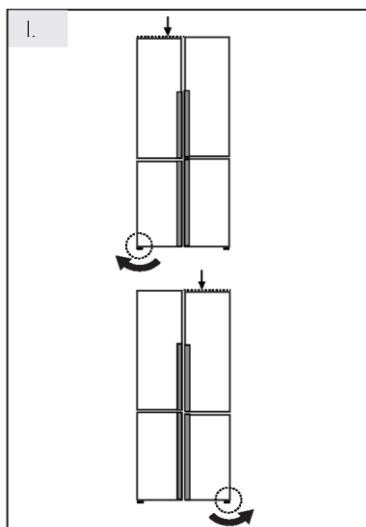


6. A stabilitást ellenőrizheti, ha az átlók mentén nyomást helyez a készülékre. A kis lengésnek mindkét irányban azonosnak kell lennie. Ellenkező esetben a keret görbülhet; ez pedig esetleg szivárgó ajtó-tömítéseket eredményezhet. Az enyhe hátradőlés elősegíti az ajtók bezáródását.



## MEGJEGYZÉS

Önálló készülékek esetén: ez a hűtőberendezés kialakításából adódóan nem arra készült, hogy beépíthető készülékként használják

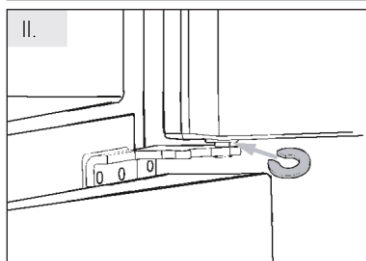


### Az ajtók finomhangolása

Ha az ajtók nincsenek egy szinten, az eltérés a következőkkel orvosolható:

#### I Állítható lábak használata

Forgassa el az állítható lábat a nyíl irányának megfelelően a láb magasabbra vagy alacsonyabba állításához.



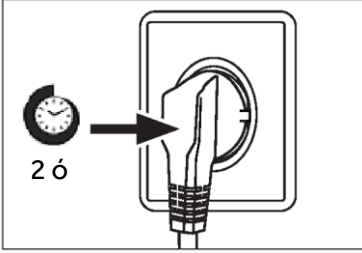
#### II Távtartók használata

- ▶ Nyissa ki a felső ajtót, és emelje fel.
- ▶ Óvatosan pattintsa be a (tartozéktáskában mellékelt) távtartót a középső csuklópánt fehér műanyag gyűrűjébe kézzel vagy fogóhoz hasonló szerszámmal. Ne karcolja meg vagy károsítsa az ajtót.



## MEGJEGYZÉS

A hűtőszekrény jövőbeni használata során felmerülő, egyenetlenül elhelyezkedő ajtók jelensége a tárolt élelmiszerek tömegének köszönhetően merülhet fel. Ebben az esetben állítsa be az ajtót a fenti módszerekkel.



### Várakozási idő

Karbantartásmentes kenőolaj található a kompresszorban kialakított gyűjtőedényben. Ferde szállítás esetén ez az olaj a zárt csőrendszerbe juthat. Mielőtt tápellátáshoz csatlakoztatná a készüléket, mindenképpen várjon legalább 2 órát, hogy az olaj visszajusson a gyűjtőedénybe.

### Elektromos csatlakoztatás

Minden egyes csatlakoztatás előtt ellenőrizze az alábbiakat:

- ▶ tápellátás, aljzat és biztosíték megfelelősége az adattáblán szereplő adatoknak;
- ▶ a tápaljzat földeléssel rendelkezik, és nem használ többcsatlakozós hosszabbítót a tápellátáshoz;
- ▶ a tápdugasz és az aljzat teljes mértékben illeszkedik egymáshoz.

Csatlakoztassa a csatlakozódugót egy megfelelően beépített háztartási aljzathoz.



### FIGYELMEZTETÉS!

A kockázatok elkerülése érdekében a sérült tápkábelt kötelezően ki kell cserélni, ezt pedig csak az ügyfélszolgálat munkatársa végezheti el (lásd a jótállási jegyet).

Az (EU) 2019/2016 előírásnak megfelelő termékadatlap

Márka	Haier
Modellnév/azonosító	HDR5818DNSS HDR5818DNPW HDR5818DNMB
Modellkategória	Hűtő-fagyasztó
Energiahatékonysági osztály	D
Éves energiafogyasztás (kWh/év)(1)	273
Össztérfogat (l)	640
Hűtőszekrény térfogata (l)	413
Fagyasztó térfogata (l)	184
Hűtőrekesz térfogata (l)	43
Csillaggal történő megjelölés	*/***
Egyéb rekeszek hőmérséklete > 14 °C	Nem vonatkozik
Fagymentes rendszer	Igen
Fagyasztási kapacitás (kg/24 ó)	10
Éghajlati besorolás(2)	SN-N-ST-T
Zajkibocsátási osztály és levegőben terjedő akusztikus zajkibocsátás (db(A) re 1pW)	B (35)
Hőmérséklet-emelkedési idő (ó)	10
A berendezés típusa	önálló

## Magyarázatok:

- Igen, támogatott

- (1) 24 órás szabványos megfelelőségi vizsgálat eredményei alapján. A tényleges fogyasztás függ a készülék használatától és helyétől.
- (2) SN éghajlati besorolás: A készüléket +10 °C és +32 °C közötti környezeti hőmérsékleten való használatra tervezték  
N éghajlati besorolás: A készüléket +16 °C és +32 °C közötti környezeti hőmérsékleten való használatra tervezték  
ST éghajlati besorolás: A készüléket +16 °C és +38 °C közötti környezeti hőmérsékleten való használatra tervezték  
T éghajlati besorolás: A készüléket +16 °C és +43 °C közötti környezeti hőmérsékleten való használatra tervezték

## Kiegészítő műszaki adatok

Feszültség / Frekvencia	220–240 V váltóáram / 50 Hz
Bemeneti áramerősség (A)	2
Fő biztosíték (A)	8
Hűtőközeg	R600a
Méreték (Ma/Sz/Mé mm-ben)	1850 / 830 / 725

Figyelmébe ajánljuk a Haier ügyfélszolgálat és az eredeti pótalkatrészek igénybe vételét. Ha probléma merül fel a készülékkel, először tekintse át a HIBAELHÁRÍTÁS részt.

Ha ebben nem talál megoldást, lépjen kapcsolatba

- ▶ a helyi márkakereskedővel vagy
- ▶ európai telefonos ügyfélszolgálati központunkkal (lásd alább a felsorolt telefonszámokat) vagy
- ▶ a [www.haier.com](http://www.haier.com) oldalon található Szerviz és támogatás (Service & Support) területen, ahol aktiválhatja a szervizelési
- ▶ igényt, illetve megtalálhatja a GYIK oldalt.

A szerviz szolgáltatásunkkal való kapcsolatfelvétel előtt bizonyosodjon meg arról, hogy elérhetők az alábbi adatok.

Az információ az adattáblán található.

Modell \_\_\_\_\_

Sorozatszám \_\_\_\_\_

Jótállási igény felmerülése esetén ellenőrizze a termékhez mellékelt jótállási kártyát is.

Európai telefonos ügyfélszolgálati központ		
Ország*	Telefonszám	Költségek
Haier Italy (IT)	199 100 912	
Haier Spain (ES)	902 509 123	
Haier Germany (DE)	0180 5 39 39 99	<ul style="list-style-type: none"> <li>• 14 cent/perc vezetékes</li> <li>• max. 42 cent/perc mobil</li> </ul>
Haier Austria (AT)	0820 001 205	<ul style="list-style-type: none"> <li>• 14,53 cent/perc vezetékes</li> <li>• max. 20 cent/perc összes egyéb</li> </ul>
Haier United Kingdom (UK)	0333 003 8122	
Haier France (FR)	0980 406 409	

\* További országokért látogasson el a [www.haier.com](http://www.haier.com) oldalra

Haier Europe Trading S.r.l

Branch UK

Westgate House, Westgate, Ealing

London, W5 1YY

\*A hűtőszekrény jótállásának időtartama:

Minimális jótállás: 2 év az uniós tagállamokban, 3 év Törökországban, 1 év az Egyesült Királyságban, 1 év Oroszországban, 3 év Svédországban, 2 év Szerbiában, 5 év Norvégiában, 1 év Marokkóban, 6 hónap Algériában, Tunézia nincs kötelező jogi jótállás.

\*A készülék javításához szükséges pótalkatrészek rendelkezésre állásának időtartama:

Termosztátok, hőmérséklet érzékelők, nyomtatott áramköri lapok és fényforrások legalább hét évig elérhetők a piacra bocsátott utolsó modelltől számítva.

Ajtófogantyúk, ajtópántok, tálcák és kosarak legalább hét évig, míg ajtótümitések legalább 10 évig elérhetők a piacra bocsátott utolsó modelltől számítva.

\*A termékre vonatkozó további tájékoztatás ügyében tekintse meg az <https://eprel.ec.europa.eu/> oldalt, vagy olvassa be a készüléken elhelyezett, energiafogyasztást jelölő címkén található QR-kódot.

## MINŐSÉGI TANÚSÍTVÁNY

MEGNEVEZÉS: HŰTŐBERENDEZÉS

MINŐSÉGELLENŐRZÉSEN

MEGFELELT QC01

ELLENŐRZŐ száma

# Haier



0060543301  
2025, A verzió

# Haier

Manuale dell'utente

Frigorifero-Congelatore

HDR5818DNSS  
HDR5818DNPW  
HDR5818DNMB



<u>4</u>	<u>Informazioni per la sicurezza</u>	
		Operazioni preliminari al primo utilizzo <u>5</u>
		Installazione <u>5</u>
		Utilizzo quotidiano <u>6</u>
<u>8</u>	<u>Uso previsto</u>	
<u>9</u>	<u>Descrizione del prodotto</u>	
<u>10</u>	<u>Pannello di controllo</u>	
<u>11</u>	<u>Uso</u>	Regolazione della temperatura del frigorifero <u>12</u>
		Regolazione della temperatura del congelatore <u>12</u>
		Funzione Super Cool <u>13</u>
		Funzione Super Freeze <u>13</u>
		Funzione AI Cooling <u>14</u>
<u>17</u>	<u>Dotazioni</u>	
<u>19</u>	<u>Suggerimenti per il risparmio energetico</u>	
<u>20</u>	<u>Cura e pulizia</u>	
<u>22</u>	<u>Risoluzione dei problemi</u>	
<u>26</u>	<u>Installazione</u>	
<u>30</u>	<u>Dati tecnici</u>	
<u>32</u>	<u>Assistenza clienti</u>	

## Grazie per aver acquistato un prodotto Haier.

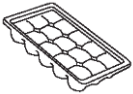
Leggere attentamente queste istruzioni prima di utilizzare l'elettrodomestico. Le istruzioni contengono informazioni importanti per ottimizzare l'uso dell'elettrodomestico e garantire l'installazione, l'uso e la manutenzione sicuri e corretti.

Conservare il presente manuale in un luogo comodo, in modo da poterlo sempre consultare per un uso sicuro e corretto dell'elettrodomestico.

Se l'elettrodomestico viene venduto, ceduto o abbandonato in caso di trasloco, trasferire anche il presente manuale in modo che il nuovo proprietario possa comprendere l'uso dell'elettrodomestico e delle avvertenze di sicurezza.

## Accessori

Controllare gli accessori e la documentazione rispetto al seguente elenco:



Vassoio per  
ghiaccio in  
cubetti



Vassoio per  
le uova x 2



Etichetta  
energetica



Scheda  
della  
garanzia



Manuale per  
l'utente



Blocco  
di arresto x 2



Cerniera  
centrale



Cerniera  
superiore



Gancio  
cerniera  
superiore



Cerniera  
inferiore



Copertura di  
finitura superiore



Tappo a vite trave  
centrale anteriore



Fissaggio



## AVVERTENZA - Informazioni importanti per la sicurezza

---



## AVVISO - Informazioni generali e consigli

---



## Informazioni ambientali

---



### Smaltimento

Contribuire a proteggere l'ambiente e la salute umana. Collocare l'imballo in appositi contenitori affinché venga riciclato. Contribuire al riciclo dei rifiuti delle apparecchiature elettriche ed elettroniche. Non smaltire gli elettrodomestici contrassegnati con questo simbolo assieme ai rifiuti domestici. Conferire il prodotto presso la struttura di riciclo locale o rivolgersi all'ufficio comunale preposto.



### AVVERTENZA: Rischio di incendio/ materiale infiammabile

Il simbolo indica che esiste il rischio di incendio poiché sono utilizzati materiali infiammabili. Prestare particolare attenzione per evitare incendi causati dall'accensione di materiali infiammabili.

---



## AVVERTENZA!

Pericolo di lesioni o soffocamento!

I refrigeranti e i gas devono essere smaltiti in maniera professionale. Accertarsi che la tubazione del circuito del refrigerante non sia danneggiata prima di smaltirla correttamente. Scollegare l'elettrodomestico dalla rete elettrica. Tagliare il cavo di alimentazione e smaltirlo. Rimuovere vassoi e cassette, fermaporte e guarnizioni, per evitare che bambini e animali domestici rimangano chiusi nell'elettrodomestico.

**Prima di accendere l'elettrodomestico per la prima volta, leggere i seguenti consigli sulla sicurezza.**



## **AVVERTENZA!**

### **Operazioni preliminari al primo utilizzo**

- ▶ Accertarsi dell'assenza di danni dovuti al trasporto.
- ▶ Rimuovere tutti gli elementi di imballo e tenerli fuori dalla portata dei bambini.
- ▶ Per garantire la totale efficienza del circuito del refrigerante, attendere almeno due ore prima di installare l'elettrodomestico.
- ▶ L'elettrodomestico deve essere maneggiato sempre da almeno due persone perché è pesante.

### **Installazione**

- ▶ Installare l'elettrodomestico in un luogo asciutto e ben ventilato. Lasciare uno spazio libero di almeno 10 cm sopra e attorno all'elettrodomestico.
- ▶ Non collocare mai l'elettrodomestico in zone umide o soggette a schizzi d'acqua. Pulire e asciugare schizzi e macchie d'acqua con un panno morbido e pulito.
- ▶ Non installare l'elettrodomestico esposto alla luce diretta del sole o in prossimità di fonti di calore (ad es. stufe o radiatori).
- ▶ Installare l'elettrodomestico a livello in un'area adatta alle dimensioni e all'uso.
- ▶ Le aperture di ventilazione nell'elettrodomestico o nella struttura a incasso devono rimanere sempre libere.
- ▶ Accertarsi che i dati elettrici sulla targhetta siano conformi all'alimentazione elettrica. In caso contrario, rivolgersi a un elettricista.
- ▶ L'elettrodomestico funziona con corrente elettrica 220-240 Vca / 50 Hz. Oscillazioni anomale della tensione possono causare il mancato avvio dell'elettrodomestico, danni al controllo della temperatura o al compressore oppure rumori anomali durante il funzionamento. In tal caso, è opportuno montare un regolatore automatico.
- ▶ Non adoperare prese multiple o cavi di prolunga.
- ▶ Non collocare prese multiple o alimentatori portatili nella parte posteriore dell'elettrodomestico.
- ▶ Accertarsi che il cavo di alimentazione non sia intrappolato dal frigorifero. Non calpestare il cavo di alimentazione.
- ▶ Per l'alimentazione elettrica utilizzare una presa separata collegata a terra e facilmente accessibile. L'elettrodomestico deve essere collegato a terra.
- ▶ Solo per il Regno Unito: il cavo di alimentazione dell'elettrodomestico è dotato di una spina a 3 conduttori (collegata a terra) adatta a una presa standard a 3 conduttori (collegata a terra). Non tagliare né smontare mai il terzo conduttore (collegamento a terra). Dopo l'installazione dell'elettrodomestico, la spina deve essere accessibile.
- ▶ Non danneggiare il circuito di refrigerazione.



## AVVERTENZA!

### Utilizzo quotidiano

- ▶ Questo elettrodomestico può essere utilizzato da bambini di almeno 8 anni, da persone con ridotte capacità fisiche, sensoriali o mentali e da persone inesperte solo sotto stretta sorveglianza o se hanno appreso le modalità di utilizzo sicuro dell'elettrodomestico e sono consapevoli dei relativi pericoli.
- ▶ I bambini di età da 3 a 8 anni possono introdurre e prelevare alimenti dall'elettrodomestico, ma non devono pulirlo o installarlo.
- ▶ Tenere lontani dall'elettrodomestico i bambini di età inferiore a 3 anni, a meno che non siano costantemente sorvegliati.
- ▶ Impedire ai bambini di giocare con l'elettrodomestico.
- ▶ In caso di perdite di gas refrigerante o altri gas infiammabili in prossimità dell'elettrodomestico, chiudere la valvola del gas che fuoriesce, aprire porte e finestre e non staccare la spina del cavo di alimentazione del frigorifero o di altri elettrodomestici.
- ▶ Si noti che l'elettrodomestico è impostato per il funzionamento in un intervallo di temperatura ambiente specifico compreso tra 10 e 43 °C. L'elettrodomestico potrebbe non funzionare correttamente se lasciato per un lungo periodo a una temperatura superiore o inferiore all'intervallo indicato.
- ▶ Non collocare elementi instabili (oggetti pesanti, contenitori pieni d'acqua) sopra il frigorifero, per evitare lesioni personali dovute a cadute o scosse elettriche causate dal contatto con l'acqua.
- ▶ Non caricare eccessivamente i ripiani dello sportello. Lo sportello potrebbe deformarsi, il portabottiglie potrebbe fuoriuscire o l'elettrodomestico potrebbe rovesciarsi.
- ▶ Aprire e chiudere gli sportelli solo adoperando le maniglie. La distanza tra gli sportelli e tra gli sportelli e il mobile è molto limitata. Non allungare le mani in queste zone per evitare di schiacciarsi le dita. Aprire o chiudere gli sportelli del frigorifero solo quando non ci sono bambini nel raggio di movimento degli sportelli.
- ▶ Non conservare né utilizzare materiali esplosivi o corrosivi nell'elettrodomestico o nelle vicinanze.
- ▶ Non conservare medicinali, batteri o sostanze chimiche nell'elettrodomestico. Questo apparecchio è un elettrodomestico. Si sconsiglia di conservare materiali che richiedono temperature rigide.
- ▶ Non riporre liquidi in bottiglie o lattine (né alcolici ad elevata gradazione), specialmente bevande gassate, nel congelatore, perché durante il congelamento potrebbero scoppiare.
- ▶ Se la temperatura del congelatore è aumentata, controllare lo stato degli alimenti.
- ▶ Non impostare una temperatura inutilmente bassa nel comparto frigorifero. Con impostazioni elevate possono crearsi temperature sotto zero. Attenzione: le bottiglie possono scoppiare
- ▶ Non toccare i prodotti congelati con le mani bagnate (indossare i guanti). In particolare, non mangiare i ghiaccioli subito dopo averli tolti dal comparto congelatore. In caso contrario, potrebbe congelarsi la bocca e potrebbero formarsi vesciche da gelo. PRONTO SOCCORSO: collocare immediatamente la zona congelata sotto l'acqua fredda corrente. Non tirare via la zona congelata!
- ▶ Non toccare la superficie interna del comparto congelatore durante il funzionamento, soprattutto con le mani bagnate, poiché le mani potrebbero congelarsi sulla superficie.



## AVVERTENZA!

### Utilizzo quotidiano

- ▶ In caso di blackout o prima della pulizia, scollegare l'elettrodomestico. Attendere almeno 7 minuti prima di riavviare l'elettrodomestico, poiché un avvio frequente può danneggiare il compressore.
- ▶ Non adoperare dispositivi elettrici all'interno dei compartimenti dell'elettrodomestico destinati alla conservazione degli alimenti, a meno che non siano del tipo consigliato dal produttore. Manutenzione / pulizia
- ▶ Accertarsi che i bambini siano sorvegliati se effettuano la pulizia e la manutenzione.
- ▶ Scollegare l'elettrodomestico dalla rete elettrica prima di effettuare operazioni di manutenzione ordinaria. Attendere almeno 5 minuti prima di riavviare l'elettrodomestico, poiché un avvio frequente può danneggiare il compressore.
- ▶ Quando si scollega l'elettrodomestico, mantenere la spina e non il cavo.
- ▶ Non pulire l'elettrodomestico con spazzole rigide, spazzole metalliche, detersivi in polvere, benzina, acetato di pentile, acetone e soluzioni organiche simili, soluzioni acide o alcaline. Per evitare danni, effettuare la pulizia con un detergente speciale per frigoriferi.
- ▶ Non raschiare via ghiaccio e brina con oggetti appuntiti. Non adoperare spray, riscaldatori elettrici (ad es. asciugacapelli) o altre fonti di calore per evitare danni ai componenti in plastica.
- ▶ Non usare oggetti meccanici o utensili diversi da quelli consigliati dal produttore per accelerare lo sbrinamento.
- ▶ Se il cavo di alimentazione è danneggiato, deve essere sostituito dal produttore, da un tecnico dell'assistenza o da una persona con analogha qualifica per evitare rischi.
- ▶ Non cercare di riparare, smontare o modificare personalmente l'elettrodomestico. Per le riparazioni rivolgersi all'assistenza clienti.
- ▶ Eliminare la polvere sul retro dell'unità almeno una volta all'anno per scongiurare il rischio di incendio e limitare i consumi energetici.
- ▶ Non spruzzare o schizzare liquidi sull'elettrodomestico durante la pulizia.
- ▶ Per pulire questo elettrodomestico non utilizzare apparecchi a vapore.
- ▶ Non pulire i ripiani di vetro freddi con acqua calda. Un'improvvisa variazione della temperatura può causare la rottura del vetro.

### Informazioni sul gas refrigerante

- ▶ L'elettrodomestico contiene il refrigerante infiammabile ISOBUTANO (R600a). Accertarsi che il circuito del refrigerante non abbia subito danni durante il trasporto o l'installazione. Eventuali perdite di refrigerante possono causare lesioni oculari o incendi. In caso di danni, tenere lontane fonti di fiamme libere, ventilare perfettamente l'ambiente e non collegare o scollegare i cavi di alimentazione dell'elettrodomestico o di altri elettrodomestici. Informare l'assistenza clienti.
- ▶ In caso di contatto con gli occhi, sciacquare immediatamente con acqua corrente e rivolgersi tempestivamente a un oculista.

## Uso previsto

Questo elettrodomestico è destinato al raffreddamento e al congelamento di alimenti. È stato progettato esclusivamente per l'uso in applicazioni domestiche e simili, ad es. zone cucina del personale in negozi, uffici e altri ambienti di lavoro; in fattorie, da clienti in hotel, motel e altri ambienti di tipo residenziale, nonché in bed-and-breakfast e attività di ristorazione. Non è destinato ad usi commerciali o industriali.

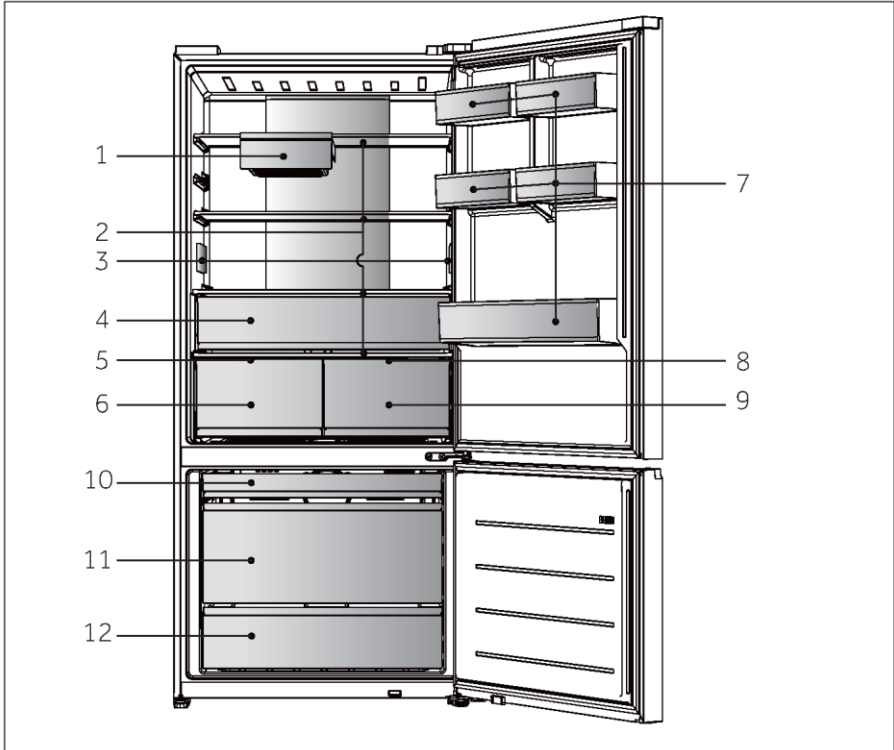
Non sono consentiti cambiamenti o modifiche all'elettrodomestico. Utilizzi errati possono causare pericoli e annullare la garanzia.

## Norme e direttive

Questo prodotto è conforme ai requisiti di tutte le direttive CE vigenti con le corrispondenti norme armonizzate che prevedono il marchio CE.

## **i** AVVISO

A causa di modifiche tecniche e della varietà dei modelli, alcune illustrazioni riportate nel presente manuale possono essere diverse dall'aspetto reale del modello acquistato.



A: Comparto frigorifero

B: Comparto congelatore

1 Cassetto

10 Ripiano scorrevole

2 Ripiani in vetro

11 Zona congelamento

3 AI Cooling

12 Zona congelamento

4 Fresh zone

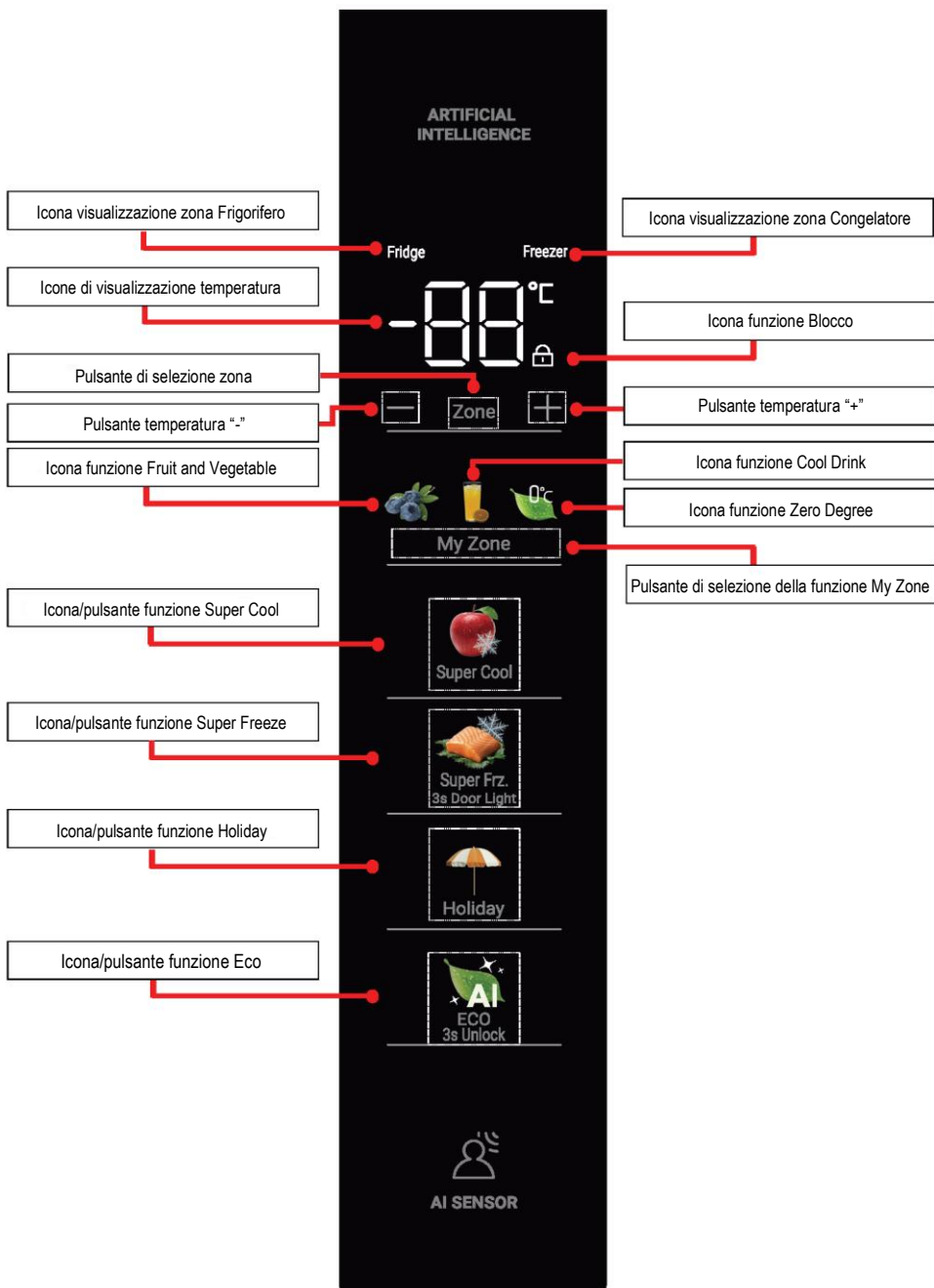
5 Copertura Humidity zone

6 Humidity Zone

7 Portabottiglie

8 Copertura My zone

9 My Zone



## Operazioni preliminari al primo utilizzo

- ▶ Rimuovere tutti i materiali di imballo, tenerli fuori dalla portata dei bambini e smaltirli nel rispetto dell'ambiente.
- ▶ Pulire l'interno e l'esterno dell'elettrodomestico con acqua e un detersivo delicato prima di inserire gli alimenti.
- ▶ Dopo l'installazione a livello e la pulizia, attendere almeno 2-5 ore prima di collegare l'elettrodomestico all'alimentazione elettrica. Vedere la sezione INSTALLAZIONE.
- ▶ Prima di caricare gli alimenti, preraffreddare i compartimenti con impostazioni elevate. La funzione Power-Freeze serve a raffreddare rapidamente i compartimenti.
- ▶ La temperatura del frigorifero e del congelatore viene impostata automaticamente a 5 °C e -18 °C rispettivamente. Queste impostazioni sono quelle consigliate. È possibile, tuttavia, cambiare manualmente queste temperature. Vedere REGOLAZIONE DELLA TEMPERATURA.

## Tasti a sensore

I tasti del pannello di controllo sono di tipo a sensore che rispondono toccandoli lievemente con un dito.

## Accensione e spegnimento dell'elettrodomestico

L'elettrodomestico entra in funzione non appena viene collegato all'alimentazione elettrica.

Alla prima accensione del frigorifero, si accende l'indicatore Temperatura.

La temperatura del frigorifero e del congelatore viene impostata automaticamente a 5 °C e -18 °C rispettivamente.

È possibile che sia attivo il blocco del pannello.



## AVVISO

Quando l'elettrodomestico viene acceso dopo averlo staccato dall'alimentazione elettrica, il raggiungimento delle temperature corrette potrebbe richiedere fino a 12 ore.

Svuotare l'elettrodomestico prima di spegnerlo. Per spegnere l'elettrodomestico, staccare il cavo di alimentazione dalla presa di corrente.

## Blocco e sblocco del pannello

**Blocco automatico:** quando lo sportello del frigorifero e lo sportello del congelatore sono chiusi e non viene eseguita alcuna operazione con i tasti entro 30 secondi, il display si spegne e si blocca automaticamente.

**Blocco manuale:** quando lo schermo del display è sbloccato, premere il pulsante funzione Eco e tenerlo premuto per 3 secondi; a questo punto viene emesso un singolo segnale acustico, l'icona della funzione Blocco si accende e il display si blocca.

## Regolazione della temperatura

Le temperature interne dipendono dai seguenti fattori:

Temperatura ambiente

Frequenza di apertura dello sportello

Quantità di alimenti conservati

Installazione dell'elettrodomestico

## Regolazione della temperatura del frigorifero

Se sbloccato, premere il pulsante di selezione zona per selezionare la zona frigorifero (l'icona del frigorifero si accende). Ogni pressione del pulsante regola il livello della temperatura di 1 °C. Le impostazioni vengono confermate dopo 5 secondi di inattività (lo schermo si spegne) o immediatamente se vengono premuti altri pulsanti. Sequenza di regolazione:

"+": 1 °C → 2 °C → 3 °C → 4 °C → 5 °C → 6 °C → 7 °C → 8 °C → 9 °C

"-": 9 °C → 8 °C → 7 °C → 6 °C → 5 °C → 4 °C → 3 °C → 2 °C → 1 °C



### AVVISO

La temperatura di refrigerazione non può essere regolata nello stato Super Cool o Blocco.

## Regolazione della temperatura del congelatore

Con il display sbloccato, premere il pulsante di selezione della zona per selezionare la zona del congelatore (l'icona del congelatore si accende). Ogni pressione di "+"/"-" regola il livello della temperatura di 1 °C (lampeggiante a 1Hz).

Le impostazioni vengono salvate automaticamente dopo 5 secondi di inattività.

Premendo altri pulsanti si conferma immediatamente l'impostazione e si cambia funzione.

Sequenza di regolazione:

"+": -24 °C → -23 °C → -22 °C → -21 °C → -20 °C → -19 °C → -18 °C → -17 °C → -16 °C

"-": -16 °C → -17 °C → -18 °C → -19 °C → -20 °C → -21 °C → -22 °C → -23 °C → -24 °C



### AVVISO

La temperatura del congelatore non può essere regolata nello stato Super Freeze o Blocco.



## AVVISO

Dopo avere impostato la temperatura, se non si esegue alcuna operazione entro 5 secondi il sistema viene determinato automaticamente e salva la temperatura impostata.

### Funzione Super-Cool

Accesso a Super Cool:

nello stato sbloccato, fare clic sul pulsante [Super Cool], l'icona [Super Cool] si accenderà e il frigorifero entrerà nello stato Super Cool.

Uscita da Super Cool:

1. Nello stato sbloccato e Super Cool, fare clic sul pulsante [Super Cool]: l'icona [Super Cool] si spegne e si esce manualmente dallo stato Super Cool.
2. Quando il frigorifero raggiunge il tempo impostato, esce automaticamente dalla funzione Super Cool. Dopo 4 ore dall'attivazione la modalità Super Cool verrà automaticamente disattivata.

### Funzione Super-Frz

Accesso a Super Freeze:

nello stato sbloccato, fare clic sul pulsante [Super Frz.], l'icona [Super Frz.] si accenderà e il frigorifero entrerà nello stato Super Freeze.

Uscita da Super Freeze:

1. Nello stato sbloccato e Super Freeze, fare clic sul pulsante [Super Frz.]: l'icona [Super Frz.] si spegne e si esce manualmente dallo stato Super Freeze.
2. Quando il frigorifero raggiunge l'orario impostato, esce automaticamente dalla funzione Super Freeze. Dopo 50 ore dall'attivazione, la modalità Super Frz. verrà automaticamente disattivata.

La funzione Super-Freeze è progettata per mantenere il valore nutritivo del cibo congelato perché i tempi di congelamento sono brevissimi. Se si devono congelare grandi quantità di alimenti contemporaneamente, si raccomanda di impostare la funzione Super-Freeze con 24 ore di anticipo, per poter abbassare la temperatura del congelatore prima di inserire gli alimenti. Così facendo, la velocità di congelamento del congelatore risulta migliorata, gli alimenti possono essere congelati rapidamente, viene conservato il valore nutrizionale degli alimenti e la conservazione diventa piuttosto pratica.

## Funzione AI Cooling

Quando è necessario raffreddare rapidamente alimenti stufati o cotti, è possibile posizionarli sul ripiano in vetro corrispondente a questa funzione per un raffreddamento rapido.

Quando il frigorifero rileva una fonte di calore nello spazio del ripiano in vetro corrispondente a questa funzione, le luci blu su entrambi i lati iniziano a lampeggiare. Se la fonte di calore rilevata persiste per più di 5 secondi, la funzione viene attivata e le spie blu su entrambi i lati si accendono con luce fissa. Se la fonte di calore rilevata persiste per meno di 5 secondi, questa funzione non si avvia e le luci blu lampeggiano per altri 5 secondi circa e poi si spengono.

Dopo l'avvio di questa funzione, le luci blu su entrambi i lati sono accese (quando lo sportello è aperto) e le ventole su entrambi i lati iniziano a funzionare. Dopo aver chiuso lo sportello, le luci blu su entrambi i lati si spengono, ma le ventole su entrambi i lati continuano a funzionare. Quando la fonte di calore si è raffreddata, la funzione viene disattivata, le luci blu sui i lati si spengono, così come le ventole sui lati.



### AVVISO

- 1 Se si desidera inserire zuppe o altri alimenti che rilasciano vapore, utilizzare un contenitore sigillabile con coperchio o chiuderlo con pellicola trasparente prima di posizionarlo nel frigorifero.
- 2 Per una maggiore freschezza e mantenerne l'umidità, si consiglia di collocare meloni, frutta e verdura nell'apposito cassetto per frutta e verdura. Quando si collocano gli alimenti in questa zona funzionale, non bloccare le prese d'aria circolari sui due lati o l'uscita dell'aria di forma allungata.
- 3 Il test di avvio per questa funzione è stato condotto utilizzando una pentola in acciaio inossidabile contenente una minestra (una normale pentola turca per minestre in acciaio inossidabile con diametro di 275 mm, altezza del corpo della pentola di 150 mm e un'altezza totale con coperchio di 200 mm) collocata sul ripiano nella posizione illustrata. Il livello del liquido all'interno della pentola era pari a 2/3, la temperatura della parete esterna della pentola era di 35 °C, la temperatura ambiente durante il test era di 25 °C e il frigorifero funzionava regolarmente con le impostazioni predefinite di fabbrica.
- 4 Se la fonte di calore è troppo piccola o la temperatura è troppo bassa, questa funzione potrebbe non avviarsi automaticamente.
- 5 Se si impiega troppo tempo a collocare alimenti in questa zona funzionale o lo sportello resta aperto troppo a lungo, la funzione potrebbe avviarsi automaticamente.
6. Se si attiva la modalità Holiday quando è attiva la funzione AI Cooling, la funzione AI Cooling verrà disattivata.

## Funzione My Zone

My Zone viene regolata e impostata in base a impostazioni predefinite, rappresentate in sequenza da tre icone funzionali: "Fruits & Vegetables (5 °C)", "Cool Drink (2 °C)", "0 °C Fresh (0 °C)". All'accensione iniziale, lo stato predefinito è l'impostazione "Fruits & Vegetables (5°C)". Con il display sbloccato, premere il tasto My Zone nella home page per accedere alla pagina di regolazione delle impostazioni My Zone. Fare clic sul pulsante di impostazione My Zone per impostare My Zone come desiderato. Lo stato dell'impostazione My Zone viene mantenuto anche dopo un'interruzione di corrente.



### AVVISO

In modalità Holiday, il vano refrigerato a temperatura variabile è regolato a 17 °C e funziona in base ai livelli di accensione/spegnimento stabiliti a 20 °C / 16 °C.

## Funzione rilevamento presenza

La funzione di rilevamento presenza è attiva per impostazione predefinita. Tenere premuto il pulsante "Super Frz." per 3 secondi per attivare o disattivare la funzione di rilevamento presenza. Con questa funzione attivata, avvicinandosi al frigorifero il display si accenderà e la luce blu dello sportello entra in modalità "Respiro", aumentando e diminuendo la luminosità.

## Funzione Holiday

Con il display sbloccato, premere il pulsante Holiday:

Prima pressione: la funzione Holiday si attiva (l'icona si accende, viene emesso un segnale acustico)

Seconda pressione: la funzione Holiday si disattiva (l'icona si spegne, viene emesso un segnale acustico)

## Funzione Eco

Con il pannello del display acceso, se il frigorifero non è entrato nella funzione Eco e il pannello del display è sbloccato, premere una volta il pulsante "Eco": comparirà l'icona della funzione Smart, verrà emesso un segnale acustico e la funzione Eco si attiverà.

Con il pannello del display acceso, se il frigorifero è nella funzione Eco e il pannello del display è sbloccato, premere una volta il pulsante "Eco": scomparirà l'icona della funzione Smart, verrà emesso un segnale acustico e la funzione Eco si disattiverà.



## AVVISO

In modalità Eco, il frigorifero imposterà e visualizzerà automaticamente la temperatura del comparto degli alimenti freschi a 5 °C e quella del comparto congelatore a -18 °C.

In questa modalità non è possibile regolare manualmente le temperature dei comparti frigorifero e congelatore.

La temperatura del comparto My Zone può essere impostata individualmente e funzionerà in base alle impostazioni dell'utente.

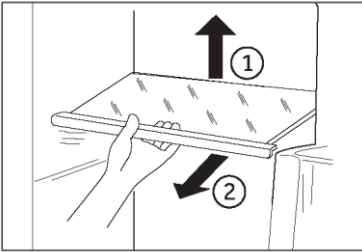
Una volta usciti dalla modalità Eco, i comparti frigorifero e congelatore torneranno alle impostazioni di temperatura selezionate prima di entrare in modalità Eco.

Le impostazioni del comparto My Zone rimarranno invariate e gli altri stati operativi non saranno interessati.



### Flusso d'aria multiplo

1. Il frigorifero è dotato di un sistema con flusso d'aria multiplo e i flussi di aria fresca investono tutti i ripiani. Ciò facilita il mantenimento di una temperatura uniforme per garantire la freschezza degli alimenti per un periodo maggiore.



### Ripiani regolabili

1. L'altezza dei ripiani può essere regolata in base alle esigenze.
2. Per spostare un ripiano, rimuoverlo sollevandolo il bordo posteriore ① ed estrarlo ②.
3. Per reinstallarlo, collocarlo sulle alette su entrambi i lati e spingerlo dentro fino in fondo in modo che la parte posteriore del ripiano sia fissata all'interno delle feritoie laterali.
4. Il ripiano 'POT STATION' ha una capacità di carico massima di 200 kg e rimane intatto. Un carico superiore a 80 kg potrebbe compromettere il normale funzionamento del cassetto 'Fresh Zone' (dati provenienti da un laboratorio interno).



## AVVISO

Accertarsi che tutte le estremità del ripiano siano a livello.

### Cassetto My Zone

1. In questo comparto il livello di umidità è inferiore rispetto al vano frigorifero. Questo cassetto è adatto per conservare frutta secca e altri alimenti secchi a basso contenuto di acqua come burro, grassi e oli o cioccolato.

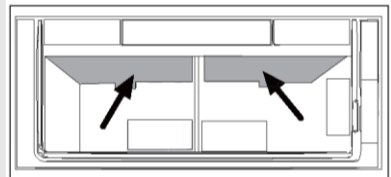
### Cassetto Humidity box

1. In questo comparto il livello di umidità è superiore al vano frigorifero. Viene controllato automaticamente dal sistema ed è adatto alla conservazione di frutta, verdura, insalata ecc.



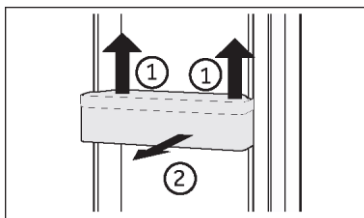
## AVVISO

1. Non rimuovere il coperchio di plastica all'interno delle due zone,
2. poiché mantiene l'umidità.
3. Si sconsiglia di conservare in questi due cassette frutta sensibile al freddo, come ananas, avocado, banane e pompelmi.



### Portabottiglie/cassetti incassati nello sportello rimovibili

1. I cassetti incassati nello sportello possono essere rimossi per essere puliti:
2. Tenere con le mani entrambi i lati del cassetto incassato, sollevarlo ① ed estrarlo ②.
3. Per inserire il cassetto incassato nello sportello, seguire la procedura inversa.



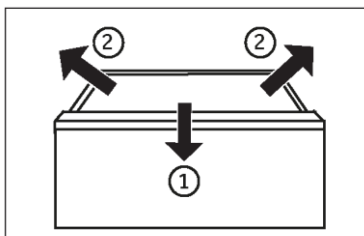
### AVVISO

Quando l'elettrodomestico viene acceso, il raggiungimento delle temperature corrette potrebbe richiedere fino a 12 ore.

### Cassetto rimovibile

Per rimuovere il cassetto, estrarlo al massimo ①, sollevarlo e toglierlo ②.

Per inserire il cassetto, seguire la procedura inversa.

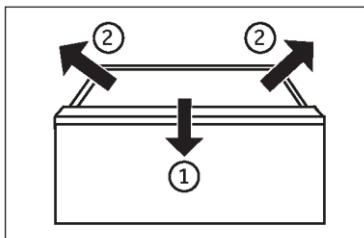


### Conservazione di alimenti voluminosi

Per conservare alimenti voluminosi, ad es. alimenti congelati:

rimuovere il vassoio di congelamento superiore, oppure

rimuovere sia i vassoi di congelamento superiori che il cassetto centrale del congelatore, quindi riporre gli alimenti direttamente sul ripiano.



### Illuminazione

La luce interna a LED si accende quando si apre lo sportello. Le prestazioni dell'illuminazione non dipendono da altre impostazioni degli elettrodomestici.

### Cassetto

Spingere o tirare delicatamente lungo la posizione centrale della maniglia del cassetto per evitare problemi come un funzionamento difettoso o il distacco del cassetto.



## Suggerimenti per il risparmio energetico

- ▶ Accertarsi che l'elettrodomestico sia adeguatamente ventilato (v. INSTALLAZIONE).
- ▶ Non installare l'elettrodomestico esposto alla luce diretta del sole o in prossimità di fonti di calore (ad es. stufe o radiatori).
- ▶ Evitare che la temperatura dell'elettrodomestico sia inutilmente bassa. Riducendo la temperatura impostata nell'elettrodomestico, il consumo energetico aumenta.
- ▶ Funzioni come POWER-FREEZE consumano più energia.
- ▶ Attendere che gli alimenti caldi si raffreddino prima di collocarli nell'elettrodomestico.
- ▶ Aprire lo sportello dell'elettrodomestico senza spalancarlo e per il più breve tempo possibile.
- ▶ Per evitare ostruzioni del flusso d'aria, non riempire eccessivamente l'elettrodomestico.
- ▶ Evitare l'ingresso di aria nelle confezioni di alimenti.
- ▶ Mantenere pulite le guarnizioni dello sportello in modo che si chiuda sempre perfettamente.
- ▶ Scongellare gli alimenti surgelati nel comparto frigorifero.
- ▶ Per ottimizzare il risparmio energetico, lasciare i cassetti, i contenitori per gli alimenti e i ripiani nelle posizioni di fabbrica e collocare gli alimenti il più possibile distanti tra loro senza ostruire l'uscita del condotto.



## AVVERTENZA!

Prima di effettuare la pulizia, staccare la spina di alimentazione dell'elettrodomestico.

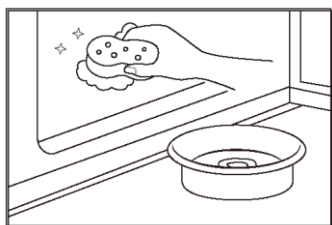
### Pulizia

1. Pulire l'elettrodomestico quando è vuoto o contiene pochi alimenti.
2. Per una corretta manutenzione e per evitare cattivi odori degli alimenti conservati, pulire l'elettrodomestico ogni quattro settimane.



## AVVERTENZA!

- ▶ Non pulire l'elettrodomestico con spazzole rigide, spazzole metalliche, detersivi in polvere, benzina, acetato di pentile, acetone e soluzioni organiche simili, soluzioni acide o alcaline. Per evitare danni, effettuare la pulizia con un detergente speciale per frigoriferi.
- ▶ Non spruzzare o schizzare liquidi sull'elettrodomestico durante la pulizia.
- ▶ Per pulire questo elettrodomestico non utilizzare apparecchi a vapore.
- ▶ Non pulire i ripiani di vetro freddi con acqua calda. Un'improvvisa variazione della temperatura può causare la rottura del vetro.
- ▶ Non toccare la superficie interna del comparto congelatore, soprattutto con le mani bagnate, poiché le mani potrebbero congelarsi sulla superficie.
- ▶ Se la temperatura aumenta, controllare lo stato degli alimenti congelati.



- ▶ Tenere sempre pulita la guarnizione dello sportello.
- ▶ Pulire l'interno e l'alloggiamento dell'elettrodomestico con una spugna imbevuta di acqua calda e detergente neutro.
  1. Strofinare l'interno e l'esterno del frigorifero (compresa la guarnizione dello sportello, la rastrelliera dello sportello, i ripiani di vetro, i vani ecc.) con un panno morbido o una spugna imbevuta di acqua calda (è possibile aggiungere un detergente neutro).
- ▶ 2. In presenza di liquidi versati, rimuovere tutte le parti contaminate, sciacquarle sotto l'acqua corrente, asciugarle e ricollocarle nel frigorifero.
- ▶ 3. In caso di versamenti di alimenti cremosi (ad es. panna o gelato sciolto), rimuovere tutte le parti contaminate, lasciarle un po' di tempo in acqua calda a circa 40 °C, poi sciacquarle sotto l'acqua corrente, asciugarle e ricollocarle nel frigorifero.
- ▶ 4. Nel caso in cui rimangano intrappolati piccoli oggetti all'interno del frigorifero (tra i ripiani o i cassetti), toglierli con una spazzolina morbida. Se non si riesce a raggiungere l'oggetto, rivolgersi all'assistenza Haier
- ▶ Sciacquare e asciugare con un panno morbido.
- ▶ Non lavare i componenti dell'elettrodomestico in lavastoviglie.
- ▶ Attendere almeno 5 minuti prima di riavviare l'elettrodomestico, poiché un avvio frequente può danneggiare il compressore.

### Sbrinamento

Lo sbrinamento dei comparti frigorifero e congelatore avviene automaticamente e non richiede operazioni manuali.

## Sostituzione delle lampade a LED



### AVVERTENZA!

La lampada a LED deve essere sostituita solo dal produttore o da un tecnico dell'assistenza autorizzato.

La lampada utilizza una sorgente luminosa a LED che riduce i consumi energetici e garantisce una lunga durata. In caso di anomalie, rivolgersi all'assistenza clienti. V. ASSISTENZA CLIENTI.

Parametri delle lampade:

Comparto frigorifero: 12 V, max 8 W

Comparto congelatore: 12 V, max 2 W

Luce blu sportello: 12 V max 3 W

### Inutilizzo per lunghi periodi

Se l'elettrodomestico non verrà adoperato per lunghi periodi e non verrà utilizzata la funzione Holiday per il frigorifero:

Estrarre gli alimenti.

Scollegare il cavo di alimentazione.

Pulire l'elettrodomestico come descritto in precedenza.

Lasciare aperti gli sportelli per evitare la produzione di cattivi odori all'interno.



### AVVISO

Spegnere l'elettrodomestico solo se è strettamente necessario.

## Spostamento dell'elettrodomestico

1. Togliere tutti gli alimenti e staccare la spina dell'elettrodomestico.
2. Fissare con nastro adesivo i ripiani e gli altri componenti mobili presenti nel frigorifero e nel congelatore.
3. Non inclinare il frigorifero oltre 45°, altrimenti il sistema di refrigerazione potrebbe danneggiarsi.



### AVVERTENZA!

- ▶ Non sollevare l'elettrodomestico tenendolo per le maniglie dello sportello.
- ▶ Non collocare mai l'elettrodomestico orizzontalmente a terra.

Molti problemi possono essere risolti personalmente senza particolari competenze. In caso di problemi, consultare tutte le soluzioni possibili indicate e attenersi alle seguenti istruzioni prima di contattare l'assistenza post-vendita. V. ASSISTENZA CLIENTI.



### AVVERTENZA!

- ▶ Prima di effettuare la manutenzione dell'elettrodomestico, spegnerlo e staccare la spina dalla presa di corrente.
- ▶ La manutenzione delle apparecchiature elettriche deve essere effettuata solo da elettricisti qualificati, dal momento che eventuali riparazioni improprie possono causare danni notevoli.
- ▶ Se il cavo di alimentazione è danneggiato, deve essere sostituito unicamente dal produttore, da un tecnico dell'assistenza o da una persona con analogha qualifica per evitare rischi.

Problema	Causa possibile	Soluzione possibile
Il compressore non funziona.	<ul style="list-style-type: none"> <li>• La spina non è collegata alla presa di corrente.</li> <li>• L'elettrodomestico sta effettuando il ciclo di sbrinamento.</li> </ul>	<ul style="list-style-type: none"> <li>• Collegare la spina alla presa di corrente.</li> <li>• Ciò è normale per lo sbrinamento automatico.</li> </ul>
L'elettrodomestico si aziona frequentemente o per un periodo di tempo troppo lungo.	<ul style="list-style-type: none"> <li>• La temperatura interna o esterna è troppo elevata.</li> <li>• L'elettrodomestico è rimasto spento per un certo periodo di tempo.</li> <li>• Uno sportello dell'elettrodomestico non è chiuso ermeticamente.</li> <li>• Lo sportello è stato aperto troppo spesso o troppo a lungo.</li> <li>• L'impostazione della temperatura del comparto congelatore è troppo bassa.</li> <li>• La guarnizione dello sportello è sporca, usurata, danneggiata o inadeguata.</li> <li>• Non è garantita la circolazione dell'aria necessaria.</li> </ul>	<ul style="list-style-type: none"> <li>• In questo caso è normale che l'elettrodomestico rimanga in funzione più a lungo.</li> <li>• Il raffreddamento completo dell'elettrodomestico normalmente richiede 8-12 ore.</li> <li>• Chiudere lo sportello o il cassetto e accertarsi che l'elettrodomestico sia a livello e che gli alimenti o i contenitori urtino lo sportello.</li> <li>• Non aprire lo sportello o il cassetto troppo spesso.</li> <li>• Scegliere un'impostazione della temperatura più alta fino a quando la temperatura del frigorifero è soddisfacente. Per stabilizzare la temperatura del frigorifero occorrono 24 ore.</li> <li>• Pulire la guarnizione dello sportello o del cassetto o farla sostituire dall'assistenza clienti.</li> <li>• Garantire un'adeguata ventilazione.</li> </ul>

Problema	Causa possibile	Soluzione possibile
L'interno del frigorifero è sporco e/o si sentono cattivi odori.	<ul style="list-style-type: none"> <li>• L'interno del frigorifero deve essere pulito.</li> <li>• In frigorifero vengono conservati alimenti che producono un odore intenso.</li> </ul>	<ul style="list-style-type: none"> <li>• Pulire l'interno del frigorifero.</li> <li>• Avvolgere completamente gli alimenti.</li> </ul>
La temperatura nell'elettrodomestico non è sufficientemente bassa.	<ul style="list-style-type: none"> <li>• La temperatura impostata è troppo alta.</li> <li>• Sono stati collocati alimenti troppo caldi.</li> <li>• Sono stati collocati troppi alimenti contemporaneamente.</li> <li>• Gli alimenti sono troppo vicini tra loro.</li> <li>• Uno sportello o un cassetto dell'elettrodomestico non è chiuso bene.</li> <li>• Lo sportello o il cassetto è stato aperto troppo spesso o troppo a lungo.</li> </ul>	<ul style="list-style-type: none"> <li>• Reimpostare la temperatura.</li> <li>• Gli alimenti devono essere sempre raffreddati prima di conservarli.</li> <li>• Non conservare troppi alimenti.</li> <li>• Lasciare spazio tra i vari alimenti per consentire il passaggio del flusso d'aria.</li> <li>• Chiudere lo sportello o il cassetto.</li> <li>• Non aprire lo sportello o il cassetto troppo spesso.</li> </ul>
La temperatura nell'elettrodomestico è troppo bassa.	<ul style="list-style-type: none"> <li>• La temperatura impostata è troppo bassa.</li> <li>• La funzione Super-Frz/Super-Cool è attiva o rimane attiva troppo a lungo.</li> </ul>	<ul style="list-style-type: none"> <li>• Reimpostare la temperatura.</li> <li>• Disattivare la funzione Super-Frz/Super-Cool.</li> </ul>
Formazione di umidità all'interno del comparto frigorifero.	<ul style="list-style-type: none"> <li>• Il clima è troppo caldo e troppo umido.</li> <li>• Uno sportello o un cassetto dell'elettrodomestico non è chiuso bene.</li> <li>• Lo sportello o il cassetto è stato aperto troppo spesso o troppo a lungo.</li> <li>• Contenitori per alimenti o liquidi rimasti aperti.</li> </ul>	<ul style="list-style-type: none"> <li>• Aumentare la temperatura.</li> <li>• Chiudere lo sportello o il cassetto.</li> <li>• Non aprire lo sportello o il cassetto troppo spesso.</li> <li>• Lasciare raffreddare gli alimenti caldi a temperatura ambiente e coprire cibi e liquidi.</li> </ul>
Accumulo di umidità sulla superficie esterna del frigorifero o tra gli sportelli e il cassetto.	<ul style="list-style-type: none"> <li>• Il clima è troppo caldo e troppo umido.</li> <li>• Lo sportello non è chiuso ermeticamente. L'aria fredda all'interno dell'elettrodomestico e l'aria calda all'esterno formano condensa.</li> </ul>	<ul style="list-style-type: none"> <li>• Ciò è normale in un clima umido; la situazione cambia quando l'umidità diminuisce.</li> <li>• Accertarsi che lo sportello o il cassetto sia chiuso bene.</li> </ul>

Problema	Causa possibile	Soluzione possibile
Presenza di molto ghiaccio e brina nel comparto congelatore.	<ul style="list-style-type: none"> <li>• Gli alimenti non sono stati confezionati adeguatamente.</li> <li>• Uno sportello o un cassetto dell'elettrodomestico non è chiuso bene.</li> <li>• Lo sportello o il cassetto è stato aperto troppo spesso o troppo a lungo.</li> <li>• Le guarnizioni dello sportello o del cassetto sono sporche, usurate, danneggiate o inadeguate.</li> <li>• Qualcosa all'interno impedisce la chiusura corretta dello sportello o del cassetto.</li> </ul>	<ul style="list-style-type: none"> <li>• Confezionare sempre gli alimenti.</li> <li>• Chiudere lo sportello o il cassetto.</li> <li>• Non aprire lo sportello o il cassetto troppo spesso.</li> <li>• Pulire la guarnizione dello sportello o del cassetto oppure sostituirla.</li> <li>• Risistemare i ripiani, i cassetti incassati nello sportello o i contenitori interni per consentire la chiusura dello sportello o del cassetto.</li> </ul>
I lati del mobile e la striscia dello sportello si riscaldano.		<ul style="list-style-type: none"> <li>• È normale.</li> </ul>
L'elettrodomestico o emette suoni anomali.	<ul style="list-style-type: none"> <li>• L'elettrodomestico non è a livello.</li> <li>• L'elettrodomestico urta qualche oggetto vicino.</li> </ul>	<ul style="list-style-type: none"> <li>• Regolare i piedini per collocare l'elettrodomestico a livello.</li> <li>• Rimuovere gli oggetti attorno all'elettrodomestico.</li> </ul>
Si sente un lieve rumore, simile a quello dell'acqua che scorre.		<ul style="list-style-type: none"> <li>• È normale.</li> </ul>
Viene emesso un allarme acustico.	<ul style="list-style-type: none"> <li>• Lo sportello del comparto frigorifero è aperto.</li> </ul>	<ul style="list-style-type: none"> <li>• Chiudere lo sportello.</li> </ul>
Viene emesso un lieve sibilo.	<ul style="list-style-type: none"> <li>• È in funzione il sistema anticondensa.</li> </ul>	<ul style="list-style-type: none"> <li>• Ciò evita la formazione di condensa ed è normale.</li> </ul>
L'illuminazione interna o il sistema di raffreddamento non funziona.	<ul style="list-style-type: none"> <li>• La spina non è collegata alla presa di corrente.</li> <li>• Problema della fonte di alimentazione.</li> <li>• La lampada a LED è fuori uso</li> </ul>	<ul style="list-style-type: none"> <li>• Collegare la spina alla presa di corrente.</li> <li>• Controllare l'alimentazione elettrica. Chiamare l'azienda elettrica locale.</li> <li>• Chiamare l'assistenza per la sostituzione.</li> </ul>

Per rivolgersi all'assistenza tecnica, visitare il nostro sito web: <https://corporate.haier-europe.com/en/>

Nella sezione "sito Web", scegliere la marca del proprio prodotto e il proprio paese. Si aprirà il sito Web specifico contenente il numero di telefono e il modulo per contattare l'assistenza tecnica.

## Interruzione della corrente

In caso di interruzione della corrente, gli alimenti dovrebbero rimanere freddi in maniera sicura per circa 5 ore. Durante un'interruzione prolungata della corrente, soprattutto in estate, attenersi ai suggerimenti seguenti:

- ▶ Limitare al massimo l'apertura dello sportello o del cassetto.
- ▶ In caso di interruzione della corrente, non collocare altri alimenti nell'elettrodomestico.
- ▶ Se viene fornito un preavviso di interruzione della corrente di durata superiore a 5 ore, produrre un po' di ghiaccio e collocarlo nella parte superiore del comparto frigorifero.
- ▶ Dopo l'interruzione della corrente, è indispensabile controllare immediatamente gli alimenti.
- ▶ Siccome la temperatura nel frigorifero aumenta durante un'interruzione della corrente o in caso di altri guasti, il periodo di conservazione e la commestibilità degli alimenti si riducono. Per evitare rischi per la salute, gli alimenti che si scongelano devono essere immediatamente consumati oppure cotti e ricongelati (se possibile).

## Funzione di memoria durante un'interruzione di corrente

Al ripristino della corrente, l'elettrodomestico riprende il funzionamento in base alle impostazioni precedenti.

## Disimballo

**AVVERTENZA!**

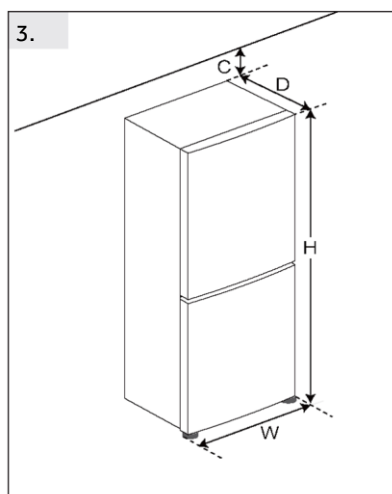
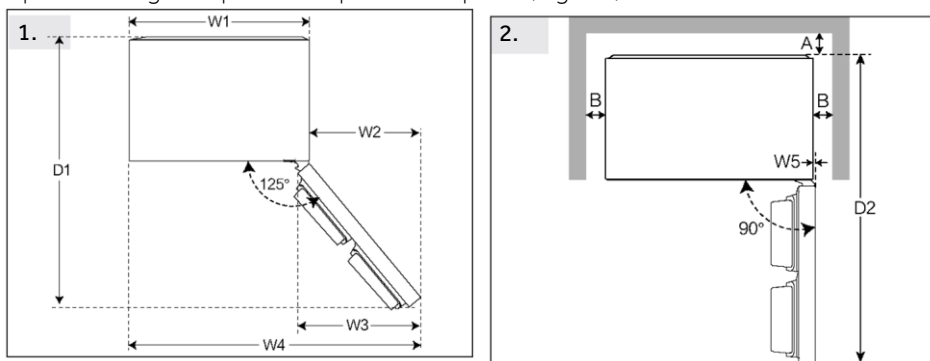
- ▶ L'elettrodomestico è pesante. Per spostarlo occorrono almeno due persone.
- ▶ Tenere fuori dalla portata dei bambini tutti i materiali di imballaggio e smaltirli nel rispetto dell'ambiente.
- ▶ Estrarre l'elettrodomestico dall'imballo.
- ▶ Togliere tutti i materiali di imballo.

**Condizioni ambientali**

La temperatura ambiente deve essere sempre compresa tra 10 e 43 °C, poiché può influire sulla temperatura interna dell'elettrodomestico e sui consumi energetici. Non installare l'elettrodomestico vicino ad altri elettrodomestici che emettono calore (forni, frigoriferi) senza isolamento.

**Spazio consigliato**

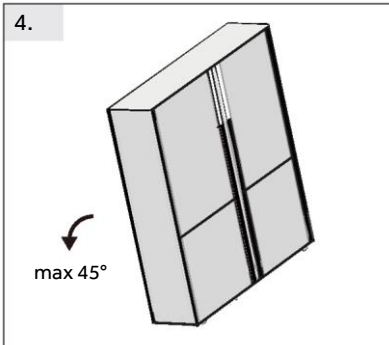
Spazio consigliato quando lo sportello è aperto (Fig. 1.2)



(unità di misura: mm)	Modello n. 1	Modello n. 2
Larghezza	W1	830
	W2	500
	W3	529
	W4	1330
	W5	21
	W	830
Profondità	D1	1362
	D2	1502
	D	725
Distanza dalla parete posteriore	A	50
Distanza dalle pareti laterali	B	50
Distanza dal soffitto	C	50
Altezza totale	H	1850

## Sezione di ventilazione

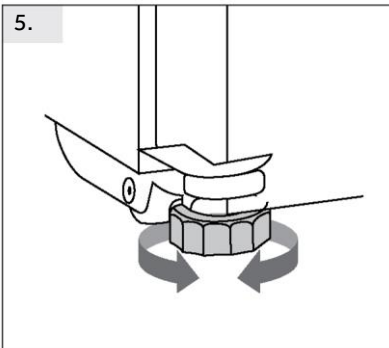
Per ottenere una ventilazione sufficiente dell'elettrodomestico per motivi di sicurezza, attenersi alle indicazioni sulle sezioni di ventilazione.



### Allineamento dell'elettrodomestico (Fig. 4.5.6)

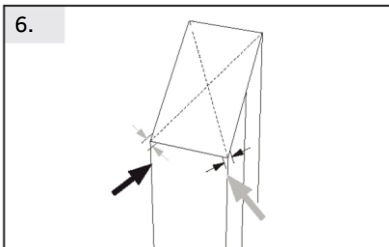
Installare l'elettrodomestico su una superficie solida e piana.

4. Inclinare leggermente il frigorifero all'indietro.



5. Regolare i piedini all'altezza desiderata.

Accertarsi che la distanza dalla parete sul lato cerniera sia almeno 50 mm affinché lo sportello possa aprirsi correttamente.

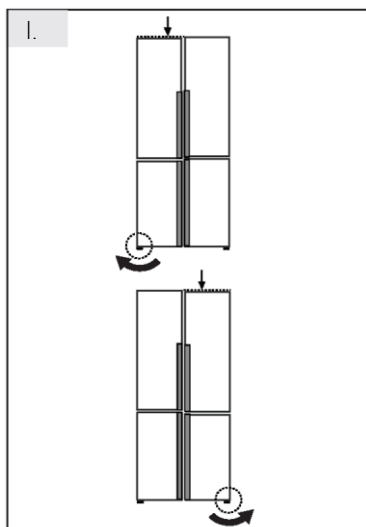


6. La stabilità può essere verificata spingendo diagonalmente l'elettrodomestico a destra e a sinistra. Il lieve ondeggiamento deve essere identico in entrambe le direzioni. In caso contrario, il telaio potrebbe deformarsi e le guarnizioni dello sportello potrebbero perdere. Una lieve inclinazione posteriore facilita la chiusura degli sportelli.



## AVVISO

Per gli elettrodomestici a libera installazione: questo elettrodomestico non è progettato per l'installazione a incasso

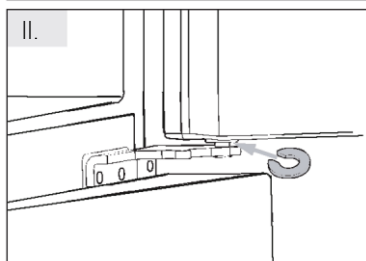


### Regolazione precisa degli sportelli

Se gli sportelli sono a livello, attenersi alla procedura seguente:

#### I Utilizzo del piedino regolabile

Ruotare il piedino regolabile nella direzione indicata dalla freccia per sollevarlo o abbassarlo.



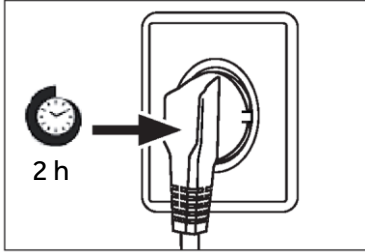
#### II Uso di distanziatori

- ▶ Aprire lo sportello superiore e sollevarlo.
- ▶ Agganciare con attenzione il distanziatore (incluso nel sacchetto degli accessori) nell'anello di plastica bianco della cerniera centrale, a mano o con un utensile (ad es. una pinza). Attenzione a non graffiare o ammaccare lo sportello.



## AVVISO

Nell'uso futuro del frigorifero, il fenomeno degli sportelli non a livello può verificarsi a causa del peso degli alimenti conservati. Per risolvere il problema, utilizzare i metodi descritti sopra.



### Tempo di attesa

L'olio di lubrificazione esente da manutenzione si trova nella capsula del compressore. Questo olio può penetrare nel sistema di tubazioni chiuse durante il trasporto. Prima di collegare l'elettrodomestico all'alimentazione elettrica, attendere almeno 2 ore in modo che l'olio torni nella capsula.

### Collegamento elettrico

Prima di ogni collegamento, effettuare i seguenti controlli:

- ▶ La fonte di alimentazione, la presa e i fusibili sono conformi ai dati indicati nella targhetta.
- ▶ La presa di corrente è collegata a terra e non sono utilizzate prese multiple o prolunghe.
- ▶ La spina e la presa di corrente sono compatibili.

Collegare la spina a una presa domestica installata correttamente.



### AVVERTENZA!

Per evitare rischi, i cavi di alimentazione danneggiati devono essere sostituiti dall'assistenza clienti (v. scheda di garanzia).

Specifiche del prodotto secondo il regolamento UE n. 2019/2016

Marchio	Haier
Nome / identificativo del modello	HDR5818DNSS HDR5818DNPW HDR5818DNMB
Categoria del modello	Frigorifero- congelatore
Classe di efficienza energetica	D
Consumo energetico annuo (kWh/anno)(1)	273
Volume totale (litri)	640
Volume frigorifero (litri)	413
Volume congelatore (litri)	184
Volume sezione chiller (litri)	43
Prestazioni (stelle)	*/***
Temperatura degli altri comparti > 14 °C	Non applicabile
Sistema senza formazione di brina	Sì
Capacità di congelamento (kg/24 h)	10
Classe climatica(2)	SN-N-ST-T
Classe di emissione di rumore ed emissioni acustiche aeree (db(A) re 1pW)	B(35)
Tempo di aumento della temperatura (h)	10
Tipo di elettrodomestico	Indipendente

## Descrizioni:

## • Sì

- (1) In base ai risultati del test di conformità agli standard per 24 ore.  
Il consumo effettivo dipende dall'uso e dalla posizione dell'elettrodomestico.
- (2) Classe climatica SN: questo elettrodomestico è destinato all'uso con temperature ambiente comprese tra +10 °C e +32 °C  
Classe climatica N: questo elettrodomestico è destinato all'uso con temperature ambiente comprese tra +16 °C e +32 °C  
Classe climatica ST: questo elettrodomestico è destinato all'uso con temperature ambiente comprese tra +16 °C e +38 °C  
Classe climatica T: questo elettrodomestico è destinato all'uso con temperature ambiente comprese tra +16 °C e +43 °C

## Dati tecnici supplementari

Tensione / Frequenza	220-240 V~ / 50 Hz
Corrente di ingresso (A)	2
Fusibile principale (A)	8
Refrigerante	R600a
Dimensioni (A/L/P in mm)	1850 / 830/725

Si consiglia di rivolgersi all'Assistenza Clienti Haier e di utilizzare ricambi originali. In caso di problemi con l'elettrodomestico, consultare prima la sezione SOLUZIONE DEI PROBLEMI.

Se non si riesce a trovare una soluzione, contattare

- ▶ il rivenditore locale o
- ▶ lo European Call Service-Center (vedere i numeri di telefono elencati di seguito) o
- ▶ l'area Service & Support su [www.haier.com](http://www.haier.com) dove è possibile chiedere assistenza
- ▶ e trovare risposte a domande frequenti.

Per contattare l'assistenza, procurarsi i dati seguenti.  
Le informazioni si trovano sulla targhetta.

Modello \_\_\_\_\_

N. di serie \_\_\_\_\_

Controllare anche la scheda di garanzia fornita con il prodotto.

European Call Service-Center		
Paese*	Numero di telefono	Costi
Haier Italy (IT)	199 100 912	
Haier Spain (ES)	902 509 123	
Haier Germany (DE)	0180 5 39 39 99	<ul style="list-style-type: none"> <li>• 14 cent/min su linea fissa</li> <li>• max 42 cent/min su linea mobile</li> </ul>
Haier Austria (AT)	0820 001 205	<ul style="list-style-type: none"> <li>• 14,53 cent/min su linea fissa</li> <li>• max 20 cent/min su altre linee</li> </ul>
Haier United Kingdom (UK)	0333 003 8122	
Haier France (FR)	0980 406 409	

\* Per altri paesi fare riferimento al sito [www.haier.com](http://www.haier.com)

Haier Europe Trading S.r.l

Filiale Regno Unito

Westgate House, Westgate, Ealing

London, W5 1YY

\*Durata della garanzia dell'elettrodomestico:

Garanzia minima: 2 anni per i paesi UE, 3 anni per la Turchia, 1 anno per il Regno Unito, 1 anno per la Russia, 3 anni per la Svezia, 2 anni per la Serbia, 5 anni per la Norvegia, 1 anno per il Marocco, 6 mesi per l'Algeria; per la Tunisia non è obbligatoria alcuna garanzia legale.

\*Periodo di disponibilità dei pezzi di ricambio per la riparazione dell'elettrodomestico:

termostati, sensori di temperatura, circuiti stampati e lampade rimangono disponibili per almeno sette anni dopo l'immissione sul mercato dell'ultima unità del modello.

Maniglie e cerniere degli sportelli, vassoi e cestelli rimangono disponibili per almeno di sette anni e le guarnizioni degli sportelli per almeno dieci anni dopo l'immissione sul mercato dell'ultima unità del modello.

\*Per ulteriori informazioni sul prodotto, consultare <https://eprel.ec.europa.eu/> o effettuare una scansione del codice QR apposto sull'etichetta fornita con l'elettrodomestico.

CERTIFICATO DI QUALITÀ

DENOMINAZIONE: FRIGORIFERO

Q.C.PASSED QC01

CONTROLLORE N.

**Haier**



0060543301  
2025 Versione A

# Haier

## Gebruikershandleiding

### Koelvriescombinatie

HDR5818DNSS  
HDR5818DNPW  
HDR5818DNMB



<u>4 Veiligheidsinformatie</u>	•	<u>Vóór het eerste gebruik</u>	5
		<u>Installatie</u>	5
		<u>Dagelijks gebruik</u>	6
<u>8 Beoogd gebruik</u>	•		
<u>9 Productbeschrijving</u>	•		
<u>10 Bedieningspaneel</u>	•		
<u>11 Gebruik</u>	•	<u>De koelkasttemperatuur aanpassen</u>	12
		<u>De vriezertemperatuur aanpassen</u>	12
		<u>Super Cool-functie</u>	13
		<u>Super Freeze-functie</u>	13
		<u>AI Cooling-functie</u>	14
<u>17 Apparatuur</u>	•		
<u>19 Tips voor energiebesparing</u>	•		
<u>20 Onderhoud en reiniging</u>	•		
<u>22 Problemen oplossen</u>	•		
<u>26 Installatie</u>	•		
<u>30 Technische gegevens</u>	•		
<u>32 Klantenservice</u>	•		

## Bedankt voor de aankoop van dit Haier-product.

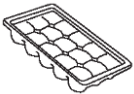
Lees deze instructies zorgvuldig door voordat u dit apparaat gebruikt. De instructies bevatten belangrijke informatie die u helpt het beste uit het apparaat te halen en veilig(e) en correct(e) installatie, gebruik en onderhoud te waarborgen.

Bewaar deze handleiding op een handige plaats zodat u hem altijd kunt raadplegen voor een veilig en correct gebruik van het apparaat.

Als u het apparaat verkoopt, weggeeft of achterlaat wanneer u verhuist, zorg er dan voor dat u deze handleiding ook overdraagt, zodat de nieuwe eigenaar het apparaat en de veiligheidswaarschuwingen kan leren kennen.

## Accessoires

Controleer de accessoires en literatuur met deze lijst:



Ijsblokjesbakje



Eierrekje × 2



Energielabel



Garantiekaart



Gebruikershandleiding



Deurstopvergrendeling  
× 2



Middelste  
scharnier



Bovenste  
scharnier



Bovenste  
scharnier  
gebogen haak



Onderste  
scharnier



Afdekking  
bovenste sierstrip



Schroefdrop  
middelste voorbalk



Bevestiging



## WAARSCHUWING – Belangrijke veiligheidsinformatie



## LET OP – Algemene informatie en tips



## Milieu-informatie



### Verwijdering

Help het milieu en de menselijke gezondheid te beschermen. Doe de verpakking in de daarvoor bestemde containers om deze te recyclen. Help het afval van elektrische en elektronische apparaten te recyclen. Gooi apparaten met dit symbool niet weg bij het huisvuil. Lever het product in bij uw plaatselijke recyclingfaciliteit of neem contact op met de gemeente.



### WAARSCHUWING: Risico op brand/ontvlambaar materiaal

Het symbool geeft aan dat er brandgevaar bestaat doordat brandbare materialen worden gebruikt. Let op dat u geen brand veroorzaakt door brandbare materialen te ontsteken.



## WAARSCHUWING!

Gevaar voor letsel of verstikking!

Koelmiddelen en gassen moeten professioneel worden verwijderd. Controleer of de leidingen van het koelmiddelcircuit niet zijn beschadigd voordat ze op de juiste manier worden afgevoerd. Koppel het apparaat los van de stroomvoorziening. Knip het netsnoer af en gooi het weg. Verwijder de bakken en laden en de deurvergrendeling en -afdichtingen om te voorkomen dat kinderen en huisdieren in het apparaat worden opgesloten.

## Lees voordat u het apparaat voor het eerst inschakelt de volgende veiligheidstips!



### WAARSCHUWING!

#### Vóór het eerste gebruik

- ▶ Controleer of er geen transportschade is.
- ▶ Verwijder alle verpakkingsmaterialen en houd ze buiten het bereik van kinderen.
- ▶ Wacht ten minste twee uur voordat u het apparaat installeert, om er zeker van te zijn dat het koelmiddelcircuit volledig werkt.
- ▶ Verplaats het apparaat altijd met ten minste twee personen, het is namelijk zwaar.

#### Installatie

- ▶ Het apparaat moet op een goed geventileerde plaats worden geplaatst. Zorg voor een ruimte van ten minste 10 cm boven en rond het apparaat.
- ▶ Plaats het apparaat nooit in een vochtige ruimte of op een plaats waar het met water kan worden bespat. Reinig en droog waterspatten en vlekken met een zachte, schone doek.
- ▶ Installeer het apparaat niet in direct zonlicht of in de buurt van warmtebronnen (bijv. kachels, verwarmingstoestellen).
- ▶ Installeer het apparaat waterpas op een plaats die geschikt is voor de grootte en het gebruik ervan.
- ▶ Zorg ervoor dat de ventilatieopeningen in het apparaat of in de ingebouwde constructie open blijven.
- ▶ Controleer of de elektrische informatie op het typeplaatje overeenkomt met de stroomvoorziening. Als dat niet het geval is, neem dan contact op met een elektricien.
- ▶ Het apparaat wordt gebruikt met een voeding van 220–240 VAC/50 Hz. Abnormale spanningsschommelingen kunnen ertoe leiden dat het apparaat niet start of dat de temperatuurregeling of de compressor beschadigd raakt of dat er tijdens het gebruik een abnormaal geluid optreedt. In dat geval moet er een automatische regelaar worden gemonteerd.
- ▶ Gebruik geen stekkerdozen en verlengkabels.
- ▶ Plaats niet meerdere draagbare stopcontacten of draagbare voedingen op de achterkant van het apparaat.
- ▶ Zorg ervoor dat de stroomkabel niet bekneld zit door de koelkast. Ga niet op de stroomkabel staan.
- ▶ Gebruik een apart geaard stopcontact voor de stroomvoorziening, dat gemakkelijk toegankelijk is. Het apparaat moet geaard zijn.
- ▶ Alleen voor het Verenigd Koninkrijk: Het netsnoer van het apparaat is voorzien van een 3-aderige (geaarde) stekker die past op een standaard 3-aderig (geaard) stopcontact. De derde pin (aarding) mag nooit worden afgesneden of gedemonteerd. Nadat het apparaat is geïnstalleerd, moet de stekker bereikbaar zijn.
- ▶ Beschadig het koelcircuit niet.



## WAARSCHUWING!

### Dagelijks gebruik

- ▶ Dit apparaat mag worden gebruikt door kinderen vanaf 8 jaar en door personen met verminderde lichamelijke, zintuiglijke of geestelijke vermogens of met een gebrek aan kennis en ervaring, mits zij onder toezicht worden gehouden of instructies hebben gekregen om het apparaat veilig te kunnen gebruiken en de gevaren begrijpen die ermee gepaard gaan.
- ▶ Kinderen van 3 tot 8 jaar mogen wel inladen en uitladen, maar mogen koelapparatuur niet reinigen of installeren.
- ▶ Houd kinderen onder de 3 jaar uit de buurt van het apparaat, tenzij ze voortdurend onder toezicht staan.
- ▶ Kinderen mogen niet met het apparaat spelen.
- ▶ Als er koelgas of ander brandbaar gas in de buurt van het apparaat lekt, moet u het ventiel van het lekkende gas sluiten, de deuren en ramen openen en mag u de stekker van de koelkast of een ander apparaat niet uit het stopcontact halen of in een stopcontact steken.
- ▶ Let op, het apparaat is ingesteld om te werken bij een specifiek omgevingstemperatuurbereik van 10 tot 43°C. Het apparaat kan gedurende lange tijd bij een temperatuur boven of onder het aangegeven bereik niet goed werken.
- ▶ Plaats geen onstabiele voorwerpen (zware voorwerpen, containers gevuld met water) boven op de koelkast, om persoonlijk letsel door vallen of elektrische schokken door contact met water te voorkomen.
- ▶ Trek niet aan de deurschappen. De deur kan scheefgetrokken worden, het flessenrek kan eruit worden getrokken, of het apparaat kan omvallen.
- ▶ Open en sluit de deuren alleen met de handgrepen. De ruimte tussen de deuren en tussen de deuren en de kast is zeer smal. Steek uw handen niet in deze ruimtes, om te voorkomen dat uw vingers bekneld raken. Open of sluit de koelkastdeuren alleen als er geen kinderen zijn die zich binnen het bewegingsbereik van de deur bevinden.
- ▶ Bewaar of gebruik in het apparaat of in de buurt ervan geen brandbare, explosieve of corrosieve materialen.
- ▶ Bewaar geen geneesmiddelen, bacteriën of chemische middelen in het apparaat. Dit is een huishoudelijk apparaat. Het wordt niet aanbevolen om materialen op te slaan die strikte temperaturen vereisen.
- ▶ Bewaar vloeistoffen in flessen of blikjes (met uitzondering van sterke drank), met name koolzuurhoudende dranken, nooit in de vriezer, omdat deze tijdens het invriezen barsten.
- ▶ Controleer de staat van het voedsel als er sprake van opwarming is geweest in de vriezer.
- ▶ Stel de temperatuur in het koelkastgedeelte niet onnodig laag in. Bij een hoge instelling kunnen temperaturen onder nul optreden. Let op: Flessen kunnen barsten
- ▶ Raak geen bevroren producten aan met natte handen (draag handschoenen). Eet vooral ijsjes niet onmiddellijk na verwijdering uit het vriezergedeelte op. Er bestaat het risico op bevrozing of vriesblaren. Eerste hulp: houd onmiddellijk onder de koude kraan. Niet lostrekken!
- ▶ Raak het binnenoppervlak van het vriezergedeelte niet aan wanneer het in werking is, vooral niet met natte handen, omdat uw handen aan het oppervlak vast kunnen vriezen.



## WAARSCHUWING!

### Dagelijks gebruik

- ▶ Haal de stekker van het apparaat uit het stopcontact wanneer er een stroomonderbreking optreedt of voordat u het schoonmaakt. Laat het apparaat minstens 7 minuten rusten voordat u het opnieuw opstart, omdat vaak starten de compressor kan beschadigen.
- ▶ Gebruik geen elektrische toestellen in de bewaarruimten voor levensmiddelen van het apparaat, tenzij deze van het type zijn dat door de fabrikant wordt aanbevolen. Onderhoud/reiniging
- ▶ Zorg ervoor dat kinderen onder toezicht staan als ze schoonmaak en onderhoud uitvoeren.
- ▶ Haal de stekker van het apparaat uit het stopcontact voordat u routineonderhoud uitvoert. Laat het apparaat minstens 5 minuten rusten voordat u het opnieuw opstart, omdat vaak starten de compressor kan beschadigen.
- ▶ Houd de stekker vast, niet het snoer, wanneer u de stekker uit het stopcontact haalt.
- ▶ Reinig het apparaat niet met harde borstels, draadborstels, waspoeder, benzine, amylacetaat, aceton en soortgelijke organische oplossingen, zure of alkalische oplossingen. Reinig het apparaat met een speciaal reinigingsmiddel voor koelkasten om schade te voorkomen.
- ▶ Schraap vorst en ijs niet af met scherpe voorwerpen. Gebruik om schade aan de kunststof onderdelen te voorkomen geen sprays, elektrische verwarmingstoestellen zoals haardrogers, stoomreinigers of andere warmtebronnen.
- ▶ Gebruik geen mechanische apparaten of andere middelen om het ontdooien te versnellen, behalve als deze door de fabrikant worden aanbevolen.
- ▶ Als het netsnoer beschadigd is, moet het worden vervangen door de fabrikant, diens servicevertegenwoordiger of vergelijkbaar gekwalificeerde personen om gevaar te voorkomen.
- ▶ Probeer het apparaat niet zelf te repareren, te demonteren of te wijzigen. In geval van reparatie kunt u contact opnemen met onze klantenservice.
- ▶ Verwijder het stof aan de achterkant van het apparaat ten minste eenmaal per jaar om brandgevaar en een verhoogd energieverbruik te voorkomen.
- ▶ Spuit niet op het apparaat en spoel het niet af tijdens het reinigen.
- ▶ Gebruik geen waterstraal of stoom om het apparaat schoon te maken.
- ▶ Reinig de koude glazen planken niet met heet water. Door plotselinge temperatuurveranderingen kan het glas breken.

### Informatie over koudemiddel

- ▶ Het apparaat bevat het brandbare koelmiddel ISOBUTAAN (R600a). Controleer of het koelcircuit tijdens transport of installatie niet is beschadigd. Lekkend koelmiddel kan oogletsel veroorzaken of ontbranden. Als er schade is opgetreden, weghouden van open vuurbronnen, de kamer grondig ventileren, de stekker van het apparaat of enig ander apparaat niet in het stopcontact steken of eruit halen. Informeer de klantenservice.
- ▶ Als de ogen in contact komen met het koelmiddel, spoel het dan onmiddellijk onder stromend water af en bel onmiddellijk de oogspecialist.

## Beoogd gebruik

Dit apparaat is bedoeld voor het koelen en invriezen van voedsel. Het is uitsluitend ontworpen voor gebruik in huishoudelijke en soortgelijke toepassingen, zoals personeelskeukens in winkels, kantoren en andere werkomgevingen; op boerderijen en door gasten in hotels, motels en andere woonomgevingen, maar ook in bed and breakfasts en bij cateringbedrijven. Het is niet bedoeld voor commercieel of industrieel gebruik.

Wijzigingen of aanpassingen aan het apparaat zijn niet toegestaan.

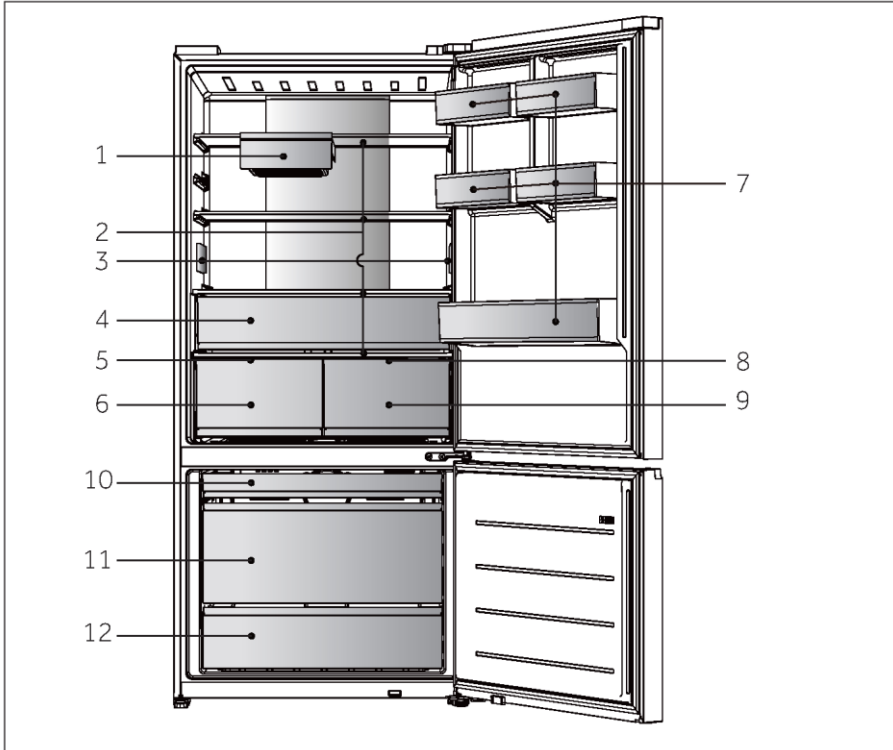
Onbedoeld gebruik kan risico's en verlies van garantieclaims veroorzaken.

## Normen en richtlijnen

Dit product voldoet aan de eisen van alle toepasselijke EG-richtlijnen met de bijbehorende geharmoniseerde normen die voorzien in een CE-markering.

## **i** LET OP

Door technische wijzigingen en verschillende modellen kunnen sommige afbeeldingen in deze handleiding afwijken van uw model.



A: Koelkastgedeelte

B: Vriezergedeelte

1 Lunchdoos

10 Schuifplank

2 Glazen planken

11 Vrieszone

3 AI Cooling

12 Vrieszone

4 Fresh zone

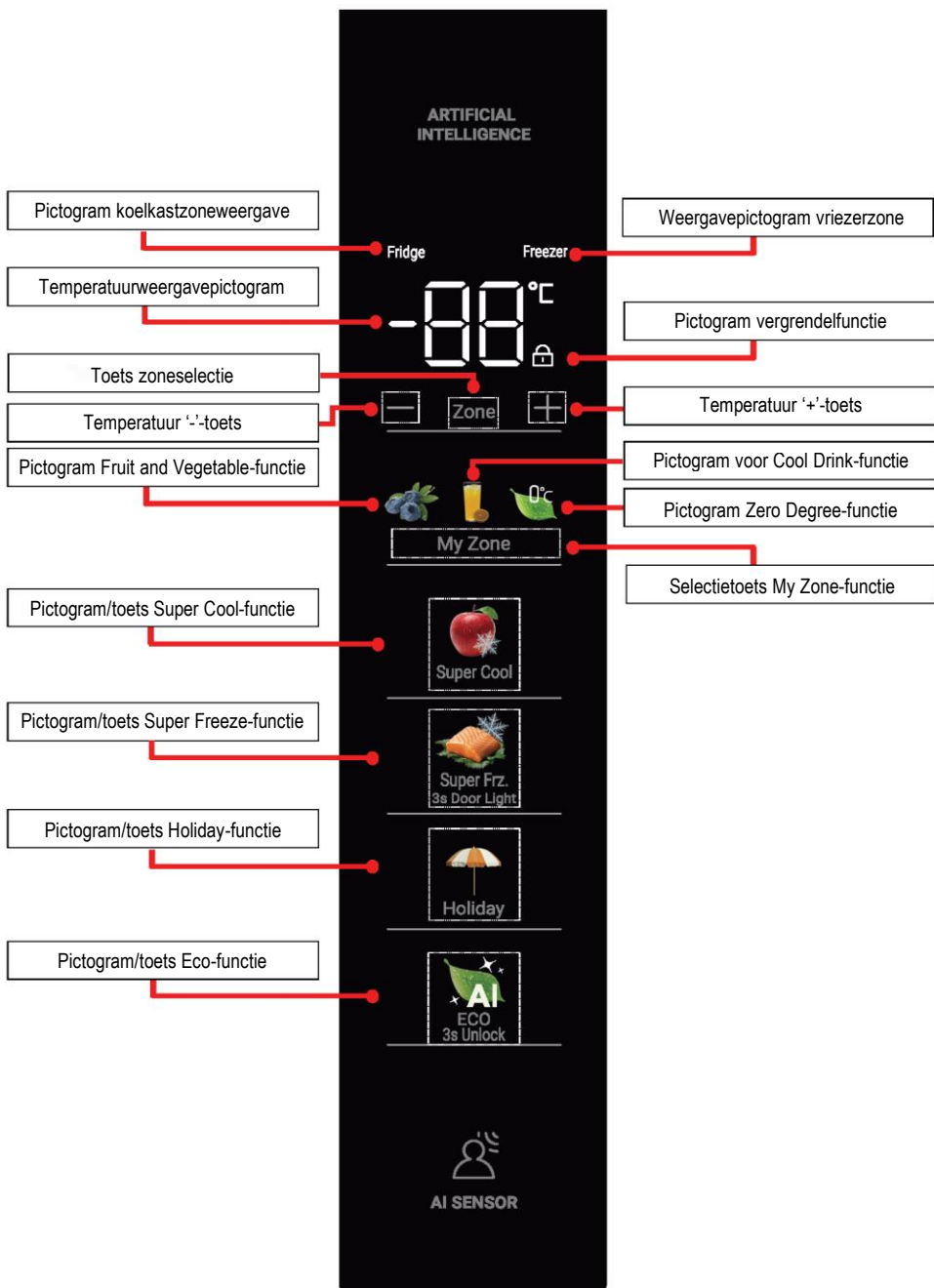
5 Deksel Humidity Zone

6 Humidity Zone

7 Flessenhouders

8 My Zone-afdekking

9 My Zone



## Vóór het eerste gebruik

- ▶ Verwijder alle verpakkingsmaterialen, houd ze buiten bereik van kinderen en gooi ze op een milieuvriendelijke manier weg.
- ▶ Reinig de binnen- en de buitenkant van het apparaat met water en een mild reinigingsmiddel voordat u er voedingsmiddelen in plaatst.
- ▶ Nadat het apparaat waterpas is gezet en is schoongemaakt, moet u minstens 2–5 uur wachten voordat u het aansluit op het elektriciteitsnet. Raadpleeg het hoofdstuk INSTALLATIE.
- ▶ Koel de compartimenten op hoge instellingen voor voordat u het voedsel erin zet. De Power Freeze-functie helpt om de compartimenten snel af te koelen.
- ▶ De temperatuur van de koelkast en de vriezer worden automatisch ingesteld op respectievelijk 5°C en -18°C. Dit zijn de aanbevolen instellingen. Als u wilt, kunt u deze temperaturen handmatig veranderen. Raadpleeg DE TEMPERATUUR AANPASSEN.

## Sensortoetsen

De toetsen op het bedieningspaneel zijn sensortoetsen, die al reageren als ze licht met de vinger worden aangeraakt.

### Het apparaat in-/uitschakelen

Het apparaat werkt zodra het op de voeding is aangesloten.

Wanneer de koelkast voor het eerst wordt ingeschakeld, licht de indicator

Temperatuurweergave op. De temperatuur van de koelkast en de vriezer worden automatisch ingesteld op respectievelijk 5°C en -18°C.

Mogelijk is de paneelvergrendeling actief.



## LET OP

Wanneer het apparaat wordt ingeschakeld nadat de stekker uit het stopcontact is gehaald, kan het tot wel 12 uren duren voordat de juiste temperaturen zijn bereikt.

Leeg het apparaat voordat u het uitschakelt. Trek het netsnoer uit het stopcontact om het apparaat uit te schakelen.

## Paneel vergrendelen/ontgrendelen

Automatische vergrendeling: Wanneer de koelkastdeur en de vriezerdeur gesloten zijn en er binnen 30 seconden geen toetsbediening is, gaat het display automatisch uit en wordt het vergrendeld.

Handmatige vergrendeling: Druk wanneer het display ontgrendeld is op de Eco-functietoets en houd deze 3 seconden ingedrukt. De zoemer klinkt eenmaal, het pictogram van de vergrendelingsfunctie licht op en het display wordt vergrendeld.

## De temperatuur aanpassen

De binnentemperaturen worden beïnvloed door de volgende factoren:

Omgevingstemperatuur

Frequentie van het openen van de deur

Hoeveelheid opgeslagen voedsel

Installatie van het apparaat

## De koelkasttemperatuur aanpassen

Druk in ontgrendelde toestand op de zoneselectietoets om de koelkastzone te selecteren (het koelkastpictogram licht op). Met elke druk wordt het temperatuurniveau met 1°C aangepast. Instellingen worden bevestigd na 5 seconden inactiviteit (scherm gaat uit), of onmiddellijk als er op andere toetsen wordt gedrukt. Aanpassingsvolgorde:

'+': 1°C ➔ 2°C ➔ 3°C ➔ 4°C ➔ 5°C ➔ 6°C ➔ 7°C ➔ 8°C ➔ 9°C

'-': 9°C ➔ 8°C ➔ 7°C ➔ 6°C ➔ 5°C ➔ 4°C ➔ 3°C ➔ 2°C ➔ 1°C



### LET OP

De koeltemperatuur kan niet worden aangepast in Super Cool of de vergrendelde toestand.

## De vriezertemperatuur aanpassen

Druk wanneer het display ontgrendeld is op de zoneselectietoets om de vriezerzone te selecteren (het vriezerpictogram licht op). Met elke druk op '+'/'-' wordt de temperatuur met 1°C aangepast (knippert met 1 Hz).

Instellingen worden automatisch opgeslagen na 5 seconden inactiviteit.

Als u op andere toetsen drukt, wordt de instelling onmiddellijk bevestigd en worden de functies omgeschakeld.

Aanpassingsvolgorde:

'+': -24°C ➔ -23°C ➔ -22°C ➔ -21°C ➔ -20°C ➔ -19°C ➔ -18°C ➔ -17°C ➔ -16°C

'-': -16°C ➔ -17°C ➔ -18°C ➔ -19°C ➔ -20°C ➔ -21°C ➔ -22°C ➔ -23°C ➔ -24°C



### LET OP

De vriestemperatuur kan niet worden aangepast in Super Freeze of de vergrendelde toestand.



## LET OP

Als er na het instellen van de temperatuur binnen 5 seconden geen handeling plaatsvindt, wordt het systeem automatisch bepaald en de ingestelde temperatuur opgeslagen.

### Super-Cool-functie

De Super Cool-toestand activeren:

Klik in de ontgrendelde toestand op de [Super Cool]-toets, het pictogram [Super Cool] licht op en de koelkast gaat over op de modus Super Cool.

De Super Cool-toestand verlaten:

1. Klik in de ontgrendelde en Super Cool-toestand op de [Super Cool]-toets, het pictogram [SuperCool] gaat uit en de 'Super Cool'-toestand wordt handmatig uitgeschakeld.
2. Wanneer de koelkast de ingestelde tijd bereikt, verlaat hij automatisch de Super Cool-functie. Na 4 uur in de Super Cool-modus wordt deze automatisch uitgeschakeld.

### Super-Frz-functie

De Super Freeze-toestand activeren:

Klik in de ontgrendelde op de [Super Frz.]-toets, het pictogram [Super Frz.] licht op en de koelkast gaat over op de modus Super Freeze.

De Super Freeze-toestand verlaten:

1. Klik in de ontgrendelde en Super Freeze-toestand op de [Super Frz.]-toets, het pictogram [Super Frz.] gaat uit en de 'Super Freeze'-toestand wordt handmatig uitgeschakeld.
2. Wanneer de koelkast de ingestelde tijd bereikt, verlaat hij automatisch de Super Freeze-functie. Na 50 uur in de Super Frz-modus wordt deze automatisch uitgeschakeld.

De Super-Freeze-functie is ontworpen om de voedingswaarden van bevroren voedsel te behouden; voedsel wordt in de kortste tijd ingevroren. Als grote hoeveelheden voedsel in één keer moeten worden ingevroren, wordt aanbevolen de Super-Freeze-functie in te stellen. De Super-Freeze-functie moet 24 uur van tevoren worden ingesteld, zodat de vriezer een relatief lage temperatuur heeft en de producten erin kunnen. Op dat moment is de vriesnelheid van de vriezer verbeterd, kan voedsel snel worden ingevroren, worden de voedingswaarden van het voedsel effectief behouden en wordt de opslag heel handig.

## AI Cooling-functie

Wanneer u gestoofd of gekookt voedsel snel moet afkoelen, kunt u het voedsel op de glazen plank plaatsen die overeenkomt met deze functie om het snel af te koelen. Wanneer de koelkast een warmtebron detecteert in de glazen schapruimte die overeenkomt met deze functie, beginnen de blauwe lampjes aan beide zijden te knipperen. Als de gedetecteerde warmtebron langer dan 5 seconden aanblijft, wordt deze functie geactiveerd en gaan de blauwe lampjes aan beide zijden branden. Als de gedetecteerde warmtebron minder dan 5 seconden aanblijft, start deze functie niet en knipperen de blauwe lampjes ongeveer 5 seconden om vervolgens uit te gaan. Nadat deze functie is gestart, branden de blauwe lampjes aan beide zijden (wanneer de deur open is) en beginnen de ventilatoren aan beide zijden te werken. Nadat de deur gesloten is, gaan de blauwe lampjes aan beide zijden uit en blijven de ventilatoren aan beide zijden werken. Nadat de warmtebron is afgekoeld, wordt deze functie uitgeschakeld, gaan de blauwe lampjes aan beide zijden uit en gaan de ventilatoren aan beide zijden uit.



### LET OP

- 1 Wanneer u soep of ander voedsel plaatst dat stoom afgeeft, gebruik dan een afgesloten bak met een deksel of verzegel het met plasticfolie voordat u het erin plaatst.
- 2 Het wordt aanbevolen om meloenen, fruit en groenten in de fruit- en groentelade te leggen voor een betere versheid en een bevochtigend effect. Als u voedsel in dit functionele gebied plaatst, blokkeer dan niet de ronde luchtinlaten aan beide zijden of de lange luchtuitlaat.
- 3 De opstarttest voor deze functie werd uitgevoerd met een roestvrijstalen soeppan (een gewone roestvrijstalen soeppan met een diameter van 275 mm, een hoogte van 150 mm en een totale hoogte met deksel van 200 mm) die op de plank werd geplaatst op de afgebeelde positie. Het vloeistofniveau in de pan was 2/3, de temperatuur van de buitenwand van de pan was 35°C, de omgevingstemperatuur tijdens het testen was 25°C en de koelkast werkte stabiel op de standaard fabrieksinstelling.
- 4 Als de warmtebron te klein is of de temperatuur te laag, start deze functie mogelijk niet automatisch.
- 5 Wanneer de handelingen van de gebruiker in deze functionele ruimte te lang duren of de deur te lang openstaat, kan deze functie ook worden geactiveerd.
- 6 Als u Holiday-modus activeert terwijl de AI Cooling-functie actief is, wordt de AI Cooling-functie uitgeschakeld.

## My Zone-functie

My Zone wordt aangepast en ingesteld volgens de functionele instellingen. Ze worden achtereenvolgens weergegeven door drie functionele pictogrammen: 'Fruits & Vegetables (5°C)', 'Cool Drink (2°C)', '0°C Fresh (0°C)'. Bij de eerste keer inschakelen is de standaardinstelling 'Fruits & Vegetables (5°C)'. Druk in ontgrendelde toestand op de My Zone-toets op de startpagina om naar de My Zone-instellingenpagina te gaan. Klik op de My Zone-insteltoets om My Zone om te schakelen naar de overeenkomstige instelling. De instelstatus van My Zone blijft behouden na stroomuitval.



### LET OP

In de Holiday-modus wordt het gekoelde compartiment met variabele temperatuur geregeld op 17°C en werkt het volgens de aan/uit-instelpunten van aan bij 20°C en uit bij 16°C.

## Menselijke detectiefunctie

De menselijke detectiefunctie is standaard ingeschakeld. Houd de toets 'Super Frz.' 3 seconden lang ingedrukt om de menselijke detectiefunctie uit of in te schakelen. Als je deze functie hebt geactiveerd, licht het display van de koelkast op en gaat de blauwe deurverlichting over in een ademhalingsmodus van oplichten en dimmen.

## Holiday-functie

Druk op de Holiday-toets in ontgrendelde toestand:

Eerste keer drukken: De Holiday-functie wordt geactiveerd (pictogram licht op, er klinkt een pieptoon)

Tweede keer drukken: De Holiday-functie wordt gedeactiveerd (pictogram gaat uit, er klinkt een pieptoon)

## Eco-functie

Nadat het display oplicht, als de koelkast niet in de Eco-functie staat en het display is ontgrendeld, drukt u eenmaal op de 'Eco'-toets, het pictogram van de Smart functie verschijnt, de zoemer klinkt eenmaal en de Eco-functie wordt geactiveerd.

Nadat het display oplicht, als de koelkast de Eco-functie heeft geactiveerd en het display is ontgrendeld, drukt u eenmaal op de 'Eco'-toets, het pictogram van de Smart functie gaat uit, de zoemer klinkt eenmaal en de Eco-functie wordt gedeactiveerd.



## LET OP

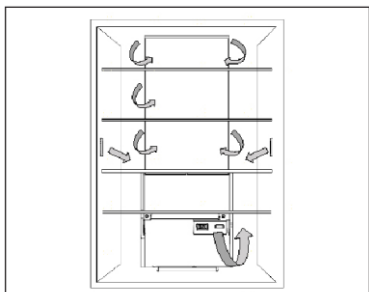
In de Eco-modus zal de koelkast de temperatuur van het vershoudvak automatisch instellen op 5°C en het vriesvak op -18°C.

In deze modus kunnen de temperaturen van het koelkast- en vriezercompartiment niet handmatig worden aangepast.

De temperatuur van het My Zone-compartiment kan individueel worden ingesteld en werkt volgens de instelling van de gebruiker.

Na het verlaten van de Eco-modus keren het koelkast- en vriezercompartiment terug naar de temperatuurinstellingen die u had geselecteerd voordat u naar de Eco-modus ging.

De instellingen van het My Zone-compartiment blijven ongewijzigd en andere operationele statussen worden niet beïnvloed.

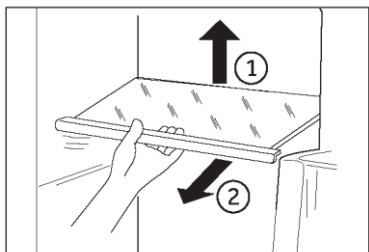


### Meervoudige luchtstroom

- 1.0 De koelkast is uitgerust met een meervoudige-luchtstroomsysteem, waarmee er op elke plank koele luchtstromen zijn. Dit helpt om een gelijkmatige temperatuur te handhaven om ervoor te zorgen dat uw voedsel langer vers blijft.

### Verstelbare planken

1. De hoogte van de planken kan worden aangepast aan uw opslagbehoeften.
2. Om een plank te verplaatsen, verwijdert u hem eerst door de achterrand ① op te tillen en de plank eruit te trekken ②.
3. Om hem weer te installeren, plaatst u hem op de nokjes aan beide kanten en duwt u hem helemaal naar achteren tot de achterkant van de plank vastzit in de gleuven in de zijkanten.



u Het schap 'POT STATION' heeft een maximaal draagvermogen van 200 kg en het schap blijft onbeschadigd. Wanneer de belasting meer dan 80 kg bedraagt, kan dit de normale werking van de lade 'Verszone' beïnvloeden (gegevens afkomstig van een intern laboratorium).



## LET OP

Zorg ervoor dat alle kanten van een plank vlak zijn.

### My Zone-lade

1. In dit compartiment is de vochtigheidsgraad lager dan in het koelkastgedeelte. Deze lade is geschikt voor het bewaren van gedroogde vruchten en andere droge voedingsmiddelen met een laag watergehalte zoals boter, vetten en olie of chocolade.

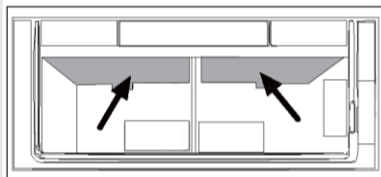
### Humidity Box-lade

1. In dit gedeelte is de vochtigheidsgraad hoger dan het koelkastgedeelte. Dit wordt automatisch gereguleerd door het systeem en is geschikt voor het bewaren van fruit, groenten, salades, etc.



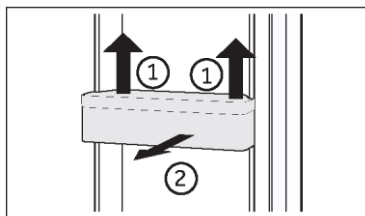
## LET OP

1. Verwijder de plastic deksels in de twee zones niet.
2. Ze houden de luchtvochtigheid in stand.
3. Het wordt niet aanbevolen om koudegevoelige vruchten zoals ananas, avocado, bananen en grapefruits in deze twee laden te bewaren.



### Verwijderbare deurrekken/fleshouder

1. De deurrekken kunnen worden verwijderd om te worden schoongemaakt:
2. Plaats uw handen aan beide kanten van het rek, til het omhoog ① en trek het eruit ②.
3. Voer de bovenstaande stappen in omgekeerde volgorde uit om het deurrek weer terug te plaatsen.



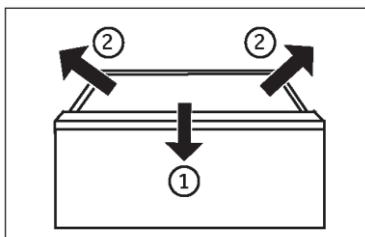
### LET OP

Als het apparaat is ingeschakeld, kan het tot 12 uur duren voordat de juiste temperaturen worden bereikt.

### Verwijderbare lade

Om de lade te verwijderen, trekt u deze zo ver mogelijk naar buiten ①, daarna optillen en verwijderen ②.

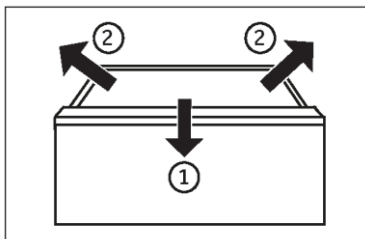
Voer de bovenstaande stappen in omgekeerde volgorde uit om lade weer terug te plaatsen.



### Het bewaren van grote items

Grote artikelen, zoals bevroren voedsel, kunnen worden opgeslagen na:

het verwijderen van de bovenste vrieslade, of verwijderen van beide bovenste vriesplaten en de middelste vrieslade, en het voedsel rechtstreeks op de plank te bewaren.



### De verlichting

De led-binnenverlichting gaat branden als de deur wordt geopend. De werking van de verlichting wordt niet beïnvloed door een van de andere instellingen van het apparaat.

### De lade

Duw of trek soepel langs de middelste positie van de ladegreep om problemen zoals een slechte werking of losraken van de lade te voorkomen.



## Tips voor energiebesparing

- ▶ Zorg ervoor dat het apparaat goed wordt geventileerd (raadpleeg INSTALLATIE).
- ▶ Installeer het apparaat niet in direct zonlicht of in de buurt van warmtebronnen (bijv. kachels, verwarmingstoestellen).
- ▶ Vermijd onnodig lage temperaturen in het apparaat. Het energieverbruik neemt toe naarmate de temperatuur in het apparaat lager is ingesteld.
- ▶ Functies zoals POWER-FREEZE verbruiken meer energie.
- ▶ Laat warm voedsel afkoelen voordat u het in de koelkast plaatst.
- ▶ Open de deur van het apparaat zo weinig en zo kort mogelijk.
- ▶ Vul het apparaat niet te vol om te voorkomen dat de luchtdoorstroming wordt geblokkeerd.
- ▶ Vermijd lucht in de verpakking van het voedsel.
- ▶ Houd de deurpakking schoon, zodat de deur altijd goed sluit.
- ▶ Ontdooi bevroren voedsel in de koelkast.
- ▶ De meest energiebesparende configuratie vereist dat de lades, voedselbakken en planken in fabrieksstaat worden gehouden, en dat voedsel zo diep mogelijk wordt geplaatst zonder dat de openingen van het luchtkanaal worden geblokkeerd.



## WAARSCHUWING!

Haal de stekker van het apparaat uit het stopcontact voordat u het reinigt.

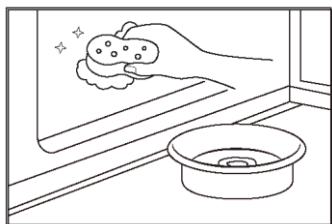
### Reinigen

1. Reinig het apparaat als er weinig of geen voedsel in is opgeslagen.
2. Het apparaat moet om de vier weken worden schoongemaakt voor een goed onderhoud en om nare voedselgeuren te voorkomen.



## WAARSCHUWING!

- ▶ Reinig het apparaat niet met harde borstels, draadborstels, waspoeder, benzine, amylacetaat, aceton en soortgelijke organische oplossingen, zure of alkalische oplossingen. Reinig het apparaat met een speciaal reinigingsmiddel voor koelkasten om schade te voorkomen.
- ▶ Spuit niet op het apparaat en spoel het niet af tijdens het reinigen.
- ▶ Gebruik geen waterstraal of stoom om het apparaat schoon te maken.
- ▶ Reinig de koude glazen planken niet met heet water. Door plotselinge temperatuurveranderingen kan het glas breken.
- ▶ Raak het binnenoppervlak van het vriezergedeelte niet aan, vooral niet met natte handen, omdat uw handen aan het oppervlak vast kunnen vriezen.
- ▶ Controleer in geval van opwarming de toestand van de ingevroren producten.



- ▶ Houd de deurpakking altijd schoon.
- ▶ Reinig de binnenkant en behuizing van het apparaat met een spons die is bevochtigd in warm water en een neutraal reinigingsmiddel.
  1. Was de binnenkant en buitenkant van de vriezer, waaronder deurrubbers, deurrek, glazen planken, bakken enzovoort, met een zachte handdoek of spons die in warm water is gedrenkt (u mag een neutraal schoonmaakmiddel toevoegen aan het warme water).
  2. Als er vloeistof is gemorst, verwijder dan alle verontreinigde onderdelen en spoel ze direct af met het stromend water. Daarna afdrogen en terug in de koelkast plaatsen.
  3. Als er room (zoals koffiemelk, smeltend ijs) wordt gemorst, moeten alle verontreinigde delen worden verwijderd. Zet ze een tijdje in warm water van ongeveer 40°C en spoel vervolgens af met stromend water. Daarna afdrogen en terug in de vriezer plaatsen.
  4. Als een klein deeltje of onderdeel vast komt te zitten in de koelkast (tussen planken of laden), gebruik dan een klein, zacht borsteltje om het weg te halen. Als u het onderdeel niet kan bereiken, neem dan contact op met de klantenservice van Haier.
- ▶ Spoel af en droog af met een zachte doek.
- ▶ Reinig de onderdelen van het apparaat niet in een vaatwasser.
- ▶ Laat het apparaat minstens 5 minuten rusten voordat u het opnieuw opstart, omdat vaak opstarten de compressor kan beschadigen.

## Ontdooien

Het ontdooien van de koelkast en het vriezergedeelte gebeurt automatisch; er is geen handmatige actie nodig.

## De ledlampjes vervangen



### WAARSCHUWING!

Vervang de ledlamp niet zelf, deze mag alleen worden vervangen door de fabrikant of door de erkende servicevertegenwoordiger.

De lamp heeft een led als lichtbron, met een laag energieverbruik en een lange levensduur. Als er sprake is van een afwijking, neem dan contact op met de klantenservice. Zie KLANTENSERVICE.

Parameters van de lampen:

Koelkastgedeelte: 12 V max. 8 W

Vriezergedeelte: 12 V max. 2 W

Blauwe deurverlichting: 12 V max. 3 W

### Geen gebruik voor een langere periode

Als het apparaat gedurende langere tijd niet wordt gebruikt en u gebruikt niet de Holiday-functie bij de koelkast:

Haal het voedsel eruit.

Haal de stekker van het netsnoer uit het stopcontact.

Reinig het apparaat zoals hierboven beschreven.

Houd de deur open om de vorming van nare geuren binnenin te voorkomen.



### LET OP

Schakel het apparaat alleen uit als dat echt nodig is.

### Het apparaat verplaatsen

1. Verwijder alle etenswaren en haal de stekker van het apparaat uit het stopcontact.
2. Maak planken en andere beweegbare delen in de koelkast en vriezer vast met plakband.
3. Kantel de koelkast niet meer dan 45° om schade aan het koelsysteem te voorkomen.



### WAARSCHUWING!

- ▶ Til het apparaat niet op aan de grepen.
- ▶ Plaats het apparaat nooit horizontaal op de grond.

Veel problemen kunnen door uzelf worden opgelost zonder specifieke expertise. Raadpleeg in geval van een probleem alle getoonde mogelijkheden en volg de onderstaande instructies voordat u contact opneemt met de klantenservice. Zie KLANTENSERVICE.



## WAARSCHUWING!

- ▶ Schakel het apparaat uit voordat u onderhoud uitvoert en haal de stekker uit het stopcontact.
- ▶ Elektrische apparatuur mag alleen worden onderhouden door gekwalificeerde elektrische experts, omdat onjuiste reparaties aanzienlijke gevolgschade kunnen veroorzaken.
- ▶ Als de voeding beschadigd is, mag deze alleen worden vervangen door de fabrikant, diens servicevertegenwoordiger of vergelijkbaar gekwalificeerde personen om gevaar te voorkomen.

Probleem	Mogelijke oorzaak	Mogelijke oplossing
De compressor werkt niet.	<ul style="list-style-type: none"> <li>• De netstekker is niet aangesloten op het stopcontact.</li> <li>• Het apparaat is aan het ontdooien.</li> </ul>	<ul style="list-style-type: none"> <li>• Steek de stekker in het stopcontact.</li> <li>• Dit is normaal voor automatisch ontdooien.</li> </ul>
Het apparaat slaat vaak aan of blijft te lang draaien.	<ul style="list-style-type: none"> <li>• De binnen- of buiten-temperatuur is te hoog.</li> <li>• Het apparaat is een tijd lang niet ingeschakeld geweest.</li> <li>• Een deur van het apparaat is niet goed gesloten.</li> <li>• De deur is te vaak of te lang geopend.</li> <li>• De temperatuurinstelling voor het vriezergedeelte is te laag.</li> <li>• De deurpakkingen zijn vuil, versleten, gebarsten of niet goed op elkaar afgestemd.</li> <li>• De vereiste luchtcirculatie is niet gegarandeerd.</li> </ul>	<ul style="list-style-type: none"> <li>• In dit geval is het normaal dat het apparaat langer werkt.</li> <li>• Normaal gesproken duurt het 8–12 uur voordat het apparaat volledig is afgekoeld.</li> <li>• Sluit de deur/lade en zorg ervoor dat het apparaat op een vlakke ondergrond staat en dat er geen etenswaren of voedselbakjes de deur blokkeren.</li> <li>• Open de deur/lade niet te vaak.</li> <li>• Stel de temperatuur hoger in totdat een toereikende koelkasttemperatuur is bereikt. Het duurt 24 uur voordat de koelkasttemperatuur stabiel is.</li> <li>• Reinig de deur-/ladepakkingen of laat ze vervangen door de klantenservice.</li> <li>• Zorg voor voldoende ventilatie.</li> </ul>
De binnenkant van de vriezer is vies en/of stinkt.	<ul style="list-style-type: none"> <li>• De binnenkant van de koelkast moet worden schoongemaakt.</li> <li>• Er wordt voedsel met een sterke geur bewaard in de koelkast</li> </ul>	<ul style="list-style-type: none"> <li>• Reinig de binnenkant van de koelkast.</li> <li>• Verpak het voedsel goed.</li> </ul>

Probleem	Mogelijke oorzaak	Mogelijke oplossing
Het is niet koud genoeg in het apparaat.	<ul style="list-style-type: none"> <li>De temperatuur is te hoog ingesteld.</li> <li>Er zijn te warme producten opgeslagen.</li> <li>Er is te veel voedsel in één keer bewaard.</li> <li>De producten zijn te dicht bij elkaar geplaatst.</li> <li>Een deur/lade van het apparaat zit niet goed dicht.</li> <li>De deur/lade is te vaak of te lang geopend.</li> </ul>	<ul style="list-style-type: none"> <li>Stel de temperatuur opnieuw in.</li> <li>Koel de producten altijd af voordat u ze opbergt.</li> <li>Bewaar altijd kleine hoeveelheden voedsel.</li> <li>Laat een gat tussen verschillende voedingsmiddelen waardoor lucht kan stromen.</li> <li>Sluit de deur/lade.</li> <li>Open de deur/lade niet te vaak.</li> </ul>
Het is te koud in het apparaat.	<ul style="list-style-type: none"> <li>De temperatuur is te laag ingesteld.</li> <li>De functie Super-Frz./ Super-Cool wordt geactiveerd of loopt te lang.</li> </ul>	<ul style="list-style-type: none"> <li>Stel de temperatuur opnieuw in.</li> <li>Schakel de functie Super-Frz./ Super-Cool uit.</li> </ul>
Vochtvorming aan de binnenkant van het koelkastgedeelte.	<ul style="list-style-type: none"> <li>Het klimaat is te warm en te vochtig.</li> <li>Een deur/lade van het apparaat zit niet goed dicht.</li> <li>De deur/lade is te vaak of te lang geopend.</li> <li>Voedselbakjes of vloeistoffen zijn open gelaten.</li> </ul>	<ul style="list-style-type: none"> <li>Verhoog de temperatuur.</li> <li>Sluit de deur/lade.</li> <li>Open de deur/lade niet te vaak.</li> <li>Laat warm voedsel afkoelen tot kamertemperatuur en dek voedsel en vloeistoffen af.</li> </ul>
Vocht hoopt zich op het oppervlak aan de buitenkant van de koelkast en tussen de deuren/deur en lade op.	<ul style="list-style-type: none"> <li>Het klimaat is te warm en te vochtig.</li> <li>De deur is niet goed gesloten. De koude lucht in het apparaat en de warme lucht daarbuiten condenseert.</li> </ul>	<ul style="list-style-type: none"> <li>Dit is normaal in een vochtig klimaat en zal veranderen wanneer de luchtvochtigheid daalt.</li> <li>Zorg dat de deur/lade goed dicht zit.</li> </ul>

Probleem	Mogelijke oorzaak	Mogelijke oplossing
Veel ijs en rijp in het vriezergedeelte.	<ul style="list-style-type: none"> <li>• De etenswaren zijn niet goed verpakt.</li> <li>• Een deur/lade van het apparaat zit niet goed dicht.</li> <li>• De deur/lade is te vaak of te lang geopend.</li> <li>• De deur-/ladepakkingen zijn vuil, versleten, gebarsten of niet goed op elkaar afgestemd.</li> <li>• Iets aan de binnenkant voorkomt dat de deur/lade goed kan sluiten.</li> </ul>	<ul style="list-style-type: none"> <li>• Verpak de etenswaren altijd goed.</li> <li>• Sluit de deur/lade.</li> <li>• Open de deur/lade niet te vaak.</li> <li>• Reinig de deur-/ladepakkingen of vervang ze door nieuwe.</li> <li>• Verplaats de planken, deurrekken of interne containers zodat de deur/lade kan worden gesloten.</li> </ul>
De zijkanten van de kast en de deurstrip worden warm.		<ul style="list-style-type: none"> <li>• Dit is normaal.</li> </ul>
Het apparaat maakt afwijkende geluiden.	<ul style="list-style-type: none"> <li>• Het apparaat staat niet op een vlakke ondergrond.</li> <li>• Het apparaat raakt voorwerpen rondom.</li> </ul>	<ul style="list-style-type: none"> <li>• Stel de pootjes af om het apparaat waterpas te zetten.</li> <li>• Verwijder voorwerpen rondom het apparaat.</li> </ul>
Er is een licht geluid te horen dat lijkt op dat van stromend water.		<ul style="list-style-type: none"> <li>• Dit is normaal.</li> </ul>
U hoort een alarm-pieptoon.	<ul style="list-style-type: none"> <li>• De deur van het koelkast-gedeelte staat open.</li> </ul>	<ul style="list-style-type: none"> <li>• Sluit de deur.</li> </ul>
U hoort een zacht gebrom.	<ul style="list-style-type: none"> <li>• Het anticondensatiesysteem is aan het werk.</li> </ul>	<ul style="list-style-type: none"> <li>• Dit voorkomt condensatie en is normaal.</li> </ul>
De binnenverlichting of het koelsysteem werkt niet.	<ul style="list-style-type: none"> <li>• De netstekker is niet aangesloten op het stopcontact.</li> <li>• De voeding is niet intact.</li> <li>• Het ledlampje werkt niet.</li> </ul>	<ul style="list-style-type: none"> <li>• Steek de stekker in het stopcontact.</li> <li>• Controleer de elektrische voeding naar de kamer. Bel het plaatselijke elektriciteitsbedrijf!</li> <li>• Bel de klantenservice om het lampje te laten vervangen.</li> </ul>

Ga naar onze website om contact op te nemen met de technische ondersteuning:

<https://corporate.haier-eu-ropo.com/en/>

Kies onder de kop 'website' het merk van uw product en uw land. U wordt doorgestuurd naar de specifieke website waar u het telefoonnummer en formulier kunt vinden om contact op te nemen met de technische dienst.

## Stroomonderbreking

In het geval van een stroomstoring, zou voedsel ongeveer 5 uur lang veilig koud moeten blijven. Volg de volgende tips tijdens een langdurige stroomstoring, vooral in de zomer:

- ▶ Open de deur/lade zo weinig mogelijk.
- ▶ Plaats geen extra voedsel in het apparaat tijdens een stroomstoring.
- ▶ Als een stroomstoring vooraf wordt aangekondigd en de onderbrekingsduur langer is dan 5 uur, maak dan ijs en zet dit in een bak boven in het koelkastgedeelte.
- ▶ Onmiddellijk na de onderbreking is een controle van de producten vereist.
- ▶ Aangezien de temperatuur in de koelkast stijgt tijdens een stroomonderbreking of een andere storing, wordt de bewaarperiode en de eetbare kwaliteit van voedsel nadelig beïnvloed. Alle levensmiddelen die ontdooien moeten worden gegeten, of worden bereid en daarna zo snel mogelijk opnieuw worden ingevroren (indien van toepassing) om gezondheidsrisico's te voorkomen.

## Geheugenfunctie tijdens de stroomonderbreking

Na herstel van de stroom gaat het apparaat door met de instellingen die waren ingesteld voor de stroomstoring.

## Uitpakken



### WAARSCHUWING!

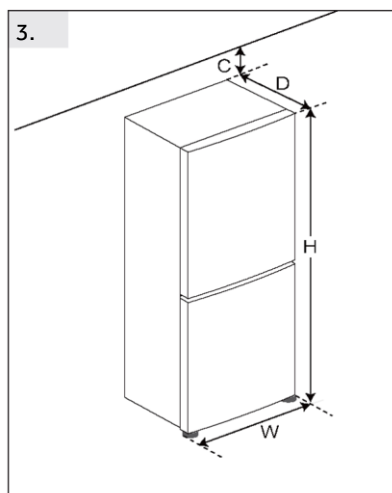
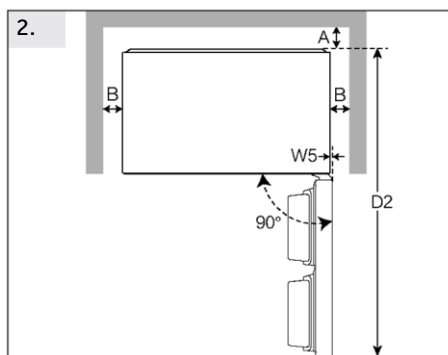
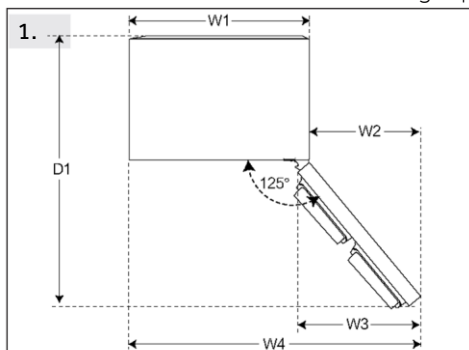
- ▶ Het apparaat is zwaar. Altijd hanteren met ten minste twee personen.
- ▶ Houd alle verpakkingsmaterialen buiten bereik van kinderen en gooi ze op een milieuvriendelijke manier weg.
- ▶ Haal het apparaat uit de verpakking.
- ▶ Verwijder al het verpakkingsmateriaal.

## Omgevingsomstandigheden

De kamertemperatuur moet altijd tussen 10°C en 43°C liggen, aangezien het de temperatuur in het apparaat en het energieverbruik kan beïnvloeden. Installeer het apparaat niet in de buurt van andere warmtebronnen (ovens, koelkasten) zonder isolatie.

## Ruimteaanbeveling

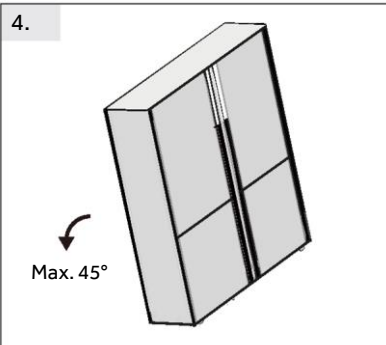
Aanbevolen ruimte als de deur wordt geopend (afb. 1.2).



(Eenheid: mm)		Model 1	Model 2
Breedte	W1	830	
	W2	500	
	W3	529	
	W4	1330	
	W5	21	
	W	830	
Diepte	D1	1362	
	D2	1502	
	D	725	
Afstand tot achterwand	A	50	
Afstand tot zijmuren	B	50	
Afstand tot plafond	C	50	
Totale hoogte	H	1850	

## Doorsnede van ventilatie

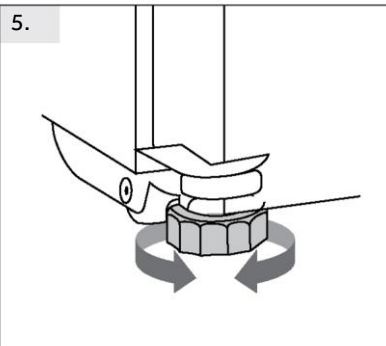
Om voor de veiligheid voldoende ventilatie van het apparaat te bereiken, moet de informatie over de vereiste ventilatiedoorsneden in acht worden genomen.



### Het apparaat uitlijnen (afb. 4.5.6)

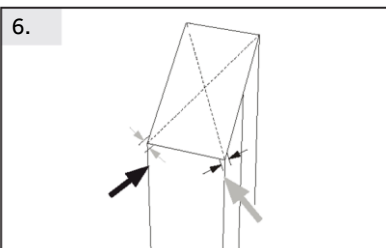
Plaats het apparaat op een vlakke en stevige ondergrond.

4. Kantel de vriezer iets naar achteren.



5. Stel de voeten in op het gewenste niveau.

Zorg dat de afstand tot de wand aan de scharnierzijde ten minste 50 mm is om de deur goed te kunnen openen.

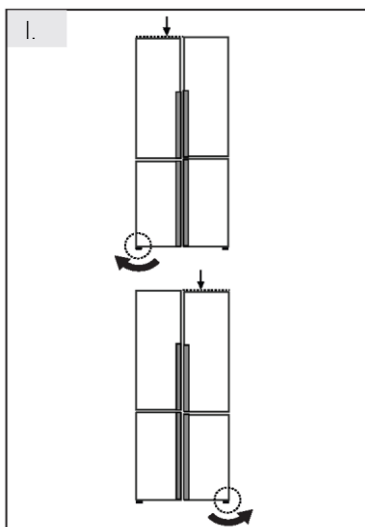


6. De stabiliteit kan worden gecontroleerd door afwisselend op de diagonalen te duwen. De lichte slingering moet in beide richtingen hetzelfde zijn. Anders kan het frame kromtrekken; mogelijk lekkende deurafdichtingen zijn het resultaat. Een kleine helling naar achteren vergemakkelijkt het sluiten van de deuren.



### LET OP

Voor een vrijstaand apparaat: Dit koelapparaat is niet bedoeld voor gebruik als inbouwapparaat.

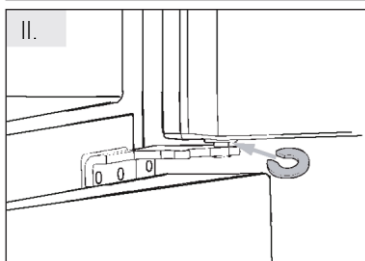


## Fijnafstelling van de deuren

Als de deuren niet op één lijn zitten, kan deze afwijking als volgt worden verholpen:

### I Met een verstelbare voet

Draai de verstelbare voet in de richting van de pijl om de voet omhoog of omlaag te draaien.



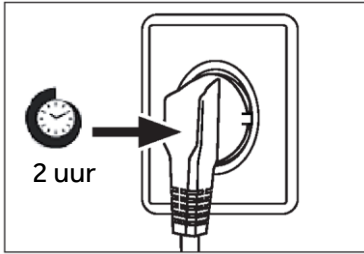
### II Met tussenstukken

- ▶ Open de bovenste deur en til die op.
- ▶ Klem het tussenstuk (bijgesloten in de zak met accessoires) met de hand of met gereedschap zoals een tang voorzichtig vast in de witte plastic ring van het middelste scharnier. De deur niet krassen of stoten.



## LET OP

Bij toekomstig gebruik van de koelkast kan het gebeuren dat de deuren niet gelijk zitten door het gewicht van opgeslagen voedsel. Pas dit aan volgens de bovenstaande methodes.



### Wachttijd

De onderhoudsvrije smeerolie bevindt zich in de behuizing van de compressor. Deze olie kan door het gesloten buissysteem komen bij liggend transport. Voordat u het apparaat op de voeding aansluit, moet u ten minste 2 uur wachten zodat de olie weer in de behuizing loopt.

### Elektrische aansluiting

Controleer vóór elke aansluiting of:

- ▶ voeding, stopcontact en zekering geschikt zijn volgens het typeplaatje;
- ▶ het stopcontact is geaard en er geen stekkerdoos of verlengsnoer is;
- ▶ de stekker en het stopcontact goed passen.

Sluit de stekker aan op een correct geïnstalleerd huishoudelijk stopcontact.



### WAARSCHUWING!

Om risico's te vermijden moet een beschadigd netsnoer worden vervangen door de klantenservice (zie garantiekaart).

Productkaart volgens de verordening EU nr. 2019/2016

Merk	Haier
Modelnaam/identificatie	HDR5818DNSS HDR5818DNPW HDR5818DNMB
Categorie van het model	Koelvriescombinatie
Energie-efficiëntieklasse	D
Jaarlijks energieverbruik (kWh/jaar)(1)	273
Totaal volume (liter)	640
Volume koelkast (liter)	413
Volume vriezer (liter)	184
Volume koelersectie (liter)	43
Steraanduiding	*/***
Temperatuur van andere compartimenten > 14°C	Niet van toepassing
Vorstvrij systeem	Ja
Vriescapaciteit (kg/24 uur)	10
Klimaatklasse (2)	SN-N-ST-T
Geluidsemissieklasse en geluidsemissie via de lucht (db(A) re 1pW)	B(35)
Temperatuurstijgingstijd (uur)	10
Type apparaat	Vrijstaand

## Uitleg:

- Ja, aanwezig

- (1) Op basis van de resultaten van de normconformiteitstest gedurende 24 uur. Het werkelijke verbruik is afhankelijk van het gebruik en de locatie van het apparaat.
- (2) Klimaatklasse SN: Dit apparaat is bedoeld voor gebruik bij een omgevingstemperatuur tussen +10°C en +32°C  
Klimaatklasse N: Dit apparaat is bedoeld voor gebruik bij een omgevingstemperatuur tussen +16°C en +32°C  
Klimaatklasse ST: Dit apparaat is bedoeld voor gebruik bij een omgevingstemperatuur tussen +16°C en +38°C  
Klimaatklasse T: Dit apparaat is bedoeld voor gebruik bij een omgevingstemperatuur tussen +16°C en +43°C

## Aanvullende technische gegevens

Spanning/frequentie	220–240 V ~/50 Hz
Ingangsstroom (A)	2
Belangrijkste zekering (A)	8
Koelmiddel	R600a
Afmetingen (HxBxD in mm)	1850x830x725

Wij adviseren onze Haier-klantenservice en het gebruik van originele onderdelen. Als u een probleem hebt met uw apparaat, controleer dan eerst het hoofdstuk **PROBLEMEN OPLOSSEN**.

Als u daar geen oplossing kunt vinden, neem dan contact op met

- ▶ uw plaatselijke dealer; of
- ▶ ons Europese service-callcentrum (zie onderstaande telefoonnummers); of
- ▶ het gedeelte Service & Support op [www.haier.com](http://www.haier.com), waar u de serviceclaim kunt activeren
- ▶ en ook veelgestelde vragen kunt vinden.

Om contact op te nemen met onze klantenservice, moet u ervoor zorgen dat u over de volgende gegevens beschikt.

De informatie is te vinden op het typeplaatje.

Model \_\_\_\_\_

Serienummer \_\_\_\_\_

Controleer ook de garantiekaart die met het product is meegeleverd in geval van garantie.

Europees service-callcentrum		
Land*	Telefoonnummer	Kosten
Haier Italy (IT)	199 100 912	
Haier Spain (ES)	902 509 123	
Haier Germany (DE)	0180 5 39 39 99	<ul style="list-style-type: none"> <li>• 14 ct/min – vaste lijn</li> <li>• max. 42 ct/min – mobiel</li> </ul>
Haier Austria (AT)	0820 001 205	<ul style="list-style-type: none"> <li>• 14,53 ct/min – vaste lijn</li> <li>• max. 20 ct/min – alle andere</li> </ul>
Haier United Kingdom (UK)	0333 003 8122	
Haier France (FR)	0980 406 409	

\* Voor andere landen verwijzen wij u naar [www.haier.com](http://www.haier.com)

Haier Europe Trading S.r.l

Branch UK

Westgate House, Westgate, Ealing

London, W5 1YY, Verenigd Koninkrijk

\*Duur van de garantie van het koelapparaat:

De minimumgarantie is: 2 jaar voor EU-landen, 3 jaar voor Turkije, 1 jaar voor het Verenigd Koninkrijk, 1 jaar voor Rusland, 3 jaar voor Zweden, 2 jaar voor Servië, 5 jaar voor Noorwegen, 1 jaar voor Marokko, 6 maanden voor Algerije, Tunesië geen wettelijke garantie vereist.

\*De beschikbaarheidsperiode van reserveonderdelen voor reparatie van het apparaat:

Thermostaten, temperatuursensoren, printplaten en lichtbronnen zijn gedurende minimaal zeven jaar na het op de markt brengen van de laatste eenheid van het model beschikbaar.

Deurgrepen, deurscharnieren, bakken en manden voor een minimale periode van zeven jaar en deurpakkingen ten minste 10 jaar na het op de markt brengen van de laatste eenheid van het model.

\*Raadpleeg voor meer informatie over het product <https://eprel.ec.europa.eu/> of scan de QR-code op het energielabel dat met het apparaat wordt meegeleverd.

## KWALITEITSCERTIFICAAT

AANDUIDING: KOELKAST

GESLAAGDE QC

Nr. CONTROLEUR

# Haier



0060543301  
2025 Versie A

# Haier

Instrukcja obsługi

Chłodziarko-zamrażarka

HDR5818DNSS  
HDR5818DNPW  
HDR5818DNMB



<u>4</u>	<u>Informacje dotyczące bezpieczeństwa</u>	
		Przed pierwszym użyciem 5
		Instalacja 5
		Codzienne użytkowanie 6
<u>8</u>	<u>Przeznaczenie</u>	
<u>9</u>	<u>Opis produktu</u>	
<u>10</u>	<u>Panel sterowania</u>	
<u>11</u>	<u>Użytkowanie</u>	Regulacja temperatury chłodziarki 12
		Regulacja temperatury zamrażarki 12
		Funkcja Super Cool 13
		Funkcja Super Freeze 13
		Funkcja AI Cooling 14
<u>17</u>	<u>Wyposażenie</u>	
<u>19</u>	<u>Wskazówki dotyczące oszczędzania energii</u>	
<u>20</u>	<u>Pielęgnacja i czyszczenie</u>	
<u>22</u>	<u>Usuwanie usterek</u>	
<u>26</u>	<u>Instalacja</u>	
<u>30</u>	<u>Dane techniczne</u>	
<u>32</u>	<u>Obsługa klienta</u>	

## Dziękujemy za zakup produktu firmy Haier.

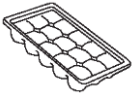
Przed użyciem urządzenia należy dokładnie przeczytać niniejsze instrukcje. Instrukcje zawierają ważne informacje, które pomogą możliwie najlepiej wykorzystać funkcje urządzenia, bezpiecznie i prawidłowo je zainstalować, eksploatować oraz konserwować.

Niniejszą instrukcję obsługi należy przechowywać w dostępnym miejscu, aby móc z niej zawsze skorzystać w celu bezpiecznego i właściwego użytkowania urządzenia.

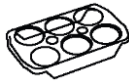
Przy sprzedaży urządzenia należy do niego dołączyć niniejszą instrukcję obsługi, a w przypadku przeprowadzki przekazać ją nowemu właścicielowi, aby mógł się zapoznać z urządzeniem i ostrzeżeniami dotyczącymi bezpieczeństwa.

## Aksesoria

Sprawdź akcesoria i literaturę na tej liście:



Tacka na lód



Tacka na jajka x 2



Etykieta wydajności energetycznej



Karta gwarancyjna



Instrukcja obsługi



Zestaw blokujący x 2



Środkowy zawias



Górny zawias



Górny zawias wygięty hak



Dolny zawias



Górna osłona wykończeniowa



Nakrętka śruby środkowej belki przedniej



Elementy mocujące



## OSTRZEŻENIE – Ważne informacje dotyczące bezpieczeństwa



## UWAGA - Ogólne informacje i wskazówki



## Informacje dotyczące ochrony środowiska



### Utylizacja

Pomóż chronić środowisko i ludzkie zdrowie. Wyrzuć opakowanie do odpowiednich pojemników do recyklingu. Pomóż w recyklingu odpadów z urządzeń elektrycznych i elektronicznych. Nie wyrzucaj urządzeń oznaczonych tym symbolem razem z odpadami domowymi. Oddaj produkt do miejscowego zakładu recyklingu lub skontaktuj się z urzędem miejskim.



### OSTRZEŻENIE: Ryzyko pożaru / materiał łatwopalny

Ten symbol wskazuje na zagrożenie pożarowe, ponieważ urządzenie zawiera materiały łatwopalne. Uważaj, aby nie spowodować pożaru w wyniku podpalenia łatwopalnego materiału.



## OSTRZEŻENIE!

Ryzyko obrażeń lub uduszenia!

Czynniki chłodnicze i gazy muszą być utylizowane w profesjonalny sposób. Przed utylizacją upewnij się, że przewody układu chłodniczego nie są uszkodzone. Odłącz urządzenie od zasilania sieciowego. Odetnij przewód zasilający i zutylizuj go. Usuń tace i szuflady oraz zamek drzwi i uszczelki, aby zapobiec zamknięciu się drzwi i zwierząt w urządzeniu.

## Przed włączeniem urządzenia po raz pierwszy, przeczytaj poniższe wskazówki dotyczące bezpieczeństwa!



### OSTRZEŻENIE!

#### Przed pierwszym użyciem

- ▶ Upewnij się, że nie ma uszkodzeń powstałych podczas transportu.
- ▶ Usuń wszystkie opakowania i przechowuj w miejscu niedostępnym dla dzieci.
- ▶ Odczekaj co najmniej dwie godziny przed zainstalowaniem urządzenia, aby upewnić się, że obwód czynnika chłodniczego jest w pełni efektywny.
- ▶ Zawsze przenoś urządzenie z pomocą co najmniej dwóch osób, ponieważ jest ono ciężkie.

#### Instalacja

- ▶ Urządzenie powinno być umieszczone w dobrze wentylowanym miejscu. Zapewnij przestrzeń co najmniej 10 cm nad urządzeniem i wokół niego.
- ▶ Nigdy nie umieszczaj urządzenia w wilgotnym miejscu lub w takim, w którym może być ochlapanie wodą. Zetrzyj plamy i zachlapania do sucha miękką i czystą ściereczką.
- ▶ Nie instaluj urządzenia w miejscu, w którym będzie narażone na bezpośrednie działanie słońca lub w pobliżu źródeł ciepła (np. pieców, grzejników).
- ▶ Zainstaluj i wypoziomuj urządzenie w miejscu odpowiednim dla jego wielkości i przeznaczenia.
- ▶ Dbaj o drożność otworów wentylacyjnych w obudowie urządzenia wolnostojącego lub w konstrukcji do zabudowy.
- ▶ Upewnij się, że informacje dotyczące elektryki na tabliczce znamionowej są zgodne z parametrami zasilania. Jeśli tak nie jest, skontaktuj się z elektrykiem.
- ▶ Urządzenie jest zasilane prądem 220–240 V AC/50 Hz. Odbiegające od normy wahania napięcia mogą spowodować niewłączenie się urządzenia albo uszkodzenie regulatora temperatury lub sprężarki. Mogą też być przyczyną nietypowego hałasu podczas pracy. W takim przypadku powinien zostać zamontowany automatyczny regulator.
- ▶ Nie używaj adapterów wtyczek i przedłużaczy.
- ▶ Za urządzeniem nie należy umieszczać kilku listew zasilających ani przenośnych zasilaczy.
- ▶ Upewnij się, że kabel zasilający nie jest przytrzaśnięty przez chłodziarkę. Nie stawaj na przewodzie zasilającym.
- ▶ Używaj oddzielnego, łatwo dostępnego i uziemionego gniazdka. Urządzenie musi być uziemione.
- ▶ Dotyczy tylko Wielkiej Brytanii: Kabel zasilający urządzenie jest wyposażony we wtyczkę z 3 bolcami (z uziemieniem), która pasuje do standardowego gniazda z 3 przewodami (z uziemieniem). Nigdy nie odcinaj ani nie demontuj trzeciego bolca (z uziemieniem). Po zainstalowaniu urządzenia wtyczka powinna być łatwo dostępna.
- ▶ Uważaj, aby nie uszkodzić obwodu chłodniczego.



## OSTRZEŻENIE!

### Codzienne użytkowanie

- ▶ Urządzenie może być obsługiwane przez dzieci powyżej 8 roku życia i przez osoby o ograniczonych możliwościach fizycznych, sensorycznych lub umysłowych lub osoby nieposiadające doświadczenia ani wiedzy pod warunkiem, że są one pod odpowiednim nadzorem lub zostały poinstruowane, jak bezpiecznie obsługiwać urządzenie i rozumieją związane z nim zagrożenia.
- ▶ Dzieciom w wieku od 3 do 8 lat wolno wkładać i wyjmować produkty z urządzeń chłodniczych, ale nie wolno ich czyścić ani instalować.
- ▶ Trzymaj z dala od urządzenia dzieci poniżej 3 roku życia, chyba że są pod stałym nadzorem.
- ▶ Dzieci nie powinny bawić się urządzeniem.
- ▶ Jeśli czynnik chłodniczy lub inny łatwopalny gaz wycieka w pobliżu urządzenia, zamknij zawór wyciekającego gazu, otwórz drzwi oraz okna i nie odłączaj kabla zasilającego chłodziarki lub innego urządzenia.
- ▶ Zwróć uwagę, że urządzenie jest ustawione do pracy w określonym zakresie temperatur pomiędzy 10 a 43°C. Chłodziarka może nie pracować prawidłowo, jeśli pozostanie na dłuższy czas w temperaturze powyżej lub poniżej podanego zakresu.
- ▶ Na chłodziarce nie należy umieszczać niestabilnych przedmiotów (ciężkich przedmiotów, pojemników wypełnionych wodą), aby uniknąć obrażeń ciała spowodowanych upadkiem lub porażeniem prądem elektrycznym w wyniku kontaktu z wodą.
- ▶ Nie ciągnij za półki drzwiowe. Drzwi mogą być pochylone, stojak na butelki może zostać wyciągnięty lub urządzenie może się przewrócić.
- ▶ Otwieraj i zamykaj drzwi tylko za pomocą klamek. Szczelina między drzwiami a obudową jest bardzo wąska. Nie trzymaj rąk w tych obszarach, aby uniknąć przycięcia palców. Otwieraj i zamykaj drzwi chłodziarki tylko wtedy, gdy nie ma dzieci stojących w obrębie ruchu drzwi.
- ▶ Nie przechowuj ani nie używaj materiałów łatwopalnych, wybuchowych lub żrących w urządzeniu lub w jego sąsiedztwie.
- ▶ Nie przechowuj w urządzeniu leków, bakterii lub substancji chemicznych. To urządzenie jest urządzeniem gospodarstwa domowego. Nie zaleca się przechowywania materiałów, które wymagają ściśle określonej temperatury.
- ▶ Nigdy nie przechowuj płynów w butelkach lub puszkach (oprócz alkoholi wysokoprocentowych), zwłaszcza napojów gazowanych w zamrażarce, ponieważ mogą one pęknąć podczas zamrażania.
- ▶ Sprawdź stan żywności, jeśli w zamrażarce miało miejsce zwiększenie temperatury.
- ▶ Nie ustawiaj niepotrzebnie niskiej temperatury w komorze chłodziarki. Ujemne temperatury mogą wystąpić przy wysokich ustawieniach. Uwaga: Butelki mogą wybuchnąć
- ▶ Nie dotykaj zamrożonych towarów mokrymi rękami (załóż rękawiczki). Szczególnie nie należy jeść lizaków lodowych bezpośrednio po wyjęciu z komory zamrażarki. Istnieje ryzyko przymarznięcia naskórka lub powstania pęcherzy. PIERWSZA pomoc: Natychmiast polej miejsce przymarznięcia bieżącą zimną wodą. Nie odrywaj!
- ▶ Nie dotykaj wnętrza komory zamrażalnika podczas pracy, zwłaszcza mokrymi rękami, ponieważ mogą one przymarznąć do jej powierzchni.



## OSTRZEŻENIE!

### Codzienne użytkowanie

- ▶ Odłącz urządzenie w przypadku przerwy w zasilaniu lub przed czyszczeniem. Nie uruchamiaj ponownie urządzenia przez co najmniej 7 minut, ponieważ szybkie włączenie może doprowadzić do uszkodzenia sprężarki.
- ▶ Nie używaj urządzeń elektrycznych wewnątrz komór do przechowywania żywności, chyba że są to urządzenia typu zalecanego przez producenta. Konserwacja / czyszczenie
- ▶ Upewnij się, że dzieci są nadzorowane podczas czyszczenia i konserwacji urządzenia.
- ▶ Przed przystąpieniem do rutynowej konserwacji należy odłączyć urządzenie od zasilania elektrycznego. Odczekaj co najmniej 5 minut przed ponownym uruchomieniem urządzenia, ponieważ częste uruchamianie może uszkodzić sprężarkę.
- ▶ Podczas odłączania urządzenia trzymaj za wtyczkę, a nie za przewód.
- ▶ Nie czyść urządzenia za pomocą twardych szczotek, szczotek drucianych, detergentów proszkowych, benzyny, octanu amyli, acetonu i podobnych roztworów organicznych, kwasów lub roztworów alkalicznych. Do czyszczenia należy używać specjalnego detergentu do chłodziarek, aby uniknąć uszkodzenia.
- ▶ Nie zeszkrobuj szronu i lodu ostrymi przedmiotami. Nie używaj rozpylaczy, grzejników elektrycznych, takich jak suszarka do włosów, myjek parowych lub innych źródeł ciepła, aby uniknąć uszkodzenia plastikowych części.
- ▶ Nie używaj urządzeń mechanicznych ani innych środków do przyspieszania procesu rozmrażania, chyba że są one zalecane przez producenta.
- ▶ Jeśli kabel zasilający ulegnie uszkodzeniu, dla bezpieczeństwa należy zlecić jego wymianę producentowi, autoryzowanemu serwisowi lub osobom o podobnych kwalifikacjach.
- ▶ Nie należy próbować samodzielnie naprawiać, demontować ani modyfikować urządzenia. W przypadku konieczności naprawy prosimy o kontakt z naszym działem obsługi klienta.
- ▶ Usuń kurz z tyłu urządzenia co najmniej raz w roku, aby uniknąć zagrożenia ogniem, a także zwiększonego zużycia energii.
- ▶ Nie używaj aerozolu ani nie przepłukuj urządzenia podczas czyszczenia.
- ▶ Nie używaj wody lub pary do czyszczenia urządzenia.
- ▶ Nie czyść zimnych szklanych półek gorącą wodą. Nagła zmiana temperatury może spowodować pęknięcie szkła.

### Informacje dotyczące czynnika chłodniczego

- ▶ Urządzenie zawiera łatwopalny czynnik chłodniczy IZOBUTAN (R600a). Upewnij się, że układ chłodniczy nie został uszkodzony podczas transportu lub instalacji. Wyciek czynnika może spowodować uszkodzenie wzroku lub zapalenie. Jeśli wystąpiło uszkodzenie, trzymaj urządzenie z dala od otwartych źródeł ognia, dokładnie przewietrz pomieszczenie, nie podłączaj ani nie odłączaj kabli zasilających tego lub innego urządzenia. Poinformuj obsługę klienta.
- ▶ W przypadku kontaktu czynnika chłodniczego z oczami natychmiast przepłucz je pod bieżącą wodą i natychmiast skontaktuj się z okulistą.

## Przeznaczenie

To urządzenie jest przeznaczone do chłodzenia i zamrażania żywności. Zostało zaprojektowane wyłącznie do użytku w gospodarstwach domowych i podobnych zastosowaniach, takich jak pomieszczenia kuchenne dla personelu w sklepach, biurach i innych środowiskach pracy; w gospodarstwach rolnych oraz przez klientów w hotelach, motelach i innych obiektach mieszkalnych, a także w pensjonatach i gastronomii. Nie jest przeznaczone do użytku komercyjnego ani przemysłowego.

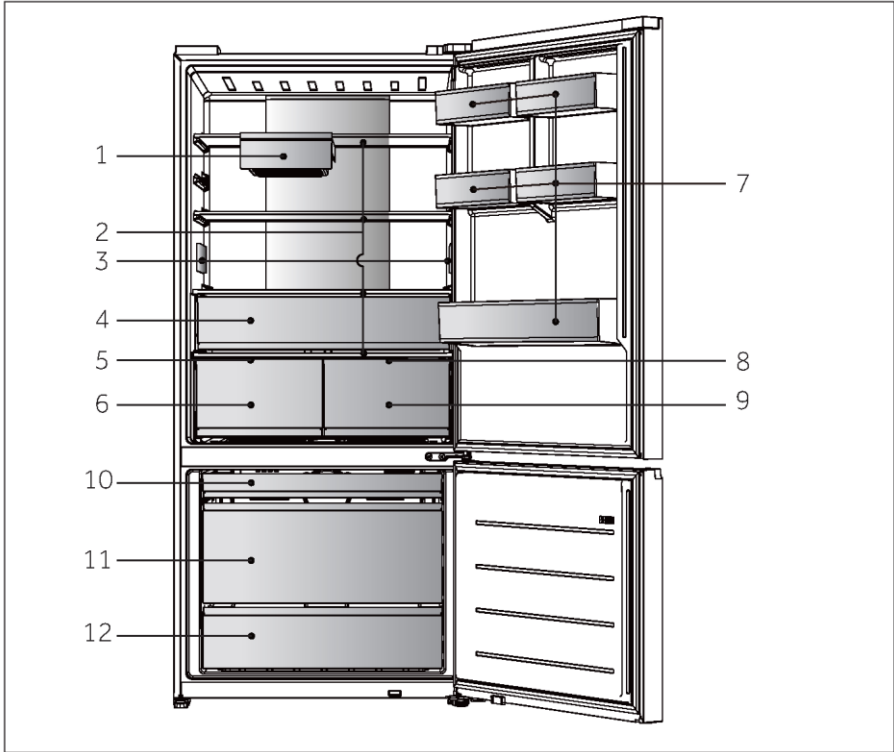
Zmiany lub modyfikacje urządzenia są niedozwolone. Użycie niezgodne z przeznaczeniem może spowodować zagrożenie i utratę roszczeń gwarancyjnych.

## Normy i dyrektywy

Produkt ten spełnia wymagania wszystkich obowiązujących dyrektyw UE z odpowiednimi normami zharmonizowanymi, które przewidują oznakowanie CE.

## **i** UWAGA

Z powodu zmian technicznych i różnych modeli, niektóre ilustracje w tej instrukcji mogą się różnić od Twojego modelu.



A: Komora chłodziarki

B: Komora zamrażarki

1 Pojemnik na żywność

10 Półka przesuwna

2 Szklane półki

11 Strefa zamrażania

3 AI Cooling

12 Strefa zamrażania

4 Fresh zone

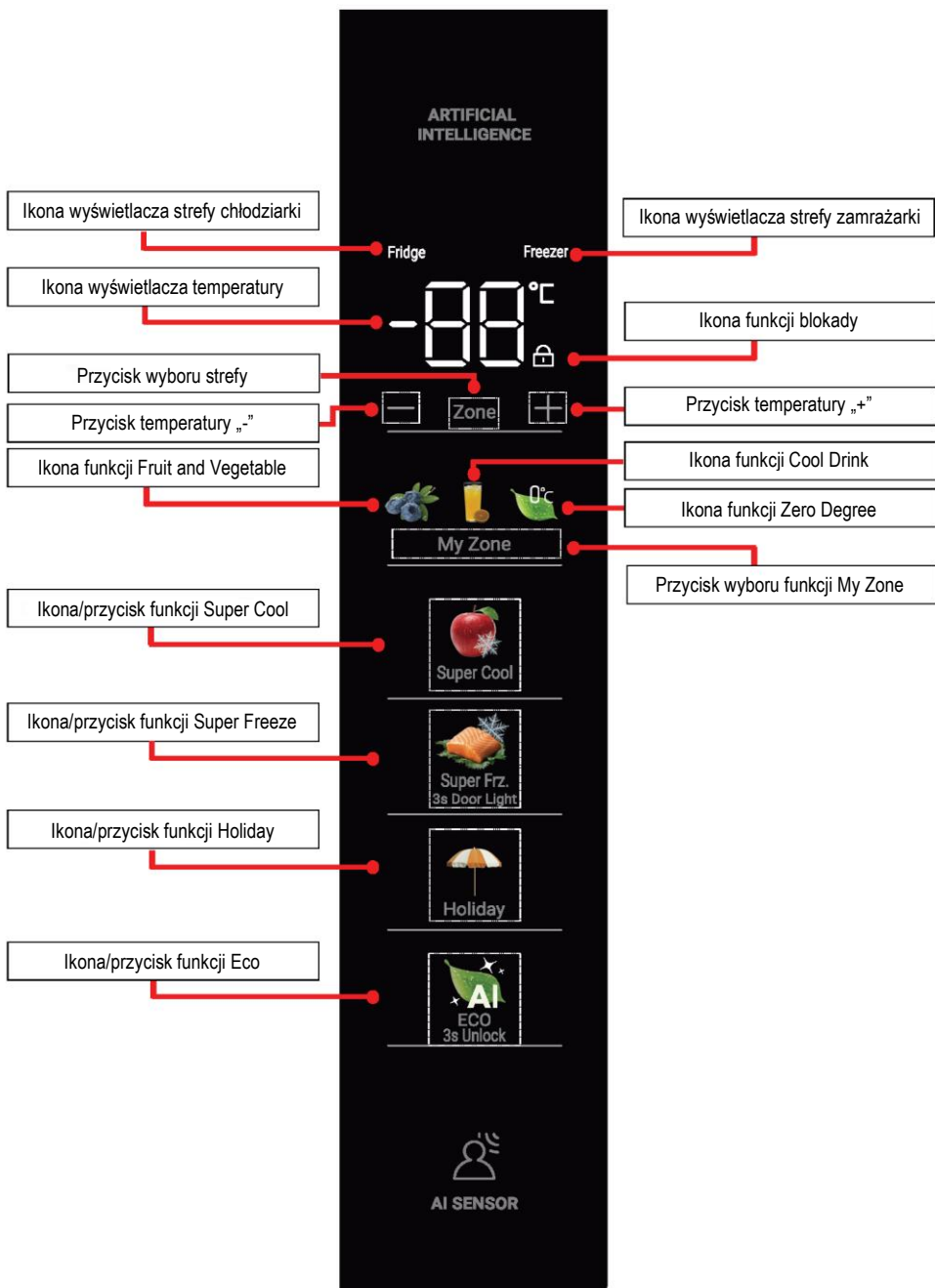
5 Pokrywa Humidity Zone

6 Humidity zone

7 Uchwyty na butelki

8 Pokrywa My Zone

9 My Zone



## Przed pierwszym użyciem

- ▶ Usuń wszelkie opakowania, trzymaj je w miejscu niedostępnym dla dzieci i zutylizuj w sposób przyjazny dla środowiska.
- ▶ Przed włożeniem żywności wyczyść wnętrze i obudowę urządzenia wodą z dodatkiem łagodnego detergentu.
- ▶ Po wypoziomowaniu i wyczyszczeniu urządzenia odczekaj co najmniej 2-5 godzin przed podłączeniem go do zasilania. Zob. rozdział INSTALACJA.
- ▶ Przed załadowaniem żywności należy wstępnie schłodzić komory z wysokimi ustawieniami. Funkcja Power-Freeze pomaga szybko schłodzić komory.
- ▶ Temperatury chłodziarki i zamrażarki są automatycznie ustawiane odpowiednio na 5°C i -18°C. To są zalecane ustawienia. W razie potrzeby można ręcznie zmienić ustawioną temperaturę. Zob. rozdział REGULACJA TEMPERATURY.

## Klawisze czujnika

Przyciski na panelu sterowania są klawiszami czujników, które reagują przy delikatnym dotknięciu palcem.

## Włącz/Wyłącz urządzenie

Urządzenie zacznie pracę jak tylko zostanie podłączone do źródła energii.

Gdy chłodziarka jest włączana po raz pierwszy, zapala się wskaźnik wyświetlacza Temperatury. Temperatury chłodziarki i zamrażarki są automatycznie ustawiane odpowiednio na 5°C i -18°C.

Blokada panelu może być aktywna.



## UWAGA

Gdy urządzenie zostanie włączone po uprzednim odłączeniu od głównego źródła zasilania, osiągnięcie prawidłowej temperatury może potrwać do 12 godzin.

Przed wyłączeniem należy opróżnić urządzenie. Aby wyłączyć urządzenie, wyciągnij przewód zasilający z gniazdka.

## Blokowanie/Odblokowanie panelu

Automatyczne blokowanie: Gdy drzwi chłodziarki i zamrażarki są zamknięte i w ciągu 30 sekund nie zostanie naciśnięty żaden klawisz, ekran wyświetlacza zostanie automatycznie zgaszony i zablokowany.

Ręczne blokowanie: Po odblokowaniu ekranu wyświetlacza naciśnij przycisk funkcji Eco i przytrzymaj go przez 3 sekundy. Rozlegnie się jeden sygnał dźwiękowy, zaświeci się ikona funkcji blokady, a wyświetlacz zostanie zablokowany.

## Regulacja temperatury

Na temperaturę wewnątrz chłodziarki wpływają następujące czynniki:

Temperatura otoczenia

Częstotliwość otwierania drzwi

Ilość przechowywanej żywności

Instalacja urządzenia

## Dostosuj temperaturę chłodziarki

Po odblokowaniu naciśnij przycisk wyboru strefy, aby wybrać strefę chłodziarki (ikona chłodziarki zaświeci się). Każde naciśnięcie zmienia temperaturę o 1°C. Ustawienia zostaną potwierdzone po 5 sekundach bezczynności (wyłączenie ekranu) lub natychmiast po naciśnięciu innych przycisków. Sekwencja regulacji:

„+”: 1°C ➔ 2°C ➔ 3°C ➔ 4°C ➔ 5°C ➔ 6°C ➔ 7°C ➔ 8°C ➔ 9°C

„-”: 9°C ➔ 8°C ➔ 7°C ➔ 6°C ➔ 5°C ➔ 4°C ➔ 3°C ➔ 2°C ➔ 1°C



### UWAGA

Temperatura chłodzenia nie może być regulowana w trybie Super Cool lub blokady.

## Wyreguluj temperaturę zamrażarki

Jeśli podczas pracy urządzenia wyświetlacz jest odblokowany, naciśnij przycisk wyboru strefy, aby wybrać strefę zamrażarki (zaświeci się ikona zamrażarki). Każde naciśnięcie przycisku „+”/„-” zmienia temperaturę o 1°C (miganie z częstotliwością 1 Hz).

Ustawienia zapisują się automatycznie po 5 sekundach bezczynności. Naciśnięcie innego przycisku natychmiast potwierdza ustawienie i przełącza funkcje.

Sekwencja regulacji:

„+”: -24°C ➔ -23°C ➔ -22°C ➔ -21°C ➔ -20°C ➔ -19°C ➔ -18°C ➔ -17°C ➔ -16°C

„-”: -16°C ➔ -17°C ➔ -18°C ➔ -19°C ➔ -20°C ➔ -21°C ➔ -22°C ➔ -23°C ➔ -24°C



### UWAGA

Temperatura zamrażania nie może być zmieniana w trybie Super Freeze lub blokady.



## UWAGA

Po ustawieniu temperatury, jeśli w ciągu 5 sekund nie zostanie wykonana żadna operacja, system automatycznie zapisze ustawioną temperaturę.

## Funkcja Super-Cool

Wejść w tryb Super Cool:

W stanie odblokowanym kliknij przycisk [Super Cool], ikona [Super Cool] zaświeci się, a chłodziarka przejdzie w stan Super Cool.

Wyjdź z trybu Super Cool:

1. W trybie odblokowanym i Super Cool kliknij przycisk [Super Cool], ikona [Super Cool] zgaśnie, a Ty ręcznie wyjdiesz z trybu Super Cool.
2. Po osiągnięciu ustawionego czasu chłodziarka automatycznie wyjdzie z Funkcja Super Cool. Po 4 godzinach od włączenia trybu Super Cool urządzenie automatycznie wyłączy ten tryb.

## Funkcja Super-Frz

Wejść do trybu Super Freeze:

W trybie odblokowanym kliknij przycisk [Super Frz.], ikona [Super Frz.] zaświeci się, a chłodziarka przejdzie w tryb Super Freeze.

Wyjście z trybu Super Freeze:

1. W stanie odblokowanym i w trybie Super Freeze kliknij przycisk [Super Frz.], ikona [SuperFrz.] zgaśnie, a Ty ręcznie wyjdiesz z trybu Super Freeze.
2. Gdy chłodziarka osiągnie ustawiony czas, automatycznie wyłączy funkcję Super Freeze. Po 50 godzinach od włączenia trybu Super Frz urządzenie automatycznie wyłączy funkcję.

Funkcja Super-Freeze ma na celu zachowanie wartości odżywczych mrożonej żywności poprzez zamrożenie jej w bardzo krótkim czasie. Jeśli jednorazowo mają być zamrożone duże ilości żywności, zaleca się ustawienie funkcji Super-Freeze z 24-godzinnym wyprzedzeniem, aby zamrażarka posiadała stosunkowo niską temperaturę, a następnie należy włożyć do niej żywność. Przyspiesza to proces zamrażania w zamrażarce, co umożliwia skuteczne zachowanie wartości odżywczych żywności i ułatwia jej przechowywanie.

## Funkcja AI Cooling

Kiedy trzeba szybko schłodzić duszone lub gotowane jedzenie, można je umieścić na szklanej półce przeznaczonej do tej funkcji, co pozwoli na szybkie schłodzenie. Gdy chłodziarka wykryje źródło ciepła w szklanej półce odpowiadającej tej funkcji, niebieskie światła po obu stronach zaczynają migać. Jeżeli wykryte źródło ciepła będzie obecne dłużej niż 5 sekund, funkcja ta zostanie włączona, a po obu stronach zapalą się niebieskie światła. Jeśli wykryte źródło ciepła utrzymuje się przez okres krótszy niż 5 sekund, ta funkcja nie zostanie uruchomiona, a niebieskie światła będą migać przez około 5 sekund, a następnie zgasną.

Po uruchomieniu tej funkcji zapalają się niebieskie światła po obu stronach (gdy drzwi są otwarte), a wentylatory po obu stronach zaczynają działać. Po zamknięciu drzwi niebieskie światła po obu stronach gasną, a wentylatory po obu stronach nadal działają. Po ostygnięciu źródła ciepła funkcja ta przestaje działać, niebieskie światła po obu stronach gasną, a wentylatory po obu stronach wyłączają się.



### UWAGA

1. Wkładając garnek z zupą lub inną żywność wydzielającą parę, należy użyć szczelnego pojemnika z pokrywką lub szczelnie owinąć go folią spożywczą przed umieszczeniem w środku.
2. Aby uzyskać lepszą świeżość i nawilżenie, melony, owoce i warzywa należy przechowywać w szufladzie na owoce i warzywa. Umieszczając żywność w tej strefie funkcjonalnej, nie należy blokować okrągłych wlotów powietrza po obu stronach, ani długiego wylotu powietrza.
3. Test rozruchowy tej funkcji przeprowadzono przy użyciu garnka ze stali nierdzewnej (typowego tureckiego garnka ze stali nierdzewnej o średnicy korpusu wynoszącej 275 mm, wysokości korpusu wynoszącej 150 mm i całkowitej wysokości z pokrywką wynoszącej 200 mm) umieszczonego na półce w miejscu pokazanym na ilustracji. Poziom cieczy wewnątrz garnka wynosił 2/3, temperatura zewnętrznej ścianki garnka wynosiła 35°C, temperatura otoczenia podczas testu wynosiła 25°C, a lodówka pracowała stabilnie przy domyślnych ustawieniach fabrycznych.
4. Jeśli źródło ciepła jest zbyt małe lub temperatura jest zbyt niska, funkcja ta może nie uruchomić się automatycznie.
5. Gdy czynności dostępu użytkownika do tej przestrzeni funkcjonalnej trwają zbyt długo lub drzwi są otwarte zbyt długo, może to również spowodować uruchomienie tej funkcji.
6. Jeśli włączysz tryb Holiday, gdy funkcja AI Cooling jest włączona, funkcja AI Cooling wyłączy się.

## Funkcja My Zone

My Zone jest dostosowywana i ustawiana zgodnie z ustawieniami funkcjonalnymi. Są one kolejno reprezentowane przez trzy ikony funkcyjne: „Fruits & Vegetables (5°C), Cool Drink (2°C), 0°C Fresh (0°C)”. Po pierwszym włączeniu, domyślne ustawienie to „Fruits & Vegetables (5°C)”. Po odblokowaniu naciśnij klawisz My Zone na stronie głównej, aby przejść do strony regulacji ustawień My Zone. Kliknij przycisk My Zone, aby przełączyć My Zone na odpowiednie ustawienie. Status ustawienia My Zone jest zachowany po zaniku zasilania.



### UWAGA

W trybie Holiday komora chłodzona o zmiennej temperaturze jest utrzymywana na poziomie 17°C i działa zgodnie z ustawionymi punktami włączania/wyłączenia: włączanie przy 20°C / wyłączenie przy 16°C.

## Funkcja wykrywania człowieka

Funkcja wykrywania obecności człowieka jest domyślnie włączona. Naciśnij i przytrzymaj przycisk „Super Frz.” przez 3 sekundy, aby włączyć lub wyłączyć funkcję wykrywania obecności człowieka. Po włączeniu tej funkcji i zbliżeniu się do chłodziarki, ekran wyświetlacza zaświeci się, a niebieskie światło drzwi przejdzie w tryb pulsujący, rozjaśniając się i przyciemniając.

## Funkcja Holiday

Naciśnij przycisk Holiday w stanie odblokowanym:

Pierwsze naciśnięcie: Funkcja Holiday zostaje aktywowana (ikona świeci, słychać sygnał dźwiękowy)

Drugie naciśnięcie: Funkcja Holiday zostaje wyłączona (ikona gaśnie, słychać sygnał dźwiękowy)

## Funkcja Eco

Po podświetleniu panelu wyświetlacza, jeśli chłodziarka nie weszła w funkcję Eco i panel wyświetlacza jest odblokowany, naciśnij przycisk „Eco” jeden raz, pojawi się ikona funkcji Smart, rozlegnie się jeden sygnał dźwiękowy, a funkcja Eco zostanie aktywowana.

Po podświetleniu panelu wyświetlacza, jeśli chłodziarka weszła w tryb Eco i panel wyświetlacza jest odblokowany, naciśnij przycisk „Eco” raz. Ikona funkcji Smart zgaśnie, rozlegnie się jeden sygnał dźwiękowy, a funkcja Eco zostanie wyłączona.



## UWAGA

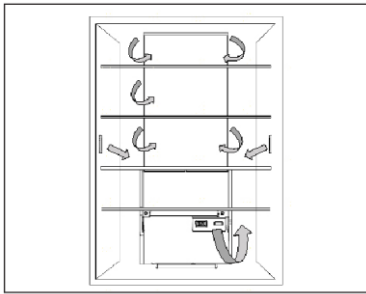
W trybie Eco, urządzenie automatycznie ustawi i wyświetli temperaturę komory ze świeżą żywnością na 5°C, a komory zamrażarki na -18°C.

W tym trybie nie można ręcznie regulować temperatury w komorach chłodziarki i zamrażarki.

Temperaturę w komorze My Zone można ustawić indywidualnie; będzie ona dostosowywana do ustawień użytkownika.

Po wyjściu z trybu Eco, komory chłodziarki i zamrażarki powrócą do ustawień temperatury wybranych przed włączeniem trybu Eco.

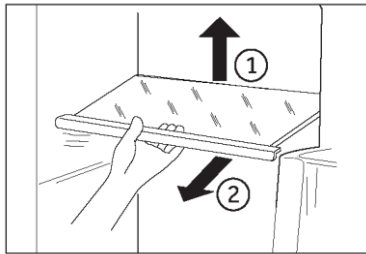
Ustawienia przedziału My Zone pozostaną niezmienione, a inne stany operacyjne nie ulegną zmianie.



## System obiegu powietrza

- 1.0 Chłodziarka jest wyposażona w system obiegu powietrza, dzięki któremu chłodne strumienie powietrza znajdują się na każdym poziomie półki. Pomaga to utrzymać jednolitą temperaturę, dzięki czemu żywność jest dłużej świeża.

## Regulowane półki



1. Wysokość półek można dostosować do potrzeb przechowywania.
2. Aby przenieść półkę, zdejmij ją najpierw, podnosząc tylną krawędź ① i wyciągając ją ②.
3. Aby ponownie zamontować półkę, należy nałożyć ją na uchwyty po obu stronach i wsunąć maksymalnie do tyłu, aż tylna część półki znajdzie się w szczelinach po bokach.
4. Półka „POT STATION” ma maksymalne obciążenie 200 kg i pozostaje nienaruszona. Przekroczenie obciążenia 80 kg może mieć wpływ na prawidłowe działanie szuflady „Fresh Zone” (dane pochodzące z wewnętrznego laboratorium).



## UWAGA

Upewnij się, że wszystkie końce półki są wypoziomowane.

## Szuflada My Zone

1. W tej komorze poziom wilgotności jest niższy niż w komorze lodówki. Szuflada ta nadaje się do przechowywania suchych owoców i innych suchych produktów spożywczych o niskiej zawartości wody, takich jak masło, tłuszcze i olej czy czekolada.

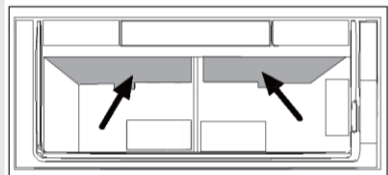
## Szuflada Humidity Box

1. W tej komorze poziom wilgotności jest wyższy niż w komorze chłodziarki. Jest sterowany automatycznie przez system i pozwala na przechowywanie owoców, warzyw, sałatek itp.



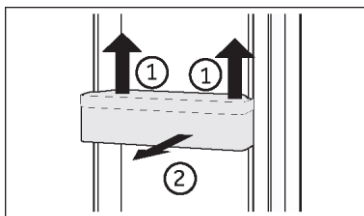
## UWAGA

1. Nie zdejmuj plastikowych osłon wewnątrz dwóch stref.
2. Utrzymują one odpowiednią wilgotność.
3. W tych dwóch szufladach nie zaleca się przechowywania owoców wrażliwych na zimno, takich jak ananas, awokado, banany, grejfruty.



### Zdemnowane półki na drzwiach/uchwyt na butelki

1. Półki na drzwiach można zdemontować w celu czyszczenia:
2. Połóż dłonie po obu stronach stojaka, podnieś go do góry ① i wyciągnij ②.
3. W celu ponownego zamontowania półek powyższe czynności wykonuje się w odwrotnej kolejności.



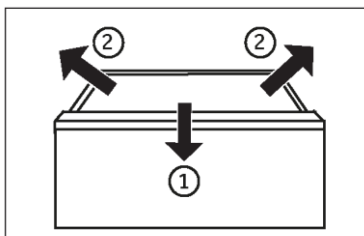
### UWAGA

Po włączeniu urządzenia osiągnięcie właściwej temperatury może potrwać do 12 godzin.

### Wymijowana szuflada

Aby wyjąć szufladę, wyciągnij ją maksymalnie ①, podnieś i wyjmij ②.

W celu ponownego włożenia szuflady powyższe czynności wykonuje się w odwrotnej kolejności.

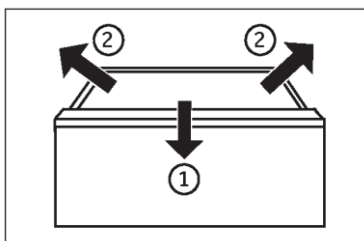


### Przechowywanie produktów o dużych rozmiarach

Duże produkty, takie jak mrozonki, można przechowywać po:

wyjmując górną tackę mrożącą lub

wyjęciu obu górnych tac zamrażarki oraz środkowej szuflady zamrażarki oraz przechowywanie żywności bezpośrednio na półce.



### Światło

Po otwarciu drzwi zapala się wewnętrzne oświetlenie LED. Na działanie światła nie ma wpływu żadne z pozostałych ustawień urządzenia.

### Szuflada

Aby uniknąć problemów, takich jak nieprawidłowe działanie lub wysuwanie się szuflady, należy delikatnie dociskać lub ciągnąć uchwyt szuflady wzdłuż jego środkowej części.



## Wskazówki dotyczące oszczędzania energii

- ▶ Upewnij się, że urządzenie jest właściwie wentylowane (patrz INSTALACJA).
- ▶ Nie należy instalować urządzenia w bezpośrednim świetle słonecznym lub w pobliżu źródeł ciepła (np. pieców, grzejników).
- ▶ Unikaj niepotrzebnie niskiej temperatury w urządzeniu. Zużycie energii zwiększa się wraz z ustawieniem niższej temperatury w urządzeniu.
- ▶ Funkcje takie jak POWER- FREEZE zwiększają zużycie energii.
- ▶ Przed włożeniem ciepłej żywności do urządzenia należy poczekać, aż ostygnie.
- ▶ Otwieraj drzwi możliwie rzadko i na krótko.
- ▶ Nie przepelniaj urządzenia, aby nie blokować przepływu powietrza.
- ▶ Unikaj powietrza w opakowaniu z żywnością.
- ▶ Utrzymuj w czystości uszczelki drzwi, aby zapewnić ich prawidłowe zamykanie.
- ▶ Rozmrażaj mrożoną żywność w komorze chłodziarki.
- ▶ Najbardziej energooszczędna konfiguracja wymaga, aby pojemniki i półki były umieszczone w urządzeniu jak w stanie fabrycznym, a żywność powinna być rozmieszczona w taki sposób, aby nie blokowała wylotu kanału wentylacyjnego.



## OSTRZEŻENIE!

Przed czyszczeniem odłącz urządzenie od zasilania sieciowego.

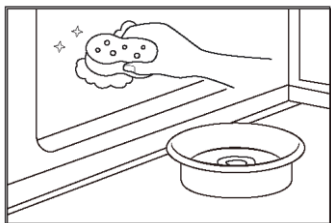
### Czyszczenie

1. Urządzenie należy czyścić, gdy przechowywana jest niewielka ilość żywności lub nie ma jej wcale.
2. Urządzenie powinno być czyszczone co cztery tygodnie, aby zapewnić dobrą konserwację i zapobiec nieprzyjemnym zapachom przechowywanej żywności.



## OSTRZEŻENIE!

- ▶ Nie czyść urządzenia za pomocą twardych szczotek, szczotek drucianych, detergentów proszkowych, benzyny, octanu amylnego, acetonu i podobnych roztworów organicznych, kwasów lub roztworów alkalicznych. Do czyszczenia należy używać specjalnego detergentu do chłodziarek, aby uniknąć uszkodzenia.
- ▶ Nie używaj aerozolu ani nie przepłukuj urządzenia podczas czyszczenia.
- ▶ Nie używaj wody lub pary do czyszczenia urządzenia.
- ▶ Nie czyść zimnych szklanych półek gorącą wodą. Nagła zmiana temperatury może spowodować pęknięcie szkła.
- ▶ Nie dotykaj wnętrza komory, zwłaszcza mokrymi rękami, ponieważ mogą one przymarznąć do jej powierzchni.
- ▶ W przypadku zwiększenia temperatury sprawdzić stan zamrożonych produktów.



- ▶ Uszczelka drzwi powinna być zawsze utrzymywana w czystości.
- ▶ Czyść wnętrze i obudowę urządzenia gąbką zanurzoną w ciepłej wodzie i neutralnym detergentem.
  1. Czyść wnętrze i zewnętrzną część chłodziarki, w tym uszczelnienie drzwi, stojak na drzwi, szklane półki, pudełka itd., miękkim ręcznikiem lub gąbką zanurzoną w ciepłej wodzie (można dodać neutralny detergent do ciepłej wody).
  2. W przypadku rozlania płynu usuń wszystkie zanieczyszczone elementy, bezpośrednio spłucz bieżącą wodą, osusz i włóż z powrotem do chłodziarki.
  3. W przypadku rozlanego kremu (np. śmietany, topniejących lodów), należy wyjąć wszystkie zanieczyszczone części, włożyć je na chwilę do ciepłej wody o temperaturze ok. 40°C, następnie spłukać bieżącą wodą, osuszyć i włożyć z powrotem do chłodziarki.
  4. W przypadku, gdy jakaś mała część lub element dostanie się do wnętrza chłodziarki (pomiędzy półki lub szuflady), użyj małego miękkiego pędzelka, aby go wyciągnąć. Jeśli nie udało się dotrzeć do tego elementu, prosimy o kontakt z serwisem Haier
- ▶ Spłucz i wysusz miękką ściereczką.
- ▶ Nie należy myć żadnych części urządzenia w zmywarce do naczyń.
- ▶ Odczekaj co najmniej 5 minut przed ponownym uruchomieniem urządzenia, ponieważ częste uruchamianie może uszkodzić sprężarkę.

### Rozmrażanie

Rozmrażanie komór chłodziarki i zamrażarki przebiega automatycznie; nie jest wymagana ręczna obsługa.

## Wymiana lampek LED



### OSTRZEŻENIE!

Nie wolno samodzielnie wymieniać lampy LED, może to zrobić tylko producent lub autoryzowany serwis.

Jako źródło światła lampy wykorzystują diody LED, charakteryzujące się niskim zużyciem energii i długą żywotnością. W przypadku wystąpienia jakichkolwiek nieprawidłowości prosimy o kontakt z działem obsługi klienta. Zob. OBSŁUGA KLIENTA.

Parametry lamp:

Komora chłodziarki: 12 V maks. 8 W

Komora zamrażarki: 12 V maks. 2 W

Niebieskie światło drzwi: 12V maks. 3W

### Dłuższa przerwa w użytkowaniu

Jeżeli urządzenie nie będzie używane przez dłuższy czas i nie będzie wykorzystywana funkcja Holiday chłodziarki:

Wymij żywność.

Odłącz przewód zasilający.

Wyczyść urządzenie jak opisano powyżej.

Zostaw drzwi otwarte, aby zapobiec tworzeniu się wewnątrz nieprzyjemnych zapachów.



### UWAGA

Wyłącz urządzenie tylko wtedy, gdy jest to absolutnie konieczne.

### Przenoszenie urządzenia

1. Wymij wszystkie produkty spożywcze i odłącz urządzenie od zasilania.
2. Zabezpiecz taśmą klejącą półki i inne ruchome części w zamrażarce.
3. Nie przechylaj chłodziarki pod kątem większym niż 45°, aby uniknąć uszkodzenia układu chłodniczego.



### OSTRZEŻENIE!

- ▶ Nie podnoś urządzenia za klamki.
- ▶ Nigdy nie należy ustawiać urządzenia poziomo na ziemi.

Wiele problemów można rozwiązać samodzielnie, bez specjalistycznej wiedzy. W przypadku problemów prosimy sprawdzić wszystkie pokazane możliwości i postępować zgodnie z poniższymi instrukcjami przed skontaktowaniem się z obsługą posprzedażową. Zob. OBSŁUGA KLIENTA.



### OSTRZEŻENIE!

- ▶ Przed przystąpieniem do konserwacji wyłącz urządzenie i wyjmij wtyczkę z gniazdka sieciowego.
- ▶ Urządzenie elektryczne powinno być serwisowane tylko przez wykwalifikowanych ekspertów, ponieważ niewłaściwe naprawy mogą spowodować znaczne szkody.
- ▶ Jeśli kabel zasilania jest uszkodzony, musi on zostać wymieniony przez producenta, serwisanta lub inną wykwalifikowaną osobę w celu uniknięcia niebezpieczeństwa.

Problem	Potencjalna przyczyna	Możliwe rozwiązanie
Sprężarka nie działa.	<ul style="list-style-type: none"> <li>• Wtyczka sieciowa nie jest podłączona do gniazdka.</li> <li>• Urządzenie znajduje się w cyklu rozmrażania.</li> </ul>	<ul style="list-style-type: none"> <li>• Podłącz wtyczkę sieciową.</li> <li>• Jest to normalne w przypadku automatycznego odszraniania.</li> </ul>
Urządzenie działa często lub przez zbyt długi okres czasu.	<ul style="list-style-type: none"> <li>• Temperatura wewnątrz i na zewnątrz urządzenia jest za wysoka.</li> <li>• Urządzenie było odłączone od zasilania przez określony czas.</li> <li>• Drzwi urządzenia nie są szczelnie zamknięte.</li> <li>• Drzwi były za często otwierane lub pozostawały długo otwarte.</li> <li>• Ustawienie temperatury w komorze zamrażarki jest zbyt niskie.</li> <li>• Uszczelki drzwi są zabrudzone zużyte, pęknięte lub niedopasowane.</li> <li>• Wymagany przepływ powietrza nie jest gwarantowany.</li> </ul>	<ul style="list-style-type: none"> <li>• W tym przypadku to normalne, że urządzenie będzie pracować dłużej.</li> <li>• Całkowite schłodzenie urządzenia trwa zazwyczaj od 8 do 12 godzin.</li> <li>• Zamknij drzwi i upewnij się, że urządzenie jest ustawione na płaskiej powierzchni i jedzenie lub pojemniki nie blokują drzwi.</li> <li>• Nie otwieraj drzwi/szuflad zbyt często.</li> <li>• Ustaw wyższą temperaturę, aż do uzyskania zadowalającej temperatury w chłodziarce. Temperatura chodziarki ustabilizuje się po 24 godzinach.</li> <li>• Wyczyść uszczelki drzwi/szuflady lub wymień je z pomocą serwisu obsługi klienta.</li> <li>• Zapewnij odpowiednią wentylację.</li> </ul>
Wnętrze chłodziarki jest brudne i/lub nieprzyjemnie pachnie.	<ul style="list-style-type: none"> <li>• Wnętrze chłodziarki wymaga czyszczenia.</li> <li>• W chłodziarce przechowywana jest żywność o intensywnym zapachu.</li> </ul>	<ul style="list-style-type: none"> <li>• Wyczyść wnętrze chłodziarki.</li> <li>• Dokładnie owiń żywność.</li> </ul>

Problem	Potencjalna przyczyna	Możliwe rozwiązanie
Wewnątrz urządzenia nie jest wystarczająco zimno.	<ul style="list-style-type: none"> <li>• Ustawiona temperatura jest za wysoka.</li> <li>• Była przechowywana zbyt ciepła żywność.</li> <li>• W chłodziarce umieszczono zbyt dużą ilość żywności.</li> <li>• Żywność jest zbyt blisko siebie.</li> <li>• Drzwi/szuflada urządzenia nie są szczelnie zamknięte.</li> <li>• Drzwi/szuflady były za często otwierane lub pozostawały długo otwarte.</li> </ul>	<ul style="list-style-type: none"> <li>• Ponownie ustaw temperaturę.</li> <li>• Zawsze schładzaj żywność przed jej włożeniem do urządzenia.</li> <li>• Zawsze przechowuj małe ilości żywności.</li> <li>• Pozostaw przestrzeń między produktami spożywczymi, umożliwiając przepływ powietrza.</li> <li>• Zamknij drzwi/szufladę.</li> <li>• Nie otwieraj drzwi/szuflad zbyt często.</li> </ul>
Wnętrze urządzenia jest za zimne.	<ul style="list-style-type: none"> <li>• Temperatura jest za niska.</li> <li>• Funkcja Super-Frz/Super-Cool jest włączona lub działa zbyt długo.</li> </ul>	<ul style="list-style-type: none"> <li>• Ponownie ustaw temperaturę.</li> <li>• Wyłącz funkcję Super-Frz/Super-Cool</li> </ul>
Powstawanie wilgoci na wewnętrznych ściankach komory.	<ul style="list-style-type: none"> <li>• Klimat jest zbyt ciepły i wilgotny.</li> <li>• Drzwi/szuflada urządzenia nie są szczelnie zamknięte.</li> <li>• Drzwi/szuflady były za często otwierane lub pozostawały długo otwarte.</li> <li>• Pojemniki na żywność lub płyny są otwarte.</li> </ul>	<ul style="list-style-type: none"> <li>• Zwiększ temperaturę.</li> <li>• Zamknij drzwi/szufladę.</li> <li>• Nie otwieraj drzwi/szuflad zbyt często.</li> <li>• Pozostaw gorącą żywność do ostygnięcia do temperatury pokojowej i przykryj żywność oraz płyny.</li> </ul>
Wilgoć gromadzi się na zewnętrznej powierzchni chłodziarki lub między drzwiami a szufladą.	<ul style="list-style-type: none"> <li>• Klimat jest zbyt ciepły i wilgotny.</li> <li>• Drzwi nie są szczelnie zamknięte. Zimne powietrze skrapla się wewnątrz urządzenia, a ciepłe powietrze na zewnątrz.</li> </ul>	<ul style="list-style-type: none"> <li>• Jest to normalne zjawisko w wilgotnym klimacie i zmieni się, gdy wilgotność spadnie.</li> <li>• Upewnij się, że drzwi/szuflada są szczelnie zamknięte.</li> </ul>

Problem	Potencjalna przyczyna	Możliwe rozwiązanie
Nadmierny lód i szron w komorze zamrażarki.	<ul style="list-style-type: none"> <li>• Artykuły spożywcze nie zostały odpowiednio zapakowane.</li> <li>• Drzwi/szuflada urządzenia nie są szczelnie zamknięte.</li> <li>• Drzwi/szuflady były za często otwierane lub pozostawały długo otwarte.</li> <li>• Uszczelki drzwi/szuflady są brudne, zużyte, pęknięte lub niedopasowane.</li> <li>• Coś wewnątrz uniemożliwia prawidłowe zamknięcie drzwi/szuflady.</li> </ul>	<ul style="list-style-type: none"> <li>• Zawsze właściwie pakuj artykuły spożywcze.</li> <li>• Zamknij drzwi/szufladę.</li> <li>• Nie otwieraj drzwi/szuflad zbyt często.</li> <li>• Wyczyść uszczelki drzwi lub wymień je na nowe.</li> <li>• Ponownie umieść półki, półki na drzwi lub pojemniki wewnętrzne, aby umożliwić zamknięcie drzwi/szuflady.</li> </ul>
Boki obudowy i listwa drzwiowa nagrzewają się.		<ul style="list-style-type: none"> <li>• To normalne.</li> </ul>
Urządzenie wydaje dziwne dźwięki.	<ul style="list-style-type: none"> <li>• Urządzenie nie znajduje się na wypoziomowanym podłożu.</li> <li>• Urządzenie dotyka jakiegoś przedmiotu.</li> </ul>	<ul style="list-style-type: none"> <li>• Wyreguluj nóżki, aby wypoziomować urządzenie.</li> <li>• Usuń objekty znajdujące się w pobliżu urządzenia.</li> </ul>
Słysząc delikatny szum podobny do płynącej wody.		<ul style="list-style-type: none"> <li>• To normalne.</li> </ul>
Usłyszysz sygnał alarmowy.	<ul style="list-style-type: none"> <li>• Drzwi komory chłodziarki są otwarte.</li> </ul>	<ul style="list-style-type: none"> <li>• Zamknij drzwi.</li> </ul>
Usłyszysz słaby szum.	<ul style="list-style-type: none"> <li>• Układ antykondensacyjny działa</li> </ul>	<ul style="list-style-type: none"> <li>• Zapobiega to kondensacji i jest normalne</li> </ul>
Oświetlenie wnętrza lub układ chłodzenia nie działa.	<ul style="list-style-type: none"> <li>• Wtyczka sieciowa nie jest podłączona do gniazdka.</li> <li>• Zasilanie nie jest w dobrym stanie.</li> <li>• Lampka LED nie działa</li> </ul>	<ul style="list-style-type: none"> <li>• Podłącz wtyczkę sieciową.</li> <li>• Sprawdź zasilanie elektryczne w pomieszczeniu. Skontaktuj się z lokalnym dostawcą energii elektrycznej!</li> <li>• Wezwij serwis w celu wymiany lampki.</li> </ul>

Aby skontaktować się z pomocą techniczną, odwiedź naszą stronę internetową:

<https://corporate.haier-eu-rope.com/en/>

W sekcji „Strona internetowa” wybierz markę swojego produktu i kraj. Otworzy się strona internetowa, na której znajdziesz numer telefonu i formularz do kontaktu z pomocą techniczną.

## Przerwa w zasilaniu

W przypadku przerwy w dostawie prądu żywność powinna zachować bezpieczną temperaturę przez około 5 godzin. Podczas dłuższej przerwy w dostawie prądu, zwłaszcza latem, należy stosować się do poniższych wskazówek:

- ▶ Unikaj częstego otwierania drzwi/szuflady.
- ▶ Nie wkładaj do urządzenia dodatkowej żywności podczas przerwy w dostawie prądu.
- ▶ Jeśli przerwa w dostawie prądu została zgłoszona z wyprzedzeniem i trwa dłużej niż 5 godzin, należy przygotować trochę lodu i umieścić go w pojemniku w górnej części komory chłodziarki.
- ▶ Kontrola towaru jest wymagana niezwłocznie po przerwie.
- ▶ Ponieważ temperatura w chłodziarce wzrośnie podczas przerwy w zasilaniu lub innej awarii, okres przechowywania i jadalna jakość żywności ulegną skróceniu. Każda żywność, która się rozmraża, powinna zostać spożyta lub ugotowana i ponownie zamrożona (w stosownych przypadkach) wkrótce po tym, aby zapobiec zagrożeniom dla zdrowia.

## Funkcja pamięci podczas przerwy w zasilaniu

Po przywróceniu zasilania urządzenie kontynuuje ustawienia ustawione przed awarią zasilania.

## Rozpakowanie

**OSTRZEŻENIE!**

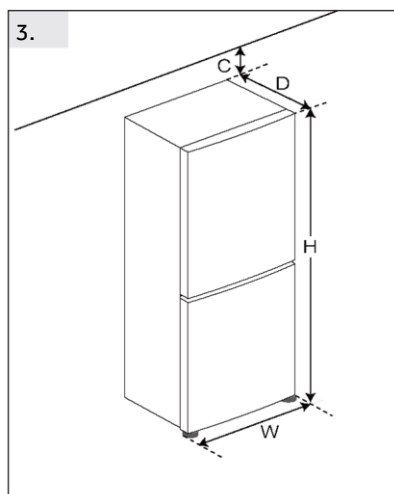
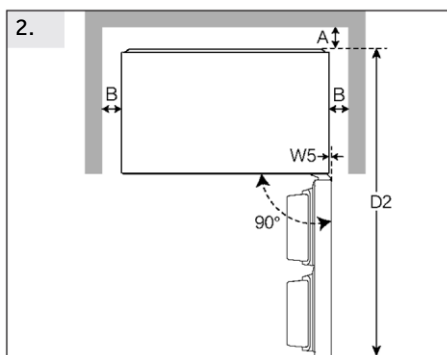
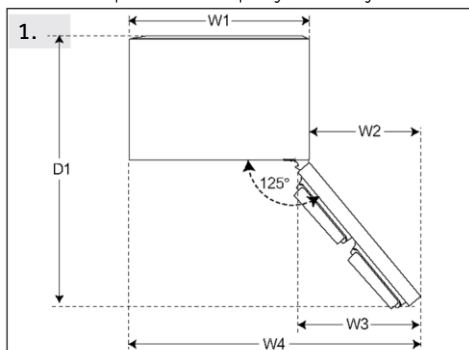
- ▶ Urządzenie jest ciężkie. Prace powinny być wykonywane przez co najmniej dwie osoby.
- ▶ Wszystkie materiały opakowaniowe należy przechowywać poza zasięgiem dzieci i utylizować w sposób przyjazny dla środowiska.
- ▶ Wyjmij urządzenie z opakowania.
- ▶ Usuń całe opakowanie.

**Warunki środowiskowe**

Temperatura w pomieszczeniu powinna zawsze wynosić od 10°C do 43°C, ponieważ może wpływać na temperaturę wewnątrz urządzenia i zużycie energii. Nie ustawiaj urządzenia w pobliżu innych urządzeń bez izolacji emitujących ciepło (piekarniki, chłodziarki).

**Zalecenia dotyczące przestrzeni**

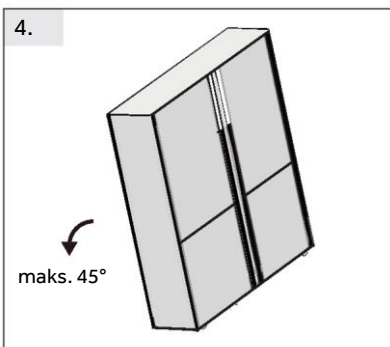
Zalecana przestrzeń przy otwartych drzwiach (rys. 1.2.)



(Jednostka: mm)	Model nr 1		Model nr 2	
Szerokość	W1	830		
	W2	500		
	W3	529		
	W4	1330		
	W5	21		
	W	830		
Głębokość	D1	1362		
	D2	1502		
	D	725		
Odległość do tylnej ściany	A	50		
Odległość do ścian bocznych	B	50		
Odległość do sufitu	C	50		
Całkowita wysokość	H	1850		

## Przekrój wentylatora

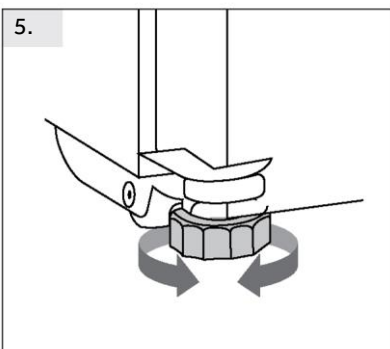
Aby zapewnić wystarczającą wentylację urządzenia ze względów bezpieczeństwa, należy przestrzegać informacji o wymaganych przekrojach wentylacji.



### Ustawianie urządzenia (rys. 4.5.6)

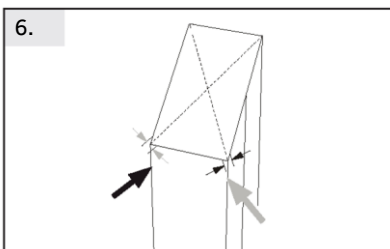
Urządzenie powinno być umieszczone na płaskiej i stabilnej powierzchni.

4. Odchyl chłodziarkę lekko do tyłu.



5. Ustaw nóżki na żądanym poziomie.

Upewnij się, że odległość od ściany po stronie zawiasu wynosi co najmniej 50 mm, aby drzwi mogły się prawidłowo otworzyć.

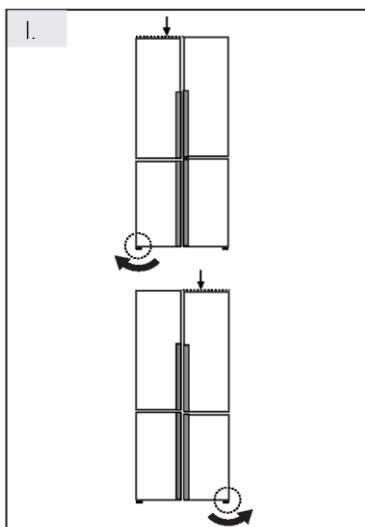


6. Stabilność można sprawdzić, popychając urządzenie naprzemiennie w linii przekątnych. Lekkie kołysanie powinno być takie same w obu kierunkach. W przeciwnym razie rama może się wykrzywić; w rezultacie może dojść do rozszczelnienia drzwi. Niewielki przechył do tyłu pomaga przy zamykaniu drzwi.



## UWAGA

Dotyczy urządzenia wolnostojącego: To urządzenie chłodnicze nie jest przeznaczone do zabudowy

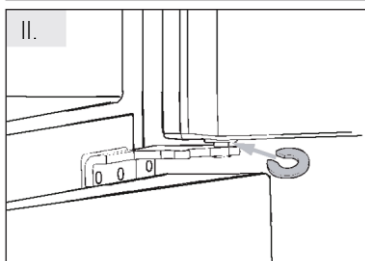


## Regulowanie drzwi

Jeśli drzwi nie znajdują się na jednym poziomie, tę niezgodność można usunąć, wykonując następujące czynności:

### I Korzystanie z regulowanej nóżki

Obrócić regulowaną nóżkę zgodnie z kierunkiem strzałki, aby podnieść lub opuścić nóżkę.



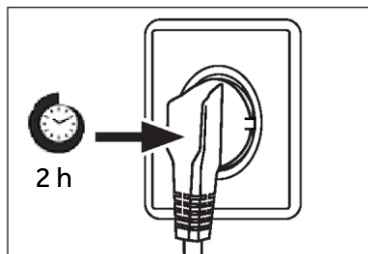
### II Korzystanie z przekładek

- ▶ Otwórz górne drzwi i unieś je.
- ▶ Ostrożnie zacisnąć przekładkę (dołączoną w torbie na akcesoria) do białego plastikowego pierścienia środkowego zawiasu ręcznej lub za pomocą narzędzi takich jak szczypce. Uważaj, aby nie zarysować ani nie obić drzwi.



## UWAGA

W przyszłym użytkowaniu chłodziarki może wystąpić zjawisko nierówności drzwi w stosunku do wagi przechowywanej żywności. Należy je wyregulować zgodnie z powyższymi metodami.



### Czas oczekiwania

W zbiorniku sprężarki znajduje się olej bezobsługowy. Olej ten może przedostać się poprzez zamknięty system rur podczas transportu w pozycji przechylonej. Przed podłączeniem urządzenia do zasilania trzeba odczekać co najmniej 2 godziny, aby olej spłynął z powrotem do zbiornika.

### Podłączenie do prądu

Przed każdym podłączeniem sprawdź, czy:

- ▶ zasilacz, gniazdo i bezpieczniki odpowiadają parametrom podanym na tabliczce znamionowej.
- ▶ gniazdko jest uziemione i nie zastosowano rozgałęźnika lub przedłużacza.
- ▶ wtyczka i gniazdko są ściśle zgodne.

Podłącz wtyczkę do prawidłowo zainstalowanego gniazdka domowego.



### OSTRZEŻENIE!

Aby uniknąć ryzyka, uszkodzony przewód zasilający musi być wymieniony przez serwis (zob. karta gwarancyjna).

Karta produktu zgodnie z rozporządzeniem UE nr 2019/2016

Marka	Haier
Nazwa modelu / identyfikator	HDR5818DNSS HDR5818DNPW HDR5818DNMB
Kategoria modelu	Chłodziarko- zamrażarka
Klasa efektywności energetycznej	D
Roczne zużycie energii (kWh/rok)(1)	273
Całkowita pojemność (l)	640
Pojemność chłodziarki (l)	413
Pojemność zamrażarki (l)	184
Pojemność sekcji agregatu chłodniczego (l)	43
Oznakowanie gwiazdkami	*/***
Temperatura pozostałych komór >14°C	Nie dotyczy
System bez szronu	Tak
Wydajność zamrażania (kg/24h)	10
Klasyfikacja klimatyczna (2)	SN-N-ST-T
Klasa emisji hałasu i emisja hałasu akustycznego w powietrzu (db(A) re 1pW)	B(35)
Czas wzrostu temperatury (h)	10
Rodzaj konstrukcji	wolnostojąca

## Objaśnienie:

## • Tak, wyróżnione

- (1) Na podstawie wyników badania zgodności norm w ciągu 24 godzin.  
Rzeczywiste zużycie zależy od użytkownika i lokalizacji urządzenia.
- (2) Klasa klimatyczna SN: To urządzenie jest przeznaczone do użytku w temperaturze otoczenia od +10°C do +32°C  
Klasa klimatyczna N: To urządzenie jest przeznaczone do użytku w temperaturze otoczenia od +16°C do +32°C  
Klasa klimatyczna ST: To urządzenie jest przeznaczone do użytku w temperaturze otoczenia od +16°C do +38°C  
Klasa klimatyczna T: To urządzenie jest przeznaczone do użytku w temperaturze otoczenia od +16°C do +43°C

## Dodatkowe dane techniczne

Napięcie / Częstotliwość	220-240V ~/50Hz
Natężenie wejściowe (A)	2
Bezpiecznik główny (A)	8
Płyn chłodzący	R600a
Wymiary (wys./szer./gł. w mm)	1850 / 830/725

Polecamy nasz system Obsługi Klienta Haier i stosowanie oryginalnych części zamiennych.

Jeśli masz problem z urządzeniem, najpierw sprawdź sekcję ROZWIĄZYWANIE PROBLEMÓW.

Jeżeli nie możesz znaleźć rozwiązania, skontaktuj się

- ▶ z lokalnym sprzedawcą lub
- ▶ naszym Europejskim Centrum Obsługi Klienta (zob. poniżej wymienione numery telefonów) lub
- ▶ obszarem serwisu i wsparcia na stronie [www.haier.com](http://www.haier.com), gdzie można aktywować zgłoszenie
- ▶ serwisowe i znaleźć odpowiedzi na najczęściej zadawane pytania.

Zanim skontaktujesz się z naszym działem obsługi, upewnij się, że masz następujące dane.

Informacje można znaleźć na tabliczce znamionowej.

Model \_\_\_\_\_

Nr seryjny \_\_\_\_\_

Sprawdź także kartę gwarancyjną dostarczoną z produktem.

Europejskie Centrum Obsługi Klienta		
Kraj*	Numer telefonu	Koszty
Haier Italy (IT)	199 100 912	
Haier Spain (ES)	902 509 123	
Haier Germany (DE)	0180 5 39 39 99	<ul style="list-style-type: none"> <li>• 14 centów/ min. telefon stacjonarny</li> <li>• maks. 42 centów/min. telefon komórkowy</li> </ul>
Haier Austria (AT)	0820 001 205	<ul style="list-style-type: none"> <li>• 14,53 centów/ min. telefon stacjonarny</li> <li>• maks. 20 centów/min. wszystkie pozostałe</li> </ul>
Haier United Kingdom (UK)	0333 003 8122	
Haier France (FR)	0980 406 409	

\* Numery innych krajów można znaleźć na stronie [www.haier.com](http://www.haier.com)

Haier Europe Trading S.r.l

Oddział Wielka Brytania

Westgate House, Westgate, Ealing

Londyn, W5 1YY

\*Okres gwarancji na urządzenie chłodnicze:

Minimalna gwarancja wynosi: 2 lata dla krajów UE, 3 lata dla Turcji, 1 rok dla Wielkiej Brytanii, 1 rok dla Rosji, 3 lata dla Szwecji, 2 lata dla Serbii, 5 lat dla Norwegii, 1 rok dla Maroka, 6 miesięcy dla Algierii, w Tunezji nie jest wymagana gwarancja prawna.

\*Okres dla części zamiennych do naprawy urządzenia:

Termostaty, czujniki temperatury, płytki drukowane i źródła światła są dostępne przez okres co najmniej siedem lat od wprowadzenia na rynek ostatniego egzemplarza modelu.

Klamki, zawiasy drzwi, tace i kosze przez okres co najmniej siedem lat, a uszczelki drzwi przez okres co najmniej 10 lat od wprowadzenia na rynek ostatniego egzemplarza modelu.

Aby uzyskać więcej informacji o produkcie, odwiedź stronę internetową <https://eprel.ec.europa.eu/> lub zeskanuj kod QR na etykiecie wydajności energetycznej dołączonej do urządzenia.

## CERTYFIKAT JAKOŚCI

OZNACZENIE: CHŁODZIARKA

Q.C.PASSED QC01

SPRAWDZANIE Nr.

# Haier



0060543301  
2025 Wersja A

# Haier

Manual do Utilizador

Frigorífico-Congelador

HDR5818DNSS  
HDR5818DNPW  
HDR5818DNMB



**4** **Informações  
de segurança**

<u>Antes da primeira utilização</u>	5
<u>Instalação</u>	5
<u>Utilização diária</u>	6

**8** **Utilização prevista****9** **Descrição do produto****10** **Painel de controlo****11** **Utilização**

<u>Ajustar a temperatura do frigorífico</u>	12
<u>Ajustar a temperatura do congelador</u>	12
<u>Função Super Cool</u>	13
<u>Função Super Freeze</u>	13
<u>Função AI Cooling</u>	14

**17** **Equipamento****19** **Dicas de poupança  
de energia****20** **Cuidados e limpeza****22** **Resolução  
de problemas****26** **Instalação****30** **Dados técnicos****32** **Assistência ao cliente**

## Obrigado por comprar um produto Haier.

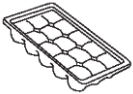
Leia atentamente estas instruções antes de utilizar este aparelho. As instruções contêm informações importantes que irão ajudá-lo a obter o melhor proveito do aparelho e garantir a instalação, o uso e a manutenção seguros e adequados.

Mantenha este manual num local conveniente para que o possa sempre consultar para uma utilização segura e adequada do aparelho.

Se vender, oferecer ou deixar o aparelho para trás, caso mude de casa, certifique-se de que entrega também este manual para que o novo proprietário se possa familiarizar com o aparelho e os avisos de segurança.

## Acessórios

Verificar os acessórios e as instruções com esta lista:



Bandeja de cubos de gelo



Bandeja para ovos x 2



Etiqueta energética



Cartão de garantia



Manual do utilizador



Bloco batente x 2



dobradiça central



Dobradiça superior



Gancho curvo da dobradiça superior



dobradiça inferior



Tampa do revestimento superior



Tampa de rosca da viga central frontal



fixação



## AVISO - Informação Importante de Segurança



## AVISO - Informações gerais e dicas



## Informação ambiental



### Eliminação

Ajude a proteger o ambiente e a saúde humana. Coloque a embalagem em recipientes adequados para reciclagem. Ajude a reciclar resíduos de aparelhos elétricos e eletrônicos. Não elimine os aparelhos identificados com este símbolo com o lixo doméstico. Entregue o produto na sua unidade de reciclagem local ou entre em contacto com seu gabinete municipal.



### AVISO: Risco de incêndio/material inflamável

O símbolo indica que existe um risco de incêndio, uma vez que são utilizados materiais inflamáveis. Tenha cuidado para evitar provocar um incêndio acendendo material inflamável.



## AVISO!

Risco de lesão ou sufocação!

Os refrigerantes e os gases devem ser eliminados de forma profissional. Certifique-se de que os tubos do circuito refrigerante não estão danificados antes de serem devidamente eliminados. Desligue o aparelho da alimentação elétrica. Corte o cabo de alimentação de rede e elimine-o. Remova as bandejas e gavetas, bem como a pega e vedantes da porta, para evitar que crianças e animais de estimação se fechem no interior do aparelho.

## Antes de ligar o aparelho pela primeira vez, leia as seguintes dicas de segurança!



### AVISO!

#### Antes da primeira utilização

- ▶ Certifique-se de que não há danos provocados pelo transporte.
- ▶ Remova todas as embalagens e mantenha-as fora do alcance das crianças.
- ▶ Aguarde no mínimo duas horas antes de instalar o aparelho, de forma a garantir que o circuito refrigerante está com eficiência total.
- ▶ Manuseie o aparelho sempre com pelo menos duas pessoas porque é pesado.

#### Instalação

- ▶ O aparelho deve ser colocado num local bem ventilado. Certifique-se de que existe um espaço de, pelo menos, 10 cm por cima e ao redor do aparelho.
- ▶ Nunca coloque o aparelho numa área húmida ou num local onde possa ser salpicado com água. Limpe e seque as salpicos de água e manchas com um pano macio limpo.
- ▶ Não instale o aparelho sob luz solar direta ou na proximidade de fontes de calor (por exemplo, fogões, aquecedores).
- ▶ Instale e nivele o aparelho numa área adequada para o seu tamanho e utilização.
- ▶ Mantenha as aberturas de ventilação no aparelho ou na estrutura embutida livres de obstruções.
- ▶ Certifique-se de que as informações elétricas na placa de classificação correspondem à rede elétrica. Se não, entre em contato com um electricista.
- ▶ O aparelho é operado por uma fonte de alimentação de 220-240 VAC/50 Hz. Uma flutuação da tensão anormal pode fazer com que o aparelho não ligue ou danifique o controlo da temperatura ou o compressor, ou pode haver um ruído anormal durante o funcionamento. Nesse caso, deve ser montado um regulador automático.
- ▶ Não use adaptadores de fichas múltiplas nem cabos de extensão.
- ▶ Não coloque tomadas triplas múltiplas portáteis ou fontes de alimentação portáteis na parte traseira do aparelho.
- ▶ Certifique-se de que o cabo de alimentação não fica preso pelo frigorífico. Não pise o cabo de alimentação.
- ▶ Use uma tomada de terra separada para a rede elétrica que seja fácil de aceder. Este aparelho deve ser ligado à terra.
- ▶ Apenas para o Reino Unido: O cabo de alimentação do aparelho está equipado com uma ficha de 3 cabos (terra) que se encaixa numa tomada standard de 3 cabos (ligada à terra). Nunca corte ou desmonte o terceiro pino (terra). Após a instalação do aparelho, a tomada deve ficar acessível.
- ▶ Não danifique o circuito do refrigerante.

**AVISO!****Utilização diária**

- ▶ Este aparelho pode ser utilizado por crianças de idade igual ou superior a 8 anos e por pessoas com capacidades físicas, sensoriais ou mentais reduzidas ou falta de experiência e conhecimento, caso lhes tenha sido fornecida supervisão ou instruções relativas à utilização do aparelho de forma segura e desde que compreendam os perigos envolvidos.
- ▶ As crianças de 3 a 8 anos são autorizadas a carregar e descarregar, mas não podem limpar e instalar os aparelhos de refrigeração.
- ▶ Mantenha as crianças com menos de 3 anos de idade afastadas do aparelho, a menos que estejam constantemente sob supervisão.
- ▶ As crianças não devem brincar com o aparelho.
- ▶ Se o gás refrigerante ou outro gás inflamável verter perto do aparelho, desligue a válvula do gás de fuga, abra as portas e janelas e não desligue uma ficha no cabo de alimentação do frigorífico ou de qualquer outro aparelho.
- ▶ Notar que o aparelho está definido para funcionar num intervalo de temperatura ambiente específico entre 10 °C e 43 °C. O aparelho não pode funcionar corretamente se for deixado por um longo período a uma temperatura acima ou abaixo do intervalo indicado.
- ▶ Não coloque artigos instáveis (objetos pesados, recipientes cheios de água) em cima do frigorífico, para evitar lesões pessoais causadas por queda ou choque elétrico causado pelo contacto com a água.
- ▶ Não puxe pelas prateleiras da porta. A porta pode inclinar-se, o suporte de garrafas pode sair para fora ou o aparelho pode tombar.
- ▶ Abra e feche as portas apenas pelas pegas. O espaço entre as portas e entre as portas e o armário é muito estreito. Não ponha as mãos nessas áreas para evitar entalar os dedos. Abra ou feche as portas do frigorífico apenas quando não houver crianças dentro do alcance do movimento das portas.
- ▶ Não guarde nem use materiais inflamáveis, explosivos ou corrosivos no aparelho ou nas proximidades.
- ▶ Não guarde medicamentos, bactérias ou agentes químicos no aparelho. Este aparelho é um eletrodoméstico. Não é recomendado armazenar materiais que necessitem de temperaturas rigorosas.
- ▶ Nunca guarde líquidos em garrafas ou latas (exceto bebidas alcoólicas) especialmente bebidas gaseificadas no congelador, porque estas rebentam quando congeladas.
- ▶ Verifique o estado dos alimentos caso ocorra aquecimento no congelador.
- ▶ Não ajuste uma temperatura desnecessariamente baixa no frigorífico. Podem ocorrer temperaturas negativas com altas definições. Atenção: As garrafas podem rebentar
- ▶ Não toque em artigos congelados com as mãos húmidas (use luvas). Especialmente não coma gelados de gelo imediatamente depois de os retirar do congelador. Existe o risco de congelar ou de se formarem bolhas de queimadura por gelo. PRIMEIROS socorros: passar imediatamente por água fria corrente. Não puxe!
- ▶ Não toque na superfície interna do compartimento do congelador, quando em funcionamento, especialmente com as mãos molhadas, pois as mãos podem congelar na superfície.



## AVISO!

### Utilização diária

- ▶ Desligue o aparelho em caso de interrupção da energia ou antes da limpeza. Deixe passar pelo menos 7 minutos antes de reiniciar o aparelho, pois o arranque frequente pode danificar o compressor.
- ▶ Não utilize dispositivos elétricos no interior dos compartimentos para armazenamento de comida do aparelho, a não ser que sejam do tipo recomendado pelo fabricante. Manutenção/limpeza
- ▶ Certifique-se de que as crianças estão vigiadas caso estejam a realizar a limpeza e manutenção.
- ▶ Desligue o aparelho da alimentação elétrica antes de realizar qualquer manutenção de rotina. Deixe passar pelo menos 5 minutos antes de voltar a ligar o aparelho pois o arranque frequente pode danificar o compressor.
- ▶ Segure a ficha, não o cabo, ao desligar o aparelho.
- ▶ Não limpe o aparelho com escovas duras, escovas de arame, detergente em pó, gasolina, acetato de amilo, acetona e soluções orgânicas semelhantes, soluções ácidas ou alcalinas. Limpe com detergente especial do frigorífico para evitar danos.
- ▶ Não raspe o gelo com objetos afiados. Não use sprays, aquecedores elétricos, como secadores de cabelo, dispositivos de limpeza a vapor ou outras fontes de calor, de forma a evitar danos às peças plásticas.
- ▶ Não utilize dispositivos mecânicos ou outros meios para acelerar o processo de descongelação, que não os recomendados pelo fabricante.
- ▶ Se o cabo de alimentação estiver danificado, tem de ser substituído pelo fabricante, pelo agente de serviço ou por pessoas igualmente qualificadas de forma a evitar o perigo.
- ▶ Não tente reparar, desmontar ou modificar o aparelho sozinho. Em caso de reparação, entre em contacto com a nossa assistência ao cliente.
- ▶ Elimine o pó na parte de trás da unidade pelo menos uma vez no ano para evitar perigo de incêndio, bem como o aumento do consumo de energia.
- ▶ Não pulverize ou lave o aparelho durante a limpeza.
- ▶ Não use spray de água ou vapor para limpar o aparelho.
- ▶ Não lave prateleiras de vidro frias com água quente. A mudança súbita de temperatura pode fazer com que o vidro se quebre.

### Informações sobre gases refrigerantes

- ▶ O aparelho contém o refrigerante inflamável ISOBUTANO (R600a). Certifique-se de que o circuito refrigerante não fica danificado durante o transporte ou instalação. A fuga de refrigerante pode causar lesões oculares ou inflamações. Se ocorrer um dano, mantenha afastadas fontes de chama aberta, ventile completamente a sala, não ligue ou desligue os cabos de alimentação do eletrodoméstico ou de qualquer outro aparelho. Informe a assistência ao cliente.
- ▶ No caso de os olhos entrarem em contacto com o fluido refrigerante, lave-os imediatamente sob água corrente e contacte imediatamente um oftalmologista.

## Utilização prevista

Este aparelho destina-se a arrefecer e congelar alimentos. Foi desenhado exclusivamente para uso em aplicações domésticas e semelhantes, como áreas de cozinha para pessoal em lojas, escritórios e outros ambientes de trabalho; casas agrícolas e por clientes em hotéis, motéis e outros ambientes de tipo residencial, bem como em negócios de pousada e de catering. Não se destina a utilização comercial ou industrial.

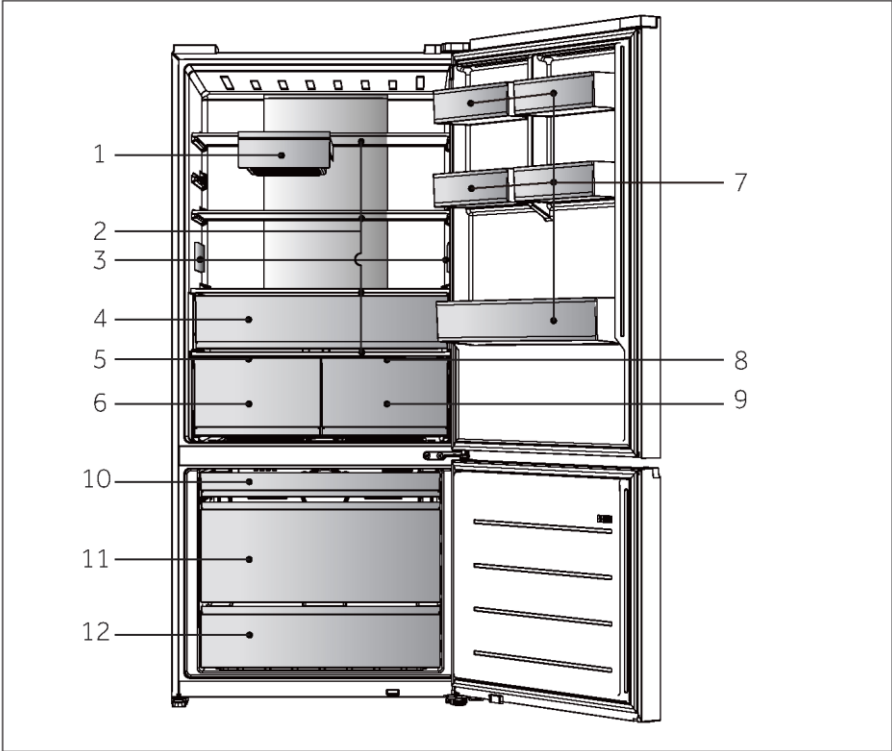
Não são permitidas alterações ou modificações no aparelho. Uma utilização indevida pode causar riscos e perda de reivindicações de garantia.

## Normas e diretivas

Este produto cumpre os requisitos de todas as diretivas CE aplicáveis com as normas harmonizadas correspondentes, que permitem a marcação CE.

**i** AVISO

Devido a alterações técnicas e a modelos diferentes, algumas das ilustrações neste manual podem ser diferentes do seu modelo.



A: Compartimento do frigorífico

B: Compartimento do congelador

1 Lancheira

10 Prateleira deslizante

2 Prateleiras de vidro

11 Zona de congelação

3 AI Cooling

12 Zona de congelação

4 Fresh zone

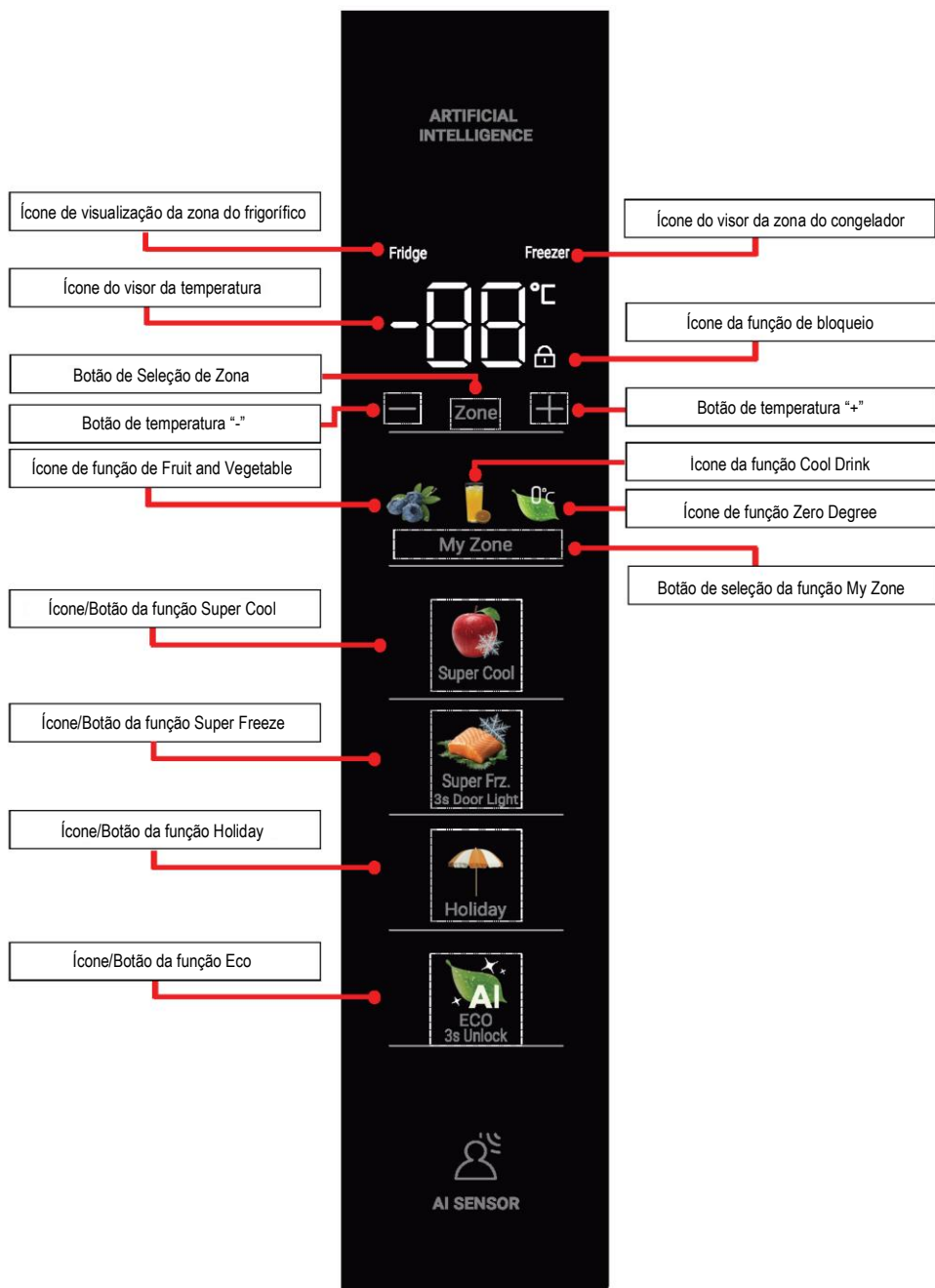
5 Tampa da Humidity Zone

6 Humidity Zone

7 Suportes para garrafas

8 Tampa da My Zone

9 My zone



## Antes da primeira utilização

- ▶ Remova todos os materiais de embalagem e mantenha fora do alcance das crianças e elimine-os de forma ecológica.
- ▶ Limpe o interior e o exterior do aparelho com água e um detergente suave antes de colocar qualquer alimento no seu interior.
- ▶ Após o aparelho ter sido nivelado e limpo, aguarde pelo menos 2 a 5 horas antes de o ligar à rede elétrica. Consulte a secção INSTALAÇÃO.
- ▶ Pré-arrefeça os compartimentos em definições elevadas antes de carregar com alimentos. A função Power-Freeze ajuda a arrefecer rapidamente os compartimentos.
- ▶ A temperatura do frigorífico e a temperatura do congelador são automaticamente definidas para 5°C e -18°C, respetivamente. Estas são as definições recomendadas. Se desejar, pode alterar estas temperaturas manualmente. Ver AJUSTAR A TEMPERATURA.

## Botões do sensor

Os botões no painel de controlo são teclas de sensor que respondem logo quando tocadas levemente com o dedo.

## Ligar/Desligar o aparelho

O aparelho fica em funcionamento assim que for ligado à rede elétrica.

Quando o frigorífico é ligado pela primeira vez, o indicador do visor de temperatura acende-se. A temperatura do frigorífico e a temperatura do congelador são automaticamente regulados para 5°C e -18°C, respetivamente.

Provavelmente o bloqueio do painel está ativo.



## AVISO

Quando o aparelho é ligado após a desconexão da fonte de alimentação principal, pode levar até 12 horas para que as temperaturas corretas sejam alcançadas.

Esvazie o aparelho antes de desligar. Para desligar o aparelho, puxe o cabo de alimentação para fora da tomada de alimentação.

## Bloquear/desbloquear o painel

**Bloqueio automático:** Quando a porta do frigorífico e a porta do congelador estão fechadas e não há nenhuma operação de tecla dentro de 30 segundos, o ecrã do visor apaga-se e bloqueia automaticamente.

**Bloqueio manual:** Quando o ecrã do visor estiver desbloqueado, prima o botão de função Eco e mantenha-o premido durante 3 segundos, o sinal sonoro toca uma vez, o ícone da função de bloqueio acende-se e o visor fica bloqueado.

## Ajustar a temperatura

As temperaturas interiores são influenciadas pelos seguintes fatores:

Temperatura ambiente

Frequência de abertura da porta

Quantidade de alimentos armazenados

Instalação do aparelho

## Ajustar a temperatura do frigorífico

Quando desbloqueado, prima o botão de seleção da zona para seleccionar a zona do frigorífico (o ícone do frigorífico acende-se). Cada pressão ajusta o nível de temperatura em 1°C. As definições são confirmadas após 5 segundos de inatividade (o ecrã desliga-se), ou imediatamente se forem premidos outros botões.

Sequência de ajuste:

"+": 1°C ➔ 2°C ➔ 3°C ➔ 4°C ➔ 5°C ➔ 6°C ➔ 7°C ➔ 8°C ➔ 9°C

"-": 9°C ➔ 8°C ➔ 7°C ➔ 6°C ➔ 5°C ➔ 4°C ➔ 3°C ➔ 2°C ➔ 1°C



### AVISO

A temperatura de refrigeração não pode ser ajustada no estado Super Cool ou Bloqueio.

## Ajustar a temperatura do congelador

Quando o visor estiver desbloqueado durante o funcionamento, prima o botão de seleção da zona para seleccionar a zona do congelador (o ícone do congelador acende-se).

Cada vez que se prime "+"/"-", a temperatura é ajustada em 1°C (pisca a 1Hz).

As definições são guardadas automaticamente após 5 segundos de inatividade.

Premir outros botões confirma imediatamente a definição e muda as funções.

Sequência de ajuste:

"+": -24°C ➔ -23°C ➔ -22°C ➔ -21°C ➔ -20°C ➔ -19°C ➔ -18°C ➔ -17°C ➔ -16°C

"-": -16°C ➔ -17°C ➔ -18°C ➔ -19°C ➔ -20°C ➔ -21°C ➔ -22°C ➔ -23°C ➔ -24°C



### AVISO

A temperatura de congelação não pode ser ajustada no estado Super Freeze ou de Bloqueio.



## AVISO

Após a regulação da temperatura, se não houver operação dentro de 5 segundos, o sistema fica automaticamente determinado e memoriza a temperatura regulada.

### Função Super-Cool

Entrar no estado Super Cool:

No estado de desbloqueado, clique no botão [ Super Cool ], o ícone [ Super Cool ] acende-se e o frigorífico entra no estado super cool.

Sair do estado super cool:

1. No estado desbloqueado e super cool, clique no botão [Super Cool], o ícone [Super Cool] desliga-se e sai manualmente do estado super cool.
2. Quando o frigorífico atinge o tempo definido, sai automaticamente da função super cool. Após 4 horas de entrar no modo Super Cool, este é automaticamente desativado.

### Função Super-Frz

Entrar no estado super freeze:

No estado de desbloqueado, clique no botão [ Super Frz. ], o ícone [ Super Frz. ] acende-se e o frigorífico entra no estado super freeze.

Sair do estado de super freeze:

1. No estado desbloqueado e super freeze, clique no botão [Super Frz.], o ícone [SuperFrz.] apaga-se e sai manualmente do estado de super freeze.
2. Quando o frigorífico atinge o tempo definido, sai automaticamente da função de super freeze. Após 50 horas de entrada no modo Super Frz, sai automaticamente.

A função Super-Freeze foi concebida para manter o valor nutricional dos alimentos congelados, pois congela os alimentos no mais curto espaço de tempo. Se grandes quantidades de alimentos congelados tiverem de ser congelados de uma vez, recomenda-se definir a função Super-Freeze. Entretanto, a função Super-Freeze deve ser definida com 24h de antecedência, para que o congelador fique com uma temperatura relativamente baixa e coloque os alimentos dentro. Neste momento, a velocidade de congelação do congelador é melhorada, os alimentos podem ser congelados rapidamente, a nutrição dos alimentos é efetivamente mantida, e o armazenamento torna-se bastante conveniente.

## Função AI Cooling

Quando precisar de arrefecer rapidamente alimentos estufados ou cozinhados, pode colocar os alimentos na prateleira de vidro correspondente a esta função para um arrefecimento rápido.

Quando o frigorífico deteta uma fonte de calor no espaço da prateleira de vidro correspondente a esta função, as luzes azuis de ambos os lados começam a piscar. Se a fonte de calor detetada persistir durante mais de 5 segundos, entra nesta função e as luzes azuis de ambos os lados acendem-se. Se a fonte de calor detetada persistir durante menos de 5 segundos, esta função não é iniciada e as luzes azuis piscam durante cerca de 5 segundos e depois apagam-se.

Após o início desta função, as luzes azuis de ambos os lados acendem-se (quando a porta está aberta) e as ventoinhas de ambos os lados começam a funcionar.

Depois de a porta ser fechada, as luzes azuis de ambos os lados apagam-se e as ventoinhas de ambos os lados continuam a funcionar. Depois de a fonte de calor ter arrefecido, esta função é encerrada, as luzes azuis de ambos os lados desligam-se e as ventoinhas de ambos os lados desligam-se.



### AVISO

1 Quando colocar uma panela de sopa ou outros alimentos que libertem vapor, use um recipiente fechado com uma tampa ou sele-o com película de plástico antes de o colocar no interior.

2 Recomenda-se colocar melões, frutas e legumes na gaveta de frutas e legumes para obter uma melhor frescura e efeitos hidratantes. Quando colocar alimentos nesta área funcional, não bloqueie as entradas de ar circulares de ambos os lados nem a saída de ar comprida.

3 O teste de arranque para esta função foi efetuado utilizando uma panela de sopa de aço inoxidável (uma panela de sopa turca de aço inoxidável local com um diâmetro de 275 mm, uma altura de 150 mm e uma altura total com tampa de 200 mm) colocada na prateleira na posição ilustrada. O nível de líquido no interior do recipiente era de 2/3, a temperatura da parede exterior do recipiente era de 35 °C, a temperatura ambiente durante o teste era de 25 °C e o frigorífico estava a funcionar de forma estável com a configuração de fábrica.

4 Quando a fonte de calor é demasiado pequena ou a temperatura é demasiado baixa, esta função pode não arrancar automaticamente.

5 Quando as ações de acesso do utilizador a este espaço funcional demoram demasiado tempo ou a porta está aberta durante demasiado tempo, esta função pode também ser ativada.

6) Se ativar o modo Holiday enquanto a função AI Cooling estiver em funcionamento, a função AI Cooling será desligada.

## Função My Zone

A My Zone está ajustada e definida de acordo com as definições funcionais. São representados sequencialmente por três ícones funcionais: "Fruits & Vegetables (5°C)", "Cool Drink (2°C)", "0°C Fresh (0°C)". Aquando da ligação inicial, o estado predefinido é a definição "Fruits & Vegetables (5°C)". Quando desbloqueado, prima a tecla My Zone na página inicial para aceder à página de ajuste das definições de My zone. Clique no botão de definição My Zone para mudar My Zone para a definição correspondente. O estado da definição da My Zone mantém-se após uma perda de energia.



### AVISO

No modo Holiday, o compartimento refrigerado de temperatura variável é controlado a 17°C, funcionando de acordo com os pontos de regulação de ligar/desligar de 20°C / desligar de 16°C.

## Função de deteção de pessoas

A função de deteção de pessoas está ativada por defeito. Prima e mantenha premido o botão "Super Frz." durante 3 segundos para ativar ou desativar a função de deteção de pessoas. Depois de introduzir esta função, quando se aproxima do frigorífico, o ecrã do visor acende-se e a luz azul da porta entra num modo de alternância de brilho e escurecimento.

## Função Holiday

Prima o botão Holiday no estado de desbloqueado:

Primeira pressão: A função Holiday é ativada (ícone acende-se, sinal sonoro)

Segunda pressão: A função Holiday é desativada (o ícone desliga-se, é emitido um sinal sonoro)

## Função Eco

Depois de o painel do visor se iluminar, se o frigorífico não tiver entrado na função Eco e o painel do visor estiver desbloqueado, prima o botão "Eco" uma vez, o ícone da função Smart aparecerá, o sinal sonoro toca uma vez e a função Eco será ativada.

Depois de o painel do visor se acender, se o frigorífico tiver entrado na função Eco e o painel do visor estiver desbloqueado, prima o botão "Eco" uma vez, o ícone da função Smart será desativado, o sinal sonoro toca uma vez e a função Eco será desativada.



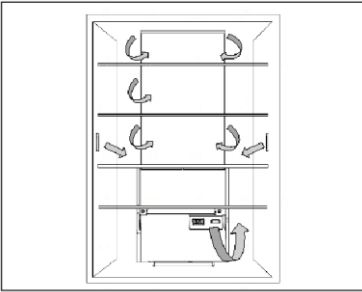
## AVISO

No modo Eco, o frigorífico define e indica automaticamente a temperatura do compartimento dos alimentos frescos para 5°C e a do congelador para -18°C. Neste modo, as temperaturas dos compartimentos do frigorífico e do congelador não podem ser reguladas manualmente.

A temperatura do compartimento My Zone pode ser definida individualmente e funcionará de acordo com a definição do utilizador.

Depois de sair do modo Eco, os compartimentos do frigorífico e do congelador voltam às definições de temperatura que tinha selecionado antes de entrar no modo Eco.

As definições do compartimento My Zone permanecerão inalteradas e os outros estados operacionais não serão afetados.

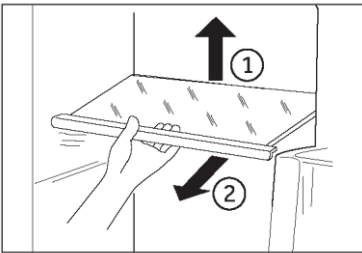


### Fluxo de ar múltiplo

1. O frigorífico está equipado com um sistema de fluxo de ar múltiplo que oferece fluxos de ar frio em cada nível de prateleira. Isso ajuda a manter uma temperatura uniforme para garantir que a sua comida é mantida mais fresca durante mais tempo.

### Prateleiras ajustáveis

1. A altura das prateleiras pode ser ajustada para se adaptar às suas necessidades de armazenamento.
2. Para transferir uma prateleira, remova-a primeiro levantando a sua extremidade traseira ① e puxando-a para fora ②.
3. Para a reinstalar, coloque-a sobre as patilhas dos dois lados e empurre-a para a posição mais para trás até que a parte traseira da prateleira fique fixa no interior das ranhuras nos lados.
4. A prateleira 'POT STATION' tem uma capacidade máxima de carga de 200 kg e mantém-se intacta. Quando a carga ultrapassa os 80 kg, pode afetar o funcionamento normal da gaveta 'Fresh Zone'. 'Fresh Zone' (dados obtidos em laboratório interno).



## AVISO

Certifique-se de que todas as extremidades de uma prateleira estão niveladas.

### Gaveta My Zone

1. Neste compartimento o nível de humidade é inferior ao do compartimento do frigorífico. Esta gaveta é adequada para armazenar frutas secas e outros alimentos secos com baixo teor de água como manteiga, gorduras e óleos ou chocolate.

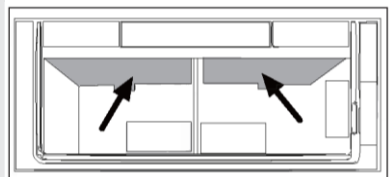
### Gaveta Humidity box

1. Neste compartimento o nível de humidade é maior do que no compartimento do frigorífico. Este é controlado automaticamente pelo sistema e é adequado para armazenar frutas, legumes, saladas, etc.



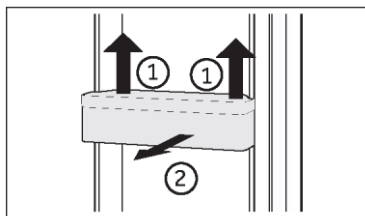
## AVISO

1. Não retire a cobertura plástica dentro das duas zonas.
2. Mantém a humidade.
3. Frutos sensíveis ao frio como ananás, abacate, bananas, toranjas não são recomendados para serem armazenados nestas duas gavetas.



### Prateleiras das portas/suporte de garrafas amovíveis

1. As prateleiras da porta podem ser removidas para limpeza:
2. Coloque as mãos de cada lado da prateleira, levante-a para cima ① e puxe-a para fora ②.
3. Para inserir a prateleira da porta, deve executar os passos acima na ordem inversa.



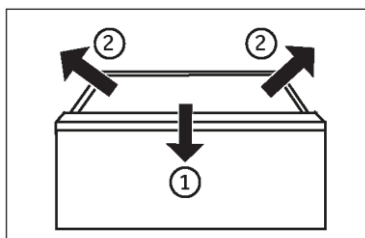
### AVISO

Quando o aparelho é ligado, pode demorar até 12 horas para atingir as temperaturas corretas.

### Gaveta amovível

Para remover a gaveta, puxe até à extensão máxima ①, levante e remova ②.

Para inserir a gaveta, os passos acima são executados em ordem inversa.

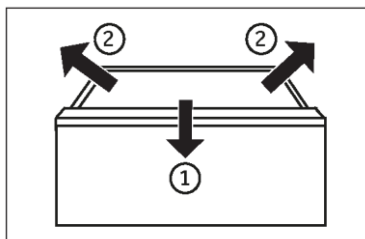


### Armazenar itens grandes

Itens grandes, tais como alimentos congelados, podem ser armazenados da seguinte forma:

removendo a bandeja de congelação superior, ou

retirar ambas as bandejas de congelação superiores, bem como a gaveta central do congelador e guardar os alimentos diretamente na prateleira.



### A luz

A luz interior LED acende-se quando a porta é aberta. O desempenho das luzes não é afetado por nenhuma das outras definições de aparelhos.

### A Gaveta

Por favor, empurre ou puxe suavemente ao longo da posição central do manípulo da gaveta para evitar problemas como avarias ou desprendimento da gaveta.



## Dicas de poupança de energia

- ▶ Certifique-se de que o aparelho está devidamente ventilado (ver INSTALAÇÃO).
- ▶ Não instale o aparelho sob luz solar direta ou na proximidade de fontes de calor (por exemplo, fogões, aquecedores).
- ▶ Evite temperaturas desnecessariamente baixas no aparelho. O consumo de energia aumenta quanto menor for a temperatura do aparelho.
- ▶ Funções como POWER-FREEZE consomem mais energia.
- ▶ Deixe os alimentos arrefecer antes de os colocar no aparelho.
- ▶ Abra a porta do aparelho o mínimo e tão brevemente quanto possível.
- ▶ Não encha demasiado o aparelho para evitar obstruir o fluxo de ar.
- ▶ Evite ar dentro das embalagens de alimentos.
- ▶ Mantenha os vedantes da porta limpos para que a porta feche sempre corretamente.
- ▶ Descongele alimentos congelados no frigorífico.
- ▶ A configuração mais economizadora de energia requer que o aparelho mantenha as gavetas, caixa de comida e prateleiras em condições de frescura de fábrica, e os alimentos devem ser colocados tanto quanto possível, sem bloquear a saída de ar da conduta.

**AVISO!**

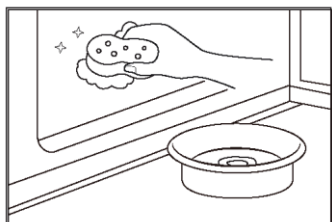
Desligue o aparelho da rede elétrica antes de limpar.

**Limpeza**

1. Limpe o aparelho quando apenas tiver armazenado pouca ou nenhuma comida.
2. O aparelho deve ser limpo a cada quatro semanas para uma boa manutenção e para evitar maus odores de alimentos armazenados.

**AVISO!**

- ▶ Não limpe o aparelho com escovas duras, escovas de arame, detergente em pó, gasolina, acetato de amilo, acetona e soluções orgânicas semelhantes, soluções ácidas ou alcalinas. Limpe com detergente especial do frigorífico para evitar danos.
- ▶ Não pulverize ou lave o aparelho durante a limpeza.
- ▶ Não use spray de água ou vapor para limpar o aparelho.
- ▶ Não lave prateleiras de vidro frias com água quente. A mudança súbita de temperatura pode fazer com que o vidro se quebre.
- ▶ Não toque na superfície interna do compartimento do congelador, especialmente com as mãos molhadas, pois as mãos podem congelar na superfície.
- ▶ No caso de aquecimento, verificar a condição das mercadorias congeladas.



- ▶ Mantenha a junta de vedação da porta sempre limpa.
- ▶ Limpe o interior e a caixa do aparelho com uma esponja molhada em água morna e detergente neutro.
  1. Esfregue o interior e o exterior do frigorífico, incluindo junta do vedante da porta, prateleira da porta, prateleiras de vidro, caixas e assim por diante, com uma toalha macia ou esponja embebida em água morna (pode adicionar-se detergente neutro).
  2. Se houver líquido derramado, remova todas as partes contaminadas, lave-as diretamente com água corrente, seque e coloque novamente no frigorífico.
  3. Se houver derramamento de produtos cremosos (como natas, gelado derretido), remova todas as peças contaminadas, coloque-as em água morna a cerca de 40 °C durante algum tempo, passe por água corrente, seque e volte a colocar no frigorífico.
  4. Caso alguma peça ou componente pequeno entre no interior do frigorífico (entre as prateleiras ou gavetas), use uma pequena escova macia para a liberar. Se não conseguir alcançar a peça, entre em contato com a assistência da Haier.
- ▶ Enxaguar e secar com um pano macio.
- ▶ Não limpar nenhuma das peças do aparelho numa máquina de lavar loiça.
- ▶ Deixe passar pelo menos 5 minutos antes de voltar a ligar o aparelho pois o arranque frequente pode danificar o compressor.

**Descongelação**

A descongelação do frigorífico e do congelador é feito automaticamente; sem necessidade de operação manual.

## Substituir as lâmpadas LED



### AVISO!

Não substitua a luz LED sozinho, esta apenas deve ser substituída pelo fabricante ou por um agente de serviço autorizado.

A lâmpada é do tipo LED com um baixo consumo de energia e longa vida útil. Se houver alguma anomalia, entre em contacto com a assistência ao cliente. Consulte a ASSISTÊNCIA AO CLIENTE.

Parâmetros das lâmpadas:

Compartimento do frigorífico: 12 V máx. 8 W

Compartimento do congelador: 12 V máx. 2 W

Luz azul da porta: 12 V máx. 3W

### Não utilizar durante um período prolongado

Se o aparelho não for utilizado durante um período de tempo prolongado e caso não tenha utilizado a função Holiday para o frigorífico:

Retire os alimentos.

Desligue o cabo de alimentação.

Limpe o aparelho conforme descrito acima.

Mantenha as portas abertas para evitar a criação de maus odores no interior.



### AVISO

Desligue o aparelho apenas se estritamente necessário.

## Mover o aparelho

1. Remova todos os alimentos e desligue o aparelho.
2. Fixe as prateleiras e outras peças móveis no frigorífico e no congelador com fita adesiva.
3. Não incline o frigorífico mais de 45° para evitar danificar o sistema de refrigeração.



### AVISO!

- ▶ Não levante o aparelho pelas suas pegas.
- ▶ Nunca coloque o aparelho na horizontal no chão.

Muitos problemas que ocorrem podem ser resolvidos por si mesmo sem experiência específica. Em caso de problema, por favor verifique todas as possibilidades apresentadas e siga as instruções abaixo antes de contactar um serviço pós-venda. Consulte a ASSISTÊNCIA AO CLIENTE.



### AVISO!

- ▶ Antes da manutenção, desative o aparelho e desligue a ficha da tomada.
- ▶ Os equipamentos elétricos devem ser reparados apenas por electricistas qualificados, uma vez que reparações inadequadas podem causar danos consequenciais consideráveis.
- ▶ Se o cabo de alimentação estiver danificado, este apenas pode ser substituído pelo fabricante, pelo agente de serviço ou por pessoas igualmente qualificadas de forma a evitar o perigo.

Problema	Causa possível	Possível solução
O compressor não funciona.	<ul style="list-style-type: none"> <li>• A ficha de alimentação não está ligada na tomada de alimentação.</li> <li>• O aparelho está no ciclo de descongelação</li> </ul>	<ul style="list-style-type: none"> <li>• Ligue a ficha de alimentação.</li> <li>• Isto é normal para uma descongelação automática</li> </ul>
O aparelho funciona frequentemente ou funciona por um período de tempo demasiado longo.	<ul style="list-style-type: none"> <li>• A temperatura interior ou exterior é muito alta.</li> <li>• O aparelho foi desligado da alimentação por um período de tempo.</li> <li>• Uma porta do aparelho não está bem fechada.</li> <li>• A porta foi aberta com muita frequência ou por muito tempo.</li> <li>• A regulação da temperatura para o congelador é muito baixa.</li> <li>• A junta de vedação da porta está suja, gasta, partida ou desalinhada.</li> <li>• A circulação de ar necessária não é garantida.</li> </ul>	<ul style="list-style-type: none"> <li>• Neste caso, é normal que o aparelho funcione mais tempo.</li> <li>• Normalmente, demora 8 a 12 horas até o aparelho arrefecer completamente.</li> <li>• Feche a porta/gaveta e certifique-se de que o aparelho está localizado num piso plano e de que não existe qualquer alimento ou recipiente a obstruir a porta.</li> <li>• Não abra a porta/gaveta com muita frequência.</li> <li>• Defina uma temperatura mais elevada até obter uma temperatura satisfatória do frigorífico. Demora 24 horas até a temperatura do frigorífico se tornar estável.</li> <li>• Limpe a junta de vedação da porta/gaveta ou peça à assistência ao cliente que a substitua.</li> <li>• Assegure uma ventilação adequada.</li> </ul>

Problema	Causa possível	Possível solução
O interior do frigorífico está sujo e/ou com cheiros.	<ul style="list-style-type: none"> <li>O interior do frigorífico precisa de ser limpo.</li> <li>Alimentos com forte odor estão armazenados no frigorífico.</li> </ul>	<ul style="list-style-type: none"> <li>Limpe o interior do frigorífico.</li> <li>Embrulhe os alimentos completamente.</li> </ul>
Não está frio o suficiente dentro do aparelho.	<ul style="list-style-type: none"> <li>A temperatura definida é demasiado alta.</li> <li>Foram guardados alimentos demasiado quentes.</li> <li>Foram armazenados demasiados alimentos de uma vez.</li> <li>Os produtos estão demasiado próximos uns dos outros.</li> <li>Uma porta/gaveta do aparelho não está bem fechada.</li> <li>A porta/gaveta foi aberta com muita frequência ou durante muito tempo.</li> </ul>	<ul style="list-style-type: none"> <li>Repor a temperatura.</li> <li>Arrefeça os alimentos antes de os guardar.</li> <li>Guarde sempre pequenas quantidades de alimentos.</li> <li>Deixe um intervalo entre os vários alimentos permitindo o fluxo de ar.</li> <li>Feche a porta/gaveta.</li> <li>Não abra a porta/gaveta com muita frequência.</li> </ul>
Está demasiado frio no interior do aparelho.	<ul style="list-style-type: none"> <li>A temperatura é demasiado baixa.</li> <li>A função Super-Frz/Super-Cool está ativada ou está a funcionar há demasiado tempo.</li> </ul>	<ul style="list-style-type: none"> <li>Repor a temperatura.</li> <li>Desligue a função Super-Frz/Super-Cool</li> </ul>
Formação de humidade no interior do compartimento do frigorífico.	<ul style="list-style-type: none"> <li>O clima é demasiado quente e demasiado húmido.</li> <li>Uma porta/gaveta do aparelho não está bem fechada.</li> <li>A porta/gaveta foi aberta com muita frequência ou durante muito tempo.</li> <li>Recipientes para alimentos ou líquidos foram deixados abertos.</li> </ul>	<ul style="list-style-type: none"> <li>Aumente a temperatura.</li> <li>Feche a porta/gaveta.</li> <li>Não abra a porta/gaveta com muita frequência.</li> <li>Deixe os alimentos quentes arrefecerem até à temperatura ambiente e cubra os alimentos e líquidos.</li> </ul>
A humidade acumula-se nos frigoríficos fora da superfície ou entre as portas/porta e gaveta.	<ul style="list-style-type: none"> <li>O clima é demasiado quente e demasiado húmido.</li> <li>A porta não está totalmente fechada. O ar frio no aparelho e o ar quente no exterior condensam.</li> </ul>	<ul style="list-style-type: none"> <li>Isso é normal num clima húmido e mudará quando a humidade diminuir.</li> <li>Certifique-se de que a porta/gaveta está bem fechada.</li> </ul>

Problema	Causa possível	Possível solução
Gelo forte e geada no compartimento do congelador.	<ul style="list-style-type: none"> <li>Os alimentos não foram devidamente embalados.</li> <li>Uma porta/gaveta do aparelho não está bem fechada.</li> <li>A porta/gaveta foi aberta com muita frequência ou durante muito tempo.</li> <li>A junta de vedação da porta/gaveta está suja, gasta, fissurada ou não é adequada.</li> <li>Algo no interior está a impedir que a porta/gaveta feche corretamente.</li> </ul>	<ul style="list-style-type: none"> <li>Embale sempre bem os alimentos.</li> <li>Feche a porta/gaveta.</li> <li>Não abra a porta/gaveta com muita frequência.</li> <li>Limpe a junta de vedação da porta/gaveta ou substitua por novas.</li> <li>Reposicione as prateleiras, prateleiras das portas ou recipientes internos para permitir que a porta/gaveta feche.</li> </ul>
Os lados do armário e a tira da porta ficam quentes.		<ul style="list-style-type: none"> <li>Isto é normal.</li> </ul>
O aparelho faz ruídos fora do normal.	<ul style="list-style-type: none"> <li>O aparelho não está colocado sobre um piso nivelado.</li> <li>O aparelho toca em algum objeto em seu redor.</li> </ul>	<ul style="list-style-type: none"> <li>Ajuste os pés para nivelar o aparelho.</li> <li>Remova objetos em redor do aparelho.</li> </ul>
Deve ouvir-se um som leve semelhante ao de água a correr.		<ul style="list-style-type: none"> <li>Isto é normal.</li> </ul>
Irá ouvir um sinal sonoro de alarme.	<ul style="list-style-type: none"> <li>A porta do frigorífico está aberta.</li> </ul>	<ul style="list-style-type: none"> <li>Feche a porta.</li> </ul>
Irá ouvir um som abafado.	<ul style="list-style-type: none"> <li>O sistema anti condensação está a funcionar</li> </ul>	<ul style="list-style-type: none"> <li>Isto impede a condensação e é normal</li> </ul>
O sistema de iluminação interior ou de arrefecimento não funciona.	<ul style="list-style-type: none"> <li>A ficha de alimentação não está ligada na tomada de alimentação.</li> <li>A fonte de alimentação não está intacta.</li> <li>A lâmpada LED está avariada.</li> </ul>	<ul style="list-style-type: none"> <li>Ligue a ficha de alimentação.</li> <li>Verifique a alimentação elétrica da divisão. Ligue para a companhia de eletricidade local!</li> <li>Por favor, ligue para a assistência para substituir a lâmpada.</li> </ul>

Para contactar a assistência técnica, consulte o nosso website:

<https://corporate.haier-europe.com/en/>

Na seção "website", escolha a marca do seu produto e o seu país. Será redirecionado para o website específico onde pode encontrar o número de telefone e o formulário para contactar a assistência técnica.

## Falha de energia

Em caso de falha de energia, os alimentos permanecem arrefecidos de forma segura durante cerca de 5 horas. Siga estas dicas durante uma falha de energia prolongada, especialmente no verão:

- ▶ Abra a porta/gaveta o mínimo de vezes possível.
- ▶ Não coloque mais alimentos no aparelho durante uma falha de energia.
- ▶ Se for dada uma notificação prévia de interrupção da energia e a duração da interrupção for superior a 5 horas, faça algum gelo e coloque-o num recipiente na parte superior do compartimento do frigorífico.
- ▶ É necessária uma inspeção dos alimentos imediatamente após a interrupção.
- ▶ Como a temperatura no frigorífico irá subir durante uma interrupção da energia ou outra falha, o período de armazenamento e a qualidade dos alimentos serão reduzidos. Qualquer alimento que descongele deve ser consumido, cozido e novamente congelado (se for caso disso) imediatamente, a fim de evitar riscos para a saúde.

## Função de memória durante a falha de energia

Depois de restabelecida a energia elétrica, o aparelho continua com as definições definidas antes da falha de energia.

## Desembalar

**AVISO!**

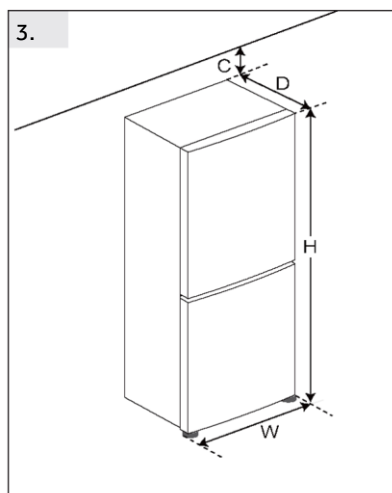
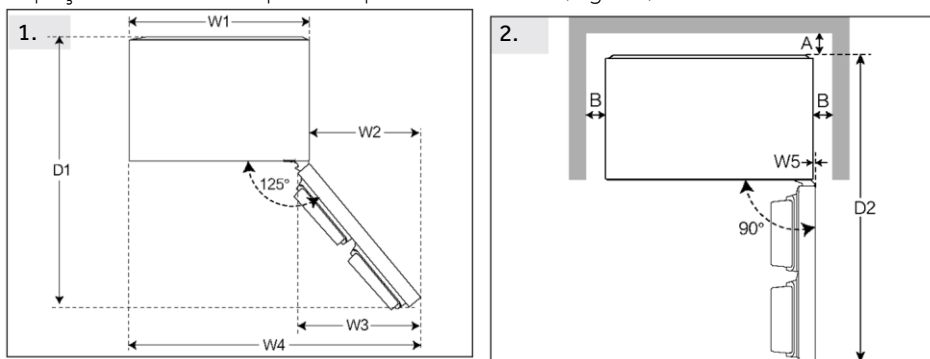
- ▶ O aparelho é pesado. Deve ser manuseado sempre por, pelo menos, duas pessoas.
- ▶ Mantenha todos os materiais de embalagem fora do alcance das crianças e elimine-os de forma ecológica.
- ▶ Retire o aparelho da embalagem.
- ▶ Remova todos os materiais de embalagem.

**Condições ambientais**

A temperatura ambiente deve estar sempre entre 10 °C e 43 °C, uma vez que pode influenciar a temperatura no interior do aparelho e o seu consumo de energia. Não instale o aparelho perto de outros aparelhos emissores de calor (fornos, frigoríficos) sem isolamento.

**Recomendação de espaço**

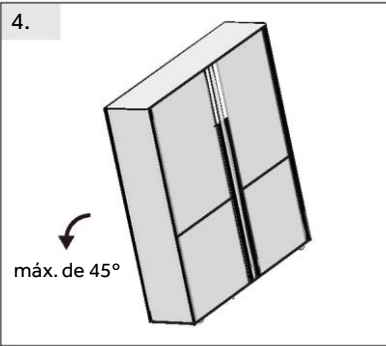
Espaço recomendado quando a porta está aberta (Fig 1.2.)



(Unidade: mm)	Modelo#1	Modelo#2
Largura	W1	830
	W2	500
	W3	529
	W4	1330
	W5	21
	W	830
Profundidade	D1	1362
	D2	1502
	D	725
Distância até à parede traseira	A	50
Distância às paredes laterais	B	50
Distância até ao teto	C	50
Altura total	H	1850

## Ventilação transversal

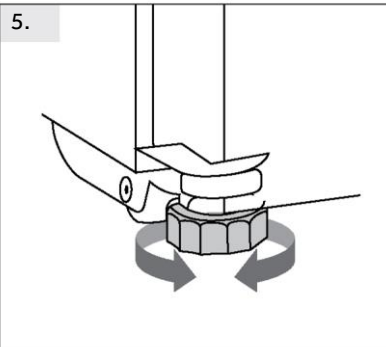
Para obter uma ventilação suficiente do aparelho por motivos de segurança, deve observar-se a informação das secções de ventilação transversal necessárias.



### Alinhar o aparelho (Fig.4.5.6.)

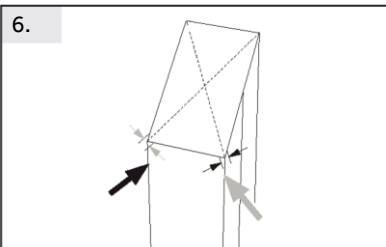
O aparelho deve ser colocado sobre uma superfície plana e sólida.

4. Incline o frigorífico ligeiramente para trás.



5. Ajuste os pés para a altura desejada.

Certifique-se de que a distância à parede do lado da dobradiça é de, pelo menos, 50 mm para que a porta se abra corretamente.

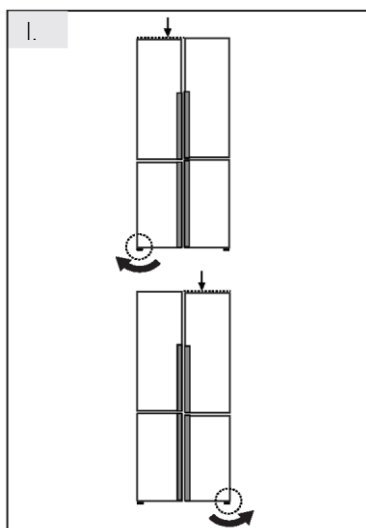


6. A estabilidade pode ser verificada empurrando alternadamente as diagonais. Uma ligeira oscilação deve ser a mesma em ambas as direções. Caso contrário, a estrutura pode empenar; a consequência pode ser fugas dos vedantes da porta. Uma leve inclinação para a traseira facilita o fecho das portas.



## AVISO

Para um aparelho independente: este frigorífico não se destina a ser utilizado como eletrodoméstico de encastrar

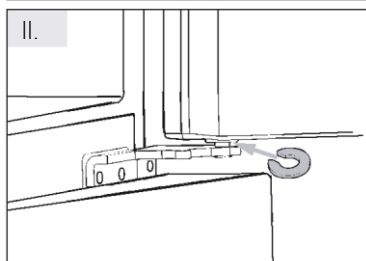


## Ajuste fino das portas

Se as portas não estiverem no mesmo nível, esta discrepância pode ser solucionada da seguinte forma:

### I Utilizando o pé ajustável

Rode o pé ajustável de acordo com a direção da seta para subir ou descer o pé.



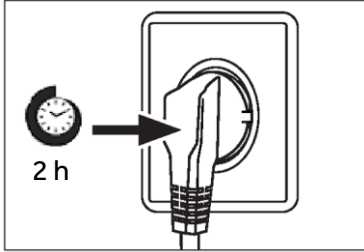
### II Utilização de espaçadores

- ▶ Abra a porta superior e levante-a.
- ▶ Prenda cuidadosamente o espaçador (incluído no saco de acessórios) no anel de plástico branco da dobradiça do meio à mão ou usando ferramentas, como alicates. Não arranque nem amolgue a porta.



## AVISO

Quando voltar a utilizar o frigorífico, pode ocorrer um fenómeno de portas desiguais devido ao peso dos alimentos armazenados. Se for esse o caso, ajuste de acordo com os métodos acima.



### Tempo de espera

O óleo de lubrificação sem manutenção está localizado na cápsula do compressor. Este óleo pode atravessar o sistema de tubagem fechada durante o transporte inclinado. Antes de ligar o aparelho à rede elétrica, tem de esperar pelo menos 2 horas para que o óleo volte à cápsula.

### Ligação elétrica

Antes de cada conexão verificar se:

- ▶ a rede elétrica, tomada e fusíveis são adequados à placa de classificação.
- ▶ a tomada de alimentação está ligada à terra sem fichas múltiplas nem extensão.
- ▶ a ficha de alimentação e a tomada estão de acordo com as especificações.

Ligue a ficha a uma tomada doméstica instalada corretamente.



### AVISO!

Para evitar riscos, um cabo de alimentação danificado deve ser substituído pela assistência ao cliente (ver cartão de garantia).

Ficha de produto de acordo com o Regulamento UE  
N.º 2019/2016

Marca	Haier
Nome do modelo / identificador	HDR5818DNSS HDR5818DNPW HDR5818DNMB
Categoria do modelo	Frigorífico- congelador
Classe de eficiência energética	D
Consumo de energia anual (kWh/year)(1)	273
Volume total (L)	640
Volume do frigorífico (L)	413
Volume do congelador (L)	184
Secção do refrigerador de volume (L)	43
Classificação em estrelas	*/***
Temperatura dos outros compartimentos > 14 °C	Não aplicável
Sistema Frost-free	Sim
Capacidade de congelação(kg/24h)	10
Classificação climática(2)	SN-N-ST-T
Classe de emissão de ruído e emissões de ruído aéreo (db(A) re 1pW)	B(35)
Tempo de subida da temperatura (h)	10
Tipo de aparelho	instalação independente

## Explicações:

## • Sim, existe

- (1) Com base nos resultados do teste de conformidade das normas ao longo de 24 horas. O consumo real depende da utilização e da localização do aparelho.
- (2) Classificação climática SN: Este aparelho destina-se a ser utilizado a uma temperatura ambiente compreendida entre + 10°C e +32°C  
Classificação climática N: Este aparelho destina-se a ser utilizado a uma temperatura ambiente compreendida entre + 16°C e +32°C  
Classificação climática ST: Este aparelho destina-se a ser utilizado a uma temperatura ambiente compreendida entre + 16°C e +38°C  
Classificação climática T: Este aparelho destina-se a ser utilizado a uma temperatura ambiente compreendida entre + 16°C e +43°C

## Dados técnicos adicionais

Tensão/Frequência	220-240V ~/ 50Hz
Corrente de entrada (A)	2
Fusível principal (A)	8
Líquido de refrigeração	R600a
Dimensões (A/L/P em mm)	1850 + 830/725

Recomendamos o nosso Serviço de Assistência ao Cliente da Haier e a utilização de peça sobressalentes originais.

Se tiver algum problema com o seu aparelho, consulte primeiro a secção RESOLUÇÃO DE PROBLEMAS.

Se não conseguir encontrar uma solução nesta secção, entre em contacto

- ▶ com o seu revendedor local ou
- ▶ o nosso Serviço de Assistência Europeu (veja números de telefone listados abaixo) ou
- ▶ a área de Serviço e Suporte em [www.haier.com](http://www.haier.com) onde pode ativar a reclamação de serviço
- ▶ e também encontrar FAQs.

Para contactar a nossa Assistência, certifique-se de que tem os seguintes dados disponíveis.

As informações encontram-se na placa de classificação.

Modelo \_\_\_\_\_

N.º de série \_\_\_\_\_

Verifique também o cartão de garantia fornecido com o produto em caso de garantia.

Centro de Assistência Europeu		
País*	Número de telefone	Custos
Haier Italy (IT)	199 100 912	
Haier Spain (ES)	902 509 123	
Haier Germany (DE)	0180 5 39 39 99	<ul style="list-style-type: none"> <li>• 14 Ct/Min telefone fixo</li> <li>• Max 42 Ct/Min móvel</li> </ul>
Haier Austria (AT)	0820 001 205	<ul style="list-style-type: none"> <li>• 14,53 Ct/Min telefone fixo</li> <li>• máx. 20 Ct/Min todos os outros</li> </ul>
Haier United Kingdom (UK)	0333 003 8122	
Haier France (FR)	0980 406 409	

\* Para outros países, consulte [www.haier.com](http://www.haier.com)

Haier Europe Trading S.r.l

Branch UK

Westgate House, Westgate, Ealing

London, W5 1YY

\*Duração da garantia do aparelho de refrigeração:

A garantia mínima é: 2 anos para os países da UE, 3 anos para a Turquia, 1 ano para o Reino Unido, 1 ano para a Rússia, 3 anos para a Suécia, 2 anos para a Sérvia, 5 anos para a Noruega, 1 ano para Marrocos, 6 meses para a Argélia, Tunísia nenhuma garantia legal necessária.

\*O período de peças sobressalentes para a reparação do aparelho:

Termostatos, sensores de temperatura, placas de circuitos impressos e fontes de luz estão disponíveis durante um período mínimo de sete anos após a colocação da última unidade do modelo no mercado.

Puxadores da porta, dobradiças da porta, bandejas e cestos durante um período mínimo de sete anos e juntas da porta durante um período mínimo de 10 anos, depois de colocada a última unidade do modelo no mercado.

\*Para mais informações sobre o produto, consulte <https://eprel.ec.europa.eu/> ou digitalize o código QR na etiqueta energética fornecida com o aparelho.

CERTIFICADO DE QUALIDADE

DESIGNAÇÃO: FRIGORÍFICO

Q.C. APROVADO QC01

VERIFICADOR N.º.

**Haier**



0060543301  
2025 Versão A

# Haier

Manualul de utilizare

Combină frigorifică

HDR5818DNSS  
HDR5818DNPW  
HDR5818DNMB



<u>4</u>	<u>Informații de siguranță</u>	Înainte de prima utilizare	5
		Instalare	5
		Utilizarea zilnică	6
<u>8</u>	<u>Utilizarea prevăzută</u>		
<u>9</u>	<u>Descrierea produsului</u>		
<u>10</u>	<u>Panou de comenzi</u>		
<u>11</u>	<u>Utilizarea</u>	Reglarea temperaturii frigiderului	12
		Ajustarea temperaturii congelatorului	12
		Funcția Super Cool	13
		Funcția Super Freeze	13
		Funcția AI Cooling	14
<u>17</u>	<u>Echipament</u>		
<u>19</u>	<u>Sfaturi de economisire a energiei</u>		
<u>20</u>	<u>Îngrijire și curățare</u>		
<u>22</u>	<u>Depanare</u>		
<u>26</u>	<u>Instalare</u>		
<u>30</u>	<u>Date tehnice</u>		
<u>32</u>	<u>Serviciul pentru clienți</u>		

## Vă mulțumim că ați achiziționat un produs Haier.

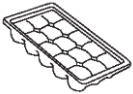
Citiți aceste instrucțiuni cu atenție înainte de a utiliza acest aparat. Instrucțiunile conțin informații importante care vă vor ajuta să folosiți aparatul la capacitate maximă și să asigurați instalarea, utilizarea și întreținerea sigure și corespunzătoare.

Păstrați manualul de față la îndemână astfel încât să îl puteți consulta pentru utilizarea sigură și corectă a aparatului.

Dacă vindeți, oferiți sau lăsați aparatul în vechea locuință când vă mutați, asigurați-vă că lăsați și manualul de utilizare, astfel încât noul proprietar să se poată familiariza cu aparatul și cu avertismentele de siguranță.

## Accesorii

Verificați dacă accesoriile și documentația corespund acestei liste:



Tavă pentru  
cuburi de gheață



Tavă pentru ouă × 2



Eticheta  
de energie



Fișa de  
garanție



Manual  
de utilizare



Blocaj  
de oprire × 2



Balama  
de mijloc



Balama  
superioară



Cârlig de  
îndoire  
a balamalei  
superioare



Balama  
inferioară



Capac de  
protecție superior



Capacul cu șurub  
al grinzii frontale  
centrale



montură



## AVERTISMENT - Informații importante privind siguranța



## OBSERVAȚIE - Informații și sfaturi generale



## Informații legate de mediu



### Eliminare

Ajutați la protejarea mediului și a sănătății omului. Puneți ambalajul în containerele corespunzătoare în vederea reciclării. Ajutați la reciclarea deșeurilor de aparate electrice și electronice. Nu aruncați electronicele marcate cu acest simbol în același loc cu deșeurile menajere. Returnați produsul la centrul local de reciclare sau contactați agenția municipală.



### AVERTISMENT: Risc de incendiu/ material inflamabil

Simbolul indică riscul de incendiu, deoarece se utilizează materiale inflamabile. Evitați cu atenție provocarea unui incendiu cauzat de materialele inflamabile.



## AVERTISMENT!

Risc de vătămare sau sufocare!

Agenții frigorifici și gazele trebuie eliminate profesionist. Asigurați-vă că tubulatura circuitului de agent frigorific nu este deteriorată înainte de eliminarea corespunzătoare a acesteia. Deconectați aparatul de la rețeaua de curent. Tăiați cablul de alimentare de la rețeaua de curent și eliminați-l. Scoateți tăvile și sertarele, dar și opritorul și garniturile ușii, pentru a preveni închiderea copiilor și a animalelor în aparat.

## Înainte de pornirea aparatului pentru prima dată, citiți următoarele sfaturi legate de siguranță!



### AVERTISMENT!

#### Înainte de prima utilizare

- ▶ Asigurați-vă că nu există deteriorări provocate de transport.
- ▶ Eliminați toate ambalajele și păstrați-le la distanță de copii.
- ▶ Așteptați cel puțin două ore înainte de a instala aparatul pentru a lăsa timp circuitului frigorific să devină perfect eficient.
- ▶ Manevrați întotdeauna dispozitivul cu cel puțin încă două persoane, pentru că este greu.

#### Instalare

- ▶ Aparatul trebuie amplasat într-un loc bine ventilat. Asigurați un spațiu de cel puțin 10 cm deasupra aparatului și în jurul acestuia.
- ▶ Nu amplasați niciodată aparatul într-o zonă cu umezeală sau într-un loc în care acesta poate fi stropit cu apă. Curățați și uscați urmele de apă și petele cu o cârpă curată, moale.
- ▶ Nu instalați aparatul în lumina directă a soarelui sau în apropierea surselor de căldură (de ex., cuptoare, radiatoare).
- ▶ Instalați și poziționați dispozitivul într-o zonă potrivită dimensiunilor și destinației sale.
- ▶ Mențineți fantele de aerisire ale aparatului sau pe cele încorporate în structură fără obstrucții.
- ▶ Asigurați-vă că informațiile electrice de pe plăcuța cu date tehnice se potrivesc cu sursa de electricitate. Dacă nu se potrivesc, contactați un electrician.
- ▶ Dispozitivul este operat de o sursă de electricitate de 220-240 V c.a./50 Hz. Fluctuațiile anormale de tensiune pot face dispozitivul să nu pornească sau pot deteriora controlul temperaturii sau compresorul sau pot provoca un zgomot anormal în timpul utilizării. În acest caz, ar trebui să fie montat un regulator automat.
- ▶ Nu utilizați adaptoare cu ștecăre multiple și prelungitoare.
- ▶ Nu amplasați prizele portabile multiple sau alimentările portabile în spatele aparatului.
- ▶ Evitați prinderea cablului de alimentare în frigider. Nu călcați pe cablul de alimentare.
- ▶ Folosiți o priză separată cu împământare pentru alimentarea cu energie electrică, care să fie ușor accesibilă. Aparatul trebuie legat la împământare.
- ▶ Doar pentru Regatul Unit: Cablul de alimentare al dispozitivului este prevăzut cu ștecăr cu 3 pini (împământare) care se potrivește cu o priză standard cu 3 găuri (împământată). Nu demontați și nu tăiați niciodată cel de-al treilea pin (împământarea). După instalarea dispozitivului, ștecărul ar trebui să fie accesibil.
- ▶ Nu deteriorați circuitul frigorific.



## AVERTISMENT!

### Utilizarea zilnică

- ▶ Acest aparat poate fi utilizat de către copiii cu vârste de minim 8 ani și de către persoanele cu abilități fizice, senzoriale sau mintale reduse sau cu lipsă de experiență sau cunoștințe, cu condiția să fie supravegheate sau instruite corespunzător privind modul de utilizare a acestui aparat în siguranță și să înțeleagă pericolele implicate.
- ▶ Copiii cu vârsta cuprinsă între 3 și 8 ani pot încărca și descărca aparate frigorifice, dar nu li se permite să curețe și să instaleze aparatele frigorifice.
- ▶ Țineți copiii mai mici de 3 ani la distanță de aparat, cu excepția cazului în care aceștia sunt supravegheați constant.
- ▶ Nu lăsați copiii să se joace cu aparatul.
- ▶ În cazul scurgerii gazului de răcire sau a altor gaze inflamabile în vecinătatea aparatului, închideți valva gazului care curge, deschideți ușile și ferestrele și nu deconectați niciun ștecăr al cablului de alimentare al frigiderului sau al oricărui alt aparat.
- ▶ Observați că aparatul este setat să funcționeze într-un interval de mediu specific, între 10 °C și 43 °C. Este posibil ca aparatul să nu funcționeze corect dacă este lăsat pentru o perioadă lungă de timp la o temperatură superioară sau inferioară intervalului indicat.
- ▶ Nu puneți articole instabile (obiecte grele, recipiente umplute cu apă) deasupra frigiderului, pentru a evita vătămarea cauzată de cădere sau de electrocutarea cauzată de contactul cu apa.
- ▶ Nu trageți de rafturile de pe ușă. În caz contrar, ușa poate fi înclinată, raftul pentru sticle se poate desprinde sau aparatul se poate răsturna.
- ▶ Deschideți și închideți ușile numai cu ajutorul mânelor. Spațiul liber dintre uși și dintre uși și dulap este foarte îngust. Nu întindeți mâinile în zonele respective, pentru a evita ciupirea degetelor. Deschideți sau închideți ușile frigiderului numai atunci când nu se află niciun copil în raza de deplasare a ușii.
- ▶ Nu depozitați materiale inflamabile, explozive sau corozive în aparat sau în vecinătatea acestuia.
- ▶ Nu depozitați medicamente, bacterii sau agenți chimici în dispozitiv. Acest dispozitiv este un aparat electrocasnic. Nu este recomandat pentru depozitarea materialelor care necesită temperaturi stricte.
- ▶ Nu depozitați niciodată în congelator lichide în sticle sau doze (cu excepția băuturilor cu conținut ridicat de alcool), în special băuturi carbogazoase, deoarece acestea se vor sparge în timpul înghețării.
- ▶ Verificați starea alimentelor în cazul în care a avut loc încălzirea congelatorului.
- ▶ Nu setați o temperatură nenecesar de joasă în compartimentul frigiderului. În cazul setărilor ridicate, pot apărea temperaturi sub punctul de îngheț. Atenție: Sticlele se pot sparge
- ▶ Nu atingeți produsele înghețate cu mâinile ude (purtați mănuși). În special, nu consumați înghețată pe băț imediat după scoaterea din compartimentul congelatorului. Există riscul de îngheț sau de producere a leziunilor provocate de îngheț. PRIMUL ajutor: puneți imediat sub jet de apă rece. Nu trageți!
- ▶ Nu atingeți suprafața interioară a compartimentului de depozitare al congelatorului atunci când este în funcțiune, în special cu mâinile ude, deoarece mâinile pot îngheța pe suprafață.



## AVERTISMENT!

### Utilizarea zilnică

- ▶ Deconectați aparatul de la energia electrică în cazul unei pene de curent sau înainte de curățare. Așteptați cel puțin 7 minute înainte de repornirea aparatului, deoarece pornirea frecventă poate deteriora compresorul.
- ▶ Nu utilizați dispozitive electrice în interiorul compartimentelor de depozitare a alimentelor ale aparatului decât dacă acestea sunt de tipul recomandat de către producător. Întreținere/curățare
- ▶ Asigurați-vă că supravegheați copiii dacă aceștia se ocupă de curățare și întreținere.
- ▶ Deconectați aparatul de la rețeaua de alimentare înainte de efectuarea întreținerii de rutină. Așteptați cel puțin 5 minute înainte de repornirea aparatului, deoarece pornirea frecventă poate deteriora compresorul.
- ▶ Țineți de ștecăr, nu de cablu, atunci când deconectați aparatul.
- ▶ Nu curățați aparatul cu perii aspre, cu perii de sârmă, cu detergent pulbere, benzină, acetat de amil, acetonă sau soluții organice similare, soluții acide sau alcaline. Curățați cu detergent special pentru frigider pentru a evita deteriorările.
- ▶ Nu răzuiți gheața cu obiecte ascuțite. Nu folosiți pulverizatoare, dispozitive electrice de încălzire precum radiatoare, uscătoare de păr, aparate de curățat cu abur sau alte surse de căldură, pentru a evita deteriorarea pieselor din plastic.
- ▶ Nu utilizați dispozitive mecanice sau alte mijloace de a accelera procesul de decongelare, în afara celor recomandate de producător.
- ▶ În cazul în care cablul de alimentare este deteriorat, acesta trebuie înlocuit de către producător, agentul său de service sau persoane calificate similare, pentru a evita orice pericol.
- ▶ Nu încercați să reparați, să dezasamblați sau să modificați dispozitivul pe cont propriu. În cazul în care este necesară o reparație, contactați serviciul de relații cu clienții.
- ▶ Eliminați praful din spatele unității cel puțin o dată pe an, pentru a evita riscul de incendiu, dar și consumul mărit de energie.
- ▶ Nu pulverizați și nu spălați aparatul în timpul curățării.
- ▶ Nu folosiți pulverizarea cu apă sau aburi de apă în timpul curățării aparatului.
- ▶ Nu curățați rafturile reci din sticlă cu apă fierbinte. Schimbarea bruscă de temperatură poate face ca sticla să se spargă.

### Informații privind gazul refrigerant

- ▶ Aparatul conține agentul frigorific inflamabil IZOBUTAN (R600a). Asigurați-vă că circuitul frigorific nu este deteriorat în timpul transportării sau instalării. Scurgerile de agent frigorific pot cauza vătămări ale ochilor sau se pot aprinde. Dacă s-a produs o deteriorare a aparatului, țineți la distanță de sursele de flăcări deschise, ventilați bine camera, nu conectați și nu deconectați cablurile de alimentare ale aparatului sau ale oricărui alt aparat. Informați serviciul de asistență pentru clienți.
- ▶ În cazul în care agentul frigorific intră în contact cu ochii, spălați imediat în jet de apă și contactați imediat un specialist oftalmolog.

## Utilizarea prevăzută

Acest aparat este proiectat pentru răcirea și congelarea alimentelor. Acesta a fost conceput exclusiv pentru utilizarea în aplicații casnice și similare, precum în zona de bucătărie pentru personalul din magazine, în birouri și în alte medii de lucru; ferme și clienți din hoteluri, moteluri și alte tipuri de medii rezidențiale, precum și în pensiunile de tip bed-and-breakfast și catering. Nu este destinat utilizării comerciale sau industriale.

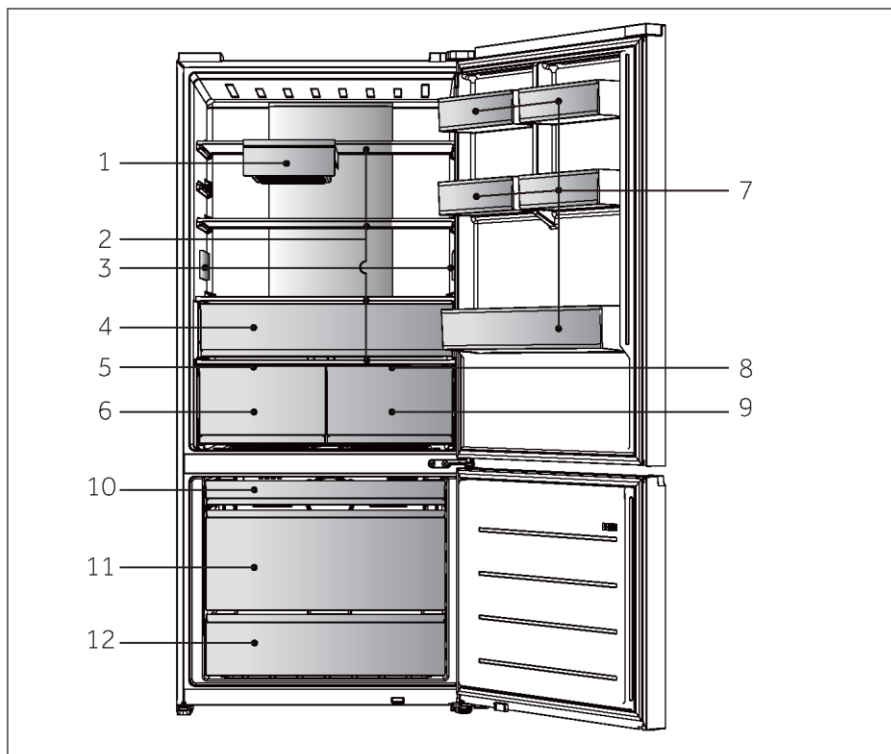
Nu este permisă aducerea schimbărilor sau modificărilor dispozitivului. Utilizarea necorespunzătoare poate duce la apariția pericolelor și la pierderea garanției.

## Standarde și directive

Acest produs respectă cerințele tuturor directivelor CE aplicabile, cu standardele corespondente armonizate, care asigură marcajul CE.

**i** **OBSERVAȚIE**

Ca urmare a modificărilor tehnice și a diferitelor modele, unele ilustrații din acest manual pot diferi de modelul dvs.



A: Compartiment frigider

B: Compartiment congelator

1 Cutie pentru prânz

10 Raft glisant

2 Rafturi din sticlă

11 Zona Freeze

3 AI Cooling

12 Zona Freeze

4 Fresh zone

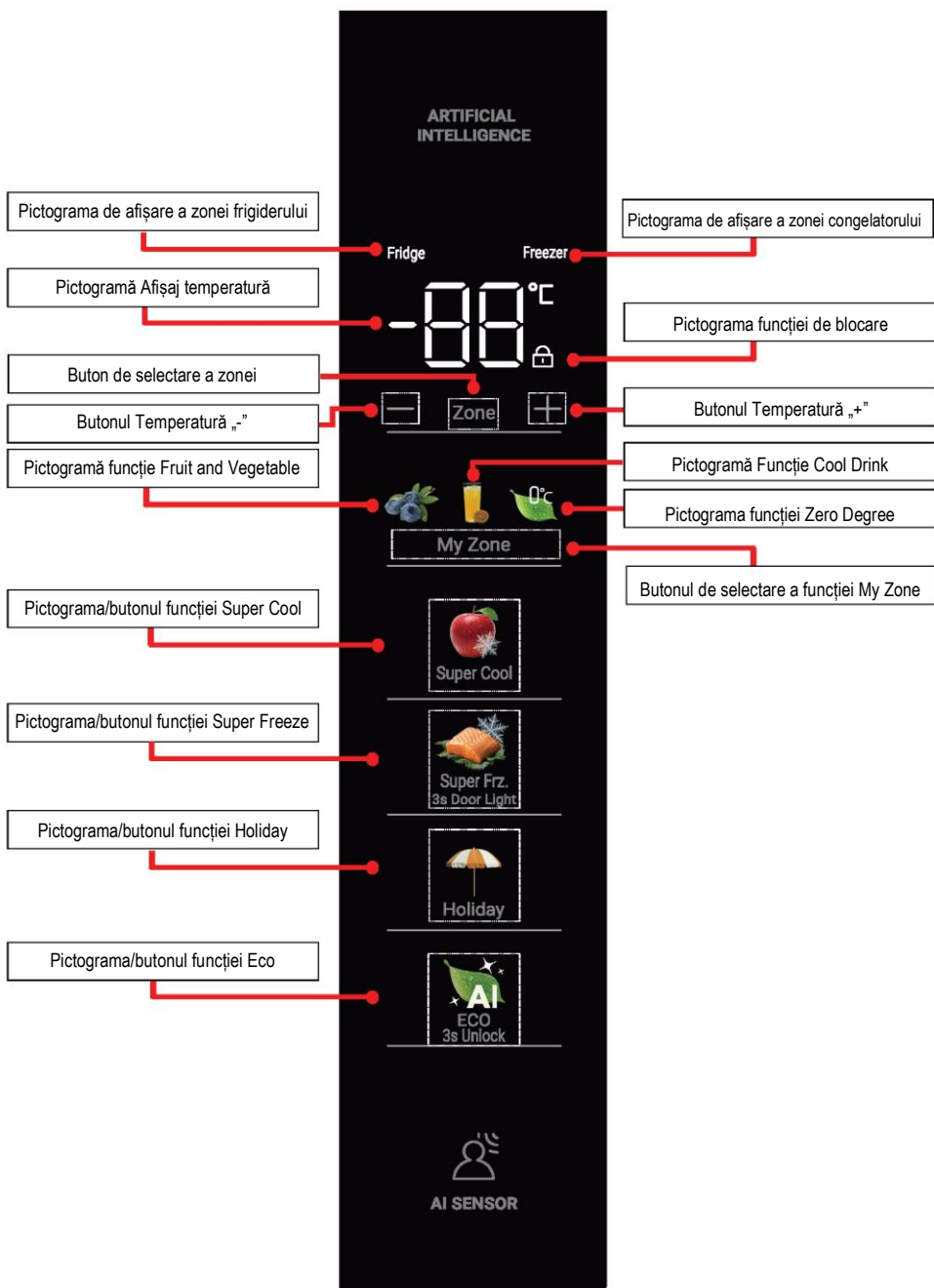
5 Acoperire Humidity Zone

6 Humidity Zone

7 Suporturi pentru sticle

8 Acoperire My Zone

9 My Zone



## Înainte de prima utilizare

- ▶ Scoateți toate materialele de ambalare, țineți-le departe de copii și eliminați-le într-un mod ecologic.
- ▶ Curățați interiorul și exteriorul aparatului cu apă și un detergent neutru înainte de a pune alimente în interior.
- ▶ După echilibrarea și curățarea aparatului, așteptați cel puțin 2-5 ore înainte de a-l conecta la rețeaua de alimentare. Consultați secțiunea INSTALARE.
- ▶ Răciți în prealabil compartimentele cu setări ridicate înainte de ale umple cu alimente. Funcția Power-Freeze ajută la răcirea rapidă a compartimentelor.
- ▶ Temperaturile frigiderului și congelatorului sunt setate automat la 5 °C, respectiv -18 °C. Acestea sunt setările recomandate. Dacă doriți, puteți modifica manual aceste temperaturi. Consultați REGLARE TEMPERATURĂ.

## Taste cu senzor

Butoanele de pe panoul de comenzi sunt taste cu senzori, care răspund imediat ce sunt apăstate ușor cu degetul.

### Pornire/oprire aparat

Aparatul intră în funcțiune imediat ce este conectat la rețeaua de alimentare.

Când frigiderul este pornit pentru prima dată, afișajul indicatorului Temperatură se aprinde. Temperaturile frigiderului și congelatorului sunt setate automat la 5 °C, respectiv -18 °C.

Este posibil ca blocarea panoului să fie activă.



## OBSERVAȚIE

Atunci când aparatul este pornit după deconectarea de la rețeaua de alimentare, poate dura până la 12 ore pentru atingerea temperaturilor corecte.

Goliți aparatul înainte de oprire. Pentru oprirea aparatului, scoateți cablul de alimentare din priză.

## Blocare/deblocare panou

Blocare automată: Când ușa frigiderului și ușa congelatorului sunt închise și nu se efectuează nicio acțiune asupra tastei în decursul a 30 de secunde, ecranul de afișare va fi stins și blocat automat.

Blocare manuală: Când ecranul de afișare este deblocat, apăsați butonul funcției Eco și mențineți apăsat timp de 3 secunde, semnalul sonor se aude o dată, pictograma funcției de blocare se aprinde, iar ecranul este blocat.

## Reglarea temperaturii

Temperaturile din interior sunt influențate de următorii factori:

Temperatura ambientală

Frecvența de deschidere a ușii

Cantitatea de alimente depozitate

Instalarea aparatului

## Ajustarea temperaturii frigiderului

Când este deblocat, apăsați butonul de selectare a zonei pentru a selecta zona frigiderului (pictograma frigiderului se aprinde). Fiecare apăsare reglează nivelul de temperatură cu 1°C. Setările sunt confirmate după 5 secunde de inactivitate (ecranul se stinge) sau imediat dacă sunt apăstate alte butoane. Secvență de reglare:

"+": 1°C ➔ 2°C ➔ 3°C ➔ 4°C ➔ 5°C ➔ 6°C ➔ 7°C ➔ 8°C ➔ 9°C

"-": 9°C ➔ 8°C ➔ 7°C ➔ 6°C ➔ 5°C ➔ 4°C ➔ 3°C ➔ 2°C ➔ 1°C



### OBSERVAȚIE

Temperatura de refrigerare nu poate fi reglată în starea Super Cool sau Blocare.

## Reglarea temperaturii congelatorului

Când afișajul este deblocat în timpul funcționării, apăsați butonul de selectare a zonei pentru a selecta zona de congelare (pictograma congelatorului se aprinde). Fiecare apăsare pe "+" / "-" reglează temperatura cu 1°C (luminează intermitent la 1Hz). Setările se salvează automat după 5 secunde de inactivitate. Apăsarea altor butoane confirmă imediat setarea și comută funcțiile.

Secvența de reglare:

"+": -24°C ➔ -23°C ➔ -22°C ➔ -21°C ➔ -20°C ➔ -19°C ➔ -18°C ➔ -17°C ➔ -16°C

"-": -16°C ➔ -17°C ➔ -18°C ➔ -19°C ➔ -20°C ➔ -21°C ➔ -22°C ➔ -23°C ➔ -24°C



### OBSERVAȚIE

Temperatura de congelare nu poate fi reglată în starea Super Freeze sau Blocare.



## OBSERVAȚIE

După setarea temperaturii, dacă nu există nicio operațiune în 5 secunde, sistemul va salva temperatura setată.

### Funcția Super-Cool

Intrați în starea super cool:

În starea deblocată, faceți clic pe butonul [ Super Cool ] pictograma [ Super Cool ] se va aprinde, iar frigiderul va intra în starea Super Cool.

Leșiți din starea super cool:

1. În starea deblocată și Super Cool, faceți clic pe butonul [Super Cool], pictograma [Super Cool] se stinge și este scoasă manual din starea Super Cool.
2. Atunci când frigiderul atinge timpul setat, acesta iese automat din funcția Super Cool. După 4 ore de la intrarea în modul Super Cool, acesta va ieși automat.

### Funcția Super-Frz

Intrați în starea Super Freeze:

În starea deblocată, faceți clic pe butonul [ Super Frz. ], pictograma [ Super Frz. ] se va aprinde, iar frigiderul va intra în starea Super Freeze.

Leșirea din starea Super Freeze:

1. În starea deblocată și Super Freeze, faceți clic pe butonul [Super Frz.], pictograma [SuperFrz.] se stinge și este scos manual din starea Super Freeze.
2. Când frigiderul atinge timpul setat, acesta iese automat din funcția Super Freeze. După 50 de ore de la intrarea în modul Super Frz, acesta va ieși automat.

Funcția Super-Freeze este concepută pentru a păstra valoarea nutritivă a alimentelor congelate; acestea vor fi congelate în cel mai scurt timp. Dacă trebuie congelate simultan cantități mari de alimente, se recomandă setarea funcției Super-Freeze.

Aceasta trebuie să fie setată cu 24 de ore înainte, pentru a se atinge o temperatură relativ scăzută în congelator și a se introduce alimente. În acest moment, viteza de congelare a congelatorului este îmbunătățită, alimentele pot fi congelate rapid, valorile nutriționale sunt păstrate eficient, iar depozitarea devine destul de convenabilă.

## Funcția AI Cooling

Atunci când trebuie să răciți rapid alimente fierțe sau gătite, puteți plasa alimentele pe raftul din sticlă corespunzător acestei funcții pentru răcire rapidă.

Atunci când frigiderul detectează o sursă de căldură în spațiul raftului din sticlă corespunzător acestei funcții, luminile albastre de pe ambele părți încep să lumineze intermitent. Dacă sursa de căldură detectată persistă pentru mai mult de 5 secunde, intră în această funcție iar luminile albastre de pe ambele părți se aprind. Dacă sursa de căldură detectată persistă mai puțin de 5 secunde, această funcție nu pornește, iar luminile albastre luminează intermitent timp de aproximativ 5 secunde și apoi se sting.

După pornirea acestei funcții, luminile albastre de pe ambele părți sunt aprinse (când ușa este deschisă), iar ventilatoarele de pe ambele părți încep să funcționeze. După închiderea ușii, luminile albastre de pe ambele părți se sting, iar ventilatoarele de pe ambele părți continuă să funcționeze. După ce sursa de căldură s-a răcit, această funcție se dezactivează, luminile albastre de pe ambele părți se sting, iar ventilatoarele de pe ambele părți se opresc.



### OBSERVAȚIE

- 1 Atunci când plasați un vas de supă sau alte alimente care eliberează aburi, utilizați un recipient sigilat cu capac sau sigilați-l cu folie de plastic înainte de a-l plasa în interior.
- 2 Se recomandă să plasați pepeni, fructe și legume în sertarul pentru fructe și legume pentru a obține o proapețime mai bună și efecte de hidratare. Atunci când plasați alimente în această zonă funcțională, vă rugăm să nu blocați intrările circulare de aer de pe ambele părți sau evacuarea lungă de aer.
- 3 Testul de pornire pentru această funcție a fost efectuat folosind o oală de supă din oțel inoxidabil (o oală de supă turcească din oțel inoxidabil cu un diametru de 275 mm, o înălțime de 150 mm și o înălțime totală cu capac de 200 mm) plasată pe raft în poziția ilustrată. Nivelul lichidului din interiorul vasului a fost de 2/3, temperatura peretelui exterior al vasului a fost de 35°C, temperatura ambientală în timpul testării a fost de 25°C, iar frigiderul a funcționat stabil la setările implicite din fabrică.
- 4 Atunci când sursa de căldură este prea mică sau temperatura este prea scăzută, este posibil ca această funcție să nu pornească automat.
- 5 Atunci când acțiunile de acces ale utilizatorului în acest spațiu funcțional durează prea mult sau ușa este deschisă prea mult timp, se poate declanșa și această funcție.
- 6 Dacă activați modul Holiday în timp ce funcția AI Cooling este în funcțiune, funcția AI Cooling se va dezactiva.

## Funcția My Zone

My Zone este reglată și setată în conformitate cu setările funcționale. Acestea sunt reprezentate secvențial de trei pictograme funcționale: "Fruits & Vegetables (5°C), Cool Drink (2°C), 0°C Fresh (0°C)". La pornirea inițială, starea implicită este în setarea „Fruits & Vegetables (5°C)”. Când este deblocat, apăsați tasta My Zone de pe prima pagină pentru a intra în pagina de ajustare a setărilor My Zone. Faceți clic pe butonul de setare My Zone pentru a comuta My Zone la setarea corespunzătoare. Starea de setare My Zone este păstrată după pierderea alimentării.



### OBSERVAȚIE

În modul Holiday, compartimentul frigorific cu temperatură variabilă este controlat la 17°C, funcționând în conformitate cu punctele de setare pornire/oprire de pornire la 20°C / oprire la 16°C.

## Funcția de detectare a prezenței umane

Funcția de detectare a prezenței umane este activată în mod implicit. Apăsați și mențineți apăsat butonul "Super Frz." timp de 3 secunde pentru a dezactiva sau activa funcția de detectare a prezenței umane. După activarea acestei funcții, când vă apropiați de frigider, ecranul său se aprinde, iar lumina albastră a ușii intră într-un mod intermitent, luminând și stingându-se alternativ.

## Funcția Holiday

Apăsați butonul Holiday în stare deblocată:

Apăsați prima dată: Funcția Holiday se activează (pictograma se aprinde, se aude un bip)

Apoi apăsați: Funcția Holiday se dezactivează (pictograma se dezactivează, se aude un bip)

## Funcția Eco

După aprinderea panoului de afișaj, dacă frigiderul nu a intrat în funcția Eco și panoul de afișaj este deblocat, apăsați o dată butonul "Eco", pictograma funcției smart va apărea, semnalul sonor se va auzi o dată iar funcția Eco va fi activată.

După aprinderea panoului de afișaj, dacă frigiderul a intrat în funcția Eco și panoul de afișaj este deblocat, apăsați o dată butonul "Eco", pictograma funcției smart se va stinge, semnalul sonor se va auzi o dată, iar funcția Eco va fi dezactivată.



## OBSERVAȚIE

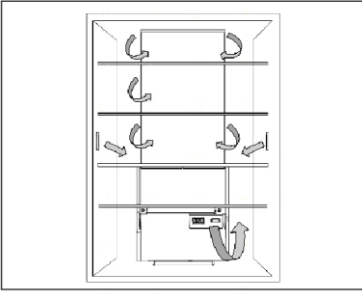
În modul Eco, frigiderul va seta și va afișa automat temperatura compartimentului pentru alimente proaspete la 5°C și a compartimentului congelatorului la -18°C.

În acest mod, temperaturile compartimentelor frigider și congelator nu pot fi reglate manual.

Temperatura compartimentului My Zone poate fi setată individual și va funcționa în conformitate cu setările utilizatorului.

După ieșirea din modul Eco, compartimentele frigider și congelator vor reveni la setările de temperatură pe care le-ați selectat înainte de a intra în modul Eco.

Setările compartimentului My Zone vor rămâne neschimbate, iar alte stări operaționale nu vor fi afectate.



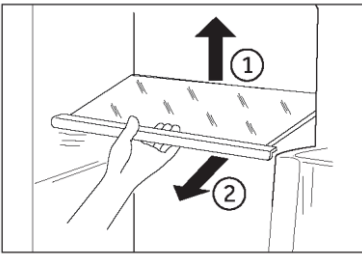
## Flux de aer multiplu

1. Frigiderul este prevăzut cu un sistem cu

flux de aer multiplu, prin care fluxurile de aer rece sunt asigurate la nivelul fiecărui raft. Acest lucru ajută la păstrarea unei temperaturi uniforme pentru a asigura faptul că alimentele dvs. sunt menținute proaspete pentru mai mult timp.

## Rafturi ajustabile

1. Înălțimea rafturilor poate fi ajustată pentru a se potrivi nevoilor dvs. de depozitare.
2. Pentru re poziționarea unui raft, scoateți-l mai întâi prin ridicarea marginii din spate ① și tragerea sa în afară ②.
3. Pentru montarea la loc, așezați-l pe canalele de pe ambele părți și împingeți-l în cea mai din spate poziție, până când partea din spate a raftului este fixată în interiorul fanțelor laterale.
4. Raftul „POT STATION” are o capacitate maximă de încărcare de 200 kg și rămâne intact; atunci când sarcina depășește 80 kg, poate afecta funcționarea normală a sertarului „Fresh Zone” (date provenite din laboratorul intern).



## OBȘERVATIV

Asigurați-vă că toate capetele unui raft sunt drepte.

## Sertarul My Zone

1. În acest compartiment nivelul de umiditate este mai scăzut decât în compartimentul frigiderului. Acest sertar este potrivit pentru a stoca fructe uscate și alte alimente uscate, cu conținut scăzut de apă, precum unt, grăsimi și uleiuri sau ciocolată.

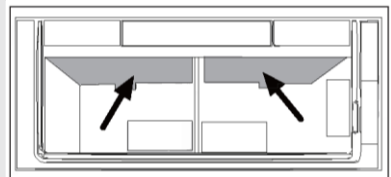
## Sertar Humidity box

1. În acest compartiment nivelul de umiditate este mai mare decât cel al frigiderului. Acesta este controlat automat de sistem și este potrivit pentru a stoca fructe, legume, salate etc.



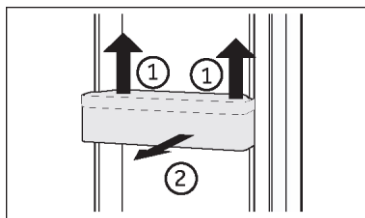
## OBȘERVATIV

1. Nu îndepărtați capacul de plastic din interiorul celor două zone.
2. Acesta menține umiditatea.
3. Nu se recomandă ca fructele sensibile la frig, cum ar fi ananasul, avocado, bananele, grepfrutul, să fie depozitate în aceste două sertare.



### Rafturi de uşă detaşabile/suport pentru sticle

1. Rafturile de uşă pot fi demontate pentru curăţare:
2. Puneţi mâinile pe fiecare parte a suportului, ridicaţi-l în sus ① şi scoateţi-l ②.
3. Pentru introducerea raftului de uşă urmaţi paşii de mai sus în ordine inversă.



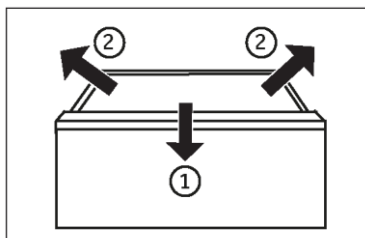
### OBSERVAȚIE

Atunci când aparatul este pornit, poate dura până la 12 ore pentru a ajunge la temperaturile corecte.

### Sertar demontabil

Pentru a scoate sertarul, trageți în afară până la maximum ①, ridicați și scoateți-l ②.

Pentru introducerea sertarului urmați pașii de mai sus în ordine inversă.

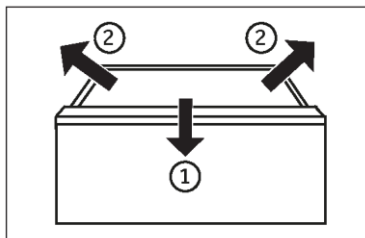


### Depozitarea articolelor mari

Articolele mari, precum alimentele congelate, pot fi depozitate după:

scoaterea tăvii superioare de congelare sau

scoaterea atât a tăvilor de congelare superioare, cât și a sertarului din mijloc al congelatorului și depozitarea alimentelor direct pe raft.



### Lumina

Becul interior cu LED se aprinde la deschiderea uşii. Performanța luminilor nu este afectată de nicio altă setare a aparatului.

### Sertarul

Vă rugăm să împingeți sau să trageți ușor de-a lungul poziției din mijloc a mânerului sertarului pentru a evita probleme precum funcționarea defectuoasă sau desprinderea sertarului.



## Sfaturi de economisire a energiei

- ▶ Asigurați-vă că aparatul este ventilat corespunzător (consultați secțiunea INSTALARE).
- ▶ Nu instalați aparatul în lumina directă a soarelui sau în apropierea surselor de căldură (de ex., cuptoare, radiatoare).
- ▶ Evitați setarea temperaturilor neneesar de scăzute în aparat. Consumul de energie crește odată cu scăderea temperaturii setate în aparat.
- ▶ Funcții precum POWER-FREEZE consumă mai multă energie.
- ▶ Lăsați alimentele calde să se răcească înainte de a le amplasa în aparat.
- ▶ Deschideți ușa aparatului cât mai puțin și pentru o perioadă cât mai scurtă posibil.
- ▶ Nu umpleți excesiv aparatul, pentru a evita obstrucționarea fluxului de aer.
- ▶ Evitați prezența aerului în ambalajul alimentelor.
- ▶ Mențineți garniturile ușii curate astfel încât ușa să se închidă corect întotdeauna.
- ▶ Decongeleți alimentele congelate în compartimentul de depozitare al frigiderului.
- ▶ Configurația pentru economisirea cea mai mare de energie necesită păstrarea sertarelor, cutiilor de alimente și rafturilor etc. în starea lor din fabrică, iar alimentele trebuie plasate cât mai departe posibil, fără a bloca orificiile de ieșire a aerului de pe conducta de aer.



## AVERTISMENT!

Deconectați aparatul de la rețeaua de alimentare înainte de curățare.

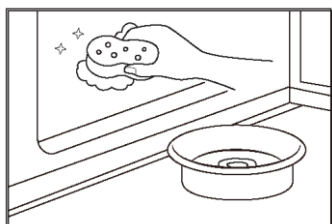
### Curățare

1. Curățați aparatul atunci când sunt depozitate puține alimente sau când acesta este gol.
2. Aparatul trebuie curățat o dată la patru săptămâni pentru o întreținere corectă și pentru a preveni mirosurile neplăcute cauzate de mâncarea depozitată.



## AVERTISMENT!

- ▶ Nu curățați aparatul cu perii aspre, cu perii de sârmă, cu detergent pulbere, benzină, acetat de amil, acetonă sau soluții organice similare, soluții acide sau alcaline. Curățați cu detergent special pentru frigider pentru a evita deteriorările.
- ▶ Nu pulverizați și nu spălați aparatul în timpul curățării.
- ▶ Nu folosiți pulverizarea cu apă sau aburi de apă în timpul curățării aparatului.
- ▶ Nu curățați rafturile reci din sticlă cu apă fierbinte. Schimbarea bruscă de temperatură poate face ca sticla să se spargă.
- ▶ Nu atingeți suprafața interioară a compartimentului de depozitare al congelatorului, în special cu mâinile ude, deoarece mâinile pot îngheța pe suprafață.
- ▶ În cazul încălzirii, verificați starea produselor congelate.



- ▶ Asigurați întotdeauna curățenia garniturii ușii.
- ▶ Curățați interiorul și carcasa aparatului cu un burete înmuiat în apă caldă și detergent neutru.
  1. Este indicat să ștergeți interiorul și exteriorul frigiderului, inclusiv garniturile ușilor, raftul de pe ușă, rafturile din sticlă, cutiile și celelalte elemente, cu un prosop moale sau cu un burete înmuiat în apă caldă (puteți adăuga detergent neutru în apa caldă).
  2. Dacă se varsă lichid, îndepărtați toate părțile contaminate, clătiți direct cu jet de apă, uscați-le și puneți-le înapoi în frigider.
  3. Dacă se varsă alimente cu consistență cremoasă (cum ar fi smântâna, înghețata topită), vă rugăm să îndepărtați toate părțile contaminate, puneți-le în apă caldă la aproximativ 40 °C pentru o perioadă de timp, apoi clătiți-le cu jet de apă, uscați-le și puneți-le înapoi în frigider.
  4. În cazul în care o parte mică sau o componentă este blocată în interiorul frigiderului (între rafturi sau sertare), utilizați o perie mică și moale pentru a o elibera. Dacă nu ați putut ajunge la piesa respectivă, contactați serviciul Haier
- ▶ Clătiți și uscați cu o cârpă moale.
- ▶ Nu curățați nicio parte a aparatului în mașina de spălat vase.
- ▶ Așteptați cel puțin 5 minute înainte de repornirea aparatului, deoarece pornirea frecventă poate deteriora compresorul.

### Decongelarea

Decongelarea compartimentului frigiderului și congelatorului are loc automat, nefiind necesară intervenția manuală.

## Înlocuirea becului LED



### AVERTISMENT!

Nu înlocuiți becul LED de unul singur. Acesta trebuie înlocuit de producător sau de un agent de service autorizat.

Becul are un LED ca sursă de lumină a acestuia au un consum redus de energie și o durată mare de viață. În cazul în care există anormalități, contactați serviciul pentru clienți. Consultați secțiunea SERVICIU PENTRU CLIENȚI.

Parametrii becurilor:

Compartiment frigider: 12 V max 8 W

Compartiment congelator: 12 V max 2 W

Lumina albastră a ușii: 12 V max 3 W

### Neutilizare pentru o perioadă lungă de timp

Dacă aparatul nu este utilizat pe o perioadă extinsă de timp și nu veți folosi funcția Holiday pentru frigider:

Scoateți alimentele.

Deconectați cablul de alimentare.

Curățați aparatul conform descrierii de mai sus.

Țineți ușile congelatorului deschise pentru a preveni apariția mirosurilor neplăcute în interior.



### OBSERVAȚIE

Oprți aparatul numai dacă este strict necesar.

### Mutarea aparatului

1. Scoateți toate alimentele și deconectați aparatul.
2. Securizați rafturile și restul părților mobile din frigider și congelator cu bandă adezivă.
3. Nu înclinați frigiderul la mai mult de 45°, pentru a evita deteriorarea sistemului frigorific.



### AVERTISMENT!

- ▶ Nu ridicați aparatul de mână.
- ▶ Nu poziționați niciodată aparatul orizontal pe sol.

Multe probleme care pot apărea pot fi rezolvate de dvs., fără a fi necesare cunoștințe specifice. În cazul unei probleme verificați toate posibilitățile afișate și urmați instrucțiunile de mai jos înainte de a apela la un serviciu post-vânzare. Consultați secțiunea **SERVICIU PENTRU CLIENȚI**.



### AVERTISMENT!

- ▶ Înainte de întreținere, dezactivați aparatul și deconectați ștecărul de la rețeaua de alimentare.
- ▶ Echipamentele electrice trebuie depanate numai de către specialiști calificați în domeniul electric, deoarece reparațiile necorespunzătoare pot provoca daune indirecte considerabile.
- ▶ Un articol furnizat deteriorat trebuie înlocuit numai de către producător, agentul său de service sau persoane calificate similare, pentru a evita orice pericol.

Problemă	Cauză posibilă	Soluție posibilă
Compresorul nu funcționează.	<ul style="list-style-type: none"> <li>• Ștecărul de alimentare nu este conectat la priza de alimentare.</li> <li>• Aparatul este în ciclul de decongelare.</li> </ul>	<ul style="list-style-type: none"> <li>• Conectați ștecărul de alimentare.</li> <li>• Acest lucru este normal în cazul unei decongelări automate.</li> </ul>
Aparatul pornește frecvent sau pentru o perioadă prea mare de timp.	<ul style="list-style-type: none"> <li>• Temperatura interioară sau exterioară este prea ridicată.</li> <li>• Aparatul a fost deconectat de la energia electrică pentru o perioadă de timp.</li> <li>• O ușă a aparatului nu este închisă etanș.</li> <li>• Ușa a fost deschisă prea des sau pentru o perioadă prea lungă de timp.</li> <li>• Setarea temperaturii pentru compartimentul congelatorului este prea joasă.</li> <li>• Garnitura ușii este murdară, uzată, crăpată sau așezată incorect.</li> <li>• Circulația necesară a aerului nu este garantată.</li> </ul>	<ul style="list-style-type: none"> <li>• În acest caz, este normal ca aparatul să funcționeze mai mult timp.</li> <li>• În mod normal, durează între 8 și 12 ore ca aparatul să se răcească complet.</li> <li>• Închideți ușa/serarul și asigurați-vă că aparatul este amplasat pe o suprafață dreaptă și că nu există vreun aliment sau recipient care să deranjeze ușa.</li> <li>• Nu deschideți ușa/serarul prea des.</li> <li>• Setați temperatura la un valoare mai ridicată până când este obținută o temperatură satisfăcătoare a frigiderului. Durează 24 de ore ca temperatura frigiderului să se stabilizeze.</li> <li>• Curățați garnitura ușii/serarului sau înlocuiți-o prin serviciul pentru clienți.</li> <li>• Asigurați o ventilație adecvată.</li> </ul>

Problemă	Cauză posibilă	Soluție posibilă
Interiorul frigiderului este murdar și/sau miroase.	<ul style="list-style-type: none"> <li>Interiorul frigiderului necesită curățare.</li> <li>Sunt depozitate alimente cu miros puternic în frigider</li> </ul>	<ul style="list-style-type: none"> <li>Curățați interiorul frigiderului.</li> <li>Ambalați bine alimentele.</li> </ul>
În interiorul aparatului nu este suficient de rece.	<ul style="list-style-type: none"> <li>Temperatura setată este prea ridicată.</li> <li>Au fost depozitate alimente prea calde.</li> <li>Au fost depozitate prea multe alimente în același timp.</li> <li>Produsele sunt prea apropiate între ele.</li> <li>O ușă/un sertar al aparatului nu este închis etanș.</li> <li>Ușa/sertarul a fost deschis prea des sau pentru o perioadă prea mare de timp.</li> </ul>	<ul style="list-style-type: none"> <li>Resetați temperatura.</li> <li>Răciți întotdeauna produsele înainte de a le depozita.</li> <li>Depozitați întotdeauna cantități mici de alimente.</li> <li>Lăsați un spațiu liber între mai multe alimente pentru a permite trecerea aerului.</li> <li>Închideți ușa/sertarul.</li> <li>Nu deschideți ușa/sertarul prea des.</li> </ul>
În interiorul aparatului este prea rece.	<ul style="list-style-type: none"> <li>Temperatura setată este prea joasă.</li> <li>Funcția Super-Frz/Super-Cool este activată sau este activă de prea mult timp.</li> </ul>	<ul style="list-style-type: none"> <li>Resetați temperatura.</li> <li>Opriiți funcția Super-Frz/Super-Cool.</li> </ul>
Se formează umezeală în interiorul compartimentului frigiderului.	<ul style="list-style-type: none"> <li>Climatul este prea călduros și prea umed.</li> <li>O ușă/un sertar al aparatului nu este închis etanș.</li> <li>Ușa/sertarul a fost deschis prea des sau pentru o perioadă prea mare de timp.</li> <li>Recipientele cu alimente sau lichide sunt lăsate deschise.</li> </ul>	<ul style="list-style-type: none"> <li>Creșteți temperatura.</li> <li>Închideți ușa/sertarul.</li> <li>Nu deschideți ușa/sertarul prea des.</li> <li>Lăsați alimentele fierbinți să se răcească la temperatura camerei și acoperiți alimentele și lichidele.</li> </ul>
Umezeala se acumulează pe suprafața exterioră a frigiderului sau între uși/ ușă și sertar.	<ul style="list-style-type: none"> <li>Climatul este prea călduros și prea umed.</li> <li>Ușa nu este închisă etanș. Aerul rece din aparat și aerul cald din exterior formează condens.</li> </ul>	<ul style="list-style-type: none"> <li>Acest lucru este normal într-un climat umed și se va modifica atunci când umiditatea va scădea.</li> <li>Asigurați-vă că ușa/sertarul este închis etanș.</li> </ul>

Problemă	Cauză posibilă	Soluție posibilă
Gheață solidă în compartimentul congelatorului.	<ul style="list-style-type: none"> <li>• Produsele nu au fost ambalate corespunzător.</li> <li>• O ușă/un sertar al aparatului nu este închis etanș.</li> <li>• Ușa/sertarul a fost deschis prea des sau pentru o perioadă prea mare de timp.</li> <li>• Garnitura ușii/sertarului este murdară, uzată, crăpată sau așezată incorect.</li> <li>• Ceva din interior împiedică închiderea corespunzătoare a ușii/sertarului.</li> </ul>	<ul style="list-style-type: none"> <li>• Ambalați întotdeauna bine produsele.</li> <li>• Închideți ușa/sertarul.</li> <li>• Nu deschideți ușa/sertarul prea des.</li> <li>• Curățați garnitura ușii/sertarului sau înlocuiți-o cu una nouă.</li> <li>• Repoziționați rafturile, rafturile de ușă sau recipientele interne pentru a permite închiderea ușii/sertarului.</li> </ul>
Lateralele dulapului și garnitura ușii se încălzesc.		<ul style="list-style-type: none"> <li>• Acest lucru este normal.</li> </ul>
Aparatul emite sunete anormale.	<ul style="list-style-type: none"> <li>• Aparatul nu se află pe o suprafață dreaptă.</li> <li>• Aparatul atinge unele obiecte din jurul acestuia.</li> </ul>	<ul style="list-style-type: none"> <li>• Reglați suportul pentru a aduce aparatul la același nivel.</li> <li>• Îndepărtați obiectele din jurul aparatului.</li> </ul>
Se aude un sunet similar cu cel al apei care curge.		<ul style="list-style-type: none"> <li>• Acest lucru este normal.</li> </ul>
Veți auzi o alarmă sonoră.	<ul style="list-style-type: none"> <li>• Ușa compartimentului de depozitare al frigiderului este deschisă.</li> </ul>	<ul style="list-style-type: none"> <li>• Închideți ușa.</li> </ul>
Veți auzi un zumzet slab.	<ul style="list-style-type: none"> <li>• Sistemul anti-condens este în funcțiune.</li> </ul>	<ul style="list-style-type: none"> <li>• Acesta împiedică formarea condensului și este normal.</li> </ul>
Iluminarea interioară sau sistemul de răcire nu funcționează.	<ul style="list-style-type: none"> <li>• Ștecărul de alimentare nu este conectat la priza de alimentare.</li> <li>• Sursa de alimentare nu este intactă.</li> <li>• Becul cu led este defect.</li> </ul>	<ul style="list-style-type: none"> <li>• Conectați ștecărul de alimentare.</li> <li>• Verificați sursa de alimentare cu energie electrică din cameră. Contactați compania locală de electricitate!</li> <li>• Contactați serviciul de depanare pentru înlocuirea becului.</li> </ul>

Pentru contactarea asistenței tehnice, vizitați site-ul nostru web:

<https://corporate.haier-europe.com/en/>

La secțiunea „website” alegeți marca produsului dvs. și țara dvs. Veți fi redirecționat către website-ul specific unde puteți găsi numărul de telefon și formularul de contactare a asistenței tehnice.

## Pană de curent

În cazul unei pene de curent, alimentele ar trebui să rămână reci timp de aproximativ 5 ore. Urmați aceste sfaturi în cazul unei pene de curent prelungite, în special pe timpul verii:

- ▶ Deschideți ușa/sertarul de cât mai puține ori posibil.
- ▶ Nu puneți alimente adiționale în aparat în timpul unei pene de curent.
- ▶ În cazul în care știți că se va produce o pană de curent, iar durata acesteia va fi mai mare de 5 ore, faceți cuburi de gheață și puneți-le într-un recipient în partea de sus a compartimentului frigiderului.
- ▶ Imediat după întreruperea energiei electrice este necesară inspectarea produselor.
- ▶ Dat fiind faptul că temperatura din frigider va crește în timpul unei pene de curent sau în cazul altei defecțiuni, perioada de depozitare și calitatea alimentelor comestibile vor fi reduse. Alimentele care se decongelează trebuie consumate sau gătite și recongelate (unde este cazul) cât mai curând după aceea, pentru a preveni apariția riscurilor pentru sănătate.

## Funcția de memorare în timpul penei de curent

După restabilirea alimentării cu energie electrică, aparatul continuă să funcționeze cu setările stabilite înaintea penei de curent.

## Despachetare



### AVERTISMENT!

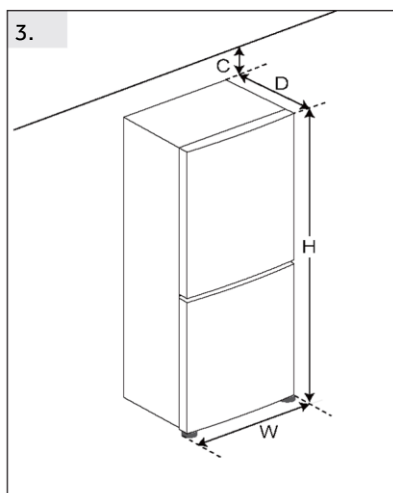
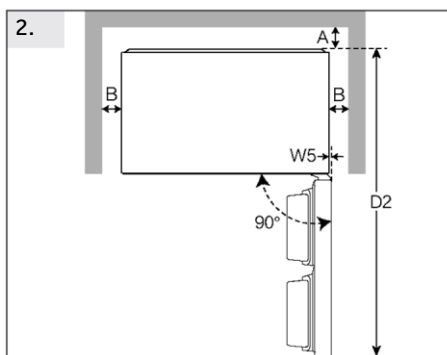
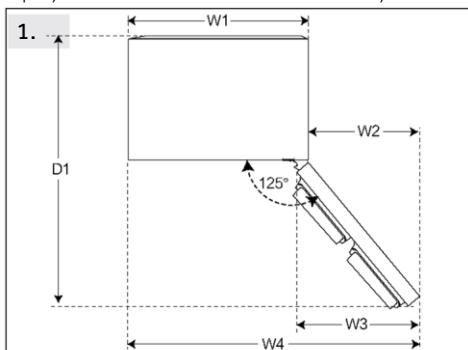
- ▶ Aparatul este greu. Manevrați-l întotdeauna cu cel puțin două persoane.
- ▶ Țineți toate materialele de ambalare la distanță de copii și eliminați-le într-un mod ecologic.
- ▶ Scoateți aparatul din ambalaj.
- ▶ Îndepărtați toate materialele de ambalare.

## Condiții ambientale

Temperatura camerei trebuie să fie cuprinsă întotdeauna între 10 °C și 43 °C, deoarece poate influența temperatura din interiorul aparatului și consumul de energie al acestuia. Nu instalați aparatul în apropierea altor aparate care emit căldură (cuptoare, frigidere) fără izolare.

## Recomandare în ceea ce privește spațiul

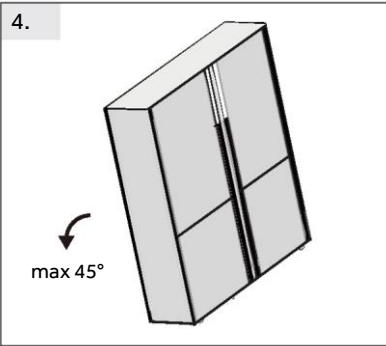
Spațiul recomandat atunci când ușa este deschisă (Fig.1.2.)



(Unitate: mm)	Model 1	Model 2	
Lățime	W1	830	
	W2	500	
	W3	529	
	W4	1330	
	W5	21	
	I	830	
Adâncime	D1	1362	
	D2	1502	
	D	725	
Distanța până la peretele din spate	A	50	
Distanța față de pereții laterali	B	50	
Distanța până la tavan	C	50	
Înălțime totală	H	1850	

## Secțiune transversală ventilare

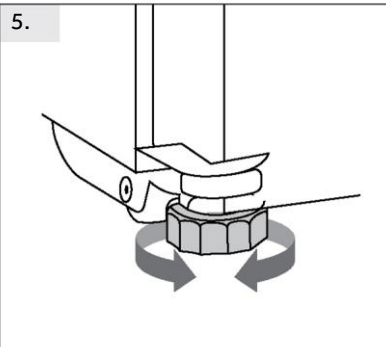
Pentru a obține o ventilare suficientă a aparatului din motive de siguranță, trebuie respectate informațiile legate de secțiunile transversale ale ventilării necesare.



### Alinierea aparatului (Fig. 4.5.6)

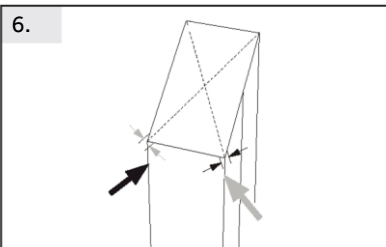
Aparatul trebuie amplasat pe o suprafață dreaptă și solidă.

4. Înclinați frigiderul ușor înapoi.



5. Reglați picioarele la nivelul dorit.

Asigurați-vă că distanța până la peretele de pe partea balamalei este de cel puțin 50 mm pentru ca ușa să se deschidă corect.



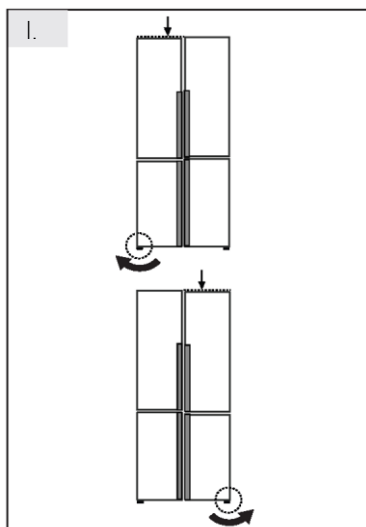
6. Stabilitatea poate fi verificată împingând alternativ pe diagonală. Balansarea ușoară trebuie să fie aceeași în ambele direcții. În caz contrar, cadrul se poate încovoia; drept rezultat pot apărea pierderi pe la garniturile ușii.

Înclinarea ușoară spre spate favorizează închiderea ușilor.



## OBSERVAȚIE

Aparat de sine stătător: acest aparat frigorific nu este destinat utilizării ca aparat încorporabil

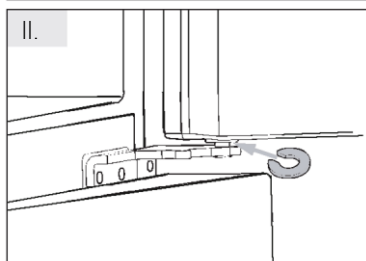


### Reglarea fină a ușilor

Dacă ușile nu sunt la același nivel, această nepotrivire poate fi remediată prin următoarele metode:

#### I Utilizarea piciorului de reglare

Rotiți piciorul de reglare conform direcției săgeții pentru a ridica sau coborî piciorul.



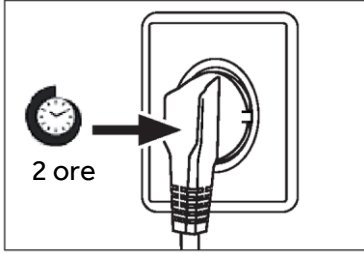
#### II Utilizarea distanțierelor

- ▶ Deschideți ușa superioară și ridicați-o.
- ▶ Prindeți cu atenție distanțierul (din puntea de accesorii) în inelul alb de plastic de la balamaua din mijloc cu mâna sau cu ajutorul unei scule precum cleștele. Nu zgâriați sau loviți ușa.



### OBSERVAȚIE

În timpul utilizării viitoare a frigiderului, fenomenul de nealiniere a ușilor poate apărea ca urmare a greutateii alimentelor depozitate. În acest caz, ajustați în consecință prin metodele de mai sus.



### Timpul de așteptare

Uleiul de ungere fără întreținere este amplasat în capsula compresorului. Uleiul respectiv poate trece prin sistemul cu țevi închis în timpul transportării înclinate. Înainte de conectarea aparatului la sursa de alimentare, trebuie să așteptați cel puțin 2 ore pentru ca uleiul să curgă înapoi în capsulă.

### Conexiunea electrică

Înainte de fiecare conexiune verificați dacă:

- ▶ sursa de alimentare, priza și siguranța sunt conforme cu plăcuța cu date tehnice.
- ▶ priza de alimentare este legată la împământare și nu este de tip prize multiple sau prelungitor.
- ▶ ștecărul și priza de alimentare sunt strict conforme.

Conectați ștecărul la o priză de la domiciliu instalată corespunzător.



### AVERTISMENT!

Pentru evitarea riscurilor, cablul de alimentare deteriorat trebuie înlocuit prin serviciul pentru clienți (consultați fișa de garanție).

## Fișa de produs conform reglementării UE nr. 2019/2016

Marca	Haier
Numele/identificatorul modelului	HDR5818DNSS HDR5818DNPW HDR5818DNMB
Categoria modelului	Combină frigorifică
Clasa de eficiență energetică	D
Consumul anual de energie (kWh/an)(1)	273
Volumul total (l)	640
Volum frigider (l)	413
Volum congelator (l)	184
Volumul secțiunii de răcire (l)	43
Clasificarea prin stele	*/***
Temperatura altor compartimente > 14 °C	Nu se aplică
Sistem fără îngheț	Da
Capacitatea de congelare (kg/24 h)	10
Evaluare temperatură (2)	SN-N-ST-T
Clasa de emisii sonore și emisii de zgomote acustice aeropurtate (db(A) re 1pW)	B(35)
Timpul necesar creșterii temperaturii (h)	10
Tipul aparatului	de sine stătător

## Explicații:

## • Da, prezentate

- (1) Pe baza rezultatelor testului de conformitate cu standardele, cu o durată de peste 24 de ore. Consumul real depinde de utilizarea și locația aparatului.
- (2) Evaluare temperatură SN: Acest aparat este destinat utilizării la o temperatură ambientală cuprinsă între + 10 °C și +32 °C

Evaluare temperatură N: Acest aparat este destinat utilizării la o temperatură ambientală cuprinsă între + 16 °C și +32 °C

Evaluare temperatură ST: Acest aparat este destinat utilizării la o temperatură ambientală cuprinsă între + 16 °C și +38 °C

Evaluare temperatură T: Acest aparat este destinat utilizării la o temperatură ambientală cuprinsă între + 16 °C și +43 °C

## Date tehnice suplimentare

Tensiune/Frecvență	220-240V ~/ 50Hz
Curentul de intrare (A)	2
Siguranța principală (A)	8
Răcire	R600a
Dimensiuni (Î/L/A în mm)	1850 / 830/725

Vă recomandăm să apelați la serviciul pentru clienți Haier și să utilizați piese de schimb originale.

Dacă aveți o problemă cu aparatul, consultați mai întâi secțiunea DEPANARE.

Dacă nu găsiți nicio soluție acolo, contactați

- ▶ distribuitorul local sau
- ▶ Centrul nostru european de servicii telefonice (vedeți numerele de telefon enumerate mai jos) sau
- ▶ zona Service și Asistență pe [www.haier.com](http://www.haier.com), unde puteți activa cererea de service
- ▶ și găsi, de asemenea, întrebări frecvente.

Pentru contactarea serviciului nostru, asigurați-vă că aveți următoarele date. Informațiile pot fi găsite pe plăcuța cu date tehnice.

Model \_\_\_\_\_

Nr. serie \_\_\_\_\_

De asemenea, verificați și fișa de garanție furnizată cu produsul, în cazul garanției.

Centrul european de servicii telefonice		
Țară*	Număr de telefon	Costuri
Haier Italy (IT)	199 100 912	
Haier Spain (ES)	902 509 123	
Haier Germany (DE)	0180 5 39 39 99	<ul style="list-style-type: none"> <li>• 14 Ct/min de pe telefon fix</li> <li>• max 42 Ct/Min de pe mobil</li> </ul>
Haier Austria (AT)	0820 001 205	<ul style="list-style-type: none"> <li>• 14,53 Ct/min de pe telefon fix</li> <li>• max 20 Ct/Min de pe toate celelalte</li> </ul>
Haier United Kingdom (UK)	0333 003 8122	
Haier France (FR)	0980 406 409	

\* Pentru alte țări, consultați [www.haier.com](http://www.haier.com)

Haier Europe Trading S.r.l

Filiala Marea Britanie

Westgate House, Westgate, Ealing

Londra, W5 1YY

\*Durata garanției aparatului frigorific:

Garanția minimă este de: 2 ani pentru țările din UE, 3 ani pentru Turcia, 1 an pentru Marea Britanie, 1 an pentru Rusia, 3 ani pentru Suedia, 2 ani pentru Serbia, 5 ani pentru Norvegia, 1 an pentru Maroc, 6 luni pentru Algeria, Tunisia nu necesită nicio garanție legală.

\* Perioada de piese de schimb pentru repararea aparatului:

Termostatele, senzorii de temperatură, plăcile cu circuite imprimare și sursele de lumină sunt disponibile timp de o perioadă minimă de șapte ani de la punerea pe piață a ultimei unități a modelului.

Mânerele de uși, balamalele de uși, tăvile și coșurile, timp de o perioadă minimă de șapte ani, iar garniturile de uși timp de o perioadă minimă de 10 ani de la punerea pe piață a ultimei unități a modelului.

\*Pentru mai multe informații despre produs, consultați <https://eprel.ec.europa.eu/> sau scanați codul QR de pe eticheta energetică furnizată cu aparatul.

CERTIFICAT DE CALITATE

DENUMIRE: FRIGIDER

Q.C.PROMOVAT

Nr. VERIFICATOR

QC01

**Haier**



0060543301

2025 Versiunea A

# Haier

Průručka použivatel'a

Chladnička s mrazničkou

HDR5818DNSS  
HDR5818DNPW  
HDR5818DNMB



<u>4 Bezpečnostné informácie</u>	•	<u>Pred prvým použitím</u>	5
		<u>Inštalácia</u>	5
		<u>Každodenné používanie</u>	6
<u>8 Určené použitie</u>	•		
<u>9 Opis produktu</u>	•		
<u>10 Ovládací panel</u>	•		
<u>11 Použitie</u>	•	<u>Úprava teploty chladničky</u>	12
		<u>Úprava teploty mrazničky</u>	12
		<u>Funkcia Super Cool</u>	13
		<u>Funkcia Super Freeze</u>	13
		<u>Funkcia AI Cooling</u>	14
<u>17 Vybavenie</u>	•		
<u>19 Tipy na úsporu energie</u>	•		
<u>20 Starostlivosť a čistenie</u>	•		
<u>22 Riešenie problémov</u>	•		
<u>26 Inštalácia</u>	•		
<u>30 Technické údaje</u>	•		
<u>32 Zákaznícky servis</u>	•		

## Ďakujeme za zakúpenie produktu Haier.

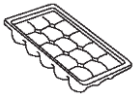
Pred použitím tohto spotrebiča si pozorne prečítajte tieto pokyny. Pokyny obsahujú dôležité informácie, ktoré vám pomôžu vyťažiť zo spotrebiča maximum a zaistia bezpečnú a správnu inštaláciu, používanie a údržbu.

Túto príručku uschovajte na vhodnom mieste, aby ste si mohli kedykoľvek prečítať pokyny na bezpečné a správne používanie spotrebiča.

Ak spotrebič predávate, darujete alebo ho nechávate v domácnosti po odšťahovaní, nezabudnite s ním novému vlastníkovi odovzdať aj túto príručku, aby sa mohol oboznámiť so spotrebičom a bezpečnostnými upozoreniami.

## Príslušenstvo

Skontrolujte príslušenstvo a literatúru v tomto zozname:



Forma na kocky ľadu



Zásobník na vajcia × 2



Energetický štítok



Záručný list



Príručka používateľa



Zarážka × 2



stredný záves



Horný záves



Horný záves s ohnutým hákom



spodný záves



Horný kryt obloženia



Skrutkovací uzáver stredného predného nosníka



upínací prvok



## VAROVANIE – Dôležité bezpečnostné informácie



## OZNÁMENIE – Všeobecné informácie a tipy



## Informácie o životnom prostredí



### Likvidácia

Pomáhajte chrániť životné prostredie a zdravie ľudí. Obal vyhodte do vhodných nádob na recykláciu. Pomáhajte recyklovať odpad z elektrických a elektronických prístrojov. Spotrebiče označené týmto symbolom nelikvidujte s domácim odpadom. Výrobok odneste do miestneho recyklačného strediska alebo kontaktujte mestský úrad.



### VAROVANIE: Nebezpečenstvo požiaru/ horľavý materiál

Symbol označuje nebezpečenstvo požiaru, pretože sa používajú horľavé materiály. Dávajte pozor, aby ste predišli vzniku požiaru vznietením horľavého materiálu.



## VAROVANIE!

Nebezpečenstvo poranenia alebo zadusenia!

Chladivá a plyny sa musia likvidovať profesionálnym spôsobom. Pred správnu likvidáciou sa uistite, že nie je poškodené potrubie okruhu chladiva. Spotrebič odpojte od elektrickej siete. Odrežte a zlikvidujte napájaci kábel. Vyberte podnosy a zásuvky, ako aj západku a tesnenie dvierok, aby ste zabránili zatvoreniu detí a domácich zvierat vnútri spotrebiča.

## Pred prvým zapnutím spotrebiča si prečítajte nasledujúce bezpečnostné pokyny!



### VAROVANIE!

#### Pred prvým použitím

- ▶ Uistite sa, že sa spotrebič pri preprave nepoškodil.
- ▶ Odstráňte všetky obaly a uložte ich mimo dosahu detí.
- ▶ Pred inštaláciou spotrebiča počkajte najmenej dve hodiny, aby sa zabezpečila plná účinnosť chladiaceho okruhu.
- ▶ Spotrebič musia prenášať minimálne dve osoby, pretože je ťažký.

#### Inštalácia

- ▶ Spotrebič musí byť umiestnený na dobre vetranom mieste. Nad spotrebičom a v jeho okolí musíte zabezpečiť minimálne 10 cm priestor.
- ▶ Spotrebič nikdy neumiestňujte na vlhké miesto ani na miesto, kde by mohla striekať voda. Postriekania vodou a škvrny vyčistite a osušte mäkkou čistou handričkou.
- ▶ Spotrebič neinštalujte na priame slnečné svetlo ani do blízkosti zdrojov tepla (napr. kachle, ohrievače).
- ▶ Spotrebič nainštalujte a vyrovnajte na mieste, ktoré je vhodné svojou veľkosťou a využitím.
- ▶ Vetracie otvory v spotrebiči alebo v zabudovanej konštrukcii udržiavajte bez prekážok.
- ▶ Uistite sa, že elektrické údaje na typovom štítku sa zhodujú s údajmi pre vašu sieť. V opačnom prípade kontaktujte elektrikára.
- ▶ Spotrebič je napájaný zo siete 220-240 VAC/50 Hz. Abnormálne kolísanie napätia môže spôsobiť, že sa spotrebič nezapne, poškodí sa regulátor teploty alebo kompresor alebo sa môže pri prevádzke vyskytnúť neobvyklý hluk. V takom prípade musíte namontovať automatický regulátor.
- ▶ Nepoužívajte adaptéry s viacerými zásuvkami ani predlžovacie káble.
- ▶ Na zadnú stranu spotrebiča neumiestňujte rozvodné prenosné zásuvky ani prenosné zdroje napájania.
- ▶ Uistite sa, že napájací kábel nie je zachytený v chladničke. Na napájací kábel nestúpajte.
- ▶ Použite samostatnú uzemnenú zásuvku, aby k nej bol zabezpečený jednoduchý prístup. Spotrebič musí byť uzemnený.
- ▶ Len pre Spojené kráľovstvo: Napájací kábel spotrebiča je vybavený 3-vodičovou (uzemňovacou) zástrčkou, ktorá sa vsúva do štandardnej 3-vodičovej (uzemnenej) zásuvky. Tretí kolík (uzemnenie) nikdy neodrezávajte ani neodstraňujte. Po inštalácii spotrebiča musí byť zástrčka prístupná.
- ▶ Nepoškodte chladiaci okruh.



## VAROVANIE!

### Každodenné používanie

- ▶ Deti staršie ako 8 rokov a osoby s obmedzenými fyzickými, zmyslovými alebo duševnými schopnosťami alebo nedostatkom skúseností či vedomostí môžu tento spotrebič používať pod dohľadom, resp. po poučení a oboznámení sa s bezpečným spôsobom používania a porozumení možným nebezpečenstvám.
- ▶ Deti vo veku od 3 do 8 rokov môžu do chladiacich spotrebičov nakladať a vykladať potraviny, nesmú ich však čistiť ani inštalovať.
- ▶ Deťom do 3 rokov nedovoľte, aby sa priblížili ku spotrebiču, pokiaľ nie sú pod neustálym dohľadom.
- ▶ Deti sa so spotrebičom nesmú hrať.
- ▶ Ak do blízkosti spotrebiča uniká studený plyn alebo iný horľavý plyn, zatvorte ventil unikajúceho plynu, otvorte dvere a okná a neodpájajte zástrčku napájacieho kábla chladničky ani iného zariadenia.
- ▶ Všimnite si, že spotrebič je nastavený na prevádzku v špecifickom klimatickom pásme 10 až 43 °C. Spotrebič možno nebude fungovať správne, ak sa ponechá dlho v prostredí s teplotou, ktorá je vyššia alebo nižšia než uvedený rozsah.
- ▶ Na chladničku neumiestňujte nestabilné predmety (ťažké predmety, nádoby naplnené vodou), aby nedošlo k zraneniu osôb následkom pádu alebo úrazu elektrickým prúdom po kontakte s vodou.
- ▶ Neťahajte za police vo dverkách. Dvierka by sa mohli skriviť, stojan na fľaše odtrhnúť alebo by sa spotrebič mohol prevrátiť.
- ▶ Dvierka otvárajte a zatvárajte iba pomocou rúkovi. Medzera medzi dvierkami a medzi dvierkami a skrinkou je veľmi úzka. Do týchto priestorov nesiahajte, aby nedošlo k pricviknutiu prstov. Dvere chladničky otvárajte alebo zatvárajte iba vtedy, ak v rozsahu pohybu dverí nestoja žiadne deti.
- ▶ V spotrebiči ani v jeho blízkosti neskladujte a nepoužívajte horľavé, výbušné alebo korozívne materiály.
- ▶ V spotrebiči neskladujte lieky, baktérie ani chemické látky. Tento spotrebič je spotrebič pre domácnosť. Neodporúča sa skladovať materiály, ktoré vyžadujú presné teploty.
- ▶ V mrazničke nikdy neskladujte tekutiny vo fľašiach alebo v plechovkách (okrem liehovín s vysokým obsahom alkoholu), najmä sýtené nápoje, pretože tieto počas mrazenia prasknú.
- ▶ Ak došlo v mrazničke k ohrevu, skontrolujte stav potravín.
- ▶ V chladiacom priestore nenastavujte zbytočne nízku teplotu. Pri vysokých nastaveniach sa môžu vyskytnúť mínusové teploty. Pozor: Flaše môžu prasknúť.
- ▶ Zmrazených potravín sa nedotýkajte mokrymi rukami (nasadte si rukavice). Najmä nekonzumujte nanuky ihneď po vybratí z mrazničky. Existuje riziko primrznutia alebo vytvorenia pluzgierov z mrazu. PRVÁ pomoc: ihneď umiestnite pod tečúcu studenú vodu. Neodstraňujte ľahaním!
- ▶ Počas prevádzky sa nedotýkajte vnútorného povrchu priestoru mrazničky, najmä nie mokrymi rukami, pretože by vám mohli ruky primrznúť k povrchu.



## VAROVANIE!

### Každodenné používanie

- ▶ V prípade prerušenia napájania alebo pred čistením odpojte spotrebič zo zásuvky. Pred opätovným zapnutím spotrebiča počkajte najmenej 7 minút, pretože časté štartovanie môže poškodiť kompresor.
- ▶ Vo vnútri boxov spotrebiča, ktoré slúžia na skladovanie potravín, nepoužívajte elektrické zariadenia, pokiaľ ich používanie neschválil výrobca. Údržba/čistenie
- ▶ Keď čistenie a údržbu vykonávajú deti, nenechávajte ich bez dozoru.
- ▶ Pred vykonávaním akejkoľvek bežnej údržby odpojte spotrebič od elektrickej siete. Pred opätovným zapnutím spotrebiča počkajte najmenej 5 minút, pretože časté štartovanie môže poškodiť kompresor.
- ▶ Pri odpájaní spotrebiča chyťte zástrčku, nie kábel.
- ▶ Spotrebič nečistite tvrdými kefami, drôtenými kefami, čistiacim práškom, benzínom, amlacetátom, acetónom ani podobnými organickými roztokmi, kyselinami ani zásadami. Čistite pomocou špeciálneho čistiaceho prostriedku na chladničky, aby ste zabránili poškodeniu.
- ▶ Námrazu a ľad nezoškrabávajte ostrými predmetmi. Nepoužívajte spreje, elektrické ohrievače ako ohrievač, sušič vlasov, parné čističe alebo iné zdroje tepla, aby nedošlo k poškodeniu plastových častí.
- ▶ Na urýchlenie odmrazovania nepoužívajte mechanické nástroje ani iné prostriedky s výnimkou tých, ktoré odporúča výrobca.
- ▶ Ak je poškodený vonkajší napájací kábel, v záujme eliminácie akéhokoľvek rizika ho musí vymeniť výrobca, jeho servisný zástupca alebo rovnako kvalifikovaná osoba.
- ▶ Spotrebič sa nepokúšajte sami opravovať, rozoberať alebo upravovať. V prípade opravy kontaktujte náš zákaznícky servis.
- ▶ Aspoň raz za rok odstráňte prach zo zadnej strany jednotky, aby ste predišli nebezpečenstvu požiaru a zvýšenej spotrebe energie.
- ▶ Počas čistenia na spotrebič nestriekajte ani ho neoplachujte.
- ▶ Na čistenie spotrebiča nepoužívajte prúd vody ani paru.
- ▶ Studené sklenené poháre neumývajte horúcou vodou. Náhla zmena teploty môže spôsobiť rozbitie skla.

### Informácie o chladiacom plyne

- ▶ Spotrebič obsahuje horľavé chladiivo IZOBUTÁN (R600a). Uistite sa, že sa počas prepravy alebo inštalácie nepoškodil chladiaci okruh. Unikajúce chladiivo môže spôsobiť poranenie očí alebo vznietenie. Ak došlo k poškodeniu, udrzte zdroje otvoreného ohňa mimo dosahu, dôkladne vyvetrajte miestnosť a nepripájajte ani neodpájajte napájacie káble spotrebiča alebo akéhokoľvek iného spotrebiča. Informujte zákaznícky servis.
- ▶ V prípade, že sa dostane chladiivo do kontaktu s očami, ihneď ich vypláchnite pod tečúcou vodou a okamžite kontaktujte očného lekára.

## Určené použitie

Tento spotrebič je určený na chladenie a mrazenie potravín. Bol navrhnutý výhradne na použitie v domácnostiach a podobných aplikáciách, ako sú kuchynské priestory pre zamestnancov v obchodoch, kanceláriách a iných pracovných prostrediach; vo farmárskych domoch, pre zákazníkov v hoteloch, motelloch a iných obytných priestoroch, ako aj pre zákazníkov ubytovacích a stravovacích služieb. Nie je určený na komerčné ani priemyselné použitie.

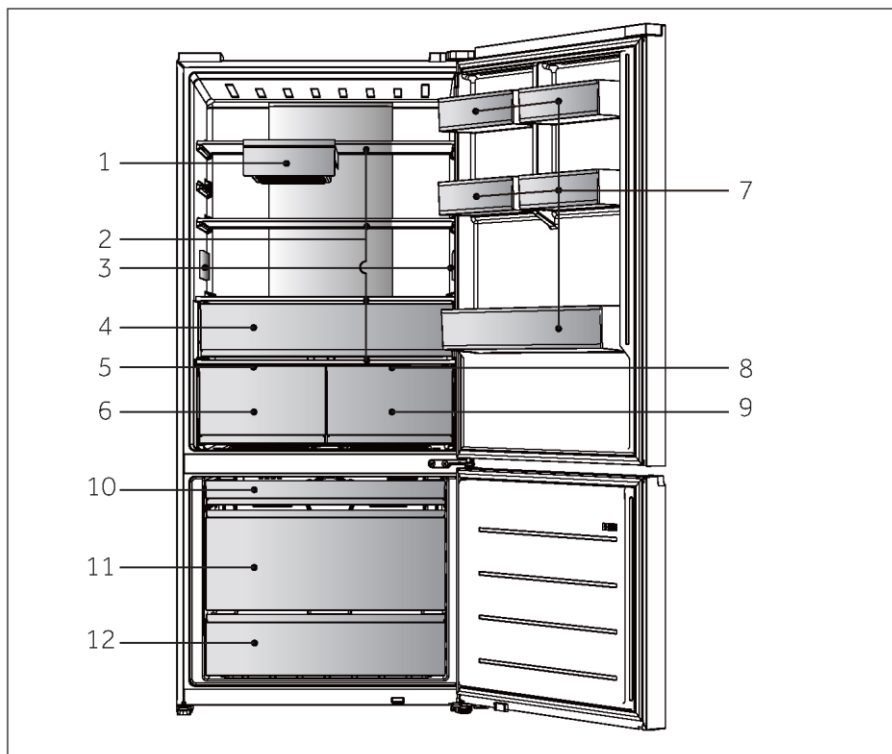
Zmeny alebo úpravy spotrebiča nie sú povolené. Neúmyselné použitie môže spôsobiť nebezpečenstvo a stratu nárokov na záruku.

## Normy a smernice

Tento výrobok spĺňa požiadavky všetkých príslušných smerníc ES s príslušnými harmonizovanými normami, ktoré ustanovujú označenie CE.

## **i** OZNÁMENIE

Z dôvodu technických zmien a rôznych modelov sa môžu niektoré ilustrácie v tejto príručke líšiť od vášho modelu.



A: Chladiaci priestor

B: Mraziaci priestor

1 Lunch box

10 Posuvná polica

2 Sklenené police

11 Freeze zone

3 AI Cooling

12 Freeze zone

4 Fresh zone

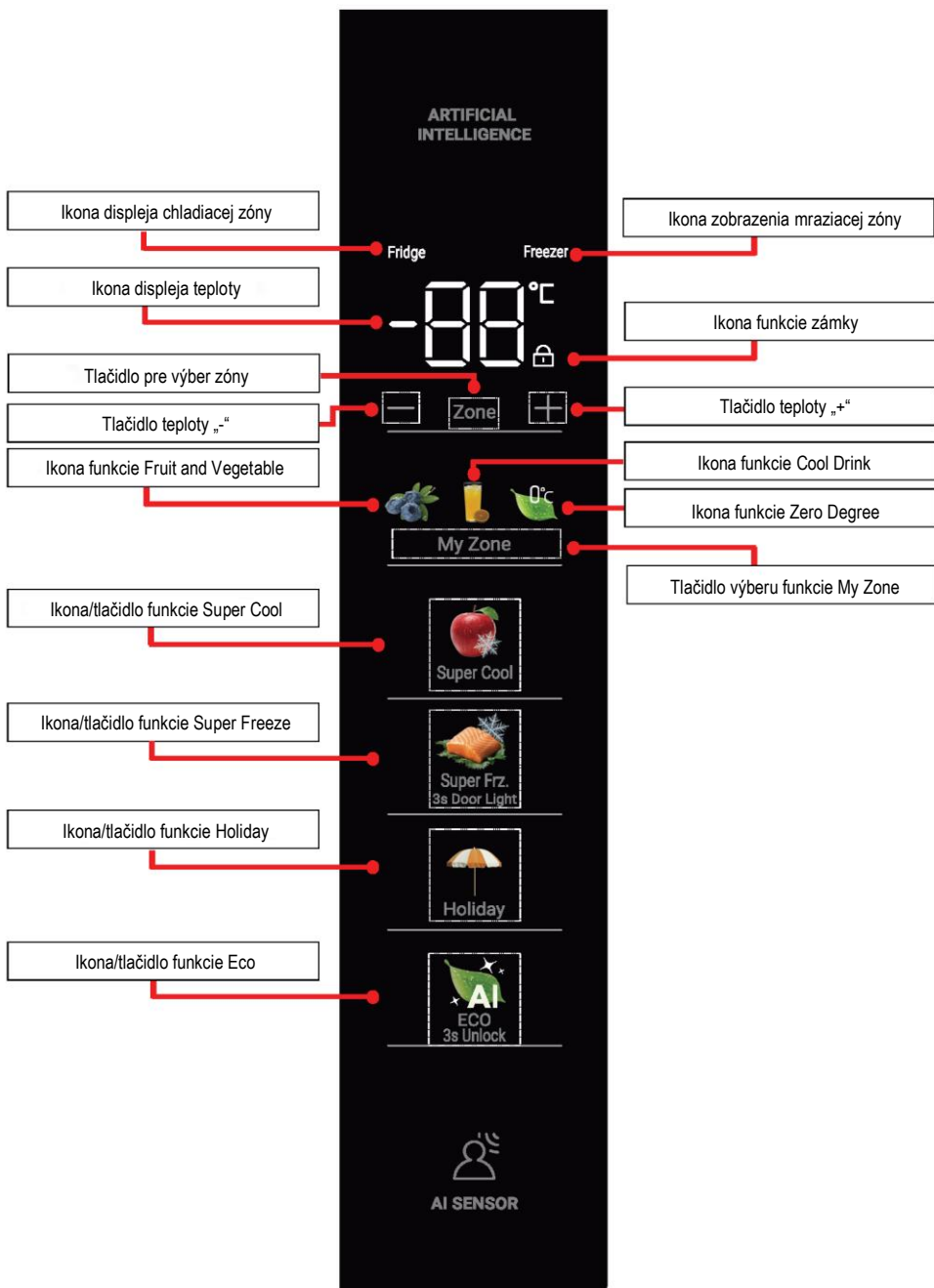
5 Kryt Humidity zone

6 Humidity zone

7 Stojan na fľaše

8 Kryt My zone

9 My zone



## Pred prvým použitím

- ▶ Odstráňte všetky obalové materiály a odložte ich mimo dosahu detí. Zlikvidujte ich s ohľadom na životné prostredie.
- ▶ Pred vložením potravín spotrebič umyte vodou a jemným čistiacim prostriedkom zvnútra aj zvonka.
- ▶ Po vyrovnaní a vyčistení spotrebiča počkajte pred pripojením k elektrickej sieti minimálne 2 – 5 hodín. Pozrite časť INŠTALÁCIA.
- ▶ Pred vložením potravín nechajte priehradky vychladiť pri vysokých nastaveniach. Funkcia Power- Freeze pomáha pri rýchlom vychladení priehradiek.
- ▶ Teplota chladničky je automaticky nastavená na 5 °C a teplota mrazničky na -18 °C. Sú to odporúčané nastavenia. Ak je to potrebné, tieto teploty môžete manuálne zmeniť. Pozrite časť NASTAVENIE TEPLoty.

## Tlačidlá snímača

Tlačidlá na ovládacom paneli sú dotykové tlačidlá, ktoré reagujú na ľahký dotyk prsta.

### Zapnutie a vypnutie spotrebiča

Spotrebič sa zapne ihneď po pripojení k zdroju elektrického napájania.

Pri prvom zapnutí chladničky sa rozsvieti indikátor displeja teploty. Teplota chladničky a mrazničky sa automaticky nastaví na 5 °C a -18 °C.

Môže byť aktívna zámka panelu.



## OZNÁMENIE

Keď sa spotrebič zapne po odpojení od elektrického sieťového napájania, dosiahnutie správnej teploty môže trvať až 12 hodín.

Pred vypnutím spotrebič vyprázdňte. Ak chcete spotrebič vypnúť, vytiahnite napájací elektrický kábel zo zásuvky.

### Uzamknutie a odomknutie panela

Automatické uzamknutie: Keď sú dvere chladničky a dvere mrazničky zatvorené a do 30 sekúnd nestlačíte žiadne tlačidlo, obrazovka displeja automaticky zhasne a uzamkne sa.

Manuálne uzamknutie: Keď je obrazovka displeja odomknutá, stlačte a 3 sekundy podržte tlačidlo funkcie Eco, bzučiak raz zazvoní, rozsvieti sa ikona funkcie uzamknutia a displej sa uzamkne.

## Nastavenie teploty

Teploty vo vnútri spotrebiča sú ovplyvnené nasledujúcimi faktormi:

Teplota prostredia

Frekvencia otvárania dvierok

Množstvo uskladnených potravín

Inštalácia spotrebiča

## Úprava teploty chladničky

Po odomknutí stlačte tlačidlo výberu zóny a vyberte zónu chladenia (rozsvieti sa ikona chladničky). Každým stlačením sa teplota zmení o 1 °C. Nastavenia sa potvrdia po 5 sekundách nečinnosti (obrazovka sa vypne) alebo okamžite, ak sa stlačíte iné tlačidlá. Postup nastavenia:

„+“: 1°C ➔ 2°C ➔ 3°C ➔ 4°C ➔ 5°C ➔ 6°C ➔ 7°C ➔ 8°C ➔ 9°C

„-“: 9°C ➔ 8°C ➔ 7°C ➔ 6°C ➔ 5°C ➔ 4°C ➔ 3°C ➔ 2°C ➔ 1°C



### OZNÁMENIE

Teplotu chladenia nie je možné nastaviť v stave Super Cool alebo Zámky.

## Úprava teploty mrazničky

Keď je displej počas prevádzky odomknutý, stlačte tlačidlo výberu zóny a vyberte mraziacu zónu (rozsvieti sa ikona mrazničky). Každým stlačením tlačidla „+“/„-“ sa teplota zmení o 1 °C (bliká s frekvenciou 1 Hz).

Nastavenia sa automaticky uložia po 5 sekundách nečinnosti. Stlačením ďalších tlačidiel sa nastavenie okamžite potvrdí a funkcie sa prepnú.

Postupnosť nastavenia:

„+“: -24°C ➔ -23°C ➔ -22°C ➔ -21°C ➔ -20°C ➔ -19°C ➔ -18°C ➔ -17°C ➔ -16°C

„-“: -16°C ➔ -17°C ➔ -18°C ➔ -19°C ➔ -20°C ➔ -21°C ➔ -22°C ➔ -23°C ➔ -24°C



### OZNÁMENIE

Teplotu mrazenia nie je možné nastaviť v stave Super Freeze alebo Zámky.



## OZNÁMENIE

Ak po nastavení teploty neurobite do 5 sekúnd žiadny úkon, systém automaticky prijme a uloží nastavenú teplotu.

### Funkcia Super-Cool

Vstúpte do super cool stavu:

V odomknutom stave kliknite na tlačidlo [Super Cool], ikona [Super Cool] sa rozsvieti a chladnička sa prepne do stavu super cool.

Ukončte stav super cool:

1. V odomknutom stave a stave super cool kliknite na tlačidlo [Super Cool], ikona [SuperCool] zhasne a stav super cool sa manuálne vypne.
2. Keď chladnička dosiahne nastavený čas, vypne sa automaticky funkcia super cool. Po 4 hodinách od aktivácie režimu Super Cool sa režim automaticky ukončí.

### Funkcia Super-Frz

Vstup do stavu super freeze:

V odomknutom stave kliknite na tlačidlo [Super Frz.], ikona [Super Frz.] sa rozsvieti a chladnička prejde do stavu super freeze.

Ukončenie stavu super freeze:

1. V odomknutom stave a stave super freeze kliknite na tlačidlo [Super Frz.], ikona [SuperFrz.] zhasne a stav super freeze sa manuálne ukončí.
2. Keď chladnička dosiahne nastavený čas, automaticky ukončí funkciu super freeze. Po 50 hodinách aktivácie režimu Super Frz sa automaticky ukončí.

Funkcia Super-Freeze je navrhnutá tak, aby zaistila uchovávanie nutričnej hodnoty mrazených potravín, takže bude zmrazovať potraviny v čo najkratšom čase. Ak sa majú zmraziť veľké množstvá mrazených potravín naraz, odporúča sa nastaviť funkciu Super-Freeze, preto nastavte funkciu Super-Freeze 24 hodín vopred, aby dostala mraznička relatívne nízku teplotu, a potom vložte potraviny. V tomto čase sa zvyšuje rýchlosť mrazenia v mrazničke, potraviny sa dajú rýchlo zmraziť, pričom sa udržiava ich nutričná hodnota a skladovanie bude výhodné.

## Funkcia AI Cooling

Ak potrebujete rýchlo schladiť dusené alebo varené jedlo, môžete ho umiestniť na sklenenú policu zodpovedajúcu tejto funkcii pre rýchle schladenie. Keď chladnička v priestore sklenenej police zodpovedajúcej tejto funkcii zaznamená zdroj tepla, modré svetlá na oboch stranách začnú blikať. Ak snímaný zdroj tepla pretrváva dlhšie ako 5 sekúnd, aktivuje sa táto funkcia a modré svetlá na oboch stranách ostanú svietiť. Ak snímaný zdroj tepla pretrváva menej ako 5 sekúnd, táto funkcia sa nespustí, a modré svetlá blikajú približne 5 sekúnd a potom zhasnú. Po spustení tejto funkcie sa rozsvetia modré svetlá na oboch stranách (keď sú dvere otvorené) a ventilátory na oboch stranách začnú pracovať. Po zatvorení dverí modré svetlá na oboch stranách zhasnú a ventilátory na oboch stranách pokračujú v prevádzke. Po vychladnutí zdroja tepla sa táto funkcia ukončí, modré svetlá na oboch stranách zhasnú a ventilátory na oboch stranách sa vypnú.



### OZNÁMENIE

- 1 Pri vkladani hrnca s polievkou alebo iných jedál, ktoré uvoľňujú paru, použite uzavretú nádobu s pokrievkou, alebo ju pred vložením dovnútra uzavrite plastovou fóliou.
- 2 Odporúča sa umiestniť melóny, ovocie a zeleninu do zásuvky na ovocie a zeleninu, aby ste dosiahli lepšiu sviežosť a hydratáciu. Pri umiestňovaní potravín do oblasti tejto funkcie neblokujte kruhové vstupy vzduchu na oboch stranách ani dlhý výstup vzduchu.
- 3 Test na spustenie tejto funkcie sa vykonal použitím hrnca na polievku z nehrdzavejúcej ocele (bežný miestny turecký hrniec na polievku z nehrdzavejúcej ocele s priemerom tela hrnca 275 mm, výškou tela hrnca 150 mm a celkovou výškou s pokrievkou 200 mm) umiestneného na polici v znázornenej polohe. Hladina kvapaliny vnútri hrnca bola 2/3, teplota vonkajšej steny hrnca bola 35 °C, okolitá teplota počas testovania bola 25 °C a chladnička fungovala stabilne s predvoleným nastavením z výroby.
- 4 Ak je zdroj tepla príliš malý alebo je teplota príliš nízka, táto funkcia sa nemusí spustiť automaticky.
- 5 Keď používateľ potrebuje na úkony pri vkladani veľa času alebo sú dvere otvorené príliš dlho, môže sa spustiť aj táto funkcia.
6. Ak aktivujete režim Holiday počas prevádzky funkcie AI Cooling, funkcia AI Cooling sa vypne.

## Funkcia My Zone

Funkcia My Zone sa upravuje a nastavuje podľa funkčných nastavení. Postupne sú znázornené tromi funkčnými ikonami: „Fruits & Vegetables (5°C), Cool Drink (2°C), 0°C Fresh (0°C)“. Po prvom zapnutí spotrebiča bude predvolený stav nastavený na „Fruits & Vegetables (5 °C)“. Po odomknutí stlačte tlačidlo My Zone na domovskej stránke, aby ste vstúpili na stránku úpravy nastavení pre My Zone. Kliknite na tlačidlo nastavení My Zone a prepnite funkciu My Zone na príslušné nastavenie. Stav nastavenia My Zone sa zachová aj po výpadku elektrického napájania.



## OZNÁMENIE

V režime Holiday je chladiaci priestor s premenlivou teplotou regulovaný na 17 °C a funguje podľa nastavených hodnôt zapnutia/vypnutia: zapnutie pri 20 °C/ vypnutie pri 16 °C.

## Funkcia detekcie osôb

Funkcia detekcie osôb je štandardne zapnutá. Stlačte a 3 sekundy podržte tlačidlo „Super Frz.“, čím funkciu detekcie osôb zapnete alebo vypnete. Po aktivácii tejto funkcie sa pri priblížení k chladničke rozsvieti jej displej a modré svetlo na dvierkach prejde do režimu oscilácie, v ktorom sa zvyšuje a znižuje jas.

## Funkcia Holiday

V odomknutom stave stlačte tlačidlo Holiday:

Prvé stlačenie: Funkcia dovolenky Holiday sa aktivuje (ikona svieti, zaznie pípnutie)

Druhé stlačenie: Funkcia dovolenky Holiday sa vypne (ikona zhasne, zaznie pípnutie)

## Funkcia Eco

Po rozsvietení displeja, ak chladnička neprešla do funkcie Eco a displej je odomknutý, stlačte raz tlačidlo „Eco“. Zobrazí sa ikona funkcie smart, raz zaznie zvukový signál a funkcia Eco sa aktivuje.

Po rozsvietení displeja, ak chladnička prešla do funkcie Eco a displej je odomknutý, stlačte raz tlačidlo „Eco“. Ikona funkcie smart zhasne, raz zaznie zvukový signál a funkcia Eco sa vypne.



## OZNÁMENIE

V režime Eco sa chladnička automaticky nastaví a zobrazí teplota v priestore pre čerstvé potraviny na 5 °C a v mraziacom priestore na -18 °C.

V tomto režime nie je možné manuálne nastaviť teploty v chladiacom a mraziacom priestore.

Teplotu v priehradke My Zone je možné nastaviť samostatne a bude fungovať podľa nastavenia používateľa.

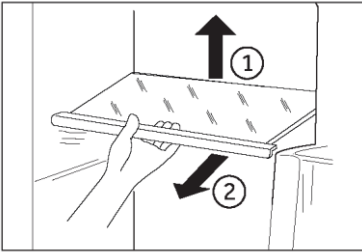
Po ukončení režimu Eco sa chladnička a mraznička vrátia k nastaveniu teploty, ktoré ste zvolili pred vstupom do režimu Eco.

Nastavenia priehradky My Zone zostanú nezmenené a ostatné prevádzkové stavy nebudú ovplyvnené.



### Viacnásobné prúdenie vzduchu

1. Chladnička je vybavená systémom s viacnásobným prúdením vzduchu, v ktorom sú prívody chladného vzduchu umiestnené na každej úrovni police. To pomáha udržiavať rovnomernú teplotu, aby sa vaše jedlo udržalo dlhšie čerstvé.



### Nastaviteľné police

1. Výška polic sa môže nastaviť tak, aby vyhovovala vašim potrebám skladovania.
2. Ak chcete policu premiestniť, najprv nadvihnite jej zadný okraj ① a potom ju vytiahnite ②.
3. Ak ju chcete znovu nainštalovať, položte ju na výstupky na obidvoch stranách a zatlačte do najzadnejšej polohy, kým nezapadne do drážok na bokoch.
4. Polica „POT STATION“ má maximálnu nosnosť 200 kg a policu zostane nepoškodená. Ak zaťaženie presiahne 80 kg, môže to ovplyvniť normálnu prevádzku zásuvky „Fresh Zone“ (údaje pochádzajú z interného laboratória).



## OZNÁMENIE

Uistite sa, že všetky konce police sú v jednej rovine.

### Zásuvka My Zone

1. V tejto priehradke je vlhkosť nižšia ako v chladničke. Táto zásuvka je vhodná na skladovanie suchého ovocia a iných suchých potravín s nízkym obsahom vody, ako je maslo, tuky a olej alebo čokoláda.

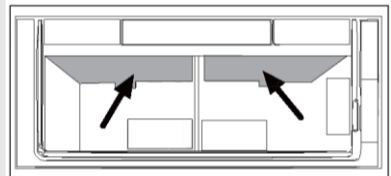
### Zásuvka Humidity box

1. V tomto oddelení je úroveň vlhkosti vyššia ako v oddelení chladničky. Je riadené automaticky systémom a vhodné na skladovanie ovocia, zeleniny, šalátov a pod.



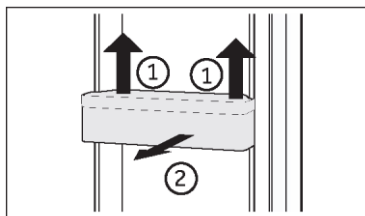
## OZNÁMENIE

1. Neodstraňujte plastový kryt vo vnútri dvoch zón.
2. Udržiavajú vlhkosť.
3. V týchto dvoch zásuvkách sa neodporúča skladovať ovocie citlivé na chlad, ako je ananás, avokádo, banány, grapefruity.



## Vyberateľné stojany na dverách/držiak na fľaše

1. Priehradky na dverách sa dajú vybrať na čistenie:
2. Položte ruky na boky stojana, zdvihnite ho ① a vytiahnite ②.
3. Ak chcete poličku vložiť späť do dverí, vykonajte vyššie uvedené kroky v opačnom poradí.



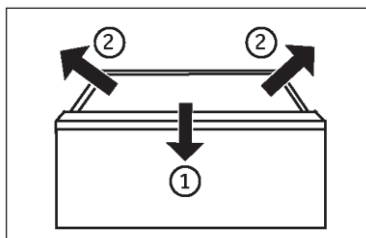
## OZNÁMENIE

Po zapnutí spotrebiča môže dosiahnutie správnej teploty trvať až 12 hodín.

## Vyberateľná zásuvka

Ak chcete zásuvku vybrať, vytiahnite ju do maximálnej polohy ①, nadvihnite ju a vyberte ②.

Ak chcete poličku znovu vsunúť, vykonajte vyššie uvedené kroky v opačnom poradí.



## Uloženie veľkých predmetov

Veľké predmety, napr. mrazené potraviny, sa môžu skladovať po:

odstránením horného mraziaceho tácky alebo

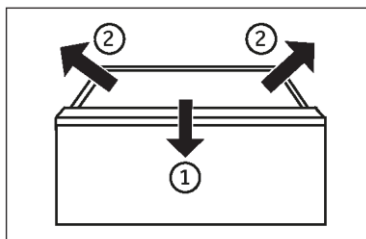
po vybratí oboch horných podnosom na zmrazovanie, ako aj strednej mraziacej zásuvky a po uskladnení potravín priamo na policu.

## Osvetlenie

Interiérové LED osvetlenie sa rozsvieti po otvorení dverí. Výkon svetiel nie je ovplyvnený žiadnym iným nastavením spotrebiča.

## Zásuvka

Prosím, zatlačte alebo potiahnite plynulo pozdĺž strednej polohy rukoväte zásuvky, aby ste predišli problémom, ako je napríklad nesprávna funkcia alebo odpojenie zásuvky.





## Tipy na úsporu energie

- ▶ Uistite sa, že je spotrebič správne vetraný (pozrite časť INŠTALÁCIA).
- ▶ Spotrebič neinštalujte na priame slnečné svetlo ani do blízkosti zdrojov tepla (napr. kachle, ohrievače).
- ▶ Zabráňte zbytočne nízkej teplote v spotrebiči. Čím je nižšia nastavená teplota v spotrebiči, tým vyššia bude spotreba energie.
- ▶ Funkcie ako POWER- FREEZE zvyšujú spotrebu energie.
- ▶ Pred vložením do spotrebiča nechajte teplé jedlo vychladnúť.
- ▶ Dvierka spotrebiča otvárajte čo najmenej a na čo najkratšie.
- ▶ Spotrebič nepreplňujte, aby ste nebránili prúdeniu vzduchu.
- ▶ Vyhýbajte sa vzduchu v obale potravín.
- ▶ Tesnenia dvierok udržiavajte čisté, aby boli dvierka vždy správne zatvorené.
- ▶ Mrazené potraviny rozmrazujte v úložnom priestore chladničky.
- ▶ Konfigurácia s najväčšou úsporou energie si vyžaduje, aby sa zásuvky, nádoby na potraviny a police udržiavali v stave ako na novom spotrebiči, pričom potraviny treba ukladať tak, aby nebránili prúdeniu vzduchu a neupchávali prívod vzduchu z potrubia.



## VAROVANIE!

Spotrebič pred čistením odpojte od elektrickej siete.

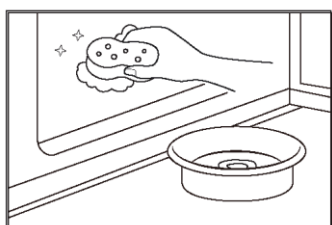
### Čistenie

1. Spotrebič čistite, keď je v ňom uskladnené len malé množstvo alebo žiadne potraviny.
2. Spotrebič by ste mali čistiť každé štyri týždne, aby sa zaistila dobrá starostlivosť a zabránilo pachu z nesprávne uskladnených potravín.



## VAROVANIE!

- ▶ Spotrebič nečistite tvrdými kefami, drôtenými kefami, čistiacim práškom, benzínom, amylacetátom, acetónom ani podobnými organickými roztokmi, kyselinami ani zásadami. Čistite pomocou špeciálneho čistiaceho prostriedku na chladničky, aby ste zabránili poškodeniu.
- ▶ Počas čistenia na spotrebič nestriekajte ani ho neoplachujte.
- ▶ Na čistenie spotrebiča nepoužívajte prúd vody ani paru.
- ▶ Studené sklenené poličky neumývajte horúcou vodou. Náhla zmena teploty môže spôsobiť rozbitie skla.
- ▶ Nedotýkajte sa vnútorného povrchu priestoru mrazničky, najmä nie mokrými rukami, pretože by vám mohli k povrchu primrznúť.
- ▶ Ak dôjde k zahriatiu, skontrolujte stav zmrazených potravín.



- ▶ Tesnenie na dverkách musí byť vždy čisté.
- ▶ Vnútro a plášť spotrebiča čistite špongiou navlhčenou v teplej vode s prídavkom neutrálneho saponátu.
- ▶ 1. Mäkkou handričkou alebo špongiou namočenou v teplej vode utrite interiér a exteriér chladničky, vrátane tesnenia dverí, dverovej poličky, sklenených polic, boxov atď. (do teplej vody môžete pridať neutrálny čistiaci prostriedok).

- ▶ 2. Ak sa rozleje nejaká kvapalina, vyberte všetky znečistené diely, opláchnite ich prúdom vody, vysušte a vložte späť do chladničky.
- ▶ 3. Ak dôjde k rozliatiu krému (napríklad smotana, roztopená zmrzlina), odstráňte všetky znečistené časti, vložte ich na nejaký čas do teplej vody s teplotou približne 40 °C, potom ich opláchnite prúdom vody, vysušte a vložte späť do chladničky.
- ▶ 4. V prípade, že v chladničke (medzi policami alebo zásuvkami) ostane nejaká malá usadenina alebo komponent, použite na uvoľnenie mäkkú kefkú. Ak sa k tejto časti nedostanete, kontaktujte servis Haier
- ▶ Opláchnite a osušte mäkkou handričkou.
- ▶ Žiadne časti spotrebiča nečistite v umývačke riadu.
- ▶ Pred opätovným zapnutím spotrebiča počkajte najmenej 5 minút, pretože časté spúšťanie môže poškodiť kompresor.

### Odmrazovanie

Odmrazovanie chladničky a mrazničky sa vykonáva automaticky: nie je potrebná žiadna manuálna činnosť.

## Výmena LED žiaroviek



### VAROVANIE!

LED žiarovku nevymieňajte sami, musí ju vymeniť iba výrobca alebo autorizovaný servisný pracovník.

Osvetlenie využíva ako zdroj svetla LED, ktoré sa vyznačujú nízkou spotrebou energie a dlhou životnosťou. Ak sa vyskytnú nejaké abnormality, kontaktujte zákaznícky servis. Pozrite časť ZÁKAZNÍCKY SERVIS.

Parametre žiarovky:

Priestor chladničky: 12 V max 8 W

Priestor mrazničky: 12 V max 2 W

Modré svetlo na dverách: 12 V max 3 W

### Dlhodobé vyradenie z prevádzky

Ak nebudete spotrebič dlhšiu dobu používať a pre chladničku nepoužijete funkciu Holiday:

Vyberte potraviny.

Odpojte napájací kábel.

Spotrebič vyčistite podľa vyššie uvedeného návodu.

Dvere nechajte otvorené, aby sa vo vnútri nevytvárali neprijemné pachy.



### OZNÁMENIE

Spotrebič vypnite, len ak je to nevyhnutne potrebné.

### Premiestňovanie spotrebiča

1. Vyberte všetky potraviny a odpojte spotrebič od elektrickej siete.
2. Police a ďalšie vyberateľné diely chladničky a mrazničky zaistite lepiacou páskou.
3. Chladničku nenakláňajte o viac ako 45°, aby ste predišli poškodeniu chladiaceho systému.



### VAROVANIE!

- ▶ Spotrebič nezdvíhajte za rukoväti dvierok.
- ▶ Spotrebič nikdy neukladajte na podlahu v horizontálnej polohe.

Mnoho vyskytujúcich sa problémov môžete vyriešiť sami bez osobitných odborných znalostí. V prípade problému skontrolujte všetky zobrazené možnosti a pred kontaktovaním zákaznickeho servisu postupujte podľa nasledujúcich pokynov. Pozrite časť ZÁKAZNÍCKY SERVIS.



## VAROVANIE!

- ▶ Pred údržbou spotrebič vypnite a vytiahnite zástrčku zo zásuvky.
- ▶ Údržbu elektrického zariadenia môže vykonávať iba kvalifikovaný elektrikár, pretože neodborné opravy môžu spôsobiť značné následné škody.
- ▶ Poškodený privod môže v záujme eliminácie akéhokoľvek rizika vymeniť len výrobca, jeho servisný zástupca alebo rovnako kvalifikovaná osoba.

Problém	Možná príčina	Možné riešenie
Kompresor nefunguje.	<ul style="list-style-type: none"> <li>• Zástrčka nie je vsunutá do zásuvky.</li> <li>• Spotrebič je v cykle odmrazovania</li> </ul>	<ul style="list-style-type: none"> <li>• Vsuňte zástrčku do zásuvky elektrickej siete.</li> <li>• To je normálne pri automatickom odmrazovaní.</li> </ul>
Spotrebič sa zapína často alebo ostáva zapnutý príliš dlho.	<ul style="list-style-type: none"> <li>• Príliš vysoká vnútorná alebo vonkajšia teplota.</li> <li>• Spotrebič bol dlhšie vypnutý.</li> <li>• Zatvorené dvere spotrebiča netesnia dobre.</li> <li>• Dvere boli otvorené príliš často alebo príliš dlho.</li> <li>• Nastavenie teploty mraziacej časti je príliš nízke.</li> <li>• Tesnenie dverí je špinavé, opotrebované, popraskané alebo nevhodné.</li> <li>• Nie je zabezpečené požadované prúdenie vzduchu.</li> </ul>	<ul style="list-style-type: none"> <li>• V takom prípade je normálne, že kompresor spotrebiča ostane zapnutý dlhšie.</li> <li>• Zvyčajne trvá 8 až 12 hodín, kým spotrebič úplne ochladne.</li> <li>• Zatvorte dvere/zásuvku a uistite sa, že je spotrebič umiestnený na rovnom povrchu a že sa v ňom nenachádzajú potraviny alebo nádoba, ktoré by blokovali dvere.</li> <li>• Neotvárajte dvere/zásuvku príliš často.</li> <li>• Nastavujte vyššiu teplotu, kým nedosiahnete uspokojivú teplotu chladničky. Trvá 24 hodín, kým sa teplota v chladničke ustáli.</li> <li>• Vyčistite tesnenie dverí/zásuvky alebo ich dajte vymeniť v servise.</li> <li>• Zaisťte dostatočnú ventiláciu.</li> </ul>
Vnútro chladničky je špinavé a/alebo zapácha.	<ul style="list-style-type: none"> <li>• Vnútro chladničky treba vyčistiť.</li> <li>• V chladničke sú uložené potraviny so silnou arómou.</li> </ul>	<ul style="list-style-type: none"> <li>• Vyčistite vnútro chladničky.</li> <li>• Potraviny dôkladne zabaľte.</li> </ul>

Problém	Možná príčina	Možné riešenie
V spotrebiči nie je dostatočne nízka teplota.	<ul style="list-style-type: none"> <li>Nastavená teplota je príliš vysoká.</li> <li>Do spotrebiča ste vložili príliš teplé potraviny a jedlá.</li> <li>Vložili ste príliš veľa potravín naraz.</li> <li>Potraviny sú príliš blízko seba.</li> <li>Netesne zatvorené dvere/zásuvka spotrebiča.</li> <li>Dvere/zásuvka boli otvorené príliš často alebo príliš dlho.</li> </ul>	<ul style="list-style-type: none"> <li>Resetujte teplotu.</li> <li>Pred uložením potraviny vždy ochladte.</li> <li>Vždy vkladajte malé množstvo potravín.</li> <li>Medzi potravinami nechávajte medzeru, aby mohol vzduch voľne prúdiť.</li> <li>Zatvorte dvere/zásuvku.</li> <li>Neotvárajte dvere/zásuvku príliš často.</li> </ul>
V spotrebiči je príliš nízka teplota.	<ul style="list-style-type: none"> <li>Nastavená teplota je príliš nízka.</li> <li>Funkcia Super-Frz/Super-Cool je aktivovaná alebo beží príliš dlho.</li> </ul>	<ul style="list-style-type: none"> <li>Resetujte teplotu.</li> <li>Vypnite funkciu Super-Frz/Super-Cool.</li> </ul>
Vytváranie kondenzátu na vnútornej strane chladiaceho priestoru.	<ul style="list-style-type: none"> <li>Ovzdušie je príliš teplé a príliš vlhké.</li> <li>Netesne zatvorené dvere/zásuvka spotrebiča.</li> <li>Dvere/zásuvka boli otvorené príliš často alebo príliš dlho.</li> <li>Otvorené nádoby na potraviny alebo kvapaliny.</li> </ul>	<ul style="list-style-type: none"> <li>Zvýšte teplotu.</li> <li>Zatvorte dvere/zásuvku.</li> <li>Neotvárajte dvere/zásuvku príliš často.</li> <li>Horúce jedlá nechajte vychladnúť na izbovú teplotu a jedlá a kvapaliny zakryte.</li> </ul>
Hromadenie vlhkosti na vonkajšom povrchu chladničky alebo medzi dvierkami/dvierkami a zásuvkou.	<ul style="list-style-type: none"> <li>Ovzdušie je príliš teplé a príliš vlhké.</li> <li>Dvere nie sú tesne zatvorené. Dochádza ku kondenzácii chladného vzduchu v spotrebiči a teplého vzduchu mimo neho.</li> </ul>	<ul style="list-style-type: none"> <li>Vo vlhkom podnebí je to normálne a zmení sa to po poklese vlhkosti.</li> <li>Dbajte na to, aby boli dvere/zásuvka tesne zatvorené.</li> </ul>

Problém	Možná príčina	Možné riešenie
V mrazničke je silná vrstva ľadu a námrazy.	<ul style="list-style-type: none"> <li>Potraviny neboli správne zabalené.</li> <li>Netesne zatvorené dvere/zásuvka spotrebiča.</li> <li>Dvere/zásuvka boli otvorené príliš často alebo príliš dlho.</li> <li>Tesnenie dverí/zásuvky je znečistené, opotrebované, prasknuté alebo nevhodné.</li> <li>Niečo na vnútornej strane bráni správne zatvoreniu dvierok/zásuvky.</li> </ul>	<ul style="list-style-type: none"> <li>Potraviny vždy správne zabalte.</li> <li>Zatvorte dvere/zásuvku.</li> <li>Neotvárajte dvere/zásuvku príliš často.</li> <li>Vyčistite tesnenie dverí/zásuvky alebo ich vymeňte za nové.</li> <li>Premiestnite police, priehradky na dverách alebo vnútorné zásobníky tak, aby sa dali dvere/zásuvka zatvoriť.</li> </ul>
Boky skrinky a lišty dvierok sa zahrievajú.		<ul style="list-style-type: none"> <li>Je to normálne.</li> </ul>
Spotrebič vydáva neobvyklé zvuky.	<ul style="list-style-type: none"> <li>Spotrebič nie je umiestnený na rovnom povrchu.</li> <li>Spotrebič sa dotýka nejakého predmetu v jeho okolí.</li> </ul>	<ul style="list-style-type: none"> <li>Nastavte nožičky a vyrovnajte spotrebič do vodorovnej polohy.</li> <li>Odstráňte predmety v okolí spotrebiča.</li> </ul>
Počuť tichý zvuk podobný tečúcej vode.		<ul style="list-style-type: none"> <li>Je to normálne.</li> </ul>
Budete počuť pípnutie alarmu.	<ul style="list-style-type: none"> <li>Dvierka chladničky ostali otvorené.</li> </ul>	<ul style="list-style-type: none"> <li>Zatvorte dvierka.</li> </ul>
Budete počuť slabé hučanie.	<ul style="list-style-type: none"> <li>Funguje systém proti kondenzácii</li> </ul>	<ul style="list-style-type: none"> <li>To zabraňuje kondenzácii a je to normálne</li> </ul>
Nefunguje osvetlenie interiéru alebo chladiaci systém.	<ul style="list-style-type: none"> <li>Zástrčka nie je vsunutá do zásuvky.</li> <li>Porucha zdroja napájania.</li> <li>Nefunkčná LED žiarovka</li> </ul>	<ul style="list-style-type: none"> <li>Vsuňte zástrčku do zásuvky elektrickej siete.</li> <li>Skontrolujte elektrické napájanie v miestnosti. Kontaktujte miestnu elektrárenskú spoločnosť!</li> <li>Kontaktujte servis kvôli výmene žiarovky.</li> </ul>

Ak chcete kontaktovať technický servis, navštívte našu webovú stránku:

<https://corporate.haier-europe.com/en/>

V sekcii „webová stránka“ vyberte značku svojho produktu a svoju krajinu. Stránka vás presmeruje na konkrétnu webovú stránku, kde nájdete telefónne číslo a formulár na kontaktovanie technickej pomoci.

## Prerušenie elektrického napájania

V prípade výpadku elektrického prúdu by mali potraviny zostať bezpečne vychladené približne 5 hodín. V prípade dlhšieho výpadku elektrického napájania, najmä v lete, postupujte podľa nasledujúcich pokynov:

- ▶ Dvierka/zásuvku otvárajte čo najmenej.
- ▶ Počas prerušenia napájania nekladajte do spotrebiča ďalšie potraviny.
- ▶ Ak vám je výpadok prúdu oznámený vopred a predpokladaná doba výpadku presahuje 5 hodín, vyrobte ľad a vložte ho do zásobníka v hornej časti chladničky.
- ▶ Ihneď po prerušení musíte potraviny skontrolovať.
- ▶ V dôsledku zvýšenia teploty v chladničke počas výpadku elektrického prúdu alebo inej poruchy dôjde k skráteniu trvanlivosti potravín a tiež sa zníži ich kvalita. Potraviny, ktoré sa rozmrazili, by ste mali buď rýchlo skonzumovať alebo uvariť a znovu zmraziť (ak je to vhodné), aby sa predišlo zdravotným rizikám.

## Funkcia pamäte pri prerušení napájania

Po obnovení napájania spotrebič pokračuje v nastaveniach, ktoré boli nastavené pred výpadkom prúdu.

## Vybalenie

**VAROVANIE!**

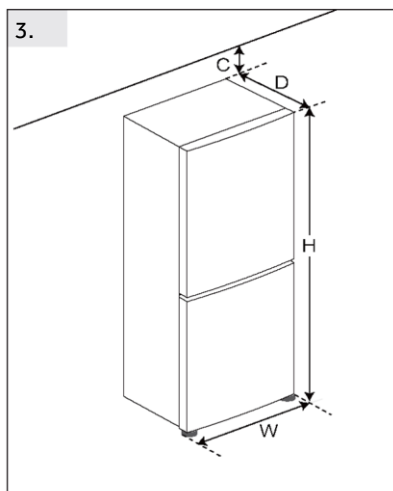
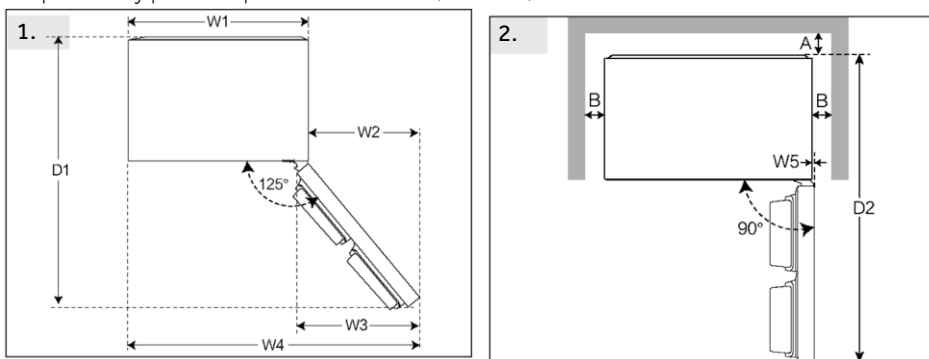
- ▶ Spotrebič je ťažký. Musia s ním vždy manipulovať dve osoby.
- ▶ Všetky obalové materiály udržiajte mimo dosahu detí a zlikvidujte ich spôsobom, ktorý je šetrný k životnému prostrediu.
- ▶ Vyberte spotrebič z obalu.
- ▶ Odstráňte všetok obalový materiál.

**Podmienky prostredia**

Teplota v miestnosti musí byť vždy medzi 10 °C až 43 °C, pretože môže mať vplyv na teplotu vo vnútri spotrebiča a na jeho spotrebu energie. Spotrebič neinstalujte v blízkosti iných spotrebičov sálajúcich teplo (rúry, chladničky) bez izolácie.

**Odporúčania pre priestor**

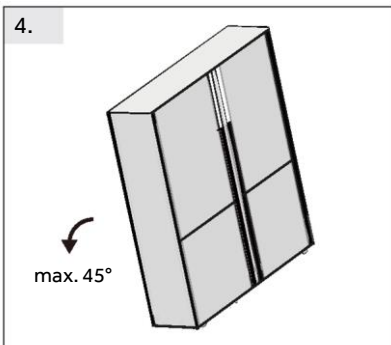
Odporúčaný priestor pri otvorení dverí (Obr. 1.2)



(Jednotka: mm)	Model č. 1		Model č. 2
Šírka	W1	830	
	W2	500	
	W3	529	
	W4	1330	
	W5	21	
Hĺbka	D1	1362	
	D2	1502	
	D	725	
Vzdialenosť od zadnej steny	A	50	
Vzdialenosť od bočných stien	B	50	
Vzdialenosť od stropu	C	50	
Celková výška	H	1850	

## Požiadavky na ventiláciu

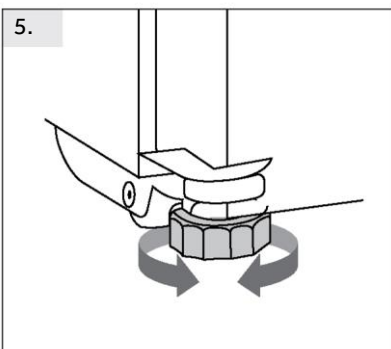
Na dosiahnutie dostatočnej ventilácie spotrebiča z bezpečnostných dôvodov je potrebné dodržiavať požiadavky pre správne vetranie.



### Zarovnanie spotrebiča (Fig.4.5.6.)

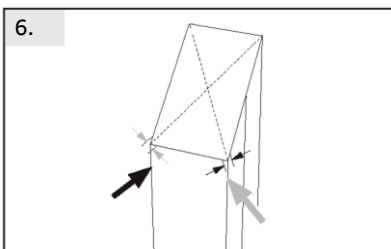
Zariadenie musí byť umiestnené na rovnom a pevnom povrchu.

4. Nakloňte chladničku mierne dozadu.



5. Nastavte nožičky na požadovanú úroveň.

Uistite sa, že vzdialenosť od steny na strane závesu je aspoň 50 mm, aby sa dali dvere správne otvoriť.



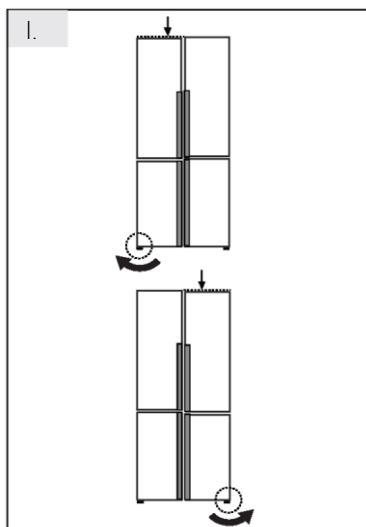
6. Stabilitu môžete skontrolovať striedavým potlačením v smere uhlopriečky. Spotrebič sa môže mierne vykloniť v oboch smeroch. V opačnom prípade môže dôjsť k zdeformovaniu rámu, výsledkom čoho môže byť aj nedostatočné tesnenie dverí.

Mierne naklonenia dozadu uľahčuje zatváranie dverí.



## OZNÁMENIE

Pre samostatne stojaci spotrebič: tento chladiaci spotrebič nie je určený na použitie ako zabudovaný spotrebič.

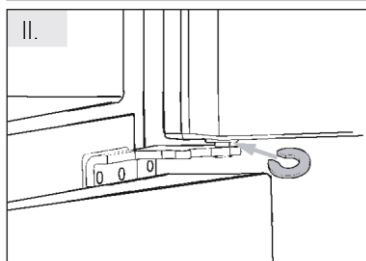


### Jemné doladenie dverí

Ak sa dvere nenachádzajú v jednej úrovni, tento nesúlad možno odstrániť nasledovným spôsobom:

#### I Použitie nastaviteľných nožičiek

Otočením nastaviteľnej nožičky v smere šípky sa nožička zdvíha alebo znižuje.



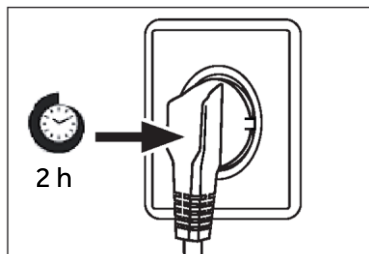
#### II Používanie rozpier

- ▶ Otvorte horné dvere a zdvihnite ich.
- ▶ Opatrne pripevnite rozperu (priloženú vo vrecku s príslušenstvom) do bieleho plastového krúžku stredného závesu ručne alebo použite vhodný nástroj, napríklad kliešte. Dávajte pozor, aby sa dvierka nepoškriabali ani neodreli.



## OZNÁMENIE

Pri budúcom používaní dveriek chladničky sa môže vyskytnúť nezarovnanie dveriek v dôsledku hmotnosti uložených potravín. Potom nastavte podľa vyššie uvedených metód.



### Doba čakania

V puzdre kompresora sa nachádza bezúdržbový mazací olej. Pri nakláňaní spotrebiča počas prevozu sa tento olej môže dostať cez uzatvorený systém rúrok. Pred pripojením spotrebiča ku zdroju napájania musíte počkať aspoň 2 hodiny, aby olej stiekol späť do puzdra.

### Elektrické zapojenie

Pred každým pripojením skontrolujte, či:

- ▶ napájanie, zásuvka a istenie zodpovedajú typovému štítku.
- ▶ je sieťová zásuvka uzemnená a nie je pripojený žiadny adaptér s viacerými zásuvkami ani predlžovací kábel.
- ▶ sa zástrčka a zásuvka presne zhodujú.

Zástrčku pripojte k správne nainštalovanej domácej zásuvke.



### VAROVANIE!

Poškodený napájací kábel musia vymeniť v zákazníckom servise, aby sa zabránilo nebezpečenstvu (pozrite záručný list).

Špecifikácie výrobku podľa nariadenia EÚ č. 2019/2016

Značka	Haier
Názov/identifikačný kód modelu	HDR5818DNSS HDR5818DNPW HDR5818DNMB
Kategória modelu	Chladnička s mrazničkou
Trieda energetickej účinnosti	D
Ročná spotreba energie (kWh/rok)(1)	273
Celkový objem (l)	640
Objem chladničky (l)	413
Objem mrazničky (l)	184
Objemová časť chladničky (l)	43
Počet hviezdíčiek	*/***
Teplota ďalších priestorov > 14 °C	Neuplatňuje sa
Systém bez námrazy Frost-free	Áno
Kapacita zmrazovania (kg/24 h)	10
Klimatická trieda (2)	SN-N-ST-T
Trieda emisie hluku a emisie hluku prenášané vzduchom (db(A) re 1pW)	B(35)
Doba nábehu teploty (h)	10
Typ spotrebiča	voľne stojaci

## Vysvetlenie:

## • Áno, odporúčané

- (1) Na základe výsledkov skúšky zhody noriem počas 24 hodín. Skutočná spotreba závisí od použitia a umiestnenia spotrebiča.
- (2) Klimatická trieda SN: Tento spotrebič je určený na použitie pri teplote okolia v rozsahu + 10 °C až +32 °C  
 Klimatická trieda N: Tento spotrebič je určený na použitie pri teplote okolia v rozsahu + 16 °C až +32 °C  
 Klimatická trieda ST: Tento spotrebič je určený na použitie pri teplote okolia v rozsahu + 16 °C až +38 °C  
 Klimatická trieda T: Tento spotrebič je určený na použitie pri teplote okolia v rozsahu + 16 °C až +43 °C

## Doplňujúce technické údaje

Napätie/Frekvencia	220-240 V ~/ 50 Hz
Vstupný prúd (A)	2
Hlavná poistka (A)	8
Chladiace médium	R600a
Rozmery (V/Š/H v mm)	1850 + 830/725

Odporúčame vám náš zákaznícky servis Haier a použitie originálnych náhradných dielov. Ak máte problém so svojím spotrebičom, najskôr si pozrite časť RIEŠENIE PROBLÉMOV.

Ak tam nenájdete riešenie, kontaktujte

- ▶ svojho miestneho predajcu alebo
- ▶ naše európske stredisko European Call Service-Center (pozri nižšie uvedené telefónne čísla) alebo
- ▶ oblasť Service & Support na stránke [www.haier.com](http://www.haier.com), kde môžete požiadať o servis
- ▶ a nájsť odpovede na najčastejšie otázky.

Ak chcete kontaktovať náš servis, uistite sa, že máte k dispozícii nasledujúce údaje. Informácie nájdete na typovom štítku.

Model \_\_\_\_\_

Sériové č. \_\_\_\_\_

V prípade záruky skontrolujte aj záručný list dodaný s výrobkom.

European Call Service-Center		
Krajina*	Telefónne číslo	Náklady
Haier Italy (IT)	199 100 912	
Haier Spain (ES)	902 509 123	
Haier Germany (DE)	0180 5 39 39 99	<ul style="list-style-type: none"> <li>• 14 centov/min. pevná linka</li> <li>• max. 42 centov/min. mobil</li> </ul>
Haier Austria (AT)	0820 001 205	<ul style="list-style-type: none"> <li>• 14,53 centov/min. pevná linka</li> <li>• max. 20 centov/min. všetky ostatné</li> </ul>
Haier United Kingdom (UK)	0333 003 8122	
Haier France (FR)	0980 406 409	

\* Ďalšie krajiny nájdete na stránke [www.haier.com](http://www.haier.com)

Haier Europe Trading S.r.l

Pobočka UK

Westgate House, Westgate, Ealing

London, W5 1YY

\*Trvanie záruky na chladiaci spotrebič:

Minimálna záruka je: 2 roky pre krajiny EÚ, 3 roky pre Turecko, 1 rok pre Spojené kráľovstvo, 1 rok pre Rusko, 3 roky pre Švédsko, 2 roky pre Srbsko, 5 rokov pre Nórsko, 1 rok pre Maroko, 6 mesiacov pre Alžírsko, Tunisko nevyžaduje žiadnu zákonnú záruku.

\*Obdobie poskytovania náhradných dielov na opravu spotrebiča:

Termostaty, snímače teploty, dosky plošných spojov a svetelné zdroje sú k dispozícii minimálne sedem rokov po uvedení poslednej jednotky modelu na trh.

Kľučky, závesy dverí, podnosy a koše minimálne na obdobie siedmich rokov a tesnenia dverí na minimálne 10 rokov po uvedení poslednej jednotky modelu na trh.

\*Ďalšie informácie o výrobku nájdete na stránke <https://eprel.ec.europa.eu/> alebo si naskenujte QR kód na štítku s údajmi o elektrickej spotrebe spotrebiča.

CERTIFIKÁT KVALITY

OZNAČENIE: CHLADNIČKA  
Q.C.PASSED QC01  
KONTROLNÉ ČÍSLO

**Haier**



0060543301  
2025 Verzia A

# Haier

Kullanım Kılavuzu

Buzdolabı-Dondurucu

HDR5818DNSS  
HDR5818DNPW  
HDR5818DNMB



<u>4 Güvenlik bilgileri</u>	İlk kullanımdan önce	5
	Kurulum	5
	Günlük kullanım	6
<u>8 Kullanım amacı</u>		
<u>9 Ürün açıklaması</u>		
<u>10 Kumanda paneli</u>		
<u>11 Kullanım</u>	Buzdolabı için sıcaklığı ayarlama	12
	Dondurucu için sıcaklığı ayarlama	12
	Super Cool İşlevi	13
	Super Freeze İşlevi	13
	AI Cooling İşlevi	14
<u>17 Ekipman</u>		
<u>19 Enerji tasarrufu ipuçları</u>		
<u>20 Bakım ve temizlik</u>		
<u>22 Sorun Giderme</u>		
<u>26 Kurulum</u>		
<u>30 Teknik veriler</u>		
<u>32 Müşteri hizmetleri</u>		

## Bir Haier Ürünü satın aldığınız için teşekkür ederiz.

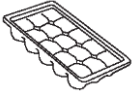
Lütfen cihazı kullanmadan önce bu talimatları dikkatlice okuyun. Talimatlar, cihazdan en iyi şekilde yararlanmanıza ve güvenli ve doğru kurulum, kullanım ve bakım sağlamanıza yardımcı olacak önemli bilgiler içerir.

Bu kılavuzu, cihazın güvenli ve doğru kullanımı için her zaman başvurabileceğiniz uygun bir yerde saklayın.

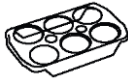
Cihazı satarsanız, başka birine verirsiniz veya taşınırken geride bırakırsanız, yeni sahibinin cihaza ve güvenlik uyarılarına aşina olabilmesi için bu kılavuzu da teslim ettiğinizden emin olun.

## Aksesuarlar

Aksesuarları ve literatürü bu liste ile kontrol edin:



Buz kalıbı



Yumurta bölmesi x 2



Enerji etiketi



Garanti belgesi



Kullanım kılavuzu



Engelleyici x 2



orta menteşe



Üst menteşe



Üst menteşe bükük kanca



alt menteşe



Üst trim kapağı



Orta ön giriş vidalı kapağı



fıktür



## UYARI – Önemli Güvenlik bilgileri



## AÇIKLAMA-Genel bilgiler ve ipuçları



## Çevre bilgisi



### Bertaraf

Çevrenin ve insan sağlığının korunmasına yardımcı olun. Ambalajı geri dönüştürmek için uygun kaplara koyun. Elektrikli ve elektronik aletlerin atıklarının geri dönüştürülmesine yardımcı olun. Bu sembole işaretlenmiş cihazları evsel atıklarla birlikte atmayın. Ürünü yerel geri dönüşüm tesisinize iade edin veya belediye ofisiyle iletişime geçin.



### UYARI: Yangın/yanıcı malzeme riski

Sembol, yanıcı malzemeler kullanıldığından yangın riski olduğunu gösterir. Yanıcı malzemeyi ateşleyerek yangına yol açmamaya özen gösterin.



## UYARI!

Yaralanma veya boğulma tehlikesi!

Soğutucu akışkanlar ve gazlar profesyonelce bertaraf edilmelidir. Uygun şekilde atılmadan önce soğutucu devresinin borularının hasar görmediğinden emin olun. Cihazı elektrik şebekesinden ayırın. Elektrik kablosunu kesin ve atın. Çocukların ve evcil hayvanların cihaz içinde kalmasını önlemek için tepsileri ve çekmeceleri, kapı mandalını ve contaları çıkarın.

## Cihazı ilk kez çalıştırmadan önce aşağıdaki güvenlik ipuçlarını okuyun!



### UYARI!

#### İlk kullanımdan önce

- ▶ Nakliye hasarı olmadığından emin olun.
- ▶ Tüm ambalajları çıkarın ve çocukların erişemeyeceği bir yerde saklayın.
- ▶ Cihazın gücünü açmadan önce, soğutucu devresinin tam verimli hale gelmesini sağlamak için en az iki saat bekleyin.
- ▶ Ağır olduğu için cihazı her zaman en az iki kişi ile taşıyın.

#### Kurulum

- ▶ Cihaz iyi havalandırılan bir yere yerleştirilmelidir. Cihazın üstünde ve çevresinde en az 10 cm boşluk bırakın.
- ▶ Cihazı asla nemli bir alana veya üzerine su sıçrayabilecek bir yere koymayın. Sıçrayan suları ve lekeleri yumuşak temiz bir bezle temizleyin ve kurulaştırın.
- ▶ Cihazı doğrudan güneş ışığı alan bir yere veya ısı kaynaklarının (örn. soba, ısıtıcı) yakınına kurmayın.
- ▶ Cihazı, boyutuna ve kullanımına uygun bir alana kurun ve düzleştirin.
- ▶ Cihazdaki veya ankastre yapıdaki havalandırma deliklerini engelden uzak tutun.
- ▶ Anma değeri plakasındaki elektrik bilgilerinin güç kaynağı ile uyumlu olduğundan emin olun. Değilse, bir elektrikçiye başvurun.
- ▶ Cihaz 220-240 VAC/50 Hz güç kaynağı ile çalıştırılır. Anormal voltaj dalgalanması, cihazın çalışmamasına veya sıcaklık kontrolünün veya kompresörün hasar görmesine neden olabilir veya çalışırken anormal bir gürültü olabilir. Bu durumda otomatik regülatör takılmalıdır.
- ▶ Çoklu fiş adaptörleri ve uzatma kabloları kullanmayın.
- ▶ Cihazın arkasına birden fazla portatif priz veya portatif güç kaynağı yerleştirmeyin.
- ▶ Güç kablosunun buzdolabına sıkışmadığından emin olun. Güç kablosunun üzerine basmayın.
- ▶ Güç kaynağı için kolay erişilebilen ayrı bir topraklı priz kullanın. Cihaz topraklanmalıdır.
- ▶ Yalnızca İngiltere için: Cihazın güç kablosu, standart bir 3 kablolu (topraklı) prize uyan 3 kablolu (topraklı) fiş ile donatılmıştır. Üçüncü pimi (topraklama) asla kesmeyin veya sökmeyin. Cihaz kurulduktan sonra fiş erişilebilir olmalıdır.
- ▶ Soğutucu devresine zarar vermeyin.



## UYARI!

### Günlük kullanım

- ▶ Bu cihaz, 8 yaş ve üzeri çocuklar ve fiziksel, duyuşsal veya zihinsel yetenekleri azalmıř veya deneyim ve bilgi eksiklięi olan kiřiler tarafından, cihazın güvenli bir řekilde kullanımına iliřkin gözetim veya talimat verilmiyse ve ięerdięi tehlikeleri anlıyorlarsa kullanılabilir.
- ▶ 3-8 yař arası çocukların soęutma cihazlarını yüklemelerine ve bořaltmalarına izin verilir, ancak bunları temizlemelerine ve kurmalarına izin verilmez.
- ▶ Sürekli gözetim altında olmadıkları sürece 3 yařından küçük çocukları cihazdan uzak tutun.
- ▶ Çocuklar cihazla oynamamalıdır.
- ▶ Cihazın yakınına kömür gazı veya bařka bir yanıcı gaz sızıyorsa, sızan gazın vanasını kapatın, kapı ve pencereleri açın ve buzdolabının veya herhangi bir cihazın elektrik kabolunu prizden çekmeyin.
- ▶ Cihazın, 10 ile 43 °C arasındaki özel bir ortam sıcaklıęı aralıęında çalıştırılmak üzere ayarlandıęına dikkat edin. Cihaz, belirtilen aralıęın üstünde veya altında bir sıcaklıkta uzun süre bırakılırsa düzgün çalışmayabilir.
- ▶ Düşmeden kaynaklanan kiřisel yaralanmaları veya suyla temastan kaynaklanan elektrik çarpmasını önlemek için buzdolabının üzerine dengesiz nesnelere (aęır nesnelere, su dolu kaplar) koymayın.
- ▶ Kapı raflarını çekmeyin. Kapı çekilirken eğilebilir, řiře rafı dıřarı çekilebilir veya cihaz devrilebilir.
- ▶ Kapıları sadece kollarla açıp kapatın. Kapılar arasındaki ve kapılar ile dolap arasındaki bořluk çok dardır. Parmaklarınızı sıkıřtırmamak için ellerinizi bu alanlara uzatmayın. Buzdolabı kapılarını sadece kapı hareket alanı içinde çocuklar yokken açın veya kapatın.
- ▶ Cihazın içinde veya çevresinde yanıcı, patlayıcı veya ařındırıcı malzemeler saklamayın veya kullanmayın.
- ▶ Cihazda ilaç, bakteri veya kimyasal maddeler saklamayın. Bu cihaz bir ev aletidir. Katı bir biçimde uyulması gereken sıcaklık sınırlamaları bulunan malzemelerin saklanması önerilmez.
- ▶ řiře veya kutulardaki sıvıları (yüksek alkollü içkiler dışında), özellikle gazlı içecekleri asla dondurucuda saklamayın, çünkü bunlar dondurma sırasında patlayabilir.
- ▶ Dondurucuda bir ısınma geręekleřmiře yiyeceęin durumunu kontrol edin.
- ▶ Buzdolabı bölmesinde gereksiz yere düşük sıcaklık ayarlamayın. Yüksek ayarlarda eksi sıcaklıklar oluşabilir. Dikkat: řiřeler patlayabilir
- ▶ Donmuř ürünlere ıslak ellerle dokunmayın (eldiven giyin). Özellikle buzlu řekerleri dondurucu bölmesinden çıkardıktan hemen sonra yemeyin. Donma veya donma kabarcıkları oluşma riski vardır. İLK YARDIM: Hemen akan soęuk su altında tutun. Geri çekmeyin!
- ▶ Elleriniz yüzeyde donabileceęinden, çalışırken özellikle ıslak ellerle dondurucu depolama bölmesinin iç yüzeyine dokunmayın.



## UYARI!

### Günlük kullanım

- ▶ Elektrik kesintisi durumunda veya temizlemeden önce cihazın fişini çekin. Sık çalıştırma kompresöre zarar verebileceğinden, cihazı yeniden başlatmadan önce en az 7 dakika bekleyin.
- ▶ Üretici tarafından önerilen tipte olmadıkça, cihazın gıda saklama bölmelerinde elektrikli cihazlar kullanmayın. Bakım / temizlik
- ▶ Temizlik ve bakım yaparken çocukların gözetim altında olduğundan emin olun.
- ▶ Herhangi bir rutin bakım yapmadan önce cihazın elektrik bağlantısını kesin. Sık çalıştırma kompresöre zarar verebileceğinden, cihazı yeniden başlatmadan önce en az 5 dakika bekleyin.
- ▶ Cihazın fişini prizden çekerken kablodan değil fişten tutun.
- ▶ Cihazı sert fırçalar, tel fırçalar, deterjan tozu, benzin, amil asetat, aseton ve benzeri organik solüsyonlar, asit veya alkali solüsyonlarla temizlemeyin. Hasarı önlemek için lütfen özel buzdolabı deterjanı ile temizleyin.
- ▶ Buzlanma ve buzu keskin nesnelere kazımayın. Plastik parçalara zarar vermemek için spreyleyiciler, ısıtıcı ve saç kurutma makinesi gibi elektrikli ısıtıcılar, buharlı temizleyiciler veya diğer ısı kaynaklarını kullanmayın.
- ▶ Üretici tarafından önerilenler dışında, buz çözme işlemi hızlandırmak için mekanik cihazlar veya başka araçlar kullanmayın.
- ▶ Besleme kablosu hasarlıysa, bir tehlikeyi önlemek için üretici, servis acentesi veya benzer kalifiye kişiler tarafından değiştirilmelidir.
- ▶ Cihazı kendi başınıza tamir etmeye, parçalarına ayırmaya veya üzerinde değişiklik yapmaya çalışmayın. Onarım durumunda lütfen müşteri hizmetlerimizle iletişime geçin.
- ▶ Yangın tehlikesini ve artan enerji tüketimini önlemek için ünitenin arkasındaki tozu yılda en az bir kez ortadan kaldırın.
- ▶ Temizlik sırasında cihaza bir şey püskürtmeyin veya onu yıkamayın.
- ▶ Cihazı temizlemek için su spreyi veya buhar kullanmayın.
- ▶ Soğuk cam rafları sıcak suyla temizlemeyin. Ani sıcaklık değişimi camın kırılmasına neden olabilir.

### Soğutucu gaz bilgisi

- ▶ Cihaz, yanıcı soğutucu İZOBÜTAN (R600a) içerir. Nakliye veya kurulum sırasında soğutucu devresinin hasar görmediğinden emin olun. Sızan soğutucu, göz yaralanmalarına veya tutuşmaya neden olabilir. Bir hasar meydana gelirse, açık ateş kaynaklarından uzak tutun, odayı iyice havalandırın, cihazın veya başka bir cihazın güç kablolarını takmayın veya çıkarmayın. Müşteri hizmetlerini bilgilendirin.
- ▶ Soğutucu ile göz teması halinde, hemen akan su altında yıkayın ve hemen göz sağlığı uzmanını arayın.

## Kullanım amacı

Bu cihaz, yiyecekleri soğutmak ve dondurmak için tasarlanmıştır. Bu cihaz mağazalar, ofisler ve diğer çalışma ortamlarındaki personel mutfak alanları; çiftlik evleri ve pansiyon ve yemek hizmetleri işinin yanı sıra oteller, moteller ve diğer konut tipi ortamlardaki müşteriler tarafından olmak üzere ev içi ve benzeri uygulamalarda kullanılmak üzere özel olarak tasarlanmıştır. Ticari veya endüstriyel kullanım için tasarlanmamıştır.

Cihazda değişiklik veya modifikasyon yapılmasına izin verilmez. Amaç dışı kullanım, tehlikelere ve garanti taleplerinde hak kaybına neden olabilir.

## Standartlar ve direktifler

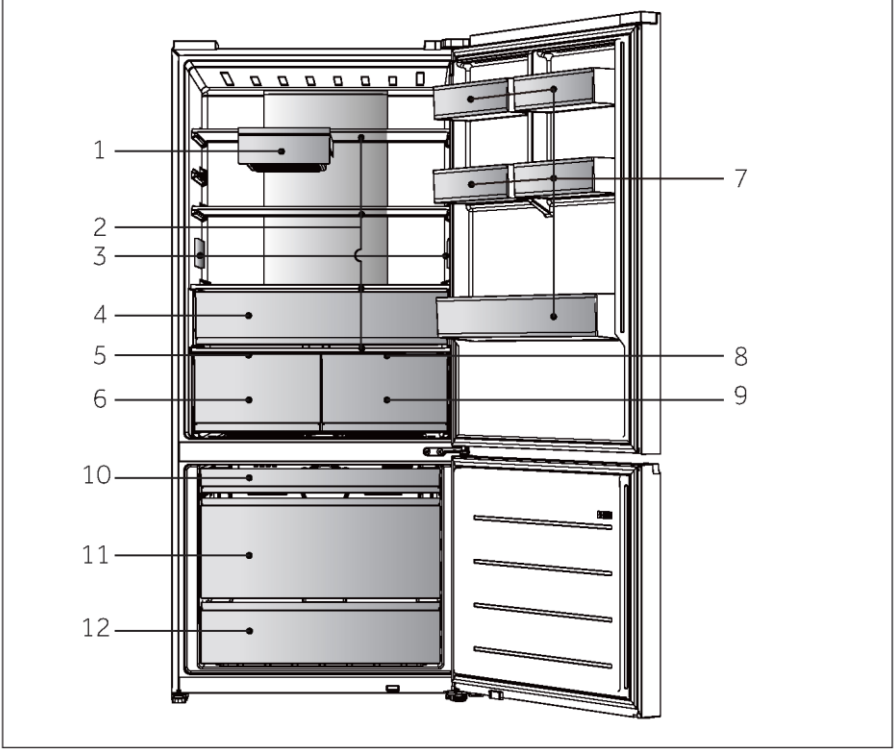


Bu ürün, CE işareti sağlayan ilgili uyumlaştırılmış standartlarla birlikte geçerli tüm EC direktiflerinin gereksinimlerini karşılar.



## AÇIKLAMA

Teknik değişiklikler ve farklı modeller nedeniyle bu kılavuzdaki bazı resimler sizin modelinizden farklı olabilir.



A: Soğutucu bölümü

B: Dondurucu bölümü

1 Yemek kutusu

10 Kayar raf

2 Cam raflar

11 Donma bölgesi

3 AI Cooling

12 Donma bölgesi

4 Fresh zone

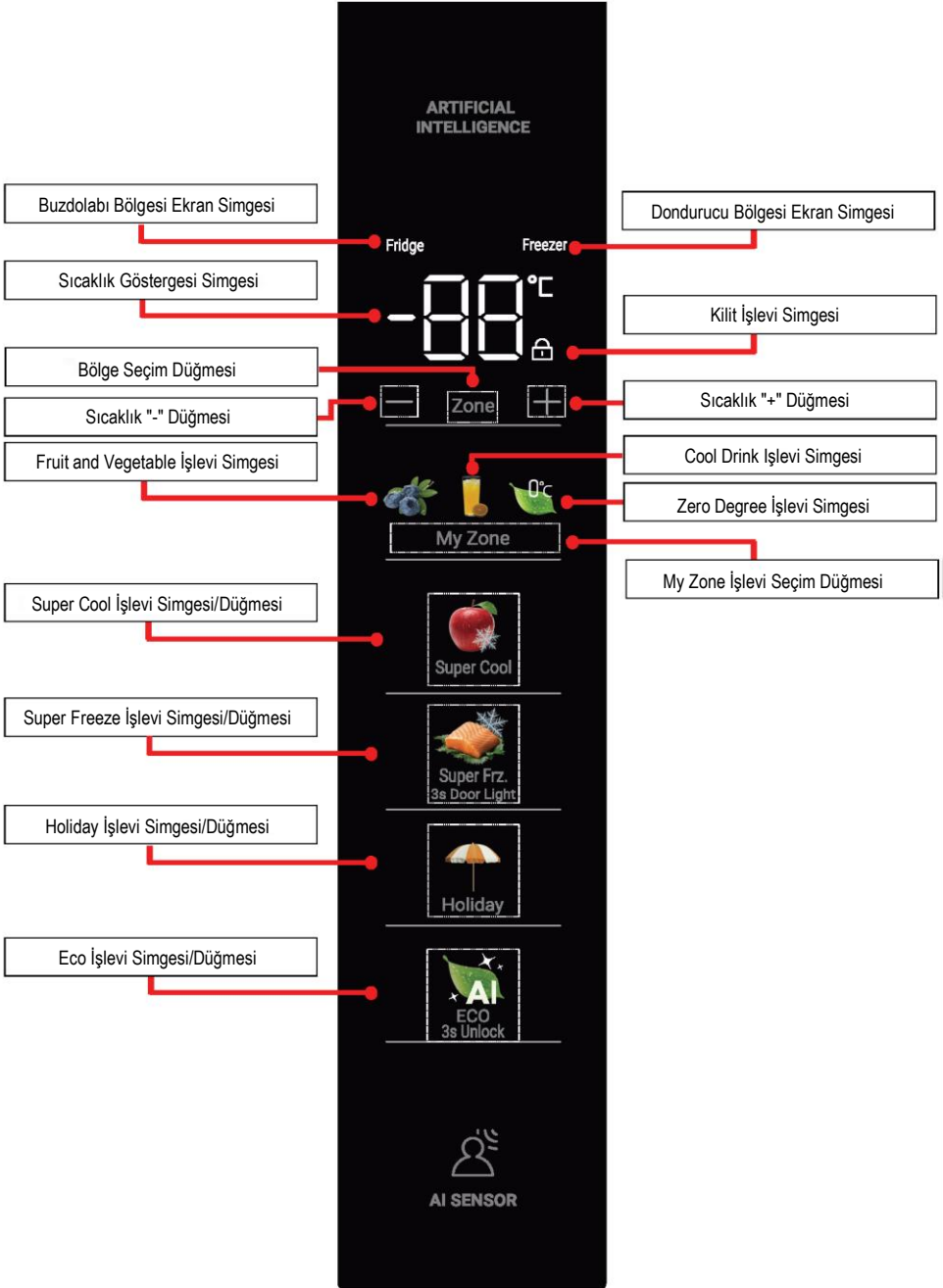
5 Humidity zone kapağı

6 Humidity zone

7 Şişe tutucular

8 My zone kapağı

9 My Zone



## İlk kullanımdan önce

- ▶ Tüm ambalajlar malzemelerini çıkarın, çocukların erişemeyeceği bir yerde saklayın ve çevreye zarar vermeyecek şekilde atın.
- ▶ İçine yiyecek koymadan önce cihazın içini ve dışını su ve hafif bir deterjanla temizleyin.
- ▶ Cihaz seviyelendirilip temizlendikten sonra, güç kaynağına bağlamadan önce en az 2-5 saat bekleyin. KURULUM Bölümüne bakın.
- ▶ Yiyecekleri yüklemeyen önce bölmeleri yüksek ayarlarda önceden soğutun. Power-Freeze işlevi, bölmelerin hızlı bir şekilde soğutulmasına yardımcı olur.
- ▶ Buzdolabı sıcaklığı ve dondurucu sıcaklığı sırasıyla 5°C ve -18°C olarak otomatik ayarlanır. Bunlar önerilen ayarlardır. İsterseniz, bu sıcaklıkları manuel olarak değiştirebilirsiniz. Lütfen SICAKLIĞI AYARLAMA bölümüne bakın.

## Sensör tuşları

Kumanda panelindeki düğmeler, parmakla hafifçe dokunulduğunda tepki veren sensörlü tuşlardır.

## Cihazı açma/kapatma

Cihaz, güç kaynağına bağlanır bağlanmaz çalışmaya başlar.

Buzdolabı ilk çalıştırıldığında Sıcaklık göstergesi yanar. Soğutucu sıcaklığı ve dondurucu sıcaklığı sırasıyla 5°C ve -18°C olarak otomatik ayarlanır.

Panel kilidi aktif olabilir.



## AÇIKLAMA

Ana güç kaynağıyla bağlantısı kesildikten sonra cihaz açıldığında, doğru sıcaklıklara ulaşılması 12 saate kadar sürebilir.

Cihazı kapatmadan önce boşaltın. Cihazı kapatmak için güç kablosunu prizden çekin.

## Paneli kilitleme/kilidini açma

Otomatik kilit: Buzdolabı kapısı ve dondurucu kapısı kapatıldığında ve 30 saniye içinde herhangi bir tuş işlemi yapılmadığında, görüntü ekranı otomatik olarak sönecek ve kilitlenecektir.

Manuel kilit: Ekran kilidi açıldığında, Eco işlev düğmesine basın ve 3 saniye basılı tutun, sesli uyarı bir kez çalar, Kilit işlevi Simgesi yanar ve ekran kilitletir.

## Sıcaklığı ayarlayın

İç ortam sıcaklıkları aşağıdaki faktörlerden etkilenir:

Ortam sıcaklığı

Kapı açma sıklığı

Depolanan gıda miktarı

Cihazın kurulumu

## Buzdolabı için sıcaklığı ayarlama

Kilit açıldığında, buzdolabı bölgesini seçmek için Bölge Seçimi düğmesine basın (buzdolabı simgesi yanar). Her basışta sıcaklık seviyesi 1°C ayarlanır. Ayarlar 5 saniye hareketsiz kaldıktan sonra (ekran kapanır) veya diğer düğmelere basılırsa hemen onaylanır:

"+": 1°C → 2°C → 3°C → 4°C → 5°C → 6°C → 7°C → 8°C → 9°C

"-": 9°C → 8°C → 7°C → 6°C → 5°C → 4°C → 3°C → 2°C → 1°C



### AÇIKLAMA

Soğutma sıcaklığı Super Cool veya Kilit durumunda ayarlanamaz.

## Dondurucu için sıcaklığı ayarlama

Çalışma sırasında ekran kilidi açıldığında, dondurucu bölgesini seçmek için Bölge Seçim düğmesine basın (dondurucu simgesi yanar). "+" / "-" tuşlarına her basış sıcaklığı 1°C ayarlar (1Hz'de yanıp söner).

Ayarlar 5 saniye hareketsiz kaldıktan sonra otomatik olarak kaydedilir.

Diğer düğmelere basıldığında ayar hemen onaylanır ve işlevler değiştirilir.

Ayarlama sırası:

"+": -24°C → -23°C → -22°C → -21°C → -20°C → -19°C → -18°C → -17°C → -16°C

"-": -16°C → -17°C → -18°C → -19°C → -20°C → -21°C → -22°C → -23°C → -24°C



### AÇIKLAMA

Dondurma sıcaklığı Super Freeze veya Kilitleme durumunda ayarlanamaz.



## AÇIKLAMA

Sıcaklık ayarlandıktan sonra 5 saniye içinde herhangi bir işlem yapılmazsa sistem otomatik olarak ayarlanan sıcaklığı belirleyecek ve kaydedecektir.

### Super-Cool işlevi

Super Cool durumuna girin:

Kilit açık durumdayken [Super Cool] düğmesine tıklayın, [Super Cool] simgesi yanacak ve buzdolabı super cool durumuna girecektir.

Super Cool durumundan çıkın:

1. Kilitli değilken ve Super Cool durumdayken [Super Cool] düğmesine tıklayın, [SuperCool] simgesi kapanır ve manuel olarak super cool durumdan çıkar.
2. Buzdolabı ayarlanan süreye ulaştığında, otomatik olarak super cool işlevinden çıkar. Super Cool moduna girdikten 4 saat sonra otomatik olarak çıkacaktır.

### Super-Frz işlevi

Super freeze durumuna girin:

Kilit açık durumdayken, [Super Frz.] düğmesine tıklayın, [Super Frz.] simgesi yanacak ve buzdolabı super freeze durumuna girecektir.

Super freeze durumundan çıkın:

1. Kilitli değilken ve super freeze durumundayken [Super Frz.] düğmesine tıklayın, [SuperFrz.] simgesi kapanır ve manuel olarak super freeze durumundan çıkılır.
2. Buzdolabı ayarlanan süreye ulaştığında, otomatik olarak super freeze işlevinden çıkar. Super Frz modunda 50 saat kaldıktan sonra, otomatik olarak çıkacaktır.

Super-Freeze işlevi, dondurulmuş gıdaların besin değerini korumak için tasarlanmıştır ve gıdaları en kısa sürede donduracaktır. Tek seferde büyük miktarlarda dondurulmuş gıda dondurulacaksa, Super-Freeze işlevinin ayarlanması tavsiye edilir. Bu arada Super-Freeze işlevi, dondurucunun nispeten düşük sıcaklığa sahip olmasını sağlamak ve yiyecekleri içine koymak için 24 saat önceden ayarlanmalıdır. Bu şekilde, dondurucunun dondurma hızı iyileştirilir, yiyecekler hızlı bir şekilde dondurulabilir, yiyeceklerin besin değerleri etkin bir şekilde korunur ve saklama oldukça kullanışlı hale gelir.

## AI Cooling İşlevi

Haşlanmış veya pişmiş yiyecekleri hızlı bir şekilde soğutmanız gerektiğinde, hızlı soğutma için yiyecekleri bu işleve karşılık gelen cam rafa yerleştirebilirsiniz. Buzdolabı bu işleve karşılık gelen cam raf alanında bir ısı kaynağı algıladığında, her iki taraftaki mavi ışıklar yanıp sönmeye başlar. Algılanan ısı kaynağı 5 saniyeden uzun süre devam ederse, bu işleve girer ve her iki taraftaki mavi ışık yanar. Algılanan ısı kaynağı 5 saniyeden daha kısa bir süre devam ederse, bu işlev başlamaz ve mavi ışıklar yaklaşık 5 saniye yanıp söndükten sonra söner. Bu işlev başladıktan sonra, her iki taraftaki mavi ışıklar yanar (kapı açıkken) ve her iki taraftaki fanlar çalışmaya başlar. Kapı kapatıldıktan sonra her iki taraftaki mavi ışıklar söner ve her iki taraftaki fanlar çalışmaya devam eder. Isı kaynağı soğuduktan sonra bu işlevden çikılır, her iki taraftaki mavi ışıklar söner ve her iki taraftaki fanlar kapanır.



### AÇIKLAMA

- 1 Bir çorba tenceresini veya buhar çıkaran diğer yiyecekleri yerleştirirken, lütfen sızdırmaz kapaklı bir kap kullanın veya içine yerleştirmeden önce plastik sargı ile sarın.
- 2 Daha iyi tazelik ve nemlendirme etkileri elde etmek için kavun, meyve ve sebzeleri meyve ve sebze çekmecesine yerleştirmeniz tavsiye edilir. Bu işlevsel alana yiyecek yerleştirirken, lütfen her iki taraftaki dairesel hava girişlerini veya uzun hava çıkışını engellemeyin.
- 3 Bu işlev için başlangıç testi, gösterilen konumdaki rafa yerleştirilen paslanmaz çelik bir çorba tenceresi (275 mm tencere gövde çapı, 150 mm tencere gövde yüksekliği ve 200 mm kapakla birlikte toplam yüksekliği olan, ana akım yerel Türk paslanmaz çelik çorba tenceresi) kullanılarak gerçekleştirilmiştir. Tencere içindeki sıvı seviyesi 2/3, tencerenin dış duvar sıcaklığı 35°C, test sırasında ortam sıcaklığı 25°C ve buzdolabı fabrika varsayılan ayarlarında istikrarlı bir şekilde çalışıyordu.
- 4 Isı kaynağı çok küçük veya sıcaklık çok düşük olduğunda, bu işlev otomatik olarak başlamayabilir.
- 5 Kullanıcının bu işlevsel alandaki erişim eylemleri çok uzun sürdüğünde veya kapı çok uzun süre açık kaldığında, bu işlev tetiklenebilir.
6. AI Cooling İşlevi çalışırken Holiday modunu etkinleştirirseniz, AI Cooling işlevi kapatılır.

## My Zone İşlevi

My Zone işlevsel ayarlara göre ayarlandı ve ayarlandı. Bu ayarlar sırayla üç işlevsel simge ile temsil edilir: "Fruits & Vegetables (5°C), Cool Drink (2°C), 0°C Fresh (0°C)". İlk açılışta varsayılan durum "Fruits & Vegetables (5°C)" ayarıdır. Kilit açıldığında, My Zone ayarlama sayfasına girmek için ana sayfadaki My Zone tuşuna basın. My Zone' ilgili ayarlara almak için My Zone ayarlama düğmesine tıklayın. My Zone ayar durumu güç kaybından sonra korunur.



## AÇIKLAMA

Holiday modunda, soğutmalı değişken sıcaklık bölgesi 17°C'de kontrol edilir ve 20°C'de açık / 16°C'de kapalı ayar noktalarına göre çalışır.

## İnsan Algılama İşlevi

İnsan algılama işlevi varsayılan olarak açıktır. İnsan algılama işlevini kapatmak veya açmak için "Super Frz." düğmesini 3 saniye basılı tutun. Bu işleve girdikten sonra, buzdolabına yaklaştığınızda ekran yanar ve mavi kapı ışığı parlayıp sönen bir nefes alma moduna girer.

## Holiday İşlevi

Kilit açık durumdayken Holiday düğmesine basın:

İlk basış: Holiday işlevi etkinleşir (simge yanar, bip sesi duyulur)

İkinci basış: Holiday işlevi devre dışı kalır (simge kapanır, bip sesi duyulur)

## Eco İşlevi

Gösterge paneli yandıktan sonra, buzdolabı Eco işlevine girmemişse ve gösterge panelinin kilidi açıksa, "Eco" düğmesine bir kez basın, smart işlev simgesi görünecek, sesli uyarı bir kez çalacak ve Eco işlevi etkinleştirilecektir.

Gösterge paneli yandıktan sonra, buzdolabı Eco işlevine girmişse ve gösterge panelinin kilidi açıksa, "Eco" düğmesine bir kez basın, smart işlevi simgesi kapanacak, sesli uyarı bir kez çalacak ve Eco işlevi devre dışı bırakılacaktır.



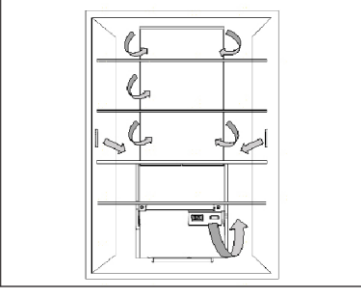
## AÇIKLAMA

Eco modu altında, buzdolabı otomatik olarak taze gıda bölmesinin sıcaklığını 5°C'ye ve dondurucu bölmesinin sıcaklığını -18°C'ye ayarlayacak ve gösterecektir.

Bu modda, buzdolabı ve dondurucu bölmelerinin sıcaklıkları manuel olarak ayarlanamaz. My Zone bölmesinin sıcaklığı bağımsız olarak ayarlanabilir; kullanıcının ayarına göre çalışacaktır.

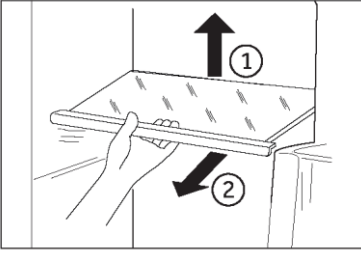
Eco modundan çıktıktan sonra, buzdolabı ve dondurucu bölmeleri Eco moduna girmeden önce seçtiğiniz sıcaklık ayarlarına geri döner.

My Zone bölümü ayarları değişmeden kalır ve diğer çalışma durumları etkilenmez.



### Çoklu hava akışı

1. Buzdolabı, her raf seviyesinde soğuk hava akışlarının bulunduğu çoklu hava akışı sistemi ile donatılmıştır. Bu, yiyeceklerinizin daha uzun süre taze kalmasını sağlamak için sabit bir sıcaklığın korunmasına yardımcı olur.



### Ayarlanabilir raflar

1. Rafların yüksekliği, depolama ihtiyaçlarınıza göre ayarlanabilir.
2. Bir rafın yerini değiştirmek için önce arka kenarını yukarı kaldırıp ① dışarı doğru çekerek ② çıkarın.
3. Yeniden takmak için her iki taraftaki tırnaklara yerleştirin ve rafın arkası, yanlardaki yuvalara sabitlenene kadar arkaya doğru itin.
4. 'POT STATION' rafının maksimum yük kapasitesi 200 kg'dır ve raf hasarsız kalır, yük 80 kg'ı aştığında 'Fresh Zone' çekmecesinin normal çalışması etkilenebilir (veriler dahil laboratuvarından alınmıştır).



## AÇIKLAMA

Bir rafın tüm uçlarının düz olduğundan emin olun.

### My Zone çekmecesini

1. Bu bölmede nem seviyesi, buzdolabı bölmesinden daha düşüktür. Bu çekmece, kuru meyve ve tereyağı, katı ve sıvı yağ veya çikolata gibi su içeriği düşük diğer kuru gıdaları saklamak için uygundur.

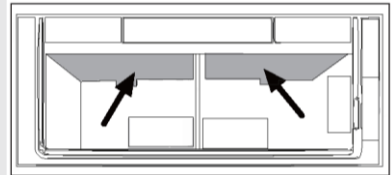
### Humidity box çekmecesini

1. Bu bölmede nem oranı soğutucu bölmesine göre daha yüksektir. Sistem tarafından otomatik olarak kontrol edilir ve meyve, sebze, salata vb. saklamaya uygundur.



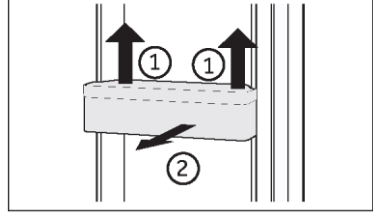
## AÇIKLAMA

1. İki bölgenin içindeki plastik kapağı çıkarmayın.
2. Nemi korurlar.
3. Ananas, avokado, muz, greyfurt gibi soğuğa duyarlı meyvelerin bu iki çekmecede saklanması önerilmez.



### Çıkarılabilir kapı rafları/şişe tutucu

1. Kapı rafları temizlik için çıkarılabilir:
2. Ellerinizi rafın her iki yanına koyun, yukarı doğru kaldırın ① ve dışarı doğru çekin ②.
3. Kapı rafını takmak için yukarıdaki adımlar ters sırayla gerçekleştirilir.



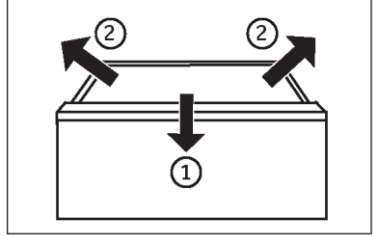
### AÇIKLAMA

Cihaz açıldığında, doğru sıcaklıklara ulaşılması 12 saati bulabilir.

### Çıkarılabilir çekmece

Çekmeceyi çıkarmak için, azami ölçüde dışarı çekin ①, kaldırın ve çıkarın ②.

Çekmeceyi takmak için yukarıdaki adımlar ters sırayla gerçekleştirilir.

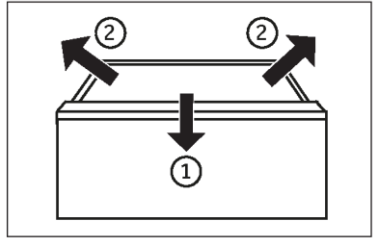


### Büyük eşyaların saklanması

Örneğin; dondurulmuş yiyecekler gibi büyük parçalar şu şekilde saklanabilir:

üst dondurucu tepsisini çıkarmak veya

hem üst dondurma tepsisini hem de orta dondurucu çekmeceyi çıkardıktan sonra yiyecekleri doğrudan raf üzerinde saklayın.



### Işık

Kapı açıldığında LED iç aydınlatma yanar. Işıkların performansı, cihazın diğer ayarlarından etkilenmez.

### Çekmece

Çekmecenin kötü çalışması veya çıkması gibi sorunları önlemek için lütfen çekmece kulpunu orta konumdan yavaşça itin veya çekin.



## Enerji tasarrufu ipuçları

- ▶ Cihazın uygun şekilde havalandırıldığından emin olun (bkz. KURULUM).
- ▶ Cihazı doğrudan güneş ışığı alan bir yere veya ısı kaynaklarının (örn. soba, ısıtıcı) yakınına kurmayın.
- ▶ Cihazda gereksiz yere düşük sıcaklıktan kaçının. Enerji tüketimi, cihazdaki sıcaklık ne kadar düşük ayarlanırsa o kadar artar.
- ▶ POWER- FREEZE gibi işlevler daha fazla enerji tüketir.
- ▶ Sıcak yiyecekleri cihaza yerleştirmeden önce soğumaya bırakın.
- ▶ Cihaz kapısını mümkün olduğunca az ve kısa süreliğine açın.
- ▶ Hava akışını engellemek için cihazı aşırı doldurmayın.
- ▶ Gıda ambalajının içinde hava olmasını önleyin.
- ▶ Kapının her zaman doğru şekilde kapanması için kapı contalarını temiz tutun.
- ▶ Dondurulmuş yiyecekleri buzdolabı saklama bölümünde çözün.
- ▶ En fazla enerji tasarrufu sağlayan konfigürasyon, cihazın çekmeceleri, yiyecek kutusunu ve rafları fabrikadan yeni çıkmış durumda tutmasını gerektirir ve yiyecekler mümkün olduğunca kanalin hava çıkışını engellemeyecek şekilde yerleştirilmelidir.



## UYARI!

Temizlemeden önce cihazı güç kaynağından ayırın.

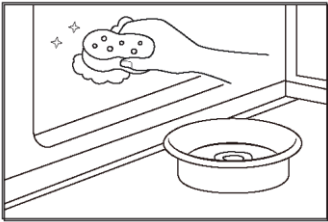
### Temizleme

1. Cihazı çok az yiyecek saklandığında veya hiç yiyecek saklanmadığında temizleyin.
2. Cihaz, iyi bir bakım sağlamak ve depolanmış kötü yiyecek kokularını önlemek için her dört haftada bir temizlenmelidir.



## UYARI!

- ▶ Cihazı sert fırçalar, tel fırçalar, deterjan tozu, benzin, amil asetat, aseton ve benzeri organik solüsyonlar, asit veya alkali solüsyonlarla temizlemeyin. Hasarı önlemek için lütfen özel buzdolabı deterjanı ile temizleyin.
- ▶ Temizlik sırasında cihaza bir şey püskürtmeyin veya onu yıkamayın.
- ▶ Cihazı temizlemek için su spreyi veya buhar kullanmayın.
- ▶ Soğuk cam rafları sıcak suyla temizlemeyin. Ani sıcaklık değişimi camın kırılmasına neden olabilir.
- ▶ Ellerinizi yüzeyde donabileceğinden, özellikle ıslak ellerle dondurucu depolama bölümünün iç yüzeyine dokunmayın.
- ▶ Isıtma durumunda donmuş ürünlerin durumunu kontrol edin.



- ▶ Kapı contasını daima temiz tutun.
- ▶ Cihazın içini ve muhafazasını ılık su ve nötr deterjanla nemlendirilmiş bir süngerle temizleyin.

1. Lütfen kapı contası, kapı rafı, cam raflar, kutular vb. dahil olmak üzere buzdolabının içini ve dışını yumuşak bir havlu veya ılık suya batırılmış süngerle silin (ılık suya nötr deterjan ekleyebilirsiniz).

- ▶ 2. Dökülen sıvı varsa, kirlenmiş tüm parçaları çıkarın, doğrudan akan su ile yıkayın, kurutun ve tekrar buzdolabına yerleştirin.
- ▶ 3. Dökülen krema varsa (krema, eriyen dondurma gibi) lütfen kirlenmiş tüm parçaları çıkarın, yaklaşık 40°C'lik ılık suda bir süre bekletin, ardından akan su ile durulayın, kurutun ve tekrar buzdolabına yerleştirin.
- ▶ 4. Küçük bir parçanın veya bileşenin buzdolabının içine (raflar veya çekmeceler arasına) sıkışması durumunda, çıkarmak için küçük yumuşak bir fırça kullanın. Parçaya ulaşamadıysanız, lütfen Haier servisi ile iletişime geçin
- ▶ Durulayın ve yumuşak bir bezle kurulayın.
- ▶ Cihazın hiçbir parçasını bulaşık makinesinde yıkamayın.
- ▶ Sık çalıştırma kompresöre zarar verebileceğinden, cihazı yeniden başlatmadan önce en az 5 dakika bekleyin.

### Buz çözme

Buzdolabı ve dondurucu bölümünün buzunun çözülmesi otomatik olarak gerçekleştirilir; manuel işleme gerek yoktur.

## LED lambaların değiştirilmesi



### UYARI!

LED lambayı kendiniz değiştirmeyin, bu parça, yalnızca üretici veya yetkili servis temsilcisi tarafından değiştirilmelidir.

Lambalar, düşük enerji tüketimi ve uzun hizmet ömrü sunan ışık kaynağı olarak LED ile donatılmıştır. Herhangi bir anormallik varsa, lütfen müşteri hizmetleri ile iletişime geçin. Bkz. MÜŞTERİ HİZMETLERİ.

Lambaların parametreleri:

Buzdolabı bölmesi: 12 V maks. 8 W

Dondurucu bölmesi: 12 V maks. 2 W

Mavi kapı ışığı: 12V maks. 3W

### Uzun süre kullanılmaması

Cihaz uzun bir süre kullanılmayacaksa ve buzdolabı için Holiday işlevini kullanmayacaksanız:

Yiyecekleri çıkarın.

Güç kablosunu çıkarın.

Cihazı yukarıda açıklandığı gibi temizleyin.

İçeride kötü kokuların oluşmasını önlemek için kapıyı açık tutun.



### AÇIKLAMA

Cihazı yalnızca kesinlikle gerekiyorsa kapatın.

### Cihazın taşınması

1. Tüm yiyecekleri çıkarın ve cihazın fişini çekin.
2. Buzdolabı ve dondurucudaki rafları ve diğer hareketli parçaları yapışkan bantla sabitleyin.
3. Soğutma sistemine zarar vermemek için buzdolabını 45°'den fazla eğmeyin.



### UYARI!

- ▶ Cihazı kollarından kaldırmayın.
- ▶ Cihazı asla yere yatay olarak yerleştirmeyin.

Ortaya çıkan birçok sorun, belirli bir uzmanlık olmadan kendi başınıza çözülebilir. Bir sorunla karşılaşırsanız, lütfen gösterilen tüm olasılıkları kontrol edin ve bir satış sonrası servise iletişime geçmeden önce aşağıdaki talimatları izleyin. Bkz. MÜŞTERİ HİZMETLERİ.



### UYARI!

- ▶ Bakımdan önce cihazı devre dışı bırakın ve elektrik fişini elektrik prizinden çekin.
- ▶ Elektrikli ekipmanın servisi yalnızca kalifiye elektrik uzmanları tarafından yapılmalıdır, çünkü uygun olmayan onarımlar önemli ölçüde dolaylı hasarlara neden olabilir.
- ▶ Hasarlı bir besleme kablosu, bir tehlikeyi önlemek için yalnızca üretici, servis acentesi veya benzer kalifiye kişiler tarafından değiştirilmelidir.

Sorun	Olası Neden	Olası Çözüm
Kompresör çalışmıyor.	<ul style="list-style-type: none"> <li>• Elektrik fişi prize takılı değil.</li> <li>• Cihaz buz çözme döngüsünde</li> </ul>	<ul style="list-style-type: none"> <li>• Elektrik fişini bağlayın.</li> <li>• Otomatik buz çözme için bu normaldir</li> </ul>
Cihaz sık sık çalışıyor veya çok uzun süre çalışıyor.	<ul style="list-style-type: none"> <li>• İç veya dış ortam sıcaklığı çok yüksek.</li> <li>• Cihaz bir süredir kapalı durumda.</li> <li>• Cihazın bir kapısı sıkıca kapatılmamış.</li> <li>• Kapı çok sık veya çok uzun süre açıldı.</li> <li>• Dondurucu bölmesi için sıcaklık ayarı çok düşük.</li> <li>• Kapı contası kirli, aşınmış, çatlamış veya uyumsuz.</li> <li>• Gerekli hava sirkülasyonu sağlanmamış.</li> </ul>	<ul style="list-style-type: none"> <li>• Bu durumda cihazın daha uzun süre çalışması normaldir.</li> <li>• Normalde, cihazın tamamen soğuması 8 ila 12 saat alır.</li> <li>• Kapıyı/çekmeceyi kapatın ve cihazın düz bir zemine yerleştirildiğinden ve kapıyı sarsan yiyecek veya kap olmadığından emin olun.</li> <li>• Kapıyı/çekmeceyi çok sık açmayın.</li> <li>• Uygun bir buzdolabı sıcaklığı elde edilene kadar sıcaklığı daha yükseğe ayarlayın. Buzdolabı sıcaklığının sabit hale gelmesi 24 saat sürer.</li> <li>• Kapı/çekmece contasını temizleyin veya müşteri hizmetleri tarafından değiştirilmesini sağlayın.</li> <li>• Yeterli havalandırma sağlayın.</li> </ul>
Buzdolabının içi kirli ve/veya kokuyor.	<ul style="list-style-type: none"> <li>• Buzdolabının içinin temizlenmesi gerekiyor.</li> <li>• Keskin kokulu yiyecekler buzdolabında saklanıyor.</li> </ul>	<ul style="list-style-type: none"> <li>• Buzdolabının içini temizleyin.</li> <li>• Yiyecekleri iyice sarın.</li> </ul>

Sorun	Olası Neden	Olası Çözüm
Cihazın içi yeterince soğuk değil.	<ul style="list-style-type: none"> <li>Sıcaklık çok yüksek ayarlanmış.</li> <li>Çok sıcak ürünler saklanmış.</li> <li>Bir seferde çok fazla yiyecek depolanmış.</li> <li>Ürünler birbirine çok yakın.</li> <li>Cihazın bir kapısı/çekmecesini sıkıca kapatılmamış.</li> <li>Kapı/çekmece çok sık veya çok uzun süre açıldı.</li> </ul>	<ul style="list-style-type: none"> <li>Sıcaklığı sıfırlayın.</li> <li>Ürünleri saklamadan önce daima soğutun.</li> <li>Her zaman az miktarda yiyecek saklayın.</li> <li>Birkaç yiyecek arasında hava akışına izin verecek bir boşluk bırakın.</li> <li>Kapıyı/çekmeceyi kapatın.</li> <li>Kapıyı/çekmeceyi çok sık açmayın.</li> </ul>
Cihazın içi çok soğuk.	<ul style="list-style-type: none"> <li>Sıcaklık çok düşük ayarlanmış.</li> <li>Super-Frz/Super-Cool işlevi etkinleştirilmiş veya çok uzun süre çalışıyor.</li> </ul>	<ul style="list-style-type: none"> <li>Sıcaklığı sıfırlayın.</li> <li>Super-Frz/Super-Cool işlevini kapatın.</li> </ul>
Buzdolabı bölmesinin iç kısmında nem oluşumu.	<ul style="list-style-type: none"> <li>İklim çok sıcak ve çok nemli.</li> <li>Cihazın bir kapısı/çekmecesini sıkıca kapatılmamış.</li> <li>Kapı/çekmece çok sık veya çok uzun süre açıldı.</li> <li>Yiyecek kapları veya sıvılar açık bırakılmış.</li> </ul>	<ul style="list-style-type: none"> <li>Sıcaklığı artırın.</li> <li>Kapıyı/çekmeceyi kapatın.</li> <li>Kapıyı/çekmeceyi çok sık açmayın.</li> <li>Sıcak yiyecekleri oda sıcaklığına soğumaya bırakın ve yiyecek ve sıvıları kapatın.</li> </ul>
Nem, buzdolabının dış yüzeyinde veya kapılar/kapı ile çekmece arasında birikiyor.	<ul style="list-style-type: none"> <li>İklim çok sıcak ve çok nemli.</li> <li>Kapı sıkıca kapatılmamış. Cihazdaki soğuk hava ve dışındaki sıcak hava yoğunlaşır.</li> </ul>	<ul style="list-style-type: none"> <li>Nemli iklimde bu normaldir ve nem azaldığında değişecektir.</li> <li>Kapının/çekmecenin sıkıca kapatıldığından emin olun.</li> </ul>

Sorun	Olası Neden	Olası Çözüm
Dondurucu bölümünde kuvvetli buz ve buzlanma.	<ul style="list-style-type: none"> <li>• Ürünler yeterince paketlenmemiş.</li> <li>• Cihazın bir kapısı/çekmececi sıkıca kapatılmamış.</li> <li>• Kapı/çekmece çok sık veya çok uzun süre açıldı.</li> <li>• Kapı/çekmece contası kirli, aşınmış, çatlamış veya uyumsuz.</li> <li>• İçerideki bir şey kapının/çekmecenin düzgün kapanmasını engelliyor.</li> </ul>	<ul style="list-style-type: none"> <li>• Ürünleri her zaman iyi paketleyin.</li> <li>• Kapıyı/çekmeceyi kapatın.</li> <li>• Kapıyı/çekmeceyi çok sık açmayın.</li> <li>• Kapı/çekmece contasını temizleyin veya yenileriyle değiştirin.</li> <li>• Kapının/çekmecenin kapanmasına izin vermek için rafları, kapı raflarını veya dahili kapları yeniden konumlandırın.</li> </ul>
Kabinin kenarları ve kapı şeridi ısınıyor.		<ul style="list-style-type: none"> <li>• Bu normaldir.</li> </ul>
Cihaz anormal sesler çıkarıyor.	<ul style="list-style-type: none"> <li>• Cihaz düz bir zemine yerleştirilmemiştir.</li> <li>• Cihaz etrafındaki bir nesneye dokunuyor.</li> </ul>	<ul style="list-style-type: none"> <li>• Cihazı düzleştirmek için ayakları ayarlayın.</li> <li>• Cihazın etrafındaki nesnelere kaldırın.</li> </ul>
Akan suya benzer hafif bir ses duyulacaktır.		<ul style="list-style-type: none"> <li>• Bu normaldir.</li> </ul>
Bir alarm bip sesi duyacaksınız.	<ul style="list-style-type: none"> <li>• Buzdolabı saklama bölümü kapısı açık.</li> </ul>	<ul style="list-style-type: none"> <li>• Kapıyı kapatın.</li> </ul>
Hafif bir uğultu duyacaksınız.	<ul style="list-style-type: none"> <li>• Yoğuşma önleyici sistem çalışıyor.</li> </ul>	<ul style="list-style-type: none"> <li>• Bu, yoğuşmayı önler ve normaldir.</li> </ul>
İç aydınlatma veya soğutma sistemi çalışmıyor.	<ul style="list-style-type: none"> <li>• Elektrik fişi prize takılı değil.</li> <li>• Güç kaynağı sağlam değil.</li> <li>• LED lamba arızalı.</li> </ul>	<ul style="list-style-type: none"> <li>• Elektrik fişini bağlayın.</li> <li>• Odanın elektrik beslemesini kontrol edin. Yerel elektrik şirketini arayın!</li> <li>• Lütfen lamba değişimi için servisi arayın.</li> </ul>

Teknik yardıma başvurmak için web sitemizi ziyaret edin: <https://corporate.haier-europe.com/en/>

"Web sitesi" bölümünün altında, ürününüzün markasını ve ülkenizi seçin. Teknik yardıma başvurmak için telefon numarasını ve formu bulabileceğiniz belirli bir web sitesine yönlendirileceksiniz.

## Güç kesintisi

Elektrik kesintisi durumunda, yiyecekler yaklaşık 5 saat boyunca güvenli bir şekilde soğuk kalmalıdır. Özellikle yaz aylarında, uzun süreli elektrik kesintisi sırasında şu ipuçlarını izleyin:

- ▶ Kapıyı/çekmeceyi olabildiğince az açın.
- ▶ Elektrik kesintisi sırasında cihaza ilave yiyecek koymayın.
- ▶ Elektrik kesintisi önceden bildirilmişse ve kesinti süresi 5 saatten uzunsa, biraz buz yapın ve buzdolabı bölmesinin üst kısmındaki bir kaba koyun.
- ▶ Kesintiden hemen sonra ürünlerin kontrol edilmesi gereklidir.
- ▶ Bir elektrik kesintisi veya başka bir arıza sırasında buzdolabındaki sıcaklık artacağından, yiyeceklerin saklama süresi ve yenilebilir kalitesi azalacaktır. Sağlık risklerini önlemek için buzu çözülen yiyecekler tüketilmeli veya kısa süre sonra pişirilip yeniden dondurulmalıdır (uygunsa).

## Güç kesintisi sırasında hafıza işlevi

Güç geri geldikten sonra cihaz, elektrik kesintisinden önce belirlenen ayarlarla devam eder.

## Ambalajın açılması



## UYARI!

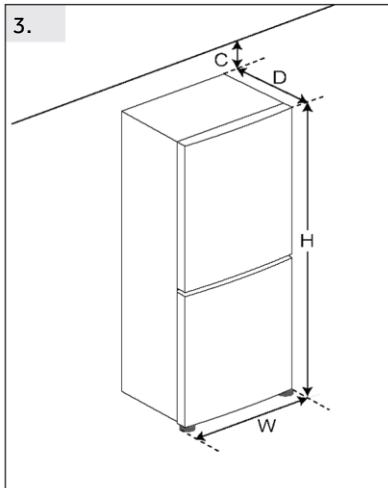
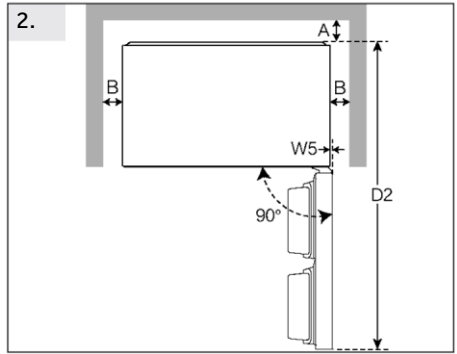
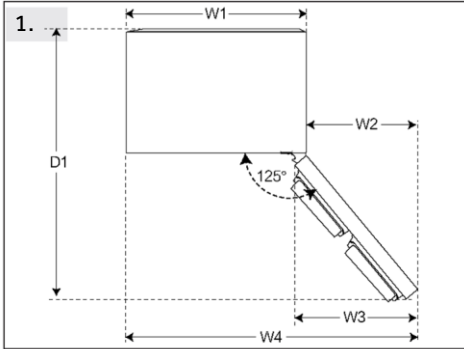
- ▶ Cihaz ağırdır. Daima en az iki kişi taşıyın.
- ▶ Tüm ambalajları çocukların erişemeyeceği bir yerde saklayın ve çevreye zarar vermeyecek şekilde atın.
- ▶ Cihazı ambalajından çıkarın.
- ▶ Tüm ambalaj malzemelerini çıkarın.

## Çevre koşulları

Cihazın içindeki sıcaklığı ve enerji tüketimini etkileyebileceğinden, oda sıcaklığı her zaman 10°C ile 43°C arasında olmalıdır. Cihazı izolasyonu olmayan diğer ısı yayan cihazların (fırınlar, buzdolapları) yanına kurmayın.

## Alan önerisi

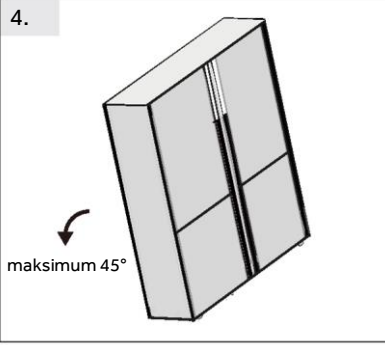
Kapı açıldığında önerilen boşluk (Şekil 1.2.)



(Birim: mm)		Model#1	Model#2
Genişlik	G1	830	
	G2	500	
	G3	529	
	G4	1330	
	G5	21	
	G	830	
Derinlik	D1	1362	
	D2	1502	
	D	725	
Arka duvara olan mesafe	A	50	
Yan duvarlara olan mesafe	B	50	
Tavana olan mesafe	C	50	
Toplam Yükseklik	H	1850	

## Havalandırma kesiti

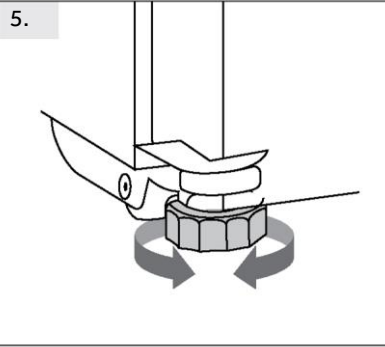
Güvenlik nedeniyle cihazın yeterli şekilde havalandırılmasını sağlamak için, gerekli havalandırma kesitlerine ilişkin bilgilere uyulmalıdır.



### Cihazın hizalanması (Şekil 4.5.6)

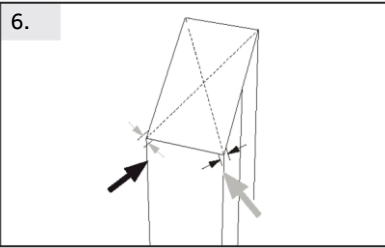
Cihaz düz ve sağlam bir yüzeye yerleştirilmelidir.

4. Buzdolabını hafifçe geriye doğru eğin.



5. Ayakları istenilen seviyeye ayarlayın.

Kapının düzgün açılabilmesi için menteşe tarafında duvara olan mesafenin en az 50 mm olduğundan emin olun.

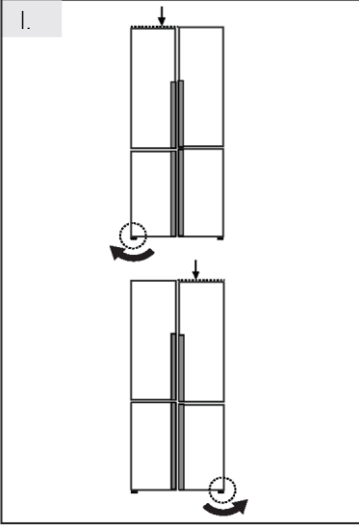


6. Stabilité, köşegenlere dönüşümlü olarak çarpılarak kontrol edilebilir. Hafif sallanma her iki yönde de aynı olmalıdır. Aksi takdirde çerçeve bükülebilir; sonuç olarak kapı contaları sızdırabilir. Arkaya doğru düşük bir eğilim, kapıların kapanmasını kolaylaştırır.



## AÇIKLAMA

Bağımsız bir cihaz için: Bu soğutma cihazı, ankastre bir cihaz olarak kullanılmak üzere tasarlanmamıştır.

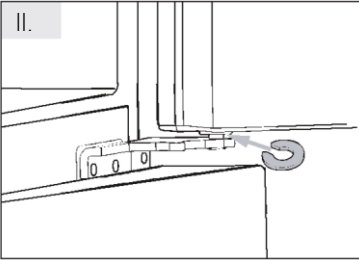


### Kapıların ince ayarı

Kapılar aynı seviyede değilse, bu uyumsuzluk şu şekilde giderilebilir:

#### I Ayarlanabilir ayak kullanma

Ayağı yukarı veya aşağı çevirmek için ayarlanabilir ayağı ok yönüne göre döndürün.



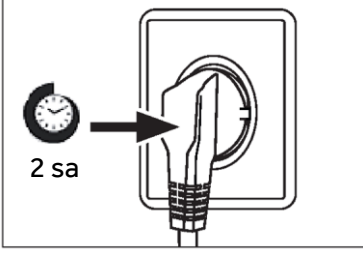
#### II Ayırıcıları kullanma

- ▶ Üst kapıyı açın ve kaldırın.
- ▶ Ayırıcıyı (aksesuar çantasında bulunur) elle veya pense gibi aletler kullanarak orta menteşenin beyaz plastik halkasına dikkatlice takın. Kapıyı çizmeyin veya ezmeyin.



## AÇIKLAMA

Buzdolabının gelecekteki kullanımında, saklanan gıdaların ağırlığında kapı eşitsizliği olabilir. O zaman lütfen yukarıdaki yöntemlere göre ayarlayın.



### Bekleme süresi

Bakım gerektirmeyen yağlama yağı, kompresörün kapsülünde bulunur. Bu yağ eğimli taşıma sırasında kapalı boru sisteminden geçebilir. Cihazı güç kaynağına bağlamadan önce, yağın tekrar kapsüle akması için en az 2 saat beklemeniz gerekir.

### Elektrik bağlantısı

Her bağlantıdan önce şunları kontrol edin:

- ▶ Güç kaynağı, priz ve sigortanın anma değeri plakasına uygun olduğunu.
- ▶ Elektrik prizinin topraklı olduğunu ve çoklu fiş veya uzatma olmadığını.
- ▶ Elektrik fişi ve prizin kesinlikle doğru olduğunu.

Fişi uygun şekilde kurulmuş bir ev prizine takın.



### UYARI!

Riskleri önlemek için hasarlı bir güç kablosu müşteri hizmetleri tarafından değiştirilmelidir (garanti kartına bakın).

AB No. 2019/2016 yönetmeliğine göre ürün fişi

Marka	Haier
Model adı / tanımlayıcı	HDR5818DNSS HDR5818DNPW HDR5818DNMB
Modelin kategorisi	Buzdolabı-dondurucu
Enerji verimliliği sınıfı	D
Yıllık enerji tüketimi (kWh/yıl)(1)	273
Toplam hacim (L)	640
Buzdolabı hacmi (L)	413
Dondurucu hacmi (L)	184
Soğutucu bölümü hacmi (L)	43
Yıldız derecelendirmesi	*/***
Diğer bölmelerin sıcaklığı > 14°C	Uygulanamaz
Buzlanmayan sistem	Evet
Dondurma kapasitesi (kg/24s)	10
İklim derecelendirmesi (2)	SN-N-ST-T
Gürültü emisyon sınıfı ve hava kaynaklı akustik gürültü emisyonları (db(A) re 1pW)	B(35)
Sıcaklık yükselme süresi (saat)	10
Cihaz tipi	Bağımsız

## Açıklamalar:

## • Evet, özellikli

- (1) 24 saatlik standart uygunluk testi sonuçlarına göre. Gerçek tüketim, cihazın kullanımına ve konumuna bağlıdır.
- (2) İklim derecelendirmesi SN: Bu cihaz, + 10°C ile +32°C arasındaki ortam sıcaklığında kullanılmak üzere tasarlanmıştır  
İklim derecelendirmesi N: Bu cihaz, + 16°C ile +32°C arasındaki ortam sıcaklığında kullanılmak üzere tasarlanmıştır  
İklim derecelendirmesi ST: Bu cihaz, + 16°C ile +38°C arasındaki ortam sıcaklığında kullanılmak üzere tasarlanmıştır  
İklim derecelendirmesi T: Bu cihaz, + 16°C ile +43°C arasındaki ortam sıcaklığında kullanılmak üzere tasarlanmıştır

## Ek teknik veriler

Gerilim / Frekans	220-240V ~/ 50Hz
Giriş akımı (A)	2
Ana sigorta (A)	8
Soğutma sıvısı	R600a
Boyutlar (mm cinsinden Y/G/D)	1850 / 830/725

Haier Müşteri Hizmetlerimizi ve orijinal yedek parça kullanımını öneriyoruz. Cihazınızla ilgili bir sorunuz varsa, lütfen önce SORUN GİDERME bölümüne bakın.

Orada bir çözüm bulamazsanız, lütfen

- ▶ yerel bayinizle veya
- ▶ Avrupa Çağrı Hizmet Merkezimizle (aşağıda listelenen telefon numaralarına bakın) ya da
- ▶ servis talebini etkinleştirebileceğiniz ve ayrıca SSS'leri bulabileceğiniz [www.haier.com](http://www.haier.com) adresindeki Servis ve Destek alanı
- ▶ ile iletişime geçin.

Hizmetimizle iletişime geçmek için aşağıdaki verilere sahip olduğunuzdan emin olun. Bilgiler, anma değeri plakasında bulunabilir.

Model \_\_\_\_\_

Seri Numarası \_\_\_\_\_

Garanti ile ilgili olarak, ürünle birlikte verilen Garanti Kartını da kontrol edin.

Avrupa Çağrı Servis Merkezi		
Ülke*	Telefon Numarası	Maliyetler
Haier Italy (IT)	199 100 912	
Haier Spain (ES)	902 509 123	
Haier Germany (DE)	0180 5 39 39 99	<ul style="list-style-type: none"><li>• 14 Ct/Dk. Sabit Hat</li><li>• maks 42 Ct/Dk. Mobil</li></ul>
Haier Austria (AT)	0820 001 205	<ul style="list-style-type: none"><li>• 14,53 Ct/Dk. Sabit Hat</li><li>• maks 20 Ct/Dk. diğerleri</li></ul>
Haier United Kingdom (UK)	0333 003 8122	
Haier France (FR)	0980 406 409	

\*Diğer ülkeler için lütfen [www.haier.com](http://www.haier.com) adresine bakın

Haier Europe Trading S.r.l

Branch UK

Westgate House, Westgate, Ealing

London, W5 1YY

\*Soğutma cihazının garanti süresi:

Asgari garanti: AB Ülkeleri için 2 yıl, Türkiye için 3 yıl, İngiltere için 1 yıl, Rusya için 1 yıl, İsveç için 3 yıl, Sırbistan için 2 yıl, Norveç için 5 yıl, Fas için 1 yıl, Cezayir için 6 ay, Tunus yasal garanti gerekli değildir.

\*Cihazın tamiri için yedek parça süresi:

Termostatlar, sıcaklık sensörleri, baskılı devre kartları ve ışık kaynakları, modelin son ünitesinin piyasaya sürülmesinden sonra en az yedi yıl süreyle mevcuttur.

Modelin son ünitesinin piyasaya sürülmesinden sonra en az yedi yıl kapı kolları, kapı menteşeleri, tepsi ve sepetler ve en az 10 yıl kapı contaları.

\*Ürün hakkında daha fazla bilgi için lütfen <https://eprel.ec.europe.eu/> adresini ziyaret edin veya cihazla birlikte verilen enerji etiketindeki QR kodunu tarayın.

## KALİTE SERTİFİKASI

AD: BUZDOLABI

Q.C.PASSED

KONTROL No.

QC01

# Haier



0060543301  
2025 Versiyon A

# Haier

كتيب المستخدم

ثلاجة - مجمد

HDR5818DNSS  
HDR5818DNPW  
HDR5818DNMB



<u>5</u>	<u>قبل الاستخدام الأول</u>	<u>4</u>	<u>معلومات السلامة</u>
<u>5</u>	<u>التركيب</u>		
<u>6</u>	<u>الاستخدام اليومي</u>	<u>8</u>	<u>الاستخدام المقصود</u>
		<u>9</u>	<u>وصف المنتج</u>
		<u>10</u>	<u>لوحة التحكم</u>
<u>12</u>	<u>تعديل درجة الحرارة</u>	<u>11</u>	<u>الاستخدام</u>
<u>12</u>	<u>ضبط درجة حرارة المجمد</u>		
<u>13</u>	<u>وظيفة Super-Cool</u>	<u>17</u>	<u>المعدات</u>
<u>13</u>	<u>وظيفة Super-Frz</u>	<u>19</u>	<u>نصائح لتوفير الطاقة</u>
<u>14</u>	<u>وظيفة AI Cooling</u>	<u>20</u>	<u>العناية والتنظيف</u>
		<u>22</u>	<u>استكشاف الأعطال وإصلاحها</u>
		<u>26</u>	<u>التركيب</u>
		<u>30</u>	<u>البيانات الفنية</u>
		<u>32</u>	<u>خدمة العملاء</u>

## شكرًا لك على شراء منتج Haier.

اقرأ هذه التعليمات بعناية قبل استخدام هذا الجهاز. تحتوي التعليمات على معلومات مهمة ستساعدك على الحصول على أفضل النتائج من الجهاز وضمان التركيب والاستخدام والصيانة الآمنة والسليمة. احتفظ بهذا الدليل في مكان مناسب حتى تتمكن دائمًا من الرجوع إليه من أجل الاستخدام الآمن والسليم للجهاز. إذا كنت تبيع الجهاز، أو تتخلى عنه، أو تتركه خلفك عندما تنتقل إلى منزل جديد، فتأكد أيضًا من تمرير هذا الكتيب إلى المالك الجديد حتى يتمكن من التعرف على الجهاز وتحذيرات السلامة.

## الملحقات

تحقق من الملحقات والوثائق باستخدام هذه القائمة:



كتيب المستخدم



بطاقة الضمان



ملصق الطاقة



صينية البيض 2 x



صينية مكعبات الثلج



مفصلة سفلية



خطاف مفصلي علوي  
منحني



المفصلة العلوية



المفصلة الوسطى



مانع الانسداد 2 x



أداة تركيب



غطاء برغي العارضة الأمامية  
الوسطى



غطاء التشطيب العلوي

**تحذير - معلومات السلامة المهمة****ملاحظة - معلومات ونصائح عامة****المعلومات البيئية****التخلص من المنتج**

ساعد في حماية البيئة وصحة الإنسان. ضع العبوة في حاويات مناسبة لإعادة تدويرها. ساعد على إعادة تدوير مخلفات الأجهزة الكهربائية والإلكترونية. لا تتخلص من الأجهزة التي تحمل هذا الرمز مع النفايات المنزلية. أعد المنتج إلى مرفق إعادة التدوير المحلي أو اتصل بمكتب البلدية.

**تحذير: خطر اندلاع حريق / مادة قابلة للاشتعال**

يشير الرمز إلى وجود خطر نشوب حريق حيث يتم استخدام المواد القابلة للاشتعال. توخَّ الحذر لتجنب التسبب في نشوب حريق عن طريق إشعال مادة قابلة للاشتعال.

**تحذير!**

خطر الإصابة أو الاختناق!

يجب التخلص من المبردات والغازات بطريقة احترافية. تأكد من عدم تلف أنابيب دائرة التبريد قبل التخلص منها بشكل صحيح. افصل الجهاز عن مصدر التيار الكهربائي. أقطع كابل التيار الكهربائي وتخلص منه. أزل الصواني والأدراج بالإضافة إلى ماسك الباب وموانع التسرب لمنع الأطفال والحيوانات الأليفة من الانحباس داخل الجهاز.

## قبل تشغيل الجهاز للمرة الأولى، اقرأ إرشادات الأمان التالية!



**تحذير!**

### قبل الاستخدام الأول

- ▶ تأكد من عدم تعرضه للتلف أثناء النقل.
- ▶ قم بإزالة جميع العبوات واحفظها بعيداً عن متناول الأطفال.
- ▶ انتظر ساعتين على الأقل قبل تركيب الجهاز للتأكد من أن دائرة التبريد فعالة تماماً.
- ▶ احمل الجهاز دائماً بالاستعانة بشخصين على الأقل لأنه ثقيل.

### التركيب

- ▶ يجب وضع الجهاز في مكان جيد التهوية. تأكد من وجود مساحة لا تقل عن 10 سم فوق الجهاز وحوله.
- ▶ لا تضع الجهاز أبداً في منطقة رطبة أو مكان قد يتناثر فيه الماء. نظف رذاذ وبقع المياه وجففها بقطعة قماش ناعمة ونظيفة.
- ▶ تجنب تركيب الجهاز في ضوء الشمس المباشر أو بالقرب من مصادر الحرارة (مثل المواقد والسخانات).
- ▶ ركب الجهاز وسابوهِ في منطقة مناسبة لحجمه واستخدامه.
- ▶ احرص على عدم انسداد فتحات التهوية في الجهاز أو البنية المضمنة.
- ▶ تحقق من توافق البيانات الكهربائية الموجودة على لوحة القياس مع مصدر الطاقة. إذا لم يحدث ذلك، فاتصل بفني كهربائي.
- ▶ يشغّل الجهاز بواسطة مصدر طاقة 220-240 فولت تيار متردد/50 هرتز. قد يؤدي التقلب غير الطبيعي في الجهد إلى فشل تشغيل الجهاز، أو تلف التحكم في درجة الحرارة أو الضاغط، أو قد تكون هناك ضوضاء غير طبيعية عند التشغيل. في هذه الحالات، يجب تركيب منظم أوتوماتيكي.
- ▶ تجنب استخدام المحولات وكابلات التمديد متعددة القوابس.
- ▶ تجنب وضع مقابس محمولة أو مصادر طاقة محمولة متعددة للتيار خلف الجهاز.
- ▶ تأكد من أن كابل الطاقة غير عالق بالثلاجة. لا تخطو على كابل الطاقة.
- ▶ استخدم مقبساً أرضياً منفصلاً لمصدر الطاقة يسهل الوصول إليه. يجب تأريض الجهاز.
- ▶ فقط للمملكة المتحدة: كابل الطاقة الخاص بالجهاز مزود بقابس مكون من 3 أسلاك (تأريض) يناسب مقبساً قياسياً مكوناً من 3 أسلاك (مؤرض). لا تقم أبداً بقطع الدبوس الثالث (التأريض) أو فكه. بعد تركيب الجهاز، يجب أن يسهل الوصول إلى القابس.
- ▶ تجنب إتلاف دائرة التبريد الكهربائية.



## الاستخدام اليومي

- ◀ يُمكن أن يستخدم هذا الجهاز الأطفال البالغ أعمارهم 8 سنوات أو أكثر والأشخاص الذين يعانون نقصًا في القدرات البدنية، أو الحسية، أو العقلية، أو الأشخاص الذين لديهم نقص في الخبرة أو المعرفة إذا خضعوا للإشراف أو قُدمت لهم تعليمات بشأن استخدام الجهاز بطريقة آمنة وكان لديهم فهم للمخاطر التي ينطوي عليها.
- ◀ يُسمح للأطفال الذين تتراوح أعمارهم من 3 إلى 8 سنوات بالتحميل والتفريغ، لكن لا يُسمح لهم بتنظيف أجهزة التبريد أو تركيبها.
- ◀ أبقِ الأطفال دون سن 3 سنوات بعيدًا عن الجهاز ما لم يتم الإشراف عليهم باستمرار.
- ◀ يجب ألا يعبث الأطفال بالجهاز.
- ◀ إذا تسرب غاز بارد أو غاز آخر قابل للاشتعال بالقرب من الجهاز، فاغلق صمام الغاز المتسرب، وافتح الأبواب والنوافذ، وتجنب فصل قابس كابل الطاقة بالثلاجة أو أي جهاز آخر.
- ◀ لاحظ أنه تم ضبط الجهاز للتشغيل في نطاق محيط معين بين 10 و43 درجة مئوية. قد لا يعمل الجهاز بشكل صحيح إذا تُرك لفترة طويلة عند درجة حرارة أعلى من النطاق المحدد أو أقل منه.
- ◀ تجنب وضع أشياء غير مستقرة (أشياء ثقيلة، أو عية مملوءة بالماء) على الجزء العلوي من الثلاجة، لتجنب إصابة الأشخاص الناجمة عن السقوط أو الصدمة الكهربائية الناتجة عن ملامسة الماء.
- ◀ تجنب سحب أرفف الباب للخارج. قد يُسحب الباب بشكل مائل، أو قد يخرج رف الزجاجات من مكانه، أو قد يسقط الجهاز.
- ◀ افتح الأبواب وأغلقها بالمقابض فقط. الفجوة بين الأبواب والخزانة ضيقة للغاية. تجنب مد يديك في هذه المناطق لتجنب القرص على أصابعك. افتح أبواب الثلاجة أو أغلقها عندما لا يكون هناك أطفال واقفين ضمن نطاق حركة الباب فقط.
- ◀ لا تقم بتخزين أو استخدام مواد قابلة للاشتعال أو متفجرة أو مسببة للتآكل في الجهاز أو في المنطقة المجاورة.
- ◀ تجنب تخزين الأدوية أو البكتيريا أو العوامل الكيميائية في الجهاز. هذا الجهاز مخصص للاستخدام المنزلي فقط. لا يوصى بتخزين المواد التي تتطلب درجات حرارة دقيقة.
- ◀ لا تقم أبدًا بتخزين السوائل في الزجاجات أو العلب (بالإضافة إلى المشروبات الروحية عالية التركيز) خاصة المشروبات الغازية في المجمد، حيث أنها ستنفجر أثناء التجميد.
- ◀ تحقق من حالة الطعام في حالة حدوث تدفئة في المجمد.
- ◀ تجنب تعيين درجة حرارة منخفضة بلا ضرورة في حجيرة الثلاجة. قد تحدث درجات حرارة دون الصفر في الإعدادات العالية. تنبيه: يمكن أن تنفجر الزجاجات
- ◀ تجنب لمس السلع المجمدة إذا كانت يداك مبتلتين (قم بارتداء القفازات). لا تأكل المصاصات الثلجة فورًا بعد إزالتها من حجيرة المجمد. هناك خطر حدوث تجمد أو تكون بثور بسبب الثلج. الإسعافات الأولية: اترك مكان التعرض مباشرة تحت الماء البارد الجاري. لا تسحبه!
- ◀ تجنب لمس السطح الداخلي لحجيرة تخزين المجمد أثناء التشغيل، خاصةً باستخدام اليدين المبللتين، حيث قد تتجمد يديك، وتلتصق بالسطح.



**تحذير!**

### الاستخدام اليومي

- ◀ افصل الجهاز في حالة انقطاع التيار الكهربائي أو قبل التنظيف. انتظر 7 دقائق على الأقل قبل إعادة تشغيل الجهاز، حيث أن التشغيل المتكرر قد يؤدي إلى تلف الضاغط.
- ◀ تجنب استخدام أجهزة كهربائية داخل حجرات تخزين الطعام بالجهاز، إلا إذا كانت من النوع الذي أوصت به جهة التصنيع. الصيانة / التنظيف
- ◀ تأكد من أن الأطفال يخضعون للإشراف إذا قاموا بالتنظيف والصيانة.
- ◀ افصل الجهاز عن التيار الكهربائي قبل إجراء أي صيانة روتينية. انتظر 5 دقائق على الأقل قبل إعادة تشغيل الجهاز حيث أن التشغيل المتكرر قد يؤدي إلى تلف الضاغط.
- ◀ امسك القابس، وليس الكابل، عند فصل الجهاز.
- ◀ تجنب تنظيف الجهاز باستخدام الفرش الصلبة، والفرش السلكية، ومسحوق التنظيف، والبنزين، وأمبيلات الأسياتات، والأستيون والمحاليل العضوية المائلة، أو المحاليل الحمضية أو القلوية. يرجى التنظيف باستخدام منظف التلاجة الخاص لتجنب حدوث ضرر.
- ◀ تجنب كشط الجليد والثلج بأشياء حادة. تجنب استخدام البخاخات أو أجهزة التسخين الكهربائية مثل السخان أو مجفف الشعر أو أجهزة التنظيف بالبخار أو مصادر الحرارة الأخرى لتجنب تلف الأجزاء البلاستيكية.
- ◀ تجنب استخدام أجهزة ميكانيكية أو وسائل أخرى لتسريع عملية إذابة الثلج بخلاف تلك الموصى بها من جانب الشركة المصنعة.
- ◀ في حال تلف كابل التغذية، يجب استبداله بواسطة الشركة المصنعة، أو وكيل الخدمة الخاص بها أو الأشخاص المؤهلين بالدرجة نفسها لتفادي التعرض للخطر.
- ◀ تجنب محاولة إصلاح الجهاز أو فكه أو تعديله بنفسك. في حالة الحاجة للإصلاح، يرجى الاتصال بالدعم الخاص بنا مباشرةً.
- ◀ تخلص من الغبار الموجود بالجزء الخلفي من الوحدة مرة واحدة على الأقل في السنة لتجنب خطر نشوب الحريق وزيادة استهلاك الطاقة أيضًا.
- ◀ تجنب رش الجهاز أو غسله أثناء التنظيف.
- ◀ تجنب استخدام رشاش الماء أو البخار لتنظيف الجهاز.
- ◀ تجنب تنظيف الأرفف الزجاجية الباردة بالماء الساخن. قد يؤدي تغير درجة الحرارة المفاجئ إلى انكسار الزجاج.

### معلومات حول غاز التبريد

- ◀ يحتوي الجهاز على غاز التبريد أيزوبيوتان (R600a) القابل للاشتعال. تأكد من عدم تلف دائرة التبريد أثناء النقل أو التركيب. قد يتسبب تسرب سائل التبريد في حدوث إصابات بالعينين أو تهيجهما. في حالة حدوث ضرر، ابق بعيدًا عن مصادر النار المفتوحة، وقم بتهوية الغرفة جيدًا، وتجنب توصيل أو فصل أسلاك الطاقة الخاصة بالجهاز أو أي جهاز آخر. ابلغ خدمة العملاء.
- ◀ في حالة ملامسة سائل التبريد للعينين، اشطفهما على الفور تحت المياه الجارية واتصل بأخصائي العيون على الفور.

## الاستخدام المقصود

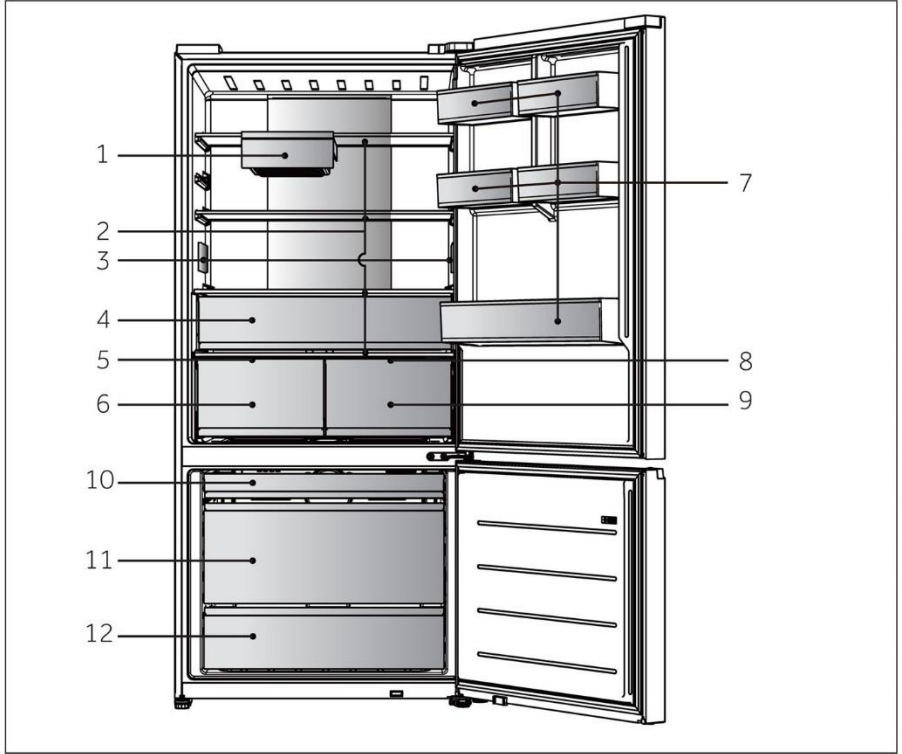
هذا الجهاز مخصص لتبريد الطعام وتجميده. تم تصميمه حصريًا للاستخدام في المنزل والتطبيقات المماثلة مثل مناطق مطبخ الموظفين في المتاجر والمكاتب وبيئات العمل الأخرى؛ منازل المزرعة والعملاء في الفنادق والموتيلات وغيرها من البيئات السكنية وكذلك في أماكن البيت والإفطار والأعمال التجارية. غير مخصص للاستخدام التجاري أو الصناعي. التغييرات أو التعديلات على الجهاز غير مسموح بها. قد يتسبب الاستخدام غير المقصود في وقوع مخاطر وفقدان مطالبات الضمان.

## CE المعايير والتوجيهات

يلبي هذا المنتج متطلبات جميع توجيهات المفوضية الأوروبية المعمول بها مع المعايير المنسقة المقابلة، التي تنص على علامة CE.

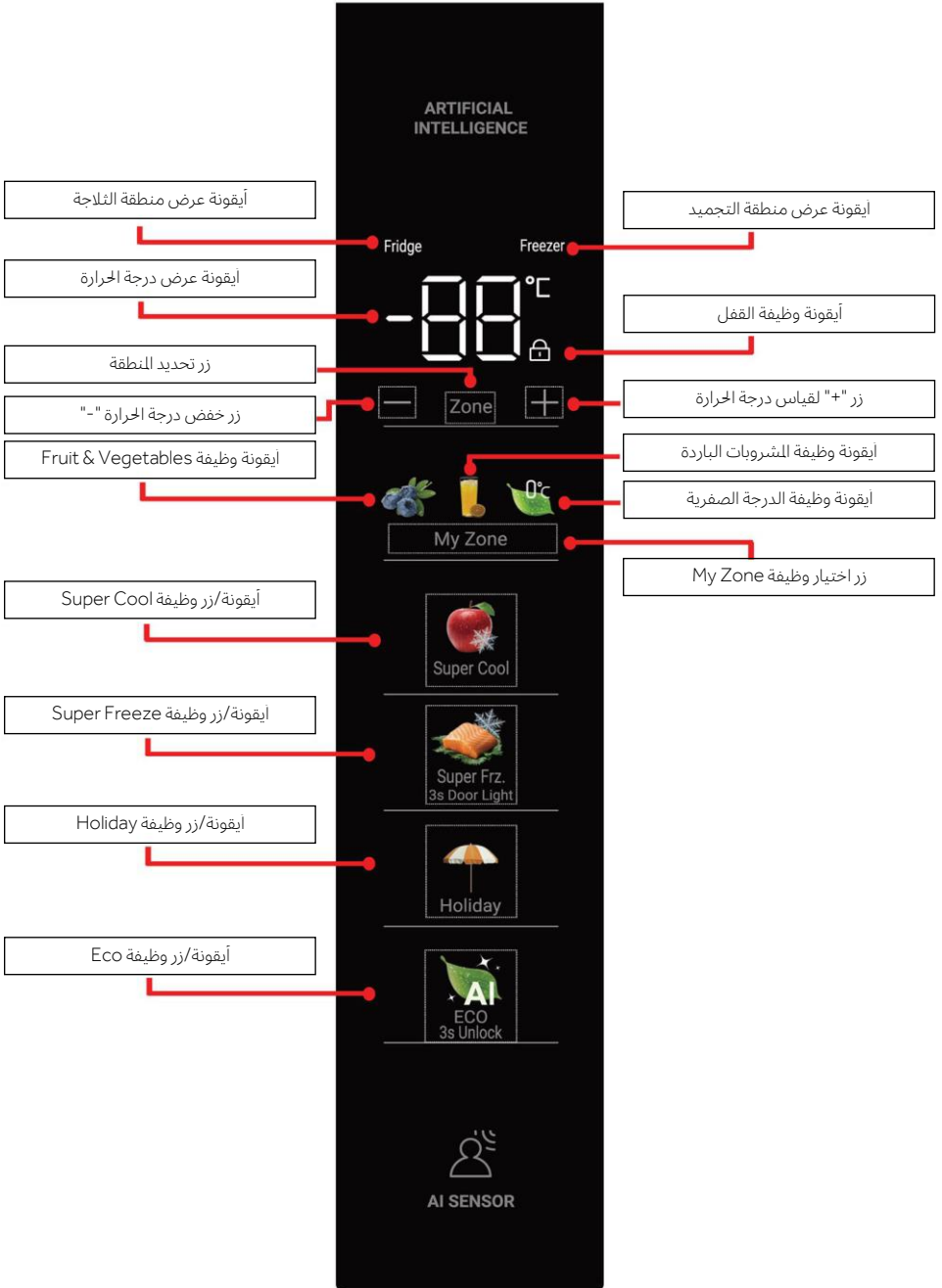
إخطار 

بسبب التغييرات الفنية والطرز المختلفة، قد تختلف بعض الرسوم التوضيحية في هذا الكتيب عن الطراز الخاص بك.



B: حجرة الفريزر  
 10. رف منزلق  
 11. منطقة التجميد  
 12. منطقة التجميد

A: حجرة التلاجة  
 1. صندوق الغذاء  
 2. أرفف زجاجية  
 3. AI Cooling  
 4. قسم المنتجات الطازجة  
 5. غطاء Humidity Zone  
 6. Humidity zone  
 7. حامل الزجاجات  
 8. غطاء My zone  
 9. My zone



## قبل الاستخدام الأول

- ◀ أزل جميع مواد التغليف، واحتفظ بها بعيدًا عن متناول الأطفال وتخلص منها بطريقة صديقة للبيئة.
- ◀ نظّف الجهاز من الداخل والخارج بالماء وبمنظف معتدل قبل وضع أي طعام فيه.
- ◀ بعد ضبط مستوى الجهاز مع الأرضية وتنظيفه، انتظر لمدة 2-5 ساعات على الأقل قبل توصيله بمصدر الطاقة. انظر قسم "التركيب".
- ◀ قم بتبريد الأجزاء بشكل مسبق وإعدادات عالية قبل تحميل الطعام. تساعد وظيفة Power-Freeze على تبريد الحجرات بسرعة.
- ◀ يتم تعيين درجة حرارة التلاجة ودرجة حرارة الفريزر تلقائيًا على 5 درجات مئوية و-18 درجة مئوية على التوالي. يرد فيما يلي الإعدادات الموصى بها. يمكنك تغيير درجات الحرارة هذه يدويًا إذا رغبت في ذلك. يرجى الاطلاع على "تعديل درجة الحرارة".

## مفاتيح المستشعر

الأزرار الموجودة على لوحة التحكم هي مفاتيح المستشعر، التي تستجيب بالفعل عند لمسها بالإصبع بخفة.

## تشغيل/إيقاف تشغيل الجهاز

يعمل الجهاز بمجرد توصيله بمصدر الطاقة.

عند تشغيل التلاجة لأول مرة، يضيء مؤشر عرض درجة الحرارة. يتم تعيين درجة حرارة التلاجة ودرجة حرارة الفريزر تلقائيًا على 5 درجات مئوية و-18 درجة مئوية على التوالي.

ربما يكون قفل اللوحة نشطًا.

## إخطار

عند تشغيل الجهاز بعد انقطاع مصدر الطاقة الرئيسي، قد يستغرق الوصول إلى درجات الحرارة الصحيحة ما يصل إلى 12 ساعة.

فرّع الجهاز قبل إيقاف التشغيل. لإيقاف تشغيل الجهاز، اسحب كابل الطاقة خارج مقبس الطاقة.

## قفّل/إلغاء قفل اللوحة

القفّل التلقائي: عندما يتم إغلاق باب التلاجة وباب المجمد، ولا توجد عملية تشغيل مفتاح في غضون 30 ثانية، سيتم إطفاء شاشة العرض وإغلاقها تلقائيًا.

قفّل يدوي: عندما يتم فتح شاشة العرض، اضغط على زر وظيفة ECO واسمّر بالضغط لمدة 3 ثوانٍ، سيصدر صوت تنبيه مرة واحدة، وستضيء أيقونة وظيفة القفل، وسيتم قفل الشاشة.

## تعديل درجة الحرارة

تتأثر درجات الحرارة الداخلية بالعوامل التالية:

درجة الحرارة المحيطة

تردد فتح الباب

كمية الأطعمة المخزنة

تركيب الجهاز

## تعديل درجة حرارة الثلجة

عند فتح القفل، اضغط على زر تحديد المنطقة لاختيار منطقة الثلجة (بضيء رمز الثلجة). كل ضغطة على زر "+" تقوم بتعديل درجة الحرارة بمقدار درجة مئوية واحدة. يتم تأكيد الإعدادات بعد 5 ثوانٍ من عدم النشاط (يتم إيقاف تشغيل الشاشة)، أو على الفور إذا تم الضغط على أزرار أخرى. تسلسل التعديل:

"+": 1 درجة مئوية ◀ 2 درجة مئوية ◀ 3 درجات مئوية ◀ 4 درجات مئوية ◀ 5 درجات مئوية ◀ 6 درجات

مئوية ◀ 7 درجات مئوية ◀ 8 درجات مئوية ◀ 9 درجات مئوية

"-": 9 درجات مئوية ◀ 8 درجات مئوية ◀ 7 درجات مئوية ◀ 6 درجات مئوية ◀ 5 درجات مئوية ◀ 4 درجات

مئوية ◀ 3 درجات مئوية ◀ 2 درجة مئوية ◀ 1 درجة مئوية

## إخطار

لا يمكن تعديل درجة حرارة التبريد في وضع Super Cool أو القفل.

## ضبط درجة حرارة المجمد

عند فتح قفل الشاشة في أثناء التشغيل، اضغط على زر تحديد المنطقة لاختيار منطقة التجميد (بضيء رمز المجمد). كل ضغطة على زر "+" تقوم بتعديل درجة الحرارة بمقدار درجة مئوية واحدة (تومض بمعدل 1 هرتز). يتم حفظ الإعدادات تلقائياً بعد 5 ثوانٍ من عدم النشاط. يؤدي الضغط على الأزرار الأخرى إلى تأكيد الإعداد وتبديل الوظائف على الفور.

تسلسل التعديل:

"+": 24 درجة مئوية ◀ 23 درجة مئوية ◀ 22 درجة مئوية ◀ 21 درجة مئوية ◀ 20 درجة مئوية ◀

19- درجة مئوية ◀ 18 درجة مئوية ◀ 17 درجة مئوية ◀ 16 درجة مئوية

"-": 16- درجة مئوية ◀ 17 درجة مئوية ◀ 18 درجة مئوية ◀ 19 درجة مئوية ◀ 20 درجة مئوية ◀

21- درجة مئوية ◀ 22 درجة مئوية ◀ 23 درجة مئوية ◀ 24 درجة مئوية

## إخطار

لا يمكن تعديل درجة حرارة التجميد في وضع Super Freeze أو وضع القفل.

## إخطار

بعد ضبط درجة الحرارة، إذا لم يكن هناك تشغيل في غضون 5 ثوان، فسيتم اختبار النظام تلقائيًا وحفظ درجة الحرارة المحددة.

### وظيفة Super-Cool

الدخول في حالة Super Cool:

في الحالة غير المقفلة، اضغط على الزر [SuperCool]، ستضيء أيقونة [Super Cool] وتنتقل الثلاجة إلى حالة Super Cool.

الخروج من حالة Super Cool:

1. في الحال غير المقفلة و SuperCool، انقر على الزر [SuperCool]، وسيتم إيقاف تشغيل أيقونة [SuperCool]، وسيتم الخروج يدويًا من حالة Super Cool.
2. عندما تصل الثلاجة إلى الوقت المحدد، ستتوقف تلقائيًا عن وظيفة Super Cool. بعد مرور 4 ساعات على الدخول في وضع Super Cool، ستخرج تلقائيًا.

### وظيفة Super-Frz

الدخول في حالة Super Freeze:

في الحالة غير المقفلة، اضغط على زر [Super-Frz]، ثم ستضيء الأيقونة [Super-Frz]، وتدخل الثلاجة في حالة Super Freeze.

الخروج من حالة Super Freeze:

1. في الحالة غير المقفلة وفي حالة Super Freeze، انقر على زر [Super-Frz]، وستتوقف أيقونة [Super-Frz] عن التشغيل ويخرج الجهاز يدويًا من حالة Super Freeze.
2. عندما تصل الثلاجة إلى الوقت المحدد، فإنها تخرج تلقائيًا من وضع Super Freeze. بعد 50 ساعة من الدخول إلى وضع Super Freeze، ستخرج تلقائيًا.

تم تصميم وظيفة Super-Freeze للحفاظ على القيمة الغذائية للأطعمة المجمدة، وسوف يتم تجميد الطعام في أقصر وقت. إذا كان سيتم تجميد كميات كبيرة من الطعام المجمد في وقت واحد، فمن المستحسن ضبط وظيفة Super Freeze. في الوقت نفسه، يجب ضبط وظيفة Super Freeze قبل 24 ساعة، لجعل درجة حرارة المجمد منخفضة نسبيًا ووضع الطعام فيه. في هذا الوقت، يتم تحسين سرعة تجميد المجمد، ويمكن تجميد الطعام بسرعة، ويتم الحفاظ على القيمة الغذائية للطعام بشكل فعال، ويصبح التخزين مريحًا للغاية.

## وظيفة AI Cooling

عندما تحتاج إلى تبريد الطعام المطهوع أو المطبوخ، يمكنك وضع الطعام على الرف الزجاجي المخصص لهذه الوظيفة للتبريد السريع.

عندما تستشعر التلابة وجود مصدر حرارة في مساحة الرف الزجاجي المقابلة لهذه الوظيفة، تبدأ الأضواء الزرقاء على كلا الجانبين بالوميض. إذا استمر اكتشاف مصدر حرارة لأكثر من 5 ثوانٍ، تدخل في وضع هذه الوظيفة وتضيء الأضواء الزرقاء على كلا الجانبين. إذا استمر مصدر الحرارة المستشعر لأقل من 5 ثوانٍ، فلن تبدأ هذه الوظيفة، وستومض الأضواء الزرقاء لمدة 5 ثوانٍ تقريباً ثم تنطفئ.

بعد بدء هذه الوظيفة، تضيء الأضواء الزرقاء على كلا الجانبين وتبدأ المراوح بالعمل (عندما يكون الباب مفتوحاً). بعد إغلاق الباب، تنطفئ الأضواء الزرقاء على كلا الجانبين، وتستمر المراوح على كلا الجانبين في العمل. بعد أن يبرد مصدر الحرارة، تنهي هذه الوظيفة عملها، وتنطفئ الأضواء الزرقاء وتتوقف المراوح على الجانبين.

## إخطار

1. عند وضع قدر الحساء أو الأطعمة الأخرى التي تطلق البخار، يُرجى استخدام وعاء محكم الإغلاق بغطاء، أو تغليف القدر أو الأطعمة بغلاف بلاستيكي قبل وضعهما بداخله.
2. يُنصح بوضع البطيخ والفواكه والخضراوات في درج الفواكه والخضراوات للحصول على نضارة أفضل وتأثيرات ترطيب أكثر. عند وضع الطعام في هذه المنطقة الوظيفية، يُرجى عدم سد فتحات التهوية الدائرية على كلا الجانبين أو فتحة التهوية الطويلة.
3. تم إجراء اختبار بدء التشغيل لهذه الوظيفة باستخدام قدر حساء من الفولاذ المقاوم للصدأ (قدر حساء تربي محلي شائع من الفولاذ المقاوم للصدأ بقطر جسم يبلغ 275 ملم، وارتفاع جسم القدر 150 ملم، وارتفاع إجمالي مع الغطاء 200 ملم) موضوع على الرف في الموضع الموضح. كان مستوى السائل داخل الإناء 3/2، وكانت درجة حرارة الجدار الخارجي للإناء 35 درجة مئوية، وكانت درجة الحرارة المحيطة أثناء الاختبار 25 درجة مئوية، وكانت التلابة تعمل بنبات على إعدادات المصنع الافتراضية.
4. عندما يكون مصدر الحرارة صغيراً جداً أو تكون درجة الحرارة منخفضة جداً، قد لا تبدأ هذه الوظيفة تلقائياً.
5. عندما تستغرق إجراءات وصول المستخدم في هذه المساحة الوظيفية وقتاً طويلاً جداً أو عندما يكون الباب مفتوحاً لفترة طويلة جداً، فقد يؤدي ذلك أيضاً إلى تشغيل هذه الوظيفة.
6. إذا قمت بتنشيط Holiday Mode في أثناء تشغيل وظيفة AI Cooling، فسيتم إيقاف تشغيل وظيفة AI Cooling.

## وظيفة My Zone

يتم ضبط My Zone وتعيينها وفق لإعدادات الوظيفة. يتم تمثيلهم بشكل متتالي بواسطة ثلاثة أيقونات وظيفية: "Fruit & Vegetables (5 درجات مئوية)، Cool Drink (2 درجة مئوية)، C Fresh°0 (0 درجة مئوية)". عند التشغيل الأولي، تكون الحالة الافتراضية هي إعداد "Fruit & Vegetables (5 درجات مئوية)". عند فتح القفل، اضغط على مفتاح My Zone في الصفحة الرئيسية للدخول إلى صفحة ضبط إعدادات My Zone. انقر على زر إعداد My Zone لتغيير My Zone إلى الإعداد المناسب. يتم الاحتفاظ بحالة إعداد My Zone بعد انقطاع التيار الكهربائي.

## إخطار

في Holiday Mode، يتم التحكم في حجرة التبريد ذات درجة الحرارة المتغيرة عند 17 درجة مئوية، وتعمل وفقًا لنقاط التشغيل/الإيقاف المحددة للتشغيل عند 20 درجة مئوية / الإيقاف عند 16 درجة مئوية.

## وظيفة الكشف عن البشر

خاصية الكشف عن البشر مفعلة افتراضيًا. اضغط مع الاستمرار على زر "Super-Frz" لمدة 3 ثوانٍ لإيقاف تشغيل وظيفة اكتشاف الإنسان أو تشغيلها. بعد الدخول إلى هذه الوظيفة، عندما تقترب من الثلاجة، تضيء شاشة العرض الخاصة بها، ويدخل ضوء الباب الأزرق في الوضع الخاص بالتنفس بين السطوع والتعتيم.

## وظيفة Holiday

اضغط على زر Holiday في وضع الفتح:  
الضغط الأولى: يتم تنشيط وظيفة Holiday (أصوات الأيقونات، أصوات التنبيه)  
الضغط الثانية: يتم إلغاء تنشيط وظيفة Holiday (يتم إيقاف تشغيل الأيقونة، ويصدر صوت تنبيه)

## وظيفة Eco

بعد إضاءة لوحة العرض، إذا لم تدخل الثلاجة في وظيفة Eco وكانت لوحة العرض غير مقفلة، اضغط على زر "Eco" مرة واحدة، وستظهر أيقونة الوظيفة الذكية، وسيصدر صوت تنبيه مرة واحدة، وسيتم تنشيط وظيفة Eco. بعد إضاءة لوحة العرض، إذا دخلت الثلاجة في وضع Eco وكانت لوحة العرض غير مقفلة، فاضغط على زر "Eco" مرة واحدة، وسيتم إيقاف تشغيل أيقونة الوظيفة الذكية، وسيصدر صوت تنبيه مرة واحدة، وسيتم إلغاء تنشيط وظيفة Eco.

**إخطار** 

في وضع Eco، ستقوم الثلاجة تلقائيًا بتعيين وعرض درجة حرارة حجرة الطعام الطازج عند 5 درجات مئوية وحجرة التجميد عند -18 درجة مئوية.

في هذا الوضع، لا يمكن ضبط درجات حرارة حجرات الثلاجة والمجمد يدويًا.

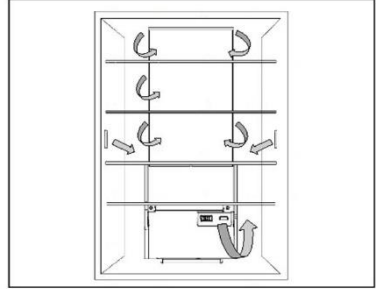
يمكن ضبط درجة حرارة حجرة My Zone بشكل فردي وستعمل وفقًا لإعدادات المستخدم.

بعد الخروج من وضع Eco ستعود حجرات الثلاجة والفريزر إلى إعدادات درجة الحرارة التي اخترتها قبل الدخول إلى وضع Eco.

ستبقى إعدادات حجرة My Zone دون تغيير، ولن تتأثر حالات التشغيل الأخرى.

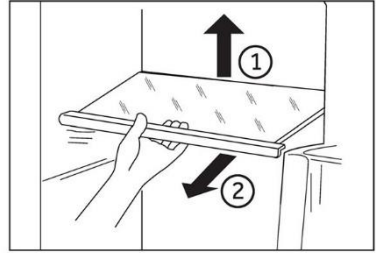
### تدفق الهواء المتعدد

1. تم تجهيز الثلاجة بنظام تدفق هواء متعدد، حيث يوجد تدفق هواء بارد على كل مستوى من الأرفف. يساعد هذا في الحفاظ على درجة حرارة موحدة لضمان الحفاظ على طعامك طازجًا لفترة أطول.



### أرفف قابلة للتعديل

1. يمكن تعديل ارتفاع الأرفف ليناسب احتياجات التخزين الخاصة بك.
2. لنقل الرف، أزلهُ أولاً عن طريق رفع الحافة الخلفية ① وسحبه للخارج ②.
3. لإعادة تثبيته، ضعه على العروات على كلا الجانبين، وادفعه إلى أقصى موضع للخلف حتى يستقر الجزء الخلفي من الرف داخل الفتحات في الجانبين.
4. يتمتع الرف "محطة الأواني" بسعة تحميل قصوى تبلغ 200 كجم ويبقى الرف سليماً، وعندما يتجاوز الحمل 80 كجم، فقد يؤثر ذلك على التشغيل الطبيعي للدرج "المنطقة الطازجة" (البيانات مستمدة من المختبر الداخلي).



### إخطار

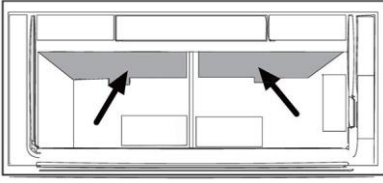
تأكد من أن جميع أطراف الرف مستوية.

### درج My Zone

1. في هذه الحجرة، يكون مستوى الرطوبة أقل من حجرة الثلاجة. هذا الدرج مناسب لتخزين الفاكهة الجافة وغيرها من الأطعمة الجافة ذات المحتوى المائي المنخفض مثل الزبدة والدهون والزيوت، أو الشوكولاتة.

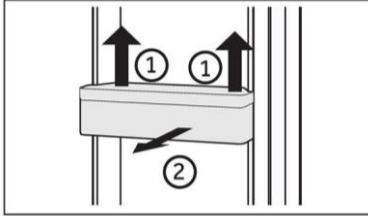
### درج Humidity box

1. في هذه الحجرة يكون مستوى الرطوبة أعلى من حجرة الثلاجة. يتم التحكم في الرطوبة تلقائيًا من قبل النظام وهو مناسب لتخزين الفواكه والخضروات والسلطات وما إلى ذلك.



## إخطار ⓘ

1. لا تقم بإزالة الغطاء البلاستيكي داخل المنطقتين.
2. حيث أنه يحافظ على الرطوبة.
3. لا ينصح بتخزين الفواكه الحساسة من البرد مثل الأناناس والأفوكادو والموز والجريب فروت في هذين الدرجين.

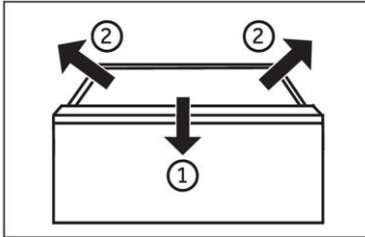


## أرفف باب قابلة للإزالة/ حامل زجاجات

1. يمكن إزالة أرفف الباب للتنظيف:
2. ضع يديك على كلا جانبي الرف، وارفعه لأعلى ① واسحبه للخارج ②.
3. لإدخال رف الباب، يتم تنفيذ الخطوات المذكورة أعلاه بترتيب عكسي.

## إخطار ⓘ

عند تشغيل الجهاز، قد يستغرق الوصول إلى درجات الحرارة الصحيحة ما يصل إلى 12 ساعة.

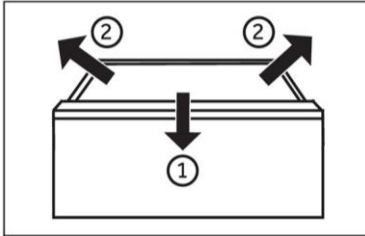


## درج قابل للإزالة

- لإزالة الدرج للخارج، اسحبه للخارج إلى أقصى حد ①، ثم قم برفعه وإزالته ②.
- من أجل إدخال الدرج، يتم تنفيذ الخطوات المذكورة أعلاه بترتيب عكسي.

## تخزين المواد الكبيرة

يمكن تخزين المواد الكبيرة مثل الأطعمة المجمدة بعد: إزالة صينية التجميد العلوية، أو بعد إزالة كلتا صينيتي التجميد العلويتين بالإضافة إلى درج التجميد الأوسط وتخزين الطعام مباشرة على الرف.



## المصباح

يضيء مصباح الـ LED الداخلي عندما يُفتح باب الثلاجة. لا يتأثر أداء المصباح بأي من الإعدادات الأخرى للجهاز.

## الدرج

يُرجى الدفع أو السحب بسلاسة في الموضع الأوسط لمقبض الدرج لتجنب مشاكل مثل سوء التشغيل أو انفصال الدرج.

## نصائح لتوفير الطاقة



- ◀ تأكد من تهوية الجهاز بشكل صحيح (انظر فقرة "التركيب").
- ◀ لا تقم بتركيب الجهاز في ضوء الشمس المباشر أو بالقرب من مصادر الحرارة (مثل المواقد والسخانات).
- ◀ تجنب درجات الحرارة المنخفضة غير الضرورية في الجهاز. يزيد استهلاك الطاقة مع زيادة خفض درجة حرارة الجهاز.
- ◀ وظائف مثل POWER-FREEZE تستهلك المزيد من الطاقة.
- ◀ دع الأغذية الدافئة تبرد قبل وضعها في الجهاز.
- ◀ افتح باب الجهاز بدرجة قليلة ولفترة قصيرة قدر الإمكان.
- ◀ تجنب الإفراط في تعبئة الجهاز لتجنب إعاقة تدفق الهواء.
- ◀ تجنب وجود هواء داخل عبوة الطعام.
- ◀ حافظ على نظافة موانع التسرب الخاصة بالباب بحيث يغلق الباب بشكل صحيح دائمًا.
- ◀ قم بإزالة تجميد الأطعمة المجمدة في حجرة تخزين الثلاجة.
- ◀ يتطلب التكوين الأكثر توفيرًا للطاقة أن يحتفظ الجهاز بالأدراج وعلبة الطعام والأرفف في حالة المصنع الطازجة، ويجب أن يكون الطعام في أماكن بعيدة قدر الإمكان دون سد مخرج الهواء في مجرى الهواء.

**تحذير!**

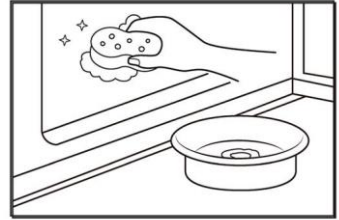
قم بفصل الجهاز من مصدر التيار الكهربائي قبل التنظيف.

**التنظيف**

1. نَظِّفِ الجهاز عند تخزين القليل من الطعام أو عدم وجود طعام مُخزن.
2. يجب تنظيف الجهاز كل أربعة أسابيع لصيانة جيدة ولتجنب ظهور روائح الطعام المخزن السيئة.

**تحذير!**

- ◀ تجنب تنظيف الجهاز باستخدام الفرش الصلبة، والفرش السلكية، ومسحوق التنظيف، والبتزين، وأميلات الأسيتات، والأسيتون والمحاليل العضوية المائلة، أو المحاليل الحمضية أو القلوية. يرجى التنظيف باستخدام منظف الثلجة الخاص لتجنب حدوث ضرر.
- ◀ تجنب رش الجهاز أو غسله أثناء التنظيف.
- ◀ تجنب استخدام رشاش الماء أو البخار لتنظيف الجهاز.
- ◀ تجنب تنظيف الأرفف الزجاجية الباردة بالماء الساخن. قد يؤدي تغير درجة الحرارة المفاجئ إلى انكسار الزجاج.
- ◀ تجنب لمس السطح الداخلي لحجيرة تخزين المجمد، خاصةً باستخدام اليدين المبللتين، حيث قد تتجمد يديك وتلتصق بالسطح.
- ◀ في حالة حدوث تدفئة، تحقق من حالة السلع المجمدة.

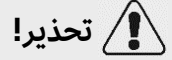


- ◀ حافظ دائماً على خشونة الباب نظيفة.
- ◀ نَظِّفِ داخل الجهاز والمبيت باستخدام إسفنجة مبللة بالمياه الدافئة والمنظفات المحايدة.
- ◀ 1. يرجى فرك الجزء الداخلي والخارجي للثلجة، بما في ذلك موانع التسرب الخاصة بالباب، ورف الباب، والأرفف الزجاجية، والصناديق وما إلى ذلك باستخدام منشفة أو إسفنجة مغموسة في المياه الدافئة (يمكنك إضافة منظف محايد إلى المياه الدافئة).
- ◀ 2. إذا كان هناك سائل مسكوب، قم بإزالة جميع الأجزاء الملوثة، ثم اشطفها بالماء المتدفق، وجففها وضعها في الثلجة مرة أخرى.
- ◀ 3. إذا كان هناك كريم مسكوب (مثل الكريمة، آيس كريم ذائب)، يرجى إزالة جميع الأجزاء الملوثة، ووضعها في المياه الدافئة عند حوالي 40 درجة مئوية لبعض الوقت، ثم شطفها بالمياه الجارية، وتجفيفها وإعادة وضعها في الثلجة.
- ◀ 4. في حالة انحسار جزء أو مكون صغير داخل الثلجة (بين الأرفف والأدراج)، استخدم فرشاة ناعمة صغيرة لإزالته. إذا لم تتمكن من الوصول إلى القطعة، فيرجى الاتصال بخدمة Haler.
- ◀ اشطف وجفف بقطعة قماش ناعمة.
- ◀ تجنب تنظيف أي جزء من أجزاء الجهاز في غسالة الصحون.
- ◀ انتظر 5 دقائق على الأقل قبل إعادة تشغيل الجهاز، حيث أن التشغيل المتكرر قد يؤدي إلى تلف الضاغط.

**إذابة الثلج**

تم إذابة التجمد من الثلجة وحجيرة المجمد تلقائياً؛ لا حاجة للقيام بالعملية يدوياً.

## استبدال مصباح LED



تحذير!

لا تستبدل مصباح الـ LED بنفسك، يجب استبداله فقط من قبل الشركة المصنعة أو وكيل الخدمة المعتمد.

تقوم المصابيح بتكثيف أضواء الـ LED كمصدر للضوء، حيث تتميز باستهلاك منخفض للطاقة وعمر خدمة طويل. في حال وجود خلل، فاتصل بخدمة العملاء. راجع "خدمة العملاء".

معلومات المصابيح:

حجرة الثلاجة: 12 فولت كحد أقصى 8 واط

حجرة المجمد: 12 فولت كحد أقصى 2 واط

ضوء باب أزرُق: 12 فولت كحد أقصى 3 واط

## عدم الاستخدام لفترة طويلة

إذا لم يُستخدم الجهاز لفترة طويلة، ولن تستخدم وظيفة Holiday للثلاجة:

أخرج الطعام.

افصل سلك الطاقة.

نظّف الجهاز كما هو موضح أعلاه.

أبقِ الأبواب مفتوحة لمنع ظهور الروائح الكريهة بالداخل.



إخطار

أوقف تشغيل الجهاز عند الضرورة القصوى فقط.

## تحريك الجهاز

1. أزل كل الطعام، وافصل الجهاز عن القابس.
2. أمّن الأرفف والأجزاء المتحركة الأخرى في الثلاجة والمجمد بشريط لاصق.
3. لا تمل الثلاجة أكثر من 45 درجة لتجنب إتلاف نظام التبريد.



تحذير!

- ◀ لا ترفع الجهاز من المقبض.
- ◀ لا تضع الجهاز أفقيًا أبدًا على الأرض.

يمكن حل العديد من المشاكل التي تحدث بنفسك دون خبرة محددة. في حالة وجود مشكلة، يرجى التحقق من جميع الاحتمالات الموضحة واتباع التعليمات أدناه قبل الاتصال بخدمة ما بعد البيع. راجع "خدمة العملاء".

## تحذير!

- ◀ أوقف تشغيل الجهاز، وافصل قابس التيار الرئيسي عن مقبس التيار الرئيسي قبل الصيانة.
- ◀ يجب صيانة المعدات الكهربائية من قبل خبراء كهربائيين مؤهلين فقط، لأن الإصلاحات غير الصحيحة يمكن أن تتسبب في أضرار لاحقة كبيرة.
- ◀ يجب استبدال كابل الإمداد من قبل الشركة المصنعة أو وكيل الخدمة الخاص بها أو الأشخاص المؤهلين بالدرجة نفسها فقط لتفادي التعرض للخطر.

المشكلة	السبب المحتمل	الحل المحتمل
الضاغط لا يعمل.	<ul style="list-style-type: none"> <li>• قابس التيار الرئيسي غير متصل بالمقبس الرئيسي.</li> <li>• الجهاز في دورة إذابة الثلج.</li> </ul>	<ul style="list-style-type: none"> <li>• قم بتوصيل قابس التيار الرئيسي.</li> <li>• يعد هذا أمرًا طبيعيًا لإذابة الثلج تلقائيًا.</li> </ul>
يعمل الجهاز بشكل متكرر أو يعمل لفترة طويلة من الزمن.	<ul style="list-style-type: none"> <li>• درجة الحرارة الخارجية أو الداخلية مرتفعة للغاية.</li> <li>• تم إيقاف تشغيل الجهاز لفترة من الوقت.</li> <li>• باب الجهاز غير مغلق بإحكام.</li> </ul>	<ul style="list-style-type: none"> <li>• في هذه الحالة، من الطبيعي أن يعمل الجهاز لفترة أطول.</li> <li>• عادةً ما يستغرق الجهاز من 8 إلى 12 ساعة حتى يقوم بالتبريد بشكل كامل.</li> <li>• أغلق الباب/الدرج وتأكد من أن الجهاز موضوع على أرض مستوية وأنه لا يوجد طعام أو وعاء يحتك بالباب.</li> <li>• لا تفتح الباب/الدرج بشكل متكرر.</li> </ul>
داخل الثلاجة متسخ و/أو تصدر منه روائح.	<ul style="list-style-type: none"> <li>• درجة الحرارة المعينة في حجرة المجمد منخفضة جدًا.</li> <li>• حشوة الباب متسخة أو متشققة أو ليست في موضعها السليم.</li> <li>• دوران الهواء غير سليم.</li> </ul>	<ul style="list-style-type: none"> <li>• عيّن درجة الحرارة على درجة أعلى حتى الحصول على درجة حرارة مقبولة للثلاجة. يستغرق الأمر 24 ساعة حتى تصبح درجة حرارة الثلاجة مستقرة.</li> <li>• نظّف حشية الباب/الدرج أو استبدلها من خلال التواصل مع خدمة العملاء.</li> <li>• تأكد من وجود تهوية كافية.</li> </ul>
داخل الثلاجة متسخ و/أو تصدر منه روائح.	<ul style="list-style-type: none"> <li>• يحتاج الجزء الداخلي من الثلاجة إلى التنظيف.</li> <li>• يتم تخزين أطعمة ذات رائحة قوية في الثلاجة.</li> </ul>	<ul style="list-style-type: none"> <li>• نظّف الثلاجة من الداخل.</li> <li>• قم بلف الأطعمة بشكل كامل.</li> </ul>

المشكلة	السبب المحتمل	الحل المحتمل
الجزء الداخلي من الجهاز ليس باردًا بالشكل الكافي.	<ul style="list-style-type: none"> <li>درجة الحرارة المعينة عالية جدًا.</li> <li>حُرِّت سلع ساخنة للغاية.</li> <li>حُرِّن الكثير من الطعام في وقت واحد.</li> <li>السلع قريبة جدًا من بعضها.</li> </ul>	<ul style="list-style-type: none"> <li>أعد تعيين درجة الحرارة.</li> <li>برِّد دائمًا السلع قبل تخزينها.</li> <li>حُرِّن دائمًا كميات صغيرة من الطعام.</li> <li>اترك فراغ بين عدة أطعمة لكي تسمح بتدفق الهواء.</li> </ul>
لم يتم إغلاق باب/درج الجهاز بإحكام. فتح الباب/الدرج بشكل متكرر أو لمدة أطول من اللازم.	<ul style="list-style-type: none"> <li>لم يتم إغلاق باب/درج الجهاز بإحكام.</li> <li>فتح الباب/الدرج بشكل متكرر أو لمدة أطول من اللازم.</li> </ul>	<ul style="list-style-type: none"> <li>أغلق الباب/الدرج.</li> <li>لا تفتح الباب/الدرج بشكل متكرر.</li> </ul>
داخل الجهاز باردًا للغاية.	<ul style="list-style-type: none"> <li>درجة الحرارة المعينة منخفضة للغاية.</li> <li>تم تنشيط وظيفة Super-Frz/Super-Cool أو أنها تعمل لفترة طويلة جدًا.</li> </ul>	<ul style="list-style-type: none"> <li>أعد تعيين درجة الحرارة.</li> <li>أوقف تشغيل وظيفة Super-Frz/Super-Cool.</li> </ul>
تكون رطوبة داخل حجرة التلاجة.	<ul style="list-style-type: none"> <li>الجو دافئ جدًا ورطب جدًا.</li> <li>لم يتم إغلاق باب/درج الجهاز بإحكام.</li> <li>فتح الباب/الدرج بشكل متكرر أو لمدة أطول من اللازم.</li> <li>تُركت حاويات الطعام أو السوائل مفتوحة.</li> </ul>	<ul style="list-style-type: none"> <li>ارفع درجة الحرارة.</li> <li>أغلق الباب/الدرج.</li> <li>لا تفتح الباب/الدرج بشكل متكرر.</li> <li>دع الأطعمة الساخنة تبرد حتى درجة حرارة الغرفة وقم بتغطية الأطعمة والسوائل.</li> </ul>
تتراكم الرطوبة على سطح التلاجة الخارجي أو بين الأبواب/الباب والدرج.	<ul style="list-style-type: none"> <li>الجو دافئ ورطب للغاية.</li> <li>الباب غير مغلق بإحكام. يسبب الهواء البارد في الجهاز والهواء الدافئ الخارجي حدوث تكثف.</li> </ul>	<ul style="list-style-type: none"> <li>هذا طبيعي في المناخ الرطب، وسيتغير عند انخفاض الرطوبة.</li> <li>تأكد من إغلاق الباب/الدرج بإحكام.</li> </ul>
يوجد ثلج وجليد كثيران في حجرة الفريزر.	<ul style="list-style-type: none"> <li>لم تكن السلع معبأة بشكل مناسب.</li> <li>لم يتم إغلاق باب/درج الجهاز بإحكام.</li> <li>فتح الباب/الدرج بشكل متكرر أو لمدة أطول من اللازم.</li> <li>حشوة الباب/الدرج متسخة أو مهترئة أو متشققة أو ليست في موضعها السليم.</li> <li>يوجد شيء في الداخل يمنع إغلاق الباب/الدرج بشكل صحيح.</li> </ul>	<ul style="list-style-type: none"> <li>احزم السلع دائمًا.</li> <li>أغلق الباب/الدرج.</li> <li>لا تفتح الباب/الدرج بشكل متكرر.</li> <li>قم بتنظيف حشية الباب/الدرج أو استبدالها بأخرى جديدة.</li> <li>أعد وضع الأرفف أو أرفف الباب أو الحاويات الداخلية للسماح بإغلاق الباب/الدرج.</li> </ul>
تصبح جوانب الكابينة وشريط الباب دافئين.	<ul style="list-style-type: none"> <li>هذا أمر طبيعي.</li> </ul>	

المشكلة	السبب المحتمل	الحل المحتمل
يصدر الجهاز أصواتًا غير طبيعية.	<ul style="list-style-type: none"> <li>• الجهاز غير موضوع على أرض مستوية.</li> <li>• يلمس الجهاز بعض الأشياء حوله.</li> </ul>	<ul style="list-style-type: none"> <li>• اضبط الأقدام لمساواة الجهاز.</li> <li>• أزل الأشياء حول الجهاز.</li> </ul>
يُسمع صوت طفيف مشابه لصوت المياه المتدفقة.	<ul style="list-style-type: none"> <li>• هذا أمر طبيعي.</li> </ul>	
ستسمع صوت صفارة تنبيه.	<ul style="list-style-type: none"> <li>• باب حجرة تخزين الثلجة مفتوح.</li> </ul>	<ul style="list-style-type: none"> <li>• أغلق الباب.</li> </ul>
سوف تسمع صوت طنين.	<ul style="list-style-type: none"> <li>• يعمل نظام مكافحة التكثيف.</li> </ul>	<ul style="list-style-type: none"> <li>• يقوم هذا بمنع التكثيف، وهو أمر طبيعي.</li> </ul>
الإضاءة الداخلية أو نظام التبريد لا يعمل.	<ul style="list-style-type: none"> <li>• قابس التيار الرئيسي غير متصل بالمقبس الرئيسي.</li> <li>• إمداد التيار الكهربائي غير متصل.</li> <li>• مصباح LED معطل.</li> </ul>	<ul style="list-style-type: none"> <li>• قم بتوصيل قابس التيار الرئيسي.</li> <li>• تحقق من التيار الكهربائي للغرفة.</li> <li>• تواصل مع شركة الكهرباء المحلية!</li> <li>• يرجى الاتصال بخدمة العملاء لتغيير المصباح.</li> </ul>

للتواصل مع المساعدة التقنية، يرجى زيارة موقعنا الإلكتروني:

<https://corporate.haier-europe.com/en/>

أسفل قسم "الموقع الإلكتروني"، اختر العلامة التجارية لمنتجك وبلدك. ستم إعادة توجيهك إلى موقع الويب المحدد حيث يمكنك العثور على رقم الهاتف والاستمارة للاتصال بالمساعدة الفنية.

## انقطاع التيار الكهربائي


في حالة انقطاع التيار الكهربائي، يظل الطعام باردًا بأمان لمدة 5 ساعات تقريبًا. اتبع هذه النصائح أثناء انقطاع التيار لفترة طويلة، خاصة في فصل الصيف:

- ◀ قلل مرات فتح الباب/الدرج قدر الإمكان.
- ◀ لا تضع طعامًا إضافيًا في الجهاز أثناء انقطاع التيار الكهربائي.
- ◀ إذا تم إعطاء إشعار مسبق بانقطاع التيار الكهربائي وكانت مدة الانقطاع أطول من 5 ساعات، اصنع بعض الثلج وضعه في حاوية في الجزء العلوي من حجرة التلاجة.
- ◀ يجب فحص السلع فورًا بعد الانقطاع.
- ◀ نظرًا لأن درجة الحرارة في التلاجة ترتفع أثناء انقطاع التيار الكهربائي أو نتيجة عطل آخر، تُقلل فترة التخزين وجودة الطعام الصالح للأكل. يجب استهلاك أو طهي وإعادة تجميد أي طعام تمت إذابته (عند الاقتضاء) بعد الانقطاع بقليل من أجل منع المخاطر الصحية.

## وظيفة الذاكرة أثناء انقطاع التيار الكهربائي

بعد رجوع الطاقة، يستمر الجهاز بالإعدادات التي تم تعيينها قبل انقطاع التيار الكهربائي.

## إزالة مواد التعبئة والتغليف

تحذير! 

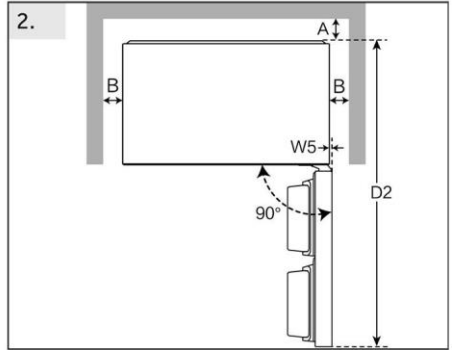
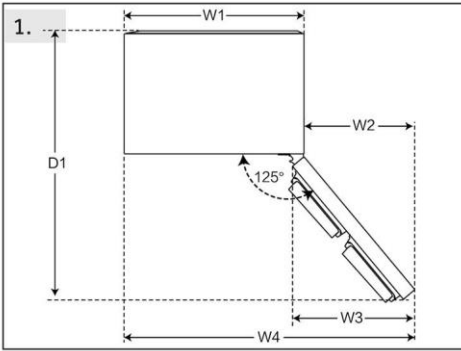
- ◀ هذا الجهاز ثقيل الوزن. يجب أن تم المناولة من جانب شخصين على الأقل دائماً.
- ◀ احتفظ بجميع مواد التغليف بعيداً عن متناول الأطفال، وتخلص منها بطريقة صديقة للبيئة.
- ◀ أخرج الجهاز من العبوة.
- ◀ أزل جميع مواد التغليف من على الجهاز.

## الظروف البيئية

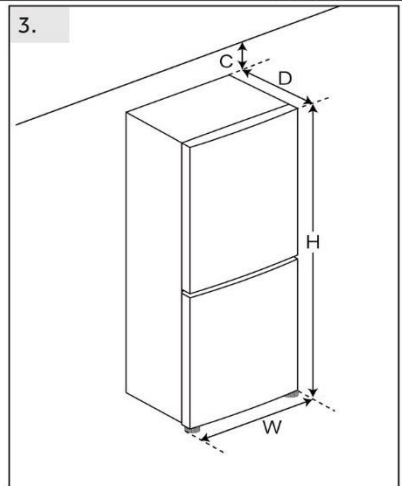
يجب أن تكون درجة حرارة الغرفة دائماً بين 10 درجات مئوية و43 درجة مئوية، لأنها يمكن أن تؤثر على درجة الحرارة داخل الجهاز واستهلاكه للطاقة. لا تقم بتركيب الجهاز بالقرب من الأجهزة الأخرى التي تنبعث منها الحرارة (الأفران والثلاجات) دون عزل.

## توصية بشأن المساحة

المساحة الموصى بها عند فتح الباب (الشكل 1.2).



الطراز رقم 2	الطراز رقم 1	(الوحدة: ملم)
	830	W1
	500	W2
	529	W3
	1330	W4
	21	W5
	830	W
	1362	D1
	1502	D2
	725	D
	50	A
	50	B
	50	C
	1850	H



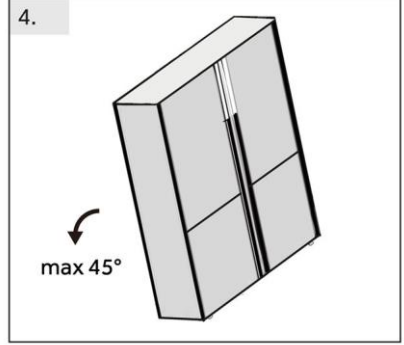
## تهوية المقطع العرضي

لتحقيق تهوية كافية للجهاز لأسباب تتعلق بالسلامة، يجب مراعاة المعلومات المتعلقة بمقاطع التهوية العرضية المطلوبة.

## محاذاة الجهاز (الشكل 4.5.6).

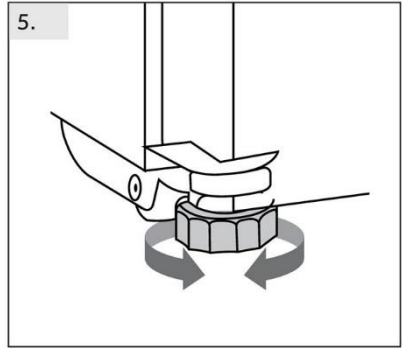
يجب وضع الجهاز على سطح مستوٍ وصلب.

4. قم بإمالة الثلجة للخلف قليلاً.

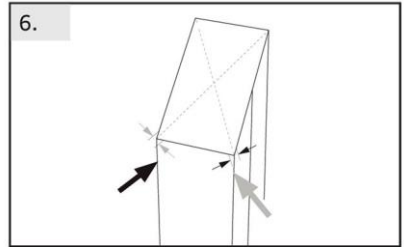


5. اضبط الأقدام على المستوى المطلوب.

تأكد من أن المسافة إلى الخائط على جانب المفصلة لا تقل عن 50 ملم حتى يُفتح الباب بشكل صحيح.



6. يمكن التحقق من الثبات عن طريق الهز المتناوب للأقطار. يجب أن يكون التمايل المحدود هو نفسه في كلا الاتجاهين. وإلا فإن الإطار قد يتشوه: ومن الممكن أن ينتج عن ذلك تسرب في موانع تسرب الباب. يُسهل الليل المنخفض إلى الخلف إغلاق الباب.

إخطار 

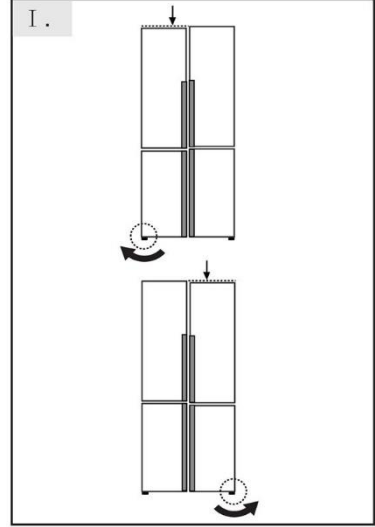
للأجهزة القائمة بذاتها: جهاز التبريد هذا غير مخصص للاستخدام كجهاز مدمج

### ضبط إعدادات الأبواب

إذا لم تكن الأبواب في مستوى واحد، يمكن معالجة عدم التطابق هذا باتباع ما يلي:

### I باستخدام قدم قابلة للتعديل

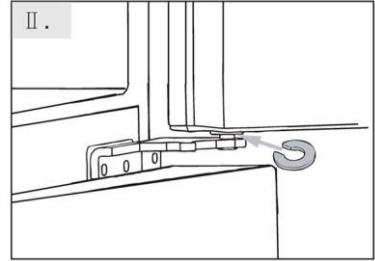
قم بتدوير القدم القابلة للتعديل وفقًا لاتجاه السهم لتدوير القدم لأعلى أو لأسفل.



### II باستخدام الفواصل

◀ افتح الباب العلوي، وارفعه.

◀ قم بتثبيت الفاصل بعناية (مرفق في حقيبة الملحقات) في الحلقة البلاستيكية البيضاء للمفصلة الوسطى باليد أو باستخدام أداة مثل الزردية. لا تقم بخدش أو بدق الباب.



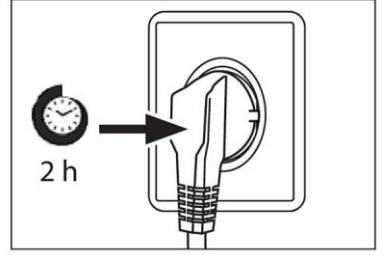
### إخطار



خلال الاستخدام المستقبلي للثلاجة، قد تحدث مشكلة الأبواب غير المستوية بسبب وزن الطعام المخزن. في حال حدوث ذلك، يرجى الضبط وفقًا للطرق المذكورة أعلاه.

### أوقات الانتظار

يوجد زيت التشحيم الذي لا يحتاج إلى صيانة في كبسولة الضاغط. يمكن لهذا الزيت أن يمر عبر نظام الأنابيب المغلقة أثناء النقل للمأكل. قبل توصيل الجهاز بمصدر الطاقة، عليك الانتظار لمدة ساعتين على الأقل حتى يعود الزيت مرة أخرى إلى الكبسولة.



### التوصيل الكهربائي

قبل كل توصيل، تحقق أن:

- ◀ إمدادات الطاقة والمآخذ والمنصهرات مناسبة للوحة التصنيف.
  - ◀ مقبس الطاقة مؤرض، ولا يوجد قابس متعدد أو وصلة تمديد.
  - ◀ قابس الطاقة والمقبس كما هو مطلوب بدقة.
- قم بتوصيل القابس بمقبس مثبت في المنزل بشكل صحيح.

### تحذير!

لتجنب المخاطر، يجب استبدال كابل الطاقة التالف من خلال التواصل مع خدمة العملاء (انظر بطاقة الضمان).

بطاقة المنتج وفقاً لللائحة التنظيمية (EC) رقم 2016/2019

Haier	الاسم التجاري
HDR5818DNSS HDR5818DNPW HDR5818DNMB	اسم الموديل / المعرف
الثلاجة-الفريزر	الفئة حسب الطراز
D	فئة كفاءة الطاقة
273	استهلاك الطاقة السنوي (كيلوواط ساعة/سنة)(A)
640	الحجم الكلي (لتر)
413	حجم الثلاجة (لتر)
184	حجم المجمد (لتر)
43	حجم قسم المبرد (لتر)
***/*	تصنيف النجوم
غير قابلة للتطبيق	درجة حرارة الحجيرات الأخرى < 14 درجة مئوية
نعم	نظام خالي من الجليد
10	قدرة التجميد (كجم/24 ساعة)
SN-N-ST-T	تقييم المناخ (2)
(35)B	فئة انبعاث الضوضاء وانبعثات الضوضاء الصوتية المحمولة جواً (A) db (re 1pW)
10	وقت ارتفاع درجة الحرارة (بالساعة)
قائم بذاته	نوع الجهاز

التوضيحات:

• نعم، مقدمة

- (1) بناء على نتائج اختبار مطابقة المعايير على مدار 24 ساعة. يعتمد الاستهلاك الفعلي على استخدام وموقع الجهاز.
- (2) تقييم المناخ SN: هذا الجهاز مخصص للاستخدام في درجة حرارة محيطية تتراوح بين + 10 درجات مئوية و+32 درجة مئوية
- تقييم المناخ N: هذا الجهاز مخصص للاستخدام في درجة حرارة محيطية تتراوح بين + 16 درجة مئوية و+32 درجة مئوية
- تقييم المناخ ST: هذا الجهاز مخصص للاستخدام في درجة حرارة محيطية تتراوح بين + 16 درجة مئوية و+38 درجة مئوية
- تقييم المناخ T: هذا الجهاز مخصص للاستخدام في درجة حرارة محيطية تتراوح بين + 16 درجة مئوية و+43 درجة مئوية

#### بيانات فنية إضافية

الجهود الكهربائي/التردد	220-240 فولت /- 50 هرتز
تيار المدخل (أمبير)	2
القدرة الأمبيرية للمنصهر الرئيسي (أمبير)	8
سائل التبريد	R600a
الأبعاد (الارتفاع × العرض × القطر بوحدة قياس المليمتر)	725/830/1850

نوصي بالاستعانة بخدمة عملاء Haier واستخدام قطع الغيار الأصلية. إذا كانت لديك مشكلة في جهازك، يرجى التحقق أولاً من قسم استكشاف الأعطال وإصلاحها.

إذا لم تجد حلاً، يرجى التواصل مع

- ◀ التاجر المحلي الخاص بك أو
- ◀ مركز خدمة الاتصال الأوروبي (انظر أرقام الهواتف المدرجة أدناه) أو
- ◀ منطقة الخدمة والدعم في [www.haier.com](http://www.haier.com) حيث يمكنك تنشيط مطالبة الخدمة
- ◀ والعثور على الأسئلة الشائعة.

عند الاتصال بمركز الخدمة الخاص بنا، تأكد من توفر المعلومات التالية لديك. توجد هذه البيانات على لوحة التصنيف.

الطراز

\_\_\_\_\_

الرقم التسلسلي

\_\_\_\_\_

تحقق أيضاً من بطاقة الضمان المرفقة مع المنتج في حالة كان الجهاز داخل الضمان.

مركز خدمة العملاء الأوروبي		
الدولة*	رقم الهاتف	التكاليف
Haier Italy (IT)	199 100 912	
Haier Spain (ES)	902 509 123	
Haier Germany (DE)	0180 5 39 39 99	• 14 سنت/دقيقة الخط الأرضي • 42 سنت/دقيقة موبايل بحد أقصى
Haier Austria (AT)	0820 001 205	• 14,53 سنت/دقيقة الخط الأرضي • أقصى 20 سنت/دقيقة أي شيء آخر
Haier United Kingdom (UK)	0333 003 8122	
Haier France (FR)	0980 406 409	

\*بالنسبة للدول الأخرى، يرجى الرجوع إلى [www.haier.com](http://www.haier.com)

Haier Europe Trading S.r.l

فرع المملكة المتحدة

Westgate House, Westgate, Ealing

London, W5 1YY

\*مدة ضمان جهاز التبريد:

الحد الأدنى من الضمان هو: سنتان (2) لدول الاتحاد الأوروبي، 3 سنوات لتركيا، سنة واحدة (1) للمملكة المتحدة، سنة واحدة (1) لروسيا، 3 سنوات للسويد، سنتان (2) لـصربيا، 5 سنوات للنرويج، سنة واحدة (1) للمغرب، 6 أشهر للجزائر، تونس من دون ضمان قانوني مطلوب.

\*فترة قطع الغيار لإصلاح الجهاز:

تتوفر قطع الترموستات وأجهزة استشعار درجة الحرارة ولوحات الدوائر المطبوعة ومصادر الإضاءة لمدة سبع سنوات على الأقل بعد طرح آخر وحدة من الطراز في السوق.

تتوفر مقابض الأبواب ومفصلات الأبواب والأدراج والسلال لمدة لا تقل عن سبع سنوات وحشيات الأبواب لمدة لا تقل عن 10 سنوات، بعد طرح آخر وحدة من الطراز في السوق.

\*لمزيد من المعلومات حول المنتج، يرجى الرجوع إلى [eu.https://eprel.ec.europa.eu](https://eprel.ec.europa.eu) أو قم بإجراء المسح الضوئي لرمز الاستجابة السريعة الموجود على ملصق الطاقة المرفق مع الجهاز.

## شهادة الجودة

التخصيص: الثلاجة  
Q.C.PASSED  
رقم المراقب

01QC

# Haier



0060543301

2025 الإصدار أ

# Haier

Manual d'usuari

Nevera-congelador

HDR5818DNSS

HDR5818DNPW

HDR5818DNMB



<u>4 Informació de seguretat</u>	Abans del primer ús	5
	Instal·lació	5
<u>8 Ús previst</u>	Ús diari	6
<u>9 Descripció del producte</u>		
<u>10 Tauler de control</u>		
<u>11 Us</u>		
	Ajustar la temperatura de la nevera	12
	Ajustar la temperatura del congelador	12
	Funció Super Cool	13
	Funció Super Freeze	13
<u>17 Equipament</u>	Funció de refrigeració per IA	14
<u>19 Consells per estalviar energia</u>		
<u>20 Cura i neteja</u>		
<u>22 Resolució de problemes</u>		
<u>26 Instal·lació</u>		
<u>30 Dades tècniques</u>		
<u>32 Servei d'atenció al client</u>		

## Gràcies per comprar un producte Haier.

Llegiu atentament aquestes instruccions abans d'utilitzar aquest aparell. Les instruccions contenen informació important que us ajudarà a treure el màxim profit de l'aparell i a garantir una instal·lació, un ús i un manteniment segurs i correctes.

Guardeu aquest manual en un lloc convenient per poder-lo consultar sempre per a un ús segur i correcte de l'aparell.

Si veneu l'aparell, el regaleu o el deixeu enrere quan us mudeu de casa, assegureu-vos de lliurar també aquest manual perquè el nou propietari es pugui familiaritzar amb l'aparell i els avisos de seguretat.

## Accessoris

Consulteu els accessoris i la literatura amb aquesta llista:



Safata de glaçons



Safata per a ous × 2



Etiqueta energètica



Targeta de garantia



Manual d'usuari



Atura el bloqueig × 2



frontissa mitjana



Frontissa superior



Ganxo doblegat de la frontissa superior



frontissa inferior



Coberta superior de guarnició



Tap de rosca de la biga frontal central



fixació



**ADVERTÈNCIA**– Informació important de seguretat



**AVÍS:** informació general i consells



**Informació ambiental**



## Eliminació

Ajudeu a protegir el medi ambient i la salut humana. Poseu l'embalatge en els contenidors corresponents per reciclar-lo. Ajudeu a reciclar els residus d'aparells elèctrics i electrònics. No llenceu els aparells marcats amb aquest símbol amb les escombraries domèstiques. Torneu el producte a la vostra planta de reciclatge local o poseu-vos en contacte amb l'oficina municipal.



## **ADVERTÈNCIA:** Risc d'incendi/material inflamable

El símbol indica que hi ha risc d'incendi, ja que s'utilitzen materials inflamables. Aneu amb compte per evitar provocar un incendi encenent materials inflamables.



## **AVÍS!**

Risc de lesions o asfíxia!

Els refrigerants i els gasos s'han d'eliminar professionalment. Assegureu-vos que els tubs del circuit de refrigerant no estiguin danyats abans de llençar-los correctament. Desconnecteu l'aparell de la xarxa elèctrica. Talleu el cable d'alimentació i llenceu-lo. Traieu les safates i els calaixos, així com el tancament i les juntes de la porta, per evitar que els nens i les mascotes es quedin tancats a l'interior de l'aparell.

## Abans d'encendre l'aparell per primera vegada, llegiu els següents consells de seguretat!



### AVÍS!

#### Abans del primer ús

- ▶ Assegureu-vos que no hi hagi danys durant el transport.
- ▶ Traieu tot l'embalatge i manteniu-lo fora de l'abast dels nens.
- ▶ Espereu almenys dues hores abans d'instal·lar l'aparell per garantir que el circuit de refrigerant sigui completament eficient.
- ▶ Manipuleu l'aparell sempre amb almenys dues persones, ja que és pesat.

#### Instal·lació

- ▶ L'aparell s'ha de col·locar en un lloc ben ventilat. Assegureu-vos que hi hagi un espai d'almenys 10 cm per sobre i al voltant de l'aparell.
- ▶ No col·loqueu mai l'aparell en una zona humida ni en un lloc on pugui rebre esquitxades d'aigua. Netegeu i eixugueu les esquitxades d'aigua i les taques amb un drap suau i net.
- ▶ No instal·leu l'aparell sota la llum solar directa ni a prop de fonts de calor (per exemple, estufes, calefactores).
- ▶ Instal·leu i anivelleu l'aparell en una zona adequada per a la seva mida i ús.
- ▶ Mantingueu les obertures de ventilació de l'aparell o de l'estructura integrada lliures d'obstruccions.
- ▶ Assegureu-vos que la informació elèctrica de la placa de característiques coincideixi amb la font d'alimentació. Si no és així, contacteu amb un electricista.
- ▶ L'aparell funciona amb una font d'alimentació de 220-240 VCA/50 Hz. Les fluctuacions anormals de la tensió poden fer que l'aparell no s'iniciï, que es facin malbé el control de temperatura o el compressor, o que hi pugui haver un soroll anormal durant el funcionament. En aquest cas, s'ha de muntar un regulador automàtic.
- ▶ No utilitzeu adaptadors multiendoll ni cables d'extensió.
- ▶ No col·loqueu diversos endolls portàtils ni fonts d'alimentació portàtils a la part posterior de l'aparell.
- ▶ Assegureu-vos que el cable d'alimentació no quedi atrapat per la nevera. No trepitgeu el cable d'alimentació.
- ▶ Utilitzeu una presa de terra separada per a la font d'alimentació que sigui fàcilment accessible. L'aparell ha de tenir connexió a terra.  
Només per al Regne Unit: El cable d'alimentació de l'aparell està equipat amb un endoll de 3 cables (connexió a terra) que s'adapta a un endoll estàndard de 3 cables (connexió a terra). No talleu ni desmunteu mai el tercer pin (connexió a terra). Un cop instal·lat l'aparell, l'endoll ha de ser accessible.
- ▶ No danyeu el circuit refrigerant.



## AVÍS!

### Ús diari

- ▶ Aquest aparell pot ser utilitzat per nens de 8 anys o més i persones amb capacitats físiques, sensorials o mentals reduïdes o amb manca d'experiència i coneixements si han rebut supervisió o instruccions sobre l'ús de l'aparell de manera segura i entenen els perills que comporta.
- ▶ Els nens de 3 a 8 anys poden carregar i descarregar, però no poden netejar o instal·lar els aparells de refrigeració.
- ▶ Mantingueu els nens menors de 3 anys allunyats de l'aparell, tret que estiguin supervisats constantment.
- ▶ Els nens no han de jugar amb l'aparell.
- ▶ Si hi ha una fuga de gas fred o altres gasos inflamables a prop de l'aparell, tanqueu la vàlvula del gas que surt, obriu les portes i finestres i no desendolceu el cable d'alimentació de la nevera ni de cap altre aparell.
- ▶ Tingueu en compte que l'aparell està configurat per funcionar a un rang ambiental específic d'entre 10 i 43 °C. És possible que l'aparell no funcioni correctament si es deixa durant un període prolongat a una temperatura superior o inferior al rang indicat.
- ▶ No col·loqueu articles inestables (objectes pesats, recipients plens d'aigua) a sobre de la nevera per evitar lesions personals causades per caigudes o descàrregues elèctriques causades pel contacte amb l'aigua.
- ▶ No estireu les prestatgeries de la porta. La porta es pot estirar inclinada, el prestatge de les ampolles es pot apartar o l'aparell es pot bolcar.
- ▶ Obriu i tanqueu les portes només amb les nanses. L'espai entre les portes i entre les portes i l'armari és molt estret. No esteneu les mans en aquestes zones per evitar pessigar-vos els dits. Obriu o tanqueu les portes de la nevera només quan no hi hagi nens a prop del rang de moviment de la porta.
- ▶ No emmagatzemu ni utilitzeu materials inflamables, explosius o corrosius a l'aparell ni a prop.
- ▶ No emmagatzemu medicaments, bacteris o agents químics a l'aparell. Aquest aparell és un electrodomèstic. No es recomana emmagatzemar materials que requereixin temperatures estrictes.
- ▶ No emmagatzemu mai líquids en ampolles o llaunes (a part de begudes alcohòliques d'alt percentatge), especialment begudes carbonatades, al congelador, ja que aquestes explotaran durant la congelació.
- ▶ Comproveu l'estat dels aliments si s'han escalfat al congelador.
- ▶ No configureu una temperatura innecessàriament baixa al compartiment de la nevera. Es poden produir temperatures baixes amb configuracions altes. Atenció: Les ampolles poden esclatar.
- ▶ No toqueu els productes congelats amb les mans mullades (porteu-vos guants). Especialment, no mengeu els gelats immediatament després de treure'ls del compartiment del congelador. Hi ha risc de congelació o de formació de butllofes de gel. PRIMERS AUXILIS: manteniu-los immediatament sota aigua freda corrent. No els arrenqueu!
- ▶ No toqueu la superfície interior del compartiment del congelador quan estigui en funcionament, sobretot amb les mans mullades, ja que les mans es poden congelar a la superfície.



## AVÍS!

### Ús diari

- ▶ Desendolleu l'aparell en cas d'interrupció del corrent o abans de netejar-lo. Espereu almenys 7 minuts abans de tornar a engegar l'aparell, ja que l'arrencada freqüent pot danyar el compressor.
- ▶ No utilitzeu aparells elèctrics dins dels compartiments d'emmagatzematge d'aliments de l'aparell, tret que siguin del tipus recomanat pel fabricant.  
Manteniment / neteja
- ▶ Assegureu-vos que els nens estiguin supervisats si realitzen la neteja i el manteniment.
- ▶ Desendolleu l'aparell de la xarxa elèctrica abans de realitzar qualsevol manteniment rutinari. Espereu almenys 5 minuts abans de tornar a engegar l'aparell, ja que l'arrencada freqüent pot danyar el compressor.
- ▶ Subjecteu l'endoll, no el cable, en desendollar l'aparell.
- ▶ No netegeu l'aparell amb raspalls durs, raspalls de filferro, detergent en pols, gasolina, acetat d'amil, acetona i solucions orgàniques similars, solucions àcides o alcalines. Netegeu-lo amb un detergent especial per a nevera per evitar danys.
- ▶ No rasqueu la gebrada i el gel amb objectes punxants. No utilitzeu esprais, escalfadors elèctrics com ara escalfadors, assecadors de cabells, netejadors de vapor o altres fonts de calor per evitar danys a les peces de plàstic.
- ▶ No utilitzeu dispositius mecànics ni altres mitjans per accelerar el procés de descongelaçió, que no siguin els recomanats pel fabricant.
- ▶ Si el cable d'alimentació està danyat, l'ha de substituir el fabricant, el seu agent de servei o persones similarment qualificades per evitar un perill.
- ▶ No intenteu reparar, desmuntar o modificar l'aparell vosaltres mateixos. En cas de reparació, poseu-vos en contacte amb el nostre servei d'atenció al client.
- ▶ Elimineu la pols de la part posterior de la unitat almenys un cop l'any per evitar riscos d'incendi, així com un augment del consum d'energia.
- ▶ No ruixeu ni renteu l'aparell durant la neteja.
- ▶ No utilitzeu aigua en esprai ni vapor per netejar l'aparell.
- ▶ No netegeu les prestatgeries de vidre fred amb aigua calenta. Els canvis sobtats de temperatura poden fer que el vidre es trenqui.

### Informació sobre el gas refrigerant

- ▶ L'aparell conté el refrigerant inflamable ISOBUTANE (R600a). Assegureu-vos que el circuit refrigerant no es faci malbé durant el transport o la instal·lació. Les fugites de refrigerant poden causar lesions oculars o incendiar-se. Si es produeix un dany, manteniu-lo allunyat de fonts de foc obertes, ventileu bé l'habitació, no connecteu ni desconecteu els cables d'alimentació de l'aparell ni cap altre aparell. Informeu el servei d'atenció al client.
- ▶ En cas de contacte amb els ulls amb el refrigerant, esbandiu-los immediatament amb aigua corrent i truqueu immediatament a un oftalmòleg.

## Ús previst

Aquest aparell està pensat per refredar i congelar aliments. Ha estat dissenyat exclusivament per al seu ús en aplicacions domèstiques i similars, com ara cuines per al personal en botigues, oficines i altres entorns de treball; cases de pagès i per a clients en hotels, motels i altres entorns de tipus residencial, així com en allotjaments amb esmorzar i serveis de càtering. No està pensat per a ús comercial o industrial.

No es permeten canvis o modificacions al dispositiu. L'ús no previst pot causar perills i la pèrdua de reclamacions de garantia.

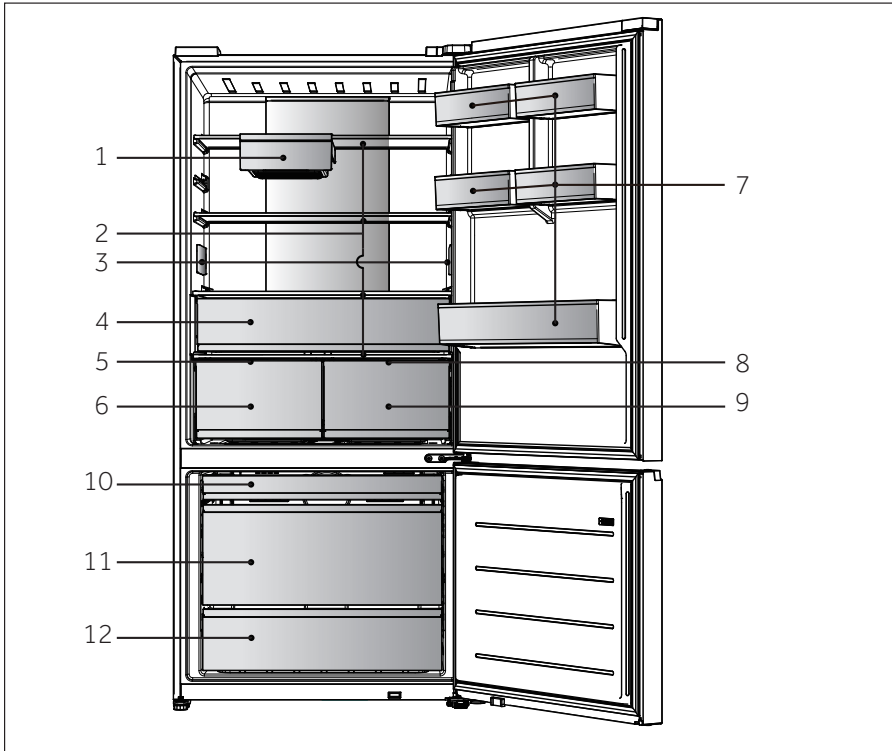
## Normes i directives



Aquest producte compleix els requisits de totes les directives CE aplicables amb les normes harmonitzades corresponents, que preveuen el marcatge CE.

## **i** AVIS

A causa de canvis tècnics i diferents models, algunes de les il·lustracions d'aquest manual poden ser diferents del vostre model.



**A:** Compartiment de la nevera

1 Carmanyola

2 Prestatgeries de vidre

3 Refrigeració AI

4 Zona fresca

5 Coberta de la zona d'humitat

6 Zones d'humitat

7 Portaampolles

8 Coberta de la meva zona

9 La meva zona

**B:** Compartiment del congelador

10 Prestatge lliscant

11 Zona de congelació

12 Zona de congelació



### Abans del primer ús

- ▶ Traieu tots els materials d'embalatge, manteniu-los fora de l'abast dels nens i llenceu-los de manera respectuosa amb el medi ambient.
- ▶ Netegeu l'interior i l'exterior de l'aparell amb aigua i un detergent suau abans de posar-hi aliments.
- ▶ Després d'anivellar i netejar l'aparell, espereu com a mínim de 2 a 5 hores abans de connectar-lo a la xarxa elèctrica. Vegeu la secció INSTAL·LACIÓ.
- ▶ Prerrefredeu els compartiments a la configuració alta abans de carregar-los amb aliments. La funció Power-Freeze ajuda a refredar els compartiments ràpidament.
- ▶ La temperatura de la nevera i la temperatura del congelador s'estableixen automàticament a 5 °C i -18 °C respectivament. Aquests són els paràmetres recomanats. Si ho desitgeu, podeu canviar aquestes temperatures manualment. Consulteu AJUSTEU LA TEMPERATURA.

### Tecles de sensor

Els botons del tauler de control són tecles sensorials, que ja responen quan es toquen lleugerament amb el dit.

### Encendre/apagar l'aparell

L'aparell està en funcionament tan bon punt es connecta a la xarxa elèctrica. Quan la nevera s'encén per primera vegada, l'indicador de temperatura s'il·lumina. La temperatura de la nevera i la temperatura del congelador s'estableixen automàticament a 5 °C i -18 °C respectivament.

Potser el bloqueig del panell està actiu.

### AVÍS

Quan l'aparell s'engega després de desconnectar-lo de la xarxa elèctrica principal, pot trigar fins a 12 hores a assolir les temperatures correctes.

Buideu l'aparell abans d'apagar-lo. Per apagar l'aparell, desconnecteu el cable d'alimentació de la presa de corrent.

### Bloqueja/desbloqueja el panell

Bloqueig automàtic: Quan la porta de la nevera i la porta del congelador estiguin tancades i no es prem cap tecla en 30 segons, la pantalla s'apagarà i es bloquejarà automàticament.

Bloqueig manual: Quan la pantalla estigui desbloquejada, premeu el botó de funció Eco i manteniu-lo premut durant 3 segons, el bronzidor sonarà una vegada, la icona de la funció de bloqueig s'il·luminarà i la pantalla es bloquejarà.

## Ajusta la temperatura

Les temperatures interiors es veuen influenciades pels factors següents:

Temperatura ambient

Freqüència d'obertura de la porta

Quantitat d'aliments emmagatzemats

Instal·lació de l'aparell

## Ajustar la temperatura de la nevera

Quan estigui desbloquejat, premeu el botó de selecció de zona per seleccionar la zona de la nevera (la icona de la nevera s'il·lumina). Cada vegada que premeu "+" / "-" s'ajusta el nivell de temperatura en 1 °C. La configuració es confirma després de 5 segons d'inactivitat (la pantalla s'apaga) o immediatament si es premeu altres botons. Seqüència d'ajust:

"+": 1 °C → 2 °C → 3 °C → 4 °C → 5 °C → 6 °C → 7 °C → 8 °C → 9 °C

"-": 9 °C → 8 °C → 7 °C → 6 °C → 5 °C → 4 °C → 3 °C → 2 °C → 1 °C



### AVÍS

La temperatura de refrigeració no es pot ajustar en l'estat Super Cool o Lock.

## Ajustar la temperatura del congelador

Quan la pantalla estigui desbloquejada durant el funcionament, premeu el botó de selecció de zona per seleccionar la zona del congelador (la icona del congelador s'il·lumina). Cada vegada que premeu "+" / "-", la temperatura s'ajusta en 1 °C (parpellejant a 1 Hz).

La configuració es desa automàticament després de 5 segons d'inactivitat. Si premeu altres botons, confirmeu immediatament la configuració i canvieu les funcions.

Seqüència d'ajust:

"+": -24 °C → -23 °C → -22 °C → -21 °C → -20 °C → -19 °C → -18 °C → -17 °C → -16 °C

"-": -16 °C → -17 °C → -18 °C → -19 °C → -20 °C → -21 °C → -22 °C → -23 °C → -24 °C



### AVÍS

La temperatura de congelació no es pot ajustar en l'estat Super Freeze o Lock.

## AVÍS

Després de configurar la temperatura, si no es realitza cap operació en 5 segons, el sistema determinarà automàticament i desarà la temperatura configurada.

### **Funció Super-Cool**

Entrar en l'estat de superrefrigeració:

En l'estat desbloquejat, feu clic al botó [Super Cool], la icona [Super Cool] s'il·luminarà i la nevera entrarà en l'estat de superrefrigeració.

Sortir de l'estat de superrefrigeració:

1. En l'estat desbloquejat i de superrefrigeració, feu clic al botó [Super Cool], la icona [Super Cool] s'apagarà i sortirà manualment de l'estat de superrefrigeració.
2. Quan la nevera arribi a l'hora configurada, tancarà automàticament la funció de superrefrigeració. Després de 4 hores d'entrar al mode Super Cool, sortirà automàticament.

### **Funció Super-Frz**

Entrar en l'estat de supercongelació:

En l'estat desbloquejat, feu clic al botó [Supercongelació], la icona [Supercongelació] s'il·luminarà i la nevera entrarà en l'estat de supercongelació.

Sortir de l'estat de supercongelació:

1. En l'estat desbloquejat i de supercongelació, feu clic al botó [SuperFrz.], la icona [SuperFrz.] s'apagarà i sortirà manualment de l'estat de supercongelació.
2. Quan la nevera arribi a l'hora configurada, sortirà automàticament de la funció de supercongelació. Després de 50 hores d'entrar en el mode SuperFrz, sortirà automàticament.

La funció Super-Freeze està dissenyada per mantenir el valor nutricional dels aliments congelats, de manera que congelarà els aliments en el menor temps possible. Si es volen congelar grans quantitats d'aliments congelats alhora, es recomana configurar la funció Super-Freeze. Mentrestant, la funció Super-Freeze s'ha de configurar amb 24 hores d'antelació per tal que el congelador mantingui una temperatura relativament baixa i hi pugui posar aliments. En aquest moment, es millora la velocitat de congelació del congelador, es poden congelar els aliments ràpidament, es conserva la nutrició dels aliments de manera eficaç i l'emmagatzematge esdevé força convenient.

## Funció de refrigeració per IA

Quan necessiteu refredar ràpidament aliments guisats o cuinats, podeu col·locar els aliments a la reixeta de vidre corresponent a aquesta funció per a un refredament ràpid.

Quan la nevera detecta una font de calor a l'espai de la reixeta de vidre corresponent a aquesta funció, les llums blaves de tots dos costats comencen a parpellejar. Si la font de calor detectada persisteix durant més de 5 segons, entra en aquesta funció i les llums blaves de tots dos costats s'il·luminen. Si la font de calor detectada persisteix durant menys de 5 segons, aquesta funció no s'inicia i les llums blaves parpellegen durant uns 5 segons i després s'apaguen.

Després que s'iniciï aquesta funció, les llums blaves de tots dos costats s'encenen (quan la porta està oberta) i els ventiladors de tots dos costats comencen a funcionar. Després de tancar la porta, les llums blaves de tots dos costats s'apaguen i els ventiladors de tots dos costats continuen funcionant. Després que la font de calor s'hagi refredat, aquesta funció es tanca, les llums blaves de tots dos costats s'apaguen i els ventiladors de tots dos costats s'apaguen.

### AVÍS

- 1 Quan col·loqueu una olla de sopa o altres aliments que alliberin vapor, utilitzeu un recipient segellat amb tapa o tanqueu-lo amb film transparent abans de col·locar-los a dins.
- 2 Es recomana col·locar melons, fruites i verdures al calaix de fruites i verdures per obtenir una millor frescor i efectes hidratants. Quan col·loqueu aliments en aquesta àrea funcional, no bloquegeu les entrades d'aire circulars a banda i banda ni la sortida d'aire llarga.
- 3 La prova d'inici per a aquesta funció es va dur a terme utilitzant una olla de sopa d'acer inoxidable (una olla de sopa d'acer inoxidable turca local amb un diàmetre del cos de l'olla de 275 mm, una alçada del cos de l'olla de 150 mm i una alçada total amb tapa de 200 mm) col·locada al prestatge a la posició il·lustrada. El nivell de líquid dins de l'olla era de 2/3, la temperatura de la paret exterior de l'olla era de 35 °C, la temperatura ambient durant la prova era de 25 °C i la nevera funcionava de manera estable amb la configuració predeterminada de fàbrica.
- 4 Quan la font de calor és massa petita o la temperatura és massa baixa, és possible que aquesta funció no s'iniciï automàticament.
- 5 Quan les accions d'accés de l'usuari en aquest espai funcional triguen massa o la porta està oberta durant massa temps, també es pot activar aquesta funció.
6. Si activeu el mode vacances mentre la funció de refrigeració per IA està en funcionament, la funció de refrigeració per IA es desactivarà.

## Funció La meva zona

La meva zona s'ajusta i es configura segons la configuració funcional. Es representen seqüencialment mitjançant tres icones funcionals: "Fruïtes i verdures (5 °C), Beguda freda (2 °C), 0 °C Fresc (0 °C)". En encendre'l per primera vegada, l'estat per defecte és la configuració "Fruïtes i verdures (5 °C)". Quan estigui desbloquejat, premeu la tecla La meva zona a la pàgina d'inici per accedir a la pàgina d'ajust de la configuració de La meva zona. Feu clic al botó de configuració de La meva zona per canviar La meva zona a la configuració corresponent. L'estat de la configuració de La meva zona es manté després d'una pèrdua d'alimentació.



### AVÍS

En el mode Vacances, el compartiment refrigerat de temperatura variable es controla a 17 °C i funciona segons els punts de consigna d'encesa/apagada d'encesa a 20 °C / apagada a 16 °C.

## Funció de detecció humana

La funció de detecció humana està activada per defecte. Premeu i manteniu premut el botó "Super Frz." durant 3 segons per activar o desactivar la funció de detecció humana. Després d'entrar en aquesta funció, quan us acosteu a la nevera, la pantalla s'il·lumina i la llum blava de la porta entra en un mode de respiració d'il·luminació i atenuació.

## Funció de vacances

Premeu el botó Vacances amb l'estat desbloquejat:

Primera pulsació: La funció vacances s'activa (la icona s'il·lumina, sona un bip)

Segona pulsació: La funció vacances es desactiva (la icona s'apaga, sona un bip)

## Funció Eco

Després que la pantalla s'encengui, si la nevera no ha entrat a la funció Eco i la pantalla està desbloquejada, premeu el botó "Eco" una vegada, apareixerà la icona de la funció intel·ligent, sonarà un brunzidor i s'activarà la funció Eco.

Després que la pantalla s'encengui, si la nevera ha entrat a la funció Eco i la pantalla està desbloquejada, premeu el botó "Eco" una vegada, la icona de la funció intel·ligent s'apagarà, sonarà un brunzidor i es desactivarà la funció Eco.

 **AVÍS**

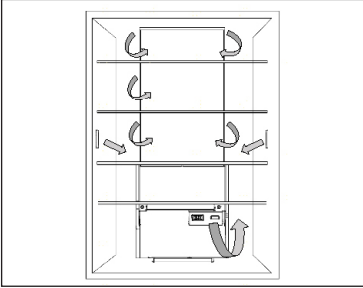
En el mode Eco, la nevera configurarà i mostrarà automàticament la temperatura del compartiment d'aliments frescos a 5 °C i del compartiment del congelador a -18 °C.

En aquest mode, les temperatures dels compartiments de la nevera i el congelador no es poden ajustar manualment.

La temperatura del compartiment My Zone es pot configurar individualment i funcionarà segons la configuració de l'usuari.

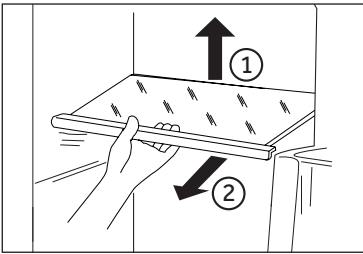
Després de sortir del mode Eco, els compartiments de la nevera i el congelador tornaran a la configuració de temperatura que hàvieu seleccionat abans d'entrar al mode Eco.

La configuració del compartiment My Zone es mantindrà sense canvis i altres estats de funcionament no es veuran afectats.



### Flux d'aire múltiple

1. La nevera està equipada amb un sistema de flux d'aire múltiple, amb el qual els fluxos d'aire fred es troben a cada nivell de les prestatgeries. Això ajuda a mantenir una temperatura uniforme per garantir que els aliments es mantinguin frescos durant més temps.



### Prestatges ajustables

1. L'alçada dels prestatges es pot ajustar per adaptar-se a les vostres necessitats d'emmagatzematge.
2. Per reubicar un prestatge, primer traieu-lo aixecant la vora posterior (1) i estirant-lo cap a fora (2).
3. Per tornar-lo a instal·lar, poseu-lo a les unghes dels dos costats i empenyeu-lo a la posició més enrere fins que la part posterior del prestatge quedi fixada dins de les ranures dels laterals.
4. El prestatge "POT STATION" té una capacitat de càrrega màxima de 200 kg i el prestatge roman intacte. Quan la càrrega supera els 80 kg, pot afectar el funcionament normal del calaix "Fresh Zone" (dades obtingudes d'un laboratori intern).

## **i** AVÍS

Assegureu-vos que tots els extrems d'un prestatge estiguin anivellats.

### Calaix de la meua zona

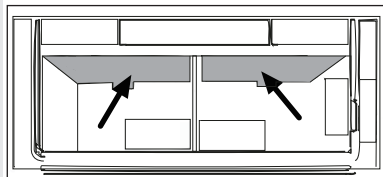
1. En aquest compartiment, el nivell d'humitat és més baix que en el compartiment de la nevera. El calaix és adequat per emmagatzemar fruita seca i altres aliments secs amb baix contingut d'aigua com ara mantega, greixos i oli o xocolata.

### Calaix de caixa d'humitat

1. En aquest compartiment el nivell d'humitat és més alt que al compartiment de la nevera. Està controlat automàticament pel sistema i és adequat per emmagatzemar fruites, verdures, amanides, etc.

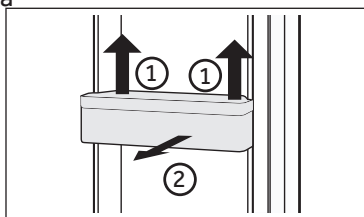
## **i** AVÍS

1. No traiu la coberta de plàstic de l'interior de les dues zones.
2. Mantenen la humitat.
3. No es recomana guardar fruites sensibles al fred com la pinya, l'alvocat, els plàtans i els aranges en aquests dos calaixos.



### Prestatgeries/portaampolles extraïbles a la porta

1. Els prestatges de la porta es poden treure per netejar-los:
2. Col·loqueu les mans a cada costat del prestatge, aixequu-lo cap amunt ① i estireu-lo cap a fora ②.
3. Per inserir el prestatge de la porta, els passos anteriors es realitzen en ordre invers.



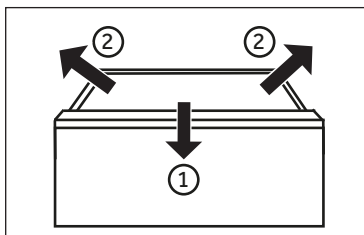
## **i** AVÍS

Quan l'aparell està encès, pot trigar fins a 12 hores a assolir les temperatures correctes.

### Caixa extraïble

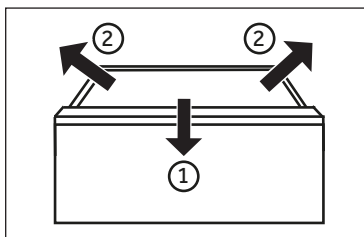
Per treure el calaix, estireu-lo fins al màxim ①, aixequu-lo i retireu-lo ②.

Per inserir el calaix, els passos anteriors es realitzen en ordre invers.



### Emmagatzematge d'articles grans

Els articles grans, com ara aliments congelats, es poden emmagatzemar després de treure la safata de congelació superior o després de treure les dues safates de congelació superiors i el calaix del congelador del mig i guardar els aliments directament a la prestatgeria.



### La llum

El llum LED interior s'encén quan s'obre la porta. El rendiment dels llums no es veu afectat per cap altra configuració de l'aparell.

### El Calaix

Empenyeu o estireu suaument al llarg de la posició central de la nansa del calaix per evitar problemes com ara un mal funcionament o el desprendiment del calaix.



## Consells per estalviar energia

- ▶ Assegureu-vos que l'aparell estigui correctament ventilat (vegeu INSTAL·LACIÓ).
- ▶ No instal·leu l'aparell sota la llum solar directa ni a prop de fonts de calor (per exemple, fogons, calefactores).
- ▶ Eviteu temperatures innecessàriament baixes a l'aparell. El consum d'energia augmenta com més baixa estigui la temperatura de l'aparell.
- ▶ Funcions com ara POWER-FREEZE consumeixen més energia.
- ▶ Deixeu que els aliments calents es refredin abans de col·locar-los a l'aparell.
- ▶ Obriu la porta de l'aparell el mínim i el més breument possible.
- ▶ No ompliu massa l'aparell per evitar obstruir el flux d'aire.
- ▶ Eviteu que hi hagi aire dins de l'envàs dels aliments.
- ▶ Mantingueu netes les juntes de la porta perquè la porta sempre tanqui correctament.
- ▶ Descongeleu els aliments congelats al compartiment d'emmagatzematge de la nevera.
- ▶ La configuració que més estalvia energia requereix que l'aparell mantingui els calaixos, la caixa d'aliments i els prestatges en perfectes condicions de fàbrica, i que els aliments estiguin col·locats el més lluny possible sense bloquejar la sortida d'aire del conducte.



## AVÍS!

Desconnecteu l'aparell de la xarxa elèctrica abans de netejar-lo.

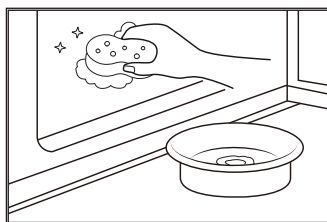
### Neteja

1. Netegeu l'aparell quan només hi hagi pocs o cap menjar emmagatzemat.
2. L'aparell s'ha de netejar cada quatre setmanes per a un bon manteniment i per evitar les males olors dels aliments emmagatzemats.



## AVÍS!

- ▶ No netegeu l'aparell amb raspalls durs, raspalls de filferro, detergent en pols, gasolina, acetat d'amil, acetona ni solucions orgàniques similars, solucions àcides o alcalines. Netegeu-lo amb un detergent especial per a frigorífics per evitar danys.
- ▶ No ruixeu ni renteu l'aparell durant la neteja.
- ▶ No utilitzeu aigua en esprai ni vapor per netejar l'aparell.
- ▶ No netegeu les prestatgeries de vidre fred amb aigua calenta. Un canvi sobtat de temperatura pot fer que el vidre es trenqui.
- ▶ No toqueu la superfície interior del compartiment d'emmagatzematge del congelador, especialment amb les mans mullades, ja que les mans es poden congelar a la superfície.
- ▶ En cas d'escalfament, comproveu l'estat dels productes congelats.



- ▶ Mantingueu sempre neta la junta de la porta.
- ▶ Netegeu l'interior i la carcassa de l'aparell amb una esponja humitejada en aigua tèbia i detergent neutre.
- ▶ 1. Fregueu l'interior i l'exterior de la nevera, incloent-hi la junta de la porta, el prestatge de la porta, els prestatges de vidre, les caixes, etc., amb una tovallola suau o una esponja submergida en aigua tèbia (podeu afegir detergent neutre a l'aigua tèbia).
- ▶ 2. Si s'ha vessat líquid, traieu totes les peces contaminades, esbandiu-les directament amb aigua corrent, eixugueu-les i torneu-les a posar a la nevera.
- ▶ 3. Si s'ha vessat nata (com ara nata o gelat desfet), traieu totes les peces contaminades, poseu-les en aigua tèbia a uns 40 °C durant un temps, després esbandiu-les amb aigua corrent, eixugueu-les i torneu-les a posar a la nevera.
- ▶ 4. En cas que alguna peça o component petit quedi enganxat a l'interior de la nevera (entre prestatges o calaixos), utilitzeu un raspall petit i suau per alliberar-lo. Si no podeu arribar a la peça, poseu-vos en contacte amb el servei tècnic de Haier.
- ▶ Esbandiu i eixugueu amb un drap suau.
- ▶ No netegeu cap de les peces de l'aparell al rentaplats.
- ▶ Espereu almenys 5 minuts abans de reiniciar l'aparell, ja que un inici freqüent pot danyar el compressor.

### Descongelació

La descongelació de la nevera i del congelador es fa automàticament; no cal cap operació manual.

## Substitució de les làmpades LED



### AVÍS!

No substitueu la làmpada LED vosaltres mateixos; només l'ha de substituir el fabricant o un agent de servei autoritzat.

Les làmpades utilitzen LED com a font de llum, amb un baix consum d'energia i una llarga vida útil. Si hi ha alguna anomalia, poseu-vos en contacte amb el servei d'atenció al client. Vegeu SERVEI D'ATENCIÓ AL CLIENT.

Paràmetres de les làmpades:

Compartiment de la nevera: 12 V màx. 8 W

Compartiment del congelador: 12 V màx. 2 W

Llum de la porta Bule: 12 V màx. 3 W

### No ús durant un període més llarg

Si l'aparell no s'utilitza durant un període de temps prolongat i no es fa servir la funció Vacances de la nevera:

Traieu els aliments.

Desendolieu el cable d'alimentació.

Netegeu l'aparell tal com s'ha descrit anteriorment.

Manteniu les portes obertes per evitar la creació de males olors a l'interior.



### AVÍS!

Apagueu l'aparell només si és estrictament necessari.

## Moviment de l'aparell

1. Traieu tots els aliments i desendolieu l'aparell.
2. Fixeu les prestatgeries i altres peces mòbils de la nevera i del congelador amb cinta adhesiva.
3. No inclineu la nevera més de 45° per evitar danys al sistema de refrigeració.



### AVÍS!

- ▶ No aixequiu l'aparell per les nanses.
- ▶ No col·loqueu mai l'aparell horitzontalment a terra.

Molts dels problemes que es poden produir es poden resoldre vostè mateix sense coneixements específics. En cas de problema, proveu totes les possibilitats que es mostren i seguiu les instruccions següents abans de contactar amb un servei postvenda. Consulteu SERVEI D'ATENCIÓ AL CLIENT.



## AVÍS!

- ▶ Abans del manteniment, desactiveu l'aparell i desconnecteu l'endoll de la presa de corrent.
- ▶ Els equips elèctrics només han de ser revisats per electricistes qualificats, ja que les reparacions inadequades poden causar danys importants.
- ▶ Un subministrament danyat només l'ha de substituir el fabricant, el seu agent de servei o persones amb qualificació similar per evitar perills.

Problema	Possible causa	Possible solució
El compressor no funciona.	<ul style="list-style-type: none"> <li>• L'endoll no està connectat a la presa de corrent</li> <li>• L'aparell està en el cicle de descongelació.</li> </ul>	<ul style="list-style-type: none"> <li>• Connecteu l'endoll de la xarxa elèctrica.</li> <li>• Això és normal per a una descongelació automàtica</li> </ul>
L'aparell funciona amb freqüència o durant un període de temps massa llarg.	<ul style="list-style-type: none"> <li>• La temperatura interior o exterior és massa alta.</li> <li>• L'aparell ha estat apagat durant un període de temps.</li> <li>• Una porta de l'aparell no està ben tancada.</li> <li>• La porta s'ha obert amb massa freqüència o durant massa temps.</li> <li>• La temperatura configurada per al compartiment del congelador és massa baixa.</li> <li>• La junta de la porta està bruta, desgastada, esquerpada o no encaixa correctament.</li> <li>• No es garanteix la circulació d'aire necessària.</li> </ul>	<ul style="list-style-type: none"> <li>• En aquest cas, és normal que l'aparell funcioni més temps.</li> <li>• Normalment, l'aparell triga de 8 a 12 hores a refredar-se completament.</li> <li>• Tanqueu la porta/calaix i assegureu-vos que l'aparell estigui situat en un terreny pla i que no hi hagi aliments ni recipients que facin soroll a la porta.</li> <li>• No obriu la porta/calaix massa sovint.</li> <li>• Ajusteu la temperatura més alta fins que s'obtingui una temperatura satisfactòria per a la nevera. La temperatura de la nevera triga 24 hores a estabilitzar-se.</li> <li>• Netegeu la junta de la porta/calaix o substituïu-la mitjançant el servei d'atenció al client.</li> <li>• Assegureu-vos que hi hagi una ventilació adequada.</li> </ul>
L'interior de la nevera està brut i/o fa olor.	<ul style="list-style-type: none"> <li>• Cal netejar l'interior de la nevera.</li> <li>• Els aliments amb una olor forta s'emmagatzemen a la nevera.</li> </ul>	<ul style="list-style-type: none"> <li>• Netegeu l'interior de la nevera.</li> <li>• Emboliqueu bé els aliments.</li> </ul>

Problema	Causa possible	Possible solució
No fa prou fred dins de l'aparell.	<ul style="list-style-type: none"> <li>• La temperatura està configurada a massa alta.</li> <li>• S'han emmagatzemat productes massa calents. S'ha emmagatzemat massa menjar alhora. Els productes estan massa a prop els uns dels altres. Una porta/calaix de l'aparell no està ben tancat. La porta/calaix s'ha obert massa sovint o durant massa temps.</li> </ul>	<ul style="list-style-type: none"> <li>• Restableix la temperatura.</li> <li>• Refreda sempre els aliments abans de guardar-los.</li> <li>• Guarda sempre petites quantitats d'aliments.</li> <li>• Deixa un espai entre diversos aliments per permetre la circulació de l'aire.</li> <li>• Tanca la porta/calaix.</li> <li>• No obris la porta/calaix massa sovint.</li> </ul>
Fa massa fred dins de l'aparell.	<ul style="list-style-type: none"> <li>• La temperatura està configurada massa baixa.</li> <li>• La funció Super-Frz/Super-Cool està activada o fa massa temps que funciona.</li> </ul>	<ul style="list-style-type: none"> <li>• Restableix la temperatura</li> <li>• Desactiva la funció Super-Frz/Super-Cool</li> </ul>
Formació d'humitat a l'interior del compartiment de la nevera.	<ul style="list-style-type: none"> <li>• El clima és massa càlid i massa humit.</li> <li>• Una porta/calaix de l'aparell no està ben tancat.</li> <li>• La porta/calaix s'ha obert massa sovint o durant massa temps.</li> <li>• S'han deixat recipients d'aliments o líquids oberts.</li> </ul>	<ul style="list-style-type: none"> <li>• Augmenteu la temperatura.</li> <li>• Tanqueu la porta/calaix.</li> <li>• No obriu la porta/calaix massa sovint.</li> <li>• Deixeu que els aliments calents es refredin a temperatura ambient i tapeu els aliments i líquids.</li> </ul>
<b>La humitat s'acumula a la superfície exterior de la nevera entre les portes/porta i el calaix.</b>	<ul style="list-style-type: none"> <li>• El clima és massa càlid i massa humit.</li> <li>• La porta no està ben tancada. L'aire fred de l'aparell i l'aire calent de l'exterior es condensa.</li> </ul>	<ul style="list-style-type: none"> <li>• Això és normal en climes humits i canviarà quan la humitat disminueixi.</li> <li>• Assegureu-vos que la porta/calaix estigui ben tancat.</li> </ul>

Problema	Possible causa	Possible solució
Forta acumulació de gel i gebre al compartiment del congelador.	<ul style="list-style-type: none"> <li>• Els productes no estaven ben embalats.</li> <li>• Una porta/calaix de l'aparell no està ben tancat.</li> <li>• La porta/calaix s'ha obert massa sovint o durant massa temps.</li> <li>• La junta de la porta/calaix està bruta, desgastada, esquerpada o no coincideix.</li> <li>• Alguna cosa a l'interior impedeix que la porta/calaix tanqui correctament.</li> </ul>	<ul style="list-style-type: none"> <li>• Empaqueu sempre bé els productes.</li> <li>• Tanqueu la porta/calaix.</li> <li>• No obriu la porta/calaix massa sovint.</li> <li>• Netegeu la junta de la porta/calaix o substituïu-la per una de nova.</li> <li>• Reposicioneu els prestatges, els prestatges de la porta o els contenidors interns per permetre que la porta/calaix es tanqui.</li> </ul>
Els laterals de l'armari i el llistó de la porta s'escalfen.		<ul style="list-style-type: none"> <li>• Això és normal.</li> </ul>
L'aparell fa sons anormals.	<ul style="list-style-type: none"> <li>• L'aparell no està situat en un terreny pla.</li> <li>• L'aparell toca algun objecte al seu voltant.</li> </ul>	<ul style="list-style-type: none"> <li>• Ajusteu els peus per anivellar l'aparell.</li> <li>• Traieu els objectes que hi ha al voltant de l'aparell.</li> </ul>
Se sent un lleuger so semblant al de l'aigua que flueix.		<ul style="list-style-type: none"> <li>• Això és normal.</li> </ul>
Sentiràs un so d'alarma.	<ul style="list-style-type: none"> <li>• La porta del compartiment d'emmagatzematge de la nevera està oberta.</li> </ul>	<ul style="list-style-type: none"> <li>• Tanca la porta.</li> </ul>
Sentiràs un brunzit feble..	<ul style="list-style-type: none"> <li>• El sistema anticondensació funciona</li> </ul>	<ul style="list-style-type: none"> <li>• Això evita la condensació i és normal</li> </ul>
L'interior el sistema d'il·luminació o de refrigeració no funciona.	<ul style="list-style-type: none"> <li>• L'endoll no està connectat a la presa de corrent.</li> <li>• La font d'alimentació no està intacta.</li> <li>• El llum LED no funciona.</li> </ul>	<ul style="list-style-type: none"> <li>• Connecteu l'endoll de la xarxa elèctrica.</li> <li>• Comproveu el subministrament elèctric de l'habitació. Truqueu a la companyia elèctrica local!</li> <li>• Truqueu al servei tècnic per canviar la làmpada.</li> </ul>

Per contactar amb l'assistència tècnica, visiteu el nostre lloc web: <https://corporate.haier-eu-ropo.com/en/>  
A la secció "lloc web", trieu la marca del vostre producte i el vostre país. Se us redirigirà al lloc web específic on trobareu el número de telèfon i el formulari per contactar amb l'assistència tècnica.

## Interrupció de corrent


En cas de tall de corrent, els aliments s'han de mantenir freds durant unes 5 hores. Seguiu aquests consells durant una interrupció prolongada del subministrament elèctric, sobretot a l'estiu:

- ▶ Obriu la porta/calaix tantes vegades com sigui possible.
- ▶ No poseu més menjar a l'aparell durant una interrupció del corrent.
- ▶ Si es dona un avís previ d'una interrupció del corrent i la durada de la interrupció és superior a 5 hores, feu gel i poseu-lo en un recipient a la part superior del compartiment de la nevera.
- ▶ Cal inspeccionar els productes immediatament després de la interrupció.
- ▶ Com que la temperatura a la nevera augmentarà durant una interrupció del corrent o una altra fallada, el període d'emmagatzematge i la qualitat comestible dels aliments es reduiran. Qualsevol aliment que es descongeli s'ha de consumir o cuinar i tornar a congelar (si escau) poc després per evitar riscos per a la salut.

## Funció de memòria durant les interrupcions de corrent

Després de restablir el corrent, l'aparell continua amb la configuració que tenia establerta abans de la fallada de corrent.

## Desembalatge


**AVÍS!**

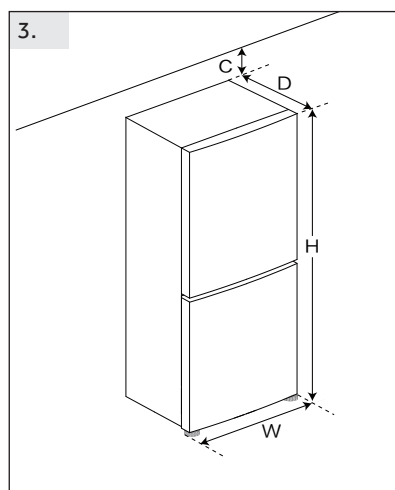
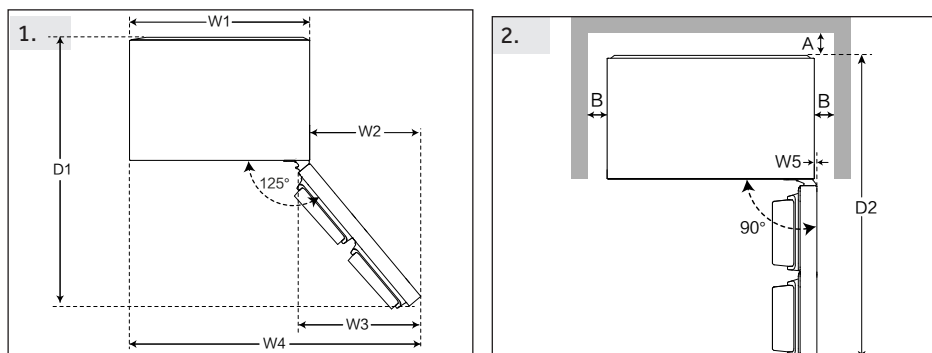
- ▶ L'aparell és pesat. Manipuleu-lo sempre amb almenys dues persones.
- ▶ Mantingueu tots els materials d'embalatge fora de l'abast dels nens i llenceu-los de manera respectuosa amb el medi ambient.
- ▶ Traieu l'aparell de l'embalatge.
- ▶ Traieu tots els materials d'embalatge.

**Condicions ambientals**

La temperatura ambiental sempre ha d'estar entre 10 °C i 43 °C, ja que pot influir en la temperatura interior de l'aparell i en el seu consum d'energia. No instal·leu l'aparell a prop d'altres aparells que emetin calor (forns, neveres) sense aïllar-lo.

**Recomanació d'espai**

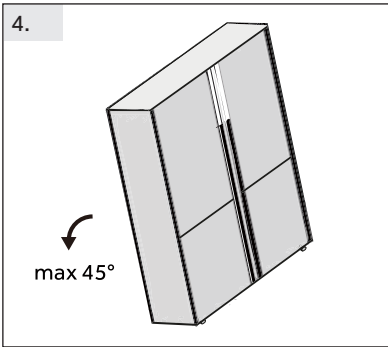
Espai recomanat quan la porta està oberta (Fig. 1.2.)



(Unit : mm)	Model#1	Model#2
Width	W1	830
	W2	500
	W3	529
	W4	1330
	W5	21
	W	830
Depth	D1	1362
	D2	1502
	D	725
Distance to back wall	A	50
Distance to lateral walls	B	50
Distance to ceiling	C	50
Overall Height	H	1850

## Secció transversal de ventilació

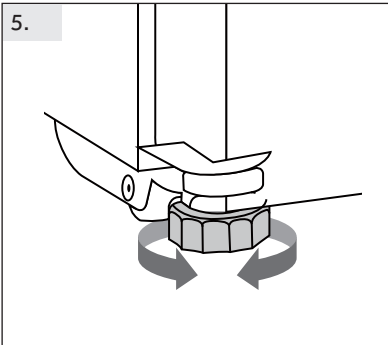
Per aconseguir una ventilació suficient de l'aparell per motius de seguretat, cal tenir en compte la informació de les seccions transversals de ventilació necessàries.



### Signatura de l'aparell ((Fig.4.5.6.)

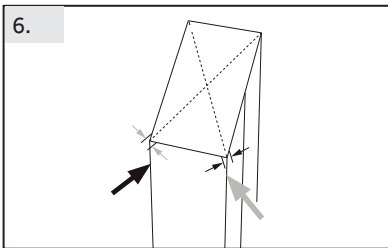
L'aparell s'ha de col·locar sobre una superfície plana i sòlida.

4. Inclineu la nevera lleugerament cap enrere.



5. Col·loqueu els peus al nivell desitjat.

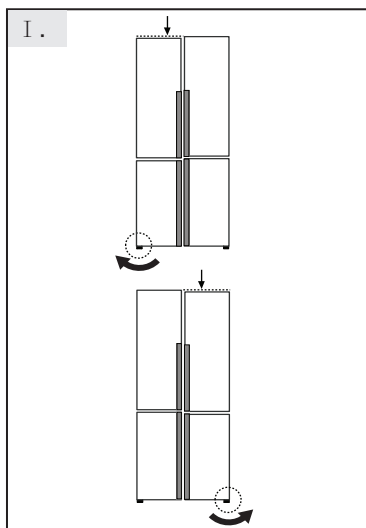
Assegureu-vos que la distància a la paret del costat de la frontissa sigui d'almenys 50 mm perquè la porta s'obri correctament.



6. L'estabilitat es pot comprovar colpejant alternativament les diagonals. El lleuger balanceig ha de ser el mateix en ambdues direccions. En cas contrari, el marc es pot deformar; el resultat és possible que les juntes de les portes tinguin fuites. Una baixa tendència cap enrere facilita el tancament de les portes.

## **i** AVÍS

Per a un aparell independent: aquest aparell frigorífic no està pensat per ser utilitzat com a aparell encastrat.

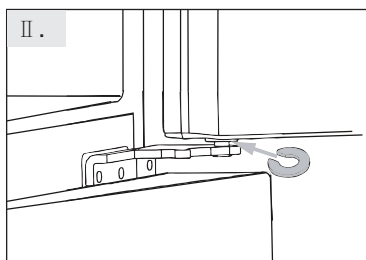


### Afinació fina de les portes

Si les portes no estan en un mateix nivell, aquesta desconexió es pot solucionar de la següent manera:

#### I Ús del peu ajustable

Gireu el peu ajustable segons la direcció de la fletxa per girar el peu amunt o avall.

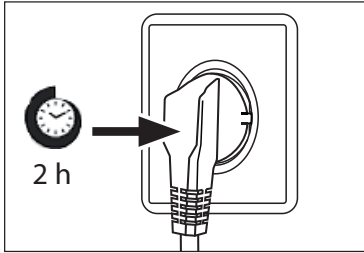


#### II Ús d'espaiadors

- ▶ Obriu la porta superior i aixequen-la
- ▶ Enganxeu amb cura l'espaiador (inclòs a la bossa d'accessoris) a l'anell de plàstic blanc de la frontissa central amb la mà o amb eines com ara unes alicates. No ratlleu ni esquitxeu la porta.

## **i** AVÍS

En el futur ús de la nevera, és possible que es produeixi un fenomen desigual de les portes a causa del pes dels aliments emmagatzemats. Aleshores, ajusteu-les segons els mètodes anteriors.



### Temps d'espera

Perquè l'oli lubricant no necessiti manteniment es trobi a la càpsula del compressor. Aquest oli pot passar pel sistema de canonades tancades durant el transport inclinat. Abans de connectar l'aparell a la xarxa elèctrica, cal esperar almenys 2 hores perquè l'oli torni a la càpsula.

### Connexió elèctrica

Abans de cada connexió, comproveu si:

- ▶ La font d'alimentació, la presa i els fusibles són els corresponents a la placa de característiques.
- ▶ La presa de corrent té connexió a terra i no hi ha endolls múltiples ni extensió.
- ▶ L'endoll i la presa de corrent són estrictament conformes.

Connecteu l'endoll a una presa de corrent domèstica instal·lada correctament.



### AVÍS!

Per evitar riscos, el servei d'atenció al client ha de substituir un cable d'alimentació danyat (vegeu la targeta de garantia).

Fitxa del producte segons el reglament UE núm. 2019/2016

Marca	Haier
Nom / identificador del model	HDR5818DNSS HDR5818DNPW HDR5818DNMB
Categoria del model	Frigorífic-congelador
Classe d'eficiència energètica	D
Consum anual d'energia (kWh/any)(1)	273
Volum total (L)	640
Volum de la nevera (L)	413
Volum del congelador (L)	184
Secció de refrigeració de volum (L)	43
Classificació per estrelles	*/***
Temperatura d'altres compartiments > 14 °C	No aplicable
Sistema sense gelades	Sí
Capacitat de congelació (kg/24h)	10
Classificació climàtica (2)	SN-N-ST-T
Classe d'emissió de soroll i emissions de soroll acústic aeri (db(A) re 1pW)	B(35)
Temps d'augment de temperatura (h)	10
Tipus d'aparell	independent

Explicacions:

- Sí, destacat

- (1) Basat en els resultats de la prova de conformitat amb els estàndards durant 24 hores. El consum real depèn de l'ús i la ubicació de l'aparell.
- (2) Classificació climàtica SN: Aquest aparell està pensat per al seu ús a temperatura ambient d'entre +10°C i +32°C  
Classificació climàtica N: Aquest aparell està pensat per a un ús a una temperatura ambient d'entre +16 °C i +32 °C.
- (3) Classificació climàtica ST: Aquest aparell està pensat per a un ús a una temperatura ambient d'entre +16 °C i +38 °C.
- (4) Classificació climàtica T: Aquest aparell està pensat per a un ús a una temperatura ambient d'entre +16 °C i +43 °C.

### Dades tècniques addicionals

Voltatge / Freqüència	220-240V ~/ 50Hz
Corrent d'entrada (A)	2
Fusible principal (A)	8
Refrigerant	R600a
Dimensions (A/A/P in mm)	1850 / 830/725

Recomanem el nostre servei d'atenció al client de Haier i l'ús de recanvis originals. Si teniu algun problema amb el vostre aparell, consulteu primer la secció SOLUCIÓ DE PROBLEMES.

Si no hi trobeu cap solució, poseu-vos en contacte amb

- ▶ el vostre distribuïdor local o
- ▶ el nostre Centre d'atenció telefònica europeu (vegeu els números de telèfon que apareixen a continuació) o
- ▶ l'àrea de Servei i assistència a [www.haier.com](http://www.haier.com) on podeu activar el servei
- ▶ reclamar i també trobar preguntes freqüents.

Per contactar amb el nostre servei, assegureu-vos que disposeu de les dades següents.

La informació es pot trobar a la placa de qualificació.

Model \_\_\_\_\_

Serial No. \_\_\_\_\_

Consulteu també la targeta de garantia que s'inclou amb el producte  
en cas de garantia.

Centre de servei d'atenció telefònica europeu		
Country*	Phone number	Costs
Haier Italy (IT)	199 100 912	
Haier Spain (ES)	902 509 123	
Haier Germany (DE)	0180 5 39 39 99	<ul style="list-style-type: none"> <li>• 14 Ct/Min Landline</li> <li>• max 42 Ct/Min Mobile</li> </ul>
Haier Austria (AT)	0820 001 205	<ul style="list-style-type: none"> <li>• 14,53 Ct/Min Landline</li> <li>• max 20 Ct/Min all others</li> </ul>
Haier United Kingdom (UK)	0333 003 8122	
Haier France (FR)	0980 406 409	

\*\* Per a altres països, consulteu [www.haier.com](http://www.haier.com)

Haier Europe Trading Srl  
Sucursal Regne Unit  
Westgate House, Westgate, Ealing  
Londres, W5 1YY

\*\*Durada de la garantia de l'aparell frigorífic:

La garantia mínima és: 2 anys per als països de la UE, 3 anys per a Turquia, 1 any per al Regne Unit, 1 any per a Rússia, 3 anys per a Suècia, 2 anys per a Sèrbia, 5 anys per a Noruega, 1 any per al Marroc, 6 mesos per a Algèria, Tunísia. No cal cap garantia legal.

El període de recanvis per a la reparació de l'aparell:

Els termòstats, els sensors de temperatura, les plaques de circuits impresos i les fonts de llum estan disponibles durant un període mínim de set anys després de la comercialització de l'última unitat del model.

Manetes, frontisses, safates i cistelles de les portes durant un període mínim de set anys i juntes de les portes durant un període mínim de 10 anys, després de la comercialització de l'última unitat del model.

\*Per a més informació sobre el producte, consulteu <https://eprel.ec.europa.eu/> o escaneja el codi QR de l'etiqueta energètica que s'inclou amb l'aparell.

CERTIFICATE OF QUALITY

DESIGNATION: REFRIGERATOR

Q.C.PASSED

CHECKER No.

QC01

**Haier**



0060543301  
2025 Version A