

CANDY *ROSIÈRES*

User Manual

Freezer
CMT5518EVWF
RMT5518EVWF

EN

CZ

DE

EL

ES

FR

HU

IT

NL

PL

PT

RO

SK

SL

CA

EN

**WARNING: Risk of fire/flammable material**

EN

The symbol indicates there is a risk of fire since flammable materials are used. Take care to avoid causing a fire by igniting flammable material.

VAROVÁNÍ: Nebezpečí Požáru/Hořlavého Materiálu

CZ

Symbol označuje riziko požáru, protože byly použity hořlavé materiály.

Dbejte na to, aby nedošlo ke vzniku požáru zapálením hořlavého materiálu.

WARNUNG: Brandgefahr/brennbares Material

DE

Das Symbol weist auf Brandgefahr hin, da brennbare Materialien verwendet werden.

Verhindern Sie die Entstehung von Branden, die durch entflammbare Materialien verursacht werden.

ΠΡΟΣΟΧΗ: Κίνδυνος φωτιάς/εύφλεκτο υλικό

EL

Το σύμβολο υποδεικνύει ότι υπάρχει κίνδυνος φωτιάς επειδή χρησιμοποιούνται εύφλεκτα υλικά. Προσέχετε να αποφεύγετε την πρόκληση φωτιάς από ανάφλεξη εύφλεκτου υλικού.

ADVERTENCIA: Riesgo de incendio o material inflamable

ES

El símbolo indica que existe riesgo de incendio, dado que se utilizan materiales inflamables.

Se debe procurar evitar incendios mediante la combustión de materiales inflamables.

ATTENTION: Risque d'incendie ou de matières inflammables

FR

Le symbole montre qu'il y a le risque de matériaux inflammables sont utilisés.

Prendre soin d'éviter de provoquer un incendie en ingérant des matières inflammables.

FIGYELMEZTETÉS: Tűzveszély/gyúlékony anyagok

HU

A szimbólum a tűzveszélyről tájékoztat, ami a gyúlékony anyagok használatából adódik.

Figyeljen a tűz megelőzésére, mivel a gyúlékony anyag lángra kaphat.

AVVERTENZA: Rischio di incendio/materiale infiammabile

IT

Il simbolo indica che esiste il rischio di incendio poiché sono utilizzati materiali infiammabili.

Prestare particolare attenzione per evitare incendi causati dall'accensione di materiali infiammabili.

WAARSCHUWING: Brandrisico / brandbaar materiaal

NL

Het systeem geeft aan dat er een brandrisico bestaat aangezien brandbaar materiaal wordt gebruikt. Zorg ervoor dat er geen brand wordt veroorzaakt door brandbaar materiaal te ont steken.

OSTRZEŽENIE: Ryzyko pożaru/materiał łatwopalny

PL

Symbol wskazuje, że istnieje ryzyko pożaru, ponieważ używane są materiały łatwopalne.

Dbaj o to, aby uniknąć pożaru poprzez zapale nie łatwopalnego materiału.

AVISO: Risco de incêndio e material inflamável

PT

O símbolo indica que existe um risco de incêndio, uma vez que são utilizados materiais inflamáveis. Tenha cuidado para evitar provocar um incêndio acendendo material inflamável.

AVERTISMENT: Risc de incendiu/material inflamabil

RO

Simbolul indică că există risc de incendiu deoarece sunt folosite materiale inflamabile.

Aveți grijă să evitați incendiile aprinzând materiale inflamabile.

VAROVANIE: Nebezpečnosť požiaru/horľavý materiál

SK

Symbol označuje nebezpečnosť požiaru, pretože sa používajú horľavé materiály.

Dávajte pozor, aby ste zabránili vzniku požiaru vznietením horľavého materiálu.

OPOZORILO: Nevarnost požara/vnetljiv material

SL

Simbol označuje nevarnost požara, saj se uporabljajo vnetljivi materiali.

Pazite, da ne povzročite požara z vžigom vnetljivega materiala.

ADVERTÈNCIA: Risc d'incendi o material inflamable.

CA

Aquest símbol indica que hi ha risc d'incendi, perquè es fan servir materials inflamables. Eviteu encendre materials inflamables que poden provocar un incendi. Extremeu les precaucions.

<u>5 Safety information</u>	•	<u>Before first use</u>	6
		<u>Installation</u>	6
		<u>Daily use</u>	7
<u>10 Intended use</u>	•	<u>Refrigerant gas information</u>	9
<u>11 Product description</u>	•		
<u>12 Control panel</u>	•		
<u>13 Use</u>	•	<u>Lock/Unlock key and its icon</u>	13
		<u>Standby function</u>	13
		<u>Wi-Fi function</u>	13
		<u>Adjust the temperature for freezer</u>	14
		<u>Super Freeze function</u>	15
		<u>ECO function</u>	15
<u>16 Equipment</u>	•		
<u>17 Energy saving tips</u>	•		
<u>18 Care and cleaning</u>	•		
<u>20 Troubleshooting</u>	•		
<u>24 Installation</u>	•		
<u>30 Technical data</u>	•		
<u>32 Customer service</u>	•		

Thank you for purchasing a Haier Product.

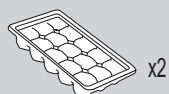
Please read these instructions carefully before using this appliance. The instructions contain important information which will help you get the best out of the appliance and ensure safe and proper installation, use and maintenance.

Keep this manual in a convenient place so you can always refer to it for the safe and proper use of the appliance.

If you sell the appliance, give it away, or leave it behind when you move house, make sure you also pass this manual so that the new owner can become familiar with the appliance and safety warnings.

Accessories

Check the accessories and literature in accordance with this list:



Ice cube tray



Energy lable



Warranty card



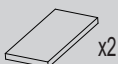
User manual



Screw



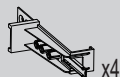
Cover



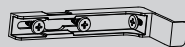
Sponge block



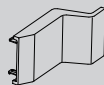
Slide guide



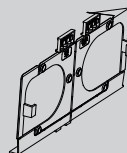
Slide asm.



Fixed plate



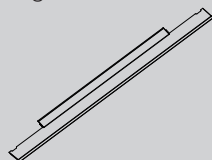
Hinge cover



Bottom fixed plate



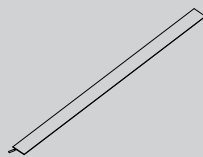
Top fixed plate



Bottom cover



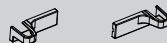
Bottom side cover



Seal strip



Seal sponge



Bottom hinge cover



WARNING – Important Safety information



NOTICE-General information and tips



Environmental information



Disposal

Help protect the environment and human health. Put the packaging in applicable containers to recycle it. Help to recycle waste of electrical and electronic appliances. Do not dispose appliances marked with this symbol with the household waste. Return the product to your local recycling facility or contact your municipal office.



WARNING!

Risk of injury or suffocation!

Refrigerants and gases must be disposed of professionally. Ensure that the tubing of the refrigerant circuit is not damaged before being properly disposed of. Disconnect the appliance from the mains supply. Cut off the mains cable and dispose of it. Remove the trays and drawers as well as the door catch and seals, to prevent children and pets to get closed in the appliance.

Before switching on the appliance for the first time read the following safety hints!:



WARNING!

Before first use

- ▶ Make sure there is no transport damage.
- ▶ Wait at least two hours before installing the appliance in order to ensure the refrigerant circuit is fully efficient.
- ▶ Handle the appliance always with at least two persons because it is heavy.
- ▶ Remove all packaging materials, keep them out of children`s reach and dispose them in an environmentally friendly manner.
- ▶ Clean the inside and outside of the appliance with water and a mild detergent before putting any food in it.
- ▶ After the appliance has been levelled and cleaned, wait for at least 2-5 hours before connecting it to the power supply. See Section INSTALLATION.
- ▶ Precool the compartments at high settings before loading with food. The function Super - Freeze helps to cool down the compartments quickly.
- ▶ The freezer temperature is automatically set to -18 C respectively. These is the recommended settings. If desired, you can change the temperature manually. Please see ADJUST THE TEMPERATURE.

Installation

- ▶ The appliance should be placed in a well-ventilated place. Ensure a space of at least 10 cm above and around the appliance.
- ▶ Never place the appliance in a damp area or location where it might be splashed with water. Clean and dry water splashes and stains with a soft clean cloth.
- ▶ Do not install the appliance in direct sunlight or in the near of heat sources(e.g. stoves, heaters).
- ▶ Install and level the appliance in an area suitable for its size and use.
- ▶ Keep ventilation openings in the appliance or in the in-built structure clear of obstruction.
- ▶ Make sure that the electrical information on the rating plate agrees with the power supply. If it does not, contact an electrician.
- ▶ The appliance is operated by a 220-240 VAC/50 Hz power supply. Abnormal voltage fluctuation may cause the appliance to fail to start, or damage to the temperature control or compressor, or there may be an abnormal noise when operating. In such case, an automatic regulator shall be mounted.
- ▶ Do not use multi-plug adapters and extension cables.
- ▶ Do not locate multiple portable socket-outlets or portable power supplies at the rear of the appliance.
- ▶ Ensure that the power cable is not trapped by the refrigerator. Do not step on the power cable.



WARNING!

- ▶ Use a separate earthed socket for the power supply which is easily accessible. The appliance must be earthed.
Only for UK: The appliance's power cable is fitted with 3-cord (grounding) plug that fits a standard 3-cord (grounded) socket. Never cut off or dismantle the third pin (grounding). After the appliance is installed, the plug should be accessible.
- ▶ Do not damage the refrigerant circuit.

Daily use

- ▶ This appliance can be used by children aged from 8 years and above and persons with reduced physical, sensory or mental capabilities or lack of experience and knowledge if they have been given supervision or instruction concerning use of the appliance in a safe way and understand the hazards involved.
- ▶ Children aged from 3 to 8 years are allowed to load and unload, but not allowed to clean or install the refrigerating appliances.
- ▶ Keep away children under 3 years of age from the appliance unless they are constantly supervised.
- ▶ Children shall not play with the appliance.
- ▶ If cool gas or other inflammable gas is leaking in the vicinity of the appliance, turn off the valve of the leaking gas, open the doors and windows and do not unplug a plug in the power cable of the refrigerator or any other appliance.
- ▶ Notice that the appliance is set for operation at a specific ambient range between 10 and 43°C. The appliance may not work properly if it is left for a long period at a temperature above or below the indicated range.
- ▶ Do not place unstable articles (heavy objects, containers filled with water) on top of the refrigerator, to avoid personal injury caused by falling or electric shock caused by contact with water.
- ▶ Do not pull on the door shelves. The door may be pulled slant, the bottle rack, may be pulled away, or the appliance may topple.
- ▶ Open and close the doors only with the handles. The gap between the doors and between the doors and the cabinet is very narrow. Do not extend your hands in these areas to avoid pinching your fingers. Open or close the refrigerator doors only when there are no children standing within the range of door movement.
- ▶ When positioning the appliance, ensure the supply cord is not trapped or damaged.
- ▶ Do not store explosive substances such as aerosol cans with a flammable propellant in this appliance.
- ▶ To avoid contamination of food:
 - Opening the door for long periods can cause a significant increase of the temperature in the compartments of the appliance.
 - Clean regularly surfaces that can come in contact with food and accessible drainage systems.
 - Store raw meat and fish in suitable containers in the refrigerator, so that it is not in contact with or drip onto other food.
 - If product is left empty for long periods, switch off, defrost, clean, dry, and leave the door open to prevent mould developing within the appliance.

**WARNING!**

- ▶ Do not store or use inflammable, explosive or corrosive materials in the appliance or in the vicinity.
- ▶ Do not store medicines, bacteria or chemical agents in the appliance. This appliance is a household appliance. It is not recommended to store materials that require strict temperatures.
- ▶ Never store liquids in bottles or cans (besides high percentage spirits) especially carbonated beverages in the freezer, as these will burst during freezing.
- ▶ Check the condition of food if a warming in the freezer has taken place.
- ▶ Do not touch frozen goods with wet hands (wear gloves). Especially do not eat ice lollies immediately after removal from the freezer compartment. There is the risk to freeze or the formation of frost blisters. FIRST aid: keep immediately under running cold water. Do not pull away!
- ▶ Do not touch the inside surface of the freezer storage compartment when in operation, especially with wet hands, as your hands may freeze onto the surface.
- ▶ Unplug the appliance in the event of a power interruption or before cleaning. Allow at least 7 minutes before restarting the appliance, as frequent starting may damage the compressor.
- ▶ Do not use electrical devices inside the food storage compartments of the appliance, unless they are of the type recommended by the manufacturer.
Maintenance / cleaning
- ▶ Make sure children are supervised if they carry out cleaning and maintenance.
- ▶ Disconnect the appliance from the electrical supply before undertaking any routine maintenance. Allow at least 5 minutes before restarting the appliance, as frequent starting may damage the compressor.



WARNING!

- ▶ Hold the plug, not the cable, when unplugging the appliance.
- ▶ Do not clean the appliance with hard brushes, wire brushes, detergent powder, petrol, amyl acetate, acetone and similar organic solutions, acid or alkaline solutions. Please clean with special refrigerator detergent to avoid damage.
- ▶ If the supply cord is damaged, it must be replaced by the manufacturer, its service agent or similarly qualified persons in order to avoid a hazard.
- ▶ Do not try to repair, disassemble or modify the appliance by yourself. In case of repair please contact our customer service.
- ▶ Eliminate the dust on the back of the unit at least once in the year to avoid hazard by fire, as well as increased energy consumption.
- ▶ Do not spray or flush the appliance during cleaning.
- ▶ Do not use water spray or steam to clean the appliance.
- ▶ Do not clean the cold glass shelves with hot water. Sudden temperature change may cause the glass to break.

Refrigerant gas information



WARNING!

The appliance contains the flammable refrigerant ISOBUTANE (R600a). Make sure the refrigerant circuit is not damaged during transportation or installation. Leaking refrigerant may cause eye injuries or ignite. If a damage has occurred, keep away open fire sources, thoroughly ventilate the room, do not plug or unplug the power cords of the appliance or any other appliance. Inform the customer service.

In case of eyes get into contact with the refrigerant, rinse immediately it under running water and call immediately the eye specialist.

Intended use

This appliance is intended for freezing food. It has been designed exclusively for use in household and similar applications such as staff kitchen areas in shops, offices and other working environments; farm houses and by clients in hotels, motels and other residential type environments as well as in bed-and-breakfast and catering business. It is not intended for commercial or industrial use.

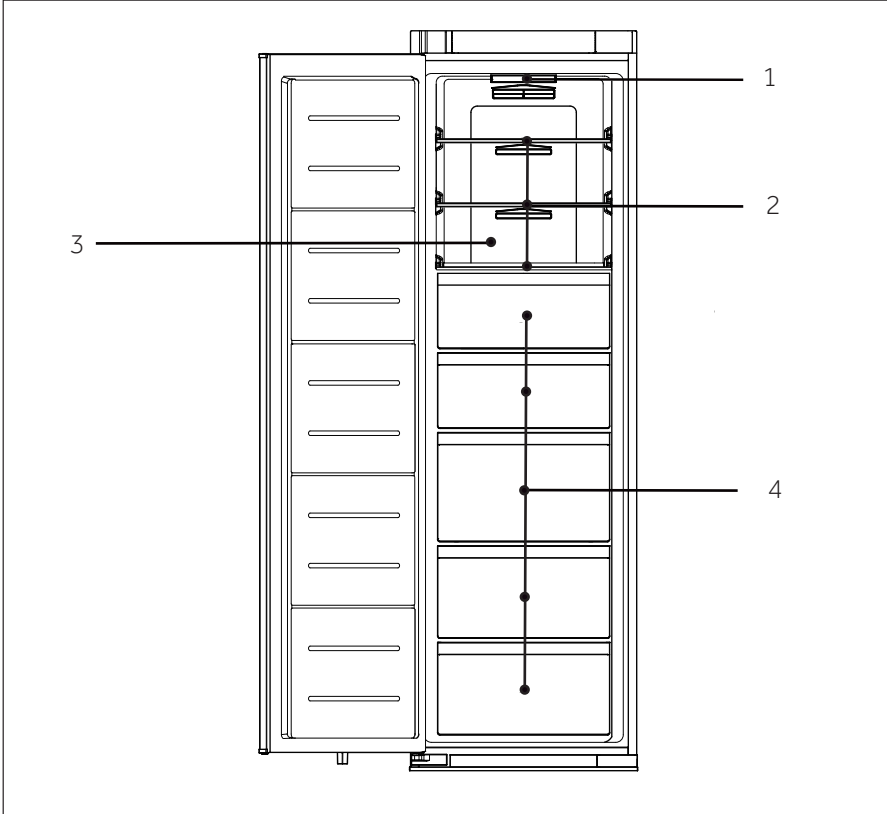
Changes or modifications to the device are not allowed. Unintended use may cause hazards and loss of warranty claims.

Standards and directives

This product meets the requirements of all applicable EC directives with the corresponding harmonised standards, which provide for CE marking.

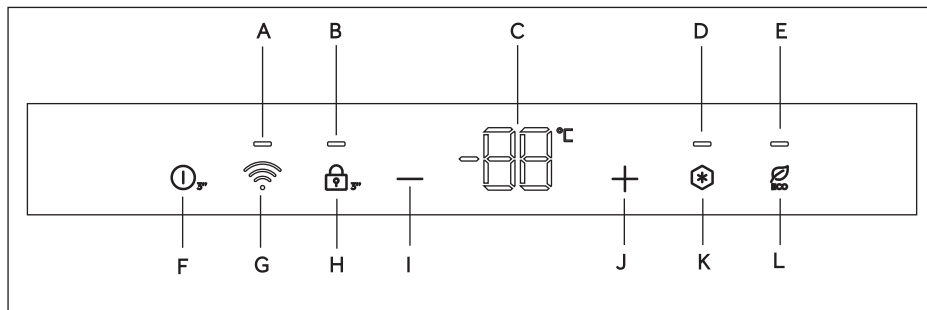
i NOTICE

Due to technical changes and different models, some of the illustrations in this manual may differ from your model.

**CMT5518EVWF/RMT5518EVWF**

- 1 LED interior light
- 2 Ordinary shelves
- 3 Freezer air duct
- 4 Ordinary freezer drawer

Control panel



Indicator icons:

- A Wi-Fi function icon
- B Lock/Unlock icon
- C Temperature display icon
- D Super Freeze function icon
- E ECO function icon

Touch keys:

- F ON/OFF key
- G Wi-Fi matching key
- H Lock/Unlock key
- I Lower temperature key
- J Raise temperature key
- K Super Freeze function key
- L ECO function key

Sensor keys

The buttons on the control panel are sensor keys, which already respond when lightly touched with the finger.

Please open the refrigerator door first before controlling the display screen.

Lock/Unlock function

This key and its icon are used to lock or unlock the control screen and indicate its current status.

Open the refrigerator door while the refrigerator is working, the control screen will light up and the Lock/Unlock icon is on, at this time, the control screen is under locked state and can not be operated.

Manually unlocking or locking the screen: When the Lock/Unlock icon is lit up, please keep touching the Lock/Unlock key for 3 seconds. The icon will go out and be accompanied by a beep prompt. At this time, function selection or temperature adjustment can be performed.

When the Lock/Unlock icon is turned off, please keep touching the Lock/Unlock key for 3 seconds. Then the Lock/Unlock icon will light up and be accompanied by a beep prompt, At this time, function selection or temperature adjustment cannot be performed.

Automatic screen lock: When the refrigerator door is closed, the control screen will turn off and be locked.

When the refrigerator door is opened, the control screen will automatically lock if there was no operation within 30 seconds.

ON/OFF function

ON/OFF key is used to switch between OFF(pause working status) and ON(normal working modes).

Enter OFF mode: Under the refrigerator working mode, first unlock the display, then keep touching ON/OFF function key for 3 seconds to turn off the control screen, refrigeration lighting, cooling and other functions with a prompt sound followed.



NOTICE

OFF mode is not power down, and the refrigerator is still powered on at this time.





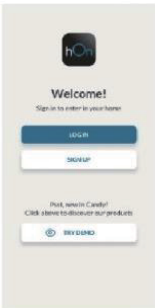
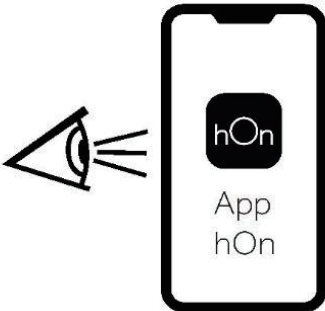
Exit OFF mode: Under the OFF mode, keep touching the ON/OFF key for 3 seconds to restart the control screen, refrigeration lighting, cooling and other functions, accompanied by a prompt sound. The refrigerator will return the set temperature and function before and enter normal working mode.

Wi-Fi function

Wi-Fi matching : When the refrigerator is powered on at the first time, it will automatically enter network configuration mode, and the Wi-Fi function icon will flash quickly, and if there was no network matching operation, it would automatically exit after 30 minutes.

Manually enter Wi-Fi matching mode: After unlock the control screen, while the Wi-Fi function icon is on, keep pressing the Wi-Fi matching key for 3 seconds to enter the mode. During this time, the Wi-Fi function icon will flash quickly showing that it is under Wi-Fi matching mode. If there is no network matching operation, it will automatically exit after 30 minutes.

IN APP PAIRING PROCEDURE

<p>Step 1</p> 	<p>• Download the hOn app on the stores.</p>   
<p>Step 2 Create an account on the hOn app or log in if you already have an account.</p> 	<p>Step 3 Follow pairing instructions in the hOn-App.</p> 



NOTICE

Under Wi-Fi matching mode, you should follow the app's instructions to complete network configuration. If you need to change the Wi-Fi environment, you need to enter the mode again. If the Wi-Fi function icon stays on, it indicates that the network has been connected successfully.

Adjust the temperature for freezer

After opened the refrigerator door and unlocked the control screen, the Lower temperature key is used to lower the set temperature of the refrigerator. Every time the key is lightly touched, the temperature will reduce 1 C, and the allowed minimum temperature is -24 C.

After opened the refrigerator door and unlocked the control screen, the Raise temperature key is used to raise the set temperature of the refrigerator. Every time the key is lightly touched, the temperature will increase 1 C, and the allowed maximum temperature is -14 C.

During the operation, the Temperature display icon will display the set temperature and flash. The control screen will automatically confirm the set temperature after 5 seconds and then display the current actual temperature. After completing the setting, the refrigerator gradually changes from the actual temperature to the set temperature. So there may be a deviation between the actual temperature and the set temperature for a period of time.

Super Freeze function

This key and its icon are used to switch the Super Freeze function of the refrigerator and display the current status.

After opened the refrigerator door and unlocked the control screen, lightly touch the Super Freeze function key, and the Super Freeze function icon will light up, the refrigerator is under the mode already; If you need to exit the mode, you could use the same operation lightly touching the Super Freeze function key.

Under the function, the temperature will probably approach -28°C or lower, and the refrigerator will automatically exit this function after 50 hours to avoid that the temperature is too low.

ECO function

After opened the refrigerator door and unlocked the control screen, lightly touch the ECO function key, and the ECO function icon will light up, the refrigerator is under the mode already; If you need to exit the mode, you could use the same operation lightly touching the ECO function key.

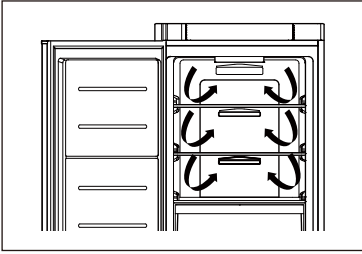
Under ECO mode, the refrigerator will automatically operates at an average temperature of -18°C .



NOTICE

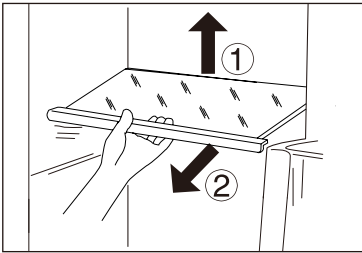
Due to the different operating logic of special functions between Super Freeze function and ECO function, these special modes cannot be activated at the same time. Only one function can be activated, and when switching between the modes, other special modes will be automatically exit. In addition, the set temperature can be changed unless these modes are exited.

-18°C is suitable for general frozen food items that require storage between 1 - 12 months, such as meat, poultry, seafood, pre-cooked foods and leftovers, some fruits and vegetable, ice cream, and other frozen desserts.



Multi-air-flow

1. The refrigerator is equipped with a multi-air-flow system, with which cool air flows are located on every shelf level. This helps to maintain a uniform temperature to ensure that your food is kept fresher for longer.



Adjustable shelves

1. The height of the shelves can be adjusted to fit your storage needs.
2. To relocate a shelf, remove it first by uplifting its hind edge ① and pulling it out ②.
3. To reinstall it, put it on the lugs on both sides and push it to the most rearward position until the rear of the shelf is fixed inside the slots in the sides.

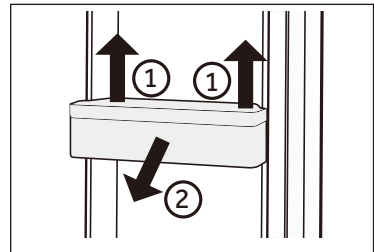


NOTICE

Ensure that all ends of a shelf are level.

Removable door racks/bottle holder

1. The door racks can be removed for cleaning:
2. Place hands on each side of the rack, lift it upwards ① and pull it out ②.
3. In order to insert the door rack, the above steps are carried out in reverse order.



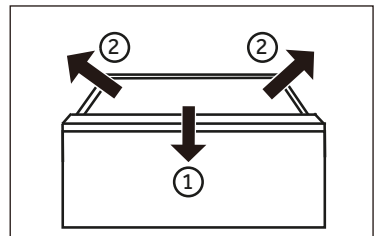
NOTICE

When the appliance is switched on, it may take up to 12 hours for the correct temperatures to be reached.

Removable drawer

To remove the drawer out, pull out to the maximum extent ①, lift and remove ②.

In order to insert the drawer, the above steps are carried out in reverse order.



The Light

The LED interior light comes on when the door is opened. The performance of the lights is not affected by any of the appliances other settings.



Energy saving tips

- ▶ Make sure the appliance is properly ventilated (see INSTALLATION).
- ▶ Do not install the appliance in direct sunlight or in the near of heat sources (e.g. stoves, heaters).
- ▶ Avoid unnecessarily low temperature in the appliance. The energy consumption increases the lower the temperature in the appliance is set.
- ▶ Functions like super Freeze consume more energy.
- ▶ Allow warm food to cool down before placing it in the appliance.
- ▶ Open the appliance door as little and as briefly as possible.
- ▶ Do not overfill the appliance to avoid obstructing the air flow.
- ▶ Avoid air within the food packaging.
- ▶ Keep door seals clean so that the door always closes correctly.
- ▶ The most energy-saving configuration requires the appliance keep drawers, food box and shelves on factory-fresh condition, and food should be places as far as possible without blocking the air outlet of the duct.



WARNING!

Disconnect the appliance from the power supply before cleaning.

Cleaning

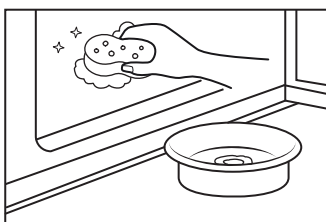
Clean the appliance when only little or no food is stored.

The appliance should be cleaned every four weeks for good maintenance and to prevent bad stored food odors.



WARNING!

- ▶ Do not clean the appliance with hard brushes, wire brushes, detergent powder, petrol, amyl acetate, acetone and similar organic solutions, acid or alkaline solutions. Please clean with special refrigerator detergent to avoid damage.
- ▶ Do not spray or flush the appliance during cleaning.
- ▶ Do not use water spray or steam to clean the appliance.
- ▶ Do not clean the cold glass shelves with hot water. Sudden temperature change may cause the glass to break.
- ▶ Do not touch the inside surface of the freezer storage compartment, especially with wet hands, as your hands may freeze onto the surface.
- ▶ In case of heating check the condition of frozen goods.

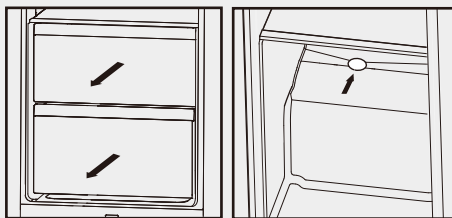


- ▶ Always keep the door gasket clean.
- ▶ Clean the inside and housing of the appliance with a sponge dampened in warm water and neutral detergent.
 1. Please scrub the interior and exterior of the refrigerator, including door sealing, door rack, glass shelves, boxes and so on, with a soft towel or sponge dipped in warm water (you may add neutral detergent into the warm water).
 2. If there is liquid spilled, remove all the contaminated parts, directly rinse with the flow water, dry and place it back into the fridge.
 3. If there is spilled cream (such as the cream, melting ice cream), please remove all the contaminated parts, put into the warm water with about 40 °C for some time, then rinse with the flow water, dry and place it back into the fridge.
 4. In case some small part or component gets stuck inside of the fridge (between shelves or drawers), use small soft brush to release it. If you could not reach the part, please contact Haier service



NOTICE

The drainage outlet cannot be blocked by foreign objects, otherwise there may be a problem of water overflow. If the drainage outlet is blocked, you can take out the drawer and clean it with a cloth.



- ▶ Rinse and dry with soft cloth.
- ▶ Do not clean any of the parts of the appliance in a dishwasher.
- ▶ Allow at least 5 minutes before restarting the appliance as frequent starting may damage the compressor.

Defrosting

The defrosting of the freezer compartment are done automatically; no manual operation is needed.

Replacing the LED-lamps



WARNING!

Do not replace the LED lamp yourself, it must only be replaced by either the manufacturer or the authorised service agent.

The lamps adopts LED as its light source, featuring low energy consumption and long service life. If there is any abnormality, please contact the customer service. See CUSTOMER SERVICE.

Parameters of the lamps:

Freezer compartment: 12 V max 1.5W

This product contains a light source of energy efficiency class <G>.

Non-use for a longer period

If the appliance is not used for an extended period of time:

Take out the food.

Unplug the power cord.

Clean the appliance as described above.

Keep the doors open to prevent the creation of bad odours inside.



NOTICE

Turn the appliance off only if strictly necessary.

Moving the appliance

1. Remove all food and unplug the appliance.
2. Secure shelves and other moveable parts in the freezer with adhesive tape.
3. Do not tilt the refrigerator more than 45° to avoid damaging the refrigerating system.



WARNING!

- ▶ Do not lift the appliance by its handles.
- ▶ Never place the appliance horizontally on the ground.

Many occurring problems could be solved by yourself without specific expertise. In case of a problem please check all shown possibilities and follow below instructions before you contact an after sales service. See CUSTOMER SERVICE.



WARNING!

- ▶ Before maintenance, deactivate the appliance and disconnect the mains plug from the mains socket.
- ▶ Electrical equipment should be serviced only by qualified electrical experts, because improper repairs can cause considerable consequential damages.
- ▶ A damaged supply should only be replaced by the manufacturer, its service agent or similarly qualified persons in order to avoid a hazard.

Problem	Possible Cause	Possible Solution
The compressor does not work.	<ul style="list-style-type: none"> • Mains plug is not connected in the mains socket. • The appliance is in the defrosting cycle. 	<ul style="list-style-type: none"> • Connect the mains plug. • This is normal for an automatic defrosting.
The appliance runs frequently or runs for a too long period of time.	<ul style="list-style-type: none"> • The indoor or outdoor temperature is too high. • The appliance has been off power for a period of time. • A door of the appliance is not tightly closed. • The door has been opened too frequently or for too long. • The temperature setting for the freezer compartment is too low. • The door gasket is dirty, worn, cracked or mismatched. • The required air circulation is not guaranteed. 	<ul style="list-style-type: none"> • In this case, it is normal for the appliance to run longer. • Normally, it takes 8 to 12 hours for the appliance to cool down completely. • Close the door/drawer and ensure the appliance is located on a level ground and there is no food or container jarring the door. • Do not open the door/drawer too frequently. • Set the temperature higher until a satisfactory refrigerator temperature is obtained. It takes 24 hours for the refrigerator temperature to become stable. • Clean the door/drawer gasket or replace them by the customer service. • Ensure adequate ventilation.
The inside of the refrigerator is dirty and/or smells.	<ul style="list-style-type: none"> • The inside of the refrigerator needs cleaning. • Food of strong odour is stored in the refrigerator. 	<ul style="list-style-type: none"> • Clean the inside of the refrigerator. • Wrap the food thoroughly.

Problem	Possible Cause	Possible Solution
It is not cold enough inside the appliance.	<ul style="list-style-type: none"> • The temperature is set too high. • Too warm goods has been stored. • Too much food has been stored at one time. • The goods are too close to each other. • A door/drawer of the appliance is not tightly closed. • The door/drawer has been opened too frequently or for too long. 	<ul style="list-style-type: none"> • Reset the temperature. • Always cool down goods before storing them. • Always store small quantities of food. • Leave a gap between several foods allowing air flowing. • Close the door/drawer. • Do not open the door/drawer too frequently.
It is too cold inside the appliance.	<ul style="list-style-type: none"> • The temperature is set too low. • The Super Freeze function is activated or is running too long. 	<ul style="list-style-type: none"> • Reset the temperature. • Switch off the Super Freeze function.
Moisture accumulates on the refrigerators outside surface or between the doors/drawer and drawer.	<ul style="list-style-type: none"> • The climate is too warm and too damp. • The door is not closed tightly. The cold air in the appliance and the warm air outside it condensates. 	<ul style="list-style-type: none"> • This is normal in damp climate and will change when the humidity decreases. • Ensure that the door/drawer is tightly shut.
Display light work, but do not feel cool.	<ul style="list-style-type: none"> • It is in the demo mode. 	<ul style="list-style-type: none"> • Please note what condition it is in, if it is in Demo mode, exit it. Exit: Hold the "ECO" button, and click the "Super freeze" key 5 times in 5s.

Problem	Possible Cause	Possible Solution
Strong ice and frost in the freezer compartment.	<ul style="list-style-type: none"> • The goods were not adequately packaged . • A door/drawer of the appliance is not tightly closed. • The door/drawer has been opened too frequently or for too long. • The door/drawer gasket is dirty, worn, cracked or mismatched. • Something on the inside prevents the door/drawer to close properly. 	<ul style="list-style-type: none"> • Always pack the goods well. • Close the door/drawer . • Do not open the door/drawer too frequently. • Clean the door/drawer gasket or replace them by new ones. • Reposition the shelves, door racks, or internal containers to allow the door/drawer to close.
The sides of the cabinet and door strip get warm.	<ul style="list-style-type: none"> • - 	<ul style="list-style-type: none"> • This is normal.
The appliance makes abnormal sounds.	<ul style="list-style-type: none"> • The appliance is not located on level ground. • The appliance touches some object around it. 	<ul style="list-style-type: none"> • Adjust the feet to level the appliance. • Remove objects around the appliance.
A slight sound is to be heard similar to that of flowing water.	<ul style="list-style-type: none"> • - 	<ul style="list-style-type: none"> • This is normal.
You will hear an alarm beep.	<ul style="list-style-type: none"> • The fridge storage compartment door is open. 	<ul style="list-style-type: none"> • Close the door.
You will hear a faint hum.	<ul style="list-style-type: none"> • The anti-condensation system is working. 	<ul style="list-style-type: none"> • This prevents condensation and is normal.
The interior lighting or cooling system does not work.	<ul style="list-style-type: none"> • Mains plug is not connected in the mains socket. • The power supply is not intact. • The LED-lamp is out of order. 	<ul style="list-style-type: none"> • Connect the mains plug. • Check the electrical supply to the room. Call the local electricity company! • Please call the service for changing the lamp.

To contact the technical assistance, visit our website: <https://corporate.haier-europe.com/en/>

Under the section "website", choose the brand of your product and your country. You will be redirected to the specific website where you can find the telephone number and form to contact the technical assistance.

Power interruption

In the event of a power cut, food should remain safely cold for about 5 hours. Follow these tips during a prolonged power interruption, especially in summer:

- ▶ Open the door/drawer as few times as possible.
- ▶ Do not put additional food into the appliance during a power interruption.
- ▶ If prior notice of a power interruption is given and the interruption duration is longer than 5 hours, make some ice and put it in a container in the top of the refrigerator compartment.
- ▶ An inspection of the goods is required immediately after the interruption.
- ▶ As temperature in the refrigerator will rise during a power interruption or other failure, the storage period and edible quality of food will be reduced. Any food that defrosts should be either consumed, or cooked and refrozen (where suitable) soon afterwards in order to prevent health risks.

Memory function during power interruption

After restoration of power the appliance continues with the settings that were set before the power failure.

Unpacking



WARNING!

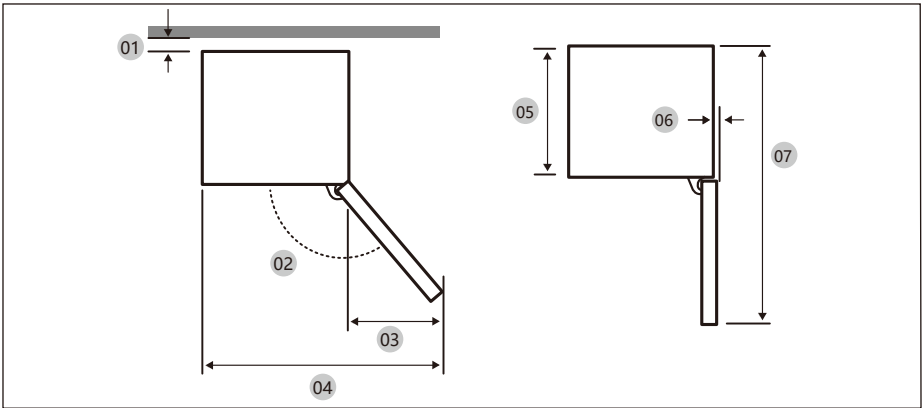
- ▶ The appliance is heavy. Always handle with at least two persons.
- ▶ Keep all packaging materials out of children's reach and dispose them in an environmentally friendly manner.
- ▶ Take the appliance out of the packaging.
- ▶ Remove all packaging materials.

Environmental conditions

The room temperature should always be between 10° C and 43° C, since it can influence the temperature inside the appliance and its energy consumption. Do not install the appliance near other heat-emitting appliances (ovens, refrigerators)

Space suggestion

Suggested space when door is opened (Without cabinet door panel)

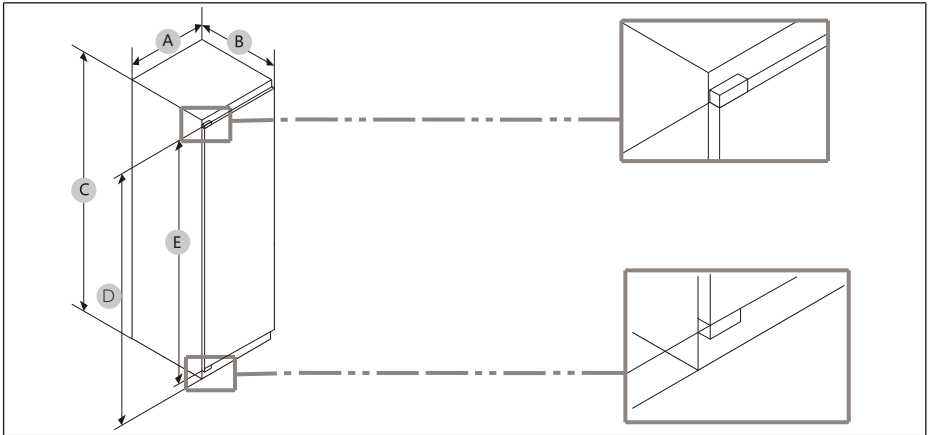


Model	CMT5518EVWF RMT5518EVWF
01*	10 (Min.) / 30 (Recommended)
02	95° (Recommended)
03	43
04	583
05	515
06	-3
07	1060

(unit : mm)

* 01: From cabinet to rear of product.

Product dimention



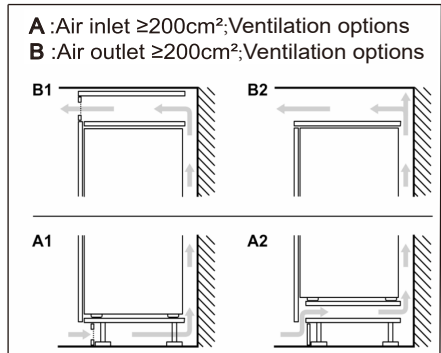
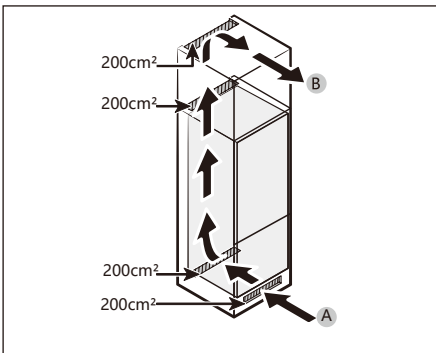
Model	A(mm)	B(mm)	C(mm)	D(mm)	E(mm)
CMT5518EVWF RMT5518EVWF	540±2	550±2	1772±2	1715	1671

i NOTICE

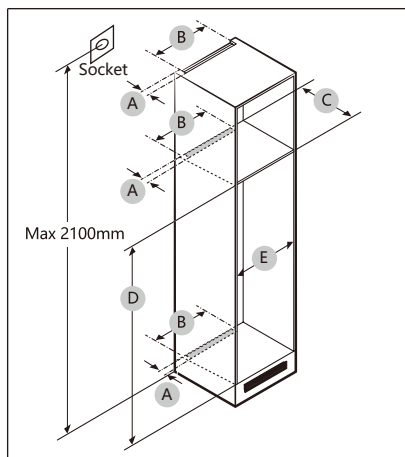
- The specified energy consumption is based on the condition of a 10 mm gap from cabinet to rear of product. The product will work properly even with a gap which is less than 10 mm, however it consumes slightly more energy.
- We recommend using a cabinet that is 19mm thick with hinges less than 17mm thick.
- The measurements in the above table may differ, depending on the measuring method.
- For built-in installation, see the **Installation Guide**

Ventilaton cross-section

To achieve sufficient ventilation of the appliance for safety reasons, the information of the required ventilation cross sections must be observed.



Cabinet dimension



! CAUTION!

Any product failure due to the following is not covered by the Warranty.

1. Improper site conditions or incorrect cabinet sizes.
2. Defective cabinet.
3. Mistakes by the installer or the user.

Clearance

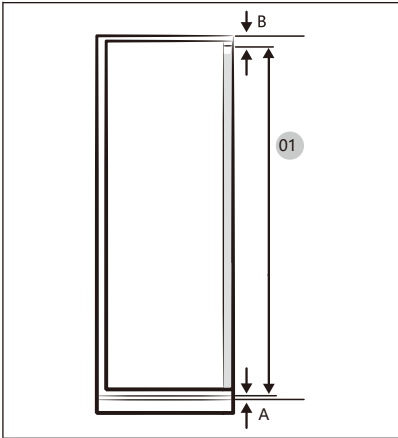
See the pictures and tables below for space requirements for installation.

Model		A (mm)	B (mm)	C (mm)	D (mm)	E (mm)	Remark
CMT5518EVWF RMT5518EVWF	Min.	50	400	560	1778	560	Hinge : 17mm
	Recommend			580	1780	562	
	Max.			-	1782	568	



NOTICE

- If the width of a cabinet is larger than 568mm, the gasket (between the refrigerator and the cabinet) can become loose.
- If the cabinet is higher than the maximum dimension (1782 mm), you must use other finishing materials to fill the gap.

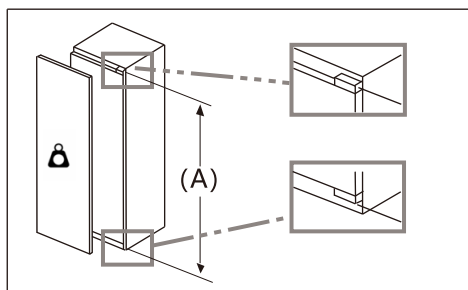


- A. Lower edge of the front panel above the air ventilation
 B. Front panel overhang

Model	CMT5518EVWF RMT5518EVWF
01	Min. 1694+A+B Max. 1850+A+B

(unit : mm)

Maximal permissible weight of the unit fronts

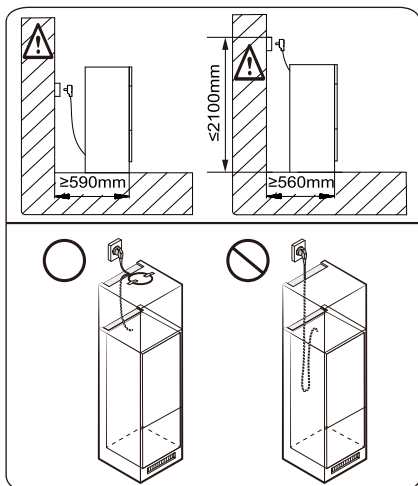


Fitted unit fronts that exceed the permissible weight may cause damage and result in functional impairment of the hinges.

⚠️ Weight
(kg)

1500-1750 mm	22
720-1400 mm	19

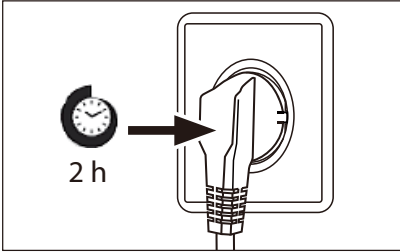
Consideration for socket outlet location and required space



i NOTICE

If you install the refrigerator in a cabinet with a 560 mm depth, make sure the power cord is arranged on a side of the refrigerator before plugging into a power socket. If the power cord is in the rear of the refrigerator, it could decrease the energy efficiency.

Waiting time



To the maintenance-free lubrication oil is located in the capsule of the compressor. This oil can get through the closed pipe system during slanting transport. Before connecting the appliance to the power supply you have to wait at least 2 hours so that the oil runs back into the capsule.

Electrical connection

Before each connection check if:

- ▶ power supply, socket and fusing are appropriate to the rating plate.
- ▶ the power socket is earthed and no multi-plug or extension.
- ▶ the power plug and socket are strictly according.

Connect the plug to a properly installed household socket.



WARNING!

To avoid risks a damaged power cord must be replaced by the customer service (see warranty card).

Product fiche according to regulation EU No. 2019/2016

Brand	CANDY	Rosieres
Model name/identifier	CMT5518EVWF	RMT5518EVWF
Category of the model	Freezer	Freezer
Energy efficiency class	E	E
Annual energy consumption(kWh/year)(1)	215	215
Total volume(L)	220	220
Volume larder(L)	/	/
Volume freezer(L)	220	220
Volume chiller section(L)	/	/
Volume auto ice maker(L)	/	/
Star rating	4	4
Temperature of other compartments>14°C	Non applicable	Non applicable
Frost-free system	Yes	Yes
Freezing capacity(kg/24h)	15	15
Climate rating(2)	SN/N/ST/T	SN/N/ST/T
Noise emission class and airborne acoustical noise emissions(db(A)re1pW)	B 35	B 35
Temperature rise time(h)	6	6
Ice making capacity	/	/
Type of appliance	Built-in	Built-in

Model name	Energy efficiency class
CMT5518EVWF	E
RMT5518EVWF	E

Explanations:

- Yes, featured

- (1) Based on the results of the standards conformance test over 24 hours. The actual consumption depends on the use and the location of the appliance.
- (2) Climate rating SN: This appliance is intended for use in an ambient temperature of between + 10°C and +32°C

Climate rating N: This appliance is intended for use in an ambient temperature of between + 16°C and +32°C

Climate rating ST: This appliance is intended for use in an ambient temperature of between + 16°C and +38°C

Climate rating T: This appliance is intended for use in an ambient temperature of between + 16°C and +43°C

Additional technical data

Voltage / Frequency	220-240V ~/ 50Hz
Input current (A)	1.5
Main fuse (A)	16
Coolant	R600a
Dimensions (H/W/D in mm)	1772/540/550

RF information

The max e.i.r.p.: Bluetooth(BR/EDR): 10dBm

Bluetooth LE: 5dBm

2.4GHz Wi-Fi: 16dBm

Frequency band of operation: 2400-2483.5MHz

We recommend our Haier Customer Service and the use of original spare parts. If you have a problem with your appliance, please first check section TROUBLE-SHOOTING.

If you cannot find a solution there, please contact

- ▶ your local dealer or
- ▶ our European Call Service-Center (see listed phone numbers below) or
- ▶ the Service & Support area at www.haier.com where you can activate the service claim and also find FAQs.

To contact our Service, ensure that you have the following data available. The information can be found on the rating plate.

Model _____

Serial No. _____

Also check the Warranty Card supplied with the product in case of warranty.

European Call Service-Center		
Country*	Phone number	Costs
Haier Italy (IT)	199 100 912	
Haier Spain (ES)	902 509 123	
Haier Germany (DE)	0180 539 3999	<ul style="list-style-type: none"> • 14 Ct/Min Landline • max 42 Ct/Min Mobile
Haier Austria (AT)	0820 001 205	<ul style="list-style-type: none"> • 14,53 Ct/Min Landline • max 20 Ct/Min all others
Haier United Kingdom (UK)	0333 003 8122	
Haier France (FR)	0980 406 409	

* For other countries please refer to www.haier.com

Haier Europe Trading S.r.l

Branch UK

Westgate House, Westgate, Ealing

London, W5 1YY

*Duration of the guarantee of the refrigerating appliance:

Minimum guarantee is: 2 years for EU Countries, 3 years for Turkey, 1 year for UK, 1 year for Russia, 3 years for Sweden, 2 years for Serbia, 5 years for Norway, 1 year for Morocco, 6 months for Algeria, Tunisia no legal warranty required.

*The period of spare parts for the repair of the appliance:

Thermostats, temperature sensors, printed circuit boards and light sources are available for a minimum period of seven years after placing the last unit of the model on the market.

Door handles, door hinges, trays and baskets for a minimum period of seven years and door gaskets for a minimum period of 10 year, after placing the last unit of the model on the market.

*For further information about the product, please consult <https://eprel.ec.europa.eu/> or scan the QR on the energy label supplied with the appliance.

<u>5 Bezpečnostní informace</u>	Před prvním použitím	6
	Instalace	6
	Každodenní používání	7
	Informace o plyném chladivu	9
<u>10 Určené použití</u>		
<u>11 Popis výrobku</u>		
<u>12 Ovládací panel</u>		
<u>13 Používání</u>	Tlačítko zamknutí/odemknutí a jeho ikona	13
	Funkce pohotovostního režimu	13
	Funkce Wi-Fi	13
	Nastavení teploty v mrazničce	14
	Funkce Super Freeze	15
	Funkce ECO	15
<u>16 Vybavení</u>		
<u>17 Tipy pro úsporu energie</u>		
<u>18 Čištění a údržba</u>		
<u>20 Řešení problémů</u>		
<u>24 Instalace</u>		
<u>30 Technické údaje</u>		
<u>32 Zákaznický servis</u>		

Děkujeme vám, že jste si koupili výrobek značky Haier.

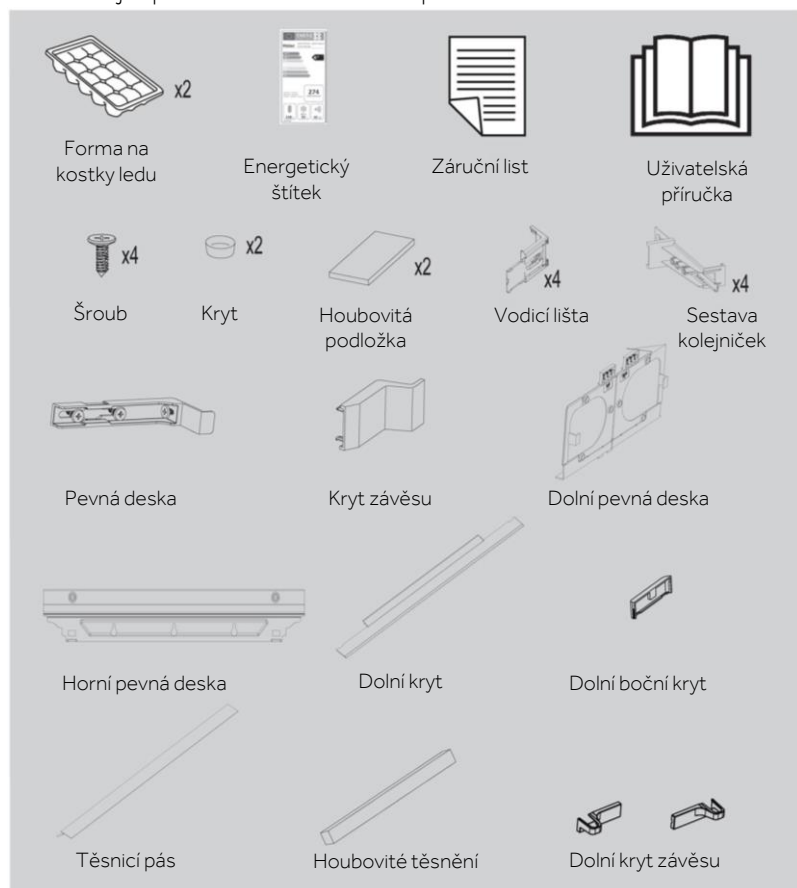
Před použitím spotřebiče si pozorně přečtěte tyto pokyny. Obsahují důležité informace, které vám pomohou co nejlépe využít spotřebič a zajistit jeho bezpečnou a správnou instalaci, používání a údržbu.

Uchovejte tuto příručku na praktickém místě, abyste do ní mohli kdykoli nahlédnout ohledně bezpečného a správného používání spotřebiče.

Pokud spotřebič prodáváte, věnujete nebo necháváte ve starém domě, předejte společně s ním také tuto příručku, aby se mohl nový vlastník seznámit se spotřebičem a přečíst si bezpečnostní varování.

Příslušenství

Zkontrolujte příslušenství a literaturu podle tohoto seznamu:



**VAROVÁNÍ – Důležité bezpečnostní informace****UPOZORNĚNÍ – Všeobecné informace a tipy****Informace týkající se životního prostředí****Likvidace**

Pomáhejte chránit životní prostředí a lidské zdraví. Vložte obalový materiál do vhodných kontejnerů pro recyklaci. Pomáhejte recyklovat odpadní elektrické a elektronické spotřebiče. Spotřebiče označené tímto symbolem nevyhazujte do domovního odpadu. Zašlete výrobek do místního recyklačního závodu, nebo se obraťte na váš obecní úřad.

**VAROVÁNÍ!**

Nebezpečí poranění nebo udušení!

Chladiva a plyny vyžadují profesionální likvidaci. Zajistěte, aby se potrubí chladicího okruhu nepoškodilo, než bude náležitě zlikvidováno. Odpojte spotřebič od síťového napájení. Odstrihněte síťový kabel a zlikvidujte ho. Odstraňte police a přihrádky, stejně jako západku a těsnění dvířek, aby nedošlo k uzavření dětí a domácích zvířat uvnitř spotřebiče.

Před prvním zapnutím spotřebiče si přečtěte následující rady týkající se bezpečnosti!:



VAROVÁNÍ!

Před prvním použitím

- ▶ Ujistěte se, že při přepravě nedošlo k žádnému poškození.
- ▶ Před instalací spotřebiče počkejte alespoň dvě hodiny, aby byla zaručena plná účinnost okruhu chladiva.
- ▶ Se spotřebičem vždy manipulujte alespoň ve dvou osobách, protože je těžký.
- ▶ Odstraňte veškerý obalový materiál, uschovejte ho mimo dosah dětí a zlikvidujte ho způsobem šetrným k životnímu prostředí.
- ▶ Než do spotřebiče vložíte jakékoli potraviny, vyčistěte jeho vnitřní i vnější povrchy vodou a slabým saponátem.
- ▶ Po vyrovnaní a vyčištění počkejte alespoň 2–5 hodin, než spotřebič připojíte k napájení. Viz část INSTALACE.
- ▶ Než naplníte prostory potravinami, nejprve je nechte ochladit na vysoké nastavení. Funkce Super-Freeze pomůže rychle ochladit prostory.
- ▶ Teplota mrazničky se automaticky nastaví na -18 °C. Jedná se o doporučené nastavení. V případě potřeby můžete tuto teplotu změnit ručně. Viz NASTAVENÍ TEPLoty.

Instalace

- ▶ Spotřebič by se měl umístit do dobře větrané místnosti. Nad spotřebičem a kolem něj zajistěte volný prostor alespoň 10 cm.
- ▶ Nikdy neumistujte spotřebič do vlhkého prostoru nebo na místo, kde by na něj mohla stříkat voda. Vodu a skvrny odstraňte a vysušte měkkou, čistou látkou.
- ▶ Neinstalujte spotřebič na přímé sluneční světlo nebo do blízkosti zdrojů tepla (např. sporáků nebo ohříváčů).
- ▶ Nainstalujte spotřebič na místo odpovídající jeho velikost a používání a vyrovnejte ho.
- ▶ Zajistěte, aby nic nezakrývalo větrací otvory ve spotřebiči nebo v konstrukci pro vestavění.
- ▶ Ujistěte se, že parametry elektrického napájení se shodují s údaji na výrobním štítku. V opačném případě kontaktujte elektrikáře.
- ▶ Spotřebič pracuje s napájením 220–240 VAC/50 Hz. Nenormální kolísání napětí může způsobit, že spotřebič se nespustí, nebo se poškodí regulátor teploty či kompresor, případně se může za chodu ozývat neobvyklý hluk. V takovém případě by se měl nainstalovat automatický regulátor.
- ▶ Nepoužívejte rozbočovací adaptéry ani prodlužovací kabely.
- ▶ Neumistujte za spotřebič přenosné rozbočovací zásuvky ani prodlužovací kabely.
- ▶ Ujistěte se, že napájecí kabel není zachycen chladničkou. Nešlapejte na napájecí kabel.



VAROVÁNÍ!

- ▶ K napájení použijte samostatnou, snadno přístupnou uzemněnou zásuvku. Tento spotřebič musí být uzemněný. Pouze pro Spojené království: Napájecí kabel spotřebiče je vybaven trojpólovou zástrčkou (s uzemněním), která se zapojuje do standardní trojpólové zásuvky (s uzemněním). Nikdy neodřezávejte ani nedemontujte třetí kolík (uzemnění). Zástrčka by měla být přístupná i po instalaci spotřebiče.

- ▶ Nepoškodte okruh chladiwa.

Každodenní používání

- ▶ Tento spotřebič mohou používat děti starší osmi let a osoby s omezenými fyzickými, smyslovými nebo duševními schopnostmi nebo osoby nezkušené a neznalé za předpokladu, že mají zajištěný dohled nebo byly poučeny o bezpečném používání spotřebiče a chápou související rizika.
- ▶ Děti ve věku od 3 do 8 let mohou spotřebič plnit a vyprazdňovat, ale nesmějí jej čistit ani instalovat.
- ▶ Zabraňte dětem mladším 3 let v přístupu ke spotřebiči, pokud nejsou pod nepřetržitým dozorem.
- ▶ Děti si se spotřebičem nesmějí hrát.
- ▶ Jestliže v blízkosti spotřebiče uniká chladný plyn nebo jiný hořlavý plyn, vypněte ventil unikajícího plynu, otevřete dveře a okna a neodpojujte zástrčku napájecího kabelu chladničky nebo jakéhokoli jiného spotřebiče od zásuvky.
- ▶ Upozorňujeme, že spotřebič je nastaven na provoz při určitém rozsahu teplot mezi 10 a 43 °C. Spotřebič nemusí řádně fungovat, pokud je po dlouhou dobu vystaven teplotám nad nebo pod indikovaným rozsahem.
- ▶ Nepokládejte na horní stranu chladničky nestabilní předměty (těžké předměty, nádoby naplněné vodou), aby se předešlo zranění způsobenému pádem nebo elektrickým proudem v důsledku styku s vodou.
- ▶ Netahejte za police ve dvířkách. Dvířka by se mohla vychýlit, mohla by se vytáhnout police na láhve nebo by se spotřebič mohl převrhnout.
- ▶ Otvírejte a zavírejte dvířka pouze pomocí madel. Mezera mezi dvířky a mezi dvířky a skříní je velmi úzká. Nedávejte do těchto míst ruce, abyste si nepřiskřípli prsty. Dvířka chladničky otvírejte nebo zavírejte pouze v případě, že v dosahu jejich pohybu nestojí žádné děti.
- ▶ Při umísťování spotřebiče se ujistěte, že napájecí kabel není zachycený nebo poškozený.
- ▶ V tomto spotřebiči neskladujte výbušné látky, jako jsou nádoby s aerosolem, v nichž se používá hořlavý hnací plyn.
- ▶ Aby nedošlo ke kontaminaci potravin:
 - Otvírání dvírek na delší dobu může významně zvýšit teplotu v jednotlivých prostorech spotřebiče.
 - Pravidelně čistěte povrchy, které mohou přijít do styku s potravinami, a přístupné vypouštěcí systémy.



VAROVÁNÍ!

- Syrové maso a ryby skladujte uvnitř chladničky ve vhodných nádobách, aby se nedostaly do styku s jinými potravinami, nebo z nich neodkapávala šťáva na jiné potraviny.
- Pokud je spotřebič ponechán delší dobu prázdný, vypněte ho, odmrzajte, vyčistěte, vysušte a nechte otevřená dvířka, aby se zamezilo vzniku plísně uvnitř spotřebiče.
- ▶ Ve spotřebiči nebo v jeho blízkosti neskladujte ani nepoužívejte hořlavé, výbušné nebo korozivní látky.
- ▶ Ve spotřebiči neskladujte léky, bakterie ani chemické látky. Tento spotřebič je určen k použití v domácnosti. Nedoporučuje se skladovat materiály, které vyžadují přesně stanovené teploty.
- ▶ Do mrazničky nikdy neukládejte tekutiny v láhvích nebo plechovkách (kromě vysoko-percentních lihovin), a zejména nápoje syčené oxidem uhličitým, protože by během mrazení praskly.
- ▶ Pokud se v mrazničce zvýší teplota, zkontrolujte stav potravin.
- ▶ Nedotýkejte se mražených potravin mokřýma rukama (nose rukavice). Zejména nejzte nanuky bezprostředně po vyjmutí z prostoru mrazničky. Hrozí nebezpečí přimrznutí nebo vzniku omrzlin. PRVNÍ POMOC: ihned umístěte zasažené místo pod tekoucí studenou vodu. Neodtrhujte!
- ▶ Za provozu se nedotýkejte vnitřního povrchu úložného prostoru mrazničky, zejména ne mokřýma rukama, protože by mohly přimrznout k povrchu.
- ▶ V případě výpadku napájení nebo před čištěním odpojte spotřebič od napájení. Před opětovným spuštěním spotřebiče počkejte alespoň 7 minut, protože časté spuštění by mohlo poškodit kompresor.
- ▶ Uvnitř prostoru pro skladování potravin ve spotřebiči nepoužívejte elektrická zařízení, pokud se nejedná o zařízení doporučené výrobcem.
Údržba/čištění
- ▶ Jestliže jsou čištění a údržba prováděny dětmi, je nutné na ně dohlížet.
- ▶ Před zahájením jakékoli pravidelné údržby odpojte spotřebič od elektrického napájení. Před opětovným spuštěním spotřebiče počkejte alespoň 5 minut, protože časté spuštění by mohlo poškodit kompresor.



VAROVÁNÍ!

- ▶ Při odpojování spotřebiče od napájení držte zástrčku, nikoli kabel.
- ▶ Nečistěte spotřebič tvrdými kartáči, drátěnými kartáči, práškovými čisticími prostředky, benzinem, amylacetátem, acetonem a podobnými organickými roztoky a kyselými nebo zásaditými roztoky. K čištění použijte speciální čisticí prostředek na chladničky, aby se zamezilo poškození.
- ▶ Pokud se poškodí napájecí kabel, výměnu musí provést výrobce, jeho servisní zástupce nebo osoba s podobnou kvalifikací, aby se vyloučilo riziko.
- ▶ Nepokoušejte se opravovat, rozebírat nebo upravovat spotřebič vlastními silami. Je-li nutná oprava, obraťte se na náš zákaznický servis.
- ▶ Alespoň jednou za rok odstraňte prach ze zadní strany spotřebiče, aby se předešlo nebezpečí požáru a nezvyšovala se spotřeba energie.
- ▶ Během čištění na spotřebič nestříkejte ani jej neoplachujte.
- ▶ K čištění spotřebiče nepoužívejte vodní postřik ani proud vody.
- ▶ Nečistěte chladné skleněné police horkou vodou. Náhlá změna teploty by mohla způsobit, že sklo praskne.

Informace o plyném chladivu



VAROVÁNÍ!

Spotřebič obsahuje hořlavé chladivo ISOBUTAN (R600a). Ujistěte se, že během přepravy nebo instalace nedošlo k poškození okruhu chladiva. Unikající chladivo by mohlo způsobit zranění očí, nebo by se mohlo vznítit. Pokud dojde k poškození, nepřibližujte se s otevřeným plamenem, důkladně vyvětrejte místnost a nezapojte ani neodpojte napájecí kabely tohoto či jiných spotřebičů. Informujte zákaznický servis.

V případě zasažení očí chladivem důkladně vypláchněte oči pod tekoucí vodou a ihned zavolejte očnímu lékaři.

Určené použití

Tento spotřebič je určen k mražení potravin. Je určen výhradně k používání v domácnostech a podobných oblastech, jako jsou kuchyňky pro personál v obchodech, kancelářích a na dalších pracovištích, chalupy a hotely, motely a další obytné objekty, kde je používají zákazníci, stejně jako ubytovací zařízení typu penzionu se snídaní a cateringové služby. Není určen k používání v komerčním nebo průmyslovém prostředí.

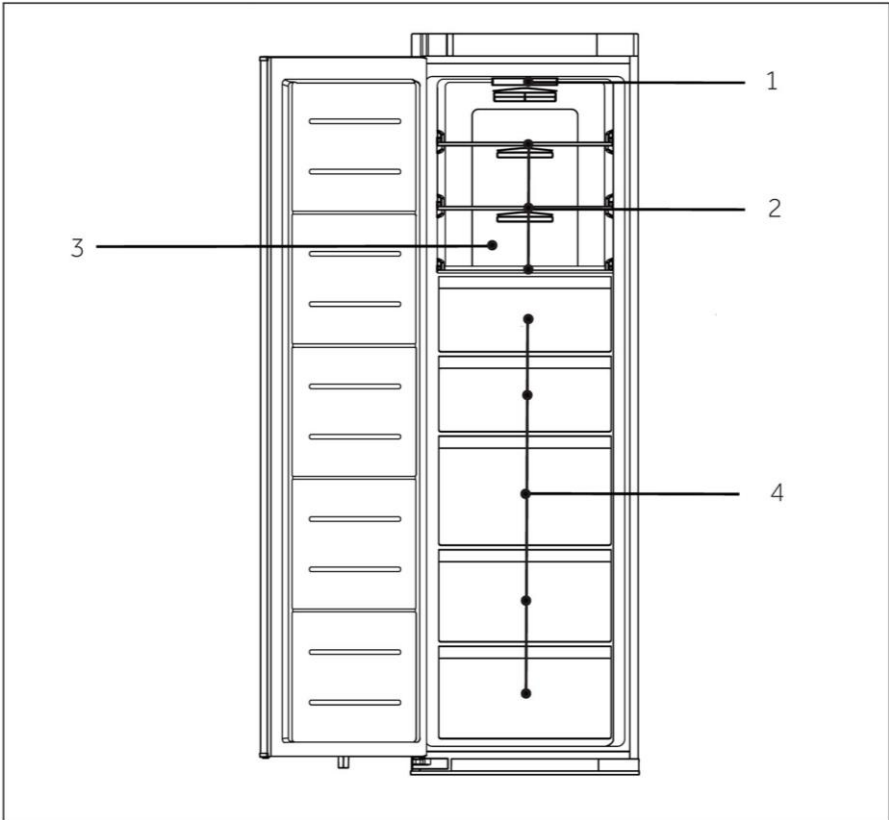
Na spotřebiči neprovádějte žádné změny nebo úpravy. Používání k jinému než určenému účelu může představovat nebezpečí a vést ke ztrátě platnosti záruky.

Normy a směrnice

Tento výrobek splňuje požadavky všech platných směrnic ES s odpovídajícími harmonizovanými normami, které stanoví používání označení CE.

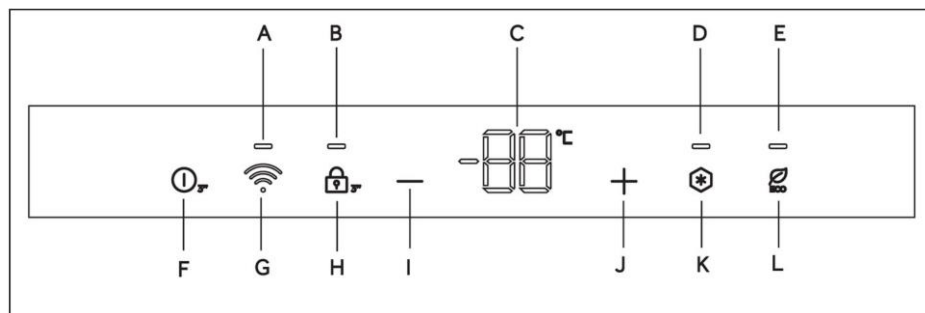
i UPOZORNĚNÍ

Vzhledem k technickým změnám a různým modelům nemusí některé obrázky v této příručce přesně zobrazovat váš model.

**CMT5518EVWF/RMT5518EVWF**

- 1 Světlo LED osvětlující interiér
- 2 Běžné police
- 3 Vzduchové potrubí mrazničky
- 4 Běžná zásuvka mrazničky

Ovládací panel



Ikony kontrolček:

- A Ikona funkce Wi-Fi
- B Ikona zamknutí/odemknutí
- C Ikona zobrazení teploty
- D Ikona funkce Super Freeze
- E Ikona funkce ECO

Dotyková tlačítka:

- F Tlačítko vypínače
- G Tlačítko propojení přes Wi-Fi
- H Tlačítko zamknutí/odemknutí
- I Tlačítko snížení teploty
- J Tlačítko zvýšení teploty
- K Tlačítko funkce Super Freeze
- L Tlačítko funkce ECO

Dotyková tlačítka

Na ovládacím panelu jsou dotyková tlačítka, která reagují již na lehký dotyk prstem.

Před ovládáním obrazovky displeje nejprve otevřete dvířka chladničky.

Funkce zamknutí/odemknutí

Toto tlačítko a jeho ikona slouží k zamykání nebo odemykání ovládací obrazovky a signalizaci aktuálního stavu.

Když je chladnička zapnutá, otevřete její dvířka, rozsvítí se ovládací obrazovka a ikona zamknutí/odemknutí bude svítit. V tomto okamžiku je ovládací obrazovka zamknutá a nelze ji ovládat.

Ruční zamknutí nebo odemknutí obrazovky: Když svítí ikona zamknutí/odemknutí, na 3 sekundy stiskněte tlačítko zamknutí/odemknutí. Ikona zhasne a zároveň se ozve zvukový signál. V tomto okamžiku lze vybírat funkce nebo nastavovat teplotu. Když ikona zamknutí/odemknutí nesvítí, na 3 sekundy stiskněte tlačítko zamknutí/odemknutí. Potom se rozsvítí ikona zamknutí/odemknutí a zároveň se ozve zvukový signál. V tomto okamžiku nelze vybírat funkce ani nastavovat teplotu.

Automatický zámek obrazovky: Po zavření dvířek chladničky ovládací obrazovka zhasne a uzamkne se.

Když jsou dvířka chladničky otevřená a během 30 sekund není proveden žádný úkon, ovládací obrazovka se automaticky uzamkne.

Funkce vypínače

Tlačítko vypínače slouží k přepínání mezi stavy Vypnuto (pozastavení pracovního stavu) a Zapnuto (normální pracovní režimy).

Vstup do režimu Vypnuto: V pracovním režimu chladničky nejprve odemkněte displej a potom stisknutím tlačítka vypínače na 3 sekundy vypněte ovládací obrazovku, osvětlení chladničky, chlazení a ostatní funkce, což bude následováno zvukovým signálem.



UPOZORNĚNÍ

Režim Vypnuto neznamena vypnuté napájení, v tomto režimu je chladnička stále napájena.




Opuštění režimu Vypnuto: V režimu Vypnuto podržením tlačítka vypínače na 3 sekundy znovu spusťte ovládací obrazovku, osvětlení chladničky, chlazení a ostatní funkce, zároveň se ozve zvukový signál. Chladnička se vrátí k nastavené teplotě a dříve aktivované funkce a vstoupí do normálního pracovního režimu.

Funkce Wi-Fi

Propojení přes Wi-Fi: Po prvním zapnutí přejde chladnička automaticky do režimu konfigurace sítě a ikona funkce Wi-Fi bude rychle blikat. Pokud nedojte k propojení přes síť, po 30 minutách bude tento režim automaticky ukončen.

Ruční vstup do režimu propojení přes Wi-Fi: Po odemknutí ovládací obrazovky, když svítí ikona funkce Wi-Fi, vstupte do příslušného režimu podržením tlačítka propojení přes Wi-Fi po dobu 3 sekund. Po tuto dobu bude ikona funkce Wi-Fi rychle blikat, což znamená, že je aktivní režim propojení přes Wi-Fi. Pokud nedojde k propojení přes síť, po 30 minutách bude tento režim automaticky ukončen.

POSTUP PÁROVÁNÍ S APLIKACÍ

<p>Krok 1 • Stáhněte si z obchodu aplikaci hOn.</p>	
	
<p>Krok 2 Vytvořte si účet v aplikaci hOn nebo se přihlaste, pokud již máte účet.</p>	<p>Krok 3 Postupujte podle pokynů pro párování v aplikaci hOn.</p>
	

i UPOZORNĚNÍ

V režimu propojení přes Wi-Fi byste měli dokončit konfiguraci sítě podle pokynů v aplikaci. Jestliže potřebujete změnit prostředí sítě Wi-Fi, je nutné znovu vstoupit do tohoto režimu. Pokud ikona funkce Wi-Fi zůstane svítit, znamená to, že došlo k úspěšnému připojení k síti.

Nastavení teploty v mrazničce

Po otevření dvířek chladničky a odemknutí ovládací obrazovky lze použít tlačítko snížení teploty ke snížení nastavené teploty v chladničce. Každým klepnutím na tlačítko se sníží teplota o 1 °C; minimální přípustná teplota je -24 °C.

Po otevření dvířek chladničky a odemknutí ovládací obrazovky lze použít tlačítko zvýšení teploty ke zvýšení nastavené teploty v chladničce. Každým klepnutím na tlačítko se zvýší teplota o 1 °C; maximální přípustná teplota je -14 °C.

Během tohoto úkonu bude ikona teploty na displeji zobrazovat nastavenou teplotu a bude blikat. Po 5 sekundách ovládací panel automaticky potvrdí nastavenou teplotu a potom bude zobrazovat aktuální teplotu. Až dokončíte nastavení, teplota v chladničce se postupně změní z aktuální na nastavenou hodnotu. To znamená, že aktuální teplota se může po určitou dobu lišit od nastavené teploty.

Funkce Super Freeze

Toto tlačítko a jeho ikona slouží k zapínání a vypínání funkce chladničky Super Freeze a zobrazování aktuálního stavu.

Po otevření dvířek chladničky a odemknutí ovládací obrazovky klepněte na tlačítko funkce Super Freeze a rozsvítí se ikona funkce Super Freeze; pokud svítí, chladnička se již nachází v tomto režimu. Jestliže potřebujete tento režim opustit, můžete zopakovat tento postup a znovu klepnout na tlačítko funkce Super Freeze.

Když je tato funkce aktivní, teplota se bude nejspíš blížit -28 °C nebo nižší hodnotě a po 50 hodinách chladnička tuto funkci automaticky ukončí, aby nedošlo k příliš velkému snížení teploty.

Funkce ECO

Po otevření dvířek chladničky a odemknutí ovládací obrazovky klepněte na tlačítko funkce ECO a rozsvítí se ikona funkce ECO; pokud svítí, chladnička se již nachází v tomto režimu. Jestliže potřebujete tento režim opustit, můžete zopakovat tento postup a znovu klepnout na tlačítko funkce ECO.

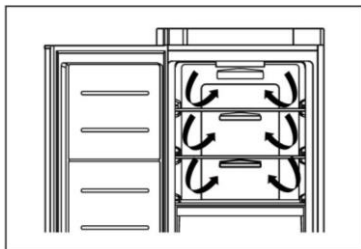
V režimu ECO bude chladnička automaticky udržovat průměrnou teplotu -18 °C .



UPOZORNĚNÍ

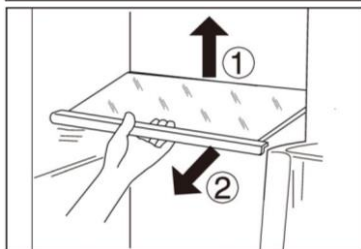
Vzhledem k odlišné logice ovládání speciálních funkcí Super Freeze a ECO nelze tyto speciální režimy aktivovat současně. Lze aktivovat pouze jednu funkci a při přepnutí mezi režimy se automaticky ukončí ostatní speciální režimy. Nastavenou teplotu lze navíc měnit pouze po ukončení těchto režimů.

Teplota -18 °C je vhodná pro běžné mražené potraviny, které je nutné skladovat po dobu 1–12 měsíců, například maso, drůbež, mořské plody, předvařené pokrmy a zbytky, některé druhy ovoce a zeleniny, zmrzlinu a další mražené dezerty.



Vícecestný průtok vzduchu

1. Chladnička je vybavena systémem vícecestného průtoku vzduchu, který zajišťuje proudění chladného vzduchu v každé úrovni polic. Pomáhá to udržovat jednotnou teplotu, která zaručí, že potraviny vydrží déle v čerstvém stavu.



Nastavitelné police

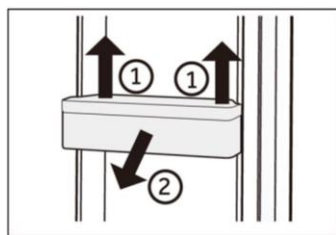
1. Výšku polic lze upravovat tak, aby vyhovovala vašim požadavkům na ukládání.
2. Chcete-li přemístit nějakou polici, vyjměte ji tak, že nejprve nadzdvihnete zadní okraj ① a potom ji vytáhnete ven ②.
3. Při instalaci ji položte na výstupky na obou stranách a zatlačte ji až dozadu tak, aby se zadní strana police usadila uvnitř drážek v bočních stranách

i UPOZORNĚNÍ

Ujistěte se, že všechny konce police jsou v rovině.

Odnímatelné policičky / držák na láhve umístěné ve dvířkách

1. Police ve dvířkách lze vyjímat za účelem čištění:
2. Uchopte rukama obě strany police, zdvihněte ji nahoru ① a vytáhněte ji ven ②.
3. Při vkládání dveřní police proveďte výše popsané kroky v opačném pořadí.

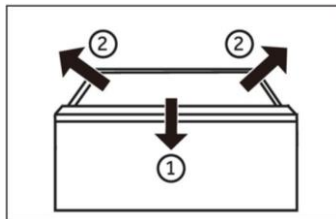


i UPOZORNĚNÍ

Když se spotřebič zapne, může trvat až 12 hodin, než dosáhne správné teploty.

Vyjímatelná zásuvka

Chcete-li vyndat zásuvku, vytáhněte ji, jak nejdále to půjde ①, zdvihněte ji a vyjměte ②. Při vkládání zásuvky proveďte výše popsané kroky v opačném pořadí.



Světlo

Po otevření dvírek se rozsvítí světlo LED osvětlující interiér. Fungování světel není ovlivňováno žádným z nastavení spotřebiče.



Tipy pro úsporu energie

- ▶ Zajistěte, aby měl spotřebič náležité větrání (viz INSTALACE).
- ▶ Neinstalujte spotřebič na přímé sluneční světlo nebo do blízkosti zdrojů tepla (např. sporáků nebo ohřivačů).
- ▶ Vyhýbejte se zbytečně nízké teplotě uvnitř spotřebiče. Čím nižší je nastavená teplota ve spotřebiči, tím vyšší je spotřeba energie.
- ▶ Funkce jako Super Freeze spotřebovávají více energie.
- ▶ Teplé jídlo nechte před vložením do spotřebiče vychladnout.
- ▶ Otvírejte dvířka spotřebiče co nejméně a na co nejkratší dobu.
- ▶ Nepřeplňujte spotřebič, aby se nenarušilo proudění vzduchu.
- ▶ Zamezte přítomnosti vzduchu v obalech potravin.
- ▶ Udržujte těsnění dvířek v čistém stavu, aby se dvířka vždy správně zavírala.
- ▶ Energeticky nejúspornější konfigurace vyžaduje, aby byly ve spotřebiči nainstalovány přihrádky, schránka na potraviny a police ve stavu jako z výroby a aby potraviny byly uloženy co nejdříve vzadu, aniž by zakrývaly výstup vzduchového kanálu.



VAROVÁNÍ!

Před čištěním odpojte spotřebič od napájení.

Čištění

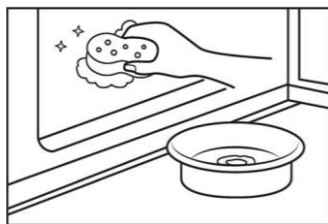
Spotřebič čistěte pouze tehdy, když je v něm uloženo jen málo potravin, nebo je prázdný.

Spotřebič by se měl čistit každé čtyři týdny, aby byl dobře udržovaný a zamezilo se zápachu z uložených potravin.



VAROVÁNÍ!

- ▶ Nečistěte spotřebič tvrdými kartáči, drátěnými kartáči, práškovými čisticími prostředky, benzinem, amylacetátem, acetonem a podobnými organickými roztoky a kyselými nebo zásaditými roztoky. K čištění použijte speciální čisticí prostředek na chladničky, aby se zamezilo poškození.
- ▶ Během čištění na spotřebič nestříkejte ani jej neoplachujte.
- ▶ K čištění spotřebiče nepoužívejte vodní postřik ani proud vody.
- ▶ Nečistěte chladné skleněné police horkou vodou. Náhlá změna teploty by mohla způsobit, že sklo praskne.
- ▶ Nedotýkejte se vnitřního povrchu úložného prostoru mrazničky, zejména ne mokřkýma rukama, protože by mohly přimrznout k povrchu.
- ▶ V případě ohřátí zkontrolujte stav mražených potravin.



- ▶ Vždy udržujte těsnění dvířek v čistém stavu.
- ▶ Očistěte vnitřek a skříň spotřebiče houbou navlhčenou v teplé vodě s neutrálním čisticím prostředkem.
- ▶ 1. Vydrhněte vnitřní a vnější povrchy chladničky včetně těsnění dvířek, polic ve dvířkách, skleněných polic, přihrádek apod. měkkou utěrkou nebo houbou namočenou v teplé vodě (do teplé vody můžete přidat neutrální saponát).
- ▶ 2. Pokud se rozlijí nějaká tekutina, vyjměte všechny zasažené součásti, opláchněte je přímo pod tekoucí vodou, osušte a vraťte zpět do chladničky.
- ▶ 3. Pokud se rozlijí smetana (například šlehačka nebo roztátá zmrzlina), vyjměte všechny zasažené součásti, na nějakou dobu je vložte do teplé vody o teplotě asi 40 °C, potom je opláchněte pod tekoucí vodou, osušte a vraťte zpět do chladničky.
- ▶ 4. V případě, že uvnitř chladničky uvíznou nějaké malé díly nebo součásti (mezi policemi nebo zásuvkami), uvolněte je měkkým kartáčkem. Pokud na nějakou součást nedosáhnete, obraťte se na servis společnosti Haier

UPOZORNĚNÍ

Nesmí dojít k ucpání vypouštěcího otvoru cizími předměty, jinak by mohl nastat problém s přetečením vody. Jestliže je vypouštěcí otvor ucpaný, můžete vytáhnout zásuvku a vyčistit jej látkou.



- ▶ Opláchněte povrch a vysušte ho měkkou látkou.
- ▶ Nemyjte žádné součásti spotřebiče v myčce.
- ▶ Před opětovným spuštěním spotřebiče počkejte alespoň 5 minut, protože časté spuštění by mohlo poškodit kompresor.

Odmrazování

Prostor mrazničky se odmrazuje automaticky; není nutný žádný ruční zásah.

Výměna žárovek LED



VAROVÁNÍ!

Nevyměňujte žárovku LED vlastními silami, její výměnu musí provést buď výrobce, nebo autorizovaný servisní zástupce.

Jako zdroj světla v žárovce se využívají diody LED, které se vyznačují nízkou spotřebou energie a dlouhou životností. Pokud se vyskytne nějaký neobvyklý stav, kontaktujte zákaznický servis. Viz ZÁKAZNICKÝ SERVIS.

Parametry žárovek:

Prostor mrazničky: 12 V, max. 1,5 W

Tento výrobek obsahuje světelný zdroj s třídou energetické účinnosti <G>.

Když se spotřebič delší dobu nepoužívá

Jestliže se spotřebič nebude delší dobu používat:

Vyjměte potraviny.

Vytáhněte napájecí kabel ze zásuvky.

Vyčistěte spotřebič podle výše uvedeného popisu.

Nechte dvířka otevřená, aby se uvnitř nevytvořil zápach.

UPOZORNĚNÍ

Spotřebič vypínejte pouze v nezbytně nutných případech.

Přemísťování spotřebiče

1. Vyjměte všechny potraviny a odpojte spotřebič od napájení.
2. Přepevněte police a ostatní pohyblivé součásti v mrazničce lepicí páskou.
3. Nenaklánějte chladničku v úhlu větším než 45°, aby se předešlo poškození chladicího systému.



VAROVÁNÍ!

- ▶ Nezdvihejte spotřebič za madla.
- ▶ Nikdy nepokládejte spotřebič vodorovně na zem.

Mnoho problémů můžete vyřešit sami bez konkrétních odborných znalostí. V případě problému zkontrolujte všechny možnosti a řiďte se níže uvedenými pokyny, než se obrátíte na poprodejní servis. Viz ZÁKAZNICKÝ SERVIS.



VAROVÁNÍ!

- ▶ Před zahájením údržby vypněte spotřebič a vytáhněte zástrčku napájecího kabelu ze zásuvky.
- ▶ Servis elektrického zařízení by měli provádět pouze kvalifikovaní elektrikáři, protože nepatřičné opravy mohou vést k vážným následným škodám.
- ▶ Poškozený napájecí kabel by měl vyměnit pouze výrobce, jeho servisní zástupce nebo osoby s podobnou kvalifikací, aby se vyloučilo riziko.

Problém	Možná příčina	Možné řešení
Kompresor nepracuje.	<ul style="list-style-type: none"> • Síťová zástrčka není zapojena do síťové zásuvky. • Spotřebič provádí cyklus odmrazování. 	<ul style="list-style-type: none"> • Zapojte síťovou zástrčku. • Jedná se o normální jev při automatickém odmrazování.
Spotřebič se spouští často, nebo běží příliš dlouho.	<ul style="list-style-type: none"> • Vnitřní nebo venkovní teplota je příliš vysoká. • Spotřebič byl určitou dobu vypnutý. • Dvířka spotřebiče nejsou těsně zavřená. • Dvířka se otvírala příliš často, nebo byla příliš dlouho otevřená. • Nastavená teplota pro prostor mrazničky je příliš nízká. • Těsnění dvířek je znečištěné, opotřebené, popraskané nebo nesprávně nainstalované. • Není zaručena požadovaná cirkulace vzduchu. 	<ul style="list-style-type: none"> • V tomto případě je normální, že spotřebič běží déle. • Normálně trvá 8 až 12 hodin, než se spotřebič úplně ochladí. • Zavřete dvířka/zásuvku a ujistěte se, že spotřebič je umístěn na rovné zemi a dveřím nepřekáží žádné potraviny nebo nádoby. • Neotvírejte dvířka/zásuvku příliš často. • Nastavte vyšší teplotu tak, abyste dosáhli uspokojivé teploty chladničky. Trvá 24 hodin, než se teplota chladničky ustálí. • Vyčistěte těsnění dvířek/zásuvky, nebo ho nechte vyměnit zákaznickým servisem. • Zajistěte odpovídající větrání.

Problém	Možná příčina	Možné řešení
Vnitřek chladničky je znečištěný a/nebo zapáchá.	<ul style="list-style-type: none"> • Je třeba vyčistit vnitřek chladničky. • V chladničce je uloženo nějaké silně aromatické jídlo. 	<ul style="list-style-type: none"> • Vyčistěte vnitřek chladničky. • Důkladně zabalte jídlo.
Uvnitř spotřebiče není dostatečně chladno.	<ul style="list-style-type: none"> • Je nastavena příliš vysoká teplota. • Bylo uloženo příliš teplé jídlo. • Bylo uloženo příliš mnoho potravin najednou. • Potraviny jsou příliš blízko sebe. • Dvířka/zásuvka spotřebiče nejsou těsně zavřená. • Dvířka/zásuvka se otvírala příliš často, nebo byla příliš dlouho otevřená. 	<ul style="list-style-type: none"> • Znovu nastavte teplotu. • Před uložením vždy nechte jídlo vychladnout. • Vždy ukládejte menší množství potravin. • Nechte mezi potravinami mezery umožňující proudění vzduchu. • Zavřete dvířka/zásuvku. • Neotvírejte dvířka/zásuvku příliš často.
Uvnitř spotřebiče je příliš chladno.	<ul style="list-style-type: none"> • Je nastavena příliš nízká teplota. • Je aktivována funkce Super Freeze, nebo běží příliš dlouho. 	<ul style="list-style-type: none"> • Znovu nastavte teplotu. • Vypněte funkci Super Freeze.
Na vnějším povrchu chladničky nebo mezi dvířky / dvířky a zásuvkou se hromadí vlhkost.	<ul style="list-style-type: none"> • Prostředí je příliš teplé a vlhké. • Dvířka nejsou těsně zavřená. Chladný vzduch ve spotřebiči a teplý vnější vzduch, dochází ke kondenzaci. 	<ul style="list-style-type: none"> • Jedná se o normální jev ve vlhkém prostředí; až se sníží vlhkost, situace se změní. • Ujistěte se, že dvířka/zásuvka jsou těsně zavřená.
Světlo displeje funguje, ale není cítit chlad.	<ul style="list-style-type: none"> • Jedná se o režim Demo. 	<ul style="list-style-type: none"> • Zjistěte, o jaký stav se jedná; pokud je to režim Demo, ukončete jej. Konec: Držte tlačítko „ECO“ a pětkrát během 5 s stiskněte tlačítko „Super Freeze“.

Problém	Možná příčina	Možné řešení
V prostoru mrazničky je silná vrstva ledu a námrazy.	<ul style="list-style-type: none"> • Potraviny nebyly náležitě zabalené. • Dvířka/zásuvka spotřebiče nejsou těsně zavřená. • Dvířka/zásuvka se otvírala příliš často, nebo byla příliš dlouho otevřená. • Těsnění dvířek/zásuvky je znečištěné, opotřebené, popraskané nebo nesprávně nainstalované. • Něco uvnitř brání správnému zavření dvířek/zásuvky. 	<ul style="list-style-type: none"> • Vždy dobře zabalte potraviny. • Zavřete dvířka/zásuvku. • Neotvírejte dvířka/zásuvku příliš často. • Vyčistěte těsnění dvířek/zásuvky nebo ho vyměňte za nové. • Přemístěte vnitřní police, police na dvířkách nebo vnitřní nádoby, aby se mohla dvířka/zásuvka zavřít.
Boční strany skříně a lišta na dvířkách jsou teplé.	<ul style="list-style-type: none"> • - 	<ul style="list-style-type: none"> • Jedná se o normální jev.
Spotřebič vydává neobvyklé zvuky.	<ul style="list-style-type: none"> • Spotřebič nestojí na rovné zemi. • Spotřebič se dotýká nějakého předmětu ve svém okolí. 	<ul style="list-style-type: none"> • Seřídte nožky, aby stál spotřebič rovně. • Odstraňte předměty z okolí spotřebiče.
Ozývá se slabý zvuk podobný proudění vody.	<ul style="list-style-type: none"> • - 	<ul style="list-style-type: none"> • Jedná se o normální jev.
Ozývá se pípání alarmu.	<ul style="list-style-type: none"> • Dvířka úložného prostoru chladničky jsou otevřená. 	<ul style="list-style-type: none"> • Zavřete dvířka.
Ozývá se slabé hučení.	<ul style="list-style-type: none"> • Protikondenzační systém je v chodu. 	<ul style="list-style-type: none"> • Zabraňuje kondenzaci, jedná se o normální jev.
Nefunguje osvětlení interiéru nebo chladič systém.	<ul style="list-style-type: none"> • Síťová zástrčka není zapojena do síťové zásuvky. 	<ul style="list-style-type: none"> • Zapojte síťovou zástrčku.
	<ul style="list-style-type: none"> • Napájení nemá správné parametry. 	<ul style="list-style-type: none"> • Zkontrolujte přívod elektrického napájení do místnosti. Zavolejte místnímu dodavateli elektřiny!
	<ul style="list-style-type: none"> • Žárovka LED je vadná. 	<ul style="list-style-type: none"> • Zavolejte do servisu se žádostí o výměnu žárovky.

Chcete-li kontaktovat technickou pomoc, navštivte naše webové stránky:
<https://corporate.haier-europe.com/en/>

V části „Website“ zvolte značku svého výrobku a svou zemi. Budete přesměrováni na konkrétní webovou stránku, kde najdete telefonní číslo a kontaktní formulář technické pomoci.

Výpadek napájení

V případě výpadku napájení by měly potraviny zůstat bezpečně v chladu po dobu asi 5 hodin. Během delšího výpadku napájení se řiďte těmito tipy, zejména v létě:

- ▶ Otvírejte dvířka/zásuvku co nejméně často.
- ▶ Během výpadku napájení nevkládejte do spotřebiče další potraviny.
- ▶ Pokud je výpadek napájení oznámen předem a jeho délka překračuje 5 hodin, vyrobte trochu ledu a umístěte ho do nádoby v horní části prostoru chladničky.
- ▶ Ihned po výpadku napájení je nutné zkontrolovat potraviny.
- ▶ Vzhledem k tomu, že během výpadku napájení nebo jiné závady vzroste teplota v chladničce, doba skladování a požitelnost potravin se zkrátí. Jakékoli potraviny, které se rozmrazí, by se měly buď zkonsumovat, nebo tepelně upravit a znovu zmrazit (je-li to vhodné), aby se předešlo zdravotním rizikům.

Funkce paměti během výpadku napájení

Po obnovení napájení bude spotřebič pokračovat v činnosti s parametry, které byly nastaveny před výpadkem.

Vybalení



VAROVÁNÍ!

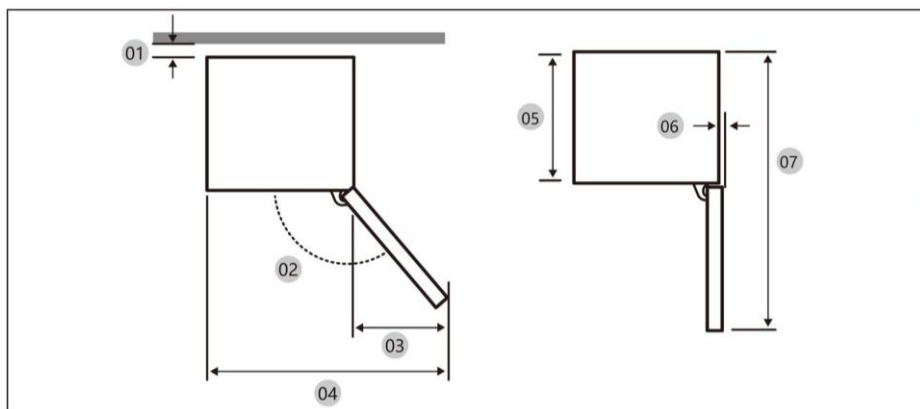
- ▶ Spotřebič je těžký. Vždy s ním manipulujte alespoň ve dvou osobách.
- ▶ Uchovávejte všechny obalové materiály mimo dosah dětí a zlikvidujte je způsobem šetrným k životnímu prostředí.
- ▶ Vyjměte spotřebič z obalu.
- ▶ Odstraňte všechny obalové materiály.

Podmínky prostředí

Pokojevá teplota by měla být vždy mezi 10 °C a 43 °C, protože může ovlivňovat teplotu uvnitř spotřebiče a jeho spotřebu energie. Neinstalujte spotřebič do blízkosti jiných spotřebičů vytvářejících teplo (trub, chladniček).

Doporučený volný prostor

Doporučený prostor s otevřenými dvířky (bez dveřního panelu skříně)

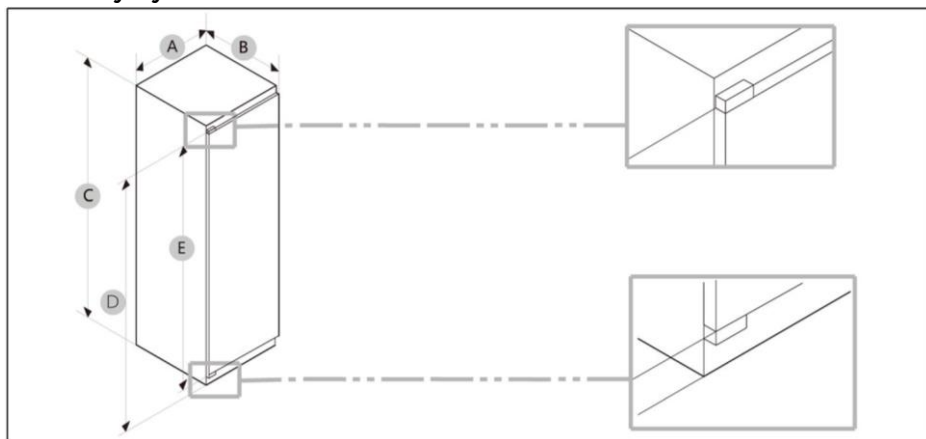


Model	CMT5518EVWF RMT5518EVWF
01*	10 (min.) / 30 (doporučeno)
02	95° (doporučeno)
03	43
04	583
05	515
06	-3
07	1060

(jednotky: mm)

* 01: Od skříně k zadní straně výrobku.

Rozměry výrobku



Model	A (mm)	B (mm)	C (mm)	D (mm)	E (mm)
CMT5518EVWF	540±2	550±2	1772±2	1715	1671
RMT5518EVWF					

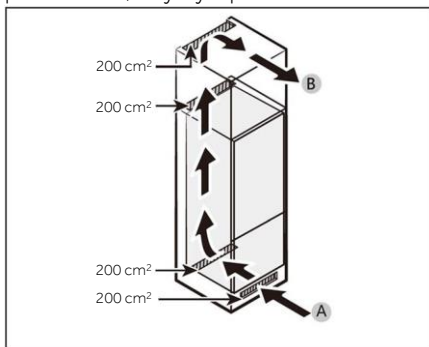


UPOZORNĚNÍ

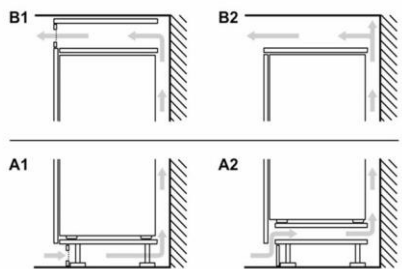
- Uvedená spotřeba energie vychází z podmínky 10mm mezery mezi skříní a zadní stranou výrobku. Výrobek bude správně fungovat, i když je mezera menší než 10 mm, avšak bude mít poněkud vyšší spotřebu energie.
- Doporučujeme použít skřín s tloušťkou 19 mm a závěsy s tloušťkou menší než 17 mm.
- Rozměry v tabulce výše se mohou lišit v závislosti na způsobu měření.
- V případě vestavné instalace viz Návod k instalaci.

Prostor pro větrání

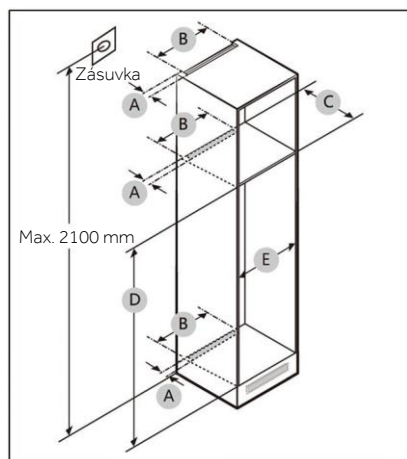
Z bezpečnostních důvodů je nutné dodržet informace o požadovaném prostoru pro větrání, aby byl spotřebič dostatečně větráný.



A: Vstup vzduchu $\geq 200 \text{ cm}^2$; možnosti větrání
 B: Výstup vzduchu $\geq 200 \text{ cm}^2$; možnosti větrání



Rozměry skříně



POZOR!

Záruka se nevztahuje na žádné závady výrobku vzniklé z následujících důvodů:

1. Nesprávné podmínky na místě nebo nesprávné velikosti skříně.
2. Vadná skříň.
3. Chyby instalačního technika nebo uživatele.

Volný prostor

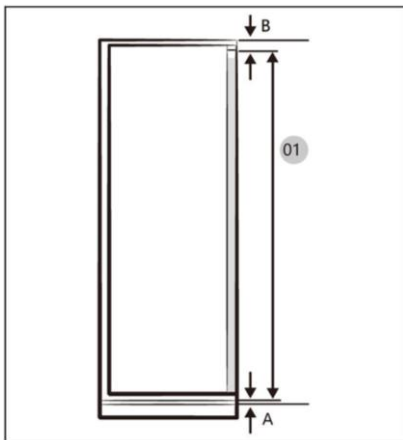
Požadavky na místo pro instalaci najdete na obrázcích a v tabulkách níže.

Model		A (mm)	B (mm)	C (mm)	D (mm)	E (mm)	Poznámka
CMT5518EVWF RMT5518EVWF	Min.	50	400	560	1778	560	Závěs: 17 mm
	Doporučeno			580	1780	562	
	Max.			-	1782	568	



UPOZORNĚNÍ

- Pokud je šířka skříně větší než 568 mm, může se uvolnit těsnění (mezi chladničkou a skříní).
- Pokud je skříň vyšší než maximální rozměr (1782 mm), musíte k vyplnění mezery použít jiné dokončovací materiály.

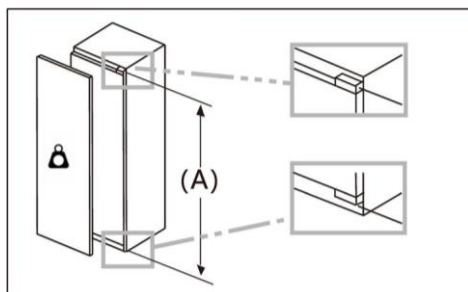


- A. Dolní okraj předního panelu nad vzduchovým větráním
 B. Přesah předního panelu


Model	CMT5518EVWF RMT5518EVWF
01	Min. 1694 + A + B Max. 1850 + A + B

(jednotky: mm)

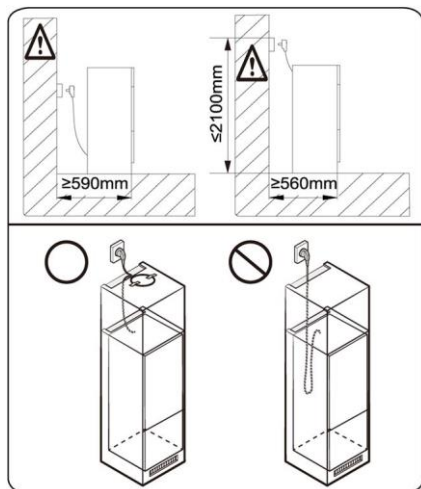
Maximální přípustná hmotnost předních částí jednotky



Namontované přední části jednotky, které překračují přípustnou hmotnost, by mohly způsobit poškození a vést k narušení funkčnosti závěsů.

 Hmotnost (kg)	1500–1750 mm	22
	720–1400 mm	19

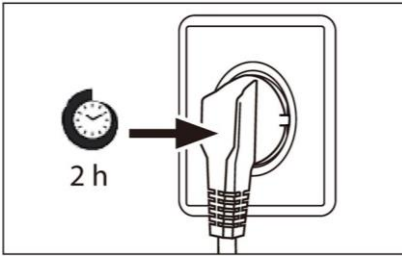
Faktory týkající se umístění zásuvky a požadovaného prostoru



UPOZORNĚNÍ

Jestliže instalujete chladničku do skříně o hloubce 560 mm, před zapojením napájecího kabelu do elektrické zásuvky se ujistěte, že je veden po straně chladničky. Kdyby byl napájecí kabel na zadní straně chladničky, mohlo by to snížit energetickou účinnost.

Doba čekání



V kapsli kompresoru se nachází bezúdržbový mazací olej. V případě naklonění během přepravy se olej může dostat do uzavřeného hadicového systému. Před připojením spotřebiče k napájení musíte počkat 2 hodiny, aby všechen olej natekl zpět do kapsle.

Připojení k elektrickému napájení

Před každým připojením zkontrolujte:

- ▶ zda napájení, zásuvka a jištění odpovídají údajům na výrobním štítku.
- ▶ zda je síťová zásuvka uzemněná a nepoužívá se rozbočovací adaptér ani prodlužovací kabel.
- ▶ zda zástrčka přesně pasuje do zásuvky.

Zapojte zástrčku do náležitě nainstalované domácí zásuvky.



VAROVÁNÍ!

Aby se zamezilo rizikům, výměnu poškozeného napájecího kabelu musí provést zákaznický servis (viz záruční list).

Informační list výrobku podle nařízení EU 2019/2016

Značka	CANDY	Rosieres
Název/označení modelu	CMT5518EVWF	RMT5518EVWF
Kategorie modelu	Mraznička	Mraznička
Třída energetické účinnosti	E	E
Roční spotřeba energie (kWh/rok) (1)	215	215
Celkový objem (l)	220	220
Objem chladničky bez mrazáku (l)	/	/
Objem mrazicího prostoru (l)	220	220
Objem mrazicího boxu (l)	/	/
Objem aut. výrobku ledu (l)	/	/
Hodnocení hvězdičkami	4	4
Teplota ostatních prostorů > 14 °C	Neuvádí se	Neuvádí se
Beznámrazový systém	Ano	Ano
Mrazicí výkon (kg/24 h)	15	15
Klimatická třída (2)	SN/N/ST/T	SN/N/ST/T
Třída emisí hluku a emise hluku šířeného vzduchem (db(A) re 1 pW)	B 35	B 35
Doba náběhu teploty (h)	6	6
Kapacita výroby ledu	/	/
Typ spotřebiče	Vestavný	Vestavný

Název modelu	Třída energetické účinnosti
CMT5518EVWF	E
RMT5518EVWF	E

Vysvětlení:

- Ano, ve výbavě
- (1) Na základě výsledků zkoušky shody s normami v průběhu 24 hodin. Skutečná spotřeba je závislá na způsobu používání a umístění spotřebiče.
 - (2) Klimatická třída SN: Tento spotřebič je určen k používání při teplotě okolí mezi +10 °C a +32 °C
 Klimatická třída N: Tento spotřebič je určen k používání při teplotě okolí mezi +16 °C a +32 °C
 Klimatická třída ST: Tento spotřebič je určen k používání při teplotě okolí mezi +16 °C a +38 °C
 Klimatická třída T: Tento spotřebič je určen k používání při teplotě okolí mezi +16 °C a +43 °C

Další technické údaje

Napětí/frekvence	220–240 V~/50 Hz
Vstupní proud (A)	1.5
Hlavní pojistka (A)	16
Chladivo	R600a
Rozměry (V/Š/H v mm)	1772/540/550

Informace o VF energii

Max. EIRP: Bluetooth (BR/EDR): 10 dBm

Bluetooth LE: 5 dBm

2,4GHz Wi-Fi: 16 dBm

Provozní frekvenční pásmo: 2400–2483,5 MHz

Doporučujeme využívat zákaznický servis společnosti Haier a používat originální náhradní díly.

V případě problému se spotřebičem si nejprve přečtete část ŘEŠENÍ PROBLÉMŮ.

Pokud v ní nenajdete řešení, kontaktujte

- ▶ místního prodejce nebo
- ▶ naše Evropské středisko telefonické podpory (viz telefonní čísla uvedená níže) nebo
- ▶ část Servis a podpora na adrese www.haier.com, kde můžete aktivovat požadavek na servis
- ▶ a kde najdete také časté dotazy.

Chcete-li kontaktovat náš servis, ujistěte se, že máte k dispozici následující údaje. Tyto údaje lze najít na výrobním štítku.

Model _____

Výrobní číslo _____

V případě záruky se také podívejte do záručního listu dodaného s výrobkem.

Evropské středisko telefonické podpory		
Země*	Telefonní číslo	Ceny
Haier Italy (IT)	199 100 912	
Haier Spain (ES)	902 509 123	
Haier Germany (DE)	0180 539 39 99	<ul style="list-style-type: none"> • 14 ct/min pevná linka • max. 42 ct/min mobil
Haier Austria (AT)	0820 001 205	<ul style="list-style-type: none"> • 14,53 ct/min pevná linka • max. 20 ct/min vše ostatní
Haier United Kingdom (UK)	0333 003 8122	
Haier France (FR)	0980 406 409	

*Údaje o ostatních zemích najdete na adrese www.haier.com

Haier Europe Trading S.r.l

Branch UK

Westgate House, Westgate, Ealing

London, W5 1YY

*Doba záruky chladničky:

Minimální záruka: 2 roky pro země EU, 3 roky pro Turecko, 1 rok pro Spojené království, 1 rok pro Rusko, 3 roky pro Švédsko, 2 roky pro Srbsko, 5 let pro Norsko, 1 rok pro Maroko, 6 měsíců pro Alžírsko, Tunisko nevyžaduje žádnou zákonnou záruku.

*Doba dostupnosti náhradních dílů pro opravu spotřebiče:

Termostaty, snímače teploty, desky s plošnými spoji a světelné zdroje budou k dispozici po dobu nejméně sedmi let od uvedení posledního modelu spotřebiče na trh.

Madla dvířek, závěsy dvířek, přihrádky a koše budou k dispozici po dobu nejméně sedmi let a těsnění dvířek po dobu nejméně deseti let od uvedení posledního modelu spotřebiče na trh.

*Chcete-li další informace o výrobku, navštivte stránky <https://eprel.ec.europa.eu/> nebo naskenujte kód QR na energetickém štítku dodaném se spotřebičem.

<u>5 Sicherheitsinformationen</u>	Vor der ersten Inbetriebnahme	6
	Installation	6
	Täglicher Gebrauch	7
	Informationen zum Kältemittelgas	9
<u>10 Bestimmungsgemäße Verwendung</u>		
<u>11 Produktbeschreibung</u>		
<u>12 Bedienfeld</u>		
<u>13 Verwendung</u>	Sperrren/Entsperrren-Taste und ihr Symbol	13
	Standby-Funktion	13
	Wi-Fi-Funktion	14
	Einstellen der Temperatur für den Gefrierschrank	14
	Super Freeze-Funktion	15
	ECO-Funktion	15
<u>16 Ausstattung</u>		
<u>17 Energiespartipps</u>		
<u>18 Pflege und Reinigung</u>		
<u>20 Fehlerbehebung</u>		
<u>24 Installation</u>		
<u>30 Technische Daten</u>		
<u>32 Kundendienst</u>		

Vielen Dank für den Kauf eines Haier-Produkts.

Bitte lesen Sie diese Anweisungen sorgfältig durch, bevor Sie dieses Gerät benutzen. Die Anleitung enthält wichtige Informationen, die Ihnen dabei helfen, das Gerät optimal zu nutzen und eine sichere und ordnungsgemäße Installation, Verwendung und Wartung zu gewährleisten.

Bewahren Sie diese Anleitung an einem geeigneten Ort auf, damit Sie jederzeit für die sichere und ordnungsgemäße Verwendung des Geräts darauf zurückgreifen können.

Wenn Sie das Gerät verkaufen, weggeben oder bei einem Umzug zurücklassen, vergewissern Sie sich, dass diese Anleitung auch beigelegt wird, damit sich der neue Besitzer bzw. die neue Besitzerin mit dem Gerät und den Sicherheitshinweisen vertraut machen kann.

Zubehör

Überprüfen Sie das Zubehör und die Dokumentation gemäß dieser Liste:



**WARNUNG - Wichtige Sicherheitsinformationen**

**HINWEIS - Allgemeine Informationen und Tipps**

**Umweltinformationen**

**Entsorgung**

Tragen Sie zum Schutz der Umwelt und der menschlichen Gesundheit bei. Entsorgen Sie die Verpackung zum Recyclen in die entsprechenden Behälter. Unterstützen Sie das Recycling von Elektro- und Elektronik-Altgeräten. Entsorgen Sie Geräte, die mit diesem Symbol gekennzeichnet sind, nicht mit dem Hausmüll. Geben Sie das Produkt an Ihre lokale Recyclinganlage zurück oder wenden Sie sich an Ihre Stadtverwaltung.

**WARNUNG!**

Verletzungs- oder Erstickungsgefahr!

Kältemittel und Gase müssen fachgerecht entsorgt werden. Stellen Sie sicher, dass der Schlauch des Kühlkreislaufs nicht beschädigt ist, bevor er ordnungsgemäß entsorgt wird. Trennen Sie das Gerät von der Stromversorgung. Trennen Sie das Netzkabel und entsorgen Sie es. Entfernen Sie die Fächer und Schubladen sowie die Türöffnung und die Dichtungen, um zu verhindern, dass Kinder und Haustiere im Gerät eingeschlossen werden.

Lesen Sie vor dem ersten Einschalten des Geräts folgende Sicherheitshinweise:



WARNUNG!

Vor der ersten Inbetriebnahme

- ▶ Vergewissern Sie sich, dass keine Transportschäden vorliegen.
- ▶ Warten Sie vor dem Einschalten des Geräts mindestens zwei Stunden, damit der Kühlkreislauf auch sicher und effektiv arbeitet.
- ▶ Transportieren Sie das Gerät immer mit mindestens zwei Personen, da es schwer ist.
- ▶ Entfernen Sie sämtliches Verpackungsmaterial, bewahren Sie es außerhalb der Reichweite von Kindern auf und entsorgen Sie es umweltfreundlich.
- ▶ Reinigen Sie das Gerät innen und außen mit Wasser und einem milden Reinigungsmittel, bevor Sie Lebensmittel hineinlegen.
- ▶ Warten Sie nach dem Nivellieren und Reinigen mindestens 2-5 Stunden, bevor Sie das Gerät an die Stromversorgung anschließen. Siehe Abschnitt INSTALLATION.
- ▶ Kühlen Sie die Fächer auf hoher Stufe vor, bevor Sie die Lebensmittel einlegen. Die Super-Freeze-Funktion sorgt für eine schnelle Abkühlung der Fächer.
- ▶ Die Temperatur des Gefrierschranks wird jeweils automatisch auf -18 °C eingestellt. Dies sind die empfohlenen Einstellungen. Falls gewünscht, können Sie die Temperatur manuell ändern. Siehe EINSTELLEN DER TEMPERATUR.

Installation

- ▶ Das Gerät sollte an einem gut belüfteten Ort aufgestellt werden. Idealerweise müssen mindestens 10 cm rund um das Gerät frei bleiben.
- ▶ Stellen Sie das Gerät niemals in einem feuchten Bereich oder an einem Ort auf, wo es mit Wasser nassgespritzt werden könnte. Reinigen Sie Wasserspritzer und Flecken mit einem weichen, sauberen Tuch.
- ▶ Stellen Sie das Gerät nicht in direktem Sonnenlicht oder in der Nähe von Hitzequellen (z. B. Herden, Heizungen) auf.
- ▶ Installieren und richten Sie das Gerät in einem Bereich ein, der für seine Größe und Verwendung geeignet ist.
- ▶ Halten Sie die Lüftungsschlitze am Gerät oder in der Einbaustruktur frei.
- ▶ Stellen Sie sicher, dass die elektrischen Informationen auf dem Typenschild der Stromversorgung entsprechen. Ist dies nicht der Fall, wenden Sie sich an einen Elektriker.
- ▶ Das Gerät wird über eine 220-240 V Wechselspannung/50 Hz betrieben. Abnormale Spannungsschwankungen könnten dazu führen, dass sich das Gerät nicht einschaltet, der Temperaturregler oder Kompressor beschädigt wird, oder dass während des Betriebs ein abnormales Geräusch auftritt. In einem solchen Fall ist ein automatischer Regler anzubringen.
- ▶ Verwenden Sie keine Mehrfachsteckadapter und Verlängerungskabel.
- ▶ Positionieren Sie keine Mehrfachsteckdosen oder Verlängerungen hinter dem Gerät.
- ▶ Stellen Sie sicher, dass das Netzkabel nicht durch den Kühlschrank eingeklemmt wird. Treten Sie nicht auf das Netzkabel.



WARNUNG!

- ▶ Verwenden Sie eine separate, geerdete Steckdose für eine leicht zugängliche Stromversorgung. Das Gerät muss geerdet werden.
Nur für Großbritannien: Das Gerätenetzkabel ist mit einem 3-adrigen Stecker (Erdungsstecker) ausgestattet, der in eine 3-adrige Norm-Buchse (geerdet) passt. Der dritte Stift (Erdung) darf auf keinen Fall gekappt oder entfernt werden. Das Gerät muss so installiert werden, dass der Stecker erreichbar ist.

- ▶ Den Kühlkreislauf nicht beschädigen.

Täglicher Gebrauch

- ▶ Dieses Gerät kann von Kindern ab 8 Jahren und Personen mit eingeschränkten körperlichen, sensorischen oder geistigen Fähigkeiten oder mangelnder Erfahrung und mangelndem Wissen benutzt werden, wenn diese in die sichere Bedienung des Geräts eingewiesen wurden oder beaufsichtigt werden und die damit verbundenen Gefahren verstanden haben.
- ▶ Kinder im Alter von 3 bis 8 Jahren dürfen Kühlschränke be- und entladen, aber nicht reinigen und installieren.
- ▶ Kinder unter 3 Jahren vom Gerät fernhalten, es sei denn, sie werden ständig beaufsichtigt.
- ▶ Kinder dürfen nicht mit dem Gerät spielen.
- ▶ Wenn Kühlgas oder ein anderes brennbares Gas in der Nähe des Geräts austritt, drehen Sie das Ventil des austretenden Gases ab. Öffnen Sie die Türen und Fenster, und ziehen Sie nicht den Netzstecker des Kühlschranks oder eines anderen Haushaltsgeräts.
- ▶ Beachten Sie, dass das Gerät für den Betrieb bei einer bestimmten Umgebungstemperatur zwischen 10 und 43 °C eingestellt ist. Das Gerät funktioniert möglicherweise nicht ordnungsgemäß, wenn es über einen längeren Zeitraum bei einer Temperatur oberhalb oder unterhalb des angegebenen Bereichs betrieben wird.
- ▶ Stellen Sie keine instabilen Gegenstände (schwere Gegenstände, mit Wasser gefüllte Behälter) auf den Kühlschrank, um Verletzungen durch Herunterfallen oder elektrische Schläge durch Kontakt mit Wasser zu vermeiden.
- ▶ Ziehen Sie nicht an den Türfächern. Die Tür kann schief verzogen werden, das Flaschenregal kann herausgezogen werden, oder das Gerät kann umkippen.
- ▶ Schließen und öffnen Sie die Tür nur mit den Griffen. Der Spalt zwischen den Türen sowie zwischen den Türen und dem Schrank ist sehr schmal. Stecken Sie nicht Ihre Hände in diese Bereiche, um zu vermeiden, dass Sie Ihre Finger eingeklemmt werden. Öffnen oder schließen Sie die Kühlschränktüren nur dann, wenn keine Kinder im Bewegungsbereich der Tür stehen.
- ▶ Achten Sie beim Aufstellen des Geräts darauf, dass das Stromkabel nicht eingeklemmt oder beschädigt wird.
- ▶ Keine explosiven Substanzen mit entzündlichen Treibgasen, wie Sprühdosen, in diesem Gerät lagern.
- ▶ Um die Kontamination von Lebensmitteln zu vermeiden:
 - Ein längeres Öffnen der Tür kann zu einem bedeutenden Temperaturanstieg in den Kühl- und Gefrierfächern des Geräts führen.

**WARNUNG!**

- Die mit den Lebensmitteln in Berührung kommenden Oberflächen und zugänglichen Ablaufsysteme müssen regelmäßig gereinigt werden.
- Bewahren Sie rohes Fleisch und Fisch in geeigneten Behältern im Kühlschrank auf, damit es nicht mit anderen Lebensmitteln in Berührung kommt oder Flüssigkeit auf diese tropft.
- Wenn das Gerät längere Zeit leer bleibt, schalten Sie es aus, tauen Sie es ab, reinigen und trocknen Sie es, und lassen Sie die Tür offen, um zu verhindern, dass sich im Innenraum Schimmel bildet.
- ▶ Verwenden Sie keine brennbaren, explosionsfähigen oder korrosiven Substanzen im Gerät oder in der Nähe.
- ▶ Lagern Sie keine Arzneimittel, Bakterien oder Chemikalien im Gerät. Dieses Gerät ist ein Haushaltsgerät. Es wird davon abgeraten, Materialien zu lagern, die extreme Temperaturen erfordern.
- ▶ Lagern Sie niemals Flüssigkeiten in Flaschen oder Dosen (außer hochprozentige Spirituosen), insbesondere kohlenensäurehaltige Getränke, im Gefrierschrank, da diese beim Einfrieren platzen können.
- ▶ Überprüfen Sie den Zustand der Lebensmittel, wenn die Temperatur im Gefrierschrank angestiegen ist.
- ▶ Berühren Sie Gefriergut nicht mit nassen Händen (Handschuhe tragen). Verzehren Sie insbesondere Eis am Stiel nicht sofort nach der Entnahme aus dem Gefrierfach. Es besteht die Gefahr des Erfrierens oder der Bildung von Frostblasen an Mund und Zunge. ERSTE HILFE: Sofort unter fließend kaltes Wasser halten. Nicht mit Gewalt abziehen!
- ▶ Berühren Sie nicht die Innenfläche des Gefrierfachs, insbesondere nicht mit nassen Händen, da Ihre Hände an der Oberfläche festfrieren könnten.
- ▶ Ziehen Sie den Gerätestecker aus der Steckdose, falls die Stromversorgung unterbrochen wird oder bevor Sie das Gerät reinigen. Warten Sie vor dem Neustart mindestens 7 Minuten, da durch häufiges Einschalten der Kompressor beschädigt werden kann.
- ▶ Verwenden Sie Im Inneren des Haushaltsgeräts keine elektrischen Geräte, es sei denn, sie werden vom Hersteller empfohlen.
Wartung / Reinigung
- ▶ Kinder müssen beaufsichtigt werden, wenn sie das Gerät reinigen und warten.
- ▶ Trennen Sie das Gerät von der Stromversorgung, bevor Sie eine routinemäßige Wartung durchführen. Warten Sie vor dem Neustart mindestens 5 Minuten, da durch häufiges Einschalten der Kompressor beschädigt werden kann.

**WARNUNG!**

- ▶ Fassen Sie beim Herausziehen des Gerätesteckers aus der Steckdose, den Stecker und nicht das Kabel an.
- ▶ Reinigen Sie das Gerät nicht mit harten Bürsten, Drahtbürsten, Reinigungspulver, Benzin, Amylacetat, Aceton und ähnlichen organischen Lösungen, Säure oder Alkalilösungen. Reinigen Sie das Gerät mit einem speziellen Reinigungsmittel für Kühlgeräte, um Beschädigungen zu vermeiden.
- ▶ Wenn das Stromkabel beschädigt ist, muss es vom Hersteller, von seinem Service-Mitarbeiter oder einer gleichwertig qualifizierten Person ausgetauscht werden, um jegliches Risiko zu vermeiden.
- ▶ Versuchen Sie nicht, das Gerät selbst zu reparieren, zu zerlegen oder zu verändern. Bei Reparaturen wenden Sie sich bitte an unseren Kundenservice.
- ▶ Entfernen Sie den Staub auf der Geräterückseite mindestens einmal im Jahr, um Brandgefahr und einen erhöhten Energieverbrauch zu vermeiden.
- ▶ Das Gerät darf während der Reinigung nicht besprüht oder mit Wasser beschüttet werden.
- ▶ Das Gerät darf nicht mit Wasser besprüht oder mit Dampf gereinigt werden.
- ▶ Reinigen Sie die kalten Einlegeböden aus Glas nicht mit heißem Wasser. Plötzliche Temperaturschwankungen können dazu führen, dass das Glas zerspringt.

Informationen zum Kältemittelgas**WARNUNG!**

Das Gerät enthält das entzündliche Kältemittel ISOBUTAN (R600a). Stellen Sie sicher, dass der Kühlkreislauf während des Transports oder der Installation nicht beschädigt wird. Auslaufendes Kältemittel kann Augenverletzungen verursachen oder sich entzünden. Falls Schäden aufgetreten sind, halten Sie sich von offenen Brandquellen fern, lüften Sie den Raum gründlich, stecken Sie die Netzkabel des Geräts oder eines anderen Geräts nicht ein oder aus. Informieren Sie den Kundenservice.

Falls die Augen mit dem Kältemittel in Kontakt kommen, spülen Sie sofort unter fließendem Wasser aus und verständigen Sie den Augenarzt.

Bestimmungsgemäße Verwendung

Dieses Gerät ist zum Einfrieren von Lebensmitteln bestimmt. Es ist ausschließlich für den Einsatz in Haushalten und ähnlichen Bereichen konzipiert, wie z. B. in Personalküchen in Geschäften, Büros und anderen Arbeitsumgebungen, auf Bauernhöfen und in Hotels, Motels und anderen wohnähnlichen Umgebungen sowie in Bed-and-Breakfasts und für Catering-Zwecke. Das Gerät ist nicht für die kommerzielle oder industrielle Nutzung bestimmt.

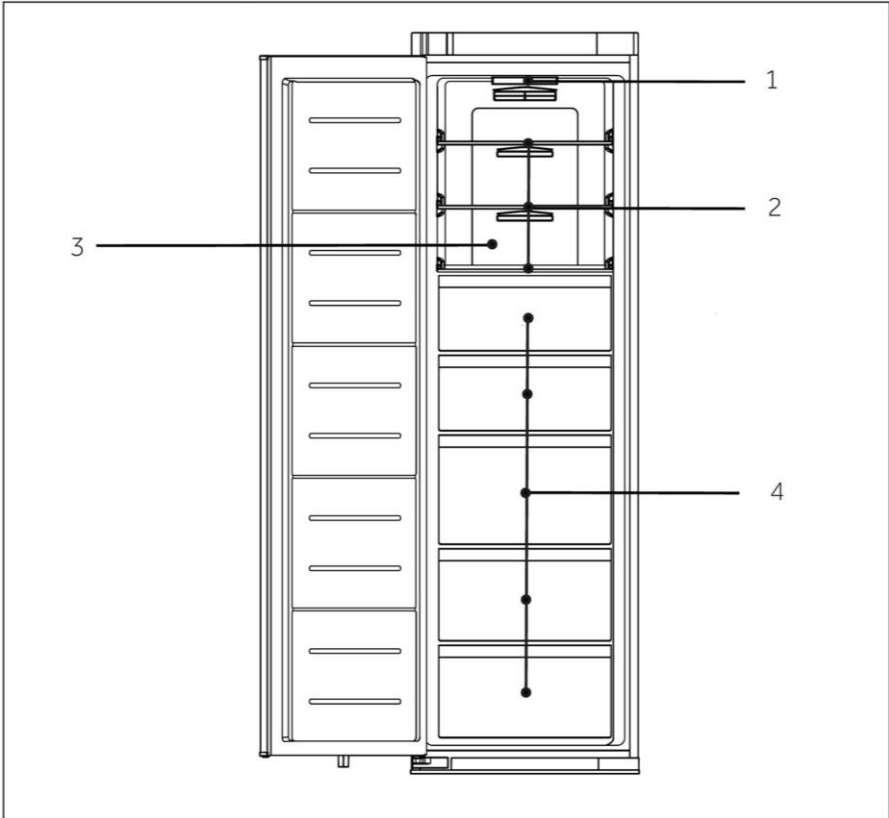
Änderungen oder Anpassungen am Gerät sind nicht erlaubt. Eine unsachgemäße Verwendung kann zu Gefahren und zum Verlust von Garantieansprüchen führen.

Normen und Richtlinien

Dieses Produkt erfüllt die Anforderungen aller geltenden EG-Richtlinien mit den entsprechenden harmonisierten Normen, die eine CE-Kennzeichnung vorsehen.

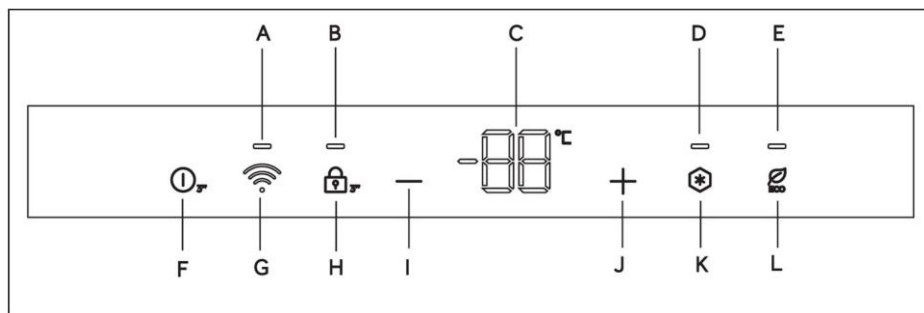
i HINWEIS

Aufgrund von technischen Änderungen und unterschiedlichen Modellen können einige der Abbildungen in dieser Anleitung von Ihrem Modell abweichen.

**CMT5518EVWF/RMT5518EVWF**

- 1 LED-Innenbeleuchtung
- 2 Normale Einlegeböden
- 3 Gefrierschrank-Luftkanal
- 4 Gewöhnliche Gefrierschublade

Bedienfeld



Anzeigesymbole:

- A Symbol für die Wi-Fi-Funktion
- B Symbol für Sperren/Entsperren
- C Symbol für die Temperaturanzeige
- D Symbol für die Super Freeze-Funktion
- E Symbol für die ECO-Funktion

Berührungsempfindliche Tasten:

- F EIN/AUS-Taste
- G Wi-Fi-Zuordnungstaste
- H Taste zum Sperren/Entsperren
- I Taste zum Verringern der Temperatur
- J Taste zum Erhöhen der Temperatur
- K Taste für die Super Freeze-Funktion
- L Taste für die ECO-Funktion

Sensortasten

Die Tasten auf dem Bedienfeld sind Sensortasten, die schon bei leichter Berührung mit dem Finger ansprechen.

Bitte öffnen Sie zuerst die Kühlschranktür, bevor Sie den Bildschirm bedienen.

Funktion Sperren/Entsperren

Mit dieser Taste und dem zugehörigen Symbol wird der Steuerungsbildschirm gesperrt oder entsperrt und sein aktueller Status angezeigt.

Wenn Sie die Kühlschranktür öffnen, während der Kühlschrank in Betrieb ist, leuchtet der Steuerungsbildschirm auf und das Symbol zum Sperren/Entsperren ist zu sehen. Der Steuerungsbildschirm ist gesperrt und kann nicht bedient werden.

Manuelles Entsperren oder Sperren des Bildschirms: Wenn das Symbol zum Sperren/Entsperren aufleuchtet, berühren Sie die Taste zum Sperren/Entsperren bitte 3 Sekunden lang. Das Symbol erlischt und wird von einem Signalton begleitet. Zu diesem Zeitpunkt kann die Funktionsauswahl oder die Temperatureinstellung vorgenommen werden.

Wenn das Symbol zum Sperren/Entsperren ausgeschaltet ist, berühren Sie bitte die Taste zum Sperren/Entsperren 3 Sekunden lang. Dann leuchtet das Symbol zum Sperren/Entsperren auf und es ertönt ein Signalton. Zu diesem Zeitpunkt kann die Funktionsauswahl oder Temperatureinstellung nicht durchgeführt werden.

Automatische Bildschirmsperre: Wenn die Kühlschranktür geschlossen wird, schaltet sich der Steuerungsbildschirm aus und wird gesperrt.

Wenn die Kühlschranktür geöffnet wird, wird der Steuerungsbildschirm automatisch gesperrt, wenn innerhalb von 30 Sekunden kein Bedienvorgang erfolgt.

EIN/AUS-Funktion

Die EIN/AUS-Taste dient zum Umschalten zwischen AUS (Pausenstatus) und EIN (normale Betriebsmodi).

Aktivieren des AUS-Modus: Im Betriebsmodus des Kühlschranks müssen Sie zunächst das Display entsperren und dann die EIN/AUS-Funktionstaste 3 Sekunden lang gedrückt halten, um den Steuerungsbildschirm, die Beleuchtung des Kühlschranks, die Kühlung und andere Funktionen auszuschalten.

Daraufhin ertönt ein Signalton.



HINWEIS

Der AUS-Modus bewirkt kein Ausschalten: Der Kühlschrank ist zu diesem Zeitpunkt noch eingeschaltet.




Deaktivieren des AUS-Modus: Halten Sie im AUS-Modus die EIN/AUS-Taste 3 Sekunden lang gedrückt, um den Steuerungsbildschirm, die Kühlbeleuchtung, die Kühlung und andere Funktionen wieder einzuschalten. Gleichzeitig ertönt ein Signalton. Der Kühlschrank kehrt zu der zuvor eingestellten Temperatur und Funktion zurück und wechselt auf den normalen Betriebsmodus.

Wi-Fi-Funktion

Wi-Fi-Zuordnung: Wenn der Kühlschrank zum ersten Mal eingeschaltet wird, geht er automatisch in den Netzwerkkonfigurationsmodus über, und das Wi-Fi-Funktionssymbol blinkt schnell. Wenn keine Netzwerkzuordnung erfolgt ist, wird er nach 30 Minuten automatisch beendet.

Manuelles Öffnen des Wi-Fi-Zuordnungsmodus: Nach dem Entsperren des Steuerungsbildschirms, während das Wi-Fi-Funktionssymbol leuchtet, halten Sie die Wi-Fi-Zuordnungstaste 3 Sekunden lang gedrückt, um den Modus zu aktivieren. Während dieser Zeit blinkt das Wi-Fi-Funktionssymbol schnell, um anzuzeigen, dass es sich im Wi-Fi-Zuordnungsmodus befindet. Wenn keine Netzwerkzuordnung stattfindet, wird der Modus nach 30 Minuten automatisch beendet.

KOPPLUNGSVORGANG IN DER APP

<p>Schritt 1 • Die hOn-app aus einem Store herunterladen.</p> 	
<p>Schritt 2 Legen Sie ein Konto in der Online-App an oder melden Sie sich an, wenn Sie ein Konto haben.</p> 	<p>Schritt 3 Wählen Sie die Koppelungsanweisungen in der Online-App.</p> 



HINWEIS

Folgen Sie im Wi-Fi-Zuordnungsmodus den Anweisungen der App folgen, um die Netzwerkkonfiguration abzuschließen. Wenn Sie die Wi-Fi-Umgebung ändern möchten, müssen Sie den Modus erneut öffnen. Wenn das Symbol für die Wi-Fi-Funktion eingeschaltet bleibt, bedeutet dies, dass die Verbindung mit dem Netzwerk erfolgreich hergestellt wurde.

Einstellen der Temperatur für den Gefrierschrank

Nach dem Öffnen der Kühlschranktür und dem Entsperren des Steuerungsbildschirms können Sie die Taste zum Verringern der Temperatur verwenden, um die eingestellte Temperatur des Kühlschranks zu senken.

Jedes Mal, wenn die Taste leicht berührt wird, wird die Temperatur um 1 °C verringert. Die zulässige Mindesttemperatur beträgt -24 °C.

Nach dem Öffnen der Kühlschranktür und dem Entsperren des Steuerungsbildschirms können Sie die Taste zum Erhöhen der Temperatur verwenden, um die eingestellte Temperatur des Kühlschranks zu erhöhen. Jedes Mal, wenn die Taste leicht berührt wird, wird die Temperatur um 1 °C erhöht. Die zulässige Höchsttemperatur beträgt -14 °C.

Während des Betriebs zeigt das Symbol der Temperaturanzeige die eingestellte Temperatur an und blinkt. Der Steuerungsbildschirm bestätigt nach 5 Sekunden automatisch die eingestellte Temperatur und zeigt dann die aktuelle tatsächliche Temperatur an. Nach Abschluss der Einstellung wechselt der Kühlschrank allmählich von der tatsächlichen Temperatur zur eingestellten Temperatur. Daher kann es für eine gewisse Zeit zu einer Abweichung zwischen der tatsächlichen Temperatur und der eingestellten Temperatur kommen.

Super Freeze-Funktion

Mit dieser Taste und ihrem Symbol wird die Super Freeze-Funktion des Kühlschranks eingeschaltet und der aktuelle Status angezeigt.

Nachdem Sie die Kühlschranktür geöffnet und den Steuerungsbildschirm entsperrt haben, berühren Sie die Super Freeze-Funktionstaste leicht. Das Super Freeze-Symbol leuchtet auf; der Kühlschrank befindet sich bereits im Modus. Wenn Sie den Modus verlassen möchten, berühren Sie die Super Freeze-Funktionstaste erneut leicht.

Bei dieser Funktion wird die Temperatur wahrscheinlich -28 °C oder weniger betragen, und der Kühlschrank beendet diese Funktion automatisch nach 50 Stunden, um zu vermeiden, dass die Temperatur zu niedrig wird.

ECO-Funktion

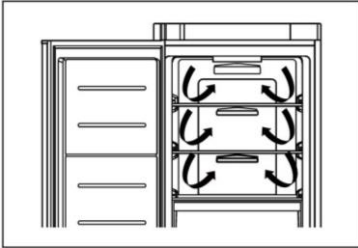
Nachdem Sie die Kühlschranktür geöffnet und den Steuerungsbildschirm entsperrt haben, berühren Sie die ECO-Funktionstaste leicht. Das ECO-Symbol leuchtet auf; der Kühlschrank befindet sich bereits im Modus. Wenn Sie den Modus verlassen möchten, berühren Sie die ECO-Funktionstaste erneut leicht. Im ECO-Modus arbeitet der Kühlschrank automatisch mit einer Durchschnittstemperatur von -18 °C.



HINWEIS

Aufgrund der unterschiedlichen Betriebslogik der Sonderfunktionen zwischen der Super Freeze-Funktion und der ECO-Funktion können diese Sondermodi nicht gleichzeitig aktiviert werden. Jeweils nur eine Funktion kann aktiviert werden, und wenn Sie zwischen den Modi wechseln, werden andere Sondermodi automatisch beendet. Darüber hinaus kann die eingestellte Temperatur erst geändert werden, wenn diese Modi beendet werden.

-18 °C eignet sich für allgemeine Tiefkühlprodukte, die zwischen 1 und 12 Monaten gelagert werden müssen, z. B. Fleisch, Geflügel, Meeresfrüchte, vorgekochte Lebensmittel und Essensreste, einige Obst- und Gemüsesorten, Eiscreme und andere Tiefkühldesserts.

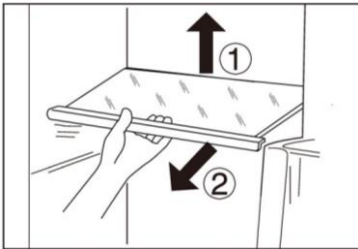


Mehrfach-Luftstrom

1. Der Kühlschrank ist mit einem Mehrfach-Luftstrom-System ausgestattet, bei dem auf jeder Einlegebodenebene kühle Luftströme zirkulieren. Dadurch wird eine gleichmäßige Temperatur aufrechterhalten, um sicherzustellen, dass Ihre Lebensmittel länger frisch bleiben.

Verstellbare Einlegeböden

1. Die Höhe der Einlegeböden kann an Ihren Lagerbedarf angepasst werden.
2. Um einen Einlegeboden zu versetzen, heben Sie ihn an der Hinterkante an ① und ziehen Sie ihn heraus ②.
3. Um ihn wieder einzubauen, setzen Sie ihn auf die Träger an beiden Seiten und schieben Sie ihn ganz nach hinten, bis die Rückseite des Einlegebodens in den Schlitzen an den Seiten steckt.

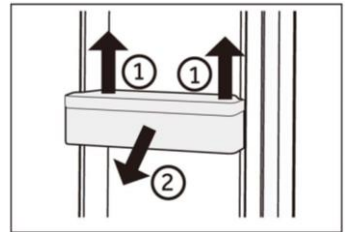


i HINWEIS

Prüfen Sie, ob alle Seiten des Einlegebodens waagrecht sind.

Abnehmbare Türfächer/Flaschenhalter

1. Die Türablagen können zur Reinigung herausgenommen werden:
2. Halten Sie dazu die Ablage mit beiden Händen fest, heben Sie sie nach oben ① und ziehen Sie sie heraus ②.
3. Um die Ablage wieder einzusetzen, werden die oben genannten Schritte in umgekehrter Reihenfolge durchgeführt.



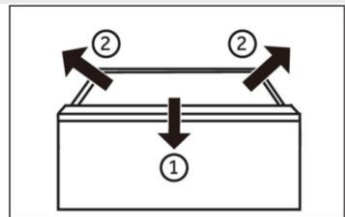
i HINWEIS

Wenn das Gerät eingeschaltet wird, kann es bis zu 12 Stunden dauern, bis die richtigen Temperaturen erreicht sind.

Herausnehmbare Schublade

Um die Schublade herauszunehmen, diese bis zum Anschlag herausziehen ①, anheben und herausnehmen ②.

Um die Schublade wieder einzusetzen, werden die oben genannten Schritte in umgekehrter Reihenfolge durchgeführt.



Beleuchtung

Die LED-Innenbeleuchtung leuchtet, wenn die Tür geöffnet wird. Die Leistung der LEDs wird durch keine der anderen Geräteeinstellungen beeinflusst.



Energiespartipps

- ▶ Stellen Sie sicher, dass das Gerät ordnungsgemäß belüftet ist (siehe INSTALLATION).
- ▶ Stellen Sie das Gerät nicht in direktem Sonnenlicht oder in der Nähe von Hitzequellen (z. B. Herden, Heizungen) auf.
- ▶ Vermeiden Sie unnötig niedrige Temperaturen im Gerät. Je niedriger die im Gerät eingestellte Temperatur ist, desto höher ist der Energieverbrauch.
- ▶ Funktionen wie die Super Freeze-Funktion verbrauchen mehr Energie.
- ▶ Lassen Sie warme Mahlzeiten erst abkühlen, bevor Sie diese in den Kühlschrank stellen.
- ▶ Öffnen Sie die Gerätetür so wenig und so kurz wie möglich.
- ▶ Achten Sie darauf, das Gerät nicht zu überladen, um den Luftstrom nicht zu behindern.
- ▶ Vermeiden Sie Luft innerhalb der Lebensmittelverpackung.
- ▶ Halten Sie die Türdichtungen sauber, damit die Tür immer richtig schließt.
- ▶ Die energiesparendste Konfiguration erfordert, dass das Gerät Schubladen, Lebensmittelboxen und Einlegeböden in fabriksauberem Zustand enthält, und die Lebensmittel sollten so weit wie möglich von den Auslässen des Luftkanals eingeräumt werden und diesen nicht blockieren.



WARNUNG!

Trennen Sie das Gerät vor der Reinigung von der Stromversorgung.

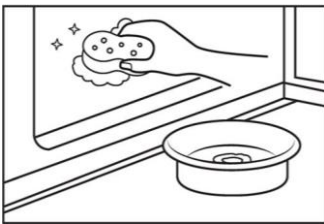
Reinigung

Reinigen Sie das Gerät, wenn nur wenig oder keine Lebensmittel gelagert werden. Das Gerät sollte alle vier Wochen gereinigt werden, um eine gute Wartung zu gewährleisten und um schlechte Gerüche von gelagerten Lebensmitteln zu vermeiden.



WARNUNG!

- ▶ Reinigen Sie das Gerät nicht mit harten Bürsten, Drahtbürsten, Reinigungspulver, Benzin, Amylacetat, Aceton und ähnlichen organischen Lösungen, Säure oder Alkalilösungen. Reinigen Sie das Gerät mit einem speziellen Reinigungsmittel für Kühlgeräte, um Beschädigungen zu vermeiden.
- ▶ Das Gerät darf während der Reinigung nicht besprüht oder mit Wasser beschüttet werden.
- ▶ Das Gerät darf nicht mit Wasser besprüht oder mit Dampf gereinigt werden.
- ▶ Reinigen Sie die kalten Einlegeböden aus Glas nicht mit heißem Wasser. Plötzliche Temperaturschwankungen können dazu führen, dass das Glas zerspringt.
- ▶ Berühren Sie nicht die Innenfläche des Gefrierschranks, insbesondere nicht mit nassen Händen, da Ihre Hände an der Oberfläche festfrieren könnten.
- ▶ Überprüfen Sie bei einem eventuellen Temperaturanstieg den Zustand des Gefrierguts.



- ▶ Halten Sie die Türdichtung immer sauber.
- ▶ Reinigen Sie das Innere und das Gehäuse des Geräts mit einem Schwamm, der mit warmem Wasser und einem neutralen Reinigungsmittel angefeuchtet wurde.
- ▶ 1. Säubern Sie den Kühlschrank innen und außen, einschließlich Türdichtungen, Türablage, Einlegeböden aus Glas, Schubladen usw., gründlich mit einem weichen Geschirrtuch oder einem Schwamm, der in warmes Wasser eingetaucht wurde (eventuell mit etwas neutralem Reinigungsmittel im Wasser).
- ▶ 2. Wenn Flüssigkeit verschüttet wurde, nehmen Sie alle verschmutzten Teile heraus, spülen Sie sie unter fließendem Wasser ab, trocknen Sie sie ab und setzen Sie sie wieder in den Kühlschrank ein.
- ▶ 3. Bei verschütteten Milchprodukten (z. B. Sahne, schmelzendes Eis) entfernen Sie die verunreinigten Teile, legen Sie sie für eine Weile in ca. 40 °C warmes Wasser, spülen Sie sie dann unter fließendem Wasser ab, trocknen Sie sie ab, und setzen Sie sie wieder in den Kühlschrank ein.
- ▶ 4. Falls ein kleines Teil oder Krümel im Inneren des Kühlschranks (zwischen die Ablagen oder Schubladen) festsitzen, lösen Sie die Verunreinigung mit einer weichen Zahnbürste. Wenn Sie die Verunreinigung nicht entfernen konnten, wenden Sie sich bitte an den Haier-Kundendienst.



HINWEIS

Der Ablauf darf nicht durch Fremdkörper blockiert werden, da es sonst zu einem Überlaufen des Wassers kommen kann. Wenn der Ablauf verstopft ist, können Sie die Schublade herausnehmen und mit einem Tuch reinigen.



- ▶ Wischen Sie den Kühlschrank mit einem feuchten Tuch gründlich aus und trocknen Sie ihn mit einem weichen Tuch ab.
- ▶ Reinigen Sie Geräteteile nicht in einer Geschirrspülmaschine.
- ▶ Warten Sie vor dem Neustart des Geräts mindestens 5 Minuten, da ein häufiger Neustart den Kompressor beschädigen kann.

Abtauen

Das Abtauen des Gefrierschranks erfolgt automatisch, es ist keine manuelle Tätigkeit erforderlich.

Austausch der LED-Leuchten



WARNUNG!

Wechseln Sie die LED nicht selbst. Sie darf nur vom Hersteller oder von einem autorisierten Service-Mitarbeiter ausgetauscht werden.

Die Leuchte nutzt als Lichtquelle eine LED mit geringem Energieverbrauch und langer Lebensdauer. Bei Anomalien wenden Sie sich bitte an den Kundenservice. Siehe KUNDENSERVICE.

Parameter der Leuchte:

Tiefkühlfach: 12 V max. 1,5W

Dieses Produkt enthält eine Lichtquelle der Energieeffizienzklasse <G>.

Nichtverwendung für einen längeren Zeitraum

Wenn das Gerät über einen längeren Zeitraum nicht verwendet wird:

Nehmen Sie die Lebensmittel heraus.

Ziehen Sie das Netzkabel ab.

Reinigen Sie das Gerät wie oben beschrieben.

Lassen Sie die Türen auf, um die Bildung von schlechten Gerüchen zu verhindern.



HINWEIS

Schalten Sie das Gerät nur aus, wenn es unbedingt nötig ist.

Verstellen des Geräts

1. Nehmen Sie alle Lebensmittel heraus und ziehen Sie den Gerätestecker aus der Steckdose.
2. Befestigen Sie die Einlegeböden und andere bewegliche Teile im Gefrierschrank mit Klebeband.
3. Den Kühlschrank um maximal 45° kippen, um eine Beschädigung des Kühlsystems zu vermeiden.



WARNUNG!

- ▶ Heben Sie das Gerät nicht an seinen Griffen an.
- ▶ Stellen Sie das Gerät niemals waagrecht auf den Boden.

Viele auftretende Probleme können von Ihnen selbst ohne spezifische Fachkenntnisse gelöst werden. Bei Problemen prüfen Sie bitte alle angezeigten Möglichkeiten und befolgen Sie die nachstehenden Anweisungen, bevor Sie einen Kundendienst kontaktieren. Siehe KUNDENSERVICE.



WARNUNG!

- ▶ Schalten Sie das Gerät vor der Wartung aus und ziehen Sie den Netzstecker aus der Steckdose.
- ▶ Elektrische Geräte sollten nur von qualifizierten Fachelektrikern repariert werden, da unsachgemäße Reparaturen erhebliche Folgeschäden verursachen können.
- ▶ Eine beschädigte Lieferung sollte nur vom Hersteller, von seinem Service-Mitarbeiter oder einer gleichwertig qualifizierten Person ausgetauscht werden, um jegliches Risiko zu vermeiden.

Problem	Mögliche Ursache	Mögliche Behebung
Der Kompressor funktioniert nicht.	<ul style="list-style-type: none"> • Der Netzstecker ist nicht an die Steckdose angeschlossen. • Das Gerät befindet sich im Abtauzyklus. 	<ul style="list-style-type: none"> • Den Netzstecker anschließen. • Dies ist normal für eine automatische Abtaugung.
Das Gerät läuft häufig oder zu lange.	<ul style="list-style-type: none"> • Die Innen- oder Außentemperatur ist zu hoch. • Das Gerät wurde über einen längeren Zeitraum ausgeschaltet. • Eine Gerätetür wurde nicht richtig geschlossen. • Die Tür wurde zu häufig oder zu lange geöffnet. • Die Temperatur für den Gefrierschrank ist zu niedrig. • Die Türdichtungen sind verschmutzt, verschlissen, gerissen oder verrutscht. • Die erforderliche Luftzirkulation ist nicht gewährleistet. 	<ul style="list-style-type: none"> • In diesem Fall ist es normal, dass das Gerät länger läuft. • Normalerweise dauert es 8 bis 12 Stunden, bis das Gerät vollständig abgekühlt ist. • Die Tür/Schublade schließen und sicherstellen, dass das Gerät auf einem ebenem Untergrund steht und dass keine Lebensmittel oder Behälter gegen die Tür stoßen. • Die Tür/Schublade nicht zu häufig öffnen. • Die Temperatur höher einstellen, bis eine zufriedenstellende Kühlschranktemperatur erreicht ist. Es dauert 24 Stunden, bis sich die Kühlschranktemperatur stabilisiert hat. • Die Tür-/Schubladendichtungen reinigen oder vom Kundendienst ersetzen lassen. • Für eine ausreichende Belüftung sorgen.

Problem	Mögliche Ursache	Mögliche Behebung
Das Innere des Kühlschranks ist schmutzig und/oder übelriechend.	<ul style="list-style-type: none"> • Das Innere des Kühlschranks muss gereinigt werden. • Lebensmittel mit starkem Geruch werden im Kühlschrank gelagert. 	<ul style="list-style-type: none"> • Das Innere des Kühlschranks reinigen. • Packen Sie die Lebensmittel sorgfältig ein.
Das Innere des Geräts ist nicht kalt genug.	<ul style="list-style-type: none"> • Die Temperatur ist zu hoch eingestellt. • Es wurden zu warme Lebensmittel eingelagert. • Es wurden zu viele Lebensmittel auf einmal hineingelegt. • Die Lebensmittel liegen zu dicht beieinander. • Eine Tür/Schublade wurde nicht richtig geschlossen. • Die Tür/Schublade wurde zu häufig oder zu lange geöffnet. 	<ul style="list-style-type: none"> • Die Temperatur zurücksetzen. • Die Lebensmittel immer erst abkühlen lassen, bevor Sie sie hineinlegen. • Nur kleinere Mengen an Lebensmitteln hineinlegen. • Zwischen mehreren Lebensmitteln einen Abstand lassen, damit die Luft zirkulieren kann. • Die Tür/Schublade schließen. • Die Tür/Schublade nicht zu häufig öffnen.
Das Innere des Geräts ist zu kalt.	<ul style="list-style-type: none"> • Die Temperatur ist zu niedrig eingestellt. • Die Super Freeze-Funktion ist aktiviert oder läuft zu lange. 	<ul style="list-style-type: none"> • Die Temperatur zurücksetzen. • Die Super Freeze-Funktion ausschalten.
Feuchtigkeit sammelt sich außen am Kühlschrank oder zwischen der Tür oder den Türen und der Schublade.	<ul style="list-style-type: none"> • Das Klima ist zu warm und zu feucht. • Die Tür ist nicht richtig geschlossen. Die kalte Luft im Gerät und die warme Außenluft kondensieren. 	<ul style="list-style-type: none"> • Das ist bei feuchtem Klima normal und ändert sich, wenn die Feuchtigkeit abnimmt. • Prüfen Sie, ob die Tür/Schublade fest geschlossen ist.
Die Display-Leuchten funktionieren, aber es ist keine Kühlung zu spüren.	<ul style="list-style-type: none"> • Der Demo-Modus ist aktiviert. 	<ul style="list-style-type: none"> • Den Status überprüfen. Wenn der Demo-Modus aktiviert ist, den Modus beenden. Beenden: Die „ECO“-Taste gedrückt halten und 5 Mal innerhalb von 5 Sekunden auf die Super Freeze-Taste klicken.

Problem	Mögliche Ursache	Mögliche Behebung
Starke Eisbildung und Frost im Gefrierfach.	<ul style="list-style-type: none"> • Die Lebensmittel sind nicht angemessen verpackt. • Eine Tür/Schublade wurde nicht richtig geschlossen. • Die Tür/Schublade wurde zu häufig oder zu lange geöffnet. • Die Tür-/Schubladendichtungen sind verschmutzt, verschlissen, gerissen oder verrutscht. • Etwas im Inneren verhindert, dass die Tür/Schublade richtig schließt. 	<ul style="list-style-type: none"> • Die Lebensmittel immer gut verpacken. • Die Tür/Schublade schließen. • Die Tür/Schublade nicht zu häufig öffnen. • Die Tür-/Schubladendichtungen reinigen oder austauschen. • Die Einlegeböden, Türfächer oder Behälter so versetzen, dass die Tür/Schublade richtig schließt.
Die Seitenwände des Schrankes und die Türleiste werden warm.	<ul style="list-style-type: none"> • - 	<ul style="list-style-type: none"> • Das ist normal.
Das Gerät macht ungewöhnliche Geräusche.	<ul style="list-style-type: none"> • Das Gerät befindet sich nicht auf einem ebenen Untergrund. • Das Gerät berührt einige Gegenstände um es herum. 	<ul style="list-style-type: none"> • Die Füße entsprechend einstellen, um das Gerät zu nivellieren. • Die Gegenstände um das Gerät herum entfernen.
Es ist ein leichtes Geräusch zu hören, ähnlich wie dem von fließendem Wasser.	<ul style="list-style-type: none"> • - 	<ul style="list-style-type: none"> • Das ist normal.
Sie hören einen Signalton.	<ul style="list-style-type: none"> • Die Kühlschranktür ist offen. 	<ul style="list-style-type: none"> • Die Tür schließen.
Sie hören ein schwaches Brummen.	<ul style="list-style-type: none"> • Das Antikondensationsystem arbeitet. 	<ul style="list-style-type: none"> • Dies verhindert Kondensation und ist normal.
Die Innenbeleuchtung oder das Kühlsystem funktioniert nicht.	<ul style="list-style-type: none"> • Der Netzstecker ist nicht an die Steckdose angeschlossen. 	<ul style="list-style-type: none"> • Den Netzstecker anschließen.
	<ul style="list-style-type: none"> • Die Stromversorgung ist nicht intakt. 	<ul style="list-style-type: none"> • Die Stromversorgung des Raums überprüfen. Den örtlichen Stromversorger anrufen!
	<ul style="list-style-type: none"> • Die LED-Leuchte ist defekt. 	<ul style="list-style-type: none"> • Für den Austausch der Leuchte rufen Sie bitte den Kundendienst an.

Um den technischen Kundendienst zu kontaktieren, besuchen Sie unsere Website: <https://corporate.haier-europe.com/en/>

Wählen Sie im Abschnitt „Website“ die Marke Ihres Produkts und Ihr Land aus. Sie werden auf die entsprechende Website weitergeleitet, auf der Sie die Telefonnummer und das Formular zur Kontaktaufnahme mit dem technischen Kundendienst finden.

Stromunterbrechung

Bei Stromausfall sollten die gelagerten Lebensmittel noch 5 Stunden lang frisch gekühlt bleiben. Beachten Sie diese Tipps bei einer längeren Stromunterbrechung, insbesondere im Sommer:

- ▶ Öffnen Sie die Tür/Schublade so selten wie möglich.
- ▶ Legen Sie während eines Stromausfalls keine weiteren Lebensmittel in das Gerät.
- ▶ Wenn der Stromausfall vorher angekündigt wurde und die Unterbrechungsdauer länger als 5 Stunden ist, frieren Sie im Voraus ein paar Eiswürfel oder Kühlakkus ein, und legen Sie diese beim Stromausfall oben in das Kühlfach.
- ▶ Prüfen Sie nach dem Stromausfall sofort, ob die Lebensmittel verdorben sind.
- ▶ Da die Temperatur im Kühlschrank während einer Stromunterbrechung oder eines anderen Fehlers ansteigt, werden die Haltbarkeit und die Qualität der Lebensmittel reduziert. Aufgetaute Lebensmittel sollten entweder verzehrt oder gekocht und (sofern geeignet) gleich danach wieder eingefroren werden, um Gesundheitsrisiken zu vermeiden.

Speicherfunktion bei Stromunterbrechung

Nach Wiederherstellung der Stromversorgung fährt das Gerät mit den Einstellungen fort, die vor dem Stromausfall eingestellt waren.

Auspacken



WARNUNG!

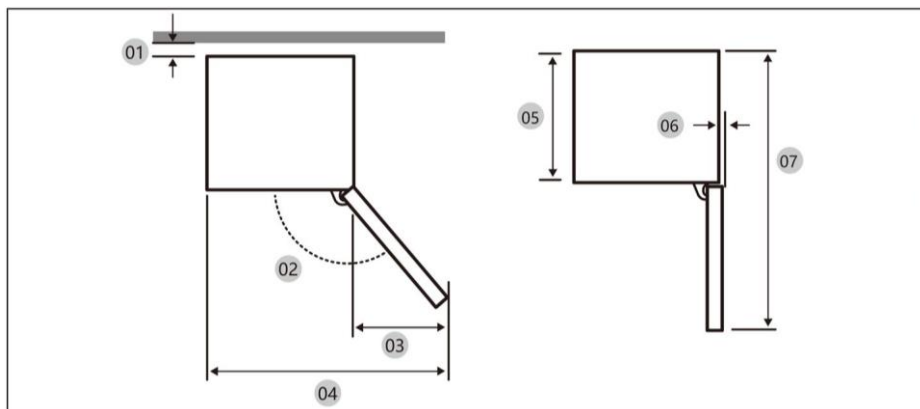
- ▶ Das Gerät ist schwer. Transportieren oder bewegen Sie es immer mit mindestens zwei Personen.
- ▶ Bewahren Sie sämtliche Verpackungsmaterialien außerhalb der Reichweite von Kindern auf und entsorgen Sie sie umweltfreundlich.
- ▶ Nehmen Sie das Gerät aus der Verpackung.
- ▶ Entfernen Sie alle Verpackungsmaterialien.

Umgebungsbedingungen

Die Raumtemperatur sollte immer zwischen 10 °C und 43 °C liegen, da sie die Temperatur im Inneren des Geräts und dessen Energieverbrauch beeinflussen kann. Stellen Sie das Gerät nicht in der Nähe von anderen wärmeabgebenden Geräten (Öfen, Kühlschränken) auf.

Empfehlungen für Platz

Empfohlener Platz bei geöffneter Tür (ohne Schranktürblatt)

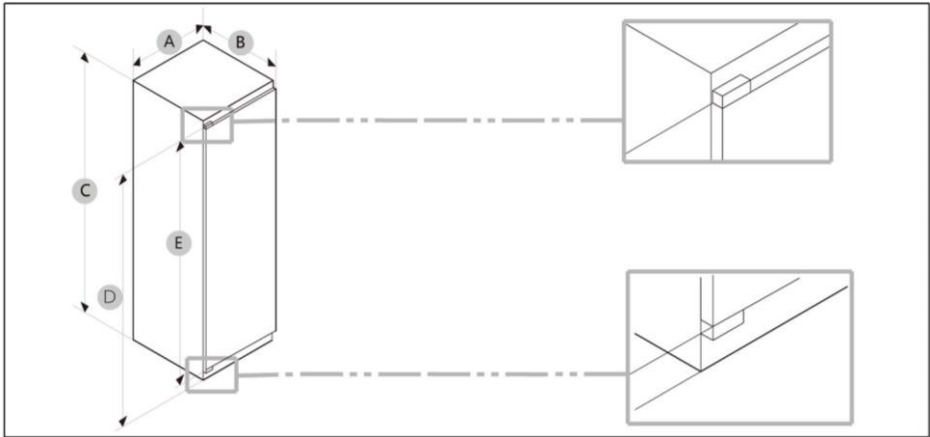


Modell	CMT5518EVWF RMT5518EVWF
01*	10 (min.) / 30 (empfohlen)
02	95° (empfohlen)
03	43
04	583
05	515
06	-3
07	1060

(Einheit: mm)

* 01: Vom Schrank zur Rückseite des Produkts.

Produktabmessungen



Modell	A (mm)	B (mm)	C (mm)	T (mm)	E (mm)
CMT5518EVWF	540 ±2	550 ±2	1772 ±2	1715	1671
RMT5518EVWF					

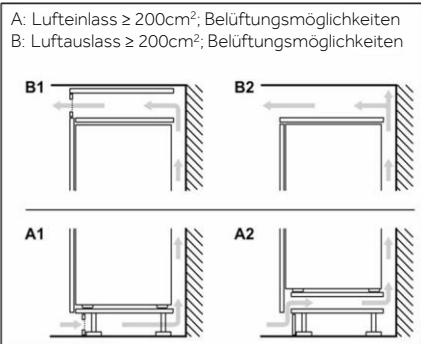
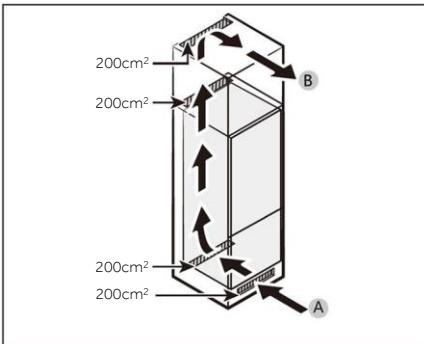


HINWEIS

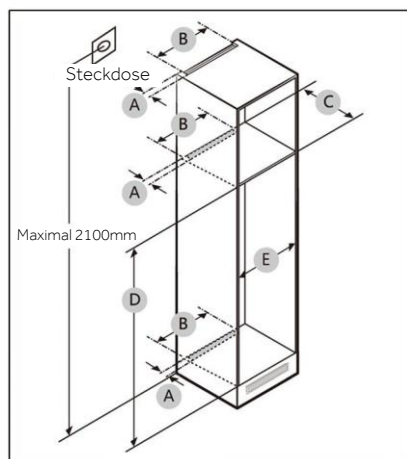
- Der angegebene Energieverbrauch basiert auf der Annahme eines 10-mm-Abstands zwischen Schrank und Rückseite des Produkts. Das Produkt funktioniert auch bei einem Abstand von weniger als 10 mm einwandfrei, verbraucht jedoch etwas mehr Energie.
- Wir empfehlen die Verwendung eines Schanks mit einer Stärke von 19 mm und Scharnieren mit einer Stärke von weniger als 17 mm.
- Die Messwerte in der obigen Tabelle können je nach Messmethode abweichen.
- Informationen zum Einbau finden Sie in der Installationsanleitung.

Platzbedarf für ausreichende Belüftung

Damit eine ausreichende Belüftung des Geräts gewährleistet wird, dürfen die Hinweise zum ausreichenden Platzbedarf aus Sicherheitsgründen nicht missachtet werden.



Abmessungen des Schrankes



VORSICHT!

Jeder Produktfehler, der auf die folgenden Ursachen zurückzuführen ist, wird von der Garantie nicht abgedeckt.

1. Ungünstige Standortbedingungen oder falsche Schrankgrößen.
2. Defekter Schrank.
3. Fehler durch den Installateur oder den Benutzer.

Platz

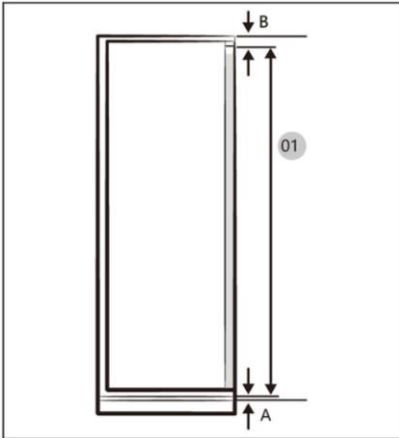
Der Platzbedarf für die Installation ist in den nachstehenden Abbildungen und Tabellen angegeben.

Modell		A (mm)	B (mm)	C (mm)	D (mm)	E (mm)	Anmerkung
CMT5518EVWF RMT5518EVWF	Min.	50	400	560	1778	560	Scharnier: 17mm
	Empfohlen			580	1780	562	
	Max.			-	1782	568	



HINWEIS

- Wenn die Breite eines Schrankes größer als 568 mm ist, kann sich die Dichtung (zwischen Kühlschrank und Schrank) lösen.
- Wenn der Schrank höher als das Höchstmaß (1782 mm) ist, müssen Sie andere Materialien verwenden, um die Lücke auszufüllen.

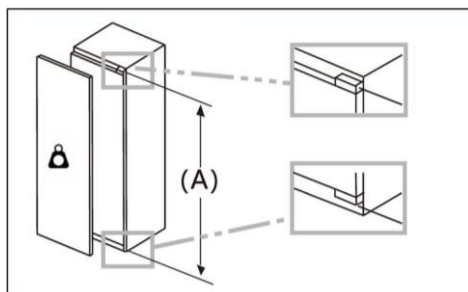


- A. Untere Kante der Frontplatte über der Belüftung
 B. Überhang der Frontplatte

Modell	CMT5518EVWF RMT5518EVWF
01	Min. 1694+A+B Max. 1850+A+B

(Einheit: mm)

Maximal zulässiges Gewicht der Fronten des Geräts



Montierte Möbelfronten, die das zulässige Gewicht überschreiten, können zu Schäden und Funktionsbeeinträchtigungen an den Scharnieren führen.

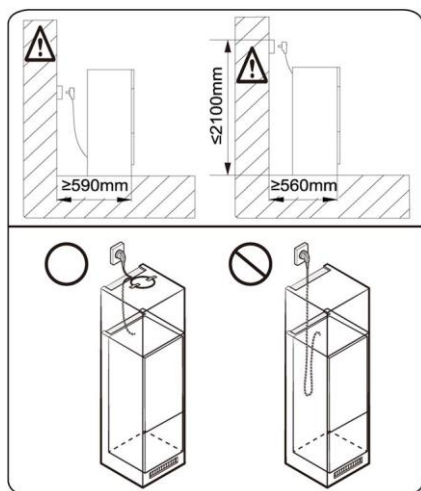


Gewicht

(kg)

1500-1750 mm	22
720-1400 mm	19

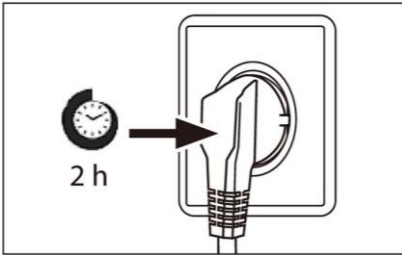
Berücksichtigung der Lage der Steckdose und des Platzbedarfs



HINWEIS

Wenn Sie den Kühlschrank in einen Schrank mit einer Tiefe von 560 mm einbauen, vergewissern Sie sich, dass das Netzkabel an einer Seite des Kühlschranks angeordnet ist, bevor Sie den Stecker in die Steckdose stecken. Wenn sich das Netzkabel auf der Rückseite des Kühlschranks befindet, kann dies die Energieeffizienz beeinträchtigen.

Wartezeit



Das wartungsfreie Schmieröl befindet sich in der Kapsel des Kompressors. Dieses Öl kann beim Transport durch das geschlossene Rohrsystem gelangen, wenn das Gerät gekippt wird. Warten Sie mindestens 2 Stunden, bevor Sie das Gerät an die Stromversorgung anschließen, damit das Öl wieder in die Kapsel zurückfließt.

Elektrischer Anschluss

Stellen Sie vor jedem Anschluss sicher, dass:

- ▶ die Stromversorgung, Steckdose und Sicherung den Angaben auf dem Typenschild entsprechen.
- ▶ die Steckdose geerdet ist und kein Mehrfachstecker oder Verlängerungskabel vorhanden ist.
- ▶ der Netzstecker und die Steckdose richtig zusammenpassen.

Schließen Sie den Stecker an eine ordnungsgemäß installierte Haushaltssteckdose an.



WARNUNG!

Um Gefahren zu vermeiden, muss ein beschädigtes Netzkabel vom Kundenservice ausgetauscht werden (siehe Garantiekarte).

Produktdatenblatt gemäß der EU-Verordnung Nr. 2019/2016

Marke	CANDY	Rosieres
Modellname/Kennzeichnung	CMT5518EVWF	RMT5518EVWF
Kategorie des Modells	Gefrierschrank	Gefrierschrank
Energieeffizienzklasse	E	E
Jährlicher Energieverbrauch (kWh/Jahr) (1)	215	215
Gesamtvolumen (L)	220	220
Kühlschrankvolumen (L)	/	/
Volumen Gefrierschrank (L)	220	220
Volumen Kühlfach (L)	/	/
Volumen des automatischen Eiswürfelbereiters (L)	/	/
Sterne-Bewertung	4	4
Temperatur der anderen Fächer > 14 °C	Nicht anwendbar	Nicht anwendbar
Frostfreies System	Ja	Ja
Gefrierleistung (kg/24h)	15	15
Klima-Bewertung (2)	SN/N/ST/T	SN/N/ST/T
Geräuschemissionsklasse und Luftschallemissionen (db(A) _{re1pW})	B 35	B 35
Temperaturanstiegszeit (h)	6	6
Leistung des Eiswürfelbereiters	/	/
Gerätetyp	Einbau	Einbau

Modellname	Energieeffizienzklasse
CMT5518EVWF	E
RMT5518EVWF	E

Erläuterungen:

- Ja, vorhanden
- (1) Basierend auf den Ergebnissen des Normenkonformitätstests über 24 Stunden. Der tatsächliche Verbrauch hängt von der Verwendung und dem Standort des Geräts ab.
- (2) Klima-Bewertung SN: Dieses Gerät ist für die Verwendung bei einer Umgebungstemperatur zwischen +10 °C und +32 °C ausgelegt.
 Klima-Bewertung N: Dieses Gerät ist für die Verwendung bei einer Umgebungstemperatur zwischen +16 °C und +32 °C ausgelegt.
 Klima-Bewertung ST: Dieses Gerät ist für die Verwendung bei einer Umgebungstemperatur zwischen +16 °C und +38 °C ausgelegt.
 Klima-Bewertung T: Dieses Gerät ist für die Verwendung bei einer Umgebungstemperatur zwischen +16 °C und +43 °C ausgelegt.

Zusätzliche technische Daten

Spannung / Frequenz	220-240 V ~ / 50 Hz
Eingangsstrom (A)	1,5
Hauptsicherung (A)	16
Kühlmittel	R600a
Abmessungen (H/B/T in mm)	1772/540/550

HF-Informationen

Max. EIRP: Bluetooth (BR/EDR): 10dBm

Bluetooth LE: 5dBm

2,4 GHz WLAN: 16dBm

Frequenzbandbereich: 2400-2483.5MHz

Wir empfehlen unseren Haier Kundendienst und die Verwendung von Original-Ersatzteilen.

Wenn Sie Probleme mit dem Gerät haben, lesen Sie bitte zuerst den Abschnitt „FEHLERBEHEBUNG“.

Wenn Sie dort keine Lösung finden, wenden Sie sich bitte an

- ▶ Ihren Händler vor Ort oder
- ▶ an unser Europäisches Call-Service-Center (siehe unten aufgeführte Telefonnummern) oder
- ▶ an den Kundendienst und Support unter www.haier.com, wo Sie den Serviceanspruch aktivieren können.
- ▶ Hier finden Sie auch die FAQ.

Um unseren Kundendienst zu kontaktieren, stellen Sie sicher, dass Sie die nachfolgend aufgeführten Daten zur Hand haben.

Die Informationen finden Sie auf dem Typenschild.

Modell _____

Seriennummer _____

Prüfen Sie im Garantiefall auch die mit dem Produkt mitgelieferte Garantiekarte.

Europäisches Call-Service-Center		
Land*	Telefonnummer	Kosten
Haier Italy (IT)	199 100 912	
Haier Spain (ES)	902 509 123	
Haier Germany (DE)	0180 539 39 99	<ul style="list-style-type: none"> • 14 Ct/min Festnetz • max. 42 Ct/min Mobil
Haier Austria (AT)	0820 001 205	<ul style="list-style-type: none"> • 14,53 Ct/min Festnetz • max. 20 Ct/min alle anderen
Haier United Kingdom (UK)	0333 003 8122	
Haier France (FR)	0980 406 409	

*Für andere Länder siehe www.haier.com
Haier Europe Trading S.r.l
Niederlassung UK
Westgate House, Westgate, Ealing
London, W5 1YY

*Gewährleistungsdauer des Kühlgeräts:

Die Mindestgarantie beträgt: 2 Jahre für EU-Länder, 3 Jahre für die Türkei, 1 Jahr für Großbritannien, 1 Jahr für Russland, 3 Jahre für Schweden, 2 Jahre für Serbien, 5 Jahre für Norwegen, 1 Jahr für Marokko, 6 Monate für Algerien, Tunesien keine gesetzliche Gewährleistung erforderlich.

*Der Zeitraum für die Beschaffung von Ersatzteilen für die Reparatur des Geräts:

Thermostate, Temperatursensoren, Leiterplatten und Leuchtmittel sind für einen Zeitraum von mindestens sieben Jahren nach Inverkehrbringen des letzten Gerätes des Modells erhältlich.

Türgriffe, Türscharniere, Auszüge und Schubladen für eine Mindestdauer von sieben Jahren und Türdichtungen für eine Mindestdauer von 10 Jahren, nachdem das letzte Gerät des Modells in Verkehr gebracht wurde.

*Weitere Informationen zum Produkt finden Sie entweder unter <https://eprel.ec.europa.eu/> oder Sie scannen den QR-Code auf dem Energielabel, das dem Gerät beiliegt.

5 Πληροφορίες ασφάλειαςΠριν από την πρώτη χρήση 6Εγκατάσταση 6Καθημερινή χρήση 7Πληροφορίες για τα ψυκτικά αέρια 9**10 Προβλεπόμενη χρήση****11 Περιγραφή προϊόντος****12 Πίνακας ελέγχου****13 Χρήση**Πλήκτρο κλειδώματος/ξεκλειδώματος και το εικονίδιό του 13Λειτουργία αναμονής 13Λειτουργία Wi-Fi 13Ρύθμιση θερμοκρασίας του καταψύκτη 14Λειτουργία Super Freeze 15Λειτουργία ECO 15**16 Εξοπλισμός****17 Συμβουλές εξοικονόμησης ενέργειας****18 Φροντίδα και καθαρισμός****20 Αντιμετώπιση προβλημάτων****24 Εγκατάσταση****30 Τεχνικά δεδομένα****32 Εξυπηρέτηση πελατών**

Ευχαριστούμε που αγοράσατε ένα προϊόν Haier.

Παρακαλούμε διαβάστε προσεκτικά αυτές τις οδηγίες πριν από την χρήση αυτής της συσκευής. Οι οδηγίες περιέχουν σημαντικές πληροφορίες που θα σας βοηθήσουν να αξιοποιήσετε στο έπακρο τη συσκευή και να εξασφαλίσετε την ασφαλή και σωστή εγκατάσταση, χρήση και συντήρηση.

Φυλάξτε αυτό το εγχειρίδιο σε μια προσβάσιμη θέση, ώστε να μπορείτε πάντα να ανατρέξετε σε αυτό για την ασφαλή και σωστή χρήση της συσκευής.

Εάν πουλήσετε τη συσκευή, την χαρίσετε ή την αφήσετε πίσω όταν μετακομίσετε από το σπίτι, βεβαιωθείτε ότι έχετε αφήσει επίσης και αυτό το εγχειρίδιο, ώστε ο νέος ιδιοκτήτης να εξοικειωθεί με τη συσκευή και τις προειδοποιήσεις ασφαλείας.

Εξαρτήματα

Ελέγξτε τα εξαρτήματα και τη βιβλιογραφία σύμφωνα με αυτόν τον κατάλογο:



Δίσκος για παγάκια x2



Ενεργειακή ετικέτα



Κάρτα εγγύησης



Εγχειρίδιο χρήσης



Βίδα x4



Κάλυμμα x2



Μπλοκ σφουγγαριού x2



Οδηγός ολίσθησης x4



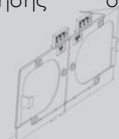
Συγκρότημα ολίσθησης x4



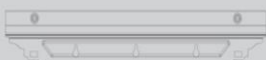
Σταθερή πλάκα



Κάλυμμα μεντεσέ



Κάτω σταθερή πλάκα



Πάνω σταθερή πλάκα



Κάτω κάλυμμα



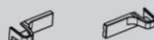
Κάτω πλευρικό κάλυμμα



Λωρίδα σφράγισης



Σφουγγάρι σφράγισης



Κάλυμμα κάτω μεντεσέ



ΠΡΟΕΙΔΟΠΟΙΗΣΗ - Σημαντικές πληροφορίες ασφάλειας



ΣΗΜΕΙΩΣΗ - Γενικές πληροφορίες και συμβουλές



Περιβαλλοντικές πληροφορίες

Απόρριψη



Βοήθεια και συμβολή στην προστασία του περιβάλλοντος και της ανθρώπινης υγείας. Τοποθετήστε τη συσκευασία σε κατάλληλα δοχεία για την ανακύκλωση της. Συμβολή στην ανακύκλωση των αποβλήτων ηλεκτρικών και ηλεκτρονικών συσκευών. Συσκευές που φέρουν αυτό το σύμβολο μην τις απορρίψετε μαζί με τα οικιακά απορρίμματα. Επιστρέψτε το προϊόν στην τοπική μονάδα ανακύκλωσης ή επικοινωνήστε με το αρμόδιο δημοτικό γραφείο του Δήμου σας.



ΠΡΟΕΙΔΟΠΟΙΗΣΗ!

Κίνδυνος τραυματισμού ή ασφυξίας!

Τα ψυκτικά μέσα και τα αέρια πρέπει να απορρίπτονται επαγγελματικά. Βεβαιωθείτε ότι η σωλήνωση του κυκλώματος ψυκτικού δεν έχει υποστεί ζημιά πριν απορριφθεί σωστά. Αποσυνδέστε τη συσκευή από την πρίζα παροχής ρεύματος. Κόψτε το καλώδιο τροφοδοσίας και απορρίψτε το. Αφαιρέστε τους δίσκους και τα συρτάρια, καθώς και τα αλιεύματα και τις σφραγίδες της πόρτας, για να αποτρέψετε τα παιδιά και τα κατοικίδια ζώα να κλείσουν στη συσκευή.

Διαβάστε τις παρακάτω υποδείξεις ασφαλείας πριν ενεργοποιήσετε τη συσκευή για πρώτη φορά:



ΠΡΟΕΙΔΟΠΟΙΗΣΗ!

Πριν από την πρώτη χρήση

- ▶ Βεβαιωθείτε ότι δεν υπάρχει ζημιά εξαιτίας της μεταφοράς.
- ▶ Περιμένετε τουλάχιστον δύο ώρες πριν τοποθετήσετε τη συσκευή για να βεβαιωθείτε ότι το κύκλωμα του ψυκτικού είναι πλήρως αποτελεσματικό.
- ▶ Χειριστείτε τη συσκευή πάντοτε με δύο άτομα τουλάχιστον, διότι είναι βαριά.
- ▶ Αφαιρέστε όλα τα υλικά συσκευασίας, κρατήστε τα μακριά από τα παιδιά και απορρίψτε τα με φιλικό προς το περιβάλλον τρόπο.
- ▶ Καθαρίστε το εσωτερικό και το εξωτερικό της συσκευής με νερό και ένα ήπιο απορρυπαντικό πριν βάλετε οποιοδήποτε φαγητό σε αυτό.
- ▶ Αφού η συσκευή τοποθετηθεί απολύτως ίσια στο δάπεδο και καθαριστεί, περιμένετε τουλάχιστον 2-5 ώρες πριν τη συνδέσετε στην παροχή ρεύματος. Ανατρέξτε στην ενότητα ΕΓΚΑΤΑΣΤΑΣΗ.
- ▶ Προψύξτε τους θαλάμους σε υψηλές ρυθμίσεις πριν τοποθετήσετε τρόφιμα. Η λειτουργία Super - Freeze βοηθά στη γρήγορη ψύξη των θαλάμων.
- ▶ Η θερμοκρασία του καταψύκτη ρυθμίζεται αυτόματα στους -18°C αντίστοιχα. Αυτές είναι οι προτεινόμενες ρυθμίσεις. Εάν επιθυμείτε, μπορείτε να αλλάξετε αυτή τη θερμοκρασία χειροκίνητα. Ανατρέξτε στην ενότητα ΡΥΘΜΙΣΗ ΘΕΡΜΟΚΡΑΣΙΑΣ.

Εγκατάσταση

- ▶ Η συσκευή πρέπει να τοποθετηθεί σε καλά αεριζόμενο μέρος. Βεβαιωθείτε ότι υπάρχει χώρος τουλάχιστον 10 εκατοστών πάνω και γύρω από τη συσκευή.
- ▶ Μην τοποθετείτε ποτέ τη συσκευή σε υγρή περιοχή ή θέση όπου μπορεί να πιτσιλιστεί ή βραχεί με νερό. Καθαρίστε και ξύστε τις ξεραμένες πιτσιλιές νερού και λεκέδες με ένα μαλακό καθαρό πανί.
- ▶ Μην εγκαθιστάτε τη συσκευή σε σημείο με άμεσο ηλιακό φως ή κοντά σε πηγές θερμότητας (π.χ. σόμπες, θερμαντήρες).
- ▶ Εγκαταστήστε και τοποθετήστε τη συσκευή σε μια περιοχή κατάλληλη για το μέγεθος και τη χρήση της.
- ▶ Διατηρείτε τα ανοίγματα εξαερισμού στη συσκευή ή την ενσωματωμένη δομή ελεύθερα εμποδίων.
- ▶ Βεβαιωθείτε ότι οι ηλεκτρολογικές πληροφορίες στην πινακίδα τύπου συμφωνούν με την αντίστοιχη παροχή ρεύματος. Εάν όχι, επικοινωνήστε με έναν ηλεκτρολόγο.
- ▶ Η συσκευή λειτουργεί με τροφοδοσία 220-240 VAC / 50 Hz. Η μη φυσιολογική διακύμανση της τάσης μπορεί να προκαλέσει την αποτυχία εκκίνησης της συσκευής ή ζημιά στον έλεγχο θερμοκρασίας ή τον συμπιεστή ή μπορεί να υπάρχει ανώμαλος θόρυβος κατά τη λειτουργία. Στην περίπτωση αυτή, πρέπει να τοποθετηθεί ένας αυτόματος ρυθμιστής.
- ▶ Μη χρησιμοποιείτε προσαρμογείς πολλαπλών θέσεων (πολύπριζα) και καλώδια επέκτασης / προέκτασης.



ΠΡΟΕΙΔΟΠΟΙΗΣΗ!

- ▶ Μην τοποθετείτε πολλαπλές φορητές πρίζες ή φορητά τροφοδοτικά στο πίσω μέρος της συσκευής.
- ▶ Βεβαιωθείτε ότι το καλώδιο τροφοδοσίας δεν έχει παγιδευτεί από το ψυγείο. Μην πατάτε το καλώδιο τροφοδοσίας.
- ▶ Χρησιμοποιήστε μια ξεχωριστή γειωμένη πρίζα για την παροχή ηλεκτρικού ρεύματος, η οποία να είναι εύκολα προσβάσιμη. Αυτή η συσκευή πρέπει να είναι γειωμένη.

Μόνο για το Ηνωμένο Βασίλειο: Το καλώδιο τροφοδοσίας της συσκευής είναι εξοπλισμένο με βύσμα 3-καλωδίων (με γείωση) που ταιριάζει σε μια τυπική πρίζα 3-καλωδίων (πρίζα με γείωση). Ποτέ μην κόβετε ή αποσυναρμολογείτε τον τρίτο πείρο (γείωση). Μετά την εγκατάσταση της συσκευής, το βύσμα πρέπει να είναι άμεσα προσβάσιμο.

- ▶ Αποφύγετε την πρόκληση ζημιών στο κύκλωμα ψύξης.

Καθημερινή χρήση

- ▶ Η συσκευή αυτή μπορεί να χρησιμοποιηθεί από παιδιά ηλικίας 8 ετών και άνω και από άτομα με μειωμένες σωματικές, αισθητηριακές ή διανοητικές ικανότητες ή έλλειψη εμπειρίας και γνώσης, εφόσον βρίσκονται υπό εποπτεία ή εάν τους έχουν δοθεί σαφείς οδηγίες σχετικά με τη χρήση της συσκευής με ασφαλή τρόπο και έχουν κατανοήσει επακριβώς τους σχετικούς κινδύνους.
- ▶ Τα παιδιά ηλικίας 3 έως 8 ετών επιτρέπεται να τοποθετούν και να βγάζουν (αντικείμενα) από τις ψυκτικές συσκευές, αλλά δεν επιτρέπεται να τις καθαρίζουν ή να τις εγκαθιστούν.
- ▶ Κρατήστε μακριά τα παιδιά κάτω των 3 ετών από τη συσκευή, εκτός εάν επιβλέπονται συνεχώς.
- ▶ Τα παιδιά δεν επιτρέπεται να παίζουν με τη συσκευή.
- ▶ Εάν υπάρχει διαρροή ψυκτικού αερίου ή άλλου εύφλεκτου αερίου κοντά στη συσκευή, κλείστε τη βαλβίδα του αερίου που διαρρέει, ανοίξτε τις πόρτες και τα παράθυρα και μην αποσυνδέσετε ή συνδέσετε το καλώδιο τροφοδοσίας του ψυγείου ή οποιασδήποτε άλλης συσκευής.
- ▶ Σημειώστε ότι η συσκευή έχει ρυθμιστεί για λειτουργία σε συγκεκριμένο εύρος θερμοκρασίας περιβάλλοντος μεταξύ 10 και 43°C. Η συσκευή ενδέχεται να μη λειτουργεί σωστά εάν αφεθεί για μεγάλο χρονικό διάστημα σε θερμοκρασία υψηλότερη ή χαμηλότερη από το υποδεικνυόμενο εύρος τιμών.
- ▶ Μην τοποθετείτε ασταθή αντικείμενα (βαριά αντικείμενα, δοχεία γεμάτα με νερό) στο πάνω μέρος του ψυγείου, για να αποφύγετε τραυματισμούς από πτώση ή ηλεκτροπληξία από επαφή με νερό.
- ▶ Μην τραβάτε τα ράφια των θυρών της πόρτας. Η πόρτα μπορεί να βγει από τη θέση της, η σχάρα για τα μπουκάλια μπορεί να τραβηχτεί μακριά ή η συσκευή μπορεί να ανατραπεί.
- ▶ Ανοίγετε και κλείνετε την πόρτα μόνο από τις λαβές. Το κενό ανάμεσα στις πόρτες και ανάμεσα στις πόρτες και το ντουλάπι είναι πολύ στενό. Μην βάζετε τα χέρια σας σε αυτές τις περιοχές για να αποφύγετε να πιαστούν (μαγκωθούν) τα δάκτυλά σας. Ανοίξτε ή κλείστε τις πόρτες ψυγείου μόνο όταν δεν υπάρχουν παιδιά που να στέκονται εντός του εύρους κίνησης της πόρτας.



ΠΡΟΕΙΔΟΠΟΙΗΣΗ!

- ▶ Κατά την τοποθέτηση της συσκευής διασφαλίστε ότι το καλώδιο τροφοδοσίας δεν έχει παγιδευτεί ή υποστεί ζημιά.
- ▶ Μην αποθηκεύετε εκρηκτικές ουσίες όπως δοχεία αερολύματος με εύφλεκτο περιεχόμενο σε αυτή τη συσκευή.
- ▶ Για να αποφευχθεί η μόλυνση των τροφίμων:
 - Το άνοιγμα της πόρτας για μεγάλα (χρονικά) διαστήματα μπορεί να προκαλέσει σημαντική αύξηση της θερμοκρασίας στους θαλάμους της συσκευής.
 - Καθαρίζετε τακτικά τις επιφάνειες που έρχονται σε επαφή με τρόφιμα και προσβάσιμα συστήματα αποστράγγισης.
 - Αποθηκεύετε το ωμό κρέας και τα ψάρια σε κατάλληλα δοχεία στο ψυγείο, ώστε να μην έρχονται σε επαφή και να μην στάζουν επάνω σε άλλα τρόφιμα.
 - Εάν το προϊόν παραμένει κενό για μεγάλα χρονικά διαστήματα, απενεργοποιήστε, ξεπαγώστε, καθαρίστε, στεγνώστε και αφήστε την πόρτα ανοιχτή για να αποτραπεί η ανάπτυξη μούχλας μέσα στη συσκευή.
- ▶ Μην αποθηκεύετε και μην χρησιμοποιείτε εύφλεκτα, εκρηκτικά ή διαβρωτικά υλικά εντός ή γύγυς της συσκευής.
- ▶ Μην αποθηκεύετε φάρμακα, βακτήρια ή χημικούς παράγοντες στη συσκευή. Αυτή η συσκευή είναι μια οικιακή συσκευή. Δεν συνιστάται η αποθήκευση υλικών που απαιτούν αυστηρές θερμοκρασίες.
- ▶ Ποτέ μην αποθηκεύετε υγρά σε φιάλες ή δοχεία (πέραν των αλκοολούχων υψηλού βαθμού) και ιδιαίτερα ανθρακούχα αναψυκτικά στον καταψύκτη καθώς θα διαρραγούν κατά την ψύξη.
- ▶ Ελέγξτε την κατάσταση των τροφίμων εάν έχουν προηγηθεί συνθήκες θέρμανσης στον καταψύκτη.
- ▶ Μην αγγίζετε κατεψυγμένα προϊόντα με βρεγμένα χέρια (φοράτε γάντια). Ειδικά μην πιείτε (τρώτε) γρανίτες αμέσως μετά την αφαίρεση από τον θάλαμο κατάψυξης. Υπάρχει ο κίνδυνος κατάψυξης ή σχηματισμός φουσκάλων παγετού. ΠΡΩΤΕΣ βοήθειες: κρατήστε αμέσως κάτω από τρεχούμενο κρύο νερό. Μην τις τραβάτε μακριά!
- ▶ Μην αγγίζετε την εσωτερική επιφάνεια του χώρου αποθήκευσης του καταψύκτη όταν λειτουργείτε, ειδικά με βρεγμένα χέρια, καθώς τα χέρια σας μπορεί να παγώσουν στην επιφάνεια.
- ▶ Αποσυνδέστε τη συσκευή από την πρίζα σε περίπτωση διακοπής ρεύματος ή πριν από τον καθαρισμό. Αφήστε τουλάχιστον 7 λεπτά πριν από την επανεκκίνηση της συσκευής, καθώς η συχνή εκκίνηση μπορεί να προκαλέσει ζημιά στον συμπιεστή.
- ▶ Μη χρησιμοποιείτε ηλεκτρικές συσκευές στο εσωτερικό των θαλάμων αποθήκευσης τροφίμων της συσκευής, εκτός αν είναι συσκευές που συνιστά ο κατασκευαστής.
Συντήρηση / καθαρισμός
- ▶ Βεβαιωθείτε ότι τα παιδιά επιβλέπονται εάν πραγματοποιούν καθαρισμό και συντήρηση.
- ▶ Αποσυνδέστε τη συσκευή από την ηλεκτρική τροφοδοσία πριν πραγματοποιήσετε οποιαδήποτε συντήρηση ρουτίνας. Αφήστε τουλάχιστον 5 λεπτά πριν από την επανεκκίνηση της συσκευής, καθώς η συχνή εκκίνηση μπορεί να προκαλέσει ζημιά στον συμπιεστή.



ΠΡΟΕΙΔΟΠΟΙΗΣΗ!

- ▶ Κρατήστε το φιλς, όχι το καλώδιο, όταν αποσυνδέετε τη συσκευή.
- ▶ Μην καθαρίζετε τη συσκευή με σκληρές βούρτσες, συμμάτινες βούρτσες, σκόνη απορρυπαντικού, βενζίνη, οξικό αμύλιο, ακετόνη και παρόμοια οργανικά διαλύματα, όξινα ή αλκαλικά διαλύματα. Καθαρίστε με ειδικό απορρυπαντικό ψυγείου για να αποφύγετε ζημιές.
- ▶ Αν το καλώδιο παροχής ρεύματος έχει φθαρεί πρέπει να αντικατασταθεί από τον κατασκευαστή ή τον αντιπρόσωπο του σέρβις ή παρόμοια εξουσιοδοτημένα πρόσωπα, προς αποφυγή του κινδύνου.
- ▶ Μην προσπαθήσετε να επισκευάσετε, να αποσυναρμολογήσετε ή να τροποποιήσετε τη συσκευή μόνοι σας. Σε περίπτωση επισκευής επικοινωνήστε με την εξυπηρέτηση πελατών μας.
- ▶ Εξαλείψτε τη σκόνη στο πίσω μέρος της μονάδας τουλάχιστον μία φορά τον χρόνο για να αποφύγετε τον κίνδυνο από πυρκαγιά, καθώς και την αυξημένη κατανάλωση ενέργειας.
- ▶ Μην ψεκάζετε ή ξεπλύνετε τη συσκευή κατά τον καθαρισμό.
- ▶ Μην χρησιμοποιείτε σπρέι νερού ή ατμό για να καθαρίσετε τη συσκευή.
- ▶ Μην καθαρίζετε τα κρύα γυάλινα ράφια με ζεστό νερό. Η απότομη αλλαγή θερμοκρασίας μπορεί να προκαλέσει το σπάσιμο του γυαλιού.

Πληροφορίες για τα ψυκτικά αέρια



ΠΡΟΕΙΔΟΠΟΙΗΣΗ!

Η συσκευή περιέχει το εύφλεκτο ψυκτικό μέσο ΙΣΟΒΟΥΤΑΝΙΟ (R600a). Βεβαιωθείτε ότι το κύκλωμα ψυκτικού δεν έχει υποστεί ζημιά κατά τη μεταφορά ή την εγκατάσταση. Η διαρροή ψυκτικού μπορεί να προκαλέσει τραυματισμούς στα μάτια ή ανάφλεξη. Εάν έχει προκληθεί ζημιά, κρατήστε το μακριά από ακάλυπτες πηγές φωτιάς, αερίστε καλά το δωμάτιο, μην συνδέσετε ή αποσυνδέσετε τα καλώδια τροφοδοσίας της συσκευής ή οποιασδήποτε άλλης συσκευής. Ενημερώστε την εξυπηρέτηση πελατών.

Σε περίπτωση που τα μάτια έρθουν σε επαφή με το ψυκτικό μέσο, ξεπλύνετε τα αμέσως κάτω από τρεχούμενο νερό και καλέστε αμέσως τον οφθαλμίατρο.

Προβλεπόμενη χρήση

Αυτή η συσκευή προορίζεται για την κατάψυξη τροφίμων. Έχει σχεδιαστεί αποκλειστικά για χρήση σε οικιακές και παρόμοιες εφαρμογές, όπως χώρους κουζίνας προσωπικού σε καταστήματα, γραφεία και άλλα εργασιακά περιβάλλοντα· αγροικίες και από πελάτες σε ξενοδοχεία, μοτέλ και άλλα περιβάλλοντα οικιστικού τύπου, καθώς και σε ξενοδοχειακές επιχειρήσεις bed-and-breakfast και catering. Δεν προορίζεται για εμπορική ή βιομηχανική χρήση.

Δεν επιτρέπονται αλλαγές ή τροποποιήσεις στη συσκευή. Η μη προβλεπόμενη χρήση μπορεί να προκαλέσει κινδύνους και απώλεια αξιώσεων εγγύησης.

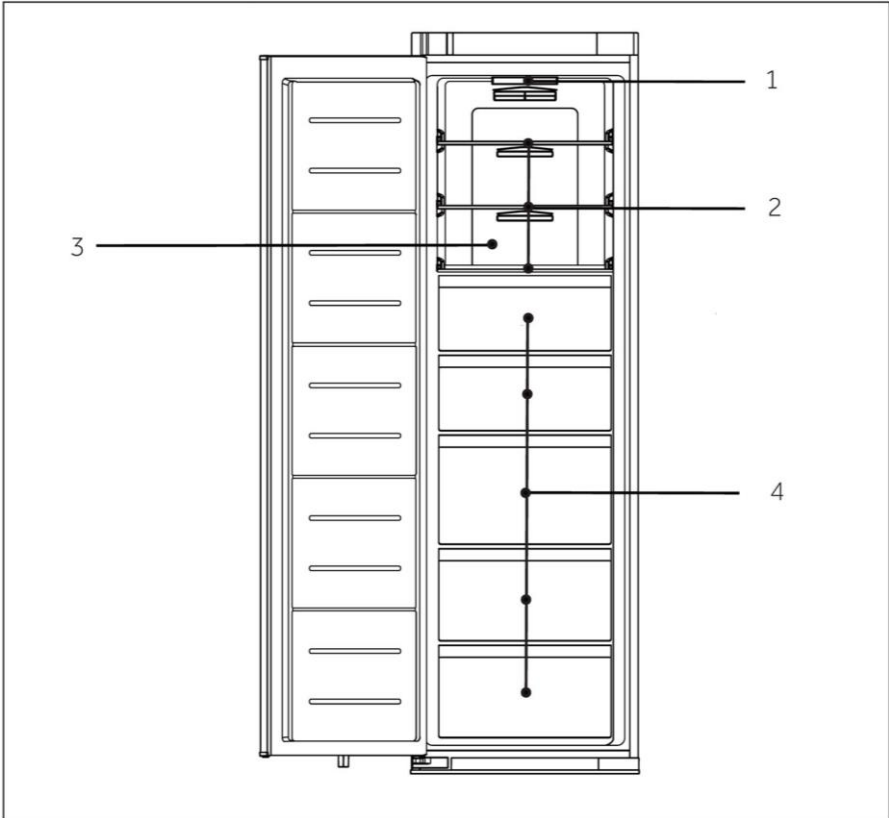
Πρότυπα και οδηγίες

Αυτό το προϊόν πληροί τις απαιτήσεις όλων των εφαρμοστέων οδηγιών της ΕΚ με τα αντίστοιχα εναρμονισμένα πρότυπα, τα οποία προβλέπονται για την σήμανση CE.



ΕΙΔΟΠΟΙΗΣΗ

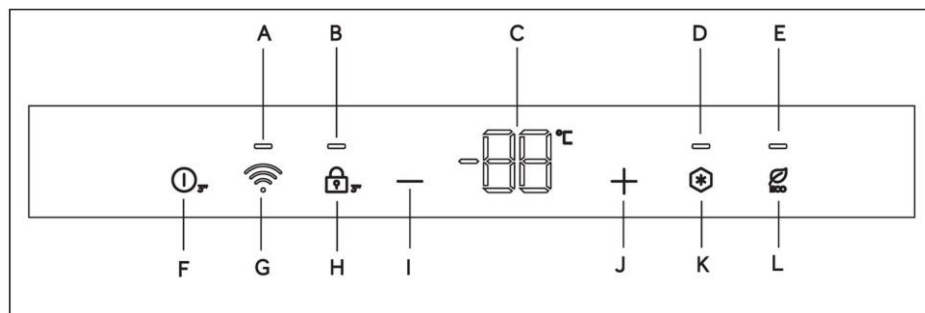
Λόγω τεχνικών αλλαγών και διαφορετικών μοντέλων, ορισμένες από τις εικόνες σε αυτό το εγχειρίδιο ενδέχεται να διαφέρουν από το μοντέλο σας.



CMT5518EVWF/RMT5518EVWF

- 1 Εσωτερικός φωτισμός LED
- 2 Κανονικά ράφια
- 3 Αεραγωγός καταψύκτη
- 4 Κανονικό συρτάρι καταψύκτη

Πίνακας ελέγχου



Εικονίδια ένδειξης:

- A Εικονίδιο λειτουργίας Wi-Fi
- B Εικονίδιο κλειδώματος/ξεκλειδώματος
- C Εικονίδιο οθόνης θερμοκρασίας
- D Εικονίδιο λειτουργίας Super Freeze
- E Εικονίδιο λειτουργίας ECO

Πλήκτρα αφής:

- F Πλήκτρο ΕΝΕΡΓΟΠΟΙΗΣΗΣ/ΑΠΕΝΕΡΓΟΠΟΙΗΣΗΣ
- G Πλήκτρο αντιστοίχισης Wi-Fi
- H Πλήκτρο κλειδώματος/ξεκλειδώματος
- I Πλήκτρο μείωσης θερμοκρασίας
- J Πλήκτρο αύξησης θερμοκρασίας
- K Πλήκτρο λειτουργίας Super Freeze
- L Πλήκτρο λειτουργίας ECO

Πλήκτρα αισθητήρων

Τα κουμπιά στον πίνακα ελέγχου είναι πλήκτρα αισθητήρων, τα οποία ανταποκρίνονται ήδη όταν αγγίζονται ελαφρά με το δάχτυλο.

Ανοίξτε πρώτα την πόρτα του ψυγείου πριν ελέγξετε την οθόνη ενδείξεων.

Λειτουργία κλειδώματος/ξεκλειδώματος

Αυτό το πλήκτρο και το εικονίδιο του χρησιμοποιούνται για το κλειδώμα ή το ξεκλειδώμα της οθόνης ελέγχου και υποδεικνύουν την τρέχουσα κατάσταση της. Ανοίξτε την πόρτα του ψυγείου ενώ το ψυγείο λειτουργεί, η οθόνη ελέγχου θα ανάψει και το εικονίδιο κλειδώματος/ξεκλειδώματος θα είναι αναμμένο, αυτή τη στιγμή, η οθόνη ελέγχου βρίσκεται σε κατάσταση κλειδώματος και δεν μπορεί να χειριστεί. Χειροκίνητο ξεκλειδώμα ή κλειδώμα της οθόνης: Όταν ανάψει το εικονίδιο κλειδώματος/ξεκλειδώματος, συνεχίστε να αγγίζετε το πλήκτρο κλειδώματος/ξεκλειδώματος για 3 δευτερόλεπτα. Το εικονίδιο θα σβήσει και θα συνοδεύεται από ένα ηχητικό σήμα. Αυτή τη στιγμή μπορεί να πραγματοποιηθεί η επιλογή λειτουργίας ή η ρύθμιση της θερμοκρασίας.

Όταν το εικονίδιο κλειδώματος/ξεκλειδώματος απενεργοποιηθεί, συνεχίστε να αγγίζετε το πλήκτρο κλειδώματος/ξεκλειδώματος για 3 δευτερόλεπτα.

Στη συνέχεια, το εικονίδιο κλειδώματος/ξεκλειδώματος θα ανάψει και θα συνοδεύεται από ένα ηχητικό σήμα. Αυτή τη στιγμή δεν μπορεί να πραγματοποιηθεί η επιλογή λειτουργίας ή η ρύθμιση της θερμοκρασίας.

Αυτόματο κλειδώμα οθόνης: Όταν η πόρτα του ψυγείου είναι κλειστή, η οθόνη ελέγχου θα απενεργοποιηθεί και θα κλειδώσει.

Όταν η πόρτα του ψυγείου είναι ανοιχτή, η οθόνη ελέγχου θα κλειδώσει αυτόματα εάν δεν γίνει κανένας χειρισμός εντός 30 δευτερολέπτων.

Λειτουργία ΕΝΕΡΓΟΠΟΙΗΣΗΣ/ΑΠΕΝΕΡΓΟΠΟΙΗΣΗΣ

Το πλήκτρο ΕΝΕΡΓΟΠΟΙΗΣΗΣ/ΑΠΕΝΕΡΓΟΠΟΙΗΣΗΣ χρησιμοποιείται για την εναλλαγή μεταξύ ΑΠΕΝΕΡΓΟΠΟΙΗΣΗΣ (κατάσταση παύσης λειτουργίας) και ΕΝΕΡΓΟΠΟΙΗΣΗΣ (κανονικές καταστάσεις λειτουργίας).

Είσοδος σε κατάσταση ΑΠΕΝΕΡΓΟΠΟΙΗΣΗΣ: Κατά την κατάσταση λειτουργίας ψυγείου, ξεκλειδώστε πρώτα την οθόνη, κατόπιν συνεχίστε να αγγίζετε το πλήκτρο λειτουργίας ΕΝΕΡΓΟΠΟΙΗΣΗΣ/ΑΠΕΝΕΡΓΟΠΟΙΗΣΗΣ για 3 δευτερόλεπτα για να απενεργοποιήσετε την οθόνη ελέγχου, τον φωτισμό του ψυγείου, την ψύξη και άλλες λειτουργίες με έναν ήχο προτροπής που ακολουθεί.



ΕΙΔΟΠΟΙΗΣΗ

Η κατάσταση ΑΠΕΝΕΡΓΟΠΟΙΗΣΗΣ δεν συνεπάγεται διακοπή τροφοδοσίας και το ψυγείο εξακολουθεί να είναι υπό τροφοδοσία αυτή τη στιγμή.

Έξοδος από την κατάσταση ΑΠΕΝΕΡΓΟΠΟΙΗΣΗΣ: Κατά την κατάσταση ΑΠΕΝΕΡΓΟΠΟΙΗΣΗΣ, συνεχίστε να αγγίζετε το πλήκτρο ΕΝΕΡΓΟΠΟΙΗΣΗΣ/ΑΠΕΝΕΡΓΟΠΟΙΗΣΗΣ για 3 δευτερόλεπτα για επανεκκίνηση της οθόνης ελέγχου, του φωτισμού ψύξης, της ψύξης και άλλων λειτουργιών, συνοδευόμενων από έναν ήχο προτροπής. Το ψυγείο θα επανέλθει στην προηγούμενα ρυθμισμένη θερμοκρασία και λειτουργία και θα εισέλθει σε κανονική κατάσταση λειτουργίας.

Λειτουργία Wi-Fi

Αντιστοίχιση Wi-Fi: Όταν το ψυγείο τεθεί υπό τροφοδοσία για πρώτη φορά, θα εισέλθει αυτόματα σε κατάσταση διαμόρφωσης δικτύου και το εικονίδιο λειτουργίας Wi-Fi θα αναβοσβήνει γρήγορα και αν δεν γίνει κανένας χειρισμός λειτουργία αντιστοίχισης δικτύου, θα εξέλθει αυτόματα μετά από 30 λεπτά.

Χειροκίνητη είσοδος σε κατάσταση αντιστοίχισης Wi-Fi: Αφού ξεκλειδώσετε την οθόνη ελέγχου, ενώ το εικονίδιο λειτουργίας Wi-Fi είναι αναμμένο, συνεχίστε να πιέζετε το πλήκτρο αντιστοίχισης Wi-Fi για 3 δευτερόλεπτα για να εισέλθετε στην κατάσταση. Σε αυτό το χρονικό διάστημα, το εικονίδιο λειτουργίας Wi-Fi θα αναβοσβήνει γρήγορα, υποδεικνύοντας ότι βρίσκεται σε κατάσταση αντιστοίχισης Wi-Fi. Εάν δεν γίνει ο χειρισμός αντιστοίχισης δικτύου, θα τερματιστεί αυτόματα μετά από 30 λεπτά.

ΔΙΑΔΙΚΑΣΙΑ ΑΝΤΙΣΤΟΙΧΙΣΗΣ ΣΤΗΝ ΕΦΑΡΜΟΓΗ

<p>Βήμα 1</p> 	<p>• Κατεβάστε την εφαρμογή hOn από τα stores.</p>   
<p>Βήμα 2</p> <p>Δημιουργήστε έναν λογαριασμό στην εφαρμογή hOn ή συνδεθείτε αν έχετε ήδη έναν λογαριασμό.</p> 	<p>Βήμα 3</p> <p>Ακολουθήστε τις οδηγίες αντιστοίχισης στην εφαρμογή hOn.</p> 

ΕΙΔΟΠΟΙΗΣΗ

Κατά την κατάσταση αντιστοίχισης Wi-Fi, θα πρέπει να ακολουθήσετε τις οδηγίες της εφαρμογής για να ολοκληρώσετε τη διαμόρφωση δικτύου. Αν χρειαστεί να αλλάξετε το περιβάλλον Wi-Fi, πρέπει να εισέλθετε ξανά στην κατάσταση. Εάν το εικονίδιο λειτουργίας Wi-Fi παραμένει αναμμένο, υποδεικνύει ότι η σύνδεση στο δίκτυο έχει πραγματοποιηθεί με επιτυχία.

Ρύθμιση θερμοκρασίας του καταψύκτη

Αφού ανοίξετε την πόρτα του ψυγείου και ξεκλειδώσετε την οθόνη ελέγχου, χρησιμοποιείτε το πλήκτρο μείωσης θερμοκρασίας για μείωση της ρυθμισμένης θερμοκρασίας του ψυγείου. Κάθε φορά που αγγίζετε ελαφρά το πλήκτρο, η θερμοκρασία θα μειώνεται κατά 1°C και η επιτρεπόμενη ελάχιστη θερμοκρασία είναι -24°C.

Αφού ανοίξετε την πόρτα του ψυγείου και ξεκλειδώσετε την οθόνη ελέγχου, χρησιμοποιείτε το πλήκτρο αύξησης θερμοκρασίας για αύξηση της ρυθμισμένης θερμοκρασίας του ψυγείου. Κάθε φορά που αγγίζετε ελαφρά το πλήκτρο, η θερμοκρασία θα αυξάνεται κατά 1°C και η επιτρεπόμενη μέγιστη θερμοκρασία είναι -14°C.

Κατά τη διάρκεια του χειρισμού, το εικονίδιο θερμοκρασίας θα εμφανίζει τη ρυθμισμένη θερμοκρασία και θα αναβοσβήνει. Η οθόνη ελέγχου θα επιβεβαιώσει αυτόματα τη ρυθμισμένη θερμοκρασία μετά από 5 δευτερόλεπτα και στη συνέχεια θα εμφανίσει την τρέχουσα πραγματική θερμοκρασία. Μετά την ολοκλήρωση της ρύθμισης, το ψυγείο αλλάζει σταδιακά από την πραγματική θερμοκρασία στη ρυθμισμένη θερμοκρασία. Οπότε ενδέχεται να υπάρχει απόκλιση μεταξύ της πραγματικής θερμοκρασίας και της ρυθμισμένης θερμοκρασίας για κάποιο χρονικό διάστημα.

Λειτουργία Super Freeze

Αυτό το πλήκτρο και το εικονίδιό του χρησιμοποιούνται για την εναλλαγή της λειτουργίας Super Freeze του ψυγείου και την εμφάνιση της τρέχουσας κατάστασης.

Αφού ανοίξετε την πόρτα του ψυγείου και ξεκλειδώσετε την οθόνη ελέγχου, αγγίξτε ελαφρά το πλήκτρο λειτουργίας Super Freeze, το εικονίδιο λειτουργίας Super Freeze θα ανάψει, το ψυγείο βρίσκεται ήδη σε αυτή την κατάσταση. Εάν πρέπει να εξέλθετε από την κατάσταση, μπορείτε να χρησιμοποιήσετε τον ίδιο χειρισμό αγγίζοντας ελαφρά το πλήκτρο λειτουργίας Super Freeze. Κατά τη λειτουργία αυτή, η θερμοκρασία πιθανόν να πλησιάσει τους -28°C ή και λιγότερους, το ψυγείο θα εξέλθει αυτόματα από τη λειτουργία αυτή μετά από 50 ώρες για να αποφευχθεί η υπερβολικά χαμηλή θερμοκρασία.

Λειτουργία ECO

Αφού ανοίξετε την πόρτα του ψυγείου και ξεκλειδώσετε την οθόνη ελέγχου, αγγίξτε ελαφρά το πλήκτρο λειτουργίας ECO, το εικονίδιο της λειτουργίας ECO θα ανάψει, το ψυγείο βρίσκεται ήδη σε αυτή την κατάσταση. Εάν πρέπει να εξέλθετε από την κατάσταση, μπορείτε να χρησιμοποιήσετε τον ίδιο χειρισμό αγγίζοντας ελαφρά το πλήκτρο λειτουργίας ECO.

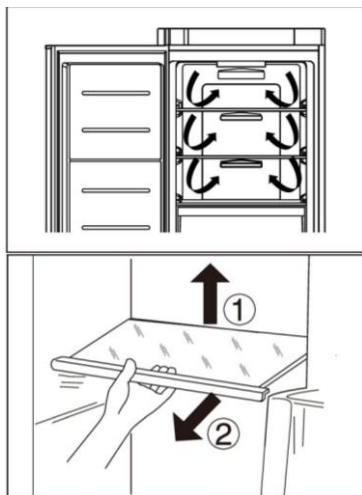
Στην κατάσταση ECO, το ψυγείο θα λειτουργεί αυτόματα σε μέση θερμοκρασία -18°C.



ΕΙΔΟΠΟΙΗΣΗ

Λόγω της διαφορετικής λογικής λειτουργίας των ειδικών λειτουργιών μεταξύ της λειτουργίας Super Freeze και της λειτουργίας ECO, αυτές οι ειδικές καταστάσεις λειτουργίας δεν μπορούν να ενεργοποιηθούν ταυτόχρονα. Μπορεί να ενεργοποιηθεί μόνο μία λειτουργία και κατά την εναλλαγή μεταξύ των καταστάσεων, οι άλλες ειδικές καταστάσεις λειτουργίας θα εξέλθουν αυτόματα. Επιπροσθέτως, η ρυθμισμένη θερμοκρασία μπορεί να αλλάξει, εκτός εάν εξέλθετε από αυτές τις καταστάσεις.

Οι -18°C είναι κατάλληλοι για γενικά κατεψυγμένα προϊόντα που απαιτούν αποθήκευση μεταξύ 1-12 μηνών, όπως κρέας, πουλερικά, θαλασσινά, προμαγειρεμένα τρόφιμα και περισσεύματα, ορισμένα φρούτα και λαχανικά, παγωτό και άλλα κατεψυγμένα επιδόρπια.



Πολλαπλή ροή αέρα

1. Το ψυγείο είναι εξοπλισμένο με σύστημα πολλαπλών ροών αέρα, το οποίο παρέχει ροή κρύου αέρα σε κάθε επίπεδο στα ράφια. Αυτό βοηθά στη διατήρηση μιας ομοιόμορφης θερμοκρασίας για να διασφαλιστεί ότι τα τρόφιμά σας διατηρούνται πιο φρέσκα για μεγαλύτερο χρονικό διάστημα.

Ρυθμιζόμενα ράφια

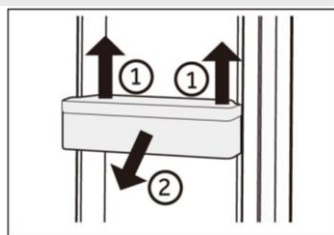
1. Το ύψος των ραφιών μπορεί να ρυθμιστεί ώστε να ταιριάζει στις ανάγκες αποθήκευσης.
2. Για να μετακινήσετε ένα ράφι, αφαιρέστε το πρώτα ανυψώνοντας την οπίσθια άκρη του ① και τραβώντας το έξω ②.
3. Για να το επανατοποθετήσετε, τοποθετήστε το στις υποδοχές και στις δύο πλευρές και σπρώξτε το στην πίσω θέση μέχρι το πίσω μέρος του ραφιού να στερεωθεί στις πλαϊνές σχισμές.

i ΕΙΔΟΠΟΙΗΣΗ

Βεβαιωθείτε ότι όλα τα άκρα ενός ραφιού είναι επίπεδα.

Αφαιρούμενες σχάρες πόρτας/αφαιρούμενη μπουκαλοθήκη

1. Τα ράφια των πορτών μπορούν να αφαιρεθούν για καθαρισμό:
2. Τοποθετήστε τα χέρια σε κάθε πλευρά της σχάρας, σηκώστε την προς τα πάνω ① και τραβήξτε την προς τα έξω ②.
3. Για την εισαγωγή της σχάρας της πόρτας, τα παραπάνω βήματα πραγματοποιούνται με αντίστροφη σειρά.

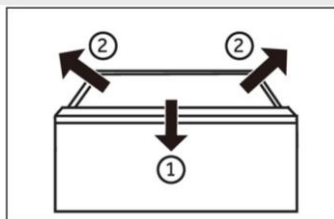


i ΕΙΔΟΠΟΙΗΣΗ

Όταν η συσκευή είναι ενεργοποιημένη, μπορεί να χρειαστούν έως και 12 ώρες για να επιτευχθούν οι σωστές θερμοκρασίες.

Αφαιρούμενο συρτάρι

Για να αφαιρέσετε το συρτάρι προς τα έξω, τραβήξτε προς τα έξω στο μέγιστο βαθμό ①, σηκώστε και αφαιρέστε ②.
Για την τοποθέτηση του συρταριού, τα παραπάνω βήματα γίνονται με αντίστροφη σειρά.



Το φως

Το εσωτερικό φως LED ανάβει όταν ανοίγει η πόρτα. Η απόδοση των φώτων δεν επηρεάζεται από καμία από τις άλλες ρυθμίσεις της συσκευής.



Συμβουλές εξοικονόμησης ενέργειας

- ▶ Βεβαιωθείτε ότι η συσκευή αερίζεται σωστά (δείτε ΕΓΚΑΤΑΣΤΑΣΗ).
- ▶ Μην εγκαθιστάτε τη συσκευή σε σημείο με άμεσο ηλιακό φως ή κοντά σε πηγές θερμότητας (π.χ. σόμπες, θερμαντήρες).
- ▶ Αποφύγετε την άσκοπα χαμηλή θερμοκρασία στη συσκευή. Η κατανάλωση ενέργειας αυξάνεται όσο χαμηλότερη είναι η θερμοκρασία στη συσκευή.
- ▶ Λειτουργίες όπως η Super Freeze καταναλώνουν περισσότερη ενέργεια.
- ▶ Αφήστε το ζεστό φαγητό να κρυώσει πριν το τοποθετήσετε μέσα στη συσκευή.
- ▶ Να ανοίγετε την πόρτα της συσκευής όσο το δυνατόν λιγότερες φορές και για όσο πιο σύντομα γίνεται.
- ▶ Μην γεμίζετε και φορτώνετε υπερβολικά τη συσκευή για να αποφύγετε τη φραγή του αέρα χαμηλά.
- ▶ Αποφύγετε το να υπάρχει αέρας μέσα στη συσκευασία των τροφίμων.
- ▶ Διατηρείτε τα λάστιχα της πόρτας καθαρά, ώστε η πόρτα να κλείνει πάντα σωστά.
- ▶ Η διαμόρφωση εξοικονόμησης ενέργειας απαιτεί τη διατήρηση του συρταριού, του κουτιού τροφίμων και των ραφιών όπως ακριβώς είναι, δηλαδή στην εργοστασιακή τους κατάσταση, και την τοποθέτηση των τροφίμων με τέτοιο τρόπο, ώστε να μην εμποδίζεται η έξοδος αεραγωγού.



ΠΡΟΕΙΔΟΠΟΙΗΣΗ!

Αποσυνδέστε τη συσκευή από την τροφοδοσία πριν από τον καθαρισμό.

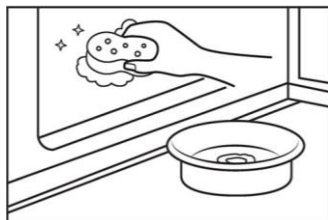
Καθαρισμός

Καθαρίστε τη συσκευή μόνο όταν υπάρχουν αποθηκευμένα λίγα ή καθόλου τρόφιμα. Η συσκευή πρέπει να καθαρίζεται κάθε τέσσερις εβδομάδες για καλή συντήρηση και για την αποφυγή αποθηκευμένων τροφίμων με δυσάρεστες οσμές.



ΠΡΟΕΙΔΟΠΟΙΗΣΗ!

- ▶ Μην καθαρίζετε τη συσκευή με σκληρές βούρτσες, συρμάτινες βούρτσες, σκόνη απορρυπαντικού, βενζίνη, οξικό αμύλιο, ακετόνη και παρόμοια οργανικά διαλύματα, όξινα ή αλκαλικά διαλύματα. Καθαρίστε με ειδικό απορρυπαντικό ψυγείου για να αποφύγετε ζημιές.
- ▶ Μην ψεκάζετε ή ξεπλένετε τη συσκευή κατά τον καθαρισμό.
- ▶ Μην χρησιμοποιείτε σπρέι νερού ή ατμό για να καθαρίσετε τη συσκευή.
- ▶ Μην καθαρίζετε τα κρύα γυάλινα ράφια με ζεστό νερό. Η απότομη αλλαγή θερμοκρασίας μπορεί να προκαλέσει το σπάσιμο του γυαλιού.
- ▶ Μην αγγίζετε την εσωτερική επιφάνεια του χώρου αποθήκευσης του καταψύκτη, ειδικά με βρεγμένα χέρια, καθώς τα χέρια σας μπορεί να παγώσουν στην επιφάνεια.
- ▶ Σε περίπτωση θέρμανσης ελέγξτε την κατάσταση των κατεψυγμένων αγαθών.



- ▶ Διατηρείτε πάντα το λάστιχο της πόρτας καθαρό.
- ▶ Καθαρίστε το εσωτερικό και το περίβλημα της συσκευής με ένα σφουγγάρι βρεγμένο σε ζεστό νερό και ουδέτερο απορρυπαντικό.
- ▶ 1. Τρίψτε το εσωτερικό και το εξωτερικό του ψυγείου, συμπεριλαμβανομένων των λάστιχων της πόρτας, της σχάρας της πόρτας, των γυάλινων ραφιών, των κουτιών και ούτω καθεξής, με μια μαλακή πετσέτα ή ένα σφουγγάρι βουτηγμένο σε ζεστό νερό (μπορείτε να προσθέσετε ουδέτερο απορρυπαντικό στο ζεστό νερό).
- ▶ 2. Εάν χυθεί υγρό, αφαιρέστε όλα τα μολυσμένα μέρη, ξεπλύνετε απευθείας με το νερό ροής, στεγνώστε και τοποθετήστε το πίσω στο ψυγείο.
- ▶ 3. Εάν υπάρχει χυμένη κρέμα (όπως η κρέμα γάλακτος, το παγωτό που λιώνει), αφαιρέστε όλα τα μολυσμένα μέρη, βάλτε στο ζεστό νερό με περίπου 40°C για κάποιο χρονικό διάστημα, στη συνέχεια ξεπλύνετε με το νερό ροής, στεγνώστε και τοποθετήστε το ξανά στο ψυγείο.
- ▶ 4. Σε περίπτωση που κάποιο μικρό μέρος ή εξάρτημα κολλήσει μέσα στο ψυγείο (ανάμεσα σε ράφια ή συρτάρια), χρησιμοποιήστε μια μικρή μαλακή βούρτσα για να το απελευθερώσετε. Εάν δεν μπορείτε να φτάσετε το εξάρτημα, επικοινωνήστε με την υπηρεσία Haier



ΕΙΔΟΠΟΙΗΣΗ

Η έξοδος αποχέτευσης δεν είναι δυνατό να φράσσεται από ξένα αντικείμενα, διαφορετικά μπορεί να υπάρξει πρόβλημα υπερχειλίσσης νερού. Εάν η έξοδος αποχέτευσης είναι βουλωμένη, μπορείτε να βγάλετε το συρτάρι και να το καθαρίσετε με ένα πανί.



- ▶ Ξεπλύνετε και στεγνώστε με μαλακό πανί.
- ▶ Μην καθαρίζετε κανένα από τα μέρη της συσκευής σε πλυντήριο πιάτων.
- ▶ Αφήστε τουλάχιστον 5 λεπτά πριν από την επανεκκίνηση της συσκευής, καθώς η συχνή εκκίνηση μπορεί να προκαλέσει ζημιά στον συμπιεστή.

Απόψυξη

Η απόψυξη του θαλάμου καταψύκτη γίνεται αυτόματα, δεν απαιτείται χειροκίνητη λειτουργία.

Αντικατάσταση των λαμπτήρων LED



ΠΡΟΕΙΔΟΠΟΙΗΣΗ!

Μην αντικαθιστάτε μόνοι σας τον λαμπτήρα LED, πρέπει να αντικατασταθεί μόνον από τον κατασκευαστή ή από τον εξουσιοδοτημένο αντιπρόσωπο σέρβις. Ο λαμπτήρας υιοθετεί το LED ως πηγή φωτός του, που χαρακτηρίζεται για τη χαμηλή κατανάλωση ενέργειας και τη μακριά διάρκεια ζωής. Εάν υπάρχει κάποια ανωμαλία, επικοινωνήστε με την εξυπηρέτηση πελατών. Δείτε την ενότητα ΕΞΥΠΗΡΕΤΗΣΗ ΠΕΛΑΤΩΝ.

Παράμετροι του λαμπτήρα:

Θάλαμος καταψύκτη: 12 V μέγ. 1,5W

Αυτό το προϊόν περιέχει μια πηγή φωτός κατηγορίας ενεργειακής απόδοσης <G>.

Μη χρήση για παρατεταμένο χρονικό διάστημα

Εάν η συσκευή δεν χρησιμοποιείται για μεγάλο χρονικό διάστημα:

Αφαιρέστε τα τρόφιμα.

Αποσυνδέστε το καλώδιο τροφοδοσίας.

Καθαρίστε τη συσκευή, όπως περιγράφεται παραπάνω.

Διατηρήστε τις πόρτες ανοικτές για να αποτρέψετε τη δημιουργία δυσοσμίας στο εσωτερικό.



ΕΙΔΟΠΟΙΗΣΗ

Απενεργοποιήστε τη συσκευή μόνο εάν είναι απολύτως απαραίτητο.

Μετακίνηση της συσκευής

1. Αφαιρέστε όλα τα τρόφιμα και αποσυνδέστε τη συσκευή.
2. Ασφαλίστε τα ράφια και τα άλλα κινητά μέρη στον καταψύκτη με αυτοκόλλητη ταινία.
3. Μην γέρνετε το ψυγείο περισσότερο από 45° ώστε να αποφύγετε ζημιά στο ψυκτικό σύστημα.



ΠΡΟΕΙΔΟΠΟΙΗΣΗ!

- ▶ Μην σηκώνετε τη συσκευή από τις λαβές της.
- ▶ Μην τοποθετείτε ποτέ τη συσκευή οριζόντια στο έδαφος.

Πολλά προβλήματα που παρουσιάζονται θα μπορούσαν να επιλυθούν από τον εαυτό σας χωρίς ειδική εμπειρογνώμοσύνη. Σε περίπτωση προβλήματος, ελέγξτε όλες τις εμφανιζόμενες δυνατότητες και ακολουθήστε τις παρακάτω οδηγίες προτού επικοινωνήσετε με το τμήμα εξυπηρέτησης πελατών μετά την πώληση. Δείτε την ενότητα ΕΞΥΠΗΡΕΤΗΣΗ ΠΕΛΑΤΩΝ.



ΠΡΟΕΙΔΟΠΟΙΗΣΗ!

- ▶ Πριν από τη συντήρηση, απενεργοποιήστε τη συσκευή και αποσυνδέστε το φις από την πρίζα.
- ▶ Ο ηλεκτρικός εξοπλισμός πρέπει να συντηρείται μόνο από εξειδικευμένους ηλεκτρολόγους, επειδή οι ακατάλληλες επισκευές μπορούν να προκαλέσουν σημαντικές επακόλουθες ζημιές.
- ▶ Μια κατεστραμμένη τροφοδοσία θα πρέπει να αντικατασταθεί από τον κατασκευαστή ή τον αντιπρόσωπο του σέρβις ή παρόμοια εξουσιοδοτημένα πρόσωπα, προς αποφυγή του κινδύνου.

Πρόβλημα	Πιθανή αιτία	Πιθανή λύση
Ο συμπιεστής δεν λειτουργεί.	<ul style="list-style-type: none"> • Το βύσμα δικτύου δεν είναι συνδεδεμένο στην πρίζα. • Η συσκευή βρίσκεται στον κύκλο απόψυξης. 	<ul style="list-style-type: none"> • Συνδέστε την πρίζα. • Αυτό είναι φυσιολογικό για αυτόματη απόψυξη.
Η συσκευή λειτουργεί συχνά ή λειτουργεί για πολύ μεγάλο χρονικό διάστημα.	<ul style="list-style-type: none"> • Η εσωτερική και η εξωτερική θερμοκρασία είναι πολύ υψηλή. • Η συσκευή απενεργοποιήθηκε για ένα χρονικό διάστημα. • Η πόρτα της συσκευής δεν είναι καλά κλειστή. • Η πόρτα ανοίγει πολύ συχνά ή για μεγάλα χρονικά διαστήματα. • Η ρύθμιση θερμοκρασίας για την κατάψυξη είναι πολύ χαμηλή. 	<ul style="list-style-type: none"> • Είναι φυσιολογικό η συσκευή να λειτουργεί περισσότερο. • Κανονικά, χρειάζονται 8 έως 12 ώρες για να κρυώσει εντελώς η συσκευή. • Κλείστε την πόρτα/συρτάρι και βεβαιωθείτε ότι η συσκευή βρίσκεται σε επίπεδη επιφάνεια και ότι δεν υπάρχει τροφή ή δοχείο που να «χτυπά» πάνω στην πόρτα. • Μην ανοίγετε την πόρτα / το συρτάρι πολύ συχνά. • Ρυθμίστε τη θερμοκρασία ψηλότερα μέχρι να ληφθεί ικανοποιητική θερμοκρασία ψυγείου. Χρειάζονται 24 ώρες για να σταθεροποιηθεί η θερμοκρασία του ψυγείου.

Πρόβλημα	Πιθανή αιτία	Πιθανή λύση
	<ul style="list-style-type: none"> • Το λάστιχο της πόρτας είναι βρώμικο, έχει φθαρεί, έχει ρωγμές ή δεν ταιριάζει. • Η απαιτούμενη κυκλοφορία του αέρα δεν είναι εγγυημένη. 	<ul style="list-style-type: none"> • Καθαρίστε την πόρτα/το φλάουτο του συρταριού ή αντικαταστήστε τα από την εξυπηρέτηση πελατών. • Εξασφαλίστε επαρκή αερισμό.
Το εσωτερικό του ψυγείου είναι βρώμικο ή/και μυρίζει άσχημα.	<ul style="list-style-type: none"> • Το εσωτερικό του ψυγείου χρειάζεται καθαρισμό. • Τα τρόφιμα με έντονη οσμή αποθηκεύονται στο ψυγείο. 	<ul style="list-style-type: none"> • Καθαρίστε το εσωτερικό του ψυγείου. • Τυλίξτε καλά το φαγητό.
Δεν υπάρχει αρκετή ψύξη στο εσωτερικό της συσκευής.	<ul style="list-style-type: none"> • Η θερμοκρασία είναι πολύ υψηλή. • Πολύ ζεστά αγαθά έχουν αποθηκευτεί. • Πάρα πολύ φαγητό έχει αποθηκευτεί ταυτόχρονα. • Τα αγαθά είναι πολύ κοντά το ένα στο άλλο. • Η πόρτα / συρτάρια της συσκευής δεν είναι κλειστά. • Η πόρτα/το συρτάρι ανοίγει πολύ συχνά ή για μεγάλα χρονικά διαστήματα. 	<ul style="list-style-type: none"> • Επαναφέρετε τη θερμοκρασία. • Πάντα να ψύχετε τα αγαθά πριν τα αποθηκεύετε. • Να αποθηκεύετε πάντα μικρές ποσότητες τροφίμων. • Αφήστε ένα κενό μεταξύ πολλών τροφίμων που επιτρέπουν τη ροή του αέρα. • Κλείστε την πόρτα / τα συρτάρια. • Μην ανοίγετε την πόρτα / το συρτάρι πολύ συχνά.
Υπάρχει αρκετή ψύξη στο εσωτερικό της συσκευής.	<ul style="list-style-type: none"> • Η θερμοκρασία είναι πολύ χαμηλή. • Η λειτουργία Super Freeze είναι ενεργοποιημένη ή εκτελείται παρατεταμένα. 	<ul style="list-style-type: none"> • Επαναφέρετε τη θερμοκρασία. • Σβήστε τη λειτουργία Super Freeze.
Η υγρασία συσσωρεύεται στα ψυγεία έξω από την επιφάνεια ή ανάμεσα στις πόρτες / την πόρτα και τα συρτάρια.	<ul style="list-style-type: none"> • Το κλίμα είναι πολύ ζεστό και πολύ υγρό. • Η πόρτα δεν είναι ερμητικά κλειστή. Ο κρύος αέρας στη συσκευή και ο ζεστός αέρας έξω από αυτήν συμπυκνώνονται. 	<ul style="list-style-type: none"> • Αυτό είναι φυσιολογικό σε υγρό κλίμα και θα αλλάξει όταν μειώνεται η υγρασία. • Βεβαιωθείτε ότι η πόρτα/το συρτάρι είναι καλά κλειστά.
Εμφάνιση ελαφριάς λειτουργίας, αλλά δεν γίνεται αισθητή η ψύξη.	<ul style="list-style-type: none"> • Είναι στη λειτουργία demo. 	<ul style="list-style-type: none"> • Σημειώστε σε ποια κατάσταση βρίσκεται, αν είναι σε κατάσταση Demo, να εξέλθετε από αυτήν. Έξοδος: Κρατήστε πατημένο το κουμπί "ECO" και κάντε κλικ στο πλήκτρο "Super Freeze" 5 φορές σε 5".

Πρόβλημα	Πιθανή αιτία	Πιθανή λύση
Ισχυρός πάγος και παγετός στο διαμέρισμα του καταψύκτη.	<ul style="list-style-type: none"> • Τα εμπορεύματα δεν είχαν συσκευαστεί επαρκώς. • Η πόρτα / συρτάρια της συσκευής δεν είναι κλειστά. • Η πόρτα/το συρτάρι ανοίγει πολύ συχνά ή για μεγάλα χρονικά διαστήματα. • Η φλάντζα πόρτας/συρταριού είναι βρώμικη, φθαρμένη, ραγισμένη ή αταίριαστη. • Κάτι στο εσωτερικό εμποδίζει την πόρτα / συρτάρι να κλείσει σωστά. 	<ul style="list-style-type: none"> • Πάντα να συσκευάζετε καλά τα προϊόντα. • Κλείστε την πόρτα / τα συρτάρια. • Μην ανοίγετε την πόρτα / το συρτάρι πολύ συχνά. • Καθαρίστε την τσιμούχα πόρτας/συρταριού ή αντικαταστήστε την με νέα. • Επανατοποθετήστε τα ράφια, τα ράφια των θυρών ή τα εσωτερικά δοχεία για να επιτρέψετε στο κλείσιμο της πόρτας / συρταριού.
Οι πλευρές του ντουλαπιού και της λωρίδας της πόρτας θερμαίνονται.	<ul style="list-style-type: none"> • - 	<ul style="list-style-type: none"> • Αυτό είναι φυσιολογικό.
Η συσκευή κάνει αφύσικους ήχους.	<ul style="list-style-type: none"> • Η συσκευή δεν βρίσκεται σε επίπεδο έδαφος. • Η συσκευή αγγίζει κάποιο αντικείμενο γύρω της. 	<ul style="list-style-type: none"> • Ρυθμίστε τα πόδια για να ισιώσετε τη συσκευή. • Αφαιρέστε τα αντικείμενα γύρω από τη συσκευή.
Ένας ελαφρύς ήχος πρέπει να ακούγεται παρόμοιος με αυτόν του ρέοντος νερού.	<ul style="list-style-type: none"> • - 	<ul style="list-style-type: none"> • Αυτό είναι φυσιολογικό.
Θα ακούσετε ένα ηχητικό σήμα συναγερμού.	<ul style="list-style-type: none"> • Η πόρτα του χώρου αποθήκευσης ψυγείου είναι ανοιχτή. 	<ul style="list-style-type: none"> • Κλείστε την πόρτα.
Θα ακούσετε ένα αχνό βουητό.	<ul style="list-style-type: none"> • Το σύστημα κατά της συμπύκνωσης λειτουργεί. 	<ul style="list-style-type: none"> • Αυτό αποτρέπει τη συμπύκνωση και είναι φυσιολογικό.
Το σύστημα εσωτερικού φωτισμού ή ψύξης δεν λειτουργεί.	<ul style="list-style-type: none"> • Το βύσμα δικτύου δεν είναι συνδεδεμένο στην πρίζα. 	<ul style="list-style-type: none"> • Συνδέστε την πρίζα.
	<ul style="list-style-type: none"> • Η παροχή ρεύματος δεν είναι άθικτη. 	<ul style="list-style-type: none"> • Ελέγξτε την παροχή ηλεκτρικού ρεύματος στο δωμάτιο. Καλέστε την τοπική εταιρεία ηλεκτρισμού!
	<ul style="list-style-type: none"> • Η λυχνία LED είναι εκτός λειτουργίας. 	<ul style="list-style-type: none"> • Καλέστε την υπηρεσία για αλλαγή της λυχνίας.

Για να επικοινωνήσετε με την τεχνική βοήθεια, επισκεφθείτε τον ιστότοπό μας: <https://corporate.haier-europe.com/en/>

Στην ενότητα "ιστότοπος", επιλέξτε τη μάρκα του προϊόντος σας και τη χώρα σας. Θα ανακατευθυνθείτε στον συγκεκριμένο ιστότοπο, όπου μπορείτε να βρείτε τον αριθμό τηλεφώνου και τη φόρμα για να επικοινωνήσετε με την τεχνική υποστήριξη.

Διακοπή ρεύματος

Σε περίπτωση διακοπής ρεύματος, τα τρόφιμα πρέπει να παραμένουν με ασφάλεια κρύα και σε συνθήκες ψύξης για περίπου 5 ώρες. Ακολουθήστε αυτές τις συμβουλές κατά τη διάρκεια παρατεταμένης διακοπής ρεύματος, ειδικά το καλοκαίρι:

- ▶ Ανοίγετε την πόρτα / συρτάρια όσο το δυνατόν λιγότερες φορές.
- ▶ Μη βάζετε επιπλέον τρόφιμα στη συσκευή κατά τη διάρκεια διακοπής ρεύματος.
- ▶ Εάν δοθεί προηγούμενη ειδοποίηση για διακοπή ρεύματος και η διάρκεια διακοπής είναι μεγαλύτερη από 5 ώρες, φτιάξτε λίγο πάγο και τοποθετήστε τον σε ένα δοχείο στο πάνω μέρος του ψυγείου.
- ▶ Ο έλεγχος των εμπορευμάτων απαιτείται αμέσως μετά τη διακοπή.
- ▶ Καθώς η θερμοκρασία στο ψυγείο θα αυξηθεί κατά τη διάρκεια διακοπής ρεύματος ή άλλης βλάβης, η περίοδος αποθήκευσης και η βρώσιμη ποιότητα των τροφίμων θα μειωθούν. Οποιοδήποτε φαγητό αποψύχεται πρέπει να καταναλώνεται ή να μαγειρεύεται και να καταψύχεται (όταν επιτρέπεται αυτή η διαδικασία) λίγο μετά για την αποφυγή κινδύνων για την υγεία.

Λειτουργία μνήμης κατά τη διακοπή ρεύματος

Μετά την αποκατάσταση του ρεύματος, η συσκευή συνεχίζει με τις ρυθμίσεις που είχαν ρυθμιστεί πριν από την διακοπή ρεύματος.

Αποσυσκευασία



ΠΡΟΕΙΔΟΠΟΙΗΣΗ!

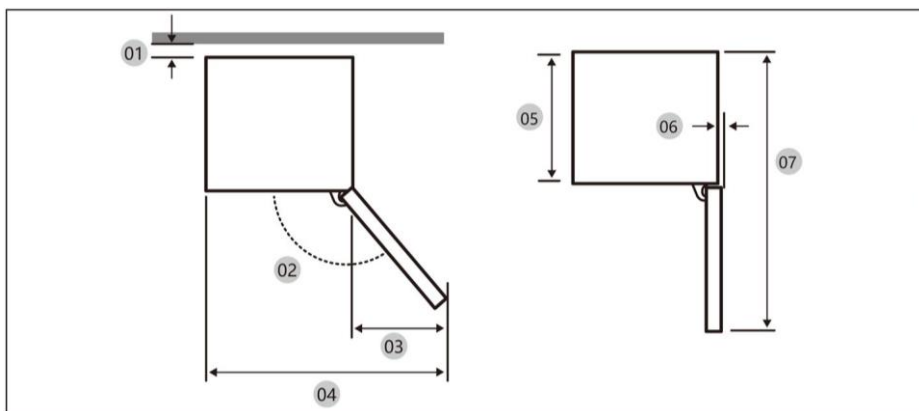
- ▶ Η συσκευή είναι βαριά. Πάντοτε θα πρέπει να χειρίζονται τη συσκευή δύο άτομα τουλάχιστον.
- ▶ Κρατήστε όλα τα υλικά συσκευασίας μακριά από τα παιδιά και απορρίψτε τα με φιλικό προς το περιβάλλον τρόπο.
- ▶ Βγάλε τη συσκευή από τη συσκευασία.
- ▶ Αφαιρέστε όλα τα υλικά συσκευασίας.

Περιβαλλοντικές συνθήκες

Η θερμοκρασία δωματίου πρέπει να είναι πάντα μεταξύ 10°C και 43°C, καθώς μπορεί να επηρεαστεί η θερμοκρασία στο εσωτερικό της συσκευής και η κατανάλωση ενέργειάς της. Μην εγκαθιστάτε τη συσκευή κοντά σε άλλες συσκευές που εκπέμπουν θερμότητα (φούρνοι, ψυγεία)

Πρόταση χώρου

Προτεινόμενος χώρος όταν η πόρτα είναι ανοιχτή (χωρίς το πάνελ της πόρτας του επίπλου)

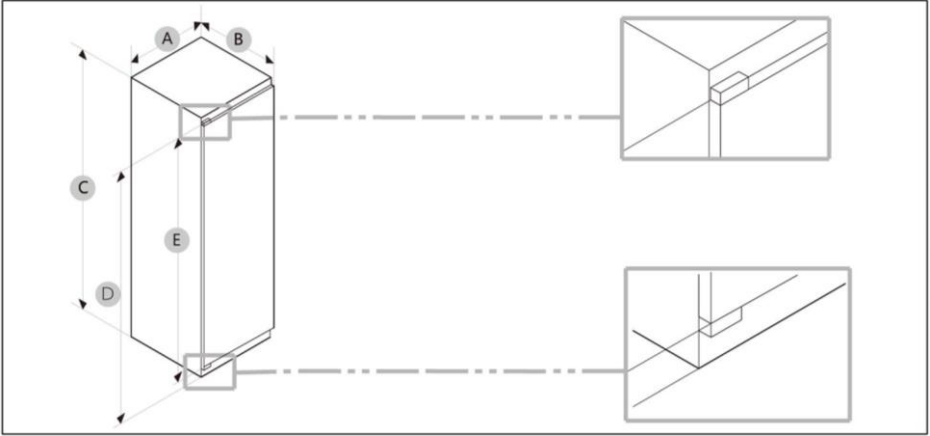


Μοντέλο	CMT5518EVWF RMT5518EVWF
01*	10 (ελάχισ.) / 30 (συνιστάται)
02	95° (Συνιστάται)
03	43
04	583
05	515
06	-3
07	1060

(μονάδα: mm)

* 01: Από το επίπλο μέχρι το πίσω μέρος του προϊόντος.

Διαστάσεις προϊόντος



Μοντέλο	A (mm)	B(mm)	C(mm)	D(mm)	E (mm)
CMT5518EVWF	540±2	550±2	1772±2	1715	1671
RMT5518EVWF					

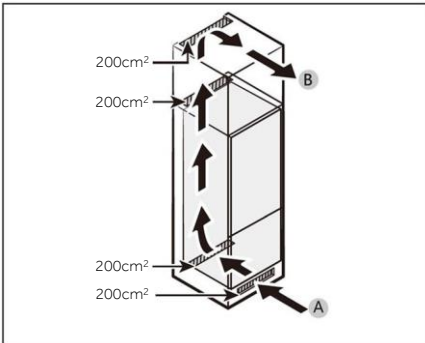


ΕΙΔΟΠΟΙΗΣΗ

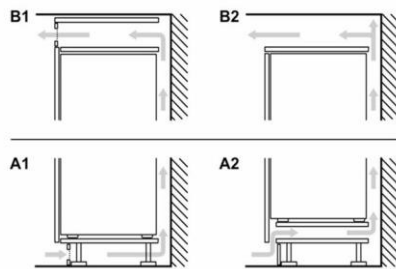
- Η καθορισμένη κατανάλωση ενέργειας βασίζεται στην προϋπόθεση ενός διάκενου 10 mm από το έπιπλο έως το πίσω μέρος του προϊόντος. Το προϊόν θα λειτουργεί σωστά ακόμη και με διάκενο μικρότερο από 10 mm, ωστόσο καταναλώνει ελαφρώς περισσότερη ενέργεια.
- Συνιστούμε τη χρήση επίπλου πάχους 19 mm με μεντεσέδες πάχους μικρότερου των 17 mm.
- Οι μετρήσεις στον παραπάνω πίνακα ενδέχεται να διαφέρουν, ανάλογα με τη μέθοδο μέτρησης.
- Για την εντοιχισμένη εγκατάσταση, ανατρέξτε στον Οδηγό εγκατάστασης

Διατομή εξαερισμού

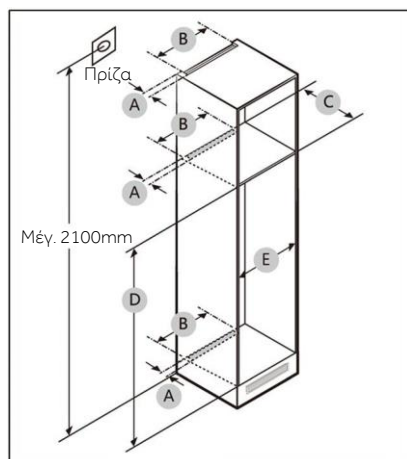
Για να επιτευχθεί επαρκής αερισμός της συσκευής για λόγους ασφαλείας, πρέπει να τηρούνται οι πληροφορίες των απαιτούμενων διατομών εξαερισμού.



A: Είσοδος αέρα $\geq 200\text{cm}^2$. Επιλογές εξαερισμού
 B: Έξοδος αέρα $\geq 200\text{cm}^2$. Επιλογές εξαερισμού



Διαστάσεις επίπλου



ΠΡΟΣΟΧΗ!

Οποιαδήποτε βλάβη του προϊόντος που οφείλεται στα ακόλουθα δεν καλύπτεται από την Εγγύηση.

1. Ακατάλληλες συνθήκες τοποθεσίας ή εσφαλμένα μεγέθη επίπλων.
2. Ελαττωματικό επίπλο.
3. Λάθη του εγκαταστάτη ή του χρήστη.

Διάκενο

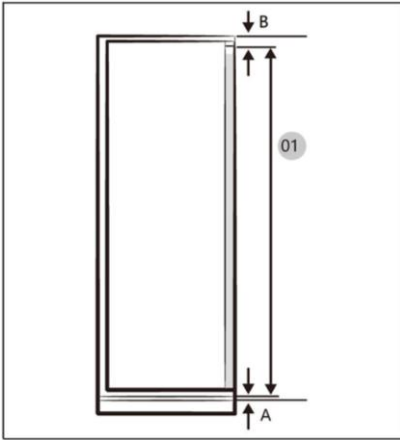
Δείτε τις εικόνες και τους πίνακες παρακάτω σχετικά με τις απαιτήσεις χώρου για την εγκατάσταση.

Μοντέλο		A (mm)	B (mm)	C (mm)	D (mm)	E (mm)	Παρατήρηση
CMT5518EVWF RMT5518EVWF	Ελάχ.	50	400	560	1778	560	Μεντεσές: 17mm
	Συνιστάται			580	1780	562	
	Μέγ.			-	1782	568	



ΕΙΔΟΠΟΙΗΣΗ

- Εάν το πλάτος ενός επίπλου είναι μεγαλύτερο από 568 mm, το λάστιχο (μεταξύ του ψυγείου και του ντουλαπιού) μπορεί να χαλαρώσει.
- Εάν το έπιπλο είναι ψηλότερο από τις μέγιστες διαστάσεις (1782 mm), πρέπει να χρησιμοποιήσετε άλλα υλικά φινιρίσματος για να καλύψετε το κενό.

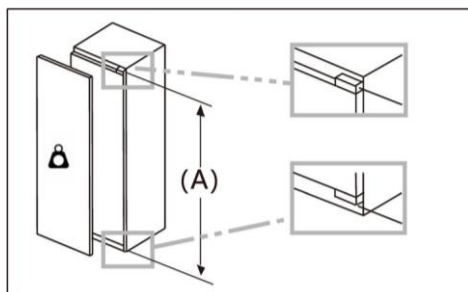


- A. Κάτω άκρο του μπροστινού πάνελ πάνω από τον εξαερισμό αέρα
- B. Προεξοχή του μπροστινού πάνελ

Μοντέλο	CMT5518EVWF RMT5518EVWF
01	Ελάχ. 1694+A+B Μέγ. 1850+A+B

(μονάδα: mm)

Μέγιστο επιτρεπόμενο βάρος των προσόψεων της μονάδας



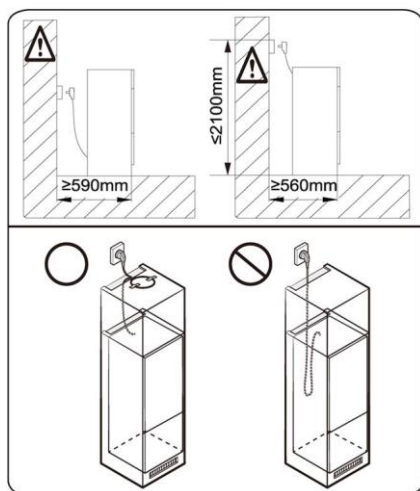
Οι τοποθετημένες προσόψεις μονάδων που υπερβαίνουν το επιτρεπόμενο βάρος μπορεί να προκαλέσουν ζημιά και να οδηγήσουν σε λειτουργική βλάβη των μεντεσέδων.



Βάρος
(kg)

1500-1750 mm	22
720-1400 mm	19

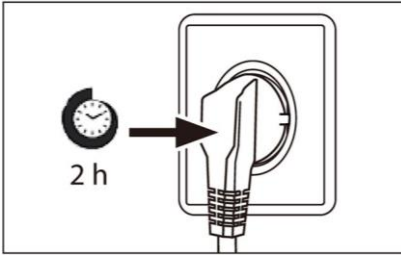
Εκτίμηση για τη θέση της πρίζας και τον απαιτούμενο χώρο



ΕΙΔΟΠΟΙΗΣΗ

Εάν εγκαταστήσετε το ψυγείο σε έπιπλο με βάθος 560 mm, βεβαιωθείτε ότι το καλώδιο τροφοδοσίας είναι τοποθετημένο σε μια πλευρά του ψυγείου πριν το συνδέσετε στην πρίζα. Εάν το καλώδιο τροφοδοσίας βρίσκεται στο πίσω μέρος του ψυγείου, μπορεί να μειωθεί η ενεργειακή απόδοση.

Χρόνος αναμονής



Το λάδι λίπανσης χωρίς συντήρηση βρίσκεται στην κάψουλα του συμπιεστή. Αυτό το λάδι μπορεί να περάσει από το κλειστό σύστημα σωλήνων κατά τη διάρκεια της κεκλιμένης μεταφοράς. Πριν συνδέσετε τη συσκευή στην παροχή ρεύματος θα πρέπει να περιμένετε τουλάχιστον 2 ώρες, ώστε το λάδι να επιστρέψει στην κάψουλα.

Ηλεκτρική σύνδεση

Πριν από κάθε σύνδεση ελέγξτε αν:

- ▶ η τροφοδοσία ρεύματος, η πρίζα και η ασφάλεια είναι κατάλληλα σύμφωνα με την πινακίδα ονομαστικών στοιχείων.
- ▶ η πρίζα είναι γειωμένη και δεν υπάρχει πολλαπλή πρίζα ή επέκταση.
- ▶ το βύσμα τροφοδοσίας και η πρίζα είναι σύμφωνα με.

Συνδέστε το βύσμα σε μια σωστά εγκατεστημένη οικιακή πρίζα.



ΠΡΟΕΙΔΟΠΟΙΗΣΗ!

Για να αποφύγετε τους κινδύνους, ένα κατεστραμμένο καλώδιο τροφοδοσίας πρέπει να αντικατασταθεί από την εξυπηρέτηση πελατών (βλ. κάρτα εγγύησης).

Δελτίο προϊόντος σύμφωνα με τον κανονισμό ΕΕ υπ' αριθ. 2019/2016

Μάρκα	CANDY	Rosieres
Όνομα/αναγνωριστικό μοντέλου	CMT5518EVWF	RMT5518EVWF
Κατηγορία του μοντέλου	Καταψύκτης	Καταψύκτης
Κατηγορία ενεργειακής απόδοσης	E	E
Ετήσια κατανάλωση ενέργειας (kWh/έτος) (1)	215	215
Συνολικός όγκος (L)	220	220
Όγκος τροφοθήκης (L)	/	/
Όγκος καταψύκτη (L)	220	220
Όγκος τμήματος ψύκτη (L)	/	/
Όγκος αυτόματης παγομηχανής (L)	/	/
Αξιολόγηση με αστέρια	4	4
Θερμοκρασία άλλων διαμερισμάτων > 14 °C	Δεν υφίσταται	Δεν υφίσταται
Σύστημα χωρίς πάγο	Ναι	Ναι
Χωρητικότητα καταψύκτη (κιλά/24 ώρες)	15	15
Κλιματική κατάταξη (2)	SN/N/ST/T	SN/N/ST/T
Κατηγορία εκπομπών θορύβου και εκπομπών αερομεταφερόμενου ακουστικού θορύβου (db(A)re 1pW)	B 35	B 35
Χρόνος αύξησης θερμοκρασίας (ώρες)	6	6
Ικανότητα παρασκευής πάγου	/	/
Τύπος συσκευής	Εντοιχιζόμενη	Εντοιχιζόμενη

Όνομα μοντέλου	Κατηγορία ενεργειακής απόδοσης
CMT5518EVWF	E
RMT5518EVWF	E

Επεξηγήσεις:

- Ναι, υπάρχει
- (1) Με βάση τα αποτελέσματα της δοκιμής συμμόρφωσης προτύπων για 24 ώρες. Η πραγματική κατανάλωση εξαρτάται από τη χρήση και τη θέση της συσκευής.
 - (2) Κλιματική κατάσταση SN: Αυτή η συσκευή προορίζεται για χρήση σε θερμοκρασία περιβάλλοντος μεταξύ + 10 °C και +32 °C
Κλιματική κατάσταση N: Αυτή η συσκευή προορίζεται για χρήση σε θερμοκρασία περιβάλλοντος μεταξύ + 16 °C και +32 °C
Κλιματική κατάσταση ST: Αυτή η συσκευή προορίζεται για χρήση σε θερμοκρασία περιβάλλοντος μεταξύ + 16 °C και +38 °C
Κλιματική κατάσταση T: Αυτή η συσκευή προορίζεται για χρήση σε θερμοκρασία περιβάλλοντος μεταξύ + 16 °C και +43 °C

Πρόσθετα τεχνικά δεδομένα

Τάση / Συχνότητα	220-240V ~ / 50Hz
Ρεύμα εισόδου (A)	1.5
Κύρια ασφάλεια (A)	16
Ψυκτικό	R600a
Διαστάσεις (Υ/Π/Β σε mm)	1772/540/550

Πληροφορίες RF

Το μέγ. e.i.r.p.: Bluetooth (BR/EDR): 10dBm

Bluetooth LE: 5dBm

2,4GHz Wi-Fi: 16dBm

Ζώνη συχνοτήτων λειτουργίας: 2400-2483,5MHz

Συνιστούμε την Εξυπηρέτηση Πελατών της Haier και τη χρήση γνήσιων ανταλλακτικών.

Εάν έχετε κάποιο πρόβλημα με τη συσκευή σας, ελέγξτε πρώτα την ενότητα ΑΝΤΙΜΕΤΩΠΙΣΗ ΠΡΟΒΛΗΜΑΤΩΝ.

Εάν δεν μπορείτε να βρείτε μια λύση εκεί, επικοινωνήστε

- ▶ με τον τοπικό σας αντιπρόσωπο ή
- ▶ το Ευρωπαϊκό τηλεφωνικό κέντρο εξυπηρέτησης (βλ. παρακάτω αριθμούς τηλεφώνου) ή
- ▶ πηγαίνετε στην ενότητα Εξυπηρέτηση και Υποστήριξη στη διεύθυνση www.haier.com όπου μπορείτε να υποβάλετε αίτημα εξυπηρέτησης
- ▶ και επίσης να βρείτε τις συχνές ερωτήσεις.

Για να επικοινωνήσετε με την Υπηρεσία μας, βεβαιωθείτε ότι έχετε τα ακόλουθα δεδομένα διαθέσιμα.

Οι πληροφορίες μπορούν να βρεθούν στην πινακίδα ονομαστικών στοιχείων.

Μοντέλο _____

Σειριακός αριθμός. _____

Επίσης, ελέγξτε την Κάρτα Εγγύησης που παρέχεται με το προϊόν σε περίπτωση εγγύησης.

Ευρωπαϊκό Τηλεφωνικό Κέντρο		
Χώρα*	Αριθμός τηλεφώνου	Έξοδα
Haier Italy (IT)	199 100 912	
Haier Spain (ES)	902 509 123	
Haier Germany (DE)	0180 539 39 99	<ul style="list-style-type: none"> • 14 λεπτά/λεπτό από σταθερό • μέγιστο 42 λεπτά/λεπτό από κινητό
Haier Austria (AT)	0820 001 205	<ul style="list-style-type: none"> • 14,53 λεπτά/λεπτό από σταθερό • μέγιστο 20 λεπτά/λεπτό όλα τα άλλα
Haier United Kingdom (UK)	0333 003 8122	
Haier France (FR)	0980 406 409	

*Για άλλες χώρες, ανατρέξτε στη διεύθυνση www.haier.com
Haier Europe Trading S.r.l
Branch UK
Westgate House, Westgate, Ealing
Λονδίνο, W5 1ΥΥ

*Διάρκεια εγγύησης της ψυκτικής συσκευής:

Η ελάχιστη εγγύηση είναι: 2 χρόνια για τις χώρες της ΕΕ, 3 χρόνια για την Τουρκία, 1 χρόνο για το Ηνωμένο Βασίλειο, 1 χρόνο για τη Ρωσία, 3 χρόνια για τη Σουηδία, 2 χρόνια για τη Σερβία, 5 χρόνια για τη Νορβηγία, 1 χρόνο για το Μαρόκο, 6 μήνες για την Αλγερία, για την Τυνησία δεν απαιτείται νομική εγγύηση.

*Περίοδος διάθεσης ανταλλακτικών για επισκευή της συσκευής:

Θερμοστάτες, αισθητήρες θερμοκρασίας, πλακέτες τυπωμένων κυκλωμάτων και πηγές φωτός διατίθενται για επτά τουλάχιστον χρόνια μετά τη διάθεση της τελευταίας μονάδας του μοντέλου στην αγορά.

Λαβές πόρτας, μεντεσέδες πόρτας, δίσκοι και καλάθια διατίθενται για περίοδο τουλάχιστον επτά ετών και λάστιχα πόρτας για περίοδο τουλάχιστον 10 ετών μετά τη διάθεση της τελευταίας μονάδας του μοντέλου στην αγορά.

*Για περισσότερες πληροφορίες σχετικά με το προϊόν, συμβουλευτείτε τη διεύθυνση <https://eprel.ec.europa.eu/> ή σαρώστε τον κωδικό QR στην ενεργειακή ετικέτα που παρέχεται με τη συσκευή.

<u>5 Información de seguridad</u>	Antes del primer uso	6
	Instalación	6
	Uso diario	7
	Información sobre el gas refrigerante	9
<u>10 Uso previsto</u>		
<u>11 Descripción del producto</u>		
<u>12 Panel de control</u>		
<u>13 Uso</u>	Tecla Bloqueo/Desbloqueo y su icono	13
	Función de espera	13
	Función Wi-Fi	13
	Ajustar la temperatura del congelador	14
	Función Super Freeze	15
	Función ECO	15
<u>16 Equipo</u>		
<u>17 Consejos de ahorro de energía</u>		
<u>18 Cuidado y limpieza</u>		
<u>20 Solución de problemas</u>		
<u>24 Instalación</u>		
<u>30 Datos técnicos</u>		
<u>32 Atención al cliente</u>		

Gracias por comprar un producto Haier.

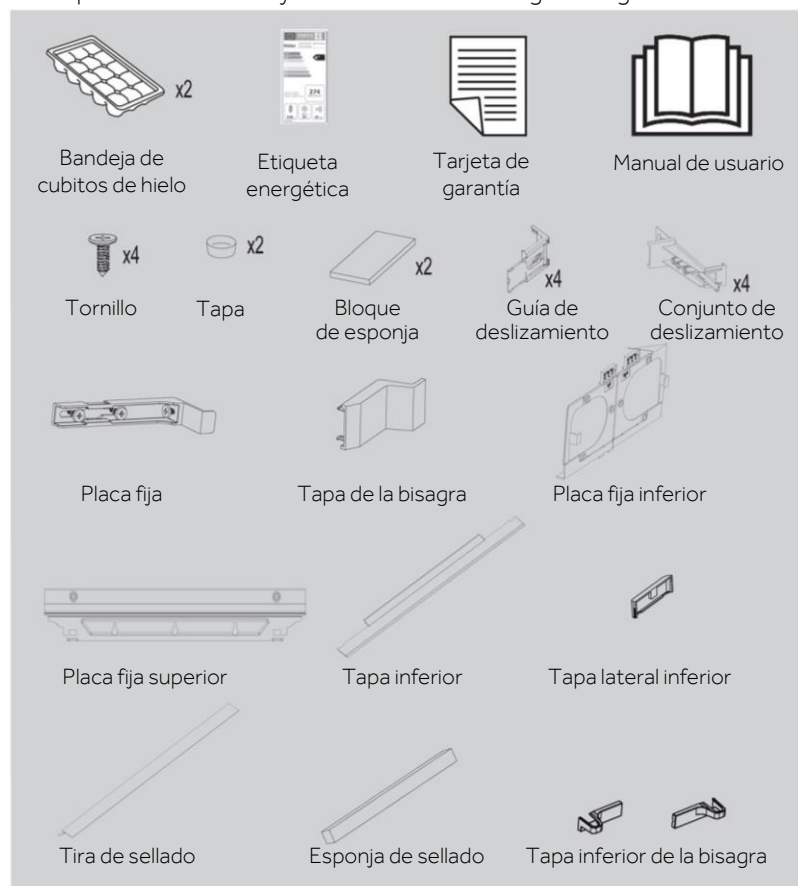
Lea atentamente estas instrucciones antes de utilizar este electrodoméstico. Estas instrucciones contienen información importante que le ayudará a sacar el máximo provecho del electrodoméstico y a garantizar una instalación, uso y mantenimiento seguros y adecuados.

Guarde este manual en un lugar seguro para poder consultarlo en cualquier momento y garantizar un uso seguro y adecuado del electrodoméstico.

Si vende este electrodoméstico, lo dona o lo deja al mudarse, asegúrese de entregar también este manual para que el nuevo propietario pueda familiarizarse con el electrodoméstico y las advertencias de seguridad.

Accesorios

Verifique los accesorios y la documentación según la siguiente lista:





ADVERTENCIA: Información de seguridad importante



AVISO: Información general y consejos



Información medioambiental



Eliminación

Ayude a proteger el medio ambiente y la salud humana. Tire el embalaje en los contenedores correspondientes para reciclarlo. Ayude a reciclar los residuos de aparatos eléctricos y electrónicos. No deseche los aparatos marcados con este símbolo en la basura doméstica. Lleve el producto a su centro de reciclaje local o póngase en contacto con su oficina municipal.



¡ADVERTENCIA!

¡Peligro de lesiones o asfixia!

Los refrigerantes y gases deben ser eliminados de forma profesional. Asegúrese de que la tubería del circuito refrigerante no está dañada antes de desecharla adecuadamente. Desconecte el electrodoméstico de la red eléctrica. Corte el cable de red y deséchelo. Quite las bandejas y los cajones, así como el asa de la puerta y las juntas, para evitar que los niños y las mascotas se queden encerrados en el electrodoméstico.

Antes de encender el electrodoméstico por primera vez, lea las siguientes directrices de seguridad:



¡ADVERTENCIA!

Antes del primer uso

- ▶ Asegúrese de que no haya daños causados por el transporte.
- ▶ Espere al menos dos horas antes de instalar el electrodoméstico para asegurarse de que el circuito refrigerante sea totalmente eficiente.
- ▶ Este electrodoméstico pesa mucho: manipúlelo con la ayuda de otra persona.
- ▶ Retire todo el material de embalaje, manténgalo fuera del alcance de los niños y deséchelo de forma respetuosa con el medio ambiente.
- ▶ Limpie el interior y el exterior del electrodoméstico con agua y un detergente suave antes de introducir cualquier alimento en él.
- ▶ Después de nivelar y limpiar el electrodoméstico, espere al menos 2-5 horas antes de conectarlo a la fuente de alimentación. Ver sección INSTALACIÓN.
- ▶ Enfríe previamente los compartimentos a altas temperaturas antes de llenarlos de alimentos. La función Super-Freeze ayuda a enfriar rápidamente los compartimentos.
- ▶ La temperatura del congelador se ajusta automáticamente a -18°C respectivamente. Estos son los ajustes recomendados. Si lo desea, puede cambiar la temperatura manualmente. Consulte la sección AJUSTE DE LA TEMPERATURA.

Instalación

- ▶ Este electrodoméstico debe colocarse en un lugar bien ventilado. Asegúrese de dejar un espacio libre de al menos 10 cm por encima y alrededor del electrodoméstico.
- ▶ No coloque el electrodoméstico en un área húmeda o en un lugar donde pueda recibir salpicaduras de agua. Limpie y seque las salpicaduras y manchas con un paño suave y limpio.
- ▶ No instale el electrodoméstico bajo la luz directa del sol o cerca de fuentes de calor (p. ej.: fogones, estufas...).
- ▶ Instale y nivele el electrodoméstico en un lugar adecuado para su tamaño y uso.
- ▶ No obstruya las aberturas de ventilación del armazón del electrodoméstico o de la estructura integrada.
- ▶ Asegúrese de que la información eléctrica de la placa de características técnicas coincida con la fuente de alimentación. Si no es así, póngase en contacto con un electricista.
- ▶ Este electrodoméstico funciona mediante una fuente de alimentación de 220-240 V CA/50 Hz. Una fluctuación anormal del voltaje puede provocar que el electrodoméstico no se ponga en marcha o que se dañe el control de temperatura o el compresor, o que se oiga un ruido anormal durante el funcionamiento. En tal caso, se deberá instalar un regulador automático.
- ▶ No utilice adaptadores de múltiples contactos ni cables de extensión.



¡ADVERTENCIA!

- ▶ No ubique tomas de corriente múltiples portátiles ni fuentes de alimentación portátiles en la parte trasera del electrodoméstico.
- ▶ Asegúrese de que el cable de alimentación no quede aprisionado por el frigorífico. No oprima el cable de alimentación.
- ▶ Utilice una toma de corriente independiente puesta a tierra como fuente de alimentación, que sea de fácil acceso. Este electrodoméstico debe conectarse a tierra.

Solo para el Reino Unido: El cable de alimentación de este electrodoméstico está equipado con un enchufe de 3 cables (con puesta a tierra) que se ajusta a una toma de corriente estándar de 3 cables (puesta a tierra). No corte ni desmonte la tercera patilla (toma de tierra). Una vez instalado el electrodoméstico, el enchufe debe ser accesible.

- ▶ No dañe el circuito del refrigerante.

Uso diario

- ▶ Este electrodoméstico puede ser utilizado por niños a partir de 8 años y por personas con capacidades físicas, sensoriales o mentales reducidas, o sin experiencia o conocimientos previos, siempre y cuando hayan recibido la supervisión y las instrucciones necesarias para utilizar el electrodoméstico de forma segura y comprendan los riesgos que implica.
- ▶ Se permite que los niños de 3 a 8 años llenen y vacíen electrodomésticos de refrigeración, pero no están autorizados a limpiarlos o instalarlos.
- ▶ Mantenga alejados del electrodoméstico a los niños menores de 3 años a menos que estén constantemente supervisados.
- ▶ Los niños no deben jugar con este electrodoméstico.
- ▶ Si se filtra gas refrigerante u otro gas inflamable en las proximidades del electrodoméstico, apague la válvula del gas filtrado, abra las puertas y ventanas y no desconecte un enchufe en el cable de alimentación del frigorífico/ congelador o cualquier otro electrodoméstico.
- ▶ Tenga en cuenta que el electrodoméstico está configurado para funcionar en un intervalo de temperatura ambiente específico de entre 10 y 43 °C. El electrodoméstico no puede funcionar correctamente si se deja durante mucho tiempo a una temperatura superior o inferior al intervalo indicado.
- ▶ No coloque artículos inestables (objetos pesados, recipientes llenos de agua) en la parte superior del frigorífico, a fin de evitar lesiones personales causadas por caídas o descargas eléctricas causadas por el contacto con el agua.
- ▶ No tire de los estantes de la puerta. Se puede tirar de la puerta de forma inclinada, el botellero puede retirarse o el electrodoméstico puede volcar.
- ▶ Abra y cierre las puertas solamente usando las asas. El hueco entre las puertas y entre las puertas y el armario es muy estrecho. No ponga las manos en estas áreas para evitar pillarse los dedos. Abra o cierre las puertas del frigorífico solo cuando no haya niños dentro del área de movimiento de la puerta.
- ▶ Antes de colocar el electrodoméstico, asegúrese de que el cable de alimentación no está atrapado ni dañado.



¡ADVERTENCIA!

- ▶ No conserve en este electrodoméstico sustancias explosivas, como aerosoles con propelentes inflamables.
 - ▶ Para evitar la contaminación de los alimentos:
 - Dejar la puerta abierta durante largos períodos de tiempo puede causar un aumento significativo de la temperatura en los compartimentos del electrodoméstico.
 - Limpie regularmente las superficies que puedan entrar en contacto con alimentos y los sistemas de drenaje accesibles.
 - Guarde la carne cruda y el pescado en recipientes adecuados en el refrigerador de manera que no entren en contacto ni goteen sobre otros alimentos.
 - Si deja el producto vacío durante largos períodos, apáguelo, retire la escarcha, límpielo, séquelo y deje la puerta abierta para evitar la formación de moho en su interior.
 - ▶ No almacene ni utilice elementos inflamables, explosivos o corrosivos en el electrodoméstico ni cerca de él.
 - ▶ No guarde medicamentos, bacterias ni agentes químicos en el electrodoméstico. Este aparato es un electrodoméstico. No se recomienda almacenar materiales que requieran temperaturas extremas.
 - ▶ Nunca almacene líquidos en botellas o latas (aparte de bebidas de alto grado alcohólico), especialmente las bebidas carbonatadas, en el congelador, ya que se romperían durante la congelación.
 - ▶ Compruebe el estado de los alimentos si se ha producido un calentamiento en el congelador.
 - ▶ No toque los productos congelados con las manos mojadas (use guantes). Sobre todo, no coma hielo inmediatamente después de haberlo sacado del congelador. Existe el riesgo de congelación o de formación de ampollas. **PRIMEROS AUXILIOS:** poner inmediatamente bajo el grifo de agua fría. ¡No tirar!
 - ▶ No toque la superficie interior del compartimento de almacenamiento del frigorífico cuando esté en funcionamiento, especialmente con las manos mojadas, ya que las manos pueden congelarse por la superficie.
 - ▶ Desenchufe el electrodoméstico en caso de interrupción del suministro eléctrico o antes de limpiarlo. Espere al menos 7 minutos antes de volver a poner en marcha el aparato, ya que un arranque frecuente puede dañar el compresor.
 - ▶ No deben utilizarse dispositivos eléctricos dentro de los compartimentos para alimentos del electrodoméstico, salvo que sean del tipo recomendado por el fabricante.
- Mantenimiento / limpieza
- ▶ Asegúrese de que los niños están bajo supervisión si realizan tareas de limpieza y mantenimiento.
 - ▶ Desconecte el electrodoméstico de la red eléctrica antes de realizar cualquier mantenimiento rutinario. Deje pasar al menos 5 minutos antes de reiniciar el electrodoméstico, ya que el arranque frecuente puede dañar el compresor.



¡ADVERTENCIA!

- ▶ Cuando desenchufe el electrodoméstico, hágalo por la clavija, no por el cable.
- ▶ No limpie el electrodoméstico con cepillos duros, cepillos de alambre, detergente en polvo, gasolina, acetato de amilo, acetona y soluciones orgánicas similares, soluciones ácidas o alcalinas. Limpie con un detergente especial para frigoríficos para evitar daños.
- ▶ Si el cable de alimentación está dañado, debe ser sustituido por el fabricante, por su servicio técnico o por cualquier profesional cualificado similar para evitar riesgos.
- ▶ No intente reparar, desmontar o modificar este electrodoméstico por su cuenta. En caso de reparación, póngase en contacto con nuestro servicio de atención al cliente.
- ▶ Saque el polvo de la parte posterior de la unidad al menos una vez al año para evitar el riesgo de incendio, así como un mayor consumo de energía.
- ▶ No rocíe ni enjuague el electrodoméstico durante la limpieza.
- ▶ No use agua pulverizada o vapor para limpiar el electrodoméstico.
- ▶ No limpie los estantes de cristal fríos con agua caliente. Un cambio repentino de temperatura puede causar que el cristal se rompa.

Información sobre gases refrigerantes



¡ADVERTENCIA!

Este electrodoméstico contiene el refrigerante inflamable ISOBUTANO (R600a). Asegúrese de no dañar el circuito refrigerante durante el transporte o la instalación. La fuga de refrigerante puede causar lesiones oculares o incendios. Si se produce algún daño, manténgase alejado de llamas abiertas, ventile bien la habitación y no conecte o desconecte los cables de alimentación de este ni de cualquier otro electrodoméstico. Informe al servicio de atención al cliente.

En caso de que los ojos entren en contacto con el refrigerante, enjuáguelos inmediatamente con agua corriente y llame inmediatamente a un oftalmólogo.

Uso previsto

Este electrodoméstico está diseñado para congelar alimentos. Ha sido diseñado exclusivamente para su uso en aplicaciones domésticas y similares, como áreas de cocina para personal de tiendas, oficinas y otros entornos de trabajo; granjas y el uso por clientes en hoteles, moteles y otros entornos de tipo residencial, así como en alojamientos y restauración. No está destinado a un uso comercial o industrial.

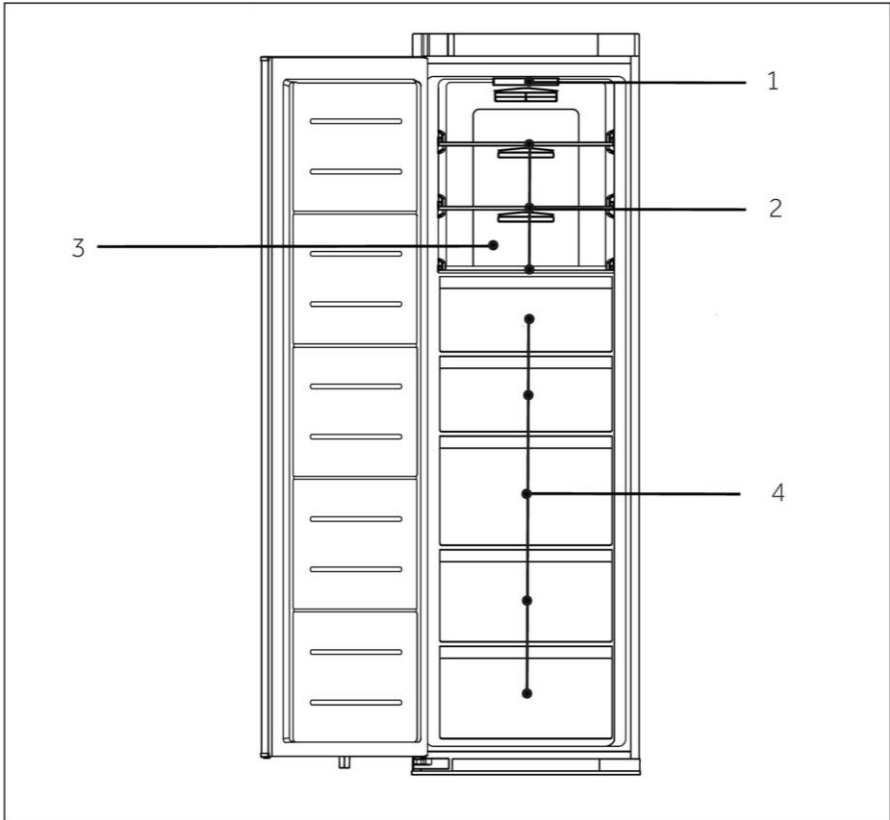
No se permite realizar cambios o modificaciones en el electrodoméstico. Un uso no previsto puede causar riesgos y la pérdida de los derechos de reclamación por garantía.

Normas y directivas

Este producto cumple los requisitos de todas las directivas CE aplicables con las correspondientes normas acordadas, que establecen el mercado CE.

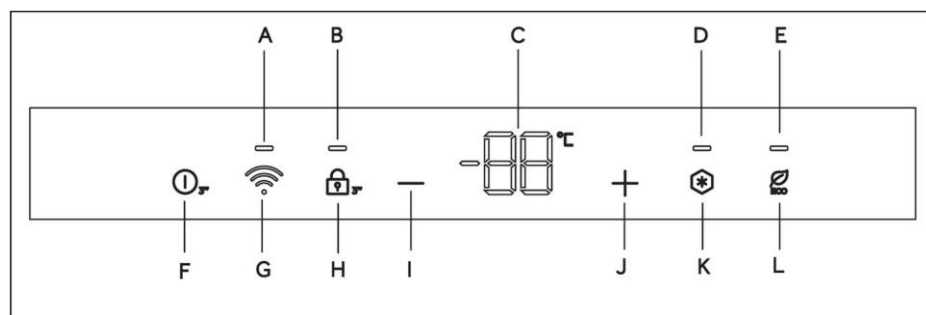
i AVISO

Debido a cambios técnicos y a las diferencias entre modelos, algunas de las ilustraciones de este manual pueden diferir de su modelo.

**CMT5518EVWF/RMT5518EVWF**

- 1 Luz LED interior
- 2 Estanterías ordinarias
- 3 Conducto de aire del congelador
- 4 Cajón congelador normal

Panel de control



Iconos indicadores:

- A Icono de la función Wi-Fi
- B Icono de bloqueo/desbloqueo
- C Icono de visualización de temperatura
- D Icono de la función Super Freeze
- E Icono de la función ECO

Teclas táctiles:

- F Tecla ENCENDIDO / APAGADO
- G Tecla de emparejamiento Wi-Fi
- H Tecla de bloqueo/desbloqueo
- I Tecla de descenso de temperatura
- J Tecla de aumento de temperatura
- K Tecla de la función Super Freeze
- L Tecla de la función ECO

Teclas táctiles

Los botones del panel de control son teclas táctiles, que se activan incluso cuando se rozan ligeramente con el dedo.

Abra primero la puerta del frigorífico antes de controlar la pantalla de visualización.

Función de bloqueo/desbloqueo

Esta tecla y su icono sirven para bloquear o desbloquear la pantalla de control e indicar su estado actual.

Abra la puerta del frigorífico mientras el frigorífico está en marcha, la pantalla de control se iluminará y el icono de bloqueo/desbloqueo se encenderá; en este momento, la pantalla de control está bajo estado de bloqueo y no se puede operar.

Desbloquear o bloquear manualmente la pantalla: Cuando el icono de bloqueo/desbloqueo se ilumine, mantenga pulsada la tecla de bloqueo/desbloqueo durante 3 segundos. El icono se apagará e irá acompañado de una señal acústica. En este momento, se puede realizar la selección de funciones o el ajuste de la temperatura. Cuando el icono de bloqueo/desbloqueo se apague, mantenga pulsada la tecla de bloqueo/desbloqueo durante 3 segundos. A continuación, se encenderá el icono de bloqueo/desbloqueo y sonará un pitido. En este momento, no se puede realizar la selección de funciones ni el ajuste de la temperatura.

Bloqueo automático de pantalla: Cuando se cierra la puerta del frigorífico, la pantalla de control se apaga y se bloquea.

Al abrir la puerta del frigorífico, la pantalla de control se bloqueará automáticamente si no se ha realizado ninguna operación en 30 segundos.

Función ENCENDIDO / APAGADO

La tecla ENCENDIDO / APAGADO se utiliza para cambiar entre APAGADO (estado de pausa del funcionamiento) y ENCENDIDO (modos de funcionamiento normales).

Entrar en modo OFF: En el modo de funcionamiento del frigorífico, desbloquee primero la pantalla y, a continuación, mantenga pulsada la tecla de función ENCENDIDO / APAGADO durante 3 segundos para apagar la pantalla de control, la iluminación del frigorífico, la refrigeración y otras funciones con un sonido de aviso.



AVISO

El modo OFF no significa apagado, y el frigorífico sigue encendido en este momento.

Salir del modo OFF: En el modo APAGADO, mantenga pulsada la tecla ENCENDIDO / APAGADO durante 3 segundos para reiniciar la pantalla de control, la iluminación de refrigeración, la refrigeración y otras funciones acompañado de un sonido de aviso. El frigorífico volverá a la temperatura ajustada y a funcionar como antes y entrará en modo de funcionamiento normal.

Función Wi-Fi

Emparejamiento Wi-Fi: Cuando el frigorífico se enciende por primera vez, entrará automáticamente en el modo de configuración de red y el icono de la función Wi-Fi parpadeará rápidamente; si no hubiera ninguna operación de emparejamiento de red, saldría automáticamente después de 30 minutos.

Entra manualmente en el modo de emparejamiento Wi-Fi: Después de desbloquear la pantalla de control, mientras el icono de la función Wi-Fi está encendido, mantenga pulsada la tecla de emparejamiento Wi-Fi durante 3 segundos para entrar en el modo. Durante este tiempo, el icono de la función Wi-Fi parpadeará rápidamente mostrando que está en modo de emparejamiento Wi-Fi. Si no hay ninguna operación de emparejamiento de red, saldrá automáticamente transcurridos 30 minutos.

PROCEDIMIENTO DE EMPAREJAMIENTO EN LA APLICACIÓN

<p>Paso 1</p> 	<p>• Descargue la aplicación hOn en las tiendas.</p>   
<p>Paso 2</p> <p>Cree una cuenta en la aplicación hOn o inicie sesión si ya tiene una cuenta.</p> 	<p>Paso 3</p> <p>Siga las instrucciones de emparejamiento de la aplicación hOn.</p> 

AVISO

En el modo de emparejamiento Wi-Fi, debe seguir las instrucciones de la aplicación para completar la configuración de la red. Si necesita cambiar el entorno Wi-Fi, tiene que volver a entrar en el modo. Si el icono de la función Wi-Fi permanece encendido, indica que la red se ha conectado correctamente.

Ajustar la temperatura del congelador

Después de abrir la puerta del frigorífico y desbloquear la pantalla de control, la tecla de descenso de la temperatura se utiliza para bajar la temperatura programada del frigorífico. Cada vez que se toque ligeramente la tecla, la temperatura se reducirá 1°C, y la temperatura mínima permitida es de -24°C.

Después de abrir la puerta del frigorífico y desbloquear la pantalla de control, la tecla de aumento de temperatura se utiliza para subir la temperatura programada del frigorífico. Cada vez que se toque ligeramente la tecla, la temperatura aumentará 1°C, y la temperatura máxima permitida es de -14°C.

Durante la operación, el icono de visualización de la temperatura mostrará la temperatura ajustada y parpadeará. La pantalla de control confirmará automáticamente la temperatura ajustada transcurridos 5 segundos y, a continuación, mostrará la temperatura real actual. Una vez finalizado el ajuste, el frigorífico cambia gradualmente de la temperatura real a la temperatura ajustada. Por lo tanto, puede haber una desviación entre la temperatura real y la temperatura programada durante un periodo de tiempo.

Función Super Freeze

Esta tecla y su icono se utilizan para cambiar a la función Super Freeze del frigorífico y mostrar el estado actual.

Después de abrir la puerta del frigorífico y desbloquear la pantalla de control, toque ligeramente la tecla de función Super Freeze, y el icono de la función Super Freeze se iluminará: el frigorífico ya está en el modo. Si necesita salir del modo, puede realizar la misma operación tocando ligeramente la tecla de función Super Freeze.

Con esta función, es probable que la temperatura se aproxime a -28 C o menos, y el frigorífico saldrá automáticamente de esta función al cabo de 50 horas para evitar que la temperatura sea demasiado baja.

Función ECO

Después de abrir la puerta del frigorífico y desbloquear la pantalla de control, toque ligeramente la tecla de función ECO, y el icono de la función ECO se iluminará: el frigorífico ya está en el modo. Si necesita salir del modo, puede realizar la misma operación tocando ligeramente la tecla de función ECO.

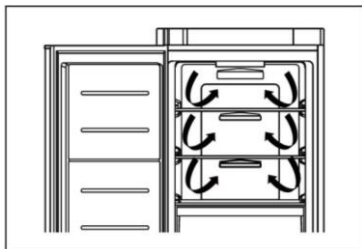
En el modo ECO, el frigorífico funciona automáticamente a una temperatura media de -18 °C .



AVISO

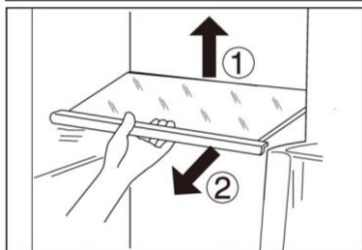
Debido a la diferente lógica de funcionamiento de las funciones especiales entre la función Super Freeze y la función ECO, estos modos especiales no se pueden activar al mismo tiempo. Sólo se puede activar una función y, al cambiar entre los modos, se saldrá automáticamente de otros modos especiales. Además, la temperatura programada no puede modificarse a menos que se salga de estos modos.

-18 °C es adecuado para alimentos congelados en general que requieren un almacenamiento de entre 1 y 12 meses, como carne, aves, marisco, alimentos precocinados y sobras, algunas frutas y verduras, helados y otros postres congelados.



Flujo de aire múltiple

1. El frigorífico está equipado con un sistema de flujo de aire múltiple, con el que se aseguran corrientes de aire frío en cada nivel de estante. Esto ayuda a mantener una temperatura uniforme para asegurar que sus alimentos se mantienen frescos por más tiempo.



Estantes ajustables

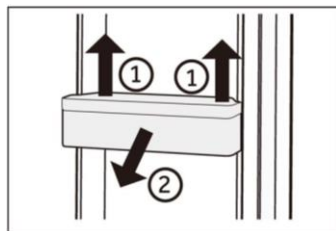
1. La altura de los estantes se puede ajustar para adaptarse a sus necesidades de almacenamiento.
2. Para reubicar un estante, retírelo primero levantando su borde posterior ① y extráigalo ②.
3. Para volver a instalarlo, colóquelo en los rieles de ambos lados y empuje hasta que la parte trasera del estante se fije dentro de las ranuras laterales.

i AVISO

Asegúrese de que todos los extremos del estante estén nivelados.

Estantes de puerta/soportes para botellas desmontables

1. Los estantes de la puerta se pueden desmontar para limpiarlos:
2. Coloque las manos en cada lado del estante, levántelo hacia arriba ① y extráigalo ②.
3. Para insertar el estante de la puerta, realice los pasos anteriores en orden inverso.



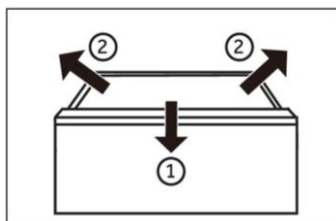
i AVISO

Cuando se enciende el aparato, pueden pasar hasta 12 horas hasta que se alcancen las temperaturas correctas.

Cajón extraíble

Para sacar el cajón, tire al máximo ①, levante y retire ②.

Para insertar el cajón, realice los pasos anteriores en orden inverso.



Luz

La luz interior LED se enciende al abrir la puerta. El rendimiento de las luces no se ve afectado por ninguna de las otras configuraciones del electrodoméstico.



Consejos de ahorro de energía

- ▶ Asegúrese de que el electrodoméstico esté bien ventilado (vea INSTALACIÓN).
- ▶ No instale el electrodoméstico bajo la luz directa del sol o cerca de fuentes de calor (p. ej.: fogones, estufas...).
- ▶ Evite una temperatura innecesariamente baja en el electrodoméstico. El consumo de energía aumenta la temperatura del electrodoméstico.
- ▶ Las funciones como Super Freeze consumen más energía.
- ▶ Deje enfriar los alimentos calientes antes de introducirlos en el electrodoméstico.
- ▶ Abra la puerta del electrodoméstico lo menos y lo más brevemente posible.
- ▶ No llene en exceso el electrodoméstico para evitar obstruir la circulación de aire.
- ▶ Evite la presencia de aire dentro del embalaje de los alimentos.
- ▶ Mantenga las juntas de la puerta limpias para que la puerta se cierre siempre correctamente.
- ▶ La configuración de más ahorro energético requiere que el electrodoméstico mantenga los cajones, las cajas de alimentos y los estantes. en condiciones de fábrica, y los alimentos deben colocarse lo más lejos posible sin bloquear la salida de aire del conducto.



¡ADVERTENCIA!

Desconecte el electrodoméstico de la fuente de alimentación antes de limpiarlo.

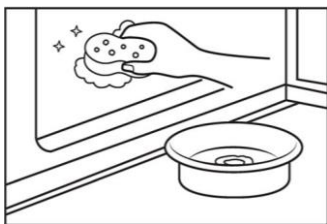
Limpieza

Limpie el electrodoméstico solo cuando haya pocos o ningún alimento guardado. Este electrodoméstico debe limpiarse cada cuatro semanas para realizar un buen mantenimiento y evitar malos olores.



¡ADVERTENCIA!

- ▶ No limpie el electrodoméstico con cepillos duros, cepillos de alambre, detergente en polvo, gasolina, acetato de amilo, acetona y soluciones orgánicas similares, soluciones ácidas o alcalinas. Limpie con un detergente especial para frigoríficos para evitar daños.
- ▶ No rocíe ni enjuague el electrodoméstico durante la limpieza.
- ▶ No use agua pulverizada o vapor para limpiar el electrodoméstico.
- ▶ No limpie los estantes de cristal fríos con agua caliente. Un cambio repentino de temperatura puede causar que el cristal se rompa.
- ▶ No toque la superficie interior del compartimento del electrodoméstico, especialmente con las manos mojadas, ya que las manos pueden congelarse en la superficie.
- ▶ En caso de calentamiento, compruebe el estado de los productos congelados.



- ▶ Mantenga siempre limpia la junta de la puerta.
- ▶ Limpie el interior y el armazón del electrodoméstico con una esponja humedecida en agua tibia y detergente neutro.
- ▶ 1. Frote el interior y el exterior del frigorífico, incluyendo la junta de la puerta, los estantes de la puerta, los estantes de cristal, los cajones, etc., con una toalla suave o una esponja sumergida en agua caliente (se puede añadir detergente neutro).
- ▶ 2. Si hay líquido derramado, retire todas las piezas contaminadas, enjuague directamente con agua corriente, seque y coloque las piezas de nuevo en el frigorífico.
- ▶ 3. Si hay productos cremosos derramados (como nata, helado derretido...), retire todas las piezas contaminadas, póngalas en agua caliente a unos 40 °C durante un rato, enjuague con agua corriente, séquelas y colóquelas de nuevo en el frigorífico.
- ▶ 4. En caso de que alguna parte o componente pequeño quede atascada dentro del frigorífico (entre las estanterías o los cajones), utilice un cepillo suave pequeño para sacarlo. Si no la alcanza, póngase en contacto con el servicio de Haier.

AVISO

La salida de desagüe no puede estar bloqueada por objetos extraños, de lo contrario puede haber un problema de desbordamiento de agua. Si la salida de desagüe está obstruida, puede sacar el cajón y limpiarlo con un paño.



- ▶ Aclare y seque con un paño suave.
- ▶ No limpie ninguna de las piezas o partes de este electrodoméstico en un lavavajillas.
- ▶ Deje pasar al menos 5 minutos antes de reiniciar el electrodoméstico, ya que el arranque frecuente puede dañar el compresor.

Descongelación

La descongelación del compartimento congelador se realiza automáticamente: no se requiere ninguna operación manual.

Sustitución de las lámparas LED



¡ADVERTENCIA!

No sustituya usted mismo la lámpara LED, solo debe cambiarla el fabricante o un técnico autorizado.

Las lámparas utilizan LED como fuente de luz, con bajo consumo energético y larga vida útil. Si detecta alguna anomalía, póngase en contacto con el servicio de atención al cliente. Vea ATENCIÓN AL CLIENTE.

Parámetros de las lámparas:

Compartimento de congelador: 12 V máx. 1,5 W

Este producto contiene una fuente de luz de clase de eficiencia energética <G>.

Si no se utiliza durante un período más largo

Si el electrodoméstico no se utiliza durante un período prolongado de tiempo: Saque la comida.

Desenchufe el cable de la toma de corriente.

Limpie el electrodoméstico como se ha descrito anteriormente.

Mantenga las puertas abiertas para evitar que se generen malos olores en el interior.

AVISO

Apague el electrodoméstico solo si es estrictamente necesario.

Desplazar el electrodoméstico

1. Retire toda la comida y desenchufe el electrodoméstico.
2. Fije los estantes y otras partes móviles en el congelador con cinta adhesiva.
3. No incline el frigorífico más de 45° para evitar dañar el sistema de refrigeración.



¡ADVERTENCIA!

- ▶ No levante el electrodoméstico por las asas.
- ▶ No coloque el electrodoméstico horizontalmente sobre el suelo.

Usted mismo puede resolver muchos de los problemas que puedan presentarse sin tener conocimientos específicos. En caso de que se produzca algún problema, compruebe todas las posibilidades ilustradas y siga las instrucciones pertinentes antes de ponerse en contacto con un servicio posventa. Vea ATENCIÓN AL CLIENTE.



¡ADVERTENCIA!

- ▶ Antes de realizar tareas de mantenimiento, desactive el electrodoméstico y desconecte el enchufe de la toma de corriente.
- ▶ Los equipos eléctricos solo deben ser revisados y manejados por electricistas expertos cualificados, ya que las reparaciones incorrectas pueden causar daños considerables en consecuencia.
- ▶ Si el sistema de alimentación está dañado, debe ser sustituido por el fabricante, por su servicio técnico o por cualquier profesional cualificado similar para evitar riesgos.

Problema	Causa posible	Solución posible
El compresor no funciona.	<ul style="list-style-type: none"> • El enchufe no está conectado a la toma de corriente. • El electrodoméstico está en el ciclo de descongelación. 	<ul style="list-style-type: none"> • Conecte el enchufe. • Esto es normal para una descongelación automática.
El electrodoméstico funciona con frecuencia o funciona durante un período de tiempo demasiado largo.	<ul style="list-style-type: none"> • La temperatura interior o exterior es demasiado alta. • El electrodoméstico ha estado apagado durante cierto de tiempo. • Una puerta del electrodoméstico no está bien cerrada. • La puerta se ha abierto con demasiada frecuencia o durante mucho tiempo. • El ajuste de temperatura del compartimento congelador es demasiado bajo. 	<ul style="list-style-type: none"> • En este caso, es normal que el electrodoméstico funcione más tiempo. • Normalmente, lleva de 8 a 12 horas que el electrodoméstico se enfríe completamente. • Cierre la puerta/cajón y asegúrese de que el electrodoméstico esté ubicado sobre una superficie plana y que no haya alimentos o recipientes que impidan que la puerta se cierre bien. • No abra la puerta/cajón con demasiada frecuencia. • Ajuste una temperatura más alta hasta obtener una temperatura satisfactoria para el frigorífico. Se necesitan 24 horas para que la temperatura del frigorífico se mantenga estable.

Problema	Causa posible	Solución posible
	<ul style="list-style-type: none"> La junta de la puerta está sucia, desgastada, agrietada o desparejada. La circulación de aire requerida no está garantizada. 	<ul style="list-style-type: none"> Limpie la junta de la puerta/cajón o pídale al servicio de atención al cliente que la cambie. Garantice una ventilación adecuada.
El interior del frigorífico está sucio y/o huele mal.	<ul style="list-style-type: none"> El interior del frigorífico necesita limpieza. Hay alimentos de olor fuerte guardados en el frigorífico. 	<ul style="list-style-type: none"> Limpie el interior del frigorífico. Envuelva bien los alimentos.
La temperatura del interior del electrodoméstico no es lo suficientemente fría.	<ul style="list-style-type: none"> La temperatura establecida es demasiado alta. Se han almacenado alimentos demasiado calientes. Se ha almacenado demasiada comida a la vez. Los alimentos están demasiado cerca entre sí. Una puerta/cajón del electrodoméstico no está bien cerrada. La puerta/cajón se ha abierto con demasiada frecuencia o durante mucho tiempo. 	<ul style="list-style-type: none"> Restablezca la temperatura. Enfríe siempre los alimentos antes de guardarlos. Guarde siempre pequeñas cantidades de alimentos. Deje un espacio entre varios alimentos para permitir que el aire fluya. Cierre la puerta/cajón. No abra la puerta/cajón con demasiada frecuencia.
La temperatura del interior del electrodoméstico es demasiado fría.	<ul style="list-style-type: none"> La temperatura establecida es demasiado baja. La función Super Freeze está activada o ha estado funcionando demasiado tiempo. 	<ul style="list-style-type: none"> Restablezca la temperatura. Desactive la función Super Freeze.
Se acumula humedad fuera de la superficie externa de los frigoríficos o entre las puertas/puerta y cajón.	<ul style="list-style-type: none"> El ambiente es demasiado cálido y demasiado húmedo. La puerta no está bien cerrada. Hay aire frío dentro del electrodoméstico y aire caliente en el exterior, y se produce condensación. 	<ul style="list-style-type: none"> Esto es normal en un ambiente húmedo y cambiará cuando la humedad disminuya. Asegúrese de que la puerta/cajón está bien cerrada.
Muestra un ligero funcionamiento, pero no se siente fresco.	<ul style="list-style-type: none"> Está en modo demo. 	<ul style="list-style-type: none"> Observe en qué estado se encuentra, si está en modo Demo, salga de él. Salir: Mantenga pulsado el botón "ECO" y pulse la tecla "Super Freeze" 5 veces en 5s.

Problema	Causa posible	Solución posible
Hay mucho hielo y escarcha en el compartimento congelador.	<ul style="list-style-type: none"> • Los alimentos no están correctamente embalados. • Una puerta/cajón del electrodoméstico no está bien cerrada. • La puerta/cajón se ha abierto con demasiada frecuencia o durante mucho tiempo. • La junta de la puerta/cajón está sucia, desgastada, agrietada o desparejada. • Algo en el interior impide que la puerta/cajón se cierren correctamente. 	<ul style="list-style-type: none"> • Embale bien los alimentos. • Cierre la puerta/cajón. • No abra la puerta/cajón con demasiada frecuencia. • Limpie la junta de la puerta/cajón o cámbiela por una nueva. • Vuelva a colocar los estantes, estantes de la puerta o contenedores internos para permitir que la puerta/cajón se cierre.
Los lados del frigorífico y la tira de la puerta se calientan.	<ul style="list-style-type: none"> • - 	<ul style="list-style-type: none"> • Esto es normal.
El electrodoméstico hace sonidos anormales.	<ul style="list-style-type: none"> • El electrodoméstico no está ubicado sobre una superficie plana. • El electrodoméstico toca algún objeto a su alrededor. 	<ul style="list-style-type: none"> • Ajuste las patas para nivelar el electrodoméstico. • Retire los objetos que haya alrededor del electrodoméstico.
Se oye un ligero sonido similar al del flujo de agua.	<ul style="list-style-type: none"> • - 	<ul style="list-style-type: none"> • Esto es normal.
Oirá un pitido de alarma.	<ul style="list-style-type: none"> • La puerta del compartimento frigorífico está abierta. 	<ul style="list-style-type: none"> • Cierre la puerta.
Oirá un débil zumbido.	<ul style="list-style-type: none"> • El sistema anticondensación está en marcha. 	<ul style="list-style-type: none"> • Esto evita la condensación y es normal.
El sistema de iluminación o refrigeración interior no funciona.	<ul style="list-style-type: none"> • El enchufe no está conectado a la toma de corriente. 	<ul style="list-style-type: none"> • Conecte el enchufe.
	<ul style="list-style-type: none"> • La fuente de alimentación presenta alguna alteración. 	<ul style="list-style-type: none"> • Compruebe el suministro eléctrico a la habitación. Llame a la compañía eléctrica local.
	<ul style="list-style-type: none"> • La lámpara LED no funciona. 	<ul style="list-style-type: none"> • Llame al servicio técnico para cambiar la lámpara.

Para ponerse en contacto con el servicio de asistencia técnica, visite nuestro sitio web: <https://corporate.haier-europe.com/en/>

En la sección "website", elija la marca de su producto y su país. Se le redirigirá a la página web específica donde podrá encontrar el número de teléfono y el formulario para ponerse en contacto con el servicio de asistencia técnica.

Interrupción del suministro

En caso de un corte de luz, los alimentos deberían permanecer frescos y a salvo durante 5 horas. Siga estos consejos durante una interrupción prolongada del suministro, especialmente en verano:

- ▶ Abra la puerta/cajón lo menos posible.
- ▶ No introduzca más alimentos en el electrodoméstico durante un corte de luz.
- ▶ Si se da el aviso previo de un corte de luz y la duración de la interrupción es superior a 5 horas, fabrique algo de hielo y póngalo en un recipiente en la parte superior del compartimento frigorífico.
- ▶ Inmediatamente después de la interrupción, es necesario llevar a cabo una inspección de los alimentos.
- ▶ Como la temperatura del frigorífico subirá durante una interrupción del suministro eléctrico u otro fallo, el período de conservación y la calidad comestible de los alimentos se reducirán. Cualquier alimento que se descongele debe consumirse, o bien cocinarse y volver a congelarse (cuando proceda) rápidamente para evitar riesgos para la salud.

Función de memoria durante el corte de luz

En cuanto vuelva la luz, el electrodoméstico restablecerá los ajustes establecidos antes del corte de luz.

Desempaquetado

⚠ ¡ADVERTENCIA!

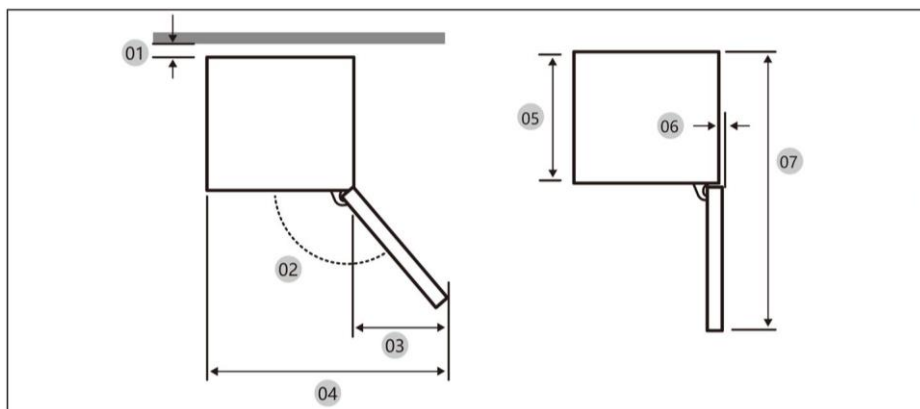
- ▶ Este es un electrodoméstico pesado. Manipúlelo con la ayuda de otra persona.
- ▶ Mantenga todo el material de embalaje fuera del alcance de los niños y deséchelo de forma respetuosa con el medio ambiente.
- ▶ Saque el electrodoméstico de su embalaje.
- ▶ Retire todos los materiales de embalaje.

Condiciones ambientales

La temperatura ambiente debería encontrarse siempre entre 10 °C y 43 °C, ya que puede influir en la temperatura del interior del electrodoméstico y en su consumo energético. No instale el aparato cerca de otros aparatos que emitan calor (hornos, frigoríficos).

Sugerencia de espacio

Espacio sugerido cuando la puerta está abierta (sin panel de puerta de armario)

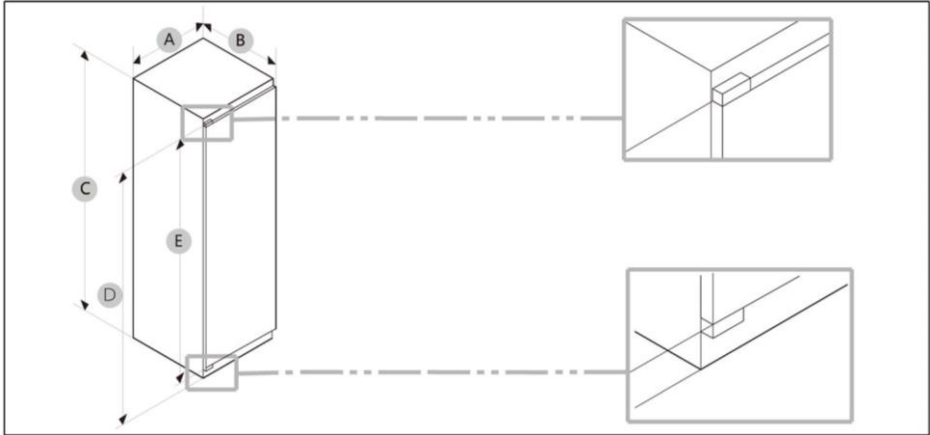


Modelo	CMT5518EVWF RMT5518EVWF
01*	10 (Min.) / 30 (Recomendado)
02	95° (Recomendado)
03	43
04	583
05	515
06	-3
07	1060

(unidad: mm)

* 01: Desde el armario hasta la parte trasera del producto.

Dimensiones del producto



Modelo	A (mm)	B (mm)	C (mm)	D (mm)	E (mm)
CMT5518EVWF	540±2	550±2	1772±2	1715	1671
RMT5518EVWF					

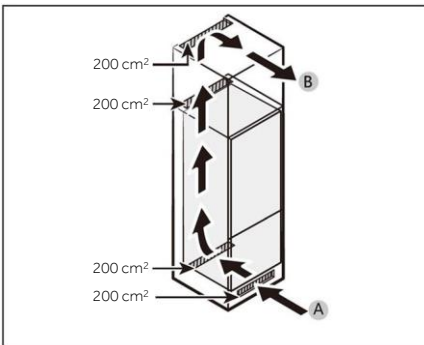


AVISO

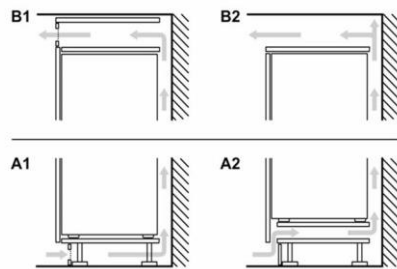
- El consumo de energía especificado se basa en la condición de una separación de 10 mm entre el armario y la parte trasera del producto. El producto funcionará correctamente incluso con una separación inferior a 10 mm, aunque consume algo más de energía.
- Recomendamos utilizar un armario de 19 mm de grosor con bisagras de menos de 17 mm.
- Las medidas de la tabla anterior pueden variar en función del método de medición.
- Para la instalación integrada, consulte la Guía de instalación.

Sección cruzada de ventilación

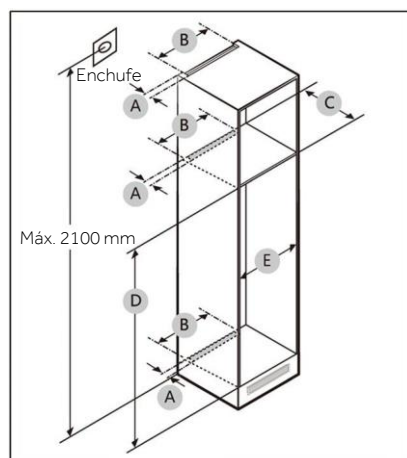
Para lograr una ventilación suficiente del electrodoméstico por razones de seguridad, debe observarse la información de las secciones cruzadas de ventilación requeridas.



A: Entrada de aire $\geq 200 \text{ cm}^2$; Opciones de ventilación
 B: Salida de aire $\geq 200 \text{ cm}^2$; Opciones de ventilación



Dimensiones del mueble



¡PRECAUCIÓN!

Cualquier fallo del producto debido a lo siguiente no está cubierto por la Garantía.

1. Condiciones inadecuadas del emplazamiento o tamaños incorrectos de los armarios.
2. Armario defectuoso.
3. Errores del instalador o del usuario.

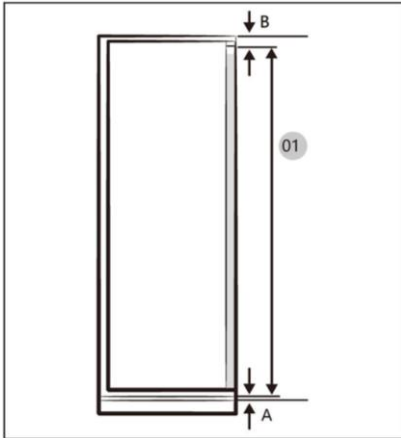
Espacio libre

Consulte las imágenes y tablas siguientes para conocer los requisitos de espacio para la instalación.

Modelo		A (mm)	B (mm)	C (mm)	D (mm)	E (mm)	Observación
CMT5518EVWF RMT5518EVWF	Min.	50	400	560	1778	560	Bisagra: 17 mm
	Recomendado			580	1780	562	
	Máx.			-	1782	568	

i AVISO

- Si la anchura de un armario es superior a 568 mm, la junta (entre el frigorífico y el armario) puede aflojarse.
- Si el mueble es más alto que la dimensión máxima (1782 mm), deberá utilizar otros materiales de acabado para rellenar el hueco.

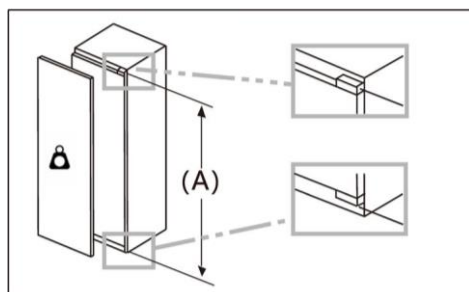


- A. Borde inferior del panel frontal por encima de la ventilación de aire
- B. Voladizo del panel frontal

Modelo	CMT5518EVWF RMT5518EVWF
01	Mín. 1694+A+B Máx. 1850+A+B

(unidad: mm)

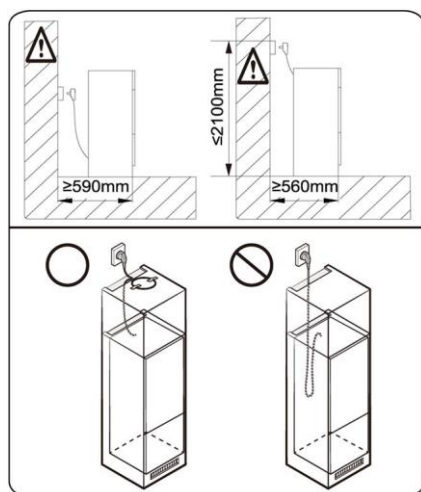
Peso máximo admisible de los frentes de los muebles



Los frentes de muebles montados que superen el peso admisible pueden provocar daños y afectar al funcionamiento de las bisagras.

Peso (kg)	1500-1750 mm	
		22
720-1400 mm		19

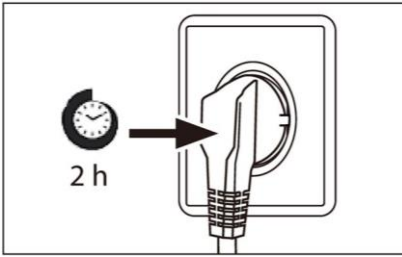
Consideración de la ubicación de la toma de corriente y el espacio necesario



i AVISO

Si instala el frigorífico en un armario con una profundidad de 560 mm, asegúrese de que el cable de alimentación está dispuesto en un lateral del frigorífico antes de enchufarlo a una toma de corriente. Si el cable de alimentación está en la parte trasera del frigorífico, podría disminuir la eficiencia energética.

Tiempo de espera



El aceite de lubricación sin mantenimiento se encuentra en la cápsula del compresor. Este aceite puede pasar por el sistema de tuberías cerradas durante el transporte si el electrodoméstico está inclinado. Antes de conectar el electrodoméstico a la fuente de alimentación, espere al menos 2 horas para que el aceite vuelva a entrar en la cápsula.

Conexión eléctrica

Antes de cada conexión, compruebe si:

- ▶ La fuente de alimentación, la toma de corriente y el fusible son adecuados para la placa de clasificación.
- ▶ La toma de corriente tiene conexión a tierra y no tiene múltiples contactos ni extensiones.
- ▶ El enchufe y la toma de corriente encajan perfectamente.

Conecte el enchufe a una toma de corriente doméstica correctamente instalada.



¡ADVERTENCIA!

Para evitar riesgos, solo el servicio de atención al cliente debe reemplazar un cable de alimentación dañado (ver tarjeta de garantía).

Ficha del producto conforme al Reglamento UE n.º 2019/2016

Marca	CANDY	Rosieres
Nombre/identificador del modelo	CMT5518EVWF	RMT5518EVWF
Categoría del modelo	Congelador	Congelador
Clase de eficiencia energética	E	E
Consumo anual de energía (kWh/año) (1)	215	215
Volumen total (L)	220	220
Volumen del frigorífico compacto (L)	/	/
Volumen del congelador (L)	220	220
Volumen de la sección de refrigeración (L)	/	/
Volumen del fabricante de hielo automático (L)	/	/
Estrellas	4	4
Temperatura de otros compartimentos > 14 °C	No aplicable	No aplicable
Sistema Frost-free	Sí	Sí
Capacidad de congelación (kg/24 h)	15	15
Clasificación climática(2)	SN/N/ST/T	SN/N/ST/T
Clase de emisión de ruido y emisiones de ruido acústico en el aire (db (A) re1pW)	B 35	B 35
Tiempo de aumento de la temperatura (h)	6	6
Capacidad de fabricación de hielo	/	/
Tipo de electrodoméstico	Encastre	Encastre

Nombre del modelo	Clase de eficiencia energética
CMT5518EVWF	E
RMT5518EVWF	E

Explicaciones:

- Sí
- (1) Basado en los resultados de la prueba de conformidad normativa durante 24 horas. El consumo real depende del uso y de la ubicación del electrodoméstico.
 - (2) Calificación climática SN: Este electrodoméstico está diseñado para ser utilizado a una temperatura ambiente comprendida entre + 10 °C y +32 °C
 Calificación climática N: Este electrodoméstico está diseñado para ser utilizado a una temperatura ambiente comprendida entre + 16 °C y +32 °C
 Calificación climática ST: Este electrodoméstico está diseñado para ser utilizado a una temperatura ambiente comprendida entre + 16 °C y +38 °C
 Calificación climática T: Este electrodoméstico está diseñado para ser utilizado a una temperatura ambiente comprendida entre + 16 °C y +43 °C

Datos técnicos adicionales

Voltaje / Frecuencia	220-240 V ~ / 50 Hz
Corriente de entrada (A)	1,5
Fusible principal (A)	16
Refrigerante	R600a
Tamaño (Al/An/Pr en mm)	1772/540/550

Información RF

El e.i.r.p. máximo: Bluetooth (BR/EDR): 10 dBm

Bluetooth LE: 5 dBm

Wi-Fi de 2,4 GHz: 16 dBm

Banda de frecuencia de funcionamiento: 2400-2483,5 MHz

Recomendamos nuestro Servicio de atención al cliente Haier y el uso de repuestos originales.

Si tiene algún problema con su electrodoméstico, compruebe primero la sección SOLUCIÓN DE PROBLEMAS.

Si no encuentra una solución allí, póngase en contacto con

- ▶ su distribuidor local o
- ▶ nuestro Centro europeo de atención al cliente (ver números de teléfono listados abajo) o
- ▶ el área de servicio y asistencia en www.haier.com, donde puede activar la
- ▶ solicitud de servicio y encontrar las Preguntas frecuentes.

Para ponerse en contacto con nuestro Servicio, asegúrese de tener los siguientes datos disponibles.

Puede encontrar la información en la placa de datos.

Modelo _____

N.º de serie _____

Compruebe también la tarjeta de garantía suministrada con el producto en caso de garantía.

Centro europeo de atención al cliente		
País*	Número de teléfono	Costes
Haier Italy (IT)	199 100 912	
Haier Spain (ES)	902 509 123	
Haier Germany (DE)	0180 539 39 99	<ul style="list-style-type: none"> • 14 ct/min teléfono fijo • máx. 42 ct/min móvil
Haier Austria (AT)	0820 001 205	<ul style="list-style-type: none"> • 14,53 ct/min teléfono fijo • máx. 20 ct/min el resto
Haier United Kingdom (UK)	0333 003 8122	
Haier France (FR)	0980 406 409	

*Para otros países, consulte www.haier.com

Haier Europe Trading S.r.l

Sucursal Reino Unido

Westgate House, Westgate, Ealing

Londres, W5 1YY

*Duración de la garantía del electrodoméstico de refrigeración:

La garantía mínima es de: 2 años para los países de la UE, 3 años para Turquía, 1 año para el Reino Unido, 1 año para Rusia, 3 años para Suecia, 2 años para Serbia, 5 años para Noruega, 1 año para Marruecos, 6 meses para Argelia, Túnez sin garantía legal, al no requerirse.

*El período de piezas de repuesto para la reparación del aparato:

Los termostatos, los sensores de temperatura, las placas de circuito impresas y las fuentes de luz están disponibles durante un período mínimo de 7 años después de la comercialización de la última unidad del modelo.

Las asas, bisagras, bandejas y cestas lo están durante un período mínimo de 7 años, y las juntas durante un período mínimo de 10 años después de la comercialización de la última unidad del modelo.

*Para más información sobre el producto, consulte <https://eprel.ec.europa.eu/> o escanee el código QR en la etiqueta energética suministrada con el electrodoméstico.

<u>5 Informations sur la sécurité</u>	Avant la première utilisation	6
	Installation	6
	Utilisation quotidienne	7
	Informations sur les gaz réfrigérants	9
<u>10 Utilisation prévue</u>		
<u>11 Description du produit</u>		
<u>12 Panneau de commande</u>		
<u>13 Utilisation</u>	Touche Verrouiller/Déverrouiller et son icône	13
	Fonction Veille	13
	Fonction Wi-Fi	13
	Régler la température du congélateur	14
	Fonction Super Freeze	15
	Fonction ÉCO	15
<u>16 Matériel</u>		
<u>17 Conseils d'économies d'énergie</u>		
<u>18 Entretien et nettoyage</u>		
<u>20 Dépannage</u>		
<u>24 Installation</u>		
<u>30 Données techniques</u>		
<u>32 Service clientèle</u>		

Merci d'avoir acheté un produit Haier.

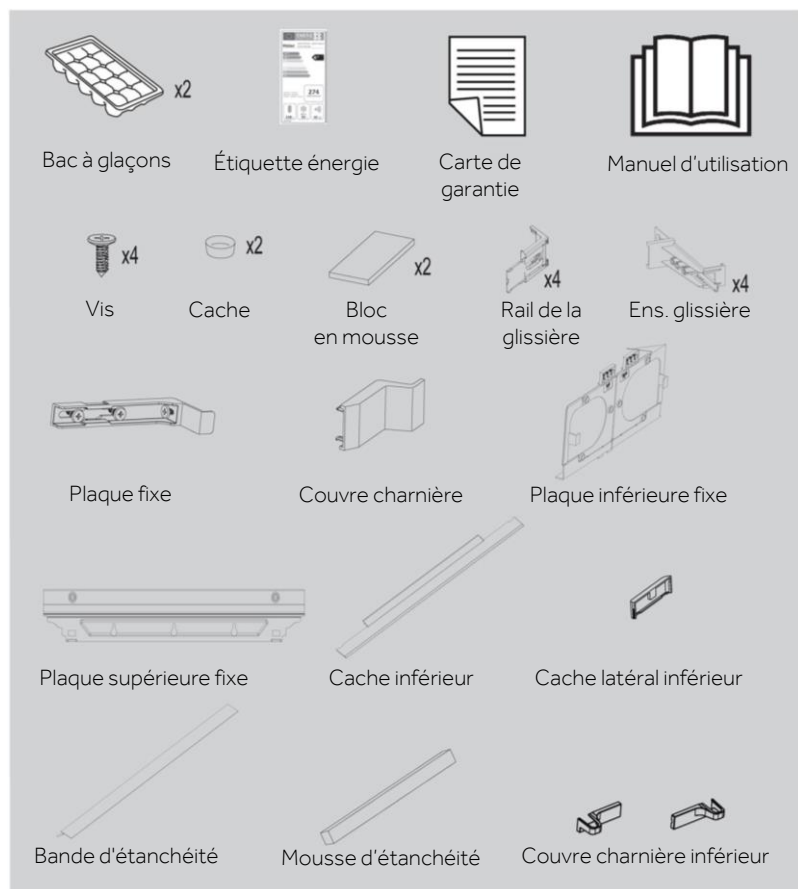
Veuillez lire attentivement ces instructions avant d'utiliser cet appareil. Les instructions contiennent des informations importantes qui vous aideront à tirer le meilleur parti de l'appareil et à assurer l'installation, l'utilisation et l'entretien sûrs et appropriés de celui-ci.

Conservez ce manuel dans un endroit facilement accessible afin que vous puissiez toujours vous y référer pour une utilisation sûre et appropriée de l'appareil.

Si vous vendez l'appareil, si vous le donnez ou si vous le laissez lorsque vous déménagez, assurez-vous que vous transmettez également ce manuel pour que le nouveau propriétaire puisse se familiariser avec l'appareil et les consignes de sécurité.

Accessoires

Vérifiez les accessoires et la littérature conformément à cette liste :





AVERTISSEMENT : informations importantes sur la sécurité



REMARQUE : informations générales et conseils



Informations environnementales



Mise au rebut

Contribuez à protéger l'environnement et la santé humaine. Jetez l'emballage dans les bacs correspondants pour le recycler. Participez au recyclage des déchets d'appareils électriques et électroniques. Ne jetez pas les appareils marqués de ce symbole avec les déchets ménagers. Ramenez le produit à votre déchetterie locale ou contactez votre bureau municipal.



AVERTISSEMENT !

Risque de blessure ou de suffocation !

Les frigorigènes et les gaz doivent être éliminés par un professionnel. Assurez-vous que le tube du circuit réfrigérant n'est pas endommagé avant d'être correctement éliminé. Débranchez l'appareil du secteur. Coupez le câble d'alimentation et jetez-le. Retirez les clayettes et les tiroirs ainsi que le verrou et les joints de la porte, afin d'éviter que les enfants et les animaux domestiques ne se retrouvent enfermés dans l'appareil.

Avant d'allumer l'appareil pour la première fois, lisez les conseils de sécurité suivants :



AVERTISSEMENT !

Avant la première utilisation

- ▶ Assurez-vous qu'il n'a pas été endommagé pendant le transport.
- ▶ Attendez au moins deux heures avant d'installer l'appareil afin de vous assurer que le circuit réfrigérant fonctionne parfaitement.
- ▶ Manipulez toujours l'appareil avec au moins deux personnes parce qu'il est lourd.
- ▶ Retirez tous les emballages, gardez-les hors de la portée des enfants, puis jetez-les d'une manière respectueuse de l'environnement.
- ▶ Nettoyez l'intérieur et l'extérieur de l'appareil avec de l'eau et un détergent doux avant d'y mettre des aliments.
- ▶ Une fois l'appareil à plat et nettoyé, attendez au moins 2 à 5 heures avant de le brancher à l'alimentation électrique. Voir la section INSTALLATION.
- ▶ Pré-réfrigérez les compartiments à des réglages élevés avant de les remplir d'aliments. La fonction Super - Freeze permet de refroidir rapidement les compartiments.
- ▶ La température du congélateur est automatiquement réglée sur -18 °C. Ce sont les paramètres recommandés. Si vous le souhaitez, vous pouvez modifier la température manuellement. Voir RÉGLAGE DE LA TEMPÉRATURE.

Installation

- ▶ L'appareil doit être placé dans un endroit bien ventilé. Garantisiez un espace d'au moins 10 cm au-dessus et autour de l'appareil.
- ▶ Ne placez jamais l'appareil dans un endroit humide ou un endroit où il pourrait être éclaboussé d'eau. Nettoyez et séchez les éclaboussures d'eau et les taches avec un chiffon doux et propre.
- ▶ N'installez pas l'appareil en plein soleil ou à proximité de sources de chaleur (par ex. cuisinières, chauffages).
- ▶ Installez et mettez à niveau l'appareil dans une zone adaptée à sa taille et à son utilisation.
- ▶ Maintenez les ouvertures de ventilation situées dans l'appareil ou dans la structure encastrée libres de toute obstruction.
- ▶ Assurez-vous que les informations électriques figurant sur la plaque signalétique sont conformes à l'alimentation électrique. Si ce n'est pas le cas, contactez un électricien.
- ▶ L'appareil est alimenté par une alimentation de 220-240 VCA/50 Hz. Les variations anormales de tension peuvent provoquer l'arrêt de l'appareil ou endommager le régulateur de température ou le compresseur, ou il peut y avoir un bruit anormal lors du fonctionnement. Dans ce cas, un régulateur automatique doit être monté.
- ▶ N'utilisez pas d'adaptateurs multiprises ni de rallonges.
- ▶ Ne placez pas de systèmes multiprises portatifs ou d'alimentations portatives à l'arrière de l'appareil.



AVERTISSEMENT !

- ▶ Assurez-vous que le câble d'alimentation n'est pas coincé par le réfrigérateur. Ne marchez pas sur le câble d'alimentation.
- ▶ Utilisez une prise de terre séparée pour l'alimentation électrique qui soit facile d'accès. L'appareil doit être mis à la terre. Uniquement pour le Royaume-Uni : le câble d'alimentation de l'appareil est équipé d'une fiche 3 pôles (de mise à la terre) qui s'adapte à une prise standard 3 pôles (de mise à la terre). Ne coupez jamais ou ne démontez jamais la troisième broche (mise à la terre). Une fois l'appareil installé, la fiche doit être accessible.

- ▶ N'endommagez pas le circuit réfrigérant.

Utilisation quotidienne

- ▶ Cet appareil peut être utilisé par des enfants à partir de 8 ans et par des personnes ayant des capacités physiques, sensorielles ou mentales réduites ou un manque d'expérience et de connaissances, s'ils sont sous surveillance ou si on leur a appris à utiliser l'appareil en toute sécurité et s'ils comprennent les risques courus.
- ▶ Les enfants âgés de 3 à 8 ans sont autorisés à remplir et vider les appareils de réfrigération, mais ne sont pas autorisés à les nettoyer ni à les installer.
- ▶ Gardez les enfants âgés de moins de 3 ans à l'écart de l'appareil à moins qu'ils ne soient constamment surveillés.
- ▶ Les enfants ne doivent pas jouer avec l'appareil.
- ▶ Si du gaz réfrigérant ou tout autre gaz inflammable fuit à proximité de l'appareil, fermez la vanne du gaz qui fuit, ouvrez les portes et les fenêtres et ne débranchez pas le câble d'alimentation du réfrigérateur ou de tout autre appareil.
- ▶ Notez que l'appareil est conçu pour fonctionner dans une plage de température ambiante spécifique comprise entre 10 °C et 43 °C. L'appareil peut ne pas fonctionner correctement s'il est laissé pendant une longue période à une température inférieure ou supérieure à la plage indiquée.
- ▶ Ne placez pas d'objets instables (objets lourds, récipients remplis d'eau) sur le dessus du réfrigérateur, pour éviter les blessures corporelles causées par une chute ou une électrocution causée par le contact avec de l'eau.
- ▶ Ne tirez pas sur les balconnets. La porte peut être tirée en biais, le porte-bouteilles peut être retiré ou l'appareil risque de basculer.
- ▶ Ouvrez et fermez les portes uniquement avec les poignées. L'écart entre les portes et entre les portes et le compartiment est très étroit. Ne mettez pas vos mains dans ces zones pour éviter de vous pincer les doigts. Ouvrez ou fermez les portes du réfrigérateur uniquement lorsqu'il n'y a pas d'enfants dans le rayon de mouvement de la porte.
- ▶ Lors du positionnement de l'appareil, vérifiez que le cordon d'alimentation n'est pas coincé ou abîmé.
- ▶ Ne rangez pas des substances explosives comme des bombes d'aérosol contenant un combustible inflammable dans cet appareil.
- ▶ Pour éviter la contamination des aliments :
 - L'ouverture prolongée de la porte peut entraîner une augmentation significative de la température dans les compartiments de l'appareil.



AVERTISSEMENT !

- Nettoyez régulièrement les surfaces pouvant se retrouver au contact des aliments et les systèmes d'écoulement accessibles.
 - Conservez au réfrigérateur la viande et le poisson crus dans des récipients adaptés, afin qu'ils ne se retrouvent pas au contact d'autres aliments et qu'ils ne s'égouttent pas dessus.
 - Si l'appareil reste vide pendant de longues périodes, éteignez-le, dégivrez-le, nettoyez-le, séchez-le et laissez la porte ouverte pour prévenir la formation de moisissure à l'intérieur de l'appareil.
- Ne conservez pas et n'utilisez pas de matières corrosives, explosives ou inflammables dans l'appareil ou à proximité.
- Ne conservez pas de médicaments, de bactéries ou d'agents chimiques dans l'appareil. Cet appareil est un appareil électroménager. Il n'est pas recommandé pour stocker des produits qui nécessitent des températures strictes.
- Ne conservez jamais des liquides dans des bouteilles ou des canettes (en dehors des spiritueux avec un degré d'alcool très élevé), en particulier les boissons gazeuses, dans le congélateur car ceux-ci pourraient exploser durant la congélation.
- Vérifiez l'état des aliments si l'intérieur du congélateur s'est réchauffé.
- Ne touchez pas les produits surgelés avec les mains mouillées (portez des gants). Ne mangez surtout pas les glaces à l'eau juste après les avoir sorties du compartiment congélateur. Vous risquez de vous blesser ou de vous brûler à cause du froid. Premiers secours : mettez immédiatement sous l'eau froide. Ne retirez pas !
- Ne touchez pas la surface intérieure du compartiment congélateur lorsqu'il est en fonctionnement, en particulier avec les mains mouillées, car vos mains peuvent geler sur la surface.
- Débranchez l'appareil en cas de coupure de courant ou avant de le nettoyer. Attendez au moins 7 minutes avant de redémarrer l'appareil, car des démarrages trop fréquents risqueraient d'endommager le compresseur.
- N'utilisez pas des appareils électriques à l'intérieur des compartiments de conservation des aliments de l'appareil, sauf s'ils correspondent aux modèles recommandés par le fabricant.
- Entretien/nettoyage
- Veillez à superviser les enfants s'ils effectuent le nettoyage et l'entretien.
- Débranchez l'appareil du secteur avant d'effectuer tout entretien courant. Attendez au moins 5 minutes avant de redémarrer l'appareil, car des démarrages trop fréquents risqueraient d'endommager le compresseur.



AVERTISSEMENT !

- ▶ Tenez la fiche, pas le câble, lorsque vous débranchez l'appareil.
- ▶ Ne nettoyez pas l'appareil à l'aide de brosses dures, de brosses métalliques, de détergents en poudre, d'essence, d'acétate d'amyle, d'acétone et de solutions organiques similaires, d'acides ou de solutions alcalines. Nettoyez-le avec un détergent spécial pour réfrigérateur afin d'éviter de l'endommager.
- ▶ Si le cordon d'alimentation est endommagé, faites-le remplacer par le fabricant, le service clientèle ou un électricien qualifié pour éviter tout risque d'accident.
- ▶ N'essayez pas de réparer, démonter ou modifier l'appareil vous-même. En cas de réparation, veuillez contacter notre service clientèle.
- ▶ Éliminez la poussière à l'arrière de l'appareil au moins une fois par an pour éviter tout risque d'incendie, ainsi que l'augmentation de la consommation d'énergie.
- ▶ Ne pulvérisez pas et ne rincez pas l'appareil pendant le nettoyage.
- ▶ N'utilisez pas de jet d'eau ou de vapeur pour nettoyer l'appareil.
- ▶ Ne nettoyez pas les clayettes froides en verre à l'eau chaude. Un changement soudain de température peut casser le verre.

Informations sur les gaz réfrigérants



AVERTISSEMENT !

L'appareil contient de l'ISOBUTANE, un réfrigérant inflammable (R600a). Assurez-vous que le circuit du réfrigérant n'est pas endommagé pendant le transport ou l'installation. Les fuites de frigorigène peuvent provoquer des blessures oculaires ou s'enflammer. Si un dommage s'est produit, gardez les sources de feu ouvert à l'écart, aérez complètement la pièce, ne branchez pas ou ne débranchez pas les cordons d'alimentation de l'appareil ou de tout autre appareil. Informez le service clientèle.

En cas de contact du réfrigérant avec les yeux, rincez-les immédiatement à l'eau courante et appelez immédiatement un oculiste.

Utilisation prévue

Cet appareil est destiné à la congélation des aliments. Il a été conçu exclusivement pour une utilisation dans les habitations et des applications similaires telles que les espaces de cuisine dans les magasins, bureaux et autres environnements de travail ; les habitations rurales et par les clients dans les hôtels, motels et autres environnements de type résidentiel, ainsi que dans les chambres d'hôtes ou B&B et activités de restauration. Il n'est pas destiné à un usage commercial ou industriel.

Les changements ou modifications apportés à l'appareil ne sont pas autorisés. Une utilisation non prévue peut entraîner des risques et la perte de garantie.

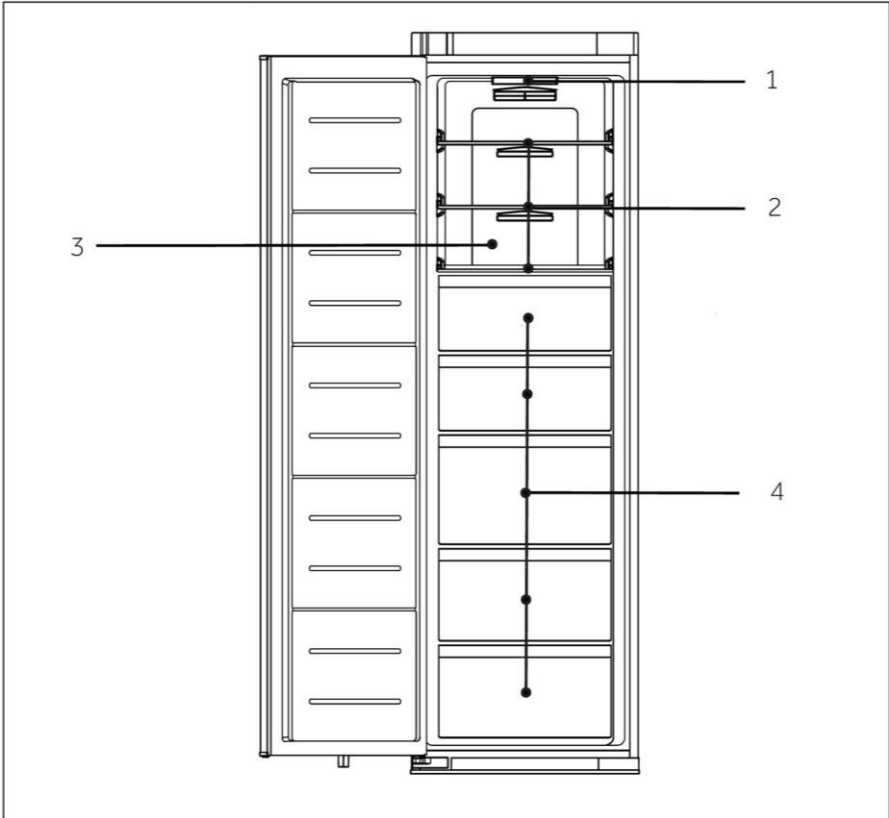
Normes et directives

Ce produit satisfait aux exigences de toutes les directives CE applicables avec les normes harmonisées correspondantes, qui prévoient le marquage CE.



INFORMATION

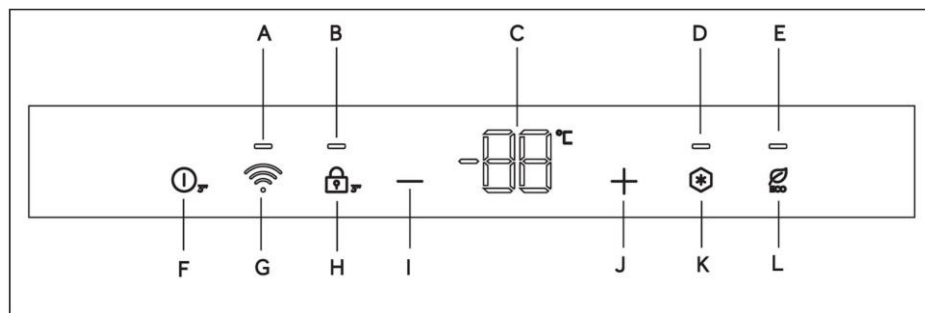
En raison des changements techniques et de différents modèles, certaines des illustrations de ce manuel peuvent différer de votre modèle.



CMT5518EVWF/RMT5518EVWF

- 1 Éclairage intérieur à LED
- 2 Clayettes ordinaires
- 3 Conduit d'air du congélateur
- 4 Tiroir de congélation ordinaire

Panneau de commande



Icônes d'indication :

- A Icône de la fonction Wi-Fi
- B Icône Verrouiller/Déverrouiller
- C Icône Affichage de la température
- D Icône de la fonction Super Freeze
- E Icône de la fonction ÉCO

Touches tactiles :

- F Touche MARCHÉ/ARRÊT
- G Touche Appairage Wi-Fi
- H Touche Verrouiller/Déverrouiller
- I Touche Diminuer la température
- J Touche Augmenter la température
- K Touche de la fonction Super Freeze
- L Touche de la fonction ÉCO

Touches tactiles

Les touches du panneau de commande sont des touches tactiles qui réagissent dès que le doigt les touche légèrement.

Veillez d'abord ouvrir la porte du réfrigérateur avant de contrôler l'écran d'affichage.

Fonction Verrouiller/Déverrouiller

Cette touche et son icône sont utilisées pour verrouiller ou déverrouiller l'écran de contrôle et indiquer son état actuel.

Ouvrez la porte du réfrigérateur pendant qu'il fonctionne, l'écran de contrôle s'allume et l'icône Verrouiller/Déverrouiller s'affiche, l'écran de contrôle est alors verrouillé et ne peut pas être utilisé.

Déverrouiller ou verrouiller manuellement l'écran : lorsque l'icône Verrouiller/Déverrouiller est allumée, continuez à appuyer sur la touche Verrouiller/Déverrouiller pendant 3 secondes. L'icône s'éteint et est accompagnée d'un signal sonore. Il est alors possible de sélectionner une fonction ou de régler la température. Lorsque l'icône Verrouiller/Déverrouiller est éteinte, continuez à appuyer sur la touche Verrouiller/Déverrouiller pendant 3 secondes. L'icône Verrouiller/Déverrouiller s'allume alors et est accompagnée d'un signal sonore. Il est alors impossible de sélectionner les fonctions ou de régler la température.

Verrouillage automatique de l'écran : lorsque la porte du réfrigérateur est fermée, l'écran de contrôle s'éteint et se verrouille.

Lorsque la porte du réfrigérateur est ouverte, l'écran de contrôle se verrouille automatiquement si aucune opération n'a été effectuée dans les 30 secondes.

Fonction MARCHE/ARRÊT

La touche MARCHE/ARRÊT permet de passer de l'état ARRÊT (mode pause) à l'état MARCHE (modes de fonctionnement normal).

Entrer dans le mode ARRÊT : lorsque le réfrigérateur est en mode fonctionnement, déverrouillez d'abord l'écran, puis appuyez sur la touche de la fonction MARCHE/ARRÊT pendant 3 secondes pour éteindre l'écran de contrôle, l'éclairage du réfrigérateur, le refroidissement et d'autres fonctions avec un signal sonore.



INFORMATION

Le mode ARRÊT n'est pas une mise hors tension, et le réfrigérateur est toujours sous tension à ce moment-là.

Quitter le mode ARRÊT : en mode ARRÊT, il suffit d'appuyer sur la touche MARCHE/ARRÊT pendant 3 secondes pour redémarrer l'écran de contrôle, l'éclairage de la réfrigération, le refroidissement et d'autres fonctions, le tout accompagné d'un signal sonore. Le réfrigérateur revient à la température réglée et au fonctionnement antérieur et passe en mode de fonctionnement normal.

Fonction Wi-Fi

Appairage Wi-Fi : lorsque le réfrigérateur est mis sous tension pour la première fois, il passe automatiquement en mode de configuration réseau et l'icône de la fonction

Wi-Fi clignote rapidement. S'il n'y a pas d'opération d'appairage avec le réseau, il quitte automatiquement le mode de configuration au bout de 30 minutes.

Entrer manuellement dans le mode Appairage Wi-Fi : après avoir déverrouillé l'écran de contrôle, lorsque l'icône de la fonction Wi-Fi est allumée, appuyez sur la touche Appairage Wi-Fi pendant 3 secondes pour entrer dans le mode. Pendant ce temps, l'icône de la fonction Wi-Fi clignote rapidement pour indiquer que l'appareil est en mode Appairage Wi-Fi. S'il n'y a pas d'opération d'appairage avec le réseau, l'opération est automatiquement interrompue au bout de 30 minutes.

PROCÉDURE D'APPAIRAGE DANS L'APPLICATION

<p>Étape 1 • Téléchargez l'application hOn sur le Store.</p>	
	
<p>Étape 2 Créez un compte dans l'application hOn ou connectez-vous si vous avez déjà un compte.</p> 	<p>Étape 3 Suivez les instructions d'appairage dans l'application hOn.</p> 

INFORMATION

En mode Appairage Wi-Fi, vous devez suivre les instructions de l'application pour terminer la configuration du réseau. Si vous devez modifier l'environnement Wi-Fi, vous devez entrer à nouveau dans le mode. Si l'icône de la fonction Wi-Fi reste allumée, cela signifie que le réseau a été connecté avec succès.

Régler la température du congélateur

Après avoir ouvert la porte du réfrigérateur et déverrouillé l'écran de contrôle, la touche Diminuer la température permet d'abaisser la température réglée du réfrigérateur. Chaque fois que vous effleurez légèrement la touche, la température diminue de 1 °C. La température minimale autorisée est de -24 °C.

Après avoir ouvert la porte du réfrigérateur et avoir déverrouillé l'écran de contrôle, la touche Augmenter la température permet d'augmenter la température réglée

du réfrigérateur. Chaque fois que vous effleurez légèrement la touche, la température augmente de 1 °C. La température maximale autorisée est de -14 °C.

Pendant le fonctionnement, l'icône Affichage de la température affiche la température réglée et clignote. L'écran de contrôle confirme automatiquement la température réglée au bout de 5 secondes et affiche ensuite la température réelle actuelle. Une fois le réglage terminé, le réfrigérateur passe progressivement de la température réelle à la température réglée. Il peut donc y avoir un écart entre la température réelle et la température réglée pendant un certain temps.

Fonction Super Freeze

Cette touche et son icône permettent d'activer la fonction Super Freeze du réfrigérateur et d'afficher l'état actuel.

Après avoir ouvert la porte du réfrigérateur et déverrouillé l'écran de contrôle, appuyez légèrement sur la touche de la fonction Super Freeze, et l'icône de la fonction Super Freeze s'allume, le réfrigérateur est déjà en mode. Si vous avez besoin de quitter le mode, vous pouvez utiliser la même opération en appuyant légèrement sur la touche de la fonction Super Freeze.

Dans le cadre de cette fonction, la température s'approchera probablement de -28 °C ou moins, et le réfrigérateur quittera automatiquement cette fonction au bout de 50 heures afin d'éviter que la température ne soit trop basse.

Fonction ÉCO

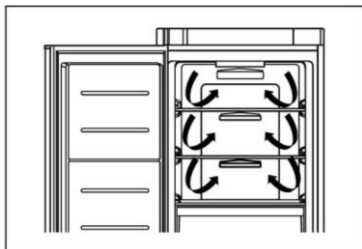
Après avoir ouvert la porte du réfrigérateur et déverrouillé l'écran de contrôle, appuyez légèrement sur la touche de la fonction ÉCO, l'icône de la fonction ÉCO s'allume alors, le réfrigérateur est déjà en mode. Si vous devez quitter le mode, vous pouvez utiliser la même opération en appuyant légèrement sur la touche de la fonction ÉCO.

En mode ÉCO, le réfrigérateur fonctionne automatiquement à une température moyenne de -18 °C.



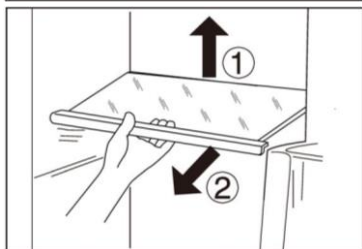
INFORMATION

En raison de la logique de fonctionnement différente des fonctions spéciales entre la fonction Super Freeze et la fonction ÉCO, ces modes spéciaux ne peuvent pas être activés en même temps. Une seule fonction peut être activée, et lors du passage d'un mode à l'autre, les autres modes spéciaux seront automatiquement désactivés. En outre, la température réglée ne peut être modifiée que si l'on quitte ces modes. La température de -18 °C convient aux aliments surgelés généraux qui doivent être conservés entre 1 et 12 mois, tels que la viande, la volaille, les fruits de mer, les aliments précuits et les restes, certains fruits et légumes, la crème glacée et d'autres desserts surgelés.



Flux multi-air

1. Le réfrigérateur est équipé d'un système à flux multi-air, avec lequel des flux d'air froids se trouvent au niveau de chaque clayette. Cela permet de maintenir une température uniforme afin de garantir que vos aliments conservent leur fraîcheur pendant plus longtemps.



Clayettes réglables

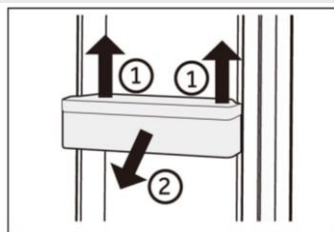
1. La hauteur des clayettes peut être réglée en fonction de vos besoins de rangement.
2. Pour déplacer une clayette, retirez-la d'abord en levant son bord arrière ① et en la tirant ②.
3. Pour la remettre en place, placez-la sur les ergots des deux côtés et poussez-la dans la position la plus reculée jusqu'à ce que l'arrière de la clayette soit fixé à l'intérieur des fentes sur les côtés.

i INFORMATION

Assurez-vous que toutes les extrémités d'une clayette sont au même niveau.

Balconnets de porte amovibles/ Porte-bouteilles

1. Les balconnets de porte peuvent être retirés pour le nettoyage :
2. Placez les mains de chaque côté du balconnet, soulevez-le ① et tirez-le ②.
3. Pour insérer le balconnet de porte, vous devez suivre les étapes ci-dessus dans l'ordre inverse.

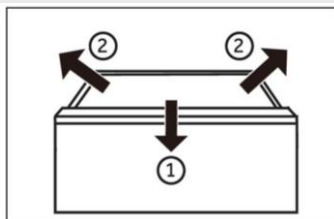


i INFORMATION

Lorsque vous allumez l'appareil, il peut falloir jusqu'à 12 heures pour que les températures appropriées soient atteintes.

Tiroir amovible

Pour retirer le tiroir, sortez-le au maximum ①, soulevez-le et retirez-le ②.
Pour introduire le tiroir, vous devez effectuer les étapes ci-dessus dans l'ordre inverse.



La lumière

La lumière LED à l'intérieur s'allume lorsque la porte est ouverte. Le fonctionnement des lampes n'est affecté par aucun des autres réglages de l'appareil.



Conseils d'économie d'énergie

- ▶ Assurez-vous que l'appareil est bien ventilé (voir INSTALLATION).
- ▶ N'installez pas l'appareil en plein soleil ou à proximité de sources de chaleur (par ex. cuisinières, chauffages).
- ▶ Évitez une température inutilement basse dans l'appareil. Plus vous réglez une température basse dans l'appareil, plus la consommation d'énergie augmente.
- ▶ Des fonctions comme Super Freeze consomment plus d'énergie.
- ▶ Laissez les aliments chauds refroidir avant de les mettre dans l'appareil.
- ▶ Ouvrez la porte de l'appareil le moins souvent et le plus rapidement possible.
- ▶ Ne remplissez pas trop l'appareil pour éviter de bloquer la circulation de l'air.
- ▶ Évitez l'air dans l'emballage des aliments.
- ▶ Gardez les joints de la porte propres afin que la porte se ferme toujours correctement.
- ▶ La configuration la plus économe en énergie exige que l'appareil conserve les tiroirs, la boîte de rangement et les clayettes en parfait état, et les aliments doivent être placés le plus loin possible des orifices de sortie de la conduite d'air.



AVERTISSEMENT !

Débranchez l'appareil de l'alimentation électrique avant de le nettoyer.

Nettoyage

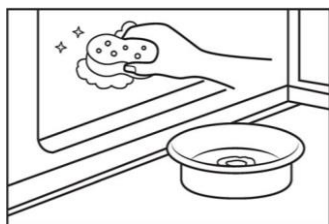
Nettoyez l'appareil lorsqu'il n'y a qu'un peu de nourriture ou qu'il n'y a pas de nourriture à l'intérieur.

L'appareil doit être nettoyé toutes les quatre semaines pour un bon entretien et pour éviter les mauvaises odeurs des aliments conservés à l'intérieur.



AVERTISSEMENT !

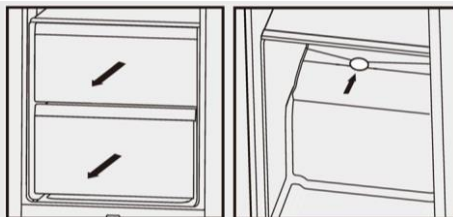
- ▶ Ne nettoyez pas l'appareil à l'aide de brosses dures, de brosses métalliques, de détergents en poudre, d'essence, d'acétate d'amyle, d'acétone et de solutions organiques similaires, d'acides ou de solutions alcalines. Nettoyez-le avec un détergent spécial pour réfrigérateur afin d'éviter de l'endommager.
- ▶ Ne pulvérisez pas et ne rincez pas l'appareil pendant le nettoyage.
- ▶ N'utilisez pas de jet d'eau ou de vapeur pour nettoyer l'appareil.
- ▶ Ne nettoyez pas les clayettes froides en verre à l'eau chaude. Un changement soudain de température peut casser le verre.
- ▶ Ne touchez pas la surface intérieure du compartiment de l'appareil, en particulier avec les mains mouillées, car vos mains peuvent geler sur la surface.
- ▶ En cas de réchauffement, vérifiez l'état des produits surgelés.



- ▶ Gardez toujours le joint de la porte propre.
- ▶ Nettoyez l'intérieur et le bâti de l'appareil à l'aide d'une éponge imbibée d'eau tiède et de détergent neutre.
- ▶ 1. Veuillez frotter l'intérieur et l'extérieur du réfrigérateur, y compris le joint de porte, le porte-bouteille, les clayettes en verre, les boîtes, etc., avec un torchon doux ou une éponge imbibée d'eau chaude (vous pouvez ajouter un détergent neutre dans l'eau chaude).
- ▶ 2. S'il y a du liquide renversé, retirez toutes les parties contaminées, rincez-les directement sous l'eau du robinet, séchez-les et remettez-les dans le réfrigérateur.
- ▶ 3. S'il y a de la crème (par exemple de la crème, de la crème glacée qui fond), retirez toutes les parties contaminées, placez-les dans de l'eau chaude à 40 °C pendant un certain temps, puis rincez-les à l'eau courante, séchez-les et remettez-les dans le réfrigérateur.
- ▶ 4. Si une petite pièce ou un élément reste coincé à l'intérieur du réfrigérateur (entre les clayettes ou les tiroirs), utilisez une petite brosse souple pour l'éliminer. Si vous ne pouvez pas atteindre la pièce, veuillez contacter le service clientèle Haier

INFORMATION

L'orifice d'évacuation ne doit pas être obstrué par des corps étrangers, sinon il pourrait y avoir un problème de débordement de l'eau. Si l'orifice d'évacuation est obstrué, vous pouvez retirer le tiroir et le nettoyer à l'aide d'un chiffon.



- ▶ Rincez et séchez avec un chiffon doux.
- ▶ Ne nettoyez aucune des parties de l'appareil au lave-vaisselle.
- ▶ Attendez au moins 5 minutes avant de redémarrer l'appareil, car le démarrage fréquent risque d'endommager le compresseur.

Dégivrage

Le dégivrage du compartiment congélateur se fait automatiquement ; aucune opération manuelle n'est nécessaire.

Remplacement des lampes LED

AVERTISSEMENT !

Ne remplacez pas la lampe LED vous-même, elle ne doit être remplacée que par le fabricant ou l'agent de maintenance agréé.

Les lampes utilisent des LED comme source lumineuse, avec une faible consommation d'énergie et une longue durée de vie. En cas d'anomalie, veuillez contacter le service clientèle. Reportez-vous au paragraphe SERVICE CLIENTÈLE.

Paramètres des lampes :

Compartiment congélateur : 12 V max 1,5 W

Ce produit contient une source de lumière appartenant à la classe d'efficacité énergétique <G>.

Non-utilisation pendant une période prolongée

Si l'appareil n'est pas utilisé pendant une période prolongée :

Sortez les aliments.

Débranchez le cordon d'alimentation.

Nettoyez l'appareil selon les instructions ci-dessus.

Gardez les portes ouvertes pour éviter la formation de mauvaises odeurs à l'intérieur.

INFORMATION

N'éteignez l'appareil que si cela est strictement nécessaire.

Déplacement de l'appareil

1. Retirez tous les aliments et débranchez l'appareil.
2. Fixez les clayettes et les autres parties mobiles dans le congélateur avec du ruban adhésif.
3. N'inclinez pas le réfrigérateur à plus de 45° pour éviter d'endommager le système de réfrigération.

AVERTISSEMENT !

- ▶ Ne soulevez pas l'appareil par ses poignées.
- ▶ Ne placez jamais l'appareil à l'horizontale sur le sol.

Vous pouvez résoudre de nombreux problèmes vous-même sans expertise spécifique. En cas de problème, veuillez vérifier toutes les possibilités indiquées et suivre les instructions ci-dessous avant de contacter un service clientèle. Reportez-vous au paragraphe SERVICE CLIENTÈLE.



AVERTISSEMENT !

- ▶ Avant l'entretien, désactivez l'appareil et débranchez la fiche secteur de la prise secteur.
- ▶ L'équipement électrique ne doit être entretenu que par des experts en électricité qualifiés, car des réparations inappropriées peuvent causer des dommages consécutifs considérables.
- ▶ Une alimentation endommagée ne devrait être remplacée que par le fabricant, son agent de maintenance ou des personnes avec une qualification similaire de manière à éviter tout danger.

Problème	Cause possible	Solution possible
Le compresseur ne fonctionne pas.	<ul style="list-style-type: none"> • La fiche secteur n'est pas branchée dans la prise secteur. • L'appareil est en cours de dégivrage. 	<ul style="list-style-type: none"> • Branchez la fiche secteur. • Ceci est normal pour un dégivrage automatique.
L'appareil fonctionne fréquemment ou fonctionne trop longtemps.	<ul style="list-style-type: none"> • La température intérieure ou extérieure est trop élevée. • L'appareil a été hors tension pendant un certain temps. • Une porte de l'appareil n'est pas bien fermée. • La porte a été ouverte trop fréquemment ou trop longtemps. • Le réglage de la température du compartiment congélateur est trop bas. • Le joint de la porte est sale, usé, fissuré ou ne correspond pas. 	<ul style="list-style-type: none"> • Dans ce cas, il est normal que l'appareil fonctionne plus longtemps. • Normalement, il faut 8 à 12 heures pour que l'appareil refroidisse complètement. • Fermez la porte/le tiroir et assurez-vous que l'appareil est situé sur un sol à niveau et qu'il n'y a pas d'aliment ou de récipient bloquant la porte. • N'ouvrez pas trop souvent la porte/le tiroir. • Réglez une température plus élevée jusqu'à l'obtention d'une température satisfaisante dans le réfrigérateur. Il faut 24 heures pour que la température du réfrigérateur devienne stable. • Nettoyez le joint de la porte/du tiroir ou faites-le remplacer par le service clientèle.

Problème	Cause possible	Solution possible
	<ul style="list-style-type: none"> La circulation de l'air requise n'est pas garantie. 	<ul style="list-style-type: none"> Assurez une ventilation adéquate.
L'intérieur du réfrigérateur est sale et/ou sent.	<ul style="list-style-type: none"> L'intérieur du réfrigérateur a besoin d'être nettoyé. Des aliments à forte odeur sont conservés au réfrigérateur. 	<ul style="list-style-type: none"> Nettoyez l'intérieur du réfrigérateur. Enveloppez soigneusement les aliments.
Il ne fait pas suffisamment froid à l'intérieur de l'appareil.	<ul style="list-style-type: none"> La température réglée est trop élevée. Des produits trop chauds ont été stockés. Trop d'aliments ont été mis à l'intérieur en même temps. Les aliments sont trop proches les uns des autres. Une porte/un tiroir de l'appareil n'est pas bien fermé(e). La porte/le tiroir a été ouvert(e) trop fréquemment ou trop longtemps. 	<ul style="list-style-type: none"> Réinitialisez la température. Laissez toujours refroidir les aliments avant de les mettre à l'intérieur. Conservez toujours de petites quantités d'aliments. Laissez de la place entre plusieurs aliments pour permettre la circulation de l'air. Fermez la porte/le tiroir. N'ouvrez pas trop souvent la porte/le tiroir.
Il fait trop froid à l'intérieur de l'appareil.	<ul style="list-style-type: none"> La température réglée est trop basse. La fonction Super Freeze est activée ou fonctionne depuis trop longtemps. 	<ul style="list-style-type: none"> Réinitialisez la température. Désactivez la fonction Super Freeze.
L'humidité s'accumule sur le réfrigérateur à l'extérieur de la surface ou entre les portes / la porte et le tiroir.	<ul style="list-style-type: none"> Le climat est trop chaud et trop humide. La porte n'est pas fermée hermétiquement. L'air froid de l'appareil et l'air chaud à l'extérieur de celui-ci se condense. 	<ul style="list-style-type: none"> C'est normal dans un climat humide et cela va changer lorsque l'humidité diminuera. Assurez-vous que la porte/le tiroir est bien fermé(e).
La lumière d'affichage fonctionne, mais l'appareil n'est pas froid.	<ul style="list-style-type: none"> Il est en mode démo. 	<ul style="list-style-type: none"> Veillez noter l'état dans lequel il se trouve. S'il est en mode démo, quittez-le. Quitter : maintenez la touche ÉCO enfoncée et cliquez sur la touche Super Freeze à 5 reprises en 5 s.

Problème	Cause possible	Solution possible
Glace dure et givre dans le compartiment congélateur.	<ul style="list-style-type: none"> • Les produits n'ont pas été correctement emballés. • Une porte/un tiroir de l'appareil n'est pas bien fermé(e). • La porte/le tiroir a été ouvert(e) trop fréquemment ou trop longtemps. • Le joint de la porte/du tiroir est sale, usé, fissuré ou ne correspond pas. • Quelque chose à l'intérieur empêche la porte / le tiroir de se fermer correctement. 	<ul style="list-style-type: none"> • Emballez toujours bien les produits. • Fermez la porte/le tiroir. • N'ouvrez pas trop souvent la porte/le tiroir. • Nettoyez le joint de la porte / du tiroir ou remplacez-les par des joints neufs. • Repositionnez les clayettes, les balconnets de porte ou les récipients à l'intérieur pour permettre à la porte / au tiroir de se fermer.
Les côtés de l'appareil et de la bande de la porte se réchauffent.	<ul style="list-style-type: none"> • - 	<ul style="list-style-type: none"> • Cela est normal.
L'appareil émet des sons anormaux.	<ul style="list-style-type: none"> • L'appareil n'est pas situé sur un sol plan. • L'appareil touche un objet situé à proximité. 	<ul style="list-style-type: none"> • Réglez le pied pour mettre l'appareil à niveau. • Retirez les objets autour de l'appareil.
Un léger son doit être entendu comme celui de l'eau courante.	<ul style="list-style-type: none"> • - 	<ul style="list-style-type: none"> • Cela est normal.
Un bip d'alarme retentit.	<ul style="list-style-type: none"> • La porte du compartiment de rangement du réfrigérateur est ouverte. 	<ul style="list-style-type: none"> • Fermez la porte.
Vous entendrez un petit hum.	<ul style="list-style-type: none"> • Le système anti-condensation fonctionne. 	<ul style="list-style-type: none"> • Cela empêche la condensation et est normal.
Le système d'éclairage ou de refroidissement à l'intérieur ne fonctionne pas.	<ul style="list-style-type: none"> • La fiche secteur n'est pas branchée dans la prise secteur. 	<ul style="list-style-type: none"> • Branchez la fiche secteur.
	<ul style="list-style-type: none"> • L'alimentation n'est pas intacte. 	<ul style="list-style-type: none"> • Vérifiez l'alimentation électrique de la pièce. Appelez la société d'électricité locale !
	<ul style="list-style-type: none"> • La lampe LED est hors service. 	<ul style="list-style-type: none"> • Veuillez appeler le service technique pour faire changer la lampe.

Pour contacter l'assistance technique, visitez notre site web :
<https://corporate.haier-europe.com/en/>

Dans la rubrique « site web », choisissez la marque de votre produit et votre pays. Vous serez redirigé vers le site web spécifique où vous trouverez le numéro de téléphone et le formulaire pour contacter l'assistance technique.

Coupure de courant

En cas de coupure de courant, les aliments devraient rester froids en toute sécurité pendant 5 heures environ. Suivez ces conseils pendant une coupure de courant prolongée, en particulier en été :

- ▶ Ouvrez la porte/le tiroir le moins possible.
- ▶ Ne mettez pas d'aliments supplémentaires dans l'appareil pendant une coupure de courant.
- ▶ Si un préavis de coupure de courant est donné et que la durée de la coupure est supérieure à 5 heures, préparez des glaçons et placez-les dans un récipient en haut du compartiment réfrigérateur.
- ▶ Une inspection des produits est requise immédiatement après la coupure de courant.
- ▶ Étant donné que la température du réfrigérateur augmentera lors d'une coupure de courant ou d'une autre panne, la durée de conservation et la qualité alimentaire des aliments seront réduites. Tout aliment décongelé doit être consommé ou cuit et recongelé (le cas échéant) peu de temps après afin de prévenir les risques pour la santé.

Fonction mémoire pendant la coupure de courant

Lorsque le courant revient, l'appareil continue à fonctionner avec les réglages réglés avant la panne de courant.

Déballage



AVERTISSEMENT !

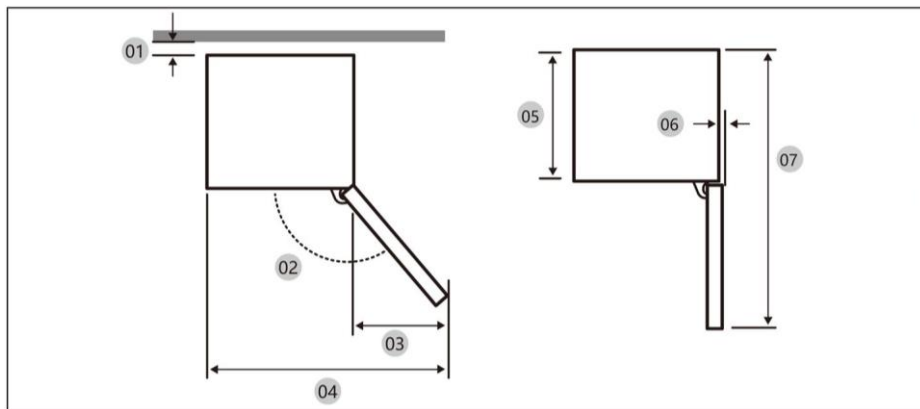
- ▶ L'appareil est lourd. Manipulez-le toujours avec au moins deux personnes.
- ▶ Conservez tous les emballages hors de la portée des enfants, puis jetez-les d'une manière respectueuse de l'environnement.
- ▶ Sortez l'appareil de l'emballage.
- ▶ Retirez tous les matériaux d'emballage.

Conditions environnementales

La température ambiante doit toujours être comprise entre 10 °C et 43 °C, car elle peut influencer la température à l'intérieur de l'appareil et sa consommation d'énergie. N'installez pas l'appareil à proximité d'autres appareils générant de la chaleur (fours, réfrigérateurs).

Espace conseillé

Espace conseillé lorsque la porte est ouverte (sans panneau de porte)

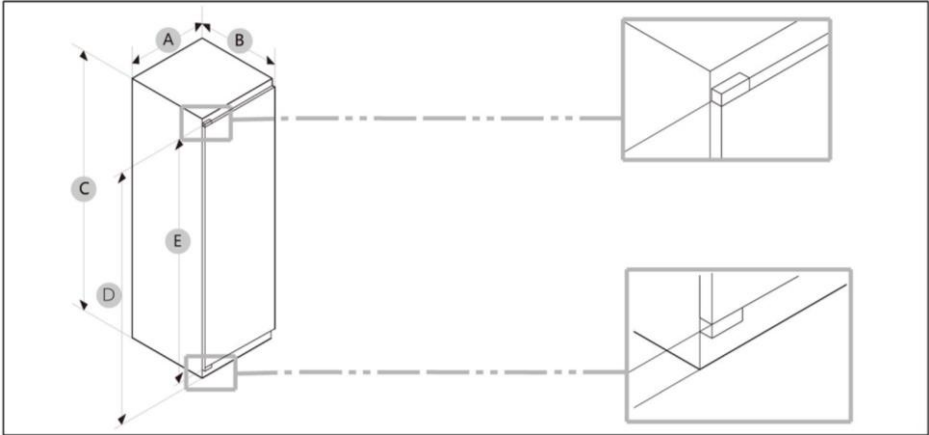


Modèle	CMT5518EVWF RMT5518EVWF
01*	10 (Min.) / 30 (Recommandé)
02	95° (Recommandé)
03	43
04	583
05	515
06	-3
07	1060

(unité : mm)

* 01 : Du meuble à l'arrière du produit.

Dimensions du produit



Modèle	A (mm)	B (mm)	C (mm)	D (mm)	E (mm)
CMT5518EVWF	540±2	550±2	1772±2	1715	1671
RMT5518EVWF					

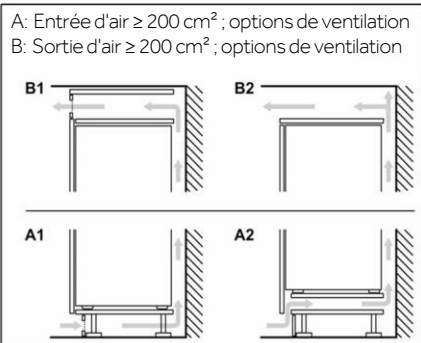
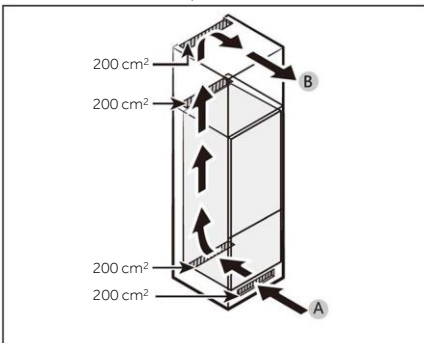


INFORMATION

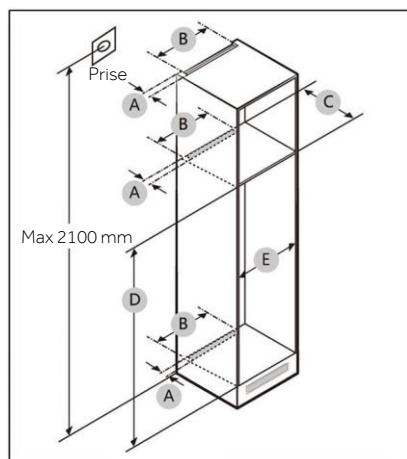
- La consommation d'énergie indiquée est basée sur l'existence d'un espace de 10 mm entre le meuble et l'arrière du produit. Le produit fonctionne correctement même si l'écart est inférieur à 10 mm, mais il consomme un peu plus d'énergie.
- Nous recommandons d'utiliser un meuble de 19 mm d'épaisseur avec des charnières de moins de 17 mm d'épaisseur.
- Les mesures figurant dans le tableau ci-dessus peuvent différer en fonction de la méthode de mesure utilisée.
- Pour l'installation encastrée, voir le Guide d'installation.

Coupe transversale de ventilation

Pour obtenir une ventilation suffisante de l'appareil pour des raisons de sécurité, il convient de respecter les informations relatives aux coupes transversales de ventilation requises.



Dimensions du meuble



ATTENTION !

Toute panne du produit due aux éléments suivants n'est pas couverte par la garantie.

1. Conditions d'installation inadéquates ou dimensions incorrectes du meuble.
2. Meuble défectueux.
3. Erreurs de l'installateur ou de l'utilisateur.

Dégagement

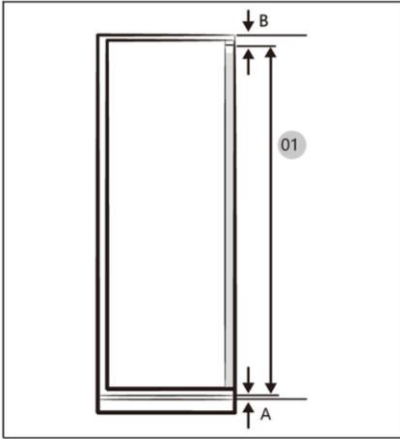
Reportez-vous aux images et tableaux ci-dessous pour connaître l'espace nécessaire à l'installation.

Modèle		A (mm)	B (mm)	C (mm)	D (mm)	E (mm)	Remarque
CMT5518EVWF RMT5518EVWF	Min.	50	400	560	1778	560	Charnière : 17 mm
	Recommandé			580	1780	562	
	Max.			-	1782	568	



INFORMATION

- Si la largeur d'un meuble est supérieure à 568 mm, le joint (entre le réfrigérateur et le meuble) peut se détacher.
- Si le meuble est plus haut que la dimension maximale (1782 mm), vous devez utiliser d'autres matériaux de finition pour combler l'écart.

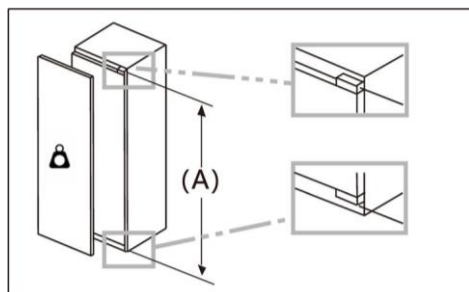


- A. Bord inférieur de la face avant au-dessus de la ventilation
- B. Dépassement de la face avant

Modèle	CMT5518EVWF RMT5518EVWF
01	Min. 1694+A+B Max. 1850+A+B

(unité : mm)

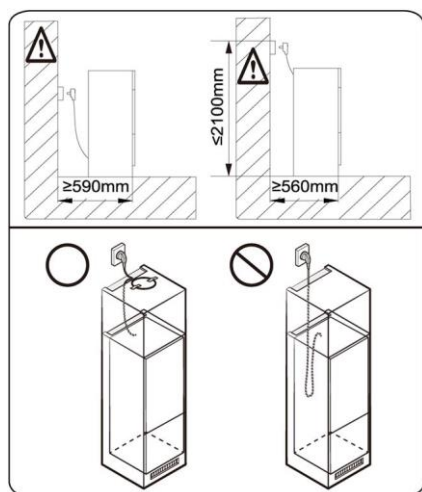
Poids maximal autorisé des façades de l'unité



Les façades d'unité montées qui dépassent le poids autorisé peuvent endommager et entraîner un dysfonctionnement des charnières.

Poids (kg)	Poids	
	1500-1750 mm	22
720-1400 mm	19	

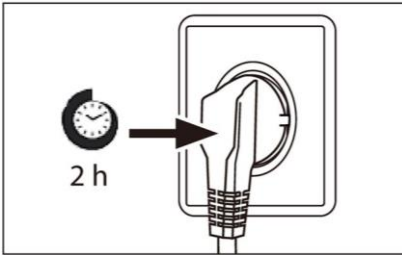
Prise en compte de l'emplacement de la prise de courant et de l'espace nécessaire



i INFORMATION

Si vous installez le réfrigérateur dans un meuble d'une profondeur de 560 mm, assurez-vous que le cordon d'alimentation est disposé sur un côté du réfrigérateur avant de le brancher sur une prise de courant. Si le cordon d'alimentation se trouve à l'arrière du réfrigérateur, cela pourrait diminuer l'efficacité énergétique.

Temps d'attente



L'huile de lubrification sans entretien se trouve dans la capsule du compresseur. Cette huile peut passer par le système fermé de tuyauterie pendant le transport incliné. Avant de brancher l'appareil sur l'alimentation électrique, attendez au moins 2 heures afin que l'huile revienne dans la capsule.

Branchement électrique

Avant chaque branchement, vérifiez si :

- ▶ l'alimentation, la prise et le fusible sont adaptés à la plaque signalétique.
- ▶ la prise de courant est mise à la terre et sans multiprise ni rallonge.
- ▶ la fiche d'alimentation et la prise sont adaptées l'une à l'autre.

Branchez la fiche sur une prise domestique correctement installée.



AVERTISSEMENT !

Pour éviter tout risque, un câble d'alimentation endommagé doit être remplacé par le service à la clientèle (voir carte de garantie).

Fiche du produit selon la réglementation UE n° 2019/2016

Marque	CANDY	Rosieres
Nom du modèle/identifiant	CMT5518EVWF	RMT5518EVWF
Catégorie du modèle	Congélateur	Congélateur
Classe d'efficacité énergétique	E	E
Consommation d'énergie annuelle (kWh/an) (1)	215	215
Volume total (L)	220	220
Volume du garde-manger (L)	/	/
Volume du congélateur (L)	220	220
Volume section refroidisseur (L)	/	/
Volume de la machine à glaçons auto (L)	/	/
Nombre d'étoiles	4	4
Température des autres compartiments > 14 °C	Non applicable	Non applicable
Système sans givre	Oui	Oui
Capacité de congélation (kg/24h)	15	15
Classe climatique (2)	SN/N/ST/T	SN/N/ST/T
Classe d'émission de bruit et émissions acoustiques dans l'air (dB(A) re1 pW)	B 35	B 35
Temps de montée en température (h)	6	6
Capacité de fabrication de glaçons	/	/
Type d'appareil	Encastrable	Encastrable

Nom du modèle	Classe d'efficacité énergétique
CMT5518EVWF	E
RMT5518EVWF	E

Explications :

- Oui, fonction présente
- (1) Sur la base des résultats de l'essai de conformité aux normes pendant plus de 24 heures. La consommation réelle dépend de l'utilisation et de l'emplacement de l'appareil.
- (2) Classe climatique SN : cet appareil est destiné à être utilisé à une température ambiante comprise entre +10 °C et +32 °C
 Classe climatique N : cet appareil est destiné à être utilisé à une température ambiante comprise entre +16 °C et +32 °C
 Classe climatique ST : cet appareil est destiné à être utilisé à une température ambiante comprise entre +16 °C et +38 °C
 Classe climatique T : cet appareil est destiné à être utilisé à une température ambiante comprise entre +16 °C et +43 °C

Données techniques supplémentaires

Tension / Fréquence	220-240 V ~/50 Hz
Courant d'entrée (A)	1,5
Fusible principal (A)	16
Réfrigérant	R600a
Dimensions (H/L/P en mm)	1772/540/550

Informations RF

PIRE max : Bluetooth (BR/EDR) : 10 dBm

Bluetooth LE : 5 dBm

Wi-Fi 2,4 GHz : 16 dBm

Bande de fréquence de fonctionnement : 2400-2483,5 MHz

Nous recommandons notre Service clientèle Haier et l'utilisation de pièces détachées d'origine.

Si vous rencontrez un problème avec votre appareil, veuillez d'abord consulter le paragraphe DÉPANNAGE.

Si vous ne trouvez pas de solution, veuillez contacter

- ▶ votre revendeur local ou
- ▶ notre centre de service d'appel européen (voir les numéros de téléphone ci-dessous) ou
- ▶ l'espace Service & Assistance à l'adresse www.haier.com où vous pouvez activer la demande
- ▶ de service et trouver également les FAQ.

Pour contacter notre Service, assurez-vous que vous disposez des données suivantes.

Les informations se trouvent sur la plaque signalétique.

Modèle _____

N° de série _____

Vérifiez également la carte de garantie fournie avec le produit en cas de garantie.

Centre de service d'appel européen		
Pays*	Numéro de téléphone	Coûts
Haier Italy (IT)	199 100 912	
Haier Spain (ES)	902 509 123	
Haier Germany (DE)	0180 539 39 99	<ul style="list-style-type: none"> • 14 centimes/min ligne fixe • max 42 centimes/min mobile
Haier Austria (AT)	0820 001 205	<ul style="list-style-type: none"> • 14,53 centimes/min ligne fixe • max 20 centimes/min pour tous les autres
Haier United Kingdom (UK)	0333 003 8122	
Haier France (FR)	0980 406 409	

*Pour les autres pays, veuillez vous référer à www.haier.com

Haier Europe Trading S.r.l

Filiale Royaume-Uni

Westgate House, Westgate, Ealing

Londres, W5 1YY

*Durée de la garantie de l'appareil de réfrigération :

La garantie minimale est : 2 ans pour les pays de l'UE, 3 ans pour la Turquie, 1 an pour le Royaume-Uni, 1 an pour la Russie, 3 ans pour la Suède, 2 ans pour la Serbie, 5 ans pour la Norvège, 1 an pour le Maroc, 6 mois pour l'Algérie, aucune garantie légale pour la Tunisie.

*La période des pièces détachées pour la réparation de l'appareil :

Les thermostats, les capteurs de température, les circuits imprimés et les sources de lumière sont disponibles pendant une période minimale de sept ans après la mise sur le marché de la dernière unité du modèle.

Poignées de porte, charnières de porte, bacs et paniers pendant une période minimale de sept ans et joints de porte pendant une période minimale de 10 ans, après la mise sur le marché de la dernière unité du modèle.

*Pour plus d'informations sur le produit, consultez <https://eprel.ec.europa.eu/> ou scannez le code QR sur l'étiquette énergétique fournie avec l'appareil.

<u>5 Biztonsági információk</u>	<u>Első használat előtt</u>	6
	<u>Telepítés</u>	6
	<u>Napi használat</u>	7
	<u>Gázalapú hűtőközegre vonatkozó információk</u>	9
<u>10 Rendeltetésszerű használat</u>		
<u>11 Termékleírás</u>		
<u>12 Vezérlőpanel</u>		
<u>13 Használat</u>	<u>Zárolás/feloldás gomb és ikonja</u>	13
	<u>Készenlét funkció</u>	13
	<u>Wi-Fi funkció</u>	13
	<u>Fagyasztó hőmérsékletének a beállítása</u>	14
	<u>Super Freeze funkció</u>	15
	<u>ECO funkció</u>	15
<u>16 Berendezés</u>		
<u>17 Energiatakarékosági tippek</u>		
<u>18 Ápolás és tisztítás</u>		
<u>20 Hibaelhárítás</u>		
<u>24 Telepítés</u>		
<u>30 Műszaki adatok</u>		
<u>32 Ügyfélszolgálat</u>		

Köszönjük, hogy Haier terméket vásárolt.

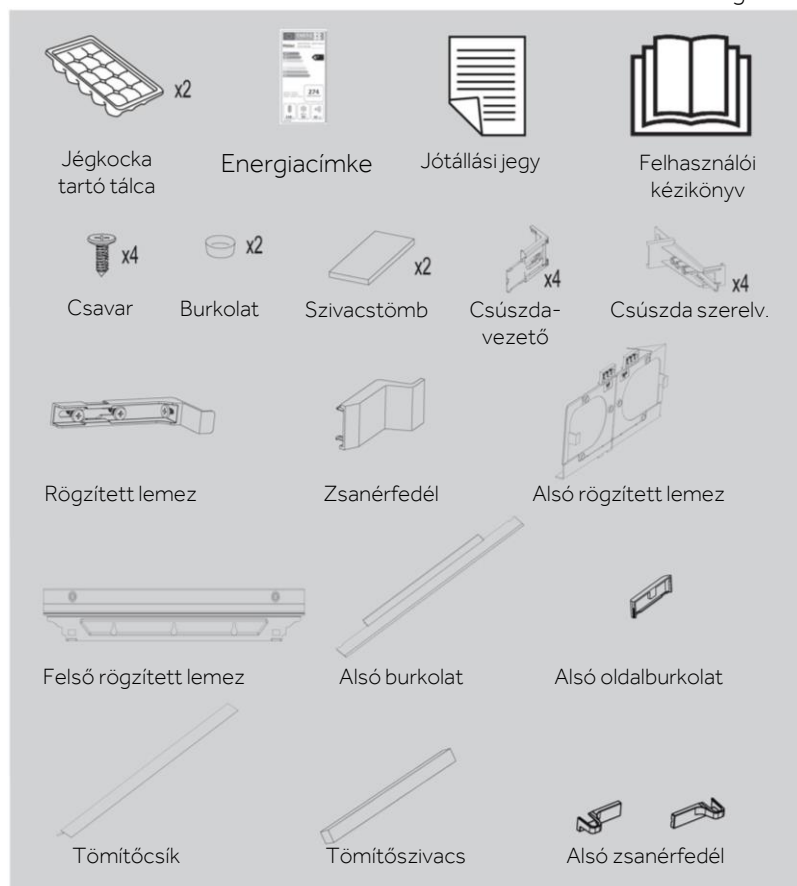
A készülék használata előtt olvassa el figyelmesen ezeket az utasításokat. Az utasítások fontos információkat tartalmaznak, amelyek segítenek abban, hogy a lehető legtöbbet hozza ki a készülékből, és szavatolják a biztonságos és megfelelő telepítést, használatot és karbantartást.

Tartsa ezt a kézikönyvet könnyen elérhető helyen, hogy bármikor fellapozhassa a készülék biztonságos és megfelelő használatához.

Ha eladja a készüléket, elajándékozza, vagy a lakásban hagyja költözéskor, győződjön meg arról, hogy ezt a kézikönyvet is átadja, hogy az új tulajdonos megismerhesse a készüléket és a biztonsági figyelmeztetéseket.

Tartozékok

Ellenőrizze a tartozékokat és a szakirodalmat ennek a listának megfelelően:





FIGYELMEZTETÉS - Fontos biztonsági információk



MEGJEGYZÉS - Általános információk és tippek



Környezetvédelmi információk



Ártalmatlanítás

Járuljon hozzá a környezet és az emberi egészség védelméhez. Az újrahasznosítás érdekében a csomagolást a megfelelő hulladéktárolóba selejtezze ki. Járuljon hozzá az elektromos és elektronikus berendezések hulladékainak az újrahasznosításához. Ne a háztartási hulladékkal együtt dobja ki az ezzel a szimbólummal jelölt készülékeket. Vigye vissza a terméket a helyi újrahasznosító létesítménybe, vagy vegye fel a kapcsolatot a helyi hivatallal.



FIGYELMEZTETÉS!

Sérülés vagy fulladás veszélye!

A hűtőközegeket és a gázokat szakszerűen kell ártalmatlanítani. Győződjön meg a hűtőkör csövének a sértetlenségéről, mielőtt megfelelően ártalmatlanítaná. Válassza le a készüléket a hálózati tápellátásról. Vágja el a hálózati kábelt és selejtezze ki. Távolítsa el a tálcákat és fiókokat, valamint az ajtóreteszt és a tömítéseket, hogy megakadályozza a gyermekek és háziállatok bezáródását a készülékbe.

A készülék első bekapcsolása előtt olvassa el a következő biztonsági tanácsokat:



FIGYELMEZTETÉS!

Első használat előtt

- ▶ Győződjön meg arról, hogy szállítás során a termék nem sérült.
- ▶ A készülék telepítése előtt várjon legalább két órát a hűtőkör teljes hatékonyságának biztosítása érdekében.
- ▶ Mivel a készülék nehéz, mindig legalább két személy szükséges a kezeléséhez vagy mozgatásához.
- ▶ Távolítsa el minden csomagolóanyagot, tartsa azokat gyermekektől elzárva, kiselejtezésüket pedig környezetbarát módon végezze.
- ▶ Tisztítsa meg a készülék belsejét és külsejét vízzel és kíméletes tisztítószerrel, mielőtt bármilyen ételt tenne bele.
- ▶ A készülék szintbeállítását és tisztítását követően várjon legalább 2–5 órát, mielőtt csatlakoztatná a tápellátáshoz. Lásd a TELEPÍTÉS részt.
- ▶ Az étellel való feltöltés előtt hűtse le a rekeszeket magas beállítások alkalmazásával. A Super - Freeze funkció elősegíti a rekeszek gyors lehűtését.
- ▶ A fagyasztó hőmérsékletének gyári alapbeállítása -18 °C . Ezek a javasolt beállítások. Ha szeretné, ezt a hőmérsékletet manuálisan módosíthatja. Lásd a HŐMÉRSÉKLET BEÁLLÍTÁSA c. részt.

Telepítés

- ▶ A készüléket jól szellőző helyre telepítse. Biztosítson legalább 10 cm-es helyet a készülék felett és körül.
- ▶ Soha ne helyezze a készüléket nedves területre vagy olyan helyre, ahol víz fröccsenhet rá. A vízfröccsenéseket és a foltokat törölje le és szárassa puha, tiszta törülközővel.
- ▶ Ne szerelje be a készüléket közvetlen napsugárzásnak kitett helyre vagy hőforrások (pl. kályhák, fűtőberendezések) közelébe.
- ▶ A méretének és felhasználásnak megfelelő helyre szerelje be és állítsa szintbe a készüléket.
- ▶ A berendezésen vagy a beépített szerkezetben a szellőzőnyílásokat ne takarja el.
- ▶ Bizonyosodjon meg arról, hogy az adattáblán olvasható elektromos jellemzők megfelelnek az elérhető tápellátás jellemzőinek. Ellenkező esetben forduljon villanyszerelőhöz.
- ▶ A készülék 220–240 V váltóáramú, 50 Hz-es tápellátást igényel. A rendellenes feszültségingadozás nyomán előfordulhat, hogy a készülék nem indul be, károsodhat a hőmérséklet-vezérlő vagy a kompresszor, illetve működés során rendellenes zaj jelentkezhet. Hasonló esetben szereljen fel automatikus feszültségzabályozót.
- ▶ Ne használjon többdugós adaptereket és hosszabbítókábeleket.
- ▶ Ne helyezzen több hordozható csatlakozót vagy hordozható tápegységet a berendezés mögé.



FIGYELMEZTETÉS!

- ▶ Ügyeljen arra, hogy a tápkábel ne szoruljon a hűtőberendezés alá. Ne lépjen a tápkábelre.
- ▶ A tápegységhez külön földelt aljzatot használjon, amely könnyen hozzáférhető. A készülék mindenképpen földelésre szorul. Csak az Egyesült Királyság esetén: A készülék tápkábele 3 érintkezős (földeléses) dugasszal rendelkezik, amelyik szabványos 3 érintkezős (földeléses) aljzathoz illeszkedik. Soha ne vágja le vagy távolítsa el a harmadik érintkezőt (földelést). A készülék beszerelését követően a dugasznak hozzáférhetőnek kell maradnia.

- ▶ Ügyeljen a hűtőkör épségére!

Napi használat

- ▶ A berendezést 8 évnél idősebb gyermekek vagy csökkent fizikai, érzékszervi vagy mentális képességű, vagy tapasztalattal és ismerettel nem rendelkező személyek akkor használhatják, ha felügyelet alatt állnak vagy ha megfelelő utasításokkal látták el őket a berendezés biztonságos használatát illetően, és megértették a használatból eredő veszélyeket.
- ▶ A 3 és 8 év közötti gyermekek be- és kirakodhatják a hűtőkészülékeket, de a hűtőkészülékek tisztítását és szerelését nem végezhetik.
- ▶ Tartsa távol a 3 évesnél fiatalabb gyermekeket a készüléktől, kivéve, ha biztosítja a folyamatos felügyeletet.
- ▶ Gyermekek nem játszhatnak a berendezéssel.
- ▶ Ha hűtőgáz vagy más gyúlékony gáz szivárog a készülék közelében, zárja el a szivárgó gáz szelepét, nyissa ki az ajtókat és ablakokat, és ne húzza ki a hűtőszekrény/fagyasztó vagy más készülék tápkábelének a dugaszát.
- ▶ Vegye figyelembe, hogy a készülék 10 és 43 °C közötti környezeti hőmérsékletben való működésre készült. Előfordulhat, hogy a készülék nem működik megfelelően, ha hosszabb ideig a jelzett tartomány feletti vagy alatti hőmérsékleten üzemel.
- ▶ Ne helyezzen instabil cikkeket (nehéz tárgyakat, vízzel teli edényeket) a hűtőberendezés tetejére, elkerülve így a személyi sérüléseket, amiket ezen tárgyak leesése vagy a vízzel való érintkezés nyomán bekövetkező áramütés okozhat.
- ▶ Ne húzza meg az ajtópolcokat. Az ajtó elferdülhet, kihúzhatja a helyéről a palacktartót, vagy a készülék felborulhat.
- ▶ Az ajtók nyitását vagy becsukását kizárólag a fogantyúkkal végezze. Az ajtók közötti, ill. az ajtó és a szekrény közötti rés nagyon szűk. Ne nyújtsa a kezét ezekre a területekre, mivel az ujjai becsípődhetnek. Csak akkor nyissa ki vagy csukja be a berendezés ajtaját, ha nem állnak gyermekek az ajtó mozgási tartományán belül.
- ▶ A berendezés elhelyezésekor ellenőrizze, hogy a tápkábel nincs-e beszorulva vagy nem sérült-e.
- ▶ Ne tároljon robbanásveszélyes anyagokat, például gyúlékony hajtóanyagot tartalmazó aeroszolos palackot a berendezésben.
- ▶ Az élelmiszerek szennyeződésének elkerülése érdekében:
 - Ha hosszú ideig nyitva tartja az ajtót, a készülék rekeszeiben jelentősen megemelkedhet a hőmérséklet.



FIGYELMEZTETÉS!

- Rendszeres időközönként tisztítsa meg az élelmiszerrel érintkező felületeket, illetve a hozzáférhető vízelvezető csatornákat.
- A nyers húst és halat megfelelő tartályokban tárolja a fagyasztón belül, hogy ne érintkezhessenek egyéb élelmiszerekkel, illetve levük ne csepeghessen egyéb élelmiszere.
- Ha a terméket hosszú ideig üresen hagyja, kapcsolja ki, olvassa le, tisztítsa meg, szárítsa ki, illetve hagyja az ajtót nyitva, így megelőzve penész megjelenését a készülékben.
- ▶ Ne tároljon, ill. használjon gyúlékony, robbanásveszélyes vagy maró hatású anyagokat a készülékben vagy a közelében.
- ▶ A készülékben ne tároljon gyógyszereket, baktériumokat vagy vegyszereket. Ez a készülék háztartási készülék. Nem javasoljuk olyan anyagok tárolását, amelyek szűk hőmérséklet-tartományban tárolhatók.
- ▶ Soha ne tároljon folyadékokat palackokban vagy kannákban (magas alkoholtartalmú italok kivételével), különösen szénsavas italokat a fagyasztóban, mert ezek szétrobbannak fagyasztás közben.
- ▶ Ellenőrizze az élelmiszer állapotát, ha a fagyasztóban felmelegedett a hőmérséklet.
- ▶ Ne nyúljon fagyott tárgyakhoz nedves kézzel (viseljen kesztyűt). Különösen ne egyen jeges nyalókat közvetlenül a fagyasztóból való kivétel után. Fennáll a fagysérülések vagy a hólyagok kialakulásának veszélye.
ELSŐSEGÉLYNYÚJTÁS: tartsa a sérülést azonnal folyó hideg víz alá. Ne húzza el!
- ▶ Működés közben ne érintse meg a fagyasztórekesz belső felületét, különösen nedves kézzel, mert a keze a felülethez fagyhat.
- ▶ Áramszünet esetén vagy tisztítás előtt húzza ki a készüléket az aljzatból. A készülék újraindítása előtt várjon legalább 7 percet, mivel a készülék gyakori indítása során károsodhat a kompresszor.
- ▶ Ne használjon elektromos készülékeket a berendezés élelmiszer tároló rekeszében, kivéve a gyártó által jóváhagyott típust.
Karbantartás / tisztítás
- ▶ Gondoskodjon a gyermekek felügyeletéről, ha tisztítást vagy karbantartást végeznek.
- ▶ A rutinszerű karbantartás megkezdése előtt húzza ki a készüléket a villanyhálózathoz. A készülék újraindítása előtt várjon legalább 5 percet, mivel a készülék gyakori indítása során károsodhat a kompresszor.



FIGYELMEZTETÉS!

- ▶ A készülék aljzatból való leválasztásakor ne a kábelt, hanem a csatlakozódugót húzza.
- ▶ Ne tisztítsa a készüléket keménysörtés kefékkel, drótkefékkel, mosóporral, benzinnel, amid-acetáttal, acetonnal és hasonló szerves oldatokkal, valamint savas vagy lúgos oldatokkal. A károsodások elkerülése érdekében a hűtőszekrény tisztítását speciális, adott célra kialakított tisztítószerrel végezze.
- ▶ Ha a tápkábel megsérül, a veszély elkerülése érdekében cseréltesse ki a gyártóval, a gyártó szervizközpontjával vagy más szakemberrel.
- ▶ Ne tegyen kísérletet a készülék saját kezű javítására, szétszerelésére vagy módosítására. Javítás szükségessége esetén vegye fel a kapcsolatot az ügyfélszolgálatunkkal.
- ▶ Évente legalább egyszer távolítsa el a port a készülék hátoldaláról, így elkerülve a tűzveszélyt, valamint a megnövekedett energiafogyasztást.
- ▶ Tisztítás közben ne permetezze vagy öblítse le a készüléket.
- ▶ Ne használjon vízpermetet vagy gőzt a készülék tisztításához.
- ▶ A hideg üvegpolicokat ne tisztítsa forró vízzel. A hirtelen hőmérséklet-változás nyomán az üveg megrepedhet.

Gázalapú hűtőközre vonatkozó információk



FIGYELMEZTETÉS!

A készülék gyúlékony IZOBUTÁN (R600a) hűtőközeget tartalmaz. Győződjön meg arról, hogy a hűtőközeg köre nem sérült meg szállítás vagy beszerelés közben. A szivárgó hűtőközeg szemsérülést okozhat, vagy belobbanhat. Sérülés esetén tartsa távol a tűzforrásokat, szellőztesse ki alaposan a helyiséget, ne csatlakoztassa, vagy húzza ki a készülék vagy egyéb készülék tápkábelét. Tájékoztassa az ügyfélszolgálatot.

Ha a hűtőközeg szembe kerül, akkor azonnal öblítse ki folyó víz alatt, és azonnal forduljon szemész szakorvoshoz.

Rendeltetésszerű használat

A készülék élelmiszerek lefagyasztására szolgál. Kizárólag háztartási és hasonló alkalmazásokra tervezték, mint például az üzletek, irodák és egyéb munkakörnyezetek személyzeti konyháinak területei; tanyasi házakban és szállodák, motelek és egyéb lakókörnyezetben, valamint panziós és vendéglátóipari vállalkozásokban való használatra ügyfelek számára. Tervezéséből adódóan nem alkalmas kereskedelmi vagy ipari használatra.

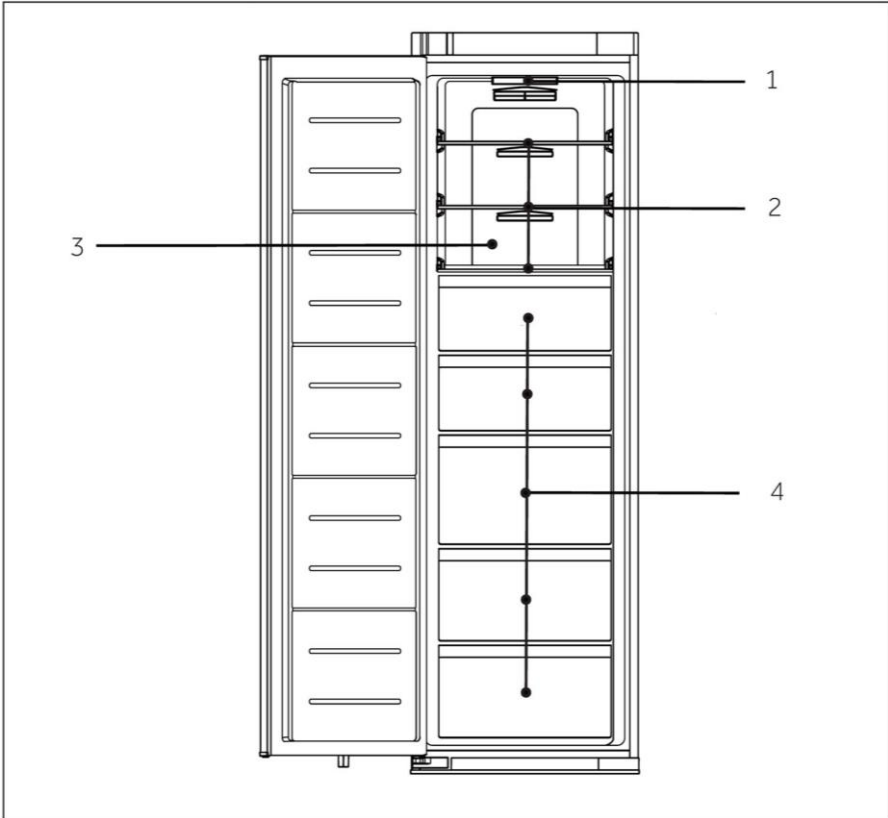
A készüléken változtatások vagy módosítások végrehajtása nem megengedett. A nem rendeltetésszerű használat veszélyeket eredményezhet, illetve a szavatossági igények érvénytelenítésével járhat.

Szabványok és irányelvek

A termék megfelel az összes vonatkozó EK irányelvben meghatározott követelménynek, illetve a vonatkozó harmonizált szabványoknak, amelyek alapján megilleti a CE-jelölés.

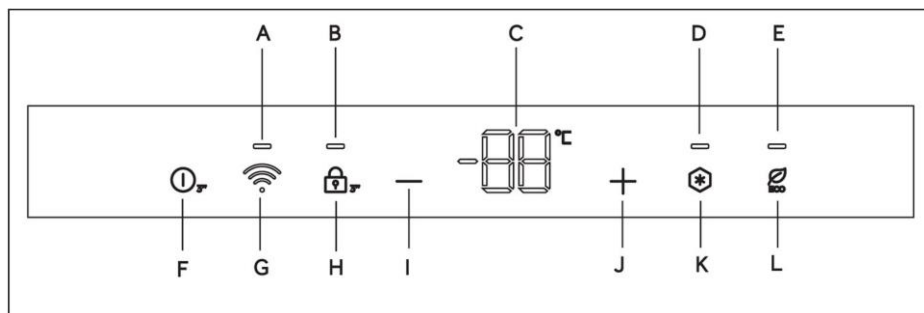
i MEGJEGYZÉS

A műszaki módosítások és különböző modellek miatt előfordulhat, hogy a kézikönyvben látható egyes ábrák eltérőek az Ön modelljéhez képest.

**CMT5518EVWF/RMT5518EVWF**

- 1 LED belső világítás
- 2 Szokványos polcok
- 3 Fagyasztó légcsatorna
- 4 Közös fagyasztó fiók

Vezérlőpanel



Jelző ikonok:

- A Wi-Fi funkció ikon
- B Zárolás/feloldás ikon
- C Hőmérséklet kijelző ikon
- D Super Freeze funkció ikon
- E ECO funkció ikon

Érintőgombok:

- F BE/KI gomb
- G Wi-Fi gomb
- H Zárolás/feloldás gomb
- I Alacsonyabb hőmérséklet gomb
- J Magasabb hőmérséklet gomb
- K Super Freeze funkció gomb
- L ECO funkció gomb

Érintésérzékeny gombok

A vezérlőpulton található gombok érintésérzékenyek, és már akkor reagálnak, ha enyhén megérinti az ujjával.

A kijelző vezérlése előtt nyissa ki a hűtőberendezés ajtaját.

Zárolás/feloldás funkció

Ez a gomb és ikonja a vezérlőképernyő zárolására vagy feloldására szolgál, és jelzi az aktuális állapotát.

Nyissa ki a hűtőszekrény ajtaját, miközben a hűtőszekrény működik, a vezérlőképernyő világít, és a Zárolás/feloldás ikon világít: ekkor a vezérlőképernyő zárolt állapotban van, és nem működtethető.

A képernyő manuális feloldása vagy zárolása: Amikor a Lezárás/feloldás ikon világít, kérjük, tartsa megérintve a Lezárás/feloldás gombot 3 másodpercig. Az ikon kialszik, és egy hangjelzés kíséri. Ekkor a funkció kiválasztása vagy a hőmérséklet beállítása végezhető el.

Amikor a Zárolás/feloldás ikon nem világít, kérjük, tartsa megérintve a Lezárás/feloldás gombot 3 másodpercig. Ekkor a Zárolás/feloldás ikon világít, és egy hangjelzés kíséri. Jelenleg a funkció kiválasztása vagy a hőmérséklet beállítása nem hajtható végre.

Automatikus képernyőzár: Ha a hűtőszekrény ajtaja be van csukva, a vezérlőképernyő kikapcsol és zárolódik.

A hűtőszekrény ajtajának kinyitásakor a vezérlőképernyő automatikusan zárolódik, ha 30 másodpercen belül nem történt művelet.

BE/KI funkció

Az BE/KI gomb az KI (működés szüneteltetése) és BE (normál üzemmód) közötti váltáshoz használható.

Lépés OFF (KI) módba: Hűtőszekrény üzemmódban először oldja fel a kijelző zárolását, majd tartsa megérintve 3 másodpercig a BE/KI funkciógombot, hogy kikapcsolja a vezérlőképernyőt, a hűtővilágítást, a hűtést és az egyéb funkciókat, majd egy figyelmeztető hangot hall.



MEGJEGYZÉS

Az OFF (KI) mód nem kapcsol ki, és a hűtőszekrény még mindig be van kapcsolva.

Kilépés az OFF (KI) módból: KI módban tartsa megérintve az BE/KI gombot 3 másodpercig, hogy újraindítsa a vezérlőképernyőt, a hűtővilágítást, a hűtést és más funkciókat. Ezeket egy figyelmeztető hang kíséri. A hűtőszekrény visszaállítja a beállított hőmérsékletet és funkciót, és normál üzemmódba lép.

Wi-Fi funkció

Wi-Fi keresése: A hűtőszekrény az első bekapcsolásakor automatikusan hálózati konfigurációs módba lép, és a Wi-Fi funkció ikonja gyorsan villog, és ha nem volt hálózati csatlakozási művelet, akkor 30 perc elteltével automatikusan kilép.

Belépés manuálisan a Wi-Fi-keresési módba: A vezérlőképernyő feloldása után, miközben a Wi-Fi funkció ikon be van kapcsolva, tartsa lenyomva a Wi-Fi keresése gombot 3 másodpercig a keresési módba történő belépéshez. Ezalatt a Wi-Fi funkció ikonja gyorsan villog, jelezve, hogy Wi-Fi-keresési módban van. Ha nincs hálózathoz való csatlakozási művelet, 30 perc elteltével automatikusan kilép.

PÁROSÍTÁSI ELJÁRÁS AZ ALKALMAZÁSBAN

<p>1. lépés • Töltse le a hOn alkalmazást az áruházakból.</p> 	
<p>2. lépés Hozzon létre egy fiókot a hOn alkalmazásban, vagy jelentkezzen be, ha már van fiókja.</p> 	<p>3. lépés Kövesse a hOn alkalmazásban található párosítási utasításokat.</p> 

i MEGJEGYZÉS

A Wi-Fi-keresési módban kövesse az alkalmazás utasításait a hálózati konfigurálás befejezéséhez. Ha módosítania kell a Wi-Fi-környezetet, újra be kell lépnie a módba. Ha a Wi-Fi funkció ikonja folyamatosan világít, az azt jelzi, hogy a hálózat sikeresen csatlakozott.

Fagyasztó hőmérsékletének a beállítása

Miután kinyitotta a hűtőszekrény ajtaját és feloldotta a vezérlőképernyőt, az Alacsonyabb hőmérséklet gomb segítségével csökkentheti a hűtőszekrény beállított hőmérsékletét. A gomb minden enyhe megérintésekor a hőmérséklet 1 °C értékkel csökken, a megengedett minimum hőmérséklet pedig -24 °C.

Miután kinyitotta a hűtőszekrény ajtaját és feloldotta a vezérlőképernyőt, a Magasabb hőmérséklet gomb segítségével növelheti a hűtőszekrény beállított hőmérsékletét. A gomb minden enyhe megérintésekor a hőmérséklet 1 °C értékkel emelkedik, a megengedett maximum hőmérséklet pedig -14 °C.

Működés közben a Hőmérséklet-kijelző ikon megjeleníti a beállított hőmérsékletet, és villog. A vezérlőképernyő 5 másodperc elteltével automatikusan megerősíti a beállított hőmérsékletet, majd megjeleníti az aktuális tényleges hőmérsékletet. A beállítás befejezése után a hűtőszekrény fokozatosan átvált a tényleges hőmérsékletről a beállított hőmérsékletre. Tehát egy ideig eltérés lehet a tényleges hőmérséklet és a beállított hőmérséklet között.

Super Freeze funkció

Ezzel a gombbal és ikonjával lehet átváltani a hűtőszekrény Super Freeze funkciójára, és megjeleníteni az aktuális állapotot.

Miután kinyitotta a hűtőszekrény ajtaját és feloldotta a vezérlőképernyőt, finoman érintse meg a Super Freeze funkciógombot, a Super Freeze funkció ikonja kigyullad, és a hűtőszekrény már ebben az üzemmódban lesz; Ha ki kell lépnie az üzemmódból, ugyanezt a műveletet, a Super Freeze funkciógomb enyhe megérintését kell elvégeznie.

A funkció közben a hőmérséklet valószínűleg megközelíti a -28 °C értéket, vagy annál alacsonyabbat, és a hűtőszekrény 50 óra elteltével automatikusan kilép ebből a funkcióból, hogy elkerülje a túl alacsony hőmérsékletet.

ECO funkció

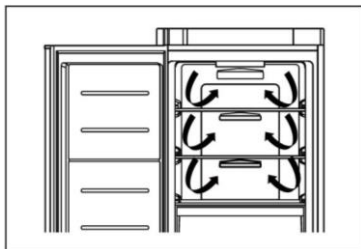
Miután kinyitotta a hűtőszekrény ajtaját és feloldotta a vezérlőképernyőt, finoman érintse meg az ECO funkciógombot, az ECO funkció ikonja kigyullad, és a hűtőszekrény már ebben az üzemmódban lesz; Ha ki kell lépnie az üzemmódból, ugyanezt a műveletet, az ECO funkciógomb enyhe megérintését kell elvégeznie. ECO módban a hűtőszekrény automatikusan -18 °C -os átlaghőmérsékleten működik.



MEGJEGYZÉS

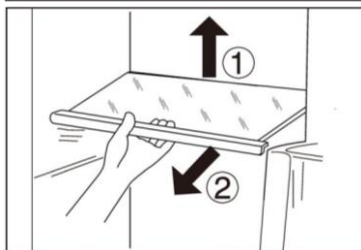
A Super Freeze funkció és az ECO funkció közötti speciális funkciók eltérő működési logikája miatt ezeket a speciális üzemmódokat nem lehet egyszerre aktiválni. Csak egy funkció aktiválható, és az üzemmódok közötti váltáskor a többi speciális üzemmód automatikusan kilép. Ezenkívül a beállított hőmérséklet megváltoztatható, kivéve, ha ezek az üzemmódok kilépnek.

-18 °C az olyan általános fagyasztott élelmiszerekhez használható, amelyek 1-12 hónapig tartó tárolást igényelnek, mint például a hús, baromfi, tenger gyümölcsei, előfőzött ételek és maradékok, egyes gyümölcsök és zöldségek, fagyalt és egyéb fagyasztott desszertek.



Többirányú légáramlás

1. A hűtőszekrény többirányú légáramlási rendszerrel van felszerelve, amely hűvös légárammal látja el az összes polcszintet. Ez segít az egységes hőmérséklet megőrzésében a készülékben, így az étel hosszabb ideig frissebb maradhat.



Állítható polcok

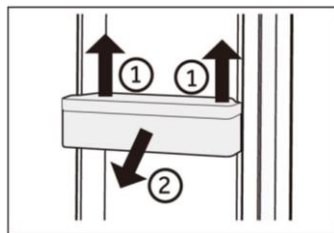
1. A polcok magasságát az Ön tárolási igényeihez igazíthatja.
2. Egy polc áthelyezéséhez először emelje fel a hátsó szélét ①, majd húzza ki a polcot ②.
3. A visszaszereléshez helyezze mindkét oldalon a fűlekre, és tolja a leghátsó helyzetbe, amíg a polc hátulja nem rögzül az oldalsó nyílásokban.

i MEGJEGYZÉS

Győződjön meg arról, hogy a polc mindegyik éle vízszintesen helyezkedik el.

Levehető ajtópolcok/palacktartó

1. Az ajtó polcai tisztítás céljából eltávolíthatók:
2. Tegye a kezét az állvány két oldalára, emelje fel ①, majd húzza ki a polcot ②.
3. Az ajtópolc behelyezéséhez hajtsa végre a fenti lépéseket fordított sorrendben.



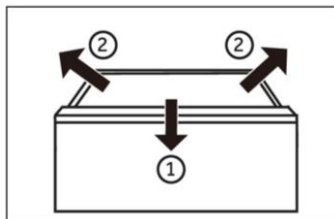
i MEGJEGYZÉS

Amikor a készüléket bekapcsolja, akár 12 órát is igénybe vehet a megfelelő hőmérséklet elérése.

Eltávolítható fiók

A fiók eltávolításához húzza ki azt a végpontig ①, majd emelje fel és vegye ki ②.

A fiók behelyezéséhez hajtsa végre a fenti lépéseket fordított sorrendben.



A világítás

A LED-es belső világítás bekapcsol az ajtó nyitásakor. A lámpák teljesítményét a készülék semmilyen egyéb beállítása nem befolyásolja.



Energiatakarékossági tippek

- ▶ Bizonyosodjon meg arról, hogy a készülék megfelelő szellőzéssel rendelkezik (lásd BESZERELÉS).
- ▶ Ne szerelje be a készüléket közvetlen napsugárzásnak kitett helyre vagy hőforrások (pl. kályhák, fűtőberendezések) közelébe.
- ▶ Kerülje a szükségtelenül alacsony hőmérsékletet a készülékben. Minél alacsonyabb hőmérsékletet állít be, annál jobban növekszik az energiafogyasztás.
- ▶ Az olyan funkciók, mint a Super Freeze, magasabb energiafogyasztást eredményeznek.
- ▶ Mielőtt a készülékbe tenné, hagyja, hogy a meleg élelmiszer kihűljön.
- ▶ Minél kevésbé és minél rövidebb ideig nyissa ki a készülék ajtaját.
- ▶ Ne töltse túlságosan meg a készüléket, mivel ez akadályozza a légáramlást.
- ▶ Kerülje, hogy levegő legyen az élelmiszerek csomagolásában.
- ▶ Az ajtótmítéseket tartsa tisztán, hogy az ajtó mindig megfelelően becsukódhasson.
- ▶ Az energiatakarékosság szempontjából leghatékonyabb konfiguráció biztosításához a készüléknek gyári állapotú és tisztaságú fiókokra, élelmiszerdobozokra, polcokra van szüksége, és az élelmiszert úgy kell elhelyezni, hogy az a legkevésbé korlátozza a levegőáramlást a légcsatorna levegőkimeneténél.



FIGYELMEZTETÉS!

Tisztítás előtt válassza le a hálózatról a készüléket.

Tisztítás

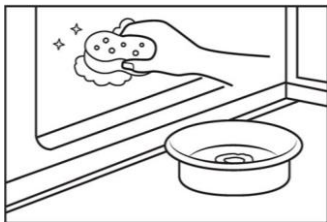
Akkor tisztítsa meg a készüléket, amikor kevés vagy semmilyen élelmiszer nem található benne.

A készüléket tisztítsa meg négyhetente a megfelelő karbantartás jegyében, illetve megelőzendő a kellemetlen élelmiszer illatok kialakulását.



FIGYELMEZTETÉS!

- ▶ Ne tisztítsa a készüléket keménysörtés kefékkel, drótkefékkel, mosóporral, benzinnel, amil-acetáttal, acetonnal és hasonló szerves oldatokkal, valamint savas vagy lúgos oldatokkal. A károsodások elkerülése érdekében a hűtőszekrény tisztítását speciális, adott célra kialakított tisztítószerrel végezze.
- ▶ Tisztítás közben ne permetezze vagy öblítse le a készüléket.
- ▶ Ne használjon vízpermetet vagy gőzt a készülék tisztításához.
- ▶ A hideg üvegpolicokat ne tisztítsa forró vízzel. A hirtelen hőmérséklet-változás nyomán az üveg megrepedhet.
- ▶ Ne érintse meg a fagyasztórekesz belső felületét, különösen nedves kézzel, mert a keze a felülethez fagyhat.
- ▶ Felmelegítés esetén ellenőrizze a fagyasztott áruk állapotát.



- ▶ Mindig tartsa tisztán az ajtó tömitést.
- ▶ Tisztítsa meg a készülék belsejét és burkolatát meleg vízzel és semleges tisztítószerrel átnedvesített szivaccsal.
- ▶ 1. Tisztítsa meg a hűtőszekrény belsejét és külsejét, beleértve az ajtó tömitést, az ajtópolcot, az üvegpolicokat, a dobozokat és így tovább, puha törőlkendővel vagy meleg vízbe mártott szivaccsal (a művelethez a meleg vízbe elegyíthet semleges tisztítószerrel).
- ▶ 2. Ha folyadék ömlött ki, távolítsa el az összes szennyezett alkatrészt, öblítse át ezeket közvetlenül folyó víz alatt, majd szárítsa meg és tegye vissza az alkatrészeket a hűtőbe.
- ▶ 3. Krémszerű termékek (például tejszín, olvadó jégkrém) kiömlése esetén, kérjük, távolítsa el az összes szennyezett alkatrészt, helyezze adott időtartamra meleg, kb. 40 °C-os vízbe, majd öblítse át folyó vízzel, szárítsa meg, végül pedig tegye vissza a hűtőszekrénybe.
- ▶ 4. Abban az esetben, ha egy kisebb alkatrész vagy alkotóelem reked a hűtőszekrény belsejébe (a polcok vagy fiókok közé), az eltávolításhoz kis puha kefével használjon. Ha az alkatrész nem elérhető, kérjük, vegye fel a kapcsolatot a Haier szervizzel.

MEGJEGYZÉS

A vízvezető nyílást nem zárhatják el idegen tárgyak, ellenkező esetben a víztűzfolyási probléma léphet fel. Ha a vízvezető nyílás eltömődött, vegye ki a fiókot, és tisztítsa meg egy kendővel.



- ▶ Öblítse le a felületeket, majd törölje szárazra egy puha törölkendővel.
- ▶ A készülék egyetlen részét vagy tartozékát se tisztítsa mosogatógépben.
- ▶ A készülék újraindítása előtt várjon legalább 5 percet, mivel a készülék gyakori indítása során károsodhat a kompresszor.

Leolvasztás

A fagyasztórekeszek kiolvasztása automatikusan történik: nincs szükség felhasználói beavatkozásra.

A LED-es lámpák cseréje



FIGYELMEZTETÉS!

Ne tegyen kísérletet a LED-es lámpák saját kezű cseréjére, ezeket csak a gyártó vagy a hivatalos szerviz munkatársa cserélheti ki.

A lámpa fényforrása LED alapú, amely alacsony fogyasztást és hosszú élettartamot zavartól. Bármilyen rendellenesség esetén vegye fel a kapcsolatot az ügyfélszolgálattal. Lásd az ÜGYFÉLSZOLGÁLAT részt.

A lámpák paraméterei:

A fagyasztó rekeszei: 12 V max 1,5 W

A termék <G> energiahatékonysági osztályba sorolt fényforrást tartalmaz.

Hosszabb használaton kívüli időszak

Ha a készüléket nem használja hosszabb ideig:

Vegye ki az ételt.

Húzza ki a tápkábelt.

Tisztítsa meg a készüléket a fent leírtak szerint.

A kellemetlen szagok készüléken belüli megjelenésének elkerülése érdekében hagyja nyitva az ajtókat.



MEGJEGYZÉS

Csak akkor kapcsolja ki a készüléket, ha feltétlenül szükséges.

A készülék mozgatása

1. Távolítsa el az összes élelmiszert, és húzza ki a készülék csatlakozódugóját.
2. Rögzítse a polcokat és az egyéb mozgatható alkatrészeket a fagyasztóban szigetelőszalaggal.
3. A hűtőrendszer károsodásának az elkerülése érdekében ne döntse meg a hűtőberendezést 45°-nál nagyobb szögben.



FIGYELMEZTETÉS!

- ▶ Ne emelje a készüléket a fogantyúitól.
- ▶ Soha ne fektesse a készüléket vízszintesen a földre.

Sok felmerülő problémát saját maga is megoldhat speciális szakértelem nélkül. Probléma felmerülése esetén ellenőrizze az összes felsorolt lehetőséget, és kövesse az alábbi utasításokat, mielőtt felvenné a kapcsolatot egy ügyfélszolgálatl. Lásd az ÜGYFÉLSZOLGÁLAT részt.



FIGYELMEZTETÉS!

- ▶ Karbantartás előtt kapcsolja ki a készüléket, és húzza ki a hálózati dugaszt a hálózati aljzathoz.
- ▶ Az elektromos berendezéseket csak szakképzett villamossági szakemberek szervizelhetik, mert a nem megfelelő javítások jelentős károkat okozhatnak.
- ▶ Sérült tápkábel esetén a veszély elkerülése érdekében cseréltesse ki azt a gyártóval, a gyártó szervizközpontjával vagy más szakemberrel.

Probléma	Lehetséges ok	Lehetséges megoldás
A kompresszor nem működik.	<ul style="list-style-type: none"> • A hálózati dugasz nem csatlakozik a hálózati aljzathoz. • A készülék leolvasztási ciklust végez. 	<ul style="list-style-type: none"> • Csatlakoztassa a hálózati csatlakozódugót. • Ez természetes jelenség automatikus leolvasztásnál.
A készülék gyakran bekapcsol vagy túlságosan hosszú ideig üzemel.	<ul style="list-style-type: none"> • A beltéri vagy kültéri hőmérséklet túl magas. • A készülék hosszabb ideig kikapcsolt állapotban volt. • Egy ajtó a készülékben nem záródik megfelelően. • Az ajtót túlságosan gyakran nyitotta ki, vagy túlságosan sokáig tartotta nyitva. • A fagyasztórekesz hőmérsékletének a beállítása túl alacsony. • Az ajtó tömitése szennyezett, kopott, repedt vagy nem megfelelő. 	<ul style="list-style-type: none"> • Ebben az esetben természetes, hogy a készülék üzemideje megnövekedett. • Normál esetben 8 és 12 óra közötti időtartam szükséges a készülék teljes lehűléséhez. • Csukja be az ajtót/fiókot, és bizonyosodjon meg arról, hogy a készülék egyenes felületen található, és hogy élelmiszer vagy tárolóedény nem akadályozza az ajtó záródását. • Ne nyissa ki az ajtót/fiókot túl gyakran. • Állítsa a hőmérsékletet magasabbra, amíg a hűtőszekrény hőmérséklete megfelelő nem lesz. A hűtőszekrény hőmérsékletének a stabilizálódása 24 órát vesz igénybe. • Tisztítsa meg az ajtó/fiók tömitését, vagy cserélje ki ezt az ügyfélszolgálat bevonásával.

Probléma	Lehetséges ok	Lehetséges megoldás
	<ul style="list-style-type: none"> A szükséges szellőzés nem biztosított. 	<ul style="list-style-type: none"> Bizonyosodjon meg arról, hogy megfelelő a szellőzés.
A hűtőberendezés belső része szennyezett és/vagy kellemetlen szagú.	<ul style="list-style-type: none"> A hűtőszekrény belső része tisztítást igényel. Erős illatú élelmiszert tárol a hűtőberendezésben. 	<ul style="list-style-type: none"> Tisztítsa meg a hűtőszekrény belső részét. Alaposan csomagolja be az élelmiszert.
Nincs elég hideg a készülék belsejében.	<ul style="list-style-type: none"> A beállított hőmérséklet túl magas. Túl meleg árukat helyezett a készülékbe. Túl sok ételt helyezett egyszerre a készülékbe. Az élelmiszert egymáshoz túl közel helyezte. Egy ajtó/fiók a készülékben nem záródik megfelelően. Az ajtót/fiókot túlságosan gyakran nyitotta ki, vagy túlságosan sokáig tartotta nyitva. 	<ul style="list-style-type: none"> Állítsa vissza a hőmérsékletet. Tárolás előtt mindig hagyja lehűlni az élelmiszert. Az élelmiszereket mindig kis mennyiségben helyezze be. Hagyjon rést az élelmiszerek között, ami lehetővé teszi a levegő áramlását. Csukja be az ajtót/fiókot. Ne nyissa ki az ajtót/fiókot túl gyakran.
Túl hideg van a készülék belsejében.	<ul style="list-style-type: none"> A beállított hőmérséklet túl alacsony. A Super Freeze funkciót bekapcsolta, vagy a funkció túl sokáig üzemel. 	<ul style="list-style-type: none"> Állítsa vissza a hőmérsékletet. Kapcsolja ki a Super Freeze funkciót.
Nedvesség gyűlik fel a hűtőberendezés külső felületén vagy az ajtó/ajtók és a fiók között.	<ul style="list-style-type: none"> Az éghajlat túl meleg vagy túl nedves. Az ajtó nincs megfelelően becsukva. A készülékben lévő hideg levegő és az azon kívüli meleg levegő páralecsapódást eredményez. 	<ul style="list-style-type: none"> Ez természetes jelenség nedves éghajlati viszonyok között, és megszűnik, amint csökken a páratartalom. Bizonyosodjon meg arról, hogy megfelelően becsukta az ajtót/fiókot.
A kijelzőfény működik, de nincs hűtés.	<ul style="list-style-type: none"> Demo módban van. 	<ul style="list-style-type: none"> Kérjük, ellenőrizze, hogy milyen állapotban van, ha Demo módban van, lépjen ki belőle. Kikapcsolás: Tartsa lenyomva az „ECO” gombot, és kattintson a „Super freeze” gombra 5 másodpercen belül 5 alkalommal.

Probléma	Lehetséges ok	Lehetséges megoldás
Vastagjég és zúzmara található a fagyasztórekeszben.	<ul style="list-style-type: none"> Az élelmiszereket nem csomagolta be megfelelően. Egy ajtó/fiók a készülékben nem záródik megfelelően. Az ajtót/fiókot túlságosan gyakran nyitotta ki, vagy túlságosan sokáig tartotta nyitva. Az ajtó/fiók tömítése szennyezett, kopott, repedt vagy nem megfelelő. Valami belülről megakadályozza az ajtó/fiók megfelelő záródását. 	<ul style="list-style-type: none"> Mindig csomagolja be alaposan az élelmiszereket. Csukja be az ajtót/fiókot. Ne nyissa ki az ajtót/fiókot túl gyakran. Tisztítsa meg az ajtó/fiók tömítését, vagy cserélje ki ezt újjal. Helyezze vissza a polcokat, az ajtópolcokat vagy belső tartályokat, hogy az ajtó/fiók becsukódhasson.
A szekrény oldalai és az ajtó-tömítés felmelegedik.	<ul style="list-style-type: none"> - 	<ul style="list-style-type: none"> Ez természetes jelenség.
A készülék rendellenes hangokat ad ki.	<ul style="list-style-type: none"> A készülék nem vízszintes talajon helyezkedik el. A készülék hozzáér valamilyen körülötte lévő tárgyhöz. 	<ul style="list-style-type: none"> Állítsa be a lábakat a készülék szintbe állításához. Távolítsa el a készülék mellett lévő tárgyakat.
Az áramló vízhez hasonló halk hang hallható.	<ul style="list-style-type: none"> - 	<ul style="list-style-type: none"> Ez természetes jelenség.
Riasztó hangjelzése hallható.	<ul style="list-style-type: none"> A hűtőrekesz ajtója nyitva maradt. 	<ul style="list-style-type: none"> Csukja be az ajtót.
Halk zümmögés hallható.	<ul style="list-style-type: none"> A lecsapódásgátló rendszer üzemel. 	<ul style="list-style-type: none"> Ez megakadályozza a páralecsapódást és normális.
A belső világítás vagy hűtőrendszer nem működik.	<ul style="list-style-type: none"> A hálózati dugasz nem csatlakozik a hálózati aljzathoz. 	<ul style="list-style-type: none"> Csatlakoztassa a hálózati csatlakozódugót.
	<ul style="list-style-type: none"> Az áramellátás nem megfelelő. 	<ul style="list-style-type: none"> Ellenőrizze a helyiség áramellátását. Vegye fel a kapcsolatot a helyi áramszolgáltatóval!
	<ul style="list-style-type: none"> A LED-es lámpa meghibásodott. 	<ul style="list-style-type: none"> Vegye fel a kapcsolatot a szervizzel a lámpa kicseréléséhez.

A műszaki támogatással való kapcsolatfelvételhez látogasson el a következő webhelyre: <https://corporate.haier-europe.com/en/>

A „webhely” (website) rész alatt válassza ki a termék márkáját és országát. Az oldal átirányítja az adott webhelyre, ahol megtalálható a műszaki támogatás eléréséhez szükséges telefonszám és űrlap.

Tápellátás megszakadása

Tápkimaradás esetén az élelmiszer biztonságos hidegben marad megközelítőleg 5 órán át. Hosszabb tápkimaradás esetén, különösen nyáron, kövesse az alábbi tippeket:

- ▶ Minél kevesebbszer nyissa ki az ajtót/fiókot.
- ▶ Tápkimaradás esetén ne tegyen további élelmiszereket a készülékbe.
- ▶ Ha a szolgáltató előzetesen tájékoztat a várható tápkimaradásról, és ha a tápkimaradás időtartama meghaladja az 5 órát, gyártson némi jeget, és helyezze a hűtőrekesz felső részébe.
- ▶ A megszakítást követően azonnal vizsgálja meg az élelmiszert.
- ▶ Mivel a hűtőszekrényben a hőmérséklet áramkimaradás vagy egyéb meghibásodás esetén emelkedni fog, a tárolási időtartam és az élelmiszer fogyaszthatósági időtartama lecsökken. Röviddel a kimaradást követően a kiolvadt élelmiszert fogyassza el, vagy főzze meg, és fagyassza le ismét (ha lehetséges) az egészségügyi kockázatok elkerülése érdekében.

Memória funkció áramkimaradás esetén

Az áramellátás helyreállítása után a készülék az áramkimaradás előtt meghatározott beállításokkal folytatja a működést.

Kicsomagolás



FIGYELMEZTETÉS!

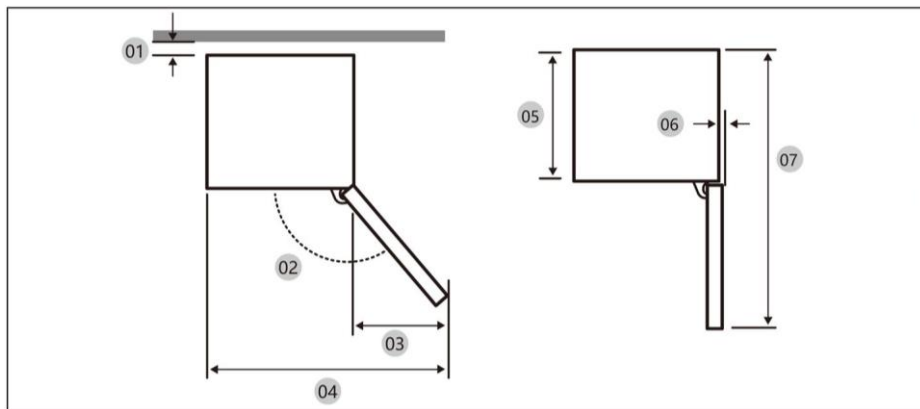
- ▶ A készülék nehéz. A készülék mozgatásához mindig legalább két személy szükséges.
- ▶ Tartson minden csomagolóanyagot gyermekektől elzárva, kiselejtezésüket pedig környezetbarát módon végezze.
- ▶ Vegye ki a készüléket a csomagolásból.
- ▶ Távolítsa el az összes csomagolóanyagot.

Környezeti körülmények

A szobahőmérsékletnek mindig 10 °C és 43 °C között kell lennie, mivel befolyásolhatja a készülék belsejének hőmérsékletét és energiafogyasztását. Ne telepítse a készüléket egyéb hőkibocsátó készülékek (sütők, hűtőgépek) közelébe

Helyszükséglet

Helyszükséglet nyitott ajtó mellett (szekrény ajtópanel nélkül)

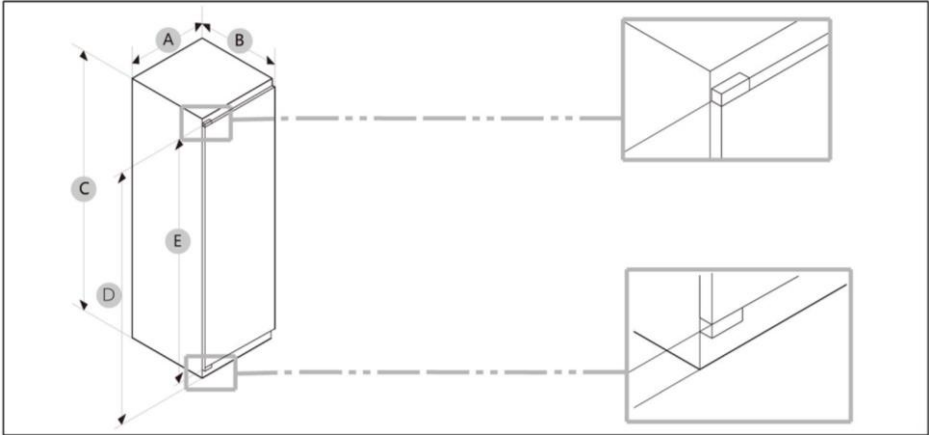


Modell	CMT5518EVWF RMT5518EVWF
01*	10 (min.) / 30 (ajánlott)
02	95° (ajánlott)
03	43
04	583
05	515
06	-3
07	1060

(mértékegység: mm)

* 01: A szekrénytől a termék hátuljáig.

Termék méretei



Modell	A (mm)	B (mm)	C (mm)	D (mm)	E (mm)
CMT5518EVWF	540±2	550±2	1772±2	1715	1671
RMT5518EVWF					

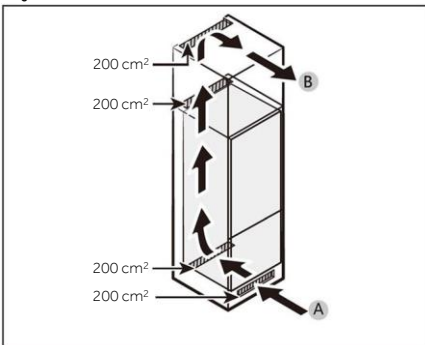


MEGJEGYZÉS

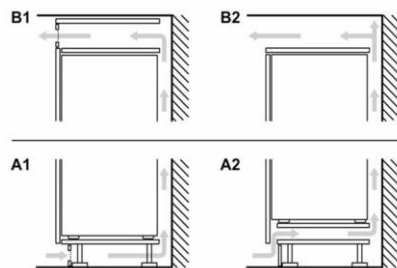
- A megadott energiafogyasztás a szekrény és a termék hátulja közötti 10 mm-es távolság meglétét feltételezi. A termék akkor is megfelelően működik, ha a távolság nem éri el a 10 mm-t, de ebben az esetben valamivel több energiát fogyaszt.
- Javasoljuk, hogy 19 mm-es vastagsággal rendelkező szekrényt használjon, amelynek zsanérjai 17 mm-nél vékonyabbak.
- A fenti táblázatban szereplő méretek a mérési módszertől függően eltérőek lehetnek.
- A beépített telepítés menetét illetően lásd a Telepítési útmutatót.

Szellőzőnyílás keresztmetszete

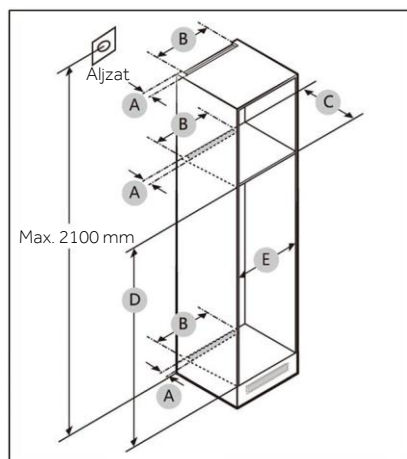
A készülék számára biztonsági okokból szükséges szellőzése érdekében kötelezően vegye figyelembe a szellőzés keresztmetszetére vonatkozó tájékoztatást.



A: Levegőbemenet $\geq 200 \text{ cm}^2$; szellőzési lehetőségek
B: Levegőkimenet $\geq 200 \text{ cm}^2$; szellőzési lehetőségek



Szekrény mérete



VIGYÁZAT!

A jótállás nem terjed ki a termék alábbi okokból bekövetkező meghibásodására.

1. Nem megfelelő helyszíni feltételek vagy helytelen szekrényméret.
2. Hibás szekrény.
3. A beszerelést végző személy vagy a felhasználó által elkövetett hibák.

Megfelelő távolság a berendezés körül

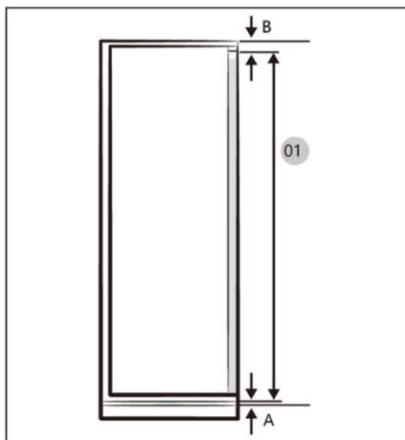
A telepítés helyigénye tekintetében lásd az alábbi ábrákat és táblázatokat.

Modell		A (mm)	B (mm)	C (mm)	D (mm)	E (mm)	Megjegyzés
CMT5518EVWF RMT5518EVWF	Min.	50	400	560	1778	560	Zsanér: 17 mm
	Ajánlott			580	1780	562	
	Max.			-	1782	568	



MEGJEGYZÉS

- Ha a szekrény szélessége meghaladja az 568 mm-t, a tömítés (a hűtőszekrény és a szekrény között) meglazulhat.
- Ha a szekrény magassága meghaladja a maximális méretet (1782 mm), akkor más anyagokkal kell kitöltenie a rést.

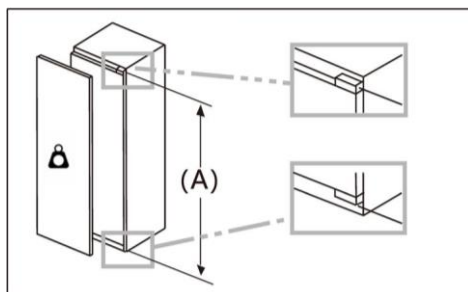


- A. Az előlap alsó széle a szellőzési légrés felett
 B. Előlap túlnyúlása

Modell	CMT5518EVWF RMT5518EVWF
01	Min. 1694+A+B Max. 1850+A+B

(mértékegység: mm)

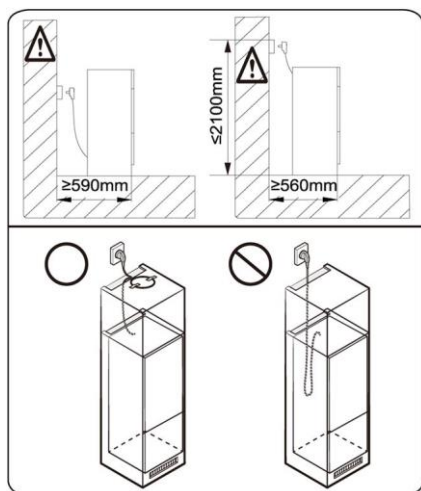
Az egység előlapjainak maximális megengedett tömege



A megengedett tömeget meghaladó egység előlapok károsíthatják a zsanérokat, és funkcionális rendellenességet okozhatnak.

Tömeg (kg)	1500-1750 mm	22
		720-1400 mm

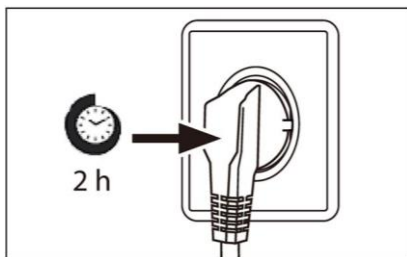
Az aljzat helyét és a szükséges távolságot illető követelmények



i MEGJEGYZÉS

Ha a hűtőszekrényt 560 mm mély szekrénybe szereli, győződjön meg róla, hogy a tápkábel a hűtőszekrény oldalán van elhelyezve, mielőtt a terméket csatlakoztatná a hálózati aljzathoz. Ha a tápkábel a hűtőszekrény hátuljánál található, az csökkentheti az energiahatékonyságot.

Várakozási idő



Karbantartásmentes kenőolaj található a kompresszorban kialakított gyűjtőedényben. Ferde szállítás esetén ez az olaj a zárt csőrendszerbe juthat. Mielőtt tápellátáshoz csatlakoztatná a készüléket, mindenképpen várjon legalább 2 órát, hogy az olaj visszajusson a gyűjtőedénybe.

Elektromos csatlakoztatás

Minden egyes csatlakoztatás előtt ellenőrizze az alábbiakat:

- ▶ tápellátás, aljzat és biztosíték megfelelősége az adattáblán szereplő adatoknak;
- ▶ a tápaljzat földeléssel rendelkezik, és nem használ többcsatlakozós hosszabbítót a tápellátáshoz;
- ▶ a tápdugasz és az aljzat teljes mértékben illeszkedik egymáshoz.

Csatlakoztassa a csatlakozódugót egy megfelelően beépített háztartási aljzathoz.



FIGYELMEZTETÉS!

A kockázatok elkerülése érdekében a sérült tápkábelt kötelezően ki kell cserélni, ezt pedig csak az ügyfélszolgálat munkatársa végezheti el (lásd a jótállási jegyet).

Az (EU) 2019/2016 előírásnak megfelelő termékadatlap

Márka	CANDY	Rosieres
Modellnév/azonosító	CMT5518EVWF	RMT5518EVWF
Modellkategória	Fagyasztó	Fagyasztó
Energiahatékonysági osztály	E	E
Éves energiafogyasztás (kWh/év) (1)	215	215
Össztérfogat (l)	220	220
Kamra térfogata (l)	/	/
Fagyasztó térfogata (l)	220	220
Hűtőrekesz térfogata (l)	/	/
Automatikus jégkészítő térfogata (l)	/	/
Csillaggal történő megjelölés	4	4
Egyéb rekeszek hőmérséklete > 14 °C	Nem vonatkozik	Nem vonatkozik
Fagymentes rendszer	Igen	Igen
Fagyasztási kapacitás (kg/24 ó)	15	15
Éghajlati besorolás(2)	SN/N/ST/T	SN/N/ST/T
Zajkibocsátási osztály és levegőben terjedő akusztikus zajkibocsátás (db(A)re1pW)	B 35	B 35
Hőmérséklet-emelkedési idő (ó)	6	6
Jégkészítési kapacitás	/	/
A berendezés típusa	Beépített	Beépített

Modellnév	Energiahatékonysági osztály
CMT5518EVWF	E
RMT5518EVWF	E

Magyarázatok:

- Igen, támogatott
- (1) 24 órás szabványos megfeleléségi vizsgálat eredményei alapján.
A tényleges fogyasztás függ a készülék használatától és helyétől.
- (2) SN éghajlati besorolás: A készüléket +10 °C és +32 °C közötti környezeti hőmérsékleten való használatra tervezték
N éghajlati besorolás: A készüléket +16 °C és +32 °C közötti környezeti hőmérsékleten való használatra tervezték
ST éghajlati besorolás: A készüléket +16 °C és +38 °C közötti környezeti hőmérsékleten való használatra tervezték
T éghajlati besorolás: A készüléket +16 °C és +43 °C közötti környezeti hőmérsékleten való használatra tervezték

Kiegészítő műszaki adatok

Feszültség / Frekvencia	220–240 V váltóáram / 50 Hz
Bemeneti áramerősség (A)	1.5
Fő biztosíték (A)	16
Hűtőfolyadék	R600a
Méreték (Ma/Sz/Mé mm-ben)	1772/540/550

RF információ

Max. e.i.r.p.: Bluetooth (BR/EDR): 10 dBm

Bluetooth LE: 5 dBm

2,4 GHz-es Wi-Fi: 16 dBm

Üzemi frekvenciasáv: 2400–2483,5 MHz

Figyelmébe ajánljuk a Haier ügyfélszolgálat és az eredeti pótalkatrészek igénybe vételét.

Ha probléma merül fel a készülékkel, először tekintse át a HIBAELHÁRÍTÁS részt.

Ha ebben nem talál megoldást, lépjen kapcsolatba

- ▶ a helyi márkakereskedővel vagy
- ▶ európai telefonos ügyfélszolgálati központunkkal (lásd alább a felsorolt telefonszámokat) vagy
- ▶ a www.haier.com oldalon található Szerviz és támogatás (Service & Support) területen, ahol aktiválhatja a szervizelési
- ▶ igényt, illetve megtalálhatja a GYIK oldalt.

A szerviz szolgáltatásunkkal való kapcsolatfelvétel előtt bizonyosodjon meg arról, hogy elérhetők az alábbi adatok.

Az információ az adattáblán található.

Modell _____

Sorozatszám _____

Jótállási igény felmerülése esetén ellenőrizze a termékhez mellékelt jótállási kártyát is.

Európai telefonos ügyfélszolgálati központ		
Ország*	Telefonszám	Költségek
Haier Italy (IT)	199 100 912	
Haier Spain (ES)	902 509 123	
Haier Germany (DE)	0180 539 39 99	<ul style="list-style-type: none"> • 14 cent/perc vezetékes • max. 42 cent/perc mobil
Haier Austria (AT)	0820 001 205	<ul style="list-style-type: none"> • 14,53 cent/perc vezetékes • max. 20 cent/perc összes egyéb
Haier United Kingdom (UK)	0333 003 8122	
Haier France (FR)	0980 406 409	

* További országokért látogasson el a www.haier.com oldalra
Haier Europe Trading S.r.l
Branch UK
Westgate House, Westgate, Ealing
London, W5 1YY

*A hűtőszekrény jótállásának időtartama:

Minimális jótállás: 2 év az uniós tagállamokban, 3 év Törökországban, 1 év az Egyesült Királyságban, 1 év Oroszországban, 3 év Svédországban, 2 év Szerbiában, 5 év Norvégiában, 1 év Marokkóban, 6 hónap Algériában, Tunézia nincs kötelező jogi jótállás.

*A készülék javításához szükséges pótalkatrészek rendelkezésre állásának időtartama:

Termosztátok, hőmérséklet érzékelők, nyomtatott áramköri lapok és fényforrások legalább hét évig elérhetők a piacra bocsátott utolsó modelltől számítva.

Ajtófogantyúk, ajtópántok, tálcák és kosarak legalább hét évig, míg ajtó tömítések legalább 10 évig elérhetők a piacra bocsátott utolsó modelltől számítva.

*A termékre vonatkozó további tájékoztatás ügyében tekintse meg a <https://eprel.ec.europa.eu/> oldalt, vagy olvassa be a készüléken elhelyezett, energiafogyasztást jelölő címkén lévő QR-kódot.

5 Informazioni per la sicurezza

<u>Operazioni preliminari al primo utilizzo</u>	6
<u>Installazione</u>	6
<u>Utilizzo quotidiano</u>	7
<u>Informazioni sul gas refrigerante</u>	9

10 Uso previsto

11 Descrizione del prodotto

12 Pannello di controllo

13 Uso

<u>Tasto di blocco/sblocco e icona corrispondente</u>	13
<u>Funzione standby</u>	13
<u>Funzione Wi-Fi</u>	13
<u>Regolazione della temperatura del congelatore</u>	14
<u>Funzione Super Freeze</u>	15
<u>Funzione ECO</u>	15

16 Dotazioni

17 Suggerimenti per il risparmio energetico

18 Cura e pulizia

20 Risoluzione dei problemi

24 Installazione

30 Dati tecnici

32 Assistenza clienti

Grazie per aver acquistato un prodotto Haier.

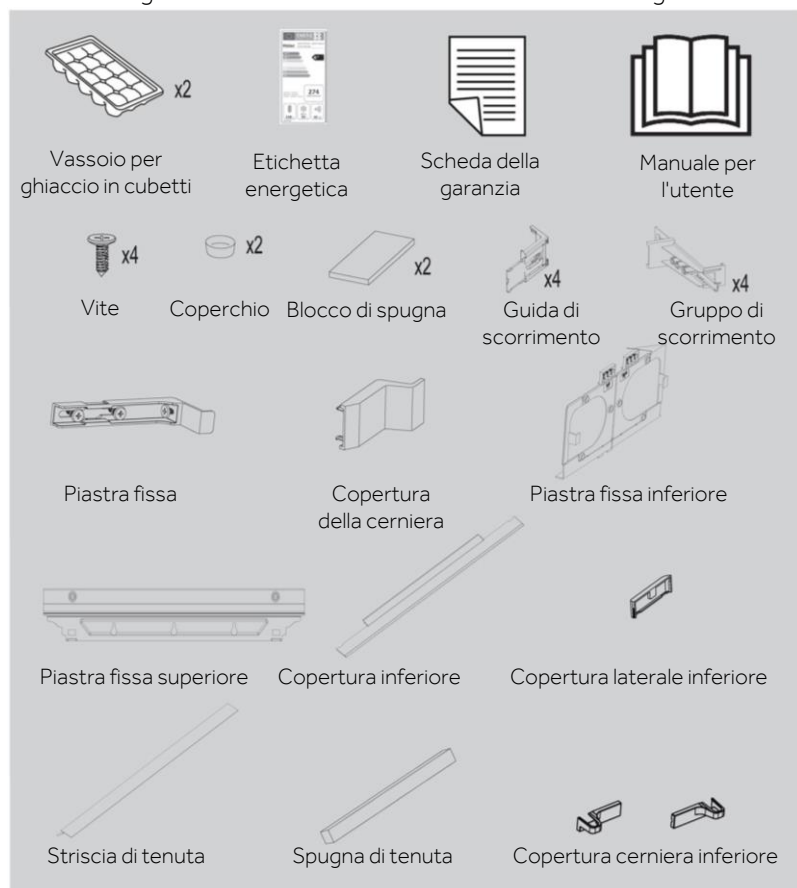
Leggere attentamente queste istruzioni prima di utilizzare l'elettrodomestico. Le istruzioni contengono informazioni importanti per ottimizzare l'uso dell'elettrodomestico e garantire l'installazione, l'uso e la manutenzione sicuri e corretti.

Conservare il presente manuale in un luogo comodo, in modo da poterlo sempre consultare per un uso sicuro e corretto dell'elettrodomestico.

Se l'elettrodomestico viene venduto, ceduto o abbandonato in caso di trasloco, trasferire anche il presente manuale in modo che il nuovo proprietario possa comprendere l'uso dell'elettrodomestico e delle avvertenze di sicurezza.

Accessori

Controllare gli accessori e la documentazione in base al seguente elenco:





AVVERTENZA - Informazioni importanti per la sicurezza



AVVISO - Informazioni generali e consigli



Informazioni ambientali



Smaltimento

Contribuire a proteggere l'ambiente e la salute umana. Collocare l'imballo in appositi contenitori affinché venga riciclato. Contribuire al riciclo dei rifiuti delle apparecchiature elettriche ed elettroniche. Non smaltire gli elettrodomestici contrassegnati con questo simbolo assieme ai rifiuti domestici. Conferire il prodotto presso la struttura di riciclo locale o rivolgersi all'ufficio comunale preposto.



AVVERTENZA!

Pericolo di lesioni o soffocamento!

I refrigeranti e i gas devono essere smaltiti in maniera professionale. Accertarsi che la tubazione del circuito del refrigerante non sia danneggiata prima di smaltirla correttamente. Scollegare l'elettrodomestico dalla rete elettrica. Tagliare il cavo di alimentazione e smaltirlo. Rimuovere vassoi e cassette, fermaporte e guarnizioni, per evitare che bambini e animali domestici rimangano chiusi nell'elettrodomestico.

Prima di accendere l'elettrodomestico per la prima volta, leggere i seguenti consigli sulla sicurezza:



AVVERTENZA!

Operazioni preliminari al primo utilizzo

- ▶ Accertarsi dell'assenza di danni dovuti al trasporto.
- ▶ Per garantire la totale efficienza del circuito del refrigerante, attendere almeno due ore prima di installare l'elettrodomestico.
- ▶ L'elettrodomestico deve essere maneggiato sempre da almeno due persone perché è pesante.
- ▶ Rimuovere tutti i materiali di imballo, tenerli fuori dalla portata dei bambini e smaltirli nel rispetto dell'ambiente.
- ▶ Pulire l'interno e l'esterno dell'elettrodomestico con acqua e un detersivo delicato prima di inserire gli alimenti.
- ▶ Dopo l'installazione a livello e la pulizia, attendere almeno 2-5 ore prima di collegare l'elettrodomestico all'alimentazione elettrica. Vedere la sezione **INSTALLAZIONE**.
- ▶ Prima di caricare gli alimenti, preraffreddare i compartimenti con impostazioni elevate. La funzione Super-Freezer serve a raffreddare rapidamente i compartimenti.
- ▶ La temperatura del congelatore viene impostata automaticamente a -18 °C. Queste impostazioni sono quelle consigliate. È possibile, tuttavia, cambiare manualmente queste temperature. Vedere **REGOLAZIONE DELLA TEMPERATURA**.

Installazione

- ▶ Installare l'elettrodomestico in un luogo asciutto e ben ventilato. Lasciare uno spazio libero di almeno 10 cm sopra e attorno all'elettrodomestico.
- ▶ Non collocare mai l'elettrodomestico in zone umide o soggette a schizzi d'acqua. Pulire e asciugare schizzi e macchie d'acqua con un panno morbido e pulito.
- ▶ Non installare l'elettrodomestico esposto alla luce diretta del sole o in prossimità di fonti di calore (ad es. stufe o radiatori).
- ▶ Installare l'elettrodomestico a livello in un'area adatta alle dimensioni e all'uso.
- ▶ Le aperture di ventilazione nell'elettrodomestico o nella struttura a incasso devono rimanere sempre libere.
- ▶ Accertarsi che i dati elettrici sulla targhetta siano conformi all'alimentazione elettrica. In caso contrario, rivolgersi a un elettricista.
- ▶ L'elettrodomestico funziona con corrente elettrica 220-240 Vca / 50 Hz. Oscillazioni anomale della tensione possono causare il mancato avvio dell'elettrodomestico, danni al controllo della temperatura o al compressore oppure rumori anomali durante il funzionamento. In tal caso, è opportuno montare un regolatore automatico.
- ▶ Non adoperare prese multiple o cavi di prolunga.
- ▶ Non collocare prese multiple o alimentatori portatili nella parte posteriore dell'elettrodomestico.



AVVERTENZA!

- ▶ Accertarsi che il cavo di alimentazione non sia intrappolato dal frigorifero. Non calpestare il cavo di alimentazione.
- ▶ Per l'alimentazione elettrica utilizzare una presa separata collegata a terra e facilmente accessibile. L'elettrodomestico deve essere collegato a terra. Solo per il Regno Unito: il cavo di alimentazione dell'elettrodomestico è dotato di una spina a 3 conduttori (collegata a terra) adatta a una presa standard a 3 conduttori (collegata a terra). Non tagliare né smontare mai il terzo conduttore (collegamento a terra). Dopo l'installazione dell'elettrodomestico, la spina deve essere accessibile.
- ▶ Non danneggiare il circuito di refrigerazione.

Utilizzo quotidiano

- ▶ Questo elettrodomestico può essere utilizzato da bambini di almeno 8 anni, da persone con ridotte capacità fisiche, sensoriali o mentali e da persone inesperte solo sotto stretta sorveglianza o se hanno appreso le modalità di utilizzo sicuro dell'elettrodomestico e sono consapevoli dei relativi pericoli.
- ▶ I bambini di età da 3 a 8 anni possono introdurre e prelevare alimenti dall'elettrodomestico, ma non devono pulirlo o installarlo.
- ▶ Tenere lontani dall'elettrodomestico i bambini di età inferiore a 3 anni, a meno che non siano costantemente sorvegliati.
- ▶ Impedire ai bambini di giocare con l'elettrodomestico.
- ▶ In caso di perdite di gas refrigerante o altri gas infiammabili in prossimità dell'elettrodomestico, chiudere la valvola del gas che fuoriesce, aprire porte e finestre e non staccare la spina del cavo di alimentazione del frigorifero o di altri elettrodomestici.
- ▶ Si noti che l'elettrodomestico è impostato per il funzionamento in un intervallo di temperatura ambiente specifico compreso tra 10 e 43 °C. L'elettrodomestico potrebbe non funzionare correttamente se lasciato per un lungo periodo a una temperatura superiore o inferiore all'intervallo indicato.
- ▶ Non collocare elementi instabili (oggetti pesanti, contenitori pieni d'acqua) sopra il frigorifero, per evitare lesioni personali dovute a cadute o scosse elettriche causate dal contatto con l'acqua.
- ▶ Non caricare eccessivamente i ripiani dello sportello. Lo sportello potrebbe deformarsi, il portabottiglie potrebbe fuoriuscire o l'elettrodomestico potrebbe rovesciarsi.
- ▶ Aprire e chiudere gli sportelli solo adoperando le maniglie. La distanza tra gli sportelli e tra gli sportelli e il mobile è molto limitata. Non allungare le mani in queste zone per evitare di schiacciarsi le dita. Aprire o chiudere gli sportelli del frigorifero solo quando non ci sono bambini nel raggio di movimento degli sportelli.
- ▶ Quando l'elettrodomestico viene collocato nella sede prescelta, accertarsi che il cavo di alimentazione non sia incastrato o danneggiato.
- ▶ Non collocare sostanze esplosive (ad es. lattine di aerosol con propellente infiammabile) all'interno di questo elettrodomestico.



AVVERTENZA!

- ▶ Per evitare la contaminazione degli alimenti:
 - Se gli sportelli rimangono aperti a lungo, la temperatura negli scomparti dell'elettrodomestico aumenta notevolmente.
 - Pulire regolarmente le superfici che entrano a contatto con gli alimenti e i sistemi di scarico accessibili.
 - Conservare carne e pesce crudo nel frigorifero in contenitori idonei, in modo che non gocciolino o entrino a contatto con altri alimenti.
 - Se l'elettrodomestico deve rimanere vuoto per lunghi periodi, spegnerlo, sbrinarlo, pulirlo, asciugarlo e lasciare aperti gli sportelli per evitare la formazione di muffa all'interno.
- ▶ Non conservare né utilizzare materiali esplosivi o corrosivi nell'elettrodomestico o nelle vicinanze.
- ▶ Non conservare medicinali, batteri o sostanze chimiche nell'elettrodomestico. Questo apparecchio è un elettrodomestico. Si sconsiglia di conservare materiali che richiedono temperature rigide.
- ▶ Non riporre liquidi in bottiglie o lattine (né alcolici ad elevata gradazione), specialmente bevande gassate, nel congelatore, perché durante il congelamento potrebbero scoppiare.
- ▶ Se la temperatura del congelatore è aumentata, controllare lo stato degli alimenti.
- ▶ Non toccare i prodotti congelati con le mani bagnate (indossare i guanti). In particolare, non mangiare i ghiaccioli subito dopo averli tolti dal comparto congelatore. In caso contrario, potrebbe congelarsi la bocca e potrebbero formarsi vesciche da gelo. PRONTO SOCCORSO: collocare immediatamente la zona congelata sotto l'acqua fredda corrente. Non tirare via la zona congelata!
- ▶ Non toccare la superficie interna del comparto congelatore durante il funzionamento, soprattutto con le mani bagnate, poiché le mani potrebbero congelarsi sulla superficie.
- ▶ In caso di blackout o prima della pulizia, scollegare l'elettrodomestico. Attendere almeno 7 minuti prima di riavviare l'elettrodomestico, poiché un avvio frequente può danneggiare il compressore.
- ▶ Non adoperare dispositivi elettrici all'interno dei compartimenti dell'elettrodomestico destinati alla conservazione degli alimenti, a meno che non siano del tipo consigliato dal produttore.
Manutenzione / pulizia
- ▶ Accertarsi che i bambini siano sorvegliati se effettuano la pulizia e la manutenzione.
- ▶ Scollegare l'elettrodomestico dalla rete elettrica prima di effettuare operazioni di manutenzione ordinaria. Attendere almeno 5 minuti prima di riavviare l'elettrodomestico, poiché un avvio frequente può danneggiare il compressore.



AVVERTENZA!

- ▶ Scollegare l'elettrodomestico tenendo la spina e non il cavo.
- ▶ Non pulire l'elettrodomestico con spazzole rigide, spazzole metalliche, detersivi in polvere, benzina, acetato di pentile, acetone e soluzioni organiche simili, soluzioni acide o alcaline. Per evitare danni, effettuare la pulizia con un detergente speciale per frigoriferi.
- ▶ Se il cavo di alimentazione è danneggiato, deve essere sostituito dal produttore, da un tecnico dell'assistenza o da una persona con analogo qualifica per evitare rischi.
- ▶ Non cercare di riparare, smontare o modificare personalmente l'elettrodomestico. Per le riparazioni rivolgersi all'assistenza clienti.
- ▶ Eliminare la polvere sul retro dell'unità almeno una volta all'anno per scongiurare il rischio di incendio e limitare i consumi energetici.
- ▶ Non spruzzare o schizzare liquidi sull'elettrodomestico durante la pulizia.
- ▶ Per pulire questo elettrodomestico non utilizzare apparecchi a vapore.
- ▶ Non pulire i ripiani di vetro freddi con acqua calda. Un'improvvisa variazione della temperatura può causare la rottura del vetro.

Informazioni sul gas refrigerante



AVVERTENZA!

L'elettrodomestico contiene il refrigerante infiammabile ISOBUTANO (R600a). Accertarsi che il circuito del refrigerante non abbia subito danni durante il trasporto o l'installazione. Eventuali perdite di refrigerante possono causare lesioni oculari o incendi. In caso di danni, tenere lontane fonti di fiamme libere, ventilare perfettamente l'ambiente e non collegare o scollegare i cavi di alimentazione dell'elettrodomestico o di altri elettrodomestici. Informare l'assistenza clienti.

In caso di contatto con gli occhi, sciacquare immediatamente con acqua corrente e rivolgersi tempestivamente a un oculista.

Uso previsto

Questo elettrodomestico è destinato al congelamento di alimenti. È stato progettato esclusivamente per l'uso in applicazioni domestiche e simili, ad es. zone cucina del personale in negozi, uffici e altri ambienti di lavoro; in fattorie, da clienti in hotel, motel e altri ambienti di tipo residenziale, nonché in bed-and-breakfast e attività di ristorazione. Non è destinato ad usi commerciali o industriali.

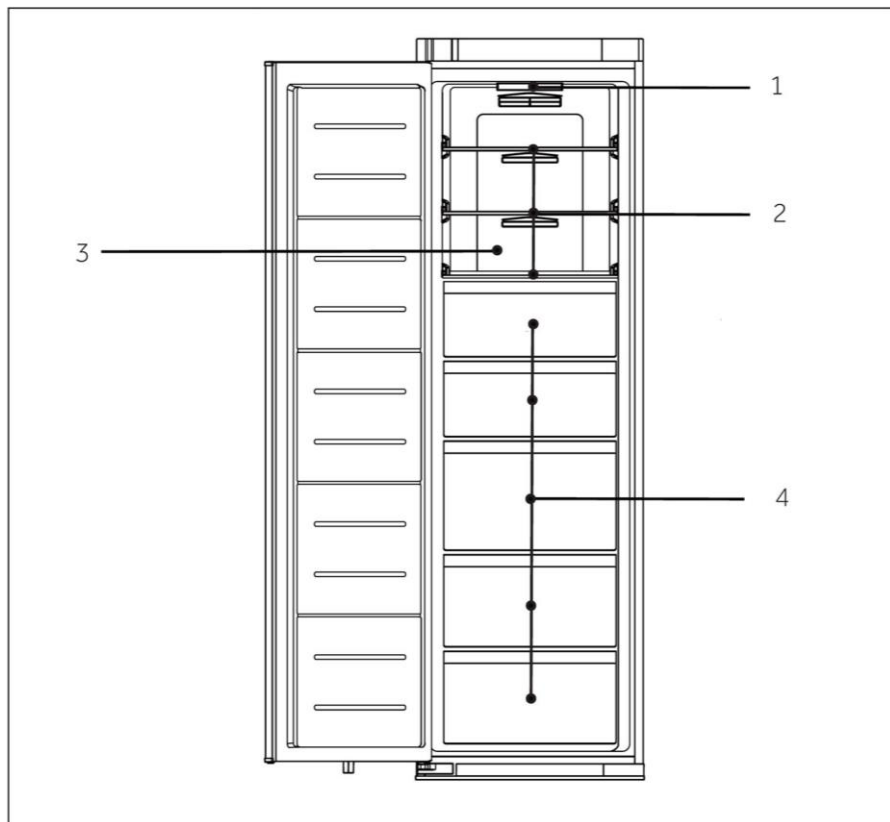
Non sono consentiti cambiamenti o modifiche all'elettrodomestico. Utilizzi errati possono causare pericoli e annullare la garanzia.

Norme e direttive

Questo prodotto è conforme ai requisiti di tutte le direttive CE vigenti con le corrispondenti norme armonizzate che prevedono il marchio CE.

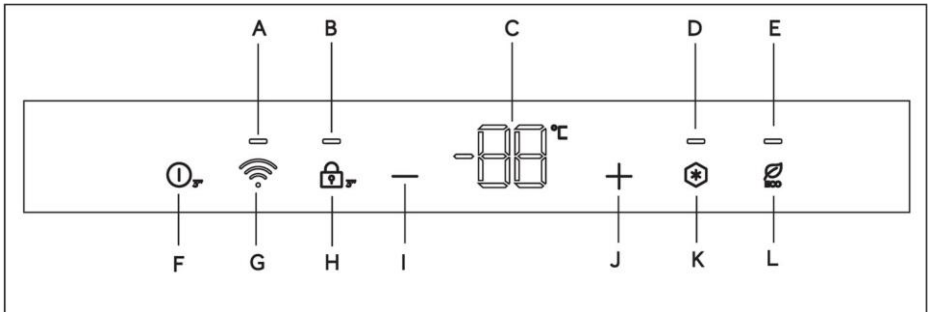
i AVVISO

A causa di modifiche tecniche e della varietà dei modelli, alcune illustrazioni riportate nel presente manuale possono essere diverse dall'aspetto reale del modello acquistato.

**CMT5518EVWF/RMT5518EVWF**

- 1 LED di illuminazione interna
- 2 Ripiani normali
- 3 Condotta dell'aria del congelatore
- 4 Cassetto del congelatore normale

Pannello di controllo



Icone degli indicatori:

- A Icona della funzione Wi-Fi
- B Icona di blocco/sblocco
- C Icone di visualizzazione temperatura
- D Icona funzione Super Freeze
- E Icona funzione ECO

Tasti a sfioramento:

- F Tasto ON/OFF
- G Tasto abbinamento Wi-Fi
- H Tasto di blocco/sblocco
- I Tasto Riduzione temperatura
- J Tasto aumento temperatura
- K Tasto funzione Super Freeze
- L Tasto funzione ECO

Tasti a sensore

I tasti del pannello di controllo sono di tipo a sensore che rispondono quando vengono toccati lievemente con un dito.

Prima di controllare lo schermo del display, aprire lo sportello del frigorifero.

Funzione di blocco/sblocco

Questo tasto e la corrispondente icona servono per bloccare o sbloccare lo schermo di controllo e indicarne lo stato attuale.

Aprire lo sportello del frigorifero con il frigorifero in funzione: lo schermo di controllo si illumina e l'icona Blocco/Sblocco si accende; a questo punto lo schermo di controllo è bloccato e non può essere utilizzato.

Sblocco o blocco manuale dello schermo: con l'icona di blocco/sblocco accesa, tenere premuto il tasto di blocco/sblocco per 3 secondi. L'icona si spegnerà, accompagnata da un segnale acustico. A questo punto è possibile selezionare la funzione o regolare la temperatura.

Con l'icona di blocco/sblocco spenta, tenere premuto il tasto di blocco/sblocco per 3 secondi. L'icona di blocco/sblocco si accenderà, accompagnata da un segnale acustico. In questo stato non è possibile effettuare la selezione della funzione o la regolazione della temperatura.

Blocco schermo automatico: Quando lo sportello del frigorifero è chiuso, lo schermo di controllo si spegne e si blocca.

Quando si apre lo sportello del frigorifero, lo schermo di controllo si blocca automaticamente se entro 30 secondi non viene effettuata alcuna operazione.

Funzione ON/OFF

Il tasto ON/OFF serve per la commutazione tra lo stato OFF (pausa di funzionamento) e lo stato ON (modalità di funzionamento normale).

Attivazione modalità OFF: con il frigorifero in modalità di funzionamento, prima sbloccare il display, quindi tenere premuto il tasto funzione ON/OFF per 3 secondi per spegnere lo schermo di controllo, l'illuminazione del frigorifero, il raffreddamento e altre funzioni; verrà emesso un segnale acustico.



AVVISO

La modalità OFF non sospende l'alimentazione: in questo stato il frigorifero è ancora collegato all'alimentazione elettrica.

Uscita dalla modalità OFF: in modalità OFF, tenere premuto il tasto ON/OFF per 3 secondi per riavviare lo schermo di controllo, l'illuminazione del frigorifero, il raffreddamento e altre funzioni; verrà emesso un segnale acustico. Il frigorifero tornerà alla temperatura e alla funzione impostate in precedenza ed entrerà in modalità di funzionamento normale.

Funzione Wi-Fi

Abbinamento Wi-Fi: quando si accende per la prima volta, il frigorifero entrerà automaticamente in modalità di configurazione di rete e l'icona della funzione Wi-Fi lampeggerà rapidamente; se non si verifica alcuna operazione di abbinamento alla rete, dopo 30 minuti il frigorifero uscirà automaticamente da questa modalità.

Accesso manuale alla modalità di abbinamento Wi-Fi: dopo aver sbloccato lo schermo di controllo, con l'icona della funzione Wi-Fi attiva, tenere premuto il tasto di abbinamento Wi-Fi per 3 secondi per accedere alla modalità. In questo periodo di tempo, l'icona della funzione Wi-Fi lampeggerà rapidamente per indicare che l'elettrodomestico è in modalità di abbinamento Wi-Fi. Se non viene eseguita alcuna operazione di abbinamento a una rete, l'uscita dalla modalità avviene automaticamente dopo 30 minuti.

PROCEDURA DI ACCOPPIAMENTO DELL'APP

<p>Passo 1 • Scaricare l'app hOn dagli store.</p> <div style="display: flex; align-items: center;">  <div style="margin-left: 10px;">    </div> </div>	
<p>Passo 2 Creare un account nell'app hOn oppure, nel caso se ne possedesse già uno, effettuare l'accesso.</p> 	<p>Passo 3 Seguire le istruzioni di accoppiamento nell'app hOn.</p> 



AVVISO

In modalità di abbinamento Wi-Fi, è necessario seguire le istruzioni dell'app per completare la configurazione della rete. Se occorre cambiare ambiente Wi-Fi, è necessario accedere nuovamente alla modalità. Se l'icona della funzione Wi-Fi rimane accesa, significa che la connessione alla rete è avvenuta correttamente.

Regolazione della temperatura del congelatore

Dopo aver aperto lo sportello del frigorifero e sbloccato lo schermo di controllo, il tasto Riduzione temperatura serve per abbassare la temperatura impostata del frigorifero. Ogni volta che si tocca leggermente il tasto, la temperatura si riduce di 1 °C; la temperatura minima consentita è -24 °C.

Dopo aver aperto lo sportello del frigorifero e sbloccato lo schermo di controllo, il tasto Aumento temperatura serve per aumentare la temperatura impostata del frigorifero. Ogni volta che si tocca leggermente il tasto, la temperatura aumenta di 1 °C; la temperatura massima consentita è -14 °C.

Durante il funzionamento, l'icona di visualizzazione della temperatura indicherà la temperatura impostata e lampeggerà. Dopo 5 secondi lo schermo di controllo confermerà automaticamente la temperatura impostata e quindi visualizzerà la temperatura effettiva attuale. Dopo aver completato l'impostazione, il frigorifero passa gradualmente dalla temperatura effettiva a quella impostata. Per un certo periodo di tempo potrebbe quindi esistere una differenza tra la temperatura effettiva e quella impostata.

Funzione Super Freeze

Questo tasto e la corrispondente icona servono per attivare la funzione Super Freeze del frigorifero e visualizzarne lo stato attuale.

Dopo aver aperto lo sportello del frigorifero e sbloccato lo schermo di controllo, toccare leggermente il tasto funzione Super Freeze; l'icona della funzione Super Freeze si illuminerà e il frigorifero passerà a questa modalità; se è necessario uscire dalla modalità, procedere nello stesso modo toccando leggermente il tasto funzione Super Freeze.

Con questa funzione, la temperatura sarà probabilmente attorno ai -28°C o inferiore; il frigorifero uscirà automaticamente da questa funzione dopo 50 ore per evitare una temperatura troppo bassa.

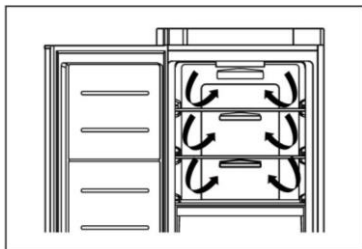
Funzione ECO

Dopo aver aperto lo sportello del frigorifero e sbloccato lo schermo di controllo, toccare leggermente il tasto funzione ECO; l'icona della funzione ECO si illuminerà e il frigorifero passerà a questa modalità; se è necessario uscire dalla modalità, procedere nello stesso modo toccando leggermente il tasto funzione ECO. In modalità ECO, il frigorifero funziona automaticamente a una temperatura media di -18°C .



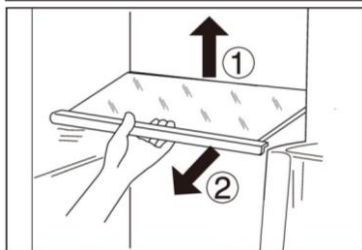
AVVISO

A causa della diversa logica di funzionamento delle funzioni speciali Super Freeze ed ECO, queste modalità speciali non possono essere attivate contemporaneamente. È possibile attivare solo una funzione e, passando da una modalità all'altra, le altre modalità speciali vengono automaticamente disattivate. Inoltre, la temperatura impostata non può essere modificata se non si esce da queste modalità. La temperatura di -18°C è adatta per i generi alimentari congelati con tempi di conservazione compresi tra 1 e 12 mesi, come carne, pollame, frutti di mare, cibi precotti e avanzi, alcuni tipi di frutta e verdura, gelati e altri dessert congelati.



Flusso d'aria multiple

1. Il frigorifero è dotato di un sistema con flusso d'aria multiple e i flussi di aria fresca investono tutti i ripiani. Ciò facilita il mantenimento di una temperatura uniforme per garantire la freschezza degli alimenti per un periodo maggiore.



Ripiani regolabili

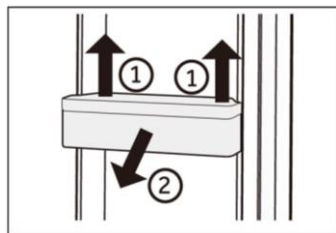
1. L'altezza dei ripiani può essere regolata in base alle esigenze.
2. Per spostare un ripiano, rimuoverlo sollevandone il bordo posteriore (1) ed estrarlo (2).
3. Per reinstallarlo, collocarlo sulle alette su entrambi i lati e spingerlo dentro fino in fondo in modo che la parte posteriore del ripiano sia fissata all'interno delle feritoie laterali.

i AVVISO

Accertarsi che tutte le estremità del ripiano siano a livello.

Portabottiglie/cassetti incassati nello sportello rimovibili

1. I cassetti incassati nello sportello possono essere rimossi per essere puliti:
2. Tenere con le mani entrambi i lati del cassetto incassato, sollevarlo (1) ed estrarlo (2).
3. Per inserire il cassetto incassato nello sportello, seguire la procedura inversa.



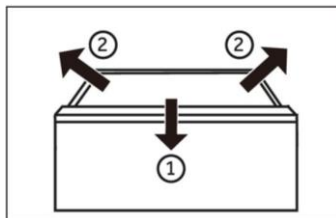
i AVVISO

Quando l'elettrodomestico viene acceso, il raggiungimento delle temperature corrette potrebbe richiedere fino a 12 ore.

Cassetto rimovibile

Per rimuovere il cassetto, estrarlo al massimo (1), sollevarlo e toglierlo (2).

Per inserire il cassetto, seguire la procedura inversa.



Illuminazione

La luce interna a LED si accende quando si apre lo sportello. Le prestazioni dell'illuminazione non dipendono da altre impostazioni degli elettrodomestici.



Suggerimenti per il risparmio energetico

- ▶ Accertarsi che l'elettrodomestico sia adeguatamente ventilato (v. INSTALLAZIONE).
- ▶ Non installare l'elettrodomestico esposto alla luce diretta del sole o in prossimità di fonti di calore (ad es. stufe o radiatori).
- ▶ Evitare che la temperatura dell'elettrodomestico sia inutilmente bassa. Riducendo la temperatura impostata nell'elettrodomestico, il consumo energetico aumenta.
- ▶ Funzioni come Super Freeze consumano più energia.
- ▶ Attendere che gli alimenti caldi si raffreddino prima di collocarli nell'elettrodomestico.
- ▶ Aprire lo sportello dell'elettrodomestico senza spalancarlo e per il più breve tempo possibile.
- ▶ Per evitare ostruzioni del flusso d'aria, non riempire eccessivamente l'elettrodomestico.
- ▶ Evitare l'ingresso di aria nelle confezioni di alimenti.
- ▶ Mantenere pulite le guarnizioni dello sportello in modo che si chiuda sempre perfettamente.
- ▶ Per ottimizzare il risparmio energetico, lasciare i cassetti, i contenitori per gli alimenti e i ripiani nelle posizioni di fabbrica e collocare gli alimenti il più possibile distanti tra loro senza ostruire l'uscita del condotto.



AVVERTENZA!

Prima di effettuare la pulizia, staccare la spina di alimentazione dell'elettrodomestico.

Pulizia

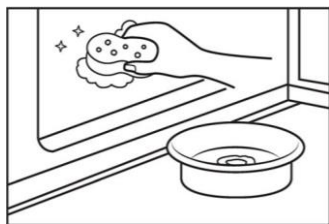
Pulire l'elettrodomestico quando è vuoto o contiene pochi alimenti.

Per una corretta manutenzione e per evitare cattivi odori degli alimenti conservati, pulire l'elettrodomestico ogni quattro settimane.



AVVERTENZA!

- ▶ Non pulire l'elettrodomestico con spazzole rigide, spazzole metalliche, detersivi in polvere, benzina, acetato di pentile, acetone e soluzioni organiche simili, soluzioni acide o alcaline. Per evitare danni, effettuare la pulizia con un detergente speciale per frigoriferi.
- ▶ Non spruzzare o schizzare liquidi sull'elettrodomestico durante la pulizia.
- ▶ Per pulire questo elettrodomestico non utilizzare apparecchi a vapore.
- ▶ Non pulire i ripiani di vetro freddi con acqua calda. Un'improvvisa variazione della temperatura può causare la rottura del vetro.
- ▶ Non toccare la superficie interna del comparto congelatore, soprattutto con le mani bagnate, poiché le mani potrebbero congelarsi sulla superficie.
- ▶ Se la temperatura aumenta, controllare lo stato degli alimenti congelati.



- ▶ Tenere sempre pulita la guarnizione dello sportello.
- ▶ Pulire l'interno e l'alloggiamento dell'elettrodomestico con una spugna imbevuta di acqua calda e detergente neutro.
- ▶ 1. Strofinare l'interno e l'esterno del frigorifero (compresi la guarnizione dello sportello, il cassetto incassato nello sportello, i ripiani di vetro, i comparti ecc.) con un panno morbido o una spugna imbevuta di acqua calda (è possibile aggiungere un detergente neutro).
- ▶ 2. In presenza di liquidi versati, rimuovere tutte le parti contaminate, sciacquarle sotto l'acqua corrente, asciugarle e ricollocarle nel frigorifero.
- ▶ 3. In caso di versamenti di alimenti cremosi (ad es. panna o gelato sciolto), rimuovere tutte le parti contaminate, lasciarle un po' di tempo in acqua calda a circa 40 °C, poi sciacquarle sotto l'acqua corrente, asciugarle e ricollocarle nel frigorifero.
- ▶ 4. Nel caso in cui rimangano intrappolati piccoli oggetti all'interno del frigorifero (tra i ripiani o i cassette), toglierli con una spazzolina morbida. Se non si riesce a raggiungere l'oggetto, rivolgersi all'assistenza Haier

AVVISO

Lo scarico non deve essere ostruito da corpi estranei, altrimenti potrebbe verificarsi un problema di traboccamento dell'acqua. Se lo scarico è ostruito, è possibile estrarre il cassetto e pulirlo con un panno.



- ▶ Sciacquare e asciugare con un panno morbido.
- ▶ Non lavare i componenti dell'elettrodomestico in lavastoviglie.
- ▶ Attendere almeno 5 minuti prima di riavviare l'elettrodomestico, poiché un avvio frequente può danneggiare il compressore.

Sbrinamento

Lo sbrinamento del comparto congelatore avviene automaticamente e non richiede operazioni manuali.

Sostituzione delle lampade a LED



AVVERTENZA!

La lampada a LED deve essere sostituita solo dal produttore o da un tecnico dell'assistenza autorizzato.

La lampada utilizza una sorgente luminosa a LED che riduce i consumi energetici e garantisce una lunga durata. In caso di anomalie, rivolgersi all'assistenza clienti. V. ASSISTENZA CLIENTI.

Parametri delle lampade:

Comparto congelatore: 12 V max 1,5 W

Questo prodotto contiene una fonte luminosa con efficienza energetica di classe <G>.

Inutilizzo per lunghi periodi

Se l'elettrodomestico non viene utilizzato per un lungo periodo di tempo:

Estrarre gli alimenti.

Scollegare il cavo di alimentazione.

Pulire l'elettrodomestico come descritto in precedenza.

Lasciare aperti gli sportelli per evitare la produzione di cattivi odori all'interno.

AVVISO

Spegnere l'elettrodomestico solo se è strettamente necessario.

Spostamento dell'elettrodomestico

1. Togliere tutti gli alimenti e staccare la spina dell'elettrodomestico.
2. Fissare con nastro adesivo i ripiani e gli altri componenti mobili presenti nel congelatore.
3. Non inclinare il frigorifero oltre 45°, altrimenti il sistema di refrigerazione potrebbe danneggiarsi.



AVVERTENZA!

- ▶ Non sollevare l'elettrodomestico tenendolo per le maniglie dello sportello.
- ▶ Non collocare mai l'elettrodomestico orizzontalmente a terra.

Molti problemi possono essere risolti personalmente senza particolari competenze. In caso di problemi, consultare tutte le soluzioni possibili indicate e attenersi alle seguenti istruzioni prima di contattare l'assistenza post-vendita.

V. ASSISTENZA CLIENTI.



AVVERTENZA!

- ▶ Prima di effettuare la manutenzione, spegnere l'elettrodomestico e staccare la spina dalla presa di corrente.
- ▶ La manutenzione delle apparecchiature elettriche deve essere effettuata solo da elettricisti qualificati, dal momento che eventuali riparazioni improprie possono causare danni notevoli.
- ▶ Se il cavo di alimentazione è danneggiato, deve essere sostituito unicamente dal produttore, da un tecnico dell'assistenza o da una persona con analogha qualifica per evitare rischi.

Problema	Causa possibile	Soluzione possibile
Il compressore non funziona.	<ul style="list-style-type: none"> • La spina non è collegata alla presa di corrente. • L'elettrodomestico sta effettuando il ciclo di sbrinamento. 	<ul style="list-style-type: none"> • Collegare la spina alla presa di corrente. • Ciò è normale per lo sbrinamento automatico.
L'elettrodomestico si aziona frequentemente o per un periodo di tempo troppo lungo.	<ul style="list-style-type: none"> • La temperatura interna o esterna è troppo elevata. • L'elettrodomestico è rimasto spento per un certo periodo di tempo. • Uno sportello dell'elettrodomestico non è chiuso ermeticamente. • Lo sportello è stato aperto troppo spesso o troppo a lungo. • L'impostazione della temperatura del comparto congelatore è troppo bassa. • La guarnizione dello sportello è sporca, usurata, danneggiata o inadeguata. 	<ul style="list-style-type: none"> • In questo caso è normale che l'elettrodomestico rimanga in funzione più a lungo. • Il raffreddamento completo dell'elettrodomestico normalmente richiede 8-12 ore. • Chiudere lo sportello o il cassetto e accertarsi che l'elettrodomestico sia a livello e che gli alimenti o i contenitori urtino lo sportello. • Non aprire lo sportello o il cassetto troppo spesso. • Scegliere un'impostazione della temperatura più alta fino a quando la temperatura del frigorifero è soddisfacente. Per stabilizzare la temperatura del frigorifero occorrono 24 ore. • Pulire la guarnizione dello sportello o del cassetto o farla sostituire dall'assistenza clienti.

Problema	Causa possibile	Soluzione possibile
	<ul style="list-style-type: none"> Non è garantita la circolazione dell'aria necessaria. 	<ul style="list-style-type: none"> Garantire un'adeguata ventilazione.
L'interno del frigorifero è sporco e/o si sentono cattivi odori.	<ul style="list-style-type: none"> L'interno del frigorifero deve essere pulito. In frigorifero vengono conservati alimenti che producono un odore intenso. 	<ul style="list-style-type: none"> Pulire la parte interna del frigorifero. Avvolgere completamente gli alimenti.
La temperatura nell'elettrodomestico non è sufficientemente bassa.	<ul style="list-style-type: none"> La temperatura impostata è troppo alta. Sono stati collocati alimenti troppo caldi. Sono stati collocati troppi alimenti contemporaneamente. Gli alimenti sono troppo vicini tra loro. Uno sportello o un cassetto dell'elettrodomestico non è chiuso bene. Lo sportello o il cassetto è stato aperto troppo spesso o troppo a lungo. 	<ul style="list-style-type: none"> Reimpostare la temperatura. Gli alimenti devono essere sempre raffreddati prima di conservarli. Non conservare troppi alimenti. Lasciare spazio tra i vari alimenti per consentire il passaggio del flusso d'aria. Chiudere lo sportello o il cassetto. Non aprire lo sportello o il cassetto troppo spesso.
La temperatura nell'elettrodomestico è troppo bassa.	<ul style="list-style-type: none"> La temperatura impostata è troppo bassa. La funzione Super Freeze rimane in funzione troppo a lungo. 	<ul style="list-style-type: none"> Reimpostare la temperatura. Disattivare la funzione Super Freeze.
Accumulo di umidità sulla superficie esterna del frigorifero o tra gli sportelli e il cassetto.	<ul style="list-style-type: none"> Il clima è troppo caldo e troppo umido. Lo sportello non è chiuso ermeticamente. L'aria fredda all'interno dell'elettrodomestico e l'aria calda all'esterno formano condensa. 	<ul style="list-style-type: none"> Ciò è normale in un clima umido; la situazione cambia quando l'umidità diminuisce. Accertarsi che lo sportello o il cassetto sia chiuso bene.
Il display è acceso ma l'elettrodomestico non refrigera.	<ul style="list-style-type: none"> L'elettrodomestico è in modalità Demo. 	<ul style="list-style-type: none"> Verificare la modalità dell'elettrodomestico: se in modalità Demo, uscire dalla modalità. Uscita: Tenere premuto il tasto "ECO" e premere il tasto "Super Freeze" 5 volte in 5 secondi.

Problema	Causa possibile	Soluzione possibile
Presenza di molto ghiaccio e brina nel comparto congelatore.	<ul style="list-style-type: none"> • Gli alimenti non sono stati confezionati adeguatamente. • Uno sportello o un cassetto dell'elettrodomestico non è chiuso bene. • Lo sportello o il cassetto è stato aperto troppo spesso o troppo a lungo. • Le guarnizioni dello sportello o del cassetto sono sporche, usurate, danneggiate o inadeguate. • Qualcosa all'interno impedisce la chiusura corretta dello sportello o del cassetto. 	<ul style="list-style-type: none"> • Confezionare sempre gli alimenti. • Chiudere lo sportello o il cassetto. • Non aprire lo sportello o il cassetto troppo spesso. • Pulire la guarnizione dello sportello o del cassetto oppure sostituirla. • Risistemare i ripiani, i cassetti incassati nello sportello o i contenitori interni per consentire la chiusura dello sportello o del cassetto.
I lati del mobile e la striscia dello sportello si riscaldano.	<ul style="list-style-type: none"> • - 	<ul style="list-style-type: none"> • È normale.
L'elettrodomestico emette suoni anomali.	<ul style="list-style-type: none"> • L'elettrodomestico non è a livello. • L'elettrodomestico urta qualche oggetto vicino. 	<ul style="list-style-type: none"> • Regolare i piedini per collocare l'elettrodomestico a livello. • Rimuovere gli oggetti attorno all'elettrodomestico.
Si sente un lieve rumore, simile a quello dell'acqua che scorre.	<ul style="list-style-type: none"> • - 	<ul style="list-style-type: none"> • È normale.
Viene emesso un allarme acustico.	<ul style="list-style-type: none"> • Lo sportello del comparto frigorifero è aperto. 	<ul style="list-style-type: none"> • Chiudere lo sportello.
Viene emesso un lieve sibilo.	<ul style="list-style-type: none"> • È in funzione il sistema anticondensa. 	<ul style="list-style-type: none"> • Ciò evita la formazione di condensa ed è normale.
L'illuminazione interna o il sistema di raffreddamento non funziona.	<ul style="list-style-type: none"> • La spina non è collegata alla presa di corrente. 	<ul style="list-style-type: none"> • Collegare la spina alla presa di corrente.
	<ul style="list-style-type: none"> • Problema della fonte di alimentazione. 	<ul style="list-style-type: none"> • Controllare l'alimentazione elettrica. Chiamare l'azienda elettrica locale.
	<ul style="list-style-type: none"> • La lampada a LED è fuori uso. 	<ul style="list-style-type: none"> • Chiamare l'assistenza per la sostituzione.

Per rivolgersi all'assistenza tecnica, visitare il nostro sito web:
<https://corporate.haier-europe.com/en/>

Nella sezione "sito Web", scegliere la marca del proprio prodotto e il proprio paese. Si aprirà il sito Web specifico contenente il numero di telefono e il modulo per contattare l'assistenza tecnica.

Interruzione della corrente

In caso di interruzione della corrente, gli alimenti dovrebbero rimanere freddi in maniera sicura per circa 5 ore. Durante un'interruzione prolungata della corrente, soprattutto in estate, attenersi ai suggerimenti seguenti:

- ▶ Limitare al massimo l'apertura dello sportello o del cassetto.
- ▶ In caso di interruzione della corrente, non collocare altri alimenti nell'elettrodomestico.
- ▶ Se viene fornito un preavviso di interruzione della corrente di durata superiore a 5 ore, produrre un po' di ghiaccio e collocarlo nella parte superiore del comparto frigorifero.
- ▶ Dopo l'interruzione della corrente, è indispensabile controllare immediatamente gli alimenti.
- ▶ Siccome la temperatura nel frigorifero aumenta durante un'interruzione della corrente o in caso di altri guasti, il periodo di conservazione e la commestibilità degli alimenti si riducono. Per evitare rischi per la salute, gli alimenti che si scongelano devono essere immediatamente consumati oppure cotti e ricongelati (se possibile).

Funzione di memoria durante un'interruzione di corrente

Al ripristino della corrente, l'elettrodomestico riprende il funzionamento in base alle impostazioni precedenti.

Disimballo



AVVERTENZA!

- ▶ L'elettrodomestico è pesante. Per spostarlo occorrono almeno due persone.
- ▶ Tenere fuori dalla portata dei bambini tutti i materiali di imballaggio e smaltirli nel rispetto dell'ambiente.
- ▶ Estrarre l'elettrodomestico dall'imballo.
- ▶ Togliere tutti i materiali di imballo.

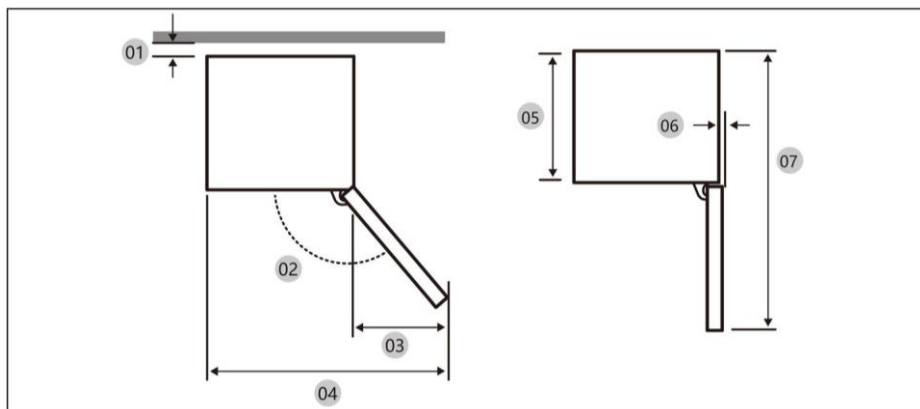
Condizioni ambientali

La temperatura ambiente deve essere sempre compresa tra 10 e 43 °C, poiché può influire sulla temperatura interna dell'elettrodomestico e sui consumi energetici.

Non installare l'elettrodomestico vicino ad altri elettrodomestici che emettono calore (forni, frigoriferi)

Consiglio di installazione

Spazio consigliato quando lo sportello è aperto (senza pannello dello sportello del mobile)

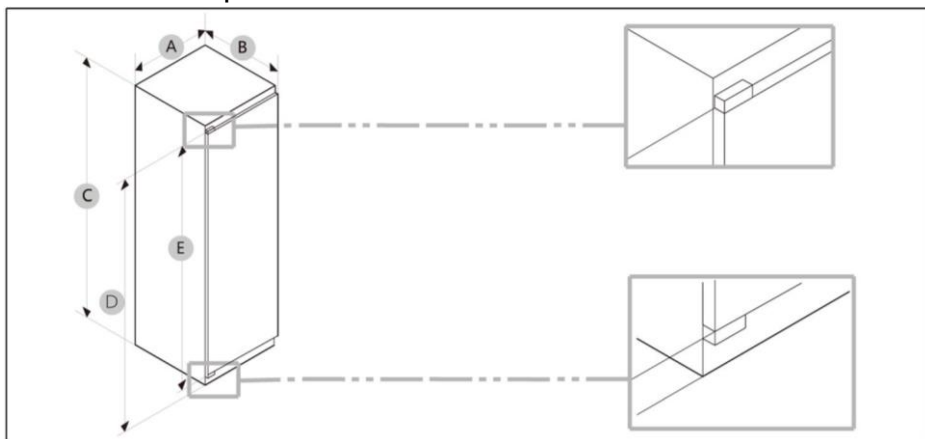


Modello	CMT5518EVWF RMT5518EVWF
01*	10 (min) / 30 (consigliato)
02	95° (consigliato)
03	43
04	583
05	515
06	-3
07	1060

(unità: mm)

*01: Dal comparto al retro del prodotto.

Dimensione del prodotto



Modello	A (mm)	B (mm)	C (mm)	D (mm)	E (mm)
CMT5518EVWF	540±2	550±2	1772±2	1715	1671
RMT5518EVWF					

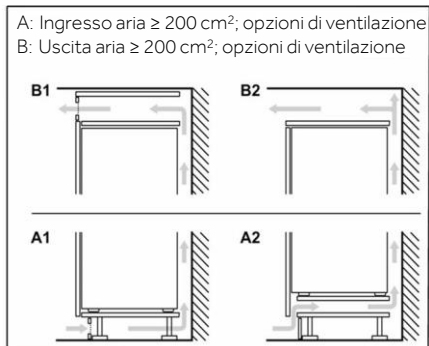
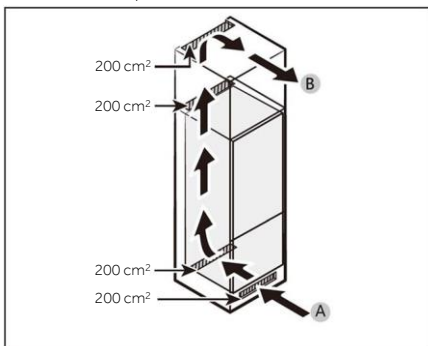


AVVISO

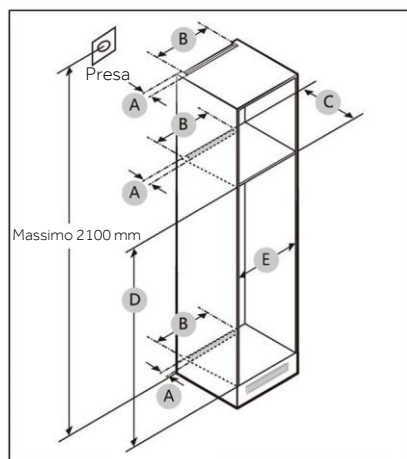
- Il consumo energetico specificato si basa sulla condizione di uno spazio di 10 mm tra il mobile e il retro del prodotto. Il prodotto funziona correttamente anche con uno spazio inferiore a 10 mm, anche se andrà a consumare leggermente più di energia.
- Si consiglia di utilizzare un mobile di spessore 19 mm con cerniere di spessore inferiore a 17 mm.
- Le misurazioni nella tabella sopra possono differire in base al metodo di misurazione.
- Per l'installazione integrata, consultare la Guida all'installazione

Sezione di ventilazione

Per ottenere una ventilazione sufficiente dell'elettrodomestico per motivi di sicurezza, attenersi alle indicazioni sulle sezioni di ventilazione.



Dimensioni del mobile



ATTENZIONE!

Qualsiasi guasto del prodotto dovuto a quanto segue non è coperto dalla garanzia.

1. Condizioni improprie del sito o dimensioni errate del mobile.
2. Mobile difettoso.
3. Errori dell'installatore o dell'utente.

Spazio libero

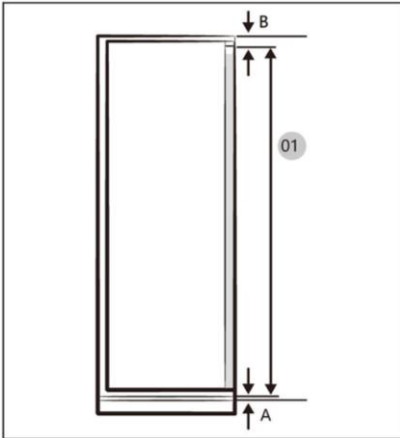
Vedere le immagini e le tabelle sottostanti per i requisiti di spazio per l'installazione.

Modello		A (mm)	B (mm)	C (mm)	D (mm)	E (mm)	Nota
CMT5518EVWF RMT5518EVWF	Min	50	400	560	1778	560	Cerniera: 17 mm
	Consigliato			580	1780	562	
	Max			-	1782	568	



AVVISO

- Se la larghezza di un comparto è maggiore di 568 mm, la guarnizione (tra il frigorifero e il comparto) potrebbe allentarsi.
- Se il comparto è più alto della dimensione massima (1782 mm), è necessario utilizzare altri materiali di finitura per colmare lo spazio.

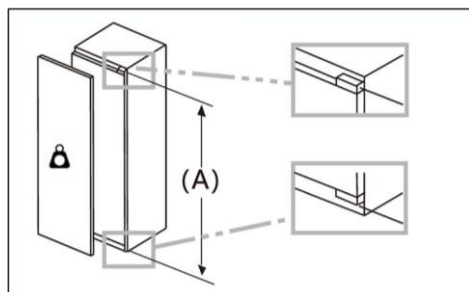


- A. Bordo inferiore del pannello frontale sopra la ventilazione dell'aria
 B. Sporgenza del pannello frontale


Modello	CMT5518EVWF RMT5518EVWF
01	Min 1694+A+B Max 1850+A+B

(unità: mm)

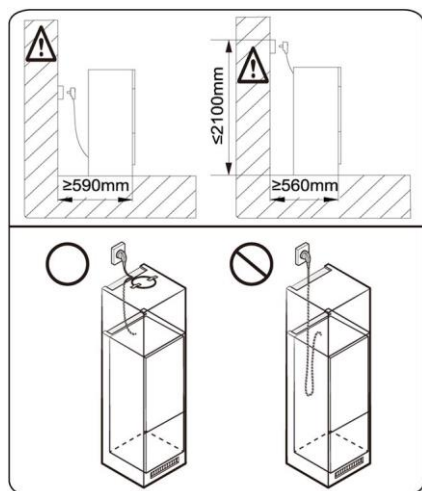
Peso massimo ammissibile dei frontali dell'unità



I frontali dei mobili montati che superano il peso consentito possono causare danni e compromettere la funzionalità delle cerniere.

 Peso (kg)	1500-1750 mm	22
		720-1400 mm

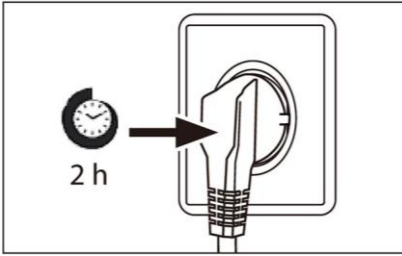
Posizione della presa e dello spazio richiesto



AVVISO

Se si installa il frigorifero in un mobile con profondità 560 mm, assicurarsi che il cavo di alimentazione sia disposto su un lato del frigorifero prima di collegarlo a una presa di corrente. Se il cavo di alimentazione si trova nella parte posteriore del frigorifero, potrebbe ridurre l'efficienza energetica.

Tempo di attesa



L'olio di lubrificazione esente da manutenzione si trova nella capsula del compressore. Questo olio può penetrare nel sistema di tubazioni chiuse durante il trasporto. Prima di collegare l'elettrodomestico all'alimentazione elettrica, attendere almeno 2 ore in modo che l'olio torni nella capsula.

Collegamento elettrico

Prima di ogni collegamento, effettuare i seguenti controlli:

- ▶ La fonte di alimentazione, la presa e i fusibili sono conformi ai dati indicati nella targhetta.
- ▶ La presa di corrente è collegata a terra e non sono utilizzate prese multiple o prolunghe.
- ▶ La spina e la presa di corrente sono compatibili.

Collegare la spina a una presa domestica installata correttamente.



AVVERTENZA!

Per evitare rischi, i cavi di alimentazione danneggiati devono essere sostituiti dall'assistenza clienti (v. scheda di garanzia).

Specifiche del prodotto secondo il regolamento UE n. 2019/2016

Marchio	CANDY	Rosieres
Nome / identificativo del modello	CMT5518EVWF	RMT5518EVWF
Categoria del modello	Congelatore	Congelatore
Classe di efficienza energetica	E	E
Consumo energetico annuo (kWh/anno) (1)	215	215
Volume totale (litri)	220	220
Volume frigorifero (litri)	/	/
Volume congelatore (litri)	220	220
Volume sezione chiller (litri)	/	/
Macchina automatica per il ghiaccio (litri)	/	/
Prestazioni (stelle)	4	4
Temperatura degli altri compartimenti > 14 °C	Non applicabile	Non applicabile
Sistema senza formazione di brina	Sì	Sì
Capacità di congelamento (kg/24 h)	15	15
Classe climatica(2)	SN/N/ST/T	SN/N/ST/T
Classe di emissione di rumore ed emissioni acustiche aeree (db(A) _{re1pW})	B 35	B 35
Tempo di aumento della temperatura (h)	6	6
Capacità di produzione del ghiaccio	/	/
Tipo di elettrodomestico	da incasso	da incasso

Nome del modello	Classe di efficienza energetica
CMT5518EVWF	E
RMT5518EVWF	E

Descrizioni:

- Sì

- (1) In base ai risultati del test di conformità agli standard per 24 ore. Il consumo effettivo dipende dall'uso e dalla posizione dell'elettrodomestico.
- (2) Classe climatica SN: questo elettrodomestico è destinato all'uso con temperature ambiente comprese tra +10 °C e +32 °C
 Classe climatica N: questo elettrodomestico è destinato all'uso con temperature ambiente comprese tra +16 °C e +32 °C
 Classe climatica ST: questo elettrodomestico è destinato all'uso con temperature ambiente comprese tra +16 °C e +38 °C
 Classe climatica T: questo elettrodomestico è destinato all'uso con temperature ambiente comprese tra +16 °C e +43 °C

Dati tecnici supplementari

Tensione / Frequenza	220-240 V~ / 50 Hz
Corrente di ingresso (A)	1,5
Fusibile principale (A)	16
Refrigerante	R600a
Dimensioni (A/L/P in mm)	1772/540/550

Informazioni RF

e.i.r.p. max: Bluetooth (BR/EDR): 10 dBm

Bluetooth LE: 5dBm

Wi-Fi a 2,4 GHz: 16 dBm

Banda di frequenza operativa: 2400-2483,5MHz

Si consiglia di rivolgersi all'Assistenza Clienti Haier e di utilizzare ricambi originali. In caso di problemi con l'elettrodomestico, consultare prima la sezione SOLUZIONE DEI PROBLEMI.

Se non si riesce a trovare una soluzione, contattare

- ▶ il rivenditore locale o
- ▶ lo European Call Service-Center (vedere i numeri di telefono elencati di seguito) o
- ▶ l'area Service & Support su www.haier.com dove è possibile chiedere assistenza
- ▶ e trovare risposte a domande frequenti.

Per contattare l'assistenza, procurarsi i dati seguenti.
Le informazioni si trovano sulla targhetta.

Modello _____

N. di serie _____

Controllare anche la scheda di garanzia fornita con il prodotto.

European Call Service-Center		
Paese*	Numero di telefono	Costi
Haier Italy (IT)	199 100 912	
Haier Spain (ES)	902 509 123	
Haier Germany (DE)	0180 539 39 99	<ul style="list-style-type: none"> • 14 cent/min su linea fissa • max 42 cent/min su linea mobile
Haier Austria (AT)	0820 001 205	<ul style="list-style-type: none"> • 14,53 cent/min su linea fissa • max 20 cent/min su altre linee
Haier United Kingdom (UK)	0333 003 8122	
Haier France (FR)	0980 406 409	

*Per altri paesi. fare riferimento al sito www.haier.com
Haier Europe Trading S.r.l
Filiale Regno Unito
Westgate House, Westgate, Ealing
London, W5 1YY

*Durata della garanzia dell'elettrodomestico:

Garanzia minima: 2 anni per i paesi UE, 3 anni per la Turchia, 1 anno per il Regno Unito, 1 anno per la Russia, 3 anni per la Svezia, 2 anni per la Serbia, 5 anni per la Norvegia, 1 anno per il Marocco, 6 mesi per l'Algeria; per la Tunisia non è obbligatoria alcuna garanzia legale.

*Periodo di disponibilità dei pezzi di ricambio per la riparazione dell'elettrodomestico:

termostati, sensori di temperatura, circuiti stampati e lampade rimangono disponibili per almeno sette anni dopo l'immissione sul mercato dell'ultima unità del modello.

Maniglie e cerniere degli sportelli, vassoi e cestelli rimangono disponibili per almeno di sette anni e le guarnizioni degli sportelli per almeno 10 anni dopo l'immissione sul mercato dell'ultima unità del modello.

*Per ulteriori informazioni sul prodotto, consultare <https://eprel.ec.europa.eu/> o effettuare una scansione del codice QR apposto sull'etichetta fornita con l'elettrodomestico.

<u>5 Veiligheidsinformatie</u>	Vóór het eerste gebruik	6
	Installatie	6
	Dagelijks gebruik	7
	Informatie over koelgas	9
<u>10 Beoogd gebruik</u>		
<u>11 Productbeschrijving</u>		
<u>12 Bedieningspaneel</u>		
<u>13 Gebruik</u>	Toets Vergrendelen/ontgrendelen en het bijbehorende pictogram	13
	Stand-byfunctie	13
	Wififunctie	13
	De vriezertemperatuur aanpassen	14
	Super Freeze-functie	15
	ECO-functie	15
<u>16 Apparatuur</u>		
<u>17 Tips voor energiebesparing</u>		
<u>18 Onderhoud en reiniging</u>		
<u>20 Problemen oplossen</u>		
<u>24 Installatie</u>		
<u>30 Technische gegevens</u>		
<u>32 Klantenservice</u>		

Bedankt voor de aankoop van dit Haier-product.

Lees deze instructies zorgvuldig door voordat u dit apparaat gebruikt. De instructies bevatten belangrijke informatie die u helpt het beste uit het apparaat te halen en veilige en correcte installatie, gebruik en onderhoud te waarborgen.

Bewaar deze handleiding op een handige plaats zodat u hem altijd kunt raadplegen voor een veilig en correct gebruik van het apparaat.

Als u het apparaat verkoopt, weggeeft of achterlaat wanneer u verhuist, zorg er dan voor dat u deze handleiding ook overdraagt, zodat de nieuwe eigenaar het apparaat en de veiligheidswaarschuwingen kan leren kennen.

Accessoires

Controleer de accessoires en literatuur in overeenstemming met deze lijst:





WAARSCHUWING – Belangrijke veiligheidsinformatie



LET OP – Algemene informatie en tips



Milieu-informatie



Verwijdering

Help het milieu en de menselijke gezondheid te beschermen. Doe de verpakking in de daarvoor bestemde containers om deze te recyclen. Help het afval van elektrische en elektronische apparaten te recyclen. Gooi apparaten met dit symbool niet weg bij het huisvuil. Lever het product in bij uw plaatselijke recyclingfaciliteit of neem contact op met uw gemeentekantoor.



WAARSCHUWING!

Gevaar voor letsel of verstikking!

Koelmiddelen en gassen moeten professioneel worden verwijderd. Controleer of de leidingen van het koelmiddelcircuit niet zijn beschadigd voordat ze op de juiste manier worden afgevoerd. Koppel het apparaat los van de stroomvoorziening. Knip het netsnoer af en gooi het weg. Verwijder de bakken en laden en de deurvergrendeling en -afdichtingen, om te voorkomen dat kinderen en huisdieren in het apparaat worden opgesloten.

Lees voordat u het apparaat voor het eerst inschakelt de volgende veiligheidstips:



WAARSCHUWING!

Vóór het eerste gebruik

- ▶ Controleer of er geen transportschade is.
- ▶ Wacht ten minste twee uur voordat u het apparaat installeert, om er zeker van te zijn dat het koelmiddelcircuit volledig werkt.
- ▶ Verplaats het apparaat altijd met ten minste twee personen, het is namelijk zwaar.
- ▶ Verwijder alle verpakkingsmaterialen, houd ze buiten bereik van kinderen en gooi ze op een milieuvriendelijke manier weg.
- ▶ Reinig de binnen- en de buitenkant van het apparaat met water en een mild reinigingsmiddel voordat u er voedingsmiddelen in plaatst.
- ▶ Nadat het apparaat waterpas is gezet en is schoongemaakt, moet u minstens 2–5 uur wachten voordat u het aansluit op het elektriciteitsnet. Raadpleeg het hoofdstuk INSTALLATIE.
- ▶ Koel de compartimenten op hoge instellingen voor voordat u het voedsel erin zet. De Super-Freeze-functie helpt om de compartimenten snel af te koelen.
- ▶ De vriezertemperatuur wordt automatisch ingesteld op -18°C . Dit is de aanbevolen instelling. Als u wilt, kunt u de temperatuur handmatig veranderen. Raadpleeg DE TEMPERATUUR AANPASSEN.

Installatie

- ▶ Het apparaat moet op een goed geventileerde plaats worden geplaatst. Zorg voor een ruimte van ten minste 10 cm boven en rond het apparaat.
- ▶ Plaats het apparaat nooit in een vochtige ruimte of op een plaats waar het met water kan worden bespat. Reinig en droog waterspatten en vlekken met een zachte, schone doek.
- ▶ Installeer het apparaat niet in direct zonlicht of in de buurt van warmtebronnen (bijv. kachels, verwarmingstoestellen).
- ▶ Installeer het apparaat waterpas op een plaats die geschikt is voor de grootte en het gebruik ervan.
- ▶ Zorg ervoor dat de ventilatieopeningen in het apparaat of in de ingebouwde constructie open blijven.
- ▶ Controleer of de elektrische informatie op het typeplaatje overeenkomt met de stroomvoorziening. Als dat niet het geval is, neem dan contact op met een elektricien.
- ▶ Het apparaat wordt gebruikt met een voeding van 220–240 VAC/50 Hz. Abnormale spanningsschommelingen kunnen ertoe leiden dat het apparaat niet start of dat de temperatuurregeling of de compressor beschadigd raakt of dat er tijdens het gebruik een abnormaal geluid optreedt. In dat geval moet er een automatische regelaar worden gemonteerd.
- ▶ Gebruik geen stekkerdozen en verlengkabels.
- ▶ Plaats niet meerdere draagbare stopcontacten of draagbare voedingen op de achterkant van het apparaat.



WAARSCHUWING!

- ▶ Zorg ervoor dat de stroomkabel niet bekneld zit door de koelkast. Ga niet op de stroomkabel staan.
- ▶ Gebruik een apart geaard stopcontact voor de stroomvoorziening, dat gemakkelijk toegankelijk is. Het apparaat moet geaard zijn. Alleen voor het Verenigd Koninkrijk: Het netsnoer van het apparaat is voorzien van een 3-aderige (geaarde) stekker die past op een standaard 3-aderig (geaard) stopcontact. De derde pin (aarding) mag nooit worden afgesneden of gedemonteerd. Nadat het apparaat is geïnstalleerd, moet de stekker bereikbaar zijn.

- ▶ Beschadig het koelcircuit niet.

Dagelijks gebruik

- ▶ Dit apparaat mag worden gebruikt door kinderen vanaf 8 jaar en door personen met verminderde lichamelijke, zintuiglijke of geestelijke vermogens of met een gebrek aan kennis en ervaring, mits zij onder toezicht worden gehouden of instructies hebben gekregen om het apparaat veilig te kunnen gebruiken en de gevaren begrijpen die ermee gepaard gaan.
- ▶ Kinderen van 3 tot 8 jaar mogen wel inladen en uitladen, maar mogen koelapparatuur niet reinigen of installeren.
- ▶ Houd kinderen onder de 3 jaar uit de buurt van het apparaat, tenzij ze voortdurend onder toezicht staan.
- ▶ Kinderen mogen niet met het apparaat spelen.
- ▶ Als er koelgas of ander brandbaar gas in de buurt van het apparaat lekt, moet u het ventiel van het lekkende gas sluiten, de deuren en ramen openen en mag u de stekker van de koelkast of een ander apparaat niet uit het stopcontact halen of in een stopcontact steken.
- ▶ Let op, het apparaat is ingesteld om te werken bij een specifiek omgevings-temperatuurbereik van 10 tot 43°C. Het apparaat kan gedurende lange tijd bij een temperatuur boven of onder het aangegeven bereik niet goed werken.
- ▶ Plaats geen onstabiele voorwerpen (zware voorwerpen, containers gevuld met water) boven op de koelkast, om persoonlijk letsel door vallen of elektrische schokken door contact met water te voorkomen.
- ▶ Trek niet aan de deurschappen. De deur kan scheefgetrokken worden, het flessenrek kan eruit worden getrokken, of het apparaat kan omvallen.
- ▶ Open en sluit de deuren alleen met de handgrepen. De ruimte tussen de deuren en tussen de deuren en de kast is zeer smal. Steek uw handen niet in deze ruimtes, om te voorkomen dat uw vingers bekneld raken. Open of sluit de koelkastdeuren alleen als er geen kinderen zijn die zich binnen het bewegingsbereik van de deur bevinden.
- ▶ Zorg er bij het neerzetten van het apparaat voor dat het netsnoer niet bekneld of beschadigd raakt.
- ▶ Bewaar geen explosieve stoffen, zoals spuitbussen met een brandbaar drijfgas, in dit apparaat.



WAARSCHUWING!

- ▶ Om besmetting van voedsel te voorkomen:
 - Het langere tijd open houden van de deur kan leiden tot een aanzienlijke verhoging van de temperatuur in de compartimenten van het apparaat.
 - Reinig oppervlakken die in contact kunnen komen met voedsel en toegankelijke afvoersystemen regelmatig.
 - Bewaar rauw vlees en rauwe vis in geschikte bakken in de koelkast, zodat ze niet in contact komen met of op ander voedsel druppen.
- ▶ Als het product langere tijd leeg wordt gelaten, moet u het uitschakelen, ontdooien, reinigen en drogen en de deur openzetten om te voorkomen dat er zich in het apparaat schimmel ontwikkelt.
- ▶ Bewaar of gebruik in het apparaat of in de buurt ervan geen brandbare, explosieve of corrosieve materialen.
- ▶ Bewaar geen geneesmiddelen, bacteriën of chemische middelen in het apparaat. Dit is een huishoudelijk apparaat. Het wordt niet aanbevolen om materialen op te slaan die strikte temperaturen vereisen.
- ▶ Bewaar vloeistoffen in flessen of blikjes (met uitzondering van sterke drank), met name koolzuurhoudende dranken, nooit in de vriezer, omdat deze tijdens het invriezen barsten.
- ▶ Controleer de staat van het voedsel als er sprake van opwarming is geweest in de vriezer.
- ▶ Raak geen bevroren producten aan met natte handen (draag handschoenen). Eet vooral ijsjes niet onmiddellijk na verwijdering uit het vriezergedeelte op. Er bestaat het risico op bevroering of vriesblaren. Eerste hulp: houd onmiddellijk onder de koude kraan. Niet lostrekken!
- ▶ Raak het binnenoppervlak van het vriezergedeelte niet aan wanneer het in werking is, vooral niet met natte handen, omdat uw handen aan het oppervlak vast kunnen vriezen.
- ▶ Haal de stekker van het apparaat uit het stopcontact wanneer er een stroomonderbreking optreedt of voordat u het schoonmaakt. Laat het apparaat minstens 7 minuten rusten voordat u het opnieuw opstart, omdat vaak starten de compressor kan beschadigen.
- ▶ Gebruik geen elektrische toestellen in de bewaarruimten voor levensmiddelen van het apparaat, tenzij deze van het type zijn dat door de fabrikant wordt aanbevolen.
Onderhoud/reiniging
- ▶ Zorg ervoor dat kinderen onder toezicht staan als ze schoonmaak en onderhoud uitvoeren.
- ▶ Haal de stekker van het apparaat uit het stopcontact voordat u routineonderhoud uitvoert. Laat het apparaat minstens 5 minuten rusten voordat u het opnieuw opstart, omdat vaak starten de compressor kan beschadigen.



WAARSCHUWING!

- ▶ Houd de stekker vast, niet het snoer, wanneer u de stekker uit het stopcontact haalt.
- ▶ Reinig het apparaat niet met harde borstels, draadborstels, waspoeder, benzine, amylacetaat, aceton en soortgelijke organische oplossingen, zure of alkalische oplossingen. Reinig het apparaat met een speciaal reinigingsmiddel voor koelkasten om schade te voorkomen.
- ▶ Als het netsnoer beschadigd is, moet het worden vervangen door de fabrikant, diens servicevertegenwoordiger of vergelijkbaar gekwalificeerde personen om gevaar te voorkomen.
- ▶ Probeer het apparaat niet zelf te repareren, te demonteren of te wijzigen. In geval van reparatie kunt u contact opnemen met onze klantenservice.
- ▶ Verwijder het stof aan de achterkant van het toestel ten minste eenmaal per jaar om brandgevaar en een verhoogd energieverbruik te voorkomen.
- ▶ Spuit niet op het apparaat en spoel het niet af tijdens het reinigen.
- ▶ Gebruik geen waterstraal of stoom om het apparaat schoon te maken.
- ▶ Reinig de koude glazen planken niet met heet water. Door plotselinge temperatuurveranderingen kan het glas breken.

Informatie over koelgas



WAARSCHUWING!

Het apparaat bevat het brandbare koelmiddel ISOBUTAAN (R600a). Controleer of het koelcircuit tijdens transport of installatie niet is beschadigd. Lekkend koelmiddel kan oogletsel veroorzaken of ontbranden. Als er schade is opgetreden, weghouden van open vuurbronnen, de kamer grondig ventileren, de stekker van het apparaat of enig ander apparaat niet in het stopcontact steken of eruit halen. Informeer de klantenservice.

Als de ogen in contact komen met het koelmiddel, spoel het dan onmiddellijk onder stromend water af en bel onmiddellijk de oogspecialist.

Beoogd gebruik

Dit apparaat is bedoeld voor het invriezen van voedsel. Het is uitsluitend ontworpen voor gebruik in huishoudelijke en soortgelijke toepassingen, zoals personeelskeukens in winkels, kantoren en andere werkomgevingen; op boerderijen en door gasten in hotels, motels en andere woonomgevingen, maar ook in bed and breakfasts en bij cateringbedrijven. Het is niet bedoeld voor commercieel of industrieel gebruik.

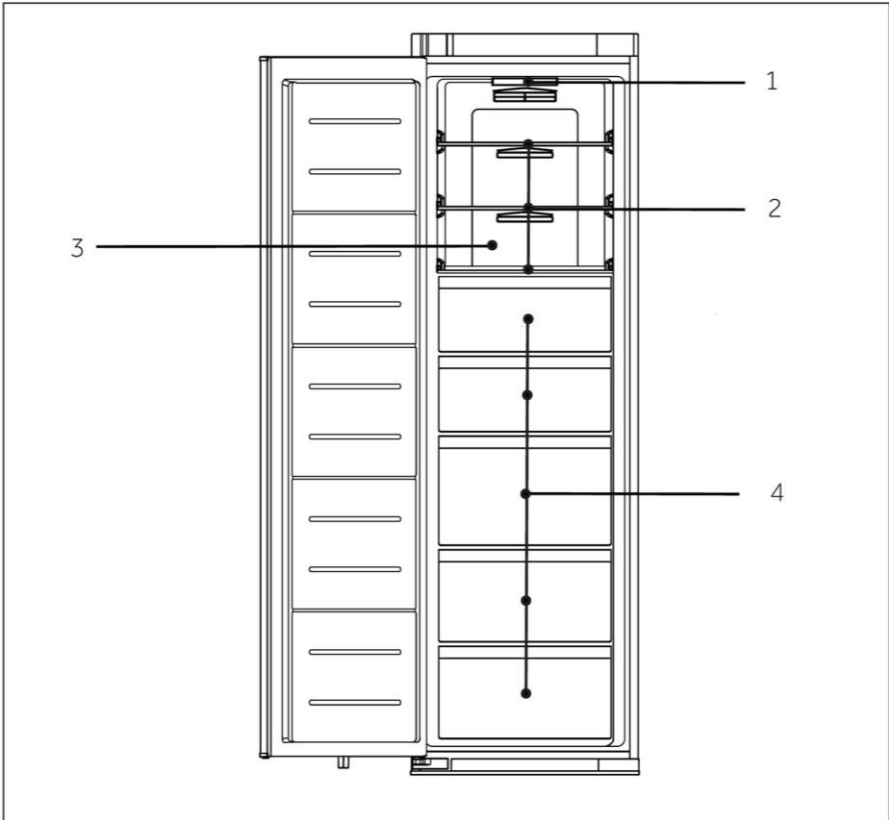
Wijzigingen of aanpassingen aan het apparaat zijn niet toegestaan. Onbedoeld gebruik kan risico's en verlies van garantieclaims veroorzaken.

Normen en richtlijnen

Dit product voldoet aan de eisen van alle toepasselijke EG-richtlijnen met de bijbehorende geharmoniseerde normen die voorzien in een CE-markering.

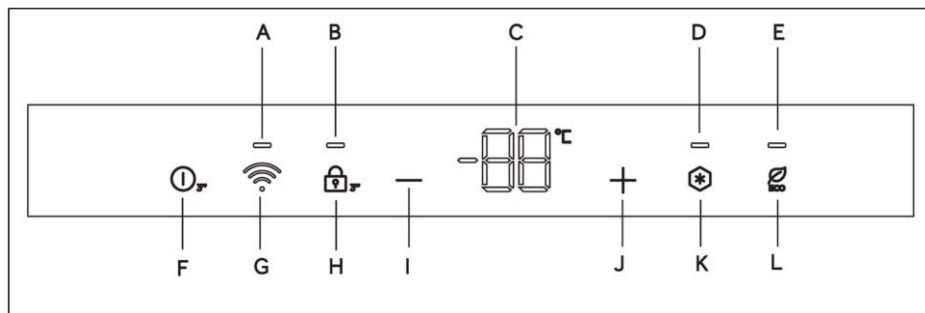
i LET OP

Door technische wijzigingen en verschillende modellen kunnen sommige afbeeldingen in deze handleiding afwijken van uw model.

**CMT5518EVWF/RMT5518EVWF**

- 1 Led-binnenverlichting
- 2 Gewone planken
- 3 Luchtkanaal vriezer
- 4 Gewone vriezerlade

Bedieningspaneel



Indicatorpictogrammen:

- A Wififunctiepictogram
- B Pictogram Vergrendelen/ontgrendelen
- C Temperatuurweergavepictogram
- D Pictogram Super Freeze-functie
- E Pictogram ECO-functie

Aanraaktoetsen:

- F AAN/UIT-toets
- G Wifikoppelingstoets
- H Toets Vergrendelen/ontgrendelen
- I Toets Temperatuur verlagen
- J Toets Temperatuur verhogen
- K Toets Super Freeze-functie
- L Toets ECO-functie

Sensortoetsen

De toetsen op het bedieningspaneel zijn sensortoetsen, die al reageren als ze licht met de vinger worden aangeraakt.

Open eerst de deur van de koelkast voordat u het scherm bedient.

Functie Vergrendelen/ontgrendelen

Deze toets en het bijbehorende pictogram worden gebruikt om het bedieningsscherm te vergrendelen of ontgrendelen en de huidige status aan te geven.

Open de deur van de koelkast terwijl de koelkast in werking is, het bedieningsscherm licht op en het pictogram Vergrendelen/ontgrendelen is aan. Op dat moment is het bedieningsscherm vergrendeld en kan het niet worden bediend.

Het scherm handmatig ontgrendelen of vergrendelen: Wanneer het pictogram Vergrendelen/ontgrendelen oplicht, moet u 3 seconden lang op de toets Vergrendelen/ontgrendelen drukken. Het pictogram gaat uit, wat gepaard gaat met een pieptoon. Op dit moment kan de functie worden geselecteerd of kan de temperatuur worden aangepast.

Wanneer het pictogram Vergrendelen/ontgrendelen uitgeschakeld is, moet u 3 seconden lang op de toets Vergrendelen/ontgrendelen drukken. Vervolgens licht het pictogram Vergrendelen/ontgrendelen op en hoort u een pieptoon. Op dat moment kan geen functieselectie of temperatuurstelling worden uitgevoerd.

Automatische schermvergrendeling: Als de deur van de koelkast dicht is, wordt het bedieningsscherm uitgeschakeld en vergrendeld.

Als de deur van de koelkast open is, wordt het bedieningsscherm automatisch vergrendeld als er binnen 30 seconden geen bediening heeft plaatsgevonden.

AAN/UIT-functie

De AAN/UIT-toets wordt gebruikt om te schakelen tussen UIT (pauzestatus) en AAN (normale werkmodi).

De UIT-modus inschakelen: In de werkmodus van de koelkast ontgrendelt u eerst het display en drukt u vervolgens 3 seconden lang op de AAN/UIT-functietoets om het bedieningsscherm, de koelkastverlichting, de koeling en andere functies uit te schakelen; gevolgd door een indicatiegeluid.



LET OP

De UIT-modus is geen uitschakeling, de koelkast is op dat moment nog steeds ingeschakeld.

De UIT-modus afsluiten: In de UIT-modus moet u de AAN/UIT-toets 3 seconden lang ingedrukt houden om het bedieningsscherm, de koelkastverlichting, de koeling en andere functies opnieuw te starten; gevolgd door een indicatiegeluid. De koelkast keert terug naar de eerder ingestelde temperatuur en functie, en schakelt over naar de normale werkmodus.




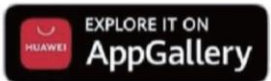


Wififunctie

Wifikoppeling: Wanneer de koelkast voor het eerst wordt ingeschakeld, gaat hij automatisch naar de netwerkconfiguratiemodus en knippert het wifipictogram snel.

Als er geen netwerkverbindingsoptie is, wordt de modus na 30 minuten automatisch afgesloten.

Ga handmatig naar de wifkoppelingsmodus: Houd na het ontgrendelen van het bedieningsscherm, terwijl het wifunctiepictogram brandt, de wiftoets 3 seconden lang ingedrukt om de modus te activeren. Ondertussen knippert het wifpictogram snel om aan te geven dat de wifkoppelingsmodus actief is. Als er geen netwerkverbinding plaatsvindt, wordt de modus na 30 minuten automatisch afgesloten.

KOPPELINGSPROCEDURE IN DE APP

<p>Stap 1</p> 	<p>• Download de hOn-app in de winkels.</p>   
<p>Stap 2</p> <p>Maak een account aan in de hOn-app of log in als u al een account heeft.</p> 	<p>Stap 3</p> <p>Volg de koppelingsinstructies in de hOn-app.</p> 

LET OP

In de wifkoppelingsmodus moet u de instructies van de app volgen om de netwerkconfiguratie te voltooien. Als u de wifi-omgeving wilt wijzigen, moet u de modus opnieuw activeren. Als het pictogram van de wifunctie blijft branden, geeft dit aan dat de verbinding met het netwerk tot stand is gebracht.

De vriezertemperatuur aanpassen

Nadat de deur van de koelkast is geopend en het bedieningsscherm is ontgrendeld, wordt de toets 'Temperatuur verlagen' gebruikt om de ingestelde temperatuur van de koelkast te verlagen. Telkens wanneer de toets lichtjes wordt aangeraakt, zal de temperatuur met 1°C dalen en de toegestane minimumtemperatuur is -24°C.

Nadat de deur van de koelkast is geopend en het bedieningsscherm is ontgrendeld, wordt de toets 'Temperatuur verhogen' gebruikt om de ingestelde temperatuur van de koelkast te verhogen. Telkens wanneer de toets lichtjes wordt aangeraakt, zal de temperatuur met 1°C stijgen en de toegestane maximumtemperatuur is -14°C.

Tijdens de werking zal het temperatuurweergavepictogram de ingestelde temperatuur weergeven en knipperen. Het bedieningsscherm zal na 5 seconden automatisch de ingestelde temperatuur bevestigen en vervolgens de huidige actuele temperatuur weergeven. Na het instellen gaat de koelkast geleidelijk over van de huidige temperatuur naar de ingestelde temperatuur. De werkelijke temperatuur en de ingestelde temperatuur kunnen dus gedurende een bepaalde periode een afwijken.

Super Freeze-functie

Deze toets en het bijbehorende pictogram worden gebruikt om te schakelen naar de Super Freeze-functie van de koelkast en de huidige status weer te geven.

Nadat u de deur van de koelkast hebt geopend en het bedieningsscherm hebt ontgrendeld, raakt u de Super Freeze-functietoets lichtjes aan, waarna het Super Freeze-functiepictogram oplicht; de koelkast bevindt zich al in die modus. Als u de modus wilt verlaten, voert u dezelfde handeling uit door de Super Freeze-functietoets lichtjes aan te raken.

In deze functie zal de temperatuur waarschijnlijk in de buurt komen van -28 C of lager, en de koelkast zal deze functie na 50 uur automatisch afsluiten om te voorkomen dat de temperatuur te laag wordt.

ECO-functie

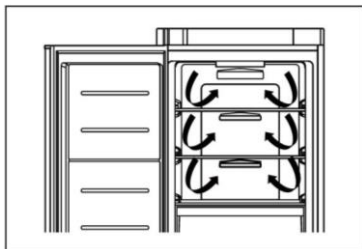
Nadat u de deur van de koelkast hebt geopend en het bedieningsscherm hebt ontgrendeld, raakt u de ECO-functietoets lichtjes aan, waarna het ECO-functiepictogram oplicht; de koelkast bevindt zich al in die modus. Als u de modus wilt verlaten, voert u dezelfde handeling uit door de ECO-functietoets lichtjes aan te raken. In de ECO-modus werkt de koelkast automatisch op een gemiddelde temperatuur van -18 C .



LET OP

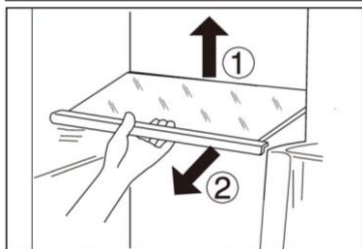
Vanwege het verschil in bedieningslogica van de speciale functies bij de Super Freeze-functie en de ECO-functie, kunnen deze speciale modi niet tegelijkertijd worden geactiveerd. Er kan slechts één functie worden geactiveerd en wanneer er tussen de modi wordt geschakeld, worden andere speciale modi automatisch afgesloten. Daarnaast kan de ingestelde temperatuur worden gewijzigd, tenzij deze modi worden verlaten.

-18 C is geschikt voor algemene diepvriesproducten die 1–12 maanden bewaard moeten worden, zoals vlees, gevogelte, zeevruchten, voorgedroogd voedsel en restjes, sommige fruit- en groentesoorten, ijs en andere diepvriesdesserts.



Meervoudige luchtstroom

1. De koelkast is uitgerust met een meervoudige-luchtstroomsysteem, waarmee er op elke plank koele luchtstromen zijn. Dit helpt om een gelijkmatige temperatuur te handhaven om ervoor te zorgen dat uw voedsel langer vers blijft.



Verstelbare planken

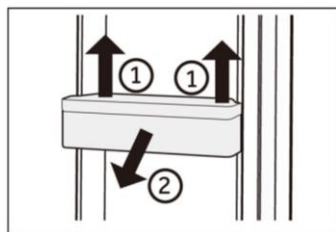
1. De hoogte van de planken kan worden aangepast aan uw opslagbehoeften.
2. Om een plank te verplaatsen, verwijdert u hem eerst door de achterrand ① op te tillen en de plank eruit te trekken ②.
3. Om hem weer te installeren, plaatst u hem op de nokjes aan beide kanten en duwt u hem helemaal naar achteren tot de achterkant van de plank vastzit in de gleuven in de zijkanten.

i LET OP

Zorg ervoor dat alle kanten van een plank vlak zijn.

Verwijderbare deurrekken/fleshouder

1. De deurrekken kunnen worden verwijderd om te worden schoongemaakt:
2. Plaats uw handen aan beide kanten van het rek, til het omhoog ① en trek het eruit ②.
3. Voer de bovenstaande stappen in omgekeerde volgorde uit om het deurrek weer terug te plaatsen.



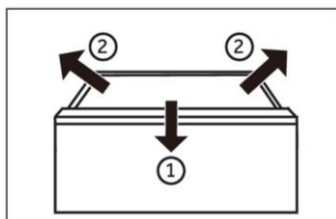
i LET OP

Als het apparaat is ingeschakeld, kan het tot 12 uur duren voordat de juiste temperaturen worden bereikt.

Verwijderbare lade

Om de lade te verwijderen, trekt u deze zo ver mogelijk naar buiten ①, daarna optillen en verwijderen ②.

Voer de bovenstaande stappen in omgekeerde volgorde uit om lade weer terug te plaatsen.



De verlichting

De led-binnenverlichting gaat branden als de deur wordt geopend. De werking van de verlichting wordt niet beïnvloed door een van de andere instellingen van het apparaat.



Tips voor energiebesparing

- ▶ Zorg ervoor dat het apparaat goed wordt geventileerd (raadpleeg INSTALLATIE).
- ▶ Installeer het apparaat niet in direct zonlicht of in de buurt van warmtebronnen (bijv. kachels, verwarmingstoestellen).
- ▶ Vermijd onnodig lage temperaturen in het apparaat. Het energieverbruik neemt toe naarmate de temperatuur in het apparaat lager is ingesteld.
- ▶ Functies zoals de Super Freeze-functie verbruiken meer energie.
- ▶ Laat warm voedsel afkoelen voordat u het in de koelkast plaatst.
- ▶ Open de deur van het apparaat zo weinig en zo kort mogelijk.
- ▶ Vul het apparaat niet te vol om te voorkomen dat de luchtdoorstroming wordt geblokkeerd.
- ▶ Vermijd lucht in de verpakking van het voedsel.
- ▶ Houd de deuropakking schoon, zodat de deur altijd goed sluit.
- ▶ De meest energiebesparende configuratie vereist dat de lades, voedselbakken en planken in fabrieksstaat worden gehouden, en dat voedsel zo diep mogelijk wordt geplaatst zonder dat de openingen van het luchtkanaal worden geblokkeerd.



WAARSCHUWING!

Haal de stekker van het apparaat uit het stopcontact voordat u het reinigt.

Reinigen

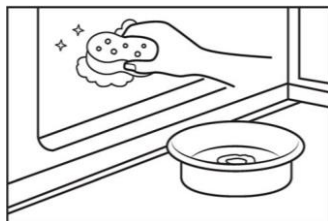
Reinig het apparaat als er weinig of geen voedsel in is opgeslagen.

Het apparaat moet om de vier weken worden schoongemaakt voor een goed onderhoud en om nare voedselgeuren te voorkomen.



WAARSCHUWING!

- ▶ Reinig het apparaat niet met harde borstels, draadborstels, waspoeder, benzine, amylacetaat, aceton en soortgelijke organische oplossingen, zure of alkalische oplossingen. Reinig het apparaat met een speciaal reinigingsmiddel voor koelkasten om schade te voorkomen.
- ▶ Spuit niet op het apparaat en spoel het niet af tijdens het reinigen.
- ▶ Gebruik geen waterstraal of stoom om het apparaat schoon te maken.
- ▶ Reinig de koude glazen planken niet met heet water. Door plotselinge temperatuurveranderingen kan het glas breken.
- ▶ Raak het binnenoppervlak van het vriezergedeelte niet aan, vooral niet met natte handen, omdat uw handen aan het oppervlak vast kunnen vriezen.
- ▶ Controleer in geval van opwarming de toestand van de ingevroren producten.



- ▶ Houd de deurpakking altijd schoon.
- ▶ Reinig de binnenkant en behuizing van het apparaat met een spons die is bevochtigd in warm water en een neutraal reinigingsmiddel.
- ▶ 1. Was de binnenkant en buitenkant van de koelkast, waaronder deurrubbers, deurrek, glazen planken, bakken enzovoort, met een zachte handdoek of spons die in warm water is gedrenkt (u mag een neutraal schoonmaakmiddel toevoegen aan het warme water).
- ▶ 2. Als er vloeistof is gemorst, verwijder dan alle verontreinigde onderdelen en spoel ze direct af met het stromend water. Daarna afdrogen en terug in de koelkast plaatsen.
- ▶ 3. Als er room (zoals koffiemelk, smeltend ijs) wordt gemorst, moeten alle verontreinigde delen worden verwijderd. Zet ze een tijdje in warm water van ongeveer 40°C en spoel vervolgens af met stromend water. Daarna afdrogen en terug in de koelkast plaatsen.
- ▶ 4. Als een klein deeltje of onderdeel vast komt te zitten in de koelkast (tussen planken of laden), gebruik dan een klein, zacht borsteltje om het weg te halen. Als u het onderdeel niet kan bereiken, neem dan contact op met de klantenservice van Haier.

**LET OP**

De afvoeropening mag niet geblokkeerd worden door vreemde voorwerpen, anders kan er een probleem ontstaan met het overlopen van water. Als de afvoer verstopt is, kunt u de lade eruit halen en schoonmaken met een doek.



- ▶ Spoel af en droog af met een zachte doek.
- ▶ Reinig de onderdelen van het apparaat niet in een vaatwasser.
- ▶ Laat het apparaat minstens 5 minuten rusten voordat u het opnieuw opstart, omdat vaak opstarten de compressor kan beschadigen.

Ontdooien

Het ontdooien van het vriezergedeelte gebeurt automatisch; er is geen handmatige bediening nodig.

De ledlampjes vervangen**WAARSCHUWING!**

Vervang de ledlamp niet zelf, deze mag alleen worden vervangen door de fabrikant of door de erkende servicevertegenwoordiger.

De lamp heeft een led als lichtbron, met een laag energieverbruik en een lange levensduur. Als er sprake is van een afwijking, neem dan contact op met de klantenservice. Zie **KLANTENSERVICE**.

Parameters van de lampen:

Vriezergedeelte: 12 V max. 1,5 W

Dit product bevat een lichtbron van energie-efficiëntieklasse <G>.

Geen gebruik voor een langere periode

Als het apparaat gedurende langere tijd niet wordt gebruikt:

Haal het voedsel eruit.

Haal de stekker van het netsnoer uit het stopcontact.

Reinig het apparaat zoals hierboven beschreven.

Houd de deuren open om de vorming van nare geuren binnenin te voorkomen.

**LET OP**

Schakel het apparaat alleen uit als dat echt nodig is.

Het apparaat verplaatsen

1. Verwijder alle etenswaren en haal de stekker van het apparaat uit het stopcontact.
2. Maak planken en andere beweegbare delen in de vriezer vast met plakband.
3. Kantel de koelkast niet meer dan 45° om schade aan het koelsysteem te voorkomen.

**WAARSCHUWING!**

- ▶ Til het apparaat niet op aan de grepen.
- ▶ Plaats het apparaat nooit horizontaal op de grond.

Veel problemen kunnen door uzelf worden opgelost zonder specifieke expertise. Raadpleeg in geval van een probleem alle getoonde mogelijkheden en volg de onderstaande instructies voordat u contact opneemt met de klantenservice. Zie KLANTENSERVICE.



WAARSCHUWING!

- ▶ Schakel het apparaat uit voordat u onderhoud uitvoert en haal de stekker uit het stopcontact.
- ▶ Elektrische apparatuur mag alleen worden onderhouden door gekwalificeerde elektrische experts, omdat onjuiste reparaties aanzienlijke gevolgschade kunnen veroorzaken.
- ▶ Als de voeding beschadigd is, mag deze alleen worden vervangen door de fabrikant, diens servicevertegenwoordiger of vergelijkbaar gekwalificeerde personen om gevaar te voorkomen.

Probleem	Mogelijke oorzaak	Mogelijke oplossing
De compressor werkt niet.	<ul style="list-style-type: none"> • De netstekker is niet aangesloten op het stopcontact. • Het apparaat is aan het ontdooien. 	<ul style="list-style-type: none"> • Steek de stekker in het stopcontact. • Dit is normaal voor automatisch ontdooien.
Het apparaat loopt vaak of te lang.	<ul style="list-style-type: none"> • De binnen- of buiten-temperatuur is te hoog. • Het apparaat is een tijd lang niet ingeschakeld geweest. • Een deur van het apparaat is niet goed gesloten. • De deur is te vaak of te lang geopend. • De temperatuurinstelling voor het vriezergedeelte is te laag. • De deurpakkingen zijn vuil, versleten, gebarsten of niet goed op elkaar afgestemd. 	<ul style="list-style-type: none"> • In dit geval is het normaal dat het apparaat langer werkt. • Normaal gesproken duurt het 8–12 uur voordat het apparaat volledig is afgekoeld. • Sluit de deur/lade en zorg ervoor dat het apparaat op een vlakke ondergrond staat en dat er geen etenswaren of voedselbakjes de deur blokkeren. • Open de deur/lade niet te vaak. • Stel de temperatuur hoger in totdat een toereikende koelkasttemperatuur is bereikt. Het duurt 24 uur voordat de koelkasttemperatuur stabiel is. • Reinig de deur-/ladepakkingen of laat ze vervangen door de klantenservice.

Probleem	Mogelijke oorzaak	Mogelijke oplossing
	<ul style="list-style-type: none"> De vereiste luchtcirculatie is niet gegarandeerd. 	<ul style="list-style-type: none"> Zorg voor voldoende ventilatie.
De binnenkant van de koelkast is vies en/of stinkt.	<ul style="list-style-type: none"> De binnenkant van de koelkast moet worden schoongemaakt. Er wordt voedsel met een sterke geur bewaard in de koelkast. 	<ul style="list-style-type: none"> Reinig de binnenkant van de koelkast. Verpak het voedsel goed.
Het is niet koud genoeg in het apparaat.	<ul style="list-style-type: none"> De temperatuur is te hoog ingesteld. Er zijn te warme producten opgeslagen. Er is te veel voedsel in één keer bewaard. De producten zijn te dicht bij elkaar geplaatst. Een deur/lade van het apparaat zit niet goed dicht. De deur/lade is te vaak of te lang geopend. 	<ul style="list-style-type: none"> Stel de temperatuur opnieuw in. Koel de producten altijd af voordat u ze opbergt. Bewaar altijd kleine hoeveelheden voedsel. Laat een gat tussen verschillende voedingsmiddelen waardoor lucht kan stromen. Sluit de deur/lade. Open de deur/lade niet te vaak.
Het is te koud in het apparaat.	<ul style="list-style-type: none"> De temperatuur is te laag ingesteld. De Super Freeze-functie is geactiveerd of staat te lang aan. 	<ul style="list-style-type: none"> Stel de temperatuur opnieuw in. Schakel de Super Freeze-functie uit.
Vocht hoopt zich op het oppervlak aan de buitenkant van de koelkast en tussen de deuren/deur en lade op.	<ul style="list-style-type: none"> Het klimaat is te warm en te vochtig. De deur is niet goed gesloten. De koude lucht in het apparaat en de warme lucht buiten condenseert. 	<ul style="list-style-type: none"> Dit is normaal in een vochtig klimaat en zal veranderen wanneer de luchtvochtigheid daalt. Zorg dat de deur/lade goed dicht zit.
De displayverlichting werkt, maar voelt niet koel aan.	<ul style="list-style-type: none"> Hij staat in de demomodus. 	<ul style="list-style-type: none"> Let op welke status hij zich in bevindt. Als het de demomodus is, sluit deze dan af. Afsluiten: Houd de toets 'ECO' ingedrukt en tik 5 keer in 5 seconden op de toets 'Super Freeze'.

Probleem	Mogelijke oorzaak	Mogelijke oplossing
Veel ijs en rijp in het vriezergedeelte.	<ul style="list-style-type: none"> • De etenswaren zijn niet goed verpakt. • Een deur/lade van het apparaat zit niet goed dicht. • De deur/lade is te vaak of te lang geopend. • De deur-/ladepakkingen zijn vuil, versleten, gebarsten of niet goed op elkaar afgestemd. • Iets aan de binnenkant voorkomt dat de deur/lade goed kan sluiten. 	<ul style="list-style-type: none"> • Verpak de etenswaren altijd goed. • Sluit de deur/lade. • Open de deur/lade niet te vaak. • Reinig de deur-/ladepakkingen of vervang ze door nieuwe. • Verplaats de planken, deurrekken of interne containers zodat de deur/lade kan worden gesloten.
De zijkanten van de kast en de deurstrip worden warm.	<ul style="list-style-type: none"> • - 	<ul style="list-style-type: none"> • Dit is normaal.
Het apparaat maakt afwijkende geluiden.	<ul style="list-style-type: none"> • Het apparaat staat niet op een vlakke ondergrond. • Het apparaat raakt voorwerpen rondom. 	<ul style="list-style-type: none"> • Stel de pootjes af om het apparaat waterpas te zetten. • Verwijder voorwerpen rondom het apparaat.
Er is een licht geluid te horen dat lijkt op dat van stromend water.	<ul style="list-style-type: none"> • - 	<ul style="list-style-type: none"> • Dit is normaal.
U hoort een alarm-piepton.	<ul style="list-style-type: none"> • De deur van het koelkastgedeelte staat open. 	<ul style="list-style-type: none"> • Sluit de deur.
U hoort een zacht gebrom.	<ul style="list-style-type: none"> • Het anticondensatiesysteem is aan het werk. 	<ul style="list-style-type: none"> • Dit voorkomt condensatie en is normaal.
De binnenverlichting of het koelsysteem werkt niet.	<ul style="list-style-type: none"> • De netstekker is niet aangesloten op het stopcontact. 	<ul style="list-style-type: none"> • Steek de stekker in het stopcontact.
	<ul style="list-style-type: none"> • De voeding is niet intact. 	<ul style="list-style-type: none"> • Controleer de elektrische voeding naar de kamer. Bel het plaatselijke elektriciteitsbedrijf!
	<ul style="list-style-type: none"> • Het ledlampje is buiten werking. 	<ul style="list-style-type: none"> • Bel de klantenservice om het lampje te laten vervangen.

Ga naar onze website om contact op te nemen met de technische dienst:
<https://corporate.haier-europe.com/en/>

Kies onder de kop 'website' het merk van uw product en uw land. U wordt doorgestuurd naar de specifieke website waar u het telefoonnummer en formulier kunt vinden om contact op te nemen met de technische dienst.

Stroomonderbreking

In het geval van een stroomstoring, zou voedsel ongeveer 5 uur lang veilig koud moeten blijven. Volg de volgende tips tijdens een langdurige stroomstoring, vooral in de zomer:

- ▶ Open de deur/lade zo weinig mogelijk.
- ▶ Plaats geen extra voedsel in het apparaat tijdens een stroomstoring.
- ▶ Als een stroomstoring vooraf wordt aangekondigd en de onderbrekingsduur langer is dan 5 uur, maak dan ijs en zet dit in een bak boven in het koelkastgedeelte.
- ▶ Onmiddellijk na de onderbreking is een controle van de producten vereist.
- ▶ Aangezien de temperatuur in de koelkast stijgt tijdens een stroomonderbreking of een andere storing, wordt de bewaarperiode en de eetbare kwaliteit van voedsel nadelig beïnvloedt. Alle levensmiddelen die ontdooien moeten worden gegeten, of worden bereid en daarna zo snel mogelijk opnieuw worden ingevroren (indien van toepassing) om gezondheidsrisico's te voorkomen.

Geheugenfunctie tijdens de stroomonderbreking

Na herstel van de stroom gaat het apparaat door met de instellingen die waren ingesteld voor de stroomstoring.

Uitpakken



WAARSCHUWING!

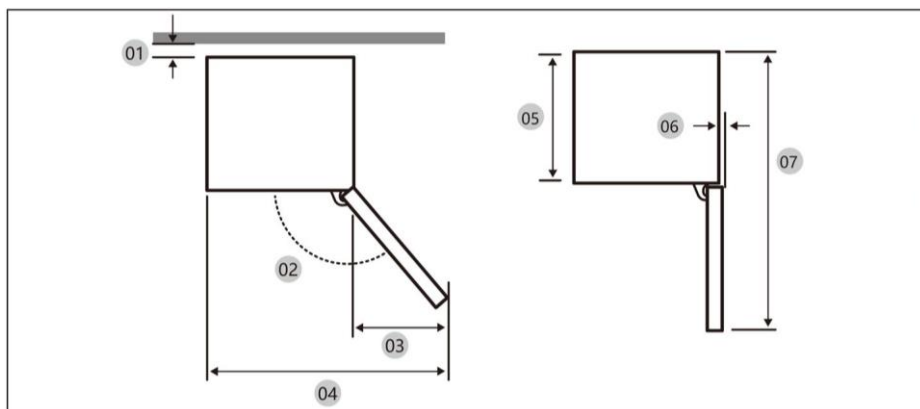
- ▶ Het apparaat is zwaar. Altijd hanteren met ten minste twee personen.
- ▶ Houd alle verpakkingsmaterialen buiten bereik van kinderen en gooi ze op een milieuvriendelijke manier weg.
- ▶ Haal het apparaat uit de verpakking.
- ▶ Verwijder al het verpakkingsmateriaal.

Omgevingsomstandigheden

De kamertemperatuur moet altijd tussen 10°C en 43°C liggen, aangezien deze de temperatuur in het apparaat en het energieverbruik kan beïnvloeden. Installeer het apparaat niet in de buurt van andere warmtebronnen (ovens, koelkasten).

Ruimtesuggestie

Voorgestelde ruimte bij geopende deur (zonder kastdeurpaneel)

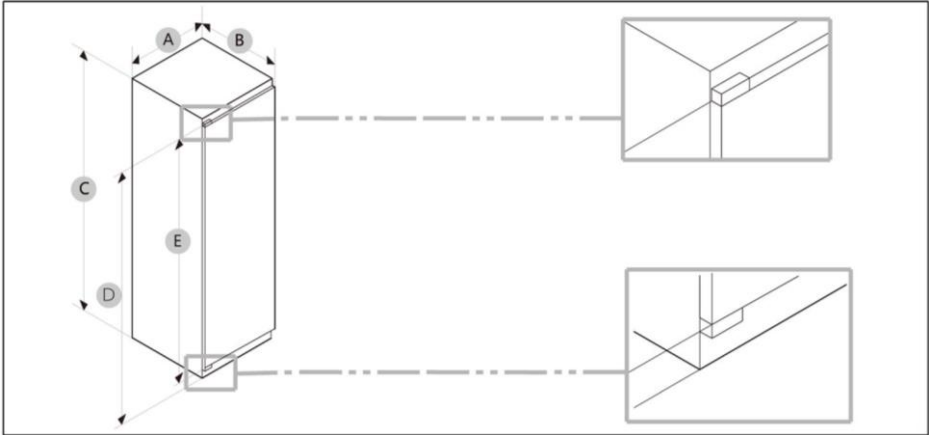


Model	CMT5518EVWF RMT5518EVWF
01*	10 (min.) / 30 (aanbevolen)
02	95° (aanbevolen)
03	43
04	583
05	515
06	-3
07	1060

(eenheid: mm)

* 01: Van kast tot achterkant product.

Afmetingen product



Model	A (mm)	B (mm)	C (mm)	D (mm)	E (mm)
CMT5518EVWF	540±2	550±2	1772±2	1715	1671
RMT5518EVWF					

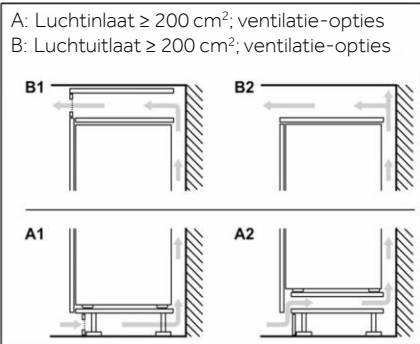
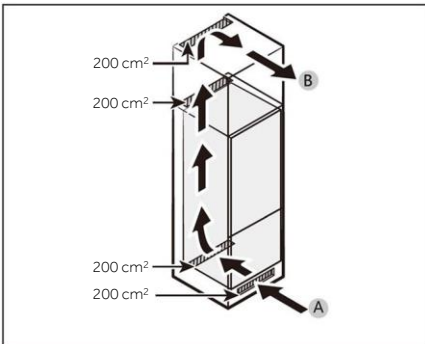


LET OP

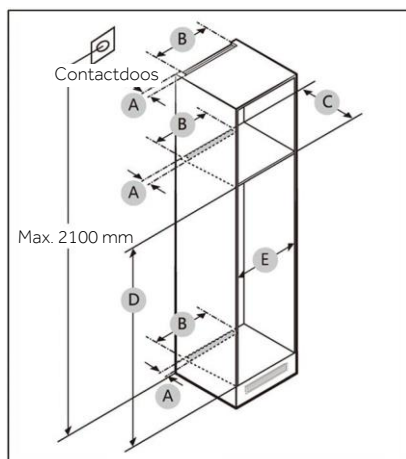
- Het opgegeven energieverbruik is gebaseerd op een afstand van 10 mm tussen de kast en de achterkant van het product. Het product werkt ook goed bij een afstand van minder dan 10 mm, maar verbruikt wel iets meer energie.
- We raden aan om een kast van 19 mm dik te gebruiken met scharnieren van minder dan 17 mm dik.
- De metingen in de bovenstaande tabel kunnen afwijken, afhankelijk van de meetmethode.
- Raadpleeg de Installatiehandleiding voor de ingebouwde installatie.

Doorsnede van ventilatie

Om voor de veiligheid voldoende ventilatie van het apparaat te bereiken, moet de informatie over de vereiste ventilatiedoorsneden in acht worden genomen.



Afmetingen kast



⚠️ VOORZICHTIG!

Productstoringen als gevolg van het volgende worden niet gedekt door de Garantie.

1. Onjuiste locatieomstandigheden of onjuiste kastafmetingen.
2. Defecte kast.
3. Fouten door de installateur of de gebruiker.

Vrije ruimte

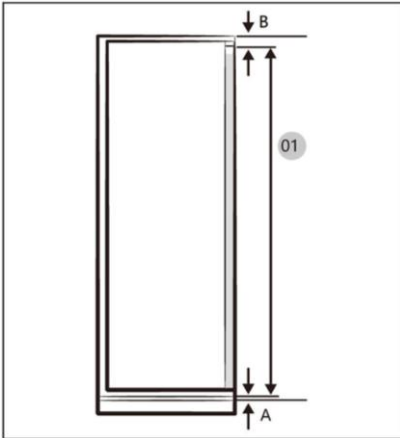
Zie de afbeeldingen en tabellen hieronder voor de benodigde ruimte voor installatie.

Model		A (mm)	B (mm)	C (mm)	D (mm)	E (mm)	Opmerking
CMT5518EVWF RMT5518EVWF	Min.	50	400	560	1778	560	Scharnier: 17 mm
	Aanbevolen			580	1780	562	
	Max.			-	1782	568	



LET OP

- Als de breedte van een kast meer is dan 568 mm, kan de pakking (tussen de koelkast en de kast) losraken.
- Als de kast hoger is dan de maximale afmeting (1782 mm), moet u andere afwerkingsmaterialen gebruiken om de tussenruimte op te vullen.

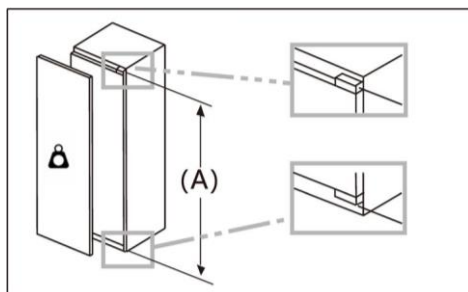


- A. Onderkant van het voorpaneel boven de luchtventilatie
- B. Overhang voorpaneel


Model	CMT5518EVWF RMT5518EVWF
01	Min. 1694+A+B Max. 1850+A+B

(eenheid: mm)

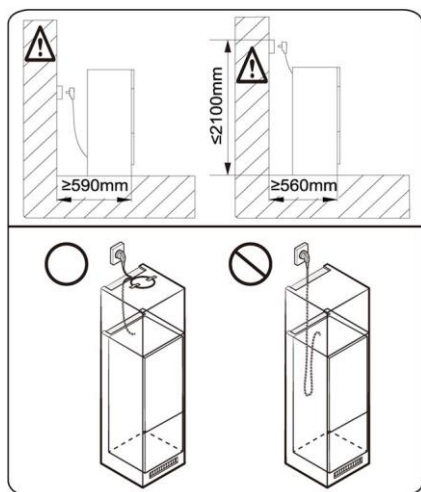
Maximaal toelaatbaar gewicht van de unitfronten



Gemonteerde unitfronten die het toegestane gewicht overschrijden, kunnen schade veroorzaken en de werking van de scharnieren belemmeren.

 Gewicht (kg)	1500–1750 mm	22
	720–1400 mm	19

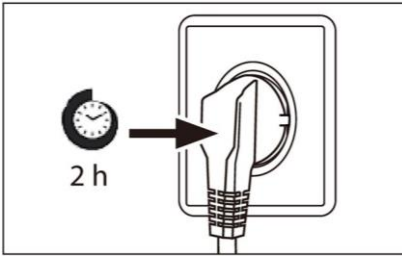
Rekening houden met de locatie van stopcontacten en de benodigde ruimte



LET OP

Als u de koelkast installeert in een kast met een diepte van 560 mm, zorg er dan voor dat het netsnoer aan een zijkant van de koelkast ligt voordat u de stekker in het stopcontact steekt. Als het netsnoer zich aan de achterkant van de koelkast bevindt, kan dit de energie-efficiëntie verminderen.

Wachttijd



De onderhoudsvrije smeerolie bevindt zich in de behuizing van de compressor. Deze olie kan door het gesloten buissysteem komen bij liggend transport. Voordat u het apparaat op de voeding aansluit, moet u ten minste 2 uur wachten zodat de olie weer in de behuizing loopt.

Elektrische aansluiting

Controleer vóór elke aansluiting of:

- ▶ voeding, stopcontact en zekering geschikt zijn volgens het typeplaatje;
- ▶ het stopcontact is geaard en er geen stekkerdoos of verlengsnoer is;
- ▶ de stekker en het stopcontact goed passen.

Sluit de stekker aan op een correct geïnstalleerd huishoudelijk stopcontact.



WAARSCHUWING!

Om risico's te vermijden moet een beschadigd netsnoer worden vervangen door de klantenservice (zie garantiekaart).

Productkaart volgens de verordening EU nr. 2019/2016

Merk	CANDY	Rosieres
Modelnaam/identificatie	CMT5518EVWF	RMT5518EVWF
Categorie van het model	Vriezer	Vriezer
Energie-efficiëntieklasse	E	E
Jaarlijks energieverbruik (kWh/jaar) (1)	215	215
Totaal volume (liter)	220	220
Volume koelkast (l)	/	/
Volume vriezer (liter)	220	220
Volume koelersectie (liter)	/	/
Volume automatische ijsblokjesmachine (liter)	/	/
Steraanduiding	4	4
Temperatuur van andere compartimenten > 14°C	Niet van toepassing	Niet van toepassing
Vorstvrij systeem	Ja	Ja
Vriescapaciteit (kg/24 uur)	15	15
Klimaatklasse (2)	SN/N/ST/T	SN/N/ST/T
Geluidsemissieklasse en geluidsemissie via de lucht (db(A) re1pW)	B 35	B 35
Temperatuurstijgingstijd (uur)	6	6
Ijsbereidingscapaciteit	/	/
Type apparaat	Ingebouwd	Ingebouwd

Naam model	Energie-efficiëntieklasse
CMT5518EVWF	E
RMT5518EVWF	E

Uitleg:

- Ja, aanwezig
- (1) Op basis van de resultaten van de normconformiteitstest gedurende 24 uur.
Het werkelijke verbruik is afhankelijk van het gebruik en de locatie van het apparaat.
 - (2) Klimaatklasse SN: Dit apparaat is bedoeld voor gebruik bij een omgevingstemperatuur tussen +10°C en +32°C
Klimaatklasse N: Dit apparaat is bedoeld voor gebruik bij een omgevingstemperatuur tussen +16°C en +32°C
Klimaatklasse ST: Dit apparaat is bedoeld voor gebruik bij een omgevingstemperatuur tussen +16°C en +38°C
Klimaatklasse T: Dit apparaat is bedoeld voor gebruik bij een omgevingstemperatuur tussen +16°C en +43°C

Aanvullende technische gegevens

Spanning/frequentie	220–240 V ~/50 Hz
Ingangsstroom (A)	1,5
Belangrijkste zekering (A)	16
Koelmiddel	R600a
Afmetingen (HxBxD in mm)	1772/540/550

RF-informatie

De max. EIRP: Bluetooth (BR/EDR): 10 dBm

Bluetooth LE: 5 dBm

2,4 GHz wifi: 16 dBm

Frequentieband: 2400–2483,5 MHz

Wij adviseren onze Haier-klantenservice en het gebruik van originele onderdelen. Als u een probleem hebt met uw apparaat, controleer dan eerst het hoofdstuk **PROBLEMEN OPLOSSEN**.

Als u daar geen oplossing kunt vinden, neem dan contact op met

- ▶ uw plaatselijke dealer; of
- ▶ ons Europese service-callcentrum (zie onderstaande telefoonnummers); of
- ▶ het gedeelte Service & Support op www.haier.com, waar u de serviceclaim kunt activeren
- ▶ en ook veelgestelde vragen kunt vinden.

Om contact op te nemen met onze klantenservice, moet u ervoor zorgen dat u over de volgende gegevens beschikt.

De informatie is te vinden op het typeplaatje.

Model _____

Serienummer _____

Controleer ook de garantiekaart die met het product is meegeleverd in geval van garantie.

Europees service-callcentrum		
Land*	Telefoonnummer	Kosten
Haier Italy (IT)	199 100 912	
Haier Spain (ES)	902 509 123	
Haier Germany (DE)	0180 539 39 99	<ul style="list-style-type: none"> • 14 ct/min – vaste lijn • max. 42 ct/min – mobiel
Haier Austria (AT)	0820 001 205	<ul style="list-style-type: none"> • 14,53 ct/min – vaste lijn • max. 20 ct/min – alle andere
Haier United Kingdom (UK)	0333 003 8122	
Haier France (FR)	0980 406 409	

*Voor andere landen verwijzen wij u naar www.haier.com
Haier Europe Trading S.r.l
Branch UK
Westgate House, Westgate, Ealing
London, W5 1YY, Verenigd Koninkrijk

*Duur van de garantie van het koelapparaat:

De minimumgarantie is: 2 jaar voor EU-landen, 3 jaar voor Turkije, 1 jaar voor het Verenigd Koninkrijk, 1 jaar voor Rusland, 3 jaar voor Zweden, 2 jaar voor Servië, 5 jaar voor Noorwegen, 1 jaar voor Marokko, 6 maanden voor Algerije, Tunesië geen wettelijke garantie vereist.

*De beschikbaarheidsperiode van reserveonderdelen voor reparatie van het apparaat:

Thermostaten, temperatuursensoren, printplaten en lichtbronnen zijn gedurende minimaal zeven jaar na het op de markt brengen van de laatste eenheid van het model beschikbaar.

Deurgrepen, deurscharnieren, bakken en manden zijn minimaal zeven jaar en deurrubbers minimaal tien jaar na het in de handel brengen van de laatste eenheid van het model verkrijgbaar.

*Raadpleeg voor meer informatie over het product <https://eprel.ec.europa.eu/> of scan de QR-code op het energielabel dat met het apparaat wordt meegeleverd.

<u>5</u>	<u>Informacje dotyczące bezpieczeństwa</u>	Przed pierwszym użyciem	6
		Instalacja	6
		Codzienne użytkowanie	7
		Informacje dotyczące czynnika chłodniczego	9
<u>10</u>	<u>Przeznaczenie</u>		
<u>11</u>	<u>Opis produktu</u>		
<u>12</u>	<u>Panel sterowania</u>		
<u>13</u>	<u>Użytkowanie</u>	Przycisk blokowania/ odblokowywania i jego ikona	13
		Funkcja czuwania	13
		Funkcja Wi-Fi	13
		Regulacja temperatury zamrażarki	14
		Funkcja Super Freeze	15
		Funkcja ECO	15
<u>16</u>	<u>Wyposażenie</u>		
<u>17</u>	<u>Wskazówki dotyczące oszczędzania energii</u>		
<u>18</u>	<u>Pielęgnacja i czyszczenie</u>		
<u>20</u>	<u>Usuwanie usterek</u>		
<u>24</u>	<u>Instalacja</u>		
<u>30</u>	<u>Dane techniczne</u>		
<u>32</u>	<u>Obsługa klienta</u>		

Dziękujemy za zakup produktu firmy Haier.

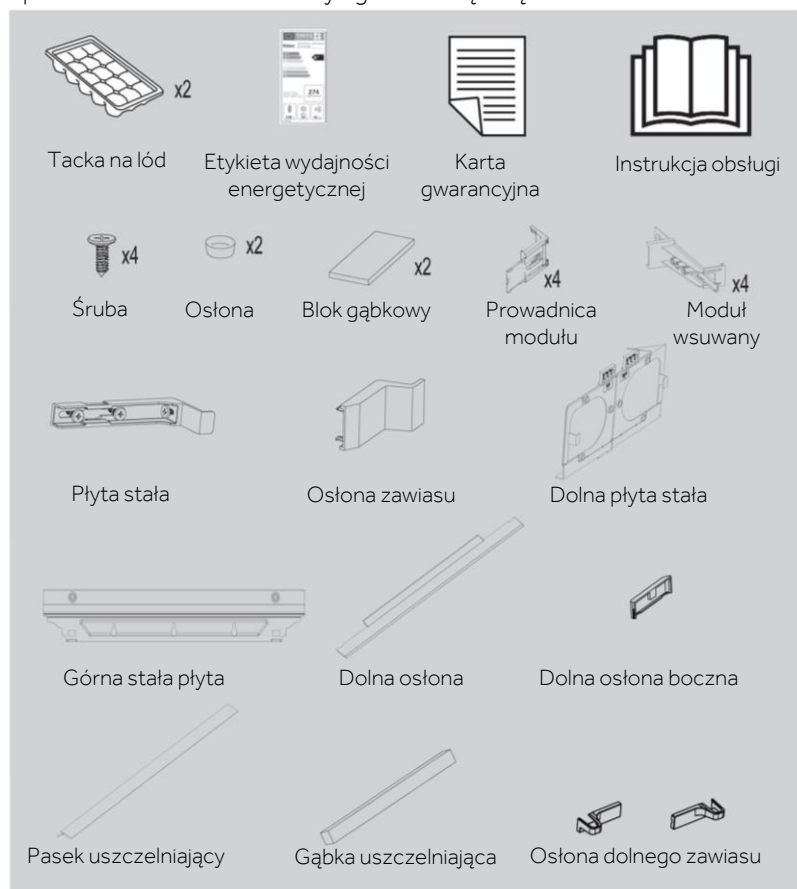
Przed użyciem urządzenia należy dokładnie przeczytać niniejsze instrukcje. Instrukcje zawierają ważne informacje, które pomogą możliwie najlepiej wykorzystać funkcje urządzenia, bezpiecznie i prawidłowo je zainstalować, eksploatować oraz konserwować.

Niniejszą instrukcję obsługi należy przechowywać w dostępnym miejscu, aby móc z niej zawsze skorzystać w celu bezpiecznego i właściwego użytkowania urządzenia.

Przy sprzedaży urządzenia należy do niego dołączyć niniejszą instrukcję obsługi, a w przypadku przeprowadzki przekazać ją nowemu właścicielowi, aby mógł się zapoznać z urządzeniem i ostrzeżeniami dotyczącymi bezpieczeństwa.

Akcesoria

Sprawdź akcesoria i materiały zgodnie z tą listą:





OSTRZEŻENIE - Ważne informacje dotyczące bezpieczeństwa



UWAGA - Ogólne informacje i wskazówki



Informacje dotyczące ochrony środowiska



Utylizacja

Pomóż chronić środowisko i ludzkie zdrowie. Wyrzuć opakowanie do odpowiednich pojemników do recyklingu. Pomóż w recyklingu odpadów z urządzeń elektrycznych i elektronicznych. Nie wyrzucaj urządzeń oznaczonych tym symbolem razem z odpadami domowymi. Oddaj produkt do miejscowego zakładu recyklingu lub skontaktuj się z urzędem miejskim.



OSTRZEŻENIE!

Ryzyko obrażeń lub uduszenia!

Czynniki chłodnicze i gazy muszą być utylizowane w profesjonalny sposób. Przed utylizacją upewnij się, że przewody układu chłodniczego nie są uszkodzone. Odłącz urządzenie od zasilania sieciowego. Odetnij przewód zasilający i zutylizuj go. Usuń tace i szuflady oraz zamek drzwi i uszczelki, aby zapobiec zamknięciu się dzieci i zwierząt w urządzeniu.

Przed włączeniem urządzenia po raz pierwszy, przeczytaj poniższe wskazówki dotyczące bezpieczeństwa:



OSTRZEŻENIE!

Przed pierwszym użyciem

- ▶ Upewnij się, że nie ma uszkodzeń powstałych podczas transportu.
- ▶ Odczekaj co najmniej dwie godziny przed zainstalowaniem urządzenia, aby upewnić się, że obwód czynnika chłodniczego jest w pełni efektywny.
- ▶ Zawsze przenoś urządzenie z pomocą co najmniej dwóch osób, ponieważ jest ono ciężkie.
- ▶ Usuń wszelkie opakowania, trzymaj je w miejscu niedostępnym dla dzieci i zutylizuj w sposób przyjazny dla środowiska.
- ▶ Przed włożeniem żywności wyczyść wnętrze i obudowę urządzenia wodą z dodatkiem łagodnego detergentu.
- ▶ Po wypoziomowaniu i wyczyszczeniu urządzenia odczekaj co najmniej 2-5 godzin przed podłączeniem go do zasilania. Zob. rozdział INSTALACJA.
- ▶ Przed włożeniem żywności należy wstępnie schłodzić komory z wysokimi ustawieniami. Funkcja Super - Freeze pomaga szybko schłodzić komory.
- ▶ Temperatura zamrażarki jest automatycznie ustawiana odpowiednio na -18°C . To są zalecane ustawienia. W razie potrzeby można ręcznie zmienić ustawioną temperaturę. Zob. rozdział REGULACJA TEMPERATURY.

Instalacja

- ▶ Urządzenie powinno być umieszczone w dobrze wentylowanym miejscu. Zapewnij przestrzeń co najmniej 10 cm nad urządzeniem i wokół niego.
- ▶ Nigdy nie umieszczaj urządzenia w wilgotnym miejscu lub w takim, w którym może być ochlapane wodą. Zetrzyj plamy i zachlapania do sucha miękką i czystą ściereczką.
- ▶ Nie należy instalować urządzenia w bezpośrednim świetle słonecznym lub w pobliżu źródeł ciepła (np. pieców, grzejników).
- ▶ Zainstaluj i wypoziomuj urządzenie w miejscu odpowiednim dla jego wielkości i przeznaczenia.
- ▶ Należy dbać o drożność otworów wentylacyjnych w obudowie urządzenia wolnostojącego lub w konstrukcji do zabudowy.
- ▶ Upewnij się, że informacje dotyczące elektryki na tabliczce znamionowej są zgodne z parametrami zasilania. Jeśli tak nie jest, skontaktuj się z elektrykiem.
- ▶ Urządzenie jest zasilane prądem 220–240 V AC/50 Hz. Odbiegające od normy wahania napięcia mogą spowodować niewłączenie się urządzenia albo uszkodzenie regulatora temperatury lub sprężarki. Mogą też być przyczyną nietypowego hałasu podczas pracy. W takim przypadku powinien zostać zamontowany automatyczny regulator.
- ▶ Nie używaj adapterów wtyczek i przedłużaczy.
- ▶ Za urządzeniem nie należy umieszczać kilku listew zasilających ani przenośnych zasilaczy.



OSTRZEŻENIE!

- ▶ Upewnij się, że kabel zasilający nie jest przytrzaśnięty przez chłodziarkę. Nie stawaj na przewodzie zasilającym.
- ▶ Używaj oddzielnego, łatwo dostępnego i uziemionego gniazdka. Urządzenie musi być uziemione.
Dotyczy tylko Wielkiej Brytanii: Kabel zasilający urządzenie jest wyposażony we wtyczkę z 3 bolcami (z uziemieniem), która pasuje do standardowego gniazda z 3 przewodami (z uziemieniem). Nigdy nie odcinaj ani nie demontuj trzeciego bolca (z uziemieniem). Po zainstalowaniu urządzenia wtyczka powinna być łatwo dostępna.
- ▶ Uważaj, aby nie uszkodzić obwodu chłodniczego.

Codzienne użytkowanie

- ▶ Urządzenie może być obsługiwane przez dzieci powyżej 8 roku życia i przez osoby o ograniczonych możliwościach fizycznych, sensorycznych lub umysłowych lub osoby nieposiadające doświadczenia ani wiedzy pod warunkiem, że są one pod odpowiednim nadzorem lub zostały poinstruowane, jak bezpiecznie obsługiwać urządzenie i rozumieją związane z nim zagrożenia.
- ▶ Dzieciom w wieku od 3 do 8 lat wolno ładować i rozładowywać, ale nie wolno czyścić ani instalować urządzeń chłodniczych.
- ▶ Trzymaj z dala od urządzenia dzieci poniżej 3 roku życia, chyba że są pod stałym nadzorem.
- ▶ Dzieci nie powinny bawić się urządzeniem.
- ▶ Jeśli czynnik chłodniczy lub inny łatwopalny gaz wycieka w pobliżu urządzenia, zamknij zawór wyciekającego gazu, otwórz drzwi oraz okna i nie odłączaj kabla zasilającego chłodziarki lub innego urządzenia.
- ▶ Zwróć uwagę, że urządzenie jest ustawione do pracy w określonym zakresie temperatur pomiędzy 10 a 43°C. Chłodziarka może nie pracować prawidłowo, jeśli pozostanie na dłuższy czas w temperaturze powyżej lub poniżej podanego zakresu.
- ▶ Na chłodziarce nie należy umieszczać niestabilnych przedmiotów (ciężkich przedmiotów, pojemników wypełnionych wodą), aby uniknąć obrażeń ciała spowodowanych upadkiem lub porażeniem prądem elektrycznym w wyniku kontaktu z wodą.
- ▶ Nie ciągnij za półki drzwiowe. Drzwi mogą być pochylone, stojak na butelki może zostać wyciągnięty lub urządzenie może się przewrócić.
- ▶ Otwieraj i zamykaj drzwi tylko za pomocą klamek. Szczelina między drzwiami a obudową jest bardzo wąska. Nie trzymaj rąk w tych obszarach, aby uniknąć przycięcia palców. Otwieraj i zamykaj drzwi chłodziarki tylko wtedy, gdy nie ma dzieci stojących w obrębie ruchu drzwi.
- ▶ Podczas ustawiania urządzenia należy się upewnić, że kabel zasilający nie został przegniewiony ani uszkodzony.
- ▶ Nie przechowuj w urządzeniu substancji wybuchowych takich jak aerozole w puszcze z łatwopalnymi gazami nośnymi.
- ▶ Aby uniknąć zanieczyszczenia żywności:
 - Otwarcie drzwi na długi czas może spowodować znaczny wzrost temperatury w komorach urządzenia.



OSTRZEŻENIE!

- Regularnie czyść powierzchnie, które mogą mieć kontakt z żywnością, oraz dostępne systemy odwadniające.
- Surowe mięso i ryby należy przechowywać w odpowiednich pojemnikach w chłodziarce, tak aby nie stykały się z innymi produktami spożywczymi ani nie skapywały na nie ich soki.
- Jeżeli produkt pozostaje przez dłuższy czas pusty, należy go wyłączyć, rozmrozić, wyczyścić, wysuszyć i pozostawić otwarte drzwi, aby zapobiec rozwojowi pleśni wewnątrz urządzenia.
- ▶ Nie przechowuj ani nie używaj materiałów łatwopalnych, wybuchowych lub żrących w urządzeniu lub w jego sąsiedztwie.
- ▶ Nie należy przechowywać w urządzeniu leków, bakterii lub substancji chemicznych. To urządzenie jest urządzeniem gospodarstwa domowego. Nie zaleca się przechowywania materiałów, które wymagają ściśle określonej temperatury.
- ▶ Nigdy nie przechowuj płynów w butelkach lub puszkach (oprócz alkoholi wysokoprocentowych), zwłaszcza napojów gazowanych w zamrażarce, ponieważ mogą one pęknąć podczas zamrażania.
- ▶ Sprawdź stan żywności, jeśli w zamrażarce miało miejsce zwiększenie temperatury.
- ▶ Nie dotykaj zamrożonych towarów mokrymi rękami (załóż rękawiczki). Szczególnie nie należy jeść lizaków lodowych bezpośrednio po wyjęciu z komory zamrażarki. Istnieje ryzyko przymarznięcia naskórka lub powstania pęcherzy. PIERWSZA pomoc: Natychmiast polej miejsce przymarznięcia bieżącą zimną wodą. Nie odrywaj!
- ▶ Nie dotykaj wnętrza komory zamrażarki podczas pracy, zwłaszcza mokrymi rękami, ponieważ mogą one przymarznąć do jej powierzchni.
- ▶ Odłącz urządzenie w przypadku przerwy w zasilaniu lub przed czyszczeniem. Nie uruchamiaj ponownie urządzenia przez co najmniej 7 minut, ponieważ szybkie włączenie może doprowadzić do uszkodzenia sprężarki.
- ▶ Nie używaj urządzeń elektrycznych wewnątrz komór do przechowywania żywności, chyba że są to urządzenia typu zalecanego przez producenta. Konserwacja / czyszczenie
- ▶ Upewnij się, że dzieci są nadzorowane podczas czyszczenia i konserwacji urządzenia.
- ▶ Przed przystąpieniem do rutynowej konserwacji należy odłączyć urządzenie od zasilania elektrycznego. Odczekaj co najmniej 5 minut przed ponownym uruchomieniem urządzenia, ponieważ częste uruchamianie może uszkodzić sprężarkę.



OSTRZEŻENIE!

- ▶ Podczas odłączania urządzenia trzymaj za wtyczkę, a nie za przewód.
- ▶ Nie czyść urządzenia za pomocą twardych szczotek, szczotek drucianych, detergentów proszkowych, benzyny, octanu amylu, acetonu i podobnych roztworów organicznych, kwasu lub roztworów alkalicznych. Do czyszczenia należy używać specjalnego detergentu do chłodziarek, aby uniknąć uszkodzenia.
- ▶ Jeśli kabel zasilający ulegnie uszkodzeniu, dla bezpieczeństwa należy zlecić jego wymianę producentowi, autoryzowanemu serwisowi lub osobom o podobnych kwalifikacjach.
- ▶ Nie należy próbować samodzielnie naprawiać, demontować ani modyfikować urządzenia. W przypadku konieczności naprawy prosimy o kontakt z naszym działem obsługi klienta.
- ▶ Usuń kurz z tyłu urządzenia co najmniej raz w roku, aby uniknąć zagrożenia ogniem, a także zwiększonego zużycia energii.
- ▶ Nie używaj aerozolu ani nie przepłukuj urządzenia podczas czyszczenia.
- ▶ Nie używaj wody lub pary do czyszczenia urządzenia.
- ▶ Nie czyść zimnych szklanych półek gorącą wodą. Nagła zmiana temperatury może spowodować pęknięcie szkła.

Informacje dotyczące czynnika chłodniczego



OSTRZEŻENIE!

Urządzenie zawiera łatwopalny czynnik chłodniczy IZOBUTAN (R600a). Upewnij się, że układ chłodniczy nie został uszkodzony podczas transportu lub instalacji. Wyciek czynnika może spowodować uszkodzenie wzroku lub zapalenie. Jeśli wystąpiło uszkodzenie, trzymaj urządzenie z dala od otwartych źródeł ognia, dokładnie przewietrz pomieszczenie, nie podłączaj ani nie odłączaj kabli zasilających tego lub innego urządzenia. Poinformuj obsługę klienta.

W przypadku kontaktu czynnika chłodniczego z oczami natychmiast przepłucz je pod bieżącą wodą i natychmiast skontaktuj się z okulistą.

Przeznaczenie

To urządzenie jest przeznaczone do zamrażania żywności. Zostało zaprojektowane wyłącznie do użytku w gospodarstwach domowych i podobnych zastosowaniach, takich jak pomieszczenia kuchenne dla personelu w sklepach, biurach i innych środowiskach pracy; w gospodarstwach rolnych oraz przez klientów w hotelach, motelach i innych obiektach mieszkalnych, a także w pensjonatach i gastronomii. Nie jest przeznaczone do użytku komercyjnego ani przemysłowego.

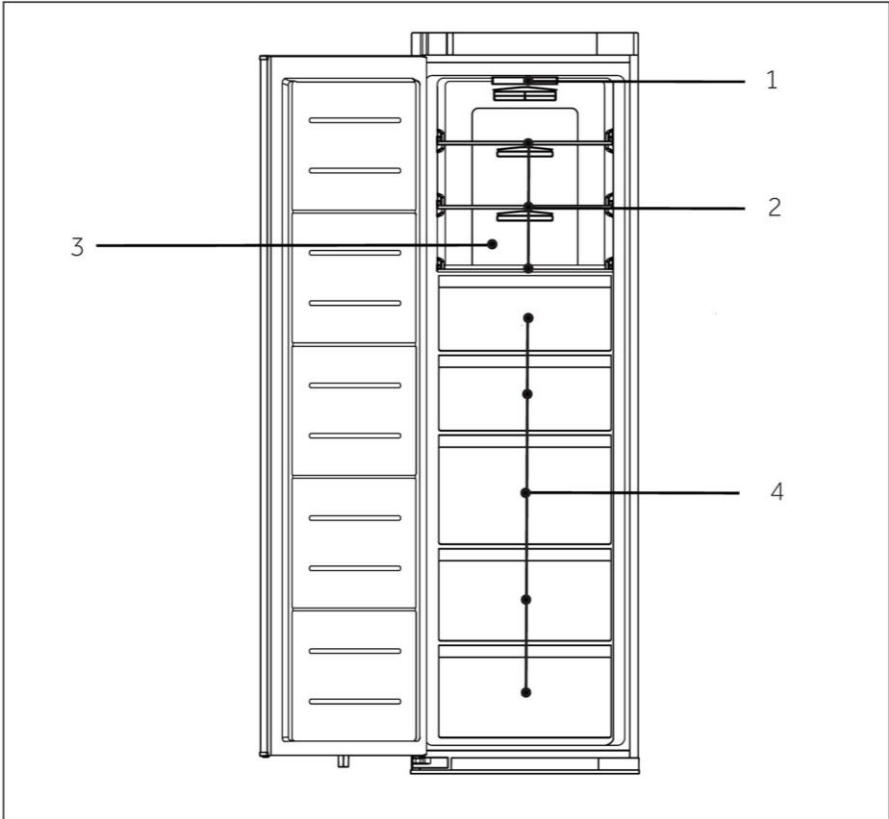
Zmiany lub modyfikacje urządzenia są niedozwolone. Użycie niezgodne z przeznaczeniem może spowodować zagrożenie i utratę roszczeń gwarancyjnych.

Normy i dyrektywy

Produkt ten spełnia wymagania wszystkich obowiązujących dyrektyw UE z odpowiednimi normami zharmonizowanymi, które przewidują oznakowanie CE.

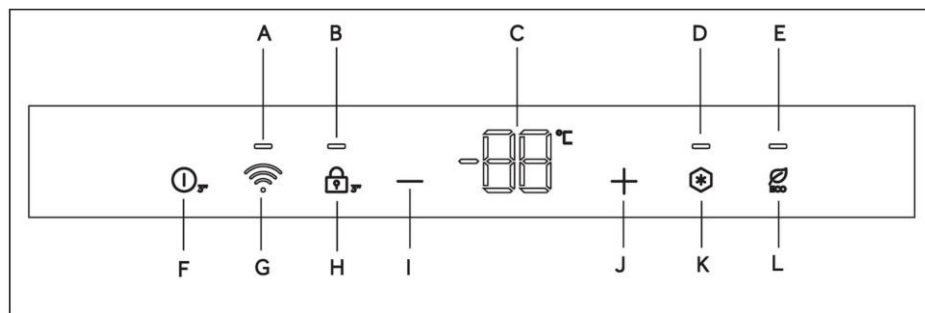
i UWAGA

Z powodu zmian technicznych i różnych modeli, niektóre ilustracje w tej instrukcji mogą się różnić od Twojego modelu.

**CMT5518EVWF/RMT5518EVWF**

- 1 Oświetlenie wewnętrzne LED
- 2 Zwykłe półki
- 3 Kanał powietrzny zamrażarki
- 4 Zwykła szuflada zamrażarki

Panel sterowania



Ikony wskaźników:

- A Ikona funkcji Wi-Fi
- B Ikona blokowania/odblokowania
- C Ikona wyświetlacza temperatury
- D Ikona funkcji Super Freeze
- E Ikona funkcji ECO

Przyciski dotykowe:

- F Przycisk WŁ./WYŁ.
- G Przycisk dopasowania Wi-Fi
- H Przycisk blokowania/odblokowywania
- I Przycisk obniżania temperatury
- J Przycisk podwyższania temperatury
- K Przycisk funkcji Super Freeze
- L Przycisk funkcji ECO

Klawisze czujnika

Przyciski na panelu sterowania są klawiszami czujników, które reagują przy delikatnym dotknięciu palcem.

Otwórz drzwi chłodziarki przed rozpoczęciem sterowania ekranem wyświetlacza.

Funkcja blokowania/odblokowywania

Ten przycisk i odpowiadająca mu ikona służą do blokowania lub odblokowywania ekranu sterowania oraz wskazują jego bieżący stan.

Otwórz drzwi chłodziarki podczas jej pracy. Wówczas ekran sterowania zostanie podświetlony i zaświeci się ikona blokowania/odblokowywania. W tym czasie ekran sterowania jest zablokowany i nie można z niego korzystać.

Ręczne odblokowywanie lub blokowanie ekranu: Gdy ikona blokowania/odblokowywania jest podświetlona, przytrzymaj przycisk blokowania/odblokowywania przez 3 sekundy. Ikona zniknie i będzie temu towarzyszyć sygnał dźwiękowy. W tym momencie można dokonać wyboru funkcji lub regulacji temperatury.

Gdy ikona blokowania/odblokowywania jest wyłączona, przytrzymaj przycisk blokowania/odblokowywania przez 3 sekundy. Wówczas zaświeci się ikona blokowania/odblokowywania i będzie emitowany sygnał dźwiękowy.

W tym czasie nie można wybrać funkcji ani regulować temperatury.

Automatyczna blokada ekranu: Po zamknięciu drzwi chłodziarki ekran sterowania wyłączy się i zostanie zablokowany.

Po otwarciu drzwi chłodziarki ekran sterowania zostanie automatycznie zablokowany, jeśli w ciągu 30 sekund nie zostanie wykonana żadna czynność.

Funkcja WŁ./WYŁ.

Przycisk WŁ./WYŁ. służy do przełączania między trybami WYŁ. (wstrzymanie pracy) i WŁ. (normalny tryb pracy).

Wejście w tryb WYŁ.: W trybie pracy chłodziarki najpierw odblokuj wyświetlacz, a następnie przytrzymaj przycisk funkcyjny WŁ./WYŁ. przez 3 sekundy, aby wyłączyć ekran sterowania, oświetlenie chłodziarki, chłodzenie i inne funkcje, po czym zostanie wyemitowany sygnał dźwiękowy.



UWAGA

Tryb WYŁ. nie oznacza wyłączenia zasilania, a chłodziarka jest w tym czasie nadal włączona.

Wyjście z trybu WYŁ.: W trybie WYŁ. przytrzymaj przycisk WŁ./WYŁ. przez 3 sekundy, aby ponownie uruchomić ekran sterowania, oświetlenie chłodziarki, chłodzenie i inne funkcje. Jednocześnie zostanie wyemitowany sygnał dźwiękowy. Chłodziarka powróci do ustawionej wcześniej temperatury i funkcji oraz przejdzie do normalnego trybu pracy.




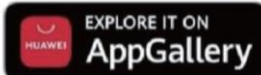
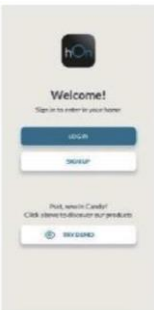

Funkcja Wi-Fi

Dopasowanie Wi-Fi: Przy pierwszym włączeniu chłodziarka automatycznie przejdzie w tryb konfiguracji sieci, a ikona funkcji Wi-Fi będzie szybko migać. Jeśli nie zostanie

wykonana żadna operacja dopasowania sieci, urządzenie automatycznie wyjdzie z tego trybu po 30 minutach.

Ręczne przejście do trybu dopasowania Wi-Fi: Po odblokowaniu ekranu sterowania, gdy ikona funkcji Wi-Fi jest włączona, przytrzymaj przycisk dopasowania Wi-Fi przez 3 sekundy, aby przejść do trybu konfiguracji sieci. W tym czasie ikona funkcji Wi-Fi będzie szybko migać, co oznacza, że urządzenie jest w trybie dopasowania Wi-Fi. Jeśli nie zostanie przeprowadzona żadna operacja dopasowania sieci, po 30 minutach urządzenie automatycznie wyjdzie z trybu konfiguracji sieci.

PROCEDURA PAROWANIA W APLIKACJI

<p>Krok 1 • Pobierz aplikację hOn w sklepach.</p>    	
<p>Krok 2 Utwórz konto w aplikacji hOn lub zaloguj się, jeśli masz już konto.</p> 	<p>Krok 3 Postępuj zgodnie z instrukcjami parowania w aplikacji hOn.</p> 

UWAGA

W trybie dopasowania Wi-Fi należy postępować zgodnie z instrukcjami aplikacji, aby dokończyć konfigurację sieci. Aby zmienić środowisko Wi-Fi, należy ponownie wejść do tego trybu. Jeżeli ikona funkcji Wi-Fi pozostanie włączona, oznacza to, że połączenie z siecią zostało pomyślnie nawiązane.

Wyreguluj temperaturę zamrażarki

Po otwarciu drzwi chłodziarki i odblokowaniu ekranu sterowania, przycisk obniżania temperatury umożliwia obniżenie ustawionej temperatury chłodziarki. Każde lekkie dotknięcie przycisku powoduje obniżenie temperatury o 1°C, a dopuszczalna temperatura minimalna wynosi -24°C.

Po otwarciu drzwi chłodziarki i odblokowaniu ekranu sterowania, przycisk podwyższania temperatury umożliwia podniesienie ustawionej temperatury

chłodziarki. Każde lekkie dotknięcie przycisku powoduje podwyższenie temperatury o 1°C, a dopuszczalna temperatura maksymalna wynosi -14°C.

Podczas działania ikona wyświetlacza temperatury będzie wyświetlać ustawioną temperaturę i migać. Po 5 sekundach ekran sterowania automatycznie potwierdzi ustawioną temperaturę, a następnie wyświetli aktualną temperaturę. Po zakończeniu ustawiania chłodziarka stopniowo zmieni aktualną temperaturę na ustawioną. W związku z tym przez pewien czas może występować odchylenie między aktualną temperaturą a temperaturą zadaną.

Funkcja Super Freeze

Ten przycisk i jego ikona służą do włączania funkcji Super Freeze w lodówce oraz wyświetlania bieżącego statusu.

Po otwarciu drzwi chłodziarki i odblokowaniu ekranu sterowania lekko dotknij przycisku funkcji Super Freeze. Wówczas zaświeci się ikona funkcji Super Freeze, co oznacza, że chłodziarka jest już w tym trybie. Jeśli musisz wyjść z tego trybu, możesz wykonać tę samą operację, lekko dotykając przycisku funkcji Super Freeze.

Po włączeniu tej funkcji temperatura najprawdopodobniej zbliży się do -28°C lub niższej, a chłodziarka automatycznie wyłączy tę funkcję po 50 godzinach, aby zapobiec zbytniemu obniżeniu temperatury.

Funkcja ECO

Po otwarciu drzwi chłodziarki i odblokowaniu ekranu sterowania lekko dotknij przycisku funkcji ECO. Wówczas zaświeci się ikona funkcji ECO, co oznacza, że chłodziarka jest już w tym trybie. Jeśli musisz wyjść z tego trybu, możesz wykonać tę samą operację, lekko dotykając przycisku funkcji ECO.

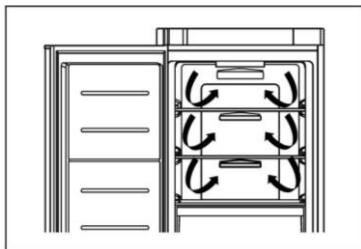
W trybie ECO chłodziarka automatycznie będzie pracować w średniej temperaturze -18°C.



UWAGA

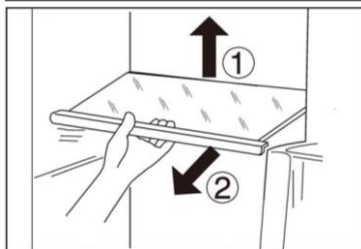
Ze względu na różną logikę działania funkcji specjalnych w przypadku funkcji Super Freeze i ECO, trybów tych nie można aktywować jednocześnie. Można aktywować tylko jedną funkcję, a podczas przełączania między trybami pozostałe tryby specjalne zostaną automatycznie wyłączone. Ponadto można zmienić ustawioną temperaturę, chyba że opuścisz te tryby.

Temperatura -18°C jest odpowiednia dla mrozonek, które wymagają przechowywania przez okres od 1 do 12 miesięcy, np. mięsa, drobiu, owoców morza, żywności przygotowanej i resztek, niektórych owoców i warzyw, lodów oraz innych mrożonych deserów.



System obiegu powietrza

1. Chłodziarka jest wyposażona w system obiegu powietrza, dzięki któremu chłodne strumienie powietrza znajdują się na każdym poziomie półki. Pomaga to utrzymać jednolitą temperaturę, dzięki czemu żywność jest dłużej świeża.



Regulowane półki

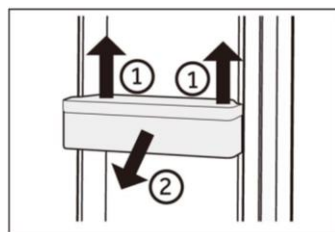
1. Wysokość półek można dostosować do potrzeb przechowywania.
2. Aby przenieść półkę, zdejmij ją najpierw, podnosząc tylną krawędź ① i wyciągając ją ②.
3. Aby ponownie zamontować półkę, należy nałożyć ją na uchwyty po obu stronach i przesunąć do pozycji najbardziej wysuniętej do tyłu, aż tylna część półki znajdzie się w szczelinach po bokach

i UWAGA

Upewnij się, że wszystkie końce półki są wypoziomowane.

Zdejmowane półki na drzwiach/ uchwyt na butelki

1. Półki na drzwiach można zdemontować w celu czyszczenia:
2. Połóż dłonie po obu stronach stojaka, podnieś go do góry ① i wyciągnij ②.
3. W celu ponownego zamontowania półek powyższe czynności wykonuje się w odwrotnej kolejności.



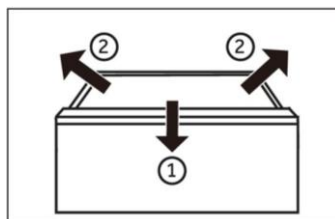
i UWAGA

Po włączeniu urządzenia osiągnięcie właściwej temperatury może potrwać do 12 godzin.

Wymowana szuflada

Aby wyjąć szufladę, wyciągnij ją maksymalnie ①, podnieś i wyjmij ②.

W celu ponownego włożenia szuflady powyższe czynności wykonuje się w odwrotnej kolejności.



Światło

Po otwarciu drzwi zapala się wewnętrzne oświetlenie LED. Na działanie świateł nie ma wpływu żadne z pozostałych ustawień urządzenia.



Wskazówki dotyczące oszczędzania energii

- ▶ Upewnij się, że urządzenie jest właściwie wentylowane (patrz MONTAŻ).
- ▶ Nie należy instalować urządzenia w bezpośrednim świetle słonecznym lub w pobliżu źródeł ciepła (np. pieców, grzejników).
- ▶ Unikaj niepotrzebnie niskiej temperatury w urządzeniu. Zużycie energii zwiększa się wraz z ustawieniem niższej temperatury w urządzeniu.
- ▶ Funkcje takie jak Super Freeze zwiększają zużycie energii.
- ▶ Przed włożeniem ciepłej żywności do urządzenia należy poczekać, aż ostygnie.
- ▶ Otwieraj drzwi możliwie rzadko i na krótko.
- ▶ Nie przepełniaj urządzenia, aby nie blokować przepływu powietrza.
- ▶ Unikaj powietrza w opakowaniu z żywnością.
- ▶ Utrzymuj w czystości uszczelki drzwi, aby zapewnić ich prawidłowe zamykanie.
- ▶ Najbardziej energooszczędna konfiguracja wymaga, aby pojemniki i półki były umieszczone w urządzeniu jak w stanie fabrycznym, a żywność powinna być rozmieszczona w taki sposób, aby nie blokowała wylotu kanału wentylacyjnego.



OSTRZEŻENIE!

Przed czyszczeniem odłącz urządzenie od zasilania sieciowego.

Czyszczenie

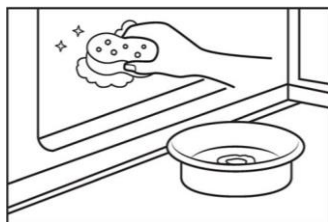
Urządzenie należy czyścić, gdy przechowywana jest niewielka ilość żywności lub nie ma jej wcale.

Urządzenie powinno być czyszczone co cztery tygodnie, aby zapewnić dobrą konserwację i zapobiec nieprzyjemnym zapachom przechowywanej żywności.



OSTRZEŻENIE!

- ▶ Nie czyść urządzenia za pomocą twardych szczotek, szczotek drucianych, detergentów proszkowych, benzyny, octanu amylu, acetonu i podobnych roztworów organicznych, kwasu lub roztworów alkalicznych. Do czyszczenia należy używać specjalnego detergentu do chłodziarek, aby uniknąć uszkodzenia.
- ▶ Nie używaj aerozolu ani nie przepłukuj urządzenia podczas czyszczenia.
- ▶ Nie używaj wody lub pary do czyszczenia urządzenia.
- ▶ Nie czyść zimnych szklanych półek gorącą wodą. Nagła zmiana temperatury może spowodować pęknięcie szkła.
- ▶ Nie dotykaj wnętrza komory, zwłaszcza mokrymi rękami, ponieważ mogą one przymarznąć do jej powierzchni.
- ▶ W przypadku zwiększenia temperatury sprawdzić stan zamrożonych produktów.



- ▶ Uszczelka drzwi powinna być zawsze utrzymywana w czystości.
- ▶ Czyść wnętrze i obudowę urządzenia gąbką zanurzoną w ciepłej wodzie i neutralnym detergentem.
- ▶ 1. Czyść wnętrze i zewnętrzną część chłodziarki, w tym uszczelnienie drzwi, stojak na drzwi, szklane półki, pudełka itd., miękkim ręcznikiem lub gąbką zanurzoną w ciepłej wodzie (można dodać neutralny detergent do ciepłej wody).
- ▶ 2. W przypadku rozlania płynu usuń wszystkie zanieczyszczone elementy, bezpośrednio spłucz bieżącą wodą, osusz i włóż z powrotem do chłodziarki.
- ▶ 3. W przypadku rozlanego kremu (np. śmietany, topniejących lodów), należy wyjąć wszystkie zanieczyszczone części, włożyć je na chwilę do ciepłej wody o temperaturze ok. 40°C, następnie spłukać bieżącą wodą, osuszyć i włożyć z powrotem do chłodziarki.
- ▶ 4. W przypadku, gdy jakaś mała część lub element dostanie się do wnętrza chłodziarki (pomiędzy półki lub szuflady), użyć małego miękkiego pędzelka, aby go wyciągnąć. Jeśli nie udało się dotrzeć do tego elementu, prosimy o kontakt z serwisem Haier



UWAGA

Odptyw wody nie może być zablokowany przez ciała obce, w przeciwnym razie może wystąpić problem z przelewaniem się wody. Jeśli odptyw jest zablokowany, możesz wyjąć szufladę i wyczyścić ją szmatką.



- ▶ Spłucz i wysusz miękką ściereczką.
- ▶ Nie należy myć żadnych części urządzenia w zmywarce do naczyń.
- ▶ Odczekaj co najmniej 5 minut przed ponownym uruchomieniem urządzenia, ponieważ częste uruchamianie może uszkodzić sprężarkę.

Rozmrażanie

Rozmrażanie komory zamrażarki przebiega automatycznie; nie jest wymagana ręczna obsługa.

Wymiana lampek LED



OSTRZEŻENIE!

Nie wolno samodzielnie wymieniać lampy LED, może to zrobić tylko producent lub autoryzowany serwis.

Jako źródło światła lampy wykorzystują diody LED, charakteryzujące się niskim zużyciem energii i długą żywotnością. W przypadku wystąpienia jakichkolwiek nieprawidłowości prosimy o kontakt z działem obsługi klienta. Zob. OBSŁUGA KLIENTA. Parametry lamp:

Komora zamrażarki: 12 V maks 1,5 W

Ten produkt zawiera źródło światła o klasie efektywności energetycznej <G>.

Dłuższa przerwa w użytkowaniu

Jeśli urządzenie nie jest używane przez dłuższy czas:

Wymij żywność.

Odłącz przewód zasilający.

Wyczyść urządzenie jak opisano powyżej.

Zostaw drzwi otwarte, aby zapobiec tworzeniu się wewnątrz nieprzyjemnych zapachów.



UWAGA

Wyłącz urządzenie tylko wtedy, gdy jest to absolutnie konieczne.

Przenoszenie urządzenia

1. Wymij wszystkie produkty spożywcze i odłącz urządzenie od zasilania.
2. Zabezpiecz taśmą klejącą półki i inne ruchome części w zamrażarce.
3. Nie przechylaj chłodziarki pod kątem większym niż 45°, aby uniknąć uszkodzenia układu chłodniczego.



OSTRZEŻENIE!

- ▶ Nie podnoś urządzenia za klamki.
- ▶ Nigdy nie należy ustawiać urządzenia poziomo na ziemi.

Wiele problemów można rozwiązać samodzielnie, bez specjalistycznej wiedzy. W przypadku problemów prosimy sprawdzić wszystkie pokazane możliwości i postępować zgodnie z poniższymi instrukcjami przed skontaktowaniem się z obsługą posprzedażową. Zob. OBSŁUGA KLIENTA.



OSTRZEŻENIE!

- ▶ Przed przystąpieniem do konserwacji wyłącz urządzenie i wyjmij wtyczkę z gniazdka sieciowego.
- ▶ Urządzenie elektryczne powinno być serwisowane tylko przez wykwalifikowanych ekspertów, ponieważ niewłaściwe naprawy mogą spowodować znaczne szkody.
- ▶ Jeśli kabel zasilania jest uszkodzony, musi on zostać wymieniony przez producenta, serwisanta lub inną wykwalifikowaną osobę w celu uniknięcia niebezpieczeństwa.

Problem	Potencjalna przyczyna	Możliwe rozwiązanie
Sprężarka nie działa.	<ul style="list-style-type: none"> • Wtyczka sieciowa nie jest podłączona do gniazdka. • Urządzenie znajduje się w cyklu rozmrażania. 	<ul style="list-style-type: none"> • Podłącz wtyczkę sieciową. • Jest to normalne w przypadku automatycznego odszraniania.
Urządzenie działa często lub przez zbyt długi okres czasu.	<ul style="list-style-type: none"> • Temperatura wewnątrz i na zewnątrz urządzenia jest za wysoka. • Urządzenie było odłączone od zasilania przez określony czas. • Drzwi urządzenia nie są szczelnie zamknięte. • Drzwi były za często otwierane lub pozostawały długo otwarte. • Ustawienie temperatury w komorze zamrażarki jest zbyt niskie. • Uszczelki drzwi są zabrudzone, zużyte, pęknięte lub niedopasowane. 	<ul style="list-style-type: none"> • W tym przypadku to normalne, że urządzenie będzie pracować dłużej. • Całkowite schłodzenie urządzenia trwa zazwyczaj od 8 do 12 godzin. • Zamknij drzwi/szufladę i upewnij się, że urządzenie jest ustawione na płaskiej powierzchni, a żywność lub pojemniki nie blokują drzwi. • Nie otwieraj drzwi/szuflad zbyt często. • Ustaw wyższą temperaturę, aż do uzyskania zadowalającej temperatury w chłodziarce. Temperatura chodziarki ustabilizuje się po 24 godzinach. • Wyczyść uszczelki drzwi/szuflady lub wymień je z pomocą serwisu obsługi klienta.

Problem	Potencjalna przyczyna	Możliwe rozwiązanie
	<ul style="list-style-type: none"> Wymagany przepływ powietrza nie jest gwarantowany. 	<ul style="list-style-type: none"> Zapewnij odpowiednią wentylację.
Wnętrze chłodziarki jest brudne i/lub nieprzyjemnie pachnie.	<ul style="list-style-type: none"> Wnętrze chłodziarki wymaga czyszczenia. W chłodziarce przechowywana jest żywność o intensywnym zapachu. 	<ul style="list-style-type: none"> Wyczyść wnętrze chłodziarki. Dokładnie owiń żywność.
Wewnątrz urządzenia nie jest wystarczająco zimno.	<ul style="list-style-type: none"> Ustawiona temperatura jest za wysoka. Była przechowywana zbyt ciepła żywność. W chłodziarce umieszczono zbyt dużą ilość żywności. Żywność jest zbyt blisko siebie. Drzwi/szuflada urządzenia nie są szczelnie zamknięte. Drzwi/szuflad były za często otwierane lub pozostawały długo otwarte. 	<ul style="list-style-type: none"> Ponownie ustaw temperaturę. Zawsze schładzaj żywność przed jej włożeniem do urządzenia. Zawsze przechowuj małe ilości żywności. Pozostaw przestrzeń między produktami spożywczymi, umożliwiając przepływ powietrza. Zamknij drzwi/szufladę. Nie otwieraj drzwi/szuflad zbyt często.
Wnętrze urządzenia jest za zimne.	<ul style="list-style-type: none"> Temperatura jest za niska. Funkcja Super Freeze jest włączona lub działa zbyt długo. 	<ul style="list-style-type: none"> Ponownie ustaw temperaturę. Wyłączyć funkcję Super Freeze.
Wilgoć gromadzi się na zewnętrznej powierzchni chłodziarki lub między drzwiami a szufladą.	<ul style="list-style-type: none"> Klimat jest zbyt ciepły i wilgotny. Drzwi nie są szczelnie zamknięte. Zimne powietrze skrapla się wewnątrz urządzenia, a ciepłe powietrze na zewnątrz. 	<ul style="list-style-type: none"> Jest to normalne zjawisko w wilgotnym klimacie i zmienia się, gdy wilgotność spadnie. Upewnij się, że drzwi/szuflada są szczelnie zamknięte.
Lampki na wyświetlaczu działają, ale nie czuć chłodu.	<ul style="list-style-type: none"> Urządzenie jest w trybie demonstracyjnym. 	<ul style="list-style-type: none"> Sprawdź, w jakim stanie znajduje się urządzenie. Jeżeli jest w trybie demonstracyjnym, wyjdź z niego. Wyjście: Przytrzymaj przycisk „ECO” i kliknij przycisk „Super Freeze” 5 razy w ciągu 5 sekund.

Problem	Potencjalna przyczyna	Możliwe rozwiązanie
Nadmierny lód i szron w komorze zamrażarki.	<ul style="list-style-type: none"> • Artykuły spożywcze nie zostały odpowiednio zapakowane. • Drzwi/szuflada urządzenia nie są szczelnie zamknięte. • Drzwi/szuflad były za często otwierane lub pozostawały długo otwarte. • Uszczelki drzwi/szuflady są brudne, zużyte, pęknięte lub niedopasowane. • Coś wewnątrz uniemożliwia prawidłowe zamknięcie drzwi/szuflady. 	<ul style="list-style-type: none"> • Zawsze właściwie zapakuj artykuły spożywcze. • Zamknij drzwi/szufladę. • Nie otwieraj drzwi/szuflad zbyt często. • Wyczyść uszczelki drzwi lub wymień je na nowe. • Ponownie umieść półki, półki na drzwi lub pojemniki wewnętrzne, aby umożliwić zamknięcie drzwi/szuflady.
Boki obudowy i listwa drzwiowa nagrzewają się.	<ul style="list-style-type: none"> • - 	<ul style="list-style-type: none"> • To normalne.
Urządzenie wydaje dziwne dźwięki.	<ul style="list-style-type: none"> • Urządzenie nie znajduje się na wypoziomowanym podłożu. • Urządzenie dotyka jakiegoś przedmiotu. 	<ul style="list-style-type: none"> • Wyreguluj nóżki, aby wypoziomować urządzenie. • Usuń objekty znajdujące się w pobliżu urządzenia.
Słysząc delikatny szum podobny do płynącej wody.	<ul style="list-style-type: none"> • - 	<ul style="list-style-type: none"> • To normalne.
Usłyszysz sygnał alarmowy.	<ul style="list-style-type: none"> • Drzwi komory chłodziarki są otwarte. 	<ul style="list-style-type: none"> • Zamknij drzwi.
Usłyszysz słaby szum.	<ul style="list-style-type: none"> • Układ antykondensacyjny działa. 	<ul style="list-style-type: none"> • Zapobiega to kondensacji i jest normalne.
Oświetlenie wnętrza lub układ chłodzenia nie działa.	<ul style="list-style-type: none"> • Wtyczka sieciowa nie jest podłączona do gniazdka. 	<ul style="list-style-type: none"> • Podłącz wtyczkę sieciową.
	<ul style="list-style-type: none"> • Zasilanie nie jest w dobrym stanie. 	<ul style="list-style-type: none"> • Sprawdź zasilanie elektryczne w pomieszczeniu. Skontaktuj się z lokalnym dostawcą energii elektrycznej!
	<ul style="list-style-type: none"> • Lampa LED nie działa. 	<ul style="list-style-type: none"> • Wezwij serwis w celu wymiany lampki.

Aby skontaktować się z pomocą techniczną, odwiedź naszą stronę internetową:
<https://corporate.haier-europe.com/en/>

W sekcji „Strona internetowa” wybierz markę swojego produktu i kraj. Otworzy się strona internetowa, na której znajdziesz numer telefonu i formularz do kontaktu z pomocą techniczną.

Przerwa w zasilaniu

W przypadku przerwy w dostawie prądu żywność powinna zachować bezpieczną temperaturę przez około 5 godzin. Podczas dłuższej przerwy w dostawie prądu, zwłaszcza latem, należy stosować się do poniższych wskazówek:

- ▶ Unikaj częstego otwierania drzwi/szuflady.
- ▶ Nie wkładaj do urządzenia dodatkowej żywności podczas przerwy w dostawie prądu.
- ▶ Jeśli przerwa w dostawie prądu została zgłoszona z wyprzedzeniem i trwa dłużej niż 5 godzin, należy przygotować trochę lodu i umieścić go w pojemniku w górnej części komory chłodziarki.
- ▶ Kontrola towaru jest wymagana niezwłocznie po przerwie.
- ▶ Ponieważ temperatura w chłodziarce wzrośnie podczas przerwy w zasilaniu lub innej awarii, okres przechowywania i jadalna jakość żywności ulegną skróceniu. Każda żywność, która się rozmraża, powinna zostać spożyta lub ugotowana i ponownie zamrożona (w stosownych przypadkach) wkrótce po tym, aby zapobiec zagrożeniom dla zdrowia.

Funkcja pamięci podczas przerwy w zasilaniu

Po przywróceniu zasilania urządzenie kontynuuje ustawienia ustawione przed awarią zasilania.

Rozpakowanie



OSTRZEŻENIE!

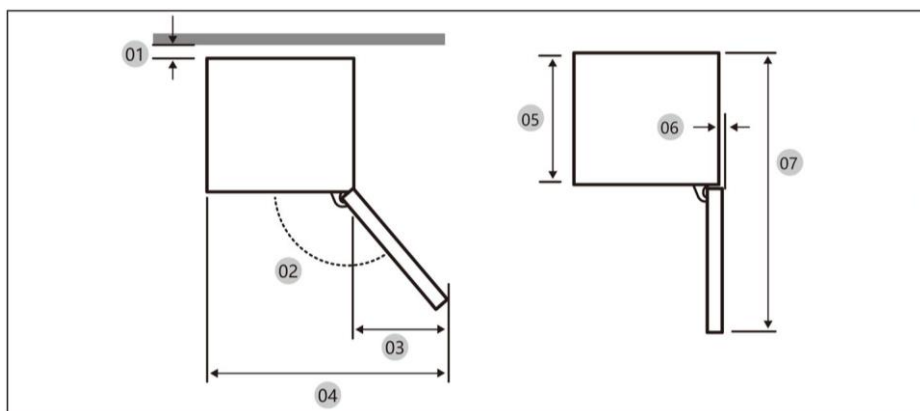
- ▶ Urządzenie jest ciężkie. Prace powinny być wykonywane przez co najmniej dwie osoby.
- ▶ Wszystkie materiały opakowaniowe należy przechowywać poza zasięgiem dzieci i utylizować w sposób przyjazny dla środowiska.
- ▶ Wyjmij urządzenie z opakowania.
- ▶ Usuń całe opakowanie.

Warunki środowiskowe

Temperatura w pomieszczeniu powinna zawsze wynosić od 10 °C do 43 °C, ponieważ może wpływać na temperaturę wewnątrz urządzenia i zużycie energii. Nie instaluj urządzenia w pobliżu innych urządzeń emitujących ciepło (piekarniki, chłodziarki)

Propozycja przestrzeni

Zalecana przestrzeń po otwarciu drzwi (bez panelu drzwi szafki)

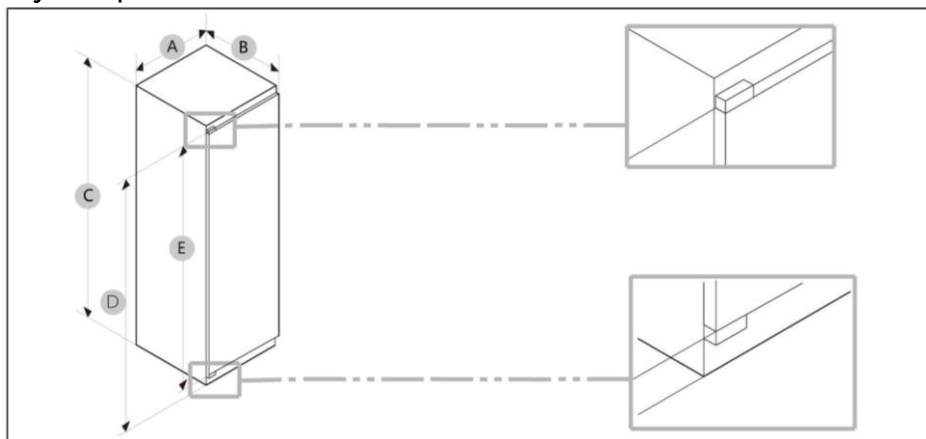


Model	CMT5518EVWF RMT5518EVWF
01*	10 (min.) / 30 (zalecane)
02	95° (Zalecane)
03	43
04	583
05	515
06	-3
07	1060

(jednostka: mm)

* 01: Od szafki do tyłu produktu.

Wymiar produktu



Model	A (mm)	B (mm)	C (mm)	D (mm)	E (mm)
CMT5518EVWF	540±2	550±2	1772±2	1715	1671
RMT5518EVWF					

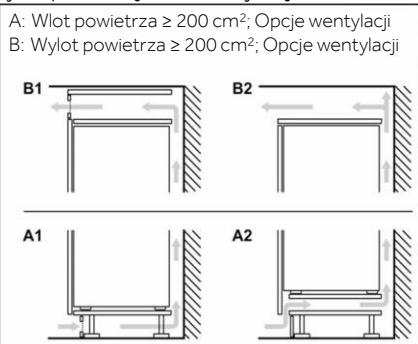
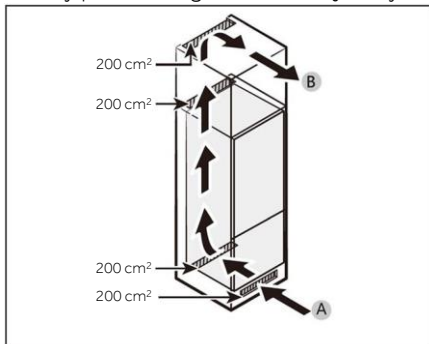


UWAGA

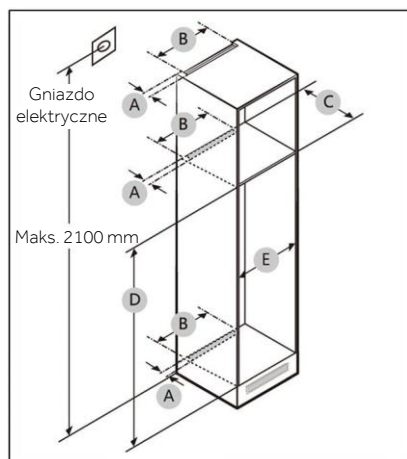
- Podane zużycie energii opiera się na warunku odstępu 10 mm między szafką a tyłem produktu. Produkt będzie działał poprawnie nawet przy odstępie mniejszym niż 10 mm, jednak będzie zużywać nieco więcej energii.
- Zalecamy użycie szafki o grubości 19 mm i zawiasach o grubości mniejszej niż 17 mm.
- Wymiary podane w powyższej tabeli mogą się różnić w zależności od metody pomiaru.
- Informacje na temat instalacji do zabudowy można znaleźć w Podręczniku instalacji.

Przekrój przewodu wentylacyjnego

Aby zapewnić wystarczającą wentylację urządzenia ze względów bezpieczeństwa, należy przestrzegać informacji o wymaganych przekrojach wentylacji.



Wymiar szafki



OSTRZEŻENIE!

Jakakolwiek awaria produktu spowodowana poniższymi czynnikami nie jest objęta gwarancją.

1. Niewłaściwe warunki w miejscu montażu lub nieprawidłowe wymiary szafek.
2. Wadliwa szafka.
3. Błędy instalatora lub użytkownika.

Prześwit

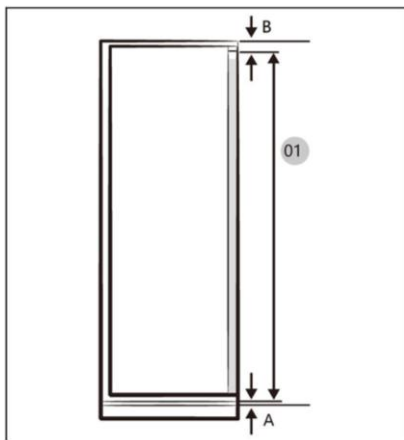
Poniższe zdjęcia i tabele przedstawiają wymagania przestrzenne dotyczące montażu.

Model		A (mm)	B (mm)	C (mm)	D (mm)	E (mm)	Uwaga
CMT5518EVWF RMT5518EVWF	Min.	50	400	560	1778	560	Zawias: 17 mm
	Zalecane			580	1780	562	
	Maks.			-	1782	568	



UWAGA

- Jeśli szerokość szafki jest większa niż 568 mm, uszczelka (między lodówką a szafką) może się poluzować.
- Jeżeli szafka jest wyższa niż maksymalny wymiar (1782 mm), należy zastosować inne materiały wykończeniowe w celu wypełnienia szczeliny.

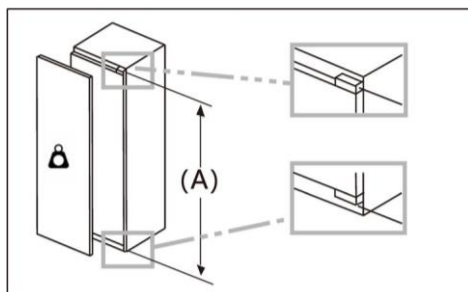


- A. Dolna krawędź panelu przedniego nad kratką wentylacyjną
 B. Zwis panelu przedniego

Model	CMT5518EVWF RMT5518EVWF
01	Min. 1694+A+B Maks. 1850+A+B

(jednostka: mm)

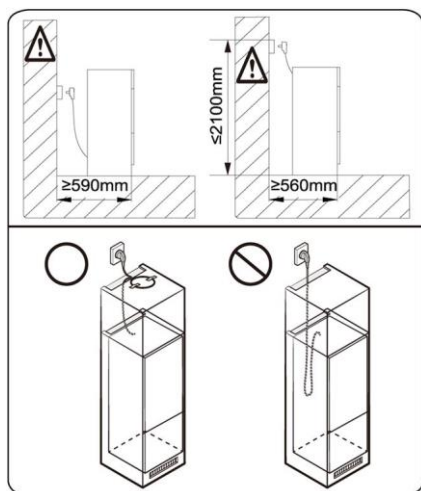
Maksymalna dopuszczalna waga frontów urządzenia



Zamontowane fronty mebli o wadze przekraczającej dopuszczalną masę mogą spowodować uszkodzenia i pogorszenie funkcjonalności zawiasów.

🚫	Waga (kg)	1500-1750 mm	22
		720-1400 mm	19

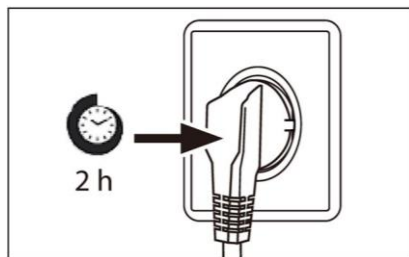
Uwzględnienie lokalizacji gniazdka elektrycznego i wymaganej przestrzeni



i UWAGA

Jeśli instalujesz chłodziarkę w zabudowie o głębokości 560 mm, przed jej podłączeniem do gniazdka elektrycznego upewnij się, że przewód zasilający jest ułożony z boku chłodziarki. Jeśli przewód zasilający znajduje się z tyłu lodówki, może to zmniejszyć efektywność energetyczną.

Czas oczekiwania



W zbiorniku sprężarki znajduje się olej bezobsługowy. Olej ten może przedostać się poprzez zamknięty system rur podczas transportu w pozycji przechylonej. Przed podłączeniem urządzenia do zasilania trzeba odczekać co najmniej 2 godziny, aby olej spłynął z powrotem do zbiornika.

Podłączenie do prądu

Przed każdym podłączeniem sprawdź, czy:

- ▶ zasilacz, gniazdo i bezpieczniki odpowiadają parametrom podanym na tabliczce znamionowej.
- ▶ gniazdko jest uziemione i nie zastosowano rozgałęźnika lub przedłużacza.
- ▶ wtyczka i gniazdko są ściśle zgodne.

Podłącz wtyczkę do prawidłowo zainstalowanego gniazdka domowego.



OSTRZEŻENIE!

Aby uniknąć ryzyka, uszkodzony przewód zasilający musi być wymieniony przez serwis (zob. karta gwarancyjna).

Karta produktu zgodnie z rozporządzeniem UE nr 2019/2016

Marka	CANDY	Rosieres
Nazwa/identyfikator modelu	CMT5518EVWF	RMT5518EVWF
Kategoria modelu	Zamrażarka	Zamrażarka
Klasa efektywności energetycznej	E	E
Roczne zużycie energii (kWh/rok) (1)	215	215
Całkowita pojemność (L)	220	220
Pojemność spizarni (L)	/	/
Pojemność zamrażarki (L)	220	220
Pojemność sekcji agregatu chłodniczego (L)	/	/
Objętość automatycznej kostkarki do lodu (L)	/	/
Oznakowanie gwiazdkami	4	4
Temperatura pozostałych komór >14°C	Nie dotyczy	Nie dotyczy
System bez szronu	Tak	Tak
Wydajność zamrażania (kg/24h)	15	15
Klasyfikacja klimatyczna (2)	SN/N/ST/T	SN/N/ST/T
Klasa emisji hałasu i emisja hałasu akustycznego w powietrzu (db(A)re1pW)	B 35	B 35
Czas wzrostu temperatury (h)	6	6
Wydajność wytwarzania lodu	/	/
Typ urządzenia	Do zabudowy	Do zabudowy

Nazwa modelu	Klasa efektywności energetycznej
CMT5518EVWF	E
RMT5518EVWF	E

Objaśnienie:

- Tak, wyróżnione
- (1) Na podstawie wyników badania zgodności norm w ciągu 24 godzin.
Rzeczywiste zużycie zależy od użytkownika i lokalizacji urządzenia.
 - (2) Klasa klimatyczna SN: To urządzenie jest przeznaczone do użytku w temperaturze otoczenia od +10°C do +32°C
Klasa klimatyczna N: To urządzenie jest przeznaczone do użytku w temperaturze otoczenia od +16°C do +32°C
Klasa klimatyczna ST: To urządzenie jest przeznaczone do użytku w temperaturze otoczenia od +16°C do +38°C
Klasa klimatyczna T: To urządzenie jest przeznaczone do użytku w temperaturze otoczenia od +16°C do +43°C

Dodatkowe dane techniczne

Napięcie / Częstotliwość	220-240V ~/50Hz
Natężenie wejściowe (A)	1,5
Bezpiecznik główny (A)	16
Płyn chłodzący	R600a
Wymiary (wys./szer./gł. w mm)	1772/540/550

Informacje o częstotliwości radiowej

Maks. e.i.r.p.: Bluetooth (BR/EDR): 10 dBm

Bluetooth LE: 5 dBm

Wi-Fi 2,4 GHz: 16 dBm

Pasmo częstotliwości pracy: 2400-2483,5 MHz

Polecamy nasz system Obsługi Klienta Haier i stosowanie oryginalnych części zamiennych.

Jeśli masz problem z urządzeniem, najpierw sprawdź sekcję ROZWIĄZYWANIE PROBLEMÓW.

Jeżeli nie możesz znaleźć rozwiązania, skontaktuj się

- ▶ z lokalnym sprzedawcą lub
- ▶ naszym Europejskim Centrum Obsługi Klienta (zob. poniżej wymienione numery telefonów) lub
- ▶ obszarem serwisu i wsparcia na stronie www.haier.com, gdzie można aktywować zgłoszenie
- ▶ serwisowe i znaleźć odpowiedzi na najczęściej zadawane pytania.

Zanim skontaktujesz się z naszym działem obsługi, upewnij się, że masz następujące dane.

Informacje można znaleźć na tabliczce znamionowej.

Model _____

Nr seryjny _____

Sprawdź także kartę gwarancyjną dostarczoną z produktem.

Europejskie Centrum Obsługi Klienta		
Kraj*	Numer telefonu	Koszty
Haier Italy (IT)	199 100 912	
Haier Spain (ES)	902 509 123	
Haier Germany (DE)	0180 539 39 99	<ul style="list-style-type: none"> • 14 centów/min. telefon stacjonarny • maks. 42 centów/min. telefon komórkowy
Haier Austria (AT)	0820 001 205	<ul style="list-style-type: none"> • 14,53 centów/min. telefon stacjonarny • maks. 20 centów/min. wszystkie pozostałe
Haier United Kingdom (UK)	0333 003 8122	
Haier France (FR)	0980 406 409	

*Numery innych krajów można znaleźć na stronie www.haier.com

Haier Europe Trading S.r.l

Oddział Wielka Brytania

Westgate House, Westgate, Ealing

Londyn, W5 1YY

*Okres gwarancji na urządzenie chłodnicze:

Minimalna gwarancja wynosi: 2 lata dla krajów UE, 3 lata dla Turcji, 1 rok dla Wielkiej Brytanii, 1 rok dla Rosji, 3 lata dla Szwecji, 2 lata dla Serbii, 5 lat dla Norwegii, 1 rok dla Maroka, 6 miesięcy dla Algierii, w Tunezji nie jest wymagana gwarancja prawna.

*Okres dla części zamiennych do naprawy urządzenia:

Termostaty, czujniki temperatury, płytki drukowane i źródła światła są dostępne przez okres co najmniej siedem lat od wprowadzenia na rynek ostatniego egzemplarza modelu.

Klamki, zawiasy drzwi, tace i kosze przez okres co najmniej siedem lat, a uszczelki drzwi przez okres co najmniej 10 lat od wprowadzenia na rynek ostatniego egzemplarza modelu.

Aby uzyskać więcej informacji o produkcie, odwiedź stronę internetową <https://eprel.ec.europe.eu/> lub zeskanuj kod QR na etykiecie wydajności energetycznej dołączonej do urządzenia.

<u>5</u>	<u>Informações de segurança</u>	Antes da primeira utilização	6
		Instalação	6
		Utilização diária	7
		Informações sobre gases refrigerantes	9
<u>10</u>	<u>Utilização prevista</u>		
<u>11</u>	<u>Descrição do produto</u>		
<u>12</u>	<u>Painel de Controlo</u>		
<u>13</u>	<u>Utilização</u>	Tecla Bloquear/Desbloquear e respetivo ícone	13
		Função de espera	13
		Função Wi-Fi	14
		Ajustar a temperatura do congelador	14
		Função Super Freeze	15
		Função ECO	15
<u>16</u>	<u>Equipamento</u>		
<u>17</u>	<u>Dicas de poupança de energia</u>		
<u>18</u>	<u>Cuidados e limpeza</u>		
<u>20</u>	<u>Resolução de problemas</u>		
<u>24</u>	<u>Instalação</u>		
<u>30</u>	<u>Dados Técnicos</u>		
<u>32</u>	<u>Assistência ao cliente</u>		

Obrigado por comprar um produto Haier.

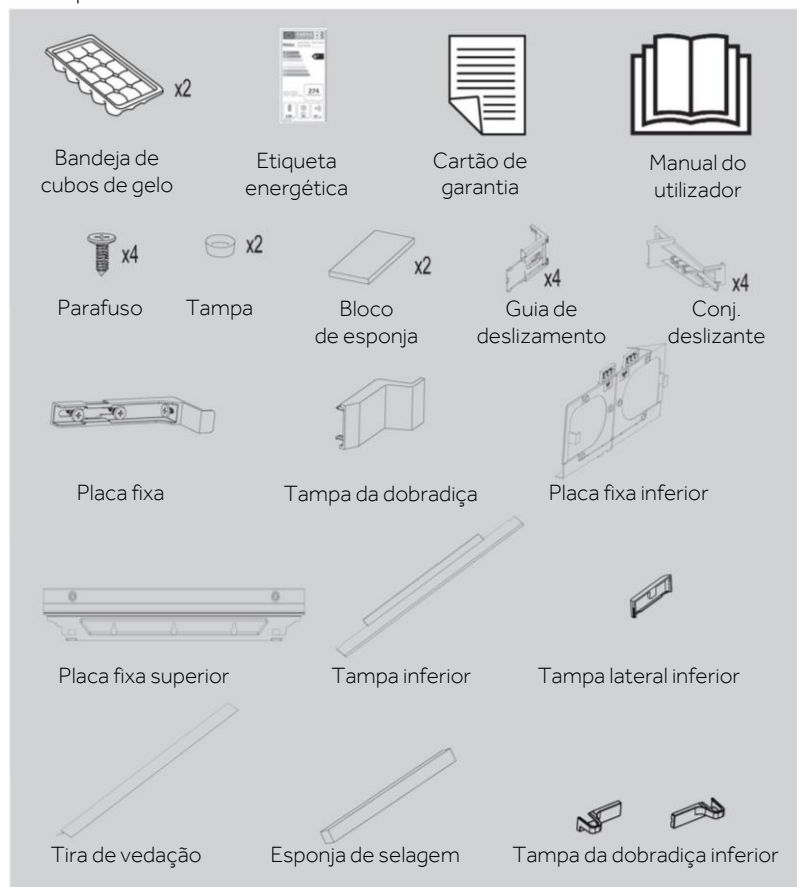
Leia atentamente estas instruções antes de utilizar este aparelho. As instruções contêm informações importantes que irão ajudá-lo a obter o melhor proveito do aparelho e garantir a instalação, o uso e a manutenção seguros e adequados.

Mantenha este manual num local conveniente para que o possa sempre consultar para uma utilização segura e adequada do aparelho.

Se vender, oferecer ou deixar o aparelho para trás, caso mude de casa, certifique-se de que entrega também este manual para que o novo proprietário se possa familiarizar com o aparelho e os avisos de segurança.

Acessórios

Verifique os acessórios e a literatura de acordo com esta lista:



**AVISO - Informação importante de segurança**

**NOTA - Informações gerais e dicas**

**Informação ambiental**

**Eliminação**

Ajude a proteger o ambiente e a saúde humana. Coloque a embalagem em recipientes adequados para reciclagem. Ajude a reciclar resíduos de aparelhos elétricos e eletrónicos. Não elimine os aparelhos identificados com este símbolo com o lixo doméstico. Entregue o produto na sua unidade de reciclagem local ou entre em contacto com seu gabinete municipal.

**AVISO!**

Risco de lesão ou sufocação!

Os refrigerantes e os gases devem ser eliminados de forma profissional. Certifique-se de que os tubos do circuito refrigerante não estão danificados antes de serem devidamente eliminados. Desligue o aparelho da alimentação elétrica. Corte o cabo de alimentação de rede e elimine-o. Remova as bandejas e gavetas, bem como a pega e vedantes da porta, para evitar que crianças e animais de estimação se fechem no interior do aparelho.

Antes de ligar o aparelho pela primeira vez, leia as seguintes dicas de segurança!:



AVISO!

Antes da primeira utilização

- ▶ Certifique-se de que não há danos provocados pelo transporte.
- ▶ Aguarde no mínimo duas horas antes de instalar o aparelho, de forma a garantir que o circuito refrigerante está com eficiência total.
- ▶ Manuseie o aparelho sempre com pelo menos duas pessoas porque é pesado.
- ▶ Remova todos os materiais de embalagem e mantenha fora do alcance das crianças e elimine-os de forma ecológica.
- ▶ Limpe o interior e o exterior do aparelho com água e um detergente suave antes de colocar qualquer alimento no seu interior.
- ▶ Após o aparelho ter sido nivelado e limpo, aguarde pelo menos 2 a 5 horas antes de o ligar à rede elétrica. Consulte a secção INSTALAÇÃO.
- ▶ Pré-arrefeça os compartimentos com definições elevadas antes de carregar com alimentos. A função Super - Freeze ajuda a arrefecer rapidamente os compartimentos.
- ▶ A temperatura do congelador é ajustada automaticamente para -18 °C respetivamente. Estas são as definições recomendadas. Se desejar, pode alterar as temperaturas manualmente. Ver AJUSTAR A TEMPERATURA.

Instalação

- ▶ O aparelho deve ser colocado num local bem ventilado. Certifique-se de que existe um espaço de, pelo menos, 10 cm por cima e ao redor do aparelho.
- ▶ Nunca coloque o aparelho numa área húmida ou num local onde possa ser salpicado com água. Limpe e seque as salpicos de água e manchas com um pano macio limpo.
- ▶ Não instale o aparelho sob luz solar direta ou na proximidade de fontes de calor (por exemplo, fogões, aquecedores).
- ▶ Instale e nivele o aparelho numa área adequada para o seu tamanho e utilização.
- ▶ Mantenha as aberturas de ventilação no aparelho ou na estrutura embutida livres de obstruções.
- ▶ Certifique-se de que as informações elétricas na placa de classificação correspondem à rede elétrica. Se não, entre em contato com um electricista.
- ▶ O aparelho é operado por uma fonte de alimentação de 220-240 VAC/50 Hz. Uma flutuação da tensão anormal pode fazer com que o aparelho não ligue ou danifique o controlo da temperatura ou o compressor, ou pode haver um ruído anormal durante o funcionamento. Nesse caso, deve ser montado um regulador automático.
- ▶ Não use adaptadores de fichas múltiplas nem cabos de extensão.
- ▶ Não coloque tomadas triplas múltiplas portáteis ou fontes de alimentação portáteis na parte traseira do aparelho.
- ▶ Certifique-se de que o cabo de alimentação não fica preso pelo frigorífico. Não pise o cabo de alimentação.

**AVISO!**

- ▶ Use uma tomada de terra separada para a rede elétrica que seja fácil de aceder. Este aparelho deve ser ligado à terra.
Apenas para o Reino Unido: O cabo de alimentação do aparelho está equipado com uma ficha de 3 cabos (terra) que se encaixa numa tomada standard de 3 cabos (ligada à terra). Nunca corte ou desmonte o terceiro pino (terra). Após a instalação do aparelho, a tomada deve ficar acessível.

- ▶ Não danifique o circuito refrigerante.

Utilização diária

- ▶ Este aparelho pode ser utilizado por crianças de idade igual ou superior a 8 anos e por pessoas com capacidades físicas, sensoriais ou mentais reduzidas ou falta de experiência e conhecimento, caso lhes tenha sido fornecida supervisão ou instruções relativas à utilização do aparelho de forma segura e desde que compreendam os perigos envolvidos.
- ▶ As crianças de 3 a 8 anos são autorizadas a carregar e descarregar, mas não podem limpar e instalar os aparelhos de refrigeração.
- ▶ Mantenha as crianças com menos de 3 anos de idade afastadas do aparelho, a menos que estejam constantemente sob supervisão.
- ▶ As crianças não devem brincar com o aparelho.
- ▶ Se o gás refrigerante ou outro gás inflamável verter perto do aparelho, desligue a válvula do gás de fuga, abra as portas e janelas e não desligue uma ficha no cabo de alimentação do frigorífico ou de qualquer outro aparelho.
- ▶ Notar que o aparelho está definido para funcionar num intervalo de temperatura ambiente específico entre 10 °C e 43 °C. O aparelho não pode funcionar corretamente se for deixado por um longo período a uma temperatura acima ou abaixo do intervalo indicado.
- ▶ Não coloque artigos instáveis (objetos pesados, recipientes cheios de água) em cima do frigorífico, para evitar lesões pessoais causadas por queda ou choque elétrico causado pelo contacto com a água.
- ▶ Não puxe pelas prateleiras da porta. A porta pode inclinar-se, o suporte de garrafas pode sair para fora ou o aparelho pode tombar.
- ▶ Abra e feche as portas apenas pelas pegas. O espaço entre as portas e entre as portas e o armário é muito estreito. Não ponha as mãos nessas áreas para evitar entalar os dedos. Abra ou feche as portas do frigorífico apenas quando não houver crianças dentro do alcance do movimento das portas.
- ▶ Ao posicionar o aparelho, certifique-se de que o cabo de alimentação não se encontra preso nem danificado.
- ▶ Não guarde substâncias explosivas como, por exemplo, latas de aerossóis, com um carburante inflamável, no interior deste aparelho.
- ▶ Para evitar a contaminação dos alimentos:
 - Abrir a porta durante longos períodos provoca um aumento de temperatura significativo nos compartimentos do aparelho.
 - Limpar regularmente as superfícies que entram em contacto com alimentos e sistemas de drenagem acessíveis.

**AVISO!**

- Guarde carne e peixe crus em recipientes adequados no frigorífico, de forma a não estarem em contacto nem verterem para outros alimentos.
- Se o produto for deixado vazio durante períodos longos, desligue, descongele, limpe, seque e deixe a porta aberta para evitar que se forme bolor dentro do aparelho.
- ▶ Não guarde nem use materiais inflamáveis, explosivos ou corrosivos no aparelho ou nas proximidades.
- ▶ Não guarde medicamentos, bactérias ou agentes químicos no aparelho. Este aparelho é um eletrodoméstico. Não é recomendado armazenar materiais que necessitem de temperaturas rigorosas.
- ▶ Nunca guarde líquidos em garrafas ou latas (exceto bebidas alcoólicas) especialmente bebidas gaseificadas no congelador, porque estas rebentam quando congeladas.
- ▶ Verifique o estado dos alimentos caso ocorra aquecimento no congelador.
- ▶ Não toque em artigos congelados com as mãos húmidas (use luvas). Especialmente não coma gelados de gelo imediatamente depois de os retirar do congelador. Existe o risco de congelar ou de se formarem bolhas de queimadura por gelo. PRIMEIROS socorros: passar imediatamente por água fria corrente. Não puxe!
- ▶ Não toque na superfície interna do compartimento do congelador, quando em funcionamento, especialmente com as mãos molhadas, pois as mãos podem congelar na superfície.
- ▶ Desligue o aparelho em caso de interrupção da energia ou antes da limpeza. Deixe passar pelo menos 7 minutos antes de reiniciar o aparelho, pois o arranque frequente pode danificar o compressor.
- ▶ Não utilize dispositivos elétricos no interior dos compartimentos para armazenamento de comida do aparelho, a não ser que sejam do tipo recomendado pelo fabricante.
Manutenção/limpeza
- ▶ Certifique-se de que as crianças estão vigiadas caso estejam a realizar a limpeza e manutenção.
- ▶ Desligue o aparelho da alimentação elétrica antes de realizar qualquer manutenção de rotina. Deixe passar pelo menos 5 minutos antes de voltar a ligar o aparelho pois o arranque frequente pode danificar o compressor.

**AVISO!**

- ▶ Segure a ficha, não o cabo, ao desligar o aparelho.
- ▶ Não limpe o aparelho com escovas duras, escovas de arame, detergente em pó, gasolina, acetato de amilo, acetona e soluções orgânicas semelhantes, soluções ácidas ou alcalinas. Limpe com detergente especial do frigorífico para evitar danos.
- ▶ Se o cabo de alimentação estiver danificado, tem de ser substituído pelo fabricante, pelo agente de serviço ou por pessoas igualmente qualificadas de forma a evitar o perigo.
- ▶ Não tente reparar, desmontar ou modificar o aparelho sozinho. Em caso de reparação, entre em contacto com a nossa assistência ao cliente.
- ▶ Elimine o pó na parte de trás da unidade pelo menos uma vez no ano para evitar perigo de incêndio, bem como o aumento do consumo de energia.
- ▶ Não pulverize ou lave o aparelho durante a limpeza.
- ▶ Não use spray de água ou vapor para limpar o aparelho.
- ▶ Não lave prateleiras de vidro frias com água quente. A mudança súbita de temperatura pode fazer com que o vidro se quebre.

Informações sobre gases refrigerantes**AVISO!**

O aparelho contém o refrigerante inflamável ISOBUTANO (R600a). Certifique-se de que o circuito refrigerante não fica danificado durante o transporte ou instalação. A fuga de refrigerante pode causar lesões oculares ou inflamações. Se ocorrer um dano, mantenha afastadas fontes de chama aberta, ventile completamente a sala, não ligue ou desligue os cabos de alimentação do eletrodoméstico ou de qualquer outro aparelho. Informe a assistência ao cliente.

No caso de os olhos entrarem em contacto com o fluido refrigerante, lave-os imediatamente sob água corrente e contacte imediatamente um oftalmologista.

Utilização prevista

Este aparelho destina-se ao congelamento de alimentos. Foi desenhado exclusivamente para uso em aplicações domésticas e semelhantes, como áreas de cozinha para pessoal em lojas, escritórios e outros ambientes de trabalho; casas agrícolas e por clientes em hotéis, motéis e outros ambientes de tipo residencial, bem como em negócios de pousada e de catering. Não se destina a utilização comercial ou industrial.

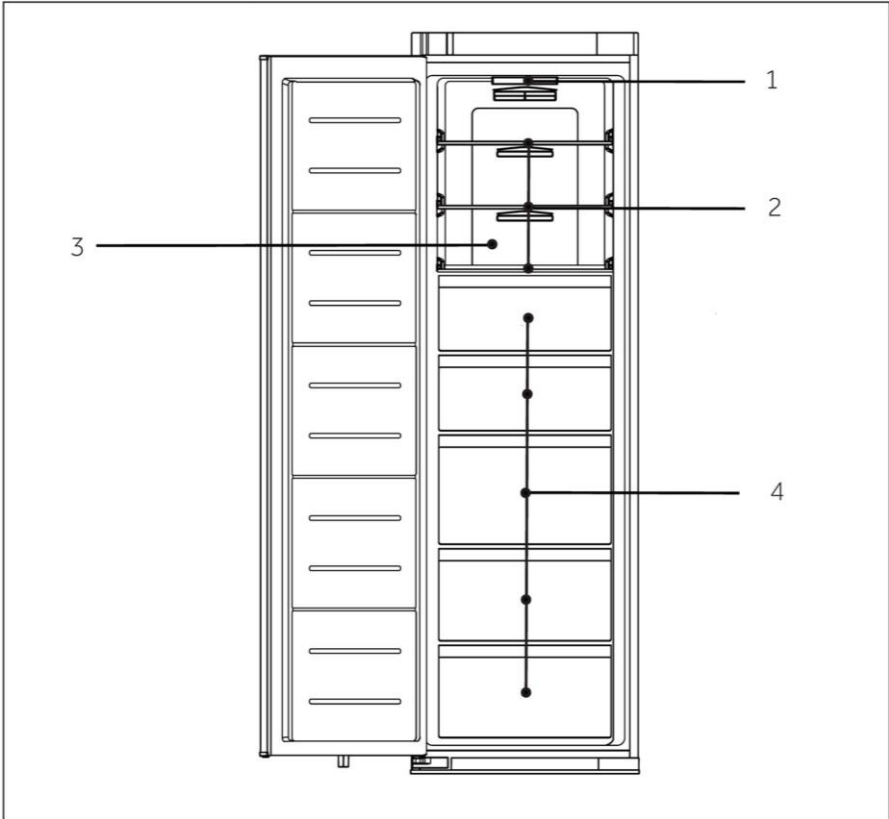
Não são permitidas alterações ou modificações no aparelho. Uma utilização indevida pode causar riscos e perda de reivindicações de garantia.

Normas e diretivas

Este produto cumpre os requisitos de todas as diretivas CE aplicáveis com as normas harmonizadas correspondentes, que permitem a marcação CE.

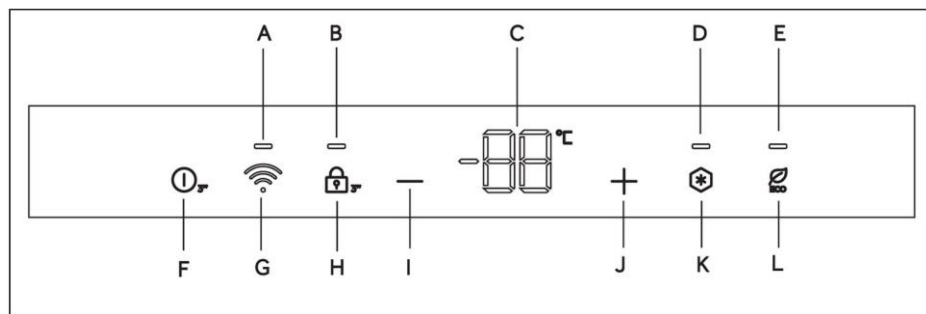
i AVISO

Devido a alterações técnicas e a modelos diferentes, algumas das ilustrações neste manual podem ser diferentes do seu modelo.

**CMT5518EVWF/RMT5518EVWF**

- 1 Luz interior LED
- 2 Prateleiras normais
- 3 Conduta de ar do congelador
- 4 Gaveta do congelador normal

Painel de controlo



Ícones indicadores:

- A Ícone da função Wi-Fi
- B Ícone Bloquear/Desbloquear
- C Ícone do visor da temperatura
- D Ícone da função Super Freeze
- E Ícone da função ECO

Teclas de toque:

- F Tecla ON/OFF
- G Chave de correspondência Wi-Fi
- H Tecla Bloquear/Desbloquear
- I Tecla de redução da temperatura
- J Tecla de aumento da temperatura
- K Tecla da função Super Freeze
- L Tecla da função ECO

Botões do sensor

Os botões no painel de controlo são teclas de sensor que respondem logo quando tocadas levemente com o dedo.

Abra primeiro a porta do frigorífico antes de controlar o ecrã do visor.

Função de Bloquear/Desbloquear

Esta tecla e o seu ícone são utilizados para bloquear ou desbloquear o ecrã de controlo e indicar o seu estado atual.

Abra a porta do frigorífico enquanto o frigorífico estiver a funcionar, o ecrã de controlo acende-se e o ícone Bloquear/Desbloquear está aceso; neste momento, o ecrã de controlo está bloqueado e não pode ser operado.

Desbloquear ou bloquear manualmente o ecrã: Quando o ícone Bloquear/Desbloquear estiver aceso, toque na tecla Bloquear/Desbloquear durante 3 segundos. O ícone apaga-se e é acompanhado por um sinal sonoro. Neste momento, pode ser efetuada a seleção da função ou o ajuste da temperatura.

Quando o ícone Bloquear/Desbloquear estiver desligado, toque na tecla Bloquear/Desbloquear durante 3 segundos. Em seguida, o ícone Bloquear/Desbloquear acende-se e é acompanhado por um sinal sonoro. Neste momento, não é possível efetuar a seleção de funções ou o ajuste da temperatura.

Bloqueio automático do ecrã: Quando a porta do frigorífico está fechada, o ecrã de controlo desliga-se e fica bloqueado.

Quando a porta do frigorífico é aberta, o ecrã de controlo bloqueia automaticamente se não houver nenhuma operação durante 30 segundos.

Função ON/OFF

A tecla ON/OFF é utilizada para alternar entre OFF (estado de pausa de trabalho) e ON (modos de trabalho normais).

Entrar no modo OFF: No modo de funcionamento do frigorífico, desbloqueie primeiro o visor e, em seguida, toque na tecla de função ON/OFF durante 3 segundos para desligar o ecrã de controlo, a iluminação de refrigeração, o arrefecimento e outras funções, seguindo-se um som de aviso.



AVISO

O modo OFF não é um corte de energia e o frigorífico continua ligado neste momento.

Sair do modo OFF: No modo OFF, tocar continuamente na tecla ON/OFF durante 3 segundos para reiniciar o ecrã de controlo, a iluminação de refrigeração, o arrefecimento e outras funções, acompanhado de um som de aviso. O frigorífico regressará à temperatura definida e ao funcionamento anterior e entrará no modo de funcionamento normal.

Função Wi-Fi

Correspondência de Wi-Fi: Quando o frigorífico é ligado pela primeira vez, entra automaticamente no modo de configuração de rede e o ícone da função Wi-Fi pisca rapidamente e, se não houver nenhuma operação de correspondência de rede, sai automaticamente após 30 minutos.

Entrar manualmente no modo de correspondência Wi-Fi: Depois de desbloquear o ecrã de controlo, enquanto o ícone da função Wi-Fi estiver aceso, mantenha premida a tecla correspondente a Wi-Fi durante 3 segundos para entrar no modo. Durante este período, o ícone da função Wi-Fi piscará rapidamente, mostrando que está no modo de correspondência Wi-Fi. Se não houver nenhuma operação de correspondência de rede, a operação será automaticamente encerrada após 30 minutos.

PROCEDIMENTO DE APP PAIRING

Passo 1 • Descarregue a aplicação hOn nas lojas.	
	
Passo 2 Crie a sua conta na aplicação hOn ou inicie sessão se já tiver uma.	Passo 3 Consulte as instruções de emparelhamento na aplicação hOn.
	



AVISO

No modo de correspondência Wi-Fi, deve seguir as instruções da aplicação para concluir a configuração da rede. Se for necessário alterar o ambiente Wi-Fi, é necessário entrar novamente no modo. Se o ícone da função Wi-Fi permanecer aceso, isso indica que a rede foi ligada com êxito.

Ajustar a temperatura do congelador

Depois de abrir a porta do frigorífico e desbloquear o ecrã de controlo, a tecla Baixar temperatura é utilizada para baixar a temperatura definida do frigorífico. Cada vez que a tecla é ligeiramente tocada, a temperatura diminui 1°C e a temperatura mínima permitida é de -24°C.

Depois de abrir a porta do frigorífico e desbloquear o ecrã de controlo, a tecla Aumentar a temperatura é utilizada para aumentar a temperatura definida do frigorífico. Cada vez que a tecla é ligeiramente tocada, a temperatura aumenta 1°C e a temperatura máxima permitida é de -14°C.

Durante o funcionamento, o ícone do ecrã de Temperatura apresenta a temperatura definida e pisca. O ecrã de controlo confirmará automaticamente a temperatura definida após 5 segundos e, em seguida, apresentará a temperatura real atual. Depois de concluir a definição, o frigorífico muda gradualmente da temperatura atual para a temperatura definida. Assim, pode haver um desvio entre a temperatura real e a temperatura definida durante um período de tempo.

Função Super Freeze

Esta tecla e o respetivo ícone são utilizados para comutar a função Super Freeze do frigorífico e apresentar o estado atual.

Depois de abrir a porta do frigorífico e desbloquear o ecrã de controlo, toque ligeiramente na tecla de função Super Freeze, e o ícone da função Super Freeze acende-se, o frigorífico já está no modo; Se precisar de sair do modo, pode utilizar a mesma operação tocando ligeiramente na tecla de função Super Freeze.

Com esta função, a temperatura aproximar-se-á provavelmente de -28°C ou menos, e o frigorífico sairá automaticamente desta função após 50 horas para evitar que a temperatura seja demasiado baixa.

Função ECO

Depois de abrir a porta do frigorífico e desbloquear o ecrã de controlo, toque ligeiramente na tecla de função ECO, e o ícone da função ECO acende-se, o frigorífico já está no modo; se precisar de sair do modo, pode utilizar a mesma operação tocando ligeiramente na tecla de função ECO.

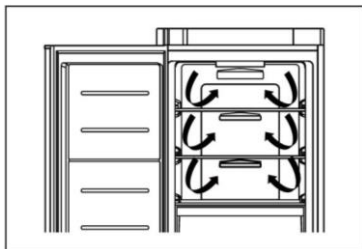
No modo ECO, o frigorífico funciona automaticamente a uma temperatura média de -18°C.



AVISO

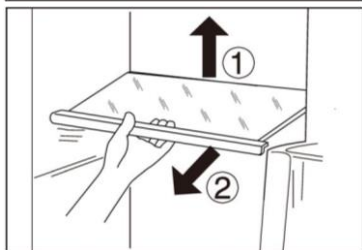
Devido à diferente lógica de funcionamento das funções especiais entre a função Super Freeze e a função ECO, estes modos especiais não podem ser ativados ao mesmo tempo. Apenas uma função pode ser ativada e, ao alternar entre os modos, outros modos especiais serão automaticamente desativados. Além disso, a temperatura definida só pode ser alterada se se sair destes modos.

-18°C é adequado para alimentos congelados em geral que requerem armazenamento entre 1-12 meses, tais como carne, aves, marisco, alimentos pré-cozinhados e sobras, algumas frutas e vegetais, gelados e outras sobremesas congeladas.



Fluxo de ar múltiplo

1. O frigorífico está equipado com um sistema de fluxo de ar múltiplo que oferece fluxos de ar frio em cada nível de prateleira. Isso ajuda a manter uma temperatura uniforme para garantir que a sua comida é mantida mais fresca durante mais tempo.



Prateleiras ajustáveis

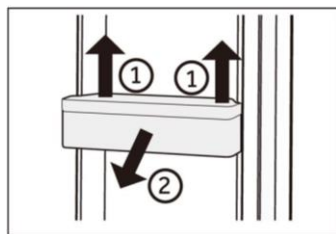
1. A altura das prateleiras pode ser ajustada para se adaptar às suas necessidades de armazenamento.
2. Para transferir uma prateleira, remova-a primeiro levantando a sua extremidade traseira ① e puxando-a para fora ②.
3. Para a reinstalar, coloque-a sobre as patilhas dos dois lados e empurre-a para a posição mais para trás até que a parte traseira da prateleira fique fixa no interior das ranhuras nos lados.

i AVISO

Certifique-se de que todas as extremidades de uma prateleira estão niveladas.

Prateleiras das portas/suporte de garrafas amovíveis

1. As prateleiras da porta podem ser removidas para limpeza:
2. Coloque as mãos de cada lado da prateleira, levante-a para cima ① e puxe-a para fora ②.
3. Para inserir a prateleira da porta, deve executar os passos acima na ordem inversa.



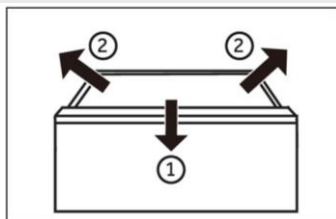
i AVISO

Quando o aparelho é ligado, pode demorar até 12 horas para atingir as temperaturas corretas.

Gaveta amovível

Para remover a gaveta, puxe até à extensão máxima ①, levante e remova ②.

Para inserir a gaveta, os passos acima são executados em ordem inversa.



A Luz

A luz interior LED acende-se quando a porta é aberta. O desempenho das luzes não é afetado por nenhuma das outras definições de aparelhos.



Dicas de poupança de energia

- ▶ Certifique-se de que o aparelho está devidamente ventilado (ver INSTALAÇÃO).
- ▶ Não instale o aparelho sob luz solar direta ou na proximidade de fontes de calor (por exemplo, fogões, aquecedores).
- ▶ Evite temperaturas desnecessariamente baixas no aparelho.
O consumo de energia aumenta quanto menor for a temperatura do aparelho.
- ▶ As funções como Super Freeze consomem mais energia.
- ▶ Deixe os alimentos arrefecer antes de os colocar no aparelho.
- ▶ Abra a porta do aparelho o mínimo e tão brevemente quanto possível.
- ▶ Não encha demasiado o aparelho para evitar obstruir o fluxo de ar.
- ▶ Evite ar dentro das embalagens de alimentos.
- ▶ Mantenha os vedantes da porta limpos para que a porta feche sempre corretamente.
- ▶ A configuração mais economizadora de energia requer que o aparelho mantenha as gavetas, caixa de comida e prateleiras em condições de frescura de fábrica, e os alimentos devem ser colocados tanto quanto possível, sem bloquear a saída de ar da conduta.

**AVISO!**

Desligue o aparelho da rede elétrica antes de limpar.

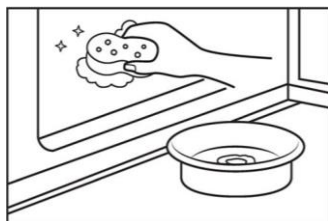
Limpeza

Limpe o aparelho quando apenas tiver armazenado pouca ou nenhuma comida.

O aparelho deve ser limpo a cada quatro semanas para uma boa manutenção e para evitar maus odores de alimentos armazenados.

**AVISO!**

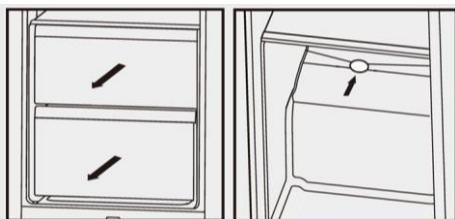
- ▶ Não limpe o aparelho com escovas duras, escovas de arame, detergente em pó, gasolina, acetato de amilo, acetona e soluções orgânicas semelhantes, soluções ácidas ou alcalinas. Limpe com detergente especial do frigorífico para evitar danos.
- ▶ Não pulverize ou lave o aparelho durante a limpeza.
- ▶ Não use spray de água ou vapor para limpar o aparelho.
- ▶ Não lave prateleiras de vidro frias com água quente. A mudança súbita de temperatura pode fazer com que o vidro se quebre.
- ▶ Não toque na superfície interna do compartimento do congelador, especialmente com as mãos molhadas, pois as mãos podem congelar na superfície.
- ▶ No caso de aquecimento, verificar a condição das mercadorias congeladas.



- ▶ Mantenha a junta de vedação da porta sempre limpa.
- ▶ Limpe o interior e a caixa do aparelho com uma esponja molhada em água morna e detergente neutro.
- ▶ 1. Esfregue o interior e o exterior do frigorífico, incluindo junta do vedante da porta, prateleira da porta, prateleiras de vidro, caixas e assim por diante, com uma toalha macia ou esponja embebida em água morna (pode adicionar-se detergente neutro).
- ▶ 2. Se houver líquido derramado, remova todas as partes contaminadas, lave-as diretamente com água corrente, seque e coloque novamente no frigorífico.
- ▶ 3. Se houver derramamento de produtos cremosos (como natas, gelado derretido), remova todas as peças contaminadas, coloque-as em água morna a cerca de 40 °C durante algum tempo, passe por água corrente, seque e volte a colocar no frigorífico.
- ▶ 4. Caso alguma peça ou componente pequeno entre no interior do frigorífico (entre as prateleiras ou gavetas), use uma pequena escova macia para a liberar. Se não conseguir alcançar a peça, entre em contato com a assistência da Haier

**AVISO**

A saída de drenagem não pode ser bloqueada por objetos estranhos, caso contrário pode ocorrer um problema de transbordo de água. Se a saída de drenagem estiver bloqueada, pode retirar a gaveta e limpá-la com um pano.



- ▶ Enxaguar e secar com um pano macio.
- ▶ Não limpar nenhuma das peças do aparelho numa máquina de lavar loiça.
- ▶ Deixe passar pelo menos 5 minutos antes de voltar a ligar o aparelho pois o arranque frequente pode danificar o compressor.

Descongelação

O descongelamento do congelador é feito automaticamente; sem necessidade de operação manual.

Substituir as lâmpadas LED



AVISO!

Não substitua a luz LED sozinho, esta apenas deve ser substituída pelo fabricante ou por um agente de serviço autorizado.

A lâmpada é do tipo LED com um baixo consumo de energia e longa vida útil. Se houver alguma anomalia, entre em contacto com a assistência ao cliente. Consulte a ASSISTÊNCIA AO CLIENTE.

Parâmetros das lâmpadas:

Congelador: 12 V máx 1.5W

Este produto contém uma fonte de luz de classe de eficiência energética <G>.

Não utilizar durante um período prolongado

Se o aparelho não for utilizado durante um longo período de tempo:

Retire os alimentos.

Desligue o cabo de alimentação.

Limpe o aparelho conforme descrito acima.

Mantenha as portas abertas para evitar a criação de maus odores no interior.



AVISO

Desligue o aparelho apenas se estritamente necessário.

Mover o aparelho

1. Remova todos os alimentos e desligue o aparelho.
2. Fixe as prateleiras e outras peças móveis no congelador com fita adesiva.
3. Não incline o frigorífico mais de 45° para evitar danificar o sistema de refrigeração.



AVISO!

- ▶ Não levante o aparelho pelas suas pegas.
- ▶ Nunca coloque o aparelho na horizontal no chão.

Muitos problemas que ocorrem podem ser resolvidos por si mesmo sem experiência específica. Em caso de problema, por favor verifique todas as possibilidades apresentadas e siga as instruções abaixo antes de contactar um serviço pós-venda. Consulte a ASSISTÊNCIA AO CLIENTE.



AVISO!

- ▶ Antes da manutenção, desative o aparelho e desligue a ficha da tomada.
- ▶ Os equipamentos elétricos devem ser reparados apenas por eletricitistas qualificados, uma vez que reparações inadequadas podem causar danos consequenciais consideráveis.
- ▶ Se o cabo de alimentação estiver danificado, este apenas pode ser substituído pelo fabricante, pelo agente de serviço ou por pessoas igualmente qualificadas de forma a evitar o perigo.

Problema	Causa possível	Possível solução
O compressor não funciona.	<ul style="list-style-type: none"> • A ficha de alimentação não está ligada na tomada de alimentação. • O aparelho está no ciclo de descongelação. 	<ul style="list-style-type: none"> • Ligue a ficha de alimentação. • Isto é normal para um descongelamento automático.
O aparelho funciona frequentemente ou funciona por um período de tempo demasiado longo.	<ul style="list-style-type: none"> • A temperatura interior ou exterior é muito alta. • O aparelho foi desligado da alimentação por um período de tempo. • Uma porta do aparelho não está bem fechada. • A porta foi aberta com muita frequência ou por muito tempo. • A regulação da temperatura para o congelador é muito baixa. • A junta de vedação da porta está suja, gasta, partida ou desalinhada. 	<ul style="list-style-type: none"> • Neste caso, é normal que o aparelho funcione mais tempo. • Normalmente, demora 8 a 12 horas até o aparelho arrefecer completamente. • Feche a porta/gaveta e certifique-se de que o aparelho está localizado num piso plano e de que não existe qualquer alimento ou recipiente a obstruir a porta. • Não abra a porta/gaveta com muita frequência. • Ajuste uma temperatura mais elevada até obter uma temperatura satisfatória do frigorífico. Demora 24 horas até a temperatura do frigorífico se tornar estável. • Limpe a junta de vedação da porta/gaveta ou peça à assistência ao cliente que a substitua.

Problema	Causa possível	Possível solução
	<ul style="list-style-type: none"> A circulação de ar necessária não é garantida. 	<ul style="list-style-type: none"> Assegure uma ventilação adequada.
O interior do frigorífico está sujo e/ou com cheiros.	<ul style="list-style-type: none"> O interior do frigorífico precisa de ser limpo. Alimentos com forte odor estão armazenados no frigorífico. 	<ul style="list-style-type: none"> Limpe o interior do frigorífico. Embrulhe os alimentos completamente.
Não está frio o suficiente dentro do aparelho.	<ul style="list-style-type: none"> A temperatura definida é demasiado alta. Foram guardados alimentos demasiado quentes. Foram armazenados demasiados alimentos de uma vez. Os produtos estão demasiado próximos uns dos outros. Uma porta/gaveta do aparelho não está bem fechada. A porta/gaveta foi aberta com muita frequência ou durante muito tempo. 	<ul style="list-style-type: none"> Repore a temperatura. Arrefeça os alimentos antes de os guardar. Guarde sempre pequenas quantidades de alimentos. Deixe um intervalo entre os vários alimentos permitindo o fluxo de ar. Feche a porta/gaveta. Não abra a porta/gaveta com muita frequência.
Está demasiado frio no interior do aparelho.	<ul style="list-style-type: none"> A temperatura é demasiado baixa. A função Super Freeze está ativada ou está a funcionar há demasiado tempo. 	<ul style="list-style-type: none"> Repore a temperatura. Desligue a função Super Freeze.
A humidade acumula-se nos frigoríficos fora da superfície ou entre as portas/porta e gaveta.	<ul style="list-style-type: none"> O clima é demasiado quente e demasiado húmido. A porta não está totalmente fechada. O ar frio no aparelho e o ar quente no exterior condensam. 	<ul style="list-style-type: none"> Isso é normal num clima húmido e mudará quando a humidade diminuir. Certifique-se de que a porta/gaveta está bem fechada.
A luz do visor funciona, mas não está fresco.	<ul style="list-style-type: none"> Está no modo de demonstração. 	<ul style="list-style-type: none"> Observe em que estado se encontra. Se estiver no modo de demonstração, saia. Sair: Mantenha premido o botão "ECO" e clique na tecla "Super Freeze" 5 vezes em 5s.

Problema	Causa possível	Possível solução
Gelo forte e geada no compartimento do congelador.	<ul style="list-style-type: none"> Os alimentos não foram devidamente embalados. Uma porta/gaveta do aparelho não está bem fechada. A porta/gaveta foi aberta com muita frequência ou durante muito tempo. A junta de vedação da porta/gaveta está suja, gasta, fissurada ou não é adequada. Algo no interior está a impedir que a porta/gaveta feche corretamente. 	<ul style="list-style-type: none"> Embale sempre bem os alimentos. Feche a porta/gaveta. Não abra a porta/gaveta com muita frequência. Limpe a junta de vedação da porta/gaveta ou substitua por novas. Reposicione as prateleiras, prateleiras das portas ou recipientes internos para permitir que a porta/gaveta feche.
Os lados do armário e a tira da porta ficam quentes.	<ul style="list-style-type: none"> - 	<ul style="list-style-type: none"> Isto é normal.
O aparelho faz ruídos fora do normal.	<ul style="list-style-type: none"> O aparelho não está colocado sobre um piso nivelado. O aparelho toca em algum objeto em seu redor. 	<ul style="list-style-type: none"> Ajuste os pés para nivelar o aparelho. Remova objetos em redor do aparelho.
Deve ouvir-se um som leve semelhante ao de água a correr.	<ul style="list-style-type: none"> - 	<ul style="list-style-type: none"> Isto é normal.
Irá ouvir um sinal sonoro de alarme.	<ul style="list-style-type: none"> A porta do frigorífico está aberta. 	<ul style="list-style-type: none"> Feche a porta.
Irá ouvir um som abafado.	<ul style="list-style-type: none"> O sistema anti condensação está a funcionar. 	<ul style="list-style-type: none"> Isto impede a condensação e é normal.
O sistema de iluminação interior ou de arrefecimento não funciona.	<ul style="list-style-type: none"> A ficha de alimentação não está ligada na tomada de alimentação. 	<ul style="list-style-type: none"> Ligue a ficha de alimentação.
	<ul style="list-style-type: none"> A fonte de alimentação não está intacta. 	<ul style="list-style-type: none"> Verifique a alimentação elétrica da divisão. Ligue para a companhia de eletricidade local!
	<ul style="list-style-type: none"> A lâmpada LED está avariada. 	<ul style="list-style-type: none"> Por favor, ligue para a assistência para substituir a lâmpada.

Para contactar a assistência técnica, consulte o nosso website:
<https://corporate.haier-europe.com/en/>

Na seção "website", escolha a marca do seu produto e o seu país. Será redirecionado para o website específico onde pode encontrar o número de telefone e o formulário para contactar a assistência técnica.

Falha de energia

Em caso de falha de energia, os alimentos permanecem arrefecidos de forma segura durante cerca de 5 horas. Siga estas dicas durante uma falha de energia prolongada, especialmente no verão:

- ▶ Abra a porta/gaveta o mínimo de vezes possível.
- ▶ Não coloque mais alimentos no aparelho durante uma falha de energia.
- ▶ Se for dada uma notificação prévia de interrupção da energia e a duração da interrupção for superior a 5 horas, faça algum gelo e coloque-o num recipiente na parte superior do compartimento do frigorífico.
- ▶ É necessária uma inspeção dos alimentos imediatamente após a interrupção.
- ▶ Como a temperatura no frigorífico irá subir durante uma interrupção da energia ou outra falha, o período de armazenamento e a qualidade dos alimentos serão reduzidos. Qualquer alimento que descongele deve ser consumido, cozido e novamente congelado (se for caso disso) imediatamente, a fim de evitar riscos para a saúde.

Função de memória durante a falha de energia

Depois de restabelecida a energia elétrica, o aparelho continua com as definições definidas antes da falha de energia.

Desembalar



AVISO!

- ▶ O aparelho é pesado. Deve ser manuseado sempre por, pelo menos, duas pessoas.
- ▶ Mantenha todos os materiais de embalagem fora do alcance das crianças e elimine-os de forma ecológica.
- ▶ Retire o aparelho da embalagem.
- ▶ Remova todos os materiais de embalagem.

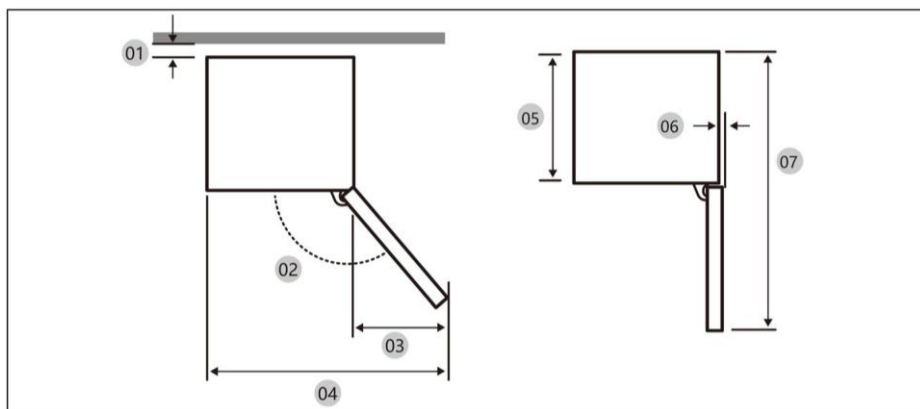
Condições ambientais

A temperatura ambiente deve estar sempre entre 10 °C e 43 °C, uma vez que pode influenciar a temperatura no interior do aparelho e o seu consumo de energia.

Não instale o aparelho perto de outros aparelhos que emitam calor (fornos, frigoríficos)

Sugestão de espaço

Espaço sugerido quando a porta está aberta (sem painel da porta do armário)

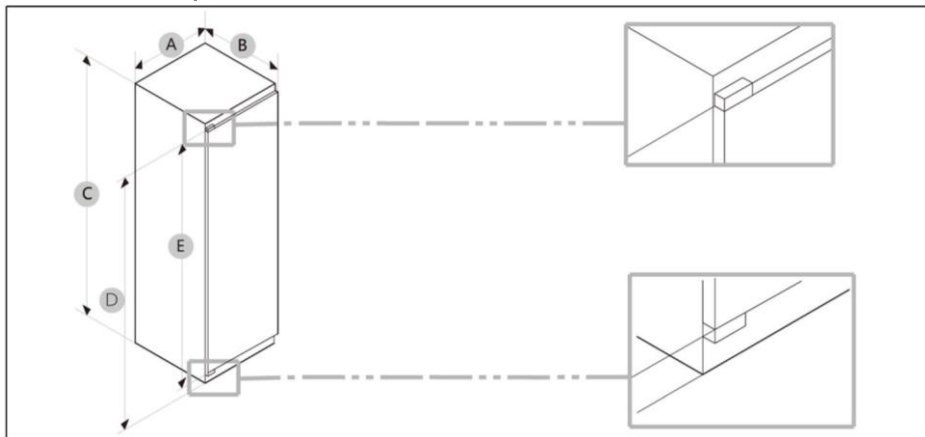


Modelo	CMT5518EVWF RMT5518EVWF
01*	10 (Mín.) / 30 (Recomendado)
02	95° (Recomendado)
03	43
04	583
05	515
06	-3
07	1060

(unidade: mm)

* 01: Do armário à traseira do produto.

Dimensão do produto



Modelo	A (mm)	B (mm)	C (mm)	D (mm)	E (mm)
CMT5518EVWF	540±2	550±2	1772±2	1715	1671
RMT5518EVWF					

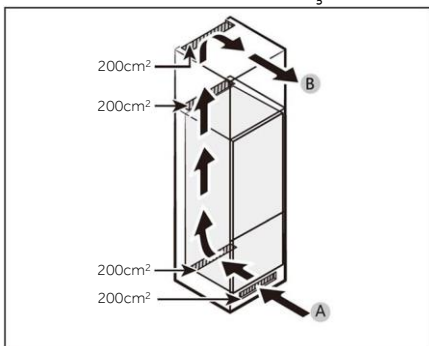


AVISO

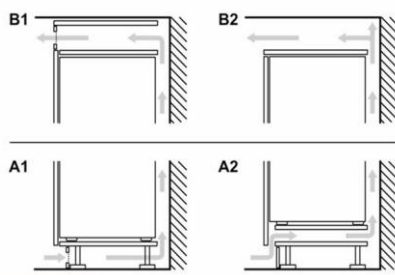
- O consumo de energia especificado baseia-se na condição de um espaço de 10 mm entre o armário e a parte de trás do produto. O produto funciona corretamente mesmo com uma folga inferior a 10 mm, mas consome um pouco mais de energia.
- Recomendamos a utilização de um armário com 19 mm de espessura e dobradiças com menos de 17 mm de espessura.
- As medições na tabela acima podem ser diferentes, dependendo do método de medição.
- Para a instalação integrada, consulte o Guia de Instalação

Ventilação transversal

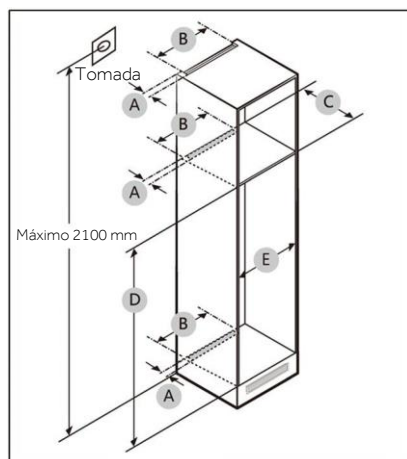
Para obter uma ventilação suficiente do aparelho por motivos de segurança, deve observar-se a informação das secções de ventilação transversal necessárias.



A: Entrada de ar $\geq 200\text{cm}^2$; Opções de ventilação
 B: Saída de ar $\geq 200\text{cm}^2$; Opções de ventilação



Dimensões do armário



CUIDADO!

Qualquer falha do produto devida aos seguintes fatores não está coberta pela garantia.

1. Condições inadequadas do local ou dimensões incorretas do armário.
2. Armário com defeito.
3. Erros do instalador ou do utilizador.

Espaço

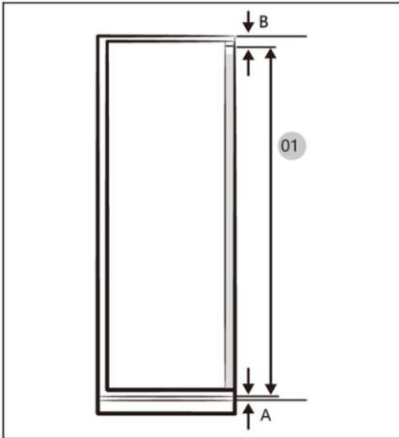
Consulte as imagens e as tabelas abaixo para conhecer os requisitos de espaço para a instalação.

Modelo		A (mm)	B (mm)	C (mm)	D (mm)	E (mm)	Observação
CMT5518EVWF RMT5518EVWF	Min.	50	400	560	1778	560	Dobradiça: 17 mm
	Recomendado			580	1780	562	
	Máx.			-	1782	568	



AVISO

- Se a largura de um armário for superior a 568 mm, a junta (entre o frigorífico e o armário) pode ficar solta.
- Se o armário for mais alto do que a dimensão máxima (1782 mm), é necessário utilizar outros materiais de acabamento para preencher o espaço.

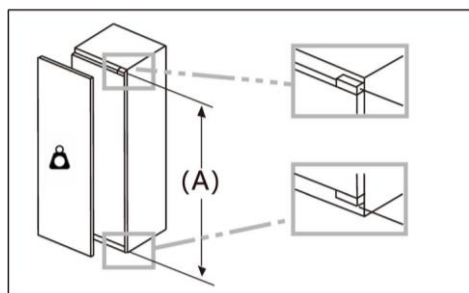


- A. Aresta inferior do painel frontal acima da ventilação de ar
- B. Saliência do painel frontal

Modelo	CMT5518EVWF RMT5518EVWF
01	Mín. 1694+A+B Máx. 1850+A+B

(unidade: mm)

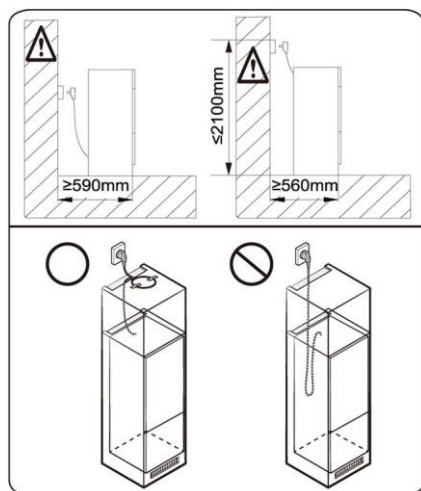
Peso máximo admissível das frentes da unidade



Frentes de móveis montadas que excedam o peso admissível podem causar danos e prejudicar o funcionamento das dobradiças.

Peso (kg)	1500-1750 mm	
		22
720-1400 mm		19

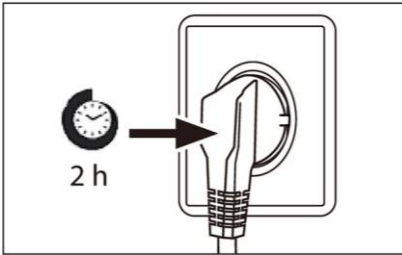
Consideração da localização da tomada e do espaço necessário



i AVISO

Se instalar o frigorífico num armário com 560 mm de profundidade, certifique-se de que o cabo de alimentação está disposto num dos lados do frigorífico antes de o ligar a uma tomada elétrica. Se o cabo de alimentação estiver na parte de trás do frigorífico, pode diminuir a eficiência energética.

Tempo de espera



O óleo de lubrificação sem manutenção está localizado na cápsula do compressor. Este óleo pode atravessar o sistema de tubagem fechada durante o transporte inclinado. Antes de ligar o aparelho à rede elétrica, tem de esperar pelo menos 2 horas para que o óleo volte à cápsula.

Ligação elétrica

Antes de cada conexão verificar se:

- ▶ a rede elétrica, tomada e fusíveis são adequados à placa de classificação.
- ▶ a tomada de alimentação está ligada à terra sem fichas múltiplas nem extensão.
- ▶ a ficha de alimentação e a tomada estão de acordo com as especificações.

Ligue a ficha a uma tomada doméstica instalada corretamente.



AVISO!

Para evitar riscos, um cabo de alimentação danificado deve ser substituído pela assistência ao cliente (ver cartão de garantia).

Ficha de produto de acordo com o Regulamento UE N.º 2019/2016

Marca	CANDY	Rosieres
Nome/identificador do modelo	CMT5518EVWF	RMT5518EVWF
Categoria do modelo	Congelador	Congelador
Classe de eficiência energética	E	E
Consumo de energia anual (kWh/ano) (1)	215	215
Volume total (L)	220	220
Volume da despensa (L)	/	/
Volume do congelador (L)	220	220
Secção do refrigerador de volume (L)	/	/
Volume da máquina de fazer gelo automática (L)	/	/
Classificação em estrelas	4	4
Temperatura dos outros compartimentos > 14 °C	Não aplicável	Não aplicável
Sistema Frost-free	Sim	Sim
Capacidade de congelação (kg/24h)	15	15
Classificação climática(2)	SN.N.ST.T	SN.N.ST.T
Classe de emissão de ruído e emissões de ruído aéreo (db(A)re1pW)	B 35	B 35
Tempo de subida da temperatura (h)	6	6
Capacidade de fazer gelo	/	/
Tipo de aparelho	Encastrado	Encastrado

Nome do modelo	Classe de eficiência energética
CMT5518EVWF	E
RMT5518EVWF	E

Explicações:

- Sim, existe
- (1) Com base nos resultados do teste de conformidade das normas ao longo de 24 horas. O consumo real depende da utilização e da localização do aparelho.
 - (2) Classificação climática SN: Este aparelho destina-se a ser utilizado a uma temperatura ambiente compreendida entre + 10°C e +32°C
 Classificação climática N: Este aparelho destina-se a ser utilizado a uma temperatura ambiente compreendida entre + 16°C e +32°C
 Classificação climática ST: Este aparelho destina-se a ser utilizado a uma temperatura ambiente compreendida entre + 16°C e +38°C
 Classificação climática T: Este aparelho destina-se a ser utilizado a uma temperatura ambiente compreendida entre + 16°C e +43°C

Dados técnicos adicionais

Tensão/Frequência	220-240V ~ / 50Hz
Corrente de entrada (A)	1,5
Fusível principal (A)	16
Líquido de refrigeração	R600a
Dimensões (A/L/P em mm)	1772/540/550

Informação RF

A p.i.r.e. máxima: Bluetooth (BR/EDR): 10dBm

Bluetooth LE: 5dBm

2,4 GHz Wi-Fi: 16dBm

Intervalo de frequência de funcionamento: 2400-2483.5MHz

Recomendamos o nosso Serviço de Assistência ao Cliente da Haier e a utilização de peça sobressalentes originais.

Se tiver algum problema com o seu aparelho, consulte primeiro a secção RESOLUÇÃO DE PROBLEMAS.

Se não conseguir encontrar uma solução nesta secção, entre em contacto

- ▶ com o seu revendedor local ou
- ▶ o nosso Serviço de Assistência Europeu (veja números de telefone listados abaixo) ou
- ▶ a área de Serviço e Suporte em www.haier.com onde pode ativar a reclamação de serviço
- ▶ e também encontrar FAQs.

Para contactar a nossa Assistência, certifique-se de que tem os seguintes dados disponíveis.

As informações encontram-se na placa de classificação.

Modelo _____

N.º de série _____

Verifique também o cartão de garantia fornecido com o produto em caso de garantia.

Centro de Assistência Europeu		
País*	Número de telefone	Custos
Haier Italy (IT)	199 100 912	
Haier Spain (ES)	902 509 123	
Haier Germany (DE)	0180 539 39 99	<ul style="list-style-type: none"> • 14 CT/Min telefone fixo • Max 42 Ct/Min móvel
Haier Austria (AT)	0820 001 205	<ul style="list-style-type: none"> • 14,53 CT/Min telefone fixo • máx. 20 Ct/Min todos os outros
Haier United Kingdom (UK)	0333 003 8122	
Haier France (FR)	0980 406 409	

*Para outros países, consulte www.haier.com
Haier Europe Trading S.r.l
Branch UK
Westgate House, Westgate, Ealing
London, W5 1YY

*Duração da garantia do aparelho de refrigeração:

A garantia mínima é: 2 anos para os países da UE, 3 anos para a Turquia, 1 ano para o Reino Unido, 1 ano para a Rússia, 3 anos para a Suécia, 2 anos para a Sérvia, 5 anos para a Noruega, 1 ano para Marrocos, 6 meses para a Argélia, Tunísia nenhuma garantia legal necessária.

*O período de peças sobressalentes para a reparação do aparelho:

Termostatos, sensores de temperatura, placas de circuitos impressos e fontes de luz estão disponíveis durante um período mínimo de sete anos após a colocação da última unidade do modelo no mercado.

Puxadores da porta, dobradiças da porta, bandejas e cestos durante um período mínimo de sete anos e juntas da porta durante um período mínimo de 10 anos, depois de colocada a última unidade do modelo no mercado.

*Para mais informações sobre o produto, consulte <https://eprel.ec.europa.eu/> ou digitalize o código QR na etiqueta energética fornecida com o aparelho.

<u>5</u>	<u>Informații de siguranță</u>	
	Înainte de prima utilizare	6
	Instalare	6
	Utilizarea zilnică	7
	Informații privind gazul refrigerant	9
<u>10</u>	<u>Utilizarea prevăzută</u>	
<u>11</u>	<u>Descrierea produsului</u>	
<u>12</u>	<u>Panou de comenzi</u>	
<u>13</u>	<u>Utilizarea</u>	
	Tasta Blocare/Deblocare și pictograma acesteia	13
	Funcția standby	13
	Funcția Wi-Fi	14
	Ajustarea temperaturii congelatorului	14
	Funcția Super Freeze	15
	Funcția ECO	15
<u>16</u>	<u>Echipament</u>	
<u>17</u>	<u>Sfaturi de economisire a energiei</u>	
<u>18</u>	<u>Îngrijire și curățare</u>	
<u>20</u>	<u>Depanare</u>	
<u>24</u>	<u>Instalare</u>	
<u>30</u>	<u>Date tehnice</u>	
<u>32</u>	<u>Serviciul pentru clienți</u>	

Vă mulțumim că ați achiziționat un produs Haier.

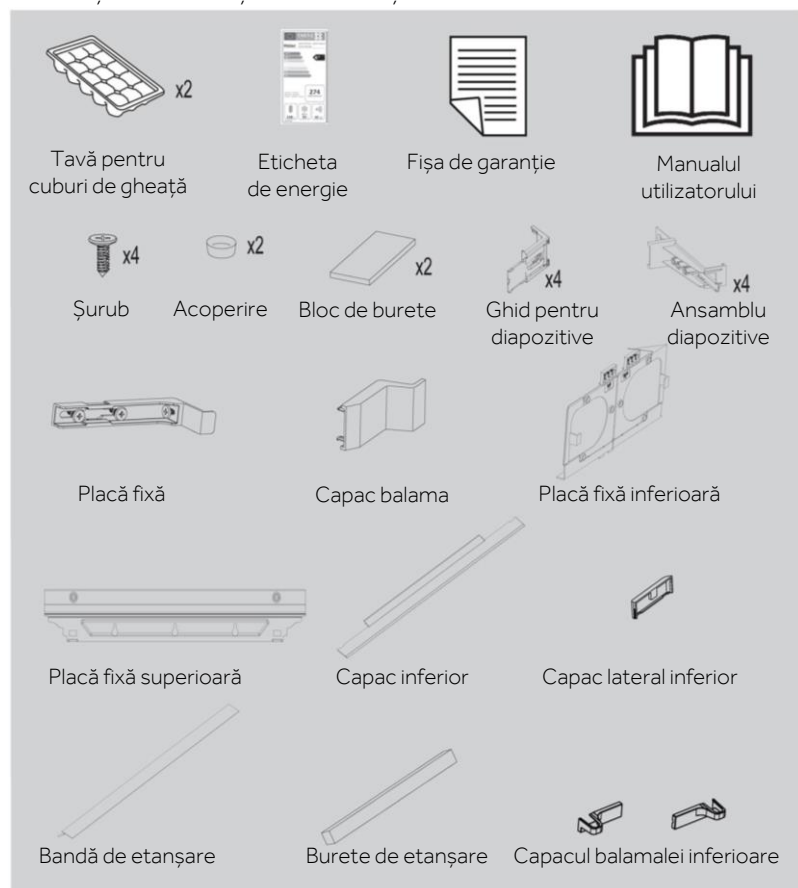
Citiți aceste instrucțiuni cu atenție înainte de a utiliza acest aparat. Instrucțiunile conțin informații importante care vă vor ajuta să folosiți aparatul la capacitate maximă și să asigurați instalarea, utilizarea și întreținerea sigure și corespunzătoare.

Păstrați manualul de față la îndemână astfel încât să îl puteți consulta pentru utilizarea sigură și corectă a aparatului.

Dacă vindeți, oferiți sau lăsați aparatul în vechea locuință când vă mutați, asigurați-vă că lăsați și manualul de utilizare, astfel încât noul proprietar să se poată familiariza cu aparatul și cu avertismentele de siguranță.

Accesorii

Verificați accesoriile și documentația în conformitate cu această listă:





AVERTISMENT - Informații importante legate de siguranță



OBSERVAȚIE - Informații și sfaturi generale



Informații legate de mediu



Eliminare

Ajutați la protejarea mediului și sănătății omului. Puneți ambalajul în containerele corespunzătoare în vederea reciclării. Ajutați la reciclarea deșeurilor de aparate electrice și electronice.

Nu aruncați electronicele marcate cu acest simbol în același loc cu deșeurile menajere. Returnați produsul la centrul local de reciclare sau contactați agenția municipală.



AVERTISMENT!

Risc de vătămare sau sufocare!

Agenții frigorifici și gazele trebuie eliminate profesionist. Asigurați-vă că tubulatura circuitului de agent frigorific nu este deteriorată înainte de eliminarea corespunzătoare a acesteia. Deconectați aparatul de la rețeaua de curent. Tăiați cablul de alimentare de la rețeaua de curent și eliminați-l. Scoateți tăvile și sertarele, dar și opritorul și garniturile ușii, pentru a preveni închiderea copiilor și a animalelor în aparat.

Înainte de pornirea aparatului pentru prima dată, citiți următoarele sfaturi legate de siguranță:



AVERTISMENT!

Înainte de prima utilizare

- ▶ Asigurați-vă că nu există deteriorări provocate de transport.
- ▶ Așteptați cel puțin două ore înainte de a instala aparatul pentru a lăsa timp circuitului frigorific să devină perfect eficient.
- ▶ Manevrați întotdeauna dispozitivul cu cel puțin încă două persoane, pentru că este greu.
- ▶ Scoateți toate materialele de ambalare, țineți-le departe de copii și eliminați-le într-un mod ecologic.
- ▶ Curățați interiorul și exteriorul aparatului cu apă și un detergent neutru înainte de a pune alimente în interior.
- ▶ După echilibrarea și curățarea aparatului, așteptați cel puțin 2-5 ore înainte de a-l conecta la rețeaua de alimentare. Consultați secțiunea INSTALARE.
- ▶ Răciți în prealabil compartimentele cu setări ridicate înainte de ale umple cu alimente. Funcția Super-Freeze ajută la răcirea rapidă a compartimentelor.
- ▶ Temperatura congelatorului este setată automat la -18 °C. Acestea sunt setările recomandate. Dacă doriți, puteți modifica manual această temperatură. Consultați REGLARE TEMPERATURĂ.

Instalare

- ▶ Aparatul trebuie amplasat într-un loc bine ventilat. Asigurați un spațiu de cel puțin 10 cm deasupra aparatului și în jurul acestuia.
- ▶ Nu amplasați niciodată aparatul într-o zonă cu umezeală sau într-un loc în care acesta poate fi stropit cu apă. Curățați și uscați stropiturile de apă și petele cu o cârpă curată, moale.
- ▶ Nu instalați aparatul în lumina directă a soarelui sau în apropierea surselor de căldură (de ex., cuptoare, radiatoare).
- ▶ Instalați și poziționați dispozitivul într-o zonă potrivită dimensiunilor și destinației sale.
- ▶ Mențineți fantele de aerisire ale aparatului sau pe cele încorporate în structură fără obstrucții.
- ▶ Asigurați-vă că informațiile electrice de pe plăcuța cu date tehnice se potrivesc cu sursa de electricitate. Dacă nu se potrivesc, contactați un electrician.
- ▶ Dispozitivul este operat de o sursă de electricitate de 220-240 V c.a./50 Hz. Fluctuațiile anormale de tensiune pot face dispozitivul să nu pornească sau pot deteriora controlul temperaturii sau compresorul sau pot provoca un zgomot anormal în timpul utilizării. În acest caz, ar trebui să fie montat un regulator automat.
- ▶ Nu utilizați adaptoare cu ștecăre multiple și prelungitoare.
- ▶ Nu amplasați prizele portabile multiple sau alimentările portabile în spatele aparatului.



AVERTISMENT!

- ▶ Evitați prinderea cablului de alimentare în frigider. Nu călcați pe cablul de alimentare.
- ▶ Folosiți o priză separată cu împământare pentru alimentarea cu energie electrică, care să fie ușor accesibilă. Aparatul trebuie legat la împământare. Doar pentru Regatul Unit: Cablul de alimentare al dispozitivului este prevăzut cu ștecăr cu 3 pini (împământare) care se potrivește cu o priză standard cu 3 găuri (împământată). Nu demontați și nu tăiați niciodată cel de-al treilea pin (împământarea). După instalarea dispozitivului, ștecărul ar trebui să fie accesibil.

- ▶ Nu deteriorați circuitul frigorific.

Utilizarea zilnică

- ▶ Acest aparat poate fi utilizat de către copiii cu vârste de minim 8 ani și de către persoanele cu abilități fizice, senzoriale sau mintale reduse sau cu lipsă de experiență sau cunoștințe, cu condiția să fie supravegheate sau instruite corespunzător privind modul de utilizare a acestui aparat în siguranță și să înțeleagă pericolele implicate.
- ▶ Copiii cu vârsta cuprinsă între 3 și 8 ani pot încărca și descărca aparate frigorifice, dar nu li se permite să curețe și să instaleze aparatele frigorifice.
- ▶ Țineți copiii mai mici de 3 ani la distanță de aparat, cu excepția cazului în care aceștia sunt supravegheați constant.
- ▶ Nu lăsați copiii să se joace cu aparatul.
- ▶ În cazul scurgerii gazului de răcire sau a altor gaze inflamabile în vecinătatea aparatului, închideți valva gazului care curge, deschideți ușile și ferestrele și nu deconectați niciun ștecăr al cablului de alimentare al frigiderului sau al oricărui alt aparat.
- ▶ Observați că aparatul este setat să funcționeze într-un interval de mediu specific, între 10 și 43 °C. Este posibil ca aparatul să nu funcționeze corect dacă este lăsat pentru o perioadă lungă de timp la o temperatură superioară sau inferioară intervalului indicat.
- ▶ Nu puneți articole instabile (obiecte grele, recipiente umplute cu apă) deasupra frigiderului, pentru a evita vătămarea cauzată de cădere sau de electrocutarea cauzată de contactul cu apa.
- ▶ Nu trageți de rafturile de pe ușă. În caz contrar, ușa poate fi înclinată, raftul pentru sticle se poate desprinde sau aparatul se poate răsturna.
- ▶ Deschideți și închideți ușile numai cu ajutorul mânerelor. Spațiul liber dintre uși și dintre uși și dulap este foarte îngust. Nu întindeți mâinile în zonele respective, pentru a evita ciupirea degetelor. Deschideți sau închideți ușile frigiderului numai atunci când nu se află niciun copil în raza de deplasare a ușii.
- ▶ Atunci când poziționați aparatul, cablul de alimentare nu trebuie să fie prins sau deteriorat.
- ▶ Nu depozitați substanțe explozive, cum ar fi canistrele de aerosoli cu gaz inflamabil în interiorul acestui aparat.
- ▶ Pentru a evita contaminarea alimentelor:
 - Deschiderea ușii pentru perioade lungi de timp poate provoca o creștere semnificativă a temperaturii în compartimentele aparatului.



AVERTISMENT!

- Curățați regulat suprafețele care pot intra în contact cu alimente și sisteme de drenaj accesibile.
 - Păstrați carnea crudă și peștele în recipiente adecvate în frigider, astfel încât să nu fie în contact cu alte alimente sau să nu picure pe alte alimente.
 - Dacă aparatul este lăsat gol pentru perioade lungi de timp, opriți, dezghețați, curățați, uscați și lăsați ușa deschisă pentru a preveni apariția mucegaiului în interiorul aparatului.
- ▶ Nu depozitați materiale inflamabile, explozive sau corozive în aparat sau în vecinătatea acestuia.
 - ▶ Nu depozitați medicamente, bacterii sau agenți chimici în dispozitiv. Acest dispozitiv este un aparat electrocasnic. Nu este recomandat pentru depozitarea materialelor care necesită temperaturi stricte.
 - ▶ Nu depozitați niciodată în congelator lichide în sticle sau doze (cu excepția băuturilor cu conținut ridicat de alcool), în special băuturi carbogazoase, deoarece acestea se vor sparge în timpul înghețării.
 - ▶ Verificați starea alimentelor în cazul în care a avut loc încălzirea congelatorului.
 - ▶ Nu atingeți produsele înghețate cu mâinile ude (purtați mănuși). În special, nu consumați înghețată pe băț imediat după scoaterea din compartimentul congelatorului. Există riscul de îngheț sau de producere a leziunilor provocate de îngheț. PRIMUL ajutor: puneți imediat sub jet de apă rece. Nu trageți!
 - ▶ Nu atingeți suprafața interioară a compartimentului de depozitare al congelatorului atunci când este în funcțiune, în special cu mâinile ude, deoarece mâinile pot îngheța pe suprafață.
 - ▶ Deconectați aparatul de la energia electrică în cazul unei pene de curent sau înainte de curățare. Așteptați cel puțin 7 minute înainte de repornirea aparatului, deoarece pornirea frecventă poate deteriora compresorul.
 - ▶ Nu utilizați dispozitive electrice în interiorul compartimentelor de depozitare a alimentelor ale aparatului decât dacă acestea sunt de tipul recomandat de către producător.
- Întreținere/curățare
- ▶ Asigurați-vă că supravegheați copiii dacă aceștia se ocupă de curățare și întreținere.
 - ▶ Deconectați aparatul de la rețeaua de alimentare înainte de efectuarea întreținerii de rutină. Așteptați cel puțin 5 minute înainte de repornirea aparatului, deoarece pornirea frecventă poate deteriora compresorul.



AVERTISMENT!

- ▶ Țineți de ștecăr, nu de cablu, atunci când deconectați aparatul.
- ▶ Nu curățați aparatul cu perii aspre, cu perii de sârmă, cu detergent pulbere, benzină, acetat de amil, acetonă sau soluții organice similare, soluții acide sau alcaline. Curățați cu detergent special pentru frigider pentru a evita deteriorările.
- ▶ În cazul în care cablul de alimentare este deteriorat, acesta trebuie înlocuit de către producător, agentul său de service sau persoane calificate similare, pentru a evita orice pericol.
- ▶ Nu încercați să reparați, să dezasamblați sau să modificați dispozitivul pe cont propriu. În cazul în care este necesară o reparație, contactați serviciul de relații cu clienții.
- ▶ Eliminați praful din spatele unității cel puțin o dată pe an, pentru a evita riscul de incendiu, dar și consumul mărit de energie.
- ▶ Nu pulverizați și nu spălați aparatul în timpul curățării.
- ▶ Nu folosiți pulverizarea cu apă sau aburi de apă în timpul curățării aparatului.
- ▶ Nu curățați rafturile reci din sticlă cu apă fierbinte. Schimbarea bruscă de temperatură poate face ca sticla să se spargă.

Informații privind gazul refrigerant



AVERTISMENT!

Aparatul conține agentul frigorific inflamabil IZOBUTAN (R600a). Asigurați-vă că circuitul frigorific nu este deteriorat în timpul transportării sau instalării. Scurgerile de agent frigorific pot cauza vătămări ale ochilor sau se pot aprinde. Dacă s-a produs o deteriorare a aparatului, țineți la distanță de sursele de flăcări deschise, ventilați bine camera, nu conectați și nu deconectați cablurile de alimentare ale aparatului sau ale oricărui alt aparat. Informați serviciul de asistență pentru clienți.

În cazul în care agentul frigorific intră în contact cu ochii, spălați imediat în jet de apă și contactați imediat un specialist oftalmolog.

Utilizarea prevăzută

Acest aparat este destinat congelării alimentelor. Acesta a fost conceput exclusiv pentru utilizarea în aplicații casnice și similare, precum în zona de bucătărie pentru personalul din magazine, în birouri și în alte medii de lucru; ferme și clienți din hoteluri, moteluri și alte tipuri de medii rezidențiale, precum și în pensiunile de tip bed-and-breakfast și catering. Nu este destinat utilizării comerciale sau industriale.

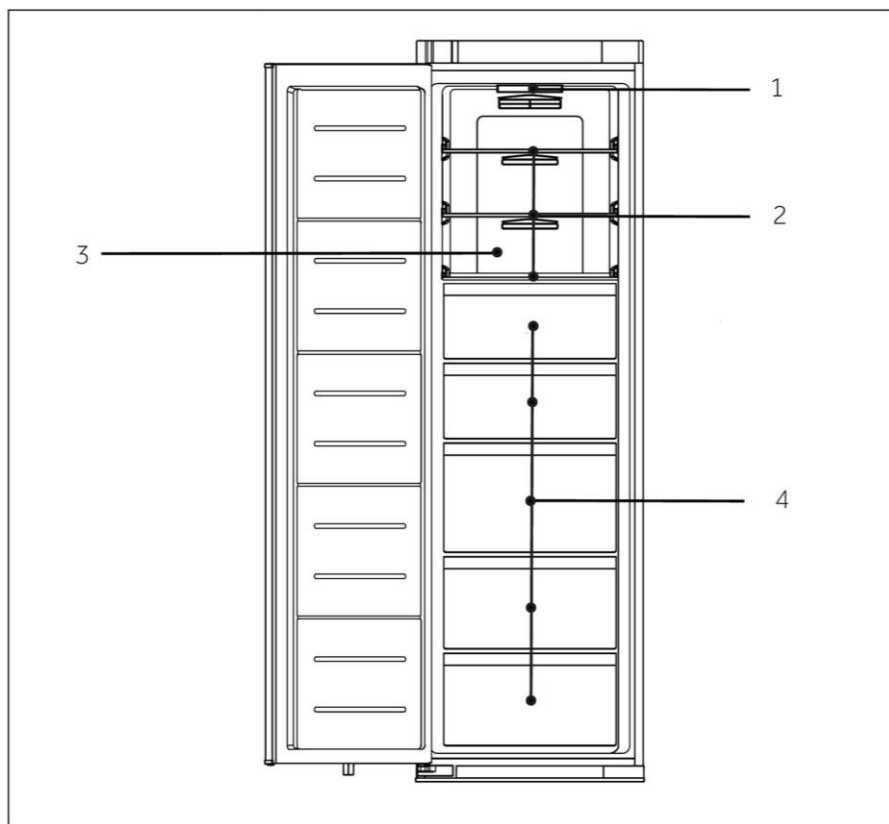
Nu este permisă aducerea schimbărilor sau modificărilor dispozitivului. Utilizarea necorespunzătoare poate duce la apariția pericolelor și la pierderea garanției.

Standarde și directive

Acest produs respectă cerințele tuturor directivelor CE aplicabile, cu standardele corespondente armonizate, care asigură marcajul CE.

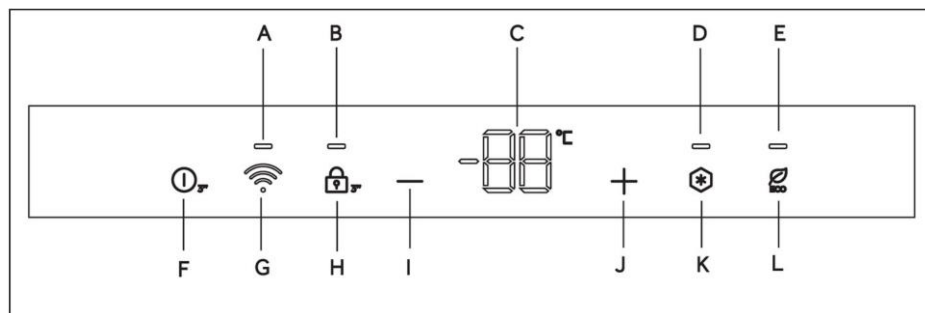
i **OBSERVAȚIE**

Ca urmare a modificărilor tehnice și a diferitelor modele, unele ilustrații din acest manual pot diferi de modelul dvs.

**CMT5518EVWF/RMT5518EVWF**

- 1 Lumină interioară cu LED
- 2 Rafturi obișnuite
- 3 Conducta de aer a congelatorului
- 4 Sertar obișnuit congelator

Panou de comenzi



Pictograme indicatoare:

- A Pictograma funcției Wi-Fi
- B Pictograma Blocare/Deblocare
- C Pictogramă afișaj temperatură
- D Pictograma funcției Super Freeze
- E Pictograma funcției ECO

Tastele tactile:

- F Tasta PORNIT/OPRIT
- G Tasta de asociere Wi-Fi
- H Tasta Blocare/Deblocare
- I Tasta pentru scăderea temperaturii
- J Tasta pentru creșterea temperaturii
- K Tasta funcției Super Freeze
- L Tasta funcției ECO

Taste cu senzor

Butoanele de pe panoul de comenzi sunt taste cu senzori, care răspund imediat ce sunt apăstate ușor cu degetul.

Deschideți mai întâi ușa frigiderului înainte de a utiliza comenzile de pe ecranul de afișare.

Funcția de blocare/deblocare

Această tastă și pictograma sa sunt utilizate pentru a bloca sau debloca ecranul de comenzi și pentru a indica starea sa curentă.

Deschideți ușa frigiderului în timp ce frigiderul funcționează; ecranul de control se va aprinde și pictograma Blocare/Deblocare este aprinsă; în acest moment, ecranul de comenzi este în stare blocată și nu poate fi utilizat.

Deblocarea sau blocarea manuală a ecranului: Când pictograma Blocare/Deblocare este aprinsă, continuați să atingeți tasta Blocare/Deblocare timp de 3 secunde.

Pictograma se va stinge și va fi însoțită de un semnal sonor. În acest moment, se poate efectua selectarea funcției sau reglarea temperaturii.

Când pictograma Blocare/Deblocare este dezactivată, atingeți în continuare tasta Blocare/Deblocare timp de 3 secunde. Apoi pictograma Blocare/Deblocare se va aprinde și va fi însoțită de un semnal sonor. În acest moment, nu puteți selecta o funcție sau regla temperatura.

Blocarea automată a ecranului: Când ușa frigiderului este închisă, ecranul de comenzi se va opri și va fi blocat.

Când ușa frigiderului este deschisă, ecranul de comenzi se va bloca automat dacă nu a fost efectuată nicio operațiune în decurs de 30 de secunde.

Funcția PORNIT/OPRIT

Tasta PORNIT/OPRIT este utilizată pentru a comuta între OPRIT (stare de funcționare pe pauză) și PORNIT (moduri de funcționare normale).

Accesarea modului OPRIT: În modul de funcționare a frigiderului, mai întâi deblocați afișajul, apoi continuați să atingeți tasta funcției PORNIT/OPRIT timp de 3 secunde pentru a opri ecranul de comenzi, iluminarea, răcirea și alte funcții. Veți auzi un semnal sonor.



OBSERVAȚIE

Modul OPRIT nu înseamnă oprirea alimentării, iar frigiderul este încă sub tensiune în acest moment.

Înțelegerea din modul OPRIT: În modul OPRIT, atingeți în continuare tasta PORNIT/OPRIT timp de 3 secunde pentru a reporni ecranul de comenzi, iluminarea, răcirea și alte funcții. Veți auzi un semnal sonor. Frigiderul va reveni la temperatura setată și la funcția anterioară și va intra în modul normal de funcționare.

Funcția Wi-Fi

Asociere Wi-Fi: Când frigiderul este pornit pentru prima dată, acesta va intra automat în modul de configurare a rețelei, iar pictograma funcției Wi-Fi va lumina intermitent rapid. Dacă nu a existat nicio operațiune de asociere a rețelei în decurs de 30 de minute, frigiderul va ieși din acest mod.

Accesarea manuală a modului de asociere Wi-Fi: După deblocarea ecranului de comenzi, în timp ce pictograma funcției Wi-Fi este aprinsă, țineți apăsată tasta de asociere Wi-Fi timp de 3 secunde pentru a accesa mod. În acest timp, pictograma funcției Wi-Fi va lumina intermitent rapid, ceea ce indică faptul că este în modul de asociere Wi-Fi. Dacă nu există nicio operațiune de asociere a rețelei, aparatul va ieși automat din acest mod după 30 de minute.

PROCEDURA DE ASOCIERE ÎN APLICAȚIE

<p>Pasul 1 - Descărcați aplicația hOn-app din magazinele virtuale.</p> <div style="display: flex; align-items: center;">  <div style="margin-left: 20px;">    </div> </div>	
<p>Pasul 2 Creați un cont în hOn-app sau conectați-vă dacă aveți deja un cont.</p> 	<p>Pasul 3 Urmăriți instrucțiunile din aplicația hOn-app.</p> 

OBSERVAȚIE

În modul de asociere Wi-Fi, trebuie să urmați instrucțiunile aplicației pentru a finaliza configurarea rețelei. Dacă trebuie să modificați mediul Wi-Fi, trebuie să intrați din nou în acest mod. Dacă pictograma funcției Wi-Fi rămâne aprinsă, aceasta indică faptul că rețeaua a fost conectată cu succes.

Ajustarea temperaturii congelatorului

După deschiderea ușii frigiderului și deblocarea ecranului de comenzi, tasta Scădere temperatură este utilizată pentru a reduce temperatura setată a frigiderului. De fiecare dată când tasta este ușor atinsă, temperatura va scădea cu 1°C, iar temperatura minimă permisă este de -24°C.

După deschiderea ușii frigiderului și deblocarea ecranului de comenzi, tasta Creștere temperatură este utilizată pentru a crește temperatura setată a frigiderului. De fiecare dată când tasta este ușor atinsă, temperatura va crește cu 1°C, iar temperatura maximă permisă este de -14°C.

În timpul funcționării, pictograma de afișare a temperaturii va afișa temperatura setată și va lumina intermitent. Ecranul de comenzi va confirma automat temperatura setată după 5 secunde și apoi va afișa temperatura curentă reală. După finalizarea setării, frigiderul trece treptat de la temperatura curentă la temperatura setată. Prin urmare, poate exista o diferență între temperatura reală și temperatura setată pentru o perioadă de timp.

Funcția Super Freeze

Această tastă și pictograma sa sunt utilizate pentru a comuta funcția Super Freeze a frigiderului și pentru a afișa starea curentă.

După ce ați deschis ușa frigiderului și ați deblocat ecranul de control, atingeți ușor tasta funcției Super Freeze, iar pictograma funcției Super Freeze va lumina, pentru a vă indica faptul că frigiderul se află deja în acest mod; dacă trebuie să părăsiți acest mod, puteți utiliza aceeași operațiune, atingând ușor tasta funcției Super Freeze.

În cadrul acestei funcții, temperatura se va apropia probabil de valoarea de -28 C sau mai puțin, iar frigiderul va ieși automat din această funcție după 50 de ore pentru a evita ca temperatura să fie prea scăzută.

Funcția ECO

După ce ați deschis ușa frigiderului și ați deblocat ecranul de control, atingeți ușor tasta funcției ECO, iar pictograma funcției ECO va lumina, pentru a vă indica faptul că frigiderul este deja în mod; dacă trebuie să părăsiți acest mod, puteți utiliza aceeași operațiune, atingând ușor tasta funcției ECO.

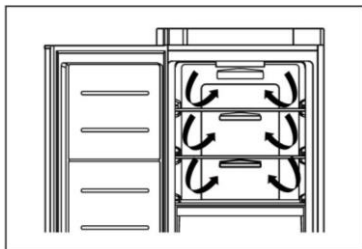
În modul ECO, frigiderul va funcționa automat la o temperatură medie de -18°C.



OBSERVAȚIE

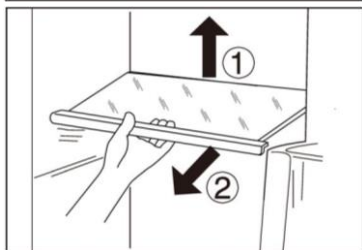
Datorită logicii diferite de funcționare a funcțiilor speciale între funcția Super Freeze și funcția ECO, aceste moduri speciale nu pot fi activate în același timp. Doar o singură funcție poate fi activată, iar atunci când comutați între moduri, veți părăsi celelalte moduri speciale. În plus, temperatura setată poate fi modificată dacă nu se iese din aceste moduri.

Temperatura de -18°C este potrivită, în general, pentru produsele alimentare congelate care necesită depozitare între 1-12 luni, cum ar fi carnea, păsările, fructele de mare, alimentele pre-gătite și cele rămase, unele fructe și legume, înghețată și alte deserturi congelate.



Flux de aer multiplu

1. Frigiderul este prevăzut cu un sistem cu flux de aer multiplu, prin care fluxurile de aer rece sunt asigurate la nivelul fiecărui raft. Acest lucru ajută la păstrarea unei temperaturi uniforme pentru a asigura faptul că alimentele dvs. sunt menținute proaspete pentru mai mult timp.



Rafturi ajustabile

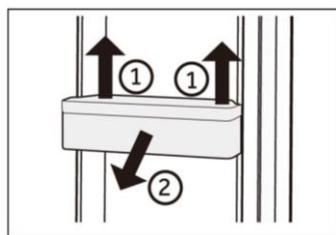
1. Înălțimea rafturilor poate fi ajustată pentru a se potrivi nevoilor dvs. de depozitare.
2. Pentru re poziționarea unui raft, scoateți-l mai întâi prin ridicarea marginii din spate ① și tragerea sa în afară ②.
3. Pentru montarea la loc, așezați-l pe canalele de pe ambele părți și împingeți-l în cea mai din spate poziție, până când partea din spate a raftului este fixată în interiorul fantelor laterale

i OBSERVAȚIE

Asigurați-vă că toate capetele unui raft sunt drepte.

Rafturi de ușă detașabile/suport pentru sticle

1. Rafturile de ușă pot fi demontate pentru curățare:
2. Puneți mâinile pe fiecare parte a suportului, ridicați-l în sus ① și scoateți-l ②.
3. Pentru introducerea raftului de ușă urmați pașii de mai sus în ordine inversă.

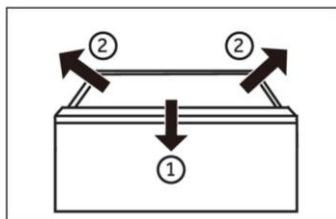


i OBSERVAȚIE

Atunci când aparatul este pornit, poate dura până la 12 ore pentru a ajunge la temperaturile corecte.

Sertar demontabil

Pentru a scoate sertarul, trageți în afară până la maximum ①, ridicați și scoateți-l ②. Pentru introducerea sertarului urmați pașii de mai sus în ordine inversă.



Becul

Becul interior cu LED se aprinde la deschiderea ușii. Performanța luminilor nu este afectată de nicio altă setare a aparatului.



Sfaturi de economisire a energiei

- ▶ Asigurați-vă că aparatul este ventilat corespunzător (consultați secțiunea INSTALARE).
- ▶ Nu instalați aparatul în lumina directă a soarelui sau în apropierea surselor de căldură (de ex., cuptoare, radiatoare).
- ▶ Evitați setarea temperaturilor nenecesare de scăzute în aparat. Consumul de energie crește odată cu scăderea temperaturii setate în aparat.
- ▶ Funcții precum Super Freeze consumă mai multă energie.
- ▶ Lăsați alimentele calde să se răcească înainte de a le amplasa în aparat.
- ▶ Deschideți ușa aparatului cât mai puțin și pentru o perioadă cât mai scurtă posibil.
- ▶ Nu umpleți excesiv aparatul, pentru a evita obstrucționarea fluxului de aer.
- ▶ Evitați prezența aerului în ambalajul alimentelor.
- ▶ Mențineți garniturile ușii curate astfel încât ușa să se închidă corect întotdeauna.
- ▶ Configurația pentru economisirea cea mai mare de energie necesită păstrarea sertarelor, cutiilor de alimente și rafturilor etc. în starea lor din fabrică, iar alimentele trebuie plasate cât mai departe posibil, fără a bloca orificiile de ieșire a aerului de pe conducta de aer.



AVERTISMENT!

Deconectați aparatul de la rețeaua de alimentare înainte de curățare.

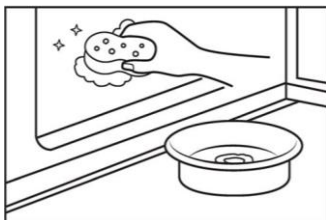
Curățare

Curățați aparatul atunci când sunt depozitate puține alimente sau când acesta este gol. Aparatul trebuie curățat o dată la patru săptămâni pentru o întreținere corectă și pentru a preveni mirosurile neplăcute cauzate de mâncarea depozitată.



AVERTISMENT!

- ▶ Nu curățați aparatul cu perii aspre, cu perii de sârmă, cu detergent pulbere, benzină, acetat de amil, acetonă sau soluții organice similare, soluții acide sau alcaline. Curățați cu detergent special pentru frigider pentru a evita deteriorările.
- ▶ Nu pulverizați și nu spălați aparatul în timpul curățării.
- ▶ Nu folosiți pulverizarea cu apă sau aburi de apă în timpul curățării aparatului.
- ▶ Nu curățați rafturile reci din sticlă cu apă fierbinte. Schimbarea bruscă de temperatură poate face ca sticla să se spargă.
- ▶ Nu atingeți suprafața interioară a compartimentului de depozitare al congelatorului, în special cu mâinile ude, deoarece mâinile pot îngheța pe suprafață.
- ▶ În cazul încălzirii, verificați starea produselor congelate.



- ▶ Asigurați întotdeauna curățenia garniturii ușii.
- ▶ Curățați interiorul și carcasa aparatului cu un burete înmuiat în apă caldă și detergent neutru.
- ▶ 1. Este indicat să ștergeți interiorul și exteriorul frigiderului, inclusiv garniturile ușilor, raftul de pe ușă, rafturile din sticlă, cutiile și celelalte elemente, cu un prosop moale sau cu un burete înmuiat în apă caldă (puteți adăuga detergent neutru în apa caldă).
- ▶ 2. Dacă se varsă lichid, îndepărtați toate părțile contaminate, clătiți direct cu jet de apă, uscați-le și puneți-le înapoi în frigider.
- ▶ 3. Dacă se varsă alimente cu consistență cremoasă (cum ar fi smântâna, înghețata topită), vă rugăm să îndepărtați toate părțile contaminate, puneți-le în apă caldă la aproximativ 40 °C pentru o perioadă de timp, apoi clătiți-le cu jet de apă, uscați-le și puneți-le înapoi în frigider.
- ▶ 4. În cazul în care o parte mică sau o componentă este blocată în interiorul frigiderului (între rafturi sau sertare), utilizați o perie mică și moale pentru a o elibera. Dacă nu ați putut ajunge la piesa respectivă, contactați serviciul Haier



OBSERVAȚIE

Ieșirea de scurgere nu poate fi blocată de obiecte străine; dacă este blocată, poate apărea o problemă de revărsare a apei. Dacă orificiul de scurgere este blocat, puteți scoate sertarul și îl puteți curăța cu o cârpă.



- ▶ Clătiți și uscați cu o cârpă moale.
- ▶ Nu curățați nicio parte a aparatului în mașina de spălat vase.
- ▶ Așteptați cel puțin 5 minute înainte de repornirea aparatului, deoarece pornirea frecventă poate deteriora compresorul.

Decongelarea

Decongelarea compartimentului congelatorului are loc automat, nefiind necesară intervenția manuală.

Înlocuirea becului LED



AVERTISMENT!

Nu înlocuiți becul LED de unul singur. Acesta trebuie înlocuit de producător sau de un agent de service autorizat.

Becul are un LED ca sursă de lumină a acestuia au un consum redus de energie și o durată mare de viață. În cazul în care există anormalități, contactați serviciul pentru clienți. Consultați secțiunea SERVICIU PENTRU CLIEŢI.

Parametrii becurilor:

Compartiment congelator: 12 V max 1,5 W

Acest produs conține o sursă de lumină cu clasa de eficiență energetică <G>.

Neutilizare pentru o perioadă lungă de timp

În cazul în care aparatul nu este utilizat pentru o perioadă mai lungă de timp:

Scoateți alimentele.

Deconectați cablul de alimentare.

Curățați aparatul conform descrierii de mai sus.

Țineți ușile congelatorului deschise pentru a preveni apariția mirosurilor neplăcute în interior.



OBSERVAȚIE

Opriiți aparatul numai dacă este strict necesar.

Mutarea aparatului

1. Scoateți toate alimentele și deconectați aparatul.
2. Securizați rafturile și alte piese mobile din congelator cu bandă adezivă.
3. Nu înclinați frigiderul la mai mult de 45°, pentru a evita deteriorarea sistemului frigorific.



AVERTISMENT!

- ▶ Nu ridicați aparatul de mână.
- ▶ Nu poziționați niciodată aparatul orizontal pe sol.

Multe probleme care pot apărea pot fi rezolvate de dvs., fără a fi necesare cunoștințe specifice. În cazul unei probleme verificați toate posibilitățile afișate și urmați instrucțiunile de mai jos înainte de a apela la un serviciu post-vânzare. Consultați secțiunea SERVICIU PENTRU CLIENȚI.



AVERTIZARE!

- ▶ Înainte de întreținere, dezactivați aparatul și deconectați ștecărul de la rețeaua de alimentare.
- ▶ Echipamentele electrice trebuie depanate numai de către specialiști calificați în domeniul electric, deoarece reparațiile necorespunzătoare pot provoca daune indirecte considerabile.
- ▶ Un articol furnizat deteriorat trebuie înlocuit numai de către producător, agentul său de service sau persoane calificate similare, pentru a evita orice pericol.

Problemă	Cauză posibilă	Soluție posibilă
Compresorul nu funcționează.	<ul style="list-style-type: none"> • Ștecărul de alimentare nu este conectat la priza de alimentare. • Aparatul este în ciclul de decongelare. 	<ul style="list-style-type: none"> • Conectați ștecărul de alimentare. • Acest lucru este normal în cazul unei decongelări automate.
Aparatul pornește frecvent sau pentru o perioadă prea mare de timp.	<ul style="list-style-type: none"> • Temperatura interioară sau exterioară este prea ridicată. • Aparatul a fost deconectat de la energia electrică pentru o perioadă de timp. • O ușă a aparatului nu este închisă etanș. • Ușa a fost deschisă prea des sau pentru o perioadă prea lungă de timp. • Setarea temperaturii pentru compartimentul congelatorului este prea joasă. • Garnitura ușii este murdară, uzată, crăpată sau așezată incorect. 	<ul style="list-style-type: none"> • În acest caz, este normal ca aparatul să funcționeze mai mult timp. • În mod normal, durează între 8 și 12 ore ca aparatul să se răcească complet. • Închideți ușa/sertarul și asigurați-vă că aparatul este amplasat pe o suprafață dreaptă și că nu există vreun aliment sau recipient care să deranjeze ușa. • Nu deschideți ușa/sertarul prea des. • Setati temperatura la un valoare mai ridicată până când este obținută o temperatură satisfăcătoare a frigiderului. Durează 24 de ore ca temperatura frigiderului să se stabilizeze. • Curățați garnitura ușii/sertarului sau înlocuiți-o prin serviciul pentru clienți.

Problemă	Cauză posibilă	Soluție posibilă
	<ul style="list-style-type: none"> • Circulația necesară a aerului nu este garantată. 	<ul style="list-style-type: none"> • Asigurați o ventilare adecvată.
Interiorul frigiderului este murdar și/sau miroase.	<ul style="list-style-type: none"> • Interiorul frigiderului necesită curățare. • Sunt depozitate alimente cu miros puternic în frigider. 	<ul style="list-style-type: none"> • Curățați interiorul frigiderului. • Ambalați bine alimentele.
În interiorul aparatului nu este suficient de rece.	<ul style="list-style-type: none"> • Temperatura setată este prea ridicată. • Au fost depozitate alimente prea calde. • Au fost depozitate prea multe alimente în același timp. • Produsele sunt prea apropiate între ele. • O ușă/un sertar al aparatului nu este închis etanș. • Ușa/sertarul a fost deschis prea des sau pentru o perioadă prea mare de timp. 	<ul style="list-style-type: none"> • Resetați temperatura. • Răciți întotdeauna produsele înainte de a le depozita. • Depozitați întotdeauna cantități mici de alimente. • Lăsați un spațiu liber între mai multe alimente pentru a permite trecerea aerului. • Închideți ușa/sertarul. • Nu deschideți ușa/sertarul prea des.
În interiorul aparatului este prea rece.	<ul style="list-style-type: none"> • Temperatura setată este prea joasă. • Funcția Super Freeze este activată sau este activă de prea mult timp. 	<ul style="list-style-type: none"> • Resetați temperatura. • Oprii funcția Super Freeze.
Umezeala se acumulează pe suprafața exterioară a frigiderului sau între uși/ușă și sertar.	<ul style="list-style-type: none"> • Climatul este prea călduros și prea umed. • Ușa nu este închisă etanș. Aerul rece din aparat și aerul cald din exterior formează condens. 	<ul style="list-style-type: none"> • Acest lucru este normal într-un climat umed și se va modifica atunci când umiditatea va scădea. • Asigurați-vă că ușa/sertarul este închis etanș.
Lumina afișajul funcționează, dar nu în frigider nu este rece.	<ul style="list-style-type: none"> • Este în modul demo. 	<ul style="list-style-type: none"> • Vă rugăm să observați în ce stare se află, iar dacă este în modul Demo, ieșiți din acesta. Leșire: Țineți apăsat butonul „ECO” și faceți clic pe tasta „Super freeze” de 5 ori în decursul a 5 secunde.

Problemă	Cauză posibilă	Soluție posibilă
Gheață solidă în compartimentul congelatorului.	<ul style="list-style-type: none"> • Produsele nu au fost ambalate corespunzător. • O ușă/un sertar al aparatului nu este închis etanș. • Ușa/sertarul a fost deschis prea des sau pentru o perioadă prea mare de timp. • Garnitura ușii/sertarului este murdară, uzată, crăpată sau așezată incorect. • Ceva din interior împiedică închiderea corespunzătoare a ușii/sertarului. 	<ul style="list-style-type: none"> • Ambalați întotdeauna bine produsele. • Închideți ușa/sertarul. • Nu deschideți ușa/sertarul prea des. • Curățați garnitura ușii/sertarului sau înlocuiți-o cu una nouă. • Repoziționați rafturile, rafturile de ușă sau recipientele interne pentru a permite închiderea ușii/sertarului.
Lateralele dulapului și garnitura ușii se încălzesc.	<ul style="list-style-type: none"> • - 	<ul style="list-style-type: none"> • Acest lucru este normal.
Aparatul emite sunete anormale.	<ul style="list-style-type: none"> • Aparatul nu se află pe o suprafață dreaptă. • Aparatul atinge unele obiecte din jurul acestuia. 	<ul style="list-style-type: none"> • Reglați suportul pentru a aduce aparatul la același nivel. • Îndepărtați obiectele din jurul aparatului.
Se aude un sunet similar cu cel al apei care curge.	<ul style="list-style-type: none"> • - 	<ul style="list-style-type: none"> • Acest lucru este normal.
Veți auzi o alarmă sonoră.	<ul style="list-style-type: none"> • Ușa compartimentului de depozitare al frigiderului este deschisă. 	<ul style="list-style-type: none"> • Închideți ușa.
Veți auzi un zumzet slab.	<ul style="list-style-type: none"> • Sistemul anticondens este în funcțiune. 	<ul style="list-style-type: none"> • Acesta împiedică formarea condensului și este normal.
Iluminarea interioară sau sistemul de răcire nu funcționează.	<ul style="list-style-type: none"> • Ștecărul de alimentare nu este conectat la priza de alimentare. 	<ul style="list-style-type: none"> • Conectați ștecărul de alimentare.
	<ul style="list-style-type: none"> • Sursa de alimentare nu este intactă. 	<ul style="list-style-type: none"> • Verificați sursa de alimentare cu energie electrică din cameră. Contactați compania locală de electricitate!
	<ul style="list-style-type: none"> • Becul cu LED este defect. 	<ul style="list-style-type: none"> • Contactați serviciul de depanare pentru înlocuirea becului.

Pentru contactarea asistenței tehnice, vizitați site-ul nostru web:
<https://corporate.haier-europe.com/en/>

La secțiunea „website” alegeți marca produsului dvs. și țara dvs. Veți fi redirectionat către website-ul specific unde puteți găsi numărul de telefon și formularul de contactare a asistenței tehnice.

Pană de curent

În cazul unei pene de curent, alimentele ar trebui să rămână reci timp de aproximativ 5 ore. Urmați aceste sfaturi în cazul unei pene de curent prelungite, în special pe timpul verii:

- ▶ Deschideți ușa/sertarul de cât mai puține ori posibil.
- ▶ Nu puneți alimente adiționale în aparat în timpul unei pene de curent.
- ▶ În cazul în care știți că se va produce o pană de curent, iar durata acesteia va fi mai mare de 5 ore, faceți cuburi de gheață și puneți-le într-un recipient în partea de sus a compartimentului frigiderului.
- ▶ Imediat după întreruperea energiei electrice este necesară inspectarea produselor.
- ▶ Dat fiind faptul că temperatura din frigider va crește în timpul unei pene de curent sau în cazul altei defecțiuni, perioada de depozitare și calitatea alimentelor comestibile vor fi reduse. Alimentele care se decongelează trebuie consumate sau gătite și recongelate (unde este cazul) cât mai curând după aceea, pentru a preveni apariția riscurilor pentru sănătate.

Funcția de memorare în timpul penei de curent

După restabilirea alimentării cu energie electrică, aparatul continuă să funcționeze cu setările stabilite înaintea penei de curent.

Despachetare



AVERTISMENT!

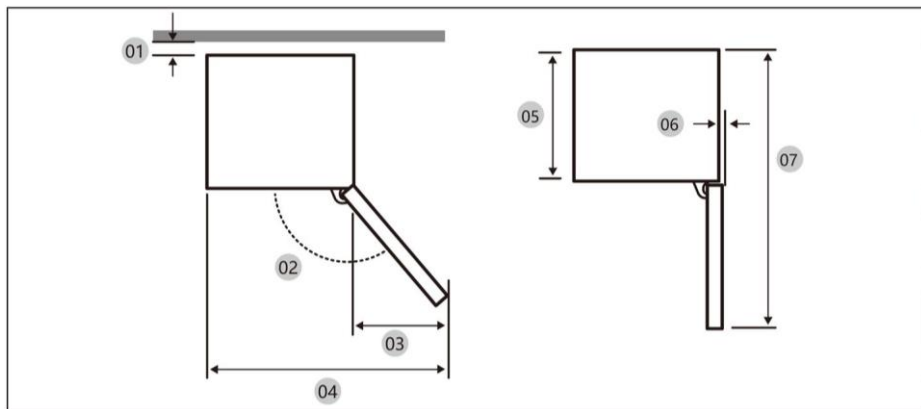
- ▶ Aparatul este greu. Manevrați-l întotdeauna cu cel puțin două persoane.
- ▶ Țineți toate materialele de ambalare la distanță de copii și eliminați-le într-un mod ecologic.
- ▶ Scoateți aparatul din ambalaj.
- ▶ Îndepărtați toate materialele de ambalare.

Condiții ambientale

Temperatura camerei trebuie să fie cuprinsă întotdeauna între 10 °C și 43 °C, deoarece poate influența temperatura din interiorul aparatului și consumul de energie al acestuia. Nu instalați aparatul în apropierea altor aparate care emană căldură (cuptoare, frigidere)

Sugestie cu privire la spațiu

Spațiul sugerat la deschiderea ușii (fără panoul ușii dulapului)

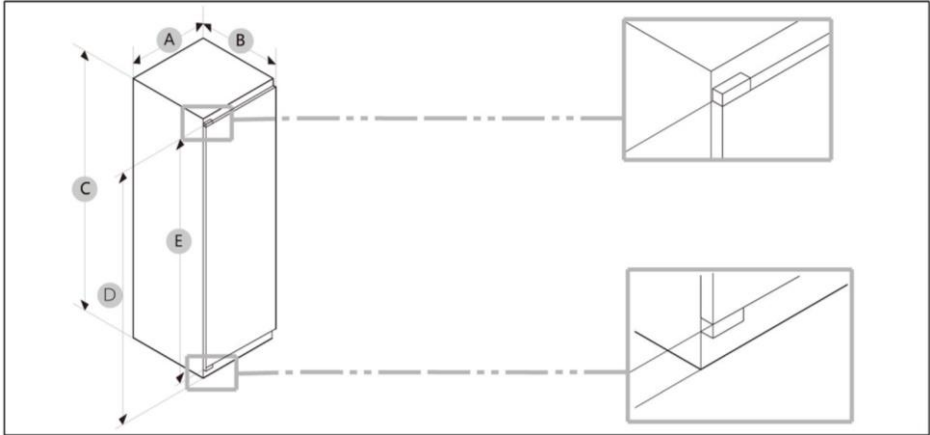


Model	CMT5518EVWF RMT5518EVWF
01*	10 (min.) / 30 (recomandat)
02	95° (recomandat)
03	43
04	583
05	515
06	-3
07	1060

(unitate: mm)

* 01: De la dulap la partea din spate a produsului.

Dimensiunea produsului



Model	A (mm)	B (mm)	C (mm)	D (mm)	E (mm)
CMT5518EVWF	540±2	550±2	1772±2	1715	1671
RMT5518EVWF					

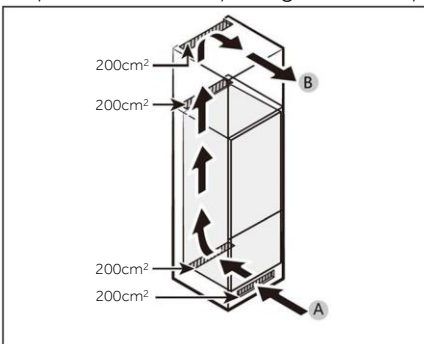


OBSERVAȚIE

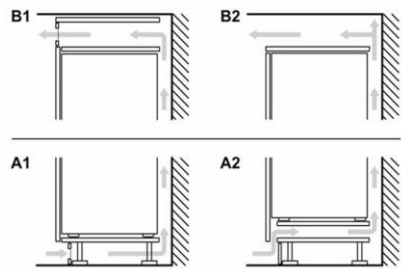
- Consumul de energie specificat se bazează pe condiția unui spațiu de 10 mm între dulap și partea din spate a produsului. Produsul va funcționa corect chiar și în cazul unui spațiu mai mic de 10 mm, însă consumă ceva mai multă energie.
- Vă recomandăm să folosiți un dulap cu o grosime de 19 mm și balamale cu o grosime mai mică de 17 mm.
- Măsurătorile din tabelul de mai sus pot fi diferite, în funcție de metoda de măsurare.
- Pentru instalarea ca produs încorporat, consultați ghidul de instalare.

Secțiune transversală ventilare

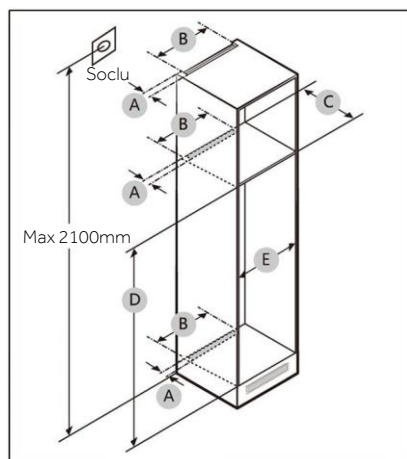
Pentru a obține o ventilare suficientă a aparatului din motive de siguranță, trebuie respectate informațiile legate de secțiunile transversale ale ventilării necesare.



A: Intrare aer $\geq 200\text{cm}^2$; Opțiuni de ventilație
 B: Ieșire aer $\geq 200\text{cm}^2$; Opțiuni de ventilație



Dimensiunea dulapului



ATENȚIE!

Orice defecțiune a produsului cauzată de următoarele nu este acoperită de garanție.

1. Condiții de amplasare necorespunzătoare sau dimensiuni incorecte ale dulapului.
2. Dulap defect.
3. Greșeli ale instalatorului sau ale utilizatorului.

Spațiu

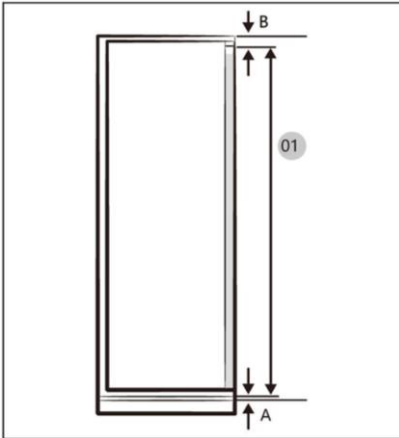
Consultați imaginile și tabelele de mai jos pentru a vedea spațiul necesar pentru instalare.

Model		A (mm)	B (mm)	C (mm)	D (mm)	E (mm)	Observație
CMT5518EVWF RMT5518EVWF	Min.	50	400	560	1778	560	Balama: 17mm
	Recomandat			580	1780	562	
	Zonă de max.			-	1782	568	



OBSERVAȚIE

- Dacă lățimea unui dulap este mai mare de 568 mm, garnitura (dintre frigider și dulap) se poate slăbi.
- În cazul în care dulapul este mai înalt decât dimensiunea maximă (1782 mm), trebuie să folosiți alte materiale de finisare pentru a umple golul.

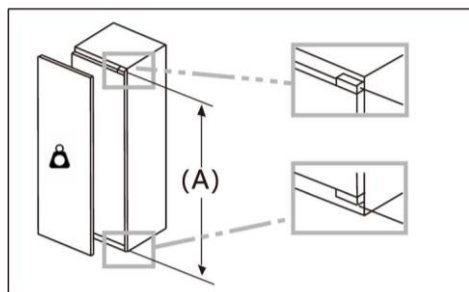


- A. Marginea inferioară a panoului frontal deasupra ventilației de aerisire
 B. Panoul frontal dispus suspendat


Model	CMT5518EVWF RMT5518EVWF
01	Min. 1694+A+B Zonă de max. 1850+A+B

(unitate: mm)

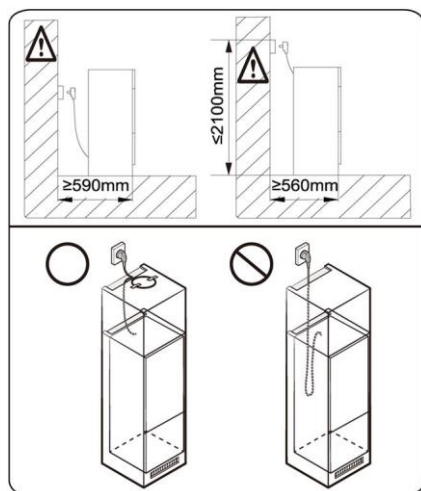
Greutatea maximă admisibilă a părților frontale ale unității



Părțile frontale ale unităților montate care depășesc greutatea admisă pot cauza deteriorări și pot afecta funcționalitatea balamalelor.

 Greutate (kg)	1500-1750 mm	22
	720-1400 mm	19

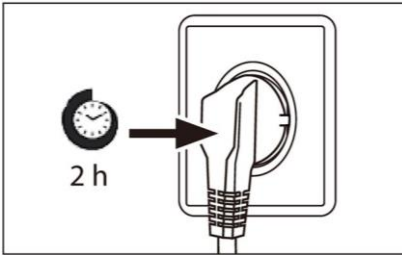
Luarea în calcul a locației prizei și a spațiului necesar



OBSERVAȚIE

Dacă instalați frigiderul într-un dulap cu o adâncime de 560 mm, cablul de alimentare trebuie dispus pe o parte a frigiderului înainte de a-l conecta la o priză. În cazul în care cablul de alimentare se află în partea din spate a frigiderului, aceasta ar putea reduce eficiența energetică.

Timpul de așteptare



Uleiul de ungere fără întreținere este amplasat în capsula compresorului. Uleiul respectiv poate trece prin sistemul cu țevi închis în timpul transportării înclinată. Înainte de conectarea aparatului la sursa de alimentare, trebuie să așteptați cel puțin 2 ore pentru ca uleiul să curgă înapoi în capsulă.

Conexiunea electrică

Înainte de fiecare conexiune verificați dacă:

- ▶ sursa de alimentare, priza și siguranța sunt conforme cu plăcuța cu date tehnice.
- ▶ priza de alimentare este legată la împământare și nu este de tip prize multiple sau prelungitor.
- ▶ ștecărul și priza de alimentare sunt strict conforme.

Conectați ștecărul la o priză de la domiciliu instalată corespunzător.



AVERTIZARE!

Pentru evitarea riscurilor, cablul de alimentare deteriorat trebuie înlocuit prin serviciul pentru clienți (consultați fișa de garanție).

Fișa de produs conform reglementării UE nr. 2019/2016

Marca	CANDY	Rosieres
Numele/identificatorul modelului	CMT5518EVWF	RMT5518EVWF
Categoria modelului	Congelator	Congelator
Clasa de eficiență energetică	E	E
Consumul anual de energie (kWh/an) (1)	215	215
Volumul total (l)	220	220
Volum frigider (L)	/	/
Volum congelator (l)	220	220
Volumul secțiunii de răcire (l)	/	/
Volumul dispozitivului automat pentru cuburi de gheață (l)	/	/
Clasificarea prin stele	4	4
Temperatura altor compartimente > 14 °C	Nu se aplică	Nu se aplică
Sistem fără îngheț	Da	Da
Capacitatea de congelare (kg/24 h)	15	15
Evaluare temperatură (2)	SN/N/ST/T	SN/N/ST/T
Clasa de emisii sonore și emisii de zgomote acustice aeropurtate (db(A)re1pW)	B 35	B 35
Țiimpul necesar creșterii temperaturii (h)	6	6
Capacitate de producere a gheții	/	/
Tipul aparatului	Încorporat	Încorporat

Numele modelului	Clasa de eficiență energetică
CMT5518EVWF	E
RMT5518EVWF	E

Explicații:

- Da, prezentate
- (1) Pe baza rezultatelor testului de conformitate cu standardele, cu o durată de peste 24 de ore. Consumul real depinde de utilizarea și locația aparatului.
 - (2) Evaluare temperatură SN: Acest aparat este destinat utilizării la o temperatură ambientală cuprinsă între + 10 °C și +32 °C
Evaluare temperatură N: Acest aparat este destinat utilizării la o temperatură ambientală cuprinsă între + 16 °C și +32 °C
Evaluare temperatură ST: Acest aparat este destinat utilizării la o temperatură ambientală cuprinsă între + 16 °C și +38 °C
Evaluare temperatură T: Acest aparat este destinat utilizării la o temperatură ambientală cuprinsă între + 16 °C și +43 °C

Date tehnice suplimentare

Tensiune/Frecvență	220-240V ~ / 50Hz
Curentul de intrare (A)	1,5
Siguranța principală (A)	16
Răcire	R600a
Dimensiuni (Î/L/A în mm)	1772/540/550

Informații privind RF

Max e.i.r.p.: Bluetooth (BR/EDR): 10 dBm

Bluetooth LE: 5 dBm

2,4 GHz Wi-Fi: 16 dBm

Banda de frecvență de funcționare: 2400-2483,5 MHz

Vă recomandăm să apelați la serviciul pentru clienți Haier și să utilizați piese de schimb originale.

Dacă aveți o problemă cu aparatul, consultați mai întâi secțiunea DEPANARE.

Dacă nu găsiți nicio soluție acolo, contactați

- ▶ distribuitorul local sau
- ▶ Centrul nostru european de servicii telefonice (vedeți numerele de telefon enumerate mai jos) sau
- ▶ zona Service și Asistență pe www.haier.com, unde puteți activa cererea de service
- ▶ și găsi, de asemenea, întrebări frecvente.

Pentru contactarea serviciului nostru, asigurați-vă că aveți următoarele date. Informațiile pot fi găsite pe plăcuța cu date tehnice.

Model _____

Nr. serie _____

De asemenea, verificați și fișa de garanție furnizată cu produsul, în cazul garanției.

Centrul european de servicii telefonice		
Țara*	Număr de telefon	Costuri
Haier Italy (IT)	199 100 912	
Haier Spain (ES)	902 509 123	
Haier Germany (DE)	0180 539 39 99	<ul style="list-style-type: none"> • 14 Ct/min de pe telefon fix • max 42 Ct/Min de pe mobil
Haier Austria (AT)	0820 001 205	<ul style="list-style-type: none"> • 14,53 Ct/min de pe telefon fix • max 20 Ct/Min de pe toate celelalte
Haier United Kingdom (UK)	0333 003 8122	
Haier France (FR)	0980 406 409	

* Pentru alte țări, consultați www.haier.com
Haier Europe Trading S.r.l
Filiala Marea Britanie
Westgate House, Westgate, Ealing
Londra, W5 1YY

*Durata garanției aparatului frigorific:

Garanția minimă este de: 2 ani pentru țările din UE, 3 ani pentru Turcia, 1 an pentru Marea Britanie, 1 an pentru Rusia, 3 ani pentru Suedia, 2 ani pentru Serbia, 5 ani pentru Norvegia, 1 an pentru Maroc, 6 luni pentru Algeria, Tunisia nu necesită nicio garanție legală.

* Perioada de piese de schimb pentru repararea aparatului:

Termostatele, senzorii de temperatură, plăcile cu circuite imprimate și sursele de lumină sunt disponibile timp de o perioadă minimă de șapte ani de la punerea pe piață a ultimei unități a modelului.

Mânerele de uși, balamalele de uși, tăvile și coșurile, timp de o perioadă minimă de șapte ani, iar garniturile de uși timp de o perioadă minimă de 10 ani de la punerea pe piață a ultimei unități a modelului.

*Pentru mai multe informații despre produs, vă rugăm consultați <https://eprel.ec.europa.eu/> sau scanați codul QR de pe eticheta energetică furnizată cu aparatul.

<u>5 Bezpečnostné informácie</u>	Pred prvým použitím	6
	Inštalácia	6
	Každodenné používanie	7
	Informácie o chladiacom plyne	9
<u>10 Určené použitie</u>		
<u>11 Opis produktu</u>		
<u>12 Ovládací panel</u>		
<u>13 Použitie</u>	Kláves uzamknutia/odmoknutia zámky a jeho ikona	13
	Funkcia pohotovostného režimu	13
	Funkcia Wi-Fi	13
	Úprava teploty mrazničky	14
	Funkcia Super Freeze	15
	Funkcia ECO	15
<u>16 Vybavenie</u>		
<u>17 Tipy na úsporu energie</u>		
<u>18 Starostlivosť a čistenie</u>		
<u>20 Riešenie problémov</u>		
<u>24 Inštalácia</u>		
<u>30 Technické údaje</u>		
<u>32 Zákaznícky servis</u>		

Ďakujeme za zakúpenie produktu Haier.

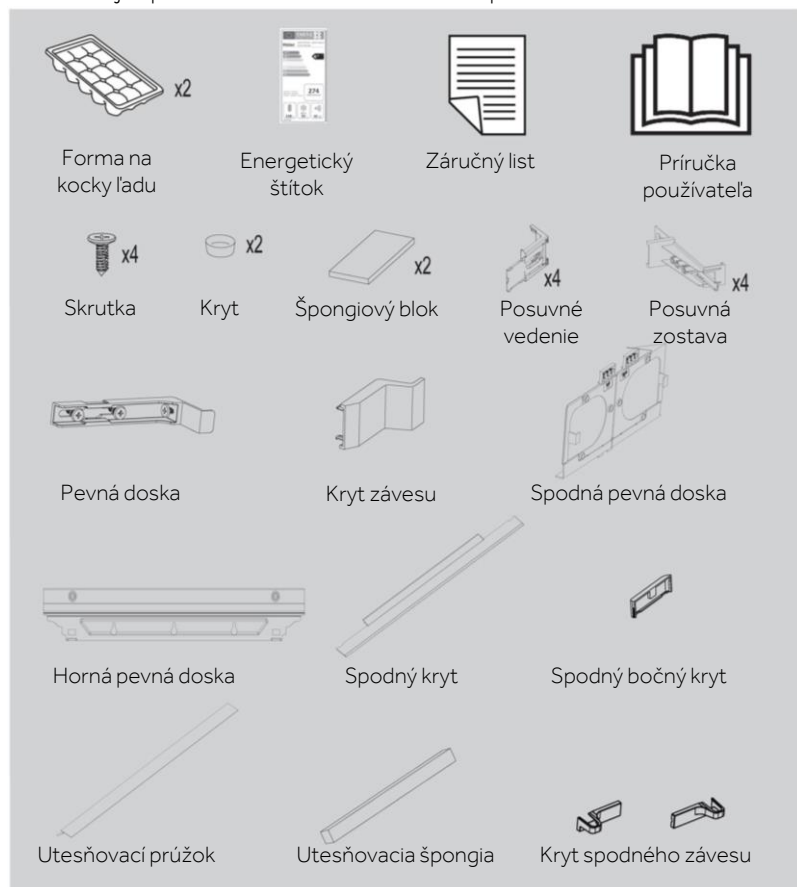
Pred použitím tohto spotrebiča si pozorne prečítajte tieto pokyny. Pokyny obsahujú dôležité informácie, ktoré vám pomôžu vyťažiť zo spotrebiča maximum a zaistia bezpečnú a správnu inštaláciu, používanie a údržbu.

Túto príručku uschovajte na vhodnom mieste, aby ste si mohli kedykoľvek prečítať pokyny na bezpečné a správne používanie spotrebiča.

Ak spotrebič predávate, darujete alebo ho nechávate v domácnosti po odsťahovaní, nezabudnite s ním novému vlastníkovi odovzdať aj túto príručku, aby sa mohol oboznámiť so spotrebičom a bezpečnostnými upozoreniami.

Príslušenstvo

Skontrolujte príslušenstvo a dokumentáciu podľa tohto zoznamu:





VAROVANIE – Dôležité bezpečnostné informácie



POZNÁMKA – Všeobecné informácie a tipy



Informácie o životnom prostredí



Likvidácia

Pomáhajte chrániť životné prostredie a zdravie ľudí. Obal vyhodte do vhodných nádob na recykláciu. Pomáhajte recyklovať odpad z elektrických a elektronických prístrojov. Spotrebiče označené týmto symbolom nelikvidujte s domácim odpadom. Výrobok odneste do miestneho recyklačného strediska alebo kontaktujte mestský úrad.



VAROVANIE!

Nebezpečenstvo poranenia alebo zadusenia!

Chladivá a plyny sa musia likvidovať profesionálnym spôsobom. Pred správnu likvidáciou sa uistite, že nie je poškodené potrubie okruhu chladiva. Spotrebič odpojte od elektrickej siete. Odrežte a zlikvidujte napájací kábel. Vyberte podnosy a zásuvky, ako aj západku a tesnenie dverí, aby ste zabránili zatvoreniu detí a domácich zvierat vnútri spotrebiča.

Pred prvým zapnutím spotrebiča si prečítajte nasledujúce bezpečnostné pokyny:



VAROVANIE!

Pred prvým použitím

- ▶ Uistite sa, že sa spotrebič pri preprave nepoškodil.
- ▶ Pred inštaláciou spotrebiča počkajte najmenej dve hodiny, aby sa zabezpečila plná účinnosť chladiaceho okruhu.
- ▶ Spotrebič musia prenášať minimálne dve osoby, pretože je ťažký.
- ▶ Odstráňte všetky obalové materiály, uchovávajúte ich mimo dosahu detí, potom ich zlikvidujte ekologickým spôsobom.
- ▶ Pred vložením potravín spotrebič umyte vodou a jemným čistiacim prostriedkom zvnútra aj zvonka.
- ▶ Po vyrovnaní a vyčistení spotrebiča počkajte pred pripojením k elektrickej sieti minimálne 2 – 5 hodín. Pozrite časť INŠTALÁCIA.
- ▶ Pred vložením potravín nechajte priehradky vychladiť pri vysokých nastaveniach. Funkcia Super-Freeze pomáha rýchlo ochladiť mraziaci priestor.
- ▶ Teplota mrazničky sa automaticky nastaví príslušne na $-18\text{ }^{\circ}\text{C}$. Je to odporúčané nastavenie. Podľa želania môžete tieto teploty zmeniť manuálne. Pozrite časť NASTAVENIE TEPLoty.

Inštalácia

- ▶ Spotrebič musí byť umiestnený na dobre vetranom mieste. Nad spotrebičom a v jeho okolí musíte zabezpečiť minimálne 10 cm priestor.
- ▶ Spotrebič nikdy neumiestňujte na vlhké miesto ani na miesto, kde by mohla striekať voda. Postriekania vodou a škvrny vyčistite a osušte mäkkou čistou handričkou.
- ▶ Spotrebič neinštalujte na priame slnečné svetlo ani do blízkosti zdrojov tepla (napr. kachle, ohrievače).
- ▶ Spotrebič nainštalujte a vyrovnajte na mieste, ktoré je vhodné svojou veľkosťou a využitím.
- ▶ Vetracie otvory v spotrebiči alebo v zabudovanej konštrukcii udrzte bez prekážok.
- ▶ Uistite sa, že elektrické údaje na typovom štítku sa zhodujú s údajmi pre vašu sieť. V opačnom prípade kontaktujte elektrikára.
- ▶ Spotrebič je napájaný zo siete 220-240 VAC/50 Hz. Abnormálne kolísanie napätia môže spôsobiť, že sa spotrebič nezapne, poškodí sa regulátor teploty alebo kompresor alebo sa môže pri prevádzke vyskytnúť neobvyklý hluk. V takom prípade musíte namontovať automatický regulátor.
- ▶ Nepoužívajte adaptéry s viacerými zásuvkami ani predĺžovacie káble.
- ▶ Na zadnú stranu spotrebiča neumiestňujte rozvodné prenosné zásuvky ani prenosné zdroje napájania.
- ▶ Uistite sa, že napájací kábel nie je zachytený v chladničke. Na napájací kábel nestúpajte.



VAROVANIE!

- ▶ Použite samostatnú uzemnenú zásuvku, aby k nej bol zabezpečený jednoduchý prístup. Spotrebič musí byť uzemnený.
Len pre Spojené kráľovstvo: Napájací kábel spotrebiča je vybavený 3-vodičovou (uzemňovacou) zástrčkou, ktorá sa vsúva do štandardnej 3-vodičovej (uzemnenej) zásuvky. Tretí kolík (uzemnenie) nikdy neodrezávajte ani neodstraňujte. Po inštalácii spotrebiča musí byť zástrčka prístupná.

- ▶ Nepoškodte chladiaci okruh.

Každodenné používanie

- ▶ Deti staršie ako 8 rokov a osoby s obmedzenými fyzickými, zmyslovými alebo duševnými schopnosťami alebo nedostatkom skúseností či vedomostí môžu tento spotrebič používať pod dohľadom, resp. po poučení a oboznámení sa s bezpečným spôsobom používania a porozumení možným nebezpečenstvám.
- ▶ Deti vo veku od 3 do 8 rokov môžu do chladiacich spotrebičov nakladať a vykladať potraviny, nesmú ich však čistiť ani inštalovať.
- ▶ Deťom do 3 rokov nedovoľte, aby sa priblížili ku spotrebiču, pokiaľ nie sú pod neustálym dohľadom.
- ▶ Deti sa so spotrebičom nesmú hrať.
- ▶ Ak do blízkosti spotrebiča uniká studený plyn alebo iný horľavý plyn, zatvorte ventil unikajúceho plynu, otvorte dvere a okná a neodpájajte zástrčku napájacieho kábla chladničky ani iného zariadenia.
- ▶ Všímajte si, že spotrebič je nastavený na prevádzku v špecifickom klimatickom pásme 10 až 43 °C. Spotrebič možno nebude fungovať správne, ak sa ponechá dlho v prostredí s teplotou, ktorá je vyššia alebo nižšia než je uvedený rozsah.
- ▶ Na chladničku neumiestňujte nestabilné predmety (ťažké predmety, nádoby naplnené vodou), aby nedošlo k zraneniu osôb následkom pádu alebo úrazu elektrickým prúdom po kontakte s vodou.
- ▶ Neťahajte za police vo dverách. Dvere by sa mohli skriviť, stojan na fľaše odtrhnúť alebo by sa spotrebič mohol prevrátiť.
- ▶ Dvere otvárajte a zatvárajte iba pomocou rúkavätí. Medzera medzi dverami a medzi dverami a skrinkou je veľmi úzka. Do týchto priestorov nesiahajte, aby nedošlo k pricviknutiu prstov. Dvere chladničky otvárajte alebo zatvárajte iba vtedy, ak v rozsahu pohybu dverí nestoja žiadne deti.
- ▶ Pri umiestnení spotrebiča zabezpečte, aby sa napájací kábel nezachytil ani nepoškodil.
- ▶ V tomto spotrebiči neskladujte výbušné látky ako sú plechovky s aerosólmi, ktoré podporujú horenie.
- ▶ Aby ste predišli kontaminácii potravín:
 - Otvorenie dverí na dlhší čas môže spôsobiť výrazné zvýšenie teploty v priehradkách spotrebiča.
 - Pravidelne čistite povrchy, ktoré môžu prísť do styku s potravinami a dostupné systémy vypúšťania.
 - Surové mäso a ryby skladujte v chladničke vo vhodných nádobách tak, aby sa nedostali do kontaktu s inými potravinami alebo aby na ne nekvapkali.



VAROVANIE!

- Ak chcete nechať spotrebič dlhší čas prázdny, vypnite ho, odmrázte, vyčistite, vysušte a dvere nechajte otvorené, aby sa vnútri spotrebiča nemnožili plesne.
- ▶ V spotrebiči ani v jeho blízkosti neskladujte a nepoužívajte horľavé, výbušné alebo korozívne materiály.
- ▶ V spotrebiči neskladujte lieky, baktérie ani chemické látky. Tento spotrebič je spotrebič pre domácnosť. Neodporúča sa skladovať materiály, ktoré vyžadujú presné teploty.
- ▶ V mrazničke nikdy neskladujte tekutiny vo fľašiach alebo v plechovkách (okrem liehovín s vysokým obsahom alkoholu), najmä sýtené nápoje, pretože tieto počas mrazenia prasknú.
- ▶ Ak došlo v mrazničke k ohrevu, skontrolujte stav potravín.
- ▶ Zmrazených potravín sa nedotýkajte mokkými rukami (nasadte si rukavice). Najmä nekonzumujte nanuky ihneď po vybratí z mrazničky. Existuje riziko primrznutia alebo vytvorenia pľuzgierov z mrazu. PRVÁ pomoc: ihneď umiestnite pod tečúcu studenú vodu. Neodstraňujte ťahaním!
- ▶ Počas prevádzky sa nedotýkajte vnútorného povrchu priestoru mrazničky, najmä nie mokkými rukami, pretože by vám mohli ruky primrznúť k povrchu.
- ▶ V prípade prerušenia napájania alebo pred čistením odpojte spotrebič zo zásuvky. Pred opätovným zapnutím spotrebiča počkajte najmenej 7 minút, pretože časté štartovanie môže poškodiť kompresor.
- ▶ Vo vnútri boxov spotrebiča, ktoré slúžia na skladovanie potravín, nepoužívajte elektrické zariadenia, pokiaľ ich používanie neschválil výrobca.
Údržba/čistenie
- ▶ Keď čistenie a údržbu vykonávajú deti, nenechávajte ich bez dozoru.
- ▶ Pred vykonávaním akejkoľvek bežnej údržby odpojte spotrebič od elektrickej siete. Pred opätovným zapnutím spotrebiča počkajte najmenej 5 minút, pretože časté štartovanie môže poškodiť kompresor.



VAROVANIE!

- ▶ Pri odpájaní spotrebiča chytte zástrčku, nie kábel.
- ▶ Spotrebič nečistite tvrdými kefami, drôtenými kefami, čistiacim práškom, benzínom, amylacetátom, acetónom ani podobnými organickými roztokmi, kyselinami ani zásadami. Čistite pomocou špeciálneho čistiaceho prostriedku na chladničky, aby ste zabránili poškodeniu.
- ▶ Ak je poškodený vonkajší napájací kábel, v záujme eliminácie akéhokoľvek rizika ho musí vymeniť výrobca, jeho servisný zástupca alebo rovnako kvalifikovaná osoba.
- ▶ Spotrebič sa nepokúšajte sami opravovať, rozoberať alebo upravovať. V prípade opravy kontaktujte náš zákaznícky servis.
- ▶ Aspoň raz za rok odstráňte prach zo zadnej strany jednotky, aby ste predišli nebezpečenstvu požiaru a zvýšenej spotrebe energie.
- ▶ Počas čistenia na spotrebič nestriekajte ani ho neoplachujte.
- ▶ Na čistenie spotrebiča nepoužívajte prúd vody ani paru.
- ▶ Studené sklenené poličky neumývajte horúcou vodou. Náhla zmena teploty môže spôsobiť rozbitie skla.

Informácie o chladiacom plyne



VAROVANIE!

Spotrebič obsahuje horľavé chladivo IZOBUTÁN (R600a). Uistite sa, že sa počas prepravy alebo inštalácie nepoškodil chladiaci okruh. Unikajúce chladivo môže spôsobiť poranenie očí alebo vznietenie. Ak došlo k poškodeniu, udržujte zdroje otvoreného ohňa mimo dosahu, dôkladne vyvetrajte miestnosť a nepripájajte ani neodpájajte napájacie káble spotrebiča alebo akéhokoľvek iného spotrebiča. Informujte zákaznícky servis.

V prípade, že sa dostane chladivo do kontaktu s očami, ihneď ich vypláchnite pod tečúcou vodou a okamžite kontaktujte očného lekára.

Určené použitie

Tento spotrebič je určený na mrazenie potravín. Bol navrhnutý výhradne na použitie v domácnostiach a podobných aplikáciách, ako sú kuchynské priestory pre zamestnancov v obchodoch, kanceláriách a iných pracovných prostrediach; vo farmárskych domoch, pre zákazníkov v hoteloch, moteloch a iných obytných priestoroch, ako aj pre zákazníkov ubytovacích a stravovacích služieb. Nie je určený na komerčné ani priemyselné použitie.

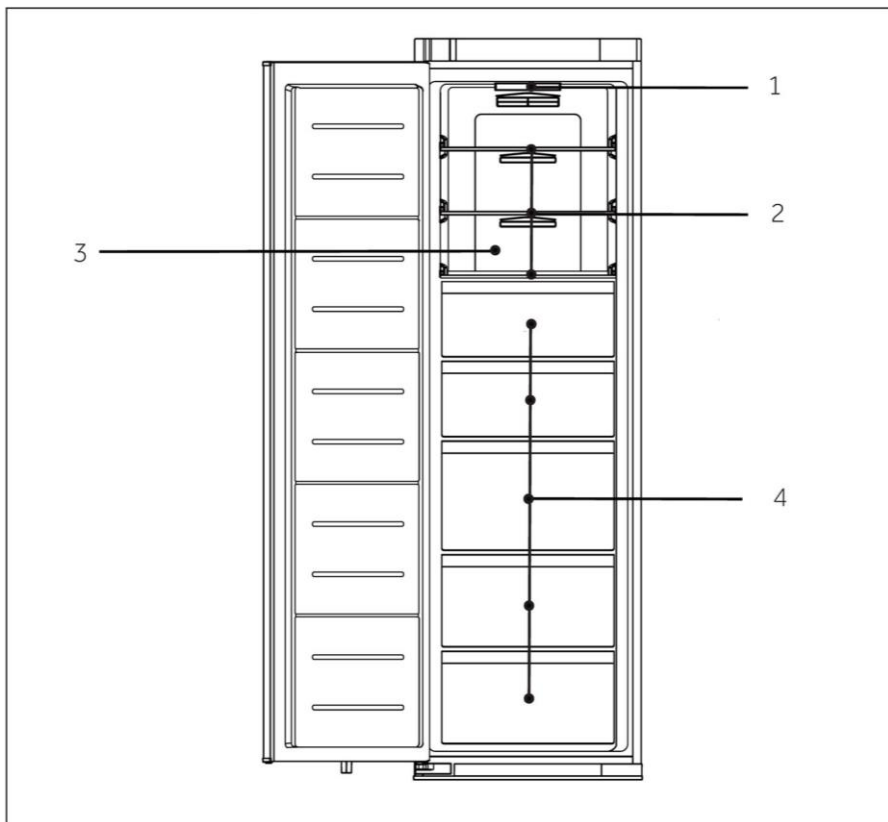
Zmeny alebo úpravy spotrebiča nie sú povolené. Neúmyselné použitie môže spôsobiť nebezpečenstvo a stratu nárokov na záruku.

Normy a smernice

Tento výrobok spĺňa požiadavky všetkých príslušných smerníc ES s príslušnými harmonizovanými normami, ktoré ustanovujú označenie CE.

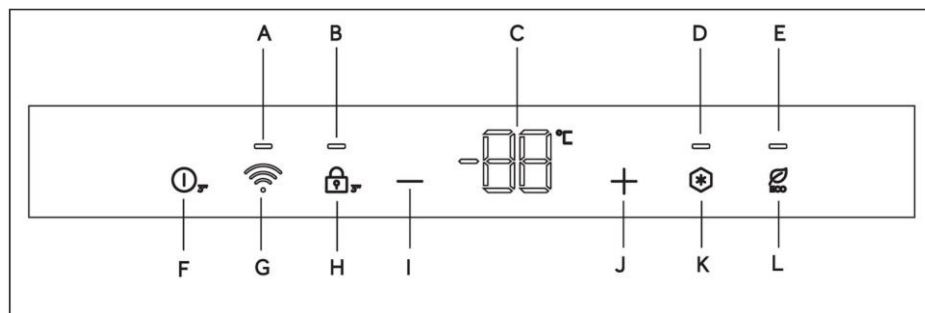
i OZNÁMENIE

Z dôvodu technických zmien a rôznych modelov sa môžu niektoré ilustrácie v tejto príručke líšiť od vášho modelu.

**CMT5518EVWF/RMT5518EVWF**

- 1 Vnútoré LED svetlo
- 2 Obyčajné police
- 3 Vzduchové potrubie mrazničky
- 4 Bežná zásuvka mrazničky

Ovládací panel



Ikony indikátorov:

- A Ikona funkcie Wi-Fi
- B Ikona uzamknutia/odmoknutia
- C Ikona displeja teploty
- D Ikona funkcie Super Freeze
- E Ikona funkcie ECO

Dotykové tlačidlá:

- F Kláves ZAPNUTÉ/VYPNUTÉ
- G Zodpovedajúci kláves Wi-Fi
- H Kláves na uzamknutie/odmoknutie
- I Kláves zníženia teploty
- J Kláves zvýšenia teploty
- K Kláves funkcie Super Freeze
- L Kláves funkcie ECO

Tlačidlá snímača

Tlačidlá na ovládacom paneli sú dotykové tlačidlá, ktoré reagujú na ľahký dotyk prsta.

Pred kontrolou obrazovky displeja najskôr otvorte dvere chladničky.

Funkcia uzamknutia/odomknutia

Toto tlačidlo a jeho ikona sa používajú na uzamknutie alebo odomknutie obrazovky ovládania a indikujú jej aktuálny stav.

Kým je chladnička v prevádzke, otvorte dvere chladničky, rozsvieti sa ovládacia obrazovka a rozsvieti sa ikona uzamknutia/odomknutia, v danom čase je ovládacia obrazovka v uzamknutom stave a nie je aktívna.

Manuálne odomknutie alebo uzamknutie obrazovky: Keď svieti ikona uzamknutia/odomknutia, stlačte a 3 sekundy podržte kláves uzamknutia/odomknutia. Ikona zhasne a zaznie pípnutie. V danom čase je možné vykonať výber funkcie alebo nastavenie teploty.

Keď je ikona uzamknutia/odomknutia vypnutá, stlačte a 3 sekundy podržte kláves uzamknutia/odomknutia. Ikona zamknutia/odomknutia sa rozsvieti a zaznie pípnutie. V danom čase nie je možné vykonať výber funkcie alebo nastavenie teploty.

Automatická zámka obrazovky: Po zatvorení dverí chladničky sa ovládacia obrazovka vypne a uzamkne.

Po otvorení dverí chladničky sa ovládacia obrazovka automaticky uzamkne, ak do 30 sekúnd neurobíte žiadny úkon.

Funkcia ZAPNÚŤ/VYPNÚŤ

Tlačidlo ZAPNÚŤ/VYPNÚŤ slúži na prepínanie medzi stavom VYPNUTIA (pauza pracovného režimu) a ZAPNUTÍM (normálny pracovný režim).

Aktivácia režimu VYPNÚŤ: V režime prevádzky chladničky najskôr odomknite displej a potom 3 sekundy podržte stlačené funkčné tlačidlo ZAPNÚŤ/VYPNÚŤ, čím sa vypne obrazovka ovládania, osvetlenie chladničky, chladenie a ďalšie funkcie, pričom bude nasledovať zvukový signál.



OZNÁMENIE

Režim VYPNÚŤ neznamená prerušenie elektrického napájania, chladnička ostane v danom čase elektricky napájaná.


Ukončenie režimu VYPNUTIA: V režime VYPNUTIA podržte 3 sekundy stlačené tlačidlo ZAPNÚŤ/VYPNÚŤ, čím sa reštartuje obrazovka ovládania, osvetlenie chladenia, chladenie a ďalšie funkcie, pričom zaznie zvukový signál. Chladnička obnoví prednastavenú teplotu a funkciu a prepne sa do normálneho pracovného režimu.

Funkcia Wi-Fi

Párovanie Wi-Fi: Pri prvom zapnutí chladnička sa automaticky aktivuje režim konfigurácie siete, ikona funkcie Wi-Fi bude rýchlo blikať, a ak nebol vykonaný žiadny úkon na priradenie siete, režim sa automaticky ukončí po 30 minútach.

Manuálne zadajte režim párovania Wi-Fi: Po odomknutí ovládacej obrazovky, keď je zapnutá ikona funkcie Wi-Fi, podržte 3 sekundy stlačené tlačidlo Wi-Fi zhody, aby ste vstúpili do režimu. Počas tejto doby bude ikona funkcie Wi-Fi rýchlo blikať, čo znamená, že je v režime párovania Wi-Fi. Ak sa nevykoná žiadny úkon priradenia siete, režim sa automaticky ukončí po 30 minútach.

V REŽIME PÁROVANIA APLIKÁCIE

<p>Krok 1 • Stiahnite si aplikáciu hOn.</p> 	
<p>Krok 2 Vytvorte si účet v aplikácii hOn alebo sa prihláste, ak už účet máte.</p> 	<p>Krok 3 Postupujte podľa pokynov na párovanie v aplikácii hOn.</p> 

i OZNÁMENIE

V režime párovania Wi-Fi by ste mali postupovať podľa pokynov aplikácie na dokončenie konfigurácie siete. Ak potrebujete zmeniť prostredie Wi-Fi, musíte znovu aktivovať režim párovania. Ak ikona funkcie Wi-Fi zostane svietiť, znamená to, že sieť bola úspešne pripojená.

Úprava teploty mrazničky

Po otvorení dverí chladničky a odomknutí ovládacej obrazovky sa na zníženie nastavenej teploty chladničky používa tlačidlo „Znížiť teplotu“. Každým ľahkým dotykom tlačidla sa teplota zníži o 1 °C, povolená minimálna teplota je -24 °C.

Po otvorení dverí chladničky a odomknutí ovládacej obrazovky sa na zvýšenie nastavenej teploty chladničky používa tlačidlo „Zvýšiť teplotu“. Každým ľahkým dotykom tlačidla sa teplota zvýši o 1 °C a maximálna povolená teplota je -14 °C.

Počas prevádzky ikona displeja teploty zobrazuje nastavenú teplotu a bliká. Ovládacia obrazovka automaticky potvrdí nastavenú teplotu po 5 sekundách, potom zobrazí aktuálnu teplotu. Po dokončení nastavenia bude chladnička

postupne meniť teplotu zo skutočnej na nastavenú. Preto sa počas určitej doby môže vyskytnúť odchýlka medzi skutočnou teplotou a nastavenou teplotou.

Funkcia Super Freeze

Toto tlačidlo a jeho ikona slúžia na prepínanie funkcie Super Freeze chladničky a zobrazenie aktuálneho stavu.

Po otvorení dverí chladničky a odomknutí ovládacej obrazovky sa zľahka dotknite funkčného tlačidla Super Freeze, čím sa rozsvieti ikona funkcie Super Freeze a chladnička sa prepne do daného režimu; Ak potrebujete režim ukončiť, môžete použiť rovnaký postup a dotykom funkčného tlačidla Super Freeze funkciu ukončiť.

V rámci tejto funkcie sa teplota pravdepodobne priblíži k $-28\text{ }^{\circ}\text{C}$ alebo nižšej a chladnička túto funkciu automaticky ukončí po 50 hodinách, aby sa predišlo prílišnému zníženiu teploty.

Funkcia ECO

Po otvorení dverí chladničky a odomknutí ovládacej obrazovky sa zľahka dotknite funkčného tlačidla ECO, čím sa rozsvieti ikona funkcie ECO a chladnička sa prepne do daného režimu; Ak potrebujete režim ukončiť, môžete použiť rovnaký postup a dotykom funkčného tlačidla ECO funkciu ukončiť.

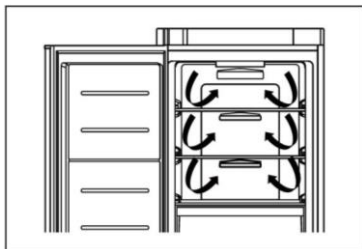
V režime ECO bude chladnička automaticky pracovať pri priemernej teplote $-18\text{ }^{\circ}\text{C}$.



OZNÁMENIE

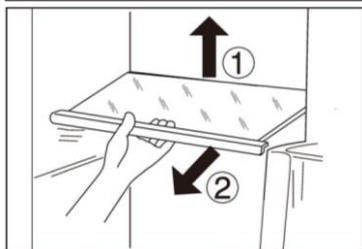
Vzhľadom na odlišnú prevádzkovú logiku špeciálnych funkcií Super Freeze a ECO nie je možné tieto špeciálne režimy aktivovať súčasne. Naraz je možné aktivovať iba jednu funkciu a pri prepínaní medzi režimami sa ostatné špeciálne režimy automaticky ukončia. Okrem toho je možné zmeniť nastavenú teplotu, bez toho, že by ste tieto režimy ukončili.

$-18\text{ }^{\circ}\text{C}$ je vhodná pre bežné mrazené potraviny, ktoré vyžadujú skladovanie 1 – 12 mesiacov, ako je mäso, hydina, morské plody, hotové jedlá a zvyšky jedál, niektoré druhy ovocia a zeleniny, zmrzlina a iné mrazené dezerty.



Viacnásobné prúdenie vzduchu

1. Chladnička je vybavená systémom s viacnásobným prúdením vzduchu, v ktorom sú prívody chladného vzduchu umiestnené na každej úrovni police. To pomáha udržiavať rovnomernú teplotu, aby sa vaše jedlo udržalo dlhšie čerstvé.



Nastaviteľné police

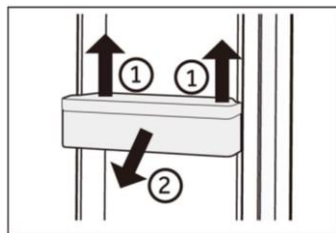
1. Výška polic sa môže nastaviť tak, aby vyhovovala vašim potrebám skladovania.
2. Ak chcete policu premiestniť, najprv nadvihnite jej zadný okraj ① a potom ju vytiahnite ②.
3. Ak ju chcete znovu nainštalovať, položte ju na výstupky na oboch stranách a zatlačte do najzadnejšej polohy, kým nezapadne do drážok na bokoch.

i OZNÁMENIE

Uistite sa, že všetky konce police sú v jednej rovine.

Vyberateľné stojany na dverách/držiak na fľaše

1. Priehradky na dverách sa dajú vybrať na čistenie:
2. Položte ruky na boky stojana, zdvihnite ho ① a vytiahnite ②.
3. Ak chcete poličku vložiť späť do dverí, vykonajte vyššie uvedené kroky v opačnom poradí.



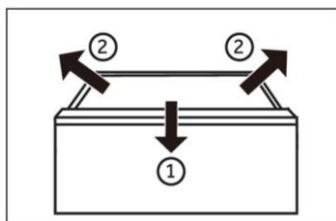
i OZNÁMENIE

Po zapnutí spotrebiča môže dosiahnutie správnej teploty trvať až 12 hodín.

Vyberateľná zásuvka

Ak chcete zásuvku vybrať, vytiahnite ju do maximálnej polohy ①, nadvihnite ju a vyberte ②.

Ak chcete poličku znovu vsunúť, vykonajte vyššie uvedené kroky v opačnom poradí.



Osvetlenie

Interiérové LED osvetlenie sa rozsvieti po otvorení dverí. Výkon svetiel nie je ovplyvnený žiadnym iným nastavením spotrebiča.



Tipy na úsporu energie

- ▶ Uistite sa, že je spotrebič správne vetraný (pozrite časť INŠTALÁCIA).
- ▶ Spotrebič neinštalujte na priame slnečné svetlo ani do blízkosti zdrojov tepla (napr. kachle, ohrievače).
- ▶ Zabráňte zbytočne nízkej teplote v spotrebiči. Čím je nižšia nastavená teplota v spotrebiči, tým vyššia bude spotreba energie.
- ▶ Funkcie ako Super Freeze zvyšujú spotrebu energie.
- ▶ Pred vložením do spotrebiča nechajte teplé jedlo vychladnúť.
- ▶ Dvere spotrebiča otvárajte čo najmenej a na čo najkratšie.
- ▶ Spotrebič nepreplňujte, aby ste nebránili prúdeniu vzduchu.
- ▶ Vyhýbajte sa vzduchu v obale potravín.
- ▶ Tesnenia dverí udržiavajte čisté, aby boli dvere vždy správne zatvorené.
- ▶ Konfigurácia s najväčšou úsporou energie si vyžaduje, aby sa zásuvky, nádoby na potraviny a police udržiavali v stave ako na novom spotrebiči, pričom potraviny treba ukladať tak, aby nebránili prúdeniu vzduchu a neupchávali prívod vzduchu z potrubia.

**VAROVANIE!**

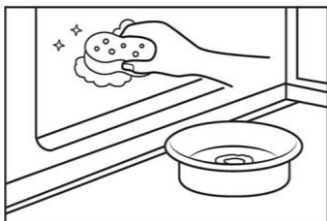
Spotrebič pred čistením odpojte od elektrickej siete.

Čistenie

Spotrebič čistite, keď je v ňom uskladnené len malé množstvo alebo žiadne potraviny. Spotrebič by ste mali čistiť každé štyri týždne, aby sa zaistila dobrá starostlivosť a zabránilo pachu z nesprávne uskladnených potravín.

**VAROVANIE!**

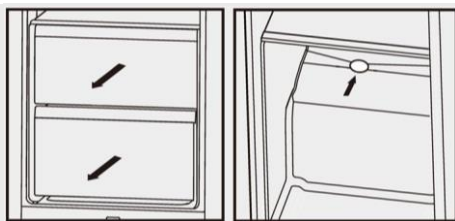
- ▶ Spotrebič nečistite tvrdými kefami, drôtenými kefami, čistiacim práškom, benzínom, amylacetátom, acetónom ani podobnými organickými roztokmi, kyselinami ani zásadami. Čistite pomocou špeciálneho čistiaceho prostriedku na chladničky, aby ste zabránili poškodeniu.
- ▶ Počas čistenia na spotrebič nestriekajte ani ho neoplachujte.
- ▶ Na čistenie spotrebiča nepoužívajte prúd vody ani paru.
- ▶ Studené sklenené poličky neumývajte horúcou vodou. Náhla zmena teploty môže spôsobiť rozbitie skla.
- ▶ Nedotýkajte sa vnútorného povrchu priestoru mrazničky, najmä nie mokrými rukami, pretože by vám mohli k povrchu primrznúť.
- ▶ Ak dôjde k zahriatiu, skontrolujte stav zmrazených potravín.



- ▶ Tesnenie na dverách musí byť vždy čisté.
- ▶ Vnútro a plášť spotrebiča čistite špongiou navlhčenou v teplej vode s prídavkom neutrálneho saponátu.
- ▶ 1. Mäkkou handričkou alebo špongiou namočenou v teplej vode utrite interiér a exteriér chladničky, vrátane tesnenia dverí, dverovej poličky, sklenených polic, boxov atď. (do teplej vody môžete pridať neutrálny čistiaci prostriedok).
- ▶ 2. Ak sa rozleje nejaká kvapalina, vyberte všetky znečistené diely, opláchnite ich prúdom vody, vysušte a vložte späť do chladničky.
- ▶ 3. Ak dôjde k rozliatiu krému (napríklad smotana, roztopená zmrzlina), odstráňte všetky znečistené časti, vložte ich na nejaký čas do teplej vody s teplotou približne 40 °C, potom ich opláchnite prúdom vody, vysušte a vložte späť do chladničky.
- ▶ 4. V prípade, že v chladničke (medzi policami alebo zásuvkami) ostane nejaká malá usadenina alebo komponent, použite na uvoľnenie mäkkú kefkú. Ak sa k tejto časti nedostanete, kontaktujte servis Haier

**OZNÁMENIE**

Odtokový otvor nesmie byť zablokaný cudzími predmetmi, inak môže nastať problém s pretečením vody. Ak je odtokový otvor zablokaný, môžete zásuvku vybrať a vyčistiť ju handričkou.



- ▶ Opláchnite a osušte mäkkou handričkou.
- ▶ Žiadne časti spotrebiča nečistite v umývačke riadu.
- ▶ Pred opätovným zapnutím spotrebiča počkajte najmenej 5 minút, pretože časté spúšťanie môže poškodiť kompresor.

Odmrazovanie

Odmrazovanie mrazničky sa vykonáva automaticky: nie je potrebná žiadna manuálna činnosť.

Výmena LED žiaroviek



VAROVANIE!

LED žiarovku nevymieňajte sami, musí ju vymeniť iba výrobca alebo autorizovaný servisný pracovník.

Osvetlenie využíva ako zdroj svetla LED, ktoré sa vyznačujú nízkou spotrebou energie a dlhou životnosťou. Ak sa vyskytnú nejaké abnormality, kontaktujte zákaznícky servis. Pozrite časť ZÁKAZNÍCKY SERVIS.

Parametre žiarovky:

Mraziaci priestor: 12 V max 1,5 W

Tento výrobok obsahuje svetelný zdroj triedy energetickej účinnosti <G>.

Dlhodobé vyradenie z prevádzky

Ak nebudete spotrebič dlhší čas používať:

Vyberte potraviny.

Odpojte napájací kábel.

Spotrebič vyčistite podľa vyššie uvedeného návodu.

Dvere nechajte otvorené, aby sa vo vnútri nevytvárali nepríjemné pachy.



OZNÁMENIE

Spotrebič vypnite, len ak je to nevyhnutne potrebné.

Premiestňovanie spotrebiča

1. Vyberte všetky potraviny a odpojte spotrebič od elektrickej siete.
2. Police a všetky pohyblivé časti mrazničky zaistite lepiacou páskou.
3. Chladničku nenakláňajte o viac ako 45°, aby ste predišli poškodeniu chladiaceho systému.



VAROVANIE!

- ▶ Spotrebič nezdvíhajte za rukoväti dverí.
- ▶ Spotrebič nikdy neukladajte na podlahu v horizontálnej polohe.

Mnoho vyskytujúcich sa problémov môžete vyriešiť sami bez osobitných odborných znalostí. V prípade problému skontrolujte všetky zobrazené možnosti a pred kontaktovaním zákazníckeho servisu postupujte podľa nasledujúcich pokynov. Pozrite časť ZÁKAZNÍCKY SERVIS.



VAROVANIE!

- ▶ Pred údržbou spotrebič vypnite a vytriahnite zástrčku zo zásuvky.
- ▶ Údržbu elektrického zariadenia môže vykonávať iba kvalifikovaný elektrikár, pretože neodborné opravy môžu spôsobiť značné následné škody.
- ▶ Poškodený prívod môže v záujme eliminácie akéhokolvek rizika vymeniť len výrobca, jeho servisný zástupca alebo rovnako kvalifikovaná osoba.

Problém	Možná príčina	Možné riešenie
Kompresor nefunguje.	<ul style="list-style-type: none"> • Zástrčka nie je vsunutá do zásuvky. • Spotrebič je v cykle odmrazovania. 	<ul style="list-style-type: none"> • Vsuňte zástrčku do zásuvky elektrickej siete. • To je normálne pri automatickom odmrazovaní.
Spotrebič sa zapína často alebo ostáva zapnutý príliš dlho.	<ul style="list-style-type: none"> • Príliš vysoká vnútorná alebo vonkajšia teplota. • Spotrebič bol dlhšie vypnutý. • Zatvorené dvere spotrebiča netesnia dobre. • Dvere boli otvorené príliš často alebo príliš dlho. • Nastavenie teploty mraziacej časti je príliš nízke. • Tesnenie dverí je špinavé, opotrebované, popraskané alebo nevhodné. • Nie je zabezpečené požadované prúdenie vzduchu. 	<ul style="list-style-type: none"> • V takom prípade je normálne, že kompresor spotrebiča ostane zapnutý dlhšie. • Zvyčajne trvá 8 až 12 hodín, kým spotrebič úplne ochladne. • Zatvorte dvere/zásuvku a uistite sa, že je spotrebič umiestnený na rovnom povrchu a že sa v ňom nenachádzajú potraviny alebo nádoba, ktoré by blokovali dvere. • Neotvárajte dvere/zásuvku príliš často. • Nastavujte vyššiu teplotu, kým nedosiahnete uspokojivú teplotu chladničky. Trvá 24 hodín, kým sa teplota v chladničke ustáli. • Vyčistite tesnenie dverí/zásuvky alebo ich dajte vymeniť v servise. • Zaisťte dostatočnú ventiláciu.

Problém	Možná príčina	Možné riešenie
Vnútro chladničky je špinavé a/alebo zápacha.	<ul style="list-style-type: none"> Vnútro chladničky treba vyčistiť. V chladničke sú uložené potraviny so silnou arómou. 	<ul style="list-style-type: none"> Vyčistite vnútro chladničky. Potraviny dôkladne zabaľte.
V spotrebiči nie je dostatočne nízka teplota.	<ul style="list-style-type: none"> Nastavená teplota je príliš vysoká. Do spotrebiča ste vložili príliš teplé potraviny a jedlá. Vložili ste príliš veľa potravín naraz. Potraviny sú príliš blízko seba. Netesne zatvorené dvere/zásuvka spotrebiča. Dvere/zásuvka boli otvorené príliš často alebo príliš dlho. 	<ul style="list-style-type: none"> Resetujte teplotu. Pred uložením potraviny a jedlá vždy ochladte. Vždy vkladajte malé množstvo potravín. Medzi potravinami nechávajte medzeru, aby mohol vzduch voľne prúdiť. Zatvorte dvere/zásuvku. Neotvárajte dvere/zásuvku príliš často.
V spotrebiči je príliš nízka teplota.	<ul style="list-style-type: none"> Nastavená teplota je príliš nízka. Funkcia Super Freeze je aktivovaná alebo je zapnutá príliš dlho. 	<ul style="list-style-type: none"> Resetujte teplotu. Funkciu Super Freeze vypnite.
Hromadenie vlhkosti na vonkajšom povrchu chladničky alebo medzi dverami/dverami a zásuvkou.	<ul style="list-style-type: none"> Ovzdušie je príliš teplé a príliš vlhké. Dvere nie sú tesne zatvorené. Dochádza ku kondenzácii chladného vzduchu v spotrebiči a teplého vzduchu mimo neho. 	<ul style="list-style-type: none"> Vo vlhkom podnebí je to normálne a zmení sa to po poklese vlhkosti. Dbajte na to, aby boli dvere/zásuvka tesne zatvorené.
Svetlo displeja funguje, ale spotrebič nechladí.	<ul style="list-style-type: none"> Spotrebič je v demo režime. 	<ul style="list-style-type: none"> Všimnite si, v akom stave je spotrebič. Ak je v režime ukážky, režim ukončte. Ukončenie: Podržte tlačidlo „ECO“ a 5-krát počas 5 sekúnd kliknite na tlačidlo „Super Freeze“.

Problém	Možná príčina	Možné riešenie
V mrazničke je silná vrstva ľadu a námrazy.	<ul style="list-style-type: none"> • Potraviny neboli správne zabalené. • Netesne zatvorené dvere/zásuvka spotrebiča. • Dvere/zásuvka boli otvorené príliš často alebo príliš dlho. • Tesnenie dveri/zásuvky je znečistené, opotrebované, prasknuté alebo nevhodné. • Niečo na vnútornej strane bráni správne zatvoreniu dverí/zásuvky. 	<ul style="list-style-type: none"> • Potraviny vždy správne zabaľte. • Zatvorte dvere/zásuvku. • Neotvárajte dvere/zásuvku príliš často. • Vyčistite tesnenie dveri/zásuvky alebo ich vymeňte za nové. • Premiestnite police, priehradky na dverách alebo vnútorné zásobníky tak, aby sa dali dvere/zásuvka zatvoriť.
Boky skrinky a lišty dverí sa zahrievajú.	<ul style="list-style-type: none"> • - 	<ul style="list-style-type: none"> • Je to normálne.
Spotrebič vydáva neobvyklé zvuky.	<ul style="list-style-type: none"> • Spotrebič nie je umiestnený na rovnom povrchu. • Spotrebič sa dotýka nejakého predmetu v jeho okolí. 	<ul style="list-style-type: none"> • Nastavte nožičky a vyrovnajte spotrebič do vodorovnej polohy. • Odstráňte predmety v okolí spotrebiča.
Počuť tichý zvuk podobný tečúcej vode.	<ul style="list-style-type: none"> • - 	<ul style="list-style-type: none"> • Je to normálne.
Budete počuť pípanie alarmu.	<ul style="list-style-type: none"> • Dvere chladničky ostali otvorené. 	<ul style="list-style-type: none"> • Zatvorte dvere.
Budete počuť slabé hučanie.	<ul style="list-style-type: none"> • Funguje systém proti kondenzácii. 	<ul style="list-style-type: none"> • To zabraňuje kondenzácii a je to normálne.
Nefunguje osvetlenie interiéru alebo chladiaci systém.	<ul style="list-style-type: none"> • Zástrčka nie je vsunutá do zásuvky. 	<ul style="list-style-type: none"> • Vsuňte zástrčku do zásuvky elektrickej siete.
	<ul style="list-style-type: none"> • Porucha zdroja napájania. 	<ul style="list-style-type: none"> • Skontrolujte elektrické napájanie v miestnosti. Kontaktujte miestnu elektrárenskú spoločnosť!
	<ul style="list-style-type: none"> • LED žiarovka nie je v poriadku. 	<ul style="list-style-type: none"> • Kontaktujte servis kvôli výmene žiarovky.

Ak chcete kontaktovať technickú pomoc, navštívte našu webovú stránku:
<https://corporate.haier-europe.com/en/>

V sekcii „webová stránka“ vyberte značku svojho produktu a svoju krajinu. Stránka vás presmeruje na konkrétnu webovú stránku, kde nájdete telefónne číslo a formulár na kontaktovanie technickej pomoci.

Prerušenie elektrického napájania

V prípade výpadku elektrického prúdu by mali potraviny zostať bezpečne vychladené približne 5 hodín. V prípade dlhšieho výpadku elektrického napájania, najmä v lete, postupujte podľa nasledujúcich pokynov:

- ▶ Dvere/zásuvku otvárajte čo najmenej.
- ▶ Počas prerušenia napájania nekladajte do spotrebiča ďalšie potraviny.
- ▶ Ak vám je výpadok prúdu oznámený vopred a predpokladaná doba výpadku presahuje 5 hodín, vyrobte ľad a vložte ho do zásobníka v hornej časti chladničky.
- ▶ Ihneď po prerušení musíte potraviny skontrolovať.
- ▶ V dôsledku zvýšenia teploty v chladničke počas výpadku elektrického prúdu alebo inej poruchy dôjde k skráteniu trvanlivosti potravín a tiež sa zníži ich kvalita. Potraviny, ktoré sa rozmrazili, by ste mali buď rýchlo skonzumovať alebo uvariť a znovu zmraziť (ak je to vhodné), aby sa predišlo zdravotným rizikám.

Funkcia pamäte pri prerušení napájania

Po obnovení napájania spotrebič pokračuje v nastaveniach, ktoré boli nastavené pred výpadkom prúdu.

Vybalenie



VAROVANIE!

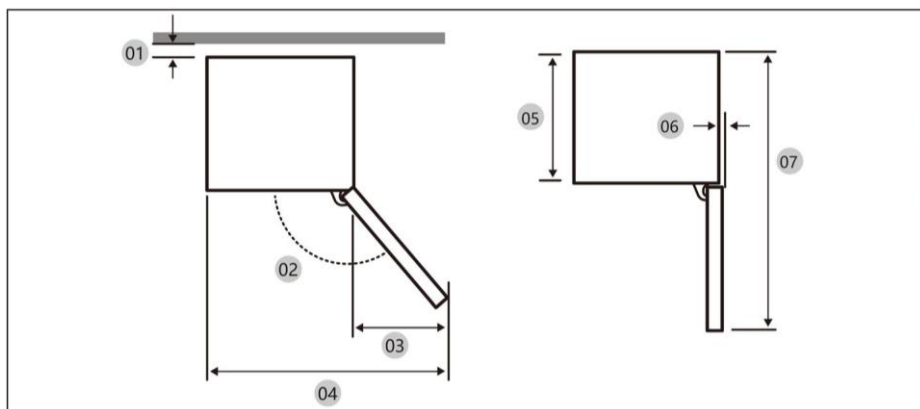
- ▶ Spotrebič je ťažký. Musia s ním vždy manipulovať dve osoby.
- ▶ Všetky obalové materiály udržiajte mimo dosahu detí a zlikvidujte ich spôsobom, ktorý je šetrný k životnému prostrediu.
- ▶ Vyberte spotrebič z obalu.
- ▶ Odstráňte všetok obalový materiál.

Podmienky prostredia

Teplota v miestnosti musí byť vždy v rozsahu 10 °C až 43 °C, pretože môže mať vplyv na teplotu vnútri spotrebiča a na jeho spotrebu energie. Spotrebič neinštalujte v blízkosti iných spotrebičov sálajúcich teplo (rúry, chladničky)

Návrh priestoru

Odporúčaná priestor pri otvorených dverách (bez panelu dverí skrinky)

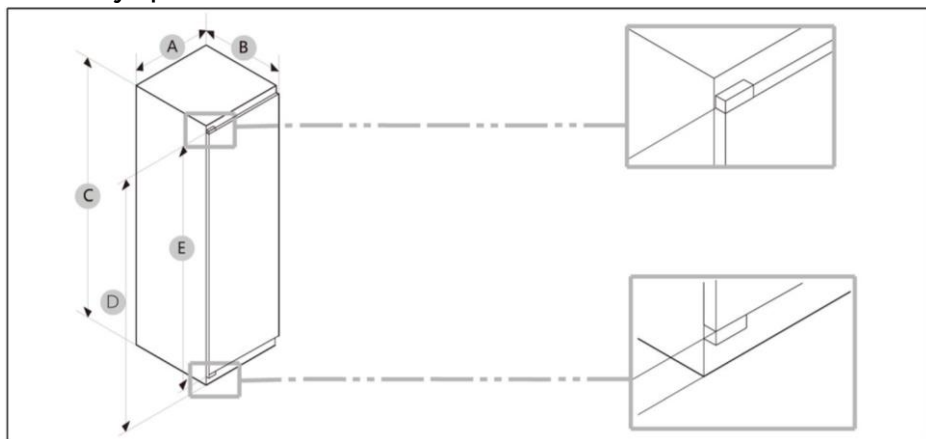


Model	CMT5518EVWF RMT5518EVWF
01*	10 (min.) / 30 (odporúčané)
02	95° (odporúčané)
03	43
04	583
05	515
06	-3
07	1060

(jednotka: mm)

* 01: Od skrinky po zadnú stenu spotrebiča.

Rozmery spotrebiča



Model	A (mm)	B (mm)	C (mm)	D (mm)	E (mm)
CMT5518EVWF	540±2	550±2	1772±2	1715	1671
RMT5518EVWF					

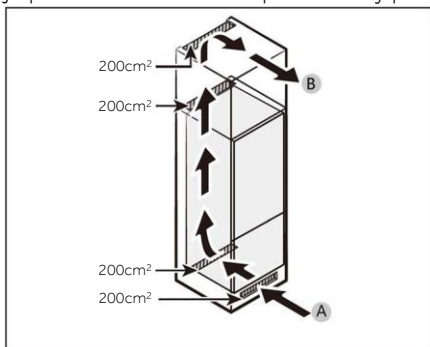


OZNÁMENIE

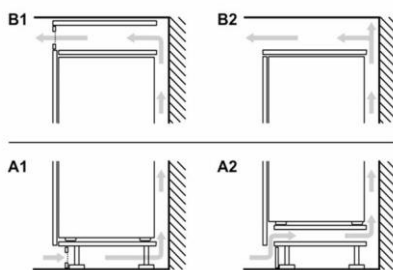
- Uvedená spotreba energie vyžaduje splnenie podmienky, že medzi skrinkou a zadnou stenou spotrebiča musí ostať 10 mm medzera. Spotrebič bude správne fungovať, aj keď bude medzera menšia ako 10 mm, spotrebuje však o niečo viac energie.
- Odporúčame použiť skrinku s hrúbkou steny 19 mm, so závesmi s hrúbkou menšou ako 17 mm.
- Rozmery vo vyššie uvedenej tabuľke sa môžu líšiť v závislosti od spôsobu merania.
- Informácie o inštalácii so zabudovaním nájdete v Inštaláčnej príručke

Prierez na vetranie

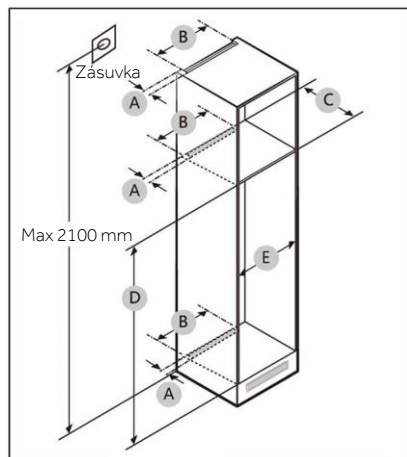
Na dosiahnutie dostatočnej ventilácie spotrebiča z bezpečnostných dôvodov je potrebné dodržiavať požiadavky pre správne vetranie.



A: Vstup vzduchu $\geq 200 \text{ cm}^2$; Možnosti vetrania
 B: Výstup vzduchu $\geq 200 \text{ cm}^2$; Možnosti vetrania



Rozmer skrine



POZOR!

Záruka sa nevzťahuje na žiadnu poruchu spotrebiča, pokiaľ je spôsobená niektorou z nasledujúcich príčin.

1. Nevhodné podmienky na mieste alebo nesprávne veľkosti skriniek.
2. Chybná skriňa.
3. Chyby inštalatéra alebo používateľa.

Medzera

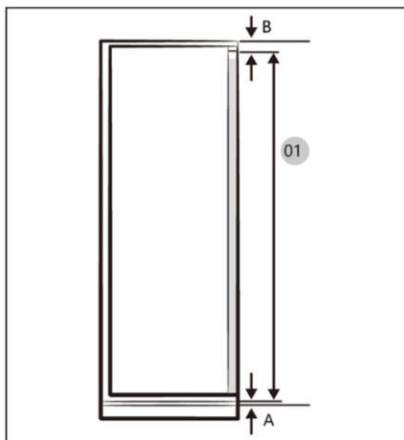
Priestorové požiadavky na inštaláciu nájdete na obrázkoch a v tabuľkách nižšie.

Model		A (mm)	B (mm)	C (mm)	D (mm)	E (mm)	Pripomenka
CMT5518EVWF RMT5518EVWF	Min.	50	400	560	1778	560	Záves: 17 mm
	Odporúčané			580	1780	562	
	Max.			-	1782	568	



OZNÁMENIE

- Ak je šírka skrinky väčšia ako 568 mm, tesnenie (medzi chladničkou a skrinkou) sa môže uvoľniť.
- Ak je skriňa vyššia ako maximálny rozmer (1782 mm), musíte na vyplnenie medzery použiť iný materiál na vyplnenie.

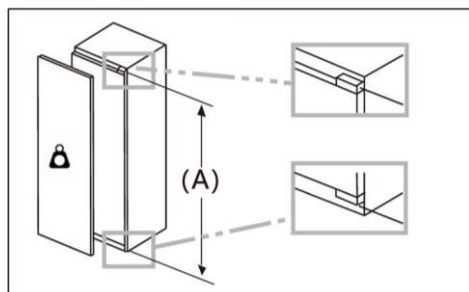


- A. Spodný okraj predného panela nad vetracím otvorom
 B. Presiahnutie predného panelu


Model	CMT5518EVWF RMT5518EVWF
01	Min. 1694+A+B Max. 1850+A+B

(jednotka: mm)

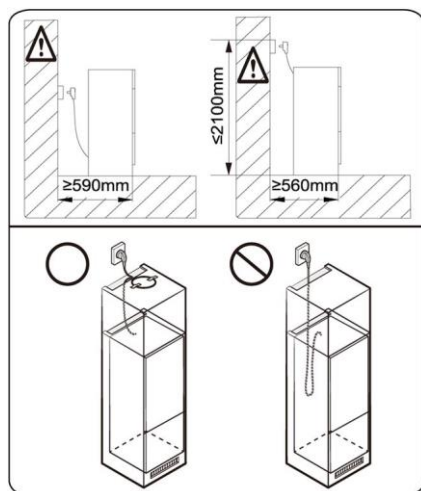
Maximálna povolená hmotnosť čela jednotky



Namontované čelá jednotiek, ktoré prekračujú povolenú hmotnosť, môžu spôsobiť poškodenie a funkčnú poruchu závesov.

 Hmotnosť (kg)	1500-1750 mm	22
	720-1400 mm	19

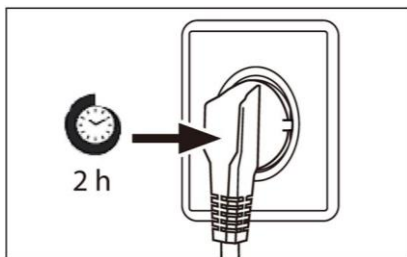
Zvážte umiestnenie zásuvky elektrickej siete a požadovaný priestor



OZNÁMENIE

Ak chladničku nainštalujete do skrine s hĺbkou 560 mm, pred zapojením do elektrickej zásuvky sa uistite, že je napájací kábel umiestnený na bočnej strane chladničky. Ak je napájací kábel v zadnej časti chladničky, môže to znížiť energetickú účinnosť.

Doba čakania



V puzdre kompresora sa nachádza bezúdržbový mazací olej. Pri nakláňaní spotrebiča počas prevozu sa tento olej môže dostať cez uzatvorený systém rúrok. Pred pripojením spotrebiča ku zdroju napájania musíte počkať aspoň 2 hodiny, aby olej stiekol späť do puzdra.

Elektrické zapojenie

Pred každým pripojením skontrolujte, či:

- ▶ napájanie, zásuvka a istenie zodpovedajú typovému štítu.
- ▶ je sieťová zásuvka uzemnená a nie je pripojený žiadny adaptér s viacerými zásuvkami ani predlžovací kábel.
- ▶ sa zástrčka a zásuvka presne zhodujú.

Zástrčku pripojte k správne nainštalovanej domácej zásuvke.



VAROVANIE!

Poškodený napájací kábel musia vymeniť v zákazníckom servise, aby sa zabránilo nebezpečenstvu (pozrite záručný list).

Špecifikácie výrobku podľa nariadenia EÚ č. 2019/2016

Značka	CANDY	Rosieres
Názov/identifikátor modelu	CMT5518EVWF	RMT5518EVWF
Kategória modelu	Mraznička	Mraznička
Trieda energetickej účinnosti	E	E
Ročná spotreba energie (kWh/rok) (1)	215	215
Celkový objem (l)	220	220
Objem komory (l)	/	/
Objem mrazničky (l)	220	220
Objemová časť chladiča (l)	/	/
Objem automatického výrobníka ľadu (l)	/	/
Počet hviezdíček	4	4
Teplota ďalších priestorov > 14 °C	Neuplatňuje sa	Neuplatňuje sa
Systém bez námrazy Frost-free	Áno	Áno
Kapacita zmrazovania (kg/24 h)	15	15
Klimatická trieda (2)	SN/N/ST/T	SN/N/ST/T
Trieda emisie hluku a emisie hluku prenášané vzduchom (db(A) _{re1pW})	B 35	B 35
Čas nábehu teploty (h)	6	6
Kapacita výroby ľadu	/	/
Typ spotrebiča	Zabudovaný	Zabudovaný

Názov modelu	Trieda energetickej účinnosti
CMT5518EVWF	E
RMT5518EVWF	E

Vysvetlenie:

- Áno, odporúčané
- (1) Na základe výsledkov skúšky zhody noriem počas 24 hodín. Skutočná spotreba závisí od použitia a umiestnenia spotrebiča.
 - (2) Klimatická trieda SN: Tento spotrebič je určený na použitie pri teplote okolia v rozsahu + 10 °C až +32 °C
 Klimatická trieda N: Tento spotrebič je určený na použitie pri teplote okolia v rozsahu + 16 °C až +32 °C
 Klimatická trieda ST: Tento spotrebič je určený na použitie pri teplote okolia v rozsahu + 16 °C až +38 °C
 Klimatická trieda T: Tento spotrebič je určený na použitie pri teplote okolia v rozsahu + 16 °C až +43 °C

Doplňujúce technické údaje

Napätie/Frekvencia	220-240 V ~ / 50 Hz
Vstupný prúd (A)	1,5
Hlavná poistka (A)	16
Chladiace médium	R600a
Rozmery (V/Š/H v mm)	1772/540/550

RF informácie

Maximálne e.i.r.p.: Bluetooth (BR/EDR): 10 dBm

Bluetooth LE: 5 dBm

2,4 GHz Wi-Fi: 16 dBm

Frekvenčné pásmo prevádzky: 2400 – 2483,5 MHz

Odporúčame vám náš zákaznícky servis Haier a použitie originálnych náhradných dielov.

Ak máte problém so svojím spotrebičom, najskôr si pozrite časť RIEŠENIE PROBLÉMOV.

Ak tam nenájdete riešenie, kontaktujte

- ▶ svojho miestneho predajcu alebo
- ▶ naše európske stredisko European Call Service-Center (pozri nižšie uvedené telefónne čísla) alebo
- ▶ oblasť Service & Support na stránke www.haier.com, kde môžete požiadať o servis
- ▶ a nájsť odpovede na najčastejšie otázky.

Ak chcete kontaktovať náš servis, uistite sa, že máte k dispozícii nasledujúce údaje. Informácie nájdete na typovom štítku.

Model _____

Sériové č. _____

V prípade záruky skontrolujte aj záručný list dodaný s výrobkom.

European Call Service-Center		
Krajina*	Telefónne číslo	Náklady
Haier Italy (IT)	199 100 912	
Haier Spain (ES)	902 509 123	
Haier Germany (DE)	0180 539 39 99	<ul style="list-style-type: none"> • 14 centov/min. pevná linka • max. 42 centov/min. mobil
Haier Austria (AT)	0820 001 205	<ul style="list-style-type: none"> • 14,53 centov/min. pevná linka • max. 20 centov/min. všetky ostatné
Haier United Kingdom (UK)	0333 003 8122	
Haier France (FR)	0980 406 409	

*Ďalšie krajiny nájdete na stránke www.haier.com

Haier Europe Trading S.r.l

Pobočka UK

Westgate House, Westgate, Ealing

London, W5 1YY

*Trvanie záruky na chladiaci spotrebič:

Minimálna záruka je: 2 roky pre krajiny EÚ, 3 roky pre Turecko, 1 rok pre Spojené kráľovstvo, 1 rok pre Rusko, 3 roky pre Švédsko, 2 roky pre Srbsko, 5 rokov pre Nórsko, 1 rok pre Maroko, 6 mesiacov pre Alžírsko, Tunisko nevyžaduje žiadnu zákonnú záruku.

*Obdobie poskytovania náhradných dielov na opravu spotrebiča:

Termostaty, snímače teploty, dosky plošných spojov a svetelné zdroje sú k dispozícii minimálne sedem rokov po uvedení poslednej jednotky modelu na trh.

Kľučky, závesy dverí, podnosy a koše minimálne na obdobie siedmich rokov a tesnenia dverí na minimálne 10 rokov po uvedení poslednej jednotky modelu na trh.

*Ďalšie informácie o výrobku nájdete na stránkach <https://eprel.ec.europa.eu/> alebo si oskenujte QR kód na štítku s údajmi o elektrickej spotrebe spotrebiča.

<u>5 Varnostne informacije</u>	Pred prvo uporabo	6
	Namestitvev	6
	Vsakodnevna uporaba	7
	Informacije o hladilnih plinih	9
<u>10 Predvidena uporaba</u>		
<u>11 Opis izdelka</u>		
<u>12 Nadzorna plošča</u>		
<u>13 Uporaba</u>	Tipka za zaklepanje/odklepanje in njena ikona	13
	Funkcija pripravljenosti	13
	Funkcija Wi-Fi	13
	Prilagoditev temperature zamrzovalnika	14
	Funkcija Super Freeze	15
	Funkcija ECO	15
<u>16 Oprema</u>		
<u>17 Nasveti za varčevanje z energijo</u>		
<u>18 Nega in čiščenje</u>		
<u>20 Odpravljanje težav</u>		
<u>24 Vgradnja</u>		
<u>30 Tehnični podatki</u>		
<u>32 Služba za pomoč strankam</u>		

Zahvaljujemo se vam za nakup izdelka Haier.

Pred uporabo aparata skrbno preberite ta navodila. Navodila vsebujejo pomembne informacije, ki vam bodo pomagale čim boljše izkoristiti aparat ter zagotoviti varno in pravilno namestitvev, uporabo in vzdrževanje.

Ta priročnik hranite na priročnem mestu, da je vedno na dosegu roke za varno in pravilno uporabo aparata.

Če aparat prodate, ga podarite ali pustite za sabo, ko se selite, poskrbite, da boste ta priročnik predali novemu lastniku, da se bo lahko seznanil z aparatom in varnostnimi opozorili.

Dodatki

Preverite dodatke in literaturo v skladu s tem seznamom:





OPOZORILO – Pomembne varnostne informacije



OBVESTILO – Splošne informacije in nasveti



Okoljske informacije



Odstranjevanje

Pomagajte varovati okolje in zdravje ljudi. Embalažo odložite v ustrezne zbiralnike za recikliranje. Pomagajte pri recikliranju električnih in elektronskih odpadnih naprav. Aparatov, označenih s tem simbolom, ne odlagajte med gospodinjske odpadke. Vrnite izdelek vašemu lokalnemu obratu za recikliranje ali se obrnite na občinski urad.



OPOZORILO!

Nevarnost telesnih poškodb ali zadužitve!

Hladilna sredstva in pline je treba odstraniti profesionalno. Prepričajte se, da cevi hladilnega tokokroga niso poškodovane, preden jih ustrezno zavržete. Aparat pred čiščenjem odklopite z napajanja. Odsluženemu aparatu odrežite električni kabel in ga zavržite. Odstranite pladnje in predale ter zatič in tesnila vrat, da preprečite zapiranje otrok in hišnih ljubljencev v aparat.

Pred prvim vklopom aparata preberite naslednje varnostne nasvete!:



OPOZORILO!

Pred prvo uporabo

- ▶ Prepričajte se, da med prevozom ni prišlo do poškodb.
- ▶ Pred namestitvijo aparata počakajte vsaj dve uri, da zagotovite polno učinkovitost hladilnega krogotoka.
- ▶ Aparat naj prenašata vsaj dve osebi, ker je težek.
- ▶ Odstranite vso embalažo in jo shranite izven dosega otrok ter zavržite na okolju prijazen način.
- ▶ Očistite notranjost in zunanost aparata z vodo in blagim detergentom, preden vanj položite hrano.
- ▶ Ko je aparat poravnan in očiščen, počakajte vsaj 2–5 ur, preden ga priključite na napajanje. Glejte poglavje NAMESTITEV.
- ▶ Preden aparat napolnite s hrano, predhodno ohladite predele pri visokih nastavitvah. Funkcija Super-Freeze pomaga hitro ohladiti predele.
- ▶ Temperatura zamrzovalnika je samodejno nastavljena na -18°C . To je priporočena nastavitev. Če želite, lahko to temperaturo spremenite ročno. Glejte razdelek PRILAGODITEV TEMPERATURE.

Namestitev

- ▶ Aparat naj bo postavljen v dobro prezračevan prostor. Poskrbite, da bo nad aparatom in okoli njega vsaj 10 cm prostora.
- ▶ Aparata nikoli ne postavljajte na vlažno mesto ali mesto, kjer bi lahko po njem brizgala voda. Očistite in pobrišite vodne kapljice in madeže z mehko čisto krpo.
- ▶ Aparata ne postavljajte neposredno na sonce ali blizu virov toplote (npr. štedilnikov, grelcev).
- ▶ Aparat namestite na mestu, ki je primerno njegovi velikosti in namenu.
- ▶ Poskrbite, da bodo prezračevalne odprtine aparata ali vgradnih elementov proste in neovirane.
- ▶ Prepričajte se, da se podatki o električnem toku na ploščici s tehničnimi navedbami ujemajo z napajanjem. V nasprotnem primeru se obrnite na električarja.
- ▶ Aparat deluje z izmeničnim napajanjem 220–240 VAC/50 Hz. Nenormalno nihanje napetosti lahko povzroči, da se aparat ne zažene, poškoduje regulator temperature ali kompresor ali pa se med delovanjem pojavi nenavaden hrup. V tem primeru se namesti samodejni regulator.
- ▶ Ne uporabljajte adapterjev z več vtiči in podaljškov.
- ▶ Prenosnih vtičnic ali prenosnega električnega napajanja ne postavljajte za aparat.
- ▶ Prepričajte se, da se napajalni kabel ni zataknil pod hladilnikom. Ne stopajte na napajalni kabel.



OPOZORILO!

- ▶ Uporabite ločeno ozemljeno vtičnico za napajanje, ki je lahko dostopna. Aparat mora biti ustrezno ozemljen. Samo za Združeno kraljestvo: Napajalni kabel aparata je opremljen s 3-žilnim (ozemljitvenim) vtičem, ki ustreza standardni 3-žilni (ozemljeni) vtičnici. Nikoli ne odrežite in ne odstranjujte tretjega zatiča (ozemljitev). Po namestitvi aparata mora biti vtič dostopen.

- ▶ Ne poškodujte hladilne napeljave.

Vsakodnevna uporaba

- ▶ Ta aparat lahko uporabljajo otroci, starejši od 8 let, ter osebe z zmanjšanimi fizičnimi, senzoričnimi ali umskimi zmožnostmi ali s pomanjkanjem izkušenj in znanja, pod ustreznim nadzorom, ali če imajo navodila za varno uporabo aparata ter če razumejo s tem povezana tveganja.
- ▶ Otrokom, starim od 3 do 8 let, je dovoljeno polnjenje in praznjenje, vendar jim ni dovoljeno čiščenje in nameščanje hladilnih aparatov.
- ▶ Otroci, mlajši od 3 let, naj se zadržujejo stran od aparata, razen če so pod stalnim nadzorom.
- ▶ Otroci naj se z aparatom ne igrajo.
- ▶ Če v bližini aparata pušča hladilni plin ali drug vnetljiv plin, izklopite ventil uhajajočega plina, odprite vrata in okna ter ne odklopite napajalnega kabla hladilnika ali drugega aparata.
- ▶ Upoštevajte, da je aparat nastavljen za delovanje v določenem območju temperature okolja med 10 in 43 °C. Aparat morda ne bo deloval pravilno, če je dlje časa izpostavljen temperaturi, ki je višja ali nižja od navedene.
- ▶ Na hladilnik ne postavljajte nestabilnih predmetov (težkih predmetov, posod, napolnjenih z vodo), da se izognete poškodbam zaradi padca ali električnega udara zaradi stika z vodo.
- ▶ Ne vlecite vratnih polic. Vrata se lahko potegnejo poševno, stojalo za steklenice se lahko izvleče ali pa se aparat prevrne.
- ▶ Vrata odpirajte in zapirajte samo z ročaji. Razmik med vrati ter vrati in omaro je zelo ozek. Ne segajte z rokami v te predele, da se izognete priprtju prstov. Vrata hladilnika odprite ali zaprite le, če v območju premikanja vrat ni otrok.
- ▶ Ko nameščate aparat, poskrbite, da električni kabel ne bo zataknjen ali poškodovan.
- ▶ V aparatu ne shranjujte eksplozivnih substanc, kot so na primer razpršilci pod tlakom z vnetljivim potisnim plinom.
- ▶ Da bi preprečili kontaminacijo živil:
 - Če so vrata predolgo odprta, se lahko temperatura znotraj hladilnega aparata občutno zviša.
 - Redno čistite površine, ki prihajajo v stik z živili in drenažnimi sistemi.
 - Surovo meso in ribe shranjujte v primernih posodah v hladilniku, da ne pridejo v stik z drugo hrano.
 - Če izdelek dlje časa pustite prazen, ga izklopite, odmrznite, očistite in posušite ter pustite odprta vrata, da preprečite nastanek plesni v aparatu.



OPOZORILO!

- ▶ Ne shranjujte ali uporabljajte vnetljivih, eksplozivnih ali jedkih snovi v aparatu ali njegovi bližini.
- ▶ V aparatu ne shranjujte zdravil, bakterij ali kemičnih snovi. Ta aparat je gospodinjski aparat. Zato ni priporočljivo hraniti materialov, ki zahtevajo strogo določene temperature.
- ▶ V zamrzovalniku nikoli ne shranjujte tekočin v steklenicah ali pločevinkah (razen močnih žganih pijač), zlasti gaziranih pijač, saj jih bo med zamrzovanjem razneslo.
- ▶ Preverite stanje hrane, če je prišlo do segrevanja v zamrzovalniku.
- ▶ Zamrznjenih živil se ne dotikajte z mokrimi rokami (uporabite rokavice). Še posebej ne jejte ledenk takoj, ko jih vzamete iz zamrzovalnika. Obstaja tveganje za zamrznitev ali nastanek mehurjev zaradi zmrzali. PRVA pomoč: takoj postavite pod tekočo mrzlo vodo. Ne vlecite proč!
- ▶ Med delovanjem se ne dotikajte notranjosti zamrzovalnega dela, zlasti z mokrimi rokami, saj lahko vaše roke primrznejo na površino.
- ▶ V primeru prekinitve napajanja ali pred čiščenjem aparat izklopite. Pred ponovnim zagonom aparata počakajte vsaj 7 minut, saj lahko pogosto zaganjanje poškoduje kompresor.
- ▶ Ne uporabljajte električnih naprav v predalih za shranjevanje živil v aparatu, razen če njihovo uporabo priporoča proizvajalec. Vzdrževanje/čiščenje
- ▶ Poskrbite, da bodo otroci pod nadzorom, če bodo opravljali čiščenje in vzdrževanje.
- ▶ Pred vsakim rednim vzdrževanjem aparat odklopite iz električnega napajanja. Pred ponovnim zagonom aparata počakajte vsaj 5 minut, saj lahko pogosto zaganjanje poškoduje kompresor.



OPOZORILO!

- ▶ Pri izklopu aparata primite vtič kabla, ne vlecite kabla.
- ▶ Aparata ne čistite s trdimi ščetkami, žičnimi krtačami, detergentom v prahu, bencinom, amil acetatom, acetonom in podobnimi organskimi raztopinami, kislimi ali alkalnimi raztopinami. Čistite ga s posebnim detergentom za hladilnik, da se izognete poškodbam.
- ▶ Če je priključni kabel poškodovan, morate preprečiti morebitna tveganja, zato ga sme nadomestiti samo proizvajalec, njegov servisni agent ali drug kvalificiran serviser.
- ▶ Aparata ne poskušajte popravljati, razstavljati ali spreminjati sami. V primeru popravila se obrnite na našo službo za stranke.
- ▶ Vsaj enkrat letno odstranite prah na hrbtne strani enote, da se izognete nevarnosti požara in povečani porabi energije.
- ▶ Med čiščenjem aparata ne škropite ali spirajte.
- ▶ Aparata ne čistite s pršenjem vode ali paro.
- ▶ Hladnih steklenih polic ne čistite z vročo vodo. Zaradi nenadne spremembe temperature se lahko steklo zlomi.

Informacije o hladilnem plinu



OPOZORILO!

Aparat vsebuje vnetljivo hladilno sredstvo IZOBUTAN (R600a). Prepričajte se, da hladilni tokokrog med transportom ali namestitvijo ni poškodovan. Puščanje hladilnega sredstva lahko povzroči poškodbe oči ali pa se sredstvo vname.

Če je prišlo do poškodbe, aparatu ne približujte odprtih virov ognja, temeljito prezračite prostor, ne priključujte ali odklapljajte napajalnih kablov aparata ali katere koli druge naprave. Obvestite službo za pomoč strankam.

Če oči pridejo v stik s hladilnim sredstvom, jih takoj sperite pod tekočo vodo in pokličite očesnega specialista.

Predvidena uporaba

Ta aparat je namenjen za zamrzovanje hrane. Zasnovan je bil izključno za uporabo v gospodinjstvih in prostorih, kot so kuhinjski prostori za osebje v trgovinah, pisarne in druga delovna okolja; na kmetijah in za uporabo strank v hotelih, motelih in drugih bivalnih objektih ter v prenočitvenih in gostinskih dejavnostih. Ni primeren za komercialno ali industrijsko uporabo.

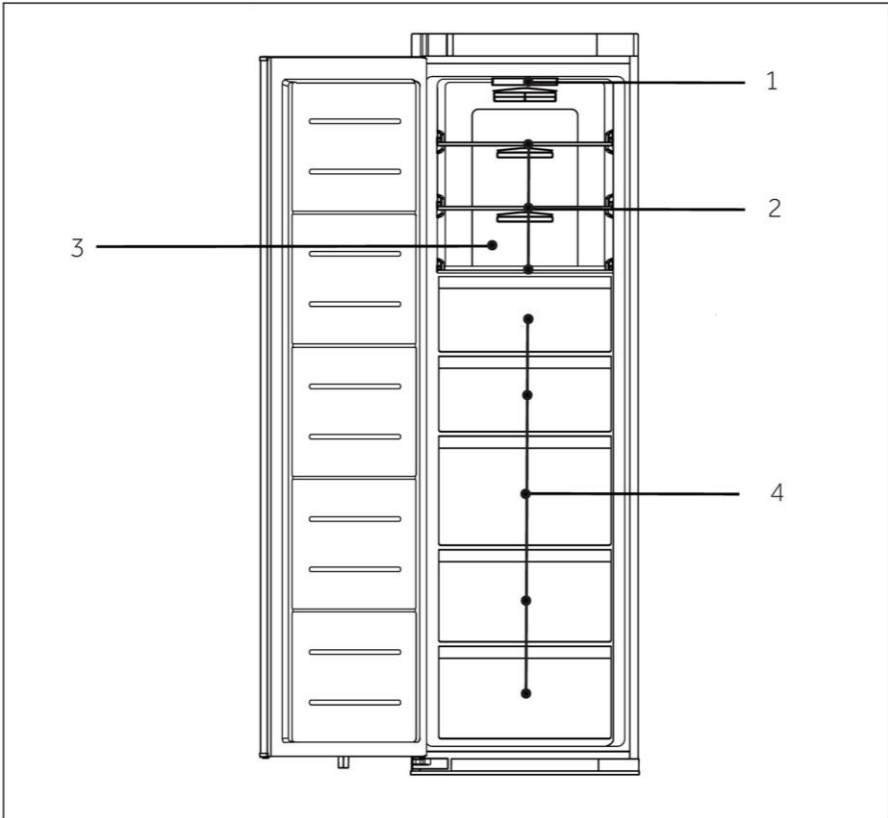
Spreminjanje aparata je prepovedano. Nenamenska uporaba lahko povzroči nevarnosti in izgubo garancijskih zahtevkov.

Standardi in direktive

Ta izdelek izpolnjuje zahteve vseh veljavnih direktiv ES z ustreznimi usklajenimi standardi, ki določajo oznako CE.

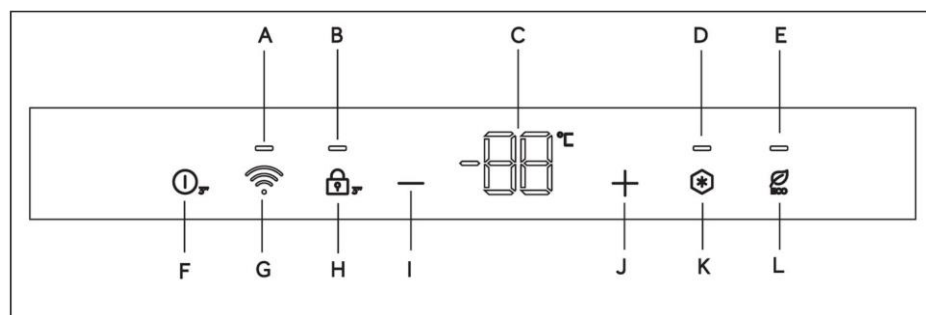
i OBVESTILO

Zaradi tehničnih sprememb in različnih modelov se lahko nekatere ilustracije v tem priročniku razlikujejo od vašega modela.

**CMT5518EVWF/RMT5518EVWF**

- 1 Notranja luč LED
- 2 Običajne police
- 3 Zračni kanal zamrzovalnika
- 4 Navadni predal zamrzovalnika

Nadzorna plošča



Ikone indikatorjev:

- A Ikona funkcije Wi-Fi
- B Ikona za zaklepanje/odklepanje
- C Ikona za prikaz temperature
- D Ikona funkcije Super Freeze
- E Ikona funkcije ECO

Tipke na dotik:

- F Tipka za VKLOP/IZKLOP
- G Tipka za seznanitev z Wi-Fi
- H Tipka za zaklepanje/odklepanje
- I Tipka za znižanje temperature
- J Tipka za povišanje temperature
- K Funkcijska tipka Super Freeze
- L Funkcijska tipka ECO

Senzorske tipke

Gumbi na nadzorni plošči so senzorske tipke, ki se odzovejo, ko se jih rahlo dotaknete s prstom.

Pred upravljanjem zaslona najprej odprite vrata hladilnika.

Funkcija zaklepanja/odklepanja

Ta tipka in njena ikona se uporabljata za zaklepanje ali odklepanje krmilnega zaslona in označujeta njegovo trenutno stanje.

Odprite vrata hladilnika med delovanjem hladilnika. Krmilni zaslon se prižge in sveti ikona za zaklepanje/odklepanje. V tem trenutku je krmilni zaslon v zaklenjenem stanju in ga ni mogoče upravljati.

Ročno odklepanje ali zaklepanje zaslona: ko sveti ikona za zaklepanje/odklepanje, se za 3 sekunde tipke za zaklepanje/odklepanje. Ikona bo ugasnila in oglasil se bo zvočni signal. Zdaj lahko izberete funkcijo ali prilagodite temperaturo.

Ko ikona za zaklepanje/odklepanje ne sveti, se za 3 sekunde dotaknite ikone za zaklepanje/odklepanje. Ikona za zaklepanje/odklepanje bo zasvetila in oglasil se bo zvočni signal. Zdaj funkcij ni mogoče izbirati in temperature ni mogoče nastavljati.

Samodejno zaklepanje zaslona: ko so vrata hladilnika zaprta, se krmilni zaslon izklopi in zaklene.

Ko odprete vrata hladilnika, se krmilni zaslon samodejno zaklene, če v 30 sekundah ne izvedete nobenega dejanja.

Funkcija VKLOP/IZKLOP

Tipka za VKLOP/IZKLOP se uporablja za preklapljanje med načinom IZKLOP (stanje prekinitve delovanja) in načinom VKLOP (normalni načini delovanja).

Vstop v način IZKLOP: v načinu delovanja hladilnika najprej odklenite zaslon, nato pa se 3 sekunde dotikajte funkcijske tipke VKLOP/IZKLOP, da izklopite krmilni zaslon, osvetlitev hladilnika, hlajenje in druge funkcije. Oglasil se bo zvočni signal.



OBVESTILO

Način IZKLOP ne pomeni popolnega izklopa. Hladilnik še vedno deluje.

Zapuščanje načina IZKLOP: V načinu IZKLOP se za 3 sekunde dotaknite tipke za VKLOP/IZKLOP, da ponovno zaženete krmilni zaslon, osvetlitev hladilnika, hlajenje in druge funkcije. Oglasil se bo zvočni signal. Hladilnik se bo povrni na prej nastavljen temperaturo in funkcijo ter ponovno začel normalno delovati.

Funkcija Wi-Fi

Seznanjanje z Wi-Fi: Ob prvem vklopu hladilnika bo ta samodejno prešel v način konfiguracije omrežja. Ikona funkcije Wi-Fi bo hitro utripala in če seznanjanja z Wi-Fi ne izvedete, bo to stanje samodejno zapustil po 30 minutah.

Ročni vstop v način seznanjanja z Wi-Fi: ko odklenete krmilni zaslon in ikona funkcije Wi-Fi sveti, 3 sekunde pritisnite tipko za seznanjanje z Wi-Fi, da vstopite v ta način. V tem času bo ikona funkcije Wi-Fi hitro utripala, kar pomeni, da je v načinu seznanjanja z Wi-Fi. Če ne izvedete nobenega dejanja za seznanjanje z omrežjem, hladilnik to funkcijo samodejno zapusti po 30 minutah.

POSTOPEK SEZNANITVE V APLIKACIJI

<p>1. korak • Prenesite aplikacijo hOn iz ustrezne trgovine.</p> 	
<p>2. korak Ustvarite račun v aplikaciji hOn ali se prijavite, če račun že imate.</p> 	<p>3. korak Sledite navodilom za seznanjanje v aplikaciji hOn.</p> 

i OBVESTILO

V načinu seznanjanja z Wi-Fi upoštevajte navodila aplikacije in dokončajte konfiguracijo omrežja. Če želite spremeniti okolje Wi-Fi, morate znova vstopiti v ta način. Če ikona funkcije Wi-Fi ostane prižgana, to pomeni, da je bila povezava z omrežjem uspešno vzpostavljena.

Prilagoditev temperature zamrzovalnika

Ko ste odprli vrata hladilnika in odklenili krmilni zaslon, lahko s tipko Znižanje temperature znižate nastavljeno temperaturo v hladilniku. Vsakič, ko se tipke rahlo dotaknete, se temperatura zniža za 1 °C, dovoljena najnižja temperatura pa je -24 °C.

Ko ste odprli vrata hladilnika in odklenili krmilni zaslon, lahko s tipko Povišanje temperature povišate nastavljeno temperaturo hladilnika. Vsakič, ko se tipke rahlo dotaknete, se temperatura poviša za 1 °C, najvišja dovoljena temperatura pa je -14 °C.

Med delovanjem bo ikona za prikaz temperature prikazovala nastavljeno temperaturo in utripala. Krmilni zaslon bo po 5 sekundah samodejno potrdil nastavljeno temperaturo in nato prikazal trenutno temperaturo. Po končani nastavitvi se temperatura v hladilniku postopoma spremeni z dejanske na nastavljeno temperaturo. Zato lahko za določen čas obstaja odstopanje med dejansko in nastavljeno temperaturo.

Funkcija Super Freeze

Ta tipka in njena ikona se uporabljata za preklon funkcije Super Freeze hladilnika in prikaz trenutnega stanja.

Ko ste odprli vrata hladilnika in odklenili krmilni zaslon, se rahlo dotaknite funkcijske tipke Super Freeze. Zasveti ikona funkcije Super Freeze, kar pomeni, da je hladilnik že v tem načinu. Če želite izstopiti iz tega načina, se lahko po istem postopku znova rahlo dotaknete funkcijske tipke Super Freeze.

V tej funkciji se bo temperatura verjetno približala -28 C ali nižji, hladilnik pa bo po 50 urah funkcijo samodejno izklopil, da temperatura ne bi bila prenizka.

Funkcija ECO

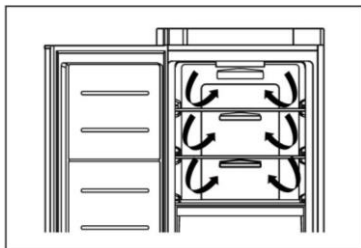
Ko ste odprli vrata hladilnika in odklenili krmilni zaslon, se rahlo dotaknite funkcijske tipke ECO. Zasveti ikona funkcije ECO, kar pomeni, da je hladilnik že v tem načinu. Če želite ta način izklopiti, se znova rahlo dotaknite funkcijske tipke ECO. V načinu ECO bo hladilnik samodejno deloval pri povprečni temperaturi $-18\text{ }^{\circ}\text{C}$.



OBVESTILO

Zaradi različne logike delovanja posebnih funkcij med funkcijo Super Freeze in funkcijo ECO teh posebnih načinov ni mogoče aktivirati hkrati. Aktivirana je lahko samo ena funkcija, pri preklapljanju med načini pa se drugi posebni načini samodejno izklopijo. Poleg tega nastavljene temperature ni mogoče spremeniti, če omenjenih načinov pred tem ne zapustite.

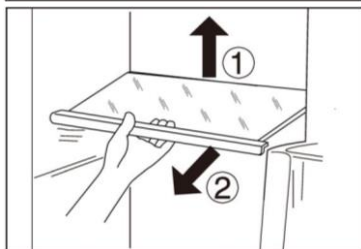
$-18\text{ }^{\circ}\text{C}$ je primerna temperatura za splošno zamrznjena živila, ki se jih lahko shranjuje od 1 do 12 mesecev, kot so meso, perutnina, morski sadeži, vnaprej pripravljena živila in ostanki, nekatere vrste sadja in zelenjave, sladoled in druge zamrznjene sladice.



Več pretokov zraka

1. Hladilnik je opremljen s sistemom z več pretoki zraka, s katerim se hladni pretoki zraka nahajajo na vsaki ravni police. To pomaga ohranjati enotno temperaturo, da ostane hrana dlje časa sveža.

Nastavljive police



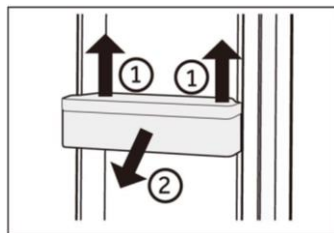
1. Višino polic lahko prilagodite tako, da ustrezajo vašim potrebam po shranjevanju.
2. Za premik police jo najprej odstranite tako, da dvignete njen zadnji rob ① in jo izvlečete ②.
3. Če jo želite znova namestiti, jo postavite na vodila na obeh straneh in potisnite do konca nazaj, dokler zadnji del police ni pritrjen v reže na strani

i OBVESTILO

Prepričajte se, da so vsi konci police poravnani.

Odstranljive police za vrata/nosilec za steklenice

1. Posode v vratih lahko odstranite za čiščenje:
2. Položite roko na vsako stran posode in jo dvignete ① ter izvlecite ②.
3. Za vstavev posode v vrata izvedite zgornje korake v obratnem vrstnem redu.



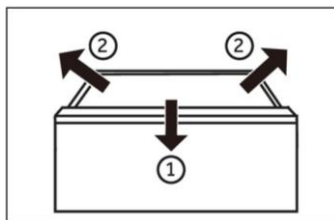
i OBVESTILO

Ko je aparat vklopljen, lahko traja do 12 ur, da doseže pravilne temperature.

Odstranljiv predal

Če želite predal odstraniti, ga v največji možni meri izvlecite ①, dvignite in odstranite ②.

Za vstavev predala zgornje korake izvedite v obratnem vrstnem redu.



Luč

Notranja lučka LED se prižge, ko so odprta vrata. Na delovanje luči ne vpliva nobena druga nastavev naprave.



Namigi za varčevanje z električno energijo

- ▶ Prepričajte se, da je aparat pravilno prezračen (glejte NAMESTITEV).
- ▶ Aparata ne postavljajte neposredno na sonce ali blizu virov toplote (npr. štedilnikov, grelcev).
- ▶ Izogibajte se nepotrebno nizki temperaturi v aparatu. Poraba energije se poveča, ko je v aparatu nastavljena nižja temperatura.
- ▶ Funkcije, kot je Super Freeze, porabijo več energije.
- ▶ Počakajte, da se toplotno obdelana živila ohladijo in jih šele nato postavite v aparat.
- ▶ Vrata aparata odprite čim manjkrat in za čim krajše obdobje.
- ▶ Aparata ne polnite preveč, da se izognete oviranju pretoka zraka.
- ▶ Izogibajte se zraku v embalaži živil.
- ▶ Tesnila vrat naj bodo čista, da se bodo vrata vedno pravilno zaprla.
- ▶ Konfiguracija, ki najbolj varčuje z energijo, zahteva, da ima aparat predale, škatle za hrano in police v tovarniško nastavljenem stanju, hrano pa je treba postaviti čim bolj narazen, ne da bi blokirali odprtini zračnega kanala.

**OPOZORILO!**

Aparat pred čiščenjem izključite iz napajanja.

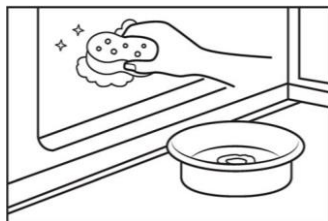
Čiščenje

Aparat očistite, ko hranite le malo živil ali nič.

Aparat je treba očistiti vsake štiri tedne za dobro vzdrževanje in za preprečevanje neprijetnega vonja hrane.

**OPOZORILO!**

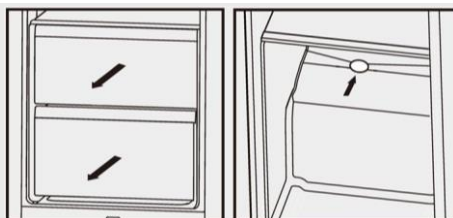
- ▶ Aparata ne čistite s trdimi ščetkami, žičnimi krtačami, detergentom v prahu, bencinom, amil acetatom, acetonom in podobnimi organskimi raztopinami, kislimi ali alkalnimi raztopinami. Čistite ga s posebnim detergentom za hladilnik, da se izognete poškodbam.
- ▶ Med čiščenjem aparata ne škropite ali spirajte.
- ▶ Aparata ne čistite s pršenjem vode ali paro.
- ▶ Hladnih steklenih polic ne čistite z vročo vodo. Zaradi nenadne spremembe temperature se lahko steklo zlomi.
- ▶ Ne dotikajte se notranjosti zamrzovalnega predela, zlasti z mokrimi rokami, saj lahko vaše roke primrznejo na površino.
- ▶ V primeru ogrevanja preverite stanje zamrznjenega blaga.



- ▶ Tesnilo na vratih naj bo vedno čisto.
- ▶ Očistite notranjost in ohišje aparata z gobo, navlaženo v topli vodi in nevtralnem čistilu.
- ▶ 1. Z mehko brisačo ali gobico, namočeno v toplo vodo (v toplo vodo lahko dodate nevtralen detergent), obrišite notranjost in zunanost hladilnika, vključno s tesnilom na vratih, stojalom za vrata, steklenimi policami, posodami in podobno.
- ▶ 2. Če pride do razlitja tekočine, odstranite vse kontaminirane dele, neposredno jih sperite s tekočo vodo, posušite in vrnite v hladilnik.
- ▶ 3. Če pride do razlitja kremaste snovi (na primer smetana, stopljeni sladoled), odstranite vse kontaminirane dele, za nekaj časa postavite v toplo vodo s temperaturo približno 40 °C, nato sperite s tekočo vodo, posušite in vrnite nazaj v hladilnik.
- ▶ 4. Če se majhen del ali komponenta zatakne v hladilniku (med policami ali predali), ga odstranite z majhno mehko krtačo. Če dela ne dosežete, se obrnite na servis Haier

**OBVESTILO**

Odtočni kanal ne sme biti zamašen s tujski, sicer lahko pride do težave s prelivanjem vode. Če je odtočni kanal zamašen, lahko izvlečete predal in ga očistite s krpo.



- ▶ Sperite in posušite z mehko krpo.
- ▶ Nobenega dela aparata ne čistite v pomivalnem stroju.
- ▶ Pred ponovnim zagonom aparata počakajte vsaj 5 minut, saj lahko pogosto zaganjanje poškoduje kompresor.

Odmrzovanje

Odmrzovanje predela zamrzovalnika se izvede samodejno; ročno upravljanje ni potrebno.

Menjava luči LED



OPOZORILO!

LED-lučke ne smete zamenjati sami, zamenjati jo sme le proizvajalec ali pooblaščen servisier.

Luči kot vir svetlobe uporabljajo sijalke LED z nizko porabo energije in dolgo življenjsko dobo. Če pride do kakršnih koli nepravilnosti, se obrnite na službo za pomoč strankam. Glejte SLUŽBA ZA POMOČ STRANKAM.

Parametri luči:

Predel zamrzovalnika: 12 V maks. 1,5 W

Ta izdelek vsebuje svetlobni vir razreda energetske učinkovitosti <G>.

Dolgotrajna neuporaba

Če aparata dlje časa ne uporabljate:

vso hrano odstranite;

izklopite napajalni kabel.

očistite aparat, kot je opisano zgoraj.

vrata naj ostanejo odprta, da preprečite nastanek neprijetnega vonja.



OBVESTILO

Aparat izklopite le, če je to nujno potrebno.

Premikanje aparata

1. Odstranite vso hrano in izključite aparat.
2. Police in druge premične dele v zamrzovalniku pritrdite z lepilnim trakom.
3. Hladilnika ne nagibajte za več kot 45°, da ne poškodujete hladilnega sistema.



OPOZORILO!

- ▶ Aparata ne dvigujte za ročaje.
- ▶ Aparata nikoli ne postavljajte vodoravno na tla.

Številne težave, do katerih prihaja, bi lahko rešili sami brez posebnega strokovnega znanja. V primeru težav preverite vse prikazane možnosti in sledite spodnjim navodilom, preden se obrnete na servisno službo. Glejte SLUŽBA ZA POMOČ STRANKAM.



OPOZORILO!

- ▶ Pred vzdrževanjem izklopite aparat in odklopite vtič iz vtičnice.
- ▶ Električno opremo lahko servisirajo samo usposobljeni električarji, saj lahko nepravilna popravila povzročijo znatno posledično škodo.
- ▶ Če je napajalni kabel poškodovan, ga sme zamenjati samo proizvajalec, njegov servisni agent ali drug kvalificiran serviser, da preprečite morebitne nevarnosti.

Težava	Možen vzrok	Možna rešitev
Kompresor ne deluje.	<ul style="list-style-type: none"> • Omrežni vtič ni priključen v omrežno vtičnico. • Aparat je v ciklu odmrzovanja. 	<ul style="list-style-type: none"> • Priključite omrežni vtič. • To je normalno za avtomatsko odmrzovanje.
Aparat deluje prepogosto ali deluje predolgo.	<ul style="list-style-type: none"> • Notranja ali zunanja temperatura je previsoka. • Aparat že nekaj časa ni vklopljen. • Vrata aparata niso tesno zaprta. • Vrata so bila odprta prepogosto ali predolgo. • Nastavitev temperature v zamrzovalnem prostoru je prenizka. • Tesnila vrat so umazana, obrabljena, razpokana ali neustrezna. • Zahtevano kroženje zraka ni zagotovljeno. 	<ul style="list-style-type: none"> • V tem primeru je običajno, da aparat deluje dlje. • Običajno traja od 8 do 12 ur, da se aparat popolnoma ohladi. • Zaprite vrata/predal in se prepričajte, da je aparat nameščen na ravni podlagi ter da na vratih ni ovirajoče hrane ali posode. • Vrat/predala ne odpirajte prepogosto. • Nastavite višjo temperaturo, dokler ni dosežena zadovoljiva temperatura za hlajenje. Temperatura hladilnika je stabilna po 24 urah. • Očistite tesnilo vrat/predala ali prosite službo za pomoč strankam, da vam ga zamenja. • Zagotovite ustrezno prezračevanje.
Notranjost hladilnika je umazana in/ali ima neprijeten vonj.	<ul style="list-style-type: none"> • Notranjost hladilnika je potrebno očistiti. • V hladilniku je shranjena hrana z močnim vonjem. 	<ul style="list-style-type: none"> • Očistite notranjost hladilnika. • Hrano temeljito zavijte.

Težava	Možen vzrok	Možna rešitev
Znotraj aparata ni dovolj hladno.	<ul style="list-style-type: none"> • Temperatura je nastavljena previsoko. • Spravili ste preveč tople hrane. • Naenkrat ste spravili preveč hrane. • Živila so preblizu drug drugemu. • Vrata/predal aparata ni(so) tesno zaprt(a). • Vrata/predal je bil odprt prepogosto ali predolgo. 	<ul style="list-style-type: none"> • Ponastavite temperaturo. • Preden blago shranite, ga vedno ohladite. • Vedno shranjujte manjše količine hrane. • Pustite razmik med živili, ki omogoča pretok zraka. • Zaprite vrata/predal. • Vrat/predala ne odpirajte prepogosto.
Znotraj aparata je prehladno.	<ul style="list-style-type: none"> • Temperatura je nastavljena prenizko. • Vključena je funkcija Super Freeze ali deluje predolgo. 	<ul style="list-style-type: none"> • Ponastavite temperaturo. • Izklopite funkcijo Super Freeze.
Vlaga se nabira na zunanji površini hladilnika ali med vrati in predalom.	<ul style="list-style-type: none"> • Zunanje okolje je pretoplo in prevlažno. • Vrata niso tesno zaprta. Hladen zrak v aparatu in topel zunanji zrak kondenzirata. 	<ul style="list-style-type: none"> • To je normalno v vlažnem podnebju in se bo spremenilo, ko se vlažnost zmanjša. • Prepričajte se, da so/je vrata/predal tesno zaprt(a).
Lučke na zaslonu delujejo, vendar v hladilniku ni hladno na občutek.	<ul style="list-style-type: none"> • Nahaja se v demo načinu. 	<ul style="list-style-type: none"> • Preverite, v katerem stanju je. Če je v demo načinu, ga izklopite. Izhod: Držite gumb »ECO« in petkrat v 5 sekundah kliknite tipko »Super Freeze«.
Močan led in zmrzal v zamrzovalnem prostoru.	<ul style="list-style-type: none"> • Blago ni bilo ustrezno zapakirano. • Vrata/predal aparata ni(so) tesno zaprt(a). • Vrata/predal je bil odprt prepogosto ali predolgo. • Tesnila vrat/predala so umazana, obrabljena, razpokana ali neustrezna. • Nekaj na notranji strani preprečuje pravilno zapiranje vrat/predala. 	<ul style="list-style-type: none"> • Blago vedno dobro zapakirajte. • Zaprite vrata/predal. • Vrat/predala ne odpirajte prepogosto. • Očistite tesnilo vrat/predala ali ga zamenjajte z novim. • Premaknite police, posode v vratih ali notranje posode, da se vrata/predal zaprejo.

Težava	Možen vzrok	Možna rešitev
Strani hladilnika in trak na vratih se segrejejo.	<ul style="list-style-type: none"> - 	<ul style="list-style-type: none"> To je običajno.
Aparat proizvaja nenormalne zvoke.	<ul style="list-style-type: none"> Aparat ni nameščen na ravno podlago. Aparat se dotika predmeta v njeni bližini. 	<ul style="list-style-type: none"> Nastavite noge, da poravnate aparat. Odstranite predmete okoli aparata.
Slišati je mogoče rahel zvok, podoben zvoku pretakanja vode.	<ul style="list-style-type: none"> - 	<ul style="list-style-type: none"> To je običajno.
Zaslišali boste pisk alarma.	<ul style="list-style-type: none"> Vrata hladilnega prostora so odprta. 	<ul style="list-style-type: none"> Zaprite vrata.
Slišali boste šibko brnenje.	<ul style="list-style-type: none"> Sistem proti kondenzaciji deluje. 	<ul style="list-style-type: none"> To preprečuje kondenzacijo in je normalno.
Notranja razsvetljava ali hladilni sistem ne deluje.	<ul style="list-style-type: none"> Omrežni vtič ni priključen v omrežno vtičnico. 	<ul style="list-style-type: none"> Priključite omrežni vtič.
	<ul style="list-style-type: none"> Napajanje ne deluje pravilno. 	<ul style="list-style-type: none"> Preverite električno napajanje prostora. Pokličite lokalno elektro podjetje!
	<ul style="list-style-type: none"> Lučka LED ne deluje. 	<ul style="list-style-type: none"> Za zamenjavo lučke pokličite servisno službo.

Če želite stopiti v stik s tehnično pomočjo, obiščite naše spletno mesto:
<https://corporate.haier-europe.com/en/>

V razdelku »spletno mesto« izberite blagovno znamko izdelka in državo. Preusmerjeni boste na določeno spletno mesto, kjer boste našli telefonsko številko in obrazec za stik s tehnično pomočjo.

Prekinitiv napajanja

V primeru izpada električne energije naj bi hrana ostala varno hladna približno 5 ur. Upoštevajte te nasvete, če pride do daljše prekinitve napajanja, zlasti poleti:

- ▶ Čim manjkrat odprite vrata/predal.
- ▶ Med prekinitvijo napajanja v aparat ne vstavljajte dodatnih živil.
- ▶ Če ste predhodno obveščeni o prekinitvi napajanja in je trajanje prekinitve daljše od 5 ur, naredite nekaj ledu in ga postavite na vrh hladilnega predela.
- ▶ Takoj po prekinitvi je potreben pregled blaga.
- ▶ Ker bo temperatura v hladilniku med prekinitvijo napajanja ali drugo okvaro narasla, se obdobje shranjevanja in užitnosti hrane skrajša. Takoj za tem je vsako hrano, ki se odtaja, treba zaužiti ali skuhati in znova zamrzniti (kjer je to primerno), da se prepreči tveganje za zdravje.

Funkcija pomnilnika med prekinitvijo napajanja

Po ponovni vzpostavitvi napajanja aparat nadaljuje z nastavitvami, ki so bile nastavljene pred izpadom električne energije.

Razpakiranje



OPOZORILO!

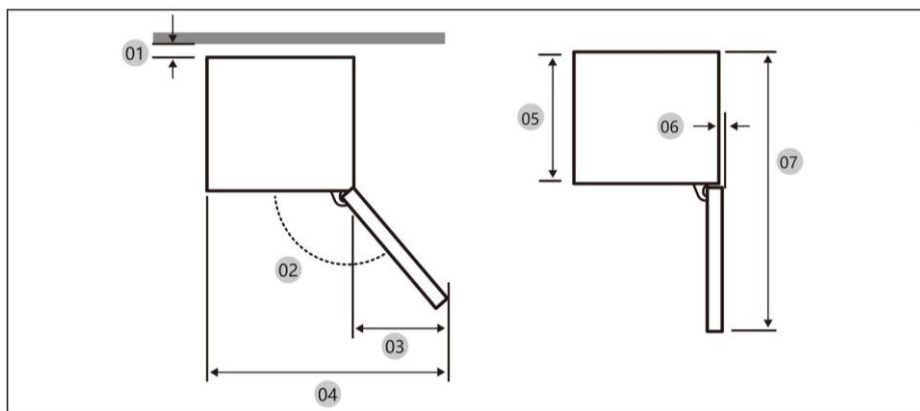
- ▶ Aparat je težak. Prenašata ga naj vsaj dve osebi.
- ▶ Vso embalažo hranite izven dosega otrok in jo zavržite na okolju prijazen način.
- ▶ Vzemite aparat iz embalaže.
- ▶ Odstranite vso embalažo.

Okoljski pogoji

Sobna temperatura mora biti vedno med 10 °C in 43 °C, saj lahko to vpliva na temperaturo v aparatu in njegovo porabo energije. Aparata ne nameščajte v bližino drugih aparatov, ki oddajajo toploto (pečice, hladilniki).

Predlog za prostor

Predlagan prostor pri odprtih vratih (brez plošče vrat omare)

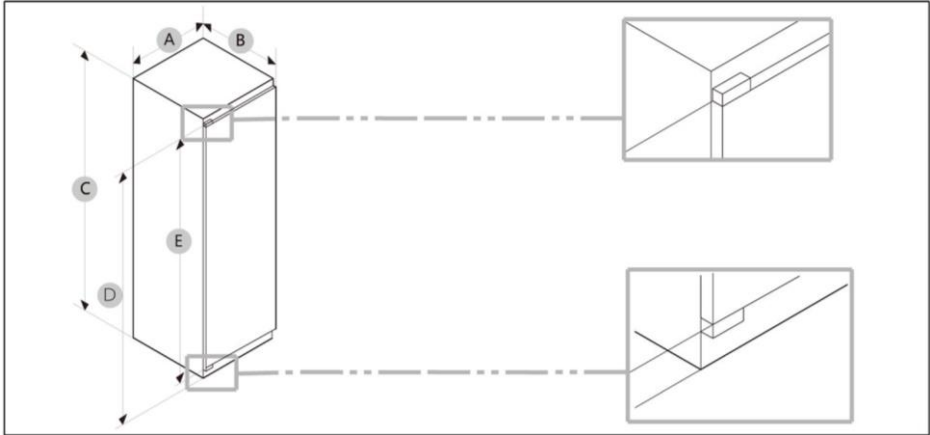


Model	CMT5518EVWF RMT5518EVWF
01*	10 (najmanj) / 30 (priporočeno)
02	95° (priporočeno)
03	43
04	583
05	515
06	-3
07	1060

(enota: mm)

* 01: Od omarice do zadnje strani izdelka.

Dimenzije izdelka



Model	A (mm)	B (mm)	C (mm)	D (mm)	E (mm)
CMT5518EVWF	540±2	550±2	1772±2	1715	1671
RMT5518EVWF					

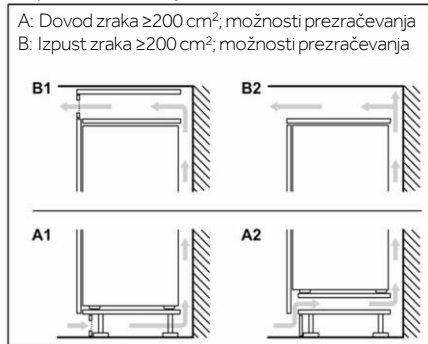
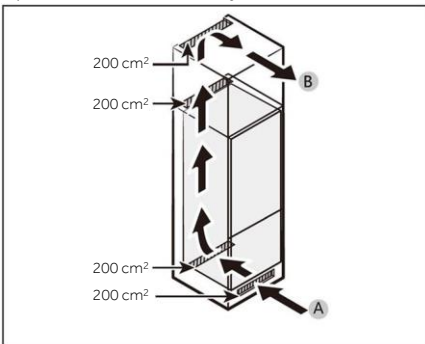


OBVESTILO

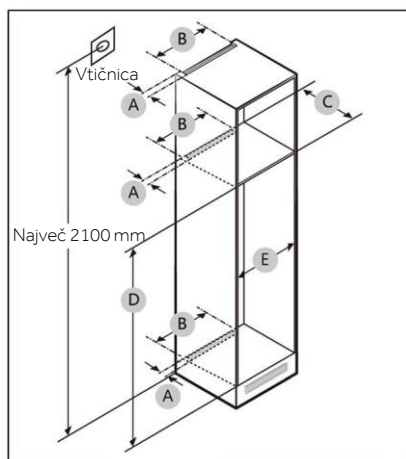
- Navedena poraba energije temelji na pogoju 10 mm vrzeli med ohišjem in zadnjo stranjo izdelka. Izdelek bo pravilno deloval tudi pri vrzeli, manjši od 10 mm, vendar porabi nekoliko več energije.
- Priporočamo uporabo omarice debeline 19 mm s tečaji debeline manj kot 17 mm.
- Meritve v zgornji tabeli se lahko razlikujejo glede na merilno metodo.
- Za vgradno namestitev glejte Vodnik za namestitev

Prezračevanje v prerezu

Da bi iz varnostnih razlogov dosegli zadostno prezračevanje aparata, je treba upoštevati informacije o zahtevanih normah prezračevanja.



Mere omarice



POZOR!

Garancija ne krije nobene okvare izdelka zaradi naslednjih razlogov.

1. Neustrezni pogoji na mestu postavitve ali nepravilne velikosti omaric.
2. Neustrezna omarica.
3. Napake monterja ali uporabnika.

Odmik

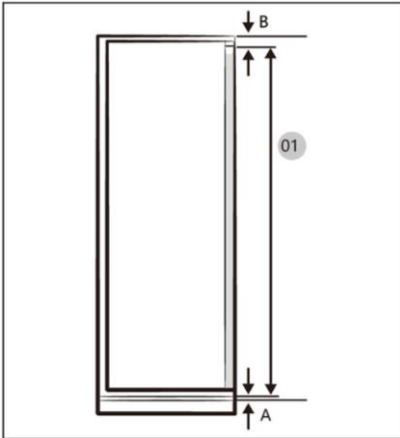
Na spodnjih slikah in v tabelah si oglejte prostorske zahteve za namestitev.

Model		A (mm)	B (mm)	C (mm)	D (mm)	E (mm)	Opomba
CMT5518EVWF RMT5518EVWF	Min.	50	400	560	1778	560	Tečaj: 17 mm
	Priporočeno			580	1780	562	
	Najv.			–	1782	568	



OBVESTILO

- Če je širina omarice večja od 568 mm, se lahko tesnilo (med hladilnikom in omarico) zrahlja.
- Če je omarica višja od največje dimenzije (1782 mm), morate vrzel zapolniti z drugimi zaključnimi materiali.

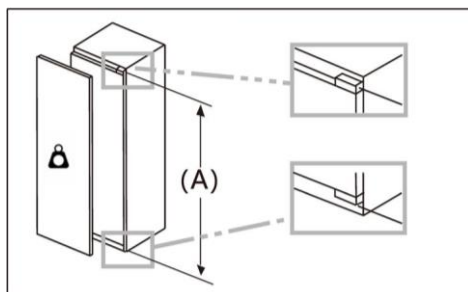


- A. Spodnji rob sprednje plošče nad prezračevanjem
 B. Previs sprednje plošče

Model	CMT5518EVWF RMT5518EVWF
01	Najm. 1694+A+B Najv. 1850+A+B

(enota: mm)

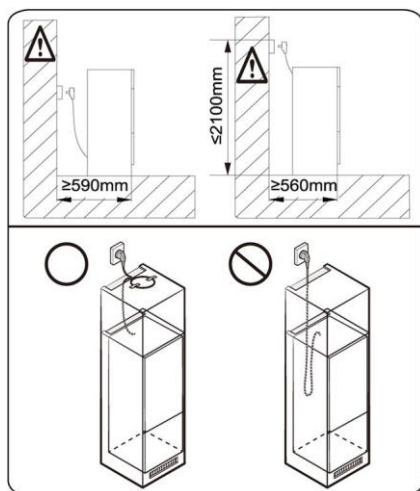
Največja dovoljena teža sprednjih delov enote



Vgrajeni sprednji deli enote, ki presegajo dovoljeno težo, lahko povzročijo poškodbe in negativno vplivajo na delovanje tečajev.

🔒	Teža (kg)	1500–1750 mm	22
		720–1400 mm	19

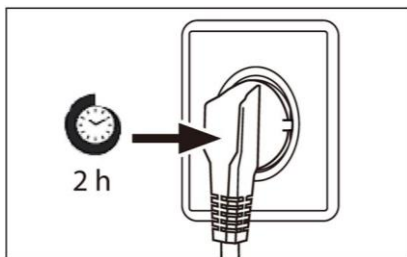
Upoštevanje lokacije električne vtičnice in potreben prostor



i OBVESTILO

Če hladilnik namestite v omaro globine 560 mm, se pred priključitvijo v električno vtičnico prepričajte, da je napajalni kabel nameščen ob strani hladilnika. Če je napajalni kabel na zadnji strani hladilnika, lahko to zmanjša energetska učinkovitost.

Čas čakanja



Mazalno olje, ki ga ni treba vzdrževati, je v kapsuli kompresorja. Če je aparat nagnjen, lahko to olje med transportom steče skozi zaprt cevni sistem. Preden aparat priključite na napajanje, počakajte vsaj 2 uri, da olje priteče nazaj v kapsulo.

Priključitev v električno omrežje

Pred vsako priključitvijo preverite, ali:

- ▶ so napajanje, vtičnica in varovalke skladni s tipsko tablico,
- ▶ je vtičnica ozemljena in da v bližini ni podaljška z več vtičnicami ali kableskega podaljška.
- ▶ vtič in vtičnica sta pravilno nameščena.

Vtič priključite v pravilno nameščeno gospodinjsko vtičnico.



OPOZORILO!

Da bi se izognili tveganju, mora servis zamenjati poškodovan napajalni kabel (glejte garancijski list).

List izdelka v skladu z Uredbo EU št. 2019/2016

Blagovna znamka	CANDY	Rosieres
Ime/identifikator modela	CMT5518EVWF	RMT5518EVWF
Kategorija modela	Zamrzovalnik	Zamrzovalnik
Razred energijske učinkovitosti	E	E
Letna poraba energije (kWh/leto) (1)	215	215
Skupna prostornina (L)	220	220
Prostornina shrambe (L)	/	/
Prostornina zamrzovalnika (L)	220	220
Prostornina predela za hlajenje (L)	/	/
Prostornina samodejnega izdelovalca ledu (L)	/	/
Ocena z zvezdicami	4	4
Temperatura drugih predelov > 14 °C	Ni relevantno	Ni relevantno
Sistem brez zmrzali	Da	Da
Zmogljivost zamrzovanja (kg/24h)	15	15
Ocena podnebja (2)	SN/N/ST/T	SN/N/ST/T
Razred emisij hrupa in emisij akustičnega hrupa v zraku (dB(A)re1pW)	B 35	B 35
Čas dviga temperature (h)	6	6
Zmogljivost izdelave ledu	/	/
Vrsta aparata	Vgradni	Vgradni

Ime modela	Razred energetske učinkovitosti
CMT5518EVWF	E
RMT5518EVWF	E

Pojasnila:

- Da, vključeno
- (1) Na podlagi rezultatov preskusa skladnosti s standardi v 24 urah.
Dejanska poraba je odvisna od uporabe in lokacije aparata.
 - (2) Ocena podnebja SN: Ta aparat je namenjen uporabi pri sobni temperaturi med 10 in 32 °C
Ocena podnebja N: Ta aparat je namenjen uporabi pri sobni temperaturi med 16 in 32 °C
Ocena podnebja ST: Ta aparat je namenjen uporabi pri sobni temperaturi med +16 in +38 °C
Ocena podnebja T: Ta aparat je namenjen uporabi pri sobni temperaturi med +16 in +43 °C

Dodatni tehnični podatki

Napetost/frekvenca	220–240 V ~/50 Hz
Vhodni tok (A)	1,5
Glavna varovalka (A)	16
Hladilno sredstvo	R600a
Mere (V/Š/G v mm)	1772/540/550

Informacije o RF

Največji e.i.r.p.: Bluetooth (BR/EDR): 10 dBm

Bluetooth LE: 5 dBm

2,4 GHz Wi-Fi: 16 dBm

Frekvenčni pas delovanja: 2400–2483,5 MHz

Priporočamo našo službo za pomoč strankam Haier in uporabo originalnih nadomestnih delov.

Če imate težave z aparatom, najprej preverite poglavje ODPRAVLJANJE TEŽAV.

Če tam ne najdete rešitve, se obrnite na

- ▶ lokalnega prodajalca ali
- ▶ naš evropski klicni servisni center (glejte spodaj navedene telefonske številke) ali
- ▶ razdelek Servis in podpora na spletnem mestu www.haier.com, kjer lahko oddate zahtevek
- ▶ za servis in poiščete odgovore na pogosto postavljena vprašanja.

Če se želite obrniti na naš servis, se prepričajte, da imate na voljo naslednje podatke. Podatke najdete na tipski tablici.

Model _____

Serijska št. _____

V primeru uveljavljanja garancije preverite tudi garancijsko kartico, ki je priložena izdelku.

Evropski center za klicne storitve		
Država*	Telefonska številka	Stroški
Haier Italy (IT)	199 100 912	
Haier Spain (ES)	902 509 123	
Haier Germany (DE)	0180 539 39 99	<ul style="list-style-type: none"> • 14 centov/min, stacionarno omrežje • največ 42 centov/min, mobilno omrežje
Haier Austria (AT)	0820 001 205	<ul style="list-style-type: none"> • 14,53 centa/min, stacionarno omrežje • največ 20 centov/min, vsa ostala omrežja
Haier United Kingdom (UK)	0333 003 8122	
Haier France (FR)	0980 406 409	

*Za druge države glejte www.haier.com
Haier Europe Trading S.r.l
Branch UK
Westgate House, Westgate, Ealing
London, W5 1YY

*Trajanje garancije hladilnega aparata:

Minimalno garancijsko obdobje je: 2 leti za države EU, 3 leta za Turčijo, 1 leto za Združeno kraljestvo, 1 leto za Rusijo, 3 leta za Švedsko, 2 leti za Srbijo, 5 let za Norveško, 1 leto za Maroko, 6 mesecev za Alžirijo, za Tunizijo pravna garancija ni potrebna.

*Obdobje razpoložljivosti rezervnih delov za popravilo aparata:

Termostati, temperaturni senzorji, tiskana vezja in svetlobni viri so na voljo najmanj sedem let po tem, ko je bila na trg dostavljena zadnja enota modela.

Ključavnice, tečaji vrat, pladnji in košare najmanj sedem let, tesnila vrat pa najmanj 10 let po tem, ko je bila na trg dostavljena zadnja enota modela.

*Za dodatne informacije o izdelku obiščite spletno mesto <https://eprel.ec.europa.eu/> ali skenirajte kodo QR na energijski nalepki, priloženi aparatu.

<u>5 Informació de seguretat</u>	<u>Abans del primer ús</u>	6
	<u>Instal·lació</u>	6
	<u>Ús diari</u>	7
<u>10 Ús previst</u>	<u>Informació sobre el gas refrigerant</u>	9
<u>11 Descripció del producte</u>		
<u>12 Panell de control</u>		
<u>13 Ús</u>	<u>Botó de bloqueig/desbloqueig i la seva icona</u>	13
	<u>Funció d'espera</u>	13
	<u>Funció Wi-Fi</u>	13
	<u>Ajust de la temperatura del congelador</u>	14
	<u>Funció Super Freeze</u>	15
	<u>Funció ECO</u>	15
<u>16 Equipament</u>		
<u>17 Consells per estalviar energia</u>		
<u>18 Neteja i manteniment</u>		
<u>20 Resolució de problemes</u>		
<u>24 Instal·lació</u>		
<u>30 Dades tècniques</u>		
<u>32 Servei d'atenció al client</u>		

Gràcies per comprar aquest producte.

Llegiu atentament aquestes instruccions abans de fer servir aquest electrodomèstic. Aquestes instruccions contenen informació important que us ajudarà a treure el màxim profit de l'electrodomèstic i a garantir una instal·lació, un ús i un manteniment segurs i adequats.

Guardeu aquest manual en un lloc accessible per poder-lo consultar sempre que vulgueu i garantir un ús segur i adequat de l'electrodomèstic.

Si veneu l'electrodomèstic, el doneu o el deixeu al lloc on està instal·lat quan canvieu de casa, assegureu-vos també de lliurar aquest manual perquè el nou propietari es pugui familiaritzar amb l'electrodomèstic i les advertències de seguretat.

Accessoris

Comproveu els accessoris i la documentació d'acord amb la llista següent:





ADVERTÈNCIA: Informació de seguretat important



AVÍS: informació general i consells



Informació mediambiental



Eliminació

Ajudeu a protegir el medi ambient i la salut humana. Dipositeu els embalatges als contenidors corresponents per reciclar-los. Ajudeu a reciclar els residus d'aparells elèctrics i electrònics. No llenceu els electrodomèstics marcats amb aquest símbol a la brossa domèstica. Porteu el producte al punt verd o poseu-vos en contacte amb l'oficina municipal.



ADVERTÈNCIA!

Perill de lesions o asfíxia.

Els refrigerants i els gasos han de ser eliminats per professionals. Assegureu-vos que els tubs del circuit de refrigerant no estiguin danyats abans de ser eliminats adequadament. Desconnecteu l'aparell de la xarxa elèctrica. Talleu el cable d'alimentació i porteu-lo a un punt de recollida. Traieu les safates i els calaixos, així com el tancament i les juntes de la porta, per evitar que els nens i els animals de companyia puguin quedar tancats a l'interior de l'electrodomèstic.

Abans d'encendre l'electrodomèstic per primera vegada, llegiu els consells de seguretat següents!



ADVERTÈNCIA!

Abans del primer ús

- ▶ Assegureu-vos que l'aparell no hagi patit danys durant el transport.
- ▶ Espereu almenys dues hores abans d'instalar l'electrodomèstic per assegurar-vos que el circuit de refrigerant funciona amb plena eficiència.
- ▶ Aquest electrodomèstic pesa molt: manipuleu-lo amb l'ajuda d'una altra persona.
- ▶ Traieu tots els materials d'emalatge, manteniu-los fora de l'abast dels infants i elimineu-los de manera respectuosa amb el medi ambient.
- ▶ Abans de posar els aliments a l'electrodomèstic, netegeu-ne l'interior i l'exterior amb aigua i un detergent suau.
- ▶ Després d'anivellar i netejar l'aparell, espereu com a mínim 2-5 hores abans de connectar-lo a la xarxa elèctrica. Vegeu l'apartat **INSTAL·LACIÓ**.
- ▶ Refredeu prèviament els compartiments amb valors alts abans de carregar-los amb aliments. La funció Super-Freeze ajuda a refredar els compartiments ràpidament.
- ▶ La temperatura del congelador s'ajusta automàticament a -18 °C. Aquests són els paràmetres recomanats. Si ho desitgeu, podeu canviar la temperatura manualment. Consulteu **AJUST DE LA TEMPERATURA**.

Instal·lació

- ▶ Aquest electrodomèstic s'ha d'instalar en un lloc ben ventilat. Assegureu-vos que hi hagi un espai de 10 cm com a mínim per sobre i al voltant de l'electrodomèstic.
- ▶ No col·loqueu mai l'electrodomèstic en una zona humida ni en un lloc on pugui rebre esquitxos d'aigua. Netegeu i eixugueu els esquitxos d'aigua i les taques amb un drap suau i net.
- ▶ No installeu l'electrodomèstic sota la llum solar directa ni a prop de fonts de calor (per exemple, estufes, calefactores).
- ▶ Installeu i anivelleu l'electrodomèstic en una zona adequada a la seva mida i al seu ús.
- ▶ No obstruiu les obertures de ventilació de l'electrodomèstic o de l'estructura integrada.
- ▶ Assegureu-vos que la informació elèctrica de la placa de característiques coincideixi amb la font d'alimentació. Si no és així, poseu-vos en contacte amb un electricista.
- ▶ Aquest electrodomèstic funciona amb corrent elèctric de 220-240 V CA/50 Hz. Una fluctuació anormal del voltatge pot fer que l'electrodomèstic no s'enguegui, que es facin malbé el control de temperatura o el compressor, o que faci un soroll anormal durant el funcionament. En aquest cas, s'ha de muntar un regulador automàtic.
- ▶ No feu servir adaptadors de múltiples endolls ni cables allargadors.
- ▶ No poseu múltiples bases d'endolls portàtils ni fonts d'alimentació portàtils a la part posterior de l'electrodomèstic.
- ▶ Assegureu-vos que el cable d'alimentació no quedi atrapat pel frigorífic. No trepitgeu el cable d'alimentació.



ADVERTÈNCIA!

- ▶ Feu servir una presa amb connexió a terra separada per a la font d'alimentació a la qual es pugui accedir fàcilment. Aquest electrodomèstic ha d'estar connectat a terra.
Només per al Regne Unit: El cable d'alimentació d'aquest electrodomèstic està equipat amb un endoll de 3 fils (amb connexió a terra) que encaixa en un endoll estàndard de 3 fils (amb connexió a terra). No talieu ni desmunteu mai el tercer pin (connexió a terra). Després d'instalar l'electrodomèstic, heu de poder accedir a l'endoll.

- ▶ No feu malbé el circuit de refrigerant.

Ús diari

- ▶ Aquest aparell el poden fer servir nens de 8 anys o més i persones amb capacitats físiques, sensorials o mentals reduïdes o amb manca d'experiència i coneixements si han rebut supervisió o instruccions sobre l'ús de l'aparell de manera segura i entenen els perills que implica.
- ▶ Els infants de 3 a 8 anys poden omplir i buidar el frigorífic, però no poden netejar-lo ni instal·lar-lo.
- ▶ Mantingueu allunyats els infants menors de 3 anys de l'electrodomèstic, llevat que tinguin supervisió constant.
- ▶ Els infants no han de jugar amb l'electrodomèstic.
- ▶ Si es filtra gas refrigerant o altres gasos inflamables a prop de l'electrodomèstic, tanqueu la vàlvula del gas filtrat, obriu les portes i les finestres i no desendolieu el cable d'alimentació del frigorífic ni de cap altre electrodomèstic.
- ▶ Tingueu en compte que l'electrodomèstic està configurat per funcionar a una temperatura ambient específica entre 10 i 43 °C. És possible que l'electrodomèstic no funcioni correctament si es deixa durant un període prolongat a una temperatura superior o inferior a l'interval indicat.
- ▶ No poseu articles inestables (objectes pesants, recipients plens d'aigua) a sobre del frigorífic per evitar danys personals per caigudes o descàrregues elèctriques causades pel contacte amb l'aigua.
- ▶ No estireu els prestatges de la porta. La porta es podria desviar, el prestatge d'ampolles es podria desprendre o l'electrodomèstic es podria tombar.
- ▶ Obriu i tanqueu les portes només fent servir els tiradors. L'espai que hi ha entre les portes i entre les portes i el cos de l'aparell és molt estret. No introduïu les mans en aquestes zones per evitar pessigar-vos els dits. Obriu i tanqueu les portes del frigorífic només quan no hi hagi infants a prop del seu rang de moviment.
- ▶ Quan instal·leu l'electrodomèstic, assegureu-vos que el cable d'alimentació no quedi atrapat ni danyat.
- ▶ No emmagatzemeu substàncies explosives com ara aerosols amb un gas propellant inflamable a l'aparell.
- ▶ Per evitar la contaminació dels aliments:
 - Deixar la porta oberta durant llargues estones pot provocar un augment significatiu de la temperatura als compartiments de l'aparell.
 - Netegeu regularment les superfícies que puguin entrar en contacte amb els aliments i els sistemes de drenatge accessibles.
 - Guardeu la carn i el peix crus en recipients adequats al frigorífic, de manera que no entrin en contacte amb altres aliments ni hi degotin.
 - Si deixeu l'electrodomèstic buit durant llargs períodes de temps, apagueu-lo, descongeleu-lo, netegeu-lo, eixugueu-lo i deixeu la porta oberta per evitar la proliferació de floridura a l'interior.



ADVERTÈNCIA!

- ▶ No emmagatzemeu ni feu servir materials inflamables, explosius o corrosius dins de l'electrodomèstic ni al seu voltant.
- ▶ No emmagatzemeu medicaments, bacteris ni agents químics dins de l'electrodomèstic. Aquest aparell és un electrodomèstic. No us recomanem que hi emmagatzemeu materials que hagin d'estar a una temperatura controlada.
- ▶ No guardeu mai al congelador líquids en ampolles o llaunes (excepte licors amb una alta graduació), especialment begudes amb gas, ja que poden esclatar en congelar-se.
- ▶ Comproveu l'estat dels aliments si s'ha produït un augment de temperatura al congelador.
- ▶ No toqueu els productes congelats amb les mans molles (poseu-vos guants). No mengeu els gelats immediatament després de treure'ls del congelador. Hi ha el risc de congelació o de formació de butllofes a causa de la temperatura. PRIMERS AUXILIS: poseu la zona afectada immediatament sota aigua freda corrent. No arranqueu la pell!
- ▶ No toqueu la superfície interior del compartiment d'emmagatzematge del congelador quan estigui en funcionament, sobretot amb les mans mullades, ja que les mans es poden congelar en entrar en contacte amb la superfície.
- ▶ Desendolleu l'electrodomèstic en cas de fallada de corrent o abans de netejar-lo. Espereu almenys 7 minuts abans de tornar a engegar l'electrodomèstic, ja que, si s'engega sovint, es pot fer malbé el compressor.
- ▶ No feu servir aparells elèctrics dins dels compartiments d'emmagatzematge d'aliments de l'electrodomèstic, llevat que siguin del tipus recomanat pel fabricant. Manteniment / neteja
- ▶ Assegureu-vos que els infants estiguin supervisats si en fan la neteja i el manteniment.
- ▶ Desconnecteu l'electrodomèstic de la xarxa elèctrica abans de fer-hi qualsevol manteniment rutinari. Espereu almenys 5 minuts abans de tornar a engegar l'electrodomèstic, ja que, si s'engega sovint, es pot fer malbé el compressor.



ADVERTÈNCIA!

- ▶ Quan desendolieu l'electrodomèstic, estireu l'endoll i no el cable.
- ▶ No netegeu l'electrodomèstic amb raspalls durs, raspalls de filferro, detergent en pols, gasolina, acetat d'amil, acetona ni solucions orgàniques similars, àcides o alcalines. Netegeu-lo amb un detergent especial per a frigorífics per evitar-hi danys.
- ▶ Per evitar qualsevol perill, si el cable d'alimentació està malmès, l'ha de substituir el fabricant, el seu responsable de servei o persones amb una qualificació similar.
- ▶ No proveu d'arreglar, desmuntar o modificar l'electrodomèstic pel vostre compte. En cas de reparació, poseu-vos en contacte amb el nostre servei d'atenció al client.
- ▶ Traieu la pols de la part posterior de la unitat com a mínim un cop l'any per evitar riscos d'incendi i l'augment del consum d'energia.
- ▶ No ruixeu ni renteu amb un raig d'aigua l'aparell durant la neteja.
- ▶ No feu servir ruixadors d'aigua ni vapor per netejar l'electrodomèstic.
- ▶ No netegeu els prestatges de vidre freds amb aigua calenta. Un canvi sobtat de temperatura pot trencar el vidre.

Informació sobre el gas refrigerant



ADVERTÈNCIA!

L'electrodomèstic conté el refrigerant inflamable ISOBUTÀ (R600a). Assegureu-vos que el circuit de refrigerant no pateixi danys durant el transport o la instal·lació. Una fuga de refrigerant pot causar lesions oculars o provocar un incendi. Si s'ha produït un dany, mantingueu-vos allunyats de fonts de flames obertes, ventileu bé l'habitació i no connecteu ni desconnecteu els cables d'alimentació de l'electrodomèstic ni de cap altre electrodomèstic. Informeu-ne el servei d'atenció al client.

En cas de contacte amb el refrigerant als ulls, esbandiu-vos-els immediatament amb aigua corrent i consulteu immediatament un oftalmòleg.

Ús previst

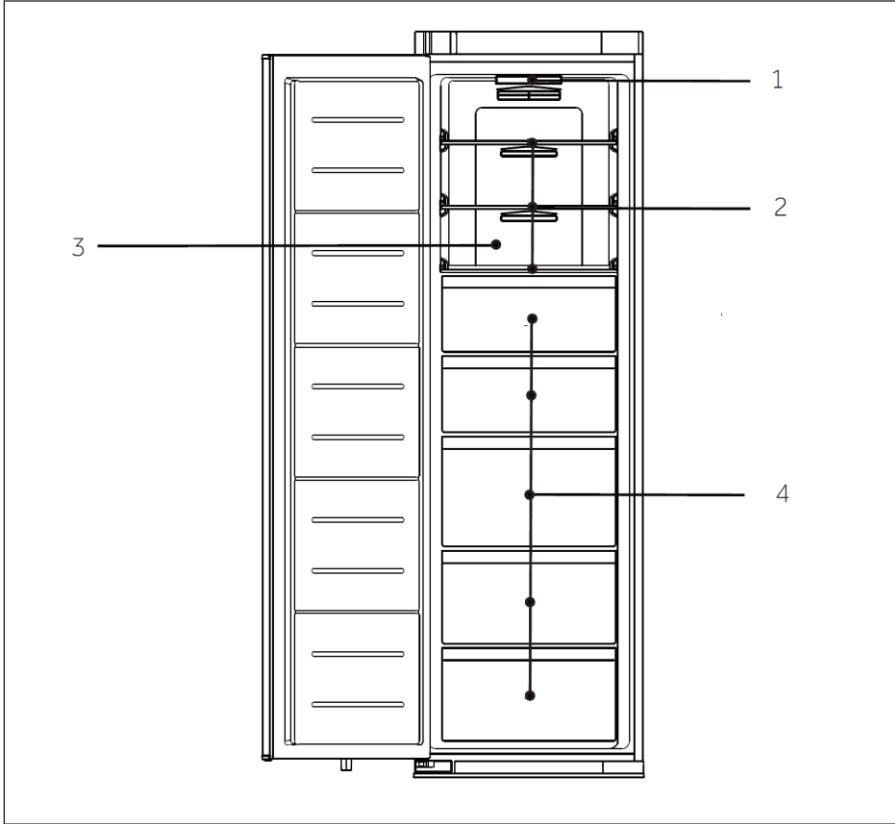
Aquest aparell està pensat per congelar aliments. S'ha dissenyat exclusivament per a l'ús domèstic i per a aplicacions similars, com ara cuines per al personal de botigues, oficines i altres entorns de treball, cases rurals, i per a clients d'hotels, motels i altres entorns residencials, així com establiments de tipus bed and breakfast i serveis de càtering. No està pensat per a un ús comercial o industrial. No es poden fer canvis o modificacions a l'aparell. L'ús no previst pot causar perills i la pèrdua del dret de la garantia.

Normes i directives

Aquest producte compleix els requisits de totes les directives CE aplicables amb les normes harmonitzades corresponents, que preveuen el marcatge CE.

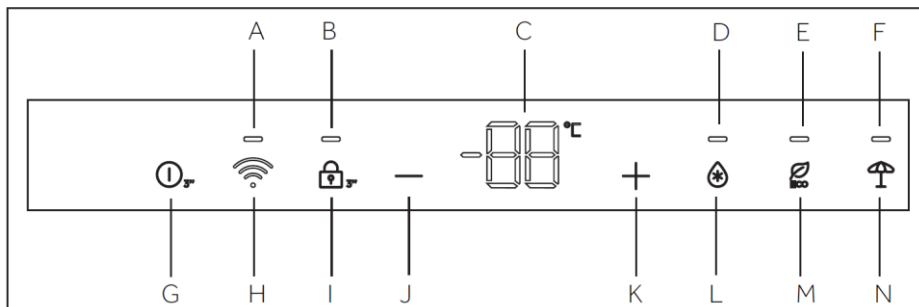
**AVÍS**

Algunes de les il·lustracions d'aquest manual poden ser diferents del vostre model a causa de canvis tècnics i de les diferències entre models.

**CMT5518EVWF/RMT5518EVWF**

- 1 Llum interior led
- 2 Prestatges estàndard
- 3 Conducte d'aire del congelador
- 4 Calaix estàndard del congelador

Panell de control



Icones de l'indicador:

- A Icona de la funció Wi-Fi
- B Icona de bloqueig/desbloqueig
- C Icona de visualització de temperatura
- D Icona de la funció Super Freeze
- E Icona de la funció ECO

Botons tàctils:

- F Botó ON/OFF
- G Clau d'emparellament del wifi
- H Botó de bloqueig/desbloqueig
- I Botó de baixada de la temperatura
- J Botó d'augment de la temperatura
- K Botó de la funció Super Freeze
- L Botó de la funció ECO

Botons tàctils

Els botons del panell de control són botons de contacte que responen quan es toquen lleugerament amb el dit.

Obriu la porta del frigorífic abans de comprovar la pantalla.

Funció bloqueig/desbloqueig

Aquest botó i la seva icona es fan servir per bloquejar o desbloquejar la pantalla de control i indicar l'estat actual.

Obriu la porta del frigorífic mentre el frigorífic està en funcionament; la pantalla de control s'encendrà i la icona de bloqueig/desbloqueig estarà activada; en aquest moment, la pantalla de control estarà bloquejada i no es podrà fer servir.

Desbloquejar o bloquejar la pantalla manualment: Quan la icona de bloqueig/desbloqueig estigui il·luminada, manteniu pitjat el botó de bloqueig/desbloqueig durant 3 segons. La icona s'apagarà i anirà acompanyada d'un pip. En aquest moment, es pot fer la selecció de funcions o l'ajust de la temperatura. Quan la icona de bloqueig/desbloqueig estigui desactivada, mantingueu pitjat el botó de bloqueig/desbloqueig durant 3 segons. Aleshores, la icona de bloqueig/desbloqueig s'encendrà i anirà acompanyada d'un pip. En aquest moment, no es pot fer la selecció de funcions ni l'ajust de la temperatura.

Bloqueig de pantalla automàtic: Quan la porta del frigorífic és tancada, la pantalla de control s'apagarà i es bloquejarà.

Quan s'obre la porta del frigorífic, la pantalla de control es bloquejarà automàticament si no es fa cap acció en 30 segons.

Funció ON/OFF

El botó ON/OFF es fa servir per canviar entre OFF (estat en pausa) i ON (modes de funcionament normals).

Entreu en mode OFF: En mode de funcionament del frigorífic, primer cal desbloquejar la pantalla i, tot seguit, mantenir pitjat el botó de funció ON/OFF durant 3 segons per apagar la pantalla de control, la llum del frigorífic, la refrigeració i altres funcions, amb un senyal acústic de confirmació.



AVÍS

El mode OFF no implica apagar-se, i el frigorífic encara està encès en aquest moment.

Sortiu del mode OFF: En el mode OFF, mantingueu pitjat el botó ON/OFF durant 3 segons per reiniciar la pantalla de control, la llum i el sistema de refrigeració, el refredament i altres funcions, acompanyats d'un so d'avís. El frigorífic tornarà a la temperatura i la funció configurades anteriorment i entrarà en el mode de funcionament normal.

Funció Wi-Fi

Emparellament del wifi: Quan el frigorífic es connecta per primera vegada, entra automàticament en mode de configuració de xarxa i la icona de la funció wifi parpelleja ràpidament; si no hi ha cap operació d'emparellament a la xarxa, en sortirà automàticament del mode al cap de 30 minuts.

Introduïu manualment el mode d'emparellament del wifi: Després de desbloquejar la pantalla de control, mentre la icona de la funció wifi està activada, mantingueu pitjat el botó d'emparellament del wifi durant 3 segons per entrar al mode. Durant aquest temps, la icona de la funció wifi parpellejarà ràpidament per indicar que es troba en mode d'emparellament del wifi. Si no hi ha cap operació d'emparellament de xarxa, es tancarà automàticament al cap de 30 minuts.

PROCEDIMENT D'EMPARELLAMENT A L'APP

<p>Pas 1 • Descarregueu l'aplicació hOn de la botiga d'aplicacions.</p> <div style="display: flex; align-items: center;">  <div style="margin-left: 20px;">    </div> </div>	
<p>Pas 2 Creeu un compte a l'aplicació hOn o inicieu sessió si ja teniu un compte.</p> 	<p>Pas 3 Seguiu les instruccions d'aparellament a l'aplicació hOn.</p> 



AVÍS

En el mode d'emparellament del wifi, heu de seguir les instruccions de l'aplicació per completar la configuració de la xarxa. Si necessiteu canviar l'entorn wifi, heu d'entrar de nou al mode. Si la icona de la funció Wi-Fi es manté encesa, indica que la xarxa s'ha connectat correctament.

Ajust de la temperatura del congelador

Després d'obrir la porta del frigorífic i desbloquejar la pantalla de control, el botó d'abaixar temperatura es fa servir per reduir la temperatura configurada del frigorífic. Cada cop que es toca lleugerament el botó, la temperatura baixa 1 °C, i la temperatura mínima permesa és de -24 °C.

Després d'obrir la porta del frigorífic i desbloquejar la pantalla de control, el botó d'augmentar la temperatura es fa servir per augmentar la temperatura configurada del congelador. Cada cop que es toca lleugerament el botó, la temperatura augmenta 1 °C, i la temperatura màxima permesa és de -14 °C.

Durant el funcionament, la icona de temperatura mostra la temperatura configurada i parpellejarà. La pantalla de control confirma automàticament la temperatura configurada al cap de 5 segons i mostra la temperatura real actual. Després de completar la configuració, el frigorífic canvia gradualment de la temperatura real fins a la configurada. Per tant, hi pot haver una desviació entre la temperatura real i la temperatura configurada durant un període de temps.

Funció Super Freeze

Aquest botó i la seva icona es fan servir per canviar la funció Super Freeze del frigorífic i mostrar-ne l'estat actual.

Després d'obrir la porta del frigorífic i desbloquejar la pantalla de control, toqueu suaument el botó de la funció Super Freeze i la icona de la funció Super Freeze s'encendrà; el frigorífic ja estarà en aquest mode. Si necessiteu sortir d'aquest mode, podeu fer la mateixa operació tocant lleugerament el botó de la funció Super Freeze.

Amb aquesta funció, la temperatura probablement s'acostarà als -28°C o menys, i el frigorífic sortirà automàticament d'aquesta funció al cap de 50 hores per evitar que la temperatura sigui massa baixa.

Funció ECO

Després d'obrir la porta del frigorífic i de desbloquejar la pantalla de control, toqueu suaument el botó de la funció ECO i la icona de la funció ECO s'encendrà; el frigorífic ja estarà en el mode. Si necessiteu sortir del mode, només cal que torneu a tocar suaument el botó ECO.

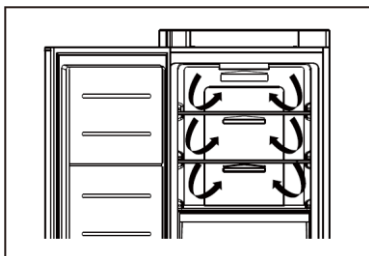
En mode ECO, el frigorífic funcionarà automàticament a una temperatura mitjana de -18°C .



AVÍS

A causa de la diferent lògica de funcionament de les funcions especials entre la funció Super Freeze i la funció ECO, aquests modes no es poden activar alhora. Només es pot activar una funció i, en canviar entre els modes, els altres modes especials es desactivaran automàticament. A més, es pot canviar la temperatura configurada llevat que se surti d'aquests modes.

El valor de -18°C és adequat per a aliments congelats, en general, que requereixen emmagatzematge entre 1 i 12 mesos, com ara carn, aus, marisc, aliments precuinats i restes, algunes fruites i verdures, gelats i altres postres congelats.

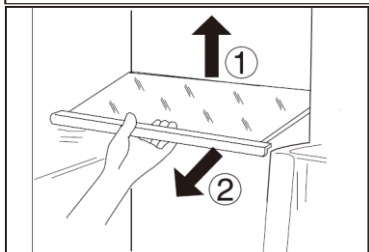


Flux d'aire múltiple

1. El frigorífic està equipat amb un sistema de flux -d'aire- múltiple, que permet que cada nivell de prestatge rebi fluxos d'aire fred. Això ajuda a mantenir una temperatura uniforme per garantir que els aliments es mantinguin frescos durant més temps.

Prestatges ajustables

1. L'altura dels prestatges es pot ajustar per adaptar-los a les vostres necessitats d'emmagatzematge.
2. Per canviar de lloc un prestatge, primer cal treure'l aixecant la part posterior ① i retirant-lo cap enfora ②.
3. Per tornar-lo a col·locar, poseu-lo a les orelletes dels dos costats i empenyeu-lo cap al darrere fins que la part posterior del prestatge quedi fixada dins les ranures dels costats.

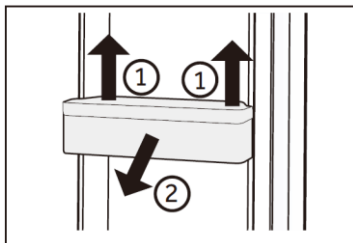


i AVÍS

Assegureu-vos que tots els extrems d'un prestatge estiguin anivellats.

Prestatges a la porta/suports per a ampelles desmuntables

1. Els prestatges de la porta es poden desmuntar per netejar-los:
2. Col·loqueu les mans a cada costat del prestatge, aixequen-lo cap amunt ① i estireu-lo cap enfora ②.
3. Per introduir el prestatge de la porta, seguïu els passos anteriors en ordre invers.

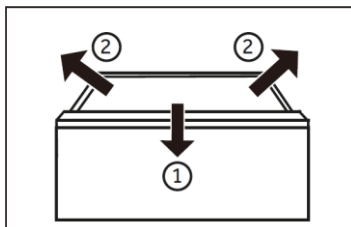


i AVÍS

Quan l'electrodomèstic està encès, poden passar fins a 12 hores fins que s'arriba a les temperatures correctes.

Calaix extraïble

Per treure el calaix, estireu-lo fins al màxim ①, aixequen-lo i retireu-lo ②.
Per introduir el calaix, seguïu els passos anteriors en ordre invers.



Llum

El llum led interior s'encén quan s'obre la porta.
El rendiment dels llums no es veu afectat per cap dels altres ajustos de l'electrodomèstic.



Consells per estalviar energia

- ▶ Assegureu-vos que l'electrodomèstic tingui una bona ventilació (vegeu **INSTALLACIÓ**).
- ▶ No installeu l'electrodomèstic sota la llum solar directa ni a prop de fonts de calor (per exemple, estufes, calefactores).
- ▶ Eviteu temperatures innecessàriament baixes a l'electrodomèstic. El consum d'energia augmenta com més baixa estigui configurada la temperatura a l'electrodomèstic.
- ▶ Les funcions com Super Freeze consumeixen més energia.
- ▶ Deixeu que els aliments calents es refredin abans d'introduir-los a l'electrodomèstic.
- ▶ Obriu la porta de l'electrodomèstic tan poques vegades i tan poca estona com sigui possible.
- ▶ No ompliu massa l'electrodomèstic per evitar obstruir el flux d'aire.
- ▶ Eviteu l'aire de l'interior dels envasos dels aliments.
- ▶ Mantingueu netes les juntes de les portes perquè les portes sempre tanquin correctament.
- ▶ La configuració que estalvia més energia requereix que l'aparell mantingui els calaixos, els food box i els prestatges en les condicions originals de fàbrica, i que els aliments es col·loquin tan separats com sigui possible per no bloquejar la sortida d'aire del conducte.



ADVERTÈNCIA!

Desconnecteu l'electrodomèstic de la xarxa elèctrica abans de netejar-lo.

Neteja

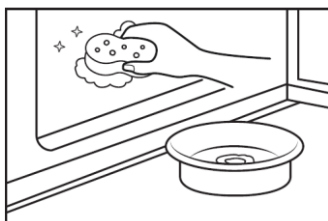
Netegeu l'electrodomèstic quan només hi hagi pocs aliments o cap aliment a dins.

Per a un bon manteniment de l'electrodomèstic i per evitar les males olors dels aliments emmagatzemats, netegeu-lo cada quatre setmanes.



ADVERTÈNCIA!

- ▶ No netegeu l'electrodomèstic amb raspalls durs, raspalls de filferro, detergent en pols, gasolina, acetat d'amil, acetona ni solucions orgàniques similars, àcides o alcalines. Netegeu-lo amb un detergent especial per a frigorífics per evitar-hi danys.
- ▶ No ruixeu ni renteu amb un raig d'aigua l'aparell durant la neteja.
- ▶ No feu servir ruixadors d'aigua ni vapor per netejar l'electrodomèstic.
- ▶ No netegeu els prestatges de vidre freds amb aigua calenta. Un canvi sobtat de temperatura pot trencar el vidre.
- ▶ No toqueu la superfície interior del compartiment d'emmagatzematge del congelador, sobretot amb les mans mullades, ja que les mans es poden congelar en entrar en contacte amb la superfície.
- ▶ Comproveu l'estat dels productes congelats en el cas que s'escalfin.



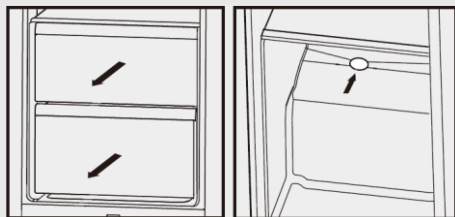
- ▶ Mantingueu sempre neta la junta de la porta.
- ▶ Netegeu l'interior i la carcassa de l'electrodomèstic amb una esponja humitejada amb aigua tèbia i detergent neutre.
- ▶ 1. Fregueu l'interior i l'exterior del frigorífic, inclosa la junta de la porta, els prestatges de la porta, els prestatges de vidre, els compartiments, etc., amb un drap suau o una esponja submergida en aigua tèbia (podeu afegir detergent neutre a l'aigua tèbia).

- ▶ 2. Si s'ha vessat líquid, traieu totes les parts que s'han embrutat, esbandiu-les directament amb aigua corrent, eixugueu-les i torneu-les a posar al frigorífic.
- ▶ 3. Si s'ha vessat nata (com ara la nata mateixa o gelat desfet), traieu totes les parts brutes, poseu-les una estona en aigua tèbia a uns 40 °C, després esbandiu-les amb aigua corrent, eixugueu-les i torneu-les a posar al frigorífic.
- ▶ 4. En cas que alguna peça o component petit quedi enganxat a dins del frigorífic (entre prestatges o calaixos), feu servir un raspall petit i suau per desenganxar-lo. Si no podeu arribar a la peça, poseu-vos en contacte amb el servei tècnic de Haier.



AVÍS

La sortida de desguàs no pot estar bloquejada amb objectes estranys; en el cas contrari hi pot haver un desbordament d'aigua. Si la sortida de desguàs està bloquejada, podeu treure el calaix i netejar-lo amb un drap.



- ▶ Esbandiu-ho i assequeu-ho amb un drap suau.
- ▶ No netegeu cap de les peces de l'electrodomèstic al rentaplats.
- ▶ Espereu almenys 5 minuts abans de tornar a engegar l'aparell, ja que, si s'engega sovint, es pot fer malbé el compressor.

Descongelació

Aquest frigorífic té un procés de descongelació automàtic del compartiment del congelador. No s'ha de seguir cap procediment manual.

Substitució dels llums led



ADVERTÈNCIA!

No substituïu la bombeta led vosaltres mateixos, només l'ha de substituir el fabricant o el servei tècnic autoritzat.

L'electrodomèstic fa servir llums led com a font de llum, que tenen un baix consum d'energia i una llarga vida útil. Si detecteu alguna anomalia, poseu-vos en contacte amb el servei d'atenció al client. Vegeu SERVEI D'ATENCIÓ AL CLIENT.

Característiques de les bombetes:

Compartiment del congelador: 12 V màx. 1,5 W

Aquest producte conté una font de llum de classe d'eficiència energètica <G>.

Període més llarg sense ús

Si l'aparell no es fa servir durant un període de temps prolongat:

Traieu-ne el menjar.

Desendolieu el cable d'alimentació.

Netegeu l'electrodomèstic tal com s'ha descrit anteriorment.

Mantingueu les portes obertes per evitar la creació de males olors a l'interior.



AVÍS

Apagueu l'electrodomèstic només si és estrictament necessari.

Desplaçament de l'electrodomèstic

1. Traieu-ne tots els aliments i desendolieu l'electrodomèstic.
2. Assegureu els prestatges i les altres peces mòbils del congelador amb cinta adhesiva.
3. No inclineu el frigorífic més de 45° per evitar danys al sistema de refrigeració.



ADVERTÈNCIA!

- ▶ No aixequiu l'electrodomèstic pels tiradors.
- ▶ No poseu mai l'electrodomèstic horitzontalment a terra.

Molts problemes que sorgeixen es poden resoldre sense tenir coneixements específics. En cas de problemes, comproveu totes les opcions que es mostren i seguiu les instruccions següents abans de posar-vos en contacte amb el servei d'atenció al client. Vegeu SERVEI D'ATENCIÓ AL CLIENT.



ADVERTÈNCIA!

- ▶ Abans de fer-hi el manteniment, apagueu l'electrodomèstic i desconnecteu l'endoll de la presa de corrent.
- ▶ El manteniment dels electrodomèstics elèctrics només l'han de fer electricistes qualificats, ja que les reparacions incorrectes poden causar danys importants.
- ▶ Per evitar tot perill, si un cable d'alimentació està malmès, l'ha de substituir el fabricant, el seu responsable de servei o persones amb una qualificació similar.

Problema	Causa possible	Solució possible
El compressor no funciona.	<ul style="list-style-type: none"> • L'endoll no està connectat a la presa de corrent. • L'electrodomèstic es troba en el cicle de descongelació. 	<ul style="list-style-type: none"> • Connecteu l'endoll a la xarxa elèctrica. • Això és normal en la descongelació automàtica.
L'electrodomèstic funciona sovint o durant un període de temps massa llarg.	<ul style="list-style-type: none"> • La temperatura interior o exterior és massa alta. • L'electrodomèstic ha estat apagat durant un període de temps. • Hi ha una porta de l'electrodomèstic que no està ben tancada. • La porta s'ha obert massa sovint o ha estat oberta durant massa estona. • La temperatura ajustada per al compartiment del congelador és massa baixa. • La junta de la porta està bruta, desgastada, esquerdada o no encaixa. • La circulació d'aire necessària no està garantida. 	<ul style="list-style-type: none"> • En aquest cas, és normal que l'electrodomèstic funcioni durant més temps. • Normalment, l'electrodomèstic triga entre 8 i 12 hores a refredar-se del tot. • Tanqueu la porta o el calaix i assegureu-vos que l'aparell estigui situat en una superfície anivellada i que no hi hagi cap aliment o recipient que n'impedeixi el tancament. • No obriu la porta o el calaix massa sovint. • Ajusteu la temperatura a un valor més alt fins que tingueu una temperatura satisfactòria per al frigorífic. La temperatura del frigorífic triga 24 hores a estabilitzar-se. • Netegeu la junta de la porta o del calaix o feu-la substituir pel servei d'atenció al client. • Assegureu-vos que la ventilació és adequada.

Problema	Causa possible	Solució possible
L'interior del frigorífic està brut o fa pudor.	<ul style="list-style-type: none"> • Heu de netejar l'interior del frigorífic. • Al frigorífic hi ha aliments que fan una olor forta. 	<ul style="list-style-type: none"> • Netegeu l'interior del frigorífic. • Emboliqueu bé el menjar.
No fa prou fred dins de l'electrodomèstic.	<ul style="list-style-type: none"> • La temperatura està configurada massa alta. • S'han emmagatzemat productes massa calents. • S'ha emmagatzemat massa menjar alhora. • Els productes estan massa a prop els uns dels altres. • Una porta o un calaix de l'electrodomèstic no estan ben tancats. • La porta o el calaix s'han obert massa sovint o durant massa estona. 	<ul style="list-style-type: none"> • Restabliu la temperatura. • Refredeu sempre els productes abans d'introduir-los-hi. • Emmagatzemeu sempre quantitats petites d'aliments. • Deixeu un espai entre els diversos aliments per facilitar la circulació de l'aire. • Tanqueu la porta o el calaix. • No obriu la porta o el calaix massa sovint.
A dins de l'electrodomèstic hi fa massa fred.	<ul style="list-style-type: none"> • La temperatura està configurada massa baixa. • La funció Super Freeze està activada o fa massa temps que funciona. 	<ul style="list-style-type: none"> • Restabliu la temperatura. • Desactiveu la funció Super Freeze.
La humitat s'acumula a la superfície exterior del frigorífic o entre les portes/la porta i el calaix.	<ul style="list-style-type: none"> • El clima és massa càlid i massa humit. • La porta no està ben tancada. El contacte entre l'aire fred de dins de l'electrodomèstic i l'aire calent de fora genera condensació. 	<ul style="list-style-type: none"> • Això és normal en climes humits i canviarà quan la humitat baixi. • Assegureu-vos que la porta o el calaix quedin ben tancats.
Mostra un funcionament lleuger, però no resulta fresc.	<ul style="list-style-type: none"> • Està en mode de demostració. 	<ul style="list-style-type: none"> • Mireu en quin estat es troba; si està en mode Demo, sortiu-ne. Sortida: mantingueu pitjat el botó "ECO" i toqueu el botó "Super Freeze" 5 vegades en 5 segons.

Problema	Causa possible	Solució possible
Molta acumulació de gel i gebre al compartiment del congelador.	<ul style="list-style-type: none"> • Els productes no estaven ben envasats. • Una porta o un calaix de l'electrodomèstic no estan ben tancats. • La porta o el calaix s'han obert massa sovint o durant massa estona. • La junta de la porta o del calaix està bruta, desgastada, esquerpada o no encaixa. • Alguna cosa a l'interior impedeix que la porta/el calaix tanqui correctament. 	<ul style="list-style-type: none"> • Envasau sempre bé els aliments. • Tanqueu la porta o el calaix. • No obriu la porta o el calaix massa sovint. • Netegeu la junta de la porta o del calaix o feu-la substituir per una de nova. • Canvieu la posició dels prestatges, els prestatges de les portes o els calaixos de l'interior perquè la porta/caaix es tanqui.
Els laterals del frigorífic i la junta de la porta s'escalfen.	<ul style="list-style-type: none"> • - 	<ul style="list-style-type: none"> • Això és normal.
L'electrodomèstic fa sons anormals.	<ul style="list-style-type: none"> • L'electrodomèstic no està instal·lat en una superfície anivellada. • L'electrodomèstic toca algun objecte que té al voltant. 	<ul style="list-style-type: none"> • Ajusteu les potes per anivellar l'electrodomèstic. • Traieu els objectes que hi ha al voltant de l'electrodomèstic.
Se sent un lleu soroll semblant al de l'aigua que flueix.	<ul style="list-style-type: none"> • - 	<ul style="list-style-type: none"> • Això és normal.
Sentireu un so d'alarma.	<ul style="list-style-type: none"> • La porta del compartiment d'emmagatzematge del frigorífic és oberta. 	<ul style="list-style-type: none"> • Tanqueu la porta.
Sentireu un brunzit feble.	<ul style="list-style-type: none"> • El sistema anticondensació funciona. 	<ul style="list-style-type: none"> • Això evita la condensació i és normal.
El sistema d'il·luminació o de refrigeració interior no funciona.	<ul style="list-style-type: none"> • L'endoll no està connectat a la presa de corrent. • La font d'alimentació no està intacta. • La bombeta led no funciona. 	<ul style="list-style-type: none"> • Connecteu l'endoll a la xarxa elèctrica. • Comproveu el subministrament elèctric de l'estança. Poseu-vos en contacte amb la companyia elèctrica local! • Truqueu al servei tècnic perquè canviïn la bombeta.

Per posar-vos en contacte amb l'assistència tècnica, visiteu el nostre lloc web:
<https://corporate.haier-europe.com/en/>

A l'apartat "lloc web", trieu la marca del vostre producte i el vostre país.
Se us redirigirà al lloc web específic on trobareu el número de telèfon i el formulari per posar-vos en contacte amb l'assistència tècnica.

Tall del corrent

En cas de tall de corrent, els aliments es mantindran freds durant aproximadament 5 hores. Durant una interrupció prolongada del subministrament elèctric, especialment a l'estiu, seguiu aquests consells:

- ▶ Obriu la porta o el calaix tan poc com sigui possible.
- ▶ Durant una interrupció del corrent, no introduïu més menjar a l'electrodomèstic.
- ▶ Si s'avisava amb antelació d'un tall de subministrament elèctric i la durada del tall és superior a 5 hores, feu gel i poseu-lo en un recipient a la part superior del compartiment del frigorífic.
- ▶ Reviseu bé els aliments immediatament després del tall de corrent.
- ▶ Com que durant un tall del corrent elèctric o altres avaries la temperatura del frigorífic augmenta, el període d'emmagatzematge i la qualitat dels aliments es reduiran. Per evitar riscos per a la salut, qualsevol aliment que es descongeli s'ha de consumir o bé cuinar i tornar a congelar (si és el cas) poc després.

Funció de memòria durant les interrupcions de corrent

Després de restablir el corrent, l'aparell continua amb els ajustos que tenia establerts abans del tall de corrent.

Desembalatge

**ADVERTÈNCIA!**

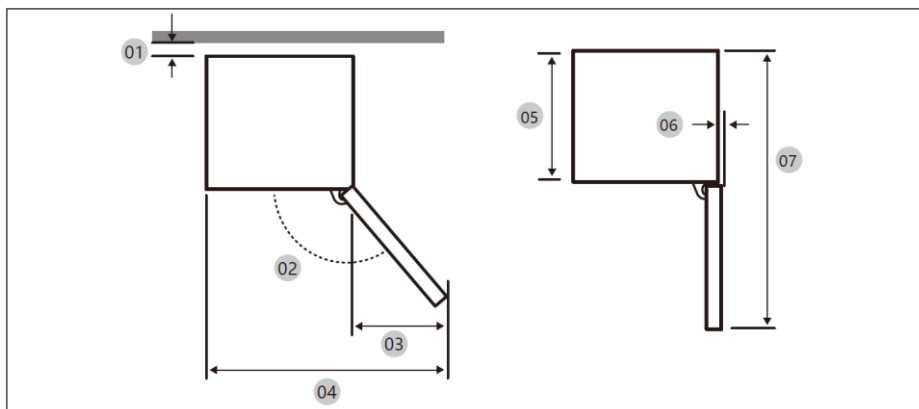
- ▶ Aquest electrodomèstic pesa. Manipuleu-lo sempre almenys entre dues persones.
- ▶ Manteniu tots els materials d'embalatge fora de l'abast dels infants i elimineu-los de manera respectuosa amb el medi ambient.
- ▶ Traieu l'electrodomèstic de l'embalatge.
- ▶ Retireu tots els materials d'embalatge.

Condicions ambientals

La temperatura ambient sempre ha d'estar entre 10 °C i 43 °C, ja que pot influir en la temperatura interior de l'electrodomèstic i en el seu consum d'energia. No installeu l'electrodomèstic a prop d'altres electrodomèstics que emetin calor (forns, frigorífics).

Suggeriment d'espai

Espai suggerit quan la porta és oberta (sense el panell de la porta del moble)

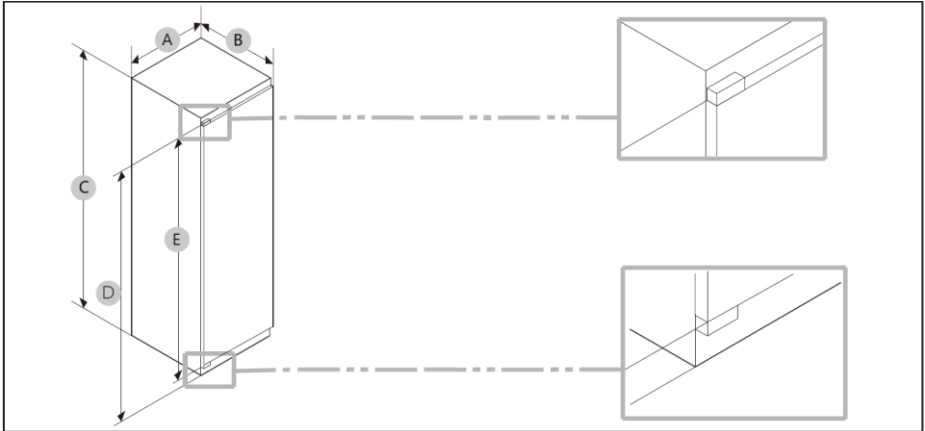


Model	CMT5518EVWF RMT5518EVWF
01 *	10 (min.) / 30 (recomanat)
02	95° (Recomanat)
03	43
04	583
05	515
06	-3
07	1060

(unitat: mm)

* 01 Des del cos de l'aparell fins a la part posterior del producte.

Dimensions del producte



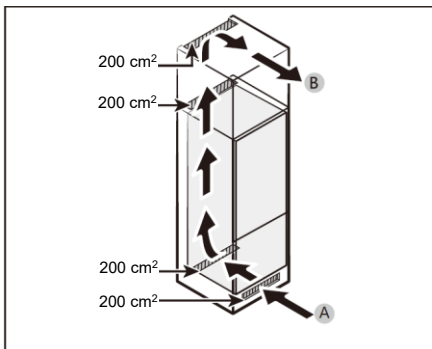
Model	A (mm)	B (mm)	C (mm)	D (mm)	E (mm)
CMT5518EVWF RMT5518EVWF	540±2	550±2	1772±2	1715	1671

i AVÍS

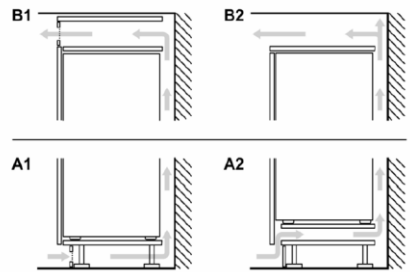
- El consum d'energia especificat es basa en la condició d'un espai de 10 mm entre el cos de l'aparell i la part posterior del producte. El producte funcionarà correctament fins i tot amb un espai inferior a 10 mm; tanmateix, consumirà lleugerament més energia.
- Us recomanem que feu servir un moble de 19 mm de gruix amb frontisses de menys de 17 mm de gruix.
- Les mesures de la taula anterior poden variar en funció del mètode de mesura.
- Per a la instal·lació encastada, consulteu la Guia d'Instal·lació.

Secció transversal de ventilació

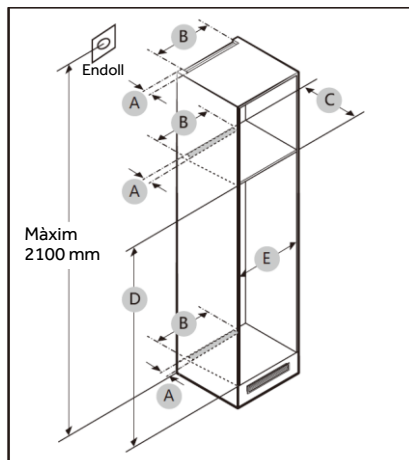
Per aconseguir una ventilació suficient de l'electrodomèstic per motius de seguretat, cal tenir en compte la informació de les seccions transversals de ventilació necessàries.



A: Entrada d'aire $\geq 200 \text{ cm}^2$; opcions de ventilació
 B: Sortida d'aire $\geq 200 \text{ cm}^2$; opcions de ventilació



Dimensions del moble



PRECAUCIÓ!

Qualsevol fallada del producte deguda als punts següents no està coberta per la garantia.

1. Condicions inadequades del lloc o mides incorrectes del moble.
2. Moble defectuós.
3. Errors per part de l'instal·lador o de l'usuari.

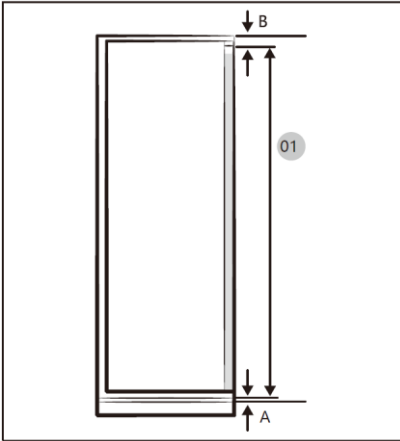
Espai lliure

Consulteu les imatges i taules següents per conèixer els espais necessaris per a la instal·lació.

Model		A (mm)	B (mm)	C (mm)	D (mm)	E (mm)	Observació
CMT5518EVWF RMT5518EVWF	Min.	50	400	560	1778	560	Frontissa: 17 mm
	Recomanat			580	1780	562	
	màx.			-	1782	568	

i AVÍS

- Si l'amplada del moble és superior a 568 mm, la junta (entre el frigorífic i el moble) es pot afluixar.
- Si el moble és més alt que la dimensió màxima (1782 mm), heu de fer servir altres materials d'acabat per omplir l'espai.

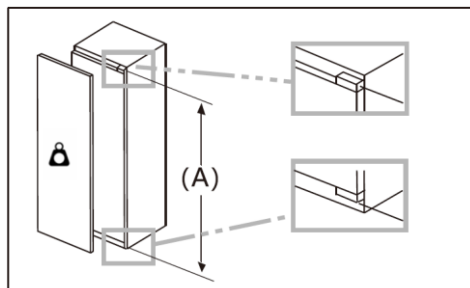


- A. Part inferior del panell frontal per sobre de la ventilació d'aire
- B. Voladís del panell frontal


Model	CMT5518EVWF RMT5518EVWF
01	Min. 1694+A+B Min. 1850+A+B

(unitat: mm)

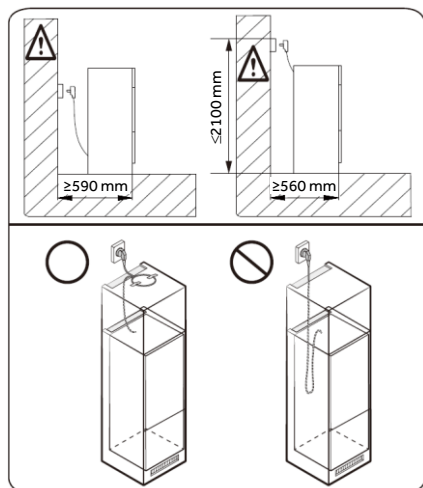
Pes màxim permès dels fronts del moble



Els fronts instal·lats que superin el pes permès poden causar danys i provocar un mal funcionament de les frontisses.

 Pes (kg)	1500-1750 mm	22
		720-1400 mm

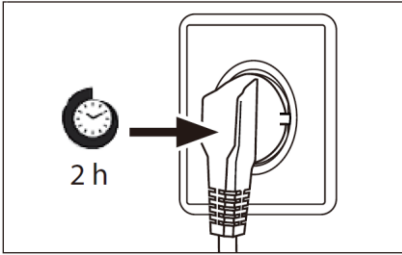
Consideracions sobre la ubicació de l'endoll i l'espai necessari



AVÍS

Si installeu el frigorífic en un moble amb una profunditat de 560 mm, assegureu-vos que el cable d'alimentació quedi col·locat a un costat del frigorífic abans d'endollar-lo. Si el cable queda a la part posterior del frigorífic, podria reduir l'eficiència energètica.

Temps d'espera



L'oli de lubricació que no necessita manteniment està situat a la càpsula del compressor. Aquest oli pot passar pel sistema de tubs tancats si durant el transport s'inclina l'electrodomèstic. Abans de connectar l'electrodomèstic a la xarxa elèctrica, heu d'esperar almenys 2 hores perquè l'oli torni a fluir cap a la càpsula.

Connexió elèctrica

Abans de cada connexió, comproveu si:

- ▶ La font d'alimentació, la presa de corrent i els fusibles es corresponen amb els indicats a la placa de característiques.
- ▶ l'endoll està connectat a una presa de terra i no es fan servir adaptadors múltiples ni allargadors.
- ▶ L'endoll i la presa d'alimentació són compatibles amb les especificacions.

Connecteu l'endoll a una presa de corrent domèstica correctament instal·lada.



ADVERTÈNCIA!

Per evitar riscos, si hi ha un cable d'alimentació malmès, l'ha de substituir el servei d'atenció al client (vegeu la targeta de garantia).

Paràmetres del producte segons el reglament (UE)2019/2016

Marca	CANDY	Rosières
Nom / identificador del model	CMT5518EVWF	RMT5518EVWF
Categoria del model	Congelador	Congelador
Classe d'eficiència energètica	E	E
Consum anual d'energia (kWh/year)(1)	215	215
Volum total (L)	220	220
Volum del compartiment de frescos (L)	/	/
Volum del congelador (L)	220	220
Volum del compartiment de refrigeració màxima (L)	/	/
Volum de la màquina automàtica de fer gel (L)	/	/
Classificació d'estrelles	4	4
Temperatura dels altres compartiments >14 °C	No aplicable	No aplicable
Sistema no-frost	Sí	Sí
Capacitat de congelació (kg/24 h)	15	15
Classificació climàtica	SN/N/ST/T	SN/N/ST/T
Classe d'emissió de soroll i emissions acústiques aèries (db(A)re1pW)	B 35	B 35
Temps d'augment de la temperatura (h)	6	6
Capacitat de fabricació de gel	/	/
Tipus d'electrodomèstic	Integrat	Integrat

Nom del model	Classe d'eficiència energètica
CMT5518EVWF	E
RMT5518EVWF	E

Explicacions:

• Sí, inclòs

- Basat en els resultats de la prova de conformitat amb els estàndards durant 24 hores. El consum real depèn de l'ús i de la ubicació de l'electrodomèstic.
- Classificació climàtica SN: Aquest electrodomèstic està pensat per a un ús a una temperatura ambient d'entre +10 °C i +32 °C
 Classificació climàtica N: Aquest electrodomèstic està pensat per a un ús a una temperatura ambient entre +16 °C i +32 °C
 Classificació climàtica ST: Aquest electrodomèstic està pensat per a un ús a una temperatura ambient d'entre +16 °C i +38 °C
 Classificació climàtica T: Aquest electrodomèstic està pensat per a un ús a una temperatura ambient d'entre +16 °C i +43 °C

Dades tècniques addicionals

Tensió / freqüència	220-240 V ~ / 50 Hz
Corrent d'entrada (A)	1,5
Fusible principal (A)	16
Refrigerant	R600a
Mides (alçada/amplada/profunditat en mm)	1772/540/550

Informació RF

La potència màxima e.i.r.p.: Bluetooth (BR/EDR): 10 dBm
 Bluetooth LE: 5 dBm
 2,4 GHz Wi-Fi: 16 dBm

Banda de freqüència de funcionament: 2400-2483,5 MHz

Recomanem el nostre Servei d'atenció al client de Haier i l'ús de recanvis originals. Si teniu cap problema amb el vostre electrodomèstic, consulteu primer l'apartat RESOLUCIÓ DE PROBLEMES.

Si no hi trobeu cap solució, poseu-vos en contacte amb

- ▶ el vostre distribuïdor local o
- ▶ el nostre Centre europeu d'atenció al client (vegeu els números de telèfon que es mostren a continuació) o
- ▶ Servei i assistència a www.candy-home.com, on podeu demanar el manteniment
- ▶ el servei i també trobar-hi preguntes freqüents.

Per posar-vos en contacte amb el nostre servei, assegureu-vos que disposeu de les dades següents. Podeu trobar la informació a la placa de característiques.

Model _____

Número de sèrie _____

Si necessiteu dades per a la garantia, consulteu també la targeta de garantia que s'inclou amb el producte.

Centre europeu d'atenció al client		
País*	Número de telèfon	Costos
Haier Italy (IT)	199 100 912	
Haier Spain (ES)	902 509 123	
Haier Germany (DE)	0180 539 39 99	<ul style="list-style-type: none"> • 14 ct./min telèfon fix • màx. 42 ct./min mòbil
Haier Austria (AT)	0820 001 205	<ul style="list-style-type: none"> • 14,53 ct./min des de telèfon fix • màx. 20 ct./min tots els altres
Haier United Kingdom (UK)	0333 003 8122	
Haier France (FR)	0980 406 409	

*Per a altres països, consulteu www.candy-home.com

Haier Europe Trading S.r.l

Divisió Regne Unit

Westgate House, Westgate, Ealing

London, W5 1YY

* Durada de la garantia de l'aparell de refrigeració:

La garantia mínima és de: 2 anys per als països de la UE; 3 anys per a Turquia; 1 any per al Regne Unit; 1 any per a Rússia; 3 anys per a Suècia; 2 anys per a Sèrbia; 5 anys per a Noruega; 1 any per al Marroc; 6 mesos per a Algèria; Tunísia, sense garantia legal.

* El període de recanvis per a la reparació de l'electrodomèstic:

Els termòstats, els sensors de temperatura, les plaques de circuit impreses i les fonts de llum estan disponibles durant un període mínim de set anys després de la comercialització de l'última unitat del model.

Els tiradors de la porta, les frontisses, les safates i les cistelles estan disponibles durant un període mínim de set anys, i les juntes de la porta durant un període mínim de 10 anys, després de la comercialització de l'última unitat del model.

*Per a més informació sobre el producte, consulteu <https://eprel.ec.europa.eu/> o escanegeu el codi QR de l'etiqueta energètica que s'inclou amb l'electrodomèstic.



Haier



2024 Version A