

CANDY

User Manual



Refrigerator-Freezer
CML5518EVW4

EN

BG

CZ

DE

EL

ES

FR

HU

IT

NL

PL

PT

RO

SK

SL

CA

EN

**WARNING: Risk of fire/flammable material**

EN

The symbol indicates there is a risk of fire since flammable materials are used. Take care to avoid causing a fire by ingiting flammable material.

ПРЕДУПРЕЖДЕНИЕ: Опасност от пожар/запалим материал

BG

Символът показва, че съществува опасност от пожар, тъй като се използват запалими материали. Внимавайте да не предизвикате пожар чрез подпалване на запалим материал.

VAROVÁNÍ: Nebezpečí požáru / hořlavý materiál

CS

Tento symbol signalizuje, že hrozí nebezpečí požáru kvůli použití hořlavých materiálů. Dávejte pozor, aby nedošlo ke vzniku požáru zapálením hořlavého materiálu.

WARNUNG: Brandgefahr/brennbares Material

DE

Das Symbol zeigt an, dass Brandgefahr besteht, da brennbare Materialien verwendet werden. Achten Sie darauf, dass kein Feuer entstehen kann, indem brennbares Material sich entzündet.

ΠΡΟΕΙΔΟΠΟΙΗΣΗ: Κίνδυνος πυρκαγιάς/εύφλεκτα υλικά

EL

Το σύμβολο υποδεικνύει ότι υπάρχει κίνδυνος πυρκαγιάς, καθώς χρησιμοποιούνται εύφλεκτα υλικά. Επιδείξτε προσοχή για την αποτροπή της πρόκλησης πυρκαγιάς εξαιτίας των εύφλεκτων υλικών.

ADVERTENCIA: Riesgo de incendio/material inflamable.

ES

El símbolo indica que existe riesgo de incendio dado que se utilizan materiales inflamables. Tenga cuidado de no provocar un incendio por la ignición del material inflamable.

AVERTISSEMENT : risque d'incendie/matière inflammable

FR

Le symbole indique qu'il y a un risque d'incendie, étant donné que des matières inflammables sont utilisées. Évitez de provoquer un incendie en brûlant des matières inflammables.

FIGYELMEZTETÉS: Tűzveszély/gyúlékony anyagok

HU

A szimbólum a tűzveszélyről tájékoztat, ami a gyúlékony anyagok használatából adódik. Figyeljen a tűz megelőzésére, mivel a gyúlékony anyag lángra kaphat.

AVVERTENZA: Rischio di incendio/materiale infiammabile

IT

Il simbolo indica che esiste il rischio di incendio poiché sono utilizzati materiali infiammabili. Prestare particolare attenzione per evitare incendi causati dall'accensione di materiali infiammabili.

WAARSCHUWING: Risico op brand/ontvlambaar materiaal

NL

Het symbool geeft aan dat er brandgevaar bestaat doordat brandbare materialen worden gebruikt. Let op dat u geen brand veroorzaakt door brandbare materialen te ontsteken.

OSTRZEŽENIE: Ryzyko pożaru / materiał łatwopalny

PL

Ten symbol wskazuje na ryzyko pożaru, ponieważ urządzenie zawiera materiały łatwopalne. Uważaj, aby nie spowodować pożaru przez podpalenie łatwopalnego materiału.

AVISO: Risco de incêndio/material inflamável

PT

O símbolo indica que existe um risco de incêndio, uma vez que são utilizados materiais inflamáveis. Tenha cuidado para evitar provocar um incêndio acendendo material inflamável.

AVERTISMENT: Risc de incendiu/material inflamabil

RO

Simbolul indică faptul că există risc de incendiu, deoarece sunt utilizate materiale inflamabile. Evitați provocarea unui incendiu cauzat de materialele inflamabile.

VAROVANIE: Nebezpečnosť požiaru/horľavý materiál

SK

Symbol označuje nebezpečnosť požiaru, pretože sa používajú horľavé materiály. Dávajte pozor, aby ste zabránili vzniku požiaru vznietením horľavého materiálu.

OPOZORILO: Nevarnost požara/vnetljiv material

SL

Simbol označuje nevarnost požara, saj se uporabljajo vnetljivi materiali. Pazite, da ne povzročite požara z vžigom vnetljivega materiala.

ADVERTÈNCIA: Risc d'incendi o material inflamable.

CA

Aquest símbol indica que hi ha risc d'incendi, perquè es fan servir materials inflamables. Eviteu encendre materials inflamables que poden provocar un incendi. Extremeu les precaucions.

<u>5 Safety information</u>	•	<u>Before first use</u>	6
		<u>Installation</u>	6
		<u>Daily use</u>	7
<u>10 Intended use</u>	•	<u>Refrigerant gas information</u>	9
<u>11 Product description</u>	•		
<u>12 Control panel</u>	•		
<u>13 Use</u>	•	<u>Lock/Unlock key and its icon</u>	13
		<u>Standby function</u>	13
		<u>Wi-Fi function</u>	13
		<u>Adjust the temperature for larder</u>	14
		<u>Super Cool function</u>	15
		<u>ECO function</u>	15
		<u>Holiday function</u>	15
<u>16 Equipment</u>	•		
<u>18 Energy saving tips</u>	•		
<u>19 Care and cleaning</u>	•		
<u>21 Troubleshooting</u>	•		
<u>25 Installation</u>	•		
<u>29 Technical data</u>	•		
<u>31 Customer service</u>	•		

Thank you for purchasing the product.

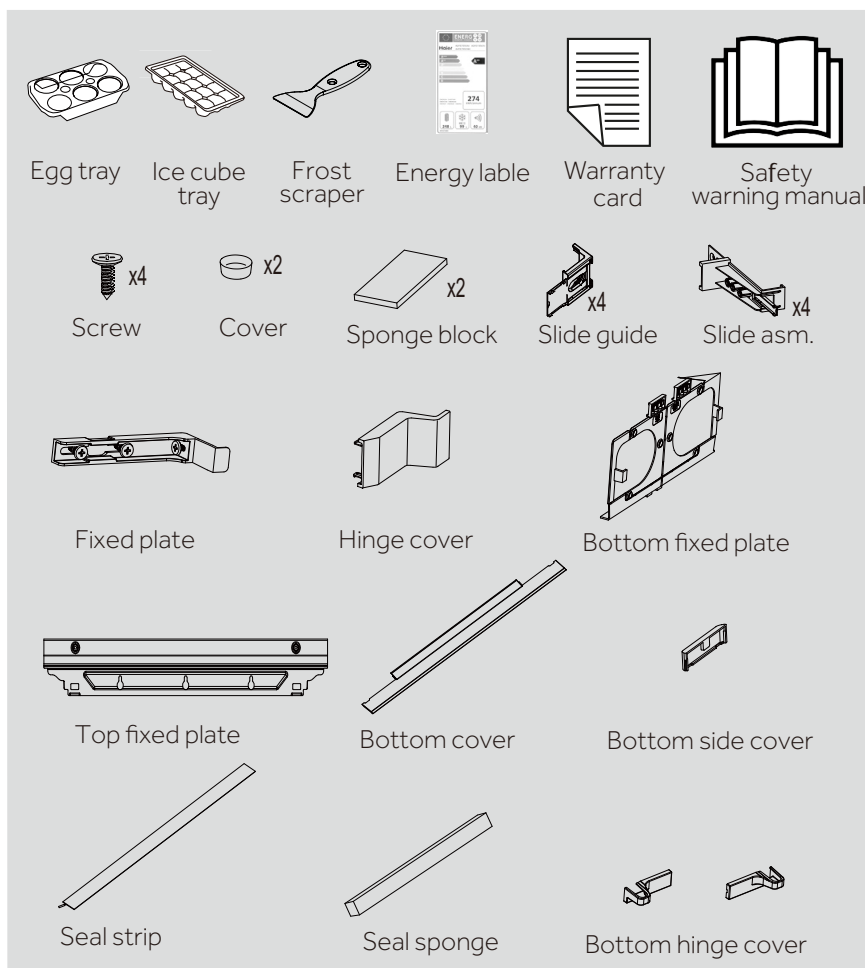
Please read these instructions carefully before using this appliance. The instructions contain important information which will help you get the best out of the appliance and ensure safe and proper installation, use and maintenance.

Keep this manual in a convenient place so you can always refer to it for the safe and proper use of the appliance.

If you sell the appliance, give it away, or leave it behind when you move house, make sure you also pass this manual so that the new owner can become familiar with the appliance and safety warnings.

Accessories

Check the accessories and literature in accordance with this list:





WARNING – Important Safety information



NOTICE-General information and tips



Environmental information



Disposal

Help protect the environment and human health. Put the packaging in applicable containers to recycle it. Help to recycle waste of electrical and electronic appliances. Do not dispose appliances marked with this symbol with the household waste. Return the product to your local recycling facility or contact your municipal office.



WARNING!

Risk of injury or suffocation!

Refrigerants and gases must be disposed of professionally. Ensure that the tubing of the refrigerant circuit is not damaged before being properly disposed of. Disconnect the appliance from the mains supply. Cut off the mains cable and dispose of it. Remove the trays and drawers as well as the door catch and seals, to prevent children and pets to get closed in the appliance.

Before switching on the appliance for the first time read the following safety hints!:



WARNING!

Before first use

- ▶ Make sure there is no transport damage.
- ▶ Wait at least two hours before installing the appliance in order to ensure the refrigerant circuit is fully efficient.
- ▶ Handle the appliance always with at least two persons because it is heavy.
- ▶ Remove all packaging materials, keep them out of children`s reach and dispose them in an environmentally friendly manner.
- ▶ Clean the inside and outside of the appliance with water and a mild detergent before putting any food in it.
- ▶ After the appliance has been levelled and cleaned, wait for at least 2-5 hours before connecting it to the power supply. See Section INSTALLATION.
- ▶ Precool the compartments at high settings before loading with food. The function Super - Cool helps to cool down the compartments quickly.
- ▶ The larder temperature is automatically set to 5 °C respectively. These is the recommended settings. If desired, you can change the temperature manually. Please see ADJUST THE TEMPERATURE.
- ▶ This refrigerator appliance has a **30L freezer room** on the upper part, **and the temperature of the freezer room varies with the temperature of the larder room.**

Installation

- ▶ The appliance should be placed in a **well-ventilated place**.
- ▶ Never place the appliance in a damp area or location where it might be splashed with water. Clean and dry water splashes and stains with a soft clean cloth.
- ▶ Do not install the appliance in direct sunlight or in the near of heat sources(e.g. stoves, heaters).
- ▶ Install and level the appliance in an area suitable for its size and use.
- ▶ Keep ventilation openings in the appliance or in the in-built structure clear of obstruction.
- ▶ Make sure that the electrical information on the rating plate agrees with the power supply. If it does not, contact an electrician.
- ▶ The appliance is operated by a 220-240 VAC/50 Hz power supply. Abnormal voltage fluctuation may cause the appliance to fail to start, or damage to the temperature control or compressor, or there may be an abnormal noise when operating. In such case, an automatic regulator shall be mounted.
- ▶ Do not use multi-plug adapters and extension cables.
- ▶ Do not locate multiple portable socket-outlets or portable power supplies at the rear of the appliance.
- ▶ Ensure that the power cable is not trapped by the refrigerator. Do not step on the power cable.



WARNING!

- ▶ Use a separate earthed socket for the power supply which is easy accessible. The appliance must be earthed.
Only for UK: The appliance's power cable is fitted with 3-cord (grounding) plug that fits a standard 3-cord (grounded) socket. Never cut off or dismount the third pin (grounding). After the appliance is installed, the plug should be accessible.
- ▶ Do not damage the refrigerant circuit.

Daily use

- ▶ This appliance can be used by children aged from 8 years and above and persons with reduced physical, sensory or mental capabilities or lack of experience and knowledge if they have been given supervision or instruction concerning use of the appliance in a safe way and understand the hazards involved.
- ▶ Children aged from 3 to 8 years are allowed to load and unload, but not allowed to clean or install the refrigerating appliances.
- ▶ Keep away children under 3 years of age from the appliance unless they are constantly supervised.
- ▶ Children shall not play with the appliance.
- ▶ If cool gas or other inflammable gas is leaking in the vicinity of the appliance, turn off the valve of the leaking gas, open the doors and windows and do not unplug a plug in the power cable of the refrigerator or any other appliance.
- ▶ Notice that the appliance is set for operation at a specific ambient range between 10 and 43°C. The appliance may not work properly if it is left for a long period at a temperature above or below the indicated range.
- ▶ Do not place unstable articles (heavy objects, containers filled with water) on top of the refrigerator, to avoid personal injury caused by falling or electric shock caused by contact with water.
- ▶ Do not pull on the door shelves. The door may be pulled slant, the bottle rack, may be pulled away, or the appliance may topple.
- ▶ Open and close the doors only with the handles. The gap between the doors and between the doors and the cabinet is very narrow. Do not extend your hands in these areas to avoid pinching your fingers. Open or close the refrigerator doors only when there are no children standing within the range of door movement.
- ▶ When positioning the appliance, ensure the supply cord is not trapped or damaged.
- ▶ Do not store explosive substances such as aerosol cans with a flammable propellant in this appliance.
- ▶ To avoid contamination of food:
 - Opening the door for long periods can cause a significant increase of the temperature in the compartments of the appliance.
 - Clean regularly surfaces that can come in contact with food and accessible drainage systems.
 - Store raw meat and fish in suitable containers in the refrigerator, so that it is not in contact with or drip onto other food.
 - If product is left empty for long periods, switch off, defrost, clean, dry, and leave the door open to prevent mould developing within the appliance.

**WARNING!**

- ▶ Do not store or use inflammable, explosive or corrosive materials in the appliance or in the vicinity.
 - ▶ Do not store medicines, bacteria or chemical agents in the appliance. This appliance is a household appliance. It is not recommended to store materials that require strict temperatures.
 - ▶ Never store liquids in bottles or cans (besides high percentage spirits) especially carbonated beverages in the freezer, as these will burst during freezing.
 - ▶ Check the condition of food if a warming in the freezer has taken place.
 - ▶ Do not set unnecessarily low temperature in the refrigerator compartment. Minus temperatures may occur at high settings. Attention: Bottles can burst
 - ▶ Do not touch frozen goods with wet hands (wear gloves). Especially do not eat ice lollies immediately after removal from the freezer compartment. There is the risk to freeze or the formation of frost blisters. FIRST aid: keep immediately under running cold water. Do not pull away!
 - ▶ Do not touch the inside surface of the freezer storage compartment when in operation, especially with wet hands, as your hands may freeze onto the surface.
 - ▶ Unplug the appliance in the event of a power interruption or before cleaning. Allow at least 7 minutes before restarting the appliance, as frequent starting may damage the compressor.
 - ▶ Do not use electrical devices inside the food storage compartments of the appliance, unless they are of the type recommended by the manufacturer.
- Maintenance / cleaning
- ▶ Make sure children are supervised if they carry out cleaning and maintenance.
 - ▶ Disconnect the appliance from the electrical supply before undertaking any routine maintenance. Allow at least 5 minutes before restarting the appliance, as frequent starting may damage the compressor.



WARNING!

- ▶ Hold the plug, not the cable, when unplugging the appliance.
- ▶ Do not clean the appliance with hard brushes, wire brushes, detergent powder, petrol, amyl acetate, acetone and similar organic solutions, acid or alkaline solutions. Please clean with special refrigerator detergent to avoid damage.
- ▶ Do not scrape off the frost with sharp objects. Do not use sprays, electric heaters like heater, hair dryer, steam cleaners or other sources of heat in order to avoid damage to the plastic parts.
- ▶ Do not use mechanical devices or other means to accelerate the defrosting process, other than those recommended by the manufacturer.
- ▶ If the supply cord is damaged, it must be replaced by the manufacturer, its service agent or similarly qualified persons in order to avoid a hazard.
- ▶ Do not try to repair, disassemble or modify the appliance by yourself. In case of repair please contact our customer service.
- ▶ Eliminate the dust on the back of the unit at least once in the year to avoid hazard by fire, as well as increased energy consumption.
- ▶ Do not spray or flush the appliance during cleaning.
- ▶ Do not use water spray or steam to clean the appliance.
- ▶ Do not clean the cold glass shelves with hot water. Sudden temperature change may cause the glass to break.

Refrigerant gas information



WARNING!

The appliance contains the flammable refrigerant ISOBUTANE (R600a). Make sure the refrigerant circuit is not damaged during transportation or installation. Leaking refrigerant may cause eye injuries or ignite. If a damage has occurred, keep away open fire sources, thoroughly ventilate the room, do not plug or unplug the power cords of the appliance or any other appliance. Inform the customer service.

In case of eyes get into contact with the refrigerant, rinse immediately it under running water and call immediately the eye specialist.

Intended use

This appliance is intended for cooling food. It has been designed exclusively for use in household and similar applications such as staff kitchen areas in shops, offices and other working environments; farm houses and by clients in hotels, motels and other residential type environments as well as in bed-and-breakfast and catering business. It is not intended for commercial or industrial use.

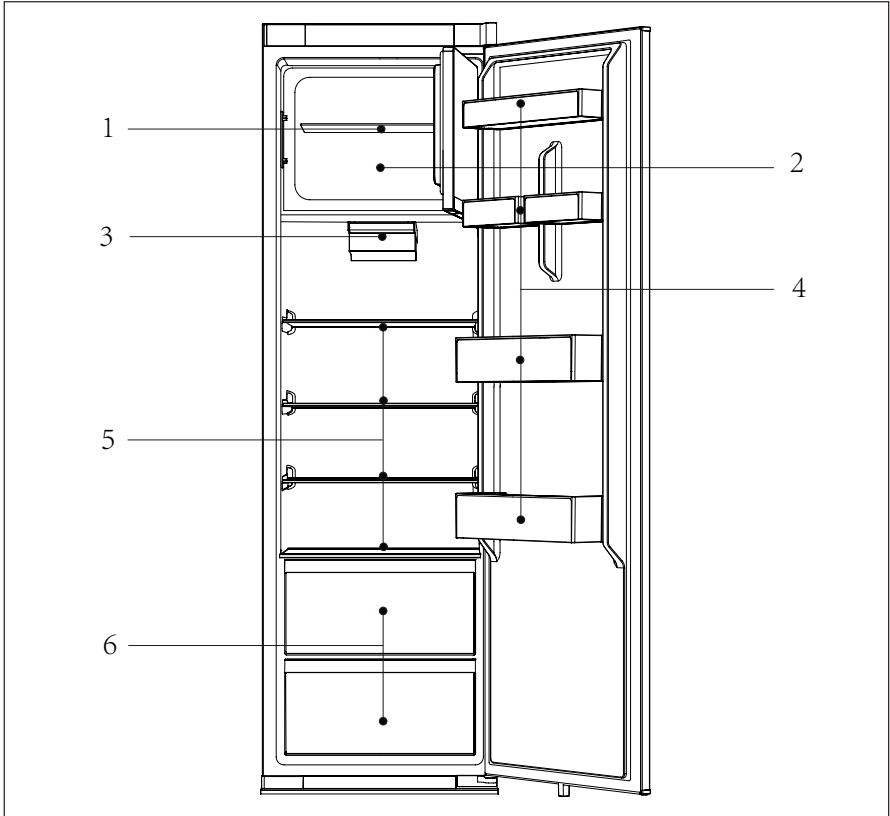
Changes or modifications to the device are not allowed. Unintended use may cause hazards and loss of warranty claims.

Standards and directives

This product meets the requirements of all applicable EC directives with the corresponding harmonised standards, which provide for CE marking.

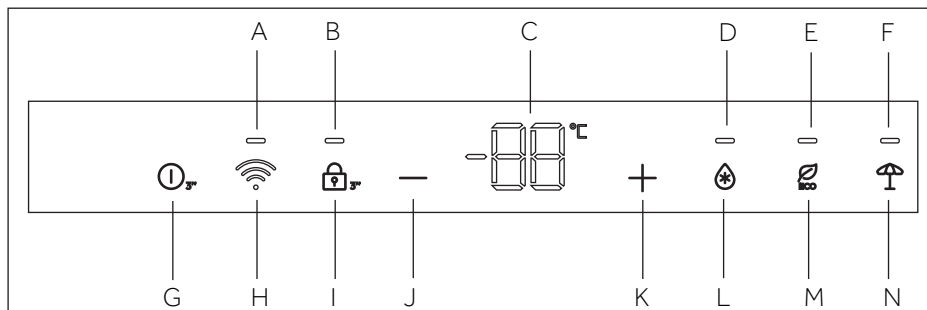
i NOTICE

Due to technical changes and different models, some of the illustrations in this manual may differ from your model.

**CML5518EVW4**

- 1 Ordinary freezer shelf
- 2 Freezing room
- 3 Fan and LED light
- 4 Bottle holders
- 5 Ordinary larder shelves
- 6 Ordinary larder drawers

Control panel



Indicators:

- A Wi-Fi function icon
- B Lock/Unlock icon
- C Temperature display icon
- D Super Cool function icon
- E ECO function icon
- F Holiday function icon

Buttons:

- G ON/OFF key
- H Wi-Fi matching key
- I Lock/Unlock key
- J Lower temperature key
- K Raise temperature key
- L Super Cool function key
- M ECO function key
- N Holiday function key

Sensor keys

The buttons on the control panel are sensor keys, which already respond when lightly touched with the finger.

**NOTICE**

When the appliance is switched on, it may take up to 12 hours for the correct temperatures to be reached.

Please open the refrigerator door first before controlling the display screen.

Lock/Unlock function

This key and its icon are used to lock or unlock the control screen and indicate its current status.

Open the refrigerator door while the refrigerator is working, the control screen will light up and the Lock/Unlock icon is on, at this time, the control screen is under locked state and can not be operated.

Manually unlocking or locking the screen: When the Lock/Unlock icon is lit up, please keep touching the Lock/Unlock key for 3 seconds. The icon will go out and be accompanied by a beep prompt. At this time, function selection or temperature adjustment can be performed.

When the Lock/Unlock icon is turned off, please keep touching the Lock/Unlock key for 3 seconds. Then the Lock/Unlock icon will light up and be accompanied by a beep prompt. At this time, function selection or temperature adjustment cannot be performed.

Automatic screen lock: When the refrigerator door is closed, the control screen will turn off and be locked.

When the refrigerator door is opened, the control screen will automatically lock if there was no operation within 30 seconds.

ON/OFF function

ON/OFF key is used to switch between OFF(pause working status) and ON(normal working modes).

Enter OFF mode: Under the refrigerator working mode, first unlock the display, then keep touching ON/OFF function key for 3 seconds to turn off the control screen, refrigeration lighting, cooling and other functions with a prompt sound followed.



NOTICE

OFF mode is not power down, and the refrigerator is still powered on at this time.

Exit OFF mode: Under the OFF mode, keep touching the ON/OFF key for 3 seconds to restart the control screen, refrigeration lighting, cooling and other functions, accompanied by a prompt sound. The refrigerator will return the set temperature and function before and enter normal working mode.

Wi-Fi function

Wi-Fi matching : When the refrigerator is powered on at the first time, it will automatically enter network configuration mode, and the Wi-Fi function icon will flash quickly , and if there was no network matching operation, it would automatically exit after 30 minutes.

Manually enter Wi-Fi matching mode: After unlock the control screen, while the Wi-Fi function icon is on, keep pressing the Wi-Fi matching key for 3 seconds to enter the mode. During this time, the Wi-Fi function icon will flash quickly showing that it is under Wi-Fi matching mode. If there is no network matching operation, it will automatically exit after 30 minutes.

IN APP PAIRING PROCEDURE

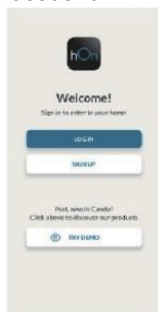
Step 1

- Download the hOn app on the stores.



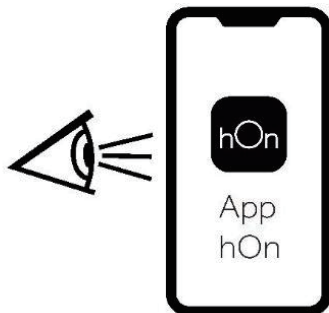
Step 2

Create an account on the hOn app or log in if you already have an account.



Step 3

Follow pairing instructions in the hOn-App.



NOTICE

Under Wi-Fi matching mode, you should follow the app's instructions to complete network configuration. If you need to change the Wi-Fi environment, you need to enter the mode again. If the WiFi function icon stays on, it indicates that the network has been connected successfully.

Adjust the temperature for larder

After opened the refrigerator door and unlocked the control screen, the Lower temperature key is used to lower the set temperature of the refrigerator. Every time the key is lightly touched, the temperature will reduce 1 °C, and the allowed minimum temperature is 1 °C.

After opened the refrigerator door and unlocked the control screen, the Raise temperature key is used to raise the set temperature of the refrigerator. Every time the key is lightly touched, the temperature will increase 1 °C, and the allowed maximum temperature is 9 °C.

During the operation, the Temperature display icon will display the set temperature

and flash. The control screen will automatically confirm the set temperature after 5 seconds.

Super Cool function

This key and its icon are used to switch the Super Cool function of the refrigerator and display the current status.

After opening the refrigerator door and unlocking the control screen, touch the "Super Cool key", and the "Super Cool icon" will light up. At this time, the refrigerator is under "Super Cool mode". To turn off the mode, you could use the same operation to touch the "Super Cool key". After the Super Cool function is turned on, the refrigerator will automatically exit the Super cool mode in about 48 hours to avoid the temperature inside the refrigerator being too low.

When a large amount of food is put into the refrigerator in a short period, the temperature inside the refrigerator will rise. After turning on the super cool function, the temperature of these food could be quickly reduced.

When a large amount of food is placed in the larder room, the super cool function can be turned on directly. When a large amount of food is placed in the freeZer, please turn on the super cool function 12 hours before putting in the food.

ECO function

After opened the refrigerator door and unlocked the control screen, lightly touch the ECO function key, and the ECO function icon will light up, the refrigerator is under the mode already; If you need to exit the mode, you could use the same operation lightly touching the ECO function key.

Under ECO mode, the refrigerator will automatically operates at an average temperature of 5 °C .

Holiday function

After opened the refrigerator door and unlocked the control screen, lightly touch the Holiday function key, and the Holiday function icon will light up, the refrigerator is under the mode already; If you need to exit the mode, you could use the same operation lightly touching the Holiday function key.

Under Holiday function mode, the refrigerator will automatically operates at an average temperature of 17 °C .

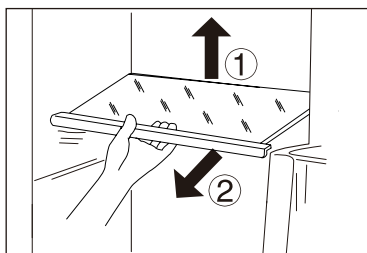
When the holiday function is turned on, the larder and freeZer room enter the holiday function together, and frozen food also needs to be taken out to prevent food damage caused by high temperature.



NOTICE

Due to the different operating logic of special functions such as Super Cool function, ECO function, and Holidays function, these special modes cannot be activated at the same time. Only one function can be activated, and when switching between the modes, other special modes will be automatically exit. In addition, the set temperature can not be changed unless these modes are exited.

5 °C is the ideal mode for fresh foods such as fruit and vegetables, dairy products, meats and drinks.



Shelves

1. The height of the shelves can be adjusted to fit your storage needs.
2. To relocate a shelf, remove it first by uplifting its hind edge ① and pulling it out ②.
3. To reinstall it, put it on the lugs on both sides and push it to the most rearward position until the rear of the shelf is fixed inside the slots in the sides.

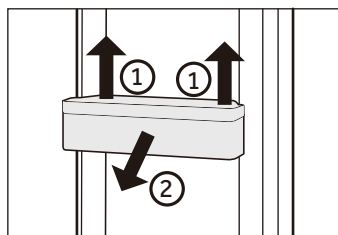


NOTICE

Ensure that all ends of a shelf are level.

Removable bottle

1. The bottle can be removed for cleaning.
2. Place hands on each side of the rack, lift it upwards ① and pull it out ②.
3. In order to insert the bottle, the above steps are carried out in reverse order.



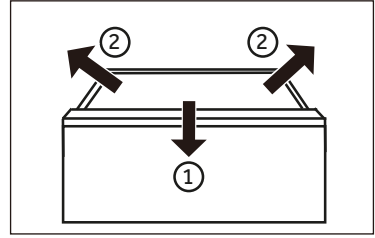
NOTICE

Due to the location characteristics, the temperature of the bottle seat on the first and second layers of the door body is slightly higher than that in the refrigeration is recommended to use it only for short-term storage of food.

Removable drawer

To remove the drawer out, pull out to the maximum extent ①, lift and remove ②.

In order to insert the drawer, the above steps are carried out in reverse order.



The Light

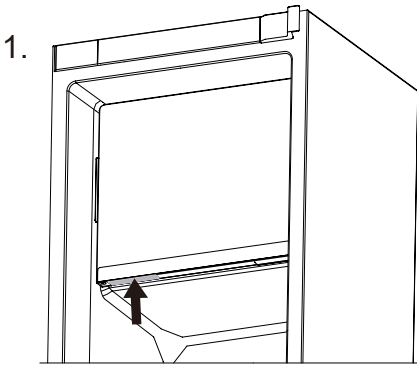
The LED interior light comes on when the door is opened. The performance of the lights is not affected by any of the appliances other settings.

Freezer room

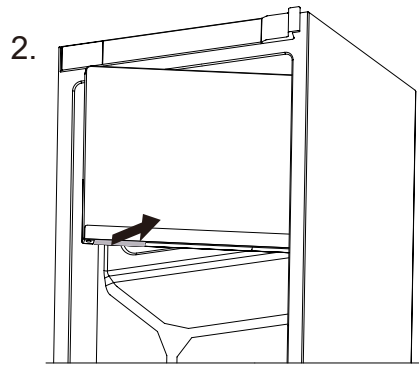
This refrigeration appliance has a 30L freezer room on the upper part, and the temperature of the freezer room varies with the temperature of the larder room.

Open the freezer room door: **First** push up switch, as shown in picture 1; then pull it out, as shown in picture 2;

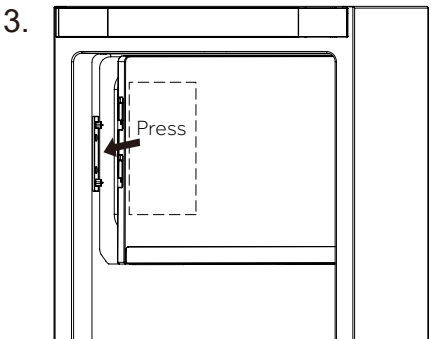
Close the freezer room door: Press the middle area of the small door opening side, as shown in picture 3.



Push up switch



Pull switch outward





Energy saving tips

- ▶ Make sure the appliance is properly ventilated (see INSTALLATION).
- ▶ Do not install the appliance in direct sunlight or in the near of heat sources (e.g. stoves, heaters).
- ▶ Avoid unnecessarily low temperature in the appliance. The energy consumption increases the lower the temperature in the appliance is set.
- ▶ Functions like super Cool consume more energy.
- ▶ Allow warm food to cool down before placing it in the appliance.
- ▶ Open the appliance door as little and as briefly as possible.
- ▶ Do not overfill the appliance to avoid obstructing the air flow.
- ▶ Avoid air within the food packaging.
- ▶ Keep door seals clean so that the door always closes correctly.
- ▶ The most energy-saving configuration requires the appliance keep drawers, food box and shelves on factory-fresh condition, and food should be places as far as possible without blocking the air outlet of the duct.

**WARNING!**

Disconnect the appliance from the power supply before cleaning.

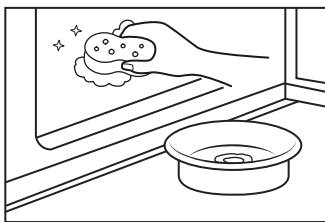
Cleaning

Clean the appliance when only little or no food is stored.

The appliance should be cleaned every four weeks for good maintenance and to prevent bad stored food odors.

**WARNING!**

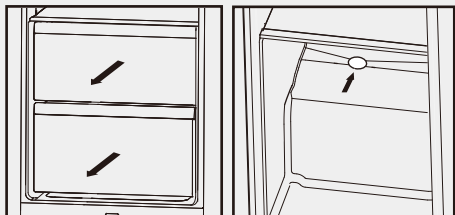
- ▶ Do not clean the appliance with hard brushes, wire brushes, detergent powder, petrol, amyl acetate, acetone and similar organic solutions, acid or alkaline solutions. Please clean with special refrigerator detergent to avoid damage.
- ▶ Do not spray or flush the appliance during cleaning.
- ▶ Do not use water spray or steam to clean the appliance.
- ▶ Do not clean the cold glass shelves with hot water. Sudden temperature change may cause the glass to break.



- ▶ Always keep the door gasket clean.
- ▶ Clean the inside and housing of the appliance with a sponge dampened in warm water and neutral detergent.
 1. Please scrub the interior and exterior of the refrigerator, including door sealing, door rack, glass shelves, boxes and so on, with a soft towel or sponge dipped in warm water (you may add neutral detergent into the warm water).
 2. If there is liquid spilled, remove all the contaminated parts, directly rinse with the flow water, dry and place it back into the fridge.
 3. If there is spilled cream (such as the cream, melting ice cream), please remove all the contaminated parts, put into the warm water with about 40 °C for some time, then rinse with the flow water, dry and place it back into the fridge.
 4. In case some small part or component gets stuck inside of the fridge (between shelves or drawers), use small soft brush to release it. If you could not reach the part, please contact Haier service
- ▶ Rinse and dry with soft cloth.
- ▶ Do not clean any of the parts of the appliance in a dishwasher.
- ▶ Allow at least 5 minutes before restarting the appliance as frequent starting may damage the compressor.

**NOTICE**

The drainage outlet cannot be blocked by foreign objects, otherwise there may be a problem of water overflow. If the drainage outlet is blocked, you can take out the drawer and clean it with a cloth.



Defrosting

When too many items are placed or the door is opened and closed too frequently, frost is likely to appear at the back of the larder room or freezer room, requiring manual defrosting with frost scraper.

Replacing the LED-lamps



WARNING!

Do not replace the LED lamp yourself, it must only be replaced by either the manufacturer or the authorised service agent.

The lamps adopts LED as its light source, featuring low energy consumption and long service life. If there is any abnormality, please contact the customer service. See CUSTOMER SERVICE.

Parameters of the lamps:

Refrigerator compartment: 12 V max 1.5 W

This product contains a light source of energy efficiency class <G>.

Non-use for a longer period

If the appliance is not used for an extended period of time, and you will not use the Holiday-function for the refrigerator:

Take out the food

Unplug the power cord.

Clean the appliance as described above.

Keep the doors open to prevent the creation of bad odours inside.



NOTICE

Turn the appliance off only if strictly necessary.

Moving the appliance

1. Remove all food and unplug the appliance.
2. Secure shelves and other moveable parts in the larder with adhesive tape.
3. Do not tilt the refrigerator more than 45° to avoid damaging the refrigerating system.



WARNING!

- ▶ Do not lift the appliance by its handles.
- ▶ Never place the appliance horizontally on the ground.

Many occurring problems could be solved by yourself without specific expertise. In case of a problem please check all shown possibilities and follow below instructions before you contact an after sales service. See CUSTOMER SERVICE.



WARNING!

- ▶ Before maintenance, deactivate the appliance and disconnect the mains plug from the mains socket.
- ▶ Electrical equipment should be serviced only by qualified electrical experts, because improper repairs can cause considerable consequential damages.
- ▶ A damaged supply should only be replaced by the manufacturer, its service agent or similarly qualified persons in order to avoid a hazard.

Problem	Possible Cause	Possible Solution
The compressor does not work.	<ul style="list-style-type: none"> • Mains plug is not connected in the mains socket. • The appliance is in the defrosting cycle. 	<ul style="list-style-type: none"> • Connect the mains plug. • This is normal for an automatic defrosting.
The appliance runs frequently or runs for a too long period of time.	<ul style="list-style-type: none"> • The indoor or outdoor temperature is too high. • The appliance has been off power for a period of time. • A door of the appliance is not tightly closed. • The door has been opened too frequently or for too long. • The temperature setting for the larder compartment is too low. • The door gasket is dirty, worn, cracked or mismatched. • The required air circulation is not guaranteed. 	<ul style="list-style-type: none"> • In this case, it is normal for the appliance to run longer. • Normally, it takes 8 to 12 hours for the appliance to cool down completely. • Close the door/drawer and ensure the appliance is located on a level ground and there is no food or container jarring the door. • Do not open the door/drawer too frequently. • Set the temperature higher until a satisfactory refrigerator temperature is obtained. It takes 24 hours for the refrigerator temperature to become stable. • Clean the door/drawer gasket or replace them by the customer service. • Ensure adequate ventilation.
The inside of the refrigerator is dirty and/or smells.	<ul style="list-style-type: none"> • The inside of the refrigerator needs cleaning. • Food of strong odour is stored in the refrigerator. 	<ul style="list-style-type: none"> • Clean the inside of the refrigerator. • Wrap the food thoroughly.

Problem	Possible Cause	Possible Solution
It is not cold enough inside the appliance.	<ul style="list-style-type: none"> • The temperature is set too high. • Too warm goods has been stored. • Too much food has been stored at one time. • The goods are too close to each other. • A door/drawer of the appliance is not tightly closed. • The door/drawer has been opened too frequently or for too long. 	<ul style="list-style-type: none"> • Reset the temperature. • Always cool down goods before storing them. • Always store small quantities of food. • Leave a gap between several foods allowing air flowing. • Close the door/drawer. • Do not open the door/drawer too frequently.
It is too cold inside the appliance.	<ul style="list-style-type: none"> • The temperature is set too low. • The Super Cool function is activated or is running too long. 	<ul style="list-style-type: none"> • Reset the temperature. • Switch off the Super Cool function.
Moisture formation on the inside of the refrigerator compartment.	<ul style="list-style-type: none"> • The climate is too warm and too damp. • A door/drawer of the appliance is not tightly closed. • The door/drawer has been opened too frequently or for too long. • Food containers or liquids are left open. 	<ul style="list-style-type: none"> • Increase the temperature. • Close the door/drawer. • Do not open the door/drawer too frequently. • Let hot foods cool to room temperature and cover foods and liquids.
Moisture accumulates on the refrigerators outside surface or between the doors/drawer and drawer.	<ul style="list-style-type: none"> • The climate is too warm and too damp. • The door is not closed tightly. The cold air in the appliance and the warm air outside it condensates. 	<ul style="list-style-type: none"> • This is normal in damp climate and will change when the humidity decreases. • Ensure that the door/drawer is tightly shut.
Display light work, but do not feel cool.	<ul style="list-style-type: none"> • It is in the demo mode. 	<ul style="list-style-type: none"> • Please note what condition it is in, if it is in Demo mode, exit it. Exit: Hold the "ECO" button, and click the "Super freeze" key 5 times in 5s.

Problem	Possible Cause	Possible Solution
Strong ice and frost in the freezer compartment.	<ul style="list-style-type: none"> • The goods were not adequately packaged . • A door/drawer of the appliance is not tightly closed. • The door/drawer has been opened too frequently or for too long. • The door/drawer gasket is dirty, worn, cracked or mismatched. • Something on the inside prevents the door/drawer to close properly. 	<ul style="list-style-type: none"> • Always pack the goods well. • Close the door/drawer . • Do not open the door/drawer too frequently. • Clean the door/drawer gasket or replace them by new ones. • Reposition the shelves, door racks, or internal containers to allow the door/drawer to close.
The sides of the cabinet and door strip get warm.	<ul style="list-style-type: none"> • - 	<ul style="list-style-type: none"> • This is normal.
The appliance makes abnormal sounds.	<ul style="list-style-type: none"> • The appliance is not located on level ground. • The appliance touches some object around it. 	<ul style="list-style-type: none"> • Adjust the feet to level the appliance. • Remove objects around the appliance.
A slight sound is to be heard similar to that of flowing water.	<ul style="list-style-type: none"> • - 	<ul style="list-style-type: none"> • This is normal.
You will hear an alarm beep.	<ul style="list-style-type: none"> • The fridge storage compartment door is open. 	<ul style="list-style-type: none"> • Close the door.
You will hear a faint hum.	<ul style="list-style-type: none"> • The anti-condensation system is working 	<ul style="list-style-type: none"> • This prevents condensation and is normal
The interior lighting or cooling system does not work.	<ul style="list-style-type: none"> • Mains plug is not connected in the mains socket. • The power supply is not intact. • The LED-lamp is out of order. 	<ul style="list-style-type: none"> • Connect the mains plug. • Check the electrical supply to the room. Call the local electricity company! • Please call the service for changing the lamp.

To contact the technical assistance, visit our website: <https://corporate.haier-europe.com/en/>

Under the section "website", choose the brand of your product and your country. You will be redirected to the specific website where you can find the telephone number and form to contact the technical assistance.

Power interruption

In the event of a power cut, food should remain safely cold for about 5 hours. Follow these tips during a prolonged power interruption, especially in summer:

- ▶ Open the door/drawer as few times as possible.
- ▶ Do not put additional food into the appliance during a power interruption.
- ▶ If prior notice of a power interruption is given and the interruption duration is longer than 5 hours, make some ice and put it in a container in the top of the refrigerator compartment.
- ▶ An inspection of the goods is required immediately after the interruption.
- ▶ As temperature in the refrigerator will rise during a power interruption or other failure, the storage period and edible quality of food will be reduced.

Memory function during power interruption

After restoration of power the appliance continues with the settings that were set before the power failure.

Unpacking



WARNING!

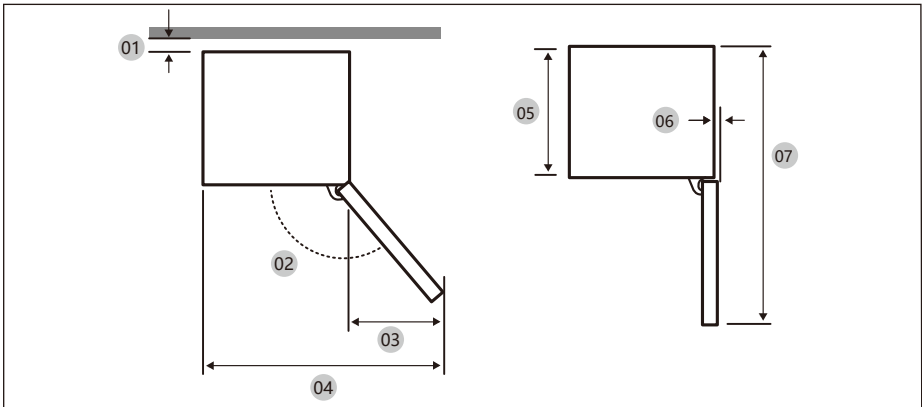
- ▶ The appliance is heavy. Always handle with at least two persons.
- ▶ Keep all packaging materials out of children's reach and dispose them in an environmentally friendly manner
- ▶ Take the appliance out of the packaging.
- ▶ Remove all packaging materials.

Environmental conditions

The room temperature should always be between 10° C and 43° C, since it can influence the temperature inside the appliance and its energy consumption. Do not install the appliance near other heat-emitting appliances (ovens, refrigerators)

Space suggestion

Suggested space when door is opened (Without cabinet door panel)

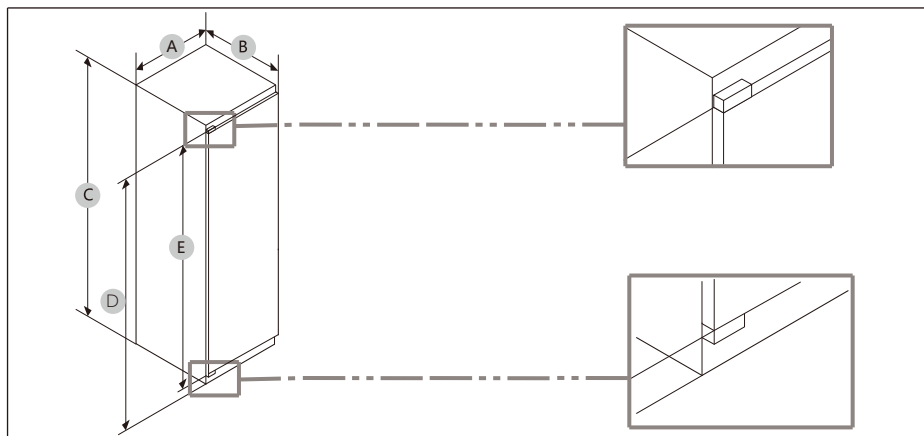


Model	CML5518EVW4
01 *	10 (Min.) / 30 (Recommended)
02	95° (Recommended)
03	43
04	583
05	515
06	-3
07	1060

(unit : mm)

* 01: From cabinet to rear of product.

Product dimention



Model	A(mm)	B(mm)	C(mm)	D(mm)	E(mm)
CML5518EVW4	540±2	550±2	1772±2	1715	1671

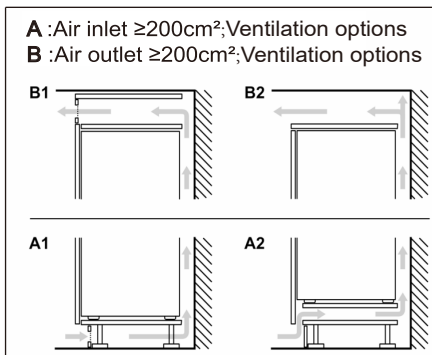
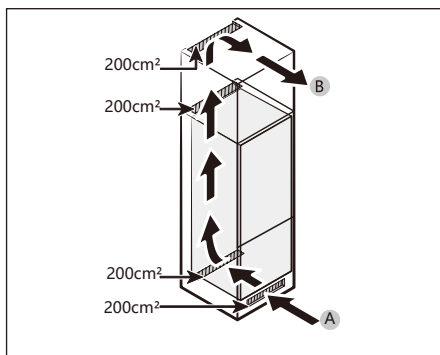


NOTICE

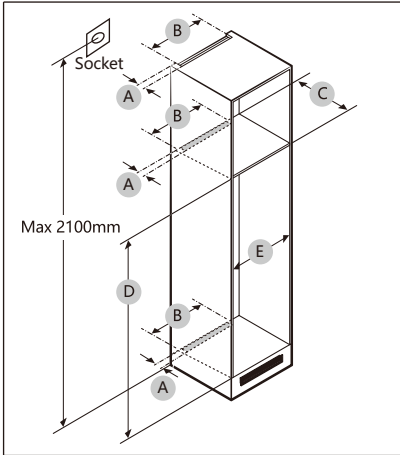
- The specified energy consumption is based on the condition of a 10 mm gap from cabinet to rear of product. The product will work properly even with a gap which is less than 10 mm, however it consumes slightly more energy.
- We recommend using a cabinet that is 19mm thick with hinges less than 17mm thick.
- The measurements in the above table may differ, depending on the measuring method.
- For built-in installation, see the Installation Guide.

Ventilaton cross-section

To achieve sufficient ventilation of the appliance for safety reasons, the information of the required ventilation cross sections must be observed.



Cabinet dimension



! CAUTION!

Any product failure due to the following is not covered by the Warranty.

1. Improper site conditions or incorrect cabinet sizes.
2. Defective cabinet.
3. Mistakes by the installer or the user.

Clearance

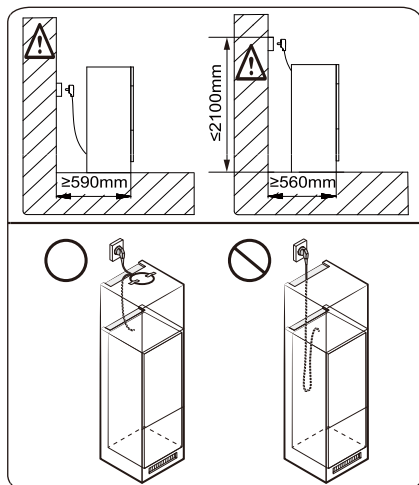
See the pictures and tables below for space requirements for installation.

Model		A (mm)	B (mm)	C (mm)	D (mm)	E (mm)	Remark
CML5518EVW4	Min.	50	400	560	1778	560	Hinge : 17mm
	Recommend			580	1780	562	
	Max.			-	1782	568	

i NOTICE

- If the width of a cabinet is larger than 568mm, the gasket (between the refrigerator and the cabinet) can become loose.
- If the cabinet is higher than the maximum dimension (1782 mm), you must use other finishing materials to fill the gap.

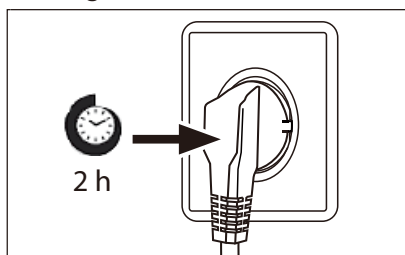
Consideration for socket outlet location and required space



i NOTICE

If you install the refrigerator in a cabinet with a 560 mm depth, make sure the power cord is arranged on a side of the refrigerator before plugging into a power socket. If the power cord is in the rear of the refrigerator, it could decrease the energy efficiency.

Waiting time



To the maintenance-free lubrication oil is located in the capsule of the compressor. This oil can get through the closed pipe system during slanting transport. Before connecting the appliance to the power supply you have to wait at least 2 hours so that the oil runs back into the capsule.

Electrical connection

Before each connection check if:

- ▶ power supply, socket and fusing are appropriate to the rating plate.
- ▶ the power socket is earthed and no multi-plug or extension.
- ▶ the power plug and socket are strictly according.

Connect the plug to a properly installed household socket.

! WARNING!

To avoid risks a damaged power cord must be replaced by the customer service (see warranty card).

Product fiche according to regulation EU No. 2019/2016

Brand	Candy	
Model name/identifier	CML5518EVW4	
Category of the model	Refrigerator-freezer	
Energy efficiency class	E	
Annual energy consumption(kWh/year)(1)	173	
Total volume(L)	285	
Volume larder(L)	255	
Volume freezer(L)	30	
Volume chiller section(L)	/	
Volume auto ice maker(L)	/	
Star rating	/	
Temperature of other compartments>14°C	Non applicable	
Frost-free system	NO	
Freezing capacity(kg/24h)	2	
Climate rating	SN/N/ST/T	
Noise emission class and airborne acoustical noise emissions(db(A)re1pW)	B 35	
Temperature rise time(h)	/	
Ice making capacity	/	
Type of appliance	Built-in	

Model name	Energy efficiency class
CML5518EVW4	E

Explanations:

• Yes, featured

- (1) Based on the results of the standards conformance test over 24 hours. The actual consumption depends on the use and the location of the appliance.
- (2) Climate rating SN: This appliance is intended for use in an ambient temperature of between + 10°C and +32°C

Climate rating N: This appliance is intended for use in an ambient temperature of between + 16°C and +32°C

Climate rating ST: This appliance is intended for use in an ambient temperature of between + 16°C and +38°C

Climate rating T: This appliance is intended for use in an ambient temperature of between + 16°C and +43°C

Additional technical data

Voltage / Frequency	220-240V ~/ 50Hz
Input current (A)	1.0
Main fuse (A)	16
Coolant	R600a
Dimensions (H/W/D in mm)	1772/540/550

RF information

The max e.i.r.p.: Bluetooth(BR/EDR): 10dBm

Bluetooth LE: 5dBm

2.4GHz Wi-Fi: 16dBm

Frequency band of operation: 2400-2483.5MHz

We recommend our Haier Customer Service and the use of original spare parts. If you have a problem with your appliance, please first check section TROUBLE-SHOOTING.

If you cannot find a solution there, please contact

- ▶ your local dealer or
- ▶ our European Call Service-Center (see listed phone numbers below) or
- ▶ the Service&Support area at www.candy-home.com where you can activate the service
- ▶ claim and also find FAQs.

To contact our Service, ensure that you have the following data available. The information can be found on the rating plate.

Model _____

Serial No. _____

Also check the Warranty Card supplied with the product in case of warranty.

European Call Service-Center		
Country*	Phone number	Costs
Haier Italy (IT)	199 100 912	
Haier Spain (ES)	902 509 123	
Haier Germany (DE)	0180 539 3999	<ul style="list-style-type: none"> • 14 Ct/Min Landline • max 42 Ct/Min Mobile
Haier Austria (AT)	0820 001 205	<ul style="list-style-type: none"> • 14,53 Ct/Min Landline • max 20 Ct/Min all others
Haier United Kingdom (UK)	0333 003 8122	
Haier France (FR)	0980 406 409	

* For other countries please refer to www.candy-home.com

Haier Europe Trading S.r.l

Branch UK

Westgate House, Westgate, Ealing

London, W5 1YY

*Duration of the guarantee of the refrigerating appliance:

Minimum guarantee is: 2 years for EU Countries, 3 years for Turkey, 1 year for UK, 1 year for Russia, 3 years for Sweden, 2 years for Serbia, 5 years for Norway, 1 year for Morocco, 6 months for Algeria, Tunisia no legal warranty required.

*The period of spare parts for the repair of the appliance:

Thermostats, temperature sensors, printed circuit boards and light sources are available for a minimum period of seven years after placing the last unit of the model on the market.

Door handles, door hinges, trays and baskets for a minimum period of seven years and door gaskets for a minimum period of 10 years, after placing the last unit of the model on the market.

*For further information about the product, please consult <https://eprel.ec.europa.eu/> or scan the QR on the energy label supplied with the appliance.

<u>35 Информация за безопасност</u>	<u>Преди първоначална употреба</u> 36
	<u>Монтаж</u> 36
	<u>Ежедневна употреба</u> 37
	<u>Информация за хладилния газ</u> 39
<u>40 Предвидена употреба</u>	
<u>41 Описание на продукта</u>	
<u>42 Панел за управление</u>	
<u>43 Употреба</u>	<u>Функция за заключване/отключване</u> 43
	<u>Функция „ВКЛ./ИЗКЛ.“</u> 43
	<u>Функция Wi-Fi</u> 43
	<u>Регулиране на температурата на отделението за храна</u> 44
	<u>Функция „Super Cool“</u> 45
	<u>Функция „ECO“</u> 45
	<u>Функция „Holiday“</u> 45
<u>Error! Bookmark not defined. Оборудване</u>	
<u>48 Съвети за пестене на енергия</u>	
<u>49 Грижа и почистване</u>	
<u>51 Отстраняване на неизправности</u>	
<u>55 Монтаж</u>	
<u>59 Технически данни</u>	
<u>61 Обслужване на клиенти</u>	

Благодарим ви, че закупихте този продукт.

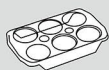
Моля, прочетете внимателно тези инструкции, преди да използвате този уред. Инструкциите съдържат важна информация, която ще ви помогне да използвате уреда по възможно най-пълноценен начин и да се уверите, че той ще бъде монтиран, използван, и поддържан правилно и безопасно.

Съхранявайте това ръководство на удобно място, за да можете по всяко време да направите справка относно безопасното и правилно използване на уреда.

Ако продадете, подарите или оставите уреда в старото си жилище, когато се преместите, моля, предайте и това ръководство на новия собственик, за да може той да се запознае с уреда и с предупрежденията за безопасност.

Принадлежности

Проверете дали принадлежностите и книжните материали са в съответствие с този списък:



Поставка
за яйца



Форма
за лед



Стъргалка
за скреж



Енергиен
етикет



Гаранционна
карта



Ръководство за
Предупреждение
за безопасност



x4

Винт



x2

Капак



x2

Абсорбиращ панел



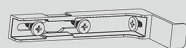
x4

Плъзгач



x4

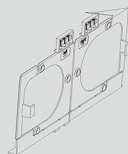
Плъзгач обков



Фиксирана платка



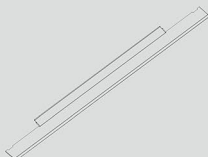
Капак на панти



Долна фиксирана платка



Горна фиксирана платка



Долен капак



Долен страничен капак



Уплътнителна лента



Уплътнителна гъба



Капак на долна панта



ПРЕДУПРЕЖДЕНИЕ – Важна информация за безопасност



ЗАБЕЛЕЖКА – Обща информация и съвети



Информация за околната среда

Обезвреждане



Помогнете за опазването на околната среда и човешкото здраве. Поставете опаковъчните материали в подходящите контейнери, за да бъдат рециклирани. Помогнете за рециклирането на отпадъци от електрически и електронни уреди. Уреди, обозначени с този символ, не бива да бъдат изхвърляни заедно с битовите отпадъци. Върнете продукта в местното съоръжение за рециклиране или се свържете с общинската служба.



ПРЕДУПРЕЖДЕНИЕ!

Опасност от нараняване или задушаване!

Хладилните агенти и газовете трябва да се обезвреждат по професионален начин. Уверете, че тръбите на охладителната верига не са повредени, преди да ги изхвърлите по подходящ начин. Изключете уреда от захранването. Отрежете захранващия кабел и го изхвърлете. Отстранете тавите и чекмеджетата, както и уплътненията на вратата и механизма за затваряне ѝ, за да предотвратите затварянето на деца и домашни любимци в уреда.

Преди да включите уреда за първи път, прочетете следните съвети за безопасност!:



ПРЕДУПРЕЖДЕНИЕ!

Преди първоначална употреба

- ▶ Уверете се, че няма транспортни повреди.
- ▶ Изчакайте поне два часа, преди да монтирате уреда, за да сте сигурни, че охладителната верига е напълно ефективна.
- ▶ За преместването на уреда са нужни поне двама души, защото е тежък.
- ▶ Отстранете всички опаковъчни материали, дръжте ги далеч от деца, и ги изхвърлете по природосъобразен начин.
- ▶ Почистете вътрешните и външните повърхности на уреда с вода и мек почистващ препарат, преди да поставите храна в него.
- ▶ След като уредът е бил подравнен и почистен, изчакайте поне 2 – 5 часа, преди да го свържете към захранването. Вижте раздел „МОНТАЖ“.
- ▶ Преди да заредите с храна, предварително охладете отделенията при високи настройки. Функцията „Super-Cool“ помага за бързото охлаждане на отделенията.
- ▶ Температурата на отделенията за храна е настроена автоматично на 5°C. Това са препоръчителните настройки. По желание може да промените температурата ръчно. Моля вижте раздел „РЕГУЛИРАНЕ НА ТЕМПЕРАТУРАТА“.
- ▶ Този хладилник има фризерно отделение от 30 л фризер в горната част и температурата на фризерното отделение варира в зависимост от температурата на отделението за храна.

Монтаж

- ▶ Уредът трябва да бъде поставен на място с добра вентилация.
- ▶ Никога не поставяйте уреда на влажно място или на място, където има опасност да бъде напръскан с вода. Петна и пръски вода трябва да се почистват и подсушават с чиста мека кърпа.
- ▶ Не монтирайте уреда така, че да е изложен на пряка слънчева светлина или да е в близост до източници на топлина (напр. готварски печки, нагреватели).
- ▶ Поставете и нивелирайте уреда в зона, подходяща за неговия размер и употреба.
- ▶ Не запречвайте вентилационните отвори на уреда или на вградената конструкция.
- ▶ Уверете се, че електрическата информация на табелката с данни съответства на захранването. Ако не съответства, обърнете се към електротехник.
- ▶ Уредът работи при захранване 220 – 240 VAC/50 Hz. Необичайни колебания в електрическото напрежение могат да доведат до неуспешно стартиране на уреда, да повредят системата за управление на температурата или компресора или да причинят необичаен шум при работа. В такъв случай трябва да се монтира автоматичен регулатор.
- ▶ Не използвайте разклонители и удължители.



ПРЕДУПРЕЖДЕНИЕ!

- ▶ Не разполагайте преносими разклонители или преносими източници на захранване в задната част на уреда.
- ▶ Уверете се, че захранващият кабел не е заклещен под хладилника. Не стъпвайте върху захранващия кабел.
- ▶ Използвайте отделен заземен контакт за захранването, който е леснодостъпен. Уредът трябва да бъде заземен. Само за Обединеното кралство: Захранващият кабел на уреда е снабден с троен (заземяващ) щепсел, който отговаря на стандартен троен (заземен) контакт. В никакъв случай не режете и не демонтирайте третия (заземяващ) щифт. След монтирането на уреда до щепсела трябва да има достъп.
- ▶ Не причинявайте повреди на охладителната верига.

Ежедневна употреба

- ▶ Този уред може да се използва от деца над 8-годишна възраст и от лица с намалени физически, сетивни или умствени способности или липса на опит и познания, ако се наблюдават или са инструктирани за използването на уреда по безопасен начин и разбират свързаните с това опасности.
- ▶ Деца на възраст от 3 до 8 години могат да товарят и разтоварват, но не могат да почистват или монтират хладилни уреди.
- ▶ Деца под 3-годишна възраст трябва да се пазят далеч от уреда, с изключение на случаите, когато са под постоянен надзор.
- ▶ Децата не бива да използват уреда за игра.
- ▶ Ако в близост до уреда изтича охладителен газ или друг запалим газ, изключете вентила на изтичащия газ, отворете вратите и прозорците и не включвайте и не изключвайте захранващите кабели на хладилника или на друг уред.
- ▶ Обърнете внимание, че уредът е настроен за работа в определен диапазон на температурата на околната среда между 10 и 43°C. Уредът може да не работи правилно, ако е оставен за дълъг период при температура над или под посочения диапазон.
- ▶ Не поставяйте нестабилни предмети (тежки предмети, съдове, пълни с вода) върху хладилника, за да избегнете нараняване, причинено от падане или токов удар при контакт с вода.
- ▶ Не дърпайте рафтовете на вратата. Вратата може да бъде издърпана под наклон, поставката за бутилка може да бъде изтеглена или уредът може да се събори.
- ▶ Отваряйте и затваряйте вратите само посредством дръжките. Пролуката между вратите и между вратите и шкафа е много тясна. Не поставяйте ръцете си в тези зони, за да избегнете прищипване на пръстите. Отваряйте или затваряйте вратите на хладилника само когато в обсега на движението на вратата няма деца.
- ▶ При позициониране на уреда се уверете, че захранващият кабел не е заклещен или повреден.
- ▶ Не съхранявайте взривни вещества като аерозолни флакони със запалимо гориво в този уред.



ПРЕДУПРЕЖДЕНИЕ!

- ▶ За да избегнете замърсяване на храната:
 - Отварянето на вратата за дълги периоди може да доведе до значително повишаване на температурата в отделенията на уреда.
 - Почиствайте редовно повърхностите, които може да влязат в контакт с храна, и достъпните дренажни системи.
 - Сурово месо и риба се съхраняват в подходящи съдове в хладилника, така че да не влизат в контакт с други храни или да не капят върху други храни.
 - Ако уредът се оставя празен за дълги периоди, го изключете, размразете, почистете, подсушете и оставете вратата отворена, за да предотвратите появата на плесен в уреда.
- ▶ Не съхранявайте и не използвайте запалими, експлозивни или корозивни материали в уреда или в близост до него.
- ▶ Не съхранявайте лекарства, бактерии или химически агенти в уреда. Това е домакински уред. Не се препоръчва да съхранявате материали, които изискват строги температури.
- ▶ Никога във фризера не съхранявайте течности в бутилки или консерви (освен високоалкохолни спиртни напитки), особено газирани напитки, тъй като те ще се спукат по време на замразяването.
- ▶ Проверете състоянието на храната, ако във фризера е настъпило затопляне.
- ▶ Не задавайте излишно ниска температура в хладилното отделение. При високи настройки могат да възникнат минусови температури. Внимание: Бутилките могат да се пръснат
- ▶ Не докосвайте замразени продукти с мокри ръце (носете ръкавици). В никакъв случай не яхте ледени близалки веднага след изваждането им от фризерното отделение. Съществува риск от измръзване или образуване на мехури. ПЪРВА помощ: незабавно поставете под течаща студена вода. Не дърпайте!
- ▶ Не докосвайте вътрешната повърхност на отделениято за съхранение на фризера, когато уредът работи, особено с мокри ръце, тъй като ръцете ви могат да замръзнат върху повърхността.
- ▶ Изключете уреда от електрическата мрежа в случай на прекъсване на захранването или преди почистване. Изчакайте поне 7 минути, преди да включите отново уреда, тъй като честото стартиране може да повреди компресора.
- ▶ Не използвайте електрически уреди в отделенията за съхранение на храна на уреда, освен ако не са от вид, препоръчан от производителя. Поддръжка/почистване
- ▶ Ако почистване и поддръжка се извършва от деца, уверете се, че те са под надзор.
- ▶ Изключете уреда от електрическото захранване, преди да предприемете каквато и да е рутинна поддръжка. Изчакайте поне 5 минути, преди да включите отново уреда, тъй като честото стартиране може да повреди компресора.



ПРЕДУПРЕЖДЕНИЕ!

- ▶ При изключване на уреда хващайте щепсела, а не кабела.
- ▶ Не почиствайте уреда с твърди четки, телени четки, прахообразни препарати, бензин, амилацетат, ацетон или подобни органични разтвори, киселинни или алкални разтвори. Моля, почиствайте със специален препарат за хладилник, за да избегнете повреди.
- ▶ Не изстъргвайте скрежта с остри предмети. Не използвайте спрейове, електрически нагреватели като сешоари, парочистачки или други източници на топлина, за да се избегне повреда на пластмасовите части.
- ▶ Не използвайте механични устройства или други средства за ускоряване процеса на размразяване, различни от препоръчаните от производителя.
- ▶ Ако захранващият кабел се повреди, той трябва да бъде заменен от производителя, негов обслужващ представител или лице с подобна квалификация, за да се избегне потенциална опасност.
- ▶ Не се опитвайте сами да ремонтирате, разглобявате или модифицирате уреда. При необходимост от ремонт се свържете с нашия отдел за обслужване на клиенти.
- ▶ Отстранявайте прахта по гърба на уреда поне веднъж годишно, за да се избегне пожар, както и повишен разход на енергия.
- ▶ Не пръскайте и не плискайте уреда по време на почистване.
- ▶ Не използвайте водна струя или пара за почистване на уреда.
- ▶ Не почиствайте студените стъклени рафтове с гореща вода. Рязката промяна в температурата може да причини напукване на стъклото

Информация за хладилния газ



ПРЕДУПРЕЖДЕНИЕ!

Уредът съдържа запалим хладилен агент ISOBUTANE (R600a).

Уверете се, че охладителната верига не е била повредена по време на транспортирането или монтажа. Течът на хладилен агент може да причини нараняване на очите или възпламеняване. При възникване на повреда се пазете от открити източниците на огън, проветрете добре помещението, не включвайте и не изключвайте захранващите кабели на уреда или на друг уред. Информирайте центъра за обслужване на клиенти.

В случай че в очите Ви попадне хладилен агент, изплакнете веднага с течаща вода и незабавно се свържете с офталмолог.

Предвидена употреба

Този уред е предназначен за охлаждане на храни. Този уред е предназначен единствено за употреба в домакинството и в други подобни пространства, като кухненски помещения за персонал в магазини, офиси и други работни пространства, земеделски стопанства и за клиенти в хотели, мотели и други помещения за настаняване, като полупансионни и фирми за кетъринг. Не е предназначен за търговска или промишлена употреба.

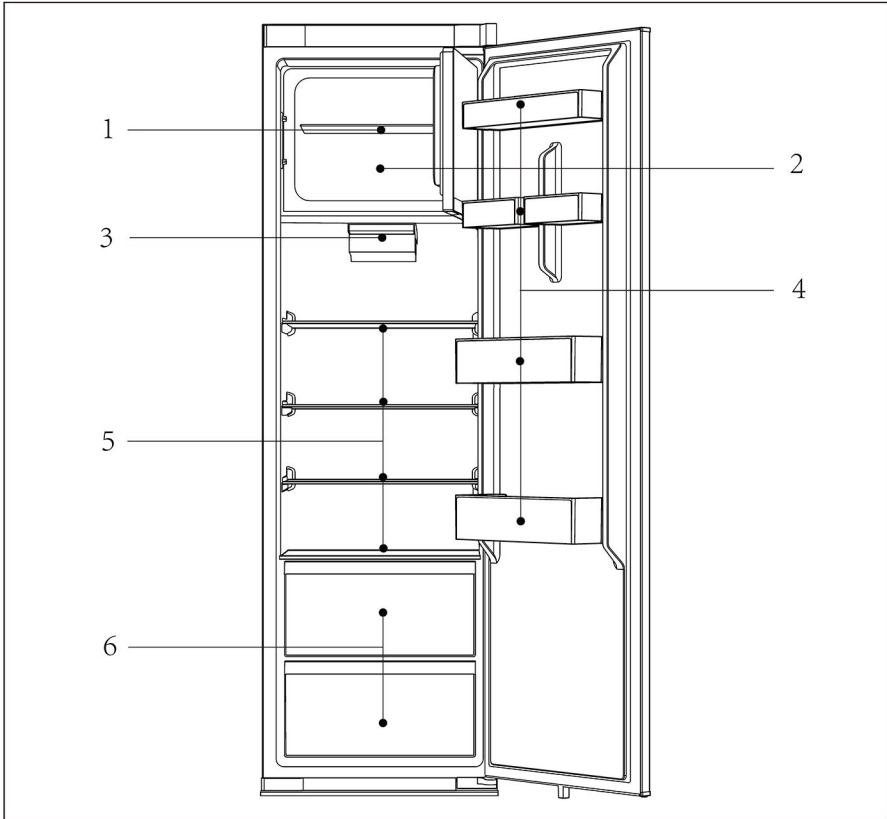
Не е разрешено извършването на промени или модификации на устройството. Използването не по предназначение може да доведе до опасности и загуба на гаранционно покритие.

Стандарти и директиви

Този продукт отговаря на изискванията на всички приложими директиви на ЕО със съответстващите хармонизирани стандарти, които предвиждат маркировка „СЕ“.

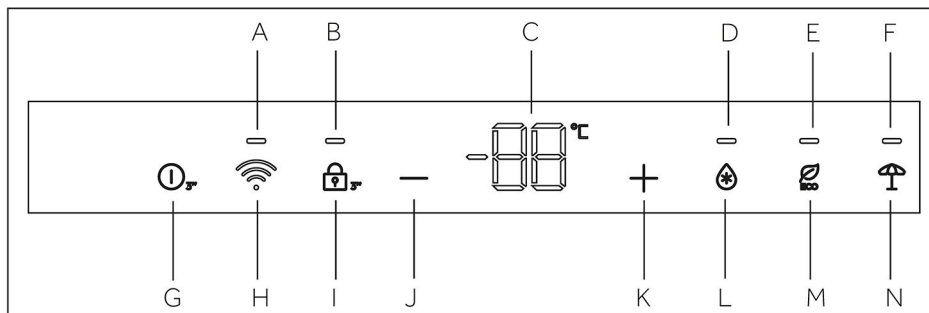
i ЗАБЕЛЕЖКА

Поради технически промени и наличие на различни модели някои от илюстрациите в това ръководство може да се различават от вашия модел.

**CML5518EVW4**

- 1 Обикновен рафт за фризер
- 2 Камера за замразяване
- 3 Вентилатор и LED светлина
- 4 Поставка за бутилки
- 5 Обикновени рафтове на отделението за храна
- 6 Обикновени чекмеджета на отделението за храна

Панел за управление



Индикатори:

- A Икона на Wi-Fi функцията
- B Икона за заключване/отключване
- C Икона за показване на температурата
- D Икона на функция „Super Cool“
- E Икона на функция „ECO“
- F Икона на функция „Holiday“

Бутони:

- G Бутон ВКЛ./ИЗКЛ
- H Бутон за съвпадение с Wi-Fi
- I Бутон за заключване/отключване
- J Бутон за понижаване на температурата
- K Бутон за повишаване на температурата
- L Бутон за функцията „Super-Cool“
- M Бутон за функцията „ECO“
- N Бутон за функцията „Holiday“

Сензорни бутони

Бутоните на панела за управление са сензорни и реагират при леко докосване с пръст.

ЗАБЕЛЕЖКА

След като уредът бъде включен, може да са необходими до 12 часа, за да бъдат достигнати правилните температури

Моля, преди да управлявате екрана на дисплея, първо отворете вратата на хладилника.

Функция за заключване/отключване

Този бутон и неговата икона се използват за заключване или отключване на контролния екран и за показване на текущото му състояние.

Отворете вратата на хладилника, докато хладилникът работи, контролният екран ще светне и иконата за заключване/отключване ще свети, това означава, че контролният екран е в заключено състояние и не може да се управлява.

Ръчно отключване или заключване на екрана: Когато иконата за заключване/отключване свети, моля, докоснете продължително бутона за заключване/отключване за 3 секунди. Иконата ще изгасне и ще бъде прозвучи звуков сигнал. В този момент може да се извърши избор на функция или настройка на температурата.

Когато иконата за заключване/отключване не свети, моля,

докоснете продължително бутона за заключване/отключване за 3 секунди.

След това иконата за заключване/отключване ще светне и ще прозвучи звуков сигнал. В този момент не може да се извърши избор на функция или настройка на температурата.

Автоматично заключване на екрана: Когато вратата на хладилника е затворена, контролният екран ще е изключен и заключен.

Когато вратата на хладилника е отворена, контролният екран ще се заключи автоматично, ако не е имало операция в рамките на 30 секунди.

Функция „ВКЛ./ИЗКЛ.“

Бутонът „ВКЛ./ИЗКЛ.“ се използва за превключване между ИЗКЛЮЧВАНЕ (пауза на работа) и ВКЛЮЧВАНЕ (нормални режими на работа).

Влизане в режим ИЗКЛЮЧВАНЕ: В режим на работа на хладилника, първо отключете дисплея, после продължете да докосвате бутона на функцията „ВКЛ./ИЗКЛ.“ 3 секунди, за да изключите контролният екран, осветлението на хладилника, охлаждането и други функции, придружени от звук.



ЗАБЕЛЕЖКА

В режим ИЗКЛЮЧВАНЕ хладилникът все още не е напълно изключен.

Изход от режим ИЗКЛЮЧВАНЕ: В режим ИЗКЛЮЧВАНЕ продължете да докосвате бутона „ВКЛ./ИЗКЛ.“ 3 секунди, за да рестартирате контролният екран, осветлението на хладилника, охлаждането и други функции, придружени от подканващ звук. Хладилникът ще върне зададената предварително температура и функция и ще влезе в нормален режим на работа.

Функция Wi-Fi

Съвпадение с Wi-Fi: Когато хладилникът се включи за първи път, той автоматично ще влезе в режим на конфигуриране на мрежата. Иконата на функцията Wi-Fi ще мигне и ако не се състои операция по съвпадение, автоматично ще се изключи след 30 минути.

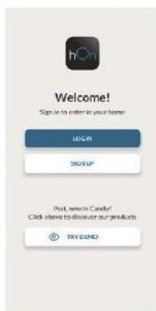
Влезте ръчно в режим на съвпадение с Wi-Fi: След като отключите контролния екран, докато иконата на функцията Wi-Fi е включена, продължете да натискате бутона за съвпадение с Wi-Fi за 3 секунди. През това време иконата на функцията Wi-Fi ще мигне, за да покаже, че е в режим на съвпадение с Wi-Fi. Ако няма операция за съвпадение с мрежа, автоматично ще се изключи след 30 минути.

ПРОЦЕДУРА ЗА СДВОЯВАНЕ В ПРИЛОЖЕНИЕТО

Стъпка 1 • Изтеглете приложението hOn от магазините



Стъпка 2 Създайте профил в приложението hOn или влезте, ако вече имате такъв.



Стъпка 3 Следвайте инструкциите за сдвояване в приложението hOn.



ЗАБЕЛЕЖКА

В режим на съвпадение с Wi-Fi трябва да следвате инструкциите на приложението, за да завършите конфигурацията на мрежата. Ако се налага да промените Wi-Fi средата, трябва да влезете отново в режима. Ако иконата на функцията Wi-Fi остане включена, мрежата е свързана успешно.

Регулиране на температурата на отделението за храна

След отваряне на вратата на хладилника и отключване на контролния екран, бутонът за по-ниска температура се използва за понижаване на зададената температура на хладилника. При всяко леко докосване на бутона температурата ще се понижи с 1°C, а допустимата минимална температура е 1°C.

След отваряне на вратата на хладилника и отключване на контролния екран, бутонът Повишаване на температурата се използва за повишаване на зададената температура на хладилника. При всяко леко докосване на бутон температурата ще се повиши с 1°C, а допустимата максимална температура е 9°C.

По време на операцията иконата за показване на температурата ще показва зададената температура и ще мига. Контролният екран автоматично ще потвърди зададената температура след 5 секунди.

Функция „Super Cool“

Този бутон и неговата икона се използват за превключване на функцията „Super Cool“ на хладилника и за показване на текущото състояние.

След като отворите вратата на хладилника и отключите контролния екран, докоснете бутона „Super Cool“ и иконата „Super Cool“ ще светне. В този момент хладилникът е в режим „Super Cool“. За да изключите режима, можете да използвате същата операция и да докоснете бутона „Super Cool“. След като функцията „Super Cool“ е включена, хладилникът автоматично ще излезе от режим „Super Cool“ след около 48 часа, за да се избегне твърде ниската температура вътре в хладилника.

Когато голямо количество храна се постави в хладилника в кратък интервал от време, температурата вътре в хладилника ще се повиши. След включване на функцията „Super Cool“ температурата на тези храни може бързо да се понижи. Когато в отделението за храна се постави голямо количество храна, функцията „Super Cool“ може да се включи директно. Когато във фризера се поставя голямо количество храна, моля, включете функцията „Super Cool“ 12 часа преди да поставите храната.

Функция „ECO“

След като отворите вратата на хладилника и отключите контролния екран, докоснете леко бутона за функция „ECO“ и иконата ще светне, за да покаже, че хладилникът е в режима. Ако трябва да излезете от него, докоснете отново леко бутона за функция „ECO“.

В режим „ECO“ хладилникът ще работи автоматично при средна температура от 5°C.

Функция „Holiday“

След като отворите вратата на хладилника и отключите контролния екран, докоснете леко бутона за функция „Holiday“ и иконата ще светне, за да покаже, че хладилникът е в режима. Ако трябва да излезете от него, докоснете отново леко бутона за функция „Holiday“.

В режим на функция „Holiday“ хладилникът ще работи автоматично при средна температура от 17°C.

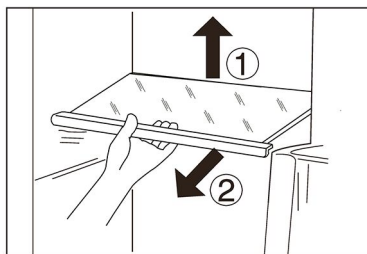
Когато функцията „Holiday“ е включена, отделението за храна и фризерно отделение изпълняват функцията заедно и замразената храна трябва да бъде извадена, за да се предотврати развалянето ѝ, причинено от висока температура.



ЗАБЕЛЕЖКА

Поради различната операционна логика на специалните функции като „Super Cool“, „ECO“ и „Holiday“, тези специални режими не могат да бъдат активирани едновременно. Може да бъде активирана само една функция, а при превключване между режимите автоматично се деактивира текущо избрания режим. В допълнение, зададената температура не може да бъде променена, освен ако не се излезе от текущия режим.

Идеалният режим за пресни храни като плодове и зеленчуци, млечни продукти, месо и напитки е при 5°C.



Рафтове

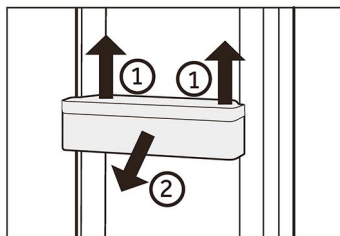
1. Височината на рафтовете може да се регулира според Вашите нужди за съхранение.
2. За да преместите рафт, първо го извадете, като повдигнете задния му ръб ① и го издърпате навън ②.
3. За да го поставите обратно, го сложете на релсите от двете страни и го избутайте до най-задното положение, докато задната част на рафта не се застопори в страничните отвори.

i ЗАБЕЛЕЖКА

Уверете се, че всички страни на рафта са подравнени.

Подвижен контейнер

1. Контейнерът може да се сваля за почистване.
2. Хванете рафта с ръце от двете страни, повдигнете го нагоре ① и го извадете ②.
3. За да поставите контейнера обратно, следвайте горните стъпки в обратен ред.



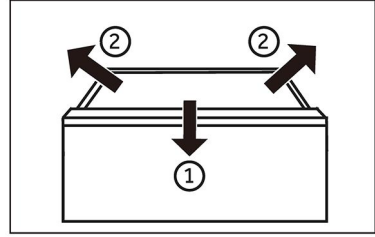
i ЗАБЕЛЕЖКА

Поради спецификите на местоположението, температурата на контейнерите на първия и втория ред на вратата е малко по-висока от тази в хладилника, препоръчително е да се използва само за краткотрайно съхранение на храна.

Вадещо се чекмедже

За да извадите чекмеджето, го издърпайте максимално назад ①, повдигнете го и го извадете ②.

За да поставите чекмеджето обратно, следвайте горните стъпки в обратен ред.

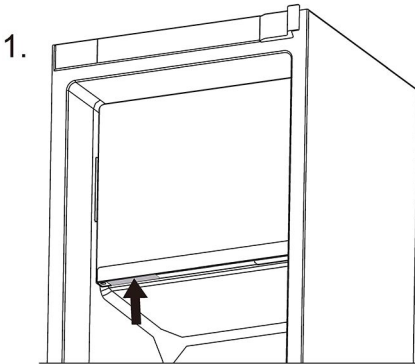


Осветление

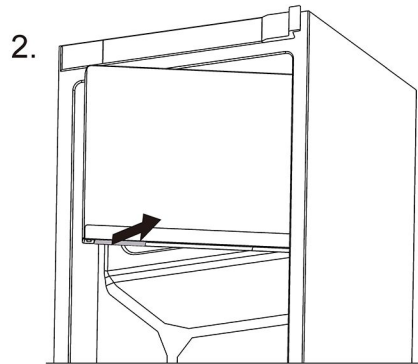
При отваряне на вратата се включва вътрешното LED осветление. Работата на лампите не се влияе от никаква друга настройка на уреда.

Фризерно отделение

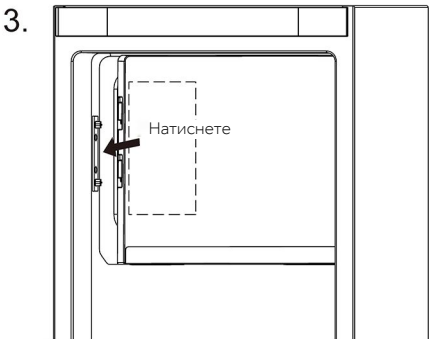
Този хладилник има фризерно отделение от 30 л фризер в горната част и температурата на фризерното отделение варира в зависимост от температурата на отделението за храна. Отваряне на вратата на фризерното отделение: Първо натиснете превключвателя нагоре, както е показано на снимка 1; след това издърпайте, както е показано на снимка 2; Затваряне на вратата на фризерното отделение: Натиснете по средата на късата страна на вратата, както е показано на снимка 3.



Натиснете превключвателя нагоре



Издърпайте превключвателя навън





Съвети за пестене на енергия

- ▶ Уверете се, че уредът е вентилиран правилно (вижте „МОНТАЖ“).
- ▶ Не монтирайте уреда така, че да е изложен на пряка слънчева светлина или да е в близост до източници на топлина (напр. готварски печки, нагреватели).
- ▶ Избягвайте ненужно ниска температура в уреда. Потреблението на енергия се увеличава, колкото по-ниска е температурата в уреда.
- ▶ Функции като „Super Cool“ консумират повече енергия.
- ▶ Оставете топлата храна да се охлади, преди да я поставите в уреда.
- ▶ Отваряйте вратата на уреда възможно най-малко и за възможно най-кратко време.
- ▶ Не препълвайте уреда, за да не се нарушава циркулацията на въздуха.
- ▶ Избягвайте поставянето на хранителни опаковки, в които има въздух.
- ▶ Поддържайте уплътненията на вратата чисти, така че вратата винаги да се затваря добре.
- ▶ Най-енергоспестяващата конфигурация изисква чекмеджетата, кутиите за храна и рафтовете в уреда да се поддържат в състояние възможно най-близко до фабричното, а храната да се поставя възможно най-далеч от въздухопроводите, за да не пречи на циркулацията на въздуха.

**ПРЕДУПРЕЖДЕНИЕ!**

Изключвайте уреда от захранването преди почистване.

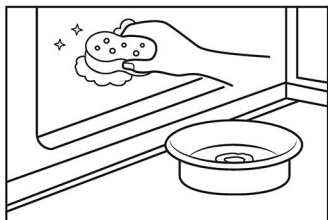
Почистване

Почиствайте уреда, когато в него се съхранява малко или никаква храна.

Уредът трябва да бъде почистван на всеки четири седмици за добра поддръжка и за предотвратяване на лоши миризми от съхраняваните храни.

**ПРЕДУПРЕЖДЕНИЕ!**

- ▶ Не почиствайте уреда с твърди четки, телени четки, прахообразни препарати, бензин, амилацетат, ацетон или подобни органични разтвори, киселинни или алкални разтвори. Моля, почиствайте със специален препарат за хладилник, за да избегнете повреди.
- ▶ Не пръскайте и не плискайте уреда по време на почистване.
- ▶ Не използвайте водна струя или пара за почистване на уреда.
- ▶ Не почиствайте студените стъклени рафтове с гореща вода. Рязката промяна в температурата може да причини напукване на стъклото.



- ▶ Винаги поддържайте уплътнението на вратата чисто.
- ▶ Почиствайте вътрешността и корпуса на уреда с гъба, навлажнена с топла, вода и неутрален препарат.
- ▶ 1. Моля, търкайте вътрешната и външната част на хладилника, включително уплътненията на вратата, рафтовете за врата, стъклените рафтове, кутиите и т.н., с мека кърпа или гъба, натопена в топла вода (може да добавите неутрален препарат към топлата вода).
- ▶ 2. Ако има разлята течност, отстранете всички замърсени части, изплакнете директно с течащата вода, подсушете и ги поставете обратно в хладилника.
- ▶ 3. Ако има разлята гъста течност (като сметана или разтопен сладолед), моля, отстранете всички замърсени части, поставете ги за известно време в топла вода с температура около 40°C, след това изплакнете с течаща вода, подсушете и ги поставете обратно в хладилника.
- ▶ 4. В случай че малка част или компонент заседне вътре в хладилника (между рафтовете или чекмеджетата), използвайте малка мека четка, за да го отстраните. Ако не можете да достигнете частта, моля, свържете се с отдела за обслужване на клиенти на Haier.
- ▶ Изплакнете и подсушете с мека кърпа.
- ▶ Не почиствайте никоя от частите на уреда в съдомиялна машина.
- ▶ Изчакайте поне 5 минути, преди да включите отново уреда, тъй като честото стартиране може да повреди компресора.

ЗАБЕЛЕЖКА

Дренажният отвор не трябва да бъде блокиран от чужди предмети, в противен случай може да възникне преливане на вода. Ако дренажният отвор е запушен, можете да извадите чекмеджето и да го почистите с кърпа.



Размразяване

Когато се поставят твърде много храна или вратата се отваря и затваря твърде често, има вероятност да се появи скреж в задната част на отделението за храна или на фризерното отделение, което изисква ръчно отстраняване със стъргалка за скреж.

Смяна на LED лампите

ПРЕДУПРЕЖДЕНИЕ!

Не заменяйте LED лампите сами. Те трябва да бъдат заменени единствено от производителя или от упълномощен сервизен представител.

Лампите използват LED технология, отличаваща се с ниско потребление на енергия и дълъг експлоатационен живот. В случай на аномалии, моля, свържете се с отдела за обслужване на клиенти. Вижте раздел „ОБСЛУЖВАНЕ НА КЛИЕНТИ“.

Параметри на лампите:

Хладилно отделение: 12 V макс. 1,5 W

Този продукт съдържа източник на светлина с клас на енергийна ефективност <G>.

При липса на употреба за дълъг период от време

Ако уредът не се употребява за продължителен период от време и няма да се използва функцията „Holiday“:

Извадете храната

Изключете захранващия кабел от контакта.

Почистете уреда, както е описано по-горе.

Оставете вратите отворени, за да се предотврати появата на неприятни миризми вътре.

ЗАБЕЛЕЖКА

Изключете уреда само ако е абсолютно необходимо.

Преместване на уреда

1. Извадете всичката храна и изключете уреда от контакта.
2. Подсигурете срещу нежелано движение рафтовете и другите подвижни части в отделението за храна с тиксо.
3. Не накланяйте хладилника на повече от 45°, за да избегнете повреда на охладителната система.

ПРЕДУПРЕЖДЕНИЕ!

- ▶ Не вдигайте уреда за дръжките му.
- ▶ Никога не поставяйте уреда в хоризонтално положение на земята.

Много от възникналите проблеми могат да бъдат решени от Вас самите без нужда от специфични умения. В случай на проблем, моля, проверете всички показани възможности и последвайте инструкциите по-долу, преди да се свържете с отдела за следпродажбено обслужване. Вижте раздел „ОБСЛУЖВАНЕ НА КЛИЕНТИ“.



ПРЕДУПРЕЖДЕНИЕ!

- ▶ Преди извършване на поддръжка изключете уреда и извадете щепсела от контакта.
- ▶ Електрическото оборудване трябва да се обслужва само от квалифицирани експерти, тъй като неправилният ремонт може да причини значителни последващи щети.
- ▶ Повреда в захранващия кабел може да бъде отстранена единствено от производителя, негов обслужващ представител или лице с подобна квалификация, за да се избегне потенциална опасност.

Проблем	Възможна причина	Възможно решение
Компресорът не работи.	<ul style="list-style-type: none"> • Щепселът не е включен в контакта. • Уредът е в цикъл на размразяване. 	<ul style="list-style-type: none"> • Включете щепсела. • Това е нормално за автоматично размразяване.
Уредът се включва често или работи за прекалено дълги периоди от време.	<ul style="list-style-type: none"> • Вътрешната или външната температура е твърде висока. • Уредът е бил изключен за известно време. • Една от вратите на уреда не е затворена плътно. • Вратата е била отваряна твърде често или за прекалено дълго време. • Температурата, зададена за отделението за храна, е твърде ниска. • Уплътнението на вратата е замърсено, износено, напукано или разместено. • Необходимата циркулация на въздуха е възпрепятствана. 	<ul style="list-style-type: none"> • В такъв случай е нормално уредът да работи по-дълго. • Обикновено са необходими от 8 до 12 часа за пълното охлаждане на уреда. • Затворете вратата/чекмеджето и се уверете, че уредът се намира върху равна повърхност, както и че затварянето на вратата не е възпрепятствано от храна или контейнер. • Не отваряйте вратата/чекмеджето твърде често. • Задайте по-висока температура, докато температурата в хладилника стане задоволителна. Необходими са 24 часа за достигане на стабилна температура в хладилника. • Почистете уплътненията на вратата/чекмеджето или ги сменете с помощта на отдела за обслужване на клиенти. • Осигурете подходяща вентилация.

Проблем	Възможна причина	Възможно решение
Във вътрешната част на хладилника има замърсяване или лоша миризма.	<ul style="list-style-type: none"> Вътрешността на хладилника трябва да бъде почистена. В хладилника се съхранява храна със силен мирис. 	<ul style="list-style-type: none"> Почистете вътрешността на хладилника. Опаковайте добре храната.
В уреда не е достатъчно студено.	<ul style="list-style-type: none"> Зададена е прекалено висока температура. Съхранявани са твърде топли храни. Съхранява се прекалено голямо количество храна наведнъж. Артикулите са поставени прекалено близо един до друг. Врата/чекмедже на уреда не е затворена/о плътно. Вратите/чекмеджетата са били отворяни твърде често или за прекалено дълго време. 	<ul style="list-style-type: none"> Върнете първоначалната настройка на температурата. Винаги оставяйте храните да изстинат, преди да ги приберете. Винаги съхранявайте малки количества храна. Оставяйте празно място между артикулите, за може въздухът да циркулира свободно. Затворете вратата/чекмеджето. Не отваряйте вратата/чекмеджето твърде често.
В уреда е твърде студено.	<ul style="list-style-type: none"> Зададена е прекалено ниска температура. Функцията „Super Cool“ е активирана или е работила прекалено дълго. 	<ul style="list-style-type: none"> Върнете първоначалната настройка на температурата. Изключете функцията „Super Cool“
По вътрешността на хладилното отделение се образува кондензация.	<ul style="list-style-type: none"> Климатът е твърде топъл и твърде влажен. Врата/чекмедже на уреда не е затворена/о плътно. Вратите/чекмеджетата са били отворяни твърде често или за прекалено дълго време. Контейнери, съдържащи течности или харни, са оставени отворени. 	<ul style="list-style-type: none"> Увеличете температурата. Затворете вратата/чекмеджето. Не отваряйте вратата/чекмеджето твърде често. Оставете горещите храни да изстинат до стайна температура и покривайте храните и течностите.
По външната повърхност на хладилника или между вратите/вратата и чекмеджето се образува кондензация.	<ul style="list-style-type: none"> Климатът е твърде топъл и твърде влажен. Вратата не е затворена плътно. Студеният въздух в уреда и топлият въздух извън него образуват кондензация. 	<ul style="list-style-type: none"> Това е нормално при влажен климат и ще се промени, когато влажността намалее. Уверете се, че вратите/чекмеджетата са затворени плътно.
Дисплеят свети, но не се усеща изстудяване.	<ul style="list-style-type: none"> Това е демо режим. 	<ul style="list-style-type: none"> Моля, обърнете внимание на режима, ако е демо, излезте от него. Изход: Задръжте бутона „ECO“ и щракнете върху бутона „Super Freeze“ 5 пъти в рамките на 5 секунди.

Проблем	Възможна причина	Възможно решение
Много лед и скреж във фризерното отделение.	<ul style="list-style-type: none"> • Храните не са опаковани добре. • Врата/чекмедже на уреда не е затворена/о плътно. • Вратите/чекмеджетата са били отворяни твърде често или за прекалено дълго време. • Уплътнението на вратата/чекмеджетото е замърсено, износено, напукано или разместено. • Нещо от вътрешната страна пречи на вратата/чекмеджетото да се затвори добре. 	<ul style="list-style-type: none"> • Винаги опаковайте храните добре. • Затворете вратата/чекмеджетото. • Не отваряйте вратата/чекмеджетото твърде често. • Почистете уплътненията на вратата/чекмеджетото или ги сменете с нови. • Разместете рафтовете, рафтовете за вратите или вътрешните контейнери, така, че да може вратата/чекмеджетото да се затвори.
Страните на корпуса и лентата на вратата се затоплят.	<ul style="list-style-type: none"> • - 	<ul style="list-style-type: none"> • Това е нормално.
Уредът издава необичайни звуци.	<ul style="list-style-type: none"> • Уредът не е разположен върху равна повърхност. • Уредът се допира до близкостоящ предмет. 	<ul style="list-style-type: none"> • Регулирайте крачетата, за да подравните уреда. • Отстранете близкостоящите предмети.
Чува се слаб звук, наподобяващ звука от течаща вода.	<ul style="list-style-type: none"> • - 	<ul style="list-style-type: none"> • Това е нормално.
Чува се звуков сигнал.	<ul style="list-style-type: none"> • Вратата на хладилника е отворена. 	<ul style="list-style-type: none"> • Затворете вратата.
Чува се слабо бръмчене.	<ul style="list-style-type: none"> • Системата против кондензация работи 	<ul style="list-style-type: none"> • Това предотвратява кондензацията и е нормално
Вътрешната осветителна система или охладителната система не работи.	<ul style="list-style-type: none"> • Щепселът не е включен в контакта. • Има проблем с електрозахранването. • LED лампата е повредена. 	<ul style="list-style-type: none"> • Включете щепсела. • Проверете електрическото захранване на помещението. Свържете се с местната електрическа компания! • Моля, свържете се с центъра за обслужване на клиенти за смяна на лампата.

За да се свържете с отдела за техническа помощ, посетете уебсайта ни: <https://corporate.haier-europe.com/en/>

В раздела „Уебсайт“ изберете марката на своя продукт и Вашата държава. Ще бъдете пренасочени към конкретния уебсайт, където може да намерите телефонния

номер и формуляра за връзка с отдела за техническа помощ.

Прекъсване на електрозахранването

При прекъсване на електрозахранването храната би трябвало да остане студена в продължение на около 5 часа. Следвайте следните съвети по време на продължително прекъсване на електрозахранването, особено през лятото:

- ▶ Отваряйте вратата/чекмеджето възможно най-рядко.
- ▶ Не поставяйте друга храна в уреда по време на прекъсването на електрозахранването.
- ▶ Ако е дадено предварително известие за прекъсване на електрозахранването и продължителността на прекъсването надвишава 5 часа, направете малко лед и го поставете в съд в горната част на хладилното отделение.
- ▶ Необходима е проверка на храните веднага след прекъсването.
- ▶ Тъй като температурата в хладилника ще се повиши по време на прекъсване на захранването или при друга повреда, срокът на годност на храната ще бъде съкратен.

Функция за запаметяване при прекъсване на електрозахранването

След възстановяване на захранването уредът продължава да работи с настройките, зададени преди спиране на тока.

Разопаковане



ПРЕДУПРЕЖДЕНИЕ!

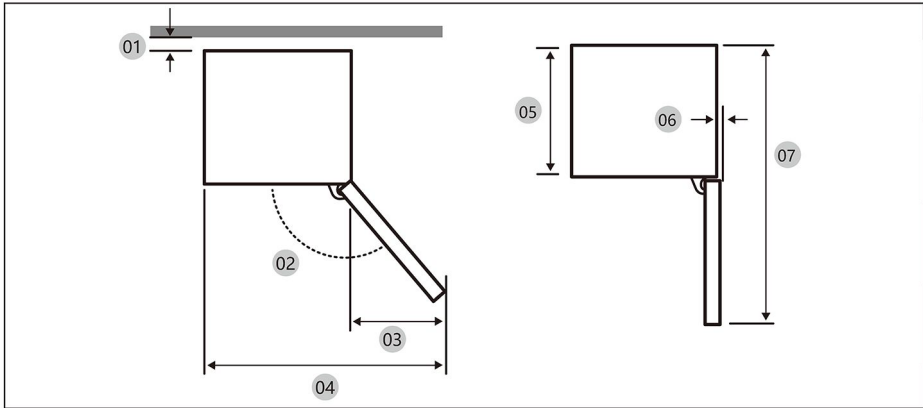
- ▶ Уредът е тежък. При преместването му винаги трябва да участват поне двама души.
- ▶ Пазете всички опаковъчни материали на място, недостъпно за деца, и ги изхвърлете по природосъобразен начин.
- ▶ Разопакувайте уреда.
- ▶ Отстранете всички опаковъчни материали.

Условия на обкръжаващата среда

Температурата в помещението винаги трябва да бъде между 10°C и 43°C, тъй като това може да повлияе на температурата вътре в уреда и консумацията на енергия. Не поставяйте уреда близо до други излъчващи топлина уреди (фурни, хладилници).

Препоръчително пространство

Препоръчително пространство при отворена врата (без панела на вратата на шкафа)

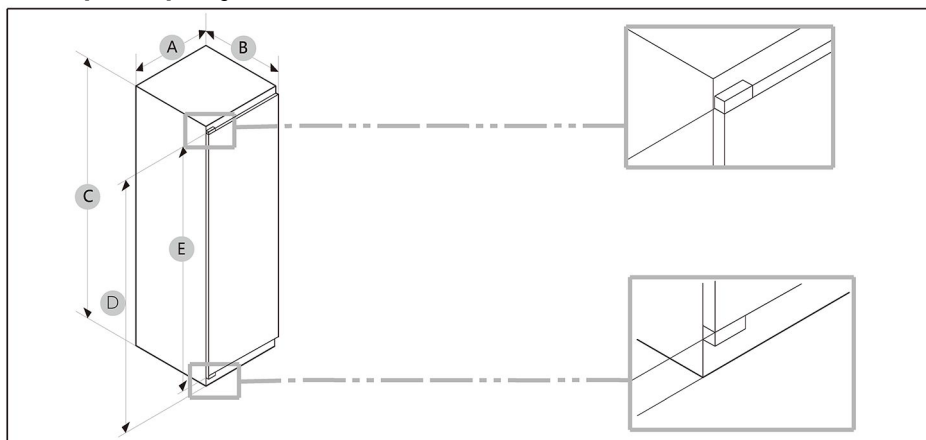


Модел	CML5518EVW4
01*	10 (мин.) / 30 (препоръчително)
02	95° (препоръчително)
03	43
04	583
05	515
06	-3
07	1060

(единица: мм)

* 01: От шкафа до задната част на продукта.

Размер на продукта



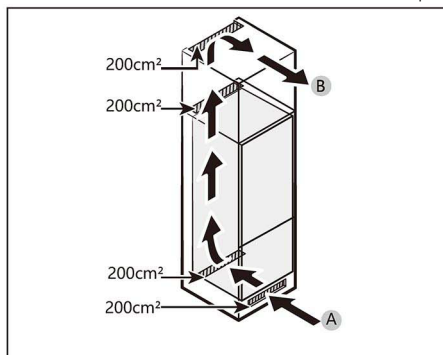
Модел	A (мм)	B (мм)	C (мм)	D (мм)	E (мм)
CML5518EVW4	540±2	550±2	1772±2	1715	1671

ЗАБЕЛЕЖКА

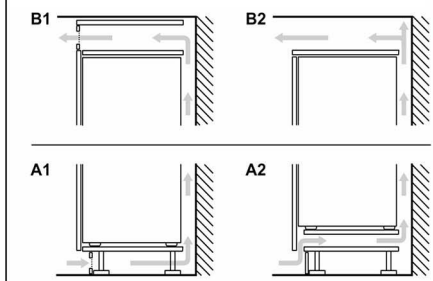
- Посочената консумация на енергия важи при условие на разстояние от 10 мм между шкафа и задната част на продукта. Продуктът ще работи изрядно и при разстояние по-малко от 10 мм, но ще консумира повече енергия.
- Препоръчваме да използвате шкаф с дебелина 19 мм с дебелина на пантите под 17 мм.
- Размерите в горната таблица може да се различават в зависимост от метода на измерване.
- За вграден монтаж разгледайте ръководството за монтаж.

Вентилационно сечение

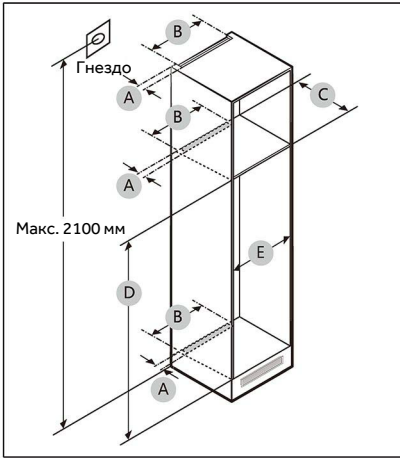
За да се осигури на уреда достатъчно добро ниво на вентилация от съображения за безопасност, трябва да се спазват изискванията, показани във вентилационното напречно сечение.



A: Вход за въздух $\geq 200 \text{ cm}^2$; Опции за вентилация
B: Изход за въздух $\geq 200 \text{ cm}^2$; Опции за вентилация



Размер на шкафа



ВНИМАНИЕ:

Всяка повреда на продукта по следните причини не се покрива от гаранцията.

1. Неподходящи условия на локацията или неправилни размери на шкафа.
2. Дефектен шкаф.
3. Грешки на монтажиста или на потребителя.

Пространство

Вижте изискванията за пространство за монтаж в изображенията и таблиците по-долу.

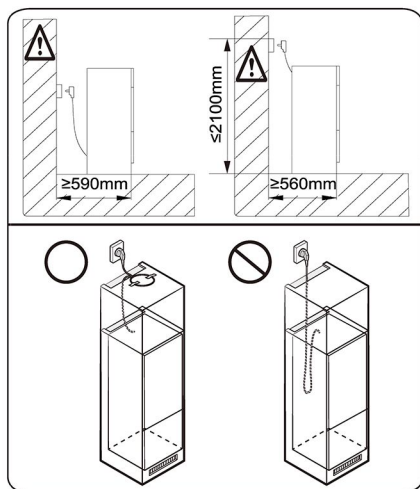
Модел		A (мм)	B (мм)	C (мм)	D (мм)	E (мм)	Забележка
CML5518EVW4	Мин.	50	400	560	1778	560	Панта: 17 мм
	Препоръчани			580	1780	562	
	Макс.			-	1782	568	



ЗАБЕЛЕЖКА

- Ако ширината на шкафа е по-голяма от 568 мм, уплътнението (между хладилника и шкафа) може да се разхлаби.
- Ако шкафът е по-висок от максималния размер (1782 мм), трябва да използвате други материали, за запълване на празнината.

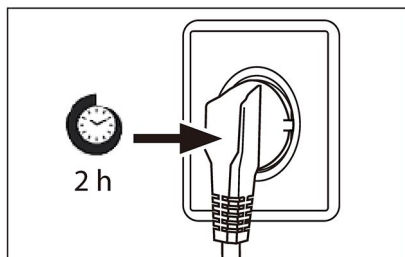
Съображение за местоположението на контакта и необходимото пространство



ЗАБЕЛЕЖКА

Ако монтирате хладилника в шкаф с дълбочина 560 mm, уверете се, че захранващият кабел е разположен от страни на хладилника, преди да го включите в електрически контакт. Ако захранващият кабел е в задната част на хладилника, това може да намали енергийната ефективност.

Време на изчакване



Смазочното масло, което не се нуждае от поддръжка, се намира в капсулата на компресора. Това масло може да се разнесе из затворената система от тръби, докато уредът се пренася в наклонено положение. Преди да свържете уреда към захранването, трябва да изчакате поне 2 часа, за да може маслото да се върне обратно в капсулата.

Свързване към електрозахранването

Преди всяко свързване проверявайте дали:

- ▶ захранването, контактът и предпазителите са подходящи според табелката с данни.
- ▶ електрическият контакт е заземен и няма включен разклонител или удължител.
- ▶ щепселът и контактът са в пълно съответствие.

Свържете щепсела към правилно инсталиран контакт с битово предназначение.

ПРЕДУПРЕЖДЕНИЕ!

За да се избегнат рискове, повреден захранващ кабел трябва да се заменя от сервизния отдел (вижте гаранционната карта).

Функции на продукта съгласно регламент (ЕС) № 2019/2016

Марка	Candy	
Наименование на модела/ идентификатор	CML5518EVW4	
Категория на модела	Хладилник с фризер	
Клас на енергийна ефективност	E	
Годишно потребление на енергия (kWh/година) (1)	173	
Общ обем (л)	285	
Обем на отделението за храна (в)	255	
Обем на фризера (л)	30	
Обем на отделението за охлаждане (л)	/	
Обемен автоматичен ледогенератор (л)	/	
Оценка със звезди	/	
Температура на другите отделения >14°C	Не е приложимо	
Система против заскрежаване	NE	
Капацитет на замразяване (кг/24 ч)	2	
Клас на климатизация	SN/N/ST/T	
Клас на шумовите емисии и излъчваните във въздуха шумови емисии (db(A)re1pW)	B 35	
Време на покачване на температурата (ч)	/	
Капацитет за генериране на лед	/	
Вид на уреда	Вграден	

Наименование на модел	Клас на енергийна ефективност
CML5518EVW4	E

Обяснения:

• Да, включен

- (1) Въз основа на резултатите от теста за съответствие на стандартите за 24 часа. Действителното потребление зависи от употребата и местоположението на уреда.
- (2) Клас на климатизация SN: Уредът е предназначен за използване при температура на околната среда между +10°C и +32°C
 Клас на климатизация N: Уредът е предназначен за използване при температура на околната среда между +16°C и +32°C
 Клас на климатизация ST: Уредът е предназначен за използване при температура на околната среда между +16°C и +38°C
 Клас на климатизация T: Уредът е предназначен за използване при температура на околната среда между +16°C и +43°C

Допълнителни технически данни

Напрежение/Честота	220 – 240 V ~ / 50 Hz
Входящ ток (A)	1.0
Главен предпазител (A)	16
Хладилен агент	R600a
Размери (В/Ш/Д в мм)	1772/540/550

RF информация

Максимална е.и.р.р.: Bluetooth (BR/EDR): 10 dBm
 Bluetooth LE: 5 dBm
 2,4 GHz Wi-Fi: 16 dBm

Честотен диапазон на работа: 2400–2483,5 MHz.

Препоръчваме да се консултирате с отдела по обслужване на клиенти на Haier и да използвате оригинални резервни части. Ако имате проблем с вашия уред, първо проверете раздела „ОТСТРАНЯВАНЕ НА НЕИЗПРАВНОСТИ“.

Ако не успеете да намерите решение там, моля, обърнете се към

- ▶ Вашия местен търговец или
- ▶ нашия Европейски център за обслужване на клиенти по телефона (вижте телефонните номера по-долу) или
- ▶ раздела „Обслужване и поддръжката“ на адрес www.candy-home.com, където можете да направите
- ▶ заявка за обслужване, както и да намерите често задавани въпроси.

За да се свържете с нашия отдел за обслужване на клиенти, се уверете, че разполагате със следните данни.

Информацията може да бъде намерена на табелката с данни.

Модел _____

Сериен № _____

Също така проверете предоставената с продукта гаранционна карта, в случай че е предоставена гаранция.

Европейски център за обслужване на клиенти по телефона		
Държава*	Телефонен номер	Цена
Haier Italy (IT)	199 100 912	
Haier Spain (ES)	902 509 123	
Haier Germany (DE)	01805393999	<ul style="list-style-type: none"> • 14 цента/мин стационарен • макс. 42 цента/мин мобилен
Haier Austria (AT)	0820 001 205	<ul style="list-style-type: none"> • 14,53 цента/мин стационарен • макс. 20 цента/мин всички останали
Haier United Kingdom (UK)	0333 003 8122	
Haier France (FR)	0980 406 409	

* За други държави, моля, вижте www.candy-home.com

Haier Europe Trading S.r.l

Branch UK

Westgate House, Westgate, Ealing

London, W5 1YY

*Продължителност на гаранцията на хладилния уред:

Минималната гаранция е: 2 години за държавите от ЕС, 3 години за Турция, 1 година за Великобритания, 1 година за Русия, 3 години за Швеция, 2 години за Сърбия, 5 години за Норвегия, 1 година за Мароко, 6 месеца за Алжир, за Тунис не се изисква правна гаранция.

*Период на наличие на резервни части за ремонт на уреда:

Термостати, температурни сензори, платки и светлинни източници се предлагат за минимален период от седем години след излизане на последния уред от модела на пазара.

Дръжки за врата, панци за врата, тави и кошници се предлагат за минимален период от седем години, а уплътнения за вратата за минимален период от 10 години след излизане на последния уред от модела на пазара.

*За допълнителна информация относно продукта, моля, вижте <https://eprel.ec.europa.eu/> или сканирайте QR кода на енергийния етикет, предоставен с уреда.

65 Bezpečnostní informacePřed prvním použitím 66Instalace 66Každodenní používání 67Informace o plyném chladivu 69**70 Určené použití****71 Popis výrobku****72 Ovládací panel****73 Používání**Funkce zamknutí/odemknutí 73Funkce vypínače 73Funkce Wi-Fi 73Nastavení teploty v chladničce 74Funkce Super Cool 75Funkce ECO 75Funkce Holiday 75**Error! Bookmark not defined. Vybavení****78 Tipy pro úsporu energie****79 Čištění a údržba****81 Řešení problémů****85 Instalace****89 Technické údaje****91 Zákaznický servis**

Děkujeme vám, že jste si koupili tento spotřebič.

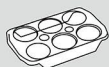
Před použitím spotřebiče si pozorně přečtěte tyto pokyny. Obsahují důležité informace, které vám pomohou co nejlépe využít spotřebič a zajistit jeho bezpečnou a správnou instalaci, používání a údržbu.

Uschovejte tuto příručku na praktickém místě, abyste do ní mohli kdykoli nahlédnout ohledně bezpečného a správného používání spotřebiče.

Pokud spotřebič prodáváte, věnujte nebo nechávejte ve starém domě, předejte společně s ním také tuto příručku, aby se mohl nový vlastník seznámit se spotřebičem a přečísti si bezpečnostní varování.

Příslušenství

Zkontrolujte příslušenství a literaturu podle tohoto seznamu:



Zásobník
na vejce



Forma na
kostky ledu



Skrabka
na námrazu



Energetický
štítek



Záruční list



Příručka –
bezpečnostní
varování



Sroub



Kryt



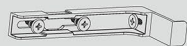
Houbovitá
podložka



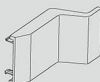
Vodící lišta



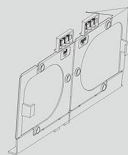
Sestava
kolejniček



Pevná deska



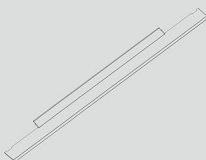
Kryt závěsu



Dolní pevná
deska



Horní pevná deska



Dolní kryt



Dolní boční kryt



Těsnicí pás



Houbovitě
těsnění



Dolní kryt závěsu

**VAROVÁNÍ – Důležité bezpečnostní informace****UPOZORNĚNÍ – Všeobecné informace a tipy****Informace týkající se životního prostředí****Likvidace**

Pomáhejte chránit životní prostředí a lidské zdraví. Vložte obalový materiál do vhodných kontejnerů pro recyklaci. Pomáhejte recyklovat odpadní elektrické a elektronické spotřebiče. Spotřebiče označené tímto symbolem nevyhazujte do domovního odpadu. Zašlete výrobek do místního recyklačního závodu, nebo se obraťte na váš obecní úřad.

**VAROVÁNÍ!**

Nebezpečí poranění nebo udušení!

Chladiva a plyny vyžadují profesionální likvidaci. Zajistěte, aby se potrubí chladicího okruhu nepoškodilo, než bude náležitě zlikvidováno. Odpojte spotřebič od síťového napájení. Odstrihněte síťový kabel a zlikvidujte ho. Odstraňte police a přihrádky, stejně jako západku a těsnění dvířek, aby nedošlo k uzavření dětí a domácích zvířat uvnitř spotřebiče.

Před prvním zapnutím spotřebiče si přečtěte následující rady týkající se bezpečnosti!:



VAROVÁNÍ!

Před prvním použitím

- ▶ Ujistěte se, že při přepravě nedošlo k žádnému poškození.
- ▶ Před instalací spotřebiče počkejte alespoň dvě hodiny, aby byla zaručena plná účinnost okruhu chladiva.
- ▶ Se spotřebičem vždy manipulujte alespoň ve dvou osobách, protože je těžký.
- ▶ Odstraňte veškerý obalový materiál, uschovejte ho mimo dosah dětí a zlikvidujte ho způsobem šetrným k životnímu prostředí.
- ▶ Než do spotřebiče vložíte jakékoli potraviny, vyčistěte jeho vnitřní i vnější povrchy vodou a slabým saponátem.
- ▶ Po vyrovnaní a vyčištění počkejte alespoň 2–5 hodin, než spotřebič připojíte k napájení. Viz část INSTALACE.
- ▶ Než naplníte prostory potravinami, nejprve je nechte ochladit na vysoké nastavení. Funkce Super Cool pomůže rychle ochladit prostory.
- ▶ Teplota chladničky se automaticky nastaví na 5 °C. Jedná se o doporučené nastavení. V případě potřeby můžete tuto teplotu změnit ručně. Viz NASTAVENÍ TEPLoty.
- ▶ Tento chladicí spotřebič má 30l prostor mrazničky v horní části, jehož teplota se liší od teploty prostoru chladničky.

Instalace

- ▶ Spotřebič by se měl umístit do dobře větrané místnosti.
- ▶ Nikdy neumísťujte spotřebič do vlhkého prostoru nebo na místo, kde by na něj mohla stříkat voda. Vodu a skvrny odstraňte a vysušte měkkou, čistou látkou.
- ▶ Neinstalujte spotřebič na přímé sluneční světlo nebo do blízkosti zdrojů tepla (např. sporáků nebo ohříváčů).
- ▶ Nainstalujte spotřebič na místo odpovídající jeho velikost a používání a vyrovnejte ho.
- ▶ Zajistěte, aby nic nezakrývalo větrací otvory ve spotřebiči nebo v konstrukci pro vestavění.
- ▶ Ujistěte se, že parametry elektrického napájení se shodují s údaji na výrobním štítku. V opačném případě kontaktujte elektrikáře.
- ▶ Spotřebič pracuje s napájením 220–240 VAC/50 Hz. Nenormální kolísání napětí může způsobit, že spotřebič se nespustí, nebo se poškodí regulátor teploty či kompresor, případně se může za chodu ozývat neobvyklý hluk. V takovém případě by se měl nainstalovat automatický regulátor.
- ▶ Nepoužívejte rozbočovací adaptéry ani prodlužovací kabely.
- ▶ Neumísťujte za spotřebič přenosné rozbočovací zásuvky ani prodlužovací kabely.
- ▶ Ujistěte se, že napájecí kabel není zachycen chladničkou. Nešlapejte na napájecí kabel.



VAROVÁNÍ!

- ▶ K napájení použijte samostatnou, snadno přístupnou uzemněnou zásuvku. Tento spotřebič musí být uzemněný.
Pouze pro Spojené království: Napájecí kabel spotřebiče je vybaven trojpólovou zástrčkou (s uzemněním), která se zapojuje do standardní trojpólové zásuvky (s uzemněním). Nikdy neodřezávejte ani nedemontujte třetí kolík (uzemnění). Zástrčka by měla být přístupná i po instalaci spotřebiče.
- ▶ Nepoškodte okruh chladiva.

Každodenní používání

- ▶ Tento spotřebič mohou používat děti starší osmi let a osoby s omezenými fyzickými, smyslovými nebo duševními schopnostmi nebo osoby nezkušené a neznalé za předpokladu, že mají zajištěný dohled nebo byly poučeny o bezpečném používání spotřebiče a chápou související rizika.
- ▶ Děti ve věku od 3 do 8 let mohou spotřebič plnit a vyprazdňovat, ale nesmějí jej čistit ani instalovat.
- ▶ Zabraňte dětem mladším 3 let v přístupu ke spotřebiči, pokud nejsou pod nepřetržitým dozorem.
- ▶ Děti si se spotřebičem nesmějí hrát.
- ▶ Jestliže v blízkosti spotřebiče uniká chladný plyn nebo jiný hořlavý plyn, vypněte ventil unikajícího plynu, otevřete dveře a okna a neodpojte zástrčku napájecího kabelu chladničky nebo jakéhokoli jiného spotřebiče od zásuvky.
- ▶ Upozorňujeme, že spotřebič je nastaven na provoz při určitém rozsahu teplot mezi 10 a 43 °C. Spotřebič nemusí řádně fungovat, pokud je po dlouhou dobu vystaven teplotám nad nebo pod indikovaným rozsahem.
- ▶ Nepokládejte na horní stranu chladničky nestabilní předměty (těžké předměty, nádoby naplněné vodou), aby se předešlo zranění způsobenému pádem nebo elektrickým proudem v důsledku styku s vodou.
- ▶ Netahejte za police ve dvířkách. Dvířka by se mohla vychýlit, mohla by se vytáhnout police na láhve nebo by se spotřebič mohl převrhnout.
- ▶ Otvírejte a zavírejte dvířka pouze pomocí madel. Mezera mezi dvířky a mezi dvířky a skříní je velmi úzká. Nedávejte do těchto míst ruce, abyste si nepřiskřípli prsty. Dvířka chladničky otvírejte nebo zavírejte pouze v případě, že v dosahu jejich pohybu nestojí žádné děti.
- ▶ Při umístování spotřebiče se ujistěte, že napájecí kabel není zachycený nebo poškozený.
- ▶ V tomto spotřebiči neskladujte výbušné látky, jako jsou nádoby s aerosolem, v nichž se používá hořlavý hnací plyn.
- ▶ Aby nedošlo ke kontaminaci potravin:
 - Otvírání dvířek na delší dobu může významně zvýšit teplotu v jednotlivých prostorech spotřebiče.
 - Pravidelně čistěte povrchy, které mohou přijít do styku s potravinami, a přístupné vypouštěcí systémy.
 - Syrové maso a ryby skladujte uvnitř chladničky ve vhodných nádobách, aby se nedostaly do styku s jinými potravinami, nebo z nich neodkapávala šťáva na jiné potraviny.
 - Pokud je spotřebič ponechán delší dobu prázdný, vypněte ho, odmrzate, vyčistěte, vysušte a nechte otevřená dvířka, aby se zamezilo vzniku plísně uvnitř spotřebiče.



VAROVÁNÍ!

- ▶ Ve spotřebiči nebo v jeho blízkosti neskladujte ani nepoužívejte hořlavé, výbušné nebo korozivní látky.
- ▶ Ve spotřebiči neskladujte léky, bakterie ani chemické látky. Tento spotřebič je určen k použití v domácnosti. Nedoporučuje se skladovat materiály, které vyžadují přesně stanovené teploty.
- ▶ Do mrazničky nikdy neukládejte tekutiny v láhvích nebo plechovkách (kromě vysokoprocenních lihovin), a zejména nápoje sycené oxidem uhličitým, protože by během mrazení praskly.
- ▶ Pokud se v mrazničce zvýší teplota, zkontrolujte stav potravin.
- ▶ Nenastavujte zbytečně nízkou teplotu ve vnitřním prostoru chladničky. Při vysokém nastavení může teplota klesnout do záporných hodnot. Pozor: Láhve mohou prasknout
- ▶ Nedotýkejte se mražených potravin mokřýma rukama (noste rukavice). Zejména nejezte nanuky bezprostředně po vyjmutí z prostoru mrazničky. Hrozí nebezpečí přimrznutí nebo vzniku omrzlin. PRVNÍ POMOC: ihned umístěte zasažené místo pod tekoucí studenou vodu. Neodtrhujte!
- ▶ Za provozu se nedotýkejte vnitřního povrchu úložného prostoru mrazničky, zejména ne mokřýma rukama, protože by mohly přimrznout k povrchu.
- ▶ V případě výpadku napájení nebo před čištěním odpojte spotřebič od napájení. Před opětovným spuštěním spotřebiče počkejte alespoň 7 minut, protože časté spouštění by mohlo poškodit kompresor.
- ▶ Uvnitř prostoru pro skladování potravin ve spotřebiči nepoužívejte elektrická zařízení, pokud se nejedná o zařízení doporučené výrobcem. Údržba/čištění
- ▶ Jestliže jsou čištění a údržba prováděny dětmi, je nutné na ně dohlížet.
- ▶ Před zahájením jakékoli pravidelné údržby odpojte spotřebič od elektrického napájení. Před opětovným spuštěním spotřebiče počkejte alespoň 5 minut, protože časté spouštění by mohlo poškodit kompresor.



VAROVÁNÍ!

- ▶ Při odpojování spotřebiče od napájení držte zástrčku, nikoli kabel.
- ▶ Nečistěte spotřebič tvrdými kartáči, drátěnými kartáči, práškovými čisticími prostředky, benzínem, amylacetátem, acetonem a podobnými organickými roztoky a kyselými nebo zásaditými roztoky. K čištění použijte speciální čisticí prostředek na chladničky, aby se zamezilo poškození.
- ▶ Neseškrabávejte námrazu ostrými předměty. Nepoužívejte spreje, elektrické ohřívače jako fén na vlasy, parní čističe ani jiné zdroje tepla, aby nedošlo k poškození plastových součástí.
- ▶ K rozmrazování nepoužívejte mechanické nástroje ani jiné prostředky. Používejte pouze prostředky doporučené výrobcem.
- ▶ Pokud se poškodí napájecí kabel, výměnu musí provést výrobce, jeho servisní zástupce nebo osoba s podobnou kvalifikací, aby se vyloučilo riziko.
- ▶ Nepokoušejte se opravovat, rozebírat nebo upravovat spotřebič vlastními silami. Je-li nutná oprava, obraťte se na náš zákaznický servis.
- ▶ Alespoň jednou za rok odstraňte prach ze zadní strany spotřebiče, aby se předešlo nebezpečí požáru a nezvyšovala se spotřeba energie.
- ▶ Během čištění na spotřebič nestříkejte ani jej neoplachujte.
- ▶ K čištění spotřebiče nepoužívejte vodní postřik ani proud vody.
- ▶ Nečistěte chladné skleněné police horkou vodou. Náhlá změna teploty by mohla způsobit, že sklo praskne.

Informace o plyném chladivu



VAROVÁNÍ!

Spotřebič obsahuje hořlavé chladiivo ISOBUTAN (R600a). Ujistěte se, že během přepravy nebo instalace nedošlo k poškození okruhu chladiiva. Unikající chladiivo by mohlo způsobit zranění očí, nebo by se mohlo vznítit. Pokud dojde k poškození, nepřibližujte se s otevřeným plamenem, důkladně vyvětrejte místnost a nezapojte ani neodpojte napájecí kabely tohoto či jiných spotřebičů. Informujte zákaznický servis.

V případě zasažení očí chladiivem důkladně vypláchněte oči pod tekoucí vodou a ihned zavolejte očnímu lékaři.

Určené použití

Tento spotřebič je určen k chlazení potravin. Je určen výhradně k používání v domácnostech a podobných oblastech, jako jsou kuchyňky pro personál v obchodech, kancelářích a na dalších pracovištích, chalupy a hotely, motely a další obytné objekty, kde je používají zákazníci, stejně jako ubytovací zařízení typu penzionu se snídaní a cateringové služby. Není určen k používání v komerčním nebo průmyslovém prostředí.

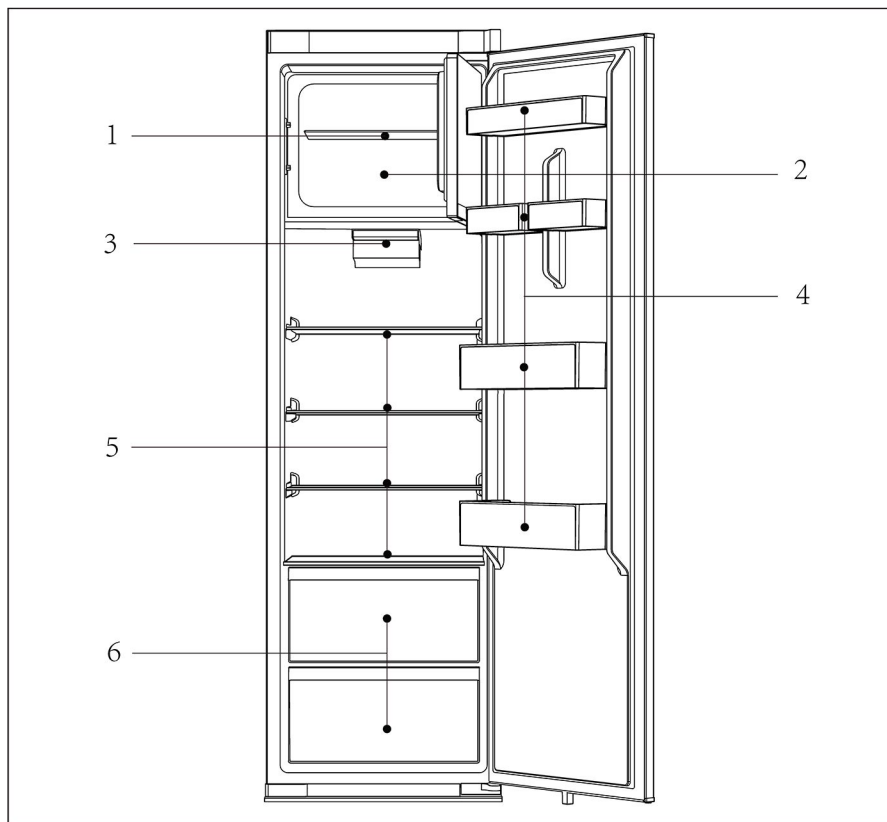
Na spotřebiči neprovádějte žádné změny nebo úpravy. Používání k jinému než určenému účelu může představovat nebezpečí a vést ke ztrátě platnosti záruky.

Normy a směrnice

Tento výrobek splňuje požadavky všech platných směrnic ES s odpovídajícími harmonizovanými normami, které stanoví používání označení CE.

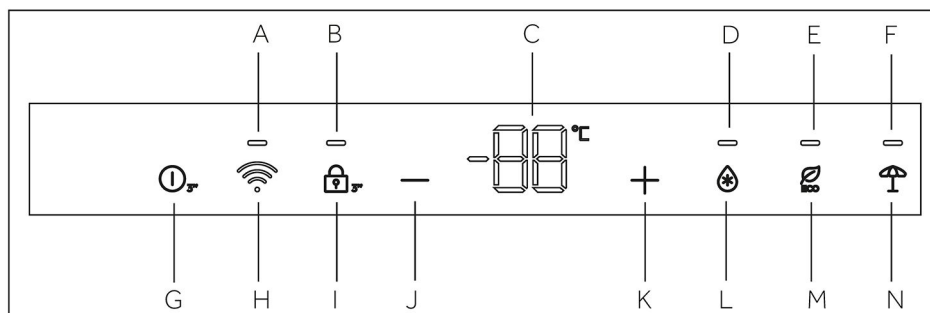
i POZNÁMKA

Vzhledem k technickým změnám a různým modelům nemusí některé obrázky v této příručce přesně zobrazovat váš model.

**CML5518EVW4**

- 1 Běžná police mrazničky
- 2 Prostor mrazničky
- 3 Ventilátor a světlo LED
- 4 Držáky láhví
- 5 Běžné police chladničky
- 6 Běžné zásuvky chladničky

Ovládací panel



Ukazatele:

- A Ikona funkce Wi-Fi
- A Ikona zamknutí/odemknutí
- C Ikona zobrazení teploty
- D Ikona funkce Super Cool
- E Ikona funkce ECO
- F Ikona funkce Holiday

Tlačítka:

- G Tlačítko vypínače
- H Tlačítko propojení přes Wi-Fi
- I Tlačítko zamknutí/odemknutí
- J Tlačítko snížení teploty
- K Tlačítko zvýšení teploty
- L Tlačítko funkce Super Cool
- M Tlačítko funkce ECO
- N Tlačítko funkce Holiday

Dotyková tlačítka

Na ovládacím panelu jsou dotyková tlačítka, která reagují již na lehký dotyk prstem.

UPOZORNĚNÍ

Když se spotřebič zapne, může trvat až 12 hodin, než dosáhne správné teploty.

Před ovládním obrazovky displeje nejprve otevřete dvířka chladničky.

Funkce zamknutí/odemknutí

Toto tlačítko a jeho ikona slouží k zamykání nebo odemykání ovládací obrazovky a signalizaci aktuálního stavu.

Když je chladnička zapnutá, otevřete její dvířka, rozsvítí se ovládací obrazovka a ikona zamknutí/odemknutí bude svítit. V tomto okamžiku je ovládací obrazovka zamknutá a nelze ji ovládat.

Ruční zamknutí nebo odemknutí obrazovky: Když svítí ikona zamknutí/odemknutí, na 3 sekundy stisknete tlačítko zamknutí/odemknutí. Ikona zhasne a zároveň se ozve zvukový signál. V tomto okamžiku lze vybírat funkce nebo nastavovat teplotu. Když ikona zamknutí/odemknutí nesvítí, na 3 sekundy stisknete tlačítko zamknutí/odemknutí. Potom se rozsvítí ikona zamknutí/odemknutí a zároveň se ozve zvukový signál. V tomto okamžiku nelze vybírat funkce ani nastavovat teplotu.

Automatický zámek obrazovky: Po zavření dvířek chladničky ovládací obrazovka zhasne a uzamkne se.

Když jsou dvířka chladničky otevřená a během 30 sekund není proveden žádný úkon, ovládací obrazovka se automaticky uzamkne.

Funkce vypínače

Tlačítko vypínače slouží k přepínání mezi stavy Vypnuto (pozastavení pracovního stavu) a Zapnuto (normální pracovní režimy).

Vstup do režimu Vypnuto: V pracovním režimu chladničky nejprve odemkněte displej a potom stisknutím tlačítka vypínače na 3 sekundy vypněte ovládací obrazovku, osvětlení chladničky, chlazení a ostatní funkce, což bude následováno zvukovým signálem.

UPOZORNĚNÍ

Režim Vypnuto neznamena vypnuté napájení, v tomto režimu je chladnička stále napájena.

Opuštění režimu Vypnuto: V režimu Vypnuto podržením tlačítka vypínače na 3 sekundy znovu spustíte ovládací obrazovku, osvětlení chladničky, chlazení a ostatní funkce, zároveň se ozve zvukový signál. Chladnička se vrátí k nastavené teplotě a dříve aktivované funkci a vstoupí do normálního pracovního režimu.

Funkce Wi-Fi

Propojení přes Wi-Fi: Po prvním zapnutí přejde chladnička automaticky do režimu konfigurace sítě a ikona funkce Wi-Fi bude rychle blikat. Pokud nedojte k propojení přes síť, po 30 minutách bude tento režim automaticky ukončen.

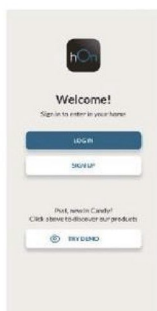
Ruční vstup do režimu propojení přes Wi-Fi: Po odemknutí ovládací obrazovky, když svítí ikona funkce Wi-Fi, vstupte do příslušného režimu podržením tlačítka propojení přes Wi-Fi po dobu 3 sekund. Po tuto dobu bude ikona funkce Wi-Fi rychle blikat, což znamená, že je aktivní režim propojení přes Wi-Fi. Pokud nedojde k propojení přes síť, po 30 minutách bude tento režim automaticky ukončen.

POSTUP PÁROVÁNÍ S APLIKACÍ

Krok 1 • Stáhněte si z obchodu aplikaci hOn.



Krok 2 Vytvořte si účet v aplikaci hOn, nebo se přihlaste, pokud již máte účet



Krok 3 Postupujte podle pokynů pro párování v aplikaci hOn.



i UPOZORNĚNÍ

V režimu propojení přes Wi-Fi byste měli dokončit konfiguraci sítě podle pokynů v aplikaci. Jestliže potřebujete změnit prostředí sítě Wi-Fi, je nutné znovu vstoupit do tohoto režimu. Pokud ikona funkce Wi-Fi zůstane svítit, znamená to, že došlo k úspěšnému připojení k síti.

Nastavení teploty v chladničce

Po otevření dvířek chladničky a odemknutí ovládací obrazovky lze použít tlačítko snížení teploty ke snížení nastavené teploty v chladničce. Každým klepnutím na tlačítko se sníží teplota o 1 °C; minimální přípustná teplota je 1 °C.

Po otevření dvířek chladničky a odemknutí ovládací obrazovky lze použít tlačítko zvýšení teploty ke zvýšení nastavené teploty v chladničce. Každým klepnutím na tlačítko se zvýší teplota o 1 °C; maximální přípustná teplota je 9 °C.

Během tohoto úkonu bude ikona teploty na displeji zobrazovat nastavenou teplotu a bude blikat. Po 5 sekundách ovládací panel automaticky potvrdí nastavenou teplotu.

Funkce Super Cool

Toto tlačítko a jeho ikona slouží k zapínání a vypínání funkce chladničky Super Cool a zobrazování aktuálního stavu.

Po otevření dvířek chladničky a odemknutí ovládací obrazovky klepněte na „tlačítko Super Cool“ a rozsvítí se „ikona Super Cool“. V tomto okamžiku je chladnička v „režimu Super Cool“. Chcete-li tento režim vypnout, můžete stejným postupem klepnout na „tlačítko Super Cool“. Po zapnutí funkce Super Cool opustí chladnička automaticky tento režim asi po 48 hodinách, aby nedošlo k příliš velkému poklesu teploty uvnitř chladničky.

Při vložení velkého množství potravin do chladničky během krátké doby vzroste teplota uvnitř chladničky. Zapnutím funkce Super Cool lze rychle snížit teplotu těchto potravin. Při vkládání velkého množství potravin do prostoru chladničky je možné rovnou zapnout funkci Super Cool. Při vkládání velkého množství potravin do mrazničky zapněte funkci Super Cool 12 hodin před vlastním vložení.

Funkce ECO

Po otevření dvířek chladničky a odemknutí ovládací obrazovky klepněte na tlačítko funkce ECO a rozsvítí se ikona funkce ECO; pokud svítí, chladnička se již nachází v tomto režimu. Jestliže potřebujete tento režim opustit, můžete zopakovat tento postup a znovu klepnout na tlačítko funkce ECO.

V režimu ECO bude chladnička automaticky udržovat průměrnou teplotu 5 °C.

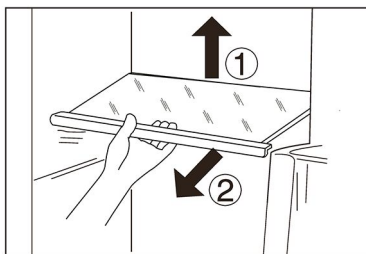
Funkce Holiday

Po otevření dvířek chladničky a odemknutí ovládací obrazovky klepněte na tlačítko funkce Holiday a rozsvítí se ikona funkce Holiday; pokud svítí, chladnička se již nachází v tomto režimu. Jestliže potřebujete tento režim opustit, můžete zopakovat tento postup a znovu klepnout na tlačítko funkce Holiday.

V režimu Holiday bude chladnička automaticky udržovat průměrnou teplotu 17 °C. Po zapnutí funkce Holiday přejdou do režimu Holiday zároveň prostory chladničky i mrazničky, proto je nutné vyjmout také mražené potraviny, aby se předešlo jejich znehodnocení vysokou teplotou.

UPOZORNĚNÍ

Vzhledem k odlišné logice ovládání speciálních funkcí, jako jsou Super Cool, ECO a Holiday, nelze tyto speciální režimy aktivovat současně. Lze aktivovat pouze jednu funkci a při přepnutí mezi režimy se automaticky ukončí ostatní speciální režimy. Navíc nelze měnit nastavenou teplotu, dokud nebudou tyto režimy ukončeny. 5 °C je ideální režim pro čerstvé potraviny, jako jsou ovoce, zelenina, mléčné výrobky, maso a nápoje.



Police

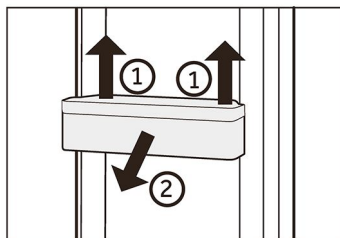
1. Výšku polic lze upravovat tak, aby vyhovovala vašim požadavkům na ukládání.
2. Chcete-li přemístit nějakou polici, vyjměte ji tak, že nejprve nadzdvihnete okraj ① a potom ji vytáhnete ven ②.
3. Při instalaci ji položte na výstupky na obou stranách a zatlačte ji až dozadu tak, aby se zadní strana police usadila uvnitř drážek v bočních stranách.

i UPOZORNĚNÍ

Ujistěte se, že všechny konce police jsou v rovině.

Vyjímatelný držák láhví

1. Držák láhví lze vyjímat za účelem čištění.
2. Uchopte rukama obě strany police, zdvihněte ji nahoru ① a vytáhněte ji ven ②.
3. Při vkládání držáku láhví proveďte výše popsané kroky v opačném pořadí.



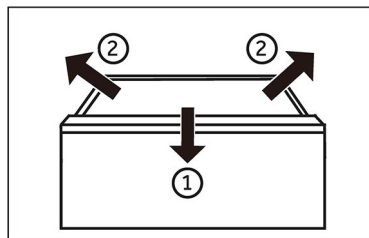
i UPOZORNĚNÍ

Vzhledem k danému umístění je teplota držáku láhví v první a druhé úrovni dvířek poněkud vyšší než v chladničce, proto se doporučuje používat ho pouze ke krátkodobému ukládání potravin.

Vyjímatelná zásuvka

Chcete-li vyndat zásuvku, vytáhněte ji, jak nejdále to půjde ①, zdvihněte ji a vyjměte ②.

Při vkládání zásuvky proveďte výše popsané kroky v opačném pořadí.



Světlo

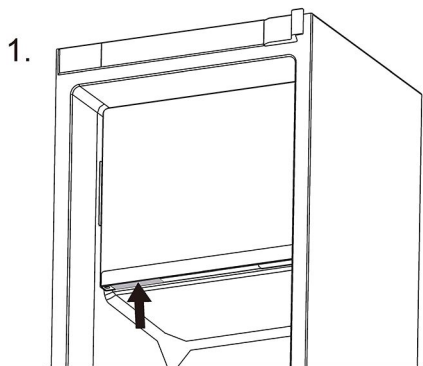
Po otevření dvířek se rozsvítí světlo LED osvětlující interiér. Fungování světel není ovlivňováno žádným z nastavení spotřebiče.

Prostor mrazničky

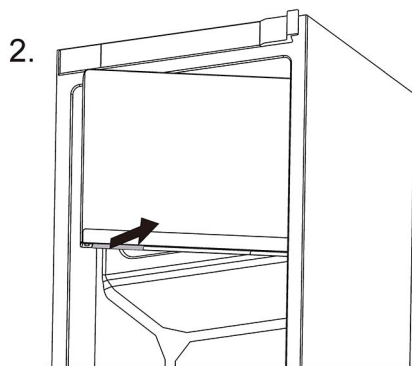
Tento chladicí spotřebič má 30l prostor mrazničky v horní části, jehož teplota se liší od teploty prostoru chladničky. Otevření dvířek prostoru mrazničky:

Nejprve zatlačte spínač, jak je znázorněno na obrázku 1, a potom ho vytáhněte, jak je znázorněno na obrázku 2.

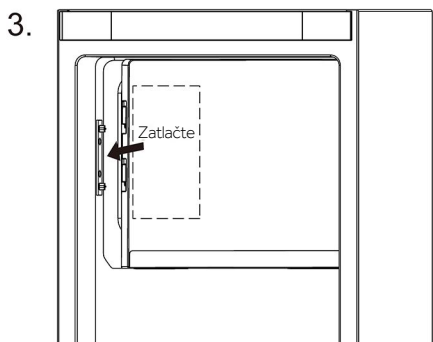
Zavření dvířek prostoru mrazničky: Přitlačte prostřední část dvířek s malým otvorem po straně, jak je znázorněno na obrázku 3.



Zatlačte spínač



Vytáhněte spínač ven





Tipy pro úsporu energie

- ▶ Zajistěte, aby měl spotřebič náležitě větrání (viz INSTALACE).
- ▶ Neinstalujte spotřebič na přímé sluneční světlo nebo do blízkosti zdrojů tepla (např. sporáků nebo ohřivačů).
- ▶ Vyhýbejte se zbytečně nízké teplotě uvnitř spotřebiče. Čím nižší je nastavená teplota ve spotřebiči, tím vyšší je spotřeba energie.
- ▶ Funkce jako Super Cool spotřebovávají více energie.
- ▶ Teplé jídlo nechte před vložením do spotřebiče vychladnout.
- ▶ Otvírejte dvířka spotřebiče co nejméně a na co nejkratší dobu.
- ▶ Nepřepíňujte spotřebič, aby se nenarušilo proudění vzduchu.
- ▶ Zamezte přítomnosti vzduchu v obalech potravin.
- ▶ Udržujte těsnění dvířek v čistém stavu, aby se dvířka vždy správně zavírala.
- ▶ Energeticky nejúspornější konfigurace vyžaduje, aby byly ve spotřebiči nainstalovány přihrádky, schránka na potraviny a police ve stavu jako z výroby a aby potraviny byly uloženy co nejvíce vzadu, aniž by zakrývaly výstup vzduchového kanálu.

VAROVÁNÍ!

Před čištěním odpojte spotřebič od napájení.

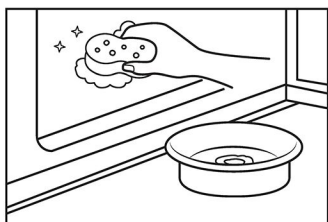
Čištění

Spotřebič čistěte pouze tehdy, když je v něm uloženo jen málo potravin, nebo je prázdný.

Spotřebič by se měl čistit každé čtyři týdny, aby byl dobře udržovaný a zamezilo se zápachu z uložených potravin.

VAROVÁNÍ!

- ▶ Nečistěte spotřebič tvrdými kartáči, drátěnými kartáči, práškovými čisticími prostředky, benzínem, amylacetátem, acetonem a podobnými organickými roztoky a kyselými nebo zásaditými roztoky. K čištění použijte speciální čisticí prostředek na chladničky, aby se zamezilo poškození.
- ▶ Během čištění na spotřebič nestříkejte ani jej neoplachujte.
- ▶ K čištění spotřebiče nepoužívejte vodní postřik ani proud vody.
- ▶ Nečistěte chladné skleněné police horkou vodou. Náhlá změna teploty by mohla způsobit, že sklo praskne.



- ▶ Vždy udržujte těsnění dvířek v čistém stavu.
- ▶ Očistěte vnitřek a skřín spotřebiče houbou navlhčenou v teplé vodě s neutrálním čisticím prostředkem.
- ▶ 1. Vydrhněte vnitřní a vnější povrchy chladničky včetně těsnění dvířek, polic ve dvířkách, skleněných polic, přihrádek apod. měkkou utěrkou nebo houbou namočenou v teplé vodě (do teplé vody můžete přidat neutrální saponát).
- ▶ 2. Pokud se rozlije nějaká tekutina, vyjměte všechny zasažené součásti, opláchněte je přímo pod tekoucí vodou, osušte a vraťte zpět do chladničky.
- ▶ 3. Pokud se rozlije smetana (například šlehačka nebo roztátá zmrzlina), vyjměte všechny zasažené součásti, na nějakou dobu je vložte do teplé vody o teplotě asi 40 °C, potom je opláchněte pod tekoucí vodou, osušte a vraťte zpět do chladničky.
- ▶ 4. V případě, že uvnitř chladničky uvíznou nějaké malé díly nebo součásti (mezi policemi nebo zásuvkami), uvolněte je měkkým kartáčkem. Pokud na nějakou součást nedosáhnete, obraťte se na servis společnosti Haier
- ▶ Opláchněte povrch a vysušte ho měkkou látkou.
- ▶ Nemyjte žádné součásti spotřebiče v myčce.
- ▶ Před opětovným spuštěním spotřebiče počkejte alespoň 5 minut, protože časté spouštění by mohlo poškodit kompresor.

UPOZORNĚNÍ

Nesmí dojít k ucpaní vypouštěcího otvoru cizími předměty, jinak by mohl nastat problém s přetečením vody.

Jestliže je vypouštěcí otvor ucpaný, můžete vytáhnout zásuvku a vyčistit jej látkou.



Odmrazování

Když je vloženo příliš mnoho potravin nebo se dvířka příliš často otvírají a zavírají, na zadní stěně prostoru chladničky nebo mrazničky se nejspíš objeví námraza, která vyžaduje ruční odmrazení pomocí škrabky.

Výměna žárovek LED



VAROVÁNÍ!

Nevyměňujte žárovku LED vlastními silami, její výměnu musí provést buď výrobce, nebo autorizovaný servisní zástupce.

Jako zdroj světla v žárovce se využívají diody LED, které se vyznačují nízkou spotřebou energie a dlouhou životností. Pokud se vyskytne nějaký neobvyklý stav, kontaktujte zákaznický servis. Viz ZÁKAZNICKÝ SERVIS.

Parametry žárovek:

Prostor chladničky: 12 V, max. 1,5 W

Tento výrobek obsahuje světelný zdroj s třídou energetické účinnosti <G>.

Když se spotřebič delší dobu nepoužívá

Jestliže se spotřebič nebude delší dobu používat a nebudete využívat funkci chladničky Holiday:

Vyjměte potraviny.

Vytáhněte napájecí kabel ze zásuvky.

Vyčistěte spotřebič podle výše uvedeného popisu.

Nechte dvířka otevřená, aby se uvnitř nevytvořil zápach.



UPOZORNĚNÍ

Spotřebič vypínejte pouze v nezbytně nutných případech.

Přemísťování spotřebiče

1. Vyjměte všechny potraviny a odpojte spotřebič od napájení.
2. Připevněte police a ostatní pohyblivé součásti v chladničce lepicí páskou.
3. Nenaklánějte chladničku v úhlu větším než 45°, aby se předešlo poškození chladicího systému.



VAROVÁNÍ!

- ▶ Nezdvihejte spotřebič za madla.
- ▶ Nikdy nepokládejte spotřebič vodorovně na zem.

Mnoho problémů můžete vyřešit sami bez konkrétních odborných znalostí. V případě problému zkontrolujte všechny možnosti a řiďte se níže uvedenými pokyny, než se obrátíte na poprodejní servis. Viz ZÁKAZNICKÝ SERVIS.



VAROVÁNÍ!

- ▶ Před zahájením údržby vypněte spotřebič a vytáhněte zástrčku napájecího kabelu ze síťové zásuvky.
- ▶ Servis elektrického zařízení by měli provádět pouze kvalifikovaní elektrikáři, protože nepatřičné opravy mohou vést k vážným následným škodám.
- ▶ Poškozený napájecí kabel by měl vyměnit pouze výrobce, jeho servisní zástupce nebo osoby s podobnou kvalifikací, aby se vyloučilo riziko.

Problém	Možná příčina	Možné řešení
Kompresor nepracuje.	<ul style="list-style-type: none"> • Síťová zástrčka není zapojena do síťové zásuvky. • Spotřebič provádí cyklus odmrazování. 	<ul style="list-style-type: none"> • Zapojte síťovou zástrčku. • Jedná se o normální jev při automatickém odmrazování.
Spotřebič se spouští často, nebo běží příliš dlouho.	<ul style="list-style-type: none"> • Vnitřní nebo venkovní teplota je příliš vysoká. • Spotřebič byl určitou dobu vypnutý. • Dvířka spotřebiče nejsou těsně zavřená. • Dvířka se otvírala příliš často, nebo byla příliš dlouho otevřená. • Nastavená teplota pro prostor chladničky je příliš nízká. • Těsnění dvířek je znečištěné, opotřebované, popraskané nebo nesprávně nainstalované. • Není zaručena požadovaná cirkulace vzduchu. 	<ul style="list-style-type: none"> • V tomto případě je normální, že spotřebič běží déle. • Normálně trvá 8 až 12 hodin, než se spotřebič úplně ochladí. • Zavřete dvířka/zásuvku a ujistěte se, že spotřebič je umístěn na rovné zemi a dvířkům nepřekáží žádné potraviny nebo nádoby. • Neotvírejte dvířka/zásuvku příliš často. • Nastavte vyšší teplotu tak, abyste dosáhli uspokojivé teploty chladničky. Trvá 24 hodin, než se teplota chladničky ustálí. • Vyčistěte těsnění dvířek/zásuvky, nebo ho nechte vyměnit zákaznickým servisem. • Zajistěte odpovídající větrání.
Vnitřek chladničky je znečištěný a/nebo zapáchá.	<ul style="list-style-type: none"> • Je třeba vyčistit vnitřek chladničky. • V chladničce je uloženo nějaké silně aromatické jídlo. 	<ul style="list-style-type: none"> • Vyčistěte vnitřek chladničky. • Důkladně zabalte jídlo.

Problém	Možná příčina	Možné řešení
Uvnitř spotřebiče není dostatečně chladno.	<ul style="list-style-type: none"> • Je nastavena příliš vysoká teplota. • Bylo uloženo příliš teplé jídlo. • Bylo uloženo příliš mnoho potravin najednou. • Potravin jsou příliš blízko sebe. • Dvířka/zásuvka spotřebiče nejsou těsně zavřené. • Dvířka/zásuvka se otvírala příliš často, nebo byla příliš dlouho otevřená. 	<ul style="list-style-type: none"> • Znovu nastavte teplotu. • Před uložením vždy nechte jídlo vychladnout. • Vždy ukládejte menší množství potravin. • Nechte mezi potravinami mezery umožňující proudění vzduchu. • Zavřete dvířka/zásuvku. • Neotvírejte dvířka/zásuvku příliš často.
Uvnitř spotřebiče je příliš chladno.	<ul style="list-style-type: none"> • Je nastavena příliš nízká teplota. • Je aktivována funkce Super Cool, nebo běží příliš dlouho. 	<ul style="list-style-type: none"> • Znovu nastavte teplotu. • Vypněte funkci Super Cool.
Tvoření vlhkosti na vnitřním povrchu chladicího prostoru.	<ul style="list-style-type: none"> • Prostředí je příliš teplé a vlhké. • Dvířka/zásuvka spotřebiče nejsou těsně zavřené. • Dvířka/zásuvka se otvírala příliš často, nebo byla příliš dlouho otevřená. • Nádoby na potraviny nebo tekutiny zůstaly otevřené. 	<ul style="list-style-type: none"> • Zvyšte teplotu. • Zavřete dvířka/zásuvku. • Neotvírejte dvířka/zásuvku příliš často. • Nechte horké potraviny vychladnout na pokojovou teplotu a potraviny a tekutiny zakryjte.
Na vnějším povrchu chladničky nebo mezi dvířky / dvířky a zásuvkou se hromadí vlhkost.	<ul style="list-style-type: none"> • Prostředí je příliš teplé a vlhké. • Dvířka nejsou těsně zavřené. Chladný vzduch ve spotřebiči a teplý vnější vzduch, dochází ke kondenzaci. 	<ul style="list-style-type: none"> • Jedná se o normální jev ve vlhkém prostředí; až se sníží vlhkost, situace se změní. • Ujistěte se, že dvířka/zásuvka jsou těsně zavřené.
Světlo displeje funguje, ale není cítit chlad.	<ul style="list-style-type: none"> • Jedná se o režim Demo. 	<ul style="list-style-type: none"> • Zjistěte, o jaký stav se jedná; pokud je to režim Demo, ukončete jej. Konec: Držte tlačítko „ECO“ a pětkrát během 5 s stiskněte tlačítko „Super Freeze“.

Problém	Možná příčina	Možné řešení
V prostoru mrazničky je silná vrstva ledu a námrazy.	<ul style="list-style-type: none"> • Potraviny nebyly náležitě zabalené. • Dvířka/zásuvka spotřebiče nejsou těsně zavřená. • Dvířka/zásuvka se otvírala příliš často, nebo byla příliš dlouho otevřená. • Těsnění dvířek/zásuvky je znečištěné, opotřebené, popraskané nebo nesprávně nainstalované. • Něco uvnitř brání správnému zavření dvířek/zásuvky. 	<ul style="list-style-type: none"> • Vždy dobře zabalte potraviny. • Zavřete dvířka/zásuvku. • Neotvírejte dvířka/zásuvku příliš často. • Vyčistěte těsnění dvířek/zásuvky nebo ho vyměňte za nové. • Přemístěte vnitřní police, police na dvířkách nebo vnitřní nádoby, aby se mohla dvířka/zásuvka zavřít.
Boční strany skříně a lišta na dvířkách jsou teplé.	<ul style="list-style-type: none"> • - 	<ul style="list-style-type: none"> • Jedná se o normální jev.
Spotřebič vydává neobvyklé zvuky.	<ul style="list-style-type: none"> • Spotřebič nestojí na rovné zemi. • Spotřebič se dotýká nějakého předmětu ve svém okolí. 	<ul style="list-style-type: none"> • Seřídte nožky, aby stál spotřebič rovně. • Odstraňte předměty z okolí spotřebiče.
Ozývá se slabý zvuk podobný proudění vody.	<ul style="list-style-type: none"> • - 	<ul style="list-style-type: none"> • Jedná se o normální jev.
Ozývá se pípání alarmu.	<ul style="list-style-type: none"> • Dvířka úložného prostoru chladničky jsou otevřená. 	<ul style="list-style-type: none"> • Zavřete dvířka.
Ozývá se slabé hučení.	<ul style="list-style-type: none"> • Protikondenzační systém je v chodu 	<ul style="list-style-type: none"> • Zabraňuje kondenzaci, jedná se o normální jev
Nefunguje osvětlení interiéru nebo chladicí systém.	<ul style="list-style-type: none"> • Síťová zástrčka není zapojena do síťové zásuvky. • Napájení nemá správné parametry. • Žárovka LED je vadná. 	<ul style="list-style-type: none"> • Zapojte síťovou zástrčku. • Zkontrolujte přívod elektrického napájení do místnosti. Zavolejte místnímu dodavateli elektřiny! • Zavolejte do servisu a požádejte o výměnu žárovky.

Chcete-li kontaktovat technickou pomoc, navštivte naše webové stránky:
<https://corporate.haier-europe.com/en/>

V části „Website“ zvolte značku svého výrobku a svou zemi. Budete přesměrováni na konkrétní webovou stránku, kde najdete telefonní číslo a kontaktní formulář technické pomoci.

Výpadek napájení

V případě výpadku napájení by měly potraviny zůstat bezpečně v chladu po dobu asi 5 hodin. Během delšího výpadku napájení se řiďte těmito tipy, zejména v létě:

- ▶ Otvírejte dvířka/zásuvku co nejméně často.
- ▶ Během výpadku napájení nekládejte do spotřebiče další potraviny.
- ▶ Pokud je výpadek napájení oznámen předem a jeho délka překračuje 5 hodin, vyrobte trochu ledu a umístěte ho do nádoby v horní části prostoru chladničky.
- ▶ Ihned po výpadku napájení je nutné zkontrolovat potraviny.
- ▶ Vzhledem k tomu, že během výpadku napájení nebo jiné závady vzroste teplota v chladničce, doba skladování a požitelnost potravin se zkrátí.

Funkce paměti během výpadku napájení

Po obnovení napájení bude spotřebič pokračovat v činnosti s parametry, které byly nastaveny před výpadkem.

Vybalení

VAROVÁNÍ!

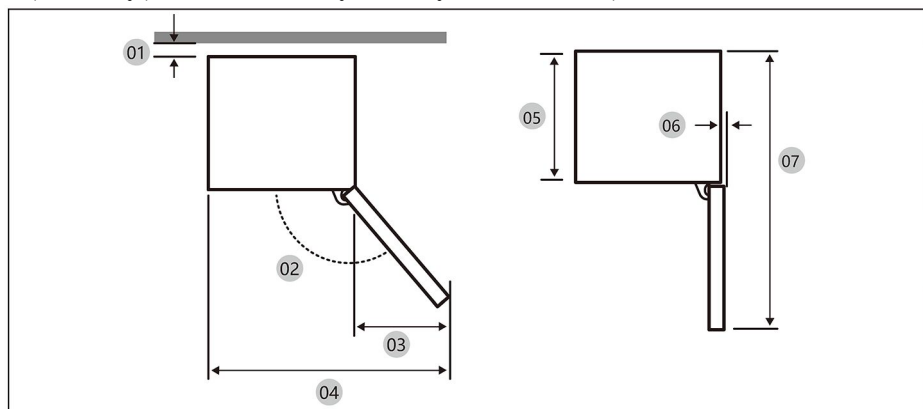
- ▶ Spotřebič je těžký. Vždy s ním manipulujte alespoň ve dvou osobách.
- ▶ Uchovávejte všechny obalové materiály mimo dosah dětí a zlikvidujte je způsobem šetrným k životnímu prostředí.
- ▶ Vyměňte spotřebič z obalu.
- ▶ Odstraňte všechny obalové materiály.

Podmínky prostředí

Pokojová teplota by měla být vždy mezi 10 °C a 43 °C, protože může ovlivňovat teplotu uvnitř spotřebiče a jeho spotřebu energie. Neinstalujte spotřebič do blízkosti jiných spotřebičů vytvářejících teplo (trub, chladniček).

Doporučený volný prostor

Doporučený prostor s otevřenými dvířky (bez dveřního panelu skříně)

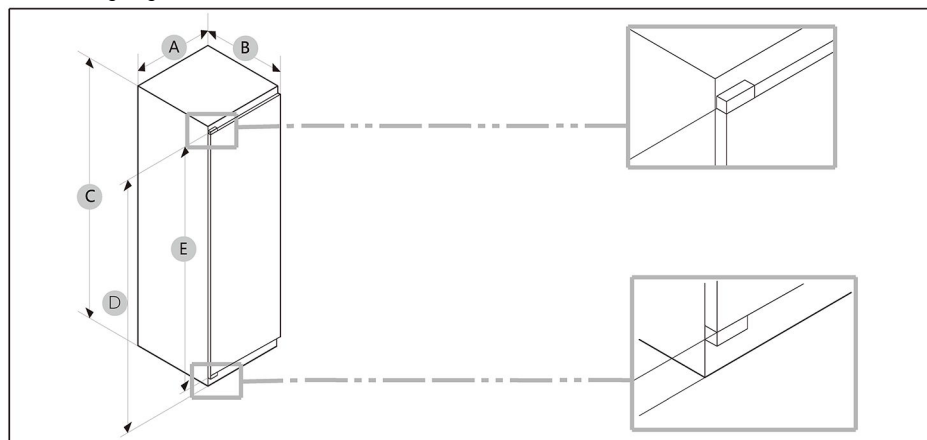


Model	CML5518EVW4
01*	10 (min.) / 30 (doporučeno)
02	95° (doporučeno)
03	43
04	583
05	515
06	-3
07	1060

(jednotky: mm)

* 01: Od skříně k zadní straně výrobku.

Rozměry výrobku



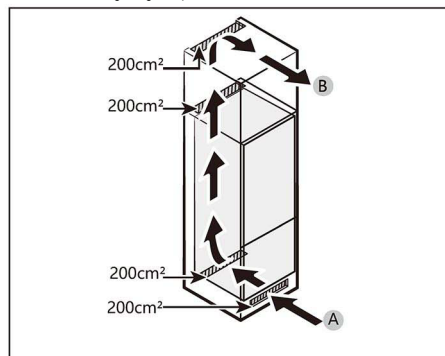
Model	A (mm)	B (mm)	C (mm)	D (mm)	E (mm)
CML5518EVW4	540±2	550±2	1772±2	1715	1671

i UPOZORNĚNÍ

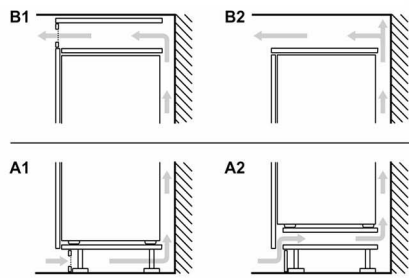
- Uvedená spotřeba energie vychází z podmínky 10mm mezery mezi skříni a zadní stranou výrobku. Výrobek bude správně fungovat, i když je mezera menší než 10 mm, avšak bude mít poněkud vyšší spotřebu energie.
- Doporučujeme použít skříň s tloušťkou 19 mm a závěsy s tloušťkou menší než 17 mm.
- Rozměry v tabulce výše se mohou lišit v závislosti na způsobu měření.
- V případě vestavné instalace viz Návod k instalaci.

Prostor pro větrání

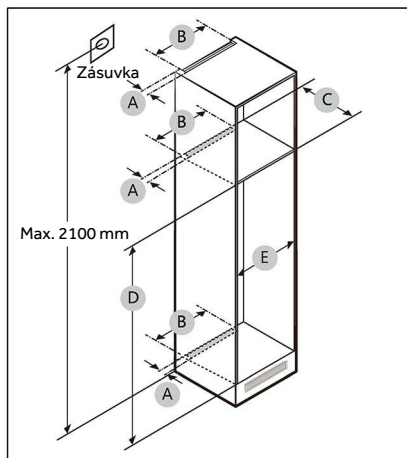
Z bezpečnostních důvodů je nutné dodržet informace o požadovaném prostoru pro větrání, aby byl spotřebič dostatečně větrán.



A: Vstup vzduchu $\geq 200 \text{ cm}^2$; možnosti větrání
B: Výstup vzduchu $\geq 200 \text{ cm}^2$; možnosti větrání



Rozměry skříně



POZOR!

Záruka se nevztahuje na žádné závady výrobku vzniklé z následujících důvodů:

1. Nesprávné podmínky na místě nebo nesprávné velikosti skříně.
2. Vadná skříň.
3. Chyby instalačního technika nebo uživatele.

Volný prostor

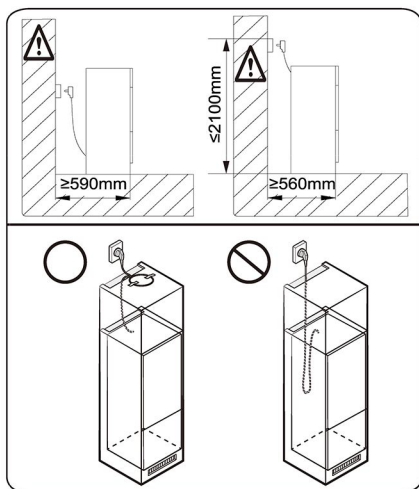
Požadavky na místo pro instalaci najdete na obrázcích a v tabulkách níže.

Model		A (mm)	B (mm)	C (mm)	D (mm)	E (mm)	Poznámka
CML5518EVW4	Min.	50	400	560	1778	560	Závěs: 17 mm
	Doporučeno			580	1780	562	
	Max.			-	1782	568	

UPOZORNĚNÍ

- Pokud je šířka skříně větší než 568 mm, může se uvolnit těsnění (mezi chladničkou a skříní).
- Pokud je skříň vyšší než maximální rozměr (1782 mm), musíte k vyplnění mezery použít jiné dokončovací materiály.

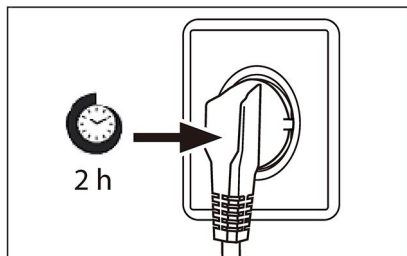
Faktory týkající se umístění zásuvky a požadovaného prostoru



i UPOZORNĚNÍ

Jestliže instalujete chladničku do skříně o hloubce 560 mm, před zapojením napájecího kabelu do elektrické zásuvky se ujistěte, že je veden po straně chladničky. Kdyby byl napájecí kabel na zadní straně chladničky, mohlo by to snížit energetickou účinnost.

Doba čekání



V kapsli kompresoru se nachází bezúdržbový mazací olej. V případě naklonění během přepravy se olej může dostat do uzavřeného hadicového systému. Před připojením spotřebiče k napájení musíte počkat 2 hodiny, aby všechen olej natekl zpět do kapsle.

Připojení k elektrickému napájení

Před každým připojením zkontrolujte:

- ▶ zda napájení, zásuvka a jištění odpovídají údajům na výrobním štítku.
- ▶ zda je síťová zásuvka uzemněná a nepoužívá se rozbočovací adaptér ani prodlužovací kabel.
- ▶ zda zástrčka přesně pasuje do zásuvky.

Zapojte zástrčku do náležitě nainstalované domácí zásuvky.

! VAROVÁNÍ!

Aby se zamezilo rizikům, výměnu poškozeného napájecího kabelu musí provést zákaznický servis (viz záruční list).

Informační list výrobku podle nařízení EU 2019/2016

Značka	Candy	
Název/označení modelu	CML5518EVW4	
Kategorie modelu	Chladnička- mraznička	
Třída energetické účinnosti	E	
Roční spotřeba energie (kWh/rok) (1)	173	
Celkový objem (l)	285	
Objem chladničky bez mrazáku (l)	255	
Objem mrazničky (l)	30	
Objem mrazicího boxu (l)	/	
Objem aut. výrobce ledu (l)	/	
Hodnocení hvězdičkami	/	
Teplota ostatních prostorů > 14 °C	Neuvádí se	
Beznámrazový systém	NE	
Mrazicí výkon (kg/24 h)	2	
Klimatická třída	SN/N/ST/T	
Třída emisí hluku a emise hluku šířeného vzduchem (db(A) re 1 pW)	B 35	
Doba náběhu teploty (h)	/	
Kapacita výroby ledu	/	
Typ spotřebiče	Vestavný	

Název modelu	Třída energetické účinnosti
CML5518EVW4	E

Vysvětlení:

- Ano, ve výbavě

- Na základě výsledků zkoušky shody s normami v průběhu 24 hodin.
Skutečná spotřeba je závislá na způsobu používání a umístění spotřebiče.
- Klimatická třída SN: Tento spotřebič je určen k používání při teplotě okolí mezi +10 °C a +32 °C
Klimatická třída N: Tento spotřebič je určen k používání při teplotě okolí mezi +16 °C a +32 °C
Klimatická třída ST: Tento spotřebič je určen k používání při teplotě okolí mezi +16 °C a +38 °C
Klimatická třída T: Tento spotřebič je určen k používání při teplotě okolí mezi +16 °C a +43 °C

Další technické údaje

Napětí/frekvence	220–240 V~/50 Hz
Vstupní proud (A)	1,0
Hlavní pojistka (A)	16
Chladivo	R600a
Rozměry (V/Š/H v mm)	1772/540/550

Informace o VF energii

Max. EIRP: Bluetooth (BR/EDR): 10 dBm
Bluetooth LE: 5 dBm
2,4GHz Wi-Fi: 16 dBm

Provozní frekvenční pásmo: 2400–2483,5 MHz

Doporučujeme využívat zákaznický servis společnosti Haier a používat originální náhradní díly. V případě problému se spotřebičem si nejprve přečtete část ŘEŠENÍ PROBLÉMŮ.

Pokud v ní nenajdete řešení, kontaktujte

- ▶ místního prodejce nebo
- ▶ naše Evropské středisko telefonické podpory (viz telefonní čísla uvedená níže) nebo
- ▶ část Servis a podpora na adrese www.candy-home.com, kde můžete aktivovat požadavek na servis
- ▶ a kde najdete také časté dotazy.

Chcete-li kontaktovat náš servis, ujistěte se, že máte k dispozici následující údaje. Tyto údaje lze najít na výrobním štítku.

Model _____

Výrobní číslo _____

V případě záruky se také podívejte do záručního listu dodaného s výrobkem.

Evropské středisko telefonické podpory		
Země*	Telefonní číslo	Ceny
Haier Italy (IT)	199 100 912	
Haier Spain (ES)	902 509 123	
Haier Germany (DE)	01805393999	<ul style="list-style-type: none"> • 14 ct/min pevná linka • max. 42 ct/min mobil
Haier Austria (AT)	0820 001 205	<ul style="list-style-type: none"> • 14,53 ct/min pevná linka • max. 20 ct/min vše ostatní
Haier United Kingdom (UK)	0333 003 8122	
Haier France (FR)	0980 406 409	

* Pro ostatní země viz www.candy-home.com

Haier Europe Trading S.r.l

Branch UK

Westgate House, Westgate, Ealing

London, W5 1YY

*Doba záruky chladničky:

Minimální záruka: 2 roky pro země EU, 3 roky pro Turecko, 1 rok pro Spojené království, 1 rok pro Rusko, 3 roky pro Švédsko, 2 roky pro Srbsko, 5 let pro Norsko, 1 rok pro Maroko, 6 měsíců pro Alžírsko, Tunisko nevyžaduje žádnou zákonnou záruku.

*Doba dostupnosti náhradních dílů pro opravu spotřebiče:

Termostaty, snímače teploty, desky s plošnými spoji a světelné zdroje budou k dispozici po dobu nejméně sedmi let od uvedení posledního modelu spotřebiče na trh.

Madla dvířek, závěsy dvířek, přihrádky a koše budou k dispozici po dobu nejméně sedmi let a těsnění dvířek po dobu nejméně deseti let od uvedení posledního modelu spotřebiče na trh.

*Chcete-li další informace o výrobku, navštivte stránky <https://eprel.ec.europa.eu/> nebo naskenujte kód QR na energetickém štítku dodaném se spotřebičem.

<u>95 Sicherheitsinformationen</u>	<u>Vor der ersten Inbetriebnahme</u>	96
	<u>Installation</u>	96
	<u>Täglicher Gebrauch</u>	97
	<u>Informationen zum Kältemittelgas</u>	99
<u>100 Bestimmungsgemäße Verwendung</u>		
<u>101 Produktbeschreibung</u>		
<u>102 Bedienfeld</u>		
<u>103 Verwendung</u>	<u>Funktion Sperren/Entsperren</u>	103
	<u>EIN/AUS-Funktion</u>	103
	<u>WLAN-Funktion</u>	103
	<u>Einstellen der Kühlschranktemperatur</u>	104
	<u>Super-Cool-Funktion</u>	105
	<u>ECO-Funktion</u>	105
	<u>Holiday-Funktion</u>	105
<u>Error! Bookmark not defined. Ausrüstung</u>		
<u>108 Energiespartipps</u>		
<u>109 Pflege und Reinigung</u>		
<u>111 Fehlerbehebung</u>		
<u>115 Installation</u>		
<u>119 Technische Daten</u>		
<u>121 Kundendienst</u>		

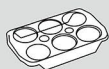
Vielen Dank für den Kauf dieses Produkts.

Bitte lesen Sie diese Anleitung sorgfältig durch, bevor Sie dieses Gerät benutzen. Die Anleitung enthält wichtige Informationen, die Ihnen dabei helfen, das Gerät optimal zu nutzen und eine sichere und ordnungsgemäße Installation, Verwendung und Wartung zu gewährleisten.

Bewahren Sie diese Anleitung an einem geeigneten Ort auf, damit Sie jederzeit für die sichere und ordnungsgemäße Verwendung des Geräts darauf zurückgreifen können. Wenn Sie das Gerät verkaufen, weggeben oder bei einem Umzug zurücklassen, vergewissern Sie sich, dass diese Anleitung auch beigelegt wird, damit sich der neue Besitzer bzw. die neue Besitzerin mit dem Gerät und den Sicherheitshinweisen vertraut machen kann.

Zubehör

Überprüfen Sie das Zubehör und die Dokumentation gemäß dieser Liste:



Eierablage

Eiswürfel-
schale

Schaber

Energie-
Kennzeichnung

Garantiekarte

Sicherheitshinweis
Handbuch

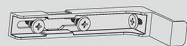
Festschrauben



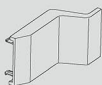
Abdeckung



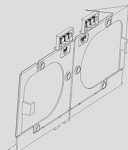
Schwammblock

Gleitschie-
nenführungGleitschie-
nenbaugruppe

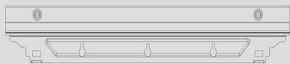
Feste Platte



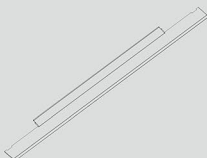
Scharnierabdeckung



Untere feste Platte



Obere feste Platte



Untere Abdeckung

Untere
Seitenabdeckung

Dichtungstreifen



Dichtungsschwamm

Untere
Scharnierabdeckung



WARNUNG - Wichtige Sicherheitsinformationen



HINWEIS - Allgemeine Informationen und Tipps



Umweltinformationen



Entsorgung

Tragen Sie zum Schutz der Umwelt und der menschlichen Gesundheit bei. Entsorgen Sie die Verpackung zum Recyceln in die entsprechenden Behälter. Unterstützen Sie das Recycling von Elektro- und Elektronik-Altgeräten. Entsorgen Sie Geräte, die mit diesem Symbol gekennzeichnet sind, nicht mit dem Hausmüll. Geben Sie das Produkt an Ihre lokale Recyclinganlage zurück oder wenden Sie sich an Ihre Stadtverwaltung.



WARNUNG!

Verletzungs- oder Erstickungsgefahr!

Kältemittel und Gase müssen fachgerecht entsorgt werden. Stellen Sie sicher, dass der Schlauch des Kühlkreislaufs nicht beschädigt ist, bevor er ordnungsgemäß entsorgt wird. Trennen Sie das Gerät von der Stromversorgung. Trennen Sie das Netzkabel und entsorgen Sie es. Entfernen Sie die Fächer und Schubladen sowie die Türöffnung und die Dichtungen, um zu verhindern, dass Kinder und Haustiere im Gerät eingeschlossen werden.

Lesen Sie vor dem ersten Einschalten des Geräts folgende Sicherheitshinweise:



WARNUNG!

Vor der ersten Inbetriebnahme

- ▶ Vergewissern Sie sich, dass keine Transportschäden vorliegen.
- ▶ Warten Sie vor dem Einschalten des Geräts mindestens zwei Stunden, damit der Kühlkreislauf auch sicher und effektiv arbeitet.
- ▶ Transportieren Sie das Gerät immer mit mindestens zwei Personen, da es schwer ist.
- ▶ Entfernen Sie sämtliches Verpackungsmaterial, bewahren Sie es außerhalb der Reichweite von Kindern auf und entsorgen Sie es umweltfreundlich.
- ▶ Reinigen Sie das Gerät innen und außen mit Wasser und einem milden Reinigungsmittel, bevor Sie Lebensmittel hineinlegen.
- ▶ Warten Sie nach dem Nivellieren und Reinigen mindestens 2-5 Stunden, bevor Sie das Gerät an die Stromversorgung anschließen. Siehe Abschnitt INSTALLATION.
- ▶ Kühlen Sie die Fächer auf hoher Stufe vor, bevor Sie die Lebensmittel einlegen. Die Super-Cool-Funktion sorgt für eine schnelle Abkühlung der Fächer.
- ▶ Die Temperatur des Kühlschranks wird jeweils automatisch auf 5 °C eingestellt. Dies sind die empfohlenen Einstellungen. Falls gewünscht, können Sie die Temperatur manuell ändern. Siehe EINSTELLEN DER TEMPERATUR.
- ▶ Dieses Kühlgerät verfügt über einen 30-Liter-Gefrierraum im oberen Teil. Die Temperatur des Gefrierraums variiert je nach Temperatur des Kühlschranks.

Installation

- ▶ Das Gerät sollte an einem gut belüfteten Ort aufgestellt werden.
- ▶ Stellen Sie das Gerät niemals in einem feuchten Bereich oder an einem Ort auf, wo es mit Wasser nassgespritzt werden könnte. Reinigen Sie Wasserspritzer und Flecken mit einem weichen, sauberen Tuch.
- ▶ Stellen Sie das Gerät nicht in direktem Sonnenlicht oder in der Nähe von Hitzequellen (z. B. Herden, Heizungen) auf.
- ▶ Installieren und richten Sie das Gerät in einem Bereich ein, der für seine Größe und Verwendung geeignet ist.
- ▶ Halten Sie die Lüftungsschlitze am Gerät oder in der Einbaustruktur frei.
- ▶ Stellen Sie sicher, dass die elektrischen Informationen auf dem Typenschild der Stromversorgung entsprechen. Ist dies nicht der Fall, wenden Sie sich an einen Elektriker.
- ▶ Das Gerät wird über eine 220-240 V / 50 Hz Stromversorgung betrieben. Abnormale Spannungsschwankungen könnten dazu führen, dass sich das Gerät nicht einschaltet, der Temperaturregler oder Kompressor beschädigt wird, oder dass während des Betriebs ein abnormales Geräusch auftritt. In einem solchen Fall ist ein automatischer Regler anzubringen.
- ▶ Verwenden Sie keine Mehrfachsteckadapter und Verlängerungskabel.
- ▶ Positionieren Sie keine Mehrfachsteckdosen oder Verlängerungen hinter dem Gerät.



WARNUNG!

- ▶ Stellen Sie sicher, dass das Netzkabel nicht durch den Kühlschrank eingeklemmt wird. Treten Sie nicht auf das Netzkabel.
- ▶ Verwenden Sie eine separate, geerdete Steckdose für eine leicht zugängliche Stromversorgung. Das Gerät muss geerdet werden.
Nur für Großbritannien: Das Gerätenetzkabel ist mit einem 3-adrigen Stecker (Erdungsstecker) ausgestattet, der in eine 3-adrige Norm-Buchse (geerdet) passt. Der dritte Stift (Erdung) darf auf keinen Fall gekappt oder entfernt werden. Das Gerät muss so installiert werden, dass der Stecker erreichbar ist.
- ▶ Den Kühlkreislauf nicht beschädigen.

Täglicher Gebrauch

- ▶ Dieses Gerät kann von Kindern ab 8 Jahren und Personen mit eingeschränkten körperlichen, sensorischen oder geistigen Fähigkeiten oder mangelnder Erfahrung und mangelndem Wissen benutzt werden, wenn diese in die sichere Bedienung des Geräts eingewiesen wurden oder beaufsichtigt werden und die damit verbundenen Gefahren verstanden haben.
- ▶ Kinder im Alter von 3 bis 8 Jahren dürfen Kühlschränke be- und entladen, aber nicht reinigen und installieren.
- ▶ Kinder unter 3 Jahren vom Gerät fernhalten, es sei denn, sie werden ständig beaufsichtigt.
- ▶ Kinder dürfen nicht mit dem Gerät spielen.
- ▶ Wenn Kühlgas oder ein anderes brennbares Gas in der Nähe des Geräts austritt, drehen Sie das Ventil des austretenden Gases ab. Öffnen Sie die Türen und Fenster, und ziehen Sie nicht den Netzstecker des Kühlschranks oder eines anderen Haushaltsgeräts.
- ▶ Beachten Sie, dass das Gerät für den Betrieb bei einer bestimmten Umgebungstemperatur zwischen 10 und 43 °C eingestellt ist. Das Gerät funktioniert möglicherweise nicht ordnungsgemäß, wenn es über einen längeren Zeitraum bei einer Temperatur oberhalb oder unterhalb des angegebenen Bereichs betrieben wird.
- ▶ Stellen Sie keine instabilen Gegenstände (schwere Gegenstände, mit Wasser gefüllte Behälter) auf den Kühlschrank, um Verletzungen durch Herunterfallen oder elektrische Schläge durch Kontakt mit Wasser zu vermeiden.
- ▶ Ziehen Sie nicht an den Türfächern. Die Tür kann schief verzogen werden, das Flaschenregal kann herausgezogen werden, oder das Gerät kann umkippen.
- ▶ Schließen und öffnen Sie die Tür nur mit den Griffen. Der Spalt zwischen den Türen sowie zwischen den Türen und dem Schrank ist sehr schmal. Stecken Sie nicht Ihre Hände in diese Bereiche, um zu vermeiden, dass Sie Ihre Finger eingeklemmt werden. Öffnen oder schließen Sie die Kühlschranktüren nur dann, wenn keine Kinder im Bewegungsbereich der Tür stehen.
- ▶ Achten Sie beim Aufstellen des Geräts darauf, dass das Stromkabel nicht eingeklemmt oder beschädigt wird.
- ▶ Keine explosiven Substanzen mit entzündlichen Treibgasen, wie Sprühdosen, in diesem Gerät lagern.

**WARNUNG!**

- ▶ Um die Kontamination von Lebensmitteln zu vermeiden:
 - Ein längeres Öffnen der Tür kann zu einem bedeutenden Temperaturanstieg in den Kühl- und Gefrierfächern des Geräts führen.
 - Die mit den Lebensmitteln in Berührung kommenden Oberflächen und zugänglichen Ablaufsysteme müssen regelmäßig gereinigt werden.
 - Bewahren Sie rohes Fleisch und Fisch in geeigneten Behältern im Kühlschrank auf, damit es nicht mit anderen Lebensmitteln in Berührung kommt oder Flüssigkeit auf diese tropft.
 - Wenn das Gerät längere Zeit leer bleibt, schalten Sie es aus, tauen Sie es ab, reinigen und trocknen Sie es, und lassen Sie die Tür offen, um zu verhindern, dass sich im Innenraum Schimmel bildet.
- ▶ Verwenden Sie keine brennbaren, explosionsfähigen oder korrosiven Substanzen im Gerät oder in der Nähe.
- ▶ Lagern Sie keine Arzneimittel, Bakterien oder Chemikalien im Gerät. Dieses Gerät ist ein Haushaltsgerät. Es wird davon abgeraten, Materialien zu lagern, die extreme Temperaturen erfordern.
- ▶ Lagern Sie niemals Flüssigkeiten in Flaschen oder Dosen (außer hochprozentige Spirituosen), insbesondere kohlenensäurehaltige Getränke, im Gefrierschrank, da diese beim Einfrieren platzen können.
- ▶ Überprüfen Sie den Zustand der Lebensmittel, wenn die Temperatur im Gefrierschrank angestiegen ist.
- ▶ Stellen Sie keine unnötig niedrigen Temperaturen im Kühlfach ein. Bei hohen Einstellungen kann es zu Minustemperaturen kommen. Achtung: Flaschen können platzen.
- ▶ Berühren Sie Gefriergut nicht mit nassen Händen (Handschuhe tragen). Verzehren Sie insbesondere Eis am Stiel nicht sofort nach der Entnahme aus dem Gefrierfach. Es besteht die Gefahr des Erfrierens oder der Bildung von Frostblasen an Mund und Zunge. ERSTE HILFE: Sofort unter fließend kaltes Wasser halten. Nicht mit Gewalt abziehen!
- ▶ Berühren Sie nicht die Innenfläche des Gefrierfachs, wenn es in Betrieb ist, insbesondere nicht mit nassen Händen, da Ihre Hände an der Oberfläche festfrieren könnten.
- ▶ Ziehen Sie den Gerätestecker aus der Steckdose, falls die Stromversorgung unterbrochen wird oder bevor Sie das Gerät reinigen. Warten Sie vor dem Neustart mindestens 7 Minuten, da durch häufiges Einschalten der Kompressor beschädigt werden kann.
- ▶ Verwenden Sie Im Inneren des Haushaltsgeräts keine elektrischen Geräte, es sei denn, sie werden vom Hersteller empfohlen. Wartung / Reinigung
- ▶ Kinder müssen beaufsichtigt werden, wenn sie das Gerät reinigen und warten.
- ▶ Trennen Sie das Gerät von der Stromversorgung, bevor Sie eine routinemäßige Wartung durchführen. Warten Sie vor dem Neustart mindestens 5 Minuten, da durch häufiges Einschalten der Kompressor beschädigt werden kann.

 **WARNUNG!**

- ▶ Fassen Sie beim Herausziehen des Gerätesteckers aus der Steckdose den Stecker und nicht das Kabel an.
- ▶ Reinigen Sie das Gerät nicht mit harten Bürsten, Drahtbürsten, Reinigungspulver, Benzin, Amylacetat, Aceton und ähnlichen organischen Lösungen, Säure oder Alkalilösungen. Reinigen Sie das Gerät mit einem speziellen Reinigungsmittel für Kühlgeräte, um Beschädigungen zu vermeiden.
- ▶ Kratzen Sie das Eis nicht mit scharfen Gegenständen ab. Verwenden Sie keine Sprays, elektrischen Heizgeräte, Haartrockner zum Abtauen oder Dampfreiniger im Gerät, um Beschädigungen der Kunststoffteile zu vermeiden.
- ▶ Verwenden Sie keine mechanischen oder sonstigen Hilfsmittel, um den Abtauvorgang zu beschleunigen, es sei denn, dies wird vom Hersteller so empfohlen.
- ▶ Wenn das Stromkabel beschädigt ist, muss es vom Hersteller, von seinem Service-Mitarbeiter oder einer gleichwertig qualifizierten Person ausgetauscht werden, um jegliches Risiko zu vermeiden.
- ▶ Versuchen Sie nicht, das Gerät selbst zu reparieren, zu zerlegen oder zu verändern. Bei Reparaturen wenden Sie sich bitte an unseren Kundenservice.
- ▶ Entfernen Sie den Staub auf der Geräterückseite mindestens einmal im Jahr, um Brandgefahr und einen erhöhten Energieverbrauch zu vermeiden.
- ▶ Das Gerät darf während der Reinigung nicht besprüht oder mit Wasser beschüttet werden.
- ▶ Das Gerät darf nicht mit Wasser besprüht oder mit Dampf gereinigt werden.
- ▶ Reinigen Sie die kalten Einlegeböden aus Glas nicht mit heißem Wasser. Plötzliche Temperaturschwankungen können dazu führen, dass das Glas zerspringt.

Informationen zum Kältemittelgas

 **WARNUNG!**

Das Gerät enthält das entzündliche Kältemittel ISOBUTAN (R600a). Stellen Sie sicher, dass der Kühlkreislauf während des Transports oder der Installation nicht beschädigt wird. Auslaufendes Kältemittel kann Augenverletzungen verursachen oder sich entzünden. Falls Schäden aufgetreten sind, halten Sie sich von offenen Brandquellen fern, lüften Sie den Raum gründlich, stecken Sie die Netzkabel des Geräts oder eines anderen Geräts nicht ein oder aus. Informieren Sie den Kundenservice.

Falls die Augen mit dem Kältemittel in Kontakt kommen, sofort unter fließendem Wasser ausspülen und den Augenarzt verständigen.

Bestimmungsgemäße Verwendung

Dieses Gerät ist zum Kühlen von Lebensmitteln bestimmt. Es ist ausschließlich für den Einsatz in Haushalten und ähnlichen Bereichen konzipiert, wie z. B. in Personalküchen in Geschäften, Büros und anderen Arbeitsumgebungen, auf Bauernhöfen und in Hotels, Motels und anderen wohnähnlichen Umgebungen sowie in Bed-and-Breakfasts und für Catering-Zwecke. Das Gerät ist nicht für die kommerzielle oder industrielle Nutzung bestimmt.

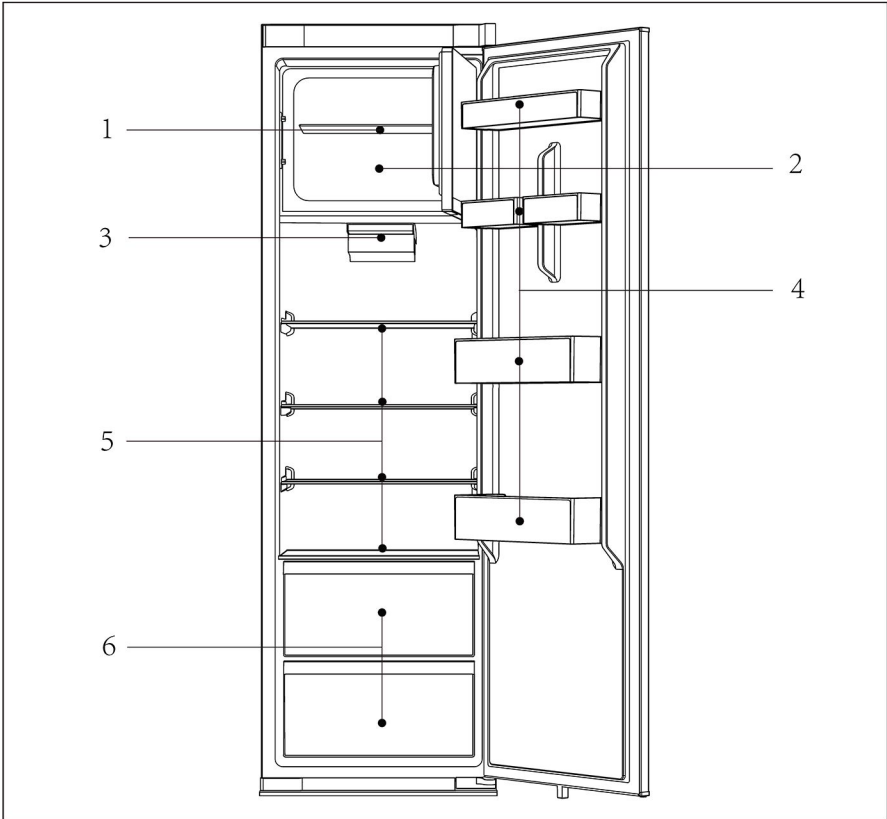
Änderungen oder Anpassungen am Gerät sind nicht erlaubt. Eine unsachgemäße Verwendung kann zu Gefahren und zum Verlust von Garantieansprüchen führen.

Normen und Richtlinien

Dieses Produkt erfüllt die Anforderungen aller geltenden EG-Richtlinien mit den entsprechenden harmonisierten Normen, die eine CE-Kennzeichnung vorsehen.

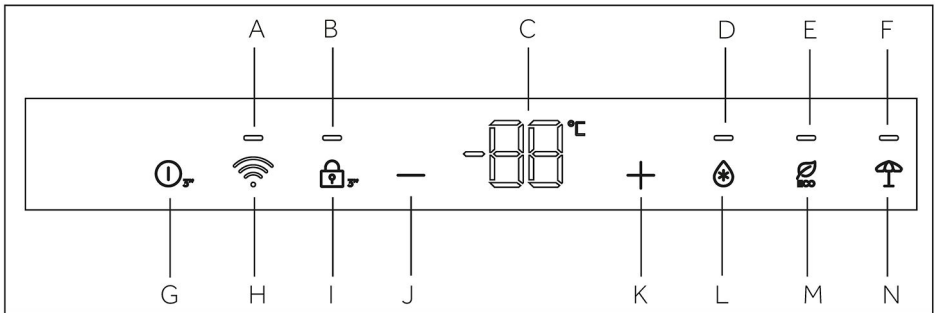
i HINWEIS

Aufgrund von technischen Änderungen und unterschiedlichen Modellen können einige der Abbildungen in dieser Anleitung von Ihrem Modell abweichen.

**CML5518EVW4**

- 1 Normale Gefrierschrankablage
- 2 Gefrierteil
- 3 Ventilator und LED-Licht
- 4 Flaschenhalter
- 5 Normale Kühlschranksablagen
- 6 Normale Kühlschrankschubladen

Bedienfeld



Anzeigen:

- A Symbol für die WLAN-Funktion
- B Symbol für Sperren/Entsperren
- C Symbol für die Temperaturanzeige
- D Symbol Super Cool-Funktion
- E Symbol für die ECO-Funktion
- F Symbol für die Holiday-Funktion

Tasten:

- G EIN/AUS-Taste
- H WLAN-Zuordnungstaste
- I Taste zum Sperren/Entsperren
- J Taste zum Verringern der Temperatur
- K Taste zum Erhöhen der Temperatur
- L Taste Super-Cool-Funktion
- M Taste für die ECO-Funktion
- N Taste für die Holiday-Funktion

Sensortasten

Die Tasten auf dem Bedienfeld sind Sensortasten, die schon bei leichter Berührung mit dem Finger ansprechen.

HINWEIS

Wenn das Gerät eingeschaltet wird, kann es bis zu 12 Stunden dauern, bis die richtigen Temperaturen erreicht sind.

Bitte öffnen Sie zuerst die Kühltür, bevor Sie den Bildschirm bedienen.

Funktion Sperren/Entsperren

Mit dieser Taste und dem zugehörigen Symbol wird der Steuerungsbildschirm gesperrt oder entsperrt und sein aktueller Status angezeigt.

Wenn Sie die Kühltür öffnen, während der Kühlschrank in Betrieb ist, leuchtet der Steuerungsbildschirm auf und das Symbol zum Sperren/Entsperren ist zu sehen. Der Steuerungsbildschirm ist gesperrt und kann nicht bedient werden.

Manuelles Entsperren oder Sperren des Bildschirms: Wenn das Symbol zum Sperren/Entsperren aufleuchtet, berühren Sie die Taste zum Sperren/Entsperren bitte 3 Sekunden lang. Das Symbol erlischt und wird von einem Signalton begleitet. Zu diesem Zeitpunkt kann die Funktionsauswahl oder die Temperatureinstellung vorgenommen werden.

Wenn das Symbol zum Sperren/Entsperren ausgeschaltet ist, berühren Sie bitte die Taste zum Sperren/Entsperren 3 Sekunden lang. Dann leuchtet das Symbol zum Sperren/Entsperren auf und es ertönt ein Signalton. Zu diesem Zeitpunkt kann die Funktionsauswahl oder Temperatureinstellung nicht durchgeführt werden.

Automatische Bildschirmsperre: Wenn die Kühltür geschlossen wird, schaltet sich der Steuerungsbildschirm aus und wird gesperrt.

Wenn die Kühltür geöffnet wird, wird der Steuerungsbildschirm automatisch gesperrt, wenn innerhalb von 30 Sekunden kein Bedienvorgang erfolgt.

EIN/AUS-Funktion

Die EIN/AUS-Taste dient zum Umschalten zwischen AUS (Pausenstatus) und EIN (normale Betriebsmodi).

Aktivieren des AUS-Modus: Im Betriebsmodus des Kühlschranks müssen Sie zunächst das Display entsperren und dann die EIN/AUS-Funktionstaste 3 Sekunden lang gedrückt halten, um den Steuerungsbildschirm, die Beleuchtung des Kühlschranks, die Kühlung und andere Funktionen auszuschalten. Daraufhin ertönt ein Signalton.



HINWEIS

Der AUS-Modus bewirkt kein Ausschalten: Der Kühlschrank ist zu diesem Zeitpunkt noch eingeschaltet.

Deaktivieren des AUS-Modus: Halten Sie im AUS-Modus die EIN/AUS-Taste 3 Sekunden lang gedrückt, um den Steuerungsbildschirm, die Kühlbeleuchtung, die Kühlung und andere Funktionen wieder einzuschalten. Gleichzeitig ertönt ein Signalton.

Der Kühlschrank kehrt zu der zuvor eingestellten Temperatur und Funktion zurück und wechselt auf den normalen Betriebsmodus.

WLAN-Funktion

WLAN-Zuordnung: Wenn der Kühlschrank zum ersten Mal eingeschaltet wird, geht er automatisch in den Netzwerkkonfigurationsmodus über, und das WLAN-Funktionssymbol blinkt schnell. Wenn keine Netzwerkzuordnung erfolgt ist, wird er nach 30 Minuten automatisch beendet.

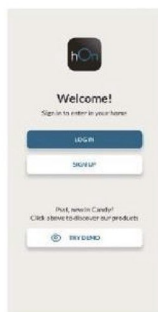
Manuelles Öffnen des WLAN-Zuordnungsmodus: Nach dem Entsperren des Steuerungsbildschirms, während das WLAN-Funktionssymbol leuchtet, halten Sie die WLAN-Zuordnungstaste 3 Sekunden lang gedrückt, um den Modus zu aktivieren. Während dieser Zeit blinkt das WLAN-Funktionssymbol schnell, um anzuzeigen, dass es sich im WLAN-Zuordnungsmodus befindet. Wenn keine Netzwerkzuordnung stattfindet, wird der Modus nach 30 Minuten automatisch beendet.

KOPPLUNGSVORGANG IN DER APP

Schritt 1 • Die hOn-app aus einem Store herunterladen.



Schritt 2 Erstellen Sie ein Konto in der hOn-App oder melden Sie sich an, wenn Sie bereits ein Konto haben.



Schritt 3 Wählen Sie die Kopplungsanweisungen in der Online-App.



HINWEIS

Folgen Sie im WLAN-Zuordnungsmodus den Anweisungen der App, um die Netzwerkkonfiguration abzuschließen. Wenn Sie die WLAN-Umgebung ändern möchten, müssen Sie den Modus erneut öffnen. Wenn das Wi-Fi-Funktionssymbol eingeschaltet bleibt, bedeutet dies, dass die Verbindung mit dem Netzwerk erfolgreich hergestellt wurde.

Einstellen der Kühlschrantemperatur

Nach dem Öffnen der Kühlschrantür und dem Entsperren des Steuerungsbildschirms können Sie die Taste zum Verringern der Temperatur verwenden, um die eingestellte Temperatur des Kühlschranks zu senken. Jedes Mal, wenn die Taste leicht berührt wird, wird die Temperatur um 1 °C verringert. Die zulässige Mindesttemperatur beträgt 1 °C.

Nach dem Öffnen der Kühlschrantür und dem Entsperren des Steuerungsbildschirms können Sie die Taste zum Erhöhen der Temperatur verwenden, um die eingestellte Temperatur des Kühlschranks zu erhöhen. Jedes Mal, wenn die Taste leicht berührt wird, wird die Temperatur um 1 °C erhöht. Die zulässige Höchsttemperatur beträgt 9 °C.

Während des Betriebs zeigt das Symbol der Temperaturanzeige die eingestellte Temperatur an und blinkt. Das Bedienfeld bestätigt nach 5 Sekunden automatisch die eingestellte Temperatur.

Super-Cool-Funktion

Mit dieser Taste und ihrem Symbol wird die Super-Cool-Funktion des Kühlschranks eingeschaltet und der aktuelle Status angezeigt.

Nachdem Sie die Kühlschranktür geöffnet und den Kontrollbildschirm entriegelt haben, berühren Sie die „Super Cool“-Taste und das „Super Cool“-Symbol leuchtet auf. Zu diesem Zeitpunkt befindet sich der Kühlschrank im „Super Cool“-Modus. Um den Modus auszuschalten, berühren Sie nun die „Super Cool“-Taste nochmals. Nach dem Einschalten der „Super Cool“-Funktion verlässt der Kühlschrank den „Super Cool“-Modus automatisch nach etwa 48 Stunden, um zu vermeiden, dass die Temperatur im Kühlschrank zu niedrig wird.

Wenn in kurzer Zeit eine große Menge an Lebensmitteln in den Kühlschrank gestellt wird, steigt die Temperatur im Kühlschrank an. Mit dem Einschalten der Super-Cool-Funktion kann die Temperatur dieser Lebensmittel schnell gesenkt werden.

Wenn eine große Menge an Lebensmitteln in den Kühlschrank gestellt wird, kann die Super-Cool-Funktion direkt eingeschaltet werden. Wenn eine große Menge an Lebensmitteln in das Gefrierfach gelegt wird, schalten Sie bitte die Super-Cool-Funktion 12 Stunden vor dem Einlegen der Lebensmittel ein.

ECO-Funktion

Nachdem Sie die Kühlschranktür geöffnet und den Steuerungsbildschirm entsperrt haben, berühren Sie die ECO-Funktionstaste leicht. Das ECO-Symbol leuchtet auf; der Kühlschrank befindet sich bereits im Modus. Wenn Sie den Modus verlassen möchten, berühren Sie die ECO-Funktionstaste erneut leicht.

Im ECO-Modus arbeitet der Kühlschrank automatisch mit einer Durchschnittstemperatur von 5 °C.

Holiday-Funktion

Nachdem Sie die Kühlschranktür geöffnet und den Steuerungsbildschirm entsperrt haben, berühren Sie die Holiday-Funktionstaste leicht. Das Holiday-Symbol leuchtet auf; der Kühlschrank befindet sich bereits im Modus. Wenn Sie den Modus verlassen möchten, berühren Sie die Holiday-Funktionstaste erneut leicht.

Im Modus der Holiday-Funktion arbeitet der Kühlschrank automatisch mit einer Durchschnittstemperatur von 17 °C.

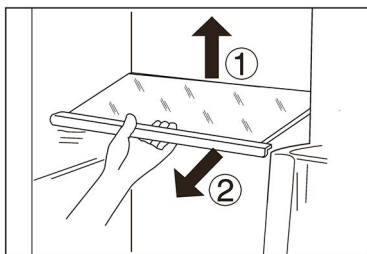
Wenn die Holiday-Funktion eingeschaltet ist, gehen der Kühlschrank und das Gefrierfach gemeinsam in die Holiday-Funktion über, und die gefrorenen Lebensmittel müssen ebenfalls herausgenommen werden, um eine Beschädigung der Lebensmittel durch hohe Temperaturen zu vermeiden.



HINWEIS

Aufgrund der unterschiedlichen Betriebslogik von Sonderfunktionen wie der Super Cool-Funktion, der ECO-Funktion und der Holiday-Funktion können diese Sondermodi nicht gleichzeitig aktiviert werden. Jeweils nur eine Funktion kann aktiviert werden, und wenn Sie zwischen den Modi wechseln, werden andere Sondermodi automatisch beendet. Darüber hinaus kann die eingestellte Temperatur erst geändert werden, wenn diese Modi beendet werden.

5 °C ist ideal für frische Lebensmittel wie Obst und Gemüse, Molkereiprodukte, Fleisch und Getränke.



Einlegeböden

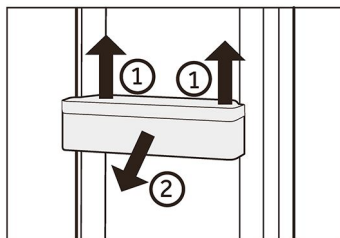
1. Die Höhe der Einlegeböden kann an Ihren Lagerbedarf angepasst werden.
2. Um einen Einlegeboden zu versetzen, heben Sie ihn an der Hinterkante an ① und ziehen Sie ihn heraus ②.
3. Um ihn wieder einzubauen, setzen Sie ihn auf die Träger an beiden Seiten und schieben Sie ihn ganz nach hinten, bis die Rückseite des Einlegebodens in den Schlitzen an den Seiten steckt.

i HINWEIS

Prüfen Sie, ob alle Seiten des Einlegebodens waagrecht sind.

Abnehmbare Flasche

1. Die Flasche kann zur Reinigung abgenommen werden.
2. Halten Sie dazu die Ablage mit beiden Händen fest, heben Sie sie nach oben ① und ziehen Sie sie heraus ②.
3. Um die Flasche wieder hineinzustellen, werden die oben genannten Schritte in umgekehrter Reihenfolge durchgeführt.



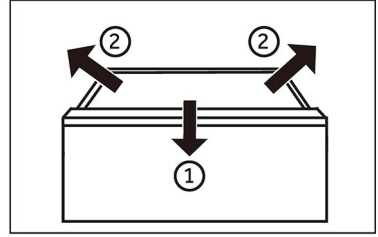
i HINWEIS

Aufgrund der Lageeigenschaften ist die Temperatur des Flaschenfachs auf der ersten und zweiten Ebene des Türkörpers geringfügig höher als im Kühlbereich. Es wird empfohlen, es nur für die kurzfristige Lagerung von Lebensmitteln zu verwenden.

Herausnehmbare Schublade

Um die Schublade herauszunehmen, diese bis zum Anschlag herausziehen ①, anheben und herausnehmen ②.

Um die Schublade wieder einzusetzen, werden die oben genannten Schritte in umgekehrter Reihenfolge durchgeführt.

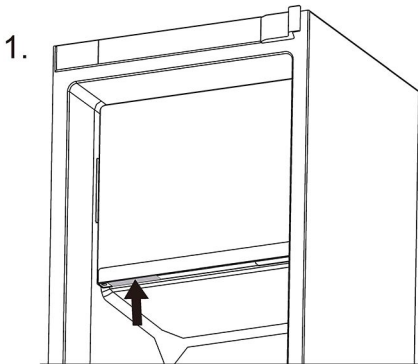


Beleuchtung

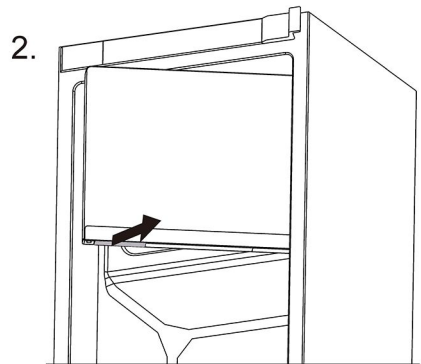
Die LED-Innenbeleuchtung leuchtet, wenn die Tür geöffnet wird. Die Leistung der LEDs wird durch keine der anderen Geräteeinstellungen beeinflusst.

Gefrierraum

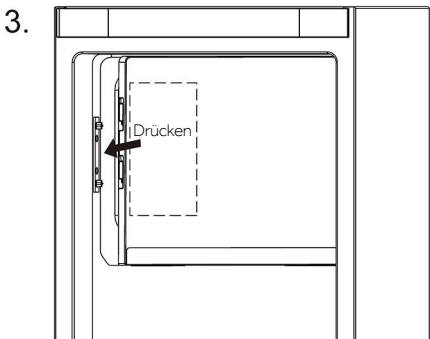
Dieses Kühlgerät verfügt über einen 30-Liter-Gefrierraum im oberen Teil, dessen Temperatur je nach Temperatur des Kühlschranks variiert. Öffnen der Tür des Gefrierraums: Drücken Sie den Schalter zunächst nach oben (siehe Abbildung 1) und ziehen Sie ihn dann heraus (siehe Abbildung 2); Schließen der Tür des Gefrierraums: Drücken Sie auf den mittleren Bereich der kleinen Türöffnungsseite, wie in Abbildung 3 dargestellt.



Schalter nach oben drücken



Schalter nach außen ziehen





Energiespartipps

- ▶ Stellen Sie sicher, dass das Gerät ordnungsgemäß belüftet ist (siehe INSTALLATION).
- ▶ Stellen Sie das Gerät nicht in direktem Sonnenlicht oder in der Nähe von Hitzequellen (z. B. Herden, Heizungen) auf.
- ▶ Vermeiden Sie unnötig niedrige Temperaturen im Gerät. Je niedriger die im Gerät eingestellte Temperatur ist, desto höher ist der Energieverbrauch.
- ▶ Funktionen wie die Super-Cool-Funktion verbrauchen mehr Energie.
- ▶ Lassen Sie warme Mahlzeiten erst abkühlen, bevor Sie diese in den Kühlschrank stellen.
- ▶ Öffnen Sie die Gerätetür so wenig und so kurz wie möglich.
- ▶ Achten Sie darauf, das Gerät nicht zu überladen, um den Luftstrom nicht zu behindern.
- ▶ Vermeiden Sie Luft innerhalb der Lebensmittelverpackung.
- ▶ Halten Sie die Türdichtungen sauber, damit die Tür immer richtig schließt.
- ▶ Die energiesparendste Konfiguration erfordert, dass das Gerät Schubladen, Lebensmittelboxen und Einlegeböden in fabriksauberem Zustand enthält, und die Lebensmittel sollten so weit wie möglich von den Auslässen des Luftkanals eingeräumt werden und diesen nicht blockieren.



WARNUNG!

Trennen Sie das Gerät vor der Reinigung von der Stromversorgung.

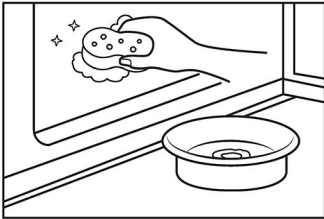
Reinigung

Reinigen Sie das Gerät, wenn nur wenig oder keine Lebensmittel gelagert werden. Das Gerät sollte alle vier Wochen gereinigt werden, um eine gute Wartung zu gewährleisten und um schlechte Gerüche von gelagerten Lebensmitteln zu vermeiden.



WARNUNG!

- ▶ Reinigen Sie das Gerät nicht mit harten Bürsten, Drahtbürsten, Reinigungspulver, Benzin, Amylacetat, Aceton und ähnlichen organischen Lösungen, Säure oder Alkalilösungen. Reinigen Sie das Gerät mit einem speziellen Reinigungsmittel für Kühlgeräte, um Beschädigungen zu vermeiden.
- ▶ Das Gerät darf während der Reinigung nicht besprüht oder mit Wasser beschüttet werden.
- ▶ Das Gerät darf nicht mit Wasser besprüht oder mit Dampf gereinigt werden.
- ▶ Reinigen Sie die kalten Einlegeböden aus Glas nicht mit heißem Wasser. Plötzliche Temperaturschwankungen können dazu führen, dass das Glas zerspringt.



- ▶ Halten Sie die Türdichtung immer sauber.
- ▶ Reinigen Sie das Innere und das Gehäuse des Geräts mit einem Schwamm, der mit warmem Wasser und einem neutralen Reinigungsmittel angefeuchtet wurde.
- ▶ 1. Säubern Sie den Kühlschrank innen und außen, einschließlich Türdichtungen, Türablage, Einlegeböden aus Glas, Schubladen usw., gründlich mit einem weichen Geschirrtuch oder einem Schwamm, der in warmes Wasser eingetaucht wurde (eventuell mit etwas neutralem Reinigungsmittel im Wasser).
- ▶ 2. Wenn Flüssigkeit verschüttet wurde, nehmen Sie alle verschmutzten Teile heraus, spülen Sie sie unter fließendem Wasser ab, trocknen Sie sie ab und setzen Sie sie wieder in den Kühlschrank ein.
- ▶ 3. Bei verschütteten Milchprodukten (z. B. Sahne, schmelzendes Eis) entfernen Sie die verunreinigten Teile, legen Sie sie für eine Weile in ca. 40 °C warmes Wasser, spülen Sie sie dann unter fließendem Wasser ab, trocknen Sie sie ab und setzen Sie sie wieder in den Kühlschrank ein.
- ▶ 4. Falls ein kleines Teil oder Krümel im Inneren des Kühlschranks (zwischen den Ablagen oder Schubladen) festsitzen, lösen Sie die Verunreinigung mit einer weichen Zahnbürste. Wenn Sie die Verunreinigung nicht entfernen konnten, wenden Sie sich bitte an den Haier-Kundendienst.
- ▶ Wischen Sie den Kühlschrank mit einem feuchten Tuch gründlich aus und trocknen Sie ihn mit einem weichen Tuch ab.
- ▶ Reinigen Sie Geräteteile nicht in einer Geschirrspülmaschine.
- ▶ Warten Sie vor dem Neustart des Geräts mindestens 5 Minuten, da ein häufiger Neustart den Kompressor beschädigen kann.

HINWEIS

Der Ablauf darf nicht durch Fremdkörper blockiert werden, da es sonst zu einem Überlaufen des Wassers kommen kann. Wenn der Ablauf verstopft ist, können Sie die Schublade herausnehmen und mit einem Tuch reinigen.



Abtauen

Wenn zu viele Gegenstände hineingestellt werden oder die Tür zu häufig geöffnet und geschlossen wird, kann es zu Eisbildung im hinteren Teil des Kühlschranks oder Gefrierschranks kommen, die ein manuelles Abtauen und das Entfernen mit einem Schaber erforderlich macht.

Austausch der LED-Leuchten

WARNUNG!

Wechseln Sie die LED nicht selbst. Sie darf nur vom Hersteller oder von einem autorisierten Service-Mitarbeiter ausgetauscht werden.

Die Leuchte nutzt als Lichtquelle eine LED mit geringem Energieverbrauch und langer Lebensdauer. Bei Anomalien wenden Sie sich bitte an den Kundenservice. Siehe KUNDENSERVICE.

Parameter der Leuchte:

Kühlfach: 12 V max. 1,5 W

Dieses Produkt enthält eine Lichtquelle der Energieeffizienzklasse <G>.

Nichtverwendung für einen längeren Zeitraum

Wenn das Gerät über einen längeren Zeitraum nicht benutzt wird und Sie die Holiday-Funktion für den Kühlschrank nicht verwenden:

Nehmen Sie die Lebensmittel heraus.

Ziehen Sie das Netzkabel ab.

Reinigen Sie das Gerät wie oben beschrieben.

Lassen Sie die Türen auf, um die Bildung von schlechten Gerüchen zu verhindern.

HINWEIS

Schalten Sie das Gerät nur aus, wenn es unbedingt nötig ist.

Verstellen des Geräts

1. Nehmen Sie alle Lebensmittel heraus und ziehen Sie den Gerätestecker aus der Steckdose.
2. Befestigen Sie die Einlegeböden und andere bewegliche Teile im Kühlschrank mit Kleband.
3. Den Kühlschrank um maximal 45° kippen, um eine Beschädigung des Kühlsystems zu vermeiden.

WARNUNG!

- ▶ Heben Sie das Gerät nicht an seinen Griffen an.
- ▶ Stellen Sie das Gerät niemals waagrecht auf den Boden.

Viele auftretende Probleme können von Ihnen selbst ohne spezifische Fachkenntnisse gelöst werden. Bei Problemen prüfen Sie bitte alle angezeigten Möglichkeiten und befolgen Sie die nachstehenden Anweisungen, bevor Sie einen Kundendienst kontaktieren. Siehe KUNDENSERVICE.



WARNING!

- ▶ Schalten Sie das Gerät vor der Wartung aus und ziehen Sie den Netzstecker aus der Steckdose.
- ▶ Elektrische Geräte sollten nur von qualifizierten Fachelektrikern repariert werden, da unsachgemäße Reparaturen erhebliche Folgeschäden verursachen können.
- ▶ Eine beschädigte Lieferung sollte nur vom Hersteller, von seinem Service-Mitarbeiter oder einer gleichwertig qualifizierten Person ausgetauscht werden, um jegliches Risiko zu vermeiden.

Problem	Mögliche Ursache	Mögliche Behebung
Der Kompressor funktioniert nicht.	<ul style="list-style-type: none"> • Der Netzstecker ist nicht an die Steckdose angeschlossen. • Das Gerät befindet sich im Abtauzyklus. 	<ul style="list-style-type: none"> • Den Netzstecker anschließen. • Dies ist normal für eine automatische Abtauung.
Das Gerät läuft häufig oder zu lange.	<ul style="list-style-type: none"> • Die Innen- oder Außentemperatur ist zu hoch. • Das Gerät wurde über einen längeren Zeitraum ausgeschaltet. • Eine Gerätetür wurde nicht richtig geschlossen. • Die Tür wurde zu häufig oder zu lange geöffnet. • Die Temperatur für den Kühlschrank ist zu niedrig. • Die Türdichtungen sind verschmutzt, verschlissen, gerissen oder verrutscht. • Die erforderliche Luftzirkulation ist nicht gewährleistet. 	<ul style="list-style-type: none"> • In diesem Fall ist es normal, dass das Gerät länger läuft. • Normalerweise dauert es 8 bis 12 Stunden, bis das Gerät vollständig abgekühlt ist. • Die Tür/Schublade schließen und sicherstellen, dass das Gerät auf einem ebenem Untergrund steht und dass keine Lebensmittel oder Behälter gegen die Tür stoßen. • Die Tür/Schublade nicht zu häufig öffnen. • Die Temperatur höher einstellen, bis eine zufriedenstellende Kühlschranktemperatur erreicht ist. Es dauert 24 Stunden, bis sich die Kühlschranktemperatur stabilisiert hat. • Die Tür-/Schubladendichtungen reinigen oder vom Kundendienst ersetzen lassen. • Für eine ausreichende Belüftung sorgen.

Problem	Mögliche Ursache	Mögliche Behebung
Das Innere des Kühlschranks ist schmutzig und/oder übelriechend.	<ul style="list-style-type: none"> • Das Innere des Kühlschranks muss gereinigt werden. • Lebensmittel mit starkem Geruch werden im Kühlschrank gelagert. 	<ul style="list-style-type: none"> • Das Innere des Kühlschranks reinigen. • Die Lebensmittel sorgfältig einpacken.
Das Innere des Geräts ist nicht kalt genug.	<ul style="list-style-type: none"> • Die Temperatur ist zu hoch eingestellt. • Es wurden zu warme Lebensmittel eingelagert. • Es wurden zu viele Lebensmittel auf einmal hineingelegt. • Die Lebensmittel liegen zu dicht beieinander. • Eine Tür/Schublade wurde nicht richtig geschlossen. • Die Tür/Schublade wurde zu häufig oder zu lange geöffnet. 	<ul style="list-style-type: none"> • Die Temperatur zurücksetzen. • Die Lebensmittel immer erst abkühlen lassen, bevor Sie sie hineinlegen. • Nur kleinere Mengen an Lebensmitteln hineinlegen. • Zwischen mehreren Lebensmitteln einen Abstand lassen, damit die Luft zirkulieren kann. • Die Tür/Schublade schließen. • Die Tür/Schublade nicht zu häufig öffnen.
Das Innere des Geräts ist zu kalt.	<ul style="list-style-type: none"> • Die Temperatur ist zu niedrig eingestellt. • Die Super-Cool-Funktion ist aktiviert oder läuft zu lange. 	<ul style="list-style-type: none"> • Die Temperatur zurücksetzen. • Schalten Sie die Super-Cool-Funktion aus.
Feuchtigkeitsbildung im Innern des Kühlfachs.	<ul style="list-style-type: none"> • Das Klima ist zu warm und zu feucht. • Eine Tür/Schublade wurde nicht richtig geschlossen. • Die Tür/Schublade wurde zu häufig oder zu lange geöffnet. • Lebensmittelbehälter oder Flüssigkeiten werden offen gelassen. 	<ul style="list-style-type: none"> • Die Temperatur erhöhen. • Die Tür/Schublade schließen. • Die Tür/Schublade nicht zu häufig öffnen. • Heiße Speisen auf Raumtemperatur abkühlen lassen und Speisen und Flüssigkeiten abdecken.
Feuchtigkeit sammelt sich außen am Kühlschrank oder zwischen der Tür oder den Türen und der Schublade.	<ul style="list-style-type: none"> • Das Klima ist zu warm und zu feucht. • Die Tür ist nicht richtig geschlossen. Die kalte Luft im Gerät und die warme Außenluft kondensieren. 	<ul style="list-style-type: none"> • Das ist bei feuchtem Klima normal und ändert sich, wenn die Feuchtigkeit abnimmt. • Prüfen, ob die Tür/Schublade fest geschlossen ist.

Problem	Mögliche Ursache	Mögliche Behebung
Die Display-Leuchten funktionieren, aber es ist keine Kühlung zu spüren.	<ul style="list-style-type: none"> • Der Demo-Modus ist aktiviert. 	<ul style="list-style-type: none"> • Den Status überprüfen. Wenn der Demo-Modus aktiviert ist, den Modus beenden. Beenden: Die „ECO“-Taste gedrückt halten und 5 Mal innerhalb von 5 Sekunden auf die Super-Freeze-Taste klicken.
Starke Eisbildung und Frost im Gefrierfach.	<ul style="list-style-type: none"> • Die Lebensmittel sind nicht angemessen verpackt. • Eine Tür/Schublade wurde nicht richtig geschlossen. • Die Tür/Schublade wurde zu häufig oder zu lange geöffnet. • Die Tür-/Schubladendichtungen sind verschmutzt, verschlissen, gerissen oder verrutscht. • Etwas im Inneren verhindert, dass die Tür/Schublade richtig schließt. 	<ul style="list-style-type: none"> • Die Lebensmittel immer gut verpacken. • Die Tür/Schublade schließen. • Die Tür/Schublade nicht zu häufig öffnen. • Die Tür-/Schubladendichtungen reinigen oder austauschen. • Die Einlegeböden, Türfächer oder Behälter so versetzen, dass die Tür/Schublade richtig schließt.
Die Seitenwände des Schrankes und die Türleiste werden warm.	<ul style="list-style-type: none"> • - 	<ul style="list-style-type: none"> • Das ist normal.
Das Gerät macht ungewöhnliche Geräusche.	<ul style="list-style-type: none"> • Das Gerät befindet sich nicht auf einem ebenen Untergrund. • Das Gerät berührt einige Gegenstände um es herum. 	<ul style="list-style-type: none"> • Die Füße entsprechend einstellen, um das Gerät zu nivellieren. • Die Gegenstände um das Gerät herum entfernen.
Es ist ein leichtes Geräusch zu hören, ähnlich wie dem von fließendem Wasser.	<ul style="list-style-type: none"> • - 	<ul style="list-style-type: none"> • Das ist normal.
Sie hören einen Signalton.	<ul style="list-style-type: none"> • Die Kühlfachtür ist offen. 	<ul style="list-style-type: none"> • Die Tür schließen.
Sie hören ein schwaches Brummen.	<ul style="list-style-type: none"> • Das Antikondensationssystem arbeitet. 	<ul style="list-style-type: none"> • Dies verhindert Kondensation und ist normal.
Die Innenbeleuchtung oder das Kühlsystem funktioniert nicht.	<ul style="list-style-type: none"> • Der Netzstecker ist nicht an die Steckdose angeschlossen. • Die Stromversorgung ist nicht intakt. • Die LED-Leuchte ist defekt. 	<ul style="list-style-type: none"> • Den Netzstecker anschließen. • Die Stromversorgung des Raums überprüfen. Den örtlichen Stromversorger anrufen! • Den Kundenservice kontaktieren, um die Leuchte auszutauschen.

Um den technischen Kundendienst zu kontaktieren, besuchen Sie unsere Website: <https://corporate.haier-eu-ropce.com/en/>

Wählen Sie im Abschnitt „Website“ die Marke Ihres Produkts und Ihr Land aus. Sie werden zu der Website weitergeleitet, auf der die Telefonnummer sowie das Formular für die Kontaktaufnahme mit dem technischen Support angegeben sind.

Stromunterbrechung

Bei Stromausfall sollten die gelagerten Lebensmittel noch 5 Stunden lang frisch gekühlt bleiben. Beachten Sie diese Tipps bei einer längeren Stromunterbrechung, insbesondere im Sommer:

- ▶ Öffnen Sie die Tür/Schublade so selten wie möglich.
- ▶ Legen Sie während eines Stromausfalls keine weiteren Lebensmittel in das Gerät.
- ▶ Wenn der Stromausfall vorher angekündigt wurde und die Unterbrechungsdauer länger als 5 Stunden ist, frieren Sie im Voraus ein paar Eiswürfel oder Kühlakkus ein, und legen Sie diese beim Stromausfall oben in das Kühlfach.
- ▶ Prüfen Sie nach dem Stromausfall sofort, ob die Lebensmittel verdorben sind.
- ▶ Da die Temperatur im Kühlschrank während einer Stromunterbrechung oder eines anderen Fehlers ansteigt, werden die Haltbarkeit und die Qualität der Lebensmittel reduziert.

Speicherfunktion bei Stromunterbrechung

Nach Wiederherstellung der Stromversorgung fährt das Gerät mit den Einstellungen fort, die vor dem Stromausfall eingestellt waren.

Auspacken



WARNUNG!

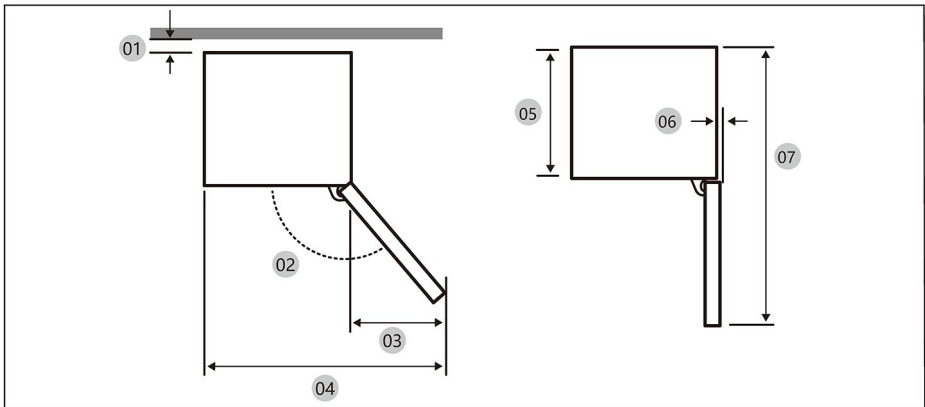
- ▶ Das Gerät ist schwer. Transportieren oder bewegen Sie es immer mit mindestens zwei Personen.
- ▶ Bewahren Sie sämtliche Verpackungsmaterialien außerhalb der Reichweite von Kindern auf und entsorgen Sie sie umweltfreundlich.
- ▶ Nehmen Sie das Gerät aus der Verpackung.
- ▶ Entfernen Sie alle Verpackungsmaterialien

Umgebungsbedingungen

Die Raumtemperatur sollte immer zwischen 10 °C und 43 °C betragen, da sie die Temperatur im Inneren des Geräts und dessen Energieverbrauch beeinflussen kann. Stellen Sie das Gerät nicht in der Nähe von anderen wärmeabgebenden Geräten (Öfen, Kühlschränken) auf.

Empfehlungen für Platz

Empfohlener Platz bei geöffneter Tür (ohne Schranktürlblatt)

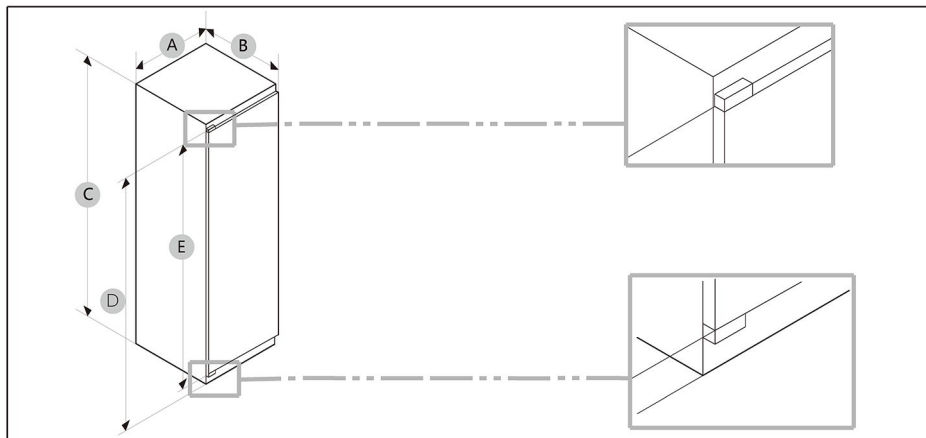


Modell	CML5518EVW4
01*	10 (min.) / 30 (empfohlen)
02	95° (empfohlen)
03	43
04	583
05	515
06	-3
07	1060

(Einheit: mm)

* 01: Vom Schrank zur Rückseite des Produkts.

Produktabmessungen



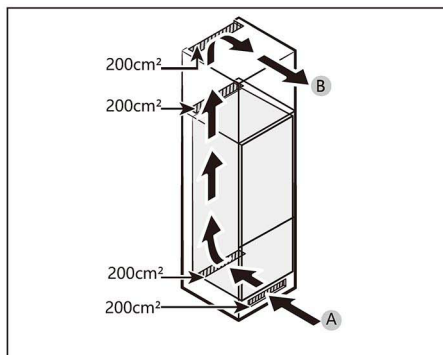
Modell	A (mm)	B (mm)	C (mm)	T (mm)	E (mm)
CML5518EVW4	540 ±2	550 ±2	1772 ±2	1715	1671

HINWEIS

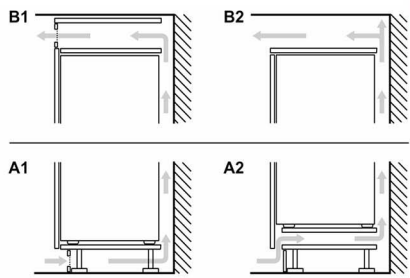
- Der angegebene Energieverbrauch basiert auf der Annahme eines 10-mm-Abstands zwischen Schrank und Rückseite des Produkts. Das Produkt funktioniert auch bei einem Abstand von weniger als 10 mm einwandfrei, verbraucht jedoch etwas mehr Energie.
- Wir empfehlen die Verwendung eines Schanks mit einer Stärke von 19 mm und Scharnieren mit einer Stärke von weniger als 17 mm.
- Die Messwerte in der obigen Tabelle können je nach Messmethode abweichen.
- Für die Einbau-Installation siehe die Installationsanleitung.

Platzbedarf für eine ausreichende Belüftung

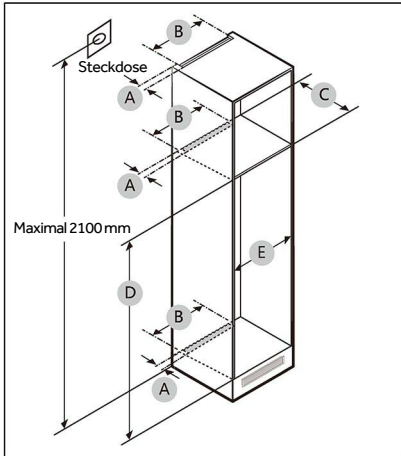
Damit eine ausreichende Belüftung des Geräts gewährleistet wird, dürfen die Hinweise zum ausreichenden Platzbedarf aus Sicherheitsgründen nicht missachtet werden.



A: Lufteinlass $\geq 200 \text{ cm}^2$; Belüftungsmöglichkeiten
B: Luftauslass $\geq 200 \text{ cm}^2$; Belüftungsmöglichkeiten



Abmessungen des Schrankes



VORSICHT!

Jeder Produktfehler, der auf die folgenden Ursachen zurückzuführen ist, wird von der Garantie nicht abgedeckt.

1. Ungünstige Standortbedingungen oder falsche Schrankgrößen.
2. Defekter Schrank.
3. Fehler durch den Installateur oder den Benutzer.

Platz

Der Platzbedarf für die Installation ist in den nachstehenden Abbildungen und Tabellen angegeben.

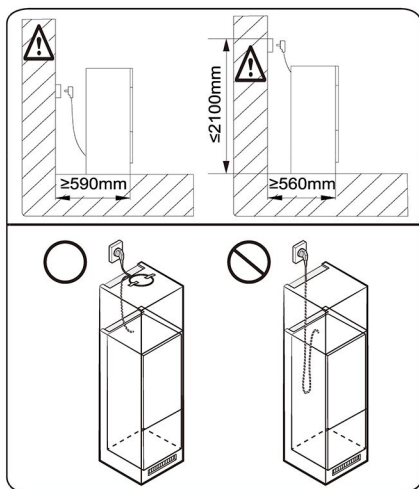
Modell		A (mm)	B (mm)	C (mm)	D (mm)	E (mm)	Anmerkung
CML5518EVW4	Min.	50	400	560	1778	560	Scharnier: 17 mm
	Empfohlen			580	1780	562	
	Max.			-	1782	568	



HINWEIS

- Wenn die Breite eines Schrankes größer als 568 mm ist, kann sich die Dichtung (zwischen Kühlschrank und Schrank) lösen.
- Wenn der Schrank höher als das Höchstmaß (1782 mm) ist, müssen Sie andere Materialien verwenden, um die Lücke auszufüllen.

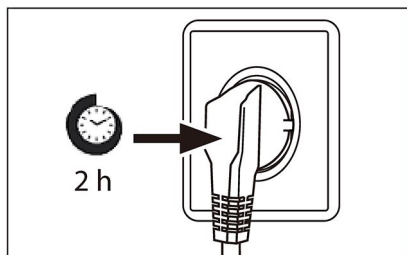
Berücksichtigung der Lage der Steckdose und des Platzbedarfs



i HINWEIS

Wenn Sie den Kühlschrank in einen Schrank mit einer Tiefe von 560 mm einbauen, vergewissern Sie sich, dass das Netzkabel an einer Seite des Kühlschranks angeordnet ist, bevor Sie den Stecker in die Steckdose stecken. Wenn sich das Netzkabel auf der Rückseite des Kühlschranks befindet, kann dies die Energieeffizienz beeinträchtigen.

Wartezeit



Das wartungsfreie Schmieröl befindet sich in der Kapsel des Kompressors. Dieses Öl kann beim Transport durch das geschlossene Rohrsystem gelangen, wenn das Gerät gekippt wird. Warten Sie mindestens 2 Stunden, bevor Sie das Gerät an die Stromversorgung anschließen, damit das Öl wieder in die Kapsel zurückfließt.

Elektrischer Anschluss

Stellen Sie vor jedem Anschluss sicher, dass:

- ▶ die Stromversorgung, Steckdose und Sicherung den Angaben auf dem Typenschild entsprechen.
- ▶ die Steckdose geerdet ist und kein Mehrfachstecker oder Verlängerungskabel vorhanden ist.
- ▶ der Netzstecker und die Steckdose richtig zusammenpassen.

Schließen Sie den Stecker an eine ordnungsgemäß installierte Haushaltssteckdose an.

! WARNUNG!

Um Gefahren zu vermeiden, muss ein beschädigtes Netzkabel vom Kundenservice ausgetauscht werden (siehe Garantiekarte).

Produktdatenblatt gemäß der EU-Verordnung Nr. 2019/2016

Marke	Candy	
Modellname/Kennzeichnung	CML5518EVW4	
Kategorie des Modells	Kühl- Gefrierkombination	
Energieeffizienzklasse	E	
Jährlicher Energieverbrauch (kWh/Jahr) (1)	173	
Gesamtvolumen (L)	285	
Kühlschrankschrankvolumen (L)	255	
Volumen Gefrierschrank (L)	30	
Volumen Kühlfach (L)	/	
Volumen des automatischen Eiswürfelbereiters (L)	/	
Sterne-Bewertung	/	
Temperatur der anderen Fächer > 14 °C	Nicht anwendbar	
Frostfreies System	NEIN	
Gefrierleistung (kg/24h)	2	
Klima-Bewertung	SN/N/ST/T	
Geräuschemissionsklasse und Luftschallemissionen (db(A)re1pW)	B 35	
Temperaturanstiegszeit (h)	/	
Leistung des Eiswürfelbereiters	/	
Gerätetyp	Einbau	

Modellname	Energieeffizienzklasse
CML5518EVW4	E

Erläuterungen:

- Ja, vorhanden

- (1) Basierend auf den Ergebnissen des Normenkonformitätstests über 24 Stunden. Der tatsächliche Verbrauch hängt von der Verwendung und dem Standort des Geräts ab.
- (2) Klima-Bewertung SN: Dieses Gerät ist für die Verwendung bei einer Umgebungstemperatur zwischen +10 °C und +32 °C ausgelegt.
 Klima-Bewertung N: Dieses Gerät ist für die Verwendung bei einer Umgebungstemperatur zwischen +16 °C und +32 °C ausgelegt.
 Klima-Bewertung ST: Dieses Gerät ist für die Verwendung bei einer Umgebungstemperatur zwischen +16 °C und +38 °C ausgelegt.
 Klima-Bewertung T: Dieses Gerät ist für die Verwendung bei einer Umgebungstemperatur zwischen +16 °C und +43 °C ausgelegt.

Zusätzliche technische Daten

Spannung / Frequenz	220-240 V ~ / 50 Hz
Eingangsstrom (A)	1.0
Hauptsicherung (A)	16
Kühlmittel	R600a
Abmessungen (H/B/T in mm)	1772/540/550

HF-Informationen

- Max. EIRP: Bluetooth (BR/EDR): 10 dBm
 Bluetooth LE: 5 dBm
 2,4 GHz WLAN: 16 dBm

Frequenzbandbereich: 2400-2483, 5 MHz

Wir empfehlen unseren Haier-Kundendienst und die Verwendung von Original-Ersatzteilen. Wenn Sie Probleme mit dem Gerät haben, lesen Sie bitte zuerst den Abschnitt „FEHLERBEHEBUNG“.

Wenn Sie dort keine Lösung finden, wenden Sie sich bitte an

- ▶ Ihren Händler vor Ort oder
- ▶ an unser Europäisches Call-Service-Center (siehe unten aufgeführte Telefonnummern) oder
- ▶ an den Kundendienst und Support unter www.candy-home.com wo Sie den Serviceanspruch aktivieren können.
- ▶ Hier finden Sie auch die FAQs.

Um unseren Kundendienst zu kontaktieren, stellen Sie sicher, dass Sie die nachfolgend aufgeführten Daten zur Hand haben.
Die Informationen finden Sie auf dem Typenschild.

Modell _____

Seriennummer _____

Prüfen Sie im Garantiefall auch die mit dem Produkt mitgelieferte Garantiekarte.

Europäisches Call-Service-Center		
Land*	Telefonnummer	Kosten
Haier Italy (IT)	199 100 912	
Haier Spain (ES)	902 509 123	
Haier Germany (DE)	01805393999	<ul style="list-style-type: none"> • 14 Ct/min Festnetz • max. 42 Ct/min Mobil
Haier Austria (AT)	0820 001 205	<ul style="list-style-type: none"> • 14,53 Ct/min Festnetz • max. 20 Ct/min alle anderen
Haier United Kingdom (UK)	0333 003 8122	
Haier France (FR)	0980 406 409	

* Für andere Länder siehe www.candy-home.com

Haier Europe Trading S.r.l

Niederlassung UK

Westgate House, Westgate, Ealing

London, W5 1YY

*Gewährleistungsdauer des Kühlgeräts:

Die Mindestgarantie beträgt: 2 Jahre für EU-Länder, 3 Jahre für die Türkei, 1 Jahr für Großbritannien, 1 Jahr für Russland, 3 Jahre für Schweden, 2 Jahre für Serbien, 5 Jahre für Norwegen, 1 Jahr für Marokko, 6 Monate für Algerien, Tunesien keine gesetzliche Gewährleistung erforderlich.

*Der Zeitraum für die Beschaffung von Ersatzteilen für die Reparatur des Geräts:

Thermostate, Temperatursensoren, Leiterplatten und Leuchtmittel sind für einen Zeitraum von mindestens sieben Jahren nach Inverkehrbringen des letzten Gerätes des Modells erhältlich.

Türgriffe, Türscharniere, Ablagen und Schubladen für eine Mindestdauer von sieben Jahren und Türdichtungen für eine Mindestdauer von 10 Jahren, nachdem das letzte Gerät des Modells in Verkehr gebracht wurde.

Weitere Informationen zum Produkt finden Sie entweder unter

<https://eprel.ec.europa.eu/> oder Sie scannen den QR-Code auf dem Energielabel, das dem Gerät beiliegt.

125 Πληροφορίες ασφαλείας

130 Προβλεπόμενη χρήση

131 Περιγραφή προϊόντος

132 Πίνακας ελέγχου

133 Χρήση

Πριν από την πρώτη χρήση 126

Εγκατάσταση 126

Καθημερινή χρήση 127

Πληροφορίες για τα ψυκτικά αέρια 129

Λειτουργία κλειδώματος/
ξεκλειδώματος 133

Λειτουργία ΕΝΕΡΓΟΠΟΙΗΣΗΣ/
ΑΠΕΝΕΡΓΟΠΟΙΗΣΗΣ 133

Λειτουργία Wi-Fi 133

Ρύθμιση θερμοκρασίας
της τροφοθήκης 134

Λειτουργία Super Cool 135

Λειτουργία ECO 135

Λειτουργία Holiday 135

Error! Bookmark not defined. Εξοπλισμός

138 Συμβουλές εξοικονόμησης ενέργειας

139 Φροντίδα και καθαρισμός

141 Αντιμετώπιση προβλημάτων

145 Εγκατάσταση

149 Τεχνικά δεδομένα

151 Εξυπηρέτηση πελατών

Σας ευχαριστούμε που αγοράσατε το προϊόν μας.

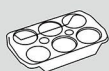
Παρακαλούμε διαβάστε προσεκτικά αυτές τις οδηγίες πριν από την χρήση αυτής της συσκευής. Οι οδηγίες περιέχουν σημαντικές πληροφορίες που θα σας βοηθήσουν να αξιοποιήσετε στο έπακρο τη συσκευή και να εξασφαλίσετε την ασφαλή και σωστή εγκατάσταση, χρήση και συντήρηση.

Φυλάξτε αυτό το εγχειρίδιο σε μια προσβάσιμη θέση, ώστε να μπορείτε πάντα να ανατρέξετε σε αυτό για την ασφαλή και σωστή χρήση της συσκευής.

Εάν πουλήσετε τη συσκευή, την χαρίσετε ή την αφήσετε πίσω όταν μετακομίσετε από το σπίτι, βεβαιωθείτε ότι έχετε αφήσει επίσης και αυτό το εγχειρίδιο, ώστε ο νέος ιδιοκτήτης να εξοικειωθεί με τη συσκευή και τις προειδοποιήσεις ασφαλείας.

Εξαρτήματα

Ελέγξτε τα εξαρτήματα και τη βιβλιογραφία σύμφωνα με αυτόν τον κατάλογο:



Αυγοθήκη



Δίσκος για παγάκια



Ξύστρα πάγου



Ενεργειακή ετικέτα



Κάρτα εγγύησης



Προειδοποίηση ασφαλείας εγχειρίδιου



Βίδα



Κάλυμμα



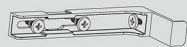
Μπλοκ σφουγγαριού



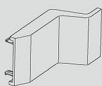
Οδηγός ολίσθησης



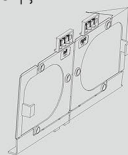
Συγκρότημα ολίσθησης



Σταθερή πλάκα



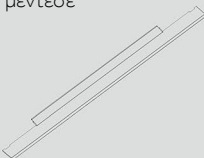
Κάλυμμα μεντεσέ



Κάτω σταθερή πλάκα



Πάνω σταθερή πλάκα



Κάτω κάλυμμα



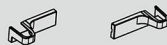
Κάτω πλευρικό κάλυμμα



Λωρίδα σφράγισης



Σφουγγάρι σφράγισης



Κάλυμμα κάτω μεντεσέ



ΠΡΟΕΙΔΟΠΟΙΗΣΗ - Σημαντικές πληροφορίες ασφαλείας



ΣΗΜΕΙΩΣΗ-Γενικές πληροφορίες και συμβουλές



Περιβαλλοντικές πληροφορίες

Απόρριψη



Βοήθεια και συμβολή στην προστασία του περιβάλλοντος και της ανθρώπινης υγείας. Τοποθετήστε τη συσκευασία σε κατάλληλα δοχεία για την ανακύκλωση της. Συμβολή στην ανακύκλωση των αποβλήτων ηλεκτρικών και ηλεκτρονικών συσκευών. Συσκευές που φέρουν αυτό το σύμβολο μην τις απορρίπτετε μαζί με τα οικιακά απορρίμματα. Επιστρέψτε το προϊόν στην τοπική μονάδα ανακύκλωσης ή επικοινωνήστε με το αρμόδιο δημοτικό γραφείο του Δήμου σας.



ΠΡΟΕΙΔΟΠΟΙΗΣΗ!

Κίνδυνος τραυματισμού ή ασφυξίας!

Τα ψυκτικά μέσα και τα αέρια πρέπει να απορρίπτονται επαγγελματικά. Βεβαιωθείτε ότι η σωλήνωση του κυκλώματος ψυκτικού δεν έχει υποστεί ζημιά πριν απορριφθεί σωστά. Αποσυνδέστε τη συσκευή από την πρίζα παροχής ρεύματος. Κόψτε το καλώδιο τροφοδοσίας και απορρίψτε το. Αφαιρέστε τους δίσκους και τα συρτάρια, καθώς και τα αλιεύματα και τις σφραγίδες της πόρτας, για να αποτρέψετε τα παιδιά και τα κατοικίδια ζώα να κλείσουν στη συσκευή.

Διαβάστε τις παρακάτω υποδείξεις ασφαλείας πριν ενεργοποιήσετε τη συσκευή για πρώτη φορά:



ΠΡΟΕΙΔΟΠΟΙΗΣΗ!

Πριν από την πρώτη χρήση

- ▶ Βεβαιωθείτε ότι δεν υπάρχει ζημιά εξαιτίας της μεταφοράς.
- ▶ Περιμένετε τουλάχιστον δύο ώρες πριν τοποθετήσετε τη συσκευή για να βεβαιωθείτε ότι το κύκλωμα του ψυκτικού είναι πλήρως αποτελεσματικό.
- ▶ Χειριστείτε τη συσκευή πάντοτε με δύο άτομα τουλάχιστον, διότι είναι βαριά.
- ▶ Αφαιρέστε όλα τα υλικά συσκευασίας, κρατήστε τα μακριά από τα παιδιά και απορρίψτε τα με φιλικό προς το περιβάλλον τρόπο.
- ▶ Καθαρίστε το εσωτερικό και το εξωτερικό της συσκευής με νερό και ένα ήπιο απορρυπαντικό πριν βάλτε οποιοδήποτε φαγητό σε αυτό.
- ▶ Αφού η συσκευή τοποθετηθεί απολύτως ίσια στο δάπεδο και καθαριστεί, περιμένετε τουλάχιστον 2-5 ώρες πριν τη συνδέσετε στην παροχή ρεύματος. Ανατρέξτε στην ενότητα ΕΓΚΑΤΑΣΤΑΣΗ.
- ▶ Προψύξτε τους θαλάμους σε υψηλές ρυθμίσεις πριν τοποθετήσετε τρόφιμα. Η λειτουργία Super Cool βοηθά στη γρήγορη ψύξη των θαλάμων.
- ▶ Η θερμοκρασία τροφοθήκης ρυθμίζεται αυτόματα στους 5°C αντίστοιχα. Αυτές είναι οι προτεινόμενες ρυθμίσεις. Εάν θέλετε, μπορείτε να αλλάξετε αυτή τη θερμοκρασία χειροκίνητα. Ανατρέξτε στην ενότητα ΡΥΘΜΙΣΗ ΘΕΡΜΟΚΡΑΣΙΑΣ.
- ▶ Αυτή η συσκευή ψυγείου διαθέτει χώρο καταψύκτη 30L στο επάνω τμήμα και η θερμοκρασία του χώρου καταψύκτη μεταβάλλεται ανάλογα με τη θερμοκρασία του χώρου τροφοθήκης.

Εγκατάσταση

- ▶ Η συσκευή πρέπει να τοποθετηθεί σε καλά αεριζόμενο μέρος.
- ▶ Μην τοποθετείτε ποτέ τη συσκευή σε υγρή περιοχή ή θέση όπου μπορεί να πιτσιλιστεί ή βραχεί με νερό. Καθαρίστε και ξύστε τις ξεραμένες πιτσιλιές νερού και λεκέδες με ένα μαλακό καθαρό πανί.
- ▶ Μην εγκαθιστάτε τη συσκευή σε σημείο με άμεσο ηλιακό φως ή κοντά σε πηγές θερμότητας (π.χ. σόμπες, θερμαντήρες).
- ▶ Εγκαταστήστε και τοποθετήστε τη συσκευή σε μια περιοχή κατάλληλη για το μέγεθος και τη χρήση της.
- ▶ Διατηρείτε τα ανοίγματα εξαερισμού στη συσκευή ή την ενσωματωμένη δομή ελεύθερα εμποδίων.
- ▶ Βεβαιωθείτε ότι οι ηλεκτρολογικές πληροφορίες στην πινακίδα τύπου συμφωνούν με την αντίστοιχη παροχή ρεύματος. Εάν όχι, επικοινωνήστε με έναν ηλεκτρολόγο.
- ▶ Η συσκευή λειτουργεί με τροφοδοσία 220-240 VAC / 50 Hz. Η μη φυσιολογική διακύμανση της τάσης μπορεί να προκαλέσει την αποτυχία εκκίνησης της συσκευής ή ζημιά στον έλεγχο θερμοκρασίας ή τον συμπιεστή ή μπορεί να υπάρχει ανώμαλος θόρυβος κατά τη λειτουργία. Στην περίπτωση αυτή, πρέπει να τοποθετηθεί ένας αυτόματος ρυθμιστής.
- ▶ Μη χρησιμοποιείτε προσαρμογείς πολλαπλών θέσεων (πολύπριζα) και καλώδια επέκτασης / προέκτασης.
- ▶ Μην τοποθετείτε πολλαπλές φορητές πρίζες ή φορητά τροφοδοτικά στο πίσω μέρος της συσκευής.
- ▶ Βεβαιωθείτε ότι το καλώδιο τροφοδοσίας δεν έχει παγιδευτεί από το ψυγείο. Μην πατάτε το καλώδιο τροφοδοσίας.



ΠΡΟΕΙΔΟΠΟΙΗΣΗ!

- ▶ Χρησιμοποιήστε μια ξεχωριστή γειωμένη πρίζα για την παροχή ηλεκτρικού ρεύματος, η οποία να είναι εύκολα προσβάσιμη. Αυτή η συσκευή πρέπει να είναι γειωμένη.

Μόνο για το Ηνωμένο Βασίλειο: Το καλώδιο τροφοδοσίας της συσκευής είναι εξοπλισμένο με βύσμα 3-καλωδίων (με γείωση) που ταιριάζει σε μια τυπική πρίζα 3-καλωδίων (πρίζα με γείωση). Ποτέ μην κόβετε ή αποσυναρμολογείτε τον τρίτο πείρο (γείωση). Μετά την εγκατάσταση της συσκευής, το βύσμα πρέπει να είναι άμεσα προσβάσιμο.

- ▶ Αποφύγετε την πρόκληση ζημιών στο κύκλωμα ψύξης.

Καθημερινή χρήση

- ▶ Η συσκευή αυτή μπορεί να χρησιμοποιηθεί από παιδιά ηλικίας 8 ετών και άνω και από άτομα με μειωμένες σωματικές, αισθητηριακές ή διανοητικές ικανότητες ή έλλειψη εμπειρίας και γνώσης, εφόσον βρίσκονται υπό εποπτεία ή εάν τους έχουν δοθεί σαφείς οδηγίες σχετικά με τη χρήση της συσκευής με ασφαλή τρόπο και έχουν κατανοήσει επακριβώς τους σχετικούς κινδύνους.
- ▶ Τα παιδιά ηλικίας 3 έως 8 ετών επιτρέπεται να τοποθετούν και να βγάζουν (αντικείμενα) από τις ψυκτικές συσκευές, αλλά δεν επιτρέπεται να τις καθαρίζουν ή να τις εγκαθιστούν.
- ▶ Κρατήστε μακριά τα παιδιά κάτω των 3 ετών από τη συσκευή, εκτός εάν επιβλέπονται συνεχώς.
- ▶ Τα παιδιά δεν επιτρέπεται να παίζουν με τη συσκευή.
- ▶ Εάν υπάρχει διαρροή ψυκτικού αερίου ή άλλου εύφλεκτου αερίου κοντά στη συσκευή, κλείστε τη βαλβίδα του αερίου που διαρρέει, ανοίξτε τις πόρτες και τα παράθυρα και μην αποσυνδέσετε ή συνδέσετε το καλώδιο τροφοδοσίας του ψυγείου ή οποιασδήποτε άλλης συσκευής.
- ▶ Σημειώστε ότι η συσκευή έχει ρυθμιστεί για λειτουργία σε συγκεκριμένο εύρος θερμοκρασίας περιβάλλοντος μεταξύ 10 και 43°C. Η συσκευή ενδέχεται να μη λειτουργεί σωστά εάν αφεθεί για μεγάλο χρονικό διάστημα σε θερμοκρασία υψηλότερη ή χαμηλότερη από το υποδεικνυόμενο εύρος τιμών.
- ▶ Μην τοποθετείτε ασταθή αντικείμενα (βαριά αντικείμενα, δοχεία γεμάτα με νερό) στο πάνω μέρος του ψυγείου, για να αποφύγετε τραυματισμούς από πτώση ή ηλεκτροπληξία από επαφή με νερό.
- ▶ Μην τραβάτε τα ράφια των θυρών της πόρτας. Η πόρτα μπορεί να βγει από τη θέση της, η σχάρα για τα μπουκάλια μπορεί να τραβηχτεί μακριά ή η συσκευή μπορεί να ανατραπεί.
- ▶ Ανοίγετε και κλείνετε την πόρτα μόνο από τις λαβές. Το κενό ανάμεσα στις πόρτες και ανάμεσα στις πόρτες και το ντουλάπι είναι πολύ στενό. Μην βάζετε τα χέρια σας σε αυτές τις περιοχές για να αποφύγετε να πιαστούν (μαγκωθούν) τα δάκτυλά σας. Ανοίξτε ή κλείστε τις πόρτες ψυγείου μόνο όταν δεν υπάρχουν παιδιά που να στέκονται εντός του εύρους κίνησης της πόρτας.
- ▶ Κατά την τοποθέτηση της συσκευής διασφαλίστε ότι το καλώδιο τροφοδοσίας δεν έχει παγιδευτεί ή υποστεί ζημιά.
- ▶ Μην αποθηκεύετε εκρηκτικές ουσίες όπως δοχεία αερολύματος με εύφλεκτο περιεχόμενο σε αυτή τη συσκευή.



ΠΡΟΕΙΔΟΠΟΙΗΣΗ!

- ▶ Για να αποφευχθεί η μόλυνση των τροφίμων:
 - Το άνοιγμα της πόρτας για μεγάλα (χρονικά) διαστήματα μπορεί να προκαλέσει σημαντική αύξηση της θερμοκρασίας στους θαλάμους της συσκευής.
 - Καθαρίζετε τακτικά τις επιφάνειες που έρχονται σε επαφή με τρόφιμα και προσβάσιμα συστήματα αποστράγγισης.
 - Αποθηκεύετε το ωμό κρέας και τα ψάρια σε κατάλληλα δοχεία στο ψυγείο, ώστε να μην έρχονται σε επαφή και να μην στάζουν επάνω σε άλλα τρόφιμα.
 - Εάν το προϊόν παραμείνει κενό για μεγάλα χρονικά διαστήματα, απενεργοποιήστε, ξεπαγώστε, καθαρίστε, στεγνώστε και αφήστε την πόρτα ανοιχτή για να αποτραπεί η ανάπτυξη μούχλας μέσα στη συσκευή
- ▶ Μην αποθηκεύετε και μην χρησιμοποιείτε εύφλεκτα, εκρηκτικά ή διαβρωτικά υλικά εντός ή εγγύς της συσκευής.
- ▶ Μην αποθηκεύετε φάρμακα, βακτήρια ή χημικούς παράγοντες στη συσκευή. Αυτή η συσκευή είναι μια οικιακή συσκευή. Δεν συνιστάται η αποθήκευση υλικών που απαιτούν αυστηρές θερμοκρασίες.
- ▶ Ποτέ μην αποθηκεύετε υγρά σε φιάλες ή δοχεία (πέραν των αλκοολούχων υψηλού βαθμού) και ιδιαίτερα ανθρακούχα αναψυκτικά στον καταψύκτη καθώς θα διαρραγούν κατά την ψύξη.
- ▶ Ελέγξτε την κατάσταση των τροφίμων εάν έχουν προηγηθεί συνθήκες θέρμανσης στον καταψύκτη.
- ▶ Μην ορίσετε άσκοπα χαμηλή θερμοκρασία στον θάλαμο του ψυγείου. Οι αρνητικές θερμοκρασίες μπορεί να εμφανιστούν σε υψηλές ρυθμίσεις. Προσοχή: Τα μπουκάλια μπορούν να σκάσουν
- ▶ Μην αγγίζετε κατεψυγμένα προϊόντα με βρεγμένα χέρια (φοράτε γάντια). Ειδικά μην πιείτε (τρώτε) γρανίτες αμέσως μετά την αφαίρεση από τον θάλαμο κατάψυξης. Υπάρχει ο κίνδυνος κατάψυξης ή σχηματισμός φουσκαλών παγετού. ΠΡΩΤΕΣ βοήθειες: κρατήστε αμέσως κάτω από τρεχούμενο κρύο νερό. Μην τις τραβάτε μακριά!
- ▶ Μην αγγίζετε την εσωτερική επιφάνεια του χώρου αποθήκευσης του καταψύκτη όταν λειτουργείτε, ειδικά με βρεγμένα χέρια, καθώς τα χέρια σας μπορεί να παγώσουν στην επιφάνεια.
- ▶ Αποσυνδέστε τη συσκευή από την πρίζα σε περίπτωση διακοπής ρεύματος ή πριν από τον καθαρισμό. Αφήστε τουλάχιστον 7 λεπτά πριν από την επανεκκίνηση της συσκευής, καθώς η συχνή εκκίνηση μπορεί να προκαλέσει ζημιά στον συμπιεστή.
- ▶ Μη χρησιμοποιείτε ηλεκτρικές συσκευές στο εσωτερικό των θαλάμων αποθήκευσης τροφίμων της συσκευής, εκτός αν είναι συσκευές που συνιστά ο κατασκευαστής. Συντήρηση / καθαρισμός
- ▶ Βεβαιωθείτε ότι τα παιδιά επιβλέπονται εάν πραγματοποιούν καθαρισμό και συντήρηση.
- ▶ Αποσυνδέστε τη συσκευή από την ηλεκτρική τροφοδοσία πριν πραγματοποιήσετε οποιαδήποτε συντήρηση ρουτίνας. Αφήστε τουλάχιστον 5 λεπτά πριν από την επανεκκίνηση της συσκευής, καθώς η συχνή εκκίνηση μπορεί να προκαλέσει ζημιά στον συμπιεστή.



ΠΡΟΕΙΔΟΠΟΙΗΣΗ!

- ▶ Κρατήστε το φως, όχι το καλώδιο, όταν αποσυνδέετε τη συσκευή.
- ▶ Μην καθαρίζετε τη συσκευή με σκληρές βούρτσες, συρμάτινες βούρτσες, σκόνη απορρυπαντικού, βενζίνη, οξικό αμύλιο, ακετόνη και παρόμοια οργανικά διαλύματα, όξινα ή αλκαλικά διαλύματα. Καθαρίστε με ειδικό απορρυπαντικό ψυγείου για να αποφύγετε ζημιές.
- ▶ Μην ξύνετε τον πάγο με αιχμηρά αντικείμενα. Μη χρησιμοποιείτε σπρέι, ηλεκτρικούς θερμαντήρες όπως θερμαντήρα, στεγνωτήρα μαλλιών, ατμοκαθαριστές ή άλλες πηγές θερμότητας για να αποφύγετε ζημιές στα πλαστικά μέρη.
- ▶ Μην χρησιμοποιείτε μηχανικές συσκευές ή άλλα μέσα για να επιταχύνετε τη διαδικασία απόψυξης, παρά μόνο όσα συνιστώνται από τον κατασκευαστή.
- ▶ Αν το καλώδιο παροχής ρεύματος έχει φθαρεί πρέπει να αντικατασταθεί από τον κατασκευαστή ή τον αντιπρόσωπο του σέρβις ή παρόμοια εξουσιοδοτημένα πρόσωπα, προς αποφυγή του κινδύνου.
- ▶ Μην προσπαθήσετε να επισκευάσετε, να αποσυναρμολογήσετε ή να τροποποιήσετε τη συσκευή μόνοι σας. Σε περίπτωση επισκευής επικοινωνήστε με την εξυπηρέτηση πελατών μας.
- ▶ Εξολεψτε τη σκόνη στο πίσω μέρος της μονάδας τουλάχιστον μία φορά τον χρόνο για να αποφύγετε τον κίνδυνο από πυρκαγιά, καθώς και την αυξημένη κατανάλωση ενέργειας.
- ▶ Μην ψεκάζετε ή ξεπλένετε τη συσκευή κατά τον καθαρισμό.
- ▶ Μην χρησιμοποιείτε σπρέι νερού ή ατμό για να καθαρίσετε τη συσκευή.
- ▶ Μην καθαρίζετε τα κρύα γυάλινα ράφια με ζεστό νερό. Η απότομη αλλαγή θερμοκρασίας μπορεί να προκαλέσει το σπάσιμο του γυαλιού

Πληροφορίες για τα ψυκτικά αέρια



ΠΡΟΕΙΔΟΠΟΙΗΣΗ!

Η συσκευή περιέχει το εύφλεκτο ψυκτικό μέσο ΙΣΟΒΟΥΤΑΝΙΟ (R600a). Βεβαιωθείτε ότι το κύκλωμα ψυκτικού δεν έχει υποστεί ζημιά κατά τη μεταφορά ή την εγκατάσταση. Η διαρροή ψυκτικού μπορεί να προκαλέσει τραυματισμούς στα μάτια ή ανάφλεξη. Εάν έχει προκληθεί ζημιά, κρατήστε το μακριά από ακάλυπτες πηγές φωτιάς, αερίστε καλά το δωμάτιο, μην συνδέσετε ή αποσυνδέσετε τα καλώδια τροφοδοσίας της συσκευής ή οποιασδήποτε άλλης συσκευής. Ενημερώστε την εξυπηρέτηση πελατών.

Σε περίπτωση που τα μάτια έρθουν σε επαφή με το ψυκτικό μέσο, ξεπλένετε τα αμέσως κάτω από τρεχούμενο νερό και καλέστε αμέσως τον οφθαλμίατρο.

Προβλεπόμενη χρήση

Αυτή η συσκευή προορίζεται για ψύξη τροφίμων. Έχει σχεδιαστεί αποκλειστικά για χρήση σε οικιακές και παρόμοιες εφαρμογές, όπως χώρους κουζίνας προσωπικού σε καταστήματα, γραφεία και άλλα εργασιακά περιβάλλοντα- αγροικίες και από πελάτες σε ξενοδοχεία, μοτέλ και άλλα περιβάλλοντα οικιστικού τύπου, καθώς και σε ξενοδοχειακές επιχειρήσεις bed-and-breakfast και catering. Δεν προορίζεται για εμπορική ή βιομηχανική χρήση.

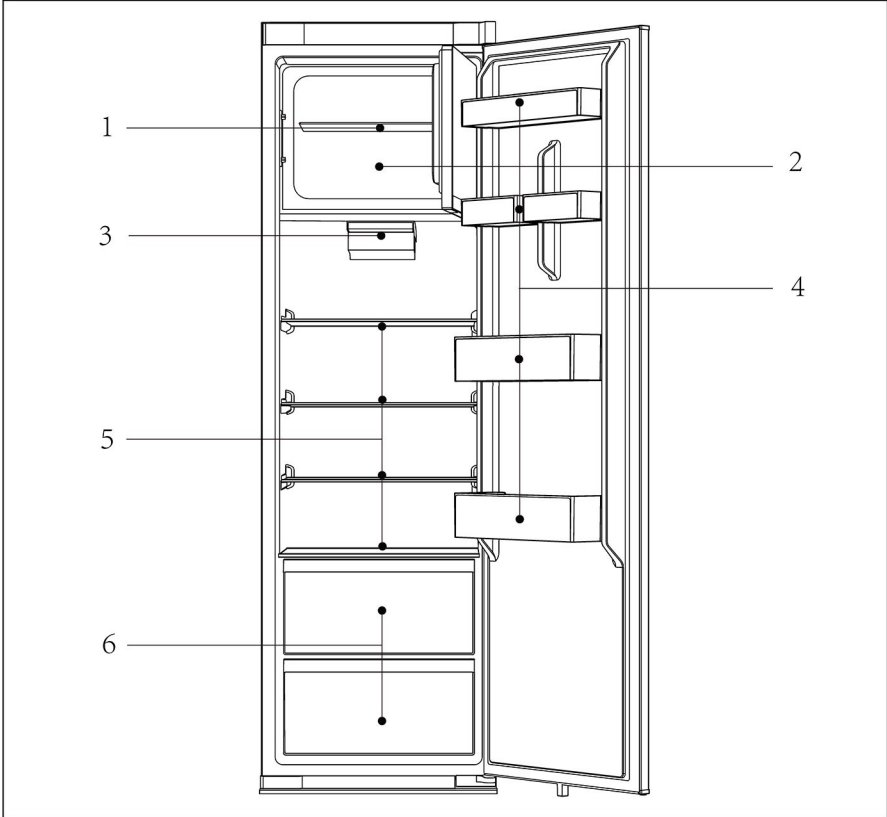
Δεν επιτρέπονται αλλαγές ή τροποποιήσεις στη συσκευή. Η μη προβλεπόμενη χρήση μπορεί να προκαλέσει κινδύνους και απώλεια αξιώσεων εγγύησης.

Πρότυπα και οδηγίες

Αυτό το προϊόν πληροί τις απαιτήσεις όλων των εφαρμοστέων οδηγιών της ΕΚ με τα αντίστοιχα εναρμονισμένα πρότυπα, τα οποία προβλέπονται για την σήμανση CE.

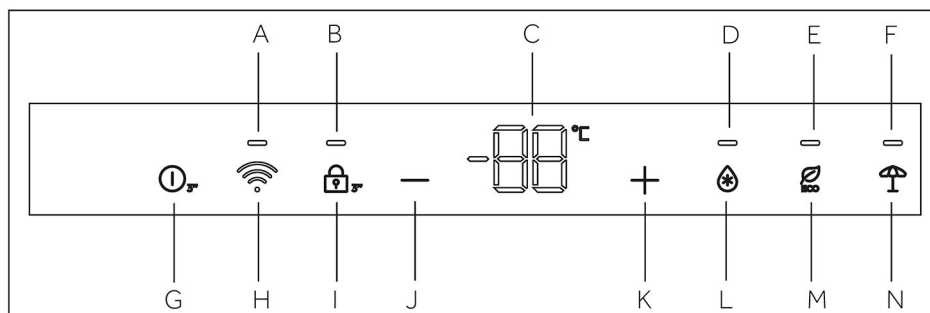
i ΕΙΔΟΠΟΙΗΣΗ

Λόγω τεχνικών αλλαγών και διαφορετικών μοντέλων, ορισμένες από τις εικόνες σε αυτό το εγχειρίδιο ενδέχεται να διαφέρουν από το μοντέλο σας.

**CML5518EVW4**

- 1 Κανονικό ράφι καταψύκτη
- 2 Χώρος κατάψυξης
- 3 Ανεμιστήρας και λαμπτήρας LED
- 4 Μπουκαλοθήκες
- 5 Κανονικά ράφια τροφοθήκης
- 6 Κανονικά συρτάρια τροφοθήκης

Πίνακας ελέγχου



Ενδείξεις:

- A Εικονίδιο λειτουργίας Wi-Fi
- B Εικονίδιο κλειδώματος/ξεκλειδώματος
- C Εικονίδιο ένδειξης θερμοκρασίας
- D Εικονίδιο λειτουργίας Super Cool
- E Εικονίδιο λειτουργίας ECO
- F Εικονίδιο λειτουργίας Holiday

Κουμπιά:

- G Πλήκτρο ΕΝΕΡΓΟΠΟΙΗΣΗΣ/ ΑΠΕΝΕΡΓΟΠΟΙΗΣΗΣ
- H Πλήκτρο αντιστοίχισης Wi-Fi
- I Πλήκτρο κλειδώματος/ ξεκλειδώματος
- J Πλήκτρο μείωσης θερμοκρασίας
- K Πλήκτρο αύξησης θερμοκρασίας
- L Πλήκτρο λειτουργίας Super Cool
- M Πλήκτρο λειτουργίας ECO
- N Πλήκτρο λειτουργίας Holiday

Πλήκτρα αισθητήρων

Τα κουμπιά στον πίνακα ελέγχου είναι πλήκτρα αισθητήρων, τα οποία ανταποκρίνονται ήδη όταν αγγίζονται ελαφρά με το δάχτυλο.

ΕΙΔΟΠΟΙΗΣΗ

Όταν η συσκευή είναι ενεργοποιημένη, μπορεί να χρειαστούν έως και 12 ώρες για να επιτευχθούν οι σωστές θερμοκρασίες

Ανοίξτε πρώτα την πόρτα του ψυγείου πριν ελέγξετε την οθόνη ενδείξεων.

Λειτουργία κλειδώματος/ξεκλειδώματος

Αυτό το πλήκτρο και το εικονίδιο του χρησιμοποιούνται για το κλείδωμα ή το ξεκλείδωμα της οθόνης ελέγχου και υποδεικνύουν την τρέχουσα κατάσταση της. Ανοίξτε την πόρτα του ψυγείου ενώ το ψυγείο λειτουργεί, η οθόνη ελέγχου θα ανάψει και το εικονίδιο κλειδώματος/ξεκλειδώματος θα είναι αναμμένο, αυτή τη στιγμή, η οθόνη ελέγχου βρίσκεται σε κατάσταση κλειδώματος και δεν μπορεί να χειριστεί.

Χειροκίνητο ξεκλείδωμα ή κλείδωμα της οθόνης: Όταν ανάψει το εικονίδιο κλειδώματος/ξεκλειδώματος, συνεχίστε να αγγίζετε το πλήκτρο κλειδώματος/ξεκλειδώματος για 3 δευτερόλεπτα. Το εικονίδιο θα σβήσει και θα συνοδεύεται από ένα ηχητικό σήμα. Αυτή τη στιγμή μπορεί να πραγματοποιηθεί η επιλογή λειτουργίας ή η ρύθμιση της θερμοκρασίας.

Όταν το εικονίδιο κλειδώματος/ξεκλειδώματος απενεργοποιηθεί, συνεχίστε να αγγίζετε το πλήκτρο κλειδώματος/ξεκλειδώματος για 3 δευτερόλεπτα. Στη συνέχεια, το εικονίδιο κλειδώματος/ξεκλειδώματος θα ανάψει και θα συνοδεύεται από ένα ηχητικό σήμα. Αυτή τη στιγμή δεν μπορεί να πραγματοποιηθεί η επιλογή λειτουργίας ή η ρύθμιση της θερμοκρασίας.

Αυτόματο κλείδωμα οθόνης: Όταν η πόρτα του ψυγείου είναι κλειστή, η οθόνη ελέγχου θα απενεργοποιηθεί και θα κλειδώσει.

Όταν η πόρτα του ψυγείου είναι ανοιχτή, η οθόνη ελέγχου θα κλειδώσει αυτόματα εάν δεν γίνει κανένας χειρισμός εντός 30 δευτερολέπτων.

Λειτουργία ΕΝΕΡΓΟΠΟΙΗΣΗΣ/ΑΠΕΝΕΡΓΟΠΟΙΗΣΗΣ

Το πλήκτρο ΕΝΕΡΓΟΠΟΙΗΣΗΣ/ΑΠΕΝΕΡΓΟΠΟΙΗΣΗΣ χρησιμοποιείται για την εναλλαγή μεταξύ ΑΠΕΝΕΡΓΟΠΟΙΗΣΗΣ (κατάσταση παύσης λειτουργίας) και ΕΝΕΡΓΟΠΟΙΗΣΗΣ (κανονικές καταστάσεις λειτουργίας).

Είσοδος σε κατάσταση ΑΠΕΝΕΡΓΟΠΟΙΗΣΗΣ: Κατά την κατάσταση λειτουργίας ψυγείου, ξεκλειδώστε πρώτα την οθόνη, κατόπιν συνεχίστε να αγγίζετε το πλήκτρο λειτουργίας ΕΝΕΡΓΟΠΟΙΗΣΗΣ/ΑΠΕΝΕΡΓΟΠΟΙΗΣΗΣ για 3 δευτερόλεπτα για να απενεργοποιήσετε την οθόνη ελέγχου, τον φωτισμό του ψυγείου, την ψύξη και άλλες λειτουργίες με έναν ήχο προτροπής που ακολουθεί.



ΕΙΔΟΠΟΙΗΣΗ

Η κατάσταση ΑΠΕΝΕΡΓΟΠΟΙΗΣΗΣ δεν συνεπάγεται διακοπή τροφοδοσίας και το ψυγείο εξακολουθεί να είναι υπό τροφοδοσία αυτή τη στιγμή.

Έξοδος από την κατάσταση ΑΠΕΝΕΡΓΟΠΟΙΗΣΗΣ: Κατά την κατάσταση ΑΠΕΝΕΡΓΟΠΟΙΗΣΗΣ, συνεχίστε να αγγίζετε το πλήκτρο ΕΝΕΡΓΟΠΟΙΗΣΗΣ/ΑΠΕΝΕΡΓΟΠΟΙΗΣΗΣ για 3 δευτερόλεπτα για επανεκκίνηση της οθόνης ελέγχου, του φωτισμού ψύξης, της ψύξης και άλλων λειτουργιών, συνοδευόμενων από έναν ήχο προτροπής. Το ψυγείο θα επανέλθει στην προηγούμενα ρυθμισμένη θερμοκρασία και λειτουργία και θα εισέλθει σε κανονική κατάσταση λειτουργίας.

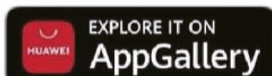
Λειτουργία Wi-Fi

Αντιστοίχιση Wi-Fi: Όταν το ψυγείο τεθεί υπό τροφοδοσία για πρώτη φορά, θα εισέλθει αυτόματα σε κατάσταση διαμόρφωσης δικτύου και το εικονίδιο λειτουργίας Wi-Fi θα αναβοσβήνει γρήγορα και αν δεν γίνει κανένας χειρισμός λειτουργία αντιστοίχισης δικτύου, θα εξέλθει αυτόματα μετά από 30 λεπτά.

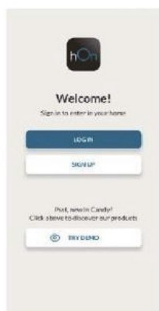
Χειροκίνητη είσοδος σε κατάσταση αντιστοίχισης Wi-Fi: Αφού ξεκλειδώσετε την οθόνη ελέγχου, ενώ το εικονίδιο λειτουργίας Wi-Fi είναι αναμμένο, συνεχίστε να πιέζετε το πλήκτρο αντιστοίχισης Wi-Fi για 3 δευτερόλεπτα για να εισέλθετε στην κατάσταση. Σε αυτό το χρονικό διάστημα, το εικονίδιο λειτουργίας Wi-Fi θα αναβοσβήνει γρήγορα, υποδεικνύοντας ότι βρίσκεται σε κατάσταση αντιστοίχισης Wi-Fi. Εάν δεν γίνει ο χειρισμός αντιστοίχισης δικτύου, θα τερματιστεί αυτόματα μετά από 30 λεπτά.

ΔΙΑΔΙΚΑΣΙΑ ΑΝΤΙΣΤΟΙΧΙΣΗΣ ΣΤΗΝ ΕΦΑΡΜΟΓΗ

Βήμα 1 • Κατεβάστε την εφαρμογή hOn από τα stores.



Βήμα 2 Δημιουργήστε τον λογαριασμό σας στην εφαρμογή hOn ή συνδεθείτε εάν έχετε ήδη λογαριασμό.



Βήμα 3 Ακολουθήστε τις οδηγίες αντιστοίχισης στην εφαρμογή hOn.



i ΕΙΔΟΠΟΙΗΣΗ

Κατά την κατάσταση αντιστοίχισης Wi-Fi, θα πρέπει να ακολουθήσετε τις οδηγίες της εφαρμογής για να ολοκληρώσετε τη διαμόρφωση δικτύου. Αν χρειαστεί να αλλάξετε το περιβάλλον Wi-Fi, πρέπει να εισέλθετε ξανά στην κατάσταση. Εάν το εικονίδιο λειτουργίας Wi-Fi παραμένει αναμμένο, υποδεικνύει ότι η σύνδεση στο δίκτυο έχει πραγματοποιηθεί με επιτυχία.

Ρύθμιση θερμοκρασίας της τροφοθήκης

Αφού ανοίξετε την πόρτα του ψυγείου και ξεκλειδώσετε την οθόνη ελέγχου, χρησιμοποιείτε το πλήκτρο μείωσης θερμοκρασίας για μείωση της ρυθμισμένης θερμοκρασίας του ψυγείου. Κάθε φορά που αγγίζετε ελαφρά το πλήκτρο, η θερμοκρασία θα μειώνεται κατά 1°C και η επιτρεπόμενη ελάχιστη θερμοκρασία είναι 1°C.

Αφού ανοίξετε την πόρτα του ψυγείου και ξεκλειδώσετε την οθόνη ελέγχου, χρησιμοποιείτε το πλήκτρο αύξησης θερμοκρασίας για αύξηση της ρυθμισμένης θερμοκρασίας του ψυγείου. Κάθε φορά που αγγίζετε ελαφρά το πλήκτρο, η θερμοκρασία θα αυξάνεται κατά 1°C και η επιτρεπόμενη μέγιστη θερμοκρασία είναι 9°C.

Κατά τη διάρκεια του χειρισμού, το εικονίδιο θερμοκρασίας θα εμφανίζει τη ρυθμισμένη θερμοκρασία και θα αναβοσβήνει. Η οθόνη ελέγχου θα επιβεβαιώσει αυτόματα τη ρυθμισμένη θερμοκρασία μετά από 5 δευτερόλεπτα.

Λειτουργία Super Cool

Αυτό το πλήκτρο και το εικονίδιο του χρησιμοποιούνται για την εναλλαγή της λειτουργίας Super Cool του ψυγείου και την εμφάνιση της τρέχουσας κατάστασης. Αφού ανοίξετε την πόρτα του ψυγείου και ξεκλειδώσετε την οθόνη ελέγχου, αγγίξτε το πλήκτρο "Super Cool" και θα ανάψει το εικονίδιο "Super Cool". Αυτή τη στιγμή, το ψυγείο βρίσκεται σε λειτουργία "Super Cool". Για να απενεργοποιήσετε τη λειτουργία, μπορείτε να χρησιμοποιήσετε τον ίδιο χειρισμό για να αγγίξετε το πλήκτρο "Super Cool". Μετά την ενεργοποίηση της λειτουργίας Super Cool, το ψυγείο θα εξέλθει αυτόματα από τη λειτουργία Supercool σε περίπου 48 ώρες για να αποφευχθεί η πολύ χαμηλή θερμοκρασία στο εσωτερικό του ψυγείου. Όταν τοποθετείται μεγάλη ποσότητα τροφίμων στο ψυγείο σε σύντομο χρονικό διάστημα, η θερμοκρασία στο εσωτερικό του ψυγείου θα αυξηθεί. Μετά την ενεργοποίηση της λειτουργίας super cool, η θερμοκρασία αυτών των τροφίμων μπορεί να μειωθεί γρήγορα.

Όταν τοποθετείται μεγάλη ποσότητα τροφίμων στον χώρο τροφοθήκης, μπορεί να ενεργοποιηθεί άμεσα η λειτουργία super cool. Όταν τοποθετείται μεγάλη ποσότητα στον καταψύκτη, ενεργοποιήστε τη λειτουργία super cool 12 ώρες πριν τοποθετήσετε μέσα τα τρόφιμα.

Λειτουργία ECO

Αφού ανοίξετε την πόρτα του ψυγείου και ξεκλειδώσετε την οθόνη ελέγχου, αγγίξτε ελαφρά το πλήκτρο λειτουργίας ECO, το εικονίδιο της λειτουργίας ECO θα ανάψει, το ψυγείο βρίσκεται ήδη σε αυτή την κατάσταση. Εάν πρέπει να εξέλθετε από την κατάσταση, μπορείτε να χρησιμοποιήσετε τον ίδιο χειρισμό αγγίζοντας ελαφρά το πλήκτρο λειτουργίας ECO. Στην κατάσταση ECO, το ψυγείο θα λειτουργεί αυτόματα σε μέση θερμοκρασία 5°C.

Λειτουργία Holiday

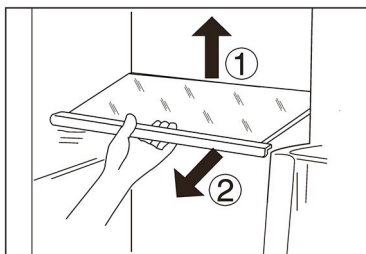
Αφού ανοίξετε την πόρτα του ψυγείου και ξεκλειδώσετε την οθόνη ελέγχου, αγγίξτε ελαφρά το πλήκτρο λειτουργίας Holiday, το εικονίδιο της λειτουργίας Holiday θα ανάψει, το ψυγείο βρίσκεται ήδη σε αυτή την κατάσταση. Εάν πρέπει να εξέλθετε από την κατάσταση, μπορείτε να χρησιμοποιήσετε τον ίδιο χειρισμό αγγίζοντας ελαφρά το πλήκτρο λειτουργίας Holiday. Στην κατάσταση Holiday, το ψυγείο θα λειτουργεί αυτόματα σε μέση θερμοκρασία 17°C. Όταν ενεργοποιείται η λειτουργία holiday, ο χώρος τροφοθήκης και καταψύκτη εισέρχονται μαζί στη λειτουργία holiday και τα κατεψυγμένα τρόφιμα, επίσης, πρέπει να αφαιρεθούν για να αποτραπεί η αλλοίωση των τροφίμων λόγω της υψηλής θερμοκρασίας.



ΕΙΔΟΠΟΙΗΣΗ

Λόγω της διαφορετικής λογικής λειτουργίας των ειδικών λειτουργιών όπως η λειτουργία Super Cool, η λειτουργία ECO και η λειτουργία Holiday, αυτές οι ειδικές καταστάσεις λειτουργίας δεν μπορούν να ενεργοποιηθούν ταυτόχρονα. Μπορεί να ενεργοποιηθεί μόνο μία λειτουργία και κατά την εναλλαγή μεταξύ των καταστάσεων, οι άλλες ειδικές καταστάσεις λειτουργίας θα εξέλθουν αυτόματα. Επιπροσθέτως, η ρυθμισμένη θερμοκρασία δεν μπορεί να αλλάξει, εκτός εάν εξέλθετε από αυτές τις καταστάσεις.

Η ιδανική λειτουργία για φρέσκα τρόφιμα όπως φρούτα και λαχανικά, γαλακτοκομικά προϊόντα, κρέατα και ποτά είναι 5 °C.



Ράφια

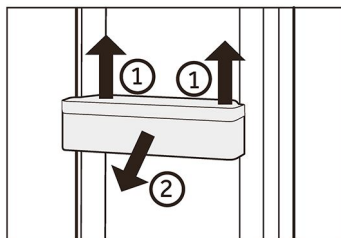
1. Το ύψος των ραφιών μπορεί να ρυθμιστεί ώστε να ταιριάζει στις ανάγκες αποθήκευσης.
2. Για να μετακινήσετε ένα ράφι, αφαιρέστε το πρώτα ανυψώνοντας την οπίσθια άκρη του ① και τραβώντας το έξω ②.
3. Για να το επανατοποθετήσετε, τοποθετήστε το στις υποδοχές και στις δύο πλευρές και σπρώξτε το στην πίσω θέση μέχρι το πίσω μέρος του ραφιού να στερεωθεί στις πλαϊνές σχισμές.

i ΕΙΔΟΠΟΙΗΣΗ

Βεβαιωθείτε ότι όλα τα άκρα ενός ραφιού είναι επίπεδα.

Αποσπώμενο μπουκάλι

1. Το μπουκάλι μπορεί να αφαιρεθεί για καθαρισμό.
2. Τοποθετήστε τα χέρια σε κάθε πλευρά της ραφιάρας, σηκώστε την προς τα πάνω ① και τραβήξτε την προς τα έξω ②.
3. Για την τοποθέτηση του μπουκαλιού, τα παραπάνω βήματα γίνονται με αντίστροφη σειρά.



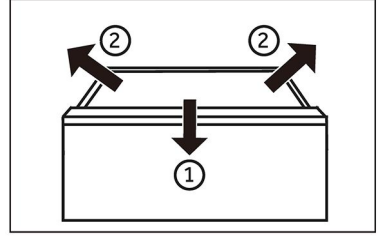
i ΕΙΔΟΠΟΙΗΣΗ

Λόγω των χαρακτηριστικών της θέσης, η θερμοκρασία της βάσης μπουκαλιού, στο πρώτο και το δεύτερο στρώμα του σώματος πόρτας, είναι ελαφρώς υψηλότερη από τη θερμοκρασία στο ψυγείο και συνιστάται να χρησιμοποιείται μόνο για βραχυπρόθεσμη αποθήκευση τροφίμων.

Αφαιρούμενο συρτάρι

Για να αφαιρέσετε το συρτάρι προς τα έξω, τραβήξτε προς τα έξω στο μέγιστο βαθμό ①, σηκώστε και αφαιρέστε ②.

Για την τοποθέτηση του συρταριού, τα παραπάνω βήματα γίνονται με αντίστροφη σειρά.



Το φως

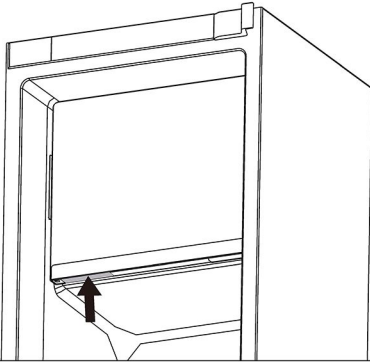
Το εσωτερικό φως LED ανάβει όταν ανοίγει η πόρτα. Η απόδοση των φώτων δεν επηρεάζεται από καμία από τις άλλες ρυθμίσεις της συσκευής.

Χώρος καταψύκτη

Αυτή η ψυκτική συσκευή διαθέτει χώρο καταψύκτη 30L στο επάνω τμήμα και η θερμοκρασία του χώρου καταψύκτη μεταβάλλεται ανάλογα με τη θερμοκρασία του χώρου τροφοθήκης. Ανοίξτε την πόρτα του χώρου καταψύκτη: Πρώτα ωθήστε τον διακόπτη προς τα πάνω, όπως υποδεικνύεται στην εικόνα 1, στη συνέχεια τραβήξτε τον προς τα έξω, όπως υποδεικνύεται στην εικόνα 2.

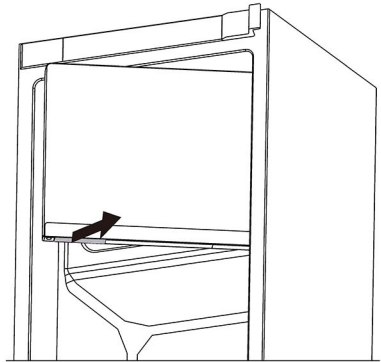
Κλείστε την πόρτα του χώρου καταψύκτη: Πιέστε τη μεσαία περιοχή της μικρής πλευράς ανοίγματος πόρτας, όπως υποδεικνύεται στην εικόνα 3.

1.



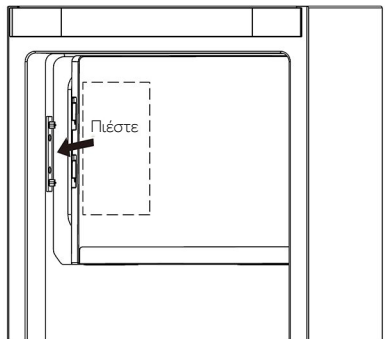
Διακόπτης ωθούμενος προς τα πάνω

2.



Τραβήξτε τον διακόπτη προς τα έξω

3.





Συμβουλές εξοικονόμησης ενέργειας

- ▶ Βεβαιωθείτε ότι η συσκευή αερίζεται σωστά (δείτε ΕΓΚΑΤΑΣΤΑΣΗ).
- ▶ Μην εγκαθιστάτε τη συσκευή σε σημείο με άμεσο ηλιακό φως ή κοντά σε πηγές θερμότητας (π.χ. σόμπες, θερμαντήρες).
- ▶ Αποφύγετε την άσκοπη χαμηλή θερμοκρασία στη συσκευή. Η κατανάλωση ενέργειας αυξάνεται όσο χαμηλότερη είναι η θερμοκρασία στη συσκευή.
- ▶ Λειτουργίες όπως η Super Cool καταναλώνουν περισσότερη ενέργεια.
- ▶ Αφήστε το ζεστό φαγητό να κρυώσει πριν το τοποθετήσετε μέσα στη συσκευή.
- ▶ Να ανοίγετε την πόρτα της συσκευής όσο το δυνατόν λιγότερες φορές και για όσο πιο σύντομα γίνεται.
- ▶ Μην γεμίζετε και φορτώνετε υπερβολικά τη συσκευή για να αποφύγετε τη φραγή του αέρα χαμηλά.
- ▶ Αποφύγετε το να υπάρχει αέρας μέσα στη συσκευασία των τροφίμων.
- ▶ Διατηρείτε τα λάστιχα της πόρτας καθαρά, ώστε η πόρτα να κλείνει πάντα σωστά.
- ▶ Η διαμόρφωση εξοικονόμησης ενέργειας απαιτεί τη διατήρηση του συρταριού, του κουτιού τροφίμων και των ραφιών όπως ακριβώς είναι, δηλαδή στην εργοστασιακή τους κατάσταση, και την τοποθέτηση των τροφίμων με τέτοιο τρόπο, ώστε να μην εμποδίζεται η έξοδος αεραγωγού.

**ΠΡΟΕΙΔΟΠΟΙΗΣΗ!**

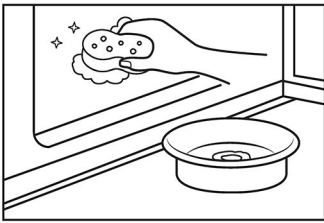
Αποσυνδέστε τη συσκευή από την τροφοδοσία πριν από τον καθαρισμό.

Καθαρισμός

Καθαρίστε τη συσκευή μόνο όταν υπάρχουν αποθηκευμένα λίγα ή καθόλου τρόφιμα. Η συσκευή πρέπει να καθαρίζεται κάθε τέσσερις εβδομάδες για καλή συντήρηση και για την αποφυγή αποθηκευμένων τροφίμων με δυσάρεστες οσμές.

**ΠΡΟΕΙΔΟΠΟΙΗΣΗ!**

- ▶ Μην καθαρίζετε τη συσκευή με σκληρές βούρτσες, συρμάτινες βούρτσες, σκόνη απορρυπαντικού, βενζίνη, οξικό αμύλιο, ακετόνη και παρόμοια οργανικά διαλύματα, όξινα ή αλκαλικά διαλύματα. Καθαρίστε με ειδικό απορρυπαντικό ψυγείου για να αποφύγετε ζημιές.
- ▶ Μην ψεκάζετε ή ξεπλένετε τη συσκευή κατά τον καθαρισμό.
- ▶ Μην χρησιμοποιείτε σπρέι νερού ή ατμό για να καθαρίσετε τη συσκευή.
- ▶ Μην καθαρίζετε τα κρύα γυάλινα ράφια με ζεστό νερό. Η απότομη αλλαγή θερμοκρασίας μπορεί να προκαλέσει το σπάσιμο του γυαλιού.



- ▶ Διατηρείτε πάντα το λάστιχο της πόρτας καθαρό.
- ▶ Καθαρίστε το εσωτερικό και το περίβλημα της συσκευής με ένα σφουγγάρι βρεγμένο σε ζεστό νερό και ουδέτερο απορρυπαντικό.
- ▶ 1. Τρίψτε το εσωτερικό και το εξωτερικό του ψυγείου, συμπεριλαμβανομένων των λάστιχων της πόρτας, της σχάρας της πόρτας, των γυάλινων ραφιών, των κουτιών και ούτω καθεξής, με μια μαλακή πετσέτα ή ένα σφουγγάρι βουτηγμένο σε ζεστό νερό (μπορείτε να προσθέσετε ουδέτερο απορρυπαντικό στο ζεστό νερό).
- ▶ 2. Εάν χυθεί υγρό, αφαιρέστε όλα τα μολυσμένα μέρη, ξεπλένετε απευθείας με το νερό ροής, στεγνώστε και τοποθετήστε το πίσω στο ψυγείο.
- ▶ 3. Εάν υπάρχει χυμένη κρέμα (όπως η κρέμα γάλακτος, το παγωτό που λιώνει), αφαιρέστε όλα τα μολυσμένα μέρη, βάλτε στο ζεστό νερό με περίπου 40 °C για κάποιο χρονικό διάστημα, στη συνέχεια ξεπλένετε με το νερό ροής, στεγνώστε και τοποθετήστε το ξανά στο ψυγείο.
- ▶ 4. Σε περίπτωση που κάποιο μικρό μέρος ή εξάρτημα κολλήσει μέσα στο ψυγείο (ανάμεσα σε ράφια ή συρτάρια), χρησιμοποιήστε μια μικρή μαλακή βούρτσα για να το απελευθερώσετε. Εάν δεν μπορείτε να φτάσετε το εξάρτημα, επικοινωνήστε με την υπηρεσία Haier
- ▶ Ξεπλένετε και στεγνώστε με μαλακό πανί.
- ▶ Μην καθαρίζετε κανένα από τα μέρη της συσκευής σε πλυντήριο πιάτων.
- ▶ Αφήστε τουλάχιστον 5 λεπτά πριν από την επανεκκίνηση της συσκευής, καθώς η συχνή εκκίνηση μπορεί να προκαλέσει ζημιά στον συμπιεστή.

**ΕΙΔΟΠΟΙΗΣΗ**

Η έξοδος αποχέτευσης δεν είναι δυνατό να φράσσεται από ξένα αντικείμενα, διαφορετικά μπορεί να υπάρξει πρόβλημα υπερχειλίσσης νερού. Εάν η έξοδος αποχέτευσης είναι βουλωμένη, μπορείτε να βγάλετε το συρτάρι και να το καθαρίσετε με ένα πανί.



Απόψυξη

Όταν τοποθετούνται πάρα πολλά προϊόντα ή όταν η πόρτα ανοίγει και κλείνει πολύ συχνά, είναι πιθανό να εμφανιστεί πάγος στο πίσω μέρος του χώρου τροφοθήκης ή του χώρου καταψύκτη, με αποτέλεσμα να απαιτείται χειροκίνητη απόψυξη με ξύστρα πάγου.

Αντικατάσταση των λυχνιών LED



ΠΡΟΕΙΔΟΠΟΙΗΣΗ!

Μην αντικαθιστάτε μόνοι σας τον λαμπτήρα LED, πρέπει να αντικατασταθεί μόνον από τον κατασκευαστή ή από τον εξουσιοδοτημένο αντιπρόσωπο σέρβις.

Ο λαμπτήρας υιοθετεί το LED ως πηγή φωτός του, που χαρακτηρίζεται για τη χαμηλή κατανάλωση ενέργειας και τη μακριά διάρκεια ζωής. Εάν υπάρχει κάποια ανωμαλία, επικοινωνήστε με την εξυπηρέτηση πελατών. Δείτε την ενότητα ΕΞΥΠΗΡΕΤΗΣΗ ΠΕΛΑΤΩΝ.

Παράμετροι του λαμπτήρα:

Θάλαμος ψυγείου: 12 V μέγ. 1,5 W

Αυτό το προϊόν περιέχει μια πηγή φωτός κατηγορίας ενεργειακής απόδοσης <G>.

Μη χρήση για παρατεταμένο χρονικό διάστημα

Εάν η συσκευή δεν χρησιμοποιηθεί για μεγάλο χρονικό διάστημα και δεν σκοπεύετε να χρησιμοποιήσετε τη λειτουργία Holiday για το ψυγείο:

Αφαιρέσετε τα τρόφιμα

Αποσυνδέστε το καλώδιο τροφοδοσίας.

Καθαρίστε τη συσκευή, όπως περιγράφεται παραπάνω.

Διατηρήσετε τις πόρτες ανοικτές για να αποτρέψετε τη δημιουργία δυσοσμίας στο εσωτερικό.



ΕΙΔΟΠΟΙΗΣΗ

Απενεργοποιήστε τη συσκευή μόνο εάν είναι απολύτως απαραίτητο.

Μετακίνηση της συσκευής

1. Αφαιρέστε όλα τα τρόφιμα και αποσυνδέστε τη συσκευή.
2. Ασφαλίστε τα ράφια και τα άλλα κινητά μέρη στην τροφοθήκη με αυτοκόλλητη ταινία.
3. Μην γέρνετε το ψυγείο περισσότερο από 45° ώστε να αποφύγετε ζημιά στο ψυκτικό σύστημα.



ΠΡΟΕΙΔΟΠΟΙΗΣΗ!

- ▶ Μη σηκώνετε τη συσκευή από τις λαβές της.
- ▶ Μην τοποθετείτε ποτέ τη συσκευή οριζόντια στο έδαφος.

Πολλά προβλήματα που παρουσιάζονται θα μπορούσαν να επιλυθούν από τον εαυτό σας χωρίς ειδική εμπειρογνώμοσύνη. Σε περίπτωση προβλήματος, ελέγξτε όλες τις εμφανιζόμενες δυνατότητες και ακολουθήστε τις παρακάτω οδηγίες προτού επικοινωνήσετε με το τμήμα εξυπηρέτησης πελατών μετά την πώληση. Δείτε την ενότητα ΕΞΥΠΗΡΕΤΗΣΗ ΠΕΛΑΤΩΝ.



ΠΡΟΕΙΔΟΠΟΙΗΣΗ!

- ▶ Πριν από τη συντήρηση, απενεργοποιήστε τη συσκευή και αποσυνδέστε το φις από την πρίζα.
- ▶ Ο ηλεκτρικός εξοπλισμός πρέπει να συντηρείται μόνο από εξειδικευμένους ηλεκτρολόγους, επειδή οι ακατάλληλες επισκευές μπορούν να προκαλέσουν σημαντικές επακόλουθες ζημιές.
- ▶ Μια κατεστραμμένη τροφοδοσία θα πρέπει να αντικατασταθεί από τον κατασκευαστή ή τον αντιπρόσωπο του σέρβις ή παρόμοια εξουσιοδοτημένα πρόσωπα, προς αποφυγή του κινδύνου.

Πρόβλημα	Πιθανή αιτία	Πιθανή λύση
Ο συμπιεστής δεν λειτουργεί.	<ul style="list-style-type: none"> • Το βύσμα δικτύου δεν είναι συνδεδεμένο στην πρίζα. • Η συσκευή βρίσκεται στον κύκλο απόψυξης. 	<ul style="list-style-type: none"> • Συνδέστε την πρίζα. • Αυτό είναι φυσιολογικό για αυτόματη απόψυξη.
Η συσκευή λειτουργεί συχνά ή λειτουργεί για πολύ μεγάλο χρονικό διάστημα.	<ul style="list-style-type: none"> • Η εσωτερική και η εξωτερική θερμοκρασία είναι πολύ υψηλή. • Η συσκευή απενεργοποιήθηκε για ένα χρονικό διάστημα. • Η πόρτα της συσκευής δεν είναι καλά κλειστή. • Η πόρτα ανοίγει πολύ συχνά ή για μεγάλα χρονικά διαστήματα. • Η ρύθμιση θερμοκρασίας για την τροφοθήκη είναι πολύ χαμηλή. • Το λάστιχο της πόρτας είναι βρώμικο, έχει φθαρεί, έχει ρωγμές ή δεν ταιριάζει. • Η απαιτούμενη κυκλοφορία του αέρα δεν είναι εγγυημένη. 	<ul style="list-style-type: none"> • Είναι φυσιολογικό η συσκευή να λειτουργεί περισσότερο. • Κανονικά, χρειάζονται 8 έως 12 ώρες για να κρυώσει εντελώς η συσκευή. • Κλείστε την πόρτα/συρτάρι και βεβαιωθείτε ότι η συσκευή βρίσκεται σε επίπεδη επιφάνεια και ότι δεν υπάρχει τροφή ή δοχείο που να «χτυπά» πάνω στην πόρτα. • Μην ανοίγετε την πόρτα / το συρτάρι πολύ συχνά. • Ρυθμίστε τη θερμοκρασία ψηλότερα μέχρι να ληφθεί ικανοποιητική θερμοκρασία ψυγείου. Χρειάζονται 24 ώρες για να σταθεροποιηθεί η θερμοκρασία του ψυγείου. • Καθαρίστε την πόρτα/το φλάουτο του συρταριού ή αντικαταστήστε τα από την εξυπηρέτηση πελατών. • Εξασφαλίστε επαρκή εξαερισμό.
Το εσωτερικό του ψυγείου είναι βρώμικο ή/και μυρίζει άσχημα.	<ul style="list-style-type: none"> • Το εσωτερικό του ψυγείου χρειάζεται καθαρισμό. • Τα τρόφιμα με έντονη οσμή αποθηκεύονται στο ψυγείο. 	<ul style="list-style-type: none"> • Καθαρίστε το εσωτερικό του ψυγείου. • Τυλίξτε καλά το φαγητό.

Πρόβλημα	Πιθανή αιτία	Πιθανή λύση
Δεν υπάρχει αρκετή ψύξη στο εσωτερικό της συσκευής.	<ul style="list-style-type: none"> • Η θερμοκρασία είναι πολύ υψηλή. • Πολύ ζεστά αγαθά έχουν αποθηκευτεί. • Πάρα πολύ φαγητό έχει αποθηκευτεί ταυτόχρονα. • Τα αγαθά είναι πολύ κοντά το ένα στο άλλο. • Η πόρτα/το συρτάρι της συσκευής δεν είναι κλειστό καλά. • Η πόρτα/το συρτάρι ανοίγει πολύ συχνά ή για μεγάλα χρονικά διαστήματα. 	<ul style="list-style-type: none"> • Επαναφέρετε τη θερμοκρασία. • Πάντα να ψύχετε τα αγαθά πριν τα αποθηκεύετε. • Να αποθηκεύετε πάντα μικρές ποσότητες τροφίμων. • Αφήστε ένα κενό μεταξύ πολλών τροφίμων που επιτρέπουν τη ροή του αέρα. • Κλείστε την πόρτα / τα συρτάρια. • Μην ανοίγετε την πόρτα / το συρτάρι πολύ συχνά.
Υπάρχει αρκετή ψύξη στο εσωτερικό της συσκευής.	<ul style="list-style-type: none"> • Η θερμοκρασία είναι πολύ χαμηλή. • Η λειτουργία Super Cool είναι ενεργοποιημένη ή λειτουργεί για μεγάλο διάστημα. 	<ul style="list-style-type: none"> • Επαναφέρετε τη θερμοκρασία. • Απενεργοποιήστε τη λειτουργία Super Cool.
Σχηματισμός υγρασίας στο εσωτερικό του διαμερίσματος του ψυγείου.	<ul style="list-style-type: none"> • Το κλίμα είναι πολύ ζεστό και πολύ υγρό. • Η πόρτα/το συρτάρι της συσκευής δεν είναι κλειστό καλά. • Η πόρτα/το συρτάρι ανοίγει πολύ συχνά ή για μεγάλα χρονικά διαστήματα. • Τα δοχεία τροφίμων ή τα υγρά παραμένουν ανοιχτά. 	<ul style="list-style-type: none"> • Αυξήστε τη θερμοκρασία. • Κλείστε την πόρτα / τα συρτάρια. • Μην ανοίγετε την πόρτα / το συρτάρι πολύ συχνά. • Αφήστε τα ζεστά τρόφιμα να κρυώσουν σε θερμοκρασία δωματίου και καλύψτε τα τρόφιμα και τα υγρά.
Η υγρασία συσσωρεύεται στα ψυγεία έξω από την επιφάνεια ή ανάμεσα στις πόρτες / την πόρτα και τα συρτάρια.	<ul style="list-style-type: none"> • Το κλίμα είναι πολύ ζεστό και πολύ υγρό. • Η πόρτα δεν είναι ερμητικά κλειστή. Ο κρύος αέρας στη συσκευή και ο ζεστός αέρας έξω από αυτήν συμπυκνώνονται. 	<ul style="list-style-type: none"> • Αυτό είναι φυσιολογικό σε υγρό κλίμα και θα αλλάξει όταν μειώνεται η υγρασία. • Βεβαιωθείτε ότι η πόρτα/το συρτάρι είναι καλά κλειστά.
Εμφάνιση ελαφριάς λειτουργίας, αλλά δεν γίνεται αισθητή η ψύξη.	<ul style="list-style-type: none"> • Είναι στη λειτουργία demo. 	<ul style="list-style-type: none"> • Σημειώστε σε ποια κατάσταση βρίσκεται, αν είναι σε κατάσταση Demo, να εξέλθετε από αυτήν. Έξοδος: Κρατήστε πατημένο το κουμπί "ECO" και κάντε κλικ στο πλήκτρο "Super Freeze" 5 φορές σε 5".

Πρόβλημα	Πιθανή αιτία	Πιθανή λύση
Ισχυρός πάγος και παγετός στο διαμέρισμα του καταψύκτη.	<ul style="list-style-type: none"> • Τα εμπορεύματα δεν είχαν συσκευαστεί επαρκώς. • Η πόρτα/το συρτάρι της συσκευής δεν είναι κλειστό καλά. • Η πόρτα/το συρτάρι ανοίγει πολύ συχνά ή για μεγάλα χρονικά διαστήματα. • Η φλάντζα πόρτας/συρταριού είναι βρώμικη, φθαρμένη, ραγισμένη ή αταίριαστη. • Κάτι στο εσωτερικό εμποδίζει την πόρτα / συρτάρι να κλείσει σωστά. 	<ul style="list-style-type: none"> • Πάντα να συσκευάζετε καλά τα προϊόντα. • Κλείστε την πόρτα / τα συρτάρια. • Μην ανοίγετε την πόρτα / το συρτάρι πολύ συχνά. • Καθαρίστε την τσιμούχα πόρτας/συρταριού ή αντικαταστήστε την με νέα. • Επανατοποθετήστε τα ράφια, τα ράφια των θυρών ή τα εσωτερικά δοχεία για να επιτρέψετε στο κλείσιμο της πόρτας / συρταριού.
Οι πλευρές του ντουλαπιού και της λωρίδας της πόρτας θερμαίνονται.	<ul style="list-style-type: none"> • - 	<ul style="list-style-type: none"> • Αυτό είναι φυσιολογικό.
Η συσκευή κάνει αφύσικους ήχους.	<ul style="list-style-type: none"> • Η συσκευή δεν βρίσκεται σε επίπεδο έδαφος. • Η συσκευή αγγίζει κάποιο αντικείμενο γύρω της. 	<ul style="list-style-type: none"> • Ρυθμίστε τα πόδια για να ισιώσετε τη συσκευή. • Αφαιρέστε τα αντικείμενα γύρω από τη συσκευή.
Ένας ελαφρύς ήχος πρέπει να ακούγεται παρόμοιος με αυτόν του ρέοντος νερού.	<ul style="list-style-type: none"> • - 	<ul style="list-style-type: none"> • Αυτό είναι φυσιολογικό.
Θα ακούσετε ένα ηχητικό σήμα συναγερμού.	<ul style="list-style-type: none"> • Η πόρτα του χώρου αποθήκευσης ψυγείου είναι ανοιχτή. 	<ul style="list-style-type: none"> • Κλείστε την πόρτα.
Θα ακούσετε ένα αχνό βουητό.	<ul style="list-style-type: none"> • Το σύστημα κατά της συμπίκνωσης λειτουργεί 	<ul style="list-style-type: none"> • Αυτό αποτρέπει τη συμπίκνωση και είναι φυσιολογικό
Το σύστημα εσωτερικού φωτισμού ή ψύξης δεν λειτουργεί.	<ul style="list-style-type: none"> • Το βύσμα δικτύου δεν είναι συνδεδεμένο στην πρίζα. • Η παροχή ρεύματος δεν είναι άθικτη. • Η λυχνία LED είναι εκτός λειτουργίας. 	<ul style="list-style-type: none"> • Συνδέστε την πρίζα. • Ελέγξτε την παροχή ηλεκτρικού ρεύματος στο δωμάτιο. Καλέστε την τοπική εταιρεία ηλεκτρισμού! • Καλέστε την υπηρεσία για αλλαγή της λυχνίας.

Για να επικοινωνήσετε με την τεχνική βοήθεια, επισκεφθείτε τον ιστότοπό μας: <https://corporate.haier-europe.com/en/>

Στην ενότητα "Ιστότοπος", επιλέξτε τη μάρκα του προϊόντος σας και τη χώρα σας. Θα ανακατευθυνθείτε στον συγκεκριμένο ιστότοπο, όπου μπορείτε να βρείτε τον αριθμό

τηλεφώνου και τη φόρμα για να επικοινωνήσετε με την τεχνική υποστήριξη.

Διακοπή ρεύματος

Σε περίπτωση διακοπής ρεύματος, τα τρόφιμα πρέπει να παραμένουν με ασφάλεια κρύα και σε συνθήκες ψύξης για περίπου 5 ώρες. Ακολουθήστε αυτές τις συμβουλές κατά τη διάρκεια παρατεταμένης διακοπής ρεύματος, ειδικά το καλοκαίρι:

- ▶ Ανοίγετε την πόρτα / συρτάρια όσο το δυνατόν λιγότερες φορές.
- ▶ Μη βάζετε επιπλέον τρόφιμα στη συσκευή κατά τη διάρκεια διακοπής ρεύματος.
- ▶ Εάν δοθεί προηγούμενη ειδοποίηση για διακοπή ρεύματος και η διάρκεια διακοπής είναι μεγαλύτερη από 5 ώρες, φτιάξτε λίγο πάγο και τοποθετήστε τον σε ένα δοχείο στο πάνω μέρος του ψυγείου.
- ▶ Ο έλεγχος των εμπορευμάτων απαιτείται αμέσως μετά τη διακοπή.
- ▶ Καθώς η θερμοκρασία στο ψυγείο θα αυξηθεί κατά τη διάρκεια διακοπής ρεύματος ή άλλης βλάβης, η περίοδος αποθήκευσης και η βρώσιμη ποιότητα των τροφίμων θα μειωθούν.

Λειτουργία μνήμης κατά τη διακοπή ρεύματος

Μετά την αποκατάσταση του ρεύματος, η συσκευή συνεχίζει με τις ρυθμίσεις που είχαν ρυθμιστεί πριν από την διακοπή ρεύματος.

Αποσυσκευασία



ΠΡΟΕΙΔΟΠΟΙΗΣΗ!

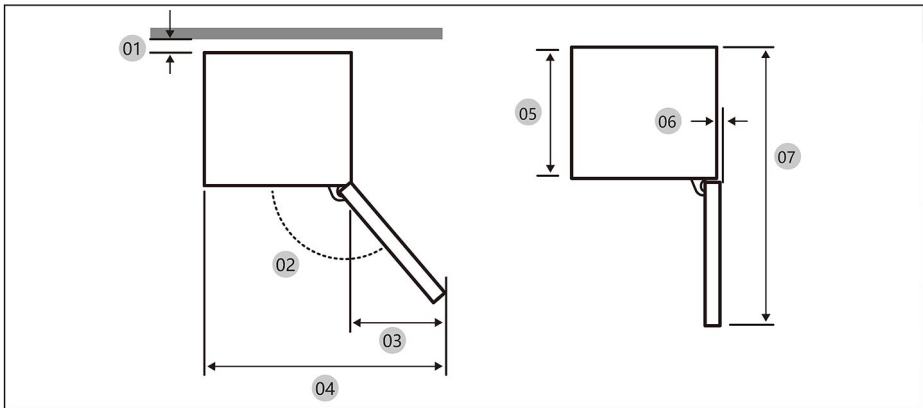
- ▶ Η συσκευή είναι βαριά. Πάντοτε θα πρέπει να χειρίζονται τη συσκευή δύο άτομα τουλάχιστον.
- ▶ Κρατήστε όλα τα υλικά συσκευασίας μακριά από τα παιδιά και απορρίψτε τα με φιλικό προς το περιβάλλον τρόπο
- ▶ Βγάλε τη συσκευή από τη συσκευασία.
- ▶ Αφαιρέστε όλα τα υλικά συσκευασίας

Περιβαλλοντικές συνθήκες

Η θερμοκρασία δωματίου πρέπει να είναι πάντα μεταξύ 10°C και 43°C, καθώς μπορεί να επηρεάσει τη θερμοκρασία στο εσωτερικό της συσκευής και την κατανάλωση ενέργειας της. Μην εγκαθιστάτε τη συσκευή κοντά σε άλλες συσκευές που εκπέμπουν θερμότητα (φούρνοι, ψυγεία)

Πρόταση χώρου

Προτεινόμενος χώρος όταν η πόρτα είναι ανοιχτή (χωρίς το πάνελ της πόρτας του επίπλου)

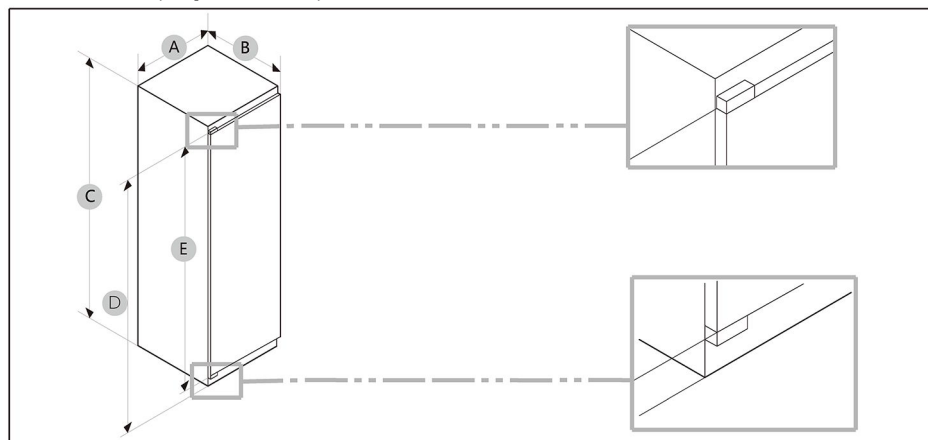


Μοντέλο	CML5518EVW4
01*	10 (ελάχ.) / 30 (συνιστάται)
02	95° (Συνιστάται)
03	43
04	583
05	515
06	-3
07	1060

(μονάδα: mm)

* 01: Από το επίπλο μέχρι το πίσω μέρος του προϊόντος.

Διαστάσεις προϊόντος



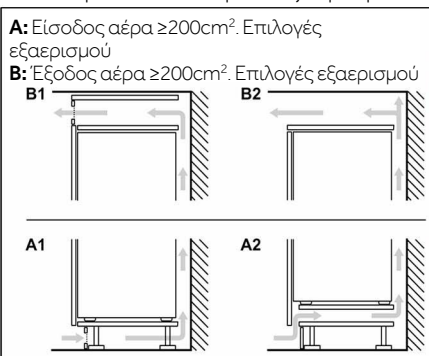
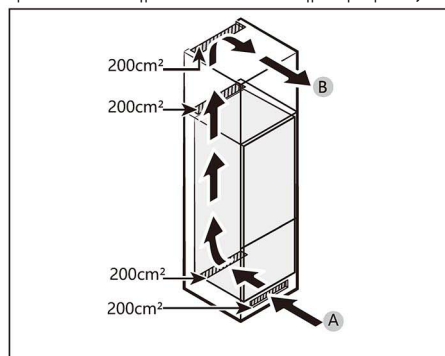
Μοντέλο	A(mm)	B(mm)	C(mm)	D(mm)	E(mm)
CML5518EVW4	540±2	550±2	1772±2	1715	1671

i ΕΙΔΟΠΟΙΗΣΗ

- Η καθορισμένη κατανάλωση ενέργειας βασίζεται στην προϋπόθεση ενός διάκενου 10 mm από το έπιπλο έως το πίσω μέρος του προϊόντος. Το προϊόν θα λειτουργεί σωστά ακόμη και με διάκενο μικρότερο από 10 mm, ωστόσο καταναλώνει ελαφρώς περισσότερη ενέργεια.
- Συνιστούμε τη χρήση επίπλου πάχους 19 mm με μεντεσέδες πάχους μικρότερου των 17 mm.
- Οι μετρήσεις στον παραπάνω πίνακα ενδέχεται να διαφέρουν, ανάλογα με τη μέθοδο μέτρησης.
- Για την εντοιχισμένη εγκατάσταση, ανατρέξτε στον Οδηγό εγκατάστασης.

Διατομή εξαερισμού

Για να επιτευχθεί επαρκής αερισμός της συσκευής για λόγους ασφαλείας, πρέπει να τηρούνται οι πληροφορίες των απαιτούμενων διατομών εξαερισμού.



A: Είσοδος αέρα $\geq 200\text{cm}^2$. Επιλογές εξαερισμού

B: Εξόδος αέρα $\geq 200\text{cm}^2$. Επιλογές εξαερισμού

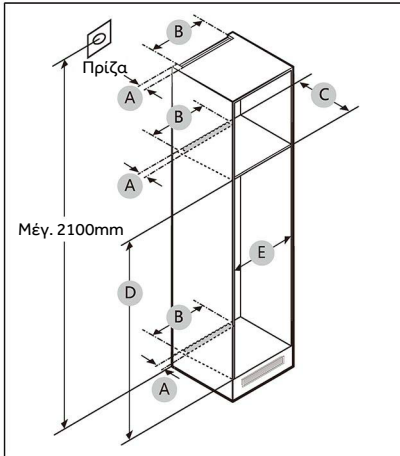
B1

B2

A1

A2

Διαστάσεις επίπλου



ΠΡΟΣΟΧΗ!

Οποιαδήποτε βλάβη του προϊόντος που οφείλεται στα ακόλουθα δεν καλύπτεται από την Εγγύηση.

1. Ακατάλληλες συνθήκες τοποθεσίας ή εσφαλμένα μεγέθη επίπλων.
2. Ελαττωματικό έπιπλο.
3. Λάθη του εγκαταστάτη ή του χρήστη.

Διάκενο

Δείτε τις εικόνες και τους πίνακες παρακάτω σχετικά με τις απαιτήσεις χώρου για την εγκατάσταση.

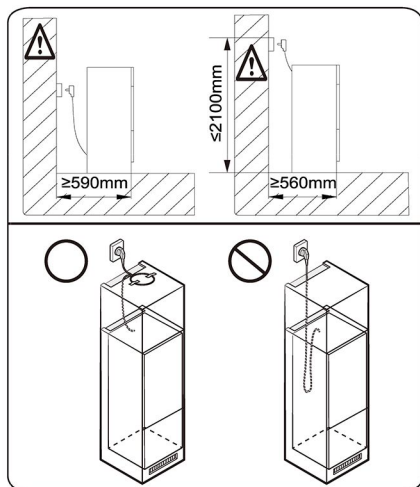
Μοντέλο		A (mm)	B (mm)	C (mm)	D (mm)	E (mm)	Παρατήρηση
CML5518EVW4	Ελάχ.	50	400	560	1778	560	Μεντεσές: 17mm
	Συνιστάται			580	1780	562	
	Μέγ.			-	1782	568	



ΕΙΔΟΠΟΙΗΣΗ

- Εάν το πλάτος ενός επίπλου είναι μεγαλύτερο από 568 mm, το λάστιχο (μεταξύ του ψυγείου και του ντουλαπιού) μπορεί να χαλαρώσει.
- Εάν το έπιπλο είναι ψηλότερο από τις μέγιστες διαστάσεις (1782 mm), πρέπει να χρησιμοποιήσετε άλλα υλικά φινιρίσματος για να καλύψετε το κενό.

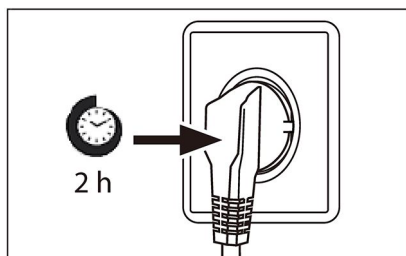
Εκτίμηση για τη θέση της πρίζας και τον απαιτούμενο χώρο



i ΕΙΔΟΠΟΙΗΣΗ

Εάν εγκαταστήσετε το ψυγείο σε έπιπλο με βάθος 560 mm, βεβαιωθείτε ότι το καλώδιο τροφοδοσίας είναι τοποθετημένο σε μια πλευρά του ψυγείου πριν το συνδέσετε στην πρίζα. Εάν το καλώδιο τροφοδοσίας βρίσκεται στο πίσω μέρος του ψυγείου, μπορεί να μειωθεί η ενεργειακή απόδοση.

Χρόνος αναμονής



Το λάδι λίπανσης χωρίς συντήρηση βρίσκεται στην κάψουλα του συμπιεστή. Αυτό το λάδι μπορεί να περάσει από το κλειστό σύστημα σωλήνων κατά τη διάρκεια της κεκλιμένης μεταφοράς. Πριν συνδέσετε τη συσκευή στην παροχή ρεύματος θα πρέπει να περιμένετε τουλάχιστον 2 ώρες, ώστε το λάδι να επιστρέψει στην κάψουλα.

Ηλεκτρική σύνδεση

Πριν από κάθε σύνδεση ελέγξτε αν:

- ▶ η τροφοδοσία ρεύματος, η πρίζα και η ασφάλεια είναι κατάλληλα σύμφωνα με την πινακίδα ονομαστικών στοιχείων.
- ▶ η πρίζα είναι γειωμένη και δεν υπάρχει πολλαπλή πρίζα ή επέκταση.
- ▶ το βύσμα τροφοδοσίας και η πρίζα είναι σύμφωνα με.

Συνδέστε το βύσμα σε μια σωστά εγκατεστημένη οικιακή πρίζα.

! ΠΡΟΕΙΔΟΠΟΙΗΣΗ!

Για να αποφύγετε τους κινδύνους, ένα κατεστραμμένο καλώδιο τροφοδοσίας πρέπει να αντικατασταθεί από την εξυπηρέτηση πελατών (βλ. κάρτα εγγύησης).

Δελτίο προϊόντος σύμφωνα με τον κανονισμό ΕΕ υπ' αριθ. 2019/2016

Μάρκα	Candy	
Όνομα/αναγνωριστικό μοντέλου	CML5518E VW4	
Κατηγορία του μοντέλου	Ψυγειοκαταψύκτης	
Κατηγορία ενεργειακής απόδοσης	E	
Ετήσια κατανάλωση ενέργειας (kWh/έτος) (1)	173	
Συνολικός όγκος (L)	285	
Όγκος τροφοθήκης (L)	255	
Όγκος καταψύκτη (L)	30	
Όγκος τμήματος ψύκτη (L)	/	
Όγκος αυτόματης παγομηχανής (L)	/	
Αξιολόγηση με αστέρια	/	
Θερμοκρασία άλλων διαμερισμάτων >14 °C	Δεν υφίσταται	
Σύστημα χωρίς πάγο	ΟΧΙ	
Χωρητικότητα καταψύκτη (κιλά/24 ώρες)	2	
Κλιματική κατάταξη	SN/N/ST/T	
Κατηγορία εκπομπών θορύβου και εκπομπών αερομεταφερόμενου ακουστικού θορύβου (db(A)re1pW)	B 35	
Χρόνος αύξησης θερμοκρασίας (ώρες)	/	
Ικανότητα παρασκευής πάγου	/	
Τύπος συσκευής	Εντοιχιζόμενη	

Όνομα μοντέλου	Κατηγορία ενεργειακής απόδοσης
CML5518EVW4	E

Επεξηγήσεις:

• Ναι, εμφανίζεται

(1) Με βάση τα αποτελέσματα της δοκιμής συμμόρφωσης προτύπων για 24 ώρες. Η πραγματική κατανάλωση εξαρτάται από τη χρήση και τη θέση της συσκευής.

(2) Κλιματική κατάταξη SN: Αυτή η συσκευή προορίζεται για χρήση σε θερμοκρασία περιβάλλοντος μεταξύ + 10 °C και +32 °C

Κλιματική κατάταξη N: Αυτή η συσκευή προορίζεται για χρήση σε θερμοκρασία περιβάλλοντος μεταξύ + 16 °C και +32 °C

Κλιματική κατάταξη ST: Αυτή η συσκευή προορίζεται για χρήση σε θερμοκρασία περιβάλλοντος μεταξύ + 16 °C και +38 °C

Κλιματική κατάταξη T: Αυτή η συσκευή προορίζεται για χρήση σε θερμοκρασία περιβάλλοντος μεταξύ + 16 °C και +43 °C

Πρόσθετα τεχνικά δεδομένα

Τάση / Συχνότητα	220-240V ~ / 50Hz
Ρεύμα εισόδου (A)	1,0
Κύρια ασφάλεια (A)	16
Ψυκτικό	R600a
Διαστάσεις (Υ/Π/Β σε mm)	1772/540/550

Πληροφορίες RF

Το μέγ. e.i.r.p.: Bluetooth (BR/EDR): 10dBm

Bluetooth LE: 5dBm

2,4GHz Wi-Fi: 16dBm

Ζώνη συχνότητας λειτουργίας: 2400-2483,5MHz

Συνιστούμε την Εξυπηρέτηση Πελατών της Haier και τη χρήση γνήσιων ανταλλακτικών. Εάν έχετε κάποιο πρόβλημα με τη συσκευή σας, ελέγξτε πρώτα την ενότητα ΑΝΤΙΜΕΤΩΠΙΣΗ ΠΡΟΒΛΗΜΑΤΩΝ.

Εάν δεν μπορείτε να βρείτε μια λύση εκεί, επικοινωνήστε

- ▶ με τον τοπικό σας αντιπρόσωπο ή
- ▶ το Ευρωπαϊκό τηλεφωνικό κέντρο εξυπηρέτησης (βλ. παρακάτω αριθμούς τηλεφώνου) ή
- ▶ ή την ενότητα Εξυπηρέτησης και Υποστήριξης στο www.haier.com όπου μπορείτε να ενεργοποιήσετε την υπηρεσία
- ▶ και επίσης να βρείτε τις συχνές ερωτήσεις.

Για να επικοινωνήσετε με την Υπηρεσία μας, βεβαιωθείτε ότι έχετε τα ακόλουθα δεδομένα διαθέσιμα.

Οι πληροφορίες μπορούν να βρεθούν στην πινακίδα ονομαστικών στοιχείων.

Μοντέλο _____

Σειριακός αριθμός, _____

Επίσης, ελέγξτε την Κάρτα Εγγύησης που παρέχεται με το προϊόν σε περίπτωση εγγύησης.

Ευρωπαϊκό Τηλεφωνικό Κέντρο		
Χώρα*	Αριθμός τηλεφώνου	Έξοδα
Haier Italy (IT)	199 100 912	
Haier Spain (ES)	902 509 123	
Haier Germany (DE)	01805393999	<ul style="list-style-type: none"> • 14 λεπτά/λεπτό από σταθερό • μέγιστο 42 λεπτά/λεπτό από κινητό
Haier Austria (AT)	0820 001 205	<ul style="list-style-type: none"> • 14,53 λεπτά/λεπτό από σταθερό • μέγιστο 20 λεπτά/λεπτό όλα τα άλλα
Haier United Kingdom (UK)	0333 003 8122	
Haier France (FR)	0980 406 409	

* Για άλλες χώρες ανατρέξτε στο www.candy-home.com

Haier Europe Trading S.r.l

Branch UK

Westgate House, Westgate, Ealing

Λονδίνο, W5 1YY

*Διάρκεια εγγύησης της ψυκτικής συσκευής:

Η ελάχιστη εγγύηση είναι: 2 χρόνια για τις χώρες της ΕΕ, 3 χρόνια για την Τουρκία, 1 χρόνο για το Ηνωμένο Βασίλειο, 1 χρόνο για τη Ρωσία, 3 χρόνια για τη Σουηδία, 2 χρόνια για τη Σερβία, 5 χρόνια για τη Νορβηγία, 1 χρόνο για το Μαρόκο, 6 μήνες για την Αλγερία, για την Τυνησία δεν απαιτείται νομική εγγύηση.

*Περίοδος διάθεσης ανταλλακτικών για επισκευή της συσκευής:

Θερμοστάτες, αισθητήρες θερμοκρασίας, πλακέτες τυπωμένων κυκλωμάτων και πηγές φωτός διατίθενται για επτά τουλάχιστον χρόνια μετά τη διάθεση της τελευταίας μονάδας του μοντέλου στην αγορά.

Λαβές πόρτας, μεντεσέδες πόρτας, δίσκοι και καλάθια διατίθενται για περίοδο τουλάχιστον επτά ετών και λάστιχα πόρτας για περίοδο τουλάχιστον 10 ετών μετά τη διάθεση της τελευταίας μονάδας του μοντέλου στην αγορά.

*Για περισσότερες πληροφορίες σχετικά με το προϊόν, συμβουλευτείτε <https://eprel.ec.europa.eu/> ή σαρώστε τον κωδικό QR στην ενεργειακή ετικέτα που παρέχεται με τη συσκευή.

<u>155 Información de seguridad</u>	•	<u>Antes del primer uso</u>	156
		<u>Instalación</u>	156
		<u>Uso diario</u>	157
		<u>Información sobre el gas refrigerante</u>	159
<u>160 Uso previsto</u>	•		
<u>161 Descripción del producto</u>	•		
<u>162 Panel de control</u>	•		
<u>163 Uso</u>	•	<u>Función de bloqueo/desbloqueo</u>	163
		<u>Función ENCENDIDO / APAGADO</u>	163
		<u>Función Wi-Fi</u>	163
		<u>Ajustar la temperatura del frigorífico</u>	164
		<u>Función Super Cool</u>	165
		<u>Función ECO</u>	165
		<u>Función Holiday</u>	165
<u>Error! Bookmark not defined. Equipamiento</u>	•		
<u>168 Consejos de ahorro de energía</u>	•		
<u>169 Cuidado y limpieza</u>	•		
<u>171 Solución de problemas</u>	•		
<u>175 Instalación</u>	•		
<u>179 Datos técnicos</u>	•		
<u>181 Atención al cliente</u>	•		

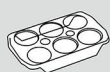
Gracias por haber adquirido el producto.

Lea atentamente estas instrucciones antes de utilizar el electrodoméstico. Estas instrucciones contienen información importante que le ayudará a sacar el máximo provecho del electrodoméstico y a garantizar una instalación, uso y mantenimiento seguros y adecuados.

Guarde este manual en un lugar seguro para poder consultarlo en todo momento y garantizar un uso seguro y adecuado del electrodoméstico. Si vende este electrodoméstico, lo dona o lo deja al mudarse, asegúrese de entregar también este manual para que el nuevo propietario pueda familiarizarse con el electrodoméstico y las advertencias de seguridad.

Accesorios

Verifique los accesorios y la documentación según la siguiente lista:



Huevera



Bandeja de cubitos de hielo



Rascador de hielo



Etiqueta energética



Tarjeta de garantía



Manual de advertencia de seguridad



x4

Tornillo



x2

Cubierta



x2

Bloque de esponja



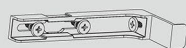
x4

Guía de deslizamiento



x4

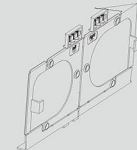
Conjunto de deslizamiento



Placa fija



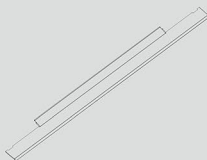
Tapa de la bisagra



Placa fija inferior



Placa fija superior



Tapa inferior



Tapa lateral inferior



Tira de sellado



Esponja de sellado



Tapa inferior de la bisagra



ADVERTENCIA: Información de seguridad importante



AVISO: Información general y consejos



Información medioambiental



Eliminación

Ayude a proteger el medio ambiente y la salud humana. Tire el embalaje en los contenedores correspondientes para reciclarlo. Ayude a reciclar los residuos de aparatos eléctricos y electrónicos. No deseche los aparatos marcados con este símbolo en la basura doméstica. Lleve el producto a su centro de reciclaje local o póngase en contacto con su ayuntamiento.



¡ADVERTENCIA!

¡Peligro de lesiones o asfixia!

Los refrigerantes y gases deben ser eliminados de forma profesional. Asegúrese de que la tubería del circuito refrigerante no esté dañada antes de desecharla adecuadamente. Desconecte el electrodoméstico de la red eléctrica. Corte el cable de red y deséchelo. Retire las bandejas y los cajones, así como el asa de la puerta y las juntas, para evitar que los niños y las mascotas se queden encerrados en el electrodoméstico.

Antes de encender el electrodoméstico por primera vez, lea las siguientes indicaciones de seguridad:



¡ADVERTENCIA!

Antes del primer uso

- ▶ Asegúrese de que no se hayan producido daños durante el transporte.
- ▶ Espere al menos dos horas antes de instalar el electrodoméstico para asegurarse de que el circuito refrigerante sea totalmente eficiente.
- ▶ Manipule el electrodoméstico con otra persona, ya que es demasiado pesado.
- ▶ Retire todo el material de embalaje, manténgalo fuera del alcance de los niños y deséchelo de forma respetuosa con el medio ambiente.
- ▶ Limpie el interior y el exterior del electrodoméstico con agua y un detergente suave antes de introducir cualquier alimento en él.
- ▶ Después de nivelar y limpiar el electrodoméstico, espere de 2 a 5 horas como mínimo antes de conectarlo a la fuente de alimentación. Ver sección INSTALACIÓN.
- ▶ Enfríe los compartimentos con ajustes altos antes de introducir alimentos en ellos. La función Super Cool permite enfriar rápidamente los compartimentos.
- ▶ La temperatura del frigorífico compacto se ajusta automáticamente a 5 °C respectivamente. Estos son los ajustes recomendados. Si lo desea, puede cambiar la temperatura manualmente. Consulte la sección AJUSTE DE LA TEMPERATURA.
- ▶ Este electrodoméstico dispone de un congelador de 30 l en la parte superior, cuya temperatura varía según la temperatura del frigorífico.

Instalación

- ▶ Este electrodoméstico debe colocarse en un lugar bien ventilado.
- ▶ No coloque nunca el electrodoméstico en un área húmeda o en un lugar donde pueda recibir salpicaduras de agua. Limpie y seque las salpicaduras y manchas con un paño suave y limpio.
- ▶ No instale el electrodoméstico bajo la luz directa del sol o cerca de fuentes de calor (p. ej.: fogones, estufas, etc.).
- ▶ Instale y nivele el electrodoméstico en un lugar adecuado para su tamaño y uso.
- ▶ No obstruya las aberturas de ventilación del armazón del electrodoméstico o de la estructura integrada.
- ▶ Asegúrese de que la información eléctrica de la placa de características técnicas coincida con la fuente de alimentación. Si no es así, póngase en contacto con un electricista.
- ▶ Este electrodoméstico funciona mediante una fuente de alimentación de 220-240 V CA/50 Hz. Una fluctuación anormal del voltaje puede provocar que el electrodoméstico no se ponga en marcha o que se dañe el control de temperatura o el compresor, o que se oiga un ruido anormal durante el funcionamiento. En ese caso, se deberá instalar un regulador automático.
- ▶ No utilice adaptadores de múltiples contactos ni cables de extensión.
- ▶ No ubique tomas de corriente múltiples portátiles ni fuentes de alimentación portátiles en la parte trasera del electrodoméstico.



¡ADVERTENCIA!

- ▶ Asegúrese de que el cable de alimentación no quede aprisionado por el frigorífico. No oprima el cable de alimentación.
- ▶ Utilice una toma de corriente independiente puesta a tierra como fuente de alimentación, que sea de fácil acceso. Este electrodoméstico debe conectarse a tierra.
Solo para el Reino Unido: El cable de alimentación de este electrodoméstico está equipado con un enchufe de 3 cables (con puesta a tierra) que se ajusta a una toma de corriente estándar de 3 cables (puesta a tierra). No corte ni desmonte la tercera patilla (toma de tierra). Una vez instalado el electrodoméstico, el enchufe debe estar accesible.
- ▶ No dañe el circuito del refrigerante.

Uso diario

- ▶ Este electrodoméstico puede ser utilizado por niños a partir de los 8 años y por personas con capacidades físicas, sensoriales o mentales reducidas, o sin experiencia o conocimientos previos, siempre y cuando hayan recibido la supervisión y las instrucciones necesarias para utilizar el electrodoméstico de forma segura y comprendan los riesgos que conlleva.
- ▶ Los niños de 3 a 8 años pueden llenar y vaciar los electrodomésticos de refrigeración, pero no están autorizados a limpiarlos o instalarlos.
- ▶ Mantenga alejados del electrodoméstico a los niños menores de 3 años, a menos que estén constantemente supervisados.
- ▶ Los niños no deben jugar con este electrodoméstico.
- ▶ Si se filtra gas refrigerante u otro gas inflamable cerca del electrodoméstico, apague la válvula del gas filtrado, abra las puertas y ventanas y no desenchufe el cable de alimentación del frigorífico/congelador ni de ningún otro electrodoméstico.
- ▶ Tenga en cuenta que el electrodoméstico está configurado para funcionar en un rango de temperatura ambiente específico de entre 10 y 43 °C. El electrodoméstico no puede funcionar correctamente si se deja durante mucho tiempo a una temperatura superior o inferior al rango indicado.
- ▶ No coloque artículos inestables (objetos pesados, recipientes llenos de agua, etc.) sobre el frigorífico, a fin de evitar lesiones personales causadas por la caída de objetos, o descargas eléctricas causadas por el contacto con el agua.
- ▶ No tire de los estantes de la puerta: la puerta se podría inclinar, el botellero arrancar y el electrodoméstico podría volcar.
- ▶ Abra y cierre las puertas usando las asas exclusivamente. El hueco entre las puertas y entre las puertas y el armario es muy estrecho. No ponga las manos en estas áreas para evitar pillarse los dedos. Abra o cierre las puertas del frigorífico solo cuando no haya niños en el área de movimiento de la puerta.
- ▶ Antes de colocar el electrodoméstico, asegúrese de que el cable de alimentación no esté atrapado ni dañado.
- ▶ No conserve en este electrodoméstico sustancias explosivas, como aerosoles con propelentes inflamables.



¡ADVERTENCIA!

- ▶ Para evitar la contaminación de los alimentos:
 - Dejar la puerta abierta durante largos periodos de tiempo puede aumentar significativamente la temperatura en los compartimentos del electrodoméstico.
 - Limpie regularmente las superficies que pueden entrar en contacto con alimentos y los sistemas de drenaje accesibles.
 - Guarde la carne cruda y el pescado en recipientes adecuados en el refrigerador de manera que no entren en contacto ni goteen sobre otros alimentos.
 - Si deja el producto vacío durante largos periodos, apáguelo, retire la escarcha, límpielo, séquelo y deje la puerta abierta para evitar la formación de moho en su interior.
- ▶ No almacene ni utilice elementos inflamables, explosivos o corrosivos en el electrodoméstico o cerca de él.
- ▶ No guarde medicamentos, bacterias ni agentes químicos en el electrodoméstico. Este aparato es un electrodoméstico. No se recomienda almacenar materiales que requieran temperaturas extremas.
- ▶ Nunca almacene líquidos en botellas o latas (excepto bebidas de alto grado alcohólico), especialmente las bebidas carbonatadas, en el congelador, ya que se romperán durante la congelación.
- ▶ Si se produce un calentamiento en el congelador, compruebe el estado de los alimentos.
- ▶ No ajuste innecesariamente una temperatura demasiado baja en el compartimento frigorífico. Los ajustes más altos pueden generar temperaturas bajo cero. Atención: Las botellas pueden reventar.
- ▶ No toque los productos congelados con las manos mojadas (use guantes). Sobre todo, no coma polos de hielo inmediatamente después de haberlos sacado del congelador. Existe el riesgo de congelación o de formación de ampollas. PRIMEROS AUXILIOS: poner inmediatamente la parte afectada bajo el grifo de agua fría. ¡No tirar!
- ▶ No toque la superficie interior del compartimento de almacenamiento del congelador cuando esté en funcionamiento, especialmente con las manos mojadas, ya que las manos pueden quedar pegadas a la superficie.
- ▶ Desenchufe el electrodoméstico en caso de interrupción del suministro eléctrico o antes de limpiarlo. Espere al menos 7 minutos antes de volver a poner en marcha el aparato, ya que un arranque frecuente puede dañar el compresor.
- ▶ No deben utilizarse dispositivos eléctricos dentro de los compartimentos para alimentos del electrodoméstico, salvo que sean del tipo recomendado por el fabricante. Mantenimiento / limpieza
- ▶ Asegúrese de que los niños estén bajo supervisión si realizan tareas de limpieza y mantenimiento.
- ▶ Desconecte el electrodoméstico de la red eléctrica antes de realizar cualquier mantenimiento rutinario. Deje pasar al menos 5 minutos antes de reiniciar el electrodoméstico, ya que el arranque frecuente puede dañar el compresor.



¡ADVERTENCIA!

- ▶ Cuando desenchufe el electrodoméstico, hágalo por la clavija, no por el cable.
- ▶ No limpie el electrodoméstico con cepillos duros, cepillos de alambre, detergente en polvo, gasolina, acetato de amilo, acetona y soluciones orgánicas similares, ni con soluciones ácidas o alcalinas. Limpie con un detergente especial para frigoríficos a fin de evitar daños.
- ▶ No raspe la escarcha con objetos afilados. No utilice aerosoles ni calentadores eléctricos como secadores de pelo, limpiadores de vapor u otras fuentes de calor para evitar dañar las piezas de plástico.
- ▶ No utilice dispositivos mecánicos ni otros equipos para acelerar el proceso de descongelación, salvo aquellos recomendados por el fabricante.
- ▶ Si el cable de alimentación está dañado, debe ser sustituido por el fabricante, por su servicio técnico o por cualquier profesional cualificado similar para evitar riesgos.
- ▶ No intente reparar, desmontar o modificar este electrodoméstico por su cuenta. En caso de reparación, póngase en contacto con nuestro servicio de atención al cliente.
- ▶ Desempolve la parte posterior de la unidad al menos una vez al año para evitar el riesgo de incendio, así como un mayor consumo de energía.
- ▶ No rocíe ni enjuague el electrodoméstico durante la limpieza.
- ▶ No use agua pulverizada o vapor para limpiar el electrodoméstico.
- ▶ No limpie los estantes de cristal fríos con agua caliente. Un cambio repentino de temperatura puede causar que el cristal se rompa.

Información sobre el gas refrigerante



¡ADVERTENCIA!

Este electrodoméstico contiene el refrigerante inflamable ISOBUTANO (R600a). Asegúrese de no dañar el circuito refrigerante durante el transporte o la instalación. La fuga de refrigerante puede causar lesiones oculares o incendios. Si se produce algún daño, manténgase alejado de las llamas y los focos de fuego, ventile bien la habitación y no enchufe ni desenchufe los cables de alimentación de este u otro electrodoméstico. Informe al servicio de atención al cliente.

En caso de que los ojos entren en contacto con el refrigerante, enjuáguelos inmediatamente con agua corriente y llame de inmediato a un oftalmólogo.

Uso previsto

Este aparato está diseñado para enfriar alimentos. Ha sido diseñado exclusivamente para su uso en aplicaciones domésticas y similares, como áreas de cocina para personal de tiendas, oficinas y otros entornos de trabajo; granjas y huéspedes de hoteles, moteles y otros entornos de tipo residencial, así como en alojamientos y restauración. No está destinado a un uso comercial o industrial.

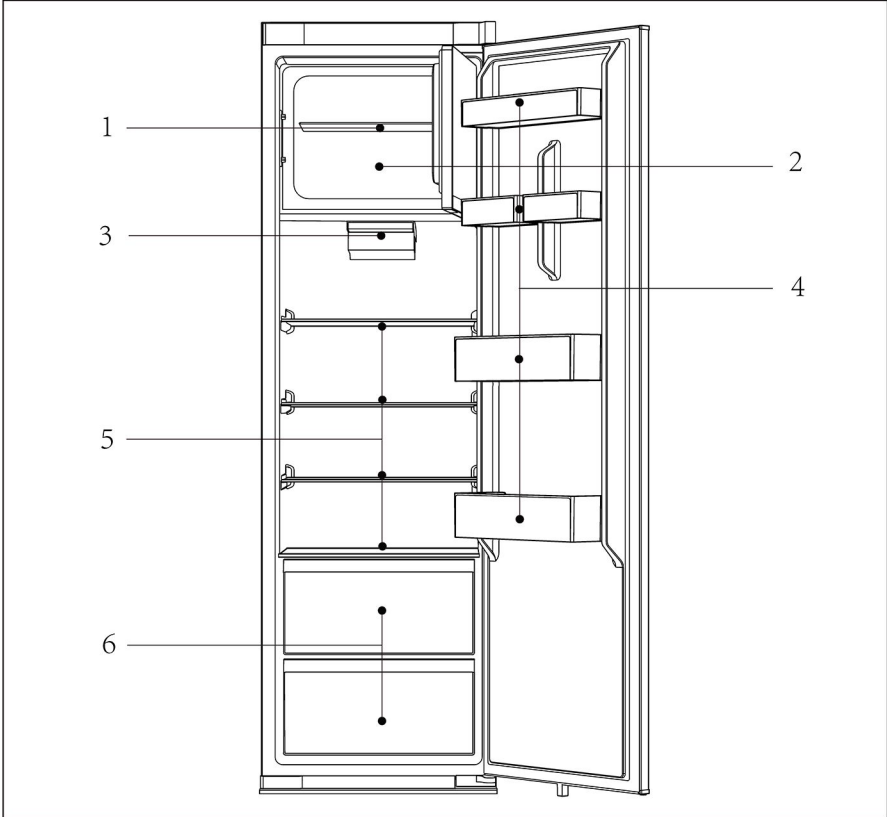
No se permite realizar cambios o modificaciones en el electrodoméstico. Un uso no previsto es peligroso y puede conducir a la pérdida de los derechos de la garantía.

Normas y directivas

Este producto cumple los requisitos de todas las directivas CE aplicables, junto con las correspondientes normas armonizadas, que establece el mercado CE.

i AVISO

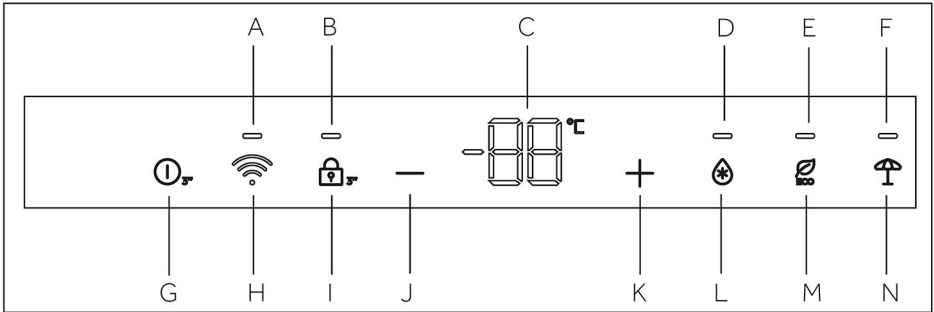
Debido a cambios técnicos y a las diferencias entre modelos, algunas de las ilustraciones de este manual pueden diferir de su modelo.



CML5518EVW4

- 1 Estante normal del congelador
- 2 Compartimento congelador
- 3 Ventilador y luz LED
- 4 Soportes para botellas
- 5 Estantes del frigorífico normales
- 6 Cajones normales del frigorífico

Panel de control



Indicadores:

- A Icono de la función Wi-Fi
- B Icono de bloqueo/desbloqueo
- C Icono de visualización de temperatura
- D Icono de la función Super Cool
- E Icono de la función ECO
- F Icono de la función Holiday

Botones:

- G Tecla ENCENDIDO / APAGADO
- H Tecla de emparejamiento Wi-Fi
- I Tecla de bloqueo/desbloqueo
- J Tecla de descenso de temperatura
- K Tecla de aumento de temperatura
- L Tecla de la función Super Cool
- M Tecla de la función ECO
- N Tecla de la función Holiday

Teclas táctiles

Los botones del panel de control son teclas táctiles, que responden aun cuando las toca ligeramente con el dedo.

AVISO

Cuando se enciende, el electrodoméstico puede tardar hasta 12 horas en alcanzar las temperaturas correctas.

Abra primero la puerta del frigorífico antes de controlar la pantalla de visualización.

Función de bloqueo/desbloqueo

Esta tecla y su icono sirven para bloquear o desbloquear la pantalla de control e indicar su estado actual.

Abra la puerta del frigorífico cuando el mismo esté en marcha: la pantalla de control se iluminará y el icono de bloqueo/desbloqueo se encenderá; en ese momento, la pantalla de control está bajo estado de bloqueo y no se puede operar.

Desbloquear o bloquear manualmente la pantalla: Cuando el icono de bloqueo/desbloqueo se ilumine, mantenga pulsada la tecla de bloqueo/desbloqueo durante 3 segundos. El icono se apagará e irá acompañado de una señal acústica. En ese momento, se puede realizar la selección de funciones o el ajuste de la temperatura.

Cuando el icono de bloqueo/desbloqueo se apague, mantenga pulsada la tecla de bloqueo/desbloqueo durante 3 segundos. A continuación, se encenderá el icono de bloqueo/desbloqueo y sonará un pitido. En ese momento, no se puede realizar la selección de funciones ni el ajuste de la temperatura.

Bloqueo automático de pantalla: Cuando se cierra la puerta del frigorífico, la pantalla de control se apaga y se bloquea.

Al abrir la puerta del frigorífico, si no se ha realizado ninguna operación en 30 segundos, la pantalla de control se bloqueará automáticamente.

Función ENCENDIDO / APAGADO

La tecla ENCENDIDO / APAGADO se utiliza para cambiar entre APAGADO (estado de pausa del funcionamiento) y ENCENDIDO (modos de funcionamiento normales). Entrar en modo OFF: En el modo de funcionamiento del frigorífico, desbloquee primero la pantalla y, a continuación, mantenga pulsada la tecla de función ENCENDIDO / APAGADO durante 3 segundos para apagar la pantalla de control, la iluminación del frigorífico, la refrigeración y otras funciones con un sonido de aviso.



AVISO

El modo APAGADO no significa la desconexión total: el frigorífico sigue encendido en este momento.

Salir del modo APAGADO: En el modo APAGADO, mantenga pulsada la tecla ENCENDIDO / APAGADO durante 3 segundos para reiniciar la pantalla de control, la iluminación de refrigeración, la refrigeración y otras funciones, acompañadas de un sonido de aviso. El frigorífico volverá a la temperatura ajustada y a funcionar como antes y entrará en el modo de funcionamiento normal.

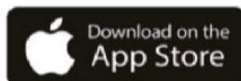
Función Wi-Fi

Emparejamiento Wi-Fi: Cuando el frigorífico se enciende por primera vez, entrará automáticamente en el modo de configuración de red y el icono de la función Wi-Fi parpadeará rápidamente. Si no se efectúa ninguna operación de emparejamiento de red, saldrá automáticamente del modo de configuración después de 30 minutos.

Entrar manualmente en el modo de emparejamiento Wi-Fi: Después de desbloquear la pantalla de control, mientras el icono de la función Wi-Fi está encendido, mantenga pulsada la tecla de emparejamiento Wi-Fi durante 3 segundos para entrar en ese modo. Mientras tanto, el icono de la función Wi-Fi parpadeará rápidamente mostrando que está en modo de emparejamiento Wi-Fi. Si no hay ninguna operación de emparejamiento de red, el electrodoméstico saldrá automáticamente de ese modo transcurridos 30 minutos.

PROCEDIMIENTO DE EMPAREJAMIENTO EN LA APLICACIÓN

Paso 1 • Descargue la aplicación hOn en las tiendas.



Paso 2 Cree su cuenta en la aplicación hOn o inicie sesión si ya tiene una.



Paso 3 Siga las instrucciones de emparejamiento de la aplicación hOn.



i AVISO

En el modo de emparejamiento Wi-Fi, debe seguir las instrucciones de la aplicación para completar la configuración de la red. Si necesita cambiar el entorno Wi-Fi, tiene que volver a entrar en el modo de emparejamiento Wi-Fi. Si el icono de la función Wi-Fi permanece encendido, quiere decir que la red se ha conectado correctamente.

Ajustar la temperatura del frigorífico

Tras abrir la puerta del frigorífico y desbloquear la pantalla de control, la tecla de descenso de la temperatura se utiliza para bajar la temperatura programada del frigorífico.

Cada vez que se toque ligeramente la tecla, la temperatura se reducirá 1 °C, teniendo en cuenta que la temperatura mínima permitida es de 1 °C.

Tras abrir la puerta del frigorífico y desbloquear la pantalla de control, la tecla de aumento de temperatura se utiliza para subir la temperatura programada del frigorífico. Cada vez que se toque ligeramente la tecla, la temperatura aumentará 1 °C, teniendo en cuenta que la temperatura máxima permitida es de 9 °C.

Durante la operación, el icono del indicador de temperatura mostrará la temperatura ajustada y parpadeará. La pantalla de control confirmará automáticamente la temperatura ajustada transcurridos 5 segundos.

Función Super Cool

Esta tecla y su icono se utilizan para cambiar a la función Super Cool del frigorífico y mostrar el estado actual.

Tras abrir la puerta del frigorífico y desbloquear la pantalla de control, toque la tecla "Super Cool" y se encenderá el icono "Super Cool". En ese momento, el frigorífico está en "modo Super Cool". Para desactivar dicho modo, efectúe la misma operación, pulsando la "tecla Super Cool". Una vez activada la función Super Cool, el frigorífico saldrá automáticamente de dicho modo en unas 48 horas, para evitar que la temperatura en el interior del frigorífico sea demasiado baja.

Cuando se introduce una gran cantidad de alimentos en el frigorífico en un corto periodo de tiempo, la temperatura en su interior aumenta. Tras activar la función Super Cool, la temperatura de esos alimentos podrá reducirse rápidamente.

Cuando se coloca una gran cantidad de alimentos en el frigorífico, se puede activar directamente la función Super Cool. Si va a introducir una gran cantidad de alimentos en el congelador, active la función Super Cool 12 horas antes de hacerlo.

Función ECO

Después de abrir la puerta del frigorífico y desbloquear la pantalla de control, toque ligeramente la tecla de función ECO, y el icono de la función ECO se iluminará: el frigorífico ya está en el modo ECO. Si necesita salir del modo, puede realizar la misma operación tocando ligeramente la tecla de función ECO.

En el modo ECO, el frigorífico funciona automáticamente a una temperatura media de 5 °C.

Función Holiday

Tras abrir la puerta del frigorífico y desbloquear la pantalla de control, toque ligeramente la tecla de función Holiday, y el icono de dicha función se iluminará: el frigorífico ya está en el modo Holiday. Si necesita salir del modo, puede realizar la misma operación tocando ligeramente la tecla de función Holiday.

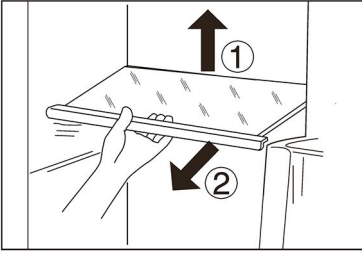
En el modo de la función Holiday, el frigorífico funciona automáticamente a una temperatura media de 17 °C.

Cuando se activa la función holiday, el frigorífico y el congelador entran juntos en esa función, y también es necesario sacar los alimentos congelados para evitar que se dañen debido a las altas temperaturas.

AVISO

Dado que las funciones especiales tienen una lógica diferente, los modos especiales de dichas funciones como Super Cool, ECO y Holiday, no pueden activarse al mismo tiempo. Solo se puede activar una función a la vez y, al cambiar entre los modos, se saldrá automáticamente de los otros modos especiales. Además, la temperatura programada no puede modificarse a menos que se salga de estos modos.

5 °C es el modo ideal para los alimentos frescos como frutas y verduras, productos lácteos, carnes y bebidas.



Estantes

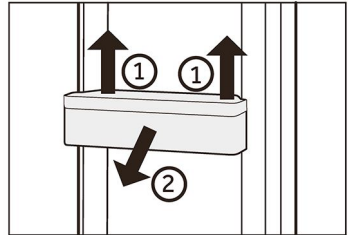
1. La altura de los estantes se puede ajustar para adaptarse a sus necesidades de almacenamiento.
2. Para reubicar un estante, retírelo primero levantando su borde posterior ① y extráigalo ②.
3. Para volver a instalarlo, colóquelo en los rieles de ambos lados y empuje hasta que la parte trasera del estante se fije dentro de las ranuras laterales.

i AVISO

Asegúrese de que todos los extremos del estante estén nivelados.

Soporte para botellas extraíble

1. El soporte para botellas puede extraerse para su limpieza.
2. Coloque las manos a cada lado del soporte, levántelo hacia arriba ① y extráigalo ②.
3. Para insertar el soporte para botellas, realice los pasos anteriores en orden inverso.



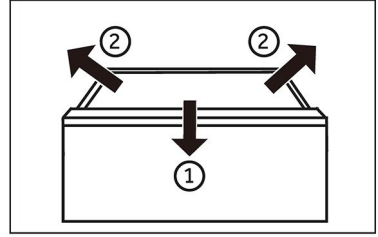
i AVISO

Debido a las características de la ubicación, la temperatura del soporte para botellas en el primer y segundo nivel del interior de la puerta es ligeramente superior a la del área de refrigeración. Por lo tanto, se recomienda utilizarlo solo para el almacenamiento a corto plazo de alimentos.

Cajón extraíble

Para sacar el cajón, tire al máximo,
① levante y retire ②.

Para insertar el cajón, realice los pasos
anteriores en orden inverso.

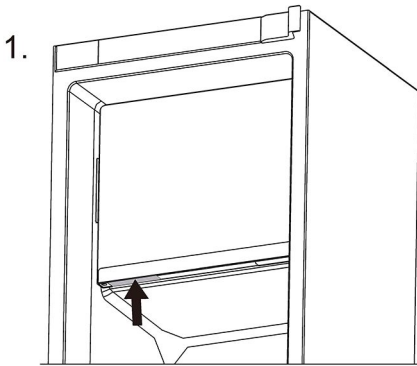


Luz

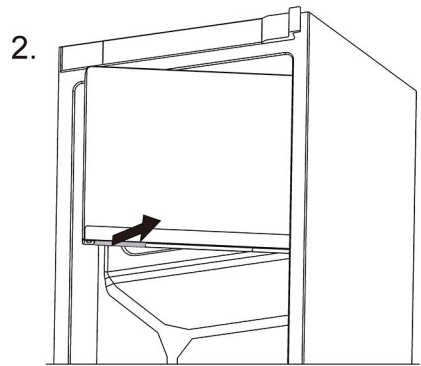
La luz interior LED se enciende al abrir la puerta. El rendimiento de las luces no se ve afectado por ninguna de las otras configuraciones del electrodoméstico.

Congelador

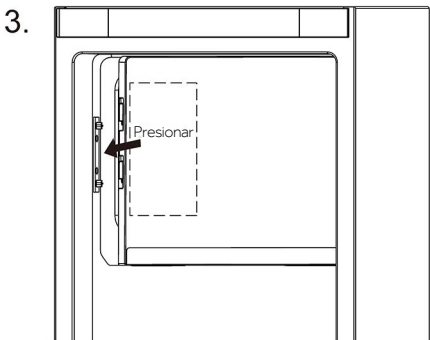
Este electrodoméstico de refrigeración dispone de un congelador de 30 l en la parte superior, cuya temperatura varía según la temperatura del frigorífico. Abra la puerta del congelador: Primero, presiónela hacia arriba para abrir, como se muestra en la imagen 1; después, tire hacia afuera, como se muestra en la imagen 2. Cierre la puerta del congelador: Presione la parte central del costado de apertura la puerta pequeña, como se muestra en la imagen 3.



Presionar para abrir



El resorte abre la puerta





Consejos de ahorro de energía

- ▶ Asegúrese de que el electrodoméstico esté bien ventilado (vea INSTALACION).
- ▶ No instale el electrodoméstico bajo la luz directa del sol o cerca de fuentes de calor (p. ej.: fogones, estufas, etc.).
- ▶ Evite una temperatura innecesariamente baja en el electrodoméstico. Cuanto más baja es la temperatura del electrodoméstico, mayor será su consumo de energía.
- ▶ Las funciones como Super Cool consumen más energía.
- ▶ Deje enfriar los alimentos calientes antes de introducirlos en el electrodoméstico.
- ▶ Abra la puerta del electrodoméstico lo menos y lo más brevemente posible.
- ▶ No llene en exceso el electrodoméstico para evitar obstruir la circulación de aire.
- ▶ Evite la presencia de aire dentro del embalaje de los alimentos.
- ▶ Mantenga las juntas de la puerta limpias para que la puerta se cierre siempre correctamente.
- ▶ La configuración de mayor ahorro energético requiere que los cajones, las cajas de alimentos y los estantes se mantengan en perfecto estado, y que los alimentos se coloquen lo más lejos posible de las salidas de aire del conducto.

⚠ ¡ADVERTENCIA!

Desconecte el electrodoméstico de la fuente de alimentación antes de limpiarlo.

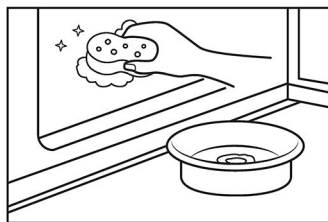
Limpieza

Limpie el electrodoméstico solo cuando haya pocos o ningún alimento guardado.

Este electrodoméstico debe limpiarse cada cuatro semanas para realizar un buen mantenimiento y evitar malos olores.

⚠ ¡ADVERTENCIA!

- ▶ No limpie el electrodoméstico con cepillos duros, cepillos de alambre, detergente en polvo, gasolina, acetato de amilo, acetona y soluciones orgánicas similares, ni con soluciones ácidas o alcalinas. Limpie con un detergente especial para frigoríficos a fin de evitar daños.
- ▶ No rocíe ni enjuague el electrodoméstico durante la limpieza.
- ▶ No use agua pulverizada o vapor para limpiar el electrodoméstico.
- ▶ No limpie los estantes de cristal fríos con agua caliente. Un cambio repentino de temperatura puede causar que el cristal se rompa.



- ▶ Mantenga siempre limpia la junta de la puerta.
- ▶ Limpie el interior y el armazón del electrodoméstico con una esponja humedecida en agua tibia y detergente neutro.
- ▶ 1. Frote el interior y el exterior del refrigerador, incluyendo la junta de la puerta, los estantes de la puerta, los estantes de cristal, los cajones, etc., con una toalla suave o una esponja sumergida en agua caliente (se puede añadir detergente neutro).
- ▶ 2. Si hay líquido derramado, retire todas las piezas sucias, enjuague directamente con agua corriente, seque y coloque las piezas de nuevo en el refrigerador.
- ▶ 3. Si hay productos cremosos derramados (como nata, helado derretido, etc.), retire todas las piezas sucias, póngalas en agua caliente a unos 40 °C durante un rato, enjuague con agua corriente, séquelas y colóquelas de nuevo en el refrigerador.
- ▶ 4. En caso de que algún elemento o componente pequeño quede atascado dentro del refrigerador (entre las estanterías o los cajones), utilice un cepillo suave para sacarlo. Si no logra llegar hasta el elemento atascado, póngase en contacto con el servicio de Haier.
- ▶ Aclare y seque con un paño suave.
- ▶ No limpie ninguna de las piezas o partes de este electrodoméstico en un lavavajillas.
- ▶ Deje pasar al menos 5 minutos antes de reiniciar el electrodoméstico, ya que el arranque frecuente puede dañar el compresor.

AVISO

La salida de desagüe no puede estar bloqueada por objetos extraños, de lo contrario se puede producir un desbordamiento de agua. Si la salida de desagüe está obstruida, puede retirar el cajón y limpiarlo con un paño.



Descongelación

Cuando se colocan demasiados artículos o se abre y se cierra la puerta con demasiada frecuencia, es probable que aparezca escarcha en la parte posterior del frigorífico o del congelador, lo que requerirá una descongelación manual con un rascador de hielo.

Sustitución de las lámparas LED

¡ADVERTENCIA!

No sustituya usted mismo la lámpara LED, solo debe cambiarla el fabricante o un técnico autorizado.

Las lámparas utilizan LED como fuente de luz, con bajo consumo energético y larga vida útil. Si detecta alguna anomalía, póngase en contacto con el servicio de atención al cliente. Vea ATENCIÓN AL CLIENTE.

Parámetros de las lámparas:

Compartimento frigorífico: 12 V máx. 1,5 W

Este producto contiene una fuente de luz de clase de eficiencia energética <G>.

Si no se utiliza durante un período más largo

Si el aparato no se utiliza durante un periodo de tiempo prolongado, y no va a utilizar la función Holiday para el frigorífico:

Saque la comida.

Desenchufe el cable de la toma de corriente.

Limpie el electrodoméstico como se ha descrito anteriormente.

Mantenga las puertas abiertas para evitar que se generen malos olores en el interior.

AVISO

Apague el electrodoméstico solo si es estrictamente necesario.

Desplazar el electrodoméstico

1. Retire toda la comida y desenchufe el electrodoméstico.
2. Fije los estantes y otras partes móviles en el frigorífico compacto con cinta adhesiva.
3. No incline el frigorífico más de 45° para evitar dañar el sistema de refrigeración.

¡ADVERTENCIA!

- ▶ No levante el electrodoméstico por las asas.
- ▶ No coloque el electrodoméstico horizontalmente en el suelo.

Usted mismo puede resolver muchos de los problemas que puedan presentarse sin tener conocimientos específicos. En caso de que se produzca algún problema, compruebe todas las posibilidades ilustradas y siga las instrucciones pertinentes antes de ponerse en contacto con un servicio posventa. Vea ATENCIÓN AL CLIENTE.



¡ADVERTENCIA!

- ▶ Antes de realizar tareas de mantenimiento, desactive el electrodoméstico y desconecte el enchufe de la toma de corriente.
- ▶ Los equipos eléctricos solo deben ser revisados y manejados por electricistas expertos cualificados, ya que las reparaciones incorrectas pueden causar daños considerables en consecuencia.
- ▶ Si el sistema de alimentación está dañado, debe ser sustituido por el fabricante, por su servicio técnico o por cualquier profesional cualificado similar para evitar riesgos.

Problema	Causa posible	Solución posible
El compresor no funciona.	<ul style="list-style-type: none"> • El enchufe no está conectado a la toma de corriente. • El electrodoméstico está en el ciclo de descongelación. 	<ul style="list-style-type: none"> • Conecte el enchufe. • Esto es normal para una descongelación automática.
El electrodoméstico funciona con frecuencia o funciona durante un período de tiempo demasiado largo.	<ul style="list-style-type: none"> • La temperatura interior o exterior es demasiado alta. • El electrodoméstico ha estado apagado durante cierto de tiempo. • Una puerta del electrodoméstico no está bien cerrada. • La puerta se ha abierto con demasiada frecuencia o durante mucho tiempo. • El ajuste de temperatura del compartimento frigorífico compacto es demasiado bajo. • La junta de la puerta está sucia, desgastada, agrietada o desparejada. • La circulación de aire requerida no está garantizada. 	<ul style="list-style-type: none"> • En ese caso, es normal que el electrodoméstico funcione más tiempo. • Normalmente, lleva de 8 a 12 horas que el electrodoméstico se enfríe completamente. • Cierre la puerta/cajón y asegúrese de que el electrodoméstico esté ubicado sobre una superficie plana y que no haya alimentos o recipientes que impidan que la puerta se cierre bien. • No abra la puerta/cajón con demasiada frecuencia. • Ajuste una temperatura más alta hasta obtener una temperatura satisfactoria para el frigorífico. Se necesitan 24 horas para que la temperatura del frigorífico se mantenga estable. • Limpie la junta de la puerta/cajón o pídale al servicio de atención al cliente que la cambie. • Garantice una ventilación adecuada.

Problema	Causa posible	Solución posible
El interior del frigorífico está sucio y/o huele mal.	<ul style="list-style-type: none"> • El interior del frigorífico necesita limpieza. • Hay alimentos de olor fuerte guardados en el frigorífico. 	<ul style="list-style-type: none"> • Limpie el interior del frigorífico. • Envuelva bien los alimentos.
La temperatura del interior del electrodoméstico no es lo suficientemente fría.	<ul style="list-style-type: none"> • La temperatura establecida es demasiado alta. • Se han almacenado alimentos demasiado calientes. • Se ha almacenado demasiada comida a la vez. • Los alimentos están demasiado cerca entre sí. • Una puerta/cajón del electrodoméstico no está bien cerrada. • La puerta/cajón se ha abierto con demasiada frecuencia o durante mucho tiempo. 	<ul style="list-style-type: none"> • Ajuste la temperatura. • Enfrie siempre los alimentos antes de guardarlos. • Guarde siempre pequeñas cantidades de alimentos. • Deje un espacio entre varios alimentos para permitir que el aire fluya. • Cierre la puerta/cajón. • No abra la puerta/cajón con demasiada frecuencia.
La temperatura del interior del electrodoméstico es demasiado fría.	<ul style="list-style-type: none"> • La temperatura establecida es demasiado baja. • La función Super Cool está activada o ha estado funcionando demasiado tiempo. 	<ul style="list-style-type: none"> • Ajuste la temperatura. • Apague la función Super Cool.
Formación de humedad en el interior del compartimento frigorífico.	<ul style="list-style-type: none"> • El ambiente es demasiado cálido y demasiado húmedo. • Una puerta/cajón del electrodoméstico no está bien cerrada. • La puerta/cajón se ha abierto con demasiada frecuencia o durante mucho tiempo. • Hay recipientes de alimentos o líquidos abiertos. 	<ul style="list-style-type: none"> • Aumente la temperatura. • Cierre la puerta/cajón. • No abra la puerta/cajón con demasiada frecuencia. • Deje que los alimentos calientes se enfrien a temperatura ambiente y cubra los alimentos y líquidos.
Se acumula humedad fuera de la superficie externa de los frigoríficos o entre las puertas/ puerta y cajón.	<ul style="list-style-type: none"> • El ambiente es demasiado cálido y demasiado húmedo. • La puerta no está bien cerrada. Hay aire frío dentro del electrodoméstico y aire caliente en el exterior, y se produce condensación. 	<ul style="list-style-type: none"> • Esto es normal en un ambiente húmedo y cambiará cuando la humedad disminuya. • Asegúrese de que la puerta/cajón esté bien cerrada.
Parece funcionar ligeramente, pero no se siente fresco.	<ul style="list-style-type: none"> • Está en modo demo. 	<ul style="list-style-type: none"> • Observe en qué estado se encuentra, si está en modo Demo, salga de él. Salir: Mantenga pulsado el botón "ECO" y pulse la tecla "Super Freeze" 5 veces en 5s.

Problema	Causa posible	Solución posible
Hay mucho hielo y escarcha en el compartimento congelador.	<ul style="list-style-type: none"> • Los alimentos no están correctamente embalados. • Una puerta/cajón del electrodoméstico no está bien cerrada. • La puerta/cajón se ha abierto con demasiada frecuencia o durante mucho tiempo. • La junta de la puerta/cajón está sucia, desgastada, agrietada o desaparejada. • Algo en el interior impide que la puerta/cajón se cierre correctamente. 	<ul style="list-style-type: none"> • Embale bien los alimentos. • Cierre la puerta/cajón. • No abra la puerta/cajón con demasiada frecuencia. • Limpie la junta de la puerta/cajón o cámbiela por una nueva. • Vuelva a colocar los estantes, estantes de la puerta o contenedores internos para permitir que la puerta/cajón se cierre.
Los lados del frigorífico y la tira de la puerta se calientan.	<ul style="list-style-type: none"> • - 	<ul style="list-style-type: none"> • Esto es normal.
El electrodoméstico hace sonidos anormales.	<ul style="list-style-type: none"> • El electrodoméstico no está ubicado sobre una superficie plana. • El electrodoméstico toca algún objeto a su alrededor. 	<ul style="list-style-type: none"> • Ajuste las patas para nivelar el electrodoméstico. • Retire los objetos que haya alrededor del electrodoméstico.
Se oye un ligero sonido similar al del flujo de agua.	<ul style="list-style-type: none"> • - 	<ul style="list-style-type: none"> • Esto es normal.
Oirá un pitido de alarma.	<ul style="list-style-type: none"> • La puerta del compartimento frigorífico está abierta. 	<ul style="list-style-type: none"> • Cierre la puerta.
Oirá un débil zumbido.	<ul style="list-style-type: none"> • El sistema anticondensación está en marcha 	<ul style="list-style-type: none"> • Esto evita la condensación y es normal.
El sistema de iluminación o refrigeración interior no funciona.	<ul style="list-style-type: none"> • El enchufe no está conectado a la toma de corriente. • La fuente de alimentación presenta alguna alteración. • La lámpara LED no funciona. 	<ul style="list-style-type: none"> • Conecte el enchufe. • Compruebe el suministro eléctrico de la habitación. Llame a la compañía eléctrica local. • Llame al servicio técnico para cambiar la lámpara.

Para ponerse en contacto con el servicio de asistencia técnica, visite nuestro sitio web: <https://corporate.haier-eu-ropo.com/en/>

En la sección "website", elija la marca de su producto y su país. Se le redirigirá a la página web específica donde podrá encontrar el número de teléfono y el formulario para ponerse en contacto con la asistencia técnica.

Interrupción del suministro

En caso de un corte de luz, los alimentos deberían permanecer frescos y a salvo durante 5 horas. Siga estos consejos durante una interrupción prolongada del suministro, especialmente en verano:

- ▶ Abra la puerta/cajón lo menos posible.
- ▶ No introduzca más alimentos en el electrodoméstico durante un corte de luz.
- ▶ Si se da el aviso previo de un corte de luz y la duración de la interrupción es superior a 5 horas, fabrique algo de hielo y póngalo en un recipiente en la parte superior del compartimento frigorífico.
- ▶ Inmediatamente después de la interrupción, es necesario llevar a cabo una inspección de los alimentos.
- ▶ Como la temperatura del frigorífico subirá durante una interrupción del suministro eléctrico u otro fallo, el período de conservación y la calidad comestible de los alimentos se reducirán.

Función de memoria durante el corte de luz

En cuanto vuelva la luz, el electrodoméstico restablecerá los ajustes establecidos antes del corte de luz.

Desempaquetado



¡ADVERTENCIA!

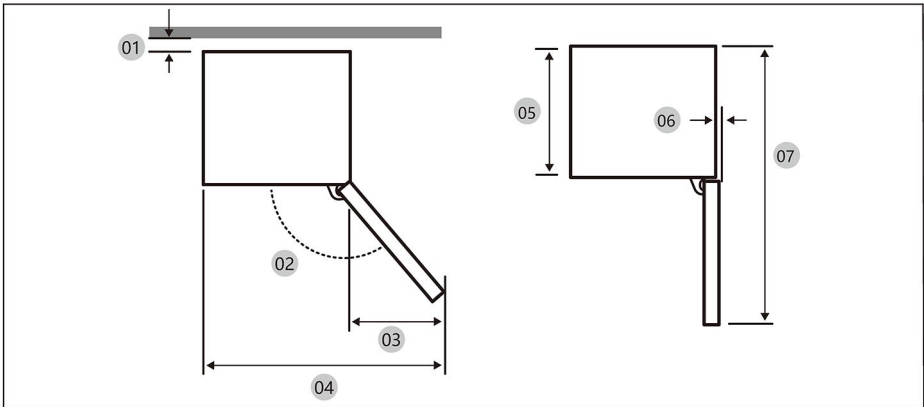
- ▶ Este es un electrodoméstico pesado. Manipúlelo con la ayuda de otra persona.
- ▶ Mantenga todo el material de embalaje fuera del alcance de los niños y deséchelo de forma respetuosa con el medio ambiente.
- ▶ Saque el electrodoméstico de su embalaje.
- ▶ Retire todos los materiales de embalaje.

Condiciones ambientales

La temperatura ambiente debería oscilar siempre entre los 10° C y los 43° C, ya que puede influir en la temperatura del interior del frigorífico y en su consumo de energía. No instale el aparato cerca de otros aparatos que emitan calor (hornos, frigoríficos).

Sugerencia de espacio

Espacio sugerido cuando la puerta está abierta (sin panel de puerta de armario)

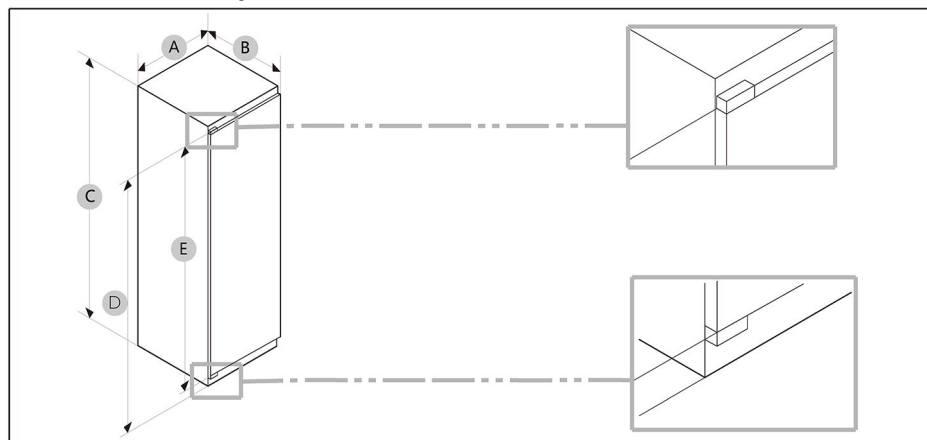


Modelo	CML5518EVW4
01*	10 (Min.) / 30 (Recomendado)
02	95° (Recomendado)
03	43
04	583
05	515
06	-3
07	1060

(unidad: mm)

* 01: Desde el armario hasta la parte trasera del producto.

Dimensiones del producto



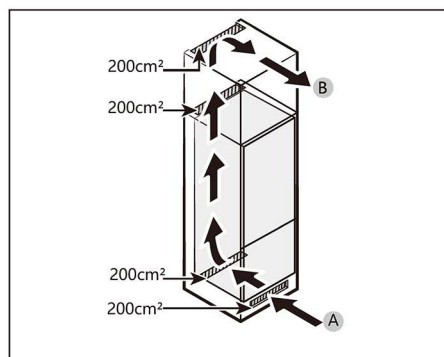
Modelo	A (mm)	B (mm)	C (mm)	D (mm)	E (mm)
CML5518EVW4	540±2	550±2	1772±2	1715	1671

 AVISO

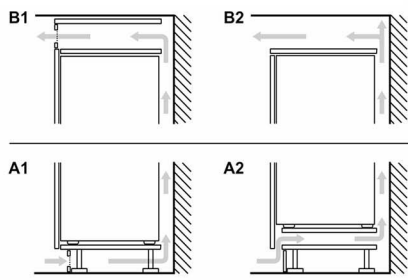
- El consumo de energía especificado se basa en la condición de una separación de 10 mm entre el armario y la parte trasera del producto. El producto funcionará correctamente incluso con una separación inferior a 10 mm, aunque consumirá algo más de energía.
- Recomendamos utilizar un armario de 19 mm de grosor con bisagras de menos de 17 mm.
- Las medidas de la tabla anterior pueden variar en función del método de medición.
- Para la instalación empotrada, consulte la Guía de instalación.

Sección cruzada de ventilación

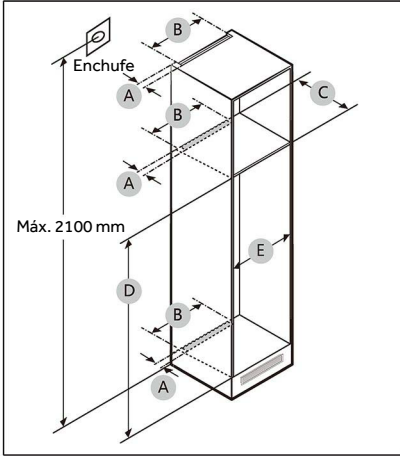
Para lograr una ventilación suficiente del electrodoméstico por razones de seguridad, debe observarse la información de las secciones cruzadas de ventilación requeridas.



A: Entrada de aire $\geq 200 \text{ cm}^2$; Opciones de ventilación
B: Salida de aire $\geq 200 \text{ cm}^2$; Opciones de ventilación



Dimensiones del mueble



¡ATENCIÓN!

Cualquier fallo del producto debido a los siguientes casos no estará cubierto por la Garantía.

1. Condiciones inadecuadas del emplazamiento o tamaños incorrectos de los armarios.
2. Armario defectuoso.
3. Errores del instalador o del usuario.

Espacio libre

Consulte las imágenes y tablas siguientes para conocer los requisitos de espacio para la instalación.

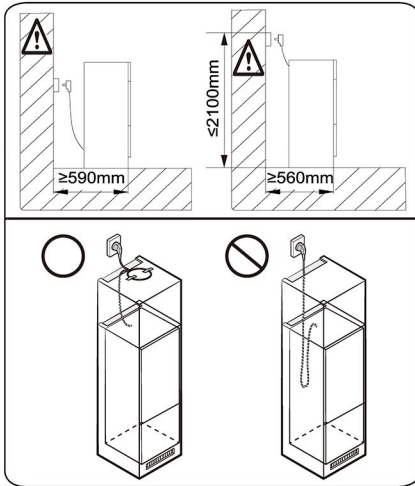
Modelo		A (mm)	B (mm)	C (mm)	D (mm)	E (mm)	Observación
CML5518EVW4	Min.	50	400	560	1778	560	Bisagra: 17 mm
	Recomendado			580	1780	562	
	Máx.			-	1782	568	



AVISO

- Si la anchura de un armario es superior a 568 mm, la junta (entre el frigorífico y el armario) puede aflojarse.
- Si el mueble es más alto que la dimensión máxima (1782 mm), deberá utilizar otros materiales de acabado para rellenar el hueco.

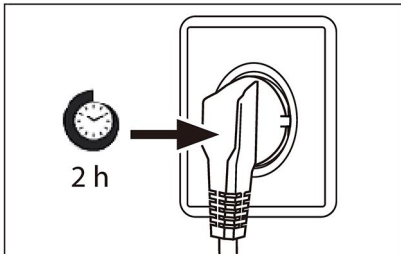
Consideración de la ubicación de la toma de corriente y el espacio necesario



i AVISO

Si instala el refrigerífico en un armario de 560 mm de profundidad, asegúrese de que el cable de alimentación esté dispuesto en un lateral del refrigerífico antes de enchufarlo a una toma de corriente. Si el cable de alimentación está en la parte trasera del refrigerífico, podría disminuir la eficiencia energética.

Tiempo de espera



El aceite de lubricación sin mantenimiento se encuentra en la cápsula del compresor. Este aceite puede pasar por el sistema de tuberías cerradas durante el transporte si el electrodoméstico está inclinado. Antes de conectar el electrodoméstico a la fuente de alimentación, espere al menos 2 horas para que el aceite vuelva a entrar en la cápsula.

Conexión eléctrica

Antes de cada conexión, compruebe si:

- ▶ La fuente de alimentación, la toma de corriente y el fusible son adecuados para la placa de clasificación.
- ▶ La toma de corriente tiene conexión a tierra y no tiene múltiples contactos ni extensiones.
- ▶ El enchufe y la toma de corriente encajan perfectamente.

Conecte el enchufe a una toma de corriente doméstica correctamente instalada.

! ¡ADVERTENCIA!

Para evitar riesgos, solo el servicio de atención al cliente debe reemplazar un cable de alimentación dañado (ver tarjeta de garantía).

Ficha del producto conforme al Reglamento UE n.º 2019/2016

Marca	Candy	
Nombre/identificador del modelo	CML5518EVW4	
Categoría del modelo	Frigorífico-congelador	
Clase de eficiencia energética	E	
Consumo anual de energía (kWh/año) (1)	173	
Volumen total (l)	285	
Volumen del frigorífico (l)	255	
Volumen del congelador (l)	30	
Volumen de la sección de refrigeración (l)	/	
Volumen del fabricante de hielo automático (l)	/	
Estrellas	/	
Temperatura de otros compartimentos > 14 °C	No aplicable	
Sistema Frost-free	NO	
Capacidad de congelación (kg/24 h)	2	
Clasificación climática	SN/N/ST/T	
Clase de emisión de ruido y emisiones de ruido acústico en el aire (db (A) re1pW)	B 35	
Tiempo de aumento de la temperatura (h)	/	
Capacidad de fabricación de hielo	/	
Tipo de electrodoméstico	Encastre	

Nombre del modelo	Clase de eficiencia energética
CML5518EVW4	E

Explicaciones:

- Sí
- (1) Basado en los resultados de la prueba de conformidad normativa durante 24 horas. El consumo real depende del uso y de la ubicación del electrodoméstico.
- (2) Calificación climática SN: Este electrodoméstico está diseñado para ser utilizado a una temperatura ambiente comprendida entre + 10 °C y +32 °C
 Calificación climática N: Este electrodoméstico está diseñado para ser utilizado a una temperatura ambiente comprendida entre + 16 °C y +32 °C
 Calificación climática ST: Este electrodoméstico está diseñado para ser utilizado a una temperatura ambiente comprendida entre + 16 °C y +38 °C
 Calificación climática T: Este electrodoméstico está diseñado para ser utilizado a una temperatura ambiente comprendida entre + 16 °C y +43 °C

Datos técnicos adicionales

Voltaje / Frecuencia	220-240 V ~ / 50 Hz
Corriente de entrada (A)	1,0
Fusible principal (A)	16
Refrigerante	R600a
Tamaño (Al/An/Pr en mm)	1772/540/550

Información RF

El e.i.r.p. máximo: Bluetooth (BR/EDR): 10 dBm
 Bluetooth LE: 5 dBm
 Wi-Fi de 2,4 GHz: 16 dBm

Banda de frecuencia de funcionamiento: 2400-2483, 5MHz

Recomendamos nuestro Servicio de atención al cliente Haier y el uso de repuestos originales. Si tiene algún problema con su electrodoméstico, compruebe primero la sección SOLUCIÓN DE PROBLEMAS.

Si no encuentra una solución allí, póngase en contacto con

- ▶ su distribuidor local o
- ▶ con nuestro Centro europeo de atención al cliente (ver números de teléfono listados abajo) o
- ▶ consulte el área de servicio y asistencia en www.candy-home.com, donde puede activar la
- ▶ solicitud de servicio y encontrar las Preguntas frecuentes.

Para ponerse en contacto con nuestro Servicio, asegúrese de tener los siguientes datos disponibles.

Puede encontrar la información en la placa de datos.

Modelo _____

N.º de serie _____

Compruebe también la tarjeta de garantía suministrada con el producto en caso de garantía.

Centro europeo de atención al cliente		
Pais*	Número de teléfono	Costes
Haier Italy (IT)	199 100 912	
Haier Spain (ES)	902 509 123	
Haier Germany (DE)	01805393999	<ul style="list-style-type: none"> • 14 ct/mín. teléfono fijo • máx. 42 ct/mín. móvil
Haier Austria (AT)	0820 001 205	<ul style="list-style-type: none"> • 14,53 ct/mín. teléfono fijo • máx. 20 ct/mín. el resto
Haier United Kingdom (UK)	0333 003 8122	
Haier France (FR)	0980 406 409	

* Para otros países, consulte www.candy-home.com

Haier Europe Trading S.r.l

Sucursal Reino Unido

Westgate House, Westgate, Ealing

Londres, W5 1YY

*Duración de la garantía del electrodoméstico de refrigeración:

La garantía mínima es de: 2 años para los países de la UE, 3 años para Turquía, 1 año para el Reino Unido, 1 año para Rusia, 3 años para Suecia, 2 años para Serbia, 5 años para Noruega, 1 año para Marruecos, 6 meses para Argelia, Túnez no tiene garantía legal, al no requerirse.

*Período de disponibilidad de las piezas de repuesto para la reparación del aparato:

Los termostatos, los sensores de temperatura, las placas de circuito impresas y las fuentes de luz están disponibles durante un período mínimo de 7 años después de la comercialización de la última unidad del modelo.

Las asas, bisagras, bandejas y cestas lo están durante un período mínimo de siete años, y las juntas durante un período mínimo de 10 años después de la comercialización de la última unidad del modelo.

Para obtener más información sobre el producto, consulte <https://eprel.ec.europa.eu/> o escanee el código QR en la etiqueta energética suministrada con el electrodoméstico.

185 Informations sur la sécurité

<u>Avant la première utilisation</u>	186
<u>Installation</u>	186
<u>Utilisation quotidienne</u>	187
<u>Informations sur les gaz réfrigérants</u>	189

190 Utilisation prévue

191 Description du produit

192 Panneau de commande

193 Utilisation

<u>Fonction Verrouiller/Déverrouiller</u>	193
<u>Fonction MARCHÉ/ARRÊT</u>	193
<u>Fonction Wi-Fi</u>	193
<u>Régler la température du garde-manger</u>	194
<u>Fonction Super Cool</u>	195
<u>Fonction ECO</u>	195
<u>Fonction Holiday</u>	195

Error! Bookmark not defined. Matériel

198 Conseils d'économie d'énergie

199 Entretien et nettoyage

201 Dépannage

205 Installation

209 Données techniques

211 Service clientèle

Merci d'avoir acheté ce produit.

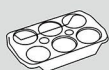
Veuillez lire attentivement ces instructions avant d'utiliser cet appareil. Les instructions contiennent des informations importantes qui vous aideront à tirer le meilleur parti de l'appareil et à assurer l'installation, l'utilisation et l'entretien sûrs et appropriés de celui-ci.

Conservez ce manuel dans un endroit facilement accessible afin que vous puissiez toujours vous y référer pour une utilisation sûre et appropriée de l'appareil.

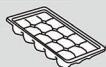
Si vous vendez l'appareil, si vous le donnez ou si vous le laissez lorsque vous déménagez, assurez-vous que vous transmettez également ce manuel pour que le nouveau propriétaire puisse se familiariser avec l'appareil et les consignes de sécurité.

Accessoires

Vérifiez les accessoires et la littérature conformément à cette liste :



Casier
à œufs



Bac
à glaçons



Grattoir
à glace



Etiquette
énergie



Carte
de garantie



Manuel
de sécurité



x4

Vis



x2

Cach
e



x2

Bloc en
mousse



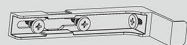
x4

Rail de la
glissière



x4

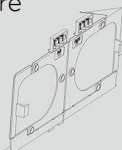
Ens. glissière



Plaque fixe



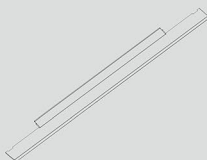
Couvre charnière



Plaque inférieure fixe



Plaque supérieure fixe



Cache
inférieur



Cache latéral
inférieur



Bande d'étanchéité



Mousse d'étanchéité



Couvre charnière
inférieur



AVERTISSEMENT : informations importantes sur la sécurité



INFORMATION : informations générales et conseils



Informations environnementales



Mise au rebut

Contribuez à protéger l'environnement et la santé humaine. Jetez l'emballage dans les bacs correspondants pour le recycler. Participez au recyclage des déchets d'appareils électriques et électroniques. Ne jetez pas les appareils marqués de ce symbole avec les déchets ménagers. Ramenez le produit à votre déchetterie locale ou contactez votre bureau municipal.



AVERTISSEMENT !

Risque de blessure ou de suffocation !

Les frigorigènes et les gaz doivent être éliminés par un professionnel. Assurez-vous que le tube du circuit réfrigérant n'est pas endommagé avant d'être correctement éliminé. Débranchez l'appareil du secteur. Coupez le câble d'alimentation et jetez-le. Retirez les clayettes et les tiroirs ainsi que le verrou et les joints de la porte, afin d'éviter que les enfants et les animaux domestiques ne se retrouvent enfermés dans l'appareil.

Avant d'allumer l'appareil pour la première fois, lisez les conseils de sécurité suivants :



AVERTISSEMENT !

Avant la première utilisation

- ▶ Assurez-vous qu'il n'a pas été endommagé pendant le transport.
- ▶ Attendez au moins deux heures avant d'installer l'appareil afin de vous assurer que le circuit réfrigérant fonctionne parfaitement.
- ▶ Manipulez toujours l'appareil avec au moins deux personnes parce qu'il est lourd.
- ▶ Retirez tous les emballages, gardez-les hors de la portée des enfants, puis jetez-les d'une manière respectueuse de l'environnement.
- ▶ Nettoyez l'intérieur et l'extérieur de l'appareil avec de l'eau et un détergent doux avant d'y mettre des aliments.
- ▶ Une fois l'appareil à plat et nettoyé, attendez au moins 2 à 5 heures avant de le brancher à l'alimentation électrique. Voir la section INSTALLATION.
- ▶ Pré-réfrigérez les compartiments à des réglages élevés avant de les remplir d'aliments. La fonction Super-Cool aide à refroidir rapidement les compartiments.
- ▶ La température du garde-manger est automatiquement réglée sur 5 °C. Ce sont les paramètres recommandés. Si vous le souhaitez, vous pouvez modifier la température manuellement. Voir RÉGLAGE DE LA TEMPÉRATURE.
- ▶ Ce réfrigérateur dispose d'un compartiment de congélation de 30 litres dans la partie supérieure. La température du compartiment de congélation varie en fonction de la température du compartiment du garde-manger.

Installation

- ▶ L'appareil doit être placé dans un endroit bien ventilé.
- ▶ Ne placez jamais l'appareil dans un endroit humide ou un endroit où il pourrait être éclaboussé d'eau. Nettoyez et séchez les éclaboussures d'eau et les taches avec un chiffon doux et propre.
- ▶ N'installez pas l'appareil en plein soleil ou à proximité de sources de chaleur (par ex. cuisinières, chauffages).
- ▶ Installez et mettez à niveau l'appareil dans une zone adaptée à sa taille et à son utilisation.
- ▶ Maintenez les ouvertures de ventilation situées dans l'appareil ou dans la structure encastrée libres de toute obstruction.
- ▶ Assurez-vous que les informations électriques figurant sur la plaque signalétique sont conformes à l'alimentation électrique. Si ce n'est pas le cas, contactez un électricien.
- ▶ L'appareil est alimenté par une alimentation de 220-240 VCA/50 Hz. Les variations anormales de tension peuvent provoquer l'arrêt de l'appareil ou endommager le régulateur de température ou le compresseur, ou il peut y avoir un bruit anormal lors du fonctionnement. Dans ce cas, un régulateur automatique doit être monté.
- ▶ N'utilisez pas d'adaptateurs multiprises ni de rallonges.
- ▶ Ne placez pas de systèmes multiprises portatifs ou d'alimentations portatives à l'arrière de l'appareil.



AVERTISSEMENT !

- ▶ Assurez-vous que le câble d'alimentation n'est pas coincé par le réfrigérateur. Ne marchez pas sur le câble d'alimentation.
- ▶ Utilisez une prise de terre séparée pour l'alimentation électrique qui soit facile d'accès. L'appareil doit être mis à la terre.
Uniquement pour le Royaume-Uni : le câble d'alimentation de l'appareil est équipé d'une fiche 3 pôles (de mise à la terre) qui s'adapte à une prise standard 3 pôles (de mise à la terre). Ne coupez jamais ou ne démontez jamais la troisième broche (mise à la terre). Une fois l'appareil installé, la fiche doit être accessible.
- ▶ N'endommagez pas le circuit réfrigérant.

Utilisation quotidienne

- ▶ Cet appareil peut être utilisé par des enfants à partir de 8 ans et par des personnes ayant des capacités physiques, sensorielles ou mentales réduites ou un manque d'expérience et de connaissances, s'ils sont sous surveillance ou si on leur a appris à utiliser l'appareil en toute sécurité et s'ils comprennent les risques courus.
- ▶ Les enfants âgés de 3 à 8 ans sont autorisés à remplir et vider les appareils de réfrigération, mais ne sont pas autorisés à les nettoyer ni à les installer.
- ▶ Gardez les enfants âgés de moins de 3 ans à l'écart de l'appareil à moins qu'ils ne soient constamment surveillés.
- ▶ Les enfants ne doivent pas jouer avec l'appareil.
- ▶ Si du gaz réfrigérant ou tout autre gaz inflammable fuit à proximité de l'appareil, fermez la vanne du gaz qui fuit, ouvrez les portes et les fenêtres et ne débranchez pas le câble d'alimentation du réfrigérateur ou de tout autre appareil.
- ▶ Notez que l'appareil est conçu pour fonctionner dans une plage de température ambiante spécifique comprise entre 10 °C et 43 °C. L'appareil peut ne pas fonctionner correctement s'il est laissé pendant une longue période à une température inférieure ou supérieure à la plage indiquée.
- ▶ Ne placez pas d'objets instables (objets lourds, récipients remplis d'eau) sur le dessus du réfrigérateur, pour éviter les blessures corporelles causées par une chute ou une électrocution causée par le contact avec de l'eau.
- ▶ Ne tirez pas sur les balconnets. La porte peut être tirée en biais, le porte-bouteilles peut être retiré ou l'appareil risque de basculer.
- ▶ Ouvrez et fermez les portes uniquement avec les poignées. L'écart entre les portes et entre les portes et le compartiment est très étroit. Ne mettez pas vos mains dans ces zones pour éviter de vous pincer les doigts. Ouvrez ou fermez les portes du réfrigérateur uniquement lorsqu'il n'y a pas d'enfants dans le rayon de mouvement de la porte.
- ▶ Lors du positionnement de l'appareil, vérifiez que le cordon d'alimentation n'est pas coincé ou abîmé.
- ▶ Ne rangez pas des substances explosives comme des bombes d'aérosol contenant un combustible inflammable dans cet appareil.



AVERTISSEMENT !

- ▶ Pour éviter la contamination des aliments :
 - L'ouverture prolongée de la porte peut entraîner une augmentation significative de la température dans les compartiments de l'appareil.
 - Nettoyez régulièrement les surfaces pouvant se retrouver au contact des aliments et les systèmes d'écoulement accessibles.
 - Conservez au réfrigérateur la viande et le poisson crus dans des récipients adaptés, afin qu'ils ne se retrouvent pas au contact d'autres aliments et qu'ils ne s'égouttent pas dessus.
 - Si l'appareil reste vide pendant de longues périodes, éteignez-le, dégivrez-le, nettoyez-le, séchez-le et laissez la porte ouverte pour prévenir la formation de moisissure à l'intérieur de l'appareil.
- ▶ Ne conservez pas et n'utilisez pas de matières corrosives, explosives ou inflammables dans l'appareil ou à proximité.
- ▶ Ne conservez pas de médicaments, de bactéries ou d'agents chimiques dans l'appareil. Cet appareil est un appareil électroménager. Il n'est pas recommandé pour stocker des produits qui nécessitent des températures strictes.
- ▶ Ne conservez jamais des liquides dans des bouteilles ou des canettes (en dehors des spiritueux avec un degré d'alcool très élevé), en particulier les boissons gazeuses, dans le congélateur car ceux-ci pourraient exploser durant la congélation.
- ▶ Vérifiez l'état des aliments si l'intérieur du congélateur s'est réchauffé.
- ▶ Ne réglez pas une température inutilement basse dans le compartiment du réfrigérateur. Des températures négatives peuvent se produire à des réglages élevés. Attention : les bouteilles peuvent éclater
- ▶ Ne touchez pas les produits surgelés avec les mains mouillées (portez des gants). Ne mangez surtout pas les glaces à l'eau juste après les avoir sorties du compartiment congélateur. Vous risquez de vous blesser ou de vous brûler à cause du froid. Premiers secours : mettez immédiatement sous l'eau froide. Ne retirez pas !
- ▶ Ne touchez pas la surface intérieure du compartiment congélateur lorsqu'il est en fonctionnement, en particulier avec les mains mouillées, car vos mains peuvent geler sur la surface.
- ▶ Débranchez l'appareil en cas de coupure de courant ou avant de le nettoyer. Attendez au moins 7 minutes avant de redémarrer l'appareil, car des démarrages trop fréquents risqueraient d'endommager le compresseur.
- ▶ N'utilisez pas des appareils électriques à l'intérieur des compartiments de conservation des aliments de l'appareil, sauf s'ils correspondent aux modèles recommandés par le fabricant. Entretien/nettoyage
- ▶ Veillez à superviser les enfants s'ils effectuent le nettoyage et l'entretien.
- ▶ Débranchez l'appareil du secteur avant d'effectuer tout entretien courant. Attendez au moins 5 minutes avant de redémarrer l'appareil, car des démarrages trop fréquents risqueraient d'endommager le compresseur.



AVERTISSEMENT !

- ▶ Tenez la fiche, pas le câble, lorsque vous débranchez l'appareil.
- ▶ Ne nettoyez pas l'appareil à l'aide de brosses dures, de brosses métalliques, de détergents en poudre, d'essence, d'acétate d'amyle, d'acétone et de solutions organiques similaires, d'acides ou de solutions alcalines. Nettoyez-le avec un détergent spécial pour réfrigérateur afin d'éviter de l'endommager.
- ▶ Ne raclez pas le givre avec des objets tranchants. N'utilisez pas de pulvérisateurs ni de réchauffeurs électriques comme des nettoyeurs à vapeur, des sèche-cheveux ou d'autres sources de chaleur pour éviter d'endommager les pièces en plastique.
- ▶ N'utilisez pas de dispositifs mécaniques ou d'autres moyens pour accélérer le processus de dégivrage, hormis ceux recommandés par le fabricant.
- ▶ Si le cordon d'alimentation est endommagé, faites-le remplacer par le fabricant, le service clientèle ou un électricien qualifié pour éviter tout risque d'accident.
- ▶ N'essayez pas de réparer, démonter ou modifier l'appareil vous-même. En cas de réparation, veuillez contacter notre service clientèle.
- ▶ Éliminez la poussière à l'arrière de l'appareil au moins une fois par an pour éviter tout risque d'incendie, ainsi que l'augmentation de la consommation d'énergie.
- ▶ Ne pulvérisez pas et ne rincez pas l'appareil pendant le nettoyage.
- ▶ N'utilisez pas de jet d'eau ou de vapeur pour nettoyer l'appareil.
- ▶ Ne nettoyez pas les clayettes froides en verre à l'eau chaude. Un changement soudain de température peut casser le verre.

Informations sur les gaz réfrigérants



AVERTISSEMENT !

L'appareil contient de l'ISOBUTANE, un réfrigérant inflammable (R600a). Assurez-vous que le circuit du réfrigérant n'est pas endommagé pendant le transport ou l'installation. Les fuites de frigorigène peuvent provoquer des blessures oculaires ou s'enflammer. Si un dommage s'est produit, gardez les sources de feu ouvert à l'écart, aérez complètement la pièce, ne branchez pas ou ne débranchez pas les cordons d'alimentation de l'appareil ou de tout autre appareil. Informez le service clientèle.

En cas de contact du réfrigérant avec les yeux, rincez-les immédiatement à l'eau courante et appelez immédiatement un oculiste.

Utilisation prévue

Cet appareil est destiné à la réfrigération des aliments. Il a été conçu exclusivement pour une utilisation dans les habitations et des applications similaires telles que les espaces de cuisine dans les magasins, bureaux et autres environnements de travail ; les habitations rurales et par les clients dans les hôtels, motels et autres environnements de type résidentiel, ainsi que dans les chambres d'hôtes ou B&B et activités de restauration. Il n'est pas destiné à un usage commercial ou industriel.

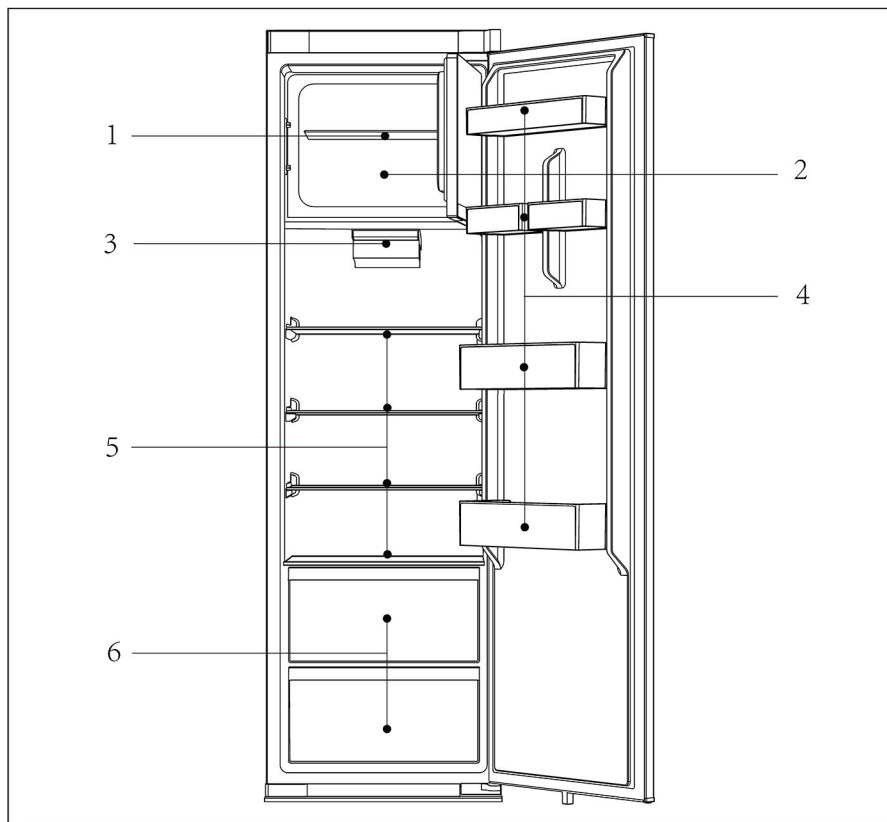
Les changements ou modifications apportés à l'appareil ne sont pas autorisés. Une utilisation non prévue peut entraîner des risques et la perte de garantie.

Normes et directives

Ce produit satisfait aux exigences de toutes les directives CE applicables avec les normes harmonisées correspondantes, qui prévoient le marquage CE.

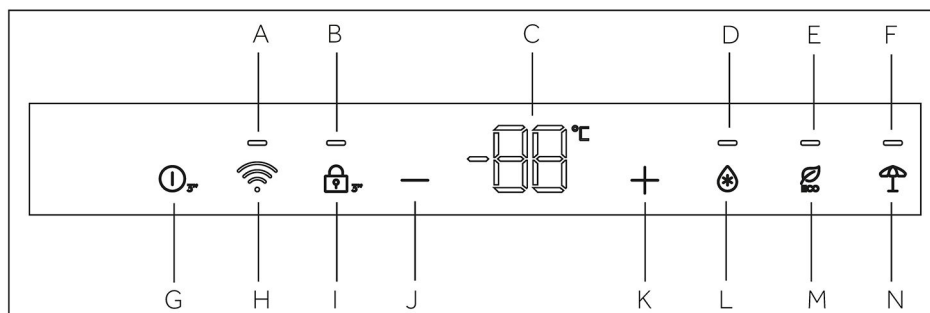
i INFORMATION

En raison des changements techniques et de différents modèles, certaines des illustrations de ce manuel peuvent différer de votre modèle.

**CML5518EVW4**

- 1 Clayette de congélateur ordinaire
- 2 Congélateur
- 3 Ventilateur et éclairage LED
- 4 Balconnets
- 5 Clayettes ordinaires du garde-manger
- 6 Tiroirs ordinaires du garde-manger

Panneau de commande



Voyants :

- A Icône de la fonction Wi-Fi
- B Icône Verrouiller/Déverrouiller
- C Icône Affichage de la température
- D Icône de la fonction Super Cool
- E Icône de la fonction ECO
- F Icône de la fonction Holiday

Touches :

- G Touche MARCHÉ/ARRÊT
- H Touche Appairage Wi-Fi
- I Touche Verrouiller/Déverrouiller
- J Touche Diminuer la température
- K Touche Augmenter la température
- L Touche de la fonction Super Cool
- M Touche de la fonction ECO
- N Touche de la fonction Holiday

Touches tactiles

Les touches du panneau de commande sont des touches tactiles qui réagissent dès que le doigt les touche légèrement.

i INFORMATION

Lorsque vous allumez l'appareil, il peut falloir jusqu'à 12 heures pour que les températures appropriées soient atteintes.

Veillez d'abord ouvrir la porte du réfrigérateur avant de contrôler l'écran d'affichage.

Fonction Verrouiller/Déverrouiller

Cette touche et son icône sont utilisées pour verrouiller ou déverrouiller l'écran de contrôle et indiquer son état actuel.

Ouvrez la porte du réfrigérateur pendant qu'il fonctionne, l'écran de contrôle s'allume et l'icône Verrouiller/Déverrouiller s'affiche, l'écran de contrôle est alors verrouillé et ne peut pas être utilisé.

Déverrouiller ou verrouiller manuellement l'écran : lorsque l'icône Verrouiller/Déverrouiller est allumée, continuez à appuyer sur la touche Verrouiller/Déverrouiller pendant 3 secondes. L'icône s'éteint et est accompagnée d'un signal sonore. Il est alors possible de sélectionner une fonction ou de régler la température. Lorsque l'icône Verrouiller/Déverrouiller est éteinte, continuez à appuyer sur la touche Verrouiller/Déverrouiller pendant 3 secondes. L'icône Verrouiller/Déverrouiller s'allume alors et est accompagnée d'un signal sonore. Il est alors impossible de sélectionner les fonctions ou de régler la température.

Verrouillage automatique de l'écran : lorsque la porte du réfrigérateur est fermée, l'écran de contrôle s'éteint et se verrouille.

Lorsque la porte du réfrigérateur est ouverte, l'écran de contrôle se verrouille automatiquement si aucune opération n'a été effectuée dans les 30 secondes.

Fonction MARCHE/ARRÊT

La touche MARCHE/ARRÊT permet de passer de l'état ARRÊT (mode pause) à l'état MARCHE (modes de fonctionnement normal).

Entrer dans le mode ARRÊT : lorsque le réfrigérateur est en mode fonctionnement, déverrouillez d'abord l'écran, puis appuyez sur la touche de la fonction MARCHE/ARRÊT pendant 3 secondes pour éteindre l'écran de contrôle, l'éclairage du réfrigérateur, le refroidissement et d'autres fonctions avec un signal sonore.



INFORMATION

Le mode ARRÊT n'est pas une mise hors tension, et le réfrigérateur est toujours sous tension à ce moment-là.

Quitter le mode ARRÊT : en mode ARRÊT, il suffit d'appuyer sur la touche MARCHE/ARRÊT pendant 3 secondes pour redémarrer l'écran de contrôle, l'éclairage de la réfrigération, le refroidissement et d'autres fonctions, le tout accompagné d'un signal sonore. Le réfrigérateur revient à la température réglée et au fonctionnement antérieur et passe en mode de fonctionnement normal.

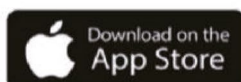
Fonction Wi-Fi

Appairage Wi-Fi : lorsque le réfrigérateur est mis sous tension pour la première fois, il passe automatiquement en mode de configuration réseau et l'icône de la fonction Wi-Fi clignote rapidement. S'il n'y a pas d'opération d'appairage avec le réseau, il quitte automatiquement le mode de configuration au bout de 30 minutes.

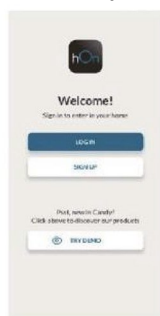
Entrer manuellement dans le mode Appairage Wi-Fi : après avoir déverrouillé l'écran de contrôle, lorsque l'icône de la fonction Wi-Fi est allumée, appuyez sur la touche Appairage Wi-Fi pendant 3 secondes pour entrer dans le mode. Pendant ce temps, l'icône de la fonction Wi-Fi clignote rapidement pour indiquer que l'appareil est en mode Appairage Wi-Fi. S'il n'y a pas d'opération d'appairage avec le réseau, l'opération est automatiquement interrompue au bout de 30 minutes.

PROCÉDURE D'APPAIRAGE DANS L'APPLICATION

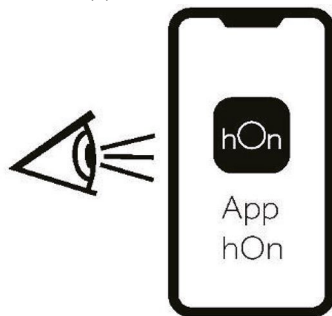
Étape 1 • Téléchargez l'application hOn sur le Store.



Étape 2 Créez un compte sur l'application hOn ou connectez-vous si vous possédez déjà un compte.



Étape 3 Suivez les instructions d'appairage dans l'application hOn.



i INFORMATION

En mode Appairage Wi-Fi, vous devez suivre les instructions de l'application pour terminer la configuration du réseau. Si vous devez modifier l'environnement Wi-Fi, vous devez entrer à nouveau dans le mode. Si l'icône de la fonction Wi-Fi reste allumée, cela indique que le réseau a été connecté avec succès.

Régler la température du garde-manger

Après avoir ouvert la porte du réfrigérateur et déverrouillé l'écran de contrôle, la touche Diminuer la température permet d'abaisser la température réglée du réfrigérateur. Chaque fois que vous effleurez légèrement la touche, la température diminue de 1 °C. La température minimale autorisée est de 1 °C.

Après avoir ouvert la porte du réfrigérateur et avoir déverrouillé l'écran de contrôle, la touche Augmenter la température permet d'augmenter la température réglée du réfrigérateur. Chaque fois que vous effleurez légèrement la touche, la température augmente de 1 °C. La température maximale autorisée est de 9 °C.

Pendant le fonctionnement, l'icône Affichage de la température affiche la température réglée et clignote. L'écran de contrôle confirme automatiquement la température réglée après 5 secondes.

Fonction Super Cool

Cette touche et son icône permettent d'activer la fonction Super Cool du réfrigérateur et d'afficher l'état actuel.

Après avoir ouvert la porte du réfrigérateur et déverrouillé l'écran de contrôle, touchez la « touche Super Cool », et l'icône « Super Cool » s'allume. À ce moment, le réfrigérateur est en mode « Super Cool ». Pour désactiver le mode, vous pouvez utiliser la même opération pour toucher la « touche Super Cool ». Une fois la fonction Super Cool activée, le réfrigérateur quitte automatiquement le mode Super Cool au bout d'environ 48 heures afin d'éviter que la température à l'intérieur du réfrigérateur ne soit trop basse.

Lorsqu'une grande quantité d'aliments est placée dans le réfrigérateur en peu de temps, la température à l'intérieur du réfrigérateur augmente. Après avoir activé la fonction Super Cool, la température de ces aliments peut être rapidement réduite.

Lorsqu'une grande quantité d'aliments est placée dans le garde-manger, la fonction super cool peut être activée directement. Lorsqu'une grande quantité d'aliments est placée dans le congélateur, veuillez activer la fonction Super-Cool 12 heures avant de mettre les aliments dans le congélateur.

Fonction ECO

Après avoir ouvert la porte du réfrigérateur et déverrouillé l'écran de contrôle, appuyez légèrement sur la touche de la fonction ECO, l'icône de la fonction ECO s'allume alors, le réfrigérateur est déjà en mode. Si vous devez quitter le mode, vous pouvez utiliser la même opération en appuyant légèrement sur la touche de la fonction ECO.

En mode ECO, le réfrigérateur fonctionne automatiquement à une température moyenne de 5 °C.

Fonction Holiday

Après avoir ouvert la porte du réfrigérateur et déverrouillé l'écran de contrôle, appuyez légèrement sur la touche de la fonction Holiday, l'icône de la fonction Holiday s'allume alors, le réfrigérateur est déjà en mode. Si vous devez quitter le mode, vous pouvez utiliser la même opération en appuyant légèrement sur la touche de la fonction Holiday.

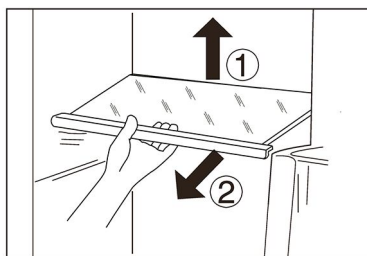
En mode Holiday, le réfrigérateur fonctionne automatiquement à une température moyenne de 17 °C.

Lorsque la fonction Holiday est activée, le garde-manger et le congélateur entrent ensemble dans la fonction Holiday, et les aliments congelés doivent également être sortis pour éviter qu'ils ne soient endommagés par la température élevée.

INFORMATION

En raison de la logique de fonctionnement différente des fonctions spéciales telles que la fonction Super Cool, la fonction ECO et la fonction Holiday, ces modes spéciaux ne peuvent pas être activés en même temps. Une seule fonction peut être activée, et lors du passage d'un mode à l'autre, les autres modes spéciaux seront automatiquement désactivés. En outre, la température réglée ne peut être modifiée que si l'on quitte ces modes.

5 °C est le mode idéal pour les aliments frais tels que les fruits et légumes, les produits laitiers, les viandes et les boissons.



Clayettes

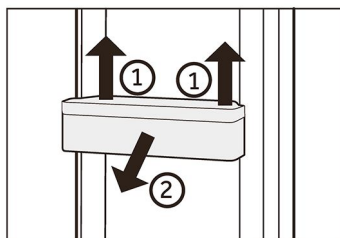
1. La hauteur des clayettes peut être réglée en fonction de vos besoins de rangement.
2. Pour déplacer une clayette, retirez-la d'abord en levant son bord arrière ① et en la tirant ②.
3. Pour la remettre en place, placez-la sur les ergots des deux côtés et poussez-la dans la position la plus reculée jusqu'à ce que l'arrière de la clayette soit fixé à l'intérieur des fentes sur les côtés.

i INFORMATION

Assurez-vous que toutes les extrémités d'une clayette sont au même niveau.

Balconnet amovible

1. La bouteille peut être retirée pour être nettoyée.
2. Placez les mains de chaque côté du balconnet, soulevez-le ① et tirez-le ②.
3. Pour introduire le balconnet, vous devez effectuer les étapes ci-dessus dans l'ordre inverse.



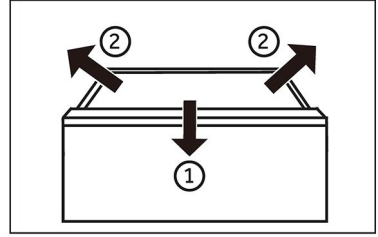
i INFORMATION

En raison des caractéristiques de l'emplacement, la température du balconnet sur le premier et le deuxième niveaux de la porte est légèrement plus élevée que celle à l'intérieur du compartiment réfrigéré. Il est recommandé de ne l'utiliser que pour la conservation à court terme des aliments.

Tiroir amovible

Pour retirer le tiroir, sortez-le au maximum ①, soulevez-le et retirez-le ②.

Pour introduire le tiroir, vous devez effectuer les étapes ci-dessus dans l'ordre inverse.



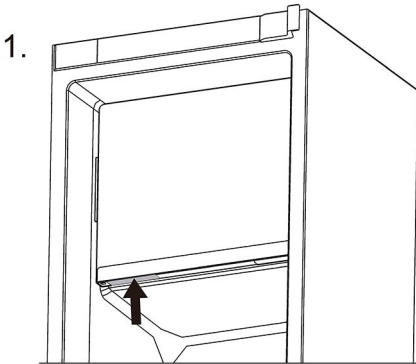
La lumière

La lumière LED à l'intérieur s'allume lorsque la porte est ouverte. Le fonctionnement des lampes n'est affecté par aucun des autres réglages de l'appareil.

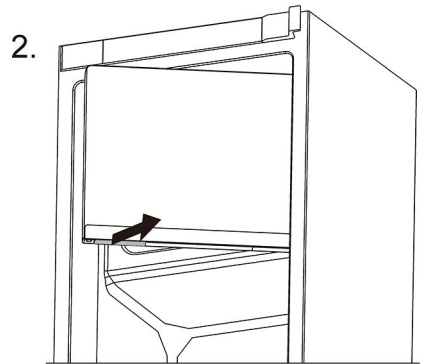
Chambre de congélation

Cet appareil de réfrigération dispose d'un compartiment de congélation de 30 litres dans la partie supérieure. La température du compartiment de congélation varie en fonction de la température du compartiment du garde-manger. Ouvrez la porte de la chambre froide : Pousser d'abord l'interrupteur vers le haut, comme indiqué sur l'image 1, puis le retirer, comme indiqué sur l'image 2 ;

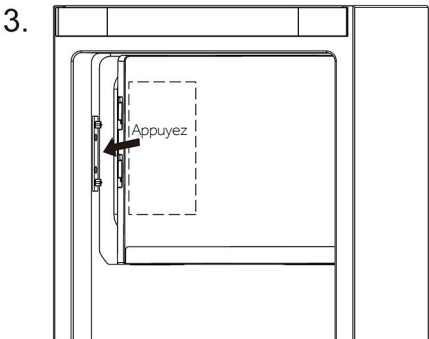
Fermer la porte de la chambre froide : Appuyez sur la zone centrale du côté de l'ouverture de la petite porte, comme indiqué sur l'image 3.



Poussez l'Interrupteur vers le haut



Tirez l'interrupteur vers l'extérieur





Conseils d'économie d'énergie

- ▶ Assurez-vous que l'appareil est bien ventilé (voir INSTALLATION).
- ▶ N'installez pas l'appareil en plein soleil ou à proximité de sources de chaleur (par ex. cuisinières, chauffages).
- ▶ Évitez une température inutilement basse dans l'appareil. Plus vous réglez une température basse dans l'appareil, plus la consommation d'énergie augmente.
- ▶ Des fonctions comme Super Cool consomment plus d'énergie.
- ▶ Laissez les aliments chauds refroidir avant de les mettre dans l'appareil.
- ▶ Ouvrez la porte de l'appareil le moins souvent et le plus rapidement possible.
- ▶ Ne remplissez pas trop l'appareil pour éviter de bloquer la circulation de l'air.
- ▶ Évitez l'air dans l'emballage des aliments.
- ▶ Gardez les joints de la porte propres afin que la porte se ferme toujours correctement.
- ▶ La configuration la plus économe en énergie exige que l'appareil conserve les tiroirs, la boîte de rangement et les clayettes en parfait état, et les aliments doivent être placés le plus loin possible des orifices de sortie de la conduite d'air.

AVERTISSEMENT !

Débranchez l'appareil de l'alimentation électrique avant de le nettoyer.

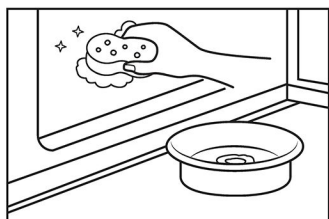
Nettoyage

Nettoyez l'appareil lorsqu'il n'y a qu'un peu de nourriture ou qu'il n'y a pas de nourriture à l'intérieur.

L'appareil doit être nettoyé toutes les quatre semaines pour un bon entretien et pour éviter les mauvaises odeurs des aliments conservés à l'intérieur.

AVERTISSEMENT !

- ▶ Ne nettoyez pas l'appareil à l'aide de brosses dures, de brosses métalliques, de détergents en poudre, d'essence, d'acétate d'amyle, d'acétone et de solutions organiques similaires, d'acides ou de solutions alcalines. Nettoyez-le avec un détergent spécial pour réfrigérateur afin d'éviter de l'endommager.
- ▶ Ne pulvérisiez pas et ne rincez pas l'appareil pendant le nettoyage.
- ▶ N'utilisez pas de jet d'eau ou de vapeur pour nettoyer l'appareil.
- ▶ Ne nettoyez pas les clayettes froides en verre à l'eau chaude. Un changement soudain de température peut casser le verre.



- ▶ Gardez toujours le joint de la porte propre.
- ▶ Nettoyez l'intérieur et le bâti de l'appareil à l'aide d'une éponge imbibée d'eau tiède et de détergent neutre.
- ▶ 1. Veuillez frotter l'intérieur et l'extérieur du réfrigérateur, y compris le joint de porte, le porte-bouteille, les clayettes en verre, les boîtes, etc., avec un torchon doux ou une éponge imbibée d'eau chaude (vous pouvez ajouter un détergent neutre dans l'eau chaude).
- ▶ 2. S'il y a du liquide renversé, retirez toutes les parties contaminées, rincez-les directement sous l'eau du robinet, séchez-les et remettez-les dans le réfrigérateur.
- ▶ 3. S'il y a de la crème (par exemple de la crème, de la crème glacée qui fond), retirez toutes les parties contaminées, placez-les dans de l'eau chaude à 40 °C pendant un certain temps, puis rincez-les à l'eau courante, séchez-les et remettez-les dans le réfrigérateur.
- ▶ 4. Si une petite pièce ou un élément reste coincé à l'intérieur du réfrigérateur (entre les clayettes ou les tiroirs), utilisez une petite brosse souple pour l'éliminer. Si vous ne pouvez pas atteindre la pièce, veuillez contacter le service clientèle Haier
- ▶ Rincez et séchez avec un chiffon doux.
- ▶ Ne nettoyez aucune des parties de l'appareil au lave-vaisselle.
- ▶ Attendez au moins 5 minutes avant de redémarrer l'appareil, car le démarrage fréquent risque d'endommager le compresseur.

i INFORMATION

L'orifice d'évacuation ne doit pas être obstrué par des corps étrangers, sinon il pourrait y avoir un problème de débordement de l'eau. Si l'orifice d'évacuation est obstrué, vous pouvez retirer le tiroir et le nettoyer à l'aide d'un chiffon.



Dégivrage

Lorsque l'on place trop d'articles ou que l'on ouvre et ferme la porte trop fréquemment, du givre risque d'apparaître à l'arrière du compartiment du garde-manger ou du compartiment du congélateur, ce qui nécessitera un dégivrage manuel avec un grattoir à givre.

Remplacement des lampes LED

! AVERTISSEMENT !

Ne remplacez pas la lampe LED vous-même, elle ne doit être remplacée que par le fabricant ou l'agent de maintenance agréé.

Les lampes utilisent des LED comme source lumineuse, avec une faible consommation d'énergie et une longue durée de vie. En cas d'anomalie, veuillez contacter le service clientèle. Reportez-vous au paragraphe SERVICE CLIENTÈLE.

Paramètres des lampes :

Compartiment réfrigérateur : 12 V max 1,5 W

Ce produit contient une source de lumière appartenant à la classe d'efficacité énergétique <G>.

Non-utilisation pendant une période prolongée

Si l'appareil n'est pas utilisé pendant une période prolongée et que vous n'utiliserez pas la fonction Holiday pour le réfrigérateur :

Sortez les aliments.

Débranchez le cordon d'alimentation.

Nettoyez l'appareil selon les instructions ci-dessus.

Gardez les portes ouvertes pour éviter la formation de mauvaises odeurs à l'intérieur.

i INFORMATION

N'éteignez l'appareil que si cela est strictement nécessaire.

Déplacement de l'appareil

1. Retirez tous les aliments et débranchez l'appareil.
2. Fixez les clayettes et les autres parties mobiles dans le garde-manger avec du ruban adhésif.
3. N'inclinez pas le réfrigérateur à plus de 45° pour éviter d'endommager le système de réfrigération.

! AVERTISSEMENT !

- ▶ Ne soulevez pas l'appareil par ses poignées.
- ▶ Ne placez jamais l'appareil à l'horizontale sur le sol.

Vous pouvez résoudre de nombreux problèmes vous-même sans expertise spécifique. En cas de problème, veuillez vérifier toutes les possibilités indiquées et suivre les instructions ci-dessous avant de contacter un service clientèle. Reportez-vous au paragraphe SERVICE CLIENTÈLE.



AVERTISSEMENT !

- ▶ Avant l'entretien, désactivez l'appareil et débranchez la fiche secteur de la prise secteur.
- ▶ L'équipement électrique ne doit être entretenu que par des experts en électricité qualifiés, car des réparations inappropriées peuvent causer des dommages consécutifs considérables.
- ▶ Une alimentation endommagée ne devrait être remplacée que par le fabricant, son agent de maintenance ou des personnes avec une qualification similaire de manière à éviter tout danger.

Problème	Cause possible	Solution possible
Le compresseur ne fonctionne pas.	<ul style="list-style-type: none"> • La fiche secteur n'est pas branchée dans la prise secteur. • L'appareil est en cours de dégivrage. 	<ul style="list-style-type: none"> • Branchez la fiche secteur. • Ceci est normal pour un dégivrage automatique.
L'appareil fonctionne fréquemment ou fonctionne trop longtemps.	<ul style="list-style-type: none"> • La température intérieure ou extérieure est trop élevée. • L'appareil a été hors tension pendant un certain temps. • Une porte de l'appareil n'est pas bien fermée. • La porte a été ouverte trop fréquemment ou trop longtemps. • Le réglage de la température du compartiment garde-manger est trop bas. • Le joint de la porte est sale, usé, fissuré ou ne correspond pas. • La circulation de l'air requise n'est pas garantie. 	<ul style="list-style-type: none"> • Dans ce cas, il est normal que l'appareil fonctionne plus longtemps. • Normalement, il faut 8 à 12 heures pour que l'appareil refroidisse complètement. • Fermez la porte/le tiroir et assurez-vous que l'appareil est situé sur un sol à niveau et qu'il n'y a pas d'aliment ou de récipient bloquant la porte. • N'ouvrez pas trop souvent la porte/le tiroir. • Réglez une température plus élevée jusqu'à l'obtention d'une température satisfaisante dans le réfrigérateur. Il faut 24 heures pour que la température du réfrigérateur devienne stable. • Nettoyez le joint de la porte/du tiroir ou faites-le remplacer par le service clientèle. • Assurez une ventilation adéquate.
L'intérieur du réfrigérateur est sale et/ou sent.	<ul style="list-style-type: none"> • L'intérieur du réfrigérateur a besoin d'être nettoyé. • Des aliments à forte odeur sont conservés au réfrigérateur. 	<ul style="list-style-type: none"> • Nettoyez l'intérieur du réfrigérateur. • Enveloppez soigneusement les aliments.

Problème	Cause possible	Solution possible
Il ne fait pas suffisamment froid à l'intérieur de l'appareil.	<ul style="list-style-type: none"> La température réglée est trop élevée. Des produits trop chauds ont été stockés. Trop d'aliments ont été mis à l'intérieur en même temps. Les aliments sont trop proches les uns des autres. Une porte/un tiroir de l'appareil n'est pas bien fermé(e). La porte/le tiroir a été ouvert(e) trop fréquemment ou trop longtemps. 	<ul style="list-style-type: none"> Réinitialisez la température. Laissez toujours refroidir les aliments avant de les mettre à l'intérieur. Conservez toujours de petites quantités d'aliments. Laissez de la place entre plusieurs aliments pour permettre la circulation de l'air. Fermez la porte/le tiroir. N'ouvrez pas trop souvent la porte/le tiroir.
Il fait trop froid à l'intérieur de l'appareil.	<ul style="list-style-type: none"> La température réglée est trop basse. La fonction Super Cool est activée ou fonctionne depuis trop longtemps. 	<ul style="list-style-type: none"> Réinitialisez la température. Éteignez la fonction Super Cool.
Formation d'humidité à l'intérieur du compartiment réfrigérateur.	<ul style="list-style-type: none"> Le climat est trop chaud et trop humide. Une porte/un tiroir de l'appareil n'est pas bien fermé(e). La porte/le tiroir a été ouvert(e) trop fréquemment ou trop longtemps. Les récipients contenant des aliments ou des liquides sont laissés ouverts. 	<ul style="list-style-type: none"> Augmentez la température. Fermez la porte/le tiroir. N'ouvrez pas trop souvent la porte/le tiroir. Laissez refroidir les aliments chauds à température ambiante et couvrez les aliments et les liquides.
L'humidité s'accumule sur le réfrigérateur à l'extérieur de la surface ou entre les portes / la porte et le tiroir.	<ul style="list-style-type: none"> Le climat est trop chaud et trop humide. La porte n'est pas fermée hermétiquement. L'air froid de l'appareil et l'air chaud à l'extérieur de celui-ci se condense. 	<ul style="list-style-type: none"> C'est normal dans un climat humide et cela va changer lorsque l'humidité diminuera. Assurez-vous que la porte/le tiroir est bien fermé(e).
La lumière d'affichage fonctionne, mais l'appareil n'est pas froid.	<ul style="list-style-type: none"> Il est en mode démo. 	<ul style="list-style-type: none"> Veillez noter l'état dans lequel il se trouve. S'il est en mode démo, quittez-le. Quitter : maintenez la touche ÉCO enfoncée et cliquez sur la touche Super Freeze à 5 reprises en 5 s.

Problème	Cause possible	Solution possible
Glace dure et givre dans le compartiment congélateur.	<ul style="list-style-type: none"> • Les produits n'ont pas été correctement emballés. • Une porte/un tiroir de l'appareil n'est pas bien fermé(e). • La porte/le tiroir a été ouvert(e) trop fréquemment ou trop longtemps. • Le joint de la porte/du tiroir est sale, usé, fissuré ou ne correspond pas. • Quelque chose à l'intérieur empêche la porte / le tiroir de se fermer correctement. 	<ul style="list-style-type: none"> • Emballez toujours bien les produits. • Fermez la porte/le tiroir. • N'ouvrez pas trop souvent la porte/le tiroir. • Nettoyez le joint de la porte / du tiroir ou remplacez-les par des joints neufs. • Repositionnez les clayettes, les balconnets de porte ou les récipients à l'intérieur pour permettre à la porte / au tiroir de se fermer.
Les côtés de l'appareil et de la bande de la porte se réchauffent.	<ul style="list-style-type: none"> • - 	<ul style="list-style-type: none"> • Cela est normal.
L'appareil émet des sons anormaux.	<ul style="list-style-type: none"> • L'appareil n'est pas situé sur un sol plan. • L'appareil touche un objet situé à proximité. 	<ul style="list-style-type: none"> • Réglez le pied pour mettre l'appareil à niveau. • Retirez les objets autour de l'appareil.
Un léger son doit être entendu comme celui de l'eau courante.	<ul style="list-style-type: none"> • - 	<ul style="list-style-type: none"> • Cela est normal.
Un bip d'alarme retentit.	<ul style="list-style-type: none"> • La porte du compartiment de rangement du réfrigérateur est ouverte. 	<ul style="list-style-type: none"> • Fermez la porte.
Vous entendrez un petit hum.	<ul style="list-style-type: none"> • Le système anti-condensation fonctionne. 	<ul style="list-style-type: none"> • Cela empêche la condensation et c'est normal.
Le système d'éclairage ou de refroidissement à l'intérieur ne fonctionne pas.	<ul style="list-style-type: none"> • La fiche secteur n'est pas branchée dans la prise secteur. • L'alimentation n'est pas intacte. • La lampe LED est hors service. 	<ul style="list-style-type: none"> • Branchez la fiche secteur. • Vérifiez l'alimentation électrique de la pièce. Appelez la société d'électricité locale ! • Veuillez appeler le service technique pour faire changer la lampe.

Pour contacter l'assistance technique, visitez notre site Web : <https://corporate.haier-eu-rop.com/en/>

Dans la rubrique « site web », choisissez la marque de votre produit et votre pays. Vous serez redirigé vers le site web spécifique où vous pourrez trouver le numéro de téléphone.

le numéro et le formulaire pour contacter l'assistance technique.

Coupure de courant

En cas de coupure de courant, les aliments devraient rester froids en toute sécurité pendant 5 heures environ. Suivez ces conseils pendant une coupure de courant prolongée, en particulier en été :

- ▶ Ouvrez la porte/le tiroir le moins possible.
- ▶ Ne mettez pas d'aliments supplémentaires dans l'appareil pendant une coupure de courant.
- ▶ Si un préavis de coupure de courant est donné et que la durée de la coupure est supérieure à 5 heures, préparez des glaçons et placez-les dans un récipient en haut du compartiment réfrigérateur.
- ▶ Une inspection des produits est requise immédiatement après la coupure de courant.
- ▶ Étant donné que la température du réfrigérateur augmentera lors d'une coupure de courant ou d'une autre panne, la durée de conservation et la qualité alimentaire des aliments seront réduites.

Fonction mémoire pendant la coupure de courant

Lorsque le courant revient, l'appareil continue à fonctionner avec les réglages réglés avant la panne de courant.

Déballage



AVERTISSEMENT !

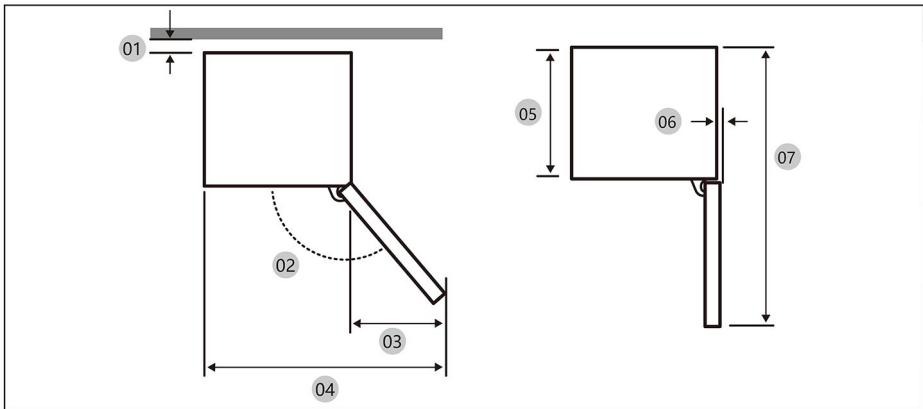
- ▶ L'appareil est lourd. Manipulez-le toujours avec au moins deux personnes.
- ▶ Conservez tous les emballages hors de la portée des enfants, puis jetez-les d'une manière respectueuse de l'environnement.
- ▶ Sortez l'appareil de l'emballage.
- ▶ Retirez tous les matériaux d'emballage.

Conditions environnementales

La température ambiante doit toujours être comprise entre 10 °C et 43 °C, car elle peut influencer sur la température à l'intérieur de l'appareil et sa consommation d'énergie. N'installez pas l'appareil à proximité d'autres appareils générant de la chaleur (fours, réfrigérateurs).

Espace conseillé

Espace conseillé lorsque la porte est ouverte (sans panneau de porte)

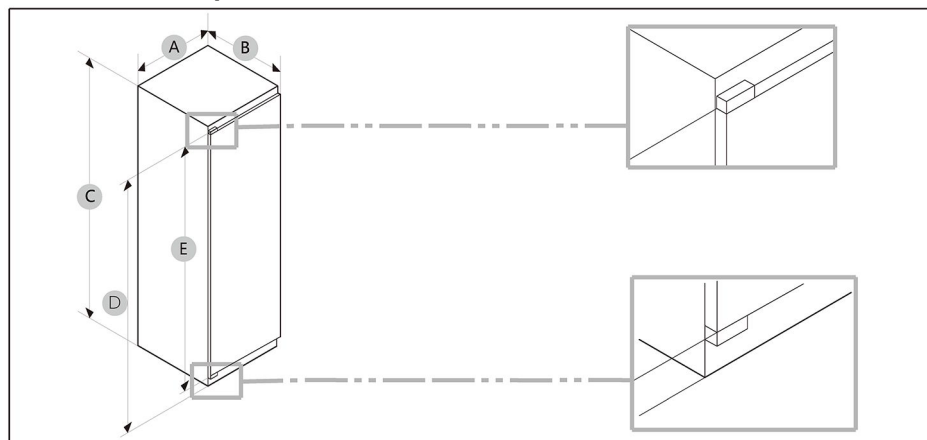


Modèle	CML5518EVW4
01*	10 (Min.) / 30 (Recommandé)
02	95° (Recommandé)
03	43
04	583
05	515
06	-3
07	1060

(unité : mm)

* 01 : du meuble à l'arrière du produit.

Dimensions du produit



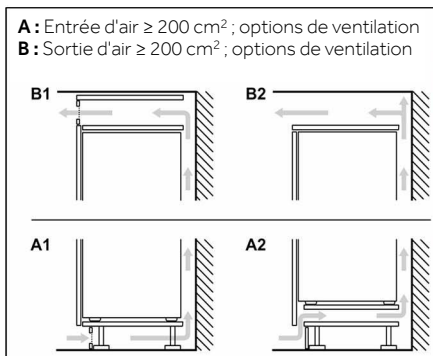
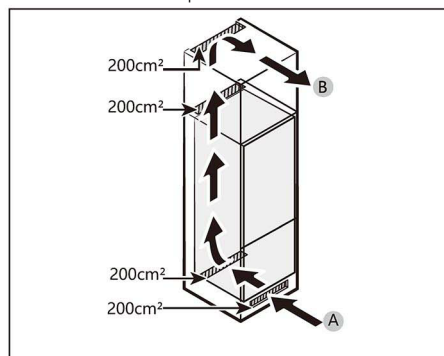
Modèle	A (mm)	B (mm)	C (mm)	D (mm)	E (mm)
CML5518EVW4	540±2	550±2	1772±2	1715	1671

i INFORMATION

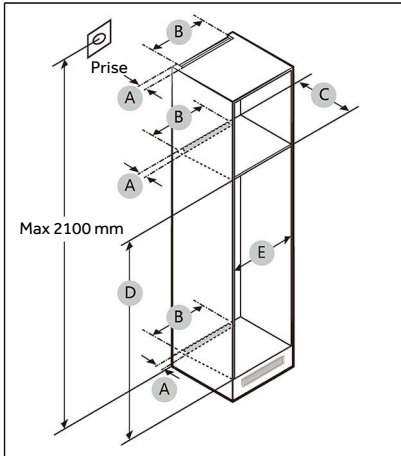
- La consommation d'énergie indiquée est basée sur l'existence d'un espace de 10 mm entre le meuble et l'arrière du produit. Le produit fonctionne correctement même si l'écart est inférieur à 10 mm, mais il consomme un peu plus d'énergie.
- Nous recommandons d'utiliser un meuble de 19 mm d'épaisseur avec des charnières de moins de 17 mm d'épaisseur.
- Les mesures figurant dans le tableau ci-dessus peuvent différer en fonction de la méthode de mesure utilisée.
- Pour une installation encastrée, voir le Guide d'installation.

Coupe transversale de ventilation

Pour obtenir une ventilation suffisante de l'appareil pour des raisons de sécurité, il convient de respecter les informations relatives aux coupes transversales de ventilation requises.



Dimensions du meuble



ATTENTION !

Toute panne du produit due aux éléments suivants n'est pas couverte par la garantie.

1. Conditions d'installation inadéquates ou dimensions incorrectes du meuble.
2. Meuble défectueux.
3. Erreurs de l'installateur ou de l'utilisateur.

Dégagement

Reportez-vous aux images et tableaux ci-dessous pour connaître l'espace nécessaire à l'installation.

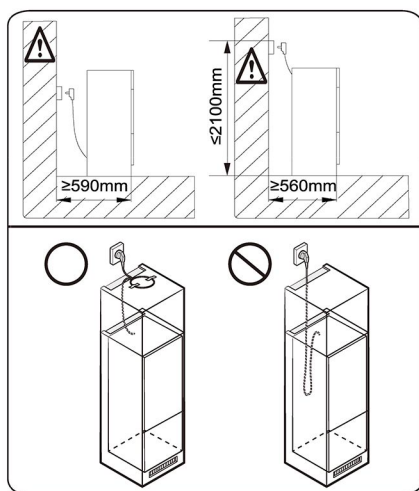
Modèle		A (mm)	B (mm)	C (mm)	D (mm)	E (mm)	Remarque
CML5518EVW4	Min.	50	400	560	1778	560	Charnière : 17 mm
	Recommandé			580	1780	562	
	Max.			-	1782	568	



INFORMATION

- Si la largeur d'un meuble est supérieure à 568 mm, le joint (entre le réfrigérateur et le meuble) peut se détacher.
- Si le meuble est plus haut que la dimension maximale (1782 mm), vous devez utiliser d'autres matériaux de finition pour combler l'écart.

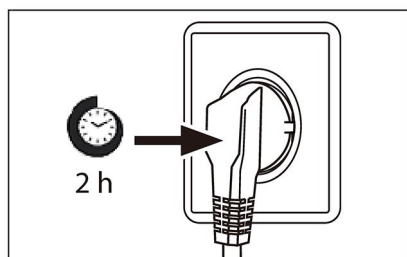
Prise en compte de l'emplacement de la prise de courant et de l'espace nécessaire



i INFORMATION

Si vous installez le réfrigérateur dans un meuble d'une profondeur de 560 mm, assurez-vous que le cordon d'alimentation est disposé sur un côté du réfrigérateur avant de le brancher sur une prise de courant. Si le cordon d'alimentation se trouve à l'arrière du réfrigérateur, cela pourrait diminuer l'efficacité énergétique.

Temps d'attente



L'huile de lubrification sans entretien se trouve dans la capsule du compresseur. Cette huile peut passer par le système fermé de tuyauterie pendant le transport incliné. Avant de brancher l'appareil sur l'alimentation électrique, attendez au moins 2 heures afin que l'huile revienne dans la capsule.

Branchement électrique

Avant chaque branchement, vérifiez si :

- ▶ l'alimentation, la prise et le fusible sont adaptés à la plaque signalétique.
- ▶ la prise de courant est mise à la terre et sans multiprise ni rallonge.
- ▶ la fiche d'alimentation et la prise sont adaptées l'une à l'autre.

Branchez la fiche sur une prise domestique correctement installée.

! AVERTISSEMENT !

Pour éviter tout risque, un câble d'alimentation endommagé doit être remplacé par le service à la clientèle (voir carte de garantie).

Fiche du produit selon la réglementation UE n° 2019/2016

Marque	Candy	
Nom du modèle/identifiant	CML5518EVW4	
Catégorie du modèle	Réfrigérateur- congélateur	
Classe d'efficacité énergétique	E	
Consommation d'énergie annuelle (kWh/an) (1)	173	
Volume total (l)	285	
Volume du garde-manger (L)	255	
Volume du congélateur (L)	30	
Volume section refroidisseur (L)	/	
Volume de la machine à glaçons auto (L)	/	
Nombre d'étoiles	/	
Température des autres compartiments > 14 °C	Non applicable	
Système sans givre	NON	
Capacité de congélation (kg/24h)	2	
Classe climatique	SN/N/ST/T	
Classe d'émission de bruit et émissions acoustiques dans l'air (dB(A) re 1 pW)	B 35	
Temps de montée en température (h)	/	
Capacité de fabrication de glaçons	/	
Type d'appareil	Encastrable	

Nom du modèle	Classe d'efficacité énergétique
CML5518EVW4	E

Explications :

• Oui, fonction présente

- (1) Sur la base des résultats de l'essai de conformité aux normes pendant plus de 24 heures. La consommation réelle dépend de l'utilisation et de l'emplacement de l'appareil.
- (2) Classe climatique SN : cet appareil est destiné à être utilisé à une température ambiante comprise entre +10 °C et +32 °C
 Classe climatique N : cet appareil est destiné à être utilisé à une température ambiante comprise entre +16 °C et +32 °C
 Classe climatique ST : cet appareil est destiné à être utilisé à une température ambiante comprise entre +16 °C et +38 °C
 Classe climatique T : cet appareil est destiné à être utilisé à une température ambiante comprise entre +16 °C et +43 °C

Données techniques supplémentaires

Tension / Fréquence	220-240 V ~/50 Hz
Courant d'entrée (A)	1,0
Fusible principal (A)	16
Réfrigérant	R600a
Dimensions (H/L/P en mm)	1772/540/550

Informations RF

PIRE max : Bluetooth (BR/EDR) : 10 dBm
 Bluetooth LE : 5 dBm
 Wi-Fi 2,4 GHz : 16 dBm

Bande de fréquence : 2400-2483,5 MHz

Nous recommandons notre Service clientèle Haier et l'utilisation de pièces détachées d'origine. Si vous rencontrez un problème avec votre appareil, veuillez d'abord consulter le paragraphe DÉPANNAGE.

Si vous ne trouvez pas de solution, veuillez contacter

- ▶ votre revendeur local ou
- ▶ notre centre de service d'appel européen (voir les numéros de téléphone ci-dessous) ou
- ▶ l'espace Service & Assistance à l'adresse www.candy-home.com, où vous pouvez activer la demande
- ▶ de service et trouver également les FAQ.

Pour contacter notre Service, assurez-vous que vous disposez des données suivantes. Les informations se trouvent sur la plaque signalétique.

Modèle _____

N° de série _____

Vérifiez également la carte de garantie fournie avec le produit en cas de garantie.

Centre de service d'appel européen		
Pays*	Numéro de téléphone	Coûts
Haier Italy (IT)	199 100 912	
Haier Spain (ES)	902 509 123	
Haier Germany (DE)	01805393999	<ul style="list-style-type: none"> • 14 centimes/min ligne fixe • max 42 centimes/min mobile
Haier Austria (AT)	0820 001 205	<ul style="list-style-type: none"> • 14,53 centimes/min ligne fixe • max 20 centimes/min pour tous les autres
Haier United Kingdom (UK)	0333 003 8122	
Haier France (FR)	0980 406 409	

* Pour les autres pays, veuillez vous référer à www.candy-home.com

Haier Europe Trading S.r.l

Filiale Royaume-Uni

Westgate House, Westgate, Ealing

Londres, W5 1YY

*Durée de la garantie de l'appareil de réfrigération :

La garantie minimale est : 2 ans pour les pays de l'UE, 3 ans pour la Turquie, 1 an pour le Royaume-Uni, 1 an pour la Russie, 3 ans pour la Suède, 2 ans pour la Serbie, 5 ans pour la Norvège, 1 an pour le Maroc, 6 mois pour l'Algérie, aucune garantie légale pour la Tunisie.

*La période des pièces détachées pour la réparation de l'appareil :

Les thermostats, les capteurs de température, les circuits imprimés et les sources de lumière sont disponibles pendant une période minimale de sept ans après la mise sur le marché de la dernière unité du modèle.

Poignées de porte, charnières de porte, bacs et paniers pendant une période minimale de sept ans et joints de porte pendant une période minimale de 10 ans, après la mise sur le marché de la dernière unité du modèle.

*Pour plus d'informations sur le produit, consultez <https://eprel.ec.europa.eu/> ou scannez le QR code sur l'étiquette énergie fournie avec l'appareil.

<u>215 Biztonsági információk</u>	<u>Első használat előtt</u> 216
	<u>Telepítés</u> 216
	<u>Napi használat</u> 217
	<u>Gázalapú hűtőközegre vonatkozó információk</u> 219
<u>220 Rendeltetésszerű használat</u>	
<u>221 Termékleírás</u>	
<u>222 Vezérlőpult</u>	
<u>223 Használat</u>	<u>Zárolás/feloldás funkció</u> 223
	<u>BE/KI funkció</u> 223
	<u>Wi-Fi funkció</u> 223
	<u>Kamra hőmérsékletének a beállítása</u> 224
	<u>Super Cool funkció</u> 225
	<u>ECO funkció</u> 225
	<u>Holiday funkció</u> 225
<u>Error! Bookmark not defined. Berendezés</u>	
<u>228 Energiatakarékossági tippek</u>	
<u>229 Ápolás és tisztítás</u>	
<u>231 Hibaelhárítás</u>	
<u>235 Telepítés</u>	
<u>239 Műszaki adatok</u>	
<u>241 Ügyfélszolgálat</u>	

Köszönjük, hogy megvásárolta a terméket.

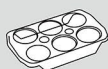
A készülék használata előtt olvassa el figyelmesen ezeket az utasításokat. Az utasítások fontos információkat tartalmaznak, amelyek segítenek abban, hogy a lehető legtöbbet hozza ki a készülékből, és szavatolják a biztonságos és megfelelő telepítést, használatot és karbantartást.

Tartsa ezt a kézikönyvet könnyen elérhető helyen, hogy bármikor fellapozhassa a készülék biztonságos és megfelelő használatához.

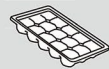
Ha eladja a készüléket, elajándékozza, vagy a lakásban hagyja költözéskor, győződjön meg arról, hogy ezt a kézikönyvet is átadja, hogy az új tulajdonos megismerhesse a készüléket és a biztonsági figyelmeztetéseket.

Tartozékok

Ellenőrizze a tartozékokat és a szakirodalmat ennek a listának megfelelően:



Tojástartálc



Jégkocka tartó tálca



Dérkaparó



Energia címké



Jótállási jegy



Biztonsági figyelmeztetések kézikönyv



Csavar



Burkolat



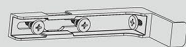
Szivacs tömb



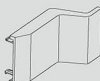
Csúszdavezető



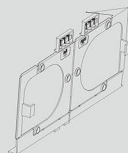
Csúszda szerelv.



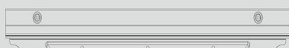
Rögzített lemez



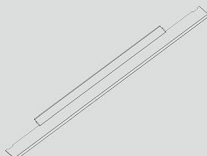
Zsanérfedél



Alsó rögzített lemez



Felső rögzített lemez



Alsó burkolat



Alsó oldalburkolat



Tömítőcsík



Tömítőszivacs



Alsó zsanérfedél



FIGYELMEZTETÉS - Fontos biztonsági információk



MEGJEGYZÉS - Általános információk és tippek



Környezetvédelmi információk

Ártalmatlanítás



Járuljon hozzá a környezet és az emberi egészség védelméhez. Az újrahasznosítás érdekében a csomagolást a megfelelő hulladéktárolóba selejtezze ki. Járuljon hozzá az elektromos és elektronikus berendezések hulladékainak az újrahasznosításához. Ne a háztartási hulladékkal együtt dobja ki az ezzel a szimbólummal jelölt készülékeket. Vigye vissza a terméket a helyi újrahasznosító létesítménybe, vagy vegye fel a kapcsolatot a helyi hivatallal.



FIGYELMEZTETÉS!

Sérülés vagy fulladás veszélye!

A hűtőközegeket és a gázokat szakszerűen kell ártalmatlanítani. Győződjön meg a hűtőkör csövének a sértetlenségéről, mielőtt megfelelően ártalmatlanítaná. Válassza le a készüléket a hálózati tápellátásról. Vágja el a hálózati kábelt és selejtezze ki. Távolítsa el a tálcákat és fiókokat, valamint az ajtóreteszt és a tömítéseket, hogy megakadályozza a gyermekek és háziállatok bezáródását a készülékbe.

A készülék első bekapcsolása előtt olvassa el a következő biztonsági tanácsokat:



FIGYELMEZTETÉS!

Első használat előtt

- ▶ Győződjön meg arról, hogy szállítás során a termék nem sérült.
- ▶ A készülék telepítése előtt várjon legalább két órát a hűtőkör teljes hatékonyságának biztosítása érdekében.
- ▶ Mivel a készülék nehéz, mindig legalább két személy szükséges a kezeléséhez vagy mozgatásához.
- ▶ Távolítsa el minden csomagolóanyagot, tartsa azokat gyermekektől elzárva, kiselejtezésüket pedig környezetbarát módon végezze.
- ▶ Tisztítsa meg a készülék belsejét és külsejét vízzel és kíméletes tisztítószerrel, mielőtt bármilyen ételt tenne bele.
- ▶ A készülék szintbeállítását és tisztítását követően várjon legalább 2–5 órát, mielőtt csatlakoztatná a tápellátáshoz. Lásd a TELEPÍTÉS részt.
- ▶ Az étellel való feltöltés előtt hűtse le a rekeszeket magas beállítások alkalmazásával. A Super-Cool funkció elősegíti a rekeszek gyors lehűtését.
- ▶ A kamra hőmérsékletének gyári alapbeállítása 5 °C. Ezek a javasolt beállítások. Ha kívánja, ezt a hőmérsékletet módosíthatja manuálisan. Lásd a HŐMÉRSÉKLET BEÁLLÍTÁSA c. részt.
- ▶ Ennek a hűtőberendezésnek a felső részén 30 literes fagyasztótér található, a fagyasztótér hőmérséklete a kamratér hőmérsékletével együtt változik.

Telepítés

- ▶ A készüléket jól szellőző helyre telepítse.
- ▶ Soha ne helyezze a készüléket nedves területre vagy olyan helyre, ahol víz fröccsenhet rá. A vízfröccsenéseket és a foltokat törölje le és szárazra puha, tiszta törülköendővel.
- ▶ Ne szerelje be a készüléket közvetlen napsugárzásnak kitett helyre vagy hőforrások (pl. kályhák, fűtőberendezések) közelébe.
- ▶ A méretének és felhasználásnak megfelelő helyre szerelje be és állítsa szintbe a készüléket.
- ▶ A berendezésen vagy a beépített szerkezetben a szellőzőnyílásokat ne takarja el.
- ▶ Bizonyosodjon meg arról, hogy az adattáblán olvasható elektromos jellemzők megfelelnek az elérhető tápellátás jellemzőinek. Ellenkező esetben forduljon villanyszerelőhöz.
- ▶ A készülék 220–240 V váltóáramú, 50 Hz-es tápellátást igényel. A rendellenes feszültségingadozás nyomán előfordulhat, hogy a készülék nem indul be, károsodhat a hőmérséklet-vezérlő vagy a kompresszor, illetve működés során rendellenes zajjelentkezhet. Hasonló esetben szereljen fel automatikus feszültség szabályozót.
- ▶ Ne használjon több dugós adaptereket és hosszabbító kábeleket.
- ▶ Ne helyezzen több hordozható csatlakozót vagy hordozható tápegységet a berendezés mögé.
- ▶ Ügyeljen arra, hogy a tápkábel ne szoruljon a hűtőberendezés alá. Ne lépjen a tápkábelre.



FIGYELMEZTETÉS!

- ▶ A tápegységhez külön földelt aljzatot használjon, amely könnyen hozzáférhető. A készülék mindenképpen földelésre szorul.
Csak az Egyesült Királyság esetén: A készülék tápkábele 3 érintkezős (földeléses) dugasszal rendelkezik, amelyik szabványos 3 érintkezős (földeléses) aljzathoz illeszkedik. Soha ne vágja le vagy távolítsa el a harmadik érintkezőt (földelést). A készülék beszerelését követően a dugasznak hozzáférhetőnek kell maradnia.
- ▶ Ne okozza a hűtőközeg kör sérülését.

Napi használat

- ▶ A berendezést 8 évnél idősebb gyermekek vagy csökkent fizikai, érzékszervi vagy mentális képességű, vagy tapasztalattal és ismerettel nem rendelkező személyek akkor használhatják, ha felügyelet alatt állnak vagy ha megfelelő utasításokkal látták el őket a berendezés biztonságos használatát illetően, és megértették a használatból eredő veszélyeket.
- ▶ A 3 és 8 év közötti gyermekek be- és kirakodhatják a hűtőkészülékeket, de a hűtőkészülékek tisztítását és szerelését nem végezhetik.
- ▶ Tartsa távol a 3 évesnél fiatalabb gyermekeket a készüléktől, kivéve, ha biztosítja a folyamatos felügyeletet.
- ▶ Gyermekek nem játszhatnak a berendezéssel.
- ▶ Ha hűtőgáz vagy más gyúlékony gáz szivárog a készülék közelében, zárja el a szivárgó gáz szelepét, nyissa ki az ajtókat és ablakokat, és ne húzza ki a hűtőszekrény/ fagyasztó vagy más készülék tápkábelének a dugaszát.
- ▶ Vegye figyelembe, hogy a készülék 10 és 43 °C közötti környezeti hőmérsékletben való működésre készült. Előfordulhat, hogy a készülék nem működik megfelelően, ha hosszabb ideig a jelzett tartomány feletti vagy alatti hőmérsékleten üzemel.
- ▶ Ne helyezzen instabil cikkeket (nehéz tárgyakat, vízzel teli edényeket) a hűtőberendezés tetejére, elkerülve így a személyi sérüléseket, amiket ezen tárgyak leesése vagy a vízzel való érintkezés nyomán bekövetkező áramütés okozhat.
- ▶ Ne húzza meg az ajtópolcokat. Az ajtó elferdülhet, kihúzhatja a helyéről a palacktartót, vagy a készülék felborulhat.
- ▶ Az ajtók nyitását vagy becsukását kizárólag a fogantyúkkal végezze. Az ajtók közötti, ill. az ajtó és a szekrény közötti rés nagyon szűk. Ne nyújtsa a kezét ezekre a területekre, mivel az ujjai becsípődhetnek. Csak akkor nyissa ki vagy csukja be a berendezés ajtaját, ha nem állnak gyermekek az ajtó mozgási tartományán belül.
- ▶ A berendezés elhelyezésekor ellenőrizze, hogy a tápkábel nincs-e beszorulva vagy nem sérült-e.
- ▶ Ne tároljon robbanásveszélyes anyagokat, például gyúlékony hajtóanyagot tartalmazó aeroszolos palackot a berendezésben.
- ▶ Az élelmiszerek szennyeződésének elkerülése érdekében:
 - Ha hosszú ideig nyitva tartja az ajtót, a készülék rekeszeiben jelentősen megemelkedhet a hőmérséklet.
 - Rendszeres időközönként tisztítsa meg az élelmiszerekkel érintkező felületeket, illetve a hozzáférhető vízelvezető csatornákat.
 - A nyers húst és halat megfelelő tartályokban tárolja a fagyasztón belül, hogy ne érintkezhessenek egyéb élelmiszerekkel, illetve levük ne csepeghessen egyéb élelmiszere.
 - Ha a terméket hosszú ideig üresen hagyja, kapcsolja ki, olvassza le, tisztítsa meg, szárítsa ki, illetve hagyja az ajtót nyitva, így megelőzve penész megjelenését a készülékben.



FIGYELMEZTETÉS!

- ▶ Ne tároljon, ill. használjon gyúlékony, robbanásveszélyes vagy maró hatású anyagokat a készülékben vagy a közelében.
- ▶ A készülékben ne tároljon gyógyszereket, baktériumokat vagy vegyszereket. Ez a készülék háztartási készülék. Nem javasoljuk olyan anyagok tárolását, amelyek szűk hőmérséklet-tartományban tárolhatók.
- ▶ Soha ne tároljon folyadékokat palackokban vagy kannákban (magas alkoholtartalmú italok kivételével), különösen szénsavas italokat a fagyasztóban, mert ezek szétreobbannak fagyasztás közben.
- ▶ Ellenőrizze az élelmiszer állapotát, ha a fagyasztóban felmelegedett a hőmérséklet.
- ▶ Ne állítson be szükségtelenül alacsony hőmérsékletet a hűtőrekeszben. Magas teljesítménybeállítások esetén mínusz fokok alakulhatnak ki. Figyelem: A palackok szétrobbanhatnak
- ▶ Ne nyúljon fagyott tárgyakhoz nedves kézzel (viseljen kesztyűt). Különösen ne egyen jeges nyalókát közvetlenül a fagyasztóból való kivétel után. Fennáll a fagysérülések vagy a hólyagok kialakulásának veszélye. **ELSŐSEGÉLYNYÚJTÁS:** tartsa a sérülést azonnal folyó hideg víz alá. Ne húzza el!
- ▶ Működés közben ne érintse meg a fagyasztórekesz belső felületét, különösen nedves kézzel, mert a keze a felülethez fagyhat.
- ▶ Áramszünet esetén vagy tisztítás előtt húzza ki a készüléket az aljzatból. A készülék újraindítása előtt várjon legalább 7 percet, mivel a készülék gyakori indítása során károsodhat a kompresszor.
- ▶ Ne használjon elektromos készülékeket a berendezés élelmiszer tároló rekeszében, kivéve a gyártó által jóváhagyott típust. Karbantartás / tisztítás
- ▶ Gondoskodjon a gyermekek felügyeletéről, ha tisztítást vagy karbantartást végeznek.
- ▶ A rutinszerű karbantartás megkezdése előtt húzza ki a készüléket a villanyhálózatról. A készülék újraindítása előtt várjon legalább 5 percet, mivel a készülék gyakori indítása során károsodhat a kompresszor.



FIGYELMEZTETÉS!

- ▶ A készülék aljzatból való leválasztásakor ne a kábelt, hanem a csatlakozódugót húzza.
- ▶ Ne tisztítsa a készüléket keménysörtés kefékkel, drótkefékkel, mosóporral, benzinnel, amil-acetáttal, acetonnal és hasonló szerves oldatokkal, valamint savas vagy lúgos oldatokkal. A károsodások elkerülése érdekében a hűtőszekrény tisztítását speciális, adott célra kialakított tisztítószerrel végezze.
- ▶ Ne kaparja le a fagyot éles tárgyakkal. A műanyag alkatrészek károsodásának elkerülése érdekében ne használjon spray-t, elektromos hevítő berendezést, például fűtőberendezést, hajszárítót, gőztisztítót vagy más hőforrást.
- ▶ A kiolvasztási folyamat felgyorsításához csak a gyártó által javasolt mechanikai berendezéseket vagy egyéb eszközöket használja.
- ▶ Ha a tápkábel megsérül, a veszély elkerülése érdekében cseréltesse ki a gyártóval, a gyártó szervizközpontjával vagy más szakemberrel.
- ▶ Ne tegyen kísérletet a készülék saját kezű javítására, szétszerelésére vagy módosítására. Javítás szükségessége esetén vegye fel a kapcsolatot az ügyfélszolgálatunkkal.
- ▶ Évente legalább egyszer távolítsa el a port a készülék hátoldaláról, így elkerülve a tűzveszélyt, valamint a megnövekedett energiafogyasztást.
- ▶ Tisztítás közben ne permetezze vagy öblítse le a készüléket.
- ▶ Ne használjon vízpermetet vagy gőzt a készülék tisztításához.
- ▶ A hideg üvegpolicokat ne tisztítsa forró vízzel. A hirtelen hőmérséklet-változás nyomán az üveg megrepedhet.

Gázalapú hűtőközre vonatkozó információk



FIGYELMEZTETÉS!

A készülék gyúlékony IZOBUTÁN (R600a) hűtőközre tartalmaz. Győződjön meg arról, hogy a hűtőközre köre nem sérült meg szállítás vagy beszerelés közben. A szivárgó hűtőközre szemsérülést okozhat, vagy belobbanhat. Sérülés esetén tartsa távol a tűzforrásokat, szellőztesse ki alaposan a helyiséget, ne csatlakoztassa, vagy húzza ki a készülék vagy egyéb készülék tápkábelét. Tájékoztassa az ügyfélszolgálatot.

Ha a hűtőközre szembe kerül, akkor azonnal öblítse ki folyó víz alatt, és azonnal forduljon szemész szakorvoshoz.

Rendeltetésszerű használat

A készülék élelmiszerek hűtésére szolgál. Kizárólag háztartási és hasonló alkalmazásokra tervezték, mint például az üzletek, irodák és egyéb munkakörnyezetek személyzeti konyháinak területei; tanyasi házakban és szállodák, motelek és egyéb lakókörnyezetben, valamint panziós és vendéglátóipari vállalkozásokban való használatra ügyfelek számára. Tervezéséből adódóan nem alkalmas kereskedelmi vagy ipari használatra.

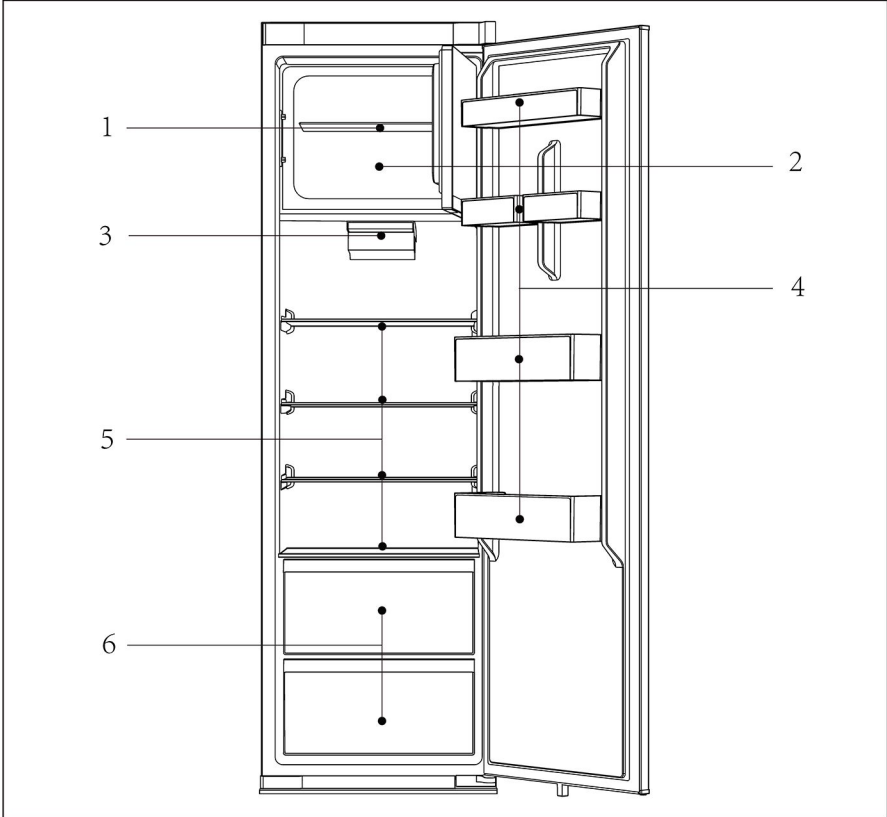
A készüléken változtatások vagy módosítások végrehajtása nem megengedett. A nem rendeltetésszerű használat veszélyeket eredményezhet, illetve a szavatossági igények érvénytelenítésével járhat.

Szabványok és irányelvek

A termék megfelel az összes vonatkozó EK irányelvben meghatározott követelménynek, illetve a vonatkozó harmonizált szabványoknak, amelyek alapján megilleti a CE-jelölés.

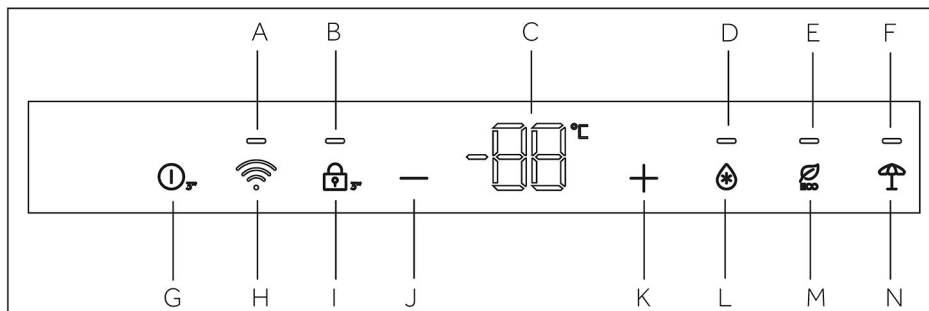
i MEGJEGYZÉS

A műszaki módosítások és különböző modellek miatt előfordulhat, hogy a kézikönyvben látható egyes ábrák eltérőek az Ön modelljéhez képest.

**CML5518EVW4**

- 1 Közös fagyasztópolc
- 2 Fagyasztótér
- 3 Ventilátor és LED lámpa
- 4 Palacktartók
- 5 Közös kamrapolcok
- 6 Közös kamra fiókok

Vezérlőpanel



Jelzések:

- A Wi-Fi funkció ikon
- B Zárolás/feloldás ikon
- C Hőmérséklet kijelző ikon
- D Super Cool funkció ikon
- E ECO funkció ikon.
- F Holiday funkció ikon

Gombok:

- G BE/KI gomb
- H Wi-Fi gomb
- I Zárolás/feloldás gomb
- J Alacsonyabb hőmérséklet gomb
- K Magasabb hőmérséklet gomb
- L Super Cool funkció gomb
- M ECO funkció gomb
- N Holiday funkció gomb

Érintésérzékeny gombok

A vezérlőpulton található gombok érintésérzékenyek, és már akkor reagálnak, ha enyhén megérinti az ujjával.

MEGJEGYZÉS

Amikor a készüléket bekapcsolja, akár 12 órát is igénybe vehet a megfelelő hőmérséklet elérése

A kijelző vezérlése előtt nyissa ki a hűtőberendezés ajtaját.

Zárolás/feloldás funkció

Ez a gomb és ikonja a vezérlőképernyő zárolására vagy feloldására szolgál, és jelzi az aktuális állapotát.

Nyissa ki a hűtőszekrény ajtaját, miközben a hűtőszekrény működik, a vezérlőképernyő világít, és a Zárolás/feloldás ikon világít: ekkor a vezérlőképernyő zárolt állapotban van, és nem működtethető.

A képernyő manuális feloldása vagy zárolása: Amikor a Lezárás/feloldás ikon világít, kérjük, tartsa megérintve a Lezárás/feloldás gombot 3 másodpercig. Az ikon kialszik, és egy hangjelzés kíséri. Ekkor a funkció kiválasztása vagy a hőmérséklet beállítása végezhető el.

Amikor a Zárolás/feloldás ikon nem világít, kérjük, tartsa megérintve a Lezárás/feloldás gombot 3 másodpercig. Ekkor a Zárolás/feloldás ikon világít, és egy hangjelzés kíséri. Jelenleg a funkció kiválasztása vagy a hőmérséklet beállítása nem hajtható végre.

Automatikus képernyőzár: Ha a hűtőszekrény ajtaja be van csukva, a vezérlőképernyő kikapcsol és zárolódik.

A hűtőszekrény ajtajának kinyitásakor a vezérlőképernyő automatikusan zárolódik, ha 30 másodpercen belül nem történt művelet.

BE/KI funkció

Az BE/KI gomb az KI (működés szüneteltetése) és BE (normál üzemmód) közötti váltáshoz használható.

Lépés KI módba: Hűtőszekrény üzemmódban először oldja fel a kijelző zárolását, majd tartsa megérintve 3 másodpercig a BE/KI funkciógombot, hogy kikapcsolja a vezérlőképernyőt, a hűtővilágítást, a hűtést és az egyéb funkciókat, majd egy figyelmeztető hangot hall.



MEGJEGYZÉS

Az KI mód nem kapcsol ki, és a hűtőszekrény még mindig be van kapcsolva.

Kilépés az KI módból: KI módban tartsa megérintve az BE/KI gombot 3 másodpercig, hogy újraindítsa a vezérlőképernyőt, a hűtővilágítást, a hűtést és más funkciókat. Ezeket egy figyelmeztető hang kíséri. A hűtőszekrény visszaállítja a beállított hőmérsékletet és funkciót, és normál üzemmódba lép.

Wi-Fi funkció

Wi-Fi keresése: A hűtőszekrény az első bekapcsolásakor automatikusan hálózati konfigurációs módba lép, és a Wi-Fi funkció ikonja gyorsan villog, és ha nem volt hálózati csatlakozási művelet, akkor 30 perc elteltével automatikusan kilép.

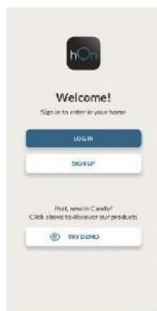
Belépés manuálisan a Wi-Fi-keresési módba: A vezérlőképernyő feloldása után, miközben a Wi-Fi funkció ikon be van kapcsolva, tartsa lenyomva a Wi-Fi keresése gombot 3 másodpercig a keresési módba történő belépéshez. Ezalatt a Wi-Fi funkció ikonja gyorsan villog, jelezve, hogy Wi-Fi-keresési módban van. Ha nincs hálózathoz való csatlakozási művelet, 30 perc elteltével automatikusan kilép.

PÁROSÍTÁSI ELJÁRÁS AZ ALKALMAZÁSBAN

1. lépés • Töltse le a hOn alkalmazást az áruházakból.



2. lépés Hozza létre fiókját a hOn alkalmazásban, vagy jelentkezzen be, ha már van fiókja.



3. lépés Kövesse a hOn alkalmazásban található párosítási utasításokat.



MEGJEGYZÉS

A Wi-Fi-keresési módban kövesse az alkalmazás utasításait a hálózati konfigurálás befejezéséhez. Ha módosítania kell a Wi-Fi-környezetet, újra be kell lépnie a módba. Ha a Wi-Fi funkció ikonja folyamatosan világít, az azt jelzi, hogy a hálózat sikeresen csatlakozott.

Kamra hőmérsékletének a beállítása

Miután kinyitotta a hűtőszekrény ajtaját és feloldotta a vezérlőképernyőt, az Alacsonyabb hőmérséklet gomb segítségével csökkentheti a hűtőszekrény beállított hőmérsékletét. Minden alkalommal, amikor enyhén megérinti a gombot, a hőmérséklet 1 °C-kal csökken, a megengedett minimum hőmérséklet pedig 1 °C.

Miután kinyitotta a hűtőszekrény ajtaját és feloldotta a vezérlőképernyőt, a Magasabb hőmérséklet gomb segítségével növelheti a hűtőszekrény beállított hőmérsékletét. A gomb minden enyhe megérintésekor a hőmérséklet 1 °C értékkel emelkedik, a megengedett maximum hőmérséklet pedig 9 °C.

Működés közben a Hőmérséklet-kijelző ikon megjeleníti a beállított hőmérsékletet, és villog. A vezérlőképernyő 5 másodperc elteltével automatikusan megerősíti a beállított hőmérsékletet.

Super Cool funkció

Ezzel a gombbal és ikonjával lehet átváltani a hűtőszekrény Super Cool funkciójára, és megjeleníteni az aktuális állapotot.

A hűtőszekrény ajtajának kinyitása és a vezérlőképernyő feloldása után érintse meg a „Super Cool gombot”, és a „Super Cool ikon” világítani kezd. Ekkor a hűtőszekrény „Super Cool módban” van. Az üzemmód kikapcsolásához ugyanezzel a művelettel érintse meg a „Super Cool gombot”. A Super Cool funkció bekapcsolása után a hűtőszekrény körülbelül 48 órán belül automatikusan kilép a Supercool módból, hogy elkerülje a túl alacsony hőmérsékletet.

Ha rövid időn belül nagy mennyiségű élelmiszert tesz a hűtőszekrénybe, a hűtőszekrény belsejében a hőmérséklet megemelkedik. A Super Cool funkció bekapcsolása után ezeknek az ételeknek a hőmérséklete gyorsan csökkenthető.

Ha nagy mennyiségű ételt helyez a kamratérbe, a Super Cool funkció közvetlenül bekapcsolható. Ha nagy mennyiségű élelmiszert tesz a fagyasztóba, 12 órával az élelmiszer behelyezése előtt kapcsolja be a Super Cool funkciót.

ECO funkció

Miután kinyitotta a hűtőszekrény ajtaját és feloldotta a vezérlőképernyőt, finoman érintse meg az ECO funkciógombot, az ECO funkció ikonja kigyullad, és a hűtőszekrény már ebben az üzemmódban lesz; Ha ki kell lépnie az üzemmódból, ugyanezt a műveletet, az ECO funkciógomb enyhe megérintését kell elvégeznie. ECO módban a hűtőszekrény automatikusan 5 °C-os átlaghőmérsékleten működik.

Holiday funkció

Miután kinyitotta a hűtőszekrény ajtaját és feloldotta a vezérlőképernyőt, finoman érintse meg a Holiday funkciógombot, a Holiday funkció ikonja kigyullad, és a hűtőszekrény már ebben az üzemmódban lesz; Ha ki kell lépnie az üzemmódból, ugyanezt a műveletet, a Holiday funkciógomb enyhe megérintését kell elvégeznie. Holiday funkció módban a hűtőszekrény automatikusan 17 °C-os átlaghőmérsékleten működik.

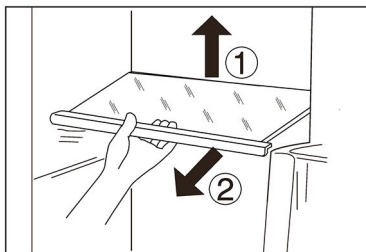
A Holiday funkció bekapcsolásakor a kamratér és a fagyasztótér együtt lép be a Holiday funkcióba, és a fagyasztott élelmiszereket is ki kell venni, hogy elkerüljük a magas hőmérséklet okozta ételkárosodást.



MEGJEGYZÉS

A Super Cool funkció, az ECO funkció és a Holiday funkció közötti speciális funkciók eltérő működési logikája miatt ezeket a speciális üzemmódokat nem lehet egyszerre aktiválni. Csak egy funkció aktiválható, és az üzemmódok közötti váltáskor a többi speciális üzemmód automatikusan kilép. Ezenkívül a beállított hőmérséklet nem változtatható meg, kivéve, ha ezek az üzemmódok kilépnek.

5 °C ideális hőmérséklet friss élelmiszerekhez, például gyümölcsökhöz és zöldségekhez, tejtermékekhez, húsokhoz és italokhoz.



Polcok

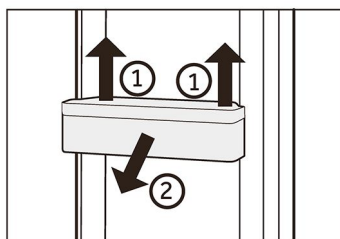
1. A polcok magasságát az Ön tárolási igényeihez igazíthatja.
2. Egy polc áthelyezéséhez először emelje fel a hátsó szélét ①, majd húzza ki a polcot ②.
3. A visszaszereléshez helyezze mindkét oldalon a fülkekre, és tolja a leghátsó helyzetbe, amíg a polc hátulja nem rögzül az oldalsó nyílásokban.

i MEGJEGYZÉS

Győződjön meg arról, hogy a polc mindegyik éle vízszintesen helyezkedik el.

Kivehető palack

1. A palack eltávolítható a tisztításhoz.
2. Tegye a kezét az állvány két oldalára, emelje fel ①, majd húzza ki a polcot ②.
3. A palack behelyezéséhez hajtsa végre a fenti lépéseket fordított sorrendben.



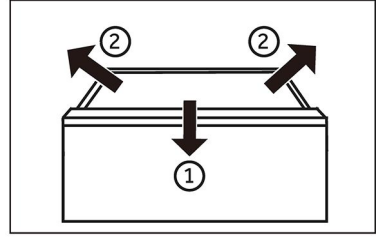
i MEGJEGYZÉS

Az elhelyezési jellemzők miatt a palacktartó hőmérséklete az ajtótest első és második polcán valamivel magasabb, mint a hűtőben, ezért csak az élelmiszerek rövid távú tárolására ajánlott.

Eltávolítható fiók

A fiók eltávolításához húzza ki azt a végpontig ①, majd emelje fel és vegye ki ②.

A fiók behelyezéséhez hajtsa végre a fenti lépéseket fordított sorrendben.



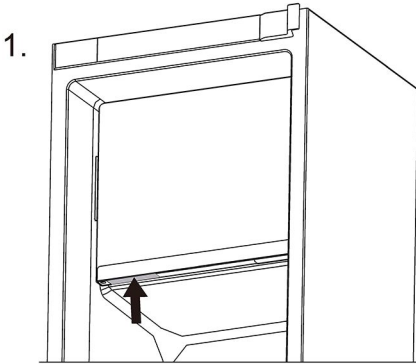
A világítás

A LED-es belső világítás bekapcsol az ajtó nyitásakor. A lámpák teljesítményét a készülék semmilyen egyéb beállítása nem befolyásolja.

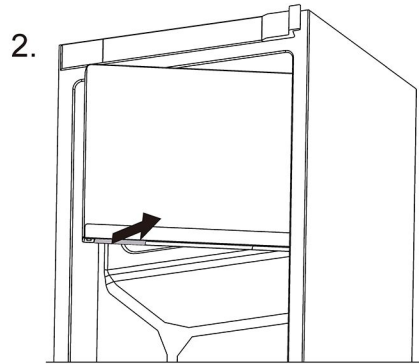
Fagyasztótér

Ennek a hűtőberendezésnek a felső részén 30 literes fagyasztótér található, és a fagyasztótér hőmérséklete a kamratér hőmérsékletével együtt változik. Nyissa ki a fagyasztótér ajtaját: Először tolja fel a kapcsolót az 1. képen látható módon; majd húzza ki a 2. képen látható módon;

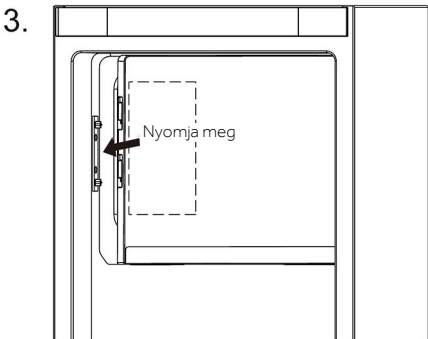
Zárja be a fagyasztótér ajtaját: Nyomja meg a kis ajtónyílás oldalának középső részét a 3. képen látható módon.



Nyomja fel a kapcsolót



Húzza kifelé a kapcsolót





Energiatakarékossági tippek

- ▶ Bizonyosodjon meg arról, hogy a készülék megfelelő szellőzéssel rendelkezik (lásd BESZERELÉS).
- ▶ Ne szerelje be a készüléket közvetlen napsugárzásnak kitett helyre vagy hőforrások (pl. kályhák, fűtőberendezések) közelébe.
- ▶ Kerülje a szükségtelenül alacsony hőmérsékletet a készülékben. Minél alacsonyabb hőmérsékletet állít be, annál jobban növekszik az energiafogyasztás.
- ▶ Az olyan funkciók, mint a Super Cool, magasabb energiafogyasztást eredményeznek.
- ▶ Mielőtt a készülékbe tenné, hagyja, hogy a meleg élelmiszer kihűljön.
- ▶ Minél kevésbé és minél rövidebb ideig nyissa ki a készülék ajtaját.
- ▶ Ne töltsé túlságosan meg a készüléket, mivel ez akadályozza a légáramlást.
- ▶ Kerülje, hogy levegő legyen az élelmiszerek csomagolásában.
- ▶ Az ajtó tömítéseket tartsa tisztán, hogy az ajtó mindig megfelelően becsukódhasson.
- ▶ Az energiatakarékosság szempontjából leghatékonyabb konfiguráció biztosításához a készüléknek gyári állapotú és tisztaságú fiókokra, élelmiszerdobozokra, polcokra van szüksége, és az élelmiszert úgy kell elhelyezni, hogy az a legkevésbé korlátozza a levegőáramlást a légcsatorna levegőkimeneteinél.



FIGYELMEZTETÉS!

Tisztítás előtt válassza le a hálózatról a készüléket.

Tisztítás

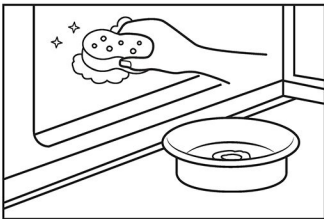
Akkor tisztítsa meg a készüléket, amikor kevés vagy semmilyen élelmiszer nem található benne.

A készüléket tisztítsa meg négyhetente a megfelelő karbantartás jegyében, illetve megelőzendő a kellemetlen élelmiszer illatok kialakulását.



FIGYELMEZTETÉS!

- ▶ Ne tisztítsa a készüléket keménysörtés kefékkel, drótkefékkel, mosóporral, benzinnel, amil-acetáttal, acetonnal és hasonló szerves oldatokkal, valamint savas vagy lúgos oldatokkal. A károsodások elkerülése érdekében a hűtőszekrény tisztítását speciális, adott célra kialakított tisztítószerral végezze.
- ▶ Tisztítás közben ne permetezze vagy öblítse le a készüléket.
- ▶ Ne használjon vízpermetet vagy gőzt a készülék tisztításához.
- ▶ A hideg üvegpolicokat ne tisztítsa forró vízzel. A hirtelen hőmérséklet-változás nyomán az üveg megrepedhet.



- ▶ Mindig tartsa tisztán az ajtó-tömítést.
- ▶ Tisztítsa meg a készülék belsejét és burkolatát meleg vízzel és semleges tisztítószerral átnedvesített szivaccsal.
- ▶ 1. Tisztítsa meg a hűtőszekrény belsejét és külsejét, beleértve az ajtó-tömítést, az ajtópolcot, az üvegpolicokat, a dobozokat és így tovább, puha törökendővel vagy meleg vízbe mártott szivaccsal (a művelethez a meleg vízbe elegyíthet semleges tisztítószert).

- ▶ 2. Ha folyadék ömlött ki, távolítsa el az összes szennyezett alkatrészt, öblítse át ezeket közvetlenül folyó víz alatt, majd szárítsa meg és tegye vissza az alkatrészeket a hűtőbe.
- ▶ 3. Krémszerű termékek (például tejszín, olvadó jégkrém) kiömlése esetén, kérjük, távolítsa el az összes szennyezett alkatrészt, helyezze adott időtartamra meleg, kb. 40 °C-os vízbe, majd öblítse át folyó vízzel, szárítsa meg, és tegye vissza a hűtőszekrénybe.
- ▶ 4. Abban az esetben, ha egy kisebb alkatrész vagy alkotóelem reked a hűtőszekrény belsejébe (a polcok vagy fiókok közé), az eltávolításhoz kis puha kefét használjon. Ha az alkatrész nem elérhető, kérjük, vegye fel a kapcsolatot a Haier szervizzel.
- ▶ Öblítse le a felületeket, majd törölje szárazra egy puha törökendővel.
- ▶ A készülék egyetlen részét vagy tartozékát se tisztítsa mosogatógépben.
- ▶ A készülék újraindítása előtt várjon legalább 5 perccel, mivel a készülék gyakori indítása során károsodhat a kompresszor.



MEGJEGYZÉS

A vízvezető nyílást nem zárhatják el idegen tárgyak, ellenkező esetben a víztűlfolyási probléma léphet fel. Ha a vízvezető nyílás eltömődött, vegye ki a fiókot, és tisztítsa meg egy kendővel.



Leolvasztás

Ha túl sok mindent helyez el, vagy az ajtót túl gyakran nyitja és csukja be, a kamratér vagy a fagyasztótér hátulján dér jelenhet meg, ami kézi leolvasztást igényel dérkaparóval.

A LED-es lámpák cseréje



FIGYELMEZTETÉS!

Ne tegyen kísérletet a LED-es lámpák saját kezű cseréjére, ezeket csak a gyártó vagy a hivatalos szerviz munkatársa cserélheti ki.

A lámpa fényforrása LED alapú, amely alacsony fogyasztást és hosszú élettartamot szavatol. Bármilyen rendellenesség esetén vegye fel a kapcsolatot az ügyfélszolgálatl. Lásd az ÜGYFÉLSZOLGÁLAT részt.

A lámpák paraméterei:

Hűtőrekesz: 12 V max. 1.5 W

A termék <G> energiahatékonysági osztályba sorolt fényforrást tartalmaz.

Hosszabb használaton kívüli időszak

Ha a készüléket hosszabb ideig nem használja, és a Holiday funkciót nem használja:

Vegye ki az ételt.

Húzza ki a tápkábelt.

Tisztítsa meg a készüléket a fent leírtak szerint.

A kellemetlen szagok készüléken belüli megjelenésének elkerülése érdekében hagyja nyitva az ajtókat.



MEGJEGYZÉS

Csak akkor kapcsolja ki a készüléket, ha feltétlenül szükséges.

A készülék mozgatása

1. Távolítsa el az összes élelmiszert, és húzza ki a készülék csatlakozódugóját.
2. Rögzítse a polcokat és az egyéb mozgatható alkatrészeket a kamrában szigetelőszalaggal.
3. A hűtőrendszer károsodásának az elkerülése érdekében ne döntse meg a hűtőberendezést 45°-nál nagyobb szögben.



FIGYELMEZTETÉS!

- ▶ Ne emelje a készüléket a fogantyútól.
- ▶ Soha ne fektesse a készüléket vízszintesen a földre.

Sok felmerülő problémát saját maga is megoldhat speciális szakértelem nélkül. Probléma felmerülése esetén ellenőrizze az összes felsorolt lehetőséget, és kövesse az alábbi utasításokat, mielőtt felvenné a kapcsolatot egy ügyfélszolgálattal. Lásd az ÜGYFÉLSZOLGÁLAT részt.



FIGYELMEZTETÉS!

- ▶ Karbantartás előtt kapcsolja ki a készüléket, és húzza ki a hálózati dugaszt a hálózati aljzatból.
- ▶ Az elektromos berendezéseket csak szakképzett villamossági szakemberek szervizelhetik, mert a nem megfelelő javítások jelentős károkat okozhatnak.
- ▶ Sérült tápkábel esetén a veszély elkerülése érdekében cseréltesse ki azt a gyártóval, a gyártó szervizközpontjával vagy más szakemberrel.

Probléma	Lehetséges ok	Lehetséges megoldás
A kompresszor nem működik.	<ul style="list-style-type: none"> • A hálózati dugasz nem csatlakozik a hálózati aljzathoz. • A készülék leolvasztási ciklust végez. 	<ul style="list-style-type: none"> • Csatlakoztassa a hálózati csatlakozódugót. • Ez természetes jelenség automatikus leolvasztásnál.
A készülék gyakran bekapcsol vagy túlságosan hosszú ideig üzemel.	<ul style="list-style-type: none"> • A beltéri vagy kültéri hőmérséklet túl magas. • A készülék hosszabb ideig kikapcsolt állapotban volt. • Egy ajtó a készülékben nem záródik megfelelően. • Az ajtót túlságosan gyakran nyitotta ki, vagy túlságosan sokáig tartotta nyitva. • A kamrarekesz hőmérsékletének a beállítása túl alacsony. • Az ajtó tömitése szennyezett, kopott, repedt vagy nem megfelelő. • A szükséges szellőzés nem biztosított. 	<ul style="list-style-type: none"> • Ebben az esetben természetes, hogy a készülék üzemeje megnövekedett. • Normál esetben 8 és 12 óra közötti időtartam szükséges a készülék teljes lehűléséhez. • Csukja be az ajtót/fiókot, és bizonyosodjon meg arról, hogy a készülék egyenes felületen található, és hogy élelmiszer vagy tárolóedény nem akadályozza az ajtó záródását. • Ne nyissa ki az ajtót/fiókot túl gyakran. • Állítsa a hőmérsékletet magasabbra, amíg a hűtőszekrény hőmérséklete megfelelő nem lesz. A hűtőszekrény hőmérsékletének a stabilizálódása 24 órát vesz igénybe. • Tisztítsa meg az ajtó/fiók tömitését, vagy cserélje ki ezt az ügyfélszolgálat bevonásával. • Biztosítsa meg megfelelő szellőzést.

Probléma	Lehetséges ok	Lehetséges megoldás
A hűtőberendezés belső része szennyezett és/vagy kellemetlen szagú.	<ul style="list-style-type: none"> A hűtőszekrény belső részé tisztítást igényel. Erős illatú élelmiszert tárol a hűtőberendezésben. 	<ul style="list-style-type: none"> Tisztítsa meg a hűtőszekrény belső részét. Alaposan csomagolja be az élelmiszert.
Nincs elég hideg a készülék belsejében.	<ul style="list-style-type: none"> A beállított hőmérséklet túl magas. Túl meleg árukat helyezett a készülékbe. Túl sok ételt helyezett egyszerre a készülékbe. Az élelmiszert egymáshoz túl közel helyezte. Egy ajtó/fiók a készülékben nem záródik megfelelően. Az ajtót/fiókot túlságosan gyakran nyitotta ki, vagy túlságosan sokáig tartotta nyitva. 	<ul style="list-style-type: none"> Állítsa vissza a hőmérsékletet. Tárolás előtt mindig hagyja lehűlni az élelmiszert. Az élelmiszereket mindig kis mennyiségben helyezze be. Hagyjon rést az élelmiszerek között, ami lehetővé teszi a levegő áramlását. Csukja be az ajtót/fiókot. Ne nyissa ki az ajtót/fiókot túl gyakran.
Túl hideg van a készülék belsejében.	<ul style="list-style-type: none"> A beállított hőmérséklet túl alacsony. A Super Cool funkció aktív, vagy túl sokáig működik. 	<ul style="list-style-type: none"> Állítsa vissza a hőmérsékletet. A Super Cool funkció kikapcsolása.
Pára csapódik le a hűtőrekesz belső részén.	<ul style="list-style-type: none"> Az éghajlat túl meleg vagy túl nedves. Egy ajtó/fiók a készülékben nem záródik megfelelően. Az ajtót/fiókot túlságosan gyakran nyitotta ki, vagy túlságosan sokáig tartotta nyitva. Étel- vagy folyadékátarólok nyitott állapotban maradtak a hűtőben. 	<ul style="list-style-type: none"> Növelje a hőmérsékletet. Csukja be az ajtót/fiókot. Ne nyissa ki az ajtót/fiókot túl gyakran. A forró élelmiszereket hagyja szobahőmérsékletre hűlni, illetve fedje le az élelmiszereket és folyadékokat.
Nedvesség gyűlik fel a hűtőberendezés külső felületén vagy az ajtó/ajtók és a fiók között.	<ul style="list-style-type: none"> Az éghajlat túl meleg vagy túl nedves. Az ajtó nincs megfelelően becsukva. A készülékben lévő hideg levegő és az azon kívüli meleg levegő páralecsapódást eredményez. 	<ul style="list-style-type: none"> Ez természetes jelenség nedves éghajlati viszonyok között, és megszűnik, amint csökken a páratartalom. Bizonyosodjon meg arról, hogy megfelelően becsukta az ajtót/fiókot.

Probléma	Lehetséges ok	Lehetséges megoldás
A kijelzőfény működik, de nincs hűtés.	<ul style="list-style-type: none"> Demo módban van. 	<ul style="list-style-type: none"> Kérjük, ellenőrizze, hogy milyen állapotban van, ha Demo módban van, lépjen ki belőle. Kilépés: Tartsa lenyomva az „ECO” gombot, és kattintson a „Super freeze” gombra 5 másodpercen belül 5 alkalommal.
Vastag jég és zúzmara található a fagyasztórézben.	<ul style="list-style-type: none"> Az élelmiszereket nem csomagolta be megfelelően. Egy ajtó/fiók a készülékben nem záródik megfelelően. Az ajtót/fiókot túlságosan gyakran nyitotta ki, vagy túlságosan sokáig tartotta nyitva. Az ajtó/fiók tömítése szennyezett, kopott, repedt vagy nem megfelelő. Valami belülről megakadályozza az ajtó/fiók megfelelő záródását. 	<ul style="list-style-type: none"> Mindig csomagolja be alaposan az élelmiszereket. Csukja be az ajtót/fiókot. Ne nyissa ki az ajtót/fiókot túl gyakran. Tisztítsa meg az ajtó/fiók tömítését, vagy cserélje ki ezt újjal. Helyezze vissza a polcokat, az ajtópolcokat vagy belső tartályokat, hogy az ajtó/fiók becsukódhasson.
A szekrény oldalai és az ajtótömítés felmelegedik.	<ul style="list-style-type: none"> - 	<ul style="list-style-type: none"> Ez természetes jelenség.
A készülék rendellenes hangokat ad ki.	<ul style="list-style-type: none"> A készülék nem vízszintes talajon helyezkedik el. A készülék hozzáér valamilyen körülötte lévő tárgyhoz. 	<ul style="list-style-type: none"> Állítsa be a lábakat a készülék szintbe állításához. Távolítsa el a készülék mellett lévő tárgyakat.
Az áramló vízhez hasonló halk hang hallható.	<ul style="list-style-type: none"> - 	<ul style="list-style-type: none"> Ez természetes jelenség.
Riasztó hangjelzése hallható.	<ul style="list-style-type: none"> A hűtőrekesz ajtója nyitva maradt. 	<ul style="list-style-type: none"> Csukja be az ajtót.
Halk zümmögés hallható.	<ul style="list-style-type: none"> A kondenzációgátló rendszer működik 	<ul style="list-style-type: none"> Ez megakadályozza a páralecsapódást és normális
A belső világítás vagy hűtőrendszer nem működik.	<ul style="list-style-type: none"> A hálózati dugasz nem csatlakozik a hálózati aljzathoz. Az áramellátás nem megfelelő. A LED-es lámpa meghibásodott. 	<ul style="list-style-type: none"> Csatlakoztassa a hálózati csatlakozódugót. Ellenőrizze a helyiség áramellátását. Vegye fel a kapcsolatot a helyi áramszolgáltatóval! Vegye fel a kapcsolatot a szervizzel a lámpa kicseréléséhez.

A műszaki támogatással való kapcsolatfelvételhez látogasson el a következő webhelyre: <https://corporate.haier-europe.com/en/>

A „webhely” (website) rész alatt válassza ki a termék márkáját és országát. Az oldal átirányítja az adott webhelyre, ahol megtalálható a műszaki támogatás eléréséhez szükséges telefonszám és űrlap.

Tápellátás megszakadása

Tápkimaradás esetén az élelmiszer biztonságos hidegben marad megközelítőleg 5 órán át. Hosszabb tápkimaradás esetén, különösen nyáron, kövesse az alábbi tippeket:

- ▶ Minél kevesebbszer nyissa ki az ajtót/fiókot.
- ▶ Tápkimaradás esetén ne tegyen további élelmiszereket a készülékbe.
- ▶ Ha a szolgáltató előzetesen tájékoztat a várható tápkimaradásról, és ha a tápkimaradás időtartama meghaladja az 5 órát, gyártson némi jeget, és helyezze a hűtőrekesz felső részébe.
- ▶ A megszakítást követően azonnal vizsgálja meg az élelmiszert.
- ▶ Mivel a hűtőszekrényben a hőmérséklet áramkimaradás vagy egyéb meghibásodás esetén emelkedni fog, a tárolási időtartam és az élelmiszer fogyaszthatósági időtartama lecsökken.

Memória funkció áramkimaradás esetén

Az áramellátás helyreállítása után a készülék az áramkimaradás előtt meghatározott beállításokkal folytatja a működést.

Kicsomagolás



FIGYELMEZTETÉS!

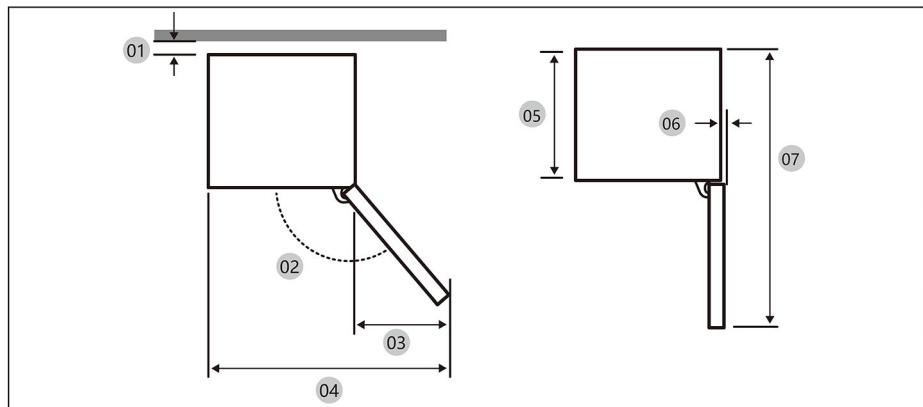
- ▶ A készülék nehéz. A készülék mozgatásához mindig legalább két személy szükséges.
- ▶ Tartson minden csomagolóanyagot gyermekektől elzárva, kiselejtezésüket pedig környezetbarát módon végezze.
- ▶ Vegye ki a készüléket a csomagolásból.
- ▶ Távolítsa el az összes csomagolóanyagot

Környezeti körülmények

A szobahőmérsékletnek mindig 10 °C és 43 °C között kell lennie, mivel befolyásolhatja a készülék belsejének hőmérsékletét és energiafogyasztását. Ne telepítse a készüléket egyéb hőkibocsátó készülékek (sütők, hűtőgépek) közelébe

Helyszükséglet

Helyszükséglet nyitott ajtó mellett (szekrény ajtópanel nélkül)

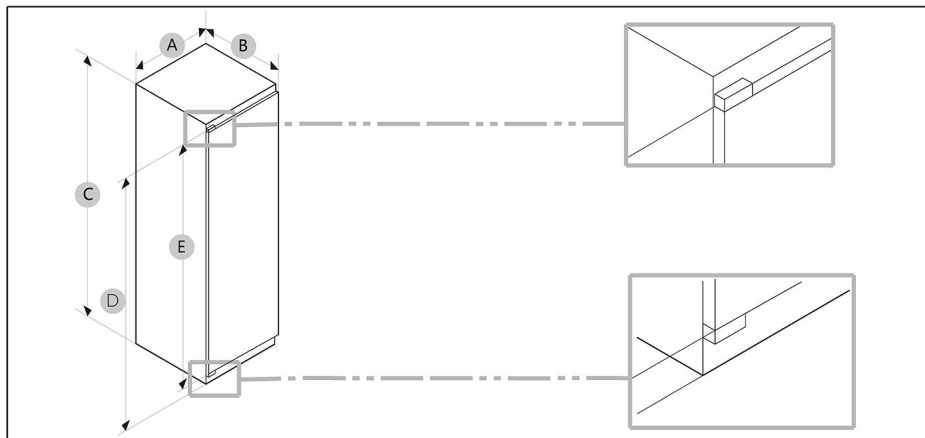


Modell	CML5518EVW4
01*	10 (min.) / 30 (ajánlott)
02	95° (ajánlott)
03	43
04	583
05	515
06	-3
07	1060

(mértékegység: mm)

* 01: A szekrénytől a termék hátuljáig.

Termék méretei



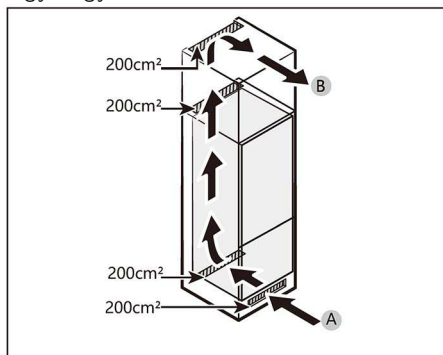
Modell	A (mm)	B (mm)	C (mm)	D (mm)	E (mm)
CML5518EVW4	540±2	550±2	1772±2	1715	1671

i MEGJEGYZÉS

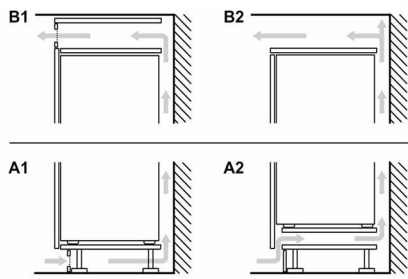
- A megadott energiafogyasztás a szekrény és a termék hátulja közötti 10 mm-es távolság meglétét feltételezi. A termék akkor is megfelelően működik, ha a távolság nem éri el a 10 mm-t, de ebben az esetben valamivel több energiát fogyaszt.
- Javasoljuk, hogy 19 mm-es vastagsággal rendelkező szekrényt használjon, amelynek zsanérjai 17 mm-nél vékonyabbak.
- A fenti táblázatban szereplő méretek a mérési módszertől függően eltérőek lehetnek.
- A beépített telepítés menetét illetően lásd a Telepítési útmutatót.

Szellőzés keresztmetszet

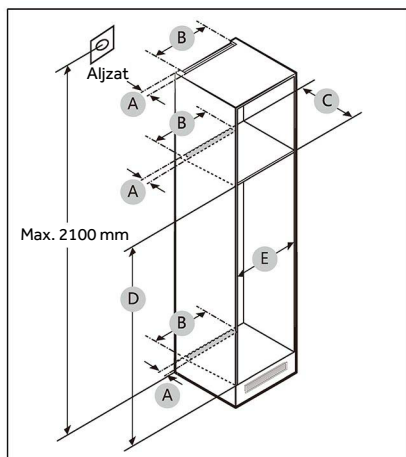
A készülék számára biztonsági okokból szükséges szellőzése érdekében kötelezően vegye figyelembe a szellőzés keresztmetszetére vonatkozó tájékoztatást.



A: Levegőbemenet $\geq 200 \text{ cm}^2$; szellőzési lehetőségek
B: Levegőkimenet $\geq 200 \text{ cm}^2$; szellőzési lehetőségek



Szekrény mérete



! VIGYÁZAT!

A jótállás nem terjed ki a termék alábbi okokból bekövetkező meghibásodására.

1. Nem megfelelő helyszíni feltételek vagy helytelen szekrényméretetek.
2. Hibás szekrény.
3. A beszerelést végző személy vagy a felhasználó által elkövetett hibák.

Megfelelő távolság a berendezés körül

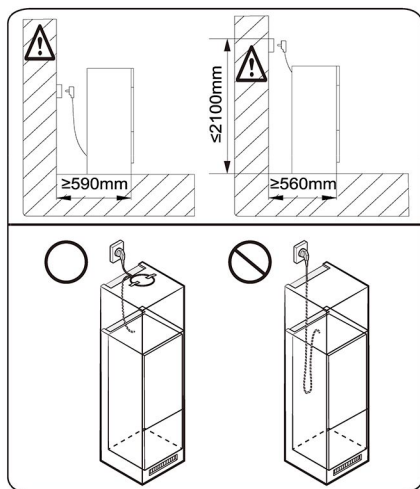
A telepítés helyigénye tekintetében lásd az alábbi ábrákat és táblázatokat.

Modell		A (mm)	B (mm)	C (mm)	D (mm)	E (mm)	Megjegyzés
CML5518EVW4	Min.	50	400	560	1778	560	Zsanér: 17 mm
	Ajánlott			580	1780	562	
	Max.			-	1782	568	

i MEGJEGYZÉS

- Ha a szekrény szélessége meghaladja az 568 mm-t, a tömítés (a hűtőszekrény és a szekrény között) meglazulhat.
- Ha a szekrény magassága meghaladja a maximális méretet (1782 mm), akkor más anyagokkal kell kitöltenie a rést.

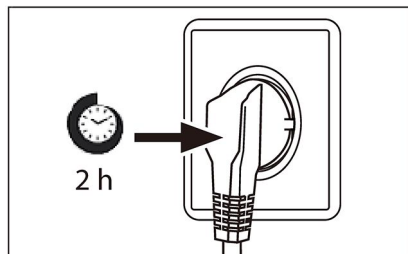
Az aljzat helyét és a szükséges távolságot illető követelmények



i MEGJEGYZÉS

Ha a hűtőszekrényt 560 mm mély szekrénybe szereli, győződjön meg róla, hogy a tápkábel a hűtőszekrény oldalán van elhelyezve, mielőtt a terméket csatlakoztatná a hálózati aljzathoz. Ha a tápkábel a hűtőszekrény hátuljánál található, az csökkentheti az energiahatékonyságot.

Várakozási idő



Karbantartásmentes kenőolaj található a kompresszorban kialakított gyűjtőedényben. Ferde szállítás esetén ez az olaj a zárt csőrendszerbe juthat. Mielőtt tápellátáshoz csatlakoztatná a készüléket, mindenképpen várjon legalább 2 órát, hogy az olaj visszajusson a gyűjtőedénybe.

Elektromos csatlakoztatás

Minden egyes csatlakoztatás előtt ellenőrizze az alábbiakat:

- ▶ tápellátás, aljzat és biztosíték megfelelősége az adattáblán szereplő adatoknak;
- ▶ a tápaljzat földeléssel rendelkezik, és nem használ többcsatlakozós hosszabbítót a tápellátáshoz;
- ▶ a tápdugasz és az aljzat teljes mértékben illeszkedik egymáshoz.

Csatlakoztassa a csatlakozódugót egy megfelelően beépített háztartási aljzathoz.

! FIGYELMEZTETÉS!

A kockázatok elkerülése érdekében a sérült tápkábelt kötelezően ki kell cserélni, ezt pedig csak az ügyfélszolgálat munkatársa végezheti el (lásd a jótállási jegyet).

Az (EU) 2019/2016 előírásnak megfelelő termékadatlap

Márka	Candy	
Modellnév/azonosító	CML5518EVW4	
Modellkategória	Hűtő-fagyasztó	
Energiahatékonysági osztály	E	
Éves energiafogyasztás (kWh/év) (1)	173	
Össztérfogat (l)	285	
Kamra térfogata (l)	255	
Fagyasztó térfogata (l)	30	
Hűtőrekesz térfogata (l)	/	
Automatikus jégkészítő térfogata (l)	/	
Csillaggal történő megjelölés	/	
Egyéb rekeszek hőmérséklete > 14 °C	Nem vonatkozik	
Fagymentes rendszer	NEM	
Fagyasztási kapacitás (kg/24 ó)	2	
Éghajlati besorolás	SN/N/ST/T	
Zajkibocsátási osztály és levegőben terjedő akusztikus zajkibocsátás (db(A)re1pW)	B 35	
Hőmérséklet-emelkedési idő (ó)	/	
Jégkészítési kapacitás	/	
A berendezés típusa	Beépített	

Modellnév	Energhatékonyági osztály
CML5518EVW4	E

Magyarázatok:

• Igen, támogatott

- (1) 24 órás szabványos megfelelőségi vizsgálat eredményei alapján.
A tényleges fogyasztás függ a készülék használatától és helyétől.
- (2) SN éghajlati besorolás: A készüléket +10 °C és +32 °C közötti környezeti hőmérsékleten való használatra tervezték
N éghajlati besorolás: A készüléket +16 °C és +32 °C közötti környezeti hőmérsékleten való használatra tervezték
ST éghajlati besorolás: A készüléket +16 °C és +38 °C közötti környezeti hőmérsékleten való használatra tervezték
T éghajlati besorolás: A készüléket +16 °C és +43 °C közötti környezeti hőmérsékleten való használatra tervezték

Kiegészítő műszaki adatok

Feszültség / Frekvencia	220–240 V váltóáram / 50 Hz
Bemeneti áramerősség (A)	1.0
Fő biztosíték (A)	16
Hűtőfolyadék	R600a
Méreték (Ma/Sz/Mé mm-ben)	1772/540/550

RF információ

Max. e.i.r.p.: Bluetooth (BR/EDR): 10 dBm
Bluetooth LE: 5 dBm
2,4 GHz-es Wi-Fi: 16 dBm

Működési frekvenciasáv: 2400–2483,5 MHz

Figyelmébe ajánljuk a Haier ügyfélszolgálat és az eredeti pótalkatrészek igénybe vételét. Ha probléma merül fel a készülékkel, először tekintse át a HIBAELHÁRÍTÁS részt.

Ha ebben nem talál megoldást, lépjen kapcsolatba

- ▶ a helyi márkakereskedővel vagy
- ▶ európai telefonos ügyfélszolgálati központunkkal (lásd alább a felsorolt telefonszámokat) vagy
- ▶ a www.candy-home.com oldalon található Szerviz és támogatás (Service & Support) területen, ahol aktiválhatja a szervizelési igényt, illetve megtalálhatja a GYIK oldalt.

A szerviz szolgáltatásunkkal való kapcsolatfelvétel előtt bizonyosodjon meg arról, hogy elérhetők az alábbi adatok.

Az információ az adattáblán található.

Modell _____

Sorozatszám _____

Jótállási igény felmerülése esetén ellenőrizze a termékhez mellékelt jótállási kártyát is.

Európai telefonos ügyfélszolgálati központ		
Ország*	Telefonszám	Költségek
Haier Italy (IT)	199 100 912	
Haier Spain (ES)	902 509 123	
Haier Germany (DE)	01805393999	<ul style="list-style-type: none"> • 14 cent/perc vezetékes • max. 42 cent/perc mobil
Haier Austria (AT)	0820 001 205	<ul style="list-style-type: none"> • 14,53 cent/perc vezetékes • max. 20 cent/perc összes egyéb
Haier United Kingdom (UK)	0333 003 8122	
Haier France (FR)	0980 406 409	

* További országokért látogasson el a www.candy-home.com oldalra

Haier Europe Trading S.r.l

Branch UK

Westgate House, Westgate, Ealing

London, W5 1YY

*A hűtőszekrény jótállásának időtartama:

Minimális jótállás: 2 év az uniós tagállamokban, 3 év Törökországban, 1 év az Egyesült Királyságban, 1 év Oroszországban, 3 év Svédországban, 2 év Szerbiában, 5 év Norvégiában, 1 év Marokkóban, 6 hónap Algériában, Tunézia nincs kötelező jogi jótállás.

*A készülék javításához szükséges pótalkatrészek rendelkezésre állásának időtartama:

Termosztátok, hőmérséklet érzékelők, nyomtatott áramköri lapok és fényforrások legalább hét évig elérhetők a piacra bocsátott utolsó modelltől számítva.

Ajtófogantyúk, ajtópántok, tálcák és kosarak legalább hét évig, míg ajtótümitések legalább 10 évig elérhetők a piacra bocsátott utolsó modelltől számítva.

*A termékre vonatkozó további tájékoztatásért tekintse

meg a <https://eprel.ec.europa.eu/> oldalt, vagy olvassa be a készüléken elhelyezett, energiatárolást jelölő címkén található QR-kódot.

245 Informazioni per la sicurezza

<u>Operazioni preliminari al primo utilizzo</u>	246
<u>Installazione</u>	246
<u>Utilizzo quotidiano</u>	247
<u>Informazioni sul gas refrigerante</u>	249

250 Uso previsto

251 Descrizione del prodotto

252 Pannello di controllo

253 Uso

<u>Funzione di blocco/sblocco</u>	253
<u>Funzione ON/OFF</u>	253
<u>Funzione Wi-Fi</u>	253
<u>Regolazione della temperatura del frigorifero</u>	254
<u>Funzione Super Cool</u>	255
<u>Funzione ECO</u>	255
<u>Funzione Holiday</u>	255

Error! Bookmark not defined. Dotazioni

258 Suggerimenti per il risparmio energetico

259 Cura e pulizia

261 Risoluzione dei problemi

265 Installazione

269 Dati tecnici

271 Assistenza clienti

Grazie per aver acquistato questo prodotto.

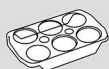
Leggere attentamente queste istruzioni prima di utilizzare l'elettrodomestico. Le istruzioni contengono informazioni importanti per ottimizzare l'uso dell'elettrodomestico e garantire l'installazione, l'uso e la manutenzione sicuri e corretti.

Conservare il presente manuale in un luogo comodo, in modo da poterlo sempre consultare per un uso sicuro e corretto dell'elettrodomestico.

Se l'elettrodomestico viene venduto, ceduto o abbandonato in caso di trasloco, trasferire anche il presente manuale in modo che il nuovo proprietario possa comprendere l'uso dell'elettrodomestico e delle avvertenze di sicurezza.

Accessori

Controllare gli accessori e la documentazione in base al seguente elenco:



Vassoio per le uova



Vassoio per ghiaccio in cubetti



Raschietto per brina



Etichetta energetica



Scheda della garanzia



Manuale di avvertenze per la sicurezza



x4

Vite



x2

Coperchio



x2

Blocco di spugna



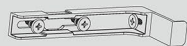
x4

Guida di scorrimento



x4

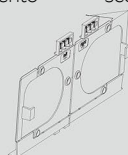
Gruppo di scorrimento



Piastra fissa



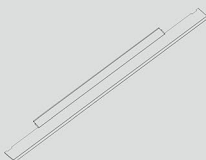
Copertura della cerniera



Piastra fissa inferiore



Piastra fissa superiore



Copertura inferiore



Copertura laterale inferiore



Striscia di tenuta



Spugna di tenuta



Copertura cerniera inferiore



AVVERTENZA - Informazioni importanti per la sicurezza



AVVISO - Informazioni generali e consigli



Informazioni ambientali



Smaltimento

Contribuire a proteggere l'ambiente e la salute umana. Collocare l'imballo in appositi contenitori affinché venga riciclato. Contribuire al riciclo dei rifiuti delle apparecchiature elettriche ed elettroniche. Non smaltire gli elettrodomestici contrassegnati con questo simbolo assieme ai rifiuti domestici. Conferire il prodotto presso la struttura di riciclo locale o rivolgersi all'ufficio comunale preposto.



AVVERTENZA!

Pericolo di lesioni o soffocamento!

I refrigeranti e i gas devono essere smaltiti in maniera professionale. Accertarsi che la tubazione del circuito del refrigerante non sia danneggiata prima di smaltirla correttamente. Scollegare l'elettrodomestico dalla rete elettrica. Tagliare il cavo di alimentazione e smaltirlo. Rimuovere vassoi e cassette, fermaporte e guarnizioni, per evitare che bambini e animali domestici rimangano chiusi nell'elettrodomestico.

Prima di accendere l'elettrodomestico per la prima volta, leggere i seguenti consigli sulla sicurezza:



AVVERTENZA!

Operazioni preliminari al primo utilizzo

- ▶ Accertarsi dell'assenza di danni dovuti al trasporto.
- ▶ Per garantire la totale efficienza del circuito del refrigerante, attendere almeno due ore prima di installare l'elettrodomestico.
- ▶ L'elettrodomestico deve essere maneggiato sempre da almeno due persone perché è pesante.
- ▶ Rimuovere tutti i materiali di imballo, tenerli fuori dalla portata dei bambini e smaltirli nel rispetto dell'ambiente.
- ▶ Pulire l'interno e l'esterno dell'elettrodomestico con acqua e un detersivo delicato prima di inserire gli alimenti.
- ▶ Dopo l'installazione a livello e la pulizia, attendere almeno 2-5 ore prima di collegare l'elettrodomestico all'alimentazione elettrica. Vedere la sezione INSTALLAZIONE.
- ▶ Prima di caricare gli alimenti, preraffreddare i compartimenti con impostazioni elevate. La funzione Super Cool serve a raffreddare rapidamente i compartimenti.
- ▶ La temperatura del frigorifero viene impostata automaticamente a 5 °C. Queste impostazioni sono quelle consigliate. È possibile, tuttavia, cambiare manualmente queste temperature. Vedere REGOLAZIONE DELLA TEMPERATURA.
- ▶ Questo frigorifero è dotato di un comparto congelatore da 30 litri nella parte superiore; la temperatura del congelatore varia in base alla temperatura del comparto frigorifero.

Installazione

- ▶ Installare l'elettrodomestico in un luogo asciutto e ben ventilato.
- ▶ Non collocare mai l'elettrodomestico in zone umide o soggette a schizzi d'acqua. Pulire e asciugare schizzi e macchie d'acqua con un panno morbido e pulito.
- ▶ Non installare l'elettrodomestico esposto alla luce diretta del sole o in prossimità di fonti di calore (ad es. stufe o radiatori).
- ▶ Installare l'elettrodomestico a livello in un'area adatta alle dimensioni e all'uso.
- ▶ Le aperture di ventilazione nell'elettrodomestico o nella struttura a incasso devono rimanere sempre libere.
- ▶ Accertarsi che i dati elettrici sulla targhetta siano conformi all'alimentazione elettrica. In caso contrario, rivolgersi a un elettricista.
- ▶ L'elettrodomestico funziona con corrente elettrica 220-240 Vca / 50 Hz. Oscillazioni anomale della tensione possono causare il mancato avvio dell'elettrodomestico, danni al controllo della temperatura o al compressore oppure rumori anomali durante il funzionamento. In tal caso, è opportuno montare un regolatore automatico.
- ▶ Non adoperare prese multiple o cavi di prolunga.
- ▶ Non collocare prese multiple o alimentatori portatili nella parte posteriore dell'elettrodomestico.



AVVERTENZA!

- ▶ Accertarsi che il cavo di alimentazione non sia intrappolato dal frigorifero. Non calpestare il cavo di alimentazione.
- ▶ Per l'alimentazione elettrica utilizzare una presa separata collegata a terra e facilmente accessibile. L'elettrodomestico deve essere collegato a terra. Solo per il Regno Unito: il cavo di alimentazione dell'elettrodomestico è dotato di una spina a 3 conduttori (collegata a terra) adatta a una presa standard a 3 conduttori (collegata a terra). Non tagliare né smontare mai il terzo conduttore (collegamento a terra). Dopo l'installazione dell'elettrodomestico, la spina deve essere accessibile.
- ▶ Non danneggiare il circuito di refrigerazione.

Utilizzo quotidiano

- ▶ Questo elettrodomestico può essere utilizzato da bambini di almeno 8 anni, da persone con ridotte capacità fisiche, sensoriali o mentali e da persone inesperte solo sotto stretta sorveglianza o se hanno appreso le modalità di utilizzo sicuro dell'elettrodomestico e sono consapevoli dei relativi pericoli.
- ▶ I bambini di età da 3 a 8 anni possono introdurre e prelevare alimenti dall'elettrodomestico, ma non devono pulirlo o installarlo.
- ▶ Tenere lontani dall'elettrodomestico i bambini di età inferiore a 3 anni, a meno che non siano costantemente sorvegliati.
- ▶ Impedire ai bambini di giocare con l'elettrodomestico.
- ▶ In caso di perdite di gas refrigerante o altri gas infiammabili in prossimità dell'elettrodomestico, chiudere la valvola del gas che fuoriesce, aprire porte e finestre e non staccare la spina del cavo di alimentazione del frigorifero o di altri elettrodomestici.
- ▶ Si noti che l'elettrodomestico è impostato per il funzionamento in un intervallo di temperatura ambiente specifico compreso tra 10 e 43 °C. L'elettrodomestico potrebbe non funzionare correttamente se lasciato per un lungo periodo a una temperatura superiore o inferiore all'intervallo indicato.
- ▶ Non collocare elementi instabili (oggetti pesanti, contenitori pieni d'acqua) sopra il frigorifero, per evitare lesioni personali dovute a cadute o scosse elettriche causate dal contatto con l'acqua.
- ▶ Non caricare eccessivamente i ripiani dello sportello. Lo sportello potrebbe deformarsi, il portabottiglie potrebbe fuoriuscire o l'elettrodomestico potrebbe rovesciarsi.
- ▶ Aprire e chiudere gli sportelli solo adoperando le maniglie. La distanza tra gli sportelli e tra gli sportelli e il mobile è molto limitata. Non allungare le mani in queste zone per evitare di schiacciarsi le dita. Aprire o chiudere gli sportelli del frigorifero solo quando non ci sono bambini nel raggio di movimento degli sportelli.
- ▶ Quando l'elettrodomestico viene collocato nella sede prescelta, accertarsi che il cavo di alimentazione non sia incastrato o danneggiato.
- ▶ Non collocare sostanze esplosive (ad es. lattine di aerosol con propellente infiammabile) all'interno di questo elettrodomestico.



AVVERTENZA!

- ▶ Per evitare la contaminazione degli alimenti:
 - Se gli sportelli rimangono aperti a lungo, la temperatura nei compartimenti dell'elettrodomestico aumenta notevolmente.
 - Pulire regolarmente le superfici che entrano a contatto con gli alimenti e i sistemi di scarico accessibili.
 - Conservare carne e pesce crudo nel frigorifero in contenitori idonei, in modo che non gocciolino o entrino a contatto con altri alimenti.
 - Se l'elettrodomestico deve rimanere vuoto per lunghi periodi, spegnerlo, sbrinarlo, pulirlo, asciugarlo e lasciare aperti gli sportelli per evitare la formazione di muffa all'interno.
- ▶ Non conservare né utilizzare materiali esplosivi o corrosivi nell'elettrodomestico o nelle vicinanze.
- ▶ Non conservare medicinali, batteri o sostanze chimiche nell'elettrodomestico. Questo apparecchio è un elettrodomestico. Si sconsiglia di conservare materiali che richiedono temperature rigide.
- ▶ Non riporre liquidi in bottiglie o lattine (né alcolici ad elevata gradazione), specialmente bevande gassate, nel congelatore, perché durante il congelamento potrebbero scoppiare.
- ▶ Se la temperatura del congelatore è aumentata, controllare lo stato degli alimenti.
- ▶ Non impostare una temperatura inutilmente bassa nel comparto frigorifero. Con impostazioni elevate possono crearsi temperature sotto zero. Attenzione: le bottiglie possono scoppiare.
- ▶ Non toccare i prodotti congelati con le mani bagnate (indossare i guanti). In particolare, non mangiare i ghiaccioli subito dopo averli tolti dal comparto congelatore. In caso contrario, potrebbe congelarsi la bocca e potrebbero formarsi vesciche da gelo. PRONTO SOCCORSO: collocare immediatamente la zona congelata sotto l'acqua fredda corrente. Non tirare via la zona congelata!
- ▶ Non toccare la superficie interna del comparto congelatore durante il funzionamento, soprattutto con le mani bagnate, poiché le mani potrebbero congelarsi sulla superficie.
- ▶ In caso di blackout o prima della pulizia, scollegare l'elettrodomestico. Attendere almeno 7 minuti prima di riavviare l'elettrodomestico, poiché un avvio frequente può danneggiare il compressore.
- ▶ Non adoperare dispositivi elettrici all'interno dei compartimenti dell'elettrodomestico destinati alla conservazione degli alimenti, a meno che non siano del tipo consigliato dal produttore. Manutenzione / pulizia
- ▶ Accertarsi che i bambini siano sorvegliati se effettuano la pulizia e la manutenzione.
- ▶ Scollegare l'elettrodomestico dalla rete elettrica prima di effettuare operazioni di manutenzione ordinaria. Attendere almeno 5 minuti prima di riavviare l'elettrodomestico, poiché un avvio frequente può danneggiare il compressore.



AVVERTENZA!

- ▶ Scollegare l'elettrodomestico tenendo la spina e non il cavo.
- ▶ Non pulire l'elettrodomestico con spazzole rigide, spazzole metalliche, detersivi in polvere, benzina, acetato di pentile, acetone e soluzioni organiche simili, soluzioni acide o alcaline. Per evitare danni, effettuare la pulizia con un detergente speciale per frigoriferi.
- ▶ Non raschiare via la brina con oggetti appuntiti. Non adoperare spray, riscaldatori elettrici (ad es. asciugacapelli) o altre fonti di calore per evitare danni ai componenti in plastica.
- ▶ Non usare oggetti meccanici o utensili diversi da quelli consigliati dal produttore per accelerare lo sbrinamento.
- ▶ Se il cavo di alimentazione è danneggiato, deve essere sostituito dal produttore, da un tecnico dell'assistenza o da una persona con analoga qualifica per evitare rischi.
- ▶ Non cercare di riparare, smontare o modificare personalmente l'elettrodomestico. Per le riparazioni rivolgersi all'assistenza clienti.
- ▶ Eliminare la polvere sul retro dell'unità almeno una volta all'anno per scongiurare il rischio di incendio e limitare i consumi energetici.
- ▶ Non spruzzare o schizzare liquidi sull'elettrodomestico durante la pulizia.
- ▶ Per pulire questo elettrodomestico non utilizzare apparecchi a vapore.
- ▶ Non pulire i ripiani di vetro freddi con acqua calda. Un'improvvisa variazione della temperatura può causare la rottura del vetro.

Informazioni sul gas refrigerante



AVVERTENZA!

L'elettrodomestico contiene il refrigerante infiammabile ISOBUTANO (R600a). Accertarsi che il circuito del refrigerante non abbia subito danni durante il trasporto o l'installazione. Eventuali perdite di refrigerante possono causare lesioni oculari o incendi. In caso di danni, tenere lontane fonti di fiamme libere, ventilare perfettamente l'ambiente e non collegare o scollegare i cavi di alimentazione dell'elettrodomestico o di altri elettrodomestici. Informare l'assistenza clienti.

In caso di contatto con gli occhi, sciacquare immediatamente con acqua corrente e rivolgersi tempestivamente a un oculista.

Uso previsto

Questo elettrodomestico è destinato al raffreddamento di alimenti. È stato progettato esclusivamente per l'uso in applicazioni domestiche e simili, ad es. zone cucina del personale in negozi, uffici e altri ambienti di lavoro; in fattorie, da clienti in hotel, motel e altri ambienti di tipo residenziale, nonché in bed-and-breakfast e attività di ristorazione. Non è destinato ad usi commerciali o industriali.

Non sono consentiti cambiamenti o modifiche all'elettrodomestico.

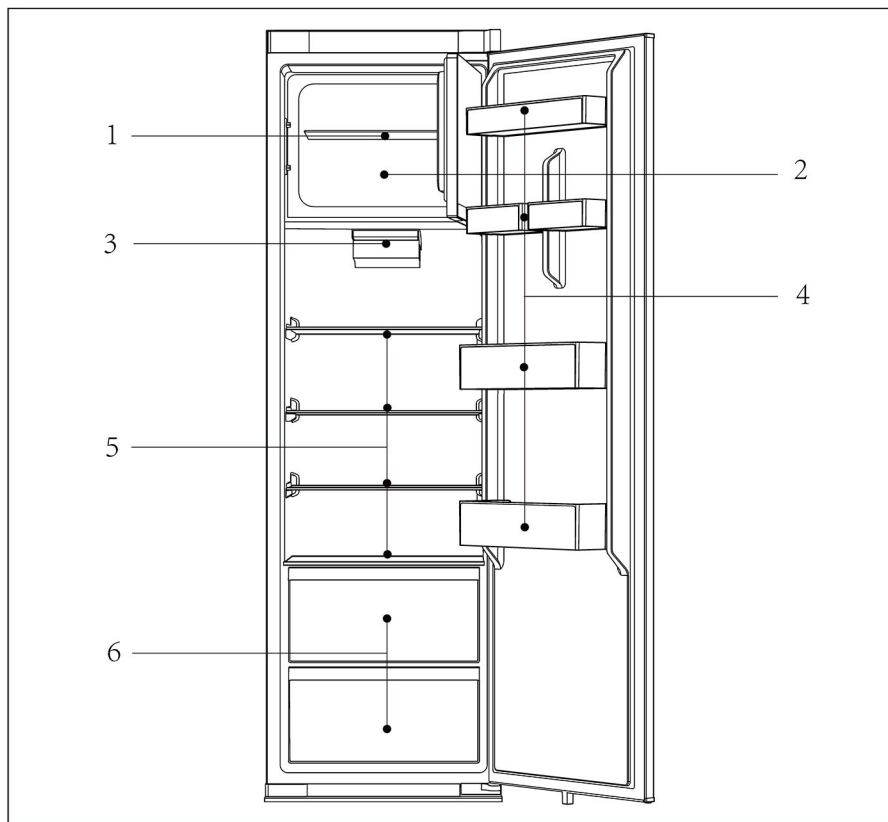
Utilizzi errati possono causare pericoli e annullare la garanzia.

Norme e direttive **CE**

Questo prodotto è conforme ai requisiti di tutte le direttive CE vigenti con le corrispondenti norme armonizzate che prevedono il marchio CE.

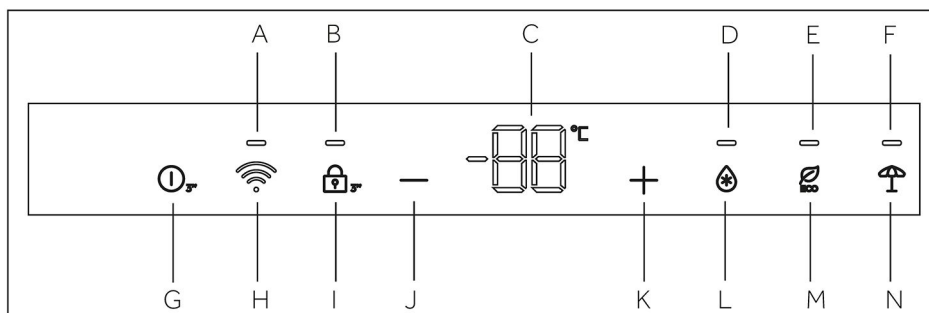
i AVVISO

A causa di modifiche tecniche e della varietà dei modelli, alcune illustrazioni riportate nel presente manuale possono essere diverse dall'aspetto reale del modello acquistato.

**CML5518EVW4**

- 1 Ripiano del congelatore normale
- 2 Comparto congelatore
- 3 Ventola e luce LED
- 4 Portabottiglie
- 5 Ripiani frigorifero normali
- 6 Cassetti frigorifero normali

Pannello di controllo



Indicatori:

- A Icona della funzione Wi-Fi
- B Icona di blocco/sblocco
- C Icone di visualizzazione temperatura
- D Icona funzione Super Cool
- E Icona funzione ECO
- F Icona funzione Holiday

Tasti:

- G Tasto ON/OFF
- H Tasto abbinamento Wi-Fi
- I Tasto di blocco/sblocco
- J Tasto Riduzione temperatura
- K Tasto aumento temperatura
- L Tasto funzione Super Cool
- M Tasto funzione ECO
- N Tasto funzione Holiday

Tasti a sensore

I tasti del pannello di controllo sono di tipo a sensore che rispondono quando vengono toccati lievemente con un dito.

AVVISO

Quando l'elettrodomestico viene acceso, il raggiungimento delle temperature corrette potrebbe richiedere fino a 12 ore

Prima di controllare lo schermo del display, aprire lo sportello del frigorifero.

Funzione di blocco/sblocco

Questo tasto e la corrispondente icona servono per bloccare o sbloccare lo schermo di controllo e indicarne lo stato attuale.

Aprire lo sportello del frigorifero con il frigorifero in funzione: lo schermo di controllo si illumina e l'icona Blocco/Sblocco si accende; a questo punto lo schermo di controllo è bloccato e non può essere utilizzato.

Sblocco o blocco manuale dello schermo: con l'icona di blocco/sblocco accesa, tenere premuto il tasto di blocco/sblocco per 3 secondi. L'icona si spegnerà, accompagnata da un segnale acustico. A questo punto è possibile selezionare la funzione o regolare la temperatura.

Con l'icona di blocco/sblocco spenta, tenere premuto il tasto di blocco/sblocco per 3 secondi. L'icona di blocco/sblocco si accenderà, accompagnata da un segnale acustico. In questo stato non è possibile effettuare la selezione della funzione o la regolazione della temperatura.

Blocco schermo automatico: Quando lo sportello del frigorifero è chiuso, lo schermo di controllo si spegne e si blocca.

Quando si apre lo sportello del frigorifero, lo schermo di controllo si blocca automaticamente se entro 30 secondi non viene effettuata alcuna operazione.

Funzione ON/OFF

Il tasto ON/OFF serve per la commutazione tra lo stato OFF (pausa di funzionamento) e lo stato ON (modalità di funzionamento normale).

Attivazione modalità OFF: con il frigorifero in modalità di funzionamento, prima sbloccare il display, quindi tenere premuto il tasto funzione ON/OFF per 3 secondi per spegnere lo schermo di controllo, l'illuminazione del frigorifero, il raffreddamento e altre funzioni; verrà emesso un segnale acustico.



AVVISO

La modalità OFF non sospende l'alimentazione: in questo stato il frigorifero è ancora collegato all'alimentazione elettrica.

Uscita dalla modalità OFF: in modalità OFF, tenere premuto il tasto ON/OFF per 3 secondi per riavviare lo schermo di controllo, l'illuminazione del frigorifero, il raffreddamento e altre funzioni; verrà emesso un segnale acustico.

Il frigorifero tornerà alla temperatura e alla funzione impostate in precedenza ed entrerà in modalità di funzionamento normale.

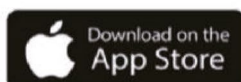
Funzione Wi-Fi

Abbinamento Wi-Fi: quando si accende per la prima volta, il frigorifero entrerà automaticamente in modalità di configurazione di rete e l'icona della funzione Wi-Fi lampeggerà rapidamente; se non si verifica alcuna operazione di abbinamento alla rete, dopo 30 minuti il frigorifero uscirà automaticamente da questa modalità.

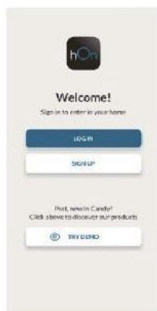
Accesso manuale alla modalità di abbinamento Wi-Fi: dopo aver sbloccato lo schermo di controllo, con l'icona della funzione Wi-Fi attiva, tenere premuto il tasto di abbinamento Wi-Fi per 3 secondi per accedere alla modalità. In questo periodo di tempo, l'icona della funzione Wi-Fi lampeggerà rapidamente per indicare che l'elettrodomestico è in modalità di abbinamento Wi-Fi. Se non viene eseguita alcuna operazione di abbinamento a una rete, l'uscita dalla modalità avviene automaticamente dopo 30 minuti.

PROCEDURA DI ACCOPPIAMENTO DELL'APP

Passo 1 • Scaricare l'app hOn dagli store.



Passo 2 Creare un account nell'app hOn o accedere, se già si dispone di un account.



Passo 3 Seguire le istruzioni di accoppiamento nell'app hOn.



AVVISO

In modalità di abbinamento Wi-Fi, è necessario seguire le istruzioni dell'app per completare la configurazione della rete. Se occorre cambiare ambiente Wi-Fi, è necessario accedere nuovamente alla modalità. Se l'icona della funzione Wi-Fi rimane accesa, significa che la connessione alla rete è avvenuta correttamente.

Regolazione della temperatura del frigorifero

Dopo aver aperto lo sportello del frigorifero e sbloccato lo schermo di controllo, il tasto Riduzione temperatura serve per abbassare la temperatura impostata del frigorifero. Ogni volta che si tocca leggermente il tasto, la temperatura si riduce di 1 °C e la temperatura minima consentita è 1 °C.

Dopo aver aperto lo sportello del frigorifero e sbloccato lo schermo di controllo, il tasto Aumento temperatura serve per aumentare la temperatura impostata del frigorifero. Ogni volta che si tocca leggermente il tasto, la temperatura aumenta di 1 °C; la temperatura massima consentita è 9 °C.

Durante il funzionamento, l'icona di visualizzazione della temperatura indicherà la temperatura impostata e lampeggerà. Dopo 5 secondi lo schermo di controllo confermerà automaticamente la temperatura impostata.

Funzione Super Cool

Questo tasto e la corrispondente icona servono per attivare la funzione Super Cool del frigorifero e visualizzarne lo stato attuale.

Dopo aver aperto lo sportello del frigorifero e sbloccato lo schermo di controllo, toccare il tasto "Super Cool" e l'icona "Super Cool" si illuminerà. In questo momento il frigorifero è in "modalità Super Cool". Per disattivare la modalità, eseguire la stessa operazione con il tasto "Super Cool". Dopo aver attivato la funzione Super Cool, il frigorifero uscirà automaticamente dalla modalità Super Cool dopo circa 48 ore per evitare che la temperatura al suo interno diventi troppo bassa.

Se si ripone nel frigorifero una grande quantità di alimenti in un breve lasso di tempo, la temperatura al suo interno aumenta. Attivando la funzione Super Cool, la temperatura di questi alimenti può essere ridotta rapidamente.

Quando si colloca una grande quantità di alimenti nel frigorifero, è possibile attivare direttamente la funzione Super Cool. Se si collocano grandi quantità di alimenti nel congelatore, attivare la funzione Super Cool 12 ore prima di riporvi gli alimenti.

Funzione ECO

Dopo aver aperto lo sportello del frigorifero e sbloccato lo schermo di controllo, toccare leggermente il tasto funzione ECO; l'icona della funzione ECO si illuminerà e il frigorifero passerà a questa modalità; se è necessario uscire dalla modalità, procedere nello stesso modo toccando leggermente il tasto funzione ECO.

In modalità ECO, il frigorifero funziona automaticamente a una temperatura media di 5 °C.

Funzione Holiday

Dopo aver aperto lo sportello del frigorifero e sbloccato lo schermo di controllo, toccare leggermente il tasto funzione Holiday; l'icona della funzione Holiday si illuminerà e il frigorifero passerà a questa modalità; se è necessario uscire dalla modalità, procedere nello stesso modo toccando leggermente il tasto funzione Holiday.

In modalità Holiday, il frigorifero funziona automaticamente a una temperatura media di 17 °C.

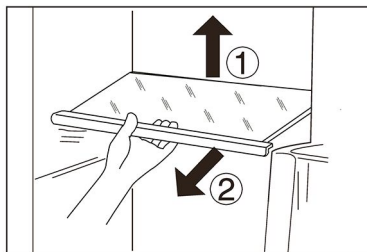
Quando la funzione Holiday è attivata, il frigorifero e il congelatore entrano contemporaneamente in funzione Holiday e occorre estrarre anche gli alimenti congelati per evitare che si danneggino a causa delle alte temperature.



AVVISO

A causa della diversa logica di funzionamento delle funzioni speciali Super Cool, ECO e Holiday, queste modalità speciali non possono essere attivate contemporaneamente. È possibile attivare solo una funzione e, passando da una modalità all'altra, le altre modalità speciali vengono automaticamente disattivate. Inoltre, la temperatura impostata non può essere modificata se non si esce da queste modalità.

5 °C è la temperatura ideale per alimenti freschi come frutta e verdura, latticini, carni e bevande.



Ripiani

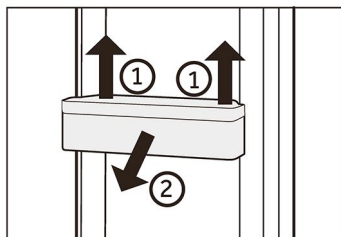
1. L'altezza dei ripiani può essere regolata in base alle esigenze.
2. Per spostare un ripiano, rimuoverlo sollevandone il bordo posteriore ① ed estrarlo ②.
3. Per reinstallarlo, collocarlo sulle alette su entrambi i lati e spingerlo dentro fino in fondo in modo che la parte posteriore del ripiano sia fissata all'interno delle feritoie laterali.

i AVVISO

Accertarsi che tutte le estremità del ripiano siano a livello.

Portabottiglie rimovibile

1. Il portabottiglie può essere rimosso per la pulizia.
2. Tenere con le mani entrambi i lati del portabottiglie, sollevarlo ① ed estrarlo ②.
3. Per inserire il portabottiglie, seguire la procedura inversa.



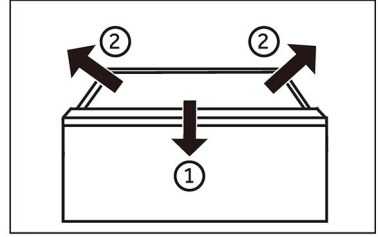
i AVVISO

A causa della posizione, la temperatura in corrispondenza del portabottiglie sul primo e sul secondo livello dello sportello è leggermente superiore a quella di refrigerazione; si consiglia di utilizzare quest'area solo per la conservazione a breve termine degli alimenti.

Cassetto rimovibile

Per rimuovere il cassetto, estrarlo al massimo ①, sollevarlo e toglierlo ②.

Per inserire il cassetto, seguire la procedura inversa.



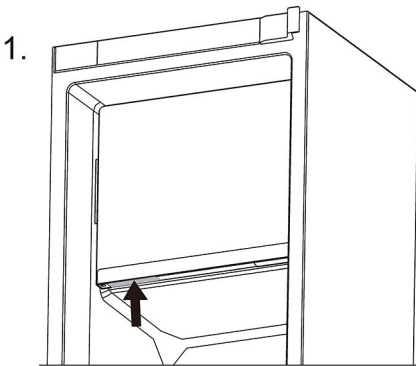
Illuminazione

La luce interna a LED si accende quando si apre lo sportello. Le prestazioni dell'illuminazione non dipendono da altre impostazioni degli elettrodomestici.

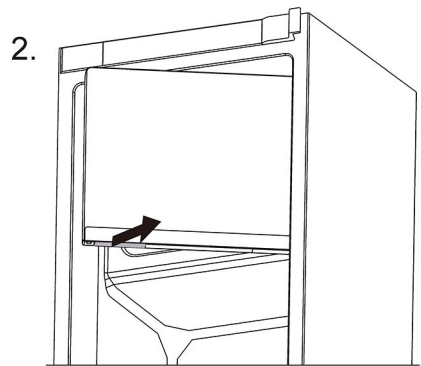
Comparto congelatore

Questo frigorifero è dotato di un comparto congelatore da 30 litri nella parte superiore; la temperatura del congelatore varia in base alla temperatura del comparto frigorifero. Apertura dello sportello del congelatore: prima spingere verso l'alto l'interruttore, come illustrato nella figura 1 e poi tirare lo sportello verso l'esterno, come illustrato nella figura 2;

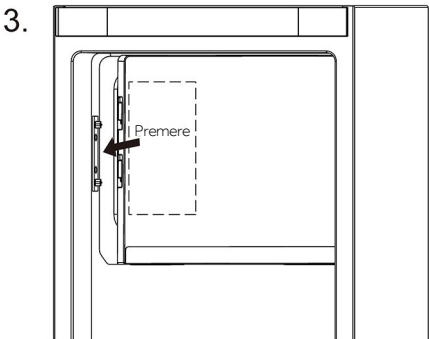
Chiusura dello sportello del congelatore: Premere la zona centrale del lato corto dello sportello, come illustrato nella figura 3.



Spingere l'interruttore verso l'alto



Tirare verso l'esterno





Suggerimenti per il risparmio energetico

- ▶ Accertarsi che l'elettrodomestico sia adeguatamente ventilato (v. INSTALLAZIONE).
- ▶ Non installare l'elettrodomestico esposto alla luce diretta del sole o in prossimità di fonti di calore (ad es. stufe o radiatori).
- ▶ Evitare che la temperatura dell'elettrodomestico sia inutilmente bassa. Riducendo la temperatura impostata nell'elettrodomestico, il consumo energetico aumenta.
- ▶ Funzioni come Super Cool consumano più energia.
- ▶ Attendere che gli alimenti caldi si raffreddino prima di collocarli nell'elettrodomestico.
- ▶ Aprire lo sportello dell'elettrodomestico senza spalancarlo e per il più breve tempo possibile.
- ▶ Per evitare ostruzioni del flusso d'aria, non riempire eccessivamente l'elettrodomestico.
- ▶ Evitare l'ingresso di aria nelle confezioni di alimenti.
- ▶ Mantenere pulite le guarnizioni dello sportello in modo che si chiuda sempre perfettamente.
- ▶ Per ottimizzare il risparmio energetico, lasciare i cassetti, i contenitori per gli alimenti e i ripiani nelle posizioni di fabbrica e collocare gli alimenti il più possibile distanti tra loro senza ostruire l'uscita del condotto.

AVVERTENZA!

Prima di effettuare la pulizia, staccare la spina di alimentazione dell'elettrodomestico.

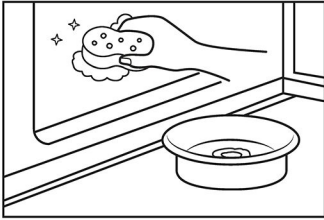
Pulizia

Pulire l'elettrodomestico quando è vuoto o contiene pochi alimenti.

Per una corretta manutenzione e per evitare cattivi odori degli alimenti conservati, pulire l'elettrodomestico ogni quattro settimane.

AVVERTENZA!

- ▶ Non pulire l'elettrodomestico con spazzole rigide, spazzole metalliche, detersivi in polvere, benzina, acetato di pentile, acetone e soluzioni organiche simili, soluzioni acide o alcaline. Per evitare danni, effettuare la pulizia con un detergente speciale per frigoriferi.
- ▶ Non spruzzare o schizzare liquidi sull'elettrodomestico durante la pulizia.
- ▶ Per pulire questo elettrodomestico non utilizzare apparecchi a vapore.
- ▶ Non pulire i ripiani di vetro freddi con acqua calda. Un'improvvisa variazione della temperatura può causare la rottura del vetro.



- ▶ Tenere sempre pulita la guarnizione dello sportello.
- ▶ Pulire l'interno e l'alloggiamento dell'elettrodomestico con una spugna imbevuta di acqua calda e detergente neutro.
- ▶ 1. Strofinare l'interno e l'esterno del frigorifero (compresi la guarnizione dello sportello, il cassetto incassato nello sportello, i ripiani di vetro, i compartimenti ecc.) con un panno morbido o una spugna imbevuta di acqua calda (è possibile aggiungere un detergente neutro).
- ▶ 2. In presenza di liquidi versati, rimuovere tutte le parti contaminate, sciacquarle sotto l'acqua corrente, asciugarle e ricollocarle nel frigorifero.
- ▶ 3. In caso di versamenti di alimenti cremosi (ad es. panna o gelato sciolto), rimuovere tutte le parti contaminate, lasciarle un po' di tempo in acqua calda a circa 40 °C, poi sciacquarle sotto l'acqua corrente, asciugarle e ricollocarle nel frigorifero.
- ▶ 4. Nel caso in cui rimangano intrappolati piccoli oggetti all'interno del frigorifero (tra i ripiani o i cassette), toglierli con una spazzolina morbida. Se non si riesce a raggiungere l'oggetto, rivolgersi all'assistenza Haier
- ▶ Sciacquare e asciugare con un panno morbido.
- ▶ Non lavare i componenti dell'elettrodomestico in lavastoviglie.
- ▶ Attendere almeno 5 minuti prima di riavviare l'elettrodomestico, poiché un avvio frequente può danneggiare il compressore.

AVVISO

Lo scarico non deve essere ostruito da corpi estranei, altrimenti potrebbe verificarsi un problema di traboccamento dell'acqua. Se lo scarico è ostruito, è possibile estrarre il cassetto e pulirlo con un panno.



Sbrinamento

Se si inseriscono troppi alimenti o si apre e si chiude lo sportello troppo frequentemente, è probabile che si formi del ghiaccio sul retro del frigorifero o del congelatore, rendendo necessario uno sbrinamento manuale con l'apposito raschietto.

Sostituzione delle lampade a LED

AVVERTENZA!

La lampada a LED deve essere sostituita solo dal produttore o da un tecnico dell'assistenza autorizzato.

La lampada utilizza una sorgente luminosa a LED che riduce i consumi energetici e garantisce una lunga durata. In caso di anomalie, rivolgersi all'assistenza clienti. V. ASSISTENZA CLIENTI.

Parametri delle lampade:

Comparto frigorifero: 12 V, max 1,5 W

Questo prodotto contiene una fonte luminosa con efficienza energetica di classe <G>.

Inutilizzo per lunghi periodi

Se l'elettrodomestico non verrà adoperato per lunghi periodi e non verrà utilizzata la funzione Holiday per il frigorifero:

Estrarre gli alimenti

Scollegare il cavo di alimentazione.

Pulire l'elettrodomestico come descritto in precedenza.

Lasciare aperti gli sportelli per evitare la produzione di cattivi odori all'interno.

AVVISO

Spegnere l'elettrodomestico solo se è strettamente necessario.

Spostamento dell'elettrodomestico

1. Togliere tutti gli alimenti e staccare la spina dell'elettrodomestico.
2. Fissare con nastro adesivo i ripiani e gli altri componenti mobili presenti nel frigorifero.
3. Non inclinare il frigorifero oltre 45°, altrimenti il sistema di refrigerazione potrebbe danneggiarsi.

AVVERTENZA!

- ▶ Non sollevare l'elettrodomestico tenendolo per le maniglie dello sportello.
- ▶ Non collocare mai l'elettrodomestico orizzontalmente a terra.

Molti problemi possono essere risolti personalmente senza particolari competenze. In caso di problemi, consultare tutte le soluzioni possibili indicate e attenersi alle seguenti istruzioni prima di contattare l'assistenza post-vendita. V. ASSISTENZA CLIENTI.



AVVERTENZA!

- ▶ Prima di effettuare la manutenzione dell'elettrodomestico, spegnerlo e staccare la spina dalla presa di corrente.
- ▶ La manutenzione delle apparecchiature elettriche deve essere effettuata solo da elettricisti qualificati, dal momento che eventuali riparazioni improprie possono causare danni notevoli.
- ▶ Se il cavo di alimentazione è danneggiato, deve essere sostituito unicamente dal produttore, da un tecnico dell'assistenza o da una persona con analogo qualifica per evitare rischi.

Problema	Causa possibile	Soluzione possibile
Il compressore non funziona.	<ul style="list-style-type: none"> • La spina non è collegata alla presa di corrente. • L'elettrodomestico sta effettuando il ciclo di sbrinamento. 	<ul style="list-style-type: none"> • Collegare la spina alla presa di corrente. • Ciò è normale per lo sbrinamento automatico.
L'elettrodomestico si aziona frequentemente o per un periodo di tempo troppo lungo.	<ul style="list-style-type: none"> • La temperatura interna o esterna è troppo elevata. • L'elettrodomestico è rimasto spento per un certo periodo di tempo. • Uno sportello dell'elettrodomestico non è chiuso ermeticamente. • Lo sportello è stato aperto troppo spesso o troppo a lungo. • L'impostazione della temperatura del comparto frigorifero è troppo bassa. • La guarnizione dello sportello è sporca, usurata, danneggiata o inadeguata. • Non è garantita la circolazione dell'aria necessaria. 	<ul style="list-style-type: none"> • In questo caso è normale che l'elettrodomestico rimanga in funzione più a lungo. • Il raffreddamento completo dell'elettrodomestico normalmente richiede 8-12 ore. • Chiudere lo sportello o il cassetto e accertarsi che l'elettrodomestico sia a livello e che gli alimenti o i contenitori urtino lo sportello. • Non aprire lo sportello o il cassetto troppo spesso. • Scegliere un'impostazione della temperatura più alta fino a quando la temperatura del frigorifero è soddisfacente. Per stabilizzare la temperatura del frigorifero occorrono 24 ore. • Pulire la guarnizione dello sportello o del cassetto o farla sostituire dall'assistenza clienti. • Garantire un'adeguata ventilazione.
L'interno del frigorifero è sporco e/o si sentono cattivi odori.	<ul style="list-style-type: none"> • L'interno del frigorifero deve essere pulito. • In frigorifero vengono conservati alimenti che producono un odore intenso. 	<ul style="list-style-type: none"> • Pulire la parte interna del frigorifero. • Avvolgere completamente gli alimenti.

Problema	Causa possibile	Soluzione possibile
La temperatura nell'elettrodomestico non è sufficientemente bassa.	<ul style="list-style-type: none"> • La temperatura impostata è troppo alta. • Sono stati collocati alimenti troppo caldi. • Sono stati collocati troppi alimenti contemporaneamente. • Gli alimenti sono troppo vicini tra loro. • Uno sportello o un cassetto dell'elettrodomestico non è chiuso bene. • Lo sportello o il cassetto è stato aperto troppo spesso o troppo a lungo. 	<ul style="list-style-type: none"> • Reimpostare la temperatura. • Gli alimenti devono essere sempre raffreddati prima di conservarli. • Non conservare troppi alimenti. • Lasciare spazio tra i vari alimenti per consentire il passaggio del flusso d'aria. • Chiudere lo sportello o il cassetto. • Non aprire lo sportello o il cassetto troppo spesso.
La temperatura nell'elettrodomestico è troppo bassa.	<ul style="list-style-type: none"> • La temperatura impostata è troppo bassa. • La funzione Super Cool è attiva o rimane attiva troppo a lungo. 	<ul style="list-style-type: none"> • Reimpostare la temperatura. • Disattivare la funzione Super Cool.
Formazione di umidità all'interno del comparto frigorifero.	<ul style="list-style-type: none"> • Il clima è troppo caldo e troppo umido. • Uno sportello o un cassetto dell'elettrodomestico non è chiuso bene. • Lo sportello o il cassetto è stato aperto troppo spesso o troppo a lungo. • Contenitori per alimenti o liquidi rimasti aperti. 	<ul style="list-style-type: none"> • Aumentare la temperatura. • Chiudere lo sportello o il cassetto. • Non aprire lo sportello o il cassetto troppo spesso. • Lasciare raffreddare gli alimenti caldi a temperatura ambiente e coprire cibi e liquidi.
Accumulo di umidità sulla superficie esterna del frigorifero o tra gli sportelli e il cassetto.	<ul style="list-style-type: none"> • Il clima è troppo caldo e troppo umido. • Lo sportello non è chiuso ermeticamente. L'aria fredda all'interno dell'elettrodomestico e l'aria calda all'esterno formano condensa. 	<ul style="list-style-type: none"> • Ciò è normale in un clima umido; la situazione cambia quando l'umidità diminuisce. • Accertarsi che lo sportello o il cassetto sia chiuso bene.
Il display è acceso ma l'elettrodomestico non refrigera.	<ul style="list-style-type: none"> • L'elettrodomestico è in modalità Demo. 	<ul style="list-style-type: none"> • Verificare la modalità dell'elettrodomestico: se in modalità Demo, uscire dalla modalità. Uscita: Tenere premuto il tasto "ECO" e premere il tasto "Super Freeze" 5 volte in 5 secondi.

Problema	Causa possibile	Soluzione possibile
Presenza di molto ghiaccio e brina nel comparto congelatore.	<ul style="list-style-type: none"> • Gli alimenti non sono stati confezionati adeguatamente. • Uno sportello o un cassetto dell'elettrodomestico non è chiuso bene. • Lo sportello o il cassetto è stato aperto troppo spesso o troppo a lungo. • Le guarnizioni dello sportello o del cassetto sono sporche, usurate, danneggiate o inadeguate. • Qualcosa all'interno impedisce la chiusura corretta dello sportello o del cassetto. 	<ul style="list-style-type: none"> • Confezionare sempre gli alimenti. • Chiudere lo sportello o il cassetto. • Non aprire lo sportello o il cassetto troppo spesso. • Pulire la guarnizione dello sportello o del cassetto oppure sostituirla. • Risistemare i ripiani, i cassetti incassati nello sportello o i contenitori interni per consentire la chiusura dello sportello o del cassetto.
I lati del mobile e la striscia dello sportello si riscaldano.	<ul style="list-style-type: none"> • - 	<ul style="list-style-type: none"> • È normale.
L'elettrodomestico emette suoni anomali.	<ul style="list-style-type: none"> • L'elettrodomestico non è a livello. • L'elettrodomestico urta qualche oggetto vicino. 	<ul style="list-style-type: none"> • Regolare i piedini per collocare l'elettrodomestico a livello. • Rimuovere gli oggetti attorno all'elettrodomestico.
Si sente un lieve rumore, simile a quello dell'acqua che scorre.	<ul style="list-style-type: none"> • - 	<ul style="list-style-type: none"> • È normale.
Viene emesso un allarme acustico.	<ul style="list-style-type: none"> • Lo sportello del comparto frigorifero è aperto. 	<ul style="list-style-type: none"> • Chiudere lo sportello.
Viene emesso un lieve sibilo.	<ul style="list-style-type: none"> • È in funzione il sistema anticondensa 	<ul style="list-style-type: none"> • Ciò evita la formazione di condensa ed è normale
L'illuminazione interna o il sistema di raffreddamento non funziona.	<ul style="list-style-type: none"> • La spina non è collegata alla presa di corrente. • Problema della fonte di alimentazione. • La lampada a LED è fuori uso. 	<ul style="list-style-type: none"> • Collegare la spina alla presa di corrente. • Controllare l'alimentazione elettrica. Chiamare l'azienda elettrica locale. • Chiamare l'assistenza per la sostituzione.

Per rivolgersi all'assistenza tecnica, visitare il nostro sito web:
<https://corporate.haier-europe.com/en/>

Nella sezione "sito Web", scegliere la marca del proprio prodotto e il proprio paese. Si aprirà il sito Web specifico contenente il numero di telefono e il modulo per contattare l'assistenza tecnica.

Interruzione della corrente

In caso di interruzione della corrente, gli alimenti dovrebbero rimanere freddi in maniera sicura per circa 5 ore. Durante un'interruzione prolungata della corrente, soprattutto in estate, attenersi ai suggerimenti seguenti:

- ▶ Limitare al massimo l'apertura dello sportello o del cassetto.
- ▶ In caso di interruzione della corrente, non collocare altri alimenti nell'elettrodomestico.
- ▶ Se viene fornito un preavviso di interruzione della corrente di durata superiore a 5 ore, produrre un po' di ghiaccio e collocarlo nella parte superiore del comparto frigorifero.
- ▶ Dopo l'interruzione della corrente, è indispensabile controllare immediatamente gli alimenti.
- ▶ Siccome la temperatura nel frigorifero aumenta durante un'interruzione della corrente o in caso di altri guasti, il periodo di conservazione e la commestibilità degli alimenti si riducono.

Funzione di memoria durante un'interruzione di corrente

Al ripristino della corrente, l'elettrodomestico riprende il funzionamento in base alle impostazioni precedenti.

Disimballo



AVVERTENZA!

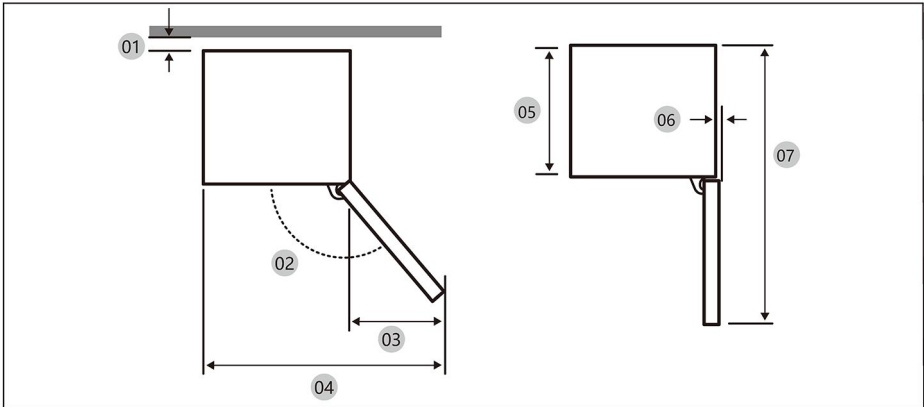
- ▶ L'elettrodomestico è pesante. Per spostarlo occorrono almeno due persone.
- ▶ Tenere fuori dalla portata dei bambini tutti i materiali di imballaggio e smaltirli nel rispetto dell'ambiente.
- ▶ Estrarre l'elettrodomestico dall'imballo.
- ▶ Togliere tutti i materiali di imballo.

Condizioni ambientali

La temperatura ambiente deve essere sempre compresa tra 10 e 43 °C, poiché può influire sulla temperatura interna dell'elettrodomestico e sui consumi energetici. Non installare l'elettrodomestico vicino ad altri elettrodomestici che emettono calore (forni, frigoriferi)

Consiglio di installazione

Spazio consigliato quando lo sportello è aperto (senza pannello dello sportello del mobile)

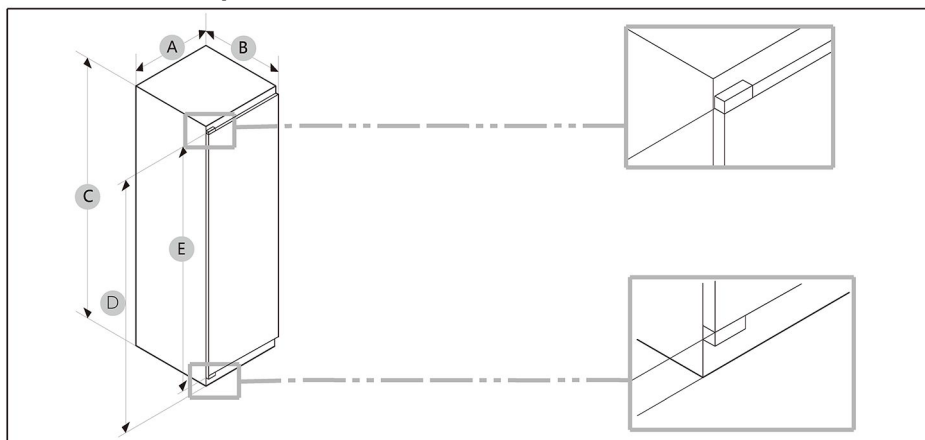


Modello	CML5518EVW4
01*	10 (min) / 30 (consigliato)
02	95° (Consigliato)
03	43
04	583
05	515
06	-3
07	1060

(unità: mm)

*01: Dal comparto al retro del prodotto.

Dimensione del prodotto



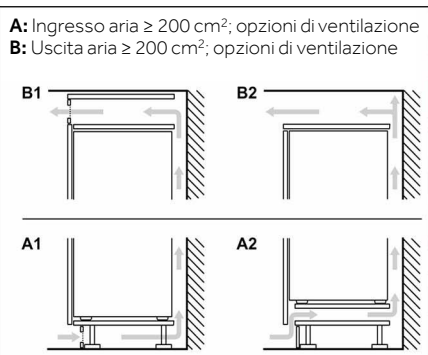
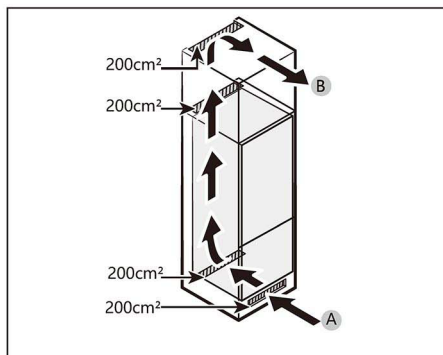
Modello	A (mm)	B (mm)	C (mm)	D (mm)	E (mm)
CML5518EVW4	540±2	550±2	1772±2	1715	1671

i AVVISO

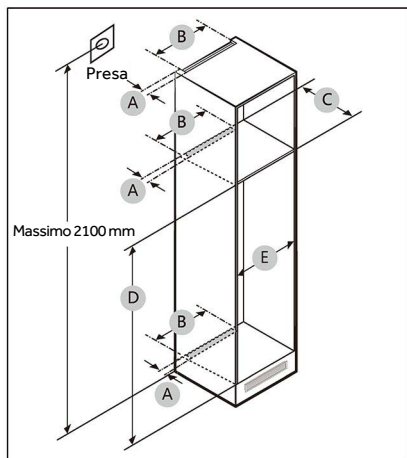
- Il consumo energetico specificato si basa sulla condizione di uno spazio di 10 mm tra il mobile e il retro del prodotto. Il prodotto funziona correttamente anche con uno spazio inferiore a 10 mm, anche se andrà a consumare leggermente più di energia.
- Si consiglia di utilizzare un mobile di spessore 19 mm con cerniere di spessore inferiore a 17 mm.
- Le misurazioni nella tabella sopra possono differire in base al metodo di misurazione.
- Per l'installazione a incasso, consultare la Guida all'installazione.

Sezione di ventilazione

Per ottenere una ventilazione sufficiente dell'elettrodomestico per motivi di sicurezza, attenersi alle indicazioni sulle sezioni di ventilazione.



Dimensioni del mobile



ATTENZIONE!

Qualsiasi guasto del prodotto dovuto a quanto segue non è coperto dalla garanzia.

1. Condizioni improprie del sito o dimensioni errate del mobile.
2. Mobile difettoso.
3. Errori dell'installatore o dell'utente.

Spazio libero

Vedere le immagini e le tabelle sottostanti per i requisiti di spazio per l'installazione.

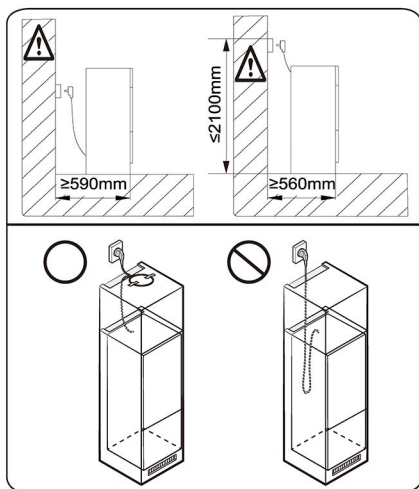
Modello		A (mm)	B (mm)	C (mm)	D (mm)	E (mm)	Nota
CML5518EVW4	Min	50	400	560	1778	560	Cerniera: 17 mm
	Consigliato			580	1780	562	
	Max			-	1782	568	



AVVISO

- Se la larghezza di un comparto è maggiore di 568 mm, la guarnizione (tra il frigorifero e il comparto) potrebbe allentarsi.
- Se il comparto è più alto della dimensione massima (1782 mm), è necessario utilizzare altri materiali di finitura per colmare lo spazio.

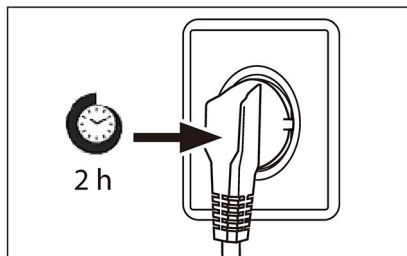
Posizione della presa e dello spazio richiesto



i AVVISO

Se si installa il frigorifero in un mobile con profondità 560 mm, assicurarsi che il cavo di alimentazione sia disposto su un lato del frigorifero prima di collegarlo a una presa di corrente. Se il cavo di alimentazione si trova nella parte posteriore del frigorifero, potrebbe ridurne l'efficienza energetica.

Tempo di attesa



L'olio di lubrificazione esente da manutenzione si trova nella capsula del compressore. Questo olio può penetrare nel sistema di tubazioni chiuse durante il trasporto. Prima di collegare l'elettrodomestico all'alimentazione elettrica, attendere almeno 2 ore in modo che l'olio torni nella capsula.

Collegamento elettrico

Prima di ogni collegamento, effettuare i seguenti controlli:

- ▶ La fonte di alimentazione, la presa e i fusibili sono conformi ai dati indicati nella targhetta.
- ▶ La presa di corrente è collegata a terra e non sono utilizzate prese multiple o prolunghie.
- ▶ La spina e la presa di corrente sono compatibili.

Collegare la spina a una presa domestica installata correttamente.

! AVVERTENZA!

Per evitare rischi, il cavo di alimentazione danneggiato deve essere sostituito dall'assistenza clienti (v. scheda di garanzia).

Specifiche del prodotto secondo il regolamento UE n. 2019/2016

Marchio	Candy	
Nome / identificativo del modello	CML5518EVW4	
Categoria del modello	Frigorifero- congelatore	
Classe di efficienza energetica	E	
Consumo energetico annuo (kWh/anno) (1)	173	
Volume totale (litri)	285	
Volume frigorifero (litri)	255	
Volume congelatore (litri)	30	
Volume sezione chiller (litri)	/	
Macchina automatica per il ghiaccio (litri)	/	
Prestazioni (stelle)	/	
Temperatura degli altri comparti > 14 °C	Non applicabile	
Sistema senza formazione di brina	NO	
Capacità di congelamento (kg/24 h)	2	
Classe climatica	SN/N/ST/T	
Classe di emissione di rumore ed emissioni acustiche aeree (db(A) re re 1pW)	B 35	
Tempo di aumento della temperatura (h)	/	
Capacità di produzione del ghiaccio	/	
Tipo di elettrodomestico	da incasso	

Nome del modello	Classe di efficienza energetica
CML5518EVW4	E

Descrizioni:

- Sì
- (1) In base ai risultati del test di conformità agli standard per 24 ore. Il consumo effettivo dipende dall'uso e dalla posizione dell'elettrodomestico.
- (2) Classe climatica SN: questo elettrodomestico è destinato all'uso con temperature ambiente comprese tra +10 °C e +32 °C
 Classe climatica N: questo elettrodomestico è destinato all'uso con temperature ambiente comprese tra +16 °C e +32 °C
 Classe climatica ST: questo elettrodomestico è destinato all'uso con temperature ambiente comprese tra +16 °C e +38 °C
 Classe climatica T: questo elettrodomestico è destinato all'uso con temperature ambiente comprese tra +16 °C e +43 °C

Dati tecnici supplementari

Tensione / Frequenza	220-240 V~ / 50 Hz
Corrente di ingresso (A)	1,0
Fusibile principale (A)	16
Refrigerante	R600a
Dimensioni (A/L/P in mm)	1772/540/550

Informazioni RF

e.i.r.p. max: Bluetooth (BR/EDR): 10 dBm
 Bluetooth LE: 5dBm
 Wi-Fi a 2,4 GHz: 16 dBm

Banda di frequenza di funzionamento: 2400-2483,5 MHz

Si consiglia di rivolgersi all'Assistenza Clienti Haier e di utilizzare ricambi originali. In caso di problemi con l'elettrodomestico, consultare prima la sezione SOLUZIONE DEI PROBLEMI.

Se non si riesce a trovare una soluzione, contattare

- ▶ il rivenditore locale o
- ▶ lo European Call Service-Center (vedere i numeri di telefono elencati di seguito) o
- ▶ l'area Service & Support su www.candy-home.com, dove è possibile chiedere assistenza
- ▶ e trovare risposte a domande frequenti.

Per contattare l'assistenza, procurarsi i dati seguenti. Le informazioni si trovano sulla targhetta.

Modello _____

N. di serie _____

Controllare anche la scheda di garanzia fornita con il prodotto.

European Call Service-Center		
Paese*	Numero di telefono	Costi
Haier Italy (IT)	199 100 912	
Haier Spain (ES)	902 509 123	
Haier Germany (DE)	01805393999	<ul style="list-style-type: none"> • 14 cent/min su linea fissa • max 42 cent/min su linea mobile
Haier Austria (AT)	0820 001 205	<ul style="list-style-type: none"> • 14,53 cent/min su linea fissa • max 20 cent/min su altre linee
Haier United Kingdom (UK)	0333 003 8122	
Haier France (FR)	0980 406 409	

* Per altri paesi, fare riferimento a www.candy-home.com

Haier Europe Trading S.r.l

Filiale Regno Unito

Westgate House, Westgate, Ealing

London, W5 1YY

*Durata della garanzia dell'elettrodomestico:

Garanzia minima: 2 anni per i paesi UE, 3 anni per la Turchia, 1 anno per il Regno Unito, 1 anno per la Russia, 3 anni per la Svezia, 2 anni per la Serbia, 5 anni per la Norvegia, 1 anno per il Marocco, 6 mesi per l'Algeria; per la Tunisia non è obbligatoria alcuna garanzia legale.

*Periodo di disponibilità dei pezzi di ricambio per la riparazione dell'elettrodomestico:

termostati, sensori di temperatura, circuiti stampati e lampade rimangono disponibili per almeno sette anni dopo l'immissione sul mercato dell'ultima unità del modello.

Maniglie e cerniere degli sportelli, vassoi e cestelli rimangono disponibili per almeno sette anni e le guarnizioni degli sportelli per almeno 10 anni dopo l'immissione sul mercato dell'ultima unità del modello.

Per ulteriori informazioni sul prodotto, consultare <https://eprel.ec.europa.eu/> o effettuare una scansione del codice QR apposto sull'etichetta energetica fornita con l'elettrodomestico.

<u>275 Veiligheidsinformatie</u>	<u>Voor het eerste gebruik</u>	276
	<u>Installatie</u>	276
	<u>Dagelijks gebruik</u>	277
	<u>Informatie over koudemiddel</u>	279
<u>280 Beoogd gebruik</u>		
<u>281 Productbeschrijving</u>		
<u>282 Bedieningspaneel</u>		
<u>283 Gebruik</u>	<u>Functie Vergrendelen/ ontgrendelen</u>	283
	<u>AAN/UIT-functie</u>	283
	<u>Wifi-functie</u>	283
	<u>De koelkasttemperatuur aanpassen</u>	284
	<u>Super Cool-functie</u>	285
	<u>ECO-functie</u>	285
	<u>Holiday-functie</u>	285
<u>Error! Bookmark not defined. Apparatuur</u>		
<u>288 Tips voor energiebesparing</u>		
<u>289 Onderhoud en reiniging</u>		
<u>291 Problemen oplossen</u>		
<u>295 Installatie</u>		
<u>299 Technische gegevens</u>		
<u>301 Klantenservice</u>		

Bedankt voor de aankoop van dit product.

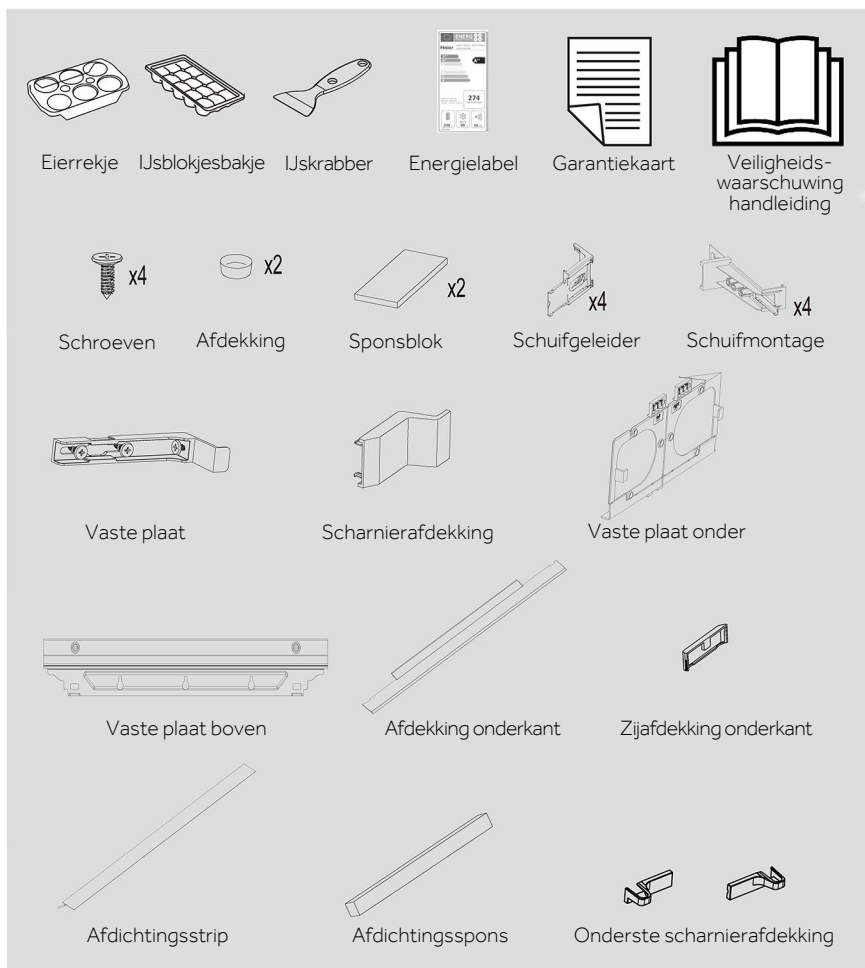
Lees deze instructies zorgvuldig door voordat u dit apparaat gebruikt. De instructies bevatten belangrijke informatie die u helpt het beste uit het apparaat te halen en veilig(e) en correct(e) installatie, gebruik en onderhoud te waarborgen.

Bewaar deze handleiding op een handige plaats zodat u hem altijd kunt raadplegen voor een veilig en correct gebruik van het apparaat.

Als u het apparaat verkoopt, weggeeft of achterlaat wanneer u verhuist, zorg er dan voor dat u deze handleiding ook overdraagt, zodat de nieuwe eigenaar het apparaat en de veiligheidswaarschuwingen kan leren kennen.

Accessoires

Controleer de accessoires en literatuur in overeenstemming met deze lijst:





WAARSCHUWING – Belangrijke veiligheidsinformatie



LET OP – Algemene informatie en tips



Milieu-informatie



Verwijdering

Help het milieu en de menselijke gezondheid te beschermen. Doe de verpakking in de daarvoor bestemde containers om deze te recyclen. Help het afval van elektrische en elektronische apparaten te recyclen. Gooi apparaten met dit symbool niet weg bij het huisvuil.  Lever het product in bij uw plaatselijke recyclingfaciliteit of neem contact op met de gemeente.



WAARSCHUWING!

Gevaar voor letsel of verstikking!

Koelmiddelen en gassen moeten professioneel worden verwijderd.

Controleer of de leidingen van het koelmiddelcircuit niet zijn beschadigd voordat ze op de juiste manier worden afgevoerd. Koppel het apparaat los van de stroomvoorziening. Knip het netsnoer af en gooi het weg. Verwijder de bakken en laden en de deurvergrendeling en -afdichtingen, om te voorkomen dat kinderen en huisdieren in het apparaat worden opgesloten.

Lees voordat u het apparaat voor het eerst inschakelt de volgende veiligheidstips:



WAARSCHUWING!

Voor het eerste gebruik

- ▶ Controleer of er geen transportschade is.
- ▶ Wacht ten minste twee uur voordat u het apparaat installeert, om er zeker van te zijn dat het koelmiddelcircuit volledig werkt.
- ▶ Verplaats het apparaat altijd met ten minste twee personen, het is namelijk zwaar.
- ▶ Verwijder alle verpakkingsmaterialen, houd ze buiten bereik van kinderen en gooi ze op een milieuvriendelijke manier weg.
- ▶ Reinig de binnen- en de buitenkant van het apparaat met water en een mild reinigingsmiddel voordat u er voedingsmiddelen in plaatst.
- ▶ Nadat het apparaat waterpas is gezet en is schoongemaakt, moet u minstens 2–5 uur wachten voordat u het aansluit op het elektriciteitsnet. Raadpleeg het hoofdstuk INSTALLATIE.
- ▶ Koel de compartimenten op hoge instellingen voor voordat u het voedsel erin zet. De Super Cool-functie helpt om de compartimenten snel af te koelen.
- ▶ De temperatuur van de koelkast wordt automatisch ingesteld op 5°C. Dit is de aanbevolen instelling. Als u wilt, kunt u de temperatuur handmatig veranderen. Raadpleeg DE TEMPERATUUR AANPASSEN.
- ▶ Deze koelkast heeft een vriezerruimte van 30 liter in het bovenste gedeelte en de temperatuur van de vriezerruimte varieert met de temperatuur van de koelkast.

Installatie

- ▶ Het apparaat moet op een goed geventileerde plaats worden geplaatst.
- ▶ Plaats het apparaat nooit in een vochtige ruimte of op een plaats waar het met water kan worden bespat. Reinig en droog waterspatten en vlekken met een zachte, schone doek.
- ▶ Installeer het apparaat niet in direct zonlicht of in de buurt van warmtebronnen (bijv. kachels, verwarmingstoestellen).
- ▶ Installeer het apparaat waterpas op een plaats die geschikt is voor de grootte en het gebruik ervan.
- ▶ Zorg ervoor dat de ventilatieopeningen in het apparaat of in de ingebouwde constructie open blijven.
- ▶ Controleer of de elektrische informatie op het typeplaatje overeenkomt met de stroomvoorziening. Als dat niet het geval is, neem dan contact op met een elektricien.
- ▶ Het apparaat wordt gebruikt met een voeding van 220–240 VAC/50 Hz. Abnormale spanningsschommelingen kunnen ertoe leiden dat het apparaat niet start of dat de temperatuurregeling of de compressor beschadigd raakt of dat er tijdens het gebruik een abnormaal geluid optreedt. In dat geval moet er een automatische regelaar worden gemonteerd.
- ▶ Gebruik geen stekkerdozen en verlengkabels.
- ▶ Plaats niet meerdere draagbare stopcontacten of draagbare voedingen op de achterkant van het apparaat.



WAARSCHUWING!

- ▶ Zorg ervoor dat de stroomkabel niet bekneld zit door de koelkast. Ga niet op de stroomkabel staan.
- ▶ Gebruik een apart geaard stopcontact voor de stroomvoorziening, dat gemakkelijk toegankelijk is. Het apparaat moet geaard zijn. Alleen voor het Verenigd Koninkrijk: Het netsnoer van het apparaat is voorzien van een 3-aderige (geaarde) stekker die past op een standaard 3-aderig (geaard) stopcontact. De derde pin (aarding) mag nooit worden afgesneden of gedemonteerd. Nadat het apparaat is geïnstalleerd, moet de stekker bereikbaar zijn.
- ▶ Beschadig het koelcircuit niet.

Dagelijks gebruik

- ▶ Dit apparaat mag worden gebruikt door kinderen vanaf 8 jaar en door personen met verminderde lichamelijke, zintuiglijke of geestelijke vermogens of met een gebrek aan kennis en ervaring, mits zij onder toezicht worden gehouden of instructies hebben gekregen om het apparaat veilig te kunnen gebruiken en de gevaren begrijpen die ermee gepaard gaan.
- ▶ Kinderen van 3 tot 8 jaar mogen wel inladen en uitladen, maar mogen koelapparatuur niet reinigen of installeren.
- ▶ Houd kinderen onder de 3 jaar uit de buurt van het apparaat, tenzij ze voortdurend onder toezicht staan.
- ▶ Kinderen mogen niet met het apparaat spelen.
- ▶ Als er koelgas of ander brandbaar gas in de buurt van het apparaat lekt, moet u het ventiel van het lekkende gas sluiten, de deuren en ramen openen en mag u de stekker van de koelkast of een ander apparaat niet uit het stopcontact halen of in een stopcontact steken.
- ▶ Let op, het apparaat is ingesteld om te werken bij een specifiek omgevingstemperatuurbereik van 10 tot 43°C. Het apparaat kan gedurende lange tijd bij een temperatuur boven of onder het aangegeven bereik niet goed werken.
- ▶ Plaats geen onstabiele voorwerpen (zware voorwerpen, containers gevuld met water) boven op de koelkast, om persoonlijk letsel door vallen of elektrische schokken door contact met water te voorkomen.
- ▶ Trek niet aan de deurschappen. De deur kan scheefgetrokken worden, het flessenrek kan eruit worden getrokken, of het apparaat kan omvallen.
- ▶ Open en sluit de deuren alleen met de handgrepen. De ruimte tussen de deuren en tussen de deuren en de kast is zeer smal. Steek uw handen niet in deze ruimtes, om te voorkomen dat uw vingers bekneld raken. Open of sluit de koelkastdeuren alleen als er geen kinderen zijn die zich binnen het bewegingsbereik van de deur bevinden.
- ▶ Zorg er bij het neerzetten van het apparaat voor dat het netsnoer niet bekneld of beschadigd raakt.
- ▶ Bewaar geen explosieve stoffen, zoals spuitbussen met een brandbaar drijfgas, in dit apparaat.



WAARSCHUWING!

- ▶ Om besmetting van voedsel te voorkomen:
 - Het langere tijd open houden van de deur kan leiden tot een aanzienlijke verhoging van de temperatuur in de compartimenten van het apparaat.
 - Reinig oppervlakken die in contact kunnen komen met voedsel en toegankelijke afvoersystemen regelmatig.
 - Bewaar rauw vlees en rauwe vis in geschikte bakken in de koelkast, zodat ze niet in contact komen met of op ander voedsel druppen.
 - Als het product langere tijd leeg wordt gelaten, moet u het uitschakelen, ontdooien, reinigen en drogen en de deur openzetten om te voorkomen dat er zich in het apparaat schimmel ontwikkelt.
- ▶ Bewaar of gebruik in het apparaat of in de buurt ervan geen brandbare, explosieve of corrosieve materialen.
- ▶ Bewaar geen geneesmiddelen, bacteriën of chemische middelen in het apparaat. Dit is een huishoudelijk apparaat. Het wordt niet aanbevolen om materialen op te slaan die strikte temperaturen vereisen.
- ▶ Bewaar vloeistoffen in flessen of blikjes (met uitzondering van sterke drank), met name koolzuurhoudende dranken, nooit in de vriezer, omdat deze tijdens het invriezen barsten.
- ▶ Controleer de staat van het voedsel als er sprake van opwarming is geweest in de vriezer.
- ▶ Stel de temperatuur in het koelkastgedeelte niet onnodig laag in. Bij een hoge instelling kunnen temperaturen onder nul optreden. Let op: Flessen kunnen barsten
- ▶ Raak geen bevroren producten aan met natte handen (draag handschoenen). Eet vooral ijsjes niet onmiddellijk na verwijdering uit het vriezergedeelte op. Er bestaat het risico op bevriezing of vriesblaren. Eerste hulp: houd onmiddellijk onder de koude kraan. Niet lostrekken!
- ▶ Raak het binnenoppervlak van het vriezergedeelte niet aan wanneer het in werking is, vooral niet met natte handen, omdat uw handen aan het oppervlak vast kunnen vriezen.
- ▶ Haal de stekker van het apparaat uit het stopcontact wanneer er een stroomonderbreking optreedt of voordat u het schoonmaakt. Laat het apparaat minstens 7 minuten rusten voordat u het opnieuw opstart, omdat vaak starten de compressor kan beschadigen.
- ▶ Gebruik geen elektrische toestellen in de bewaarruimten voor levensmiddelen van het apparaat, tenzij deze van het type zijn dat door de fabrikant wordt aanbevolen. Onderhoud/reiniging
- ▶ Zorg ervoor dat kinderen onder toezicht staan als ze schoonmaak en onderhoud uitvoeren.
- ▶ Haal de stekker van het apparaat uit het stopcontact voordat u routineonderhoud uitvoert. Laat het apparaat minstens 5 minuten rusten voordat u het opnieuw opstart, omdat vaak starten de compressor kan beschadigen.



WAARSCHUWING!

- ▶ Houd de stekker vast, niet het snoer, wanneer u de stekker uit het stopcontact haalt.
- ▶ Reinig het apparaat niet met harde borstels, draadborstels, waspoeder, benzine, amylacetaat, aceton en soortgelijke organische oplossingen, zure of alkalische oplossingen. Reinig het apparaat met een speciaal reinigingsmiddel voor koelkasten om schade te voorkomen.
- ▶ Schraap de vorst er niet af met scherpe voorwerpen. Gebruik om schade aan de kunststof onderdelen te voorkomen geen sprays, elektrische verwarmings-toestellen zoals haardrogers, stoomreinigers of andere warmtebronnen.
- ▶ Gebruik geen mechanische apparaten of andere middelen om het ontdooien te versnellen, behalve als deze door de fabrikant worden aanbevolen.
- ▶ Als het netsnoer beschadigd is, moet het worden vervangen door de fabrikant, diens servicevertegenwoordiger of vergelijkbaar gekwalificeerde personen om gevaar te voorkomen.
- ▶ Probeer het apparaat niet zelf te repareren, te demonteren of te wijzigen. In geval van reparatie kunt u contact opnemen met onze klantenservice.
- ▶ Verwijder het stof aan de achterkant van het toestel ten minste eenmaal per jaar om brandgevaar en een verhoogd energieverbruik te voorkomen.
- ▶ Spuit niet op het apparaat en spoel het niet af tijdens het reinigen.
- ▶ Gebruik geen waterstraal of stoom om het apparaat schoon te maken.
- ▶ Reinig de koude glazen planken niet met heet water. Door plotselinge temperatuurveranderingen kan het glas breken.

Informatie over koudemiddel



WAARSCHUWING!

Het apparaat bevat het brandbare koelmiddel ISOBUTAAN (R600a). Controleer of het koelcircuit tijdens transport of installatie niet is beschadigd. Lekkend koelmiddel kan oogletsel veroorzaken of ontbranden. Als er schade is opgetreden, weghouden van open vuurbronnen, de kamer grondig ventileren, de stekker van het apparaat of enig ander apparaat niet in het stopcontact steken of eruit halen. Informeer de klantenservice.

Als de ogen in contact komen met het koelmiddel, spoel het dan onmiddellijk onder stromend water af en bel onmiddellijk de oogspecialist.

Beoogd gebruik

Dit apparaat is bedoeld voor het koelen van voedsel. Het is uitsluitend ontworpen voor gebruik in huishoudelijke en soortgelijke toepassingen, zoals personeelskeukens in winkels, kantoren en andere werkomgevingen; op boerderijen en door gasten in hotels, motels en andere woonomgevingen, maar ook in bed and breakfasts en bij cateringbedrijven. Het is niet bedoeld voor commercieel of industrieel gebruik.

Wijzigingen of aanpassingen aan het apparaat zijn niet toegestaan.

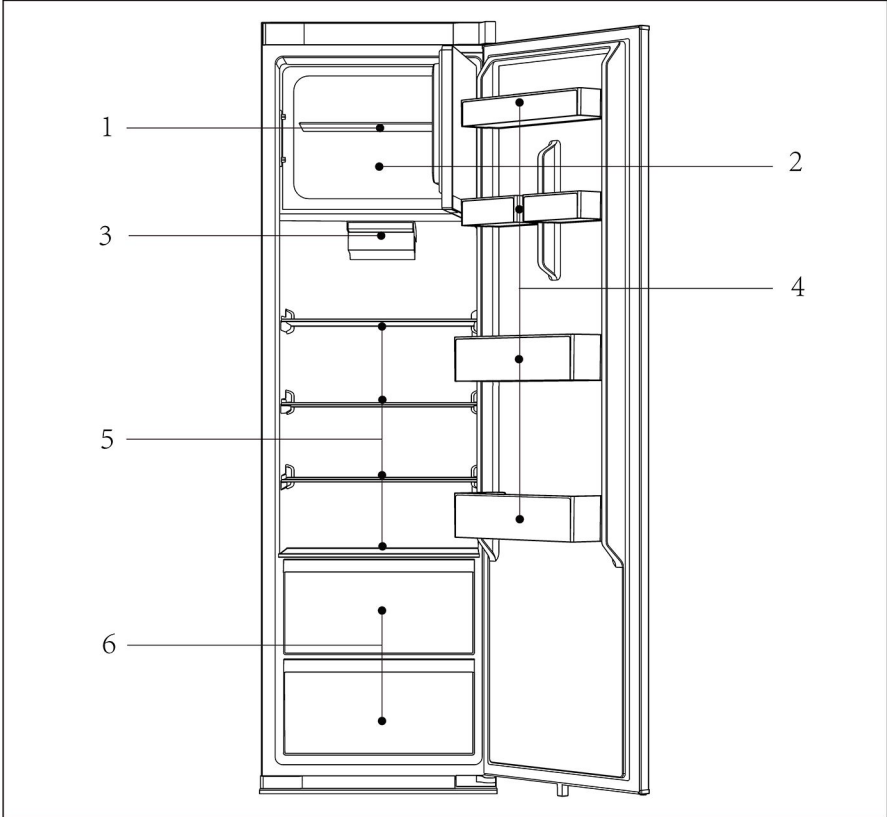
Onbedoeld gebruik kan risico's en verlies van garantieclaims veroorzaken.

Normen en richtlijnen

Dit product voldoet aan de eisen van alle toepasselijke EG-richtlijnen met de bijbehorende geharmoniseerde normen die voorzien in een CE-markering.

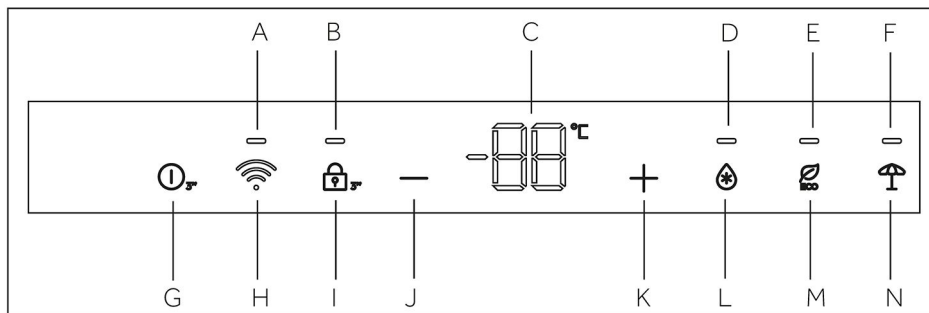
i LET OP

Door technische wijzigingen en verschillende modellen kunnen sommige afbeeldingen in deze handleiding afwijken van uw model.

**CML5518EVW4**

- 1 Gewone vriezerplank
- 2 Vriezerruimte
- 3 Ventilator en ledlampje
- 4 Flessenhouders
- 5 Gewone koelkastplanken
- 6 Gewone koelkastlades

Bedieningspaneel



Indicatoren:

- A Wififunctiepictogram
- B Pictogram Vergrendelen/ontgrendelen
- C Temperatuurweergavepictogram
- D Pictogram Super Cool-functie
- E Pictogram ECO-functie
- F Pictogram Holiday-functie

Toetsen:

- G AAN/UIT-toets
- H Wifikoppelingstoets
- I Toets Vergrendelen/ontgrendelen
- J Toets Temperatuur verlagen
- K Toets Temperatuur verhogen
- L Toets Super Cool-functie
- M Toets ECO-functie
- N Toets Holiday-functie

Sensortoetsen

De toetsen op het bedieningspaneel zijn sensortoetsen, die al reageren als ze licht met de vinger worden aangeraakt.

LET OP

Als het apparaat is ingeschakeld, kan het tot 12 uur duren voordat de juiste temperaturen worden bereikt.

Open eerst de deur van de koelkast voordat u het scherm bedient.

Functie Vergrendelen/ontgrendelen

Deze toets en het bijbehorende pictogram worden gebruikt om het bedieningsscherm te vergrendelen of ontgrendelen en de huidige status aan te geven.

Open de deur van de koelkast terwijl de koelkast in werking is, het bedieningsscherm licht op en het pictogram Vergrendelen/ontgrendelen is aan. Op dat moment is het bedieningsscherm vergrendeld en kan het niet worden bediend.

Het scherm handmatig ontgrendelen of vergrendelen: Wanneer het pictogram Vergrendelen/ontgrendelen oplicht, moet u 3 seconden lang op de toets Vergrendelen/ontgrendelen drukken. Het pictogram gaat uit, wat gepaard gaat met een pieptoon. Op dit moment kan de functie worden geselecteerd of kan de temperatuur worden aangepast.

Wanneer het pictogram Vergrendelen/ontgrendelen uitgeschakeld is, moet u 3 seconden lang op de toets Vergrendelen/ontgrendelen drukken. Vervolgens licht het pictogram Vergrendelen/ontgrendelen op en hoort u een pieptoon. Op dat moment kan geen functieselectie of temperatuurinstelling worden uitgevoerd.

Automatische schermvergrendeling: Als de deur van de koelkast dicht is, wordt het bedieningsscherm uitgeschakeld en vergrendeld.

Als de deur van de koelkast open is, wordt het bedieningsscherm automatisch vergrendeld als er binnen 30 seconden geen bediening heeft plaatsgevonden.

AAN/UIT-functie

De AAN/UIT-toets wordt gebruikt om te schakelen tussen UIT (pauzestatus) en AAN (normale werkmodi).

De UIT-modus inschakelen: In de werkmodus van de koelkast ontgrendelt u eerst het display en drukt u vervolgens 3 seconden lang op de AAN/UIT-functietoets om het bedieningsscherm, de koelkastverlichting, de koeling en andere functies uit te schakelen; gevolgd door een indicatiegeluid.

LET OP

De UIT-modus is geen uitschakeling, de koelkast is op dat moment nog steeds ingeschakeld.

De UIT-modus afsluiten: In de UIT-modus moet u de AAN/UIT-toets 3 seconden lang ingedrukt houden om het bedieningsscherm, de koelkastverlichting, de koeling en andere functies opnieuw te starten; gevolgd door een indicatiegeluid. De koelkast keert terug naar de eerder ingestelde temperatuur en functie, en schakelt over naar de normale werkmodus.

Wifi-functie

Wifikoppeling: Wanneer de koelkast voor het eerst wordt ingeschakeld, gaat hij automatisch naar de netwerkconfiguratiemodus en knippert het wifipictogram snel. Als er geen netwerkverbindingsoptie is, wordt de modus na 30 minuten automatisch afgesloten.

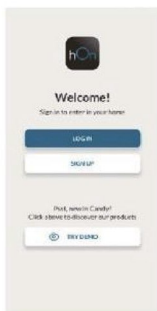
Ga handmatig naar de wifkoppelingsmodus: Houd na het ontgrendelen van het bedieningsscherm, terwijl het wifunctiepictogram brandt, de wifitoets 3 seconden lang ingedrukt om de modus te activeren. Ondertussen knippert het wifipictogram snel om aan te geven dat de wifkoppelingsmodus actief is. Als er geen netwerkverbinding plaatsvindt, wordt de modus na 30 minuten automatisch afgesloten.

KOPPELINGSPROCEDURE IN DE APP

Stap 1 • Download de hOn-app in de winkels.



Stap 2 Maak een account aan in de hOn-app of log in als u al een account heeft.



Stap 3 Volg de koppelingsinstructies in de hOn-app.



i LET OP

In de wifkoppelingsmodus moet u de instructies van de app volgen om de netwerkconfiguratie te voltooien. Als u de wifi-omgeving wilt wijzigen, moet u de modus opnieuw activeren. Als het pictogram van de wifunctie blijft branden, geeft dit aan dat de verbinding met het netwerk tot stand is gebracht.

De koelkasttemperatuur aanpassen

Nadat de deur van de koelkast is geopend en het bedieningsscherm is ontgrendeld, wordt de toets 'Temperatuur verlagen' gebruikt om de ingestelde temperatuur van de koelkast te verlagen. Telkens wanneer de toets lichtjes wordt aangeraakt, zal de temperatuur met 1°C dalen en de toegestane minimumtemperatuur is 1°C. Nadat de deur van de koelkast is geopend en het bedieningsscherm is ontgrendeld, wordt de toets 'Temperatuur verhogen' gebruikt om de ingestelde temperatuur van de koelkast te verhogen. Telkens wanneer de toets lichtjes wordt aangeraakt, zal de temperatuur met 1°C stijgen en de toegestane maximumtemperatuur is 9°C. Tijdens de werking zal het temperatuurweergavepictogram de ingestelde temperatuur weergeven en knipperen. Het bedieningsscherm zal na 5 seconden automatisch de ingestelde temperatuur bevestigen.

Super Cool-functie

Deze toets en het bijbehorende pictogram worden gebruikt om de Super Cool-functie van de koelkast om te schakelen en de huidige status weer te geven.

Raak na het openen van de koelkastdeur en het ontgrendelen van het bedieningsscherm de Super Cool-toets aan, waarna het pictogram "Super Cool" gaat branden. Op dit moment staat de koelkast in de Super Cool-modus. Om de modus uit te schakelen, kunt u dezelfde handeling uitvoeren door de Super Cool-toets aan te raken. Nadat de Super Cool-functie is ingeschakeld, zal de koelkast na ongeveer 48 uur automatisch de Super Cool-modus verlaten om te voorkomen dat de temperatuur in de koelkast te laag wordt.

Wanneer er in korte tijd een grote hoeveelheid voedsel in de koelkast wordt gezet, zal de temperatuur in de koelkast stijgen. Na het inschakelen van de Super Cool-functie kan de temperatuur van deze voedingsmiddelen snel worden verlaagd.

Wanneer er een grote hoeveelheid voedsel in de koelkast wordt geplaatst, kan de Super Cool-functie direct worden ingeschakeld. Wanneer u een grote hoeveelheid voedsel in de vriezer plaatst, schakel dan 12 uur voordat u het voedsel erin doet de Super Cool-functie in.

ECO-functie

Nadat u de deur van de koelkast hebt geopend en het bedieningsscherm hebt ontgrendeld, raakt u de ECO-functietoets lichtjes aan, waarna het ECO-functiepictogram oplicht; de koelkast bevindt zich al in die modus. Als u de modus wilt verlaten, voert u dezelfde handeling uit door de ECO-functietoets lichtjes aan te raken. In de ECO-modus werkt de koelkast automatisch op een gemiddelde temperatuur van 5°C.

Holiday-functie

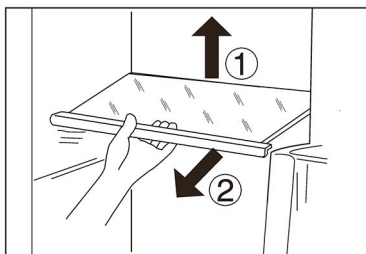
Nadat u de deur van de koelkast hebt geopend en het bedieningsscherm hebt ontgrendeld, raakt u de Holiday-functietoets lichtjes aan, waarna het Holiday-functiepictogram oplicht; de koelkast bevindt zich al in die modus. Als u de modus wilt verlaten, voert u dezelfde handeling uit door de Holiday-functietoets lichtjes aan te raken. In de Holiday-functiemodus werkt de koelkast automatisch op een gemiddelde temperatuur van 17°C.

Wanneer de Holiday-functie wordt ingeschakeld, gebeurt dit voor zowel de koelkast als de vriezer, en bevroren voedsel moet uit de vriezer worden gehaald om schade aan het voedsel door hoge temperaturen te voorkomen.



LET OP

Vanwege het verschil in bedieningslogica van de speciale functies zoals de Super Cool-functie, de ECO-functie en de Holiday-functie, kunnen deze speciale modi niet tegelijkertijd worden geactiveerd. Er kan slechts één functie worden geactiveerd en wanneer er tussen de modi wordt geschakeld, worden andere speciale modi automatisch afgesloten. Daarnaast kan de ingestelde temperatuur niet worden gewijzigd, tenzij deze modi worden verlaten. 5°C is de ideale modus voor verse levensmiddelen zoals groenten en fruit, zuivelproducten, vlees en dranken.



Planken

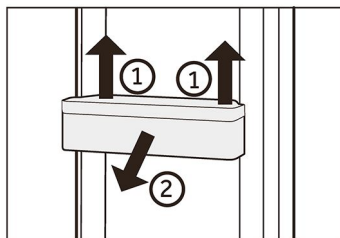
1. De hoogte van de planken kan worden aangepast aan uw opslagbehoefte.
2. Om een plank te verplaatsen, verwijdert u hem eerst door de achterrand ① op te tillen en de plank eruit ② te trekken.
3. Om hem weer te installeren, plaatst u hem op de nokjes aan beide kanten en duwt u hem helemaal naar achteren tot de achterkant van de plank vastzit in de gleuven in de zijkanten.

i LET OP

Zorg ervoor dat alle kanten van een plank vlak zijn.

Verwijderbare fles

1. De fles kan worden verwijderd om schoon te maken.
2. Plaats uw handen aan beide kanten van het rek, til het omhoog ① en trek het eruit ②.
3. Voer de bovenstaande stappen in omgekeerde volgorde uit om fles weer terug te plaatsen.



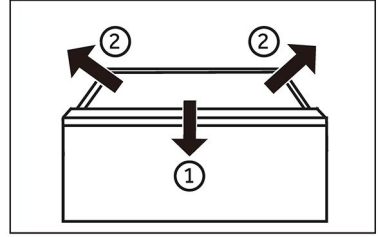
i LET OP

Vanwege de locatie-eigenschappen is de temperatuur van de fleshouder in de eerste en tweede laag van de deur iets hoger dan die in de koeling. Het wordt aanbevolen om deze alleen te gebruiken voor het kortstondig bewaren van voedsel.

Verwijderbare lade

Om de lade te verwijderen, trekt u deze zo ver mogelijk naar buiten ①, daarna optillen en verwijderen ②.

Voer de bovenstaande stappen in omgekeerde volgorde uit om lade weer terug te plaatsen.



De verlichting

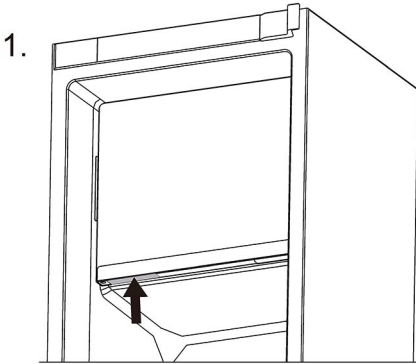
De led-binnenverlichting gaat branden als de deur wordt geopend. De werking van de verlichting wordt niet beïnvloed door een van de andere instellingen van het apparaat.

Vriezerruimte

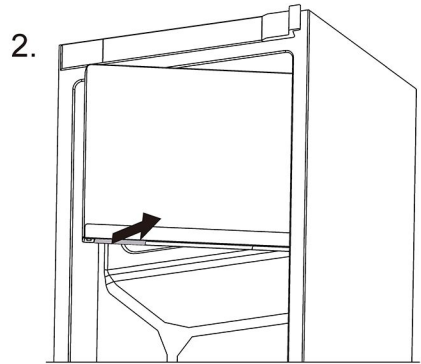
Dit koelapparaat heeft een vriezerruimte van 30 liter in het bovenste gedeelte en de temperatuur van de vriezerruimte varieert met de temperatuur van de koelkast.

Open de deur van de vriezerruimte: Duw eerst de schakelaar omhoog, zoals op afbeelding 1; trek hem er dan uit, zoals op afbeelding 2;

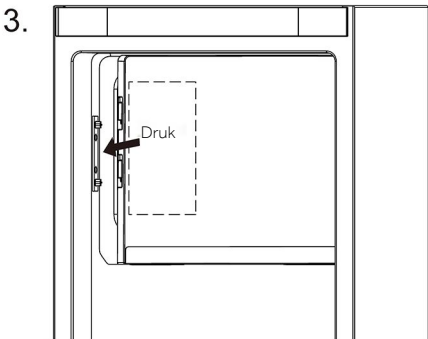
Sluit de deur van de vriezerruimte: Druk op het middelste gedeelte van de zijkant van de kleine deuropening, zoals weergegeven in afbeelding 3.



Schakelaar omhoog duwen



Schakelaar naar buiten trekken





Tips voor energiebesparing

- ▶ Zorg ervoor dat het apparaat goed wordt geventileerd (raadpleeg INSTALLATIE).
- ▶ Installeer het apparaat niet in direct zonlicht of in de buurt van warmtebronnen (bijv. kachels, verwarmingstoestellen).
- ▶ Vermijd onnodig lage temperaturen in het apparaat. Het energieverbruik neemt toe naarmate de temperatuur in het apparaat lager is ingesteld.
- ▶ Functies zoals de Super Cool-functie verbruiken meer energie.
- ▶ Laat warm voedsel afkoelen voordat u het in de koelkast plaatst.
- ▶ Open de deur van het apparaat zo weinig en zo kort mogelijk.
- ▶ Vul het apparaat niet te vol om te voorkomen dat de luchtdoorstroming wordt geblokkeerd.
- ▶ Vermijd lucht in de verpakking van het voedsel.
- ▶ Houd de deurpakking schoon, zodat de deur altijd goed sluit.
- ▶ De meest energiebesparende configuratie vereist dat de lades, voedselbakken en planken in fabrieksstaat worden gehouden, en dat voedsel zo diep mogelijk wordt geplaatst zonder dat de openingen van het luchtkanaal worden geblokkeerd.



WAARSCHUWING!

Haal de stekker van het apparaat uit het stopcontact voordat u het reinigt.

Reinigen

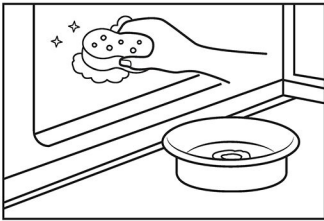
Reinig het apparaat als er weinig of geen voedsel in is opgeslagen.

Het apparaat moet om de vier weken worden schoongemaakt voor een goed onderhoud en om nare voedselgeuren te voorkomen.



WAARSCHUWING!

- ▶ Reinig het apparaat niet met harde borstels, draadborstels, waspoeder, benzine, amylicetaat, aceton en soortgelijke organische oplossingen, zure of alkalische oplossingen. Reinig het apparaat met een speciaal reinigingsmiddel voor koelkasten om schade te voorkomen.
- ▶ Spuit niet op het apparaat en spoel het niet af tijdens het reinigen.
- ▶ Gebruik geen waterstraal of stoom om het apparaat schoon te maken.
- ▶ Reinig de koude glazen planken niet met heet water. Door plotselinge temperatuurveranderingen kan het glas breken.



- ▶ Houd de deurpakking altijd schoon.
- ▶ Reinig de binnenkant en behuizing van het apparaat met een spons die is bevochtigd in warm water en een neutraal reinigingsmiddel.
- ▶ 1. Was de binnenkant en buitenkant van de koelkast, waaronder deurrubbers, deurrek, glazen planken, bakken enzovoort, met een zachte handdoek of spons die in warm water is gedrenkt (u mag een neutraal schoonmaakmiddel toevoegen aan het warme water).
- ▶ 2. Als er vloeistof is gemorst, verwijder dan alle verontreinigde onderdelen en spoel ze direct af met het stromend water. Daarna afdrogen en terug in de koelkast plaatsen.
- ▶ 3. Als er room (zoals koffiemelk, smeltend ijs) wordt gemorst, moeten alle verontreinigde delen worden verwijderd. Zet ze een tijdje in warm water van ongeveer 40°C en spoel vervolgens af met stromend water. Daarna afdrogen en terug in de koelkast plaatsen.
- ▶ 4. Als een klein deeltje of onderdeel vast komt te zitten in de koelkast (tussen planken of laden), gebruik dan een klein, zacht borsteltje om het weg te halen. Als u het onderdeel niet kan bereiken, neem dan contact op met de klantenservice van Haier.
- ▶ Spoel af en droog af met een zachte doek.
- ▶ Reinig de onderdelen van het apparaat niet in een vaatwasser.
- ▶ Laat het apparaat minstens 5 minuten rusten voordat u het opnieuw opstart, omdat vaak opstarten de compressor kan beschadigen.

LET OP

De afvoeropening mag niet geblokkeerd worden door vreemde voorwerpen, anders kan er een probleem ontstaan met het overlopen van water. Als de afvoer verstopt is, kunt u de lade eruit halen en schoonmaken met een doek.



Ontdooien

Als er te veel items zijn geplaatst of als de deur te vaak wordt geopend en gesloten, kan er vorst ontstaan aan de achterkant van de koelkastruimte of vriezerruimte, waardoor deze handmatig moet worden ontdooid met een ijskrabber.

De ledlampjes vervangen

WAARSCHUWING!

Vervang de ledlamp niet zelf, deze mag alleen worden vervangen door de fabrikant of door de erkende servicevertegenwoordiger.

De lamp heeft een led als lichtbron, met een laag energieverbruik en een lange levensduur. Als er sprake is van een afwijking, neem dan contact op met de klantenservice. Zie KLANTENSERVICE.

Parameters van de lampen:

Koelkastgedeelte: 12 V max. 1,5 W

Dit product bevat een lichtbron van energie-efficiëntieklasse <G>.

Geen gebruik voor een langere periode

Als het apparaat gedurende langere tijd niet wordt gebruikt en u gebruikt niet de Holiday-functie bij de koelkast:

Haal het voedsel eruit.

Haal de stekker van het netsnoer uit het stopcontact.

Reinig het apparaat zoals hierboven beschreven.

Houd de deuren open om de vorming van nare geuren binnenin te voorkomen.

LET OP

Schakel het apparaat alleen uit als dat echt nodig is.

Het apparaat verplaatsen

1. Verwijder alle etenswaren en haal de stekker van het apparaat uit het stopcontact.
2. Maak planken en andere beweegbare delen in de koelkast vast met plakband.
3. Kantel de koelkast niet meer dan 45° om schade aan het koelsysteem te voorkomen.

WAARSCHUWING!

- ▶ Til het apparaat niet op aan de grepen.
- ▶ Plaats het apparaat nooit horizontaal op de grond.

Veel problemen kunnen door uzelf worden opgelost zonder specifieke expertise. Raadpleeg in geval van een probleem alle getoonde mogelijkheden en volg de onderstaande instructies voordat u contact opneemt met de klantenservice. Zie KLANTENSERVICE.



WAARSCHUWING!

- ▶ Schakel het apparaat uit voordat u onderhoud uitvoert en haal de stekker uit het stopcontact.
- ▶ Elektrische apparatuur mag alleen worden onderhouden door gekwalificeerde elektrische experts, omdat onjuiste reparaties aanzienlijke gevolgschade kunnen veroorzaken.
- ▶ Als de voeding beschadigd is, mag deze alleen worden vervangen door de fabrikant, diens servicevertegenwoordiger of vergelijkbaar gekwalificeerde personen om gevaar te voorkomen.

Probleem	Mogelijke oorzaak	Mogelijke oplossing
De compressor werkt niet.	<ul style="list-style-type: none"> • De netstekker is niet aangesloten op het stopcontact. • Het apparaat is aan het ontdooien. 	<ul style="list-style-type: none"> • Steek de stekker in het stopcontact. • Dit is normaal voor automatisch ontdooien.
Het apparaat loopt vaak of te lang.	<ul style="list-style-type: none"> • De binnen- of buitentemperatuur is te hoog. • Het apparaat is een tijd lang niet ingeschakeld geweest. • Een deur van het apparaat is niet goed gesloten. • De deur is te vaak of te lang geopend. • De temperatuurinstelling voor het koelkastgedeelte is te laag. • De deuropakkingen zijn vuil, versleten, gebarsten of niet goed op elkaar afgestemd. • De vereiste luchtcirculatie is niet gegarandeerd. 	<ul style="list-style-type: none"> • In dit geval is het normaal dat het apparaat langer werkt. • Normaal gesproken duurt het 8–12 uur voordat het apparaat volledig is afgekoeld. • Sluit de deur/lade en zorg ervoor dat het apparaat op een vlakke ondergrond staat en dat er geen etenswaren of voedselbakjes de deur blokkeren. • Open de deur/lade niet te vaak. • Stel de temperatuur hoger in totdat een toereikende koelkasttemperatuur is bereikt. Het duurt 24 uur voordat de koelkasttemperatuur stabiel is. • Reinig de deur-/ladepakkingen of laat ze vervangen door de klantenservice. • Zorg voor voldoende ventilatie.

Probleem	Mogelijke oorzaak	Mogelijke oplossing
De binnenkant van de koelkast is vies en/of stinkt.	<ul style="list-style-type: none"> De binnenkant van de koelkast moet worden schoongemaakt. Er wordt voedsel met een sterke geur bewaard in de koelkast. 	<ul style="list-style-type: none"> Reinig de binnenkant van de koelkast. Verpak het voedsel goed.
Het is niet koud genoeg in het apparaat.	<ul style="list-style-type: none"> De temperatuur is te hoog ingesteld. Er zijn te warme producten opgeslagen. Er is te veel voedsel in één keer bewaard. De producten zijn te dicht bij elkaar geplaatst. Een deur/lade van het apparaat zit niet goed dicht. De deur/lade is te vaak of te lang geopend. 	<ul style="list-style-type: none"> Stel de temperatuur opnieuw in. Koel de producten altijd af voordat u ze opbergt. Bewaar altijd kleine hoeveelheden voedsel. Laat een gat tussen verschillende voedingsmiddelen waardoor lucht kan stromen. Sluit de deur/lade. Open de deur/lade niet te vaak.
Het is te koud in het apparaat.	<ul style="list-style-type: none"> De temperatuur is te laag ingesteld. De Super Cool-functie is geactiveerd of loopt te lang. 	<ul style="list-style-type: none"> Stel de temperatuur opnieuw in. Schakel de Super Cool-functie uit.
Vochtvorming aan de binnenkant van het koelkastgedeelte.	<ul style="list-style-type: none"> Het klimaat is te warm en te vochtig. Een deur/lade van het apparaat zit niet goed dicht. De deur/lade is te vaak of te lang geopend. Voedselbakjes of vloeistoffen zijn open gelaten. 	<ul style="list-style-type: none"> Verhoog de temperatuur. Sluit de deur/lade. Open de deur/lade niet te vaak. Laat warm voedsel afkoelen tot kamertemperatuur en dek voedsel en vloeistoffen af.
Vocht hoopt zich op het oppervlak aan de buitenkant van de koelkast en tussen de deuren/deur en lade op.	<ul style="list-style-type: none"> Het klimaat is te warm en te vochtig. De deur is niet goed gesloten. De koude lucht in het apparaat en de warme lucht buiten condenseert. 	<ul style="list-style-type: none"> Dit is normaal in een vochtig klimaat en zal veranderen wanneer de luchtvochtigheid daalt. Zorg dat de deur/lade goed dicht zit.
De displayverlichting werkt, maar voelt niet koel aan.	<ul style="list-style-type: none"> Hij staat in de demomodus. 	<ul style="list-style-type: none"> Let op in welke status hij zich bevindt. Als het de demomodus is, sluit deze dan af. Afsluiten: Houd de toets 'ECO' ingedrukt en tik 5 keer in 5 seconden op de toets 'Super Freeze'.

Probleem	Mogelijke oorzaak	Mogelijke oplossing
Veel ijs en rijp in het vriezergedeelte.	<ul style="list-style-type: none"> • De etenswaren zijn niet goed verpakt. • Een deur/lade van het apparaat zit niet goed dicht. • De deur/lade is te vaak of te lang geopend. • De deur-/ladepakkingen zijn vuil, versleten, gebarsten of niet goed op elkaar afgestemd. • Iets aan de binnenkant voorkomt dat de deur/lade goed kan sluiten. 	<ul style="list-style-type: none"> • Verpak de etenswaren altijd goed. • Sluit de deur/lade. • Open de deur/lade niet te vaak. • Reinig de deur-/ladepakkingen of vervang ze door nieuwe. • Verplaats de planken, deurrekken of interne containers zodat de deur/lade kan worden gesloten.
De zijkanten van de kast en de deurstrip worden warm.	<ul style="list-style-type: none"> • - 	<ul style="list-style-type: none"> • Dit is normaal.
Het apparaat maakt afwijkende geluiden.	<ul style="list-style-type: none"> • Het apparaat staat niet op een vlakke ondergrond. • Het apparaat raakt voorwerpen rondom. 	<ul style="list-style-type: none"> • Stel de pootjes af om het apparaat waterpas te zetten. • Verwijder voorwerpen rondom het apparaat.
Er is een licht geluid te horen dat lijkt op dat van stromend water.	<ul style="list-style-type: none"> • - 	<ul style="list-style-type: none"> • Dit is normaal.
U hoort een alarm-piepton.	<ul style="list-style-type: none"> • De deur van het koelkastgedeelte staat open. 	<ul style="list-style-type: none"> • Sluit de deur.
U hoort een zacht gebrom.	<ul style="list-style-type: none"> • Het anticondensatiesysteem is aan het werk 	<ul style="list-style-type: none"> • Dit voorkomt condensatie en is normaal
De binnenverlichting of het koelsysteem werkt niet.	<ul style="list-style-type: none"> • De netstekker is niet aangesloten op het stopcontact. • De voeding is niet intact. • Het ledlampje is buiten werking. 	<ul style="list-style-type: none"> • Steek de stekker in het stopcontact. • Controleer de elektrische voeding naar de kamer. Bel het plaatselijke elektriciteitsbedrijf! • Bel de klantenservice om het lampje te laten vervangen.

Ga naar onze website om contact op te nemen met de technische ondersteuning: <https://corporate.haier-eu-rope.com/en/>

Kies onder de kop 'website' het merk van uw product en uw land. U wordt doorgestuurd naar de specifieke website waar u het telefoonnummer en het formulier kunt vinden om contact op te nemen met de technische ondersteuning.

Stroomonderbreking

In het geval van een stroomstoring, zou voedsel ongeveer 5 uur lang veilig koud moeten blijven. Volg de volgende tips tijdens een langdurige stroomstoring, vooral in de zomer:

- ▶ Open de deur/lade zo weinig mogelijk.
- ▶ Plaats geen extra voedsel in het apparaat tijdens een stroomstoring.
- ▶ Als een stroomstoring vooraf wordt aangekondigd en de onderbrekingsduur langer is dan 5 uur, maak dan ijs en zet dit in een bak boven in het koelkastgedeelte.
- ▶ Onmiddellijk na de onderbreking is een controle van de producten vereist.
- ▶ Aangezien de temperatuur in de koelkast stijgt tijdens een stroomonderbreking of een andere storing, wordt de bewaarperiode en de eetbare kwaliteit van voedsel nadelig beïnvloed.

Geheugenfunctie tijdens de stroomonderbreking

Na herstel van de stroom gaat het apparaat door met de instellingen die waren ingesteld voor de stroomstoring.

Uitpakken



WAARSCHUWING!

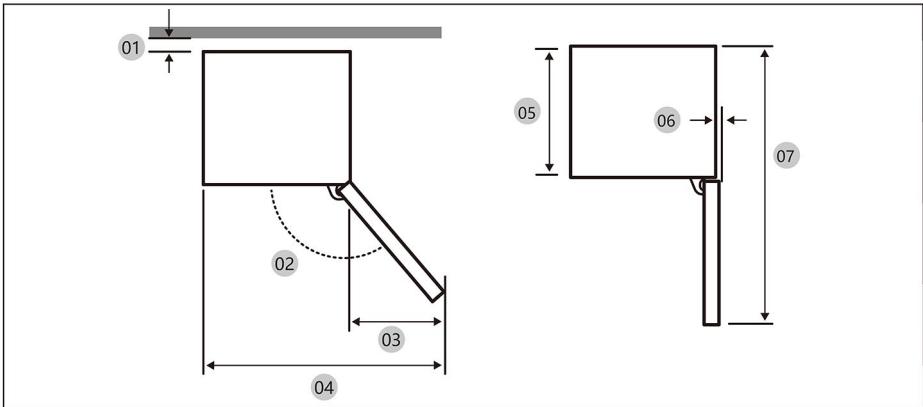
- ▶ Het apparaat is zwaar. Altijd hanteren met ten minste twee personen.
- ▶ Houd alle verpakkingsmaterialen buiten bereik van kinderen en gooi ze op een milieuvriendelijke manier weg.
- ▶ Haal het apparaat uit de verpakking.
- ▶ Verwijder al het verpakkingsmateriaal.

Omgevingsomstandigheden

De kamertemperatuur moet altijd tussen 10°C en 43°C liggen, aangezien het de temperatuur in het apparaat en het energieverbruik kan beïnvloeden. Installeer het apparaat niet in de buurt van andere warmtebronnen (ovens, koelkasten).

Ruimtesuggestie

Voorgestelde ruimte bij geopende deur (zonder kastdeurpaneel)

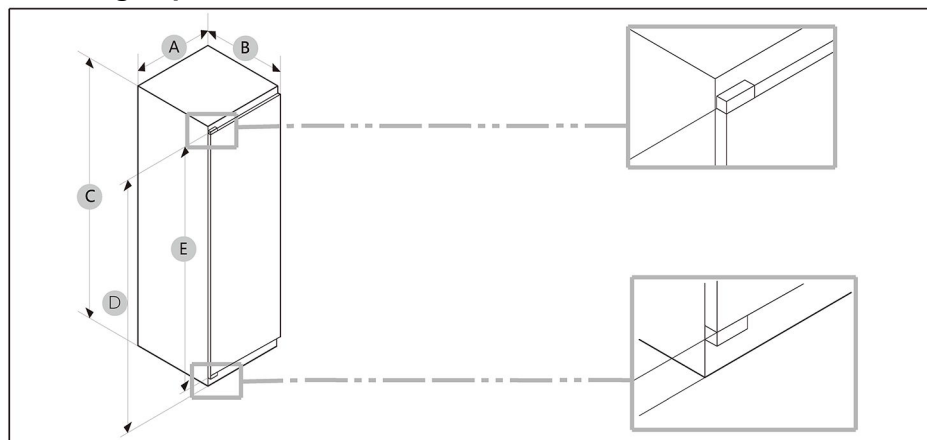


Model	CML5518EVW4
01*	10 (min.) / 30 (aanbevolen)
02	95° (Aanbevolen)
03	43
04	583
05	515
06	-3
07	1060

(eenheid: mm)

* 01: Van kast tot achterkant product.

Afmetingen product



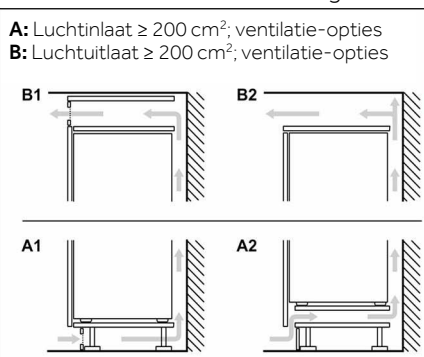
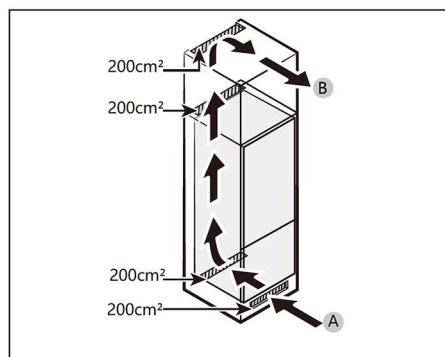
Model	A (mm)	B (mm)	C (mm)	D (mm)	E (mm)
CML5518EVW4	540±2	550±2	1772±2	1715	1671

i LET OP

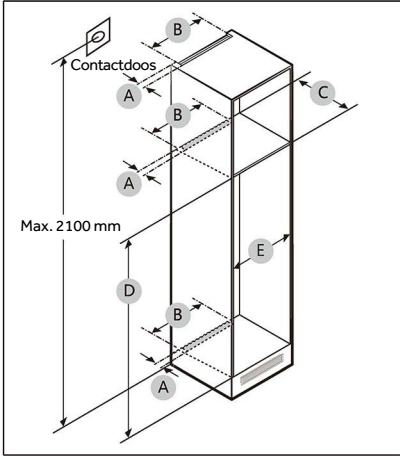
- Het opgegeven energieverbruik is gebaseerd op een afstand van 10 mm tussen de kast en de achterkant van het product. Het product werkt ook goed bij een afstand van minder dan 10 mm, maar verbruikt wel iets meer energie.
- We raden aan om een kast van 19 mm dik te gebruiken met scharnieren van minder dan 17 mm dik.
- De metingen in de bovenstaande tabel kunnen afwijken, afhankelijk van de meetmethode.
- Raadpleeg de Installatiehandleiding voor ingebouwde installatie.

Doorsnede van ventilatie

Om voor de veiligheid voldoende ventilatie van het apparaat te bereiken, moet de informatie over de vereiste ventilatiedoorsneden in acht worden genomen.



Afmetingen kast



VOORZICHTIG!

Productstoringen als gevolg van het volgende worden niet gedekt door de Garantie.

1. Onjuiste locatieomstandigheden of onjuiste kastafmetingen.
2. Defecte kast.
3. Fouten door de installateur of de gebruiker.

Vrije ruimte

Zie de afbeeldingen en tabellen hieronder voor de benodigde ruimte voor installatie.

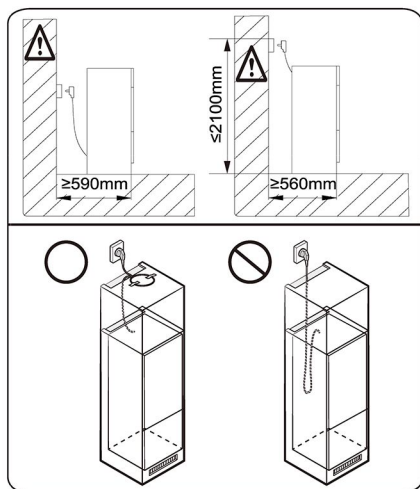
Model	A (mm)	B (mm)	C (mm)	D (mm)	E (mm)	Opmerking
CML5518EVW4	Min.	50	400	560	1778	Scharnier: 17 mm
	Aanbevolen			580	1780	
	Max.			-	1782	



LET OP

- Als de breedte van een kast meer is dan 568 mm, kan de pakking (tussen de koelkast en de kast) losraken.
- Als de kast hoger is dan de maximale afmeting (1782 mm), moet u andere afwerkingsmaterialen gebruiken om de tussenruimte op te vullen.

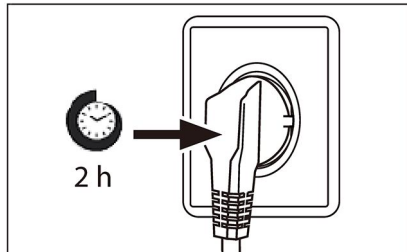
Rekening houden met de locatie van stopcontacten en de benodigde ruimte



LET OP

Als u de koelkast installeert in een kast met een diepte van 560 mm, zorg er dan voor dat het netsnoer aan een zijkant van de koelkast ligt voordat u de stekker in het stopcontact steekt. Als het netsnoer zich aan de achterkant van de koelkast bevindt, kan dit de energie-efficiëntie verminderen.

Wachttijd



De onderhoudsvrije smeerolie bevindt zich in de behuizing van de compressor. Deze olie kan door het gesloten buissysteem komen bij liggend transport. Voordat u het apparaat op de voeding aansluit, moet u ten minste 2 uur wachten zodat de olie weer in de behuizing loopt.

Elektrische aansluiting

Controleer vóór elke aansluiting of:

- ▶ voeding, stopcontact en zekering geschikt zijn volgens het typeplaatje;
- ▶ het stopcontact is geaard en er geen stekkerdoos of verlengsnoer is;
- ▶ de stekker en het stopcontact goed passen.

Sluit de stekker aan op een correct geïnstalleerd huishoudelijk stopcontact.

WAARSCHUWING!

Om risico's te vermijden moet een beschadigd netsnoer worden vervangen door de klantenservice (zie garantiekaart).

Productkaart volgens de verordening EU nr. 2019/2016

Merk	Candy	
Modelnaam/identificatie	CML5518EVW4	
Categorie van het model	Koelvriescombinatie	
Energie-efficiëntieklasse	E	
Jaarlijks energieverbruik (kWh/jaar) (1)	173	
Totaal volume (liter)	285	
Volume koelkast (l)	255	
Volume vriezer (liter)	30	
Volume koelersectie (liter)	/	
Volume automatische ijsblokjesmachine (liter)	/	
Steraanduiding	/	
Temperatuur van andere compartimenten > 14°C	Niet van toepassing	
Vorstvrij systeem	NEE	
Vriescapaciteit (kg/24 uur)	2	
Klimaatklasse	SN/N/ST/T	
Geluidsemisieklassse en geluidsemisatie via de lucht (db(A) re1pW)	B 35	
Temperatuurstijgingstijd (uur)	/	
Ijsbereidingscapaciteit	/	
Type apparaat	Ingebouwd	

Naam model	Energie-efficiëntieklasse
CML5518EVW4	E

Uitleg:

• Ja, aanwezig

- Op basis van de resultaten van de normenconformiteitstest gedurende 24 uur. Het werkelijke verbruik is afhankelijk van het gebruik en de locatie van het apparaat.
- Klimaatklasse SN: Dit apparaat is bedoeld voor gebruik bij een omgevingstemperatuur tussen +10°C en +32°C
 Klimaatklasse N: Dit apparaat is bedoeld voor gebruik bij een omgevingstemperatuur tussen +16°C en +32°C
 Klimaatklasse ST: Dit apparaat is bedoeld voor gebruik bij een omgevingstemperatuur tussen +16°C en +38°C
 Klimaatklasse T: Dit apparaat is bedoeld voor gebruik bij een omgevingstemperatuur tussen +16°C en +43°C

Aanvullende technische gegevens

Spanning/frequentie	220-240 V ~/50 Hz
Ingangsstroom (A)	1,0
Hoofdzekering (A)	16
Koelmiddel	R600a
Afmetingen (HxBxD in mm)	1772/540/550

RF-informatie

De max. EIRP: Bluetooth (BR/EDR): 10 dBm
 Bluetooth LE: 5 dBm
 2,4 GHz wifi: 16 dBm

Frequentieband: 2400-2483,5 MHz

Wij adviseren onze Haier-klantenservice en het gebruik van originele onderdelen. Als u een probleem hebt met uw apparaat, controleer dan eerst het hoofdstuk **PROBLEMEN OPLOSSEN**.

Als u daar geen oplossing kunt vinden, neem dan contact op met

- ▶ uw plaatselijke dealer; of
- ▶ ons Europese service-callcenter (zie onderstaande telefoonnummers); of
- ▶ het gedeelte Service & Support op www.candy-home.com, waar u de serviceclaim kunt activeren
- ▶ en ook veelgestelde vragen kunt vinden.

Om contact op te nemen met onze klantenservice, moet u ervoor zorgen dat u over de volgende gegevens beschikt.

De informatie is te vinden op het typeplaatje.

Model _____

Serienummer _____

Controleer ook de garantiekaart die met het product is meegeleverd in geval van garantie.

Europees service-callcenter		
Land*	Telefoonnummer	Kosten
Haier Italy (IT)	199 100 912	
Haier Spain (ES)	902 509 123	
Haier Germany (DE)	01805393999	<ul style="list-style-type: none"> • 14 ct/min – vaste lijn • max. 42 ct/min – mobiel
Haier Austria (AT)	0820 001 205	<ul style="list-style-type: none"> • 14,53 ct/min – vaste lijn • max. 20 ct/min – alle andere
Haier United Kingdom (UK)	0333 003 8122	
Haier France (FR)	0980 406 409	

* Voor andere landen verwijzen wij u naar www.candy-home.com

Haier Europe Trading S.r.l

Branch UK

Westgate House, Westgate, Ealing

London, W5 1YY, Verenigd Koninkrijk

*Duur van de garantie van het koelapparaat:

De minimumgarantie is: 2 jaar voor EU-landen, 3 jaar voor Turkije, 1 jaar voor het Verenigd Koninkrijk, 1 jaar voor Rusland, 3 jaar voor Zweden, 2 jaar voor Servië, 5 jaar voor Noorwegen, 1 jaar voor Marokko, 6 maanden voor Algerije, Tunesië geen wettelijke garantie vereist.

*De beschikbaarheidsperiode van reserveonderdelen voor reparatie van het apparaat:

Thermostaten, temperatuursensoren, printplaten en lichtbronnen zijn gedurende minimaal zeven jaar na het op de markt brengen van de laatste eenheid van het model beschikbaar.

Deurgrepen, deurscharnieren, bakken en manden zijn minimaal zeven jaar en deurpakkingen minimaal tien jaar na het in de handel brengen van de laatste eenheid van het model verkrijgbaar.

*Raadpleeg voor meer informatie over het product <https://eprel.ec.europa.eu/> of scan de QR-code op het energielabel dat met het apparaat wordt meegeleverd.

<u>305</u> Informacje dotyczące bezpieczeństwa	<u>Przed pierwszym użyciem</u> 306
	<u>Instalacja</u> 306
	<u>Codzienne użytkowanie</u> 307
	<u>Informacje dotyczące czynnika chłodniczego</u> 309
<u>310</u> Przeznaczenie	
<u>311</u> Opis produktu	
<u>312</u> Panel sterowania	
<u>313</u> Użytkowanie	<u>Funkcja blokowania/odblokowywania</u> 313
	<u>Funkcja WŁ./WYŁ.</u> 313
	<u>Funkcja Wi-Fi</u> 313
	<u>Regulacja temperatury spiżarni</u> 314
	<u>Funkcja Super Cool</u> 315
	<u>Funkcja ECO</u> 315
	<u>Funkcja Holiday</u> 315
<u>Error! Bookmark not defined.</u> Sprzęt	
<u>318</u> Wskazówki dotyczące oszczędzania energii	
<u>319</u> Pielęgnacja i czyszczenie	
<u>321</u> Usuwanie usterek	
<u>325</u> Instalacja	
<u>329</u> Dane techniczne	
<u>331</u> Obsługa klienta	

Dziękujemy za zakup urządzenia.

Przed użyciem urządzenia należy dokładnie przeczytać niniejsze instrukcje. Instrukcje zawierają ważne informacje, które pomogą możliwie najlepiej wykorzystać funkcje urządzenia, bezpiecznie i prawidłowo je zainstalować, eksploatować oraz konserwować.

Niniejszą instrukcję obsługi należy przechowywać w dostępnym miejscu, aby móc z niej zawsze skorzystać w celu bezpiecznego i właściwego użytkowania urządzenia.

Przy sprzedaży urządzenia należy do niego dołączyć niniejszą instrukcję obsługi, a w przypadku przeprowadzki przekazać ją nowemu właścicielowi, aby mógł się zapoznać z urządzeniem i ostrzeżeniami dotyczącymi bezpieczeństwa.

Akcesoria

Sprawdź akcesoria i materiały zgodnie z tą listą:



Tacka najajka



Tacka na lód



Skrabaczka do szronu



Etykieta wydajności energetycznej



Karta gwarancyjna



Instrukcja bezpieczeństwa



x4

Sruba



x2

Ostłona



x2

Blok gąbkowy



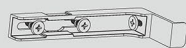
x4

Prowadnica modułu

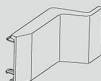


x4

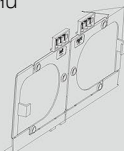
Moduł wsuwany



Płyta stała



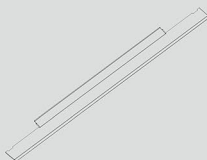
Ostłona zawiasu



Dolna płyta stała



Górna stała płyta



Dolna ostłona



Dolna ostłona boczna



Pasek uszczelniający



Gąbka uszczelniająca



Ostłona dolnego zawiasu



OSTRZEŻENIE - Ważne informacje dotyczące bezpieczeństwa



UWAGA - Ogólne informacje i wskazówki



Informacje dotyczące ochrony środowiska



Utylizacja

Pomóż chronić środowisko i ludzkie zdrowie. Wyrzuć opakowanie do odpowiednich pojemników do recyklingu. Pomóż w recyklingu odpadów z urządzeń elektrycznych i elektronicznych. Nie wyrzucaj urządzeń oznaczonych tym symbolem razem z odpadami domowymi.

Oddaj produkt do miejscowego zakładu recyklingu lub skontaktuj się z urzędem miejskim.



OSTRZEŻENIE!

Ryzyko obrażeń lub uduszenia!

Czynniki chłodnicze i gazy muszą być utylizowane w profesjonalny sposób.

Przed utylizacją upewnij się, że przewody układu chłodniczego nie są uszkodzone.

Odłącz urządzenie od zasilania sieciowego. Odetnij przewód zasilający i zutylizuj go.

Usuń tace i szuflady oraz zamek drzwi i uszczelki, aby zapobiec zamknięciu się dzieci i zwierząt w urządzeniu.

Przed włączeniem urządzenia po raz pierwszy, przeczytaj poniższe wskazówki dotyczące bezpieczeństwa:



OSTRZEŻENIE!

Przed pierwszym użyciem

- ▶ Upewnij się, że nie ma uszkodzeń powstałych podczas transportu.
- ▶ Odczekaj co najmniej dwie godziny przed zainstalowaniem urządzenia, aby upewnić się, że obwód czynnika chłodniczego jest w pełni efektywny.
- ▶ Zawsze przenoś urządzenie z pomocą co najmniej dwóch osób, ponieważ jest ono ciężkie.
- ▶ Usuń wszelkie opakowania, trzymaj je w miejscu niedostępnym dla dzieci i zutylizuj w sposób przyjazny dla środowiska.
- ▶ Przed włożeniem żywności wyczyść wnętrze i obudowę urządzenia wodą z dodatkiem łagodnego detergentu.
- ▶ Po wypoziomowaniu i wyczyszczeniu urządzenia odczekaj co najmniej 2-5 godzin przed podłączeniem go do zasilania. Zob. rozdział INSTALACJA.
- ▶ Przed włożeniem żywności należy wstępnie schłodzić komory z wysokimi ustawieniami. Funkcja Super-Cool pomaga szybko schłodzić komory.
- ▶ Temperatura w spiżarni jest automatycznie ustawiana odpowiednio na 5°C. To są zalecane ustawienia. W razie potrzeby można ręcznie zmienić ustawioną temperaturę. Zob. rozdział REGULACJA TEMPERATURY.
- ▶ To urządzenie chłodnicze ma 30-litrową zamrażarkę w górnej części, a temperatura w zamrażarce zmienia się zależnie od temperatury w spiżarni.

Instalacja

- ▶ Urządzenie powinno być umieszczone w dobrze wentylowanym miejscu.
- ▶ Nigdy nie umieszczaj urządzenia w wilgotnym miejscu lub w takim, w którym może być ochlapanie wodą. Zetrzyj plamy i zachlapania do sucha miękką i czystą ściereczką.
- ▶ Nie należy instalować urządzenia w bezpośrednim świetle słonecznym lub w pobliżu źródeł ciepła (np. pieców, grzejników).
- ▶ Zainstaluj i wypoziomuj urządzenie w miejscu odpowiednim dla jego wielkości i przeznaczenia.
- ▶ Należy dbać o drożność otworów wentylacyjnych w obudowie urządzenia wolnostojącego lub w konstrukcji do zabudowy.
- ▶ Upewnij się, że informacje dotyczące elektryki na tabliczce znamionowej są zgodne z parametrami zasilania. Jeśli tak nie jest, skontaktuj się z elektrykiem.
- ▶ Urządzenie jest zasilane prądem 220-240 V AC/50 Hz. Odbiegające od normy wahania napięcia mogą spowodować niewłaściwe działanie urządzenia albo uszkodzenie regulatora temperatury lub sprężarki. Mogą też być przyczyną nietypowego hałasu podczas pracy. W takim przypadku powinien zostać zamontowany automatyczny regulator.
- ▶ Nie używaj adapterów wtyczek i przedłużaczy.
- ▶ Za urządzeniem nie należy umieszczać kilku listew zasilających ani przenośnych zasilaczy.
- ▶ Upewnij się, że kabel zasilający nie jest przytrzaśnięty przez chłodziarkę. Nie stawaj na przewodzie zasilającym.



OSTRZEŻENIE!

- ▶ Używaj oddzielnego, łatwo dostępnego i uziemionego gniazdka. Urządzenie musi być uziemione.
Dotyczy tylko Wielkiej Brytanii: Kabel zasilający urządzenie jest wyposażony we wtyczkę z 3 bolcami (z uziemieniem), która pasuje do standardowego gniazda z 3 przewodami (z uziemieniem). Nigdy nie odcinaj ani nie demontuj trzeciego bolca (z uziemieniem). Po zainstalowaniu urządzenia wtyczka powinna być łatwo dostępna.
- ▶ Uważaj, aby nie uszkodzić obwodu chłodniczego.

Codziennie użytkowanie

- ▶ Urządzenie może być obsługiwane przez dzieci powyżej 8 roku życia i przez osoby o ograniczonych możliwościach fizycznych, sensorycznych lub umysłowych lub osoby nieposiadające doświadczenia ani wiedzy pod warunkiem, że są one pod odpowiednim nadzorem lub zostały poinstruowane, jak bezpiecznie obsługiwać urządzenie i rozumieją związane z nim zagrożenia.
- ▶ Dzieciom w wieku od 3 do 8 lat wolno ładować i rozładowywać, ale nie wolno czyścić ani instalować urządzeń chłodniczych.
- ▶ Oddal od urządzenia dzieci poniżej 3 roku życia, chyba że są pod stałym nadzorem.
- ▶ Dzieci nie powinny bawić się urządzeniem.
- ▶ Jeśli czynnik chłodniczy lub inny łatwopalny gaz wycieka w pobliżu urządzenia, zamknij zawór wyciekającego gazu, otwórz drzwi oraz okna i nie odłączaj kabla zasilającego chłodziarki lub innego urządzenia.
- ▶ Zwróć uwagę, że urządzenie jest ustawione do pracy w określonym zakresie temperatur pomiędzy 10 a 43°C. Chłodziarka może nie pracować prawidłowo, jeśli pozostanie na dłuższy czas w temperaturze powyżej lub poniżej podanego zakresu.
- ▶ Na chłodziarce nie należy umieszczać niestabilnych przedmiotów (ciężkich przedmiotów, pojemników wypełnionych wodą), aby uniknąć obrażeń ciała spowodowanych upadkiem lub porażeniem prądem elektrycznym w wyniku kontaktu z wodą.
- ▶ Nie ciągnij za półki drzwiowe. Drzwi mogą być pochylone, stojak na butelki może zostać wyciągnięty lub urządzenie może się przewrócić.
- ▶ Otwieraj i zamykaj drzwi tylko za pomocą klamek. Szczelina między drzwiami a budową jest bardzo wąska. Nie trzymaj rąk w tych obszarach, aby uniknąć przycięcia palców. Otwieraj i zamykaj drzwi chłodziarki tylko wtedy, gdy nie ma dzieci stojących w obrębie ruchu drzwi.
- ▶ Podczas ustawiania urządzenia należy się upewnić, że kabel zasilający nie został przygnieciony ani uszkodzony.
- ▶ Nie przechowuj w urządzeniu substancji wybuchowych takich jak aerozole w puszcze z łatwopalnymi gazami nośnymi.
- ▶ Aby uniknąć zanieczyszczenia żywności:
 - Otwarcie drzwi na długi czas może spowodować znaczny wzrost temperatury w komorach urządzenia.
 - Regularnie czyść powierzchnie, które mogą mieć kontakt z żywnością oraz dostępne systemy odwadniające.



OSTRZEŻENIE!

- Surowe mięso i ryby należy przechowywać w odpowiednich pojemnikach w chłodziarce, tak aby nie stykały się z innymi produktami spożywczymi ani nie skapywały na nie ich soki.
- Jeżeli urządzenie pozostaje przez dłuższy czas puste, należy je wyłączyć, rozmrozić, wyczyścić, wysuszyć i pozostawić otwarte drzwi, aby zapobiec rozwojowi pleśni
- ▶ Nie przechowuj ani nie używaj materiałów łatwopalnych, wybuchowych lub żrących w urządzeniu lub w jego sąsiedztwie.
- ▶ Nie należy przechowywać w urządzeniu leków, bakterii lub substancji chemicznych. To urządzenie jest urządzeniem gospodarstwa domowego. Nie zaleca się przechowywania materiałów, które wymagają ściśle określonej temperatury.
- ▶ Nigdy nie przechowuj płynów w butelkach lub puszkach (oprócz alkoholi wysokoprocentowych), zwłaszcza napojów gazowanych w zamrażarce, ponieważ mogą one pęknąć podczas zamrażania.
- ▶ Sprawdź stan żywności, jeśli w zamrażarce miało miejsce zwiększenie temperatury.
- ▶ Nie ustawiaj niepotrzebnie niskiej temperatury w komorze chłodziarki. Ujemne temperatury mogą wystąpić przy wysokich ustawieniach. Uwaga: Butelki mogą wybuchnąć
- ▶ Nie dotykaj zamrożonych towarów mokrymi rękami (załóż rękawiczki). Szczególnie nie należy jeść lizaków lodowych bezpośrednio po wyjęciu z komory zamrażarki. Istnieje ryzyko przymarznięcia naskórka lub powstania pęcherzy. PIERWSZA pomoc: Natychmiast polej miejsce przymarznięcia bieżącą zimną wodą. Nie odrywaj!
- ▶ Nie dotykaj wnętrza komory zamrażarki podczas pracy, zwłaszcza mokrymi rękami, ponieważ mogą one przymarznąć do jej powierzchni.
- ▶ Odłącz urządzenie w przypadku przerwy w zasilaniu lub przed czyszczeniem. Nie uruchamiaj ponownie urządzenia przez co najmniej 7 minut, ponieważ szybkie włączenie może doprowadzić do uszkodzenia sprężarki.
- ▶ Nie używaj urządzeń elektrycznych wewnątrz komór do przechowywania żywności, chyba że są to urządzenia typu zalecanego przez producenta. Konserwacja / czyszczenie
- ▶ Upewnij się, że dzieci są nadzorowane podczas czyszczenia i konserwacji urządzenia.
- ▶ Przed przystąpieniem do rutynowej konserwacji należy odłączyć urządzenie od zasilania elektrycznego. Odczekaj co najmniej 5 minut przed ponownym uruchomieniem urządzenia, ponieważ częste uruchamianie może uszkodzić sprężarkę.



OSTRZEŻENIE!

- ▶ Podczas odłączania urządzenia trzymaj za wtyczkę, a nie za przewód.
- ▶ Nie czyść urządzenia za pomocą twardych szczotek, szczotek drucianych, detergentów proszkowych, benzyny, octanu amylu, acetonu i podobnych roztworów organicznych, kwasów lub roztworów alkalicznych. Do czyszczenia należy używać specjalnego detergentu do chłodziarek, aby uniknąć uszkodzenia.
- ▶ Nie zeszkrobuj szronu ostrymi przedmiotami. Nie używaj rozpylaczy, grzejników elektrycznych, takich jak suszarka do włosów, myjek parowych lub innych źródeł ciepła, aby uniknąć uszkodzenia plastikowych części.
- ▶ Nie używaj urządzeń mechanicznych ani innych środków do przyspieszania procesu rozmrażania, chyba że są one zalecane przez producenta.
- ▶ Jeśli kabel zasilający ulegnie uszkodzeniu, dla bezpieczeństwa należy zlecić jego wymianę producentowi, autoryzowanemu serwisowi lub osobom o podobnych kwalifikacjach.
- ▶ Nie należy próbować samodzielnie naprawiać, demontować ani modyfikować urządzenia. W przypadku konieczności naprawy prosimy o kontakt z naszym działem obsługi klienta.
- ▶ Usuń kurz z tyłu urządzenia co najmniej raz w roku, aby uniknąć zagrożenia ogniem, a także zwiększonego zużycia energii.
- ▶ Nie używaj aerozolu ani nie przepłukuj urządzenia podczas czyszczenia.
- ▶ Nie używaj wody lub pary do czyszczenia urządzenia.
- ▶ Nie czyść zimnych szklanych półek gorącą wodą. Nagła zmiana temperatury może spowodować pęknięcie szkła

Informacje dotyczące czynnika chłodniczego



OSTRZEŻENIE!

Urządzenie zawiera łatwopalny czynnik chłodniczy IZOBUTAN (R600a). Upewnij się, że układ chłodniczy nie został uszkodzony podczas transportu lub instalacji. Wyciek czynnika może spowodować uszkodzenie wzroku lub zapalenie. Jeśli wystąpiło uszkodzenie, trzymaj urządzenie z dala od otwartych źródeł ognia, dokładnie przewietrz pomieszczenie, nie podłączaj ani nie odłączaj kabli zasilających tego lub innego urządzenia. Poinformuj obsługę klienta.

W przypadku kontaktu czynnika chłodniczego z oczami natychmiast przepłucz je pod bieżącą wodą i natychmiast skontaktuj się z okulistą.

Przeznaczenie

To urządzenie jest przeznaczone do chłodzenia żywności. Zostało zaprojektowane wyłącznie do użytku w gospodarstwach domowych i podobnych zastosowaniach, takich jak pomieszczenia kuchenne dla personelu w sklepach, biurach i innych środowiskach pracy; w gospodarstwach rolnych oraz przez klientów w hotelach, motelach i innych obiektach mieszkalnych, a także w pensjonatach i gastronomii. Nie jest przeznaczone do użytku komercyjnego ani przemysłowego.

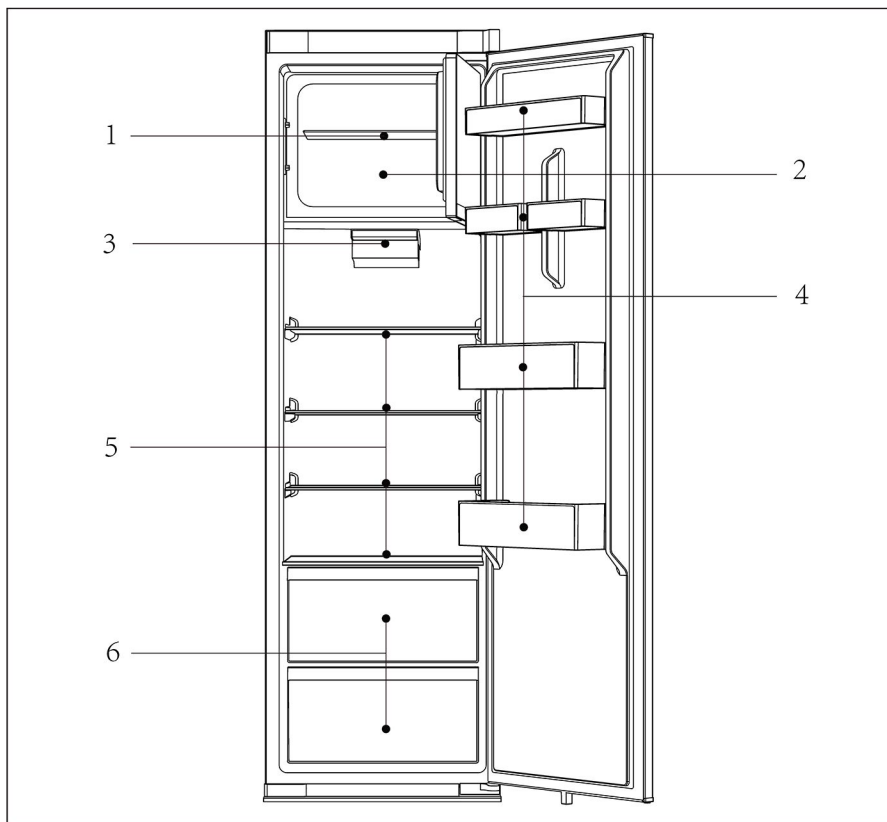
Zmiany lub modyfikacje urządzenia są niedozwolone. Użycie niezgodne z przeznaczeniem może spowodować zagrożenie i utratę roszczeń gwarancyjnych.

Normy i dyrektywy

Produkt ten spełnia wymagania wszystkich obowiązujących dyrektyw UE z odpowiednimi normami zharmonizowanymi, które przewidują oznakowanie CE.

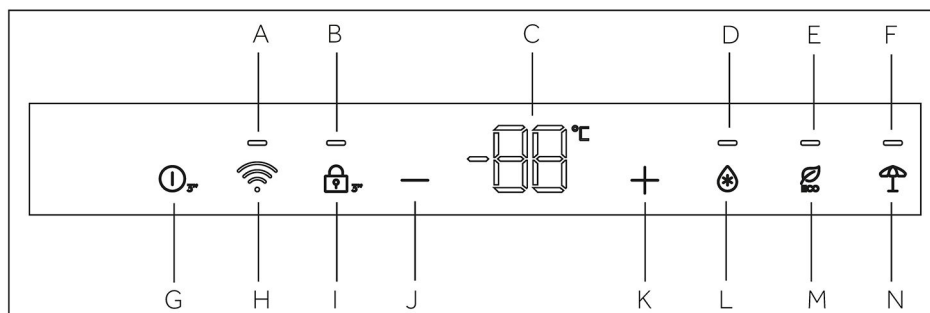
i UWAGA

Z powodu zmian technicznych i różnych modeli, niektóre ilustracje w tej instrukcji mogą się różnić od Twojego modelu.

**CML5518EVW4**

- 1 Standardowa półka zamrażarki
- 2 Przestrzeń do zamrażania
- 3 Wentylator i światło LED
- 4 Uchwyty na butelki
- 5 Standardowe półki spiżarni
- 6 Standardowe szuflady spiżarni

Panel sterowania



Wskaźniki:

- A Ikona funkcji Wi-Fi
- B Ikona blokowania/odblokowania
- C Ikona wyświetlacza temperatury
- D Ikona funkcji Super Cool
- E Ikona funkcji ECO
- F Ikona funkcji Holiday

Przyciski:

- G Przycisk WŁ./WYŁ.
- H Przycisk dopasowania Wi-Fi
- I Przycisk blokowania/odblokowywania
- J Przycisk obniżania temperatury
- K Przycisk podwyższania temperatury
- L Przycisk funkcji Super Cool
- M Przycisk funkcji ECO
- N Przycisk funkcji Holiday

Klawisze czujnika

Przyciski na panelu sterowania są klawiszami czujników, które reagują przy delikatnym dotknięciu palcem.

UWAGA

Po włączeniu urządzenia osiągnięcie właściwej temperatury może potrwać do 12 godzin

Otwórz drzwi chłodziarki przed rozpoczęciem sterowania ekranem wyświetlacza.

Funkcja blokowania/odblokowywania

Ten przycisk i odpowiadająca mu ikona służą do blokowania lub odblokowywania ekranu sterowania oraz wskazują jego bieżący stan.

Otwórz drzwi chłodziarki podczas jej pracy. Wówczas ekran sterowania zostanie podświetlony i zaświeci się ikona blokowania/odblokowywania. W tym czasie ekran sterowania jest zablokowany i nie można z niego korzystać.

Ręczne odblokowywanie lub blokowanie ekranu: Gdy ikona blokowania/odblokowywania jest podświetlona, przytrzymaj przycisk blokowania/odblokowywania przez 3 sekundy. Ikona zniknie i będzie temu towarzyszyć sygnał dźwiękowy. W tym momencie można dokonać wyboru funkcji lub regulacji temperatury. Gdy ikona blokowania/odblokowywania jest wyłączona, przytrzymaj przycisk blokowania/odblokowywania przez 3 sekundy. Wówczas zaświeci się ikona blokowania/odblokowywania i będzie emitowany sygnał dźwiękowy. W tym czasie nie można wybrać funkcji ani regulować temperatury.

Automatyczna blokada ekranu: Po zamknięciu drzwi chłodziarki ekran sterowania wyłączy się i zostanie zablokowany.

Po otwarciu drzwi chłodziarki ekran sterowania zostanie automatycznie zablokowany, jeśli w ciągu 30 sekund nie zostanie wykonana żadna czynność.

Funkcja WŁ./WYŁ.

Przycisk WŁ./WYŁ. służy do przełączania między trybami WYŁ. (wstrzymanie pracy) i WŁ. (normalny tryb pracy).

Wejście w tryb WYŁ.: W trybie pracy chłodziarki najpierw odblokuj wyświetlacz, a następnie przytrzymaj przycisk funkcyjny WŁ./WYŁ. przez 3 sekundy, aby wyłączyć ekran sterowania, oświetlenie chłodziarki, chłodzenie i inne funkcje, po czym zostanie wyemitowany sygnał dźwiękowy.



UWAGA

Tryb WYŁ. nie oznacza wyłączenia zasilania, a chłodziarka jest w tym czasie nadal włączona.

Wyjście z trybu WYŁ.: W trybie WYŁ. przytrzymaj przycisk WŁ./WYŁ. przez 3 sekundy, aby ponownie uruchomić ekran sterowania, oświetlenie chłodziarki, chłodzenie i inne funkcje. Jednocześnie zostanie wyemitowany sygnał dźwiękowy. Chłodziarka powróci do ustawionej wcześniej temperatury i funkcji oraz przejdzie do normalnego trybu pracy.

Funkcja Wi-Fi

Dopasowanie Wi-Fi: Przy pierwszym włączeniu chłodziarka automatycznie przejdzie w tryb konfiguracji sieci, a ikona funkcji Wi-Fi będzie szybko migać. Jeśli nie zostanie wykonana żadna operacja dopasowania sieci, urządzenie automatycznie wyjdzie z tego trybu po 30 minutach.

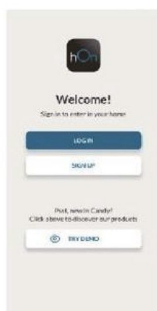
Ręczne przejście do trybu dopasowania Wi-Fi: Po odblokowaniu ekranu sterowania, gdy ikona funkcji Wi-Fi jest włączona, przytrzymaj przycisk dopasowania Wi-Fi przez 3 sekundy, aby przejść do trybu konfiguracji sieci. W tym czasie ikona funkcji Wi-Fi będzie szybko migać, co oznacza, że urządzenie jest w trybie dopasowania Wi-Fi. Jeśli nie zostanie przeprowadzona żadna operacja dopasowania sieci, po 30 minutach urządzenie automatycznie wyjdzie z trybu konfiguracji sieci.

PROCEDURA PAROWANIA W APLIKACJI

Krok 1 • Pobierz aplikację hOn w sklepie.



Krok 2 Załóż konto w aplikacji hOn lub zaloguj się, jeśli masz już konto.



Krok 3 Postępuj zgodnie z instrukcjami parowania w aplikacji hOn.



i UWAGA

W trybie dopasowania Wi-Fi należy postępować zgodnie z instrukcjami aplikacji, aby dokończyć konfigurację sieci. Aby zmienić środowisko Wi-Fi, należy ponownie wejść do tego trybu. Jeżeli ikona funkcji Wi-Fi pozostanie włączona, oznacza to, że połączenie z siecią zostało pomyślnie nawiązane.

Regulacja temperatury spizarni

Po otwarciu drzwi chłodziarki i odblokowaniu ekranu sterowania, przycisk obniżania temperatury umożliwia obniżenie ustawionej temperatury chłodziarki. Każde lekkie dotknięcie przycisku powoduje obniżenie temperatury o 1°C, a dopuszczalna temperatura minimalna wynosi 1°C.

Po otwarciu drzwi chłodziarki i odblokowaniu ekranu sterowania, przycisk podwyższania temperatury umożliwia podniesienie ustawionej temperatury chłodziarki. Każde lekkie dotknięcie przycisku powoduje podwyższenie temperatury o 1°C, a dopuszczalna temperatura maksymalna wynosi 9°C.

Podczas działania ikona wyświetlacza temperatury będzie wyświetlać ustawioną temperaturę i migać. Po 5 sekundach ekran sterowania automatycznie potwierdzi ustawioną temperaturę.

Funkcja Super Cool

Ten przycisk i jego ikona służą do włączania funkcji Super Cool w chłodziarce oraz wyświetlania bieżącego statusu.

Po otwarciu drzwi chłodziarki i odblokowaniu ekranu sterowania naciśnij przycisk „Super Cool”, a ikona „Super Cool” się zaświeci. W tym momencie chłodziarka działa w trybie „Super Cool”. Aby wyłączyć tryb, możesz wykonać tę samą operację, dotykając przycisku „Super Cool”. Po włączeniu funkcji Super Cool chłodziarka automatycznie wyłączy tryb Supercool po około 48 godzinach, aby zapobiec nadmiernemu obniżeniu się temperatury urządzenia.

Gdy w krótkim czasie do chłodziarki włożymy dużą ilość żywności, temperatura wewnątrz wzrośnie. Po włączeniu funkcji Super Cool można szybko obniżyć temperaturę włożonej żywności.

Gdy w spizarni znajduje się duża ilość żywności, można od razu włączyć funkcję Super Cool. Jeśli do zamrażarki włożysz dużą ilość jedzenia, włącz funkcję Super Cool na 12 godzin przed włożeniem jedzenia.

Funkcja ECO

Po otwarciu drzwi chłodziarki i odblokowaniu ekranu sterowania lekko dotknij przycisku funkcji ECO. Wówczas zaświeci się ikona funkcji ECO, co oznacza, że chłodziarka jest już w tym trybie. Jeśli musisz wyjść z tego trybu, możesz wykonać tę samą operację, lekko dotykając przycisku funkcji ECO.

W trybie ECO chłodziarka automatycznie będzie pracować w średniej temperaturze 5°C.

Funkcja Holiday

Po otwarciu drzwi chłodziarki i odblokowaniu ekranu sterowania lekko dotknij przycisku funkcji Holiday. Wówczas zaświeci się ikona funkcji Holiday, co oznacza, że chłodziarka jest już w tym trybie. Jeśli musisz wyjść z tego trybu, możesz wykonać tę samą operację, lekko dotykając przycisku funkcji Holiday.

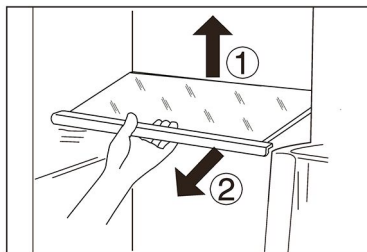
W trybie Holiday chłodziarka automatycznie będzie pracować w średniej temperaturze 17°C.

Po włączeniu funkcji Holiday spizarnia i zamrażarka jednocześnie przechodzą w tryb Holiday, a zamrożona żywność musi zostać wyjęta, aby zapobiec jej uszkodzeniu w wyniku działania wysokiej temperatury.

UWAGA

Ze względu na różną logikę działania funkcji specjalnych w przypadku funkcji Super Cool, ECO i Holiday, trybów tych nie można aktywować jednocześnie. Można aktywować tylko jedną funkcję, a podczas przełączania między trybami pozostałe tryby specjalne zostaną automatycznie wyłączone. Ponadto ustawiona temperatura nie może zostać zmieniona, chyba że opuścisz te tryby.

5°C to idealny tryb dla świeżej żywności, takiej jak owoce i warzywa, nabiał, mięso i napoje.



Półki

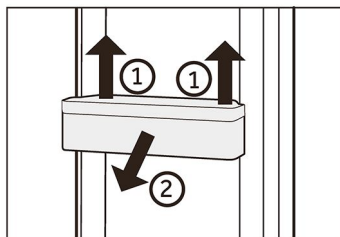
1. Wysokość półek można dostosować do potrzeb przechowywania.
2. Aby przenieść półkę, zdejmij ją najpierw, podnosząc tylną krawędź ① i wyciągając ②.
3. Aby ponownie zamontować półkę, należy nałożyć ją na uchwyty po obu stronach i wsunąć maksymalnie do tyłu, aż tylna część półki znajdzie się w szczelinach po bokach.

i UWAGA

Upewnij się, że wszystkie końce półki są wypoziomowane.

Wymowana butelka

1. Butelkę można wyjąć w celu czyszczenia.
2. Połóż dłonie po obu stronach półki, podnieś ją do góry i ① wyciągnij ②.
3. Aby włożyć butelkę, należy wykonać powyższe czynności w odwrotnej kolejności.



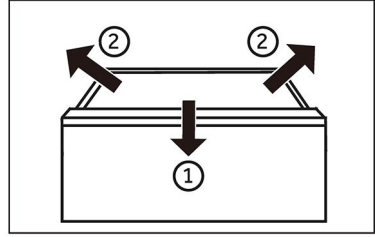
i UWAGA

Ze względu na charakterystykę lokalizacji, temperatura miejsca na butelki na pierwszym i drugim poziomie drzwi jest nieznacznie wyższa niż wewnątrz chłodziarki, dlatego zaleca się używanie jej tylko do krótkotrwałego przechowywania żywności.

Wyjmowana szuflada

Aby wyjąć szufladę, wyciągnij ją maksymalnie ①, podnieś i wyjmij ②.

W celu ponownego włożenia szuflady powyższe czynności wykonuje się w odwrotnej kolejności.

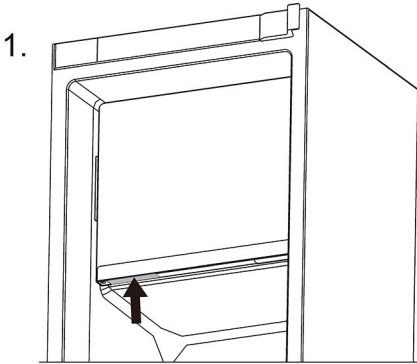


Światło

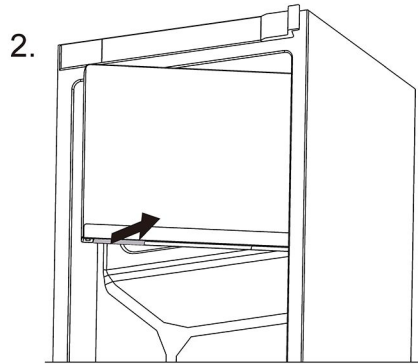
Po otwarciu drzwi zapala się wewnętrzne oświetlenie LED. Na działanie światła nie ma wpływu żadne z pozostałych ustawień urządzenia.

Zamrażarka

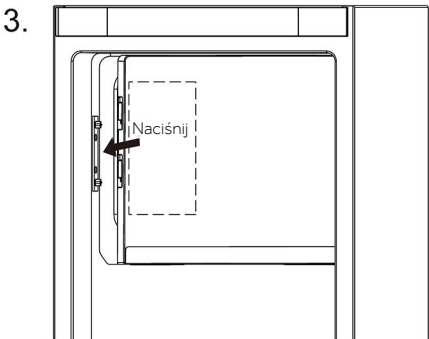
To urządzenie chłodnicze ma 30-litrową zamrażarkę w górnej części, a temperatura w zamrażarce zmienia się zależnie od temperatury w spizarni. Otwórz drzwi do komory z zamrażarką: Najpierw naciśnij przełącznik, jak pokazano na rysunku 1; następnie pociągnij go, jak pokazano na rysunku 2; Zamknij drzwi zamrażarki: Naciśnij środkową część małych drzwi po stronie otwierania, jak pokazano na rysunku 3.



Wciśnij przełącznik



Przesuń przełącznik na zewnątrz





Wskazówki dotyczące oszczędzania energii

- ▶ Upewnij się, że urządzenie jest właściwie wentylowane (patrz MONTAZ).
- ▶ Nie należy instalować urządzenia w bezpośrednim świetle słonecznym lub w pobliżu źródeł ciepła (np. pieców, grzejników).
- ▶ Unikaj niepotrzebnie niskiej temperatury w urządzeniu. Zużycie energii zwiększa się wraz z ustawieniem niższej temperatury w urządzeniu.
- ▶ Funkcje takie jak Super Cool zwiększają zużycie energii.
- ▶ Przed włożeniem ciepłej żywności do urządzenia należy poczekać, aż ostygnie.
- ▶ Otwieraj drzwi możliwie rzadko i na krótko.
- ▶ Nie przepelniaj urządzenia, aby nie blokować przepływu powietrza.
- ▶ Unikaj powietrza w opakowaniu z żywnością.
- ▶ Utrzymuj w czystości uszczelki drzwi, aby zapewnić ich prawidłowe zamykanie.
- ▶ Najbardziej energooszczędna konfiguracja wymaga, aby pojemniki i półki były umieszczone w urządzeniu jak w stanie fabrycznym, a żywność powinna być rozmieszczona w taki sposób, aby nie blokowała wylotu kanału wentylacyjnego.



OSTRZEŻENIE!

Przed czyszczeniem odłącz urządzenie od zasilania sieciowego.

Czyszczenie

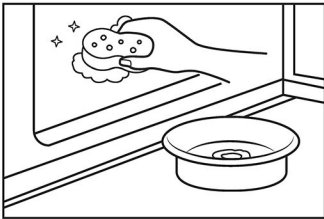
Urządzenie należy czyścić, gdy przechowywana jest niewielka ilość żywności lub nie ma jej wcale.

Urządzenie powinno być czyszczone co cztery tygodnie, aby zapewnić dobrą konserwację i zapobiec nieprzyjemnym zapachom przechowywanej żywności.



OSTRZEŻENIE!

- ▶ Nie czyść urządzenia za pomocą twardych szczotek, szczotek drucianych, detergentów proszkowych, benzyny, octanu amylu, acetonu i podobnych roztworów organicznych, kwasów lub roztworów alkalicznych. Do czyszczenia należy używać specjalnego detergentu do chłodziarek, aby uniknąć uszkodzenia.
- ▶ Nie używaj aerozolu ani nie przepłukuj urządzenia podczas czyszczenia.
- ▶ Nie używaj wody lub pary do czyszczenia urządzenia.
- ▶ Nie czyść zimnych szklanych półek gorącą wodą. Nagła zmiana temperatury może spowodować pęknięcie szkła.



- ▶ Uszczelka drzwi powinna być zawsze utrzymywana w czystości.
- ▶ Czyść wnętrze i obudowę urządzenia gąbką zanurzoną w ciepłej wodzie i neutralnym detergentem.
- ▶ 1. Czyść wnętrze i zewnętrzną część chłodziarki, w tym uszczelnienie drzwi, stojak na drzwi, szklane półki, pudełka itd., miękką ściereczką lub gąbką zanurzoną w ciepłej wodzie (można dodać neutralny detergent do ciepłej wody).
- ▶ 2. W przypadku rozlania płynu usuń wszystkie zanieczyszczone elementy, bezpośrednio spłucz bieżącą wodą, osusz i włóż z powrotem do chłodziarki.
- ▶ 3. W przypadku rozlanego kremu (np. śmietany, topniejących lodów), należy wyjąć wszystkie zanieczyszczone części, włożyć je na chwilę do ciepłej wody o temperaturze ok. 40°C, następnie spłukać bieżącą wodą, osuszyć i włożyć z powrotem do chłodziarki.
- ▶ 4. W przypadku, gdy jakaś mała część lub element dostanie się do wnętrza chłodziarki (pomiędzy półki lub szuflady), użyć małego miękkiego pędzelka, aby go wyciągnąć. Jeśli nie udało się dotrzeć do tego elementu, prosimy o kontakt z serwisem Haier
- ▶ Spłucz i wysusz miękką ściereczką.
- ▶ Nie należy myć żadnych części urządzenia w zmywarce do naczyń.
- ▶ Odczekaj co najmniej 5 minut przed ponownym uruchomieniem urządzenia, ponieważ częste uruchamianie może uszkodzić sprężarkę.

UWAGA

Odptyw wody nie może być zablokowany przez ciała obce, w przeciwnym razie może wystąpić problem z przelewaniem się wody. Jeśli odptyw jest zablokowany, możesz wyjąć szufladę i wyczyścić ją szmatką.



Rozmrażanie

W przypadku umieszczenia zbyt dużej ilości produktów lub zbyt częstego otwierania i zamykania drzwi, w tylnej części przedziału spiżarni lub zamrażarki może pojawić się szron, co będzie wymagało ręcznego rozmrażania za pomocą skrobaka do szronu.

Wymiana lampek LED

OSTRZEŻENIE!

Nie wolno samodzielnie wymieniać lampy LED, może to zrobić tylko producent lub autoryzowany serwis.

Jako źródło światła lampy wykorzystują diody LED, charakteryzujące się niskim zużyciem energii i długą żywotnością. W przypadku wystąpienia jakichkolwiek nieprawidłowości prosimy o kontakt z działem obsługi klienta. Zob. OBSŁUGA KLIENTA.

Parametry lamp:

Komora chłodziarki: 12 V maks. 1,5 W

Ten produkt zawiera źródło światła o klasie efektywności energetycznej <G>.

Dłuższa przerwa w użytkowaniu

Jeżeli urządzenie nie będzie używane przez dłuższy czas i nie będzie wykorzystywana funkcja Holiday chłodziarki:

Wyjmij żywność

Odłącz przewód zasilający.

Wyczyść urządzenie jak opisano powyżej.

Zostaw drzwi otwarte, aby zapobiec tworzeniu się wewnątrz nieprzyjemnych zapachów.

UWAGA

Wyłącz urządzenie tylko wtedy, gdy jest to absolutnie konieczne.

Przenoszenie urządzenia

1. Wyjmij wszystkie produkty spożywcze i odłącz urządzenie od zasilania.
2. Zabezpiecz taśmą klejącą półki i inne ruchome części w spiżarni.
3. Nie przechylaj chłodziarki pod kątem większym niż 45°, aby uniknąć uszkodzenia układu chłodniczego.

OSTRZEŻENIE!

- ▶ Nie podnoś urządzenia za klamki.
- ▶ Nigdy nie należy ustawiać urządzenia poziomo na ziemi.

Wiele problemów można rozwiązać samodzielnie, bez specjalistycznej wiedzy. W przypadku problemów prosimy sprawdzić wszystkie pokazane możliwości i postępować zgodnie z poniższymi instrukcjami przed skontaktowaniem się z obsługą posprzedażową. Zob. OBSŁUGA KLIENTA.



OSTRZEŻENIE!

- ▶ Przed przystąpieniem do konserwacji wyłącz urządzenie i wyjmij wtyczkę z gniazdka sieciowego.
- ▶ Urządzenie elektryczne powinno być serwisowane tylko przez wykwalifikowanych ekspertów, ponieważ niewłaściwe naprawy mogą spowodować znaczne szkody.
- ▶ Jeśli kabel zasilania jest uszkodzony, musi on zostać wymieniony przez producenta, serwisanta lub inną wykwalifikowaną osobę w celu uniknięcia niebezpieczeństwa.

Problem	Potencjalna przyczyna	Możliwe rozwiązanie
Sprężarka nie działa.	<ul style="list-style-type: none"> • Wtyczka sieciowa nie jest podłączona do gniazdka. • Urządzenie znajduje się w cyklu rozmrażania. 	<ul style="list-style-type: none"> • Podłącz wtyczkę sieciową. • Jest to normalne w przypadku automatycznego odszraniania.
Urządzenie działa często lub przez zbyt długi okres czasu.	<ul style="list-style-type: none"> • Temperatura wewnątrz i na zewnątrz urządzenia jest za wysoka. • Urządzenie było odłączone od zasilania przez określony czas. • Drzwi urządzenia nie są szczelnie zamknięte. • Drzwi były za często otwierane lub pozostawały długo otwarte. • Ustawienie temperatury w komorze spiżarni jest zbyt niskie. • Uszczelki drzwi są zabrudzone, zużyte, pęknięte lub niedopasowane. • Wymagany przepływ powietrza nie jest gwarantowany. 	<ul style="list-style-type: none"> • W tym przypadku to normalne, że urządzenie będzie pracować dłużej. • Całkowite schłodzenie urządzenia trwa zazwyczaj od 8 do 12 godzin. • Zamknij drzwi/szufladę i upewnij się, że urządzenie jest ustawione na płaskiej powierzchni, a żywność lub pojemniki nie blokują drzwi. • Nie otwieraj drzwi/szuflad zbyt często. • Ustaw wyższą temperaturę, aż do uzyskania zadowalającej temperatury w chłodziarce. Temperatura chodziarki ustabilizuje się po 24 godzinach. • Wyczyść uszczelki drzwi/szuflady lub wymień je z pomocą serwisu obsługi klienta. • Zapewnij odpowiednią wentylację.

Problem	Potencjalna przyczyna	Możliwe rozwiązanie
Wnętrze chłodziarki jest brudne i/lub nieprzyjemnie pachnie.	<ul style="list-style-type: none"> • Wnętrze chłodziarki wymaga czyszczenia. • W chłodziarce przechowywana jest żywność o intensywnym zapachu. 	<ul style="list-style-type: none"> • Wyczyść wnętrze chłodziarki. • Dokładnie owiń żywność.
Wewnątrz urządzenia nie jest wystarczająco zimno.	<ul style="list-style-type: none"> • Ustawiona temperatura jest za wysoka. • Była przechowywana zbyt ciepła żywność. • W chłodziarce umieszczono zbyt dużą ilość żywności. • Żywność jest zbyt blisko siebie. • Drzwi/szuflada urządzenia nie są szczelnie zamknięte. • Drzwi/szuflad były za często otwierane lub pozostawały długo otwarte. 	<ul style="list-style-type: none"> • Ponownie ustaw temperaturę. • Zawsze schładzaj żywność przed jej włożeniem do urządzenia. • Zawsze przechowuj małe ilości żywności. • Pozostaw przestrzeń między produktami spożywczymi, umożliwiając przepływ powietrza. • Zamknij drzwi/szufladę. • Nie otwieraj drzwi/szuflad zbyt często.
Wnętrze urządzenia jest za zimne.	<ul style="list-style-type: none"> • Temperatura jest za niska. • Funkcja Super Cool jest włączona lub działa zbyt długo. 	<ul style="list-style-type: none"> • Ponownie ustaw temperaturę. • Wyłącz funkcję Super Cool.
Powstawanie wilgoci na wewnętrznych ściankach komory.	<ul style="list-style-type: none"> • Klimat jest zbyt ciepły i wilgotny. • Drzwi/szuflada urządzenia nie są szczelnie zamknięte. • Drzwi/szuflad były za często otwierane lub pozostawały długo otwarte. • Pojemniki na żywność lub płyny są otwarte. 	<ul style="list-style-type: none"> • Zwiększ temperaturę. • Zamknij drzwi/szufladę. • Nie otwieraj drzwi/szuflad zbyt często. • Pozostaw gorącą żywność do ostygnięcia do temperatury pokojowej i przykryj żywność oraz płyny.
Wilgoć gromadzi się na zewnętrznej powierzchni chłodziarki lub między drzwiami a szufladą.	<ul style="list-style-type: none"> • Klimat jest zbyt ciepły i wilgotny. • Drzwi nie są szczelnie zamknięte. Zimne powietrze skrapla się wewnątrz urządzenia, a ciepłe powietrze na zewnątrz. 	<ul style="list-style-type: none"> • Jest to normalne zjawisko w wilgotnym klimacie i zmieni się, gdy wilgotność spadnie. • Upewnij się, że drzwi/szuflada są szczelnie zamknięte.

Problem	Potencjalna przyczyna	Możliwe rozwiązanie
Lampki na wyświetlaczu działają, ale nie czuć chłodu.	<ul style="list-style-type: none"> • Urządzenie jest w trybie demonstracyjnym. 	<ul style="list-style-type: none"> • Sprawdź, w jakim stanie znajduje się urządzenie. Jeżeli jest w trybie demonstracyjnym, wyjdź z niego. Wyjście: Przytrzymaj przycisk „ECO” i kliknij przycisk „Super Freeze” 5 razy w ciągu 5 sekund.
Nadmierny lód i szron w komorze zamrażarki.	<ul style="list-style-type: none"> • Artykuły spożywcze nie zostały odpowiednio zapakowane. • Drzwi/szuflada urządzenia nie są szczelnie zamknięte. • Drzwi/szuflad były za często otwierane lub pozostawały długo otwarte. • Uszczelki drzwi/szuflady są brudne, zużyte, pęknięte lub niedopasowane. • Coś wewnątrz uniemożliwia prawidłowe zamknięcie drzwi/szuflady. 	<ul style="list-style-type: none"> • Zawsze właściwie zapakuj artykuły spożywcze. • Zamknij drzwi/szufladę. • Nie otwieraj drzwi/szuflad zbyt często. • Wyczyść uszczelki drzwi lub wymień je na nowe. • Ponownie umieść półki, półki na drzwi lub pojemniki wewnętrzne, aby umożliwić zamknięcie drzwi/szuflady.
Boki obudowy i listwa drzwiowa nagrzewają się.	<ul style="list-style-type: none"> • - 	<ul style="list-style-type: none"> • To normalne.
Urządzenie wydaje dziwne dźwięki.	<ul style="list-style-type: none"> • Urządzenie nie znajduje się na wypoziomowanym podłożu. • Urządzenie dotyka jakiegoś przedmiotu. 	<ul style="list-style-type: none"> • Wyreguluj nóżki, aby wypoziomować urządzenie. • Usuń objekty znajdujące się w pobliżu urządzenia.
Słychać delikatny szum podobny do płynącej wody.	<ul style="list-style-type: none"> • - 	<ul style="list-style-type: none"> • To normalne.
Usłyszysz sygnał alarmowy.	<ul style="list-style-type: none"> • Drzwi komory chłodziarki są otwarte. 	<ul style="list-style-type: none"> • Zamknij drzwi.
Usłyszysz słaby szum.	<ul style="list-style-type: none"> • Układ antykondensacyjny działa 	<ul style="list-style-type: none"> • Zapobiega to kondensacji i jest normalne
Oświetlenie wnętrza lub układ chłodzenia nie działa.	<ul style="list-style-type: none"> • Wtyczka sieciowa nie jest podłączona do gniazdka. • Zasilanie nie jest w dobrym stanie. • Lampa LED nie działa. 	<ul style="list-style-type: none"> • Podłącz wtyczkę sieciową. • Sprawdź zasilanie elektryczne w pomieszczeniu. Skontaktuj się z lokalnym dostawcą energii elektrycznej! • Wezwij serwis w celu wymiany lampki.

Aby skontaktować się z pomocą techniczną, odwiedź naszą stronę internetową: <https://corporate.haier-eu-ropo.com/en/>

W sekcji „Strona internetowa” wybierz markę swojego produktu i kraj.

Nastąpi przekierowanie na konkretną stronę internetową, na której znajdziesz numer telefonu

i formularz do kontaktu z pomocą techniczną.

Przerwa w zasilaniu

W przypadku przerwy w dostawie prądu żywność powinna zachować bezpieczną temperaturę przez około 5 godzin. Podczas dłuższej przerwy w dostawie prądu, zwłaszcza latem, należy stosować się do poniższych wskazówek:

- ▶ Unikaj częstego otwierania drzwi/szuflady.
- ▶ Nie wkładaj do urządzenia dodatkowej żywności podczas przerwy w dostawie prądu.
- ▶ Jeśli przerwa w dostawie prądu została zgłoszona z wyprzedzeniem i trwa dłużej niż 5 godzin, należy przygotować trochę lodu i umieścić go w pojemniku w górnej części komory chłodziarki.
- ▶ Kontrola towaru jest wymagana niezwłocznie po przerwie.
- ▶ Ponieważ temperatura w chłodziarce wzrośnie podczas przerwy w zasilaniu lub innej awarii, okres przechowywania i jadalna jakość żywności ulegną skróceniu.

Funkcja pamięci podczas przerwy w zasilaniu

Po przywróceniu zasilania urządzenie kontynuuje ustawienia ustawione przed awarią zasilania.

Rozpakowanie



OSTRZEŻENIE!

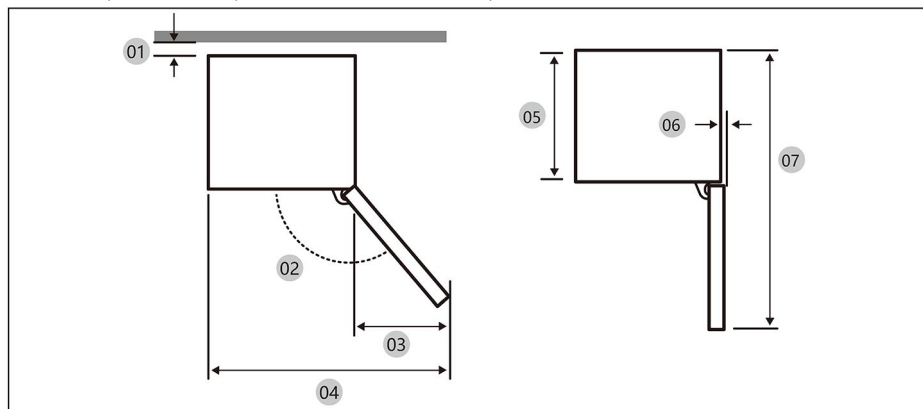
- ▶ Urządzenie jest ciężkie. Prace powinny być wykonywane przez co najmniej dwie osoby.
- ▶ Wszystkie materiały opakowaniowe należy przechowywać poza zasięgiem dzieci i utylizować w sposób przyjazny dla środowiska
- ▶ Wyjmij urządzenie z opakowania.
- ▶ Usuń całe opakowanie

Warunki środowiskowe

Temperatura w pomieszczeniu powinna zawsze wynosić od 10°C do 43°C, ponieważ może wpływać na temperaturę wewnątrz urządzenia i zużycie energii. Nie instaluj urządzenia w pobliżu innych urządzeń emitujących ciepło (piekarniki, chłodziarki)

Propozycja przestrzeni

Zalecana przestrzeń po otwarciu drzwi (bez panelu drzwi szafki)

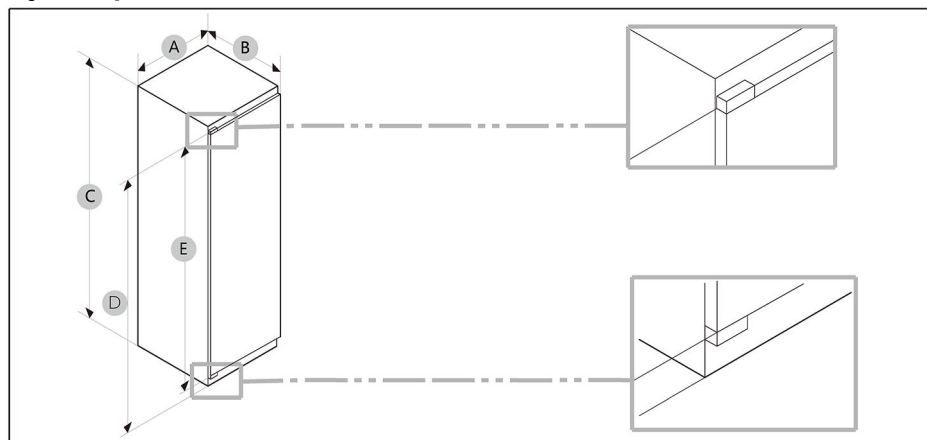


Model	CML5518EVW4
01*	10 (min.) / 30 (zalecane)
02	95° (Zalecane)
03	43
04	583
05	515
06	-3
07	1060

(jednostka: mm)

* 01: Od szafki do tyłu produktu.

Wymiar produktu



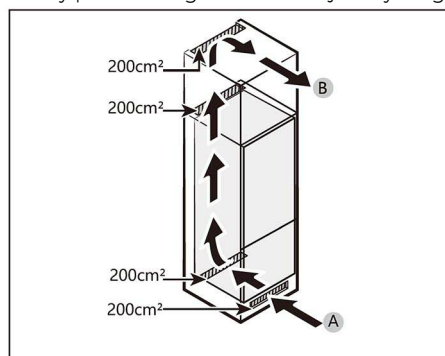
Model	A (mm)	B (mm)	C (mm)	D (mm)	E (mm)
CML5518EVW4	540±2	550±2	1772±2	1715	1671

UWAGA

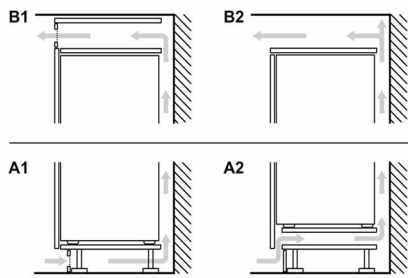
- Podane zużycie energii opiera się na warunku odstępu 10 mm między szafką a tyłem produktu. Produkt będzie działał poprawnie nawet przy odstępie mniejszym niż 10 mm, jednak będzie zużywać nieco więcej energii.
- Zalecamy użycie szafki o grubości 19 mm i zawiasach o grubości mniejszej niż 17 mm.
- Wymiary podane w powyższej tabeli mogą się różnić w zależności od metody pomiaru.
- W przypadku instalacji wbudowanej zapoznaj się z Przewodnikiem instalacji.

Przekrój wentylatora

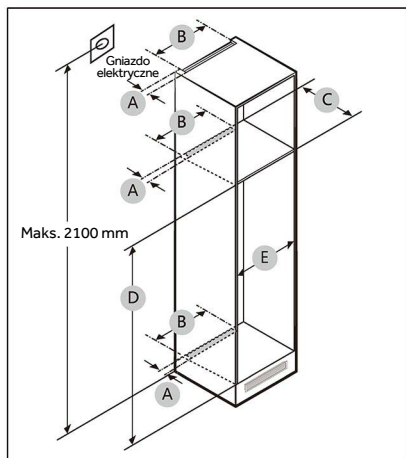
Aby zapewnić wystarczającą wentylację urządzenia ze względów bezpieczeństwa, należy przestrzegać informacji o wymaganych przekrojach wentylacji.



A: Wlot powietrza $\geq 200 \text{ cm}^2$; Opcje wentylacji
B: Wylot powietrza $\geq 200 \text{ cm}^2$; Opcje wentylacji



Wymiar szafki



OSTROŻNIE!

Jakiegokolwiek awaria produktu spowodowana poniższymi czynnikami nie jest objęta gwarancją.

1. Niewłaściwe warunki w miejscu montażu lub nieprawidłowe wymiary szafek.
2. Wadliwa szafka.
3. Błędy instalatora lub użytkownika.

Prześwit

Poniższe zdjęcia i tabele przedstawiają wymagania przestrzenne dotyczące montażu.

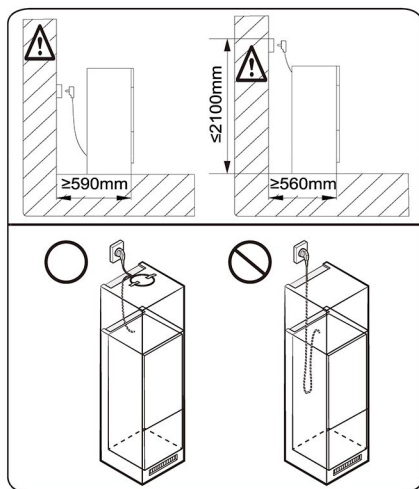
Model		A (mm)	B (mm)	C (mm)	D (mm)	E (mm)	Uwaga
CML5518EVW4	Min.	50	400	560	1778	560	Zawias: 17 mm
	Zalecane			580	1780	562	
	Maks.			-	1782	568	



UWAGA

- Jeśli szerokość szafki jest większa niż 568 mm, uszczelka (między chłodziarką a szafką) może się poluzować.
- Jeżeli szafka jest wyższa niż maksymalny wymiar (1782 mm), należy zastosować inne materiały wykończeniowe w celu wypełnienia szczeliny.

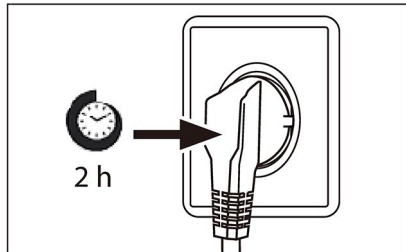
Uwzględnienie lokalizacji gniazdka elektrycznego i wymaganej przestrzeni



i UWAGA

Jeśli instalujesz chłodziarkę w szafce o głębokości 560 mm, przed podłączeniem do gniazdka elektrycznego upewnij się, że przewód zasilający jest ułożony z boku chłodziarki. Jeśli przewód zasilający znajduje się z tyłu chłodziarki, może to zmniejszyć efektywność energetyczną.

Czas oczekiwania



W zbiorniku sprężarki znajduje się olej bezobsługowy. Olej ten może przedostać się poprzez zamknięty system rur podczas transportu w pozycji przechylonej. Przed podłączeniem urządzenia do zasilania trzeba odczekać co najmniej 2 godziny, aby olej spłynął z powrotem do zbiornika.

Podłączenie do prądu

Przed każdym podłączeniem sprawdź, czy:

- ▶ zasilacz, gniazdo i bezpieczniki odpowiadają parametrom podanym na tabliczce znamionowej.
- ▶ gniazdko jest uziemione i nie zastosowano rozgałęźnika lub przedłużacza.
- ▶ wtyczka i gniazdko są ściśle zgodne.

Podłącz wtyczkę do prawidłowo zainstalowanego gniazdka domowego.

! OSTRZEŻENIE!

Aby uniknąć ryzyka, uszkodzony przewód zasilający musi być wymieniony przez serwis (zob. karta gwarancyjna).

Karta produktu zgodnie z rozporządzeniem UE nr 2019/2016

Marka	Candy	
Nazwa/identyfikator modelu	CML5518EVW4	
Kategoria modelu	Chłodziarko- zamrażarka	
Klasa efektywności energetycznej	E	
Roczne zużycie energii (kWh/rok) (1)	173	
Całkowita pojemność (l)	285	
Pojemność spizarni (l)	255	
Pojemność zamrażarki (l)	30	
Pojemność sekcji agregatu chłodniczego (l)	/	
Objętość automatycznej kostkarki do lodu (l)	/	
Oznakowanie gwiazdkami	/	
Temperatura pozostałych komór >14°C	Nie dotyczy	
System bez szronu	NIE	
Wydajność zamrażania (kg/24h)	2	
Klasyfikacja klimatyczna	SN/N/ST/T	
Klasa emisji hałasu i emisja hałasu akustycznego w powietrzu (db(A) re1 pW)	B 35	
Czas wzrostu temperatury (h)	/	
Wydajność wytwarzania lodu	/	
Typ urządzenia	Do zabudowy	

Nazwa modelu	Klasa efektywności energetycznej
CML5518EVW4	E

Objaśnienie:

• Tak, wyróżnione

- (1) Na podstawie wyników badania zgodności norm w ciągu 24 godzin. Rzeczywiste zużycie zależy od użytkownika i lokalizacji urządzenia.
- (2) Klasa klimatyczna SN: To urządzenie jest przeznaczone do użytku w temperaturze otoczenia od +10°C do +32°C
 Klasa klimatyczna N: To urządzenie jest przeznaczone do użytku w temperaturze otoczenia od +16°C do +32°C
 Klasa klimatyczna ST: To urządzenie jest przeznaczone do użytku w temperaturze otoczenia od +16°C do +38°C
 Klasa klimatyczna T: To urządzenie jest przeznaczone do użytku w temperaturze otoczenia od +16°C do +43°C

Dodatkowe dane techniczne

Napięcie / Częstotliwość	220-240V ~/50Hz
Natężenie wejściowe (A)	1,0
Bezpiecznik główny (A)	16
Płyn chłodzący	R600a
Wymiary (wys./szer./gł. w mm)	1772/540/550

Informacje o częstotliwości radiowej

Maks. e.i.r.p.: Bluetooth (BR/EDR): 10 dBm
 Bluetooth LE: 5 dBm
 Wi-Fi 2,4 GHz: 16 dBm

Pasma częstotliwości pracy: 2400-2483,5MHz

Polecamy nasz system Obsługi Klienta Haier i stosowanie oryginalnych części zamiennych. Jeśli masz problem z urządzeniem, najpierw sprawdź sekcję **ROZWIĄZYWANIE PROBLEMÓW**.

Jeżeli nie możesz znaleźć rozwiązania, skontaktuj się

- ▶ z lokalnym sprzedawcą lub
- ▶ naszym Europejskim Centrum Obsługi Klienta (zob. poniżej wymienione numery telefonów) lub
- ▶ działem serwisu i wsparcia na stronie www.candy-home.com, gdzie można aktywować zgłoszenie
- ▶ serwisowe i znaleźć odpowiedzi na najczęściej zadawane pytania.

Zanim skontaktujesz się z naszym działem obsługi, upewnij się, że masz następujące dane. Informacje można znaleźć na tabliczce znamionowej.

Model _____

Nr seryjny _____

Sprawdź także kartę gwarancyjną dostarczoną z produktem.

Europejskie Centrum Obsługi Klienta		
Kraj*	Numer telefonu	Koszty
Haier Italy (IT)	199 100 912	
Haier Spain (ES)	902 509 123	
Haier Germany (DE)	01805393999	<ul style="list-style-type: none"> • 14 centów/min. telefon stacjonarny • maks. 42 centów/min. telefon komórkowy
Haier Austria (AT)	0820 001 205	<ul style="list-style-type: none"> • 14,53 centów/min. telefon stacjonarny • maks. 20 centów/min. wszystkie pozostałe
Haier United Kingdom (UK)	0333 003 8122	
Haier France (FR)	0980 406 409	

* W przypadku innych krajów odwiedź www.candy-home.com

Haier Europe Trading S.r.l

Oddział Wielka Brytania

Westgate House, Westgate, Ealing

Londyn, W5 1YY

*Okres gwarancji na urządzenie chłodnicze:

Minimalna gwarancja wynosi: 2 lata dla krajów UE, 3 lata dla Turcji, 1 rok dla Wielkiej Brytanii, 1 rok dla Rosji, 3 lata dla Szwecji, 2 lata dla Serbii, 5 lat dla Norwegii, 1 rok dla Maroka, 6 miesięcy dla Algierii, w Tunezji nie jest wymagana gwarancja prawna.

*Okres dla części zamiennych do naprawy urządzenia:

Termostaty, czujniki temperatury, płytki drukowane i źródła światła są dostępne przez okres co najmniej siedem lat od wprowadzenia na rynek ostatniego egzemplarza modelu.

Klamki, zawiasy drzwi, tace i kosze przez co najmniej siedem lat, a uszczelki drzwi przez co najmniej 10 lat od wprowadzenia na rynek ostatniego egzemplarza modelu.

Aby uzyskać więcej informacji o produkcie, odwiedź stronę internetową <https://eprel.ec.europa.eu/> lub zeskanuj kod QR na etykiecie wydajności energetycznej dołączonej do urządzenia.

<u>335 Informações de segurança</u>	<u>Antes da primeira utilização</u> 336
	<u>Instalação</u> 336
	<u>Utilização diária</u> 337
	<u>Informações sobre gases refrigerantes</u> 339
<u>340 Utilização prevista</u>	
<u>341 Descrição do produto</u>	
<u>342 Painel de controlo</u>	
<u>343 Utilização</u>	<u>Função de Bloquear/Desbloquear</u> 343
	<u>Função ON/OFF</u> 343
	<u>Função Wi-Fi</u> 343
	<u>Ajustar a temperatura da despensa</u> 344
	<u>Função Super Cool</u> 345
	<u>Função ECO</u> 345
	<u>Função Holiday</u> 345
<u>Error! Bookmark not defined. Equipamento</u>	
<u>348 Dicas de poupança de energia</u>	
<u>349 Cuidados e limpeza</u>	
<u>351 Resolução de problemas</u>	
<u>355 Instalação</u>	
<u>359 Dados técnicos</u>	
<u>361 Assistência ao Cliente</u>	

Obrigado por adquirir este produto.

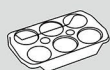
Leia atentamente estas instruções antes de utilizar este aparelho. As instruções contêm informações importantes que irão ajudá-lo a obter o melhor proveito do aparelho e garantir a instalação, o uso e a manutenção seguros e adequados.

Mantenha este manual num local conveniente para que o possa sempre consultar para uma utilização segura e adequada do aparelho.

Se vender, oferecer ou deixar o aparelho para trás, caso mude de casa, certifique-se de que entrega também este manual para que o novo proprietário se possa familiarizar com o aparelho e os avisos de segurança.

Acessórios

Verifique os acessórios e a literatura de acordo com esta lista:



Bandeja para ovos



Bandeja de cubos de gelo



Raspador de gelo



Etiqueta energética



Cartão de garantia



Manual de avisos de segurança



x4

Parafuso



x2

Tampa



x2

Bloco de esponja



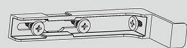
x4

Guia de deslizamento



x4

Conj. deslizante

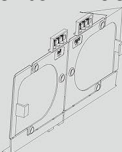


Placa fixa



Tampa da dobradiça

a



Placa fixa inferior



Placa fixa superior



Tampa inferior



Tampa lateral inferior



Tira de vedação



Esponja de selagem



Tampa da dobradiça inferior

**AVISO - Informação importante de segurança****NOTA - Informações gerais e dicas****Informação ambiental****Eliminação**

Ajude a proteger o ambiente e a saúde humana. Coloque a embalagem em recipientes adequados para reciclagem. Ajude a reciclar resíduos de aparelhos elétricos e eletrónicos. Não elimine os aparelhos identificados com este símbolo com o lixo doméstico. Entregue o produto na sua unidade de reciclagem local ou entre em contacto com seu gabinete municipal.

**AVISO!**

Risco de lesão ou sufocação!

Os refrigerantes e os gases devem ser eliminados de forma profissional. Certifique-se de que os tubos do circuito refrigerante não estão danificados antes de serem devidamente eliminados. Desligue o aparelho da alimentação elétrica. Corte o cabo de alimentação de rede e elimine-o. Remova as bandejas e gavetas, bem como a pega e vedantes da porta, para evitar que crianças e animais de estimação se fechem no interior do aparelho.

Antes de ligar o aparelho pela primeira vez, leia as seguintes dicas de segurança!:

AVISO!

Antes da primeira utilização

- ▶ Certifique-se de que não há danos provocados pelo transporte.
- ▶ Aguarde no mínimo duas horas antes de instalar o aparelho, de forma a garantir que o circuito refrigerante está com eficiência total.
- ▶ Manuseie o aparelho sempre com pelo menos duas pessoas porque é pesado.
- ▶ Remova todos os materiais de embalagem e mantenha fora do alcance das crianças e elimine-os de forma ecológica.
- ▶ Limpe o interior e o exterior do aparelho com água e um detergente suave antes de colocar qualquer alimento no seu interior.
- ▶ Após o aparelho ter sido nivelado e limpo, aguarde pelo menos 2 a 5 horas antes de o ligar à rede elétrica. Consulte a secção INSTALAÇÃO.
- ▶ Pré-arrefeça os compartimentos com definições elevadas antes de carregar com alimentos. A função Super Cool ajuda a arrefecer rapidamente os compartimentos.
- ▶ A temperatura da despensa é automaticamente regulada para 5 C, respetivamente. Estas são as definições recomendadas. Se desejar, pode alterar as temperaturas manualmente. Ver AJUSTAR A TEMPERATURA.
- ▶ Este aparelho frigorífico tem um congelador de 30 L na parte superior, e a temperatura do congelador varia com a temperatura do compartimento da despensa.

Instalação

- ▶ O aparelho deve ser colocado num local bem ventilado.
- ▶ Nunca coloque o aparelho numa área húmida ou num local onde possa ser salpicado com água. Limpe e seque as salpicos de água e manchas com um pano macio limpo.
- ▶ Não instale o aparelho sob luz solar direta ou na proximidade de fontes de calor (por exemplo, fogões, aquecedores).
- ▶ Instale e nivele o aparelho numa área adequada para o seu tamanho e utilização.
- ▶ Mantenha as aberturas de ventilação no aparelho ou na estrutura embutida livres de obstruções.
- ▶ Certifique-se de que as informações elétricas na placa de classificação correspondem à rede elétrica. Se não, entre em contato com um electricista.
- ▶ O aparelho é operado por uma fonte de alimentação de 220-240 VAC/50 Hz. Uma flutuação da tensão anormal pode fazer com que o aparelho não ligue ou danifique o controlo da temperatura ou o compressor, ou pode haver um ruído anormal durante o funcionamento. Nesse caso, deve ser montado um regulador automático.
- ▶ Não use adaptadores de fichas múltiplas nem cabos de extensão.
- ▶ Não coloque tomadas triplas múltiplas portáteis ou fontes de alimentação portáteis na parte traseira do aparelho.
- ▶ Certifique-se de que o cabo de alimentação não fica preso pelo frigorífico. Não pise o cabo de alimentação.



AVISO!

- ▶ Use uma tomada de terra separada para a rede elétrica que seja fácil de aceder. Este aparelho deve ser ligado à terra.
Apenas para o Reino Unido: O cabo de alimentação do aparelho está equipado com uma ficha de 3 cabos (terra) que se encaixa numa tomada standard de 3 cabos (ligada à terra). Nunca corte ou desmonte o terceiro pino (terra). Após a instalação do aparelho, a tomada deve ficar acessível.
- ▶ Não danifique o circuito refrigerante.

Utilização diária

- ▶ Este aparelho pode ser utilizado por crianças de idade igual ou superior a 8 anos e por pessoas com capacidades físicas, sensoriais ou mentais reduzidas ou falta de experiência e conhecimento, caso lhes tenha sido fornecida supervisão ou instruções relativas à utilização do aparelho de forma segura e desde que compreendam os perigos envolvidos.
- ▶ As crianças de 3 a 8 anos são autorizadas a carregar e descarregar, mas não podem limpar e instalar os aparelhos de refrigeração.
- ▶ Mantenha as crianças com menos de 3 anos de idade afastadas do aparelho, a menos que estejam constantemente sob supervisão.
- ▶ As crianças não devem brincar com o aparelho.
- ▶ Se o gás refrigerante ou outro gás inflamável verter perto do aparelho, desligue a válvula do gás de fuga, abra as portas e janelas e não desligue uma ficha no cabo de alimentação do frigorífico ou de qualquer outro aparelho.
- ▶ Notar que o aparelho está definido para funcionar num intervalo de temperatura ambiente específico entre 10 °C e 43 °C. O aparelho não pode funcionar corretamente se for deixado por um longo período a uma temperatura acima ou abaixo do intervalo indicado.
- ▶ Não coloque artigos instáveis (objetos pesados, recipientes cheios de água) em cima do frigorífico, para evitar lesões pessoais causadas por queda ou choque elétrico causado pelo contacto com a água.
- ▶ Não puxe pelas prateleiras da porta. A porta pode inclinar-se, o suporte de garrafas pode sair para fora ou o aparelho pode tombar.
- ▶ Abra e feche as portas apenas pelas pegas. O espaço entre as portas e entre as portas e o armário é muito estreito. Não ponha as mãos nessas áreas para evitar entalar os dedos. Abra ou feche as portas do frigorífico apenas quando não houver crianças dentro do alcance do movimento das portas.
- ▶ Ao posicionar o aparelho, certifique-se de que o cabo de alimentação não se encontra preso nem danificado.
- ▶ Não guarde substâncias explosivas como, por exemplo, latas de aerossóis, com um carburante inflamável, no interior deste aparelho.
- ▶ Para evitar a contaminação dos alimentos:
 - Abrir a porta durante longos períodos provoca um aumento de temperatura significativo nos compartimentos do aparelho.
 - Limpar regularmente as superfícies que entram em contacto com alimentos e sistemas de drenagem acessíveis.

 **AVISO!**

- Guarde carne e peixe crus em recipientes adequados no frigorífico, de forma a não estarem em contacto nem verterem para outros alimentos.
- Se o produto for deixado vazio durante períodos longos, desligue, descongele, limpe, seque e deixe a porta aberta para evitar que se forme bolor dentro do aparelho.
- ▶ Não guarde nem use materiais inflamáveis, explosivos ou corrosivos no aparelho ou nas proximidades.
- ▶ Não guarde medicamentos, bactérias ou agentes químicos no aparelho. Este aparelho é um eletrodoméstico. Não é recomendado armazenar materiais que necessitem de temperaturas rigorosas.
- ▶ Nunca guarde líquidos em garrafas ou latas (exceto bebidas alcoólicas) especialmente bebidas gaseificadas no congelador, porque estas rebentam quando congeladas.
- ▶ Verifique o estado dos alimentos caso ocorra aquecimento no congelador.
- ▶ Não ajuste uma temperatura desnecessariamente baixa no frigorífico. Podem ocorrer temperaturas negativas com altas definições.
Atenção: As garrafas podem rebentar
- ▶ Não toque em artigos congelados com as mãos húmidas (use luvas). Especialmente não coma gelados de gelo imediatamente depois de os retirar do congelador. Existe o risco de congelar ou de se formarem bolhas de queimadura por gelo. **PRIMEIROS socorros:** passar imediatamente por água fria corrente. Não puxe!
- ▶ Não toque na superfície interna do compartimento do congelador, quando em funcionamento, especialmente com as mãos molhadas, pois as mãos podem congelar na superfície.
- ▶ Desligue o aparelho em caso de interrupção da energia ou antes da limpeza. Deixe passar pelo menos 7 minutos antes de reiniciar o aparelho, pois o arranque frequente pode danificar o compressor.
- ▶ Não utilize dispositivos elétricos no interior dos compartimentos para armazenamento de comida do aparelho, a não ser que sejam do tipo recomendado pelo fabricante. **Manutenção/limpeza**
- ▶ Certifique-se de que as crianças estão vigiadas caso estejam a realizar a limpeza e manutenção.
- ▶ Desligue o aparelho da alimentação elétrica antes de realizar qualquer manutenção de rotina. Deixe passar pelo menos 5 minutos antes de voltar a ligar o aparelho pois o arranque frequente pode danificar o compressor.

 **AVISO!**

- ▶ Segure a ficha, não o cabo, ao desligar o aparelho.
- ▶ Não limpe o aparelho com escovas duras, escovas de arame, detergente em pó, gasolina, acetato de amilo, acetona e soluções orgânicas semelhantes, soluções ácidas ou alcalinas. Limpe com detergente especial do frigorífico para evitar danos.
- ▶ Não raspar o gelo com objetos afiados. Não use sprays, aquecedores elétricos, como secadores de cabelo, dispositivos de limpeza a vapor ou outras fontes de calor, de forma a evitar danos às peças plásticas.
- ▶ Não utilize dispositivos mecânicos ou outros meios para acelerar o processo de descongelação, que não os recomendados pelo fabricante.
- ▶ Se o cabo de alimentação estiver danificado, tem de ser substituído pelo fabricante, pelo agente de serviço ou por pessoas igualmente qualificadas de forma a evitar o perigo.
- ▶ Não tente reparar, desmontar ou modificar o aparelho sozinho. Em caso de reparação, entre em contato com a nossa assistência ao cliente.
- ▶ Elimine o pó na parte de trás da unidade pelo menos uma vez no ano para evitar perigo de incêndio, bem como o aumento do consumo de energia.
- ▶ Não pulverize ou lave o aparelho durante a limpeza.
- ▶ Não use spray de água ou vapor para limpar o aparelho.
- ▶ Não lave prateleiras de vidro frias com água quente. A mudança súbita de temperatura pode fazer com que o vidro se quebre

Informações sobre gases refrigerantes

 **AVISO!**

O aparelho contém o refrigerante inflamável ISOBUTANO (R600a). Certifique-se de que o circuito refrigerante não fica danificado durante o transporte ou instalação. A fuga de refrigerante pode causar lesões oculares ou inflamações. Se ocorrer um dano, mantenha afastadas fontes de chama aberta, ventile completamente a sala, não ligue ou desligue os cabos de alimentação do eletrodoméstico ou de qualquer outro aparelho. Informe a assistência ao cliente. No caso de os olhos entrarem em contacto com o fluido refrigerante, lave-os imediatamente sob água corrente e contacte imediatamente um oftalmologista.

Utilização prevista

Este aparelho destina-se a refrigeração de alimentos. Foi desenhado exclusivamente para uso em aplicações domésticas e semelhantes, como áreas de cozinha para pessoal em lojas, escritórios e outros ambientes de trabalho; casas agrícolas e por clientes em hotéis, motéis e outros ambientes de tipo residencial, bem como em negócios de pousada e de catering. Não se destina a utilização comercial ou industrial.

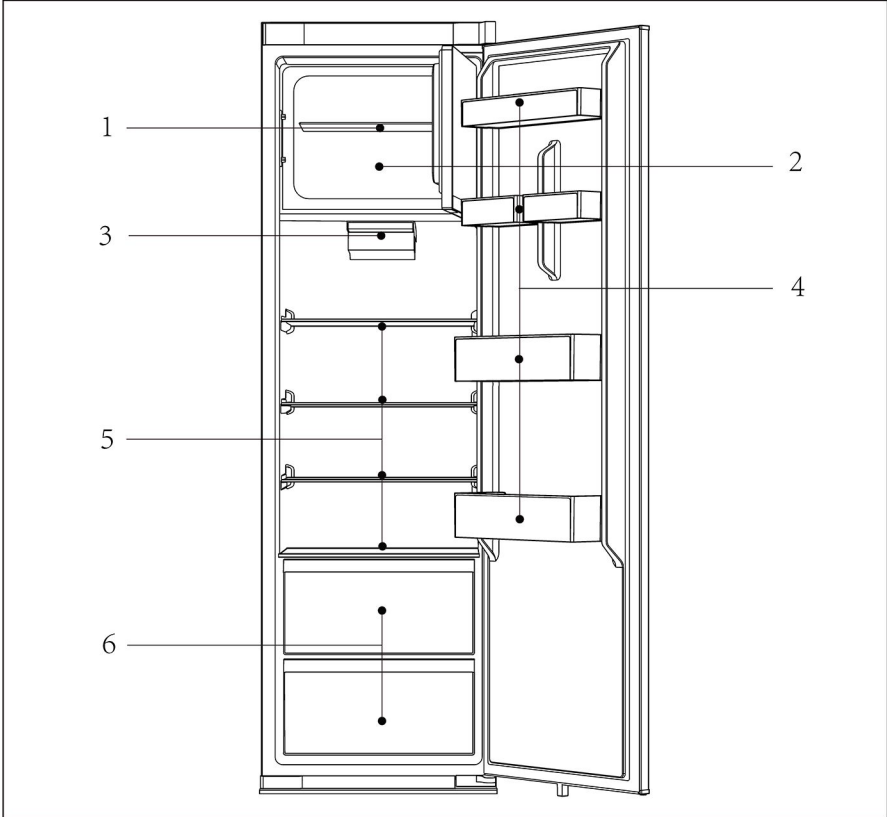
Não são permitidas alterações ou modificações no aparelho. Uma utilização indevida pode causar riscos e perda de reivindicações de garantia.

Normas e diretivas

Este produto cumpre os requisitos de todas as diretivas CE aplicáveis com as normas harmonizadas correspondentes, que permitem a marcação CE.

i AVISO

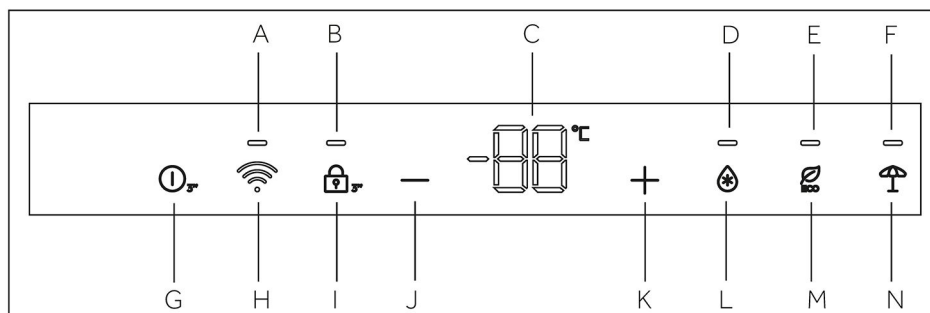
Devido a alterações técnicas e a modelos diferentes, algumas das ilustrações neste manual podem ser diferentes do seu modelo.



CML5518EVW4

- 1 Prateleira normal para congelador
- 2 Câmara frigorífica
- 3 Ventoinha e luz LED
- 4 Suportes para garrafas
- 5 Prateleiras de despensa comuns
- 6 Gavetas da despensa comuns

Painel de controlo



Indicadores:

- A Ícone da função Wi-Fi
- B Ícone Bloquear/Desbloquear
- C Ícone do visor da temperatura
- D Ícone da função Super Cool
- E Ícone da função ECO
- F Ícone da função Holiday

Botões:

- G Tecla ON/OFF
- H Tecla de correspondência Wi-Fi
- I Tecla Bloquear/Desbloquear
- J Tecla de redução da temperatura
- K Tecla de aumento da temperatura
- L Tecla de função Super Cool
- M Tecla da função ECO
- N Tecla da função Holiday

Botões do sensor

Os botões no painel de controlo são teclas de sensor que respondem logo quando tocadas levemente com o dedo.

AVISO

Quando o aparelho é ligado, pode demorar até 12 horas para atingir as temperaturas corretas.

Abra primeiro a porta do frigorífico antes de controlar o ecrã do visor.

Função de Bloquear/Desbloquear

Esta tecla e o seu ícone são utilizados para bloquear ou desbloquear o ecrã de controlo e indicar o seu estado atual.

Abra a porta do frigorífico enquanto o frigorífico estiver a funcionar, o ecrã de controlo acende-se e o ícone Bloquear/Desbloquear está aceso; neste momento, o ecrã de controlo está bloqueado e não pode ser operado.

Desbloquear ou bloquear manualmente o ecrã: Quando o ícone Bloquear/Desbloquear estiver aceso, toque na tecla Bloquear/Desbloquear durante 3 segundos. O ícone apaga-se e é acompanhado por um sinal sonoro. Neste momento, pode ser efetuada a seleção da função ou o ajuste da temperatura.

Quando o ícone Bloquear/Desbloquear estiver desligado, toque na tecla Bloquear/Desbloquear durante 3 segundos. Em seguida, o ícone Bloquear/Desbloquear acende-se e é acompanhado por um sinal sonoro. Neste momento, não é possível efetuar a seleção de funções ou o ajuste da temperatura.

Bloqueio automático do ecrã: Quando a porta do frigorífico está fechada, o ecrã de controlo desliga-se e fica bloqueado.

Quando a porta do frigorífico é aberta, o ecrã de controlo bloqueia automaticamente se não houver nenhuma operação durante 30 segundos.

Função ON/OFF

A tecla ON/OFF é utilizada para alternar entre OFF (estado de pausa de trabalho) e ON (modos de trabalho normais).

Entrar no modo OFF: No modo de funcionamento do frigorífico, desbloqueie primeiro o visor e, em seguida, toque na tecla de função ON/OFF durante 3 segundos para desligar o ecrã de controlo, a iluminação de refrigeração, o arrefecimento e outras funções, seguindo-se um som de aviso.



AVISO

O modo OFF não é um corte de energia e o frigorífico continua ligado neste momento.

Sair do modo OFF: No modo OFF, tocar continuamente na tecla ON/OFF durante 3 segundos para reiniciar o ecrã de controlo, a iluminação de refrigeração, o arrefecimento e outras funções, acompanhado de um som de aviso. O frigorífico regressará à temperatura definida e ao funcionamento anterior e entrará no modo de funcionamento normal.

Função Wi-Fi

Correspondência de Wi-Fi: Quando o frigorífico é ligado pela primeira vez, entra automaticamente no modo de configuração de rede e o ícone da função Wi-Fi pisca rapidamente e, se não houver nenhuma operação de correspondência de rede, sai automaticamente após 30 minutos.

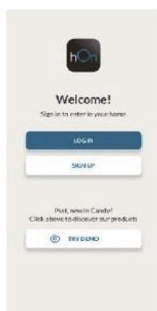
Entrar manualmente no modo de correspondência Wi-Fi: Depois de desbloquear o ecrã de controlo, enquanto o ícone da função Wi-Fi estiver aceso, mantenha premida a tecla correspondente a Wi-Fi durante 3 segundos para entrar no modo. Durante este período, o ícone da função Wi-Fi piscará rapidamente, mostrando que está no modo de correspondência Wi-Fi. Se não houver nenhuma operação de correspondência de rede, a operação será automaticamente encerrada após 30 minutos.

PROCEDIMENTO DE APP PAIRING

Passo 1 • Descarregue a aplicação hOn nas lojas.



Passo 2 Crie a sua conta na aplicação hOn ou faça login se já tiver uma conta.



Passo 3 Consulte as instruções de emparelhamento na aplicação hOn.



AVISO

No modo de correspondência Wi-Fi, deve seguir as instruções da aplicação para concluir a configuração da rede. Se for necessário alterar o ambiente Wi-Fi, é necessário entrar novamente no modo. Se o ícone da função Wi-Fi permanecer aceso, isso indica que a rede foi ligada com êxito.

Ajustar a temperatura da despesa

Depois de abrir a porta do frigorífico e desbloquear o ecrã de controlo, a tecla Baixar temperatura é utilizada para baixar a temperatura definida do frigorífico. Cada vez que a tecla é ligeiramente tocada, a temperatura diminui 1°C, e a temperatura mínima permitida é de 1°C.

Depois de abrir a porta do frigorífico e desbloquear o ecrã de controlo, a tecla Aumentar a temperatura é utilizada para aumentar a temperatura definida do frigorífico. Cada vez que a tecla é ligeiramente tocada, a temperatura aumenta 1°C e a temperatura máxima permitida é de 9°C.

Durante o funcionamento, o ícone do ecrã de Temperatura apresenta a temperatura definida e pisca. O ecrã de controlo confirmará automaticamente a temperatura definida após 5 segundos.

Função Super Cool

Esta tecla e o respetivo ícone são utilizados para comutar a função Super Cool do frigorífico e apresentar o estado atual.

Depois de abrir a porta do frigorífico e desbloquear o ecrã de controlo, toque na tecla "Super Cool" e o ícone "Super Cool" acende-se. Neste momento, o frigorífico está no "modo Super Cool". Para desativar o modo, pode utilizar a mesma operação para tocar na "tecla Super Cool". Depois de a função Super Cool ser ligada, o frigorífico sai automaticamente do modo Super Cool em cerca de 48 horas para evitar que a temperatura no interior do frigorífico seja demasiado baixa.

Quando uma grande quantidade de alimentos é colocada no frigorífico num curto espaço de tempo, a temperatura no interior do frigorífico aumenta. Depois de ativar a função Super Cool, a temperatura destes alimentos pode ser rapidamente reduzida.

Quando uma grande quantidade de alimentos é colocada no compartimento da despensa, a função Super Cool pode ser ligada diretamente. Quando uma grande quantidade de alimentos é colocada no congelador, ligue a função Super Cool 12 horas antes de colocar os alimentos.

Função ECO

Depois de abrir a porta do frigorífico e desbloquear o ecrã de controlo, toque ligeiramente na tecla de função ECO, e o ícone da função ECO acende-se, o frigorífico já está no modo; se precisar de sair do modo, pode utilizar a mesma operação tocando ligeiramente na tecla de função ECO.

No modo ECO, o frigorífico funciona automaticamente a uma temperatura média de 5°C.

Função Holiday

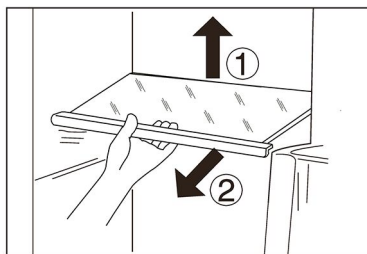
Depois de abrir a porta do frigorífico e desbloquear o ecrã de controlo, toque ligeiramente na tecla de função Holiday, e o ícone da função Holiday acende-se, o frigorífico já está no modo; Se precisar de sair do modo, pode utilizar a mesma operação tocando ligeiramente na tecla de função Férias.

No modo de função Holiday, o frigorífico funciona automaticamente a uma temperatura média de 17°C.

Quando a função Holiday é ativada, a despensa e o congelador entram em simultâneo na função Holiday e os alimentos congelados também têm de ser retirados para evitar danos nos alimentos causados pela temperatura elevada.

AVISO

Devido à lógica de funcionamento diferente das funções especiais, como a função Super Cool, a função ECO e a função Holiday, estes modos especiais não podem ser ativados ao mesmo tempo. Apenas uma função pode ser ativada e, ao alternar entre os modos, outros modos especiais serão automaticamente desativados. Além disso, a temperatura definida só pode ser alterada se se sair destes modos. 5°C é o modo ideal para alimentos frescos, como frutas e legumes, produtos lácteos, carnes e bebidas.



Prateleiras

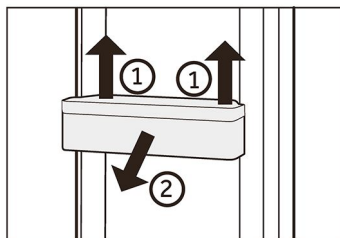
1. A altura das prateleiras pode ser ajustada para se adaptar às suas necessidades de armazenamento.
2. Para transferir uma prateleira, remova-a primeiro levantando a sua extremidade traseira ① e puxando-a para fora ②.
3. Para a reinstalar, coloque-a sobre as patilhas dos dois lados e empurre-a para a posição mais para trás até que a parte traseira da prateleira fique fixa no interior das ranhuras nos lados.

i AVISO

Certifique-se de que todas as extremidades de uma prateleira estão niveladas.

Garrafa amovível

1. A garrafa pode ser retirada para limpeza.
2. Coloque as mãos de cada lado da prateleira, levante-a para cima ① e puxe-a para fora ②.
3. Para inserir a garrafa, os passos acima são executados em ordem inversa.



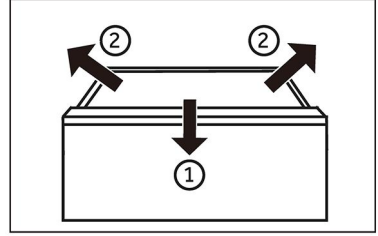
i AVISO

Devido às características da localização, a temperatura do encaixe da garrafa na primeira e segunda camadas do corpo da porta é ligeiramente superior à do frigorífico, pelo que se recomenda a sua utilização apenas para o armazenamento de alimentos a curto prazo.

Gaveta amovível

Para remover a gaveta, puxe até à extensão máxima ①, levante e remova ②.

Para inserir a gaveta, os passos acima são executados em ordem inversa.

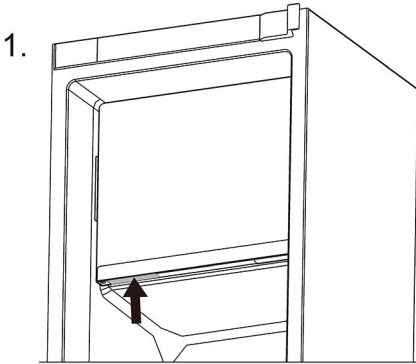


A Luz

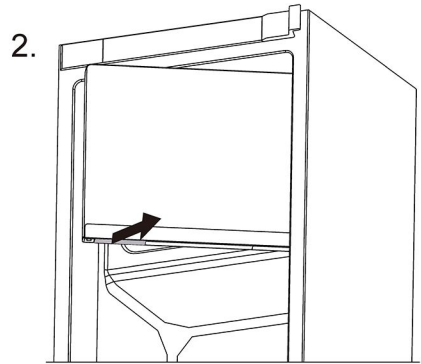
A luz interior LED acende-se quando a porta é aberta. O desempenho das luzes não é afetado por nenhuma das outras definições de aparelhos.

Sala do congelador

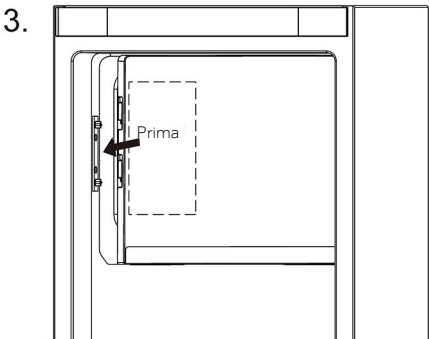
Este aparelho frigorífico tem um congelador de 30 L na parte superior, e a temperatura do congelador varia com a temperatura do compartimento da despensa. Abrir a porta do congelador: Primeiro, empurre o interruptor para cima, como mostra a figura 1; depois, puxe-o para fora, como mostra a figura 2; Fechar a porta do compartimento do congelador: Pressione a zona central do lado da abertura da porta pequena, como mostra a figura 3.



Interruptor de pressão



Puxe o interruptor para fora





Dicas para poupança de energia

- ▶ Certifique-se de que o aparelho está devidamente ventilado (ver INSTALAÇÃO).
- ▶ Não instale o aparelho sob luz solar direta ou na proximidade de fontes de calor (por exemplo, fogões, aquecedores).
- ▶ Evite temperaturas desnecessariamente baixas no aparelho. O consumo de energia aumenta quanto menor for a temperatura do aparelho.
- ▶ As funções como Super Cool consomem mais energia.
- ▶ Deixe os alimentos arrefecer antes de os colocar no aparelho.
- ▶ Abra a porta do aparelho o mínimo e tão brevemente quanto possível.
- ▶ Não encha demasiado o aparelho para evitar obstruir o fluxo de ar.
- ▶ Evite ar dentro das embalagens de alimentos.
- ▶ Mantenha os vedantes da porta limpos para que a porta feche sempre corretamente.
- ▶ A configuração mais economizadora de energia requer que o aparelho mantenha as gavetas, caixa de comida e prateleiras em condições de frescura de fábrica, e os alimentos devem ser colocados tanto quanto possível, sem bloquear a saída de ar da conduta.

AVISO!

Desligue o aparelho da rede elétrica antes de limpar.

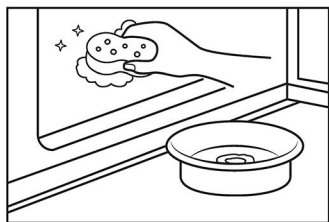
Limpeza

Limpe o aparelho quando apenas tiver armazenado pouca ou nenhuma comida.

O aparelho deve ser limpo a cada quatro semanas para uma boa manutenção e para evitar maus odores de alimentos armazenados.

AVISO!

- ▶ Não limpe o aparelho com escovas duras, escovas de arame, detergente em pó, gasolina, acetato de amilo, acetona e soluções orgânicas semelhantes, soluções ácidas ou alcalinas. Limpe com detergente especial do frigorífico para evitar danos.
- ▶ Não pulverize ou lave o aparelho durante a limpeza.
- ▶ Não use spray de água ou vapor para limpar o aparelho.
- ▶ Não lave prateleiras de vidro frias com água quente. A mudança súbita de temperatura pode fazer com que o vidro se quebre.



- ▶ Mantenha a junta de vedação da porta sempre limpa.
- ▶ Limpe o interior e a caixa do aparelho com uma esponja molhada em água morna e detergente neutro.
- ▶ 1. Esfregue o interior e o exterior do frigorífico, incluindo junta do vedante da porta, prateleira da porta, prateleiras de vidro, caixas e assim por diante, com uma toalha macia ou esponja embebida em água morna (pode adicionar-se detergente neutro).
- ▶ 2. Se houver líquido derramado, remova todas as partes contaminadas, lave-as diretamente com água corrente, seque e coloque novamente no frigorífico.
- ▶ 3. Se houver derramamento de produtos cremosos (como natas, gelado derretido), remova todas as peças contaminadas, coloque-as em água morna a cerca de 40 °C durante algum tempo, passe por água corrente, seque e volte a colocar no frigorífico.
- ▶ 4. Caso alguma peça ou componente pequeno entre no interior do frigorífico (entre as prateleiras ou gavetas), use uma pequena escova macia para a liberar. Se não conseguir alcançar a peça, entre em contato com a assistência da Haier
- ▶ Enxaguar e secar com um pano macio.
- ▶ Não limpar nenhuma das peças do aparelho numa máquina de lavar loiça.
- ▶ Deixe passar pelo menos 5 minutos antes de voltar a ligar o aparelho pois o arranque frequente pode danificar o compressor.

AVISO

A saída de drenagem não pode ser bloqueada por objetos estranhos, caso contrário pode ocorrer um problema de transbordo de água. Se a saída de drenagem estiver bloqueada, pode retirar a gaveta e limpá-la com um pano.



Descongelação

Se forem colocados demasiados objetos ou se a porta for aberta e fechada com demasiada frequência, é provável que apareça gelo na parte de trás do compartimento da despensa ou compartimento do congelador, o que exigirá a descongelação manual.

Substituir as lâmpadas LED

AVISO!

Não substitua a luz LED sozinho, esta apenas deve ser substituída pelo fabricante ou por um agente de serviço autorizado.

A lâmpada é do tipo LED com um baixo consumo de energia e longa vida útil. Se houver alguma anomalia, entre em contacto com a assistência ao cliente. Consulte a ASSISTÊNCIA AO CLIENTE.

Parâmetros das lâmpadas:

Compartimento do frigorífico: 12 V máx. 1.5 W

Este produto contém uma fonte de luz de classe de eficiência energética <G>.

Não utilizar durante um período prolongado

Se o aparelho não for utilizado durante um período de tempo prolongado e caso não tenha utilizado a função Holiday para o frigorífico:

Retire os alimentos

Desligue o cabo de alimentação.

Limpe o aparelho conforme descrito acima.

Mantenha as portas abertas para evitar a criação de maus odores no interior.

AVISO

Desligue o aparelho apenas se estritamente necessário.

Mover o aparelho

1. Remova todos os alimentos e desligue o aparelho.
2. Fixe as prateleiras e outras peças móveis na despensa com fita adesiva.
3. Não incline o frigorífico mais de 45° para evitar danificar o sistema de refrigeração.

AVISO!

- ▶ Não levante o aparelho pelas suas pegas.
- ▶ Nunca coloque o aparelho na horizontal no chão.

Muitos problemas que ocorrem podem ser resolvidos por si mesmo sem experiência específica. Em caso de problema, por favor verifique todas as possibilidades apresentadas e siga as instruções abaixo antes de contactar um serviço pós-venda. Consulte a ASSISTÊNCIA AO CLIENTE.



AVISO!

- ▶ Antes da manutenção, desative o aparelho e desligue a ficha da tomada.
- ▶ Os equipamentos elétricos devem ser reparados apenas por eletricistas qualificados, uma vez que reparações inadequadas podem causar danos consequenciais consideráveis.
- ▶ Se o cabo de alimentação estiver danificado, este apenas pode ser substituído pelo fabricante, pelo agente de serviço ou por pessoas igualmente qualificadas de forma a evitar o perigo.

Problema	Causa possível	Possível solução
O compressor não funciona.	<ul style="list-style-type: none"> • A ficha de alimentação não está ligada na tomada de alimentação. • O aparelho está no ciclo de descongelação. 	<ul style="list-style-type: none"> • Ligue a ficha de alimentação. • Isto é normal para uma descongelação automática.
O aparelho funciona frequentemente ou funciona por um período de tempo demasiado longo.	<ul style="list-style-type: none"> • A temperatura interior ou exterior é muito alta. • O aparelho foi desligado da alimentação por um período de tempo. • Uma porta do aparelho não está bem fechada. • A porta foi aberta com muita frequência ou por muito tempo. • A regulação da temperatura para o compartimento da despensa é muito baixa. • A junta de vedação da porta está suja, gasta, partida ou desalinhada. • A circulação de ar necessária não é garantida. 	<ul style="list-style-type: none"> • Neste caso, é normal que o aparelho funcione mais tempo. • Normalmente, demora 8 a 12 horas até o aparelho arrefecer completamente. • Feche a porta/gaveta e certifique-se de que o aparelho está localizado num piso plano e de que não existe qualquer alimento ou recipiente a obstruir a porta. • Não abra a porta/gaveta com muita frequência. • Ajuste uma temperatura mais elevada até obter uma temperatura satisfatória do frigorífico. Demora 24 horas até a temperatura do frigorífico se tornar estável. • Limpe a junta de vedação da porta/gaveta ou peça à assistência ao cliente que a substitua. • Assegurar uma ventilação adequada.

Problema	Causa possível	Possível solução
O interior do frigorífico está sujo e/ou com cheiros.	<ul style="list-style-type: none"> O interior do frigorífico precisa de ser limpo. Alimentos com forte odor estão armazenados no frigorífico. 	<ul style="list-style-type: none"> Limpe o interior do frigorífico. Embrulhe os alimentos completamente.
Não está frio o suficiente dentro do aparelho.	<ul style="list-style-type: none"> A temperatura definida é demasiado alta. Foram guardados alimentos demasiado quentes. Foram armazenados demasiados alimentos de uma vez. Os produtos estão demasiado próximos uns dos outros. Uma porta/gaveta do aparelho não está bem fechada. A porta/gaveta foi aberta com muita frequência ou durante muito tempo. 	<ul style="list-style-type: none"> Repor a temperatura. Arrefeça os alimentos antes de os guardar. Guarde sempre pequenas quantidades de alimentos. Deixe um intervalo entre os vários alimentos permitindo o fluxo de ar. Feche a porta/gaveta. Não abra a porta/gaveta com muita frequência.
Está demasiado frio no interior do aparelho.	<ul style="list-style-type: none"> A temperatura é demasiado baixa. A função Super Cool está ativada ou está a funcionar há demasiado tempo. 	<ul style="list-style-type: none"> Repor a temperatura. Desligue a função Super Cool.
Formação de humidade no interior do compartimento do frigorífico.	<ul style="list-style-type: none"> O clima é demasiado quente e demasiado húmido. Uma porta/gaveta do aparelho não está bem fechada. A porta/gaveta foi aberta com muita frequência ou durante muito tempo. Recipientes para alimentos ou líquidos foram deixados abertos. 	<ul style="list-style-type: none"> Aumente a temperatura. Feche a porta/gaveta. Não abra a porta/gaveta com muita frequência. Deixe os alimentos quentes arrefecerem até à temperatura ambiente e cubra os alimentos e líquidos.
A humidade acumula-se nos frigoríficos fora da superfície ou entre as portas/porta e gaveta.	<ul style="list-style-type: none"> O clima é demasiado quente e demasiado húmido. A porta não está totalmente fechada. O ar frio no aparelho e o ar quente no exterior condensam. 	<ul style="list-style-type: none"> Isso é normal num clima húmido e mudará quando a humidade diminuir. Certifique-se de que a porta/gaveta está bem fechada.

Problema	Causa possível	Possível solução
A luz do visor funciona, mas não está fresco.	<ul style="list-style-type: none"> Está no modo de demonstração. 	<ul style="list-style-type: none"> Observe em que estado se encontra. Se estiver no modo de demonstração, saia. Sair: Mantenha premido o botão "ECO" e clique na tecla "Super Freeze" 5 vezes em 5s.
Gelo forte e geada no compartimento do congelador.	<ul style="list-style-type: none"> Os alimentos não foram devidamente embalados. Uma porta/gaveta do aparelho não está bem fechada. A porta/gaveta foi aberta com muita frequência ou durante muito tempo. A junta de vedação da porta/gaveta está suja, gasta, fissurada ou não é adequada. Algo no interior está a impedir que a porta/gaveta feche corretamente. 	<ul style="list-style-type: none"> Embale sempre bem os alimentos. Feche a porta/gaveta. Não abra a porta/gaveta com muita frequência. Limpe a junta de vedação da porta/gaveta ou substitua por novas. Reposicione as prateleiras, prateleiras das portas ou recipientes internos para permitir que a porta/gaveta feche.
Os lados do armário e a tira da porta ficam quentes.	<ul style="list-style-type: none"> - 	<ul style="list-style-type: none"> Isto é normal.
O aparelho faz ruídos fora do normal.	<ul style="list-style-type: none"> O aparelho não está colocado sobre um piso nivelado. O aparelho toca em algum objeto em seu redor. 	<ul style="list-style-type: none"> Ajuste os pés para nivelar o aparelho. Remova objetos em redor do aparelho.
Deve ouvir-se um som leve semelhante ao de água a correr.	<ul style="list-style-type: none"> - 	<ul style="list-style-type: none"> Isto é normal.
Irá ouvir um sinal sonoro de alarme.	<ul style="list-style-type: none"> A porta do frigorífico está aberta. 	<ul style="list-style-type: none"> Feche a porta.
Irá ouvir um som abafado.	<ul style="list-style-type: none"> O sistema anti condensação está a funcionar 	<ul style="list-style-type: none"> Isto impede a condensação e é normal
O sistema de iluminação interior ou de arrefecimento não funciona.	<ul style="list-style-type: none"> A ficha de alimentação não está ligada na tomada de alimentação. A fonte de alimentação não está intacta. A lâmpada LED está avariada. 	<ul style="list-style-type: none"> Ligue a ficha de alimentação. Verifique a alimentação elétrica da divisão. Ligue para a companhia de eletricidade local! Por favor, ligue para a assistência para substituir a lâmpada.

Para contactar a assistência técnica, consulte o nosso website:
<https://corporate.haier-europe.com/en/>

Na seção "website", escolha a marca do seu produto e o seu país. Será redirecionado para o sítio Web específico onde poderá encontrar o número de telefone e o formulário para contactar a assistência técnica.

Falha de energia

Em caso de falha de energia, os alimentos permanecem arrefecidos de forma segura durante cerca de 5 horas. Siga estas dicas durante uma falha de energia prolongada, especialmente no verão:

- ▶ Abra a porta/gaveta o mínimo de vezes possível.
- ▶ Não coloque mais alimentos no aparelho durante uma falha de energia.
- ▶ Se for dada uma notificação prévia de interrupção da energia e a duração da interrupção for superior a 5 horas, faça algum gelo e coloque-o num recipiente na parte superior do compartimento do frigorífico.
- ▶ É necessária uma inspeção dos alimentos imediatamente após a interrupção.
- ▶ Como a temperatura no frigorífico irá subir durante uma interrupção da energia ou outra falha, o período de armazenamento e a qualidade dos alimentos serão reduzidos.

Função de memória durante a falha de energia

Depois de restabelecida a energia elétrica, o aparelho continua com as definições definidas antes da falha de energia.

Desembalar



AVISO!

- ▶ O aparelho é pesado. Deve ser manuseado sempre por, pelo menos, duas pessoas.
- ▶ Mantenha todos os materiais de embalagem fora do alcance das crianças e elimine-os de forma ecológica.
- ▶ Retire o aparelho da embalagem.
- ▶ Remova todos os materiais de embalagem

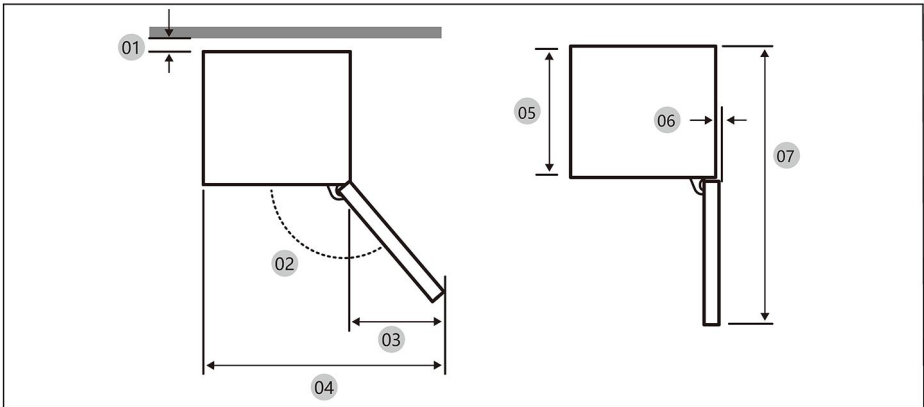
Condições ambientais

A temperatura ambiente deve estar sempre entre 10 °C e 43 °C, uma vez que pode influenciar a temperatura no interior do aparelho e o seu consumo de energia.

Não instale o aparelho perto de outros aparelhos que emitam calor (fornos, frigoríficos)

Sugestão de espaço

Espaço sugerido quando a porta está aberta (sem painel da porta do armário)

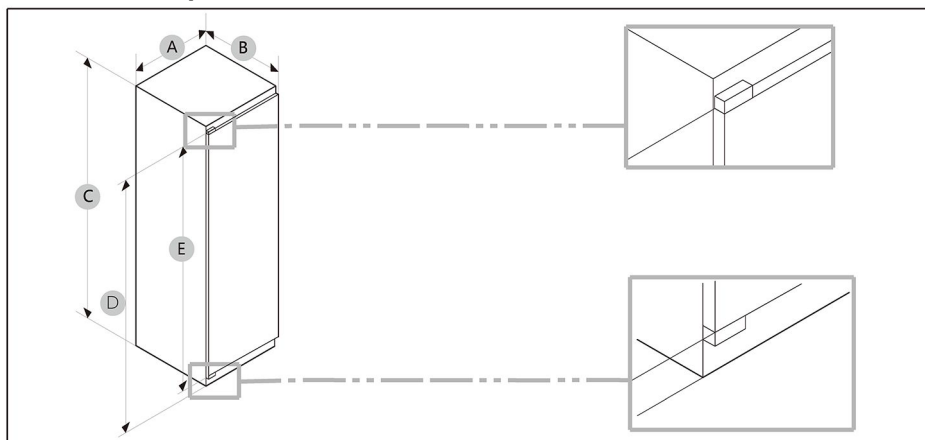


Modelo	CML5518EVW4
01*	10 (Min.) / 30 (Recomendado)
02	95° (Recomendado)
03	43
04	583
05	515
06	-3
07	1060

(unidade: mm)

* 01: Do armário à traseira do produto.

Dimensão do produto



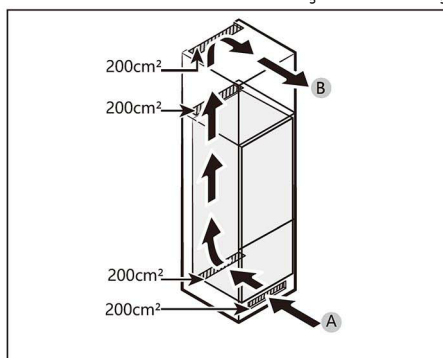
Modelo	A (mm)	B (mm)	C (mm)	D (mm)	E (mm)
CML5518EVW4	540±2	550±2	1772±2	1715	1671

i AVISO

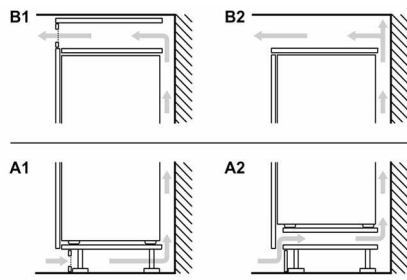
- O consumo de energia especificado baseia-se na condição de um espaço de 10 mm entre o armário e a parte de trás do produto. O produto funciona corretamente mesmo com uma folga inferior a 10 mm, mas consome um pouco mais de energia.
- Recomendamos a utilização de um armário com 19 mm de espessura e dobradiças com menos de 17 mm de espessura.
- As medições na tabela acima podem ser diferentes, dependendo do método de medição.
- Para a instalação encastrada, consulte o Guia de Instalação

Ventilação transversal

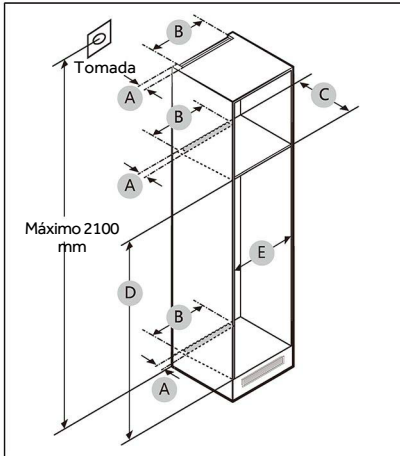
Para obter uma ventilação suficiente do aparelho por motivos de segurança, deve observar-se a informação das secções de ventilação transversal necessárias.



A: Entrada de ar $\geq 200\text{cm}^2$; Opções de ventilação
B: Saída de ar $\geq 200\text{cm}^2$; Opções de ventilação



Dimensões do armário



CUIDADO!

Qualquer falha do produto devida aos seguintes fatores não está coberta pela garantia.

1. Condições inadequadas do local ou dimensões incorretas do armário.
2. Armário com defeito.
3. Erros do instalador ou do utilizador.

Espaço

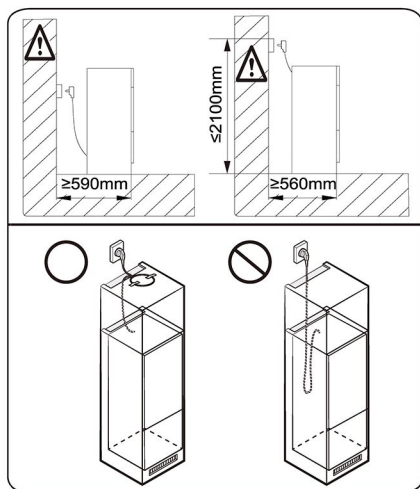
Consulte as imagens e as tabelas abaixo para conhecer os requisitos de espaço para a instalação.

Modelo		A (mm)	B (mm)	C (mm)	D (mm)	E (mm)	Observação
CML5518EVW4	Min.	50	400	560	1778	560	Dobradiça: 17 mm
	Recomendado			580	1780	562	
	Máx.			-	1782	568	

i AVISO

- Se a largura de um armário for superior a 568 mm, a junta (entre o frigorífico e o armário) pode ficar solta.
- Se o armário for mais alto do que a dimensão máxima (1782 mm), é necessário utilizar outros materiais de acabamento para preencher o espaço.

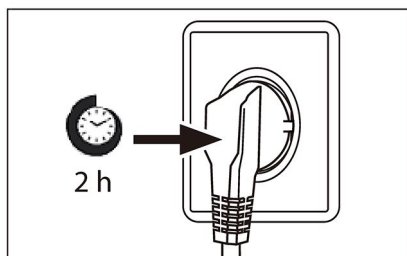
Consideração da localização da tomada e do espaço necessário



i AVISO

Se instalar o frigorífico num armário com 560 mm de profundidade, certifique-se de que o cabo de alimentação está disposto num dos lados do frigorífico antes de ligar a uma tomada elétrica. Se o cabo de alimentação estiver na parte de trás do frigorífico, pode diminuir a eficiência energética.

Tempo de espera



O óleo de lubrificação sem manutenção está localizado na cápsula do compressor. Este óleo pode atravessar o sistema de tubagem fechada durante o transporte inclinado. Antes de ligar o aparelho à rede elétrica, tem de esperar pelo menos 2 horas para que o óleo volte à cápsula.

Ligação elétrica

Antes de cada conexão verificar se:

- ▶ a rede elétrica, tomada e fusíveis são adequados à placa de classificação.
- ▶ a tomada de alimentação está ligada à terra sem fichas múltiplas nem extensão.
- ▶ a ficha de alimentação e a tomada estão de acordo com as especificações.

Ligue a ficha a uma tomada doméstica instalada corretamente.

! AVISO!

Para evitar riscos, um cabo de alimentação danificado deve ser substituído pela assistência ao cliente (ver cartão de garantia).

Ficha de produto de acordo com o Regulamento UE N.º 2019/2016

Marca	Candy	
Nome/identificador do modelo	CML5518EVW4	
Categoria do modelo	Frigorífico-congelador	
Classe de eficiência energética	E	
Consumo de energia anual (kWh/ano) (1)	173	
Volume total (L)	285	
Volume da despensa (L)	255	
Volume do congelador (L)	30	
Secção do refrigerador de volume (L)	/	
Volume da máquina de fazer gelo automática (L)	/	
Classificação em estrelas	/	
Temperatura dos outros compartimentos >14 °C	Não aplicável	
Sistema Frost-free	NÃO	
Capacidade de congelação (kg/24h)	2	
Classificação climática	SN.N.ST.T	
Classe de emissão de ruído e emissões de ruído aéreo (db(A)re1pW)	B 35	
Tempo de subida da temperatura (h)	/	
Capacidade de fazer gelo	/	
Tipo de aparelho	Encastrado	

Nome do modelo	Classe de eficiência energética
CML5518EVW4	E

Explicações:

• Sim, existe

- (1) Com base nos resultados do teste de conformidade das normas ao longo de 24 horas. O consumo real depende da utilização e da localização do aparelho.
- (2) Classificação climática SN: Este aparelho destina-se a ser utilizado a uma temperatura ambiente compreendida entre + 10°C e +32°C
 Classificação climática N: Este aparelho destina-se a ser utilizado a uma temperatura ambiente compreendida entre + 16°C e +32°C
 Classificação climática ST: Este aparelho destina-se a ser utilizado a uma temperatura ambiente compreendida entre + 16°C e +38°C
 Classificação climática T: Este aparelho destina-se a ser utilizado a uma temperatura ambiente compreendida entre + 16°C e +43°C

Dados técnicos adicionais

Tensão/Frequência	220-240V ~ / 50Hz
Corrente de entrada (A)	1.0
Fusível principal (A)	16
Líquido de refrigeração	R600a
Dimensões (A/L/P em mm)	1772/540/550

Informação RF

A p.i.r.e. máxima: Bluetooth (BR/EDR): 10dBm
 Bluetooth LE: 5dBm
 2,4 GHz Wi-Fi: 16dBm

Faixa de frequência de funcionamento: 2400-2483,5 MHz.

Recomendamos o nosso Serviço de Assistência ao Cliente da Haier e a utilização de peça sobressalentes originais. Se tiver algum problema com o seu aparelho, consulte primeiro a secção RESOLUÇÃO DE PROBLEMAS.

Se não conseguir encontrar uma solução nesta secção, entre em contacto

- ▶ com o seu revendedor local ou
- ▶ o nosso Serviço de Assistência Europeu (veja números de telefone listados abaixo) ou
- ▶ a área de Serviço e Suporte em www.candy-home.com onde pode ativar a reclamação de serviço
- ▶ e também encontrar FAQs.

Para contactar a nossa Assistência, certifique-se de que tem os seguintes dados disponíveis.

As informações encontram-se na placa de classificação.

Modelo _____

N.º de série _____

Verifique também o cartão de garantia fornecido com o produto em caso de garantia.

Centro de Assistência Europeu		
País*	Número de telefone	Custos
Haier Italy (IT)	199 100 912	
Haier Spain (ES)	902 509 123	
Haier Germany (DE)	01805393999	<ul style="list-style-type: none"> • 14 CT/Min telefone fixo • Max 42 Ct/Min móvel
Haier Austria (AT)	0820 001 205	<ul style="list-style-type: none"> • 14,53 CT/Min telefone fixo • máx. 20 Ct/Min todos os outros
Haier United Kingdom (UK)	0333 003 8122	
Haier France (FR)	0980 406 409	

* Para outros países, consultar www.candy-home.com

Haier Europe Trading S.r.l

Branch UK

Westgate House, Westgate, Ealing

London, W5 1YY

*Duração da garantia do aparelho de refrigeração:

A garantia mínima é: 2 anos para os países da UE, 3 anos para a Turquia, 1 ano para o Reino Unido, 1 ano para a Rússia, 3 anos para a Suécia, 2 anos para a Sérvia, 5 anos para a Noruega, 1 ano para Marrocos, 6 meses para a Argélia, Tunísia nenhuma garantia legal necessária.

*O período de peças sobressalentes para a reparação do aparelho:

Termostatos, sensores de temperatura, placas de circuitos impressos e fontes de luz estão disponíveis durante um período mínimo de sete anos após a colocação da última unidade do modelo no mercado.

Puxadores da porta, dobradiças da porta, bandejas e cestos durante um período mínimo de sete anos e juntas da porta durante um período mínimo de 10 anos, depois de colocada a última unidade do modelo no mercado.

*Para mais informações sobre o produto, consulte <https://eprel.ec.europa.eu/> ou digitalize o código QR na etiqueta energética fornecida com o aparelho.

<u>365 Informații de siguranță</u>	<u>Înainte de prima utilizare</u>	366
	<u>Instalare</u>	366
	<u>Utilizarea cotidiană</u>	367
	<u>Informații privind gazul refrigerant</u>	369
<u>370 Utilizarea prevăzută</u>		
<u>371 Descrierea produsului</u>		
<u>372 Panoul de comenzi</u>		
<u>373 Utilizarea</u>	<u>Funcția de blocare/deblocare</u>	373
	<u>Funcția PORNIT/OPRIT</u>	373
	<u>Funcția Wi-Fi</u>	373
	<u>Ajustarea temperaturii frigiderului</u>	374
	<u>Funcția Super Cool</u>	375
	<u>Funcția ECO</u>	375
	<u>Funcția Holiday</u>	375
<u>Error! Bookmark not defined. Echipament</u>		
<u>378 Sfaturi de economisire a energiei</u>		
<u>379 Îngrijire și curățare</u>		
<u>381 Depanare</u>		
<u>385 Instalare</u>		
<u>389 Date tehnice</u>		
<u>391 Serviciul pentru clienți</u>		

Vă mulțumim că ați achiziționat produsul.

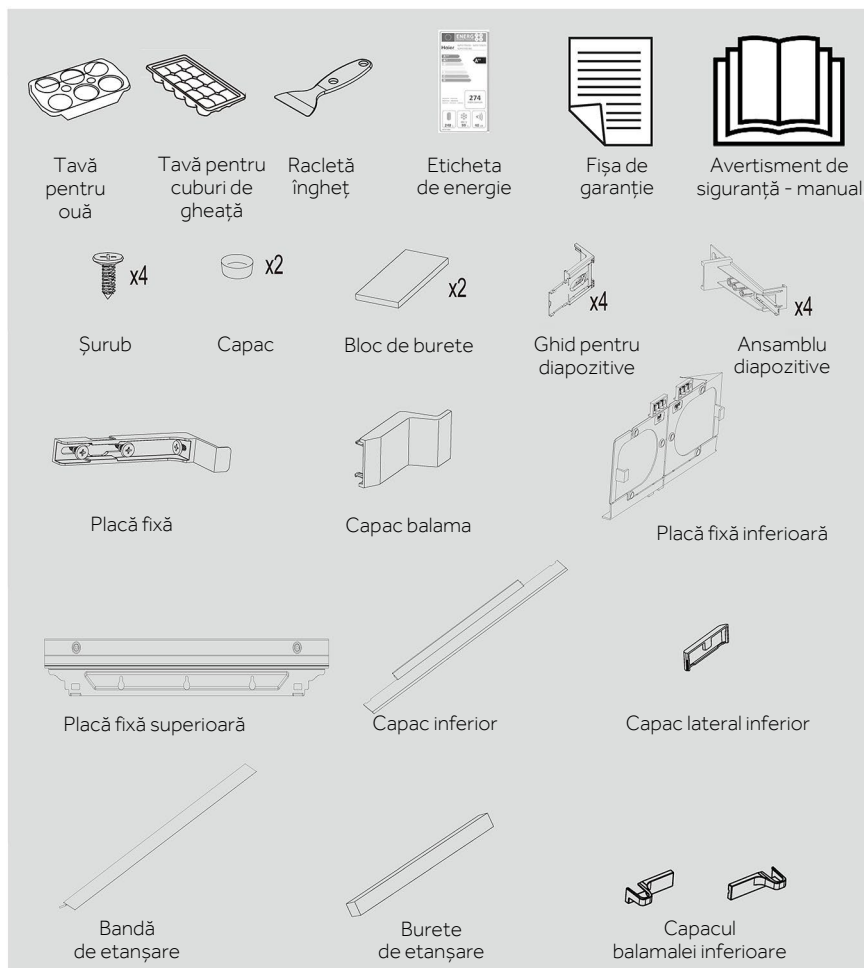
Citiți cu atenție aceste instrucțiuni înainte de a utiliza acest aparat. Instrucțiunile conțin informații importante care vă vor ajuta să folosiți aparatul la capacitate maximă și să asigurați instalarea, utilizarea și întreținerea sigure și corespunzătoare.

Păstrați manualul de față la îndemână astfel încât să îl puteți consulta pentru utilizarea sigură și corectă a aparatului.

Dacă vindeți, oferiți sau lăsați aparatul în vechea locuință când vă mutați, asigurați-vă că lăsați și manualul de utilizare, astfel încât noul proprietar să se poată familiariza cu aparatul și cu avertismentele de siguranță.

Accesorii

Verificați accesoriile și documentația în conformitate cu această listă:





AVERTISMENT - Informații importante legate de siguranță



OBSERVAȚIE - Informații și sfaturi generale



Informații legate de mediu



Eliminare

Ajutați la protejarea mediului și sănătății omului. Puneți ambalajul în containerele corespunzătoare în vederea reciclării. Ajutați la reciclarea deșeurilor de aparate electrice și electronice. Nu aruncați electronicele marcate cu acest simbol în același loc cu deșeurile menajere. Returnați produsul la centrul local de reciclare sau contactați agenția municipală.



AVERTIZARE!

Risc de vătămare sau sufocare!

Agenții frigorifici și gazele trebuie eliminate profesionist. Asigurați-vă că tubulatura circuitului de agent frigorific nu este deteriorată înainte de eliminarea corespunzătoare a acestora. Deconectați aparatul de la rețeaua de curent. Tăiați cablul de alimentare de la rețeaua de curent și eliminați-l. Scoateți tăvile și sertarele, dar și opritorul și garniturile ușii, pentru a preveni închiderea copiilor și a animalelor în aparat.

Înainte de pornirea aparatului pentru prima dată, citiți următoarele sfaturi legate de siguranță:



AVERTIZARE!

Înainte de prima utilizare

- ▶ Asigurați-vă că nu există deteriorări provocate de transport.
- ▶ Așteptați cel puțin două ore înainte de a instala aparatul pentru a lăsa timp circuitului frigorific să devină perfect eficient.
- ▶ Manevrați întotdeauna dispozitivul cu cel puțin încă două persoane, pentru că este greu.
- ▶ Scoateți toate materialele de ambalare, țineți-le departe de copii și eliminați-le într-un mod ecologic.
- ▶ Curățați interiorul și exteriorul aparatului cu apă și un detergent neutru înainte de a pune alimente în interior.
- ▶ După echilibrarea și curățarea aparatului, așteptați cel puțin 2-5 ore înainte de a-l conecta la rețeaua de alimentare. Consultați secțiunea INSTALARE.
- ▶ Răciți în prealabil compartimentele cu setări ridicate înainte de ale umple cu alimente. Funcția Super Cool ajută la răcirea rapidă a compartimentelor.
- ▶ Temperatura frigiderului este setată automat la 5 C, respectiv. Acestea sunt setările recomandate. Dacă doriți, puteți modifica manual această temperatură. Consultați REGLARE TEMPERATURĂ.
- ▶ Acest aparat frigorific are o cameră de congelare de 30L în partea superioară, iar temperatura camerei de congelare variază în funcție de temperatura camerei de depozitare.

Instalare

- ▶ Aparatul trebuie amplasat într-un loc bine ventilat.
- ▶ Nu amplasați niciodată aparatul într-o zonă cu umezeală sau într-un loc în care acesta poate fi stropit cu apă. Curățați și uscați stropiturile de apă și petele cu o cârpă curată, moale.
- ▶ Nu instalați aparatul în lumina directă a soarelui sau în apropierea surselor de căldură (de ex., cuptoare, radiatoare).
- ▶ Instalați și poziționați dispozitivul într-o zonă potrivită dimensiunilor și destinației sale.
- ▶ Mențineți fantele de aerisire ale aparatului sau pe cele încorporate în structură fără obstrucții.
- ▶ Asigurați-vă că informațiile electrice de pe plăcuța cu date tehnice se potrivesc cu sursa de electricitate. Dacă nu se potrivesc, contactați un electrician.
- ▶ Dispozitivul este operat de o sursă de electricitate de 220-240 V c.a./50 Hz. Fluctuațiile anormale de tensiune pot face dispozitivul să nu pornească sau pot deteriora controlul temperaturii sau compresorul sau pot provoca un zgomot anormal în timpul utilizării. În acest caz, ar trebui să fie montat un regulator automat.
- ▶ Nu utilizați adaptoare cu ștecăre multiple și prelungitoare.
- ▶ Nu amplasați prizele portabile multiple sau alimentările portabile în spatele aparatului.



AVERTIZARE!

- ▶ Evitați prinderea cablului de alimentare în frigider. Nu călcați pe cablul de alimentare.
- ▶ Folosiți o priză separată cu împământare pentru alimentarea cu energie electrică, care să fie ușor accesibilă. Aparatul trebuie legat la împământare.
Doar pentru Regatul Unit: Cablul de alimentare al dispozitivului este prevăzut cu ștecăr cu 3 pini (împământare) care se potrivește cu o priză standard cu 3 găuri (împământată). Nu demontați și nu tăiați niciodată cel de-al treilea pin (împământarea). După instalarea dispozitivului, ștecărul ar trebui să fie accesibil.
- ▶ Nu deteriorați circuitul frigorific.

Utilizarea cotidiană

- ▶ Acest aparat poate fi utilizat de către copiii cu vârste de minim 8 ani și de către persoanele cu abilități fizice, senzoriale sau mentale reduse sau cu lipsă de experiență sau cunoștințe, cu condiția să fie supravegheate sau instruite corespunzător privind modul de utilizare a acestui aparat în siguranță și să înțeleagă pericolele implicate.
- ▶ Copiii cu vârsta cuprinsă între 3 și 8 ani pot încărca și descărca aparate frigorifice, dar nu li se permite să curețe și să instaleze aparatele frigorifice.
- ▶ Țineți copiii mai mici de 3 ani la distanță de aparat, cu excepția cazului în care aceștia sunt supravegheați constant.
- ▶ Nu lăsați copiii să se joace cu aparatul.
- ▶ În cazul scurgerii gazului de răcire sau a altor gaze inflamabile în vecinătatea aparatului, închideți valva gazului care curge, deschideți ușile și ferestrele și nu deconectați niciun ștecăr al cablului de alimentare al frigiderului sau al oricărui alt aparat.
- ▶ Observați că aparatul este setat să funcționeze într-un interval de mediu specific, între 10 și 43 °C. Este posibil ca aparatul să nu funcționeze corect dacă este lăsat pentru o perioadă lungă de timp la o temperatură superioară sau inferioară intervalului indicat.
- ▶ Nu puneți articole instabile (obiecte grele, recipiente umplute cu apă) deasupra frigiderului, pentru a evita vătămarea cauzată de cădere sau de electrocutarea cauzată de contactul cu apa.
- ▶ Nu trageți de rafturile de pe ușă. În caz contrar, ușa poate fi înclinată, raftul pentru sticle se poate desprinde sau aparatul se poate răsturna.
- ▶ Deschideți și închideți ușile numai cu ajutorul mânerelor. Spațiul liber dintre uși și dintre uși și dulap este foarte îngust. Nu întindeți mâinile în zonele respective, pentru a evita ciupirea degetelor. Deschideți sau închideți ușile frigiderului numai atunci când nu se află niciun copil în raza de deplasare a ușii.
- ▶ Atunci când poziționați aparatul, cablul de alimentare nu trebuie să fie prins sau deteriorat.
- ▶ Nu depozitați substanțe explozive, cum ar fi canistrelor de aerosoli cu gaz inflamabil în interiorul acestui aparat.



AVERTIZARE!

- ▶ Pentru a evita contaminarea alimentelor:
 - Deschiderea ușii pentru perioade lungi de timp poate provoca o creștere semnificativă a temperaturii în compartimentele aparatului.
 - Curățați regulat suprafețele care pot intra în contact cu alimente și sisteme de drenaj accesibile.
 - Păstrați carnea crudă și peștele în recipiente adecvate în frigider, astfel încât să nu fie în contact cu alte alimente sau să nu picure pe alte alimente.
 - Dacă produsul este lăsat gol pentru perioade lungi de timp, opriți, dezghețați, curățați, uscați și lăsați ușa deschisă pentru a preveni apariția mucegaiului în interiorul aparatului
- ▶ Nu depozitați materiale inflamabile, explozive sau corozive în aparat sau în vecinătatea acestuia.
- ▶ Nu depozitați medicamente, bacterii sau agenți chimici în dispozitiv. Acest dispozitiv este un aparat electrocasnic. Nu este recomandat pentru depozitarea materialelor care necesită temperaturi stricte.
- ▶ Nu depozitați niciodată în congelator lichide în sticle sau doze (cu excepția băuturilor cu conținut ridicat de alcool), în special băuturi carbogazoase, deoarece acestea se vor sparge în timpul înghețării.
- ▶ Verificați starea alimentelor în cazul în care a avut loc încălzirea congelatorului.
- ▶ Nu setați o temperatură nenecesar de joasă în compartimentul frigiderului. În cazul setărilor ridicate, pot apărea temperaturi sub punctul de îngheț. Atenție: Sticlele se pot sparge
- ▶ Nu atingeți produsele înghețate cu mâinile ude (purtați mănuși). În special, nu consumați înghețată pe băț imediat după scoaterea din compartimentul congelatorului. Există riscul de îngheț sau de producere a leziunilor provocate de îngheț. PRIMUL ajutor: puneți imediat sub jet de apă rece. Nu trageți!
- ▶ Nu atingeți suprafața interioară a compartimentului de depozitare al congelatorului atunci când este în funcțiune, în special cu mâinile ude, deoarece mâinile pot îngheța pe suprafață.
- ▶ Deconectați aparatul de la energia electrică în cazul unei pene de curent sau înainte de curățare. Așteptați cel puțin 7 minute înainte de repornirea aparatului, deoarece pornirea frecventă poate deteriora compresorul.
- ▶ Nu utilizați dispozitive electrice în interiorul compartimentelor de depozitare a alimentelor ale aparatului decât dacă acestea sunt de tipul recomandat de către producător. Întreținere/curățare
- ▶ Asigurați-vă că supravegheați copiii dacă aceștia se ocupă de curățare și întreținere.
- ▶ Deconectați aparatul de la rețeaua de alimentare înainte de efectuarea întreținerii de rutină. Așteptați cel puțin 5 minute înainte de repornirea aparatului, deoarece pornirea frecventă poate deteriora compresorul.

**AVERTIZARE!**

- ▶ Țineți de ștecăr, nu de cablu, atunci când deconectați aparatul.
- ▶ Nu curățați aparatul cu perii aspre, cu perii de sârmă, cu detergent pulbere, benzină, acetat de amil, acetonă sau soluții organice similare, soluții acide sau alcaline. Curățați cu detergent special pentru frigider pentru a evita deteriorările.
- ▶ Nu răzuiți gheața cu obiecte ascuțite. Nu folosiți pulverizatoare, dispozitive electrice de încălzire precum radiatoare, uscătoare de păr, aparate de curățat cu abur sau alte surse de căldură, pentru a evita deteriorarea pieselor din plastic.
- ▶ Nu utilizați dispozitive mecanice sau alte mijloace de a accelera procesul de decongelare, în afara celor recomandate de producător.
- ▶ În cazul în care cablul de alimentare este deteriorat, acesta trebuie înlocuit de către producător, agentul său de service sau persoane calificate similare, pentru a evita orice pericol.
- ▶ Nu încercați să reparați, să dezasamblați sau să modificați dispozitivul pe cont propriu. În cazul în care este necesară o reparație, contactați serviciul de relații cu clienții.
- ▶ Eliminați praful din spatele unității cel puțin o dată pe an, pentru a evita riscul de incendiu, dar și consumul mărit de energie.
- ▶ Nu pulverizați și nu spălați aparatul în timpul curățării.
- ▶ Nu folosiți pulverizarea cu apă sau aburi de apă în timpul curățării aparatului.
- ▶ Nu curățați rafturile reci din sticlă cu apă fierbinte. Schimbarea bruscă de temperatură poate face ca sticla să se spargă.

Informații privind gazul refrigerant**AVERTIZARE!**

Aparatul conține agentul frigorific inflamabil IZOBUTAN (R600a). Asigurați-vă că circuitul frigorific nu este deteriorat în timpul transportării sau instalării. Scurgerile de agent frigorific pot cauza vătămări ale ochilor sau se pot aprinde. Dacă s-a produs o deteriorare a aparatului, țineți la distanță de sursele de flăcări deschise, ventilați bine camera, nu conectați și nu deconectați cablurile de alimentare ale aparatului sau ale oricărui alt aparat. Informați serviciul de asistență pentru clienți.

În cazul în care agentul frigorific intră în contact cu ochii, spălați imediat în jet de apă și contactați imediat un specialist oftalmolog.

Utilizarea prevăzută

Acest aparat este destinat răcirii alimentelor. Acesta a fost conceput exclusiv pentru utilizarea în aplicații casnice și similare, precum în zona de bucătărie pentru personalul din magazine, în birouri și în alte medii de lucru; ferme și clienți din hoteluri, moteluri și alte tipuri de medii rezidențiale, precum și în pensiunile de tip bed-and-breakfast și catering. Nu este destinat utilizării comerciale sau industriale.

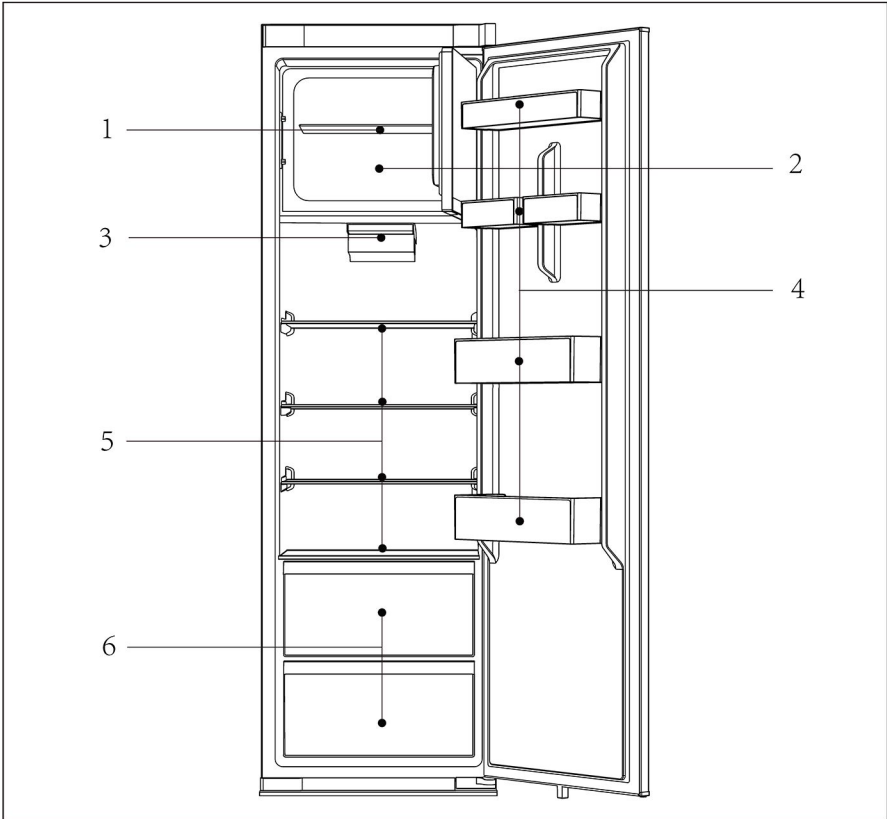
Nu este permisă aducerea schimbărilor sau modificărilor dispozitivului. Utilizarea necorespunzătoare poate duce la apariția pericolelor și la pierderea garanției.

Standarde și directive

Acest produs respectă cerințele tuturor directivelor CE aplicabile, cu standardele corespondente armonizate, care asigură marcajul CE.

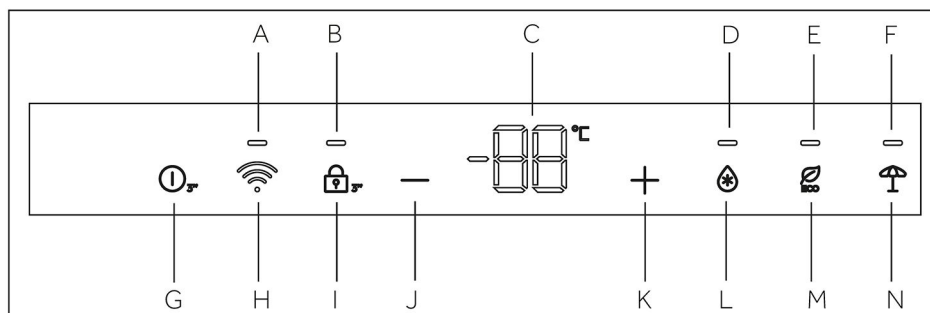
i **OBSERVAȚIE**

Ca urmare a modificărilor tehnice și a diferitelor modele, unele ilustrații din acest manual pot diferi de modelul dvs.

**CML5518EVW4**

- 1 Raft de congelator obișnuit
- 2 Cameră de congelare
- 3 Ventilator și lumină LED
- 4 Suporturi pentru sticle
- 5 Rafturi de cămară obișnuite
- 6 Sertare obișnuite de frigider

Panou de comenzi



Indicatoare:

- A Pictograma funcției Wi-Fi
- B Pictograma Blocare/Deblocare
- C Pictogramă afișaj temperatură
- D Pictograma funcției Super Cool
- E Pictograma funcției ECO
- F Pictograma funcției Holiday

Butoane:

- G Tasta PORNIT/OPRIT
- H Tasta de asociere Wi-Fi
- I Tasta Blocare/Deblocare
- J Tasta pentru scăderea temperaturii
- K Tasta pentru creșterea temperaturii
- L Tastă funcției Super Cool
- M Tasta funcției ECO
- N Tasta funcției Holiday

Taste cu senzor

Butoanele de pe panoul de comenzi sunt taste cu senzori, care răspund imediat ce sunt apășate ușor cu degetul.

OBSERVAȚIE

Atunci când aparatul este pornit, poate dura până la 12 ore pentru atingerea temperaturilor corecte

Deschideți mai întâi ușa frigiderului înainte de a utiliza comenzile de pe ecranul de afișare.

Funcția de blocare/deblocare

Această tastă și pictograma sa sunt utilizate pentru a bloca sau debloca ecranul de comenzi și pentru a indica starea sa curentă.

Deschideți ușa frigiderului în timp ce frigiderul funcționează; ecranul de control se va aprinde și pictograma Blocare/Deblocare este aprinsă; în acest moment, ecranul de comenzi este în stare blocată și nu poate fi utilizat.

Deblocarea sau blocarea manuală a ecranului: Când pictograma Blocare/Deblocare este aprinsă, continuați să atingeți tasta Blocare/Deblocare timp de 3 secunde.

Pictograma se va stinge și va fi însoțită de un semnal sonor. În acest moment, se poate efectua selectarea funcției sau reglarea temperaturii.

Când pictograma Blocare/Deblocare este dezactivată, atingeți în continuare tasta Blocare/Deblocare timp de 3 secunde. Apoi pictograma Blocare/Deblocare se va aprinde și va fi însoțită de un semnal sonor. În acest moment, nu puteți selecta o funcție sau regla temperatura.

Blocarea automată a ecranului: Când ușa frigiderului este închisă, ecranul de comenzi se va opri și va fi blocat.

Când ușa frigiderului este deschisă, ecranul de comenzi se va bloca automat dacă nu a fost efectuată nicio operațiune în decurs de 30 de secunde.

Funcția PORNIT/OPRIT

Tasta PORNIT/OPRIT este utilizată pentru a comuta între OPRIT (stare de funcționare pe pauză) și PORNIT (moduri de funcționare normale).

Accesarea modului OPRIT: În modul de funcționare a frigiderului, mai întâi deblocați afișajul, apoi continuați să atingeți tasta funcției PORNIT/OPRIT timp de 3 secunde pentru a opri ecranul de comenzi, iluminarea, răcirea și alte funcții. Veți auzi un semnal sonor.



OBSERVAȚIE

Modul OPRIT nu înseamnă oprirea alimentării, iar frigiderul este încă sub tensiune în acest moment.

Leșirea din modul OPRIT: În modul OPRIT, atingeți în continuare tasta PORNIT/OPRIT timp de 3 secunde pentru a reporni ecranul de comenzi, iluminarea, răcirea și alte funcții. Veți auzi un semnal sonor. Frigiderul va reveni la temperatura setată și la funcția anterioară și va intra în modul normal de funcționare.

Funcția Wi-Fi

Asociere Wi-Fi: Când frigiderul este pornit pentru prima dată, acesta va intra automat în modul de configurare a rețelei, iar pictograma funcției Wi-Fi va lumina intermitent rapid. Dacă nu a existat nicio operațiune de asociere a rețelei în decurs de 30 de minute, frigiderul va ieși din acest mod.

Accesarea manuală a modului de asociere Wi-Fi: După deblocarea ecranului de comenzi, în timp ce pictograma funcției Wi-Fi este aprinsă, țineți apăsată tasta de asociere Wi-Fi timp de 3 secunde pentru a accesa mod. În acest timp, pictograma funcției Wi-Fi va lumina intermitent rapid, ceea ce indică faptul că este în modul de asociere Wi-Fi. Dacă nu există nicio operațiune de asociere a rețelei, aparatul va ieși automat din acest mod după 30 de minute.

PROCEDURA DE ASOCIERE ÎN APLICAȚIE

Pasul 1 • Descărcați aplicația hOn-app din magazinele virtuale.



Pasul 2 Creați un cont în hOn-app sau conectați-vă dacă aveți deja un cont.



Pasul 3 Urmați instrucțiunile din aplicația hOn-app.



i OBSERVAȚIE

În modul de asociere Wi-Fi, trebuie să urmați instrucțiunile aplicației pentru a finaliza configurarea rețelei. Dacă trebuie să modificați mediul Wi-Fi, trebuie să intrați din nou în acest mod. Dacă pictograma funcției Wi-Fi rămâne aprinsă, aceasta indică faptul că rețeaua a fost conectată cu succes.

Ajustarea temperaturii frigiderului

După deschiderea ușii frigiderului și deblocarea ecranului de comenzi, tasta Scădere temperatură este utilizată pentru a reduce temperatura setată a frigiderului. De fiecare dată când tasta este ușor atinsă, temperatura va scădea cu 1°C, iar temperatura minimă permisă este de 1°C.

După deschiderea ușii frigiderului și deblocarea ecranului de comenzi, tasta Creștere temperatură este utilizată pentru a crește temperatura setată a frigiderului. De fiecare dată când tasta este ușor atinsă, temperatura va crește cu 1°C, iar temperatura maximă permisă este de 9°C.

În timpul funcționării, pictograma de afișare a temperaturii va afișa temperatura setată și va lumina intermitent. Ecranul de control va confirma automat temperatura setată după 5 secunde.

Funcția Super Cool

Această tastă și pictograma sa sunt utilizate pentru a comuta funcția Super Cool a frigiderului și pentru a afișa starea curentă.

După deschiderea ușii frigiderului și deblocarea ecranului de control, atingeți „tasta Super Cool”, iar „pictograma Super Cool” se aprinde. În acest moment, frigiderul este în modul „Super Cool”. Pentru a dezactiva modul, puteți utiliza aceeași operațiune pentru a atinge „tasta Super Cool”. După activarea funcției Super Cool, frigiderul va ieși automat din modul Super Cool în aproximativ 48 de ore pentru a evita ca temperatura din interiorul frigiderului să fie prea scăzută.

Atunci când o cantitate mare de alimente este pusă în frigider într-o perioadă scurtă, temperatura din interiorul frigiderului crește. După activarea funcției super cool, temperatura acestor alimente poate fi redusă rapid.

Atunci când o cantitate mare de alimente este plasată în cămară, funcția Super Cool poate fi activată direct. Atunci când o cantitate mare de alimente este plasată în congelator, vă rugăm să activați funcția super cool cu 12 ore înainte de a pune alimentele în congelator.

Funcția ECO

După ce ați deschis ușa frigiderului și ați deblocat ecranul de comenzi, atingeți ușor tasta funcției ECO, iar pictograma funcției ECO va lumina, pentru a vă indica faptul că frigiderul este deja în mod; dacă trebuie să părăsiți acest mod, puteți utiliza aceeași operațiune, atingând ușor tasta funcției ECO.

În modul ECO, frigiderul va funcționa automat la o temperatură medie de 5°C.

Funcția Holiday

După ce ați deschis ușa frigiderului și ați deblocat ecranul de comenzi, atingeți ușor tasta funcției Holiday, iar pictograma funcției Holiday va lumina, pentru a vă indica faptul că frigiderul este deja în mod; dacă trebuie să părăsiți acest mod, puteți utiliza aceeași operațiune, atingând ușor tasta funcției Holiday.

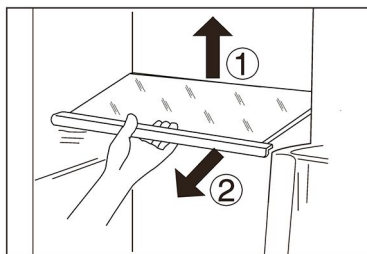
În modul de funcționare Holiday, frigiderul va funcționa automat la o temperatură medie de 17°C.

Atunci când funcția Holiday este activată, cămara și camera congelatorului intră împreună în funcția Holiday, iar alimentele congelate trebuie, de asemenea, scoase pentru a preveni deteriorarea alimentelor cauzată de temperatura ridicată.

OBSERVAȚIE

Datorită logicii diferite de funcționare a funcțiilor speciale, cum ar fi funcția Super Cool, funcția ECO și funcția Holiday, aceste moduri speciale nu pot fi activate în același timp. Doar o singură funcție poate fi activată, iar atunci când comutați între moduri, veți părăsi celelalte moduri speciale. În plus, temperatura setată nu poate fi modificată dacă nu se iese din aceste moduri.

5°C este modul ideal pentru alimente proaspete precum fructe și legume, produse lactate, carne și băuturi.



Rafturi

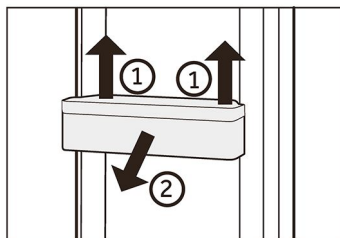
1. Înălțimea rafturilor poate fi ajustată pentru a se potrivi nevoilor dvs. de depozitare.
2. Pentru re poziționarea unui raft, scoateți-l mai întâi ridicând marginea din spate ① și trăgându-l afară ②.
3. Pentru montarea la loc, așezați-l pe canalele de pe ambele părți și împingeți-l în cea mai din spate poziție, până când partea din spate a raftului este fixată în interiorul fantelor laterale.

i OBSERVAȚIE

Asigurați-vă că toate capetele unui raft sunt drepte.

Sticlă detașabilă

1. Sticla poate fi îndepărtată pentru curățare.
2. Puneți mâinile pe fiecare parte a raftului, ridicați-l ① și trageți-l în afară ②.
3. Pentru introducerea sticlei, pașii de mai sus sunt efectuați în ordine inversă.



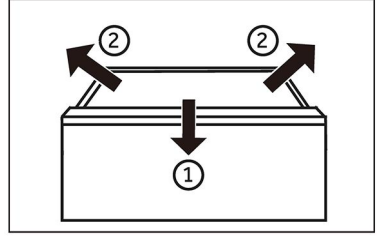
i OBSERVAȚIE

Datorită caracteristicilor locației, temperatura scaunului sticlei pe primul și al doilea strat al corpului ușii este ușor mai mare decât cea din frigider, se recomandă utilizarea acestuia numai pentru depozitarea pe termen scurt a alimentelor.

Sertar demontabil

Pentru a scoate sertarul, trageți în afară până la maximum ①, ridicați și scoateți-l ②.

Pentru introducerea sertarului urmați pașii de mai sus în ordine inversă.

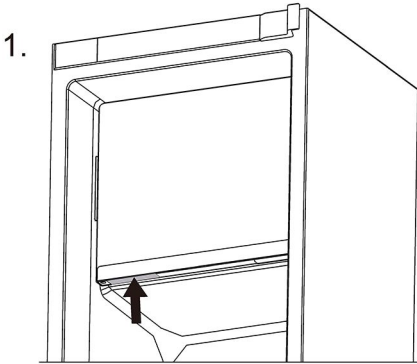


Becul

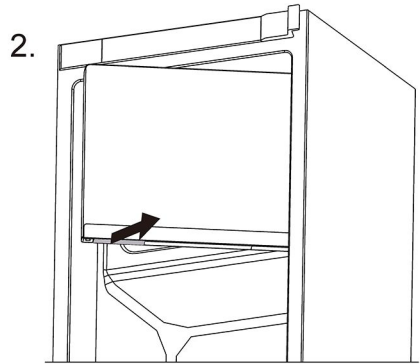
Becul interior cu LED se aprinde la deschiderea ușii. Performanța luminilor nu este afectată de nicio altă setare a aparatului.

Cameră frigorifică

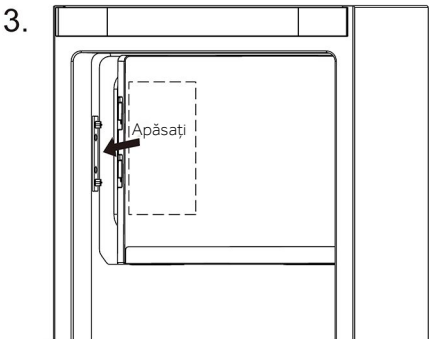
Acest aparat frigorific are o cameră de congelare de 30L în partea superioară, iar temperatura camerei de congelare variază în funcție de temperatura camerei de depozitare. Deschideți ușa camerei frigorifice: Mai întâi împingeți comutatorul în sus, așa cum se arată în imaginea 1; apoi scoateți-l, așa cum se arată în imaginea 2; Închideți ușa camerei frigorifice: Apăsați zona centrală a deschiderii ușii mici, așa cum se arată în imaginea 3.



Comutator push-up



Trageți comutatorul spre exterior





Sfaturi de economisire a energiei

- ▶ Asigurați-vă că aparatul este ventilat corespunzător (consultați secțiunea INSTALARE).
- ▶ Nu instalați aparatul în lumina directă a soarelui sau în apropierea surselor de căldură (de ex., cuptoare, radiatoare).
- ▶ Evitați setarea temperaturilor nenecesare de scăzute în aparat. Consumul de energie crește odată cu scăderea temperaturii setate în aparat.
- ▶ Funcții precum Super Cool consumă mai multă energie.
- ▶ Lăsați alimentele calde să se răcească înainte de a le amplasa în aparat.
- ▶ Deschideți ușa aparatului cât mai puțin și pentru o perioadă cât mai scurtă posibil.
- ▶ Nu umpleți excesiv aparatul, pentru a evita obstrucționarea fluxului de aer.
- ▶ Evitați prezența aerului în ambalajul alimentelor.
- ▶ Mențineți garniturile ușii curate astfel încât ușa să se închidă corect întotdeauna.
- ▶ Configurația pentru economisirea cea mai mare de energie necesită păstrarea sertarelor, cutiilor de alimente și rafturilor etc. în starea lor din fabrică, iar alimentele trebuie plasate cât mai departe posibil, fără a bloca orificiile de ieșire a aerului de pe conducta de aer.

**AVERTIZARE!**

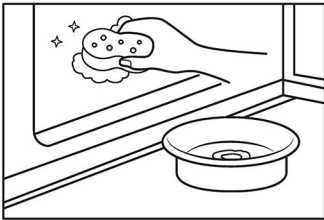
Deconectați aparatul de la rețeaua de alimentare înainte de curățare.

Curățare

Curățați aparatul atunci când sunt depozitate puține alimente sau când acesta este gol. Aparatul trebuie curățat o dată la patru săptămâni pentru o întreținere corectă și pentru a preveni mirosurile neplăcute cauzate de mâncarea depozitată.

**AVERTIZARE!**

- ▶ Nu curățați aparatul cu perii aspre, cu perii de sârmă, cu detergent pulbere, benzină, acetat de amil, acetonă sau soluții organice similare, soluții acide sau alcaline. Curățați cu detergent special pentru frigider pentru a evita deteriorările.
- ▶ Nu pulverizați și nu spălați aparatul în timpul curățării.
- ▶ Nu folosiți pulverizarea cu apă sau aburi de apă în timpul curățării aparatului.
- ▶ Nu curățați rafturile reci din sticlă cu apă fierbinte. Schimbarea bruscă de temperatură poate face ca sticla să se spargă.



- ▶ Asigurați întotdeauna curățenia garniturii ușii.
- ▶ Curățați interiorul și carcasa aparatului cu un burete înmuiat în apă caldă și detergent neutru.
- ▶ 1. Este indicat să ștergeți interiorul și exteriorul frigiderului, inclusiv garniturile ușilor, raftul de pe ușă, rafturile din sticlă, cutiile și celelalte elemente, cu un prosop moale sau cu un burete înmuiat în apă caldă (puteți adăuga detergent neutru în apa caldă).
- ▶ 2. Dacă se varsă lichid, îndepărtați toate părțile contaminate, clătiți direct cu jet de apă, uscați-le și puneți-le înapoi în frigider.
- ▶ 3. Dacă se varsă alimente cu consistență cremoasă (cum ar fi smântâna, înghețata topită), vă rugăm să îndepărtați toate părțile contaminate, puneți-le în apă caldă la aproximativ 40 °C pentru o perioadă de timp, apoi clătiți-le cu jet de apă, uscați-le și puneți-le înapoi în frigider.
- ▶ 4. În cazul în care o parte mică sau o componentă este blocată în interiorul frigiderului (între rafturi sau sertare), utilizați o perie mică și moale pentru a o elibera. Dacă nu ați putut ajunge la piesa respectivă, contactați serviciul Haier
- ▶ Clătiți și uscați cu o cârpă moale.
- ▶ Nu curățați nicio parte a aparatului în mașina de spălat vase.
- ▶ Așteptați cel puțin 5 minute înainte de repornirea aparatului, deoarece pornirea frecventă poate deteriora compresorul.

**OBSERVAȚIE**

Leșirea de scurgere nu poate fi blocată de obiecte străine; dacă este blocată, poate apărea o problemă de revărsare a apei. Dacă orificiul de scurgere este blocat, puteți scoate sertarul și îl puteți curăța cu o cârpă.



Decongelarea

Atunci când sunt amplasate prea multe articole sau ușa este deschisă și închisă prea frecvent, este posibil să apară gheață în partea din spate a camării sau a camerei de congelare. În această situație, este necesară dezghețarea manuală.

Înlocuirea becului LED



AVERTIZARE!

Nu înlocuiți becul LED de unul singur. Acesta trebuie înlocuit de producător sau de un agent de service autorizat.

Becul are un LED ca sursă de lumină a acestuia au un consum redus de energie și o durată mare de viață. În cazul în care există anormalități, contactați serviciul pentru clienți. Consultați secțiunea SERVICIU PENTRU CLIEŢI.

Parametrii becurilor:

Compartiment frigider: 12 V max 1,5 W

Acest produs conține o sursă de lumină cu clasa de eficiență energetică <G>.

Neutilizare pentru o perioadă lungă de timp

Dacă aparatul nu este utilizat pe o perioadă extinsă de timp și nu veți folosi funcția Holiday pentru frigider:

Scoateți alimentele

Deconectați cablul de alimentare.

Curățați aparatul conform descrierii de mai sus.

Țineți ușa congelatorului deschise pentru a preveni apariția mirosurilor neplăcute în interior.



OBSERVAȚIE

Opriti aparatul numai dacă este strict necesar.

Mutarea aparatului

1. Scoateți toate alimentele și deconectați aparatul.
2. Securizați rafturile și alte piese mobile din frigider cu bandă adezivă.
3. Nu înclinați frigiderul la mai mult de 45°, pentru a evita deteriorarea sistemului frigorific.



AVERTIZARE!

- ▶ Nu ridicați aparatul de mânăre.
- ▶ Nu poziționați niciodată aparatul orizontal pe sol.

Multe probleme care pot apărea pot fi rezolvate de dvs., fără a fi necesare cunoștințe specifice. În cazul unei probleme verificați toate posibilitățile afișate și urmați instrucțiunile de mai jos înainte de a apela la un serviciu post-vânzare. Consultați secțiunea **SERVICIU PENTRU CLIENȚI**.



AVERTIZARE!

- ▶ Înainte de întreținere, dezactivați aparatul și deconectați ștecărul de la rețeaua de alimentare.
- ▶ Echipamentele electrice trebuie depanate numai de către specialiști calificați în domeniul electric, deoarece reparațiile necorespunzătoare pot provoca daune indirecte considerabile.
- ▶ Un articol furnizat deteriorat trebuie înlocuit numai de către producător, agentul său de service sau persoane calificate similare, pentru a evita orice pericol.

Problemă	Cauză posibilă	Soluție posibilă
Compresorul nu funcționează.	<ul style="list-style-type: none"> • Ștecărul de alimentare nu este conectat la priza de alimentare. • Aparatul este în ciclul de decongelare. 	<ul style="list-style-type: none"> • Conectați ștecărul de alimentare. • Acest lucru este normal în cazul unei decongelări automate.
Aparatul pornește frecvent sau pentru o perioadă prea mare de timp.	<ul style="list-style-type: none"> • Temperatura interioară sau exterioară este prea ridicată. • Aparatul a fost deconectat de la energia electrică pentru o perioadă de timp. • O ușă a aparatului nu este închisă etanș. • Ușa a fost deschisă prea des sau pentru o perioadă prea lungă de timp. • Setarea temperaturii pentru compartimentul frigiderului este prea joasă. • Garnitura ușii este murdară, uzată, crăpată sau așezată incorect. • Circulația necesară a aerului nu este garantată. 	<ul style="list-style-type: none"> • În acest caz, este normal ca aparatul să funcționeze mai mult timp. • În mod normal, durează între 8 și 12 ore ca aparatul să se răcească complet. • Închideți ușa/serarul și asigurați-vă că aparatul este amplasat pe o suprafață dreaptă și că nu există vreun aliment sau recipient care să deranjeze ușa. • Nu deschideți ușa/serarul prea des. • Setati temperatura la un valoare mai ridicată până când este obținută o temperatură satisfăcătoare a frigiderului. Durează 24 de ore ca temperatura frigiderului să se stabilizeze. • Curățați garnitura ușii/serarului sau înlocuiți-o prin serviciul pentru clienți. • Asigurați o ventilație adecvată.

Problemă	Cauză posibilă	Soluție posibilă
Interiorul frigiderului este murdar și/sau miroase.	<ul style="list-style-type: none"> Interiorul frigiderului necesită curățare. Sunt depozitate alimente cu miros puternic în frigider. 	<ul style="list-style-type: none"> Curățați interiorul frigiderului. Ambalați bine alimentele.
În interiorul aparatului nu este suficient de rece.	<ul style="list-style-type: none"> Temperatura setată este prea ridicată. Au fost depozitate alimente prea calde. Au fost depozitate prea multe alimente în același timp. Produsele sunt prea apropiate între ele. O ușă/un sertar al aparatului nu este închis(ă) etanș. Ușa/sertarul a fost deschis prea des sau pentru o perioadă prea mare de timp. 	<ul style="list-style-type: none"> Resetați temperatura. Răciți întotdeauna produsele înainte de a le depozita. Depozitați întotdeauna cantități mici de alimente. Lăsați un spațiu liber între mai multe alimente pentru a permite trecerea aerului. Închideți ușa/sertarul. Nu deschideți ușa/sertarul prea des.
În interiorul aparatului este prea rece.	<ul style="list-style-type: none"> Temperatura setată este prea joasă. Funcția Super Cool este activată sau este activă de prea mult timp. 	<ul style="list-style-type: none"> Resetați temperatura. Dezactivați funcția Super Cool.
Se formează umezeală în interiorul compartimentului frigiderului.	<ul style="list-style-type: none"> Climatul este prea călduros și prea umed. O ușă/un sertar al aparatului nu este închis(ă) etanș. Ușa/sertarul a fost deschis prea des sau pentru o perioadă prea mare de timp. Recipientele cu alimente sau lichide sunt lăsate deschise. 	<ul style="list-style-type: none"> Creșteți temperatura. Închideți ușa/sertarul. Nu deschideți ușa/sertarul prea des. Lăsați alimentele fierbinți să se răcească la temperatura camerei și acoperiți alimentele și lichidele.
Umezeala se acumulează pe suprafața exterioară a frigiderului sau între uși/ușă și sertar.	<ul style="list-style-type: none"> Climatul este prea călduros și prea umed. Ușa nu este închisă etanș. Aerul rece din aparat și aerul cald din exterior formează condens. 	<ul style="list-style-type: none"> Acest lucru este normal într-un climat umed și se va modifica atunci când umiditatea va scădea. Asigurați-vă că ușa/sertarul este închis etanș.
Lumina afișajul funcționează, dar nu în frigider nu este rece.	<ul style="list-style-type: none"> Este în modul demo. 	<ul style="list-style-type: none"> Vă rugăm să observați în ce stare se află, iar dacă este în modul Demo, ieșiți din acesta. Leșire: Țineți apăsat butonul „ECO” și faceți clic pe tasta „Super Freeze” de 5 ori în decursul a 5 secunde.

Problemă	Cauză posibilă	Soluție posibilă
Gheață solidă în compartimentul congelatorului.	<ul style="list-style-type: none"> • Produsele nu au fost ambalate corespunzător. • O ușă/un sertar al aparatului nu este închis(ă) etanș. • Ușa/sertarul a fost deschis prea des sau pentru o perioadă prea mare de timp. • Garnitura ușii/sertarului este murdară, uzată, crăpată sau așezată incorect. • Ceva din interior împiedică închiderea corespunzătoare a ușii/sertarului. 	<ul style="list-style-type: none"> • Ambalați întotdeauna bine produsele. • Închideți ușa/sertarul. • Nu deschideți ușa/sertarul prea des. • Curățați garnitura ușii/sertarului sau înlocuiți-o cu una nouă. • Repoziționați rafturile, rafturile de ușă sau recipientele interne pentru a permite închiderea ușii/sertarului.
Lateralele dulapului și garnitura ușii se încălzesc.	<ul style="list-style-type: none"> • - 	<ul style="list-style-type: none"> • Acest lucru este normal.
Aparatul emite sunete anormale.	<ul style="list-style-type: none"> • Aparatul nu se află pe o suprafață dreaptă. • Aparatul atinge unele obiecte din jurul acestuia. 	<ul style="list-style-type: none"> • Reglați suportul pentru a aduce aparatul la același nivel. • Îndepărtați obiectele din jurul aparatului.
Se aude un sunet similar cu cel al apei care curge.	<ul style="list-style-type: none"> • - 	<ul style="list-style-type: none"> • Acest lucru este normal.
Veți auzi o alarmă sonoră.	<ul style="list-style-type: none"> • Ușa compartimentului de depozitare al frigiderului este deschisă. 	<ul style="list-style-type: none"> • Închideți ușa.
Veți auzi un zumzet slab.	<ul style="list-style-type: none"> • Sistemul anti-condens este în funcțiune 	<ul style="list-style-type: none"> • Acesta împiedică formarea condensului și este normal
Iluminarea interioară sau sistemul de răcire nu funcționează.	<ul style="list-style-type: none"> • Ștecărul de alimentare nu este conectat la priza de alimentare. • Sursa de alimentare nu este intactă. • Becul cu LED este defect. 	<ul style="list-style-type: none"> • Conectați ștecărul de alimentare. • Verificați sursa de alimentare cu energie electrică din cameră. Contactați compania locală de electricitate! • Contactați serviciul de depanare pentru înlocuirea becului.

Pentru contactarea asistenței tehnice, vizitați site-ul nostru web:
<https://corporate.haier-europe.com/en/>

La secțiunea „website” alegeți marca produsului dvs. și țara dvs. Veți fi redirecționat către site-ul specific unde puteți găsi

numărul de telefon și formularul pentru a contacta asistența tehnică.

Pană de curent

În cazul unei pene de curent, alimentele ar trebui să rămână reci timp de aproximativ 5 ore. Urmăriți aceste sfaturi în cazul unei pene de curent prelungite, în special pe timpul verii:

- ▶ Deschideți ușa/sertarul de cât mai puține ori posibil.
- ▶ Nu puneți alimente adiționale în aparat în timpul unei pene de curent.
- ▶ În cazul în care știți că se va produce o pană de curent, iar durata acesteia va fi mai mare de 5 ore, faceți cuburi de gheață și puneți-le într-un recipient în partea de sus a compartimentului frigiderului.
- ▶ Imediat după întreruperea energiei electrice este necesară inspectarea produselor.
- ▶ Dat fiind faptul că temperatura din frigider va crește în timpul unei pene de curent sau în cazul altei defecțiuni, perioada de depozitare și calitatea alimentelor comestibile vor fi reduse.

Funcția de memorare în timpul penei de curent

După restabilirea alimentării cu energie electrică, aparatul continuă să funcționeze cu setările stabilite înaintea penei de curent.

Despachetare



AVERTIZARE!

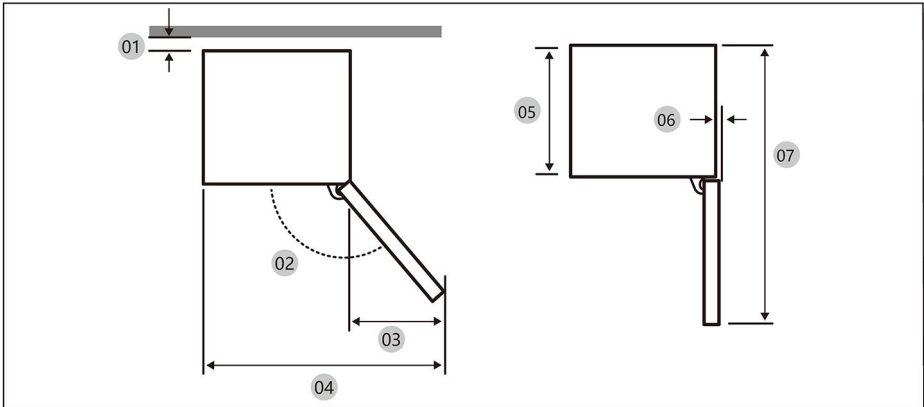
- ▶ Aparatul este greu. Manevrați-l întotdeauna cu cel puțin două persoane.
- ▶ Țineți toate materialele de ambalare la distanță de copii și eliminați-le într-un mod ecologic
- ▶ Scoateți aparatul din ambalaj.
- ▶ Îndepărtați toate materialele de ambalare

Condiții ambientale

Temperatura camerei trebuie să fie cuprinsă întotdeauna între 10 °C și 43 °C, deoarece poate influența temperatura din interiorul aparatului și consumul de energie al acestuia. Nu instalați aparatul în apropierea altor aparate care emană căldură (cuptoare, frigidere)

Sugestie cu privire la spațiu

Spațiul sugerat la deschiderea ușii (fără panoul ușii dulapului)

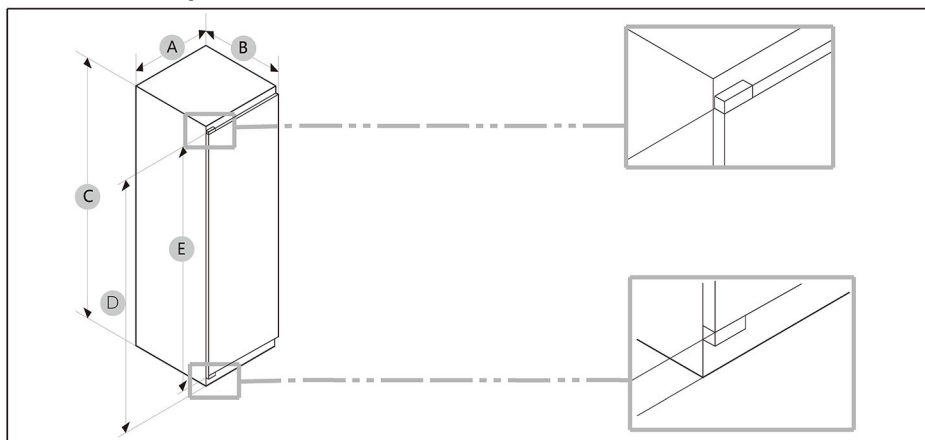


Model	CML5518EVW4
01*	10 (min.) / 30 (recomandat)
02	95° (Recomandat)
03	43
04	583
05	515
06	-3
07	1060

(unitate: mm)

* 01: De la dulap la partea din spate a produsului.

Dimensiunea produsului



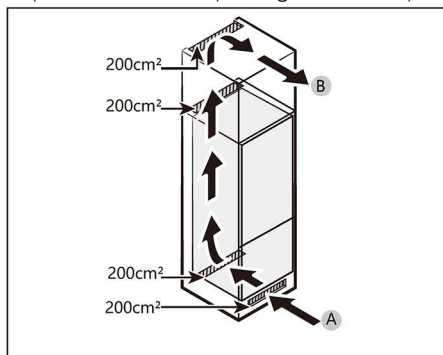
Model	A (mm)	B (mm)	C (mm)	D (mm)	E (mm)
CML5518EVW4	540±2	550±2	1772±2	1715	1671

i OBSERVAȚIE

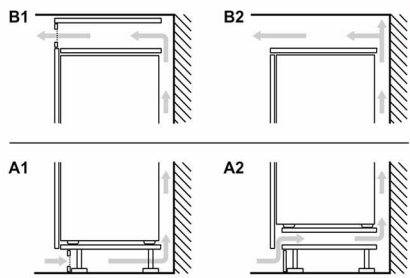
- Consumul de energie specificat se bazează pe condiția unui spațiu de 10 mm între dulap și partea din spate a produsului. Produsul va funcționa corect chiar și în cazul unui spațiu mai mic de 10 mm, însă consumă ceva mai multă energie.
- Vă recomandăm să folosiți un dulap cu o grosime de 19 mm și balamale cu o grosime mai mică de 17 mm.
- Măsurătorile din tabelul de mai sus pot fi diferite, în funcție de metoda de măsurare.
- Pentru informații suplimentare, consultați Ghidul de instalare.

Secțiune transversală ventilare

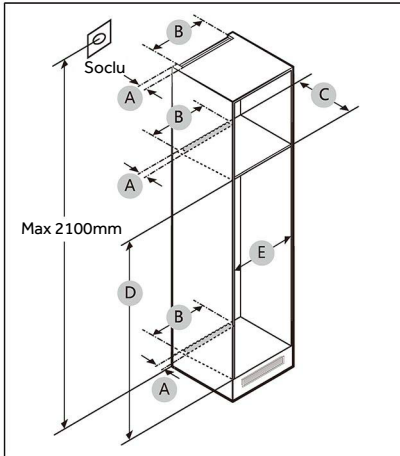
Pentru a obține o ventilare suficientă a aparatului din motive de siguranță, trebuie respectate informațiile legate de secțiunile transversale ale ventilării necesare.



A: Intrare aer $\geq 200 \text{ cm}^2$; Opțiuni de ventilație
B: leșire aer $\geq 200 \text{ cm}^2$; Opțiuni de ventilație



Dimensiunea dulapului



⚠ ATENȚIE!

Orice defecțiune a produsului cauzată de următoarele nu este acoperită de garanție.

1. Condiții de amplasare necorespunzătoare sau dimensiuni incorecte ale dulapului.
2. Dulap defect.
3. Greșeli ale instalatorului sau ale utilizatorului.

Spațiu

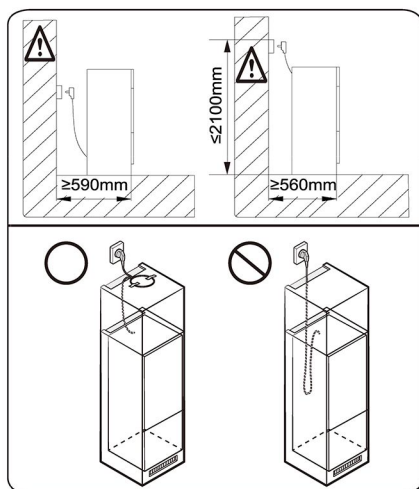
Consultați imaginile și tabelele de mai jos pentru a vedea spațiul necesar pentru instalare.

Model		A (mm)	B (mm)	C (mm)	D (mm)	E (mm)	Observație
CML5518EVW4	Min.	50	400	560	1778	560	Balama: 17 mm
	Recomandat			580	1780	562	
	Zonă de max.			-	1782	568	

i OBSERVAȚIE

- Dacă lățimea unui dulap este mai mare de 568 mm, garnitura (dintre frigider și dulap) se poate slăbi.
- În cazul în care dulapul este mai înalt decât dimensiunea maximă (1782 mm), trebuie să folosiți alte materiale de finisare pentru a umple golul.

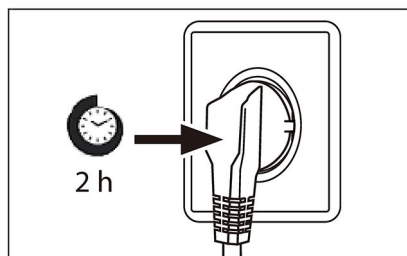
Luarea în calcul a locației prizei și a spațiului necesar



i OBSERVAȚIE

Dacă instalați frigiderul într-un dulap cu o adâncime de 560 mm, cablul de alimentare trebuie dispus pe o parte a frigiderului înainte de a-l conecta la o priză. În cazul în care cablul de alimentare se află în partea din spate a frigiderului, aceasta ar putea reduce eficiența energetică.

Timpul de așteptare



Uleiul de ungere fără întreținere este amplasat în capsula compresorului. Uleiul respectiv poate trece prin sistemul cu țevi închis în timpul transportării înclinată. Înainte de conectarea aparatului la sursa de alimentare, trebuie să așteptați cel puțin 2 ore pentru ca uleiul să curgă înapoi în capsulă.

Conexiunea electrică

Înainte de fiecare conexiune verificați dacă:

- ▶ sursa de alimentare, priza și siguranța sunt conforme cu plăcuța cu date tehnice.
- ▶ priza de alimentare este legată la împământare și nu este de tip prize multiple sau prelungitor.
- ▶ ștecărul și priza de alimentare sunt strict conforme.

Conectați ștecărul la o priză de la domiciliu instalată corespunzător.

! AVERTIZARE!

Pentru evitarea riscurilor, cablul de alimentare deteriorat trebuie înlocuit prin serviciul pentru clienți (consultați fișa de garanție).

Fișa de produs conform reglementării UE nr. 2019/2016

Marca	Candy	
Numele/identificatorul modelului	CML5518EVW4	
Categoria modelului	Combină frigorifică	
Clasa de eficiență energetică	E	
Consumul anual de energie (kWh/an) (1)	173	
Volumul total (l)	285	
Volum frigider (L)	255	
Volum congelator (l)	30	
Volumul secțiunii de răcire (l)	/	
Volumul dispozitivului automat pentru cuburi de gheață (l)	/	
Clasificarea prin stele	/	
Temperatura altor compartimente > 14 °C	Nu se aplică	
Sistem fără îngheț	NU	
Capacitatea de congelare (kg/24 h)	2	
Evaluare temperatură	SN/N/ST/T	
Clasa de emisii sonore și emisii de zgomote acustice aeropurtate (db(A) re re1pW)	B 35	
Timpu necesar creșterii temperaturii (h)	/	
Capacitate de producere a gheții	/	
Tipul aparatului	Încorporat	

Numele modelului	Clasa de eficiență energetică
CML5518EVW4	E

Explicații:

• Da, prezentate

- (1) Pe baza rezultatelor testului de conformitate cu standardele, cu o durată de peste 24 de ore. Consumul real depinde de utilizarea și locația aparatului.
- (2) Evaluare temperatură SN: Acest aparat este destinat utilizării la o temperatură ambientală cuprinsă între + 10 °C și +32 °C
 Evaluare temperatură N: Acest aparat este destinat utilizării la o temperatură ambientală cuprinsă între + 16 °C și +32 °C
 Evaluare temperatură ST: Acest aparat este destinat utilizării la o temperatură ambientală cuprinsă între + 16 °C și +38 °C
 Evaluare temperatură T: Acest aparat este destinat utilizării la o temperatură ambientală cuprinsă între + 16 °C și +43 °C

Date tehnice suplimentare

Tensiune/Frecvență	220-240V ~ / 50Hz
Curentul de intrare (A)	1.0
Siguranța principală (A)	16
Răcire	R600a
Dimensiuni (Î/L/A în mm)	1772/540/550

Informații privind RF

Max e.i.r.p.: Bluetooth (BR/EDR): 10 dBm
 Bluetooth LE: 5 dBm
 2,4 GHz Wi-Fi: 16 dBm

Banda de frecvență de funcționare: 2400-2483.5MHz

Vă recomandăm să apelați la serviciul pentru clienți Haier și să utilizați piese de schimb originale. Dacă aveți o problemă cu aparatul, consultați mai întâi secțiunea DEPANARE.

Dacă nu găsiți nicio soluție acolo, contactați

- ▶ distribuitorul local sau
- ▶ Centrul nostru european de servicii telefonice (vedeți numerele de telefon enumerate mai jos) sau
- ▶ zona Service și Asistență pe www.candy-home.com, unde puteți activa cererea de service
- ▶ și găsi, de asemenea, întrebări frecvente.

Pentru contactarea serviciului nostru, asigurați-vă că aveți următoarele date. Informațiile pot fi găsite pe plăcuța cu date tehnice.

Model _____

Nr. serie _____

De asemenea, verificați și fișa de garanție furnizată cu produsul, în cazul garanției.

Centrul european de servicii telefonice		
Țara*	Număr de telefon	Costuri
Haier Italy (IT)	199 100 912	
Haier Spain (ES)	902 509 123	
Haier Germany (DE)	1805393999	<ul style="list-style-type: none"> • 14 Ct/min de pe telefon fix • max 42 Ct/Min de pe mobil
Haier Austria (AT)	0820 001 205	<ul style="list-style-type: none"> • 14,53 Ct/min de pe telefon fix • max 20 Ct/Min de pe toate celelalte
Haier United Kingdom (UK)	0333 003 8122	
Haier France (FR)	0980 406 409	

* Pentru alte țări, consultați www.candy-home.com

Haier Europe Trading S.r.l

Filiala Marea Britanie

Westgate House, Westgate, Ealing

Londra, W5 1YY

*Durata garanției aparatului frigorific:

Garanția minimă este de: 2 ani pentru țările din UE, 3 ani pentru Turcia, 1 an pentru Marea Britanie, 1 an pentru Rusia, 3 ani pentru Suedia, 2 ani pentru Serbia, 5 ani pentru Norvegia, 1 an pentru Maroc, 6 luni pentru Algeria, Tunisia nu necesită nicio garanție legală.

* Perioada de piese de schimb pentru repararea aparatului:

Termostatele, senzorii de temperatură, plăcile cu circuite imprimate și sursele de lumină sunt disponibile timp de o perioadă minimă de șapte ani de la punerea pe piață a ultimei unități a modelului.

Mânerele de uși, balamalele de uși, tăvile și coșurile, timp de o perioadă minimă de șapte ani, iar garniturile de uși timp de o perioadă minimă de 10 ani de la punerea pe piață a ultimei unități a modelului.

*Pentru mai multe informații despre produs, consultați <https://eprel.ec.europa.eu/> sau scanați codul QR de pe eticheta energetică furnizată cu aparatul.

395 Bezpečnostné informáciePred prvým použitím 396Inštalácia 396Každodenné používanie 397Informácie o chladiacom plyne 399**400 Určené použitie****401 Opis produktu****402 Ovládací panel****403 Použite**Funkcia uzamknutia/odmoknutia 403Funkcia ZAPNÚŤ/VYPNÚŤ 403Funkcia Wi-Fi 403Úprava teploty odkladacieho priestoru komory 404Funkcia Super Cool 405Funkcia ECO 405Funkcia Holiday 405**Error! Bookmark not defined. Vybavenie****408 Tipy na úsporu energie****409 Starostlivosť a čistenie****411 Riešenie problémov****415 Inštalácia****419 Technické údaje****421 Zákaznícky servis**

Ďakujeme za zakúpenie tohto spotrebiča.

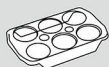
Pred použitím tohto spotrebiča si pozorne prečítajte tieto pokyny. Pokyny obsahujú dôležité informácie, ktoré vám pomôžu vyťažiť zo spotrebiča maximum a zaistiť bezpečnú a správnu inštaláciu, používanie a údržbu.

Túto príručku uschovajte na vhodnom mieste, aby ste si mohli kedykoľvek prečítať pokyny na bezpečné a správne používanie spotrebiča.

Ak spotrebič predávate, darujete alebo ho nechávate v domácnosti po odťahovaní, nezabudnite s ním novému vlastníčkovi odovzdať aj túto príručku, aby sa mohol oboznámiť so spotrebičom a bezpečnostnými upozoreniami.

Príslušenstvo

Skontrolujte príslušenstvo a literatúru podľa tohto zoznamu:



Zásobník
na vajcia



Forma na
kocky ľadu



Škrabka na
námrazu



Energetický
štítk



Záručný list



Príručka
bezpečnostných
varovaní



Skrutka



Kryt



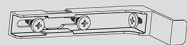
Špongiový blok



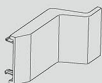
Posuvné
vedenie



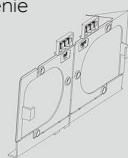
Posuvná
zost.



Pevná doska



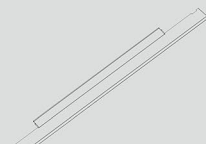
Kryt závesu



Spodná pevná doska



Horná pevná doska



Spodný kryt



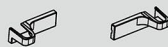
Spodný bočný kryt



Utesňovací
prúžok



Utesňovacia
špongia



Kryt spodného závesu

**VAROVANIE – Dôležité bezpečnostné informácie**

**POZNÁMKA – Všeobecné informácie a tipy**

**Informácie o životnom prostredí**

**Likvidácia**

Pomáhajte chrániť životné prostredie a zdravie ľudí. Obal vyhodte do vhodných nádob na recykláciu. Pomáhajte recyklovať odpad z elektrických a elektronických prístrojov. Spotrebiče označené týmto symbolom nelikvidujte s domácim odpadom. Výrobok odneste do miestneho recyklačného strediska alebo kontaktujte mestský úrad.

**VAROVANIE!**

Nebezpečenstvo poranenia alebo zadusenía!

Chladivá a plyny sa musia likvidovať profesionálnym spôsobom. Pred správnu likvidáciou sa uistite, že nie je poškodené potrubie okruhu chladiva. Spotrebič odpojte od elektrickej siete. Odrežte a zlikvidujte napájací kábel. Vyberte podnosy a zásuvky, ako aj západku a tesnenie dvierok, aby ste zabránili zatvoreniu detí a domácich zvierat vnútri spotrebiča.

Pred prvým zapnutím spotrebiča si prečítajte nasledujúce bezpečnostné pokyny:



VAROVANIE!

Pred prvým použitím

- ▶ Uistite sa, že sa spotrebič pri preprave nepoškodil.
- ▶ Pred inštaláciou spotrebiča počkajte najmenej dve hodiny, aby sa zabezpečila plná účinnosť chladiaceho okruhu.
- ▶ Spotrebič musia prenášať minimálne dve osoby, pretože je ťažký.
- ▶ Odstráňte všetky obalové materiály a odložte ich mimo dosahu detí. Zlikvidujte ich s ohľadom na životné prostredie.
- ▶ Pred vložením potravín spotrebič umyte vodou a jemným čistiacim prostriedkom zvnútra aj zvonka.
- ▶ Po vyrovnaní a vyčistení spotrebiča počkajte pred pripojením k elektrickej sieti minimálne 2 – 5 hodín. Pozrite časť INŠTALÁCIA.
- ▶ Pred vložením potravín nechajte priehradky vychladiť pri vysokých nastaveniach. Funkcia Super Cool pomáha rýchlo ochladiť priehradky.
- ▶ Teplota komory sa príslušne automaticky nastaví na 5 C. Je to odporúčané nastavenie. Ak je to potrebné, môžete tieto teploty zmeniť manuálne. Pozrite časť NASTAVENIE TEPLoty.
- ▶ Táto chladnička má v hornej časti mraziaci priestor s objemom 30 l, pričom sa teplota v mraziacom priestore mení podľa teploty komory.

Inštalácia

- ▶ Spotrebič musí byť umiestnený na dobre vetranom mieste.
- ▶ Spotrebič nikdy neumiestňujte na vlhké miesto ani na miesto, kde by mohla striekať voda. Postriekania vodou a škvrny vyčistite a osušte mäkkou čistou handričkou.
- ▶ Spotrebič neinštalujte na priame slnečné svetlo ani do blízkosti zdrojov tepla (napr. kachle, ohrievače).
- ▶ Spotrebič nainštalujte a vyrovnajte na mieste, ktoré je vhodné svojou veľkosťou a využitím.
- ▶ Vetracie otvory v spotrebiči alebo v zabudovanej konštrukcii udržiajte bez prekážok.
- ▶ Uistite sa, že elektrické údaje na typovom štítku sa zhodujú s údajmi pre vašu sieť. V opačnom prípade kontaktujte elektrikára.
- ▶ Spotrebič je napájaný zo siete 220-240 VAC/50 Hz. Abnormálne kolísanie napätia môže spôsobiť, že sa spotrebič nezapne, poškodí sa regulátor teploty alebo kompresor alebo sa môže pri prevádzke vyskytnúť neobvyklý hluk. V takom prípade musíte namontovať automatický regulátor.
- ▶ Nepoužívajte adaptéry s viacerými zásuvkami ani predlžovacie káble.
- ▶ Na zadnú stranu spotrebiča neumiestňujte rozvodné prenosné zásuvky ani prenosné zdroje napájania.
- ▶ Uistite sa, že napájací kábel nie je zachytený v chladničke. Na napájací kábel nestúpajte.



VAROVANIE!

- ▶ Na elektrické napájanie použite samostatnú uzemnenú zásuvku, aby k nej bol zabezpečený jednoduchý prístup. Spotrebič musí byť uzemnený. Len pre Spojené kráľovstvo: Napájací kábel spotrebiča je vybavený 3-vodičovou (uzemňovacou) zástrčkou, ktorá sa vsúva do štandardnej 3-vodičovej (uzemnenej) zásuvky. Tretí kolík (uzemnenie) nikdy neodrezávajte ani neodstraňujte. Po inštalácii spotrebiča musí byť zástrčka prístupná.
- ▶ Nepoškodte chladiaci okruh.

Každodenné používanie

- ▶ Deti staršie ako 8 rokov a osoby s obmedzenými fyzickými, zmyslovými alebo duševnými schopnosťami alebo nedostatkom skúseností či vedomostí môžu tento spotrebič používať pod dohľadom, resp. po poučení a oboznámení sa s bezpečným spôsobom používania a porozumení možným nebezpečenstvám.
- ▶ Deti vo veku od 3 do 8 rokov môžu do chladiacich spotrebičov nakladať a vykladať potraviny, nesmú ich však čistiť ani inštalovať.
- ▶ Deťom do 3 rokov nedovoľte, aby sa priblížili ku spotrebiču, pokiaľ nie sú pod neustálym dohľadom.
- ▶ Deti sa so spotrebičom nesmú hrať.
- ▶ Ak do blízkosti spotrebiča uniká studený plyn alebo iný horľavý plyn, zatvorte ventil unikajúceho plynu, otvorte dvere a okná a neodpájajte zástrčku napájacieho kábla chladničky ani iného zariadenia.
- ▶ Všimnite si, že spotrebič je nastavený na prevádzku v špecifickom klimatickom pásme 10 až 43 °C. Spotrebič možno nebude fungovať správne, ak sa ponechá dlho v prostredí s teplotou, ktorá je vyššia alebo nižšia než uvedený rozsah.
- ▶ Na chladničku neumiestňujte nestabilné predmety (ťažké predmety, nádoby naplnené vodou), aby nedošlo k zraneniu osôb následkom pádu alebo úrazu elektrickým prúdom po kontakte s vodou.
- ▶ Neťahajte za police vo dvierkach. Dvierka by sa mohli skriviť, stojan na fľaše odtrhnúť alebo by sa spotrebič mohol prevrátiť.
- ▶ Dvierka otvárajte a zatvárajte iba pomocou rukovätí. Medzera medzi dvierkami a medzi dvierkami a skrinkou je veľmi úzka. Do týchto priestorov nesiahajte, aby nedošlo k pricviknutiu prstov. Dvierka chladničky otvárajte alebo zatvárajte iba vtedy, ak v rozsahu pohybu dvierok nestoja žiadne deti.
- ▶ Pri umiestnení spotrebiča zabezpečte, aby sa napájací kábel nezachytil ani nepoškodil.
- ▶ V tomto spotrebiči neskladujte výbušné látky ako sú plechovky s aerosólmi, ktoré podporujú horenie.
- ▶ Aby ste predišli kontaminácii potravín:
 - Otvorenie dverí na dlhší čas môže spôsobiť výrazné zvýšenie teploty v priehradkách spotrebiča.
 - Pravidelne čistite povrchy, ktoré môžu prísť do styku s potravinami, a dostupné systémy vypúšťania.
 - Surové mäso a ryby skladujte v chladničke vo vhodných nádobách tak, aby sa nedostali do kontaktu s inými potravinami, alebo aby na nič nekvapalo.
 - Ak chcete nechať spotrebič dlhší čas prázdny, vypnite ho, odmrazte, vyčistite, vysušte a dvere nechajte otvorené, aby sa vnútri spotrebiča nemnožili plesne

**VAROVANIE!**

- ▶ V spotrebiči ani v jeho blízkosti neskladujte a nepoužívajte horľavé, výbušné alebo korozívne materiály.
- ▶ V spotrebiči neskladujte lieky, baktérie ani chemické látky. Tento spotrebič je spotrebič pre domácnosť. Neodporúča sa skladovať materiály, ktoré vyžadujú presné teploty.
- ▶ V mrazničke nikdy neskladujte tekutiny vo fľašiach alebo v plechovkách (okrem liehovín s vysokým obsahom alkoholu), najmä sýtené nápoje, pretože tieto počas mrazenia prasknú.
- ▶ Ak došlo v mrazničke k ohrevu, skontrolujte stav potravín.
- ▶ V chladiacom priestore nenastavujte zbytočne nízku teplotu. Pri vysokých nastaveniach sa môžu vyskytnúť mínusové teploty. Pozor: Fľaše môžu prasknúť.
- ▶ Zmrazených potravín sa nedotýkajte mokrými rukami (nasadte si rukavice). Najmä nekonzumujte nanuky ihneď po vybratí z mrazničky. Existuje riziko primrznutia alebo vytvorenia pluzgierov z mrazu. PRVÁ pomoc: ihneď umiestnite pod tečúcu studenú vodu. Neodstraňujte ťahaním!
- ▶ Počas prevádzky sa nedotýkajte vnútorného povrchu priestoru mrazničky, najmä nie mokrými rukami, pretože by vám mohli ruky primrznúť k povrchu.
- ▶ V prípade prerušenia napájania alebo pred čistením odpojte spotrebič zo zásuvky. Pred opätovným zapnutím spotrebiča počkajte najmenej 7 minút, pretože časté štartovanie môže poškodiť kompresor.
- ▶ Vo vnútri boxov spotrebiča, ktoré slúžia na skladovanie potravín, nepoužívajte elektrické zariadenia, pokiaľ ich používanie neschválil výrobca. Údržba/čistenie
- ▶ Keď čistenie a údržbu vykonávajú deti, nenechávajú ich bez dozoru.
- ▶ Pred vykonávaním akejkoľvek bežnej údržby odpojte spotrebič od elektrickej siete. Pred opätovným zapnutím spotrebiča počkajte najmenej 5 minút, pretože časté štartovanie môže poškodiť kompresor.

**VAROVANIE!**

- ▶ Pri odpájaní spotrebiča chyťte za zástrčku, nie za kábel.
- ▶ Spotrebič nečistite tvrdými kefami, drôtenými kefami, čistiacim práškom, benzínom, amylacetátom, acetónom ani podobnými organickými roztokmi, kyselinami ani zásadami. Čistite pomocou špeciálneho čistiaceho prostriedku na chladničky, aby ste zabránili poškodeniu.
- ▶ Námrazu nezoškrabujte ostrými predmetmi. Nepoužívajte spreje, elektrické ohrievače ako ohrievač, sušič vlasov, parné čističe alebo iné zdroje tepla, aby nedošlo k poškodeniu plastových častí.
- ▶ Na urýchlenie odmrazovania nepoužívajte mechanické nástroje ani iné prostriedky s výnimkou tých, ktoré odporúča výrobca.
- ▶ Ak je poškodený vonkajší napájaci kábel, v záujme eliminácie akéhokoľvek rizika ho musí vymeniť výrobca, jeho servisný zástupca alebo rovnako kvalifikovaná osoba.
- ▶ Spotrebič sa nepokúšajte sami opravovať, rozoberať alebo upravovať. V prípade opravy kontaktujte náš zákaznícky servis.
- ▶ Aspoň raz za rok odstráňte prach zo zadnej strany jednotky, aby ste predišli nebezpečenstvu požiaru a zvýšenej spotrebe energie.
- ▶ Počas čistenia na spotrebič nestriekajte ani ho neoplachujte.
- ▶ Na čistenie spotrebiča nepoužívajte prúd vody ani paru.
- ▶ Studené sklenené poličky neumývajte horúcou vodou. Náhla zmena teploty môže spôsobiť rozbitie skla.

Informácie o chladiacom plyne**VAROVANIE!**

Spotrebič obsahuje horľavé chladivo IZOBUTÁN (R600a). Uistite sa, že sa počas prepravy alebo inštalácie nepoškodil chladiaci okruh. Unikajúce chladivo môže spôsobiť poranenie očí alebo vznietenie. Ak došlo k poškodeniu, udrzte zdroj otvoreného ohňa mimo dosahu, dôkladne vyvetrajte miestnosť a nepripájajte ani neodpájajte napájacie káble spotrebiča alebo akéhokoľvek iného spotrebiča. Informujte zákaznícky servis.

V prípade, že sa dostane chladivo do kontaktu s očami, ihneď ich vypláchnite pod tečúcou vodou a okamžite kontaktujte očného lekára.

Určené použitie

Tento spotrebič je určený na chladenie potravín a jedla. Bol navrhnutý výhradne na použitie v domácnostiach a podobných aplikáciách, ako sú kuchynské priestory pre zamestnancov v obchodoch, kanceláriách a iných pracovných prostrediach; vo farmárskych domoch, pre zákazníkov v hoteloch, moteloch a iných obytných priestoroch, ako aj pre zákazníkov ubytovacích a stravovacích služieb. Nie je určený na komerčné ani priemyselné použitie.

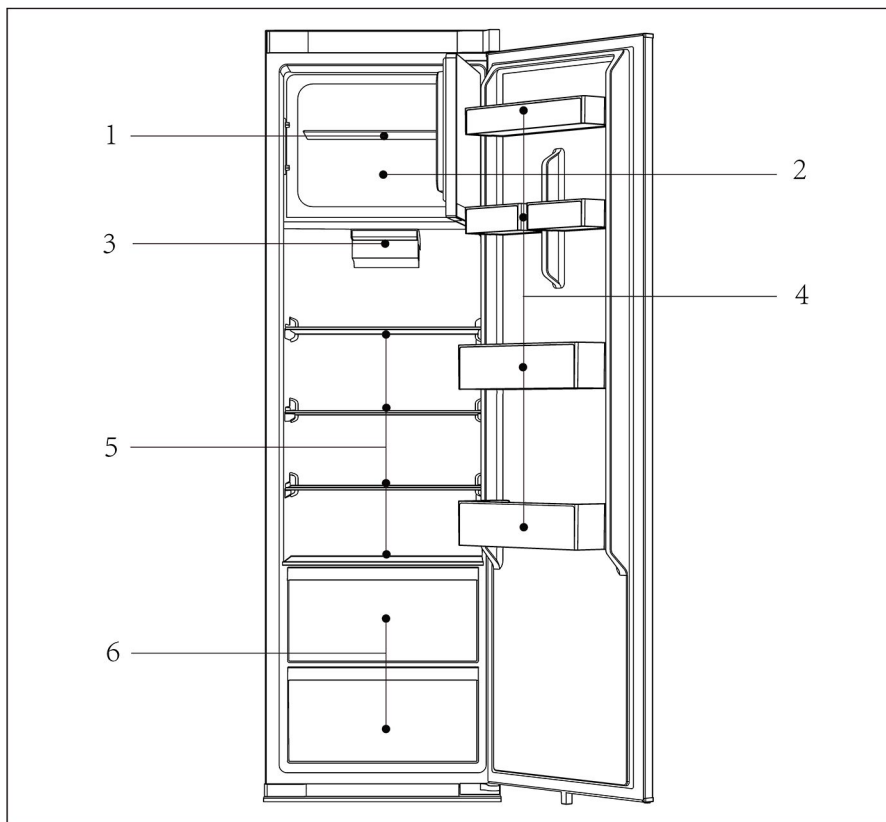
Zmeny alebo úpravy spotrebiča nie sú povolené. Neúmyselné použitie môže spôsobiť nebezpečenstvo a stratu nárokov na záruku.

Normy a smernice

Tento výrobok spĺňa požiadavky všetkých príslušných smerníc ES s príslušnými harmonizovanými normami, ktoré ustanovujú označenie CE.

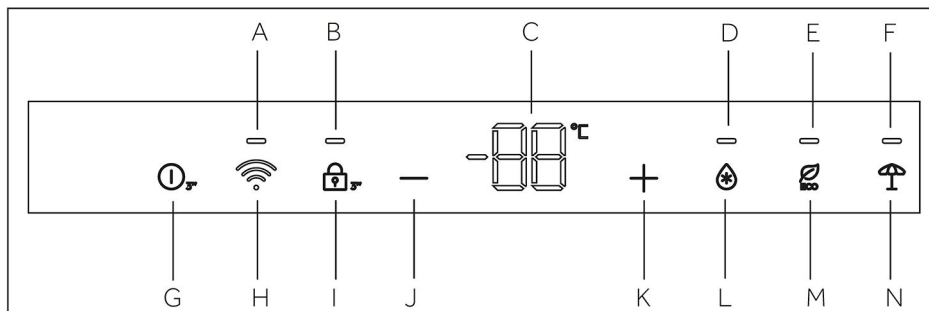
i OZNÁMENIE

Z dôvodu technických zmien a rôznych modelov sa môžu niektoré ilustrácie v tejto príručke líšiť od vášho modelu.

**CML5518EVW4**

- 1 Bežná polica v mrazničke
- 2 Mraziaci priestor
- 3 Ventilátor a LED svetlo
- 4 Držiak na fľaše
- 5 Bežné odkladacie police komory
- 6 Obyčajné zásuvky v komore

Ovládací panel



Indikátory:


- A Ikona funkcie Wi-Fi
- B Ikona uzamknutia/odomyknutia
- C Ikona displeja teploty
- D Ikona funkcie Super Cool
- E Ikona funkcie ECO
- F Ikona funkcie Holiday

Tlačidlá:

- G Tlačidlo ZAPNUTÉ/VYPNUTÉ
- H Zodpovedajúce tlačidlo Wi-Fi
- I Tlačidlo na uzamknutie/odomyknutie
- J Tlačidlo na zníženie teploty
- K Tlačidlo na zvýšenie teploty
- L Tlačidlo funkcie Super Cool
- M Tlačidlo funkcie ECO
- N Tlačidlo funkcie Holiday

Tlačidlá snímača

Tlačidlá na ovládacom paneli sú dotykové tlačidlá, ktoré reagujú na ľahký dotyk prsta.


OZNÁMENIE

Po zapnutí spotrebiča môže dosiahnutie správnej teploty trvať až 12 hodín.

Pred kontrolou obrazovky displeja najskôr otvorte dvere chladničky.

Funkcia uzamknutia/odomknutia

Toto tlačidlo a jeho ikona sa používajú na uzamknutie alebo odomknutie obrazovky ovládania a indikujú jej aktuálny stav.

Kým je chladnička v prevádzke, otvorte dvere chladničky, rozsvieti sa ovládacia obrazovka a rozsvieti sa ikona uzamknutia/odomknutia, v danom čase je ovládacia obrazovka v uzamknutom stave a nie je aktívna.

Manuálne odomknutie alebo uzamknutie obrazovky: Keď svieti ikona uzamknutia/odomknutia, stlačte a 3 sekundy podržte kláves uzamknutia/odomknutia. Ikona zhasne a zaznie pípnutie. V danom čase je možné vykonať výber funkcie alebo nastavenie teploty.

Keď je ikona uzamknutia/odomknutia vypnutá, stlačte a 3 sekundy podržte kláves uzamknutia/odomknutia. Ikona zamknutia/odomknutia sa rozsvieti a zaznie pípnutie. V danom čase nie je možné vykonať výber funkcie alebo nastavenie teploty.

Automatická zámka obrazovky: Po zatvorení dverí chladničky sa ovládacia obrazovka vypne a uzamkne.

Po otvorení dverí chladničky sa ovládacia obrazovka automaticky uzamkne, ak do 30 sekúnd neurobíte žiadny úkon.

Funkcia ZAPNÚŤ/VYPNÚŤ

Tlačidlo ZAPNÚŤ/VYPNÚŤ slúži na prepínanie medzi stavom VYPNUTIA (pauza pracovného režimu) a ZAPNUTÍM (normálny pracovný režim).

Aktivácia režimu VYPNÚŤ: V režime prevádzky chladničky najskôr odomknite displej a potom 3 sekundy podržte stlačené funkčné tlačidlo ZAPNÚŤ/VYPNÚŤ, čím sa vypne obrazovka ovládania, osvetlenie chladničky, chladenie a ďalšie funkcie, pričom bude nasledovať zvukový signál.

OZNÁMENIE

Režim VYPNÚŤ neznamena prerušenie elektrického napájania, chladnička ostane v danom čase elektricky napájaná.

Ukončenie režimu VYPNUTIA: V režime VYPNUTIA podržte 3 sekundy stlačené tlačidlo ZAPNÚŤ/VYPNÚŤ, čím sa reštartuje obrazovka ovládania, osvetlenie chladenia, chladenie a ďalšie funkcie, pričom zaznie zvukový signál. Chladnička obnoví prednastavenú teplotu a funkciu a prepne sa do normálneho pracovného režimu.

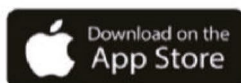
Funkcia Wi-Fi

Párovanie Wi-Fi: Pri prvom zapnutí chladnička sa automaticky aktivuje režim konfigurácie siete, ikona funkcie Wi-Fi bude rýchlo blikať, a ak nebol vykonaný žiadny úkon na priradenie siete, režim sa automaticky ukončí po 30 minútach.

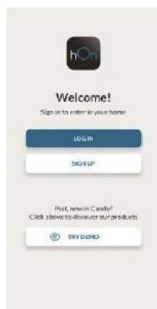
Manuálne zadajte režim párovania Wi-Fi: Po odomknutí ovládacej obrazovky, keď je zapnutá ikona funkcie Wi-Fi, podržte 3 sekundy stlačené tlačidlo Wi-Fi zhody, aby ste vstúpili do režimu. Počas tejto doby bude ikona funkcie Wi-Fi rýchlo blikať, čo znamená, že je v režime párovania Wi-Fi. Ak sa nevykoná žiadny úkon priradenia siete, režim sa automaticky ukončí po 30 minútach.

V REŽIME PÁROVANIA APLIKÁCIE

Krok 1 • Stiahnite si aplikáciu hOn.



Krok 2 Vytvorte si účet v aplikácii hOn alebo sa prihláste, ak už účet máte.



Krok 3 Postupujte podľa pokynov o párovaní v aplikácii hOn.



i OZNÁMENIE

V režime párovania Wi-Fi by ste mali postupovať podľa pokynov aplikácie na dokončenie konfigurácie siete. Ak potrebujete zmeniť prostredie Wi-Fi, musíte znovu aktivovať režim párovania. Ak ikona funkcie Wi-Fi zostane svietiť, čo znamená, že sieť bola úspešne pripojená.

Úprava teploty odkladacieho priestoru komory

Po otvorení dverí chladničky a odomknutí ovládacej obrazovky sa na zníženie nastavenej teploty chladničky používa tlačidlo „Znížiť teplotu“. Každým ľahkým dotykom tlačidla sa teplota zníži o 1 °C a povolená minimálna teplota je 1 °C. Po otvorení dverí chladničky a odomknutí ovládacej obrazovky sa na zvýšenie nastavenej teploty chladničky používa tlačidlo „Zvýšiť teplotu“. Každým ľahkým dotykom tlačidla sa teplota zvýši o 1 °C a maximálna povolená teplota je 9 °C. Počas prevádzky ikona displeja teploty zobrazuje nastavenú teplotu a blika. Ovládacia obrazovka automaticky potvrdí nastavenú teplotu po 5 sekundách.

Funkcia Super Cool

Toto tlačidlo a jeho ikona slúžia na prepínanie funkcie Super Cool chladničky a zobrazenie aktuálneho stavu.

Po otvorení dverí chladničky a odomknutí ovládacej obrazovky sa dotknite tlačidla „Super Cool“, rozsvieti sa ikona „Super Cool“. V tomto čase je chladnička v režime „Super Cool“. Ak chcete režim vypnúť, môžete použiť rovnaký úkon, stlačte tlačidlo „Super Cool“. Po zapnutí funkcie Super Cool chladnička automaticky ukončí režim Super Cool približne po 48 hodinách, aby sa predišlo príliš nízkej teplote vnútri chladničky.

Keď sa do chladničky v krátkom čase vloží veľké množstvo potravín, teplota vnútri chladničky sa zvýši. Po zapnutí funkcie super cool by sa teplota týchto potravín mohla rýchlo znížiť.

Keď sa do vnútra vloží veľké množstvo potravín, funkcia super cool sa dá zapnúť priamo. Keď do mrazničky vložíte veľké množstvo potravín, zapnite funkciu super cool 12 hodín pred vložением potravín.

Funkcia ECO

Po otvorení dverí chladničky a odomknutí ovládacej obrazovky sa zľahka dotknite funkčného tlačidla ECO, čím sa rozsvieti ikona funkcie ECO a chladnička sa prepne do daného režimu; Ak potrebujete režim ukončiť, môžete použiť rovnaký postup a dotykom funkčného tlačidla ECO funkciu ukončiť.

V režime ECO bude chladnička automaticky fungovať pri priemernej teplote 5 °C.

Funkcia Holiday

Po otvorení dverí chladničky a odomknutí ovládacej obrazovky sa zľahka dotknite funkčného tlačidla Holiday, čím sa rozsvieti ikona funkcie Holiday a chladnička sa prepne do daného režimu. Ak potrebujete režim ukončiť, môžete použiť rovnaký postup a dotykom funkčného tlačidla Holiday funkciu ukončiť.

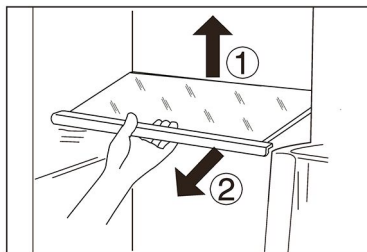
V režime Holiday bude chladnička automaticky pracovať pri priemernej teplote 17 °C.

Keď je funkcia Holiday zapnutá, v chladiacom priestore a v mrazničke sa aktivuje funkcia Holiday spoločne, preto je potrebné vybrať aj mrazené potraviny, aby sa predišlo znehodnoteniu potravín vysokou teplotou.

OZNÁMENIE

Vzhľadom na odlišnú prevádzkovú logiku špeciálnych funkcií Super Cool, ECO a Holiday nie je možné tieto špeciálne režimy aktivovať súčasne. Naraz je možné aktivovať iba jednu funkciu a pri prepínaní medzi režimami sa ostatné špeciálne režimy automaticky ukončia. Okrem toho je možné zmeniť nastavenú teplotu bez toho, že by ste tieto režimy ukončili.

5 °C je ideálny režim pre čerstvé potraviny, ako je ovocie a zelenina, mliečne výrobky, mäso a nápoje.



Police

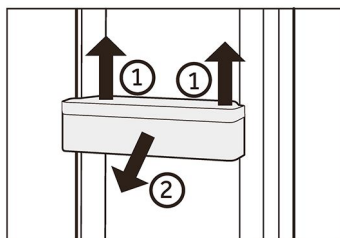
1. Výška polic sa môže nastaviť tak, aby vyhovovala vašim potrebám skladovania.
2. Ak chcete policu premiestniť, najprv nadvihnite jej zadný okraj ① a potom ju vytiahnite ②.
3. Ak ju chcete znovu nainštalovať, položte ju na výstupky na obidvoch stranách a zatlačte do najzadnejšej polohy, kým polica nezapadne do drážok na bokoch.

i OZNÁMENIE

Uistite sa, že všetky konce police sú v jednej rovine.

Vyberateľná nádržka

1. Nádržku je možné vybrať na čistenie.
2. Uchopte poličku oboma rukami, nadvihnite ju ① a vytiahnite ②.
3. Ak chcete nádržku znovu vsunúť, vykonajte vyššie uvedené kroky v opačnom poradí.



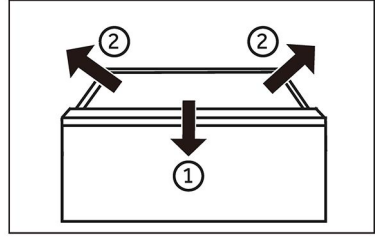
i OZNÁMENIE

Vzhľadom na charakteristiku umiestnenia je teplota v mieste nádržky v prvej a druhej úrovni na dverách o niečo vyššia ako v chladiacom priestore, preto sa odporúča používať ju len na krátkodobé uskladnenie potravín.

Vyberateľná zásuvka

Ak chcete zásuvku vybrať, vytiahnite ju do maximálnej polohy ①, nadvihnite ju a vyberte ②.

Ak chcete poličku znovu vsunúť, vykonajte vyššie uvedené kroky v opačnom poradí.

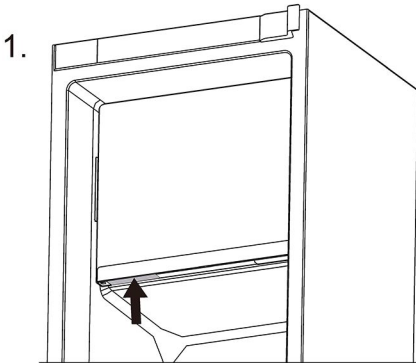


Osvetlenie

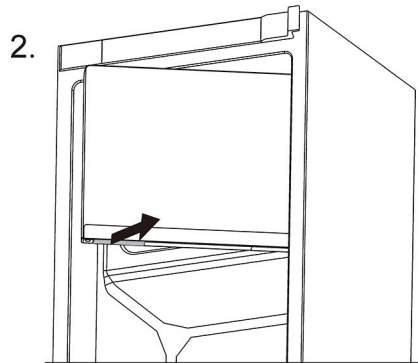
Interiérové LED osvetlenie sa rozsvieti po otvorení dverí. Výkon svetiel nie je ovplyvnený žiadnym iným nastavením spotrebiča.

Mraziaci priestor

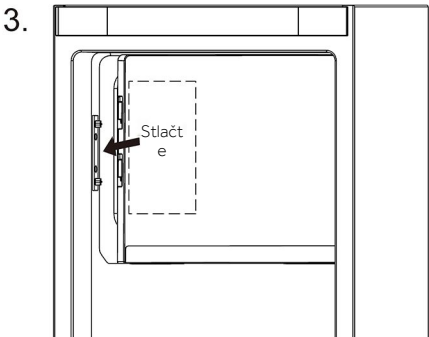
Táto chladnička má v hornej časti 30 l mrazničku a teplota v mrazničke sa mení podľa teploty komory. Otvorte dvere mrazničky: Najprv stlačte spínač ako je znázornené na obrázku 1, potom ho vytiahnite, ako je znázornené na obrázku 2; Zatvorte dvere mrazničky: Stlačte strednú časť dvierok na strane otvorenia, ako je znázornené na obrázku 3.



Zatlačte spínač



Vytiahnite spínač smerom von





Tipy na úsporu energie

- ▶ Uistite sa, že je spotrebič správne vetraný (pozrite časť INSTALÁCIA).
- ▶ Spotrebič neinštalujte na priame slnečné svetlo ani do blízkosti zdrojov tepla (napr. kachle, ohrievače).
- ▶ Zabráňte zbytočne nízkej teplote v spotrebiči. Čím je nižšia nastavená teplota v spotrebiči, tým vyššia bude spotreba energie.
- ▶ Funkcie ako Super Cool zvyšujú spotrebu energie.
- ▶ Pred vložením do spotrebiča nechajte teplé jedlo vychladnúť.
- ▶ Dvierka spotrebiča otvárajte čo najmenej a na čo najkratšie.
- ▶ Spotrebič nepreplňujte, aby ste nebránili prúdeniu vzduchu.
- ▶ Vyhýbajte sa vzduchu v obale potravín.
- ▶ Tesnenia dvierok udržiavajte čisté, aby boli dvierka vždy správne zatvorené.
- ▶ Konfigurácia s najväčšou úsporou energie si vyžaduje, aby sa zásuvky, nádoby na potraviny a police udržiavali v stave ako na novom spotrebiči, pričom potraviny treba ukladať tak, aby nebránili prúdeniu vzduchu a neupchávali prívod vzduchu z potrubia.

! VAROVANIE!

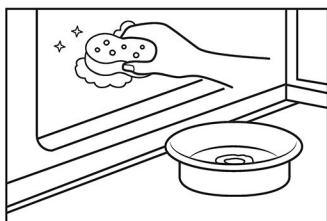
Spotrebič pred čistením odpojte od elektrickej siete.

Čistenie

Spotrebič čistite, keď je v ňom uskladnené len malé množstvo alebo žiadne potraviny. Spotrebič by ste mali čistiť každé štyri týždne, aby sa zaistila dobrá starostlivosť a zabránilo pachu z nesprávne uskladnených potravín.

! VAROVANIE!

- ▶ Spotrebič nečistite tvrdými kefami, drôtenými kefami, čistiacim práškom, benzínom, amylacetátom, acetónom ani podobnými organickými roztokmi, kyselinami ani zásadami. Čistite pomocou špeciálneho čistiaceho prostriedku na chladničky, aby ste zabránili poškodeniu.
- ▶ Počas čistenia na spotrebič nestriekajte ani ho neoplachujte.
- ▶ Na čistenie spotrebiča nepoužívajte prúd vody ani paru.
- ▶ Studené sklenené poličky neumývajte horúcou vodou. Náhla zmena teploty môže spôsobiť rozbitie skla.



- ▶ Tesnenie na dvierkach musí byť vždy čisté.
- ▶ Vnútro a plášť spotrebiča čistite špongiou navlhčenou v teplej vode s prídavkom neutrálneho saponátu.
- ▶ 1. Mäkkou handričkou alebo špongiou namočenou v teplej vode utrite interiér a exteriér chladničky, vrátane tesnenia dverí, dverovej poličky, sklenených políc, boxov atď. (do teplej vody môžete pridať neutrálny čistiaci prostriedok).
- ▶ 2. Ak sa rozleje nejaká kvapalina, vyberte všetky znečistené diely, opláchnite ich prúdom vody, vysušte a vložte späť do chladničky.
- ▶ 3. Ak dôjde k rozliatiu krému (napríklad smotana, roztopená zmrzlina), odstráňte všetky znečistené časti, vložte ich na nejaký čas do teplej vody s teplotou približne 40 °C, potom ich opláchnite prúdom vody, vysušte a vložte späť do chladničky.
- ▶ 4. V prípade, že v chladničke (medzi policami alebo zásuvkami) ostane nejaká malá usadenina alebo komponent, použite na uvoľnenie mäkkú kefku. Ak sa k tejto časti nedostanete, kontaktujte servis Haier
- ▶ Opláchnite a osušte mäkkou handričkou.
- ▶ Žiadne časti spotrebiča nečistite v umývačke riadu.
- ▶ Pred opätovným zapnutím spotrebiča počkajte najmenej 5 minút, pretože časté spúšťanie môže poškodiť kompresor.

i OZNÁMENIE

Odtokový otvor nesmie byť zablokovaný cudzími predmetmi, inak môže nastať problém s pretečením vody. Ak je odtokový otvor zablokovaný, môžete zásuvku vybrať a vyčistiť ju handričkou.



Odmrazovanie

Ak vložíte príliš veľa potravín alebo keď sa často otvárajú a zatvárajú dvere, na zadnej strane priestoru sa pravdepodobne objaví námraza, čo si vyžaduje manuálne odstránenie škrabkou.

Výmena LED žiaroviek



VAROVANIE!

LED žiarovku nevymieňajte sami, musí ju vymeniť iba výrobca alebo autorizovaný servisný pracovník.

Osvetlenie využíva ako zdroj svetla LED, ktoré sa vyznačujú nízkou spotrebou energie a dlhou životnosťou. Ak sa vyskytnú nejaké abnormality, kontaktujte zákaznícky servis. Pozrite časť ZÁKAZNÍCKY SERVIS.

Parametre žiarovky:

Priestor chladničky: 12 V max 1,5 W

Tento výrobok obsahuje svetelný zdroj triedy energetickej účinnosti <G>.

Dlhodobé vyradenie z prevádzky

Ak nebudete spotrebič dlhšiu dobu používať a pre chladničku nepoužijete funkciu Holiday:

Vyberte potraviny

Odpojte napájací kábel.

Spotrebič vyčistite podľa vyššie uvedeného návodu.

Dvere nechajte otvorené, aby sa vo vnútri nevytvárali nepríjemné pachy.



OZNÁMENIE

Spotrebič vypnite, len ak je to nevyhnutne potrebné.

Premiestňovanie spotrebiča

1. Vyberte všetky potraviny a odpojte spotrebič od elektrickej siete.
2. Police a všetky pohyblivé časti komory zaistite lepiacou páskou.
3. Chladničku nenakláňajte o viac ako 45°, aby ste predišli poškodeniu chladiaceho systému.



VAROVANIE!

- ▶ Spotrebič nezdvíhajte za rukoväti dverí.
- ▶ Spotrebič nikdy neukladajte na podlahu v horizontálnej polohe.

Mnoho vyskytujúcich sa problémov môžete vyriešiť sami bez osobitných odborných znalostí. V prípade problému skontrolujte všetky zobrazené možnosti a pred kontaktovaním zákazníckeho servisu postupujte podľa nasledujúcich pokynov. Pozrite časť ZÁKAZNÍCKY SERVIS.



VAROVANIE!

- ▶ Pred údržbou spotrebič vypnite a vytriahnite zástrčku zo zásuvky.
- ▶ Údržbu elektrického zariadenia môže vykonávať iba kvalifikovaný elektrikár, pretože neodborné opravy môžu spôsobiť značné následné škody.
- ▶ Poškodený prívod môže v záujme eliminácie akéhokoľvek rizika vymeniť len výrobca, jeho servisný zástupca alebo rovnako kvalifikovaná osoba.

Problém	Možná príčina	Možné riešenie
Kompresor nefunguje.	<ul style="list-style-type: none"> • Zástrčka nie je vsunutá do zásuvky. • Spotrebič je v cykle odmrazovania. 	<ul style="list-style-type: none"> • Vsuňte zástrčku do zásuvky elektrickej siete. • To je normálne pri automatickom odmrazovaní.
Spotrebič sa zapína často alebo ostáva zapnutý príliš dlho.	<ul style="list-style-type: none"> • Príliš vysoká vnútorná alebo vonkajšia teplota. • Spotrebič bol dlhšie vypnutý. • Zatvorené dvierka spotrebiča netesnia dobre. • Dvierka boli otvorené príliš často alebo príliš dlho. • Nastavenie teploty komory je príliš nízke. • Tesnenie dvierok je špinavé, opotrebované, popraskané alebo nevhodné. • Nie je zabezpečené požadované prúdenie vzduchu. 	<ul style="list-style-type: none"> • V takom prípade je normálne, že kompresor spotrebiča ostane zapnutý dlhšie. • Zvyčajne trvá 8 až 12 hodín, kým spotrebič úplne ochladne. • Zatvorte dvere/zásuvku a uistite sa, že je spotrebič umiestnený na rovnom povrchu a že sa v ňom nenachádzajú potraviny alebo nádoba, ktoré by blokovali dvere. • Neotvárajte dvierka/zásuvku príliš často. • Nastavujte vyššiu teplotu, kým nedosiahnete uspokojivú teplotu chladničky. Trvá 24 hodín, kým sa teplota v chladničke ustáli. • Vyčistite tesnenie dvierok/zásuvky alebo ich dajte vymeniť v servise. • Zabezpečte dostatočné vetranie.
Vnútro chladničky je špinavé a/alebo zapácha.	<ul style="list-style-type: none"> • Vnútro chladničky treba vyčistiť. • V chladničke sú uložené potraviny so silnou arómou. 	<ul style="list-style-type: none"> • Vyčistite vnútro chladničky. • Potraviny dôkladne zabaľte.

Problém	Možná príčina	Možné riešenie
V spotrebiči nie je dostatočne nízka teplota.	<ul style="list-style-type: none"> Nastavená teplota je príliš vysoká. Do spotrebiča ste vložili príliš teplé potraviny a jedlá. Vložili ste príliš veľa potravín naraz. Potraviny sú príliš blízko seba. Netesne zatvorené dverka/zásuvka spotrebiča. Dverka/zásuvka boli otvorené príliš často alebo príliš dlho. 	<ul style="list-style-type: none"> Zresetujte teplotu. Pred uložením potraviny vždy ochlaďte. Vždy vkladajte malé množstvo potravín. Medzi potravinami nechávajte medzeru, aby mohol vzduch voľne prúdiť. Zatvorte dverka/zásuvku. Neotvárajte dverka/zásuvku príliš často.
V spotrebiči je príliš nízka teplota.	<ul style="list-style-type: none"> Nastavená teplota je príliš nízka. Funkcia Super Cool je aktivovaná alebo je zapnutá príliš dlho. 	<ul style="list-style-type: none"> Zresetujte teplotu. Vypnite funkciu Super Cool.
Vytváranie kondenzátu na vnútornej strane chladiaceho priestoru.	<ul style="list-style-type: none"> Ovzdušie je príliš teplé a príliš vlhké. Netesne zatvorené dverka/zásuvka spotrebiča. Dverka/zásuvka boli otvorené príliš často alebo príliš dlho. Otvorené nádoby na potraviny alebo kvapaliny. 	<ul style="list-style-type: none"> Zvýšte teplotu. Zatvorte dverka/zásuvku. Neotvárajte dverka/zásuvku príliš často. Horúce jedlá nechajte vychladnúť na izbovú teplotu a jedlá a kvapaliny zakryte.
Hromadenie vlhkosti na vonkajšom povrchu chladničky alebo medzi dvierkami/dvierkami a zásuvkou.	<ul style="list-style-type: none"> Ovzdušie je príliš teplé a príliš vlhké. Dvierka nie sú tesne zatvorené. Dochádza ku kondenzácii chladného vzduchu v spotrebiči a teplého vzduchu mimo neho. 	<ul style="list-style-type: none"> Vo vlhkom podnebí je to normálne a zmení sa to po poklese vlhkosti. Dbajte na to, aby boli dverka/zásuvka tesne zatvorené.
Svetlo displeja funguje, ale spotrebič nechladí.	<ul style="list-style-type: none"> Spotrebič je v demo režime. 	<ul style="list-style-type: none"> Všimnite si, v akom stave je spotrebič. Ak je v režime ukážky, režim ukončte. Ukončenie: Podržte tlačidlo „ECO“ a 5-krát počas 5 sekúnd kliknite na tlačidlo „Super Freeze“.

Problém	Možná príčina	Možné riešenie
V mrazničke je silná vrstva ľadu a námrazy.	<ul style="list-style-type: none"> • Potraviny neboli správne zabalené. • Netesne zatvorené dvierka/zásuvka spotrebiča. • Dvierka/zásuvka boli otvorené príliš často alebo príliš dlho. • Tesnenie dvierok/zásuvky je znečistené, opotrebované, prasknuté alebo nevhodné. • Niečo na vnútornej strane bráni správne zatvoreniu dvierok/zásuvky. 	<ul style="list-style-type: none"> • Potraviny vždy správne zabaľte. • Zatvorte dvierka/zásuvku. • Neotvárajte dvierka/zásuvku príliš často. • Vyčistite tesnenie dvierok/zásuvky alebo ich vymeňte za nové. • Premiestnite police, priehradky na dvierkach alebo vnútorné zásobníky tak, aby sa dali dvierka/zásuvka zatvoriť.
Boky skrinky a lišty dvierok sa zahrievajú.	<ul style="list-style-type: none"> • - 	<ul style="list-style-type: none"> • Je to normálne.
Spotrebič vydáva neobvyklé zvuky.	<ul style="list-style-type: none"> • Spotrebič nie je umiestnený na rovnom povrchu. • Spotrebič sa dotýka nejakého predmetu v jeho okolí. 	<ul style="list-style-type: none"> • Nastavte nožičky a vyrovnajte spotrebič do vodorovnej polohy. • Odstráňte predmety v okolí spotrebiča.
Počuť tichý zvuk podobný tečúcej vode.	<ul style="list-style-type: none"> • - 	<ul style="list-style-type: none"> • Je to normálne.
Budete počuť pípnutie alarmu.	<ul style="list-style-type: none"> • Dvierka chladničky ostali otvorené. 	<ul style="list-style-type: none"> • Zatvorte dvierka.
Budete počuť slabé hučanie.	<ul style="list-style-type: none"> • Funguje systém proti kondenzácii 	<ul style="list-style-type: none"> • To zabraňuje kondenzácii a je to normálne
Nefunguje osvetlenie interiéru alebo chladiaci systém.	<ul style="list-style-type: none"> • Zástrčka nie je vsunutá do zásuvky. • Porucha zdroja napájania. • LED žiarovka nie je v poriadku. 	<ul style="list-style-type: none"> • Vsuňte zástrčku do zásuvky elektrickej siete. • Skontrolujte elektrické napájanie v miestnosti. Kontaktujte miestnu elektrárenskú spoločnosť! • Kontaktujte servis kvôli výmene žiarovky.

Ak chcete kontaktovať technický servis, navštívte našu webovú stránku:
<https://corporate.haier-europe.com/en/>

V sekcii „webová stránka“ vyberte značku svojho produktu a svoju krajinu. Stránka vás presmeruje na príslušnú webovú stránku, kde nájdete telefónne číslo a formulár na kontaktovanie technickej pomoci.

Prerušenie elektrického napájania

V prípade výpadku elektrického prúdu by mali potraviny zostať bezpečne vychladené približne 5 hodín. V prípade dlhšieho výpadku elektrického napájania, najmä v lete, postupujte podľa nasledujúcich pokynov:

- ▶ Dvierka/zásuvku otvárajte čo najmenej.
- ▶ Počas prerušenia napájania nekladajte do spotrebiča ďalšie potraviny.
- ▶ Ak vám je výpadok prúdu oznámený vopred a predpokladaná doba výpadku presahuje 5 hodín, vyrobte ľad a vložte ho do zásobníka v hornej časti chladničky.
- ▶ Ihneď po prerušení musíte potraviny skontrolovať.
- ▶ V dôsledku zvýšenia teploty v chladničke počas výpadku elektrického prúdu alebo inej poruchy dôjde k skráteniu trvanlivosti potravín a tiež sa zníži ich kvalita.

Funkcia pamäte pri prerušení napájania

Po obnovení napájania spotrebič pokračuje v nastaveniach, ktoré boli nastavené pred výpadkom prúdu.

Vybalenie



VAROVANIE!

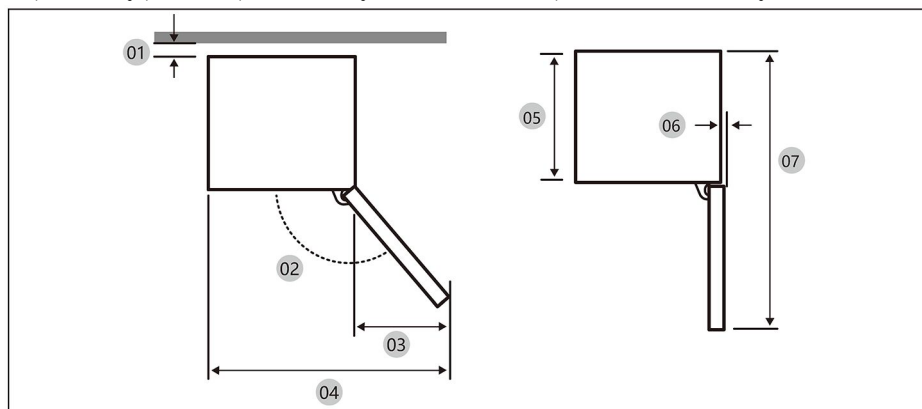
- ▶ Spotrebič je ťažký. Musia s ním vždy manipulovať dve osoby.
- ▶ Všetky obalové materiály udržiajte mimo dosahu detí a zlikvidujte ich spôsobom, ktorý je šetrný k životnému prostrediu
- ▶ Vyberte spotrebič z obalu.
- ▶ Odstráňte všetok obalový materiál

Podmienky prostredia

Teplota v miestnosti musí byť vždy medzi 10 °C až 43 °C, pretože môže mať vplyv na teplotu vo vnútri spotrebiča a na jeho spotrebu energie. Spotrebič neinštalujte v blízkosti iných spotrebičov sálajúcich teplo (rúry, chladničky).

Návrh priestoru

Odporúčaný priestor pri otvorených dverách (bez panelu dverí skrinky)

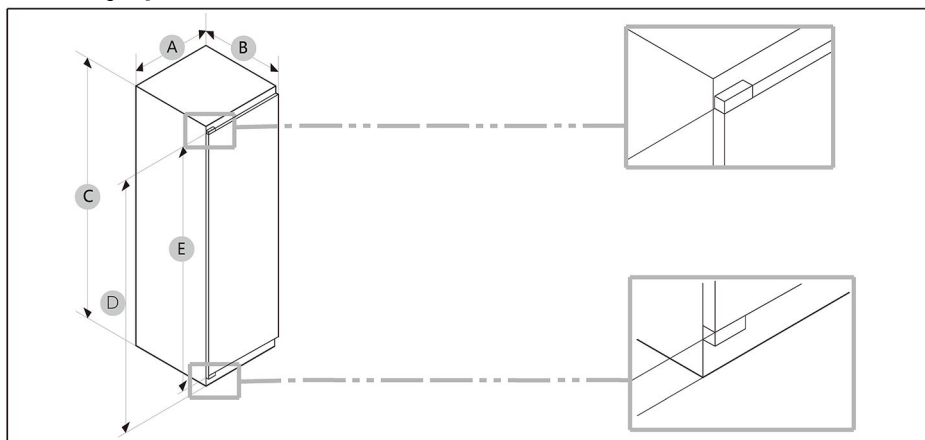


Model	CML5518EVW4
01*	10 (min.) / 30 (odporúčané)
02	95° (odporúčané)
03	43
04	583
05	515
06	-3
07	1060

(jednotka: mm)

* 01: Od skrinky po zadnú stenu spotrebiča.

Rozmery spotrebiča



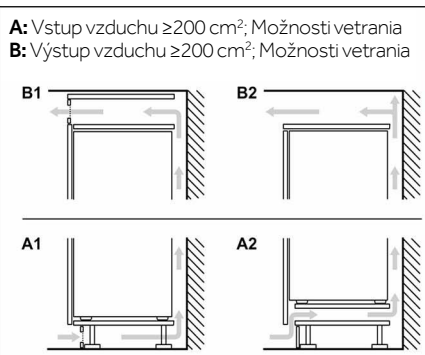
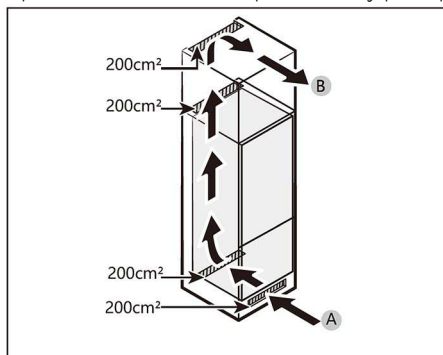
Model	A (mm)	B (mm)	C (mm)	D (mm)	E (mm)
CML5518EVW4	540±2	550±2	1772±2	1715	1671

OZNÁMENIE

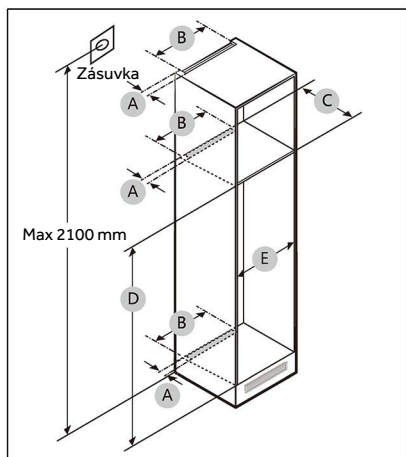
- Uvedená spotreba energie vyžaduje splnenie podmienky, že medzi skrinkou a zadnou stenou spotrebiča musí ostať 10 mm medzera. Spotrebič bude správne fungovať, aj keď bude medzera menšia ako 10 mm, spotrebuje však o niečo viac energie.
- Odporúčame použiť skrinku s hrúbkou steny 19 mm, so závesmi s hrúbkou menšou ako 17 mm.
- Rozmery vo vyššie uvedenej tabuľke sa môžu líšiť v závislosti od spôsobu merania.
- Informácie o inštalácii zabudovaním nájdete v Inštaláčnej príručke.

Požiadavky na ventiláciu

Na dosiahnutie dostatočnej ventilácie spotrebiča z bezpečnostných dôvodov je potrebné dodržiavať požiadavky pre správne vetranie.



Rozmer skrine



POZOR!

Záruka sa nevzťahuje na žiadnu poruchu spotrebiča, pokiaľ je spôsobená niektorou z nasledujúcich príčin.

1. Nevhodné podmienky na mieste alebo nesprávne veľkosti skriniek.
2. Chybná skriňa.
3. Chyby inštalátora alebo používateľa.

Medzera

Priestorové požiadavky na inštaláciu nájdete na obrázkoch a v tabuľkách nižšie.

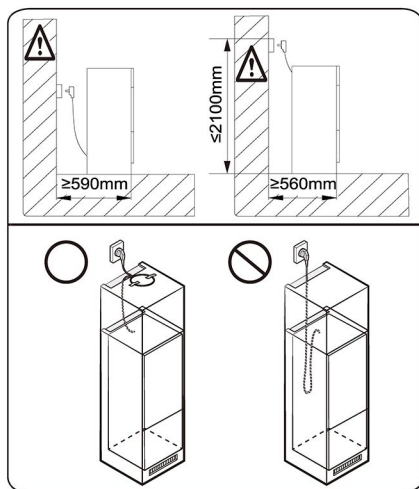
Model		A (mm)	B (mm)	C (mm)	D (mm)	E (mm)	Pripomienka
CML5518EVW4	Min.	50	400	560	1778	560	Záves: 17 mm
	Odporúčané			580	1780	562	
	Max.			-	1782	568	



OZNÁMENIE

- Ak je šírka skrinky väčšia ako 568 mm, tesnenie (medzi chladničkou a skrinkou) sa môže uvoľniť.
- Ak je skriňa vyššia ako maximálny rozmer (1782 mm), musíte na vyplnenie medzery použiť iný materiál na vyplnenie.

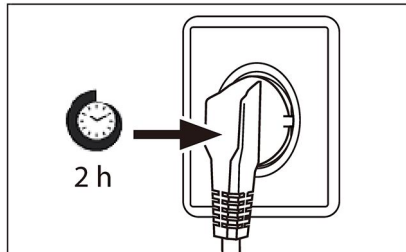
Zvážte umiestnenie zásuvky elektrickej siete a požadovaný priestor



i OZNÁMENIE

Ak chladničku nainštalujete do skrine s hĺbkou 560 mm, pred zapojením do elektrickej zásuvky sa uistite, že je napájací kábel umiestnený na bočnej strane chladničky. Ak je napájací kábel v zadnej časti chladničky, môže to znížiť energetickú účinnosť.

Doba čakania



V puzdre kompresora sa nachádza bezúdržbový mazací olej. Pri nakláňaní spotrebiča počas prevozu sa tento olej môže dostať cez uzatvorený systém rúrok. Pred pripojením spotrebiča ku zdroju napájania musíte počkať aspoň 2 hodiny, aby olej stiekol späť do puzdra.

Elektrické zapojenie

Pred každým pripojením skontrolujte, či:

- ▶ napájanie, zásuvka a istenie zodpovedajú typovému štítku.
- ▶ je sieťová zásuvka uzemnená a nie je pripojený žiadny adaptér s viacerými zásuvkami ani predlžovací kábel.
- ▶ sa zástrčka a zásuvka presne zhodujú.

Zástrčku pripojte k správne nainštalovanej domácej zásuvke.

! VAROVANIE!

Poškodený napájací kábel musia vymeniť v zákazníckom servise, aby sa zabránilo nebezpečenstvu (pozrite záručný list).

Špecifikácie výrobku podľa nariadenia EÚ č. 2019/2016

Značka	Candy	
Názov/identifikátor modelu	CML5518EVW4	
Kategória modelu	Chladnička s mrazničkou	
Trieda energetickej účinnosti	E	
Ročná spotreba energie (kWh/rok) (1)	173	
Celkový objem (l)	285	
Objem komory (l)	255	
Objem mrazničky (l)	30	
Objemová časť chladiča (l)	/	
Objem automatického výrobníka ľadu (l)	/	
Počet hviezdíčiek	/	
Teplota ďalších priestorov > 14 °C	Neuplatňuje sa	
Systém bez námrazy Frost-free	NIE	
Kapacita zmrazovania (kg/24 h)	2	
Klimatická trieda	SN/N/ST/T	
Trieda emisie hluku a emisie hluku prenášané vzduchom (db(A)re1pW)	B 35	
Čas nábehu teploty (h)	/	
Kapacita výroby ľadu	/	
Typ spotrebiča	Zabudovaný	

Názov modelu	Trieda energetickej účinnosti
CML5518EVW4	E

Vysvetlenie:

• Áno, odporúčané

- (1) Na základe výsledkov skúšky zhody noriem počas 24 hodín. Skutočná spotreba závisí od použitia a umiestnenia spotrebiča.
- (2) Klimatická trieda SN: Tento spotrebič je určený na použitie pri teplote okolia v rozsahu + 10 °C až +32 °C
 Klimatická trieda N: Tento spotrebič je určený na použitie pri teplote okolia v rozsahu + 16 °C až +32 °C
 Klimatická trieda ST: Tento spotrebič je určený na použitie pri teplote okolia v rozsahu + 16 °C až +38 °C
 Klimatická trieda T: Tento spotrebič je určený na použitie pri teplote okolia v rozsahu + 16 °C až +43 °C

Doplňujúce technické údaje

Napätie/Frekvencia	220-240 V ~ / 50 Hz
Vstupný prúd (A)	1,0
Hlavná poistka (A)	16
Chladiace médium	R600a
Rozmery (V/Š/H v mm)	1772/540/550

RF informácie

Maximálne e.i.r.p.: Bluetooth (BR/EDR): 10 dBm
 Bluetooth LE: 5 dBm
 2,4 GHz Wi-Fi: 16 dBm

Prevádzkové frekvenčné pásmo: 2400-2483,5 MHz

Odporúčame vám náš zákaznícky servis Haier a použitie originálnych náhradných dielov. Ak máte problém so svojím spotrebičom, najskôr si pozrite časť RIEŠENIE PROBLÉMOV.

Ak tam nenájdete riešenie, kontaktujte

- ▶ svojho miestneho predajcu alebo
- ▶ naše európske stredisko European Call Service-Center (pozri nižšie uvedené telefónne čísla) alebo
- ▶ oblasť Service & Support na stránke www.candy-home.com, kde môžete požiadať o servis
- ▶ a nájsť odpovede na najčastejšie otázky.

Ak chcete kontaktovať náš servis, uistite sa, že máte k dispozícii nasledujúce údaje. Informácie nájdete na typovom štítku.

Model _____

Sériové č. _____

V prípade záruky skontrolujte aj záručný list dodaný s výrobkom.

European Call Service-Center		
Krajina*	Telefónne číslo	Náklady
Haier Italy (IT)	199 100 912	
Haier Spain (ES)	902 509 123	
Haier Germany (DE)	01805393999	<ul style="list-style-type: none"> • 14 centov/min. pevná linka • max. 42 centov/min. mobil
Haier Austria (AT)	0820 001 205	<ul style="list-style-type: none"> • 14,53 centov/min. pevná linka • max. 20 centov/min. všetky ostatné
Haier United Kingdom (UK)	0333 003 8122	
Haier France (FR)	0980 406 409	

* Ďalšie krajiny nájdete na stránke www.candy-home.com

Haier Europe Trading S.r.l

Pobočka UK

Westgate House, Westgate, Ealing

London, W5 1YY

*Trvanie záruky na chladiaci spotrebič:

Minimálna záruka je: 2 roky pre krajiny EÚ, 3 roky pre Turecko, 1 rok pre Spojené kráľovstvo, 1 rok pre Rusko, 3 roky pre Švédsko, 2 roky pre Srbsko, 5 rokov pre Nórsko, 1 rok pre Maroko, 6 mesiacov pre Alžírsko, Tunisko nevyžaduje žiadnu zákonnú záruku.

*Obdobie poskytovania náhradných dielov na opravu spotrebiča:

Termostaty, snímače teploty, dosky plošných spojov a svetelné zdroje sú k dispozícii minimálne sedem rokov po uvedení poslednej jednotky modelu na trh.

Kľučky, závesy dverí, podnosy a koše minimálne počas siedmich rokov a tesnenia dverí počas minimálne 10 rokov po uvedení poslednej jednotky modelu na trh.

*Ďalšie informácie o výrobku nájdete na stránkach <https://eprel.ec.europa.eu/> alebo si naskenujte QR kód na štítku s údajmi o elektrickej spotrebe spotrebiča.

<u>425 Varnostne informacije</u>	<u>Pred prvo uporabo</u>	426
	<u>Namestitev</u>	426
	<u>Vsakodnevna uporaba</u>	427
	<u>Informacije o hladilnem plinu</u>	429
<u>430 Predvidena uporaba</u>		
<u>431 Opis izdelka</u>		
<u>432 Nadzorna plošča</u>		
<u>433 Uporaba</u>	<u>Funkcija zaklepanja/odklepanja</u>	433
	<u>Funkcija VKLOP/IZKLOP</u>	433
	<u>Funkcija Wi-Fi</u>	433
	<u>Prilagoditev temperature shrambe</u>	434
	<u>Funkcija Super Cool</u>	435
	<u>Funkcija ECO</u>	435
	<u>Funkcija Holiday</u>	435
<u>Error! Bookmark not defined. Oprema</u>		
<u>438 Nasveti za varčevanje z energijo</u>		
<u>439 Nega in čiščenje</u>		
<u>441 Odpravljanje težav</u>		
<u>445 Namestitev</u>		
<u>449 Tehnični podatki</u>		
<u>451 Služba za pomoč strankam</u>		

Zahvaljujemo se vam za nakup izdelka.

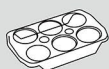
Pred uporabo aparata skrbno preberite ta navodila. Navodila vsebujejo pomembne informacije, ki vam bodo pomagale čim bolj izkoristiti aparat ter zagotoviti varno in pravilno namestitev, uporabo in vzdrževanje.

Ta priročnik hranite na priročnem mestu, da je vedno na dosegu roke za varno in pravilno uporabo aparata.

Če aparat prodate, ga podarite ali pustite za sabo, ko se selite, poskrbite, da boste ta priročnik predali novemu lastniku, da se bo lahko seznanil z aparatom in varnostnimi opozorili.

Dodatki

Preverite dodatke in literaturo v skladu s tem seznamom:



Pladenj
za jajca



Pladenj
za ledene
kocke



Strgalo
za zmrzal



Energijska
nalepka



Garancijska
kartica



Priročnik
z varnostnimi
opozorili



x4

Vijak



x2

Pokrov



x2

Gobasti blok



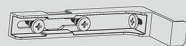
x4

Vodilo
drsnika



x4

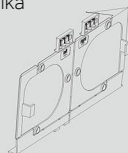
Drsnik asm.



Fiksna plošča



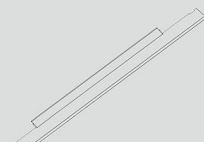
Pokrov tečaja



Spodnja fiksna plošča



Zgornja fiksna
plošča



Spodnji pokrov



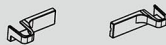
Spodnji stranski pokrov



Tesnilni trak



Tesnilna goba



Pokrov spodnjega tečaja

**OPOZORILO – Pomembne varnostne informacije****OBVESTILO – Splošne informacije in nasveti****Okoljske informacije****Odstranjevanje**

Pomagajte varovati okolje in zdravje ljudi. Embalažo odložite v ustrezne zbiralnike za recikliranje. Pomagajte pri recikliranju električnih in elektronskih odpadnih naprav. Aparatov, označenih s tem simbolom, ne odlagajte med gospodinjske odpadke. Vrnite izdelek vašemu lokalnemu obratu za recikliranje ali se obrnite na občinski urad.

**OPOZORILO!**

Nevarnost telesnih poškodb ali zadužitve!

Hladilna sredstva in pline je treba odstraniti profesionalno. Prepričajte se, da cevi hladilnega tokokroga niso poškodovane, preden jih ustrezno zavržete. Aparat pred čiščenjem odklopite z napajanja. Odsluženemu aparatu odrežite električni kabel in ga zavržite. Odstranite pladnje in predale ter zatič in tesnila vrat, da preprečite zapiranje otrok in hišnih ljubljencev v aparat.

Pred prvim vklopom aparata preberite naslednje varnostne nasvete!:



OPOZORILO!

Pred prvo uporabo

- ▶ Prepričajte se, da med prevozom ni prišlo do poškodb.
- ▶ Pred namestitvijo aparata počakajte vsaj dve uri, da zagotovite polno učinkovitost hladilnega krogotoka.
- ▶ Aparat naj prenašata vsaj dve osebi, ker je težek.
- ▶ Odstranite vso embalažo in jo hranite izven dosega otrok ter jo zavržite na okolju prijazen način.
- ▶ Očistite notranjost in zunanost aparata z vodo in blagim detergentom, preden vanj položite hrano.
- ▶ Ko je aparat poravnan in očiščen, počakajte vsaj 2–5 ur, preden ga priključite na napajanje. Glejte poglavje NAMESTITEV.
- ▶ Preden aparat napolnite s hrano, predhodno ohladite predele pri visokih nastavitvah. Funkcija Super Cool pomaga hitro ohladiti predele.
- ▶ Temperatura v shrambi je samodejno nastavljena na 5 C. To je priporočena nastavitev. Če želite, lahko to temperaturo ročno spremenite. Glejte razdelek PRILAGODITEV TEMPERATURE.
- ▶ Ta hladilni aparat ima v zgornjem delu 30-litrski zamrzovalni prostor. Temperatura zamrzovalnega prostora se spreminja glede na temperaturo v shrambi.

Namestitev

- ▶ Aparat naj bo postavljen v dobro prezračevan prostor.
- ▶ Aparata nikoli ne postavljajte na vlažno mesto ali mesto, kjer bi lahko po njem brizgala voda. Očistite in pobrišite vodne kapljice in madeže z mehko čisto krpo.
- ▶ Aparata ne postavljajte neposredno na sonce ali blizu virov toplote (npr. štedilnikov, grelcev).
- ▶ Aparat namestite na mestu, ki je primerno njegovi velikosti in namenu.
- ▶ Poskrbite, da bodo prezračevalne odprtine aparata ali vgradnih elementov proste in neovirane.
- ▶ Prepričajte se, da se podatki o električnem toku na ploščici s tehničnimi navedbami ujemajo z napajanjem. V nasprotnem primeru se obrnite na električarja.
- ▶ Aparat deluje z izmeničnim napajanjem 220–240 VAC/50 Hz. Nenormalno nihanje napetosti lahko povzroči, da se aparat ne zažene, poškoduje regulator temperature ali kompresor ali pa se med delovanjem pojavi nenavaden hrup. V tem primeru se namesti samodejni regulator.
- ▶ Ne uporabljajte adapterjev z več vtiči in podaljškov.
- ▶ Prenosnih vtičnic ali prenosnega električnega napajanja ne postavljajte za aparat.
- ▶ Prepričajte se, da se napajalni kabel ni zataknil pod hladilnikom. Ne stopajte na napajalni kabel.



OPOZORILO!

- ▶ Uporabite ločeno ozemljeno vtičnico za napajanje, ki je lahko dostopna. Aparat mora biti ustrezno ozemljen.
Samo za Združeno kraljestvo: Napajalni kabel aparata je opremljen s 3-žilnim (ozemljitvenim) vtičem, ki ustreza standardni 3-žilni (ozemljeni) vtičnici. Nikoli ne odrežite in ne odstranjujte tretjega zatiča (ozemljitev). Po namestitvi aparata mora biti vtič dostopen.
- ▶ Ne poškodujte hladilne napeljave.

Vsakodnevna uporaba

- ▶ Ta aparat lahko uporabljajo otroci, starejši od 8 let, ter osebe z zmanjšanimi fizičnimi, senzoričnimi ali umskimi zmožnostmi ali s pomanjkanjem izkušenj in znanja, pod ustreznim nadzorom, ali če imajo navodila za varno uporabo aparata ter če razumejo s tem povezana tveganja.
- ▶ Otrokom, stari od 3 do 8 let, je dovoljeno polnjenje in praznjenje, vendar jim ni dovoljeno čiščenje in nameščanje hladilnih aparatov.
- ▶ Otroci, mlajši od 3 let, naj se zadržujejo stran od aparata, razen če so pod stalnim nadzorom.
- ▶ Otroci naj se z aparatom ne igrajo.
- ▶ Če v bližini aparata pušča hladilni plin ali drug vnetljiv plin, izklopite ventil uhajajočega plina, odprite vrata in okna ter ne odklopite napajalnega kabla hladilnika ali drugega aparata.
- ▶ Upoštevajte, da je aparat nastavljen za delovanje v določenem območju temperature okolja med 10 in 43 °C. Aparat morda ne bo deloval pravilno, če je dlje časa izpostavljen temperaturi, ki je višja ali nižja od navedene.
- ▶ Na hladilnik ne postavljajte nestabilnih predmetov (težkih predmetov, posod, napoljenih z vodo), da se izognete poškodbam zaradi padca ali električnega udara zaradi stika z vodo.
- ▶ Ne vlecite vratnih polic. Vrata se lahko potegnejo poševno, stojalo za steklenice se lahko izvleče ali pa se aparat prevrne.
- ▶ Vrata odpirajte in zapirajte samo z ročaji. Razmik med vrati ter vrati in omaro je zelo ozek. Ne segajte z rokami v te predele, da se izognete priprtju prstov. Vrata hladilnika odprite ali zaprite le, če v območju premikanja vrat ni otrok.
- ▶ Ko nameščate aparat, poskrbite, da električni kabel ne bo zataknjen ali poškodovan.
- ▶ V aparatu ne shranjujte eksplozivnih substanc, kot so na primer razpršilci pod tlakom z vnetljivim potisnim plinom.
- ▶ Da bi preprečili kontaminacijo živil:
 - Če so vrata predolgo odprta, se lahko temperatura znotraj hladilnega aparata občutno zviša.
 - Redno čistite površine, ki prihajajo v stik z živili in drenažnimi sistemi.
 - Surovo meso in ribe shranjujte v primernih posodah v hladilniku, da ne pridejo v stik z drugo hrano oz. ne kapljajo nanjo.
 - Če izdelek dlje časa pustite prazen, ga izklopite, odmrznite, očistite in posušite ter pustite odprta vrata, da preprečite nastanek plesni v aparatu.

**OPOZORILO!**

- ▶ V aparatu ali njegovi bližini ne shranjujte ali uporabljajte vnetljivih, eksplozivnih ali jedkih snovi.
- ▶ V aparatu ne shranjujte zdravil, bakterij ali kemičnih snovi. Ta aparat je gospodinjiski aparat. Zato ni priporočljivo hraniti materialov, ki zahtevajo strogo določene temperature.
- ▶ V zamrzovalniku nikoli ne shranjujte tekočin v steklenicah ali pločevinkah (razen močnih žganih pijač), zlasti gaziranih pijač, saj jih bo med zamrzovanjem razneslo.
- ▶ Preverite stanje hrane, če je prišlo do segrevanja v zamrzovalniku.
- ▶ Ne nastavite nepotrebno nizke temperature v predelu hladilnika. Pri visokih nastavitvah lahko pride do temperatur pod ničlo. Pozor: Steklenice lahko počijo
- ▶ Zamrznjenih živil se ne dotikajte z mokrimi rokami (uporabite rokavice). Še posebej ne jejte ledenk takoj, ko jih vzamete iz zamrzovalnika. Obstaja tveganje za zamrznitev ali nastanek mehurjev zaradi zmrzali. PRVA pomoč: takoj postavite pod tekočo mrzlo vodo. Ne vlecite proč!
- ▶ Med delovanjem se ne dotikajte notranjosti zamrzovalnega dela, zlasti z mokrimi rokami, saj lahko vaše roke primrznejo na površino.
- ▶ V primeru prekinitev napajanja ali pred čiščenjem aparat izklopite. Pred ponovnim zagonom aparata počakajte vsaj 7 minut, saj lahko pogosto zaganjanje poškoduje kompresor.
- ▶ Ne uporabljajte električnih naprav v predalih za shranjevanje živil v aparatu, razen če njihovo uporabo priporoča proizvajalec. Vzdrževanje/čiščenje
- ▶ Poskrbite, da bodo otroci pod nadzorom, če bodo opravljali čiščenje in vzdrževanje.
- ▶ Pred vsakim rednim vzdrževanjem aparat odklopite iz električnega napajanja. Pred ponovnim zagonom aparata počakajte vsaj 5 minut, saj lahko pogosto zaganjanje poškoduje kompresor.



OPOZORILO!

- ▶ Pri izklopu aparata primite vtič kabla, ne vlecite kabla.
- ▶ Aparata ne čistite s trdimi ščetkami, žičnimi krtačami, detergentom v prahu, bencinom, amil acetatom, acetonom in podobnimi organskimi raztopinami, kislimi ali alkalnimi raztopinami. Čistite ga s posebnim detergentom za hladilnik, da se izognete poškodbam.
- ▶ Zmrzali ne strgajte z ostrimi predmeti. Ne uporabljajte razpršil in električnih grelnikov, kot so grelnik, sušilec za lase, parni čistilniki ali drugi viri toplote, da se izognete poškodbam plastičnih delov.
- ▶ Ne uporabljajte mehanskih sredstev za pospešitev odmrzovanja oziroma sredstev, ki jih ne priporoča proizvajalec.
- ▶ Če je priključni kabel poškodovan, morate preprečiti morebitna tveganja, zato ga sme nadomestiti samo proizvajalec, njegov servisni agent ali drug kvalificiran serviser.
- ▶ Aparata ne poskušajte popravljati, razstavljati ali spreminjati sami. V primeru popravila se obrnite na našo službo za stranke.
- ▶ Vsaj enkrat letno odstranite prah na hrbtni strani enote, da se izognete nevarnosti požara in povečani porabi energije.
- ▶ Med čiščenjem aparata ne škropite ali spirajte.
- ▶ Aparata ne čistite s pršenjem vode ali paro.
- ▶ Hladnih steklenih polic ne čistite z vročo vodo. Zaradi nenadne spremembe temperature lahko steklo počí.

Informacije o hladilnem plinu



OPOZORILO!

Aparat vsebuje vnetljivo hladilno sredstvo IZOBUTAN (R600a). Prepričajte se, da hladilni tokokrog med transportom ali namestitvijo ni poškodovan. Puščanje hladilnega sredstva lahko povzroči poškodbe oči ali pa se sredstvo vname. Če je prišlo do poškodbe, aparatu ne približujte odprtih virov ognja, temeljito prezračite prostor, ne priključujte ali odklapljajte napajalnih kablov aparata ali katere koli druge naprave. Obvestite službo za pomoč strankam.

Če oči pridejo v stik s hladilnim sredstvom, jih takoj sperite pod tekočo vodo in pokličite očesnega specialista.

Predvidena uporaba

Ta aparat je namenjen hlajenju živil. Zasnovan je bil izključno za uporabo v gospodinjstvih in prostorih, kot so kuhinjski prostori za osebe v trgovinah, pisarne in druga delovna okolja; na kmetijah in za uporabo strank v hotelih, motelih in drugih bivalnih objektih ter v prenočitvenih in gostinskih dejavnostih. Ni primeren za komercialno ali industrijsko uporabo.

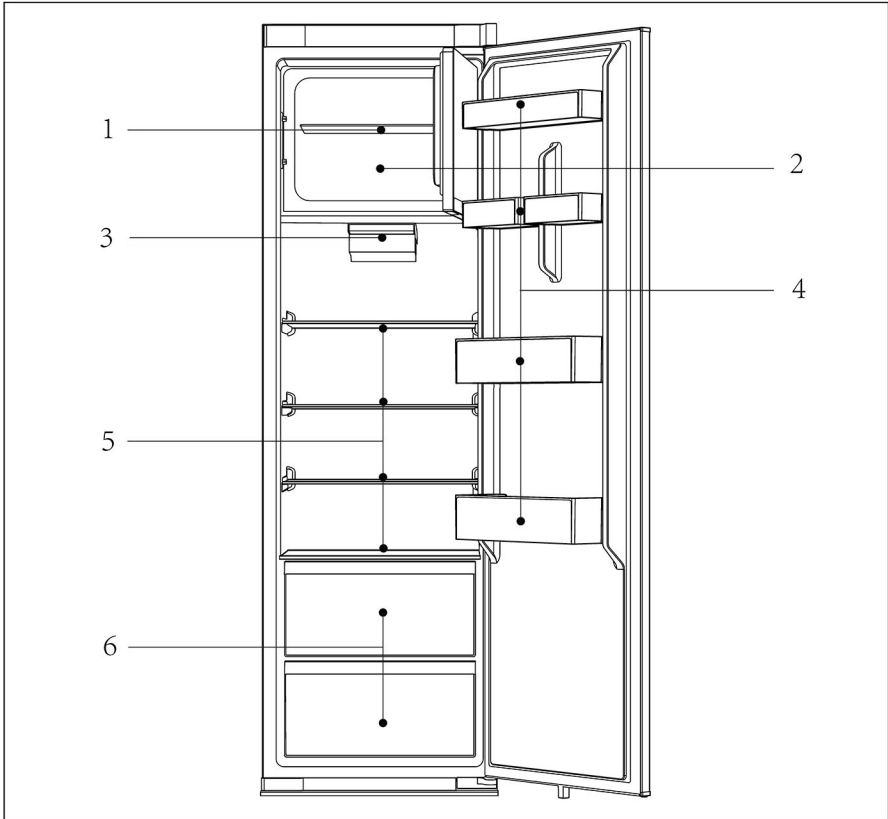
Spreminjanje aparata je prepovedano. Nenamenska uporaba lahko povzroči nevarnosti in izgubo garancijskih zahtevkov.

Standardi in direktive

Ta izdelek izpolnjuje zahteve vseh veljavnih direktiv ES z ustreznimi usklajenimi standardi, ki določajo oznako CE.

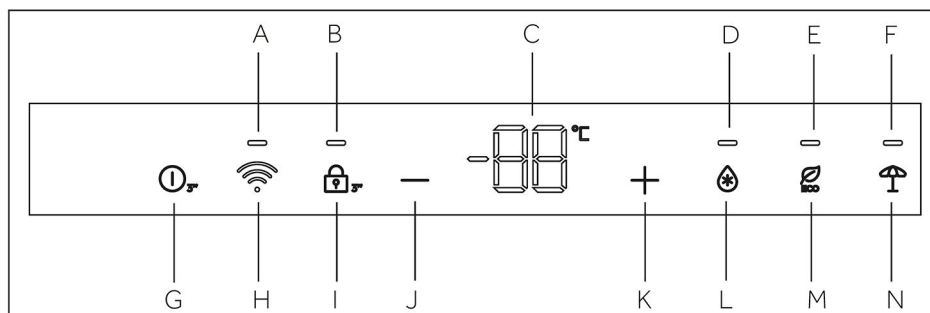
i OBVESTILO

Zaradi tehničnih sprememb in različnih modelov se lahko nekatere ilustracije v tem priročniku razlikujejo od vašega modela.

**CML5518EVW4**

- 1 Navadna polica za zamrzovalnik
- 2 Prostor za zamrzovanje
- 3 Ventilator in luč LED
- 4 Držala za steklenice
- 5 Običajne police v shrambi
- 6 Navadni predali za shranjevanje

Nadzorna plošča



Kazalniki:

- A Ikona funkcije Wi-Fi
- B Ikona za zaklepanje/odklepanje
- C Ikona za prikaz temperature
- D Ikona funkcije Super Cool
- E Ikona funkcije ECO
- F Ikona funkcije Holiday

Gumbi:

- G Tipka za VKLOP/IZKLOP
- H Tipka za seznanitev z Wi-Fi
- I Tipka za zaklepanje/odklepanje
- J Tipka za znižanje temperature
- K Tipka za povišanje temperature
- L Funkcijska tipka Super Cool
- M Funkcijska tipka ECO
- N Funkcijska tipka Holiday

Senzorske tipke

Gumbi na nadzorni plošči so senzorske tipke, ki se odzovejo, ko se jih rahlo dotaknete s prstom.

i OBVESTILO

Ko je aparat vklopljen, lahko traja do 12 ur, da doseže pravilno temperaturo.

Pred upravljanjem zaslona najprej odprite vrata hladilnika.

Funkcija zaklepanja/odklepanja

Ta tipka in njena ikona se uporabljata za zaklepanje ali odklepanje krmilnega zaslona in označujeta njegovo trenutno stanje.

Odprite vrata hladilnika med delovanjem hladilnika. Krmilni zaslon se prižge in sveti ikona za zaklepanje/odklepanje. V tem trenutku je krmilni zaslon v zaklenjenem stanju in ga ni mogoče upravljati.

Ročno odklepanje ali zaklepanje zaslona: ko sveti ikona za zaklepanje/odklepanje, se za 3 sekunde tipke za zaklepanje/odklepanje. Ikona bo ugasnila in oglasil se bo zvočni signal. Zdaj lahko izberete funkcijo ali prilagodite temperaturo.

Ko ikona za zaklepanje/odklepanje ne sveti, se za 3 sekunde dotaknite ikone za zaklepanje/odklepanje. Ikona za zaklepanje/odklepanje bo zasvetila in oglasil se bo zvočni signal. Zdaj funkcij ni mogoče izbirati in temperature ni mogoče nastavljati.

Samodejno zaklepanje zaslona: ko so vrata hladilnika zaprta, se krmilni zaslon izklopi in zaklene.

Ko odprete vrata hladilnika, se krmilni zaslon samodejno zaklene, če v 30 sekundah ne izvedete nobenega dejanja.

Funkcija VKLOP/IZKLOP

Tipka za VKLOP/IZKLOP se uporablja za preklapljanje med načinom IZKLOP (stanje prekinitve delovanja) in načinom VKLOP (normalni načini delovanja).

Vstop v način IZKLOP: v načinu delovanja hladilnika najprej odklenite zaslon, nato pa se 3 sekunde dotikajte funkcijske tipke VKLOP/IZKLOP, da izklopite krmilni zaslon, osvetlitev hladilnika, hlajenje in druge funkcije. Oglasil se bo zvočni signal.



OBVESTILO

Način IZKLOP ne pomeni popolnega izklopa. Hladilnik še vedno deluje.

Zapuščanje načina IZKLOP: V načinu IZKLOP se za 3 sekunde dotaknite tipke za VKLOP/IZKLOP, da ponovno zaženete krmilni zaslon, osvetlitev hladilnika, hlajenje in druge funkcije. Oglasil se bo zvočni signal. Hladilnik se bo povrnil na prej nastavljeno temperaturo in funkcijo ter ponovno začel normalno delovati.

Funkcija Wi-Fi

Seznanjanje z Wi-Fi: Ob prvem vklopu hladilnika bo ta samodejno prešel v način konfiguracije omrežja. Ikona funkcije Wi-Fi bo hitro utripala in če seznanjanja z Wi-Fi ne izvedete, bo to stanje samodejno zapustil po 30 minutah.

Ročni vstop v način seznanjanja z Wi-Fi: ko odklenete krmilni zaslon in ikona funkcije Wi-Fi sveti, 3 sekunde pritisnete tipko za seznanjanje z Wi-Fi, da vstopite v ta način. V tem času bo ikona funkcije Wi-Fi hitro utripala, kar pomeni, da je v načinu seznanjanja z Wi-Fi. Če ne izvedete nobenega dejanja za seznanjanje z omrežjem, hladilnik to funkcijo samodejno zapusti po 30 minutah.

POSTOPEK SEZNANITVE V APLIKACIJI

1. korak • Prenesite aplikacijo hOn iz ustrezne trgovine.



2. korak Ustvarite račun v aplikaciji hOn ali se prijavite, če račun že imate.



3. korak Sledite navodilom za seznanjanje v aplikaciji hOn



i OBVESTILO

V načinu seznanjanja z Wi-Fi upoštevajte navodila aplikacije in dokončajte konfiguracijo omrežja. Če želite spremeniti okolje Wi-Fi, morate znova vstopiti v ta način. Če ikona funkcije Wi-Fi ostane prižgana, to pomeni, da je bila povezava z omrežjem uspešno vzpostavljena.

Prilagoditev temperature shrambe

Ko ste odprli vrata hladilnika in odklenili krmilni zaslon, lahko s tipko Znižanje temperature znižate nastavljeno temperaturo v hladilniku. Vsakič, ko se tipke rahlo dotaknete, se temperatura zniža za 1 °C, dovoljena najnižja temperatura pa je 1 °C. Ko ste odprli vrata hladilnika in odklenili krmilni zaslon, lahko s tipko Povišanje temperature povišate nastavljeno temperaturo hladilnika. Vsakič, ko se tipke rahlo dotaknete, se temperatura poviša za 1 °C, najvišja dovoljena temperatura pa je 9 °C. Med delovanjem bo ikona za prikaz temperature prikazovala nastavljeno temperaturo in utripala. Nastavljena temperatura se po 5 sekundah samodejno potrdi na krmilnem zaslonu.

Funkcija Super Cool

Ta tipka in njena ikona se uporabljata za prekllop funkcije Super Cool v hladilniku in prikaz trenutnega stanja.

Ko odprete vrata hladilnika in odklenete krmilni zaslon, se dotaknite tipke

»Super Cool«. Zasveti ikona »Super Cool«. Zdaj je hladilnik v načinu »Super Cool«.

Če želite izklopiti način, se ponovno dotaknite tipke »Super Cool«. Po vklopu funkcije Super Cool bo hladilnik po približno 48 urah način Super Cool samodejno izklopil, da temperatura v hladilniku ne bi bila prenizka.

Če v hladilnik v kratkem času vstavite večjo količino živil, se temperatura v hladilniku zviša. Po vklopu funkcije Super Cool se temperatura teh živil lahko hitro zniža.

Če v shrambo vstavite večjo količino živil, lahko funkcijo Super Cool vklopite neposredno. Če nameravate v zamrzovalnik vstaviti večjo količino živil, funkcijo Super Cool vklopite 12 ur pred vstavljanjem.

Funkcija ECO

Ko ste odprli vrata hladilnika in odklenili krmilni zaslon, se rahlo dotaknite funkcijske tipke ECO. Zasveti ikona funkcije ECO, kar pomeni, da je hladilnik že v tem načinu.

Če želite ta način izklopiti, se znova rahlo dotaknite funkcijske tipke ECO.

V načinu ECO bo hladilnik samodejno deloval pri povprečni temperaturi 5 °C.

Funkcija Holiday

Ko ste odprli vrata hladilnika in odklenili krmilni zaslon, se rahlo dotaknite funkcijske tipke Holiday. Zasveti ikona funkcije Holiday, kar pomeni, da je hladilnik že v tem načinu.

Če želite ta način izklopiti, se znova rahlo dotaknite funkcijske tipke Holiday.

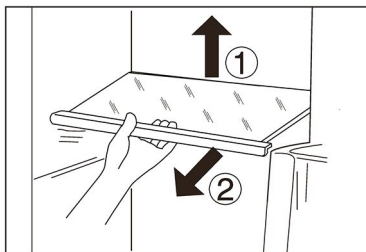
V načinu funkcije Holiday hladilnik samodejno deluje pri povprečni temperaturi 17 °C.

Ko je vklopljena funkcija Holiday, shramba in zamrzovalni prostor skupaj preideta v funkcijo Holiday, zamrznjena živila pa je treba prav tako odstraniti, da preprečite poškodbe živil zaradi visoke temperature.

OBVESTILO

Zaradi različne logike delovanja posebnih funkcij, kot so funkcija Super Cool, funkcija ECO in funkcija Holiday, teh posebnih načinov ni mogoče aktivirati hkrati. Aktivirana je lahko samo ena funkcija, pri preklapljanju med načini pa se drugi posebni načini samodejno izklopijo. Poleg tega nastavljene temperature ni mogoče spremeniti, če omenjenih načinov pred tem ne zapustite.

Idealen način za sveža živila, kot so sadje in zelenjava, mlečni izdelki, meso in pijače, je 5 °C.



Police

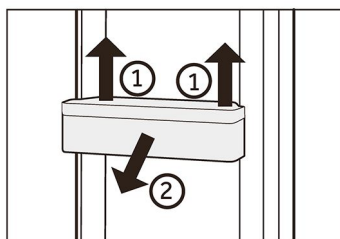
1. Višino polic lahko prilagodite tako, da ustrezajo vašim potrebam po shranjevanju.
2. Za premik police jo najprej odstranite tako, da dvignete njen zadnji rob ① in jo izvlečete ②.
3. Če jo želite ponovno namestiti, jo postavite na vodila na obeh straneh in potisnite do konca nazaj, dokler zadnji del police ni pritrjen v reže na strani.

i OBVESTILO

Prepričajte se, da so vsi konci police poravnani.

Odstranljiva steklenica

1. Steklenico je mogoče odstraniti za čiščenje.
2. Položite roke na vsako stran posode ter jo dvignite navzgor ① in navzven ②.
3. Za vstavev steklenice zgornje korake izvedite v obratnem vrstnem redu.



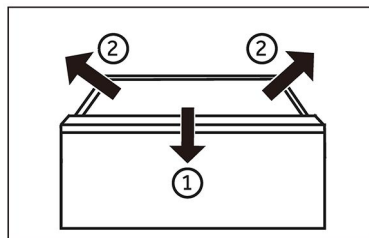
i OBVESTILO

Zaradi značilnosti lokacije je temperatura na podstavku steklenice na prvi in drugi plasti vrat nekoliko višja od temperature v hladilniku, zato ga je priporočljivo uporabljati le za kratkotrajno shranjevanje živil.

Odstranljiv predal

Če želite predal odstraniti, ga v največji možni meri izvlecite ①, dvignite in odstranite ②.

Za vstavitve predala zgornje korake izvedite v obratnem vrstnem redu.

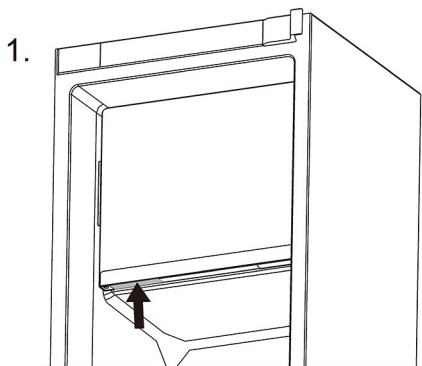


Luč

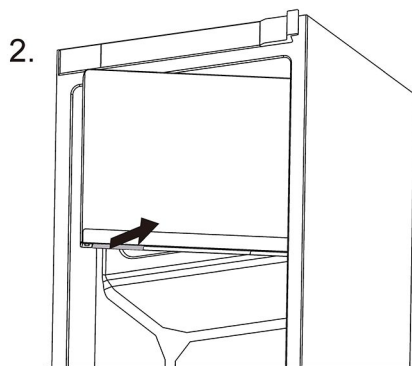
Notranja lučka LED se prižge, ko so odprta vrata. Na delovanje luči ne vpliva nobena druga nastavitve aparata.

Zamrzovalni prostor

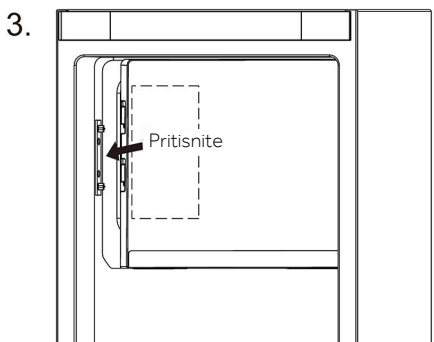
Ta hladilni aparat ima v zgornjem delu 30-litrski zamrzovalni prostor. Temperatura zamrzovalnega prostora se spreminja glede na temperaturo v shrambi. Odprite vrata zamrzovalnega prostora: Najprej pritisnite stikalo navzgor, kot je prikazano na sliki 1; nato ga izvlecite, kot je prikazano na sliki 2; Zaprite vrata zamrzovalnega prostora: Pritisnite na sredino stranske odprtine malih vrat, kot je prikazano na sliki 3.



Stikalo potisnite navzgor



Stikalo povlecite navzven





Namigi za varčevanje z električno energijo

- ▶ Prepričajte se, da je aparat pravilno prezračen (glejte NAMESTITEV).
- ▶ Aparata ne postavljajte neposredno na sonce ali blizu virov toplote (npr. štedilnikov, grelcev).
- ▶ Izogibajte se nepotrebno nizki temperaturi v aparatu. Poraba energije se poveča, ko je v aparatu nastavljena nižja temperatura.
- ▶ Funkcije, kot je Super Cool, porabijo več energije.
- ▶ Počakajte, da se toplotno obdelana živila ohladijo in jih šele nato postavite v aparat.
- ▶ Vrata aparata odprite čim manjkrat in za čim krajše obdobje.
- ▶ Aparata ne polnite preveč, da se izognete oviranju pretoka zraka.
- ▶ Izogibajte se zraku v embalaži živil.
- ▶ Tesnila vrat naj bodo čista, da se bodo vrata vedno pravilno zaprla.
- ▶ Konfiguracija, ki najbolj varčuje z energijo, zahteva, da ima aparat predale, škatle za hrano in police v tovarniško nastavljenem stanju, hrano pa je treba postaviti čim bolj narazen, ne da bi blokirali odprtini zračnega kanala.

OPOZORILO!

Aparat pred čiščenjem izključite iz napajanja.

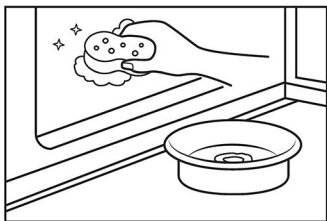
Čiščenje

Aparat očistite, ko hranite le malo živil ali nič.

Aparat je treba očistiti vsake štiri tedne za dobro vzdrževanje in za preprečevanje neprijetnega vonja hrane.

OPOZORILO!

- ▶ Aparata ne čistite s trdimi ščetkami, žičnimi krtačami, detergentom v prahu, bencinom, amil acetatom, acetonom in podobnimi organskimi raztopinami, kislimi ali alkalnimi raztopinami. Čistite ga s posebnim detergentom za hladilnik, da se izognete poškodbam.
- ▶ Med čiščenjem aparata ne škropite ali spirajte.
- ▶ Aparata ne čistite s pršenjem vode ali paro.
- ▶ Hladnih steklenih polic ne čistite z vročo vodo. Zaradi nenadne spremembe temperature se lahko steklo zlomi.



- ▶ Tesnilo na vratih naj bo vedno čisto.
- ▶ Očistite notranjost in ohišje aparata z gobo, navlaženo v topli vodi in nevtralnem čistilu.
- ▶ 1. Z mehko brisačo ali gobico, namočeno v toplo vodo (v toplo vodo lahko dodate nevtralen detergent), obrišite notranjost in zunanost hladilnika, vključno s tesnilom na vratih, stojalom za vrata, steklenimi policami, posodami in podobno.
- ▶ 2. Če pride do razlitja tekočine, odstranite vse kontaminirane dele, neposredno jih sperite s tekočo vodo, posušite in vrnite v hladilnik.
- ▶ 3. Če pride do razlitja kremaste snovi (na primer smetana, stopljeni sladoled), odstranite vse kontaminirane dele, za nekaj časa postavite v toplo vodo s temperaturo približno 40 °C, nato sperite s tekočo vodo, posušite in vrnite nazaj v hladilnik.
- ▶ 4. Če se majhen del ali komponenta zatakne v hladilniku (med policami ali predali), ga odstranite z majhno mehko krtačo. Če dela ne dosežete, se obrnite na servis Haier
- ▶ Sperite in posušite z mehko krpo.
- ▶ Nobenega dela aparata ne čistite v pomivalnem stroju.
- ▶ Pred ponovnim zagonom aparata počakajte vsaj 5 minut, saj lahko pogosto zaganjanje poškoduje kompresor.

OBVESTILO

Odočni kanal ne sme biti zamašen s tujski, sicer lahko pride do težave s prelivanjem vode. Če je odočni kanal zamašen, lahko izvlčete predal in ga očistite s krpo.



Odmrzovanje

Če v hladilnik vstavite preveliko količino živil ali vrata prepogosto odpirate in zapirate, se na zadnji strani shrambe ali zamrzovalnega prostora lahko pojavi zmrzal, ki jo je potrebno ročno odstraniti s strgalom za zmrzal.

Menjava luči LED



OPOZORILO!

Luči LED ne smete zamenjati sami, zamenjati jo sme le proizvajalec ali pooblaščen servisier.

Luči kot vir svetlobe uporabljajo sijalke LED z nizko porabo energije in dolgo življenjsko dobo. Če pride do kakršnih koli nepravilnosti, se obrnite na službo za pomoč strankam. Glejte SLUŽBA ZA POMOČ STRANKAM.

Parametri luči:

Hladilni prostor: največ 12 V, 1,5 W

Ta izdelek vsebuje svetlobni vir razreda energetske učinkovitosti <G>.

Dolgotrajna neuporaba

Če aparata ne uporabljate dalj časa in ne boste uporabljali načina Holiday za hladilnik: vso hrano odstranite;

izklopite napajalni kabel.

očistite aparat, kot je opisano zgoraj.

vrata naj ostanejo odprta, da preprečite nastanek neprijetnega vonja.



OBVESTILO

Aparat izklopite le, če je to nujno potrebno.

Premikanje aparata

1. Odstranite vso hrano in izključite aparat.
2. Police in druge premične dele v shrambi pritrdite z lepilnim trakom.
3. Hladilnika ne nagibajte za več kot 45°, da ne poškodujete hladilnega sistema.



OPOZORILO!

- ▶ Aparata ne dvigujte za ročaje.
- ▶ Aparata nikoli ne postavljajte vodoravno na tla.

Številne težave, do katerih prihaja, bi lahko rešili sami brez posebnega strokovnega znanja. V primeru težav preverite vse prikazane možnosti in sledite spodnjim navodilom, preden se obrnete na servisno službo. Glejte SLUŽBA ZA POMOČ STRANKAM.



OPOZORILO!

- ▶ Pred vzdrževanjem izklopite aparat in odklopite vtič iz vtičnice.
- ▶ Električno opremo lahko servisirajo samo usposobljeni električarji, saj lahko nepravilna popravila povzročijo znatno posledično škodo.
- ▶ Če je napajalni kabel poškodovan, ga sme zamenjati samo proizvajalec, njegov servisni agent ali drug kvalificiran serviser, da preprečite morebitne nevarnosti.

Težava	Možen vzrok	Možna rešitev
Kompresor ne deluje.	<ul style="list-style-type: none"> • Omrežni vtič ni priključen v omrežno vtičnico. • Aparat je v ciklu odmrzovanja. 	<ul style="list-style-type: none"> • Priključite omrežni vtič. • To je normalno za avtomatsko odmrzovanje.
Aparat deluje prepogosto ali deluje predolgo.	<ul style="list-style-type: none"> • Notranja ali zunanja temperatura je previsoka. • Aparat že nekaj časa ni vklopljen. • Vrata aparata niso tesno zaprta. • Vrata so bila odprta prepogosto ali predolgo. • Nastavitev temperature v prostoru shrambe je prenizka. • Tesnila vrat so umazana, obrabljena, razpokana ali neustrezna. • Zahtevano kroženje zraka ni zagotovljeno. 	<ul style="list-style-type: none"> • V tem primeru je običajno, da aparat deluje dlje. • Običajno traja od 8 do 12 ur, da se aparat popolnoma ohladi. • Zaprite vrata/predal in se prepričajte, da je aparat nameščen na ravni podlagi ter da na vratih ni ovirajoče hrane ali posode. • Vrat/predala ne odpirajte prepogosto. • Nastavite višjo temperaturo, dokler ni dosežena zadovoljiva temperatura za hlajenje. Temperatura hladilnika je stabilna po 24 urah. • Očistite tesnilo vrat/predala ali prosite službo za pomoč strankam, da vam ga zamenja. • Zagotovite ustrezno prezračevanje.
Notranjost hladilnika je umazana in/ali ima neprijeten vonj.	<ul style="list-style-type: none"> • Notranjost hladilnika je potrebno očistiti. • V hladilniku je shranjena hrana z močnim vonjem. 	<ul style="list-style-type: none"> • Očistite notranjost hladilnika. • Hrano temeljito zavijte.

Težava	Možen vzrok	Možna rešitev
Znotraj aparata ni dovolj hladno.	<ul style="list-style-type: none"> • Temperatura je nastavljena previsoko. • Spravili ste preveč tople hrane. • Naenkrat ste spravili preveč hrane. • Živila so preblizu drug drugemu. • Vrata/predal aparata ni(so) tesno zaprt(a). • Vrata/predal je bil odprt prepogosto ali predolgo. 	<ul style="list-style-type: none"> • Ponastavite temperaturo. • Preden blago shranite, ga vedno ohladite. • Vedno shranjujte manjše količine hrane. • Pustite razmik med živili, ki omogoča pretok zraka. • Zaprite vrata/predal. • Vrat/predala ne odpirajte prepogosto.
Znotraj aparata je prehladno.	<ul style="list-style-type: none"> • Temperatura je nastavljena prenizko. • Funkcija Super Cool je aktivirana ali deluje predolgo. 	<ul style="list-style-type: none"> • Ponastavite temperaturo. • Izklopite funkcijo Super Cool.
Nastajanje vlage na notranji strani hladilnega prostora.	<ul style="list-style-type: none"> • Zunanje okolje je pretoplo in prevlažno. • Vrata/predal aparata ni(so) tesno zaprt(a). • Vrata/predal je bil odprt prepogosto ali predolgo. • Posode s hrano ali tekočine so ostale odprte. 	<ul style="list-style-type: none"> • Povečajte temperaturo. • Zaprite vrata/predal. • Vrat/predala ne odpirajte prepogosto. • Vroča hrana naj se ohladi na sobno temperaturo, hrano in tekočine pa zaprite.
Vlaga se nabira na zunanji površini hladilnika ali med vrati in predalom.	<ul style="list-style-type: none"> • Zunanje okolje je pretoplo in prevlažno. • Vrata niso tesno zaprta. Hladen zrak v aparatu in topel zunanji zrak kondenzirata. 	<ul style="list-style-type: none"> • To je normalno v vlažnem podnebju in se bo spremenilo, ko se vlažnost zmanjša. • Prepričajte se, da so/je vrata/predal tesno zaprt(a).
Lučke na zaslonu delujejo, vendar v hladilniku ni hladno na občutek.	<ul style="list-style-type: none"> • Nahaja se v demo načinu. 	<ul style="list-style-type: none"> • Preverite, v katerem stanju je. Če je v demo načinu, ga izklopite. Izhod: Držite gumb »ECO« in petkrat v 5 sekundah kliknite tipko »Super Freeze«.

Težava	Možen vzrok	Možna rešitev
Močan led in zmrzal v zamrzovalnem prostoru.	<ul style="list-style-type: none"> • Blago ni bilo ustrezno zapakirano. • Vrata/predal aparata ni(so) tesno zaprt(a). • Vrata/predal je bil odprt prepogosto ali predolgo. • Tesnila vrat/predala so umazana, obrabljena, razpokana ali neustrezna. • Nekaj na notranji strani preprečuje pravilno zapiranje vrat/predala. 	<ul style="list-style-type: none"> • Blago vedno dobro zapakirajte. • Zaprite vrata/predal. • Vrat/predala ne odpirajte prepogosto. • Očistite tesnilo vrat/predala ali ga zamenjajte z novim. • Premaknite police, posode v vratih ali notranje posode, da se vrata/predal zaprejo.
Strani hladilnika in trak na vratih se segrejejo.	<ul style="list-style-type: none"> • - 	<ul style="list-style-type: none"> • To je običajno.
Aparat proizvaja nenormalne zvoke.	<ul style="list-style-type: none"> • Aparat ni nameščen na ravno podlago. • Aparat se dotika predmeta v njeni bližini. 	<ul style="list-style-type: none"> • Nastavite noge, da poravnate aparat. • Odstranite predmete okoli aparata.
Slišati je mogoče rahel zvok, podoben zvoku pretakanja vode.	<ul style="list-style-type: none"> • - 	<ul style="list-style-type: none"> • To je običajno.
Zaslišali boste pisk alarma.	<ul style="list-style-type: none"> • Vrata hladilnega prostora so odprta. 	<ul style="list-style-type: none"> • Zaprite vrata.
Slišali boste šibko brnenje.	<ul style="list-style-type: none"> • Sistem proti kondenzaciji deluje 	<ul style="list-style-type: none"> • To preprečuje kondenzacijo in je normalno
Notranja razsvetljava ali hladilni sistem ne deluje.	<ul style="list-style-type: none"> • Omrežni vtič ni priključen v omrežno vtičnico. • Napajanje ne deluje pravilno. • Lučka LED ne deluje. 	<ul style="list-style-type: none"> • Priključite omrežni vtič. • Preverite električno napajanje prostora. Pokličite lokalno elektro podjetje! • Za zamenjavo lučke pokličite servisno službo.

Če se želite obrniti na tehnično pomoč, obiščite naše spletno mesto:
<https://corporate.haier-eu-ropo.com/en/>

V razdelku »spletno mesto« izberite blagovno znamko izdelka in državo. Preusmerjeni boste na določeno spletno mesto, kjer lahko najdete telefonsko številko in obrazec za stik s tehnično pomočjo.

Prekinitev napajanja

V primeru izpada električne energije naj bi hrana ostala varno hladna približno 5 ur. Upoštevajte te nasvete, če pride do daljše prekinitve napajanja, zlasti poleti:

- ▶ Čim manjkrat odprite vrata/predal.
- ▶ Med prekinitvijo napajanja v aparat ne vstavljajte dodatnih živil.
- ▶ Če ste predhodno obveščeni o prekinitvi napajanja in je trajanje prekinitve daljše od 5 ur, naredite nekaj ledu in ga postavite na vrh hladilnega predela.
- ▶ Takoj po prekinitvi je potreben pregled blaga.
- ▶ Ker bo temperatura v hladilniku med prekinitvijo napajanja ali drugo okvaro narasla, se obdobje shranjevanja in užitnosti hrane skrajša.

Funkcija pomnilnika med prekinitvijo napajanja

Po ponovni vzpostavitvi napajanja aparat nadaljuje z nastavitvami, ki so bile nastavljene pred izpadom električne energije.

Razpakiranje



OPOZORILO!

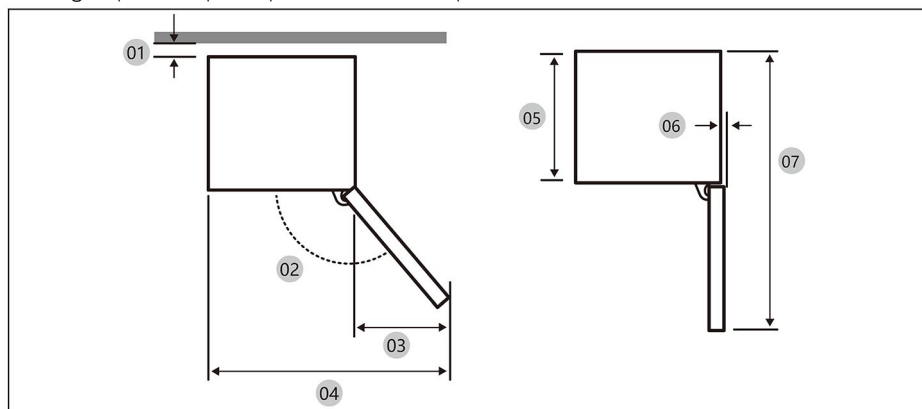
- ▶ Aparat je težak. Prenašata ga naj vsaj dve osebi.
- ▶ Vso embalažo hranite nedosegljivo otrokom in jo zavržite na okolju prijazen način.
- ▶ Vzemite aparat iz embalaže.
- ▶ Odstranite ves embalažni material

Okoljski pogoji

Sobna temperatura mora biti vedno med 10 °C in 43 °C, saj lahko to vpliva na temperaturo v aparatu in njegovo porabo energije. Aparata ne nameščajte v bližino drugih aparatov, ki oddajajo toploto (peči, hladilniki).

Predlog za prostor

Predlagan prostor pri odprtih vratih (brez plošče vrat omarice)

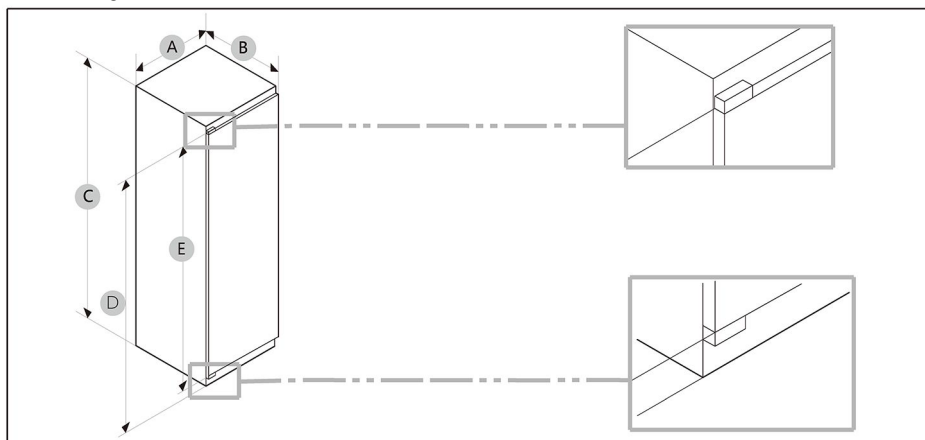


Model	CML5518E VW4
01*	10 (najmanj) / 30 (priporočeno)
02	95° (Priporočeno)
03	43
04	583
05	515
06	-3
07	1060

(enota: mm)

* 01: Od omarice do zadnje strani izdelka.

Dimenzije izdelka



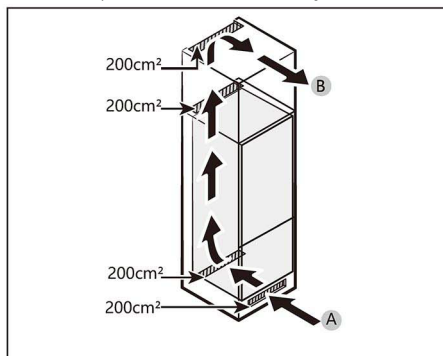
Model	A (mm)	B (mm)	C (mm)	D (mm)	E (mm)
CML5518EVW4	540±2	550±2	1772±2	1715	1671

i OBVESTILO

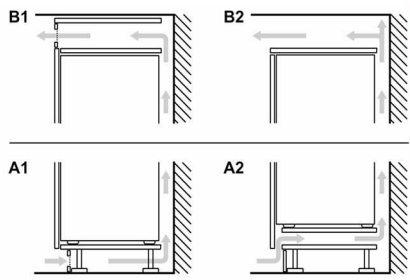
- Navedena poraba energije temelji na pogoju 10 mm vrzeli med ohišjem in zadnjo stranjo izdelka. Izdelek bo pravilno deloval tudi pri vrzeli, manjši od 10 mm, vendar porabi nekoliko več energije.
- Priporočamo uporabo omarice debeline 19 mm s tečaji debeline manj kot 17 mm.
- Meritve v zgornji tabeli se lahko razlikujejo glede na merilno metodo.
- Za informacije o vgradni namestitvi glejte Vodnik za namestitev.

Prezračevanje v prerezu

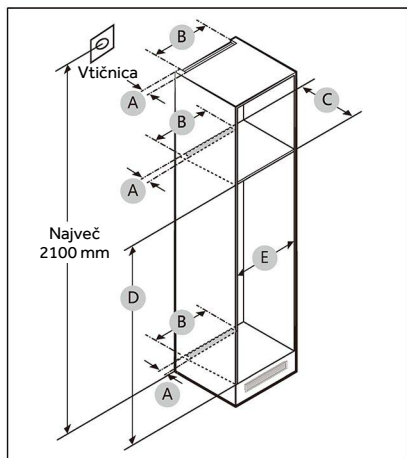
Da bi iz varnostnih razlogov dosegli zadostno prezračevanje aparata, je treba upoštevati informacije o zahtevanih normah prezračevanja.



A: Dovod zraka $\geq 200 \text{ cm}^2$; možnosti prezračevanja
B: Izpust zraka $\geq 200 \text{ cm}^2$; možnosti prezračevanja



Mere omarice



POZOR!

Garancija ne krije nobene okvare izdelka zaradi naslednjih razlogov.

1. Neustrezni pogoji na mestu postavitve ali nepravilne velikosti omaric.
2. Neustrezna omarica.
3. Napake monterja ali uporabnika.

Odmik

Na spodnjih slikah in v tabelah si oglejte prostorske zahteve za namestitev.

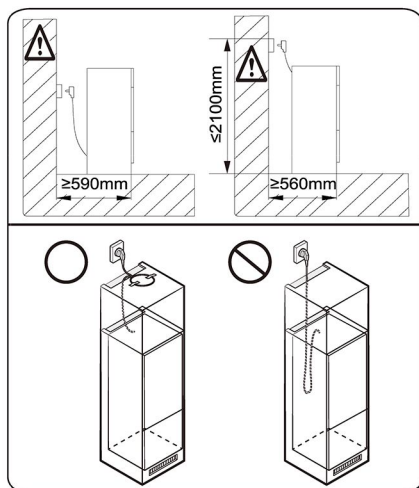
Model		A (mm)	B (mm)	C (mm)	D (mm)	E (mm)	Opomba
CML5518EVW4	Najm.	50	400	560	1778	560	Tečaj: 17 mm
	Priporočeno			580	1780	562	
	Najv.			-	1782	568	



OBVESTILO

- Če je širina omarice večja od 568 mm, se lahko tesnilo (med hladilnikom in omarico) zrahlja.
- Če je omarica višja od največje dimenzije (1782 mm), morate vrzel zapolniti z drugimi zaključnimi materiali.

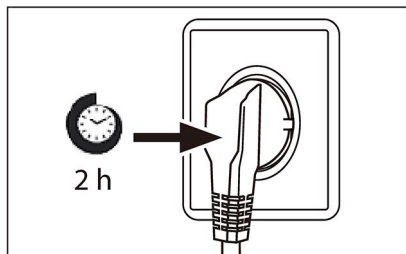
Upoštevanje lokacije električne vtičnice in potreben prostor



i OBVESTILO

Ce hladilnik namestite v omaro globine 560 mm, se pred priključitvijo v električno vtičnico prepričajte, da je napajalni kabel nameščen ob strani hladilnika. Če je napajalni kabel na zadnji strani hladilnika, lahko to zmanjša energetska učinkovitost.

Čas čakanja



Mazalno olje, ki ga ni treba vzdrževati, je v kapsuli kompresorja. Če je aparat nagnjen, lahko to olje med transportom steče skozi zaprt cevni sistem. Preden aparat priključite na napajanje, počakajte vsaj 2 uri, da olje priteče nazaj v kapsulo.

Priključitev v električno omrežje

Pred vsako priključitvijo preverite, ali:

- ▶ so napajanje, vtičnica in varovalke skladni s tipsko tablico,
- ▶ je vtičnica ozemljena in da v bližini ni podaljška z več vtičnicami ali kablskega podaljška.
- ▶ vtič in vtičnica sta pravilno nameščena.

Vtič priključite v pravilno nameščeno gospodinjsko vtičnico.

! OPOZORILO!

Da bi se izognili tveganju, mora poškodovan napajalni kabel zamenjati servis (glejte garancijski list).

List izdelka v skladu z Uredbo EU št. 2019/2016

Blagovna znamka	Candy	
Ime/identifikator modela	CML5518EVW4	
Kategorija modela	Hladilnik- zamrzovalnik	
Razred energetske učinkovitosti	E	
Letna poraba energije (kWh/leto) (1)	173	
Skupna prostornina (L)	285	
Prostornina shrambe (L)	255	
Prostornina zamrzovalnika (L)	30	
Prostornina predela za hlajenje (L)	/	
Prostornina samodejnega izdelovalca ledu (L)	/	
Ocena z zvezdicami	/	
Temperatura drugih predelov >14 °C	Ni relevantno	
Sistem brez zmrzali	NE	
Zmogljivost zamrzovanja (kg/24h)	2	
Ocena podnebja	SN/N/ST/T	
Razred emisij hrupa in emisij akustičnega hrupa v zraku (dB(A)re1pW)	B 35	
Čas dviga temperature (h)	/	
Zmogljivost izdelave ledu	/	
Vrsta aparata	Vgradni	

Ime modela	Razred energetske učinkovitosti
CML5518EVW4	E

Pojasnila:

• Da, vključeno

- (1) Na podlagi rezultatov preskusa skladnosti s standardi v 24 urah. Dejanska poraba je odvisna od uporabe in lokacije aparata.
- (2) Ocena podnebja SN: Ta aparat je namenjen uporabi pri sobni temperaturi med 10 in 32 °C
 Ocena podnebja N: Ta aparat je namenjen uporabi pri sobni temperaturi med 16 in 32 °C
 Ocena podnebja ST: Ta aparat je namenjen uporabi pri sobni temperaturi med +16 in +38 °C
 Ocena podnebja T: Ta aparat je namenjen uporabi pri sobni temperaturi med +16 in +43 °C

Dodatni tehnični podatki

Napetost/frekvenca	220–240 V ~/50 Hz
Vhodni tok (A)	1,0
Glavna varovalka (A)	16
Hladilno sredstvo	R600a
Mere (V/Š/G v mm)	1772/540/550

Informacije o RF

Največji e.i.r.p.: Bluetooth (BR/EDR): 10 dBm
 Bluetooth LE: 5 dBm
 2,4 GHz Wi-Fi: 16 dBm

Frekvenčni pas delovanja: 2400-2483,5 MHz

Priporočamo našo službo za pomoč strankam Haier in uporabo originalnih nadomestnih delov. Če imate težave z aparatom, najprej preverite poglavje ODPRAVLJANJE TEŽAV.

Če tam ne najdete rešitve, se obrnite na

- ▶ lokalnega prodajalca ali
- ▶ naš evropski klicni servisni center (glejte spodaj navedene telefonske številke) ali
- ▶ razdelek Servis in podpora na spletnem mestu www.candy-home.com, kjer lahko oddate zahtevek
- ▶ za servis in poiščete odgovore na pogosto postavljena vprašanja.

Če se želite obrniti na naš servis, se prepričajte, da imate na voljo naslednje podatke. Podatke najdete na tipski tablici.

Model _____

Serijska št. _____

V primeru uveljavljanja garancije preverite tudi garancijsko kartico, ki je priložena izdelku.

Evropski center za klicne storitve		
Država*	Telefonska številka	Stroški
Haier Italy (IT)	199 100 912	
Haier Spain (ES)	902 509 123	
Haier Germany (DE)	01805393999	<ul style="list-style-type: none"> • 14 centov/min, stacionarno omrežje • največ 42 centov/min, mobilno omrežje
Haier Austria (AT)	0820 001 205	<ul style="list-style-type: none"> • 14,53 centa/min, stacionarno omrežje • največ 20 centov/min, vsa ostala omrežja
Haier United Kingdom (UK)	0333 003 8122	
Haier France (FR)	0980 406 409	

* Za druge države glejte www.candy-home.com

Haier Europe Trading S.r.l

Branch UK

Westgate House, Westgate, Ealing

London, W5 1YY

*Trajanje garancije hladilnega aparata:

Minimalno garancijsko obdobje je: 2 leti za države EU, 3 leta za Turčijo, 1 leto za Združeno kraljestvo, 1 leto za Rusijo, 3 leta za Švedsko, 2 leti za Srbijo, 5 let za Norveško, 1 leto za Maroko, 6 mesecev za Alžirijo, za Tunizijo pravna garancija ni potrebna.

*Obdobje razpoložljivosti rezervnih delov za popravilo aparata:

Termostati, temperaturni senzorji, tiskana vezja in svetlobni viri so na voljo najmanj sedem let po tem, ko je bila na trg dostavljena zadnja enota modela.

Ključavnice, tečaji vrat, pladnji in košare najmanj sedem let in tesnila vrat najmanj 10 let po tem, ko je bila v promet dana zadnja enota modela.

Za dodatne informacije o izdelku obiščite spletno mesto <https://eprel.ec.europa.eu/> ali optično preberite kodo QR na energijski nalepki, priloženi aparatu.

<u>5 Informació de seguretat</u>	<u>Abans del primer ús</u>	6
	<u>Instal·lació</u>	6
	<u>Ús diari</u>	7
	<u>Informació sobre el gas refrigerant</u>	9
<u>10 Ús previst</u>		
<u>11 Descripció del producte</u>		
<u>12 Panell de control</u>		
<u>13 Ús</u>	<u>Botó de bloqueig/desbloqueig i la seva icona</u>	13
	<u>Funció d'espera</u>	13
	<u>Funció Wi-Fi</u>	13
	<u>Ajust de la temperatura del frigorífic</u>	14
	<u>Funció Super Cool</u>	15
	<u>Funció ECO</u>	15
	<u>Funció Holiday</u>	15
<u>16 Equipament</u>		
<u>18 Consells per estalviar energia</u>		
<u>19 Neteja i manteniment</u>		
<u>21 Resolució de problemes</u>		
<u>25 Instal·lació</u>		
<u>29 Dades tècniques</u>		
<u>31 Servei d'atenció al client</u>		

Gràcies per comprar aquest producte.

Llegiu atentament aquestes instruccions abans de fer servir aquest electrodomèstic. Aquestes instruccions contenen informació important que us ajudarà a treure el màxim profit de l'electrodomèstic i a garantir una instal·lació, un ús i un manteniment segurs i adequats.

Guardeu aquest manual en un lloc accessible per poder-lo consultar sempre que vulgueu i garantir un ús segur i adequat de l'electrodomèstic.

Si veneu l'electrodomèstic, el doneu o el deixeu al lloc on està instal·lat quan canvieu de casa, assegureu-vos també de lliurar aquest manual perquè el nou propietari es pugui familiaritzar amb l'electrodomèstic i les advertències de seguretat.

Accessoris

Comproveu els accessoris i la documentació d'acord amb la llista següent:





ADVERTÈNCIA: Informació de seguretat important



AVÍS: informació general i consells



Informació mediambiental



Eliminació

Ajudeu a protegir el medi ambient i la salut humana. Dipositeu els embalatges als contenidors corresponents per reciclar-los. Ajudeu a reciclar els residus d'aparells elèctrics i electrònics. No llenceu els electrodomèstics marcats amb aquest símbol a la brossa domèstica. Porteu el producte al punt verd o poseu-vos en contacte amb l'oficina municipal.



ADVERTÈNCIA!

Perill de lesions o asfíxia.

Els refrigerants i els gasos han de ser eliminats per professionals. Assegureu-vos que els tubs del circuit de refrigerant no estiguin danyats abans de ser eliminats adequadament. Desconnecteu l'aparell de la xarxa elèctrica. Talleu el cable d'alimentació i porteu-lo a un punt de recollida. Traieu les safates i els calaixos, així com el tancament i les juntes de la porta, per evitar que els nens i els animals de companyia puguin quedar tancats a l'interior de l'electrodomèstic.

Abans d'encendre l'electrodomèstic per primera vegada, llegiu els consells de seguretat següents!



ADVERTÈNCIA!

Abans del primer ús

- ▶ Assegureu-vos que l'aparell no hagi patit danys durant el transport.
- ▶ Espereu almenys dues hores abans d'instalar l'electrodomèstic per assegurar-vos que el circuit de refrigerant funciona amb plena eficiència.
- ▶ Aquest electrodomèstic pesa molt: manipuleu-lo amb l'ajuda d'una altra persona.
- ▶ Traieu tots els materials d'embalatge, manteniu-los fora de l'abast dels infants i elimineu-los de manera respectuosa amb el medi ambient.
- ▶ Abans de posar els aliments a l'electrodomèstic, netegeu-ne l'interior i l'exterior amb aigua i un detergent suau.
- ▶ Després d'anivellar i netejar l'aparell, espereu com a mínim 2-5 hores abans de connectar-lo a la xarxa elèctrica. Vegeu l'apartat **INSTAL·LACIÓ**.
- ▶ Refredeu prèviament els compartiments amb valors alts abans de carregar-los amb aliments. La funció Super-Cool ajuda a refredar els compartiments ràpidament.
- ▶ La temperatura del compartiment de frescos s'ajusta automàticament a 5 °C respectivament. Aquests són els paràmetres recomanats. Si ho desitgeu, podeu canviar la temperatura manualment. Consulteu **AJUST DE LA TEMPERATURA**.
- ▶ Aquest frigorífic té una compartiment congelador de 30 L a la part superior, i la temperatura del compartiment congelador varia segons la temperatura del compartiment de frescos.

Instal·lació

- ▶ Aquest electrodomèstic s'ha d'instalar en un lloc ben ventilat.
- ▶ No col·loqueu mai l'electrodomèstic en una zona humida ni en un lloc on pugui rebre esquitxos d'aigua. Netegeu i eixugueu els esquitxos d'aigua i les taques amb un drap suau i net.
- ▶ No installeu l'electrodomèstic sota la llum solar directa ni a prop de fonts de calor (per exemple, estufes, calefactores).
- ▶ Instal·leu i anivelleu l'electrodomèstic en una zona adequada a la seva mida i al seu ús.
- ▶ No obstruiu les obertures de ventilació de l'electrodomèstic o de l'estructura integrada.
- ▶ Assegureu-vos que la informació elèctrica de la placa de característiques coincideixi amb la font d'alimentació. Si no és així, poseu-vos en contacte amb un electricista.
- ▶ Aquest electrodomèstic funciona amb corrent elèctric de 220-240 V CA/50 Hz. Una fluctuació anormal del voltatge pot fer que l'electrodomèstic no s'engegui, que es facin malbé el control de temperatura o el compressor, o que faci un soroll anormal durant el funcionament. En aquest cas, s'ha de muntar un regulador automàtic.
- ▶ No feu servir adaptadors de múltiples endolls ni cables allargadors.
- ▶ No poseu múltiples bases d'endolls portàtils ni fonts d'alimentació portàtils a la part posterior de l'electrodomèstic
- ▶ Assegureu-vos que el cable d'alimentació no quedi atrapat pel frigorífic. No trepitgeu el cable d'alimentació.



ADVERTÈNCIA!

- ▶ Feu servir una presa amb connexió a terra separada per a la font d'alimentació a la qual es pugui accedir fàcilment. Aquest electrodomèstic ha d'estar connectat a terra.
Només per al Regne Unit: El cable d'alimentació d'aquest electrodomèstic està equipat amb un endoll de 3 fils (amb connexió a terra) que encaixa en un endoll estàndard de 3 fils (amb connexió a terra). No talieu ni desmunteu mai el tercer pin (connexió a terra). Després d'instalar l'electrodomèstic, heu de poder accedir a l'endoll.
 - ▶ No feu malbé el circuit de refrigerant.
- ### Ús diari
- ▶ Aquest aparell el poden fer servir nens de 8 anys o més i persones amb capacitats físiques, sensorials o mentals reduïdes o amb manca d'experiència i coneixements si han rebut supervisió o instruccions sobre l'ús de l'aparell de manera segura i entenen els perills que implica.
 - ▶ Els infants de 3 a 8 anys poden omplir i buidar el frigorífic, però no poden netejar-lo ni instal·lar-lo.
 - ▶ Mantingueu allunyats els infants menors de 3 anys de l'electrodomèstic, llevat que tinguin supervisió constant.
 - ▶ Els infants no han de jugar amb l'electrodomèstic.
 - ▶ Si es filtra gas refrigerant o altres gasos inflamables a prop de l'electrodomèstic, tanqueu la vàlvula del gas filtrat, obriu les portes i les finestres i no desendol·leu el cable d'alimentació del frigorífic ni de cap altre electrodomèstic.
 - ▶ Tingueu en compte que l'electrodomèstic està configurat per funcionar a una temperatura ambient específica entre 10 i 43 °C. És possible que l'electrodomèstic no funcioni correctament si es deixa durant un període prolongat a una temperatura superior o inferior a l'interval indicat.
 - ▶ No poseu articles inestables (objectes pesants, recipients plens d'aigua) a sobre del frigorífic per evitar danys personals per caigudes o descàrregues elèctriques causades pel contacte amb l'aigua.
 - ▶ No estireu els prestatges de la porta. La porta es podria desviar, el prestatge d'ampolles es podria desprendre o l'electrodomèstic es podria tombar.
 - ▶ Obriu i tanqueu les portes només fent servir els tiradors. L'espai que hi ha entre les portes i entre les portes i el cos de l'aparell és molt estret. No introduïu les mans en aquestes zones per evitar pessigar-vos els dits. Obriu i tanqueu les portes del frigorífic només quan no hi hagi infants a prop del seu rang de moviment.
 - ▶ Quan instal·leu l'electrodomèstic, assegureu-vos que el cable d'alimentació no quedi atrapat ni danyat.
 - ▶ No emmagatzemu substàncies explosives com ara aerosols amb un gas propellant inflamable a l'aparell.
 - ▶ Per evitar la contaminació dels aliments:
 - Deixar la porta oberta durant llargues estones pot provocar un augment significatiu de la temperatura als compartiments de l'electrodomèstic.
 - Netegeu regularment les superfícies que puguin entrar en contacte amb els aliments i els sistemes de drenatge accessibles.
 - Guardeu la carn i el peix crus en recipients adequats al frigorífic, de manera que no entrin en contacte amb altres aliments ni hi gotin.



ADVERTÈNCIA!

- si deixeu l'electrodomèstic buit durant llargs períodes de temps, apagueu-lo, descongeleu-lo, netegeu-lo, eixugueu-lo i deixeu la porta oberta per evitar la proliferació de floridura a l'interior.

- ▶ No emmagatzemeu ni feu servir materials inflamables, explosius o corrosius dins de l'electrodomèstic ni al seu voltant.
- ▶ No emmagatzemeu medicaments, bacteris ni agents químics dins de l'electrodomèstic. Aquest aparell és un electrodomèstic. No us recomanem que hi emmagatzemeu materials que hagin d'estar a una temperatura controlada.
- ▶ No guardeu mai al congelador líquids en ampolles o llaunes (excepte licors amb una alta graduació), especialment begudes amb gas, ja que poden esclatar en congelar-se.
- ▶ Comproveu l'estat dels aliments si s'ha produït un augment de temperatura al congelador.
- ▶ No configureu una temperatura innecessàriament baixa al compartiment frigorífic. Es poden assolir temperatures sota zero si els valors de configuració són alts. Atenció: Les ampolles poden esclatar
- ▶ No toqueu els productes congelats amb les mans molles (poseu-vos guants). No mengeu els gelats immediatament després de treure'ls del congelador. Hi ha el risc de congelació o de formació de butllofes a causa de la temperatura. PRIMERS AUXILIS: poseu la zona afectada immediatament sota aigua freda corrent. No arranqueu la pell!
- ▶ No toqueu la superfície interior del compartiment d'emmagatzematge del congelador quan estigui en funcionament, sobretot amb les mans mullades, ja que les mans es poden congelar en entrar en contacte amb la superfície.
- ▶ Desendolleu l'electrodomèstic en cas de fallada de corrent o abans de netejar-lo. Espereu almenys 7 minuts abans de tornar a engegar l'electrodomèstic, ja que, si s'engega sovint, es pot fer malbé el compressor.
- ▶ No feu servir aparells elèctrics dins dels compartiments d'emmagatzematge d'aliments de l'electrodomèstic, llevat que siguin del tipus recomanat pel fabricant. Manteniment / neteja
- ▶ Asegureu-vos que els infants estiguin supervisats si en fan la neteja i el manteniment.
- ▶ Desconnecteu l'electrodomèstic de la xarxa elèctrica abans de fer-hi qualsevol manteniment rutinari. Espereu almenys 5 minuts abans de tornar a engegar l'electrodomèstic, ja que, si s'engega sovint, es pot fer malbé el compressor.



ADVERTÈNCIA!

- ▶ Quan desendolleu l'electrodomèstic, estireu l'endoll i no el cable.
- ▶ No netegeu l'electrodomèstic amb raspalls durs, raspalls de filferro, detergent en pols, gasolina, acetat d'amil, acetona ni solucions orgàniques similars, àcides o alcalines. Netegeu-lo amb un detergent especial per a frigorífics per evitar-hi danys.
- ▶ No rasqueu el gebre amb objectes punxeguts. Per evitar danys a les peces de plàstic, no feu servir no feu servir esprais ni fonts de calor, com ara estufes elèctriques, assecadors de cabells, netejadors de vapor o altres fonts de calor.
- ▶ Llevat dels recomanats pel fabricant, no feu servir aparells mecànics ni altres mitjans per accelerar el procés de descongelació.
- ▶ Per evitar qualsevol perill, si el cable d'alimentació està malmès, l'ha de substituir el fabricant, el seu responsable de servei o persones amb una qualificació similar.
- ▶ No proveu d'arreglar, desmuntar o modificar l'electrodomèstic pel vostre compte. En cas de reparació, poseu-vos en contacte amb el nostre servei d'atenció al client.
- ▶ Traieu la pols de la part posterior de la unitat com a mínim un cop l'any per evitar riscos d'incendi i l'augment del consum d'energia.
- ▶ No ruixeu ni renteu amb un raig d'aigua l'aparell durant la neteja.
- ▶ No feu servir ruixadors d'aigua ni vapor per netejar l'electrodomèstic.
- ▶ No netegeu els prestatges de vidre freds amb aigua calenta. Un canvi sobtat de temperatura pot trencar el vidre.

Informació sobre el gas refrigerant



ADVERTÈNCIA!

L'electrodomèstic conté el refrigerant inflamable ISOBUTÀ (R600a).

Assegureu-vos que el circuit de refrigerant no pateixi danys durant el transport o la instal·lació. Una fuga de refrigerant pot causar lesions oculars o provocar un incendi. Si s'ha produït un dany, mantingueu-vos allunyats de fonts de flames obertes, ventileu bé l'habitació i no connecteu ni desconnecteu els cables d'alimentació de l'electrodomèstic ni de cap altre electrodomèstic. Informeu-ne el servei d'atenció al client.

En cas de contacte amb el refrigerant als ulls, esbandiu-vos-els immediatament amb aigua corrent i consulteu immediatament un oftalmòleg.

Ús previst

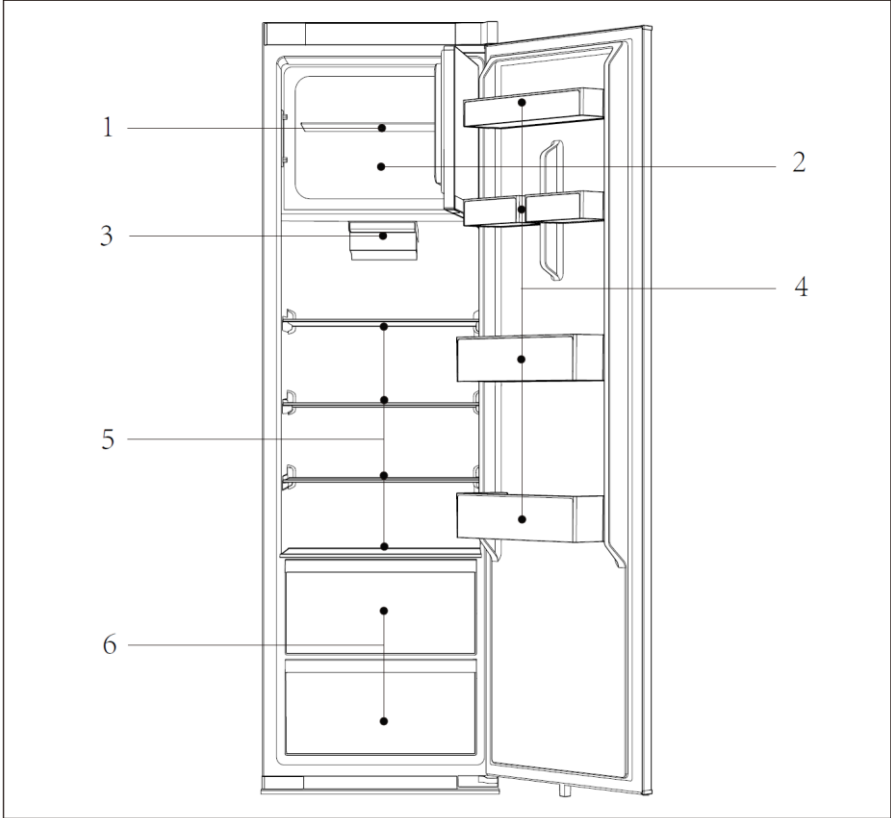
Aquest aparell està pensat per congelar aliments. S'ha dissenyat exclusivament per a l'ús domèstic i per a aplicacions similars, com ara cuines per al personal de botigues, oficines i altres entorns de treball, cases rurals, i per a clients d'hotels, motels i altres entorns residencials, així com establiments de tipus bed and breakfast i serveis de càtering. No està pensat per a un ús comercial o industrial. No es poden fer canvis o modificacions a l'aparell. L'ús no previst pot causar perills i la pèrdua del dret de la garantia.

Normes i directives

Aquest producte compleix els requisits de totes les directives CE aplicables amb les normes harmonitzades corresponents, que preveuen el marcatge CE.

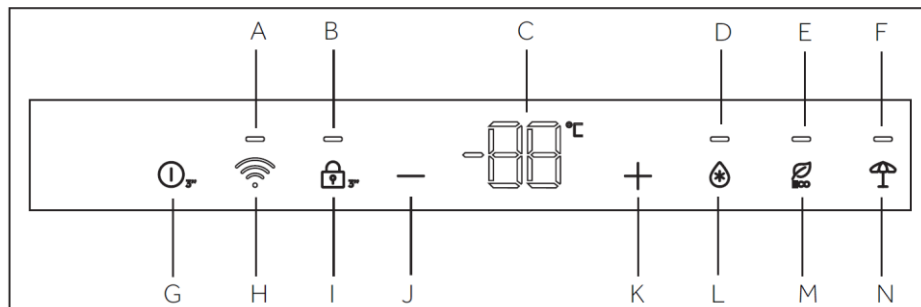
**AVÍS**

Algunes de les il·lustracions d'aquest manual poden ser diferents del vostre model a causa de canvis tècnics i de les diferències entre models.

**CML5518EVW4**

- 1 Nivell normal del congelador
- 2 Compartiment congelador
- 3 Ventilador i llum led
- 4 Ampoller
- 5 Nivells estàndard del compartiment de frescos
- 6 Calaixos normals del compartiment de frescos

Panell de control



Indicadors:

- A Icona de la funció Wi-Fi
- B Icona de bloqueig/desbloqueig
- C Icona de visualització de temperatura
- D Icona funció Super Cool
- E Icona de la funció ECO
- F Icona funció Holiday

Botons:

- G Botó ON/OFF
- H Clau d'emparellament del wifi
- I Botó de bloqueig/desbloqueig
- J Botó de baixada de la temperatura
- K Botó d'augment de la temperatura
- L Botó de funció Super Cool
- M Botó de la funció ECO
- N Botó de la funció Holiday

Botons tàctils

Els botons del panell de control són botons de contacte que responen quan es toquen lleugerament amb el dit.


AVÍS

Quan l'electrodomèstic està encès, poden passar fins a 12 hores fins que s'arriba a les temperatures correctes.

Obriu la porta del frigorífic abans de comprovar la pantalla.

Funció bloqueig/desbloqueig

Aquest botó i la seva icona es fan servir per bloquejar o desbloquejar la pantalla de control i indicar l'estat actual.

Obriu la porta del frigorífic mentre el frigorífic està en funcionament; la pantalla de control s'encendrà i la icona de bloqueig/desbloqueig estarà activada; en aquest moment, la pantalla de control estarà bloquejada i no es podrà fer servir.

Desbloquejar o bloquejar la pantalla manualment: Quan la icona de bloqueig/desbloqueig estigui il·luminada, manteniu pitjat el botó de bloqueig/desbloqueig durant 3 segons. La icona s'apagarà i anirà acompanyada d'un pip. En aquest moment, es pot fer la selecció de funcions o l'ajust de la temperatura. Quan la icona de bloqueig/desbloqueig estigui desactivada, mantingueu pitjat el botó de bloqueig/desbloqueig durant 3 segons. Aleshores, la icona de bloqueig/desbloqueig s'encendrà i anirà acompanyada d'un pip. En aquest moment, no es pot fer la selecció de funcions ni l'ajust de la temperatura.

Bloqueig de pantalla automàtic: Quan la porta del frigorífic és tancada, la pantalla de control s'apagarà i es bloquejarà.

Quan s'obre la porta del frigorífic, la pantalla de control es bloquejarà automàticament si no es fa cap acció en 30 segons.

Funció ON/OFF

El botó ON/OFF es fa servir per canviar entre OFF (estat en pausa) i ON (modes de funcionament normals).

Entreu en mode OFF: En mode de funcionament del frigorífic, primer cal desbloquejar la pantalla i, tot seguit, mantenir pitjat el botó de funció ON/OFF durant 3 segons per apagar la pantalla de control, la llum del frigorífic, la refrigeració i altres funcions, amb un senyal acústic de confirmació.



AVÍS

El mode OFF no implica apagar-se, i el frigorífic encara està encès en aquest moment.

Sortiu del mode OFF: En el mode OFF, mantingueu pitjat el botó ON/OFF durant 3 segons per reiniciar la pantalla de control, la llum i el sistema de refrigeració, el refredament i altres funcions, acompanyats d'un so d'avis. El frigorífic tornarà a la temperatura i la funció configurades anteriorment i entrarà en el mode de funcionament normal.

Funció Wi-Fi

Emparellament del wifi: Quan el frigorífic es connecta per primera vegada, entra automàticament en mode de configuració de xarxa i la icona de la funció wifi parpelleja ràpidament; si no hi ha cap operació d'emparellament a la xarxa, en sortirà automàticament del mode al cap de 30 minuts.

Introduïu manualment el mode d'emparellament del wifi: Després de desbloquejar la pantalla de control, mentre la icona de la funció wifi està activada, mantingueu pitjat el botó d'emparellament del wifi durant 3 segons per entrar al mode. Durant aquest temps, la icona de la funció wifi parpellejarà ràpidament per indicar que es troba en mode d'emparellament del wifi. Si no hi ha cap operació d'emparellament de xarxa, es tancarà automàticament al cap de 30 minuts.

PROCEDIMENT D'EMPARELLAMENT A L'APP

<p>Pas 1</p> <ul style="list-style-type: none"> • Descarregueu l'aplicació hOn de la botiga d'aplicacions 	
	
<p>Pas 2</p> <p>Creeu un compte a l'aplicació hOn o inicieu sessió si ja teniu un compte</p> 	<p>Pas 3</p> <p>Seguiu les instruccions d'aparellament a l'aplicació hOn.</p> 



AVÍS

En el mode d'emparellament del wifi, heu de seguir les instruccions de l'aplicació per completar la configuració de la xarxa. Si necessiteu canviar l'entorn wifi, heu d'entrar de nou al mode. Si la icona de la funció wifi es manté encesa, indica que la xarxa s'ha connectat correctament.

Ajust de la temperatura del frigorífic

Després d'obrir la porta del frigorífic i desbloquejar la pantalla de control, el botó d'abaixar temperatura es fa servir per reduir la temperatura configurada del frigorífic. Cada cop que es toca lleugerament el botó, la temperatura baixa 1 °C, i la temperatura mínima permesa és d'1 °C.

Després d'obrir la porta del frigorífic i desbloquejar la pantalla de control, el botó d'augmentar la temperatura es fa servir per augmentar la temperatura configurada del congelador. Cada cop que es toca lleugerament el botó, la temperatura augmenta 1 °C, i la temperatura màxima permesa és de 9 °C.

Durant el funcionament, la icona de temperatura mostra la temperatura configurada i parpellejarà. La pantalla de control confirmarà automàticament la temperatura set configurada al cap de 5 segons.

Funció Super Cool

Aquest botó i la seva icona es fan servir per activar o desactivar la funció Super Cool del frigorífic i mostrar-ne l'estat actual.

Després d'obrir la porta del frigorífic i desbloquejar la pantalla de control, toqueu el botó Super Cool i la icona "Super Cool" s'encendrà. En aquest moment, el frigorífic està en "mode Super Cool". Per desactivar el mode, podeu fer servir la mateixa operació per tocar el botó "Super Cool". Després d'activar la funció Super Cool, el frigorífic sortirà automàticament del mode Super Cool al cap d'unes 48 hores per evitar que la temperatura de dins sigui massa baixa.

Quan es posa una gran quantitat d'aliments al frigorífic en un període curt de temps, la temperatura a l'interior de el frigorífic augmentarà. Després d'activar la funció Super Cool, la temperatura d'aquests aliments es podria reduir ràpidament.

Quan es posa una gran quantitat de menjar al compartiment de frescos, es pot activar directament la funció de Super Cool. Quan poseu una gran quantitat d'aliments al congelador, activeu la funció Super Cool 12 hores abans d'introduir els aliments.

Funció ECO

Després d'obrir la porta del frigorífic i de desbloquejar la pantalla de control, toqueu suaument el botó de la funció ECO i la icona de la funció ECO s'encendrà; el frigorífic ja estarà en el mode. Si necessiteu sortir del mode, només cal que torneu a tocar suaument el botó ECO.

En mode ECO, el frigorífic funcionarà automàticament a una temperatura mitjana de 5 °C.

Funció Holiday

Després d'obrir la porta del frigorífic i de desbloquejar la pantalla de control, toqueu suaument el botó de la funció Holiday; la icona d'aquesta funció s'encendrà i el frigorífic ja estarà en el mode. Si necessiteu sortir del mode, només cal que torneu a tocar suaument el mateix botó.

En el mode Holiday, el frigorífic funcionarà automàticament a una temperatura mitjana de 17 °C.

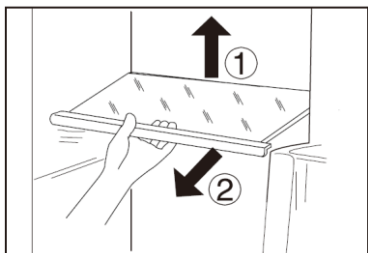
Quan la funció Holiday està activada, el compartiment de frescos i el compartiment congelador entren en la funció Holiday alhora; també cal treure els aliments congelats per evitar-ne la deterioració a causa de l'alta temperatura.



AVÍS

A causa de la diferent lògica de funcionament de funcions especials com ara Super Cool, ECO i Holiday, aquests modes especials no es poden activar alhora. Només es pot activar una funció i, en canviar entre els modes, els altres modes especials es desactivaran automàticament. A més, la temperatura configurada no es pot canviar si no se surt d'aquests modes.

5 °C és el mode ideal per a aliments frescos com ara fruites i verdures, productes lactis, carns i begudes.



Prestatges

1. L'altura dels prestatges es pot ajustar per adaptar-la a les vostres necessitats d'emmagatzematge.
2. Per canviar de lloc un prestatge, primer cal treure'l aixecant la part posterior ① i retirant-lo cap enfora ②.
3. Per tornar-lo a col·locar, poseu-lo a les orelletes dels dos costats i empenyeu-lo cap a la posició del darrere fins que la part posterior del prestatge quedi fixada dins de les ranures dels costats.

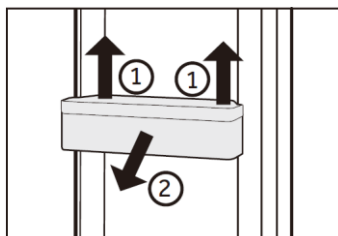


AVÍS

Assegureu-vos que tots els extrems d'un prestatge estiguin anivellats.

Ampolla extraïble

1. L'ampolla es pot treure per netejar-la.
2. Col·loqueu les mans a cada costat del prestatge, aixequen-lo cap amunt ① i estireu-lo cap enfora ②.
3. Per introduir l'ampolla, seguieu els passos anteriors en ordre invers.



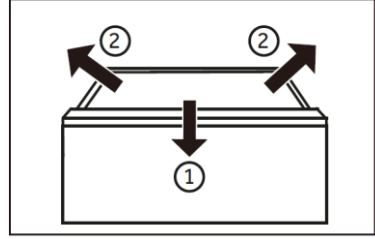
AVÍS

A causa de les característiques de la seva ubicació, la temperatura del compartiment per a ampolles de la primera i la segona balda de la porta és lleugerament superior a la del compartiment del frigorífic; es recomana fer-lo servir només per a l'emmagatzematge d'aliments a curt termini.

Calaix extraïble

Per treure el calaix, estireu-lo fins al màxim ①, aixequeu-lo i retireu-lo ②.

Per introduir el calaix, seguiu els passos anteriors en ordre invers.



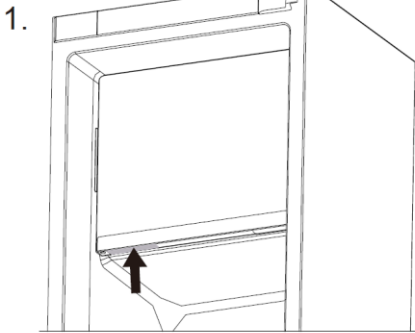
Llum

El llum led interior s'encén quan s'obre la porta. El rendiment dels llums no es veu afectat per cap dels altres ajustos de l'electrodomèstic.

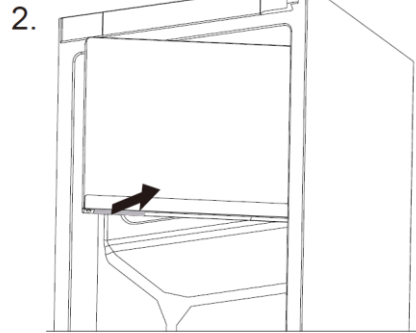
Compartiment congelador

Aquest frigorífic té una compartiment congelador de 30 L a la part superior, i la temperatura del compartiment congelador varia segons la temperatura del compartiment de frescos. Obriu la porta de la compartiment congelador: Primer premeu l'interruptor cap amunt, tal com es mostra a la imatge 1; després estireu-lo cap a fora, tal com es mostra a la imatge 2;

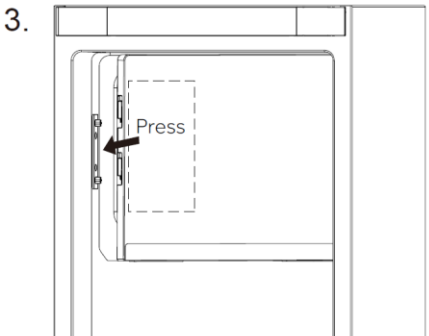
Tanqueu la porta del compartiment congelador: Toqueu la zona central del costat de l'obertura de la porta petita, tal com es mostra a la imatge 3.



Empènyer l'interruptor cap amunt



Estireu l'interruptor cap a fora





Consells per estalviar energia

- ▶ Assegureu-vos que l'electrodomèstic tingui una bona ventilació (vegeu **INSTALLACIÓ**).
- ▶ No installeu l'electrodomèstic sota la llum solar directa ni a prop de fonts de calor (per exemple, estufes, calefactores).
- ▶ Eviteu temperatures innecessàriament baixes a l'electrodomèstic. El consum d'energia augmenta com més baixa estigui configurada la temperatura a l'electrodomèstic.
- ▶ Les funcions com Super Cool consumeixen més energia.
- ▶ Deixeu que els aliments calents es refredin abans d'introduir-los a l'electrodomèstic.
- ▶ Obriu la porta de l'electrodomèstic tan poques vegades i tan poca estona com sigui possible.
- ▶ No ompliu massa l'electrodomèstic per evitar obstruir el flux d'aire.
- ▶ Eviteu l'aire de l'interior dels envasos dels aliments.
- ▶ Mantingueu netes les juntes de les portes perquè les portes sempre tanquin correctament.
- ▶ La configuració que estalvia més energia requereix que l'aparell mantingui els calaixos, els food box i els prestatges en les condicions originals de fàbrica, i que els aliments es col·loquin tan separats com sigui possible per no bloquejar la sortida d'aire del conducte.



ADVERTÈNCIA!

Desconnecteu l'electrodomèstic de la xarxa elèctrica abans de netejar-lo.

Neteja

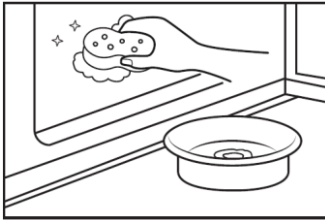
Netegeu l'electrodomèstic quan només hi hagi pocs aliments o cap aliment a dins.

Per a un bon manteniment de l'electrodomèstic i per evitar les males olors dels aliments emmagatzemats, netegeu-lo cada quatre setmanes.



ADVERTÈNCIA!

- ▶ No netegeu l'electrodomèstic amb raspalls durs, raspalls de filferro, detergent en pols, gasolina, acetat d'amil, acetona ni solucions orgàniques similars, àcides o alcalines. Netegeu-lo amb un detergent especial per a frigorífics per evitar-hi danys.
- ▶ No ruixeu ni renteu amb un raig d'aigua l'aparell durant la neteja.
- ▶ No feu servir ruixadors d'aigua ni vapor per netejar l'electrodomèstic.
- ▶ No netegeu els prestatges de vidre freds amb aigua calenta. Un canvi sobtat de temperatura pot trencar el vidre.



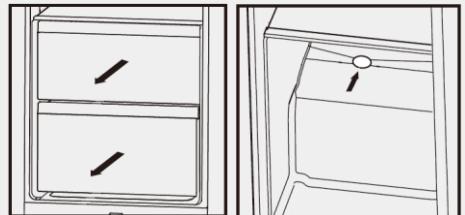
- ▶ Mantingueu sempre neta la junta de la porta.
- ▶ Netegeu l'interior i la carcassa de l'electrodomèstic amb una esponja humitejada amb aigua tèbia i detergent neutre.
- ▶ 1. Fregueu l'interior i l'exterior del frigorífic, inclosa la junta de la porta, els prestatges de la porta, els prestatges de vidre, els compartiments, etc., amb un drap suau o una esponja submergida en aigua tèbia (podeu afegir detergent neutre a l'aigua tèbia).

- ▶ 2. Si s'ha vessat líquid, traieu totes les parts que s'han embrutat, esbandiu-les directament amb aigua corrent, eixugueu-les i torneu-les a posar al frigorífic.
- ▶ 3. Si s'ha vessat nata (com ara nata mateixa o gelat desfet), traieu totes les parts brutes, poseu-les una estona en aigua tèbia a uns 40 °C, després esbandiu-les amb aigua corrent, eixugueu-les i torneu-les a posar al frigorífic.
- ▶ 4. En cas que alguna peça o component petit quedi enganxat a dins del frigorífic (entre prestatges o calaixos), feu servir un raspall petit i suau per desenganxar-lo. Si no podeu arribar a la peça, poseu-vos en contacte amb el servei tècnic de Haier.
- ▶ Esbandiu-ho i assequeu-ho amb un drap suau.
- ▶ No netegeu cap de les peces de l'electrodomèstic al rentaplats.
- ▶ Espereu almenys 5 minuts abans de tornar a engegar l'aparell, ja que, si s'engega sovint, es pot fer malbé el compressor.



AVÍS

La sortida de desguàs no pot estar bloquejada amb objectes estranys; en el cas contrari hi pot haver un desbordament d'aigua. Si la sortida de desguàs està bloquejada, podeu treure el calaix i netejar-lo amb un drap.



Descongelació

Quan es posen massa productes o la porta s'obre i es tanca massa sovint, és probable que aparegui gel al fons del compartiment del frigorífic o del congelador i s'ha de treure manualment amb un rascador de gel.

Substitució dels llums led



ADVERTÈNCIA!

No substituiu la bombeta led vosaltres mateixos, només l'ha de substituir el fabricant o el servei tècnic autoritzat.

L'electrodomèstic fa servir llums led com a font de llum, que tenen un baix consum d'energia i una llarga vida útil. Si detecteu alguna anomalia, poseu-vos en contacte amb el servei d'atenció al client.

Vegeu SERVEI D'ATENCIÓ AL CLIENT.

Característiques de les bombetes:

Compartiment frigorífic: 12 V màx. 1,5 W

Aquest producte conté una font de llum de classe d'eficiència energètica <G>.

Període més llarg sense ús

Si l'electrodomèstic no es fa servir durant un període llarg de temps i no voleu fer servir la funció Holiday per al frigorífic:

Traieu-ne el menjar.

Desendolieu el cable d'alimentació.

Netegeu l'electrodomèstic tal com s'ha descrit anteriorment.

Mantingueu les portes obertes per evitar la creació de males olors a l'interior.



AVÍS

Apagueu l'electrodomèstic només si és estrictament necessari.

Desplaçament de l'electrodomèstic

1. Traieu-ne tots els aliments i desendolieu l'electrodomèstic.
2. Assegureu els prestatges i altres parts mòbils del compartiment de frescos amb cinta adhesiva.
3. No inclineu el frigorífic més de 45° per evitar danys al sistema de refrigeració.



ADVERTÈNCIA!

- ▶ No aixiqueu l'electrodomèstic pels tiradors.
- ▶ No poseu mai l'electrodomèstic horitzontalment a terra.

Molts problemes que sorgeixen es poden resoldre sense tenir coneixements específics. En cas de problemes, comproveu totes les opcions que es mostren i seguiu les instruccions següents abans de posar-vos en contacte amb el servei d'atenció al client. Vegeu SERVEI D'ATENCIÓ AL CLIENT.



ADVERTÈNCIA!

- ▶ Abans de fer-hi el manteniment, apagueu l'electrodomèstic i desconnecteu l'endoll de la presa de corrent.
- ▶ El manteniment dels electrodomèstics elèctrics només l'han de fer electricistes qualificats, ja que les reparacions incorrectes poden causar danys importants.
- ▶ Per evitar qualsevol perill, si un cable d'alimentació està malmès, l'ha de substituir el fabricant, el seu responsable de servei o persones amb una qualificació similar.

Problema	Causa possible	Solució possible
El compressor no funciona.	<ul style="list-style-type: none"> • L'endoll no està connectat a la presa de corrent. • L'electrodomèstic es troba en el cicle de descongelació. 	<ul style="list-style-type: none"> • Connecteu l'endoll a la xarxa elèctrica. • Això és normal en la descongelació automàtica.
L'electrodomèstic funciona sovint o durant un període de temps massa llarg.	<ul style="list-style-type: none"> • La temperatura interior o exterior és massa alta. • L'electrodomèstic ha estat apagat durant un període de temps. • Hi ha una porta de l'electrodomèstic que no està ben tancada. • La porta s'ha obert massa sovint o ha estat oberta durant massa estona. • La temperatura ajustada per al compartiment de frescos és massa baixa. • La junta de la porta està bruta, desgastada, esquerpada o no encaixa. • La circulació d'aire necessària no està garantida. 	<ul style="list-style-type: none"> • En aquest cas, és normal que l'electrodomèstic funcioni durant més temps. • Normalment, l'electrodomèstic triga entre 8 i 12 hores a refredar-se del tot. • Tanqueu la porta o el calaix i assegureu-vos que l'aparell estigui situat en una superfície anivellada i que no hi hagi cap aliment o recipient que n'impedeixi el tancament. • No obriu la porta o el calaix massa sovint. • Ajusteu la temperatura a un valor més alt fins que tingueu una temperatura satisfactòria per al frigorífic. La temperatura del frigorífic triga 24 hores a establir-se. • Netegeu la junta de la porta o del calaix o feu-la substituir pel servei d'atenció al client. • Assegureu-vos que la ventilació és adequada.

Problema	Causa possible	Solució possible
L'interior del frigorífic està brut o fa pudor.	<ul style="list-style-type: none"> • Heu de netejar l'interior del frigorífic. • Al frigorífic hi ha aliments que fan una olor forta. 	<ul style="list-style-type: none"> • Netegeu l'interior del frigorífic. • Embolqueu bé el menjar.
No fa prou fred dins de l'electrodomèstic.	<ul style="list-style-type: none"> • La temperatura està configurada massa alta. • S'han emmagatzemat productes massa calents. • S'ha emmagatzemat massa menjar alhora. • Els productes estan massa a prop els uns dels altres. • Una porta o un calaix de l'electrodomèstic no estan ben tancats. • La porta o el calaix s'han obert massa sovint o durant massa estona. 	<ul style="list-style-type: none"> • Restabliu la temperatura. • Refredeu sempre els productes abans d'introduir-los-hi. • Emmagatzemeu sempre quantitats petites d'aliments. • Deixeu un espai entre els diversos aliments per facilitar la circulació de l'aire. • Tanqueu la porta o el calaix. • No obriu la porta o el calaix massa sovint.
A dins de l'electrodomèstic hi fa massa fred.	<ul style="list-style-type: none"> • La temperatura està configurada massa baixa. • La funció Super Cool està activada o fa massa temps que funciona. 	<ul style="list-style-type: none"> • Restabliu la temperatura. • Desactiveu la funció Super Cool.
Formació d'humitat a l'interior del compartiment del frigorífic.	<ul style="list-style-type: none"> • El clima és massa càlid i massa humit. • Una porta o un calaix de l'electrodomèstic no estan ben tancats. • La porta o el calaix s'han obert massa sovint o durant massa estona. • S'han deixat oberts alguns recipients d'aliments o líquids. 	<ul style="list-style-type: none"> • Augmenteu la temperatura. • Tanqueu la porta o el calaix. • No obriu la porta o el calaix massa sovint. • Deixeu que els aliments calents es refredin a temperatura ambient i tapeu tant els recipients com els líquids.
La humitat s'acumula a la superfície exterior del frigorífic o entre les portes/la porta i el calaix.	<ul style="list-style-type: none"> • El clima és massa càlid i massa humit. • La porta no està ben tancada. El contacte entre l'aire fred de dins de l'electrodomèstic i l'aire calent de fora genera condensació. 	<ul style="list-style-type: none"> • Això és normal en climes humits i canviarà quan la humitat baixi. • Assegureu-vos que la porta o el calaix quedin ben tancats.
Mostra un funcionament lleuger, però no resulta fresc.	<ul style="list-style-type: none"> • Està en mode de demostració. 	<ul style="list-style-type: none"> • Mireu en quin estat es troba; si està en mode Demo, sortiu-ne. Sortida: mantingueu pitjat el botó "ECO" i toqueu el botó "Super Freeze" 5 vegades en 5 segons.

Problema	Causa possible	Solució possible
Molta acumulació de gel i gebre al compartiment del congelador.	<ul style="list-style-type: none"> Els productes no estaven ben envasats. Una porta o un calaix de l'electrodomèstic no estan ben tancats. La porta o el calaix s'han obert massa sovint o durant massa estona. La junta de la porta o del calaix està bruta, desgastada, esquerdada o no encaixa. Alguna cosa a l'interior impedeix que la porta/el calaix tanqui correctament. 	<ul style="list-style-type: none"> Envaseu sempre bé els aliments. Tanqueu la porta o el calaix. No obriu la porta o el calaix massa sovint. Netegeu la junta de la porta o del calaix o feu-la substituir per una de nova. Canvieu la posició dels prestatges, els prestatges de les portes o els calaixos de l'interior perquè la porta/caaix es tanqui.
Els laterals del frigorífic i la junta de la porta s'escalfen.		<ul style="list-style-type: none"> Això és normal.
L'electrodomèstic fa sons anormals.	<ul style="list-style-type: none"> L'electrodomèstic no està instal·lat en una superfície anivellada. L'electrodomèstic toca algun objecte que té al voltant. 	<ul style="list-style-type: none"> Ajusteu les potes per anivellar l'electrodomèstic. Traieu els objectes que hi ha al voltant de l'electrodomèstic.
Se sent un lleu soroll semblant al de l'aigua que flueix.	-	<ul style="list-style-type: none"> Això és normal.
<p>Sentireu un so d'alarma.</p> <p>Sentireu un brunzit feble.</p> <p>El sistema d'il·luminació o de refrigeració interior no funciona.</p>	<ul style="list-style-type: none"> La porta del compartiment d'emmagatzematge del frigorífic és oberta. El sistema anticondensació funciona. L'endoll no està connectat a la presa de corrent. La font d'alimentació no està intacta. La bombeta led no funciona. 	<ul style="list-style-type: none"> Tanqueu la porta. Això evita la condensació i és normal. Connecteu l'endoll a la xarxa elèctrica. Comproveu el subministrament elèctric de l'estança. Poseu-vos en contacte amb la companyia elèctrica local! Truqueu al servei tècnic perquè canviïn la bombeta.

Per posar-vos en contacte amb l'assistència tècnica, visiteu el nostre lloc web: <https://corporate.haier-europe.com/en/>

A l'apartat "lloc web", trieu la marca del vostre producte i el vostre país. Se us redirigirà al lloc web específic on trobareu el número de telèfon i el formulari per posar-vos en contacte amb l'assistència tècnica.

Tall del corrent

En cas de tall de corrent, els aliments es mantindran freds durant aproximadament 5 hores. Durant una interrupció prolongada del subministrament elèctric, especialment a l'estiu, seguiu aquests consells:

- ▶ Obriu la porta o el calaix tan poc com sigui possible.
- ▶ Durant una interrupció del corrent, no introduïu més menjar a l'electrodomèstic.
- ▶ Si s'avisa amb antelació d'un tall de subministrament elèctric i la durada del tall és superior a 5 hores, feu gel i poseu-lo en un recipient a la part superior del compartiment del frigorífic.
- ▶ Reviseu bé els aliments immediatament després del tall de corrent.
- ▶ Com que durant un tall del corrent elèctric o altres avaries la temperatura del frigorífic augmenta, el període d'emmagatzematge i la qualitat dels aliments es reduiran.

Funció de memòria durant les interrupcions de corrent

Després de restablir el corrent, l'aparell continua amb els ajustos que tenia establerts abans del tall de corrent.

Desembalatge



ADVERTÈNCIA!

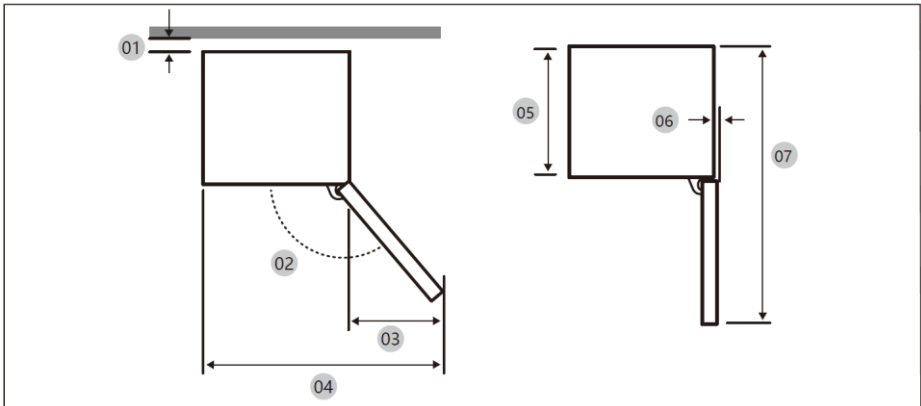
- ▶ Aquest electrodomèstic pesa. Manipuleu-lo sempre almenys entre dues persones.
- ▶ Manteniu tots els materials d'embalatge fora de l'abast dels infants i elimineu-los de manera respectuosa amb el medi ambient.
- ▶ Traieu l'electrodomèstic de l'embalatge.
- ▶ Retireu tots els materials d'embalatge.

Condicions ambientals

La temperatura ambient sempre ha d'estar entre 10 °C i 43 °C, ja que pot influir en la temperatura interior de l'electrodomèstic i en el seu consum d'energia. No installeu l'electrodomèstic a prop d'altres electrodomèstics que emetin calor (forns, neveres).

Sugeriment d'espai

Espai suggerit quan la porta és oberta (sense el panell de la porta del moble)

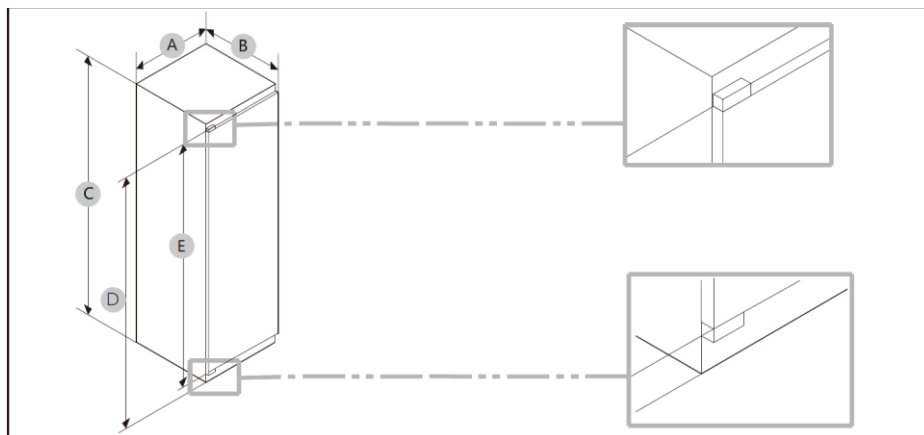


Model	CML5518EVW4
01 *	10 (min.) / 30 (recomanat)
02	95° (Recomanat)
03	43
04	583
05	515
06	-3
07	1060

(unitat: mm)

* 01 Des del cos de l'aparell fins a la part posterior del producte.

Dimensions del producte



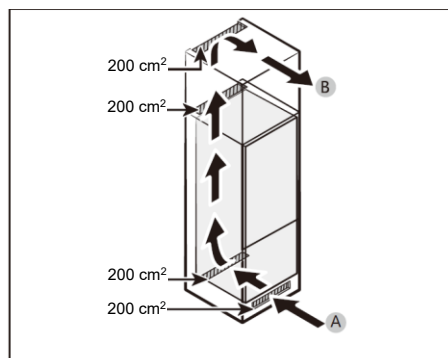
Model	A (mm)	B (mm)	C (mm)	D (mm)	E (mm)
CML5518EVW4	540±2	550±2	1772±2	1715	1671

AVÍS

- El consum d'energia especificat es basa en la condició d'un espai de 10 mm entre el cos de l'aparell i la part posterior del producte. El producte funcionarà correctament fins i tot amb un espai inferior a 10 mm; tanmateix, consumirà lleugerament més energia.
- Us recomanem que feu servir un moble de 19 mm de gruix amb frontisses de menys de 17 mm de gruix.
- Les mesures de la taula anterior poden variar en funció del mètode de mesura.
- Per a la instal·lació encastada, consulteu la Guia d'Instal·lació.

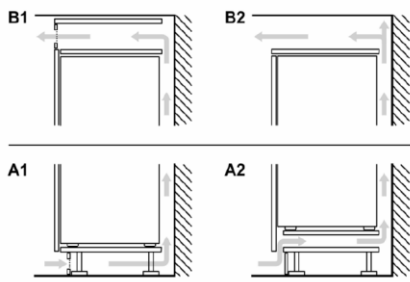
Secció transversal de ventilació

Per aconseguir una ventilació suficient de l'electrodomèstic per motius de seguretat, cal tenir en compte la informació de les seccions transversals de ventilació necessàries.

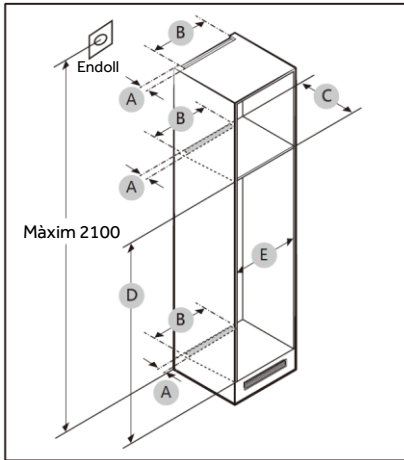


A: Entrada d'aire $\geq 200 \text{ cm}^2$; opcions de ventilació

B: Sortida d'aire $\geq 200 \text{ cm}^2$; opcions de ventilació



Dimensions del moble



PRECAUCIÓ!

Qualsevol fallada del producte deguda als punts següents no està coberta per la garantia.

1. Condicions inadequades del lloc o mides incorrectes del moble.
2. Moble defectuós.
3. Errors per part de l'instal·lador o de l'usuari.

Espai lliure

Consulteu les imatges i taules següents per conèixer els espais necessaris per a la instal·lació.

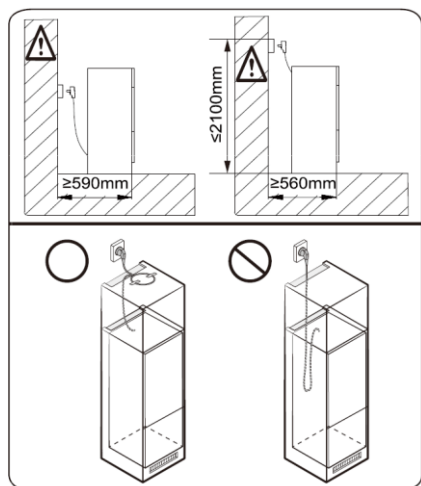
Model		A (mm)	B (mm)	C (mm)	D (mm)	E (mm)	Observació
CML5518EVW4	Mín.	50	400	560	1778	560	Frontissa: 17 mm
	Recomanat			580	1780	562	
	màx.			-	1782	568	



AVÍS

- Si l'amplada del moble és superior a 568 mm, la junta (entre el frigorífic i el moble) es pot afluixar.
- Si el moble és més alt que la dimensió màxima (1782 mm), heu de fer servir altres materials d'acabat per omplir l'espai.

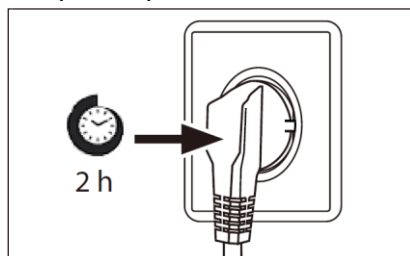
Consideracions sobre la ubicació de l'endoll i l'espai necessari



i AVÍS

Si installeu el frigorífic en un moble amb una profunditat de 560 mm, assegureu-vos que el cable d'alimentació quedi col·locat a un costat del frigorífic abans d'endollar-lo. Si el cable queda a la part posterior del frigorífic, podria reduir l'eficiència energètica.

Temps d'espera



L'oli de lubricació que no necessita manteniment està situat a la càpsula del compressor. Aquest oli pot passar pel sistema de tubs tancats si durant el transport s'inclina l'electrodomèstic. Abans de connectar l'electrodomèstic a la xarxa elèctrica, heu d'esperar almenys 2 hores perquè l'oli torni a fluir cap a la càpsula.

Connexió elèctrica

Abans de cada connexió, comproveu si:

- ▶ La font d'alimentació, la presa de corrent i els fusibles es corresponen amb els indicats a la placa de característiques.
- ▶ l'endoll està connectat a una presa de terra i no es fan servir adaptadors múltiples ni allargadors.
- ▶ L'endoll i la presa d'alimentació són compatibles amb les especificacions.

Connecteu l'endoll a una presa de corrent domèstica correctament instal·lada.



ADVERTÈNCIA!

Per evitar riscos, si hi ha un cable d'alimentació malmès, l'ha de substituir el servei d'atenció al client (vegeu la targeta de garantia).

Paràmetres del producte segons el reglament (UE)2019/2016

Marca	Candy	
Nom / identificador del model	CML5518EVW4	
Categoria del model	Frigorífic- Congelador	
Classe d'eficiència energètica	E	
Consum anual d'energia (kWh/year)(1)	173	
Volum total (L)	285	
Volum del compartiment de frescos (L)	255	
Volum del congelador (L)	30	
Volum del compartiment de refrigeració màxima (L)	/	
Volum de la màquina automàtica de fer gel (L)	/	
Classificació d'estrelles	/	
Temperatura dels altres compartiments > 14 °C	No aplicable	
Sistema no-frost	NO	
Capacitat de congelació (kg/24 h)	2	
Classificació climàtica	SN/N/ST/T	
Classe d'emissió de soroll i emissions acústiques aèries (db(A)re1pW)	B 35	
Temps d'augment de la temperatura (h)	/	
Capacitat de fabricació de gel	/	
Tipus d'electrodomèstic	Integrat	

Nom del model	Classe d'eficiència energètica
CML5518EVW4	E

Explicacions:

• Sí, inclòs

(1) Basat en els resultats de la prova de conformitat amb els estàndards durant 24 hores. El consum real depèn de l'ús i de la ubicació de l'electrodomèstic.

(2) Classificació climàtica SN: Aquest electrodomèstic està pensat per a un ús a una temperatura ambient de +10 °C a +32 °C

Classificació climàtica N: Aquest electrodomèstic està pensat per a un ús a una temperatura ambient de +16 °C a +32 °C

Classificació climàtica ST: Aquest electrodomèstic està pensat per a un ús a una temperatura ambient de +16 °C a +38 °C

Classificació climàtica T: Aquest electrodomèstic està pensat per a un ús a una temperatura ambient de +16 °C a +43 °C

Dades tècniques addicionals

Tensió / freqüència	220-240 V ~ / 50 Hz
Corrent d'entrada (A)	1.0
Fusible principal (A)	16
Refrigerant	R600a
Mides (alçada/amplada/profunditat en mm)	1772/540/550

Informació RF

La potència màxima e.i.r.p.: Bluetooth (BR/EDR): 10 dBm

Bluetooth LE: 5 dBm

2,4 GHz Wi-Fi: 16 dBm

Banda de freqüència de funcionament: 2400-2483,5 MHz

Recomanem el nostre Servei d'atenció al client de Haier i l'ús de recanvis originals. Si teniu cap problema amb el vostre electrodomèstic, consulteu primer l'apartat RESOLUCIÓ DE PROBLEMES.

Si no hi trobeu cap solució, poseu-vos en contacte amb

- ▶ el vostre distribuïdor local o
- ▶ el nostre Centre europeu d'atenció al client (vegeu els números de telèfon que es mostren a continuació) o
- ▶ Servei i assistència a www.candy-home.com, on podeu demanar el manteniment
- ▶ el servei i també trobar-hi preguntes freqüents.

Per posar-vos en contacte amb el nostre servei, assegureu-vos que disposeu de les dades següents. Podeu trobar la informació a la placa de característiques.

Model _____

Número de sèrie _____

Si necessiteu dades per a la garantia, consulteu també la targeta de garantia que s'inclou amb el producte.

Centre europeu d'atenció al client		
Pais*	Número de telèfon	Costos
Haier Italy (IT)	199 100 912	
Haier Spain (ES)	902 509 123	
Haier Germany (DE)	0180 539 3999	<ul style="list-style-type: none"> • 14 ct./min telèfon fix • màx. 42 ct./min mòbil
Haier Austria (AT)	0820 001 205	<ul style="list-style-type: none"> • 14,53 ct./min des de telèfon fix • màx. 20 ct./min tots els altres
Haier United Kingdom (UK)	0333 003 8122	
Haier France (FR)	0980 406 409	

*Per a altres països, consulteu www.candy-home.com

Haier Europe Trading S.r.l

Divisió Regne Unit

Westgate House, Westgate, Ealing

London, W5 1YY

* Durada de la garantia de l'aparell de refrigeració:

La garantia mínima és de: 2 anys per als països de la UE; 3 anys per a Turquia; 1 any per al Regne Unit; 1 any per a Rússia; 3 anys per a Suècia; 2 anys per a Sèrbia; 5 anys per a Noruega; 1 any per al Marroc; 6 mesos per a Algèria; Tunísia, sense garantia legal.

* El període de recanvis per a la reparació de l'electrodomèstic:

Els termòstats, els sensors de temperatura, les plaques de circuit impreses i les fonts de llum estan disponibles durant un període mínim de set anys després de la comercialització de l'última unitat del model.

Els tiradors de la porta, les frontisses, les safates i les cistelles estan disponibles durant un període mínim de set anys, i les juntes de la porta durant un període mínim de 10 anys, després de la comercialització de l'última unitat del model.

*Per a més informació sobre el producte, consulteu <https://eprel.ec.europa.eu/> o escanegeu el codi QR de l'etiqueta energètica que s'inclou amb l'electrodomèstic.



CANDY