

CANDY

CNWQ4G84G1

CANDY

Wine Cellar
User Guide

Weinklimaschrank
Benutzerhandbuch

Bodega de vinos
Guía del usuario

Cave à vin
Manuel d'utilisation

Cantina
Guida per l'utente

Wijnkast
Gebruiksaanwijzing

Chłodziarka do wina
Pod ręcznik użytkownika

Garrafeira
Guia de utilizador

Vinný sklípek
Uživatelská příručka

Συντηρητής κρασιών
Οδηγός χρήστη

Borhűtő
Felhasználói útmutató

Cramă de vinuri
Manual de utilizare

Hladílnik za vino
Navodila za uporabo

Vinotéka
Návod na použitie

Veinikelder
Kasutusjuhend

Vyno šaldytuvas
Naudotojo vadovas

Vina skapis
Lietotāja rokasgrāmata

Nevera de vins
Manual d'ús

EN

DE

ES

FR

IT

NL

PL

PT

CS

EL

HU

RO

SL

SK

ET

LT

LV

CA



EN WARNING: Risk of fire/flammable material.

The symbol indicates there is a risk of fire since flammable materials are used. Take care to avoid causing a fire by igniting flammable material.

DE WARNUNG: Brandgefahr/ entzündliches Material. Das Symbol zeigt an, dass Brandgefahr besteht, da brennbare Materialien verwendet werden. Achten Sie darauf, dass kein Feuer entstehen kann, indem brennbares Material sich entzündet.

FR AVERTISSEMENT: Risque d'incendie/matière inflammable. Le symbole indique qu'il y a un risque d'incendie, car des matériaux inflammables sont utilisés. Évitez de provoquer un incendie en brûlant des matières inflammables.

IT AVVERTENZA: Rischio di incendio / Materiale infiammabile. Il simbolo indica che esiste il rischio di incendio poiché sono utilizzati materiali infiammabili. Prestare particolare attenzione per evitare incendi causati dall'accensione di materiali infiammabili.

ES ADVERTENCIA: Riesgo de incendio/material inflamable. El símbolo indica que existe riesgo de incendio dado que se utilizan materiales inflamables. Se debe procurar evitar incendios mediante la combustión de materiales inflamables.

PL OSTRZEŻENIE: Ryzyko pożaru/materiału łatwopalnego. Ten symbol wskazuje na ryzyko pożaru, ponieważ urządzenie zawiera materiały łatwopalne. Uwważaj, aby nie spowodować pożaru przez podpalenie łatwopalnego materiału.

PT AVISO: Risco de incendio/material inflamável. O símbolo indica que existe um risco de incendio, uma vez que são utilizados materiais inflamáveis. Tenha cuidado para evitar provocar um incêndio acendendo material inflamável

NL WAARSCHUWING: Risico op brand/ ontvlambaar materiaal. Het symbool geeft aan dat er brandgevaar bestaat doordat brandbare materialen worden gebruikt. Let op dat u geen brand veroorzaakt door brandbare materialen te ontsteken.

BG ПРЕДУПРЕЖДЕНИЕ: Опасност от пожар/запалим материал. Символът показва, че съществува опасност от пожар, тъй като се използват запалими материали. Внимавайте да не предизвикате пожар чрез подпалване на запалим материал.

CS VAROVÁNÍ: Nebezpečí požáru/hořlavý materiál. Tento symbol signalizuje, že hrozí nebezpečí požáru kvůli použití hořlavých materiálů. Dejte pozor, abyste zamezili způsobení požáru zapálením hořlavého materiálu.

EL ΠΡΟΕΙΔΟΠΟΙΗΣΗ: Κίνδυνος πυρκαγιάς/εύφλεκτα υλικά
Το σύμβολο υποδεικνύει ότι υπάρχει κίνδυνος πυρκαγιάς, καθώς χρησιμοποιούνται εύφλεκτα υλικά. Επιδείξτε προσοχή για την αποτροπή της πρόκλησης πυρκαγιάς εξαιτίας των εύφλεκτων υλικών.

HU FIGYELMEZTETÉS: Tűzveszély/gyúlékony anyagok. A szimbólum a tűzveszélyről tájékoztat, ami a gyúlékony anyagok használatából adódik. Figyeljen a tűz megelőzésére, mivel a gyúlékony anyag lángra kaphat.

RO AVERTISMENT: Risc de incendiu/material inflamabil. Simbolul indică riscul de incendiu, deoarece se utilizează materiale inflamabile. Evitati provocarea unui incendiu cauzat de materialele inflamabile.

SL OPOZORILO: Nevarnost požara/vnetljiv material. Simbol označuje nevarnost požara, saj se uporabljajo vnetljivi materiali. Pazite, da ne povzročite požara z vžigom vnetljivega materiala.

ET HOIATUS! Tuleoht/tuleohtlik materjal.

Sümbol tähistab tuleohtlike materjalide kasutamisest tingitud tulekahju ohtu. Pöörake tähelepanu tuleohtlike materjalide süttimisega kaasnevale tulekahju ohule.

LT ĮSPĖJIMAS. Gaisro / degių medžiagų pavojus.

Šis simbolis rodo, kad yra gaisro pavojus, nes naudojamos degios medžiagos. Saugokitės, kad nekiltų gaisras užsidegus degioms medžiagoms.

LV BRĪDINĀJUMS! Aizdeģšanās risks / uzliesmojoši materiāli.

Šis simbols norāda, ka pastāv aizdeģšanās risks, jo tiek izmantoti uzliesmojoši materiāli. Nepieļaujiet uzliesmojoša materiāla aizdeģšanos, lai netiktu izraisīts ugunsgrēks.

SK VÝSTRAHA: Nebezpečnosť požiaru/horľavý materiál.

Symbol označuje nebezpečnosť požiaru, pretože sa používajú horľavé materiály. Dávajte pozor, aby ste zabránili vzniku požiaru vznietením horľavého materiálu.

CA ADVERTÈNCIA: Risc d'incendi o material inflamable.

Aquest símbol indica que hi ha risc d'incendi, perquè es fan servir materials inflamables. Eviteu encendre materials inflamables que poden provocar un incendi. Extremeu les precaucions.

CANDY

User Manual

Wine Cellar

CNWQ4G84G1

EN

CANDY

Thank you for purchasing a Candy Product.

Please read these instructions carefully before using this appliance. The instructions contain important information which will help you get the best out of the appliance and ensure safe and proper installation, use and maintenance.

Keep this manual in a convenient place so you can always refer to it for the safe and proper use of the appliance.

If you sell the appliance, give it away, or leave it behind when you move house, make sure you also pass this manual so that the new owner can become familiar with the appliance and safety warnings.



Legend

Warning – Important Safety information



General information and tips



Environmental information



Disposal

Help protect the environment and human health. Put the packaging in applicable containers to recycle it. Help to recycle waste of electrical and electronic appliances. Do not dispose appliances marked with this symbol with the household waste. Return the product to your local recycling facility or contact your municipal office.



WARNING!

Risk of injury or suffocation!

Refrigerants and gases must be disposed of professionally. Ensure that the tubing of the refrigerant circuit is not damaged before being properly disposed of. Disconnect the appliance from the mains supply. Cut off the mains cable and dispose of it. Remove the trays and drawers as well as the door catch and seals, to prevent children and pets to get closed in the appliance.

Old appliances still have some residual value. An environmentally friendly method of disposal will ensure that valuable raw materials can be recovered and used again.

Cyclopentane, a flammable substance not harmful to ozone, is used as an expander for the insulating foam.

By ensuring this product is disposed of correctly, you will help prevent potential negative consequences for the environment and human health, which could otherwise be caused.

For more detailed information about recycling of this product, please contact your local council, your household waste disposal service or the shop where you purchased the product, handled by the professionals.

1- Safety information.....	4
2- Safety tips.....	7
3- Maintenance	11
4-Accessories.....	13
5- Product description	14
6- Installation	15
7- Use.....	19
8- Energy saving tips	22
9 - Equipment	23
10- Care and cleaning.....	24
11- Troubleshooting	25
12- Technical data	28
13- Customer Service	29
14- Wine bottle stacking.....	30

This appliance is intended to be used exclusively for the storage of wine. Before switching on the appliance for the first time read the following safety hints:



WARNING!

Before first use

- ~ Make sure there is no transport damage.
- ~ Remove all packaging and keep out of children's reach and dispose them in an environmentally friendly manner.
- ~ Wait at least 0.5 hours before installing the appliance in order to ensure the refrigerant circuit is fully efficient.
- ~ Handle the appliance always with at least two persons because it is heavy.
- ~ **When positioning the appliance, ensure the supply cord is not trapped or damaged.**
- ~ **Do not locate multiple portable socket-outlets or portable power supplies at the rear of the appliance.**

Installation

- ~ The appliance should be placed in a well-ventilated place. Ensure a space of at least 50mm above and around the appliance.
- ~ **WARNING:** Keep ventilation openings, in the appliance enclosure or in the built-in structure, clear of obstruction.
- ~ Never place the appliance in a damp area or location where it might be splashed with water. Clean and dry water splashes and stains with a soft clean cloth.
- ~ Do not install your wine cellar in any location not properly insulated or heated e.g. garage etc. Your wine cellar was not designed to operate in ambient temperature below 10 °C.
- ~ Do not install the appliance in direct sunlight or in the near of heat sources (e.g. stoves, heaters).
- ~ **Install and level the appliance in an area suitable for its size and use.**
- ~ Make sure that the electrical information on the rating plate **agrees with the power supply. If it does not, contact an electrician.**
- ~ The appliance is operated by a 220-240 VAC/50 Hz power supply. Abnormal voltage fluctuation may cause the appliance to fail to start, or damage to the temperature control or compressor, or there may be an abnormal noise when operating. In such case, an automatic regulator shall be mounted.
- ~ Do not use multi-plug adapters and extension cables.

**WARNING!**

- ~ **WARNING:** Do not locate multiple portable socket outlets or portable power supplies at the rear of the appliance.
- ~ **WARNING:** When positioning the appliance, ensure the supply cord is not trapped or damaged.
- ~ Do not step on the power cable.
- ~ Use a separate earthed socket for the power supply which is easy accessible. The appliance must be earthed.
- ~ **Only for UK:** The appliance's power cable is fitted with 3-cord (grounding) plug that fits a standard 3-cord (grounded) socket. Never cut off or dismount the third pin (grounding). After the appliance is installed, the plug should be accessible.
- ~ **WARNING:** Do not damage the refrigerant circuit.

Daily use

- ~ This appliance can be used by children aged from 8 years and above and persons with reduced physical, sensory or mental capabilities or lack of experience and knowledge if they have been given supervision or instruction concerning use of the appliance in a safe way and understand the hazards involved.
- ~ Children shall not play with the appliance.
- ~ Children aged from 3 to 8 years are allowed to load and unload refrigerating appliances, but not allowed to clean and install the refrigerating appliances.
- ~ Keep away children under 3 years of age from the appliance unless they are constantly supervised.
- ~ Cleaning and user maintenance shall not be made by children without supervision.
- ~ The appliance must be positioned so that the plug is accessible.
- ~ If coal gas or other inflammable gas is leaking into vicinity of the appliance, turn off the valve of the leaking gas, open the doors and windows and do not unplug the power cable of the appliance.
- ~ Wait at least 7 minutes to reconnect the power after the power has been disconnected.
- ~ Do not lift the appliance by its door handles.
- ~ The keys must be kept out of the reach of children and not in the vicinity of the appliance to prevent children from being locked inside the appliance.



WARNING!

- ~ Notice that the appliance is set for operation at the specific ambient range between 10 and 38°C. The appliance may not work properly if it is left for a long period at a temperature above or below the indicated range.
- ~ Do not place unstable articles (heavy objects, containers filled with water) on top of the appliance, to avoid personal injury caused by falling or electric shock caused by contact with water.
- ~ Open and close the door only with the handles. The gap between the door and the cabinet is very narrow. Do not put your hands in these areas to avoid pinching your fingers. Open or close the appliance doors only when there are no children standing within the range of door movement.
- ~ Do not store or use inflammable, explosive or corrosive materials in the appliance or in the vicinity.
- ~ Do not store explosive substances such as aerosol cans with a flammable propellant in this appliance.
- ~ Do not store medicines, bacteria or chemical agents in the appliance. This appliance is a household appliance. It is not recommended to store materials that require strict temperatures.
- ~ Do not set unnecessarily low temperature in the wine cabinet compartment. Minus temperatures may occur at high settings. Attention: Bottles can burst
- ~ Do not touch the inside surface of the appliance compartment when in operation, especially with wet hands, as your hands may freeze onto the surface.
- ~ For proper wine cooling, do not overload the appliance.
- ~ Unplug the appliance in the event of a power interruption or before cleaning. Allow at least 7 minutes before restarting the appliance, as frequent starting may damage the compressor.
- ~ **WARNING:** Do not use electrical devices inside the appliance, unless they are of the type recommended by the manufacturer. To avoid risks a damaged power cord must be replaced by the customer service (see warranty card).
- ~ To prolong the service life of the appliance, avoid turning it off.
- ~ Never place the appliance horizontally on the ground. After tilting the appliance more than 45°, wait for 24 hours before plugging it in.

**WARNING!****Maintenance / cleaning**

- ~ Make sure children are supervised if they carry out cleaning and maintenance.
- ~ Disconnect the appliance from the electrical supply before undertaking any routine maintenance. Allow at least 7 minutes before restarting the appliance, as frequent starting may damage the compressor.
- ~ Hold the plug, not the cable, when unplugging the appliance.
- ~ Do not clean the appliance with hard brushes, wire brushes, detergent powder, petrol, amyl acetate, acetone and similar organic solutions, acid or alkaline solutions. Please clean with special refrigerator/freezer detergent to avoid damage. Eventually use warm water and baking soda solution - about a tablespoon of baking soda to a litre/quart of water. Rinse thoroughly with water and wipe dry. Do not use cleaning powders or other abrasive cleaners. Do not wash removable parts in a dishwasher.
- ~ **WARNING:** Do not use mechanical devices or other means to accelerate the defrosting process, other than those recommended by the manufacturer.
- ~ If the supply cord is damaged, it must be replaced by the manufacturer, its service agent or similarly qualified persons in order to avoid a hazard.
- ~ Do not try to repair, disassemble or modify the appliance by yourself. In case of repair please contact our customer service.
- ~ If the illuminating lamps are damaged, it must be replaced by the manufacturer, its service agent or similarly qualified persons in order to avoid a hazard.
- ~ Eliminate the dust on the back of the unit at least once in the year to avoid hazard by fire, as well as increased energy consumption.
- ~ **To avoid contamination of food, please respect the following instructions:**
 - **Opening the door for long periods can cause a significant increase of the temperature in the compartments of the appliance.**

- ~ Do not spray or flush the appliance during cleaning.
- ~ Do not use water spray or steam to clean the appliance.
- ~ Do not clean the cold glass door with hot water. Sudden temperature change may cause the glass to break.
- ~ If you leave your appliance out of use for an extended period, leave it open to prevent odour and unpleasant smells building up inside.

Refrigerant gass information



WARNING!

The appliance contains the flammable refrigerant ISOBUTANE (R600a). Make sure the refrigerant circuit is not damaged during transportation or installation. Leaking refrigerant may cause eye injuries or ignite. If a damage has occurred, keep away open fire sources, thoroughly ventilate the room, do **not** plug or unplug the power cords of the appliance or any other appliance. Inform the customer service.

In case of eyes get into contact with the refrigerant, rinse it immediately under running water and call immediately the eye specialist.

WARNING: The refrigeration system is under high pressure. Do not tamper with it. Since the flammable refrigerants are used, please, install, handle and service the appliance strictly according to the instruction and contact the professional agent or our after-sales service to dispose of the appliance.

Intended use


This appliance is intended to be used in household and similar applications such as

- staff kitchen areas in shops, offices and other working environments;
 - farm houses and by clients in hotels, motels and other residential type environments;
 - bed and breakfast type environments;
 - catering and similar non-retail applications.
- ~ To ensure the safe preservation of wine, please comply with this instruction for use.
- ~ The details on the most appropriate part in the compartment of the appliance where specific types of food shall be stored, considering the distribution of temperature that can be present in the different compartments of the appliance are in the other part of the manual.

Changes or modifications to the device are not allowed. Unintended use may cause hazards and loss of warranty claims.

Disposal



The  symbol on the product or on its packaging indicates that this product may not be treated as household waste. Instead it shall be handed over to the applicable collection point for the recycling of electrical and electronic equipment. By ensuring this product is disposed of correctly, you will help prevent potential negative consequences for the environment and human health, which could otherwise be caused by inappropriate waste handling of this product. For more detailed information about recycling of this product, please contact your local city office, your household waste disposal service or the shop where you purchased the product.

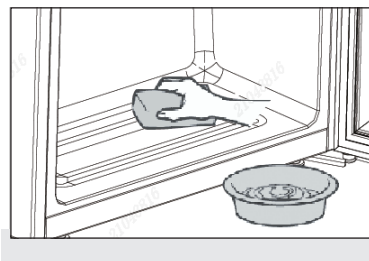
Since the flammable insulation blowing gases are used, please contact the professional agent or our after-sale service to dispose of the appliance.

WARNING!

Risk of injury of suffocation!

Refrigerants and gases must be disposed of professionally. Ensure that the tubing of the refrigerant circuit is not damaged before being properly disposed of. Disconnect the appliance from the mains supply. Cut off the mains cable and dispose of it. Remove the trays and drawers as well as the door catch and seals to prevent children and pets to get closed in the appliance.

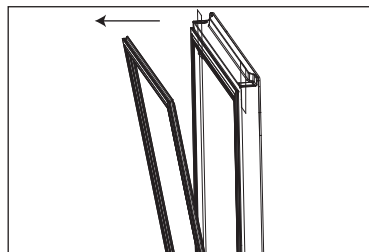
- ~ **WARNING:** Disconnect the appliance from the power supply before cleaning.
- ~ Do not clean the appliance with hard brushes, wire brushes, detergent powder, petrol, amyl acetate, acetone and similar organic solutions, acid or alkaline solutions. Please clean with special refrigerator detergent to avoid damage.
- ~ Clean the appliance when only little or no wine is stored. It is only necessary to clean it when it is dirty.
- ~ Clean the inside and housing of the appliance with a sponge damped in warm water and neutral detergent
- ~ Rinse with clean warm water and dry with soft cloth.
- ~ Do not clean any of the parts of the appliance in a dishwasher.
- ~ Allow at least 7 minutes before re-starting the appliance as frequent starting may damage the compressor.



Clean the door gasket:

- ~ The door gaskets should be cleaned every 3 months to assure a proper seal. As below : Remove: Grasp the door gasket and pull it out according to the direction of arrow to remove the whole door gasket in order.

Dip the brush with water or food grade alcohol, clean up the door gasket groove firstly by pulling back and forth the brush. Then wipe door gasket surface with a towel dipped with water or food grade alcohol. Finally, wash the door gasket clean and wipe it dry with a clean towel.



Installation door gasket after cleaning:

Before installation, make sure that there is no water on the door gasket. Insert the door gasket into the groove, and press the door gasket tightly from the top to the bottom by hand until the whole door gasket is inserted into the groove.

Cleaning the shelves:

- ~ All shelves can be taken out for cleaning.
- ~ Take out all bottles.
- ~ Lift each shelf a little and take it out.
- ~ Clean the shelf with a soft towel.
- ~ Wait until the shelves are dry before putting them back in.

WARNING:

Wait at least 7 minutes to reconnect the power after the power has been disconnected.

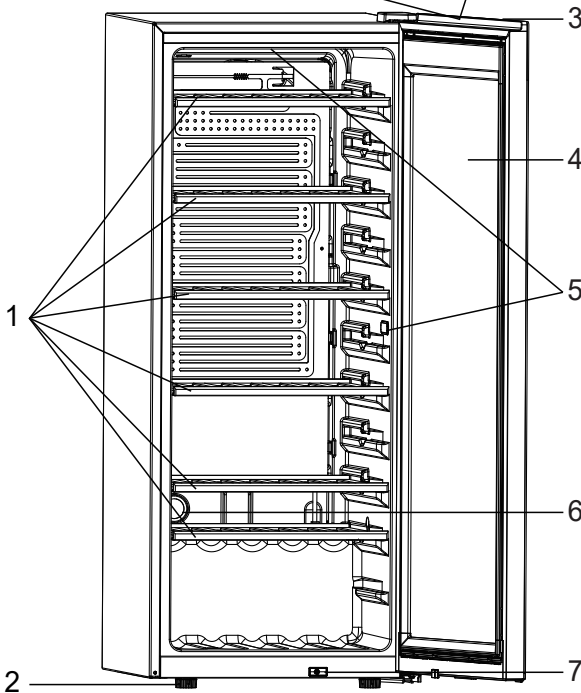
Check the accessories and literature in accordance with this list:

Name	User Manual	Service Card	Shelf	Energy Label
CNWQ4G84G1	1	1	6	1

Notice

Due to technical changes and different models, some of the illustrations in this manual may differ from your model.

Picture of appliance



CNWQ4G84G1

- | | |
|--------------------|---------------------------|
| 1. Shelf | 5. LED lamp |
| 2. Adjustable feet | 6. Active charcoal filter |
| 3. Display | 7. Switch |
| 4. Door | |

1. Unpacking

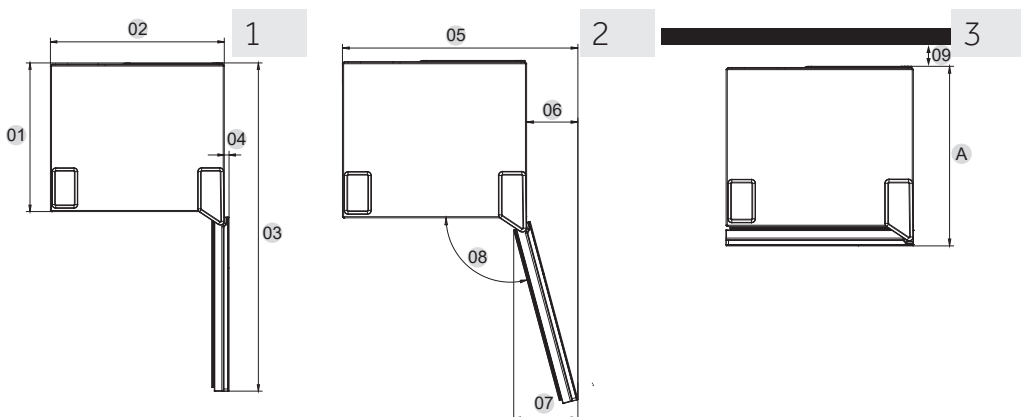
- ~ Take the appliance out of the packaging.
- ~ Remove all packaging materials including the foam base and all adhesive tape holding the accessories.

2. Environmental conditions

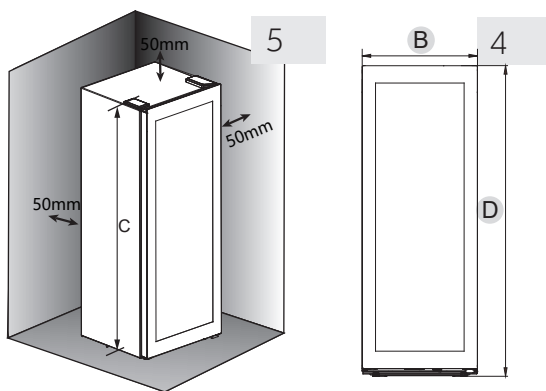
The room temperature should always be between 10 °C and 38 °C, since it can influence the temperature inside the appliance and its energy consumption. Do not install the appliance near other heat-emitting appliances (ovens, refrigerators) without isolation.

3. Space requirements

Required space to open the door (Fig. 1,2,3,4); For safety and energy reasons, the required ventilation distance of 50 mm in all directions must be observed (Fig.5).



Measurement: mm	CNWQ4G84G1
Depth A	585
Width B	495
Height C	1262
Overall Height D	1263
01	535
02	495
03	1043
04	11
05	630
06	135
07	167
08	105°
09	50





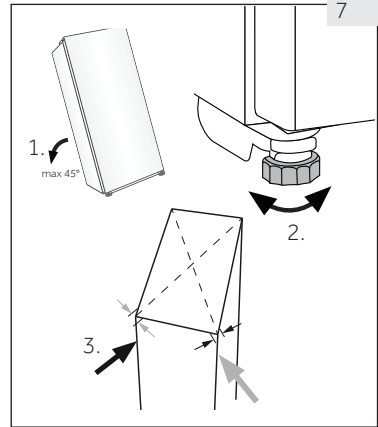
WARNING!

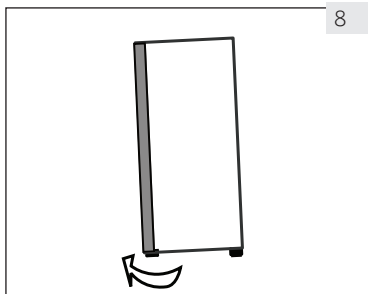
- ~ Keep ventilation openings in the appliance or in the in-built structure clear of obstruction. This refrigerating appliance is not intended to be used as a built-in appliance

4. Aligning the appliance

The appliance should be placed on a flat and solid surface.

1. Tilt the appliance slightly backwards (Fig. 7).
2. Set the adjustable front feet to the desired level by turning them.
3. The stability can be checked by alternately bumping on the diagonals. The slight swaying should be the same in both directions. Otherwise the frame can warp; possible leaking door seals are the result. A low tendency to the rear facilitates the closing of the door.





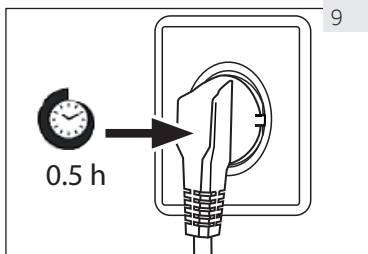
8

5. Fine tuning of the door

The appliance closes more easily if the levelling feet on the front are used:

Rotate the adjustable feet (Fig. 8) to turn them up or down:

- ~ Turning the feet clockwise raises the appliance.
- ~ Turning the feet counterclockwise lower the appliance.



9

6. Waiting time

The maintenance-free lubrication oil is located in the capsule of the compressor. This oil can get through the closed pipe system during transport if the appliance is tilted. Before connecting the appliance to the power supply, wait 0.5 hours (Fig. 9) so that the oil runs back into the capsule.

7. Electrical connection

Before each connection check if:

- ~ power supply, socket and fusing are appropriate to the rating plate.
- ~ the power socket is earthed and no multi-plug or extension.
- ~ the power plug and socket are fit properly.

Connect the plug to a properly installed household socket.



WARNING!

To avoid risks a damaged power cord must be replaced by the customer service (see warranty card).



WARNING!

- ~ Before any operation, first unplug the appliance from the mains.
- ~ **Do not tilt the appliance more than 45 ° to prevent damage of the cooling system.**

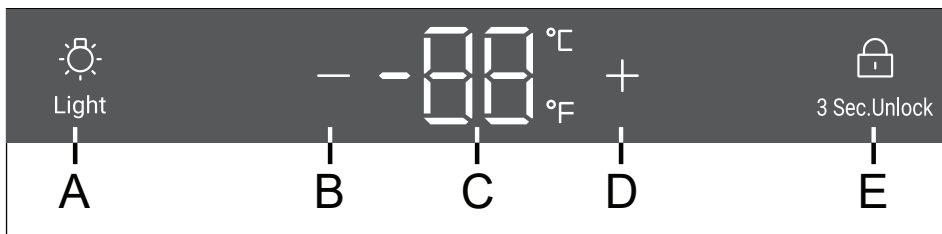
1. Before first use

- ~ Remove all packaging materials. This includes the foam base and all adhesive tape holding the wine cellar accessories inside and outside. Keep them out of children's reach and dispose them in an environmentally friendly manner.
- ~ Clean the inside and outside of the appliance with water and a mild detergent before putting any wine in it.
- ~ After the appliance has been levelled and cleaned, wait for at least 2 hours before connecting it to the power supply. If your wine cellar has been tiled for any reason, wait 24 hours before plugging it in. See section INSTALLATION.
- ~ Once you have plugged the unit into an electrical outlet, let the unit run for at least 30 minutes to acclimatize itself before making any adjustments.
- ~ The temperature is automatically set to 12 °C. If desired, you can change the temperature manually. Please see TEMPERATURE.

2. Touch buttons

The buttons on the control panel are touch buttons, which respond when lightly touched with the finger.

3. Description for control panel



A Light button

B Temperature adjust button: down

C Display

D Temperature adjust button: up

E Lock button

4. Automatically locking function

In the lock screen state, long press the lock button for 3S, the display screen displays 3, 2 and 1, the display screen is unlocked; If there is no operation, the screen will be locked automatically after 30s. In the lock screen state, the lock icon is on, and the buttons on the display screen cannot be operated (except the lighting button);

5. Temperature setting



Notice

Presettings

- ~ Once you have plugged the unit into an electrical outlet, let the unit for at least 30 minutes to acclimatize itself before making any adjustments.
- ~ When the appliance is switched on after disconnection from the main power supply, it may take several hours for the correct temperatures to be reached. The exact time varies depending on the environment and the temperature setting.



Press the **+** or **-** button, the display will start to flash. Press the **+** or **-** button to set the desired temperature. The temperature setting range : 5-20°C (41-68°F). Stop pressing the button for 3 second, the temperature is confirmed.

6. Standby-mode

The display screen is dimmed automatically 30 seconds.

It lights up automatically when any button is touched or the door is opened.



Notice

Influences on temperatures



The temperature inside the appliance is influenced by the following factors:

- ~ Ambient temperature
- ~ Amount of stored bottles
- ~ Frequency of door opening
- ~ The location of the appliance

The default setting is 12°C

When display stops flashing, it goes back to showing the current temperature inside the wine cellar. It will take some time to reach the set temperature.

7. Lighting mode setting

Press the  button. the lights will be lighted up gradually. When pressed the  button once again the lights will be off gradually.

8. °C/°F function

Press the “–” button for 3 seconds, switch between Fahrenheit and Celsius.

9. Power-Off Memory function

If a power outage, the cellar will automatically save the set temperature. After power recovery, it will run based on the temperature set before the power outage .

10. Door opening alarm

If the door is kept open for over 1 min, buzzer will be beeping to give an alarm till the door is closed or any key on display panel can be operated and then the buzzer will stop beeping.



Energy saving tips

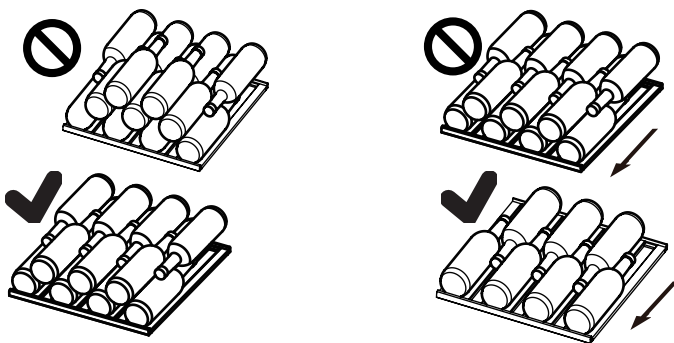
- ~ Make sure the appliance is properly ventilated (see INSTALLATION).
- ~ Do not install the appliance in direct sunlight or in the near of heat sources (e.g. stoves, heaters).
- ~ Avoid unnecessarily low temperature in the appliance. The energy consumption increases the lower the temperature in the appliance is set.
- ~ Open the appliance door as little and as briefly as possible.
- ~ Do not exceed the designed amount of bottles to avoid obstructing the air flow.
- ~ Keep door seals clean so that the door always closes correctly.
- ~ The most energy-saving configuration requires drawer, food box and shelves to be positioned in the appliance on factory-fresh condition, and food to be placed without blocking the air outlet of the duct.
- ~ To increase the energy efficiency, the lights should be turned off when the wine cellar is not being viewed.

1. Shelf

1. The shelves are designed for easy storage and easy removal of the wine. They can be cleaned with a soft towel.
2. Regular bottles with diameter of 76mm can be stacked.
3. The quantity can vary from the depicted number or bottles if they are stacked in a different way.

Advice for the layout of your wine cellar

We recommend that the number of wine bottles should not exceed two layers on each shelf, and the bearing capacity of the wine shelves should not exceed **20 kg**. Before placing the bottles inside the wine cellar, confirm whether or not the wine shelves are completely stable. In addition, confirm whether or not any bottle protrudes from the shelves in order to prevent bottles hitting the glass door upon closing.



2. The light

The LED interior light comes on when the door is opened.

1. Defrosting

The defrosting of the wine cellar is done automatically; no manual operation is needed.

2. Replacing the LED lamp

The lamp uses LED as its light source, featuring low energy consumption and long service life. If there is any abnormality, please contact the customer service. See CUSTOMER SERVICE.



WARNING!

Do not replace the LED lamp yourself. It must only be replaced by either the manufacturer or the authorised service agent.

Parameters of LED lamp:

Voltage 12V

Max power: 7W

3. Non-use for a longer period

Unplug the power cord.

Clean the appliance and door gaskets as described above.

Keep the door open to prevent the creation of bad odours inside.

4. Moving the appliance

1. Remove all bottles and unplug the appliance.

2. Secure shelves and other moveable parts in the wine cellar with adhesive tape.

3. Do not tilt the wine cellar more than 45° to avoid damaging the refrigerating system.

5. Air exchange with activated carbon filter

The way in which wines continue to mature depends on the ambient conditions. The quality of the air is therefore decisive for preserving the wine. An activated carbon filter has been fitted in the lower area of the rear wall of the appliance to through put remains at an optimum quality.



Notice

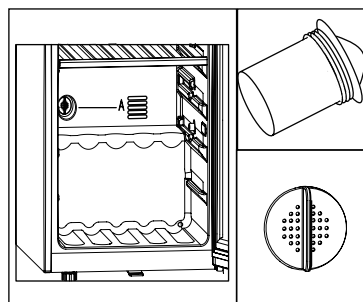
We recommend that you replace the filter once a year. Filters can be obtained from your dealer.

Changing the filter:

Take the filter by the handle. Turn it to the left and remove.

Inserting the filter:

Insert with the handle in a vertical position. Turn it to the right and insert.



Many occurring problems could be solved by yourself without specific expertise. In case of a problem please check all shown possibilities and follow below instructions. If you cannot solve the problem, please contact your service agent or the manufacturer before you contact an after sales service. See CUSTOMER SERVICE.

WARNING!

- ~ Before maintenance, deactivate the appliance and disconnect the mains plug from the mains socket.
- ~ Electrical equipment should be serviced only by qualified electrical experts, because improper repairs can cause considerable consequential damages.
- ~ A damaged supply should only be replaced by the manufacturer, its service agent or similarly qualified persons in order to avoid a hazard.

Error Code	Cause	Solution
L2	The upper temperature zone is low temperature alarm when the upper temperature of the control sensor is too low;	<ol style="list-style-type: none"> 1. Check the ambient temperature. 2. Check the Compressor connector. 3. Check the resistance of the temperature control sensor.

Problem	Possible Cause	Possible Solution
The compressor does not work.	<ul style="list-style-type: none"> • Mains plug is not connected in the mains socket. 	<ul style="list-style-type: none"> • Connect the mains plug.
The appliance runs frequently or runs for a too long period of time.	<ul style="list-style-type: none"> • The outdoor temperature is too high. • The appliance has been off power for a period of time. • A door of the appliance is not tightly closed. • The door has been opened too frequently or for too long. • The door gaskets are dirty, worn, cracked or mismatched. • The required air circulation is not guaranteed. • The temperature is set too low. 	<ul style="list-style-type: none"> • In this case, it is normal for the appliance to run longer. • Normally, it takes a while for the appliance to cool down completely. • Close the door and ensure the appliance is located on a level ground and there is no food or container jarring the door. • Do not open the door too frequently. • Clean the door gasket or replace them by the customer service. • Ensure adequate ventilation. • The problem will resolved itself when the desired temperature has been reached.
The inside of the wine cellar is dirty and/or smells..	<ul style="list-style-type: none"> • The inside of the wine cellar needs cleaning. 	<ul style="list-style-type: none"> • Clean the inside of the wine cellar.
It is not cold enough inside the appliance.	<ul style="list-style-type: none"> • The temperature is set too high. • Bottles have been added recently. • A door of the appliance is not tightly closed. • The door has been opened frequently or for long time. • The door gaskets are dirty, worn, cracked or mismatched. 	<ul style="list-style-type: none"> • Reset the temperature. • Allow time for recently added bottles to reach desired temperature. • Close the door. • Do not open the door too frequently. • Clean the doorgasket or replace them by the customer service..
It is too cold inside the appliance.	<ul style="list-style-type: none"> • The temperature is set too low. 	<ul style="list-style-type: none"> • Reset the temperature.
Moisture formation on the inside of the refrigerator compartment.	<ul style="list-style-type: none"> • The climate is too warm and too-damp. • A door of the appliance is not tightly closed. • The door has been opened frequently or for long time. 	<ul style="list-style-type: none"> • Increase the temperature. • Close the door. • Do not open the door/drawer too frequently.

Problem	Possible Cause	Possible Solution
Moisture accumulates on the wine cellar's outside surface.	<ul style="list-style-type: none"> The climate is too warm and too damp The door is not closed tightly. The cold air in the appliance and the warm air outside it condensates. 	<ul style="list-style-type: none"> This is normal in damp climate and will change when the humidity decreases. Ensure that the door is shut tightly and that the gaskets seal properly.
The appliance makes abnormal sounds	<ul style="list-style-type: none"> The appliance is not located on level ground. The appliance touches some object around it. 	<ul style="list-style-type: none"> Adjust the feet to level the appliance. Remove objects around the appliance.
A slight sound is to be heard similar water.	<ul style="list-style-type: none"> This is normal 	<ul style="list-style-type: none"> -
The interior lighting or cooling system does not work.	<ul style="list-style-type: none"> Mains plug is not connected to the mains socket. The power supply is not intact. The LED-lamp is out of order. 	<ul style="list-style-type: none"> Connect the mains plug. Check the electrical supply to the room. Call the local electricity company. Please call the service for changing
The sides of the cooler get warm.	<ul style="list-style-type: none"> This is normal. 	<ul style="list-style-type: none"> -
The door does not shut properly	<ul style="list-style-type: none"> The appliance is not level. The door is blocked. 	<ul style="list-style-type: none"> Level the appliance with the leveling feet. Check for blockages like bottles or shelves.

To contact the technical assistance, visit our website:

<https://corporate.haier-europe.com/en/>

Under the section "website", choose the brand of your product and your country. You will be redirected to the specific website where you can find the telephone number and form to contact the technical assistance.

Product fiche according to regulation EU No. **2019/2016**

Brand	Candy
Model name / identifier	CNWQ4G84G1
Category	Wine Cellar
Energy efficiency class	G
Annual energy consumption (kWh/annum)¹⁾	153
Bottle capacity (0.75L bordeaux bottle)	84
Climate class: This appliance is intended to be used at an ambient temperature between 16 °C and 38 °C	N ST
Airborne acoustical noise emissions (db (A) @ 1pW)	37
Type of appliance	Freestanding
This appliance is intended to be used exclusively for the storage of wine.	Yes
	495/585/1263

Explanations:

1) based on standard test results for 24 hours. The actual power consumption depends on the actual environment, the amount of bottling, the set temperature, the door opening and closing, etc.


2) The nominal power consumption is the value obtained according to the standard test when the wine cabinet does not turn on the internal light.

- extended temperate: 'this refrigerating appliance is intended to be used at ambient temperatures ranging from 10 °C to 32 °C';

- temperate: 'this refrigerating appliance is intended to be used at ambient temperatures ranging from 16 °C to 32 °C';

- subtropical: 'this refrigerating appliance is intended to be used at ambient temperatures ranging from 16 °C to 38 °C';

- tropical: 'this refrigerating appliance is intended to be used at ambient temperatures ranging from 16 °C to 43 °C';

Standards and directives 

This product meets the requirements of all applicable EC directives with the corresponding harmonised standards, which provide for CE marking.

We recommend our Haier Customer Service and the use of original spare parts.
If you have a problem with your appliance, please first check section TROUBLESHOOTING.
If you cannot find a solution there, please contact

- ~ your local dealer or
- ~ the Service & Support area at www.haier.com where you can find telephone numbers and FAQs and where you can activate the service claim.

To contact our Service, ensure that you have the following data available.

The information can be found on the rating plate.

Model _____ Serial No. _____

Also check the Warranty Card supplied with the product in case of warranty.

For general business enquiries please find our addresses in Europe below:

European Haier addresses

Country*	Postal address	Country	Postal address
Italy	Haier Europe Trading SRL Via De Cristoforis, 12 21100 Verese ITALY	France	Haier Europe Trading SRL Via De Cristoforis, 12 21100 Verese ITALY
Spain	Haier Iberia SL Pg. Garcia Faria, 49-51 08019 Barcelona SPAIN	Belgium-FR	Haier Benelux SA Anderlecht Route de Lennik 451 BELGIUM
Portugal		Belgium-NL	
		Netherlands	
Germany	Haier Deutschland GmbH Hewlett-Packard-Str. 4 D-61352 Bad Homburg GERMANY	Luxembourg	
Austria		Poland	Haier Poland Sp. zo.o. Al. Jerozolimskie 181B 02-222 Warszawa POLAND
		Czechia	
		Hungary	
		Greece	
United Kingdom	Haier Appliances UK Co. Ltd. One Crown Square Church Street East Woking, Surrey, GU21 6HR UK	Romania	
		Russia	

AVAILABILITY OF SPARE PARTS: Thermostats, temperature sensors, printed circuit boards and light sources are available for a minimum period of seven years after placing the last unit of the model on the market. Door handles, door hinges, trays and baskets for a minimum period of seven years and door gaskets for a minimum period of 10 year, after placing the last unit of the model on the market

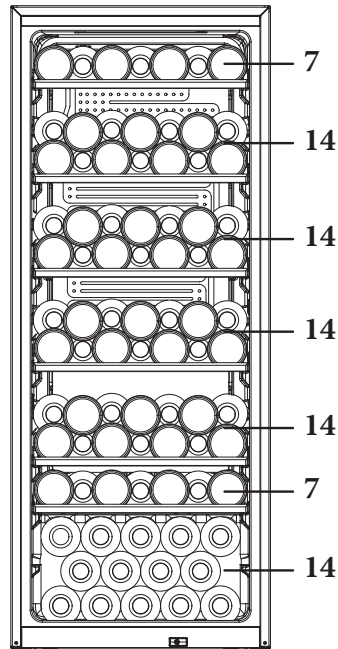
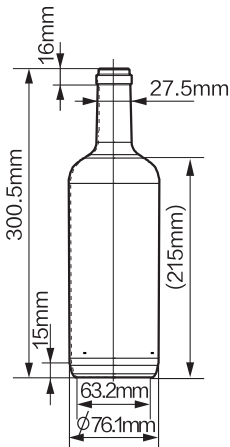
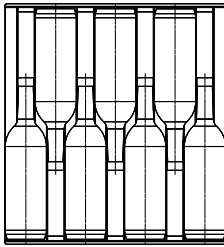
Minimum guarantee is: 2 years for EU Countries, 3 years for Turkey, 1 year for UK, 1 year for Russia, 3 years for Sweden, 2 years for Serbia, 5 years for Norway, 1 year for Morocco, 6 months for Algeria, Tunisia no legal warranty required.

For further information about the product, please consult <https://eprel.ec.europa.eu/> or scan the QR on the energy label supplied with the appliance.

Wine bottle stacking

EN

1. The bottle arrangement is based on a graphic representation of a standard Bordeaux bottle (0.75 l).
2. Due to the different bottle specifications, the actual bottle loading quantity could be different.



(84)
CNWQ4G84G1

CANDY

Наръчник за потребителя

Витрина за вино

CNWQ4G84G1

BG

CANDY

Благодарим ви, че закупихте продукт на Candy.

Моля, прочетете внимателно тези инструкции, преди да използвате този уред. Инструкциите съдържат важна информация, която ще ви помогне да използвате уреда по възможно най-пълноценен начин и да се уверите, че той ще бъде монтиран, използван, и поддържан правилно и безопасно.

Съхранявайте това ръководство на удобно място, за да можете по всяко време да направите справка относно безопасното и правилно използване на уреда.

Ако продадете, подарите или оставите уреда в старото си жилище, когато се преместите, моля, предайте това ръководство на новия собственик, за да може той да се запознае с уреда и с предупрежденията за безопасност.

**Легенда**

Предупреждение – Важна информация за безопасност



Обща информация и съвети



Информация за околната среда

Обезвреждане

Помогнете за опазването на околната среда и човешкото здраве. Поставете опаковъчните материали в подходящите контейнери, за да бъдат рециклирани. Помогнете за рециклирането на отпадъци от електрически и електронни уреди. Уреди, обозначени с този символ, не бива да бъдат изхвърляни заедно с битовите отпадъци. Върнете продукта в местното съоръжение за рециклиране или се свържете с общинската служба.

**ПРЕДУПРЕЖДЕНИЕ!****Опасност от нараняване или задушаване!**

Хладилните агенти и газовете трябва да се обезвреждат по професионален начин. Уверете, че тръбите на охладителната верига не са повредени, преди да ги изхвърлите по подходящ начин. Изключете уреда от захранването. Отрежете захранващия кабел и го изхвърлете. Извадете тавите и чекмеджетата, както и фиксатора и уплътненията на вратата, за да предотвратите затварянето на деца и домашни любимци в уреда.

Старите уреди все още имат някаква остатъчна стойност. Природосъобразен метод за изхвърляне ще гарантира, че ценните суровини могат да бъдат възстановени и използвани отново.

Циклопентанът, запалимо вещество, което не е вредно за озоновия слой, се използва като разширител за изолационната пена.

Като гарантират правилното изхвърляне на продукта, ще помогнете за предотвратяване на потенциални отрицателни последици за околната среда и човешкото здраве, които в противен случай биха могли да бъдат причинени.

За по-подробна информация относно рециклирането на този продукт, моля, свържете се с вашата община, с местната служба по изхвърляне на битови отпадъци или с магазина, от който сте закупили продукта, за да бъде поет от компетентни лица.

1- Информация за безопасност	34
2- Съвети за безопасност	37
3- Поддръжка	41
4- Принадлежности	43
5- Описание на продукта	44
6- Монтиране	45
7- Употреба	49
8- Съвети за пестене на енергия	52
9- Оборудване	53
10- Грижа и почистване	54
11- Отстраняване на неизправности	55
12- Технически данни	58
13- Обслужване на клиенти	59
14- Подреждане на бутилки вино	60

Този уред е предназначен да се използва изключително за съхранение на вино. Преди да включите уреда за първи път, прочетете следните съвети за безопасност:



ПРЕДУПРЕЖДЕНИЕ!

Преди първоначална употреба

- ▶ Уверете се, че няма транспортни повреди.
- ▶ Отстранете всички опаковъчни материали и ги дръжте на място, недостъпно за деца, и ги изхвърлете по природосъобразен начин.
- ▶ Изчакайте поне 0,5 час, преди да монтирате уреда, за да сте сигурни, че охладителната верига е напълно ефективна.
- ▶ За преместването на уреда са нужни поне двама души, защото е тежък.
- ▶ При позициониране на уреда се уверете, че захранващият кабел не е заклещен или повреден.
- ▶ Не разполагайте преносими разклонители или преносими източници на захранване в задната част на уреда.

Монтиране

- ▶ Уредът трябва да бъде поставен на място с добра вентилация. Осигурете пространство от най-малко 50 мм над уреда и около него.
- ▶ **ПРЕДУПРЕЖДЕНИЕ:** Поддържайте вентилационните отвори на корпуса на уреда или на вградената конструкция свободни от препятствия.
- ▶ Никога не поставяйте уреда на влажно място или на място, където има опасност да бъде напръскан с вода. Петна и пръски вода трябва да се почистват и подсушават с чиста мека кърпа.
- ▶ Не поставяйте витрината за вино на места, които не са добре изолирани или отоплявани, например гараж и др. Вашата витрина за вино не е предназначена да работи при температура на околната среда под 10°C.
- ▶ Не поставяйте уреда на пряка слънчева светлина или в близост до източници на топлина (напр. печки, нагреватели).
- ▶ Монтирайте и подравнете уреда на място, подходящо за неговия размер и употреба.
- ▶ Уверете се, че електрическата информация на табелката с данни съответства на захранването. Ако не съответства, обърнете се към електротехник.
- ▶ Уредът работи при захранване 220 – 240 VAC/50 Hz. Необичайни колебания в електрическото напрежение могат да доведат до неуспешно стартиране на уреда, да повредят системата за управление на температурата или компресора или да причинят необичаен шум при работа. В такъв случай трябва да се монтира автоматичен регулатор.
- ▶ Не използвайте разклонители и удължители.

**ПРЕДУПРЕЖДЕНИЕ!**

- ▶ **ПРЕДУПРЕЖДЕНИЕ:** Не разполагайте преносими разклонители или преносими източници на захранване в задната част на уреда.
- ▶ **ПРЕДУПРЕЖДЕНИЕ:** При позициониране на уреда се уверете, че захранващият кабел не е заклещен или повреден.
- ▶ Не стъпвайте върху захранващия кабел.
- ▶ Използвайте отделен заземен контакт за захранването, който е леснодостъпен. Уредът трябва да бъде заземен.
- ▶ **Само за Обединеното кралство:** Захранващият кабел на уреда е снабден с троен (заземяващ) щепсел, който отговаря на стандартен троен (заземен) контакт. Никога не отрязвайте или демонтирайте третия щифт (заземяване). След поставянето на уреда трябва да има достъп до щепсела.
- ▶ **ПРЕДУПРЕЖДЕНИЕ:** Не причинявайте повреди на охладителната верига.

Ежедневна употреба

- ▶ Този уред може да се използва от деца на възраст над 8 години и от лица с ограничени физически, сетивни или умствени способности или с недостатъчен опит и познания, ако са под надзор, или ако предварително са получили указания относно безопасната употреба на уреда и разбират какви са потенциалните опасности.
- ▶ Деца не бива да използват уреда за игра.
- ▶ Деца на възраст от 3 до 8 години може да зареждат и разтоварват артикули от хладилни уреди, но не може да почистват и да монтират хладилни уреди.
- ▶ Деца на възраст под 3 години не бива да бъдат допускани до уреда, освен ако не са под постоянен надзор.
- ▶ Почистването и потребителската поддръжка на уреда не бива да се извършва от деца без надзор.
- ▶ Уредът трябва да е разположен така, че щепселът да е достъпен.
- ▶ Ако в близост до уреда изтича охладителен газ или друг запалим газ, изключете вентила на изтичащия газ, отворете вратите и прозорците и не изваждайте щепсела от захранващия кабел на уреда.
- ▶ След изключване на захранването изчакайте поне 7 минути, за да включите отново.
- ▶ Не вдигайте уреда за дръжките на вратата.
- ▶ Ключовете трябва да се пазят далеч от обсега на деца и да не се намират в близост до уреда, за да се предотврати заключване на деца вътре в уреда.

**ПРЕДУПРЕЖДЕНИЕ!**

- ▶ Обърнете внимание, че уредът е настроен за работа в определен диапазон на температурата на околната среда между 10 и 38°C. Уредът може да не работи правилно, ако е оставен за дълъг период при температура над или под посочения диапазон.
- ▶ Не поставяйте нестабилни предмети (тежки предмети, съдове, пълни с вода) върху уреда, за да избегнете нараняване, причинено от падане или токов удар при контакт с вода.
- ▶ Отваряйте и затваряйте вратата само посредством дръжките. Пролуката между вратата и шкафа е много тясна. Не поставяйте ръцете си в тези зони, за да избегнете прищипване на пръстите. Отваряйте или затваряйте вратите на уреда само когато в обсега на движението на вратата няма деца.
- ▶ Не съхранявайте и не използвайте запалими, експлозивни или корозивни материали в уреда или в близост до него.
- ▶ Не съхранявайте взривни вещества като аерозолни флакони със запалимо гориво в този уред.
- ▶ Не съхранявайте лекарства, бактерии или химически агенти в уреда. Това е домакински уред. Не се препоръчва за съхранение на материали със строги температурни изисквания.
- ▶ Не задавайте излишно ниска температура в отделението за вино. При високи настройки могат да възникнат минусови температури. Внимание: Бутилките могат да се пръснат
- ▶ Не докосвайте вътрешната повърхност на уреда, когато той работи, особено с мокри ръце, тъй като ръцете ви могат да замръзнат върху повърхността.
- ▶ За правилно охлаждане на виното, не претоварвайте уреда.
- ▶ Изключете уреда от електрическата мрежа в случай на прекъсване на захранването или преди почистване. Изчакайте поне 7 минути, преди да включите уреда отново, тъй като честото стартиране може да повреди компресора.
- ▶ **ПРЕДУПРЕЖДЕНИЕ:** Не използвайте електрически уреди в уреда, освен ако не са от вид, препоръчан от производителя. За да се избегнат рискове, повреден захранващ кабел трябва да се заменя от сервизния отдел (вижте гаранционната карта).
- ▶ За да удължите експлоатационния живот на уреда, избягвайте да го изключвате.
- ▶ Никога не поставяйте уреда в хоризонтално положение върху земята. След като наклоните уреда повече от 45°, изчакайте 24 часа, преди да го включите.

**ПРЕДУПРЕЖДЕНИЕ!****Поддръжка/почистване**

- ▶ Ако почистване и поддръжка се извършва от деца, уверете се, че те са под надзор.
- ▶ Изключете уреда от електрическото захранване, преди да предприемете каквато и да е рутинна поддръжка. Изчакайте поне 7 минути, преди да включите уреда отново, тъй като честото стартиране може да повреди компресора.
- ▶ При изключване на уреда хващайте щепсела, а не кабела.
- ▶ Не почиствайте уреда с твърди четки, телени четки, прахообразни препарати, бензин, амилацетат, ацетон или подобни органични разтвори, киселинни или алкални разтвори. Моля, почиствайте със специален препарат за хладилници/фризери, за да избегнете повреди. Накрая използвайте топла вода и разтвор със сода за хляб – около една супена лъжица сода за хляб на литър/кварта вода. Изплакнете обилно с вода и подсушете. Не използвайте почистващи прахове или други абразивни почистващи препарати. Не мийте подвижните части в съдомиялна машина.
- ▶ **ПРЕДУПРЕЖДЕНИЕ:** Не използвайте механични устройства или други средства за ускоряване процеса на размразяване освен тези, препоръчани от производителя.
- ▶ Ако захранващият кабел се повреди, той трябва да бъде заменен от производителя, негов обслужващ представител или лице с подобна квалификация, за да се избегне потенциална опасност.
- ▶ Не се опитвайте сами да ремонтирате, разглобявате или модифицирате уреда. При необходимост от ремонт се свържете с нашия отдел за обслужване на клиенти.
- ▶ Ако осветителните лампи се повредени, те трябва да бъдат заменени от производителя, негов обслужващ представител или лице с подобна квалификация, за да се избегне потенциална опасност.
- ▶ Отстранявайте праха от гърба на уреда поне веднъж годишно, за да се избегне пожар, както и повишен разход на енергия.
- ▶ За да избегнете замърсяване на храната, моля, спазвайте следните указания:
 - Отварянето на вратата за дълги периоди може да доведе до значително повишаване на температурата в отделенията на уреда.

- ▶ Не пръскайте и не плискайте уреда по време на почистване.
- ▶ Не използвайте водна струя или пара за почистване на уреда.
- ▶ Не почиствайте студената стъклена врата с гореща вода. Рязката промяна в температурата може да причини напукване на стъклото.
- ▶ Ако уредът няма да се използва за продължителен период от време, го оставете отворен, за да предотвратите натрупването на неприятни миризми в него.

Информация за хладилен газ



ПРЕДУПРЕЖДЕНИЕ!

Уредът съдържа запалимия хладилен агент ИЗОБУТАН (R600a). Уверете се, че охладителната верига не е била повредена по време на транспортирането или монтажа. Течът на хладилен агент може да причини нараняване на очите или възпламеняване. При възникване на повреда се пазете от открити източниците на огън, проветрете добре помещението, не включвайте и не изключвайте захранващите кабели на уреда или на друг уред. Информирайте центъра за обслужване на клиенти.

В случай че хладилен агент попадне в очите, изплакнете веднага с течаща вода и незабавно се свържете с офталмолог.

ПРЕДУПРЕЖДЕНИЕ: Охладителната система е под високо налягане. Не се опитвайте да я манипулирате. Поради използването на запалими хладилни агенти, моля, монтирайте, манипулирайте и обслужвайте уреда стриктно в съответствие с инструкциите и се свържете с професионален представител или с нашия отдел за следпродажбено обслужване, за да изхвърлите уреда.

Предвидена употреба


Този уред е предназначен да бъде използван за битови нужди и подобни приложения като

- кухненски боксове за персонала в магазини, офиси и други работни среди;
- къщи за гости, хотели, мотели и други подобни обекти;
- други заведения за настаняване и хранене;
- кетъринг и подобни приложения за нетърговски цели.

- ▶ За да осигурите безопасното запазване на виното, моля, спазвайте тези инструкции за употреба.
- ▶ Подробностите за най-подходящата част в уреда, където се съхраняват определени видове храни спрямо разпределението на температурата в различните отделения на уреда, са в другата част на ръководството.

Не е разрешено извършването на промени или модификации на устройството. Използването не по предназначение може да доведе до опасности и до загуба на гаранционно покритие.

Обезвреждане

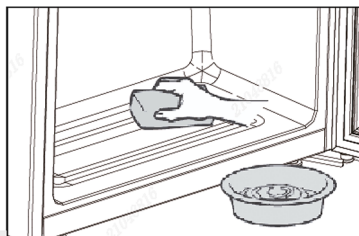
Символът  върху продукта или върху опаковката му показва, че този продукт не може да се третира като битов отпадък. Затова той трябва да бъде предаден в съответния пункт за събиране на електрическо и електронно оборудване за рециклиране. Като гарантирате правилното изхвърляне на продукта, ще помогнете за предотвратяване на потенциални отрицателни последици за околната среда и човешкото здраве, които в противен случай биха могли да бъдат причинени от неправилното изхвърляне на продукта. За по-подробна информация относно рециклирането на този продукт, моля, свържете се с вашата община, с местната служба по изхвърляне на битови отпадъци или с магазина, от който сте закупили продукта.

Тъй като се използват запалими изолационни газове, моля, свържете се с професионален представител или с нашия отдел за следпродажбено обслужване, за да изхвърлите уреда.

ПРЕДУПРЕЖДЕНИЕ!**Опасност от нараняване или задушаване!**

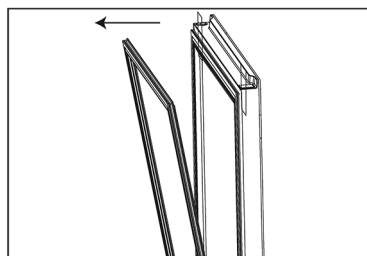
Хладилните агенти и газовете трябва да се обезвреждат по професионален начин. Уверете, че тръбите на охладителната верига не са повредени, преди да ги изхвърлите по подходящ начин. Изключете уреда от захранването. Отрежете захранващия кабел и го изхвърлете. Извадете тавите и чекмеджетата, както и фиксатора и уплътненията на вратата, за да предотвратите затварянето на деца и домашни любимци в уреда.

- ▶ **ПРЕДУПРЕЖДЕНИЕ:** Изключвайте уреда от захранването преди почистване.
- ▶ Не почиствайте уреда с твърди четки, телени четки, прахообразни препарати, бензин, амилацетат, ацетон или подобни органични разтвори, киселинни или алкални разтвори. Моля, почиствайте със специален препарат за хладилник, за да избегнете повреди.
- ▶ Почиствайте уреда, когато в него има малко или няма никакво вино. Необходимо е да го почиствате само когато е замърсен.
- ▶ Почиствайте вътрешността и корпуса на уреда с влажна гъба с топла вода и неутрален препарат
- ▶ Изплакнете с чиста топла вода и подсушете с мека кърпа.
- ▶ Не почиствайте никоя от частите на уреда в съдомиялна машина.
- ▶ Изчакайте поне 7 минути, преди да включите уреда отново, тъй като честото стартиране може да повреди компресора.



Почистете уплътнението на вратата:

- ▶ Уплътненията на вратите трябва да се почистват на всеки 3 месеца, за да се осигури правилно уплътнение. Както по-долу: Премахване: Хванете уплътнението на вратата и го издърпайте според посоката на стрелката, за да отстраните цялото уплътнение на вратата. Потопете четката във вода или спирт за хранителни продукти, първо почистете канала на уплътнението на вратата, като плъзгате четката нагоре-надолу. След това избършете повърхността на уплътнението на вратата с кърпа, навлажнена с вода или спирт за хранителни продукти. Накрая измийте уплътнението на вратата и го подсушете с чиста кърпа.



Монтаж на уплътнение на вратата след почистване:

Преди монтажа се уверете, че върху уплътнението на вратата няма вода. Поставете уплътнението на вратата в канала и го натиснете плътно отгоре надолу с ръка, докато цялото уплътнение на вратата влезе в канала.

Почистване на рафтовете:

- ▶ Всички рафтове могат да бъдат извадени за почистване.
- ▶ Извадете всички бутилки.
- ▶ Леко повдигнете всеки рафт и го извадете.
- ▶ Почистете рафта с мека кърпа.
- ▶ Изчакайте, докато рафтовете изсъхнат, преди да ги поставите отново.

ПРЕДУПРЕЖДЕНИЕ:

След изключване на захранването изчакайте поне 7 минути, за да включите уреда отново.

Проверете дали принадлежностите и книжните материали са в съответствие с този списък:

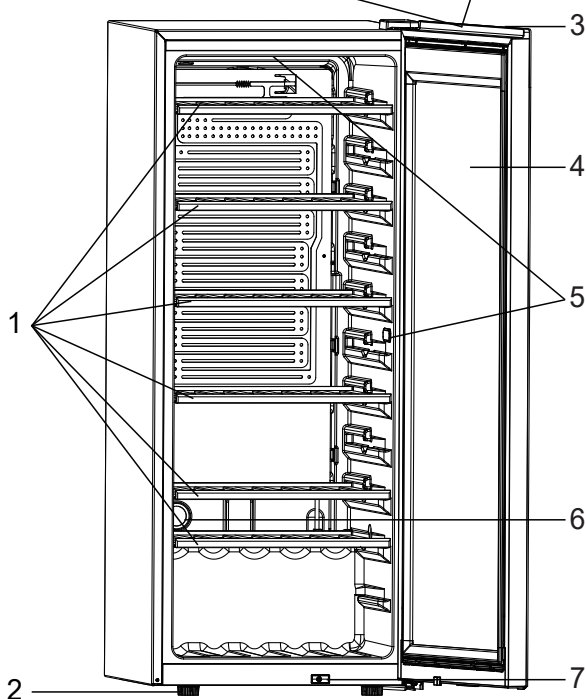
Име	Наръчник за потребителя	Сервизна карта	Рафт	Капак на панти
CNWQ4G84G1	1	1	6	1



Предупреждение

Поради технически промени и наличие на различни модели, някои от илюстрациите в това ръководство може да се различават от вашия модел.

Снимка на уреда



CNWQ4G84G1

- | | |
|-----------------------------------|-----------------------------------|
| 1. Рафт | 5. LED лампа |
| 2. Регулируеми
крачета | 6. Филтър с активен въглен |
| 3. Дисплей | 7. Превключване |
| 4. Врата | |

1. Разопаковане

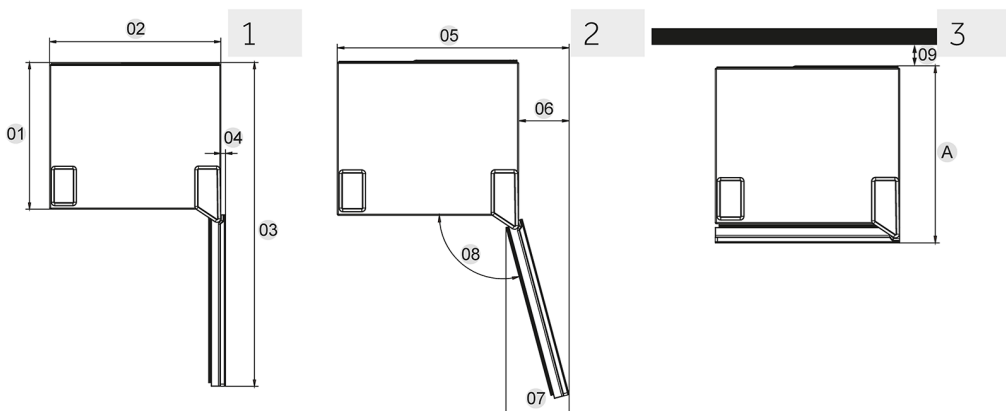
- ▶ Разопакувайте уреда.
- ▶ Отстранете всички опаковъчни материали, включително основата от пяна и цялата лепяща лента, която държи аксесоарите.

2. Условия на обкръжаващата среда

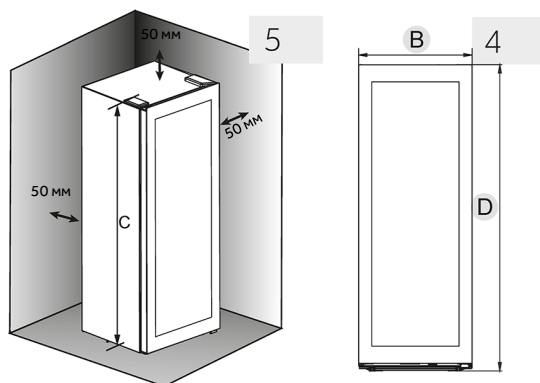
Температурата в помещението винаги трябва да бъде между 10 °C и 38 °C, тъй като това може да повлияе на температурата вътре в уреда и консумацията на енергия. Не поставяйте уреда близо до други излъчващи топлина уреди (фурни, хладилници) без изолация.

3. Изисквания за пространство

Необходимо място за отваряне на вратата (фиг. 1, 2, 3, 4). От съображения за безопасност и енергоефективност трябва да се спазва необходимото разстояние за вентилация от 50 мм във всички посоки (фиг. 5).



Мерки: мм	CNWQ4G84G1
Дълбочина А	585
Ширина В	495
Височина С	1262
Обща височина D	1263
01	535
02	495
03	1043
04	11
05	630
06	135
07	167
08	105°
09	50





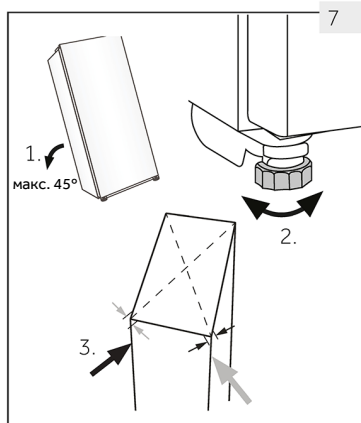
ПРЕДУПРЕЖДЕНИЕ!

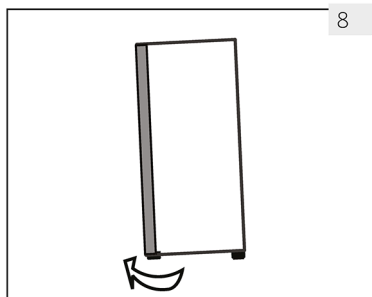
- ▶ Не запречвайте вентилационните отвори на уреда или на вградената конструкция. Този хладилник не е предназначен за използване като вграден уред

4. Подравняване на уреда

Уредът трябва да бъде поставен на равна и твърда повърхност.

1. Наклонете уреда леко назад (фиг. 7).
2. Нагласете регулируемите предни крачета на желаното ниво, като ги завъртите.
3. Стабилността може да се провери чрез последователно удряне по диагоналите. И в двете посоки трябва да се получава еднакво леко люлеене. В противен случай рамката може да се изкриви, в резултат на което уплътненията на вратата няма да прилепват плътно. Лекият наклон назад улеснява затварянето на вратите.





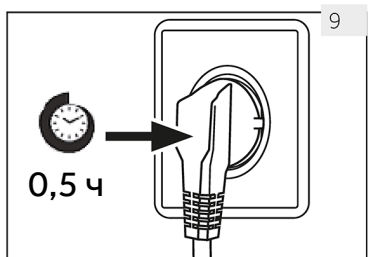
8

5. Фина настройка на вратата

Уредът се затваря по-лесно, ако се използват нивелиращите крачета отпред:

Завъртете регулируемите крачета (фиг. 8), за да ги повдигнете нагоре или да ги свалите надолу:

- ▶ Завъртането на крачетата по посока на часовниковата стрелка повдига уреда.
- ▶ Завъртането на крачетата по посока обратно на часовниковата стрелка намаля височината на уреда.



9

6. Време на изчакване

Смазочното масло, което не се нуждае от поддръжка, се намира в капсулата на компресора. Това масло може да се разтече из затворената система на тръбата по време на пренасяне, ако уредът е в наклонено положение. Преди да свържете уреда към захранването, изчакайте поне 0,5 часа (фиг. 9), за да може маслото да се върне обратно в капсулата.

7. Свързване към електрозахранването

Преди всяко свързване проверявайте дали:

- ▶ захранването, контактът и предпазителите са подходящи според табелката с данни.
- ▶ електрическият контакт е заземен и няма включен разклонител или удължител.
- ▶ щепселът и контактът са поставени правилно.

Свържете щепсела към правилно инсталиран контакт за битова употреба.



ПРЕДУПРЕЖДЕНИЕ!

За да се избегнат рискове, повреден захранващ кабел трябва да се заменя от сервизния отдел (вижте гаранционната карта).



ПРЕДУПРЕЖДЕНИЕ!

- ▶ Преди всяка операция, първо изключете уреда от електрическата мрежа.
- ▶ Не наклоняйте уреда на повече от 45°, за да предотвратите повреда на охладителната система.

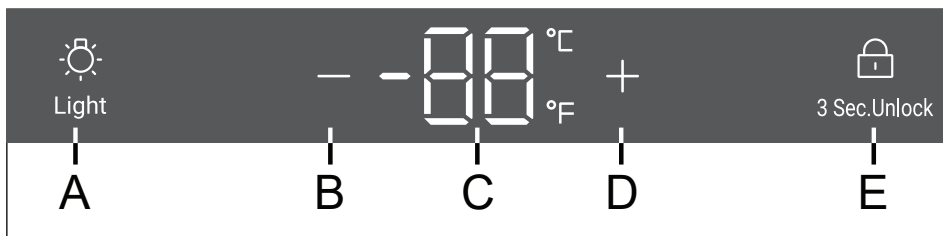
1. Преди първоначална употреба

- ▶ Отстранете всички опаковъчни материали. Това включва основата от пяна и цялата залепваща лента, която държи аксесоарите на витрината за вино отвътре и отвън. Пазете ги на място, недостъпно за деца, и ги изхвърлете по природосъобразен начин.
- ▶ Почистете вътрешните и външните повърхности на уреда с вода и мек почистващ препарат, преди да поставите вино в него.
- ▶ След като уредът е нивелиран и почистен, изчакайте поне 2 часа, преди да го свържете към захранването. Ако вашата витрина за вино е била наклонена по някаква причина, изчакайте 24 часа, преди да я включите. Вижте раздел „МОНТИРАНЕ“.
- ▶ След като включите уреда в електрически контакт, оставете го да работи поне 30 минути, за да се климатизира, преди да правите каквито и да било настройки.
- ▶ Температурата се настройва автоматично на 12. По желание може да промените температурата ръчно. Моля, вижте „ТЕМПЕРАТУРА“.

2. Сензорни бутони

Бутоните на контролното табло са сензорни бутони, които реагират при леко докосване с пръст.

3. Описание на контролния панел



A Светлинен бутон

B Бутон за регулиране на температурата: надолу

C Дисплей

D Бутон за регулиране на температурата: нагоре

E Бутон за заключване

4. Функция за автоматично заключване

В състояние на заключен екран, натиснете продължително бутона за заключване за 3 секунди, екранът на дисплея показва 3, 2 и 1, екранът на дисплея се отключва; Ако няма операция, екранът ще се заключи автоматично след 30 секунди. В състояние на заключен екран иконата за заключване свети и бутоните на екрана не могат да се използват (с изключение на бутона за осветление);





5. Настройка на температурата

Предупреждение

Предварителни настройки

- ▶ След като включите уреда в електрически контакт, оставете го да работи поне 30 минути, за да се климатизира, преди да правите каквито и да било настройки.
- ▶ Когато уредът бъде включен след прекъсване на захранването, може да са необходими до няколко часа, за да бъдат достигнати правилните температури. Точното време варира в зависимост от околната среда и настройката на температурата.



Натиснете  or  бутон, дисплеят ще започне да мига. Натиснете  or 

бтона, за да зададете желаната температура. Диапазон на настройка на температурата: 5-20°C (41-68°F).

Спрете да натискате бутон за 3 секунди, температурата е потвърдена.

6. Функция за памет при изключване

Ако има прекъсване на захранването, мазето автоматично ще запази зададената температура. След възстановяване на захранването ще работи въз основа на температурата, зададена преди прекъсването на захранването.

Предупреждение

Влияния върху температурите



Температурата върху в уреда се влияе от следните фактори:

- ▶ Температурата на околната среда
- ▶ Количеството съхранявани бутилки
- ▶ Честота на отваряне на вратата
- ▶ Местоположението на врата

Настройката по подразбиране е 12°C

Когато дисплеят спре да мига, той се връща към показване на текущата температура във витрината за вино. Ще отнеме известно време, за да се достигне зададената температура.

7. Настройка на режима на осветление

Натиснете бутона  Светлините ще се включат постепенно. При повторно натискане на бутона  светлините ще се изключат постепенно.

8. °C/°F функция

Натиснете бутона „“ за 3 секунди, за да превключвате между Фаренхайт и Целзий.

9. Функция за памет при изключване

В случай на прекъсване на захранването, мазето автоматично ще запази зададената температура. След възстановяване на захранването, то ще работи въз основа на температурата, зададена преди прекъсването на захранването.

10. Аларма за отваряне на врата

Ако вратата се държи отворена за повече от 1 минута, зумерът ще издава звуков сигнал, за да предупреди за опасност, докато вратата не се затвори или не може да се задейства който и да е бутон на дисплея, след което зумерът ще спре да издава звуков сигнал.



Съвети за пестене на енергия

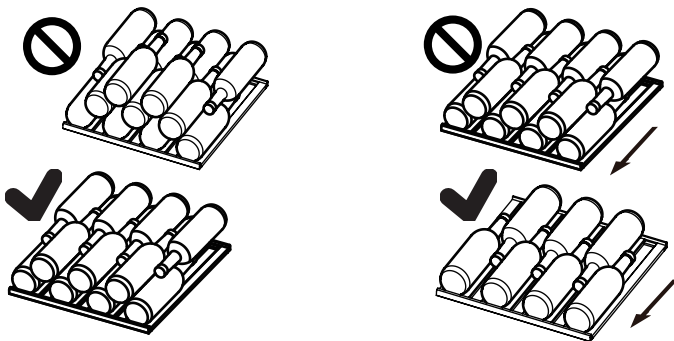
- ▶ Уверете се, че уредът е монтиран така, че да е осигурена добра вентилация (вижте раздел „МОНТАЖ“).
- ▶ Не монтирайте уреда така, че да е изложен на пряка слънчева светлина или да е в близост до източници на топлина (напр. готварски печки, нагреватели).
- ▶ Избягвайте ненужно ниска температура в уреда. Консумацията на енергия се увеличава, колкото по-ниско е зададена температурата в уреда.
- ▶ Отваряйте вратата на уреда възможно най-малко и за възможно най-кратко време.
- ▶ Не превишавайте предвиденото количество бутилки, за да не се нарушава циркулирането на въздушния поток.
- ▶ Поддържайте уплътненията на вратите чисти, така че вратата винаги да се затваря правилно.
- ▶ Най-енергоспестяващата конфигурация изисква чекмеджетата, кутията за храна и рафтовете да бъдат поставени в уреда във възможно най-близко до фабричното състояние, а храната да се поставя по начин, който не блокира изхода на въздуховода.
- ▶ За да се увеличи енергийната ефективност, осветлението трябва да се изключва, когато витрината за вино не се разглежда.

1. Рафт

1. Рафтовете са предназначени за лесно съхранение и лесно вадене на виното. Те могат да се почистват с мека кърпа.
2. Обикновени бутилки с диаметър 76 мм могат да се подреждат една върху друга.
3. Количеството може да варира от изобразения брой или бутилки, ако са подредени по различен начин.

Съвети за оформлението на вашата витрина за вино

Препоръчваме броят на бутилките вино да не надвишава два реда на всеки рафт или носещият капацитет на рафтовете да не надвишава 20 кг. Преди да поставите бутилките във витрината за вино, проверете дали рафтовете са напълно стабилни. Освен това проверете дали някоя бутилка не стърчи от рафтовете, за да предотвратите удар на бутилките при затваряне на стъклената врата.



2. Светлина

При отваряне на вратата се включва вътрешното LED осветление .

1. Размразяване

Размразяването на витрината за вино се извършва автоматично: не е необходимо ръчно управление.

2. Смяна на LED лампата

Лампата използва светодиода, отличаващ се с ниска консумация на енергия и дълъг експлоатационен живот. В случай на аномалии, моля, свържете се с отдела за обслужване на клиенти. Вижте раздел „ОБСЛУЖВАНЕ НА КЛИЕНТИ“.



ПРЕДУПРЕЖДЕНИЕ!

Не подменяйте сами LED лампата. Тя трябва да бъде заменена само от производителя или от упълномощен сервизен представител.

Този продукт съдържа източник на светлина с клас на енергийна ефективност G.

Параметри на LED лампата:

Напрежение: 12 V

Максимална мощност: 2 W

3. При липса на употреба за дълъг период от време

Изключете захранващия кабел.

Почистете уреда и уплътненията на вратата, както е описано по-горе.

Оставете вратата отворена, за да се предотврати развитието на неприятни миризми вътре.

4. Преместване на уреда

1. Извадете всички бутилки и изключете уреда от контакта.

2. Подсигурете с тиксо рафтовете и другите подвижни части срещу нежелано движение във витрината за вино.

3. Не наклоняйте витрината за вино на повече от 45°, за да избегнете повреда на охладителната система.

5. Въздухообмен с филтър с активен въглен

Начинът, по който вината продължават да узряват, зависи от условията на околната среда. Следователно качеството на въздуха е решаващо за запазването на... за уреда, производителността остава с оптимално качество.



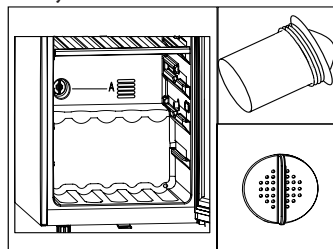
Забележете

Препоръчваме ви да смените филтъра.

Филтрирайте веднъж годишно. Филтрите могат да бъдат получени от вашия

Смяна на филтъра

Хванете филтъра за дръжката. Завъртете го наляво и го извадете.



Много от възникналите проблеми могат да бъдат решени от вас самите без нужда от специфични умения. В случай на проблем, моля, проверете всички показани възможности и последвайте инструкциите по-долу, преди да се свържете с отдела за следпродажбено обслужване. Вижте раздел „ОБСЛУЖВАНЕ НА КЛИЕНТИ“.



ПРЕДУПРЕЖДЕНИЕ!

- ▶ Преди извършване на поддръжка изключете уреда и извадете щепсела от контакта.
- ▶ Електрическото оборудване трябва да се обслужва само от квалифицирани експерти, тъй като неправилният ремонт може да причини значителни последващи щети.
- ▶ Повреда в захранващия кабел може да бъде отстранена единствено от производителя, негов обслужващ представител или лице с подобна квалификация, за да се избегне потенциална опасност.

Кодове за грешки	Причина	Решение
L2	Горната температурна зона е аларма за ниска температура, когато горната температура на контролния сензор е твърде ниска.	<ol style="list-style-type: none"> 1. Проверете температурата на околната среда. 2. Проверете конектора на компресора. 3. Проверете състоянието на сензора за контрол на температурата.

Проблем	Възможна причина	Възможно решение
Компресорът не работи.	<ul style="list-style-type: none"> Щепселът не е включен в контакта. 	<ul style="list-style-type: none"> Включете щепсела.
Уредът се включва често или работи за прекалено дълги периоди от време.	<ul style="list-style-type: none"> Външната температура е твърде висока. Уредът е бил изключен за известно време. Една от вратите на уреда не е затворена плътно. Вратата е била отваряна твърде често или за прекалено дълго време. Уплътненията на вратата са замърсени, износени, напукани или разместени. Необходимата циркулация на въздуха е възпрепятствана. Зададена е прекалено ниска температура. 	<ul style="list-style-type: none"> В такъв случай е нормално уредът да работи по-дълго. Обикновено е необходимо известно време за пълното охлаждане на уреда. Затворете вратата и се уверете, че уредът се намира върху нивелирана повърхност, както и че затварянето на вратата не е възпрепятствано от храна или кутия. Не отваряйте вратата твърде често. Почистете уплътненията на вратата или ги сменете с помощта на отдела за обслужване на клиенти. Осигурете подходяща вентилация. Проблемът ще се реши от само себе си, когато се достигне желаната температура.
Във вътрешната част на витрината за вино има замърсяване или лоша миризма.	<ul style="list-style-type: none"> Вътрешността на витрината за вино трябва да бъде почистена. 	<ul style="list-style-type: none"> Почистете вътрешността на витрината за вино.
В уреда не е достатъчно студено.	<ul style="list-style-type: none"> Зададена е прекалено висока температура. Наскоро са добавени бутилки. Една от вратите на уреда не е затворена плътно. Вратата е била отваряна често или за прекалено дълго време. Уплътненията на вратата са замърсени, износени, напукани или разместени. 	<ul style="list-style-type: none"> Върнете първоначалната настройка на температурата. Оставете време на наскоро добавените бутилки да достигнат желаната температура. Затворете вратата. Не отваряйте вратата твърде често. Почистете уплътненията на вратата или ги сменете с помощта на отдела за обслужване на клиенти.
В уреда е твърде студено.	<ul style="list-style-type: none"> Зададена е прекалено ниска температура. 	<ul style="list-style-type: none"> Върнете първоначалната настройка на температурата.

Проблем	Възможна причина	Възможно решение
По вътрешността на хладилното отделение се образува кондензация.	<ul style="list-style-type: none"> Климатът е твърде топъл и твърде влажен. Една от вратите на уреда не е затворена плътно. Вратата е била отваряна често или за прекалено дълго време. 	<ul style="list-style-type: none"> Увеличете температурата. Затворете вратата. Не отваряйте вратата/чекмеджето твърде често.
Натрупва се конденз върху външната повърхност на витрината за вино.	<ul style="list-style-type: none"> Климатът е твърде топъл и твърде влажен Вратата не е затворена плътно. Студеният въздух в уреда и топлият въздух извън него образуват кондензация. 	<ul style="list-style-type: none"> Това е нормално при влажен климат и ще се промени, когато влажността намалее. Уверете се, че вратата е затворена плътно и че уплътненията са добре прилепнали.
Уредът издава необичайни звуци	<ul style="list-style-type: none"> Уредът не е разположен върху равна повърхност. Уредът се допира до близкостоящ предмет. 	<ul style="list-style-type: none"> Регулирайте крачетата, за да подравните уреда. Отстранете близкостоящите предмети.
Чува се слаб звук, наподобяващ звука от течаща вода.	<ul style="list-style-type: none"> Това е нормално 	<ul style="list-style-type: none"> -
Вътрешната осветителна система или охладителната система не работи.	<ul style="list-style-type: none"> Щепселът не е включен в електрическия контакт. Има проблем с електрозахранването. LED лампата е повредена. 	<ul style="list-style-type: none"> Включете щепсела. Проверете електрическото захранване на помещението. Свържете се с местната електрическа компания. Моля, свържете се с центъра за обслужване на клиенти за подмяна.
Страните на охладителя се затоплят.	<ul style="list-style-type: none"> Това е нормално. 	<ul style="list-style-type: none"> -
Вратата не се затваря правилно	<ul style="list-style-type: none"> Уредът не е нивелиран. Вратата е блокирана. 	<ul style="list-style-type: none"> Нивелирайте уреда с нивелиращите крачета. Проверете за причини за блокирането, като бутилки или рафтове.

За да се свържете с отдела за техническа помощ, посетете уебсайта ни: <https://corporate.haier-europe.com/en/>

В раздела „Уебсайт“ изберете марката на своя продукт и вашата държава. Ще бъдете пренасочени към конкретния уебсайт, където може да намерите телефонния номер и формуляра за връзка с отдела за техническа помощ.

Функции на продукта съгласно регламент (ЕС) № 2019/2016

Марка	Candy
Наименование на модела/идентификатор	CNWQ4G84G1
Категория	Wine Cellar
Клас на енергийна ефективност	G
Годишно потребление на енергия (kWh/година) ¹⁾	153
Вместимост в бутилки (бутилка Бордо 0,75 л)	84
Климатичен клас: Уредът е предназначен за използване при температура на околната среда между 10°C и 38°C.	N ST
Въздушни шумови емисии (db(A) re 1pW)	37
Вид на уреда	Freestanding
Този уред е предназначен да се използва изключително за съхранение на вино.	Yes
Размери (Ш/Д/В в мм)	495/585/1263

Обяснения:

1) Въз основа на стандартните резултати от теста за 24 часа. Реалната консумация на енергия зависи от действителната среда, количеството бутилки, зададената температура, отварянето и затварянето на вратата и т.н.

2) Номиналната консумация на енергия е стойността, получена съгласно стандартния тест, когато виненият шкаф не включва вътрешното осветление.


- разширен умерен климат: този хладилен уред е предназначен за използване при температура на околната среда в диапазона от 10°C до 32°C;

- умерен климат: този хладилен уред е предназначен за използване при стайна температура;

- температурен диапазон от 16°C до 32°C;

- субтропичен климат: този хладилен уред е предназначен за използване при температура на околната среда в диапазона от 16°C до 38°C;

- тропичен климат: този хладилен уред е предназначен за използване при температура на околната среда в диапазона от 16°C до 43°C.

Стандарти и директиви 

Този продукт отговаря на изискванията на всички приложими директиви на ЕО със съответстващите хармонизирани стандарти, които предвиждат маркировка „CE“.

Препоръчваме използването на клиентско обслужване от Haier и оригинални резервни части.

Ако имате проблем с вашия уред, първо проверете раздела „ОТСТРАНЯВАНЕ НА НЕИЗПРАВНОСТИ“.

Ако не успеете да намерите решение там, моля, обърнете се към

- ▶ Вашия местен търговец или
- ▶ в частта „Помощно обслужване“ на www.haier.com, където можете да намерите телефонни номера и често задавани въпроси и където можете да активирате заявката за услуга.

За да се свържете с нашия отдел за обслужване на клиенти, се уверете, че разполагате със следните данни.

Информацията може да бъде намерена на табелката с данни.

Модел _____ Серийн № _____

Също така проверете предоставената с продукта гаранционна карта, в случай, че е предоставена гаранция. За общи професионални запитвания, моля, намерете нашите адреси в Европа:

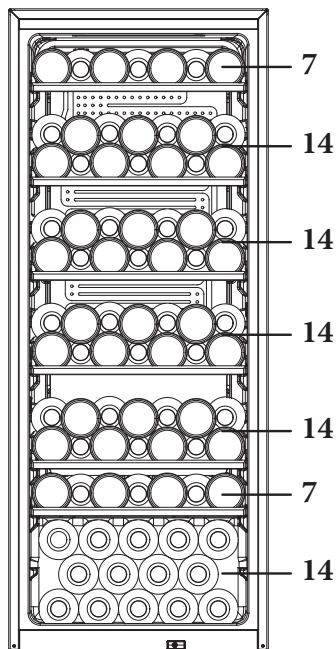
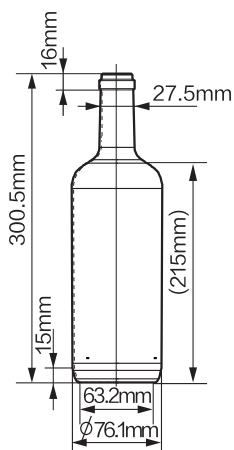
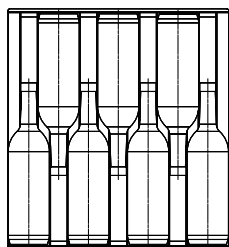
Европейски адрес на Haier			
Държава*	Пощенски адрес	Държава	Пощенски адрес
Италия	Haier Europe Trading SRL Via De Cristoforis, 12 21100 Varese ИТАЛИЯ	Франция	Haier Europe Trading SRL Via De Cristoforis, 12 21100 Varese ИТАЛИЯ
Испания	Haier Iberia SL Pg. Garcia Faria, 49-51 08019 Барселона ИСПАНИЯ	Белгия-FR Белгия-NL Нидерландия Люксембург	Haier Benelux SA Anderlecht Route de Lennik 451 БЕЛГИЯ
Германия	Haier Deutschland GmbH Hewlett-Packard-Str. 4 D-61352 Bad Homburg ГЕРМАНИЯ	Полша Чехия Унгария Гърция Румъния Русия	Haier Poland Sp. z o.o. Al. Jerozolimskie 181B 02-222 Warszawa ПОЛША
Австрия	Haier Appliances UK Co. Ltd. One Crown Square Church Street East Woking, Surrey, GU21 6HR ВЕЛИКОБРИТАНИЯ		
Великобритания			

НАЛИЧНОСТ НА РЕЗЕРВНИ ЧАСТИ: Термостати, температурни сензори, платки и светлинни източници се предлагат за минимален период от седем години след излизане на последния уред от модела на пазара. Дръжки за врати, панти за врати, тави и кошници се предлагат за минимален период от седем години, а уплътнения за врати за минимален период от 10 години след излизане на последния уред от модела на пазара

Минималната гаранция е: 2 години за държавите от ЕС, 3 години за Турция, 1 година за Великобритания, 1 година за Русия, 3 години за Швеция, 2 години за Сърбия, 5 години за Норвегия, 1 година за Мароко, 6 месеца за Алжир, за Тунис не се изисква правна гаранция.

За допълнителна информация относно продукта, моля, вижте <https://eprel.ec.europa.eu/> или сканирайте QR кода на енергийния етикет, предоставен с уреда.

1. Аранжировката на бутилката е базирана на графично представяне на стандартна бутилка Бордо (0,75 л).
2. Поради различните спецификации на бутилките действителното количество за зареждане на бутилки може да е различно.



(84)
CNWQ4G84G1

CANDY

Uživatelská příručka

Vinný sklípek

CNWQ4G84G1

CS

CANDY

Děkujeme vám, že jste si koupili výrobek značky Candy .

Před použitím spotřebiče si pozorně přečtete tyto pokyny. Obsahují důležité informace, které vám pomohou co nejlépe využít spotřebič a zajistit jeho bezpečnou a správnou instalaci, používání a údržbu.

Uchovejte tuto příručku na praktickém místě, abyste do ní mohli kdykoli nahlédnout ohledně bezpečného a správného používání spotřebiče.

Pokud spotřebič prodáváte, věnujete nebo necháváte ve starém domě, předejte společně s ním také tuto příručku, aby se mohl nový vlastník seznámit se spotřebičem a přečíst si bezpečnostní varování.



Legenda

Varování – důležité bezpečnostní informace



Všeobecné informace a tipy



Informace týkající se životního prostředí



Likvidace

Pomáhejte chránit životní prostředí a lidské zdraví. Vložte obalový materiál do vhodných kontejnerů pro recyklaci. Pomáhejte recyklovat odpadní elektrické a elektronické spotřebiče. Spotřebiče označené tímto symbolem nevyhazujte do domovního odpadu. Zašlete výrobek do místního recyklačního závodu, nebo se obraťte na váš obecní úřad.



VAROVÁNÍ!

Nebezpečí poranění nebo udušení!

Chladiva a plyny vyžadují profesionální likvidaci. Zajistěte, aby se potrubí chladicího okruhu nepoškodilo, než bude náležitě zlikvidováno. Odpojte spotřebič od síťového napájení. Odstráňte síťový kabel a zlikvidujte ho. Odstraňte police a přihrádky, stejně jako západku a těsnění dvířek, aby nedošlo k uzavření dětí a domácích zvířat uvnitř spotřebiče.

Staré spotřebiče mají stále určitou zbytkovou hodnotu. Způsob likvidace šetrný k životnímu prostředí zaručí, že bude možné znovu získat a využít cenné suroviny.

Jako nadouvadlo pro pěnovou izolaci se používá cyklopentan, což je hořlavá látka, která nepoškozuje ozónovou vrstvu.

Zajištěním správné likvidace tohoto výrobku pomůžete předcházet případným negativním důsledkům pro životní prostředí a lidské zdraví, k nimž by jinak mohlo docházet.

Podrobnější informace o profesionální recyklaci tohoto výrobku získáte na místním obecním úřadě, u společnosti zajišťující odvoz domovního odpadu nebo v prodejně, kde jste výrobek zakoupili.

1- Bezpečnostní informace	64
2- Tipy týkající se bezpečnosti	67
3- Údržba	71
4- Příslušenství	73
5- Popis výrobku	74
6- Instalace	75
7- Používání	79
8- Tipy pro úsporu energie	82
9- Vybavení	83
10- Čištění a údržba	84
11- Řešení problémů	85
12- Technické údaje	88
13- Zákaznický servis	89
14- Skládání láhví vína	90

Tento spotřebič je určen výhradně k ukládání vína. Před prvním zapnutím spotřebiče si přečtěte následující rady týkající se bezpečnosti:



VAROVÁNÍ!

Před prvním použitím

- ▶ Ujistěte se, že při přepravě nedošlo k žádnému poškození.
- ▶ Odstraňte veškerý obalový materiál, uschovejte ho mimo dosah dětí a zlikvidujte ho způsobem šetrným k životnímu prostředí.
- ▶ Před instalací spotřebiče počkejte alespoň půl hodiny, aby byla zaručena plná účinnost okruhu chladiwa.
- ▶ Se spotřebičem vždy manipulujte alespoň ve dvou osobách, protože je těžký.
- ▶ Při umístování spotřebiče se ujistěte, že napájecí kabel není zachycený nebo poškozený.
- ▶ Neumísťujte za spotřebič přenosné rozbočovací zásuvky ani prodlužovací kabely.

Instalace

- ▶ Spotřebič by se měl umístit do dobře větrané místnosti. Nad spotřebičem a kolem něj zajistěte volný prostor alespoň 50 mm.
- ▶ **VAROVÁNÍ:** Zajistěte, aby ve skříni spotřebiče nebo v konstrukci pro vestavění nic nezakrývalo větrací otvory.
- ▶ Nikdy neumísťujte spotřebič do vlhkého prostoru nebo na místo, kde by na něj mohla stříkat voda. Vodu a skvrny odstraňte a vysušte měkkou, čistou látkou.
- ▶ Neinstalujte vinný sklípek na místo, které není správně izolované nebo vytápěné, např. do garáže apod. Váš vinný sklípek nebyl navržena pro provoz při okolní teplotě nižší než 10 °C.
- ▶ Neinstalujte spotřebič na přímé sluneční světlo nebo do blízkosti zdrojů tepla (např. sporáků nebo ohřívačů).
- ▶ Nainstalujte spotřebič na místo odpovídající jeho velikost a používání a vyrovnejte ho.
- ▶ Ujistěte se, že parametry elektrického napájení se shodují s údaji na výrobním štítku. V opačném případě kontaktujte elektrikáře.
- ▶ Spotřebič pracuje s napájením 220–240 VAC/50 Hz. Nenormální kolísání napětí může způsobit, že spotřebič se nespustí, nebo se poškodí regulátor teploty či kompresor, případně se může za chodu ozývat neobvyklý hluk. V takovém případě by se měl nainstalovat automatický regulátor.
- ▶ Nepoužívejte rozbočovací adaptéry ani prodlužovací kabely.

**VAROVÁNÍ!**

- ▶ **VAROVÁNÍ:** Neumísťujte za spotřebič přenosné rozbočovací zásuvky ani prodlužovací kabely.
- ▶ **VAROVÁNÍ:** Při umísťování spotřebiče se ujistěte, že napájecí kabel není zachycený nebo poškozený.
- ▶ Nešlapejte na napájecí kabel.
- ▶ K napájení použijte samostatnou, snadno přístupnou uzemněnou zásuvku. Tento spotřebič musí být uzemněný.
- ▶ **Pouze pro Spojené království:** Napájecí kabel spotřebiče je vybaven trojpólovou zástrčkou (s uzemněním), která se zapojuje do standardní trojpólové zásuvky (s uzemněním). Nikdy neodřezávejte ani nedemontujte třetí kolík (uzemnění). Zástrčka by měla být přístupná po instalaci spotřebiče.
- ▶ **VAROVÁNÍ:** Nepoškodte okruh chladiva.

Denní používání

- ▶ Tento spotřebič mohou používat děti starší osmi let a osoby s omezenými fyzickými, smyslovými nebo duševními schopnostmi nebo osoby nezkušené a neznalé za předpokladu, že mají zajištěný dohled nebo byly poučeny o bezpečném používání spotřebiče a chápou související rizika.
- ▶ Děti si se spotřebičem nesmějí hrát.
- ▶ Děti ve věku od 3 do 8 let mohou chladničky plnit a vyprazdňovat, ale nesmějí je čistit ani instalovat.
- ▶ Zabraňte dětem mladším 3 let v přístupu ke spotřebiči, pokud nejsou pod nepřetržitým dozorem.
- ▶ Děti nesmějí provádět čištění a uživatelskou údržbu bez dozoru.
- ▶ Spotřebič musí být umístěn tak, aby byla zástrčka přístupná.
- ▶ Jestliže v blízkosti spotřebiče uniká svítivý plyn nebo jiný hořlavý plyn, vypněte ventil unikajícího plynu, otevřete dveře a okna a neodpojujte napájecí kabel spotřebiče od zásuvky.
- ▶ Po odpojení napájení počkejte nejméně 7 minut, než opět připojíte napájení.
- ▶ Nezdvíhejte spotřebič za madla jeho dvířek.
- ▶ Klíče musí být uloženy mimo dosah dětí a dále od spotřebiče, aby se předešlo uzamčení dětí uvnitř spotřebiče.

**VAROVÁNÍ!**

- ▶ Upozorňujeme, že spotřebič je nastaven na provoz při určitém rozsahu teplot mezi 10 a 38 °C. Spotřebič nemusí řádně fungovat, pokud je po dlouhou dobu vystaven teplotám nad nebo pod indikovaným rozsahem.
- ▶ Nepokládejte na horní stranu spotřebiče nestabilní předměty (těžké předměty, nádoby naplněné vodou), aby se předešlo zranění způsobenému pádem nebo elektrickým proudem v důsledku styku s vodou.
- ▶ Otvírejte a zavírejte dvířka pouze pomocí madel. Mezera mezi dvířky a skříní je velmi úzká. Nevkládejte do těchto míst ruce, abyste si nepřiskřípli prsty. Dvířka spotřebiče otvírejte nebo zavírejte pouze v případě, že v dosahu jejich pohybu nestojí žádné děti.
- ▶ Ve spotřebiči nebo v jeho blízkosti neskladujte ani nepoužívejte hořlavé, výbušné nebo korozivní látky.
- ▶ V tomto spotřebiči neskladujte výbušné látky, jako jsou nádoby s aerosolem, v nichž se používá hořlavý hnací plyn.
- ▶ Ve spotřebiči neskladujte léky, bakterie ani chemické látky. Tento spotřebič je určen k použití v domácnosti. Nedoporučuje se skladovat materiály, které vyžadují přesně stanovené teploty.
- ▶ Nenastavujte zbytečně nízkou teplotu ve vnitřním prostoru pro víno. Při vysokém nastavení může teplota klesnout do záporných hodnot. Pozor: Láhve mohou prasknout
- ▶ Za provozu se nedotýkejte vnitřního povrchu prostoru spotřebiče, zejména ne mokřýma rukama, protože by mohly přimrznout k povrchu.
- ▶ Správné chlazení vína vyžaduje, aby se spotřebič nepřepřehřoval.
- ▶ V případě výpadku napájení nebo před čištěním odpojte spotřebič od napájení. Před opětovným spuštěním spotřebiče počkejte alespoň 7 minut, protože časté spouštění by mohlo poškodit kompresor.
- ▶ **VAROVÁNÍ:** Uvnitř spotřebiče nepoužívejte elektrická zařízení, pokud nejsou takového typu, který doporučil výrobce. Aby se zamezilo rizikům, výměnu poškozeného napájecího kabelu musí provést zákaznický servis (viz záruční list).
- ▶ Nevypínejte spotřebič, abyste prodloužili jeho provozní životnost.
- ▶ Nikdy nepokládejte spotřebič vodorovně na zem. Po naklonění spotřebiče v úhlu větším než 45° počkejte 24 hodin, než ho připojíte k napájení.

**VAROVÁNÍ!****Údržba/čištění**

- ▶ Jestliže jsou čištění a údržba prováděny dětmi, je nutné na ně dohlížet.
- ▶ Před zahájením jakékoli pravidelné údržby odpojte spotřebič od elektrického napájení. Před opětovným spuštěním spotřebiče počkejte alespoň 7 minut, protože časté spuštění by mohlo poškodit kompresor.
- ▶ Při odpojování spotřebiče od napájení držte zástrčku, nikoli kabel.
- ▶ Nečistěte spotřebič tvrdými kartáči, drátěnými kartáči, práškovým mycím prostředkem, benzínem, amylacetátem, acetonem, podobnými organickými roztoky a kyselými nebo zásaditými roztoky. K čištění použijte speciální čisticí prostředek na chladničky/mrazničky, aby se zamezilo poškození. Nakonec použijte roztok jedlé sody v teplé vodě – asi jednu polévkovou lžici jedlé sody na litr vody. Důkladně opláchněte povrch vodou a otřete ho do sucha. Nepoužívejte práškové ani jiné abrazivní čisticí prostředky. Nemyjte odnímatelné součásti v myčce.
- ▶ **VAROVÁNÍ:** Nepoužívejte mechanické nástroje ani jinak neurychlujte proces rozmrazování. Používejte pouze prostředky doporučené výrobcem.
- ▶ Pokud se poškodí napájecí kabel, výměnu musí provést výrobce, jeho servisní zástupce nebo osoba s podobnou kvalifikací, aby se vyloučilo riziko.
- ▶ Nepokoušejte se opravovat, rozebírat nebo upravovat spotřebič vlastními silami. Je-li nutná oprava, obraťte se na náš zákaznický servis.
- ▶ Pokud se poškodí osvětlovací žárovky, výměnu musí provést výrobce, jeho servisní zástupce nebo osoby s podobnou kvalifikací, aby se vyloučilo riziko.
- ▶ Alespoň jednou za rok odstraňte prach ze zadní strany spotřebiče, aby se předešlo nebezpečí požáru a snížila se spotřeba energie.
- ▶ Dodržujte následující pokyny, aby nedošlo ke kontaminaci potravin:
 - Otevírání dvířek na delší dobu může významně zvýšit teplotu v jednotlivých prostorech spotřebiče.

- ▶ Během čištění na spotřebič nestříkejte ani jej neoplachujte.
- ▶ K čištění spotřebiče nepoužívejte vodní postřik ani proud vody.
- ▶ Nečistěte chladná skleněná dvířka horkou vodou. Náhlá změna teploty by mohla způsobit, že sklo praskne.
- ▶ Pokud spotřebič delší dobu nepoužíváte, nechte ho otevřený, aby uvnitř nevznikl nepříjemný zápach.

Informace o plynném chladivu



VAROVÁNÍ!

Spotřebič obsahuje hořlavé chladivo ISOBUTAN (R600a). Ujistěte se, že během přepravy nebo instalace nedošlo k poškození okruhu chladiva. Unikající chladivo by mohlo způsobit zranění očí, nebo by se mohlo vznítit. Pokud dojde k poškození, nepřibližujte se s otevřeným plamenem, důkladně vyvětrejte místnost a nezapojte ani neodpojte napájecí kabely tohoto či jiných spotřebičů. Informujte zákaznický servis.

V případě zasažení očí chladivem důkladně vypláchněte oči pod tekoucí vodou a ihned zavolejte očnímu lékaři.

VAROVÁNÍ: Systém chlazení je pod vysokým tlakem. Nemanipulujte s ním. Vzhledem k používání hořlavých chladiv je nutné přísně dodržovat pokyny pro instalaci, manipulaci a údržbu spotřebiče a pokud chcete spotřebič zlikvidovat, obraťte se na odborníka nebo náš poprodejní servis.

Určené použití


Tento spotřebič je určen k používání v domácnostech a podobných oblastech, jako jsou

- kuchyňky pro personál v obchodech, kancelářích a na dalších pracovištích;
 - chalupy a hotely, motely a další obytné objekty, kde je používají zákazníci;
 - ubytovací zařízení typu penzionu se snídaní;
 - cateringové služby a podobné aplikace, ve kterých se nejedná o maloobchodní prodej.
- ▶ Dodržujte tento návod k použití, zajistíte tím bezpečné uchování vína.
- ▶ Podrobné informace o nejvhodnějších částech prostoru spotřebiče pro uchování určitých typů potravin s ohledem na rozložení teplot, které se mohou vyskytovat v různých prostorech spotřebiče, jsou uvedeny v jiné části příručky.

Na spotřebiči neprovádějte žádné změny nebo úpravy. Používání k jinému než určenému účelu může představovat nebezpečí a vést ke ztrátě platnosti záruky.

Likvidace



Symbol  na výrobku nebo jeho obalu znamená, že s tímto výrobkem nelze nakládat jako s domovním odpadem. Místo toho musí být dopraven do příslušného sběrného místa pro recyklaci elektrických a elektronických zařízení. Zajištěním správné likvidace tohoto výrobku pomůžete předcházet případným negativním důsledkům pro životní prostředí a lidské zdraví, k nimž by jinak mohlo docházet při nesprávné manipulaci s tímto výrobkem. Podrobnější informace o recyklaci tohoto výrobku získáte na místním obecním úřadě, u společnosti zajišťující odvoz domovního odpadu nebo v prodejně, kde jste výrobek zakoupili.

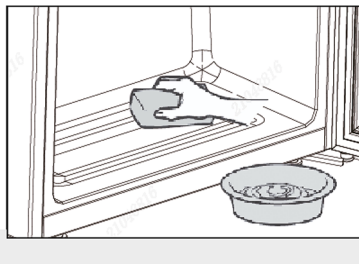
Vzhledem k použití hořlavých nadouadel pro izolaci svěřte likvidaci spotřebiče odborníkům nebo našemu poprodejnímu servisu.

VAROVÁNÍ!

Nebezpečí udušení!

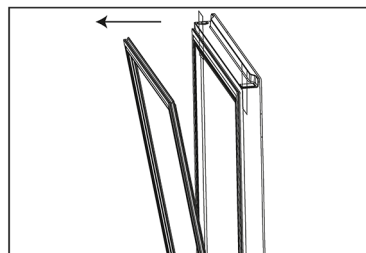
Chladiva a plyny vyžadují profesionální likvidaci. Zajistěte, aby se potrubí chladicího okruhu nepoškodilo, než bude náležitě zlikvidováno. Odpojte spotřebič od síťového napájení. Odstrihněte síťový kabel a zlikvidujte ho. Odstraňte police a přihrádky, stejně jako západku a těsnění dvířek, aby se zamezilo uzavření dětí a domácích zvířat uvnitř spotřebiče.

- ▶ **VAROVÁNÍ:** Před čištěním odpojte spotřebič od napájení.
- ▶ Nečistěte spotřebič tvrdými kartáči, drátěnými kartáči, práškovými čisticími prostředky, benzínem, amylacetátem, acetonem a podobnými organickými roztoky a kyselými nebo zásaditými roztoky. K čištění použijte speciální čisticí prostředek na chladničky, aby se zamezilo poškození.
- ▶ Spotřebič čistěte, když je v něm uloženo jen málo vína nebo žádné víno. Je nutné jej čistit pouze tehdy, když je znečištěný.
- ▶ Očistěte vnitřek a skříň spotřebiče houbou navlženou v teplé vodě s neutrálním čisticím prostředkem
- ▶ Opláchněte ho čistou teplou vodou a vysušte ho měkkou látkou.
- ▶ Nemyjte žádné součásti spotřebiče v myčce.
- ▶ Před opětovným spuštěním spotřebiče počkejte alespoň 7 minut, protože časté spuštění by mohlo poškodit kompresor.



Čištění těsnění dvířek:

- ▶ Těsnění dvířek by se mělo čistit každé 3 měsíce, aby bylo zaručeno správné přilnutí. Jak je znázorněno níže: Odstranění: Uchopte těsnění dvířek a vytáhněte ho ve směru šipky, aby se vcelku oddělilo od dvířek. Namočte kartáč do vody nebo alkoholu vhodného pro potravinářství a nejprve vykartáčujte drážku těsnění dvířek. Potom otřete povrch těsnění dvířek utěrkou namočenou ve vodě nebo potravinářském lihu. Nakonec omyjte těsnění dvířek čistou vodou a vysušte ho čistou utěrkou.



Instalace těsnění dvířek po vyčištění:

Před instalací se ujistěte, že na těsnění dvířek není žádná voda. Vložte těsnění dvířek do drážky a pevně ho zatlačte rukou odshora dolů tak, aby bylo celé uvnitř drážky.

Čištění polic:

- ▶ Všechny police lze vyjmout za účelem čištění.
- ▶ Vyndejte všechny láhve.
- ▶ Každou polici nadzdvihněte a vytáhněte ven.
- ▶ Vyčistěte polici měkkou utěrkou.
- ▶ Počkejte, až police uschnou, než je vložíte zpět do spotřebiče.

VAROVÁNÍ:

Po odpojení napájení počkejte nejméně 7 minut, než opět připojíte napájení.

Zkontrolujte příslušenství a literaturu podle tohoto seznamu:

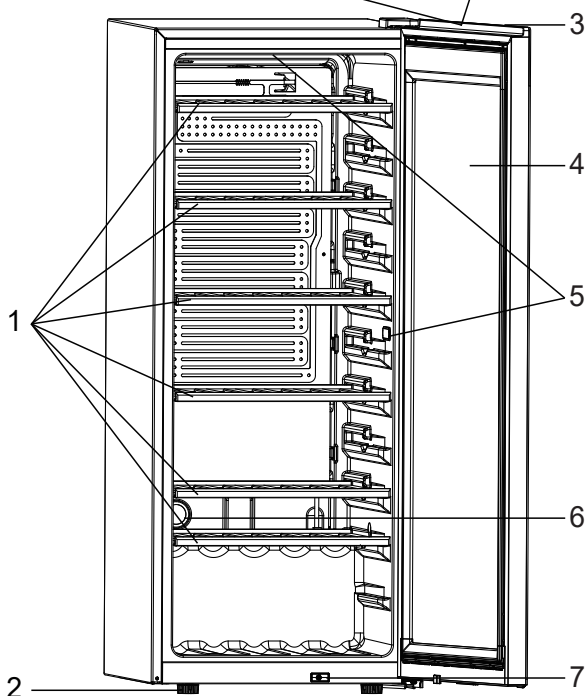
Název	Uživatelská příručka	Servisní karta	Police	Energetický štítek
CNWQ4G84G1	1	1	6	1



Upozornění

Vzhledem k technickým změnám a různým modelům nemusí některé obrázky v této příručce přesně zobrazovat váš model.

Obrázek spotřebiče



CNWQ4G84G1

- | | |
|-----------------------|---------------------------|
| 1. Police | 5. Žárovka LED |
| 2. Nastavitelné nožky | 6. Filtr s aktivním uhlím |
| 3. Displej | 7. Přepínač |
| 4. Dveře | |

1. Vybalení

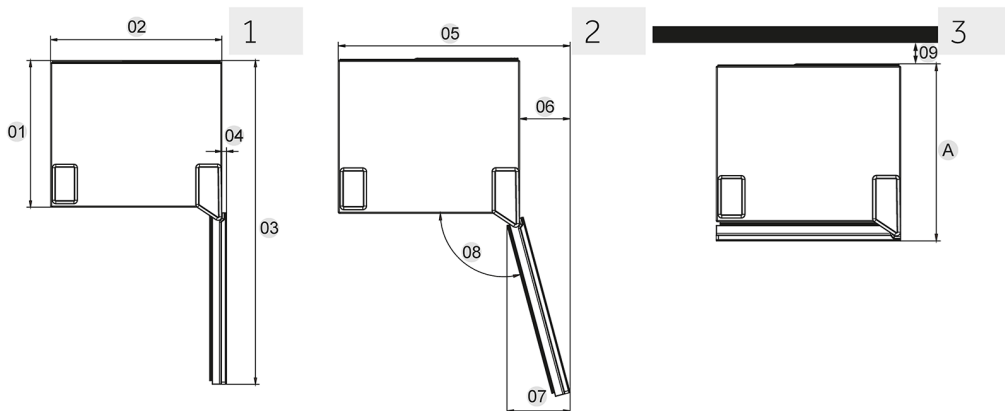
- ▶ Vyjměte spotřebič z obalu.
- ▶ Odstraňte veškerý obalový materiál včetně pěnové základny a všech lepicích pásek, které přidržují příslušenství.

2. Podmínky prostředí

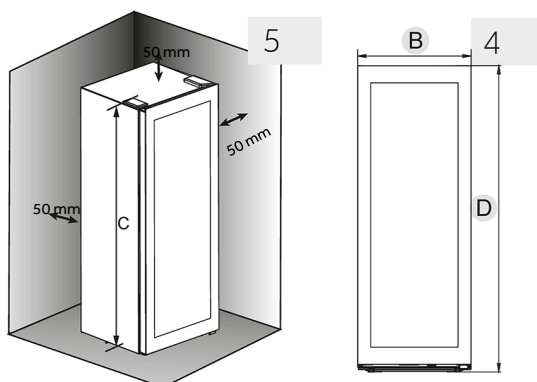
Pokojeová teplota by měla být vždy mezi 10 °C a 38 °C, protože může ovlivňovat teplotu uvnitř spotřebiče a jeho spotřebu energie. Bez náležité izolace neinstalujte spotřebič do blízkosti jiných spotřebičů vytvářejících teplo (trub, chladniček).

3. Požadavky na místo

Potřebný prostor pro otvírání dvířek (obr. 1, 2, 3, 4). Z bezpečnostních a energetických důvodů je nutné dodržet požadovanou větrací vzdálenost 50 mm ve všech směrech (obr. 5).



Měrná jednotka: mm	CNWX4G84G1
Hĺoubka A	585
Šířka B	495
Výška C	1262
Celková výška D	1263
01	535
02	495
03	1043
04	11
05	630
06	135
07	167
08	105°
09	50





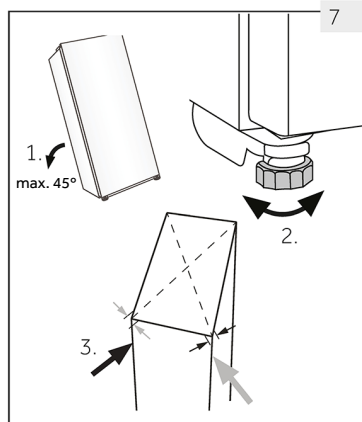
VAROVÁNÍ!

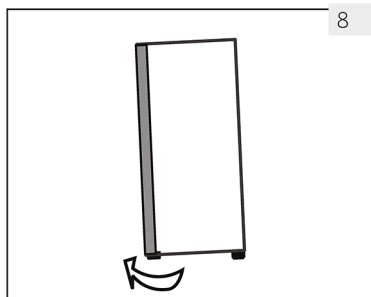
- ▶ Zajistěte, aby nic nezakrývalo větrací otvory ve spotřebiči nebo v konstrukci pro vestavění. Tento chladicí spotřebič není určen k používání jako vestavný spotřebič

4. Vyrovnání spotřebiče

Spotřebič by se měl postavit na rovný a pevný povrch.

1. Mírně nakloňte spotřebič dozadu (obr. 7).
2. Otáčením nastavte nastavitelné přední nohy na požadovanou výšku.
3. Stabilitu lze zkontrolovat střídavým kýváním po úhlopříčkách. Mírné kymáčení v obou směrech by mělo být stejné. Jinak by se mohl rám deformovat, a těsnění dvírek by tak nemuselo přiléhat. Mírný náklon dozadu usnadňuje zavírání dvírek.





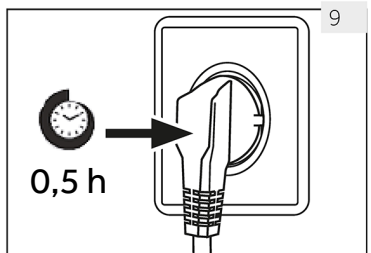
8

5. Jemné nastavení dvířek

Pokud se použijí vyrovnávací nohy na přední straně, spotřebič se bude snáze zavírat:

Otáčením nastavitelných noh (obr. 8) zvyšujte nebo snižujte výšku:

- ▶ Otáčením noh doprava se zvyšuje výška spotřebiče.
- ▶ Otáčením noh doleva se snižuje výška spotřebiče.



9

6. Doba čekání

V kapsli kompresoru se nachází bezúdržbový mazací olej. Pokud se spotřebič během přepravy nakloní, olej se může dostat do uzavřeného potrubního systému. Před připojením spotřebiče k napájení počkejte půl hodiny (obr. 9), aby všechen olej natekl zpět do kapsle.

7. Připojení k elektrickému napájení

Před každým připojením zkontrolujte:

- ▶ zda napájení, zásuvka a jištění odpovídají údajům na výrobním štítku.
- ▶ zda je síťová zásuvka uzemněná a nepoužívá se rozbočovací adaptér ani prodlužovací kabel.
- ▶ zda zástrčka správně zapadne do zásuvky.

Zapojte zástrčku do náležitě nainstalované domácí zásuvky.



VAROVÁNÍ!

Aby se zamezilo rizikům, výměnu poškozeného napájecího kabelu musí provést zákaznický servis (viz záruční list).



VAROVÁNÍ!

- ▶ Před jakýmkoli úkonem nejprve odpojte spotřebič od sítě.
- ▶ Nenaklánejte spotřebič v úhlu větším než 45°, aby se předešlo poškození chladicího systému.

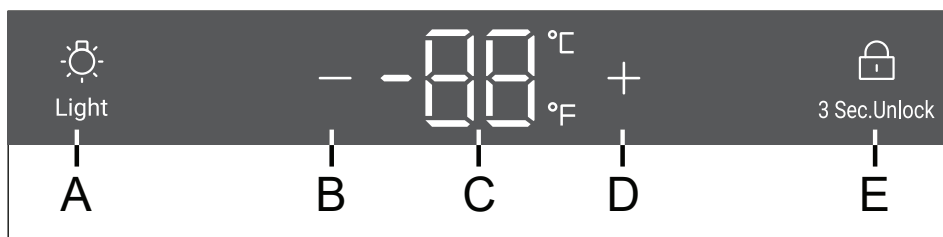
1. Před prvním použitím

- ▶ Odstraňte všechny obalové materiály. Patří mezi ně pěnová základna a všechny lepicí pásky, které drží příslušenství uvnitř a na vnější straně vinného sklípku. Ušchovejte je mimo dosah dětí a zlikvidujte ho způsobem šetrným k životnímu prostředí.
- ▶ Než do spotřebiče vložíte nějaké víno, vyčistěte jeho vnitřní i vnější povrchy vodou a slabým saponátem.
- ▶ Po vyrovnání a vyčištění počkejte alespoň 2 hodiny, než spotřebič připojíte k napájení. Pokud je nutné z jakéhokoli důvodu naklonit vinný sklípek, počkejte 24 hodin, než ho připojíte k napájení. Viz část INSTALACE.
- ▶ Jakmile připojíte spotřebič k elektrické zásuvce, nechte ho běžet alespoň 30 minut, aby se aklimatizoval, než začnete cokoli nastavovat.
- ▶ Teplota se automaticky nastaví na 12 °C. V případě potřeby můžete tyto teploty změnit ručně. Viz TEPLOTA.

2. Dotyková tlačítka

Na ovládacím panelu jsou dotyková tlačítka, která reagují na lehký dotyk prstem.

3. Popis ovládacího panelu



A Tlačítko nastavení teploty: nahoru

B Tlačítko nastavení teploty: dolů

C Displej

D Tlačítko nastavení horní teplotní zóny

E Tlačítko zámku

4. Funkce automatického uzamčení

V režimu uzamčení obrazovky dlouze stiskněte tlačítko uzamčení po dobu 3 sekund. Na displeji se zobrazí 3, 2 a 1, displej se odemkne. Pokud neprovedete žádnou operaci, obrazovka se po 30 sekundách automaticky uzamkne. V režimu uzamčení obrazovky svítí ikona zámku a tlačítka na displeji nelze ovládat (kromě tlačítka osvětlení).



5. Nastavování teploty

Upozornění

Výchozí nastavení

- ▶ Jakmile připojíte spotřebič k elektrické zásuvce, nechte ho běžet alespoň 30 minut, aby se aklimatizoval, než začnete cokoli nastavovat.
- ▶ Když se spotřebič zapne poté, co byl odpojen od napájení, může trvat několik hodin, než dosáhne správné teploty. Přesná doba se liší v závislosti na prostředí a nastavení teploty.



Stiskněte tlačítko  a displej začne blikat. Stiskněte tlačítko  nastavení požadované teploty.. Rozsah nastavení teploty 5–20 °C (41–68 °F). Přestařtisknout tlačítko na 3 sekundy, teplota se potvrdí.

5. Nastavení režimu osvětlení

Stiskněte klávesu F. Když jsou světla ve skříni zapnutá, světla se postupně rozsvěčují. Po dalším stisknutí tlačítka F se světla postupně zhasnou.

6. Funkce Power-Off Memory

V případě výpadku proudu sklep automaticky uloží nastavenou teplotu. Po obnovení napájení poběží na základě teploty nastavené před výpadkem proudu.

Upozornění

Faktory ovlivňující teplotu



Teplota uvnitř spotřebiče je ovlivňována následujícími faktory:

- ▶ Okolní teplota
- ▶ Množství uložených láhví
- ▶ Frekvence otevírání dveří
- ▶ Umístění spotřebiče

Výchozí nastavení je 12 °C.

Až přestane blikat displej, vrátí se k zobrazování aktuální teploty uvnitř vinného sklípku. Bude chvíli trvat, než se dosáhne nastavené teploty.

7. Nastavení režimu osvětlení

Stiskněte tlačítko  . Světla se budou postupně rozsvěcovat. Po dalším stisknutí tlačítka  světla postupně zhasnou.

8. °C/°F pomazání

Stiskněte tlačítko „-“ po dobu 3 sekund pro přepínání mezi stupni Fahrenheita a Celsia.

9. Funkce paměti při vypnutí

V případě výpadku proudu se v suterénu automaticky uloží nastavená teplota. Po obnovení napájení bude fungovat na základě teploty nastavené před výpadkem proudu.

10. Alarm otevření dveří

Pokud jsou dveře otevřené déle než 1 minutu, bude bzučák pípat jako signalizace alarmu, dokud se dveře nezavřou nebo dokud nebude možné stisknout jakékoli tlačítko na displeji, a poté bzučák přestane pípat.



Tipy pro úsporu energie

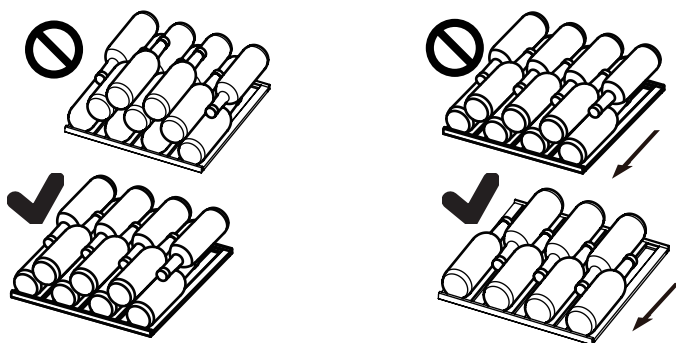
- ▶ Zajistěte, aby měl spotřebič náležité větrání (viz INSTALACE).
- ▶ Neinstalujte spotřebič na přímé sluneční světlo nebo do blízkosti zdrojů tepla (např. sporáků nebo ohřivačů).
- ▶ Vyhýbejte se zbytečně nízké teplotě uvnitř spotřebiče. Čím nižší je nastavená teplota ve spotřebiči, tím vyšší je spotřeba energie.
- ▶ Otvírejte dvířka spotřebiče co nejméně a na co nejkratší dobu.
- ▶ Nepřekračujte stanovené množství láhví, aby se nenarušilo proudění vzduchu.
- ▶ Udržujte těsnění dvířek v čistém stavu, aby se dvířka vždy správně zavírala.
- ▶ Energeticky nejúspornější konfigurace vyžaduje, aby byly ve spotřebiči nainstalovány přihrádky, schránka na potraviny a police ve stavu jako z výroby a aby uložené potraviny nezakrývaly výstup vzduchového kanálu.
- ▶ Když se do vinného sklípku nedíváte, světla by měla být zhasnutá, aby se zvýšila energetická účinnost.

1. Police

1. Police jsou navrženy tak, aby umožňovaly snadné ukládání a vyndávání vína. Lze je čistit měkkou utěrkou.
2. Běžné láhve o průměru 76 mm lze skládat na sebe.
3. Pokud se láhve skládají jinak, množství se může lišit od vyobrazeného počtu.

Rada k uspořádání vašeho vinného sklípku

Doporučujeme, aby počet láhví v každé polici nepřekročil dvě vrstvy. Nesmí se překročit nosnost polic na víno, což je 20 kg. Před vkládáním láhví do vinného sklípku ověřte, zda jsou police na víno zcela stabilní. Navíc ověřte, zda nějaké láhve nevyčnívají z polic, aby při zavírání nenarazily do skleněných dvířek.



2. Světlo

Po otevření dvířek se rozsvítí světlo LED osvětlující interiér

1. Odmrazování

Vinný sklípek se odmrazuje automaticky; není nutný žádný ruční zásah.

2. Výměna žárovky LED

Jako zdroj světla v žárovce se používají diody LED, které se vyznačují nízkou spotřebou energie a dlouhou životností. Pokud se vyskytne nějaký neobvyklý stav, kontaktujte zákaznický servis. Viz ZÁKAZNICKÝ SERVIS.



VAROVÁNÍ!

Nevyměňujte žárovku LED vlastními silami. Její výměnu musí provést buď výrobce, nebo autorizovaný servisní zástupce.

Tento výrobek obsahuje světelný zdroj s třídou energetické účinnosti G.

Parametry žárovky LED:

Napětí: 12 V

Max. výkon: 2 W

3. Když se spotřebič delší dobu nepoužívá

Vytáhněte napájecí kabel ze zásuvky.

Vyčistěte spotřebič a těsnění dvířek podle výše uvedeného popisu.

Nechte dvířka otevřená, aby se uvnitř nevytvořil zápach.

4. Přemísťování spotřebiče

1. Vyjměte všechny láhve a odpojte spotřebič od napájení.

2. Připevněte police a ostatní pohyblivé součásti ve vinném sklípku lepicí páskou.

3. Nenaklánějte vinný sklípek v úhlu větším než 45°, aby se předešlo poškození chladicího systému.

5. Výměna vzduchu s filtrem s aktivním uhlím

Způsob, jakým vína dále zrají, závisí na okolních podmínkách. Kvalita ovzduší je proto rozhodující pro zachování vína. Byl použit filtr s aktivním uhlím

fumistěné ve spodní části zadní části stěna spotřebiče pro průchod zůstává v optimální kvalitě.



Oznámení

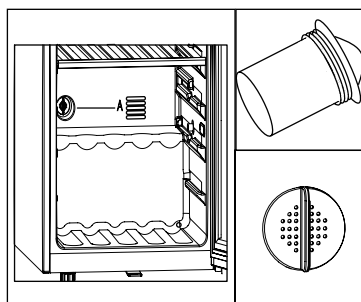
Doporučujeme vám vyměnit filtrovat jednou ročně. Filtry lze získat u vašeho prodejce.

Výměna filtru

Vezměte šňur filtr za rukojeť. Otočte jí doleva a odstranit.

Vložení filtru

Vložte s rukojetí ve svislé poloze. Otočte ji doprava a vložte.



Mnoho problémů můžete vyřešit sami bez konkrétních odborných znalostí. V případě problému zkontrolujte všechny možnosti a řiďte se níže uvedenými pokyny, než se obrátíte na poprodejní servis. Viz ZÁKAZNICKÝ SERVIS.



VAROVÁNÍ!

- ▶ Před zahájením údržby vypněte spotřebič a vytáhněte zástrčku napájecího kabelu ze zásuvky.
- ▶ Servis elektrického zařízení by měli provádět pouze kvalifikovaní elektrikáři, protože nepatřičné opravy mohou vést k vážným následným škodám.
- ▶ Poškozený napájecí kabel by měl vyměnit pouze výrobce, jeho servisní zástupce nebo osoby s podobnou kvalifikací, aby se vyloučilo riziko.

Chybový kód	Příčina	Řešení
L2	Alarm nízké teploty v horní teplotní zóně, když je teplota řídicího čidla v horní teplotní zóně příliš nízká.	<ol style="list-style-type: none"> 1. Zkontrolujte okolní teplotu. 2. Zkontrolujte konektor kompresoru. 3. Zkontrolujte odpor čidla regulace teploty.

Problém	Možná příčina	Možné řešení
Kompresor nepracuje.	<ul style="list-style-type: none"> • Síťová zástrčka není zapojena do síťové zásuvky. 	<ul style="list-style-type: none"> • Zapojte síťovou zástrčku.
Spotřebič se spouští často, nebo běží příliš dlouho.	<ul style="list-style-type: none"> • Venkovní teplota je příliš vysoká. • Spotřebič byl určitou dobu vypnutý. • Dvířka spotřebiče nejsou těsně zavřená. • Dvířka se otvírala příliš často, nebo byla příliš dlouho otevřená. • Těsnění dvířek je znečištěné, opotřebené, popraskané nebo nesprávně nainstalované. • Není zaručena požadovaná cirkulace vzduchu. • Je nastavena příliš nízká teplota. 	<ul style="list-style-type: none"> • V tomto případě je normální, že spotřebič běží déle. • Normálně chvíli trvá, než se spotřebič úplně ochladí. • Zavřete dvířka a ujistěte se, že spotřebič je umístěn na rovné zemi a dvířkům nepřekáží žádné potraviny nebo nádoby. • Neotvírejte dvířka příliš často. • Vyčistěte těsnění dvířek, nebo ho nechte vyměnit zákaznickým servisem. • Zajistěte odpovídající větrání. • Problém se vyřeší sám, až bude dosaženo požadované teploty.
Vnitřek vinného sklípku je znečištěný a/nebo zapáchá.	<ul style="list-style-type: none"> • Je třeba vyčistit vnitřek vinného sklípku. 	<ul style="list-style-type: none"> • Vyčistěte vnitřek vinného sklípku.
Uvnitř spotřebiče není dostatečně chladno.	<ul style="list-style-type: none"> • Je nastavena příliš vysoká teplota. • Nedávno byly přidány nějaké láhve. • Dvířka spotřebiče nejsou těsně zavřená. • Dvířka se otvírala často, nebo byla dlouho otevřená. • Těsnění dvířek je znečištěné, opotřebené, popraskané nebo nesprávně nainstalované. 	<ul style="list-style-type: none"> • Znovu nastavte teplotu. • Vyčkejte, než nedávno přidané láhve dosáhnou požadované teploty. • Zavřete dvířka. • Neotvírejte dvířka příliš často. • Vyčistěte těsnění dvířek, nebo ho nechte vyměnit zákaznickým servisem.
Uvnitř spotřebiče je příliš chladno.	<ul style="list-style-type: none"> • Je nastavena příliš nízká teplota. 	<ul style="list-style-type: none"> • Znovu nastavte teplotu.
Tvoření vlhkosti na vnitřním povrchu chladicího prostoru.	<ul style="list-style-type: none"> • Prostředí je příliš teplé a příliš vlhké. • Dvířka spotřebiče nejsou těsně zavřená. • Dvířka se otvírala často, nebo byla dlouho otevřená. 	<ul style="list-style-type: none"> • Zvyšte teplotu. • Zavřete dvířka. • Neotvírejte dvířka/zásuvku příliš často.
Na vnějším povrchu vinného sklípku se hromadí vlhkost.	<ul style="list-style-type: none"> • Prostředí je příliš teplé a vlhké 	<ul style="list-style-type: none"> • Jedná se o normální jev ve vlhkém prostředí; až se sníží vlhkost, situace se změní.

Problém	Možná příčina	Možné řešení
	<ul style="list-style-type: none"> Dvířka nejsou těsně zavřená. Chladný vzduch ve spotřebiči a teplý vnější vzduch, dochází ke kondenzaci. 	<ul style="list-style-type: none"> Ujistěte se, že dvířka jsou těsně zavřená a těsnění správně přiléhá.
Spotřebič vydává neobvyklé zvuky.	<ul style="list-style-type: none"> Spotřebič nestojí na rovné zemi. Spotřebič se dotýká nějakého předmětu ve svém okolí. 	<ul style="list-style-type: none"> Seřídte nožky, aby stál spotřebič rovně. Odstraňte předměty z okolí spotřebiče.
Ozývá se slabý zvuk podobný vodě.	<ul style="list-style-type: none"> Jedná se o normální jev. 	<ul style="list-style-type: none"> -
Nefunguje osvětlení interiéru nebo chladicí systém.	<ul style="list-style-type: none"> Síťová zástrčka není zapojena do síťové zásuvky. Napájení nemá správné parametry. Žárovka LED je vadná. 	<ul style="list-style-type: none"> Zapojte síťovou zástrčku. Zkontrolujte přívod elektrického napájení do místnosti. Zavolejte místnímu dodavateli elektřiny. Zavolejte servis se žádostí o výměnu.
Boční strany chladiče jsou teplé.	<ul style="list-style-type: none"> Jedná se o normální jev. 	<ul style="list-style-type: none"> -
Dvířka se správně nezavírají.	<ul style="list-style-type: none"> Spotřebič nestojí rovně. Dvířka jsou blokována. 	<ul style="list-style-type: none"> Vyrovnejte spotřebič pomocí vyrovnávacích noh. Zkontrolujte, zda láhve nebo police neblokují dvířka.

Chcete-li kontaktovat technickou pomoc, navštivte naše webové stránky: <https://corporate.haier-europe.com/en/>

V části „Website“ zvolte značku vašeho výrobku a vaši zemi. Budete přesměrováni na konkrétní webovou stránku, kde najdete telefonní číslo a kontaktní formulář technické pomoci.

Informační list výrobku podle nařízení EU č. 2019/2016

Značka	Candy
Název/označení modelu	EPYS6I78I4
Kategorie	Vinný sklípek
Třída energetické účinnosti	G
Roční spotřeba energie (kWh/rok) ¹⁾	153
Kapacita v počtu láhví (0,75l láhve Bordeaux)	84
Klimatická třída: Tento spotřebič je určen k používání při teplotě okolí mezi 10 °C a 38 °C.	N ST
Emise hluku šířeného vzduchem (db(A) re 1 pW)	37
Typ spotřebiče	Volně stojící
Tento spotřebič je určen výhradně k ukládání vína.	Ano
Rozměry (Š/H/V v mm)	495/585/1263

Vysvětlení:

1) Na základě výsledků standardní zkoušky za 24 hodin. Skutečná spotřeba energie závisí na aktuálním prostředí, množství láhví, nastavené teplotě, otvírání a zavírání dvířek atd.

2) Jmenovitá spotřeba energie je hodnota získaná podle standardní zkoušky, když není zapnuto osvětlení interiéru vinného sklípku.

- subnormální: „tento chladicí spotřebič je určen k používání při teplotách okolí v rozsahu od 10 °C do 32 °C“;

- normální: „tento chladicí spotřebič je určen k používání při teplotách okolí v rozsahu od 16 °C do 32 °C“;

- subtropická: „tento chladicí spotřebič je určen k používání při teplotách okolí v rozsahu od 16 °C do 38 °C“.

- tropická: „tento chladicí spotřebič je určen k používání při teplotách okolí v rozsahu od 16 °C do 43 °C“.

Normy a směrnice

Tento výrobek splňuje požadavky všech platných směrnic ES s odpovídajícími harmonizovanými normami, které stanoví používání označení CE.

Doporučujeme využívat zákaznický servis společnosti Haier a používat originální náhradní díly.

V případě problému se spotřebičem si nejprve přečtete část ŘEŠENÍ PROBLÉMŮ.

Pokud v ní nenajdete řešení, kontaktujte

- ▶ místního prodejce nebo
- ▶ navštivte část Servis a podpora na stránkách www.haier.com, kde najdete telefonní čísla a časté otázky týkající se aktivace požadavku na servis.

Chcete-li kontaktovat náš servis, ujistěte se, že máte k dispozici následující údaje.

Tyto údaje lze najít na výrobním štítku.

Model _____ Výrobní číslo _____

V případě záruky se také podívejte do záručního listu dodaného s výrobkem. Se všeobecnými dotazy obchodní povahy se v Evropě obračete na následující adresy:

Evropské adresy společnosti Haier

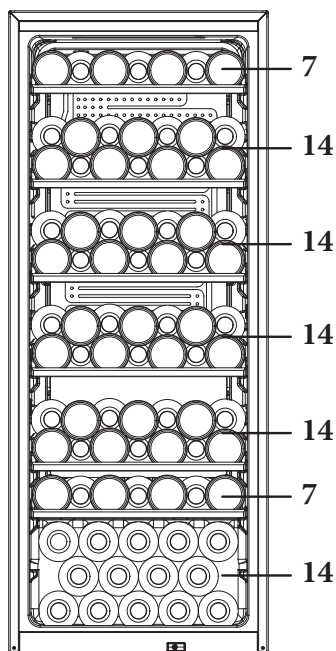
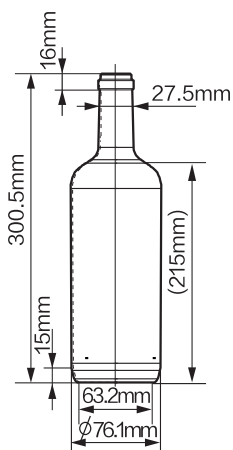
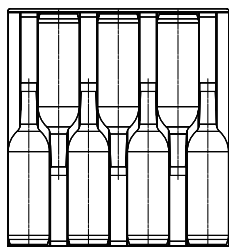
Země*	Poštovní adresa	Země	Poštovní adresa
Itálie	Haier Europe Trading SRL Via De Cristoforis, 12 21100 Varese ITÁLIE		Haier Europe Trading SRL Via De Cristoforis, 12 21100 Varese ITÁLIE
Španělsko	Haier Iberia SL Pg. Pg. Garcia Faria, 49-51 08019 Barcelona ŠPANĚLSKO	Francie	
Portugalsko		Belgie-FR	Haier Benelux SA
		Belgie-NL	Anderlecht
		Nizozemsko	Route de Lennik 451
		Lucembursko	BELGIE
Německo	Haier Deutschland GmbH Hewlett-Packard-Str. 4 D-61352 Bad Homburg NĚMECKO		Haier Poland Sp. zo.o. Al. Jerozolimskie 181B 02-222 Warszawa POLSKO
Rakousko		Polsko	
	Haier Appliances UK Co. Ltd. One Crown Square Church Street East	Česká	
Spojené království	Woking, Surrey, GU21 6HR UK	republika	
		Maďarsko	
		Řecko	
		Rumunsko	
		Rusko	

DOSTUPNOST NÁHRADNÍCH DÍLŮ: Termostaty, snímače teploty, desky s plošnými spoji a světelné zdroje budou k dispozici po dobu nejméně sedmi let od uvedení posledního modelu spotřebiče na trh. Madla dvířek, závěsy dvířek, přihrádky a koše budou k dispozici po dobu nejméně sedmi let a těsnění dvířek po dobu nejméně deseti let od uvedení posledního modelu spotřebiče na trh

Minimální záruka: 2 roky pro země EU, 3 roky pro Turecko, 1 rok pro Spojené království, 1 rok pro Rusko, 3 roky pro Švédsko, 2 roky pro Srbsko, 5 let pro Norsko, 1 rok pro Maroko, 6 měsíců pro Alžírsko, Tunisko nevyžaduje žádnou zákonnou záruku.

Chcete-li další informace o výrobku, navštivte stránky <https://eprel.ec.europa.eu/> nebo naskenujte kód QR na energetickém štítku dodaném se spotřebičem.

1. Uspořádání láhví vychází z grafického znázornění standardní láhve Bordeaux (0,75 l).
2. Aktuální množství vkládaných láhví se může lišit kvůli odlišným specifikacím láhví.



(84)
CNWQ4G84G1

CANDY

Benutzerhandbuch

Weinklimaschrank

CNWQ4G84G1

DE

CANDY

Vielen Dank für den Kauf eines Candy-Produkts.

Bitte lesen Sie diese Anweisungen sorgfältig durch, bevor Sie dieses Gerät benutzen. Die Anleitung enthält wichtige Informationen, die Ihnen dabei helfen, das Gerät optimal zu nutzen und eine sichere und ordnungsgemäße Installation, Verwendung und Wartung zu gewährleisten.

Bewahren Sie diese Anleitung an einem geeigneten Ort auf, damit Sie jederzeit für die sichere und ordnungsgemäße Verwendung des Geräts darauf zurückgreifen können.

Wenn Sie das Gerät verkaufen, weggeben oder bei einem Umzug zurücklassen, vergewissern Sie sich, dass diese Anleitung auch beigelegt wird, damit sich der neue Besitzer mit dem Gerät und den Sicherheitshinweisen vertraut machen kann.



Legende

Warnung - Wichtige Sicherheitsinformationen



Allgemeine Informationen und Tipps



Umwelthinformationen

Entsorgung



Tragen Sie zum Schutz der Umwelt und der menschlichen Gesundheit bei. Entsorgen Sie die Verpackung zum Recyceln in die entsprechenden Behälter. Unterstützen Sie das Recycling von Elektro- und Elektronik-Altgeräten. Entsorgen Sie Geräte, die mit diesem Symbol gekennzeichnet sind, nicht mit dem Hausmüll. Geben Sie das Produkt an Ihre lokale Recyclinganlage zurück oder wenden Sie sich an Ihre Stadtverwaltung.



WARNUNG!

Verletzungs- oder Erstickungsgefahr!

Kältemittel und Gase müssen fachgerecht entsorgt werden. Stellen Sie sicher, dass der Schlauch des Kühlkreislaufs nicht beschädigt ist, bevor er ordnungsgemäß entsorgt wird. Trennen Sie das Gerät von der Stromversorgung. Trennen Sie das Netzkabel und entsorgen Sie es. Entfernen Sie die Bleche und Schubladen sowie die Türöffnung und Dichtungen, um zu verhindern, dass Kinder und Haustiere im Gerät eingeschlossen werden.

Altgeräte haben noch einen gewissen Restwert. Eine umweltfreundliche Entsorgungsmethode gewährleistet, dass wertvolle Rohstoffe wieder verwertet und wiederverwendet werden können.

Cyclopentan ist eine entzündliche für Ozon nicht schädliche Substanz, die als Treibmittel im Isolierschaum verwendet wird.

Indem Sie sicherstellen, dass dieses Produkt ordnungsgemäß entsorgt wird, tragen Sie dazu bei, mögliche negative Folgen für die Umwelt und die menschliche Gesundheit zu vermeiden, die andernfalls verursacht werden könnten.

Für weitere Informationen über das Recycling dieses Produkts wenden Sie sich bitte an Ihre örtlich zuständige Behörde, Ihr Müllabfuhrunternehmen oder an das Geschäft, in dem Sie das Produkt erworben haben und das von Fachleuten geführt wird.

1- Sicherheitsinformationen	94
2- Sicherheitstipps.....	97
3- Wartung.....	101
4- Zubehör.....	103
5- Produktbeschreibung.....	104
6- Installation.....	105
7- Verwendung.....	109
8- Energiespartipps.....	112
9- Ausrüstung.....	113
10- Pflege und Reinigung	114
11- Fehlerbehebung.....	115
12- Technische Daten.....	118
13- Kundendienst.....	119
14- Stapeln von Weinflaschen	120

Dieses Gerät ist ausschließlich für die Weinlagerung bestimmt. Lesen Sie vor dem ersten Einschalten des Geräts folgende Sicherheitshinweise:



WARNUNG!

Vor der ersten Inbetriebnahme

- ▶ Vergewissern Sie sich, dass keine Transportschäden vorliegen.
- ▶ Entfernen Sie sämtliches Verpackungsmaterial, bewahren Sie es außerhalb der Reichweite von Kindern auf und entsorgen Sie es umweltfreundlich.
- ▶ Warten Sie vor dem Einschalten des Geräts mindestens eine halbe Stunde, damit der Kühlkreislauf auch sicher und effektiv arbeitet.
- ▶ Das Gerät immer mit mindestens zwei Personen transportieren, da es schwer ist.
- ▶ Beim Aufstellen des Geräts darauf achten, dass das Stromkabel nicht eingeklemmt oder beschädigt wird.
- ▶ Positionieren Sie keine Mehrfachsteckdosen oder Verlängerungen hinter dem Gerät.

Installation

- ▶ Das Gerät sollte an einem gut belüfteten Ort aufgestellt werden. Idealerweise müssen mindestens 50 mm rund um das Gerät frei bleiben.
- ▶ **WARNUNG:** Lüftungsschlitze am Gehäuse des Geräts oder in der Einbauöffnung freihalten.
- ▶ Stellen Sie das Gerät niemals in einem feuchten Bereich oder an einem Ort auf, wo es mit Wasser nassgespritzt werden könnte. Reinigen Sie Wasserspritzer und Flecken mit einem weichen, sauberen Tuch.
- ▶ Stellen Sie Ihren Weinklimaschrank nicht an einem Ort auf, der nicht ordnungsgemäß isoliert oder beheizt ist, z. B. in einer Garage usw. Ihr Weinklimaschrank ist nicht für den Betrieb bei einer Umgebungstemperatur unter 10°C ausgelegt.
- ▶ Stellen Sie das Gerät nicht in direktem Sonnenlicht oder in der Nähe von Hitzequellen (z. B. Herden, Heizungen) auf.
- ▶ Installieren und richten Sie das Gerät in einem Bereich ein, der für seine Größe und Verwendung geeignet ist.
- ▶ Stellen Sie sicher, dass die elektrischen Informationen auf dem Typenschild der Stromversorgung entsprechen. Ist dies nicht der Fall, wenden Sie sich an einen Elektriker.
- ▶ Das Gerät wird über eine 220-240 V / 50 Hz Stromversorgung betrieben. Abnormale Spannungsschwankungen könnten dazu führen, dass sich das Gerät nicht einschaltet, der Temperaturregler oder Kompressor beschädigt wird, oder dass während des Betriebs ein abnormales Geräusch auftritt. In einem solchen Fall ist ein automatischer Regler anzubringen.
- ▶ Verwenden Sie keine Mehrfachsteckadapter und Verlängerungskabel.

**WARNUNG!**

- ▶ **WARNUNG:** Keine Mehrfachsteckdosen oder Verlängerungen hinter dem Gerät platzieren.
- ▶ **WARNUNG:** Beim Aufstellen des Geräts darauf achten, dass das Stromkabel nicht eingeklemmt oder beschädigt wird.
- ▶ Nicht auf das Netzkabel treten.
- ▶ Verwenden Sie eine separate, geerdete Steckdose für eine leicht zugängliche Stromversorgung. Das Gerät muss geerdet werden.
- ▶ **Nur für Großbritannien:** Das Gerätenetzkabel ist mit einem 3-adrigen Stecker (Erdungsstecker) ausgestattet, der in eine 3-adrige Norm-Buchse (geerdet) passt. Den dritten Stift (Erdung) auf keinen Fall kappen oder entfernen. Das Gerät muss so installiert werden, dass der Stecker erreichbar ist.
- ▶ **WARNUNG:** Den Kühlkreislauf nicht beschädigen.

Täglicher Gebrauch

- ▶ Dieses Gerät kann von Kindern ab 8 Jahren und Personen mit eingeschränkten körperlichen, sensorischen oder geistigen Fähigkeiten oder mangelnder Erfahrung und mangelndem Wissen benutzt werden, wenn diese in die sichere Bedienung des Geräts eingewiesen wurden oder beaufsichtigt werden und die damit verbundenen Gefahren verstanden haben.
- ▶ Kinder dürfen nicht mit dem Gerät spielen.
- ▶ Kinder im Alter von 3 bis 8 Jahren dürfen Kühlgeräte zwar be- und entladen, aber die Kühlgeräte nicht reinigen und installieren.
- ▶ Kinder unter 3 Jahren vom Gerät fernhalten, es sei denn, sie werden ständig beaufsichtigt.
- ▶ Kinder dürfen Reinigungs- und Pflegeaufgaben nur unter Aufsicht ausführen.
- ▶ Das Gerät sollte so positioniert sein, dass der Stecker frei zugänglich ist.
- ▶ Wenn Kohlegas oder ein anderes brennbares Gas in die Nähe des Geräts gelangt, schalten Sie das Ventil des austretenden Gases ab, öffnen Sie die Türen und Fenster und ziehen Sie nicht den Gerätenetzstecker.
- ▶ Warten Sie nach dem Ausschalten mindestens 7 Minuten, bevor Sie den Netzstecker wieder einstecken.
- ▶ Heben Sie das Gerät nicht an seinen Türgriffen an.
- ▶ Die Schlüssel müssen außerhalb der Reichweite von Kindern und nicht in der Nähe des Geräts aufbewahrt werden, um zu verhindern, dass Kinder im Inneren des Geräts verriegelt werden.



WARNUNG!

- ▶ Beachten Sie, dass das Gerät für den Betrieb bei einer bestimmten Umgebungstemperatur zwischen 10 und 38 °C eingestellt ist. Das Gerät funktioniert möglicherweise nicht ordnungsgemäß, wenn es über einen längeren Zeitraum bei einer Temperatur oberhalb oder unterhalb des angegebenen Bereichs betrieben wird.
- ▶ Stellen Sie keine instabilen Gegenstände (schwere Gegenstände, mit Wasser gefüllte Behälter) auf das Gerät, um Verletzungen durch Herunterfallen oder elektrische Schläge durch Kontakt mit Wasser zu vermeiden.
- ▶ Öffnen und schließen Sie die Tür nur mit den Griffen. Der Spalt zwischen Tür und Schrank ist sehr schmal. Stecken Sie nicht Ihre Hände in diese Bereiche, um zu vermeiden, dass Sie Ihre Finger eingeklemmt werden. Öffnen und schließen Sie die Gerätetüren nur dann, wenn keine Kinder im Bewegungsbereich der Tür stehen.
- ▶ Verwenden Sie keine brennbaren, explosionsfähigen oder korrosiven Substanzen im Gerät oder in der Nähe.
- ▶ Lagern Sie keine explosiven Substanzen mit entzündlichen Treibgasen, wie Sprühdosen, in diesem Gerät.
- ▶ Lagern Sie keine Arzneimittel, Bakterien oder Chemikalien im Gerät. Dieses Gerät ist ein Haushaltsgerät. Es wird davon abgeraten, Materialien zu lagern, die extreme Temperaturen erfordern.
- ▶ Stellen Sie keine unnötig niedrigen Temperaturen im Weinklimaschrank ein. Bei hohen Einstellungen kann es zu Minustemperaturen kommen. Achtung: Flaschen können platzen
- ▶ Berühren Sie nicht die Innenfläche des Geräteraums, insbesondere nicht mit nassen Händen, da die Finger an der Oberfläche festfrieren könnten.
- ▶ Um eine ordnungsgemäße Weinkühlung zu gewährleisten, darf das Gerät nicht überladen werden.
- ▶ Ziehen Sie den Gerätestecker aus der Steckdose, falls die Stromversorgung unterbrochen wird oder bevor Sie das Gerät reinigen. Warten Sie vor dem Neustart mindestens 7 Minuten, da durch häufiges Einschalten der Kompressor beschädigt werden kann.
- ▶ **WARNUNG:** Verwenden Sie keine elektrischen Geräte im Innern des Geräts, es sei denn, der Typ wurde vom Hersteller empfohlen. Um Gefahren zu vermeiden, muss ein beschädigtes Netzkabel vom Kundenservice ausgetauscht werden (siehe Garantiekarte).
- ▶ Um die Lebensdauer des Geräts zu verlängern, sollten Sie es nicht ausschalten.
- ▶ Stellen Sie das Gerät niemals waagrecht auf den Boden. Wenn das Gerät um mehr als 45° gekippt wurde, warten Sie 24 Stunden, bevor Sie es anschließen.

**WARNUNG!****Wartung / Reinigung**

- ▶ Kinder müssen beaufsichtigt werden, wenn sie das Gerät reinigen und warten.
- ▶ Trennen Sie das Gerät von der Stromversorgung, bevor Sie eine routinemäßige Wartung durchführen. Warten Sie vor dem Neustart mindestens 7 Minuten, da durch häufiges Einschalten der Kompressor beschädigt werden kann.
- ▶ Fassen Sie beim Herausziehen des Gerätesteckers aus der Steckdose, den Stecker und nicht das Kabel an.
- ▶ Reinigen Sie das Gerät nicht mit harten Bürsten, Drahtbürsten, Reinigungspulver, Benzin, Amylacetat, Aceton und ähnlichen organischen Lösungen, Säure oder Alkalilösungen. Bitte reinigen Sie das Gerät mit einem speziellen Reinigungsmittel für Kühl-/Gefriergeräte, um Beschädigungen zu vermeiden. Verwenden Sie ggf. warmes Wasser und eine Natronlösung - etwa einen Esslöffel Backnatron auf einen Liter/Viertel Wasser. Spülen Sie es gründlich mit Wasser ab und reiben Sie es trocken. Verwenden Sie keine Reinigungspulver oder anderen Scheuermittel. Waschen Sie herausnehmbare Teile nicht in der Geschirrspülmaschine.
- ▶ **WARNUNG:** Verwenden Sie keine mechanischen oder sonstigen Hilfsmittel, um den Abtauvorgang zu beschleunigen, es sei denn, dies wird vom Hersteller so empfohlen.
- ▶ Wenn das Stromkabel beschädigt ist, muss es vom Hersteller oder von seinem Service-Mitarbeiter, oder einer gleichwertig qualifizierten Person ausgetauscht werden, um jegliches Risiko zu vermeiden.
- ▶ Versuchen Sie nicht, das Gerät selbst zu reparieren, zu zerlegen oder zu verändern. Bei Reparaturen wenden Sie sich bitte an unseren Kundendienst.
- ▶ Wenn die Leuchten beschädigt sind, müssen sie vom Hersteller, von seinem Service-Mitarbeiter oder einer gleichwertig qualifizierten Person ausgetauscht werden, um jegliches Risiko zu vermeiden.
- ▶ Entfernen Sie den Staub auf der Geräterückseite mindestens einmal im Jahr, um Brandgefahr und einen erhöhten Energieverbrauch zu vermeiden.
- ▶ Um eine Verunreinigung der Lebensmittel zu vermeiden, beachten Sie bitte die folgenden Hinweise:
 - Ein längeres Öffnen der Klappe kann zu einem bedeutenden Temperaturanstieg in den Kühl- und Gefrierfächern des Geräts führen.

- ▶ Das Gerät darf während der Reinigung nicht besprüht oder mit Wasser beschüttet werden.
- ▶ Das Gerät darf nicht mit Wasser besprüht oder mit Dampf gereinigt werden.
- ▶ Reinigen Sie die kalte Glastür nicht mit heißem Wasser. Plötzliche Temperaturschwankungen können dazu führen, dass das Glas zerspringt.
- ▶ Wenn Sie das Gerät längere Zeit nicht benutzen, lassen Sie es offen, um zu verhindern, dass sich unangenehme Gerüche im Inneren bilden.

Angaben zu Kältemittelgasen



WARNUNG!

Das Gerät enthält das entzündliche Kältemittel ISOBUTAN (R600a). Stellen Sie sicher, dass der Kühlkreislauf während des Transports oder der Installation nicht beschädigt wird. Auslaufendes Kältemittel kann Augenverletzungen verursachen oder sich entzünden. Falls Schäden aufgetreten sind, halten Sie sich von offenen Brandquellen fern, lüften Sie den Raum gründlich, stecken Sie die Netzkabel des Geräts oder eines anderen Geräts nicht ein oder aus. Informieren Sie den Kundendienst.

Falls die Augen mit dem Kältemittel in Kontakt kommen, sofort unter fließendem Wasser ausspülen und den Augenarzt verständigen.

WARNUNG: Das Kühlsystem steht unter hohem Druck. Nicht daran manipulieren. Da entzündliche Kältemittel verwendet werden, bitte das Gerät entsprechend der Anweisung installieren, handhaben und warten. Wenden Sie sich an den Fachtechniker oder unseren Kundenservice, um das Gerät zu entsorgen.

Bestimmungsgemäße Verwendung


Dieses Gerät ist ausschließlich für den Hausgebrauch und vergleichbare Verwendungen bestimmt, wie zum Beispiel:

- Personalküchen in Geschäften, Büros und anderen Arbeitsumgebungen;
 - In landwirtschaftlichen Betrieben, für die Nutzung durch Gäste von Hotels, Pensionen und ähnlichen Unterkünften;
 - Bed & Breakfast (B&B);
 - Catering-Dienste und ähnliche, nicht kommerzielle Zwecke.
- ▶ Um eine sichere Konservierung des Weins zu gewährleisten, halten Sie sich bitte an diese Gebrauchsanweisung.
- ▶ Einzelheiten über die Gerätebereiche, die je nach Temperaturverteilung in den verschiedenen Fächern am besten für die Lagerung bestimmter Lebensmittel geeignet sind, finden Sie im anderen Teil der Anleitung.

Änderungen oder Anpassungen am Gerät sind nicht erlaubt. Eine unsachgemäße Verwendung kann zu Gefahren und zum Verlust von Garantieansprüchen führen.

Entsorgung



Das  Symbol auf dem Produkt oder auf der Verpackung weist darauf hin, dass es nicht als Hausmüll behandelt werden darf. Stattdessen sollte es an die zuständige Sammelstelle für das Recycling von Elektro- und Elektronik-Altgeräten übergeben werden. Bitte stellen Sie sicher, dass das Produkt nach seiner Außerbetriebnahme ordnungsgemäß entsorgt wird. Damit tragen Sie dazu bei, gesundheits- und umweltschädigende Auswirkungen zu verhindern, die eine nicht korrekte Entsorgung am Ende der Nutzungsdauer zur Folge haben könnte. Für weitere Informationen über das Recycling dieses Produkts wenden Sie sich bitte an Ihre örtlich zuständige Behörde, Ihr Müllabfuhrunternehmen oder an das Geschäft, in dem Sie das Produkt erworben haben.

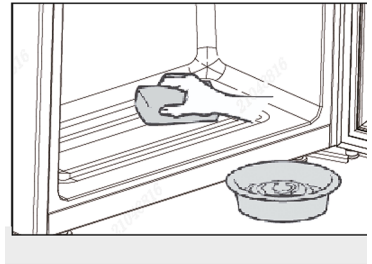
Da brennbare Isolationsblasgase verwendet werden, wenden Sie sich bitte an den Fachtechniker oder unseren Kundendienst, um das Gerät zu entsorgen.

WARNUNG!

Erstickungsgefahr!

Kältemittel und Gase müssen fachgerecht entsorgt werden. Stellen Sie sicher, dass der Schlauch des Kühlkreislaufs nicht beschädigt ist, bevor er ordnungsgemäß entsorgt wird. Trennen Sie das Gerät von der Stromversorgung. Trennen Sie das Netzkabel und entsorgen Sie es. Entfernen Sie die Bleche und Schubladen sowie die Türöffnung und Dichtungen, um zu verhindern, dass Kinder und Haustiere im Gerät eingeschlossen werden.

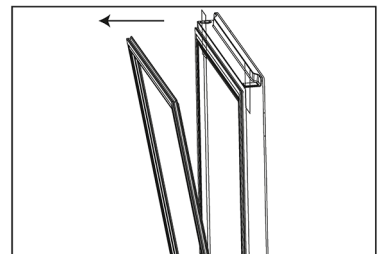
- ▶ **WARNUNG:** Trennen Sie das Gerät vor der Reinigung von der Stromversorgung.
- ▶ Reinigen Sie das Gerät nicht mit harten Bürsten, Drahtbürsten, Reinigungspulver, Benzin, Amylacetat, Aceton und ähnlichen organischen Lösungen, Säure oder Alkalilösungen. Reinigen Sie das Gerät mit einem speziellen Reinigungsmittel für Kühlgeräte, um Beschädigungen zu vermeiden.
- ▶ Reinigen Sie das Gerät, wenn nur wenig oder kein Wein gelagert wird. Es muss nur gereinigt werden, wenn es verschmutzt ist.
- ▶ Reinigen Sie das Innere und das Gehäuse des Gerätes mit einem Schwamm, der mit warmem Wasser und einem neutralen Reinigungsmittel angefeuchtet wurde.
- ▶ Spülen Sie mit sauberem, warmen Wasser ab und trocknen Sie mit einem weichen Tuch.
- ▶ Reinigen Sie Geräteteile nicht in einer Geschirrspülmaschine.
- ▶ Warten Sie vor dem Neustart mindestens 7 Minuten, da häufiges Einschalten den Kompressor beschädigen kann.



Reinigen Sie die Türdichtung:

- ▶ Die Türdichtungen sollten alle 3 Monate gereinigt werden, um eine ordnungsgemäße Abdichtung zu gewährleisten. Wie unten: Entfernen: Fassen Sie die Türdichtung und ziehen Sie sie entsprechend der Pfeilrichtung heraus, um die gesamte Türdichtung der Reihe nach zu entfernen.

Tauchen Sie die Bürste in Wasser oder lebensmittelechtem Alkohol ein und reinigen Sie zuerst die Türdichtungsnut, indem Sie die Bürste hin- und herziehen. Wischen Sie dann die Türdichtung mit einem Tuch ab, das mit Wasser oder Alkohol in Lebensmittelqualität getränkt wurde. Reinigen Sie die Türdichtung und reiben Sie sie mit einem sauberen Tuch trocken.



Montage der Türdichtung nach der Reinigung:

Vergewissern Sie sich, dass sich vor der Installation kein Wasser auf der Türdichtung befindet. Setzen Sie die Türdichtung in die Nut ein und drücken Sie die Türdichtung von oben nach unten fest an, bis die gesamte Türdichtung in die Nut eingeführt ist.

Reinigen der Einlegeböden:

- ▶ Alle Einlegeböden können zur Reinigung herausgenommen werden.
- ▶ Alle Flaschen herausnehmen.
- ▶ Heben Sie jeden Einlegeboden ein wenig an und nehmen Sie ihn heraus.
- ▶ Reinigen Sie den Einlegeboden mit einem weichen Tuch.
- ▶ Warten Sie, bis die Einlegeböden trocken sind, bevor Sie sie wieder einsetzen.

WARNUNG:

Warten Sie nach dem Ausschalten mindestens 7 Minuten, bevor Sie den Netzstecker wieder einstecken.

Überprüfen Sie das Zubehör und die Dokumentation gemäß dieser Liste:

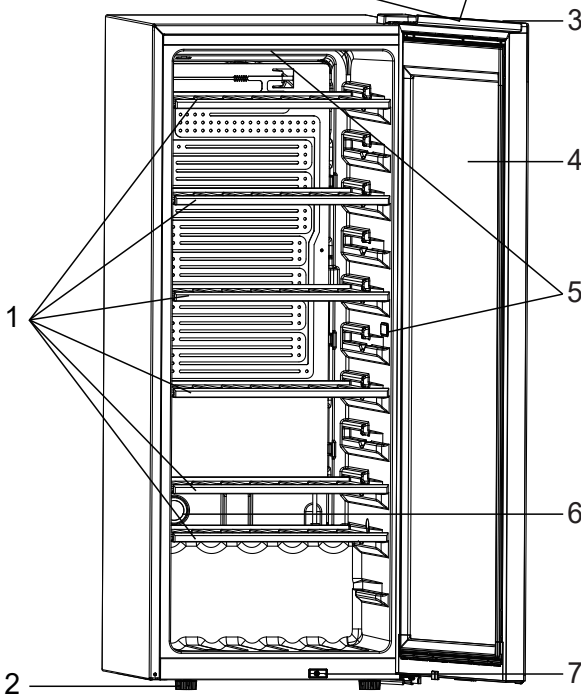
Name	Benutzerhandbuch	Servicekarte	Einlegeboden	Energieetikett
CNWQ4G84G1	1	1	6	1



Hinweis

Aufgrund von technischen Änderungen und unterschiedlichen Modellen können einige der Abbildungen in dieser Anleitung von Ihrem Modell abweichen.

Geräteabbildung



CNWQ4G84G1

- | | |
|-----------------------|---------------------|
| 1. Regal | 5. LED-Lampe |
| 2. Verstellbare Füße, | 6. Aktivkohlefilter |
| 3. Display, | 7. Schalten |
| 4. Tür | |

1. Auspacken

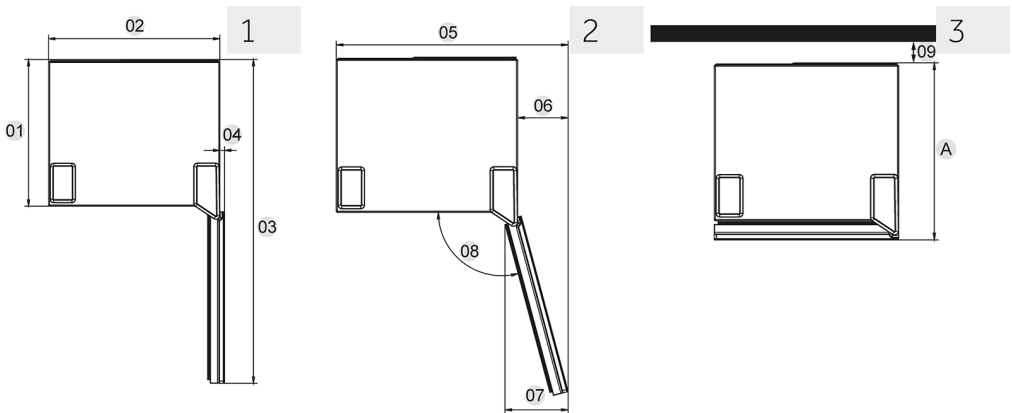
- ▶ Nehmen Sie das Gerät aus der Verpackung.
- ▶ Entfernen Sie alle Verpackungsmaterialien, einschließlich des Schaumstoffbodens und des Klebebandes, auf dem das Zubehör befestigt ist.

2. Umgebungsbedingungen

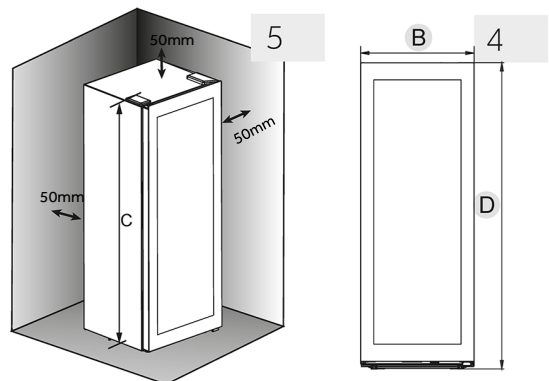
Die Raumtemperatur sollte immer zwischen 10 °C und 38 °C liegen, da sie die Temperatur im Inneren des Geräts und dessen Energieverbrauch beeinflussen kann. Das Gerät nicht in der Nähe anderer Wärme abgebender Geräte (Ofen, Kühlschränke) installieren.

3. Platzbedarf

Erforderlicher Platz zum Öffnen der Tür (Abb. 1,2,3,4). Aus Sicherheits- und Energiegründen muss der erforderliche Lüftungsabstand von 50 mm in alle Richtungen eingehalten werden (Abb. 5).



Maßangabe: mm	CNWX4G84G1
Tiefe A	585
Breite B	495
Höhe C	1262
Gesamthöhe D	1263
01	535
02	495
03	1043
04	11
05	630
06	135
07	167
08	105°
09	50





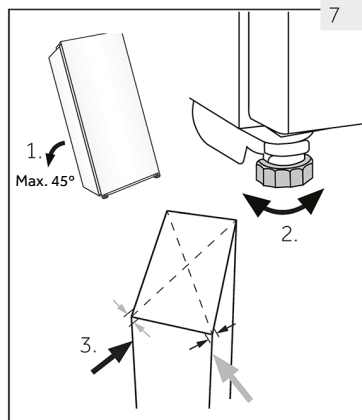
WARNUNG!

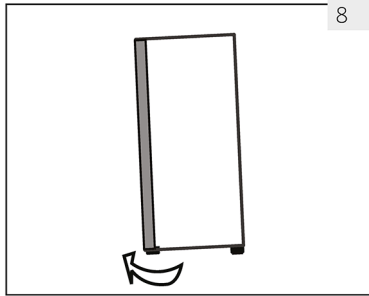
- ▶ Lüftungsschlitze am Gerät oder in der Einbaustruktur freihalten. Dieses Kühlgerät ist nicht zur Verwendung als Einbaugerät bestimmt.

4. Geräteausrichtung

Das Gerät sollte auf einer flachen und festen Oberfläche aufgestellt werden.

1. Neigen Sie das Gerät leicht nach hinten (Abb. 7).
2. Stellen Sie die verstellbaren Vorderfüße durch Drehen auf die gewünschte Höhe ein.
3. Die Stabilität kann durch abwechselndes Anschlagen gegen die Diagonalen überprüft werden. Das leichte Schwanken sollte in beide Richtungen gleich sein. Anderenfalls kann sich der Rahmen verziehen; mögliche undichte Tüрдichtungen sind die Folge. Eine geringe Neigung nach hinten erleichtert das Schließen der Tür.



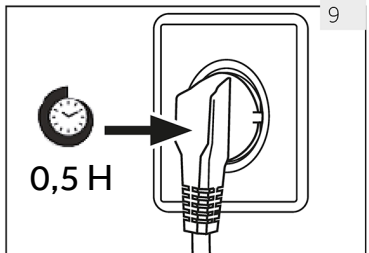


8

5. Justieren der Tür

Das Gerät schließt sich leichter, wenn die Nivellierfüße an der Vorderseite verwendet werden: Drehen Sie die verstellbaren Füße (Abb. 8), um sie nach oben oder unten zu verstellen:

- ▶ Durch Drehen der Füße im Uhrzeigersinn wird das Gerät angehoben.
- ▶ Durch Drehen der Füße gegen den Uhrzeigersinn, wird das Gerät abgesenkt.



9

6. Wartezeit

Das wartungsfreie Schmieröl befindet sich in der Kapsel des Kompressors. Dieses Öl kann beim Transport durch das geschlossene Rohrsystem gelangen, wenn das Gerät gekippt wird. Warten Sie eine halbe Stunde, bevor Sie das Gerät an die Stromversorgung anschließen (Abb. 9), damit das Öl wieder in die Kapsel zurückfließen kann.

7. Elektrischer Anschluss

Stellen Sie vor jedem Anschluss sicher, dass:

- ▶ die Stromversorgung, Steckdose und Sicherung den Angaben auf dem Typenschild entsprechen.
- ▶ die Steckdose geerdet ist und kein Mehrfachstecker oder Verlängerungskabel vorhanden ist.
- ▶ Netzstecker und Steckdose richtig zusammenpassen.

Schließen Sie den Stecker an eine ordnungsgemäß installierte Haushaltssteckdose an.



WARNUNG!

Um Gefahren zu vermeiden, muss ein beschädigtes Netzkabel vom Kundenservice ausgetauscht werden (siehe Garantiekarte).



WARNUNG!

- ▶ Vor dem Eingriff müssen Sie zuerst den Gerätestecker aus der Steckdose ziehen.
- ▶ Das Gerät nicht um mehr als 45° kippen, um Schäden am Kühlsystem zu vermeiden.

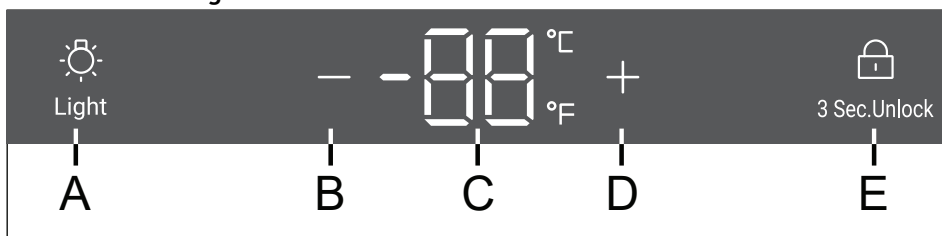
1. Vor der ersten Inbetriebnahme

- ▶ Entfernen Sie alle Verpackungsmaterialien. Dazu gehören der Schaumstoffboden und das gesamte Klebeband, mit dem die Zubehörteile des Weinklimaschranks innen und außen befestigt werden. Bewahren Sie sie außerhalb der Reichweite von Kindern auf und entsorgen Sie sie auf umweltfreundliche Weise.
- ▶ Reinigen Sie das Gerät innen und außen mit Wasser und einem milden Reinigungsmittel, bevor Sie Wein hineinlegen.
- ▶ Warten Sie nach dem Nivellieren und Reinigen mindestens 2 Stunden, bevor Sie das Gerät an die Stromversorgung anschließen. Wenn Ihr Weinklimaschrank aus irgendeinem Grund gekippt wurde, warten Sie 24 Stunden, bevor Sie ihn an die Stromversorgung anschließen. Siehe Abschnitt INSTALLATION.
- ▶ Sobald Sie das Gerät an eine Steckdose angeschlossen haben, lassen Sie es mindestens 30 Minuten laufen, um sich zu akklimatisieren, bevor Sie Anpassungen vornehmen.
- ▶ Die Temperatur wird automatisch auf 12 °C eingestellt. Falls gewünscht, können Sie die Temperatur manuell ändern. Siehe Abschnitt TEMPERATUR.

2. Berührungsempfindliche Tasten (Touch-Tasten)

Die Tasten auf dem Bedienfeld sind berührungsempfindliche Tasten, die bei leichter Berührung mit dem Finger ansprechen.

3. Beschreibung des Bedienfelds



A Lichttaste

B Temperaturregler: nach unten

C Display

D Temperatur-Einstelltaste: nach oben

E Sperrtaste

4. Automatische Sperrfunktion

Halten Sie im Sperrzustand die Sperrtaste 3 Sekunden lang gedrückt. Auf dem Display werden 3, 2 und 1 angezeigt. Der Bildschirm wird entsperrt. Erfolgt keine Bedienung, wird der Bildschirm nach 30 Sekunden automatisch gesperrt. Im Sperrzustand ist das Sperrsymbol aktiviert und die Tasten auf dem Display (mit Ausnahme der Beleuchtungstaste) können nicht bedient werden.

5. Temperatureinstellung

Hinweis

Voreinstellungen

- ▶ Sobald Sie das Gerät an eine Steckdose angeschlossen haben, lassen Sie das Gerät mindestens 30 Minuten laufen, um sich zu akklimatisieren, bevor Sie Anpassungen vornehmen.
- ▶ Wenn das Gerät, nachdem es von der Hauptstromversorgung getrennt wurde, eingeschaltet wird, kann es mehrere Stunden dauern, bis die richtigen Temperaturen erreicht sind. Die genaue Zeit variiert je nach Umgebung und Temperatureinstellung.



Drücken Sie die **+** oder **-** die Anzeige beginnt zu blinken. Drücken Sie die **+** oder **-** um die gewünschte Temperatur einzustellen.

. Temperatureinstellbereich: 5-20°C.

Halten Sie die Taste 3 Sekunden lang gedrückt, damit wird die Temperatur bestätigt.

6. Standby-mode

Der Bildschirm wird 30 Sekunden lang automatisch gedimmt.

Er leuchtet automatisch auf, wenn eine beliebige Taste berührt oder die Tür geöffnet wird.

Hinweis

Auswirkungen auf die Temperaturen



Die Temperatur im Geräteinnenraum wird durch folgende Faktoren beeinflusst:

- ▶ Umgebungstemperatur
- ▶ Menge der gelagerten Flaschen
- ▶ Häufigkeit der Türöffnung
- ▶ Standort des Geräts

Die Standardeinstellung beträgt 12 °C

Wenn die Anzeige das Blinken einstellt, zeigt sie wieder die aktuelle Temperatur im Inneren des Weinklimaschranks an. Es dauert einige Zeit, bis die eingestellte Temperatur erreicht ist.

7. Einstellung des Beleuchtungsmodus

Drücken Sie die Taste  Die Lichter leuchten allmählich auf. Durch erneutes Drücken der Taste  werden die Lichter allmählich ausgeschaltet.

8. °C/°F Funktion

Drücken Sie die Taste „-“ 3 Sekunden lang, um zwischen Fahrenheit und Celsius zu wechseln.

9. Power-Off Memory-Funktion

Bei einem Stromausfall speichert der Keller automatisch die eingestellte Temperatur. Nach der Wiederherstellung der Stromversorgung läuft er auf der Grundlage der vor dem Stromausfall eingestellten Temperatur weiter.

10. Türöffnungsalarm

Wenn die Tür länger als 1 Minute offen bleibt, ertönt ein Summer, um einen Alarm auszulösen, bis die Tür geschlossen wird oder eine beliebige Taste auf dem Anzeigefeld betätigt werden kann. Dann hört der Summer auf zu piepen.



Energiespartipps

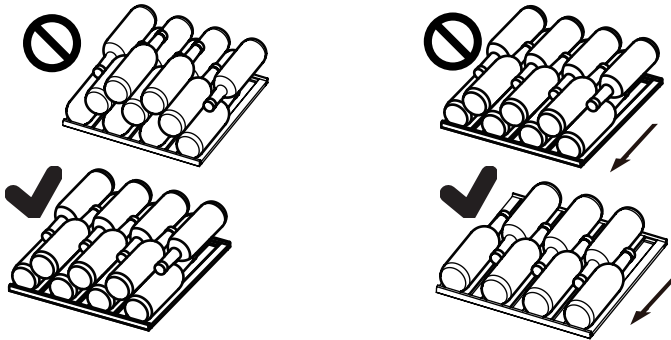
- ▶ Stellen Sie sicher, dass das Gerät ordnungsgemäß belüftet ist (siehe INSTALLATION).
- ▶ Stellen Sie das Gerät nicht in direktem Sonnenlicht oder in der Nähe von Hitzequellen (z. B. Herden, Heizungen) auf.
- ▶ Vermeiden Sie unnötig niedrige Temperaturen im Gerät. Je niedriger die im Gerät eingestellte Temperatur, umso höher der Energieverbrauch.
- ▶ Öffnen Sie die Gerätetür so wenig und so kurz wie möglich.
- ▶ Überschreiten Sie nicht die festgelegte Anzahl an Flaschen, um den Luftstrom nicht zu behindern.
- ▶ Halten Sie Türdichtungen sauber, damit die Tür immer richtig schließt.
- ▶ Die energiesparendste Konfiguration erfordert, dass Schublade, Lebensmittelbox und Einlegeböden im Gerät so wie geliefert eingesetzt sind und die Lebensmittel so platziert werden, dass sie den Luftauslass des Kanals nicht blockieren.
- ▶ Um die Energieeffizienz zu erhöhen, sollten die Lichter ausgeschaltet werden, wenn Sie nicht in den Weinklimaschrank sehen.

1. Einlegeböden

1. Die Einlegeböden sind für eine einfache Aufbewahrung und ein einfaches Herausnehmen des Weins ausgelegt. Sie können mit einem weichen Tuch gereinigt werden.
2. Reguläre Flaschen mit einem Durchmesser von 76 mm können gestapelt werden.
3. Die Menge kann von der angegebenen Anzahl bzw. den Flaschen abweichen, wenn diese auf eine andere Weise gestapelt wurden.

Ratschläge zum Einräumen Ihres Weinklimaschranks

Wir empfehlen, dass die Anzahl der Weinflaschen nicht mehr als zwei Schichten pro Einlegeboden betragen sollte und dass die Tragkraft der Weineinlegeböden 20 kg nicht übersteigen sollte. Vor dem Einlegen der Flaschen in den Weinklimaschrank müssen Sie sich vergewissern, dass die Einlegeböden stabil sind. Vergewissern Sie sich außerdem, dass keine Flasche aus den Einlegeböden herausragt, um zu vermeiden, dass Flaschen beim Schließen gegen die Glastür schlagen.



2. Das Licht

Die LED-Innenbeleuchtung leuchtet, wenn die Tür geöffnet wird

1. Abtauen

Das Abtauen des Weinklimaschranks erfolgt automatisch, es ist keine manuelle Tätigkeit erforderlich.

2. Austausch der LED-Leuchte

Die Leuchte nutzt als Lichtquelle eine LED mit geringem Energieverbrauch und langer Lebensdauer. Bei Anomalien wenden Sie sich bitte an den Kundenservice. Siehe KUNDENSERVICE.



WARNUNG!

Ersetzen Sie die LED-Leuchte nicht selbst. Sie darf nur vom Hersteller oder von einem autorisierten Service-Mitarbeiter ausgetauscht werden.

Dieses Produkt enthält eine Lichtquelle der Energieeffizienzklasse G.

Parameter der LED-Leuchte:

Spannung 12V

Max. Leistung: 2 W

3. Nichtverwendung über einen längeren Zeitraum

Das Netzkabel abziehen.

Reinigen Sie das Gerät und die Türdichtungen wie oben beschrieben.

Halten Sie die Tür offen, um zu verhindern, dass sich schlechte Gerüche bilden.

4. Verstellen des Gerätes

1. Nehmen Sie alle Flaschen heraus und ziehen Sie den Gerätestecker.

2. Fixieren Sie die Einlegeböden und andere bewegliche Teile im Weinklimaschrank mit Klebeband.

3. Den Weinklimaschrank um maximal 45° kippen, um eine Beschädigung des Kühlsystems zu vermeiden.

5. Luftaustauscher mit Aktivkohlefilter

Die Art und Weise, wie Weine weiter reifen, hängt von den Umgebungsbedingungen ab. Die Qualität der Luft ist daher entscheidend für die Konservierung des Weines. Im unteren Bereich des Weinkühlers ist ein Aktivkohlefilter eingebaut. Die Durchlassleistung der Geräterückwand bleibt in optimaler Qualität.

1

Beachten

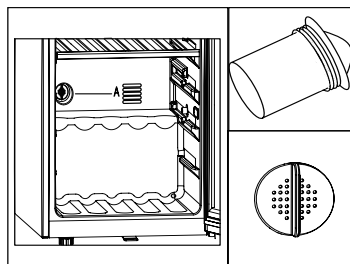
Wir empfehlen, den Filter einmal jährlich auszutauschen. Filter erhalten Sie bei Ihrem Händler.

Filterwechsel:

Filter am Griff anfassen, nach links drehen und herausnehmen.

Filter einsetzen:

Mit dem Griff senkrecht einsetzen. Nach rechts drehen und einsetzen.



Viele auftretende Probleme können von Ihnen selbst ohne spezifische Fachkenntnisse gelöst werden. Bei Problemen prüfen Sie bitte alle angezeigten Möglichkeiten und befolgen Sie die nachstehenden Anweisungen, bevor Sie einen Kundendienst kontaktieren. Siehe KUNDENSERVICE.



WARNUNG!

- ▶ Schalten Sie das Gerät vor der Wartung aus und ziehen Sie den Netzstecker aus der Steckdose.
- ▶ Elektrische Geräte sollten nur von qualifizierten Fachelektrikern repariert werden, da unsachgemäße Reparaturen erhebliche Folgeschäden verursachen können.
- ▶ Eine beschädigte Lieferung sollte nur vom Hersteller, von seinem Service-Mitarbeiter oder einer gleichwertig qualifizierten Person ausgetauscht werden, um jegliches Risiko zu vermeiden.

Fehlercode	Ursache	Lösung
L2	Die obere Temperaturzone löst einen Niedrigtemperaturalarm aus, wenn der Temperatursensor hier eine zu niedrige Temperatur misst;	<ol style="list-style-type: none"> 1. Die Umgebungstemperatur überprüfen. 2. Die Verbindung des Kompressors überprüfen. 3. Den Widerstand des Temperatursensors überprüfen.

Problem	Mögliche Ursache	Mögliche Behebung
Der Kompressor funktioniert nicht.	<ul style="list-style-type: none"> • Der Netzstecker ist nicht an die Steckdose angeschlossen. 	<ul style="list-style-type: none"> • Netzstecker anschließen.
Das Gerät läuft häufig oder zu lange.	<ul style="list-style-type: none"> • Die Außentemperatur ist zu hoch. • Das Gerät wurde über einen längeren Zeitraum ausgeschaltet. • Eine Gerätetür wurde nicht richtig geschlossen. • Die Tür wurde zu häufig oder zu lange geöffnet. • Die Türdichtungen sind verschmutzt, verschlissen, gerissen oder verrutscht. • Die erforderliche Luftzirkulation ist nicht gewährleistet. • Die Temperatur ist zu niedrig eingestellt. 	<ul style="list-style-type: none"> • In diesem Fall ist es normal, dass das Gerät länger läuft. • Normalerweise dauert es eine Weile, bis das Gerät vollständig abgekühlt ist. • Die Tür schließen und sicherstellen, dass das Gerät auf einem ebenem Untergrund steht und dass keine Lebensmittel oder Behälter gegen die Tür stoßen. • Die Tür nicht zu häufig öffnen. • Die Türdichtung reinigen oder vom Kundenservice ersetzen lassen. • Für eine ausreichende Belüftung sorgen. • Das Problem löst sich von selbst, sobald die gewünschte Temperatur erreicht ist.
Das Innere des Weinklimaschranks ist schmutzig und/oder übelriechend.	<ul style="list-style-type: none"> • Das Innere des Weinklimaschranks muss gereinigt werden. 	<ul style="list-style-type: none"> • Das Innere des Weinklimaschranks reinigen.
Das Innere des Geräts ist nicht kalt genug.	<ul style="list-style-type: none"> • Die Temperatur ist zu hoch eingestellt. • Flaschen wurden erst kürzlich hinzugefügt. • Eine Gerätetür wurde nicht richtig geschlossen. • Die Tür wurde häufig oder für längere Zeit geöffnet. • Die Türdichtungen sind verschmutzt, verschlissen, gerissen oder verrutscht. 	<ul style="list-style-type: none"> • Die Temperatur zurücksetzen. • Lassen Sie den kürzlich hinzugefügten Flaschen Zeit, die gewünschte Temperatur zu erreichen. • Die Tür schließen. • Die Tür nicht zu häufig öffnen. • Die Türdichtung reinigen oder vom Kundenservice ersetzen lassen.
Das Innere des Geräts ist zu kalt.	<ul style="list-style-type: none"> • Die Temperatur ist zu niedrig eingestellt. 	<ul style="list-style-type: none"> • Die Temperatur zurücksetzen.
Feuchtigkeitsbildung im Innern des Kühlfachs.	<ul style="list-style-type: none"> • Das Klima ist zu warm und zu feucht. • Eine Gerätetür wurde nicht richtig geschlossen. 	<ul style="list-style-type: none"> • Die Temperatur erhöhen. • Die Tür schließen.

Problem	Mögliche Ursache	Mögliche Behebung
	<ul style="list-style-type: none"> Die Tür wurde häufig oder für längere Zeit geöffnet. 	<ul style="list-style-type: none"> Die Tür/Schublade nicht zu häufig öffnen.
An der Außenfläche des Weinklimaschranks sammelt sich Feuchtigkeit an.	<ul style="list-style-type: none"> Das Klima ist zu warm und zu feucht. Die Tür ist nicht richtig geschlossen. Die kalte Luft im Gerät und die warme Außenluft kondensieren. 	<ul style="list-style-type: none"> Das ist bei feuchtem Klima normal und ändert sich, wenn die Feuchtigkeit abnimmt. Achten Sie darauf, dass die Tür dicht verschlossen ist und die Dichtungen richtig abdichten.
Das Gerät macht anormale Geräusche	<ul style="list-style-type: none"> Das Gerät befindet sich nicht auf einem ebenen Untergrund. Das Gerät berührt einige Gegenstände um es herum. 	<ul style="list-style-type: none"> Die Füße entsprechend einstellen, um das Gerät zu nivellieren. Die Gegenstände um das Gerät herum entfernen.
Es ist ein leichtes Geräusch zu hören, ähnlich wie dem von fließendem Wasser.	<ul style="list-style-type: none"> Das ist normal 	<ul style="list-style-type: none"> -
Die Innenbeleuchtung oder das Kühlsystem funktioniert nicht.	<ul style="list-style-type: none"> Der Netzstecker ist nicht an die Steckdose angeschlossen. Die Stromversorgung ist nicht intakt. Die LED-Leuchte ist defekt. 	<ul style="list-style-type: none"> Netzstecker anschließen. Die Stromversorgung des Raums überprüfen. Den örtlichen Stromversorger anrufen. Rufen Sie den Kundenservice an, um sie auszutauschen.
Die Seiten des Kühlers werden warm.	<ul style="list-style-type: none"> Das ist normal. 	<ul style="list-style-type: none"> -
Die Tür schließt nicht richtig.	<ul style="list-style-type: none"> Das Gerät steht nicht gerade. Die Tür ist blockiert. 	<ul style="list-style-type: none"> Das Gerät mit den Nivellierfüßen ausrichten. Auf Blockierungen wie Flaschen oder Einlegeböden prüfen.

Um den technischen Kundendienst zu kontaktieren, besuchen Sie unsere Website: <https://corporate.haier-europe.com/en/>
Wählen Sie im Abschnitt „Website“ die Marke Ihres Produkts und Ihr Land aus. Sie werden auf die entsprechende Website weitergeleitet, auf der Sie die Telefonnummer und das Formular zur Kontaktaufnahme mit dem technischen Kundendienst finden.

Produktdatenblatt gemäß der EU-Verordnung Nr. 2019/2016

Marke	Candy
Modellname / Kennung	CNWX4G84G1
Kategorie	Weinklimaschrank
Energieeffizienzklasse	G
Jährlicher Energieverbrauch (kWh/Jahr) ¹⁾	153
Fassungsvermögen (0,75 l Bordeaux-Flasche)	84
Klimaklasse: Dieses Gerät ist für die Verwendung bei einer Umgebungstemperatur zwischen 10 °C und 38 °C ausgelegt.	N ST
Luftschall-Lärmemissionen (db(A)re 1pW)	37
Gerätetyp	Freistehend
Dieses Gerät ist ausschließlich für die Weinlagerung bestimmt.	Ja
Abmessungen (B/T/H in mm)	495/585/1263

Erläuterungen:

1)Basierend auf Standard-Testergebnissen für 24 Stunden. Der tatsächliche Energieverbrauch hängt von der aktuellen Umgebung, der Anzahl an Flaschen, der eingestellten Temperatur, dem Öffnen und Schließen der Tür, usw. ab.

2)Die Nennleistungsaufnahme ist der Wert, der gemäß der Standardprüfung ermittelt wird, wenn das Innenlicht des Weinklimaschranks nicht eingeschaltet ist.

- Anormal: „Dieses Kühlgerät ist für die Verwendung bei einer Umgebungstemperatur zwischen 10 °C und 32 °C ausgelegt“.

- Normal: Dieses Kühlgerät ist für die Verwendung bei einer Umgebungstemperatur zwischen 16°C und 32°C ausgelegt.

- Subtropisch: „Dieses Kühlgerät ist für die Verwendung bei einer Umgebungstemperatur zwischen 16 °C und 38 °C ausgelegt“.

- Tropisch: „Dieses Kühlgerät ist für die Verwendung bei einer Umgebungstemperatur zwischen 16 °C und 43 °C ausgelegt“.

Normen und Richtlinien 

Dieses Produkt erfüllt die Anforderungen aller geltenden EG-Richtlinien mit den entsprechenden harmonisierten Normen, die eine CE-Kennzeichnung vorsehen.

Wir empfehlen unseren Haier Kundenservice und die Verwendung von Original-Ersatzteilen.

Wenn Sie Probleme mit dem Gerät haben, lesen Sie bitte zuerst den Abschnitt „FEHLERBEHEBUNG“.

Wenn Sie dort keine Lösung finden, wenden Sie sich bitte an

- ▶ Ihren Händler vor Ort oder
- ▶ den Abschnitt Service & Support unter www.haier.com, wo Sie Telefonnummern und FAQs finden und wo Sie den Service-Anspruch aktivieren können.

Um unseren Service zu kontaktieren, stellen Sie sicher, dass Sie die folgenden Daten zur Hand haben.

Die Informationen finden Sie auf dem Typenschild.

Modell _____ Seriennummer _____

Prüfen Sie im Garantiefall auch die mit dem Produkt mitgelieferte Garantiekarte. Für allgemeine Geschäftsanfragen finden Sie unten unsere Adressen in Europa:

Haier-Standorte in Europa

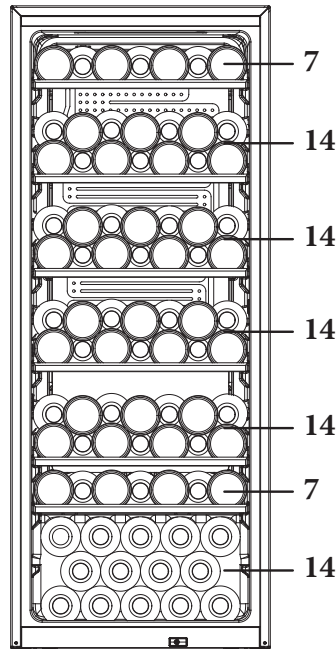
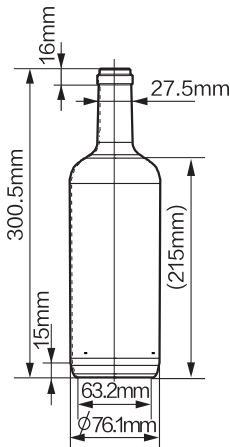
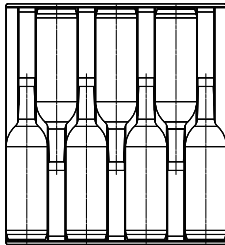
Land*	Postanschrift	Land	Postanschrift
Italien	Haier Europe Trading SRL Via De Cristoforis, 12 21100 Varese ITALIEN		Haier Europe Trading SRL Via De Cristoforis, 12 21100 Varese ITALIEN
Spanien	Haier Iberia SL Pg. Garcia Faria, 49-51 08019 Barcelona SPANIEN	Frankreich	Haier Benelux SA Anderlecht
Portugal		Belgien-FR	Route de Lennik 451
		Belgien-NL	BELGIEN
		Niederlande	Haier Poland Sp. zo.o. Al. Jerozolimskie 181B 02-222 Warszawa POLEN
Deutschland	Haier Deutschland GmbH Hewlett-Packard-Str. 4 D-61352 Bad Homburg DEUTSCHLAND	Luxemburg	
Österreich		Polen	
	Haier Appliances UK Co. Ltd. One Crown Square Church Street East Woking, Surrey, GU21 6HR UK	Tschechien	
Vereinigtes Königreich		Ungarn	
		Griechenland	
		Rumänien	
		Russland	

VERFÜGBARKEIT VON ERSATZTEILEN: Thermostate, Temperatursensoren, Leiterplatten und Leuchtmittel sind für einen Zeitraum von mindestens sieben Jahren nach Inverkehrbringen des letzten Gerätes des Modells erhältlich. Türgriffe, Türscharniere, Ablagen und Schubladen für eine Mindestdauer von sieben Jahren und Türdichtungen für eine Mindestdauer von 10 Jahren, nachdem das letzte Gerät des Modells in Verkehr gebracht wurde.

Die Mindestgarantie beträgt: 2 Jahre für EU-Länder, 3 Jahre für die Türkei, 1 Jahr für Großbritannien, 1 Jahr für Russland, 3 Jahre für Schweden, 2 Jahre für Serbien, 5 Jahre für Norwegen, 1 Jahr für Marokko, 6 Monate für Algerien, Tunesien keine gesetzliche Gewährleistung erforderlich.

Weitere Informationen zum Produkt finden Sie unter <https://eprel.ec.europa.eu/> oder scannen Sie den QR-Code auf dem Energielabel, das dem Gerät beiliegt.

1. Die Flaschenanordnung basiert auf der grafischen Darstellung einer Standard-Bordeaux-Flasche (0,75 l).
2. Aufgrund der unterschiedlichen Flaschenspezifikationen kann die tatsächliche Füllmenge an Flaschen unterschiedlich sein.



(84)
CNWQ4G84G1

Εγχειρίδιο χρήσης

Συντηρητής κρασιών

CNWQ4G84G1

EL

Ευχαριστούμε που αγοράσατε ένα προϊόν Candy .

Παρακαλούμε διαβάστε προσεκτικά αυτές τις οδηγίες πριν από την χρήση αυτής της συσκευής. Οι οδηγίες περιέχουν σημαντικές πληροφορίες που θα σας βοηθήσουν να αξιοποιήσετε στο έπακρο τη συσκευή και να εξασφαλίσετε την ασφάλη και σωστή εγκατάσταση, χρήση και συντήρησή.

Φυλάξτε αυτό το εγχειρίδιο σε μια προσβάσιμη θέση, ώστε να μπορείτε πάντα να ανατρέξετε σε αυτό για την ασφάλη και σωστή χρήση της συσκευής.

Εάν πουλήσετε τη συσκευή, την χαρίσετε ή την αφήσετε πίσω όταν μετακομίσετε από το σπίτι, βεβαιωθείτε ότι έχετε αφήσει επίσης και αυτό το εγχειρίδιο, ώστε ο νέος ιδιοκτήτης να εξοικειωθεί με τη συσκευή και τις προειδοποιήσεις ασφαλείας.

Υπόμνημα



Προειδοποίηση - Σημαντικές πληροφορίες ασφάλειας



Γενικές πληροφορίες και συμβουλές



Περιβαλλοντικές πληροφορίες

Απόρριψη

Βοήθεια και συμβολή στην προστασία του περιβάλλοντος και της ανθρώπινης υγείας. Τοποθετήστε τη συσκευασία σε κατάλληλα δοχεία για την ανακύκλωση της. Συμβολή στην ανακύκλωση των αποβλήτων ηλεκτρικών και ηλεκτρονικών συσκευών. Συσκευές που φέρουν αυτό το σύμβολο μην τις απορρίπτετε μαζί με τα οικιακά απορρίμματα. Επιστρέψτε το προϊόν στην τοπική μονάδα ανακύκλωσης ή επικοινωνήστε με το αρμόδιο δημοτικό γραφείο του Δήμου σας.



ΠΡΟΕΙΔΟΠΟΙΗΣΗ!

Κίνδυνος τραυματισμού ή ασφυξίας!

Τα ψυκτικά μέσα και τα αέρια πρέπει να απορρίπτονται επαγγελματικά. Βεβαιωθείτε ότι η σωλήνωση του κυκλώματος ψυκτικού δεν έχει υποστεί ζημιά πριν απορριφθεί σωστά. Αποσυνδέστε τη συσκευή από την πρίζα παροχής ρεύματος. Κόψτε το καλώδιο τροφοδοσίας και απορρίψτε το. Αφαιρέστε τους δίσκους και τα συρτάρια, καθώς και τα αλιεύματα και τις σφραγίδες της πόρτας, για να αποτρέψετε τα παιδιά και τα κατοικίδια ζώα να κλείσουν στη συσκευή.

Οι παλιές συσκευές εξακολουθούν να έχουν κάποια υπολειμματική αξία. Μια φιλική προς το περιβάλλον μέθοδος διάθεσης θα διασφαλίσει ότι πολύτιμες πρώτες ύλες μπορούν να ανακτηθούν και να χρησιμοποιηθούν ξανά.

Η κυκλοπεντάνη, μια εύφλεκτη ουσία που δεν είναι επιβλαβής για το όζον, χρησιμοποιείται ως παράγοντας διαστολής για τον αφρό μόνωσης.

Εξασφαλίζοντας ότι το προϊόν έχει απορριφθεί σωστά, βοηθάτε στην πρόληψη των δυνητικά αρνητικών συνεπειών στο περιβάλλον και στην ανθρώπινη υγεία, που θα μπορούσαν να προκληθούν.

Για πιο αναλυτικές και λεπτομερείς πληροφορίες σχετικά με την ανακύκλωση αυτού του προϊόντος, παρακαλούμε επικοινωνήστε με τους αρμόδιους στον δήμο σας, την υπηρεσία αποκομιδής οικιακών απορριμμάτων ή το κατάστημα από το οποίο αγοράσατε το προϊόν, ώστε ο χειρισμός να γίνει από τους επαγγελματίες.

1- Πληροφορίες ασφάλειας	124
2- Συμβουλές ασφαλείας.....	127
3- Συντήρηση	131
4- Εξαρτήματα	133
5- Περιγραφή προϊόντος	134
6- Εγκατάσταση.....	135
7- Χρήση	139
8- Συμβουλές εξοικονόμησης ενέργειας.....	142
9- Εξοπλισμός.....	143
10- Φροντίδα και καθαρισμός.....	144
11- Αντιμετώπιση προβλημάτων	145
12- Τεχνικά δεδομένα	148
13- Εξυπηρέτηση πελατών.....	149
14- Στοιβάξη μπουκαλιών κρασιού	150

Η συσκευή αυτή προορίζεται να χρησιμοποιηθεί αποκλειστικά για την αποθήκευση κρασιών. Διαβάστε τις παρακάτω υποδείξεις ασφαλείας πριν ενεργοποιήσετε τη συσκευή για πρώτη φορά:



ΠΡΟΕΙΔΟΠΟΙΗΣΗ!

Πριν από την πρώτη χρήση

- ▶ Βεβαιωθείτε ότι δεν υπάρχει ζημιά εξαιτίας της μεταφοράς.
- ▶ Αφαιρέστε όλα τα υλικά συσκευασίας και κρατήστε τα μακριά από τα παιδιά και απορρίψτε τα με φιλικό προς το περιβάλλον τρόπο.
- ▶ Περιμένετε τουλάχιστον 0,5 ώρα πριν τοποθετήσετε τη συσκευή για να βεβαιωθείτε ότι το κύκλωμα του ψυκτικού είναι πλήρως αποτελεσματικό.
- ▶ Χειριστείτε τη συσκευή πάντοτε με δύο άτομα τουλάχιστον, διότι είναι βαριά.
- ▶ Κατά την τοποθέτηση της συσκευής διασφαλίστε ότι το καλώδιο τροφοδοσίας δεν έχει παγιδευτεί ή υποστεί ζημιά.
- ▶ Μην τοποθετείτε πολλαπλές φορητές πρίζες ή φορητά τροφοδοτικά στο πίσω μέρος της συσκευής.

Εγκατάσταση

- ▶ Η συσκευή πρέπει να τοποθετηθεί σε καλά αεριζόμενο μέρος. Βεβαιωθείτε ότι υπάρχει χώρος τουλάχιστον 50mm πάνω και γύρω από τη συσκευή.
- ▶ **ΠΡΟΕΙΔΟΠΟΙΗΣΗ:** Φροντίστε πάντα να μην υπάρχουν εμπόδια στα ανοίγματα εξαερισμού στο περίβλημα της συσκευής ή στις εσωτερικές της δομές.
- ▶ Μην τοποθετείτε ποτέ τη συσκευή σε υγρή περιοχή ή θέση όπου μπορεί να πιτσιλιστεί ή βραχεί με νερό. Καθαρίστε και στεγνώστε πιτσιλιές νερού και λεκέδες με ένα μαλακό καθαρό πανί.
- ▶ Μην εγκαθιστάτε τον συντηρητή κρασιών σας σε θέση που δεν είναι σωστά μονωμένη ή θερμαινόμενη, π.χ. γκαράζ κ.λπ. Ο συντηρητής κρασιών σας δεν έχει σχεδιαστεί για να λειτουργεί σε θερμοκρασία περιβάλλοντος κάτω από 10 °C.
- ▶ Μην εγκαθιστάτε τη συσκευή σε σημείο με άμεσο ηλιακό φως ή κοντά σε πηγές θερμότητας (π.χ. σόμπες, θερμαντήρες).
- ▶ Εγκαταστήστε και τοποθετήστε τη συσκευή σε μια περιοχή κατάλληλη για το μέγεθος και τη χρήση της.
- ▶ Βεβαιωθείτε ότι οι ηλεκτρολογικές πληροφορίες στην πινακίδα τύπου συμφωνούν με την αντίστοιχη παροχή ρεύματος. Εάν όχι, επικοινωνήστε με έναν ηλεκτρολόγο.
- ▶ Η συσκευή λειτουργεί με τροφοδοσία 220-240 VAC / 50 Hz. Η μη φυσιολογική διακύμανση της τάσης μπορεί να προκαλέσει την αποτυχία εκκίνησης της συσκευής ή ζημιά στον έλεγχο θερμοκρασίας ή τον συμπιεστή ή μπορεί να υπάρχει ανώμαλος θόρυβος κατά τη λειτουργία. Στην περίπτωση αυτή, πρέπει να τοποθετηθεί ένας αυτόματος ρυθμιστής.
- ▶ Μην χρησιμοποιείτε προσαρμογείς πολλαπλών θέσεων (πολύπριζα) και καλώδια επέκτασης / προέκτασης.

**ΠΡΟΕΙΔΟΠΟΙΗΣΗ!**

- ▶ **ΠΡΟΕΙΔΟΠΟΙΗΣΗ:** Μην τοποθετείτε πολλαπλές φορητές πρίζες ή φορητά τροφοδοτικά στο πίσω μέρος της συσκευής.
- ▶ **ΠΡΟΕΙΔΟΠΟΙΗΣΗ:** Κατά την τοποθέτηση της συσκευής διασφαλίστε ότι το καλώδιο τροφοδοσίας δεν έχει παγιδευτεί ή υποστεί ζημιά.
- ▶ Μην πατάτε το καλώδιο τροφοδοσίας.
- ▶ Χρησιμοποιήστε μια ξεχωριστή γειωμένη πρίζα για την παροχή ηλεκτρικού ρεύματος, η οποία να είναι εύκολα προσβάσιμη. Αυτή η συσκευή πρέπει να είναι γειωμένη.
- ▶ **Μόνο για το Ηνωμένο Βασίλειο:** Το καλώδιο τροφοδοσίας της συσκευής είναι εξοπλισμένο με βύσμα 3-καλωδίων (με γείωση) που ταιριάζει σε μια τυπική πρίζα 3-καλωδίων (πρίζα με γείωση). Ποτέ μην κόβετε ή αποσυναρμολογείτε τον τρίτο πείρο (γείωση). Μετά την εγκατάσταση της συσκευής, το βύσμα πρέπει να είναι άμεσα προσβάσιμο.
- ▶ **ΠΡΟΕΙΔΟΠΟΙΗΣΗ:** Αποφύγετε την πρόκληση ζημιών στο κύκλωμα ψύξης.

Καθημερινή χρήση

- ▶ Η συσκευή αυτή μπορεί να χρησιμοποιηθεί από παιδιά ηλικίας 8 ετών και άνω και από άτομα με μειωμένες σωματικές, αισθητηριακές ή διανοητικές ικανότητες ή έλλειψη εμπειρίας και γνώσης, εφόσον βρίσκονται υπό εποπτεία ή εάν τους έχουν δοθεί σαφείς οδηγίες σχετικά με τη χρήση της συσκευής με ασφαλή τρόπο και έχουν κατανοήσει επακριβώς τους σχετικούς κινδύνους.
- ▶ Τα παιδιά δεν επιτρέπεται να παίζουν με τη συσκευή.
- ▶ Τα παιδιά ηλικίας 3 έως 8 ετών επιτρέπεται να τοποθετούν και να βγάζουν (αντικείμενα) από τις ψυκτικές συσκευές, αλλά δεν επιτρέπεται να καθαρίζουν και να εγκαθιστούν τις ψυκτικές συσκευές.
- ▶ Κρατήστε μακριά τα παιδιά κάτω των 3 ετών από τη συσκευή, εκτός εάν επιβλέπονται συνεχώς.
- ▶ Ο καθαρισμός και οι εργασίες συντήρησης από τον χρήστη απαγορεύεται να γίνονται από παιδιά χωρίς επιτήρηση.
- ▶ Η συσκευή πρέπει να είναι τοποθετημένη έτσι ώστε το φιν να είναι προσβάσιμο.
- ▶ Εάν το αέριο άνθρακα ή άλλο εύφλεκτο αέριο διαρρέει κοντά στη συσκευή, απενεργοποιήστε τη βαλβίδα του αερίου που διαρρέει, ανοίξτε τις πόρτες και τα παράθυρα και μην αποσυνδέσετε το καλώδιο τροφοδοσίας της συσκευής.
- ▶ Περιμένετε τουλάχιστον 7 λεπτά για να επανασυνδέσετε το ρεύμα μετά την αποσύνδεση του ρεύματος.
- ▶ Μην σηκώνετε τη συσκευή από τις λαβές της πόρτας.
- ▶ Τα κλειδιά πρέπει να φυλάσσονται μακριά από παιδιά και όχι κοντά στη συσκευή για να μην παγιδευτούν τα παιδιά μέσα στη συσκευή.

**ΠΡΟΕΙΔΟΠΟΙΗΣΗ!**

- ▶ Σημειώστε ότι η συσκευή έχει ρυθμιστεί για λειτουργία σε συγκεκριμένο εύρος θερμοκρασίας περιβάλλοντος μεταξύ 10 °C και 38 °C. Η συσκευή ενδέχεται να μην λειτουργεί σωστά εάν αφεθεί για μεγάλο χρονικό διάστημα σε θερμοκρασία υψηλότερη ή χαμηλότερη από το υποδεικνυόμενο εύρος τιμών.
- ▶ Μην τοποθετείτε ασταθή αντικείμενα (βαριά αντικείμενα, δοχεία γεμάτα με νερό) στο πάνω μέρος της συσκευής, για να αποφύγετε τραυματισμούς που προκαλούνται από πτώση ή ηλεκτροπληξία που μπορεί να προκληθεί από την επαφή με το νερό.
- ▶ Ανοίξτε και κλείστε την πόρτα μόνο από τις λαβές. Το χάσμα μεταξύ της πόρτας και του ντουλαπιού είναι πολύ στενό. Μην βάζετε τα χέρια σας σε αυτές τις περιοχές για να αποφύγετε να πιαστούν (μαγκωθούν) τα δάκτυλά σας. Ανοίξτε ή κλείστε τις πόρτες της συσκευής μόνο όταν δεν υπάρχουν παιδιά που να στέκονται εντός του εύρους κίνησης της πόρτας.
- ▶ Μην αποθηκεύετε και μην χρησιμοποιείτε εύφλεκτα, εκρηκτικά ή διαβρωτικά υλικά εντός ή εγγύς της συσκευής.
- ▶ Μην αποθηκεύετε εκρηκτικές ουσίες όπως δοχεία αερολύματος με εύφλεκτο περιεχόμενο σε αυτή τη συσκευή.
- ▶ Μην αποθηκεύετε φάρμακα, βακτήρια ή χημικούς παράγοντες στη συσκευή. Αυτή η συσκευή είναι μια οικιακή συσκευή. Δεν συνιστάται η αποθήκευση υλικών που απαιτούν αυστηρές θερμοκρασίες.
- ▶ Μην ορίσετε άσκοπα χαμηλή θερμοκρασία στο διαμέρισμα του συντηρητή κρασιών. Οι αρνητικές θερμοκρασίες μπορεί να εμφανιστούν σε υψηλές ρυθμίσεις. Προσοχή: Τα μπουκάλια μπορούν να σκάσουν
- ▶ Μην αγγίζετε την εσωτερική επιφάνεια του χώρου αποθήκευσης της συσκευής όταν λειτουργεί, ειδικά με βρεγμένα χέρια, καθώς τα χέρια σας μπορεί να παγώσουν στην επιφάνεια.
- ▶ Για σωστή ψύξη του κρασιού, μην υπερφορτώνετε τη συσκευή.
- ▶ Αποσυνδέστε τη συσκευή από την πρίζα σε περίπτωση διακοπής ρεύματος ή πριν από τον καθαρισμό. Αφήστε τουλάχιστον 7 λεπτά πριν από την επανεκκίνηση της συσκευής, καθώς η συχνή εκκίνηση μπορεί να προκαλέσει ζημιά στον συμπιεστή.
- ▶ **ΠΡΟΕΙΔΟΠΟΙΗΣΗ:** Μην χρησιμοποιείτε ηλεκτρικές συσκευές στο εσωτερικό της συσκευής, εκτός και εάν είναι του τύπου που συστήνεται από τον κατασκευαστή. Για να αποφύγετε τους κινδύνους, ένα κατεστραμμένο καλώδιο τροφοδοσίας πρέπει να αντικατασταθεί από την εξυπηρέτηση πελατών (βλ. κάρτα εγγύησης).
- ▶ Για να παρατείνετε τη διάρκεια ζωής της συσκευής, αποφύγετε να την απενεργοποιήσετε.
- ▶ Μην τοποθετείτε ποτέ τη συσκευή οριζόντια στο έδαφος. Αφού γείρετε τη συσκευή περισσότερο από 45°, περιμένετε 24 ώρες πριν τη συνδέσετε στην πρίζα.

**ΠΡΟΕΙΔΟΠΟΙΗΣΗ!****Συντήρηση / καθαρισμός**

- ▶ Βεβαιωθείτε ότι τα παιδιά επιβλέπονται εάν πραγματοποιούν καθαρισμό και συντήρηση.
- ▶ Αποσυνδέστε τη συσκευή από την ηλεκτρική τροφοδοσία πριν πραγματοποιήσετε οποιαδήποτε συντήρηση ρουτίνας. Αφήστε τουλάχιστον 7 λεπτά πριν από την επανεκκίνηση της συσκευής, καθώς η συχνή εκκίνηση μπορεί να προκαλέσει ζημιά στον συμπιεστή.
- ▶ Κρατήστε το φιλς, όχι το καλώδιο, όταν αποσυνδέετε τη συσκευή.
- ▶ Μην καθαρίζετε τη συσκευή με σκληρές βούρτσες, συρμάτινες βούρτσες, σκόνη απορρυπαντικού, βενζίνη, οξικό αμύλιο, ακετόνη και παρόμοια οργανικά διαλύματα, όξινα ή αλκαλικά διαλύματα. Καθαρίστε με ειδικό απορρυπαντικό ψυγείου/καταψύκτη για να αποφύγετε ζημιές. Ειδικά χρησιμοποιήστε ζεστό νερό και διάλυμα μαγειρικής σόδας - περίπου μια κουταλιά της σούπας μαγειρική σόδα σε ένα λίτρο / λίτρο νερού. Ξεπλύνετε πολύ καλά με νερό και στεγνώστε. Μην χρησιμοποιείτε σκόνες καθαρισμού ή άλλα λειαντικά καθαριστικά. Μην πλένετε αφαιρούμενα εξαρτήματα σε πλυντήριο πιάτων.
- ▶ **ΠΡΟΕΙΔΟΠΟΙΗΣΗ:** Μην χρησιμοποιείτε μηχανικές συσκευές ή άλλα μέσα για να επιταχύνετε τη διαδικασία απόψυξης, παρά μόνο όσα συνιστώνται από τον κατασκευαστή.
- ▶ Αν το καλώδιο παροχής ρεύματος έχει φθαρεί πρέπει να αντικατασταθεί από τον κατασκευαστή ή τον αντιπρόσωπο του σέρβις ή παρόμοια εξουσιοδοτημένα πρόσωπα, προς αποφυγή του κινδύνου.
- ▶ Μην προσπαθήσετε να επισκευάσετε, να αποσυναρμολογήσετε ή να τροποποιήσετε τη συσκευή μόνοι σας. Σε περίπτωση επισκευής επικοινωνήστε με την εξυπηρέτηση πελατών μας.
- ▶ Εάν οι λυχνίες φωτισμού έχουν υποστεί ζημιά πρέπει να αντικατασταθούν από τον κατασκευαστή ή τον αντιπρόσωπο του σέρβις ή παρόμοια εξουσιοδοτημένα πρόσωπα, προς αποφυγή του κινδύνου.
- ▶ Απομακρύνετε τη σκόνη στο πίσω μέρος της μονάδας τουλάχιστον μία φορά το χρόνο για να αποφύγετε τον κίνδυνο από πυρκαγιά, καθώς και την αυξημένη κατανάλωση ενέργειας.
- ▶ Για την αποφυγή της μόλυνσης των τροφίμων, ακολουθήστε τις παρακάτω οδηγίες:
 - Το άνοιγμα της πόρτας για μεγάλα (χρονικά) διαστήματα μπορεί να προκαλέσει σημαντική αύξηση της θερμοκρασίας στους θαλάμους της συσκευής.

- ▶ Μην ψεκάζετε ή ξεπλύνετε τη συσκευή κατά τον καθαρισμό.
- ▶ Μην χρησιμοποιείτε σπρέι νερού ή ατμό για να καθαρίσετε τη συσκευή.
- ▶ Μην καθαρίζετε την κρύα γυάλινη πόρτα με ζεστό νερό. Η απότομη αλλαγή θερμοκρασίας μπορεί να προκαλέσει το σπάσιμο του γυαλιού.
- ▶ Εάν αφήσετε τη συσκευή σας εκτός λειτουργίας για μεγάλο χρονικό διάστημα, αφήστε την ανοιχτή για να αποφύγετε την οσμή και τις δυσάρεστες μυρωδιές που συσσωρεύονται μέσα.

Πληροφορίες για τα ψυκτικά αέρια



ΠΡΟΕΙΔΟΠΟΙΗΣΗ!

Η συσκευή περιέχει το εύφλεκτο ψυκτικό μέσο ΙΣΟΒΟΥΤΑΝΙΟ (R600a). Βεβαιωθείτε ότι το κύκλωμα ψυκτικού δεν έχει υποστεί ζημιά κατά τη μεταφορά ή την εγκατάσταση. Η διαρροή ψυκτικού μπορεί να προκαλέσει τραυματισμούς στα μάτια ή ανάφλεξη. Εάν έχει προκληθεί ζημιά, κρατήστε το μακριά από ακάλυπτες πηγές φωτιάς, αερίστε καλά το δωμάτιο, μην συνδέσετε ή αποσυνδέσετε τα καλώδια τροφοδοσίας της συσκευής ή οποιασδήποτε άλλης συσκευής. Ενημερώστε την εξυπηρέτηση πελατών.

Σε περίπτωση που τα μάτια έρθουν σε επαφή με το ψυκτικό μέσο, ξεπλύνετε τα αμέσως κάτω από τρεχούμενο νερό και καλέστε αμέσως τον οφθαλμίατρο.

ΠΡΟΕΙΔΟΠΟΙΗΣΗ: Το σύστημα ψύξης είναι υπό υψηλή πίεση. Μην το σκαλίζετε και μην το πειράζετε. Δεδομένου ότι χρησιμοποιούνται εύφλεκτα ψυκτικά μέσα, παρακαλούμε, εγκαταστήστε, χειριστείτε και συντηρήστε τη συσκευή επακριβώς αυστηρά και σύμφωνα με τις οδηγίες και ελάτε σε επαφή με τον επαγγελματικό πράκτορα ή την υπηρεσία μεταπωλήσεων μας για να απορρίψετε τη συσκευή.


Προβλεπόμενη χρήση

Αυτή η συσκευή προορίζεται για χρήση σε οικιακές και παρόμοιες εφαρμογές όπως

- κουζίνες προσωπικού σε καταστήματα, γραφεία και άλλους χώρους εργασίας·
 - αγροτικές και από τους πελάτες ξενοδοχείων, μοτέλ και άλλων χώρων οικιστικού τύπου·
 - χώρους διαμονής και ημιδιαμονής με πρωινό·
 - catering και παρόμοιες εφαρμογές μη λιανικής πώλησης.
- Για να διασφαλίσετε την ασφαλή συντήρηση των κρασιών, συμμορφωθείτε με αυτήν την οδηγία χρήσης.
- Οι λεπτομέρειες σχετικά με το καταλληλότερο μέρος του διαμερίσματος της συσκευής όπου αποθηκεύονται συγκεκριμένοι τύποι τροφίμων, λαμβάνοντας υπόψη την κατανομή της θερμοκρασίας που μπορεί να υπάρχει στα διάφορα διαμερίσματα της συσκευής βρίσκονται στο άλλο μέρος του εγχειριδίου.

Δεν επιτρέπονται αλλαγές ή τροποποιήσεις στη συσκευή. Η μη προβλεπόμενη χρήση μπορεί να προκαλέσει κινδύνους και απώλεια αξιώσεων εγγύησης.

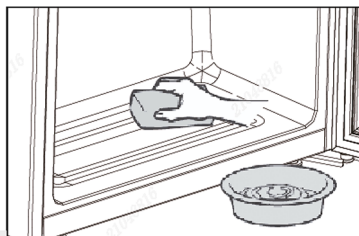
Απόρριψη

Το σύμβολο  στο προϊόν ή στη συσκευασία υποδεικνύει ότι δεν πρέπει να αντιμετωπίζεται ως οικιακά απορρίμματα. Θα πρέπει να παραδοθεί σε κατάλληλο σημείο συλλογής για την ανακύκλωση ηλεκτρικού και ηλεκτρονικού εξοπλισμού. Εξασφαλίζοντας ότι το προϊόν έχει απορριφθεί σωστά, βοηθάτε στην πρόληψη των δυνητικά αρνητικών συνεπειών στο περιβάλλον και στην ανθρώπινη υγεία, που θα μπορούσαν να προκληθούν από ακατάλληλη απόρριψη αυτού του προϊόντος. Για πιο λεπτομερείς πληροφορίες σχετικά με την ανακύκλωση αυτού του προϊόντος, επικοινωνήστε με την υπηρεσία του δήμου σας, την υπηρεσία διάθεσης οικιακών απορριμμάτων ή το κατάστημα όπου αγοράσατε το προϊόν. Δεδομένου ότι χρησιμοποιούνται εύφλεκτα αέρια φυσήματος μόνωσης, παρακαλούμε επικοινωνήστε με τον επαγγελματία αντιπρόσωπο ή το τμήμα εξυπηρέτησης μετά την πώληση για να απορρίψετε τη συσκευή.

ΠΡΟΕΙΔΟΠΟΙΗΣΗ!**Κίνδυνος τραυματισμού από ασφυξία!**

Τα ψυκτικά μέσα και τα αέρια πρέπει να απορρίπτονται επαγγελματικά. Βεβαιωθείτε ότι η σωλήνωση του κυκλώματος ψυκτικού δεν έχει υποστεί ζημιά πριν απορριφθεί σωστά. Αποσυνδέστε τη συσκευή από την πρίζα παροχής ρεύματος. Κόψτε το καλώδιο τροφοδοσίας και απορρίψτε το. Αφαιρέστε τους δίσκους και τα συρτάρια, καθώς και τους μεντεσέδες και τις σφραγίδες της πόρτας για να αποτρέψετε τα παιδιά και τα κατοικίδια ζώα να κλείσουν στη συσκευή.

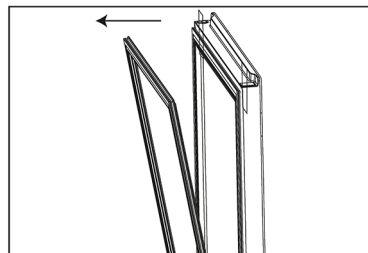
- ▶ **ΠΡΟΕΙΔΟΠΟΙΗΣΗ:** Αποσυνδέστε τη συσκευή από την τροφοδοσία πριν από τον καθαρισμό.
- ▶ Μην καθαρίζετε τη συσκευή με σκληρές βούρτσες, συρμάτινες βούρτσες, σκόνη απορρυπαντικού, βενζίνη, οξικό αμύλιο, ακετόνη και παρόμοια οργανικά διαλύματα, όξινα ή αλκαλικά διαλύματα. Καθαρίστε με ειδικό απορρυπαντικό ψυγείου για να αποφύγετε ζημιές.
- ▶ Καθαρίστε τη συσκευή όταν έχει αποθηκευτεί λίγο ή καθόλου κρασί. Είναι απαραίτητο να την καθαρίσετε μόνο όταν είναι βρώμικη.
- ▶ Καθαρίστε το εσωτερικό και το περίβλημα της συσκευής με ένα σφουγγάρι βρεγμένο σε ζεστό νερό και ουδέτερο απορρυπαντικό
- ▶ Ξεπλύνετε με καθαρό ζεστό νερό και στεγνώστε με μαλακό πανί.
- ▶ Μην καθαρίζετε κανένα από τα μέρη της συσκευής σε πλυντήριο πιάτων.
- ▶ Αφήστε τουλάχιστον 7 λεπτά πριν από την επανεκκίνηση της συσκευής, καθώς η συχνή εκκίνηση μπορεί να προκαλέσει ζημιά στον συμπιεστή.



Καθαρίστε το λάστιχο της πόρτας:

- ▶ Τα λάστιχα της πόρτας πρέπει να καθαρίζονται κάθε 3 μήνες για να εξασφαλιστεί η σωστή στεγανοποίηση. Ως κατωτέρω: Αφαιρέστε: Πιάστε το λάστιχο της πόρτας και τραβήξτε το προς τα έξω σύμφωνα με την κατεύθυνση του βέλους για να αφαιρέσετε ολόκληρο το λάστιχο της πόρτας με τη σειρά.

Βουτήξτε τη βούρτσα μέσα σε νερό ή οινόπνευμα ποιότητας τροφίμων, καθαρίστε πρώτα την εγκοπή του λάστιχου της πόρτας τραβώντας μπρος-πίσω τη βούρτσα. Στη συνέχεια σκουπίστε την επιφάνεια του λάστιχου της πόρτας με μια πετσέτα βουτηγμένη σε νερό ή οινόπνευμα ποιότητας τροφίμων. Τέλος, ξεπλύνετε το λάστιχο της πόρτας και σκουπίστε το με μια καθαρή πετσέτα.



Τοποθέτηση λάστιχου πόρτας μετά τον καθαρισμό:

Πριν την τοποθέτηση, βεβαιωθείτε ότι δεν υπάρχει νερό στο λάστιχο της πόρτας. Εισαγάγετε το λάστιχο της πόρτας στην αυλάκωση και πιέστε το λάστιχο της πόρτας σφιχτά από πάνω προς τα κάτω με το χέρι μέχρι να εισαχθεί ολόκληρο το λάστιχο της πόρτας στην αυλάκωση.

Καθαρισμός των ραφιών:

- ▶ Όλα τα ράφια μπορούν να αφαιρεθούν για καθαρισμό.
- ▶ Βγάλτε όλα τα μπουκάλια.
- ▶ Σηκώστε λίγο κάθε ράφι και αφαιρέστε το.
- ▶ Καθαρίστε το ράφι με μια μαλακή πετσέτα.
- ▶ Περιμένετε μέχρι να στεγνώσουν τα ράφια πριν τα τοποθετήσετε ξανά.

ΠΡΟΕΙΔΟΠΟΙΗΣΗ:

Περιμένετε τουλάχιστον 7 λεπτά για να επανασυνδέσετε το ρεύμα μετά την αποσύνδεση του ρεύματος.

Ελέγξτε τα εξαρτήματα και τη βιβλιογραφία σύμφωνα με αυτόν τον κατάλογο:

Όνομα	Εγχειρίδιο χρήσης	Κάρτα Σέρβις	Ράφι	Ενεργειακή ετικέτα
CNWQ4G84G1	1	1	6	1



Σημείωση

Λόγω τεχνικών αλλαγών και διαφορετικών μοντέλων, ορισμένες από τις εικόνες σε αυτό το εγχειρίδιο ενδέχεται να διαφέρουν από το μοντέλο σας.

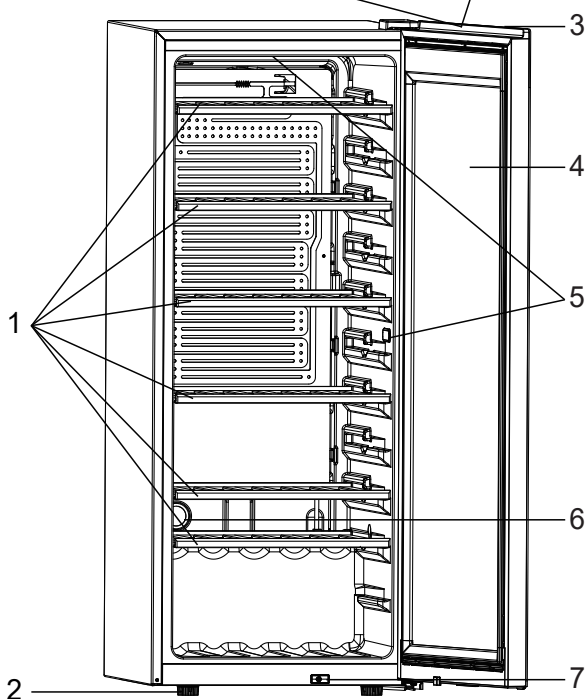
Εικόνα της συσκευής



Light



3 Sec.Unlock



CNWQ4G84G1

- 1. Ράφι
- 2. Ρυθμιζόμενα πόδια
- 3. Οθόνη
- 4. Πόρτα

- 5. Λάμπα LED
- 6. Διαχωριστικό
- 7. άνθρακα

1. Αποσυσκευασία

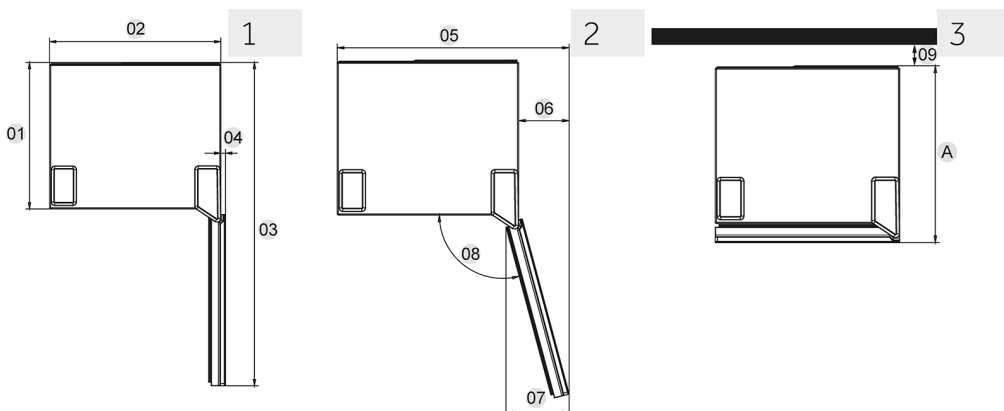
- ▶ Βγάλε τη συσκευή από τη συσκευασία.
- ▶ Αφαιρέστε όλα τα υλικά συσκευασίας, συμπεριλαμβανομένης της βάσης από αφρολέξ και όλη την αυτοκόλλητη ταινία που συγκρατεί τα εξαρτήματα.

2. Περιβαλλοντικές συνθήκες

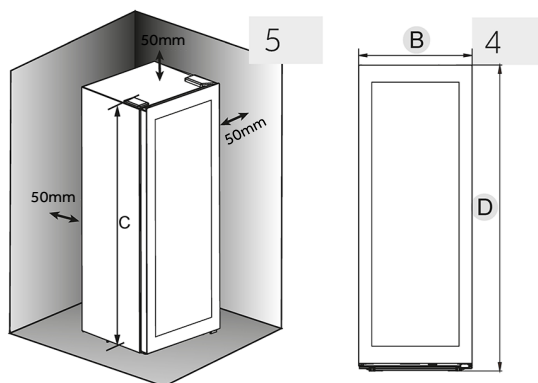
Η θερμοκρασία δωματίου πρέπει να είναι πάντα μεταξύ 10 °C και 38 °C, καθώς μπορεί να επηρεάσει τη θερμοκρασία στο εσωτερικό της συσκευής και την κατανάλωση ενέργειας της. Μην εγκαθιστάτε τη συσκευή κοντά σε άλλες συσκευές που εκπέμπουν θερμότητα (φούρνοι, ψυγεία) χωρίς να υπάρχει μόνωση.

3. Απαιτήσεις χώρου

Απαιτούμενος χώρος για το άνοιγμα της πόρτας (Εικ. 1,2,3,4). Για λόγους ασφάλειας και ενέργειας, πρέπει να τηρείται η απαιτούμενη απόσταση εξαερισμού των 50 mm προς όλες τις κατευθύνσεις (Εικ. 5).



Μέτρηση: mm	CNWX4G84G1
Βάθος A	585
Πλάτος B	495
Ύψος C	1262
Συνολικό ύψος D	1263
01	535
02	495
03	1043
04	11
05	630
06	135
07	167
08	105°
09	50



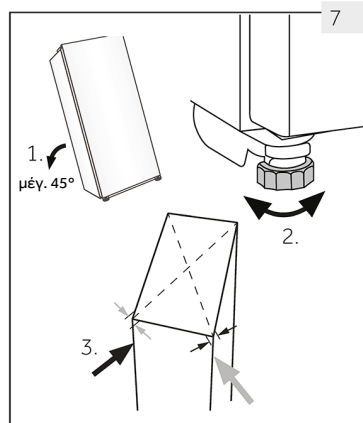
**ΠΡΟΕΙΔΟΠΟΙΗΣΗ!**

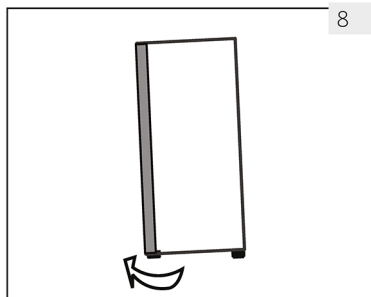
- Διατηρείτε τα ανοίγματα εξαερισμού στη συσκευή ή την ενσωματωμένη δομή ελεύθερα εμποδίων. Αυτή η ψυκτική συσκευή δεν προορίζεται να χρησιμοποιηθεί ως ενσωματωμένη συσκευή

4. Ευθυγράμμιση της συσκευής

Η συσκευή πρέπει να τοποθετηθεί σε επίπεδη και συμπαγή επιφάνεια.

1. Γείρετε τη συσκευή ελαφρώς προς τα πίσω (Εικ. 7).
2. Ρυθμίστε τα ρυθμιζόμενα μπροστινά πόδια στο επιθυμητό επίπεδο περιστρέφοντάς τα.
3. Η σταθερότητα μπορεί να ελεγχθεί με εναλλάξ χτύπημα στις διαγώνιους. Μια ελαφριά ταλάντευση θα πρέπει να είναι η ίδια και προς τις δύο κατευθύνσεις. Διαφορετικά το πλαίσιο μπορεί να στρεβλώσει, και το αποτέλεσμα μπορεί να είναι πιθανές διαρροές στις σφραγίδες της πόρτας. Μια χαμηλή κλίση προς τα πίσω διευκολύνει το κλείσιμο της πόρτας.





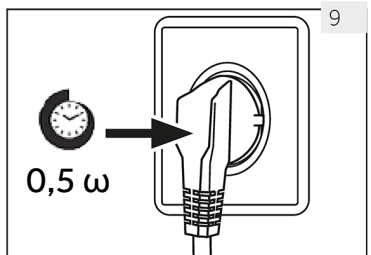
8

5. Ρύθμιση της πόρτας

Η συσκευή κλείνει πιο εύκολα εάν χρησιμοποιούνται τα πόδια οριζοντίωσης στο μπροστινό μέρος:

Περιστρέψτε τα ρυθμιζόμενα πόδια (Εικ. 8) για να τα γυρίσετε πάνω ή κάτω:

- ▶ Η περιστροφή των ποδιών δεξιόστροφα ανυψώνει τη συσκευή.
- ▶ Περιστρέφοντας τα πόδια αριστερόστροφα, κατεβάστε τη συσκευή.



9

6. Χρόνος αναμονής

Το λάδι λίπανσης χωρίς συντήρηση βρίσκεται στην κάψουλα του συμπιεστή. Αυτό το λάδι μπορεί να περάσει από το κλειστό σύστημα σωληνών κατά τη διάρκεια της κεκλιμένης μεταφοράς. Πριν συνδέσετε τη συσκευή στην παροχή ρεύματος θα πρέπει να περιμένετε 0,5 ώρα (Εικ. 9) έτσι ώστε το λάδι να επιστρέψει στην κάψουλα.

7. Ηλεκτρική σύνδεση

Πριν από κάθε σύνδεση ελέγξτε αν:

- ▶ η τροφοδοσία ρεύματος, η πρίζα και η ασφάλεια είναι κατάλληλα σύμφωνα με την πινακίδα ονομαστικών στοιχείων.
- ▶ η πρίζα είναι γειωμένη και δεν υπάρχει πολλαπλή πρίζα ή επέκταση.
- ▶ το βύσμα τροφοδοσίας και η πρίζα είναι σωστά τοποθετημένα.

Συνδέστε το βύσμα σε μια σωστά εγκατεστημένη οικιακή πρίζα.



ΠΡΟΕΙΔΟΠΟΙΗΣΗ!

Για να αποφύγετε τους κινδύνους, ένα κατεστραμμένο καλώδιο τροφοδοσίας πρέπει να αντικατασταθεί από την εξυπηρέτηση πελατών (βλ. κάρτα εγγύησης).



ΠΡΟΕΙΔΟΠΟΙΗΣΗ!

- ▶ Πριν από οποιαδήποτε λειτουργία, αποσυνδέστε πρώτα τη συσκευή από την πρίζα.
- ▶ Μην γέρνετε τη συσκευή περισσότερο από 45° για να αποφύγετε ζημιά στο σύστημα ψύξης.

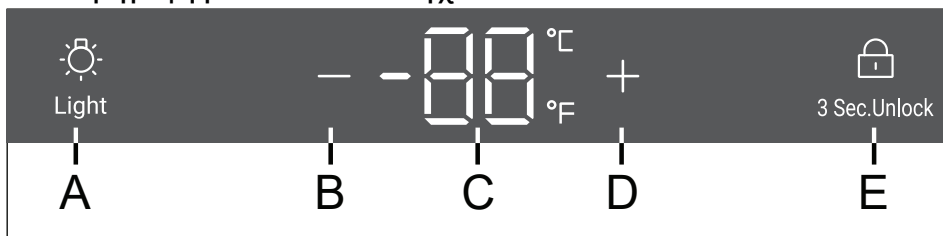
1. Πριν από την πρώτη χρήση

- ▶ Αφαιρέστε όλα τα υλικά συσκευασίας. Αυτό περιλαμβάνει τη βάση αφρολέξ και όλη την αυτοκόλλητη ταινία που συγκρατεί τα εξαρτήματα του συντηρητή κρασιών εσωτερικά και εξωτερικά. Κρατήστε τα μακριά από τα παιδιά και απορρίψτε τα με φιλικό προς το περιβάλλον τρόπο.
- ▶ Καθαρίστε το εσωτερικό και το εξωτερικό της συσκευής με νερό και ένα ήπιο απορρυπαντικό πριν βάλτε οποιοδήποτε κρασί σε αυτό.
- ▶ Αφού τοποθετηθεί απολύτως ίσια στο δάπεδο και καθαριστεί η συσκευή, περιμένετε τουλάχιστον 2 ώρες πριν τη συνδέσετε στην παροχή ρεύματος. Εάν ο συντηρητής κρασιών σας έχει γείρει για οποιονδήποτε λόγο, περιμένετε 24 ώρες πριν τον συνδέσετε. Ανατρέξτε στην ενότητα ΕΓΚΑΤΑΣΤΑΣΗ.
- ▶ Αφού συνδέσετε τη μονάδα σε μια πρίζα, αφήστε τη μονάδα να λειτουργήσει για τουλάχιστον 30 λεπτά για να εγκλιματιστεί πριν κάνετε οποιοσδήποτε ρυθμίσεις.
- ▶ Η θερμοκρασία ρυθμίζεται αυτόματα στους 12 °C. Εάν θέλετε, μπορείτε να αλλάξετε αυτή τη θερμοκρασία χειροκίνητα. Δείτε την ενότητα ΘΕΡΜΟΚΡΑΣΙΑ.

2. Κουμπιά αφής

Τα κουμπιά στον πίνακα ελέγχου είναι κουμπιά αφής, τα οποία ανταποκρίνονται όταν αγγίζονται ελαφρά με το δάχτυλο.

3. Περιγραφή για τον πίνακα ελέγχου



A Κουμπί φωτισμού

B Κουμπί ρύθμισης θερμοκρασίας:

προς τα κάτω

C Οθόνη

D Κουμπί ρύθμισης θερμοκρασίας: πάνω

E Κουμπί κλειδώματος

4. Λειτουργία αυτόματου κλειδώματος

Στην κατάσταση κλειδώματος οθόνης, πατήστε παρατεταμένα το κουμπί κλειδώματος για 3 δευτερόλεπτα, η οθόνη εμφανίζει 3, 2 και 1, η οθόνη ξεκλειδώνεται. Εάν δεν υπάρχει καμία λειτουργία, η οθόνη θα κλειδωθεί αυτόματα μετά από 30 δευτερόλεπτα. Στην κατάσταση κλειδώματος οθόνης, το εικονίδιο κλειδώματος είναι αναμμένο και τα κουμπιά στην οθόνη δεν μπορούν να λειτουργήσουν (εκτός από το κουμπί φωτισμού).

5. Ρύθμιση θερμοκρασίας

i Σημείωση

Προρρυθμίσεις

- ▶ Αφού συνδέσετε τη μονάδα σε μια πρίζα, αφήστε τη μονάδα για τουλάχιστον 30 λεπτά να εγκλιματιστεί πριν κάνετε οποιεσδήποτε ρυθμίσεις.
- ▶ Όταν η συσκευή είναι ενεργοποιημένη μετά την αποσύνδεση από την κύρια παροχή ρεύματος, μπορεί να χρειαστούν αρκετές ώρες για να επιτευχθούν οι σωστές θερμοκρασίες. Ο ακριβής χρόνος ποικίλλει ανάλογα με το περιβάλλον και τη ρύθμιση θερμοκρασίας.



Πατήστε το πλήκτρο **+** or **-**: οθόνη θα αρχίσει να αναβοσβήνει. Πατήστε το πλήκτρο **+** or **-** για να ρυθμίσετε την επιθυμητή θερμοκρασία.. Εύρος ρύθμισης θερμοκρασίας: 5-20°C (41-68°F).

Σταματήστε να πατάτε το κουμπί για 3 δευτερόλεπτα, η θερμοκρασία επιβεβαιώνεται.

6. Λειτουργία αναμονής

Η οθόνη απενεργοποιείται αυτόματα μετά από 30 δευτερόλεπτα.

Ανάβει αυτόματα όταν πατηθεί οποιοδήποτε κουμπί ή ανοιχθεί η πόρτα

i Σημείωση

Επιδράσεις στις θερμοκρασίες



Η θερμοκρασία στο εσωτερικό της συσκευής επηρεάζεται από τους ακόλουθους παράγοντες:

- ▶ Θερμοκρασία περιβάλλοντος
- ▶ Ποσότητα αποθηκευμένων φιαλών
- ▶ Συχνότητα ανοίγματος πόρτας
- ▶ Η θέση της συσκευής

Η προεπιλεγμένη ρύθμιση είναι 12 °C

Όταν η οθόνη σταματήσει να αναβοσβήνει, επιστρέφει στην εμφάνιση της τρέχουσας θερμοκρασίας στο εσωτερικό του συντηρητή κρασιών. Θα χρειαστεί λίγος χρόνος για να επιτευχθεί η καθορισμένη θερμοκρασία.

7. Ρύθμιση λειτουργίας φωτισμού

Πατήστε το κουμπί -  τα φώτα θα ανάψουν σταδιακά. Όταν πατήσετε ξανά το κουμπί -  τα φώτα θα σβήσουν σταδιακά.

8. °C/°F λειτουργία

Πατήστε το κουμπί « - » για 3 δευτερόλεπτα, εναλλαγή μεταξύ Φαρενάιτ και Κελσίου.

9. Λειτουργία μνήμης απενεργοποίησης

Σε περίπτωση διακοπής ρεύματος, το κελάρι θα αποθηκεύσει αυτόματα την καθορισμένη θερμοκρασία. Μετά την αποκατάσταση της ισχύος, θα λειτουργεί με βάση τη θερμοκρασία που είχε οριστεί πριν από τη διακοπή ρεύματος.

10. Συναγερμός ανοίγματος πόρτας

Εάν η πόρτα παραμείνει ανοιχτή για περισσότερο από 1 λεπτό, θα ηχήσει ο βομβητής Δώστε συναγερμό μέχρι να κλείσει η πόρτα ή μέχρι να μπορέσετε να χρησιμοποιήσετε οποιοδήποτε πλήκτρο στην οθόνη και στη συνέχεια ο βομβητής θα σταματήσει να ηχεί.



Συμβουλές εξοικονόμησης ενέργειας

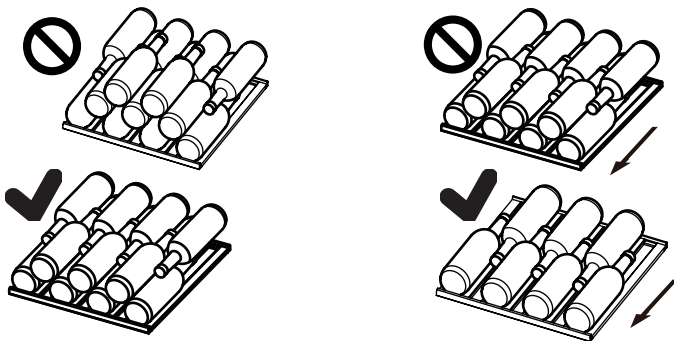
- ▶ Βεβαιωθείτε ότι η συσκευή αερίζεται σωστά (δείτε ΕΓΚΑΤΑΣΤΑΣΗ).
- ▶ Μην εγκαθιστάτε τη συσκευή σε σημείο με άμεσο ηλιακό φως ή κοντά σε πηγές θερμότητας (π.χ. σόμπες, θερμαντήρες).
- ▶ Αποφύγετε την άσκοπα χαμηλή θερμοκρασία στη συσκευή. Η κατανάλωση ενέργειας αυξάνεται όσο χαμηλότερη είναι η θερμοκρασία στη συσκευή.
- ▶ Να ανοίγετε την πόρτα της συσκευής όσο το δυνατόν λιγότερες φορές και για όσο πιο σύντομα γίνεται.
- ▶ Μην υπερβαίνετε την προβλεπόμενη ποσότητα φιαλών για να αποφύγετε την παρεμπόδιση της ροής του αέρα.
- ▶ Διατηρείτε τα λάστιχα της πόρτας καθαρά, ώστε η πόρτα να κλείνει πάντα σωστά.
- ▶ Η διαμόρφωση εξοικονόμησης ενέργειας απαιτεί το συρτάρι, το κουτί τροφίμων και τα ράφια να μπουν στη θέση τους στη συσκευή όπως ακριβώς είναι, δηλαδή στην εργοστασιακή τους κατάσταση, και τα τρόφιμα πρέπει να τοποθετηθούν έτσι ώστε να μην εμποδίζεται η έξοδος αέρα του αγωγού.
- ▶ Για να αυξήσετε την ενεργειακή απόδοση, τα φώτα πρέπει να σβήνουν όταν δεν βλέπετε τον συντηρητή κρασιών.

1. Ράφι

1. Τα ράφια είναι σχεδιασμένα για εύκολη αποθήκευση και εύκολη αφαίρεση του κρασιού. Μπορούν να καθαριστούν με μια μαλακή πετσέτα.
2. Τα κανονικά μπουκάλια με διάμετρο 76 mm μπορούν να στοιβάζονται.
3. Η ποσότητα μπορεί να διαφέρει από τον αριθμό ή τις φιάλες που απεικονίζονται, εάν στοιβάζονται με διαφορετικό τρόπο.

Συμβουλές για τη διάταξη του συντηρητή κρασιών

Συνιστούμε ο αριθμός των φιαλών κρασιού να μην υπερβαίνει τις δύο στρώσεις σε κάθε ράφι και η φέρουσα ικανότητα των ραφιών κρασιού να μην υπερβαίνει τα 20 κιλά. Πριν τοποθετήσετε τα μπουκάλια στο εσωτερικό του συντηρητή, επιβεβαιώστε ότι τα ράφια κρασιού είναι απολύτως σταθερά. Επιπλέον, επιβεβαιώστε εάν κάποιο μπουκάλι προεξέχει ή όχι από τα ράφια για να αποτραπεί στα μπουκάλια να χτυπήσουν τη γυάλινη πόρτα κατά το κλείσιμο.



2. Ο φωτισμός

Το εσωτερικό φως LED ανάβει όταν ανοίγει η πόρτα,

1. Απόψυξη

Η απόψυξη του συντηρητή κρασιών γίνεται αυτόματα. Δεν απαιτείται χειροκίνητη λειτουργία.

2. Αντικατάσταση του λαμπτήρα LED

Ο φωτισμός χρησιμοποιεί λυχνίες LED ως πηγή φωτός του, που χαρακτηρίζονται για τη χαμηλή κατανάλωση ενέργειας και τη μεγάλη διάρκεια ζωής τους. Εάν υπάρχει κάποια ανωμαλία, επικοινωνήστε με την εξυπηρέτηση πελατών. Δείτε ΕΞΥΠΗΡΕΤΗΣΗ ΠΕΛΑΤΩΝ.



ΠΡΟΕΙΔΟΠΟΙΗΣΗ!

Μην αντικαθιστάτε μόνοι σας τον λαμπτήρα LED. Πρέπει να αντικατασταθεί μόνο είτε από τον κατασκευαστή είτε από τον εξουσιοδοτημένο αντιπρόσωπο σέρβις.

Αυτό το προϊόν περιέχει μια πηγή φωτός κατηγορίας ενεργειακής απόδοσης G.

Παράμετροι λαμπτήρα LED:

Τάση 12V

Μέγιστη ισχύς: 2W

3. Μη χρήση για μεγαλύτερα διαστήματα

Αποσυνδέστε το καλώδιο τροφοδοσίας.

Καθαρίστε τη συσκευή και τα λάστιχα της πόρτας όπως περιγράφεται παραπάνω.

Κρατήστε την πόρτα ανοικτή για να αποτρέψετε τη δημιουργία δυσοσμίας στο εσωτερικό.

4. Μετακίνηση της συσκευής

1. Αφαιρέστε όλα τα μπουκάλια και αποσυνδέστε τη συσκευή από την πρίζα.

2. Ασφαλίστε τα ράφια και τα άλλα κινητά μέρη στον συντηρητή κρασιών με αυτοκόλλητη ταινία.

3. Μην γέρνετε τον συντηρητή κρασιών περισσότερο από 45° ώστε να αποφύγετε ζημιά στο ψυκτικό σύστημα.

5. Ανταλλαγή αέρα με φίλτρο ενεργού άνθρακα

Ο τρόπος με τον οποίο τα κρασιά συνεχίζουν να ωριμάζουν εξαρτάται από τις συνθήκες περιβάλλοντος. Η ποιότητα του αέρα είναι επομένως καθοριστική για τη διατήρηση του κρασιού. Ένα φίλτρο ενεργού άνθρακα έχει τοποθετηθεί στο κάτω μέρος του πίσω τοιχώματος της συσκευής για να διατηρείται η ποιότητα του.



Ανακοίνωση

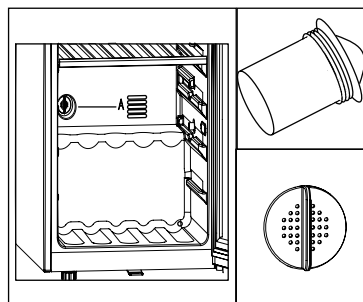
Συνιστούμε να αντικαθιστάτε το φίλτρο μία φορά το χρόνο. Μπορείτε να προμηθευτείτε φίλτρα από τον αντιπρόσωπό σας.

Αλλαγή του φίλτρου:

Πιάστε το φίλτρο από τη λαβή. Γυρίστε το προς τα αριστερά και αφαιρέστε το.

Τοποθέτηση του φίλτρου:

Τοποθετήστε το με τη λαβή σε κάθετη θέση. Γυρίστε το προς τα δεξιά και τοποθετήστε το.



Πολλά προβλήματα που παρουσιάζονται θα μπορούσαν να επιλυθούν από τον εαυτό σας χωρίς ειδική εμπειρογνομosύνη. Σε περίπτωση προβλήματος, ελέγξτε όλες τις εμφανιζόμενες δυνατότητες και ακολουθήστε τις παρακάτω οδηγίες προτού επικοινωνήσετε με το τμήμα εξυπηρέτησης πελατών μετά την πώληση. Δείτε την ενότητα ΕΞΥΠΗΡΕΤΗΣΗ ΠΕΛΑΤΩΝ.

**ΠΡΟΕΙΔΟΠΟΙΗΣΗ!**

- ▶ Πριν από τη συντήρηση, απενεργοποιήστε τη συσκευή και αποσυνδέστε το φις από την πρίζα.
- ▶ Ο ηλεκτρικός εξοπλισμός πρέπει να συντηρείται μόνο από εξειδικευμένους ηλεκτρολόγους, επειδή οι ακατάλληλες επισκευές μπορούν να προκαλέσουν σημαντικές επακόλουθες ζημιές.
- ▶ Μια κατεστραμμένη τροφοδοσία θα πρέπει να αντικατασταθεί από τον κατασκευαστή ή τον αντιπρόσωπο του σέρβις ή παρόμοια εξουσιοδοτημένα πρόσωπα, προς αποφυγή του κινδύνου.

Κωδικός σφάλματος	Αιτία	Λύση
L2	Η ζώνη ανώτατης θερμοκρασίας είναι σε συναγερμό χαμηλής θερμοκρασίας όταν η ανώτατη θερμοκρασία του αισθητήρα ελέγχου είναι πολύ χαμηλή.	<ol style="list-style-type: none"> 1. Ελέγξτε τη θερμοκρασία περιβάλλοντος. 2. Ελέγξτε τον σύνδεσμο του συμπιεστή. 3. Ελέγξτε την αντίσταση του αισθητήρα ελέγχου θερμοκρασίας.

Πρόβλημα	Πιθανή αιτία	Πιθανή λύση
Ο συμπιεστής δεν λειτουργεί.	<ul style="list-style-type: none"> • Το βύσμα δικτύου δεν είναι συνδεδεμένο στην πρίζα. 	<ul style="list-style-type: none"> • Συνδέστε την πρίζα.
Η συσκευή λειτουργεί συχνά ή λειτουργεί για πολύ μεγάλο χρονικό διάστημα.	<ul style="list-style-type: none"> • Η εξωτερική θερμοκρασία είναι πολύ υψηλή. • Η συσκευή απενεργοποιήθηκε για ένα χρονικό διάστημα. • Η πόρτα της συσκευής δεν είναι ερμητικά κλειστή. • Η πόρτα ανοίγει πολύ συχνά ή για μεγάλα χρονικά διαστήματα. • Το λάστιχο της πόρτας είναι βρώμικο, φθαρμένο, με ρωγμές ή δεν ταιριάζει. • Η απαιτούμενη κυκλοφορία του αέρα δεν είναι εγγυημένη. • Η θερμοκρασία είναι πολύ χαμηλή. 	<ul style="list-style-type: none"> • Είναι φυσιολογικό η συσκευή να λειτουργεί περισσότερο. • Κανονικά, χρειάζεται κάποιο χρονικό διάστημα για να κρυώσει εντελώς η συσκευή. • Κλείστε την πόρτα και βεβαιωθείτε ότι η συσκευή βρίσκεται σε επίπεδη επιφάνεια και ότι δεν υπάρχει τροφή ή δοχείο που να μπλοκάρει την πόρτα. • Μην ανοίγετε την πόρτα πολύ συχνά. • Καθαρίστε το λάστιχο της πόρτας ή αντικαταστήστε το από την εξυπηρέτηση πελατών. • Εξασφαλίστε επαρκή αερισμό. • Το πρόβλημα θα λυθεί μόνο του όταν επιτευχθεί η επιθυμητή θερμοκρασία.
Το εσωτερικό του συντηρητή κρασιών είναι βρώμικο ή/και μυρίζει άσχημα.	<ul style="list-style-type: none"> • Το εσωτερικό του συντηρητή κρασιών χρειάζεται καθάρισμα. 	<ul style="list-style-type: none"> • Καθαρίστε το εσωτερικό του συντηρητή κρασιών.
Δεν υπάρχει αρκετή ψύξη στο εσωτερικό της συσκευής.	<ul style="list-style-type: none"> • Η θερμοκρασία είναι πολύ υψηλή. • Προστέθηκαν μπουκάλια πρόσφατα. • Η πόρτα της συσκευής δεν είναι ερμητικά κλειστή. • Η πόρτα ανοίγει συχνά ή για μεγάλα χρονικά διαστήματα. • Το λάστιχο της πόρτας είναι βρώμικο, φθαρμένο, με ρωγμές ή δεν ταιριάζει. 	<ul style="list-style-type: none"> • Επαναφέρετε τη θερμοκρασία. • Αφήστε χρόνο για τα πρόσφατα προστιθέμενα μπουκάλια να φτάσουν στην επιθυμητή θερμοκρασία. • Κλείστε την πόρτα. • Μην ανοίγετε την πόρτα πολύ συχνά. • Καθαρίστε το λάστιχο της πόρτας ή αντικαταστήστε το από την εξυπηρέτηση πελατών.
Υπάρχει αρκετή ψύξη στο εσωτερικό της συσκευής.	<ul style="list-style-type: none"> • Η θερμοκρασία είναι πολύ χαμηλή. 	<ul style="list-style-type: none"> • Επαναφέρετε τη θερμοκρασία.

Πρόβλημα	Πιθανή αιτία	Πιθανή λύση
Σχηματισμός υγρασίας στο εσωτερικό του διαμερίσματος του ψυγείου.	<ul style="list-style-type: none"> • Το κλίμα είναι πολύ ζεστό και πολύ υγρό. • Η πόρτα της συσκευής δεν είναι ερμητικά κλειστή. • Η πόρτα ανοίγει συχνά ή για μεγάλα χρονικά διαστήματα. 	<ul style="list-style-type: none"> • Αυξήστε τη θερμοκρασία. • Κλείστε την πόρτα. • Μην ανοίγετε την πόρτα / το συρτάρι πολύ συχνά.
Η υγρασία συσσωρεύεται στην εξωτερική επιφάνεια του συντηρητή κρασιών.	<ul style="list-style-type: none"> • Το κλίμα είναι πολύ ζεστό και πολύ υγρό • Η πόρτα δεν είναι ερμητικά κλειστή. Ο κρύος αέρας στη συσκευή και ο ζεστός αέρας έξω από αυτήν συμπυκνώνονται. 	<ul style="list-style-type: none"> • Αυτό είναι φυσιολογικό σε υγρό κλίμα και θα αλλάξει όταν μειώνεται η υγρασία. • Βεβαιωθείτε ότι η πόρτα είναι καλά κλεισμένη και ότι τα λάστιχα σφραγίζουν σωστά.
Η συσκευή κάνει μη φυσιολογικούς ήχους	<ul style="list-style-type: none"> • Η συσκευή δεν βρίσκεται σε επίπεδο έδαφος. • Η συσκευή αγγίζει κάποιο αντικείμενο γύρω της. 	<ul style="list-style-type: none"> • Ρυθμίστε τα πόδια για να ισιώσετε τη συσκευή. • Αφαιρέστε τα αντικείμενα γύρω από τη συσκευή.
Πρέπει να ακούγεται ένας ελαφρύς ήχος παρόμοιος με το νερό.	<ul style="list-style-type: none"> • Αυτό είναι φυσιολογικό 	<ul style="list-style-type: none"> • -
Το σύστημα εσωτερικού φωτισμού ή ψύξης δεν λειτουργεί.	<ul style="list-style-type: none"> • Το βύσμα τροφοδοσίας δεν είναι συνδεδεμένο στην πρίζα. • Η παροχή ρεύματος δεν είναι άθικτη. • Η λυχνία LED είναι εκτός λειτουργίας. 	<ul style="list-style-type: none"> • Συνδέστε την πρίζα. • Ελέγξτε την παροχή ηλεκτρικού ρεύματος στο δωμάτιο. Καλέστε την τοπική εταιρεία ηλεκτρισμού. • Καλέστε την υπηρεσία για αλλαγή λαμπτήρα
Οι πλευρές του ψυγείου ζεσταίνονται.	<ul style="list-style-type: none"> • Αυτό είναι φυσιολογικό. 	<ul style="list-style-type: none"> • -
Η πόρτα δεν κλείνει σωστά	<ul style="list-style-type: none"> • Η συσκευή δεν είναι επίπεδη. • Η πόρτα είναι μπλοκαρισμένη. 	<ul style="list-style-type: none"> • Οριζοντιώστε τη συσκευή με τα πόδια οριζοντίωσης. • Ελέγξτε για μπλοκαρίσματα όπως μπουκάλια ή ράφια.

Για να επικοινωνήσετε με την τεχνική βοήθεια, επισκεφθείτε τον ιστότοπό μας: <https://corporate.haier-europe.com/en/>

Στην ενότητα "ιστότοπος", επιλέξτε τη μάρκα του προϊόντος σας και τη χώρα σας. Θα ανακατευθυνθείτε στον συγκεκριμένο ιστότοπο, όπου μπορείτε να βρείτε τον αριθμό τηλεφώνου και τη φόρμα για να επικοινωνήσετε με την τεχνική υποστήριξη.

Δελτίο προϊόντος σύμφωνα με τον κανονισμό ΕΕ υπ' αριθ. 2019/2016

Μάρκα	Candy
Όνομα μοντέλου / αναγνωριστικό	CNWQ4G84G1
Κατηγορία	Συντηρητής κρασιών
Κατηγορία ενεργειακής απόδοσης	G
Ετήσια κατανάλωση ενέργειας (kWh/ έτος) ¹⁾	153
Χωρητικότητα μπουκαλιών (μπουκάλι μπορντό 0,75L)	84
Κλιματική κατηγορία: Αυτή η συσκευή προορίζεται να χρησιμοποιηθεί σε θερμοκρασία περιβάλλοντος μεταξύ 10 °C και 38 °C	N ST
Εκπομπές αερομεταφερόμενου ακουστικού θορύβου (db(A)re 1pW)	37
Τύπος συσκευής	Αυτόνομη ελεύθερη τοποθέτηση
Η συσκευή αυτή προορίζεται να χρησιμοποιηθεί αποκλειστικά για την αποθήκευση κρασιών.	Ναι
Διαστάσεις (Π/Β/Υ σε mm)	495/585/1263

Επεξηγήσεις:

1)Βάσει αποτελεσμάτων τυποποιημένων δοκιμών για 24 ώρες. Η πραγματική κατανάλωση ενέργειας εξαρτάται από το πραγματικό περιβάλλον, την ποσότητα φιαλών, τη ρυθμισμένη θερμοκρασία, το άνοιγμα και το κλείσιμο της πόρτας, κ.λπ.

2)Η ονομαστική κατανάλωση ενέργειας είναι η τιμή που προκύπτει σύμφωνα με την τυπική δοκιμή όταν στον θάλαμο κρασιών δεν ανάβει το εσωτερικό φως.

- Εκτεταμένη εύκρατη: 'Αυτή η ψυκτική συσκευή προορίζεται να χρησιμοποιηθεί σε θερμοκρασίες περιβάλλοντος από 10 °C έως 32 °C'.

- Εύκρατη: 'αυτή η ψυκτική συσκευή προορίζεται να χρησιμοποιηθεί σε

- θερμοκρασίες περιβάλλοντος από 16 °C έως 32 °C'.

- Υποτροπική: 'αυτή η ψυκτική συσκευή προορίζεται να χρησιμοποιηθεί σε θερμοκρασίες περιβάλλοντος από 16 °C έως 38 °C'.

- Τροπική: 'αυτή η ψυκτική συσκευή προορίζεται να χρησιμοποιηθεί σε θερμοκρασίες περιβάλλοντος από 16 °C έως 43 °C'.

Πρότυπα και οδηγίες CE

Αυτό το προϊόν πληροί τις απαιτήσεις όλων των εφαρμοστέων οδηγιών της ΕΚ με τα αντίστοιχα εναρμονισμένα πρότυπα, τα οποία προβλέπονται για την σήμανση CE.

Συνιστούμε την Εξυπηρέτηση Πελατών της Haier και τη χρήση γνήσιων ανταλλακτικών.

Εάν έχετε κάποιο πρόβλημα με τη συσκευή σας, ελέγξτε πρώτα την ενότητα **ΑΝΤΙΜΕΤΩΠΙΣΗ ΠΡΟΒΛΗΜΑΤΩΝ**.

Εάν δεν μπορείτε να βρείτε μια λύση εκεί, επικοινωνήστε

- ▶ με τον τοπικό σας αντιπρόσωπο ή
- ▶ την περιοχή Service & Support στην ηλεκτρονική διεύθυνση www.haier.com, όπου μπορείτε να βρείτε αριθμούς τηλεφώνου και συχνές ερωτήσεις και όπου μπορείτε να ανοίξετε ένα αίτημα συντήρησης.

Για να επικοινωνήσετε με την Υπηρεσία μας, βεβαιωθείτε ότι έχετε τα ακόλουθα δεδομένα διαθέσιμα.

Οι πληροφορίες μπορούν να βρεθούν στην πινακίδα ονομαστικών στοιχείων.

Μοντέλο _____ Σειριακός αριθμός, _____

Επίσης, ελέγξτε την Κάρτα Εγγύησης που παρέχεται με το προϊόν σε περίπτωση εγγύησης. Για γενικές επιχειρηματικές ερωτήσεις, βρείτε τις διευθύνσεις μας στην Ευρώπη παρακάτω:

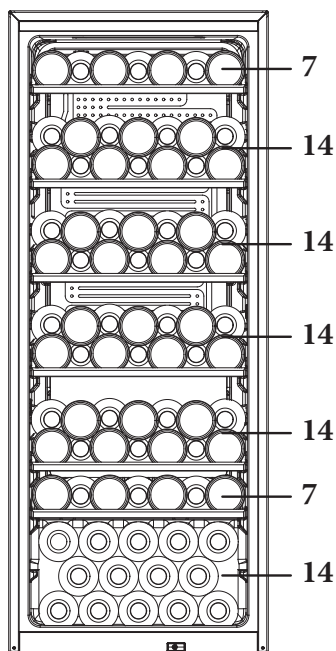
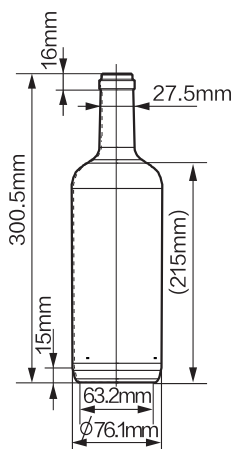
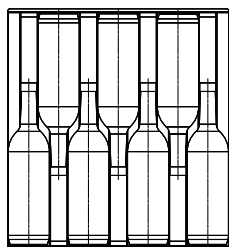
Ευρωπαϊκές διευθύνσεις Haier			
Χώρα*	Ταχυδρομική διεύθυνση	Χώρα	Ταχυδρομική διεύθυνση
Ιταλία	Haier Europe Trading SRL Via De Cristoforis, 12 21100 Varese ITALY	Γαλλία	Haier Europe Trading SRL Via De Cristoforis, 12 21100 Varese ITALY
Ισπανία	Haier Iberia SL Pg. Garcia Faria, 49-51 08019 Barcelona	Βέλγιο-FR	Haier Benelux SA Anderlecht
Πορτογαλία	SPAIN	Βέλγιο-NL	Route de Lennik 451
Γερμανία	Haier Deutschland GmbH Hewlett-Packard-Str. 4 D-61352 Bad Homburg	Ολλανδία	BELGIUM
Αυστρία	GERMANY	Λουξεμβούργο	Haier Poland Sp. zo.o. Al. Jerozolimskie 181B 02-222 Warszawa
Ηνωμένο Βασίλειο	Haier Appliances UK Co.Ltd. One Crown Square Church Street East Woking, Surrey, GU21 6HR UK	Πολωνία	POLAND
		Τσεχία	
		Ουγγαρία	
		Ελλάδα	
		Ρουμανία	
		Ρωσία	

ΔΙΑΘΕΣΙΜΟΤΗΤΑ ΑΝΤΑΛΛΑΚΤΙΚΩΝ: Θερμοστάτες, αισθητήρες θερμοκρασίας, πλακέτες τυπωμένων κυκλωμάτων και πηγές φωτός διατίθενται για επτά τουλάχιστον χρόνια μετά τη διάθεση της τελευταίας μονάδας του μοντέλου στην αγορά. Λαβές πόρτας, μεντεσέδες πόρτας, δίσκοι και καλάθια διατίθενται για περίοδο τουλάχιστον επτά ετών και λάστιχα πόρτας για περίοδο τουλάχιστον 10 ετών μετά τη διάθεση της τελευταίας μονάδας του μοντέλου στην αγορά

Η ελάχιστη εγγύηση είναι: 2 χρόνια για τις χώρες της ΕΕ, 3 χρόνια για την Τουρκία, 1 χρόνο για το Ηνωμένο Βασίλειο, 1 χρόνο για τη Ρωσία, 3 χρόνια για τη Σουηδία, 2 χρόνια για τη Σερβία, 5 χρόνια για τη Νορβηγία, 1 χρόνο για το Μαρόκο, 6 μήνες για την Αλγερία, για την Τυνησία δεν απαιτείται νομική εγγύηση.

Για περισσότερες πληροφορίες σχετικά με το προϊόν, συμβουλευτείτε τη διεύθυνση <https://eprel.ec.europa.eu/> ή σαρώστε τον κωδικό QR στην ενεργειακή ετικέτα που παρέχεται με τη συσκευή.

1. Η διεύθετηση των μπουκαλιών βασίζεται σε γραφική αναπαράσταση μιας τυπικής φιάλης Μπορντό (0,75 l).
2. Λόγω των διαφορετικών προδιαγραφών των μπουκαλιών, η πραγματική ποσότητα φόρτωσης μπουκαλιών μπορεί να είναι διαφορετική.



(84)
CNWQ4G84G1

CANDY

Manual de usuario

Vinoteca

CNWQ4G84G1

ES

CANDY

Gracias por comprar un producto Candy .

Lea atentamente estas instrucciones antes de utilizar este electrodoméstico. Estas instrucciones contienen información importante que le ayudará a sacar el máximo provecho del electrodoméstico y a garantizar una instalación, uso y mantenimiento seguros y adecuados.

Guarde este manual en un lugar seguro para poder consultarlo en cualquier momento y garantizar un uso seguro y adecuado del electrodoméstico.

Si vende este electrodoméstico, lo dona o lo deja al mudarse, asegúrese de entregar también este manual para que el nuevo propietario pueda familiarizarse con el electrodoméstico y las advertencias de seguridad.



Leyenda

Advertencia: información de seguridad importante



Información general y consejos



Información medioambiental

Eliminación



Ayude a proteger el medio ambiente y la salud humana. Tire el embalaje en los contenedores correspondientes para reciclarlo. Ayude a reciclar los residuos de aparatos eléctricos y electrónicos. No deseche los aparatos marcados con este símbolo en la basura doméstica. Lleve el producto a su centro de reciclaje local o póngase en contacto con su oficina municipal.



¡ADVERTENCIA!

¡Peligro de lesiones o asfixia!

Los refrigerantes y gases deben ser eliminados de forma profesional. Asegúrese de que la tubería del circuito refrigerante no está dañada antes de desecharla adecuadamente. Desconecte el electrodoméstico de la red eléctrica. Corte el cable de red y deséchelo. Retire las bandejas y los cajones, así como el pestillo de la puerta y las juntas, para evitar que los niños y las mascotas se queden encerrados en el electrodoméstico.

Los electrodomésticos viejos todavía tienen algún valor residual. Un método de eliminación respetuoso con el medio ambiente garantizará que las valiosas materias primas puedan recuperarse y volver a utilizarse.

El ciclopentano, una sustancia inflamable que no daña el ozono, se utiliza como expansor para la espuma aislante.

Al garantizar que este producto se desecha correctamente, ayudará a prevenir posibles consecuencias negativas para el medio ambiente y la salud humana.

Para obtener información más detallada sobre el reciclaje de este producto, póngase en contacto con los profesionales de su ayuntamiento, su servicio de eliminación de residuos domésticos o la tienda donde compró el producto.

1- Información de seguridad.....	154
2- Consejos de seguridad	157
3- Mantenimiento.....	161
4- Accesorios	163
5- Descripción del producto	164
6- Instalación	165
7- Uso.....	169
8- Consejos para ahorrar energía.....	172
9- Equipo.....	173
10- Cuidado y limpieza	174
11- Solución de problemas	175
12- Datos técnicos	178
13- Atención al cliente	179
14- Apilamiento de las botellas de vino.....	180

Este electrodoméstico está destinado a ser utilizado exclusivamente para el almacenamiento de vino. Antes de encender el electrodoméstico por primera vez, lea las siguientes directrices de seguridad:



¡ADVERTENCIA!

Antes del primer uso

- ▶ Asegúrese de que no haya daños causados por el transporte.
- ▶ Retire todo el embalaje, manténgalo fuera del alcance de los niños y deséchelo de forma respetuosa con el medio ambiente.
- ▶ Espere al menos media hora antes de instalar el electrodoméstico para garantizar que el circuito refrigerante es totalmente eficiente.
- ▶ Este electrodoméstico es pesado: manipúlelo con la ayuda de otra persona.
- ▶ Antes de colocar el electrodoméstico, asegúrese de que el cable de alimentación no está atrapado ni dañado.
- ▶ No ubique tomas de corriente múltiples portátiles ni fuentes de alimentación portátiles en la parte trasera del electrodoméstico.

Instalación

- ▶ Este electrodoméstico debe colocarse en un lugar bien ventilado. Asegúrese de dejar un espacio libre de al menos 50 mm por encima y alrededor del electrodoméstico.
- ▶ **ADVERTENCIA:** No obstruya las aberturas de ventilación del armazón del electrodoméstico o de la estructura integrada.
- ▶ No coloque el electrodoméstico en un área húmeda o en un lugar donde pueda recibir salpicaduras de agua. Limpie y seque las salpicaduras y manchas con un paño suave y limpio.
- ▶ No instale su vinoteca en ningún lugar que no esté debidamente aislado o calentado, por ejemplo, un garaje, etc. Su vinoteca no ha sido concebida para funcionar a una temperatura ambiente inferior a 10 °C.
- ▶ No instale el electrodoméstico bajo la luz directa del sol o cerca de fuentes de calor (p. ej.: fogones, estufas...).
- ▶ Instale y nivele el electrodoméstico en un lugar adecuado para su tamaño y uso.
- ▶ Asegúrese de que la información eléctrica de la placa de características técnicas coincida con la fuente de alimentación. Si no es así, póngase en contacto con un electricista.
- ▶ Este electrodoméstico funciona mediante una fuente de alimentación de 220-240 V CA/50 Hz. Una fluctuación anormal del voltaje puede provocar que el electrodoméstico no se ponga en marcha o que se dañe el control de temperatura o el compresor, o que se oiga un ruido anormal durante el funcionamiento. En tal caso, se deberá instalar un regulador automático.
- ▶ No utilice adaptadores de múltiples contactos ni cables de extensión.

**¡ADVERTENCIA!**

- ▶ **ADVERTENCIA:** No coloque múltiples tomas de corriente portátiles ni fuentes de alimentación portátiles en la parte trasera del electrodoméstico.
- ▶ **ADVERTENCIA:** Antes de colocar el electrodoméstico, asegúrese de que el cable de alimentación no está atrapado ni dañado.
- ▶ No oprima el cable de alimentación.
- ▶ Utilice una toma de corriente independiente puesta a tierra como fuente de alimentación, que sea de fácil acceso. Este electrodoméstico debe conectarse a tierra.
- ▶ **Solo para el Reino Unido:** El cable de alimentación de este electrodoméstico está equipado con un enchufe de 3 cables (a tierra) que se ajusta a una toma de corriente estándar de 3 cables (a tierra). No corte ni desmonte la tercera patilla (toma de tierra). Una vez instalado el electrodoméstico, el enchufe debe ser accesible.
- ▶ **ADVERTENCIA:** No dañe el circuito del refrigerante.

Uso diario

- ▶ Este electrodoméstico puede ser utilizado por niños a partir de 8 años y por personas con capacidades físicas, sensoriales o mentales disminuidas, o sin experiencia o conocimientos previos, siempre y cuando lo hagan bajo supervisión, hayan recibido las instrucciones necesarias para un uso seguro y comprendan los riesgos que esto implica.
- ▶ Los niños no deben jugar con este electrodoméstico.
- ▶ Se permite que los niños de 3 a 8 años llenen y vacíen aparatos de refrigeración, pero no están autorizados a limpiarlos ni instalarlos.
- ▶ Mantenga alejados del electrodoméstico a los niños menores de 3 años a menos que estén constantemente supervisados.
- ▶ La limpieza y el mantenimiento del usuario no deben ser realizados por niños sin supervisión.
- ▶ El electrodoméstico debe colocarse de forma que el enchufe sea accesible.
- ▶ Si se filtra gas de hulla u otro gas inflamable en las proximidades del electrodoméstico, apague la válvula del gas filtrado, abra las puertas y ventanas y no desconecte el cable de alimentación del electrodoméstico.
- ▶ Espere al menos 7 minutos antes de volver conectar la alimentación después de desconectarla.
- ▶ No levante el electrodoméstico por las asas de la puerta.
- ▶ Las llaves deben mantenerse fuera del alcance de los niños y lejos del electrodoméstico para evitar que los niños se queden encerrados dentro.



¡ADVERTENCIA!

- ▶ Tenga en cuenta que el electrodoméstico está configurado para funcionar en un intervalo de temperatura ambiente específico de entre 10 y 38 °C. El electrodoméstico no puede funcionar correctamente si se deja durante mucho tiempo a una temperatura superior o inferior al intervalo indicado.
- ▶ No coloque artículos inestables (objetos pesados, recipientes llenos de agua) en la parte superior del electrodoméstico, a fin de evitar lesiones personales causadas por caídas o descargas eléctricas causadas por el contacto con el agua.
- ▶ Abra y cierre la puerta solamente usando las asas. El espacio entre la puerta y el armario es muy estrecho. No ponga las manos en estas áreas para evitar pillarse los dedos. Abra o cierre las puertas del electrodoméstico solo cuando no haya niños dentro del área de movimiento de la puerta.
- ▶ No almacene ni utilice elementos inflamables, explosivos o corrosivos en el electrodoméstico ni cerca de él.
- ▶ No almacene en este electrodoméstico sustancias explosivas, como botes de aerosol con propelente inflamable.
- ▶ No guarde medicamentos, bacterias ni agentes químicos en el electrodoméstico. Este aparato es un electrodoméstico. No se recomienda almacenar materiales que requieran temperaturas extremas.
- ▶ No ajuste una temperatura innecesariamente baja en el compartimento de la cámara de vino. En los ajustes altos pueden darse temperaturas bajo cero. Atención: Las botellas pueden reventar.
- ▶ No toque la superficie interior del compartimento del electrodoméstico cuando esté en funcionamiento, especialmente con las manos mojadas, ya que las manos pueden congelarse en la superficie.
- ▶ Para una refrigeración adecuada del vino, no sobrecargue el electrodoméstico.
- ▶ Desenchufe el electrodoméstico en caso de interrupción del suministro eléctrico o antes de limpiarlo. Deje pasar al menos 7 minutos antes de reiniciar el electrodoméstico, ya que el arranque frecuente puede dañar el compresor.
- ▶ **ADVERTENCIA:** No utilice dispositivos eléctricos dentro del electrodoméstico, a menos que sean del tipo recomendado por el fabricante. Para evitar riesgos, solo el servicio de atención al cliente debe reemplazar un cable de alimentación dañado (ver tarjeta de garantía).
- ▶ Para prolongar la vida útil del electrodoméstico, evite apagarlo.
- ▶ No coloque el electrodoméstico horizontalmente sobre el suelo. Si el electrodoméstico se inclina más de 45°, espere 24 horas antes de enchufarlo.

**¡ADVERTENCIA!****Mantenimiento / limpieza**

- ▶ Asegúrese de que los niños están bajo supervisión si realizan tareas de limpieza y mantenimiento.
- ▶ Desconecte el electrodoméstico de la red eléctrica antes de realizar cualquier mantenimiento rutinario. Deje pasar al menos 7 minutos antes de reiniciar el electrodoméstico, ya que el arranque frecuente puede dañar el compresor.
- ▶ Cuando desenchufe el electrodoméstico, hágalo agarrando la clavija, no el cable.
- ▶ No limpie el electrodoméstico con cepillos duros, cepillos de alambre, detergente en polvo, gasolina, acetato de amilo, acetona ni soluciones orgánicas similares, soluciones ácidas o alcalinas. Limpie con un detergente especial para frigoríficos/congeladores para evitar daños. Por último, use una solución de agua tibia y bicarbonato (aproximadamente una cucharada de bicarbonato por litro/cuarto de litro de agua). Enjuague bien con agua y seque con un trapo. No utilice limpiadores en polvo u otros limpiadores abrasivos. No lave las piezas extraíbles en el lavavajillas.
- ▶ **ADVERTENCIA:** No utilice dispositivos mecánicos ni otros equipos para acelerar el proceso de descongelación, salvo aquellos recomendados por el fabricante.
- ▶ Si el cable de alimentación está dañado, debe ser sustituido por el fabricante, por su servicio técnico o por cualquier profesional cualificado similar para evitar riesgos.
- ▶ No intente reparar, desmontar o modificar este electrodoméstico por su cuenta. En caso de reparación, póngase en contacto con nuestro servicio de atención al cliente.
- ▶ Si las luces están dañadas, deben ser sustituidas por el fabricante, por su servicio técnico o por cualquier profesional cualificado similar para evitar riesgos.
- ▶ Quite el polvo de la parte posterior de la unidad al menos una vez al año para evitar el riesgo de incendio, así como un mayor consumo de energía.
- ▶ Para evitar que los alimentos puedan contaminarse, cíñase a las siguientes instrucciones:
 - Dejar la puerta abierta durante largos periodos de tiempo puede causar un aumento significativo de la temperatura en los compartimentos del electrodoméstico.

- ▶ No rocíe ni enjuague el electrodoméstico durante la limpieza.
- ▶ No use agua pulverizada o vapor para limpiar el electrodoméstico.
- ▶ No limpie la puerta de cristal fría con agua caliente. Un cambio repentino de temperatura puede causar que el cristal se rompa.
- ▶ Si deja el electrodoméstico fuera de uso durante un periodo prolongado, déjelo abierto para evitar que se acumulen malos olores en el interior.

Información sobre gases refrigerantes



¡ADVERTENCIA!

Este electrodoméstico contiene el refrigerante inflamable ISOBUTANO (R600a). Asegúrese de no dañar el circuito refrigerante durante el transporte o la instalación. La fuga de refrigerante puede causar lesiones oculares o incendios. Si se produce algún daño, manténgase alejado de llamas abiertas, ventile bien la habitación y no conecte o desconecte los cables de alimentación de este ni de cualquier otro electrodoméstico. Informe al servicio de atención al cliente.

En caso de que los ojos entren en contacto con el refrigerante, enjuáguelos inmediatamente con agua corriente y llame inmediatamente a un oftalmólogo.

ADVERTENCIA: El sistema de refrigeración está bajo alta presión. No lo fuerce. Dado que se utilizan refrigerantes inflamables, siga estrictamente las instrucciones de instalación, manipulación y mantenimiento del electrodoméstico y póngase en contacto con un técnico profesional o con nuestro servicio posventa para desecharlo.

Uso previsto


Este electrodoméstico está diseñado para uso doméstico y aplicaciones similares, tales como:

- Cocinas para personal de tiendas, oficinas y otros entornos de trabajo.
 - Granjas y uso por clientes de hoteles, moteles y otros entornos de tipo residencial.
 - Entornos tipo pensión.
 - Catering y aplicaciones similares no minoristas.
- ▶ Para garantizar la conservación segura del vino, siga las instrucciones de uso.
- ▶ Los detalles sobre la zona de almacenamiento más apropiada para determinados tipos de alimentos, teniendo en cuenta la distribución de la temperatura en los distintos compartimentos del electrodoméstico, se encuentran en la otra parte del manual.

No se permite realizar cambios o modificaciones en el electrodoméstico. Un uso no previsto puede causar riesgos y la pérdida de reclamaciones de garantía.

Eliminación



El símbolo  presente en el producto o en su embalaje indica que este producto no puede ser tratado como residuo doméstico. Por el contrario, debe llevarse al punto de recogida pertinente para el reciclado de equipos eléctricos y electrónicos. Asegurándose de que este producto se elimina correctamente, ayudará a evitar posibles consecuencias negativas para el medio ambiente y la salud humana, provocadas por una eliminación inadecuada de este producto. Para obtener información más detallada sobre el reciclaje de este producto, póngase en contacto con los profesionales de su ayuntamiento, su servicio de eliminación de residuos domésticos o la tienda donde compró el producto.

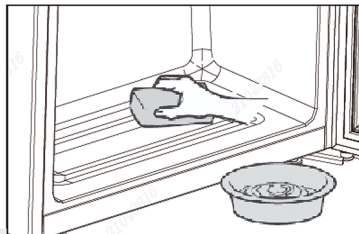
Dado que se utilizan gases expansivos de aislamiento inflamables, póngase en contacto con un técnico profesional o con nuestro servicio posventa para desecharlo.

¡ADVERTENCIA!

¡Peligro de lesiones o asfixia!

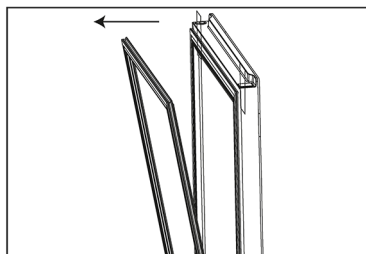
Los refrigerantes y gases deben ser eliminados de forma profesional. Asegúrese de que la tubería del circuito refrigerante no está dañada antes de desecharla adecuadamente. Desconecte el electrodoméstico de la red eléctrica. Corte el cable de red y deséchelo. Retire las bandejas y los cajones, así como el pestillo de la puerta y las juntas, para evitar que los niños y las mascotas se queden encerrados en el electrodoméstico.

- ▶ **ADVERTENCIA:** Desconecte el electrodoméstico de la fuente de alimentación antes de limpiarlo.
- ▶ No limpie el electrodoméstico con cepillos duros, cepillos de alambre, detergente en polvo, gasolina, acetato de amilo, acetona y soluciones orgánicas similares, soluciones ácidas o alcalinas. Limpie con un detergente especial para frigoríficos para evitar daños.
- ▶ Limpie el electrodoméstico solo cuando haya poco o ningún vino guardado. Únicamente es necesario limpiarlo cuando esté sucio.
- ▶ Limpie el interior y el armazón del electrodoméstico con una esponja humedecida en agua tibia y detergente neutro.
- ▶ Enjuague con agua tibia limpia y seque con un paño suave.
- ▶ No limpie ninguna de las piezas o partes de este electrodoméstico en un lavavajillas.
- ▶ Deje pasar al menos 7 minutos antes de reiniciar el electrodoméstico, ya que el arranque frecuente puede dañar el compresor.



Limpieza de la junta de la puerta:

- ▶ Las juntas de la puerta deben limpiarse cada 3 meses para garantizar un sellado adecuado. Según se indica a continuación: Extracción: Agarre la junta de la puerta y tire de ella de acuerdo con la dirección que indica la flecha para sacar toda la junta de la puerta. Sumerja el cepillo con agua o alcohol de grado alimenticio y limpie la junta de la puerta primero moviendo el cepillo hacia atrás y hacia fuera. Luego limpie la superficie de la junta de la puerta con un trapo empapado en agua o alcohol de grado alimenticio. Finalmente, lave la junta de la puerta y séquela con un trapo limpio.



Instalación de la junta de la puerta después de la limpieza:

Antes de la instalación, asegúrese de que no haya agua en la junta. Introduzca la junta de la puerta en la ranura y presione firmemente con la mano de la parte superior a la parte inferior hasta que toda la junta se inserte en la ranura.

Limpieza de los estantes:

- ▶ Todos los estantes se pueden sacar para su limpieza.
- ▶ Saque todas las botellas.
- ▶ Levante un poco cada estante y extráigalo.
- ▶ Limpie el estante con un trapo suave.
- ▶ Espere a que los estantes estén secos antes de volver a colocarlos.

ADVERTENCIA:

Espere al menos 7 minutos antes de volver a conectar la alimentación después de desconectarla.

Verifique los accesorios y la documentación según la siguiente lista:

Nombre	Manual de usuario	Tarjeta de servicio	Estante	Etiqueta energética
CNWX4G84G1	1	1	6	1



Aviso

Debido a cambios técnicos y a las diferencias entre modelos, algunas de las ilustraciones de este manual pueden diferir de su modelo.

Imagen del electrodoméstico

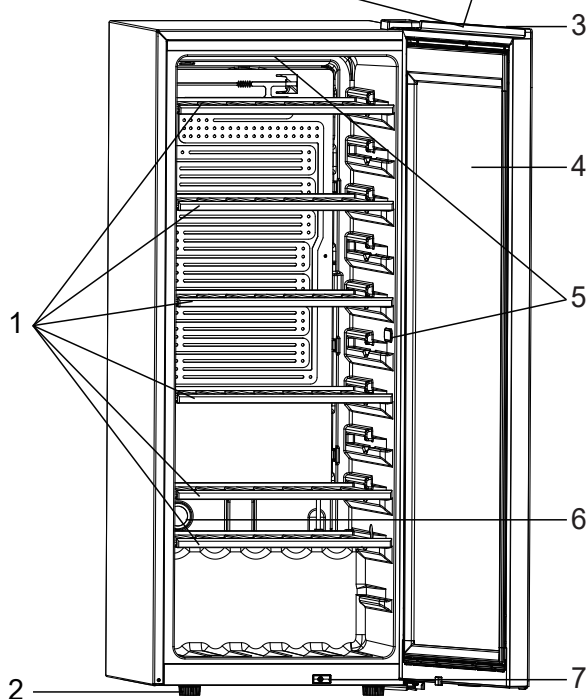


Light

— — 00 °C +
°F



3 Sec.Unlock



CNWQ4G84G1

- | | |
|---------------------|----------------------------|
| 1. Estante | 5. Lámpara LED |
| 2. Patas ajustables | 6. Filtro de carbón activo |
| Exhibidor | Interruptor |
| 3. Puerta | |

1. Desempaquetado

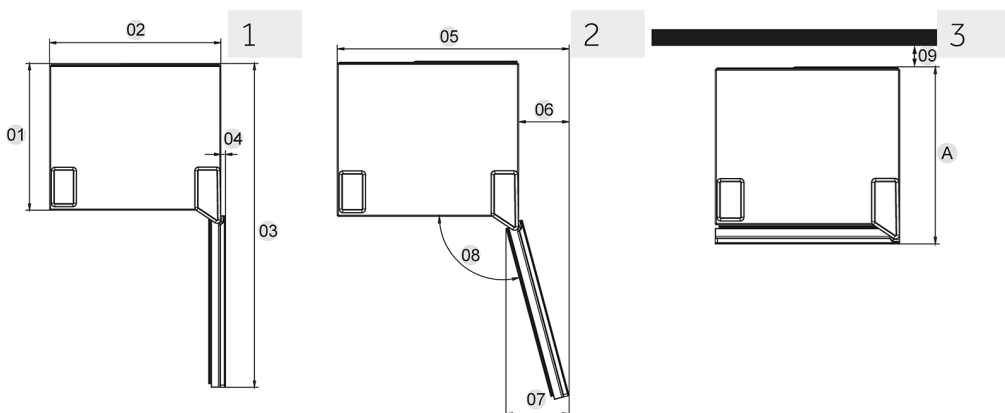
- ▶ Saque el electrodoméstico de su embalaje.
- ▶ Retire todos los materiales de embalaje, incluyendo la base de espuma y toda la cinta adhesiva que sujeta los accesorios.

2. Condiciones ambientales

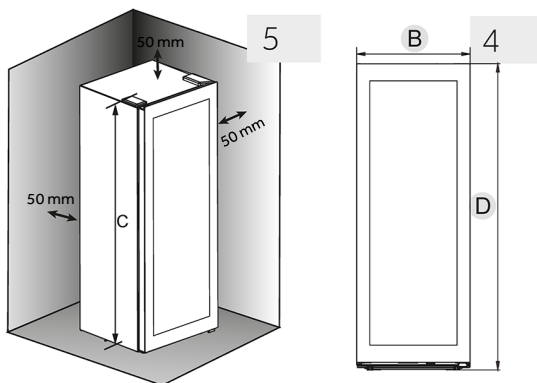
La temperatura ambiente debería encontrarse siempre entre 10° C y 38° C, ya que puede influir en la temperatura del interior del aparato y en su consumo de energía. No instale el electrodoméstico cerca de otros electrodomésticos emisores de calor (hornos, neveras) sin aislamiento.

3. Requisitos de espacio

Espacio necesario para abrir la puerta (Fig. 1, 2, 3, 4). Por razones de seguridad y aprovechamiento de la energía, debe respetarse una distancia de ventilación de 50 mm en todas las direcciones (Fig. 5).



Medidas: en mm	CNWQ4G84G1
Fondo A	585
Ancho B	495
Alto C	1262
Altura total D	1263
01	535
02	495
03	1043
04	11
05	630
06	135
07	167
08	105°
09	50





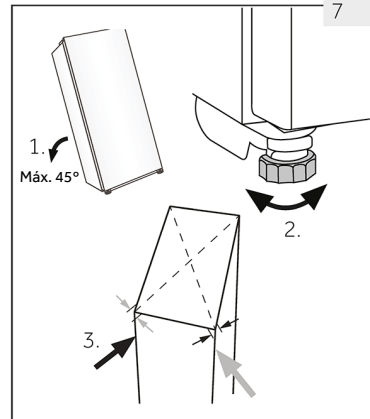
¡ADVERTENCIA!

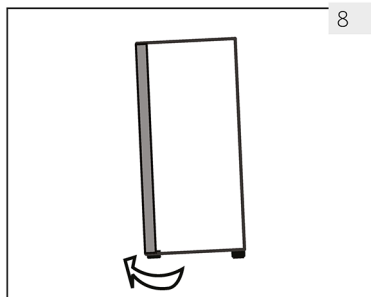
- ▶ No obstruya las aberturas de ventilación del armazón del electrodoméstico o de la estructura integrada. Este aparato de refrigeración no está diseñado para ser utilizado como un electrodoméstico integrado

4. Nivelación del electrodoméstico

Este electrodoméstico debe colocarse sobre una superficie plana y sólida.

1. Incline el electrodoméstico ligeramente hacia atrás (Fig. 7).
2. Ajuste las patas delanteras ajustables al nivel deseado haciéndolas girar.
3. Puede comprobarse la estabilidad golpeando alternativamente las diagonales. El ligero bamboleo debe ser el mismo en ambas direcciones. De lo contrario, el marco puede deformarse y resultar en fugas en las juntas de la puerta. Una ligerísima inclinación hacia atrás facilita el cierre de la puerta.





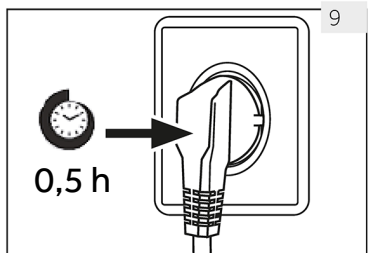
8

5. Ajuste de precisión de la puerta

El electrodoméstico se cierra más fácilmente si se utilizan las patas ajustables situadas en la parte delantera:

Gire las patas ajustables (Fig. 8) para elevarlas o bajarlas:

- ▶ Girar las patas en sentido horario eleva el electrodoméstico.
- ▶ Girar las patas en sentido antihorario baja el electrodoméstico.



9

6. Tiempo de espera

El aceite de lubricación sin mantenimiento se encuentra en la cápsula del compresor. Este aceite puede pasar por el sistema de tuberías cerradas durante el transporte si el electrodoméstico está inclinado. Antes de conectar el electrodoméstico a la fuente de alimentación, espere media hora (Fig. 9) para que el aceite vuelva a entrar en la cápsula.

7. Conexión eléctrica

Antes de cada conexión, compruebe si:

- ▶ La fuente de alimentación, la toma de corriente y el fusible son adecuados para la placa de clasificación.
- ▶ La toma de corriente tiene conexión a tierra y no tiene múltiples contactos ni extensiones.
- ▶ El enchufe y la toma de corriente están bien ajustados.

Conecte el enchufe a una toma de corriente doméstica correctamente instalada.



¡ADVERTENCIA!

Para evitar riesgos, solo el servicio de atención al cliente debe reemplazar un cable de alimentación dañado (ver tarjeta de garantía).



¡ADVERTENCIA!

- ▶ Antes de realizar cualquier operación, desenchufe el electrodoméstico de la red eléctrica.
- ▶ No incline el electrodoméstico más de 45° para evitar daños en el sistema de refrigeración.

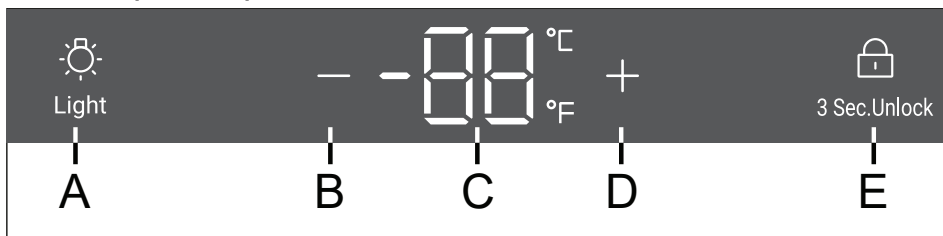
1. Antes del primer uso

- ▶ Retire todos los materiales de embalaje. Esto incluye la base de espuma y toda la cinta adhesiva que sujeta los accesorios de la vinoteca por dentro y por fuera. Manténgalos fuera del alcance de los niños y deséchelos de forma respetuosa con el medio ambiente.
- ▶ Limpie el interior y el exterior del electrodoméstico con agua y un detergente suave antes de introducir cualquier vino en él.
- ▶ Después de nivelar y limpiar el electrodoméstico, espere al menos 2 horas antes de conectarlo a la fuente de alimentación. Si su vinoteca se ha inclinado por cualquier razón, espere 24 horas antes de enchufarla. Consulte la sección Instalación.
- ▶ Una vez que haya enchufado la unidad a una toma de corriente eléctrica, déjela en funcionamiento durante al menos 30 minutos para que se aclimate antes de realizar cualquier ajuste.
- ▶ La temperatura se ajusta automáticamente a 12 °C. Si lo desea, puede cambiar la temperatura manualmente. Consulte la sección Temperatura.

2. Botones táctiles

Los botones del panel de control son táctiles, que responden cuando las toca ligeramente con el dedo.

3. Descripción del panel de control



A Botón de luz

B Temperatura Tecla de ajuste:
abajo

C Pantalla

D Botón de ajuste de temperatura:arriba

E Botón de bloqueo

4. Bloqueo automático

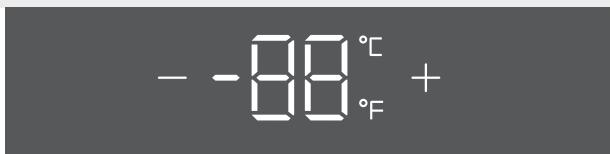
En la pantalla de bloqueo, mantenga presionado el botón de bloqueo durante 3 segundos. La pantalla mostrará 3, 2 y 1, y se desbloqueará. Si no se realiza ninguna operación, la pantalla se bloqueará automáticamente después de 30 segundos. En la pantalla de bloqueo, el ícono de bloqueo estará encendido y no podrá usar los botones (excepto el botón de iluminación).

5. Ajuste de la temperatura

Aviso

Ajustes preestablecidos

- ▶ Una vez que haya enchufado la unidad a una toma de corriente eléctrica, déjela en funcionamiento durante al menos 30 minutos para que se aclimate antes de realizar cualquier ajuste.
- ▶ Cuando se enciende el electrodoméstico después de desconectarlo de la fuente de alimentación principal, alcanzar las temperaturas correctas puede tomar varias horas. El tiempo exacto variará dependiendo del entorno y del ajuste de temperatura.



Press the **+** or **-** the display will start to flash. Press the **+** or **-** to set the desired temperature.. El rango de ajuste de la temperatura es: 5-20 °C (41-68 °F). Suelte el botón durante 3 segundos, se confirmará la temperatura.

6. Modo de espera

La pantalla se atenúa automáticamente durante 30 segundos.

Se enciende automáticamente al tocar cualquier botón o abrir la puerta.

Aviso

Influencias en las temperaturas



La temperatura del interior del electrodoméstico se ve afectada por los siguientes factores:

- ▶ Temperatura ambiente
- ▶ Cantidad de botellas almacenadas
- ▶ Frecuencia de apertura de la puerta
- ▶ Ubicación del electrodoméstico

La configuración predeterminada es de 12 °C.

Cuando la pantalla deja de parpadear, vuelve a mostrar la temperatura actual dentro de la vinoteca. Alcanzar la temperatura establecida tomará algún tiempo.

7. Ajuste del modo de iluminación

Pulse el botón  Las luces se encenderán gradualmente. Al volver a pulsar el botón  las luces se apagarán gradualmente.

8. °C/°F función

Presione el botón “-” durante 3 segundos para cambiar entre Fahrenheit y Celsius.

9. Función de memoria de apagado

En caso de un corte de energía, la bodega guardará automáticamente la temperatura configurada. Tras la recuperación de la energía, funcionará con la temperatura configurada antes del corte.

10. Alarma de apertura de puerta

Si la puerta se mantiene abierta durante más de 1 minuto, sonará un timbre.

dará una alarma hasta que se cierre la puerta o se pueda operar cualquier tecla en el panel de visualización y luego el timbre dejará de sonar.



Consejos de ahorro de energía

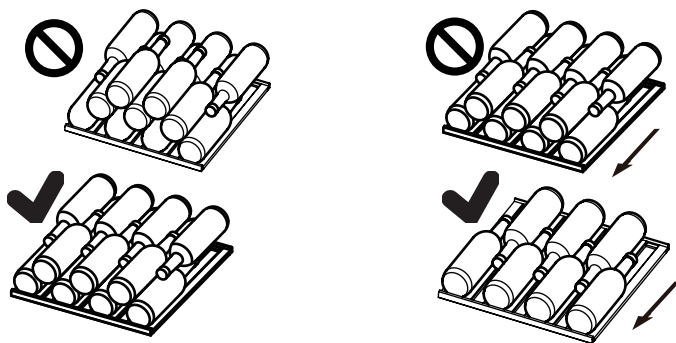
- ▶ Asegúrese de que el electrodoméstico esté bien ventilado (vea INSTALACIÓN).
- ▶ No instale el electrodoméstico bajo la luz directa del sol o cerca de fuentes de calor (p. ej.: fogones, estufas...).
- ▶ Evite una temperatura innecesariamente baja en el electrodoméstico. El consumo de energía aumenta la temperatura del electrodoméstico.
- ▶ Abra la puerta del electrodoméstico lo menos y lo más brevemente posible.
- ▶ No supere la cantidad de botellas para la que está diseñado este electrodoméstico para evitar obstruir el flujo de aire.
- ▶ Mantenga las juntas de la puerta limpias para que la puerta se cierre siempre correctamente.
- ▶ La configuración que ahorra más energía requiere que el cajón, las fiambreras y los estantes se coloquen en el electrodoméstico según el estado de fábrica, y que los alimentos se coloquen de modo que no bloqueen la salida de aire del conducto.
- ▶ Para aumentar la eficiencia energética, las luces deben apagarse cuando no se esté mirando la vinoteca.

1. Estante

1. Los estantes están diseñados para almacenar y extraer fácilmente el vino. Se pueden limpiar con un trapo suave.
2. Se pueden apilar botellas normales de 76 mm de diámetro.
3. La cantidad puede variar del número indicado o de las botellas si se apilan de forma diferente.

Consejos para la distribución de su vinoteca

Recomendamos que el número de botellas de vino no supere las dos capas en cada estante y que el peso a soportar por los estantes no supere los 20 kg. Antes de colocar las botellas en la vinoteca, confirme si los estantes son o no completamente estables. Además, compruebe que ninguna botella sobresalga de los estantes para evitar que las botellas golpeen la puerta de cristal al cerrarse.



2. La luz

La luz interior LED se enciende al abrir la puerta

1. Descongelación

La descongelación de la vinoteca se realiza automáticamente; no se requiere ninguna operación manual.

2. Sustitución de la lámpara LED

La lámpara utiliza LED como fuente de luz, con bajo consumo energético y larga vida útil. Si detecta alguna anomalía, póngase en contacto con el servicio de atención al cliente. Vea ATENCIÓN AL CLIENTE.



¡ADVERTENCIA!

No cambie la lámpara LED usted mismo. Solo debe cambiarla el fabricante o un técnico autorizado.

Este producto contiene una fuente luminosa de clase de eficiencia energética G.

Parámetros de la lámpara LED:

Voltaje: 12 V

Potencia máxima: 2 W

3. Si no se utiliza durante un período más largo

Desenchufe el cable de la toma de corriente.

Limpie el electrodoméstico y las juntas de la puerta como se ha descrito anteriormente.

Mantenga las puertas abiertas para evitar que se generen malos olores en el interior.

4. Desplazar el electrodoméstico

1. Retire todas las botellas y desenchufe el electrodoméstico.

2. Fije los estantes y otras partes móviles a la vinoteca con cinta adhesiva.

3. No incline la vinoteca más de 45° para evitar dañar el sistema de refrigeración.

5. Intercambiador de aire con filtro de carbón activado

La maduración continua del vino depende de las condiciones ambientales. Por lo tanto, la calidad del aire es decisiva para su conservación. En la parte inferior de la pared trasera del aparato se ha instalado un filtro de carbón activado para garantizar una calidad óptima del vino.



Aviso

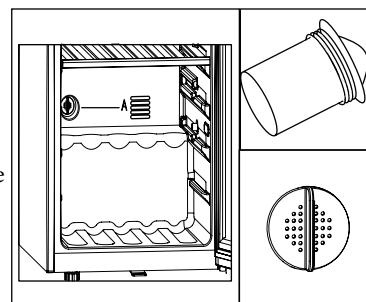
Recomendamos cambiar el filtro una vez al año. Puede obtener los filtros a través de su distribuidor.

Cambio del filtro:

Tome el filtro por el asa. Gírelo hacia la izquierda y retírelo.

Insersión del filtro:

Insértelo con el asa en posición vertical. Gírelo hacia la derecha e insértelo.



Usted mismo puede resolver muchos de los problemas que puedan presentarse sin tener conocimientos específicos. En caso de que se produzca algún problema, compruebe todas las posibilidades ilustradas y siga las instrucciones pertinentes antes de ponerse en contacto con un servicio posventa. Vea ATENCIÓN AL CLIENTE.



¡ADVERTENCIA!

- ▶ Antes de realizar tareas de mantenimiento, desactive el electrodoméstico y desconecte el enchufe de la toma de corriente.
- ▶ Los equipos eléctricos solo deben ser revisados y manejados por electricistas expertos cualificados, ya que las reparaciones incorrectas pueden causar daños considerables en consecuencia.
- ▶ Si el sistema de alimentación está dañado, debe ser sustituido por el fabricante, por su servicio técnico o por cualquier profesional cualificado similar para evitar riesgos.

Código de error	Causa	Solución
L2	La zona de temperatura superior activa la alarma de baja temperatura si la temperatura superior del sensor de control es demasiado baja;	<ol style="list-style-type: none"> 1. Compruebe la temperatura ambiente. 2. Compruebe el conector del compresor. 3. Compruebe la resistencia del sensor de control de temperatura.

Problema	Causa posible	Solución posible
El compresor no funciona.	<ul style="list-style-type: none"> El enchufe no está conectado a la toma de corriente. 	<ul style="list-style-type: none"> Conecte el enchufe.
El electrodoméstico funciona con frecuencia o funciona durante un período de tiempo demasiado largo.	<ul style="list-style-type: none"> La temperatura exterior es demasiado alta. El electrodoméstico ha estado apagado durante cierto de tiempo. Una puerta del electrodoméstico no está bien cerrada. La puerta se ha abierto con demasiada frecuencia o durante mucho tiempo. Las juntas de la puerta están sucias, desgastadas, agrietadas o desparejadas. La circulación de aire requerida no está garantizada. La temperatura establecida es demasiado baja. 	<ul style="list-style-type: none"> En este caso, es normal que el electrodoméstico funcione más tiempo. Normalmente, lleva un tiempo que el electrodoméstico se enfríe completamente. Cierre la puerta y asegúrese de que el electrodoméstico esté ubicado sobre una superficie plana y que no haya alimentos o recipientes que impidan que la puerta se cierre bien. No abra la puerta con demasiada frecuencia. Limpie la junta de la puerta o pídale al servicio de atención al cliente que la cambie. Garantice una ventilación adecuada. El problema se resolverá cuando se haya alcanzado la temperatura deseada.
El interior de la vinoteca está sucio y/o huele mal.	<ul style="list-style-type: none"> El interior de la vinoteca necesita limpieza. 	<ul style="list-style-type: none"> Limpie el interior de la vinoteca.
La temperatura del interior del electrodoméstico no es lo suficientemente fría.	<ul style="list-style-type: none"> La temperatura establecida es demasiado alta. Se han añadido botellas recientemente. Una puerta del electrodoméstico no está bien cerrada. La puerta se ha abierto con frecuencia o durante mucho tiempo. Las juntas de la puerta están sucias, desgastadas, agrietadas o desparejadas. 	<ul style="list-style-type: none"> Restablezca la temperatura. Dé tiempo a que las botellas añadidas recientemente alcancen la temperatura deseada. Cierre la puerta. No abra la puerta con demasiada frecuencia. Limpie la junta de la puerta o pídale al servicio de atención al cliente que la cambie.
La temperatura del interior del electrodoméstico es demasiado fría.	<ul style="list-style-type: none"> La temperatura establecida es demasiado baja. 	<ul style="list-style-type: none"> Restablezca la temperatura.

Problema	Causa posible	Solución posible
Formación de humedad en el interior del compartimento frigorífico.	<ul style="list-style-type: none"> El ambiente es demasiado cálido y demasiado húmedo. Una puerta del electrodoméstico no está bien cerrada. La puerta se ha abierto con frecuencia o durante mucho tiempo. 	<ul style="list-style-type: none"> Aumente la temperatura. Cierre la puerta. No abra la puerta/cajón con demasiada frecuencia.
La humedad se acumula en la superficie exterior de la vinoteca.	<ul style="list-style-type: none"> El ambiente es demasiado cálido y demasiado húmedo. La puerta no está bien cerrada. Hay aire frío dentro del electrodoméstico y aire caliente en el exterior, y se produce condensación. 	<ul style="list-style-type: none"> Esto es normal en un ambiente húmedo y cambiará cuando la humedad disminuya. Asegúrese de que la puerta esté bien cerrada y de que las juntas sellen correctamente.
El electrodoméstico hace sonidos anormales.	<ul style="list-style-type: none"> El electrodoméstico no está ubicado sobre una superficie plana. El electrodoméstico toca algún objeto a su alrededor. 	<ul style="list-style-type: none"> Ajuste las patas para nivelar el electrodoméstico. Retire los objetos que haya alrededor del electrodoméstico.
Se oye un ligero sonido similar al del flujo de agua.	<ul style="list-style-type: none"> Es normal. 	<ul style="list-style-type: none"> -
El sistema de iluminación o refrigeración interior no funciona.	<ul style="list-style-type: none"> El enchufe no está conectado a la toma de corriente. La fuente de alimentación presenta alguna alteración. La lámpara LED no funciona. 	<ul style="list-style-type: none"> Conecte el enchufe. Compruebe el suministro eléctrico a la habitación. Llame a la compañía eléctrica local. Llame al servicio técnico para reemplazarla.
Los lados de la vinoteca se calientan.	<ul style="list-style-type: none"> Esto es normal. 	<ul style="list-style-type: none"> -
La puerta no se cierra correctamente.	<ul style="list-style-type: none"> El electrodoméstico no está nivelado. La puerta está bloqueada. 	<ul style="list-style-type: none"> Nivele el electrodoméstico con las patas ajustables. Compruebe si hay obstrucciones como botellas o estantes.

Para ponerse en contacto con el servicio de asistencia técnica, visite nuestro sitio web: <https://corporate.haier-europe.com/en/>
 En la sección "website", elija la marca de su producto y su país. Se le redirigirá a la página web específica donde podrá encontrar el número de teléfono y el formulario para ponerse en contacto con el servicio de asistencia técnica.

Ficha del producto conforme al Reglamento UE n.º 2019/2016

Marca	Candy
Nombre del modelo / identificador	CNWX4G84G1
Categoría	Vinoteca
Clase de eficiencia energética	G
Consumo anual de energía (kWh/año) ¹⁾	153
Capacidad de botellas (botella de Burdeos de 0,75 l)	84
Clase climática: Este electrodoméstico está destinado a ser utilizado a una temperatura ambiente de entre 10 y 38 °C.	N ST
Emisiones acústicas transmitidas por aire (db(A) re 1pW)	37
Tipo de electrodoméstico	Independiente
Este electrodoméstico está destinado a ser utilizado exclusivamente para el almacenamiento de vino.	Sí
Dimensiones (A/P/A en mm)	495/585/1263

Explicaciones:

1) Basado en los resultados de la prueba estándar de 24 horas. El consumo de energía real depende del entorno real, la cantidad de botellas, la temperatura establecida, la apertura y cierre de la puerta, etc.

2) El consumo energético nominal es el valor obtenido de acuerdo con el ensayo estándar cuando el compartimento del vino no enciende la luz interna.

- templada amplia: «este aparato de refrigeración está destinado a ser utilizado a una temperatura ambiente comprendida entre 10 °C y 32 °C»;

- templada: «este aparato de refrigeración está destinado a ser utilizado a una temperatura

- ambiente comprendida entre 16 °C y 32 °C»;

- subtropical: «este aparato de refrigeración está destinado a ser utilizado a una temperatura ambiente comprendida entre 16 °C y 38 °C»;

- tropical: «este aparato de refrigeración está destinado a ser utilizado a una temperatura ambiente comprendida entre 16 °C y 43 °C»;

Normas y directivas

Este producto cumple los requisitos de todas las directivas CE aplicables con las correspondientes normas acordadas, que establecen el marcado CE.

Recomendamos nuestro Servicio de atención al cliente Haier y el uso de repuestos originales.

Si tiene algún problema con su electrodoméstico, compruebe primero la sección SOLUCIÓN DE PROBLEMAS.

Si no encuentra una solución allí, póngase en contacto con

- ▶ su distribuidor local o
- ▶ con el área de servicio y asistencia en www.haier.com, donde puede encontrar números de teléfono y preguntas frecuentes y activar la solicitud de servicio.

Para ponerse en contacto con nuestro Servicio, asegúrese de tener los siguientes datos disponibles.

Puede encontrar la información en la placa de datos.

Modelo _____ N.º de serie _____

Compruebe también la tarjeta de garantía suministrada con el producto en caso de garantía. Para consultas comerciales generales, estas son nuestras direcciones en Europa:

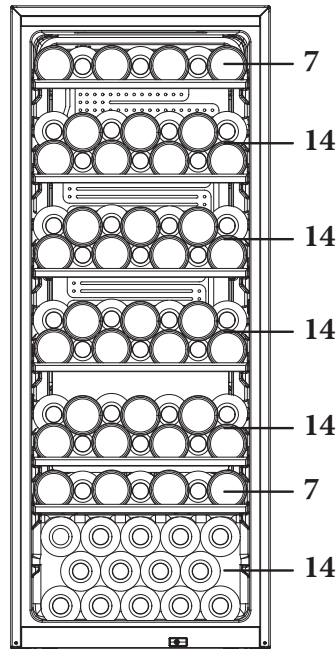
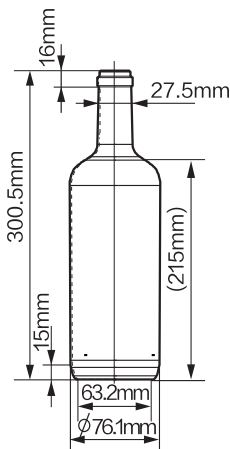
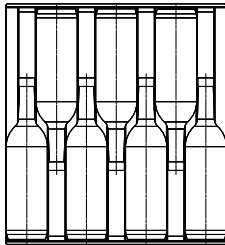
Direcciones de Haier en Europa			
País*	Dirección postal	País	Dirección postal
Italia	Haier Europe Trading SRL Via De Cristoforis, 12 21100 Varese ITALIA		Haier Europe Trading SRL Via De Cristoforis, 12 21100 Varese ITALIA
España	Haier Iberia SL Pg. Garcia Faria, 49-51 08019 Barcelona ESPAÑA	Francia	Haier Benelux SA Anderlecht
Portugal		Bélgica-FR	Route de Lennik 451
		Bélgica-NL	BÉLGICA
		Países Bajos	
		Luxemburgo	Haier Poland Sp. zo.o. Al. Jerozolimskie 181B 02-222 Warszawa POLONIA
Alemania	Haier Deutschland GmbH Hewlett-Packard-Str. 4 D-61352 Bad Homburg ALEMANIA	Polonia	
Austria		República	
	Haier Appliances UK Co. Ltd. One Crown Square Church Street East Woking, Surrey, GU21 6HR REINO UNIDO	Checa	
Reino Unido		Hungría	
		Grecia	
		Rumanía	
		Rusia	

DISPONIBILIDAD DE PIEZAS DE REPUESTO: Los termostatos, los sensores de temperatura, las placas de circuito impresas y las fuentes de luz están disponibles durante un período mínimo de 7 años después de la comercialización de la última unidad del modelo. Las asas, bisagras, bandejas y cestas lo están durante un período mínimo de 7 años, y las juntas durante un período mínimo de 10 años después de la comercialización de la última unidad del modelo.

La garantía mínima es de: 2 años para los países de la UE, 3 años para Turquía, 1 año para el Reino Unido, 1 año para Rusia, 3 años para Suecia, 2 años para Serbia, 5 años para Noruega, 1 año para Marruecos, 6 meses para Argelia, Túnez sin garantía legal, al no requerirse.

Para más información sobre el producto, consulte <https://eprel.ec.europa.eu/o> escanee el código QR en la etiqueta energética suministrada con el electrodoméstico.

1. La disposición de las botellas se basa en una representación gráfica de una botella de Burdeos estándar (0,75 l).
2. Debido a las diferentes especificaciones de las botellas, la cantidad real de carga de botellas podría ser distinta.



(84)
CNWQ4G84G1

Manuel d'utilisation

Cave à vin

CNWQ4G84G1

FR

Merci d'avoir acheté un produit Candy.

Veillez lire attentivement ces instructions avant d'utiliser cet appareil. Les instructions contiennent des informations importantes qui vous aideront à tirer le meilleur parti de l'appareil et à assurer l'installation, l'utilisation et l'entretien sûrs et appropriés de celui-ci.

Conservez ce manuel dans un endroit facilement accessible afin que vous puissiez toujours vous y référer pour une utilisation sûre et appropriée de l'appareil.

Si vous vendez l'appareil, si vous le donnez ou si vous le laissez lorsque vous déménagez, assurez-vous que vous transmettez également ce manuel pour que le nouveau propriétaire puisse se familiariser avec l'appareil et les consignes de sécurité.



Légende

Avertissement : informations importantes sur la sécurité



Informations générales et conseils



Informations environnementales

Mise au rebut

Contribuez à protéger l'environnement et la santé humaine. Jetez l'emballage dans les bacs correspondants pour le recycler. Participez au recyclage des déchets d'appareils électriques et électroniques. Ne jetez pas les appareils marqués de ce symbole avec les déchets ménagers. Ramenez le produit à votre déchetterie locale ou contactez votre bureau municipal.



AVERTISSEMENT !

Risque de blessure ou de suffocation !

Les frigorigènes et les gaz doivent être éliminés par un professionnel. Assurez-vous que le tube du circuit réfrigérant n'est pas endommagé avant d'être correctement éliminé. Débranchez l'appareil du secteur. Coupez le câble d'alimentation et jetez-le. Retirez les clayettes et les tiroirs ainsi que le verrou et les joints de la porte, afin d'éviter que les enfants et les animaux domestiques ne se retrouvent enfermés dans l'appareil.

Les anciens appareils ont encore une valeur résiduelle. Une méthode de mise au rebut respectueuse de l'environnement permettra de récupérer et de réutiliser les matières premières de valeur.

Le cyclopentane, une substance inflammable non toxique pour l'ozone, est utilisé pour former la mousse isolante.

En veillant à ce que ce produit soit éliminé correctement, vous éviterez les effets négatifs potentiels sur l'environnement et la santé humaine, qui pourraient sinon être causés.

Pour plus d'informations sur le recyclage de ce produit, veuillez contacter votre conseiller local, votre service d'élimination des déchets ménagers ou le magasin où vous avez acheté le produit, manipulé par les professionnels.

1- Informations sur la sécurité	184
2- Conseils de sécurité	187
3- Entretien	191
4- Accessoires.....	193
5- Description du produit	194
6- Installation.....	195
7- Utilisation	199
8- Conseils d'économies d'énergie.....	202
9- Matériel.....	203
10- Entretien et nettoyage.....	204
11- Dépannage.....	205
12- Données techniques.....	208
13- Service clientèle.....	209
14- Empilage des bouteilles de vin	210



Cet appareil est destiné à être utilisé exclusivement pour le stockage du vin. Avant d'allumer l'appareil pour la première fois, lisez les conseils de sécurité suivants :



AVERTISSEMENT !

Avant la première utilisation

- ▶ Assurez-vous qu'il n'a pas été endommagé pendant le transport.
- ▶ Retirez tous les emballages et gardez-les hors de la portée des enfants, puis jetez-les d'une manière respectueuse de l'environnement.
- ▶ Attendez au moins une demi-heure avant d'installer l'appareil afin de vous assurer que le circuit réfrigérant fonctionne parfaitement.
- ▶ Manipulez toujours l'appareil avec au moins deux personnes parce qu'il est lourd.
- ▶ Lors du positionnement de l'appareil, vérifiez que le cordon d'alimentation n'est pas coincé ou abîmé.
- ▶ Ne placez pas de systèmes multiprises portatifs ou d'alimentations portatives à l'arrière de l'appareil.

Installation

- ▶ L'appareil doit être placé dans un endroit bien ventilé. Garantissez un espace d'au moins 50 mm au-dessus et autour de l'appareil.
- ▶ **AVERTISSEMENT** : Gardez les ouvertures de ventilation, dans le bâti de l'appareil ou dans la structure intégrée, exemptes d'obstruction.
- ▶ Ne placez jamais l'appareil dans un endroit humide ou un endroit où il pourrait être éclaboussé d'eau. Nettoyez et séchez les éclaboussures d'eau et les taches avec un chiffon doux et propre.
- ▶ N'installez pas votre cave à vin dans un endroit non isolé ou chauffé (p. ex. garage, etc.). Votre cave à vin n'a pas été conçue pour fonctionner à une température ambiante inférieure à 10 °C.
- ▶ N'installez pas l'appareil en plein soleil ou à proximité de sources de chaleur (par ex. cuisinières, chauffages).
- ▶ Installez et mettez à niveau l'appareil dans une zone adaptée à sa taille et à son utilisation.
- ▶ Assurez-vous que les informations électriques figurant sur la plaque signalétique sont conformes à l'alimentation électrique. Si ce n'est pas le cas, contactez un électricien.
- ▶ L'appareil est alimenté par une alimentation de 220-240 VCA/50 Hz. Les variations anormales de tension peuvent provoquer l'arrêt de l'appareil ou endommager le régulateur de température ou le compresseur, ou il peut y avoir un bruit anormal lors du fonctionnement. Dans ce cas, un régulateur automatique doit être monté.
- ▶ N'utilisez pas d'adaptateurs multiprises ni de rallonges.

**AVERTISSEMENT !**

- ▶ **AVERTISSEMENT :** Ne placez pas plusieurs prises portatives ou alimentations portatives à l'arrière de l'appareil.
- ▶ **AVERTISSEMENT :** Lors du positionnement de l'appareil, vérifiez que le cordon d'alimentation n'est pas coincé ou abîmé.
- ▶ Ne marchez pas sur le câble d'alimentation.
- ▶ Utilisez une prise de terre séparée pour l'alimentation électrique qui soit facile d'accès. L'appareil doit être mis à la terre.
- ▶ **Uniquement pour le Royaume-Uni :** Le câble d'alimentation de l'appareil est équipé d'une fiche 3 pôles (de mise à la terre) qui s'adapte à une prise standard 3 pôles (de mise à la terre). Ne coupez jamais ou ne démontez jamais la troisième broche (mise à la terre). Une fois l'appareil installé, la fiche doit être accessible.
- ▶ **AVERTISSEMENT :** N'endommagez pas le circuit réfrigérant.

Utilisation quotidienne

- ▶ Cet appareil peut être utilisé par des enfants à partir de 8 ans et par des personnes ayant des capacités physiques, sensorielles ou mentales réduites ou un manque d'expérience et de connaissances, s'ils sont sous surveillance ou si on leur a appris à utiliser l'appareil en toute sécurité et s'ils comprennent les risques courus.
- ▶ Les enfants ne doivent pas jouer avec l'appareil.
- ▶ Les enfants âgés de 3 à 8 ans sont autorisés à remplir et vider les appareils de réfrigération, mais ne sont pas autorisés à nettoyer et à installer les appareils de réfrigération.
- ▶ Gardez les enfants âgés de moins de 3 ans à l'écart de l'appareil à moins qu'ils ne soient constamment surveillés.
- ▶ Le nettoyage et l'entretien ne doivent pas être effectués par des enfants sans surveillance.
- ▶ L'appareil doit être positionné de manière à ce que la fiche soit accessible.
- ▶ Si du gaz de ville ou tout autre gaz inflammable fuit à proximité de l'appareil, fermez la vanne du gaz qui fuit, ouvrez les portes et les fenêtres et ne débranchez pas le câble d'alimentation de l'appareil.
- ▶ Attendez au moins 7 minutes pour remettre le courant après l'avoir coupé.
- ▶ Ne soulevez pas l'appareil par ses poignées de porte.
- ▶ Les clés doivent être gardées hors de la portée des enfants et pas à proximité de l'appareil pour empêcher que les enfants s'enferment à l'intérieur de l'appareil.

**AVERTISSEMENT !**

- ▶ Notez que l'appareil est conçu pour fonctionner dans une plage de température ambiante spécifique comprise entre 10 °C et 38 °C. L'appareil peut ne pas fonctionner correctement s'il est laissé pendant une longue période à une température inférieure ou supérieure à la plage indiquée.
- ▶ Ne placez pas d'objets instables (objets lourds, récipients remplis d'eau) sur le dessus de l'appareil, pour éviter les blessures corporelles causées par une chute ou un choc électrique causé par le contact avec de l'eau.
- ▶ Ouvrez et fermez la porte uniquement avec les poignées. L'écart entre la porte et la cave est très étroit. Ne mettez pas vos mains dans ces zones pour éviter de vous pincer les doigts. Ouvrez ou fermez les portes de l'appareil uniquement lorsqu'il n'y a pas d'enfants dans le rayon de mouvement de la porte.
- ▶ Ne conservez pas et n'utilisez pas de matières corrosives, explosives ou inflammables dans l'appareil ou à proximité.
- ▶ Ne rangez pas des substances explosives comme des bombes d'aérosol contenant un combustible inflammable dans cet appareil.
- ▶ Ne conservez pas de médicaments, de bactéries ou d'agents chimiques dans l'appareil. Cet appareil est un appareil électroménager. Il n'est pas recommandé pour stocker des produits qui nécessitent des températures strictes.
- ▶ Ne réglez pas une température inutilement basse dans le compartiment de la cave à vin. Des températures inférieures peuvent se produire à des réglages élevés. Attention : Les bouteilles peuvent éclater
- ▶ Ne touchez pas la surface intérieure du compartiment de l'appareil lorsqu'il est en fonctionnement, en particulier avec les mains mouillées, car vos mains peuvent geler sur la surface.
- ▶ Pour un refroidissement correct du vin, ne surchargez pas l'appareil.
- ▶ Débranchez l'appareil en cas de coupure de courant ou avant de le nettoyer. Attendez au moins 7 minutes avant de redémarrer l'appareil, car le démarrage fréquent risque d'endommager le compresseur.
- ▶ **AVERTISSEMENT** : N'utilisez pas d'appareils électriques à l'intérieur de l'électroménager, à moins qu'ils ne soient du type recommandé par le fabricant. Pour éviter tout risque, un câble d'alimentation endommagé doit être remplacé par le service à la clientèle (voir carte de garantie).
- ▶ Pour prolonger la durée de vie de l'appareil, évitez de l'éteindre.
- ▶ Ne placez jamais l'appareil à l'horizontale sur le sol. Après avoir incliné l'appareil de plus de 45°, attendez 24 heures avant de le brancher.

**AVERTISSEMENT !****Entretien/nettoyage**

- ▶ Veillez à superviser les enfants s'ils effectuent le nettoyage et l'entretien.
- ▶ Débranchez l'appareil du secteur avant d'effectuer tout entretien courant. Attendez au moins 7 minutes avant de redémarrer l'appareil, car le démarrage fréquent risque d'endommager le compresseur.
- ▶ Tenez la fiche, pas le câble, lorsque vous débranchez l'appareil.
- ▶ Ne nettoyez pas l'appareil à l'aide de brosses dures, de brosses métalliques, de détergents en poudre, d'essence, d'acétate d'amyle, d'acétone et de solutions organiques similaires, d'acides ou de solutions alcalines. Nettoyez-le avec un détergent spécial pour réfrigérateur-congélateur afin d'éviter de l'endommager. Enfin, utilisez de l'eau tiède et une solution de bicarbonate de soude : environ une cuillère à soupe de bicarbonate de soude pour un litre/quart d'eau. Rincez abondamment à l'eau et essuyez. N'utilisez pas de poudres de nettoyage ou d'autres nettoyeurs abrasifs. Ne lavez pas les pièces amovibles au lave-vaisselle.
- ▶ **AVERTISSEMENT** : N'utilisez pas de dispositifs mécaniques ou d'autres moyens pour accélérer le processus de dégivrage, hormis ceux recommandés par le fabricant.
- ▶ Si le cordon d'alimentation est endommagé, faites-le remplacer par le fabricant, le service après-vente ou un électricien qualifié pour éviter tout risque d'accident.
- ▶ N'essayez pas de réparer, démonter ou modifier l'appareil vous-même. En cas de réparation, veuillez contacter notre service clientèle.
- ▶ Si les lampes d'éclairage sont endommagées, elles doivent être remplacées par le fabricant, son service de maintenance ou des personnes de qualification similaire afin d'éviter tout danger.
- ▶ Éliminez la poussière à l'arrière de l'appareil au moins une fois par an pour éviter tout risque d'incendie, ainsi que l'augmentation de la consommation d'énergie.
- ▶ Pour éviter la contamination des aliments, veuillez respecter les instructions suivantes :
 - L'ouverture prolongée de la porte peut entraîner une augmentation significative de la température dans les compartiments de l'appareil.

- ▶ Ne pulvérisez pas et ne rincez pas l'appareil pendant le nettoyage.
- ▶ N'utilisez pas de jet d'eau ou de vapeur pour nettoyer l'appareil.
- ▶ Ne nettoyez pas la porte froide en verre à l'eau chaude. Un changement soudain de température peut casser le verre.
- ▶ Si vous laissez votre appareil hors d'usage pendant une période prolongée, laissez-le ouvert pour éviter que des odeurs désagréables se forment à l'intérieur.

Informations sur les gaz réfrigérants



AVERTISSEMENT !

L'appareil contient de l'ISOBUTANE, un réfrigérant inflammable (R600a). Assurez-vous que le circuit du réfrigérant n'est pas endommagé pendant le transport ou l'installation. Les fuites de frigorigène peuvent provoquer des blessures oculaires ou s'enflammer. Si un dommage s'est produit, gardez les sources de feu ouvert à l'écart, aérez complètement la pièce, ne branchez pas ou ne débranchez pas les cordons d'alimentation de l'appareil ou de tout autre appareil. Informez le service à la clientèle.

En cas de contact du réfrigérant avec les yeux, rincez-les immédiatement à l'eau courante et appelez immédiatement un oculiste.

AVERTISSEMENT : Le système de réfrigération est sous haute pression. Ne le modifiez pas. Étant donné que des réfrigérants inflammables sont utilisés, veuillez installer, manipuler et entretenir l'appareil en suivant strictement les instructions et contactez l'agent professionnel ou notre service après-vente pour mettre l'appareil au rebut.

Utilisation prévue


Cet appareil est conçu pour être utilisé dans une habitation et pour des applications similaires telles que

- coins-cuisine du personnel dans des magasins, bureaux et autres environnements de travail ;
 - habitations rurales et par des clients dans des hôtels, motels et autres environnements de type résidentiel ;
 - environnements de type chambres d'hôtes ou B&B ;
 - restauration et applications similaires non dédiées à la vente au détail.
- Pour assurer une conservation sûre du vin, veuillez respecter cette notice d'utilisation.
- Les détails de la partie la plus appropriée dans le compartiment de l'appareil où des types spécifiques d'aliments doivent être stockés, compte tenu de la répartition de la température pouvant être présente dans les différents compartiments de l'appareil, se trouvent dans l'autre partie du manuel.

Les changements ou modifications apportés à l'appareil ne sont pas autorisés. Une utilisation non prévue peut entraîner des risques et la perte de garantie.

Mise au rebut



Le symbole  figurant sur le produit ou sur son emballage indique qu'il ne doit pas être traité comme des ordures ménagères. Vous devez l'apporter à un centre de tri pour le recyclage des produits électriques et électroniques. En éliminant correctement cet appareil, vous évitez toutes les conséquences négatives pour l'environnement et la santé humaine, susceptibles de se présenter si cet appareil n'est pas éliminé correctement. Pour plus d'informations sur le recyclage de ce produit, veuillez contacter votre mairie, votre service de collecte des ordures ménagères ou le magasin où vous avez acheté le produit.

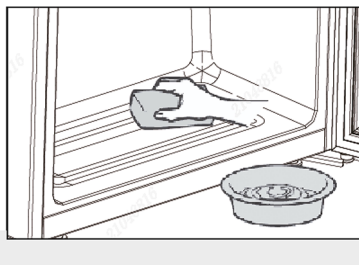
Étant donné que des gaz de soufflage d'isolation inflammables sont utilisés, veuillez contacter l'agent professionnel ou notre service après-vente pour la mise au rebut de l'appareil.

AVERTISSEMENT !

Risque de blessures ou de suffocation !

Les frigorigènes et les gaz doivent être éliminés par un professionnel. Assurez-vous que le tube du circuit réfrigérant n'est pas endommagé avant d'être correctement éliminé. Débranchez l'appareil du secteur. Coupez le câble d'alimentation et jetez-le. Retirez les clayettes et les tiroirs ainsi que le verrou et les joints de la porte afin d'éviter que les enfants et les animaux domestiques ne se retrouvent enfermés dans l'appareil.

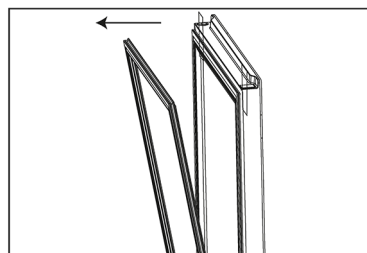
- ▶ **AVERTISSEMENT :** Débranchez l'appareil de l'alimentation électrique avant de le nettoyer.
- ▶ Ne nettoyez pas l'appareil à l'aide de brosses dures, de brosses métalliques, de détergents en poudre, d'essence, d'acétate d'amyle, d'acétone et de solutions organiques similaires, d'acides ou de solutions alcalines. Nettoyez-le avec un détergent spécial pour réfrigérateur afin d'éviter de l'endommager.
- ▶ Nettoyez l'appareil lorsqu'il ne contient que quelques bouteilles de vin ou qu'il est vide et seulement lorsqu'il est sale.
- ▶ Nettoyez l'intérieur et le bâti de l'appareil à l'aide d'une éponge imbibée d'eau tiède et de détergent neutre.
- ▶ Rincez à l'eau tiède propre et séchez à l'aide d'un chiffon doux.
- ▶ Ne nettoyez aucune des parties de l'appareil au lave-vaisselle.
- ▶ Attendez au moins 7 minutes avant de redémarrer l'appareil car le démarrage fréquent risque d'endommager le compresseur.



Nettoyez le joint de la porte :

- ▶ Les joints de porte doivent être nettoyés tous les 3 mois pour assurer une bonne étanchéité. Comme suit : Retirez-le : Saisissez le joint de la porte et tirez-le selon le sens de la flèche pour enlever tout le joint de la porte dans l'ordre.

Trempez la brosse dans de l'eau ou de l'alcool alimentaire, nettoyez d'abord la rainure du joint de la porte en tirant vers l'arrière en passant la brosse de l'arrière vers l'avant. Essayez ensuite la surface du joint de la porte avec un torchon imbibé d'eau ou d'alcool alimentaire. Enfin, lavez le joint de la porte et essuyez-le avec un torchon propre.



Montage du joint de porte après nettoyage :

Avant de le monter, assurez-vous qu'il n'y a pas d'eau sur le joint de la porte. Insérez le joint de la porte dans la rainure et appuyez fermement sur le joint de la porte de haut en bas à la main jusqu'à ce que tout le joint de la porte soit inséré dans la rainure.

Nettoyage des clayettes :

- ▶ Toutes les clayettes peuvent être retirées pour le nettoyage.
- ▶ Sortez toutes les bouteilles.
- ▶ Soulevez chaque clayette un peu et retirez-la.
- ▶ Nettoyez la clayette à l'aide d'un torchon doux.
- ▶ Attendez que les clayettes soient sèches avant de les remettre en place.

AVERTISSEMENT :

Attendez au moins 7 minutes pour remettre le courant après l'avoir coupé.

Vérifiez les accessoires et la littérature conformément à cette liste :

Nom	Manuel d'utilisation	Carte de service	Clayette	Étiquette énergétique
CNWQ4G84G1	1	1	6	1

**Information**

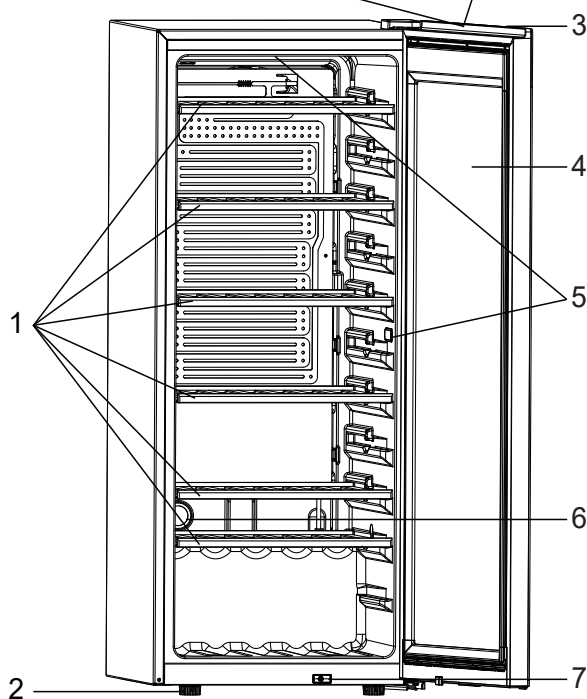
En raison des changements techniques et de différents modèles, certaines des illustrations de ce manuel peuvent différer de votre modèle.

Image de l'appareil

Light



3 Sec.Unlock



CNWQ4G84G1

- 1. Étagère
- 2. Pieds réglables
- 3. Présentoir
- 4. Porte

- 5. Lampe LED
- 6. Filtre à charbon actif
- 7. Interrupteur

1. Déballage

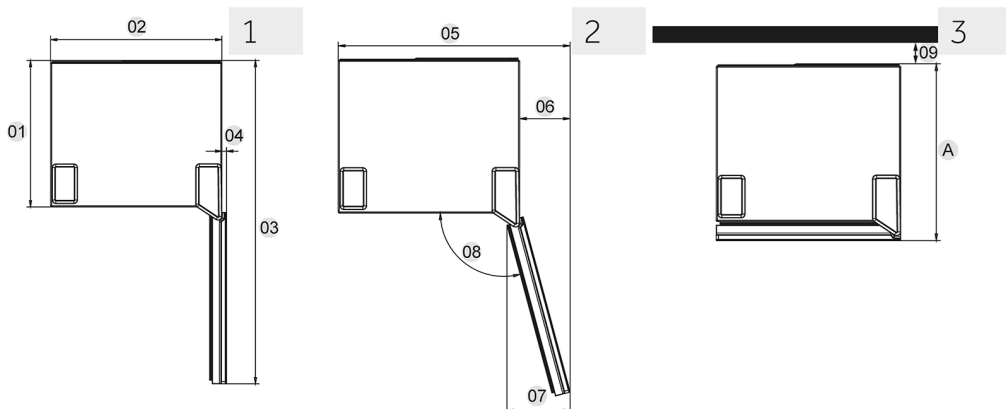
- ▶ Sortez l'appareil de l'emballage.
- ▶ Retirez tous les matériaux d'emballage, y compris la base en mousse et tout le ruban adhésif qui retient les accessoires.

2. Conditions environnementales

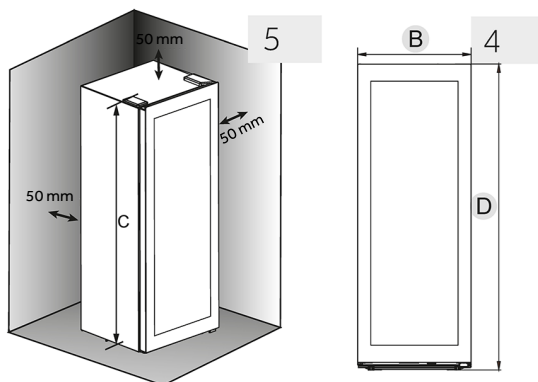
La température ambiante doit toujours être comprise entre 10 °C et 38 °C, car elle peut influencer la température à l'intérieur de l'appareil et sa consommation d'énergie. N'installez pas l'appareil à proximité d'autres appareils générant de la chaleur (fours, réfrigérateurs) sans isolation.

3. Espace requis

Espace nécessaire pour ouvrir la porte (fig. 1, 2, 3, 4). Pour des raisons énergétiques et de sécurité, il faut respecter la distance de ventilation requise de 50 mm dans toutes les directions (fig. 5).



Mesures : mm	CNWX4G84G1
Profondeur A	585
Largeur B	495
Hauteur C	1262
Hauteur totale D	1263
01	535
02	495
03	1043
04	11
05	630
06	135
07	167
08	105°
09	50





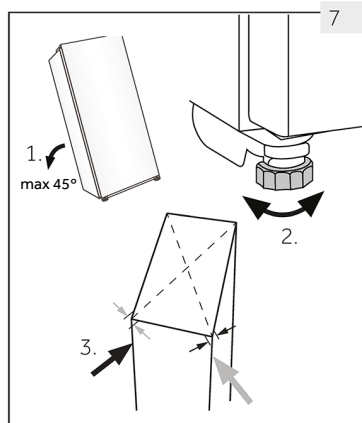
AVERTISSEMENT !

- ▶ Maintenez les ouvertures de ventilation situées dans l'appareil ou dans la structure encastrée libres de toute obstruction. Cet appareil de réfrigération n'est pas destiné à être utilisé comme un appareil encastré.

4. Alignement de l'appareil

L'appareil doit être placé sur une surface plane et solide.

1. Inclinez légèrement l'appareil vers l'arrière (Fig. 7).
2. Réglez les pieds avant réglables au niveau souhaité en les tournant.
3. La stabilité peut être vérifiée en alternant les diagonales. Le léger flottement doit être le même dans les deux directions. Dans le cas contraire, le cadre peut se déformer ; cela se traduit par des fuites au niveau des joints de la porte. Une faible tendance vers l'arrière facilite la fermeture de la porte.

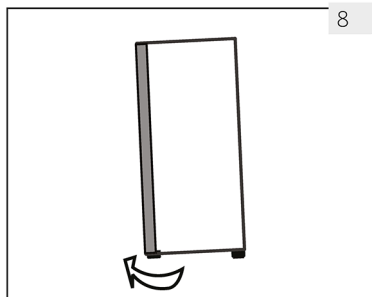


7

1. max 45°

2.

3.



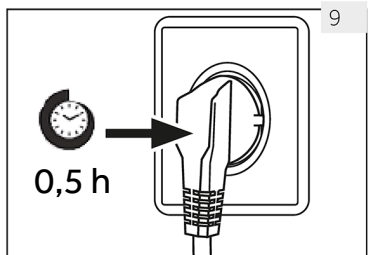
8

5. Réglage fin de la porte

L'appareil se ferme plus facilement si les pieds de nivellement sur le devant sont utilisés :

Tournez les pieds réglables (Fig.8) pour les monter ou les baisser :

- ▶ La rotation des pieds dans le sens des aiguilles d'une montre soulève l'appareil.
- ▶ Tournez les pieds dans le sens contraire des aiguilles d'une montre pour baisser l'appareil.



9

6. Temps d'attente

L'huile de lubrification sans entretien se trouve dans la capsule du compresseur. Cette huile peut passer par le système fermé de tuyauterie pendant le transport si l'appareil est incliné. Avant de brancher l'appareil sur l'alimentation électrique, attendez 0,5 heure (Fig.9) afin que l'huile revienne dans la capsule.

7. Branchement électrique

Avant chaque branchement, vérifiez si :

- ▶ l'alimentation, la prise et le fusible sont adaptés à la plaque signalétique.
- ▶ la prise de courant est mise à la terre et sans multiprise ni rallonge.
- ▶ la fiche d'alimentation et la prise sont adaptées l'une à l'autre.

Branchez la fiche sur une prise domestique correctement installée.



AVERTISSEMENT !

Pour éviter tout risque, un câble d'alimentation endommagé doit être remplacé par le service à la clientèle (voir carte de garantie).



AVERTISSEMENT !

- ▶ Avant toute opération, débranchez tout d'abord l'appareil du secteur.
- ▶ N'inclinez pas l'appareil à plus de 45° pour éviter d'endommager le système de refroidissement.

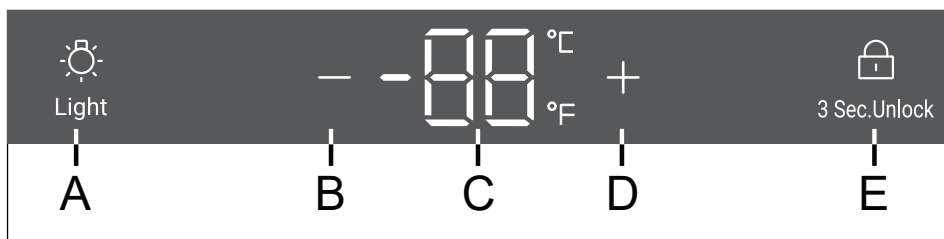
1. Avant la première utilisation

- ▶ Retirez tous les matériaux d'emballage. Cela inclut la base en mousse et tout le ruban adhésif tenant les accessoires de la cave à vin à l'intérieur et à l'extérieur. Gardez-les hors de portée des enfants et jetez-les d'une manière respectueuse de l'environnement.
- ▶ Nettoyez l'intérieur et l'extérieur de l'appareil avec de l'eau et un détergent doux avant d'y mettre du vin.
- ▶ Une fois l'appareil à plat et nettoyé, attendez au moins 2 heures avant de le brancher à l'alimentation électrique. Si votre cave à vin a été inclinée pour quelque raison que ce soit, attendez 24 heures avant de la brancher. Reportez-vous au paragraphe INSTALLATION.
- ▶ Une fois que vous avez branché l'appareil sur une prise électrique, laissez l'appareil fonctionner pendant au moins 30 minutes pour s'acclimater avant de procéder à des réglages.
- ▶ La température est automatiquement réglée sur 12 °C. Si vous le souhaitez, vous pouvez modifier la température manuellement. Reportez-vous au paragraphe TEMPÉRATURE.

2. Touches tactiles

Les boutons du panneau de commande sont des touches tactiles qui réagissent lorsque le doigt les effleure légèrement.

3. Description du panneau de commande



A Bouton d'éclairage

B Bouton de réglage de la température : bas

C Affichage

D Bouton de réglage de la température : vers le haut

E Bouton de verrouillage

4. Fonction de verrouillage automatique

Lorsque l'écran est verrouillé, appuyez longuement sur le bouton de verrouillage pendant 3 secondes. L'écran affiche 3, 2 et 1. L'écran se déverrouille. En l'absence d'opération, l'écran se verrouille automatiquement au bout de 30 secondes. Lorsque l'écran est verrouillé, l'icône de verrouillage est allumée et les boutons de l'écran sont inutilisables (à l'exception du bouton d'éclairage).

5. Réglage de la température

Information

Préréglages

- ▶ Une fois que vous avez branché l'appareil sur une prise électrique, laissez à l'appareil au moins 30 minutes pour s'acclimater avant de procéder à des réglages.
- ▶ Lorsque l'appareil est allumé après avoir été débranché de l'alimentation secteur, il peut falloir plusieurs heures pour que les températures correctes soient atteintes. Le temps exact varie en fonction de l'environnement et du réglage de la température.



Appuyez sur la touche **+** ou **-** l'affichage commencera à clignoter. Appuyez sur la touche **+** ou **-** pour régler la température souhaitée. La plage de réglage de la température : 5-20 °C (41-68 °F).

Cessez d'appuyer sur la touche pendant 3 secondes, la température est validée.

6. Mode veille

L'écran s'assombrit automatiquement pendant 30 secondes.

Il s'allume automatiquement dès que vous appuyez sur un bouton ou que vous ouvrez la porte.

Information

Influence sur les températures



La température à l'intérieur de l'appareil est influencée par les facteurs suivants :

- ▶ Température ambiante
- ▶ Quantité de bouteilles stockées
- ▶ Fréquence d'ouverture de la porte
- ▶ L'emplacement de l'appareil

Le réglage par défaut est de 12 °C

Lorsque l'écran cesse de clignoter, il revient à l'indication de la température actuelle à l'intérieur de la cave à vin. Il faudra un certain temps pour atteindre la température définie.

7. Réglage du mode d'éclairage

Appuyez sur le bouton  Les lumières s'allumeront progressivement. Appuyez à nouveau sur le bouton  pour les éteindre progressivement.

8. °C/°F fonction

Appuyez sur le bouton « _ » pendant 3 secondes pour basculer entre Fahrenheit et Celsius.

9. Fonction de mémoire hors tension

En cas de panne de courant, la cave enregistrera automatiquement la température réglée. Après le rétablissement du courant, elle fonctionnera en fonction de la température réglée avant la panne de courant.

10. Alarme d'ouverture de porte

Si la porte reste ouverte pendant plus d'une minute, le buzzer émettra un bip pour donner une alarme jusqu'à ce que la porte soit fermée ou qu'une touche du panneau d'affichage puisse être actionnée, puis le buzzer cessera de biper.



Conseils d'économie d'énergie

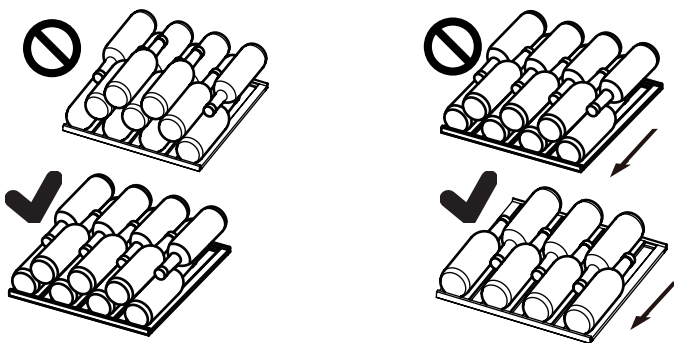
- ▶ Assurez-vous que l'appareil est bien ventilé (voir INSTALLATION).
- ▶ N'installez pas l'appareil en plein soleil ou à proximité de sources de chaleur (par ex. cuisinières, chauffages).
- ▶ Évitez une température inutilement basse dans l'appareil. Plus vous réglez bas la température de l'appareil, plus la consommation d'énergie augmente.
- ▶ Ouvrez la porte de l'appareil le moins souvent et le plus rapidement possible.
- ▶ Ne dépassez pas la quantité prévue de bouteilles pour éviter de bloquer la circulation de l'air.
- ▶ Gardez les joints de la porte propres afin que la porte se ferme toujours correctement.
- ▶ La configuration la plus économe en énergie nécessite que le tiroir, la boîte de rangement et les clayettes soient positionnés dans l'appareil dans les conditions d'usine, et que les aliments soient placés sans bloquer la sortie d'air du conduit.
- ▶ Pour augmenter l'efficacité énergétique, il faut éteindre la lumière lorsqu'on ne regarde pas la cave à vin.

1. Clayette

1. Les clayettes sont conçues pour faciliter le stockage et le retrait du vin. Elles peuvent être nettoyées avec un chiffon doux.
2. Les bouteilles normales d'un diamètre de 76 mm peuvent être empilées.
3. La quantité de bouteilles peut varier du nombre de bouteilles représentées si elles sont empilées d'une manière différente.

Conseils pour le rangement de votre cave à vin

Nous recommandons que le nombre de bouteilles de vin ne dépasse pas deux couches sur chaque clayette, et la capacité de charge des clayettes de vin ne doit pas dépasser 20 kg. Avant de placer les bouteilles à l'intérieur de la cave à vin, vérifiez si les clayettes sont parfaitement stables ou non. En outre, vérifiez si une bouteille dépasse ou non des clayettes afin d'éviter que des bouteilles ne cognent contre la porte vitrée lors de la fermeture.



2. La lumière

La lumière LED à l'intérieur s'allume lorsque la porte est ouverte

1. Dégivrage

Le dégivrage de la cave à vin se fait automatiquement ; aucune opération manuelle n'est nécessaire.

2. Remplacement de la lampe LED

La lampe utilise la LED comme source de lumière, avec une faible consommation d'énergie et une longue durée de vie. En cas d'anomalie, veuillez contacter le service clientèle. Voir la section SERVICE CLIENTÈLE.



AVERTISSEMENT !

Ne remplacez pas la lampe LED vous-même. Elle ne doit être remplacée que par le fabricant ou l'agent de maintenance agréé.

Ce produit contient une source de lumière appartenant à la classe d'efficacité énergétique G.

Paramètres de la lampe LED :

Tension 12 V

Puissance max. : 2 W

3. Non-utilisation pendant une période plus longue

Débranchez le cordon d'alimentation.

Nettoyez l'appareil et les joints de la porte comme cela est décrit ci-dessus.

Gardez la porte ouverte pour éviter la formation de mauvaises odeurs à l'intérieur.

4. Déplacement de l'appareil

1. Retirez toutes les bouteilles et débranchez l'appareil.

2. Fixez les clayettes et les autres parties mobiles dans la cave à vin avec du ruban adhésif.

3. N'inclinez pas la cave à vin à plus de 45° pour éviter d'endommager le système de réfrigération.

5. Échangeur d'air avec filtre à charbon actif

La maturation des vins dépend des conditions ambiantes. La qualité de l'air est donc déterminante pour la conservation du vin. Un filtre à charbon actif est installé dans la partie inférieure de la paroi arrière de l'appareil afin de conserver les vins à une qualité optimale.



Avis

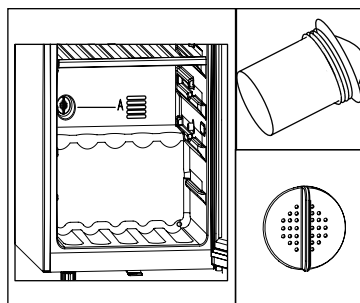
Nous vous recommandons de remplacer le filtre une fois par an. Vous pouvez vous le procurer auprès de votre revendeur.

Changement du filtre :

Prenez le filtre par la poignée. Tournez-le vers la gauche et retirez-le.

Insertion du filtre :

Insérez-le avec la poignée en position verticale. Tournez-le vers la droite et insérez-le.



Vous pouvez résoudre de nombreux problèmes vous-même sans expertise spécifique. En cas de problème, veuillez vérifier toutes les possibilités indiquées et suivre les instructions ci-dessous avant de contacter un service clientèle. Reportez-vous au paragraphe SERVICE CLIENTÈLE.



AVERTISSEMENT !

- ▶ Avant l'entretien, désactivez l'appareil et débranchez la fiche secteur de la prise secteur.
- ▶ L'équipement électrique ne doit être entretenu que par des experts en électricité qualifiés, car des réparations inappropriées peuvent causer des dommages consécutifs considérables.
- ▶ Une alimentation endommagée ne devrait être remplacée que par le fabricant, son agent de maintenance ou des personnes avec une qualification similaire de manière à éviter tout danger.

Code d'erreur	Cause	Solution
L2	L'alarme de température basse est déclenchée lorsque la température supérieure du capteur de contrôle est trop basse ;	<ol style="list-style-type: none"> 1. Vérifiez la température ambiante. 2. Vérifiez le connecteur du compresseur. 3. Vérifier la résistance du capteur de contrôle de la température.

Problème	Cause possible	Solution possible
Le compresseur ne fonctionne pas.	<ul style="list-style-type: none"> La fiche secteur n'est pas branchée dans la prise secteur. 	<ul style="list-style-type: none"> Branchez la fiche secteur.
L'appareil fonctionne fréquemment ou fonctionne trop longtemps.	<ul style="list-style-type: none"> La température extérieure est trop élevée. L'appareil a été hors tension pendant un certain temps. Une porte de l'appareil n'est pas bien fermée. La porte a été ouverte trop fréquemment ou trop longtemps. Les joints de la porte sont sales, usés, fissurés ou ne correspondent pas. La circulation de l'air requise n'est pas garantie. La température réglée est trop basse. 	<ul style="list-style-type: none"> Dans ce cas, il est normal que l'appareil fonctionne plus longtemps. Normalement, il faut un moment pour que l'appareil refroidisse complètement. Fermez la porte et assurez-vous que l'appareil est situé sur un sol à niveau et qu'il n'y a pas d'aliment ou de récipient bloquant la porte. N'ouvrez pas trop souvent la porte. Nettoyez le joint de la porte ou faites-le remplacer par le service clientèle. Assurez une ventilation adéquate. Le problème se résoudra tout seul lorsque la température souhaitée sera atteinte.
L'intérieur de la cave à vin est sale et/ou sent.	<ul style="list-style-type: none"> L'intérieur de la cave a besoin de nettoyage. 	<ul style="list-style-type: none"> Nettoyez l'intérieur de la cave à vin.
Il ne fait pas suffisamment froid à l'intérieur de l'appareil.	<ul style="list-style-type: none"> La température réglée est trop élevée. Des bouteilles ont été ajoutées récemment. Une porte de l'appareil n'est pas bien fermée. La porte a été ouverte trop fréquemment ou trop longtemps. Les joints de la porte sont sales, usés, fissurés ou ne correspondent pas. 	<ul style="list-style-type: none"> Réinitialisez la température. Attendez que les bouteilles récemment ajoutées atteignent la température souhaitée. Fermez la porte. N'ouvrez pas trop souvent la porte. Nettoyez le joint de la porte ou faites-le remplacer par le service clientèle.
Il fait trop froid à l'intérieur de l'appareil.	<ul style="list-style-type: none"> La température réglée est trop basse. 	<ul style="list-style-type: none"> Réinitialisez la température.

Problème	Cause possible	Solution possible
Formation d'humidité à l'intérieur du compartiment réfrigérateur.	<ul style="list-style-type: none"> Le climat est trop chaud et trop humide. Une porte de l'appareil n'est pas bien fermée. La porte a été ouverte trop fréquemment ou trop longtemps. 	<ul style="list-style-type: none"> Augmentez la température. Fermez la porte. N'ouvrez pas trop souvent la porte / le tiroir.
L'humidité s'accumule sur la surface extérieure de la cave à vin.	<ul style="list-style-type: none"> Le climat est trop chaud et trop humide La porte n'est pas fermée hermétiquement. L'air froid de l'appareil et l'air chaud à l'extérieur de celui-ci se condense. 	<ul style="list-style-type: none"> C'est normal dans un climat humide et cela va changer lorsque l'humidité diminuera. Assurez-vous que la porte est bien fermée et que les joints d'étanchéité sont bien hermétiques.
L'appareil émet des sons anormaux	<ul style="list-style-type: none"> L'appareil n'est pas situé sur un sol plan. L'appareil touche un objet situé à proximité. 	<ul style="list-style-type: none"> Réglez le pied pour mettre l'appareil à niveau. Retirez les objets autour de l'appareil.
Un léger son similaire à celui de l'eau doit être entendu.	<ul style="list-style-type: none"> Cela est normal 	<ul style="list-style-type: none"> -
Le système d'éclairage ou de refroidissement à l'intérieur ne fonctionne pas.	<ul style="list-style-type: none"> La fiche secteur n'est pas branchée sur la prise secteur. L'alimentation n'est pas intacte. La lampe LED est hors service. 	<ul style="list-style-type: none"> Branchez la fiche secteur. Vérifiez l'alimentation électrique de la pièce. Appelez la société d'électricité locale. Veillez appeler le service pour le changement
Les parois du système de refroidissement deviennent chaudes.	<ul style="list-style-type: none"> Cela est normal. 	<ul style="list-style-type: none"> -
La porte ne se ferme pas correctement	<ul style="list-style-type: none"> L'appareil n'est pas à niveau. La porte est bloquée. 	<ul style="list-style-type: none"> Mettez l'appareil à niveau avec les pieds de nivellement. Vérifiez s'il y a des choses qui la bloquent, comme des bouteilles ou des clayettes.

Pour contacter l'assistance technique, visitez notre site web : <https://corporate.haier-europe.com/en/>

Dans la rubrique « site web », choisissez la marque de votre produit et votre pays. Vous serez redirigé vers le site web spécifique où vous trouverez le numéro de téléphone et le formulaire pour contacter l'assistance technique.

Fiche du produit selon la réglementation UE n° 2019/2016

Marque	Candy
Nom du modèle / identifiant	CNWQ4G84G1
Catégorie	Cave à vin
Classe d'efficacité énergétique	G
Consommation d'énergie annuelle (kWh/an) ¹⁾	153
Capacité en bouteilles (bouteille de bordeaux de 0,75 L)	84
Classe climatique : Cet appareil est destiné à être utilisé à une température ambiante comprise entre 10 °C et 38 °C.	N ST
Émissions acoustiques dans l'air (db(A) re 1pW)	37
Type d'appareil	Autonome
Cet appareil est destiné à être utilisé exclusivement pour le stockage du vin.	Oui
Dimensions (L/P/H en mm)	495/585/1263

Explications :

1) d'après les résultats des tests standard pendant 24 heures. La consommation réelle dépend de l'environnement réel, de la quantité de bouteilles, de la température réglée, de l'ouverture et de la fermeture de la porte, etc.

2) La consommation d'énergie nominale est la valeur obtenue en fonction de l'essai standard lorsque l'armoire à vin n'allume pas la lumière à l'intérieur.

- tempéré étendu : « cet appareil de réfrigération est destiné à être utilisé à des températures ambiantes allant de 10 °C à 32 °C » ;

- tempéré : « cet appareil de réfrigération est destiné à être utilisé à des températures ambiantes

- allant de 16 °C à 32 °C » ;

- subtropical : « cet appareil de réfrigération est destiné à être utilisé à des températures ambiantes allant de 16 °C à 38 °C » ;

- tropical : « cet appareil de réfrigération est destiné à être utilisé à des températures ambiantes allant de 16 °C à 43 °C ».

Normes et directives

Ce produit satisfait aux exigences de toutes les directives CE applicables avec les normes harmonisées correspondantes, qui prévoient le marquage CE.

Nous recommandons notre Service clientèle Haier et l'utilisation de pièces détachées d'origine.

Si vous rencontrez un problème avec votre appareil, veuillez d'abord consulter le paragraphe DÉPANNAGE.

Si vous ne trouvez pas de solution, veuillez contacter

- ▶ votre revendeur local ou
- ▶ l'espace Service & Assistance sur le site www.haier.com où vous pouvez trouver les numéros de téléphone et les FAQ et où vous pouvez activer la demande de service.

Pour contacter notre Service, assurez-vous que vous disposez des données suivantes. Les informations se trouvent sur la plaque signalétique.

Modèle _____ N° de série _____

Vérifiez également la carte de garantie fournie avec le produit en cas de garantie. Pour toute question commerciale générale, veuillez trouver nos adresses en Europe ci-dessous :

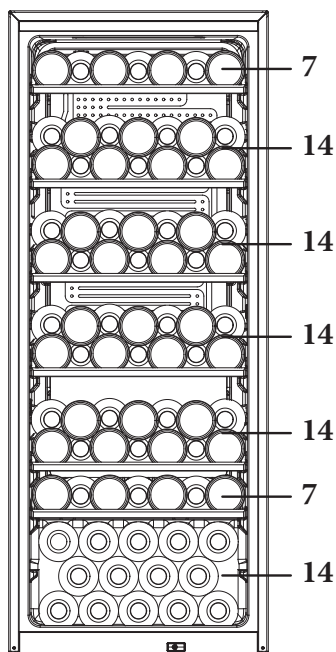
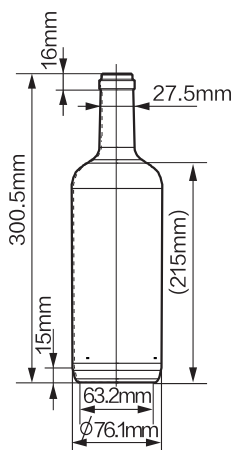
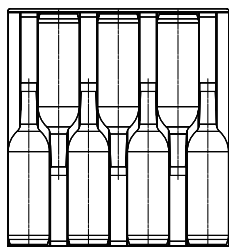
Adresses de Haier en Europe			
Pays*	Adresse postale	Pays	Adresse postale
Italie	Haier Europe Trading SRL Via De Cristoforis, 12 21100 Varese ITALIE	France	Haier Europe Trading SRL Via De Cristoforis, 12 21100 Varese ITALIE
Espagne	Haier Iberia SL Pg. Garcia Faria, 49-51	Belgique-FR	Haier Benelux SA Anderlecht
Portugal	08019 Barcelone ESPAGNE	Belgique-NL	Route de Lennik 451 BELGIQUE
Allemagne	Haier Deutschland GmbH Hewlett-Packard-Str. 4 D-61352 Bad Homburg ALLEMAGNE	Pays-Bas	Haier Poland Sp. zo.o. Al. Jerozolimskie 181B 02-222 Warszawa POLOGNE
Autriche		Luxembourg	
	Haier Appliances UK Co. Ltd. One Crown Square Church Street East Woking, Surrey, GU21 6HR	Pologne	
Royaume-Uni	ROYAUME-UNI	Tchéquie	
		Hongrie	
		Grèce	
		Roumanie	
		Russie	

DISPONIBILITÉ DES PIÈCES DÉTACHÉES : Les thermostats, les capteurs de température, les circuits imprimés et les sources de lumière sont disponibles pendant une période minimale de sept ans après la mise sur le marché de la dernière unité du modèle. Poignées de porte, charnières de porte, bacs et paniers pendant une période minimale de sept ans et joints de porte pendant une période minimale de 10 ans, après la mise sur le marché de la dernière unité du modèle

La garantie minimale est : 2 ans pour les pays de l'UE, 3 ans pour la Turquie, 1 an pour le Royaume-Uni, 1 an pour la Russie, 3 ans pour la Suède, 2 ans pour la Serbie, 5 ans pour la Norvège, 1 an pour le Maroc, 6 mois pour l'Algérie, aucune garantie légale pour la Tunisie.

Pour plus d'informations sur le produit, consultez <https://eprel.ec.europa.eu/> ou scannez le code QR sur l'étiquette énergétique fournie avec l'appareil.

1. La disposition des bouteilles se base sur une représentation graphique d'une bouteille standard de vin de Bordeaux (0,75 l).
2. En raison des différentes caractéristiques des bouteilles, le nombre réel de bouteilles stockées peut varier.



(84)
CNWQ4G84G1

Felhasználói kézikönyv

Borhűtő

CNWQ4G84G1

HU

Köszönjük, hogy Candy terméket vásárolt.

A készülék használata előtt olvassa el figyelmesen ezeket az utasításokat. Az utasítások fontos információkat tartalmaznak, amelyek segítenek abban, hogy a lehető legtöbbet hozza ki a készülékből, és szavatolják a biztonságos és megfelelő teleptést, használatot és karbantartást.

Tartsa ezt a kézikönyvet könnyen elérhető helyen, hogy bármikor fellapozhassa a készülék biztonságos és megfelelő használatához.

Ha eladja a készüléket, elajándékozza, vagy a lakásban hagyja költözéskor, győződjön meg arról, hogy ezt a kézikönyvet is átadja, hogy az új tulajdonos megismerhesse a készüléket és a biztonsági figyelmeztetéseket.

**Jelmagyarázat****Figyelmeztetés - Fontos biztonsági információk**

Általános információk és tippek



Környezetvédelmi információk

Ártalmatlanítás

Járuljon hozzá a környezet és az emberi egészség védelméhez. Az újrahasznosítás érdekében a csomagolást a megfelelő hulladéktárolóba selejtezze ki. Járuljon hozzá az elektromos és elektronikus berendezések hulladékainak az újrahasznosításához. Ne a háztartási hulladékkal együtt dobja ki az ezzel a szimbólummal jelölt készülékeket. Vigye vissza a terméket a helyi újrahasznosító létesítménybe, vagy vegye fel a kapcsolatot a helyi hivatallal.

**FIGYELMEZTETÉS!****Sérülés vagy fulladás veszélye!**

A hűtőközegeket és a gázokat szakszerűen kell ártalmatlanítani. Győződjön meg a hűtőkör csövének a sértetlenségéről, mielőtt megfelelően ártalmatlanítaná. Válassza le a készüléket a hálózati tápellátásról. Vágja el a hálózati kábelt és selejtezze ki. Távolítsa el a tálcákat és fiókokat, valamint az ajtóreteszt és a tömitéseket, hogy megakadályozza a gyermekek és háziállatok bezáródását a készülékbe.

A régi készülékek még mindig rendelkeznek némi maradványértékkel. A környezetbarát ártalmatlanítási módszer biztosítani fogja, hogy az értékes nyersanyagokat vissza lehessen nyerni és újra fel lehessen használni.

A ciklopentánt, az ózonra nem ártalmas gyúlékony anyagot a szigetelőhab tágitójaként használják.

Azáltal, hogy biztosítja a termék megfelelő ártalmatlanítását, segít megelőzni a környezetre és az emberi egészségre gyakorolt esetleges negatív következményeket, amelyek egyébként előfordulhatnak.

A termék újrahasznosítására vonatkozó részletesebb tájékoztatás ügyében tájékozódjon a helyi önkormányzatnál, a háztartási hulladékot kezelő szolgáltatónál vagy az üzletben, ahol a terméket vásárolta, ahol szakemberek állnak rendelkezésére.

1- Biztonsági információk.....	214
2- Biztonsági tippek	217
3- Karbantartás	221
4- Tartozékok.....	223
5- Termékleírás	224
6- Telepítés	225
7- Használat.....	229
8- Energiatakarékossági tippek.....	232
9- Berendezés	233
10- Ápolás és tisztítás.....	234
11- Hibaelhárítás	235
12- Műszaki adatok	238
13- Ügyfélszolgálat	239
14- Borosüvegek egymásra helyezése	240

A készüléket kizárólag bor tárolására használja. A készülék első bekapcsolása előtt olvassa el a következő biztonsági tanácsokat:



FIGYELMEZTETÉS!

Első használat előtt

- ▶ Győződjön meg arról, hogy szállítás során a termék nem sérült.
- ▶ Távolítsa el az összes csomagolóanyagot, és ezeket tartsa gyermekektől elzárva, kiselejtezésüket pedig környezetbarát módon végezze.
- ▶ A készülék telepítése előtt várjon legalább fél órát a hűtőkör teljes hatékonyságának biztosítása érdekében.
- ▶ Mivel a készülék nehéz, mindig legalább két személy szükséges a kezeléséhez vagy mozgatásához.
- ▶ A berendezés elhelyezésekor ellenőrizze, hogy a tápkábel nincs-e beszorulva vagy nem sérült-e.
- ▶ Ne helyezzen több hordozható csatlakozót vagy hordozható tápegységet a berendezés mögé.

Telepítés

- ▶ A készüléket jól szellőző helyre telepítse. Biztosítson legalább 50 mm-es helyet a készülék felett és körül.
- ▶ **FIGYELMEZTETÉS:** A berendezés tokozásában vagy a beépített szerkezetben a ventilációs nyílásokat hagyja akadálymentesen.
- ▶ Soha ne helyezze a készüléket nedves területre vagy olyan helyre, ahol víz fröccsenhet rá. A vízfröccsenéseket és a foltokat törölje le és szárassa puha, tiszta törülköendővel.
- ▶ Ne telepítse a borhűtőt nem megfelelően szigetelt vagy fűtött helyre, pl. garázsba stb. A borhűtőt nem arra tervezték, hogy 10 °C alatti környezeti hőmérsékleten működjön.
- ▶ Ne szerelje be a készüléket közvetlen napsugárzásnak kitett helyre vagy hőforrások (pl. kályhák, fűtőberendezések) közelébe.
- ▶ A méretének és felhasználásnak megfelelő helyre szerelje be és állítsa szintbe a készüléket.
- ▶ Bizonyosodjon meg arról, hogy az adattáblán olvasható elektromos jellemzők megfelelnek az elérhető tápellátás jellemzőinek. Ellenkező esetben forduljon villanyszerelőhöz.
- ▶ A készülék 220–240 V váltóáramú, 50 Hz-es tápellátást igényel. A rendellenes feszültségingadozás nyomán előfordulhat, hogy a készülék nem indul be, károsodhat a hőmérséklet-vezérlő vagy a kompresszor, illetve működés során rendellenes zaj jelentkezhethet. Hasonló esetben szereljen fel automatikus feszültség szabályozót.
- ▶ Ne használjon többdugós adaptereket és hosszabbítókábeleket.

**FIGYELMEZTETÉS!**

- ▶ **FIGYELMEZTETÉS:** Ne helyezzen több hordozható csatlakozót vagy hordozható tápegységet a berendezés mögé.
- ▶ **FIGYELMEZTETÉS:** A berendezés elhelyezésekor ellenőrizze, hogy a tápkábel nincs-e beszorulva vagy nem sérült-e.
- ▶ Ne lépjen a tápkábelre.
- ▶ A tápegységhez külön földelt aljzatot használjon, amely könnyen hozzáférhető. A készülék mindenképpen földelésre szorul.
- ▶ **Csak az Egyesült Királyság esetén:** A készülék tápkábele 3 érintkezős (földeléses) dugasszal rendelkezik, amelyik szabványos 3 érintkezős (földeléses) aljzathoz illeszkedik. Soha ne vágja le vagy távolítsa el a harmadik érintkezőt (földelést). A készülék beszerelését követően a dugasznak hozzáférhetőnek kell maradnia.
- ▶ **FIGYELMEZTETÉS:** Ne okozza a hűtőközeg kör sérülését.

Napi használat

- ▶ A berendezést 8 évnél idősebb gyermekek vagy csökkent fizikai, érzékszervi vagy mentális képességű, vagy tapasztalattal és ismerettel nem rendelkező személyek akkor használhatják, ha felügyelet alatt állnak vagy ha megfelelő utasításokkal látták el őket a berendezés biztonságos használatát illetően, és megértették a használatból eredő veszélyeket.
- ▶ Gyermekek nem játszhatnak a berendezéssel.
- ▶ A 3 és 8 év közötti gyermekek be- és kirakodhatják a hűtőkészülékeket, de tisztításukat és szerelésüket nem végezhetik.
- ▶ Tartsa távol a 3 évesnél fiatalabb gyermekeket a készüléktől, kivéve, ha biztosítja a folyamatos felügyeletet.
- ▶ A berendezés tisztítását és karbantartását gyermekek csak felügyelet mellett végezhetik.
- ▶ A készüléket úgy kell elhelyezni, hogy a csatlakozó hozzáférhető legyen.
- ▶ Ha városi gáz vagy más gyúlékony gáz szivárog a készülék közelében, zárja el a szivárgó gáz szelepét, nyissa ki az ajtókat és ablakokat, és ne húzza ki a készülék tápkábelét.
- ▶ Az áramellátás visszakapcsolása előtt várjon legalább 7 percet az áramellátás kikapcsolásától számítva.
- ▶ Ne emelje a készüléket az ajtófogantyúktól.
- ▶ A kulcsokat gyermekek elől elzárva kell tartani, és tilos a készülék közelében tartani, ezzel megelőzve gyermekek készülékbe záródását.

**FIGYELMEZTETÉS!**

- ▶ Vegye figyelembe, hogy a készülék 10 °C és 38 °C közötti környezeti hőmérsékleten való működésre készült. Előfordulhat, hogy a készülék nem működik megfelelően, ha hosszabb ideig a jelzett tartomány feletti vagy alatti hőmérsékleten üzemel.
- ▶ Ne helyezzen instabil cikkeket (nehéz tárgyakat, vízzel teli edényeket) a készülék tetejére, elkerülve így a személyi sérüléseket, amiket ezen tárgyak leesése vagy a vízzel való érintkezés nyomán bekövetkező áramütés okozhat.
- ▶ Az ajtó nyitását vagy becsukását kizárólag a fogantyúkkal végezze. Az ajtó és a szekrény közötti rés nagyon szűk. Ne tegye a kezét ezekre a területekre, mivel az ujjai becsípődhetnek. Csak akkor nyissa ki vagy csukja be a készülék ajtaját, ha nem állnak gyermekek az ajtó mozgási tartományán belül.
- ▶ Ne tároljon, ill. használjon gyúlékony, robbanásveszélyes vagy maró hatású anyagokat a készülékben vagy a közelében.
- ▶ Ne tároljon robbanásveszélyes anyagokat, például gyúlékony hajtóanyagot tartalmazó aeroszolos palackot a berendezésben.
- ▶ A készülékben ne tároljon gyógyszereket, baktériumokat vagy vegyszereket. Ez a készülék háztartási készülék. Nem javasoljuk olyan anyagok tárolását, amelyek szűk hőmérséklet-tartományban tárolhatók.
- ▶ Ne állítson be szükségtelenül alacsony hőmérsékletet a borszekrény rekeszben. Magas teljesítménybeállítások esetén mínusz fokok alakulhatnak ki. Figyelem: A palackok szétrobbanhatnak
- ▶ Működés közben ne érintse meg a készülék belső felületét, különösen nedves kézzel, mert a keze a felülethez fagyhat.
- ▶ A megfelelő borhűtés érdekében ne terhelje túl a készüléket.
- ▶ Áramszünet esetén vagy tisztítás előtt húzza ki a készüléket az aljzatból. A készülék újraindítása előtt várjon legalább 7 percet, mivel a készülék gyakori indítása során károsodhat a kompresszor.
- ▶ **FIGYELMEZTETÉS:** Ne használjon elektromos készülékeket a készüléken belül, kivéve a gyártó által jóváhagyott típust. A kockázatok elkerülése érdekében a sérült tápkábelt kötelezően ki kell cserélni, ezt pedig csak az ügyfélszolgálat munkatársa végezheti el (lásd a jótállási jegyet).
- ▶ A készülék élettartamának meghosszabbítása érdekében kerülje a kikapcsolását.
- ▶ Soha ne fektesse a készüléket vízszintesen a földre. Ha 45°-nál nagyobb mértékben megdőntötte a készüléket, várjon 24 órát, mielőtt csatlakoztatná.

**FIGYELMEZTETÉS!****Karbantartás / tisztítás**

- ▶ Gondoskodjon a gyermekek felügyeletéről, ha tisztítást vagy karbantartást végeznek.
- ▶ A rutinszerű karbantartás megkezdése előtt húzza ki a készüléket a villanyhálózatból. A készülék újraindítása előtt várjon legalább 7 perct, mivel a készülék gyakori indítása során károsodhat a kompresszor.
- ▶ A készülék aljzatból való leválasztásakor ne a kábelt, hanem a csatlakozódugót húzza.
- ▶ Ne tisztítsa a készüléket keménysörtés kefékkel, drótkefékkel, mosóporral, benzinnel, amil-acetáttal, acetonnal és hasonló szerves oldatokkal, valamint savas vagy lúgos oldatokkal. A károsodások elkerülése érdekében a hűtőszekrény/fagyasztó tisztítását speciális, adott célra kialakított tisztítószerrel végezze. Esetleg használjon meleg vizet és szódobikarbóna oldatot: körülbelül egy evőkanál szódobikarbónát adagoljon egy liter vízhez. Öblítse át alaposan vízzel, majd törölje szárazra. Ne használjon poralapú tisztítószeret vagy egyéb súrolószert. Az eltávolítható alkatrészeket ne mossa mosogatógépben.
- ▶ **FIGYELMEZTETÉS:** A kiolvasztási folyamat felgyorsításához csak a gyártó által javasolt mechanikai berendezéseket vagy egyéb eszközöket használja.
- ▶ Ha a tápkábel megsérül, a veszély elkerülése érdekében cseréltesse ki a gyártóval, a gyártó szervizközpontjával vagy más szakemberrel.
- ▶ Ne tegyen kísérletet a készülék saját kezű javítására, szétszerelésére vagy módosítására. Javítás szükségessége esetén vegye fel a kapcsolatot az ügyfélszolgálatunkkal.
- ▶ Ha a világítószervelvek megsérülnek, a veszély elkerülése érdekében cseréltesse ki azokat a gyártóval, a gyártó szervizközpontjával vagy hasonlóan képzett szakemberrel.
- ▶ Évente legalább egyszer távolítsa el a port a készülék hátoldaláról, így elkerülve a tűzveszélyt, valamint a megnövekedett energiafogyasztást.
- ▶ Az élelmiszerek szennyeződésének az elkerülése érdekében, kérjük, tartsa be a következő utasításokat:
 - Ha hosszú ideig nyitva tartja az ajtót, a készülék rekeszeiben jelentősen megemelkedhet a hőmérséklet.

- ▶ Tisztítás közben ne permetezze vagy öblítse le a készüléket.
- ▶ Ne használjon vízpermetet vagy gőzt a készülék tisztításához.
- ▶ A hideg üvegajtót ne tisztítsa forró vízzel. A hirtelen hőmérsékletváltozás nyomán az üveg megrepedhet.
- ▶ Ha hosszabb ideig nem használja a készüléket, hagyja nyitva, hogy megakadályozza az állott és kellemetlen szagok kialakulását.

Gázalapú hűtőközegre vonatkozó információk



FIGYELMEZTETÉS!

A készülék gyúlékony IZOBUTÁN (R600a) hűtőközeget tartalmaz. Győződjön meg arról, hogy a hűtőközeg köre nem sérült meg szállítás vagy beszerelés közben. A szivárgó hűtőközeg szemsérülést okozhat, vagy belobbanhat. Sérülés esetén tartsa távol a tűzforrásoktól, szellőztesse ki alaposan a helyiséget, ne csatlakoztassa, vagy húzza ki a készülék vagy egyéb készülék tápkábelét. Tájékoztassa az ügyfélszolgálatot.

Ha a hűtőközeg szembe kerül, azonnal öblítse ki folyó víz alatt, és azonnal forduljon szemész szakorvoshoz.

FIGYELMEZTETÉS: A hűtőrendszerben nagy nyomás uralkodik. Ne tegyen kísérletet semmilyen beavatkozásra. Mivel a készülék gyúlékony hűtőközeget használ, kérjük, a készüléket szigorúan az utasításoknak megfelelően telepítse, kezelje és szervizelje, a készülék kiselejtezése tekintetében pedig vegye fel a kapcsolatot és lépjen kapcsolatba szakemberrel vagy a vevőszolgálat munkatársaival.

Rendeltetésszerű használat

A berendezések kizárólag háztartási célra vagy hasonló alkalmazásokban használhatók, pl.:

- üzletek, irodák és egyéb gazdasági munkakörnyezetek személyzeti konyhája;
- falusi vendéglátás és ügyfelek szállodákban, motelekben és egyéb szállást adó helyeken;
- szállást és reggelit biztosító szállások;
- vendéglátás, és hasonló nem kiskereskedelmi alkalmazások.


▶ A bor biztonságos megőrzése érdekében, kérjük, tartsa be ezt a használati utasítást.

▶ A készülék rekeszének azon legmegfelelőbb részére vonatkozó részletek, ahol meghatározott típusú élelmiszerek tárolhatók, figyelembe véve a készülék különböző rekeszeiben esetlegesen előforduló hőmérséklet eloszlását, a kézikönyv másik részében találhatók.

A készüléken változtatások vagy módosítások végrehajtása nem megengedett. A nem rendeltetésszerű használat veszélyeket eredményezhet, illetve a szavatossági igények érvénytelenítésével járhat.

Ártalmatlanítás



A terméken vagy a csomagolásán található  szimbólum azt jelzi, hogy a termék nem kezelhető háztartási hulladékként. A készüléket ehelyett adja le elektromos és elektronikus berendezések újrahasznosítására létesített megfelelő gyűjtőpontban. Azáltal, hogy biztosítja a termék megfelelő ártalmatlanítását, segít megelőzni a környezetre és az emberi egészségre gyakorolt esetleges negatív következményeket, amelyek egyébként előfordulhatnak a termék nem megfelelő hulladékkezelése esetén. A termék újrahasznosítására vonatkozó részletesebb tájékoztatás ügyében tájékozódjon a helyi önkormányzatnál, a háztartási hulladékot kezelő szolgáltatónál vagy az üzletben, ahol a terméket vásárolta.

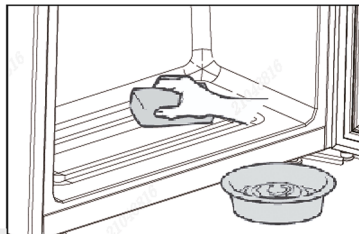
Mivel a készülék gyártása során gyúlékony szigetelésfűvő-gázokat használtunk, kérjük, a készülék ártalmatlanítása érdekében vegye fel a kapcsolatot szakemberrel vagy a vevőszolgálat munkatársaival.

FIGYELMEZTETÉS!

Sérülés vagy fulladás veszélye!

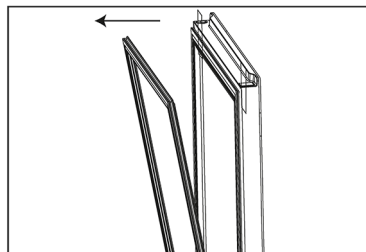
A hűtőközegeket és a gázokat szakszerűen kell ártalmatlanítani. Győződjön meg a hűtőkör csövének a sértetlenségéről, mielőtt megfelelően ártalmatlanítaná. Válassza le a készüléket a hálózati tápellátásról. Vágja el a hálózati kábelt és selejtezze ki. Távolítsa el a tálcákat és fiókokat, valamint az ajtóreteszt és a tömitéseket, hogy megakadályozza a gyermekek és háziállatok bezáródását a készülékbe.

- ▶ **FIGYELMEZTETÉS:** Tisztítás előtt válassza le a hálózatról a készüléket.
- ▶ Ne tisztítsa a készüléket keménysörtés kefékkel, drótkefékkel, mosóporral, benzinnel, amil-acetáttal, acetonnal és hasonló szerves oldatokkal, valamint savas vagy lúgos oldatokkal. A károsodások elkerülése érdekében a hűtőszekrény tisztítását speciális, adott célra kialakított tisztítószerrel végezze.
- ▶ Akkor tisztítsa meg a készüléket, ha a készülékben kevés bor található, vagy amikor üres. A készülék csak szennyeződött állapot esetén igényel tisztítást.
- ▶ Tisztítsa meg a készülék belsejét és burkolatát meleg vízzel és semleges tisztítószerrel átnedvesített szivaccsal.
- ▶ Öblítse le tiszta, meleg vízzel, és puha törülközővel törölje szárazra.
- ▶ A készülék egyetlen részét vagy tartozékát se tisztítsa mosogatógépben.
- ▶ A készülék újraindítása előtt várjon legalább 7 perct, mivel a készülék gyakori indítása során károsodhat a kompresszor.



Tisztítsa meg az ajtó tömítést:

- ▶ A megfelelő tömítés biztosítása érdekében, javasoljuk, 3 havonta tisztítsa meg az ajtó tömítéseket. Az alábbiak szerint: **Eltávolítás:** Fogja meg az ajtó tömítést, és húzza ki a nyíl irányának megfelelően, hogy sértetlenül eltávolítsa a teljes ajtó tömítést. Merítse a kefét vízbe vagy élelmiszeripari minőségű alkoholba, először tisztítsa meg az ajtó tömítés hornyát a kefe előre-hátra húzásával. Ezután törölje le az ajtó tömítés felületét vízbe vagy élelmiszeripari minőségű alkoholba mártott törülközővel. Végül öblítse tisztára az ajtó tömítést, és törölje szárazra egy tiszta törülközővel.



Az ajtó tömítés felszerelése tisztítás után:

A telepítés előtt győződjön meg az ajtó tömítés vízmentességéről. Helyezze be az ajtó tömítést a horonyba, és kézzel nyomja szorosan az ajtó tömítést felülről lefelé, amíg az egész ajtó tömítés a horonyba nem kerül.

A polcok tisztítása:

- ▶ Mindegyik polc eltávolítható tisztítás céljából.
- ▶ Vegye ki az összes palackot.
- ▶ Az egyes polcokat emelje meg egy kicsit, majd vegye ki.
- ▶ Tisztítsa meg a polcot egy puha törülközővel.
- ▶ Mielőtt visszahelyezné a polcokat, várja meg, amíg azok megszáradnak.

FIGYELMEZTETÉS:

Az áramellátás visszakapcsolása előtt várjon legalább 7 percet az áramellátás kikapcsolásától számítva.

Ellenőrizze a tartozékokat és a szakirodalmat ennek a listának megfelelően:

Név	Felhasználói kézikönyv	Szervizlap	Polc	Energiacímke
CNWQ4G32G2	1	1	6	1

**Megjegyzés**

A műszaki módosítások és különböző modellek miatt előfordulhat, hogy a kézikönyvben látható egyes ábrák eltérőek az Ön modelljéhez képest.

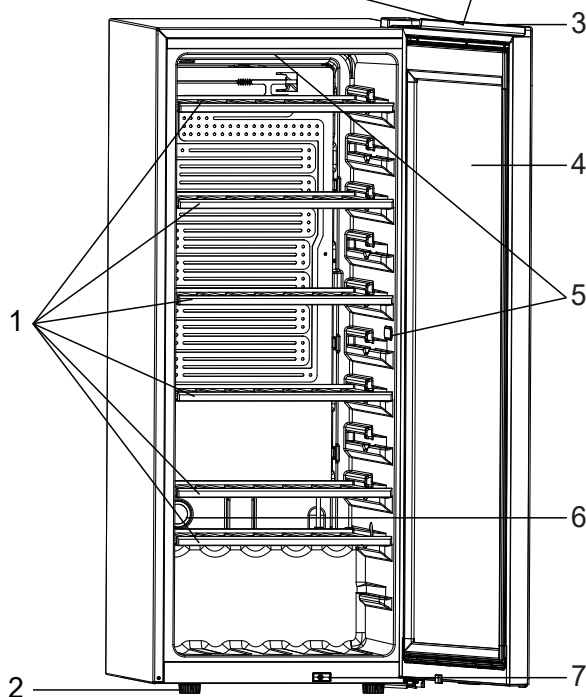
Kép a készülékről

Light

— — 00 °C +
°F



3 Sec.Unlock



CNWQ4G84G1

- | | |
|--------------------|--------------------|
| 1. Polc | 5. LED lámpa |
| 2. Állítható lábak | 6. Aktív szén­sűrő |
| 3. Kijelző | 7. Kapcsoló |
| 4. Ajtó | |

1. Kicsomagolás

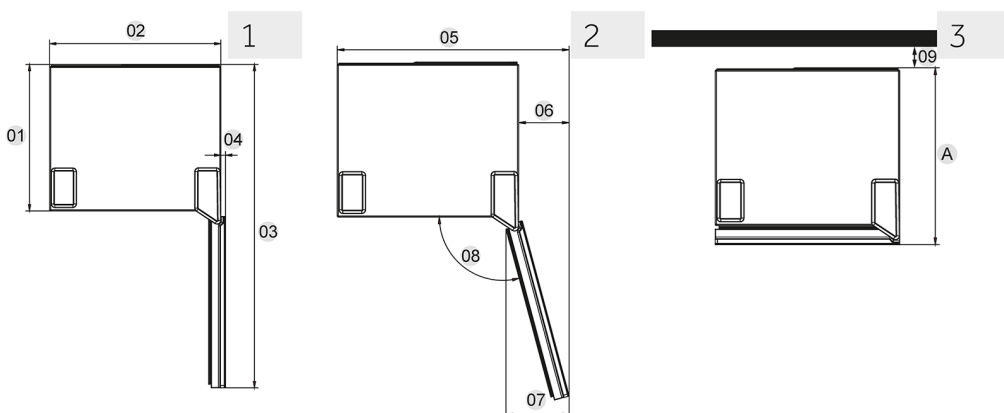
- ▶ Vegye ki a készüléket a csomagolásból.
- ▶ Távolítsa el az összes csomagolóanyagot, beleértve a hab alapi részt és a tartozékokat rögzítő összes ragasztószalagot.

2. Környezeti körülmények

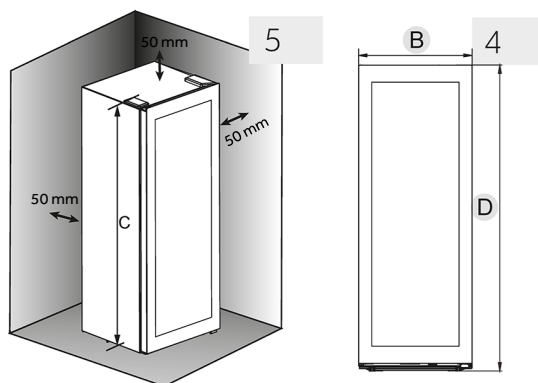
A szobahőmérsékletnek mindig 10 °C és 38 °C között kell lennie, mivel befolyásolhatja a készülék belsejének hőmérsékletét és energiafogyasztását. Szigetelés nélkül ne telepítse a készüléket egyéb hőkibocsátó készülékek (sütők, hűtőgépek) közelébe.

3. Helyigény

Az ajtó kinyitásához szükséges hely (1., 2., 3., 4. ábra); biztonsági és energetikai okokból minden irányban tartsa be az előírt 50 mm-es szellőzési távolságot (5. ábra).



Mértékegység: mm	CNWQ4G84G1
Mélység A	585
Szélesség B	495
Magasság C	1262
Feljes magasság D	1263
01	535
02	495
03	1043
04	11
05	630
06	135
07	167
08	105°
09	50



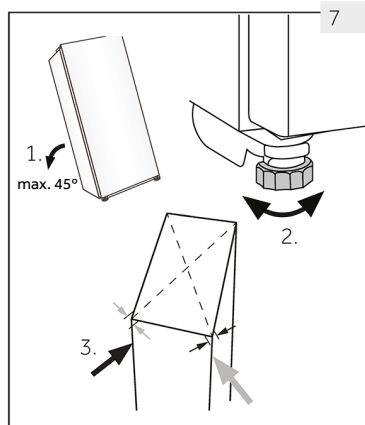
**FIGYELMEZTETÉS!**

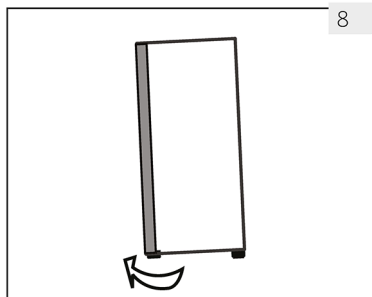
- A berendezésen vagy a beépített szerkezetben a szellőzőnyílásokat ne takarja el. Ez a hűtőberendezés kialakításából adódóan nem arra készült, hogy beépíthető készülékként üzemeljen

4. A készülék elhelyezése

A készüléket sík és szilárd felületre telepítse.

1. Enyhén döntse meg hátrafelé a készüléket (7. ábra).
2. Forgatással állítsa be az állítható elülső lábakat a kívánt magasságra.
3. A stabilitást ellenőrizheti, ha az átlók mentén nyomást helyez a készülékre. Az enyhe lengésnek mindkét irányban azonosnak kell lennie. Ellenkező esetben a keret görbülhet; ez pedig esetleg szivárgó ajtó tömítéseket eredményezhet. Az enyhe hátradőlés elősegíti az ajtó bezáródását.





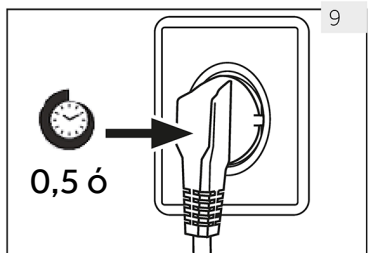
8

5. Az ajtó finomhangolása

A készülék könnyebben záródik, ha megfelelően beállítja az elülső szintező lábakat:

Forgassa el az állítható lábakat (8. ábra) felfelé vagy lefelé állításához:

- ▶ A lábak óramutató járásával megegyező irányba történő elforgatásával megemeli a készüléket.
- ▶ A lábak az óramutató járásával ellentétes irányba történő elforgatásával leengedi a készüléket.



9

6. Várakozási idő

A kompresszorban kialakított gyűjtőedényben karbantartásmentes kenőolaj található. A készülék megdöntése esetén ez az olaj átjuthat a zárt csőrendszeren szállítás közben. Mielőtt tápellátáshoz csatlakoztatná a készüléket, várjon 0,5 órát (9. ábra), hogy az olaj visszajusson a gyűjtőedénybe.

7. Elektromos csatlakoztatás

Minden egyes csatlakoztatás előtt ellenőrizze az alábbiakat:

- ▶ tápellátás, aljzat és biztosíték megfelelősége az adattáblán szereplő adatoknak;
- ▶ a tápaljzat földeléssel rendelkezik, és nem használ többcsatlakozós hosszabbítót a tápellátáshoz;
- ▶ a tápdugasz és az aljzat megfelelően illeszkedik egymáshoz.

Csatlakoztassa a csatlakozódugót egy megfelelően beépített háztartási aljzathoz.



FIGYELMEZTETÉS!

A kockázatok elkerülése érdekében a sérült tápkábelt kötelezően ki kell cserélni, ezt pedig csak az ügyfélszolgálat munkatársa végezheti el (lásd a jótállási jegyet).



FIGYELMEZTETÉS!

- ▶ Bármilyen művelet előtt először húzza ki a készüléket a hálózati aljzathoz.
- ▶ A hűtőrendszer károsodásának megelőzése érdekében ne döntse meg a készüléket 45°-ot meghaladó mértékben.

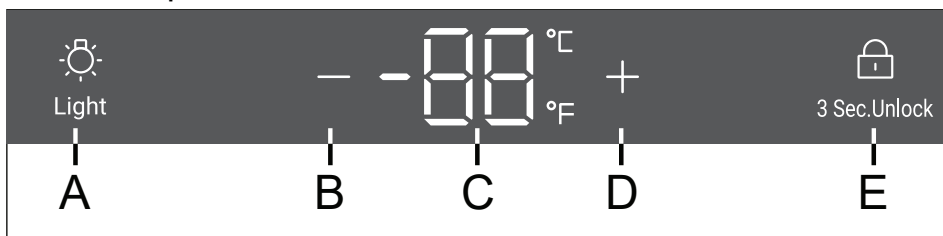
1. Első használat előtt

- ▶ Távolítsa el az összes csomagolóanyagot. Ez magában foglalja a habalapot és az összes ragasztószalagot, amely a borhűtő tartozékait rögzíti belül és kívül. Ezeket tartsa gyermekektől elzárva, ártalmatlanításukat pedig környezetbarát módon végezze.
- ▶ Tisztítsa meg a készülék belsejét és külsejét vízzel és kíméletes tisztítószerrel, mielőtt bármilyen bort tenne bele.
- ▶ A készülék szintbeállítását és tisztítását követően várjon legalább 2 órát, mielőtt csatlakoztatná a tápellátáshoz. Ha a borhűtőt bármilyen okból megdöntötték, várjon 24 órát, mielőtt tápellátáshoz csatlakoztatja. Lásd a TELEPÍTÉS részt.
- ▶ Miután csatlakoztatta a készüléket egy elektromos aljzathoz, hagyja, hogy a készülék legalább 30 percig működjön, alkalmazkodjon a környezethez, mielőtt bármilyen beállítást végezne.
- ▶ A hőmérséklet gyári alapbeállítása 12 °C. Ha kívánja, ezt a hőmérsékletet módosíthatja manuálisan. Lásd HŐMÉRSÉKLET.

2. Érintőgombok

A vezérlőpulton érintőgombok találhatók, és ujjával való enyhe megérintés elég a működtetésükhöz.

3. A vezérlőpult leírása



A Világítás gomb

B Hőmérséklet-beállító gomb: le

C Kijelző

D Hőmérséklet-beállító gomb: fel

E Zárógomb

4. Automatikus zárolás funkció

Zárolt képernyő esetén tartsa lenyomva a zárolás gombot 3 másodpercig, ekkor a kijelzőn 3, 2 és 1 jelenik meg, a kijelző felold. Ha nincs művelet, a képernyő 30 másodperc elteltével automatikusan zárolódik. Zárolt képernyő esetén a zárolás ikon világít, és a kijelző gombjai nem működtethetők (a világítás gomb kivételével).

Hőmérséklet beállítása

i Megjegyzés

Előzetes beállítások

- ▶ Miután csatlakoztatta a készüléket egy elektromos aljzathoz, hagyja, hogy a készülék legalább 30 percig működjön, és alkalmazkodjon a környezethez, mielőtt bármilyen beállítást végezne.
- ▶ Amikor a készüléket visszakapcsolja a hálózati tápellátásról való leválasztás után, akár több órát is igénybe vehet a megfelelő hőmérséklet elérése. A pontos idő a környezettől és a hőmérséklet beállítástól függően változik.



Nyomja meg a **+** or **-** gombot, a kijelző villogni kezd. Nyomja meg a **+** or **-** gombot a kívánt hőmérséklet beállításához.. Beállítható hőmérséklet tartománya: 5–20 °C (41–68 °F).

Ne nyomjon meg semmilyen gombot 3 másodpercig, így megerősíti az adott hőmérsékletet.

6. Készletléti üzemmódA kijelző 30 másodperc múlva automatikusan elsötétül. Automatikusan bekapcsol, ha bármelyik gombot megnyomják, vagy kinyitják az ajtót. működik.

i Megjegyzés

Hőmérséklet befolyásolása


A készülék belsejében a hőmérsékletet az alábbi tényezők befolyásolják:

- ▶ Környezeti hőmérséklet
- ▶ A tárolt palackok mennyisége
- ▶ Az ajtónyitás gyakorisága
- ▶ A készülék helye

Az alapértelmezett beállítás 12 °C

Amikor a kijelző nem villog, ismét megjelenik a borhűtőben lévő aktuális hőmérséklet. A beállított hőmérséklet elérése időbe telik.

7. Világítási mód beállítása

Nyomja meg a  gombot. A lámpák fokozatosan fognak felgyulladni. A  gomb újbóli megnyomására a lámpák fokozatosan kialszanak.

8. °C/°F funkció

Nyomja meg a „_” gombot 3 másodpercig a Fahrenheit és a Celsius közötti váltáshoz. _

9. Kikapcsolási memória funkció

Áramkimaradás esetén a pince automatikusan menti a beállított hőmérsékletet. Az áramellátás helyreállása után az áramkimaradás előtt beállított hőmérséklet alapján fog működni.

10. Ajtónyitási riasztás

Ha az ajtó 1 percnél tovább nyitva marad, a csengő sípoló hangot ad riasztásként, amíg az ajtó be nem csukódik, vagy a kijelzőpanelen lévő bármelyik gombot meg nem lehet nyomni, majd a csengő abbahagyja a sípolást.



Energiatakarékossági tippek

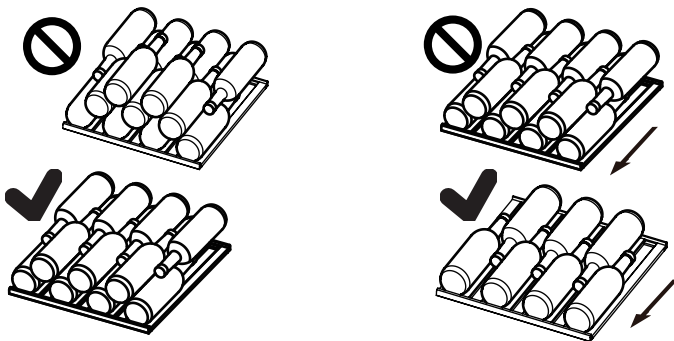
- ▶ Bizonyosodjon meg arról, hogy a készülék megfelelő szellőzéssel rendelkezik (lásd BESZERELÉS).
- ▶ Ne szerelje be a készüléket közvetlen napsugárzásnak kitett helyre vagy hőforrások (pl. kályhák, fűtőberendezések) közelébe.
- ▶ Kerülje a szükségtelenül alacsony hőmérsékletet a készülékben. Minél alacsonyabb hőmérsékletet állít be, annál jobban növekszik az energiafogyasztás.
- ▶ Minél kevésbé és minél rövidebb ideig nyissa ki a készülék ajtaját.
- ▶ Ne lépje túl a palackok ajánlott mennyiségét, mivel ezzel gátolhatja a megfelelő légáramlást.
- ▶ Az ajtótömítéseket tartsa tisztán, hogy az ajtó mindig megfelelően becsukódhasson.
- ▶ A leginkább energiatakarékos működéshez a fióknak, élelmiszerrekesznek és polcoknak a készülékben kell lenniük olyan állapotban, ahogyan a gyárat elhagyta a készülék, az élelmiszert pedig úgy kell elhelyezni, hogy a légcsatorna kimenetét ne akadályozza.
- ▶ Az energiahatékonyság növelése érdekében kapcsolja ki a világítást, amikor a borhűtőre nem vetülnek tekintetek.

1. Polc

1. A polcok kialakítása elősegíti a bor könnyű tárolását és eltávolítását. Ezek puha törülközővel tisztíthatók.
2. A 76 mm átmérőjű szokványos palackok egymásra helyezhetők.
3. A mennyiség eltérhet az ábrázolt számtól vagy palackoktól, ha ezeket eltérő módon helyezi egymásra.

Tanácsok a borhűtő belső elrendezéséhez

Javasoljuk, hogy a borosüvegek száma ne haladja meg a polconként két réteget, és a borospolcokat ne terhelje 20 kg-nál jobban. Mielőtt palackokat helyezne a borhűtőbe, bizonyosodjon meg a bortartó polcok teljesen stabil állapotban vannak vagy sem. Ezenkívül bizonyosodjon meg arról, hogy semmilyen palack nem nyúlik túl a polcokon, ezzel megelőzheti, hogy az üvegek az üvegajtónak ütközzenek.



† A világítás

A LED-es belső világítás bekapcsol az ajtó nyitásakor

1. Leolvasztás

A borhűtő kiolvasztása automatikusan történik: nincs szükség felhasználói beavatkozásra.

2. A LED-es lámpa cseréje

A lámpa fényforrásként LED-es technológiát használ, amely alacsony fogyasztást és hosszú élettartamot szavatol. Bármilyen rendellenesség esetén vegye fel a kapcsolatot az ügyfélszolgálattal. Lásd az ÜGYFÉLSZOLGÁLAT részt.



FIGYELMEZTETÉS!

Ne tegyen kísérletet a LED-es lámpa saját kezű cseréjére. Az alkatrészt csak a gyártó vagy a meghatalmazott szervizmunkatárs cserélheti ki.

A termék G energiahatékonysági osztályba sorolt fényforrást tartalmaz.

A LED-es lámpa paraméterei:

Feszültség 12 V

Max. teljesítmény: 2 W

3. Hosszabb használaton kívüli időszak

Húzza ki a tápkábelt.

Tisztítsa meg a készüléket és az ajtó tömítéseket a fenti leírás szerint.

A kellemetlen szagok készüléken belüli megjelenésének elkerülése érdekében hagyja nyitva az ajtót.

4. A készülék mozgatása

1. Távolítsa el az összes palackot, és húzza ki a készülék csatlakozódugóját.

2. Rögzítse a polcokat és az egyéb mozgatható alkatrészeket a borhűtőben szigetelőszalaggal.

3. A hűtőrendszer károsodásának az elkerülése érdekében ne döntse meg a borhűtőt 45°-ot meghaladó szögben.

5. Légcseré aktív szénzsűrővel

A borok további érlelése a környezeti feltételektől függ. A levegő minősége ezért döntő fontosságú a bor tartósítása szempontjából.

A készülék hátsó falának alsó részébe egy aktív szénzsűrő van beépítve, hogy a bor optimális minőségben maradjon.



Értesítés

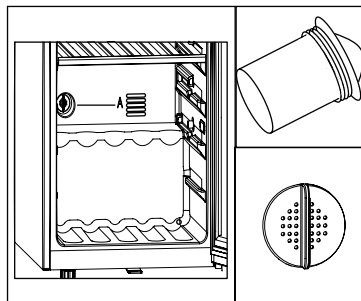
Javasoljuk, hogy évente egyszer cserélje ki a szűrőt. A szűrőket a kereskedőjénél szerezheti be.

Aszűrő cseréje:

Fogja a szűrőt a fogantyújánál fogva. Fordítsa balra, és vegye ki.

A szűrő behelyezése:

Helyezze be a szűrőt függőleges fogantyúval. Fordítsa jobbra, és helyezze be.



Sok felmerülő problémát saját maga is megoldhat speciális szakértelem nélkül. Probléma felmerülése esetén ellenőrizze az összes felsorolt lehetőséget, és kövesse az alábbi utasításokat, mielőtt felvenné a kapcsolatot egy ügyfélszolgálattal. Lásd az ÜGYFÉLSZOLGÁLAT részt.



FIGYELMEZTETÉS!

- ▶ Karbantartás előtt kapcsolja ki a készüléket, és húzza ki a hálózati dugaszt a hálózati aljzatból.
- ▶ Az elektromos berendezéseket csak szakképzett villamossági szakemberek szervizelhetik, mert a nem megfelelő javítások jelentős károkat okozhatnak.
- ▶ Sérült tápkábel esetén a veszély elkerülése érdekében cseréltesse ki azt a gyártóval, a gyártó szervizközpontjával vagy más szakemberrel.

Hibakód	Ok	Megoldás
L2	A felső hőmérsékleti zónában alacsony hőmérséklet miatti riasztás észlelhető, amikor az ellenőrző érzékelő felső hőmérséklete túl alacsony;	<ol style="list-style-type: none"> 1. Ellenőrizze a környezeti hőmérsékletet. 2. Ellenőrizze a kompresszor csatlakozóját. 3. Ellenőrizze a hőmérséklet ellenőrző érzékelő ellenállását.

Probléma	Lehetséges ok	Lehetséges megoldás
A kompresszor nem működik.	<ul style="list-style-type: none"> A hálózati dugasz nem csatlakozik a hálózati aljzathoz. 	<ul style="list-style-type: none"> Csatlakoztassa a hálózati csatlakozódugót.
A készülék gyakran bekapcsol vagy túlságosan hosszú ideig üzemel.	<ul style="list-style-type: none"> A külső hőmérséklet túl magas. A készülék hosszabb ideig kikapcsolt állapotban volt. Egy ajtó a készülékben nem záródik megfelelően. Az ajtót túlságosan gyakran nyitotta ki, vagy túlságosan sokáig tartotta nyitva. Az ajtó tömítések szennyezettek, kopottak, repedtek vagy nem megfelelők. A szükséges szellőzés nem biztosított. A beállított hőmérséklet túl alacsony. 	<ul style="list-style-type: none"> Ebben az esetben természetes, hogy a készülék üzemi ideje megnövekedett. A készülék teljes lehűlése általában eltart egy ideig. Csukja be az ajtót, és bizonyosodjon meg arról, hogy a készülék egyenes felületen található, és hogy élelmiszer vagy tárolóedény nem akadályozza az ajtó záródását. Ne nyissa ki az ajtót túl gyakran. Tisztítsa meg az ajtó tömítését, vagy cserélje ki ezt az ügyfélszolgálat bevonásával. Bizonyosodjon meg arról, hogy megfelelő a szellőzés. A probléma a kívánt hőmérséklet elérésekor magától elhárul.
A borhűtő belső része szennyezett és/vagy kellemetlen szagú.	<ul style="list-style-type: none"> A borhűtő belső része tisztítást igényel. 	<ul style="list-style-type: none"> Tisztítsa meg a borhűtő belső részét.
Nincs elég hideg a készülék belsejében.	<ul style="list-style-type: none"> A beállított hőmérséklet túl magas. Nemrégiben palackokat helyezett a készülékbe. Egy ajtó a készülékben nem záródik megfelelően. Az ajtót túlságosan gyakran nyitotta ki, illetve túlságosan sokáig tartotta nyitva. Az ajtó tömítések szennyezettek, kopottak, repedtek vagy nem megfelelők. 	<ul style="list-style-type: none"> Állítsa vissza a hőmérsékletet. Várjon, hogy a nemrég hozzáadott palackok elérjék a kívánt hőmérsékletet. Csukja be az ajtót. Ne nyissa ki az ajtót túl gyakran. Tisztítsa meg az ajtó tömítését, vagy cserélje ki ezt az ügyfélszolgálat bevonásával.
Túl hideg van a készülék belsejében.	<ul style="list-style-type: none"> A beállított hőmérséklet túl alacsony. 	<ul style="list-style-type: none"> Állítsa vissza a hőmérsékletet.
Pára csapódik le a hűtőrekesz belső részén.	<ul style="list-style-type: none"> Az éghajlat túl meleg vagy túl nedves. Egy ajtó a készülékben nem záródik megfelelően. 	<ul style="list-style-type: none"> Növelje a hőmérsékletet. Csukja be az ajtót.

Probléma	Lehetséges ok	Lehetséges megoldás
	<ul style="list-style-type: none"> Az ajtót túlságosan gyakran nyitotta ki, illetve túlságosan sokáig tartotta nyitva. 	<ul style="list-style-type: none"> Ne nyissa ki az ajtót/fiókot túl gyakran.
Nedvesség jelentkezik a borhűtő külső felületén.	<ul style="list-style-type: none"> Az éghajlat túl meleg vagy túl nedves Az ajtó nincs megfelelően becsukva. A készülékben lévő hideg levegő és az azon kívüli meleg levegő páralecsapódást eredményez. 	<ul style="list-style-type: none"> Ez természetes jelenség nedves éghajlati viszonyok között, és megszűnik, amint csökken a páratartalom. Bizonyosodjon meg arról, hogy az ajtó szorosan zárul, és a tömítések megfelelően felfekszenek.
A készülék rendellenes hangokat ad ki.	<ul style="list-style-type: none"> A készülék nem vízszintes talajon helyezkedik el. A készülék hozzáér valamilyen körülötte lévő tárgyhoz. 	<ul style="list-style-type: none"> A lábak beállításával állítsa szintbe a készüléket. Távolítsa el a készülék mellett lévő tárgyat.
Vízáramláshoz hasonló halk hang hallható.	<ul style="list-style-type: none"> Ez természetes jelenség 	<ul style="list-style-type: none"> -
A belső világítás vagy hűtőrendszer nem működik.	<ul style="list-style-type: none"> Nem dugta be a hálózati csatlakozódugót a hálózati aljzatba. Az áramellátás nem megfelelő. A LED-es lámpa meghibásodott. 	<ul style="list-style-type: none"> Csatlakoztassa a hálózati csatlakozódugót. Ellenőrizze a helyiség áramellátását. Vegye fel a kapcsolatot a helyi áramszolgáltatóval. A csere ügyében vegye fel a kapcsolatot a szervizzel.
A hűtő oldalai felmelegednek.	<ul style="list-style-type: none"> Ez természetes jelenség. 	<ul style="list-style-type: none"> -
Az ajtó nem záródik megfelelően	<ul style="list-style-type: none"> A készülék nem áll vízszintben. Az ajtó mozgását valami hátráltatja. 	<ul style="list-style-type: none"> Gondoskodjon a készülék vízszintes helyzetéről a szintező lábak beállításával. Keressen ütközést okozó tárgyakat, például palackokat vagy polcokat.

A műszaki támogatással való kapcsolatfelvételhez látogassa meg a következő oldalt: <https://corporate.haier-europe.com/en/>

A „webhely” (website) rész alatt válassza ki a termék márkáját és országát. Az oldal átirányítja az adott webhelyre, ahol megtalálható a műszaki támogatás eléréséhez szükséges telefonszám és űrlap.

Az (EU) 2019/2016 előírásnak megfelelő termékadatlap

Márka	Candy
Modellnév/azonosító	CNWX4G84G1
Kategória	Borhűtő
Energiahatékonysági osztály	G
Éves energiafogyasztás (kWh/év) ¹⁾	153
Üvegkapacitás (0,75 literes bordói palack)	84
Klímaosztály: A készülék 10 °C és 38 °C közötti környezeti hőmérsékleten való működéshez készült	N ST
Levegőben terjedő akusztikus zajkibocsátás (db(A) _{re 1pW})	37
A berendezés típusa	Önálló
A készüléket kizárólag bor tárolására használja.	Igen
Méretek (Sz/Mé/Ma mm-ben)	495/585/1263

Magyarázatok:

1)24 órás szabványos teszteredmények alapján. A tényleges energiafogyasztás függ a tényleges környezettől, a palackok számától, a beállított hőmérséklettől, az ajtó nyitási és zárási idejétől stb.

2)A névleges energiafogyasztás a standard teszt során jelentkezik, a borhűtő belső világának bekapcsolása nélkül.

- kiterjesztett mérsékelt osztály: „a hűtőberendezés 10 - 32 °C közötti környezeti hőmérsékleten való használatra készült”;

- mérsékelt osztály: „a hűtőberendezés

- 16 °C közötti 32 °C környezeti hőmérsékleten való felhasználásra készült”;

- szubtrópusi osztály: „a hűtőberendezés 16 - 38 °C közötti környezeti hőmérsékleten való használatra készült”;

- trópusi osztály: „a hűtőberendezés 16 - 43 °C közötti környezeti hőmérsékleten való felhasználásra készült”;

Szabványok és irányelvek

A termék megfelel az összes vonatkozó EK irányelvben meghatározott követelménynek, illetve a vonatkozó harmonizált szabványoknak, amelyek alapján megilleti a CE-jelölés.

Figyelmébe ajánljuk a Haier ügyfélszolgálat és az eredeti pótalkatrészek igénybe vételét. Ha probléma merül fel a készülékkel, először tekintse át a HIBAELEHÁRÍTÁS részt.

Ha ebben nem talál megoldást, lépjen kapcsolatba

- ▶ a helyi márkakereskedővel vagy
- ▶ keresse meg a Service & Support (Szerviz és támogatás) területet a www.haier.com címen, ahol megtalálhatók a szükséges telefonszámok és a gyakran ismételt kérdések, valamint ahol szervizkérelmet aktiválhat.

A szerviz szolgáltatásunkkal való kapcsolatfelvétel előtt bizonyosodjon meg arról, hogy elérhetőek az alábbi adatok.

Az információ az adattáblán található.

Modell _____ Sorozatszám _____

Jótállási igény felmerülése esetén ellenőrizze a termékhez mellékelt jótállási kártyát is. Általános üzleti kérdések esetén kérjük, alábbi európai címeinken vegye fel velünk a kapcsolatot:

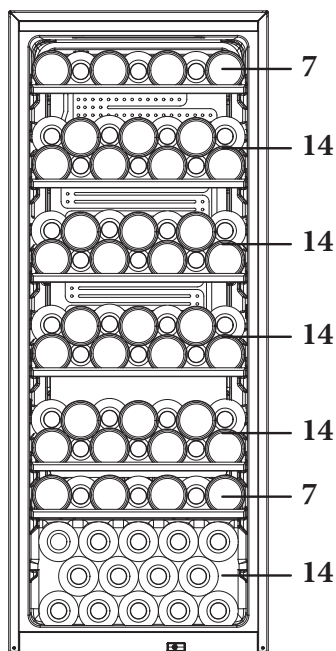
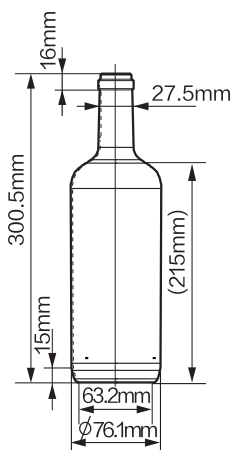
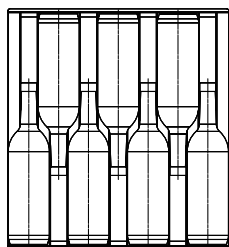
Európai Haier címek			
Ország*	Postacím	Ország	Postacím
Olaszország	Haier Europe Trading SRL Via De Cristoforis, 12 21100 Varese ITALY		Haier Europe Trading SRL Via De Cristoforis, 12 21100 Varese ITALY
Spanyolország	Haier Iberia SL Pg. Garcia Faria, 49-51 08019 Barcelona SPAIN	Franciaország	Haier Benelux SA Anderlecht Route de Lennik 451 BELGIUM
Portugália		Belgium-FR Belgium-NL Hollandia Luxemburg	
Németország	Haier Deutschland GmbH Hewlett-Packard-Str. 4 D-61352 Bad Homburg GERMANY		Haier Poland Sp. zo.o. Al. Jerozolimskie 181B 02-222 Warszawa POLAND
Ausztria		Lengyelország Cseh	
Egyesült Királyság	Haier Appliances UK Co. Ltd. One Crown Square Church Street East Woking, Surrey, GU21 6HR UK	Köztársaság Magyarország Görögország Románia Oroszország	

PÓTALKATRÉSZEK ELÉRHETŐSÉGE: Termosztátok, hőmérséklet érzékelők, nyomtatott áramköri lapok és fényforrások legalább hét évig elérhetőek a piacra bocsátott utolsó modellől számítva. Ajtófogantyúk, ajtópántok, tálcák és kosarak legalább hét évig, míg ajtó tömitések legalább 10 évig elérhetőek a piacra bocsátott utolsó modellől számítva

Minimális jótállás: 2 év az uniós tagállamokban, 3 év Törökországban, 1 év az Egyesült Királyságban, 1 év Oroszországban, 3 év Svédországban, 2 év Szerbiában, 5 év Norvégijában, 1 év Marokkóban, 6 hónap Algériában, Tunézia nincs kötelező jogi jótállás.

A termékre vonatkozó további tájékoztatás ügyében tekintse meg az <https://eprel.ec.europa.eu/> oldalt, vagy olvassa be a készüléken elhelyezett, energiafogyasztást jelölő címkén található QR-kódot.

1. A palack elrendezése egy szabványos bordói palack (0,75 l) grafikus ábrázolásán alapul.
2. Az eltérő palackjellemzők miatt a tényleges palackbefogadó képesség eltérhet.



(84)
CNWQ4G84G1

CANDY

Manuale dell'utente

Cantinetta

CNWQ4G84G1

IT

CANDY

Grazie per aver acquistato un prodotto Candy .

Leggere attentamente queste istruzioni prima di utilizzare l'elettrodomestico. Le istruzioni contengono informazioni importanti per ottimizzare l'uso dell'elettrodomestico e garantire l'installazione, l'uso e la manutenzione sicuri e corretti.

Conservare il presente manuale in un luogo comodo, in modo da poterlo sempre consultare per un uso sicuro e corretto dell'elettrodomestico.

Se l'elettrodomestico viene venduto, ceduto o abbandonato in caso di trasloco, trasferire anche il presente manuale in modo che il nuovo proprietario possa comprendere l'uso dell'elettrodomestico e delle avvertenze di sicurezza.



Legenda

Avvertenza - Informazioni importanti per la sicurezza



Informazioni generali e consigli



Informazioni ambientali

Smaltimento

Contribuire a proteggere l'ambiente e la salute umana. Collocare l'imballo in appositi contenitori affinché venga riciclato. Contribuire al riciclo dei rifiuti delle apparecchiature elettriche ed elettroniche. Non smaltire gli elettrodomestici contrassegnati con questo simbolo assieme ai rifiuti domestici. Conferire il prodotto presso la struttura di riciclo locale o rivolgersi all'ufficio comunale preposto.



AVVERTENZA!

Pericolo di lesioni o soffocamento!

I refrigeranti e i gas devono essere smaltiti in maniera professionale. Accertarsi che la tubazione del circuito del refrigerante non sia danneggiata prima di smaltirla correttamente. Scollegare l'elettrodomestico dalla rete elettrica. Tagliare il cavo di alimentazione e smaltirlo. Rimuovere vassoi e cassette, fermaporte e guarnizioni, per evitare che bambini e animali domestici rimangano chiusi nell'elettrodomestico.

Gli elettrodomestici vecchi possono avere ancora un valore residuo. Un metodo ecologico per lo smaltimento garantisce il recupero e il riutilizzo delle materie prime utili.

Il ciclopentano, una sostanza infiammabile che non danneggia l'ozono, viene utilizzato come espansore per la schiuma isolante.

Garantendo il corretto smaltimento del prodotto, si contribuisce a prevenire conseguenze negative per l'ambiente e per la salute umana.

Per informazioni più dettagliate sul riciclo di questo prodotto, rivolgersi alla municipalità locale, all'azienda addetta allo smaltimento dei rifiuti domestici o al punto vendita dov'è stato acquistato.

1- Informazioni per la sicurezza.....	244
2- Consigli per la sicurezza	247
3- Manutenzione	251
4- Accessori.....	253
5- Descrizione del prodotto	254
6- Installazione	255
7- Utilizzo.....	259
8- Suggerimenti per il risparmio energetico.....	262
9- Dotazioni	263
10- Cura e pulizia	264
11- Soluzione dei problemi	265
12- Dati tecnici	268
13- Assistenza clienti	269
14- Impilamento delle bottiglie di vino	270

Questo elettrodomestico deve essere utilizzato solo per la conservazione del vino. Prima di accendere l'elettrodomestico per la prima volta, leggere i seguenti consigli sulla sicurezza:



AVVERTENZA!

Operazioni preliminari al primo utilizzo

- ▶ Accertarsi dell'assenza di danni dovuti al trasporto.
- ▶ Rimuovere tutti gli imballi, tenerli fuori dalla portata dei bambini e smaltirli nel rispetto dell'ambiente.
- ▶ Per garantire la totale efficienza del circuito del refrigerante, attendere almeno mezz'ora prima di installare l'elettrodomestico.
- ▶ L'elettrodomestico deve essere maneggiato sempre da almeno due persone perché è pesante.
- ▶ Quando l'elettrodomestico viene collocato nella sede prescelta, accertarsi che il cavo di alimentazione non sia incastrato o danneggiato.
- ▶ Non collocare prese multiple o alimentatori portatili nella parte posteriore dell'elettrodomestico.

Installazione

- ▶ Installare l'elettrodomestico in un luogo asciutto e ben ventilato. Lasciare uno spazio libero di almeno 50 mm sopra e attorno all'elettrodomestico.
- ▶ **AVVERTENZA:** le aperture di ventilazione nell'involucro dell'elettrodomestico o nella struttura a incasso devono rimanere sempre libere.
- ▶ Non collocare mai l'elettrodomestico in zone umide o soggette a schizzi d'acqua. Pulire e asciugare schizzi e macchie d'acqua con un panno morbido e pulito.
- ▶ Non installare la cantinetta in ambienti non adeguatamente isolati o riscaldati (ad es. in garage). La cantinetta non è stata progettata per funzionare a temperature ambiente inferiori a 10 °C.
- ▶ Non installare l'elettrodomestico esposto alla luce diretta del sole o in prossimità di fonti di calore (ad es. stufe o radiatori).
- ▶ Installare l'elettrodomestico a livello in un'area adatta alle dimensioni e all'uso.
- ▶ Accertarsi che i dati elettrici sulla targhetta siano conformi all'alimentazione elettrica. In caso contrario, rivolgersi a un elettricista.
- ▶ L'elettrodomestico funziona con corrente elettrica 220-240 Vca / 50 Hz. Oscillazioni anomale della tensione possono causare il mancato avvio dell'elettrodomestico, danni al controllo della temperatura o al compressore oppure rumori anomali durante il funzionamento. In tal caso, è opportuno montare un regolatore automatico.
- ▶ Non adoperare prese multiple o cavi di prolunga.

**AVVERTENZA!**

- ▶ **AVVERTENZA:** Non applicare prese multiple o alimentatori portatili sulla parte posteriore dell'elettrodomestico.
- ▶ **AVVERTENZA:** quando l'elettrodomestico viene collocato nella sede prescelta, accertarsi che il cavo di alimentazione non sia incastrato o danneggiato.
- ▶ Non calpestare il cavo di alimentazione.
- ▶ Per l'alimentazione elettrica utilizzare una presa separata collegata a terra e facilmente accessibile. L'elettrodomestico deve essere collegato a terra.
- ▶ **Solo per il Regno Unito:** il cavo di alimentazione dell'elettrodomestico è dotato di una spina a 3 conduttori (collegata a terra) adatta a una presa standard a 3 conduttori (collegata a terra). Non tagliare né smontare mai il terzo conduttore (collegamento a terra). Dopo l'installazione dell'elettrodomestico, la spina deve essere accessibile.
- ▶ **AVVERTENZA:** non danneggiare il circuito di refrigerazione.

Utilizzo quotidiano

- ▶ Questo elettrodomestico può essere utilizzato da bambini di almeno 8 anni, da persone con ridotte capacità fisiche, sensoriali o mentali e da persone inesperte solo sotto stretta sorveglianza o se hanno appreso le modalità di utilizzo sicuro dell'elettrodomestico e sono consapevoli dei relativi pericoli.
- ▶ Impedire ai bambini di giocare con l'elettrodomestico.
- ▶ I bambini di età da 3 a 8 anni possono riempire e svuotare gli elettrodomestici refrigeranti, ma non devono pulirli o installarli.
- ▶ Tenere lontano dall'elettrodomestico i bambini di età inferiore a 3 anni, a meno che non siano costantemente sorvegliati.
- ▶ La pulizia e la manutenzione non devono essere effettuate da bambini non sorvegliati.
- ▶ L'elettrodomestico deve essere posizionato in modo che la spina sia accessibile.
- ▶ In caso di perdite di gas illuminante o altri gas infiammabili in prossimità dell'elettrodomestico, spegnere la valvola del gas che fuoriesce, aprire porte e finestre e non staccare la spina del cavo di alimentazione dell'elettrodomestico.
- ▶ Attendere almeno 7 minuti per ricollegare l'alimentazione dopo averla scollegata.
- ▶ Non sollevare l'elettrodomestico tenendolo per le maniglie dello sportello.
- ▶ Le chiavi devono essere conservate fuori dalla portata dei bambini e non vicine all'elettrodomestico, per evitare che i bambini vi restino chiusi all'interno.

**AVVERTENZA!**

- ▶ Si noti che l'elettrodomestico è impostato per il funzionamento nell'intervallo ambiente specifico compreso tra 10 e 38 °C. L'elettrodomestico potrebbe non funzionare correttamente se lasciato per un lungo periodo a una temperatura superiore o inferiore all'intervallo indicato.
- ▶ Non collocare articoli instabili (oggetti pesanti, contenitori pieni d'acqua) sopra l'elettrodomestico, per evitare lesioni personali dovute a cadute o scosse elettriche causate dal contatto con l'acqua.
- ▶ Aprire e chiudere lo sportello solo adoperando le maniglie. La distanza tra lo sportello e il vano è molto limitata. Non mettere le mani in queste zone per evitare che le dita rimangano intrappolate. Aprire o chiudere gli sportelli dell'elettrodomestico solo in assenza di bambini nel relativo raggio di movimento.
- ▶ Non conservare né utilizzare materiali esplosivi o corrosivi nell'elettrodomestico o nelle vicinanze.
- ▶ Non collocare sostanze esplosive (ad es. lattine di aerosol con propellente infiammabile) all'interno di questo elettrodomestico.
- ▶ Non conservare medicinali, batteri o sostanze chimiche nell'elettrodomestico. Questo apparecchio è un elettrodomestico. Si sconsiglia di conservare materiali che richiedono temperature rigide.
- ▶ Non impostare una temperatura inutilmente bassa nel vano cantinetta. Con impostazioni elevate possono crearsi temperature sotto zero. Attenzione: le bottiglie possono scoppiare
- ▶ Non toccare la superficie interna dello scomparto dell'elettrodomestico durante il funzionamento, soprattutto con le mani bagnate, poiché le mani potrebbero congelare sulla superficie.
- ▶ Per un corretto raffreddamento del vino, non sovraccaricare l'elettrodomestico.
- ▶ In caso di blackout o prima della pulizia, scollegare l'elettrodomestico. Attendere almeno 7 minuti prima di riavviare l'elettrodomestico, poiché un avvio frequente può danneggiare il compressore.
- ▶ **AVVERTENZA:** Non adoperare apparecchiature elettriche all'interno degli scomparti per la conservazione degli alimenti, a meno che non siano del tipo consigliato dal produttore. Per evitare rischi, un cavo di alimentazione danneggiato deve essere sostituito dall'assistenza clienti (v. scheda di garanzia).
- ▶ Per prolungare la durata dell'elettrodomestico, evitare di spegnerlo.
- ▶ Non collocare mai l'elettrodomestico orizzontalmente a terra. Se l'elettrodomestico è stato inclinato di oltre 45°, attendere 24 ore prima di collegarlo alla rete elettrica.

**AVVERTENZA!****Manutenzione / pulizia**

- ▶ Accertarsi che i bambini siano sorvegliati se effettuano la pulizia e la manutenzione.
- ▶ Scollegare l'elettrodomestico dalla rete elettrica prima di effettuare operazioni di manutenzione ordinaria. Attendere almeno 7 minuti prima di riavviare l'elettrodomestico, poiché un avvio frequente può danneggiare il compressore.
- ▶ Scollegare l'elettrodomestico tenendo la spina e non il cavo.
- ▶ Non pulire l'elettrodomestico con spazzole rigide, spazzole metalliche, detersivi in polvere, benzina, acetato di pentile, acetone e soluzioni organiche simili, soluzioni acide o alcaline. Per la pulizia adoperare un detergente speciale per frigoriferi/congelatori per evitare danni. Alla fine utilizzare acqua calda e una soluzione di bicarbonato di sodio (un cucchiaino di bicarbonato di sodio per litro d'acqua). Sciacquare abbondantemente con acqua e asciugare con un panno. Non adoperare detersivi in polvere o altri detersivi abrasivi. Non lavare le parti rimovibili in lavastoviglie.
- ▶ **AVVERTENZA:** non usare oggetti meccanici o utensili diversi da quelli consigliati dal produttore per accelerare lo sbrinamento.
- ▶ Se il cavo di alimentazione è danneggiato, deve essere sostituito dal produttore, da un tecnico dell'assistenza o da una persona con analoga qualifica per evitare rischi.
- ▶ Non cercare di riparare, smontare o modificare personalmente l'elettrodomestico. Per le riparazioni rivolgersi all'assistenza clienti.
- ▶ Se le lampadine sono danneggiate, devono essere sostituite dal produttore, da un tecnico dell'assistenza o da una persona con analoga qualifica per evitare rischi.
- ▶ Eliminare la polvere sul retro dell'unità almeno una volta all'anno per scongiurare il rischio di incendio e limitare i consumi energetici.
- ▶ Per evitare la contaminazione degli alimenti, attenersi alle seguenti istruzioni:
 - Se gli sportelli rimangono aperti a lungo, la temperatura nei compartimenti dell'elettrodomestico aumenta notevolmente.

- ▶ Non spruzzare o schizzare liquidi sull'elettrodomestico durante la pulizia.
- ▶ Per pulire questo elettrodomestico non utilizzare apparecchi a vapore.
- ▶ Non pulire lo sportello di vetro freddo con acqua calda. Un'improvvisa variazione della temperatura può causare la rottura del vetro.
- ▶ Se l'elettrodomestico deve rimanere inutilizzato per lungo tempo, lasciarlo aperto per evitare che all'interno si generino odori sgradevoli.

Informazioni sul gas refrigerante



AVVERTENZA!

L'elettrodomestico contiene il refrigerante infiammabile ISOBUTANO (R600a). Accertarsi che il circuito del refrigerante non abbia subito danni durante il trasporto o l'installazione. Eventuali perdite di refrigerante possono causare lesioni oculari o incendi. In caso di danni, tenere lontane fonti di fiamme libere, ventilare perfettamente l'ambiente e non collegare o scollegare i cavi di alimentazione dell'elettrodomestico o di altri elettrodomestici. Informare l'assistenza clienti.

In caso di contatto con gli occhi, immediatamente sciacquare con acqua corrente e rivolgersi a un oculista.

AVVERTENZA: l'impianto di refrigerazione è ad alta pressione. Non manometterlo. Poiché sono utilizzati refrigeranti infiammabili, l'installazione, la movimentazione e la manutenzione dell'elettrodomestico devono essere effettuate attenendosi scrupolosamente alle istruzioni; per lo smaltimento dell'elettrodomestico, rivolgersi a un professionista o all'assistenza post-vendita.


Uso previsto

Questo elettrodomestico è destinato all'uso domestico e a utilizzi simili a quelli di seguito indicati:

- zone cucina per il personale di negozi, uffici e altri ambienti lavorativi;
 - aziende agricole e clienti di hotel, motel e altri ambienti residenziali;
 - bed & breakfast;
 - catering e servizi simili non al dettaglio.
- ▶ Per garantire la conservazione sicura del vino, attenersi a queste istruzioni per l'uso.
- ▶ Nell'altra parte del manuale sono riportate informazioni dettagliate sulla zona più appropriata dello scomparto dell'elettrodomestico in cui conservare determinati tipi di alimenti, considerando la distribuzione della temperatura nei diversi scomparti.

Non sono consentiti cambiamenti o modifiche all'elettrodomestico. Utilizzi errati possono causare pericoli e annullare la garanzia.

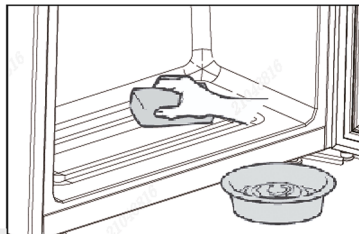
Smaltimento

Il simbolo  sul prodotto o sull'imballo indica che non può essere gestito come rifiuto domestico. Il prodotto deve essere conferito in un punto di raccolta per il riciclo delle apparecchiature elettriche ed elettroniche. Garantendo il corretto smaltimento del prodotto, è possibile evitare conseguenze negative per l'ambiente e per la salute umana dovute alla gestione impropria dei rifiuti. Per informazioni più dettagliate sul riciclo di questo prodotto, rivolgersi all'ente locale competente, all'azienda addetta allo smaltimento dei rifiuti domestici o al punto vendita dov'è stato acquistato. Poiché sono utilizzati gas infiammabili per l'isolamento, per smaltire l'elettrodomestico rivolgersi a un professionista o all'assistenza post-vendita.

AVVERTENZA!**Rischio di lesioni da soffocamento!**

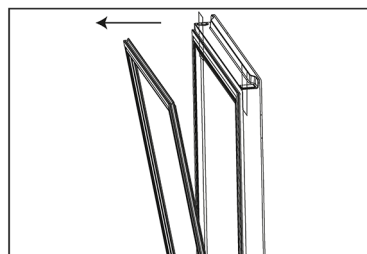
I refrigeranti e i gas devono essere smaltiti in maniera professionale. Accertarsi che la tubazione del circuito del refrigerante non sia danneggiata prima di smaltirla correttamente. Scollegare l'elettrodomestico dalla rete elettrica. Tagliare il cavo di alimentazione e smaltirlo. Rimuovere vassoi e cassette, fermaporte e guarnizioni, per evitare che bambini e animali domestici rimangano chiusi nell'elettrodomestico.

- ▶ **AVVERTENZA:** Prima di effettuare la pulizia, staccare la spina di alimentazione dell'elettrodomestico.
- ▶ Non pulire l'elettrodomestico con spazzole rigide, spazzole metalliche, detersivi in polvere, benzina, acetato di pentile, acetone e soluzioni organiche simili, soluzioni acide o alcaline. Per la pulizia adoperare un detergente speciale per frigoriferi per evitare danni.
- ▶ Pulire l'elettrodomestico quando è vuoto o quando contiene poco vino. È necessario pulirlo solo quando è sporco.
- ▶ Pulire l'interno e l'alloggiamento dell'elettrodomestico con una spugna inumidita in acqua calda e detergente neutro.
- ▶ Sciacquare con acqua calda e pulita e asciugare con un panno morbido.
- ▶ Non lavare i componenti dell'elettrodomestico in lavastoviglie.
- ▶ Attendere almeno 7 minuti prima di riavviare l'elettrodomestico, poiché un avvio frequente può danneggiare il compressore.



Pulire la guarnizione dello sportello:

- ▶ Le guarnizioni dello sportello devono essere pulite ogni tre mesi per garantire una tenuta adeguata. Effettuare le seguenti operazioni: rimozione: afferrare la guarnizione dello sportello ed estrarla seguendo la direzione della freccia per rimuovere l'intera guarnizione dello sportello nell'ordine. Immergere la spazzola in acqua o alcool alimentare, pulire la scanalatura della guarnizione dello sportello tirando avanti e indietro la spazzola. Pulire, quindi, la superficie della guarnizione dello sportello con un asciugamano imbevuto di acqua o alcool alimentare. Lavare, infine, la guarnizione dello sportello e asciugarla con un asciugamano pulito.



Installazione della guarnizione dello sportello dopo la pulizia:

Prima dell'installazione, accertarsi che non vi sia acqua sulla guarnizione dello sportello. Infilare la guarnizione dello sportello nella scanalatura e premerla a mano dall'alto verso il basso fino al completo inserimento.

Pulizia dei ripiani:

- ▶ Tutti i ripiani per gli alimenti possono essere estratti per la pulizia.
- ▶ Togliere tutte le bottiglie.
- ▶ Sollevare lievemente ogni ripiano ed estrarlo.
- ▶ Pulire il ripiano con un panno morbido.
- ▶ Attendere che i ripiani siano asciutti prima di rimontarli.

AVVERTENZA:

Attendere almeno 7 minuti per ricollegare l'alimentazione dopo averla scollegata.

Controllare gli accessori e la documentazione in base al seguente elenco:

Nome	Manuale utente	Scheda di servizio	Ripiano	Etichetta energetica
CNWQ4G84G1	1	1	6	1



Avviso

A causa di modifiche tecniche e della varietà dei modelli, alcune illustrazioni riportate nel presente manuale possono essere diverse dall'aspetto reale del modello acquistato.

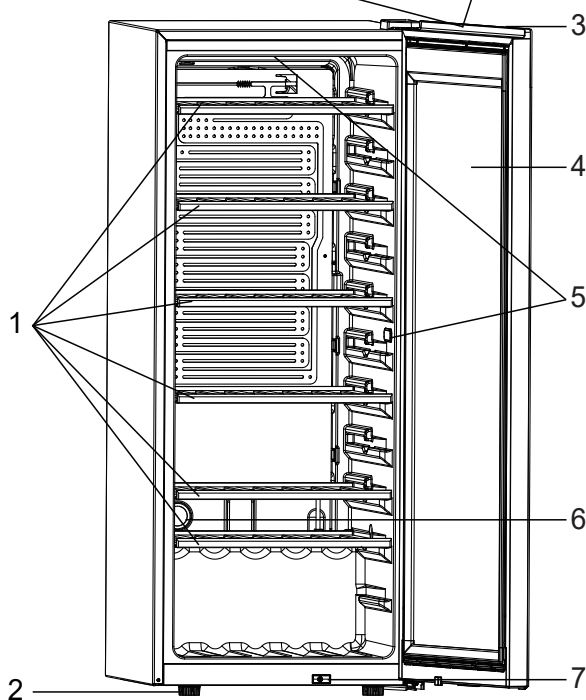
Immagine dell'elettrodomestico



Light



3 Sec.Unlock



CNWQ4G84G1

- | | |
|-----------------------|-----------------------------|
| 1. Ripiano | 5. Lampada a LED |
| 2. Piedini regolabili | 6. Filtro al carbone attivo |
| 3. Espositore | 7. Interruttore |
| 4. Porta | |

1. Disimballo

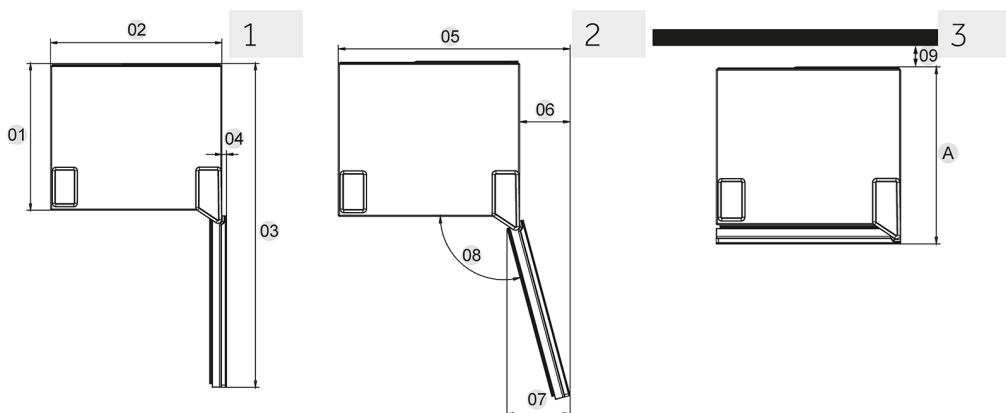
- ▶ Estrarre l'elettrodomestico dall'imballo.
- ▶ Rimuovere tutti i materiali dell'imballo, compresa la base in schiuma e tutto il nastro adesivo che fissa gli accessori.

2. Condizioni ambientali

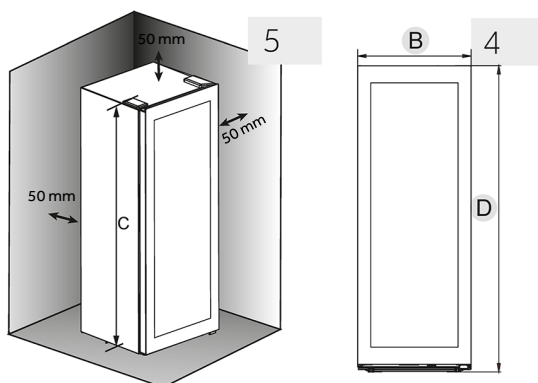
La temperatura ambiente deve essere sempre compresa tra 10 e 38 °C, poiché può influire sulla temperatura interna dell'elettrodomestico e sui consumi energetici. Non installare l'elettrodomestico vicino ad altri elettrodomestici che emettono calore (forni, frigoriferi) senza isolamento.

3. Requisiti di spazio

Spazio necessario per l'apertura dello sportello (Figure 1, 2, 3 e 4): per la sicurezza e il risparmio energetico, rispettare la distanza di ventilazione richiesta di 50 mm in tutte le direzioni (Fig. 5).



Misure in mm	CNWQ4G84G1
Profondità A	585
Larghezza B	495
Altezza C	1262
Altezza totale D	1263
01	535
02	495
03	1043
04	11
05	630
06	135
07	167
08	105°
09	50





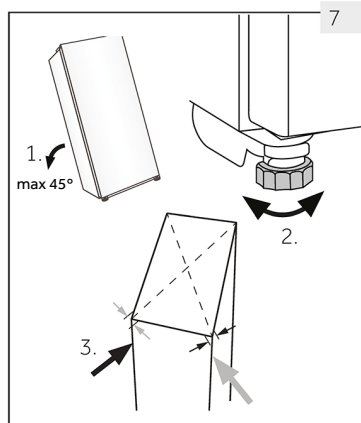
AVVERTENZA!

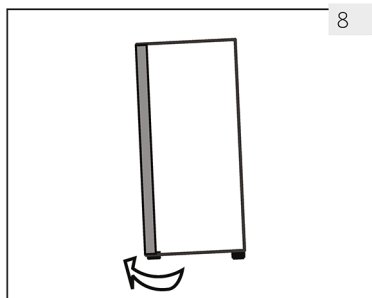
- ▶ Le aperture di ventilazione nell'elettrodomestico o nella struttura a incasso devono rimanere sempre libere. Questo elettrodomestico refrigerante non è progettato per l'installazione a incasso.

4. Allineamento dell'elettrodomestico

Installare l'elettrodomestico su una superficie solida e piana.

1. Inclinare lievemente all'indietro l'elettrodomestico (Fig. 7).
2. Regolare i piedini anteriori regolabili sul livello desiderato ruotandoli.
3. La stabilità può essere verificata spingendo diagonalmente l'elettrodomestico a destra e a sinistra. Il lieve ondeggiamento deve essere identico in entrambe le direzioni. In caso contrario, il telaio potrebbe deformarsi e le guarnizioni dello sportello potrebbero perdere. Una lieve inclinazione posteriore facilita la chiusura dello sportello.





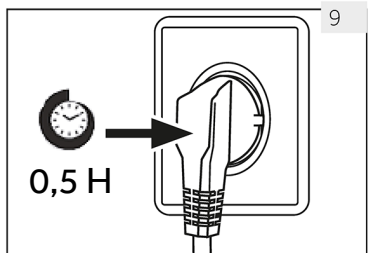
8

5. Regolazione precisa dello sportello

L'elettrodomestico si chiude più facilmente agendo sui i piedini di livellamento anteriori:

Ruotare i piedini regolabili (Fig. 8) per sollevarli o abbassarli:

- ▶ Ruotando i piedini in senso orario, l'elettrodomestico si solleva.
- ▶ Ruotando i piedini in senso antiorario, l'elettrodomestico si abbassa.



9

6. Tempo di attesa

L'olio di lubrificazione esente da manutenzione si trova nella capsula del compressore. Se l'elettrodomestico è inclinato, questo olio può percorrere il sistema di tubazioni chiuse durante il trasporto. Prima di collegare l'elettrodomestico all'alimentazione elettrica, attendere 0,5 ore (Fig. 9) in modo che l'olio torni nella capsula.

7. Collegamento elettrico

Prima di ogni collegamento, effettuare i seguenti controlli:

- ▶ La fonte di alimentazione, la presa e i fusibili sono conformi ai dati indicati nella targhetta.
- ▶ La presa di corrente è collegata a terra e non sono utilizzate prese multiple o prolunghie.
- ▶ La spina e la presa di corrente sono inserite correttamente.

Collegare la spina a una presa domestica installata correttamente.



AVVERTENZA!

Per evitare rischi, i cavi di alimentazione danneggiati devono essere sostituiti dall'assistenza clienti (v. scheda di garanzia).



AVVERTENZA!

- ▶ Prima di qualunque operazione, scollegare l'elettrodomestico dalla rete elettrica.
- ▶ Non inclinare l'elettrodomestico oltre 45° per evitare danni al sistema di raffreddamento.

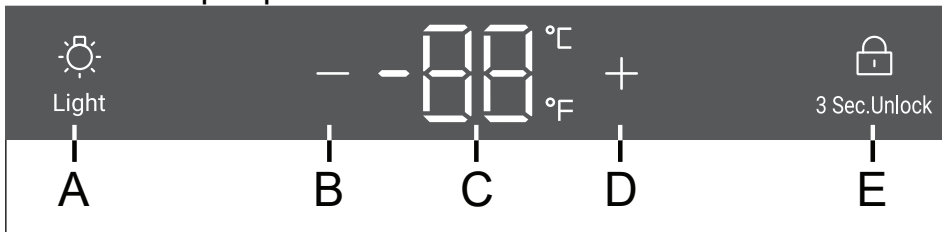
1. Operazioni preliminari al primo utilizzo

- ▶ Togliere tutti i materiali di imballo, compresa la base in schiuma e tutto il nastro adesivo che fissa gli accessori della cantinetta all'interno e all'esterno. Tenerli fuori dalla portata dei bambini e smaltirli nel rispetto dell'ambiente.
- ▶ Pulire l'interno e l'esterno dell'elettrodomestico con acqua e un detergente delicato prima di riporre il vino.
- ▶ Dopo l'installazione a livello e la pulizia, attendere almeno 2 ore prima di collegare l'elettrodomestico all'alimentazione elettrica. Se la cantinetta è stata inclinata per un motivo qualunque, attendere 24 ore prima di collegarla. Vedere la sezione **INSTALLAZIONE**.
- ▶ Una volta collegata l'unità a una presa di corrente, prima di effettuare qualsiasi regolazione lasciarla in funzione per almeno 30 minuti per l'acclimatamento.
- ▶ La temperatura viene impostata automaticamente a 12 °C. È possibile, tuttavia, cambiare manualmente queste temperature. V. **TEMPERATURA**.

2. Pulsanti touch

I pulsanti del pannello di controllo sono pulsanti a sfioramento che si attivano quando vengono sfiorati lievemente con un dito.

3. Descrizione per il pannello di controllo



A Pulsante luce

B Tasto di regolazione della temperatura: giù

C Display

D Pulsante di regolazione della temperatura: su

E Pulsante di blocco

4. Funzione di blocco automatico

Nella schermata di blocco, premere a lungo il pulsante di blocco per 3 secondi: il display visualizza 3, 2 e 1 e lo schermo si sblocca. Se non viene eseguita alcuna operazione, lo schermo si blocca automaticamente dopo 30 secondi. Nella schermata di blocco, l'icona del lucchetto è accesa e i pulsanti sullo schermo non possono essere utilizzati (ad eccezione del pulsante di illuminazione).





5. Impostazione della temperatura

Avviso

Preimpostazioni

- ▶ Dopo aver collegato l'unità a una presa elettrica, attendere l'acclimatemento dell'unità per almeno 30 minuti prima di effettuare qualunque regolazione.
- ▶ Quando l'elettrodomestico viene acceso dopo averlo staccato dall'alimentazione elettrica, il raggiungimento delle temperature corrette potrebbe richiedere diverse ore. Il tempo esatto varia a seconda dell'ambiente e dell'impostazione della temperatura.



- o Premere il tasto  or  il display inizierà a lampeggiare. Premere il tasto  or  o per impostare la temperatura desiderata. Intervallo di impostazione della temperatura: 5-20 °C (41-68 °F).

Interrompere la pressione del pulsante per 3 secondi: la temperatura viene confermata.

Lo schermo del display si attenua automaticamente dopo 30 secondi.

Si accende automaticamente quando si tocca un pulsante qualsiasi o si apre lo sportello

Avviso

Effetti sulle temperature

La temperatura nell'elettrodomestico dipende dai seguenti fattori:

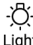
- ▶ Temperatura ambiente
- ▶ Quantità di bottiglie immagazzinate
- ▶ Frequenza di apertura dello sportello
- ▶ Posizione dell'elettrodomestico

L'impostazione predefinita è 12 °C.

Quando il display smette di lampeggiare, torna a indicare la temperatura corrente nella cantinetta. Per raggiungere la temperatura impostata occorrerà un po' di tempo.

7. Impostazione della modalità di illuminazione

Premere il pulsante . Le luci si accenderanno gradualmente. Premendo nuovamente il

pulsante , le luci si spengono gradualmente.

8. °C/°F funzione

Premere il pulsante “ _ ” per 3 secondi per passare da Fahrenheit a Celsius e viceversa.

9. Funzione di memoria di spegnimento

In caso di interruzione di corrente, la cantina salverà automaticamente la temperatura impostata. Dopo il ripristino dell'alimentazione, riprenderà a funzionare in base alla temperatura impostata prima dell'interruzione.

10. Allarme apertura porta

Se la porta rimane aperta per più di 1 minuto, il cicalino emetterà un segnale acustico per emettere un allarme finché la porta non verrà chiusa o finché non verrà premuto un tasto qualsiasi sul pannello display, dopodiché il cicalino smetterà di emettere un segnale acustico.



Suggerimenti per il risparmio energetico

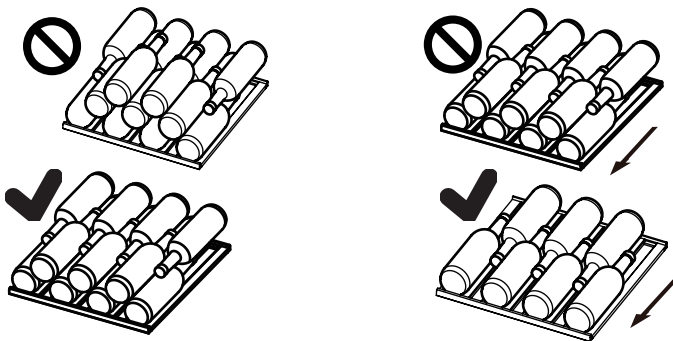
- ▶ Accertarsi che l'elettrodomestico sia adeguatamente ventilato (v. INSTALLAZIONE).
- ▶ Non installare l'elettrodomestico esposto alla luce diretta del sole o in prossimità di fonti di calore (ad es. stufe o radiatori).
- ▶ Evitare che la temperatura dell'elettrodomestico sia inutilmente bassa. Riducendo la temperatura impostata nell'elettrodomestico, il consumo energetico aumenta.
- ▶ Aprire lo sportello dell'elettrodomestico senza spalancarlo e per il più breve tempo possibile.
- ▶ Per evitare ostruzioni del flusso d'aria, non superare la quantità di bottiglie indicata.
- ▶ Mantenere pulite le guarnizioni dello sportello in modo che si chiuda sempre perfettamente.
- ▶ Per ottimizzare il risparmio energetico, collocare nell'elettrodomestico i cassetti, i contenitori degli alimenti e i ripiani, e riporre gli alimenti senza ostruire l'uscita dell'aria del condotto.
- ▶ Per incrementare l'efficienza energetica, spegnere le luci quando la cantinetta non è a vista.

1. Ripiano

1. I ripiani sono progettati per poter conservare e prelevare il vino con facilità. Possono essere puliti con un asciugamano morbido.
2. Le bottiglie normali con diametro di 76 mm possono essere impilate.
3. La quantità può variare rispetto al numero o alle bottiglie raffigurate, se impilate in modo diverso.

Consigli per organizzare la cantinetta

Il numero di bottiglie di vino non dovrebbe superare due livelli su ogni ripiano e il carico sui ripiani non dovrebbe essere superiore a 20 kg. Prima di collocare le bottiglie nella cantinetta, accertarsi che i ripiani per il vino siano perfettamente stabili. Accertarsi, inoltre, che le bottiglie non sporgano dai ripiani per evitare che urtino lo sportello di vetro quando viene chiuso.



2. Luce

La luce interna a LED si accende quando si apre lo sportello

1. Sbrinamento

Lo sbrinamento della cantinetta avviene in modo automatico e non richiede alcuna operazione manuale.

2. Sostituzione della lampada a LED

La lampada utilizza una sorgente luminosa a LED, che riduce i consumi energetici e garantisce una lunga durata. In caso di anomalie, rivolgersi all'assistenza clienti. Vedere ASSISTENZA CLIENTI.



AVVERTENZA!

Non sostituire personalmente la lampada a LED. La lampada a LED deve essere sostituita solo dal produttore o da un tecnico dell'assistenza autorizzato.

Questo prodotto contiene una fonte luminosa con efficienza energetica di classe G.

Parametri della lampada a LED:

Tensione 12 V

Potenza massima: 2 W

3. Inutilizzo per lunghi periodi

Scollegare il cavo di alimentazione.

Pulire l'elettrodomestico e le guarnizioni dello sportello come descritto precedentemente.

Lasciare lo sportello aperto per evitare lo sviluppo di cattivi odori all'interno.

4. Spostamento dell'elettrodomestico

1. Togliere tutte le bottiglie e scollegare l'elettrodomestico.

2. Fissare con nastro adesivo i ripiani e le altre parti mobili nella cantinetta.

3. Non inclinare la cantinetta oltre 45° per evitare di danneggiare il sistema di refrigerazione.

5. Scambiatore d'aria con filtro a carboni attivi

Il modo in cui i vini continuano a maturare dipende dalle condizioni ambientali. La qualità dell'aria è quindi decisiva per la conservazione del vino. Un filtro a carboni attivi è installato nella parte inferiore della parete posteriore dell'apparecchio per garantire che il vino passito rimanga di qualità ottimale.



Avviso

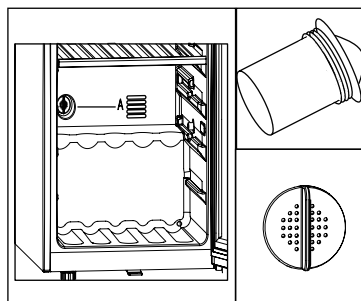
Si consiglia di sostituire il filtro una volta all'anno. I filtri sono disponibili presso il proprio rivenditore.

Sostituzione del filtro:

Afferrare il filtro per la maniglia. Ruotarlo verso sinistra e rimuoverlo.

Inserimento del filtro:

Inserire con la maniglia in posizione verticale. Ruotarlo verso destra e inserirlo.



Molti problemi possono essere risolti personalmente senza particolari competenze. In caso di problemi, consultare tutte le soluzioni possibili indicate e attenersi alle seguenti istruzioni prima di contattare l'assistenza post-vendita. V. ASSISTENZA CLIENTI.

**AVVERTENZA!**

- ▶ Prima di effettuare la manutenzione, spegnere l'elettrodomestico e staccare la spina dalla presa di corrente.
- ▶ La manutenzione delle apparecchiature elettriche deve essere effettuata solo da elettricisti qualificati, dal momento che eventuali riparazioni improprie possono causare danni notevoli.
- ▶ Se il cavo di alimentazione è danneggiato, deve essere sostituito unicamente dal produttore, da un tecnico dell'assistenza o da una persona con analogha qualifica per evitare rischi.

Codice di errore	Causa	Soluzione
L2	Allarme di temperatura bassa nella zona di temperatura superiore quando la temperatura del sensore di controllo della zona superiore è troppo bassa.	<ol style="list-style-type: none"> 1. Controllare la temperatura ambiente. 2. Controllare il connettore del compressore. 3. Controllare la resistenza del sensore di controllo della temperatura.

Problema	Causa possibile	Soluzione possibile
Il compressore non funziona.	<ul style="list-style-type: none"> • La spina non è collegata alla presa di corrente. 	<ul style="list-style-type: none"> • Collegare la spina alla presa di corrente.
L'elettrodomestico si aziona frequentemente o per un periodo di tempo troppo lungo.	<ul style="list-style-type: none"> • La temperatura esterna è troppo elevata. • L'elettrodomestico è rimasto spento per un certo periodo di tempo. • Uno sportello dell'elettrodomestico non è chiuso ermeticamente. • Lo sportello è stato aperto troppo spesso o troppo a lungo. • Le guarnizioni dello sportello sono sporche, usurate, danneggiate o inadeguate. • Non è garantita la circolazione dell'aria necessaria. • La temperatura impostata è troppo bassa. 	<ul style="list-style-type: none"> • In questo caso è normale che l'elettrodomestico rimanga in funzione più a lungo. • Normalmente occorre un po' di tempo prima che l'elettrodomestico si raffreddi completamente. • Chiudere lo sportello e accertarsi che l'elettrodomestico sia a livello e che non vi siano alimenti o contenitori che possano urtare lo sportello. • Non aprire lo sportello troppo spesso. • Pulire la guarnizione dello sportello o farla sostituire dall'assistenza clienti. • Garantire un'adeguata ventilazione. • Una volta raggiunta la temperatura desiderata, il problema si risolverà automaticamente.
L'interno della cantinetta è sporco e/o sono presenti cattivi odori.	<ul style="list-style-type: none"> • L'interno della cantinetta deve essere pulito. 	<ul style="list-style-type: none"> • Pulire l'interno della cantinetta.
La temperatura nell'elettrodomestico non è sufficientemente bassa.	<ul style="list-style-type: none"> • La temperatura impostata è troppo alta. • Sono state aggiunte bottiglie recentemente. • Uno sportello dell'elettrodomestico non è chiuso ermeticamente. • Lo sportello è stato aperto troppo spesso o troppo a lungo. • Le guarnizioni dello sportello sono sporche, usurate, danneggiate o inadeguate. 	<ul style="list-style-type: none"> • Reimpostare la temperatura. • Attendere che le bottiglie aggiunte recentemente raggiungano la temperatura desiderata. • Chiudere lo sportello. • Non aprire lo sportello troppo spesso. • Pulire la guarnizione dello sportello o farla sostituire dall'assistenza clienti.
La temperatura nell'elettrodomestico è troppo bassa.	<ul style="list-style-type: none"> • La temperatura impostata è troppo bassa. 	<ul style="list-style-type: none"> • Reimpostare la temperatura.

Problema	Causa possibile	Soluzione possibile
Formazione di umidità all'interno del comparto frigorifero.	<ul style="list-style-type: none"> • Il clima è troppo caldo e troppo umido. • Uno sportello dell'elettrodomestico non è chiuso ermeticamente. • Lo sportello è stato aperto troppo spesso o troppo a lungo. 	<ul style="list-style-type: none"> • Aumentare la temperatura. • Chiudere lo sportello. • Non aprire lo sportello o il cassetto troppo spesso.
Si accumula umidità sulla superficie esterna della cantinetta.	<ul style="list-style-type: none"> • Il clima è troppo caldo e troppo umido. • Lo sportello non è chiuso ermeticamente. L'aria fredda all'interno dell'elettrodomestico e l'aria calda all'esterno formano condensa. 	<ul style="list-style-type: none"> • Ciò è normale in un clima umido; la situazione cambia quando l'umidità diminuisce. • Accertarsi che lo sportello sia chiuso ermeticamente e controllare la tenuta delle guarnizioni.
L'elettrodomestico emette suoni anomali.	<ul style="list-style-type: none"> • L'elettrodomestico non è a livello. • L'elettrodomestico urta qualche oggetto vicino. 	<ul style="list-style-type: none"> • Regolare i piedini per collocare l'elettrodomestico a livello. • Rimuovere gli oggetti attorno all'elettrodomestico.
Si sente un lieve rumore, simile a quello dell'acqua che scorre.	<ul style="list-style-type: none"> • È normale 	<ul style="list-style-type: none"> • -
L'illuminazione interna o il sistema di raffreddamento non funziona.	<ul style="list-style-type: none"> • La spina non è collegata alla presa di corrente. • Problema della fonte di alimentazione. • La lampada a LED è fuori uso. 	<ul style="list-style-type: none"> • Collegare la spina alla presa di corrente. • Controllare l'alimentazione elettrica. Chiamare l'azienda elettrica locale. • Chiamare l'assistenza per la sostituzione.
I lati della cantinetta si riscaldano.	<ul style="list-style-type: none"> • È normale. 	<ul style="list-style-type: none"> • -
Lo sportello non si chiude correttamente.	<ul style="list-style-type: none"> • L'elettrodomestico non è a livello. • Lo sportello è bloccato. 	<ul style="list-style-type: none"> • Mettere a livello l'elettrodomestico agendo sui piedini di livellamento. • Accertarsi dell'assenza di ostruzioni (ad es. bottiglie o ripiani).

Per rivolgersi all'assistenza tecnica, visitare il nostro sito web: <https://corporate.haier-europe.com/en/>

Nella sezione "sito Web", scegliere la marca del proprio prodotto e il proprio paese. Si aprirà il sito Web specifico contenente il numero di telefono e il modulo per contattare l'assistenza tecnica.

Specifiche del prodotto secondo il regolamento UE n. 2019/2016

Marchio	Candy
Nome / identificativo del modello	CNWQ4G84G1
Categoria	Cantina
Classe di efficienza energetica	G
Consumo energetico annuo (kWh/anno) ¹⁾	153
Capacità bottiglie (bottiglia bordolese 0,75 l)	84
Classe climatica: Questo elettrodomestico è destinato all'uso con temperature ambiente comprese tra 10 e 38 °C.	N ST
Emissioni acustiche (db(A) re 1pW)	37
Tipo di elettrodomestico	Indipendente
Questo elettrodomestico deve essere utilizzato solo per la conservazione del vino.	Sì
Dimensioni (L/P/A in mm)	495/585/1263

Descrizioni:

1) Sulla base dei risultati di test standard per 24 ore. Il consumo energetico effettivo dipende dall'ambiente reale, dalla quantità di bottiglie conservate, dalla temperatura impostata, dall'apertura e chiusura dello sportello ecc.

2) Il consumo energetico nominale è il valore ottenuto secondo la prova standard con la luce interna della cantina spenta.

- temperata estesa: "questo elettrodomestico è destinato all'uso con temperature ambiente comprese tra 10 °C e 32 °C";

- temperata: "questo elettrodomestico è destinato all'uso

- con temperature ambiente comprese tra 16 °C e 32 °C";

- subtropicale: "questo elettrodomestico è destinato all'uso con temperature ambiente comprese tra 16 °C e 38 °C";

- tropicale: "questo elettrodomestico è destinato all'uso con temperature ambiente comprese tra 16 °C e 43 °C";

Norme e direttive

Questo prodotto è conforme ai requisiti di tutte le direttive CE vigenti con le corrispondenti norme armonizzate che prevedono il marchio CE.

Si consiglia di rivolgersi all'Assistenza Clienti Haier e di utilizzare ricambi originali. In caso di problemi con l'elettrodomestico, consultare prima la sezione SOLUZIONE DEI PROBLEMI.

Se non si riesce a trovare una soluzione, contattare

- ▶ il rivenditore locale o
- ▶ l'area Service & Support su www.haier.com, che riporta numeri di telefono e domande frequenti e dove è possibile rivendicare la garanzia.

Per contattare l'assistenza, procurarsi i dati seguenti.

Le informazioni si trovano sulla targhetta.

Modello _____ N. di serie _____

Controllare anche la scheda di garanzia fornita con il prodotto. Per richieste di carattere generico, di seguito sono riportati i nostri indirizzi in Europa:

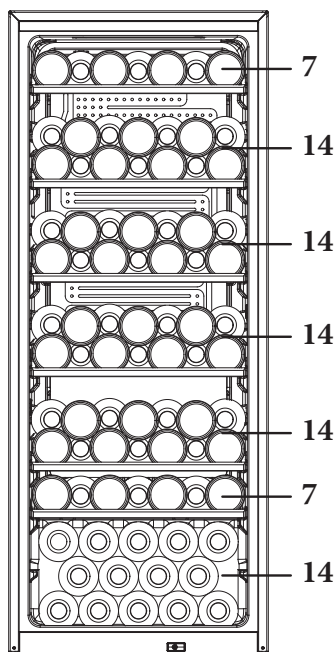
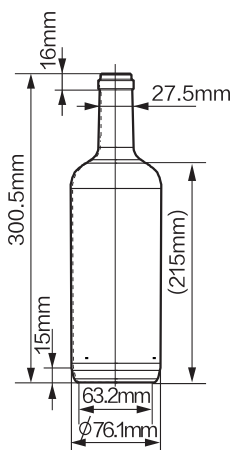
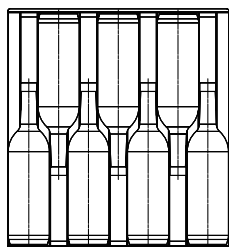
Indirizzi Haier europei			
Paese*	Indirizzo postale	Paese	Indirizzo postale
Italia	Haier Europe Trading SRL Via De Cristoforis, 12 21100 Varese ITALIA		Haier Europe Trading SRL Via De Cristoforis, 12 21100 Varese ITALIA
Spagna	Haier Iberia SL Pg. Garcia Faria, 49-51 08019 Barcellona SPAGNA	Francia	
Portogallo		Belgio (FR)	Haier Benelux SA
		Belgio (NL)	Anderlecht
		Paesi Bassi	Route de Lennik 451
		Lussemburgo	BELGIO
Germania	Haier Deutschland GmbH Hewlett-Packard-Str. 4 D-61352 Bad Homburg GERMANIA		Haier Poland Sp. zo.o. Al. Jerozolimskie 181B 02-222 Varsavia POLONIA
Austria		Polonia	
		Repubblica	
	Haier Appliances UK Co. Ltd. One Crown Square Church Street East Woking, Surrey, GU21 6HR	Ceca	
Regno Unito	UK	Ungheria	
		Grecia	
		Romania	
		Russia	

DISPONIBILITÀ DEI RICAMBI: Termostati, sensori di temperatura, circuiti stampati e lampade rimangono disponibili per almeno sette anni dopo l'immissione sul mercato dell'ultima unità del modello. Maniglie e cerniere degli sportelli, vassoi e cestelli rimangono disponibili per almeno sette anni e le guarnizioni degli sportelli per almeno 10 anni dopo l'immissione sul mercato dell'ultima unità del modello.

Garanzia minima: 2 anni per i paesi UE, 3 anni per la Turchia, 1 anno per il Regno Unito, 1 anno per la Russia, 3 anni per la Svezia, 2 anni per la Serbia, 5 anni per la Norvegia, 1 anno per il Marocco, 6 mesi per l'Algeria; per la Tunisia non è obbligatoria alcuna garanzia legale.

*Per ulteriori informazioni sul prodotto, consultare <https://eprel.ec.europa.eu/> o effettuare una scansione del codice QR apposto sull'etichetta fornita con l'elettrodomestico.

1. La disposizione delle bottiglie si basa su una rappresentazione grafica di una bottiglia bordolese standard (0,75 l).
2. A causa delle diverse specifiche delle bottiglie, la quantità effettiva di carico delle bottiglie potrebbe essere diversa.



(84)
CNWQ4G84G1

Gebruikershandleiding

Wijnkast

CNWQ4G84G1

NL

Bedankt voor de aankoop van dit Candy -product.

Lees deze instructies zorgvuldig door voordat u dit apparaat gebruikt. De instructies bevatten belangrijke informatie die u helpt het beste uit het apparaat te halen en veilig(e) en correct(e) installatie, gebruik en onderhoud te waarborgen.

Bewaar deze handleiding op een handige plaats zodat u hem altijd kunt raadplegen voor een veilig en correct gebruik van het apparaat.

Als u het apparaat verkoopt, weggeeft of achterlaat wanneer u verhuist, zorg er dan voor dat u deze handleiding ook overdraagt, zodat de nieuwe eigenaar het apparaat en de veiligheidsaanspreekingen kan leren kennen.



Verklaring van symbolen



Waarschuwing – Belangrijke veiligheidsinformatie



Milieu-informatie



Verwijdering

Help het milieu en de menselijke gezondheid te beschermen. Doe de verpakking in de daarvoor bestemde containers om deze te recyclen. Help het afval van elektrische en elektronische apparaten te recyclen. Gooi apparaten met dit symbool niet weg bij het huisvuil. Lever het product in bij uw plaatselijke recyclingfaciliteit of neem contact op met de gemeente.



WAARSCHUWING!

Gevaar voor letsel of verstikking!

Koelmiddelen en gassen moeten professioneel worden verwijderd. Controleer of de leidingen van het koelmiddelcircuit niet zijn beschadigd voordat ze op de juiste manier worden afgevoerd. Koppel het apparaat los van de stroomvoorziening. Knip het netsnoer af en gooi het weg. Verwijder de bakken en laden en de deurvergrendeling en -afdichtingen, om te voorkomen dat kinderen en huisdieren in het apparaat worden opgesloten.

Oude apparaten hebben nog enige restwaarde. Een milieuvriendelijke verwijderingsmethode zorgt ervoor dat waardevolle grondstoffen kunnen worden teruggewonnen en opnieuw kunnen worden gebruikt.

Cyclopentaan, een brandbare stof die niet schadelijk is voor de ozonlaag, wordt gebruikt als expansiemiddel voor het isolatieschuim.

Door dit product op de juiste manier af te voeren, helpt u mogelijke negatieve gevolgen voor het milieu en de menselijke gezondheid te voorkomen, die anders zouden kunnen worden veroorzaakt.

Voor meer gedetailleerde informatie over het recyclen van dit product kunt u contact opnemen met uw gemeente, uw huisvuilverwijderingsdienst of de winkel waar u het product hebt gekocht, om het door professionals te laten afvoeren.

1- Veiligheidsinformatie	274
2- Veiligheidstips.....	277
3- Onderhoud.....	281
4- Accessoires.....	283
5- Productbeschrijving	284
6- Installatie	285
7- Gebruik	289
8- Energiebesparingstips	292
9- Apparatuur	293
10- Onderhoud en reiniging.....	294
11- Problemen oplossen.....	295
12- Technische gegevens.....	298
13- Klantenservice	299
14- Wijnflessen stapelen.....	300

Dit apparaat is uitsluitend bedoeld voor het bewaren van wijn. Lees voordat u het apparaat voor het eerst inschakelt de volgende veiligheidstips:



WAARSCHUWING!

Vóór het eerste gebruik

- ▶ Controleer of er geen transportschade is.
- ▶ Verwijder alle verpakkingen, houd ze buiten bereik van kinderen en gooi ze op een milieuvriendelijke manier weg.
- ▶ Wacht ten minste een half uur voordat u het apparaat installeert, om er zeker van te zijn dat het koelmiddelcircuit volledig werkt.
- ▶ Verplaats het apparaat altijd met ten minste twee personen, het is namelijk zwaar.
- ▶ Zorg er bij het neerzetten van het apparaat voor dat het netsnoer niet bekneeld of beschadigd raakt.
- ▶ Plaats niet meerdere draagbare stopcontacten of draagbare voedingen op de achterkant van het apparaat.

Installatie

- ▶ Het apparaat moet op een goed geventileerde plaats worden geplaatst. Zorg voor een ruimte van ten minste 50 mm boven en rond het apparaat.
- ▶ **WAARSCHUWING:** Zorg ervoor dat de ventilatieopeningen in de behuizing van het apparaat of in de ingebouwde constructie open blijven.
- ▶ Plaats het apparaat nooit in een vochtige ruimte of op een plaats waar het met water kan worden bespat. Reinig en droog waterspatten en vlekken met een zachte, schone doek.
- ▶ Plaats uw wijnkast niet op een niet goed geïsoleerde of verwarmde plek, bijv. de garage, etc. Uw wijnkast is niet ontworpen om te werken bij een omgevingstemperatuur lager dan 10°C.
- ▶ Installeer het apparaat niet in direct zonlicht of in de buurt van warmtebronnen (bijv. kachels, verwarmingstoestellen).
- ▶ Installeer het apparaat waterpas op een plaats die geschikt is voor de grootte en het gebruik ervan.
- ▶ Controleer of de elektrische informatie op het typeplaatje overeenkomt met de stroomvoorziening. Als dat niet het geval is, neem dan contact op met een elektricien.
- ▶ Het apparaat wordt gebruikt met een voeding van 220–240 VAC/50 Hz. Abnormale spanningsschommelingen kunnen ertoe leiden dat het apparaat niet start of dat de temperatuurregeling of de compressor beschadigd raakt of dat er tijdens het gebruik een abnormaal geluid optreedt. In dat geval moet er een automatische regelaar worden gemonteerd.
- ▶ Gebruik geen stekkerdozen en verlengkabels.

**WAARSCHUWING!**

- ▶ **WAARSCHUWING:** Plaats niet meerdere draagbare stopcontacten of draagbare voedingen op de achterkant van het apparaat.
- ▶ **WAARSCHUWING:** Zorg er bij het neerzetten van het apparaat voor dat het netsnoer niet bekneld of beschadigd raakt.
- ▶ Ga niet op de stroomkabel staan.
- ▶ Gebruik een apart geaard stopcontact voor de stroomvoorziening, dat gemakkelijk toegankelijk is. Het apparaat moet geaard zijn.
- ▶ **Alleen voor Groot-Brittannië:** Het netsnoer van het apparaat is voorzien van een 3-aderige (geaarde) stekker die past op een standaard 3-aderig (geaard) stopcontact. De derde pin (aarding) mag nooit worden afgesneden of gedemonteerd. Nadat het apparaat is geïnstalleerd, moet de stekker bereikbaar zijn.
- ▶ **WAARSCHUWING:** Beschadig het koelcircuit niet.

Dagelijks gebruik

- ▶ Dit apparaat mag worden gebruikt door kinderen vanaf 8 jaar en door personen met verminderde lichamelijke, zintuiglijke of geestelijke vermogens of met een gebrek aan kennis en ervaring, mits zij onder toezicht worden gehouden of instructies hebben gekregen om het apparaat veilig te kunnen gebruiken en de gevaren begrijpen die ermee gepaard gaan.
- ▶ Kinderen mogen niet met het apparaat spelen.
- ▶ Kinderen van 3 tot 8 jaar mogen wel koelapparatuur inladen en uitladen, maar niet reinigen en installeren.
- ▶ Houd kinderen onder de 3 jaar uit de buurt van het apparaat, tenzij ze voortdurend onder toezicht staan.
- ▶ Reiniging en onderhoud mogen niet zonder toezicht worden uitgevoerd door kinderen.
- ▶ Het apparaat moet zo worden geplaatst dat de stekker bereikbaar is.
- ▶ Als er koolgas of ander brandbaar gas in de buurt van het apparaat lekt, moet u het ventiel van het lekkende gas sluiten, de deuren en ramen openen en mag u de stekker van het apparaat niet uit het stopcontact halen.
- ▶ Wacht minstens 7 minuten met het opnieuw aansluiten van de stroom nadat de stekker uit het stopcontact is gehaald.
- ▶ Til het apparaat niet op aan de deurgrepen.
- ▶ De sleutels moeten buiten het bereik van kinderen worden gehouden en mogen niet in de buurt van het apparaat worden bewaard, om te voorkomen dat kinderen in het apparaat worden opgesloten.



WAARSCHUWING!

- ▶ Let op, het apparaat is ingesteld om te werken bij het specifieke omgevingstemperatuurbereik van 10 tot 38°C. Het is mogelijk dat het apparaat na een lange tijd bij een temperatuur boven of onder het aangegeven bereik niet goed werkt.
- ▶ Plaats geen onstabiele voorwerpen (zware voorwerpen, containers gevuld met water) op het apparaat, om persoonlijk letsel door vallen of elektrische schokken door contact met water te voorkomen.
- ▶ Open en sluit de deur alleen met de handgrepen. De ruimte tussen de deur en de kast is zeer smal. Steek uw handen niet in deze ruimtes, om te voorkomen dat uw vingers bekneld raken. Open of sluit de deuren van het apparaat alleen als er geen kinderen zijn die zich binnen het bewegingsbereik van de deur bevinden.
- ▶ Bewaar of gebruik in het apparaat of in de buurt ervan geen brandbare, explosieve of corrosieve materialen.
- ▶ Sla geen explosieve stoffen, zoals spuitbussen met een brandbaar drijfgas, op in dit apparaat.
- ▶ Bewaar geen geneesmiddelen, bacteriën of chemische middelen in het apparaat. Dit is een huishoudelijk apparaat. Het wordt niet aanbevolen om materialen op te slaan die strikte temperaturen vereisen.
- ▶ Stel de temperatuur in de wijnkast niet onnodig laag in. Bij een hoge instelling kunnen temperaturen onder nul optreden. Let op: Flessen kunnen barsten
- ▶ Raak het binnenoppervlak van het apparaat niet aan wanneer het in werking is, vooral niet met natte handen, omdat uw handen aan het oppervlak vast kunnen vriezen.
- ▶ Voor een goede koeling van de wijn mag u het apparaat niet te vol laden.
- ▶ Haal de stekker van het apparaat uit het stopcontact wanneer er een stroomonderbreking optreedt of voordat u het schoonmaakt. Laat het apparaat minstens 7 minuten rusten voordat u het opnieuw opstart, omdat vaak starten de compressor kan beschadigen.
- ▶ **WAARSCHUWING:** Gebruik geen elektrische apparaten in het apparaat, tenzij deze van het type zijn dat door de fabrikant wordt aanbevolen. Om risico's te vermijden moet een beschadigd netsnoer worden vervangen door de klantenservice (zie garantiekaart).
- ▶ Om de levensduur van het apparaat te verlengen, moet u het niet uitschakelen.
- ▶ Plaats het apparaat nooit horizontaal op de grond. Nadat u het apparaat meer dan 45° heeft gekanteld, moet u een 24 uur wachten tot u de stekker in het stopcontact steekt.

**WAARSCHUWING!****Onderhoud/reiniging**

- ▶ Zorg ervoor dat kinderen onder toezicht staan als ze schoonmaak en onderhoud uitvoeren.
- ▶ Haal de stekker van het apparaat uit het stopcontact voordat u routineonderhoud uitvoert. Laat het apparaat minstens 7 minuten rusten voordat u het opnieuw opstart, omdat vaak starten de compressor kan beschadigen.
- ▶ Houd de stekker vast, niet het snoer, wanneer u de stekker uit het stopcontact haalt.
- ▶ Reinig het apparaat niet met harde borstels, draadborstels, waspoeder, benzine, amylacetaat, aceton en soortgelijke organische oplossingen, zure of alkalische oplossingen. Reinig het apparaat met een speciaal reinigingsmiddel voor koelkasten/vriezers om schade te voorkomen. U kunt eventueel ook een oplossing van warm water en zuiveringszout gebruiken – ongeveer een eetlepel zuiveringszout per liter water. Spoel grondig af met water en veeg droog. Gebruik geen schoonmaakpoeder of andere schurende middelen. Was verwijderbare onderdelen niet in een vaatwasser.
- ▶ **WAARSCHUWING:** Gebruik geen mechanische apparaten of andere middelen om het ontdooien te versnellen, behalve als deze door de fabrikant worden aanbevolen.
- ▶ Als het netsnoer beschadigd is, moet het worden vervangen door de fabrikant, diens servicevertegenwoordiger of vergelijkbaar gekwalificeerde personen om gevaar te voorkomen.
- ▶ Probeer het apparaat niet zelf te repareren, te demonteren of te wijzigen. In geval van reparatie kunt u contact opnemen met onze klantenservice.
- ▶ Als de lampen zijn beschadigd, moeten deze worden vervangen door de fabrikant, diens servicevertegenwoordiger of vergelijkbaar gekwalificeerde personen om gevaar te voorkomen.
- ▶ Verwijder het stof aan de achterkant van het toestel ten minste eenmaal per jaar om brandgevaar en een verhoogd energieverbruik te voorkomen.
- ▶ Volg de volgende instructies om besmetting van voedsel te voorkomen:
 - Het langere tijd open houden van de deur kan leiden tot een aanzienlijke verhoging van de temperatuur in de compartimenten van het apparaat.

- ▶ Spuit niet op het apparaat en spoel het niet af tijdens het reinigen.
- ▶ Gebruik geen waterstraal of stoom om het apparaat schoon te maken.
- ▶ Reinig de koude glazen deur niet met warm water. Door plotselinge temperatuurveranderingen kan het glas breken.
- ▶ Als u het apparaat voor langere tijd buiten gebruik laat, laat het dan open staan om te voorkomen dat er binnenin onaangename geuren ontstaan.

Informatie over koelgas



WAARSCHUWING!

Het apparaat bevat het brandbare koelmiddel ISOBUTAAN (R600a). Controleer of het koelcircuit tijdens transport of installatie niet is beschadigd. Lekkend koelmiddel kan oogletsel veroorzaken of ontbranden. Als er schade is opgetreden, weghouden van open vuurbronnen, de kamer grondig ventileren, de stekker van het apparaat of enig ander apparaat niet in het stopcontact steken of eruit halen. Informeer de klantenservice.

Als de ogen in contact komen met het koelmiddel, spoel het dan onmiddellijk onder stromend water af en bel onmiddellijk de oogspecialist.

WAARSCHUWING: Het koelsysteem staat onder hoge druk. Wijzig er niets aan. Aangezien er brandbare koelmiddelen worden gebruikt, moet u het apparaat volgens de aanwijzingen installeren, verplaatsen en onderhouden en moet u contact opnemen met de professionele vertegenwoordiger of onze klantenservice om het apparaat te verwijderen.

Bedoeld gebruik


Dit apparaat is bedoeld voor huishoudelijk gebruik of voor soortgelijke toepassingen, zoals:

- personeelskeukens in winkels, kantoren en andere werkomgevingen;
 - op boerderijen en door gasten van hotels, motels en andere woonomgevingen;
 - in bed-and-breakfastomgevingen;
 - voor catering en dergelijke toepassingen die niet voor de kleinhandel zijn.
- ▶ Neem deze gebruiksinstructies in acht om een veilige bewaring van de wijn te garanderen.
- ▶ De gegevens over het meest geschikte gedeelte in de koelruimte van het toestel waar specifieke soorten levensmiddelen moeten worden opgeslagen, rekening houdend met de verdeling van de temperatuur die in de verschillende ruimten van het apparaat aanwezig kan zijn, staan in het andere deel van de handleiding.

Wijzigingen of aanpassingen aan het apparaat zijn niet toegestaan. Onbedoeld gebruik kan risico's en verlies van garantieclaims veroorzaken.

Verwijdering



Het symbool  op het product of op de verpakking geeft aan dat dit product niet als huishoudelijk afval mag worden behandeld. In plaats daarvan moet het worden ingeleverd bij het toepasselijke inzamelpunt voor de recycling van elektrische en elektronische apparatuur. Door dit product correct te verwijderen, helpt u potentiële negatieve gevolgen voor het milieu en de menselijke gezondheid te voorkomen, die anders door de verkeerde behandeling van dit product als afval zouden kunnen worden veroorzaakt. Voor meer gedetailleerde informatie over de recycling van dit product neemt u contact op met het gemeentekantoor in uw woonplaats, de dienst voor verwijdering van huishoudelijk afval of de winkel waar u het apparaat hebt gekocht.

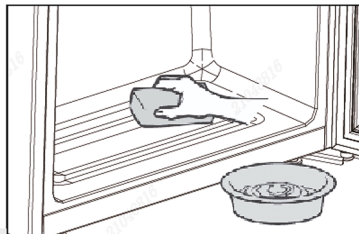
Aangezien er brandbare isolatiegassen worden gebruikt, moet u contact opnemen met de professionele vertegenwoordiger of onze klantenservice om het apparaat te verwijderen.

WAARSCHUWING!

Gevaar voor verstikking!

Koelmiddelen en gassen moeten professioneel worden verwijderd. Controleer of de leidingen van het koelmiddelcircuit niet zijn beschadigd voordat ze op de juiste manier worden afgevoerd. Koppel het apparaat los van de stroomvoorziening. Knip het netsnoer af en gooi het weg. Verwijder de bakken en lades en de deurvergrendeling en -afdichtingen, om te voorkomen dat kinderen en huisdieren in het apparaat worden opgesloten.

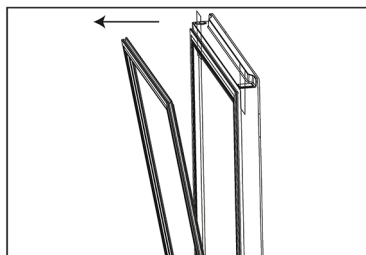
- ▶ **WAARSCHUWING:** Haal de stekker van het apparaat uit het stopcontact voordat u het reinigt.
- ▶ Reinig het apparaat niet met harde borstels, draadborstels, waspoeder, benzine, amylacetaat, aceton en soortgelijke organische oplossingen, zure of alkalische oplossingen. Reinig het apparaat met een speciaal reinigingsmiddel voor koelkasten om schade te voorkomen.
- ▶ Reinig het apparaat wanneer u er maar weinig of geen wijn in bewaart. Reinigen is alleen nodig indien het apparaat vuil is.
- ▶ Reinig de binnenkant en behuizing van het apparaat met een spons die is bevochtigd in warm water en een neutraal reinigingsmiddel.
- ▶ Spoel af met schoon warm water en droog het af met een zachte doek.
- ▶ Reinig de onderdelen van het apparaat niet in een vaatwasser.
- ▶ Laat het apparaat minstens 7 minuten rusten voordat u het opnieuw opstart, omdat vaak starten de compressor kan beschadigen.



De deurpakking reinigen:

- ▶ De deurpakkingen moeten om de 3 maanden worden gereinigd om een goede afdichting te verzekeren. Zoals hieronder: Verwijderen: Pak de deurpakking vast en trek hem naar buiten in de richting van de pijl om de hele deurpakking te verwijderen.

Doop de borstel in water of voedselkwaliteit alcohol, reinig eerst de groef van de deurpakking door de borstel heen en weer te trekken. Veeg vervolgens het oppervlak van de deurpakking af met een handdoek die gedrenkt is in water of alcohol van voedselkwaliteit. Was tot slot de deurpakking schoon en veeg deze droog met een schone handdoek.



De deurpakking installeren na het reinigen:

Zorg er voor de installatie voor dat er geen water op de deurpakking staat. Steek de pakking van de deur in de groef en druk de deurpakking van boven naar beneden met de hand stevig aan totdat de hele deurpakking in de groef zit.

De schappen schoonmaken:

- ▶ Alle schappen kunnen worden verwijderd voor reiniging.
- ▶ Haal alle flessen uit het apparaat.
- ▶ Til elk schap een beetje op en verwijder.
- ▶ Reinig het schap met een zachte handdoek.
- ▶ Wacht totdat de schappen droog zijn voordat u ze terugplaatst.

WAARSCHUWING:

Wacht minstens 7 minuten met het opnieuw aansluiten van de stroom nadat de stekker uit het stopcontact is gehaald.

Controleer de accessoires en literatuur in overeenstemming met deze lijst:

Naam	Gebruikers-handleiding	Servicekaart	Schap	Energielabel
CNWX4G84G1	1	1	6	1



Let op

Door technische wijzigingen en verschillende modellen kunnen sommige afbeeldingen in deze handleiding afwijken van uw model.

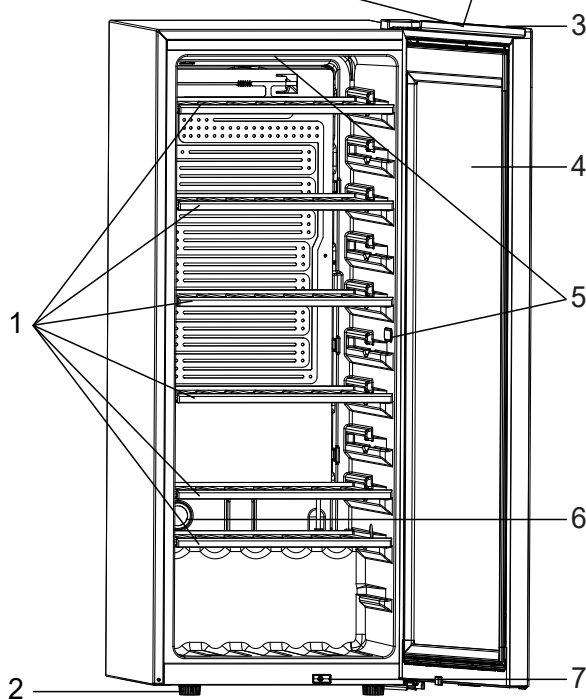
Afbeelding van het apparaat



Light



3 Sec.Unlock



CNWQ4G84G1

- | | |
|----------------------|--------------------------|
| 1. Schap | 5. LED-lamp |
| 2. Verstelbare poten | 6. Actief koolstoffilter |
| 3. Deur | 7. Schakelaar |
| 4. weergave | |

1. Uitpakken

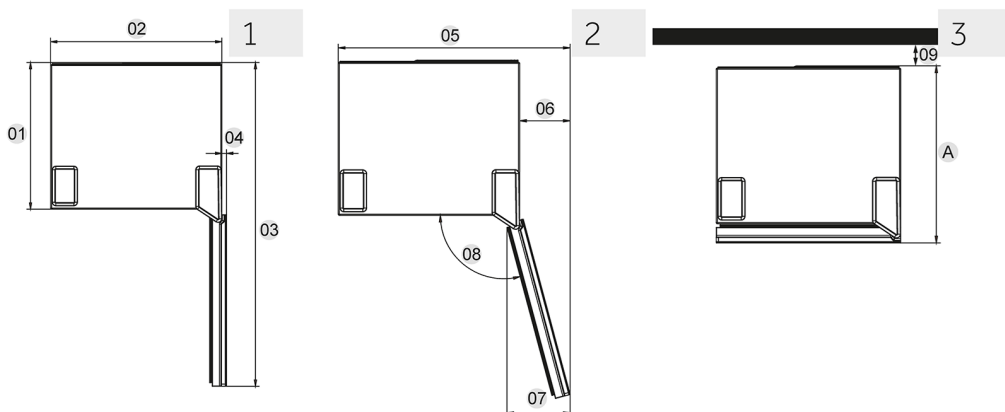
- ▶ Haal het apparaat uit de verpakking.
- ▶ Verwijder al het verpakkingsmateriaal, inclusief de schuimbodem en alle plakband waarmee de accessoires vastzitten.

2. Omgevingsomstandigheden

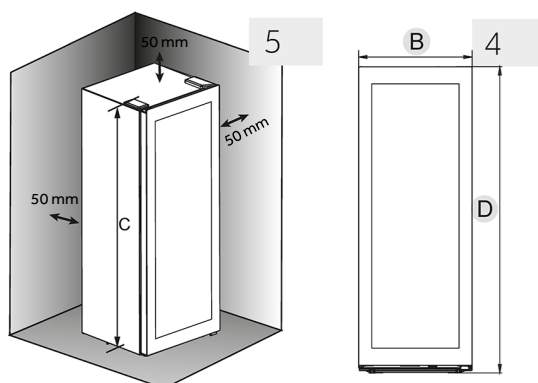
De kamertemperatuur moet altijd tussen 10°C en 38°C liggen, aangezien deze de temperatuur in het apparaat en het energieverbruik kan beïnvloeden. Installeer het apparaat niet in de buurt van andere warmtebronnen (ovens, koelkasten) zonder isolatie.

3. Benodigde ruimte

De benodigde ruimte om de deur te openen (afb. 1,2,3,4). Voor veiligheid en vanwege energie moet de vereiste ventilatieafstand van 50 mm in alle richtingen in acht worden genomen (afb. 5).



Afmeting: mm	CNWQ4G84G1
Diepte A	585
Breedte B	495
Hoogte C	1262
Totale hoogte D	1263
01	535
02	495
03	1043
04	11
05	630
06	135
07	167
08	105°
09	50





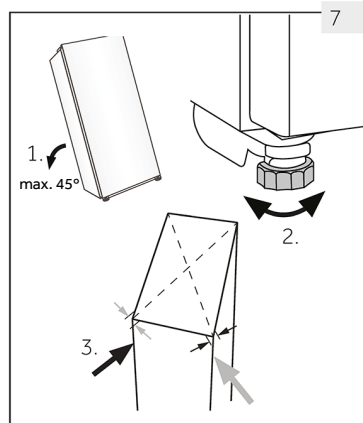
WAARSCHUWING!

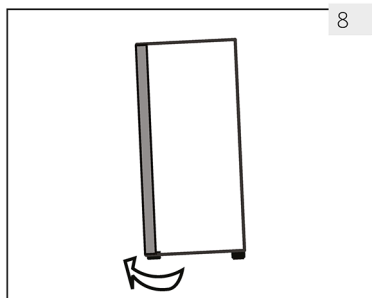
- ▶ Zorg ervoor dat de ventilatieopeningen in het apparaat of in de ingebouwde constructie open blijven. Dit koelapparaat is niet bedoeld voor gebruik als inbouwapparaat

4. Het apparaat uitlijnen

Plaats het apparaat op een vlakke en stevige ondergrond.

1. Kantel het apparaat iets naar achteren (afb. 7).
2. Stel de verstelbare voorste pootjes in op het gewenste niveau door ze te draaien.
3. De stabiliteit kan worden gecontroleerd door afwisselend op de diagonalen te duwen. De lichte slingering moet in beide richtingen hetzelfde zijn. Anders kan het frame kromtrekken; mogelijk lekkende deurafdichtingen zijn het resultaat. Een kleine helling naar achteren vergemakkelijkt het sluiten van de deur.





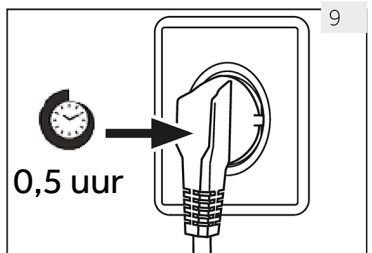
8

5. Fijnafstelling van de deur

Het apparaat sluit gemakkelijker af als de stelvoetjes aan de voorkant worden gebruikt:

Draai aan de verstelbare voetjes (afb. 8) om ze omhoog of omlaag te draaien:

- ▶ Door de voetjes rechtsom te draaien, gaat het apparaat omhoog.
- ▶ Door de voetjes linksom te draaien, gaat het apparaat omlaag.



9

6. Wachtijd

De onderhoudsvrije smeerolie bevindt zich in de behuizing van de compressor. Deze olie kan tijdens het vervoer door het gesloten leidingsysteem komen als het apparaat wordt gekanteld. Voordat u het apparaat op de voeding aansluit, wacht u 0,5 uur (afb. 9) zodat de olie weer in de behuizing loopt.

7. Elektrische aansluiting

Controleer vóór elke aansluiting of:

- ▶ voeding, stopcontact en zekering geschikt zijn volgens het typeplaatje;
- ▶ het stopcontact is geaard en er geen stekkerdoos of verlengsnoer is;
- ▶ de stekker en het stopcontact goed passen.

Sluit de stekker aan op een correct geïnstalleerd huishoudelijk stopcontact.



WAARSCHUWING!

Om risico's te vermijden moet een beschadigd netsnoer worden vervangen door de klantenservice (zie garantiekaart).



WAARSCHUWING!

- ▶ Haal de stekker van het apparaat uit het stopcontact voordat u eraan gaat werken.
- ▶ Kantel het apparaat niet meer dan 45° om schade aan het koelsysteem te voorkomen.

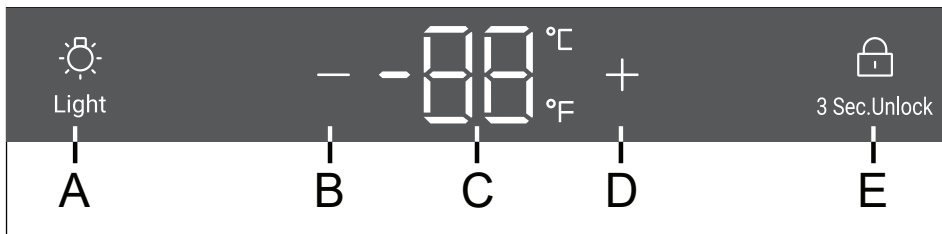
1. Vóór het eerste gebruik

- ▶ Verwijder al het verpakkingsmateriaal. Dit geldt zowel voor de schuimbasis als voor al het plakband waarmee de accessoires van de wijnkast zowel binnen als buiten vastzitten. Houd het buiten het bereik van kinderen en gooi het weg op een milieuvriendelijke manier.
- ▶ Reinig de binnen- en de buitenkant van het apparaat met water en een mild reinigingsmiddel voordat u er wijn in plaatst.
- ▶ Nadat het apparaat waterpas is gezet en is schoongemaakt, moet u minstens 2 uur wachten voordat u het aansluit op het elektriciteitsnet. Als uw wijnkast om welke reden dan ook is gekanteld, wacht dan 24 uur voordat u het apparaat aansluit. Raadpleeg het hoofdstuk INSTALLATIE.
- ▶ Nadat u het apparaat hebt aangesloten op een stopcontact, laat u het minstens 30 minuten werken om te acclimatiseren voordat u eventuele aanpassingen aanbrengt.
- ▶ De temperatuur wordt automatisch ingesteld op 12°C. Als u wilt, kunt u de temperatuur handmatig veranderen. Zie TEMPERATUUR.

2. Aanraaktoetsen

De toetsen op het bedieningspaneel zijn aanraaktoetsen, die reageren als ze licht met de vinger worden aangeraakt.

3. Beschrijving van het bedieningspaneel



A Lichtknop

B Temperatuurregelknop: omlaag

C Display

D Temperatuuraanpassingsknop: omhoog

E Vergrendelingsknop

4. Automatische vergrendelingsfunctie

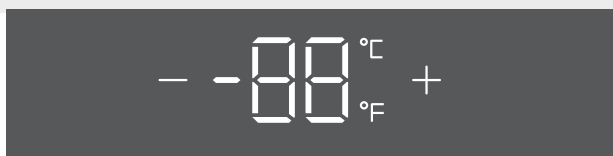
Houd in de vergrendelschermstand de vergrendelknop 3 seconden lang ingedrukt. Op het scherm worden 3, 2 en 1 weergegeven. Het scherm wordt ontgrendeld. Als er geen bediening plaatsvindt, wordt het scherm na 30 seconden automatisch vergrendeld. In de vergrendelschermstand is het vergrendelpictogram zichtbaar en kunnen de knoppen op het scherm niet worden bediend (behalve de verlichtingsknop).

5. Temperatuurstelling

i Let op

Voorinstellingen

- ▶ Nadat u het apparaat hebt aangesloten op een stopcontact, laat u het minstens 30 minuten werken om te acclimatiseren voordat u eventuele aanpassingen aanbrengt.
- ▶ Wanneer het apparaat wordt ingeschakeld nadat de stekker uit het stopcontact is gehaald, kan het enkele uren duren voordat de juiste temperaturen zijn bereikt. De exacte tijd verschilt afhankelijk van de omgeving en de temperatuurstelling.



Druk op **+** of **-** toets, het display begint te knipperen. Druk op **+** of **-** toets om de gewenste temperatuur in te stellen. Het temperatuurbereik: 5–20°C (41–68°F). Stop 3 seconden met het indrukken van de toets; de temperatuur wordt bevestigd.

6. Geheugenfunctie bij stroomuitval

Bij een stroomstoring slaat de kelder automatisch de ingestelde temperatuur op. Na herstel van de stroomvoorziening werkt de kelder weer op basis van de temperatuur die vóór de stroomstoring was ingesteld.

i Let op Invloeden op de temperatuur



De temperatuur in het apparaat wordt beïnvloed door de volgende factoren:

- ▶ Omgevingstemperatuur
- ▶ Aantal opgeslagen flessen
- ▶ Frequentie van het openen van de deur
- ▶ De plaats van het apparaat

De standaardinstelling is 12°C.

Wanneer het display stopt met knipperen, gaat het terug naar het weergeven van de huidige temperatuur in de wijnkast. Het zal enige tijd duren om de ingestelde temperatuur te bereiken.

7. Instelling verlichtingsmodus

Druk op de -knop. De verlichting gaat geleidelijk aan. Wanneer u nogmaals op de -knop drukt, gaat de verlichting geleidelijk uit.

8. °C/°F functie

Houd de knop " ° " 3 seconden ingedrukt om te wisselen tussen Fahrenheit en Celsius.

9. Geheugenfunctie bij stroomuitval

Bij een stroomstoring slaat de kelder automatisch de ingestelde temperatuur op. Na herstel van de stroomvoorziening werkt de kelder weer op basis van de temperatuur die vóór de stroomstoring was ingesteld.

10. Alarm bij deuropening

Als de deur langer dan 1 minuut open blijft staan, piept de zoemer om een alarm te geven totdat de deur gesloten is of een toets op het displaypaneel kan worden bediend. Daarna stopt de zoemer met piepen.



Tips voor energiebesparing

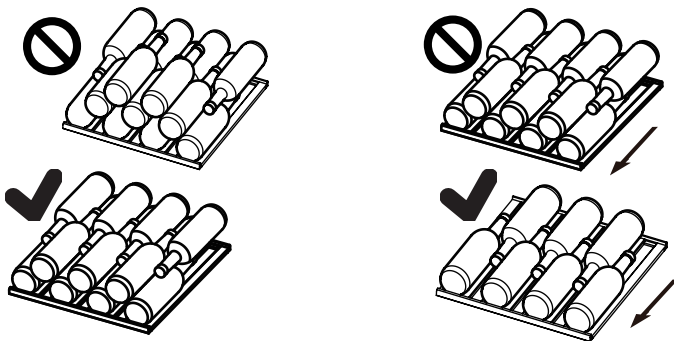
- ▶ Zorg ervoor dat het apparaat goed wordt geventileerd (raadpleeg INSTALLATIE).
- ▶ Installeer het apparaat niet in direct zonlicht of in de buurt van warmtebronnen (bijv. kachels, verwarmingstoestellen).
- ▶ Vermijd onnodig lage temperaturen in het apparaat. Het energieverbruik neemt toe naarmate de temperatuur in het apparaat lager is ingesteld.
- ▶ Open de deur van het apparaat zo weinig en zo kort mogelijk.
- ▶ Overschrijd de voorgeschreven hoeveelheid flessen niet, om te voorkomen dat de luchtstroom wordt belemmerd.
- ▶ Houd de deurpakking schoon, zodat de deur altijd goed sluit.
- ▶ De meest energiebesparende configuratie vereist dat de lade, de bak en de schappen als nieuw in het apparaat worden geplaatst en dat voedsel zo wordt geplaatst dat het de luchtuitlaat van het luchtkanaal niet blokkeert.
- ▶ Om de energiezuinigheid te verhogen, moet de verlichting worden uitgeschakeld als de wijnkast niet wordt bekeken.

1. Schap

1. De schappen zijn zo ontworpen dat de wijn gemakkelijk kan worden opgeslagen en verwijderd. Ze kunnen met een zachte doek worden gereinigd.
2. Gewone flessen met een diameter van 76 mm kunnen worden gestapeld.
3. De hoeveelheid kan variëren van het aangegeven aantal flessen als ze op een andere manier worden opgestapeld.

Advies voor de indeling van uw wijnkast

Wij raden aan niet meer dan twee lagen wijnflessen per schap te plaatsen en dat het draagvermogen van de wijnschappen van 20 kg niet wordt overschreden. Voordat u de flessen in de wijnkast plaatst, moet u controleren of de wijnschappen volledig stabiel zijn. Bovendien moet u controleren of er geen flessen uitsteken voorbij de schappen, om te voorkomen dat flessen de glazen deur raken bij het sluiten.



2. De verlichting

De led-binnenverlichting gaat branden als de deur wordt geopend

1. Ontdooien

Het ontdooien van de wijnkast gebeurt automatisch; er is geen handmatige actie nodig.

2. De ledlamp vervangen

De lamp gebruikt een led als lichtbron, met een laag energieverbruik en een lange levensduur. Als er sprake is van een afwijking, neem dan contact op met de klantenservice. Zie KLANTENSERVICE.



WAARSCHUWING!

Vervang de ledlamp niet zelf. Deze mag alleen worden vervangen door de fabrikant of de erkende servicevertegenwoordiger.

Dit product bevat een lichtbron van energie-efficiëntieklasse G.

Parameters van de ledlamp:

Spanning 12 V

Maximaal vermogen: 2 W

3. Geen gebruik gedurende een langere periode

Haal de stekker van het netsnoer uit het stopcontact.

Reinig het apparaat en de deurpakkingen zoals hierboven beschreven.

Houd de deur open om de vorming van nare geuren binnenin te voorkomen.

4. Het apparaat verplaatsen

1. Verwijder alle flessen en haal de stekker van het apparaat uit het stopcontact.

2. Zet schappen en andere beweegbare delen in de wijnkast vast met plakband.

3. Kantel de wijnkast niet meer dan 45° om schade aan het koelsysteem te voorkomen.

5. Luchtverversing met actiefkoolfilter

De manier waarop wijnen verder rijpen, is afhankelijk van de omgevingsomstandigheden. De kwaliteit van de lucht is daarom bepalend voor het behoud van de wijn.

In het onderste gedeelte van de achterwand van het apparaat is een actiefkoolfilter aangebracht, zodat de doorstroming optimaal blijft.



Kennisgeving

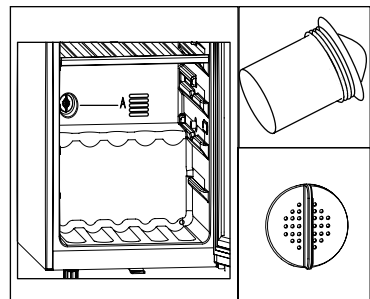
Wij adviseren u het filter jaarlijks te vervangen. Filters zijn verkrijgbaar bij uw dealer.

Filter vervangen:

Pak het filter vast bij de hendel. Draai het naar links en verwijder het.

Filter plaatsen:

Plaats het filter met de hendel verticaal. Draai het naar rechts en plaats het.



Veel problemen kunnen door uzelf worden opgelost zonder specifieke expertise. Raadpleeg in geval van een probleem alle getoonde mogelijkheden en volg de onderstaande instructies voordat u contact opneemt met de klantenservice. Zie KLANTENSERVICE.



WAARSCHUWING!

- ▶ Schakel het apparaat uit voordat u onderhoud uitvoert en haal de stekker uit het stopcontact.
- ▶ Elektrische apparatuur mag alleen worden onderhouden door gekwalificeerde elektrische experts, omdat onjuiste reparaties aanzienlijke gevolgschade kunnen veroorzaken.
- ▶ Als de voeding beschadigd is, mag deze alleen worden vervangen door de fabrikant, diens servicevertegenwoordiger of vergelijkbaar gekwalificeerde personen om gevaar te voorkomen.

Foutcode	Oorzaak	Oplossing
L2	De bovenste temperatuurzone geeft een alarm voor lage temperatuur wanneer de bovenste temperatuur van de regelsensor te laag is.	<ol style="list-style-type: none"> 1. Controleer de omgevingstemperatuur. 2. Controleer de compressorconnector. 3. Controleer de weerstand van de temperatuurregelsensor.

Probleem	Mogelijke oorzaak	Mogelijke oplossing
De compressor werkt niet.	<ul style="list-style-type: none"> De netstekker is niet aangesloten op het stopcontact. 	<ul style="list-style-type: none"> Steek de stekker in het stopcontact.
Het apparaat loopt vaak of te lang.	<ul style="list-style-type: none"> De buitentemperatuur is te hoog. Het apparaat is een tijd lang niet ingeschakeld geweest. Een deur van het apparaat is niet goed gesloten. De deur is te vaak of te lang geopend. De deurpakkingen zijn vuil, versleten, gebarsten of niet goed op elkaar afgestemd. De vereiste luchtcirculatie is niet gegarandeerd. De temperatuur is te laag ingesteld. 	<ul style="list-style-type: none"> In dit geval is het normaal dat het apparaat langer werkt. Normaal gesproken duurt het even voordat het apparaat volledig is afgekoeld. Sluit de deur en zorg ervoor dat het apparaat op een vlakke ondergrond staat en dat er geen etenswaren of containers de deur blokkeren. Open de deur niet te vaak. Reinig de deurpakkingen of laat ze vervangen door de klantenservice. Zorg voor voldoende ventilatie. Het probleem lost zichzelf op wanneer de gewenste temperatuur is bereikt.
De binnenkant van de wijnkast is vuil en/of stinkt.	<ul style="list-style-type: none"> De binnenkant van de wijnkast moet worden schoongemaakt. 	<ul style="list-style-type: none"> Maak de binnenkant van de wijnkast schoon.
Het is niet koud genoeg in het apparaat.	<ul style="list-style-type: none"> De temperatuur is te hoog ingesteld. Er zijn recentelijk flessen toegevoegd. Een deur van het apparaat is niet goed gesloten. De deur is vaak of lang geopend. De deurpakkingen zijn vuil, versleten, gebarsten of niet goed op elkaar afgestemd. 	<ul style="list-style-type: none"> Stel de temperatuur opnieuw in. Houd rekening met de tijd die nodig is voor de recent toegevoegde flessen om de gewenste temperatuur te bereiken. Sluit de deur. Open de deur niet te vaak. Reinig de deurpakkingen of laat ze vervangen door de klantenservice.
Het is te koud in het apparaat.	<ul style="list-style-type: none"> De temperatuur is te laag ingesteld. 	<ul style="list-style-type: none"> Stel de temperatuur opnieuw in.
Vochtvorming aan de binnenkant van het koelkastgedeelte.	<ul style="list-style-type: none"> Het klimaat is te warm en te vochtig. Een deur van het apparaat is niet goed gesloten. De deur is vaak of lang geopend. 	<ul style="list-style-type: none"> Verhoog de temperatuur. Sluit de deur. Open de deur/lade niet te vaak.

Probleem	Mogelijke oorzaak	Mogelijke oplossing
Vocht hoopt zich op het buitenoppervlak van de wijnkast op.	<ul style="list-style-type: none"> Het klimaat is te warm en te vochtig De deur is niet goed gesloten. De koude lucht in het apparaat en de warme lucht daarbuiten condenseert. 	<ul style="list-style-type: none"> Dit is normaal in een vochtig klimaat en zal veranderen wanneer de luchtvochtigheid daalt. Controleer of de deur goed gesloten is en of de pakkingen goed afdichten.
Het apparaat maakt afwijkende geluiden.	<ul style="list-style-type: none"> Het apparaat staat niet op een vlakke ondergrond. Het apparaat raakt voorwerpen rondom. 	<ul style="list-style-type: none"> Stel de pootjes af om het apparaat waterpas te zetten. Verwijder voorwerpen rondom het apparaat.
Er is een licht geluid te horen dat lijkt op water.	<ul style="list-style-type: none"> Dit is normaal. 	<ul style="list-style-type: none"> -
De binnenverlichting of het koelsysteem werkt niet.	<ul style="list-style-type: none"> De stekker is niet aangesloten op het stopcontact. De voeding is niet intact. Het ledlampje is buiten werking. 	<ul style="list-style-type: none"> Steek de stekker in het stopcontact. Controleer de elektrische voeding naar de kamer. Bel het plaatselijke elektriciteitsbedrijf. Bel de klantenservice voor het vervangen
De zijkanten van de koelkast worden warm.	<ul style="list-style-type: none"> Dit is normaal. 	<ul style="list-style-type: none"> -
De deur sluit niet goed.	<ul style="list-style-type: none"> Het apparaat staat niet waterpas. De deur is geblokkeerd. 	<ul style="list-style-type: none"> Zet het apparaat waterpas met de stelvoetjes. Controleer op blokkeringen zoals flessen of schappen.

Ga naar onze website om contact op te nemen met de technische dienst:
<https://corporate.haier-europe.com/en/>

Kies onder de kop 'website' het merk van uw product en uw land. U wordt doorgestuurd naar de specifieke website waar u het telefoonnummer en formulier kunt vinden om contact op te nemen met de technische dienst.

Productkaart volgens de verordening EU nr. 2019/2016

Merk	Candy
Modelnaam/identificatie	CNWX4G84G1
Categorie	Wijnkast
Energie-efficiëntieklasse	G
Jaarlijks energieverbruik (kWh/jaar) ¹⁾	153
Inhoud fles (0,75 l bordeauxfles)	84
Klimaatklasse: Dit apparaat is bedoeld voor gebruik bij een omgevingstemperatuur tussen 10°C en 38°C.	N ST
Geluidsemissies via de lucht (db(A) re 1pW)	37
Type apparaat	Vrijstaand
Dit apparaat is uitsluitend bedoeld voor het bewaren van wijn.	Ja
Afmetingen (BxDxH in mm)	495/585/1263

Uitleg:

1) Gebaseerd op de resultaten van de standaardtest gedurende 24 uur. Het werkelijke energieverbruik is afhankelijk van de werkelijke omgeving, het aantal flessen, de ingestelde temperatuur, het openen en sluiten van de deur, etc.

2) Het nominale energieverbruik is de waarde die volgens de standaardtest wordt verkregen wanneer de binnenverlichting van de wijnkast niet wordt ingeschakeld.

- Subnormaal: dit koelapparaat is bedoeld voor gebruik bij een omgevingstemperatuur van 10°C tot 32°C.

- Normaal: dit koelapparaat is bedoeld voor gebruik bij een omgevingstemperatuur van 16°C tot 32°C.

- Subtropisch: dit koelapparaat is bedoeld voor gebruik bij een omgevingstemperatuur van 16°C tot 38°C.

- Tropisch: dit koelapparaat is bedoeld voor gebruik bij een omgevingstemperatuur van 16°C tot 43°C.

Normen en richtlijnen

Dit product voldoet aan de eisen van alle toepasselijke EG-richtlijnen met de bijbehorende geharmoniseerde normen die voorzien in een CE-markering.

Wij adviseren onze Haier-klantenservice en het gebruik van originele onderdelen. Als u een probleem hebt met uw apparaat, controleer dan eerst het hoofdstuk **PROBLEMEN OPLOSSEN**.

Als u daar geen oplossing kunt vinden, neem dan contact op met

- ▶ uw plaatselijke dealer; of
- ▶ ga naar het gedeelte Service & Support op www.haier.com waar u telefoonnummers en veelgestelde vragen kunt vinden en waar u de serviceclaim kunt activeren.

Om contact op te nemen met onze klantenservice, moet u ervoor zorgen dat u over de volgende gegevens beschikt.

De informatie is te vinden op het typeplaatje.

Model _____ Serienummer _____

Controleer ook de garantiekaart die met het product is meegeleverd in geval van garantie. Voor algemene zakelijke vragen vindt u hieronder onze adressen in Europa:

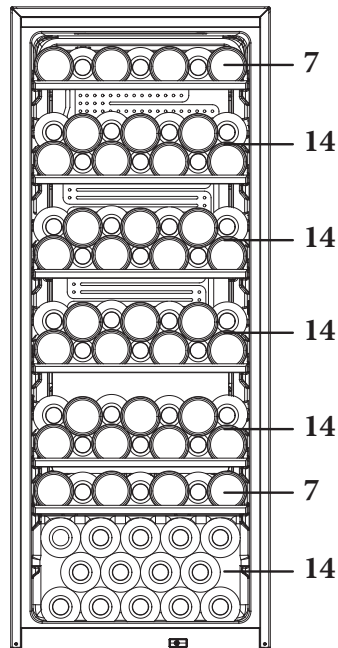
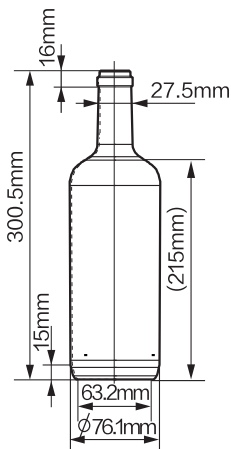
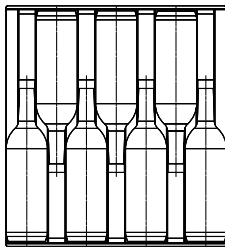
Europese Haier-adressen			
Land*	Postadres	Land	Postadres
Italië	Haier Europe Trading SRL Via de Cristoforis, 12 21100 Varese ITALIË	Frankrijk	Haier Europe Trading SRL Via de Cristoforis, 12 21100 Varese ITALIË
Spanje Portugal	Haier Iberia SL Pg. Garcia Faria, 49-51 08019 Barcelona SPANJE	België-FR België-NL Nederland Luxemburg	Haier Benelux SA Anderlecht Route de Lennik 451 BELGIË
Duitsland Oostenrijk	Haier Deutschland GmbH Hewlett-Packard-Str. 4 D-61352 Bad Homburg DUITSLAND	Polen	Haier Poland Sp. zo.o. Al. Jerozolimskie 181B 02-222 Warszawa (Warschau) POLEN
Verenigd Koninkrijk	Haier Appliances UK Co. Ltd. One Crown Square Church Street East Woking, Surrey, GU21 6HR VK	Tsjechië Hongarije Griekenland Roemenië Rusland	

BESCHIKBAARHEID VAN RESERVEONDERDELEN: Thermostaten, temperatuursensoren, printplaten en lichtbronnen zijn gedurende minimaal zeven jaar na het op de markt brengen van de laatste eenheid van het model beschikbaar. Deurgrepen, deurscharnieren, bakken en manden zijn minimaal zeven jaar en deurrubbers minimaal tien jaar na het in de handel brengen van de laatste eenheid van het model verkrijgbaar.

De minimumgarantie is: 2 jaar voor EU-landen, 3 jaar voor Turkije, 1 jaar voor het Verenigd Koninkrijk, 1 jaar voor Rusland, 3 jaar voor Zweden, 2 jaar voor Servië, 5 jaar voor Noorwegen, 1 jaar voor Marokko, 6 maanden voor Algerije, Tunesië geen wettelijke garantie vereist.

Raadpleeg voor meer informatie over het product <https://eprel.ec.europa.eu/> of scan de QR-code op het energielabel dat met het apparaat wordt meegeleverd.

1. De flessenindeling is gebaseerd op een grafische weergave van een standaard bordeauxfles (0,75 l).
2. Vanwege de verschillende flesspecificaties, kan het zijn dat de daadwerkelijke hoeveelheid flessen anders is.



(84)
CNWQ4G84G1

Instrukcja obsługi

Chłodziarka do wina

CNWX4G84G1

PL

Dziękujemy za zakup produktu firmy Candy.

Przed użyciem urządzenia należy dokładnie przeczytać niniejsze instrukcje. Instrukcje zawierają ważne informacje, które pomogą możliwie najlepiej wykorzystać funkcje urządzenia, bezpiecznie i prawidłowo je zainstalować, eksploatować oraz konserwować.

Niniejszą instrukcję obsługi należy przechowywać w dostępnym miejscu, aby móc z niej zawsze skorzystać w celu bezpiecznego i właściwego użytkowania urządzenia.

Przy sprzedaży urządzenia należy do niego dołączyć niniejszą instrukcję obsługi, a w przypadku przeprowadzki przekazać ją nowemu właścicielowi, aby mógł się zapoznać z urządzeniem i ostrzeżeniami dotyczącymi bezpieczeństwa.

Legenda



Ostrzeżenie – ważne informacje dotyczące bezpieczeństwa



Ogólne informacje i wskazówki



Informacje dotyczące ochrony środowiska



Utylizacja

Pomóż chronić środowisko i ludzkie zdrowie. Wyrzuć opakowanie do odpowiednich pojemników do recyklingu. Pomóż w recyklingu odpadów z urządzeń elektrycznych i elektronicznych. Nie wyrzucaj urządzeń oznaczonych tym symbolem razem z odpadami domowymi. Oddaj produkt do miejscowego zakładu recyklingu lub skontaktuj się z urzędem miejskim.



OSTRZEŻENIE!

Ryzyko obrażeń lub uduszenia!

Czynniki chłodnicze i gazy muszą być utylizowane w profesjonalny sposób. Przed utylizacją upewnij się, że przewody układu chłodniczego nie są uszkodzone. Odłącz urządzenie od zasilania sieciowego. Odetnij przewód zasilający i zutylizuj go. Usuń tace i szuflady oraz zamek drzwi i uszczelki, aby zapobiec zamknięciu się dzieci i zwierząt w urządzeniu.

Stare urządzenia nadal mają pewną wartość rezydualną. Dzięki przyjaznej dla środowiska metodzie utylizacji cenne surowce mogą być odzyskane i ponownie wykorzystane.

Cyklopentan, substancja palna nieszkodliwa dla ozonu, jest stosowany jako środek porotwórczy do wytwarzania pianki izolacyjnej.

Zapewniając prawidłową utylizację urządzenia, pomagasz zapobiegać ewentualnym negatywnym konsekwencjom dla środowiska i zdrowia ludzkiego.

Więcej informacji na temat recyklingu tego produktu można uzyskać, kontaktując się z samorządem lokalnym, służbami zajmującymi się utylizacją odpadów lub prowadzonym przez specjalistów sklepem, z którego pochodzi produkt.

1- Informacje dotyczące bezpieczeństwa	304
2- Wskazówki dotyczące bezpieczeństwa	307
3- Konserwacja	311
4- Akcesoria	313
5- Opis produktu	314
6- Instalacja	315
7- Użytkowanie	319
8- Wskazówki dotyczące oszczędzania energii.....	322
9- Wyposażenie.....	323
10- Pielęgnacja i czyszczenie.....	324
11- Usuwanie usterek	325
12- Dane techniczne	328
13- Obsługa klienta	329
14- Układanie butelek wina w stos	330

To urządzenie jest przeznaczone wyłącznie do przechowywania wina. Przed włączeniem urządzenia po raz pierwszy, przeczytaj poniższe wskazówki dotyczące bezpieczeństwa:



OSTRZEŻENIE!

Przed pierwszym użyciem

- ▶ Upewnić się, że nie ma uszkodzeń powstałych podczas transportu.
- ▶ Usuń wszelkie opakowania, trzymaj je w miejscu niedostępnym dla dzieci i zutylizuj w sposób przyjazny dla środowiska.
- ▶ Odczekaj co najmniej pół godziny przed zainstalowaniem urządzenia, aby upewnić się, że obieg chłodniczy jest w pełni efektywny.
- ▶ Zawsze przenoś urządzenie z pomocą co najmniej dwóch osób, ponieważ jest ono ciężkie.
- ▶ Podczas ustawiania urządzenia należy się upewnić, że kabel zasilający nie został przygnieciony ani uszkodzony.
- ▶ Za urządzeniem nie należy umieszczać kilku listew zasilających ani przenośnych zasilaczy.

Instalacja

- ▶ Urządzenie powinno być umieszczone w dobrze wentylowanym miejscu. Zapewnij przestrzeń co najmniej 50 mm nad urządzeniem i wokół niego.
- ▶ **OSTRZEŻENIE:** Należy dbać o drożność otworów wentylacyjnych w obudowie urządzenia wolnostojącego lub w konstrukcji do zabudowy.
- ▶ Nigdy nie umieszczaj urządzenia w wilgotnym miejscu lub w takim, w którym może być ochlapane wodą. Zetrzyj plamy i zachlapania do sucha miękką i czystą ściereczką.
- ▶ Nie instaluj chłodziarki do wina w miejscu, które nie jest odpowiednio izolowane lub ogrzewane np. garaż itp. Twoja chłodziarka do wina nie została zaprojektowana do pracy w temperaturze otoczenia poniżej 10°C.
- ▶ Nie instaluj urządzenia w miejscu, w którym będzie narażone na bezpośrednie działanie słońca lub w pobliżu źródeł ciepła (np. pieców, grzejników).
- ▶ Zainstaluj i wypoziomuj urządzenie w miejscu odpowiednim dla jego wielkości i przeznaczenia.
- ▶ Upewnij się, że informacje dotyczące elektryki na tabliczce znamionowej są zgodne z parametrami zasilania. Jeśli tak nie jest, skontaktuj się z elektrykiem.
- ▶ Urządzenie jest zasilane prądem 220–240 V AC/50 Hz. Odbiegające od normy wahania napięcia mogą spowodować niewłączenie się urządzenia albo uszkodzenie regulatora temperatury lub sprężarki. Mogą też być przyczyną nietypowego hałasu podczas pracy. W takim przypadku powinien zostać zamontowany automatyczny regulator.
- ▶ Nie używaj adapterów wtyczek i przedłużaczy.

**OSTRZEŻENIE!**

- ▶ **OSTRZEŻENIE:** Za urządzeniem nie powinna się znajdować większa liczba listew zasilających ani przenośnych zasilaczy.
- ▶ **OSTRZEŻENIE:** Podczas ustawiania urządzenia należy się upewnić, że kabel zasilający nie został przygnieciony ani uszkodzony.
- ▶ Nie stawaj na przewodzie zasilającym.
- ▶ Używaj oddzielnego, łatwo dostępnego i uziemionego gniazdka. Urządzenie musi być uziemione.
- ▶ **Dotyczy tylko Wielkiej Brytanii:** Kabel zasilający urządzenie jest wyposażony we wtyczkę z 3 bolcami (z uziemieniem), która pasuje do standardowego gniazda z 3 przewodami (z uziemieniem). Nigdy nie odcinaj ani nie demontuj trzeciego bolca (z uziemieniem). Po zainstalowaniu urządzenia, wtyczka powinna być dostępna.
- ▶ **OSTRZEŻENIE:** Uważaj, aby nie uszkodzić obwodu chłodniczego.

Codzienne użytkowanie

- ▶ Urządzenie może być obsługiwane przez dzieci powyżej 8 roku życia i przez osoby o ograniczonych możliwościach fizycznych, sensorycznych lub umysłowych lub osoby nieposiadające doświadczenia ani wiedzy pod warunkiem, że są one pod odpowiednim nadzorem lub zostały poinstruowane, jak bezpiecznie obsługiwać urządzenie i rozumieją związane z nim zagrożenia.
- ▶ Dzieci nie powinny bawić się urządzeniem.
- ▶ Dzieciom w wieku od 3 do 8 lat zezwala się na załadunek i rozładunek urządzeń chłodniczych, ale nie wolno im ich czyścić i instalować.
- ▶ Trzymaj z dala od urządzenia dzieci poniżej 3 roku życia, chyba że są pod stałym nadzorem.
- ▶ Czyszczenie i konserwacja nie mogą być wykonywane przez dzieci bez dozoru.
- ▶ Urządzenie musi być ustawione tak, aby wtyczka była łatwo dostępna.
- ▶ Jeśli gaz węglowy lub inny łatwopalny gaz wycieka w pobliżu urządzenia, zamknij zawór wyciekającego gazu, otwórz drzwi oraz okna i nie odłączaj ani nie podłączaj kabla zasilającego urządzenia.
- ▶ Odczekaj co najmniej 7 minut, aby ponownie podłączyć zasilanie po jego odłączeniu.
- ▶ Nie podnoś urządzenia za klamki drzwi.
- ▶ Klucze muszą być przechowywane w miejscu niedostępnym dla dzieci, a nie w pobliżu urządzenia, aby uniemożliwić zatrzaśnięcie się dzieci w jego wnętrzu.

**OSTRZEŻENIE!**

- ▶ Należy pamiętać, że urządzenie jest ustawione do pracy w określonym zakresie temperatur otoczenia od 10 do 38°C. Urządzenie może nie pracować prawidłowo, jeśli pozostanie na dłuższy czas w temperaturze powyżej lub poniżej podanego zakresu.
- ▶ Na urządzeniu nie należy umieszczać niestabilnych przedmiotów (ciężkich przedmiotów, pojemników wypełnionych wodą), aby uniknąć obrażeń ciała spowodowanych upadkiem lub porażeniem prądem elektrycznym w wyniku kontaktu z wodą.
- ▶ Otwieraj i zamykaj drzwi tylko za pomocą klamek. Szczelina między drzwiami a komorą jest bardzo wąska. Nie trzymaj rąk w tych obszarach, aby uniknąć przycięcia palców. Otwieraj i zamykaj drzwi urządzenia tylko wtedy, gdy nie ma dzieci stojących w obrębie ruchu drzwi.
- ▶ Nie przechowuj ani nie używaj materiałów łatwopalnych, wybuchowych lub żrących w urządzeniu lub w jego sąsiedztwie.
- ▶ Nie przechowuj w urządzeniu substancji wybuchowych takich jak aerozole w puszcze z łatwopalnymi gazami nośnymi.
- ▶ Nie należy przechowywać w urządzeniu leków, bakterii lub substancji chemicznych. To urządzenie jest urządzeniem gospodarstwa domowego. Nie zaleca się przechowywania materiałów, które wymagają ściśle określonej temperatury.
- ▶ Nie ustawiaj niepotrzebnie niskiej temperatury w komorze na wino. Ujemne temperatury mogą wystąpić przy wysokich ustawieniach. Uwaga: Butelki mogą wybuchnąć
- ▶ Nie dotykaj wnętrza komory podczas pracy, zwłaszcza mokrymi rękami, ponieważ mogą one przymarznąć do jej powierzchni.
- ▶ W celu zapewnienia prawidłowego chłodzenia wina nie należy przeładowywać urządzenia.
- ▶ Odłącz urządzenie w przypadku przerwy w zasilaniu lub przed czyszczeniem. Nie uruchamiaj ponownie urządzenia przez co najmniej 7 minut, ponieważ szybkie włączenie może doprowadzić do uszkodzenia sprężarki.
- ▶ **OSTRZEŻENIE:** Nie używaj urządzeń elektrycznych w komorze urządzenia, chyba, że są rekomendowane przez producenta. Aby uniknąć ryzyka, uszkodzony przewód zasilający musi być wymieniony przez serwis (zob. karta gwarancyjna).
- ▶ Aby przedłużyć żywotność urządzenia, należy unikać jego wyłączania.
- ▶ Nigdy nie należy ustawiać urządzenia poziomo na ziemi. Po przechyleniu urządzenia o więcej niż 45° należy odczekać 24 godziny przed jego podłączeniem.

**OSTRZEŻENIE!****Konserwacja / czyszczenie**

- ▶ Upewnij się, że dzieci są nadzorowane podczas czyszczenia i konserwacji urządzenia.
- ▶ Przed przystąpieniem do rutynowej konserwacji należy odłączyć urządzenie od zasilania elektrycznego. Nie uruchamiaj ponownie urządzenia przez co najmniej 7 minut, ponieważ szybkie włączenie może doprowadzić do uszkodzenia sprężarki.
- ▶ Podczas odłączania urządzenia trzymaj za wtyczkę, a nie za przewód.
- ▶ Nie czyść urządzenia za pomocą twardych szczotek, szczotek drucianych, detergentów proszkowych, benzyny, octanu amyłu, acetonu i podobnych roztworów organicznych, kwasu lub roztworów alkalicznych. Do czyszczenia należy używać specjalnego detergentu do chłodziarek/zamrażarek, aby uniknąć uszkodzenia. Można użyć ciepłej wody i roztworu sody oczyszczonej – około jedna łyżka stołowa sody oczyszczonej na litr/kwartę wody. Dokładnie spłucz wodą i wytrzyj do sucha. Nie używaj proszków czyszczących ani innych środków czyszczących o właściwościach ściernych. Nie myj wyjmowanych części urządzenia w zmywarce.
- ▶ **OSTRZEŻENIE:** Nie używać urządzeń mechanicznych ani innych środków do przyspieszania procesu rozmrażania, chyba że są one zalecane przez producenta.
- ▶ Jeśli kabel zasilający ulegnie uszkodzeniu, dla bezpieczeństwa należy zlecić jego wymianę producentowi, autoryzowanemu serwisowi lub osobom o podobnych kwalifikacjach.
- ▶ Nie należy próbować samodzielnie naprawiać, demontować ani modyfikować urządzenia. W przypadku konieczności naprawy prosimy o kontakt z naszym działem obsługi klienta.
- ▶ Jeśli lampy oświetleniowe ulegną uszkodzeniu, dla bezpieczeństwa należy zlecić ich wymianę producentowi, autoryzowanemu serwisowi lub osobom o podobnych kwalifikacjach.
- ▶ Usuń kurz z tyłu urządzenia co najmniej raz w roku, aby uniknąć zagrożenia ogniem, a także zwiększonego zużycia energii.
- ▶ Aby uniknąć zanieczyszczenia żywności, należy przestrzegać następujących instrukcji:
 - Otwarcie drzwi na długi czas może spowodować znaczny wzrost temperatury w komorach urządzenia.

- ▶ Nie używaj aerozolu ani nie przepłukuj urządzenia podczas czyszczenia.
- ▶ Nie używaj wody lub pary do czyszczenia urządzenia.
- ▶ Nie czyść zimnych szklanych drzwi gorącą wodą. Nagła zmiana temperatury może spowodować pęknięcie szkła.
- ▶ Jeśli urządzenie nie będzie używane przez dłuższy czas, należy pozostawić je otwarte, aby zapobiec powstawaniu nieprzyjemnych zapachów w jego wnętrzu.

Informacje o gazie chłodzącym



OSTRZEŻENIE!

Urządzenie zawiera łatwopalny czynnik chłodniczy IZOBUTAN (R600a). Upewnij się, że układ chłodniczy nie został uszkodzony podczas transportu lub instalacji. Wyciek czynnika może spowodować uszkodzenie wzroku lub zapalenie. Jeśli wystąpiło uszkodzenie, trzymaj urządzenie z dala od otwartych źródeł ognia, dokładnie przewietrz pomieszczenie, nie podłączaj ani nie odłączaj kabli zasilających tego lub innego urządzenia. Poinformuj obsługę klienta.

W przypadku kontaktu czynnika chłodniczego z oczami natychmiast przepłucz je pod bieżącą wodą i natychmiast skontaktuj się z okulistą.

OSTRZEŻENIE: W układzie chłodniczym panuje wysokie ciśnienie. Nie manipuluj przy nim. Ponieważ stosowane są palne czynniki chłodnicze, urządzenie należy zainstalować, obsługiwać i serwisować ściśle według instrukcji obsługi i skontaktować się z profesjonalnym przedstawicielem lub naszym serwisem posprzedażowym w celu utylizacji urządzenia.

Przeznaczenie


Urządzenie jest przeznaczone do użytku domowego oraz do innych podobnych zastosowań, takich jak

- użytkowanie w pomieszczeniach kuchennych przeznaczonych dla personelu sklepów, w biurach i innych miejscach pracy;
 - użytkowanie w gospodarstwach rolnych i przez klientów hoteli, moteli oraz w innych środowiskach mieszkalnych;
 - użytkowanie w pensjonatach;
 - użytkowanie w środowisku cateringowym i przy innych zastosowaniach niehandlowych.
- ▶ Aby zapewnić bezpieczne przechowywanie wina, należy postępować zgodnie z niniejszą instrukcją obsługi.
 - ▶ Szczegółowe informacje na temat najbardziej odpowiedniej części komory urządzenia do przechowywania określonych rodzajów żywności, z uwzględnieniem rozkładu temperatury w poszczególnych przedziałach urządzenia, znajdują się w drugiej części instrukcji.

Zmiany lub modyfikacje urządzenia są niedozwolone. Użycie niezgodne z przeznaczeniem może spowodować zagrożenie i utratę roszczeń gwarancyjnych.

Utylizacja



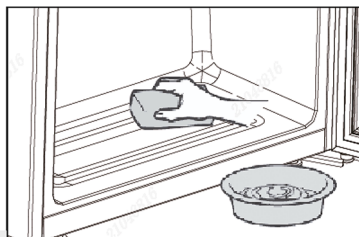
Symbol  na produkcie lub jego opakowaniu wskazuje, że produkt nie może być traktowany jak odpady gospodarstwa domowego. Należy go oddać do odpowiedniego punktu zbiórki zużytego sprzętu elektrycznego i elektronicznego do recyklingu. Zapewniając prawidłową utylizację urządzenia, pomagasz zapobiegać ewentualnym negatywnym konsekwencjom dla środowiska i zdrowia ludzkiego, które mogą wystąpić na skutek nieprawidłowego przetwarzania odpadów z niniejszego urządzenia. W celu uzyskania bardziej szczegółowych informacji na temat recyklingu tego produktu należy skontaktować się z lokalnym urzędem miasta, służbą utylizacji odpadów domowych lub sklepem, w którym produkt został zakupiony. W związku z tym, że stosowane są palne gazy izolacyjne, w celu utylizacji urządzenia prosimy o kontakt z profesjonalnym przedstawicielem lub naszym serwisem posprzedażowym.

OSTRZEŻENIE!

Ryzyko obrażeń lub uduszenia!

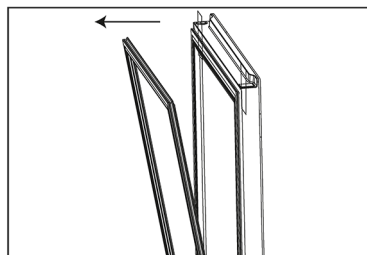
Czynniki chłodnicze i gazy muszą być utylizowane w profesjonalny sposób. Przed utylizacją upewnij się, że przewody układu chłodniczego nie są uszkodzone. Odłącz urządzenie od zasilania sieciowego. Odetnij przewód zasilający i zutylizuj go. Usuń tace i szuflady oraz zamek drzwi i uszczelki, aby zapobiec zamknięciu się dzieci i zwierząt w urządzeniu.

- ▶ **OSTRZEŻENIE:** Przed czyszczeniem odłącz urządzenie od zasilania sieciowego.
- ▶ Nie czyść urządzenia za pomocą twardych szczotek, szczotek drucianych, detergentów proszkowych, benzyny, octanu amylu, acetonu i podobnych roztworów organicznych, kwasów lub roztworów alkalicznych. Do czyszczenia należy używać specjalnego detergentu do chłodziarek, aby uniknąć uszkodzenia.
- ▶ Urządzenie należy czyścić, gdy przechowywana jest niewielka ilość wina lub gdy nie jest ono w ogóle przechowywane.
- ▶ Czyść wnętrze i obudowę urządzenia gąbką zwilżoną ciepłą wodą i neutralnym detergentem
- ▶ Spłucz czystą, ciepłą wodą i osusz miękką ściereczką.
- ▶ Nie należy myć żadnych części urządzenia w zmywarce do naczyń.
- ▶ Nie uruchamiaj ponownie urządzenia przez co najmniej 7 minut, ponieważ szybkie włączenie może doprowadzić do uszkodzenia sprężarki.



Czyszczenie uszczelki drzwi:

- ▶ Uszczelki drzwi powinny być czyszczone co 3 miesiące, aby zapewnić właściwą szczelność. Postępuj w niżej opisany sposób: Zdejmowanie: Chwyć za uszczelkę drzwi i wyciągnij ją zgodnie z kierunkiem strzałki. Zanurz szczotkę w wodzie lub alkoholu spożywczym i przesuwając ją w przód i w tył, wyczyść rowek uszczelki drzwi. Następnie przetrzyj powierzchnię uszczelki drzwi ręcznikiem zamoczonym w wodzie lub alkoholu spożywczym. Na koniec umyj uszczelkę drzwi i wytrzyj ją do sucha czystym ręcznikiem.



Zakładanie uszczelki drzwi po czyszczeniu:

Przed założeniem upewnij się, czy uszczelka drzwi jest sucha. Wsuń uszczelkę drzwi w rowek i dociskaj ją ręcznie od góry do dołu, aż do momentu, gdy cała uszczelka zostanie w nim umieszczona.

Czyszczenie półek:

- ▶ Wszystkie półki można wyjąć w celu ich wyczyszczenia.
- ▶ Wyjmij wszystkie butelki.
- ▶ Unieś lekko każdą półkę i ją wyjmij.
- ▶ Wyczyść półkę miękkim ręcznikiem.
- ▶ Poczekaj, aż półki wyschną zanim włożysz je ponownie do środka.

OSTRZEŻENIE:

Odczekaj co najmniej 7 minut, aby ponownie włączyć zasilanie po jego odłączeniu.

Sprawdź akcesoria i materiały zgodnie z tą listą:

Nazwa	Instrukcja obsługi	Karta serwisowa	Półka	Etykieta wydajności
CNWX4G84G1	1	1	6	1

**Uwaga**

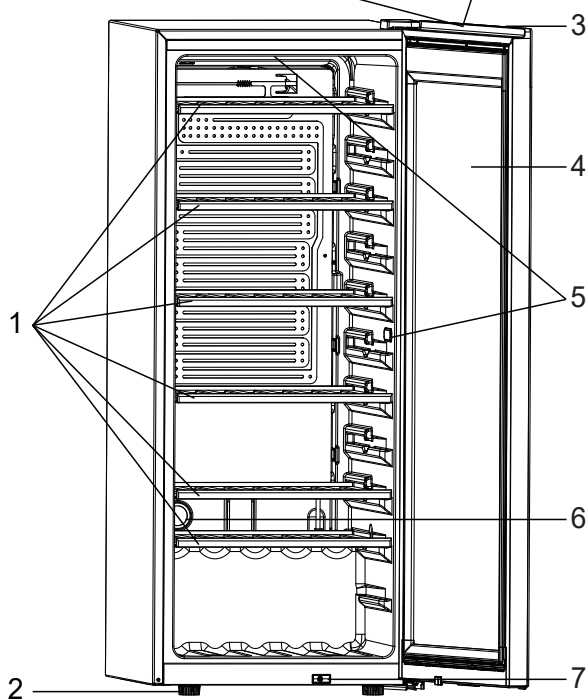
Z powodu zmian technicznych i różnych modeli, niektóre ilustracje w tej instrukcji mogą się różnić od Twojego modelu.

Zdjęcie urządzenia

Light



3 Sec.Unlock



CNWQ4G84G1

- | | |
|---------------------|--------------------------|
| 1. Półka | 5. Lampa LED |
| 2. Regulowane nóżki | 6. Filtr węglowy aktywny |
| 3. Wyświetlacz | 7. Przełącznik |
| 4. Drzwi | |

1. Rozpakowanie

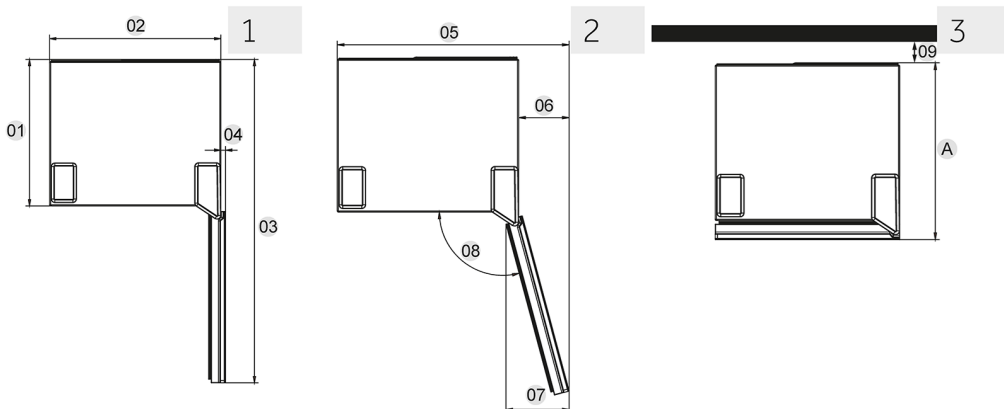
- ▶ Wyjmij urządzenie z opakowania.
- ▶ Usuń wszystkie materiały opakowaniowe, łącznie z podłożem z pianki i taśmą samoprzylepną przytrzymującą akcesoria.

2. Warunki środowiskowe

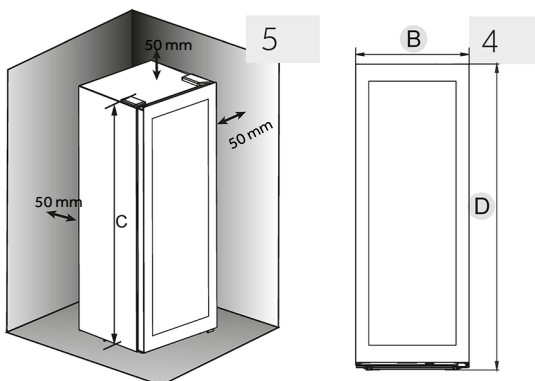
Temperatura w pomieszczeniu powinna zawsze wynosić od 10°C do 38°C, ponieważ może wpływać na temperaturę wewnątrz urządzenia i zużycie energii. Nie ustawiaj urządzenia w pobliżu innych urządzeń bez izolacji emitujących ciepło (piekarniki, lodówki).

3. Wymagana przestrzeń

Wymagana przestrzeń do otwarcia drzwi (rys. 1,2,3,4); Ze względu na bezpieczeństwo i wydajność energetyczną należy zachować wymagany odstęp wentylacyjny wynoszący 50 cm z każdej strony (rys. 5).



Pomiar: mm	CNWQ4G84G1
Głębokość A	585
Szerokość B	495
Wysokość C	1262
Całkowita wysokość D	1263
01	535
02	495
03	1043
04	11
05	630
06	135
07	167
08	105°
09	50



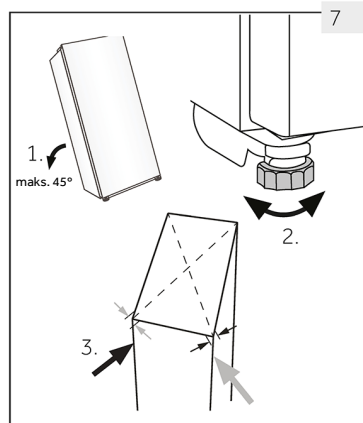
**OSTRZEŻENIE!**

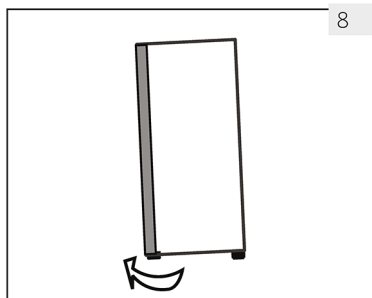
- Należy dbać o drożność otworów wentylacyjnych w obudowie urządzenia wolnostojącego lub w konstrukcji do zabudowy. To urządzenie chłodnicze nie jest przeznaczone do zabudowy

4. Ustawianie urządzenia

Urządzenie powinno być umieszczone na płaskiej i stabilnej powierzchni.

1. Przechylił urządzenie lekko do tyłu (rys. 7).
2. Ustaw nóżki na odpowiednim poziomie, obracając je.
3. Stabilność można sprawdzić, popychając urządzenie naprzemiennie w linii przekątnych. Lekkie kołysanie powinno być takie same w obu kierunkach. W przeciwnym razie rama może się wykrzywić; w rezultacie może dojść do rozszczelnienia drzwi. Niewielki przechył do tyłu pomaga przy zamykaniu drzwi.





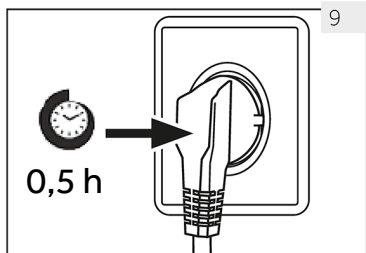
8

5. Regulowanie drzwi

Urządzenie zamyka się łatwiej, gdy używane są nóżki poziomujące z przodu:

Obracaj regulowane nóżki (rys. 8), aby je podwyższyć lub obniżyć:

- ▶ Obracanie nóżek zgodnie z ruchem wskazówek zegara podnosi urządzenie.
- ▶ Obracanie nóżek w kierunku przeciwnym do ruchu wskazówek zegara obniża urządzenie.



9

6. Czas oczekiwania

W zbiorniku sprężarki znajduje się olej bezobsługowy. Olej ten może przedostać się poprzez zamknięty system rur podczas transportu przechylonego urządzenia. Przed podłączeniem urządzenia do zasilania trzeba odczekać 0,5 godziny (rys. 9), aby olej spłynął z powrotem do zbiornika.

7. Podłączenie do prądu

Przed każdym podłączeniem sprawdź, czy:

- ▶ zasilacz, gniazdo i bezpieczniki odpowiadają parametrom podanym na tabliczce znamionowej.
- ▶ gniazdko jest uziemione i nie zastosowano rozgałęźnika lub przedłużacza.
- ▶ wtyczka i gniazdko są odpowiednio dopasowane.

Podłącz wtyczkę do prawidłowo zainstalowanego gniazdka domowego.



OSTRZEŻENIE!

Aby uniknąć ryzyka, uszkodzony przewód zasilający musi być wymieniony przez serwis (zob. karta gwarancyjna).



OSTRZEŻENIE!

- ▶ Przed rozpoczęciem jakichkolwiek czynności należy najpierw odłączyć urządzenie od sieci.
- ▶ Aby zapobiec uszkodzeniu układu chłodzenia, nie należy przechylać urządzenia o kąt większy niż 45°.

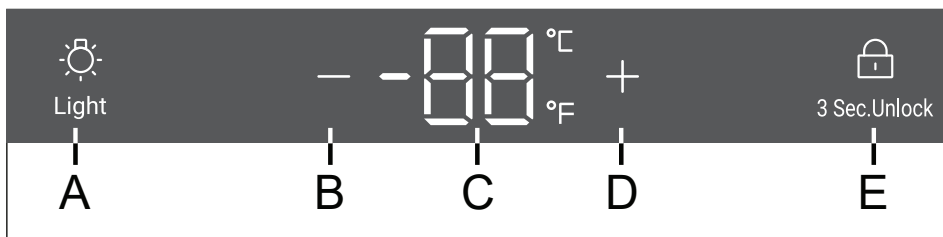
1. Przed pierwszym użyciem

- ▶ Usuń całe opakowanie. Należą do niego podłoże z pianki oraz taśma samoprzylepna przytrzymująca akcesoria chłodziarki do wina wewnątrz i na zewnątrz. Trzymaj opakowanie w miejscu niedostępnym dla dzieci i usuń je w sposób przyjazny dla środowiska.
- ▶ Przed włożeniem wina wyczyść wnętrze i obudowę urządzenia wodą z dodatkiem łagodnego detergentu.
- ▶ Po wypoziomowaniu i wyczyszczeniu urządzenia odczekaj co najmniej 2 godzin przed podłączeniem go do zasilania. Jeżeli chłodziarka do wina została przechylona z jakiegokolwiek powodu, odczekaj 24 godziny przed jej podłączeniem. Zob. rozdział INSTALACJA.
- ▶ Po podłączeniu urządzenia do gniazdka elektrycznego należy pozostawić je na co najmniej 30 minut w celu aklimatyzacji przed dokonaniem jakichkolwiek regulacji.
- ▶ Temperatura jest automatycznie ustawiana na 12°C. W razie potrzeby można ręcznie zmienić ustawioną temperaturę. Zob. rozdział TEMPERATURA.

2. Przyciski dotykowe

Przyciski na panelu sterowania są przyciskami dotykowymi, które reagują na lekkie dotknięcie palcem.

3. Opis panelu sterowania



A Przycisk światła

B Klawisz regulacji temperatury: w dół

C Wyświetlacz

D Przycisk regulacji temperatury: w górę

E Przycisk blokady

4. Funkcja automatycznego blokowania

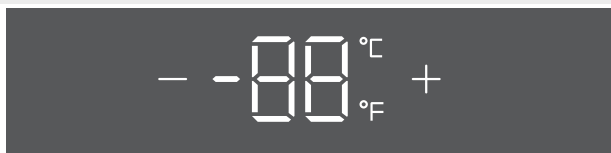
W stanie zablokowanego ekranu naciśnij i przytrzymaj przycisk blokady przez 3 sekundy, a na ekranie wyświetlacza pojawią się cyfry 3, 2 i 1. Ekran wyświetlacza zostanie odblokowany; Jeśli nie zostanie wykonana żadna operacja, ekran zostanie automatycznie zablokowany po 30 sekundach. W stanie zablokowanego ekranu ikona blokady jest włączona, a przycisków na ekranie wyświetlacza nie można obsługiwać (z wyjątkiem przycisku oświetlenia);





5. Ustawianie temperatury

Uwaga

Ustawienia wstępne

- ▶ Po podłączeniu urządzenia do gniazdka elektrycznego należy pozostawić je na co najmniej 30 minut w celu aklimatyzacji przed dokonaniem jakichkolwiek regulacji.
- ▶ Gdy urządzenie zostanie włączone po uprzednim odłączeniu od głównego źródła zasilania, osiągnięcie prawidłowej temperatury może potrwać kilka godzin. Dokładny czas zmienia się w zależności od otoczenia i ustawienia temperatury.



Naciśnij przycisk  or  , aby wyświetlacz znacznie migał. Naciśnij przycisk  or  , aby ustawić temperaturę. Zakres ustawień temperatury: 5-20°C (41-68°F).
Przełącznik przycisk przez 3 sekundy, temperatura zostanie potwierdzona.

6. Funkcja pamięci po wyłączeniu zasilania

W przypadku zaniku zasilania, piwnica automatycznie zapisze ustawioną temperaturę. Po przywróceniu zasilania, będzie działać w oparciu o temperaturę ustawioną przed zanikiem zasilania.

Uwaga

Wpływ na temperaturę



Następujące czynniki mają wpływ na temperaturę wewnątrz urządzenia:

- ▶ Temperatura otoczenia
- ▶ Liczba przechowywanych butelek
- ▶ Częstotliwość otwierania drzwi
- ▶ Miejsce zamontowania urządzenia

Domyślnie ustawiona jest temperatura 12°C

Gdy wyświetlacz przestaje migać, ponownie wskazuje aktualną temperaturę w chłodziarce do wina. Osiągnięcie ustawionej temperatury zajmie trochę czasu.

7. Ustawienie trybu oświetlenia

Naciśnij przycisk  Światła będą się stopniowo zapalać. Po ponownym naciśnięciu przycisku  światła będą się stopniowo wyłączać.

8. °C/°F funkcjonować

Naciśnij przycisk „_” przez 3 sekundy, aby przełączyć między skalą Fahrenheita i Celsjusza.

9. Funkcja pamięci po wyłączeniu zasilania

W przypadku zaniku zasilania, piwnica automatycznie zapisze ustawioną temperaturę. Po przywróceniu zasilania, będzie działać w oparciu o temperaturę ustawioną przed zanikiem zasilania.

10. Alarm otwarcia drzwi

Jeśli drzwi pozostaną otwarte przez ponad 1 minutę, brzęczyk będzie wydawał sygnał dźwiękowy, aby włączyć alarm, aż do momentu zamknięcia drzwi lub naciśnięcia dowolnego klawisza na panelu wyświetlacza. Następnie brzęczyk przestanie wydawać sygnał dźwiękowy.



Wskazówki dotyczące oszczędzania energii

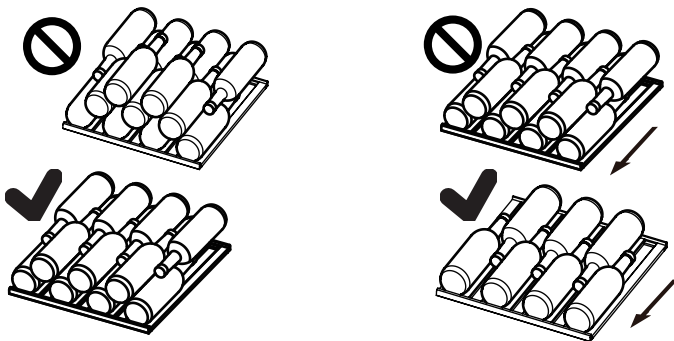
- ▶ Upewnij się, że urządzenie jest właściwie wentylowane (patrz INSTALACJA).
- ▶ Nie należy instalować urządzenia w bezpośrednim świetle słonecznym lub w pobliżu źródeł ciepła (np. pieców, grzejników).
- ▶ Unikaj niepotrzebnie niskiej temperatury w urządzeniu. Zużycie energii zwiększa się wraz z ustawieniem niższej temperatury w urządzeniu.
- ▶ Otwieraj drzwi możliwie rzadko i na krótko.
- ▶ Nie należy przekraczać dozwolonej liczby butelek, aby nie utrudniać przepływu powietrza.
- ▶ Utrzymuj w czystości uszczelki drzwi, aby zapewnić prawidłowe ich zamykanie.
- ▶ Najbardziej energooszczędna konfiguracja wymaga, aby szuflada, pojemnik na żywność i półki były umieszczone w urządzeniu jak w stanie fabrycznym, a żywność nie blokowała wylotu powietrza z kanału.
- ▶ W celu zwiększenia wydajności energetycznej oświetlenie chłodziarki do wina powinno być wyłączone, gdy się do niej nie zagląda.

1. Półka

1. Półki są zaprojektowane w sposób ułatwiający przechowywanie i wyjmowanie wina. Można je czyścić miękkim ręcznikiem.
2. Standardowe butelki o średnicy 76 mm mogą być układane w stosy.
3. Liczba butelek może się różnić się od przedstawionej na ilustracji, jeśli są one ułożone w inny sposób.

Porady dotyczące rozmieszczenia butelek w chłodziarce do wina

Zalecamy, aby liczba butelek wina nie przekraczała dwóch warstw na każdej półce, a obciążenie półek nie przekraczało 20 kg. Przed umieszczeniem butelek w chłodziarce należy sprawdzić, czy półki na wino są całkowicie stabilne. Ponadto należy sprawdzić, czy żadna z butelek nie wystaje poza półkę, aby uniknąć jej uderzenia o szklane drzwi podczas zamykania.



2. Oświetlenie

Oświetlenie wewnętrzne LED włącza się po otwarciu drzwi.

1. Rozmrażanie

Rozmrażanie chłodziarki do wina przebiega automatycznie; nie jest wymagana ręczna obsługa.

2. Wymiana lamp LED

Jako źródło światła lampy wykorzystują diody LED, charakteryzujące się niskim zużyciem energii i długą żywotnością. Jeśli wystąpią jakiegokolwiek nieprawidłowości, skontaktuj się z obsługą klienta. Patrz OBSŁUGA KLIENTA.



OSTRZEŻENIE!

Nie wymieniaj samodzielnie lampy LED. Musi ona zostać wymieniona przez producenta albo przez autoryzowanego serwisanta.

Ten produkt zawiera źródło światła o klasie efektywności energetycznej G.

Parametry lampy LED:

Napięcie 12 V

Maksymalna moc: 2W

3. Dłuższa przerwa w użytkowaniu

Odłącz przewód zasilający.

Wyczyść urządzenie i uszczelki drzwi jak opisano powyżej.

Zostaw drzwi otwarte, aby zapobiec tworzeniu się wewnątrz nieprzyjemnych zapachów.

4. Przenoszenie urządzenia

1. Wyjmij wszystkie butelki i odłącz urządzenie od zasilania.

2. Zabezpiecz taśmą klejącą półki i inne części ruchome w chłodziarce do wina.

3. Nie przechylaj chłodziarki do wina bardziej niż 45°, aby uniknąć uszkodzenia układu chłodniczego.

5. Wymiana powietrza z filtrem węglowym

Sposób, w jaki wina dojrzewają, zależy od warunków otoczenia. Jakość powietrza jest zatem decydująca dla konserwacji wina. Filtr węglowy został zamontowany w dolnej części tylnej ściany urządzenia, aby zapewnić optymalną jakość. ¹¹



Ogłoszenie

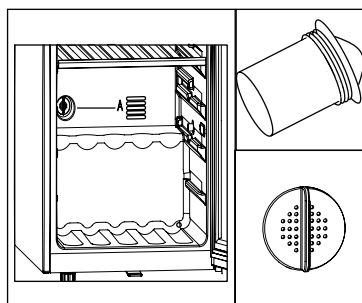
Zalecamy wymianę filtra raz w roku. Filtry można uzyskać u dealera.

Filter vervangen:

Pak het filter vast bij de hendel. Draai het naar links en verwijder het.

Filter plaatsen:

Plaats het filter met de hendel verticaal. Draai het naar rechts en plaats het.



Wiele problemów można rozwiązać samodzielnie, bez specjalistycznej wiedzy. W przypadku problemów prosimy sprawdzić wszystkie pokazane możliwości i postępować zgodnie z poniższymi instrukcjami przed skontaktowaniem się z obsługą posprzedażową. Zob. OBSŁUGA KLIENTA.



OSTRZEŻENIE!

- ▶ Przed przystąpieniem do konserwacji wyłącz urządzenie i wyjmij wtyczkę z gniazdka sieciowego.
- ▶ Urządzenie elektryczne powinno być serwisowane tylko przez wykwalifikowanych ekspertów, ponieważ niewłaściwe naprawy mogą spowodować znaczne szkody.
- ▶ Jeśli kabel zasilania jest uszkodzony, musi on zostać wymieniony przez producenta, serwisanta lub inną wykwalifikowaną osobę w celu uniknięcia niebezpieczeństwa.

Kod usterki	Przyczyna	Rozwiązanie
L2	Strefa górnej temperatury jest alarmem niskiej temperatury, gdy górna temperatura czujnika sterującego jest zbyt niska;	<ol style="list-style-type: none"> 1. Sprawdź temperaturę otoczenia. 2. Sprawdź złącze sprężarki. 3. Sprawdź rezystancję czujnika kontrolnego temperatury.

Problem	Możliwa przyczyna	Możliwe rozwiązanie
Sprężarka nie działa.	<ul style="list-style-type: none"> Wtyczka sieciowa nie jest podłączona do gniazdka. 	<ul style="list-style-type: none"> Włącz wtyczkę sieciową.
Urządzenie działa często lub przez zbyt długi okres czasu.	<ul style="list-style-type: none"> Temperatura otoczenia jest za wysoka. Urządzenie było odłączone od zasilania przez jakiś okres czasu. Drzwi urządzenia nie są szczelnie zamknięte. Drzwi były za często otwierane lub pozostawały długo otwarte. Uszczelki drzwi są brudne, zużyte, pęknięte lub niedopasowane. Wymagany przepływ powietrza nie jest gwarantowany. Temperatura jest za niska. 	<ul style="list-style-type: none"> W tym przypadku to normalne, że urządzenie będzie pracować dłużej. Zwykle potrzeba trochę czasu, aby urządzenie całkowicie ostygło. Zamknij drzwi i upewnij się, że urządzenie znajduje się na płaskiej powierzchni, ani że jedzenie lub szuflady nie blokują drzwi. Nie otwieraj drzwi zbyt często. Wyczyść uszczelki drzwi lub wymień je z pomocą serwisu obsługi klienta. Zapewnij odpowiednią wentylację. Problem rozwiąże się sam po osiągnięciu żądanej temperatury.
Wnętrze chłodziarki do wina jest brudne i/lub nieprzyjemnie pachnie.	<ul style="list-style-type: none"> Wnętrze chłodziarki do wina wymaga czyszczenia. 	<ul style="list-style-type: none"> Wyczyść wnętrze chłodziarki do wina.
Wewnątrz urządzenia nie jest wystarczająco zimno.	<ul style="list-style-type: none"> Ustawiona temperatura jest za wysoka. Niedawno dołożono butelki. Drzwi urządzenia nie są szczelnie zamknięte. Drzwi były otwierane często lub pozostawały otwarte przez długi czas. Uszczelki drzwi są brudne, zużyte, pęknięte lub niedopasowane. 	<ul style="list-style-type: none"> Ponownie ustaw temperaturę. Poczekaj, aż ostatnio włożone butelki osiągną pożądaną temperaturę. Zamknij drzwi. Nie otwieraj drzwi zbyt często. Wyczyść uszczelki drzwi lub wymień je z pomocą serwisu obsługi klienta.
Wnętrze urządzenia jest za zimne.	<ul style="list-style-type: none"> Temperatura jest za niska. 	<ul style="list-style-type: none"> Ponownie ustaw temperaturę.
Powstawanie wilgoci na wewnętrznych ściankach komory.	<ul style="list-style-type: none"> Klimat jest zbyt ciepły i wilgotny. Drzwi urządzenia nie są szczelnie zamknięte. Drzwi były otwierane często lub pozostawały otwarte przez długi czas. 	<ul style="list-style-type: none"> Zwiększ temperaturę. Zamknij drzwi. Nie otwieraj drzwi/szuflad zbyt często.

Problem	Możliwa przyczyna	Możliwe rozwiązanie
Wilgoć gromadzi się na powierzchni zewnętrznej chłodziarki do wina.	<ul style="list-style-type: none"> Klimat jest zbyt ciepły i wilgotny Drzwi nie są szczelnie zamknięte. Zimne powietrze skrapla się wewnątrz urządzenia, a ciepłe powietrze na zewnątrz. 	<ul style="list-style-type: none"> Jest to normalne zjawisko w wilgotnym klimacie i zmienia się, gdy wilgotność spadnie. Upewnij się, że drzwi są szczelnie zamknięte, a uszczelki prawidłowo uszczelniają.
Urządzenie wydaje niestandardowe dźwięki	<ul style="list-style-type: none"> Urządzenie nie znajduje się na wypoziomowanym podłożu. Urządzenie dotyka jakiegoś przedmiotu. 	<ul style="list-style-type: none"> Wyreguluj nóżki, aby wypoziomować urządzenie. Usuń objekty znajdujące się w pobliżu urządzenia.
Słychać delikatny szum podobny do wody.	<ul style="list-style-type: none"> To jest normalne 	<ul style="list-style-type: none"> -
Oświetlenie wnętrza lub układ chłodzenia nie działa.	<ul style="list-style-type: none"> Wtyczka sieciowa nie jest podłączona do gniazdka. Zasilanie nie jest w dobrym stanie. Lampa LED nie działa. 	<ul style="list-style-type: none"> Włącz wtyczkę sieciową. Sprawdź zasilanie elektryczne w pomieszczeniu. Skontaktuj się z lokalnym dostawcą energii elektrycznej. Proszę wezwać serwis do wymiany lampy
Boki lodówki nagrzewają się.	<ul style="list-style-type: none"> To normalne. 	<ul style="list-style-type: none"> -
Drzwi nie zamykają się prawidłowo	<ul style="list-style-type: none"> Urządzenie nie zostało wypoziomowane. Drzwi są zablokowane. 	<ul style="list-style-type: none"> Wypoziomuj urządzenie za pomocą nóżek poziomujących. Sprawdź, czy butelki lub półki nie stanowią blokady.

Aby skontaktować się z pomocą techniczną, odwiedź naszą stronę internetową: <https://corporate.haier-europe.com/en/>
W sekcji „Strona internetowa” wybierz markę swojego produktu i kraj. Otworzy się strona internetowa, na której znajdziesz numer telefonu i formularz do kontaktu z pomocą techniczną.

Karta produktu zgodnie z rozporządzeniem UE nr 2019/2016

Marka	Candy
Nazwa modelu / identyfikator	CNWQ4G84G1
Kategoria	Chłodziarka do wina
Klasa efektywności energetycznej	G
Roczne zużycie energii (kWh/rok) ¹⁾	153
Pojemność butelki (butelka Bordeaux 0,75 l)	84
Klasa klimatyczna: To urządzenie jest przeznaczone do użytkowania w temperaturze otoczenia od 10°C do 38°C	N ST
Poziom emitowanego hałasu (db(A) re 1pW)	37
Rodzaj konstrukcji	Wolnostojąca
To urządzenie jest przeznaczone wyłącznie do przechowywania wina.	Tak
Wymiary (szer./głęb./wys. w mm)	495/585/1263

Objaśnienie:

1)w oparciu o standardowe wyniki testu przez 24 godziny. Rzeczywiste zużycie energii zależy od rzeczywistego środowiska, ilości butelek, ustawionej temperatury, otwierania i zamykania drzwi itp.

2)Nominalny pobór mocy jest wartością ustaloną na podstawie standardowego testu, gdy w komorze na wino nie włącza się wewnętrzne światło.

- rozszerzony umiarkowany: „To urządzenie chłodnicze przeznaczone jest do użytkowania w temperaturze otoczenia od 10°C do 32°C”:

- umiarkowany: „to urządzenie chłodnicze jest przeznaczone do użytku w temperaturze otoczenia

- temperatury w zakresie od 16 °C do 32 °C”;

- strefa subtropikalna: „To urządzenie chłodnicze przeznaczone jest do użytkowania w temperaturze otoczenia od 16°C do 38°C”;

- strefa tropikalna: „To urządzenie chłodnicze przeznaczone jest do użytkowania w temperaturze otoczenia od 16°C do 43°C”:

Normy i dyrektywy

Produkt ten spełnia wymagania wszystkich obowiązujących dyrektyw UE z odpowiednimi normami zharmonizowanymi, które przewidują oznakowanie CE.

Polecamy nasz system Obsługi Klienta Haier i stosowanie oryginalnych części zamiennych.

Jeśli masz problem z urządzeniem, najpierw sprawdź sekcję ROZWIĄZYWANIE PROBLEMÓW.

Jeżeli nie możesz znaleźć rozwiązania, skontaktuj się

- ▶ kontakt z lokalnym sprzedawcą lub
- ▶ serwisem poprzez stronę internetową www.haier.com, na której można znaleźć numery telefonów i FAQ oraz aktywować roszczenia serwisowe.

Zanim skontaktujesz się z naszym działem obsługi, upewnij się, że masz następujące dane.

Informacje można znaleźć na tabliczce znamionowej.

Model _____ Nr seryjny _____

Sprawdź także kartę gwarancyjną dostarczoną z produktem. Dla ogólnych zapytań biznesowych znajdziesz poniżej nasze adresy w Europie:

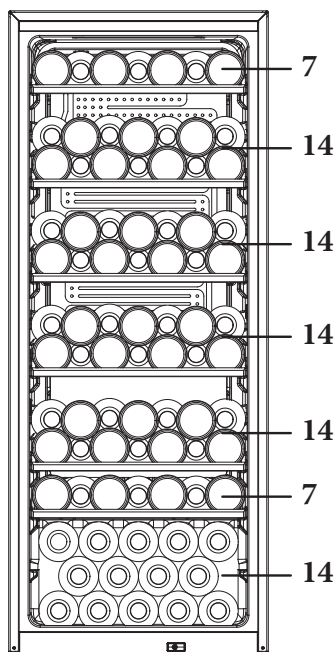
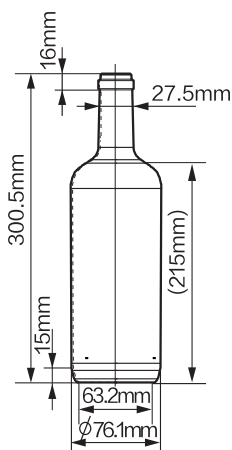
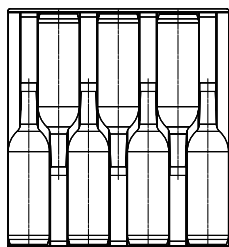
Europejskie adresy Haier			
Kraj*	Adres pocztowy	Kraj	Adres pocztowy
Włochy	Haier Europe Trading SRL Via De Cristoforis, 12 21100 Varese WŁOCHY	Francja	Haier Europe Trading SRL Via De Cristoforis, 12 21100 Varese WŁOCHY
Hiszpania	Haier Iberia SL Pg. Garcia Faria, 49-51 08019 Barcelona HISPANIA	Belgia FR	Haier Benelux SA Anderlecht
Portugalia		Belgia NL	Route de Lennik 451
		Holandia	BELGIUM
		Luksemburg	Haier Poland Sp. zo.o. Al. Jerozolimskie 181B 02-222 Warszawa POLSKA
Niemcy	Haier Deutschland GmbH Hewlett-Packard-Str. 4 D-61352 Bad Homburg NIEMCY	Polska	
Austria		Czechy	
		Węgry	
		Grecja	
Wielka Brytania	Haier Appliances UK Co. Ltd. One Crown Square Church Street East Woking, Surrey, GU21 6HR UK	Rumunia	
		Rosja	

DOSTĘPNOŚĆ CZĘŚCI ZAMIENNYCH: Termostaty, czujniki temperatury, płytki drukowane i źródła światła są dostępne przez okres co najmniej siedem lat od wprowadzenia na rynek ostatniego egzemplarza modelu. Klamki, zawiasy drzwi, tace i kosze przez okres co najmniej siedem lat, a uszczelki drzwi przez okres co najmniej 10 lat od wprowadzenia na rynek ostatniego egzemplarza modelu

Minimalna gwarancja wynosi: 2 lata dla krajów UE, 3 lata dla Turcji, 1 rok dla Wielkiej Brytanii, 1 rok dla Rosji, 3 lata dla Szwecji, 2 lata dla Serbii, 5 lat dla Norwegii, 1 rok dla Maroka, 6 miesięcy dla Algierii, w Tunezji nie jest wymagana gwarancja prawna.

Aby uzyskać więcej informacji o produkcie, odwiedź stronę internetową <https://eprel.ec.europa.eu/> lub zeskanuj kod QR na etykiecie wydajności energetycznej dołączonej do urządzenia.

1. Układ butelek oparty jest na graficznym przedstawieniu standardowej butelki Bordeaux (0,75 l).
2. Ze względu na różne specyfikacje butelek rzeczywista ilość załadunku butelek może być inna.



(84)
CNWQ4G84G1

CANDY

Manual do Utilizador

Garrafeira

CNWQ4G84G1

PT

CANDY

Obrigado por comprar um produto Candy .

Leia atentamente estas instruções antes de utilizar este aparelho. As instruções contêm informações importantes que irão ajudá-lo a obter o melhor proveito do aparelho e garantir a instalação, o uso e a manutenção seguros e adequados.

Mantenha este manual num local conveniente para que o possa sempre consultar para uma utilização segura e adequada do aparelho.

Se vender, oferecer ou deixar o aparelho para trás, caso mude de casa, certifique-se de que entrega também este manual para que o novo proprietário se possa familiarizar com o aparelho e os avisos de segurança.

**Legenda**

Aviso - Informação importante de segurança



Informações gerais e dicas



Informação ambiental

Eliminação

Ajude a proteger o ambiente e a saúde humana. Coloque a embalagem em recipientes adequados para reciclagem. Ajude a reciclar resíduos de aparelhos elétricos e eletrónicos. Não elimine os aparelhos identificados com este símbolo com o lixo doméstico. Entregue o produto na sua unidade de reciclagem local ou entre em contacto com seu gabinete municipal.

**AVISO!****Risco de lesão ou sufocação!**

Os refrigerantes e os gases devem ser eliminados de forma profissional. Certifique-se de que os tubos do circuito refrigerante não estão danificados antes de serem devidamente eliminados. Desligue o aparelho da alimentação elétrica. Corte o cabo de alimentação de rede e elimine-o. Remova as bandejas e gavetas, bem como a pega e vedantes da porta, para evitar que crianças e animais de estimação se fechem no aparelho.

Os aparelhos antigos ainda têm algum valor residual. Um método de eliminação ecológico assegura que matérias-primas valiosas podem ser novamente recuperadas e utilizadas.

O ciclopentano, uma substância inflamável não prejudicial ao ozônio, é utilizado como expansor para a espuma de isolamento.

Ao assegurar que este produto é eliminado devidamente, irá ajudar a prevenir consequências potencialmente negativas para o ambiente e a saúde humana, que de outra forma poderiam ser causadas.

Para informações mais detalhadas sobre reciclagem deste produto, contacte a sua autarquia, o seu serviço de eliminação de resíduos domésticos ou a loja onde adquiriu o produto, manuseado pelos profissionais.

1- Informações de segurança.....	334
2- Dicas de segurança.....	337
3- Manutenção	341
4- Acessórios.....	343
5- Descrição do produto.....	344
6- Instalação	345
7- Utilização.....	349
8- Dicas de poupança de energia	352
9- Equipamento.....	353
10- Cuidados e limpeza.....	354
11- Resolução de problemas	355
12- Dados técnicos	358
13- Assistência ao Cliente	359
14- Empilhamento de garrafas de vinho	360

Este aparelho destina-se exclusivamente ao armazenamento de vinho. Antes de ligar o aparelho pela primeira vez, leia as seguintes dicas de segurança:



AVISO!

Antes da primeira utilização

- ▶ Certifique-se de que não há danos provocados pelo transporte.
- ▶ Remova todas as embalagens e mantenha fora do alcance das crianças e elimine-as de forma ecológica.
- ▶ Aguarde, no mínimo, meia hora antes de instalar o aparelho, de forma a garantir que o circuito refrigerante está com eficiência total.
- ▶ Manuseie o aparelho sempre com pelo menos duas pessoas porque é pesado.
- ▶ Ao posicionar o aparelho, certifique-se de que o cabo de alimentação não se encontra preso nem danificado.
- ▶ Não coloque tomadas triplas múltiplas portáteis ou fontes de alimentação portáteis na parte traseira do aparelho.

Instalação

- ▶ O aparelho deve ser colocado num local bem ventilado. Certifique-se de que existe um espaço de pelo menos 50 mm por cima e ao redor do aparelho.
- ▶ **AVISO:** Mantenha as aberturas de ventilação, no revestimento do aparelho ou na estrutura integrada, livres de obstruções.
- ▶ Nunca coloque o aparelho numa área húmida ou num local onde possa ser salpicado com água. Limpe e seque as salpicos de água e manchas com um pano macio limpo.
- ▶ Não instale a sua garrafeira em qualquer local não devidamente isolado ou aquecido como, por .ex. uma garagem, etc. A sua garrafeira não foi projetada para funcionar a uma temperatura ambiente abaixo de 10 °C.
- ▶ Não instale o aparelho sob luz solar direta ou na proximidade de fontes de calor (por exemplo, fogões, aquecedores).
- ▶ Instale e nivele o aparelho numa área adequada para o seu tamanho e utilização.
- ▶ Certifique-se de que as informações elétricas na placa de classificação correspondem à rede elétrica. Se não, entre em contato com um electricista.
- ▶ O aparelho é operado por uma fonte de alimentação de 220-240 VAC/50 Hz. Uma flutuação da tensão anormal pode fazer com que o aparelho não ligue ou danifique o controlo da temperatura ou o compressor, ou pode haver um ruído anormal durante o funcionamento. Nesse caso, deve ser montado um regulador automático.
- ▶ Não use adaptadores de fichas múltiplas nem cabos de extensão.

**AVISO!**

- ▶ **AVISO:** Não coloque tomadas triplas múltiplas portáteis ou fontes de alimentação portáteis na parte traseira do aparelho.
- ▶ **AVISO:** Ao posicionar o aparelho, certifique-se de que o cabo de alimentação não se encontra preso nem danificado.
- ▶ Não pise o cabo de alimentação.
- ▶ Use uma tomada de terra separada para a rede elétrica que seja fácil de aceder. Este aparelho deve ser ligado à terra.
- ▶ **Apenas para o Reino Unido:** O cabo de alimentação do aparelho está equipado com uma ficha de 3 cabos (terra) que se encaixa numa tomada standard de 3 cabos (ligada à terra). Nunca corte ou desmonte o terceiro pino (terra). Após a instalação do aparelho, a tomada deve ficar acessível.
- ▶ **AVISO:** Não danifique o circuito refrigerante.

Utilização diária

- ▶ Este aparelho pode ser utilizado por crianças de idade igual ou superior a 8 anos e por pessoas com capacidades físicas, sensoriais ou mentais reduzidas ou falta de experiência e conhecimento, caso lhes tenha sido fornecida supervisão ou instruções relativas à utilização do aparelho de forma segura e desde que compreendam os perigos envolvidos.
- ▶ As crianças não devem brincar com o aparelho.
- ▶ As crianças de 3 a 8 anos são autorizadas a carregar e descarregar aparelhos de refrigeração, mas não podem limpar e instalar os aparelhos de refrigeração.
- ▶ Mantenha as crianças com menos de 3 anos de idade afastadas do aparelho, a menos que estejam constantemente sob supervisão.
- ▶ A limpeza e a manutenção pelo utilizador não devem ser realizadas por crianças sem supervisão.
- ▶ O aparelho deve ser posicionado de modo a que a ficha fique acessível.
- ▶ Se o gás de carvão ou outro gás inflamável verter para a proximidade do aparelho, desligue a válvula do gás de fuga, abra as portas e janelas e não desligue o cabo de alimentação do eletrodoméstico.
- ▶ Aguarde pelo menos 7 minutos para voltar a ligar a energia depois de ter sido desconectada.
- ▶ Não levante o aparelho pelas pegadas das portas.
- ▶ As chaves devem ser mantidas fora do alcance das crianças e não nas proximidades do aparelho, para evitar que as crianças fiquem presas no interior do aparelho.



AVISO!

- ▶ Notar que o aparelho está definido para funcionar num intervalo de temperatura ambiente específico entre 10 °C e 38 °C. O aparelho não pode funcionar corretamente se for deixado por um longo período a uma temperatura acima ou abaixo do intervalo indicado.
- ▶ Não coloque artigos instáveis (objetos pesados, recipientes cheios de água) em cima do aparelho, para evitar lesões pessoais causadas por queda ou choque elétrico causado pelo contato com a água.
- ▶ Abra e feche a porta apenas pelas pegas. O espaço entre a porta e o armário é muito estreito. Não coloque as mãos nessas áreas para evitar entalar os dedos. Abra ou feche as portas do aparelho apenas quando não houver crianças que se encontrem dentro do alcance do movimento das portas.
- ▶ Não guarde nem use materiais inflamáveis, explosivos ou corrosivos no aparelho ou nas proximidades.
- ▶ Não guarde substâncias explosivas como, por exemplo, latas de aerossóis, com um carburante inflamável, no interior deste aparelho.
- ▶ Não guarde medicamentos, bactérias ou agentes químicos no aparelho. Este aparelho é um eletrodoméstico. Não é recomendado armazenar materiais que necessitem de temperaturas rigorosas.
- ▶ Não ajuste uma temperatura desnecessariamente baixa na garrafeira. Podem ocorrer temperaturas negativas nas definições altas. Atenção: As garrafas podem rebentar
- ▶ Não toque na superfície interna do compartimento do aparelho, quando em funcionamento, especialmente com as mãos molhadas, pois as mãos podem congelar na superfície.
- ▶ Para uma refrigeração adequada do vinho, não sobrecarregue o aparelho.
- ▶ Desligue o aparelho em caso de interrupção da energia ou antes da limpeza. Deixe passar pelo menos 7 minutos antes de reiniciar o aparelho, pois o arranque frequente pode danificar o compressor.
- ▶ **AVISO:** Não utilize dispositivos elétricos no interior do aparelho, a menos que sejam do tipo recomendado pelo fabricante. Para evitar riscos, um cabo de alimentação danificado deve ser substituído pela assistência ao cliente (ver cartão de garantia).
- ▶ Para prolongar a vida útil do aparelho, evite desligá-lo.
- ▶ Nunca coloque o aparelho na horizontal no chão. Depois de inclinar o aparelho mais de 45°, aguarde 24 horas antes de o ligar.

**AVISO!****Manutenção/limpeza**

- ▶ Certifique-se de que as crianças estão vigiadas caso estejam a realizar a limpeza e manutenção.
- ▶ Desligue o aparelho da alimentação elétrica antes de realizar qualquer manutenção de rotina. Deixe passar pelo menos 7 minutos antes de reiniciar o aparelho, pois o arranque frequente pode danificar o compressor.
- ▶ Segure a ficha, não o cabo, ao desligar o aparelho.
- ▶ Não limpe o aparelho com escovas duras, escovas de arame, detergente em pó, gasolina, acetato de amilo, acetona e soluções orgânicas semelhantes, soluções ácidas ou alcalinas. Limpe com detergente especial para frigorífico/congelador para evitar danos. No final use água morna e solução de bicarbonato de sódio - cerca de uma colher de sopa de bicarbonato de sódio para um litro de água. Enxaguar abundantemente com água e secar. Não utilize pós de limpeza ou outros produtos de limpeza abrasivos. Não lave as peças removíveis na máquina de lavar loiça.
- ▶ **AVISO:** Não utilize dispositivos mecânicos ou outros meios para acelerar o processo de descongelação, que não os recomendados pelo fabricante.
- ▶ Se o cabo de alimentação estiver danificado, tem de ser substituído pelo fabricante, pelo agente de serviço ou por pessoas igualmente qualificadas de forma a evitar o perigo.
- ▶ Não tente reparar, desmontar ou modificar o aparelho sozinho. Em caso de reparação, entre em contacto com a nossa assistência ao cliente.
- ▶ Se as luzes de iluminação estiverem danificadas, devem ser substituídas pelo fabricante, pelo seu agente de serviço ou por pessoas qualificadas similares, a fim de evitar riscos.
- ▶ Elimine o pó na parte de trás da unidade pelo menos uma vez no ano para evitar perigo de incêndio, bem como o aumento do consumo de energia.
- ▶ Para evitar a contaminação de alimentos considere as seguintes instruções:
 - Abrir a porta durante longos períodos provoca um aumento de temperatura significativo nos compartimentos do aparelho.

- ▶ Não pulverize ou lave o aparelho durante a limpeza.
- ▶ Não use spray de água ou vapor para limpar o aparelho.
- ▶ Não limpe a porta de vidro fria com água quente. A mudança súbita de temperatura pode fazer com que o vidro se quebre.
- ▶ Se deixar de utilizar o seu aparelho durante um período prolongado, deixe-o aberto para evitar odores e cheiros desagradáveis dentro.

Informações sobre gases refrigerantes



AVISO!

O aparelho contém o refrigerante inflamável ISOBUTANO (R600a). Certifique-se de que o circuito refrigerante não fica danificado durante o transporte ou instalação. A fuga de refrigerante pode causar lesões oculares ou inflamações. Se ocorrer um dano, mantenha afastadas fontes de chama aberta, ventile completamente a sala, não ligue ou desligue os cabos de alimentação do eletrodoméstico ou de qualquer outro aparelho. Informe a assistência ao cliente.

No caso de os olhos entrarem em contacto com o fluido refrigerante, lave-os imediatamente sob água corrente e contacte imediatamente um oftalmologista.

AVISO: O sistema de refrigeração está sob alta pressão. Não o viole. Uma vez que os refrigerantes inflamáveis são usados, por favor, instale, manuseie e carregue o aparelho estritamente de acordo com as instruções e contacte o agente profissional ou o nosso serviço pós-venda para eliminar o aparelho.

Utilização prevista


Este aparelho destina-se a ser utilizado em meio doméstico e aplicações similares tais como

- áreas de cozinha em lojas, escritórios e outros ambientes de trabalho;
 - quintas e por clientes em hotéis, motéis e outros ambientes de tipo residencial;
 - ambientes de tipo alojamento e pequeno-almoço;
 - aplicações de catering e idênticas não comerciais.
- ▶ Para garantir a preservação segura do vinho, por favor, siga estas instruções de uso.
- ▶ Os dados relativos à parte mais adequada no compartimento do eletrodoméstico em que devem ser armazenados tipos específicos de alimentos, tendo em conta a distribuição da temperatura que pode estar presente nos diferentes compartimentos do aparelho, encontram-se na outra parte do manual.

Não são permitidas alterações ou modificações no dispositivo. Uma utilização indevida pode causar riscos e perda de reivindicações de garantia.

Eliminação



O símbolo  do produto ou da sua embalagem indica que este produto não pode ser tratado como lixo doméstico. Em vez disso, deve ser entregue no ponto de recolha aplicável para reciclagem de equipamentos elétricos e eletrônicos. Ao assegurar que este produto é eliminado devidamente, irá ajudar a evitar consequências potencialmente negativas para o ambiente e a saúde humana, que de outra forma poderiam ser causadas pelo manuseamento inadequado de resíduos deste produto. Para informações mais detalhadas sobre reciclagem deste produto, entre em contato com departamento da sua cidade, o seu serviço de eliminação de resíduos domésticos ou a loja onde comprou o produto.

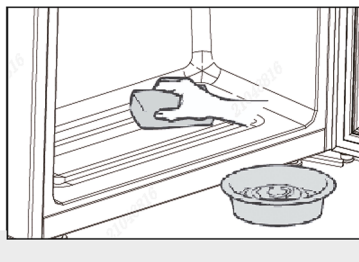
Uma vez que são utilizados gases de sopro do isolamento inflamáveis, entre em contato com um agente profissional ou nosso serviço pós-venda para eliminar o aparelho.

AVISO!

Risco de lesão de sufocação!

Os refrigerantes e os gases devem ser eliminados de forma profissional. Certifique-se de que os tubos do circuito refrigerante não estão danificados antes de serem devidamente eliminados. Desligue o aparelho da alimentação elétrica. Corte o cabo de alimentação de rede e elimine-o. Remova as bandejas e gavetas, bem como a pega e vedantes da porta, para evitar que crianças e animais de estimação fiquem fechados dentro do aparelho.

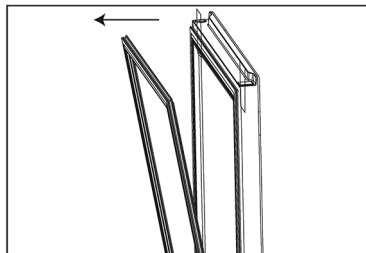
- ▶ **AVISO:** Desligue o aparelho da fonte de alimentação antes de limpar.
- ▶ Não limpe o aparelho com escovas duras, escovas de arame, detergente em pó, gasolina, acetato de amilo, acetona e soluções orgânicas semelhantes, soluções ácidas ou alcalinas. Limpe com detergente especial do frigorífico para evitar danos.
- ▶ Limpe o aparelho quando apenas pouco ou nenhum vinho é armazenado. É necessário limpá-lo quando estiver sujo.
- ▶ Limpe o interior e a caixa do aparelho com uma esponja molhada em água morna e detergente neutro
- ▶ Enxague com água morna limpa e seque com um pano macio.
- ▶ Não limpe nenhuma das peças do aparelho numa máquina de lavar loiça.
- ▶ Deixe pelo menos 7 minutos antes de voltar a ligar o aparelho, pois o arranque frequente pode danificar o compressor.



Limpe a junta de vedação da porta:

- ▶ Os vedantes da porta devem ser limpos a cada 3 meses para garantir uma vedação adequada. Como indicado em baixo: Remover: Segure a vedação da porta e puxe-a de acordo com a direção da seta para remover toda a vedação da porta em ordem.

Mergulhe a escova com água ou álcool de classe alimentar, limpe o sulco da vedação da porta primeiro puxando a escova para trás e para a frente. Em seguida, limpe a superfície da vedação da porta com uma toalha embebida com água ou álcool de grau alimentar. Finalmente, lave a junta da porta para limpar e limpe-a com uma toalha limpa.



Vedação da porta de instalação após a limpeza:

Antes da instalação, certifique-se de que não há água na vedação da porta. Insira a vedação da porta na ranhura e pressione firmemente a vedação da porta desde a parte superior à parte inferior manualmente até que toda a vedação da porta seja inserida na ranhura.

Limpeza das prateleiras:

- ▶ Todas as prateleiras podem ser retiradas para limpeza.
- ▶ Retire todas as garrafas.
- ▶ Levante cada prateleira um pouco e retire para fora.
- ▶ Limpe a prateleira com uma toalha macia.
- ▶ Aguarde até que as prateleiras estejam secas antes de as voltar a colocar.

AVISO:

Aguarde pelo menos 7 minutos para voltar a ligar a energia depois de ter sido desconectada.

Verifique os acessórios e a literatura de acordo com esta lista:

Nome	Manual do Utilizador	Cartão de serviço	Prateleira	Etiqueta energética
CNWQ4G84G1	1	1	6	1



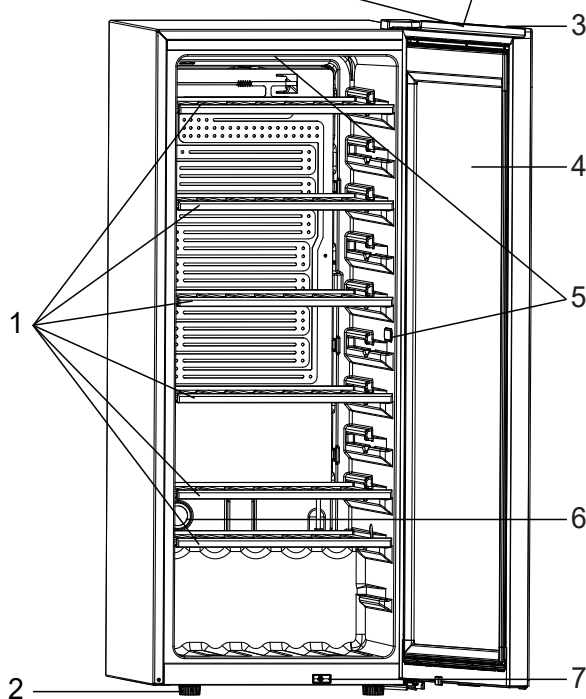
Aviso

Devido a alterações técnicas e a modelos diferentes, algumas das ilustrações neste manual podem ser diferentes do seu modelo.

Imagem do aparelho



3 Sec.Unlock



CNWQ4G84G1

- 1. Prateleira
- 2. Pés ajustáveis
- 3. Visor
- 4. Porta

- 5. Lâmpada LED
- 6. Filtro de carvão ativo
- 7. Interruptor

1. Desembalar

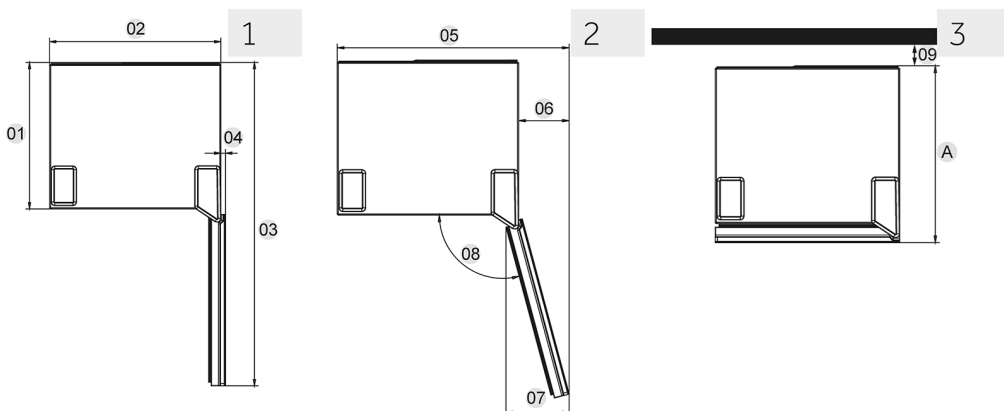
- ▶ Retire o aparelho da embalagem.
- ▶ Remova todos os materiais de embalagem, incluindo a base de espuma e toda fita adesiva com os acessórios.

2. Condições ambientes

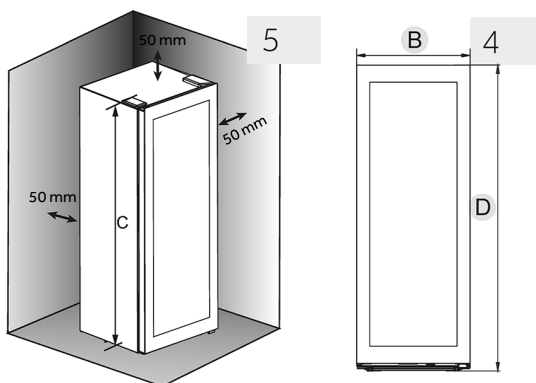
A temperatura ambiente deve estar sempre entre 10 °C e 38 °C, uma vez que pode influenciar a temperatura no interior do aparelho e o seu consumo de energia. Não instale o aparelho perto de outros aparelhos emissores de calor (fornos, frigoríficos) sem isolamento.

3. Requisitos de espaço

Espaço necessário para abrir a porta (Fig. 1, 2, 3, 4); por razões de segurança e energia, deve ser observada a distância de ventilação necessária de 50 mm em todas as direções (Fig. 5).



Medição: mm	CNWQ4G84G1
Profundidade A	585
Largura B	495
Altura C	1262
Altura total D	1263
01	535
02	495
03	1043
04	11
05	630
06	135
07	167
08	105°
09	50





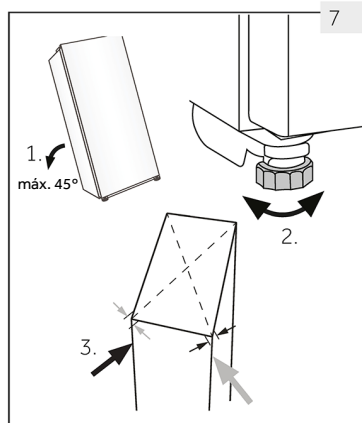
AVISO!

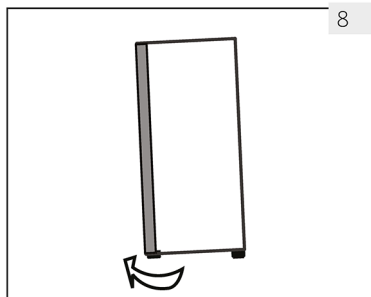
- ▶ Mantenha as aberturas de ventilação no aparelho ou na estrutura embutida livres de obstruções. Este frigorífico não se destina a ser utilizado como um aparelho de encastrar

4. Alinhar o aparelho

O aparelho deve ser colocado sobre uma superfície plana e sólida.

1. Incline o aparelho ligeiramente para trás (Fig. 7).
2. Ajuste os pés dianteiros ajustáveis para o nível desejado, rodando-os.
3. A estabilidade pode ser verificada por empurrando alternadamente as diagonais. Uma ligeira oscilação deve ser a mesma em ambas as direções. Caso contrário, a estrutura pode empenar; a consequência pode ser fugas dos vedantes da porta. Uma leve inclinação para a traseira facilita o fecho da porta.





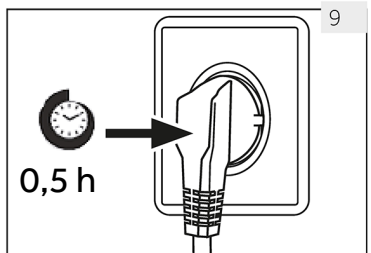
8

5. Ajuste fino da porta

O aparelho fecha mais facilmente se forem utilizados os pés de nivelamento na frente:

Rode os pés ajustáveis (Fig. 8) para os subir ou descer:

- ▶ Rodar os pés para a direita levanta o aparelho.
- ▶ Rodar os pés para a esquerda baixa o aparelho.



9

6. Tempo de espera

O óleo de lubrificação sem manutenção está localizado na cápsula do compressor. Este óleo pode passar pelo sistema fechado do tubo durante o transporte se o aparelho estiver inclinado. Antes de ligar o aparelho à fonte de alimentação, aguarde 0.5 horas (Fig. 9) para que o óleo volte à cápsula.

0,5 h

7. Ligação elétrica

Antes de cada conexão verificar se:

- ▶ a rede elétrica, tomada e fusíveis são adequados à placa de classificação.
- ▶ a tomada de alimentação está ligada à terra sem fichas múltiplas nem extensão.
- ▶ a ficha de alimentação e a tomada estão corretamente ajustadas.

Ligue a ficha a uma tomada doméstica instalada corretamente.



AVISO!

Para evitar riscos, um cabo de alimentação danificado deve ser substituído pela assistência ao cliente (ver cartão de garantia).



AVISO!

- ▶ Antes de qualquer operação, desligue primeiro o aparelho da rede elétrica.
- ▶ Não incline o aparelho mais de 45 ° para evitar danos ao sistema de arrefecimento.

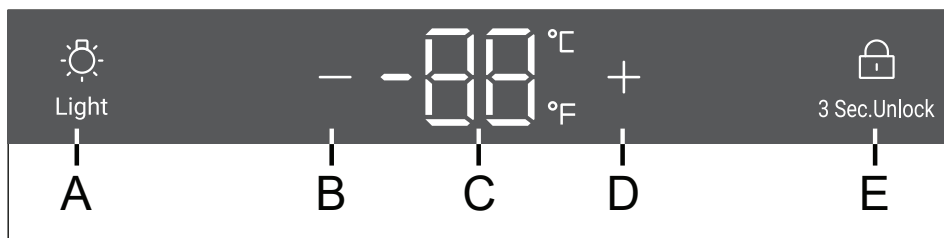
1. Antes da primeira utilização

- ▶ Remova todos os materiais de embalagem. Isso inclui a base de espuma e toda fita adesiva que segura os acessórios da garrafeira de vinho dentro e fora. Mantenha-os fora do alcance das crianças e elimine-os de forma ecológica.
- ▶ Limpe o interior e o exterior do aparelho com água e um detergente suave antes de colocar qualquer vinho no seu interior.
- ▶ Após o aparelho ter sido nivelado e limpo, aguarde pelo menos 2 horas antes de o ligar à rede elétrica. Se a sua garrafeira tiver sido inclinada por qualquer motivo, aguarde 24 horas antes de a ligar. Consulte a secção **INSTALAÇÃO**.
- ▶ Após ligar a unidade a uma tomada elétrica, deixe a unidade funcionar durante pelo menos 30 minutos para aclimatizar-se antes de efetuar quaisquer ajustes.
- ▶ A temperatura é ajustada automaticamente para 12 °C. Se desejar, pode alterar as temperaturas manualmente. Por favor, consulte **TEMPERATURA**.

2. Botões táteis

Os botões no painel de controlo são botões táteis, que respondem quando tocados levemente com o dedo.

3. Descrição do painel de controlo



A Botão de luz

B Tecla de ajuste de temperatura:
para baixo

C Visor

D Botão de ajuste de temperatura: para cima

E Botão de bloqueio

4. Função de bloqueio automático

No estado de tela bloqueada, pressione e segure o botão de bloqueio por 3 segundos, a tela exibirá 3, 2 e 1, desbloqueando a tela. Se não houver nenhuma operação, a tela será bloqueada automaticamente após 30 segundos. No estado de tela bloqueada, o ícone de cadeado estará aceso e os botões na tela não poderão ser operados (exceto o botão de iluminação).

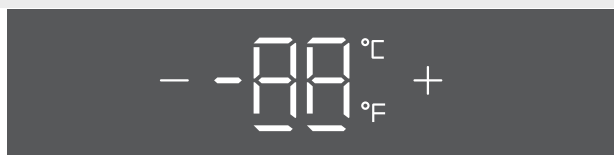
5. Regulação da temperatura







Aviso

Predefinições

- ▶ Depois de ter conectado a unidade a uma tomada elétrica, deixe a unidade funcionar durante pelo menos 30 minutos para aclimatizar-se antes de fazer quaisquer ajustes.
- ▶ Quando o aparelho é ligado após a desconexão da fonte de alimentação principal, pode levar várias horas para que as temperaturas corretas sejam alcançadas. O tempo exato varia dependendo do ambiente e da regulação da temperatura.



Pressione a tecla  or  o visor começará a piscar. Pressione a tecla  or  para definir a temperatura desejada. Intervalo de regulação da temperatura: 5-20 °C (41-68 °F). Pare de premir o botão durante 3 segundos, em seguida a temperatura é confirmada.

6. Função de Memória de Desligamento

Em caso de queda de energia, a adega salvará automaticamente a temperatura definida.

Após a recuperação da energia, ela funcionará com base na temperatura definida antes da queda de energia.



Aviso

Influências nas temperaturas



A temperatura no interior do aparelho é influenciada pelos seguintes fatores:

- ▶ Temperatura ambiente
- ▶ Quantidade de garrafas armazenadas
- ▶ Frequência de abertura da porta
- ▶ A localização do aparelho

A configuração padrão é de 12°C

Quando o visor para de piscar, volta a mostrar a temperatura atual dentro da garrafeira. Vai demorar algum tempo para alcançar a temperatura definida.

7. Configuração do modo de iluminação

Pressione o botão  As luzes acenderão gradualmente. Em seguida, pressione o botão  novamente e as luzes se apagarão gradualmente.

8. °C/°F function

Pressione o botão “_” por 3 segundos e alterne entre Fahrenheit e Celsius.

9. Função de Memória de Desligamento

Em caso de queda de energia, a adega salvará automaticamente a temperatura definida. Após a recuperação da energia, ela funcionará com base na temperatura definida antes da queda de energia.

10. Alarme de abertura de porta

Se a porta for mantida aberta por mais de 1 minuto, a campainha emitirá um sinal sonoro até que a porta seja fechada ou qualquer tecla no painel de exibição possa ser operada. Nesse caso, a campainha para de emitir um sinal sonoro.



Dicas de poupança de energia

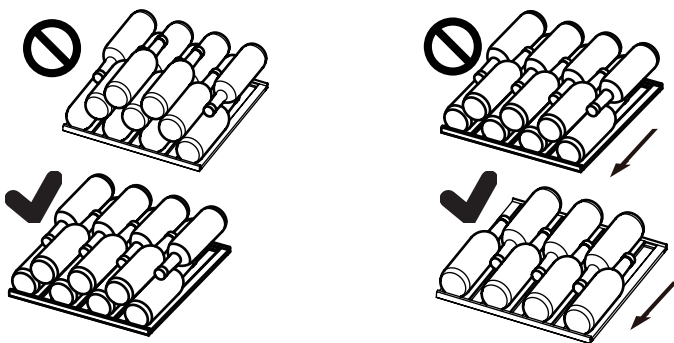
- ▶ Certifique-se de que o aparelho está devidamente ventilado (ver INSTALAÇÃO).
- ▶ Não instale o aparelho sob luz solar direta ou na proximidade de fontes de calor (por exemplo, fogões, aquecedores).
- ▶ Evite temperaturas desnecessariamente baixas no aparelho. O consumo de energia aumenta quanto menor for a temperatura do aparelho.
- ▶ Abra a porta do aparelho o mínimo e tão brevemente quanto possível.
- ▶ Não exceda a quantidade de garrafas prevista para evitar obstruir o fluxo de ar.
- ▶ Mantenha os vedantes da porta limpos para que a porta feche sempre corretamente.
- ▶ A configuração mais economizadora de energia implica que a gaveta, caixa de alimentos e prateleiras estejam posicionadas no aparelho tal como vêm de fábrica, e que os alimentos sejam colocados sem bloquear a saída de ar das condutas.
- ▶ Para aumentar a eficiência energética, as luzes devem ser desligadas quando a garrafeira não estiver a ser visualizada.

1. Prateleira

1. As prateleiras são projetadas para um armazenamento e remoção fáceis do vinho. Podem ser limpas com uma toalha macia.
2. Garrafas comuns com diâmetro de 76 mm podem ser empilhadas.
3. A quantidade variar do número ou garrafas ilustradas se forem empilhadas de forma diferente.

Conselhos sobre a disposição da sua garrafeira

Recomendamos que o número de garrafas de vinho não exceda duas camadas em cada prateleira e que a capacidade das prateleiras de vinho não exceda 20 kg. Antes de colocar as garrafas dentro da garrafeira, confirme se as prateleiras do vinho estão completamente estáveis. Além disso, confirme se existe alguma garrafa saliente das prateleiras, a fim de evitar que as garrafas batam na porta de vidro ao fechar.



2. A luz

A luz interior LED acende-se quando a porta é aberta.

1. Descongelação

A descongelação da garrafeira é feita automaticamente; nenhuma operação manual é necessária.

2. Substituir a lâmpada LED

A lâmpada usa LED como sua fonte de luz, com baixo consumo de energia e longa vida útil. Se houver alguma anomalia, entre em contacto com a assistência ao cliente. Ver ASSISTÊNCIA AO CLIENTE.



AVISO!

Não substitua a lâmpada LED você mesmo. Só pode ser substituída pelo fabricante ou pelo agente de serviço autorizado.

Este produto contém uma fonte de luz de classe de eficiência energética G.

Parâmetros da lâmpada LED:

Voltage 12V

Potência máxima: 2 W

3. Não utilizar durante um período maior

Desligue o cabo de alimentação.

Limpe o aparelho e as juntas da porta conforme descrito acima.

Mantenha a porta aberta para evitar a criação de maus odores no interior.

4. Mover o aparelho

1. Remova todas as garrafas e desligue o aparelho.

2. Fixe prateleiras e outras peças móveis na garrafeira com fita adesiva.

3. Não incline a garrafeira mais de 45° para evitar danificar o sistema de refrigeração.

5. Troca de ar com filtro de carvão ativado

A forma como os vinhos continuam a amadurecer depende das condições ambientais. A qualidade do ar é, portanto, decisiva para a preservação do vinho. Um filtro de carvão ativado foi instalado na parte inferior da parede traseira do aparelho para garantir que o ar circulante permaneça com a qualidade ideal.



Perceber

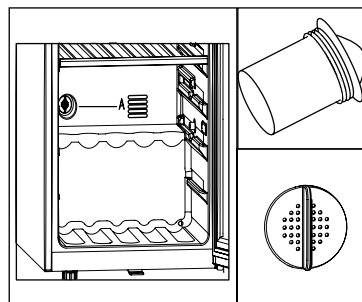
Recomendamos que você troque o filtro uma vez por ano. Os filtros podem ser adquiridos na sua concessionária.

Troca do filtro:

Segure o filtro pela alça. Gire-o para a esquerda e remova-o.

Inserção do filtro:

Insira com a alça na posição vertical. Gire-o para a direita e insira-o.



Muitos problemas que ocorrem podem ser resolvidos por si mesmo sem experiência específica. Em caso de problema, por favor verifique todas as possibilidades apresentadas e siga as instruções abaixo antes de contactar um serviço pós-venda. Consulte a ASSISTÊNCIA AO CLIENTE.

**AVISO!**

- ▶ Antes da manutenção, desative o aparelho e desligue a ficha da tomada.
- ▶ Os equipamentos elétricos devem ser reparados apenas por eletricitas qualificados, uma vez que reparações inadequadas podem causar danos consequenciais consideráveis.
- ▶ Se o cabo de alimentação estiver danificado, este apenas pode ser substituído pelo fabricante, pelo agente de serviço ou por pessoas igualmente qualificadas de forma a evitar o perigo.

Código de erro	Causa	Solução
L2	A zona de temperatura superior está baixa gerando um alarme de temperatura baixa quando a temperatura superior do sensor de controlo é demasiado baixa;	<ol style="list-style-type: none"> 1. Verificar a temperatura ambiente. 2. Verifique a ficha do compressor. 3. Verifique a resistência do sensor de controlo da temperatura.

Problema	Causa possível	Possível solução
O compressor não funciona.	<ul style="list-style-type: none"> • A ficha de alimentação não está ligada na tomada de alimentação. 	<ul style="list-style-type: none"> • Ligue a ficha de alimentação.
O aparelho funciona frequentemente ou funciona por um período de tempo demasiado longo.	<ul style="list-style-type: none"> • A temperatura exterior é muito alta. • O aparelho foi desligado da alimentação por um período de tempo. • Uma porta do aparelho não está bem fechada. • A porta foi aberta com muita frequência ou durante muito tempo. • As juntas da porta estão sujas, desgastadas, rachadas ou não correspondem. • A circulação de ar necessária não é garantida. • A temperatura é demasiado baixa. 	<ul style="list-style-type: none"> • Neste caso, é normal que o aparelho funcione mais tempo. • Normalmente, demora algum tempo para o aparelho arrefecer completamente. • Feche a porta e certifique-se de que o aparelho está localizado num piso e de que não há comida ou recipiente a obstruir a porta. • Não abra a porta com demasiada frequência. • Limpe a vedação da porta ou peça à assistência ao cliente que a substitua. • Assegure uma ventilação adequada. • O problema resolve-se quando a temperatura desejada tiver sido atingida.
O interior da garrafeira está sujo e/ou com cheiros.	<ul style="list-style-type: none"> • O interior da garrafeira necessita de limpeza. 	<ul style="list-style-type: none"> • Limpe o interior da garrafeira.
Não está frio o suficiente dentro do aparelho.	<ul style="list-style-type: none"> • A temperatura definida é demasiado alta. • As garrafas foram adicionadas recentemente. • Uma porta do aparelho não está bem fechada. • A porta foi aberta com muita frequência ou por muito tempo. • As juntas da porta estão sujas, desgastadas, rachadas ou não correspondem. 	<ul style="list-style-type: none"> • Repor a temperatura. • Deixe tempo para garrafas adicionadas recentemente atingirem a temperatura desejada. • Feche a porta. • Não abra a porta com demasiada frequência. • Limpe a vedação da porta ou peça à assistência ao cliente que a substitua.
Está demasiado frio no interior do aparelho.	<ul style="list-style-type: none"> • A temperatura é demasiado baixa. 	<ul style="list-style-type: none"> • Repor a temperatura.
Formação de humidade no interior do compartimento do frigorífico.	<ul style="list-style-type: none"> • O clima é demasiado quente e demasiado húmido. • Uma porta do aparelho não está bem fechada. • A porta foi aberta com muita frequência ou por muito tempo. 	<ul style="list-style-type: none"> • Aumente a temperatura. • Feche a porta. • Não abra a porta/gaveta com muita frequência.

Problema	Causa possível	Possível solução
A humidade acumula-se na superfície externa da garrafeira.	<ul style="list-style-type: none"> O clima é demasiado quente e demasiado húmido A porta não está totalmente fechada. O ar frio no aparelho e o ar quente no exterior condensam. 	<ul style="list-style-type: none"> Isso é normal num clima húmido e mudará quando a humidade diminuir. Certifique-se de que a porta está bem fechada e que os vedantes selam corretamente.
O aparelho faz sons anormais	<ul style="list-style-type: none"> O aparelho não está colocado sobre um piso nivelado. O aparelho toca em algum objeto em seu redor. 	<ul style="list-style-type: none"> Ajuste os pés para nivelar o aparelho. Remova objetos em redor do aparelho.
Deve ouvir-se um som leve semelhante ao de água a correr.	<ul style="list-style-type: none"> Isto é normal 	<ul style="list-style-type: none"> -
O sistema de iluminação interior ou de arrefecimento não funciona.	<ul style="list-style-type: none"> A ficha de alimentação não está ligada à tomada de alimentação. A fonte de alimentação não está intacta. A lâmpada LED está avariada. 	<ul style="list-style-type: none"> Ligue a ficha de alimentação. Verifique a alimentação elétrica da divisão. Ligue para a companhia de eletricidade local. Por favor, ligue para a assistência para substituir
As laterais da garrafeira aquecem.	<ul style="list-style-type: none"> Isto é normal. 	<ul style="list-style-type: none"> -
A porta não fecha corretamente	<ul style="list-style-type: none"> O aparelho não está nivelado. A porta está bloqueada. 	<ul style="list-style-type: none"> Nivele o aparelho com os pés de nivelamento. Verifique se há obstruções como garrafas ou prateleiras.

Para contactar a assistência técnica, consulte o nosso website: <https://corporate.haier-europe.com/en/>

Na seção "website", escolha a marca do seu produto e o seu país. Será redirecionado para o website específico onde pode encontrar o número de telefone e o formulário para contactar a assistência técnica.

Ficha de produto de acordo com o Regulamento UE N.º 2019/2016

Marca	Candy
Nome do modelo / identificador	CNWQ4G84G1
Categoria	Garrafeira
Classe de eficiência energética	G
Consumo anual de energia (kWh/ano) ¹⁾	153
Capacidade de garrafas (garrafa bordalesa de 0,75 cl)	84
Classe climática: Este aparelho destina-se a ser utilizado a uma temperatura ambiente entre 10 °C e 38 °C	N ST
Emissões de ruído aéreo (db(A)re 1pW)	37
Tipo de aparelho	Instalação independente
Este aparelho destina-se exclusivamente ao armazenamento de vinho.	Sim
Dimensões (L/D/A em mm)	495/585/1263

Explicações:

1) baseado nos resultados do teste padrão durante 24 horas. O consumo real de energia depende do ambiente real, da quantidade de garrafas, da temperatura ajustada, da abertura e fecho da porta, etc.

2) O consumo nominal de energia é o valor obtido de acordo com o ensaio normal quando o armário de vinhos não acende a luz interna.

- temperado alargado: 'este aparelho de refrigeração destina-se a ser utilizado a uma temperatura ambiente entre 10 °C e 32 °C':

- temperado: "este aparelho de refrigeração destina-se a ser utilizado à temperatura ambiente

- temperaturas que variam entre 16 °C a 32 °C";

- subtropical: 'este aparelho de refrigeração destina-se a ser utilizado a uma temperatura ambiente entre 16 °C e 38 °C';

- tropical: 'este aparelho de refrigeração destina-se a ser utilizado a uma temperatura ambiente entre 16 °C e 43 °C':

Normas e diretivas

Este produto cumpre os requisitos de todas as diretivas CE aplicáveis com as normas harmonizadas correspondentes, que permitem a marcação CE.

Recomendamos o nosso Serviço de Assistência ao Cliente da Haier e a utilização de peça sobressalentes originais.

Se tiver algum problema com o seu aparelho, consulte primeiro a secção RESOLUÇÃO DE PROBLEMAS.

Se não conseguir encontrar uma solução nesta secção, entre em contacto

- ▶ com o seu revendedor local ou
- ▶ a área de Serviço e Suporte em www.haier.com onde pode encontrar números de telefone e perguntas frequentes e onde pode ativar um pedido de assistência.

Para contactar a nossa Assistência, certifique-se de que tem os seguintes dados disponíveis.

As informações encontram-se na placa de classificação.

Modelo _____ N.º de série _____

Verifique também o cartão de garantia fornecido com o produto em caso de garantia.

Para consultas gerais, por favor encontre os nossos endereços na Europa abaixo:

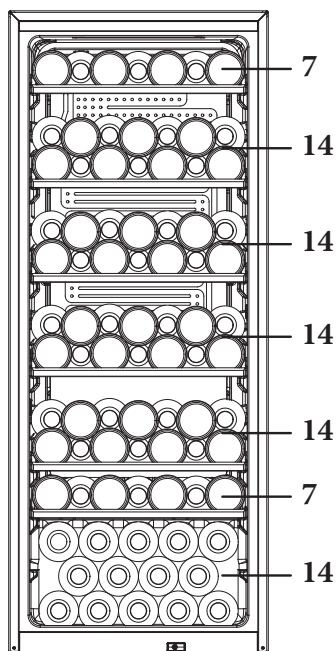
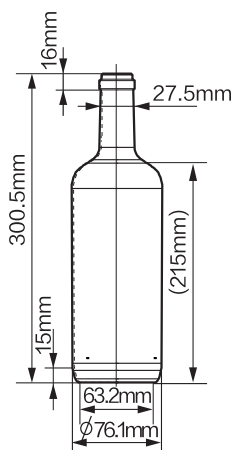
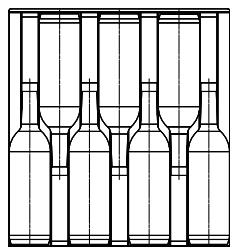
Endereços da Haier na Europa			
País*	Endereço postal	País	Endereço postal
Itália	Haier Europe Trading SRL Via De Cristoforis, 12 21100 Varese ITÁLIA		Haier Europe Trading SRL Via De Cristoforis, 12 21100 Varese ITÁLIA
Espanha Portugal	Haier Iberia SL Pg. Garcia Faria, 49-51 08019 Barcelona ESPAÑA	França Bélgica-FR Bélgica-NL Países Baixos Luxemburgo	Haier Benelux SA Anderlecht Route de Lennik 451 BÉLGICA
Alemanha Áustria	Haier Deutschland GmbH Hewlett-Packard-Str. 4 D-61352 Bad Homburg ALEMANHA		Haier Poland Sp. zo.o. Al. Jerozolimskie 181B 02-222 Warszawa POLÓNIA
Reino Unido	Haier Appliances UK Co. Ltd. One Crown Square Church Street East Woking, Surrey, GU21 6HR REINO UNIDO	Polónia República Checa Hungria Grécia Roménia Rússia	

DISPONIBILIDADE DE PEÇAS SOBRESSALENTES: Termostatos, sensores de temperatura, placas de circuitos impressos e fontes de luz estão disponíveis durante um período mínimo de sete anos após a colocação da última unidade do modelo no mercado. Puxadores da porta, dobradiças da porta, bandejas e cestos durante um período mínimo de sete anos e juntas da porta durante um período mínimo de 10 anos, depois de colocada a última unidade do modelo no mercado

A garantia mínima é: 2 anos para os países da UE, 3 anos para a Turquia, 1 ano para o Reino Unido, 1 ano para a Rússia, 3 anos para a Suécia, 2 anos para a Sérvia, 5 anos para a Noruega, 1 ano para Marrocos, 6 meses para a Argélia, Tunísia nenhuma garantia legal necessária.

*Para mais informações sobre o produto, consulte <https://eprel.ec.europa.eu/> ou digitalize o código QR na etiqueta energética fornecida com o aparelho.

1. A disposição das garrafas é baseada numa representação gráfica de uma garrafa de vinho clássico (0,75 l).
2. Devido às diferentes especificações das garrafas, a capacidade real pode diferir.



(84)
CNWQ4G84G1

Manualul de utilizare

Cramă de vinuri

CNWX4G84G1

RO

Vă mulțumim că ați achiziționat un produs Candy.

Citiți aceste instrucțiuni cu atenție înainte de a utiliza acest aparat. Instrucțiunile conțin informații importante care vă vor ajuta să folosiți aparatul la capacitate maximă și să asigurați instalarea, utilizarea și întreținerea sigure și corespunzătoare.

Păstrați manualul de față la îndemână astfel încât să puteți consulta pentru utilizarea sigură și corectă a aparatului.

Dacă vindeți, oferiți sau lăsați aparatul învechea locuință când vă mutați, asigurați-vă că lăsați și manualul de utilizare, astfel încât noul proprietar să se poată familiariza cu aparatul și cu avertismentele de siguranță.



Legendă

Avertizare - Informații importante legate de siguranță



Informații și sfaturi generale



Informații legate de mediu

Eliminare

Ajutați la protejarea mediului și sănătății omului. Puneți ambalajul în containerele corespunzătoare în vederea reciclării. Ajutați la reciclarea deșeurilor de aparate electrice și electronice. Nu aruncați electronicele marcate cu acest simbol în același loc cu deșeurile menajere. Returnați produsul la centrul local de reciclare sau contactați agenția municipală.



AVERTISMENT!

Risc de vătămare sau sufocare!

Agentele frigorifice și gazele trebuie eliminate profesionist. Asigurați-vă că tubulatura circuitului de agent frigorific nu este deteriorată înainte de eliminarea corespunzătoare a acesteia. Deconectați aparatul de la rețeaua de curent. Tăiați cablul de alimentare de la rețeaua de curent și eliminați-l. Scoateți tăvile și sertarele, dar și opritorul și garniturile ușii, pentru a preveni închiderea copiilor și a animalelor în aparat.

Aparatele vechi au încă o anumită valoare reziduală. O metodă ecologică de eliminare va asigura că materiile prime valoroase pot fi recuperate și reutilizate.

Ciclopentanul, o substanță inflamabilă care nu dăunează ozonului, este folosit ca expander pentru spuma de izolare.

Asigurându-vă că acest produs este eliminat corect, veți ajuta la prevenirea potențialelor consecințe negative pentru mediu și sănătatea umană.

Pentru informații detaliate privind reciclarea acestui produs, contactați consiliul local, serviciul dvs. de eliminare a deșeurilor sau magazinul de unde ați achiziționat produsul, administrat de specialiști.

1- Informații de siguranță	364
2- Recomandări de siguranță.....	367
3- Întreținere	371
4- Accesorii.....	373
5- Descrierea produsului	374
6- Instalare.....	375
7- Utilizarea	379
8- Sfaturi de economisire a energiei	382
9- Echipament	383
10- Îngrijire și curățare	384
11- Depanare.....	385
12- Date tehnice.....	388
13- Serviciul pentru clienți	389
14- Stivuirea sticlelor de vin.....	390

Acest aparat este destinat exclusiv pentru depozitarea vinului. Înainte de pornirea aparatului pentru prima dată, citiți următoarele sfaturi legate de siguranță:



AVERTISMENT!

Înainte de prima utilizare

- ▶ Asigurați-vă că nu există deteriorări provocate de transport.
- ▶ Îndepărtați toate ambalajele, nu le lăsați la îndemâna copiilor și eliminați-le într-un mod ecologic.
- ▶ Așteptați cel puțin 0,5 ore înainte de a instala aparatul pentru a asigura faptul că circuitul de agent frigorific este complet eficient.
- ▶ Manevrați întotdeauna dispozitivul cu cel puțin încă două persoane, pentru că este greu.
- ▶ Atunci când poziționați aparatul, cablul de alimentare nu trebuie să fie prins sau deteriorat.
- ▶ Nu amplasați prizele portabile multiple sau alimentările portabile în spatele aparatului.

Instalare

- ▶ Aparatul trebuie amplasat într-un loc bine ventilat. Asigurați un spațiu de cel puțin 50mm deasupra aparatului și în jurul acestuia.
- ▶ **AVERTISMENT:** Mențineți fantele de aerisire din carcasa aparatului sau pe cele încorporate în structură neobstrucționate.
- ▶ Nu amplasați niciodată aparatul într-o zonă cu umezeală sau într-un loc în care acesta poate fi stropit cu apă. Curățați și uscați stropiturile de apă și petele cu o cârpă curată, moale.
- ▶ Nu instalați crama de vinuri în locuri care nu sunt izolate sau încălzite corespunzător, de exemplu, în garaj etc. Crama de vinuri nu a fost proiectată să funcționeze la o temperatură ambiantă mai mică de 10 °C.
- ▶ Nu instalați aparatul în lumina directă a soarelui sau în apropierea surselor de căldură (de ex., cuptoare, radiatoare).
- ▶ Instalați și poziționați dispozitivul într-o zonă potrivită dimensiunilor și destinației sale.
- ▶ Asigurați-vă că informațiile electrice de pe plăcuța cu date tehnice se potrivesc cu sursa de electricitate. Dacă nu se potrivesc, contactați un electrician.
- ▶ Dispozitivul este operat de o sursă de electricitate de 220-240 V c.a./ 50 Hz. Fluctuațiile anormale de tensiune pot face dispozitivul să nu pornească sau pot deteriora controlul temperaturii sau compresorul sau pot provoca un zgomot anormal în timpul utilizării. În acest caz, ar trebui să fie montat un regulator automat.
- ▶ Nu utilizați adaptoare cu ștecăre multiple și prelungitoare.

**AVERTISMENT!**

- ▶ **AVERTISMENT:** Nu amplasați prizele portabile multiple sau alimentările portabile în spatele aparatului.
- ▶ **AVERTISMENT:** Atunci când poziționați aparatul, cablul de alimentare nu trebuie să fie prins sau deteriorat.
- ▶ Nu călcați pe cablul de alimentare.
- ▶ Folosiți o priză separată cu împământare pentru alimentarea cu energie electrică, care să fie ușor accesibilă. Aparatul trebuie legat la împământare.
- ▶ **Doar pentru Regatul Unit:** Cablul de alimentare al dispozitivului este prevăzut cu ștecăr cu 3 pini (împământare) care se potrivește cu o priză standard cu 3 găuri (împământată). Nu demontați sau nu tăiați niciodată cel de-al treilea pin (împământarea). După instalarea dispozitivului, ștecărul ar trebui să fie accesibil.
- ▶ **AVERTISMENT:** Nu deteriorați circuitul frigorific.

Utilizarea cotidiană

- ▶ Acest aparat poate fi utilizat de către copiii cu vârste de minimum 8 ani și de către persoanele cu abilități fizice, senzoriale sau mentale reduse sau fără experiență sau cunoștințe, cu condiția să fie supravegheate sau instruite corespunzător privind modul de utilizare a acestui aparat în siguranță și să înțeleagă pericolele implicate.
- ▶ Nu lăsați copiii să se joace cu aparatul.
- ▶ Copiii cu vârsta cuprinsă între 3 și 8 ani pot încărca și descărca aparate frigorifice, dar nu li se permite să curețe și să instaleze aparatele frigorifice.
- ▶ Țineți copiii mai mici de 3 ani la distanță de aparat, cu excepția cazului în care aceștia sunt supravegheați constant.
- ▶ Curățarea și întreținerea de către utilizator nu vor fi efectuate de copii fără supraveghere.
- ▶ Aparatul trebuie poziționat astfel încât ștecherul să fie accesibil.
- ▶ În cazul scurgerii gazului de cărbune sau a altor gaze inflamabile în vecinătatea aparatului, închideți supapa gazului care curge, deschideți ușile și ferestrele și nu deconectați cablul de alimentare al aparatului.
- ▶ Așteptați cel puțin 7 minute pentru a reconecta alimentarea dacă aceasta a fost deconectată.
- ▶ Nu ridicați aparatul de mânerle ușii.
- ▶ Cheile nu trebuie lăsate la îndemâna copiilor și nici în apropierea aparatului, pentru a preveni blocarea copiilor în interiorul aparatului.



AVERTISMENT!

- ▶ Observați că aparatul este setat să funcționeze într-un interval de mediu specific, între 10 și 38 °C. Este posibil ca aparatul să nu funcționeze corect dacă este lăsat pentru o perioadă lungă de timp la o temperatură superioară sau inferioară intervalului indicat.
- ▶ Nu puneți articole instabile (obiecte grele, recipiente umplute cu apă) deasupra aparatului, pentru a evita vătămarea cauzată de cădere sau de electrocutarea cauzată de contactul cu apa.
- ▶ Deschideți și închideți ușa numai cu ajutorul mânerelor. Spațiul liber dintre ușă și dulap este foarte îngust. Nu introduceți mâinile în zonele respective, pentru a evita ciupirea degetelor. Deschideți sau închideți ușile aparatului numai atunci când nu se află niciun copil în raza de deplasare a ușii.
- ▶ Nu depozitați materiale inflamabile, explozive sau corozive în aparat sau în vecinătatea acestuia.
- ▶ Nu depozitați substanțe explozive, cum ar fi canistrelor de aerosoli cu gaz inflamabil în interiorul acestui aparat.
- ▶ Nu depozitați medicamente, bacterii sau agenți chimici în dispozitiv. Acest dispozitiv este un aparat electrocasnic. Nu este recomandat pentru depozitarea materialelor care necesită temperaturi stricte.
- ▶ Nu setați o temperatură inutil de joasă în compartimentul pentru vinuri. În cazul setărilor ridicate, pot apărea temperaturi sub punctul de îngheț. Atenție: Sticlele se pot sparge
- ▶ Nu atingeți suprafața interioară a compartimentului aparatului atunci când aparatul este în funcțiune, în special cu mâinile ude, deoarece mâinile pot îngheța pe suprafață.
- ▶ Pentru o răcire adecvată a vinului, nu supraîncărcați aparatul.
- ▶ Deconectați aparatul de la energia electrică în cazul unei pene de curent sau înainte de curățare. Așteptați cel puțin 7 minute înainte de repornirea aparatului, deoarece pornirea frecventă poate deteriora compresorul.
- ▶ **AVERTISMENT:** Nu utilizați dispozitive electrice în interiorul aparatului decât dacă acestea sunt de tipul recomandat de către producător. Pentru evitarea riscurilor, cablul de alimentare deteriorat trebuie înlocuit prin serviciul pentru clienți (consultați fișa de garanție).
- ▶ Pentru a prelungi durata de viață a aparatului, evitați să îl opriți.
- ▶ Nu poziționați niciodată aparatul orizontal pe sol. După ce ați înclinat aparatul la mai mult de 45°, așteptați 24 de ore înainte de a-l conecta la priză.

**AVERTISMENT!****Întreținere/curățare**

- ▶ Asigurați-vă că supravegheați copiii dacă aceștia se ocupă de curățare și întreținere.
- ▶ Deconectați aparatul de la rețeaua de alimentare înainte de efectuarea întreținerii de rutină. Așteptați cel puțin 7 minute înainte de repornirea aparatului, deoarece pornirea frecventă poate deteriora compresorul.
- ▶ Țineți de ștecăr, nu de cablu, atunci când deconectați aparatul.
- ▶ Nu curățați aparatul cu perii aspre, cu perii de sârmă, cu detergent pulbere, benzină, acetat de amil, acetonă sau soluții organice similare, soluții acide sau alcaline. Curățați cu detergent special pentru frigider/congelator pentru a evita deteriorările. Puteți utiliza apă caldă și soluție de bicarbonat de sodiu – aproximativ o lingură de bicarbonat de sodiu la un litru/vas de un litru de apă. Clătiți temeinic cu apă și uscați. Nu folosiți pulberi de curățare sau alte produse de curățare abrazive. Nu spălați piesele detașabile în mașina de spălat vase.
- ▶ **AVERTISMENT:** Nu utilizați dispozitive mecanice sau alte mijloace de a accelera procesul de decongelare, în afara celor recomandate de producător.
- ▶ În cazul în care cablul de alimentare este deteriorat, acesta trebuie înlocuit de către producător, agentul său de service sau persoane calificate similare, pentru a evita orice pericol.
- ▶ Nu încercați să reparați, să dezamblați sau să modificați dispozitivul pe cont propriu. În cazul în care este necesară o reparație, contactați serviciul de relații cu clienții.
- ▶ Dacă becurile de iluminare sunt deteriorate, acestea trebuie înlocuite de către producător sau de agentul de service sau de persoane calificate, pentru a evita orice pericol.
- ▶ Eliminați praful din spatele unității cel puțin o dată pe an, pentru a evita riscul de incendiu, dar și consumul mărit de energie.
- ▶ Pentru a evita contaminarea alimentelor, respectați următoarele instrucțiuni:
 - Deschiderea ușii pentru perioade lungi de timp poate provoca o creștere semnificativă a temperaturii în compartimentele aparatului.

- ▶ Nu pulverizați și nu spălați aparatul în timpul curățării.
- ▶ Nu folosiți pulverizarea cu apă sau aburi de apă în timpul curățării aparatului.
- ▶ Nu curățați ușa rece din sticlă cu apă fierbinte. Schimbarea bruscă de temperatură poate face ca sticla să se spargă.
- ▶ Dacă nu veți utiliza aparatul pentru o perioadă îndelungată, lăsați-l deschis pentru a preveni apariția mirosurilor și mirosurilor neplăcute în interior.

Informații privind gazul refrigerant



AVERTISMENT!

Aparatul conține agentul frigorific inflamabil IZOBUTAN (R600a). Asigurați-vă că circuitul frigorific nu este deteriorat în timpul transportării sau instalării. Scurgerile de agent frigorific pot cauza vătămări ale ochilor sau se pot aprinde. Dacă s-a produs o deteriorare a aparatului, țineți la distanță de sursele de flăcări deschise, ventilați bine camera, nu conectați și nu deconectați cablurile de alimentare ale aparatului sau ale oricărui alt aparat. Informați serviciul de asistență pentru clienți.

În cazul în care agentul frigorific intră în contact cu ochii, spălați imediat în jet de apă și contactați imediat un specialist oftalmolog.

AVERTISMENT: Sistemul de refrigerare este sub presiune ridicată. Nu-l manipulați. Deoarece se utilizează agenți frigorifici inflamabili, vă rugăm să instalați, să manipulați, și efectuați operațiuni de service asupra aparatului strict urmând instrucțiunile și să contactați agentul profesional sau serviciul nostru post-vânzare pentru a elimina aparatul.

Utilizarea prevăzută


Acest aparat este destinat utilizării casnice și utilizărilor asemănătoare, cum ar fi:

- în zona de bucătărie pentru personalul din magazine, în birouri sau alte medii de lucru;
 - ferme și clienții din hoteluri, moteluri și alte tipuri de medii rezidențiale;
 - mediile pensiunilor;
 - aplicații de catering și alte aplicații non-retail similare.
- ▶ Pentru a asigura păstrarea în condiții de siguranță a vinurilor, respectați aceste instrucțiuni de utilizare.
- ▶ Detaliile privind compartimentul specific cel mai potrivit pentru depozitarea diferitelor tipuri de alimente, având în vedere distribuția temperaturii care variază în funcție de compartiment, sunt incluse în celălalt manual.

Nu este permisă aducerea schimbărilor sau modificărilor dispozitivului. Utilizarea necorespunzătoare poate duce la apariția pericolelor și la pierderea garanției.

Eliminare



Simbolul  de pe produs sau de pe ambalaj indică faptul că este posibil ca produsul să nu fie considerat deșeu menajer. Acesta trebuie dus, în schimb, la un punct de colectare adecvat pentru reciclarea echipamentelor electrice și electronice. Asigurându-vă că acest produs este eliminat corect, veți ajuta la prevenirea potențialelor consecințe negative pentru mediu și sănătatea umană, care s-ar putea produce prin eliminarea incorectă a acestui produs. Pentru informații detaliate privind reciclarea acestui produs, vă rugăm să contactați autoritățile locale, serviciile locale care se ocupă cu eliminarea deșeurilor sau magazinul de unde ați achiziționat produsul.

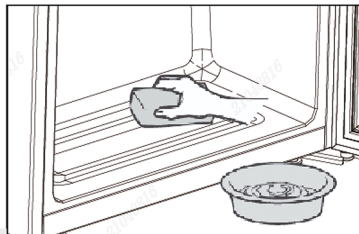
Deoarece se utilizează gazele inflamabile de gonflare a izolației, vă rugăm să contactați agentul profesional sau serviciul nostru post-vânzări pentru a elimina aparatul.

AVERTISMENT!

Risc de vătămare sau sufocare!

Agenții frigorifici și gazele trebuie eliminate profesionist. Asigurați-vă că tubulatura circuitului de agent frigorific nu este deteriorată înainte de eliminarea corespunzătoare a acesteia. Deconectați aparatul de la rețeaua de curent. Tăiați cablul de alimentare de la rețeaua de curent și eliminați-l. Scoateți tăvile și sertarele, dar și opritorul și garniturile ușii, pentru a preveni închiderea copiilor și a animalelor în aparat.

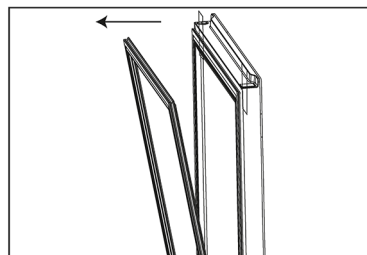
- ▶ **AVERTISMENT:** Deconectați aparatul de la rețeaua de alimentare înainte de curățare.
- ▶ Nu curățați aparatul cu perii aspre, cu perii de sârmă, cu detergent pulbere, benzină, acetat de amil, acetonă sau soluții organice similare, soluții acide sau alcaline. Curățați cu detergent special pentru frigider pentru a evita deteriorările.
- ▶ Curățați aparatul atunci când se depozitează puțin sau deloc vin. Este necesar să îl curățați doar atunci când este murdar.
- ▶ Curățați interiorul și carcasa aparatului cu un burete înmuiat în apă caldă și detergent neutru
- ▶ Clătiți cu apă caldă curată și uscați cu o cârpă moale.
- ▶ Nu curățați nicio parte a aparatului în mașina de spălat vase.
- ▶ Așteptați cel puțin 7 minute înainte de repornirea aparatului, deoarece pornirea frecventă poate deteriora compresorul.



Curățarea garniturii ușii:

- ▶ Garniturile ușii trebuie curățate la fiecare 3 luni pentru a asigura o etanșare corespunzătoare. Ca mai jos: Îndepărtarea garniturii: Prindeți garnitura ușii și trageți-o în direcția săgeții pentru a scoate întreaga garnitură a ușii.

Înmuiați peria în apă sau în alcool pentru uz alimentar și curățați mai întâi canelura garniturii ușii, deplasând peria înainte și înapoi. Apoi, ștergeți suprafața garniturii ușii cu un prosop înmuiat în apă sau alcool pentru uz alimentar. În cele din urmă, spălați garnitura ușii și ștergeți-o cu un prosop curat.



Montarea garniturii ușii după curățare:

Înainte de instalare, asigurați-vă că nu există apă pe garnitura ușii. Introduceți garnitura ușii în canelură și apăsați-o bine cu mâna de sus în jos până când toată garnitura este introdusă în canelură.

Curățarea rafturilor:

- ▶ Toate rafturile pot fi scoase pentru a fi curățate.
- ▶ Scoateți toate sticlele.
- ▶ Ridicați puțin fiecare raft și scoateți-l.
- ▶ Curățați raftul cu un prosop moale.
- ▶ Așteptați până când rafturile se usucă înainte de a le pune la loc.

AVERTISMENT:

Așteptați cel puțin 7 minute pentru a reconecta alimentarea după ce aceasta a fost deconectată.

Verificați accesoriile și documentația în conformitate cu această listă:

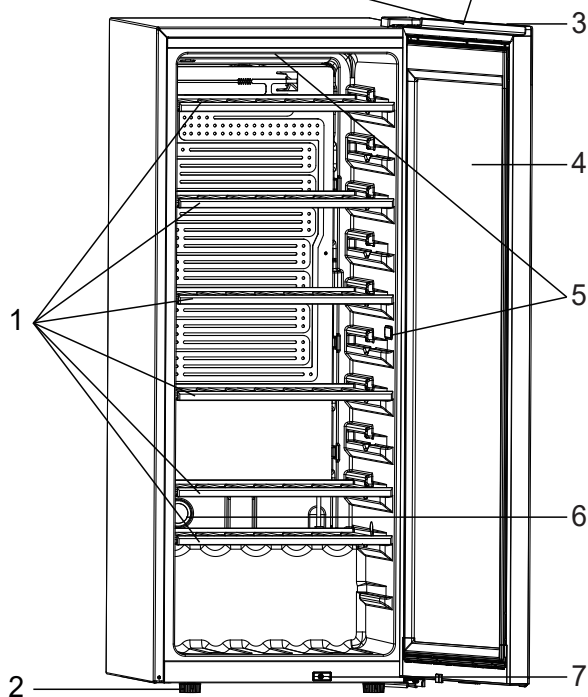
Nume	Manualul de utilizare	Card de service	Raft	Eticheta de energie
CNWQ4G84G1	1	1	6	1



Notificare

Ca urmare a modificărilor tehnice și a diferitelor modele, unele ilustrații din acest manual pot diferi de modelul dvs.

Imaginea aparatului



CNWQ4G84G1

- | | |
|-----------------------|----------------------------|
| 1. Raft | 5. Lampă LED |
| 2. Picioare reglabile | 6. Filtru cu cărbune activ |
| 3. Afîșaj | 7. Întrerupător |
| 4. Ușă | |

1. Despachetare

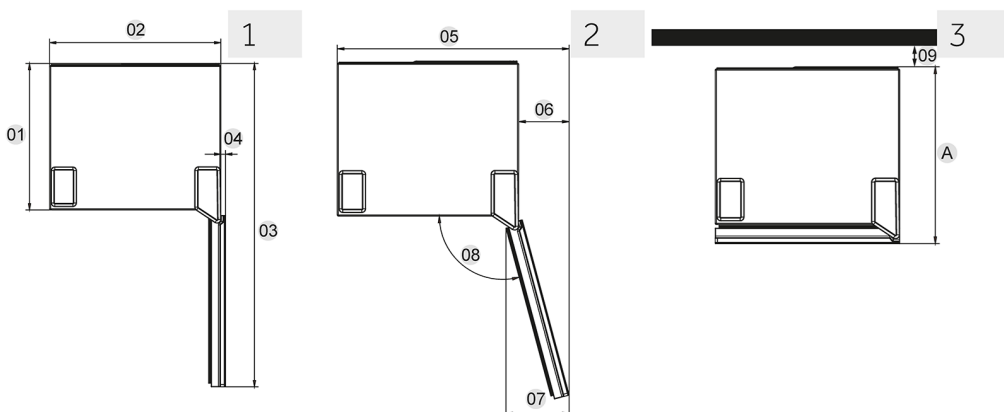
- ▶ Scoateți aparatul din ambalaj.
- ▶ Îndepărtați toate materialele de ambalare, inclusiv baza de spumă și toate benzile adezive care fixează accesoriile.

2. Condiții ambientale

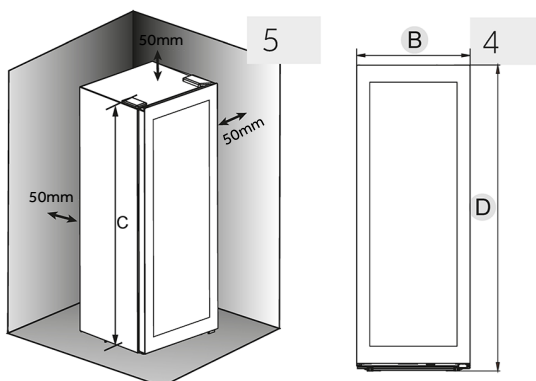
Temperatura camerei trebuie să fie cuprinsă întotdeauna între 10° C și 38° C, deoarece poate influența temperatura din interiorul aparatului și consumul de energie al acestuia. Nu instalați aparatul în apropierea altor aparate care emit căldură (cuptoare, frigidere) fără izolare.

3. Cerințe legate de spațiu

Spațiul necesar pentru deschiderea ușii (Fig. 1,2,3,4). Din motive de siguranță și legate de energie, trebuie respectată distanța de ventilație necesară de 50 mm în toate direcțiile (Fig. 5).



Măsurători: mm	CNWQ4G84G1
Adâncime A	585
Lățimea B	495
Înălțime C	1262
Înălțime totală D	1263
01	535
02	495
03	1043
04	11
05	630
06	135
07	167
08	105°
09	50





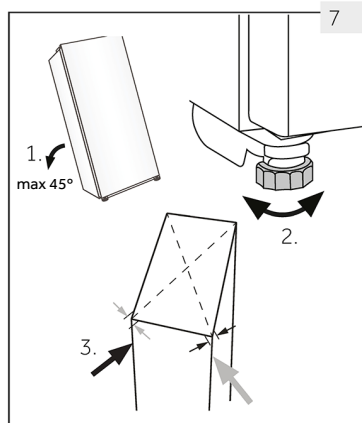
AVERTISMENT!

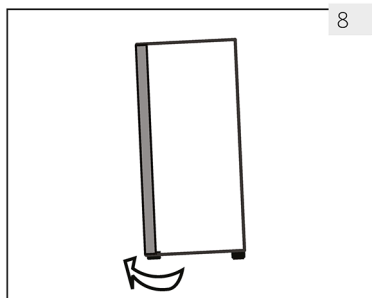
- ▶ Mențineți fantele de aerisire ale aparatului sau pe cele încorporate în structură fără obstrucții. Acest aparat frigorific nu este destinat utilizării ca aparat încorporabil

4. Alinierea aparatului

Aparatul trebuie amplasat pe o suprafață dreaptă și solidă.

1. Înclinați aparatul ușor în spate (fig. 7).
2. Rotiți picioarele frontale reglabile pentru a le ajusta la nivelul dorit.
3. Stabilitatea poate fi verificată împingând alternativ pe diagonală. Balansarea ușoară trebuie să fie aceeași în ambele direcții. În caz contrar, cadrul se poate încovoia; drept rezultat pot apărea pierderi pe la garniturile ușii. Înclinarea ușoară spre spate ușurează închiderea ușii.





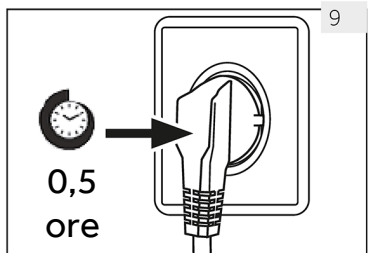
8

5. Ajustarea optimă a ușii

Aparatul se închide mai ușor dacă se folosesc picioarele de nivelare pentru partea din față:

Rotiți picioarele reglabile (Fig. 8) pentru a le deplasa în sus sau în jos:

- ▶ Rotiți picioare în sensul acelor de ceasornic pentru a ridica aparatul.
- ▶ Rotiți picioare în sensul acelor de ceasornic pentru a coborî aparatul.



9

6. Timpul de așteptare

Uleiul de ungere fără întreținere este amplasat în capsula compresorului. Acest ulei poate pătrunde prin sistemul închis de țevi în timpul transportului dacă aparatul este înclinat. Înainte de conectarea aparatului la rețeaua de alimentare, trebuie să așteptați 0.5 ore (fig. 9) pentru ca uleiul să curgă înapoi în capsulă.

7. Conexiunea electrică

Înainte de fiecare conexiune verificați dacă:

- ▶ sursa de alimentare, priza și siguranța sunt conforme cu plăcuța cu date tehnice.
- ▶ priza de alimentare este legată la împământare și nu este de tip prize multiple sau prelungitor.
- ▶ ștecărul și priza de alimentare să fie montate corect.

Conectați ștecărul la o priză de la domiciliu instalată corespunzător.



AVERTISMENT!

Pentru evitarea riscurilor, cablul de alimentare deteriorat trebuie înlocuit prin serviciul pentru clienți (consultați fișa de garanție).



AVERTISMENT!

- ▶ Înainte de orice operație deconectați aparatul de la rețeaua de alimentare.
- ▶ Nu înclinați aparatul la mai mult de 45°, pentru a împiedica deteriorarea sistemului de răcire.

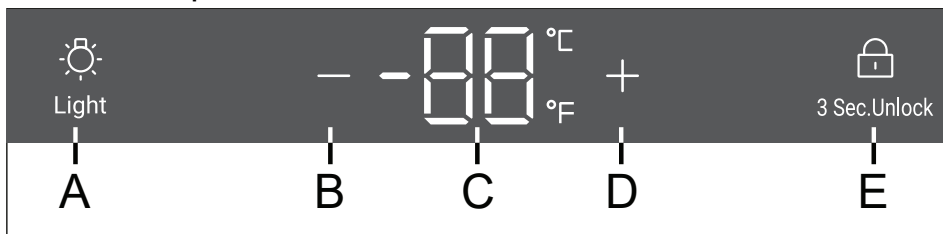
1. Înainte de prima utilizare

- ▶ Îndepărtați toate materialele de ambalare. Printre acestea se numără baza de spumă și toate benzile adezive cu care sunt prinse accesoriile cramei de vinuri în interior și în exterior. Nu le lăsați la îndemâna copiilor eliminați-le într-un mod ecologic.
- ▶ Curățați interiorul și exteriorul aparatului cu apă și un detergent neutru înainte de a pune vinuri în interior.
- ▶ După echilibrarea și curățarea aparatului, așteptați cel puțin 2 ore înainte de a-l conecta la rețeaua de alimentare. În cazul în care crama de vinuri a fost înclinată din orice motiv, așteptați 24 de ore înainte de a o conecta la priză. Consultați secțiunea INSTALARE.
- ▶ După ce ați conectat aparatul la o priză, lăsați-l să funcționeze timp de cel puțin 30 de minute pentru a se aclimatiza, înainte de a face orice ajustare.
- ▶ Temperatura este setată automat la 12 °C. Dacă doriți, puteți modifica manual această temperatură. Consultați secțiunea TEMPERATURĂ.

2. Butoane tactile

Butoanele de pe panoul de comenzi sunt butoane tactile, care răspund atunci când sunt atinse ușor cu degetul.

3. Descrierea panoului de comenzi



A Buton de iluminare

B Tasta de reglare a temperaturii: jos

C Afișaj

D Buton de reglare a temperaturii: sus

E Buton de blocare

4. Funcție de blocare automată

În starea ecranului blocat, apăsați lung butonul de blocare timp de 3 secunde, ecranul afișează 3, 2 și 1, ecranul este deblocat; Dacă nu există nicio operațiune, ecranul se va bloca automat după 30 de secunde. În starea ecranului blocat, pictograma de blocare este activată și butoanele de pe ecran nu pot fi acționate (cu excepția butonului de iluminare);





4. Setarea temperaturii

Notificare

Presetări

- ▶ După ce ați conectat aparatul la o priză, lăsați aparatul să se aclimatizeze timp de cel puțin 30 de minute, înainte de a face orice ajustare.
- ▶ Atunci când aparatul este pornit după deconectarea de la rețeaua de alimentare, poate dura câteva ore până se ating temperaturile corecte. Timpul exact variază în funcție de mediul înconjurător și de setarea temperaturii.



Apăsați tasta  or , afișajul va începe să clipească. Apăsați tasta  or  pentru a seta temperatura dorită. Intervalul de setare a temperaturii: 5-20°C (41-68°F). Dacă nu mai apăsați butonul timp de 3 secunde, temperatura este confirmată.

6. Funcția Power-Off Memory

În cazul unei întreruperi de curent, pivnița va salva automat temperatura setată. După recuperarea energiei, aceasta va funcționa în funcție de temperatura setată înainte de întrerupere.

Notificare

Factori care influențează temperatura



Temperatura din interiorul aparatului este influențată de următorii factori:

- ▶ Temperatura ambiantă
- ▶ Cantitatea de sticle depozitate
- ▶ Frecvența de deschidere a ușii
- ▶ Locul aparatului

Setarea implicită este de 12°C

Când afișajul nu mai luminează intermitent, acesta revine la indicarea temperaturii curente din interiorul cramei. Va dura un timp pentru a ajunge la temperatura setată.

7. Setarea modului de iluminare

Apăsăți butonul  Luminile se vor aprinde treptat. Când apăsați din nou butonul  luminile se vor stinge treptat.

8. °C/°F function

Apăsăți butonul „_” timp de 3 secunde, comutați între Fahrenheit și Celsius.

9. Funcție de memorie la oprire

În cazul unei pene de curent, pivnița va salva automat temperatura setată. După revenirea alimentării, va funcționa pe baza temperaturii setate înainte de pene.

10. Alarmă de deschidere a ușii

Dacă ușa este ținută deschisă mai mult de 1 minut, buzerul va emite un semnal sonor pentru a declanșa o alarmă până când ușa este închisă sau orice tastă de pe panoul de afișare poate fi acționată, apoi buzerul va înceta să mai sune.



Sfaturi de economisire a energiei

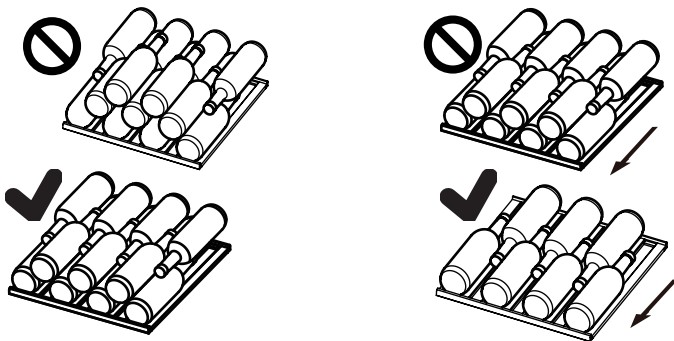
- ▶ Asigurați-vă că aparatul este ventilat corespunzător (consultați secțiunea INSTALARE).
- ▶ Nu instalați aparatul în lumina directă a soarelui sau în apropierea surselor de căldură (de ex., cuptoare, radiatoare).
- ▶ Evitați setarea temperaturilor nenecesare de scăzute în aparat. Consumul de energie crește odată cu scăderea temperaturii setate în aparat.
- ▶ Deschideți ușa aparatului cât mai puțin și pentru o perioadă cât mai scurtă posibil.
- ▶ Nu depășiți cantitatea proiectată de sticle pentru a evita obstrucționarea fluxului de aer.
- ▶ Mențineți garniturile ușii curate astfel încât ușa să se închidă corect întotdeauna.
- ▶ Cea mai economică configurație necesită poziționarea sertarului, cutiei de alimente și a rafturilor în aparat în starea din fabrică, iar alimentele trebuie poziționate astfel încât să nu blocheze evacuarea aerului.
- ▶ Pentru a crește eficiența energetică, luminile ar trebui stinse atunci când nu vă uitați la produsele din crama.

1. Raft

1. Rafturile sunt proiectate pentru o depozitare și o scoatere ușoară a sticlelor de vin. Acestea pot fi curățate cu un prosop moale.
2. Pot fi stivuite sticle cu un diametru de 76 mm.
3. Cantitatea poate varia față de numărul sau de sticlele reprezentate, dacă acestea sunt stivuite în mod diferit.

Sfaturi pentru amenajarea cramei de vinuri

Vă recomandăm ca numărul de sticle de vin să nu depășească două rânduri pe fiecare raft, iar capacitatea portantă a rafturilor să nu depășească 20 kg. Înainte de a plasa sticlele în pivniță, confirmați dacă rafturile pentru vinuri sunt sau nu complet stabile. În plus, confirmați dacă există sticle care ies înafara rafturilor pentru a evita ca sticlele să se lovească de ușa de sticlă atunci când aceasta este închisă.



2. Lumina

Becul interior cu LED se aprinde la deschiderea ușii.

1. Dezghețarea

Dezghețarea cramei de vinuri se face automat; nu este necesară nicio operațiune manuală.

2. Înlocuirea becului LED

Becul are un LED ca sursă de lumină a acestuia au un consum redus de energie și o durată mare de viață. În cazul în care există anomalități, contactați serviciul pentru clienți. Consultați **SERVICIUL PENTRU CLIENȚI**.



AVERTISMENT!

Nu înlocuiți singur becul LED. Acesta trebuie înlocuit numai de către producător sau de către un agent de service autorizat.

Acest produs conține o sursă de lumină cu clasa de eficiență energetică G.

Parametrii becului LED:

Tensiune 12 V

Putere maximă: 2W

3. Neutilizare pentru o perioadă lungă de timp

Deconectați cablul de alimentare.

Curățați aparatul și garniturile ușii conform descrierii de mai sus.

Țineți ușa deschisă pentru a preveni apariția mirosurilor neplăcute în interior.

4. Mutarea aparatului

1. Scoateți toate sticlele și scoateți aparatul din priză.

2. Fixați rafturile și alte piese mobile ale cramei de vinuri cu bandă adezivă.

3. Nu înclinați crama de vinuri la mai mult de 45°, pentru a evita deteriorarea sistemului refrigerant.

5. Schimb de aer cu filtru de carbon activ

Modul în care vinurile continuă să se matureze depinde de condițiile ambientale. Prin urmare, calitatea aerului este decisivă pentru conservarea vinului. Un filtru de carbon activ este montat în zona inferioară a peretelui din spate al aparatului pentru ca debitul să rămână la o calitate optimă.



Observa

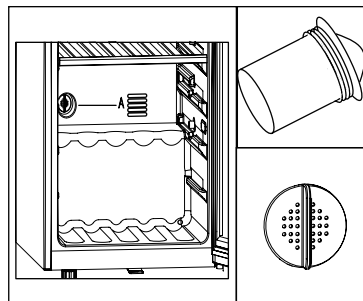
Vă recomandăm să înlocuiți filtrul o dată pe an. Filtrele pot fi obținute de la distribuitorul dumneavoastră.

Schimbarea filtrului:

Prindeți filtrul de mâner. Rotiți-l spre stânga și scoateți-l.

Introducerea filtrului:

Introduceți-l cu mânerul în poziție verticală. Rotiți-l spre dreapta și introduceți-l.



Multe probleme care pot apărea pot fi rezolvate de dvs., fără a fi necesare cunoștințe specifice. În cazul unei probleme verificați toate posibilitățile afișate și urmați instrucțiunile de mai jos înainte de a apela la un serviciu post-vânzare. Consultați secțiunea **SERVICIU PENTRU CLIENȚI**.



AVERTISMENT!

- ▶ Înainte de întreținere, dezactivați aparatul și deconectați ștecărul de la rețeaua de alimentare.
- ▶ Echipamentele electrice trebuie depanate numai de către specialiști calificați în domeniul electric, deoarece reparațiile necorespunzătoare pot provoca daune indirecte considerabile.
- ▶ Un articol furnizat deteriorat trebuie înlocuit numai de către producător, agentul său de service sau persoane calificate similare, pentru a evita orice pericol.

Cod de eroare	Cauză	Soluție
L2	Zona de temperatură superioară este alarma de temperatură scăzută atunci când temperatura superioară a senzorului de control este prea scăzută;	<ol style="list-style-type: none"> 1. Verificați temperatura ambientală. 2. Verificați conectorul compresorului. 3. Verificați rezistența senzorului de control al temperaturii.

Problemă	Cauză posibilă	Soluție posibilă
Compresorul nu funcționează.	<ul style="list-style-type: none"> • Ștecărul de alimentare nu este conectat la priza de alimentare. 	<ul style="list-style-type: none"> • Conectați ștecărul de alimentare.
Aparatul pornește frecvent sau pentru o perioadă prea mare de timp.	<ul style="list-style-type: none"> • Temperatura exterioară este prea ridicată. • Aparatul a fost deconectat de la energia electrică pentru o perioadă de timp. • O ușă a aparatului nu este închisă etanș. • Ușa a fost deschisă prea des sau pentru o perioadă prea lungă de timp. • Garniturile ușii sunt murdare, uzate, crăpate sau așezate incorect. • Circulația necesară a aerului nu este garantată. • Temperatura setată este prea joasă. 	<ul style="list-style-type: none"> • În acest caz, este normal ca aparatul să funcționeze mai mult timp. • În mod normal, durează un timp pentru ca aparatul să se răcească complet. • Închideți ușa și asigurați-vă că aparatul este amplasat pe o suprafață dreaptă și că nu există vreun aliment sau recipient care să blocheze ușa. • Nu deschideți ușa prea des. • Curățați garnitura ușii sau înlocuiți-o apelând serviciul pentru clienți. • Asigurați o ventilație adecvată. • Problema se va rezolva de la sine atunci când se va atinge temperatura dorită.
Interiorul cramei de vinuri este murdar și/sau miroase.	<ul style="list-style-type: none"> • Interiorul cramei de vinuri trebuie curățat. 	<ul style="list-style-type: none"> • Curățați interiorul cramei de vinuri.
În interiorul aparatului nu este suficient de rece.	<ul style="list-style-type: none"> • Temperatura setată este prea ridicată. • Sticlele au fost adăugate recent. • O ușă a aparatului nu este închisă etanș. • Ușa a fost deschisă frecvent sau pentru o perioadă lungă de timp. • Garniturile ușii sunt murdare, uzate, crăpate sau așezate incorect. 	<ul style="list-style-type: none"> • Resetați temperatura. • Lăsați să treacă un timp pentru ca sticlele recent adăugate să ajungă la temperatura dorită. • Închideți ușa. • Nu deschideți ușa prea des. • Curățați garnitura ușii sau înlocuiți-o apelând serviciul pentru clienți.
În interiorul aparatului este prea rece.	<ul style="list-style-type: none"> • Temperatura setată este prea joasă. 	<ul style="list-style-type: none"> • Resetați temperatura.
Se formează umezeală în interiorul compartimentului frigiderului.	<ul style="list-style-type: none"> • Climatul este prea călduros și prea umed. • O ușă a aparatului nu este închisă etanș. • Ușa a fost deschisă frecvent sau pentru o perioadă lungă de timp. 	<ul style="list-style-type: none"> • Creșteți temperatura. • Închideți ușa. • Nu deschideți ușa/sertarul prea des.

Problemă	Cauză posibilă	Soluție posibilă
Pe suprafața exterioară a cramei se acumulează umiditate.	<ul style="list-style-type: none"> • Climatul este prea călduros și prea umed • Ușa nu este închisă etanș. Aerul rece din aparat și aerul cald din exterior formează condens. 	<ul style="list-style-type: none"> • Acest lucru este normal într-un climat umed și se va modifica atunci când umiditatea va scădea. • Asigurați-vă că ușa este bine închisă și că garniturile sunt bine etanșate.
Aparatul emite sunete anormale	<ul style="list-style-type: none"> • Aparatul nu se află pe o suprafață dreaptă. • Aparatul atinge unele obiecte din jurul acestuia. 	<ul style="list-style-type: none"> • Reglați piciorul pentru a aduce aparatul la același nivel. • Îndepărtați obiectele din jurul aparatului.
Se aude un sunet ușor, asemănător apei.	<ul style="list-style-type: none"> • Acest lucru este normal 	<ul style="list-style-type: none"> • -
Iluminarea interioară sau sistemul de răcire nu funcționează.	<ul style="list-style-type: none"> • Ștecărul de alimentare nu este conectat la priza de alimentare. • Sursa de alimentare nu este intactă. • Becul cu led este defect. 	<ul style="list-style-type: none"> • Conectați ștecărul de alimentare. • Verificați sursa de alimentare cu energie electrică din cameră. Contactați compania locală de electricitate. • Contactați serviciul de depanare pentru înlocuirea becului
Părțile laterale ale răcitorului se încălzesc.	<ul style="list-style-type: none"> • Acest lucru este normal. 	<ul style="list-style-type: none"> • -
Ușa nu se închide corect	<ul style="list-style-type: none"> • Aparatul nu este așezat la nivel. • Ușa este blocată. 	<ul style="list-style-type: none"> • Așezați aparatul la nivel cu ajutorul picioarelor prevăzute în acest scop. • Verificați dacă există blocaje, cum ar fi sticle sau rafturi.

Pentru contactarea asistenței tehnice, vizitați site-ul nostru web: <https://corporate.haier-europe.com/en/>

La secțiunea „website” alegeți marca produsului dvs. și țara dvs. Veți fi redirectionat către website-ul specific unde puteți găsi numărul de telefon și formularul de contactare a asistenței tehnice.

Fișa de produs conform reglementării UE nr. 2019/2016

Marca	Candy
Numele/identificatorul modelului	CNWQ4G84G1
Categorie	Cramă de vinuri
Clasa de eficiență energetică	G
Consumul anual de energie (kWh/an) ¹⁾	153
Capacitatea sticlei (sticlă de 0,75 l de Bordeaux)	84
Clasa de climă: Acest aparat este proiectat pentru utilizarea la temperaturi ambientale cuprinse între 10 °C și 38 °C	N-ST
Emisii de zgomote acustice aeropurtate (dB(A)re 1pW)	37
Tipul aparatului	De sine stătător
Acest aparat este destinat exclusiv pentru depozitarea vinului.	Da
Dimensiuni (L/A/Î în mm)	495/585/1263

Explicații:

1)pe baza rezultatelor la testele standard pentru 24 de ore. Consumul efectiv de energie depinde de mediul real, de cantitatea de sticle depozitate, de temperatura setată, de deschiderea și închiderea ușii etc.

2)Consumul nominal de energie este valoarea obținută în conformitate cu testul standard atunci când în crama de vinuri nu se aprinde lumina internă.

- temperatură extinsă: „acest aparat frigorific este proiectat pentru utilizarea la temperaturi ambientale cuprinse între 10 °C și 32 °C”;

- temperatură: „acest aparat frigorific este destinat utilizării la temperaturi

- ambiante cuprinse între 16 °C și 32 °C;

- subtropicală: „acest aparat frigorific este proiectat pentru utilizarea la temperaturi ambientale cuprinse între 16 °C și 38 °C;

- tropicală: „acest aparat frigorific este destinat utilizării la temperaturi ambientale cuprinse între 16 °C și 43 °C:

Standarde și directive 

Acest produs respectă cerințele tuturor directivelor CE aplicabile, cu standardele corespondente armonizate, care asigură marcajul CE.

Vă recomandăm să apelați la serviciul pentru clienți Haier și să utilizați piese de schimb originale.

Dacă aveți o problemă cu aparatul, consultați mai întâi secțiunea DEPANARE.

Dacă nu găsiți nicio soluție acolo, contactați

- ▶ distribuitorul local sau
- ▶ secțiunea pentru Service și Asistență la www.haier.com unde puteți găsi numerele de telefon și întrebările frecvente, precum și locul în care puteți activa cererea de servicii.

Pentru contactarea Serviciului nostru, asigurați-vă că aveți următoarele date.

Informațiile pot fi găsite pe plăcuța cu date tehnice.

Model _____ Nr. serie _____

De asemenea, verificați și fișa de garanție furnizată cu produsul, în cazul garanției. Pentru solicitările comerciale generale puteți găsi mai jos adresele noastre din Europa:

Adresele Haier din Europa

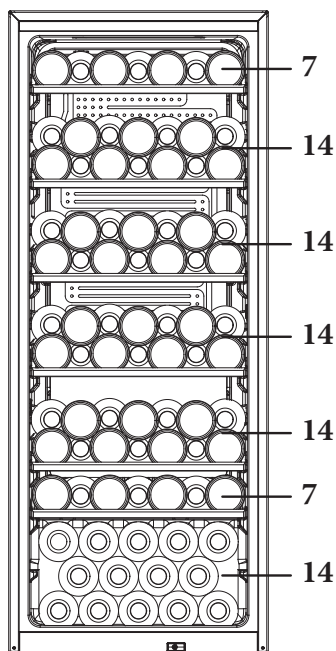
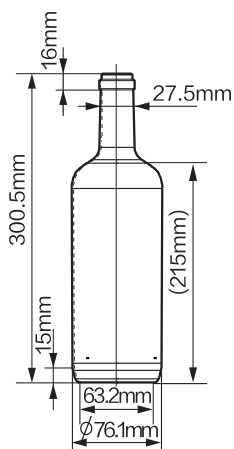
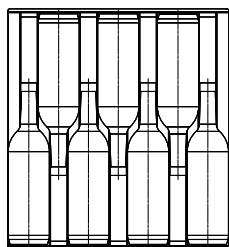
Țara*	Adresa poștală	Țara	Adresa poștală
Italia	Haier Europe Trading SRL Via De Cristoforis, 12 21100 Varese ITALIA		Haier Europe Trading SRL Via De Cristoforis, 12 21100 Varese ITALIA
Spania	Haier Iberia SL Pg. Garcia Faria, 49-51	Franța	Haier Benelux SA Anderlecht
Portugalia	08019 Barcelona SPANIA	Belgia-FR Belgia-NL	Route de Lennik 451 BELGIA
Germania	Haier Deutschland GmbH Hewlett-Packard-Str. 4	Țările de Jos Luxemburg	Haier Poland Sp. zo.o. Al. Jerozolimskie 181B 02-222 Warszawa POLONIA
Austria	D-61352 Bad Homburg GERMANIA	Polonia	
	Haier Appliances UK Co. Ltd. One Crown Square Church Street East	Cehia Ungaria Grecia	
Marea Britanie	Woking, Surrey, GU21 6HR MB	România Rusia	

DISPONIBILITATEA PIESELOR DE SCHIMB: Termostatele, senzorii de temperatură, plăcile cu circuite imprimate și sursele de lumină sunt disponibile timp de o perioadă minimă de șapte ani de la punerea pe piață a ultimei unități a modelului. Mânerele de uși, balamalele de uși, tăvile și coșurile, timp de o perioadă minimă de șapte ani, iar garniturile de uși timp de o perioadă minimă de 10 ani de la punerea pe piață a ultimei unități a modelului

Garanția minimă este de: 2 ani pentru țările din UE, 3 ani pentru Turcia, 1 an pentru Marea Britanie, 1 an pentru Rusia, 3 ani pentru Suedia, 2 ani pentru Serbia, 5 ani pentru Norvegia, 1 an pentru Maroc, 6 luni pentru Algeria, Tunisia nu necesită nicio garanție legală.

Pentru mai multe informații despre produs, consultați <https://eprel.ec.europa.eu/> sau scanați codul QR de pe eticheta energetică furnizată cu aparatul.

1. Așezarea sticlelor are la bază o reprezentare grafică a unei sticle standard de Bordeaux (0,75 l).
2. Din cauza specificațiilor diferite ale sticlelor, cantitatea efectivă de depozitare cu sticle poate fi diferită.



(84)
CNWQ4G84G1

Príručka používateľa

Vinotéka

CNWQ4G84G1

SK

Ďakujeme za zakúpenie produktu Candy.

Pred použitím tohto spotrebiča si pozorne prečítajte tieto pokyny. Pokyny obsahujú dôležité informácie, ktoré vám pomôžu vyťažiť zo spotrebiča maximum a zaistia bezpečnú a správnu inštaláciu, používanie a údržbu.

Túto príručku uschovajte na vhodnom mieste, aby ste si mohli kedykoľvek prečítať pokyny na bezpečné a správne používanie spotrebiča.

Ak spotrebič predávate, darujete alebo ho nechávate v domácnosti po odšťahovaní, nezabudnite s ním novému vlastníkovi odovzdať aj túto príručku, aby sa mohol oboznámiť so spotrebičom a bezpečnostnými upozoreniami.



Vysvetlivky

Varovanie – Dôležité bezpečnostné informácie



Všeobecné informácie a typy



Informácie o životnom prostredí



Likvidácia

Pomáhajte chrániť životné prostredie a zdravie ľudí. Obal vyhodte do vhodných nádob na recykláciu. Pomáhajte recyklovať odpad z elektrických a elektronických prístrojov. Spotrebiče označené týmto symbolom nelikvidujte s domácim odpadom. Výrobok odneste do miestneho recyklačného strediska alebo kontaktujte mestský úrad.



VAROVANIE!

Nebezpečenstvo poranenia alebo zadusenia!

Chladivá a plyny sa musia likvidovať profesionálnym spôsobom. Pred správnu likvidáciou sa uistite, že nie je poškodené potrubie okruhu chladiva. Spotrebič odpojte od elektrickej siete. Odrežte a zlikvidujte napájací kábel. Vyberte podnosy a zásuvky, ako aj západku a tesnenie dverí, aby ste zabránili zatvoreniu detí a domácich zvierat vnútri spotrebiča.

Staré spotrebiče majú ešte stále určitú zostatkovú hodnotu. Ekologický spôsob likvidácie zabezpečí opätovné zhodnotenie cenných surovín a ich opätovné použitie.

Ako expandér izolačnej peny sa používa cyklopentán. Je to horľavá látka, ktorá nie je škodlivá pre ozón.

Zabezpečením správnej likvidácie tohto výrobku pomôžete zabrániť možným negatívnym vplyvom na životné prostredie a ľudské zdravie, ku ktorým by v opačnom prípade mohlo dôjsť.

Podrobnejšie informácie o recyklácii tohto výrobku získate na príslušnom miestnom úrade, v zberných surovinách alebo v predajni, kde ste si výrobok zakúpili.

1- Bezpečnostné informácie	394
2- Bezpečnostné rady	397
3- Údržba	401
4- Príslušenstvo.....	403
5- Opis produktu	404
6- Inštalácia	405
7- Použitie.....	409
8- Tipy na úsporu energie	412
9- Vybavenie.....	413
10- Starostlivosť a čistenie.....	414
11- Riešenie problémov	415
12- Technické údaje	418
13- Zákaznícky servis.....	419
14- Vkladanie fliaš s vínom.....	420

Tento spotrebič je určený výhradne na uskladnenie vína. Pred prvým zapnutím spotrebiča si prečítajte nasledujúce bezpečnostné pokyny:



VAROVANIE!

Pred prvým použitím

- ▶ Uistite sa, že sa spotrebič pri preprave nepoškodil.
- ▶ Odstráňte všetky obaly a odložte ich mimo dosahu detí. Zneškodnite ich ekologicky.
- ▶ Pred inštaláciou spotrebiča počkajte najmenej 0,5 hodiny, aby sa zabezpečila plná účinnosť chladiaceho okruhu.
- ▶ Spotrebič musia prenášať minimálne dve osoby, pretože je ťažký.
- ▶ Pri umiestnení spotrebiča zabezpečte, aby sa napájací kábel nezachytil ani nepoškodil.
- ▶ Na zadnú stranu spotrebiča neumiestňujte rozvodné prenosné zásuvky ani prenosné zdroje napájania.

Inštalácia

- ▶ Spotrebič musí byť umiestnený na dobre vetranom mieste. Nad spotrebičom a v jeho okolí musíte zabezpečiť minimálne 50 mm priestor.
- ▶ **VAROVANIE:** Dávajte pozor, aby nedošlo k blokovaniu vetracích otvorov v kryte zariadenia alebo v zabudovanej konštrukcii.
- ▶ Spotrebič nikdy neumiestňujte na vlhké miesto ani na miesto, kde by mohla striekať voda. Postriekania vodou a škvrny vyčistite a osušte mäkkou čistou handričkou.
- ▶ Vinotéku neinštalujte na žiadnom mieste, ktoré nie je riadne izolované alebo vykurované, napr. v garáži a pod. Vaša vinotéka nebola navrhnutá, aby fungovala pri teplote okolia nižšej ako 10 °C.
- ▶ Spotrebič neinštalujte na priame slnečné svetlo ani do blízkosti zdrojov tepla (napr. kachle, ohrievače).
- ▶ Spotrebič nainštalujte a vyrovnajte na mieste, ktoré je vhodné svojou veľkosťou a využitím.
- ▶ Uistite sa, že elektrické údaje na typovom štítku sa zhodujú s údajmi pre vašu sieť. V opačnom prípade kontaktujte elektrikára.
- ▶ Spotrebič je napájaný zo siete 220-240 VAC/50 Hz. Abnormálne kolísanie napätia môže spôsobiť, že sa spotrebič nezapne, poškodí sa regulátor teploty alebo kompresor alebo sa môže pri prevádzke vyskytnúť neobvyklý hluk. V takom prípade musíte namontovať automatický regulátor.
- ▶ Nepoužívajte adaptéry s viacerými zásuvkami ani predlžovacie káble.

**VAROVANIE!**

- ▶ **VAROVANIE:** Na zadnú stranu spotrebiča neumiestňujte rozvodky zásuvky ani prenosné napájacie káble.
- ▶ **VAROVANIE:** Pri umiestnení spotrebiča zabezpečte, aby sa napájací kábel nezachytil ani nepoškodil.
- ▶ Na napájací kábel nestúpajte.
- ▶ Použite samostatnú uzemnenú zásuvku, aby k nej bol zabezpečený jednoduchý prístup. Spotrebič musí byť uzemnený.
- ▶ **Len pre Spojené kráľovstvo:** Napájací kábel spotrebiča je vybavený 3-vodičovou (uzemňovacou) zástrčkou, ktorá sa vsúva do štandardnej 3-vodičovej (uzemnenej) zásuvky. Tretí kolík (uzemnenie) nikdy neodrezávajte ani neodstraňujte. Po inštalácii zariadenia musí byť zástrčka prístupná.
- ▶ **VAROVANIE:** Nepoškodte chladiaci okruh.

Každodenné používanie

- ▶ Deti staršie ako 8 rokov a osoby s obmedzenými fyzickými, zmyslovými alebo duševnými schopnosťami alebo nedostatkom skúseností či vedomostí môžu tento spotrebič používať pod dohľadom, resp. po poučení a oboznámení sa s bezpečným spôsobom používania a porozumení možným nebezpečenstvám.
- ▶ Deti sa so spotrebičom nesmú hrať.
- ▶ Deti vo veku od 3 do 8 rokov môžu do chladiacich spotrebičov nakladať a vykladať potraviny, nesmú ich však čistiť ani inštalovať.
- ▶ Deťom do 3 rokov nedovoľte, aby sa priblížili ku spotrebiču, pokiaľ nie sú pod neustálym dohľadom.
- ▶ Čistenie a údržbu nesmú vykonávať deti bez dozoru.
- ▶ Zariadenie musí byť umiestnené tak, aby bola zástrčka prístupná.
- ▶ Ak v blízkosti spotrebiča uniká uhoľný plyn alebo iný horľavý plyn, vypnite ventil unikajúceho plynu, otvorte dvere a okná a neodpájajte napájací kábel spotrebiča.
- ▶ Po odpojení napájania počkajte najmenej 7 minút, kým ho znova pripojíte.
- ▶ Zariadenie nezdvíhajte za rukoväť dverí.
- ▶ Kľúče musíte uchovávať mimo dosahu detí a nie v blízkosti zariadenia, aby sa zabránilo uzamknutiu detí vo vnútri zariadenia.

**VAROVANIE!**

- ▶ Všimnite si, že spotrebič je nastavený na prevádzku v špecifickom klimatickom pásme 10 až 38 °C. Spotrebič možno nebude fungovať správne, ak sa ponechá dlho v prostredí s teplotou, ktorá je vyššia alebo nižšia než uvedený rozsah.
- ▶ Na spotrebič nekladte žiadne nestabilné predmety (ťažké predmety, nádoby naplnené vodou), aby nedošlo k zraneniu osôb pádom alebo úrazu elektrickým prúdom po kontakte s vodou.
- ▶ Dvere otvárajte a zatvárajte iba pomocou rukovätí. Medzera medzi dverami a skrinkou je veľmi úzka. Do týchto priestorov nekladajte ruky, aby nedošlo k pricviknutiu prstov. Dvere spotrebiča otvárajte alebo zatvárajte iba vtedy, ak v rozsahu pohybu dverí nestoja žiadne deti.
- ▶ V spotrebiči ani v jeho blízkosti neskladujte a nepoužívajte horľavé, výbušné alebo korozívne materiály.
- ▶ V tomto spotrebiči neskladujte výbušné látky ako sú plechovky s aerosólmi, ktoré podporujú horenie.
- ▶ V spotrebiči neskladujte lieky, baktérie ani chemické látky. Tento spotrebič je spotrebič pre domácnosť. Neodporúča sa skladovať materiály, ktoré vyžadujú presné teploty.
- ▶ V priehradke na víno nenastavujte zbytočne nízku teplotu. Pri vysokých nastaveniach sa môžu vyskytnúť mínusové teploty. Pozor: Flaše môžu prasknúť
- ▶ Počas prevádzky sa nedotýkajte vnútorného povrchu priestoru spotrebiča, najmä nie mokrými rukami, pretože by vám mohli ruky primrznúť k povrchu.
- ▶ Správne ochladenie vína dosiahnete, ak nebudete spotrebič preťažovať.
- ▶ V prípade prerušenia napájania alebo pred čistením odpojte spotrebič zo zásuvky. Pred opätovným zapnutím spotrebiča počkajte najmenej 7 minút, pretože časté štartovanie môže poškodiť kompresor.
- ▶ **VAROVANIE:** Vo vnútri zariadenia nepoužívajte elektrické spotrebiče, pokiaľ ich používanie neschválil výrobca. Poškodený napájací kábel musia vymeniť v zákazníckom servise, aby sa zabránilo nebezpečenstvu (pozrite záručný list).
- ▶ Ak chcete predĺžiť životnosť spotrebiča, nevypínajte ho.
- ▶ Spotrebič nikdy nekladajte na podlahu v horizontálnej polohe. Ak bol spotrebič naklonený o viac ako 45°, počkajte pred jeho pripojením 24 hodín.

**VAROVANIE!****Údržba/čistenie**

- ▶ Keď čistenie a údržbu vykonávajú deti, nenechávajú ich bez dozoru.
- ▶ Pred vykonávaním akejkoľvek bežnej údržby odpojte spotrebič od elektrickej siete. Pred opätovným zapnutím spotrebiča počkajte najmenej 7 minút, pretože časté spúšťanie môže poškodiť kompresor.
- ▶ Pri odpájaní spotrebiča chyťte zástrčku, nie kábel.
- ▶ Spotrebič nečistite tvrdými kefami, drôtenými kefami, čistiacim práškom, benzínom, amylacetátom, acetónom ani podobnými organickými roztokmi, kyselinami ani zásadami. Čistite pomocou špeciálneho čistiaceho prostriedku na chladničky/mrazničky, aby ste zabránili poškodeniu. Prípadne použite teplú vodu a roztok sódy bikarbóny – približne lyžicu sódy bikarbóny na liter vody. Dôkladne opláchnite vodou a utrite dosucha. Nepoužívajte čistiace prášky ani iné abrazívne čistiace prostriedky. Odnímateľné časti neumývajte v umývačke riadu.
- ▶ **VAROVANIE:** Na urýchlenie odmrazovania nepoužívajte mechanické nástroje ani iné prostriedky s výnimkou tých, ktoré odporúča výrobca.
- ▶ Ak je poškodený vonkajší napájací kábel, v záujme eliminácie akéhokoľvek rizika ho musí vymeniť výrobca, jeho servisný zástupca alebo rovnako kvalifikovaná osoba.
- ▶ Spotrebič sa nepokúšajte sami opravovať, rozoberať alebo upravovať. V prípade opravy kontaktujte náš zákaznícky servis.
- ▶ Ak sú poškodené žiarovky, v záujme eliminácie akéhokoľvek rizika ich musí vymeniť výrobca, jeho servisný zástupca alebo rovnako kvalifikovaná osoba.
- ▶ Aspoň raz za rok odstráňte prach zo zadnej strany jednotky, aby ste predišli nebezpečenstvu požiaru a zvýšenej spotrebe energie.
- ▶ Aby ste zabránili kontaminácii potravín, dodržiavajte nasledujúce pokyny:
 - Otvorenie dverí na dlhší čas môže spôsobiť výrazné zvýšenie teploty v priehradkách spotrebiča.

- ▶ Počas čistenia na spotrebič nestriekajte ani ho neoplachujte.
- ▶ Na čistenie spotrebiča nepoužívajte prúd vody ani paru.
- ▶ Chladné sklenené dvere nečistite horúcou vodou. Náhla zmena teploty môže spôsobiť rozbitie skla.
- ▶ Ak spotrebič nebudete dlhšiu dobu používať, nechajte ho otvorený, aby sa vo vnútri nehromadil zápach a neprijemné pachy.

Informácie o plyne chladiva



VAROVANIE!

Spotrebič obsahuje horľavé chladivo IZOBUTÁN (R600a). Uistite sa, že sa počas prepravy alebo inštalácie nepoškodil chladiaci okruh. Unikajúce chladivo môže spôsobiť poranenie očí alebo vznietenie. Ak došlo k poškodeniu, udrzte zdroje otvoreného ohňa mimo dosahu, dôkladne vyvetrajte miestnosť a nepripájajte ani neodpájajte napájacie káble spotrebiča alebo akéhokoľvek iného spotrebiča. Informujte zákaznícky servis.

V prípade kontaktu očí s chladivom, okamžite vypláchnite oči pod tečúcou vodou a okamžite kontaktujte očného lekára.

VAROVANIE: Chladiaci systém je pod vysokým tlakom. Nemanipulujte s ním. Vzhľadom na použitie horľavých chladív spotrebič nainštalujte, manipulujte s ním a opravujte ho výhradne podľa pokynov. Informácie o likvidácii spotrebiča vám poskytne profesionálny zástupca alebo náš popredajný servis.

Určené použitie

Tento spotrebič je určený na používanie v domácnostiach a podobných aplikáciách, ako sú


- kuchynské priestory pre personál v obchodoch, úradoch a iných pracovných prostrediach;
- farmy, ako aj na použitie pre zákazníkov v hoteloch, motelloch a ďalších prostrediach rezidenčného typu;
- prostredie typu prenocovania s raňajkami;
- stravovacie služby a podobné, iné ako maloobchodné, priestory.

- ▶ S cieľom zaistiť bezpečné uchovávanie vína dodržujte tento návod na použitie.
- ▶ Podrobnosti o najvhodnejšej časti v priehradke spotrebiča, kde sa majú skladovať určité druhy potravín, s ohľadom na rozloženie teploty, ktorá môže byť prítomná v rôznych priehradkách spotrebiča, sú uvedené v druhej časti príručky.

Zmeny alebo úpravy spotrebiča nie sú povolené. Neúmyselné použitie môže spôsobiť nebezpečenstvo a stratu nárokov na záruku.

Likvidácia



Symbol  na výrobku alebo jeho balení označuje, že sa s ním nesmie zaobchádzať ako s komunálnym odpadom. Namiesto toho je treba spotrebič odovzdať v príslušnom zbernom stredisku na recykláciu elektrických a elektronických zariadení. Zabezpečením správnej likvidácie tohto výrobku pomôžete zabrániť možným negatívnym vplyvom na životné prostredie a ľudské zdravie, ktoré by inak mohli byť spôsobené nevhodným postupom pri jeho likvidácii. Podrobnejšie informácie o recyklácii tohto výrobku získate na príslušnom miestnom úrade, v zberných surovinách alebo v predajni, kde ste si výrobok zakúpili.

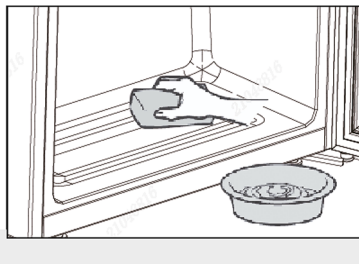
Vzhľadom na použitie horľavých plynov dajte spotrebič zlikvidovať profesionálnemu zástupcovi alebo v našom popredajnom servise.

VAROVANIE!

Nebezpečenstvo zadusenía!

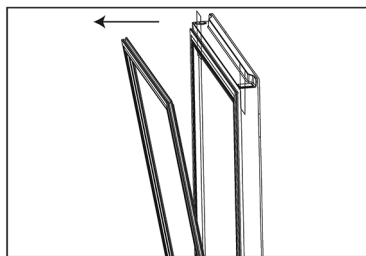
Chladivá a plyny sa musia likvidovať profesionálnym spôsobom. Pred správnu likvidáciou sa uistite, že nie je poškodené potrubie okruhu chladiva. Spotrebič odpojte od elektrickej siete. Odrežte a zlikvidujte napájací kábel. Vyberte podnosy a zásuvky, ako aj západku a tesnenie dverí, aby ste zabránili zatvoreniu detí a domácich miláčikov vo vnútri zariadenia.

- ▶ **VAROVANIE:** Spotrebič pred čistením odpojte od elektrickej siete.
- ▶ Spotrebič nečistite tvrdými kefami, drôtenými kefami, čistiacim práškom, benzínom, amylacetátom, acetónom ani podobnými organickými roztokmi, kyselinami ani zásadami. Čistite pomocou špeciálneho čistiaceho prostriedku na chladničky, aby ste zabránili poškodeniu.
- ▶ Spotrebič čistite len v prípade, že je uskladnené malé množstvo vína alebo žiadne víno. Čistenie sa vyžaduje, len ak je spotrebič znečistený.
- ▶ Vnútro a skrinku spotrebiča čistite špongiou navlhčenou v teplej vode s prídavkom neutrálneho čistiaceho prostriedku
- ▶ Opláchnite čistou teplou vodou a osušte mäkkou handričkou.
- ▶ Žiadne časti spotrebiča neumývajte v umývačke riadu.
- ▶ Pred opätovným zapnutím spotrebiča počkajte najmenej 7 minút, pretože časté spúšťanie môže poškodiť kompresor.



Čistenie tesnenia dverí:

- ▶ Tesnenia dverí musíte čistiť každé 3 mesiace, aby sa zabezpečilo ich správne utesnenie. Ako je uvedené nižšie: Odstráňte: Uchopte tesnenie dverí a vytiahnite ho v smere šípky, aby ste postupne vybrali celé tesnenie dverí. Kefu namočte do vody alebo do liehu. Najskôr vyčistite drážku tesnenia dverí poťahovaním kefy tam a späť. Potom utrite povrch tesnenia dverí utierkou namočenou vo vode alebo v bežnom alkohole. Nakoniec umyte tesnenie dverí a utrite ho dosucha čistou utierkou.



Inštalácia tesnenia dverí po vyčistení:

Pred inštaláciou sa uistite, či na tesnení dverí nie je voda. Vložte tesnenie dverí do drážky a rukou ho pevne utláčajte zhora nadol, kým celé tesnenie dverí nezasuniete do drážky.

Čistenie poličiek:

- ▶ Všetky poličky sa dajú vybrať a vyčistiť.
- ▶ Vyberte všetky fľaše.
- ▶ Každú poličku trochu nadvihnite a vyberte.
- ▶ Poličku vyčistite mäkkou handričkou.
- ▶ Pred opätovným vložením počkajte, kým poličky neuschnú.

VAROVANIE:

Po odpojení napájania počkajte najmenej 7 minút, kým ho znova pripojíte.

Skontrolujte príslušenstvo a dokumentáciu podľa tohto zoznamu:

Názov	Príručka používateľa	Servisná karta	Polica	Energetický štítok
CNWQ4G84G1	1	1	6	1



Oznámenie

Z dôvodu technických zmien a rôznych modelov sa môžu niektoré ilustrácie v tejto príručke líšiť od vášho modelu.

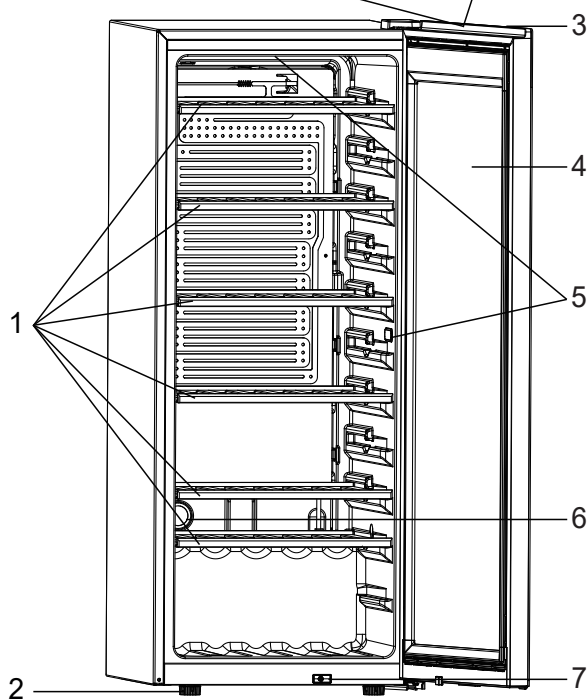
Obrázok spotrebiča



Light



3 Sec.Unlock



CNWQ4G84G1

- | | |
|-------------------------|----------------------------|
| 1. Polica | 5. LED lampa |
| 2. Nastaviteľné nožičky | 6. Filter s aktívnym uhlím |
| 3. Displej | 7. Spínač |
| 4. Dvierka | |

1. Vybalenie

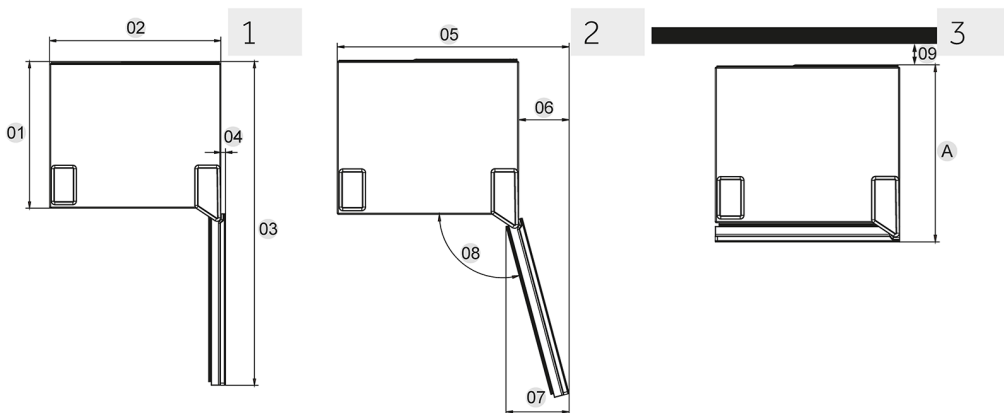
- ▶ Vyberte spotrebič z obalu.
- ▶ Odstráňte všetok obalový materiál vrátane penovej základne a všetkej lepiacej pásky, ktorá drží prislúšenstvo.

2. Podmienky prostredia

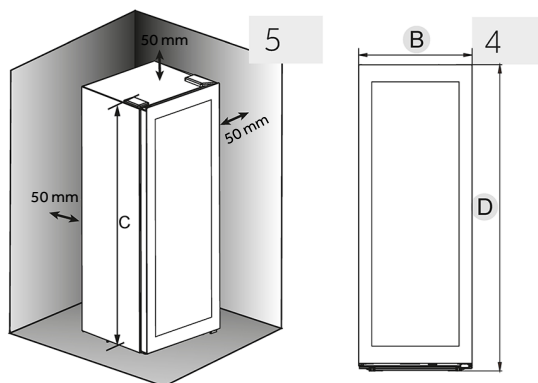
Teplota v miestnosti musí byť vždy v rozsahu 10 °C až 38 °C, pretože môže mať vplyv na teplotu vnútri spotrebiča a na jeho spotrebu energie. Spotrebič neinštalujte v blízkosti iných spotrebičov vyžarujúcich teplo (rúry, chladničky) bez izolácie.

3. Požiadavky na priestor

Potrebný priestor na otvorenie dverí (obr. 1, 2, 3, 4); Z bezpečnostných a energetických dôvodov musí byť dodržaná požadovaná vetracia vzdialenosť 50 mm vo všetkých smeroch (obr. 5).



Rozmery: mm	CNWQ4G84G1
Hĺbka A	585
Šírka B	495
Výška C	1262
Celková výška D	1263
01	535
02	495
03	1043
04	11
05	630
06	135
07	167
08	105°
09	50





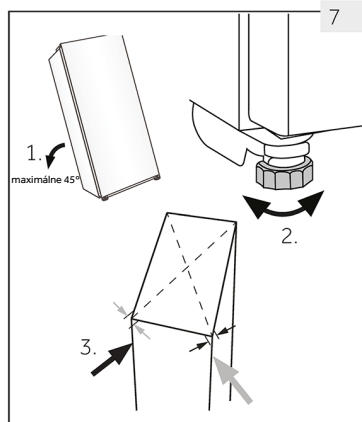
VAROVANIE!

- ▶ Vetracie otvory v spotrebiči alebo v zabudovanej konštrukcii udržiajte bez prekážok. Tento chladiaci spotrebič nie je určený na použitie ako zabudovaný spotrebič

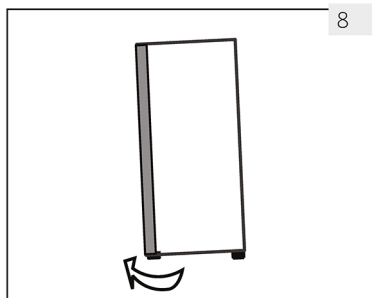
4. Vyrovnanie spotrebiča

Zariadenie musí byť umiestnené na rovnom a pevnom povrchu.

1. Spotrebič nakloňte mierne dozadu (obr. 7).
2. Nastaviteľné predné nožičky nastavte na požadovanú úroveň otáčaním.
3. Stabilitu môžete skontrolovať úderom striedavo po uhlopriečkach. Mierne hojdanie by malo byť rovnaké v oboch smeroch. V opačnom prípade môže dôjsť k zdeformovaniu rámu; výsledkom je aj možné nedostatočné tesnenie dverí. Mierna tendencia naklonenia dozadu uľahčuje zatváranie dverí.



7



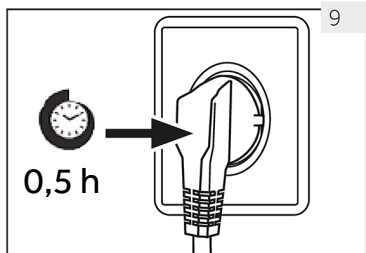
8

5. Jemné doladenie dveri

Spotrebič sa zatvára ľahšie, ak použijete vyrovnávacie nožičky vpredu:

Nastaviteľné nožičky (obr. 8) otáčaním nastavte nahor alebo nadol:

- ▶ Otáčaním nožičiek v smere hodinových ručičiek sa spotrebič zdvihne.
- ▶ Otáčaním nožičiek proti smeru hodinových ručičiek sa zariadenie zníži.



9

6. Doba čakania

Bezúdržbový mazací olej sa nachádza v puzdre kompresora. Ak je spotrebič naklonený, tento olej sa môže počas prepravy dostať do uzatvoreného systému rúrok. Pred pripojením spotrebiča ku zdroju napájania počkajte 0.5 hodín (obr. 9), aby olej stiekol späť do puzdra.

7. Elektrické zapojenie

Pred každým pripojením skontrolujte, či:

- ▶ napájanie, zásuvka a istenie zodpovedajú typovému štítku.
- ▶ je sieťová zásuvka uzemnená a nie je pripojený žiadny adaptér s viacerými zásuvkami ani predlžovací kábel.
- ▶ sú zástrčka a zásuvka správne zapojené.

Zástrčku pripojte k správne nainštalovanej domácej zásuvke.



VAROVANIE!

Poškodený napájací kábel musia vymeniť v zákaznickom servise, aby sa zabránilo nebezpečenstvu (pozrite záručný list).



VAROVANIE!

- ▶ Pred akoukoľvek činnosťou najskôr odpojte spotrebič od elektrickej siete.
- ▶ Spotrebič nenakláňajte o viac než 45°, aby ste predišli poškodeniu chladiaceho systému.

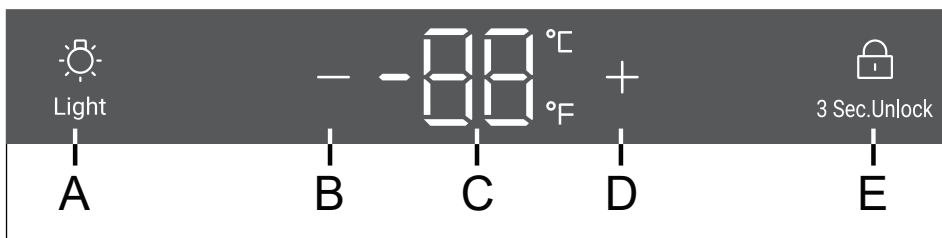
1. Pred prvým použitím

- ▶ Odstráňte všetok obalový materiál. Patrí sem penová základňa a všetka lepiaca páska, ktorá drží príslušenstvo vinotéky zvnútra aj zvonku. Odložte ich mimo dosahu detí a zneškodnite ich ekologicky.
- ▶ Pred vložением vína spotrebič umyte vodou a jemným čistiacim prostriedkom zvnútra aj zvonka.
- ▶ Po vyrovnaní spotrebiča do vodorovnej polohy a jeho vyčistení počkajte pred pripojením k elektrickej sieti minimálne 2 hodiny. Ak bola vaša vinotéka z nejakého dôvodu naklonená, počkajte 24 hodín a až potom ju zapojte. Pozrite časť INŠTALÁCIA.
- ▶ Po pripojení jednotky k elektrickej zásuvke ju pred vykonaním akýchkoľvek nastavení nechajte aspoň 30 minút bežať, aby sa aklimatizovala.
- ▶ Teplota sa automaticky nastaví na 12 °C. Ak je to potrebné, môžete tieto teploty zmeniť manuálne. Pozrite si časť TEPLOTA.

2. Dotykové tlačidlá

Tlačidlá na ovládacom paneli sú dotykové tlačidlá, ktoré reagujú na ľahký dotyk prstom.

3. Opis ovládacieho panela



A Tlačidlo osvetlenia

B Tlačidlo nastavenia teploty: dole

C Displej

D Tlačidlo nastavenia teploty: hore

E Tlačidlo uzamknutia

4. Funkcia automatického uzamknutia

V stave uzamknutej obrazovky dlho stlačte tlačidlo uzamknutia na 3 sekundy, na obrazovke sa zobrazia 3, 2 a 1, obrazovka sa odomkne. Ak nevykonáte žiadnu operáciu, obrazovka sa po 30 sekundách automaticky uzamkne. V stave uzamknutej obrazovky svieti ikona uzamknutia a tlačidlá na obrazovke nie je možné ovládať (okrem tlačidla osvetlenia).





5. Nastavenie teploty

Poznámka

Prednastavenia

- ▶ Po pripojení jednotky do elektrickej zásuvky ju pred vykonaním akýchkoľvek nastavení nechajte aspoň 30 minút v prevádzke, aby sa aklimatizovala.
- ▶ Keď sa spotrebič po odpojení od elektrického napájania znovu zapne, môže trvať niekoľko hodín, kým sa dosiahne správna teplota. Presný čas sa líši v závislosti od prostredia a nastavenia teploty.



Stlačte tlačidlo  or , displej začne blikať. Stlačením tlačidla  or  nastavíte požadovanú teplotu. Rozsah nastavenia teploty: 5 – 20 °C (41 – 68 °F). Po 3 sekundách od stlačenia sa teplota potvrdí.

6. Funkcia Power-Off Memory

V prípade výpadku prúdu pivnica automaticky uloží nastavenú teplotu. Po obnovení napájania bude fungovať na základe teploty nastavenej pred výpadkom prúdu.

Poznámka

Vplyvy na teploty



Teplota vnútri spotrebiča je ovplyvnená nasledujúcimi faktormi:

- ▶ Teplota okolitého prostredia
- ▶ Množstvo skladovaných fliaš
- ▶ Frekvencia otvárania dverí
- ▶ Umiestnenie spotrebiča

Východiskové nastavenie je 12 °C

Keď displej prestane blikať, vráti sa späť k zobrazovaniu aktuálnej teploty vo vinoteke. Dosiachnutie nastavenej teploty bude nejaký čas trvať.

7. Nastavenie režimu osvetlenia

Stlačte tlačidlo  Svetlá sa budú postupne rozsviečovať. Po opätovnom stlačení tlačidla  sa svetlá postupne zhasnú.

8. °C/°F function

Stlačte tlačidlo „_“ na 3 sekundy, prepínajte medzi stupňami Fahrenheita a Celzia.

9. Funkcia pamäte vypnutia

V prípade výpadku prúdu sa v pivnici automaticky uloží nastavená teplota. Po obnovení napájania bude fungovať na základe teploty nastavenej pred výpadkom prúdu.

10. Alarm otvorenia dverí

Ak zostanú dvere otvorené dlhšie ako 1 minútu, bude pípať bzučiak, ktorý signalizuje alarm, kým sa dvere nezatvoria alebo kým nie je možné stlačiť ľubovoľné tlačidlo na displeji, a potom bzučiak prestane pípať.



Tipy na úsporu energie

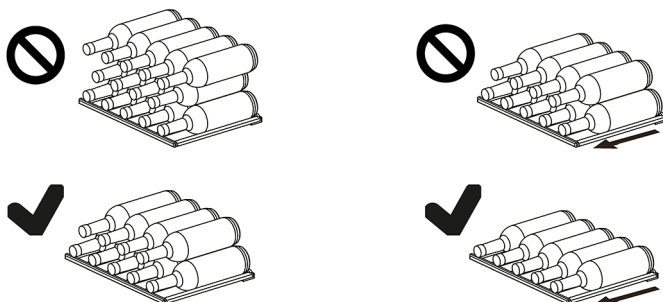
- ▶ Uistite sa, že je spotrebič správne vetraný (pozrite časť INŠTALÁCIA).
- ▶ Spotrebič neinštalujte na priame slnečné svetlo ani do blízkosti zdrojov tepla (napr. kachle, ohrievače).
- ▶ Zabráňte zbytočne nízkej teplote v spotrebiči. Čím je nižšia nastavená teplota v spotrebiči, tým vyššia bude spotreba energie.
- ▶ Dvere spotrebiča otvárajte čo najmenej a na čo najkratšie.
- ▶ Neprekračujte určené množstvo fliaš, aby ste nebránili prúdeniu vzduchu.
- ▶ Tesnenia dverí udržiavajte čisté, aby boli dvere vždy správne zatvorené.
- ▶ Konfigurácia s najvyššou úsporou energie vyžaduje, aby bola zásuvka, box na potraviny a police umiestnené v spotrebiči na mieste, v akom boli dodané z výroby a aby boli potraviny umiestnené bez blokovania výstupu vzduchu z potrubia.
- ▶ V záujme zvýšenia energetickej účinnosti by sa mali svetlá vypnúť, pokiaľ si vinotéku práve neprezeráte.

1. Polica

1. Poličky sú navrhnuté pre jednoduché skladovanie a vyberanie vína zo spotrebiča. Môžete ich čistiť mäkkou handričkou.
2. Bežné fľaše s priemerom 76 mm sa dajú stohovať.
3. Množstvo sa môže líšiť od zobrazeného počtu alebo fliaš, ak sú fľaše naskladané iným spôsobom.

Rada na usporiadanie vašej vinotéky

Odporúčame vám, aby počet vínových fliaš nepresiahol dve vrstvy na každej poličke a hmotnosť na polici nesmie presiahnuť 20 kg, čo je nosnosť police. Pred vložением fliaš do vinotéky sa uistite, či sú poličky na víno úplne stabilné. Okrem toho sa uistite, že z polic nevyčnieva žiadna fľaša, aby ste zabránili nárazu fliaš do sklenených dverí pri zatváraní.



2. Osvetlenie

Interiérové LED osvetlenie sa rozsvieti po otvorení dverí.

1. Odmrazovanie

Odmrazovanie vinotéky sa vykonáva automaticky; nie je potrebná žiadna manuálna činnosť.

2. Výmena LED žiarovky

Osvetlenie využíva ako zdroj svetla LED, ktoré sa vyznačujú nízkou spotrebou energie a dlhou životnosťou. Ak sa vyskytnú nejaké abnormality, kontaktujte zákaznícky servis. Pozri ZÁKAZNÍCKY SERVIS.



VAROVANIE!

LED žiarovku nevymieňajte sami. Výmenu musí vykonať iba výrobca alebo autorizovaný servisný zástupca.

Tento výrobok obsahuje svetelný zdroj triedy energetickej účinnosti G.

Parametre LED žiarovky:

Napätie 12 V:

Maximálny výkon: 2W

3. Dlhodobé nepoužívanie

Odpojte napájací kábel.

Vyčistite spotrebič a tesnenie dverí podľa vyššie uvedeného popisu.

Dvere nechajte otvorené, aby sa vo vnútri nevytvárali neprijemné pachy.

4. Premiestňovanie spotrebiča

1. Vyberte všetky fľaše a odpojte spotrebič zo zásuvky elektrickej siete.

2. Police a ďalšie pohyblivé diely vo vinotéke zaistite lepiacou páskou.

3. Vinotéku nenakláňajte o viac ako 45°, aby ste predišli poškodeniu chladiaceho systému.

5. Výmena vzduchu s filtrom s aktívnym uhlím

Spôsob, akým víno ďalej dozrieva, závisí od okolitých podmienok. Kvalita vzduchu je preto rozhodujúca pre uchovanie

vína. V spodnej časti zadnej steny spotrebiča je namontovaný filter s aktívnym uhlím, aby sa zachovala optimálna kvalita prietoku.



Všimnite si

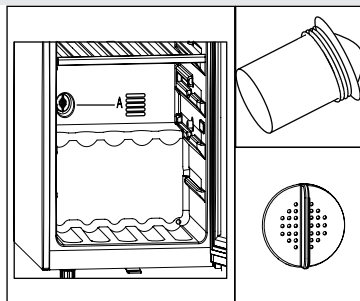
Odporúčame vám filter vymeniť raz ročne. Filtre si môžete zakúpiť u svojho predajcu.

Výmena filtra:

Uchopte filter za rukoväť. Otočte ho doľava a vyberte.

Vloženie filtra:

Vložte ho s rukoväťou vo zvislej polohe. Otočte ho doprava a vložte.



Mnoho vyskytujúcich sa problémov môžete vyriešiť sami bez osobitných odborných znalostí. V prípade problému skontrolujte všetky zobrazené možnosti a pred kontaktovaním zákazníckeho servisu postupujte podľa nasledujúcich pokynov. Pozrite časť ZÁKAZNÍCKY SERVIS.



VAROVANIE!

- ▶ Pred údržbou spotrebič vypnite a vytiahnite zástrčku zo zásuvky.
- ▶ Údržbu elektrického zariadenia môže vykonávať iba kvalifikovaný elektrikár, pretože neodborné opravy môžu spôsobiť značné následné škody.
- ▶ Poškodený prívod môže v záujme eliminácie akéhokoľvek rizika vymeniť len výrobca, jeho servisný zástupca alebo rovnako kvalifikovaná osoba.

Kód chyby	Príčina	Riešenie
L2	V hornej teplotnej zóne je alarm nízkej teploty, keď je horná teplota ovládacieho snímača príliš nízka;	<ol style="list-style-type: none"> 1. Skontrolujte teplotu okolia. 2. Skontrolujte konektor kompresora. 3. Skontrolujte odpor snímača regulácie teploty.

Problém	Možná príčina	Možné riešenie
Kompresor nefunguje.	<ul style="list-style-type: none"> Zástrčka nie je vsunutá do zásuvky. 	<ul style="list-style-type: none"> Vsuňte zástrčku do sieťovej zásuvky.
Spotrebič sa zapína často alebo ostáva zapnutý príliš dlho.	<ul style="list-style-type: none"> Príliš vysoká vonkajšia teplota. Spotrebič bol dlhšie vypnutý. Zatvorené dvere spotrebiča netesnia dobre. Dvere boli otvorené príliš často alebo príliš dlho. Tesnenia dverí sú špinavé, opotrebované, popraskané alebo nezarovnané. Nie je zabezpečené požadované prúdenie vzduchu. Nastavená teplota je príliš nízka. 	<ul style="list-style-type: none"> V takom prípade je normálne, že spotrebič beží dlhšie. Zvyčajne chvíľu trvá, kým spotrebič úplne vychladne. Zatvorte dvere a uistite sa, že je spotrebič umiestnený na rovnom povrchu a že sa v ňom nenachádzajú potraviny alebo nádoba, ktoré by blokovali dvere. Neotvárajte dvere príliš často. Vyčistite tesnenie dverí alebo ho dajte vymeniť v zákaznickom servise. Zaistite dostatočnú ventiláciu. Problém sa vyrieši sám, keď sa dosiahne požadovaná teplota.
Vnútro vinotéky je špinavé a/alebo zapácha.	<ul style="list-style-type: none"> Vnútro vinotéky je potrebné vyčistiť. 	<ul style="list-style-type: none"> Vyčistite vnútro vinotéky.
V spotrebiči nie je dostatočne nízka teplota.	<ul style="list-style-type: none"> Nastavená teplota je príliš vysoká. Nedávno ste vložili ďalšie fľaše. Zatvorené dvere spotrebiča netesnia dobre. Dvere sa otvárajú často alebo na dlhšiu dobu. Tesnenia dverí sú špinavé, opotrebované, popraskané alebo nezarovnané. 	<ul style="list-style-type: none"> Resetujte teplotu. Nechajte uplynúť určitú dobu, aby nedávno pridané fľaše dosiahli požadovanú teplotu. Zatvorte dvere. Neotvárajte dvere príliš často. Vyčistite tesnenie dverí alebo ho dajte vymeniť v zákaznickom servise.
V spotrebiči je príliš nízka teplota.	<ul style="list-style-type: none"> Nastavená teplota je príliš nízka. 	<ul style="list-style-type: none"> Resetujte teplotu.
Vytváranie kondenzátu na vnútornej strane chladiaceho priestoru.	<ul style="list-style-type: none"> Príliš teplé a príliš vlhké prostredie. Zatvorené dvere spotrebiča netesnia dobre. Dvere sa otvárajú často alebo na dlhšiu dobu. 	<ul style="list-style-type: none"> Zvýšte teplotu. Zatvorte dvere. Neotvárajte dvere/zásuvku príliš často.
Na vonkajšom povrchu vinotéky sa hromadí vlhkosť.	<ul style="list-style-type: none"> Príliš teplé a príliš vlhké prostredie. 	<ul style="list-style-type: none"> Vo vlhkom podnebí je to normálne a zmení sa to po poklese vlhkosti.

Problém	Možná príčina	Možné riešenie
	<ul style="list-style-type: none"> Dvierka nie sú tesne zatvorené. Dochádza ku kondenzácii chladného vzduchu v spotrebiči a teplého vzduchu mimo neho. 	<ul style="list-style-type: none"> Dbajte na to, aby boli dvere zavreté tesne a aby tesnenie správne tesnilo.
Spotrebič vydáva neobvyklé zvuky	<ul style="list-style-type: none"> Spotrebič nie je umiestnený na rovnom povrchu. Spotrebič sa dotýka nejakého predmetu v jeho okolí. 	<ul style="list-style-type: none"> Nastavte nožičky, aby ste spotrebič vyrovnali do vodorovnej polohy. Odstráňte predmety v okolí spotrebiča.
Počuť slabý zvuk podobný prúdeniu vody.	<ul style="list-style-type: none"> Je to normálne 	<ul style="list-style-type: none"> -
Nefunguje osvetlenie interiéru alebo chladiaci systém.	<ul style="list-style-type: none"> Zástrčka nie je vsunutá do zásuvky elektrickej siete. Porucha zdroja napájania. LED žiarovka nie je v poriadku. 	<ul style="list-style-type: none"> Vsuňte zástrčku do sieťovej zásuvky. Skontrolujte prívod elektrickej energie do miestnosti. Zavolajte miestnu elektrárenskú spoločnosť. Kontaktujte servis kvôli výmene.
Boky chladiča sa zohrievajú.	<ul style="list-style-type: none"> Je to normálne. 	<ul style="list-style-type: none"> -
Dvere sa nezatvárajú správne	<ul style="list-style-type: none"> Spotrebič nie je vyrovnaný. Dvere sú zablokované. 	<ul style="list-style-type: none"> Vyrovnajzte spotrebič pomocou vyrovnávacích nožičiek. Skontrolujte blokovania, ako sú napríklad fľaše alebo poličky.

Ak chcete kontaktovať technickú pomoc, navštívte našu webovú stránku: <https://corporate.haier-europe.com/en/>

V sekcii „webová stránka“ vyberte značku svojho výrobku a svoju krajinu. Stránka vás presmeruje na konkrétnu webovú stránku, kde nájdete telefónne číslo a formulár na kontaktovanie technickej pomoci.

Špecifikácie výrobku podľa nariadenia EÚ č. 2019/2016

Značka	Candy
Názov/identifikačný kód modelu	CNWQ4G84G1
Kategória	Vinotéka
Trieda energetickej účinnosti	G
Ročná spotreba energie (kWh/rok) ¹⁾	153
Kapacita fľaše (0,75 l bordó fľaša)	84
Klimatická trieda: Tento spotrebič je určený na použitie pri teplote okolia v rozsahu 10 °C až 38 °C.	N ST
Emisie akustického hluku prenášaného vzduchom (db(A) re 1pW)	37
Typ spotrebiča	Voľne stojaci
Tento spotrebič je určený výhradne na uskladnenie vína.	Áno
Rozmery (Š/H/V v mm)	495/585/1263

Vysvetlenie:

1)Na základe výsledkov štandardného testu za 24 hodín. Skutočná spotreba energie závisí od skutočného prostredia, množstva naložených fliaš, nastavenej teploty, otvárania a zatvárania dverí atď.

2)Menovitá spotreba energie je hodnota získaná podľa štandardného testovania, keď vinotéka nezapne vnútorné svetlo.

- rozšírené mierne pásmo: „tento chladiaci spotrebič je určený na použitie pri teplotách okolia od 10 °C do 32 °C“:

- mierne: „tento chladiaci spotrebič je určený na používanie pri teplote okolia

- teploty v rozmedzí od 16 °C do 32 °C;

- subtropické pásmo: „tento chladiaci spotrebič je určený na použitie pri teplotách okolia od 16 °C do 38 °C“;

- tropické pásmo: „tento chladiaci spotrebič je určený na použitie pri teplotách okolia od 16 °C do 43 °C“:

Normy a smernice 

Tento výrobok spĺňa požiadavky všetkých príslušných smerníc ES s príslušnými harmonizovanými normami, ktoré ustanovujú označenie CE.

Odporúčame vám náš zákaznícky servis Haier a použitie originálnych náhradných dielov. Ak máte problém so svojím spotrebičom, najskôr si pozrite časť RIEŠENIE PROBLÉMOV. Ak tam nenájdete riešenie, kontaktujte

- ▶ svojho miestneho predajcu alebo
- ▶ Servis a podporu na www.haier.com, kde nájdete telefónne čísla a najčastejšie otázky a kde môžete aktivovať uplatnenie servisu.

Ak chcete kontaktovať náš servis, uistite sa, že máte k dispozícii nasledujúce údaje. Informácie nájdete na typovom štítku.

Model _____ Sériové č. _____

V prípade záruky skontrolujte aj záručný list dodaný s výrobkom. Ak máte všeobecné obchodné otázky, obráťte sa na naše nasledovné adresy v Európe:

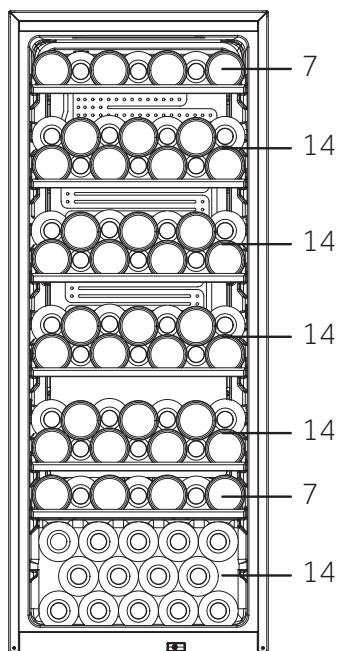
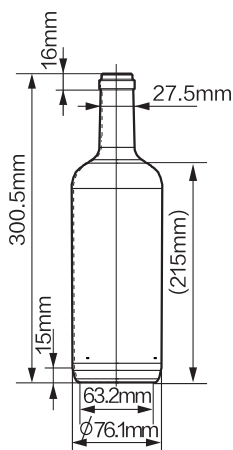
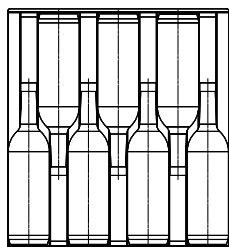
Európske adresy Haier			
Krajina*	Poštová adresa	Krajina	Poštová adresa
Taliansko	Haier Europe Trading SRL Via De Cristoforis, 12 21100 Varese TALIANSKO	Francúzsko	Haier Europe Trading SRL Via De Cristoforis, 12 21100 Varese TALIANSKO
Španielsko	Haier Iberia SL Pg. Garcia Faria, 49-51 08019 Barcelona ŠPANIELSKO	Belgicko-FR	Haier Benelux SA Anderlecht
Portugalsko		Belgicko-NL	Route de Lennik 451
		Holandsko	BELGICKO
		Luxembursko	Haier Poland Sp. zo.o. Al. Jerozolimskie 181B 02-222 Warszawa POLSKO
Nemecko	Haier Deutschland GmbH Hewlett-Packard-Str. 4 D-61352 Bad Homburg NEMECKO	Poľsko	
Rakúsko		Česko	
		Maďarsko	
		Grécko	
Spojené kráľovstvo	Haier Appliances UK Co. Ltd. One Crown Square Church Street East Woking, Surrey, GU21 6HR UK	Rumunsko	
		Rusko	

DOSTUPNOSŤ NÁHRADNÝCH DIELOV: Termostaty, snímače teploty, dosky plošných spojov a svetelné zdroje sú k dispozícii minimálne sedem rokov po uvedení poslednej jednotky modelu na trh. Kľučky, závesy dverí, podnosy a koše minimálne na obdobie siedmich rokov a tesnenia dverí na minimálne 10 rokov po uvedení poslednej jednotky modelu na trh.

Minimálna záruka je: 2 roky pre krajiny EÚ, 3 roky pre Turecko, 1 rok pre Spojené kráľovstvo, 1 rok pre Rusko, 3 roky pre Švédsko, 2 roky pre Srbsko, 5 rokov pre Nórsko, 1 rok pre Maroko, 6 mesiacov pre Alžírsko, Tunisko nevyžaduje žiadnu zákonnú záruku.

Ďalšie informácie o produkte nájdete na stránkach <https://eprel.ec.europa.eu/> alebo si oskenujte QR kód na štítku s údajmi o elektrickej spotrebe spotrebiča

1. Usporiadanie fliaš je založené na grafickom znázornení štandardnej fľaše Bordeaux (0,75 l).
2. Vzhľadom na rôzne špecifikácie fliaš môže byť skutočné množstvo na naplnenie odlišné.



(84)
CNWQ4G84G1

Navodila za uporabo

Hladilnik za vino

CNWQ4G84G1

SL

Zahvaljujemo se vam za nakup izdelka Candy .

Pred uporabo aparata skrbno preberite ta navodila. Navodila vsebujejo pomembne informacije, ki vam bodo pomagale čim bolj izkoristiti aparat ter zagotoviti varno in pravilno namestitev, uporabo in vzdrževanje.

Ta priročnik hranite na priročnem mestu, da je vedno na dosegu roke za varno in pravilno uporabo aparata.

Če aparat prodate, ga podarite ali pustite za sabo, ko se selite, poskrbite, da boste ta priročnik predali novemu lastniku, da se bo lahko seznanil z aparatom in varnostnimi opozorili.



Legenda

Opozorilo – Pomembne varnostne informacije



Splošne informacije in nasveti



Okoljske informacije

Odstranjevanje

Pomagajte varovati okolje in zdravje ljudi. Embalažo odložite v ustrezne zbiralnike za recikliranje. Pomagajte pri recikliranju električnih in elektronskih odpadnih naprav. Aparatov, označenih s tem simbolom, ne odlagajte med gospodinjske odpadke. Vrnite izdelek vašemu lokalnemu obratu za recikliranje ali se obrnite na občinski urad.



OPOZORILO!

Nevarnost telesnih poškodb ali zadržitev!

Hladilna sredstva in pline je treba odstraniti profesionalno. Prepričajte se, da cevi hladilnega tokokroga niso poškodovane, preden jih ustrezno zavržete. Aparat pred čiščenjem odklopite z napajanja. Odsluženemu aparatu odrežite električni kabel in ga zavržite. Odstranite pladnje in predale ter zatič in tesnila vrat, da preprečite zapiranje otrok in hišnih ljubljencev v aparat.

Stari aparati imajo še vedno nekaj preostale vrednosti. Okolju prijazen način odstranjevanja bo zagotovil, da se dragocene surovine lahko predelajo in ponovno uporabijo.

Ciklopentan, vnetljiva snov, ki ni škodljiva za ozon, se uporablja kot ekspander izolacijske pene.

Če izdelek pravilno zavržete, prispevate k preprečevanju morebitnih negativnih posledic za okolje in človekovo zdravje, ki jih lahko povzročijo.

Za natančnejše informacije o recikliranju tega izdelka se obrnite na svoj lokalni urad, podjetje za gospodinjske odpadke ali na trgovino, kjer ste aparat kupili in jo vodijo strokovnjaki.

1- Varnostne informacije	424
2- Varnostni nasveti	427
3- Vzdrževanje.....	431
4- Dodatki	433
5- Opis izdelka	434
6- Namestitvev.....	435
7- Uporaba	439
8- Namigi za varčevanje z električno energijo	442
9- Oprema	443
10- Vzdrževanje in čiščenje	444
11- Odpravljanje težav	445
12- Tehnični podatki	448
13- Služba za pomoč strankam	449
14- Zlaganje vinskih steklenic.....	450

Ta aparat je namenjen izključno hrambi vina. Pred prvim vklopom aparata preberite naslednje varnostne nasvete:



OPOZORILO!

Pred prvo uporabo

- ▶ Prepričajte se, da med prevozom ni prišlo do poškodb.
- ▶ Odstranite vso embalažo in jo hranite izven dosega otrok ter jo zavrzite na okolju prijazen način.
- ▶ Pred namestitvijo aparata počakajte vsaj 0,5 ure, da zagotovite polno učinkovitost hladilnega krogotoka.
- ▶ Aparat naj prenašata vsaj dve osebi, ker je težek.
- ▶ Ko nameščate aparat, poskrbite, da električni kabel ne bo zataknjen ali poškodovan.
- ▶ Prenosnih vtičnic ali prenosnega električnega napajanja ne postavljajte za aparat.

Namestitev

- ▶ Aparat naj bo postavljen v dobro prezračevan prostor. Poskrbite, da bo nad aparatom in okoli njega vsaj 50 mm prostora.
- ▶ **OPOZORILO:** Poskrbite, da bodo prezračevalne odprtine na ohišju aparata ali na vgradnih elementih proste in neovirane.
- ▶ Aparata nikoli ne postavljajte na vlažno mesto ali mesto, kjer bi lahko po njem brizgala voda. Očistite in pobrišite vodne kapljice in madeže z mehko čisto krpo.
- ▶ Hladilnika za vino ne nameščajte na mestih, ki niso ustrezno izolirana ali ogrevana (npr. garaža itd.). Vaš hladilnik za vino ni bil zasnovan tako, da bi deloval pri sobni temperaturi pod 10 °C.
- ▶ Aparata ne postavljajte neposredno na sončno svetlobo ali v bližino virov toplote (npr. štedilnikov, grelcev).
- ▶ Aparat namestite na mestu, ki je primerno njegovi velikosti in namenu.
- ▶ Prepričajte se, da se podatki o električnem toku na ploščici s tehničnimi navedbami ujemajo z napajanjem. V nasprotnem primeru se obrnite na električarja.
- ▶ Aparat deluje z izmeničnim napajanjem 220–240 VAC/50 Hz. Nenormalno nihanje napetosti lahko povzroči, da se aparat ne zažene, poškoduje regulator temperature ali kompresor ali pa se med delovanjem pojavi nenavaden hrup. V tem primeru se namesti samodejni regulator.
- ▶ Ne uporabljajte adapterjev z več vtiči in podaljškov.

**OPOZORILO!**

- ▶ **OPOZORILO:** Prenosnih vtičnic ali prenosnega električnega napajanja ne postavljajte za aparat.
- ▶ **OPOZORILO:** Ko nameščate aparat, poskrbite, da električni kabel ne bo zataknjen ali poškodovan.
- ▶ Ne stopajte na napajalni kabel.
- ▶ Uporabite ločeno ozemljeno vtičnico za napajanje, ki je lahko dostopna. Aparat mora biti ustrezno ozemljen.
- ▶ **Samo za Združeno kraljestvo:** Napajalni kabel aparata je opremljen s 3-žilnim (ozemljitvenim) vtičem, ki ustreza standardni 3-žilni (ozemljeni) vtičnici. Nikoli ne odrežite in ne odstranjujte tretjega zatiča (ozemljitev). Po namestitvi aparata mora biti vtič dostopen.
- ▶ **OPOZORILO:** Ne poškodujte hladilne napeljave.

Vsakodnevna uporaba

- ▶ Ta aparat lahko uporabljajo otroci, starejši od 8 let, ter osebe z zmanjšanimi fizičnimi, senzoričnimi ali umskimi zmožnostmi ali s pomanjkanjem izkušenj in znanja, pod ustreznim nadzorom, ali če imajo navodila za varno uporabo aparata ter če razumejo s tem povezana tveganja.
- ▶ Otroci naj se z aparatom ne igrajo.
- ▶ Otrokom, starim od 3 do 8 let, je dovoljeno polnjenje in praznjenje hladilnih aparatov, vendar jim ni dovoljeno njihovo čiščenje in nameščanje.
- ▶ Otroci, mlajši od 3 let, naj se zadržujejo stran od aparata, razen če so pod stalnim nadzorom.
- ▶ Otroci ne smejo čistiti aparata in na njem ne smejo izvajati vzdrževalnih del brez ustreznega nadzora.
- ▶ Aparat mora biti nameščen tako, da je vtič dostopen.
- ▶ Če v bližini aparata pušča plin iz premoga ali drug vnetljiv plin, izklopite ventil uhajajočega plina, odprite vrata in okna ter ne odklopite napajalnega kabla aparata.
- ▶ Ko je bilo napajanje izklopljeno, počakajte vsaj 7 minut, da ga znova priključite.
- ▶ Aparata ne dvigujte za ročaje vrat.
- ▶ Ključe hranite izven dosega otrok in ne v bližini aparata, da preprečite zaklepanje otrok v aparat.

**OPOZORILO!**

- ▶ Upoštevajte, da je naprava nastavljena za delovanje v določenem območju temperature okolja med 10 in 38 °C. Aparat morebiti ne deluje kar se da učinkovito, če je dlje časa izpostavljen temperaturi, ki je višja ali nižja od navedene.
- ▶ Na aparat ne postavljajte nestabilnih predmetov (težkih predmetov, posod, napolnjenih z vodo), da se izognete poškodbam zaradi padca ali električnega udara zaradi stika z vodo.
- ▶ Odprite in zaprite vrata samo z ročaji. Razmik med vrati in omaro je zelo ozek. Ne segajte z rokami v ta mesta, da se izognete priprtju prstov. Vrata aparata odprite ali zaprite le, če v območju premikanja vrat ni otrok.
- ▶ Ne shranjujte ali uporabljajte vnetljivih, eksplozivnih ali jedkih snovi v aparatu ali njegovi bližini.
- ▶ V aparatu ne shranjujte eksplozivnih substanc, kot so na primer razpršilci pod tlakom z vnetljivim potisnim plinom.
- ▶ V aparatu ne shranjujte zdravil, bakterij ali kemičnih snovi. Ta aparat je gospodinjiski aparat. zato ni priporočljivo hraniti materialov, ki zahtevajo strogo določene temperature.
- ▶ Ne nastavite nepotrebno nizke temperature v predelku hladilnika za vino. Pri visokih nastavitvah lahko pride do temperatur pod ničlo. Pozor: Steklenice lahko počijo
- ▶ Med delovanjem se ne dotikajte notranjosti aparata, zlasti z mokrimi rokami, saj lahko vaše roke primrznejo na površino.
- ▶ Za pravilno hlajenje vina aparata ne napolnite preveč.
- ▶ V primeru prekinitve napajanja ali pred čiščenjem aparat izklopite. Pred ponovnim zagonom aparata počakajte vsaj 7 minut, saj lahko pogosto zaganjanje poškoduje kompresor.
- ▶ **OPOZORILO:** V notranjosti aparata ne uporabljajte električnih naprav, razen če so take vrste, ki jih priporoča proizvajalec. Da bi se izognili tveganju, mora servis zamenjati poškodovan napajalni kabel (glejte garancijski list).
- ▶ Če želite podaljšati življenjsko dobo aparata, ga ne izklaplajte.
- ▶ Aparata nikoli ne postavljajte vodoravno na tla. Če aparat nagnete za več kot 45°, počakajte 24 ur, preden ga priključite.

**OPOZORILO!****Vzdrževanje/čiščenje**

- ▶ Poskrbite, da bodo otroci pod nadzorom, če bodo opravljali čiščenje in vzdrževanje.
- ▶ Pred vsakim rednim vzdrževanjem aparat odklopite iz električnega napajanja. Pred ponovnim zagonom aparata počakajte vsaj 7 minut, saj lahko pogosto zaganjanje poškoduje kompresor.
- ▶ Pri izklopu aparata primite vtič kabla, ne vlecite kabla.
- ▶ Aparata ne čistite s trdimi ščetkami, žičnimi krtačami, detergentom v prahu, bencinom, amil acetatom, acetonom in podobnimi organskimi raztopinami, kislimi ali alkalnimi raztopinami. Čistite ga s posebnim detergentom za hladilnik/zamrzovalnik, da se izognete poškodbam. Nato uporabite raztopino tople vode in sode bikarbne – približno eno žlico sode bikarbne na liter vode. Temeljito sperite z vodo in obrišite do suhega. Ne uporabljajte čistilnih praškov ali drugih abrazivnih čistil. Odstranljivih delov ne perite v pomivalnem stroju.
- ▶ **OPOZORILO:** Ne uporabljajte mehanskih sredstev za pospešitev odmrzovanja oziroma sredstev, ki jih ne priporoča proizvajalec.
- ▶ Če je priključni kabel poškodovan, morate preprečiti morebitna tveganja, zato ga sme nadomestiti samo proizvajalec, njegov servisni agent ali drug kvalificiran serviser.
- ▶ Aparata ne poskušajte popravljati, razstavljati ali spreminjati sami. V primeru popravila se obrnite na našo službo za stranke.
- ▶ Če so luči za osvetlitev poškodovane, jih sme zamenjati samo proizvajalec, njegov servisni zastopnik ali drug kvalificiran serviser, da preprečite morebitna tveganja.
- ▶ Vsaj enkrat letno odstranite prah na hrbtne strani enote, da se izognete nevarnosti požara in povečani porabi energije.
- ▶ Da bi se izognili kontaminaciji živil, upoštevajte naslednja navodila:
 - Če so vrata predolgo odprta, se lahko temperatura znotraj hladilnega aparata občutno zviša.

- ▶ Med čiščenjem aparata ne škropite ali spirajte.
- ▶ Aparata ne čistite s pršenjem vode ali paro.
- ▶ Hladnih steklenih vrat ne čistite z vročo vodo. Zaradi nenadne spremembe temperature se lahko steklo zlomi.
- ▶ Če aparata dlje časa ne uporabljate, ga pustite odprtega, da preprečite nastanek neprijetnih vonjav v notranjosti.

Informacije o hladilnih plinih



OPOZORILO!

Aparat vsebuje vnetljivo hladilno sredstvo IZOBUTAN (R600a). Prepričajte se, da hladilni tokokrog med transportom ali namestitvijo ni poškodovan. Puščanje hladilnega sredstva lahko povzroči poškodbe oči ali pa se sredstvo vname. Če je prišlo do poškodbe, aparatu ne približujte odprtih virov ognja, temeljito prezračite prostor, ne priključujte ali odklapljajte napajalnih kablov aparata ali katere koli druge naprave. Obvestite službo za pomoč strankam. Če oči pridejo v stik s hladilnim sredstvom, jih takoj sperite pod tekočo vodo in pokličite očesnega specialista.

OPOZORILO: Hladilni sistem je pod visokim pritiskom. Ne spreminjajte ga. Ker se uporabljajo vnetljiva hladilna sredstva, namestite, upravljajte in servisirajte aparat strogo v skladu z navodili in se za odstranitev aparata obrnite na strokovnega zastopnika ali našo poprodajno službo.

Predvidena uporaba

Aparat je namenjen uporabi v gospodinjstvu in v podobne namene, npr.


- v čajnih kuhinjah v trgovinah, pisarnah in drugih delovnih okoljih;
- na kmetijah ter v hotelskih, motelskih sobah in drugih nastanitvah za goste;
- v nastanitvah tipa B&B;
- v gostinskih storitvah in podobnih primerih, vendar ne v maloprodaji.

- ▶ Za zagotovitev varnega shranjevanja vina upoštevajte ta navodila za uporabo.
- ▶ Podrobnosti o najprimernejšem predelu v notranjosti aparata, kjer se hranijo posebne vrste živil ob upoštevanju porazdelitve temperature, ki je lahko prisotna v različnih predelih aparata, so navedene v drugem delu priročnika.

Spreminjanje aparata je prepovedano. Nenamenska uporaba lahko povzroči nevarnosti in izgubo garancijskih zahtevkov.

Odstranjevanje



Simbol  na izdelku ali njegovi embalaži pomeni, da izdelek ne sodi med gospodinjske odpadke. Oddajte ga na ustreznem zbiralnem mestu za recikliranje električne in elektronske opreme. Če izdelek pravilno zavržete, prispevate k preprečevanju morebitnih negativnih posledic za okolje in človekovo zdravje, ki jih lahko povzroči neprimerno odstranjevanje tega izdelka. Za natančnejše informacije o recikliranju tega izdelka se obrnite na svoj lokalni urad, podjetje za gospodinjske odpadke ali na trgovino, kjer ste aparat kupili.

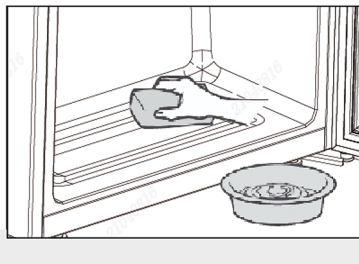
Ker se uporabljajo vnetljivi izolacijski pihalni plini, se za odstranitev aparata obrnite na profesionalnega zastopnika ali našo poprodajno službo.

OPOZORILO!

Nevarnost telesne poškodbe zaradi zadužitve!

Hladilna sredstva in pline je treba odstraniti profesionalno. Prepričajte se, da cevi hladilnega tokokroga niso poškodovane, preden jih ustrezno zavržete. Aparat pred čiščenjem odklopite z napajanja. Odsluženemu aparatu odrežite električni kabel in ga zavržite. Odstranite pladnje in predale ter zatič in tesnila vrat, da preprečite zapiranje otrok in hišnih ljubljencev v aparat.

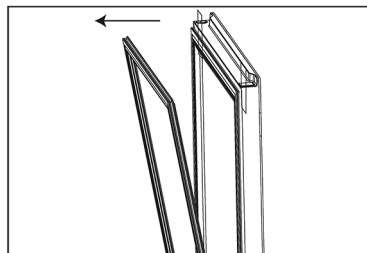
- ▶ **OPOZORILO:** Aparat pred čiščenjem izključite iz napajanja.
- ▶ Aparata ne čistite s trdimi ščetkami, žičnimi krtačami, detergentom v prahu, bencinom, amil acetatom, acetonom in podobnimi organskimi raztopinami, kislimi ali alkalnimi raztopinami. Čistite ga s posebnim detergentom za hladilnik, da se izognete poškodbam.
- ▶ Napravo čistite, kadar shranjujete le malo ali nič vina. Očistiti jo morate le, če je umazana.
- ▶ Očistite notranjost in ohišje aparata z gobo, navlaženo v topli vodi in nevtralnem detergentu
- ▶ Sperite s čisto toplo vodo in obrišite do suhega z mehko krpo.
- ▶ Nobenega dela aparata ne čistite v pomivalnem stroju.
- ▶ Pred ponovnim zagonom aparata počakajte vsaj 7 minut, saj lahko pogosto zaganjanje poškoduje kompresor.



Očistite tesnilo vrat:

- ▶ Tesnila vrat je treba čistiti vsake 3 mesece, da se zagotovi pravilno tesnjenje. Kot je navedeno v nadaljevanju: Odstranjevanje: Primite tesnilo vrat in ga izvlecite v skladu s smerjo puščice, da ustrezno odstranite celotno tesnilo vrat.

Ščetko namočite v vodo ali alkohol, primeren za živila, in najprej očistite utor tesnila vrat tako, da ščetko povlečete naprej in nazaj. Nato obrišite površino tesnila vrat z brisačo, namočeno v vodo ali alkohol, primeren za živila. Na koncu očistite tesnilo vrat in ga obrišite s čisto brisačo.



Namestitev tesnila vrat po čiščenju:

Pred namestitvijo se prepričajte, da tesnilo vrat ni mokro. Vstavite tesnilo vrat v utor in tesnilo vrat ročno pritisnite od vrha do dna, da je v celoti vstavljeno v utor.

Čiščenje polic:

- ▶ Vse police lahko odstranite za čiščenje.
- ▶ Odstranite vse steklenice.
- ▶ Nekoliko dvignite vsako polico in jo vzemite ven.
- ▶ Polico očistite z mehko brisačo.
- ▶ Počakajte, da se police posušijo, preden jih znova vstavite.

OPOZORILO:

Počakajte vsaj 7 minut, da znova priključite napajanje, potem ko je bilo izklopljeno.

Preverite dodatke in literaturo v skladu s tem seznamom:

Ime	Navodila za uporabo	Servisna kartica	Polica	Energijska nalepka
CNWX4G84G1	1	1	6	1

**Obvestilo**

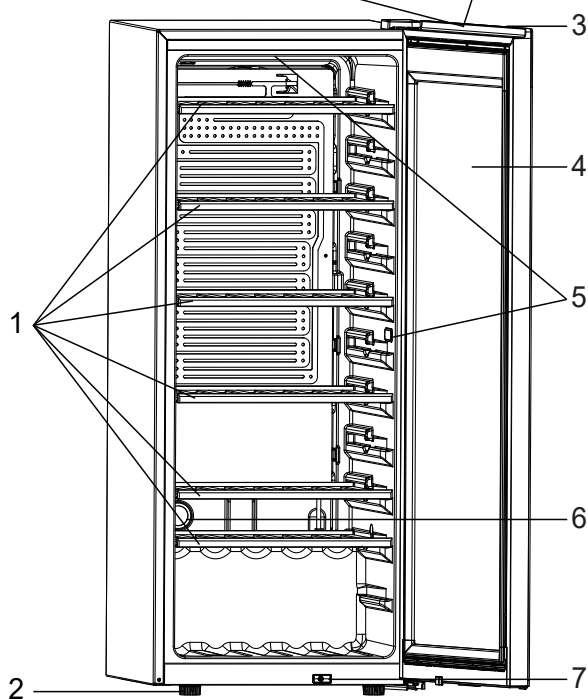
Zaradi tehničnih sprememb in različnih modelov se lahko nekatere ilustracije v tem priročniku razlikujejo od vašega modela.

Slika aparata

Light



3 Sec.Unlock



CNWQ4G84G1

- | | |
|---------------------|-----------------------------|
| 1. Polica | 5. LED-sijalka |
| 2. nogice Razstavni | 6. Filter z aktivnim ogljem |
| 3. prostor | 7. Stikalo |
| 4. Vrata | |

1. Razpakiranje

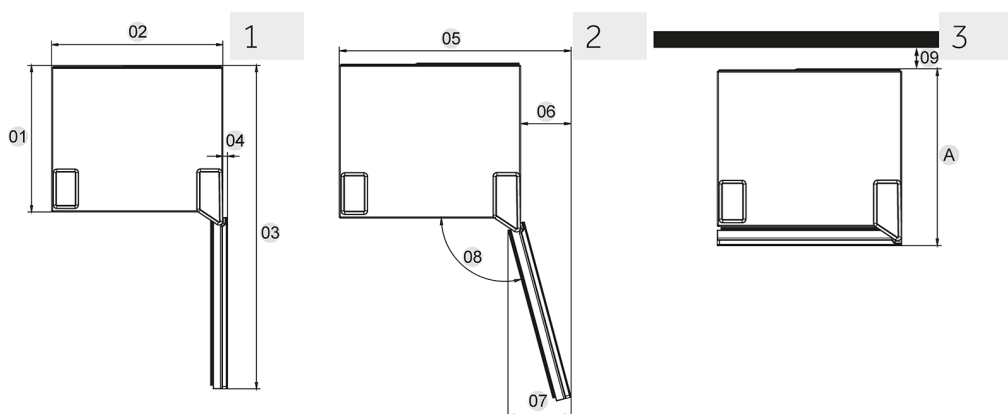
- ▶ Vzemite aparat iz embalaže.
- ▶ Odstranite vse embalažne materiale, vključno s podlago iz pene in lepilnim trakom, ki drži dodatke.

2. Okoljski pogoji

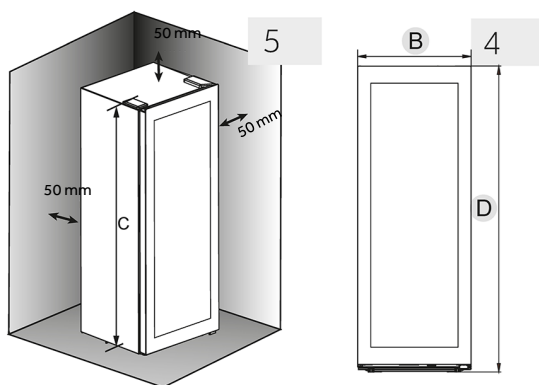
Sobna temperatura mora biti vedno med 10 in 38 °C, saj lahko vpliva na temperaturo v aparatu in njegovo porabo energije. Aparata ne nameščajte brez izolacije v bližini drugih aparatov, ki oddajajo toploto (pečice, hladilniki).

3. Prostorske zahteve

Potreben prostor za odpiranje vrat (sl. 1, 2, 3, 4); iz varnostnih in energetskih razlogov je treba upoštevati zahtevano prezračevalno razdaljo 50 mm v vseh smereh (sl. 5).



Mera: mm	CNWC4G84G1
Globina A	585
Širina B	495
Višina C	1262
Skupna višina D	1263
01	535
02	495
03	1043
04	11
05	630
06	135
07	167
08	105°
09	50



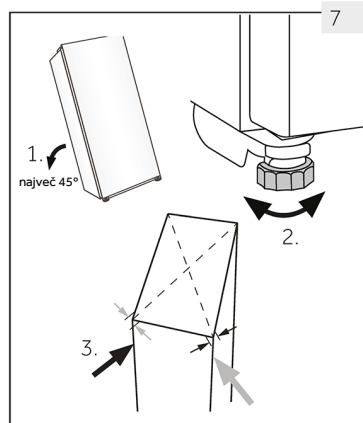
**OPOZORILO!**

- Poskrbite, da bodo prezračevalne odprtine aparata ali vgradnih elementov proste in neovirane. Ta hladilnik ni namenjen uporabi kot vgradni hladilnik

4. Poravnava aparata

Aparat naj bo postavljen na ravno in trdno površino.

1. Aparat nekoliko nagnite nazaj (sl. 7).
2. Nastavite nastavljive sprednje noge na želeno višino tako, da jih obračate.
3. Stabilnost lahko preverite z izmeničnim pomikanjem po diagonalah. Rahlo zibanje mora biti enako v obeh smereh. V nasprotnem primeru se okvir lahko deformira; rezultat je morebitno puščanje tesnil vrat. Majhna nagnjenost nazaj olajša zapiranje vrat.

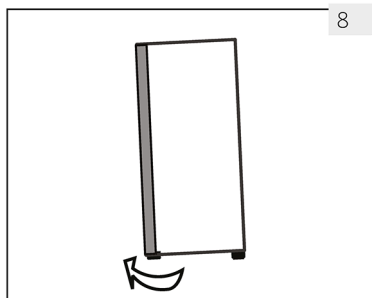


7

1.
največ 45°

2.

3.



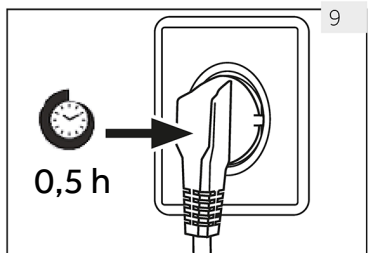
8

5. Natančna nastavitve vrat

Aparat se lažje zapre, če uporabljate izravnalne noge na sprednji strani:

Zavrtite nastavljive noge (sl. 8), da jih obrnete navzgor ali navzdol:

- ▶ Z obračanjem nog v smeri urnega kazalca boste dvignili aparat.
- ▶ Z obračanjem nog v nasprotni smeri urnega kazalca boste aparat spustili.



9

6. Čas čakanja

Mazalno olje, ki ga ni treba vzdrževati, je v kapsuli kompresorja. Če je aparat nagnjen, lahko to olje med transportom steče skozi zaprt cevni sistem. Preden aparat priključite na napajanje, počakajte 0,5 ure (sl. 9), da olje priteče nazaj v kapsulo.

7. Priključitev v električno omrežje

Pred vsako priključitvijo preverite, ali:

- ▶ so napajanje, vtičnica in varovalke skladni s tipsko tablico,
- ▶ je vtičnica ozemljena in da v bližini ni podaljška z več vtičnicami ali kableskega podaljška,
- ▶ sta vtič in vtičnica pravilno nameščena.

Vtič priključite v pravilno nameščeno gospodinjsko vtičnico.



OPOZORILO!

Da bi se izognili tveganju, mora servis zamenjati poškodovan napajalni kabel (glejte garancijski list).



OPOZORILO!

- ▶ Pred kakršnim koli delom najprej izklopite aparat iz električnega omrežja.
- ▶ Naprave ne nagibajte za več kot 45°, da preprečite poškodbe hladilnega sistema.

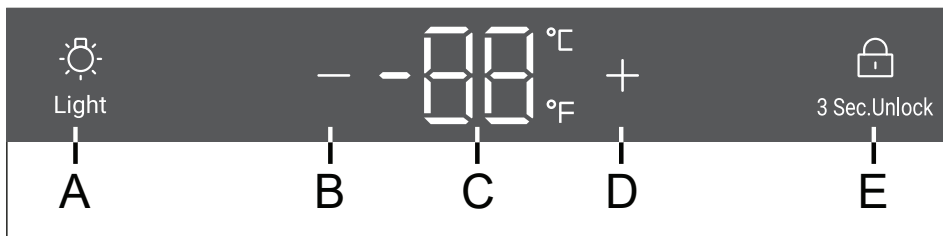
1. Pred prvo uporabo

- ▶ Odstranite vso embalažo. To vključuje penasto podlago in ves lepilni trak, ki drži dodatno opremo hladilnika za vino v notranjosti in zunaj. Hranite jih izven dosega otrok in jih odložite na okolju prijazen način.
- ▶ Očistite notranjost in zunanost aparata z vodo in blagim detergentom, preden vanj položite vino.
- ▶ Ko je aparat poravnan in očiščen, počakajte vsaj 2 uri, preden ga priključite na napajanje. Če je bil vaš hladilnik za vino iz kakršnega koli razloga nagnjen, počakajte 24 ur, preden ga priključite. Glejte poglavje NAMESTITEV.
- ▶ Ko enoto priključite v električno vtičnico, pustite enoto delovati vsaj 30 minut, da se prilagodi, preden opravite kakršne koli spremembe nastavitvev.
- ▶ Temperatura se samodejno nastavi na 12 °C. Če želite, lahko to temperaturo ročno spremenite. Glejte razdelek TEMPERATURA.

2. Gumbi na dotik

Gumbi na nadzorni plošči so gumbi na dotik, ki se odzovejo, ko se jih rahlo dotaknete s prstom.

3. Opis nadzorne plošče



A Gumb za luč

B Tipka za nastavev temperature:
navzdol

C Zaslon

D Gumb za nastavev temperature: gor

E Gumb za zaklepanje

4. Funkcija samodejnega zaklepanja

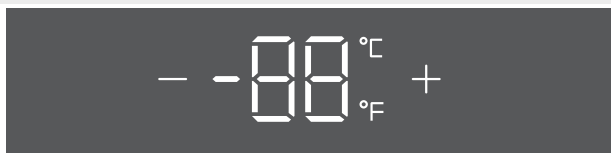
V stanju zaklenjenega zaslona dolgo pritisnite gumb za zaklepanje 3 sekunde, na zaslonu se prikažejo 3, 2 in 1, zaslon se odklene; če ne izvedete nobenega dejanja, se zaslon po 30 sekundah samodejno zaklene. V stanju zaklenjenega zaslona sveti ikona zaklepanja in gumbov na zaslonu ni mogoče upravljati (razen gumba za osvetlitev).

4. Nastavitev temperature

i Obvestilo

Prednastavitve

- ▶ Ko enoto priključite v električno vtičnico, pustite enoto vsaj 30 minut, da se prilagodi, preden opravite kakršne koli spremembe nastavitvev.
- ▶ Ko aparat vklopite potem, ko ste ga odklopili iz glavnega napajanja, lahko traja več ur, da doseže pravilno temperaturo. Natančno trajanje je odvisno od okolja in nastavitve temperature.



Pritisnite tipko **+** or **-** zaslona bo začel utripati. Pritisnite tipko **+** or **-** da nastavite želeno temperaturo. Razpon nastavitve temperature: 5-20 °C (41-68 °F). Prenehajte pritisniti gumb za 3 sekunde, temperatura je potrjena.

6. Funkcija Power-Off Memory

Če pride do izpada električne energije, bo klet samodejno shranila nastavljeno temperaturo. Po obnovitvi električne energije bo delovala na podlagi temperature, nastavljene pred izpadom električne energije.

i Obvestilo

Vplivi na temperature



Na temperaturo znotraj naprave vplivajo naslednji dejavniki:

- ▶ Temperatura prostora
- ▶ Količina shranjenih steklenic
- ▶ Pogostost odpiranja vrat
- ▶ Lokacija naprave

Privzeta nastavitve je 12 °C

Ko zaslon preneha utripati, se vrne na prikaz trenutne temperature v hladilniku za vino. Potrebovali boste nekaj časa, da dosežete nastavljeno temperaturo.

7. Nastavitev načina osvetlitve

Pritisnite gumb . Luči se bodo postopoma prižigale. Ko ponovno pritisnete gumb  se bodo luči postopoma ugasnile.

8. °C/°F function

Pritisnite gumb “_” in ga držite 3 sekunde, da preklapljate med Fahrenheiti in Celziji.

9. Funkcija pomnilnika izklopa električne energije

V primeru izpada električne energije bo peč samodejno shranila nastavljeno temperaturo. Po ponovni vzpostavitvi električne energije bo delovala na podlagi temperature, nastavljene pred izpadom električne energije.

10. Alarm za odpiranje vrat

Če so vrata odprta več kot 1 minuto, bo brenčalo piskalo, dokler se vrata ne zaprejo ali dokler ni mogoče pritisniti katere koli tipke na zaslonu, nato pa bo brenčalo prenehalo piskati.



Namigi za varčevanje z električno energijo

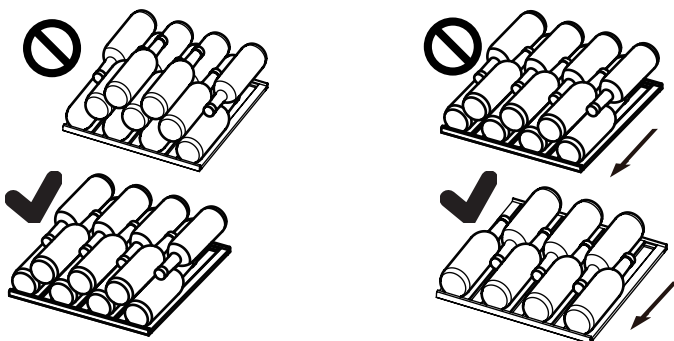
- ▶ Prepričajte se, da je aparat pravilno prezračen (glejte NAMESTITEV).
- ▶ Aparata ne postavljajte neposredno na sonce ali blizu virov toplote (npr. štedilnikov, grelcev).
- ▶ Izogibajte se nepotrebno nizki temperaturi v aparatu. Poraba energije se poveča, ko je v aparatu nastavljena nižja temperatura.
- ▶ Vrata aparata odprite čim manjkrat in za čim krajše obdobje.
- ▶ Ne prekoračite zasnovane količine steklenic, da se izognete oviranju pretoka zraka.
- ▶ Tesnila vrat naj bodo čista, da se bodo vrata vedno pravilno zaprla.
- ▶ Pri konfiguraciji, ki najbolj varčuje z energijo, morajo biti predali in police v aparatu nameščeni v tovarniškem stanju, hrano pa je treba položiti tako, da ne ovira odvoda zraka iz kanala.
- ▶ Da bi povečali energetske učinkovitost, je treba luči ugasniti, ko si ne ogledujete vsebine hladilnika za vino.

1. Polica

1. Police so namenjene enostavnemu vstavljanju in enostavnemu odstranjevanju steklenic vina. Lahko jih očistite z mehko krpo.
2. Odlagate lahko običajne steklenice s premerom 76 mm.
3. Količina se lahko razlikuje od prikazanega števila ali steklenic, če so odložene na drugačen način.

Nasvet za postavitvev hladilnika za vino

Število steklenic vina ne sme presegati dveh plasti na vsaki polici in nosilnost polic za vino ne sme presegati 20 kg. Preden steklenice odložite v hladilnik za vino, preverite, ali so police za steklenice popolnoma stabilne ali ne. Poleg tega preverite, ali iz polic štrli katera steklenica, da preprečite, da bi ta ob zapiranju udarila v steklena vrata.



2. Luč

Notranja luč LED se prižge ob odpiranju vrat

1. Odmrzovanje

Odmrzovanje hladilnika za vino se izvede samodejno; ročno upravljanje ni potrebno.

2. Menjava lučke LED

Luč kot vir svetlobe uporablja lučko LED, ki ima nizko porabo energije in dolgo življenjsko dobo. Če pride do kakršnih koli nepravilnosti, se obrnite na službo za pomoč strankam. Glejte SLUŽBA ZA POMOČ STRANKAM.

**OPOZORILO!**

Lučke LED ne menjajte sami. Zamenjati jo sme le proizvajalec ali pooblaščen serviser.

Ta izdelek vsebuje svetlobni vir z razredom energetske učinkovitosti G.

Parametri luči LED:

Naletost 12V

Največja moč: 2 W

3. Dolgotrajna neuporaba

Izklopite napajalni kabel.

Očistite aparat in tesnila vrat, kot je opisano zgoraj.

Vrata naj ostanejo odprta, da preprečite nastanek neprijetnega vonja.

4. Premikanje aparata

1. Odstranite vse steklenice in izključite aparat.

2. Police in druge premične dele v hladilniku za vino pritrdite z lepilnim trakom.

3. Hladilnika za vino ne nagibajte za več kot 45°, da ne poškodujete hladilnega sistema.

5. Izmenjava zraka z aktivnim ogljenim filtrom

Način zorenja vina je odvisen od okoljskih pogojev. Kakovost zraka je zato odločilna za ohranjanje vina. V spodnjem delu zadnje stene aparata je nameščen aktivni ogljeni filter, ki ohranja optimalno kakovost pretoka zraka.

**Obvestilo**

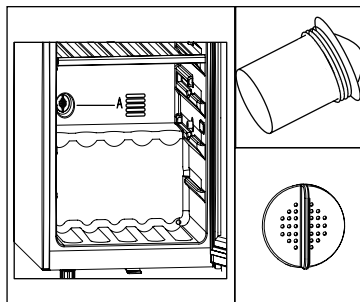
Priporočamo, da filter zamenjate enkrat letno. Filtre lahko dobite pri svojem prodajalcu.

Menjava filtra:

Filter primite za ročaj. Obrnite ga v levo in ga odstranite.

Vstavljanje filtra:

Vstavite ga z ročajem v navpičnem položaju. Obrnite ga v desno in ga vstavite.



Številne težave, do katerih prihaja, bi lahko rešili sami brez posebnega strokovnega znanja. V primeru težav preverite vse prikazane možnosti in sledite spodnjim navodilom, preden se obrnete na servisno službo. Glejte SLUŽBA ZA POMOČ STRANKAM.



OPOZORILO!

- ▶ Pred vzdrževanjem izklopite aparat in odklopite vtič iz vtičnice.
- ▶ Električno opremo lahko servisirajo samo usposobljeni električarji, saj lahko nepravilna popravila povzročijo znatno posledično škodo.
- ▶ Če je napajalni kabel poškodovan, ga sme zamenjati samo proizvajalec, njegov servisni agent ali drug kvalificiran serviser, da preprečite morebitne nevarnosti.

Koda napake	Vzrok	Rešitev
L2	Zgornje temperaturno območje je alarm za nizko temperaturo, ko je zgornja temperatura kontrolnega senzorja prenizka;	<ol style="list-style-type: none"> 1. Preverite temperaturo okolice. 2. Preverite priključek kompresorja. 3. Preverite upor senzorja za uravnavanje temperature.

Težava	Možen vzrok	Možna rešitev
Kompresor ne deluje.	<ul style="list-style-type: none"> • Omrežni vtič ni priključen v omrežno vtičnico. 	<ul style="list-style-type: none"> • Priključite omrežni vtič.
Aparat deluje pre pogosto ali deluje predolgo.	<ul style="list-style-type: none"> • Zunanja temperatura je previsoka. • Aparat že nekaj časa ni vklopljen. • Vrata aparata niso tesno zaprta. • Vrata so bila odprta pre pogosto ali predolgo. • Tesnila vrat so umazana, obrabljena, razpokana ali neustrezna. • Zahtevano kroženje zraka ni zagotovljeno. • Temperatura je nastavljena prenizko. 	<ul style="list-style-type: none"> • V tem primeru je običajno, da aparat deluje dlje. • Običajno traja nekaj časa, da se aparat popolnoma ohladi. • Zaprite vrata in se prepričajte, da je aparat nameščen na ravni podlagi in da na vratih ni ovirajoče hrane ali posode. • Vrat ne odpirajte pre pogosto. • Očistite tesnilo vrat ali prosite službo za pomoč strankam, da vam ga zamenja. • Zagotovite ustrezno prezračevanje. • Težava se bo rešila sama, ko bo dosežena želena temperatura.
Notranjost hladilnika za vino je umazana in/ali ima neprijeten vonj.	<ul style="list-style-type: none"> • Notranjost hladilnika za vino je potrebno očistiti. 	<ul style="list-style-type: none"> • Očistite notranjost hladilnika za vino.
Znotraj naprave ni dovolj hladno.	<ul style="list-style-type: none"> • Temperatura je nastavljena previsoko. • Steklenice so bile pred kratkim dodane. • Vrata aparata niso tesno zaprta. • Vrata so bila pogosto ali dlje časa odprta. • Tesnila vrat so umazana, obrabljena, razpokana ali neustrezna. 	<ul style="list-style-type: none"> • Ponastavite temperaturo. • Počakajte, da nedavno dodane steklenice dosežejo zeleno temperaturo. • Zaprite vrata. • Vrat ne odpirajte pre pogosto. • Očistite tesnilo vrat ali prosite službo za pomoč strankam, da vam ga zamenja.
Znotraj aparata je prehladno.	<ul style="list-style-type: none"> • Temperatura je nastavljena prenizko. 	<ul style="list-style-type: none"> • Ponastavite temperaturo.
Nastajanje vlage na notranji strani hladilnega prostora.	<ul style="list-style-type: none"> • Podnebje je pretoplo in prevlažno. • Vrata aparata niso tesno zaprta. • Vrata so bila pogosto ali dlje časa odprta. 	<ul style="list-style-type: none"> • Povečajte temperaturo. • Zaprite vrata. • Vrat/predala ne odpirajte pre pogosto.
Na zunanji površini hladilnika za vino se nabira vlaga.	<ul style="list-style-type: none"> • Klima je pretopla in prevlažna. 	<ul style="list-style-type: none"> • To je normalno v vlažni klimi in se bo spremenilo, ko se vlažnost zmanjša.

Težava	Možen vzrok	Možna rešitev
	<ul style="list-style-type: none"> Vrata niso tesno zaprta. Hladen zrak v napravi in topel zunanji zrak kondenzirata. 	<ul style="list-style-type: none"> Prepričajte se, da so vrata tesno zaprta in da tesnila pravilno tesnijo.
Naprava proizvaja nenormalne zvoke	<ul style="list-style-type: none"> Naprava ni nameščena na ravno podlago. Aparat se dotika predmeta v njeni bližini. 	<ul style="list-style-type: none"> Nastavite noge, da poravnate napravo. Odstranite predmete okoli naprave.
Slišati je mogoče rahel zvok, podoben zvoku vode.	<ul style="list-style-type: none"> To je običajno 	<ul style="list-style-type: none"> -
Notranja razsvetljava ali hladilni sistem ne deluje.	<ul style="list-style-type: none"> Omrežni vtič ni priključen v omrežno vtičnico. Napajanje ne deluje pravilno. LED-luč ne deluje. 	<ul style="list-style-type: none"> Priključite omrežni vtič. Preverite električno napajanje prostora. Pokličite lokalno elektro podjetje. Za zamenjavo pokličite servis
Stranice hladilnika se segrevajo.	<ul style="list-style-type: none"> To je običajno. 	<ul style="list-style-type: none"> -
Vrata se ne zapirajo dobro	<ul style="list-style-type: none"> Aparat ni v vodoravnem položaju. Vrata so blokirana. 	<ul style="list-style-type: none"> Poravnajte aparat z izravnalnimi nogami. Preverite zamašitve, kot npr. steklenice ali police.

Če želite stopiti v stik s tehnično pomočjo, obiščite naše spletno mesto: <https://corporate.haier-europe.com/en/>

V razdelku »spletno mesto« izberite blagovno znamko izdelka in državo. Preusmerjeni boste na določeno spletno mesto, kjer boste našli telefonsko številko in obrazec za stik s tehnično pomočjo.

List izdelka v skladu z Uredbo EU št. 2019/2016

Blagovna znamka	Candy
Ime/identifikator modela	CNWQ4G84G1
Kategorija	Hladilnik za vino
Razred energijske učinkovitosti	G
Letna poraba energije (kWh/leto) ¹⁾	153
Največje število steklenic (bordojska steklenica 0,75 l)	84
Klimatski razred: Ta aparat je namenjen uporabi pri sobni temperaturi med 10 in 38 °C.	N ST
Emisije akustičnega hrupa v zraku (db(A) re 1pW)	37
Vrsta aparata	Prostostoječi
Ta aparat je namenjen izključno hrambi vina.	Da
Mere (Š/D/V v mm)	495/585/1263

Pojasnila:

1)na podlagi standardnih rezultatov preskusa za 24 ur. Dejanska poraba energije je odvisna od dejanskega okolja, količine steklenic, nastavljene temperature, odpiranja in zapiranja vrat itd.

2)Nazivna poraba energije je vrednost, dobljena v skladu s standardnim testom, ko hladilnik za vino ne vklopi notranje luči.

- razširjeno zmerno: ta hladilni aparat je namenjen uporabi pri sobni temperaturi od 10 do 32 °C;
- zmerno: ta hladilni aparat je namenjen za uporabo pri sobnih
- temperaturah od 16 °C do 32 °C;
- subtropsko: ta hladilni aparat je namenjen uporabi pri sobni temperaturi od 16 do 38 °C;
- tropsko: ta hladilni aparat je namenjen za uporabo pri sobni temperaturi od 16 °C do 43 °C.

Standardi in direktive

Ta izdelek izpolnjuje zahteve vseh veljavnih direktiv ES z ustreznimi usklajenimi standardi, ki določajo oznako CE.

Priporočamo našo službo za pomoč strankam Haier in uporabo originalnih nadomestnih delov.

Če imate težave z aparatom, najprej preverite poglavje ODPRAVLJANJE TEŽAV.

Če tam ne najdete rešitve, se obrnite na

- ▶ lokalnega prodajalca ali
- ▶ področje Servis in podpora na spletni strani www.haier.com, kjer najdete telefonske številke in pogosta vprašanja ter kjer oddate zahtevek za servis.

Če se želite obrniti na naš servis, se prepričajte, da imate na voljo naslednje podatke. Podatke najdete na tipski tablici.

Model _____ Serijska št. _____

V primeru uveljavljanja garancije preverite tudi garancijsko kartico, ki je priložena izdelku. Za splošne poslovne poizvedbe so v nadaljevanju navedeni naslovi naših podružnic v Evropi:

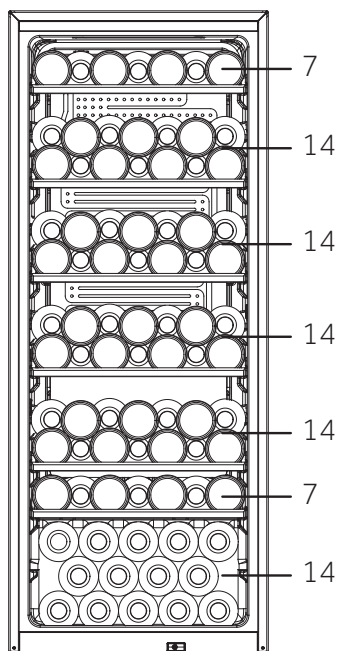
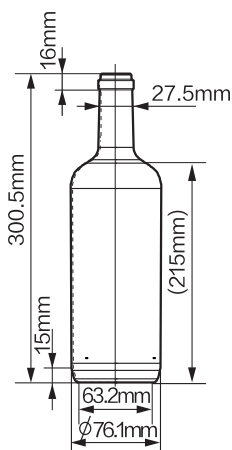
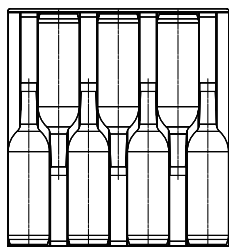
Evropski naslovi podružnic Haier			
Država*	Poštni naslov	Država	Poštni naslov
Italija	Haier Europe Trading SRL Via De Cristoforis, 12 21100 Varese ITALIJA	Francija	Haier Europe Trading SRL Via De Cristoforis, 12 21100 Varese ITALIJA
Španija	Haier Iberia SL Pg. Garcia Faria, 49-51 08019 Barcelona ŠPANIJA	Belgija-FR	Haier Benelux SA Anderlecht
Portugalska		Belgija-NL	Route de Lennik 451
		Nizozemska	BELGIJA
		Luksemburg	Haier Poland Sp. zo.o. Al. Jerozolimskie 181B 02-222 Varšava POLJSKA
Nemčija	Haier Deutschland GmbH Hewlett-Packard-Str. 4 D-61352 Bad Homburg NEMČIJA	Poljska	
Avstrija		Češka	
		Madžarska	
		Grčija	
Združeno kraljestvo	Haier Appliances UK Co. Ltd. One Crown Square Church Street East Woking, Surrey, GU21 6HR ZK	Romunija	
		Rusija	

RAZPOLOŽLJIVOST NADOMESTNIH DELOV: Termostati, temperaturni senzorji, tiskana vezja in svetlobni viri so na voljo najmanj sedem let po tem, ko je bila na trg dostavljena zadnja enota modela. Ključavnice, tečaji vrat, pladnji in košare najmanj sedem let in tesnila vrat najmanj 10 let po tem, ko je bila na trg dostavljena zadnja enota modela

Minimalno garancijsko obdobje je: 2 leti za države EU, 3 leta za Turčijo, 1 leto za Združeno kraljestvo, 1 leto za Rusijo, 3 leta za Švedsko, 2 leti za Srbijo, 5 let za Norveško, 1 leto za Maroko, 6 mesecev za Alžirijo, za Tunizijo pravna garancija ni potrebna.

Za dodatne informacije o izdelku obiščite spletno mesto <https://eprel.ec.europa.eu/> ali optično preberite kodo QR na energijski nalepki, priloženi aparatu.

1. Razporeditev steklenic temelji na grafični predstavitvi standardne steklenice Bordeaux (0,75 l).
2. Zaradi različnih vrst steklenic je lahko dejansko število vloženi steklenic drugačno.



(84)
CNWQ4G84G1

CANDY

Manual d'ús

Nevera de vins

CNWQ4G84G1

CA

CANDY

Us donem les gràcies per haver adquirit un producte Candy.

Llegiu atentament aquestes instruccions abans de fer servir aquest electrodomèstic. Aquestes instruccions contenen informació important que us ajudarà a treure el màxim profit de l'electrodomèstic i a garantir una instal·lació, un ús i un manteniment segurs i adequats.

Guardeu aquest manual en un lloc accessible per poder-lo consultar sempre que vulgueu i garantir un ús segur i adequat de l'electrodomèstic.

Si veneu l'electrodomèstic, el doneu o el deixeu al lloc on està instal·lat quan canvieu de casa, assegureu-vos també de lliurar aquest manual perquè el nou propietari es pugui familiaritzar amb l'electrodomèstic i les advertències de seguretat.



Llegenda

Advertència: informació de seguretat important



Informació general i consells



Informació mediambiental



Eliminació

Ajudeu a protegir el medi ambient i la salut humana. Dipositeu els embalatges als contenidors corresponents per reciclar-los. Ajudeu a reciclar els residus d'aparells elèctrics i electrònics. No llenceu els electrodomèstics marcats amb aquest símbol a la brossa domèstica. Porteu el producte al punt verd o poseu-vos en contacte amb l'oficina municipal.



ADVERTÈNCIA!

Perill de lesions o asfíxia.

Els refrigerants i els gasos han de ser eliminats per professionals. Assegureu-vos que els tubs del circuit de refrigerant no estiguin danyats abans de ser eliminats adequadament. Desconnecteu l'aparell de la xarxa elèctrica. Talleu el cable d'alimentació i porteu-lo a un punt de recollida. Traieu les safates i els calaixos, així com el tancament i les juntes de la porta, per evitar que els nens i els animals de companyia puguin quedar tancats a l'interior de l'electrodomèstic.

Els electrodomèstics vells encara tenen cert valor residual. Un mètode d'eliminació respectuós amb el medi ambient garanteix que les matèries primeres valuoses es puguin recuperar i reutilitzar.

El ciclopentà, una substància inflamable no perjudicial per a l'ozó, es fa servir com a expansor per a l'escuma aïllant.

Si elimineu correctament aquest producte, ajudareu a prevenir possibles conseqüències negatives per al medi ambient i la salut de les persones, que es podrien derivar de la mala eliminació de l'electrodomèstic.

Si voleu informació més detallada sobre el reciclatge d'aquest producte, poseu-vos en contacte amb el vostre ajuntament, amb el servei de recollida de residus domèstics o la botiga on va comprar el producte, que ho gestionarà de manera professional.

1- Informació de seguretat	454
2- Consells de seguretat	457
3- Manteniment	461
4- Accessoris	463
5- Descripció del producte	464
6- Instal·lació	465
7- Ús	468
8- Consells per estalviar energia	471
9- Equipament	472
10- Neteja i manteniment	473
11- Resolució de problemes	474
12- Dades tècniques	477
13- Servei d'atenció al client	478
14- Apilament d'ampolles de vi	479

Aquest aparell està pensat per fer-se servir exclusivament per a l'emmagatzematge de vins. Abans d'encendre l'electrodomèstic per primera vegada, llegiu les advertències de seguretat següents:

ADVERTÈNCIA!

Abans del primer ús

- ▶ Assegureu-vos que l'aparell no hagi patit danys durant el transport.
- ▶ Traieu tot l'embalatge, manteniu-lo fora de l'abast dels infants i elimineu-lo de manera respectuosa amb el medi ambient.
- ▶ Espereu almenys 0,5 hores abans d'instal·lar l'electrodomèstic per assegurar-vos que el circuit de refrigerant funcioni completament.
- ▶ Aquest electrodomèstic pesa molt: manipuleu-lo amb l'ajuda d'una altra persona.
- ▶ Quan instal·leu l'electrodomèstic, assegureu-vos que el cable d'alimentació no quedi atrapat ni danyat.
- ▶ No poseu múltiples bases d'endolls portàtils ni fonts d'alimentació portàtils a la part posterior de l'electrodomèstic.

Instal·lació

- ▶ Aquest electrodomèstic s'ha d'instal·lar en un lloc ben ventilat. Assegureu-vos que hi hagi un espai de 50 mm com a mínim per sobre i al voltant de l'electrodomèstic.
- ▶ **ADVERTÈNCIA:** No obstruiu les obertures de ventilació de l'aparell o de l'estructura encastada.
- ▶ No col·loqueu mai l'electrodomèstic en una zona humida ni en un lloc on arribin esquitxades d'aigua. Netegeu i eixugueu les esquitxades d'aigua i les taques amb un drap suau i net.
- ▶ No instal·leu la nevera de vins en un lloc que no estigui correctament aïllat o escalfat, com ara un garatge, etc. La vostra nevera de vins no ha estat dissenyada per funcionar a una temperatura ambient inferior a 10 °C.
- ▶ No instal·leu l'electrodomèstic sota la llum solar directa ni a prop de fonts de calor (per exemple, estufes, calefactores).
- ▶ Instal·leu i anivelleu l'electrodomèstic en una zona adequada a la seva mida i al seu ús.
- ▶ Assegureu-vos que la informació elèctrica de la placa de característiques coincideixi amb la font d'alimentació. Si no és així, poseu-vos en contacte amb un electricista.

**ADVERTÈNCIA!**

- ▶ Aquest electrodomèstic funciona amb corrent elèctric de 220-240 V CA/50 Hz. Una fluctuació anormal del voltatge pot fer que l'electrodomèstic no s'engegui, que es facin malbé el control de temperatura o el compressor, o que faci un soroll anormal durant el funcionament. En aquest cas, s'ha de muntar un regulador automàtic.
- ▶ No feu servir adaptadors de múltiples endolls ni cables allargadors.
- ▶ **ADVERTÈNCIA:** No poseu diversos endolls portàtils ni fonts d'alimentació portàtils a la part posterior de l'electrodomèstic.
- ▶ **ADVERTÈNCIA:** Quan instal·leu l'electrodomèstic, assegureu-vos que el cable d'alimentació no quedi atrapat ni danyat.
- ▶ No trepitgeu el cable d'alimentació.
- ▶ Feu servir una presa amb connexió a terra separada per a la font d'alimentació a la qual es pugui accedir fàcilment. Aquest electrodomèstic ha d'estar connectat a terra.
- ▶ **Només per al Regne Unit:** El cable d'alimentació d'aquest electrodomèstic està equipat amb un endoll de 3 fils (amb connexió a terra) que encaixa en un endoll estàndard de 3 fils (amb connexió a terra). No talleu ni desmunteu mai el tercer pin (connexió a terra). Després d'instal·lar l'electrodomèstic, heu de poder accedir a l'endoll.
- ▶ **ADVERTÈNCIA:** No feu malbé el circuit de refrigerant.

Ús diari

- ▶ Aquest aparell el poden fer servir nens de 8 anys o més i persones amb capacitats físiques, sensorials o mentals reduïdes o amb manca d'experiència i coneixements si han rebut supervisió o instruccions sobre l'ús de l'aparell de manera segura i entenen els perills que implica.
- ▶ Els infants no han de jugar amb l'electrodomèstic.
- ▶ Els infants de 3 a 8 anys poden omplir i buidar els frigorífics, però no poden netejar-los ni instal·lar-los.
- ▶ Mantingueu allunyats els infants menors de 3 anys de l'electrodomèstic, llevat que tinguin supervisió constant.
- ▶ Els infants no poden fer sense supervisió la neteja i el manteniment que ha de fer l'usuari.



ADVERTÈNCIA!

- ▶ L'electrodomèstic ha d'estar col·locat de manera que es pugui accedir a l'endoll.
- ▶ Si es filtra gas refrigerant o altres gasos inflamables a prop de l'electrodomèstic, tanqueu la vàlvula del gas, obriu les portes i les finestres i no desendolleu el cable d'alimentació de l'electrodomèstic.
- ▶ Espereu almenys 7 minuts abans de tornar a connectar el corrent.
- ▶ No aixequiu l'electrodomèstic pels tiradors de la porta.
- ▶ Les claus s'han de mantenir fora de l'abast dels nens i lluny de l'aparell per evitar que els nens quedin tancats a l'interior de l'aparell.
- ▶ Tingueu en compte que l'electrodomèstic està configurat per funcionar a una temperatura ambient específica de 10 a 38 °C. És possible que l'electrodomèstic no funcioni correctament si es deixa durant un període prolongat a una temperatura superior o inferior a l'interval indicat.
- ▶ No poseu articles inestables (objectes pesants, recipients plens d'aigua) a sobre de l'aparell per evitar danys personals per caigudes o descàrregues elèctriques causades pel contacte amb l'aigua.
- ▶ Obriu i tanqueu les portes només fent servir els tiradors. L'espai entre la porta i l'armari és molt estret. No poseu les mans en aquestes zones per evitar pessigar-vos els dits. Obriu i tanqueu les portes de l'aparell només quan no hi hagi infants a prop del seu rang de moviment.
- ▶ No emmagatzemu ni feu servir materials inflamables, explosius o corrosius dins de l'electrodomèstic ni al seu voltant.
- ▶ No emmagatzemu substàncies explosives com ara aerosols amb un gas propel·lent inflamable a l'aparell.
- ▶ No emmagatzemu medicaments, ni agents químics o biològics dins de l'electrodomèstic. Aquest aparell és un electrodomèstic. No es recomana emmagatzemar-hi productes que requereixin temperatures controlades.
- ▶ No configureu una temperatura innecessàriament baixa al compartiment de la nevera de vins. Es poden assolir temperatures sota zero si els valors de configuració són alts. Atenció: Les ampolles poden esclatar.
- ▶ No toqueu la superfície interior del compartiment de l'aparell quan estigui en funcionament, sobretot amb les mans humides, ja que les mans es poden congelar en entrar en contacte amb la superfície.

**ADVERTÈNCIA!**

- ▶ Per refredar el vi correctament, no sobrecarregueu l'aparell.
- ▶ Desendolleu l'electrodomèstic en cas de fallada de corrent o abans de netejar-lo. Espereu almenys 7 minuts abans de tornar a engegar l'electrodomèstic, ja que, si s'engega sovint, es pot fer malbé el compressor.
- ▶ **ADVERTÈNCIA:** No feu servir aparells elèctrics dins de l'electrodomèstic, llevat que siguin del tipus recomanat pel fabricant. Per evitar riscos, si hi ha un cable d'alimentació malmès, l'ha de substituir el servei d'atenció al client (vegeu la targeta de garantia).
- ▶ Per allargar la vida útil de l'aparell, eviteu apagar-lo.
- ▶ No poseu mai l'electrodomèstic horitzontalment a terra. Després d'inclinar l'aparell més de 45°, espereu 24 hores abans d'endollar-lo.

Manteniment / neteja

- ▶ Assegureu-vos que els infants estiguin supervisats si en fan la neteja i el manteniment.
- ▶ Desconnecteu l'electrodomèstic de la xarxa elèctrica abans de fer-hi qualsevol manteniment rutinari. Espereu almenys 7 minuts abans de tornar a engegar l'electrodomèstic, ja que, si s'engega sovint, es pot fer malbé el compressor.
- ▶ Quan desendolleu l'electrodomèstic, estireu l'endoll i no el cable.
- ▶ No netegeu l'electrodomèstic amb raspalls durs, raspalls de filferro, detergent en pols, gasolina, acetat d'amil, acetona ni solucions orgàniques similars, àcides o alcalines. Netegeu-lo amb un detergent especial per a frigorífics/congeladors per evitar-hi danys. Finalment, feu servir una solució d'aigua tèbia i bicarbonat sòdic (aproximadament una cullerada de bicarbonat per quart de litre d'aigua). Esbandiu-lo bé amb aigua i eixugueu-lo. No feu servir netejadors en pols ni altres productes de neteja abrasius. No renteu les peces extraïbles al rentaplats.
- ▶ **ADVERTÈNCIA:** Llevat dels recomanats pel fabricant, no feu servir aparells mecànics ni altres mitjans per accelerar el procés de descongelació.
- ▶ Per evitar qualsevol perill, si el cable d'alimentació està malmès, l'ha de substituir el fabricant, el seu responsable de servei o persones amb una qualificació similar.

- ▶ No proveu d'arreglar, desmuntar o modificar l'electrodomèstic pel vostre compte. En cas de reparació, poseu-vos en contacte amb el nostre servei d'atenció al client.
- ▶ Per evitar qualsevol perill, si els llums estan malmesos, els ha de substituir el fabricant, el seu servei tècnic o qualsevol professional qualificat similar.
- ▶ Traieu la pols de la part posterior de la unitat com a mínim un cop l'any per evitar riscos d'incendi i l'augment del consum d'energia.
- ▶ Per evitar que els aliments es puguin contaminar, seguiu les instruccions següents:
- ▶ Deixar la porta oberta durant llargues estones pot provocar un augment significatiu de la temperatura als compartiments de l'aparell.
- ▶ No ruixeu ni renteu amb un raig d'aigua l'aparell durant la neteja.
- ▶ No feu servir ruixadors d'aigua ni vapor per netejar l'electrodomèstic.
- ▶ No netegeu els prestatges de vidre freds amb aigua calenta. Un canvi sobtat de temperatura pot fer que el vidre es trenqui.
- ▶ Si deixeu l'electrodomèstic fora de servei durant un període prolongat, deixeu-lo obert per evitar que s'acumulin males olors a l'interior.

Informació sobre el gas refrigerant



ADVERTÈNCIA!

L'electrodomèstic conté el refrigerant inflamable ISOBUTÀ (R600a). Assegureu-vos que el circuit de refrigerant no pateixi danys durant el transport o la instal·lació. Una fuga de refrigerant pot causar lesions oculars o provocar un incendi. Si s'ha produït un dany, mantingueu-vos allunyats de fonts de flames obertes, ventileu bé l'habitació i **no** connecteu ni desconnecteu els cables d'alimentació de l'electrodomèstic ni de cap altre electrodomèstic. Informeu-ne el servei d'atenció al client.

En cas de contacte als ulls amb el refrigerant, esbandiu-vos-els immediatament amb aigua corrent i consulteu immediatament un oftalmòleg.

ADVERTÈNCIA: El sistema de refrigeració està sota alta pressió. No el manipuleu. Com que es fan servir refrigerants inflamables, instal·leu, manipuleu i seguiu estrictament les instruccions d'instal·lació, manipulació i manteniment de l'electrodomèstic i poseu-vos en contacte amb un tècnic professional o amb el nostre servei postvenda per eliminar-los.

Ús previst


Aquest electrodomèstic està pensat per a l'ús domèstic i per a aplicacions similars, com ara:

- cuines per al personal a botigues, oficines i altres entorns de treball;
 - ús per clients d'hotels, motels i altres entorns de tipus residencial;
 - allotjaments del tipus "bed and breakfast";
 - càtering i aplicacions similars que no siguin de venda al detall.
- Per garantir la conservació segura del vi, seguieu aquestes instruccions d'ús.
- Els detalls sobre la part més adequada del compartiment de l'aparell per emmagatzemar tipus específics d'aliments, tenint en compte la distribució de la temperatura als diferents compartiments de l'aparell, són a l'altra part del manual.

No es poden fer canvis o modificacions a l'aparell. L'ús no previst pot causar perills i la pèrdua del dret de la garantia.

Eliminació



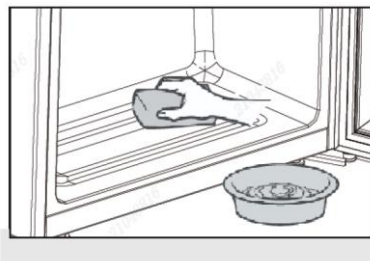
El  símbol al producte o al seu embalatge indica que aquest producte no es pot tractar com a residu domèstic. Per tant, l'aparell, s'ha de lliurar al punt de recollida corresponent per al reciclatge d'aparells elèctrics i electrònics. Si elimineu correctament aquest producte, ajudareu a prevenir possibles conseqüències negatives per al medi ambient i la salut de les persones, que es podrien derivar de la mala eliminació de l'electrodomèstic. Per a més informació sobre el reciclatge d'aquest producte, poseu-vos en contacte amb el vostre ajuntament, el servei de punt verd o la botiga on vau comprar el producte. Com que es fan servir gasos aïllants inflamables, poseu-vos en contacte amb un agent professional o el nostre servei postvenda per eliminar l'aparell.

ADVERTÈNCIA!

Perill de lesions o asfíxia

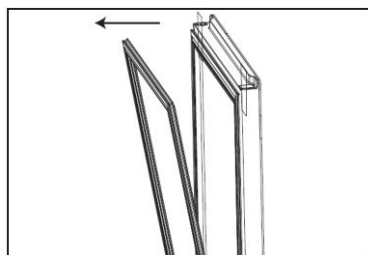
Els refrigerants i els gasos han de ser eliminats per professionals. Assegureu-vos que els tubs del circuit de refrigerant no estiguin danyats abans de ser eliminats adequadament. Desconnecteu l'aparell de la xarxa elèctrica. Talleu el cable d'alimentació i porteu-lo a un punt de recollida. Traieu les safates i els calaixos, així com el tancament i les juntes de la porta per evitar que els nens i els animals de companyia quedin tancats a l'interior de l'electrodomèstic.

- ▶ **ADVERTÈNCIA:** Desconnecteu l'electrodomèstic de la xarxa elèctrica abans de netejar-lo.
- ▶ No netegeu l'electrodomèstic amb raspalls durs, raspalls de filferro, detergent en pols, gasolina, acetat d'amil, acetona ni solucions orgàniques similars, àcides o alcalines. Netegeu-lo amb un detergent especial per a frigorífics per evitar danys.
- ▶ Netegeu l'aparell quan només hi hagi poc o gens de vi guardat. Només cal netejar-lo quan estigui brut.
- ▶ Netegeu l'interior i la carcassa de l'electrodomèstic amb una esponja humitejada amb aigua tèbia i detergent neutre.
- ▶ Esbandiu-lo amb aigua neta i tèbia i eixugueu-lo amb un drap suau.
- ▶ No netegeu cap de les peces de l'electrodomèstic al rentaplats.
- ▶ Espereu almenys 7 minuts abans de tornar a engegar l'electrodomèstic, ja que, si s'engega sovint, es pot fer malbé el compressor.



Netegeu la junta de la porta:

- ▶ Les juntes de la porta s'han de netejar cada 3 mesos per garantir un segellament correcte. Instruccions: Retirada: Agafeu la junta de la porta i estireu-la en la direcció de la fletxa per retirar-la completament. Submergiu el raspall amb aigua o alcohol apte per a ús alimentari i netegeu primer la ranura de la junta de la porta movent el raspall endavant i enrere. A continuació, netegeu la superfície de la junta de la porta amb un drap mullat amb aigua o amb alcohol d'ús alimentari. Finalment, renteu la junta de la porta i eixugueu-la amb un drap net.



Instal·lació de la junta de la porta després de la neteja:

Abans de la instal·lació, assegureu-vos que no hi hagi aigua a la junta de la porta. Introduïu la junta de la porta a la ranura i premeu-la fermament de dalt a baix amb la mà fins que estigui completament inserida a la ranura.

Neteja de les prestatgeries:

- ▶ Tots els prestatges es poden treure per netejar-los.
- ▶ Traieu totes les ampolles.
- ▶ Aixequeu una mica cada prestatge i traieu-lo.
- ▶ Netegeu el prestatge amb un drap suau.
- ▶ Espereu fins que els prestatges estiguin secs abans de tornar-los a posar.

ADVERTÈNCIA:

Espereu almenys 7 minuts abans de tornar a connectar el corrent.

Comproveu els accessoris i la documentació d'acord amb la llista següent:

Nom	Manual d'ús	Targeta de servei	Prestatge	Etiqueta energètica
CNWQ4G84G1	1	1	6	1



Avis

Algunes de les il·lustracions d'aquest manual poden ser diferents del vostre model a causa de canvis tècnics i de les diferències entre models.

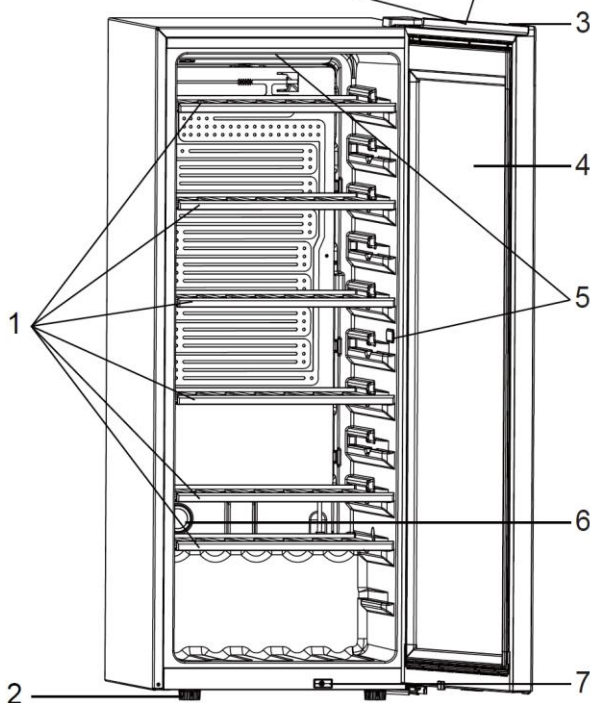
Imatge de l'electrodomèstic



Light



3 Sec.Unlock



CNWQ4G56G2

- | | |
|---------------------|----------------------------|
| 1. Prestatge | 5. Bombeta led |
| 2. Potes ajustables | 6. Filtre de carbó activat |
| 3. Pantalla | 7. Interruptor |
| 4. Porta | |

1. Desembalatge

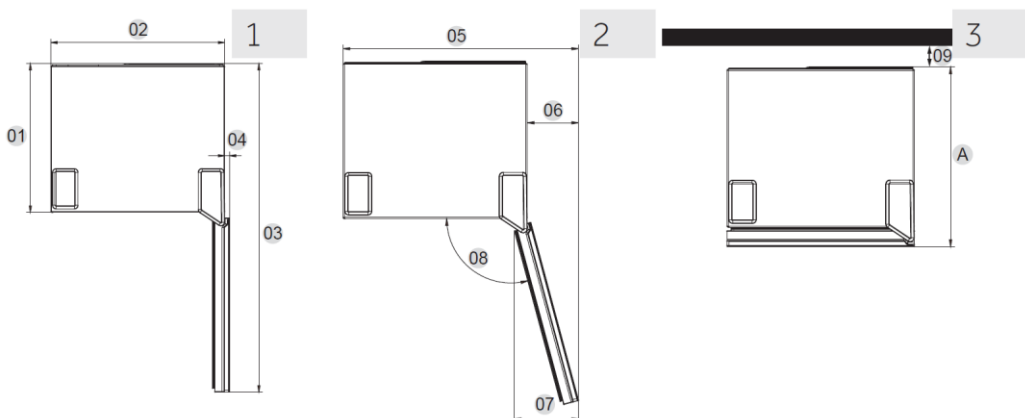
- ▶ Traieu l'electrodomèstic de l'embalatge.
- ▶ Traieu tots els materials d'embalatge, incloses la base d'escuma i tota la cinta adhesiva que subjecta els accessoris.

2. Condicions ambientals

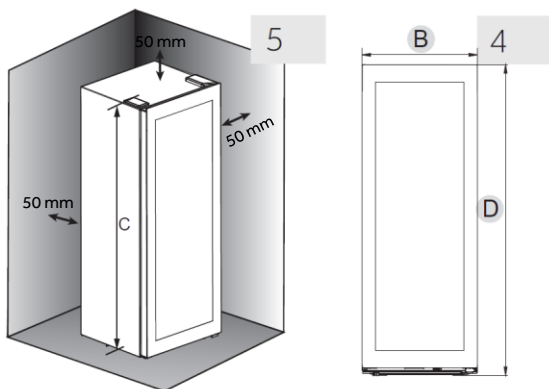
La temperatura ambient sempre ha d'estar entre 10 °C i 38 °C, ja que pot influir en la temperatura interior de l'aparell i en el consum d'energia. No instal·leu l'electrodomèstic a prop d'altres electrodomèstics que emetin calor (forns, neveres) sense aïllament.

3. Espai necessari

Espai necessari per obrir la porta (Fig. 1, 2, 3, 4); per motius de seguretat i energia, s'ha de respectar la distància de ventilació necessària de 50 mm en totes direccions (Fig. 5).



Unitat: mm	CNWX4G32G2
Profunditat A	585
Amplada B	495
Alçària C	1262
Alçària total D	1263
01	535
02	495
03	1043
04	11
05	630
06	135
07	167
08	105°
09	50





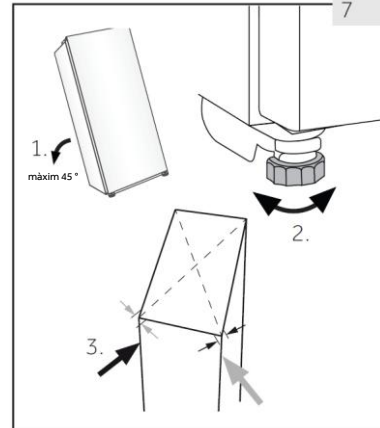
ADVERTÈNCIA!

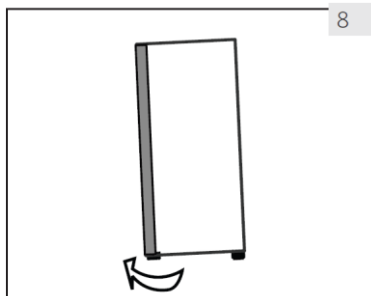
- ▶ No obstruïu les obertures de ventilació de l'electrodomèstic o de l'estructura integrada. Aquest electrodomèstic de refrigeració no està pensat per fer-se servir com a electrodomèstic integrat

4 Anivellament de l'electrodomèstic

L'electrodomèstic s'ha de col·locar sobre una superfície plana i sòlida.

1. Inclineu l'electrodomèstic lleugerament cap enrere (Fig. 7).
2. Ajusteu les potes del davant ajustables al nivell desitjat girant-les.
3. Podeu comprovar l'estabilitat de l'electrodomèstic colpejant lleugerament les diagonals de manera alterna. El lleuger balanceig hauria de ser igual a totes dues direccions. Si no és així, l'estructura es podria deformar; això pot provocar fuites a les juntes de la porta. Una lleugera inclinació cap enrere facilita el tancament de la porta.





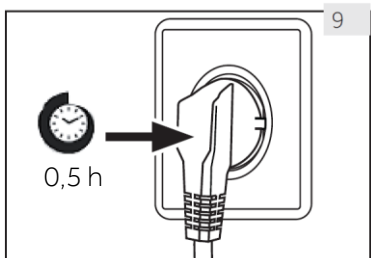
8

5. Ajust precís de la porta

L'aparell es tanca més fàcilment si es fan servir les potes anivelladores del davant:

Gireu les potes ajustables (Fig. 8) per girar-les cap amunt o cap avall:

- ▶ En girar les potes en sentit horari, l'aparell s'eleva.
- ▶ Girant les potes en sentit antihorari, abaixeu l'aparell.



9

6. Temps d'espera

L'oli de lubricació sense manteniment està situat a la càpsula del compressor. Aquest oli pot travessar el sistema de tub tancat durant el transport si s'inclina l'aparell. Abans de connectar l'electrodomèstic a la xarxa elèctrica, espereu 0,5 hores (Fig. 9) perquè l'oli torni a fluir cap a la càpsula.

7. Connexió elèctrica

Abans de cada connexió, comproveu si:

- ▶ La font d'alimentació, la presa de corrent i els fusibles es corresponen amb els indicats a la placa de característiques.
- ▶ l'endoll està connectat a una presa de terra i no es fan servir adaptadors múltiples ni allargadors.
- ▶ l'endoll i la presa de corrent estan encaixats correctament.

Connecteu l'endoll a una presa de corrent domèstica correctament instal·lada.



ADVERTÈNCIA!

Per evitar riscos, si hi ha un cable d'alimentació malmès, l'ha de substituir el servei d'atenció al client (vegeu la targeta de garantia).



ADVERTÈNCIA!

- ▶ Abans de fer qualsevol operació, desendol·leu primer l'aparell de la xarxa elèctrica.
- ▶ No inclineu l'aparell més de 45° per evitar danys al sistema de refrigeració.

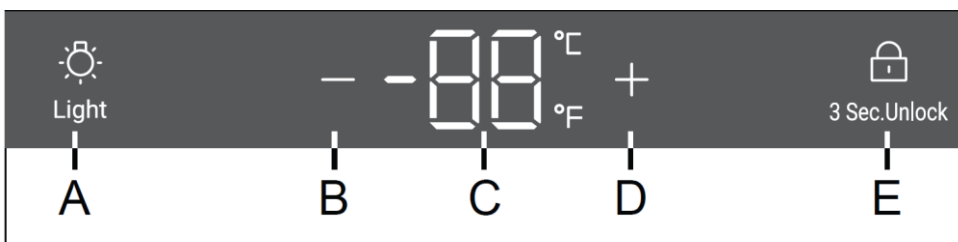
1. Abans del primer ús

- ▶ Retireu tots els materials d'emalatge. Això inclou la base d'escuma i tota la cinta adhesiva que subjecta els accessoris de la nevera de vins per dins i per fora. Mantingueu-los fora de l'abast dels infants i elimineu-los de manera respectuosa amb el medi ambient.
- ▶ Abans de posar les ampolles de vi a l'aparell, netegeu-ne l'interior i l'exterior amb aigua i un detergent suau.
- ▶ Després d'anivellar i netejar l'aparell, espereu com a mínim 2 hores abans de connectar-lo a la xarxa elèctrica. Si la nevera de vins s'ha inclinat per qualsevol motiu, espereu 24 hores abans d'endollar-lo. Vegeu l'apartat INSTAL·LACIÓ.
- ▶ Un cop hàgiu connectat la unitat a una presa de corrent, deixeu-la funcionar durant almenys 30 minuts perquè s'aclimati abans de fer cap ajust.
- ▶ La temperatura s'ajusta automàticament a 12 °C. Si ho desitgeu, podeu canviar la temperatura manualment. Consulteu TEMPERATURA.

2. Botons tàctils

Els botons del panell de control són botons tàctils que responen quan es toquen lleugerament amb el dit.

3. Descripció del panell de control



- | | |
|--------------------------------------|--------------------------------------|
| A Pantalla | D Botó d'ajust de temperatura: amunt |
| B Botó d'ajust de temperatura: avall | E Botó de bloqueig |
| C Pantalla | |

4. Funció de bloqueig automàtic

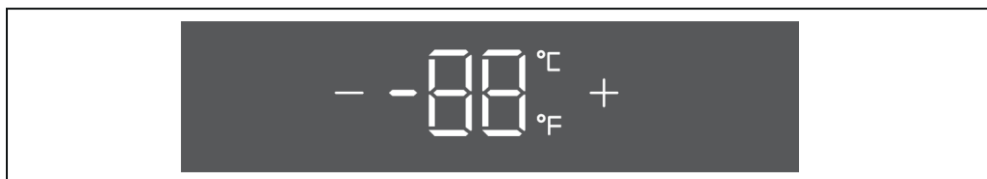
En estat de bloqueig de pantalla, toqueu llargament el botó de bloqueig durant 3 s; la pantalla mostrarà 3, 2 i 1; la pantalla quedarà desbloquejada. Si no es fa cap operació, la pantalla es bloquejarà automàticament al cap de 30 s. En l'estat de bloqueig de la pantalla, la icona de bloqueig està encesa i no es poden fer servir els botons de la pantalla (llevat del botó de llum);

5. Ajust de la temperatura

i Avís

Preconfiguració

- ▶ Un cop hàgiu connectat la unitat a una presa de corrent, deixeu-la reposar durant almenys 30 minuts per aclimatar-se abans de fer cap ajust.
- ▶ Quan s'encén l'aparell després d'haver-lo desconnectat de la font d'alimentació, poden passar fins a diverses hores fins que s'arriba a les temperatures correctes. El temps exacte varia segons l'entorn i la temperatura configurada.



Toqueu el botó **+** o **-**, la pantalla començarà a parpellejar. Toqueu el botó **+** o **-** per ajustar la temperatura desitjada. Interval d'ajust de temperatura: 5-20 °C (41-68 °F). Deixeu de pitjar el botó durant 3 segons; la temperatura està confirmada.

6. Mode d'espera

La pantalla s'atenua automàticament al cap de 30 segons.

S'encén automàticament quan es toca qualsevol botó o s'obre la porta.

i Avís

Factors que incideixen en les temperatures

Els factors següents tenen influència en la temperatura dins de l'aparell:

- ▶ Temperatura ambient
- ▶ Freqüència d'obertura de la porta
- ▶ Quantitat d'ampolles emmagatzemades
- ▶ La ubicació de l'aparell

La configuració per defecte és de 12 °C

Quan la pantalla deixa de parpellejar, torna a mostrar la temperatura actual dins la nevera de vins. Trigarà una mica a assolir la temperatura establerta.

7. Configuració del mode d'il·luminació

Toqueu el botó  i la llum s'anirà encenent gradualment. Quan es toca el botó



una altra vegada, les llums s'apagaran gradualment.

8. Funció °C/°F

Toqueu el botó "—" durant 3 segons, per canviar entre Fahrenheit i Celsius.

9. Funció de memòria d'apagada

Si hi ha un tall de corrent, la nevera de vins guarda automàticament la temperatura configurada. Després del restabliment del corrent, funcionarà segons la temperatura establerta abans del tall de corrent.

10. Alarma de porta oberta

Si la porta es manté oberta durant més d'1 min, sona un brunzit d'alarma fins que la porta es tanca o s'acciona qualsevol botó del panell de visualització, i aleshores el brunzit s'apaga.



Consells per estalviar energia

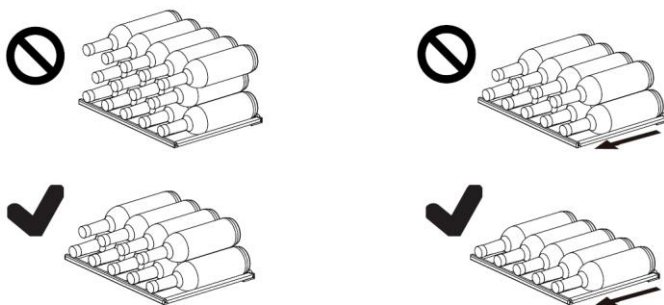
- ▶ Assegureu-vos que l'electrodomèstic tingui una bona ventilació (vegeu INSTAL·LACIÓ).
- ▶ No instal·leu l'electrodomèstic sota la llum solar directa ni a prop de fonts de calor (per exemple, estufes, calefactores).
- ▶ Eviteu temperatures innecessàriament baixes a l'electrodomèstic. El consum d'energia augmenta com més baixa estigui configurada la temperatura a l'electrodomèstic.
- ▶ Obriu la porta de l'electrodomèstic tan poques vegades i tan poca estona com sigui possible.
- ▶ No supereu la quantitat d'ampolles indicada per tal de no obstruir el flux d'aire.
- ▶ Mantingueu netes les juntes de les portes perquè les portes sempre tanquin correctament.
- ▶ La configuració més eficient energèticament requereix que el calaix, el calaix d'aliments i els prestatges estiguin col·locats a l'aparell en la posició de fàbrica i que els aliments es disposin sense bloquejar la sortida d'aire del conducte.
- ▶ Per incrementar l'eficiència energètica, els llums s'han d'apagar quan la nevera de vins no s'estigui fent servir.

1. Prestatge

1. Els prestatges estan dissenyats per facilitar l'emmagatzematge i l'extracció del vi. Es poden netejar amb un drap suau.
2. Es poden apilar ampolles normals amb un diàmetre de 76 mm.
3. La quantitat pot variar respecte al nombre d'ampolles indicat si s'apilen d'una altra manera.

Consells per a la distribució de la nevera de vins

Recomanem que el nombre d'ampolles de vi no superi les dues files a cada prestatge i que la capacitat de càrrega dels prestatges de vi no superi els 20 kg. Abans de col·locar les ampolles dins la nevera de vins, comproveu si els prestatges de vi són completament estables. A més, comproveu si alguna ampolla sobresurt dels prestatges per evitar que colpegi la porta de vidre quan es tanca.



2. Llum

El llum led interior s'encén quan s'obre la porta.

1. Descongelació

La descongelació de la nevera de vins es fa automàticament; no cal cap operació manual.

2. Substitució dels llums led

L'electrodomèstic fa servir llums led com a font de llum, que tenen un baix consum d'energia i una vida útil llarga. Si detecteu alguna anomalia, poseu-vos en contacte amb el servei d'atenció al client. Vegeu SERVEI D'ATENCIÓ AL CLIENT.

ADVERTÈNCIA!

No substituïu la bombeta led vosaltres mateixos. Només l'ha de substituir el fabricant o l'agent de servei autoritzat.

Paràmetres de la bombeta led:

Tensió 12 V

Potència màx. 7W

3. Període més llarg sense ús

Desendol·leu el cable d'alimentació.

Netegeu l'aparell i les juntes de la porta tal com s'ha descrit anteriorment.

Mantingueu les portes obertes per evitar la creació de males olors a l'interior.

4. Desplaçament de l'electrodomèstic

1. Traieu totes les ampolles i desendol·leu l'aparell.
2. Assegureu els prestatges i altres parts mòbils de la nevera amb cinta adhesiva.
3. No inclineu la nevera de vins més de 45° per evitar danys al sistema de refrigeració.

5. Intercanvi d'aire amb filtre de carbó actiu

La manera en què els vins continuen madurant depèn de les condicions ambientals. La qualitat de l'aire és, per tant, decisiva per a la conservació del vi. S'ha instal·lat un filtre de carbó actiu a la part inferior de la paret posterior de l'aparell per mantenir la qualitat de l'aire en un nivell òptim.

Avís

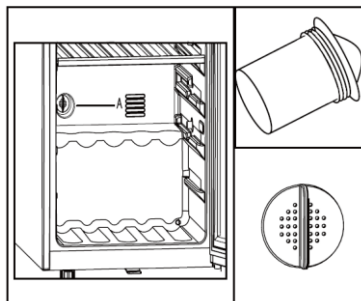
Us recomanem substituir el filtre un cop l'any. Podeu obtenir els filtres al vostre distribuïdor.

Canvi de filtre:

Agafeu el filtre per la nansa. Gireu-lo cap a l'esquerra i retireu-lo.

Inserció del filtre:

Inseriu-lo amb la nansa en posició vertical. Gireu-lo cap a la dreta i introduïu-lo.



Molts problemes que sorgeixen es poden resoldre sense tenir coneixements específics. En cas de problemes, comproveu totes les opcions que es mostren i seguïu les instruccions següents abans de posar-vos en contacte amb el servei d'atenció al client. Vegeu SERVEI D'ATENCIÓ AL CLIENT.



ADVERTÈNCIA!

- ▶ Abans de fer-hi el manteniment, apagueu l'electrodomèstic i desconnecteu l'endoll de la presa de corrent.
- ▶ El manteniment dels electrodomèstics elèctrics només l'han de fer electricistes qualificats, ja que les reparacions incorrectes poden causar danys importants.
- ▶ Per evitar tot perill, si un cable d'alimentació està malmès, l'ha de substituir el fabricant, el seu responsable de servei o persones amb una qualificació similar.

Codi d'error	Causa	Solució
L2	La zona superior de temperatura actua com una alarma de baixa temperatura quan la temperatura del sensor de control és massa baixa;	<ol style="list-style-type: none">1. Comproveu la temperatura ambient.2 Comproveu el connector del compressor.3. Comproveu la resistència del sensor de control de temperatura.

Problema	Causa possible	Solució possible
El compressor no funciona.	<ul style="list-style-type: none"> L'endoll no està connectat a la presa de corrent. 	<ul style="list-style-type: none"> Connecteu l'endoll a la xarxa elèctrica.
L'electrodomèstic funciona sovint o durant un període de temps massa llarg.	<ul style="list-style-type: none"> La temperatura exterior és massa alta. L'electrodomèstic ha estat apagat durant un període de temps. Hi ha una porta de l'electrodomèstic que no està ben tancada. La porta s'ha obert massa sovint o ha estat oberta durant massa estona. La junta de la porta està bruta, desgastada, esquerpada o no encaixa. La circulació d'aire necessària no està garantida. La temperatura està configurada massa baixa. 	<ul style="list-style-type: none"> En aquest cas, és normal que l'electrodomèstic funcioni durant més temps. Normalment, l'electrodomèstic triga una mica a refredar-se del tot. Tanqueu la porta i assegureu-vos que l'aparell estigui situat en una superfície anivellada i que no hi hagi cap aliment o recipient que n'impedeixi el tancament. No obriu la porta massa sovint. Netegeu la junta de la porta o feu-la substituir pel servei d'atenció al client. Assegureu-vos que la ventilació és adequada. El problema se solucionarà per si sol quan s'arribi a la temperatura desitjada.
L'interior de la nevera de vins està brut i/o fa mala olor.	<ul style="list-style-type: none"> L'interior de la nevera de vins s'ha de netejar. 	<ul style="list-style-type: none"> Netegeu l'interior de la nevera de vins.
No fa prou fred dins de l'electrodomèstic.	<ul style="list-style-type: none"> La temperatura està configurada massa alta. Recentment s'hi han afegit ampolles. Hi ha una porta de l'electrodomèstic que no està ben tancada. La porta s'ha obert sovint o durant molt de temps. La junta de la porta està bruta, desgastada, esquerpada o no encaixa. 	<ul style="list-style-type: none"> Restabliu la temperatura. Deixeu temps perquè les ampolles afegides recentment arribin a la temperatura desitjada. Tanqueu la porta. No obriu la porta massa sovint. Netegeu la junta de la porta o feu-la substituir pel servei d'atenció al client.
A dins de l'electrodomèstic hi fa massa fred.	<ul style="list-style-type: none"> La temperatura està configurada massa baixa. 	<ul style="list-style-type: none"> Restabliu la temperatura.
Formació d'humitat a l'interior del compartiment del frigorífic.	<ul style="list-style-type: none"> El clima és massa càlid i massa humit. Hi ha una porta de l'electrodomèstic que no està ben tancada. La porta s'ha obert sovint o durant molt de temps. 	<ul style="list-style-type: none"> Augmenteu la temperatura. Tanqueu la porta. No obriu la porta o el calaix massa sovint.

Problema	Causa possible	Solució possible
La humitat s'acumula a la superfície exterior de la nevera de vins.	<ul style="list-style-type: none"> • El clima és massa càlid i massa humit. • La porta no està ben tancada. El contacte entre l'aire fred de dins de l'electrodomèstic i l'aire calent de fora genera condensació. 	<ul style="list-style-type: none"> • Això és normal en climes humits i canviarà quan la humitat baixi. • Assegureu-vos que la porta estigui ben tancada i que les juntes segellin correctament.
L'electrodomèstic fa sons anormals.	<ul style="list-style-type: none"> • L'electrodomèstic no està instal·lat en una superfície anivellada. • L'electrodomèstic toca algun objecte que té al voltant. 	<ul style="list-style-type: none"> • Ajusteu les potes per anivellar l'electrodomèstic. • Traieu els objectes que hi ha al voltant de l'electrodomèstic.
Se sent un lleu so semblant a l'aigua.	<ul style="list-style-type: none"> • Això és normal. 	
El sistema d'il·luminació o de refrigeració interior no funciona.	<ul style="list-style-type: none"> • L'endoll no està connectat a la presa de corrent. • La font d'alimentació no està intacta. • La bombeta led no funciona. 	<ul style="list-style-type: none"> • Connecteu l'endoll a la xarxa elèctrica. • Comproveu el subministrament elèctric de l'estança. Poseu-vos en contacte amb la companyia de la llum local. • Truqueu al servei tècnic perquè canviïn
Els costats de la nevera s'escalfen.	<ul style="list-style-type: none"> • Això és normal. 	<ul style="list-style-type: none"> • -
La porta no tanca correctament.	<ul style="list-style-type: none"> • L'aparell no està anivellat. • La porta està bloquejada. 	<ul style="list-style-type: none"> • Anivelleu l'aparell amb les potes anivelladores. • Comproveu si hi ha bloquejos com ara ampolles o prestatges.

Per posar-vos en contacte amb el servei d'assistència tècnica, visiteu el nostre lloc web:

<https://corporate.haier-europe.com/en/>

A l'apartat "lloc web", trieu la marca del vostre producte i el vostre país. Se us redirigirà al lloc web específic on trobareu el número de telèfon i el formulari per posar-vos en contacte amb l'assistència tècnica.

Fitxa del producte segons el Reglament UE núm. 2019/2016

Marca	Candy
Nom / identificador del model	CNWQ4G84G1
Categoria	Nevera de vins
Classe d'eficiència energètica	G
Consum anual d'energia (kWh/annum) ¹⁾	153
Capacitat de l'ampolla (ampolla de Bordeus de 0,75 L)	84
Classe climàtica: Aquest aparell està pensat per fer-se servir en una temperatura ambient entre 10 °C i 38 °C	NST
Emissions de soroll acústic aeri (db (A) re 1pW)	37
Tipus d'electrodomèstic	Independent
Aquest aparell està pensat per fer-se servir exclusivament per a l'emmagatzematge de vins.	Sí
Dimensions (Am/Pr/Al en mm)	495/585/1263

Explicacions:

1) basat en els resultats de la prova estàndard de 24 hores. El consum d'energia depèn de l'entorn, la quantitat d'ampolles embotellades, la temperatura configurada, si s'obre i es tanca la porta, etc.

2) El consum nominal d'energia és el valor obtingut segons la prova estàndard quan la llum interior de la nevera de vins no s'encén.

- temperada ampliada: "aquest aparell de refrigeració està pensat per fer-se servir a temperatures ambients entre 10 °C i 32 °C";

- temperat: aquest aparell de refrigeració està destinat per fer-se servir a una temperatura ambient de 16 °C a 32 °C;

- subtropical: aquest aparell de refrigeració està destinat per fer-se servir a una temperatura ambient de 16 °C a 38 °C;

- tropical: aquest aparell de refrigeració està pensat per fer-se servir a una temperatura ambient de 16 °C a 43 °C";

Normes i directives **CE**

Aquest producte compleix els requisits de totes les directives CE aplicables, juntament amb les normes harmonitzades corresponents, que permeten el marcatge CE.

Recomanem el nostre Servei d'atenció al client de Haier i l'ús de recanvis originals.

Si teniu cap problema amb el vostre electrodomèstic, consulteu primer l'apartat **RESOLUCIÓ DE PROBLEMES**.

Si no hi trobeu cap solució, poseu-vos en contacte amb

- ▶ el vostre distribuïdor local o
- ▶ el departament d'Atenció al Client a www.haier.com, on podreu trobar números de telèfon i preguntes freqüents, i on podeu activar la sol·licitud de servei.

Per posar-vos en contacte amb el nostre servei, assegureu-vos que disposeu de les dades següents.

Podeu trobar la informació a la placa de característiques.

Model _____ Número de sèrie _____

Si necessiteu dades per a la garantia, consulteu també la targeta de garantia que s'inclou amb el producte.

A continuació, hi ha les nostres adreces a Europa per a consultes comercials generals:

Adreces de Haier a Europa

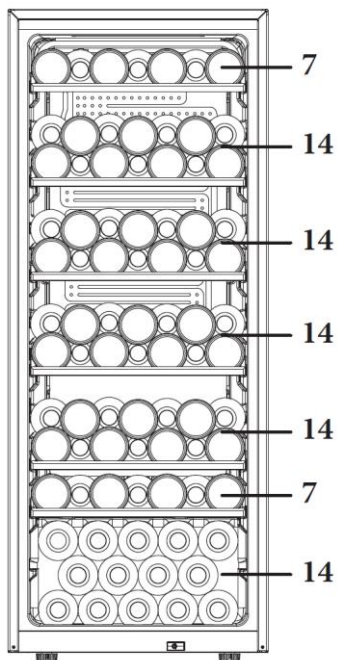
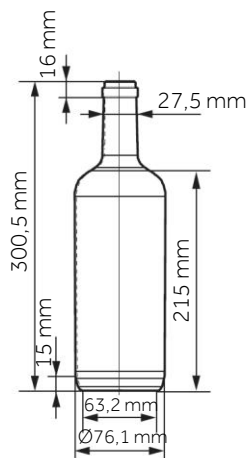
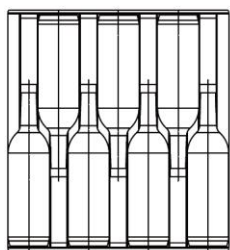
País*	Adreça postal	País*	Adreça postal
Itàlia	Haier Europe Trading SRL Via De Cristoforis, 12 21100 Verese ITALY	França	Haier France SAS 3-5 rue des Gravieres 92200 Neuilly-sur-Seine FRANÇA
Espanya Portugal	Haier Iberia SL Pg. Garcia Faria, 49-51 08019 Barcelona ESPANYA	Bèlgica-FR Bèlgica-PB Països Baixos Luxemburg	Haier Benelux SA Anderlecht Route de Lennik 451 BÈLGICA
Alemanya Austria	Haier Deutschland GmbH Hewlett-Packard-Str. 4 D-61352 Bad Homburg ALEMANYA	Polònia Txèquia Hongria Grècia Romania Rússia	Haier Poland Sp. zo.o. Al. Jerozolimskie 181B 02-222 Varsòvia POLÒNIA
Regne Unit	Haier Appliances UK Co.Ltd. One Crown Square Church Street East Woking, Surrey, GU21 6HR Regne Unit		

DISPONIBILITAT DE RECANVIS: Els termòstats, els sensors de temperatura, les plaques de circuit impreses i les fonts de llum estan disponibles durant un període mínim de set anys després de la comercialització de l'última unitat del model. Els tiradors de la porta, les frontisses, les safates i les cistelles estan disponibles durant un període mínim de set anys, i les juntes de la porta durant un període mínim de 10 anys, després de la comercialització de l'última unitat del model.

La garantia mínima és de: 2 anys per als països de la UE; 3 anys per a Turquia; 1 any per al Regne Unit; 1 any per a Rússia; 3 anys per a Suècia; 2 anys per a Sèrbia; 5 anys per a Noruega; 1 any per al Marroc; 6 mesos per a Algèria; Tunísia, sense garantia legal.

Per a més informació sobre el producte, consulteu <https://eprel.ec.europa.eu/> o escanegeu el codi QR de l'etiqueta energètica que s'inclou amb l'aparell.

1. La disposició de les ampolles es basa en una representació gràfica d'una ampolla estàndard de Bordeus (0,75 L).
2. A causa de les diferents especificacions de les ampolles, la quantitat real de càrrega de les ampolles podria ser diferent.



(84)
CNWQ4G84G1



CANDY