

Haier

User Manual

Refrigerator-Freezer

HFKR5718DNGB

EN

CZ

DE

EL

ES

FR

HU

IT

NL

PL

PT

RO

BG

CA

SK

EN

**WARNING: Risk of fire/flammable material**

EN

The symbol indicates there is a risk of fire since flammable materials are used. Take care to avoid causing a fire by ingiting flammable material.

VAROVÁNÍ: Nebezpečí Požáru/Hořlavého Materiálu

CZ

Symbol označuje riziko požáru, protože byly použity hořlavé materiály. Dbejte na to, aby nedošlo ke vzniku požáru zapálením hořlavého materiálu.

WARNUNG: Brandgefahr/brennbares Material

DE

Das Symbol weist auf Brandgefahr hin, da brennbare Materialien verwendet werden. Verhindern Sie die Entstehung von Bränden, die durch entflammbare Materialien verursacht werden.

ΠΡΟΣΟΧΗ: Κίνδυνος φωτιάς/εύφλεκτο υλικό

EL

Το σύμβολο υποδεικνύει ότι υπάρχει κίνδυνος φωτιάς επειδή χρησιμοποιούνται εύφλεκτα υλικά. Προσέχετε να αποφεύγετε την πρόκληση φωτιάς από ανάφλεξη εύφλεκτου υλικού.

ADVERTENCIA: Riesgo de incendio o material inflamable

ES

El símbolo indica que existe riesgo de incendio, dado que se utilizan materiales inflamables. Se debe procurar evitar incendios mediante la combustión de materiales inflamables.

ATTENTION: Risque d'incendie ou de matières inflammables

FR

Le symbole montre qu'il y'a le risque de matériaux inflammables sont utilisés. Prendre soin d'éviter de provoquer un incendie en ingérant des matières inflammables.

FIGYELEM: Tűz / gyúlékony anyag veszélye

HU

A szimbólum azt jelzi, hogy tűzveszély áll fenn, mivel gyúlékony anyagokat használnak. Ügyeljen arra, hogy ne tegyen rá tűzveszélyes gyúlékony anyagot.

ATTENZIONE: Rischio di incendio/materiale infiammabile

IT

Il simbolo indica il rischio di incendio nel caso di utilizzo di materiali infiammabili. Fare attenzione ed evitare l'insorgere di incendi a causa della combustione di materiali infiammabili.

WAARSCHUWING: Brandrisico / brandbaar materiaal

NL

Het systeem geeft aan dat er een brandrisico bestaat aangezien brandbaar materiaal wordt gebruikt. Zorg ervoor dat er geen brand wordt veroorzaakt door brandbaar materiaal te ontsteken.

OSTRZEŽENIE: Ryzyko pożaru/materiał łatwopalny

PL

Symbol wskazuje, że istnieje ryzyko pożaru, ponieważ używane są materiały łatwopalne. Dbaj o to, aby uniknąć pożaru poprzez zapale nie łatwopalnego materiału.

AVISO: Risco de incêndio e material inflamável

PT

O símbolo indica que existe um risco de incêndio, uma vez que são utilizados materiais inflamáveis. Tenha cuidado para evitar provocar um incêndio acendendo material inflamável.

AVERTISMENT: Risc de incendiu/material inflamabil

RO

Simbolul indică că există risc de incendiu deoarece sunt folosite materiale inflamabile. Aveți grijă și evitați incendiile aprinzând materiale inflamabile.

ПРЕДУПРЕЖДЕНИЕ: Опасност от пожар/запалим материал BG

Символът показва, че съществува опасност от пожар, тъй като се използват запалими материали. Внимавайте да не предизвикате пожар чрез подпалване на запалим материал.

ADVERTÈNCIA: Risc d'incendi o material inflamable CA

Aquest símbol indica que hi ha risc d'incendi, perquè es fan servir materials inflamables. Eviteu provocar un incendi encenent materials inflamables.

VAROVANIE: Riziko požiaru/horľavý materiál SK

Symbol označuje nebezpečenstvo požiaru, pretože sa používajú horľavé materiály. Dávajte pozor, aby ste zabránili vzniku požiaru vznietením horľavého materiálu.

<u>5 Safety information</u>	<u>Before first use</u>	6
	<u>Installation</u>	6
	<u>Daily use</u>	7
<u>10 Intended use</u>		
<u>11 Product description</u>		
<u>12 Control panel</u>		
<u>13 Use</u>	<u>Lock/unlock panel</u>	13
	<u>ECO MODE</u>	14
	<u>Adjust the temperature for fridge</u>	15
	<u>Adjust the temperature for freezer</u>	15
	<u>Magic Zone function</u>	15
	<u>Super Cool function</u>	17
	<u>Super Frz function</u>	18
	<u>Holiday function</u>	18
<u>20 Equipment</u>		
<u>23 Energy saving tips</u>		
<u>24 Care and cleaning</u>		
<u>26 Troubleshooting</u>		
<u>30 Installation</u>		
<u>33 Technical data</u>		
<u>35 Customer service</u>		

Thank you for purchasing a Haier Product.

Please read these instructions carefully before using this appliance. The instructions contain important information which will help you get the best out of the appliance and ensure safe and proper installation, use and maintenance.

Keep this manual in a convenient place so you can always refer to it for the safe and proper use of the appliance.

If you sell the appliance, give it away, or leave it behind when you move house, make sure you also pass this manual so that the new owner can become familiar with the appliance and safety warnings.

Accessories

Check the accessories and literature in accordance with this list:



Energy lable



Warranty card



User manual
"OK" sticker



Quick Guide



WARNING – Important Safety information



NOTICE-General information and tips



Environmental information



Disposal

Help protect the environment and human health. Put the packaging in applicable containers to recycle it. Help to recycle waste of electrical and electronic appliances. Do not dispose appliances marked with this symbol with the household waste. Return the product to your local recycling facility or contact your municipal office.



WARNING!

Risk of injury or suffocation!

Refrigerants and gases must be disposed of professionally. Ensure that the tubing of the refrigerant circuit is not damaged before being properly disposed of. Disconnect the appliance from the mains supply. Cut off the mains cable and dispose of it. Remove the trays and drawers as well as the door catch and seals, to prevent children and pets to get closed in the appliance.

Before switching on the appliance for the first time read the following safety hints!:



WARNING!

Before first use

- ▶ Make sure there is no transport damage.
- ▶ Remove all packaging and keep out of children's reach.
- ▶ Wait at least two hours before installing the appliance in order to ensure the refrigerant circuit is fully efficient.
- ▶ Handle the appliance always with at least two persons because it is heavy.

Installation

- ▶ The appliance should be placed in a well-ventilated place. Ensure a space of at least 10 cm above and around the appliance.
- ▶ Never place the appliance in a damp area or location where it might be splashed with water. Clean and dry water splashes and stains with a soft clean cloth.
- ▶ Do not install the appliance in direct sunlight or in the near of heat sources (e.g. stoves, heaters).
- ▶ Install and level the appliance in an area suitable for its size and use.
- ▶ Keep ventilation openings in the appliance or in the in-built structure clear of obstruction.
- ▶ Make sure that the electrical information on the rating plate agrees with the power supply. If it does not, contact an electrician.
- ▶ The appliance is operated by a 220-240 VAC/50 Hz power supply. Abnormal voltage fluctuation may cause the appliance to fail to start, or damage to the temperature control or compressor, or there may be an abnormal noise when operating. In such case, an automatic regulator shall be mounted.
- ▶ Do not use multi-plug adapters and extension cables.
- ▶ Do not locate multiple portable socket-outlets or portable power supplies at the rear of the appliance.
- ▶ Ensure that the power cable is not trapped by the refrigerator. Do not step on the power cable.



WARNING!

- ▶ Use a separate earthed socket for the power supply which is easy accessible. The appliance must be earthed.
- ▶ Only for UK: The appliance's power cable is fitted with 3-cord (grounding) plug that fits a standard 3-cord (grounded) socket. Never cut off or dismount the third pin (grounding). After the appliance is installed, the plug should be accessible.
- ▶ Do not damage the refrigerant circuit.

Daily use

- ▶ This appliance can be used by children aged from 8 years and above and persons with reduced physical, sensory or mental capabilities or lack of experience and knowledge if they have been given supervision or instruction concerning use of the appliance in a safe way and understand the hazards involved.
- ▶ Children aged from 3 to 8 years are allowed to load and unload, but not allowed to clean or install the refrigerating appliances.
Keep away children under 3 years of age from the appliance unless they are constantly supervised.
- ▶ Children shall not play with the appliance.
- ▶ If cool gas or other inflammable gas is leaking in the vicinity of the appliance, turn off the valve of the leaking gas, open the doors and windows and do not unplug a plug in the power cable of the refrigerator or any other appliance.
- ▶ Notice that the appliance is set for operation at a specific ambient range between 10 and 43°C. The appliance may not work properly if it is left for a long period at a temperature above or below the indicated range.
- ▶ Do not place unstable articles (heavy objects, containers filled with water) on top of the refrigerator, to avoid personal injury caused by falling or electric shock caused by contact with water.
- ▶ Do not pull on the door shelves. The door may be pulled slant, the bottle rack, may be pulled away, or the appliance may topple.
- ▶ Open and close the doors only with the handles. The gap between the doors and between the doors and the cabinet is very narrow. Do not extend your hands in these areas to avoid pinching your fingers. Open or close the refrigerator doors only when there are no children standing within the range of door movement.

**WARNING!**

- ▶ Do not store or use inflammable, explosive or corrosive materials in the appliance or in the vicinity.
 - ▶ Do not store medicines, bacteria or chemical agents in the appliance. This appliance is a household appliance. It is not recommended to store materials that require strict temperatures.
 - ▶ Never store liquids in bottles or cans (besides high percentage spirits) especially carbonated beverages in the freezer, as these will burst during freezing.
 - ▶ Check the condition of food if a warming in the freezer has taken place. Do not set unnecessarily low temperature in the refrigerator compartment. Minus temperatures may occur at high settings. Attention: Bottles can burst
 - ▶ Do not touch frozen goods with wet hands (wear gloves). Especially do not eat ice lollies immediately after removal from the freezer compartment. There is the risk to freeze or the formation of frost blisters. FIRST aid: keep immediately under running cold water. Do not pull away!
 - ▶ Do not touch the inside surface of the freezer storage compartment when in operation, especially with wet hands, as your hands may freeze onto the surface.
 - ▶ Unplug the appliance in the event of a power interruption or before cleaning. Allow at least 7 minutes before restarting the appliance, as frequent starting may damage the compressor.
 - ▶ Do not use electrical devices inside the food storage compartments of the appliance, unless they are of the type recommended by the manufacturer.
- Maintenance / cleaning
- ▶ Make sure children are supervised if they carry out cleaning and maintenance.
 - ▶ Disconnect the appliance from the electrical supply before undertaking any routine maintenance. Allow at least 7 minutes before restarting the appliance, as frequent starting may damage the compressor.



WARNING!

- ▶ Hold the plug, not the cable, when unplugging the appliance.
- ▶ Do not clean the appliance with hard brushes, wire brushes, detergent powder, petrol, amyl acetate, acetone and similar organic solutions, acid or alkaline solutions. Please clean with special refrigerator detergent to avoid damage.
- ▶ Do not scrape off frost and ice with sharp objects. Do not use sprays, electric heaters like heater, hair dryer, steam cleaners or other sources of heat in order to avoid damage to the plastic parts.
- ▶ Do not use mechanical devices or other means to accelerate the defrosting process, other than those recommended by the manufacturer.
If the supply cord is damaged, it must be replaced by the manufacturer, its service agent or similarly qualified persons in order to avoid a hazard.
- ▶ Do not try to repair, disassemble or modify the appliance by yourself. In case of repair please contact our customer service.
- ▶ Eliminate the dust on the back of the unit at least once in the year to avoid hazard by fire, as well as increased energy consumption.
- ▶ Do not spray or flush the appliance during cleaning.
- ▶ Do not use water spray or steam to clean the appliance.
- ▶ Do not clean the cold glass shelves with hot water. Sudden temperature change may cause the glass to break.

Refrigerant gas information



WARNING!

The appliance contains the flammable refrigerant ISOBUTANE (R600a). Make sure the refrigerant circuit is not damaged during transportation or installation. Leaking refrigerant may cause eye injuries or ignite. If a damage has occurred, keep away open fire sources, thoroughly ventilate the room, do not plug or unplug the power cords of the appliance or any other appliance. Inform the customer service.

In case of eyes get into contact with the refrigerant, rinse immediately it under running water and call immediately the eye specialist.

Intended use

This appliance is intended for cooling and freezing food. It has been designed exclusively for use in household and similar applications such as staff kitchen areas in shops, offices and other working environments; farm houses and by clients in hotels, motels and other residential type environments as well as in bed-and-breakfast and catering business. It is not intended for commercial or industrial use.

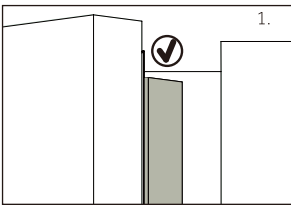
Changes or modifications to the device are not allowed. Unintended use may cause hazards and loss of warranty claims.

Standards and directives

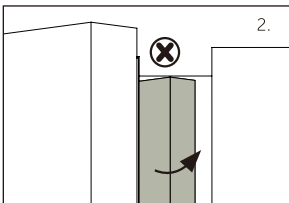
This product meets the requirements of all applicable EC directives with the corresponding harmonised standards, which provide for CE marking.



CAUTION!



When you close the door, the vertical door strip on the left door should be bent inside (1).

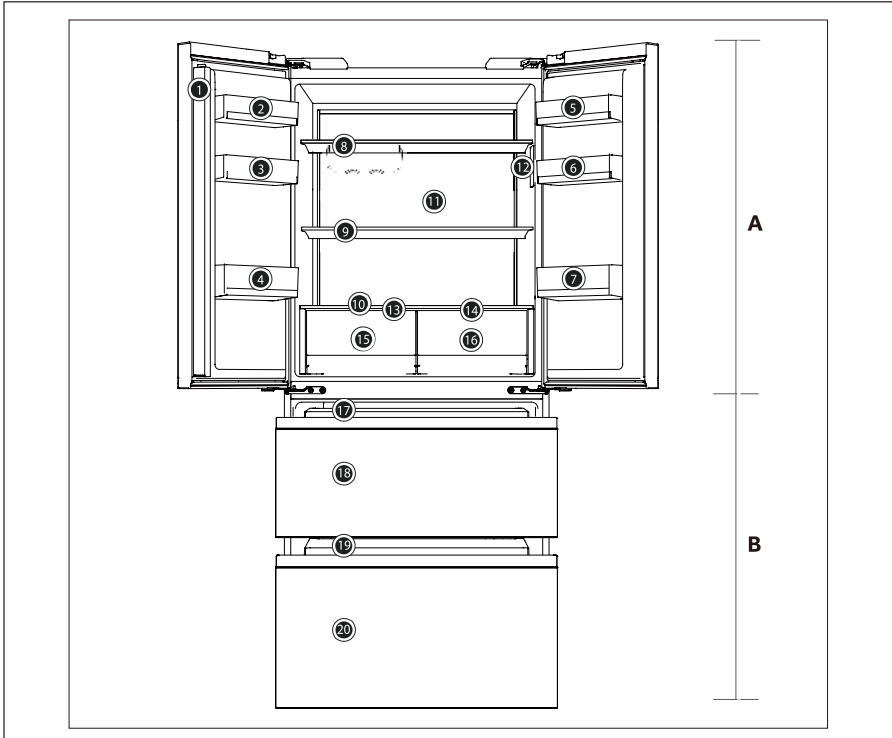


If you try to close the left door and the vertical door strip is unbent (2), you should bend it firstly, otherwise the door strip will hit the fixing shaft or right door. Thus a damage to the door slip or a leak will occur.

There is a heating thread inside the frame. The temperature of the surface will rise a little, which is normal and won't affect the function of appliance.

i NOTICE

Due to technical changes and different models, some of the illustrations in this manual may differ from your model.



A: Fridge compartment

- 1 Door beam
- 2 Bottle holder(upper left)
- 3 Bottle holder(middle left)
- 4 Bottle holder(lower left)
- 5 Bottle holder(upper right)
- 6 Bottle holder(middle right)
- 7 Bottle holder(lower right)
- 8 Glass shelf
- 9 Glass shelf
- 10 Drawer cover shelf
- 11 Back lamp
- 12 Display Panel
- 13 Activefresh drawer cover

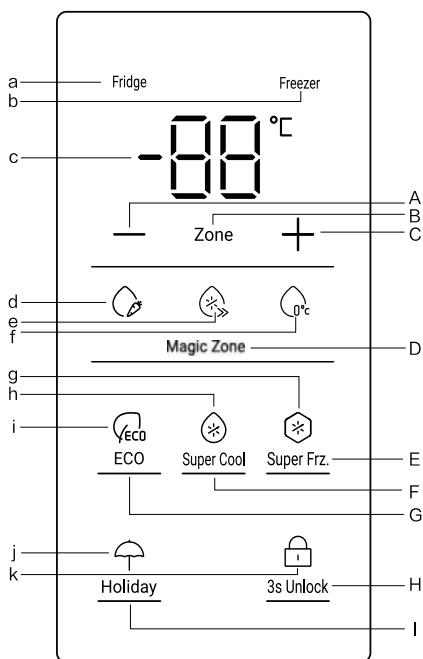
14 Magic drawer cover

- 15 Activefresh drawer
- 16 Magic drawer

B: Freezer compartment

- 17 Sliding tray
- 18 Upper freezer drawer
- 19 Sliding tray
- 20 Lower freezer drawer

Control panel



Buttons:

- A Temperature reduction button
- B Fridge & Freezer temperature mode switchover
- C Temperature rise button
- D Magic zone mode switchover
- E Super Frz. function selector
- F Super Cool function selector
- G ECO function selector
- H Display Panel lock/unlock
- I Holiday function selector

Indicators:

- a Fridge indicator
- b Freezer indicator
- c Temperature fridge & freezer compartment
- d Fruit&Veg. function
- e Cool Drink function
- f 0°C Fresh function
- g Super Frz. function
- h Super Cool function
- i ECO function
- j Holiday function
- k Display Panel lock/unlock function

Before first use

- ▶ Remove all packaging materials, keep them out of children`s reach and dispose them in an environmentally friendly manner.
- ▶ Clean the inside and outside of the appliance with water and a mild detergent before putting any food in it.
- ▶ After the appliance has been levelled and cleaned, wait for at least 2-5 hours before connecting it to the power supply. See Section INSTALLATION.
- ▶ Precool the compartments at high settings before loading with food. The function Super Frz. helps to cool down the compartments quickly.
- ▶ The refrigerator temperature and freezer temperature are automatically set to 5° C and -18° C respectively. These are the recommended settings. If desired, you can change these temperatures manually. Please see MANUAL ADJUSTING MODE.

Sensor keys

The buttons on the control panel are sensor keys, which already when lightly touched with the finger.

Switch on /of the appliance

The appliance is in operation as soon as it is connected to the power supply.

When the refrigerator is first powered on, the indicator "c" (Temperature display) illuminates. The fridge temperature and freezer temperature are automatically set to 5°C and -18°C respectively. The indicator "d" (Fruit&Veg.) illuminates.

The display panel will immediately turn off after closing the door

NOTICE

1. The appliance is preset to the recommended temperature of 5°C (refrigerator) and -18°C (freezer). Under normal ambient condition you need not to set a temperature.
2. The presetting function for the Magic Zone drawer is Fruit&Veg.
3. When the appliance is switched on after disconnection from the main power supply, it may take up to 12 hours for the correct temperatures to be reached.

Empty the appliance before switching off. To switch off the appliance, pull the power cord out of the power socket.

Lock/unlock panel

Automatic lock: When the fridge door and freezer door are closed, the display screen will be automatically extinguished and locked.

Manual unlock: When the display screen is locked, press the button "H" (3s Unlock) and hold for 3 seconds, the buzzer rings once, the indicator "k" (Panel lock) goes off, and the display is unlocked.



Manual lock: When the display screen is unlocked, press the button "H" (3s Unlock) and hold for 3 seconds, the buzzer rings once, the indicator "k" (Panel lock) illuminates, and the display is locked.



NOTICE

The display panel is locked every time the door is opened. For any settings the control panel must be unlocked.

Door opening alarm

When one of the refrigerator doors is opened for more than 3 minutes, the door opening alarm will sound. The alarm can be silenced by closing the door. If the door is left open for more than 7 minutes, the light inside the refrigerator and control panel illumination will automatically switch off.

Select the working mode

You may need to select one of the following two ways to set the appliance.

NOTICE: Influences on temperatures

The indoor temperatures are influenced by the following factors

1. Ambient temperature.
2. Frequency of door opening.
3. Amount of stored foods.
4. installation of the appliance.

ECO MODE

If you do not have any special requirements, we recommend that you use ECO mode. In the mode, the appliance can automatically adjust the temperature setting according to the ambient temperature and temperature change in the appliance.

1. When the display screen is unlocked, press the button "G" (ECO function selector), the buzzer rings once, the indicator "i" (ECO function) illuminates, and then the ECO function will be turned on.
2. When the indicator "i" (ECO function) illuminates, press the button "G" (ECO function selector), the buzzer rings once, the indicator "i" (ECO function) goes off, and then the ECO function will be turned off.





NOTICE

In ECO function, the fridge or freeze temperature cannot be adjusted. If either button "+" or "-" is pressed to adjust the temperature of fridge or freezer, the indicator "i" (ECO function) will flash with a prompt sound to indicate that this operation cannot be carried out. In ECO function, due to different control methods, if the Super Cool, Super Frz. or Holiday function is set, the indicator "i" (ECO function) will go off. In ECO function, the function of Magic Zone can be manually adjusted according to the needs.

Adjust the temperature for fridge

When the display screen is unlocked, press the button "B" (Zone selector), select the "fridge", the indicator "a" (Fridge indicator) illuminates, and then here comes the temperature setting mode of the fridge.

Press the button "+" or "-". Every time you press the "+" or "-" buttons, the value of the refrigerated setting gear is increased by 1 or decreased by 1. The fridge temperature will display in the sequence of "9°C <-> 8°C <-> 7°C <-> 6°C <-> 5°C <-> 4°C <-> 3°C <-> 2°C <-> 1°C".



NOTICE

After setting the temperature, if there is no operation within 5 seconds, the system will be automatically determined and save the set temperature.

Adjust the temperature for freezer

When the display screen is unlocked, press the button "B" (Zone selector), select the "freezer", the indicator "b" (Freezer indicator) illuminates, and then here comes the temperature setting mode of the freezer.

Press the button "+" or "-". Every time you press the "+" or "-" buttons, the value of the refrigerated setting gear is increased by 1 or decreased by 1. The fridge tem

perature will display in the sequence of "-14°C <-> -15°C <-> -16°C <-> -17°C <-> -18°C <-> -19°C <-> -20°C <-> -21°C <-> -22°C <-> -23°C <-> -24°C".



NOTICE

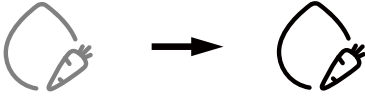
After setting the temperature, if there is no operation within 5 seconds, the system will be automatically determined and save the set temperature.

Magic Zone function

1. Fruit&Veg. function:

When the display screen is unlocked, press the button "D" (Magic Zone selector) to turn on the function, Fruit&Veg. icon lights up.

This function is suitable to store fresh fruits and vegetables.



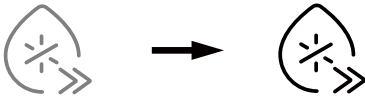
i NOTICE

Cold-sensitive fruits like pineapple, avocado, bananas, grapefruits and vegetables such as potatoes, aubergines, beans, cucumbers, zucchini and tomatoes and cheese should not be stored in the Magic Zone drawer.

2. Cool Drink function:

When the display screen is unlocked, press the button "D" (Magic Zone selector) to turn on the function. Cool Drink lights up.

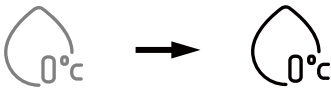
This function allows to store products such as water, coke and juice. The temperature in Magic Zone compartment is set to +2 °C .



3. 0° Fresh function:

When the display screen is unlocked, press the button "D" (Magic Zone selector) to turn on the function. 0 °C Fresh lights up.

This function sets the temperature in the Magic Zone drawer to 0 °C . Suitable to store fresh food such as meat or fish. Most foods stay fresh at 0 °C .



i NOTICE

Due to different water contents of meat. Some meat with more moisture will be frozen at temperatures lower than 0 °C . So "immediately cut" meat should be stored in Magic Zone drawer, with temperatures min. 0 °C .

i NOTICE: Magic Zone drawer

1. The three functions of the Magic Zone cannot be opened at the same time, only one can be illuminated.
2. To reduce the refrigerator compartment temperature use the Cool Drink function. To increase it, use the Fruit&Veg. function.

Super Cool function

1. When the display screen is unlocked, press the button "F" (Super Cool selector), the buzzer rings once, the indicator "h" (Super Cool function) illuminates, and then the Super Cool function will be turned on.
2. When the indicator "h" (Super Cool function) illuminates, press the button "F" (Super Cool selector), the buzzer rings once, the indicator "h" (Super Cool function) goes off, and then the Super Cool function will be turned off.
3. After the Super Cool function is turned on, the refrigerator will automatically turn off the function when it has lasted for about 4 hours. If you want to exit manually, you can press the button "G" (Super Cool selector) to turn it off.



i NOTICE

1. Under Super Cool state, the fridge temperature cannot be adjusted. If either button "+" or "-" is pressed to adjust the temperature of the fridge, the indicator "h" (Super Cool function) will flash with a prompt sound to indicate that this operation cannot be carried out.
2. In the state of Super Cool function, the ECO function and Holiday function cannot be turned on at the same time due to different control modes. When you choose one function that conflicts with another function, the original function will automatically exit.

Super Frz function

1. When the display screen is unlocked, press the button "E" (Super Freeze selector), the buzzer rings once, the indicator "g" (Super Freeze function) illuminates, and then the Super Freeze function will be turned on.
2. When the indicator "g" (Super Freeze function) illuminates, press the button "E" (Super Freeze selector), the buzzer rings once, the indicator "g" (Super Freeze function) goes off, and then the Super Freeze function will be turned off.
3. After the Super Freeze function is turned on, the refrigerator will automatically turn off the function when it has lasted for about 50 hours. If you want to exit manually, you can press the button "E" (Super Freeze selector) to turn it off.



NOTICE

1. Under Super Freeze state, the freezer temperature cannot be adjusted. If either button "+" or "-" is pressed to adjust the temperature of freezer, the indicator "g" (Super Freeze function) will flash with a prompt sound to indicate that this operation cannot be carried out.
2. In the state of Super Freeze function, the ECO function cannot be turned on at the same time due to different control modes. When you choose one function that conflicts with another function, the original function will automatically exit.
3. Super Freeze function is designed to keep nutrition value of frozen food, it will be freeze food in the shortest time. If large quantities of frozen food are to be frozen at one time. Meanwhile, Super Freeze function should be set 24h in advance, to make the freezer low temperature and put food in. At this time, the freezing speed of the freezer is improved, food can be frozen quickly, the nutrition of food is effectively kept, and the storage becomes quite convenient.

Holiday function

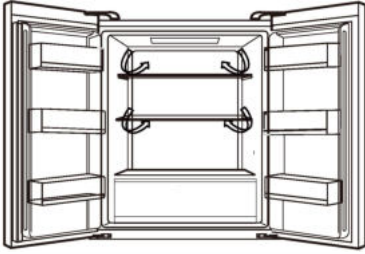
Holiday function is designed for not using the fridge for a long time. When the Holiday function is turned on, the freezer is under normal control, and the temperature of fridge is automatically set to be 17°C. The actual temperature is not higher than 17°C, which prevents peculiar smell caused by overtemperature, and helps reduce energy consumption at the same time.

1. When the display screen is unlocked, press the button "I" (Holiday function selector), the buzzer rings once, the indicator "j" (Holiday function) illuminates, and then the Holiday function will be turned on.
2. When the indicator "j" (Holiday function) illuminates, press the button "I" (Holiday function selector), the buzzer rings once, the indicator "j" (Holiday function) goes off, and then the Holiday function will be turned off.



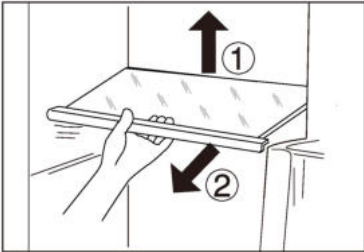
NOTICE

1. Under Holiday function, the fridge temperature cannot be adjusted. If either button "+" or "-" is pressed to adjust the temperature of fridge, the indicator "j" (Holiday function) will flash with a prompt sound to indicate that this operation cannot be carried out.
2. Before using the Holiday function, please empty the fridge to prevent food goes bad in it. When the Holiday function is turned on, either ECO function or Super Cool function cannot be turned on at the same time.
3. In Holiday function, the setting of "Fruit&Veg, Cool Drink, 0°Fresh" icons in Magic zone will be switched off and the function of Magic zone cannot be adjusted. The fridge compartment Magic zone will display in the previous setting once exiting the Holiday function.



Multi-air-flow

1. The refrigerator is equipped with a multi-air-flow system, with which cool air flows are located on every shelf level. This helps to maintain a uniform temperature to ensure that your food is kept fresher for longer.



Adjustable shelves

1. The height of the shelves can be adjusted to fit your storage needs.
2. To relocate a shelf, remove it first by uplifting its hind edge ① and pulling it out ②.
3. To reinstall it, put it on the lugs on both sides and push it to the most rearward position until the rear of the shelf is fixed inside the slots in the sides

Magic Zone drawer

In this compartment the humidity level is lower than fridge compartment. This drawer is suitable to store dry fruit and other dry food with low water content like butter, fats and oil or chocolate.

MAGICZONE |

ACTIVEFRESHZONE drawer

In this compartment the humidity level is higher than fridge compartment. It is controlled automatically by the system and is suitable to store fruits, vegetables, salads etc.

ACTIVEFRESHZONE |

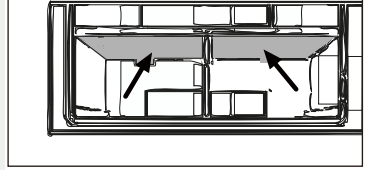


NOTICE:

Cold-sensitive fruits like pineapple, avocado, bananas, grapefruits and vegetables such as potatoes, aubergines, beans, cucumbers, zucchini and tomatoes and cheese should not be stored in the Fresh box.

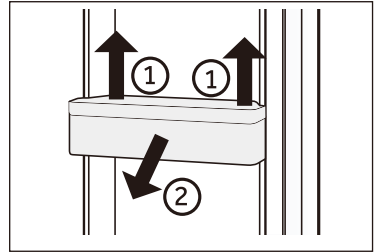
i NOTICE

1. Do not remove the plastic cover inside the two zones.
2. They maintain the humidity.
3. Cold-sensitive fruits like pineapple, avocado, bananas,
4. grapefruits are not recommended to be stored in these two drawers.



Removable door racks/bottle holder

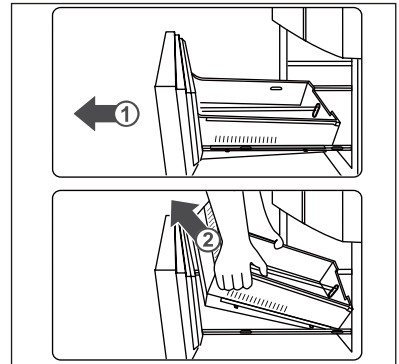
1. The door racks can be removed for cleaning:
2. Place hands on each side of the rack, lift it upwards ① and pull it out ②.
3. In order to insert the door rack, the above steps are carried out in reverse order.



Removable upper freezer drawer

1. Pull out to the upper freezer drawer to the maximum extent
2. Lift the drawer until it is separated from the support block. push it into the freezer and tilt it to take out.

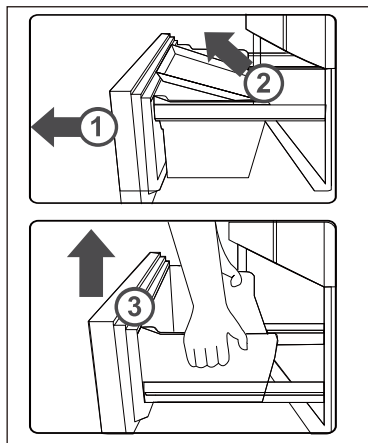
In order to insert the drawer, the above steps are carried out in reverse order.



Removable lower freezer drawer

1. Pull out to the lower freezer drawer to the maximum extent
2. Pull out the freezing tray to stop position, lift and remove.
3. Lift the drawer until it is separated from the support block. push it into the freezer and tilt it to take out.

In order to insert the drawer, the above steps are carried out in reverse order.



The Light

The LED interior light comes on when the door is opened. The performance of the lights is not affected by any of the appliances other settings.



Energy saving tips

- ▶ Make sure the appliance is properly ventilated (see INSTALLATION).
- ▶ Do not install the appliance in direct sunlight or in the near of heat sources (e.g. stoves, heaters).
- ▶ Avoid unnecessarily low temperature in the appliance. The energy consumption increases the lower the temperature in the appliance is set.
Functions like POWER- FREEZE consume more energy.
- ▶ Allow warm food to cool down before placing it in the appliance.
- ▶ Open the appliance door as little and as briefly as possible.
- ▶ Do not overfill the appliance to avoid obstructing the air flow.
- ▶ Avoid air within the food packaging.
- ▶ Keep door seals clean so that the door always closes correctly.
- ▶ Defreeze frozen food in the fridge storage compartment.
- ▶ The most energy-saving configuration requires the appliance keep drawers, food box and shelves on factory-fresh condition, and food should be placed as far as possible without blocking the air outlet of the duct.



WARNING!

Disconnect the appliance from the power supply before cleaning.

Cleaning

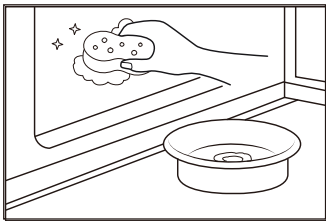
Clean the appliance when only little or no food is stored.

The appliance should be cleaned every four weeks for good maintenance and to prevent bad stored food odors.



WARNING!

- ▶ Do not clean the appliance with hard brushes, wire brushes, detergent powder, petrol, amyl acetate, acetone and similar organic solutions, acid or alkaline solutions. Please clean with special refrigerator detergent to avoid damage.
- ▶ Do not spray or flush the appliance during cleaning.
- ▶ Do not use water spray or steam to clean the appliance.
- ▶ Do not clean the cold glass shelves with hot water. Sudden temperature change may cause the glass to break.
- ▶ Do not touch the inside surface of the freezer storage compartment, especially with wet hands, as your hands may freeze onto the surface.
- ▶ In case of heating check the condition of frozen goods.



- ▶ Always keep the door gasket clean.
- ▶ Clean the inside and housing of the appliance with a sponge dampened in warm water and neutral detergent.
 1. Please scrub the interior and exterior of the refrigerator, including door sealing, door rack, glass shelves, boxes and so on, with a soft towel or sponge dipped in warm water (you may add neutral detergent into the warm water).
 2. If there is liquid spilled, remove all the contaminated parts, directly rinse with the flow water, dry and place it back into the fridge.
 3. If there is spilled cream (such as the cream, melting ice cream), please remove all the contaminated parts, put into the warm water with about 40 °C for some time, then rinse with the flow water, dry and place it back into the fridge.
 4. In case some small part or component gets stuck inside of the fridge (between shelves or drawers), use small soft brush to release it. If you could not reach the part, please contact Haier service.
- ▶ Rinse and dry with soft cloth.
- ▶ Do not clean any of the parts of the appliance in a dishwasher.
- ▶ Allow at least 7 minutes before restarting the appliance as frequent starting may damage the compressor.

Defrosting

The defrosting of the refrigerator and the freezer compartment are done automatically; no manual operation is needed.

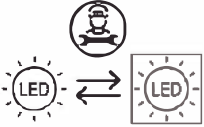
Replacing the LED-lamps



WARNING!

Do not replace the LED lamp yourself, it must only be replaced by either the manufacturer or the authorised service agent.

The lamps adopts LED as its light source, featuring low energy consumption and long service life. If there is any abnormality, please contact the customer service. See CUSTOMER SERVICE.



Replaceable (LED only) light source by a professional.

This product contains a light source of energy efficiency class G.

Compartment	Voltage	Energy efficiency class	Model
Fridge back lamp	12V	G	HFKR5718DNGB

Non-use for a longer period

If the appliance is not used for an extended period of time, and you will not use the Holiday-function for the refrigerator:

- ▶ Take out the food.
- ▶ Unplug the power cord.
- ▶ Clean the appliance as described above.
- ▶ Keep the doors open to prevent the creation of bad odours inside.



NOTICE

Turn the appliance off only if strictly necessary.

Moving the appliance

1. Remove all food and unplug the appliance.
2. Secure shelves and other moveable parts in the fridge and the freezer with adhesive tape.
3. Do not tilt the refrigerator more than 45° to avoid damaging the refrigerating system.



WARNING!

- ▶ Do not lift the appliance by its handles.
- ▶ Never place the appliance horizontally on the ground.

Many occurring problems could be solved by yourself without specific expertise. In case of a problem please check all shown possibilities and follow below instructions before you contact an after sales service. See CUSTOMER SERVICE.



WARNING!

- ▶ Before maintenance, deactivate the appliance and disconnect the mains plug from the mains socket.
- ▶ Electrical equipment should be serviced only by qualified electrical experts, because improper repairs can cause considerable consequential damages.
- ▶ A damaged supply should only be replaced by the manufacturer, its service agent or similarly qualified persons in order to avoid a hazard.

Problem	Possible Cause	Possible Solution
The compressor does not work.	<ul style="list-style-type: none"> • Mains plug is not connected in the mains socket. • The appliance is in the defrosting cycle 	<ul style="list-style-type: none"> • Connect the mains plug. • This is normal for an automatic defrosting
The appliance runs frequently or runs for a too long period of time.	<ul style="list-style-type: none"> • The indoor or outdoor temperature is too high. • The appliance has been off power for a period of time. • A door of the appliance is not tightly closed. • The door has been opened too frequently or for too long. • The temperature setting for the freezer compartment is too low. • The door gasket is dirty, worn, cracked or mismatched. • The required air circulation is not guaranteed. 	<ul style="list-style-type: none"> • In this case, it is normal for the appliance to run longer. • Normally, it takes 8 to 12 hours for the appliance to cool down completely. • Close the door/drawer and ensure the appliance is located on a level ground and there is no food or container jarring the door. • Do not open the door/drawer too frequently. • Set the temperature higher until a satisfactory refrigerator temperature is obtained. It takes 24 hours for the refrigerator temperature to become stable. • Clean the door/drawer gasket or replace them by the customer service. • Ensure adequate ventilation.
The inside of the refrigerator is dirty and/or smells.	<ul style="list-style-type: none"> • The inside of the refrigerator needs cleaning. • Food of strong odour is stored in the refrigerator. 	<ul style="list-style-type: none"> • Clean the inside of the refrigerator. • Wrap the food thoroughly..

Problem	Possible Cause	Possible Solution
<p>It is not cold enough inside the appliance.</p>	<ul style="list-style-type: none"> • The temperature is set too high. • Too warm goods has been stored. • Too much food has been stored at one time. • The goods are too close to each other. • A door/drawer of the appliance is not tightly closed. • The door/drawer has been opened too frequently or for too long. 	<ul style="list-style-type: none"> • Reset the temperature. • Always cool down goods before storing them. • Always store small quantities of food. • Leave a gap between several foods allowing air flowing. • Close the door/drawer. • Do not open the door/drawer too frequently.
<p>It is too cold inside the appliance.</p>	<ul style="list-style-type: none"> • The temperature is set too low. • The Super Frz/Super Cool-function is activated or is running too long. 	<ul style="list-style-type: none"> • Reset the temperature. • Switch off the Super Frz/Super Cool function
<p>Moisture formation on the inside of the refrigerator compartment.</p>	<ul style="list-style-type: none"> • The climate is too warm and toodamp. • A door/drawer of the appliance is not tightly closed. • The door/drawer has been opened too frequently or for too long. • Food containers or liquids are left open. 	<ul style="list-style-type: none"> • Increase the temperature. • Close the door/drawer. • Do not open the door/drawer too frequently. • Let hot foods cool to room temperature and cover foods and liquids.
<p>Moisture accumulates on the refrigerators outside surface or between the doors/door and drawer.</p>	<ul style="list-style-type: none"> • The climate is too warm and too damp. • The door is not closed tightly. The cold air in the appliance and the warm air outside it condensates. 	<ul style="list-style-type: none"> • This is normal in damp climate and will change when the humidity decreases. • Ensure that he door/drawer is tightly shut.

Problem	Possible Cause	Possible Solution
Strong ice and frost in the freezer compartment.	<ul style="list-style-type: none"> • The goods were not adequately packaged . • A door/drawer of the appliance is not tightly closed. • The door/drawer has been opened too frequently or for too long. • The door/drawer gasket is dirty, worn, cracked or mismatched. • Something on the inside prevents the door/drawer to close properly. 	<ul style="list-style-type: none"> • Always pack the goods well. • Close the door/drawer. • Do not open the door/drawer too frequently. • Clean the door/drawer gasket or replace them by new ones. • Reposition the shelves, door racks, or internal containers to allow the door/drawer to close.
The sides of the cabinet and door strip get warm.	<ul style="list-style-type: none"> • - 	<ul style="list-style-type: none"> • This is normal.
The appliance makes abnormal sounds.	<ul style="list-style-type: none"> • The appliance is not located on level ground. • The appliance touches some object around it. 	<ul style="list-style-type: none"> • Adjust the feet to level the appliance. • Remove objects around the appliance.
A slight sound is to be heard similar to that of flowing water.	<ul style="list-style-type: none"> • - 	<ul style="list-style-type: none"> • This is normal.
You will hear an alarm beep.	<ul style="list-style-type: none"> • The fridge storage compartment door is open. 	<ul style="list-style-type: none"> • Close the door.
You will hear a faint hum.	<ul style="list-style-type: none"> • The anti-condensation system is working 	<ul style="list-style-type: none"> • This prevents condensation and is normal
The interior lighting or cooling system does not work.	<ul style="list-style-type: none"> • Mains plug is not connected in the mains socket. • The power supply is not intact. • The LED-lamp is out of order. 	<ul style="list-style-type: none"> • Connect the mains plug. • Check the electrical supply to the room. Call the local electricity company! • Please call the service for changing the lamp.

To contact the technical assistance, visit our website: <https://corporate.haier-europe.com/en/>

Under the section "website", choose the brand of your product and your country. You will be redirected to the specific website where you can find the telephone number and form to contact the technical assistance.

Power interruption

In the event of a power cut, food should remain safely cold for about 5 hours. Follow these tips during a prolonged power interruption, especially in summer:

- ▶ Open the door/drawer as few times as possible.
- ▶ Do not put additional food into the appliance during a power interruption.
- ▶ If prior notice of a power interruption is given and the interruption duration is longer than 5 hours, make some ice and put it in a container in the top of the refrigerator compartment.
- ▶ An inspection of the goods is required immediately after the interruption.
- ▶ As temperature in the refrigerator will rise during a power interruption or other failure, the storage period and edible quality of food will be reduced. Any food that defrosts should be either consumed, or cooked and refrozen (where suitable) soon afterwards in order to prevent health risks.

Memory function during power interruption

After restoration of power the appliance continues with the settings that were set before the power failure.

Unpacking



WARNING!

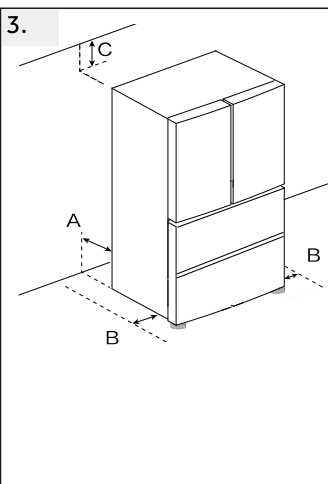
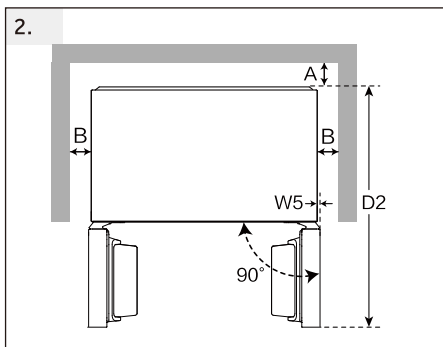
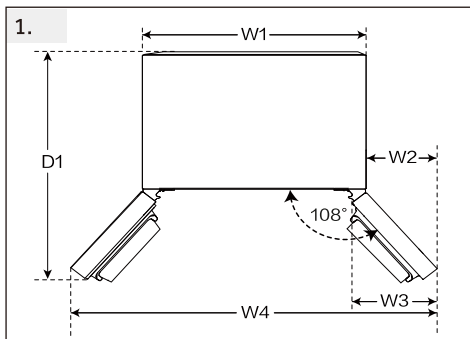
- ▶ The appliance is heavy. Always handle with at least two persons.
- ▶ Keep all packaging materials out of children's reach and dispose them in an environmentally friendly manner.
- ▶ Take the appliance out of the packaging.
- ▶ Remove all packaging materials.

Environmental conditions

The room temperature should always be between 10° C and 43° C, since it can influence the temperature inside the appliance and its energy consumption. Do not install the appliance near other heat-emitting appliances (ovens, refrigerators) without isolation.

Space recommendation

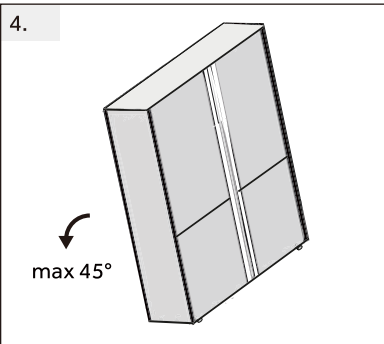
Recommended space when door is opened (Fig. 1.2.)



(Unit : mm)	HFKR5718DNGB	
Width	W1	700
	W2	115
	W3	368
	W4	930
	W5	0
	W	700
	D1	910
	D2	918
	D	594
Distance to back wall	A	6
Distance to lateral walls	B	4
Distance to ceiling	C	9
Overall Height	H	1850

Ventilaton cross-section

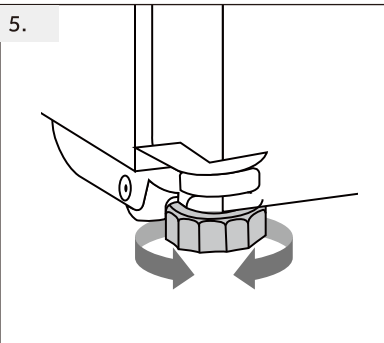
To achieve sufficient ventilation of the appliance for safety reasons, the information of the required ventilation cross sections must be observed.



Aligning the appliance (Fig.4.5.6.)

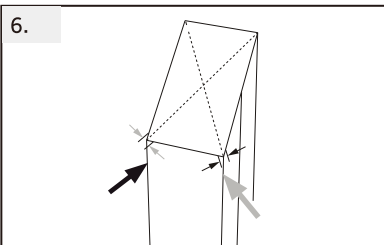
The appliance should be placed on a flat and solid surface.

4. Tilt the refrigerator slightly backwards.



5. Set the feet to the desired level.

Make sure the distance to the wall on the hinge side is at least 100 mm for the door to open properly.

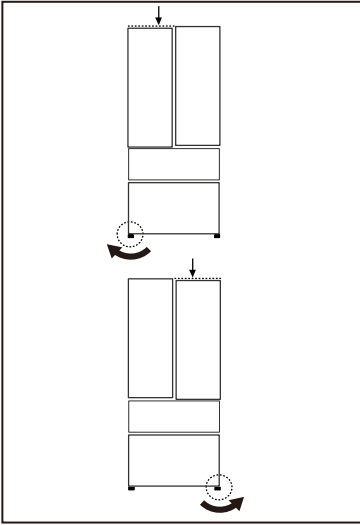


6. The stability can be checked by alternately bumping on the diagonals. The slightly swaying should be the same in both directions. Otherwise the frame can warp; possible leaking door seals are the result. A low tendency to the rear facilitates the closing of the doors.



NOTICE

For a free standing appliance: this refrigerating appliance is not intended to be used as a built-in appliance

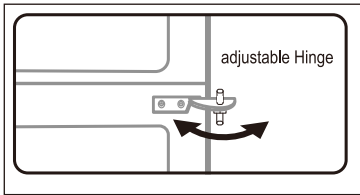


Fine tuning of the doors

If the doors are not in one level, this mismatch can be remedied by following:

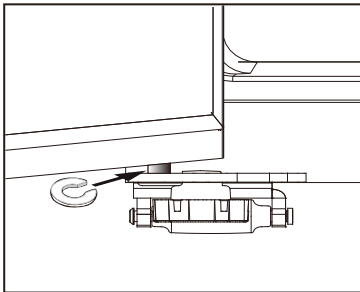
Using adjustable foot

Rotate the adjustable foot according to the direction of arrow to turn up or down the foot.



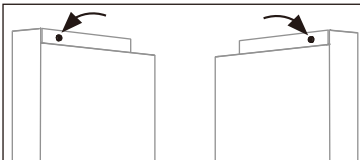
Door position adjustment

- ☒ When the two doors are not at the same height, adjustable hinges can be fine-tuned with the accompanying wrench to level the two doors. Please do not install it brutally to prevent scratches or bumps on the door trim.



Using spacers

- ☒ Open the freeze door and lift it.
- ☒ Carefully clip the spacer (enclosed in the accessory bag) in the axle of the lower hinge by hand or using tools like pliers. Do not scratch or bruise the door.



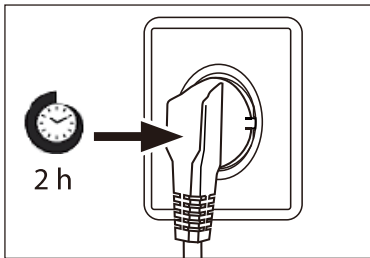
Using adjustment knob

- ☒ If the door of Refrigerator Compartment isn't level, you can rotate the adjustable knob on the upper part of the door to make fine adjustments.



NOTICE

In the future use of refrigerator, doors uneven phenomenon may occur to the weight of stored food. Then please adjust according to the above methods.



Waiting time

To the maintenance-free lubrication oil is located in the capsule of the compressor. This oil can get through the closed pipe system during slanting transport. Before connecting the appliance to the power supply you have to wait at least 2 hours so that the oil runs back into the capsule.

Electrical connection

Before each connection check if:

- ▶ power supply, socket and fusing are appropriate to the rating plate.
- ▶ the power socket is earthed and no multi-plug or extension.
- ▶ the power plug and socket are strictly according.


Connect the plug to a properly installed household socket.



WARNING!

To avoid risks a damaged power cord must be replaced by the customer service (see warranty card).

Product fiche according to regulation EU No. 2019/2016

Brand	Haier
Model name / identifier	HFKR5718DNGB
Category of the model	Refrigerator-freezer
Energy efficiency class	D
Annual energy consumption(kWh/year)(1)	226
Total volume(L)	402
Volume refrigerator(L)	227
Volume freezer(L)	147
Volume Chill(L)	28
Star rating	
Frost-free system	Yes
Freezing capacity(kg/24h)	10.0
Climate rating(2)	SN-N-ST-T
Noise emission class and airborne acoustical noise emissions(db(A) re 1pW)	B (35)
Temperature rise time (h)	8
Type of appliance	freestanding

Explanations:

- Yes, featured

(1) Based on the results of the standards conformance test over 24 hours. The actual consumption depends on the use and the location of the appliance.

(2) Climate rating SN: This appliance is intended for use in an ambient temperature of between + 10°C and +32°C

Climate rating N: This appliance is intended for use in an ambient temperature of between + 16°C and +32°C

Climate rating ST: This appliance is intended for use in an ambient temperature of between + 16°C and +38°C

Climate rating T: This appliance is intended for use in an ambient temperature of between + 16°C and +43°C

Additional technical data

Voltage / Frequency	220-240V ~/ 50Hz
Input current (A)	1.8
Main fuse (A)	15
Coolant	R600a
Dimensions (H/W/D in mm)	1850 / 700 / 594

We recommend our Haier Customer Service and the use of original spare parts. If you have a problem with your appliance, please first check section TROUBLE-SHOOTING.

If you cannot find a solution there, please contact

your local dealer or
our European Call Service-Center (see listed phone numbers below) or
the Service & Support area at www.haier.com where you can activate the service claim and also find FAQs.

To contact our Service, ensure that you have the following data available. The information can be found on the rating plate.

Model _____

Serial No. _____

Also check the Warranty Card supplied with the product in case of warranty.

European Call Service-Center		
Country*	Phone number	Costs
Haier Italy (IT)	199 100 912	
Haier Spain (ES)	902 509 123	
Haier Germany (DE)	0180 5 39 39 99	<ul style="list-style-type: none"> • 14 Ct/Min Landline • max 42 Ct/Min Mobile
Haier Austria (AT)	0820 001 205	<ul style="list-style-type: none"> • 14,53 Ct/Min Landline • max 20 Ct/Min all others
Haier United Kingdom (UK)	0333 003 8122	
Haier France (FR)	0980 406 409	

* For other countries please refer to www.haier.com

Haier Europe Trading S.r.l

Branch UK

Westgate House, Westgate, Ealing

London, W5 1YY

*Duration of the guarantee of the refrigerating appliance:

Minimum guarantee is: 2 years for EU Countries, 3 years for Turkey, 1 year for UK, 1 year for Russia, 3 years for Sweden, 2 years for Serbia, 5 years for Norway, 1 year for Morocco, 6 months for Algeria, Tunisia no legal warranty required.

*The period of spare parts for the repair of the appliance:

Thermostats, temperature sensors, printed circuit boards and light sources are available for a minimum period of seven years after placing the last unit of the model on the market.

Door handles, door hinges, trays and baskets for a minimum period of seven years and door gaskets for a minimum period of 10 year, after placing the last unit of the model on the market.

*For further information about the product, please consult <https://eprel.ec.europa.eu/> or scan the QR on the energy label supplied with the appliance.

<u>41 Bezpečnostní informace</u>	•	<u>Před prvním použitím</u>	42
		<u>Instalace</u>	42
		<u>Každodenní používání</u>	43
<u>46 Určené použití</u>	•		
<u>47 Popis výrobku</u>	•		
<u>48 Ovládací panel</u>	•		
<u>49 Používání</u>	•	<u>Zamknutí/odemknutí panelu</u>	49
		<u>REŽIM ECO</u>	50
		<u>Nastavení teploty v chladničce</u>	51
		<u>Nastavení teploty v mrazničce</u>	51
		<u>Funkce Magic Zone</u>	51
		<u>Funkce Super Cool</u>	53
		<u>Funkce Super Frz</u>	54
		<u>Funkce Holiday</u>	54
<u>56 Vybavení</u>	•		
<u>59 Tipy pro úsporu energie</u>	•		
<u>60 Čištění a údržba</u>	•		
<u>62 Řešení problémů</u>	•		
<u>66 Instalace</u>	•		
<u>69 Technické údaje</u>	•		
<u>71 Zákaznický servis</u>	•		

Děkujeme vám, že jste si koupili výrobek značky Haier.

Před použitím spotřebiče si pozorně přečtěte tyto pokyny. Obsahují důležité informace, které vám pomohou co nejlépe využít spotřebič a zajistit jeho bezpečnou a správnou instalaci, používání a údržbu.

Uschovejte tuto příručku na praktickém místě, abyste do ní mohli kdykoli nahlédnout ohledně bezpečného a správného používání spotřebiče.

Pokud spotřebič prodáváte, věnujte nebo nechávejte ve starém domě, předejte společně s ním také tuto příručku, aby se mohl nový vlastník seznámit se spotřebičem a přečíst si bezpečnostní varování.

Příslušenství

Zkontrolujte příslušenství a literaturu podle tohoto seznamu:



Energetický štítek



Záruční list



Uživatelská příručka
Štítek „OK“



Stručná příručka



VAROVÁNÍ – Důležité bezpečnostní informace



UPOZORNĚNÍ – Všeobecné informace a tipy



Informace týkající se životního prostředí



Likvidace

Pomáhejte chránit životní prostředí a lidské zdraví. Vložte obalový materiál do vhodných kontejnerů pro recyklaci. Pomáhejte recyklovat odpadní elektrické a elektronické spotřebiče. Spotřebiče označené tímto symbolem nevyhazujte do domovního odpadu. Zašlete výrobek do místního recyklačního závodu, nebo se obraťte na váš obecní úřad.



VAROVÁNÍ!

Nebezpečí poranění nebo udušení!

Chladiva a plyny vyžadují profesionální likvidaci. Zajistěte, aby se potrubí chladicího okruhu nepoškodilo, než bude náležitě zlikvidováno. Odpojte spotřebič od síťového napájení. Odstříhnete síťový kabel a zlikvidujte ho. Odstraňte police a přihrádky, stejně jako západku a těsnění dvířek, aby nedošlo k uzavření dětí a domácích zvířat uvnitř spotřebiče.

Před prvním zapnutím spotřebiče si přečtěte následující rady týkající se bezpečnosti!:



VAROVÁNÍ!

Před prvním použitím

- ▶ Ujistěte se, že při přepravě nedošlo k žádnému poškození.
- ▶ Odstraňte veškerý obalový materiál a uschovejte ho mimo dosah dětí.
- ▶ Před instalací spotřebiče počkejte alespoň dvě hodiny, aby byla zaručena plná účinnost okruhu chladiwa.
- ▶ Se spotřebičem vždy manipulujte alespoň ve dvou osobách, protože je těžký.

Instalace

- ▶ Spotřebič by se měl umístit do dobře větrané místnosti. Nad spotřebičem a kolem něj zajistěte volný prostor alespoň 10 cm.
- ▶ Nikdy neumistujte spotřebič do vlhkého prostoru nebo na místo, kde by na něj mohla stříkat voda. Vodu a skvrny odstraňte a vysušte měkkou, čistou látkou.
- ▶ Neinstalujte spotřebič na přímé sluneční světlo nebo do blízkosti zdrojů tepla (např. sporáků nebo ohřivačů).
- ▶ Nainstalujte spotřebič na místo odpovídající jeho velikost a používání a vyrovnejte ho.
- ▶ Zajistěte, aby nic nezakrývalo větrací otvory ve spotřebiči nebo v konstrukci pro vestavění.
- ▶ Ujistěte se, že parametry elektrického napájení se shodují s údaji na výrobním štítku. V opačném případě kontaktujte elektrikáře.
- ▶ Spotřebič pracuje s napájením 220–240 VAC/50 Hz. Abnormální kolísání napětí může způsobit, že spotřebič se nespustí, nebo se poškodí regulátor teploty či kompresor, případně se může za chodu ozývat neobvyklý hluk. V takovém případě by se měl nainstalovat automatický regulátor.
- ▶ Nepoužívejte rozbočovací adaptéry ani prodlužovací kabely.
- ▶ Neumistujte za spotřebič přenosné rozbočovací zásuvky ani prodlužovací kabely.
- ▶ Ujistěte se, že napájecí kabel není zachycen chladničkou. Nešlapejte na napájecí kabel.



VAROVÁNÍ!

- ▶ K napájení použijte samostatnou, snadno přístupnou uzemněnou zásuvku. Tento spotřebič musí být uzemněný.
- ▶ Pouze pro Spojené království: Napájecí kabel spotřebiče je vybaven trojpólovou zástrčkou (s uzemněním), která se zapojuje do standardní trojpólové zásuvky (s uzemněním). Nikdy neodřezávejte ani nedemontujte třetí kolík (uzemnění). Zástrčka by měla být přístupná i po instalaci spotřebiče.
- ▶ Nepoškodte okruh chladiwa.

Každodenní používání

- ▶ Tento spotřebič mohou používat děti starší osmi let a osoby s omezenými fyzickými, smyslovými nebo duševními schopnostmi nebo osoby nezkušené a neznalé za předpokladu, že mají zajištěný dohled nebo byly poučeny o bezpečném používání spotřebiče a chápou související rizika.
- ▶ Děti ve věku od 3 do 8 let mohou spotřebič plnit a vyprazdňovat, ale nesmějí jej čistit ani instalovat.
Zabraňte dětem mladším 3 let v přístupu ke spotřebiči, pokud nejsou pod nepřetržitým dozorem.
- ▶ Děti si se spotřebičem nesmějí hrát.
- ▶ Jestliže v blízkosti spotřebiče uniká chladný plyn nebo jiný hořlavý plyn, vypněte ventil unikajícího plynu, otevřete dveře a okna a neodpojujte zástrčku napájecího kabelu chladničky nebo jakéhokoli jiného spotřebiče ze zásuvky.
- ▶ Upozorňujeme, že spotřebič je nastaven na provoz při určitém rozsahu teplot mezi 10 a 43 °C. Pokud je spotřebič delší dobu ponechán při teplotě nad nebo pod uvedeným rozsahem, nemusí správně fungovat.
- ▶ Nepokládejte na horní stranu chladničky nestabilní předměty (těžké předměty, nádoby naplněné vodou), aby se předešlo zranění způsobenému pádem nebo elektrickým proudem v důsledku styku s vodou.
- ▶ Netahejte za police ve dvířkách. Dvířka by se mohla vychýlit, mohla by se vytáhnout police na láhve nebo by se spotřebič mohl převrhnout.
- ▶ Otvírejte a zavírejte dvířka pouze pomocí madel. Mezera mezi dvířky a mezi dvířky a skříní je velmi úzká. Nedávejte do těchto míst ruce, abyste si nepřiskřípli prsty. Dvířka chladničky otvírejte nebo zavírejte pouze v případě, že v dosahu jejich pohybu nestojí žádné děti.



VAROVÁNÍ!

- ▶ Ve spotřebiči nebo v jeho blízkosti neskladujte ani nepoužívejte hořlavé, výbušné nebo korozivní látky.
- ▶ Ve spotřebiči neskladujte léky, bakterie ani chemické látky. Tento spotřebič je určen k použití v domácnosti. Nedoporučuje se skladovat materiály, které vyžadují přesně stanovené teploty.
- ▶ Do mrazničky nikdy neukládejte tekutiny v láhvích nebo plechovkách (kromě vysokoprocenních lihovin), a zejména nápoje sycené oxidem uhličitým, protože by během mrazení praskly.
- ▶ Pokud se v mrazničce zvýší teplota, zkontrolujte stav potravin.
- ▶ Nenastavujte zbytečně nízkou teplotu ve vnitřním prostoru chladničky. Při vysokém nastavení může teplota klesnout do záporných hodnot. Pozor: Láhve mohou prasknout
- ▶ Nedotýkejte se mražených potravin mokřýma rukama (noste rukavice). Zejména nejezte nanuky bezprostředně po vyjmutí z prostoru mrazničky. Hrozí nebezpečí přimrznutí nebo vzniku omrzlin. PRVNÍ POMOC: ihned umístěte zasažené místo pod tekoucí studenou vodu. Neodtrhujte!
- ▶ Za provozu se nedotýkejte vnitřního povrchu úložného prostoru mrazničky, zejména ne mokřýma rukama, protože by mohly přimrznout k povrchu.
- ▶ V případě výpadku napájení nebo před čištěním odpojte spotřebič od napájení. Před opětovným spuštěním spotřebiče počkejte alespoň 7 minut, protože časté spouštění by mohlo poškodit kompresor.
- ▶ Uvnitř prostoru pro skladování potravin ve spotřebiči nepoužívejte elektrická zařízení, pokud se nejedná o zařízení doporučené výrobcem. Údržba/čištění
- ▶ Jestliže jsou čištění a údržba prováděny dětmi, je nutné na ně dohlížet.
- ▶ Před zahájením jakékoli pravidelné údržby odpojte spotřebič od elektrického napájení. Před opětovným spuštěním spotřebiče počkejte alespoň 7 minut, protože časté spouštění by mohlo poškodit kompresor.

VAROVÁNÍ!

- ▶ Při odpojování spotřebiče od napájení držte zástrčku, nikoli kabel.
- ▶ Nečistěte spotřebič tvrdými kartáči, drátěnými kartáči, práškovými čisticími prostředky, benzínem, amylacetátem, acetonem a podobnými organickými roztoky a kyselými nebo zásaditými roztoky. K čištění použijte speciální čisticí prostředek na chladničky, aby se zamezilo poškození.
- ▶ Neseškrabávejte námrazu a led ostrými předměty. Nepoužívejte spreje, elektrické ohřívače jako fén na vlasy, parní čističe ani jiné zdroje tepla, aby nedošlo k poškození plastových součástí.
- ▶ K rozmrazování nepoužívejte mechanické nástroje ani jiné prostředky. Používejte pouze prostředky doporučené výrobcem.
- ▶ Pokud se poškodí napájecí kabel, výměnu musí provést výrobce, jeho servisní zástupce nebo osoba s podobnou kvalifikací, aby se vyloučilo riziko.
- ▶ Nepokoušejte se opravovat, rozebírat nebo upravovat spotřebič vlastními silami. Je-li nutná oprava, obraťte se na náš zákaznický servis.
- ▶ Alespoň jednou za rok odstraňte prach ze zadní strany spotřebiče, aby se předešlo nebezpečí požáru a nezvyšovala se spotřeba energie.
- ▶ Během čištění na spotřebič nestříkejte ani jej neoplachujte.
- ▶ K čištění spotřebiče nepoužívejte vodní postřik ani proud vody.
- ▶ Nečistěte chladné skleněné police horkou vodou. Náhlá změna teploty by mohla způsobit, že sklo praskne.

Informace o plyném chladivu

VAROVÁNÍ!

Spotřebič obsahuje hořlavé chladivo ISOBUTAN (R600a). Ujistěte se, že během přepravy nebo instalace nedošlo k poškození okruhu chladiva. Unikající chladivo by mohlo způsobit zranění očí, nebo by se mohlo vznítit. Pokud dojde k poškození, nepřibližujte se s otevřeným plamenem, důkladně vyvětrejte místnost a nezapojujte ani neodpojujte napájecí kabely tohoto či jiných spotřebičů. Informujte zákaznický servis.

V případě zasažení očí chladivem důkladně vypláchněte oči pod tekoucí vodou a ihned zavolejte očnímu lékaři.

Určené použití

Tento spotřebič je určen k chlazení a mražení potravin. Je určen výhradně k používání v domácnostech a podobných oblastech, jako jsou kuchyňky pro personál v obchodech, kancelářích a na dalších pracovištích, chalupy a hotely, motely a další obytné objekty, kde je používají zákazníci, stejně jako ubytovací zařízení typu penzionu se snídaní a cateringové služby. Není určen k používání v komerčním nebo průmyslovém prostředí.

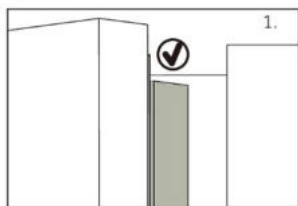
Na spotřebiči neprovádějte žádné změny nebo úpravy. Používání k jinému než určenému účelu může představovat nebezpečí a vést ke ztrátě platnosti záruky.

Normy a směrnice

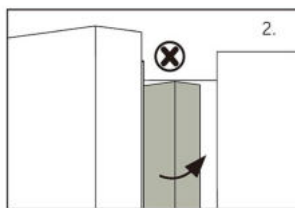
Tento výrobek splňuje požadavky všech platných směrnic ES s odpovídajícími harmonizovanými normami a normami platnými ve Spojeném Království, které stanoví používání označení CE a UKCA.



POZOR!



Když zavřete dvířka, svislá dvevní lišta na levých dvířkách by se měla ohnout dovnitř (1).

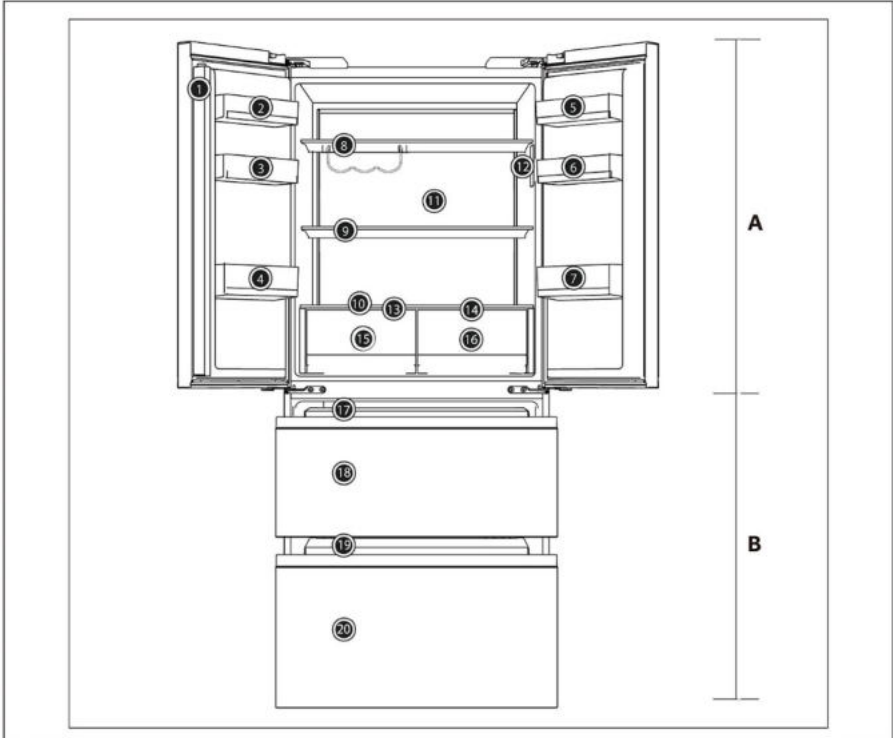


Jestliže se pokusíte zavřít levá dvířka a svislá dvevní lišta není ohnutá (2), nejprve byste ji měli ohnout, jinak dvevní lišta narazí do upevňovací osy nebo pravých dvířek. Pak by mohlo dojít k poškození lišty dvířek nebo k netěsnosti.

Uvnitř rámu je topné vlákno. Teplota povrchu mírně vzroste, což je normální a nebude to mít vliv na fungování spotřebiče.

i POZNÁMKA

Vzhledem k technickým změnám a různým modelům nemusí některé obrázky v této příručce přesně zobrazovat váš model.



A: Prostor chladničky

- 1 Vzpěra dvířek
- 2 Držák lahví (nahore vlevo)
- 3 Držák lahví (uprostřed vlevo)
- 4 Držák lahví (dole vlevo)
- 5 Držák lahví (nahore vpravo)
- 6 Držák lahví (uprostřed vpravo)
- 7 Držák lahví (dole vpravo)
- 8 Skleněná police
- 9 Skleněná police
- 10 Kryt zásuvky
- 11 Zadní světlo
- 12 Panel displeje
- 13 Kryt zásuvky Activefresh

14 Kryt zásuvky Magic

15 Zásuvka Activefresh

16 Zásuvka Magic

B: Prostor mrazničky

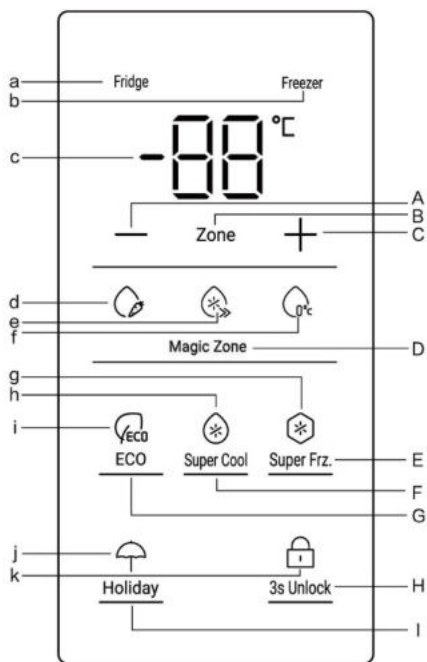
17 Výsuvná přihrádka

18 Horní zásuvka mrazničky

19 Výsuvná přihrádka

20 Spodní zásuvka mrazničky

Ovládací panel



Tlačítka:

- A Tlačítko snížení teploty
- B Přepínání mezi teplotami chladničky a mrazničky
- C Tlačítko zvýšení teploty
- D Přepínání režimů Magic Zone
- E Volič funkce Super Frz.
- F Volič funkce Super-Cool
- G Volič funkce ECO
- H Zamykání/odemykání panelu displeje
- I Volič funkce Holiday

Indikátory:

- a Indikátor chladničky
- b Indikátor mrazničky
- c Teplota v prostoru chladničky a mrazničky
- d Funkce Fruit&Veg.
- e Funkce Cool Drink
- f Funkce 0°C Fresh
- g Funkce Super Frz.
- h Funkce Super Cool
- i Funkce ECO
- j Funkce Holiday
- k Funkce zamykání/odemykání panelu displeje

Před prvním použitím

- ▶ Odstraňte veškerý obalový materiál, uschovejte ho mimo dosah dětí a zlikvidujte ho způsobem šetrným k životnímu prostředí.
- ▶ Než do spotřebiče vložíte jakékoli potraviny, vyčistěte jeho vnitřní i vnější povrchy vodou a slabým saponátem.
- ▶ Po vyrovnání a vyčištění počkejte alespoň 2–5 hodin, než spotřebič připojíte k napájení. Viz část INSTALACE.
- ▶ Než naplníte prostory potravinami, nejprve je nechte ochladit na vysoké nastavení. Funkce Super Frz. pomůže rychle ochladit prostory.
- ▶ Teploty chladničky a mrazničky jsou automaticky nastaveny na 5 °C a -18 °C. Jedná se o doporučené nastavení. V případě potřeby můžete tyto teploty změnit ručně. Viz REŽIM RUČNÍHO NASTAVENÍ.

Dotyková tlačítka

Na ovládacím panelu jsou dotyková tlačítka, která reagují již na lehký dotyk prstem.

Zapínání/vypínání spotřebiče

Spotřebič se spustí ihned po připojení k napájení.

Při prvním zapnutí chladničky se rozsvítí indikátor „c“ (ukazatel teploty). Teploty chladničky a mrazničky jsou automaticky nastaveny na 5 °C a -18 °C. Rozsvítí se indikátor „d“ (Fruit&Veg.).

Panel displeje se vypne ihned po zavření dveříek.

UPOZORNĚNÍ

1. Spotřebič je přednastaven na doporučené teploty 5 °C (chladnička) a -18 °C (mraznička). V normálních podmínkách okolního prostředí nemusíte nastavovat teplotu.
2. Přednastavená funkce pro zásuvku Magic Zone je Fruit&Veg.
3. Když se spotřebič zapne poté, co byl odpojen od napájení, může trvat až 12 hodin, než dosáhne správné teploty.

Před vypnutím vyprázdněte spotřebič. Chcete-li spotřebič vypnout, vytáhněte napájecí kabel ze síťové zásuvky.

Zamknutí/odemknutí panelu

Automatický zámek: Pokud budou dvířka chladničky a mrazničky zavřena, obrazovka displeje automaticky zhasne a zamkne se.

Ruční odemknutí: Když je obrazovka displeje zamčená, stiskněte tlačítko „H“ (3s Unlock) a podržte ho 3 sekundy, ozve se jeden zvukový signál, indikátor „k“ (Zámek panelu) zhasne a displej se odemkne.



Ruční zamykání: Když je obrazovka displeje odemčená, stiskněte tlačítko „H“ (3s Unlock) a podržte ho 3 sekundy, ozve se jeden zvukový signál, rozsvítí se indikátor „k“ (Zámek panelu) a displej se zamkne.



UPOZORNĚNÍ

Panel displeje se zamkne po každém otevření dvířek. K úpravě jakéhokoli nastavení je nutné odemknout panel.

Alarm otevřených dvířek

Jestliže se otevřou jedny z dvířek chladničky na déle než 3 minuty, ozve se alarm otevření dvířek. Alarm lze ukončit zavřením dvířek. Pokud zůstanou dvířka otevřená déle než 7 minut, světlo uvnitř chladničky a osvětlení ovládacího panelu se automaticky vypnou.

Volba pracovního režimu

Můžete zvolit jeden z následujících dvou způsobů nastavení spotřebiče.

UPOZORNĚNÍ: Faktory ovlivňující teplotu

Vnitřní teploty jsou ovlivňovány následujícími faktory

1. Okolní teplota
2. Četnost otevírání dvířek
3. Množství uskladněných potravin
4. Instalace spotřebiče

REŽIM ECO

Jestliže nemáte žádné zvláštní požadavky, doporučujeme používat režim ECO. V tomto režimu může spotřebič automaticky upravovat nastavení teploty podle teploty okolí a změn teploty uvnitř spotřebiče.

1. Když je obrazovka displeje odemčená, stiskněte tlačítko „G“ (volič funkce ECO), ozve se jeden zvukový signál, rozsvítí se indikátor „i“ (funkce ECO) a potom se zapne funkce ECO.
2. Když svítí indikátor „i“ (funkce ECO), stiskněte tlačítko „G“ (volič funkce ECO), ozve se jeden zvukový signál, indikátor „i“ (funkce ECO) zhasne a potom se funkce ECO vypne.



UPOZORNĚNÍ

V režimu funkce ECO nelze nastavovat teplotu chladničky ani mrazničky. Pokud stisknete tlačítko „+“ nebo „-“ pro nastavení teploty chladničky nebo mrazničky, indikátor „i“ (funkce ECO) začne blikat a ozve se zvukový signál, což signalizuje, že tuto operaci nelze provést. Pokud je v režimu funkce ECO nastavena funkce Super Cool, Super Frz. nebo Holiday, z důvodu různých způsobů řízení zhasne indikátor „i“ (funkce ECO). V režimu funkce ECO lze podle potřeby ručně nastavovat funkci Magic Zone.

Nastavení teploty v chladničce

Když je obrazovka displeje odemčená, stiskněte tlačítko „B“ (volič Zone), vyberte možnost „chladnička“, rozsvítí se indikátor „a“ (indikátor Chladnička) a potom se spustí režim nastavení teploty chladničky.

Stiskněte tlačítko „+“ nebo „-“. Při každém stisknutí tlačítka „+“ nebo „-“ se hodnota nastavení chladničky zvýší nebo sníží o 1 stupeň. Teplota chladničky se bude zobrazovat v pořadí „9 °C <-> 8 °C <-> 7 °C <-> 6 °C <-> 5 °C <-> 4 °C <-> 3 °C <-> 2 °C <-> 1 °C“.

UPOZORNĚNÍ

Pokud po nastavení teploty během 5 sekund není proveden žádný úkon, systém automaticky určí a uloží nastavenou teplotu.

Nastavení teploty v mrazničce

Když je obrazovka displeje odemčená, stiskněte tlačítko „B“ (volič Zone), vyberte možnost „mraznička“, rozsvítí se indikátor „b“ (indikátor Freezer) a potom se spustí režim nastavení teploty mrazničky.

Stiskněte tlačítko „+“ nebo „-“. Při každém stisknutí tlačítka „+“ nebo „-“ se hodnota nastavení chladničky zvýší nebo sníží o 1 stupeň. Teplota chladničky se bude zobrazovat v pořadí „-14 °C <-> -15 °C <-> -16 °C <-> -17 °C <-> -18 °C <-> -19 °C <-> -20 °C <-> -21 °C <-> -22 °C <-> -23 °C <-> -24 °C“.

UPOZORNĚNÍ

Pokud po nastavení teploty během 5 sekund není proveden žádný úkon, systém automaticky určí a uloží nastavenou teplotu.

Funkce Magic Zone

1. Funkce Fruit&Veg.:

Když je obrazovka displeje odemčená, stisknutím tlačítka „D“ (volič Magic Zone) zapnete tuto funkci, rozsvítí se ikona Fruit&Veg.

Tato funkce je vhodná k ukládání čerstvého ovoce a zeleniny.



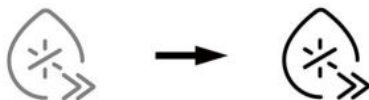
i UPOZORNĚNÍ

V zásuvce Magic Zone by se nemělo uchovávat ovoce citlivé na chlad, například ananasy, avokádo, banány, grapefruity, zelenina jako brambory, lilky, fazole, okurky, cukety a rajčata a sýry.

2. Funkce Cool Drink:

Když je obrazovka displeje odemčená, stisknutím tlačítka „D“ (volič Magic Zone) zapnete tuto funkci. Rozsvítí se ikona Cool Drink.

Tato funkce umožňuje ukládat výrobky jako voda, kola a džus. Teplota v prostoru Magic Zone je nastavena na +2 °C.



3. Funkce 0°Fresh:

Když je obrazovka displeje odemčená, stisknutím tlačítka „D“ (volič Magic Zone) zapnete tuto funkci. Rozsvítí se ikona 0°C Fresh.

Tato funkce nastaví teplotu v zásuvce Magic Zone na 0 °C. Je vhodná k ukládání čerstvých potravin, například masa nebo ryb. Většina potravin zůstane při teplotě 0 °C čerstvá.



i UPOZORNĚNÍ

Vzhledem k odlišnému obsahu vody v maso se maso s větším obsahem vlhkosti zmrazí při teplotách nižších než 0 °C. Takže „krájené“ maso by se mělo skladovat v zásuvce Magic Zone s teplotou min. 0 °C.

i UPOZORNĚNÍ: Zásuvka Magic Zone

1. Tři funkce Magic Zone nelze zapínat současně, může svítit kontrolka pouze jedné z nich.
2. Chcete-li snížit teplotu v prostoru chladničky, použijte funkci Cool Drink. Chcete-li ji zvýšit, použijte funkci Fruit&Veg.

Funkce Super Cool

1. Když je obrazovka displeje odemčená, stiskněte tlačítko „F“ (volič Super Cool), ozve se jeden zvukový signál, rozsvítí se indikátor „h“ (funkce Super Cool) a potom se zapne funkce Super Cool.
2. Když svítí indikátor „h“ (funkce Super Cool), stiskněte tlačítko „F“ (volič Super Cool), ozve se jeden zvukový signál, indikátor „h“ (funkce Super Cool) zhasne a potom se funkce Super Cool vypne.
3. Po zapnutí funkce Super Cool chladnička tuto funkci automaticky vypne, jestliže byla zapnutá asi 4 hodiny. Pokud chcete funkci ukončit ručně, můžete ji vypnout stisknutím tlačítka „G“ (volič Super Cool).



i UPOZORNĚNÍ

1. Ve stavu Super Cool nelze nastavovat teplotu chladničky. Pokud stisknete tlačítko „+“ nebo „-“ pro nastavení teploty chladničky, indikátor „h“ (funkce Super Cool) začne blikat a ozve se zvukový signál, což signalizuje, že tuto operaci nelze provést.
2. Ve stavu funkce Super Cool nelze současně zapnout funkce ECO a Holiday z důvodu různých režimů řízení. Pokud zvolíte funkci, kterou nelze spustit souběžně s jinou funkcí, původní funkce se automaticky ukončí.

Funkce Super Frz

1. Když je obrazovka displeje odemčená, stiskněte tlačítko „E“ (volič Super Freeze), ozve se jeden zvukový signál, rozsvítí se indikátor „g“ (funkce Super Freeze) a potom se zapne funkce Super Freeze.
2. Když svítí indikátor „g“ (funkce Super Freeze), stiskněte tlačítko „E“ (volič Super Freeze), ozve se jeden zvukový signál, indikátor „g“ (funkce Super Freeze) zhasne a potom se funkce Super Freeze vypne.
3. Po zapnutí funkce Super Freeze chladnička tuto funkci automaticky vypne, jestliže byla zapnutá asi 50 hodin. Pokud chcete funkci ukončit ručně, můžete ji vypnout stisknutím tlačítka „E“ (volič Super Freeze).



Super Frz.



Super Frz.



Super Frz.



UPOZORNĚNÍ

1. Ve stavu Super Freeze nelze nastavovat teplotu chladničky. Pokud stisknete tlačítko „+“ nebo „-“ pro nastavení teploty mrazničky, indikátor „g“ (funkce Super Freeze) začne blikat a ozve se zvukový signál, což signalizuje, že tuto operaci nelze provést.
2. Ve stavu funkce Super Freeze nelze současně zapnout funkci ECO z důvodu různých režimů řízení. Pokud zvolíte funkci, kterou nelze spustit souběžně s jinou funkcí, původní funkce se automaticky ukončí.
3. Funkce Super Freeze je navržena tak, aby zachovala nutriční hodnotu zmrazených potravin, a umožňuje zmrazit potraviny v co nejkratší době. Pokud je nutné najednou zmrazit velké množství potravin, funkce Super Freeze by se měla zapnout 24 h předem, aby měla mraznička nízkou teplotu pro vložení potravin. Rychlost zmrazování mrazničky se zvýší, potraviny lze rychle zmrazit, účinně se zachová jejich výživná hodnota a budou vhodně uskladněny.

Funkce Holiday

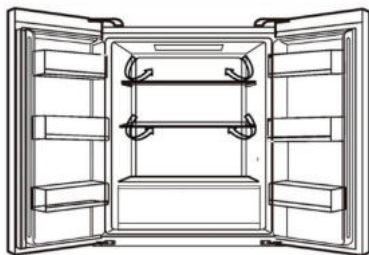
Funkce Holiday je určena pro případ, že se chladnička nebude delší dobu používat. Když je zapnutá funkce Holiday, mraznička běží standardním způsobem a teplota chladničky je automaticky nastavena na 17 °C. Teplota v chladničce nevzroste nad než 17 °C, což zabraňuje vzniku nejrůznějších zápachů v důsledku vyšších teplot a zároveň pomáhá snížit spotřebu energie.

1. Když je obrazovka displeje odemčená, stiskněte tlačítko „I“ (volič funkce Holiday), ozve se jeden zvukový signál, rozsvítí se indikátor „j“ (funkce Holiday) a potom se zapne funkce Holiday.
2. Když svítí indikátor „j“ (funkce Holiday), stiskněte tlačítko „I“ (volič funkce Holiday), ozve se jeden zvukový signál, indikátor „j“ (funkce Holiday) zhasne a potom se funkce Holiday vypne.



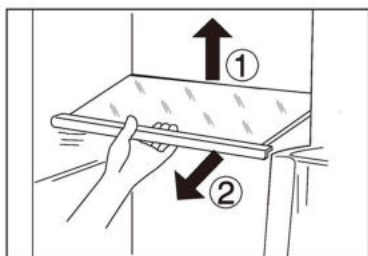
i UPOZORNĚNÍ

1. Ve stavu Holiday nelze nastavovat teplotu chladničky. Pokud stisknete tlačítko „+“ nebo „-“ pro nastavení teploty chladničky, indikátor „i“ (funkce Holiday) začne blikat a ozve se zvukový signál, což signalizuje, že tuto operaci nelze provést.
2. Před použitím funkce Holiday chladničku vyprázdněte, aby se v ní potraviny nezkazily. Když je zapnuta funkce Holiday, nelze současně zapnout funkci ECO ani funkci Super Cool.
3. Při zapnutí funkce Holiday zhasnou ikony nastavení „Fruit&Veg, Cool Drink, 0°Fresh“ v Magic Zone a nelze nastavovat funkci Magic Zone. Po opuštění funkce Holiday se zobrazí předchozí nastavení prostoru chladničky Magic Zone.



Vícecestný průtok vzduchu

1. Chladnička je vybavena systémem vícecestného průtoku vzduchu, který zajišťuje proudění chladného vzduchu v každé úrovni polic. Pomáhá to udržovat jednotnou teplotu, která zaručí, že potraviny vydrží déle v čerstvém stavu.



Nastavitelné police

1. Výšku polic lze upravovat tak, aby vyhovovala vašim požadavkům na ukládání.
2. Chcete-li přemístit nějakou polici, vyjměte ji tak, že nejprve nadzdvihnete okraj ① a potom ji vytáhnete ven ②.
3. Při instalaci ji položte na výstupky na obou stranách a zatlačte ji až dozadu tak, aby se zadní strana police usadila uvnitř drážek v bočních stranách.

Zásuvka Magic Zone

V této přihrádce je nižší vlhkost než v přihrádce chladničky. Tato zásuvka je vhodná pro skladování suchého ovoce a jiných suchých potravin s nízkým obsahem vody, jako je máslo, tuky a olej nebo čokoláda.

MAGICZONE |

Zásuvka ACTIVEFRESHZONE

V tomto prostoru je vlhkost vyšší než v chladničce. Je regulována automaticky systémem a vhodná k ukládání ovoce, zeleniny, salátů a jiných potravin.

ACTIVEFRESHZONE |

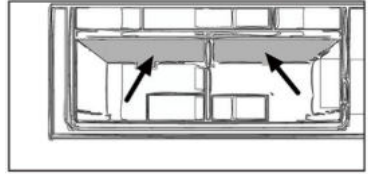
UPOZORNĚNÍ:

V prostoru Fresh Box by se nemělo uchovávat ovoce citlivé na chlad, například ananasy, avokádo, banány, grapefruity, zelenina jako brambory, lilky, fazole, okurky, cukety a rajčata a sýry.



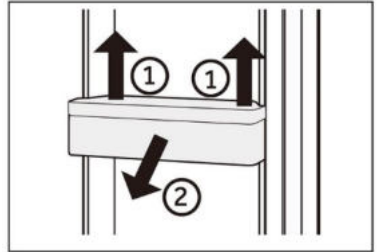
UPOZORNĚNÍ

1. Plastový kryt uvnitř obou zón neodstraňujte.
2. Udržuje vlhkost.
3. Neskladujte ovoce citlivé na chlad, například ananas, avokádo, banány.
4. ovoce citlivé na chlad, jako jsou ananas, avokádo, banány a grapefruity.



Odnímatelné poličky / držák na láhve umístěné ve dvířkách

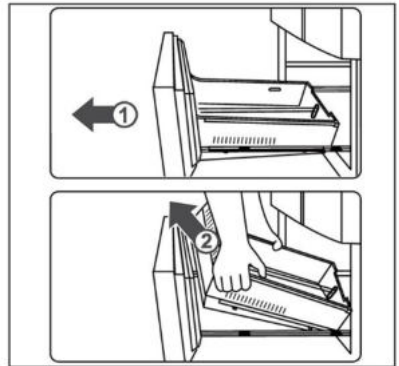
1. Police ve dvířkách lze vyjmát za účelem čištění.
2. Uchopte rukama obě strany police, zdvihněte ji nahoru ① a vytáhněte ji ven ②.
3. Při vkládání dveřní police proveďte výše popsané kroky v opačném pořadí.



Vyjímatelná horní zásuvka mrazničky

1. Vytáhněte horní zásuvku mrazničky až na doraz.
2. Zdvíhejte zásuvku, dokud se neoddělí od opěrného bloku, zatlačte ji do mrazničky a nakloňte ji, abyste ji mohli vyjmout.

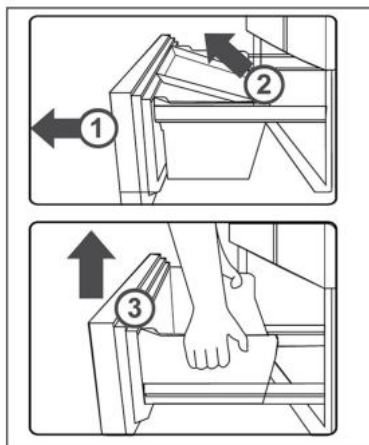
Při vkládání zásuvky proveďte výše popsané kroky v opačném pořadí.



Vyjímatelná dolní zásuvka mrazničky

1. Vytáhněte dolní zásuvku mrazničky až na doraz.
2. Vytáhněte mrazicí přihrádku do krajní polohy, zdvihněte ji a vyjměte.
3. Zdvíhejte zásuvku, dokud se neoddělí od opěrného bloku, zatlačte ji do mrazničky a nakloňte ji, abyste ji mohli vyjmout.

Při vkládání zásuvky proveďte výše popsané kroky v opačném pořadí.



Světlo

Po otevření dvířek se rozsvítí světlo LED osvětlující interiér. Fungování světel není ovlivňováno žádným z nastavení spotřebiče.



Tipy pro úsporu energie

- ▶ Zajistěte, aby měl spotřebič náležité větrání (viz INSTALACE).
- ▶ Neinstalujte spotřebič na přímé sluneční světlo nebo do blízkosti zdrojů tepla (např. sporáků nebo ohřívačů).
- ▶ Vyhýbejte se zbytečně nízké teplotě uvnitř spotřebiče. Čím nižší je nastavená teplota ve spotřebiči, tím vyšší je spotřeba energie.
- ▶ Funkce jako POWER-FREEZE spotřebovávají více energie.
- ▶ Teplé jídlo nechte před vložením do spotřebiče vychladnout.
- ▶ Otvírejte dvířka spotřebiče co nejméně a na co nejkratší dobu.
- ▶ Nepřepíňujte spotřebič, aby se nenarušilo proudění vzduchu.
- ▶ Zamezte přítomnosti vzduchu v obalech potravin.
- ▶ Udržujte těsnění dvířek v čistém stavu, aby se dvířka vždy správně zavírala.
- ▶ Rozmrazujte zmrazené potraviny v úložném prostoru chladničky.
- ▶ Energeticky nejspornější konfigurace vyžaduje, aby byly ve spotřebiči nainstalovány přihrádky, schránka na potraviny a police ve stavu jako z výroby a aby potraviny byly uloženy co nejvíce vzadu, aniž by zakrývaly výstup vzduchového kanálu.



VAROVÁNÍ!

Před čištěním odpojte spotřebič od napájení.

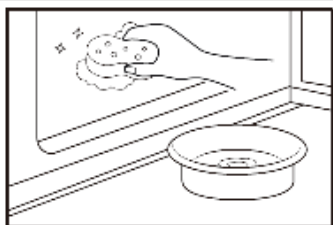
Čištění

Spotřebič čistíte pouze tehdy, když je v něm uloženo jen málo potravin, nebo je prázdný. Spotřebič by se měl čistit každé čtyři týdny, aby byl dobře udržovaný a zamezilo se zápachu z uložených potravin.



VAROVÁNÍ!

- ▶ Nečistěte spotřebič tvrdými kartáči, drátěnými kartáči, práškovými čisticími prostředky, benzínem, amylacetátem, acetonem a podobnými organickými roztoky a kyselými nebo zásaditými roztoky. K čištění použijte speciální čisticí prostředek na chladničky, aby se zamezilo poškození.
- ▶ Během čištění na spotřebič nestříkejte ani jej neoplachujte.
- ▶ K čištění spotřebiče nepoužívejte vodní postřik ani proud vody.
- ▶ Nečistěte chladné skleněné police horkou vodou. Náhlá změna teploty by mohla způsobit, že sklo praskne.
- ▶ Nedotýkejte se vnitřního povrchu úložného prostoru mrazničky, zejména ne mokřými rukama, protože by mohly přimrznout k povrchu.
- ▶ V případě ohřátí zkontrolujte stav mražených potravin.



- ▶ Vždy udržujte těsnění dvířek v čistém stavu.
- ▶ Očistěte vnitřek a skříň spotřebiče houbou navlhčenou v teplé vodě s neutrálním čisticím prostředkem.
- ▶ 1. Vydrhněte vnitřní a vnější povrchy chladničky včetně těsnění dvířek, polic ve dvířkách, skleněných polic, přihrádek apod. měkkou utěrkou nebo houbou namočenou v teplé vodě (do teplé vody můžete přidat neutrální saponát).
- ▶ 2. Pokud se rozlije nějaká tekutina, vyjměte všechny zasažené součásti, opláchněte je přímo pod tekoucí vodou, osušte a vraťte zpět do chladničky.
- ▶ 3. Pokud se rozlije smetana (například šlehačka nebo roztátá zmrzlina), vyjměte všechny zasažené součásti, na nějakou dobu je vložte do teplé vody o teplotě asi 40 °C, potom je opláchněte pod tekoucí vodou, osušte a vraťte zpět do chladničky.
- ▶ 4. V případě, že uvnitř chladničky uvíznou nějaké malé díly nebo součásti (mezi policemi nebo zásuvkami), uvolněte je měkkým kartáčkem. Pokud na nějakou součást nedosáhnete, obraťte se na servis společnosti Haier
- ▶ Opláchněte povrch a vysušte ho měkkou látkou.
- ▶ Nemyjte žádné součásti spotřebiče v myčce.
- ▶ Před opětovným spuštěním spotřebiče počkejte alespoň 5 minut, protože časté spouštění by mohlo poškodit kompresor.

Odmrazování

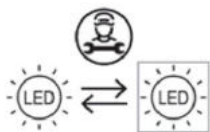
Prostory chladničky a mrazničky se odmrazují automaticky; není nutný žádný ruční zásah.

Výměna žárovek LED

VAROVÁNÍ!

Nevyměňujte žárovku LED vlastními silami, její výměnu musí provést buď výrobce, nebo autorizovaný servisní zástupce.

Jako zdroj světla v žárovce se využívají diody LED, které se vyznačují nízkou spotřebou energie a dlouhou životností. Pokud se vyskytne nějaký neobvyklý stav, kontaktujte zákaznický servis. Viz ZÁKAZNICKÝ SERVIS.



Výměnu světelného zdroje (pouze LED) smí provádět pouze odborník.

Tento výrobek obsahuje světelný zdroj s třídou energetické účinnosti G.

Prostor	Napětí	Třída energetické účinnosti	Model
Chladnička	12 V	G	HFKR5718DNGB

Když se spotřebič delší dobu nepoužívá

Jestliže se spotřebič nebude delší dobu používat a nebudete využívat funkci chladničky Holiday:

- ▶ Vyměňte potraviny.
- ▶ Vytáhněte napájecí kabel ze zásuvky.
- ▶ Vyčistěte spotřebič podle výše uvedeného popisu.
- ▶ Nechte dvířka otevřená, aby se uvnitř nevytvořil zápach.

UPOZORNĚNÍ

Spotřebič vypínejte pouze v nezbytně nutných případech.

Přemísťování spotřebiče

1. Vyměňte všechny potraviny a odpojte spotřebič od napájení.
2. Pripevněte police a ostatní pohyblivé součásti v chladničce a mrazničce lepicí páskou.
3. Nenaklánějte chladničku v úhlu větším než 45°, aby se předešlo poškození chladicího systému.

VAROVÁNÍ!

- ▶ Nezdvihejte spotřebič za madla.
- ▶ Nikdy nepokládejte spotřebič vodorovně na zem.

Mnoho problémů můžete vyřešit sami bez konkrétních odborných znalostí. V případě problému zkontrolujte všechny možnosti a řiďte se níže uvedenými pokyny, než se obrátíte na prodejní servis. Viz ZÁKAZNICKÝ SERVIS.



VAROVÁNÍ!

- ▶ Před zahájením údržby vypněte spotřebič a vytáhněte zástrčku napájecího kabelu ze síťové zásuvky.
- ▶ Servis elektrického zařízení by měli provádět pouze kvalifikovaní elektrikáři, protože nepatřičné opravy mohou vést k vážným následným škodám.
- ▶ Poškozený napájecí kabel by měl vyměnit pouze výrobce, jeho servisní zástupce nebo osoby s podobnou kvalifikací, aby se vyloučilo riziko.

Problém	Možná příčina	Možné řešení
Kompresor nepracuje.	<ul style="list-style-type: none"> • Síťová zástrčka není zapojena do síťové zásuvky. • Spotřebič provádí cyklus odmrazování 	<ul style="list-style-type: none"> • Zapojte síťovou zástrčku. • Jedná se o normální jev při automatickém odmrazování.
Spotřebič se spouští často, nebo běží příliš dlouho.	<ul style="list-style-type: none"> • Vnitřní nebo venkovní teplota je příliš vysoká. • Spotřebič byl určitou dobu vypnutý. • Dvířka spotřebiče nejsou těsně zavřená. • Dvířka se otvírala příliš často, nebo byla příliš dlouho otevřená. • Nastavená teplota pro prostor mrazničky je příliš nízká. • Těsnění dvířek je znečištěné, opotřebené, popraskané nebo nesprávně nainstalované. • Není zaručena požadovaná cirkulace vzduchu. 	<ul style="list-style-type: none"> • V tomto případě je normální, že spotřebič běží déle. • Normálně trvá 8 až 12 hodin, než se spotřebič úplně ochladí. • Zavřete dvířka/zásuvku a ujistěte se, že spotřebič je umístěn na rovné zemi a dveřím nepřekáží žádné potraviny nebo nádoby. • Neotvírejte dvířka/zásuvku příliš často. • Nastavte vyšší teplotu tak, abyste dosáhli uspokojivé teploty chladničky. Trvá 24 hodin, než se teplota chladničky ustálí. • Vyčistěte těsnění dvířek/zásuvky nebo ho nechte vyměnit zákaznickým servisem. • Zajistěte odpovídající větrání.
Vnitřek chladničky je znečištěný a/nebo zapáchá.	<ul style="list-style-type: none"> • Je třeba vyčistit vnitřek chladničky. • V chladničce je uloženo nějaké jídlo se silným zápachem 	<ul style="list-style-type: none"> • Vyčistěte vnitřek chladničky • Důkladně zabalte jídlo.

Problém	Možná příčina	Možné řešení
Uvnitř spotřebiče není dostatečně chladno.	<ul style="list-style-type: none"> • Je nastavena příliš vysoká teplota. • Bylo uloženo příliš teplé jídlo. • Bylo uloženo příliš mnoho potravin najednou. • Potraviny jsou příliš blízko sebe. • Dvířka/zásuvka spotřebiče nejsou těsně zavřené. • Dvířka/zásuvka se otvírala příliš často, nebo byla příliš dlouho otevřená. 	<ul style="list-style-type: none"> • Znovu nastavte teplotu. • Před uložením vždy nechte jídlo vychladnout. • Vždy ukládejte menší množství potravin. • Nechte mezi potravinami mezery umožňující proudění vzduchu. • Zavřete dvířka/zásuvku. • Neotvírejte dvířka/zásuvku příliš často.
Uvnitř spotřebiče je příliš chladno.	<ul style="list-style-type: none"> • Je nastavena příliš nízká teplota. • Je aktivována funkce Super Frz/Super Cool, nebo běží příliš dlouho. 	<ul style="list-style-type: none"> • Znovu nastavte teplotu. • Vypněte funkci Super Frz/Super Cool.
Tvoření vlhkosti na vnitřním povrchu chladicího prostoru.	<ul style="list-style-type: none"> • Prostředí je příliš teplé a vlhké. • Dvířka/zásuvka spotřebiče nejsou těsně zavřené. • Dvířka/zásuvka se otvírala příliš často, nebo byla příliš dlouho otevřená. • Nádobky na potraviny nebo tekutiny zůstaly otevřené. 	<ul style="list-style-type: none"> • Zvyšte teplotu. • Zavřete dvířka/zásuvku. • Neotvírejte dvířka/zásuvku příliš často. • Nechte horké potraviny vychladnout na pokojovou teplotu a potraviny a tekutiny zakryjte.
Na vnějším povrchu chladničky nebo mezi dvířky / dvířky a zásuvkou se hromadí vlhkost.	<ul style="list-style-type: none"> • Prostředí je příliš teplé a vlhké. • Dvířka nejsou těsně zavřené. Chladný vzduch ve spotřebiči a teplý vnější vzduch, dochází ke kondenzaci. 	<ul style="list-style-type: none"> • Jedná se o normální jev ve vlhkém prostředí; až se sníží vlhkost, situace se změní. • Ujistěte se, že dvířka/zásuvka jsou těsně zavřené.

Problém	Možná příčina	Možné řešení
V prostoru mrazničky je silná vrstva ledu a námrazy.	<ul style="list-style-type: none"> • Potraviny nebyly náležitě zabalené. • Dvířka/zásuvka spotřebiče nejsou těsně zavřená. • Dvířka/zásuvka se otvírala příliš často, nebo byla příliš dlouho otevřená. • Těsnění dvířek/zásuvky je znečištěné, opotřebené, popraskané nebo nesprávně nainstalované. • Něco uvnitř brání správnému zavření dvířek/zásuvky. 	<ul style="list-style-type: none"> • Vždy dobře zabalte potraviny. • Zavřete dvířka/zásuvku. • Neotvírejte dvířka/zásuvku příliš často. • Vyčistěte těsnění dvířek/zásuvky nebo ho vyměňte za nové. • Přemístěte vnitřní police, police na dvířkách nebo vnitřní nádoby, aby se mohla dvířka/zásuvka zavřít.
Boční strany skříně a lišta na dvířkách jsou teplé.	<ul style="list-style-type: none"> • - 	<ul style="list-style-type: none"> • Jedná se o normální jev.
Spotřebič vydává neobvyklé zvuky.	<ul style="list-style-type: none"> • Spotřebič nestojí na rovné zemi. • Spotřebič se dotýká nějakého předmětu ve svém okolí. 	<ul style="list-style-type: none"> • Seřídte nohy, aby stál spotřebič rovně. • Odstraňte předměty z okolí spotřebiče.
Ozývá se slabý zvuk podobný proudění vody.	<ul style="list-style-type: none"> • - 	<ul style="list-style-type: none"> • Jedná se o normální jev.
Ozývá se pípání alarmu.	<ul style="list-style-type: none"> • Dvířka úložného prostoru chladničky jsou otevřená. 	<ul style="list-style-type: none"> • Zavřete dvířka.
Ozývá se slabé hučení.	<ul style="list-style-type: none"> • Protikondenzační systém je v chodu 	<ul style="list-style-type: none"> • Zabraňuje kondenzaci, jedná se o normální jev
Nefunguje osvětlení interiéru nebo chladič systém.	<ul style="list-style-type: none"> • Síťová zástrčka není zapojena do síťové zásuvky. • Napájení nemá správné parametry. • Žárovka LED je vadná. 	<ul style="list-style-type: none"> • Zapojte síťovou zástrčku. • Zkontrolujte přívod elektrického napájení do místnosti. Zavolejte místnímu dodavateli elektřiny! • Zavolejte do servisu a požádejte o výměnu žárovky.

Chcete-li kontaktovat technickou pomoc, navštivte naše webové stránky:
<https://corporate.haier-europe.com/en/>

V části „Website“ zvolte značku vašeho výrobku a vaši zemi. Budete přesměrováni na konkrétní webovou stránku, kde najdete telefonní číslo a kontaktní formulář technické pomoci.

Výpadek napájení

V případě výpadku napájení by měly potraviny zůstat bezpečně v chladu po dobu asi 5 hodin. Během delšího výpadku napájení se řiďte těmito tipy, zejména v létě:

- ▶ Otvírejte dvířka/zásuvku co nejméně často.
- ▶ Během výpadku napájení nevkládejte do spotřebiče další potraviny.
- ▶ Pokud je výpadek napájení oznámen předem a jeho délka překračuje 5 hodin, vyrobte trochu ledu a umístěte ho do nádoby v horní části prostoru chladničky.
- ▶ Ihned po výpadku napájení je nutné zkontrolovat potraviny.
- ▶ Vzhledem k tomu, že během výpadku napájení nebo jiné závady vzroste teplota v chladničce, doba skladování a požitelnost potravin se zkrátí. Jakékoli potraviny, které se rozmrazí, by se měly buď zkonsumovat, nebo tepelně upravit a znovu zmrazit (je-li to vhodné), aby se předešlo zdravotním rizikům.

Funkce paměti během výpadku napájení

Po obnovení napájení bude spotřebič pokračovat v činnosti s parametry, které byly nastaveny před výpadkem.

Vybalení

**VAROVÁNÍ!**

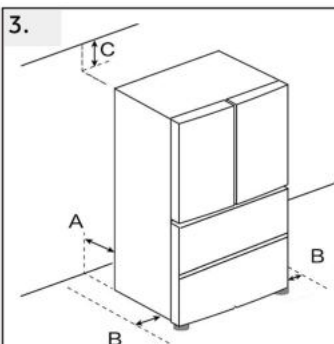
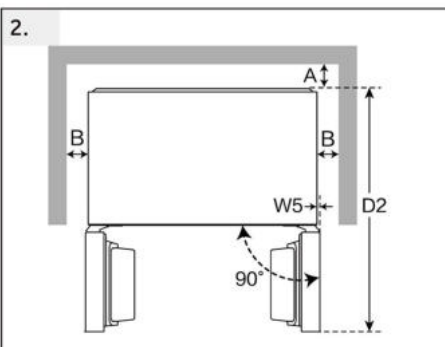
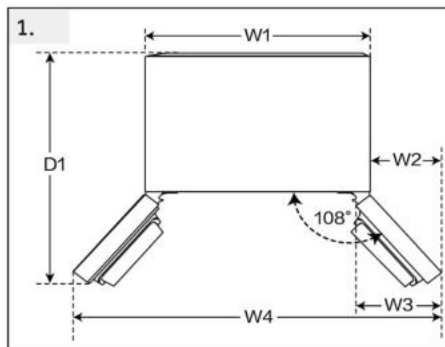
- ▶ Spotřebič je těžký. Vždy s ním manipulujte alespoň ve dvou osobách.
- ▶ Uchovávejte všechny obalové materiály mimo dosah dětí a zlikvidujte je způsobem šetrným k životnímu prostředí.
- ▶ Vyjměte spotřebič z obalu.
- ▶ Odstraňte všechny obalové materiály.

Podmínky prostředí

Pokojová teplota by měla být vždy mezi 10 °C a 43 °C, protože může ovlivňovat teplotu uvnitř spotřebiče a jeho spotřebu energie. Bez náležité izolace neinstalujte spotřebič do blízkosti jiných spotřebičů vytvářejících teplo (trub, chladniček).

Doporučení ohledně prostoru

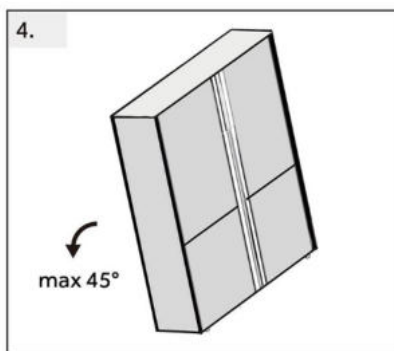
Doporučený prostor s otevřenými dvířky (obr. 1.2).



(Jednotky: mm)		HFKR5718DNGB
Šířka	W1	700
	W2	115
	W3	368
	W4	930
	W5	0
	W	700
	D1	910
	D2	918
	D	594
Vzdálenost od zadní stěny	A	6
Vzdálenost od bočních stěn	B	4
Vzdálenost od stropu	C	9
Celková výška	H	1850

Prostor pro větrání

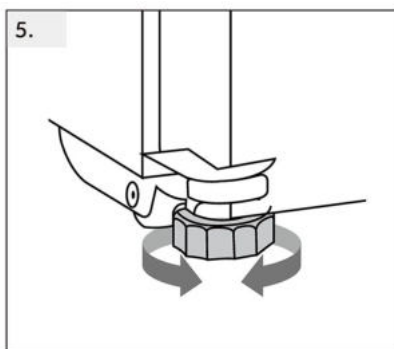
Z bezpečnostních důvodů je nutné dodržet informace o požadovaném prostoru pro větrání, aby byl spotřebič dostatečně větraný.



Vyrovnaní spotřebiče (obr. 4.5.6)

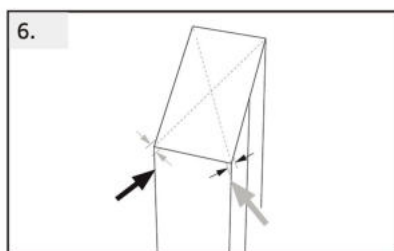
Spotřebič by se měl postavit na rovný a pevný povrch.

4. Nakloňte chladničku mírně dozadu.



5. Nastavte nohy na požadovanou výšku.

Ujistěte se, že vzdálenost od stěny na straně se závěsem je nejméně 100 mm, aby se mohla dvířka správně otvírat.



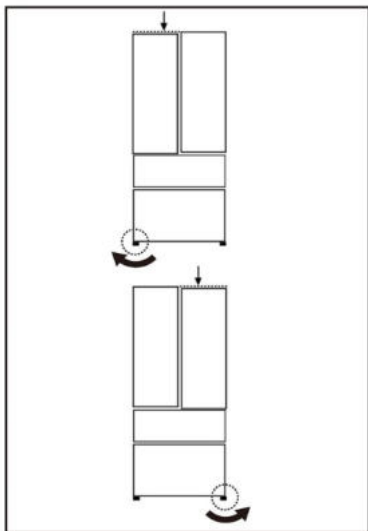
6. Stabilitu lze zkontrolovat střídavým kýváním po úhlopříčkách. Mírné kymácení by mělo být v obou směrech stejné. Jinak by se mohl rám zdeformovat: což by mohlo mít za následek, že těsnění dvířek nebude přiléhat.

Mírný náklon dozadu usnadňuje zavírání dvířek.



UPOZORNĚNÍ

Pro volně stojící spotřebič: tento chladicí spotřebič není určen k používání jako vestavný spotřebič

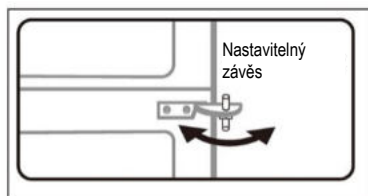


Jemné nastavení dvířek

Jestliže nejsou dvířka v rovině, lze to napravit následujícím způsobem:

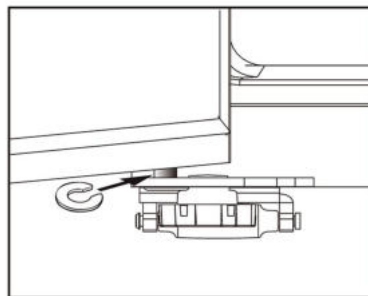
Pomocí nastavitelné nožky

Otáčením nastavitelné nožky ve směru šipky zvyšujete nebo snižujete výšku.



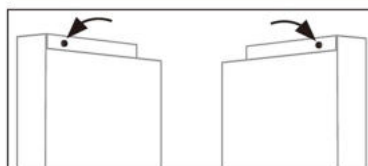
Nastavení polohy dvířek

- Když obě dvířka nejsou ve stejné výšce, lze seřadit nastavitelné závěsy dodaným klíčem, aby se obě dvířka vyrovnala. Při instalaci nepoužívejte hrubou sílu, aby se předešlo vzniku škrábanců nebo nerovností na povrchu dvířek.



Použití rozpěrek

- Otevřete dvířka mrazničky a zdvihněte je.
- Rukou nebo pomocí nářadí, například kleští, opatrně upněte rozpěrku (dodanou v sáčku s příslušenstvím) na osu dolního závěsu. Dejte pozor, abyste nepoškrábali nebo nepotloukli dvířka.

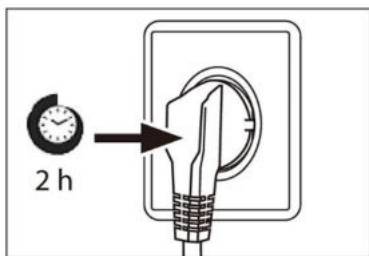


Použití seřizovacího knoflíku

- Pokud dvířka prostoru chladničky nejsou vyrovnaná, můžete je seřadit otáčením nastavitelného knoflíku v horní části dvířek.

UPOZORNĚNÍ

V průběhu používání chladničky může dojít k vychýlení dvířek způsobenému hmotností uložených potravin. V takovém případě je vyrovnejte výše popsanými metodami.



Doba čekání

V kapsli kompresoru se nachází bezúdržbový mazací olej. V případě naklonění během přepravy se olej může dostat do uzavřeného hadicového systému. Před připojením spotřebiče k napájení musíte počkat 2 hodiny, aby všechen olej natekl zpět do kapsle.

Připojení k elektrickému napájení

Před každým připojením zkontrolujte:


- ▶ zda napájení, zásuvka a jištění odpovídají údajům na typovém štítku;
- ▶ zda je síťová zásuvka uzemněná a nepoužívá se rozbočovací adaptér ani prodlužovací kabel;
- ▶ zda zástrčka přesně zapadne do zásuvky.

Zapojte zástrčku do náležitě nainstalované domácí zásuvky.

VAROVÁNÍ!

Aby se zamezilo rizikům, výměnu poškozeného napájecího kabelu musí provést zákaznický servis (viz záruční list).

Informační list výrobku podle nařízení EU 2019/2016

Značka	Haier
Název/označení modelu	HFKR5718DNGB
Kategorie modelu	Chladnička-mraznička
Třída energetické účinnosti	D
Roční spotřeba energie (kWh/rok)(1)	226
Celkový objem (l)	402
Objem chladničky (l)	227
Objem mrazničky (l)	147
Objem mrazicího boxu (l)	28
Hodnocení hvězdičkami	
Beznámrazový systém	Ano
Mrazicí výkon (kg/24 h)	10,0
Klimatická třída (2)	SN-N-ST-T
Třída emisí hluku a emise hluku šířeného vzduchem (db(A) re 1 pW)	B (35)
Doba náběhu teploty (h)	8
Typ spotřebiče	volně stojící

Vysvětlení:

- Ano, ve výbavě

- (1) Na základě výsledků zkoušky shody s normami v průběhu 24 hodin. Skutečná spotřeba je závislá na způsobu používání a umístění spotřebiče.
- (2) Klimatická třída SN: Tento spotřebič je určen k používání při teplotě okolí mezi +10 °C a +32°C

Klimatická třída N: Tento spotřebič je určen k používání při teplotě okolí mezi +16 °C a +32°C

Klimatická třída ST: Tento spotřebič je určen k používání při teplotě okolí mezi +16 °C a +38°C

Klimatická třída T: Tento spotřebič je určen k používání při teplotě okolí mezi +16 °C a +43°C

Další technické údaje

Napětí/frekvence	220–240 V~/50 Hz
Vstupní proud (A)	1,8
Hlavní pojistka (A)	15
Chladivo	R600a
Rozměry (V/Š/H v mm)	1850/700/594

Doporučujeme využívat zákaznický servis společnosti Haier a používat originální náhradní díly.

V případě problému se spotřebičem si nejprve přečtete část ŘEŠENÍ PROBLÉMŮ.

Pokud v ní nenajdete řešení, kontaktujte

místního prodejce nebo

naše Evropské středisko telefonické podpory (viz telefonní čísla uvedená níže) nebo část Servis a podpora na stránkách www.haier.com, kde můžete aktivovat požadavek na servis a kde najdete také časté dotazy.

Chcete-li kontaktovat náš servis, ujistěte se, že máte k dispozici následující údaje. Tyto údaje lze najít na výrobním štítku.

Model _____

Výrobní číslo _____

V případě záruky se také podívejte do záručního listu dodaného s výrobkem.

Evropské středisko telefonické podpory		
Země*	Telefonní číslo	Ceny
Haier Italy (IT)	199 100 912	
Haier Spain (ES)	902 509 123	
Haier Germany (DE)	0180 5 39 39 99	<ul style="list-style-type: none"> • 14 ct/min pevná linka • max. 42 ct/min mobil
Haier Austria (AT)	0820 001 205	<ul style="list-style-type: none"> • 14,53 ct/min pevná linka • max. 20 ct/min vše ostatní
Haier United Kingdom (UK)	0333 003 8122	
Haier France (FR)	0980 406 409	

* Údaje o ostatních zemích najdete na www.haier.com

Haier Europe Trading S.r.l

Branch UK

Westgate House, Westgate, Ealing

London, W5 1YY

*Doba záruky chladničky:

Minimální záruka: 2 roky pro země EU, 3 roky pro Turecko, 1 rok pro Spojené království, 1 rok pro Rusko, 3 roky pro Švédsko, 2 roky pro Srbsko, 5 let pro Norsko, 1 rok pro Maroko, 6 měsíců pro Alžírsko, Tunisko nevyžaduje žádnou zákonnou záruku.

*Doba dostupnosti náhradních dílů pro opravu spotřebiče:

Termostaty, snímače teploty, desky s plošnými spoji a světelné zdroje budou k dispozici po dobu nejméně sedmi let od uvedení posledního modelu spotřebiče na trh.

Madla dvířek, závěsy dvířek, přihrádky a koše budou k dispozici po dobu nejméně sedmi let a těsnění dvířek po dobu nejméně deseti let od uvedení posledního modelu spotřebiče na trh.

*Chcete-li další informace o výrobku, navštivte stránky <https://eprel.ec.europa.eu/> nebo naskenujte kód QR na energetickém štítku dodaném se spotřebičem.

<u>77</u>		<u>Vor der ersten Inbetriebnahme</u>	78
<u>Sicherheitsinformationen</u>		<u>Installation</u>	78
		<u>Täglicher Gebrauch</u>	79
<u>82 Bestimmungsgemäße Verwendung</u>			
<u>83 Produktbeschreibung</u>			
<u>84 Bedienfeld</u>			
<u>85 Verwendung</u>		<u>Bedienfeld sperren/entsperren</u>	85
		<u>ECO-MODUS</u>	86
		<u>Einstellen der Temperatur für den Kühlschrank</u>	87
		<u>Einstellen der Temperatur für den Gefrierschrank</u>	87
		<u>Magic Zone-Funktion</u>	87
		<u>Super Cool-Funktion</u>	89
		<u>Super Frz-Funktion</u>	90
		<u>Holiday-Funktion</u>	91
<u>92 Ausrüstung</u>			
<u>95 Energiespartipps</u>			
<u>96 Pflege und Reinigung</u>			
<u>98 Fehlerbehebung</u>			
<u>102 Installation</u>			
<u>105 Technische Daten</u>			
<u>107 Kundendienst</u>			

Vielen Dank für den Kauf eines Haier-Produkts.

Bitte lesen Sie diese Anweisungen sorgfältig durch, bevor Sie dieses Gerät benutzen. Die Anleitung enthält wichtige Informationen, die Ihnen dabei helfen, das Gerät optimal zu nutzen und eine sichere und ordnungsgemäße Installation, Verwendung und Wartung zu gewährleisten.

Bewahren Sie diese Anleitung an einem geeigneten Ort auf, damit Sie jederzeit für die sichere und ordnungsgemäße Verwendung des Geräts darauf zurückgreifen können.

Wenn Sie das Gerät verkaufen, weggeben oder bei einem Umzug zurücklassen, vergewissern Sie sich, dass diese Anleitung auch beigelegt wird, damit sich der neue Besitzer bzw. die neue Besitzerin mit dem Gerät und den Sicherheitshinweisen vertraut machen kann.

Zubehör

Überprüfen Sie Zubehör und Dokumentation gemäß dieser Liste:



Energie-
Kennzeichnung



Garantiekarte



Benutzerhandbuch
„OK“-Aufkleber



Kurzanleitung



WARNUNG - Wichtige Sicherheitsinformationen



HINWEIS - Allgemeine Informationen und Tipps



Umweltinformationen

Entsorgung



Tragen Sie zum Schutz der Umwelt und der menschlichen Gesundheit bei. Entsorgen Sie die Verpackung zum Recyceln in die entsprechenden Behälter. Unterstützen Sie das Recycling von Elektro- und Elektronik-Altgeräten. Entsorgen Sie Geräte, die mit diesem Symbol gekennzeichnet sind, nicht mit dem Hausmüll. Geben Sie das Produkt an Ihre lokale Recyclinganlage zurück oder wenden Sie sich an Ihre Stadtverwaltung.



WARNUNG!

Verletzungs- oder Erstickungsgefahr!

Kältemittel und Gase müssen fachgerecht entsorgt werden. Stellen Sie sicher, dass der Schlauch des Kühlkreislaufs nicht beschädigt ist, bevor er ordnungsgemäß entsorgt wird. Trennen Sie das Gerät von der Stromversorgung. Trennen Sie das Netzkabel und entsorgen Sie es. Entfernen Sie die Fächer und Schubladen sowie die Türöffnung und die Dichtungen, um zu verhindern, dass Kinder und Haustiere im Gerät eingeschlossen werden.

Lesen Sie vor dem ersten Einschalten des Geräts folgende Sicherheitshinweise:



WARNUNG!

Vor der ersten Inbetriebnahme

- ▶ Vergewissern Sie sich, dass keine Transportschäden vorliegen.
- ▶ Entfernen Sie alle Verpackungsteile und bewahren Sie sie außerhalb der Reichweite von Kindern auf.
- ▶ Warten Sie vor dem Einschalten des Geräts mindestens zwei Stunden, damit der Kühlkreislauf auch sicher und effektiv arbeitet.
- ▶ Das Gerät immer mit mindestens zwei Personen transportieren, da es schwer ist.

Installation

- ▶ Das Gerät sollte an einem gut belüfteten Ort aufgestellt werden. Idealerweise müssen mindestens 10 cm rund um das Gerät frei bleiben.
- ▶ Stellen Sie das Gerät niemals in einem feuchten Bereich oder an einem Ort auf, wo es mit Wasser nassgespritzt werden könnte. Reinigen Sie Wasserspritzer und Flecken mit einem weichen, sauberen Tuch.
- ▶ Stellen Sie das Gerät nicht in direktem Sonnenlicht oder in der Nähe von Hitzequellen (z. B. Herden, Heizungen) auf.
- ▶ Installieren und richten Sie das Gerät in einem Bereich ein, der für seine Größe und Verwendung geeignet ist.
- ▶ Halten Sie die Lüftungsschlitze am Gerät oder in der Einbaustruktur frei.
- ▶ Stellen Sie sicher, dass die elektrischen Informationen auf dem Typenschild der Stromversorgung entsprechen. Ist dies nicht der Fall, wenden Sie sich an einen Elektriker.
- ▶ Das Gerät wird über eine 220-240 V /50 Hz Stromversorgung betrieben. Abnormale Spannungsschwankungen könnten dazu führen, dass sich das Gerät nicht einschaltet, der Temperaturregler oder Kompressor beschädigt wird, oder dass während des Betriebs ein abnormales Geräusch auftritt. In einem solchen Fall ist ein automatischer Regler anzubringen.
- ▶ Verwenden Sie keine Mehrfachsteckadapter und Verlängerungskabel.
- ▶ Positionieren Sie keine Mehrfachsteckdosen oder Verlängerungen hinter dem Gerät.
- ▶ Stellen Sie sicher, dass das Netzkabel nicht durch den Kühlschrank eingeklemmt wird. Treten Sie nicht auf das Netzkabel.



WARNUNG!

- ▶ Verwenden Sie eine separate, geerdete Steckdose für eine leicht zugängliche Stromversorgung. Das Gerät muss geerdet werden.
- ▶ Nur für Großbritannien: Das Gerätenetzkabel ist mit einem 3-adrigen Stecker (Erdungsstecker) ausgestattet, der in eine 3-adrige Norm-Buchse (geerdet) passt. Der dritte Stift (Erdung) darf auf keinen Fall gekappt oder entfernt werden. Das Gerät muss so installiert werden, dass der Stecker erreichbar ist.
- ▶ Den Kühlkreislauf nicht beschädigen.

Täglicher Gebrauch

- ▶ Dieses Gerät kann von Kindern ab 8 Jahren und Personen mit eingeschränkten körperlichen, sensorischen oder geistigen Fähigkeiten oder mangelnder Erfahrung und mangelndem Wissen benutzt werden, wenn diese in die sichere Bedienung des Geräts eingewiesen wurden oder beaufsichtigt werden und die damit verbundenen Gefahren verstanden haben.
- ▶ Kinder im Alter von 3 bis 8 Jahren dürfen Kühlschränke be- und entladen, aber nicht reinigen und installieren.
Kinder unter 3 Jahren vom Gerät fernhalten, es sei denn, sie werden ständig beaufsichtigt.
- ▶ Kinder dürfen nicht mit dem Gerät spielen.
- ▶ Wenn Kohlegas oder ein anderes brennbares Gas in der Nähe des Geräts austritt, drehen Sie das Ventil des austretenden Gases ab. Öffnen Sie die Türen und Fenster, und ziehen Sie nicht den Netzstecker des Kühlschranks oder eines anderen Haushaltsgeräts.
- ▶ Beachten Sie, dass das Gerät für den Betrieb bei einer bestimmten Umgebungstemperatur zwischen 10 und 43°C eingestellt ist. Das Gerät funktioniert möglicherweise nicht ordnungsgemäß, wenn es über einen längeren Zeitraum bei einer Temperatur oberhalb oder unterhalb des angegebenen Bereichs betrieben wird.
- ▶ Stellen Sie keine instabilen Gegenstände (schwere Gegenstände, mit Wasser gefüllte Behälter) auf den Kühlschrank, um Verletzungen durch Herunterfallen oder elektrische Schläge durch Kontakt mit Wasser zu vermeiden.
- ▶ Ziehen Sie nicht an den Türfächern. Die Tür kann schief verzogen werden, das Flaschenregal kann herausgezogen werden, oder das Gerät kann umkippen.
- ▶ Schließen und öffnen Sie die Tür nur mit den Griffen. Der Spalt zwischen den Türen sowie zwischen den Türen und dem Schrank ist sehr schmal. Stecken Sie nicht Ihre Hände in diese Bereiche, um zu vermeiden, dass Sie Ihre Finger eingeklemmt werden. Öffnen oder schließen Sie die Kühlschranktüren nur dann, wenn keine Kinder im Bewegungsbereich der Tür stehen.

**WARNUNG!**

- ▶ Verwenden Sie keine brennbaren, explosionsfähigen oder korrosiven Substanzen im Gerät oder in der Nähe.
- ▶ Lagern Sie keine Arzneimittel, Bakterien oder Chemikalien im Gerät. Dieses Gerät ist ein Haushaltsgerät. Es wird davon abgeraten, Materialien zu lagern, die extreme Temperaturen erfordern.
- ▶ Lagern Sie niemals Flüssigkeiten in Flaschen oder Dosen (außer hochprozentige Spirituosen), insbesondere kohlenensäurehaltige Getränke, im Gefrierschrank, da diese beim Einfrieren platzen können.
- ▶ Überprüfen Sie den Zustand der Lebensmittel, wenn die Temperatur im Gefrierschrank angestiegen ist.
- ▶ Stellen Sie keine unnötig niedrigen Temperaturen im Kühlfach ein. Bei hohen Einstellungen kann es zu Minustemperaturen kommen. Achtung: Flaschen können platzen.
- ▶ Berühren Sie Gefriergut nicht mit nassen Händen (Handschuhe tragen). Verzehren Sie insbesondere Eis am Stiel nicht sofort nach der Entnahme aus dem Gefrierfach. Es besteht die Gefahr des Erfrierens oder der Bildung von Frostblasen an Mund und Zunge. ERSTE HILFE: Sofort unter fließend kaltes Wasser halten. Nicht mit Gewalt abziehen!
- ▶ Berühren Sie nicht die Innenfläche des Gefrierfachs, wenn es in Betrieb ist, insbesondere nicht mit nassen Händen, da Ihre Hände an der Oberfläche festfrieren könnten.
- ▶ Ziehen Sie den Gerätestecker aus der Steckdose, falls die Stromversorgung unterbrochen wird oder bevor Sie das Gerät reinigen. Warten Sie vor dem Neustart mindestens 7 Minuten, da durch häufiges Einschalten der Kompressor beschädigt werden kann.
- ▶ Verwenden Sie im Inneren des Haushaltsgeräts keine elektrischen Geräte, es sei denn, sie werden vom Hersteller empfohlen. Wartung / Reinigung
- ▶ Kinder müssen beaufsichtigt werden, wenn sie das Gerät reinigen und warten.
- ▶ Trennen Sie das Gerät von der Stromversorgung, bevor Sie eine routinemäßige Wartung durchführen. Warten Sie vor dem Neustart mindestens 7 Minuten, da durch häufiges Einschalten der Kompressor beschädigt werden kann.

**WARNUNG!**

- ▶ Fassen Sie beim Herausziehen des Gerätesteckers aus der Steckdose den Stecker und nicht das Kabel an.
- ▶ Reinigen Sie das Gerät nicht mit harten Bürsten, Drahtbürsten, Reinigungspulver, Benzin, Amylacetat, Aceton und ähnlichen organischen Lösungen, Säure oder Alkalilösungen. Reinigen Sie das Gerät mit einem speziellen Reinigungsmittel für Kühlgeräte, um Beschädigungen zu vermeiden.
- ▶ Kratzen Sie Eis nicht mit scharfkantigen Gegenständen ab. Verwenden Sie keine Sprays, elektrischen Heizgeräte, Haartrockner zum Abtauen oder Dampfreiniger im Gerät, um Beschädigungen der Kunststoffteile zu vermeiden.
- ▶ Verwenden Sie keine mechanischen oder sonstigen Hilfsmittel, um den Abtauvorgang zu beschleunigen, es sei denn, dies wird vom Hersteller so empfohlen.
- ▶ Wenn das Stromkabel beschädigt ist, muss es vom Hersteller, von seinem Service-Mitarbeiter oder einer gleichwertig qualifizierten Person ausgetauscht werden, um jegliches Risiko zu vermeiden.
- ▶ Versuchen Sie nicht, das Gerät selbst zu reparieren, zu zerlegen oder zu verändern. Bei Reparaturen wenden Sie sich bitte an unseren Kundenservice.
- ▶ Entfernen Sie den Staub auf der Geräterückseite mindestens einmal im Jahr, um Brandgefahr und einen erhöhten Energieverbrauch zu vermeiden.
- ▶ Das Gerät darf während der Reinigung nicht besprüht oder mit Wasser beschüttet werden.
- ▶ Das Gerät darf nicht mit Wasser besprüht oder mit Dampf gereinigt werden.
- ▶ Reinigen Sie die kalten Einlegeböden aus Glas nicht mit heißem Wasser. Plötzliche Temperaturschwankungen können dazu führen, dass das Glas zerspringt.

Informationen zum Kältemittelgas**WARNUNG!**

Das Gerät enthält das entzündliche Kältemittel ISOBUTAN (R600a). Stellen Sie sicher, dass der Kühlkreislauf während des Transports oder der Installation nicht beschädigt wird. Auslaufendes Kältemittel kann Augenverletzungen verursachen oder sich entzünden. Falls Schäden aufgetreten sind, halten Sie sich von offenen Brandquellen fern, lüften Sie den Raum gründlich, stecken Sie die Netzkabel des Geräts oder eines anderen Geräts nicht ein oder aus. Informieren Sie den Kundenservice.

Falls die Augen mit dem Kältemittel in Kontakt kommen, spülen Sie sofort unter fließendem Wasser aus und verständigen Sie den Augenarzt.

Bestimmungsgemäße Verwendung

Dieses Gerät ist zum Kühlen und Gefrieren von Lebensmitteln bestimmt. Es ist ausschließlich für den Einsatz in Haushalten und ähnlichen Bereichen konzipiert, wie z. B. in Personalküchen in Geschäften, Büros und anderen Arbeitsumgebungen, auf Bauernhöfen und in Hotels, Motels und anderen wohnähnlichen Umgebungen sowie in Bed-and-Breakfasts und für Catering-Zwecke. Das Gerät ist nicht für die kommerzielle oder industrielle Nutzung bestimmt.

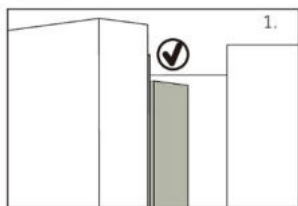
Änderungen oder Anpassungen am Gerät sind nicht erlaubt. Eine unsachgemäße Verwendung kann zu Gefahren und zum Verlust von Garantieansprüchen führen.

Normen und Richtlinien

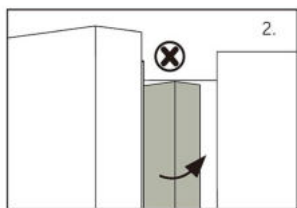
Dieses Produkt erfüllt die Anforderungen aller geltenden EG-Richtlinien mit den entsprechenden harmonisierten Normen und Standards Großbritanniens, die eine CE- und UKCA-Kennzeichnung vorsehen.



VORSICHT!



Beim Schließen der Türe sollte die vertikale Türleiste an der linken Tür nach innen gebogen sein (1).



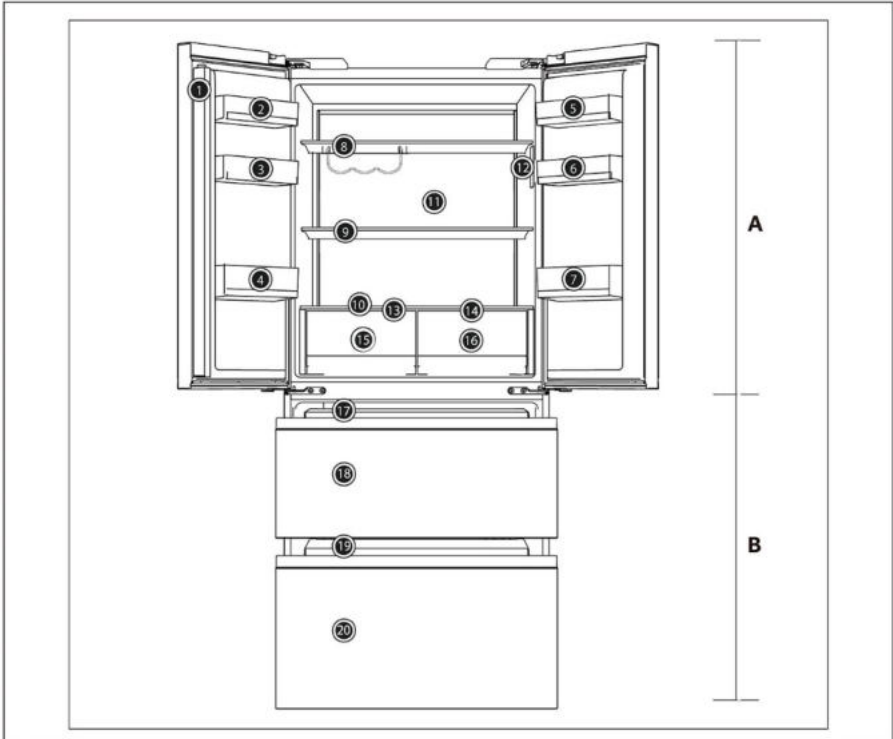
Wenn Sie versuchen, die linke Tür zu schließen und die vertikale Türleiste ist nicht gebogen (2), sollten Sie sie zuerst zurechtbiegen, da sie sonst gegen die Befestigung oder die rechte Tür stößt. Dadurch kommt es zu einer Beschädigung des Türanschlags oder zu einer Undichtigkeit.

Im Inneren des Rahmens befindet sich ein Heizfaden. Die Temperatur der Oberfläche steigt ein wenig an, was normal ist und die Funktion des Geräts nicht beeinträchtigt.



HINWEIS

Aufgrund von technischen Änderungen und unterschiedlichen Modellen können einige der Abbildungen in dieser Anleitung von Ihrem Modell abweichen.



A: Kühlfach

1 Türträger

2 Flaschenhalter (oben links)

3 Flaschenhalter (Mitte links)

4 Flaschenhalter (unten links)

5 Flaschenhalter (oben rechts)

6 Flaschenhalter (Mitte rechts)

7 Flaschenhalter (unten rechts)

8 Einlegeboden aus Glas

9 Einlegeboden aus Glas

10 Abdeckung für Schublade

11 Hintere Leuchte

12 Anzeigefeld

13 Activefresh Schubladenabdeckung

14 Magic Schubladenabdeckung

15 Activefresh Schublade

16 Magic Schublade

B: Gefrierfach

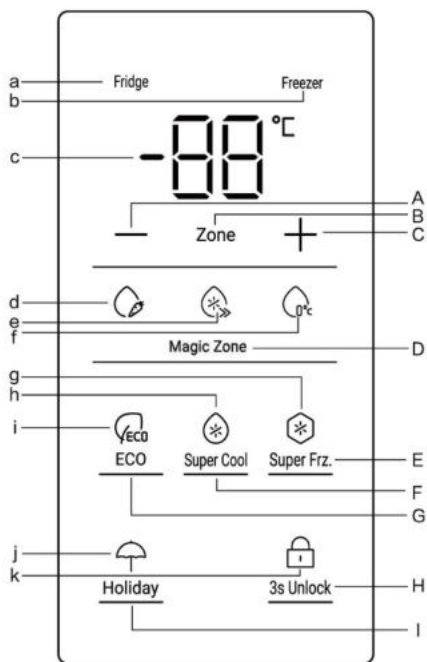
17 Schubfach

18 Obere Gefrierschublade

19 Schubfach

20 Untere Gefrierschublade

Bedienfeld



Tasten:

- A Taste zur Temperaturverringern
- B Kühlschrank- und Gefrierschrank Temperaturmodus-Umschaltung
- C Taste Temperaturerhöhung
- D Umschaltung des Magic Zone-Modus
- E Wahlschalter für die Super Frz.-Funktion
- F Wahlschalter für die Super Cool-Funktion
- G Wahlschalter für die ECO-Funktion
- H Anzeigefeld sperren/entsperren
- I Wahlschalter für die Holiday-Funktion

Anzeigen:

- a Kühlschrank-Anzeige
- b Gefrierschrank-Anzeige
- c Temperatur Kühl- und Gefrierfach
- d Fruit&Veg-Funktion
- e Cool Drink-Funktion
- f 0°C Fresh-Funktion
- g Super Frz.-Funktion
- h Super-Cool-Funktion
- i Eco-Funktion
- j Holiday-Funktion
- k Funktion Anzeigefeld sperren/entsperren

Vor der ersten Inbetriebnahme

- ▶ Entfernen Sie sämtliches Verpackungsmaterial, bewahren Sie es außerhalb der Reichweite von Kindern auf und entsorgen Sie es umweltfreundlich.
- ▶ Reinigen Sie das Gerät innen und außen mit Wasser und einem milden Reinigungsmittel, bevor Sie Lebensmittel hineinlegen.
- ▶ Warten Sie nach dem Nivellieren und Reinigen mindestens 2-5 Stunden, bevor Sie das Gerät an die Stromversorgung anschließen. Siehe Abschnitt INSTALLATION.
- ▶ Kühlen Sie die Fächer auf hoher Stufe vor, bevor Sie die Lebensmittel einlegen. Die Super Frz.-Funktion sorgt für eine schnelle Abkühlung der Fächer.
- ▶ Kühl- und Gefriertemperatur werden automatisch auf 5 °C bzw. -18 °C eingestellt. Dies sind die empfohlenen Einstellungen. Falls gewünscht, können Sie diese Temperatur manuell ändern. Siehe MANUELLER EINSTELLMODUS.

Sensortasten

Die Tasten auf dem Bedienfeld sind Sensortasten, die schon bei leichter Berührung mit dem Finger ansprechen.

Gerät ein-/ausschalten

Das Gerät ist sofort in Betrieb, wenn es an die Stromversorgung angeschlossen wird. Wenn der Kühlschrank zum ersten Mal eingeschaltet wird, leuchtet die Anzeige „C“ (Temperaturanzeige). Kühl- und Gefriertemperatur werden automatisch auf 5°C bzw. -18°C eingestellt. Die Anzeige „d“ (Fruit&Veg) leuchtet.

Das Anzeigefeld schaltet sich nach dem Schließen der Tür sofort aus.



HINWEIS

1. Das Gerät ist auf die empfohlene Temperatur von 5°C (Kühlschrank) und -18°C (Gefrierschrank) voreingestellt. Unter normalen Umgebungsbedingungen müssen Sie keine Temperatur einstellen.
2. Die Voreinstellungsfunktion für die Magic Zone-Schublade ist Fruit&Veg.
3. Wenn das Gerät, nachdem es von der Hauptstromversorgung getrennt wurde, eingeschaltet wird, kann es bis zu 12 Stunden dauern, bis die richtigen Temperaturen erreicht sind.

Räumen Sie das Gerät vor dem Ausschalten aus. Schalten Sie das Gerät aus, indem Sie den Netzstecker aus der Steckdose ziehen.

Bedienfeld sperren/entsperren

Automatische Sperre: Wenn die Kühl- und Gefrierschranktür geschlossen ist, wird das Display automatisch gelöscht und gesperrt.

Manuelle Entsperrung: Wenn das Display gesperrt ist, drücken Sie die Taste „H“ (3s Unlock) und halten Sie sie 3 Sekunden lang gedrückt; der Summer ertönt einmal, die Anzeige „k“ (Bedienfeldsperre) erlischt und das Display wird entsperrt.



Manuelle Sperre: Wenn das Display entsperrt ist, drücken Sie die Taste „H“ (3s Unlock) und halten Sie sie 3 Sekunden lang gedrückt; der Summer ertönt einmal, die Anzeige „k“ (Bedienfeldsperre) leuchtet auf und das Display ist gesperrt.



HINWEIS

Das Anzeigefeld wird bei jedem Öffnen der Tür gesperrt. Für eventuelle Einstellungen muss das Bedienfeld entsperrt werden.

Türöffnungsalarm

Wenn eine der Kühlschränktüren länger als 3 Minuten geöffnet ist, ertönt der Türöffnungsalarm. Der Alarm kann durch Schließen der Tür ausgeschaltet werden. Wenn die Tür länger als 7 Minuten geöffnet bleibt, schalten sich das Licht im Inneren des Kühlschranks und die Beleuchtung des Bedienfelds automatisch aus.

Auswahl des Arbeitsmodus

Wählen Sie eventuell eine der beiden folgenden Möglichkeiten zur Einstellung des Geräts:

HINWEIS: Auswirkungen auf die Temperaturen

Die Temperaturen im Inneren werden durch folgende Faktoren beeinflusst:

1. Umgebungstemperatur
2. Häufigkeit der Türöffnung
3. Menge der gelagerten Lebensmittel
4. Installation des Geräts

ECO-MODUS

Wenn Sie keine besonderen Anforderungen an die Lagerung haben, empfehlen wir Ihnen, den ECO-Modus zu verwenden. In diesem Modus kann das Gerät die Temperatureinstellung automatisch entsprechend der Umgebungstemperatur und der Temperaturänderung im Gerät anpassen.

1. Wenn das Display entsperrt ist, drücken Sie die Taste „G“ (Wahlschalter für die ECO-Funktion), der Summer ertönt einmal, die Anzeige „I“ (ECO-Funktion) leuchtet auf, und die ECO-Funktion wird eingeschaltet.
2. Wenn die Anzeige „V“ (ECO-Funktion) aufleuchtet, drücken Sie die Taste „G“ (Wahlschalter für die ECO-Funktion). Der Summer ertönt einmal, die Anzeige „I“ (ECO-Funktion) erlischt, und die ECO-Funktion wird ausgeschaltet.





HINWEIS

Wenn die ECO-Funktion aktiviert ist, kann die Kühl- oder Gefriertemperatur nicht eingestellt werden. Wenn zum Einstellen der Kühlschrank- oder Gefrierschranktemperatur die Taste „+“ oder die Taste „-“ gedrückt wird, blinkt die Anzeige „i“ (ECO-Funktion) und es ertönt ein Hinweis darauf, dass dieser Vorgang nicht durchgeführt werden kann. Bei der ECO-Funktion erlischt die Anzeige „i“ (ECO-Funktion) aufgrund unterschiedlicher Steuerungsmethoden, wenn die Super Cool-, Super Frz.- oder Holiday-Funktion eingestellt ist. Bei der ECO-Funktion kann die Funktion von Magic Zone manuell nach Bedarf eingestellt werden.

Einstellen der Temperatur für den Kühlschrank

Wenn das Display entsperrt ist, drücken Sie die Taste „B“ (Wahlschalter für die Zone). Wählen Sie den „Kühlschrank“: Die Anzeige „a“ (Kühlschrankanzeige) leuchtet und der Temperatureinstellungsmodus des Kühlschranks wird geöffnet. Jedes Mal, wenn Sie die Taste „+“ oder die Taste „-“ drücken, wird der Wert des Einstellgrads für die Kühlung um 1 erhöht oder um 1 verringert. Die Temperatur des Kühlschranks wird in der Reihenfolge „9°C <->8°C<->7°C<->6°C <->5°C <->4°C <->3°C<->2°C <->1°C“ angezeigt.



HINWEIS

Wenn nach dem Einstellen der Temperatur innerhalb von 5 Sekunden kein Betätigungsvorgang erfolgt, ermittelt und speichert das System automatisch die eingestellte Temperatur.

Einstellen der Temperatur für den Gefrierschrank

Wenn das Display entsperrt ist, drücken Sie die Taste „B“ (Wahlschalter für die Zone), wählen Sie den „Gefrierschrank“: Die Anzeige „b“ (Gefrierschrankanzeige) leuchtet auf und der Temperatureinstellungsmodus des Gefrierschranks wird geöffnet. Jedes Mal, wenn Sie die Taste „+“ oder die Taste „-“ drücken, wird der Wert des Einstellgrads für die Kühlung um 1 erhöht oder um 1 verringert. Die Temperatur des Kühlschranks wird in der Reihenfolge „-14°C <->-15°C<->-16°C <->-17°C <->-18°C<->-19°C<->-20°C <->-21°C <->-22°C<->-23°C <->-24°C“ angezeigt.



HINWEIS

Wenn nach dem Einstellen der Temperatur innerhalb von 5 Sekunden kein Betätigungsvorgang erfolgt, ermittelt und speichert das System automatisch die eingestellte Temperatur.

Magic Zone-Funktion

1. Fruit&Veg-Funktion:

Wenn das Display entsperrt ist, drücken Sie die Taste „D“ (Magic Zone-Wahlschalter), um die Funktion einzuschalten. Das Symbol „Fruit&Veg.“ leuchtet auf. Diese Funktion eignet sich für die Lagerung von frischem Obst und Gemüse.



i HINWEIS

Kälteempfindliche Früchte wie Ananas, Avocados, Bananen, Grapefruits und Gemüse wie Kartoffeln, Auberginen, Bohnen, Gurken, Zucchini und Tomaten sowie Käse sollten nicht in der Magic Zone-Schublade gelagert werden.

2. Cool Drink-Funktion

Wenn das Display entsperrt ist, drücken Sie die Taste „D“ (Magic Zone-Wahlschalter), um die Funktion einzuschalten. Das Symbol „Cool Drink“ leuchtet auf.

Diese Funktion ermöglicht die Lagerung von Produkten wie Wasser, Cola und Saft. Die Temperatur im Magic Zone-Fach ist auf +2°C eingestellt.



3. 0° Fresh-Funktion:

Wenn das Display entsperrt ist, drücken Sie die Taste „D“ (Magic Zone-Wahlschalter), um die Funktion einzuschalten. 0°C Fresh leuchtet auf.

Mit dieser Funktion wird die Temperatur in der Magic Zone-Schublade auf 0°C eingestellt. Sie eignet sich für die Lagerung von frischen Lebensmitteln wie Fleisch oder Fisch. Die meisten Lebensmittel bleiben bei 0 °C frisch.



i HINWEIS

Aufgrund des unterschiedlichen Wassergehalts von Fleisch, gefrieren Fleischsorten mit mehr Feuchtigkeit bei Temperaturen unter 0°C. Daher sollte „frisch geschnittenes“ Fleisch in der Magic Zone-Schublade bei einer Mindesttemperatur von 0 °C gelagert werden.



HINWEIS: Magic Zone-Schublade

1. Die drei Magic Zone-Funktionen können nicht gleichzeitig aktiviert werden, nur eine kann leuchten.
2. Um die Temperatur im Kühlfach zu senken, verwenden Sie die Cool Drink-Funktion. Um sie zu erhöhen, verwenden Sie die Fruit&Veg.-Funktion.

Super Cool-Funktion

1. Wenn das Display entsperrt ist, drücken Sie die Taste „F“ (Super Cool-Wahlschalter), der Summer ertönt einmal, die Anzeige „f“ (Super Cool-Funktion) leuchtet auf und die Super Cool-Funktion wird eingeschaltet.
2. Wenn die Anzeige „h“ (Super Cool-Funktion) aufleuchtet, drücken Sie die Taste „F“ (Super Cool-Wahlschalter), der Summer ertönt einmal, die Anzeige „h“ (Super Cool-Funktion) erlischt und die Super Cool-Funktion wird ausgeschaltet.
3. Nach dem Einschalten der Super Cool-Funktion schaltet der Kühlschrank die Funktion automatisch aus, wenn sie etwa 4 Stunden andauert hat. Wenn Sie die Funktion manuell verlassen möchten, können Sie die Taste „G“ (Super Cool-Wahlschalter) drücken, um sie auszuschalten.



HINWEIS

1. Im Super Cool-Status kann die Kühlschranktemperatur nicht eingestellt werden. Wenn zum Einstellen der Kühlschranktemperatur die Taste „+“ oder die Taste „-“ gedrückt wird, blinkt die Anzeige „h“ (Super Cool-Funktion) und es ertönt ein Hinweis darauf, dass dieser Vorgang nicht durchgeführt werden kann.
2. Im Status der Super Cool-Funktion kann die ECO-Funktion und die Holiday-Funktion aufgrund der unterschiedlichen Steuerungsmodi nicht gleichzeitig eingeschaltet werden. Wenn Sie eine Funktion wählen, die mit einer anderen Funktion in Konflikt steht, wird die ursprüngliche Funktion automatisch beendet.

Super Frz-Funktion

1. Wenn das Display entsperrt ist, drücken Sie die Taste „E“ (Super Freeze-Wahlschalter), der Summer ertönt einmal, die Anzeige „g“ (Super Freeze-Funktion) leuchtet auf, und die Super Freeze-Funktion wird eingeschaltet.
2. Wenn die Anzeige „g“ (Super Freeze-Funktion) aufleuchtet, drücken Sie die Taste „E“ (Super Freeze-Wahlschalter), der Summer ertönt einmal, die Anzeige „g“ (Super Freeze-Funktion) erlischt, und die Super Freeze-Funktion wird ausgeschaltet.
3. Nach dem Einschalten der Super Freeze-Funktion schaltet der Kühlschrank die Funktion automatisch ab, wenn sie etwa 50 Stunden in Betrieb war. Wenn Sie die Funktion manuell verlassen möchten, können Sie die Taste „E“ (Super Freeze-Wahlschalter) drücken, um sie auszuschalten.



HINWEIS

1. Im Super Freeze-Status kann die Gefriertemperatur nicht eingestellt werden. Wenn die Taste „+“ oder die Taste „-“ gedrückt wird, um die Temperatur des Gefrierschranks einzustellen, blinkt die Anzeige „g“ (Super Freeze-Funktion) und es ertönt ein Hinweis darauf, dass dieser Vorgang nicht durchgeführt werden kann.
2. Im Status der Super Freeze-Funktion kann die ECO-Funktion aufgrund der unterschiedlichen Steuerungsmodi nicht gleichzeitig eingeschaltet werden. Wenn Sie eine Funktion wählen, die mit einer anderen Funktion in Konflikt steht, wird die ursprüngliche Funktion automatisch beendet.
3. Die Super Freeze-Funktion ist so konzipiert, dass der Nährwert der gefrorenen Lebensmittel erhalten bleibt und die Lebensmittel in kürzester Zeit eingefroren werden. Wenn große Mengen an Tiefkühlkost auf einmal eingefroren werden sollen. In der Zwischenzeit sollte die Super Freeze-Funktion 24 Stunden im Voraus eingestellt werden, damit der Gefrierschrank eine niedrige Temperatur hat und die Lebensmittel eingelegt werden können. In diesem Fall wird die Gefriergeschwindigkeit des Gefrierschranks beschleunigt, die Lebensmittel können schnell eingefroren werden, der Nährwert von Lebensmitteln bleibt erhalten, und die Lagerung wird optimiert.

Holiday-Funktion

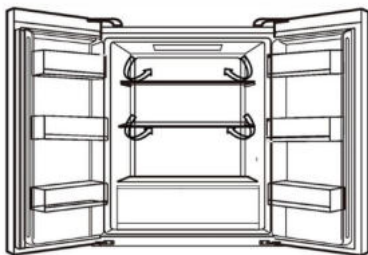
Die Holiday-Funktion ist dafür gedacht, den Kühlschrank über einen längeren Zeitraum nicht zu benutzen. Wenn die Holiday-Funktion eingeschaltet ist, wird der Gefrierschrank normal gesteuert, und die Temperatur des Kühlschranks wird automatisch auf 17 °C eingestellt. Die tatsächliche Temperatur ist nicht höher als 17 °C, wodurch ein durch Übertemperatur verursachter Geruch vermieden und gleichzeitig der Energieverbrauch gesenkt wird.

1. Wenn das Display entsperrt ist, drücken Sie die Taste „I“ (Wahlschalter für die Holiday-Funktion), der Summer ertönt einmal, die Anzeige „j“ (Holiday-Funktion) leuchtet auf, und die Holiday-Funktion wird eingeschaltet.
2. Wenn die Anzeige „j“ (Holiday-Funktion) aufleuchtet, drücken Sie die Taste „I“ (Wahlschalter für die Holiday-Funktion), der Summer ertönt einmal, die Anzeige „j“ (Holiday-Funktion) erlischt, und die (Holiday-Funktion) wird ausgeschaltet.



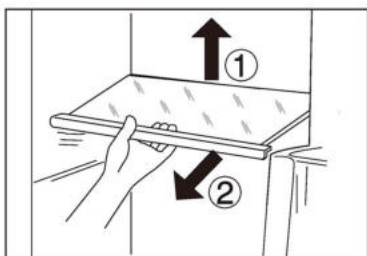
HINWEIS

1. Wenn die Holiday-Funktion eingeschaltet ist, kann die Kühlschranktemperatur nicht eingestellt werden. Wenn zum Einstellen der Kühlschranktemperatur die Taste „+“ oder die Taste „-“ gedrückt wird, blinkt die Anzeige der Holiday-Funktion und es ertönt ein Hinweis darauf, dass dieser Vorgang nicht durchgeführt werden kann.
2. Bevor Sie die Holiday-Funktion nutzen, leeren Sie bitte den Kühlschrank, um zu verhindern, dass Lebensmittel darin verderben. Wenn die Holiday-Funktion eingeschaltet ist, kann die ECO-Funktion oder die Super Cool-Funktion nicht gleichzeitig eingeschaltet werden.
3. Bei der Holiday-Funktion wird die Einstellung der Symbole „Fruit&Veg, Cool Drink, 0°Fresh“ in der Magic Zone ausgeschaltet und die Funktion der Magic Zone kann nicht eingestellt werden. Nach Beendigung der Holiday-Funktion wird das Kühlfach Magic Zone in der vorherigen Einstellung angezeigt.



Mehrfach-Luftstrom

1. Der Kühlschrank ist mit einem Mehrfach-Luftstrom-System ausgestattet, bei dem auf jeder Regalebene kühle Luftströme zirkulieren. Dadurch wird eine gleichmäßige Temperatur aufrechterhalten, um sicherzustellen, dass Ihre Lebensmittel länger frisch bleiben.



Verstellbare Einlegeböden

1. Die Höhe der Einlegeböden kann an Ihren Lagerbedarf angepasst werden.
2. Um einen Einlegeboden zu versetzen, heben Sie ihn an der Hinterkante an ① und ziehen Sie ihn heraus ②.
3. Um ihn wieder einzubauen, setzen Sie ihn auf die Träger an beiden Seiten und schieben Sie ihn ganz nach hinten, bis die Rückseite des Einlegebodens in den Schlitzen an den Seiten steckt.

Magic Zone-Schublade

In diesem Fach ist die Luftfeuchtigkeit niedriger als im restlichen Kühlschrank. Diese Schublade eignet sich für die Lagerung von Trockenobst und anderen trockenen Lebensmitteln mit geringem Wassergehalt wie Butter, Fette und Öle oder Schokolade.

MAGICZONE |

ACTIVEFRESHZONE-Schublade

In diesem Fach ist die Luftfeuchtigkeit höher als im Kühlfach. Sie wird automatisch vom System gesteuert und eignet sich für die Lagerung von Obst, Gemüse, Salaten usw.

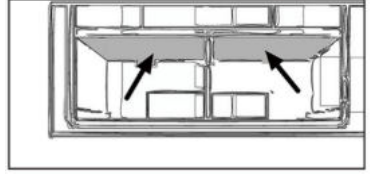
ACTIVEFRESHZONE |

HINWEIS:

Kälteempfindliche Früchte wie Ananas, Avocado, Bananen, Grapefruits und Gemüse wie Kartoffeln, Auberginen, Bohnen, Gurken, Zucchini und Tomaten sowie Käse sollten nicht in der Fresh Box gelagert werden.

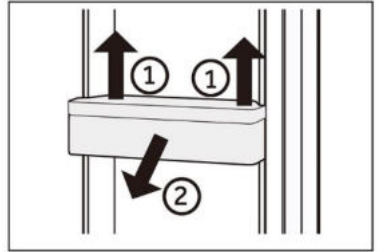
i HINWEIS

1. Entfernen Sie nicht die Kunststoffabdeckung in den beiden Zonen.
2. Sie halten die Feuchtigkeit aufrecht.
3. Kälteempfindliche Früchte wie Ananas, Avocado, Bananen.
4. Grapefruits sollten nicht in diesen beiden Schubladen gelagert werden.



Abnehmbare Türfächer/Flaschenhalter

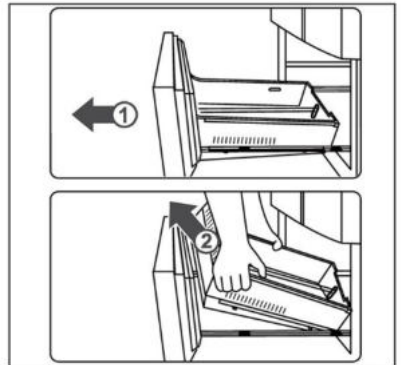
1. Die Türablagen können zur Reinigung herausgenommen werden:
2. Halten Sie dazu die Ablage mit beiden Händen fest, heben Sie sie nach oben ① und ziehen Sie sie heraus ②.
3. Um die Ablage wieder einzusetzen, werden die oben genannten Schritte in umgekehrter Reihenfolge durchgeführt.



Herausnehmbare obere Gefrierschublade

1. Ziehen Sie die obere Gefrierschublade bis zum Anschlag heraus
2. Heben Sie die Schublade an, bis sie vom Stützblock getrennt ist, schieben Sie sie in das Gefrierfach und neigen Sie sie zum Herausnehmen.

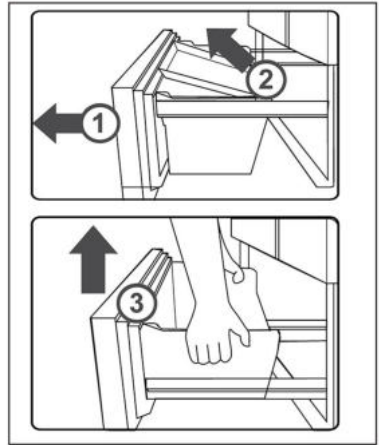
Um die Schublade wieder einzusetzen, werden die oben genannten Schritte in umgekehrter Reihenfolge durchgeführt.



Herausnehmbare untere Gefrierschublade

1. Ziehen Sie die untere Gefrierschublade bis zum Anschlag heraus.
2. Ziehen Sie das Gefrierfach bis zum Anschlag heraus, heben Sie es an und entfernen Sie es.
3. Heben Sie die Schublade an, bis sie vom Stützblock getrennt ist, schieben Sie sie in das Gefrierfach und neigen Sie sie zum Herausnehmen.

Um die Schublade wieder einzusetzen, werden die oben genannten Schritte in umgekehrter Reihenfolge durchgeführt.



Das Licht

Die LED-Innenbeleuchtung leuchtet, wenn die Tür geöffnet wird. Die Leistung der LEDs wird durch keine der anderen Geräteeinstellungen beeinflusst.



Energiespartipps

- ▶ Stellen Sie sicher, dass das Gerät ordnungsgemäß belüftet ist (siehe INSTALLATION).
- ▶ Stellen Sie das Gerät nicht in direktem Sonnenlicht oder in der Nähe von Hitzequellen (z. B. Herden, Heizungen) auf.
- ▶ Vermeiden Sie unnötig niedrige Temperaturen im Gerät. Je niedriger die im Gerät eingestellte Temperatur, umso höher der Energieverbrauch.
- ▶ Funktionen wie POWER-FREEZE verbrauchen mehr Energie.
- ▶ Lassen Sie warme Mahlzeiten abkühlen, bevor Sie diese in den Kühlschrank stellen.
- ▶ Öffnen Sie die Gerätetür so wenig und so kurz wie möglich.
- ▶ Achten Sie darauf, das Gerät nicht zu überladen, um den Luftstrom nicht zu behindern.
- ▶ Vermeiden Sie Luft innerhalb der Lebensmittelverpackung.
- ▶ Halten Sie die Türdichtungen sauber, damit die Tür immer richtig schließt.
- ▶ Tauen Sie gefrorene Lebensmittel im Vorratsfach des Kühlschranks auf.
- ▶ Die energiesparendste Konfiguration erfordert, dass das Gerät Schubladen, Lebensmittelboxen und Einlegeböden in fabriksauberem Zustand enthält, und die Lebensmittel sollten so weit wie möglich von den Auslässen des Luftkanals eingeräumt werden und diesen nicht blockieren.



WARNUNG!

Trennen Sie das Gerät vor der Reinigung von der Stromversorgung.

Reinigung

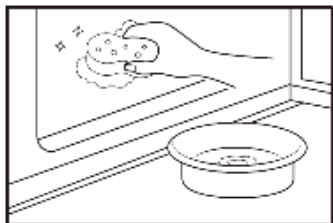
Reinigen Sie das Gerät, wenn nur wenig oder keine Lebensmittel gelagert werden.

Das Gerät sollte alle vier Wochen gereinigt werden, um eine gute Wartung zu gewährleisten und um schlechte Gerüche von gelagerten Lebensmitteln zu vermeiden.



WARNUNG!

- ▶ Reinigen Sie das Gerät nicht mit harten Bürsten, Drahtbürsten, Reinigungspulver, Benzin, Amylacetat, Aceton und ähnlichen organischen Lösungen, Säure oder Alkalilösungen. Reinigen Sie das Gerät mit einem speziellen Reinigungsmittel für Kühlgeräte, um Beschädigungen zu vermeiden.
- ▶ Das Gerät darf während der Reinigung nicht besprüht oder mit Wasser beschüttet werden.
- ▶ Das Gerät darf nicht mit Wasser besprüht oder mit Dampf gereinigt werden.
- ▶ Reinigen Sie die kalten Einlegeböden aus Glas nicht mit heißem Wasser. Plötzliche Temperaturschwankungen können dazu führen, dass das Glas zerspringt.
- ▶ Berühren Sie nicht die Innenfläche des Gefrierfachs, insbesondere nicht mit nassen Händen, da Ihre Hände an der Oberfläche festfrieren könnten.
- ▶ Überprüfen Sie bei einem eventuellen Temperaturanstieg den Zustand des Gefrierfahrs.



- ▶ Halten Sie die Türdichtung immer sauber.
- ▶ Reinigen Sie das Innere und das Gehäuse des Geräts mit einem Schwamm, der mit warmem Wasser und einem neutralen Reinigungsmittel angefeuchtet wurde.
- ▶ 1. Säubern Sie den Kühlschrank innen und außen, einschließlich Türdichtungen, Türablage, Einlegeböden aus Glas, Schubladen usw., gründlich mit einem weichen Geschirrtuch oder einem Schwamm, der in warmes Wasser eingetaucht wurde (eventuell mit etwas neutralem Reinigungsmittel im Wasser).
- ▶ 2. Wenn Flüssigkeit verschüttet wurde, nehmen Sie alle verschmutzten Teile heraus, spülen Sie sie unter fließendem Wasser ab, trocknen Sie sie ab und setzen Sie sie wieder in den Kühlschrank ein.
- ▶ 3. Bei verschütteten Milchprodukten (z. B. Sahne, schmelzendes Eis) entfernen Sie die verunreinigten Teile, legen Sie sie für eine Weile in ca. 40 °C warmes Wasser, spülen Sie sie dann unter fließendem Wasser ab, trocknen Sie sie ab und setzen Sie sie wieder in den Kühlschrank ein.
- ▶ 4. Falls ein kleines Teil oder Krümel im Inneren des Kühlschranks (zwischen die Ablagen oder Schubladen) festsitzen, lösen Sie die Verunreinigung mit einer weichen Zahnbürste. Wenn Sie die Verunreinigung nicht entfernen konnten, wenden Sie sich bitte an den Haier-Kundendienst.
- ▶ Wischen Sie den Kühlschrank mit einem feuchten Tuch gründlich aus und trocknen Sie ihn mit einem weichen Tuch ab.
- ▶ Reinigen Sie Geräteteile nicht in einer Geschirrspülmaschine.
- ▶ Warten Sie vor dem Neustart des Geräts mindestens 5 Minuten, da ein häufiger Neustart den Kompressor beschädigen kann.

Abtauen

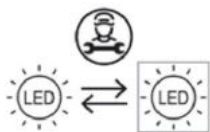
Das Abtauen des Kühl- und Gefrierschranks erfolgt automatisch, es ist keine manuelle Tätigkeit erforderlich.

Austausch der LED-Leuchten

WARNUNG!

Wechseln Sie die LED nicht selbst. Sie darf nur vom Hersteller oder von einem autorisierten Service-Mitarbeiter ausgetauscht werden.

Die Leuchte nutzt als Lichtquelle eine LED mit geringem Energieverbrauch und langer Lebensdauer. Bei Anomalien wenden Sie sich bitte an den Kundenservice. Siehe KUNDENSERVICE.



Lichtquelle (nur LED), die durch einen Fachmann ausgetauscht werden muss.

Dieses Produkt enthält eine Lichtquelle der Energieeffizienzklasse G.

Gerätech	Spannung	Energieeffizienzklasse	Modell
Kühlschrank	12 V	G	HFKR5718DNGB

Nichtverwendung für einen längeren Zeitraum

Wenn das Gerät über einen längeren Zeitraum nicht benutzt wird und Sie die Holiday-Funktion für den Kühlschrank nicht verwenden:

- ▶ Nehmen Sie die Lebensmittel heraus.
- ▶ Ziehen Sie das Netzkabel ab.
- ▶ Reinigen Sie das Gerät wie oben beschrieben.
- ▶ Lassen Sie die Türen auf, um die Bildung von schlechten Gerüchen zu verhindern.

HINWEIS

Schalten Sie das Gerät nur aus, wenn es unbedingt nötig ist.

Verstellen des Geräts

1. Nehmen Sie alle Lebensmittel heraus und ziehen Sie den Gerätestecker aus der Steckdose.
2. Fixieren Sie die Einlegeböden und andere bewegliche Teile im Kühlschrank und im Gefrierschrank mit Klebeband.
3. Den Kühlschrank um maximal 45° kippen, um eine Beschädigung des Kühlsystems zu vermeiden.

WARNUNG!

- ▶ Heben Sie das Gerät nicht an seinen Griffen an.
- ▶ Stellen Sie das Gerät niemals waagrecht auf den Boden.

Viele auftretende Probleme können von Ihnen selbst ohne spezifische Fachkenntnisse gelöst werden. Bei Problemen prüfen Sie bitte alle angezeigten Möglichkeiten und befolgen Sie die nachstehenden Anweisungen, bevor Sie einen Kundendienst kontaktieren. Siehe KUNDENSERVICE.



WARNUNG!

- ▶ Schalten Sie das Gerät vor der Wartung aus und ziehen Sie den Netzstecker aus der Steckdose.
- ▶ Elektrische Geräte sollten nur von qualifizierten Fachelektrikern repariert werden, da unsachgemäße Reparaturen erhebliche Folgeschäden verursachen können.
- ▶ Eine beschädigte Lieferung sollte nur vom Hersteller, von seinem Service-Mitarbeiter oder einer gleichwertig qualifizierten Person ausgetauscht werden, um jegliches Risiko zu vermeiden.

Problem	Mögliche Ursache	Mögliche Behebung
Der Kompressor funktioniert nicht.	<ul style="list-style-type: none"> • Der Netzstecker ist nicht an die Steckdose angeschlossen. • Das Gerät befindet sich im Abtauvorgang. 	<ul style="list-style-type: none"> • Den Netzstecker anschließen. • Dies ist normal für eine automatische Abtauerung.
Das Gerät läuft häufig oder zu lange.	<ul style="list-style-type: none"> • Die Innen- oder Außentemperatur ist zu hoch. • Das Gerät wurde über einen längeren Zeitraum ausgeschaltet. • Eine Gerätetür wurde nicht richtig geschlossen. • Die Tür wurde zu häufig oder zu lange geöffnet. • Die Temperatur für den Gefrierfach ist zu niedrig. • Die Türdichtungen sind verschmutzt, verschlissen, gerissen oder verrutscht. • Die erforderliche Luftzirkulation ist nicht gewährleistet. 	<ul style="list-style-type: none"> • In diesem Fall: Es ist normal, dass das Gerät länger läuft • Normalerweise dauert es 8 bis 12 Stunden, bis das Gerät vollständig abgekühlt ist. • Die Tür/Schublade schließen und sicherstellen, dass das Gerät auf einem ebenen Untergrund steht und dass keine Lebensmittel oder Behälter gegen die Tür stoßen. • Die Tür/Schublade nicht zu häufig öffnen. • Die Temperatur höher einstellen, bis eine zufriedenstellende Kühlschranktemperatur erreicht ist. Es dauert 24 Stunden, bis sich die Kühlschranktemperatur stabilisiert hat. • Die Tür-/Schubladendichtungen reinigen oder vom Kundenservice ersetzen lassen. • Für eine ausreichende Belüftung sorgen.

Problem	Mögliche Ursache	Mögliche Behebung
Das Innere des Kühlschranks ist schmutzig und/oder übelriechend.	<ul style="list-style-type: none"> • Das Innere des Kühlschranks muss gereinigt werden. • Lebensmittel mit starkem Geruch werden im Kühlschrank gelagert. 	<ul style="list-style-type: none"> • Das Innere des Kühlschranks reinigen. • Die Lebensmittel sorgfältig einpacken.
Das Innere des Geräts ist nicht kalt genug.	<ul style="list-style-type: none"> • Die Temperatur ist zu hoch eingestellt. • Es wurden zu warme Lebensmittel eingelagert. • Es wurden zu viele Lebensmittel auf einmal hineingelegt. • Die Lebensmittel liegen zu dicht beieinander. • Eine Tür/Schublade wurde nicht richtig geschlossen. • Die Tür/Schublade wurde zu häufig oder zu lange geöffnet. 	<ul style="list-style-type: none"> • Die Temperatur zurücksetzen. • Die Lebensmittel immer erst abkühlen lassen, bevor Sie sie hineinlegen. • Nur kleinere Mengen an Lebensmitteln hineinlegen. • Zwischen mehreren Lebensmitteln einen Abstand lassen, damit die Luft zirkulieren kann. • Die Tür/Schublade schließen. • Die Tür/Schublade nicht zu häufig öffnen.
Das Innere des Geräts ist zu kalt.	<ul style="list-style-type: none"> • Die Temperatur ist zu niedrig eingestellt. • Die Super Frz/Super Cool-Funktion ist aktiviert oder läuft zu lange. 	<ul style="list-style-type: none"> • Die Temperatur zurücksetzen. • Die Super Frz-/Super Cool-Funktion ausschalten.
Feuchtigkeitsbildung im Innern des Kühlfachs.	<ul style="list-style-type: none"> • Das Klima ist zu warm und zu feucht. • Eine Tür/Schublade wurde nicht richtig geschlossen. • Die Tür/Schublade wurde zu häufig oder zu lange geöffnet. • Lebensmittelbehälter oder Flüssigkeiten werden offen gelassen. 	<ul style="list-style-type: none"> • Die Temperatur erhöhen. • Die Tür/Schublade schließen. • Die Tür/Schublade nicht zu häufig öffnen. • Heiße Speisen auf Raumtemperatur abkühlen lassen und Speisen und Flüssigkeiten abdecken.
Feuchtigkeit sammelt sich außen am Kühlschrank oder zwischen der Tür oder den Türen und der Schublade.	<ul style="list-style-type: none"> • Das Klima ist zu warm und zu feucht. • Die Tür ist nicht richtig geschlossen. Die kalte Luft im Gerät und die warme Außenluft kondensieren. 	<ul style="list-style-type: none"> • Das ist bei feuchtem Klima normal und ändert sich, wenn die Luftfeuchtigkeit abnimmt. • Prüfen, ob die Tür/Schublade fest geschlossen ist.

Problem	Mögliche Ursache	Mögliche Behebung
Starke Eisbildung und Frost im Gefrierfach.	<ul style="list-style-type: none"> • Die Lebensmittel sind nicht angemessen verpackt. • Eine Tür/Schublade wurde nicht richtig geschlossen. • Die Tür/Schublade wurde zu häufig oder zu lange geöffnet. • Die Tür-/Schubladendichtungen sind verschmutzt, verschlissen, gerissen oder verrutscht. • Etwas im Inneren verhindert, dass die Tür/Schublade richtig schließt. 	<ul style="list-style-type: none"> • Die Lebensmittel immer gut verpacken. • Die Tür/Schublade schließen. • Die Tür/Schublade nicht zu häufig öffnen. • Die Tür-/Schubladendichtungen reinigen oder austauschen. • Die Einlegeböden, Türfächer oder Behälter so versetzen, dass die Tür/Schublade richtig schließt.
Die Seitenwände des Schrankes und die Türleiste werden warm.	<ul style="list-style-type: none"> • - 	<ul style="list-style-type: none"> • Das ist normal.
Das Gerät macht ungewöhnliche Geräusche.	<ul style="list-style-type: none"> • Das Gerät befindet sich nicht auf einem ebenen Untergrund. • Das Gerät berührt einige Gegenstände um es herum. 	<ul style="list-style-type: none"> • Die Füße entsprechend einstellen, um das Gerät zu nivellieren. • Die Gegenstände um das Gerät herum entfernen.
Es ist ein leichtes Geräusch zu hören, ähnlich wie dem von fließendem Wasser.	<ul style="list-style-type: none"> • - 	<ul style="list-style-type: none"> • Das ist normal.
Sie hören einen Signalton.	<ul style="list-style-type: none"> • Die Kühlfachtür ist offen. 	<ul style="list-style-type: none"> • Die Tür schließen.
Sie hören ein schwaches Brummen.	<ul style="list-style-type: none"> • Das Antikondensationssystem arbeitet. 	<ul style="list-style-type: none"> • Dies verhindert Kondensation und ist normal.
Die Innenbeleuchtung oder das Kühlsystem funktioniert nicht.	<ul style="list-style-type: none"> • Der Netzstecker ist nicht an die Steckdose angeschlossen. • Die Stromversorgung ist nicht intakt. • Die LED-Leuchte ist defekt. 	<ul style="list-style-type: none"> • Den Netzstecker anschließen. • Die Stromversorgung des Raums überprüfen. Den örtlichen Stromversorger anrufen! • Rufen Sie den Kundenservice an, um die Leuchte auszutauschen.

Um den technischen Kundendienst zu kontaktieren, besuchen Sie unsere Website:
<https://corporate.haier-europe.com/en/>

Wählen Sie im Abschnitt „Website“ die Marke Ihres Produkts und Ihr Land aus. Sie werden auf die entsprechende Website weitergeleitet, auf der Sie die Telefonnummer und das Formular zur Kontaktaufnahme mit dem technischen Kundendienst finden.

Stromunterbrechung

Bei Stromausfall sollten die gelagerten Lebensmittel noch 5 Stunden lang frisch gekühlt bleiben. Beachten Sie diese Tipps bei einer längeren Stromunterbrechung, insbesondere im Sommer:

- ▶ Öffnen Sie die Tür/Schublade so selten wie möglich.
- ▶ Legen Sie während eines Stromausfalls keine weiteren Lebensmittel in das Gerät.
- ▶ Wenn der Stromausfall vorher angekündigt wurde und die Unterbrechungsdauer länger als 5 Stunden ist, frieren Sie im Voraus ein paar Eiswürfel oder Kühlakkus ein, und legen Sie diese beim Stromausfall oben in das Kühlfach.
- ▶ Prüfen Sie nach dem Stromausfall sofort, ob die Lebensmittel verdorben sind.
- ▶ Da die Temperatur im Kühlschrank während einer Stromunterbrechung oder eines anderen Fehlers ansteigt, werden die Haltbarkeit und die Qualität der Lebensmittel reduziert. Aufgetaute Lebensmittel sollten entweder verzehrt oder gekocht und (sofern geeignet) gleich danach wieder eingefroren werden, um Gesundheitsrisiken zu vermeiden.

Speicherfunktion bei Stromunterbrechung

Nach Wiederherstellung der Stromversorgung fährt das Gerät mit den Einstellungen fort, die vor dem Stromausfall eingestellt waren.

Auspacken



WARNUNG!

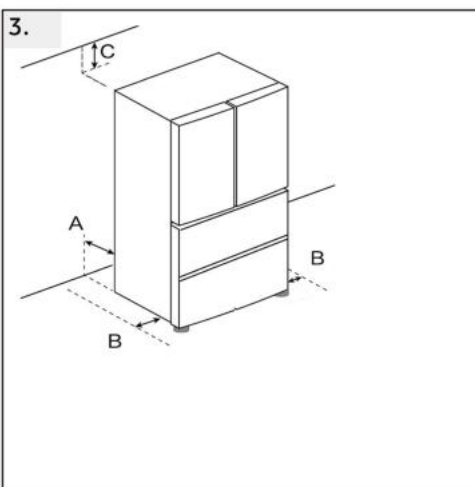
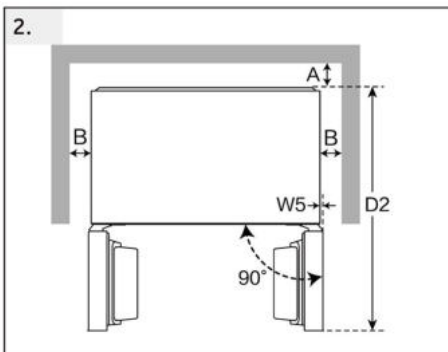
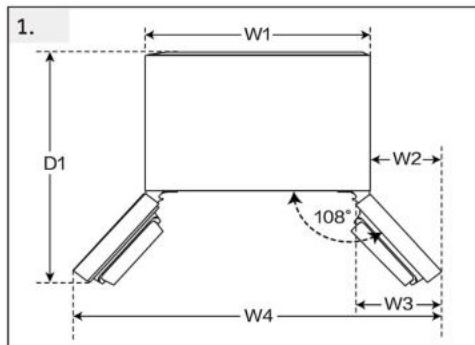
- ▶ Das Gerät ist schwer. Transportieren oder bewegen Sie es immer mit mindestens zwei Personen.
- ▶ Bewahren Sie sämtliche Verpackungsmaterialien außerhalb der Reichweite von Kindern auf und entsorgen Sie sie umweltfreundlich.
- ▶ Nehmen Sie das Gerät aus der Verpackung.
- ▶ Entfernen Sie alle Verpackungsmaterialien.

Umgebungsbedingungen

Die Raumtemperatur sollte immer zwischen 10 °C und 43 °C liegen, da sie die Temperatur im Inneren des Geräts und dessen Energieverbrauch beeinflussen kann. Installieren Sie das Gerät nicht in der Nähe anderer wärmeemittierender Geräte (Ofen, Kühlschränke).

Empfohlener Abstand

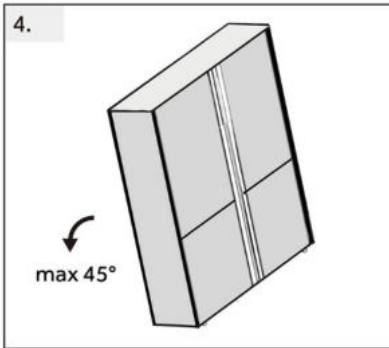
Empfohlener Abstand beim Öffnen der Tür (Abb. 1.2.)



(Einheit: mm)	HFKR5718DNGB	
Breite	W1	700
	W2	115
	W3	368
	W4	930
	W5	0
	W	700
	D1	910
	D2	918
	D	594
Abstand zur Rückwand	A	6
Abstand zu den Seitenwänden	B	4
Abstand zur Decke	C	9
Gesamthöhe	H	1850

Platzbedarf für eine ausreichende Belüftung

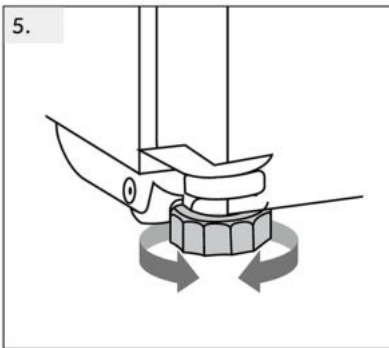
Damit eine ausreichende Belüftung des Geräts gewährleistet wird, dürfen die Hinweise zum ausreichenden Platzbedarf aus Sicherheitsgründen nicht missachtet werden.



Geräteausrichtung (Abb. 4.5.6.)

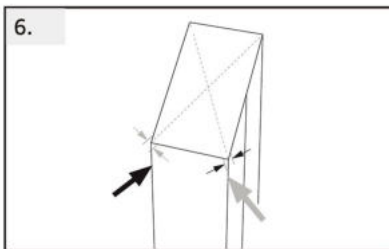
Das Gerät sollte auf einer flachen und festen Oberfläche aufgestellt werden.

4. Kippen Sie den Kühlschrank leicht nach hinten.



5. Justieren Sie die Stellfüße auf die gewünschte Höhe.

Stellen Sie sicher, dass der Abstand zur Wand auf der Scharnierseite mindestens 100 mm beträgt, damit sich die Tür richtig öffnen lässt.

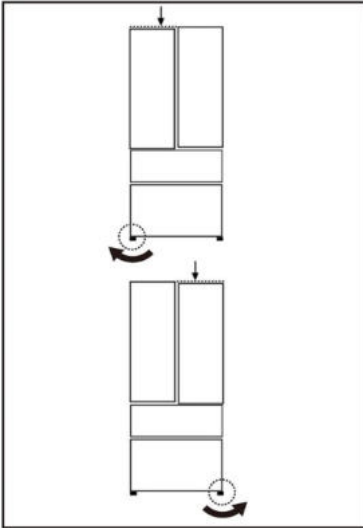


6. Die Stabilität kann durch abwechselndes Anschlagen gegen die Diagonalen überprüft werden. Das leichte Schwanken sollte in beide Richtungen gleich sein. Anderenfalls kann sich der Rahmen verziehen: Mögliche undichte Türdichtungen sind die Folge. Eine geringe Neigung nach hinten erleichtert das Schließen der Türen.



HINWEIS

Für ein frei stehendes Gerät: Dieses Kühlgerät ist nicht zur Verwendung als Einbaugerät bestimmt.

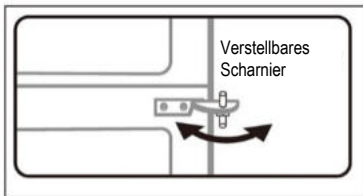


Feinabstimmung der Türen

Wenn sich die Türen nicht gleichmäßig auf einer Ebene befinden, kann dies wie folgt behoben werden:

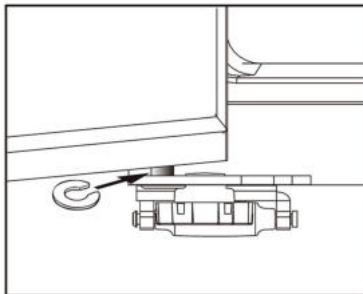
Durch Justieren der Stellfüße

Drehen Sie den Stellfuß entsprechend der Pfeilrichtung, um ihn nach oben oder unten zu justieren.



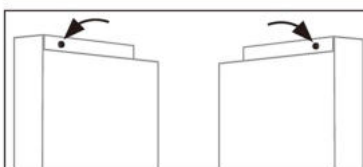
Einstellung der Türposition

- ▶ Wenn die beiden Türen nicht auf gleicher Höhe sind, können die verstellbaren Scharniere mit dem beiliegenden Schraubenschlüssel feinjustiert werden, um die beiden Türen zu nivellieren. Verwenden Sie ihn bitte vorsichtig, um Kratzer oder Beulen an der Türverkleidung zu vermeiden.



Verwendung von Abstandshaltern

- ▶ Öffnen Sie die Gefrierschranktür und heben Sie sie an.
- ▶ Klipsen Sie den Abstandshalter (im Zubehörbeutel beiliegend) vorsichtig mit der Hand oder mit Werkzeugen wie einer Zange auf die Achse des unteren Scharniers. Achten Sie dabei darauf, die Tür nicht zu zerkratzen oder einzudellen.

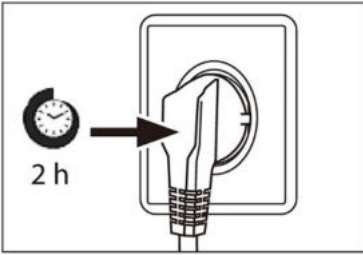


Verwendung des Einstellknopfes

- ▶ Wenn die Tür des Kühlfachs nicht waagrecht ist, können Sie den Einstellknopf am oberen Teil der Tür drehen, um eine Feineinstellung vorzunehmen.

HINWEIS

Bei der zukünftigen Verwendung des Kühlschranks kann sich das Gewicht der gelagerten Lebensmittel ungleichmäßig auf die Türen einwirken. Dann stellen Sie diese nach den oben genannten Methoden ein.



Wartezeit

Das wartungsfreie Schmieröl befindet sich in der Kapsel des Kompressors. Dieses Öl kann beim Transport durch das geschlossene Rohrsystem gelangen, wenn das Gerät gekippt wird. Warten Sie mindestens 2 Stunden, bevor Sie das Gerät an die Stromversorgung anschließen, damit das Öl wieder in die Kapsel zurückfließt.

Elektrischer Anschluss

Stellen Sie vor jedem Anschluss sicher, dass:


- ▶ die Stromversorgung, Steckdose und Sicherung den Angaben auf dem Typenschild entsprechen.
- ▶ die Steckdose geerdet ist und kein Mehrfachstecker oder Verlängerungskabel vorhanden ist.
- ▶ der Netzstecker und die Steckdose richtig zusammenpassen.

Schließen Sie den Stecker an eine ordnungsgemäß installierte Haushaltssteckdose an.

WARNUNG!

Um Gefahren zu vermeiden, muss ein beschädigtes Netzkabel vom Kundenservice ausgetauscht werden (siehe Garantiekarte).

Produktdatenblatt gemäß der EU-Verordnung Nr. 2019/2016

Marke	Haier
Modellname / Kennung	HFKR5718DNGB
Kategorie des Modells	Kühl- Gefrierkombination
Energieeffizienzklasse	D
Jährlicher Energieverbrauch (kWh/Jahr) (1)	226
Gesamtvolumen (L)	402
Volumen Kühlschranks (L)	227
Volumen Gefrierschranks (L)	147
Volumen Kühlfach (L)	28
Sterne-Bewertung	
Frostfreies System	Ja
Gefrierleistung (kg/24h)	10,0
Klima-Bewertung (2)	SN-N-ST-T
Geräuschemissionsklasse und Luftschallemissionen (db(A) re 1pW)	B (35)
Temperaturanstiegszeit (h)	8
Gerätetyp	Freistehend

Erläuterungen:

- Ja, vorhanden

- (1) Basierend auf den Ergebnissen des Normenkonformitätstests über 24 Stunden. Der tatsächliche Verbrauch hängt von der Verwendung und dem Standort des Geräts ab.
- (2) Klima-Bewertung SN: Dieses Gerät ist für die Verwendung bei einer Umgebungstemperatur zwischen +10 °C und +32 °C ausgelegt.
 Klima-Bewertung N: Dieses Gerät ist für die Verwendung bei einer Umgebungstemperatur zwischen +16 °C und +32 °C ausgelegt.
 Klima-Bewertung ST: Dieses Gerät ist für die Verwendung bei einer Umgebungstemperatur zwischen +16 °C und +38 °C ausgelegt.
 Klima-Bewertung T: Dieses Gerät ist für die Verwendung bei einer Umgebungstemperatur zwischen +16 °C und +43 °C ausgelegt.

Zusätzliche technische Daten

Spannung / Frequenz	220-240 V ~ / 50 Hz
Eingangsstrom (A)	1,8
Hauptsicherung (A)	15
Kühlmittel	R600a
Abmessungen (H/B/T in mm)	1850/700/594

Wir empfehlen unseren Haier Kundenservice und die Verwendung von Original-Ersatzteilen.

Wenn Sie Probleme mit dem Gerät haben, lesen Sie bitte zuerst den Abschnitt „FEHLERBEHEBUNG“.

Wenn Sie dort keine Lösung finden, wenden Sie sich bitte an

Ihren Händler vor Ort oder

an unser Europäisches Call-Service-Center (siehe unten aufgeführte Telefonnummern) oder

an den Service und Support unter www.haier.com, wo Sie den Service aktivieren können.

Hier finden Sie auch die FAQs.

Um unseren Kundendienst zu kontaktieren, stellen Sie sicher, dass Sie die nachfolgend aufgeführten Daten zur Hand haben.

Die Informationen finden Sie auf dem Typenschild.

Modell _____

Seriennummer _____

Prüfen Sie im Garantiefall auch die mit dem Produkt mitgelieferte Garantiekarte.

Europäisches Call-Service-Center		
Land*	Telefonnummer	Kosten
Haier Italy (IT)	199 100 912	
Haier Spain (ES)	902 509 123	
Haier Germany (DE)	0180 5 39 39 99	<ul style="list-style-type: none"> • 14 Ct/min Festnetz • max. 42 Ct/min Mobil
Haier Austria (AT)	0820 001 205	<ul style="list-style-type: none"> • 14,53 Ct/min Festnetz • max. 20 Ct/min alle anderen
Haier United Kingdom (UK)	0333 003 8122	
Haier France (FR)	0980 406 409	

* Weitere Informationen finden Sie unter www.haier.com

Haier Europe Trading S.r.l

Niederlassung UK

Westgate House, Westgate, Ealing

London, W5 1YY

*Gewährleistungsdauer des Kühlgeräts:

Die Mindestgarantie beträgt: 2 Jahre für EU-Länder, 3 Jahre für die Türkei, 1 Jahr für Großbritannien, 1 Jahr für Russland, 3 Jahre für Schweden, 2 Jahre für Serbien, 5 Jahre für Norwegen, 1 Jahr für Marokko, 6 Monate für Algerien, Tunesien keine gesetzliche Gewährleistung erforderlich.

*Der Zeitraum für die Beschaffung von Ersatzteilen für die Reparatur des Geräts:

Thermostate, Temperatursensoren, Leiterplatten und Leuchtmittel sind für einen Zeitraum von mindestens sieben Jahren nach Inverkehrbringen des letzten Gerätes des Modells erhältlich.

Türgriffe, Türscharniere, Auszüge und Schubladen für eine Mindestdauer von sieben Jahren und Türdichtungen für eine Mindestdauer von 10 Jahren, nachdem das letzte Gerät des Modells in Verkehr gebracht wurde.

*Weitere Informationen zum Produkt finden Sie entweder unter <https://eprel.ec.europa.eu/> oder Sie scannen den QR-Code auf dem Energietiquet, das dem Gerät beiliegt.

<u>113 Πληροφορίες ασφαλείας</u>	<u>Πριν από την πρώτη χρήση</u>	114
	<u>Εγκατάσταση</u>	114
	<u>Καθημερινή χρήση</u>	115
<u>118 Προβλεπόμενη χρήση</u>		
<u>119 Περιγραφή προϊόντος</u>		
<u>120 Πίνακας ελέγχου</u>		
<u>121 Χρήση</u>	<u>Κλειδωμα/Ξεκλειδωμα πίνακα</u>	121
	<u>ΛΕΙΤΟΥΡΓΙΑ ECO</u>	122
	<u>Ρύθμιση θερμοκρασίας του ψυγείου</u>	123
	<u>Ρύθμιση θερμοκρασίας του καταψύκτη</u>	123
	<u>Λειτουργία Magic Zone</u>	124
	<u>Λειτουργία Super Cool</u>	125
	<u>Λειτουργία Super Frz</u>	126
	<u>Λειτουργία Holiday</u>	126
<u>128 Εξοπλισμός</u>		
<u>131 Συμβουλές εξοικονόμησης ενέργειας</u>		
<u>132 Φροντίδα και καθαρισμός</u>		
<u>134 Αντιμετώπιση προβλημάτων</u>		
<u>138 Εγκατάσταση</u>		
<u>141 Τεχνικά δεδομένα</u>		
<u>143 Εξυπηρέτηση πελατών</u>		

Ευχαριστούμε που αγοράσατε ένα προϊόν Haier.

Παρακαλούμε διαβάστε προσεκτικά αυτές τις οδηγίες πριν από την χρήση αυτής της συσκευής. Οι οδηγίες περιέχουν σημαντικές πληροφορίες που θα σας βοηθήσουν να αξιοποιήσετε στο έπακρο τη συσκευή και να εξασφαλίσετε την ασφάλη και σωστή εγκατάσταση, χρήση και συντήρηση.

Φυλάξτε αυτό το εγχειρίδιο σε μια προσβάσιμη θέση, ώστε να μπορείτε πάντα να ανατρέξετε σε αυτό για την ασφάλη και σωστή χρήση της συσκευής.

Εάν πουλήσετε τη συσκευή, την χαρίσετε ή την αφήσετε πίσω όταν μετακομίσετε από το σπίτι, βεβαιωθείτε ότι έχετε αφήσει επίσης και αυτό το εγχειρίδιο, ώστε ο νέος ιδιοκτήτης να εξοικειωθεί με τη συσκευή και τις προειδοποιήσεις ασφαλείας.

Εξαρτήματα

Ελέγξτε τα εξαρτήματα και τη βιβλιογραφία σύμφωνα με αυτόν τον κατάλογο:



Ενεργειακή
ετικέτα



Κάρτα εγγύησης



Αυτοκόλλητο
εγχειρίδιου
χρήστη "OK"



Σύντομος οδηγός



ΠΡΟΕΙΔΟΠΟΙΗΣΗ - Σημαντικές πληροφορίες ασφαλείας



ΣΗΜΕΙΩΣΗ-Γενικές πληροφορίες και συμβουλές



Περιβαλλοντικές πληροφορίες

Απόρριψη



Βοήθεια και συμβολή στην προστασία του περιβάλλοντος και της ανθρώπινης υγείας. Τοποθετήστε τη συσκευασία σε κατάλληλα δοχεία για την ανακύκλωση της. Συμβολή στην ανακύκλωση των αποβλήτων ηλεκτρικών και ηλεκτρονικών συσκευών. Συσκευές που φέρουν αυτό το σύμβολο μην τις απορρίψετε μαζί με τα οικιακά απορρίμματα. Επιστρέψτε το προϊόν στην τοπική μονάδα ανακύκλωσης ή επικοινωνήστε με το αρμόδιο δημοτικό γραφείο του Δήμου σας.



ΠΡΟΕΙΔΟΠΟΙΗΣΗ!

Κίνδυνος τραυματισμού ή ασφυξίας!

Τα ψυκτικά μέσα και τα αέρια πρέπει να απορρίπτονται επαγγελματικά. Βεβαιωθείτε ότι η σωλήνωση του κυκλώματος ψυκτικού δεν έχει υποστεί ζημιά πριν απορριφθεί σωστά. Αποσυνδέστε τη συσκευή από την πρίζα παροχής ρεύματος. Κόψτε το καλώδιο τροφοδοσίας και απορρίψτε το. Αφαιρέστε τους δίσκους και τα συρτάρια, καθώς και τα αλιεύματα και τις σφραγίδες της πόρτας, για να αποτρέψετε τα παιδιά και τα κατοικίδια ζώα να κλείσουν στη συσκευή.

Διαβάστε τις παρακάτω υποδείξεις ασφαλείας πριν ενεργοποιήσετε τη συσκευή για πρώτη φορά:



ΠΡΟΕΙΔΟΠΟΙΗΣΗ!

Πριν από την πρώτη χρήση

- ▶ Βεβαιωθείτε ότι δεν υπάρχει ζημιά εξαιτίας της μεταφοράς.
- ▶ Αφαιρέστε όλες τις συσκευασίες και κρατήστε τις μακριά από τα παιδιά.
- ▶ Περιμένετε τουλάχιστον δύο ώρες πριν τοποθετήσετε τη συσκευή για να βεβαιωθείτε ότι το κύκλωμα του ψυκτικού είναι πλήρως αποτελεσματικό.
- ▶ Χειριστείτε τη συσκευή πάντοτε με δύο άτομα τουλάχιστον, διότι είναι βαριά.

Εγκατάσταση

- ▶ Η συσκευή πρέπει να τοποθετηθεί σε καλά αεριζόμενο μέρος. Βεβαιωθείτε ότι υπάρχει χώρος τουλάχιστον 10 εκατοστών πάνω και γύρω από τη συσκευή.
- ▶ Μην τοποθετείτε ποτέ τη συσκευή σε υγρή περιοχή ή θέση όπου μπορεί να πιτσιλιστεί ή βραχεί με νερό. Καθαρίστε και ξύστε τις ξεραμένες πιτσιλιές νερού και λεκέδες με ένα μαλακό καθαρό πανί.
- ▶ Μην εγκαθιστάτε τη συσκευή σε σημείο με άμεσο ηλιακό φως ή κοντά σε πηγές θερμότητας (π.χ. σόμπες, θερμαντήρες).
- ▶ Εγκαταστήστε και τοποθετήστε τη συσκευή σε μια περιοχή κατάλληλη για το μέγεθος και τη χρήση της.
- ▶ Διατηρείτε τα ανοίγματα εξαερισμού στη συσκευή ή την ενσωματωμένη δομή ελεύθερα εμποδίων.
- ▶ Βεβαιωθείτε ότι οι ηλεκτρολογικές πληροφορίες στην πινακίδα τύπου συμφωνούν με την αντίστοιχη παροχή ρεύματος. Εάν όχι, επικοινωνήστε με έναν ηλεκτρολόγο.
- ▶ Η συσκευή λειτουργεί με τροφοδοσία 220-240 VAC / 50 Hz. Η μη φυσιολογική διακύμανση της τάσης μπορεί να προκαλέσει την αποτυχία εκκίνησης της συσκευής ή ζημιά στον έλεγχο θερμοκρασίας ή τον συμπίεστή ή μπορεί να υπάρχει ανώμαλος θόρυβος κατά τη λειτουργία. Στην περίπτωση αυτή, πρέπει να τοποθετηθεί ένας αυτόματος ρυθμιστής.
- ▶ Μη χρησιμοποιείτε προσαρμογείς πολλαπλών θέσεων (πολύπριζα) και καλώδια επέκτασης / προέκτασης.
- ▶ Μην τοποθετείτε πολλαπλές φορητές πρίζες ή φορητά τροφοδοτικά στο πίσω μέρος της συσκευής.
- ▶ Βεβαιωθείτε ότι το καλώδιο τροφοδοσίας δεν έχει παγιδευτεί από το ψυγείο. Μην πατάτε το καλώδιο τροφοδοσίας.



ΠΡΟΕΙΔΟΠΟΙΗΣΗ!

- ▶ Χρησιμοποιήστε μια ξεχωριστή γειωμένη πρίζα για την παροχή ηλεκτρικού ρεύματος, η οποία να είναι εύκολα προσβάσιμη. Αυτή η συσκευή πρέπει να είναι γειωμένη.
- ▶ Μόνο για το Ηνωμένο Βασίλειο: Το καλώδιο τροφοδοσίας της συσκευής είναι εξοπλισμένο με βύσμα 3-καλωδίων (με γείωση) που ταιριάζει σε μια τυπική πρίζα 3-καλωδίων (πρίζα με γείωση). Ποτέ μην κόβετε ή αποσυναρμολογείτε τον τρίτο πείρο (γείωση). Μετά την εγκατάσταση της συσκευής, το βύσμα πρέπει να είναι άμεσα προσβάσιμο.
- ▶ Αποφύγετε την πρόκληση ζημιών στο κύκλωμα ψύξης.

Καθημερινή χρήση

- ▶ Η συσκευή αυτή μπορεί να χρησιμοποιηθεί από παιδιά ηλικίας 8 ετών και άνω και από άτομα με μειωμένες σωματικές, αισθητηριακές ή διανοητικές ικανότητες ή έλλειψη εμπειρίας και γνώσης, εφόσον βρίσκονται υπό εποπτεία ή εάν τους έχουν δοθεί σαφείς οδηγίες σχετικά με τη χρήση της συσκευής με ασφαλή τρόπο και έχουν κατανοήσει επακριβώς τους σχετικούς κινδύνους.
- ▶ Τα παιδιά ηλικίας 3 έως 8 ετών επιτρέπεται να τοποθετούν και να βγάζουν (αντικείμενα) από τις ψυκτικές συσκευές, αλλά δεν επιτρέπεται να τις καθαρίζουν ή να τις εγκαθιστούν.
Κρατήστε μακριά τα παιδιά κάτω των 3 ετών από τη συσκευή, εκτός εάν επιβλέπονται συνεχώς.
- ▶ Τα παιδιά δεν επιτρέπεται να παίζουν με τη συσκευή.
- ▶ Εάν υπάρχει διαρροή ψυκτικού αερίου ή άλλου εύφλεκτου αερίου κοντά στη συσκευή, κλείστε τη βαλβίδα του αερίου που διαρρέει, ανοίξτε τις πόρτες και τα παράθυρα και μην αποσυνδέσετε ή συνδέσετε το καλώδιο τροφοδοσίας του ψυγείου ή οποιασδήποτε άλλης συσκευής.
- ▶ Σημειώστε ότι η συσκευή έχει ρυθμιστεί για λειτουργία σε συγκεκριμένο εύρος θερμοκρασίας περιβάλλοντος μεταξύ 10 και 43°C. Η συσκευή ενδέχεται να μη λειτουργεί σωστά εάν αφεθεί για μεγάλο χρονικό διάστημα σε θερμοκρασία υψηλότερη ή χαμηλότερη από το υποδεικνυόμενο εύρος τιμών.
- ▶ Μην τοποθετείτε ασταθή αντικείμενα (βαριά αντικείμενα, δοχεία γεμάτα με νερό) στο πάνω μέρος του ψυγείου, για να αποφύγετε τραυματισμούς από πτώση ή ηλεκτροπληξία από επαφή με νερό.
- ▶ Μην τραβάτε τα ράφια των θυρών της πόρτας. Η πόρτα μπορεί να βγει από τη θέση της, η σχάρα για τα μπουκάλια μπορεί να τραβηχτεί μακριά ή η συσκευή μπορεί να ανατραπεί.
- ▶ Ανοίγετε και κλείνετε την πόρτα μόνο από τις λαβές. Το κενό ανάμεσα στις πόρτες και ανάμεσα στις πόρτες και το ντουλάπι είναι πολύ στενό. Μην βάζετε τα χέρια σας σε αυτές τις περιοχές για να αποφύγετε να πιαστούν (μαγκωθούν) τα δάκτυλά σας. Ανοίξτε ή κλείστε τις πόρτες ψυγείου μόνο όταν δεν υπάρχουν παιδιά που να στέκονται εντός του εύρους κίνησης της πόρτας.



ΠΡΟΕΙΔΟΠΟΙΗΣΗ!

- ▶ Μην αποθηκεύετε και μην χρησιμοποιείτε εύφλεκτα, εκρηκτικά ή διαβρωτικά υλικά εντός ή εγγύς της συσκευής.
- ▶ Μην αποθηκεύετε φάρμακα, βακτήρια ή χημικούς παράγοντες στη συσκευή. Αυτή η συσκευή είναι μια οικιακή συσκευή. Δεν συνιστάται η αποθήκευση υλικών που απαιτούν αυστηρές θερμοκρασίες.
- ▶ Ποτέ μην αποθηκεύετε υγρά σε φιάλες ή δοχεία (πέραν των αλκοολούχων υψηλού βαθμού) και ιδιαίτερα ανθρακούχα αναψυκτικά στον καταψύκτη καθώς θα διαρραγούν κατά την ψύξη.
- ▶ Ελέγξτε την κατάσταση των τροφίμων εάν έχουν προηγηθεί συνθήκες θέρμανσης στον καταψύκτη.
- ▶ Μην ορίσετε άσκοπα χαμηλή θερμοκρασία στον θάλαμο του ψυγείου. Οι αρνητικές θερμοκρασίες μπορεί να εμφανιστούν σε υψηλές ρυθμίσεις. Προσοχή: Τα μπουκάλια μπορούν να σκάσουν
- ▶ Μην αγγίζετε κατεψυγμένα προϊόντα με βρεγμένα χέρια (φοράτε γάντια). Ειδικά μην πιείτε (τρώτε) γρανίτες αμέσως μετά την αφαίρεση από τον θάλαμο κατάψυξης. Υπάρχει ο κίνδυνος κατάψυξης ή σχηματισμός φουσκάλων παγετού. ΠΡΩΤΕΣ βοήθειες: κρατήστε αμέσως κάτω από τρεχούμενο κρύο νερό. Μην τις τραβάτε μακριά!
- ▶ Μην αγγίζετε την εσωτερική επιφάνεια του χώρου αποθήκευσης του καταψύκτη όταν λειτουργείτε, ειδικά με βρεγμένα χέρια, καθώς τα χέρια σας μπορεί να παγώσουν στην επιφάνεια.
- ▶ Αποσυνδέστε τη συσκευή από την πρίζα σε περίπτωση διακοπής ρεύματος ή πριν από τον καθαρισμό. Αφήστε τουλάχιστον 7 λεπτά πριν από την επανεκκίνηση της συσκευής, καθώς η συχνή εκκίνηση μπορεί να προκαλέσει ζημιά στον συμπιεστή.
- ▶ Μη χρησιμοποιείτε ηλεκτρικές συσκευές στο εσωτερικό των θαλάμων αποθήκευσης τροφίμων της συσκευής, εκτός αν είναι συσκευές που συνιστά ο κατασκευαστής. Συντήρηση / καθαρισμός
- ▶ Βεβαιωθείτε ότι τα παιδιά επιβλέπονται εάν πραγματοποιούν καθαρισμό και συντήρηση.
- ▶ Αποσυνδέστε τη συσκευή από την ηλεκτρική τροφοδοσία πριν πραγματοποιήσετε οποιαδήποτε συντήρηση ρουτίνας. Αφήστε τουλάχιστον 7 λεπτά πριν από την επανεκκίνηση της συσκευής, καθώς η συχνή εκκίνηση μπορεί να προκαλέσει ζημιά στον συμπιεστή.

**ΠΡΟΕΙΔΟΠΟΙΗΣΗ!**

- ▶ Κρατήστε το φιλς, όχι το καλώδιο, όταν αποσυνδέετε τη συσκευή.
- ▶ Μην καθαρίζετε τη συσκευή με σκληρές βούρτσες, συμπίετινες βούρτσες, σκόνη απορρυπαντικού, βενζίνη, οξικό αμύλιο, ακετόνη και παρόμοια οργαניתά διαλύματα, όξινα ή αλκαλικά διαλύματα. Καθαρίστε με ειδικό απορρυπαντικό ψυγείου για να αποφύγετε ζημιές.
- ▶ Μην ξύσετε τον δροσοπάγο και τον πάγο με αιχμηρά αντικείμενα. Μη χρησιμοποιείτε σπρέι, ηλεκτρικούς θερμαντήρες όπως θερμαντήρα, στεγνωτήρα μαλλιών, ατμοκαθαριστές ή άλλες πηγές θερμότητας για να αποφύγετε ζημιές στα πλαστικά μέρη.
- ▶ Μην χρησιμοποιείτε μηχανικές συσκευές ή άλλα μέσα για να επιταχύνετε τη διαδικασία απόψυξης, παρὰ μόνο όσα συνιστώνται από τον κατασκευαστή.
- ▶ Αν το καλώδιο παροχής ρεύματος έχει φθαρεί πρέπει να αντικατασταθεί από τον κατασκευαστή ή τον αντιπρόσωπο του σέρβις ή παρόμοια εξουσιοδοτημένα πρόσωπα, προς αποφυγή του κινδύνου.
- ▶ Μην προσπαθήσετε να επισκευάσετε, να αποσυναρμολογήσετε ή να τροποποιήσετε τη συσκευή μόνοι σας. Σε περίπτωση επισκευής επικοινωνήστε με την εξυπηρέτηση πελατών μας.
- ▶ Εξαλείψτε τη σκόνη στο πίσω μέρος της μονάδας τουλάχιστον μία φορά τον χρόνο για να αποφύγετε τον κίνδυνο από πυρκαγιά, καθώς και την αυξημένη κατανάλωση ενέργειας.
- ▶ Μην ψεκάζετε ή ξεπλένετε τη συσκευή κατά τον καθαρισμό.
- ▶ Μην χρησιμοποιείτε σπρέι νερού ή ατμό για να καθαρίσετε τη συσκευή.
- ▶ Μην καθαρίζετε τα κρύα γυάλινα ράφια με ζεστό νερό. Η απότομη αλλαγή θερμοκρασίας μπορεί να προκαλέσει το σπάσιμο του γυαλιού.

Πληροφορίες για τα ψυκτικά αέρια**ΠΡΟΕΙΔΟΠΟΙΗΣΗ!**

Η συσκευή περιέχει το εύφλεκτο ψυκτικό μέσο ΙΣΟΒΟΥΤΑΝΙΟ (R600a). Βεβαιωθείτε ότι το κύκλωμα ψυκτικού δεν έχει υποστεί ζημιά κατά τη μεταφορά ή την εγκατάσταση. Η διαρροή ψυκτικού μπορεί να προκαλέσει τραυματισμούς στα μάτια ή ανάφλεξη. Εάν έχει προκληθεί ζημιά, κρατήστε το μακριά από ακάλυπτες πηγές φωτιάς, αερίστε καλά το δωμάτιο, μην συνδέσετε ή αποσυνδέσετε τα καλώδια τροφοδοσίας της συσκευής ή οποιασδήποτε άλλης συσκευής. Ενημερώστε την εξυπηρέτηση πελατών.

Σε περίπτωση που τα μάτια έρθουν σε επαφή με το ψυκτικό μέσο, ξεπλένετε τα αμέσως κάτω από τρεχούμενο νερό και καλέστε αμέσως τον οφθαλμίατρο.

Προβλεπόμενη χρήση

Αυτή η συσκευή προορίζεται για ψύξη και κατάψυξη τροφίμων. Έχει σχεδιαστεί αποκλειστικά για χρήση σε οικιακές και παρόμοιες εφαρμογές, όπως χώρους κουζίνας προσωπικού σε καταστήματα, γραφεία και άλλα εργασιακά περιβάλλοντα· αγροτικές και από πελάτες σε ξενοδοχεία, μοτέλ και άλλα περιβάλλοντα οικιστικού τύπου, καθώς και σε ξενοδοχειακές επιχειρήσεις bed-and-breakfast και catering. Δεν προορίζεται για εμπορική ή βιομηχανική χρήση.

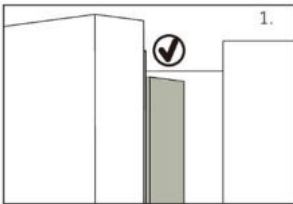
Δεν επιτρέπονται αλλαγές ή τροποποιήσεις στη συσκευή. Η μη προβλεπόμενη χρήση μπορεί να προκαλέσει κινδύνους και απώλεια αξιώσεων εγγύησης.

Πρότυπα και οδηγίες CE

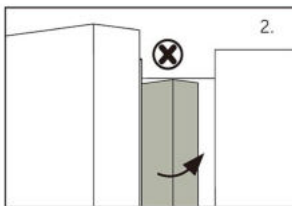
Αυτό το προϊόν πληροί τις απαιτήσεις όλων των εφαρμοστέων κοινοτικών οδηγιών με τα αντίστοιχα εναρμονισμένα πρότυπα και τα πρότυπα του Ηνωμένου Βασιλείου, τα οποία προβλέπουν τις σημάνσεις CE και UKCA.



ΠΡΟΣΟΧΗ!



Όταν κλείνετε την πόρτα, η κάθετη λωρίδα της πόρτας στην αριστερή πόρτα πρέπει να λυγίσει μέσα (1).

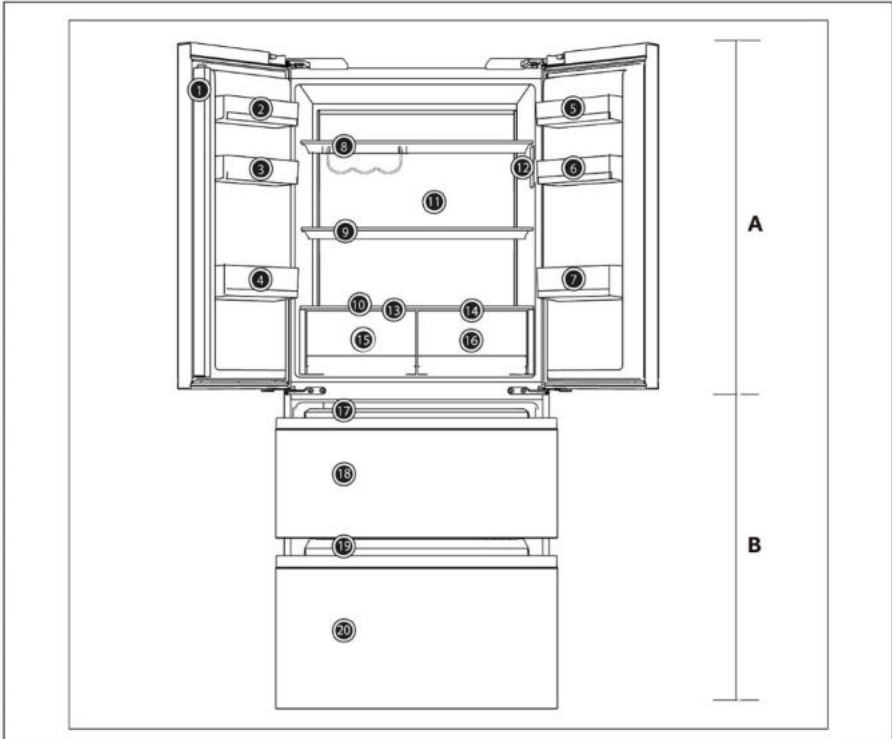


Εάν προσπαθήσετε να κλείσετε την αριστερή πόρτα και η κάθετη λωρίδα της πόρτας δεν είναι λυγισμένη (2), θα πρέπει να την λυγίσετε πρώτα, διαφορετικά η λωρίδα της πόρτας θα χτυπήσει τον άξονα στερέωσης ή τη δεξιά πόρτα. Έτσι θα προκληθεί ζημιά στο ολισθήμα της πόρτας ή διαρροή.

Υπάρχει ένα νήμα θέρμανσης μέσα στο πλαίσιο. Η θερμοκρασία της επιφάνειας θα αυξηθεί λίγο, κάτι που είναι φυσιολογικό και δεν θα επηρεάσει τη λειτουργία της συσκευής.

i ΕΙΔΟΠΟΙΗΣΗ

Λόγω τεχνικών αλλαγών και διαφορετικών μοντέλων, ορισμένες από τις εικόνες σε αυτό το εγχειρίδιο ενδέχεται να διαφέρουν από το μοντέλο σας.



A: Διαμέρισμα ψυγείου

- 1 Δοκός πόρτας
- 2 Μπουκαλοθήκη (πάνω αριστερά)
- 3 Μπουκαλοθήκη (μέσο αριστερά)
- 4 Μπουκαλοθήκη (κάτω αριστερά)
- 5 Μπουκαλοθήκη (πάνω δεξιά)
- 6 Μπουκαλοθήκη (μέσο δεξιά)
- 7 Μπουκαλοθήκη (κάτω δεξιά)
- 8 Γυάλινο ράφι
- 9 Γυάλινο ράφι
- 10 Ράφι-κάλυμμα συρταριού
- 11 Πίσω λαμπτήρας
- 12 Οθόνη ενδείξεων
- 13 Κάλυμμα συρταριού Activefresh

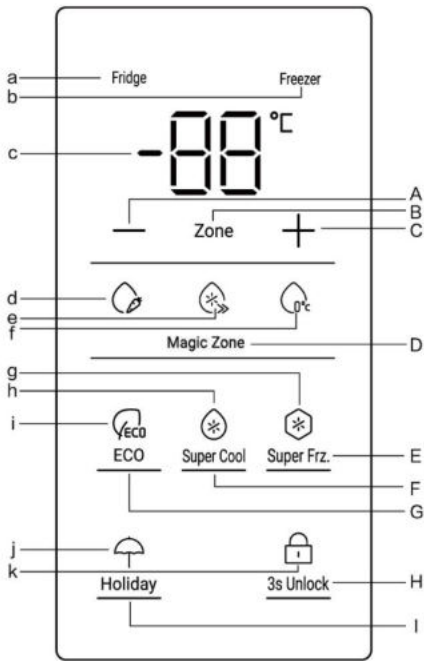
14 Κάλυμμα συρταριού Magic

- 15 Συρτάρι Activefresh
- 16 Συρτάρι Magic

B: Θάλαμος καταψύκτη

- 17 Συρόμενος δίσκος
- 18 Επάνω συρτάρι καταψύκτη
- 19 Συρόμενος δίσκος
- 20 Κάτω συρτάρι καταψύκτη

Πίνακας ελέγχου



Κουμπιά:

- A Κουμπιά μείωσης θερμοκρασίας
- B Μεταγωγή λειτουργίας θερμοκρασίας ψυγείου και καταψύκτη
- C Κουμπιά αύξησης θερμοκρασίας
- D Μεταγωγή λειτουργίας Magic zone
- E Επιλογέας λειτουργίας Super Frz.
- F Επιλογέας λειτουργίας Super Cool
- G Επιλογέας λειτουργίας ECO
- H Κλειδωμα/ξεκλειδωμα οθόνης ενδείξεων
- I Επιλογέας λειτουργίας Holiday

Ενδείξεις:

- a Ένδειξη ψυγείου
- b Ένδειξη καταψύκτη
- c Θερμοκρασία θαλάμου ψυγείου και καταψύκτη
- d Λειτουργία Fruit&Veg.
- e Λειτουργία Cool Drink
- f Λειτουργία 0°C Fresh
- g Λειτουργία Super Frz.
- h Λειτουργία Super-Cool
- i Λειτουργία ECO
- j Λειτουργία Holiday
- k Λειτουργία κλειδώματος/ξεκλειδώματος οθόνης ενδείξεων

Πριν από την πρώτη χρήση

- ▶ Αφαιρέστε όλα τα υλικά συσκευασίας, κρατήστε τα μακριά από τα παιδιά και απορρίψτε τα με φιλικό προς το περιβάλλον τρόπο.
- ▶ Καθαρίστε το εσωτερικό και το εξωτερικό της συσκευής με νερό και ένα ήπιο απορρυπαντικό πριν βάλετε οποιοδήποτε φαγητό σε αυτό.
- ▶ Αφού η συσκευή τοποθετηθεί απολύτως ίσια στο δάπεδο και καθαριστεί, περιμένετε τουλάχιστον 2-5 ώρες πριν τη συνδέσετε στην παροχή ρεύματος. Ανατρέξτε στην ενότητα ΕΓΚΑΤΑΣΤΑΣΗ.
- ▶ Προψύξτε τους θαλάμους σε υψηλές ρυθμίσεις πριν τοποθετήσετε τρόφιμα. Η λειτουργία Super Frz. βοηθά στη γρήγορη ψύξη των θαλάμων.
- ▶ Η θερμοκρασία ψυγείου και η θερμοκρασία καταψύκτη ρυθμίζονται αυτόματα στους 5 °C και -18 °C αντίστοιχα. Αυτές είναι οι προτεινόμενες ρυθμίσεις. Εάν θέλετε, μπορείτε να αλλάξετε αυτές τις θερμοκρασίες χειροκίνητα. Βλ. «ΛΕΙΤΟΥΡΓΙΑ ΧΕΙΡΟΚΙΝΗΤΗΣ ΡΥΘΜΙΣΗΣ».

Πλήκτρα αισθητήρων

Τα κουμπιά στον πίνακα ελέγχου είναι πλήκτρα αισθητήρων, τα οποία ανταποκρίνονται ήδη όταν αγγίζονται ελαφρά με το δάχτυλο.

Άναμμα/σβήσιμο της συσκευής

Η συσκευή λειτουργεί μόλις συνδεθεί με την παροχή ρεύματος.

Όταν ενεργοποιηθεί για πρώτη φορά το ψυγείο, ανάβει η ένδειξη "c" (Ένδειξη θερμοκρασίας). Η θερμοκρασία ψυγείου και η θερμοκρασία καταψύκτη ρυθμίζονται αυτόματα στους 5°C και -18°C αντίστοιχα. Ανάβει η ένδειξη "d" (Fruit&Veg.).

Η οθόνη ενδείξεων θα απενεργοποιηθεί αμέσως μετά το κλείσιμο της πόρτας.

ΕΙΔΟΠΟΙΗΣΗ

1. Η συσκευή είναι προρυθμισμένη στη συνιστώμενη θερμοκρασία 5°C (ψυγείο) και -18°C (καταψύκτης). Υπό κανονικές συνθήκες περιβάλλοντος δεν χρειάζεται να ορίσετε θερμοκρασία.
2. Η λειτουργία προεπιλογής για το συρτάρι Magic Zone είναι Fruit&Veg.
3. Όταν η συσκευή είναι ενεργοποιημένη μετά την αποσύνδεση από την κύρια παροχή ρεύματος, μπορεί να χρειαστούν έως και 12 ώρες για να επιτευχθούν οι σωστές θερμοκρασίες.

Αδειάστε τη συσκευή πριν τη σβήσετε. Για να απενεργοποιήσετε τη συσκευή, τραβήξτε το καλώδιο τροφοδοσίας από την πρίζα.

Κλείδωμα/ξεκλείδωμα πίνακα

Αυτόματο κλείδωμα: Όταν η πόρτα του ψυγείου και η πόρτα του καταψύκτη είναι κλειστές, η οθόνη ενδείξεων θα σβήσει και κλειδώσει αυτόματα.

Χειροκίνητο ξεκλείδωμα: Όταν η οθόνη είναι κλειδωμένη, πατήστε το κουμπί "H" (3s Unlock) και κρατήστε το πατημένο για 3 δευτερόλεπτα. Ακούγεται ο βομβητής μία φορά, η ένδειξη "k" (Κλείδωμα πίνακα) σβήνει και η οθόνη ξεκλειδώνει.



Χειροκίνητο κλείδωμα: Όταν η οθόνη είναι ξεκλειδωτή, πατήστε το κουμπί "H" (3s Unlock) και κρατήστε το πατημένο για 3 δευτερόλεπτα. Ακούγεται ο βομβητής μία φορά, φωτίζεται η ένδειξη "k" (Κλείδωμα πίνακα) και η οθόνη κλειδώνει.



ΕΙΔΟΠΟΙΗΣΗ

Η οθόνη ενδείξεων κλειδώνει κάθε φορά που ανοίγει η πόρτα. Για οποιεσδήποτε ρυθμίσεις, ο πίνακας ελέγχου πρέπει να ξεκλειδωθεί.

Συναγερμός ανοίγματος πόρτας

Όταν μία από τις πόρτες του ψυγείου είναι ανοιχτή για περισσότερο από 3 λεπτά, θα ηχήσει ο συναγερμός ανοίγματος πόρτας. Ο συναγερμός μπορεί να αποσιωπηθεί κλείνοντας την πόρτα. Εάν η πόρτα μείνει ανοιχτή για περισσότερο από 7 λεπτά, το φως μέσα στο ψυγείο και ο φωτισμός του πίνακα ελέγχου θα σβήσουν αυτόματα.

Επιλογή του τρόπου λειτουργίας

Ίσως χρειαστεί να επιλέξετε έναν από τους παρακάτω δύο τρόπους ρύθμισης της συσκευής.

ΕΙΔΟΠΟΙΗΣΗ: Επιδράσεις στις θερμοκρασίες

Οι εσωτερικές θερμοκρασίες επηρεάζονται από τους ακόλουθους παράγοντες

1. Θερμοκρασία περιβάλλοντος.
2. Συχνότητα ανοίγματος πόρτας.
3. Ποσότητα αποθηκευμένων τροφίμων.
4. Εγκατάσταση της συσκευής.

ΛΕΙΤΟΥΡΓΙΑ ECO

Εάν δεν έχετε ειδικές απαιτήσεις, συνιστούμε να χρησιμοποιείτε τη λειτουργία ECO. Στη λειτουργία, η συσκευή μπορεί να ρυθμίσει αυτόματα τη ρύθμιση θερμοκρασίας ανάλογα με τη θερμοκρασία περιβάλλοντος και την αλλαγή θερμοκρασίας στη συσκευή.

1. Όταν η οθόνη ενδείξεων είναι ξεκλειδωτή, πατήστε το κουμπί "G" (επιλογέας λειτουργίας ECO), ο βομβητής χτυπάει μία φορά, η ένδειξη "i" (λειτουργία ECO) φωτίζεται και στη συνέχεια θα ενεργοποιηθεί η λειτουργία ECO.
2. Όταν ανάψει η ένδειξη V (λειτουργία ECO), πατήστε το κουμπί "G" (επιλογέας λειτουργίας ECO), ο βομβητής ηχεί μία φορά, η ένδειξη "I" (λειτουργία ECO) σβήνει και στη συνέχεια η λειτουργία ECO απενεργοποιείται.



ΕΙΔΟΠΟΙΗΣΗ

Στη λειτουργία ECO, η θερμοκρασία του ψυγείου ή του καταψύκτη δεν μπορεί να προσαρμοστεί. Εάν πατήσετε κάποιο από τα κουμπιά "+" ή "-" για να ρυθμίσετε τη θερμοκρασία του ψυγείου ή του καταψύκτη, η ένδειξη "i" (λειτουργία ECO) θα αναβοσβήνει με έναν προειδοποιητικό ήχο για να υποδείξει ότι αυτός ο χειρισμός δεν μπορεί να πραγματοποιηθεί. Στη λειτουργία ECO, λόγω διαφορετικών μεθόδων ελέγχου, εάν έχει ρυθμιστεί η λειτουργία Super Cool, Super Frz. ή Holiday, η ένδειξη "i" (λειτουργία ECO) θα σβήσει. Στη λειτουργία ECO, η λειτουργία της Magic Zone μπορεί να προσαρμοστεί χειροκίνητα ανάλογα με τις ανάγκες.

Ρύθμιση θερμοκρασίας του ψυγείου

Όταν η οθόνη ενδείξεων είναι ξεκλείδωτη, πατήστε το κουμπί "B" (Επιλογέας ζώνης), επιλέξτε το "fridge", η ένδειξη "a" (ένδειξη ψυγείου) φωτίζεται και στη συνέχεια εμφανίζεται η λειτουργία ρύθμισης θερμοκρασίας του ψυγείου. Πατήστε το κουμπί "+" ή "-". Κάθε φορά που πατάτε τα κουμπιά "+" ή "-", η τιμή του μηχανισμού ρύθμισης ψύξης αυξάνεται κατά 1 ή μειώνεται κατά 1. Η θερμοκρασία του ψυγείου θα εμφανίζεται με τη διαδοχή "9°C <->8°C<->7°C<->6°C <->5°C <->4°C<->3°C<->2°C <->1°C".

ΕΙΔΟΠΟΙΗΣΗ

Μετά τη ρύθμιση της θερμοκρασίας, εάν δεν εκτελεστεί κάποια λειτουργία εντός 5 δευτερολέπτων, το σύστημα θα προσδιοριστεί αυτόματα και θα αποθηκεύσει τη ρυθμισμένη θερμοκρασία.

Ρύθμιση θερμοκρασίας του καταψύκτη

Όταν η οθόνη ενδείξεων είναι ξεκλείδωτη, πατήστε το κουμπί "B" (Επιλογέας ζώνης), επιλέξτε το "freezer", η ένδειξη "b" (ένδειξη καταψύκτη) φωτίζεται και στη συνέχεια εμφανίζεται η λειτουργία ρύθμισης θερμοκρασίας του καταψύκτη. Πατήστε το κουμπί "+" ή "-". Κάθε φορά που πατάτε τα κουμπιά "+" ή "-", η τιμή του μηχανισμού ρύθμισης ψύξης αυξάνεται κατά 1 ή μειώνεται κατά 1. Η θερμοκρασία του ψυγείου θα εμφανίζεται με τη διαδοχή "-14°C <->-15°C<->-16°C <->-17°C <->-18°C<->-19°C<->-20°C <->-21°C <->-22°C<->-23°C <->-24°C".

ΕΙΔΟΠΟΙΗΣΗ

Μετά τη ρύθμιση της θερμοκρασίας, εάν δεν εκτελεστεί κάποια λειτουργία εντός 5 δευτερολέπτων, το σύστημα θα προσδιοριστεί αυτόματα και θα αποθηκεύσει τη ρυθμισμένη θερμοκρασία.

Λειτουργία Magic Zone

1. Λειτουργία Fruit&Veg:

Όταν η οθόνη ενδείξεων είναι ξεκλείδωτη, πατήστε το κουμπί "D" (επιλογέας Magic Zone) για να ενεργοποιήσετε τη λειτουργία, το εικονίδιο Fruit&Veg. ανάβει. Αυτή η λειτουργία είναι κατάλληλη για την αποθήκευση φρέσκων φρούτων και λαχανικών.



i ΕΙΔΟΠΟΙΗΣΗ

Φρούτα ευαίσθητα στο κρύο όπως ανανάς, αβοκάντο, μπανάνες, γκρέιπφρουτ και λαχανικά όπως πατάτες, μελιτζάνες, φασόλια, αγγούρια, κολοκυθάκια και ντομάτες και τυρί δεν πρέπει να αποθηκεύονται στο συρτάρι Magic Zone.

2. Λειτουργία Cool Drink:

Όταν η οθόνη ενδείξεων είναι ξεκλείδωτη, πατήστε το κουμπί "D" (επιλογέας Magic Zone) για να ενεργοποιήσετε τη λειτουργία. Το Cool Drink ανάβει. Αυτή η λειτουργία επιτρέπει την αποθήκευση προϊόντων όπως νερό, κόκα κόλα και χυμούς. Η θερμοκρασία στον θάλαμο Magic Zone είναι ρυθμισμένη στους +2°C.



3. Λειτουργία 0°Fresh:

Όταν η οθόνη ενδείξεων είναι ξεκλείδωτη, πατήστε το κουμπί "D" (επιλογέας Magic Zone) για να ενεργοποιήσετε τη λειτουργία. Το 0°C Fresh ανάβει. Αυτή η λειτουργία θέτει τη θερμοκρασία στο συρτάρι Magic Zone στους 0°C. Κατάλληλη για την αποθήκευση φρέσκων τροφίμων, όπως κρέας ή ψάρι. Τα περισσότερα τρόφιμα παραμένουν φρέσκα στους 0°C.



i ΕΙΔΟΠΟΙΗΣΗ

Λόγω της διαφορετικής περιεκτικότητας του κρέατος σε νερό. Ορισμένα κρέατα με περισσότερη υγρασία θα καταψυχθούν σε θερμοκρασίες χαμηλότερες από 0°C. Έτσι, το "φρεσκοκομμένο" κρέας θα πρέπει να αποθηκεύεται στο συρτάρι Magic Zone, με θερμοκρασίες τουλάχιστον 0°C.



ΕΙΔΟΠΟΙΗΣΗ: Συρτάρι Magic Zone

1. Οι τρεις λειτουργίες του Magic Zone δεν μπορούν να ανοίξουν ταυτόχρονα, μόνο μία μπορεί να είναι αναμμένη.
2. Για να μειώσετε τη θερμοκρασία του θαλάμου ψυγείου χρησιμοποιήστε τη λειτουργία Cool Drink Για να την αυξήσετε, χρησιμοποιήστε τη λειτουργία Fruit&Veg.

Λειτουργία Super Cool

1. Όταν η οθόνη είναι ξεκλείδωτη, πατήστε το κουμπί "F" (επιλογέας Super Cool), το ηχητικό σήμα ακούγεται μία φορά, η ένδειξη "h" (λειτουργία Super Cool) ανάβει και στη συνέχεια η λειτουργία Super Cool θα ενεργοποιηθεί.
2. Όταν ανάψει η ένδειξη "h" (λειτουργία Super Cool), πατήστε το κουμπί "F" (επιλογέας Super Cool), το ηχητικό σήμα ακούγεται μία φορά, η ένδειξη "h" (λειτουργία Super Cool) σβήνει και στη συνέχεια η λειτουργία Super Cool θα απενεργοποιηθεί.
3. Αφού ενεργοποιηθεί η λειτουργία Super Cool, το ψυγείο θα απενεργοποιήσει αυτόματα τη λειτουργία όταν αυτή διαρκέσει περίπου 4 ώρες. Εάν θέλετε να εξέλθετε από τη λειτουργία χειροκίνητα, μπορείτε να πατήσετε το κουμπί "G" (επιλογέας Super Cool) για να την απενεργοποιήσετε.



ΕΙΔΟΠΟΙΗΣΗ

1. Στην κατάσταση Super Cool, η θερμοκρασία του ψυγείου δεν μπορεί να προσαρμοστεί. Εάν πατήσετε κάποιο από τα κουμπιά "+" ή "-" για να ρυθμίσετε τη θερμοκρασία του ψυγείου, η ένδειξη "h" (λειτουργία Super Cool) θα αναβοσβήνει με έναν προειδοποιητικό ήχο για να υποδείξει ότι αυτή η λειτουργία δεν μπορεί να εκτελεστεί.
2. Στην κατάσταση λειτουργίας Super Cool, δεν μπορούν να ενεργοποιηθούν ταυτόχρονα οι λειτουργίες ECO και Holiday λόγω διαφορετικών λειτουργιών ελέγχου. Όταν επιλέγετε μια λειτουργία που έρχεται σε διένεξη με μια άλλη λειτουργία, η αρχική λειτουργία θα τερματίζεται αυτόματα.

Λειτουργία Super Frz

1. Όταν η οθόνη είναι ξεκλειδωτή, πατήστε το κουμπί "E" (επιλογέας Super Freeze), το ηχητικό σήμα ακούγεται μία φορά, η ένδειξη "g" (λειτουργία Super Freeze) ανάβει και στη συνέχεια η λειτουργία Super Freeze θα ενεργοποιηθεί.
2. Όταν ανάψει η ένδειξη "g" (λειτουργία Super Freeze), πατήστε το κουμπί "E" (επιλογέας Super Freeze), το ηχητικό σήμα ακούγεται μία φορά, η ένδειξη "g" (λειτουργία Super Freeze) σβήνει και, στη συνέχεια, η λειτουργία Super Freeze απενεργοποιείται.
3. Αφού ενεργοποιηθεί η λειτουργία Super Freeze, το ψυγείο θα απενεργοποιήσει αυτόματα τη λειτουργία όταν αυτή διαρκέσει περίπου 50 ώρες. Εάν θέλετε να εξέλθετε από τη λειτουργία χειροκίνητα, μπορείτε να πατήσετε το κουμπί "E" (επιλογέας Super Freeze) για να την απενεργοποιήσετε.



ΕΙΔΟΠΟΙΗΣΗ

1. Όταν η λειτουργία Super Freeze είναι ενεργοποιημένη, η θερμοκρασία του καταψύκτη δεν μπορεί να προσαρμοστεί. Εάν πατήσετε κάποιο από τα κουμπιά "+" ή "-" για να ρυθμίσετε τη θερμοκρασία του καταψύκτη, η ένδειξη "g" (λειτουργία Super Freeze) θα αναβοσβήνει με έναν προειδοποιητικό ήχο για να υποδείξει ότι αυτή η λειτουργία δεν μπορεί να εκτελεστεί.
2. Στην κατάσταση λειτουργίας Super Freeze, δεν μπορεί να ενεργοποιηθεί ταυτόχρονα η λειτουργία ECO λόγω διαφορετικών λειτουργιών ελέγχου. Όταν επιλέγετε μια λειτουργία που έρχεται σε διένεξη με μια άλλη λειτουργία, η αρχική λειτουργία θα τερματίζεται αυτόματα.
3. Η λειτουργία Super Freeze έχει σχεδιαστεί για να διατηρεί τη θρεπτική αξία των κατεψυγμένων τροφίμων, καταψύχει τα τρόφιμα σε σύντομο χρονικό διάστημα. Εάν πρόκειται να καταψύξετε μεγάλες ποσότητες κατεψυγμένων τροφίμων ταυτόχρονα. Εν τω μεταξύ, η λειτουργία Super Freeze θα πρέπει να ρυθμιστεί 24 ώρες νωρίτερα, ώστε ο καταψύκτης να έχει χαμηλή θερμοκρασία για να τοποθετηθούν τα τρόφιμα. Σε αυτό το χρονικό διάστημα, η ταχύτητα κατάψυξης του καταψύκτη έχει βελτιωθεί, τα τρόφιμα μπορούν να καταψυχθούν γρήγορα, τα θρεπτικά συστατικά των τροφίμων διατηρούνται αποτελεσματικά και η αποθήκευση είναι βολική.

Λειτουργία Holiday

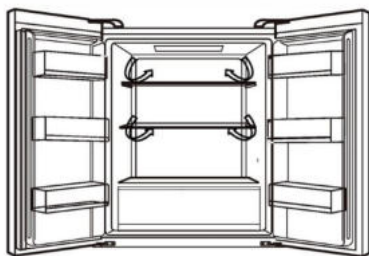
Η λειτουργία Holiday έχει επινοηθεί για τη μη χρήση του ψυγείου για μεγάλο χρονικό διάστημα. Όταν είναι ενεργοποιημένη η λειτουργία Holiday, ο καταψύκτης βρίσκεται υπό κανονικό έλεγχο και η θερμοκρασία του ψυγείου ρυθμίζεται αυτόματα στους 17°C. Η πραγματική θερμοκρασία δεν είναι υψηλότερη από 17°C, γεγονός που αποτρέπει την περίεργη μυρωδιά που προκαλείται από την υπερβολική θερμοκρασία, ενώ ταυτόχρονα συμβάλλει στη μείωση της κατανάλωσης ενέργειας.

1. Όταν η οθόνη ενδειξεων είναι ξεκλειδωτη, πατήστε το κουμπί "I" (επιλογέας λειτουργίας Holiday), ο βομβητής ηχεί μία φορά, η ένδειξη "j" (λειτουργία Holiday) φωτίζεται και στη συνέχεια θα ενεργοποιηθεί η λειτουργία Holiday.
2. Όταν ανάψει η ένδειξη "j" (λειτουργία Holiday), πατήστε το κουμπί T (επιλογέας λειτουργίας Holiday), ο βομβητής ηχεί μία φορά, η ένδειξη "j" (λειτουργία Holiday) σβήνει και στη συνέχεια η λειτουργία Holiday θα απενεργοποιηθεί.



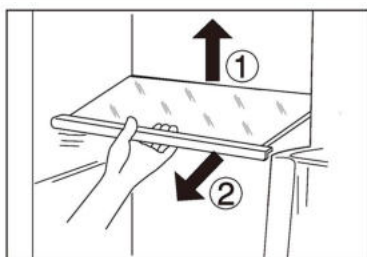
ΕΙΔΟΠΟΙΗΣΗ

1. Στη λειτουργία Holiday, η θερμοκρασία του ψυγείου δεν μπορεί να προσαρμοστεί. Εάν πατήσετε κάποιο από τα κουμπιά "+" ή "-" για να ρυθμίσετε τη θερμοκρασία του ψυγείου, η ένδειξη (λειτουργία Holiday) θα αναβοσβήνει με έναν προειδοποιητικό ήχο για να υποδείξει ότι αυτή η λειτουργία δεν μπορεί να εκτελεστεί.
2. Πριν χρησιμοποιήσετε τη λειτουργία Holiday, αδειάστε το ψυγείο για να αποφύγετε την αλλοίωση των τροφίμων. Όταν είναι ενεργοποιημένη η λειτουργία Holiday, δεν είναι δυνατή η ταυτόχρονη ενεργοποίηση της λειτουργίας ECO ή της λειτουργίας Super Cool.
3. Στη λειτουργία Holiday, η ρύθμιση των εικονιδίων "Fruit&Veg, Cool Drink, 0°Fresh" στο Magic zone θα απενεργοποιηθεί και η λειτουργία του Magic zone δεν θα μπορεί να ρυθμιστεί. Ο θάλαμος ψυγείου Magic zone θα εμφανίσει την προηγούμενη ρύθμιση μόλις εξέλθετε από τη λειτουργία Holiday.



Πολλαπλή ροή αέρα

1. Το ψυγείο είναι εξοπλισμένο με σύστημα ροής πολλαπλών αέρα, με το οποίο οι δροσερές ροές αέρα βρίσκονται σε κάθε επίπεδο ραφιού. Αυτό βοηθά στη διατήρηση μιας ομοιόμορφης θερμοκρασίας για να διασφαλιστεί ότι τα τρόφιμά σας διατηρούνται πιο φρέσκα για μεγαλύτερο χρονικό διάστημα.



Ρυθμιζόμενα ράφια

1. Το ύψος των ραφιών μπορεί να ρυθμιστεί ώστε να ταιριάζει στις ανάγκες αποθήκευσης.
2. Για να μετακινήσετε ένα ράφι, αφαιρέστε το πρώτα ανυψώνοντας την οπίσθια άκρη του ① και τραβώντας το έξω ②.
3. Για να το επανατοποθετήσετε, τοποθετήστε το στις υποδοχές και στις δύο πλευρές και σπρώξτε το στην πίσω θέση μέχρι το πίσω μέρος του ραφιού να στερεωθεί στις τλαίνες σχισμές.

Συρτάρι Magic Zone

Σε αυτόν τον θάλαμο το επίπεδο υγρασίας είναι χαμηλότερο από τον θάλαμο ψυγείου. Αυτό το συρτάρι είναι κατάλληλο για αποθήκευση ξηρών φρούτων και άλλων ξηρών τροφών με χαμηλή περιεκτικότητα σε νερό όπως βούτυρο, λίπη και λάδια ή σοκολάτα.

MAGICZONE |

Συρτάρι ACTIVEFRESHZONE

Σε αυτό το τμήμα, το επίπεδο υγρασίας είναι υψηλότερο από ό,τι στο τμήμα του ψυγείου. Ελέγχεται αυτόματα από το σύστημα και είναι κατάλληλο για αποθήκευση φρούτων, λαχανικών, σαλατικών κλπ.

ACTIVEFRESHZONE |

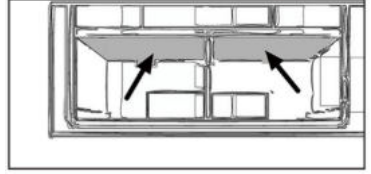


ΕΙΔΟΠΟΙΗΣΗ:

Φρούτα ευαίσθητα στο κρύο όπως ανανάς, αβοκάντο, μπανάνες, γκρέιπφρουτ και λαχανικά όπως πατάτες, μελιτζάνες, φασόλια, αγγούρια, κολοκυθάκια και ντομάτες και τυρί δεν πρέπει να αποθηκεύονται στο Fresh box.

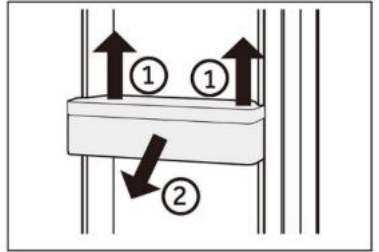
i ΕΙΔΟΠΟΙΗΣΗ

1. Μην αφαιρείτε το πλαστικό κάλυμμα μέσα στις δύο ζώνες.
2. Διατηρούν την υγρασία.
3. Φρούτα ευαίσθητα στο κρύο όπως ο ανανάς, το αβοκάντο, οι μπανάνες,
4. τα γκρέιπφρουτ δεν συνιστάται να αποθηκεύονται σε αυτά τα δύο συρτάρια.



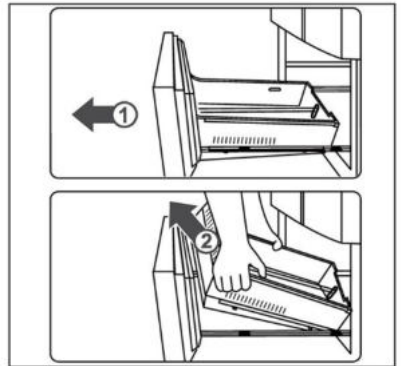
Αφαιρούμενες σχάρες πόρτας/αφαιρούμενη μπουκαλοθήκη

1. Τα ράφια των πορτών μπορούν να αφαιρεθούν για καθαρισμό
2. Τοποθετήστε τα χέρια σε κάθε πλευρά της σχάρας, σηκώστε την προς τα πάνω ① και τραβήξτε την προς τα έξω ②.
3. Για την εισαγωγή της σχάρας της πόρτας, τα παραπάνω βήματα πραγματοποιούνται με αντίστροφη σειρά.



Αφαιρούμενο επάνω συρτάρι καταψύκτη

1. Τραβήξτε το επάνω συρτάρι του καταψύκτη στο μέγιστο βαθμό
2. Ανασηκώστε το συρτάρι μέχρι να διαχωριστεί από το μπλοκ στήριξης, το ωθείτε μέσα στον καταψύκτη και το γέρνετε για να το βγάλετε.

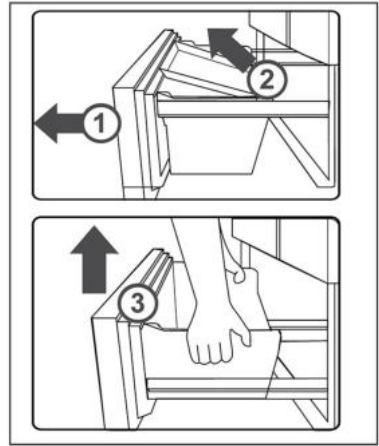


Για την τοποθέτηση του συρταριού, τα παραπάνω βήματα γίνονται με αντίστροφη σειρά.

Αφαιρούμενο κάτω συρτάρι καταψύκτη

1. Τραβήξτε το κάτω συρτάρι του καταψύκτη στο μέγιστο βαθμό
2. Τραβήξτε τον δίσκο κατάψυξης προς τη θέση στοπ, ανασηκώστε και αφαιρέστε.
3. Ανασηκώστε το συρτάρι μέχρι να διαχωριστεί από το μπλοκ στήριξης, το ωθείτε μέσα στον καταψύκτη και το γέρνετε για να το βγάλετε.

Για την τοποθέτηση του συρταριού, τα παραπάνω βήματα γίνονται με αντίστροφη σειρά.



Το φως

Το εσωτερικό φως LED ανάβει όταν ανοίγει η πόρτα. Η απόδοση των φώτων δεν επηρεάζεται από καμία από τις άλλες ρυθμίσεις της συσκευής.



Συμβουλές εξοικονόμησης ενέργειας

- ▶ Βεβαιωθείτε ότι η συσκευή αερίζεται σωστά (δείτε ΕΓΚΑΤΑΣΤΑΣΗ).
- ▶ Μην εγκαθιστάτε τη συσκευή σε σημείο με άμεσο ηλιακό φως ή κοντά σε πηγές θερμότητας (π.χ. σόμπες, θερμαντήρες).
- ▶ Αποφύγετε την άσκοπη χαμηλή θερμοκρασία στη συσκευή. Η κατανάλωση ενέργειας αυξάνεται όσο χαμηλότερη είναι η θερμοκρασία στη συσκευή.
- ▶ Λειτουργίες όπως το POWER-FREEZE καταναλώνουν περισσότερη ενέργεια.
- ▶ Αφήστε το ζεστό φαγητό να κρυώσει πριν το τοποθετήσετε μέσα στη συσκευή.
- ▶ Να ανοίγετε την πόρτα της συσκευής όσο το δυνατόν λιγότερες φορές και για όσο πιο σύντομα γίνεται.
- ▶ Μην γεμίζετε και φορτώνετε υπερβολικά τη συσκευή για να αποφύγετε τη φραγή του αέρα χαμηλά.
- ▶ Αποφύγετε το να υπάρχει αέρας μέσα στη συσκευασία των τροφίμων.
- ▶ Διατηρείτε τα λάστιχα της πόρτας καθαρά, ώστε η πόρτα να κλείνει πάντα σωστά.
- ▶ Να αποψύχετε τα κατεψυγμένα τρόφιμα στο χώρο αποθήκευσης του ψυγείου.
- ▶ Η διαμόρφωση εξοικονόμησης ενέργειας απαιτεί τη διατήρηση του συρταριού, του κουτιού τροφίμων και των ραφιών όπως ακριβώς είναι, δηλαδή στην εργοστασιακή τους κατάσταση, και την τοποθέτηση των τροφίμων με τέτοιο τρόπο, ώστε να μην εμποδίζεται η έξοδος αεραγωγού.



ΠΡΟΕΙΔΟΠΟΪΗΣΗ!

Αποσυνδέστε τη συσκευή από την τροφοδοσία πριν από τον καθαρισμό.

Καθαρισμός

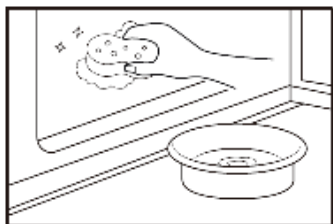
Καθαρίστε τη συσκευή μόνο όταν υπάρχουν αποθηκευμένα λίγα ή καθόλου τρόφιμα.

Η συσκευή πρέπει να καθαρίζεται κάθε τέσσερις εβδομάδες για καλή συντήρηση και για την αποφυγή αποθηκευμένων τροφίμων με δυσάρεστες οσμές.



ΠΡΟΕΙΔΟΠΟΙΗΣΗ!

- ▶ Μην καθαρίζετε τη συσκευή με σκληρές βούρτσες, συμράτινες βούρτσες, σκόνη απορρυπαντικού, βενζίνη, οξικό αμύλιο, ακετόνη και παρόμοια οργανικά διαλύματα, όξινα ή αλκαλικά διαλύματα. Καθαρίστε με ειδικό απορρυπαντικό ψυγείου για να αποφύγετε ζημιές.
- ▶ Μην ψεκάζετε ή ξεπλύνετε τη συσκευή κατά τον καθαρισμό.
- ▶ Μην χρησιμοποιείτε σπρέι νερού ή ατμό για να καθαρίσετε τη συσκευή.
- ▶ Μην καθαρίζετε τα κρύα γυάλινα ράφια με ζεστό νερό. Η απότομη αλλαγή θερμοκρασίας μπορεί να προκαλέσει το σπάσιμο του γυαλιού.
- ▶ Μην αγγίζετε την εσωτερική επιφάνεια του χώρου αποθήκευσης του καταψύκτη, ειδικά με βρεγμένα χέρια, καθώς τα χέρια σας μπορεί να παγώσουν στην επιφάνεια.
- ▶ Σε περίπτωση θέρμανσης ελέγξτε την κατάσταση των κατεψυγμένων αγαθών.



- ▶ Διατηρείτε πάντα το λάστιχο της πόρτας καθαρό.
- ▶ Καθαρίστε το εσωτερικό και το περίβλημα της συσκευής με ένα σφουγγάρι βρεγμένο σε ζεστό νερό και ουδέτερο απορρυπαντικό.
- ▶ 1. Τρίψτε το εσωτερικό και το εξωτερικό του ψυγείου, συμπεριλαμβανομένων των λάστιχων της πόρτας, της σχάρας της πόρτας, των γυάλινων ραφιών, των κουτιών και ούτω καθεξής, με μια μαλακή πετσέτα ή ένα σφουγγάρι βουτηγμένο σε ζεστό νερό (μπορείτε να προσθέσετε ουδέτερο απορρυπαντικό στο ζεστό νερό).
- ▶ 2. Εάν χυθεί υγρό, αφαιρέστε όλα τα μολυσμένα μέρη, ξεπλύνετε απευθείας με το νερό ροής, στεγνώστε και τοποθετήστε το πίσω στο ψυγείο.
- ▶ 3. Εάν υπάρχει χυμένη κρέμα (όπως η κρέμα γάλακτος, το παγωτό που λιώνει), αφαιρέστε όλα τα μολυσμένα μέρη, βάλτε στο ζεστό νερό με περίπου 40 °C για κάποιο χρονικό διάστημα, στη συνέχεια ξεπλύνετε με το νερό ροής, στεγνώστε και τοποθετήστε το ξανά στο ψυγείο.
- ▶ 4. Σε περίπτωση που κάποιο μικρό μέρος ή εξάρτημα κολλήσει μέσα στο ψυγείο (ανάμεσα σε ράφια ή συρτάρια), χρησιμοποιήστε μια μικρή μαλακή βούρτσα για να το απελευθερώσετε. Εάν δεν μπορέσετε να φτάσετε το εξάρτημα, επικοινωνήστε με την υπηρεσία Haier
- ▶ Ξεπλύνετε και στεγνώστε με μαλακό πανί.
- ▶ Μην καθαρίζετε κανένα από τα μέρη της συσκευής σε πλυντήριο πιάτων.
- ▶ Αφήστε τουλάχιστον 5 λεπτά πριν από την επανεκκίνηση της συσκευής, καθώς η συχνή εκκίνηση μπορεί να προκαλέσει ζημιά στον συμπιεστή.

Απόψυξη

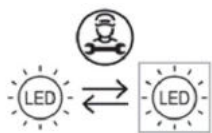
Η απόψυξη των θαλάμων του ψυγείου και της κατάψυξης γίνεται αυτόματα, δεν απαιτείται χειροκίνητη λειτουργία.

Αντικατάσταση των λυχνιών LED

ΠΡΟΕΙΔΟΠΟΙΗΣΗ!

Μην αντικαθιστάτε μόνοι σας τον λαμπτήρα LED, πρέπει να αντικατασταθεί μόνον από τον κατασκευαστή ή από τον εξουσιοδοτημένο αντιπρόσωπο σέρβις.

Ο λαμπτήρας υιοθετεί το LED ως πηγή φωτός του, που χαρακτηρίζεται για τη χαμηλή κατανάλωση ενέργειας και τη μακριά διάρκεια ζωής. Εάν υπάρχει κάποια ανωμαλία, επικοινωνήστε με την εξυπηρέτηση πελατών. Δείτε την ενότητα ΕΞΥΠΗΡΕΤΗΣΗ ΠΕΛΑΤΩΝ.



Πηγή φωτός (μόνο LED) που αντικαθίσταται από επαγγελματία.

Αυτό το προϊόν περιέχει μια πηγή φωτός κατηγορίας ενεργειακής απόδοσης G.

Διαμέρισμα	Τάση	Κατηγορία ενεργειακής απόδοσης	Μοντέλο
Ψυγείο	12V	G	HFKR5718DNGB

Μη χρήση για παρατεταμένο χρονικό διάστημα

Εάν η συσκευή δεν χρησιμοποιηθεί για μεγάλο χρονικό διάστημα και δεν σκοπεύετε να χρησιμοποιήσετε τη λειτουργία Holiday για το ψυγείο:

- ▶ Αφαιρέστε τα τρόφιμα.
- ▶ Αποσυνδέστε το καλώδιο τροφοδοσίας
- ▶ Καθαρίστε τη συσκευή, όπως περιγράφεται παραπάνω.
- ▶ Διατηρήσετε τις πόρτες ανοικτές για να αποτρέψετε τη δημιουργία δυσοσμίας στο εσωτερικό.

ΕΙΔΟΠΟΙΗΣΗ

Απενεργοποιήστε τη συσκευή μόνο εάν είναι απολύτως απαραίτητο.

Μετακίνηση της συσκευής

1. Αφαιρέστε όλα τα τρόφιμα και αποσυνδέστε τη συσκευή.
2. Ασφαλίστε τα ράφια και τα άλλα κινητά μέρη στο ψυγείο και στον καταψύκτη με κολλητική ταινία.
3. Μην γέρνετε το ψυγείο περισσότερο από 45° ώστε να αποφύγετε ζημιά στο ψυκτικό σύστημα.

ΠΡΟΕΙΔΟΠΟΙΗΣΗ!

- ▶ Μη σηκώνετε τη συσκευή από τις λαβές της.
- ▶ Μην τοποθετείτε ποτέ τη συσκευή οριζόντια στο έδαφος.

Πολλά προβλήματα που παρουσιάζονται θα μπορούσαν να επιλυθούν από τον εαυτό σας χωρίς ειδική εμπειρογνωμοσύνη. Σε περίπτωση προβλήματος, ελέγξτε όλες τις εμφανιζόμενες δυνατότητες και ακολουθήστε τις παρακάτω οδηγίες προτού επικοινωνήσετε με το τμήμα εξυπηρέτησης πελατών μετά την πώληση. Δείτε την ενότητα ΕΞΥΠΗΡΕΤΗΣΗ ΠΕΛΑΤΩΝ.



ΠΡΟΕΙΔΟΠΟΙΗΣΗ!

- ▶ Πριν από τη συντήρηση, απενεργοποιήστε τη συσκευή και αποσυνδέστε το φις από την πρίζα.
- ▶ Ο ηλεκτρικός εξοπλισμός πρέπει να συντηρείται μόνο από εξειδικευμένους ηλεκτρολόγους, επειδή οι ακατάλληλες επισκευές μπορούν να προκαλέσουν σημαντικές επακόλουθες ζημιές.
- ▶ Μια κατεστραμμένη τροφοδοσία θα πρέπει να αντικατασταθεί από τον κατασκευαστή ή τον αντιπρόσωπο του σέρβις ή παρόμοια εξουσιοδοτημένα πρόσωπα, προς αποφυγή του κινδύνου.

Πρόβλημα	Πιθανή αιτία	Πιθανή λύση
Ο συμπιεστής δεν λειτουργεί.	<ul style="list-style-type: none"> • Το φις σύνδεσης με το δίκτυο δεν είναι συνδεδεμένο στην πρίζα. • Η συσκευή βρίσκεται στον κύκλο απόψυξης 	<ul style="list-style-type: none"> • Συνδέστε το φις στο δίκτυο. • Αυτό είναι φυσιολογικό για αυτόματη απόψυξη
Η συσκευή λειτουργεί συχνά ή λειτουργεί για πολύ μεγάλο χρονικό διάστημα.	<ul style="list-style-type: none"> • Η εσωτερική και η εξωτερική θερμοκρασία είναι πολύ υψηλή. • Η συσκευή απενεργοποιήθηκε για ένα χρονικό διάστημα. • Η πόρτα της συσκευής δεν είναι καλά κλειστή. • Η πόρτα ανοίγει πολύ συχνά ή για μεγάλα χρονικά διαστήματα. • Η ρύθμιση θερμοκρασίας για την κατάψυξη είναι πολύ χαμηλή. • Το λάστιχο της πόρτας είναι βρώμικο, έχει φθαρεί, έχει ρωγμές ή δεν ταιριάζει. • Η απαιτούμενη κυκλοφορία του αέρα δεν είναι εγγυημένη. 	<ul style="list-style-type: none"> • Σε αυτήν την περίπτωση. Είναι φυσιολογικό η συσκευή να λειτουργεί περισσότερο. • Κανονικά, χρειάζονται 8 έως 12 ώρες για να κρυώσει εντελώς η συσκευή. • Κλείστε την πόρτα / συρτάρι και βεβαιωθείτε ότι η συσκευή βρίσκεται σε επίπεδη επιφάνεια και ότι δεν υπάρχει τροφή ή δοχείο που να «χτυπά» πάνω στην πόρτα. • Μην ανοίγετε την πόρτα/το συρτάρι πολύ συχνά. • Ρυθμίστε τη θερμοκρασία ψηλότερα μέχρι να επιτευχθεί ικανοποιητική θερμοκρασία ψυγείου. Χρειάζονται 24 ώρες για να σταθεροποιηθεί η θερμοκρασία του ψυγείου. • Καθαρίστε την τσιμούχα πόρτας/συρταριού ή αντικαταστήστε την από την εξυπηρέτηση πελατών. • Εξασφαλίστε επαρκή εξαερισμό.

Πρόβλημα	Πιθανή αιτία	Πιθανή λύση
Το εσωτερικό του ψυγείου είναι βρώμικο ή/και μυρίζει άσχημα.	<ul style="list-style-type: none"> • Το εσωτερικό του ψυγείου χρειάζεται καθαρισμό. • Έχουν αποθηκευτεί στο ψυγείο τρόφιμα έντονης οσμής. 	<ul style="list-style-type: none"> • Καθαρίστε το εσωτερικό του ψυγείου. • Τυλίξτε καλά το φαγητό.
Δεν υπάρχει αρκετή ψύξη στο εσωτερικό της συσκευής.	<ul style="list-style-type: none"> • Η θερμοκρασία είναι πολύ υψηλή. • Πολύ ζεστά αγαθά έχουν αποθηκευτεί. • Πάρα πολύ φαγητό έχει αποθηκευτεί ταυτόχρονα. • Τα αγαθά είναι πολύ κοντά το ένα στο άλλο. • Κάποια πόρτα/συρτάρι της συσκευής δεν έχει κλείσει καλά. • Η πόρτα/το συρτάρι ανοίγει πολύ συχνά ή για μεγάλα χρονικά διαστήματα. 	<ul style="list-style-type: none"> • Επαναφέρετε τη θερμοκρασία. • Πάντα να ψύχετε τα αγαθά πριν τα αποθηκεύετε. • Να αποθηκεύετε πάντα μικρές ποσότητες τροφίμων. • Αφήστε ένα κενό μεταξύ πολλών τροφίμων που επιτρέπουν τη ροή του αέρα. • Κλείστε την πόρτα/το συρτάρι. • Μην ανοίγετε την πόρτα/το συρτάρι πολύ συχνά.
Υπάρχει αρκετή ψύξη στο εσωτερικό της συσκευής.	<ul style="list-style-type: none"> • Η θερμοκρασία είναι πολύ χαμηλή. • Η λειτουργία Super Frz/Super Cool είναι ενεργοποιημένη ή λειτουργεί για μεγάλο διάστημα. 	<ul style="list-style-type: none"> • Επαναφέρετε τη θερμοκρασία. • Απενεργοποιήστε τη λειτουργία Super Frz/Super Cool
Σχηματισμός υγρασίας στο εσωτερικό του θαλάμου του ψυγείου.	<ul style="list-style-type: none"> • Το κλίμα είναι πολύ ζεστό και πολύ υγρό. • Κάποια πόρτα/συρτάρι της συσκευής δεν έχει κλείσει καλά. • Η πόρτα/το συρτάρι ανοίγει πολύ συχνά ή για μεγάλα χρονικά διαστήματα. • Τα δοχεία τροφίμων ή τα υγρά παραμένουν ανοιχτά. 	<ul style="list-style-type: none"> • Αυξήστε τη θερμοκρασία. • Κλείστε την πόρτα/το συρτάρι. • Μην ανοίγετε την πόρτα/το συρτάρι πολύ συχνά. • Αφήστε τα ζεστά τρόφιμα να κρυώσουν σε θερμοκρασία δωματίου και καλύψτε τα τρόφιμα και τα υγρά.
Η υγρασία συσσωρεύεται στα ψυγεία έξω από την επιφάνεια ή ανάμεσα στις πόρτες / την πόρτα και τα συρτάρια.	<ul style="list-style-type: none"> • Το κλίμα είναι πολύ ζεστό και πολύ υγρό. • Η πόρτα δεν είναι ερμητικά κλειστή. Ο κρύος αέρας στη συσκευή και ο ζεστός αέρας έξω από αυτήν συμπυκνώνονται. 	<ul style="list-style-type: none"> • Αυτό είναι φυσιολογικό σε υγρό κλίμα και θα αλλάξει όταν μειώνεται η υγρασία. • Βεβαιωθείτε ότι η πόρτα/το συρτάρι έχει κλείσει καλά.

Πρόβλημα	Πιθανή αιτία	Πιθανή λύση
Ισχυρός πάγος και παγετός στο διαμέρισμα του καταψύκτη.	<ul style="list-style-type: none"> • Τα εμπορεύματα δεν είχαν συσκευαστεί επαρκώς. • Κάποια πόρτα/συρτάρι της συσκευής δεν έχει κλείσει καλά. • Η πόρτα/το συρτάρι ανοίγει πολύ συχνά ή για μεγάλα χρονικά διαστήματα. • Το λάστιχο πόρτας/συρταριού είναι βρώμικο, φθαρμένο, ραγισμένο ή παράταιρο. • Κάτι στο εσωτερικό εμποδίζει την πόρτα / συρτάρι να κλείσει σωστά. 	<ul style="list-style-type: none"> • Πάντα να συσκευάζετε καλά τα προϊόντα. • Κλείστε την πόρτα/το συρτάρι. • Μην ανοίγετε την πόρτα/το συρτάρι πολύ συχνά. • Καθαρίστε την τσιμούχα πόρτας/συρταριού ή αντικαταστήστε την με νέα. • Επανατοποθετήστε τα ράφια, τα ράφια πόρτας, ή τα εσωτερικά δοχεία για να επιτραπεί το κλείσιμο της πόρτας/ συρταριού.
Οι πλευρές του ντουλαπιού και της λωρίδας της πόρτας θερμαίνονται.	• -	• Αυτό είναι φυσιολογικό.
Η συσκευή κάνει αφύσικους ήχους.	<ul style="list-style-type: none"> • Η συσκευή δεν βρίσκεται σε επίπεδο έδαφος. • Η συσκευή αγγίζει κάποιο αντικείμενο γύρω της. 	<ul style="list-style-type: none"> • Ρυθμίστε τα πόδια για να ισιώσετε τη συσκευή. • Αφαιρέστε τα αντικείμενα γύρω από τη συσκευή.
Ένας ελαφρύς ήχος πρέπει να ακούγεται παρόμοιος με αυτόν του ρέοντος νερού.	• -	• Αυτό είναι φυσιολογικό.
Θα ακούσετε ένα ηχητικό σήμα συναγερμού.	• Η πόρτα του χώρου αποθήκευσης ψυγείου είναι ανοιχτή.	• Κλείστε την πόρτα.
Θα ακούσετε ένα αγνό βουητό.	• Το σύστημα κατά της συμπύκνωσης λειτουργεί	• Αυτό αποτρέπει τη συμπύκνωση και είναι φυσιολογικό
Το σύστημα εσωτερικού φωτισμού ή ψύξης δεν λειτουργεί.	<ul style="list-style-type: none"> • Το φως σύνδεσης με το δίκτυο δεν είναι συνδεδεμένο στην πρίζα. • Η παροχή ρεύματος δεν είναι άθικτη. • Η λυχνία LED είναι εκτός λειτουργίας. 	<ul style="list-style-type: none"> • Συνδέστε το φως στο δίκτυο. • Ελέγξτε την παροχή ηλεκτρικού ρεύματος στο δωμάτιο. Καλέστε την τοπική εταιρεία ηλεκτρισμού! • Καλέστε την υπηρεσία για αλλαγή της λυχνίας.

Για να επικοινωνήσετε με την τεχνική βοήθεια, επισκεφθείτε τον ιστότοπό μας:
<https://corporate.haier-europe.com/en/>

Στην ενότητα "ιστότοπος", επιλέξτε τη μάρκα του προϊόντος σας και τη χώρα σας. Θα ανακατευθυνθείτε στον συγκεκριμένο ιστότοπο, όπου μπορείτε να βρείτε τον αριθμό τηλεφώνου και τη φόρμα για να επικοινωνήσετε με την τεχνική υποστήριξη.

Διακοπή ρεύματος

Σε περίπτωση διακοπής ρεύματος, τα τρόφιμα πρέπει να παραμένουν με ασφάλεια κρύα και σε συνθήκες ψύξης για περίπου 5 ώρες. Ακολουθήστε αυτές τις συμβουλές κατά τη διάρκεια παρατεταμένης διακοπής ρεύματος, ειδικά το καλοκαίρι:

- ▶ Ανοίγετε την πόρτα / συρτάρια όσο το δυνατόν λιγότερες φορές.
- ▶ Μη βάζετε επιπλέον τρόφιμα στη συσκευή κατά τη διάρκεια διακοπής ρεύματος.
- ▶ Εάν δοθεί προηγούμενη ειδοποίηση για διακοπή ρεύματος και η διάρκεια διακοπής είναι μεγαλύτερη από 5 ώρες, φτιάξτε λίγο πάγο και τοποθετήστε τον σε ένα δοχείο στο πάνω μέρος του ψυγείου.
- ▶ Ο έλεγχος των εμπορευμάτων απαιτείται αμέσως μετά τη διακοπή.
- ▶ Καθώς η θερμοκρασία στο ψυγείο θα αυξηθεί κατά τη διάρκεια διακοπής ρεύματος ή άλλης βλάβης, η περίοδος αποθήκευσης και η βρώσιμη ποιότητα των τροφίμων θα μειωθούν. Οποιοδήποτε φαγητό αποψύχεται πρέπει να καταναλώνεται ή να μαγειρεύεται και να καταψύχεται (όταν επιτρέπεται αυτή η διαδικασία) λίγο μετά για την αποφυγή κινδύνων για την υγεία.

Λειτουργία μνήμης κατά τη διακοπή ρεύματος

Μετά την αποκατάσταση του ρεύματος, η συσκευή συνεχίζει με τις ρυθμίσεις που είχαν ρυθμιστεί πριν από την διακοπή ρεύματος.

Αποσυσκευασία

**ΠΡΟΕΙΔΟΠΟΙΗΣΗ!**

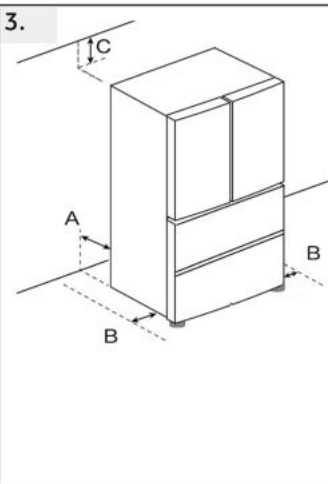
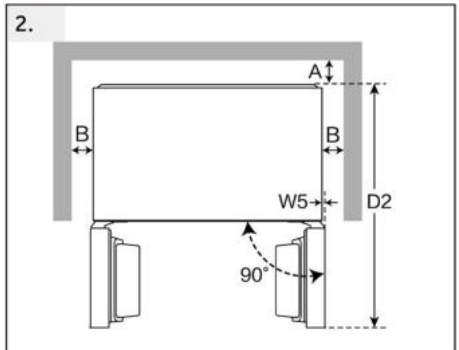
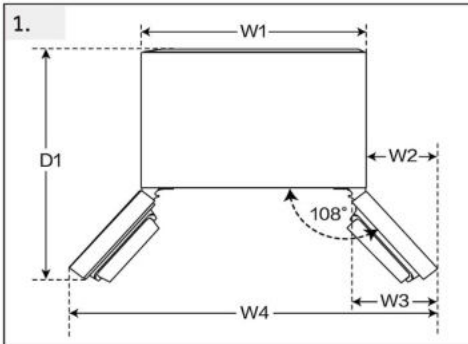
- ▶ Η συσκευή είναι βαριά. Πάντοτε θα πρέπει να χειρίζονται τη συσκευή δύο άτομα τουλάχιστον.
- ▶ Κρατήστε όλα τα υλικά συσκευασίας μακριά από τα παιδιά και απορρίψτε τα με φιλικό προς το περιβάλλον τρόπο.
- ▶ Βγάλε τη συσκευή από τη συσκευασία.
- ▶ Αφαιρέστε όλα τα υλικά συσκευασίας.

Περιβαλλοντικές συνθήκες

Η θερμοκρασία δωματίου πρέπει να είναι πάντα μεταξύ 10°C και 43°C, καθώς μπορεί να επηρεάσει τη θερμοκρασία στο εσωτερικό της συσκευής και την κατανάλωση ενέργειας της. Μην εγκαθιστάτε τη συσκευή κοντά σε άλλες συσκευές που εκπέμπουν θερμότητα (φούρνους, ψυγεία) χωρίς μόνωση.

Σύσταση για τον χώρο

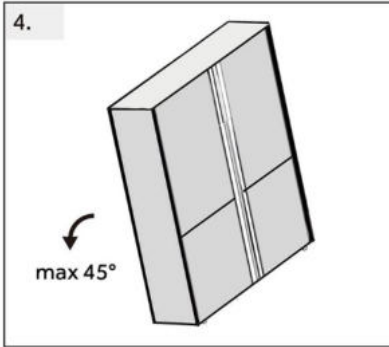
Συνιστώμενος ελάχιστος χώρος όταν η πόρτα είναι ανοικτή (Εικ. 1.2.)



(Μονάδα: mm)	HFKR5718DNGB	
Πλάτος	W1	700
	W2	115
	W3	368
	W4	930
	W5	0
	W	700
	D1	910
	D2	918
	D	594
Απόσταση από πίσω τοίχο	A	6
Απόσταση πλευρικούς τοίχους	B	4
Απόσταση από οροφή	C	9
Συνολικό ύψος	H	1850

Διατομή εξαερισμού

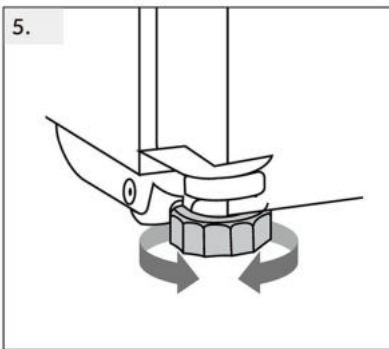
Για να επιτευχθεί επαρκής αερισμός της συσκευής για λόγους ασφαλείας, πρέπει να τηρούνται οι πληροφορίες των απαιτούμενων διατομών εξαερισμού.



Ευθυγράμμιση της συσκευής (Εικ.4.5.6.)

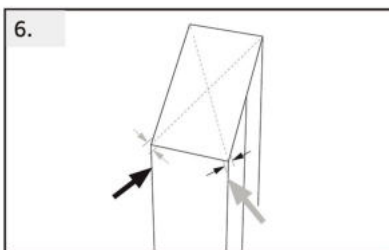
Η συσκευή πρέπει να τοποθετηθεί σε επίπεδη και συμπαγή επιφάνεια.

4. Γείρετε ελαφρά το ψυγείο προς τα πίσω.



5. Ρυθμίστε τα πόδια στο επιθυμητό επίπεδο.

Βεβαιωθείτε ότι η απόσταση από τον τοίχο στην πλευρά του μεντεσέ είναι τουλάχιστον 100 mm για να ανοίξει σωστά η πόρτα.

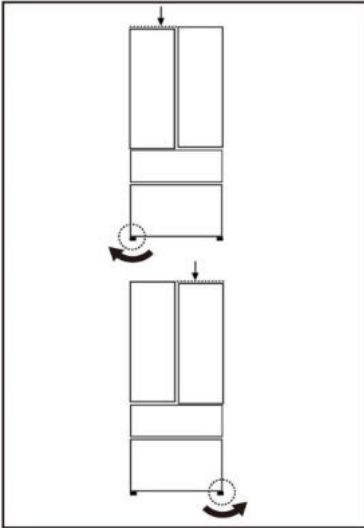


6. Η σταθερότητα μπορεί να ελεγχθεί χτυπώντας εναλλάξ τις διαγώνιες πλευρές. Η ελαφριά ταλάντωση πρέπει να είναι ίδια και προς τις δύο κατευθύνσεις. Διαφορετικά το πλαίσιο μπορεί να παραμορφωθεί και το αποτέλεσμα μπορεί να είναι πιθανές διαρροές από τα λάστιχα της πόρτας. Μια χαμηλή κλίση προς τα πίσω διευκολύνει το κλείσιμο των θυρών.



ΕΙΔΟΠΟΙΗΣΗ

Για μια συσκευή ελεύθερης τοποθέτησης: αυτή η ψυκτική συσκευή δεν προορίζεται για χρήση ως εντοιχιζόμενη συσκευή

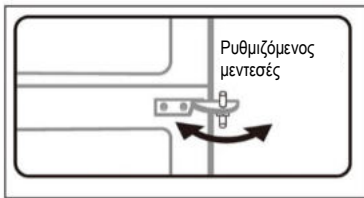


Ρύθμιση των θυρών

Εάν οι πόρτες δεν είναι σε ένα επίπεδο, αυτή η αναντιστοιχία μπορεί να διορθωθεί με τα εξής:

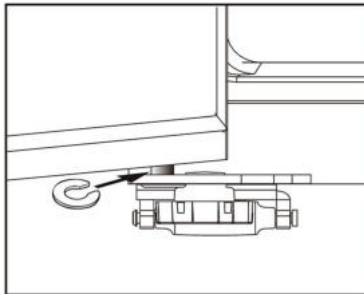
Χρήση ρυθμιζόμενου ποδιού

Περιστρέψτε το ρυθμιζόμενο πόδι σύμφωνα με την κατεύθυνση του βέλους για να γυρίσετε προς τα πάνω ή προς τα κάτω το πόδι



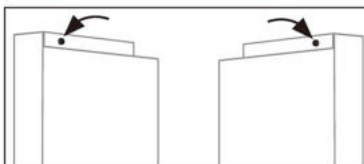
Ρύθμιση θέσης πόρτας

► Όταν οι δύο πόρτες δεν βρίσκονται στο ίδιο ύψος, οι ρυθμιζόμενοι μεντεσέδες μπορούν να ρυθμιστούν με ακρίβεια, με το συνοδευτικό κλειδί, για να έρθουν στο ίδιο ύψος οι δύο πόρτες. Μην τον τοποθετείτε με το ζόρι για να αποτραπούν γρατσουνιές ή εξογκώματα στην επένδυση της πόρτας.



Χρήση αποστάτη

► Ανοίξτε την πόρτα κατάψυξης και ανασηκώστε την.
► Προσαρμόστε προσεκτικά τον αποστάτη (περιλαμβάνεται στην τσάντα παρελκόμενων) στον άξονα του κάτω μεντεσέ με το χέρι ή χρησιμοποιώντας εργαλεία όπως πέννες. Μην γρατζουνάτε ή αφήνετε βαθουλώματα στην πόρτα.



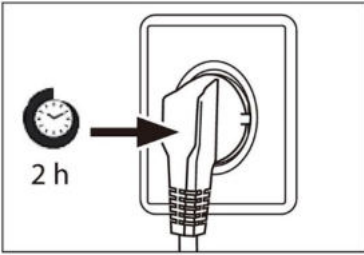
Χρήση του διακόπτη ρύθμισης

► Εάν η πόρτα του θαλάμου ψυγείου δεν είναι οριζοντιωμένη, μπορείτε να περιστρέψετε τον ρυθμιζόμενο διακόπτη στο επάνω μέρος της πόρτας για να κάνετε λεπτές ρυθμίσεις.



ΕΙΔΟΠΟΙΗΣΗ

Στη μελλοντική χρήση ψυγείου, μπορεί να εμφανιστεί ανομοιόμορφο φαινόμενο στις πόρτες στο βάρος των αποθηκευμένων τροφίμων. Στη συνέχεια, προσαρμόστε σύμφωνα με τις παραπάνω μεθόδους.



Χρόνος αναμονής

Το λάδι λίπανσης χωρίς συντήρηση βρίσκεται στην κάψουλα του συμπιεστή. Αυτό το λάδι μπορεί να περάσει από το κλειστό σύστημα σωλήνων κατά τη διάρκεια της κεκλιμένης μεταφοράς. Πριν συνδέσετε τη συσκευή στην παροχή ρεύματος θα πρέπει να περιμένετε τουλάχιστον 2 ώρες, ώστε το λάδι να επιστρέψει στην κάψουλα.

Ηλεκτρική σύνδεση

Πριν από κάθε σύνδεση ελέγξτε αν:

- ▶ η τροφοδοσία ρεύματος, η πρίζα και η ασφάλεια είναι κατάλληλα σύμφωνα με την πινακίδα ονομαστικών στοιχείων.
- ▶ Η πρίζα είναι γειωμένη και δεν υπάρχει πολλαπλή πρίζα ή επέκταση.
- ▶ το βύσμα τροφοδοσίας και η πρίζα είναι σύμφωνα με.


Συνδέστε το βύσμα σε μια σωστά εγκατεστημένη οικιακή πρίζα.



ΠΡΟΕΙΔΟΠΟΙΗΣΗ!

Για να αποφύγετε τους κινδύνους, ένα κατεστραμμένο καλώδιο τροφοδοσίας πρέπει να αντικατασταθεί από την εξυπηρέτηση πελατών (βλ. κάρτα εγγύησης).

Δελτίο προϊόντος σύμφωνα με τον κανονισμό ΕΕ υπ' αριθ. 2019/2016

Μάρκα	Haier
Όνομα / αναγνωριστικό μοντέλου	HFKR5718DNGB
Κατηγορία του μοντέλου	Ψυγειοκαταψύκτης
Κατηγορία ενεργειακής απόδοσης	D
Ετήσια κατανάλωση ενέργειας (kWh/έτος)(1)	226
Συνολικός όγκος (L)	402
Όγκος ψυγείου (L)	227
Όγκος καταψύκτη (L)	147
Όγκος ψύξης (L)	28
Αξιολόγηση με αστέρια	
Σύστημα χωρίς πάγο	Ναι
Χωρητικότητα καταψύκτη (κιλά/24 ώρες)	10.0
Βαθμολογία κλίματος (2)	SN-N-ST-T
Κατηγορία εκπομπών θορύβου και εκπομπών αερομεταφερόμενου ακουστικού θορύβου (db(A) re 1pW)	B (35)
Χρόνος αύξησης θερμοκρασίας (ώρες)	8
Τύπος συσκευής	ελεύθερης τοποθέτησης

Επεξηγήσεις:

• Ναι, εμφανίζεται

- (1) Με βάση τα αποτελέσματα της δοκιμής συμμόρφωσης προτύπων για 24 ώρες. Η πραγματική κατανάλωση εξαρτάται από τη χρήση και τη θέση της συσκευής.
- (2) Κλιματική κατάταξη SN: Αυτή η συσκευή προορίζεται για χρήση σε θερμοκρασία περιβάλλοντος μεταξύ + 10 °C και +32 °C
 Κλιματική κατάταξη N: Αυτή η συσκευή προορίζεται για χρήση σε θερμοκρασία περιβάλλοντος μεταξύ + 16 °C και +32 °C
 Κλιματική κατάταξη ST: Αυτή η συσκευή προορίζεται για χρήση σε θερμοκρασία περιβάλλοντος μεταξύ + 16 °C και +38 °C
 Κλιματική κατάταξη T: Αυτή η συσκευή προορίζεται για χρήση σε θερμοκρασία περιβάλλοντος μεταξύ + 16 °C και +43 °C

Πρόσθετα τεχνικά δεδομένα

Τάση / Συχνότητα	220-240V ~/ 50Hz
Ρεύμα εισόδου (A)	1.8
Ασφάλεια κεντρική (A)	15
Ψυκτικό	R600a
Διαστάσεις (Υ/Π/Β σε mm)	1850/700/594

Συνιστούμε την Εξυπηρέτηση Πελατών της Haier και τη χρήση γνήσιων ανταλλακτικών.

Εάν έχετε κάποιο πρόβλημα με τη συσκευή σας, ελέγξτε πρώτα την ενότητα ΑΝΤΙΜΕΤΩΠΙΣΗ ΠΡΟΒΛΗΜΑΤΩΝ.

Εάν δεν μπορείτε να βρείτε μια λύση εκεί, επικοινωνήστε

με τον τοπικό σας αντιπρόσωπο ή

το Ευρωπαϊκό τηλεφωνικό κέντρο εξυπηρέτησης (βλ. παρακάτω αριθμούς τηλεφώνου) ή

πηγαίνετε στην ενότητα Εξυπηρέτηση και Υποστήριξη στη διεύθυνση www.haier.com όπου μπορείτε να υποβάλετε αίτημα εξυπηρέτησης και επίσης να βρείτε τις συχνές ερωτήσεις.

Για να επικοινωνήσετε με την Υπηρεσία μας, βεβαιωθείτε ότι έχετε τα ακόλουθα δεδομένα διαθέσιμα.

Οι πληροφορίες μπορούν να βρεθούν στην πινακίδα ονομαστικών στοιχείων.

Μοντέλο _____

Σειριακός αριθμός. _____

Επίσης, ελέγξτε την Κάρτα Εγγύησης που παρέχεται με το προϊόν σε περίπτωση εγγύησης.

Ευρωπαϊκό Τηλεφωνικό Κέντρο		
Χώρα*	Αριθμός τηλεφώνου	Έξοδα
Haier Italy (IT)	199 100 912	
Haier Spain (ES)	902 509 123	
Haier Germany (DE)	0180 5 39 39 99	<ul style="list-style-type: none"> • 14 λεπτά/λεπτό από σταθερό • μέγιστο 42 λεπτά/λεπτό από κινητό
Haier Austria (AT)	0820 001 205	<ul style="list-style-type: none"> • 14,53 λεπτά/λεπτό από σταθερό • μέγιστο 20 λεπτά/λεπτό όλα τα άλλα
Haier United Kingdom (UK)	0333 003 8122	
Haier France (FR)	0980 406 409	

* Για άλλες χώρες, ανατρέξτε στη διεύθυνση www.haier.com

Haier Europe Trading S.r.l

Branch UK

Westgate House, Westgate, Ealing

Λονδίνο, W5 1YY

*Διάρκεια εγγύησης της ψυκτικής συσκευής:

Η ελάχιστη εγγύηση είναι: 2 χρόνια για τις χώρες της ΕΕ, 3 χρόνια για την Τουρκία, 1 χρόνο για το Ηνωμένο Βασίλειο, 1 χρόνο για τη Ρωσία, 3 χρόνια για τη Σουηδία, 2 χρόνια για τη Σερβία, 5 χρόνια για τη Νορβηγία, 1 χρόνο για το Μαρόκο, 6 μήνες για την Αλγερία, για την Τυνησία δεν απαιτείται νομική εγγύηση.

*Περίοδος διάθεσης ανταλλακτικών για επισκευή της συσκευής:

Θερμοστάτες, αισθητήρες θερμοκρασίας, πλακέτες τυπωμένων κυκλωμάτων και πηγές φωτός διατίθενται για επτά τουλάχιστον χρόνια μετά τη διάθεση της τελευταίας μονάδας του μοντέλου στην αγορά.

Λαβές πόρτας, μεντεσέδες πόρτας, δίσκοι και καλάθια για περίοδο τουλάχιστον επτά ετών και λάστιχα πόρτας για ελάχιστη περίοδο 10 ετών, μετά τη διάθεση και της τελευταίας μονάδας του μοντέλου στην αγορά.

*Για περισσότερες πληροφορίες σχετικά με το προϊόν, συμβουλευτείτε τη διεύθυνση <https://eprel.ec.europa.eu/> ή σαρώστε τον κωδικό QR στην ενεργειακή ετικέτα που παρέχεται με τη συσκευή.

<u>149 Información de seguridad</u>	•	<u>Antes del primer uso</u>	150
		<u>Instalación</u>	150
		<u>Uso diario</u>	151
<u>154 Uso previsto</u>	•		
<u>155 Descripción del producto</u>	•		
<u>156 Panel de control</u>	•		
<u>157 Uso</u>	•	<u>Panel de bloqueo/desbloqueo</u>	157
		<u>MODULO ECO</u>	158
		<u>Ajuste de la temperatura del frigorífico</u>	159
		<u>Ajustar la temperatura del congelador</u>	159
		<u>Función Magic Zone</u>	159
		<u>Función Super Cool</u>	161
		<u>Función Super Frz.</u>	162
		<u>Función Holiday</u>	163
<u>164 Equipamiento</u>	•		
<u>167 Consejos de ahorro de energía</u>	•		
<u>168 Cuidado y limpieza</u>	•		
<u>170 Solución de problemas</u>	•		
<u>174 Instalación</u>	•		
<u>177 Datos técnicos</u>	•		
<u>179 Atención al cliente</u>	•		

Gracias por comprar un producto Haier.

Lea atentamente estas instrucciones antes de utilizar este electrodoméstico. Estas instrucciones contienen información importante que le ayudará a sacar el máximo provecho del electrodoméstico y a garantizar una instalación, uso y mantenimiento seguros y adecuados.

Guarde este manual en un lugar seguro para poder consultarlo en cualquier momento y garantizar un uso seguro y adecuado del electrodoméstico.

Si vende este electrodoméstico, lo dona o lo deja al mudarse, asegúrese de entregar también este manual para que el nuevo propietario pueda familiarizarse con el electrodoméstico y las advertencias de seguridad.

Accesorios

Verifique los accesorios y la documentación según la siguiente lista:



Etiqueta
energética



Tarjeta de garantía



Pegatina "OK" del
manual del usuario



Guía rápida



ADVERTENCIA: Información de seguridad importante



AVISO: Información general y consejos



Información medioambiental



Eliminación

Ayude a proteger el medio ambiente y la salud humana. Tire el embalaje en los contenedores correspondientes para reciclarlo. Ayude a reciclar los residuos de aparatos eléctricos y electrónicos. No deseche los aparatos marcados con este símbolo en la basura doméstica. Lleve el producto a su centro de reciclaje local o póngase en contacto con su ayuntamiento.



¡ADVERTENCIA!

¡Peligro de lesiones o asfixia!

Los refrigerantes y gases deben ser eliminados de forma profesional. Asegúrese de que la tubería del circuito refrigerante no está dañada antes de desecharla adecuadamente. Desconecte el electrodoméstico de la red eléctrica. Corte el cable de red y deséchelo. Quite las bandejas y los cajones, así como el asa de la puerta y las juntas, para evitar que los niños y las mascotas se queden encerrados en el electrodoméstico.

Antes de encender el electrodoméstico por primera vez, lea las siguientes indicaciones de seguridad:

¡ADVERTENCIA!

Antes del primer uso

- ▶ Asegúrese de que no haya daños causados por el transporte.
- ▶ Retire todo el embalaje y manténgalo fuera del alcance de los niños.
- ▶ Espere al menos dos horas antes de instalar el electrodoméstico para asegurarse de que el circuito refrigerante sea totalmente eficiente.
- ▶ Este electrodoméstico pesa mucho: manipúlelo con la ayuda de otra persona.

Instalación

- ▶ Este electrodoméstico debe colocarse en un lugar bien ventilado. Asegúrese de dejar un espacio libre de al menos 10 cm por encima y alrededor del electrodoméstico.
- ▶ No coloque nunca el electrodoméstico en un área húmeda o en un lugar donde pueda recibir salpicaduras de agua. Limpie y seque las salpicaduras y manchas con un paño suave y limpio.
- ▶ No instale el electrodoméstico bajo la luz directa del sol o cerca de fuentes de calor (p. ej.: fogones, estufas...).
- ▶ Instale y nivele el electrodoméstico en un lugar adecuado para su tamaño y uso.
- ▶ No obstruya las aberturas de ventilación del armazón del electrodoméstico o de la estructura integrada.
- ▶ Asegúrese de que la información eléctrica de la placa de características técnicas coincida con la fuente de alimentación. Si no es así, póngase en contacto con un electricista.
- ▶ Este electrodoméstico funciona mediante una fuente de alimentación de 220-240 V CA / 50 Hz. Una fluctuación anormal del voltaje puede provocar que el electrodoméstico no se ponga en marcha o que se dañe el control de temperatura o el compresor, o que se oiga un ruido anormal durante el funcionamiento. En tal caso, se deberá instalar un regulador automático.
- ▶ No utilice adaptadores de múltiples contactos ni cables de extensión.
- ▶ No ubique tomas de corriente múltiples portátiles ni fuentes de alimentación portátiles en la parte trasera del electrodoméstico.
- ▶ Asegúrese de que el cable de alimentación no quede aprisionado por el frigorífico. No oprima el cable de alimentación.



¡ADVERTENCIA!

- ▶ Utilice una toma de corriente independiente puesta a tierra como fuente de alimentación, que sea de fácil acceso. Este electrodoméstico debe conectarse a tierra.
- ▶ Solo para el Reino Unido: El cable de alimentación de este electrodoméstico está equipado con un enchufe de 3 cables (con puesta a tierra) que se ajusta a una toma de corriente estándar de 3 cables (puesta a tierra). No corte ni desmonte la tercera patilla (toma de tierra). Una vez instalado el electrodoméstico, el enchufe debe estar accesible.
- ▶ No dañe el circuito del refrigerante.

Uso diario

- ▶ Este electrodoméstico puede ser utilizado por niños a partir de los 8 años y por personas con capacidades físicas, sensoriales o mentales reducidas, o sin experiencia o conocimientos previos, siempre y cuando hayan recibido la supervisión y las instrucciones necesarias para utilizar el electrodoméstico de forma segura y comprendan los riesgos que conlleva.
- ▶ Los niños de 3 a 8 años pueden llenar y vaciar los electrodomésticos de refrigeración, pero no están autorizados a limpiarlos o instalarlos. Mantenga alejados del electrodoméstico a los niños menores de 3 años a menos que estén constantemente supervisados.
- ▶ Los niños no deben jugar con este electrodoméstico.
- ▶ Si hay una fuga de un gas inflamable en las proximidades del electrodoméstico, cierre la válvula de gas que presente la fuga, abra las puertas y ventanas y no desconecte ni conecte el cable de alimentación del frigorífico o de cualquier otro electrodoméstico.
- ▶ Tenga en cuenta que el electrodoméstico está configurado para funcionar en un intervalo de temperatura ambiente específico de entre 10 y 43 °C. El electrodoméstico no puede funcionar correctamente si se deja durante mucho tiempo a una temperatura superior o inferior al intervalo indicado.
- ▶ No coloque artículos inestables (objetos pesados, recipientes llenos de agua) en la parte superior del frigorífico, a fin de evitar lesiones personales causadas por caídas o descargas eléctricas causadas por el contacto con el agua.
- ▶ No tire de los estantes de la puerta. Se puede tirar de la puerta de forma inclinada, el botellero puede retirarse o el electrodoméstico puede volcar.
- ▶ Abra y cierre las puertas solamente usando las asas. El hueco entre las puertas y entre las puertas y el armario es muy estrecho. No ponga las manos en estas áreas para evitar pillarse los dedos. Abra o cierre las puertas del frigorífico solo cuando no haya niños dentro del área de movimiento de la puerta.



¡ADVERTENCIA!

- ▶ No almacene ni utilice elementos inflamables, explosivos o corrosivos en el electrodoméstico ni cerca de él.
- ▶ No guarde medicamentos, bacterias ni agentes químicos en el electrodoméstico. Este aparato es un electrodoméstico. No se recomienda almacenar materiales que requieran temperaturas extremas.
- ▶ Nunca almacene líquidos en botellas o latas (aparte de bebidas de alto grado alcohólico), especialmente las bebidas carbonatadas, en el congelador, ya que se romperían durante la congelación.
- ▶ Compruebe el estado de los alimentos si se ha producido un calentamiento en el congelador.
- ▶ No ajuste una temperatura demasiado baja sin necesidad en el compartimento frigorífico. Los ajustes más altos pueden generar temperaturas bajo cero. Atención: las botellas pueden reventar.
- ▶ No toque los productos congelados con las manos mojadas (use guantes). Sobre todo, no coma hielo inmediatamente después de haberlo sacado del congelador. Existe el riesgo de congelación o de formación de ampollas. **PRIMEROS AUXILIOS:** poner inmediatamente bajo el grifo de agua fría. ¡No tirar!
- ▶ No toque la superficie interior del compartimento de almacenamiento del congelador cuando esté en funcionamiento, especialmente con las manos mojadas, ya que las manos pueden congelarse por la superficie.
- ▶ Desenchufe el electrodoméstico en caso de interrupción del suministro eléctrico o antes de limpiarlo. Espere al menos 7 minutos antes de volver a poner en marcha el aparato, ya que un arranque frecuente puede dañar el compresor.
- ▶ No deben utilizarse dispositivos eléctricos dentro de los compartimentos para alimentos del electrodoméstico, salvo que sean del tipo recomendado por el fabricante. Mantenimiento / limpieza
- ▶ Asegúrese de que los niños están bajo supervisión si realizan tareas de limpieza y mantenimiento.
- ▶ Desconecte el electrodoméstico de la red eléctrica antes de realizar cualquier mantenimiento rutinario. Espere al menos 7 minutos antes de volver a poner en marcha el aparato, ya que un arranque frecuente puede dañar el compresor.



¡ADVERTENCIA!

- ▶ Cuando desenchufe el electrodoméstico, hágalo por la clavija, no por el cable.
- ▶ No limpie el electrodoméstico con cepillos duros, cepillos de alambre, detergente en polvo, gasolina, acetato de amilo, acetona y soluciones orgánicas similares, ni con soluciones ácidas o alcalinas. Limpie con un detergente especial para frigoríficos a fin de evitar daños.
- ▶ No raspe la escarcha y el hielo con objetos afilados. No utilice aerosoles, calentadores eléctricos como secadores de pelo, limpiadores a vapor u otras fuentes de calor para evitar dañar las piezas de plástico.
- ▶ No utilice dispositivos mecánicos ni otros equipos para acelerar el proceso de descongelación, salvo aquellos recomendados por el fabricante.
- ▶ Si el cable de alimentación está dañado, debe ser sustituido por el fabricante, por su servicio técnico o por cualquier profesional cualificado similar para evitar riesgos.
- ▶ No intente reparar, desmontar o modificar este electrodoméstico por su cuenta. En caso de reparación, póngase en contacto con nuestro servicio de atención al cliente.
- ▶ Saque el polvo de la parte posterior de la unidad al menos una vez al año para evitar el riesgo de incendio, así como un mayor consumo de energía.
- ▶ No rocíe ni enjuague el electrodoméstico durante la limpieza.
- ▶ No use agua pulverizada o vapor para limpiar el electrodoméstico.
- ▶ No limpie los estantes de cristal fríos con agua caliente. Un cambio repentino de temperatura puede causar que el cristal se rompa.

Información sobre el gas refrigerante



¡ADVERTENCIA!

Este electrodoméstico contiene el refrigerante inflamable ISOBUTANO (R600a). Asegúrese de no dañar el circuito refrigerante durante el transporte o la instalación. La fuga de refrigerante puede causar lesiones oculares o incendios. Si se produce algún daño, manténgase alejado de llamas abiertas, ventile bien la habitación y no conecte o desconecte los cables de alimentación de este ni de cualquier otro electrodoméstico. Informe al servicio de atención al cliente.

En caso de que los ojos entren en contacto con el refrigerante, enjuáguelos inmediatamente con agua corriente y llame inmediatamente a un oftalmólogo.

Uso previsto

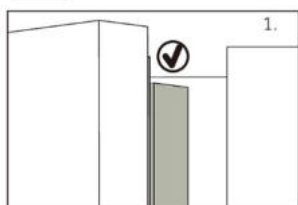
Este electrodoméstico está diseñado para enfriar y congelar alimentos. Ha sido diseñado exclusivamente para su uso en aplicaciones domésticas y similares, como áreas de cocina para personal de tiendas, oficinas y otros entornos de trabajo; granjas y el uso por clientes en hoteles, moteles y otros entornos de tipo residencial, así como en alojamientos y restauración. No está destinado a un uso comercial o industrial.

No se permite realizar cambios o modificaciones en el electrodoméstico. Un uso no previsto es peligroso y puede conducir a la pérdida de los derechos de la garantía.

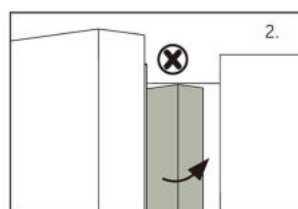
Normas y directivas **CE**

Este producto cumple los requisitos de todas las directivas CE aplicables con las correspondientes normas acordadas y normas del RU que establecen el mercado CE y UKCA.

¡PRECAUCIÓN!



Al cerrar la puerta, la tira vertical de la puerta de la izquierda debe doblarse hacia el interior (1).

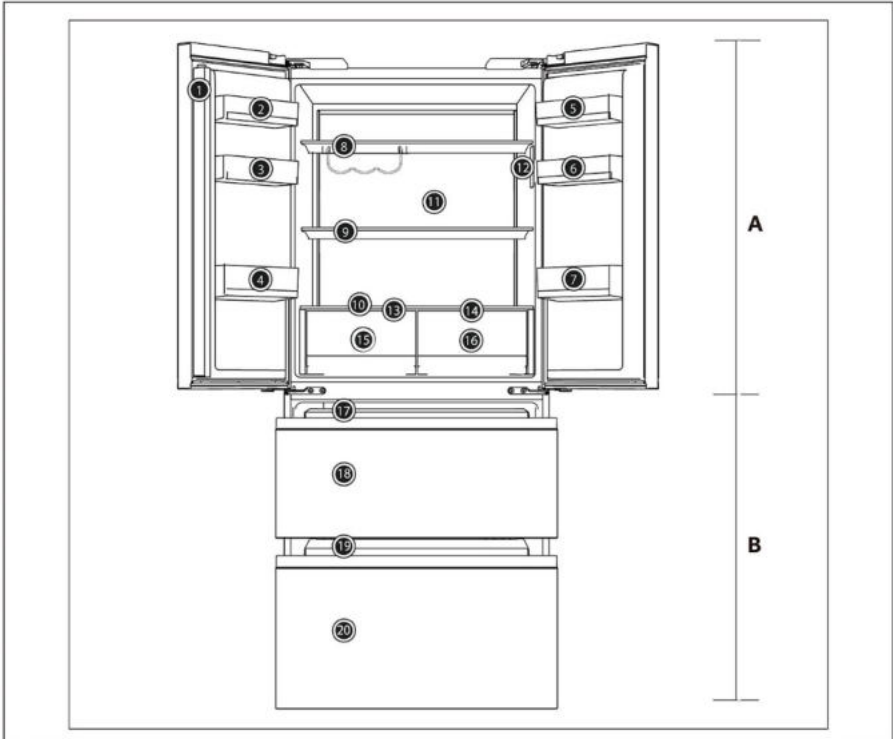


Si intenta cerrar la puerta izquierda y el listón de la puerta vertical no está doblado (2), en primer lugar, debe doblarlo, de lo contrario, el listón de la puerta chocará contra el eje de fijación o contra la puerta derecha. Por lo tanto, se dañará la puerta o se producirán fugas.

Dentro del marco hay un elemento calefactor. La temperatura de la superficie subirá un poco, lo que es normal y no afectará a la función del electrodoméstico.

i AVISO

Debido a cambios técnicos y a las diferencias entre modelos, algunas de las ilustraciones de este manual pueden diferir de su modelo.



A: Compartimento frigorífico

- 1 Marco de la puerta
- 2 Soporte para botellas (superior izquierdo)
- 3 Soporte para botellas (central izquierdo)
- 4 Soporte para botellas (inferior izquierdo)
- 5 Soporte para botellas (superior derecho)
- 6 Soporte para botellas (central derecho)
- 7 Soporte para botellas (inferior derecho)
- 8 Estante de cristal
- 9 Estante de cristal
- 10 Estante de tapa de cajón
- 11 Retroiluminación
- 12 Panel de visualización
- 13 Tapa del cajón Activefresh

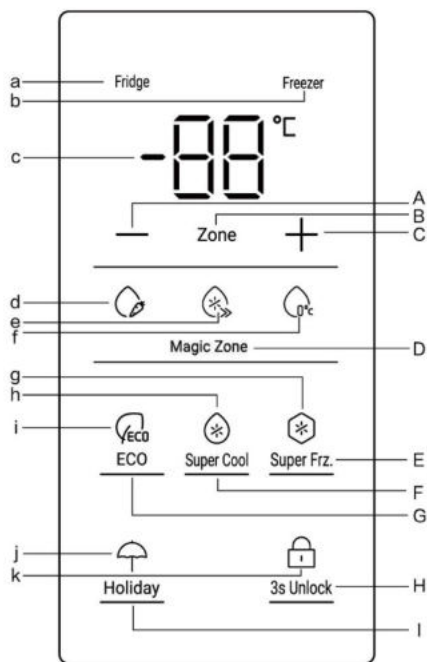
14 Tapa del cajón Magic

- 15 Cajón Activefresh
- 16 Cajón Magic

B: Compartimento congelador

- 17 Bandeja deslizable
- 18 Cajón superior del congelador
- 19 Bandeja deslizable
- 20 Cajón inferior del congelador

Panel de control



Botones:

- A Botón de reducción de temperatura
- B Conmutación del modo de temperatura del frigorífico y congelador
- C Botón de aumento de temperatura
- D Cambio de modo de Magic Zone
- E Selector de función Super Frz.
- F Selector de función Super-Cool
- G Selector de función ECO
- H Bloqueo/desbloqueo del panel de visualización
- I Selector de función Holiday

Indicadores:

- a Indicador de frigorífico
- b Indicador de congelador
- c Temperatura de los compartimentos frigorífico y congelador
- d Función Fruit&Veg
- e Función Cool Drink
- f Función 0°C Fresh
- g Función Super Frz.
- h Función Super-Cool
- i Función ECO
- j Función Holiday
- k Función de bloqueo/desbloqueo del panel de visualización

Antes del primer uso

- ▶ Retire todo el material de embalaje, manténgalo fuera del alcance de los niños y deséchelo de forma respetuosa con el medio ambiente.
- ▶ Limpie el interior y el exterior del electrodoméstico con agua y un detergente suave antes de introducir cualquier alimento en él.
- ▶ Después de nivelar y limpiar el electrodoméstico, espere de 2 a 5 horas como mínimo antes de conectarlo a la fuente de alimentación. Ver sección INSTALACIÓN.
- ▶ Enfíe previamente los compartimentos a altas temperaturas antes de llenarlos de alimentos. La función Super Frz. ayuda a enfriar rápidamente los compartimentos.
- ▶ La temperatura del frigorífico y la temperatura del congelador se ajustan automáticamente a 5 °C y -18 °C respectivamente. Estos son los ajustes recomendados. Si lo desea, puede cambiar estas temperaturas manualmente. Consulte el MODO DE AJUSTE MANUAL.

Teclas táctiles

Los botones del panel de control son teclas táctiles, que responden aun cuando las toca ligeramente con el dedo.

Encender/apagar el electrodoméstico

El electrodoméstico se pondrá en marcha en cuanto se conecte a la fuente de alimentación.

Cuando el frigorífico se enciende por primera vez, se ilumina el indicador "c" (Indicador de temperatura). La temperatura del frigorífico y la temperatura del congelador se ajustan automáticamente entre 5 °C y -18 °C respectivamente. El indicador "d" (Fruit&Veg.) se ilumina.

El panel de visualización se apagará inmediatamente después de cerrar la puerta.

AVISO

1. El electrodoméstico está preestablecido a la temperatura recomendada de 5 °C (frigorífico) y -18 °C (congelador). En condiciones ambientales normales, no es necesario ajustar la temperatura.
2. La función de preajuste para el cajón Magic Zone es Fruit&Veg.
3. Cuando se enciende el electrodoméstico después de desconectarlo de la fuente de alimentación principal, alcanzar las temperaturas correctas puede tomar hasta 12 horas.

Vacíe el electrodoméstico antes de apagarlo. Para apagar el electrodoméstico, retire el cable de alimentación de la toma de corriente.

Panel de bloqueo/desbloqueo

Bloqueo automático: cuando la puerta del frigorífico y la del congelador están cerradas, la pantalla de visualización se apaga y se bloquea automáticamente.

Desbloqueo manual: cuando la pantalla de visualización está bloqueada, pulse el botón "H" (3s Unlock) y manténgalo pulsado durante 3 segundos; el zumbador suena una vez, el indicador "K" (bloqueo del panel) se apaga y la pantalla se desbloquea.



Bloqueo manual: cuando la pantalla está desbloqueada, pulse el botón "L" (3s Unlock) y manténgalo pulsado durante 3 segundos; el zumbador suena una vez, el indicador "d" (bloqueo del panel) se ilumina y la pantalla queda bloqueada.



AVISO

El panel de visualización se bloquea cada vez que se abre la puerta. Para cualquier ajuste, el panel de control debe estar desbloqueado.

Alarma de apertura de la puerta

Cuando una de las puertas del frigorífico esté abierta durante más de 3 minutos, sonará la alarma de apertura de la puerta. La alarma puede ser silenciada cerrando la puerta. Si la puerta permanece abierta durante más de 7 minutos, la luz del interior del frigorífico y la iluminación del panel de control se apagarán automáticamente.

Selección del modo de funcionamiento

Es posible que necesite seleccionar una de las siguientes dos formas de configurar el electrodoméstico.

AVISO: Influencias en las temperaturas

Las temperaturas interiores están influenciadas por los siguientes factores:

1. Temperatura ambiente.
2. Frecuencia de apertura de la puerta.
3. Cantidad de alimentos almacenados.
4. Instalación del electrodoméstico.

MODO ECO

Si no tiene ningún requisito especial, le recomendamos que utilice el modo ECO. En este modo, el electrodoméstico puede establecer automáticamente el ajuste de temperatura en función de la temperatura ambiente y el cambio de temperatura en el electrodoméstico.

1. Cuando la pantalla de visualización esté desbloqueada, pulse el botón "G" (selector de función ECO), el zumbador sonará una vez, el indicador "i" (función ECO) se iluminará y, a continuación, se activará la función ECO.
2. Cuando el indicador V (función ECO) se ilumine, pulse el botón "G" (selector de función ECO), el zumbador sonará una vez, el indicador "i" (función ECO) se apagará y, a continuación, se desactivará la función ECO.



AVISO

En la función ECO no se puede ajustar la temperatura del frigorífico o del congelador. Si se pulsa cualquiera de los botones "+" o "-" para ajustar la temperatura del frigorífico o del congelador, el indicador "i" (función ECO) parpadeará con un sonido de aviso para indicar que esta operación no puede llevarse a cabo. En la función ECO, debido a los diferentes métodos de control, si se ajusta la función Super Cool, Super Frz. o Holiday, se apagará el indicador "i" (función ECO). En la función ECO, la función Magic Zone puede ajustarse manualmente según las necesidades.

Ajuste de la temperatura del frigorífico

Cuando la pantalla de visualización esté desbloqueada, pulse el botón "B" (selector de zona), seleccione el "frigorífico"; el indicador "a" (indicador Fridge) se ilumina y se accede al modo de configuración de temperatura del frigorífico.

Cada vez que pulse los botones "+" o "-", el valor de la posición de ajuste de refrigeración aumentará en 1 o disminuirá en 1. La temperatura del frigorífico se mostrará en la secuencia de "9 °C -> 8 °C -> 7 °C -> 6 °C -> 5 °C -> 4 °C -> 3 °C -> 2 °C -> 1 °C".

AVISO

Después de ajustar la temperatura, si no se realiza otra ninguna acción en 5 segundos, el sistema guardará automáticamente la temperatura seleccionada.

Ajustar la temperatura del congelador

Cuando la pantalla de visualización esté desbloqueada, pulse el botón "B" (Selector de zona), seleccione "congelador"; el indicador "b" (Indicador Freezer) se ilumina, y entonces llega el modo de ajuste de temperatura del congelador.

Cada vez que pulse los botones "+" o "-", el valor de la posición de ajuste de refrigeración aumentará en 1 o disminuirá en 1. La temperatura del frigorífico se mostrará en la secuencia " -14 °C <-> -15 °C <-> -16 °C -> -17 °C <-> -18 °C <-> -19 °C <-> -20 °C <-> -21 °C <-> -22 °C <-> -23 °C <-> -24 °C".

AVISO

Después de ajustar la temperatura, si no se realiza otra ninguna acción en 5 segundos, el sistema guardará automáticamente la temperatura seleccionada.

Función Magic Zone

1. Función Fruit&Veg:

Cuando la pantalla esté desbloqueada, pulse el botón "D" (selector de Magic Zone) para activar la función, se ilumina el icono Fruit&Veg.

Esta función es adecuada para almacenar frutas y verduras frescas.



i AVISO

Las frutas sensibles al frío como la piña, el aguacate, los plátanos o los pomelos, y las verduras como las patatas, las berenjenas, las judías, los pepinos, los calabacines, los tomates así como el queso, no deben guardarse en el cajón Magic Zone.

2. Función Cool Drink:

Cuando la pantalla esté desbloqueada, pulse el botón "D" (selector de Magic Zone) para activar la función. Se ilumina el indicador Cool Drink.

Esta función permite almacenar productos como agua, refrescos y zumos. La temperatura en el compartimento Magic Zone se ajusta a +2°C.



3. Función 0°Fresh:

Cuando la pantalla esté desbloqueada, pulse el botón «D» (selector de Magic Zone) para activar la función. Se ilumina el indicador 0°C Fresh.

Esta función ajusta la temperatura del cajón Magic Zone a 0°C. Adecuado para almacenar alimentos frescos como carne o pescado. La mayoría de los alimentos se mantienen frescos a 0°C.



i AVISO

Debido a los diferentes contenidos de agua de la carne. Algunas carnes con más humedad se congelarán a temperaturas inferiores a 0°C. Así pues, la carne "cortada inmediatamente" debe almacenarse en el cajón Magic Zone, con una temperaturas mínima de 0°C.

AVISO: Cajón Magic Zone

1. Las tres funciones de Magic Zone no pueden estar activas al mismo tiempo, solo una estará iluminada.
2. Para reducir la temperatura del compartimento frigorífico utilice la función Cool Drink. Para aumentarla, utilice la función Fruit&Veg.

Función Super Cool

1. Cuando la pantalla esté desbloqueada, pulse el botón "F" (selector de la función Super Cool); el zumbador suena una vez, se ilumina el indicador "h" (función Super Cool) y, a continuación, se activa la función Super Cool.
2. Cuando se encienda el indicador "h" (función Super Cool), pulse el botón "F" (selector de Super Cool); el zumbador suena una vez, se apaga el indicador "h" (función Super Cool) y, a continuación, se desactiva la función Super Cool.
3. Después de activar la función Super Cool, el frigorífico apagará automáticamente la función cuando haya estado en marcha unas 4 horas. Si desea salir manualmente, puede pulsar el botón "G" (selector de Super Cool) para apagarla.



AVISO

1. En estado Super Cool, la temperatura del frigorífico no se puede ajustar. Si se pulsa cualquiera de los botones "+" o "-" para ajustar la temperatura del frigorífico, el indicador "h" (función Super Cool) parpadeará con un sonido de aviso para indicar que esta operación no puede llevarse a cabo.
2. En estado de la función Super Cool, la función ECO y la función Holiday no pueden activarse al mismo tiempo debido a diferentes modos de control. Cuando elija una función que esté en conflicto con otra función, la función original se desactivará automáticamente.

Función Super Frz.

1. Cuando la pantalla esté desbloqueada, pulse el botón "E" (selector de Super Freeze); el zumbador suena una vez, se ilumina el indicador "g" (función Super Freeze) y, a continuación, se activa la función Super Freeze.
2. Cuando se encienda el indicador "g" (función Super Freeze), pulse el botón "E" (selector de Super Freeze); el zumbador suena una vez, se apaga el indicador "g" (función Super Freeze) y, a continuación, se desactiva la función Super Freeze.
3. Después de activar la función Super Freeze, el frigorífico apagará automáticamente la función cuando haya estado en marcha unas 50 horas. Si desea salir manualmente, puede pulsar el botón "E" (selector de Super Freeze) para apagarla.



Super Frz.

Super Frz.

Super Frz.

AVISO

1. En estado Super Freeze, la temperatura del congelador no se puede ajustar. Si se pulsa cualquiera de los botones "+" o "-" para ajustar la temperatura del congelador, el indicador "g" (función Super Freeze) parpadeará con un sonido de aviso para indicar que esta operación no puede llevarse a cabo.
2. En estado de la función Super Freeze, la función ECO no puede activarse al mismo tiempo debido a diferentes modos de control. Cuando elija una función que esté en conflicto con otra función, la función original se desactivará automáticamente.
3. La función Super Freeze está diseñada para mantener el valor nutricional de los alimentos congelados y congelar los alimentos en el menor tiempo posible. Si se van a congelar grandes cantidades de alimentos a la vez. Mientras tanto, la función Super Freeze debe configurarse con 24 horas de antelación para que el congelador tenga una temperatura baja e introducir los alimentos. En ese momento, la velocidad de congelación del congelador es mejor, los alimentos se congelan rápidamente, los alimentos mantienen sus propiedades nutritivas y su conservación es más buena.

Función Holiday

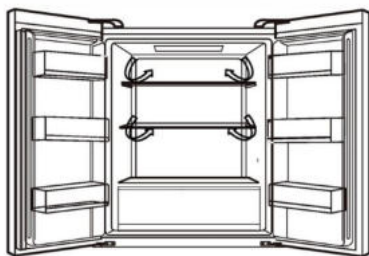
La función Holiday está diseñada para no utilizar el frigorífico durante mucho tiempo. Cuando la función Holiday está encendida, el congelador está en condiciones normales de control, y la temperatura del frigorífico se ajusta automáticamente a 17 °C. La temperatura real no es superior a 17 °C, lo que previene la aparición de olores peculiares causadas por el sobrettemperatura, y ayuda a reducir el consumo de energía al mismo tiempo.

1. Cuando la pantalla de visualización esté desbloqueada, pulse el botón "I" (selector de la función Holiday), el zumbador sonará una vez, el indicador "j" (función Holiday) se iluminará y, a continuación, se activará la función Holiday.
2. Cuando se encienda el indicador "j" (función Holiday), pulse el botón T (selector de la función Holiday); el zumbador sonará una vez, el indicador "j" (función Holiday) se apagará y, a continuación, se desactivará la función Holiday.



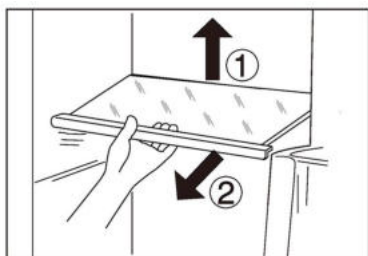
i AVISO

1. En la función Holiday, la temperatura del frigorífico no se puede ajustar. Si se pulsa cualquiera de los botones "+" o "-" para ajustar la temperatura del frigorífico, el indicador (función Holiday) parpadeará con un sonido de aviso para indicar que esta operación no puede llevarse a cabo.
2. Antes de usar la función Holiday, vacíe la nevera para evitar que la comida se eche a perder. Cuando la función Holiday está activada, las funciones ECO o Super Cool no se pueden activar al mismo tiempo.
3. En la función Holiday, la configuración de los iconos "Fruit&Veg, Cool Drink, 0°Fresh" en Magic Zone se desactivará y no se podrá ajustar la función Magic Zone. El compartimento frigorífico Magic zone se mostrará en el ajuste anterior una vez que salga de la función Holiday.



Flujo de aire múltiple

1. El frigorífico está equipado con un sistema de flujo de aire múltiple, con el que se aseguran corrientes de aire frío en cada nivel de estante. Esto ayuda a mantener una temperatura uniforme para asegurar que sus alimentos se mantienen frescos por más tiempo.



Estantes ajustables

1. La altura de los estantes se puede ajustar para adaptarse a sus necesidades de almacenamiento.
2. Para reubicar un estante, retírelo primero levantando su borde posterior ① y extráigalo ②.
3. Para volver a instalarlo, colóquelo en los rieles de ambos lados y empuje hasta que la parte trasera del estante se fije dentro de las ranuras laterales.

Cajón Magic Zone

En este compartimento, el nivel de humedad es menor al del compartimento frigorífico. Este cajón es adecuado para almacenar fruta seca y otros alimentos secos con bajo contenido de agua, como mantequilla, grasas y aceite o chocolate.

MAGICZONE |

Cajón ACTIVEFRESH ZONE

En este compartimento el nivel de humedad es superior al del compartimento frigorífico. Está controlado automáticamente por el sistema y es adecuado para guardar fruta, verdura, ensaladas, etc.

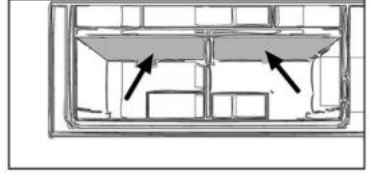
ACTIVEFRESHZONE |

AVISO:

Las frutas sensibles al frío como la piña, el aguacate, los plátanos o los pomelos, y las verduras como las patatas, las berenjenas, las judías, los pepinos, los calabacines o los tomates, así como el queso, no deben guardarse en el cajón Fresh Box.

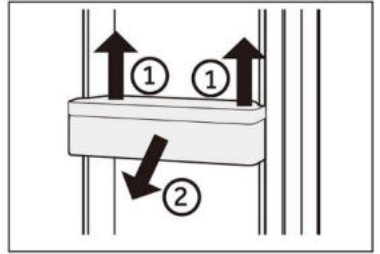
i AVISO

1. No retire la cubierta de plástico del interior de las dos zonas.
2. Mantiene la humedad.
3. No se recomienda guardar frutas sensibles al frío como piña, aguacate, plátanos
4. y pomelos en estos dos cajones.



Estantes de puerta/soportes para botellas desmontables

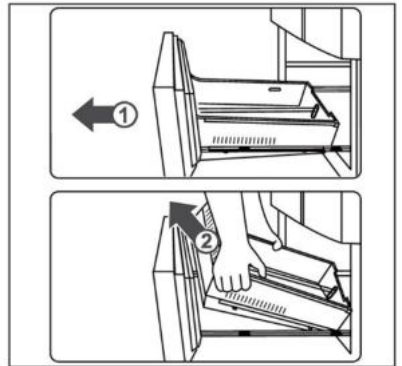
1. Los estantes de la puerta se pueden desmontar para limpiarlos.
2. Coloque las manos en cada lado del estante, levántelo hacia arriba ① y extráigalo ②.
3. Para insertar el estante de la puerta, realice los pasos anteriores en orden inverso.



Cajón superior del congelador extraíble

1. Extraiga al máximo el cajón superior del congelador.
2. Levante el cajón hasta que se separe del bloque de apoyo, empújelo dentro del congelador e inclínelo para sacarlo.

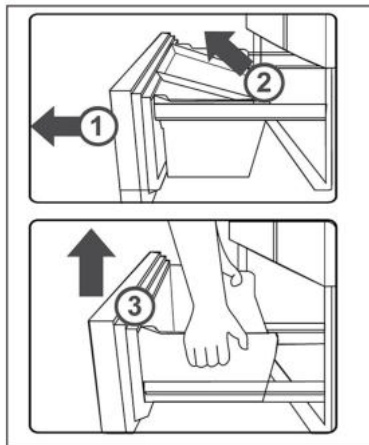
Para insertar el cajón, realice los pasos anteriores en orden inverso.



Cajón inferior del congelador extraíble

1. Extraiga al máximo el cajón inferior del congelador.
2. Tire de la bandeja de congelación hasta el tope, levántela y retírela.
3. Levante el cajón hasta que se separe del bloque de apoyo, empújelo dentro del congelador e inclínelo para sacarlo.

Para insertar el cajón, realice los pasos anteriores en orden inverso.



Luz

La luz interior LED se enciende al abrir la puerta. El rendimiento de las luces no se ve afectado por ninguna de las otras configuraciones del electrodoméstico.



Consejos de ahorro de energía

- ▶ Asegúrese de que el electrodoméstico esté bien ventilado (vea INSTALACIÓN).
- ▶ No instale el electrodoméstico bajo la luz directa del sol o cerca de fuentes de calor (p. ej.: fogones, estufas, etc.).
- ▶ Evite una temperatura innecesariamente baja en el electrodoméstico. El consumo de energía aumenta la temperatura del electrodoméstico.
- ▶ Las funciones como POWER-FREEZE consumen más energía.
- ▶ Deje enfriar los alimentos calientes antes de introducirlos en el electrodoméstico.
- ▶ Abra la puerta del electrodoméstico lo menos y lo más brevemente posible.
- ▶ No llene en exceso el electrodoméstico para evitar obstruir la circulación de aire.
- ▶ Evite la presencia de aire dentro del embalaje de los alimentos.
- ▶ Mantenga las juntas de la puerta limpias para que la puerta se cierre siempre correctamente.
- ▶ Descongele los alimentos congelados en el compartimento frigorífico.
- ▶ La configuración de más ahorro energético requiere que el electrodoméstico mantenga los cajones, las cajas de alimentos y los estantes en condiciones de fábrica, y los alimentos deben colocarse lo más lejos posible sin bloquear la salida de aire del conducto.



¡ADVERTENCIA!

Desconecte el electrodoméstico de la fuente de alimentación antes de limpiarlo.

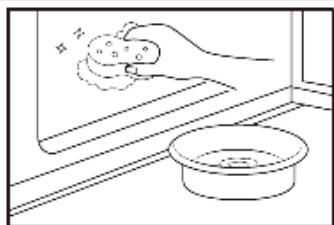
Limpieza

Limpie el electrodoméstico solo cuando haya pocos o ningún alimento guardado. Este electrodoméstico debe limpiarse cada cuatro semanas para realizar un buen mantenimiento y evitar malos olores.



¡ADVERTENCIA!

- ▶ No limpie el electrodoméstico con cepillos duros, cepillos de alambre, detergente en polvo, gasolina, acetato de amilo, acetona y soluciones orgánicas similares, ni con soluciones ácidas o alcalinas. Limpie con un detergente especial para frigoríficos a fin de evitar daños.
- ▶ No rocíe ni enjuague el electrodoméstico durante la limpieza.
- ▶ No use agua pulverizada o vapor para limpiar el electrodoméstico.
- ▶ No limpie los estantes de cristal fríos con agua caliente. Un cambio repentino de temperatura puede causar que el cristal se rompa.
- ▶ No toque la superficie interior del compartimento del electrodoméstico, especialmente con las manos mojadas, ya que las manos pueden congelarse en la superficie.
- ▶ En caso de calentamiento, compruebe el estado de los productos congelados.



- ▶ Mantenga siempre limpia la junta de la puerta.
- ▶ Limpie el interior y el armazón del electrodoméstico con una esponja humedecida en agua tibia y detergente neutro.
- ▶ 1. Frote el interior y el exterior del frigorífico, incluyendo la junta de la puerta, los estantes de la puerta, los estantes de cristal, los cajones, etc., con una toalla suave o una esponja sumergida en agua caliente (se puede añadir detergente neutro).
- ▶ 2. Si hay líquido derramado, retire todas las piezas contaminadas, enjuague directamente con agua corriente, seque y coloque las piezas de nuevo en el frigorífico.
- ▶ 3. Si hay productos cremosos derramados (como nata, helado derretido...), retire todas las piezas contaminadas, póngalas en agua caliente a unos 40 °C durante un rato, enjuague con agua corriente, séquelas y colóquelas de nuevo en el frigorífico.
- ▶ 4. En caso de que alguna parte o componente pequeño quede atascada dentro del frigorífico (entre las estanterías o los cajones), utilice un cepillo suave pequeño para sacarlo. Si no la alcanza, póngase en contacto con el servicio de Haier.
- ▶ Aclare y seque con un paño suave.
- ▶ No limpie ninguna de las piezas o partes de este electrodoméstico en un lavavajillas.
- ▶ Deje pasar al menos 5 minutos antes de reiniciar el electrodoméstico, ya que el arranque frecuente puede dañar el compresor.

Descongelación

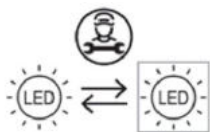
La descongelación de los compartimentos frigorífico y congelador se realiza automáticamente: no se requiere ninguna operación manual.

Sustitución de las lámparas LED

¡ADVERTENCIA!

No sustituya usted mismo la lámpara LED, solo debe cambiarla el fabricante o un técnico autorizado.

Las lámparas utilizan LED como fuente de luz, con bajo consumo energético y larga vida útil. Si detecta alguna anomalía, póngase en contacto con el servicio de atención al cliente. Vea ATENCIÓN AL CLIENTE.



Fuente de luz reemplazable (solo LED) por un profesional.

Este producto contiene una fuente luminosa de clase de eficiencia energética G.

Compartimento	Tensión	Clase de eficiencia energética	Modelo
Frigorífico	12 V	G	HFKR5718DNGB

Si no se utiliza durante un período más largo

Si el aparato no se utiliza durante un periodo de tiempo prolongado, y no va a utilizar la función Holiday para el frigorífico:

- ▶ Saque la comida.
- ▶ Desenchufe el cable de la toma de corriente.
- ▶ Limpie el electrodoméstico como se ha descrito anteriormente.
- ▶ Mantenga las puertas abiertas para evitar que se generen malos olores en el interior.

AVISO

Apague el electrodoméstico solo si es estrictamente necesario.

Desplazar el electrodoméstico

1. Retire toda la comida y desenchufe el electrodoméstico.
2. Fije los estantes y otras partes móviles en el frigorífico y el congelador con cinta adhesiva.
3. No incline el frigorífico más de 45° para evitar dañar el sistema de refrigeración.

¡ADVERTENCIA!

- ▶ No levante el electrodoméstico por las asas.
- ▶ No coloque el electrodoméstico horizontalmente en el suelo.

Usted mismo puede resolver muchos de los problemas que puedan presentarse sin tener conocimientos específicos. En caso de que se produzca algún problema, compruebe todas las posibilidades ilustradas y siga las instrucciones pertinentes antes de ponerse en contacto con un servicio posventa. Vea ATENCIÓN AL CLIENTE.



¡ADVERTENCIA!

- ▶ Antes de realizar tareas de mantenimiento, desactive el electrodoméstico y desconecte el enchufe de la toma de corriente.
- ▶ Los equipos eléctricos solo deben ser revisados y manejados por electricistas expertos cualificados, ya que las reparaciones incorrectas pueden causar daños considerables en consecuencia.
- ▶ Si el sistema de alimentación está dañado, debe ser sustituido por el fabricante, por su servicio técnico o por cualquier profesional cualificado similar para evitar riesgos.

Problema	Causa posible	Solución posible
El compresor no funciona.	<ul style="list-style-type: none"> • El enchufe no está conectado a la toma de corriente. • El electrodoméstico está en el ciclo de descongelación. 	<ul style="list-style-type: none"> • Conecte el enchufe. • Esto es normal para una descongelación automática.
El electrodoméstico funciona con frecuencia o funciona durante un período de tiempo demasiado largo.	<ul style="list-style-type: none"> • La temperatura interior o exterior es demasiado alta. • El electrodoméstico ha estado apagado durante cierto de tiempo. • Una puerta del electrodoméstico no está bien cerrada. • La puerta se ha abierto con demasiada frecuencia o durante mucho tiempo. • El ajuste de temperatura del compartimento congelador es demasiado bajo. • La junta de la puerta está sucia, desgastada, agrietada o desparejada. • La circulación de aire requerida no está garantizada. 	<ul style="list-style-type: none"> • En este caso, es normal que el electrodoméstico funcione más tiempo. • Normalmente, lleva de 8 a 12 horas que el electrodoméstico se enfríe completamente. • Cierre la puerta/cajón y asegúrese de que el electrodoméstico esté ubicado sobre una superficie plana y que no haya alimentos o recipientes que impidan que la puerta se cierre bien. • No abra la puerta/cajón con demasiada frecuencia. • Ajuste una temperatura más alta hasta obtener una temperatura satisfactoria para el frigorífico. Se necesitan 24 horas para que la temperatura del frigorífico se mantenga estable. • Limpie la junta de la puerta/cajón o pídale al servicio de atención al cliente que la cambie. • Garantice una ventilación adecuada.

Problema	Causa posible	Solución posible
El interior del frigorífico está sucio y/o huele mal.	<ul style="list-style-type: none"> • El interior del frigorífico necesita limpieza. • Hay alimentos de olor fuerte guardados en el frigorífico. 	<ul style="list-style-type: none"> • Limpie el interior del frigorífico. • Envuelva bien los alimentos.
La temperatura del interior del electrodoméstico no es lo suficientemente fría.	<ul style="list-style-type: none"> • La temperatura establecida es demasiado alta. • Se han almacenado alimentos demasiado calientes. • Se ha almacenado demasiada comida a la vez. • Los alimentos están demasiado cerca entre sí. • Una puerta/cajón del electrodoméstico no está bien cerrada. • La puerta/cajón se ha abierto con demasiada frecuencia o durante mucho tiempo. 	<ul style="list-style-type: none"> • Restablezca la temperatura. • Enfríe siempre los alimentos antes de guardarlos. • Guarde siempre pequeñas cantidades de alimentos. • Deje un espacio entre varios alimentos para permitir que el aire fluya. • Cierre la puerta/cajón. • No abra la puerta/cajón con demasiada frecuencia.
La temperatura del interior del electrodoméstico es demasiado fría.	<ul style="list-style-type: none"> • La temperatura establecida es demasiado baja. • La función Super Frz/Super Cool está activada o ha estado funcionando demasiado tiempo. 	<ul style="list-style-type: none"> • Restablezca la temperatura. • Apague la función Super Frz/Super Cool.
Formación de humedad en el interior del compartimento frigorífico.	<ul style="list-style-type: none"> • El clima es demasiado cálido y húmedo. • Una puerta/cajón del electrodoméstico no está bien cerrada. • La puerta/cajón se ha abierto con demasiada frecuencia o durante mucho tiempo. • Hay recipientes de alimentos o líquidos abiertos. 	<ul style="list-style-type: none"> • Aumente la temperatura. • Cierre la puerta/cajón. • No abra la puerta/cajón con demasiada frecuencia. • Deje que los alimentos calientes se enfríen a temperatura ambiente y cubra los alimentos y líquidos.
Se acumula humedad fuera de la superficie externa de los frigoríficos o entre las puertas/puerta y cajón.	<ul style="list-style-type: none"> • El ambiente es demasiado cálido y demasiado húmedo. • La puerta no está bien cerrada. Hay aire frío dentro del electrodoméstico y aire caliente en el exterior, y se produce condensación. 	<ul style="list-style-type: none"> • Esto es normal en un ambiente húmedo y cambiará cuando la humedad disminuya. • Asegúrese de que la puerta/cajón esté bien cerrada.

Problema	Causa posible	Solución posible
Hay mucho hielo y escarcha en el compartimento congelador.	<ul style="list-style-type: none"> • Los alimentos no están correctamente embalados. • Una puerta/cajón del electrodoméstico no está bien cerrada. • La puerta/cajón se ha abierto con demasiada frecuencia o durante mucho tiempo. • La junta de la puerta/cajón está sucia, desgastada, agrietada o desparejada. • Algo en el interior impide que la puerta/cajón se cierre correctamente. 	<ul style="list-style-type: none"> • Embale bien los alimentos. • Cierre la puerta/cajón. • No abra la puerta/cajón con demasiada frecuencia. • Limpie la junta de la puerta/cajón o cámbiela por una nueva. • Vuelva a colocar los estantes, estantes de la puerta o contenedores internos para permitir que la puerta/cajón se cierre.
Los lados del frigorífico y la tira de la puerta se calientan.	<ul style="list-style-type: none"> • - 	<ul style="list-style-type: none"> • Esto es normal.
El electrodoméstico hace sonidos anormales.	<ul style="list-style-type: none"> • El electrodoméstico no está ubicado sobre una superficie plana. • El electrodoméstico toca algún objeto a su alrededor. 	<ul style="list-style-type: none"> • Ajuste las patas para nivelar el electrodoméstico. • Retire los objetos que haya alrededor del electrodoméstico.
Se oye un ligero sonido similar al del flujo de agua.	<ul style="list-style-type: none"> • - 	<ul style="list-style-type: none"> • Esto es normal.
Oirá un pitido de alarma.	<ul style="list-style-type: none"> • La puerta del compartimento frigorífico está abierta. 	<ul style="list-style-type: none"> • Cierre la puerta.
Oirá un débil zumbido.	<ul style="list-style-type: none"> • El sistema anticondensación está en marcha 	<ul style="list-style-type: none"> • Esto evita la condensación y es normal.
El sistema de iluminación o refrigeración interior no funciona.	<ul style="list-style-type: none"> • El enchufe no está conectado a la toma de corriente. • La fuente de alimentación presenta alguna alteración. • La lámpara LED no funciona. 	<ul style="list-style-type: none"> • Conecte el enchufe. • Compruebe el suministro eléctrico de la habitación. Llame a la compañía eléctrica local. • Llame al servicio técnico para cambiar la lámpara.

Para ponerse en contacto con el servicio de asistencia técnica, visite nuestro sitio web: <https://corporate.haier-europe.com/en/>

En el apartado "website", elija la marca de su producto y su país. Se le redirigirá a la página web específica donde podrá encontrar el número de teléfono y el formulario para ponerse en contacto con el servicio de asistencia técnica.

Interrupción del suministro

En caso de un corte de luz, los alimentos deberían permanecer frescos y a salvo durante 5 horas. Siga estos consejos durante una interrupción prolongada del suministro, especialmente en verano:

- ▶ Abra la puerta/cajón lo menos posible.
- ▶ No introduzca más alimentos en el electrodoméstico durante un corte de luz.
- ▶ Si se da el aviso previo de un corte de luz y la duración de la interrupción es superior a 5 horas, fabrique algo de hielo y póngalo en un recipiente en la parte superior del compartimento frigorífico.
- ▶ Inmediatamente después de la interrupción, es necesario llevar a cabo una inspección de los alimentos.
- ▶ Como la temperatura del frigorífico subirá durante una interrupción del suministro eléctrico u otro fallo, el período de conservación y la calidad comestible de los alimentos se reducirán. Cualquier alimento que se descongele debe consumirse, o bien cocinarse y volver a congelarse (cuando proceda) rápidamente para evitar riesgos para la salud.

Función de memoria durante el corte de luz

En cuanto vuelva la luz, el electrodoméstico restablecerá los ajustes establecidos antes del corte de luz.

Desempaquetado

**¡ADVERTENCIA!**

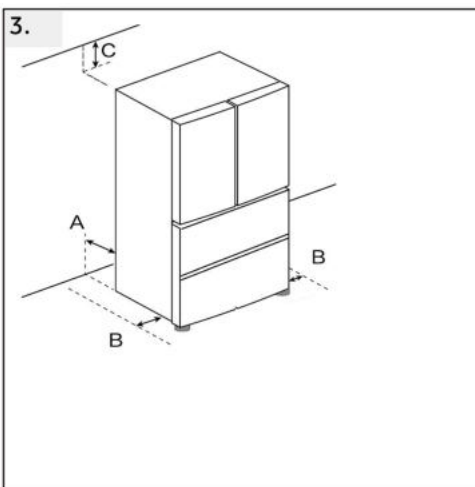
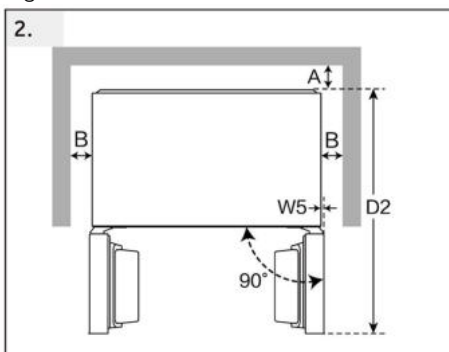
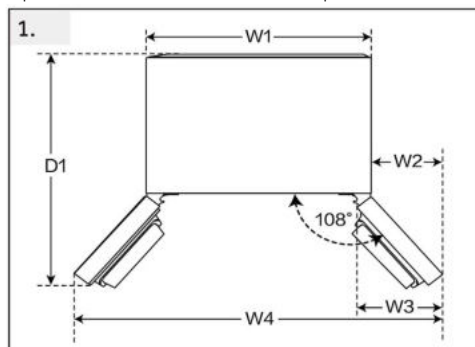
- ▶ Este es un electrodoméstico pesado. Manipúlelo con la ayuda de otra persona.
- ▶ Mantenga todo el material de embalaje fuera del alcance de los niños y deséchelo de forma respetuosa con el medio ambiente.
- ▶ Saque el electrodoméstico de su embalaje.
- ▶ Retire todos los materiales de embalaje.

Condiciones ambientales

La temperatura ambiente debería encontrarse siempre entre 10° C y 43° C, ya que puede influir en la temperatura del interior del frigorífico y en su consumo de energía. No instale el electrodoméstico cerca de otros electrodomésticos emisores de calor (hornos, frigoríficos) sin aislamiento.

Recomendaciones de espacio

Espacio recomendado con la puerta abierta (fig. 1.2)



(Unidad: mm)	HFKR5718DNGB	
Ancho	W1	700
	W2	115
	W3	368
	W4	930
	W5	0
	W	700
	D1	910
	D2	918
	D	594
Distancia a la pared trasera	A	6
Distancia a las paredes laterales	B	4
Distancia al techo	C	9
Altura total	H	1850

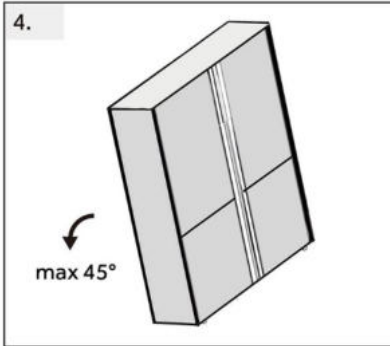
Sección cruzada de ventilación

Para lograr una ventilación suficiente del electrodoméstico por razones de seguridad, debe observarse la información de las secciones cruzadas de ventilación requeridas.

Alineación del aparato (Fig. 4.5.6.)

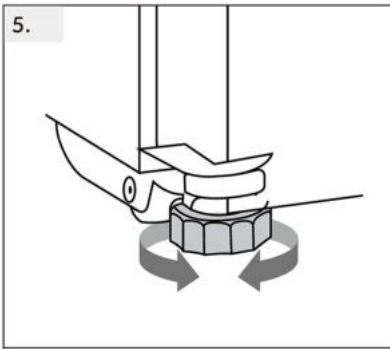
Este electrodoméstico debe colocarse sobre una superficie plana y sólida.

4. Incline el frigorífico ligeramente hacia atrás.



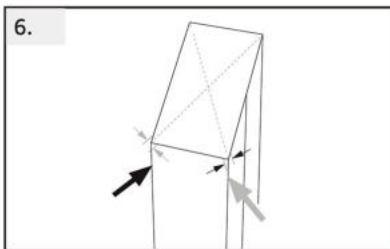
5. Ajuste las patas al nivel deseado.

Asegúrese de que la distancia a la pared del lado de la bisagra sea de al menos 100 mm para que la puerta se abra correctamente.



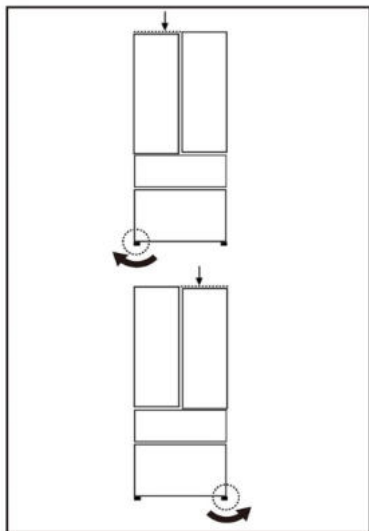
6. Puede comprobarse la estabilidad golpeando alternativamente las diagonales. El ligero bamboleo debe ser el mismo en ambas direcciones. De lo contrario, el marco puede deformarse y resultar en fugas en las juntas de la puerta.

Una ligerísima inclinación hacia atrás facilita el cierre de las puertas.



i AVISO

Para un electrodoméstico independiente: este electrodoméstico de refrigeración no está diseñado para ser utilizado como un electrodoméstico integrado.

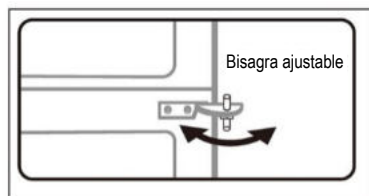


Ajuste de las puertas

Si las puertas no están niveladas, este desajuste puede ser solucionado de la siguiente manera:

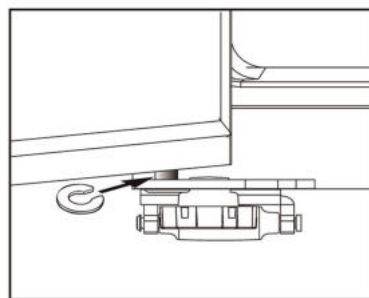
Uso de las patas ajustables

Gire la pata ajustable según la dirección de la flecha para subir o bajar la pata.



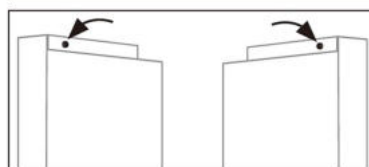
Ajuste de la posición de la puerta

- ▶ Cuando las dos puertas no estén a la misma altura, las bisagras ajustables se pueden regular con la llave fija incluida para nivelarlas. Por favor, no lo instale de forma brusca para evitar arañazos o golpes en el embellecedor de la puerta.



Uso de separadores

- ▶ Abra la puerta del congelador y levántela.
- ▶ Fije cuidadosamente el separador (incluido en la bolsa de accesorios) en el eje de la bisagra inferior, a mano o utilizando herramientas como alicates. No raye ni abolle la puerta.

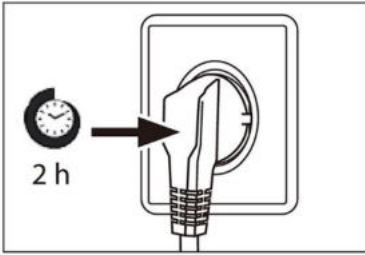


Uso del mando de ajuste

- ▶ Si la puerta del compartimento frigorífico no está nivelada, puede girar el mando ajustable situado en la parte superior de ésta para realizar ajustes finos.

i AVISO

Durante el uso futuro del frigorífico, las puertas pueden desnivelarse por el peso de los alimentos almacenados. En ese caso, ajuste siguiendo las instrucciones anteriores.

**Tiempo de espera**

El aceite de lubricación sin mantenimiento se encuentra en la cápsula del compresor. Este aceite puede pasar por el sistema de tuberías cerradas durante el transporte si el electrodoméstico está inclinado. Antes de conectar el electrodoméstico a la fuente de alimentación, espere al menos 2 horas para que el aceite vuelva a entrar en la cápsula.

Conexión eléctrica

Antes de cada conexión, compruebe si:


- ▶ La fuente de alimentación, la toma de corriente y el fusible son adecuados para la placa de clasificación.
- ▶ La toma de corriente tiene conexión a tierra y no tiene múltiples contactos ni extensiones.
- ▶ El enchufe y la toma de corriente encajan perfectamente.

Conecte el enchufe a una toma de corriente doméstica correctamente instalada.

! ¡ADVERTENCIA!

Para evitar riesgos, solo el servicio de atención al cliente debe reemplazar un cable de alimentación dañado (ver tarjeta de garantía).

Ficha del producto conforme al Reglamento UE n.º 2019/2016

Marca	Haier
Nombre del modelo / Identificador	HFKR5718DNGB
Categoría del modelo	Frigorífico-congelador
Clase de eficiencia energética	D
Consumo anual de energía (kWh/año)(1)	226
Volumen total (L)	402
Volumen del frigorífico (L)	227
Volumen del congelador (L)	147
Volumen de frío intenso (L)	28
Estrellas	
Sistema Frost-free	Sí
Capacidad de congelación (kg/24 h)	10,0
Clasificación climática(2)	SN-N-ST-T
Clase de emisión de ruido y emisiones de ruido acústico en el aire (db (A) re 1pW)	B (35)
Tiempo de aumento de la temperatura (h)	8
Tipo de electrodoméstico	Independiente

Explicaciones:

- Sí
- (1) Basado en los resultados de la prueba de conformidad normativa durante 24 horas. El consumo real depende del uso y de la ubicación del electrodoméstico.
 - (2) Calificación climática SN: Este electrodoméstico está diseñado para ser utilizado a una temperatura ambiente comprendida entre + 10 °C y +32 °C
 Calificación climática N: Este electrodoméstico está diseñado para ser utilizado a una temperatura ambiente comprendida entre + 16 °C y +32 °C
 Calificación climática ST: Este electrodoméstico está diseñado para ser utilizado a una temperatura ambiente comprendida entre + 16 °C y +38 °C
 Calificación climática T: Este electrodoméstico está diseñado para ser utilizado a una temperatura ambiente comprendida entre + 16 °C y +43 °C

Datos técnicos adicionales

Voltaje / Frecuencia	220-240 V ~ / 50 Hz
Corriente de entrada (A)	1,8
Fusible principal (A)	15
Refrigerante	R600a
Tamaño (Al/An/Pr en mm)	1850/700/594

Recomendamos nuestro Servicio de atención al cliente Haier y el uso de repuestos originales.

Si tiene algún problema con su electrodoméstico, compruebe primero la sección SOLUCIÓN DE PROBLEMAS.

Si no encuentra una solución allí, póngase en contacto con

su distribuidor local o

nuestro Centro europeo de atención al cliente (ver números de teléfono listados abajo) o

el área de servicio y asistencia en www.haier.com, donde puede activar la solicitud de servicio y encontrar las Preguntas frecuentes.

Para ponerse en contacto con nuestro Servicio, asegúrese de tener los siguientes datos disponibles.

Puede encontrar la información en la placa de datos.

Modelo _____

N.º de serie _____

Compruebe también la tarjeta de garantía suministrada con el producto en caso de garantía.

Centro europeo de atención al cliente		
País*	Número de teléfono	Costes
Haier Italy (IT)	199 100 912	
Haier Spain (ES)	902 509 123	
Haier Germany (DE)	0180 5 39 39 99	<ul style="list-style-type: none"> • 14 ct/min. teléfono fijo • máx. 42 ct/min. móvil
Haier Austria (AT)	0820 001 205	<ul style="list-style-type: none"> • 14,53 ct/min. teléfono fijo • máx. 20 ct/min. el resto
Haier United Kingdom (UK)	0333 003 8122	
Haier France (FR)	0980 406 409	

* Para otros países, consulte www.haier.com

Haier Europe Trading S.r.l

Sucursal Reino Unido

Westgate House, Westgate, Ealing

Londres, W5 1YY

*Duración de la garantía del electrodoméstico de refrigeración:

La garantía mínima es de: 2 años para los países de la UE, 3 años para Turquía, 1 año para el Reino Unido, 1 año para Rusia, 3 años para Suecia, 2 años para Serbia, 5 años para Noruega, 1 año para Marruecos, 6 meses para Argelia, Túnez no tiene garantía legal, al no requerirse.

*Período de disponibilidad de las piezas de repuesto para la reparación del aparato:

Los termostatos, los sensores de temperatura, las placas de circuito impresas y las fuentes de luz están disponibles durante un periodo mínimo de siete años después de la comercialización de la última unidad del modelo.

Las asas, bisagras, bandejas y cestas lo están durante un período mínimo de siete años, y las juntas durante un período mínimo de 10 años después de la comercialización de la última unidad del modelo.

*Para más información sobre el producto, consulte <https://eprel.ec.europa.eu> o escanee el código QR en la etiqueta energética suministrada con el electrodoméstico.

<u>185 Informations sur la sécurité</u>	<u>Avant la première utilisation</u>	186
	<u>Installation</u>	186
	<u>Utilisation quotidienne</u>	187
<u>190 Utilisation prévue</u>		
<u>191 Description du produit</u>		
<u>192 Panneau de commande</u>		
<u>193 Utilisation</u>	<u>Verrouillage/Déverrouillage du panneau</u>	193
	<u>MODE ECO</u>	194
	<u>Réglage de la température du réfrigérateur</u>	195
	<u>Régler la température du congélateur</u>	195
	<u>Fonction Magic Zone</u>	195
	<u>Fonction Super Cool</u>	197
	<u>Fonction Super Frz.</u>	198
	<u>Fonction Holiday</u>	199
<u>200 Matériel</u>		
<u>203 Conseils d'économie d'énergie</u>		
<u>204 Entretien et nettoyage</u>		
<u>206 Dépannage</u>		
<u>210 Installation</u>		
<u>213 Données techniques</u>		
<u>215 Service clientèle</u>		

Merci d'avoir acheté un produit Haier.

Veillez lire attentivement ces instructions avant d'utiliser cet appareil. Les instructions contiennent des informations importantes qui vous aideront à tirer le meilleur parti de l'appareil et à assurer l'installation, l'utilisation et l'entretien sûrs et appropriés de celui-ci.

Conservez ce manuel dans un endroit facilement accessible afin que vous puissiez toujours vous y référer pour une utilisation sûre et appropriée de l'appareil.

Si vous vendez l'appareil, si vous le donnez ou si vous le confiez à quelqu'un lorsque vous déménagez, assurez-vous que vous transmettez également ce manuel pour que le nouveau propriétaire puisse se familiariser avec l'appareil et les consignes de sécurité.

Accessoires

Vérifiez les accessoires et la littérature conformément à cette liste :



Étiquette énergie



Carte de garantie



Manuel de l'utilisateur
Autocollant « OK »



Guide rapide



AVERTISSEMENT : informations importantes sur la sécurité



INFORMATION : informations générales et conseils



Informations environnementales



Mise au rebut

Contribuez à protéger l'environnement et la santé humaine. Jetez l'emballage dans les bacs correspondants pour le recycler. Participez au recyclage des déchets d'appareils électriques et électroniques. Ne jetez pas les appareils marqués de ce symbole avec les déchets ménagers. Ramenez le produit à votre déchetterie locale ou contactez votre bureau municipal.



AVERTISSEMENT !

Risque de blessure ou de suffocation !

Les frigorigènes et les gaz doivent être éliminés par un professionnel. Assurez-vous que le tube du circuit réfrigérant n'est pas endommagé avant d'être correctement éliminé. Débranchez l'appareil du secteur. Coupez le câble d'alimentation et jetez-le. Retirez les clayettes et les tiroirs ainsi que le verrou et les joints de la porte, afin d'éviter que les enfants et les animaux domestiques ne se retrouvent enfermés dans l'appareil.

Avant d'allumer l'appareil pour la première fois, lisez les conseils de sécurité suivants :



AVERTISSEMENT !

Avant la première utilisation

- ▶ Assurez-vous qu'il n'a pas été endommagé pendant le transport.
- ▶ Retirez tous les emballages et gardez-les hors de portée des enfants.
- ▶ Attendez au moins deux heures avant d'installer l'appareil afin de vous assurer que le circuit réfrigérant fonctionne parfaitement.
- ▶ Manipulez toujours l'appareil avec au moins deux personnes parce qu'il est lourd.

Installation

- ▶ L'appareil doit être placé dans un endroit bien ventilé. Garantissez un espace d'au moins 10 cm au-dessus et autour de l'appareil.
- ▶ Ne placez jamais l'appareil dans un endroit humide ou un endroit où il pourrait être éclaboussé d'eau. Nettoyez et séchez les éclaboussures d'eau et les taches avec un chiffon doux et propre.
- ▶ N'installez pas l'appareil en plein soleil ou à proximité de sources de chaleur (par ex. cuisinières, chauffages).
- ▶ Installez et mettez à niveau l'appareil dans une zone adaptée à sa taille et à son utilisation.
- ▶ Maintenez les ouvertures de ventilation situées dans l'appareil ou dans la structure encastrée libres de toute obstruction.
- ▶ Assurez-vous que les informations électriques figurant sur la plaque signalétique sont conformes à l'alimentation électrique. Si ce n'est pas le cas, contactez un électricien.
- ▶ L'appareil est alimenté par une alimentation de 220-240 VCA/50 Hz. Les variations anormales de tension peuvent provoquer l'arrêt de l'appareil ou endommager le régulateur de température ou le compresseur, ou il peut y avoir un bruit anormal lors du fonctionnement. Dans ce cas, un régulateur automatique doit être monté.
- ▶ N'utilisez pas d'adaptateurs multiprises ni de rallonges.
- ▶ Ne placez pas de systèmes multiprises portatifs ou d'alimentations portatives à l'arrière de l'appareil.
- ▶ Assurez-vous que le câble d'alimentation n'est pas coincé par le réfrigérateur. Ne marchez pas sur le câble d'alimentation.



AVERTISSEMENT !

- ▶ Utilisez une prise de terre séparée pour l'alimentation électrique qui soit facile d'accès. L'appareil doit être mis à la terre.
- ▶ Uniquement pour le Royaume-Uni : le câble d'alimentation de l'appareil est équipé d'une fiche 3 pôles (de mise à la terre) qui s'adapte à une prise standard 3 pôles (de mise à la terre). Ne coupez jamais ou ne démontez jamais la troisième broche (mise à la terre). Une fois l'appareil installé, la fiche doit être accessible.
- ▶ N'endommagez pas le circuit réfrigérant.

Utilisation quotidienne

- ▶ Cet appareil peut être utilisé par des enfants à partir de 8 ans et par des personnes ayant des capacités physiques, sensorielles ou mentales réduites ou un manque d'expérience et de connaissances, s'ils sont sous surveillance ou si on leur a appris à utiliser l'appareil en toute sécurité et s'ils comprennent les risques courus.
- ▶ Les enfants âgés de 3 à 8 ans sont autorisés à remplir et vider les appareils de réfrigération, mais ne sont pas autorisés à les nettoyer ni à les installer. Gardez les enfants âgés de moins de 3 ans à l'écart de l'appareil à moins qu'ils ne soient constamment surveillés.
- ▶ Les enfants ne doivent pas jouer avec l'appareil.
- ▶ Si du gaz réfrigérant ou tout autre gaz inflammable fuit à proximité de l'appareil, fermez la vanne du gaz qui fuit, ouvrez les portes et les fenêtres et ne débranchez pas le câble d'alimentation du réfrigérateur ou de tout autre appareil.
- ▶ Notez que l'appareil est conçu pour fonctionner dans une plage de température ambiante spécifique comprise entre 10 °C et 43 °C. L'appareil peut ne pas fonctionner correctement s'il est laissé pendant une longue période à une température inférieure ou supérieure à la plage indiquée.
- ▶ Ne placez pas d'objets instables (objets lourds, récipients remplis d'eau) sur le dessus du réfrigérateur, pour éviter les blessures corporelles causées par une chute ou une électrocution causée par le contact avec de l'eau.
- ▶ Ne tirez pas sur les balconnets. La porte peut être tirée en biais, le porte-bouteilles peut être retiré ou l'appareil risque de basculer.
- ▶ Ouvrez et fermez les portes uniquement avec les poignées. L'écart entre les portes et entre les portes et le compartiment est très étroit. Ne mettez pas vos mains dans ces zones pour éviter de vous pincer les doigts. Ouvrez ou fermez les portes du réfrigérateur uniquement lorsqu'il n'y a pas d'enfants dans le rayon de mouvement de la porte.



AVERTISSEMENT !

- ▶ Ne conservez pas et n'utilisez pas de matières corrosives, explosives ou inflammables dans l'appareil ou à proximité.
- ▶ Ne conservez pas de médicaments, de bactéries ou d'agents chimiques dans l'appareil. Cet appareil est un appareil électroménager. Il n'est pas recommandé pour stocker des produits qui nécessitent des températures strictes.
- ▶ Ne conservez jamais des liquides dans des bouteilles ou des canettes (en dehors des spiritueux avec un degré d'alcool très élevé), en particulier les boissons gazeuses, dans le congélateur car ceux-ci pourraient exploser durant la congélation.
- ▶ Vérifiez l'état des aliments si l'intérieur du congélateur s'est réchauffé.
- ▶ Ne réglez pas une température inutilement basse dans le compartiment du réfrigérateur. Des températures négatives peuvent se produire à des réglages élevés. Attention : les bouteilles peuvent éclater
- ▶ Ne touchez pas les produits surgelés avec les mains mouillées (portez des gants). Ne mangez surtout pas les glaces à l'eau juste après les avoir sorties du compartiment congélateur. Vous risquez de vous blesser ou de vous brûler à cause du froid. Premiers secours : mettez immédiatement sous l'eau froide. Ne retirez pas !
- ▶ Ne touchez pas la surface intérieure du compartiment congélateur lorsqu'il est en fonctionnement, en particulier avec les mains mouillées, car vos mains peuvent geler sur la surface.
- ▶ Débranchez l'appareil en cas de coupure de courant ou avant de le nettoyer. Attendez au moins 7 minutes avant de redémarrer l'appareil, car des démarrages trop fréquents risqueraient d'endommager le compresseur.
- ▶ N'utilisez pas des appareils électriques à l'intérieur des compartiments de conservation des aliments de l'appareil, sauf s'ils correspondent aux modèles recommandés par le fabricant. Entretien / nettoyage
- ▶ Veillez à superviser les enfants s'ils effectuent le nettoyage et l'entretien.
- ▶ Débranchez l'appareil du secteur avant d'effectuer tout entretien courant. Attendez au moins 7 minutes avant de redémarrer l'appareil, car des démarrages trop fréquents risqueraient d'endommager le compresseur.

 **AVERTISSEMENT !**

- ▶ Tenez la fiche, pas le câble, lorsque vous débranchez l'appareil.
- ▶ Ne nettoyez pas l'appareil à l'aide de brosses dures, de brosses métalliques, de détergents en poudre, d'essence, d'acétate d'amyle, d'acétone et de solutions organiques similaires, d'acides ou de solutions alcalines. Nettoyez-le avec un détergent spécial pour réfrigérateur afin d'éviter de l'endommager.
- ▶ Ne raclez pas le givre et la glace avec des objets tranchants. N'utilisez pas de pulvérisateurs ni de réchauffeurs électriques comme des nettoyeurs à vapeur, des sèche-cheveux ou d'autres sources de chaleur pour éviter d'endommager les pièces en plastique.
- ▶ N'utilisez pas de dispositifs mécaniques ou d'autres moyens pour accélérer le processus de dégivrage, hormis ceux recommandés par le fabricant.
- ▶ Si le cordon d'alimentation est endommagé, faites-le remplacer par le fabricant, le service clientèle ou un électricien qualifié pour éviter tout risque d'accident.
- ▶ N'essayez pas de réparer, démonter ou modifier l'appareil vous-même. En cas de réparation, veuillez contacter notre service clientèle.
- ▶ Éliminez la poussière à l'arrière de l'appareil au moins une fois par an pour éviter tout risque d'incendie, ainsi que l'augmentation de la consommation d'énergie.
- ▶ Ne pulvérisez pas et ne rincez pas l'appareil pendant le nettoyage.
- ▶ N'utilisez pas de jet d'eau ou de vapeur pour nettoyer l'appareil.
- ▶ Ne nettoyez pas les clayettes froides en verre à l'eau chaude. Un changement soudain de température peut casser le verre.

Informations sur les gaz réfrigérants **AVERTISSEMENT !**

L'appareil contient de l'ISOBUTANE, un réfrigérant inflammable (R600a). Assurez-vous que le circuit du réfrigérant n'est pas endommagé pendant le transport ou l'installation. Les fuites de frigorigène peuvent provoquer des blessures oculaires ou s'enflammer. Si un dommage s'est produit, gardez les sources de feu ouvert à l'écart, aérez complètement la pièce, ne branchez pas ou ne débranchez pas les cordons d'alimentation de l'appareil ou de tout autre appareil. Informez le service clientèle.

En cas de contact du réfrigérant avec les yeux, rincez-les immédiatement à l'eau courante et appelez immédiatement un oculiste.

Utilisation prévue

Cet appareil est destiné à réfrigérer et à congeler les aliments. Il a été conçu exclusivement pour une utilisation dans les habitations et des applications similaires telles que les espaces de cuisine dans les magasins, bureaux et autres environnements de travail ; les habitations rurales et par les clients dans les hôtels, motels et autres environnements de type résidentiel, ainsi que dans les chambres d'hôtes ou B&B et activités de restauration. Il n'est pas destiné à un usage commercial ou industriel.

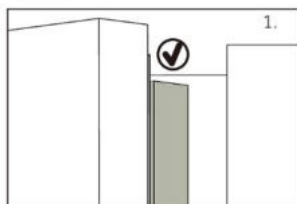
Les changements ou modifications apportés à l'appareil ne sont pas autorisés. Une utilisation non prévue peut entraîner des risques et la perte de garantie.

Normes et directives

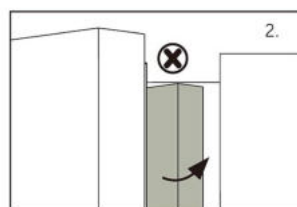
Ce produit satisfait aux exigences de toutes les directives CE applicables avec les normes harmonisées correspondantes et les normes du Royaume-Uni, qui prévoient le marquage CE et UK.



ATTENTION !



Lorsque vous fermez la porte, la bande verticale de la porte gauche doit être pliée à l'intérieur (1).

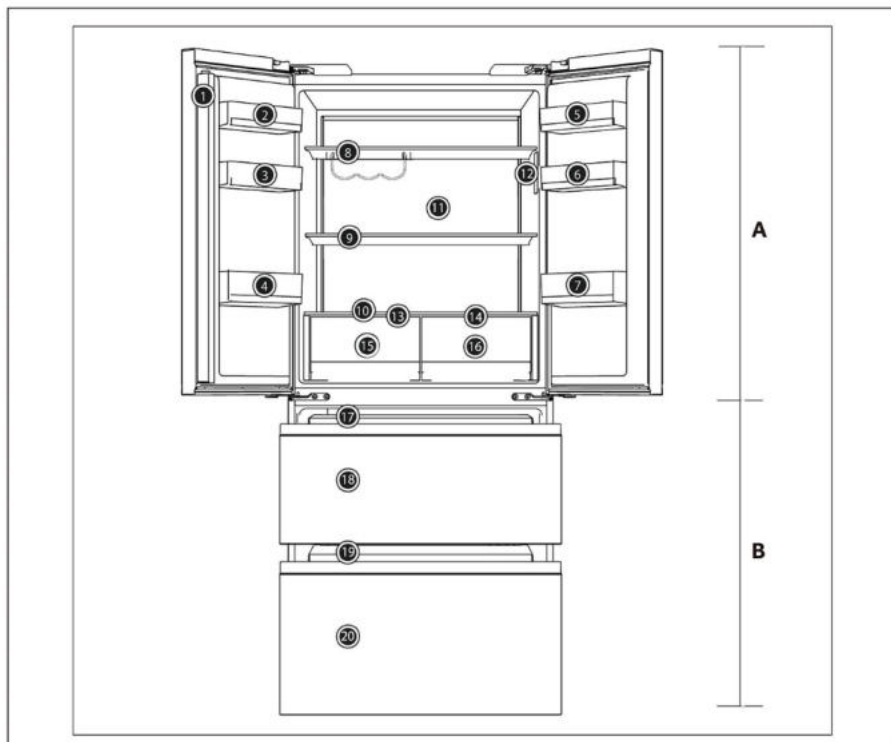


Si vous essayez de fermer la porte gauche et que la bande de la porte verticale n'est pas pliée (2), vous devriez la plier d'abord, sinon la bande de la porte frappera la tige de fixation ou la porte de droite. Ainsi, il y aura un dommage au niveau de la bande de la porte ou une fuite se produira.

Il y a un filament chauffant à l'intérieur du cadre. La température de la surface augmentera légèrement, ce qui est normal et n'affectera pas le fonctionnement de l'appareil.

i INFORMATION

En raison des changements techniques et de différents modèles, certaines des illustrations de ce manuel peuvent différer de votre modèle.



A : Compartiment réfrigérateur

- 1 Bandeau de porte
- 2 Balconnet (en haut à gauche)
- 3 Balconnet (au milieu à gauche)
- 4 Balconnet (en bas à gauche)
- 5 Balconnet (en haut à droite)
- 6 Balconnet (au milieu à droite)
- 7 Balconnet (en bas à droite)
- 8 Clayette en verre
- 9 Clayette en verre
- 10 Clayette de tiroir
- 11 Lampe arrière
- 12 Panneau d'affichage
- 13 Couvercle du tiroir Activefresh

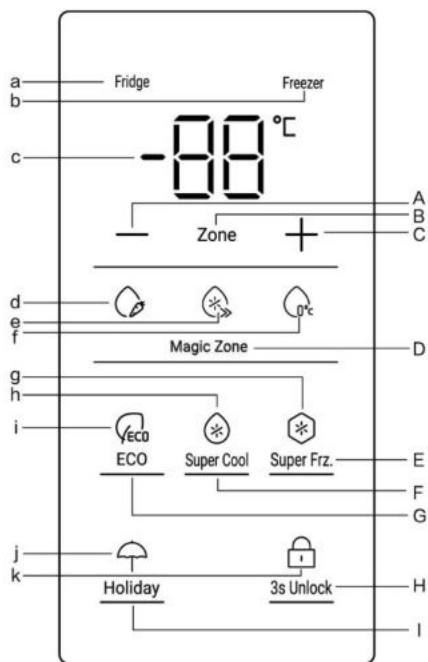
14 Couvercle du tiroir Magic

- 15 Tiroir Activefresh
- 16 Tiroir Magic

B : Compartiment congélateur

- 17 Plateau coulissant
- 18 Tiroir supérieur du congélateur
- 19 Plateau coulissant
- 20 Tiroir inférieur du congélateur

Panneau de commande



Touches :

- A Touche de réduction de la température
- B Commutation du mode température entre réfrigérateur et congélateur
- C Touche d'augmentation de la température
- D Commutation du mode Magic Zone
- E Sélecteur de la fonction Super Frz.
- F Sélecteur de la fonction Super Cool
- G Sélecteur de la fonction ECO
- H Verrouillage/déverrouillage du panneau d'affichage
- I Sélecteur de la fonction Holiday

Voyants :

- a Voyant du réfrigérateur
- b Voyant du congélateur
- c Température du compartiment réfrigérateur et congélateur
- d Fonction Fruit&Veg.
- e Fonction Cool Drink
- f Fonction 0°C Fresh
- g Fonction Super Frz.
- h Fonction Super Cool
- i Fonction ECO
- j Fonction Holiday
- k Fonction de verrouillage/déverrouillage du panneau d'affichage

Avant la première utilisation

- ▶ Retirez tous les emballages, gardez-les hors de la portée des enfants, puis jetez-les dans le respect de l'environnement.
- ▶ Nettoyez l'intérieur et l'extérieur de l'appareil avec de l'eau et un détergent doux avant d'y mettre des aliments.
- ▶ Une fois l'appareil à plat et nettoyé, attendez au moins 2 à 5 heures avant de le brancher à l'alimentation électrique. Voir la section INSTALLATION.
- ▶ Pré-réfrigérez les compartiments à des réglages élevés avant de les remplir d'aliments. La fonction Super Frz. permet de refroidir rapidement les compartiments.
- ▶ La température du réfrigérateur et celle du congélateur sont réglées automatiquement sur 5 °C et -18 °C respectivement. Il s'agit des réglages recommandés. Si vous le souhaitez, vous pouvez modifier ces températures manuellement. Veuillez consulter le MODE RÉGLAGE MANUEL.

Touches tactiles

Les touches du panneau de commande sont des touches tactiles qui réagissent dès que le doigt les touche légèrement.

Allumer/éteindre l'appareil

L'appareil fonctionne dès qu'il est branché sur l'alimentation électrique.

Lors de la première mise sous tension du réfrigérateur, le voyant « c » (Affichage de la température) s'allume. La température du réfrigérateur et celle du congélateur sont réglées automatiquement sur 5 °C et -18 °C respectivement. Le voyant « d » (Fruit&Veg.) s'allume.

Le panneau d'affichage s'éteint immédiatement après la fermeture de la porte.



INFORMATION

1. L'appareil est réglé à la température recommandée de 5 °C (réfrigérateur) et de -18 °C (congélateur). Dans des conditions ambiantes normales, vous n'avez pas besoin de régler la température.
2. La fonction de préréglage du tiroir Magic Zone est Fruit&Veg.
3. Lorsque l'appareil est allumé après avoir été débranché de l'alimentation secteur, il peut falloir jusqu'à 12 heures pour que les températures correctes soient atteintes.

Videz l'appareil avant de l'éteindre. Pour éteindre l'appareil, tirez le cordon d'alimentation pour le sortir de la prise d'alimentation.

Verrouillage/Déverrouillage du panneau

Verrouillage automatique : Lorsque les portes du réfrigérateur et du congélateur sont fermées, l'écran d'affichage s'éteint et se verrouille automatiquement.

Déverrouillage manuel : lorsque l'écran d'affichage est verrouillé, appuyez sur la touche « H » (3s Unlock) et maintenez-la enfoncée pendant 3 secondes, le signal sonore retentit une fois, le voyant « k » (verrouillage du panneau) s'éteint et l'afficheur est déverrouillé.



Verrouillage manuel : lorsque l'écran d'affichage est déverrouillé, appuyez sur la touche « H » (3s Unlock) et maintenez-la enfoncée pendant 3 secondes, le signal sonore retentit une fois, le voyant « k » (verrouillage du panneau) s'allume et l'afficheur est verrouillé.



INFORMATION

Le panneau d'affichage est verrouillé chaque fois que la porte est ouverte. Pour tout réglage, le panneau de commande doit être déverrouillé.

Alarme d'ouverture de porte

Lorsque l'une des portes du réfrigérateur est ouverte pendant plus de 3 minutes, l'alarme d'ouverture de porte retentit. L'alarme peut être interrompue en fermant la porte. Si la porte est laissée ouverte pendant plus de 7 minutes, la lumière à l'intérieur du réfrigérateur et l'éclairage du panneau de commande s'éteignent automatiquement.

Sélectionner le mode de fonctionnement

Vous devrez peut-être sélectionner l'une des deux manières suivantes pour régler l'appareil.

INFORMATION : influence sur les températures

Les températures intérieures sont influencées par les facteurs suivants :

1. Température ambiante ;
2. Fréquence d'ouverture de la porte ;
3. Quantité d'aliments stockés ;
4. Installation de l'appareil.

MODE ECO

Si vous n'avez pas d'exigences particulières, nous vous recommandons d'utiliser le mode ECO. Dans ce mode, l'appareil peut automatiquement ajuster le réglage de la température en fonction de la température ambiante et du changement de température de l'appareil.

1. Lorsque l'écran d'affichage est déverrouillé, appuyez sur la touche « G » (sélecteur de la fonction ECO), le signal sonore retentit une fois, le voyant « i » (fonction ECO) s'allume, puis la fonction ECO est activée.
2. Lorsque le voyant « i » (fonction ECO) s'allume, appuyez sur la touche « G » (sélecteur de fonction ECO), le signal sonore retentit une fois, le voyant « i » (fonction ECO) s'éteint, puis la fonction ECO est désactivée.



INFORMATION

Dans la fonction ECO, la température du réfrigérateur ou du congélateur ne peut pas être réglée. Si vous appuyez sur la touche « + » ou « - » pour régler la température du réfrigérateur ou du congélateur, le voyant « i » (fonction ECO) clignote et un signal sonore indique que cette opération ne peut pas être effectuée. Dans la fonction ECO, en raison des différentes méthodes de contrôle, si la fonction Super Cool, Super Frz. ou Holiday est réglée, le voyant « i » (fonction ECO) s'éteint. Dans la fonction ECO, la fonction Magic Zone peut être réglée manuellement selon les besoins.

Réglage de la température du réfrigérateur

Lorsque l'écran d'affichage est déverrouillé, appuyez sur la touche « B » (sélecteur de zone), sélectionnez le « réfrigérateur », le voyant « a » (voyant du réfrigérateur) s'allume, puis vient le mode de réglage de la température du réfrigérateur. Chaque fois que vous appuyez sur les touches « + » ou « - », la valeur de la puissance du réglage réfrigéré est augmentée de 1 ou diminuée de 1. La température du réfrigérateur s'affiche selon la séquence « 9 °C <-> 8 °C <-> 7 °C <-> 6 °C <-> 5 °C <-> 4 °C <-> 3 °C <-> 2 °C <-> 1 °C ».

INFORMATION

Après avoir réglé la température, s'il n'y a pas d'opération dans les 5 secondes, le système enregistrera automatiquement la température définie.

Régler la température du congélateur

Lorsque l'écran d'affichage est déverrouillé, appuyez sur la touche « B » (sélecteur de zone), sélectionnez le « congélateur », le voyant « b » (voyant du congélateur) s'allume, puis vient le mode de réglage de la température du congélateur. Chaque fois que vous appuyez sur les touches « + » ou « - », la valeur de la puissance du réglage réfrigéré est augmentée de 1 ou diminuée de 1. La température du réfrigérateur s'affiche dans l'ordre suivant : « -14 °C <-> -15 °C <-> -16 °C <-> -17 °C <-> -18 °C <-> -19 °C <-> -20 °C <-> -21 °C <-> -22 °C <-> -23 °C <-> -24 °C ».

INFORMATION

Après avoir réglé la température, s'il n'y a pas d'opération dans les 5 secondes, le système enregistrera automatiquement la température définie.

Fonction Magic Zone

1. Fonction Fruit&Veg. :

Lorsque l'écran d'affichage est déverrouillé, appuyez sur la touche « D » (sélecteur de Magic Zone), l'icône Fruit&Veg. s'allume.

Cette fonction convient à la conservation de fruits et légumes frais.



i INFORMATION

Les fruits sensibles au froid comme l'ananas, l'avocat, les bananes, les pamplemousses et les légumes tels que les pommes de terre, les aubergines, les haricots, les concombres, les courgettes et les tomates et le fromage ne doivent pas être conservés dans le tiroir Magic Zone.

2.Fonction Cool Drink :

Lorsque l'écran d'affichage est déverrouillé, appuyez sur la touche « D » (sélecteur de Magic Zone) pour activer la fonction, l'icône Cool Drink s'allume.

Cette fonction permet de conserver des produits tels que de l'eau, du coca et du jus. La température du compartiment Magic Zone est réglée sur +2 °C.



3.Fonction 0°Fresh :

Lorsque l'écran d'affichage est déverrouillé, appuyez sur la touche « D » (sélecteur de Magic Zone) pour activer la fonction. 0°C Fresh s'allume.

Cette fonction permet de régler la température du tiroir Magic Zone sur 0 °C.

Convient à la conservation d'aliments frais tels que la viande ou le poisson. La plupart des aliments restent frais à 0 °C.



i INFORMATION

En raison des différentes teneurs en eau de la viande, certaines viandes plus humides seront congelées à des températures inférieures à 0 °C. La viande « coupée immédiatement » doit donc être conservée dans le tiroir Magic Zone, à une température minimale de 0 °C.



INFORMATION : Tiroir Magic Zone

1. Les trois fonctions de Magic Zone ne peuvent pas être activées simultanément, une seule peut être allumée.
2. Pour réduire la température du compartiment réfrigérateur, utilisez la fonction Cool Drink. Pour l'augmenter, utilisez la fonction Fruit&Veg.

Fonction Super Cool

1. Lorsque l'écran d'affichage est déverrouillé, appuyez sur la touche « F » (sélecteur Super Cool), le signal sonore retentit une fois, le voyant « h » (fonction Super Cool) s'allume, puis la fonction Super Cool est activée.
2. Lorsque le voyant « h » (fonction Super Cool) s'allume, appuyez sur la touche « F » (sélecteur de Super Cool), le signal sonore retentit une fois, le voyant « h » (fonction Super Cool) s'éteint, puis la fonction Super Cool est désactivée.
3. Une fois la fonction Super Cool activée, le réfrigérateur arrêtera automatiquement la fonction après environ 4 heures de fonctionnement. Si vous souhaitez quitter manuellement, vous pouvez appuyer sur la touche « G » (sélecteur de Super Cool) pour l'éteindre.



INFORMATION

1. En mode Super Cool, la température du réfrigérateur ne peut pas être réglée. Si vous appuyez sur l'une des touches « + » ou « - » pour régler la température du réfrigérateur, le voyant « h » (fonction Super Cool) clignote et un signal sonore indique que cette opération ne peut pas être effectuée.
2. En mode Super Cool, la fonction ECO ne peut pas être activée en même temps que la fonction Holiday en raison des différents modes de contrôle. Lorsque vous choisissez une fonction qui entre en conflit avec une autre, la fonction d'origine est automatiquement désactivée.

Fonction Super Frz.

1. Lorsque l'écran est déverrouillé, appuyez sur la touche « E » (sélecteur de Super Freeze), le signal sonore retentit une fois, le voyant « g » (fonction Super Freeze) s'allume, puis la fonction Super Freeze est activée.
2. Lorsque le voyant « g » (fonction Super Freeze) s'allume, appuyez sur la touche « E » (sélecteur de Super Freeze), le signal sonore retentit une fois, le voyant « g » (fonction Super Freeze) s'éteint, puis la fonction Super Freeze est désactivée.
3. Une fois la fonction Super Freeze activée, le réfrigérateur arrêtera automatiquement la fonction après environ 50 heures de fonctionnement. Si vous souhaitez quitter manuellement, vous pouvez appuyer sur la touche « E » (sélecteur de Super Freeze) pour l'éteindre.



Super Frz.



Super Frz.



Super Frz.

INFORMATION

1. En mode Super Freeze, la température du congélateur ne peut pas être réglée. Si vous appuyez sur la touche « + » ou « - » pour régler la température du congélateur, le voyant « g » (fonction Super Freeze) clignote et un signal sonore indique que cette opération ne peut pas être effectuée.
2. En mode Super Freeze, la fonction ECO ne peut pas être activée en même temps en raison des différents modes de contrôle. Lorsque vous choisissez une fonction qui entre en conflit avec une autre, la fonction d'origine est automatiquement désactivée.
3. La fonction Super Freeze est conçue pour conserver la valeur nutritive des aliments congelés, elle congèlera les aliments dans les plus brefs délais. Si de grandes quantités d'aliments surgelés doivent être congelés en même temps. Par ailleurs, la fonction Super Freeze doit être réglée 24 heures à l'avance pour que la température du congélateur soit basse avant de mettre les aliments à l'intérieur. À ce moment-là, la vitesse de congélation du congélateur est améliorée, les aliments peuvent être congelés rapidement, la valeur nutritive des aliments est efficacement conservée et les conserver devient plus pratique.

Fonction Holiday

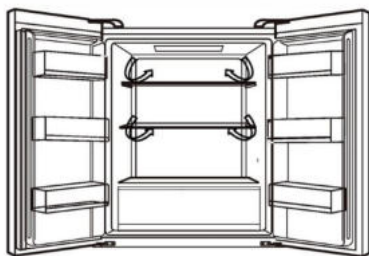
La fonction Holiday est conçue pour ne pas utiliser le réfrigérateur pendant une période prolongée. Lorsque la fonction Holiday est activée, le congélateur est sous contrôle normal et la température du réfrigérateur est automatiquement réglée sur 17 °C. La température réelle n'est pas supérieure à 17 °C, ce qui empêche les odeurs particulières causées par une température trop élevée et contribue à réduire la consommation d'énergie en même temps.

1. Lorsque l'écran d'affichage est déverrouillé, appuyez sur la touche « I » (sélecteur de fonction Holiday), le signal sonore retentit une fois, le voyant « j » (fonction Holiday) s'allume, puis la fonction Holiday est activée.
2. Lorsque le voyant « j » (fonction Holiday) s'allume, appuyez sur la touche « I » (sélecteur de fonction Holiday), le signal sonore retentit une fois, le voyant « j » (fonction Holiday) s'éteint, puis la fonction Holiday est désactivée.



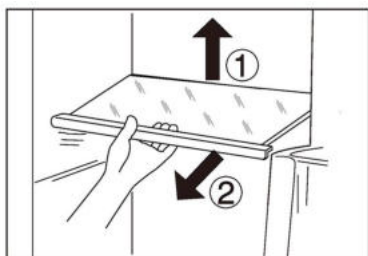
INFORMATION

1. Dans la fonction Holiday, la température du réfrigérateur ne peut pas être réglée. Si vous appuyez sur l'une des touches « + » ou « - » pour régler la température du réfrigérateur, le voyant « j » (fonction Holiday) clignote et un signal sonore indique que cette opération ne peut pas être effectuée.
2. Avant d'utiliser la fonction Holiday, veuillez vider le réfrigérateur pour éviter que des aliments y pourrissent. Lorsque la fonction Holiday est activée, la fonction ECO ou Super Cool ne peut pas être activée en même temps.
3. Dans la fonction Holiday, les icônes « Fruit&Veg », « Cool Drink », « 0° Fresh » dans Magic Zone s'éteignent et le fonctionnement de Magic Zone ne peut pas être réglé. Le compartiment réfrigérateur Magic Zone s'affiche dans le réglage précédent une fois la fonction Holiday désactivée.



Flux multi-air

1. Le réfrigérateur est équipé d'un système à flux multi-air, avec lequel des flux d'air froids se trouvent au niveau de chaque clayette. Cela permet de maintenir une température uniforme afin de garantir que vos aliments conservent leur fraîcheur pendant plus longtemps.



Clayettes réglables

1. La hauteur des clayettes peut être réglée en fonction de vos besoins de rangement.
2. Pour déplacer une clayette, retirez-la d'abord en levant son bord arrière ① et en tirant ②.
3. Pour la remettre en place, placez-la sur les ergots des deux côtés et poussez-la dans la position la plus reculée jusqu'à ce que l'arrière de la clayette soit fixé à l'intérieur des fentes sur les côtés.

Tiroir Magic Zone

Dans ce compartiment, le taux d'humidité est plus bas que dans le compartiment du réfrigérateur. Ce tiroir est conçu pour stocker des fruits secs et autres aliments secs à faible teneur en eau comme le beurre, les graisses et les huiles ou le chocolat.

MAGICZONE |

Tiroir ACTIVEFRESHZONE

Dans ce compartiment, le niveau d'humidité est supérieur au compartiment du réfrigérateur. Il est contrôlé automatiquement par le système et convient au stockage des fruits, des légumes, des salades, etc.

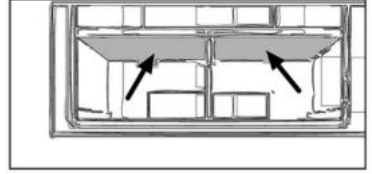
ACTIVEFRESHZONE |

INFORMATION :

Les fruits sensibles au froid comme l'ananas, l'avocat, les bananes, les pamplemousses et les légumes tels que les pommes de terre, les aubergines, les haricots, les concombres, les courgettes et les tomates et le fromage ne doivent pas être conservés dans la Fresh Box.

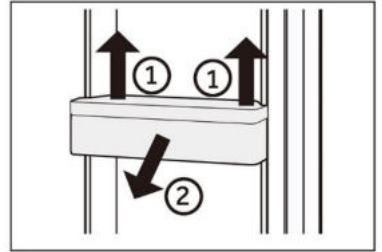
i INFORMATION

1. Ne retirez pas les couvercles en plastique à l'intérieur des deux zones.
2. Ils maintiennent l'humidité.
3. Il n'est pas recommandé de ranger les fruits sensibles au froid comme l'ananas, l'avocat, les bananes et
4. les pamplemousses dans ces deux tiroirs.



Balconnets de porte amovibles/Porte-bouteilles

1. Les balconnets de porte peuvent être retirés pour le nettoyage
2. Placez les mains de chaque côté du balconnet, soulevez-le ① et tirez-le ②.
3. Pour insérer le balconnet de porte, vous devez suivre les étapes ci-dessus dans l'ordre inverse.



Tiroir supérieur du congélateur amovible

1. Sortez le tiroir supérieur du congélateur au maximum.
2. Soulevez le tiroir jusqu'à ce qu'il soit séparé du bloc support, poussez-le dans le congélateur et inclinez-le pour le sortir.

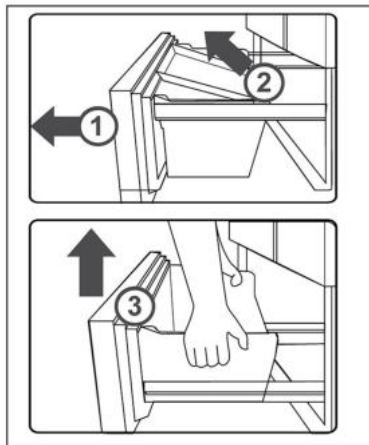
Pour introduire le tiroir, vous devez effectuer les étapes ci-dessus dans l'ordre inverse.



Tiroir inférieur du congélateur amovible

1. Sortez le tiroir inférieur du congélateur au maximum.
2. Tirez le plateau de congélation jusqu'à la position d'arrêt, soulevez-le et retirez-le.
3. Soulevez le tiroir jusqu'à ce qu'il soit séparé du bloc support, poussez-le dans le congélateur et inclinez-le pour le sortir.

Pour introduire le tiroir, vous devez effectuer les étapes ci-dessus dans l'ordre inverse.



La lumière

La lumière LED à l'intérieur s'allume lorsque la porte est ouverte. Le fonctionnement des lampes n'est affecté par aucun des autres réglages de l'appareil.



Conseils d'économie d'énergie

- ▶ Assurez-vous que l'appareil est bien ventilé (voir INSTALLATION).
- ▶ N'installez pas l'appareil en plein soleil ou à proximité de sources de chaleur (par ex. cuisinières, chauffages).
- ▶ Évitez une température inutilement basse dans l'appareil. Plus vous réglez bas la température de l'appareil, plus la consommation d'énergie augmente.
- ▶ Des fonctions comme POWER-FREEZE consomment plus d'énergie.
- ▶ Laissez les aliments chauds refroidir avant de les mettre dans l'appareil.
- ▶ Ouvrez la porte de l'appareil le moins souvent et le plus rapidement possible.
- ▶ Ne remplissez pas trop l'appareil pour éviter de bloquer la circulation de l'air.
- ▶ Évitez l'air dans l'emballage des aliments.
- ▶ Gardez les joints de la porte propres afin que la porte se ferme toujours correctement.
- ▶ Décongelez les aliments surgelés dans le compartiment de rangement du réfrigérateur.
- ▶ La configuration la plus économe en énergie exige que l'appareil conserve les tiroirs, la boîte de rangement et les clayettes en parfait état, et les aliments doivent être placés le plus loin possible des orifices de sortie de la conduite d'air.



AVERTISSEMENT !

Débranchez l'appareil de l'alimentation électrique avant de le nettoyer.

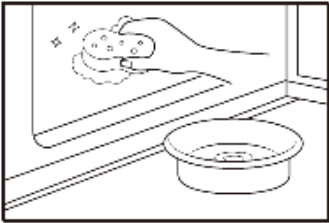
Nettoyage

Nettoyez l'appareil lorsqu'il n'y a qu'un peu de nourriture ou qu'il n'y a pas de nourriture à l'intérieur. L'appareil doit être nettoyé toutes les quatre semaines pour un bon entretien et pour éviter les mauvaises odeurs des aliments conservés à l'intérieur.



AVERTISSEMENT !

- ▶ Ne nettoyez pas l'appareil à l'aide de brosses dures, de brosses métalliques, de détergents en poudre, d'essence, d'acétate d'amyle, d'acétone et de solutions organiques similaires, d'acides ou de solutions alcalines. Nettoyez-le avec un détergent spécial pour réfrigérateur afin d'éviter de l'endommager.
- ▶ Ne pulvérisez pas et ne rincez pas l'appareil pendant le nettoyage.
- ▶ N'utilisez pas de jet d'eau ou de vapeur pour nettoyer l'appareil.
- ▶ Ne nettoyez pas les clayettes froides en verre à l'eau chaude. Un changement soudain de température peut casser le verre.
- ▶ Ne touchez pas la surface intérieure du compartiment de l'appareil, en particulier avec les mains mouillées, car vos mains peuvent geler sur la surface.
- ▶ En cas de réchauffement, vérifiez l'état des produits surgelés.



- ▶ Gardez toujours le joint de la porte propre.
- ▶ Nettoyez l'intérieur et le bâti de l'appareil à l'aide d'une éponge imbibée d'eau tiède et de détergent neutre.
- ▶ 1. Veuillez frotter l'intérieur et l'extérieur du réfrigérateur, y compris le joint de porte, le balconnet, les clayettes en verre, les boîtes, etc., avec un torchon doux ou une éponge imbibée d'eau chaude (vous pouvez ajouter un détergent neutre dans l'eau chaude).
- ▶ 2. S'il y a du liquide renversé, retirez toutes les parties contaminées, rincez-les directement sous l'eau du robinet, séchez-les et remettez-les dans le réfrigérateur.
- ▶ 3. S'il y a de la crème (par exemple de la crème, de la crème glacée qui fond), retirez toutes les parties contaminées, placez-les dans de l'eau chaude à 40 °C pendant un certain temps, puis rincez-les à l'eau courante, séchez-les et remettez-les dans le réfrigérateur.
- ▶ 4. Si une petite pièce ou un élément reste coincé à l'intérieur du réfrigérateur (entre les clayettes ou les tiroirs), utilisez une petite brosse souple pour l'éliminer. Si vous ne pouvez pas atteindre la pièce, veuillez contacter le service clientèle Haier
- ▶ Rincez et séchez avec un chiffon doux.
- ▶ Ne nettoyez aucune des parties de l'appareil au lave-vaisselle.
- ▶ Attendez au moins 5 minutes avant de redémarrer l'appareil, car le démarrage fréquent risque d'endommager le compresseur.

Dégivrage

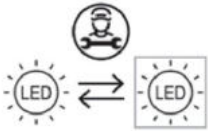
Le dégivrage des compartiments réfrigérateur et congélateur se fait automatiquement ; aucune opération manuelle n'est nécessaire.

Remplacement des lampes LED

AVERTISSEMENT !

Ne remplacez pas la lampe LED vous-même, elle ne doit être remplacée que par le fabricant ou l'agent de maintenance agréé.

Les lampes utilisent des LED comme source lumineuse, avec une faible consommation d'énergie et une longue durée de vie. En cas d'anomalie, veuillez contacter le service clientèle. Reportez-vous au paragraphe SERVICE CLIENTÈLE.



Source de lumière (LED uniquement) remplaçable par un professionnel.

Ce produit contient une source de lumière appartenant à la classe d'efficacité énergétique G.

Compartiment	Tension	Classe d'efficacité énergétique	Modèle
Réfrigérateur	12 V	G	HFKR5718DNGB

Non-utilisation pendant une période prolongée

Si l'appareil n'est pas utilisé pendant une période prolongée et que vous n'utiliserez pas la fonction Holiday pour le réfrigérateur :

- ▶ Sortez les aliments.
- ▶ Débranchez le cordon d'alimentation.
- ▶ Nettoyez l'appareil selon les instructions ci-dessus.
- ▶ Gardez les portes ouvertes pour éviter la formation de mauvaises odeurs à l'intérieur.

INFORMATION

N'éteignez l'appareil que si cela est strictement nécessaire.

Déplacement de l'appareil

1. Retirez tous les aliments et débranchez l'appareil.
2. Fixez les clayettes et les autres parties mobiles dans le réfrigérateur et dans le congélateur avec du ruban adhésif.
3. N'inclinez pas le réfrigérateur à plus de 45° pour éviter d'endommager le système de réfrigération.

AVERTISSEMENT !

- ▶ Ne soulevez pas l'appareil par ses poignées.
- ▶ Ne placez jamais l'appareil à l'horizontale sur le sol.

Vous pouvez résoudre de nombreux problèmes vous-même sans expertise spécifique. En cas de problème, veuillez vérifier toutes les possibilités indiquées et suivre les instructions ci-dessous avant de contacter un service clientèle. Reportez-vous au paragraphe SERVICE CLIENTÈLE.



AVERTISSEMENT !

- ▶ Avant l'entretien, désactivez l'appareil et débranchez la fiche secteur de la prise secteur.
- ▶ L'équipement électrique ne doit être entretenu que par des experts en électricité qualifiés, car des réparations inappropriées peuvent causer des dommages consécutifs considérables.
- ▶ Une alimentation endommagée ne devrait être remplacée que par le fabricant, son agent de maintenance ou des personnes avec une qualification similaire de manière à éviter tout danger.

Problème	Cause possible	Solution possible
Le compresseur ne fonctionne pas.	<ul style="list-style-type: none"> • La fiche secteur n'est pas branchée dans la prise secteur. • L'appareil est en cours de dégivrage. 	<ul style="list-style-type: none"> • Branchez la fiche secteur. • Ceci est normal pour un dégivrage automatique.
L'appareil fonctionne fréquemment ou fonctionne trop longtemps.	<ul style="list-style-type: none"> • La température intérieure ou extérieure est trop élevée. • L'appareil a été hors tension pendant un certain temps. • Une porte de l'appareil n'est pas bien fermée. • La porte a été ouverte trop fréquemment ou trop longtemps. • Le réglage de la température du compartiment congélateur est trop bas. • Le joint de la porte est sale, usé, fissuré ou ne correspond pas. • La circulation de l'air requise n'est pas garantie. 	<ul style="list-style-type: none"> • Dans ce cas, il est normal que l'appareil fonctionne plus longtemps. • Normalement, il faut 8 à 12 heures pour que l'appareil refroidisse complètement. • Fermez la porte/le tiroir et assurez-vous que l'appareil est situé sur un sol à niveau et qu'il n'y a pas d'aliment ou de récipient bloquant la porte. • N'ouvrez pas trop souvent la porte/le tiroir. • Réglez une température plus élevée jusqu'à l'obtention d'une température satisfaisante dans le réfrigérateur. Il faut 24 heures pour que la température du réfrigérateur devienne stable. • Nettoyez le joint de la porte/du tiroir ou faites-le remplacer par le service clientèle. • Assurez une ventilation adéquate.

Problème	Cause possible	Solution possible
L'intérieur du réfrigérateur est sale et/ou dégage une odeur.	<ul style="list-style-type: none"> • L'intérieur du réfrigérateur a besoin d'être nettoyé. • Des aliments à forte odeur sont conservés au réfrigérateur. 	<ul style="list-style-type: none"> • Nettoyez l'intérieur du réfrigérateur. • Enveloppez soigneusement les aliments.
Il ne fait pas suffisamment froid à l'intérieur de l'appareil.	<ul style="list-style-type: none"> • La température réglée est trop élevée. • Des produits trop chauds ont été stockés. • Trop d'aliments ont été mis à l'intérieur en même temps. • Les aliments sont trop proches les uns des autres. • Une porte/un tiroir de l'appareil n'est pas bien fermé(e). • La porte/le tiroir a été ouvert(e) trop fréquemment ou trop longtemps. 	<ul style="list-style-type: none"> • Réinitialisez la température. • Laissez toujours refroidir les aliments avant de les mettre à l'intérieur. • Conservez toujours de petites quantités d'aliments. • Laissez de la place entre plusieurs aliments pour permettre la circulation de l'air. • Fermez la porte/le tiroir. • N'ouvrez pas trop souvent la porte/le tiroir.
Il fait trop froid à l'intérieur de l'appareil.	<ul style="list-style-type: none"> • La température réglée est trop basse. • La fonction Super Frz/Super Cool est activée ou fonctionne trop longtemps. 	<ul style="list-style-type: none"> • Réinitialisez la température. • Éteignez la fonction Super Frz/Super Cool.
Formation d'humidité à l'intérieur du compartiment réfrigérateur.	<ul style="list-style-type: none"> • Le climat est trop chaud et trop humide. • Une porte/un tiroir de l'appareil n'est pas bien fermé(e). • La porte/le tiroir a été ouvert(e) trop fréquemment ou trop longtemps. • Les récipients contenant des aliments ou des liquides sont laissés ouverts. 	<ul style="list-style-type: none"> • Augmentez la température. • Fermez la porte/le tiroir. • N'ouvrez pas trop souvent la porte/le tiroir. • Laissez refroidir les aliments chauds à température ambiante et couvrez les aliments et les liquides.
L'humidité s'accumule sur le réfrigérateur à l'extérieur de la surface ou entre les portes / la porte et le tiroir.	<ul style="list-style-type: none"> • Le climat est trop chaud et trop humide. • La porte n'est pas fermée hermétiquement. L'air froid de l'appareil et l'air chaud à l'extérieur de celui-ci se condense. 	<ul style="list-style-type: none"> • C'est normal dans un climat humide et cela va changer lorsque l'humidité diminuera. • Assurez-vous que la porte/le tiroir est bien fermé(e).

Problème	Cause possible	Solution possible
Glace dure et givre dans le compartiment congélateur.	<ul style="list-style-type: none"> • Les produits n'ont pas été correctement emballés. • Une porte/un tiroir de l'appareil n'est pas bien fermé(e). • La porte/le tiroir a été ouvert(e) trop fréquemment ou trop longtemps. • Le joint de la porte/du tiroir est sale, usé, fissuré ou ne correspond pas. • Quelque chose à l'intérieur empêche la porte / le tiroir de se fermer correctement. 	<ul style="list-style-type: none"> • Emballez toujours bien les produits. • Fermez la porte/le tiroir. • N'ouvrez pas trop souvent la porte/le tiroir. • Nettoyez le joint de la porte/du tiroir ou remplacez-les par des joints neufs. • Repositionnez les clayettes, les balconnets de porte ou les récipients à l'intérieur pour permettre à la porte/au tiroir de se fermer.
Les côtés de l'appareil et de la bande de la porte se réchauffent.	<ul style="list-style-type: none"> • - 	<ul style="list-style-type: none"> • Cela est normal.
L'appareil émet des sons anormaux.	<ul style="list-style-type: none"> • L'appareil n'est pas situé sur un sol plan. • L'appareil touche un objet situé à proximité. 	<ul style="list-style-type: none"> • Réglez les pieds pour mettre l'appareil à niveau. • Retirez les objets autour de l'appareil.
Un léger son doit être entendu comme celui de l'eau courante.	<ul style="list-style-type: none"> • - 	<ul style="list-style-type: none"> • Cela est normal.
Un bip d'alarme retentit.	<ul style="list-style-type: none"> • La porte du compartiment de rangement du réfrigérateur est ouverte. 	<ul style="list-style-type: none"> • Fermez la porte.
Vous entendrez un petit « hum ».	<ul style="list-style-type: none"> • Le système anti-condensation fonctionne. 	<ul style="list-style-type: none"> • Cela empêche la condensation et c'est normal.
Le système d'éclairage ou de refroidissement à l'intérieur ne fonctionne pas.	<ul style="list-style-type: none"> • La fiche secteur n'est pas branchée dans la prise secteur. • L'alimentation n'est pas intacte. • La lampe LED est hors service. 	<ul style="list-style-type: none"> • Branchez la fiche secteur. • Vérifiez l'alimentation électrique de la pièce. Appelez la société d'électricité locale ! • Veuillez appeler le service technique pour faire changer la lampe.

Pour contacter l'assistance technique, visitez notre site web :
<https://corporate.haier-europe.com/en/>

Dans la rubrique « site web », choisissez la marque de votre produit et votre pays. Vous serez redirigé vers le site web spécifique où vous trouverez le numéro de téléphone et le formulaire pour contacter l'assistance technique.

Coupure de courant

En cas de coupure de courant, les aliments devraient rester froids en toute sécurité pendant 5 heures environ. Suivez ces conseils pendant une coupure de courant prolongée, en particulier en été :

- ▶ Ouvrez la porte/le tiroir le moins possible.
- ▶ Ne mettez pas d'aliments supplémentaires dans l'appareil pendant une coupure de courant.
- ▶ Si un préavis de coupure de courant est donné et que la durée de la coupure est supérieure à 5 heures, préparez des glaçons et placez-les dans un récipient en haut du compartiment réfrigérateur.
- ▶ Une inspection des produits est requise immédiatement après la coupure de courant.
- ▶ Étant donné que la température du réfrigérateur augmentera lors d'une coupure de courant ou d'une autre panne, la durée de conservation et la qualité alimentaire des aliments seront réduites. Tout aliment décongelé doit être consommé ou cuit et recongelé (le cas échéant) peu de temps après afin de prévenir les risques pour la santé.

Fonction mémoire pendant la coupure de courant

Lorsque le courant revient, l'appareil continue à fonctionner avec les réglages réglés avant la panne de courant.

Déballage



AVERTISSEMENT !

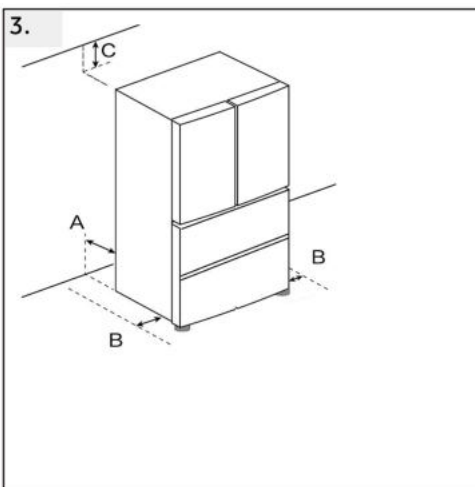
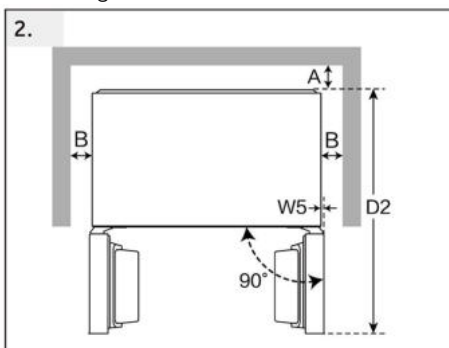
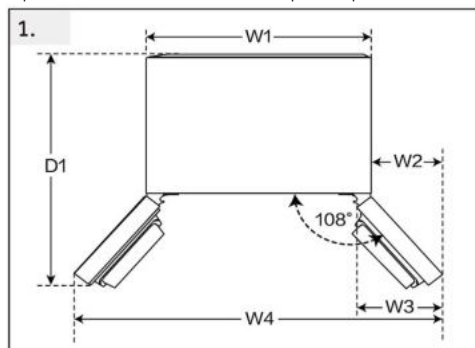
- ▶ L'appareil est lourd. Manipulez-le toujours avec au moins deux personnes.
- ▶ Conservez tous les emballages hors de la portée des enfants, puis jetez-les d'une manière respectueuse de l'environnement.
- ▶ Sortez l'appareil de l'emballage.
- ▶ Retirez tous les matériaux d'emballage.

Conditions environnementales

La température ambiante doit toujours être comprise entre 10 °C et 43 °C, car elle peut influencer sur la température à l'intérieur de l'appareil et sa consommation d'énergie. N'installez pas l'appareil à proximité d'autres appareils générant de la chaleur (fours, réfrigérateurs) sans isolation.

Espace recommandé

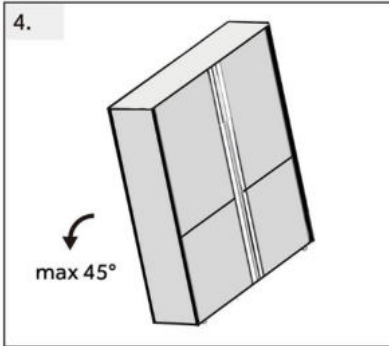
Espace recommandé lorsque la porte est ouverte (Fig. 1.2.)



(unité : mm)		HFKR5718DNGB	
Largeur	W1	700	
	W2	115	
	W3	368	
	W4	930	
	W5	0	
	W	700	
		D1	910
	D2	918	
	D	594	
Distance par rapport à la paroi arrière		A	6
Distance par rapport aux murs latéraux		B	4
Distance par rapport au plafond		C	9
Hauteur totale		H	1850

Coupe transversale de ventilation

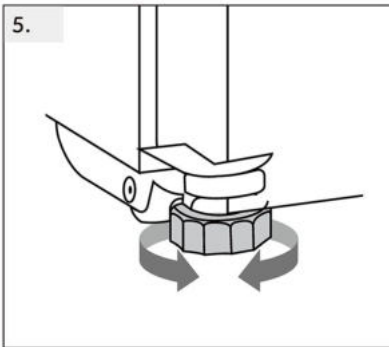
Pour obtenir une ventilation suffisante de l'appareil pour des raisons de sécurité, il convient de respecter les informations relatives aux coupes transversales de ventilation requises.



Alignement de l'appareil (Fig. 4.5.6.)

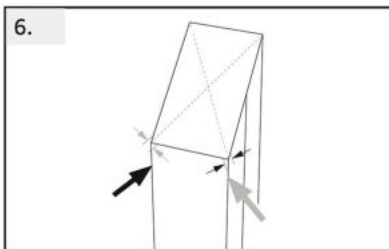
L'appareil doit être placé sur une surface plane et solide.

4. Inclinez le réfrigérateur légèrement vers l'arrière.



5. Réglez les pieds au niveau souhaité.

Assurez-vous que la distance entre le mur et le côté de la charnière est d'au moins 100 mm pour que la porte s'ouvre correctement.



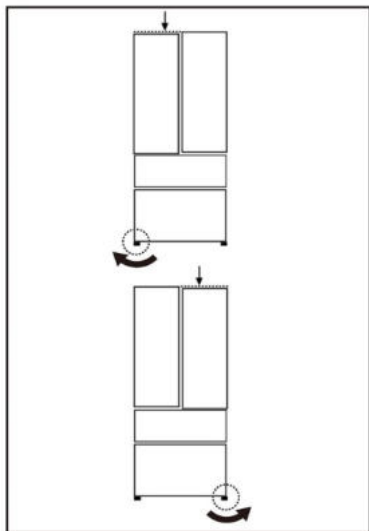
6. La stabilité peut être vérifiée en alternant les diagonales. Le léger flottement doit être le même dans les deux directions. Dans le cas contraire, le cadre peut se déformer : cela se traduit par des fuites au niveau des joints de la porte.

Une faible tendance vers l'arrière facilite la fermeture des portes.



INFORMATION

Pour un appareil en pose libre : cet appareil de réfrigération n'est pas destiné à être utilisé comme un appareil encastré

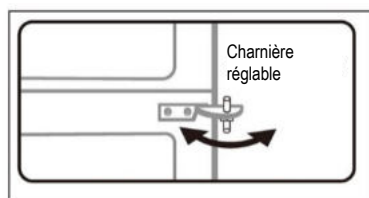


Réglage fin des portes

Si les portes ne se retrouvent pas au même niveau, vous pouvez y remédier de la manière suivante :

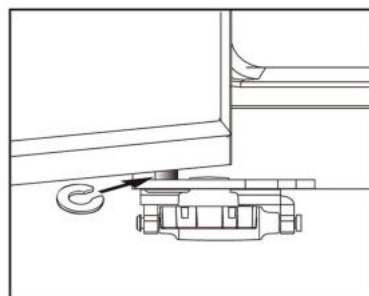
En utilisant un pied réglable

Faites tourner le pied réglable selon le sens de la flèche pour faire tourner le pied vers le haut ou vers le bas.



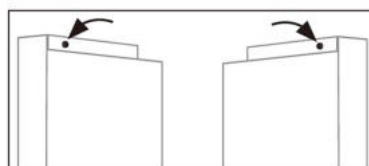
Ajustement de la position de la porte

- ▶ Lorsque les deux portes ne sont pas à la même hauteur, il est possible d'affiner le réglage des charnières réglables à l'aide de la clé jointe pour mettre les deux portes de niveau. Ne l'installez pas brutalement afin d'éviter les rayures ou les bosses sur la garniture de la porte.



En utilisant des entretoises

- ▶ Ouvrez la porte du congélateur et soulevez-la.
- ▶ Clipsez avec précaution l'entretoise (fournie dans le sac d'accessoires) dans l'axe de la charnière inférieure à la main ou à l'aide d'outils comme des pinces. Ne rayez pas et n'abîmez pas la porte.

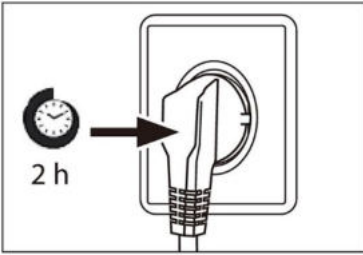


Utilisation du bouton de réglage

- ▶ Si la porte du compartiment réfrigérateur n'est pas à niveau, vous pouvez tourner le bouton de réglage situé sur la partie supérieure de la porte pour effectuer des ajustements précis.

i INFORMATION

Dans l'utilisation future du réfrigérateur, les portes peuvent se retrouver désalignées à cause du poids des aliments stockés. Veuillez ensuite les ajuster selon les méthodes ci-dessus.

**Temps d'attente**

L'huile de lubrification sans entretien se trouve dans la capsule du compresseur. Cette huile peut passer par le système fermé de tuyauterie pendant le transport incliné. Avant de brancher l'appareil sur l'alimentation électrique, attendez au moins 2 heures afin que l'huile revienne dans la capsule.

Branchement électrique

Avant chaque branchement, vérifiez si :


- ▶ l'alimentation, la prise et le fusible sont adaptés à la plaque signalétique.
- ▶ La prise de courant est mise à la terre et sans multiprise ni rallonge.
- ▶ la fiche d'alimentation et la prise sont adaptées l'une à l'autre.

Branchez la fiche sur une prise domestique correctement installée.

! AVERTISSEMENT !

Pour éviter tout risque, un câble d'alimentation endommagé doit être remplacé par le service à la clientèle (voir carte de garantie).

Fiche du produit selon la réglementation UE n° 2019/2016

Marque	Haier
Nom du modèle/identifiant	HFKR5718DNGB
Catégorie du modèle	Réfrigérateur- congélateur
Classe d'efficacité énergétique	D
Consommation d'énergie annuelle (kWh/an)(1)	226
Volume total (L)	402
Volume du réfrigérateur (L)	227
Volume du congélateur (L)	147
Volume du compartiment fraîcheur (L)	28
Nombre d'étoiles	
Système de dégivrage	Oui
Capacité de congélation (kg/24h)	10,0
Classe climatique (2)	SN-N-ST-T
Classe d'émission de bruit et émissions acoustiques dans l'air (db(A) re 1pW)	B (35)
Temps de montée en température (h)	8
Type d'appareil	Autonome

Explications :

• Oui, fonction présente

- (1) Sur la base des résultats de l'essai de conformité aux normes pendant plus de 24 heures. La consommation réelle dépend de l'utilisation et de l'emplacement de l'appareil.
- (2) Classe climatique SN : cet appareil est destiné à être utilisé à une température ambiante comprise entre +10 °C et +32 °C
Classe climatique N : cet appareil est destiné à être utilisé à une température ambiante comprise entre +16 °C et +32 °C
Classe climatique ST : cet appareil est destiné à être utilisé à une température ambiante comprise entre +16 °C et +38 °C
Classe climatique T : cet appareil est destiné à être utilisé à une température ambiante comprise entre +16 °C et +43 °C

Données techniques supplémentaires

Tension / Fréquence	220-240 V ~/50 Hz
Courant d'entrée (A)	1,8
Fusible principal (A)	15
Réfrigérant	R600a
Dimensions (H/L/P en mm)	1850/700/594

Nous recommandons notre Service Clientèle Haier et l'utilisation de pièces détachées d'origine.

Si vous rencontrez un problème avec votre appareil, veuillez d'abord consulter le paragraphe DÉPANNAGE.

Si vous ne trouvez pas de solution, veuillez contacter

votre revendeur local ou

notre centre de service d'appel européen (voir les numéros de téléphone ci-dessous) ou

l'espace Service & Assistance à l'adresse www.haier.com où vous pouvez activer la demande de service et trouver également les FAQ.

Pour contacter notre Service, assurez-vous que vous disposez des données suivantes. Les informations se trouvent sur la plaque signalétique.

Modèle _____

N° de série _____

Vérifiez également la carte de garantie fournie avec le produit en cas de garantie.

Centre de service d'appel européen		
Pays*	Numéro de téléphone	Coûts
Haier Italy (IT)	199 100 912	
Haier Spain (ES)	902 509 123	
Haier Germany (DE)	0180 5 39 39 99	<ul style="list-style-type: none"> • 14 centimes/min ligne fixe • max 42 centimes/min mobile
Haier Austria (AT)	0820 001 205	<ul style="list-style-type: none"> • 14,53 centimes/min ligne fixe • max 20 centimes/min pour tous les autres
Haier United Kingdom (UK)	0333 003 8122	
Haier France (FR)	0980 406 409	

* Pour d'autres pays, veuillez vous référer à www.haier.com

Haier Europe Trading S.r.l

Filiale Royaume-Uni

Westgate House, Westgate, Ealing

Londres, W5 1YY

*Durée de la garantie de l'appareil de réfrigération :

La garantie minimale est : 2 ans pour les pays de l'UE, 3 ans pour la Turquie, 1 an pour le Royaume-Uni, 1 an pour la Russie, 3 ans pour la Suède, 2 ans pour la Serbie, 5 ans pour la Norvège, 1 an pour le Maroc, 6 mois pour l'Algérie, aucune garantie légale pour la Tunisie.

*La période des pièces détachées pour la réparation de l'appareil :

Les thermostats, les capteurs de température, les circuits imprimés et les sources de lumière sont disponibles pendant une période minimale de sept ans après la mise sur le marché de la dernière unité du modèle.

Poignées de porte, charnières de porte, bacs et paniers pendant une période minimale de sept ans et joints de porte pendant une période minimale de 10 ans, après la mise sur le marché de la dernière unité du modèle.

*Pour plus d'informations sur le produit, consultez <https://eprel.ec.europa.eu/> ou scannez le code QR sur l'étiquette énergétique fournie avec l'appareil.

<u>221 Biztonsági információk</u>	•	<u>Első használat előtt</u>	<u>222</u>
		<u>Telepítés</u>	<u>222</u>
		<u>Napi használat</u>	<u>223</u>
<u>226 Rendeltetésszerű használat</u>	•		
<u>227 Termékleírás</u>	•		
<u>228 Vezérlőpult</u>	•		
<u>229 Használat</u>	•	<u>Panel zárolása/feloldása</u>	<u>229</u>
		<u>ECO MÓD</u>	<u>230</u>
		<u>Hűtőszekrény hőmérsékletének a beállítása</u>	<u>231</u>
		<u>Fagyasztó hőmérsékletének a beállítása</u>	<u>231</u>
		<u>Magic Zone funkció</u>	<u>231</u>
		<u>Super Cool funkció</u>	<u>233</u>
		<u>Super Frz funkció</u>	<u>234</u>
		<u>Holiday funkció</u>	<u>235</u>
<u>236 Berendezés</u>	•		
<u>239 Energiatakarékossági tippek</u>	•		
<u>240 Ápolás és tisztítás</u>	•		
<u>242 Hibaelhárítás</u>	•		
<u>246 Telepítés</u>	•		
<u>249 Műszaki adatok</u>	•		
<u>251 Ügyfélszolgálat</u>	•		

Köszönjük, hogy Haier terméket vásárolt.

A készülék használata előtt olvassa el figyelmesen ezeket az utasításokat. Az utasítások fontos információkat tartalmaznak, amelyek segítenek abban, hogy a lehető legtöbbet hozza ki a készülékből, és szavatolják a biztonságos és megfelelő telepítést, használatot és karbantartást.

Tartsa ezt a kézikönyvet könnyen elérhető helyen, hogy bármikor fellapozhassa a készülék biztonságos és megfelelő használatához.

Ha eladja a készüléket, elajándékozza, vagy a lakásban hagyja költözéskor, győződjön meg arról, hogy ezt a kézikönyvet is átadja, hogy az új tulajdonos megismerhesse a készüléket és a biztonsági figyelmeztetéseket.

Tartozékok

Ellenőrizze a tartozékokat és a szakirodalmat ennek a listának megfelelően:



Energiacímke



Jótállási jegy



Felhasználói kézikönyv
„OK” matrica



Gyors útmutató



FIGYELMEZTETÉS - Fontos biztonsági információk



MEGJEGYZÉS - Általános információk és tippek



Környezetvédelmi információk

Ártalmatlanítás



Járuljon hozzá a környezet és az emberi egészség védelméhez. Az újrahasznosítás érdekében a csomagolást a megfelelő hulladéktárolóba selejtezze ki. Járuljon hozzá az elektromos és elektronikus berendezések hulladékainak az újrahasznosításához. Ne a háztartási hulladékkal együtt dobja ki az ezzel a szimbólummal jelölt készülékeket. Vigye vissza a terméket a helyi újrahasznosító létesítménybe, vagy vegye fel a kapcsolatot a helyi hivatallal.



FIGYELMEZTETÉS!

Sérülés vagy fulladás veszélye!

A hűtőközegeket és a gázokat szakszerűen kell ártalmatlanítani. Győződjön meg a hűtőkör csövének a sértetlenségéről, mielőtt megfelelően ártalmatlanítaná. Válassza le a készüléket a hálózati tápellátásról. Vágja el a hálózati kábelt és selejtezze ki. Távolítsa el a tálcákat és fiókokat, valamint az ajtóreteszt és a tömitéseket, hogy megakadályozza a gyermekek és háziállatok bezáródását a készülékbe.

A készülék első bekapcsolása előtt olvassa el a következő biztonsági tanácsokat:



FIGYELMEZTETÉS!

Első használat előtt

- ▶ Győződjön meg arról, hogy szállítás során a termék nem sérült.
- ▶ Távolítsa el az összes csomagolóanyagot, és tartsa gyermekektől elzárva.
- ▶ A készülék telepítése előtt várjon legalább két órát a hűtőkör teljes hatékonyságának biztosítása érdekében.
- ▶ Mivel a készülék nehéz, mindig legalább két személy szükséges a kezeléséhez vagy mozgatásához.

Telepítés

- ▶ A készüléket jól szellőző helyre telepítse. Biztosítson legalább 10 cm-es helyet a készülék felett és körül.
- ▶ Soha ne helyezze a készüléket nedves területre vagy olyan helyre, ahol víz fröccsenhet rá. A vízfröccsenéseket és a foltokat törölje le és szárazra puha, tiszta törülközővel.
- ▶ Ne szerelje be a készüléket közvetlen napsugárzásnak kitett helyre vagy hőforrások (pl. kályhák, fűtőberendezések) közelébe.
- ▶ A méretének és felhasználásnak megfelelő helyre szerelje be és állítsa szintbe a készüléket.
- ▶ A berendezésen vagy a beépített szerkezetben a szellőzőnyílásokat ne takarja el.
- ▶ Bizonyosodjon meg arról, hogy az adattáblán olvasható elektromos jellemzők megfelelnek az elérhető tápellátás jellemzőinek. Ellenkező esetben forduljon villanszerelőhöz.
- ▶ A készülék 220–240 V váltóáramú, 50 Hz-es tápellátást igényel. A rendellenes feszültség-ingadozás nyomán előfordulhat, hogy a készülék nem indul be, károsodhat a hőmérséklet-vezérlő vagy a kompresszor, illetve működés során rendellenes zaj jelentkezhet. Hasonló esetben szereljen fel automatikus feszültség szabályozót.
- ▶ Ne használjon többdugós adaptereket és hosszabbító kábeleket.
- ▶ Ne helyezzen több hordozható csatlakozót vagy hordozható tápegységet a berendezés mögé.
- ▶ Ügyeljen arra, hogy a tápkábel ne szoruljon a hűtőberendezés alá. Ne lépjen a tápkábelre.



FIGYELMEZTETÉS!

- ▶ A tápegységhez külön földelt aljzatot használjon, amely könnyen hozzáférhető. A készülék mindenképpen földelésre szorul.
- ▶ Csak az Egyesült Királyság esetén: A készülék tápkábele 3 érintkezős (földeléses) dugasszal rendelkezik, amelyik szabványos 3 érintkezős (földeléses) aljzathoz illeszkedik. Soha ne vágja le vagy távolítsa el a harmadik érintkezőt (földelést). A készülék beszerelését követően a dugasznak hozzáférhetőnek kell maradnia.
- ▶ Ne okozza a hűtőközeg kör sérülését.

Napi használat

- ▶ A berendezést 8 évnél idősebb gyermekek vagy csökkent fizikai, érzékszervi vagy mentális képességű, vagy tapasztalattal és ismerettel nem rendelkező személyek akkor használhatják, ha felügyelet alatt állnak vagy ha megfelelő utasításokkal látták el őket a berendezés biztonságos használatát illetően, és megértették a használatból eredő veszélyeket.
- ▶ A 3 és 8 év közötti gyermekek be- és kirakodhatják a hűtőkészülékeket, de a hűtőkészülékek tisztítását és szerelését nem végezhetik. Tartsa távol a 3 évesnél fiatalabb gyermekeket a készüléktől, kivéve, ha biztosítja a folyamatos felügyeletet.
- ▶ Gyermekek nem játszhatnak a berendezéssel.
- ▶ Ha hűtőgáz vagy egyéb gyúlékony gáz szivárog a készülék közelében, zárja el a szivárgó gáz szelepét, nyissa ki az ajtókat és ablakokat, és ne húzza ki a hűtőszekrény/fagyasztó vagy más készülék tápkábelének a dugaszát.
- ▶ Vegye figyelembe, hogy a készülék 10 és 43 °C közötti környezeti hőmérsékletben való működésre készült. Előfordulhat, hogy a készülék nem működik megfelelően, ha hosszabb ideig a jelzett tartomány feletti vagy alatti hőmérsékleten üzemel.
- ▶ Ne helyezzen instabil cikkeket (nehéz tárgyakat, vízzel teli edényeket) a hűtőberendezés tetejére, elkerülve így a személyi sérüléseket, amiket ezen tárgyak leesése vagy a vízzel való érintkezés nyomán bekövetkező áramütés okozhat.
- ▶ Ne húzza meg az ajtópolcokat. Az ajtó elferdülhet, kihúzhatja a helyéről a palacktartót, vagy a készülék felborulhat.
- ▶ Az ajtók nyitását vagy becsukását kizárólag a fogantyúkkal végezze. Az ajtók közötti, ill. az ajtó és a szekrény közötti rés nagyon szűk. Ne nyújtsa a kezét ezekre a területekre, mivel az ujjai becsípődhetnek. Csak akkor nyissa ki vagy csukja be a hűtőszekrény ajtaját, ha nem állnak gyermekek az ajtó mozgási tartományán belül.



FIGYELMEZTETÉS!

- ▶ Ne tároljon, ill. használjon gyúlékony, robbanásveszélyes vagy maró hatású anyagokat a készülékben vagy a közelében.
- ▶ A készülékben ne tároljon gyógyszereket, baktériumokat vagy vegyszereket. Ez a készülék háztartási készülék. Nem javasoljuk olyan anyagok tárolását, amelyek szűk hőmérséklet-tartományban tárolhatók.
- ▶ Soha ne tároljon folyadékokat palackokban vagy kannákban (magas alkoholtartalmú italok kivételével), különösen szénsavas italokat a fagyasztóban, mert ezek szétrobbannak fagyasztás közben.
- ▶ Ellenőrizze az élelmiszer állapotát, ha a fagyasztóban felmelegedett a hőmérséklet.
- ▶ Ne állítson be szükségtelenül alacsony hőmérsékletet a hűtőrekeszben. Magas teljesítménybeállítások esetén mínusz fokok alakulhatnak ki. Figyelem: A palackok szétrobbanhatnak
- ▶ Ne nyúljon fagyott tárgyakhoz nedves kézzel (viseljen kesztyűt). Különösen ne egyen jeges nyalókát közvetlenül a fagyasztóból való kivétel után. Fennáll a fagysérülések vagy a hólyagok kialakulásának veszélye. **ELSŐSEGÉLYNYÚJTÁS:** tartsa a sérülést azonnal folyó hideg víz alá. Ne húzza el!
- ▶ Működés közben ne érintse meg a fagyasztórekesz belső felületét, különösen nedves kézzel, mert a keze a felülethez fagyhat.
- ▶ Áramszünet esetén vagy tisztítás előtt húzza ki a készüléket az aljzatból. A készülék újraindítása előtt várjon legalább 7 percet, mivel a készülék gyakori indítása során károsodhat a kompresszor.
- ▶ Ne használjon elektromos készülékeket a berendezés élelmiszer tároló rekeszében, kivéve a gyártó által jóváhagyott típust. Karbantartás / tisztítás
- ▶ Gondoskodjon a gyermekek felügyeletéről, ha tisztítást vagy karbantartást végeznek.
- ▶ A rutinszerű karbantartás megkezdése előtt húzza ki a készüléket a villanyhálózatból. A készülék újraindítása előtt várjon legalább 7 percet, mivel a készülék gyakori indítása során károsodhat a kompresszor.



FIGYELMEZTETÉS!

- ▶ A készülék aljzatból való leválasztásakor ne a kábelt, hanem a csatlakozódugót húzza.
- ▶ Ne tisztítsa a készüléket keménysörtés kefével, drótkefével, mosóporral, benzinnel, amil-acetáttal, acetonnal és hasonló szerves oldatokkal, valamint savas vagy lúgos oldatokkal. A károsodások elkerülése érdekében a hűtőszekrény tisztítását speciális, adott célra kialakított tisztítószerrel végezze.
- ▶ Ne kaparja le a fagyot és a jeget éles tárgyakkal. A műanyag alkatrészek károsodásának elkerülése érdekében ne használjon spray-t, elektromos hevítő berendezést, például fűtőberendezést, hajszárítót, gőztisztítót vagy más hőforrást.
- ▶ A kiolvasztási folyamat felgyorsításához csak a gyártó által javasolt mechanikai berendezéseket vagy egyéb eszközöket használja.
- ▶ Ha a tápkábel megsérül, a veszély elkerülése érdekében cseréltesse ki a gyártóval, a gyártó szervizközpontjával vagy más szakemberrel.
- ▶ Ne tegyen kísérletet a készülék saját kezű javítására, szétszerelésére vagy módosítására. Javítás szükségessége esetén vegye fel a kapcsolatot az ügyfélszolgálatunkkal.
- ▶ Évente legalább egyszer távolítsa el a port a készülék hátoldaláról, így elkerülve a tűzveszélyt, valamint a megnövekedett energiafogyasztást.
- ▶ Tisztítás közben ne permetezze vagy öblítse le a készüléket.
- ▶ Ne használjon vízpermetet vagy gőzt a készülék tisztításához.
- ▶ A hideg üvegpalcokat ne tisztítsa forró vízzel. A hirtelen hőmérséklet-változás nyomán az üveg megrepedhet.

Gázalapú hűtőközre vonatkozó információk



FIGYELMEZTETÉS!

A készülék gyúlékony IZOBUTAN (R600a) hűtőközeget tartalmaz. Győződjön meg arról, hogy a hűtőközeg köre nem sérült meg szállítás vagy beszerelés közben. A szivárgó hűtőközeg szemsérülést okozhat, vagy bellobbanhat. Sérülés esetén tartsa távol a tűzforrásokat, szellőztesse ki alaposan a helyiséget, ne csatlakoztassa, vagy húzza ki a készülék vagy egyéb készülék tápkábelét. Tájékoztassa az ügyfélszolgálatot.

Ha a hűtőközeg szembe kerül, akkor azonnal öblítse ki folyó víz alatt, és azonnal forduljon szemész szakorvoshoz.

Rendeltetészerű használat

Ez a készülék élelmiszerek hűtésére és fagyasztására szolgál. Kizárólag háztartási és hasonló alkalmazásokra tervezték, mint például az üzletek, irodák és egyéb munkakörnyezetek személyzeti konyháinak területei; tanyasi házakban és szállodák, motelek és egyéb lakókörnyezetben, valamint panziós és vendéglátóipari vállalkozásokban való használatra ügyfelek számára. Tervezéséből adódóan nem alkalmas kereskedelmi vagy ipari használatra.

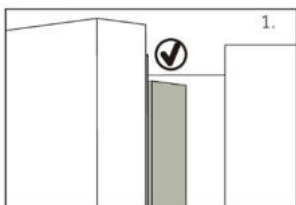
A készüléken változtatások vagy módosítások végrehajtása nem megengedett. A nem rendeltetészerű használat veszélyeket eredményezhet, illetve a szavatossági igények érvénytelenítésével járhat.

Szabványok és irányelvek

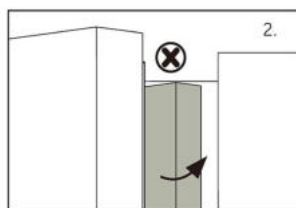
A termék megfelel az összes vonatkozó EK irányelvben meghatározott követelménynek, illetve a vonatkozó harmonizált szabványoknak, amelyek alapján megilleti a CE- és az UKCA-jelölés.



VIGYÁZAT!



Amikor becsukja az ajtót, a bal oldali ajtó függőleges szalagjának belül be kell hajlania (1).

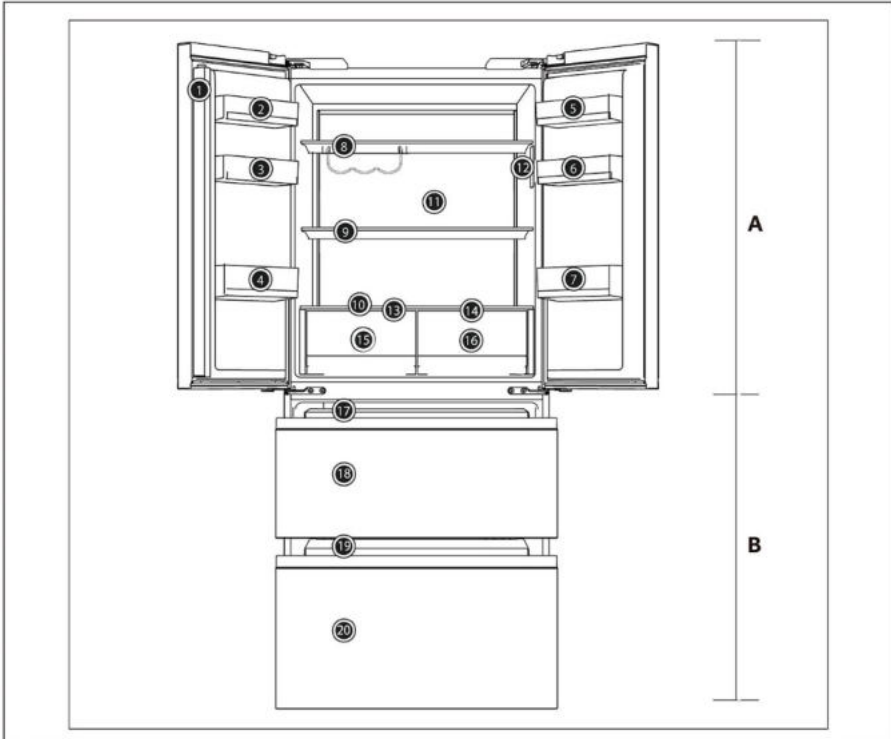


Ha megpróbálja becsukni a bal ajtót, és a függőleges ajtószalag nincs meghajolva (2), először hajlítsa meg, ellenkező esetben az ajtószalag a rögzítő tengelynek vagy a jobb ajtónak ütközik. Ez az ajtó csúszását vagy szivárgást eredményezhet.

A keretben található egy fűtőszál. A felület hőmérséklete egy kicsit emelkedni fog, ami normális, és nem befolyásolja a készülék működését.

i MEGJEGYZÉS

A műszaki módosítások és különböző modellek miatt előfordulhat, hogy a kézikönyvben látható egyes ábrák eltérőek az Ön modelljéhez képest.



A: Hűtőtér

- 1 Ajtó tartószelvény
- 2 Palacktartó (bal felső)
- 3 Palacktartó (bal középső)
- 4 Palacktartó (bal alsó)
- 5 Palacktartó (jobb felső)
- 6 Palacktartó (jobb középső)
- 7 Palacktartó (jobb alsó)
- 8 Üvegpól
- 9 Üvegpól
- 10 Fiókfedel polc
- 11 Hátsó lámpa
- 12 Kijelzőpanel
- 13 Activefresh fiók fedele

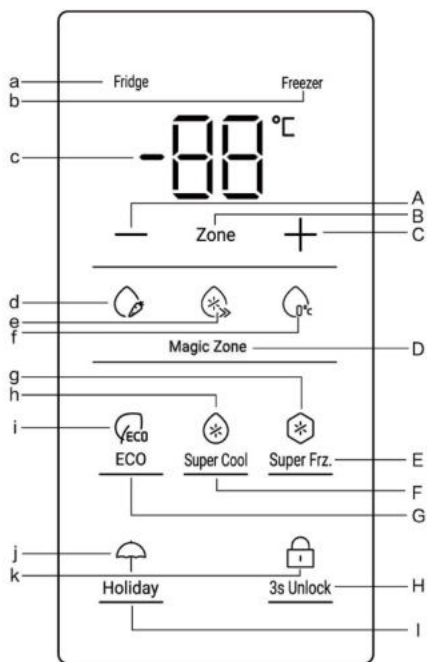
14 Magic fiók fedele

- 15 Activefresh fiók
- 16 Magic fiók

B: Fagyasztó rekesz

- 17 Csúsztálca
- 18 Felső fagyasztófiók
- 19 Csúsztálca
- 20 Alsó fagyasztófiók

Vezérlőpanel



Gombok:

- A Hőmérséklet csökkentő gomb
- B Hűtő és fagyasztó hőmérséklet mód váltógomb
- C Hőmérséklet emelő gomb
- D Magic zone mód átkapcsolás
- E Super Frz. funkcióválasztó
- F Super-Cool funkcióválasztó
- G ECO funkcióválasztó
- H Kijelzőpanel zárolása/feloldása
- I Holiday funkcióválasztó

Jelzőfények:

- a Hűtő visszajelző
- b Fagyasztó visszajelző
- c Hőmérséklet hűtő- és fagyasztórekesz
- d Fruit&Veg. funkció
- e Cool Drink funkció
- f 0°C Fresh funkció
- g Super Frz. funkció
- h Super Cool funkció
- i ECO funkció
- j Holiday funkció
- k Kijelzőpanel zár/feloldás funkció

Első használat előtt

- ▶ Távolítsa el minden csomagolóanyagot, tartsa azokat gyermekektől elzárva, kiselejtezésüket pedig környezetbarát módon végezze.
- ▶ Tisztítsa meg a készülék belsejét és külsejét vízzel és kíméletes tisztítószerrel, mielőtt bármilyen ételt tenne bele.
- ▶ A készülék szintbeállítását és tisztítását követően várjon legalább 2–5 órát, mielőtt csatlakoztatná a tápellátáshoz. Lásd a TELEPÍTÉS részt.
- ▶ Az étellel való feltöltés előtt hűtse le a rekeszeket magas beállítások alkalmazásával. A Super Frz. funkció elősegíti a rekeszek gyors lehűtését.
- ▶ A hűtőrekesz, illetve a fagyasztó hőmérséklete gyári alapbeállítás szerint automatikusan 5 °C és -18 °C. Ezek a javasolt beállítások. Ha kívánja, ezeket a hőmérsékleteket módosíthatja manuálisan. Kérjük, olvassa el a KÉZI BEÁLLÍTÁSI MÓD részt.

Érintésérzékeny gombok

A vezérlőpulton található gombok érintésérzékenyek, és már akkor reagálnak, ha enyhén megérinti az ujjával.

A készülék be- és kikapcsolása

A készülék működésbe lép, amint csatlakoztatja a tápellátáshoz.

A hűtőszekrény első bekapcsolásakor a „c” jelzés (hőmérséklet kijelző) világít.

A hűtőrekesz, illetve a fagyasztó hőmérséklete gyári alapbeállítás szerint automatikusan 5 °C és -18 °C. A „d” visszajelző (Fruit&Veg.) világít.

A kijelzőpanel az ajtó becsukása után azonnal kikapcsol

MEGJEGYZÉS

1. A készülék alapbeállítása gyárilag az ajánlott 5 °C (hűtőszekrény) és -18 °C (fagyasztó) hőmérséklet. Normál környezeti feltételek mellett nem kell módosítania a hőmérsékletet.
2. A Magic Zone fiók előzetes beállítása a Fruit&Veg. funkció.
3. Amikor a készüléket visszakapcsolja a hálózati tápellátásról való leválasztás után, akár 12 órát is igénybe vehet a megfelelő hőmérséklet elérése.

A kikapcsolás előtt ürítse ki a készüléket. A készülék kikapcsolásához húzza ki a tápkábel dugaszát az aljzatból.

Panel zárolása/feloldása

Automatikus zárolás: Amikor a hűtőszekrény ajtaja és a fagyasztó ajtaja becsukódik, a kijelző automatikusan kialszik és lezáródik.

Kézi feloldás: A kijelző zárolása után nyomja meg a „H” gombot (3s Unlock), és tartsa lenyomva 3 másodpercig, a hangjelzés egyszer megszólal, a „k” jelzőfény (Vezérlőpult zárolása) kikapcsol, és ezzel kikapcsolja a kijelző zárolását.



Kézi lezárás: A kijelző feloldása után nyomja meg a „H” gombot (3s Unlock), és tartsa lenyomva 3 másodpercig, a hangjelzés egyszer megszólal, a „k” jelzőfény (Vezérlőpult zárolása) világításba kezd, ekkor a kijelző zárolva van.



MEGJEGYZÉS

A kijelzőpanel minden ajtónyitáskor le van zárva. Bármilyen beállításhoz a vezérlőpanelt ki kell nyitni.

Nyitott ajtó riasztás

Amikor a hűtőszekrény egyik ajtaja 3 percnél hosszabb ideig nyitva van, megszólal az ajtónyitási riasztás. A riasztó elnémíthető az ajtó bezárásával. Ha az ajtó 7 percnél hosszabb ideig nyitva marad, a hűtőszekrényben a fény és a vezérlőpanel megvilágítása automatikusan kikapcsol.

Üzem mód kiválasztása

Előfordulhat, hogy a készülék használatához választania kell egyet az alábbi két üzemmódból.

MEGJEGYZÉS: Hőmérséklet befolyásolása

A beltéri hőmérsékletet a következő tényezők befolyásolják:

1. Környezeti hőmérséklet.
2. Az ajtónyitás gyakorisága.
3. A tárolt élelmiszerek mennyisége.
4. A berendezés beszerelése.

ECO MÓD

Ha nincsenek különleges követelményei, javasoljuk, hogy használja az ECO mód lehetőséget. Ebben az üzemmódban a készülék automatikusan beállíthatja a hőmérsékletet a környezeti hőmérsékletnek és a készüléken belüli hőmérséklet-változásnak megfelelően.

1. Feloldott kijelző mellett nyomja meg a „G” gombot (ECO funkció választó), a csengő egyszer cseng, az „i” jelzőfény (ECO funkció) pedig világítani kezd, majd a készülék bekapcsolja az ECO funkciót.
2. Amikor az „i” jelzőfény (ECO funkció) világít, nyomja meg a „G” gombot (ECO funkció választó), a hangjelzés egyszer megszólal, az „i” jelzőfény (ECO funkció) kialszik, majd az ECO funkció kikapcsol.





MEGJEGYZÉS

Az ECO funkció esetén a hűtőszekrény vagy a fagyasztó hőmérséklete nem állítható be. Ha bármelyik „+” vagy „-” gombot megnyomja a hűtő vagy a fagyasztó hőmérsékletének beállításához, az „i” jelzőfény (ECO funkció) villogni kezd, jelezve, hogy ez a művelet nem hajtható végre. Az ECO funkció esetén a különböző vezérlési módszerek miatt, ha a Super Cool, a Super Frz. vagy a Holiday funkció be van állítva, az „i” (ECO funkció) jelzőfény kialszik. Az ECO funkció esetén a Magic Zone funkció manuálisan állítható az igényeknek megfelelően.

Hűtőszekrény hőmérsékletének a beállítása

A kijelző képernyőjének feloldása után nyomja meg a „B” gombot (Zónaválasztó), válassza a „hűtő” lehetőséget, az „a” jelzőfény (Hűtő visszajelző) villog, majd megjelenik a hűtő hőmérséklet-beállítási módja.

Nyomja meg a „+” vagy „-” gombot. Minden alkalommal, amikor megnyomja a „+” vagy „-” gombot, a beállított hűtési fokozat értéke 1-gyel növekszik vagy 1-gyel csökken. A hűtőszekrény hőmérséklete a következő sorrendben jelenik meg: „9 °C <-> 8 °C <-> 7 °C <-> 6 °C <-> 5 °C <-> 4 °C <-> 3 °C <-> 2 °C <-> 1 °C”.



MEGJEGYZÉS

A hőmérséklet beállítása után, ha 5 másodpercen belül nem végeznek semmilyen műveletet, a rendszer automatikusan meghatározza és menti a beállított hőmérsékletet.

Fagyasztó hőmérsékletének a beállítása

A kijelző képernyőjének feloldása után nyomja meg a „B” gombot (Zónaválasztó), válassza a „fagyasztó” lehetőséget, a „b” jelzőfény (Fagyasztó visszajelző) villog, majd megjelenik a fagyasztó hőmérséklet-beállítási módja.

Nyomja meg a „+” vagy „-” gombot. Minden alkalommal, amikor megnyomja a „+” vagy „-” gombot, a beállított hűtési fokozat értéke 1-gyel növekszik vagy 1-gyel csökken. A hűtőszekrény hőmérséklete a következő sorrendben jelenik meg: „-14 °C <-> -15 °C <-> -16 °C <-> -17 °C <-> -18 °C <-> -19 °C <-> -20 °C <-> -21 °C <-> -22 °C <-> -23 °C <-> -24 °C”.



MEGJEGYZÉS

A hőmérséklet beállítása után, ha 5 másodpercen belül nem végeznek semmilyen műveletet, a rendszer automatikusan meghatározza és menti a beállított hőmérsékletet.

Magic Zone funkció

1. Fruit&Veg. funkció:

Amikor a kijelző képernyője fel van oldva, nyomja meg a „D” gombot (Magic Zone választógomb) a funkció bekapcsolásához, a Fruit&Veg. ikon világítani kezd. Ez a funkció friss gyümölcsök és zöldségek tárolására készült.



i MEGJEGYZÉS

A hidegre érzékeny gyümölcsök, így például az ananász, az avokádó, a banán, a grapefruit és a zöldségek, mint például a burgonya, padlizsán, bab, uborka, cukkini, paradicsom és sajt nem tárolható a Magic Zone fiókban.

2. Cool Drink funkció:

Amikor a kijelző képernyője fel van oldva, nyomja meg a „D” gombot (My Zone választógomb) a funkció bekapcsolásához, a Cool Drink ikon világítani kezd. Ez a funkció lehetővé teszi olyan termékek tárolását, mint víz, kóla és gyümölcslé. A hőmérséklet a Magic Zone rekeszben +2 °C-ra van állítva.



3. 0°Fresh funkció:

Amikor a kijelző képernyője fel van oldva, nyomja meg a „D” gombot (My Zone választógomb) a funkció bekapcsolásához, a 0°C Fresh ikon világítani kezd. Ez az opció 0 °C-ra állítja a hőmérsékletet a Magic Zone fiókban. Friss élelmiszerek, például marhahús vagy hal tárolására alkalmas. A legtöbb élelmiszer 0 °C-on friss marad.



i MEGJEGYZÉS

A hús eltérő víztartalma miatt. Néhány nagyobb nedvességtartalmú hús megfagy 0 °C-nál alacsonyabb hőmérsékleten. Tehát az „azonnal felvágott” húst a Magic Zone fiókban tárolja, min. 0 °C hőmérsékleten.



MEGJEGYZÉS: Magic Zone fiók

1. A Magic Zone három funkciója nem nyitható meg egyszerre, csak az egyik világíthat.
2. A hűtőtér hőmérsékletének csökkentéséhez használja a Cool Drink funkciót, növeléséhez pedig használja a Fruit&Veg. funkciót.

Super Cool funkció

1. A kijelző feloldása után nyomja meg az „F” gombot (Super Cool módválasztó), a csengő egyszer cseng, a „h” visszajelző (Super Cool funkció) kigyullad, majd bekapcsol a Super Cool funkció.
2. A „h” visszajelző (Super Cool funkció) világítása mellett nyomja meg az „F” gombot (Super Cool módválasztó), a csengő egyszer cseng, a „h” visszajelző (Super Cool funkció) kikapcsol, és kikapcsol a Super Cool funkció.
3. A Super Cool funkció bekapcsolása után a hűtőszekrény automatikusan kikapcsolja a funkciót a funkció 4 órán át tartó működését követően. Ha manuálisan szeretné kikapcsolni a funkciót, nyomja meg a „G” gombot (Super Cool módválasztó) a kikapcsoláshoz.



Super Cool



Super Cool



Super Cool



MEGJEGYZÉS

1. Super Cool állapotban a hűtő hőmérséklete nem állítható be. Ha bármelyik „+” vagy „-” gombot megnyomja a hűtő hőmérsékletének beállításához, a „h” jelzőfény (Super Cool funkció) villogni kezd, jelezve, hogy ez a művelet nem hajtható végre.
2. Super Cool üzemmódban az ECO funkció vagy a Holiday funkció nem kapcsolható be egyszerre a különböző vezérlési módok miatt. Ha kiválaszt egy olyan funkciót, amely ütközik egy másik funkcióval, az eredeti funkció automatikusan kikapcsol.

Super Frz funkció

1. Feloldott kijelző mellett nyomja meg az „E” gombot (Super Freeze funkcióválasztó), a hangjelzés egyszer megszólal, a „g” jelzőfény (Super Freeze funkció) pedig világítani kezd, majd bekapcsol a Super Freeze funkció.
2. A „g” jelzőfény (Super Freeze funkció) világítása mellett nyomja meg az „E” gombot (Super Freeze funkcióválasztó), a hangjelzés egyszer megszólal, a „g” jelzőfény (Super Freeze funkció) kikapcsol, és kikapcsol a Super Freeze funkció.
3. A Super Freeze funkció bekapcsolása után a hűtőszekrény automatikusan kikapcsolja a funkciót a funkció 50 órán át tartó működését követően. Ha manuálisan szeretné kikapcsolni a funkciót, nyomja meg az „E” gombot (Super Freeze módválasztó) a kikapcsoláshoz.



Super Frz.



Super Frz.



Super Frz.



MEGJEGYZÉS

1. Super Freeze állapotban a fagyasztó hőmérséklete nem állítható be. Ha bármelyik „+” vagy „-” gombot megnyomja a hűtő hőmérsékletének beállításához, a „g” (Super Freeze funkció) jelzőfény villogni kezd, jelezve, hogy ez a művelet nem hajtható végre.
2. Super Freeze üzemmódban az ECO funkció nem kapcsolható be egyszerre a különböző vezérlési módok miatt. Ha kiválaszt egy olyan funkciót, amely ütközik egy másik funkcióval, az eredeti funkció automatikusan kikapcsol.
3. A Super Freeze funkció a fagyasztott élelmiszerek tápértékének megőrzésére szolgál, és a legrövidebb idő alatt lefagyasztja az ételt. Használhatja a funkciót, amikor egyszerre nagy mennyiségű fagyasztott ételmezzert kell lefagyasztani. Mindazonáltal a Super Freeze funkciót 24 órával előre be kell állítani, hogy a fagyasztó viszonylag alacsony hőmérsékletű legyen, amikor behelyezi az ételt. Ekkor a fagyasztó fagyasztási sebessége javul, az élelmiszerek gyorsan lefagyaszthatók, az élelmiszerek tápanyagtartalma hatékonyan megőrizhető, és a tárolás kényelmesebbé válik.

Holiday funkció

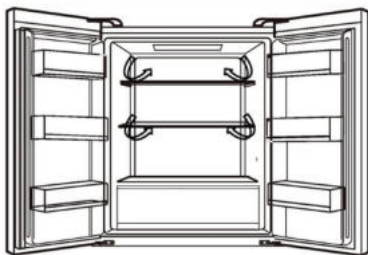
A Holiday funkció a hűtőszekrény hosszú idejű használaton kívüli állapotához készült. Bekapcsolt Holiday funkció esetén a fagyasztó normál vezérléssel működik, míg a hűtőszekrény hőmérsékletét a készülék automatikusan 17 °C-ra kapcsolja. A tényleges hőmérséklet nem magasabb, mint 17 °C, ami megakadályozza a túlmelegedés által okozott kellemetlen szag kialakulását, és egyúttal csökkenti az energiafogyasztást.

1. Feloldott kijelző mellett nyomja meg az „I” gombot (Holiday funkcióválasztó), a csengő egyszer cseng, a „j” jelzőfény (Holiday funkció) pedig világításba kezd, majd a készülék bekapcsolja a Holiday funkciót.
2. Amikor a „j” jelzőfény (Holiday funkció) világít, nyomja meg az „I” gombot (Holiday funkcióválasztó), a hangjelzés egyszer megszólal, a „j” jelzőfény (Holiday funkció) kialszik, majd a Holiday funkció kikapcsol.



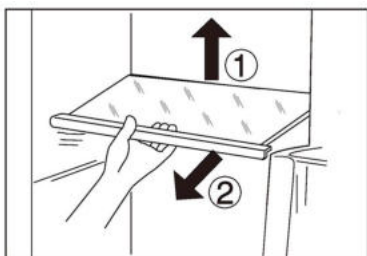
MEGJEGYZÉS

1. A Holiday funkció esetén a hűtőszekrény hőmérséklete nem állítható be. Ha bármelyik „+” vagy „-” gombot megnyomja a hűtő hőmérsékletének beállításához, a „j” jelzőfény (Holiday funkció) villogni kezd, jelezve, hogy ez a művelet nem hajtható végre.
2. A Holiday funkció használata előtt ürítse ki a hűtőszekrényt, nehogy az étel megromoljon benne. Amikor a Holiday funkció be van kapcsolva, az ECO funkció vagy a Super Cool funkció nem kapcsolható be egyszerre.
3. Holiday funkció esetén a „Fruit&Veg, Cool Drink, 0°Fresh” ikonok beállítása a Magic Zone részben kikapcsol, és a Magic Zone funkciója nem módosítható. A hűtőtér Magic Zone rekesz a Holiday funkció kikapcsolásakor visszatér az előző beállításokhoz.



Többirányú légáramlás

1. A hűtőszekrény többirányú légáramlási rendszerrel van felszerelve, amely hűvös légárammal látja el az összes polcszintet. Ez segít az egységes hőmérséklet megőrzésében a készülékben, így az étel hosszabb ideig frissebb maradhat.



Állítható polcok

1. A polc magasságát az Ön tárolási igényeihez igazíthatja.
2. Egy polc áthelyezéséhez először emelje fel a hátsó szélét ①, majd húzza ki a polcot ②.
3. A visszaszereléshez helyezze mindkét oldalon a fűlekre, és tolja a leghátsó helyzetbe, amíg a polc hátulja nem rögzül az oldalsó nyílásokban.

Magic Zone fiók

Ebben a rekeszben a páratartalom alacsonyabb, mint a hűtőrekesz páratartalma. A fiók megfelelő környezet száraz gyümölcsök és egyéb száraz élelmiszerek tárolására, alacsony víztartalommal, amilyen a vaj, zsírok és olajok vagy a csokoládé.

MAGICZONE |

ACTIVEFRESHZONE fiók

Ebben a rekeszben a páratartalom magasabb, mint a hűtőrekeszben. Automatikusan vezéri a rendszer, és a rekesz gyümölcsök, zöldségek, saláták stb. tárolására alkalmas.

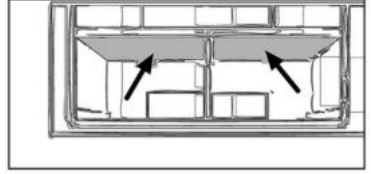
ACTIVEFRESHZONE |

MEGJEGYZÉS:

A hidegre érzékeny gyümölcsök, így például az ananász, az avokádó, a banán, a grapefruit és a zöldségek, mint például a burgonya, padlizsán, bab, uborka, cukkini, paradicsom és sajt nem tárolható a Fresh Box rekeszben.

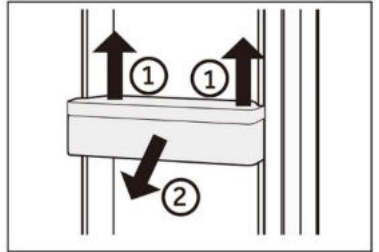
i MEGJEGYZÉS

1. Ne távolítsa el a műanyag fedelet a zónákon belül.
2. Ezek segítenek a páratartalom fenntartásában.
3. Hidegre érzékeny gyümölcsöket, például ananászt, avokádót, banánt,
4. grapefruitot nem ajánlott ebben a két fiókban tárolni.



Levehető ajtópolcok/palacktartó

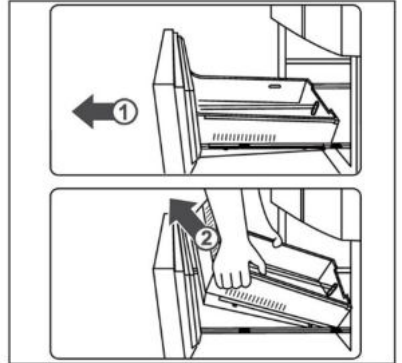
1. Az ajtó polcai tisztítás céljából eltávolíthatók
2. Tegye a kezét az állvány két oldalára, emelje fel ①, majd húzza ki a polcot ②.
3. Az ajtópolc behelyezéséhez hajtsa végre a fenti lépéseket fordított sorrendben.



Kivehető felső fagyasztófiók

1. Húzza ki a fagyasztó felső fiókját a lehető legnagyobb mértékben
2. Emelje fel a fiókot, amíg el nem válik a tartóblokktól, nyomja be a fagyasztóba, és döntse meg, hogy kivehesse.

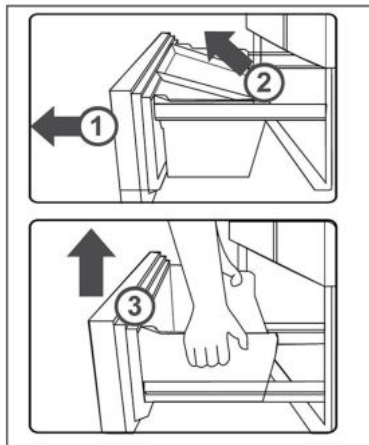
A fiók behelyezéséhez hajtsa végre a fenti lépéseket fordított sorrendben.



Kivehető alsó fagyasztófiók

1. Húzza ki az alsó fagyasztófiókot a lehető legnagyobb mértékben
2. Húzza ki a fagyasztótálcát ütközésig, emelje fel, és távolítsa el.
3. Emelje fel a fiókot, amíg el nem válik a tartóblokktól. Nyomja be a fagyasztóba, és döntse meg, hogy kivehesse.

A fiók behelyezéséhez hajtsa végre a fenti lépéseket fordított sorrendben.



A világítás

A LED-es belső világítás bekapcsol az ajtó nyitásakor. A lámpák teljesítményét a készülék semmilyen egyéb beállítása nem befolyásolja.



Energiatakarékossági tippek

- ▶ Bizonyosodjon meg arról, hogy a készülék megfelelő szellőzéssel rendelkezik (lásd a TELEPÍTÉS részt).
- ▶ Ne szerelje be a készüléket közvetlen napsugárzásnak kitett helyre vagy hőforrások (pl. kályhák, fűtőberendezések) közelébe.
- ▶ Kerülje a szükségtelenül alacsony hőmérsékletet a készülékben. Minél alacsonyabb hőmérsékletet állít be, annál jobban növekszik az energiafogyasztás.
- ▶ Az olyan funkciók, mint a POWER-FREEZE, több energiát fogyasztanak.
- ▶ Mielőtt a készülékbe tenné, hagyja, hogy a meleg ételmezszer kihűljön.
- ▶ Minél kevésbé és minél rövidebb ideig nyissa ki a készülék ajtaját.
- ▶ Ne töltsé túlságosan meg a készüléket, mivel ez akadályozza a légáramlást.
- ▶ Kerülje, hogy levegő legyen az ételmezszer csomagolásában.
- ▶ Az ajtótomítéteket tartsa tisztán, hogy az ajtó mindig megfelelően becsukódhasson.
- ▶ A fagyos ételmezszer a hűtőrekeszben olvassza ki.
- ▶ Az energiatakarékosság szempontjából leghatékonyabb konfiguráció biztosításához a készüléknek gyári állapotú és tisztaságú fiókokra, ételmezszerdobozokra, polcokra van szüksége, és az ételmezszer úgy kell elhelyezni, hogy az a legkevésbé korlátozza a levegőáramlást a légcsatorna levegőkimeneteinél.



FIGYELMEZTETÉS:

Tisztítás előtt válassza le a hálózatról a készüléket.

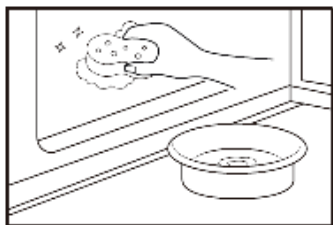
Tisztítás

Akkor tisztítsa meg a készüléket, amikor kevés vagy semmilyen élelmiszer nem található benne. A készüléket tisztítsa meg négyhetente a megfelelő karbantartás jegyében, illetve megelőzendő a kellemetlen élelmiszer illatok kialakulását.



FIGYELMEZTETÉS!

- ▶ Ne tisztítsa a készüléket keménysörtés kefével, drótkefével, mosóporral, benzinnel, amil-acetáttal, acetonnal és hasonló szerves oldatokkal, valamint savas vagy lúgos oldatokkal. A károsodások elkerülése érdekében a hűtőszekrény tisztítását speciális, adott célra kialakított tisztítószerral végezze.
- ▶ Tisztítás közben ne permetezze vagy öblítse le a készüléket.
- ▶ Ne használjon vízpermetet vagy gőzt a készülék tisztításához.
- ▶ A hideg üvegpolicokat ne tisztítsa forró vízzel. A hirtelen hőmérséklet-változás nyomán az üveg megrepedhet.
- ▶ Ne érintse meg a fagyasztórekesz belső felületét, különösen nedves kézzel, mert a keze a felülethez fagyhat.
- ▶ Felmelegítés esetén ellenőrizze a fagyasztott áruk állapotát.



- ▶ Mindig tartsa tisztán az ajtó tömítést.
- ▶ Tisztítsa meg a készülék belsejét és burkolatát meleg vízzel és semleges tisztítószerral átnedvesített szivaccsal.
- ▶ 1. Tisztítsa meg a hűtőszekrény belsejét és külsejét, beleértve az ajtó tömítést, az ajtó polcot, az üvegpolicokat, a dobozokat és így tovább, puha törölkendővel vagy meleg vízbe mártott szivaccsal (a művelethez a meleg vízbe elegyíthet semleges tisztítószert).
- ▶ 2. Ha folyadék ömlött ki, távolítsa el az összes szennyezett alkatrészt, öblítse át ezeket közvetlenül folyó víz alatt, majd szárítsa meg és tegye vissza az alkatrészeket a hűtőbe.
- ▶ 3. Krémszerű termékek (például tejszín, olvadó jégkrém) kiömlése esetén, kérjük, távolítsa el az összes szennyezett alkatrészt, helyezze adott időtartamra meleg, kb. 40 °C-os vízbe, majd öblítse át folyó vízzel, szárítsa meg, és tegye vissza a hűtőszekrénybe.
- ▶ 4. Abban az esetben, ha egy kisebb alkatrész vagy alkotóelem reked a hűtőszekrény belsejébe (a polcok vagy fiókok közé), az eltávolításhoz kis puha kefével használjon. Ha az alkatrész nem elérhető, kérjük, vegye fel a kapcsolatot a Haier szervizzel.
- ▶ Öblítse le a felületeket, majd törölje szárazra egy puha törölkendővel.
- ▶ A készülék egyetlen részét vagy tartozékát se tisztítsa mosogatógépben.
- ▶ A készülék újraindítása előtt várjon legalább 5 percet, mivel a készülék gyakori indítása során károsodhat a kompresszor.

Leolvasztás

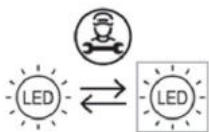
A hűtőszekrény és a fagyasztórekeszek kiolvasztása automatikusan történik: nincs szükség felhasználói beavatkozásra.

A LED-es lámpák cseréje

FIGYELMEZTETÉS!

Ne tegyen kísérletet a LED-es lámpák saját kezű cseréjére, ezeket csak a gyártó vagy a hivatalos szerviz munkatársa cserélheti ki.

A lámpa fényforrása LED alapú, amely alacsony fogyasztást és hosszú élettartamot szavatol. Bármilyen rendellenesség esetén vegye fel a kapcsolatot az ügyfélszolgálatl. Lásd az ÜGYFÉLSZOLGÁLAT részt.



Cserélhető szakember által (csak LED-es) fényforrással.

A termék G energiahatékonysági osztályba sorolt fényforrást tartalmaz.

Rekesz	Feszültség	Energiahatékonysági osztály	Modell
Hűtőberendezés	12 V	G	HFKR5718DNGB

Hosszabb használaton kívüli időszak

Ha a készüléket hosszabb ideig nem használja, és a Holiday funkciót nem használja:

- ▶ Vegye ki az ételt.
- ▶ Húzza ki a tápkábelt.
- ▶ Tisztítsa meg a készüléket a fent leírtak szerint.
- ▶ A kellemetlen szagok készüléken belüli megjelenésének elkerülése érdekében hagyja nyitva az ajtókat.

MEGJEGYZÉS

Csak akkor kapcsolja ki a készüléket, ha feltétlenül szükséges.

A készülék mozgatása

1. Távolítsa el az összes élelmiszert, és húzza ki a készülék csatlakozódugóját.
2. Rögzítse a polcokat és az egyéb mozgatható alkatrészeket a hűtőben és a fagyaszóban szigetelőszalaggal.
3. A hűtőrendszer károsodásának az elkerülése érdekében ne döntse meg a hűtőberendezést 45°-nál nagyobb szögben.

FIGYELMEZTETÉS!

- ▶ Ne emelje a készüléket a fogantyútól.
- ▶ Soha ne fektesse a készüléket vízszintesen a földre.

Sok felmerülő problémát saját maga is megoldhat speciális szakértelem nélkül. Probléma felmerülése esetén ellenőrizze az összes felsorolt lehetőséget, és kövesse az alábbi utasításokat, mielőtt felvenné a kapcsolatot egy ügyfélszolgálatlal. Lásd az ÜGYFÉLSZOLGÁLAT részt.



FIGYELMEZTETÉS!

- ▶ Karbantartás előtt kapcsolja ki a készüléket, és húzza ki a hálózati dugaszt a hálózati aljzatból.
- ▶ Az elektromos berendezéseket csak szakképzett villamosági szakemberek szervizelhetik, mert a nem megfelelő javítások jelentős károkat okozhatnak.
- ▶ Sérült tápkábel esetén a veszély elkerülése érdekében cseréltesse ki azt a gyártóval, a gyártó szervizközpontjával vagy más szakemberrel.

Probléma	Lehetséges ok	Lehetséges megoldás
A kompresszor nem működik.	<ul style="list-style-type: none"> • A hálózati dugaszt nem csatlakozik a hálózati aljzathoz. • A készülék leolvasztási ciklust végez 	<ul style="list-style-type: none"> • Csatlakoztassa a hálózati csatlakozódugót. • Ez természetes jelenség automatikus leolvasztásnál
A készülék gyakran bekapcsol vagy túlságosan hosszú ideig üzemel.	<ul style="list-style-type: none"> • A beltéri vagy kültéri hőmérséklet túl magas. • A készülék hosszabb ideig kikapcsolt állapotban volt. • Egy ajtó a készülékben nem záródik megfelelően. • Az ajtót túlságosan gyakran nyitotta ki, vagy túlságosan sokáig tartotta nyitva. • A fagyasztórekesz hőmérsékletének a beállítása túl alacsony. • Az ajtó tömitése szennyezett, kopott, repedt vagy nem megfelelő. • A szükséges szellőzés nem biztosított. 	<ul style="list-style-type: none"> • Ebben az esetben természetes, hogy a készülék üzemideje megnövekedett. • Normál esetben 8 és 12 óra közötti időtartam szükséges a készülék teljes lehűléséhez. • Csukja be az ajtót/fiókot, és bizonyosodjon meg arról, hogy a készülék egyenes felületen található, és hogy élelmiszer vagy tárolóedény nem akadályozza az ajtó záródását. • Ne nyissa ki az ajtót/fiókot túl gyakran. • Állítsa a hőmérsékletet magasabbra, amíg a hűtőszekrény hőmérséklete megfelelő nem lesz. A hűtőszekrény hőmérsékletének a stabilizálódása 24 órát vesz igénybe. • Tisztítsa meg az ajtó/fiók tömitését, vagy cserélje ki ezt az ügyfélszolgálat bevonásával. • Bizonyosodjon meg arról, hogy megfelelő a szellőzés.

Probléma	Lehetséges ok	Lehetséges megoldás
A hűtőberendezés belső része szennyezett és/vagy kellemetlen szagú.	<ul style="list-style-type: none"> A hűtőszekrény belső része tisztítást igényel. Erős illatú élelmiszert tárol a hűtőberendezésben. 	<ul style="list-style-type: none"> Tisztítsa meg a hűtőszekrény belső részét. Alaposan csomagolja be az élelmiszert.
Nincs elég hideg a készülék belsejében.	<ul style="list-style-type: none"> A beállított hőmérséklet túl magas. Túl meleg árukat helyezett a készülékbe. Túl sok ételt helyezett egyszerre a készülékbe. Az élelmiszert egymáshoz túl közel helyezte. Egy ajtó/fiók a készülékben nem záródik megfelelően. Az ajtót/fiókot túlságosan gyakran nyitotta ki, vagy túlságosan sokáig tartotta nyitva. 	<ul style="list-style-type: none"> Állítsa vissza a hőmérsékletet. Tárolás előtt mindig hagyja lehűlni az élelmiszert. Az élelmiszereket mindig kis mennyiségben helyezze be. Hagyjon rést az élelmiszerek között, ami lehetővé teszi a levegő áramlását. Csukja be az ajtót/fiókot. Ne nyissa ki az ajtót/fiókot túl gyakran.
Túl hideg van a készülék belsejében.	<ul style="list-style-type: none"> A beállított hőmérséklet túl alacsony. A Super Frz/Super Cool funkció aktív, vagy túl sokáig működik. 	<ul style="list-style-type: none"> Állítsa vissza a hőmérsékletet. Kapcsolja ki a Super Frz/Super Cool funkciót
Pára csapódik le a hűtőrekesz belső részén.	<ul style="list-style-type: none"> Az éghajlat túl meleg vagy túl nedves. Egy ajtó/fiók a készülékben nem záródik megfelelően. Az ajtót/fiókot túlságosan gyakran nyitotta ki, vagy túlságosan sokáig tartotta nyitva. Étel- vagy folyadéktárolók nyitott állapotban maradtak a hűtőben. 	<ul style="list-style-type: none"> Növelje a hőmérsékletet. Csukja be az ajtót/fiókot. Ne nyissa ki az ajtót/fiókot túl gyakran. A forró élelmiszereket hagyja szobahőmérsékletre hűlni, illetve fedje le az élelmiszereket és folyadékokat.
Nedvesség gyűlik fel a hűtőberendezés külső felületén vagy az ajtó/ajtók és a fiók között.	<ul style="list-style-type: none"> Az éghajlat túl meleg vagy túl nedves. Az ajtó nincs megfelelően becsukva. A készülékben lévő hideg levegő és az azon kívüli meleg levegő páralecsapódást eredményez. 	<ul style="list-style-type: none"> Ez természetes jelenség nedves éghajlati viszonyok között, és megszűnik, amint csökken a páratartalom. Bizonyosodjon meg arról, hogy megfelelően becsukta az ajtót/fiókot.

Probléma	Lehetséges ok	Lehetséges megoldás
Vastag jég és zúzmara található a fagyasztórekeszben.	<ul style="list-style-type: none"> • Az élelmiszereket nem csomagolta be megfelelően. • Egy ajtó/fiók a készülékben nem záródik megfelelően. • Az ajtót/fiókot túlságosan gyakran nyitotta ki, vagy túlságosan sokáig tartotta nyitva. • Az ajtó/fiók tömítése szennyezett, kopott, repedt vagy nem megfelelő. • Valami belülről megakadályozza az ajtó/fiók megfelelő záródását. 	<ul style="list-style-type: none"> • Mindig csomagolja be alaposan az élelmiszereket. • Csukja be az ajtót/fiókot. • Ne nyissa ki az ajtót/fiókot túl gyakran. • Tisztítsa meg az ajtó/fiók tömítését, vagy cserélje ki ezt újjal. • Helyezze vissza a polcokat, az ajtópolcokat vagy belső tartályokat, hogy az ajtó/fiók becsukódhasson.
A szekrény oldalai és az ajtó tömítés felmelegedik.	<ul style="list-style-type: none"> • - 	<ul style="list-style-type: none"> • Ez természetes jelenség.
A készülék rendellenes hangokat ad ki.	<ul style="list-style-type: none"> • A készülék nem vízszintes talajon helyezkedik el. • A készülék hozzáér valamilyen körülötte lévő tárgyhoz. 	<ul style="list-style-type: none"> • Állítsa be a lábakat a készülék szintbe állításához. • Távolítsa el a készülék mellett lévő tárgyakat.
Az áramló vízhez hasonló halk hang hallható.	<ul style="list-style-type: none"> • - 	<ul style="list-style-type: none"> • Ez természetes jelenség.
Riasztó hangjelzése hallható.	<ul style="list-style-type: none"> • A hűtörekesz ajtója nyitva maradt. 	<ul style="list-style-type: none"> • Csukja be az ajtót.
Halk zümmögés hallható.	<ul style="list-style-type: none"> • A kondenzációgátló rendszer működik 	<ul style="list-style-type: none"> • Ez megakadályozza a páralecsapódást és normális
A belső világítás vagy hűtőrendszer nem működik.	<ul style="list-style-type: none"> • A hálózati dugasz nem csatlakozik a hálózati aljzathoz. • Az áramellátás nem megfelelő. • A LED-es lámpa meghibásodott. 	<ul style="list-style-type: none"> • Csatlakoztassa a hálózati csatlakozódugót. • Ellenőrizze a helyiség áramellátását. Vegye fel a kapcsolatot a helyi áramszolgáltatóval! • Vegye fel a kapcsolatot a szervizzel a lámpa kicseréléséhez.

A műszaki támogatással való kapcsolatfelvételhez látogassa meg a következő oldalt:
<https://corporate.haier-europe.com/en/>

A „webhely” (website) rész alatt válassza ki a termék márkáját és országát. Az oldal átirányítja az adott webhelyre, ahol megtalálható a műszaki támogatás eléréséhez szükséges telefonszám és űrlap.

Tápellátás megszakadása

Tápkimaradás esetén az élelmiszer biztonságos hidegben marad megközelítőleg 5 órán át. Hosszabb tápkimaradás esetén, különösen nyáron, kövesse az alábbi tippeket:

- ▶ Minél kevesebbszer nyissa ki az ajtót/fiókot.
- ▶ Tápkimaradás esetén ne tegyen további élelmiszereket a készülékbe.
- ▶ Ha a szolgáltató előzetesen tájékoztat a várható tápkimaradásról, és ha a tápkimaradás időtartama meghaladja az 5 órát, gyártson némi jeget, és helyezze a hűtőrekesz felső részébe.
- ▶ A megszakítást követően azonnal vizsgálja meg az élelmiszert.
- ▶ Mivel a hűtőszekrényben a hőmérséklet áramkimaradás vagy egyéb meghibásodás esetén emelkedni fog, a tárolási időtartam és az élelmiszer fogyaszthatósági időtartama lecsökken. Röviddel a kimaradást követően a kiolvadt élelmiszert fogyassza el, vagy főzze meg, és fagyassza le ismét (ha lehetséges) az egészségügyi kockázatok elkerülése érdekében.

Memória funkció áramkimaradás esetén

Az áramellátás helyreállítása után a készülék az áramkimaradás előtt meghatározott beállításokkal folytatja a működést.

Kicsomagolás

**FIGYELMEZTETÉS!**

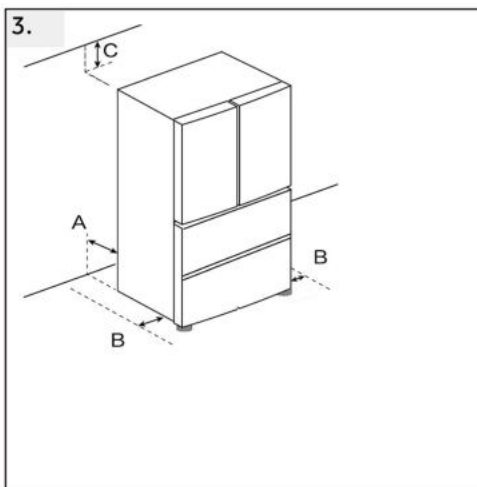
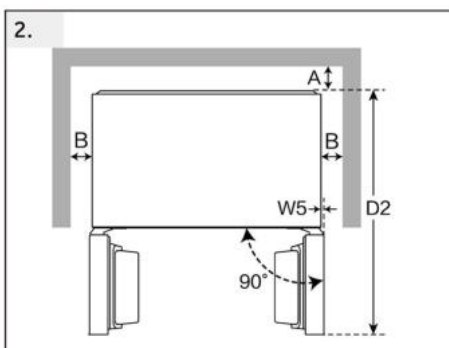
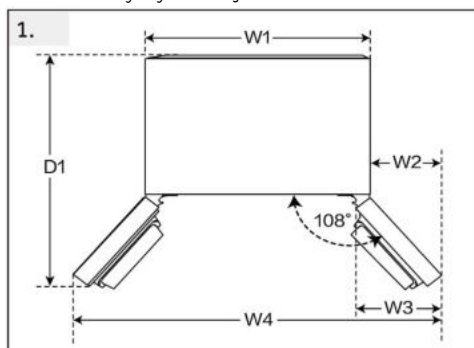
- ▶ A készülék nehéz. A készülék mozgatásához mindig legalább két személy szükséges.
- ▶ Tartson minden csomagolóanyagot gyermekektől elzárva, kiselejtezésüket pedig környezetbarát módon végezze.
- ▶ Vegye ki a készüléket a csomagolásból.
- ▶ Távolítsa el az összes csomagolóanyagot.

Környezeti körülmények

A szobahőmérsékletnek mindig 10 °C és 43 °C között kell lennie, mivel befolyásolhatja a készülék belsejének hőmérsékletét és energiafogyasztását. Szigetelés nélkül ne telepítse a készüléket egyéb hőkibocsátó készülékek (sütők, hűtőgépek) közelébe.

Helyigényt illető javaslatok

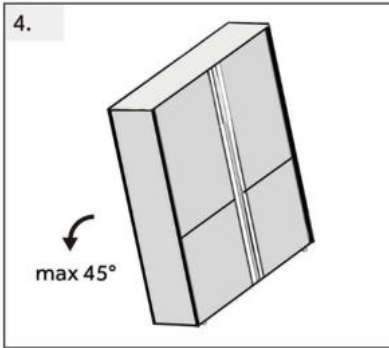
Javasolt hely nyitott ajtó mellett (1.2. ábra)



(mértékegység: mm)	HFKR5718DNGB	
Szélesség	W1	700
	W2	115
	W3	368
	W4	930
	W5	0
	W	700
	D1	910
	D2	918
	D	594
Távolság a hátsó faltól	A	6
Távolság az oldalfalaktól	B	4
Távolság a mennyezettől	C	9
Teljes magasság	H	1850

Szellőzés keresztmetszet

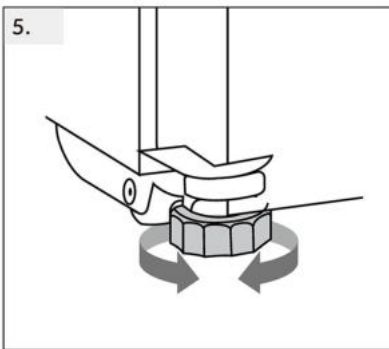
A készülék számára biztonsági okokból szükséges szellőzése érdekében kötelezően vegye figyelembe a szellőzés keresztmetszetére vonatkozó tájékoztatást.



A készülék elhelyezése (4.5.6. ábra)

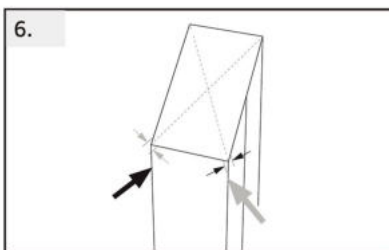
A készüléket sík és szilárd felületre telepítse.

4. Döntse a hűtőszekrényt kissé hátrafelé.



5. Állítsa a lábakat a kívánt szintre.

Bizonyosodjon meg arról, a zsanér felőli oldalon a fal legalább 100 mm-re található, így biztosítható az ajtó megfelelő nyithatósága.



6. A stabilitást ellenőrizheti, ha az átlók mentén nyomást helyez a készülékre. A kis lengésnek mindkét irányban azonosnak kell lennie.

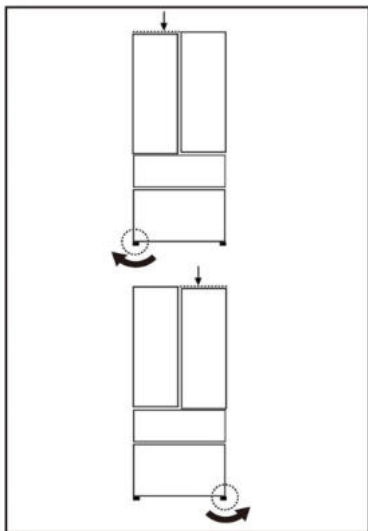
Ellenkező esetben a keret görbülhet: ez pedig esetleg szivárgó ajtótomítéseket eredményezhet.

Az enyhe hátradőlés elősegíti az ajtók bezáródását.



MEGJEGYZÉS

Onálló készülékek esetén: ez a hűtőberendezés kialakításából adódóan nem arra készült, hogy beépíthető készülékként használják

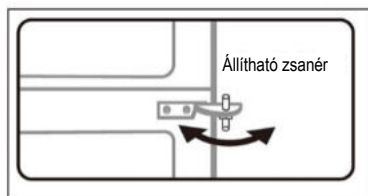


Az ajtók finomhangolása

Ha az ajtók nincsenek egy szinten, az eltérés a következőkkel orvosolható:

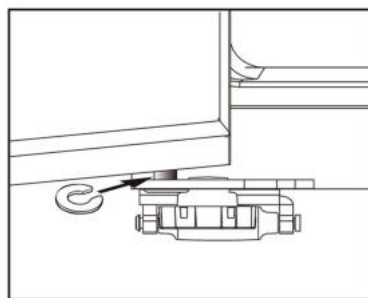
Állítható lábak használata

Forgassa el az állítható lábat a nyíl irányának megfelelően a láb magasabbra vagy alacsonyabba állításához



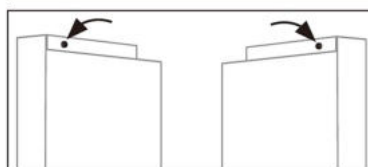
Ajtó helyzetének beállítása

- ▶ Ha a két ajtó nincs egy magasságban, az állítható zsanérok finomhangolhatók a mellékelt kulccsal, hogy a két ajtó szintbe kerüljön. Kérjük, ne szerelje fel túl nagy erővel, hogy elkerülje az ajtó díszlécének karcosodását vagy ütődését.



Távtartók használata

- ▶ Nyissa ki a fagyasztó ajtaját, és emelje fel.
- ▶ Óvatosan pattintsa be a (tartozéktáskában mellékelt) távtartót az alsó csuklópánt tengelyébe kézzel vagy fogóhoz hasonló szerszámmal. Ne karcolja meg vagy károsítsa az ajtót.

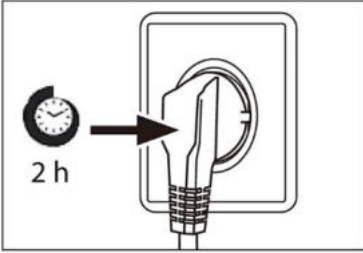


Az állító gomb használata

- ▶ Ha a hűtőtér ajtaja nincs vízszintben, az ajtó felső részén található állító gomb elforgatásával finombeállításokat végezhet.

MEGJEGYZÉS

A hűtőszekrény jövőbeni használata során felmerülő, egyenetlenül elhelyezkedő ajtókjelensége a tárolt élelmiszerek tömegének köszönhetően merülhet fel. Ebben az esetben állítsa be az ajtót a fenti módszerekkel.



Várakozási idő

Karbantartásmentes kenőolaj található a kompresszorban kialakított gyűjtőedényben. Ferde szállítás esetén ez az olaj a zárt csőrendszerbe juthat. Mielőtt tápellátáshoz csatlakoztatná a készüléket, mindenképpen várjon legalább 2 órát, hogy az olaj visszajusson a gyűjtőedénybe.

Elektromos csatlakoztatás

Minden egyes csatlakoztatás előtt ellenőrizze az alábbiakat:


- ▶ tápellátás, aljzat és biztosíték megfelelősége az adattáblán szereplő adatoknak;
- ▶ a tápaljzat földeléssel rendelkezik, és nem használ többcsatlakozós hosszabbítót a tápellátáshoz;
- ▶ a tápdugasz és az aljzat teljes mértékben illeszkedik egymáshoz.

Csatlakoztassa a csatlakozódugót egy megfelelően beépített háztartási aljzathoz.

FIGYELMEZTETÉS!

A kockázatok elkerülése érdekében a sérült tápkábelt kötelezően ki kell cserélni, ezt pedig csak az ügyfélszolgálat munkatársa végezheti el (lásd a jótállási jegyet).

Az (EU) 2019/2016 előírásnak megfelelő termékadatlap

Márka	Haier
Modellnév/azonosító	HFKR5718DNGB
Modellkategória	Hűtő-fagyasztó
Energiahatékonysági osztály	D
Éves energiafogyasztás (kWh/év)(1)	226
Össztérfogat (l)	402
Hűtőszekrény térfogata (l)	227
Fagyasztó térfogata (l)	147
Hűtési térfogat (l)	28
Csillaggal történő megjelölés	
Fagymentes rendszer	Igen
Fagyasztási kapacitás (kg/24 ó)	10,0
Éghajlati besorolás(2)	SN-N-ST-T
Zajkibocsátási osztály és levegőben terjedő akusztikus zajkibocsátás (db(A) re 1pW)	B (35)
Hőmérséklet-emelkedési idő (ó)	8
A berendezés típusa	önálló

Magyarázatok:

• Igen, támogatott

- (1) 24 órás szabványos megfelelőségi vizsgálat eredményei alapján. A tényleges fogyasztás függ a készülék használatától és helyétől.
- (2) SN éghajlati besorolás: A készüléket +10 °C és +32 °C közötti környezeti hőmérsékleten való használatra tervezték
 N éghajlati besorolás: A készüléket +16 °C és +32 °C közötti környezeti hőmérsékleten való használatra tervezték
 ST éghajlati besorolás: A készüléket +16 °C és +38 °C közötti környezeti hőmérsékleten való használatra tervezték
 T éghajlati besorolás: A készüléket +16 °C és +43 °C közötti környezeti hőmérsékleten való használatra tervezték

Kiegészítő műszaki adatok

Feszültség / Frekvencia	220–240 V váltóáram / 50 Hz
Bemeneti áramerősség (A)	1,8
Fő biztosíték (A)	15
Hűtőközeg	R600a
Méreték (Ma/Sz/Mé mm-ben)	1850/700/594

Figyelmébe ajánljuk a Haier ügyfélszolgálat és az eredeti pótalkatrészek igénybe vételét. Ha probléma merül fel a készülékkel, először tekintse át a HIBAELHÁRÍTÁS részt.

Ha ebben nem talál megoldást, lépjen kapcsolatba

a helyi márkakereskedővel vagy

európai telefonos ügyfélszolgálati központunkkal (lásd alább a felsorolt telefonszámokat) vagy

a www.haier.com oldalon található Szerviz és támogatás (Service & Support) területen, ahol aktiválhatja a szervizelési igényt, illetve megtalálhatja a GYIK oldalt.

A szerviz szolgáltatásunkkal való kapcsolatfelvétel előtt bizonyosodjon meg arról, hogy elérhetők az alábbi adatok.

Az információ az adattáblán található.

Modell _____

Sorozatszám _____

Jótállási igény felmerülése esetén ellenőrizze a termékhez mellékelt jótállási kártyát is.

Európai telefonos ügyfélszolgálati központ		
Ország*	Telefonszám	Költségek
Haier Italy (IT)	199 100 912	
Haier Spain (ES)	902 509 123	
Haier Germany (DE)	0180 5 39 39 99	<ul style="list-style-type: none"> • 14 cent/perc vezetékes • max. 42 cent/perc mobil
Haier Austria (AT)	0820 001 205	<ul style="list-style-type: none"> • 14,53 cent/perc vezetékes • max. 20 cent/perc összes egyéb
Haier United Kingdom (UK)	0333 003 8122	
Haier France (FR)	0980 406 409	

* További országokért látogasson el a www.haier.com oldalra

Haier Europe Trading S.r.l

Branch UK

Westgate House, Westgate, Ealing

London, W5 1YY

*A hűtőszekrény jótállásának időtartama:

Minimális jótállás: 2 év az uniós tagállamokban, 3 év Törökországban, 1 év az Egyesült Királyságban, 1 év Oroszországban, 3 év Svédországban, 2 év Szerbiában, 5 év Norvégiában, 1 év Marokkóban, 6 hónap Algériában, Tunézia nincs kötelező jogi jótállás.

*A készülék javításához szükséges pótalkatrészek rendelkezésre állásának időtartama:

Termosztátok, hőmérséklet érzékelők, nyomtatott áramköri lapok és fényforrások legalább hét évig elérhetők a piacra bocsátott utolsó modelltől számítva.

Ajtófogantyúk, ajtópántok, tálcák és kosarak legalább hét évig, míg ajtótümitések legalább 10 évig elérhetők a piacra bocsátott utolsó modelltől számítva.

*A termékre vonatkozó további tájékoztatás ügyében tekintse meg a <https://eprel.ec.europa.eu/> oldalt, vagy olvassa be a készüléken elhelyezett, energiafogyasztást jelölő címkén lévő QR-kódot.

<u>257 Informazioni per la sicurezza</u>	<u>Operazioni preliminari al primo utilizzo</u>	258
	<u>Installazione</u>	258
	<u>Utilizzo quotidiano</u>	259
<u>262 Uso previsto</u>		
<u>263 Descrizione del prodotto</u>		
<u>264 Pannello di controllo</u>		
<u>265 Uso</u>	<u>Blocco e sblocco del pannello</u>	265
	<u>MODALITÀ ECO</u>	266
	<u>Regolazione della temperatura del frigorifero</u>	267
	<u>Regolazione della temperatura del congelatore</u>	267
	<u>Funzione Magic Zone</u>	268
	<u>Funzione Super Cool</u>	269
	<u>Funzione Super-Frz</u>	270
	<u>Funzione Holiday</u>	271
<u>272 Dotazioni</u>		
<u>275 Suggerimenti per il risparmio energetico</u>		
<u>276 Cura e pulizia</u>		
<u>278 Risoluzione dei problemi</u>		
<u>282 Installazione</u>		
<u>285 Dati tecnici</u>		
<u>287 Assistenza clienti</u>		

Grazie per aver acquistato un prodotto Haier.

Leggere attentamente queste istruzioni prima di utilizzare l'elettrodomestico. Le istruzioni contengono informazioni importanti per ottimizzare l'uso dell'elettrodomestico e garantire l'installazione, l'uso e la manutenzione sicuri e corretti.

Conservare il presente manuale in un luogo comodo, in modo da poterlo sempre consultare per un uso sicuro e corretto dell'elettrodomestico.

Se l'elettrodomestico viene venduto, ceduto o abbandonato in caso di trasloco, trasferire anche il presente manuale in modo che il nuovo proprietario possa comprendere l'uso dell'elettrodomestico e delle avvertenze di sicurezza.

Accessori

Controllare gli accessori e la documentazione in base al seguente elenco:



Etichetta
energetica



Scheda della garanzia



Manuale per l'utente
Etichetta "OK"



Guida rapida



AVVERTENZA - Informazioni importanti per la sicurezza



AVVISO - Informazioni generali e consigli



Informazioni ambientali



Smaltimento

Contribuire a proteggere l'ambiente e la salute umana. Collocare l'imballo in appositi contenitori affinché venga riciclato. Contribuire al riciclo dei rifiuti delle apparecchiature elettriche ed elettroniche. Non smaltire gli elettrodomestici contrassegnati con questo simbolo assieme ai rifiuti domestici. Conferire il prodotto presso la struttura di riciclo locale o rivolgersi all'ufficio comunale preposto.



AVVERTENZA!

Pericolo di lesioni o soffocamento!

I refrigeranti e i gas devono essere smaltiti in maniera professionale. Accertarsi che la tubazione del circuito del refrigerante non sia danneggiata prima di smaltirla correttamente. Scollegare l'elettrodomestico dalla rete elettrica. Tagliare il cavo di alimentazione e smaltirlo. Rimuovere vassoi e cassette, fermaporte e guarnizioni, per evitare che bambini e animali domestici rimangano chiusi nell'elettrodomestico.

Prima di accendere l'elettrodomestico per la prima volta, leggere i seguenti consigli sulla sicurezza:



AVVERTENZA!

Operazioni preliminari al primo utilizzo

- ▶ Accertarsi dell'assenza di danni dovuti al trasporto.
- ▶ Rimuovere tutti gli elementi di imballo e tenerli fuori dalla portata dei bambini.
- ▶ Per garantire la totale efficienza del circuito del refrigerante, attendere almeno due ore prima di installare l'elettrodomestico.
- ▶ L'elettrodomestico deve essere maneggiato sempre da almeno due persone perché è pesante.

Installazione

- ▶ Installare l'elettrodomestico in un luogo asciutto e ben ventilato. Lasciare uno spazio libero di almeno 10 cm sopra e attorno all'elettrodomestico.
- ▶ Non collocare mai l'elettrodomestico in zone umide o soggette a schizzi d'acqua. Pulire e asciugare schizzi e macchie d'acqua con un panno morbido e pulito.
- ▶ Non installare l'elettrodomestico esposto alla luce diretta del sole o in prossimità di fonti di calore (ad es. stufe o radiatori).
- ▶ Installare l'elettrodomestico a livello in un'area adatta alle dimensioni e all'uso.
- ▶ Le aperture di ventilazione nell'elettrodomestico o nella struttura a incasso devono rimanere sempre libere.
- ▶ Accertarsi che i dati elettrici sulla targhetta siano conformi all'alimentazione elettrica. In caso contrario, rivolgersi a un elettricista.
- ▶ L'elettrodomestico funziona con corrente elettrica 220-240 Vca / 50 Hz. Oscillazioni anomale della tensione possono causare il mancato avvio dell'elettrodomestico, danni al controllo della temperatura o al compressore oppure rumori anomali durante il funzionamento. In tal caso, è opportuno montare un regolatore automatico.
- ▶ Non adoperare prese multiple o cavi di prolunga.
- ▶ Non collocare prese multiple o alimentatori portatili nella parte posteriore dell'elettrodomestico.
- ▶ Accertarsi che il cavo di alimentazione non sia intrappolato dal frigorifero. Non calpestare il cavo di alimentazione.



AVVERTENZA!

- ▶ Per l'alimentazione elettrica utilizzare una presa separata collegata a terra e facilmente accessibile. L'elettrodomestico deve essere collegato a terra.
- ▶ Solo per il Regno Unito: il cavo di alimentazione dell'elettrodomestico è dotato di una spina a 3 conduttori (collegata a terra) adatta a una presa standard a 3 conduttori (collegata a terra). Non tagliare né smontare mai il terzo conduttore (collegamento a terra). Dopo l'installazione dell'elettrodomestico, la spina deve essere accessibile.
- ▶ Non danneggiare il circuito di refrigerazione.


Utilizzo quotidiano

- ▶ Questo elettrodomestico può essere utilizzato da bambini di almeno 8 anni, da persone con ridotte capacità fisiche, sensoriali o mentali e da persone inesperte solo sotto stretta sorveglianza o se hanno appreso le modalità di utilizzo sicuro dell'elettrodomestico e sono consapevoli dei relativi pericoli.
- ▶ I bambini di età da 3 a 8 anni possono introdurre e prelevare alimenti dall'elettrodomestico, ma non devono pulirlo o installarlo.
Tenere lontani dall'elettrodomestico i bambini di età inferiore a 3 anni, a meno che non siano costantemente sorvegliati.
- ▶ Impedire ai bambini di giocare con l'elettrodomestico.
- ▶ In caso di perdite di gas refrigerante o altri gas infiammabili in prossimità dell'elettrodomestico, chiudere la valvola del gas che fuoriesce, aprire porte e finestre e non staccare la spina del cavo di alimentazione del frigorifero o di altri elettrodomestici.
- ▶ Si noti che l'elettrodomestico è impostato per il funzionamento in un intervallo di temperatura ambiente specifico compreso tra 10 e 43°C. L'elettrodomestico potrebbe non funzionare correttamente se lasciato per un lungo periodo a una temperatura superiore o inferiore all'intervallo indicato.
- ▶ Non collocare elementi instabili (oggetti pesanti, contenitori pieni d'acqua) sopra il frigorifero, per evitare lesioni personali dovute a cadute o scosse elettriche causate dal contatto con l'acqua.
- ▶ Non caricare eccessivamente i ripiani dello sportello. Lo sportello potrebbe deformarsi, il portabottiglie potrebbe fuoriuscire o l'elettrodomestico potrebbe rovesciarsi.
- ▶ Aprire e chiudere gli sportelli solo adoperando le maniglie. La distanza tra gli sportelli e tra gli sportelli e il mobile è molto limitata. Non allungare le mani in queste zone per evitare di schiacciarsi le dita. Aprire o chiudere gli sportelli del frigorifero solo quando non ci sono bambini nel raggio di movimento degli sportelli.



AVVERTENZA!

- ▶ Non conservare né utilizzare materiali esplosivi o corrosivi nell'elettrodomestico o nelle vicinanze.
- ▶ Non conservare medicinali, batteri o sostanze chimiche nell'elettrodomestico. Questo apparecchio è un elettrodomestico. Si sconsiglia di conservare materiali che richiedono temperature rigide.
- ▶ Non riporre liquidi in bottiglie o lattine (né alcolici ad elevata gradazione), specialmente bevande gassate, nel congelatore, perché durante il congelamento potrebbero scoppiare.
- ▶ Se la temperatura del congelatore è aumentata, controllare lo stato degli alimenti.
- ▶ Non impostare una temperatura inutilmente bassa nel comparto frigorifero. Con impostazioni elevate possono crearsi temperature sotto zero. Attenzione: le bottiglie possono scoppiare.
- ▶ Non toccare i prodotti congelati con le mani bagnate (indossare i guanti). In particolare, non mangiare i ghiaccioli subito dopo averli tolti dal comparto congelatore. In caso contrario, potrebbe congelarsi la bocca e potrebbero formarsi vesciche da gelo. PRONTO SOCCORSO: collocare immediatamente la zona congelata sotto l'acqua fredda corrente. Non tirare via la zona congelata!
- ▶ Non toccare la superficie interna del comparto congelatore durante il funzionamento, soprattutto con le mani bagnate, poiché le mani potrebbero congelarsi sulla superficie.
- ▶ In caso di blackout o prima della pulizia, scollegare l'elettrodomestico. Attendere almeno 7 minuti prima di riavviare l'elettrodomestico, poiché un avvio frequente può danneggiare il compressore.
- ▶ Non adoperare dispositivi elettrici all'interno dei comparti dell'elettrodomestico destinati alla conservazione degli alimenti, a meno che non siano del tipo consigliato dal produttore. Manutenzione / pulizia
- ▶ Accertarsi che i bambini siano sorvegliati se effettuano la pulizia e la manutenzione.
- ▶ Scollegare l'elettrodomestico dalla rete elettrica prima di effettuare operazioni di manutenzione ordinaria. Attendere almeno 7 minuti prima di riavviare l'elettrodomestico, poiché un avvio frequente può danneggiare il compressore.

 **AVVERTENZA!**

- ▶ Scollegare l'elettrodomestico tenendo la spina e non il cavo.
- ▶ Non pulire l'elettrodomestico con spazzole rigide, spazzole metalliche, detersivi in polvere, benzina, acetato di pentile, acetone e soluzioni organiche simili, soluzioni acide o alcaline. Per evitare danni, effettuare la pulizia con un detergente speciale per frigoriferi.
- ▶ Non raschiare via ghiaccio e brina con oggetti appuntiti. Non adoperare spray, riscaldatori elettrici (ad es. asciugacapelli) o altre fonti di calore per evitare danni ai componenti in plastica.
- ▶ Non usare oggetti meccanici o utensili diversi da quelli consigliati dal produttore per accelerare lo sbrinamento.
- ▶ Se il cavo di alimentazione è danneggiato, deve essere sostituito dal produttore, da un tecnico dell'assistenza o da una persona con analogo qualifica per evitare rischi.
- ▶ Non cercare di riparare, smontare o modificare personalmente l'elettrodomestico. Per le riparazioni rivolgersi all'assistenza clienti.
- ▶ Eliminare la polvere sul retro dell'unità almeno una volta all'anno per scongiurare il rischio di incendio e limitare i consumi energetici.
- ▶ Non spruzzare o schizzare liquidi sull'elettrodomestico durante la pulizia.
- ▶ Per pulire questo elettrodomestico non utilizzare apparecchi a vapore.
- ▶ Non pulire i ripiani di vetro freddi con acqua calda. Un'improvvisa variazione della temperatura può causare la rottura del vetro.

Informazioni sul gas refrigerante **AVVERTENZA!**

L'elettrodomestico contiene il refrigerante infiammabile ISOBUTANO (R600a). Accertarsi che il circuito del refrigerante non abbia subito danni durante il trasporto o l'installazione. Eventuali perdite di refrigerante possono causare lesioni oculari o incendi. In caso di danni, tenere lontane fonti di fiamme libere, ventilare perfettamente l'ambiente e non collegare o scollegare i cavi di alimentazione dell'elettrodomestico o di altri elettrodomestici. Informare l'assistenza clienti.

In caso di contatto con gli occhi, sciacquare immediatamente con acqua corrente e rivolgersi tempestivamente a un oculista.

Uso previsto

Questo elettrodomestico è destinato al raffreddamento e al congelamento di alimenti. È stato progettato esclusivamente per l'uso in applicazioni domestiche e simili, ad es. zone cucina del personale in negozi, uffici e altri ambienti di lavoro; in fattorie, da clienti in hotel, motel e altri ambienti di tipo residenziale, nonché in bed-and-breakfast e attività di ristorazione. Non è destinato ad usi commerciali o industriali.

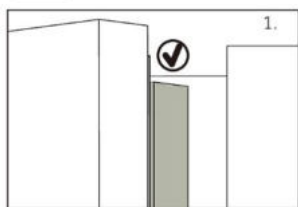
Non sono consentiti cambiamenti o modifiche all'elettrodomestico. Utilizzi errati possono causare pericoli e annullare la garanzia.

Norme e direttive **CE**

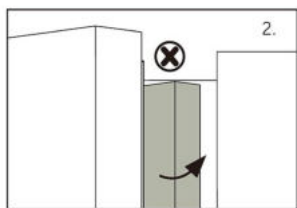
Questo prodotto è conforme ai requisiti di tutte le direttive CE vigenti con le corrispondenti norme armonizzate e le norme del Regno Unito che prevedono il marchio CE e UKCA.



ATTENZIONE!



Quando si chiude lo sportello, la striscia verticale dello sportello sinistro deve essere piegata verso l'interno (1).

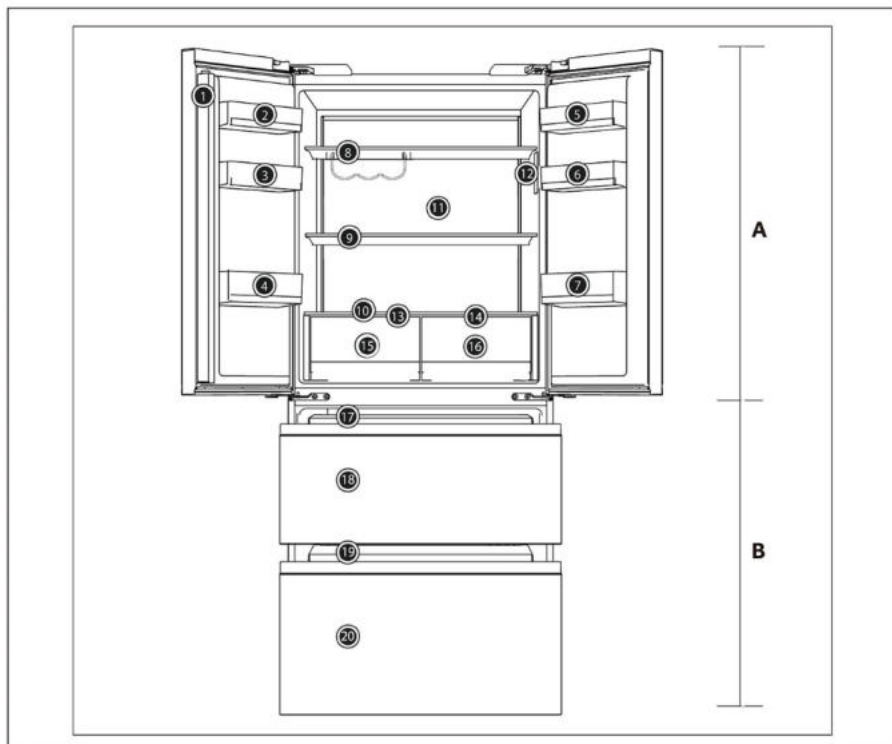


Se si cerca di chiudere lo sportello sinistro e la striscia verticale non è piegata (2), occorre prima piegarla, altrimenti colpirà l'asta di fissaggio o lo sportello destro. In tal caso, la striscia dello sportello potrebbe danneggiarsi o potrebbero verificarsi perdite.

Il telaio contiene una serpentina scaldante. La temperatura della superficie aumenta lievemente, ma ciò è normale e non influisce sul funzionamento dell'elettrodomestico.

i AVVISO

A causa di modifiche tecniche e della varietà dei modelli, alcune illustrazioni riportate nel presente manuale possono essere diverse dall'aspetto reale del modello acquistato.



A: Comparto frigo

- 1 Supporto dello sportello
- 2 Portabottiglie (in alto a sinistra)
- 3 Portabottiglie (al centro a sinistra)
- 4 Portabottiglie (in basso a sinistra)
- 5 Portabottiglie (in alto a destra)
- 6 Portabottiglie (al centro a destra)
- 7 Portabottiglie (in basso a destra)
- 8 Ripiano in vetro
- 9 Ripiano in vetro
- 10 Ripiano di copertura cassetto
- 11 Lampada posteriore
- 12 Quadro comandi
- 13 Coperchio del cassetto Activefresh

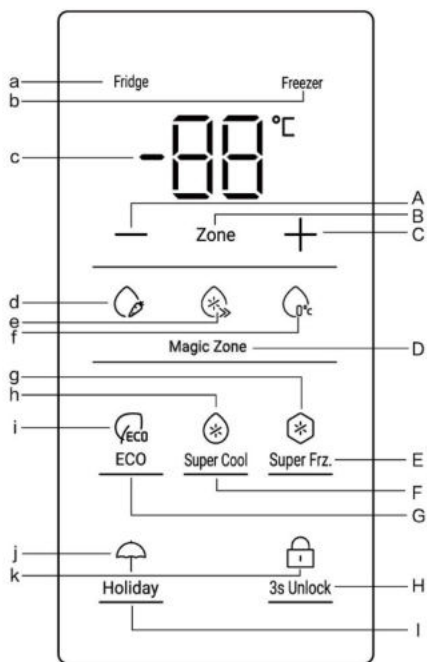
14 Coperchio cassetto Magic

- 15 Cassetto Activefresh
- 16 Cassetto Magic

B: Comparto congelatore

- 17 Vassoio scorrevole
- 18 Cassetto superiore del congelatore
- 19 Vassoio scorrevole
- 20 Cassetto inferiore del congelatore

Pannello di controllo



Tasti:

- A Pulsante di riduzione della temperatura
- B Commutazione della modalità temperatura tra frigorifero e congelatore
- C Pulsante di aumento della temperatura
- D Commutazione alla modalità Magic Zone
- E Selettore funzione Super Frz.
- F Selettore funzione Super-Cool
- G Selettore funzione ECO
- H Blocco/sblocco del pannello display
- I Selettore funzione Holiday

Indicatori:

- a Indicatore frigorifero
- b Indicatore congelatore
- c Temperatura frigorifero e congelatore
- d Funzione Fruit&Veg
- e Funzione Cool Drink
- f Funzione 0°C Fresh
- g Funzione Super Frz.
- h Funzione Super-Cool
- i Funzione Eco
- j Funzione Holiday
- k Funzione di blocco/sblocco del pannello display

Operazioni preliminari al primo utilizzo

- Rimuovere tutti i materiali di imballo, tenerli fuori dalla portata dei bambini e smaltirli nel rispetto dell'ambiente.
- Pulire l'interno e l'esterno dell'elettrodomestico con acqua e un detersivo delicato prima di inserire gli alimenti.
- Dopo l'installazione a livello e la pulizia, attendere almeno 2-5 ore prima di collegare l'elettrodomestico all'alimentazione elettrica. Vedere la sezione INSTALLAZIONE.
- Prima di caricare gli alimenti, preraffreddare i compartimenti con impostazioni elevate. La funzione Super Frz. serve a raffreddare rapidamente i compartimenti.
- La temperatura del frigorifero e del congelatore viene impostata automaticamente a 5 °C e -18 °C rispettivamente. Queste impostazioni sono quelle consigliate. È possibile, tuttavia, cambiare manualmente queste temperature. Vedere MODALITÀ DI REGOLAZIONE MANUALE.

Pulsanti a sensore

I pulsanti del pannello di controllo sono di tipo a sensore che rispondono quando vengono toccati lievemente con un dito.

Accensione e spegnimento dell'elettrodomestico

L'elettrodomestico entra in funzione non appena viene collegato all'alimentazione elettrica.

Alla prima accensione del frigorifero si accende l'indicatore "c" (Visualizzazione della temperatura). La temperatura del frigorifero e del congelatore viene impostata automaticamente a 5 °C e -18 °C rispettivamente. Si accende l'indicatore "d" (Fruit&Veg.). Il pannello display si spegnerà immediatamente dopo la chiusura dello sportello

AVVISO

1. L'elettrodomestico è preimpostato alla temperatura consigliata di 5 °C (frigorifero) e -18 °C (congelatore). In condizioni ambientali normali, non è necessario impostare la temperatura.
2. La funzione preimpostata per il cassetto Magic Zone è Fruit&Veg.
3. Quando l'elettrodomestico viene acceso dopo averlo staccato dall'alimentazione elettrica, il raggiungimento delle temperature corrette potrebbe richiedere fino a 12 ore.

Svuotare l'elettrodomestico prima di spegnerlo. Per spegnere l'elettrodomestico, staccare il cavo di alimentazione dalla presa di corrente.

Blocco e sblocco del pannello

Blocco automatico: quando lo sportello del frigorifero e lo sportello del congelatore sono chiusi, il display si spegne e si blocca automaticamente.

Sblocco manuale: quando lo schermo del display è bloccato, premere il tasto "H" (3s Unlock) e tenerlo premuto per 3 secondi; a questo punto viene emesso un singolo segnale acustico, l'indicatore "k" (Blocco pannello) si spegne e il display si sblocca.



Blocco manuale: quando lo schermo del display è sbloccato, premere il tasto "H" (3s Unlock) e tenerlo premuto per 3 secondi; a questo punto viene emesso un singolo segnale acustico, l'indicatore "k" (Blocco pannello) si accende e il display si blocca.



AVVISO

Il pannello display si blocca ogni volta che si apre lo sportello. Per qualsiasi impostazione è necessario sbloccare il pannello di controllo.

Allarme sportello aperto

Quando uno degli sportelli del frigorifero rimane aperto per oltre 3 minuti, viene emesso un allarme acustico che segnala lo sportello aperto. L'allarme può essere tacitato chiudendo lo sportello. Se lo sportello viene lasciato aperto per oltre 7 minuti, l'illuminazione interna del frigorifero e l'illuminazione del pannello di controllo si spengono automaticamente.

Selezione della modalità di funzionamento

Per impostare l'elettrodomestico, potrebbe essere necessario selezionare una delle due modalità indicate di seguito.

AVVISO: Effetti sulle temperature

Le temperature interne dipendono dai seguenti fattori:

1. Temperatura ambiente.
2. Frequenza di apertura dello sportello.
3. Quantità di alimenti conservati.
4. Installazione dell'elettrodomestico.

MODALITÀ ECO

In assenza di esigenze particolari, è preferibile utilizzare la modalità ECO. In questa modalità, l'elettrodomestico è in grado di regolare automaticamente l'impostazione della temperatura in base alla temperatura ambiente e ai cambiamenti di temperatura nell'elettrodomestico.

1. Quando lo schermo del display è sbloccato, premere il pulsante "G" (selettore funzione ECO); viene emesso un segnale acustico, l'indicatore "i" (funzione ECO) si accende e la funzione ECO viene attivata.
2. Quando si accende l'indicatore V (funzione ECO), premere il tasto "G" (selettore funzione ECO); viene emesso un segnale acustico, l'indicatore "i" (funzione ECO) si spegne e la funzione ECO viene disattivata.



AVVISO

Nella funzione ECO non è possibile regolare la temperatura del frigorifero o del congelatore. Se si preme uno dei tasti "+" o "-" per regolare la temperatura del frigorifero o del congelatore, l'indicatore "i" (funzione ECO) lampeggerà con un segnale acustico a indicare che questa operazione non può essere eseguita. Nella funzione ECO, a causa dei diversi metodi di controllo, se è impostata la funzione Super Cool, Super Frz. o Holiday, l'indicatore "i" (funzione ECO) si spegne. Nella funzione ECO, la funzione Magic Zone può essere regolata manualmente in base alle esigenze.

Regolazione della temperatura del frigorifero

Quando lo schermo del display è sbloccato, premere il pulsante "B" (selettore zona) e selezionare "frigorifero"; l'indicatore "a" (indicatore frigorifero) lampeggia, quindi si arriva alla modalità di impostazione della temperatura del frigorifero.

Premere il tasto "+" o "-"; ogni volta che si premono i tasti "+" o "-", il valore dell'impostazione del livello di refrigerazione aumenta di 1 o diminuisce di 1.

La temperatura del frigorifero verrà visualizzata nella sequenza "9 °C <-> 8 °C <-> 7 °C <-> 6 °C <-> 5 °C <-> 4 °C <-> 3 °C <-> 2 °C <-> 1 °C".

AVVISO

Dopo avere impostato la temperatura, se non si esegue alcuna operazione entro 5 secondi il sistema viene determinato automaticamente e salva la temperatura impostata.

Regolazione della temperatura del congelatore

Quando lo schermo del display è sbloccato, premere il tasto "B" (selettore zona) e selezionare "congelatore"; l'indicatore "b" (indicatore congelatore) si illumina, quindi si arriva alla modalità di impostazione della temperatura del congelatore.

Premere il tasto "+" o "-"; ogni volta che si premono i tasti "+" o "-", il valore dell'impostazione del livello di refrigerazione aumenta di 1 o diminuisce di 1.

La temperatura del congelatore verrà visualizzata nella sequenza "-14 °C <-> -15 °C <-> -16 °C <-> -17 °C <-> -18 °C <-> -19 °C <-> -20 °C <-> -21 °C <-> -22 °C <-> -23 °C <-> -24 °C".

AVVISO

Dopo avere impostato la temperatura, se non si esegue alcuna operazione entro 5 secondi il sistema viene determinato automaticamente e salva la temperatura impostata.

Funzione Magic Zone

1. Funzione Fruit&Veg:

Quando lo schermo del display è sbloccato, premere il pulsante "D" (selettore Magic Zone) per attivare Fruit&Veg. L'icona si accende. Questa funzione è ideale per conservare frutta e verdura fresche.



i AVVISO

I formaggi, la frutta e gli ortaggi sensibili al freddo (ad es. ananas, avocado, banane, pompelmi, patate, melanzane, fagioli, cetrioli, zucchine e pomodori) non devono essere conservati nel cassetto Magic Zone.

2. Funzione Cool Drink:

Quando lo schermo del display è sbloccato, premere il pulsante "D" (selettore Magic Zone) per attivare Cool Drink. L'icona si accende. Questa funzione consente di conservare prodotti come acqua e succhi vari. La temperatura nel comparto Magic Zone è impostata su +2 °C.



3. Funzione 0° Fresh:

Quando lo schermo del display è sbloccato, premere il tasto "D" (selettore Magic Zone) per attivare la funzione. 0°C Fresh si accende. Questa funzione imposta la temperatura nel cassetto Magic Zone a 0 °C. È adatta alla conservazione di alimenti freschi come carne o pesce. La maggior parte degli alimenti a 0 °C rimane fresca.



i AVVISO

A causa del diverso contenuto di acqua della carne, alcune carni con più umidità devono essere congelate a temperature inferiori a 0 °C. Quindi la carne "di fresco taglio" deve essere conservata nel cassetto Magic Zone, con temperature minime di 0 °C.

i AVVISO: Cassetto Magic Zone

1. Le tre funzioni di Magic Zone non possono essere attivate contemporaneamente, ma solo una alla volta.
2. Per ridurre la temperatura del comparto frigorifero utilizzare la funzione Cool Drink. Per aumentarla, utilizzare la funzione Fruit&Veg.

Funzione Super Cool

1. Quando lo schermo del display è sbloccato, premere il tasto "F" (selettore Super Cool), viene emesso un segnale acustico, la spia "h" (funzione Super Cool) si accende, quindi la funzione Super Cool si attiva.
2. Quando l'indicatore "h" (funzione Super Cool) si accende, premere il tasto "F" (selettore Super Cool); viene emesso un segnale acustico, l'indicatore "h" (funzione Super Cool) si spegne e la funzione Super Cool si disattiva.
3. Una volta attivata la funzione Super Cool, il frigorifero la disattiva automaticamente dopo circa 4 ore di funzionamento. Se si desidera uscire manualmente, è possibile premere il pulsante "G" (selettore Super Cool) per disattivarla.



i AVVISO

1. Nello stato Super Cool, la temperatura del frigorifero non può essere regolata. Se si preme uno dei tasti "+" o "-" per regolare la temperatura del frigorifero, l'indicatore "h" (funzione Super Cool) lampeggia con un segnale acustico, a indicare che questa operazione non può essere eseguita.
2. Nello stato della funzione Super Cool, la funzione ECO e la funzione Holiday non possono essere attivate contemporaneamente a causa delle diverse modalità di controllo. Quando si sceglie una funzione in conflitto con un'altra funzione, quella originale si disattiva automaticamente.

Funzione Super-Frz

1. Quando lo schermo del display è sbloccato, premere il tasto "E" (selettore Super Freeze); viene emesso un singolo segnale acustico, l'indicatore "g" (funzione Super Freeze) si accende e la funzione Super Freeze si attiva.
2. Quando l'indicatore "g" (funzione Super Freeze) si accende, premere il tasto "E" (selettore Super Freeze); viene emesso un singolo segnale acustico, l'indicatore "g" (funzione Super Freeze) si spegne e la funzione Super Freeze si disattiva.
3. Dopo l'attivazione della funzione Super Freeze, il frigorifero disattiva automaticamente la funzione dopo circa 50 ore di funzionamento. Se si desidera uscire manualmente, è possibile premere il pulsante "E" (selettore Super Freeze) per disattivare la funzione.



Super Frz.

Super Frz.

Super Frz.

AVVISO

1. Nello stato Super Freeze, la temperatura del congelatore non può essere regolata. Se si preme uno dei tasti "+" o "-" per regolare la temperatura del congelatore, l'indicatore "g" (funzione Super Freeze) lampeggerà con un segnale acustico, a indicare che questa operazione non può essere eseguita.
2. Nello stato della funzione Super Freeze, la funzione ECO non può essere attivata contemporaneamente a causa delle diverse modalità di controllo. Quando si sceglie una funzione in conflitto con un'altra funzione, quella originale si disattiva automaticamente.
3. La funzione Super Freeze è progettata per mantenere il valore nutritivo del cibo congelato perché i tempi di congelamento sono brevissimi e per congelare grandi quantità di cibo congelato in un'unica volta. La funzione Super Freeze deve essere impostata con 24 ore di anticipo per far sì che il congelatore raggiunga una temperatura bassa e mantenga il cibo. In questo momento, la velocità di congelamento del congelatore è migliorata, il cibo può essere congelato rapidamente, il valore nutrizionale del cibo viene mantenuto in modo efficace e la conservazione diventa piuttosto pratica.

Funzione Holiday

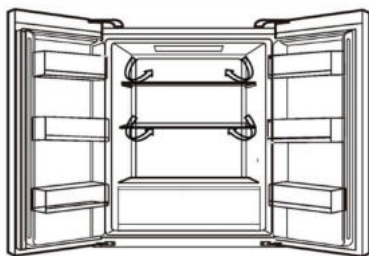
La funzione Holiday è progettata per i momenti in cui il frigorifero non viene utilizzato per un tempo prolungato. Quando la funzione Holiday è attivata, il congelatore è sotto controllo normale e la temperatura del frigorifero viene impostata automaticamente sui 17 °C. La temperatura effettiva non è superiore a 17 °C, il che previene il particolare odore causato dalla sovratemperatura consentendo, allo stesso tempo, la riduzione del consumo energetico.

1. Quando lo schermo del display è sbloccato, premere il tasto "I" (selettore funzione Holiday); viene emesso un segnale acustico, l'indicatore "J" (funzione Holiday) si accende e la funzione Holiday si attiva.
2. Quando l'indicatore "J" (funzione Holiday) si illumina, premere il pulsante "I" (selettore della funzione Holiday); viene emesso un singolo segnale acustico, l'indicatore "J" (funzione Holiday) si spegne e la funzione Holiday si disattiva.



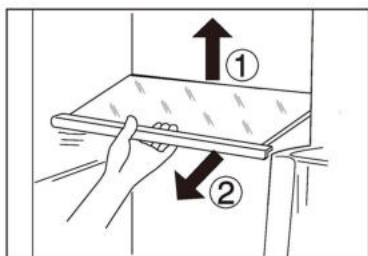
AVVISI

1. Nella funzione Holiday, la temperatura del frigorifero non può essere regolata. Se si preme uno dei pulsanti "+" o "-" per regolare la temperatura del frigorifero, l'indicatore (funzione Holiday) lampeggerà con un segnale acustico per indicare che questa operazione non può essere eseguita.
2. Prima di utilizzare la funzione Holiday, svuotare il frigorifero per evitare che gli alimenti al suo interno vadano a male. Quando la funzione Holiday è attivata, non è possibile attivare contemporaneamente le funzioni ECO o Super Cool.
3. Nella funzione Holiday, l'impostazione delle icone "Fruit&Veg, Cool Drink, 0° Fresh" in Magic Zone è disattivata e non sarà possibile regolare la funzione Magic Zone. Una volta uscito dalla funzione Holiday, il comparto frigorifero Magic Zone visualizza l'impostazione precedente.



Flusso d'aria multiple

1. Il frigorifero è dotato di un sistema con flusso d'aria multiple e i flussi di aria fresca investono tutti i ripiani. Ciò facilita il mantenimento di una temperatura uniforme per garantire la freschezza degli alimenti per un periodo maggiore.



Ripiani regolabili

1. L'altezza dei ripiani può essere regolata in base alle esigenze.
2. Per spostare un ripiano, rimuoverlo sollevandone il bordo posteriore ① ed estrarlo ②.
3. Per reinstallarlo, collocarlo sulle alette su entrambi i lati e spingerlo dentro fino in fondo in modo che la parte posteriore del ripiano sia fissata all'interno delle feritoie laterali.

Cassetto Magic Zone

In questo comparto il livello di umidità è inferiore rispetto al vano frigorifero. Questo cassetto è adatto per conservare frutta secca e altri alimenti secchi a basso contenuto di acqua come burro, grassi e oli o cioccolato.

MAGICZONE |

Cassetto ACTIVEFRESHZONE

In questo comparto il livello di umidità è superiore al vano frigorifero. Viene controllato automaticamente dal sistema ed è adatto alla conservazione di frutta, verdura, insalata ecc.

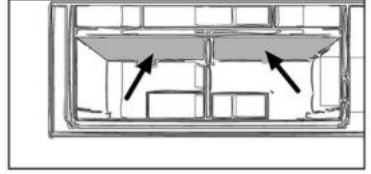
ACTIVEFRESHZONE |

AVVISI:

I formaggi, la frutta e gli ortaggi sensibili al freddo (ad es. ananas, avocado, banane, pompelmi, patate, melanzane, fagioli, cetrioli, zucchine e pomodori) non devono essere conservati nel vano Fresh box.

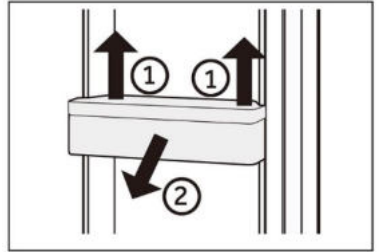
i AVVISO

1. Non rimuovere il coperchio di plastica all'interno delle due zone,
2. poiché mantiene l'umidità.
3. Non è consigliabile conservare la frutta sensibile al freddo come ananas, avocado, banane
4. e pompelmi in questi due cassetti.



Portabottiglie/cassetti incassati nello sportello rimovibili

1. I cassetti incassati nello sportello possono essere rimossi per essere puliti
2. Tenere con le mani entrambi i lati del cassetto incassato, sollevarlo ① ed estrarlo ②.
3. Per inserire il cassetto incassato nello sportello, seguire la procedura inversa.



Cassetto superiore del congelatore estraibile

1. Estrarre completamente il cassetto superiore del congelatore
2. Sollevare il cassetto fino a separarlo dal blocco di supporto, spingerlo nel congelatore e inclinarlo per estrarlo.

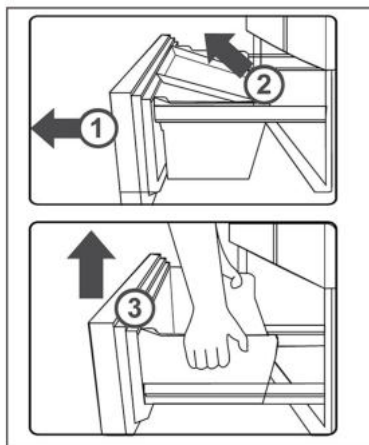
Per inserire il cassetto, seguire la procedura inversa.



Cassetto inferiore del congelatore estraibile

1. Estrarre completamente il cassetto inferiore del congelatore
2. Estrarre il vassoio di congelamento in posizione di arresto, sollevarlo ed estrarlo.
3. Sollevare il cassetto fino a separarlo dal blocco di supporto, spingerlo nel congelatore e inclinarlo per estrarlo.

Per inserire il cassetto, seguire la procedura inversa.



Illuminazione

La luce interna a LED si accende quando si apre lo sportello. Le prestazioni delle luci non dipendono da altre impostazioni dell'elettrodomestico.



Suggerimenti per il risparmio energetico

- ▶ Accertarsi che l'elettrodomestico sia adeguatamente ventilato (v. INSTALLAZIONE).
- ▶ Non installare l'elettrodomestico esposto alla luce diretta del sole o in prossimità di fonti di calore (ad es. stufe o radiatori).
- ▶ Evitare che la temperatura dell'elettrodomestico sia inutilmente bassa. Riducendo la temperatura impostata nell'elettrodomestico, il consumo energetico aumenta.
- ▶ Funzioni come POWER-FREEZE consumano più energia.
- ▶ Attendere che gli alimenti caldi si raffreddino prima di collocarli nell'elettrodomestico.
- ▶ Aprire lo sportello dell'elettrodomestico senza spalancarlo e per il più breve tempo possibile.
- ▶ Per evitare ostruzioni del flusso d'aria, non riempire eccessivamente l'elettrodomestico.
- ▶ Evitare l'ingresso di aria nelle confezioni di alimenti.
- ▶ Mantenere pulite le guarnizioni dello sportello in modo che si chiuda sempre perfettamente.
- ▶ Scongelare gli alimenti surgelati nel comparto frigorifero.
- ▶ Per ottimizzare il risparmio energetico, lasciare i cassetti, i contenitori per gli alimenti e i ripiani nelle posizioni di fabbrica e collocare gli alimenti il più possibile distanti tra loro senza ostruire l'uscita del condotto.



AVVERTENZA!

Prima di effettuare la pulizia, staccare la spina di alimentazione dell'elettrodomestico.

Pulizia

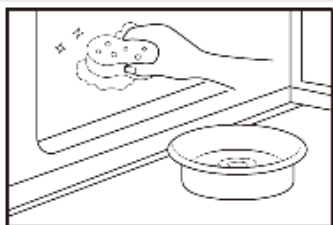
Pulire l'elettrodomestico quando è vuoto o contiene pochi alimenti.

Per una corretta manutenzione e per evitare cattivi odori degli alimenti conservati, pulire l'elettrodomestico ogni quattro settimane.



AVVERTENZA!

- ▶ Non pulire l'elettrodomestico con spazzole rigide, spazzole metalliche, detersivi in polvere, benzina, acetato di pentile, acetone e soluzioni organiche simili, soluzioni acide o alcaline. Per evitare danni, effettuare la pulizia con un detergente speciale per frigoriferi.
- ▶ Non spruzzare o schizzare liquidi sull'elettrodomestico durante la pulizia.
- ▶ Per pulire questo elettrodomestico non utilizzare apparecchi a vapore.
- ▶ Non pulire i ripiani di vetro freddi con acqua calda. Un'improvvisa variazione della temperatura può causare la rottura del vetro.
- ▶ Non toccare la superficie interna del comparto congelatore, soprattutto con le mani bagnate, poiché le mani potrebbero congelarsi sulla superficie.
- ▶ Se la temperatura aumenta, controllare lo stato degli alimenti congelati.



- ▶ Tenere sempre pulita la guarnizione dello sportello.
- ▶ Pulire l'interno e l'alloggiamento dell'elettrodomestico con una spugna imbevuta di acqua calda e detergente neutro.
- ▶ 1. Strofinare l'interno e l'esterno del frigorifero (compresi la guarnizione dello sportello, il cassetto incassato nello sportello, i ripiani di vetro, i comparti ecc.) con un panno morbido o una spugna imbevuta di acqua calda (è possibile aggiungere un detergente neutro).
- ▶ 2. In presenza di liquidi versati, rimuovere tutte le parti contaminate, sciacquarle sotto l'acqua corrente, asciugarle e ricollocarle nel frigorifero.
- ▶ 3. In caso di versamenti di alimenti cremosi (ad es. panna o gelato sciolto), rimuovere tutte le parti contaminate, lasciarle un po' di tempo in acqua calda a circa 40°C, poi sciacquarle sotto l'acqua corrente, asciugarle e ricollocarle nel frigorifero.
- ▶ 4. Nel caso in cui rimangano intrappolati piccoli oggetti all'interno del frigorifero (tra i ripiani o i cassetti), toglierli con una spazzolina morbida. Se non si riesce a raggiungere l'oggetto, rivolgersi all'assistenza Haier
- ▶ Sciacquare e asciugare con un panno morbido.
- ▶ Non lavare i componenti dell'elettrodomestico in lavastoviglie.
- ▶ Attendere almeno 5 minuti prima di riavviare l'elettrodomestico, poiché un avvio frequente può danneggiare il compressore.

Sbrinamento

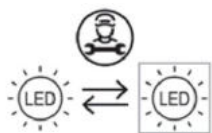
Lo sbrinamento dei comparti frigorifero e congelatore avviene automaticamente e non richiede operazioni manuali.

Sostituzione delle lampade a LED

AVVERTENZA!

La lampada a LED deve essere sostituita solo dal produttore o da un tecnico dell'assistenza autorizzato.

La lampada utilizza una sorgente luminosa a LED che riduce i consumi energetici e garantisce una lunga durata. In caso di anomalie, rivolgersi all'assistenza clienti. V. ASSISTENZA CLIENTI.



La sorgente luminosa (solo LED) può essere sostituita esclusivamente da un elettricista professionista.

Questo prodotto contiene una fonte luminosa con efficienza energetica di classe G.

Comparto	Tensione	Classe di efficienza energetica	Modello
Frigorifero	12 V	G	HFKR5718DNGB

Inutilizzo per lunghi periodi

Se l'elettrodomestico non verrà adoperato per lunghi periodi e non verrà utilizzata la funzione Holiday per il frigorifero:

- ▶ Estrarre gli alimenti.
- ▶ Scollegare il cavo di alimentazione.
- ▶ Pulire l'elettrodomestico come descritto in precedenza.
- ▶ Lasciare aperti gli sportelli per evitare la produzione di cattivi odori all'interno.

AVVISO

Spegnere l'elettrodomestico solo se è strettamente necessario.

Spostamento dell'elettrodomestico

1. Togliere tutti gli alimenti e staccare la spina dell'elettrodomestico.
2. Fissare con nastro adesivo i ripiani e gli altri componenti mobili presenti nel frigorifero e nel congelatore.
3. Non inclinare il frigorifero oltre 45°, altrimenti il sistema di refrigerazione potrebbe danneggiarsi.

AVVERTENZA!

- ▶ Non sollevare l'elettrodomestico tenendolo per le maniglie dello sportello.
- ▶ Non collocare mai l'elettrodomestico orizzontalmente a terra.

Molti problemi possono essere risolti personalmente senza particolari competenze. In caso di problemi, consultare tutte le soluzioni possibili indicate e attenersi alle seguenti istruzioni prima di contattare l'assistenza post-vendita. V. ASSISTENZA CLIENTI.



AVVERTENZA!

- ▶ Prima di effettuare la manutenzione dell'elettrodomestico, spegnerlo e staccare la spina dalla presa di corrente.
- ▶ La manutenzione delle apparecchiature elettriche deve essere effettuata solo da elettricisti qualificati, dal momento che eventuali riparazioni improprie possono causare danni notevoli.
- ▶ Se il cavo di alimentazione è danneggiato, deve essere sostituito unicamente dal produttore, da un tecnico dell'assistenza o da una persona con analogo qualifica per evitare rischi.

Problema	Causa possibile	Soluzione possibile
Il compressore non funziona.	<ul style="list-style-type: none"> • La spina non è collegata alla presa di corrente. • L'elettrodomestico sta effettuando il ciclo di sbrinamento. 	<ul style="list-style-type: none"> • Collegare la spina alla presa di corrente. • Ciò è normale per lo sbrinamento automatico.
L'elettrodomestico si aziona frequentemente o per un periodo di tempo troppo lungo.	<ul style="list-style-type: none"> • La temperatura interna o esterna è troppo elevata. • L'elettrodomestico è rimasto spento per un certo periodo di tempo. • Uno sportello dell'elettrodomestico non è chiuso ermeticamente. • Lo sportello è stato aperto troppo spesso o troppo a lungo. • L'impostazione della temperatura del comparto congelatore è troppo bassa. • La guarnizione dello sportello è sporca, usurata, danneggiata o inadeguata. • Non è garantita la circolazione dell'aria necessaria. 	<ul style="list-style-type: none"> • In questo caso, è normale che l'elettrodomestico rimanga in funzione più a lungo. • Il raffreddamento completo dell'elettrodomestico normalmente richiede 8-12 ore. • Chiudere lo sportello o il cassetto e accertarsi che l'elettrodomestico sia a livello e che gli alimenti o i contenitori urtino lo sportello. • Non aprire lo sportello o il cassetto troppo spesso. • Scegliere un'impostazione della temperatura più alta fino a quando la temperatura del frigorifero è soddisfacente. Per stabilizzare la temperatura del frigorifero occorrono 24 ore. • Pulire la guarnizione dello sportello o del cassetto o farla sostituire dall'assistenza clienti. • Garantire un'adeguata ventilazione.

Problema	Causa possibile	Soluzione possibile
L'interno del frigorifero è sporco e/o si sentono cattivi odori.	<ul style="list-style-type: none"> • L'interno del frigorifero deve essere pulito. • In frigorifero vengono conservati alimenti che producono un odore intenso. 	<ul style="list-style-type: none"> • Pulire la parte interna del frigorifero. • Avvolgere completamente gli alimenti.
La temperatura nell'elettrodomestic o non è sufficientemente bassa.	<ul style="list-style-type: none"> • La temperatura impostata è troppo alta. • Sono stati collocati alimenti troppo caldi. • Sono stati collocati troppi alimenti contemporaneamente. • Gli alimenti sono troppo vicini tra loro. • Uno sportello o un cassetto dell'elettrodomestic non è chiuso bene. • Lo sportello o il cassetto è stato aperto troppo spesso o troppo a lungo. 	<ul style="list-style-type: none"> • Reimpostare la temperatura. • Gli alimenti devono essere sempre raffreddati prima di conservarli. • Non conservare troppi alimenti. • Lasciare spazio tra i vari alimenti per consentire il passaggio del flusso d'aria. • Chiudere lo sportello o il cassetto. • Non aprire lo sportello o il cassetto troppo spesso.
La temperatura nell'elettrodomestic o è troppo bassa.	<ul style="list-style-type: none"> • La temperatura impostata è troppo bassa. • La funzione Super-Frz/Super-Cool è attiva o rimane attiva troppo a lungo. 	<ul style="list-style-type: none"> • Reimpostare la temperatura. • Disattivare la funzione Super Frz/Super Cool
Formazione di umidità all'interno del comparto frigorifero.	<ul style="list-style-type: none"> • Il clima è troppo caldo e troppo umido. • Uno sportello o un cassetto dell'elettrodomestic non è chiuso bene. • Lo sportello o il cassetto è stato aperto troppo spesso o troppo a lungo. • Contenitori per alimenti o liquidi rimasti aperti. 	<ul style="list-style-type: none"> • Aumentare la temperatura. • Chiudere lo sportello o il cassetto. • Non aprire lo sportello o il cassetto troppo spesso. • Lasciare raffreddare gli alimenti caldi a temperatura ambiente e coprire cibi e liquidi.
Accumulo di umidità sulla superficie esterna del frigorifero o tra gli sportelli e il cassetto.	<ul style="list-style-type: none"> • Il clima è troppo caldo e troppo umido. • Lo sportello non è chiuso ermeticamente. L'aria fredda all'interno dell'elettrodomestic e l'aria calda all'esterno formano condensa. 	<ul style="list-style-type: none"> • Ciò è normale in un clima umido; la situazione cambia quando l'umidità diminuisce. • Accertarsi che lo sportello o il cassetto sia chiuso bene.

Problema	Causa possibile	Soluzione possibile
Presenza di molto ghiaccio e brina nel comparto congelatore.	<ul style="list-style-type: none"> • Gli alimenti non sono stati confezionati adeguatamente. • Uno sportello o un cassetto dell'elettrodomestico non è chiuso bene. • Lo sportello o il cassetto è stato aperto troppo spesso o troppo a lungo. • Le guarnizioni dello sportello o del cassetto sono sporche, usurate, danneggiate o inadeguate. • Qualcosa all'interno impedisce la chiusura corretta dello sportello o del cassetto. 	<ul style="list-style-type: none"> • Confezionare sempre gli alimenti. • Chiudere lo sportello o il cassetto. • Non aprire lo sportello o il cassetto troppo spesso. • Pulire la guarnizione dello sportello o del cassetto oppure sostituirla. • Risistemare i ripiani, i cassetti incassati nello sportello o i contenitori interni per consentire la chiusura dello sportello o del cassetto.
I lati del comparto e la guarnizione dello sportello si riscaldano.	<ul style="list-style-type: none"> • - 	<ul style="list-style-type: none"> • È normale.
L'elettrodomestico emette suoni anomali.	<ul style="list-style-type: none"> • L'elettrodomestico non è a livello. • L'elettrodomestico urta qualche oggetto vicino. 	<ul style="list-style-type: none"> • Regolare i piedini per collocare l'elettrodomestico a livello. • Rimuovere gli oggetti attorno all'elettrodomestico.
Si sente un lieve rumore, simile a quello dell'acqua che scorre.	<ul style="list-style-type: none"> • - 	<ul style="list-style-type: none"> • È normale.
Viene emesso un allarme acustico.	<ul style="list-style-type: none"> • Lo sportello del comparto frigorifero è aperto. 	<ul style="list-style-type: none"> • Chiudere lo sportello.
Viene emesso un lieve sibilo.	<ul style="list-style-type: none"> • È in funzione il sistema anticondensa 	<ul style="list-style-type: none"> • Ciò evita la formazione di condensa ed è normale
L'illuminazione interna o il sistema di raffreddamento non funziona.	<ul style="list-style-type: none"> • La spina non è collegata alla presa di corrente. • Problema della fonte di alimentazione. • La lampada a LED è fuori uso. 	<ul style="list-style-type: none"> • Collegare la spina alla presa di corrente. • Controllare l'alimentazione elettrica. Chiamare l'azienda elettrica locale. • Chiamare l'assistenza per la sostituzione.

Per rivolgersi all'assistenza tecnica, visitare il nostro sito Web:

<https://corporate.haier-europe.com/en/>

Nella sezione "sito Web", scegliere la marca del proprio prodotto e il proprio paese. Si aprirà il sito Web specifico contenente il numero di telefono e il modulo per contattare l'assistenza tecnica.

Interruzione della corrente

In caso di interruzione della corrente, gli alimenti dovrebbero rimanere freddi in maniera sicura per circa 5 ore. Durante un'interruzione prolungata della corrente, soprattutto in estate, attenersi ai suggerimenti seguenti:

- ▶ Limitare al massimo l'apertura dello sportello o del cassetto.
- ▶ In caso di interruzione della corrente, non collocare altri alimenti nell'elettrodomestico.
- ▶ Se viene fornito un preavviso di interruzione della corrente di durata superiore a 5 ore, produrre un po' di ghiaccio e collocarlo nella parte superiore del comparto frigorifero.
- ▶ Dopo l'interruzione della corrente, è indispensabile controllare immediatamente gli alimenti.
- ▶ Siccome la temperatura nel frigorifero aumenta durante un'interruzione della corrente o in caso di altri guasti, il periodo di conservazione e la commestibilità degli alimenti si riducono. Per evitare rischi per la salute, gli alimenti che si scongelano devono essere immediatamente consumati oppure cotti e ricongelati (se possibile).

Funzione di memoria durante un'interruzione di corrente

Al ripristino della corrente, l'elettrodomestico riprende il funzionamento in base alle impostazioni precedenti.

Disimballo



AVVERTENZA!

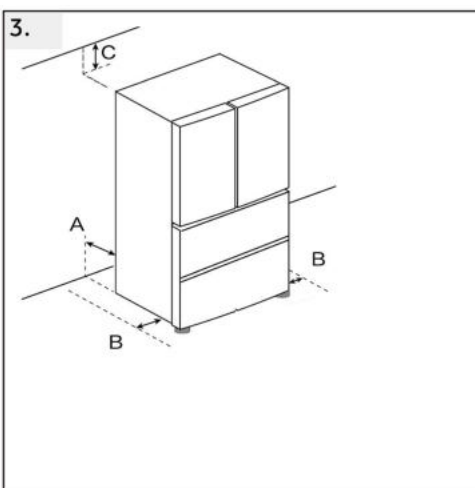
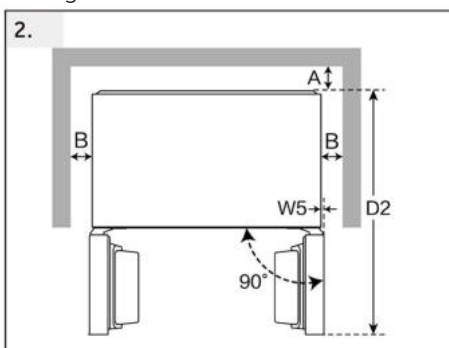
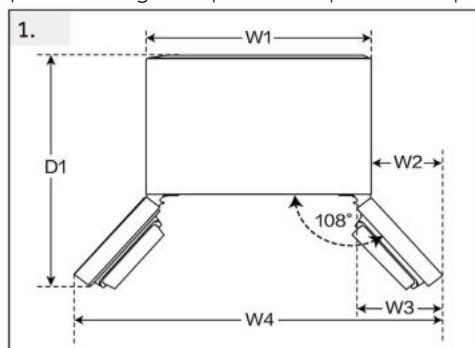
- ▶ L'elettrodomestico è pesante. Per spostarlo occorrono almeno due persone.
- ▶ Tenere fuori dalla portata dei bambini tutti i materiali di imballaggio e smaltirli nel rispetto dell'ambiente.
- ▶ Estrarre l'elettrodomestico dall'imballo.
- ▶ Togliere tutti i materiali di imballo.

Condizioni ambientali

La temperatura ambiente deve essere sempre compresa tra 10 e 43 °C, poiché può influire sulla temperatura interna dell'elettrodomestico e sui consumi energetici. Non installare l'elettrodomestico vicino ad altri elettrodomestici che emettono calore (forni, frigoriferi) senza isolamento.

Spazio consigliato

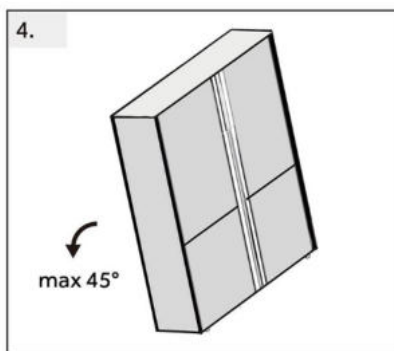
Spazio consigliato quando lo sportello è aperto (Fig. 1.2)



(unità di misura: mm)	HFKR5718DNGB	
Larghezza	W1	700
	W2	115
	W3	368
	W4	930
	W5	0
	P	700
	D1	910
	D2	918
	D	594
Distanza dalla parete posteriore	A	6
Distanza dalle pareti laterali	B	4
Distanza dal soffitto	C	9
Altezza totale	H	1850

Sezione di ventilazione

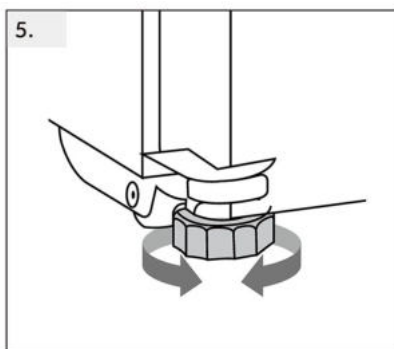
Per ottenere una ventilazione sufficiente dell'elettrodomestico per motivi di sicurezza, attenersi alle indicazioni sulle sezioni di ventilazione.



Allineamento dell'elettrodomestico (Fig. 4.5.6)

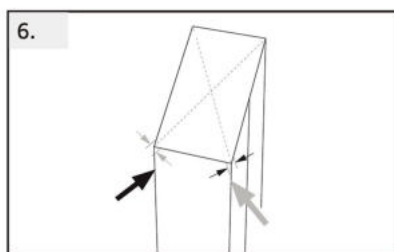
Installare l'elettrodomestico su una superficie solida e piana.

4. Inclinare leggermente il frigorifero all'indietro.



5. Regolare i piedini all'altezza desiderata.

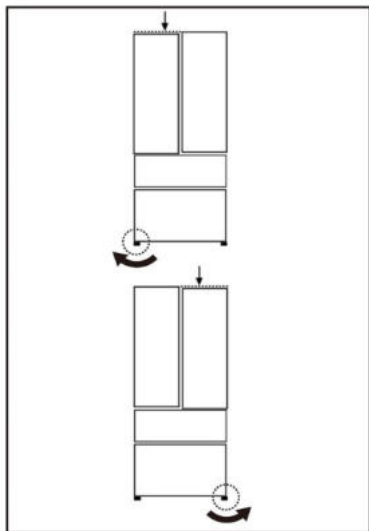
Accertarsi che la distanza dalla parete lato cerniera sia almeno 100 mm affinché lo sportello possa aprirsi correttamente.



6. La stabilità può essere verificata spingendo diagonalmente l'elettrodomestico a destra e a sinistra. Il lieve ondeggiamento deve essere identico in entrambe le direzioni. In caso contrario, il telaio potrebbe deformarsi e le guarnizioni dello sportello potrebbero perdere. Una lieve inclinazione posteriore facilita la chiusura degli sportelli.

i AVVISO

Per gli elettrodomestici a libera installazione: questo elettrodomestico non è progettato per l'installazione a incasso

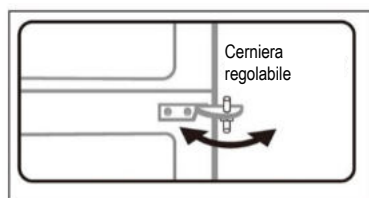


Regolazione precisa degli sportelli

Se gli sportelli sono a livello, attenersi alla procedura seguente:

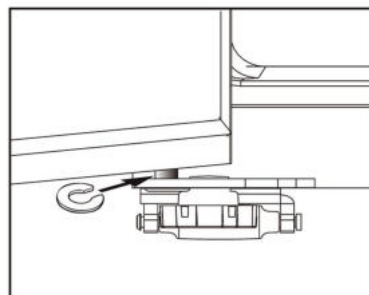
Utilizzo del piedino regolabile

Ruotare il piedino regolabile nella direzione indicata dalla freccia per sollevarlo o abbassarlo.



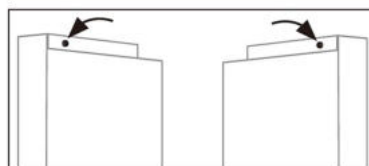
Regolazione della posizione dello sportello

- ▶ Se i due sportelli non sono alla stessa altezza, è possibile regolare con precisione le cerniere regolabili per allinearli utilizzando la chiave in dotazione. Si prega di utilizzarla prestando cura a evitare graffi o urti sul rivestimento dello sportello.



Uso di distanziatori

- ▶ Aprire lo sportello del congelatore e sollevarlo.
- ▶ Agganciare con attenzione il distanziatore (incluso nel sacchetto degli accessori) all'asse della cerniera centrale, a mano o con un utensile (ad es. una pinza). Attenzione a non graffiare o ammaccare lo sportello.

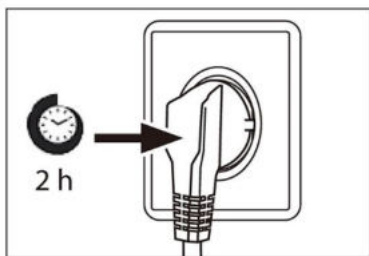


Utilizzo della manopola di regolazione

- ▶ Se lo sportello del comparto frigorifero non è a livello, è possibile ruotare la manopola sulla parte superiore dello sportello per effettuare regolazioni di precisione.

AVVISO

Nell'uso futuro del frigorifero, il fenomeno degli sportelli non a livello può verificarsi a causa del peso degli alimenti conservati. Per risolvere il problema, utilizzare i metodi descritti sopra.



Tempo di attesa

L'olio di lubrificazione esente da manutenzione si trova nella capsula del compressore. Questo olio può penetrare nel sistema di tubazioni chiuse durante il trasporto. Prima di collegare l'elettrodomestico all'alimentazione elettrica, attendere almeno 2 ore in modo che l'olio torni nella capsula.

Collegamento elettrico

Prima di ogni collegamento, effettuare i seguenti controlli:


- ▶ La fonte di alimentazione, la presa e i fusibili sono conformi ai dati indicati nella targhetta.
- ▶ La presa di corrente è collegata a terra e non sono utilizzate prese multiple o prolunghe.
- ▶ La spina e la presa di corrente sono compatibili.

Collegare la spina a una presa domestica installata correttamente.

AVVERTENZA!

Per evitare rischi, il cavo di alimentazione danneggiato deve essere sostituito dall'assistenza clienti (v. scheda di garanzia).

Specifiche del prodotto secondo il regolamento UE n. 2019/2016

Marchio	Haier
Nome / identificativo del modello	HFKR5718DNGB
Categoria del modello	Frigorifero- congelatore
Classe di efficienza energetica	D
Consumo energetico annuo (kWh/anno)(1)	226
Volume totale (litri)	402
Volume frigorifero (litri)	227
Volume congelatore (litri)	147
Volume di conservazione refrigerata (litri)	28
Prestazioni (stelle)	
Sistema senza formazione di brina	Sì
Capacità di congelamento (kg/24 h)	10,0
Classe climatica(2)	SN-N-ST-T
Classe di emissione di rumore ed emissioni acustiche aeree (db(A) re 1pW)	B (35)
Tempo di aumento della temperatura (h)	8
Tipo di elettrodomestico	Indipendente

Descrizioni:

• Sì

- (1) In base ai risultati del test di conformità agli standard per 24 ore. Il consumo effettivo dipende dall'uso e dalla posizione dell'elettrodomestico.
- (2) Classe climatica SN: questo elettrodomestico è destinato all'uso con temperature ambiente comprese tra +10 °C e +32 °C
 Classe climatica N: questo elettrodomestico è destinato all'uso con temperature ambiente comprese tra +16 °C e +32 °C
 Classe climatica ST: questo elettrodomestico è destinato all'uso con temperature ambiente comprese tra +16 °C e +38 °C
 Classe climatica T: questo elettrodomestico è destinato all'uso con temperature ambiente comprese tra +16 °C e +43 °C

Dati tecnici supplementari

Tensione / Frequenza	220-240 V~ / 50 Hz
Corrente di ingresso (A)	1.8
Fusibile principale (A)	15
Refrigerante	R600a
Dimensioni (A/L/P in mm)	1850/700/594

Si consiglia di rivolgersi all'Assistenza clienti Haier e di adoperare ricambi originali. In caso di problemi con l'elettrodomestico, consultare prima la sezione SOLUZIONE DEI PROBLEMI.

Se non si riesce a trovare una soluzione, contattare

il rivenditore locale o

lo European Call Service-Center (vedere i numeri di telefono elencati di seguito) o l'area Service & Support su www.haier.com dove è possibile chiedere assistenza e trovare risposte a domande frequenti.

Per contattare l'assistenza, procurarsi i dati seguenti. Le informazioni si trovano sulla targhetta.

Modello _____

N. di serie _____

Controllare anche la scheda di garanzia fornita con il prodotto.

European Call Service-Center		
Paese*	Numero di telefono	Costi
Haier Italy (IT)	199 100 912	
Haier Spain (ES)	902 509 123	
Haier Germany (DE)	0180 5 39 39 99	<ul style="list-style-type: none"> • 14 cent/min su linea fissa • max 42 cent/min su linea mobile
Haier Austria (AT)	0820 001 205	<ul style="list-style-type: none"> • 14,53 cent/min su linea fissa • max 20 cent/min su altre linee
Haier United Kingdom (UK)	0333 003 8122	
Haier France (FR)	0980 406 409	

* Per altri paesi fare riferimento al sito www.haier.com

Haier Europe Trading S.r.l

Filiale Regno Unito

Westgate House, Westgate, Ealing

London, W5 1YY

*Durata della garanzia dell'elettrodomestico:

Garanzia minima: 2 anni per i paesi UE, 3 anni per la Turchia, 1 anno per il Regno Unito, 1 anno per la Russia, 3 anni per la Svezia, 2 anni per la Serbia, 5 anni per la Norvegia, 1 anno per il Marocco, 6 mesi per l'Algeria; per la Tunisia non è obbligatoria alcuna garanzia legale.

*Periodo di disponibilità dei pezzi di ricambio per la riparazione dell'elettrodomestico: termostati, sensori di temperatura, circuiti stampati e lampade rimangono disponibili per almeno sette anni dopo l'immissione sul mercato dell'ultima unità del modello.

Maniglie e cerniere degli sportelli, vassoi e cestelli rimangono disponibili per almeno di sette anni e le guarnizioni degli sportelli per almeno dieci anni dopo l'immissione sul mercato dell'ultima unità del modello.

*Per ulteriori informazioni sul prodotto, consultare <https://eprel.ec.europa.eu/> o effettuare una scansione del codice QR apposto sull'etichetta fornita con l'elettrodomestico.

<u>293 Veiligheidsinformatie</u>	•	Voor het eerste gebruik	294
		Installatie	294
		Dagelijks gebruik	295
<u>298 Beoogd gebruik</u>	•		
<u>299 Productbeschrijving</u>	•		
<u>300 Bedieningspaneel</u>	•		
<u>301 Gebruik</u>	•	Paneel vergrendelen/ontgrendelen	301
		ECO-MODUS	302
		De koelkasttemperatuur aanpassen	303
		De vriezertemperatuur aanpassen	303
		Magic Zone-functie	303
		Super Cool-functie	305
		Super Frz.-functie	306
		Holiday-functie	307
<u>308 Apparatuur</u>	•		
<u>311 Tips voor energiebesparing</u>	•		
<u>312 Onderhoud en reiniging</u>	•		
<u>314 Problemen oplossen</u>	•		
<u>318 Installatie</u>	•		
<u>321 Technische gegevens</u>	•		
<u>323 Klantenservice</u>	•		

Bedankt voor de aankoop van dit Haier-product.

Lees deze instructies zorgvuldig door voordat u dit apparaat gebruikt. De instructies bevatten belangrijke informatie die u helpt het beste uit het apparaat te halen en veilig(e) en correct(e) installatie, gebruik en onderhoud te waarborgen.

Bewaar deze handleiding op een handige plaats zodat u hem altijd kunt raadplegen voor een veilig en correct gebruik van het apparaat.

Als u het apparaat verkoopt, weggeeft of achterlaat wanneer u verhuist, zorg er dan voor dat u deze handleiding ook overdraagt, zodat de nieuwe eigenaar het apparaat en de veiligheidswaarschuwingen kan leren kennen.

Accessoires

Controleer de accessoires en literatuur in overeenstemming met deze lijst:



Energielabel



Garantiekaart



Gebruikershandleiding
'OK'-sticker



Snelgids



WAARSCHUWING – Belangrijke veiligheidsinformatie



LET OP – Algemene informatie en tips



Milieu-informatie



Verwijdering

Help het milieu en de menselijke gezondheid te beschermen. Doe de verpakking in de daarvoor bestemde containers om deze te recyclen. Help het afval van elektrische en elektronische apparaten te recyclen. Gooi apparaten met dit symbool niet weg bij het huisvuil. Lever het product in bij uw plaatselijke recyclingfaciliteit of neem contact op met de gemeente.



WAARSCHUWING!

Gevaar voor letsel of verstikking!

Koelmiddelen en gassen moeten professioneel worden verwijderd. Controleer of de leidingen van het koelmiddelcircuit niet zijn beschadigd voordat ze op de juiste manier worden afgevoerd. Koppel het apparaat los van de stroomvoorziening. Knip het netsnoer af en gooi het weg. Verwijder de bakken en laden en de deurvergrendeling en -afdichtingen om te voorkomen dat kinderen en huisdieren in het apparaat worden opgesloten.

Lees voordat u het apparaat voor het eerst inschakelt de volgende veiligheidstips:



WAARSCHUWING!

Voor het eerste gebruik

- ▶ Controleer of er geen transportschade is.
- ▶ Verwijder alle verpakkingsmaterialen en houd ze buiten het bereik van kinderen.
- ▶ Wacht ten minste twee uur voordat u het apparaat installeert, om er zeker van te zijn dat het koelmiddelcircuit volledig werkt.
- ▶ Verplaats het apparaat altijd met ten minste twee personen, het is namelijk zwaar.

Installatie

- ▶ Het apparaat moet op een goed geventileerde plaats worden geplaatst. Zorg voor een ruimte van ten minste 10 cm boven en rond het apparaat.
- ▶ Plaats het apparaat nooit in een vochtige ruimte of op een plaats waar het met water kan worden bespat. Reinig en droog waterspatten en vlekken met een zachte, schone doek.
- ▶ Installeer het apparaat niet in direct zonlicht of in de buurt van warmtebronnen (bijv. kachels, verwarmingstoestellen).
- ▶ Installeer het apparaat waterpas op een plaats die geschikt is voor de grootte en het gebruik ervan.
- ▶ Zorg ervoor dat de ventilatieopeningen in het apparaat of in de ingebouwde constructie open blijven.
- ▶ Controleer of de elektrische informatie op het typeplaatje overeenkomt met de stroomvoorziening. Als dat niet het geval is, neem dan contact op met een elektricien.
- ▶ Het apparaat wordt gebruikt met een voeding van 220–240 VAC/50 Hz. Abnormale spanningsschommelingen kunnen ertoe leiden dat het apparaat niet start of dat de temperatuurregeling of de compressor beschadigd raakt of dat er tijdens het gebruik een abnormaal geluid optreedt. In dat geval moet er een automatische regelaar worden gemonteerd.
- ▶ Gebruik geen stekkerdozen en verlengkabels.
- ▶ Plaats niet meerdere draagbare stopcontacten of draagbare voedingen op de achterkant van het apparaat.
- ▶ Zorg ervoor dat de stroomkabel niet bekneld zit door de koelkast. Ga niet op de stroomkabel staan.



WAARSCHUWING!

- ▶ Gebruik een apart geaard stopcontact voor de stroomvoorziening, dat gemakkelijk toegankelijk is. Het apparaat moet geaard zijn.
- ▶ Alleen voor het Verenigd Koninkrijk: Het netsnoer van het apparaat is voorzien van een 3-aderige (geaarde) stekker die past op een standaard 3-aderig (geaard) stopcontact. De derde pin (aarding) mag nooit worden afgesneden of gedemonteerd. Nadat het apparaat is geïnstalleerd, moet de stekker bereikbaar zijn.
- ▶ Beschadig het koelcircuit niet.

Dagelijks gebruik

- ▶ Dit apparaat mag worden gebruikt door kinderen vanaf 8 jaar en door personen met verminderde lichamelijke, zintuiglijke of geestelijke vermogens of met een gebrek aan kennis en ervaring, mits zij onder toezicht worden gehouden of instructies hebben gekregen om het apparaat veilig te kunnen gebruiken en de gevaren begrijpen die ermee gepaard gaan.
- ▶ Kinderen van 3 tot 8 jaar mogen wel inladen en uitladen, maar mogen koelapparatuur niet reinigen of installeren.
Houd kinderen onder de 3 jaar uit de buurt van het apparaat, tenzij ze voortdurend onder toezicht staan.
- ▶ Kinderen mogen niet met het apparaat spelen.
- ▶ Als er koelgas of ander brandbaar gas in de buurt van het apparaat lekt, moet u het ventiel van het lekkende gas sluiten, de deuren en ramen openen en mag u de stekker van de koelkast of een ander apparaat niet uit het stopcontact halen of in een stopcontact steken.
- ▶ Let op, het apparaat is ingesteld om te werken bij een specifiek omgevingstemperatuurbereik van 10 tot 43°C. Het is mogelijk dat het apparaat na een lange tijd bij een temperatuur boven of onder het aangegeven bereik niet goed werkt.
- ▶ Plaats geen onstabiele voorwerpen (zware voorwerpen, containers gevuld met water) boven op de koelkast, om persoonlijk letsel door vallen of elektrische schokken door contact met water te voorkomen.
- ▶ Trek niet aan de deurschappen. De deur kan scheefgetrokken worden, het flessenrek kan eruit worden getrokken, of het apparaat kan omvallen.
- ▶ Open en sluit de deuren alleen met de handgrepen. De ruimte tussen de deuren en tussen de deuren en de kast is zeer smal. Steek uw handen niet in deze ruimtes, om te voorkomen dat uw vingers bekneld raken. Open of sluit de koelkastdeuren alleen als er geen kinderen zijn die zich binnen het bewegingsbereik van de deur bevinden.



WAARSCHUWING!

- ▶ Bewaar of gebruik in het apparaat of in de buurt ervan geen brandbare, explosieve of corrosieve materialen.
- ▶ Bewaar geen geneesmiddelen, bacteriën of chemische middelen in het apparaat. Dit is een huishoudelijk apparaat. Het wordt niet aanbevolen om materialen op te slaan die strikte temperaturen vereisen.
- ▶ Bewaar vloeistoffen in flessen of blikjes (met uitzondering van sterke drank), met name koolzuurhoudende dranken, nooit in de vriezer, omdat deze tijdens het invriezen barsten.
- ▶ Controleer de staat van het voedsel als er sprake van opwarming is geweest in de vriezer.
- ▶ Stel de temperatuur in het koelkastgedeelte niet onnodig laag in. Bij een hoge instelling kunnen temperaturen onder nul optreden. Let op: Flessen kunnen barsten.
- ▶ Raak geen bevroren producten aan met natte handen (draag handschoenen). Eet vooral ijsjes niet onmiddellijk na verwijdering uit het vriezergedeelte op. Er bestaat het risico op bevroering of vriesblaren. Eerste hulp: houd onmiddellijk onder de koude kraan. Niet lostrekken!
- ▶ Raak het binnenoppervlak van het vriezergedeelte niet aan wanneer het in werking is, vooral niet met natte handen, omdat uw handen aan het oppervlak vast kunnen vriezen.
- ▶ Haal de stekker van het apparaat uit het stopcontact wanneer er een stroomonderbreking optreedt of voordat u het schoonmaakt. Laat het apparaat minstens 7 minuten rusten voordat u het opnieuw opstart, omdat vaak starten de compressor kan beschadigen.
- ▶ Gebruik geen elektrische toestellen in de bewaarruimten voor levensmiddelen van het apparaat, tenzij deze van het type zijn dat door de fabrikant wordt aanbevolen. Onderhoud/reiniging
- ▶ Zorg ervoor dat kinderen onder toezicht staan als ze schoonmaak en onderhoud uitvoeren.
- ▶ Haal de stekker van het apparaat uit het stopcontact voordat u routineonderhoud uitvoert. Laat het apparaat minstens 7 minuten rusten voordat u het opnieuw opstart, omdat vaak starten de compressor kan beschadigen.



WAARSCHUWING!

- ▶ Houd de stekker vast, niet het snoer, wanneer u de stekker uit het stopcontact haalt.
- ▶ Reinig het apparaat niet met harde borstels, draadborstels, waspoeder, benzine, amylacetaat, aceton en soortgelijke organische oplossingen, zure of alkalische oplossingen. Reinig het apparaat met een speciaal reinigingsmiddel voor koelkasten om schade te voorkomen.
- ▶ Schraap vorst en ijs niet af met scherpe voorwerpen. Gebruik om schade aan de kunststof onderdelen te voorkomen geen sprays, elektrische verwarmings-toestellen zoals haardrogers, stoomreinigers of andere warmtebronnen.
- ▶ Gebruik geen mechanische apparaten of andere middelen om het ontdooien te versnellen, behalve als deze door de fabrikant worden aanbevolen.
- ▶ Als het netsnoer beschadigd is, moet het worden vervangen door de fabrikant, diens servicevertegenwoordiger of vergelijkbaar gekwalificeerde personen om gevaar te voorkomen.
- ▶ Probeer het apparaat niet zelf te repareren, te demonteren of te wijzigen. In geval van reparatie kunt u contact opnemen met onze klantenservice.
- ▶ Verwijder het stof aan de achterkant van het apparaat ten minste eenmaal per jaar om brandgevaar en een verhoogd energieverbruik te voorkomen.
- ▶ Spuit niet op het apparaat en spoel het niet af tijdens het reinigen.
- ▶ Gebruik geen waterstraal of stoom om het apparaat schoon te maken.
- ▶ Reinig de koude glazen planken niet met heet water. Door plotselinge temperatuurveranderingen kan het glas breken.

Informatie over koudemiddel



WAARSCHUWING!

Het apparaat bevat het brandbare koelmiddel ISOBUTAAN (R600a). Controleer of het koelcircuit tijdens transport of installatie niet is beschadigd. Lekkend koelmiddel kan oogletsel veroorzaken of ontbranden. Als er schade is opgetreden, weghouden van open vuurbronnen, de kamer grondig ventileren, de stekker van het apparaat of enig ander apparaat niet in het stopcontact steken of eruit halen. Informeer de klantenservice.

Als de ogen in contact komen met het koelmiddel, spoel het dan onmiddellijk onder stromend water af en bel onmiddellijk de oogspecialist.

Beoogd gebruik

Dit apparaat is bedoeld voor het koelen en invriezen van voedsel. Het is uitsluitend ontworpen voor gebruik in huishoudelijke en soortgelijke toepassingen, zoals personeelskeukens in winkels, kantoren en andere werkomgevingen; op boerderijen en door gasten in hotels, motels en andere woonomgevingen, maar ook in bed and breakfasts en bij cateringbedrijven. Het is niet bedoeld voor commercieel of industrieel gebruik.

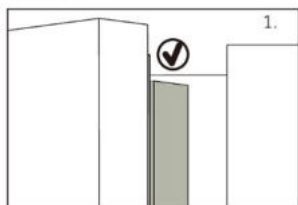
Wijzigingen of aanpassingen aan het apparaat zijn niet toegestaan. Onbedoeld gebruik kan risico's en verlies van garantieclaims veroorzaken.

Normen en richtlijnen **CE**

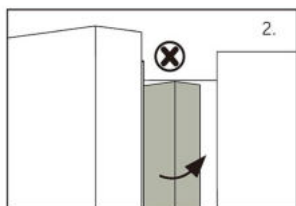
Dit product voldoet aan de eisen van alle toepasselijke EG-richtlijnen met de bijbehorende geharmoniseerde normen en normen van het VK die voorzien in een CE- en UKCA-markering.



VOORZICHTIG!



Bij het sluiten van de deur moet de verticale deurstrip op de linkerdeur naar binnen gebogen zijn (1).

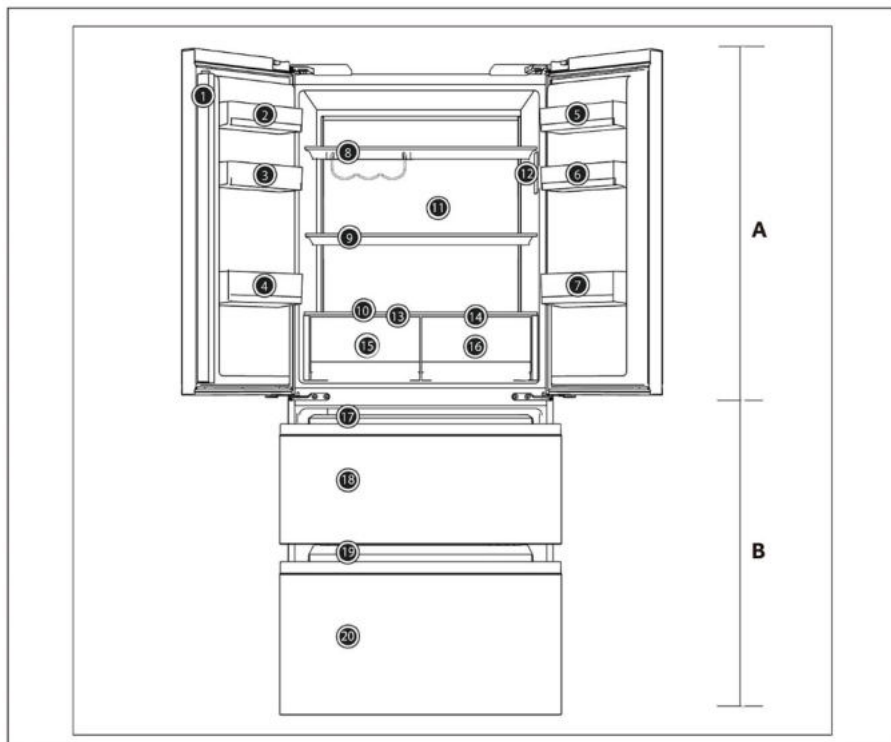


Als u de linkerdeur probeert te sluiten en de verticale deurstrip is niet gebogen (2), dan moet u hem eerst buigen, anders raakt de deurstrip de bevestigingsas of de rechterdeur. Hierdoor zal er schade aan de deurstrip of lekkage optreden.

In het frame zit een verwarmingsdraad. De temperatuur van het oppervlak zal wat stijgen, wat normaal is en de werking van het apparaat niet beïnvloedt.

i LET OP

Door technische wijzigingen en verschillende modellen kunnen sommige afbeeldingen in deze handleiding afwijken van uw model.



A: Koelkastgedeelte

- 1 Deurgreep
- 2 Flessenhouder (linksboven)
- 3 Flessenhouder (midden links)
- 4 Flessenhouder (linksonder)
- 5 Flessenhouder (rechtsboven)
- 6 Flessenhouder (midden rechts)
- 7 Flessenhouder (rechtsonder)
- 8 Glazen plank
- 9 Glazen plank
- 10 Plank ladedeksel
- 11 Achterwandverlichting
- 12 Displaypaneel
- 13 Activefresh-ladeafdekking

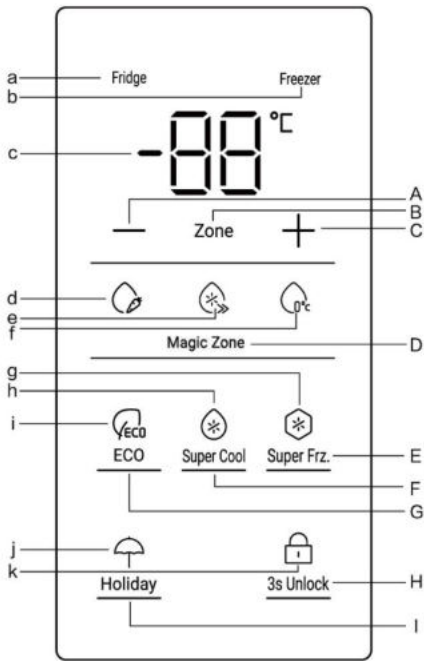
14 Magic-ladeafdekking

- 15 Activefresh-lade
- 16 Magic-lade

B: Vriezergedeelte

- 17 Schuifplateau
- 18 Bovenste vriezerlade
- 19 Schuifplateau
- 20 Onderste vriezerlade

Bedieningspaneel



Toetsen:

- A Temperatuurverlagingstoets
- B Schakelaar koel- en vriestemperatuurmodus
- C Temperatuurverhogingstoets
- D Schakelaar Magic Zone-modus
- E Keuzetoets Super Frz.-functie
- F Keuzetoets Super Cool-functie
- G Keuzetoets ECO-functie
- H Displaypaneel vergrendelen/ontgrendelen
- I Keuzetoets Holiday-functie

Indicatoren:

- a Koelkastindicator
- b Vriezerindicator
- c Temperatuur koelkast- en vriezergedeelte
- d Fruit&Veg-functie
- e Cool Drink-functie
- f 0°C Fresh-functie
- g Super Frz- functie
- h Super Cool-functie
- i ECO-functie
- j Holiday-functie
- k Functie voor vergrendelen/ontgrendelen displaypaneel

Vóór het eerste gebruik

- ▶ Verwijder alle verpakkingsmaterialen, houd ze buiten bereik van kinderen en gooi ze op een milieuvriendelijke manier weg.
- ▶ Reinig de binnen- en de buitenkant van het apparaat met water en een mild reinigingsmiddel voordat u er voedingsmiddelen in plaatst.
- ▶ Nadat het apparaat waterpas is gezet en is schoongemaakt, moet u minstens 2–5 uur wachten voordat u het aansluit op het elektriciteitsnet. Raadpleeg het hoofdstuk INSTALLATIE.
- ▶ Koel de compartimenten op hoge instellingen voor voordat u het voedsel erin zet. De Super Frz.-functie helpt om de compartimenten snel af te koelen.
- ▶ De temperatuur van de koelkast en de vriezer wordt automatisch ingesteld op respectievelijk 5°C en -18°C. Dit zijn de aanbevolen instellingen. Als u wilt, kunt u deze temperaturen handmatig veranderen. Zie DE MODUS HANDMATIG VERANDEREN.

Sensortoetsen

De toetsen op het bedieningspaneel zijn sensortoetsen, die al reageren als ze licht met de vinger worden aangeraakt.

Het apparaat in-/uitschakelen

Het apparaat werkt zodra het op de voeding is aangesloten.

Wanneer de koelkast voor het eerst wordt ingeschakeld, licht de indicator 'c' (Temperatuurweergave) op. De temperatuur van de koelkast en de vriezer worden automatisch ingesteld op respectievelijk 5°C en -18°C. De indicator 'd' (Fruit&Veg.) gaat branden.

Het display gaat onmiddellijk uit na het sluiten van de deur.

LET OP

1. Het apparaat is ingesteld op de aanbevolen temperatuur van 5°C (koelkast) en -18°C (vriezer). In normale omgevingscondities hoeft u geen temperatuur in te stellen.
2. De voorkeursfunctie voor de Magic Zone-lade is Fruit&Veg.
3. Wanneer het apparaat wordt ingeschakeld nadat de stekker uit het stopcontact is gehaald, kan het tot wel 12 uren duren voordat de juiste temperaturen zijn bereikt.

Leeg het apparaat voordat u het uitschakelt. Trek het netsnoer uit het stopcontact om het apparaat uit te schakelen.

Paneel vergrendelen/ontgrendelen

Automatische vergrendeling: Als de deur van de koelkast en de vriezer gesloten zijn, wordt het display automatisch gedoofd en vergrendeld.

Handmatige ontgrendeling: Druk wanneer het display vergrendeld is op de toets 'H' (3s Unlock) en houd deze 3 seconden ingedrukt. De zoemer klinkt eenmaal, de indicator 'k' (Paneelvergrendeling) gaat uit en het display wordt ontgrendeld.



Handmatige vergrendeling: Druk wanneer het display ontgrendeld is op de toets 'H' (3s Unlock) en houd deze 3 seconden ingedrukt. De zoemer klinkt eenmaal, de indicator 'k' (Paneelvergrendeling) gaat branden en het display wordt vergrendeld.



i LET OP

Het display wordt vergrendeld telkens als de deur wordt geopend. Voor instellingen moet het bedieningspaneel worden ontgrendeld.

Alarm 'Deur open'

Wanneer een van de deuren van de koelkast langer dan 3 minuten openstaat, dan klinkt het alarm voor deur open. Het alarm kan worden uitgeschakeld door de deur te sluiten. Als de deur langer dan 7 minuten openstaat, worden het licht in de koelkast en de verlichting van het bedieningspaneel automatisch uitgeschakeld.

Selecteer de werkingsmodus

U moet mogelijk een van de volgende twee manieren kiezen om het apparaat in te stellen.

i LET OP: Invloeden op de temperatuur

De binnentemperaturen worden beïnvloed door de volgende factoren:

1. Omgevingstemperatuur.
2. Frequentie van het openen van de deur.
3. Hoeveelheid opgeslagen voedsel.
4. Installatie van het apparaat.

ECO-MODUS

Als u geen speciale eisen hebt, raden wij u aan om de ECO-modus te gebruiken.

In die modus kan het apparaat de temperatuurinstelling automatisch aanpassen aan de omgevingstemperatuur en de temperatuurverandering in het apparaat.

1. Druk wanneer het display ontgrendeld is op de toets 'G' (keuzetoets ECO-functie). De zoemer klinkt eenmaal, de indicator 'i' (ECO-functie) gaat branden en de ECO-functie wordt ingeschakeld.
2. Druk wanneer de indicator 'V' (ECO-functie) oplicht op de toets 'G' (keuzetoets ECO-functie). De zoemer klinkt eenmaal, de indicator 'i' (ECO-functie) gaat uit en vervolgens wordt de ECO-functie uitgeschakeld.



LET OP

In de ECO-functie kan de koelkast- of vriezertemperatuur niet worden aangepast. Als de toets '+' of '-' wordt ingedrukt om de temperatuur van de koelkast of vriezer aan te passen, knippert de indicator 'i' (ECO-functie) met een waarschuwingsgeluid om aan te geven dat deze handeling niet kan worden uitgevoerd. Als in de ECO-functie de Super Cool-, Super Frz.- of Holiday-functie is ingesteld, gaat de indicator 'i' (ECO-functie) uit vanwege verschillende regelmethoden. In de ECO-functie kan de Magic Zone-functie handmatig worden aangepast aan de behoeften.

De koelkasttemperatuur aanpassen

Druk wanneer het display ontgrendeld is op de toets 'B' (keuzetoets zone). Selecteer 'Koelkast', de indicator 'a' (koelkastindicator) gaat branden en vervolgens verschijnt de temperatuurstelmodus van de koelkast.

Druk op de toets '+' of '-'. Telkens wanneer u op de toetsen '+' of '-' drukt, wordt de waarde van de koelstand met 1 verhoogd of verlaagd. De koelkasttemperatuur wordt weergegeven in de volgorde '9°C <-> 8°C <-> 7°C <-> 6°C <-> 5°C <-> 4°C <-> 3°C <-> 2°C <-> 1°C'.

LET OP

Als er na het instellen van de temperatuur binnen 5 seconden geen handeling plaatsvindt, wordt het systeem automatisch bepaald en de ingestelde temperatuur opgeslagen.

De vriezertemperatuur aanpassen

Druk wanneer het display ontgrendeld is op de toets 'B' (keuzetoets zone). Selecteer 'Vriezer', de indicator 'b' (vriezerindicator) gaat branden en vervolgens verschijnt de temperatuurstelmodus van de vriezer.

Druk op de toets '+' of '-'. Telkens wanneer u op de toetsen '+' of '-' drukt, wordt de waarde van de koelstand met 1 verhoogd of verlaagd. De vriezertemperatuur wordt weergegeven in de volgorde '-14°C <-> -15°C <-> -16°C <-> -17°C <-> -18°C <-> -19°C <-> -20°C <-> -21°C <-> -22°C <-> -23°C <-> -24°C'.

LET OP

Als er na het instellen van de temperatuur binnen 5 seconden geen handeling plaatsvindt, wordt het systeem automatisch bepaald en de ingestelde temperatuur opgeslagen.

Magic Zone-functie

1. Fruit&Veg-functie:

Druk wanneer het display ontgrendeld is op de toets 'D' (keuzetoets Magic Zone) om de functie in te schakelen; het Fruit&Veg-pictogram licht op.

Deze functie is geschikt voor het bewaren van vers fruit en groenten.



i LET OP

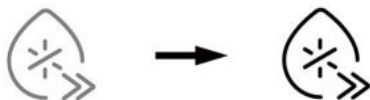
Koudegevoelige vruchten zoals ananas, avocado, bananen, grapefruit en groenten zoals aardappelen, aubergines, bonen, komkommer, courgette en tomaten, en kaas mogen niet in de Magic Zone-lade worden bewaard.

2. Cool Drink-functie:

Druk wanneer het display ontgrendeld is op de toets 'D' (keuzetoets Magic Zone) om de functie in te schakelen; het Cool Drink-pictogram licht op.

Met deze functie kunt u producten zoals water, cola en sap bewaren.

De temperatuur in het Magic Zone-compartiment is ingesteld op +2°C.



3. 0°Fresh-functie:

Druk wanneer het display ontgrendeld is op de toets 'D' (keuzetoets Magic Zone) om de functie in te schakelen; het 0°C Fresh-pictogram licht op.

Deze functie zet de temperatuur in de Magic Zone-lade op 0°C. Geschikt voor het bewaren van vers voedsel zoals vlees of vis. De meeste voedingsmiddelen blijven vers bij 0°C.



i LET OP

Door verschillende watergehalten van vlees zullen sommige vleessoorten met meer vocht bevroren bij temperaturen lager dan 0°C. 'Vers gesneden' vlees moet dus worden bewaard in de Magic Zone-lade, met een temperatuur van minimaal 0°C.

i LET OP: Magic Zone-lade

1. De drie functies van de Magic Zone kunnen niet tegelijkertijd worden geactiveerd, er kan er maar één verlicht zijn.
2. Gebruik de Cool Drink-functie om de temperatuur van het koelkastcompartiment te verlagen. Gebruik de Fruit&Veg.-functie om de temperatuur van het koelkastcompartiment te verhogen.

Super Cool-functie

1. Wanneer het display is ontgrendeld, drukt u op de toets 'F' (keuzetoets Super Cool). De zoemer klinkt eenmaal, de indicator 'h' (Super Cool-functie) gaat branden en de Super Cool-functie wordt ingeschakeld.
2. Wanneer de indicator 'h' (Super Cool-functie) brandt, drukt u op de toets 'F' (keuzetoets Super Cool). De zoemer klinkt eenmaal, de indicator 'h' (Super Cool-functie) gaat uit en de Super Cool-functie wordt uitgeschakeld.
3. Nadat de Super Cool-functie is ingeschakeld, schakelt de koelkast de functie automatisch uit wanneer deze circa 4 uur aan heeft gestaan. Als u de functie handmatig wilt verlaten, kunt u op de toets 'G' (keuzetoets Super Cool) drukken om hem uit te schakelen.



i LET OP

1. In de toestand Super Cool kan de koelkasttemperatuur niet worden aangepast. Als de toets '+' of '-' wordt ingedrukt om de temperatuur van de koelkast aan te passen, knippert de indicator 'h' (Super Cool-functie) met een waarschuwingsgeluid om aan te geven dat deze handeling niet kan worden uitgevoerd.
2. In de Super Cool-functie kan de ECO-functie of de Holiday-functie niet tegelijkertijd worden ingeschakeld vanwege verschillende bedieningsmodi. Wanneer u een functie kiest die in strijd is met een andere functie, zal de oorspronkelijke functie automatisch worden verlaten.

Super Frz.-functie

1. Wanneer het display is ontgrendeld, drukt u op de toets 'E' (keuzetoets Super Freeze). De zoemer klinkt eenmaal, de indicator 'g' (Super Freeze-functie) gaat branden en de Super Freeze-functie wordt ingeschakeld.
2. Wanneer de indicator 'g' (Super Freeze-functie) brandt, drukt u op de toets 'E' (keuzetoets Super Freeze). De zoemer klinkt eenmaal, de indicator 'g' (Super Freeze-functie) gaat uit en de Super Freeze-functie wordt uitgeschakeld.
3. Nadat de Super Freeze-functie is ingeschakeld, schakelt de koelkast de functie automatisch uit wanneer deze circa 50 uur aan heeft gestaan. Als u de functie handmatig wilt verlaten, kunt u op de toets 'E' (keuzetoets Super Freeze) drukken om hem uit te schakelen.



LET OP

1. In de Super Freeze-toestand kan de vriezertemperatuur niet worden aangepast. Als de toets '+' of '-' wordt ingedrukt om de temperatuur van de vriezer aan te passen, knippert de indicator 'g' (Super Freeze-functie) met een waarschuwingsgeluid om aan te geven dat deze handeling niet kan worden uitgevoerd.
2. In de Super Freeze-functie kan de ECO-functie niet tegelijkertijd worden ingeschakeld vanwege verschillende bedieningsmodi. Wanneer u een functie kiest die in strijd is met een andere functie, zal de oorspronkelijke functie automatisch worden verlaten.
3. De Super Freeze-functie is ontworpen om de voedingswaarden van bevroren voedsel te behouden; voedsel wordt in de kortste tijd ingevroren. Als er grote hoeveelheden diepvriesvoedsel in één keer moeten worden ingevroren. Ondertussen moet de Super Freeze-functie 24 uur van tevoren worden ingesteld, zodat de vriezer een relatief lage temperatuur heeft zodat er voedsel in kan worden geplaatst. Op dat moment is de vriesnelheid van de vriezer verbeterd, kan voedsel snel worden ingevroren, worden de voedingswaarden van het voedsel effectief behouden en wordt de opslag heel handig.

Holiday-functie

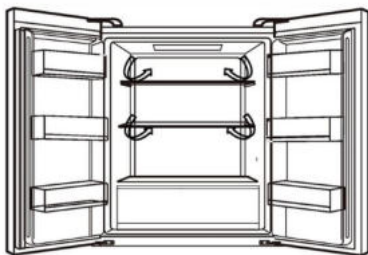
De Holiday-functie is ontworpen voor als de koelkast langere tijd niet wordt gebruikt. Wanneer de Holiday-functie is ingeschakeld, werkt de vriezer als normaal en wordt de temperatuur van de koelkast automatisch ingesteld op 17°C. De daadwerkelijke temperatuur is niet hoger dan 17°C, wat een nare geur veroorzaakt door een te hoge temperatuur voorkomt en tegelijkertijd helpt het energieverbruik te verminderen.

1. Druk wanneer het display ontgrendeld is op de toets 'I' (keuzetoets Holiday-functie). De zoemer klinkt eenmaal, de indicator 'j' (Holiday-functie) gaat branden en de Holiday-functie wordt ingeschakeld.
2. Druk wanneer de indicator 'j' (Holiday-functie) oplicht op de toets 'T' (keuzetoets Holiday-functie). De zoemer klinkt eenmaal, de indicator 'j' (Holiday-functie) gaat uit en vervolgens wordt de Holiday-functie uitgeschakeld.



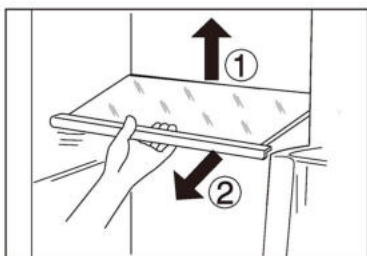
LET OP

1. In de Holiday-functie kan de koelkasttemperatuur niet worden aangepast. Als de toets '+' of '-' wordt ingedrukt om de temperatuur van de koelkast aan te passen, knippert de indicator 'j' (Holiday-functie) met een waarschuwingsgeluid om aan te geven dat deze handeling niet kan worden uitgevoerd.
2. Voordat u de Holiday-functie gebruikt, moet u de koelkast leegmaken om te voorkomen dat het voedsel erin bederft. Wanneer de Holiday-functie is ingeschakeld, kunnen de functies 'ECO' en 'Super Cool' niet tegelijkertijd worden ingeschakeld.
3. In de Holiday-functie worden de instellingen en pictogrammen voor Fruit&Veg, Cool Drink en 0° Fresh in Magic Zone uitgeschakeld en kan de functie van Magic Zone niet worden aangepast. Na het verlaten van de Holiday-functie zal het Magic Zone-koelkastcompartiment de vorige instelling weergegeven.



Meervoudige luchtstroom

1. De koelkast is uitgerust met een meervoudige-luchtstroomsysteem, waarmee er op elke plank koele luchtstromen zijn. Dit helpt om een gelijkmatige temperatuur te handhaven om ervoor te zorgen dat uw voedsel langer vers blijft.



Verstelbare planken

1. De hoogte van de planken kan worden aangepast aan uw opslagbehoeften.
2. Om een plank te verplaatsen, verwijdert u hem eerst door de achterrand ① op te tillen en de plank eruit ② te trekken.
3. Om hem weer te installeren, plaatst u hem op de nokjes aan beide kanten en duwt u hem helemaal naar achteren tot de achterkant van de plank vastzit in de gleuven in de zijkanten.

Magic Zone-lade

In dit compartiment is de vochtigheidsgraad lager dan in het koelkastgedeelte. Deze lade is geschikt voor het bewaren van gedroogde vruchten en andere droge voedingsmiddelen met een laag watergehalte zoals boter, vetten en olie of chocolade.

MAGICZONE | 

ACTIVEFRESHZONE-lade

In dit gedeelte is de vochtigheidsgraad hoger dan het koelkastgedeelte. Dit wordt automatisch gereguleerd door het systeem en is geschikt voor het bewaren van fruit, groenten, salades, etc.

ACTIVEFRESHZONE | 

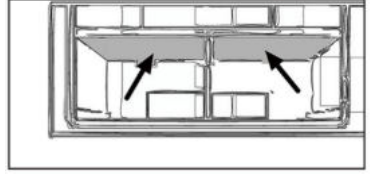


LET OP:

Koudegevoelige vruchten zoals ananas, avocado, bananen, grapefruit en groenten zoals aardappelen, aubergines, bonen, komkommer, courgette en tomaten en kaas mogen niet in de Fresh Box worden bewaard.

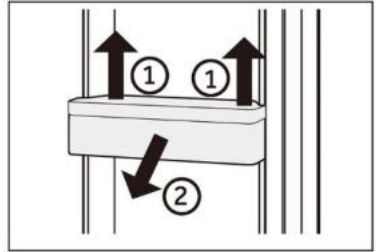
i LET OP

1. Verwijder de plastic deksels in de twee zones niet.
2. Ze houden de luchtvochtigheid in stand.
3. Het wordt afgeraden koudegevoelig fruit zoals ananas, avocado, bananen en
4. grapefruits in deze twee lades te bewaren.



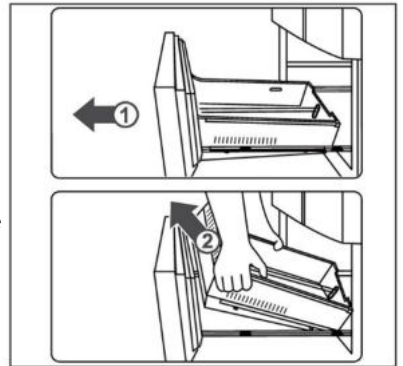
Verwijderbare deurrekken/fleshouder

1. De deurrekken kunnen worden verwijderd om te worden schoongemaakt.
2. Plaats uw handen aan beide kanten van het rek, til het omhoog ① en trek het eruit ②.
3. Voer de bovenstaande stappen in omgekeerde volgorde uit om het deurrek weer terug te plaatsen.



Verwijderbare bovenste vriezerlade

1. Trek de bovenste vriezerlade zo ver mogelijk naar buiten.
2. Til de lade omhoog tot deze loskomt van het steunblok, duw hem de vriezer in en kantel hem om hem eruit te halen.

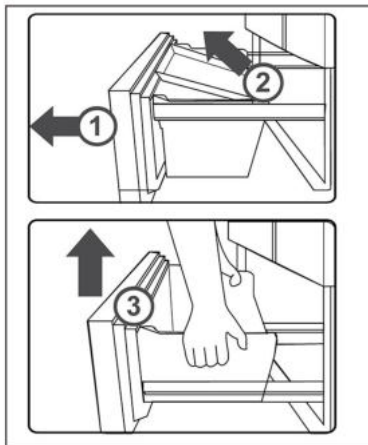


Voer de bovenstaande stappen in omgekeerde volgorde uit om lade weer terug te plaatsen.

Verwijderbare onderste vriezerlade

1. Trek de onderste vriezerlade zo ver mogelijk naar buiten.
2. Trek de vriezerlade uit tot de stoppositie, til hem op en verwijder hem.
3. Til de lade omhoog tot deze loskomt van het steunblok, duw hem de vriezer in en kantel hem om hem eruit te halen.

Voer de bovenstaande stappen in omgekeerde volgorde uit om de lade weer terug te plaatsen.



De verlichting

De led-binnenverlichting gaat branden als de deur wordt geopend. De werking van de verlichting wordt niet beïnvloed door een van de andere instellingen van het apparaat.



Tips voor energiebesparing

- ▶ Zorg ervoor dat het apparaat goed wordt geventileerd (raadpleeg INSTALLATIE).
- ▶ Installeer het apparaat niet in direct zonlicht of in de buurt van warmtebronnen (bijv. kachels, verwarmingstoestellen).
- ▶ Vermijd onnodig lage temperaturen in het apparaat. Het energieverbruik neemt toe naarmate de temperatuur in het apparaat lager is ingesteld.
- ▶ Functies zoals POWER-FREEZE verbruiken meer energie.
- ▶ Laat warm voedsel afkoelen voordat u het in de koelkast plaatst.
- ▶ Open de deur van het apparaat zo weinig en zo kort mogelijk.
- ▶ Vul het apparaat niet te vol om te voorkomen dat de luchtdoorstroming wordt geblokkeerd.
- ▶ Vermijd lucht in de verpakking van het voedsel.
- ▶ Houd de deurrubbers schoon, zodat de deur altijd goed sluit.
- ▶ Ontdooi bevroren voedsel in het koelkastgedeelte.
- ▶ De meest energiebesparende configuratie vereist dat de lades, voedselbakken en planken in fabrieksstaat worden gehouden, en dat voedsel zo diep mogelijk wordt geplaatst zonder dat de openingen van het luchtkanaal worden geblokkeerd.



WAARSCHUWING!

Haal de stekker van het apparaat uit het stopcontact voordat u het reinigt.

Reinigen

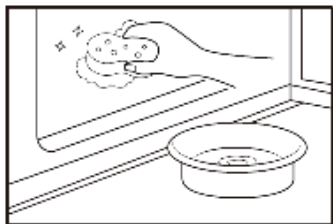
Reinig het apparaat als er weinig of geen voedsel in is opgeslagen.

Het apparaat moet om de vier weken worden schoongemaakt voor een goed onderhoud en om nare voedselgeuren te voorkomen.



WAARSCHUWING!

- ▶ Reinig het apparaat niet met harde borstels, draadborstels, waspoeder, benzine, amylacetaat, aceton en soortgelijke organische oplossingen, zure of alkalische oplossingen. Reinig het apparaat met een speciaal reinigingsmiddel voor koelkasten om schade te voorkomen.
- ▶ Spuit niet op het apparaat en spoel het niet af tijdens het reinigen.
- ▶ Gebruik geen waterstraal of stoom om het apparaat schoon te maken.
- ▶ Reinig de koude glazen planken niet met heet water. Door plotselinge temperatuurveranderingen kan het glas breken.
- ▶ Raak het binnenoppervlak van het vriezergedeelte niet aan, vooral niet met natte handen, omdat uw handen aan het oppervlak vast kunnen vriezen.
- ▶ Controleer in geval van opwarming de toestand van de ingevroren producten.



- ▶ Houd de deurrubbers altijd schoon.
- ▶ Reinig de binnenkant en behuizing van het apparaat met een spons die is bevochtigd in warm water en een neutraal reinigingsmiddel.
- ▶ 1. Was de binnenkant en buitenkant van de koelkast, waaronder deurrubbers, deurrek, glazen planken, bakken enzovoort, met een zachte handdoek of spons die in warm water is gedrenkt (u mag een neutraal schoonmaakmiddel toevoegen aan het warme water).
- ▶ 2. Als er vloeistof is gemorst, verwijder dan alle verontreinigde onderdelen en spoel ze direct af met het stromend water. Daarna afdrogen en terug in de koelkast plaatsen.
- ▶ 3. Als er room (zoals koffiemelk, smeltend ijs) wordt gemorst, moeten alle verontreinigde delen worden verwijderd. Zet ze een tijdje in warm water van ongeveer 40°C en spoel vervolgens af met stromend water. Daarna afdrogen en terug in de koelkast plaatsen.
- ▶ 4. Als een klein deeltje of onderdeel vast komt te zitten in de koelkast (tussen planken of laden), gebruik dan een klein, zacht borsteltje om het weg te halen. Als u het onderdeel niet kan bereiken, neem dan contact op met de klantenservice van Haier.
- ▶ Spoel af en droog af met een zachte doek.
- ▶ Reinig de onderdelen van het apparaat niet in een vaatwasser.
- ▶ Laat het apparaat minstens 5 minuten rusten voordat u het opnieuw opstart, omdat vaak opstarten de compressor kan beschadigen.

Ontdooien

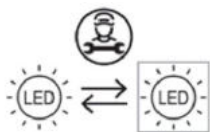
Het ontdooien van de koelkast en het vriezergedeelte gebeurt automatisch; er is geen handmatige actie nodig.

De ledlampjes vervangen

WAARSCHUWING!

Vervang de ledlamp niet zelf, deze mag alleen worden vervangen door de fabrikant of door de erkende servicevertegenwoordiger.

De lamp heeft een led als lichtbron, met een laag energieverbruik en een lange levensduur. Als er sprake is van een afwijking, neem dan contact op met de klantenservice. Zie KLANTENSERVICE.



Vervangbare lichtbron (alleen led), te vervangen door een professional.

Dit product bevat een lichtbron van energie-efficiëntieklasse G.

Compartiment	Spanning	Energie-efficiëntieklasse	Model
Koelkast	12 V	G	HFKR5718DNGB

Geen gebruik voor een langere periode

Als het apparaat gedurende langere tijd niet wordt gebruikt en u gebruikt niet de Holiday-functie bij de koelkast:

- ▶ Haal het voedsel eruit.
- ▶ Haal de stekker van het netsnoer uit het stopcontact.
- ▶ Reinig het apparaat zoals hierboven beschreven.
- ▶ Houd de deuren open om de vorming van nare geuren binnenin te voorkomen.

LET OP

Schakel het apparaat alleen uit als dat echt nodig is.

Het apparaat verplaatsen

1. Verwijder alle etenswaren en haal de stekker van het apparaat uit het stopcontact.
2. Maak planken en andere beweegbare delen in de koelkast en vriezer vast met plakband.
3. Kantel de koelkast niet meer dan 45° om schade aan het koelsysteem te voorkomen.

WAARSCHUWING!

- ▶ Til het apparaat niet op aan de grepen.
- ▶ Plaats het apparaat nooit horizontaal op de grond.

Veel problemen kunnen door uzelf worden opgelost zonder specifieke expertise. Raadpleeg in geval van een probleem alle getoonde mogelijkheden en volg de onderstaande instructies voordat u contact opneemt met de klantenservice. Zie KLANTENSERVICE.



WAARSCHUWING!

- ▶ Schakel het apparaat uit voordat u onderhoud uitvoert en haal de stekker uit het stopcontact.
- ▶ Elektrische apparatuur mag alleen worden onderhouden door gekwalificeerde elektrische experts, omdat onjuiste reparaties aanzienlijke gevolgschade kunnen veroorzaken.
- ▶ Als de voeding beschadigd is, mag deze alleen worden vervangen door de fabrikant, diens servicevertegenwoordiger of vergelijkbaar gekwalificeerde personen om gevaar te voorkomen.

Probleem	Mogelijke oorzaak	Mogelijke oplossing
De compressor werkt niet.	<ul style="list-style-type: none"> • De stekker is niet aangesloten op het stopcontact. • Het apparaat is aan het ontdoien. 	<ul style="list-style-type: none"> • Steek de stekker in het stopcontact. • Dit is normaal voor automatisch ontdoien.
Het apparaat slaat vaak aan of blijft te lang draaien.	<ul style="list-style-type: none"> • De binnen- of buitentemperatuur is te hoog. • Het apparaat is een tijd lang niet ingeschakeld geweest. • Een deur van het apparaat is niet goed gesloten. • De deur is te vaak of te lang geopend. • De temperatuurinstelling voor het vriezergedeelte is te laag. • De deurrubbers zijn vuil, versleten, gebarsten of niet goed uitgelijnd. • De vereiste luchtcirculatie is niet gegarandeerd. 	<ul style="list-style-type: none"> • In dit geval is het normaal dat het apparaat langer draait. • Normaal gesproken duurt het 8–12 uur voordat het apparaat volledig is afgekoeld. • Sluit de deur/lade en zorg ervoor dat het apparaat op een vlakke ondergrond staat en dat er geen etenswaren of voedselbakjes de deur blokkeren. • Open de deur/lade niet te vaak. • Stel de temperatuur hoger in totdat een toereikende koelkasttemperatuur is bereikt. Het duurt 24 uur voordat de koelkasttemperatuur stabiel is. • Reinig de deur-/laderubbers of laat ze vervangen door de klantenservice. • Zorg voor voldoende ventilatie.

Probleem	Mogelijke oorzaak	Mogelijke oplossing
De binnenkant van de koelkast is vies en/of stinkt.	<ul style="list-style-type: none"> • De binnenkant van de koelkast moet worden schoongemaakt. • Er wordt voedsel met een sterke geur bewaard in de koelkast. 	<ul style="list-style-type: none"> • Reinig de binnenkant van de koelkast. • Verpak het voedsel goed.
Het is niet koud genoeg in het apparaat.	<ul style="list-style-type: none"> • De temperatuur is te hoog ingesteld. • Er zijn te warme producten opgeslagen. • Er is te veel voedsel in één keer bewaard. • De producten zijn te dicht bij elkaar geplaatst. • Een deur/lade van het apparaat zit niet goed dicht. • De deur/lade is te vaak of te lang geopend. 	<ul style="list-style-type: none"> • Stel de temperatuur opnieuw in. • Koel de producten altijd af voordat u ze opbergt. • Bewaar altijd kleine hoeveelheden voedsel. • Laat een gat tussen verschillende voedingsmiddelen waardoor lucht kan stromen. • Sluit de deur/lade. • Open de deur/lade niet te vaak.
Het is te koud in het apparaat.	<ul style="list-style-type: none"> • De temperatuur is te laag ingesteld. • De Super Frz-/Super Cool-functie is geactiveerd of loopt te lang. 	<ul style="list-style-type: none"> • Stel de temperatuur opnieuw in. • Schakel de Super Frz-/Super Cool-functie uit.
Vochtvorming aan de binnenkant van het koelkast-gedeelte.	<ul style="list-style-type: none"> • Het klimaat is te warm en te vochtig. • Een deur/lade van het apparaat zit niet goed dicht. • De deur/lade is te vaak of te lang geopend. • Voedselbakjes of vloeistoffen zijn open gelaten. 	<ul style="list-style-type: none"> • Verhoog de temperatuur. • Sluit de deur/lade. • Open de deur/lade niet te vaak. • Laat warm voedsel afkoelen tot kamertemperatuur en dek voedsel en vloeistoffen af.
Vocht hoopt zich op het oppervlak aan de buitenkant van de koelkast en tussen de deuren/deur en lade op.	<ul style="list-style-type: none"> • Het klimaat is te warm en te vochtig. • De deur is niet goed gesloten. De koude lucht in het apparaat en de warme lucht daarbuiten condenseert. 	<ul style="list-style-type: none"> • Dit is normaal in een vochtig klimaat en zal veranderen als de luchtvochtigheid afneemt. • Zorg dat de deur/lade goed dicht zit.

Probleem	Mogelijke oorzaak	Mogelijke oplossing
Veel ijs en rijp in het vriezergedeelte.	<ul style="list-style-type: none"> • De etenswaren zijn niet goed verpakt. • Een deur/lade van het apparaat zit niet goed dicht. • De deur/lade is te vaak of te lang geopend. • De deur-/laderubbers zijn vuil, versleten, gebarsten of niet goed op elkaar afgestemd. • Iets aan de binnenkant voorkomt dat de deur/lade goed kan sluiten. 	<ul style="list-style-type: none"> • Verpak de etenswaren altijd goed. • Sluit de deur/lade. • Open de deur/lade niet te vaak. • Reinig de deur-/laderubbers of vervang ze door nieuwe. • Verplaats de planken, deurrekken of bakken aan de binnenkant zo, dat de deur/lade kan worden gesloten.
De zijkanten van de kast en de deurstrip worden warm.	<ul style="list-style-type: none"> • - 	<ul style="list-style-type: none"> • Dit is normaal.
Het apparaat maakt afwijkende geluiden.	<ul style="list-style-type: none"> • Het apparaat staat niet op een vlakke ondergrond. • Het apparaat raakt voorwerpen eromheen. 	<ul style="list-style-type: none"> • Stel de pootjes af om het apparaat waterpas te zetten. • Verwijder voorwerpen rondom het apparaat.
Er is een licht geluid te horen dat lijkt op dat van stromend water.	<ul style="list-style-type: none"> • - 	<ul style="list-style-type: none"> • Dit is normaal.
U hoort een alarm-pieptoon.	<ul style="list-style-type: none"> • De deur van het koelkastgedeelte staat open. 	<ul style="list-style-type: none"> • Sluit de deur.
U hoort een zacht gebrom.	<ul style="list-style-type: none"> • Het anticondensatiesysteem is aan het werk 	<ul style="list-style-type: none"> • Dit voorkomt condensatie en is normaal
De binnenverlichting of het koelsysteem werkt niet.	<ul style="list-style-type: none"> • De stekker is niet aangesloten op het stopcontact. • De voeding is niet intact. • Het ledlampje is buiten werking. 	<ul style="list-style-type: none"> • Steek de stekker in het stopcontact. • Controleer de elektrische voeding naar de kamer. Bel het plaatselijke elektriciteitsbedrijf! • Bel de klantenservice om het lampje te laten vervangen.

Ga naar onze website om contact op te nemen met de technische dienst:

<https://corporate.haier-europe.com/en/>

Kies onder de kop 'website' het merk van uw product en uw land. U wordt doorgestuurd naar de specifieke website waar u het telefoonnummer en formulier kunt vinden om contact op te nemen met de technische dienst.

Stroomonderbreking

In het geval van een stroomstoring, zou voedsel ongeveer 5 uur lang veilig koud moeten blijven. Volg de volgende tips tijdens een langdurige stroomstoring, vooral in de zomer:

- ▶ Open de deur/lade zo weinig mogelijk.
- ▶ Plaats geen extra voedsel in het apparaat tijdens een stroomstoring.
- ▶ Als een stroomstoring vooraf wordt aangekondigd en de onderbrekingsduur langer is dan 5 uur, maak dan ijs en zet dit in een bak boven in het koelkastgedeelte.
- ▶ Onmiddellijk na de onderbreking is een controle van de producten vereist.
- ▶ Aangezien de temperatuur in de koelkast stijgt tijdens een stroomonderbreking of een andere storing, wordt de bewaarperiode en de eetbare kwaliteit van voedsel nadelig beïnvloed. Alle levensmiddelen die ontdooien moeten worden gegeten, of worden bereid en daarna zo snel mogelijk opnieuw worden ingevroren (indien van toepassing) om gezondheidsrisico's te voorkomen.

Geheugenfunctie tijdens de stroomonderbreking

Na herstel van de stroom gaat het apparaat door met de instellingen die waren ingesteld voor de stroomstoring.

Uitpakken



WAARSCHUWING!

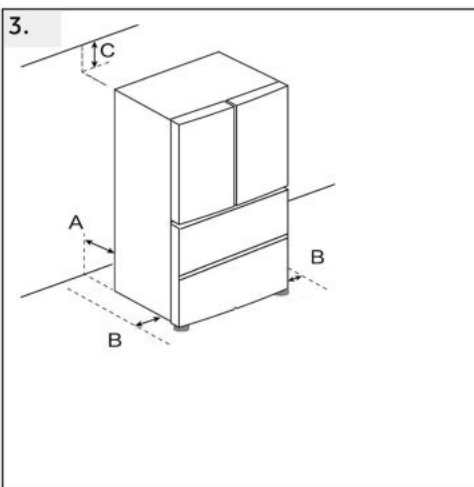
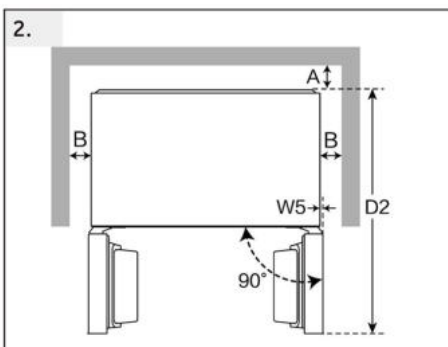
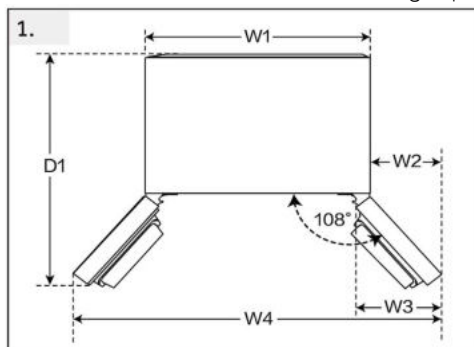
- ▶ Het apparaat is zwaar. Altijd hanteren met ten minste twee personen.
- ▶ Houd alle verpakkingsmaterialen buiten bereik van kinderen en gooi ze op een milieuvriendelijke manier weg.
- ▶ Haal het apparaat uit de verpakking.
- ▶ Verwijder al het verpakkingsmateriaal.

Omgevingsomstandigheden

De kamertemperatuur moet altijd tussen 10°C en 43°C liggen, aangezien het de temperatuur in het apparaat en het energieverbruik kan beïnvloeden. Installeer het apparaat niet in de buurt van andere warmtebronnen (ovens, koelkasten) zonder isolatie.

Ruimteaanbeveling

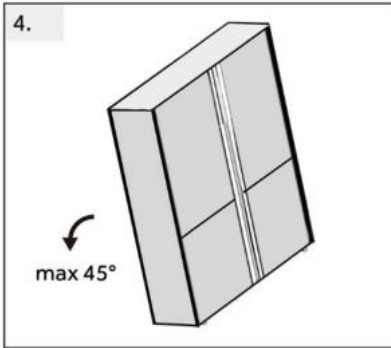
Aanbevolen ruimte als de deur wordt geopend (afb. 1.2).



(Eenheid: mm)		HFKR5718DNGB	
Breedte	W1	700	
	W2	115	
	W3	368	
	W4	930	
	W5	0	
	W	700	
	D1	910	
	D2	918	
	D	594	
Afstand tot achterwand	A	6	
Afstand tot zijmuren	B	4	
Afstand tot plafond	C	9	
Totale hoogte	H	1850	

Doorsnede van ventilatie

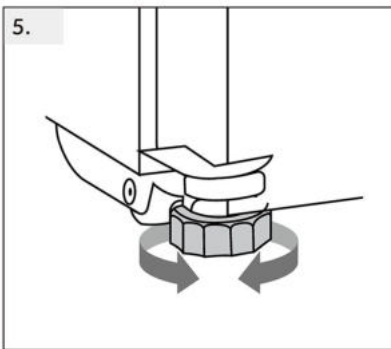
Om voor de veiligheid voldoende ventilatie van het apparaat te bereiken, moet de informatie over de vereiste ventilatiedoorsneden in acht worden genomen.



Het apparaat uitlijnen (afb. 4.5.6.)

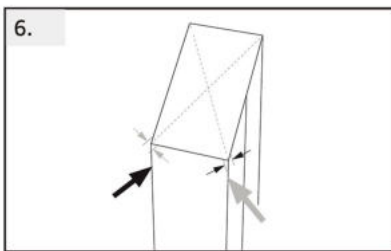
Plaats het apparaat op een vlakke en stevige ondergrond.

4. Kantel de vriezer iets naar achteren.



5. Stel de voeten in op het gewenste niveau.

Zorg dat de afstand tot de wand aan de scharnierzijde ten minste 100 mm is om de deur goed te kunnen openen.



6. De stabiliteit kan worden gecontroleerd door afwisselend op de diagonalen te duwen.

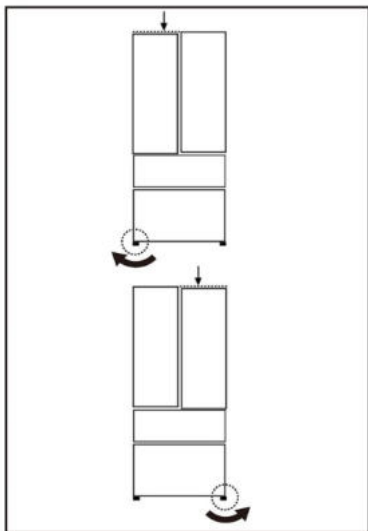
De lichte slingering moet in beide richtingen hetzelfde zijn. Anders kan het frame kromtrekken, met mogelijk lekkende deurafdichtingen als resultaat.

Een kleine helling naar achteren vergemakkelijkt het sluiten van de deur.



LET OP

Bij een vrijstaand apparaat: dit koelapparaat is niet bedoeld voor gebruik als inbouwapparaat.

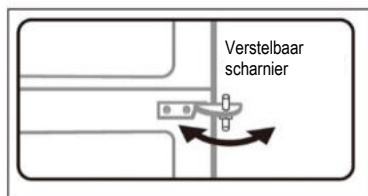


Fijnafstelling van de deuren

Als de deuren niet op één lijn zitten, kan deze afwijking als volgt worden verholpen:

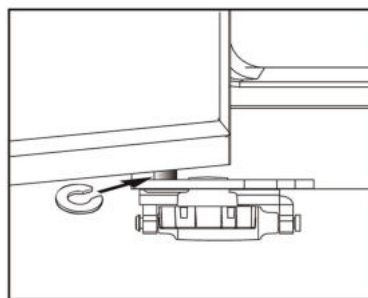
Met een verstelbare voet

Draai de verstelbare voet in de richting van de pijl om de voet omhoog of omlaag te draaien.



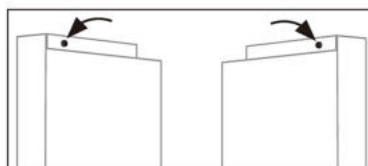
De deurpositie aanpassen

- ▶ Als de twee deuren niet op dezelfde hoogte zitten, kunnen de verstelbare scharnieren worden afgesteld met de bijgeleverde sleutel om ze waterpas te zetten. Installeer het niet ruw om krassen of deuken op de deurlijst te voorkomen.



Met tussenstukken

- ▶ Open de vriezerdeur en til die op.
- ▶ Klem het tussenstuk (bijgesloten in de zak met accessoires) met de hand of met gereedschap zoals een tang voorzichtig vast in de as van het onderste scharnier. De deur niet krassen of stoten.

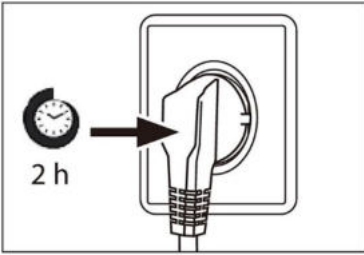


De afstelknop gebruiken

- ▶ Als de deur van het koelkastcompartiment niet waterpas is, kunt u de afstelknop aan de bovenkant ervan draaien om fijne aanpassingen te maken.

i LET OP

Bij toekomstig gebruik van de koelkast kan het gebeuren dat de deuren niet gelijk zitten door het gewicht van opgeslagen voedsel. Pas dit aan volgens de bovenstaande methodes.

**Wachttijd**

De onderhoudsvrije smeerolie bevindt zich in de behuizing van de compressor. Deze olie kan door het gesloten buissysteem komen bij liggend transport. Voordat u het apparaat op de voeding aansluit, moet u ten minste 2 uur wachten zodat de olie weer in de behuizing loopt.

Elektrische aansluiting

Controleer vóór elke aansluiting of:


- ▶ voeding, stopcontact en zekering geschikt zijn volgens het typeplaatje;
- ▶ het stopcontact is geaard en er geen stekkerdoos of verlengsnoer is;
- ▶ de stekker en het stopcontact goed passen.

Sluit de stekker aan op een correct geïnstalleerd huishoudelijk stopcontact.

! WAARSCHUWING!

Om risico's te vermijden moet een beschadigd netsnoer worden vervangen door de klantenservice (zie garantiekaart).

Productkaart volgens de verordening EU nr. 2019/2016

Merk	Haier
Modelnaam/identificatie	HFKR5718DNGB
Categorie van het model	Koelvriescombinatie
Energie-efficiëntieklasse	D
Jaarlijks energieverbruik (kWh/jaar)(1)	226
Totaal volume (liter)	402
Volume koelkast (liter)	227
Volume vriezer (liter)	147
Volume koelen (liter)	28
Steraanduiding	
Vorstvrij systeem	Ja
Vriescapaciteit (kg/24 uur)	10,0
Klimaatklasse (2)	SN-N-ST-T
Geluidsemisatieklasse en geluidsemisatie via de lucht (db(A) re 1pW)	B (35)
Temperatuurstijgingstijd (uur)	8
Type apparaat	Vrijstaand

Uitleg:

• Ja, aanwezig

- (1) Op basis van de resultaten van de normenconformiteitstest gedurende 24 uur. Het werkelijke verbruik is afhankelijk van het gebruik en de locatie van het apparaat.
- (2) Klimaatklasse SN: Dit apparaat is bedoeld voor gebruik bij een omgevingstemperatuur tussen +10°C en +32°C
Klimaatklasse N: Dit apparaat is bedoeld voor gebruik bij een omgevingstemperatuur tussen +16°C en +32°C
Klimaatklasse ST: Dit apparaat is bedoeld voor gebruik bij een omgevingstemperatuur tussen +16°C en +38°C
Klimaatklasse T: Dit apparaat is bedoeld voor gebruik bij een omgevingstemperatuur tussen +16°C en +43°C

Aanvullende technische gegevens

Spanning/frequentie	220–240 V ~/50 Hz
Ingangsstroom (A)	1,8
Belangrijkste zekering (A)	15
Koelmiddel	R600a
Afmetingen (HxBxD in mm)	1850x700x594

Wij adviseren onze Haier-klantenservice en het gebruik van originele reserveonderdelen.

Als u een probleem hebt met uw apparaat, controleer dan eerst het hoofdstuk **PROBLEMEN OPLOSSEN**.

Als u daar geen oplossing kunt vinden, neem dan contact op met

uw plaatselijke dealer; of
 ons Europese service-callcentrum (zie onderstaande telefoonnummers); of
 het gedeelte Service & Support op www.haier.com, waar u de serviceclaim kunt activeren en ook veelgestelde vragen kunt vinden.

Om contact op te nemen met onze klantenservice, moet u ervoor zorgen dat u over de volgende gegevens beschikt.

De informatie is te vinden op het typeplaatje.

Model _____

Serienummer _____

Controleer ook de garantiekaart die met het product is meegeleverd in geval van garantie.

Europees service-callcentrum		
Land*	Telefoonnummer	Kosten
Haier Italy (IT)	199 100 912	
Haier Spain (ES)	902 509 123	
Haier Germany (DE)	0180 5 39 39 99	<ul style="list-style-type: none"> • 14 ct/min – vaste lijn • max. 42 ct/min – mobiel
Haier Austria (AT)	0820 001 205	<ul style="list-style-type: none"> • 14,53 ct/min – vaste lijn • max. 20 ct/min – alle andere
Haier United Kingdom (UK)	0333 003 8122	
Haier France (FR)	0980 406 409	

* Voor andere landen verwijzen wij u naar www.haier.com

Haier Europe Trading S.r.l

Branch UK

Westgate House, Westgate, Ealing

London, W5 1YY, Verenigd Koninkrijk

*Duur van de garantie van het koelapparaat:

De minimumgarantie is: 2 jaar voor EU-landen, 3 jaar voor Turkije, 1 jaar voor het Verenigd Koninkrijk, 1 jaar voor Rusland, 3 jaar voor Zweden, 2 jaar voor Servië, 5 jaar voor Noorwegen, 1 jaar voor Marokko, 6 maanden voor Algerije, Tunesië geen wettelijke garantie vereist.

*De beschikbaarheidsperiode van reserveonderdelen voor reparatie van het apparaat:

Thermostaten, temperatuursensoren, printplaten en lichtbronnen zijn gedurende minimaal zeven jaar na het op de markt brengen van de laatste eenheid van het model beschikbaar.

Deurgrepen, deurscharnieren, bakken en manden voor een minimale periode van zeven jaar en deurrubbers ten minste 10 jaar na het op de markt brengen van de laatste eenheid van het model.

*Raadpleeg voor meer informatie over het product <https://eprel.ec.europa.eu/> of scan de QR-code op het energielabel dat met het apparaat wordt meegeleverd.

<u>329 Informacje dotyczące bezpieczeństwa</u>	•	<u>Przed pierwszym użyciem</u>	330
		<u>Instalacja</u>	330
		<u>Codzienne użytkowanie</u>	331
<u>334 Przeznaczenie</u>	•		
<u>335 Opis produktu</u>	•		
<u>336 Panel sterowania</u>	•		
<u>337 Użytkowanie</u>	•	<u>Blokowanie/odblokowywanie panelu</u>	337
		<u>TRYB ECO</u>	338
		<u>Wyreguluj temperaturę chłodziarki</u>	339
		<u>Ustaw temperaturę zamrażarki</u>	339
		<u>Funkcja Magic Zone</u>	339
		<u>Funkcja Super Cool</u>	341
		<u>Funkcja Super Frz</u>	342
		<u>Funkcja Holiday</u>	342
<u>344 Sprzęt</u>	•		
<u>347 Wskazówki dotyczące oszczędzania energii</u>	•		
<u>348 Pielęgnacja i czyszczenie</u>	•		
<u>350 Rozwiązywanie problemów</u>	•		
<u>354 Instalacja</u>	•		
<u>357 Dane techniczne</u>	•		
<u>359 Obsługa klienta</u>	•		

Dziękujemy za zakup produktu firmy Haier.

Przed użyciem urządzenia należy dokładnie przeczytać niniejsze instrukcje. Instrukcje zawierają ważne informacje, które pomogą możliwie najlepiej wykorzystać funkcje urządzenia, bezpiecznie i prawidłowo je zainstalować, eksploatować oraz konserwować.

Niniejszą instrukcję obsługi należy przechowywać w dostępnym miejscu, aby móc z niej zawsze skorzystać w celu bezpiecznego i właściwego użytkowania urządzenia.

Przy sprzedaży urządzenia należy do niego dołączyć niniejszą instrukcję obsługi, a w przypadku przeprowadzki przekazać ją nowemu właścicielowi, aby mógł się zapoznać z urządzeniem i ostrzeżeniami dotyczącymi bezpieczeństwa.

Akcesoria

Sprawdź akcesoria i materiały zgodnie z tą listą:



Etykieta
wydajności
energetycznej



Karta gwarancyjna



Naklejka „OK”
w instrukcji obsługi



Szybki przewodnik



OSTRZEŻENIE - Ważne informacje dotyczące bezpieczeństwa



UWAGA - Ogólne informacje i wskazówki



Informacje dotyczące ochrony środowiska



Utylizacja

Pomóż chronić środowisko i ludzkie zdrowie. Wyrzuć opakowanie do odpowiednich pojemników do recyklingu. Pomóż w recyklingu odpadów z urządzeń elektrycznych i elektronicznych. Nie wyrzucaj urządzeń oznaczonych tym symbolem razem z odpadami domowymi. Oddaj produkt do miejscowego zakładu recyklingu lub skontaktuj się z urzędem miejskim.



OSTRZEŻENIE!

Ryzyko obrażeń lub uduszenia!

Czynniki chłodnicze i gazy muszą być utylizowane w profesjonalny sposób. Przed utylizacją upewnij się, że przewody układu chłodniczego nie są uszkodzone. Odłącz urządzenie od zasilania sieciowego. Odetnij przewód zasilający i zutylizuj go. Usuń tace i szuflady oraz zamek drzwi i uszczelki, aby zapobiec zamknięciu się dzieci i zwierząt w urządzeniu.

Przed włączeniem urządzenia po raz pierwszy, przeczytaj poniższe wskazówki dotyczące bezpieczeństwa:



OSTRZEŻENIE!

Przed pierwszym użyciem

- ▶ Upewnij się, że nie ma uszkodzeń powstałych podczas transportu.
- ▶ Usuń wszystkie opakowania i przechowuj w miejscu niedostępnym dla dzieci.
- ▶ Odczekaj co najmniej dwie godziny przed zainstalowaniem urządzenia, aby upewnić się, że obwód czynnika chłodniczego jest w pełni efektywny.
- ▶ Zawsze przenoś urządzenie z pomocą co najmniej dwóch osób, ponieważ jest ono ciężkie.

Instalacja

- ▶ Urządzenie powinno być umieszczone w dobrze wentylowanym miejscu. Zapewnij przestrzeń co najmniej 10 cm nad urządzeniem i wokół niego.
- ▶ Nigdy nie umieszczaj urządzenia w wilgotnym miejscu lub w takim, w którym może być ochlapane wodą. Zetrzyj plamy i zachlapania do sucha miękką i czystą ściereczką.
- ▶ Nie instaluj urządzenia w miejscu, w którym będzie narażone na bezpośrednie działanie słońca lub w pobliżu źródeł ciepła (np. pieców, grzejników).
- ▶ Zainstaluj i wypoziomuj urządzenie w miejscu odpowiednim dla jego wielkości i przeznaczenia.
- ▶ Dbaj o drożność otworów wentylacyjnych w obudowie urządzenia wolnostojącego lub w konstrukcji do zabudowy.
- ▶ Upewnij się, że informacje dotyczące elektryki na tabliczce znamionowej są zgodne z parametrami zasilania. Jeśli tak nie jest, skontaktuj się z elektrykiem.
- ▶ Urządzenie jest zasilane prądem 220–240 V AC/50 Hz. Odbiegające od normy wahania napięcia mogą spowodować niewłączenie się urządzenia albo uszkodzenie regulatora temperatury lub sprężarki. Mogą też być przyczyną nietypowego hałasu podczas pracy. W takim przypadku powinien zostać zamontowany automatyczny regulator.
- ▶ Nie używaj adapterów wtyczek i przedłużaczy.
- ▶ Za urządzeniem nie należy umieszczać kilku listew zasilających ani przenośnych zasilaczy.
- ▶ Upewnij się, że kabel zasilający nie jest przytrzaśnięty przez chłodziarkę. Nie stawaj na przewodzie zasilającym.



OSTRZEŻENIE!

- ▶ Używaj oddzielnego, łatwo dostępnego i uziemionego gniazdka. Urządzenie musi być uziemione.
- ▶ Dotyczy tylko Wielkiej Brytanii: Kabel zasilający urządzenie jest wyposażony we wtyczkę z 3 bolcami (z uziemieniem), która pasuje do standardowego gniazda z 3 przewodami (z uziemieniem). Nigdy nie odcinaj ani nie demontuj trzeciego bolca (z uziemieniem). Po zainstalowaniu urządzenia wtyczka powinna być łatwo dostępna.
- ▶ Uważaj, aby nie uszkodzić obwodu chłodniczego.

Codzienne użytkowanie

- ▶ Urządzenie może być obsługiwane przez dzieci powyżej 8 roku życia i przez osoby o ograniczonych możliwościach fizycznych, sensorycznych lub umysłowych lub osoby nieposiadające doświadczenia ani wiedzy pod warunkiem, że są one pod odpowiednim nadzorem lub zostały poinstruowane, jak bezpiecznie obsługiwać urządzenie i rozumieją związane z nim zagrożenia.
- ▶ Dzieciom w wieku od 3 do 8 lat wolno wkładać i wyjmować produkty z urządzeń chłodniczych, ale nie wolno ich czyścić ani instalować. Trzymaj z dala od urządzenia dzieci poniżej 3 roku życia, chyba że są pod stałym nadzorem.
- ▶ Dzieci nie powinny bawić się urządzeniem.
- ▶ Jeśli czynnik chłodniczy lub inny łatwopalny gaz wycieka w pobliżu urządzenia, zamknij zawór wyciekającego gazu, otwórz drzwi oraz okna i nie odłączaj kabla zasilającego chłodziarki lub innego urządzenia.
- ▶ Zwróć uwagę, że urządzenie jest ustawione do pracy w określonym zakresie temperatur pomiędzy 10 a 43°C. Chłodziarka może nie pracować prawidłowo, jeśli pozostanie na dłuższy czas w temperaturze powyżej lub poniżej podanego zakresu.
- ▶ Na chłodziarce nie należy umieszczać niestabilnych przedmiotów (ciężkich przedmiotów, pojemników wypełnionych wodą), aby uniknąć obrażeń ciała spowodowanych upadkiem lub porażeniem prądem elektrycznym w wyniku kontaktu z wodą.
- ▶ Nie ciągnij za półki drzwiowe. Drzwi mogą być pochylone, stojak na butelki może zostać wyciągnięty lub urządzenie może się przewrócić.
- ▶ Otwieraj i zamykaj drzwi tylko za pomocą klamek. Szczelina między drzwiami a obudową jest bardzo wąska. Nie trzymaj rąk w tych obszarach, aby uniknąć przycięcia palców. Otwieraj i zamykaj drzwi chłodziarki tylko wtedy, gdy nie ma dzieci stojących w obrębie ruchu drzwi.



OSTRZEŻENIE!

- ▶ Nie przechowuj ani nie używaj materiałów łatwopalnych, wybuchowych lub żrących w urządzeniu lub w jego sąsiedztwie.
- ▶ Nie przechowuj w urządzeniu leków, bakterii lub substancji chemicznych. To urządzenie jest urządzeniem gospodarstwa domowego. Nie zaleca się przechowywania materiałów, które wymagają ściśle określonej temperatury.
- ▶ Nigdy nie przechowuj płynów w butelkach lub puszkach (oprócz alkoholi wysokoprocentowych), zwłaszcza napojów gazowanych w zamrażarce, ponieważ mogą one pęknąć podczas zamrażania.
- ▶ Sprawdź stan żywności, jeśli w zamrażarce miało miejsce zwiększenie temperatury.
- ▶ Nie ustawiaj niepotrzebnie niskiej temperatury w komorze chłodziarki. Ujemne temperatury mogą wystąpić przy wysokich ustawieniach. Uwaga: Butelki mogą wybuchnąć
- ▶ Nie dotykaj zamrożonych towarów mokrymi rękami (załóż rękawiczki). Szczególnie nie należy jeść lizaków lodowych bezpośrednio po wyjęciu z komory zamrażarki. Istnieje ryzyko przymarznięcia naskórka lub powstania pęcherzy. PIERWSZA pomoc: Natychmiast polej miejsce przymarznięcia bieżącą zimną wodą. Nie odrywaj!
- ▶ Nie dotykaj wnętrza komory zamrażarki podczas pracy, zwłaszcza mokrymi rękami, ponieważ mogą one przymarznąć do jej powierzchni.
- ▶ Odłącz urządzenie w przypadku przerwy w zasilaniu lub przed czyszczeniem. Nie uruchamiaj ponownie urządzenia przez co najmniej 7 minut, ponieważ szybkie włączenie może doprowadzić do uszkodzenia sprężarki.
- ▶ Nie używaj urządzeń elektrycznych wewnątrz komór do przechowywania żywności, chyba że są to urządzenia typu zalecanego przez producenta. Konserwacja / czyszczenie
- ▶ Upewnij się, że dzieci są nadzorowane podczas czyszczenia i konserwacji urządzenia.
- ▶ Przed przystąpieniem do rutynowej konserwacji należy odłączyć urządzenie od zasilania elektrycznego. Nie uruchamiaj ponownie urządzenia przez co najmniej 7 minut, ponieważ szybkie włączenie może doprowadzić do uszkodzenia sprężarki.



OSTRZEŻENIE!

- ▶ Podczas odłączania urządzenia trzymaj za wtyczkę, a nie za przewód.
- ▶ Nie czyść urządzenia za pomocą twardych szczotek, szczotek drucianych, detergentów proszkowych, benzyny, octanu amylu, acetonu i podobnych roztworów organicznych, kwasów lub roztworów alkalicznych. Do czyszczenia należy używać specjalnego detergentu do chłodziarek, aby uniknąć uszkodzenia.
- ▶ Nie zeszkrobuj szronu i lodu ostrymi przedmiotami. Nie używaj rozpylaczy, grzejników elektrycznych, takich jak suszarka do włosów, myjek parowych lub innych źródeł ciepła, aby uniknąć uszkodzenia plastikowych części.
- ▶ Nie używaj urządzeń mechanicznych ani innych środków do przyspieszania procesu rozmrażania, chyba że są one zalecane przez producenta.
- ▶ Jeśli kabel zasilający ulegnie uszkodzeniu, dla bezpieczeństwa należy zlecić jego wymianę producentowi, autoryzowanemu serwisowi lub osobom o podobnych kwalifikacjach.
- ▶ Nie należy próbować samodzielnie naprawiać, demontować ani modyfikować urządzenia. W przypadku konieczności naprawy prosimy o kontakt z naszym działem obsługi klienta.
- ▶ Usuń kurz z tyłu urządzenia co najmniej raz w roku, aby uniknąć zagrożenia ogniem, a także zwiększonego zużycia energii.
- ▶ Nie używaj aerozolu ani nie przepłukuj urządzenia podczas czyszczenia.
- ▶ Nie używaj wody lub pary do czyszczenia urządzenia.
- ▶ Nie czyść zimnych szklanych półek gorącą wodą. Nagła zmiana temperatury może spowodować pęknięcie szkła.

Informacje dotyczące czynnika chłodniczego



OSTRZEŻENIE!

Urządzenie zawiera łatwopalny czynnik chłodniczy IZOBUTAN (R600a). Upewnij się, że układ chłodniczy nie został uszkodzony podczas transportu lub instalacji. Wyciek czynnika może spowodować uszkodzenie wzroku lub zapalenie. Jeśli wystąpiło uszkodzenie, trzymaj urządzenie z dala od otwartych źródeł ognia, dokładnie przewietrz pomieszczenie, nie podłączaj ani nie odłączaj kabli zasilających tego lub innego urządzenia. Poinformuj obsługę klienta.

W przypadku kontaktu czynnika chłodniczego z oczami natychmiast przepłucz je pod bieżącą wodą i natychmiast skontaktuj się z okulistą.

Przeznaczenie

To urządzenie jest przeznaczone do chłodzenia i zamrażania żywności. Zostało zaprojektowane wyłącznie do użytku w gospodarstwach domowych i podobnych zastosowaniach, takich jak pomieszczenia kuchenne dla personelu w sklepach, biurach i innych środowiskach pracy; w gospodarstwach rolnych oraz przez klientów w hotelach, motelach i innych obiektach mieszkalnych, a także w pensjonatach i gastronomii. Nie jest przeznaczone do użytku komercyjnego ani przemysłowego.

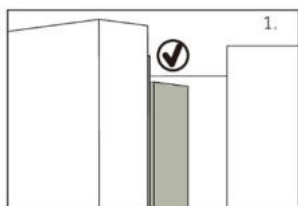
Zmiany lub modyfikacje urządzenia są niedozwolone. Użycie niezgodne z przeznaczeniem może spowodować zagrożenie i utratę roszczeń gwarancyjnych.

Normy i dyrektywy CE

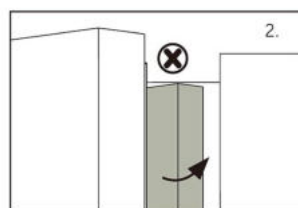
Produkt ten spełnia wymagania wszystkich obowiązujących dyrektyw UE z odpowiednimi normami zharmonizowanymi, które przewidują oznakowanie CE.



OSTROŻNIE!



Po zamknięciu drzwi pionowa listwa drzwi na lewych drzwiach powinna być wygięta wewnątrz (1).

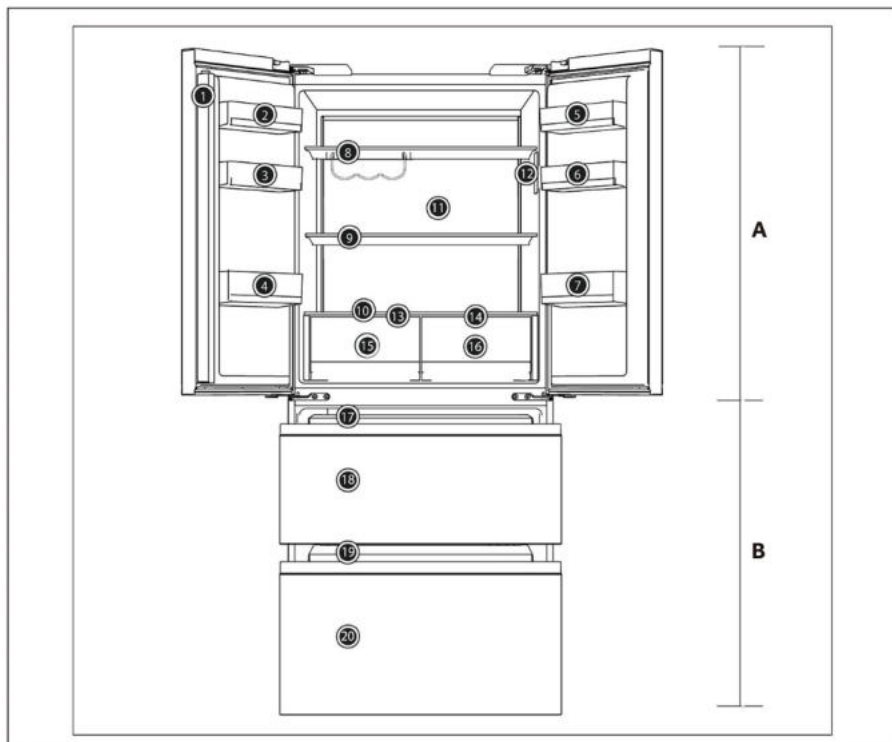


Jeśli próbujesz zamknąć lewe drzwi, a pionowa listwa drzwiowa jest niezapięta (2), należy ją najpierw zgiąć, w przeciwnym razie listwa drzwiowa uderzy w wał mocujący lub prawe drzwi. W ten sposób może dojść do uszkodzenia drzwi lub wycieku.

W ramie znajduje się zwój grzewczy. Temperatura powierzchni nieco wzrośnie, co jest normalne i nie wpłynie na działanie urządzenia.

i UWAGA

Z powodu zmian technicznych i różnych modeli, niektóre ilustracje w tej instrukcji mogą się różnić od Twojego modelu.



A: Komora chłodziarki

- 1 Belka drzwiowa
- 2 Uchwyt na butelkę (lewy górny)
- 3 Uchwyt na butelkę (środek, lewa strona)
- 4 Uchwyt na butelkę (dół, lewa strona)
- 5 Uchwyt na butelkę (górną, prawa strona)
- 6 Uchwyt na butelkę (środek po prawej)
- 7 Uchwyt na butelkę (prawy dolny)
- 8 Szklana półka
- 9 Szklana półka
- 10 Półka na pokrywę szuflady
- 11 Lampka tylna
- 12 Panel wyświetlacza
- 13 Pokrywa szuflady Activefresh

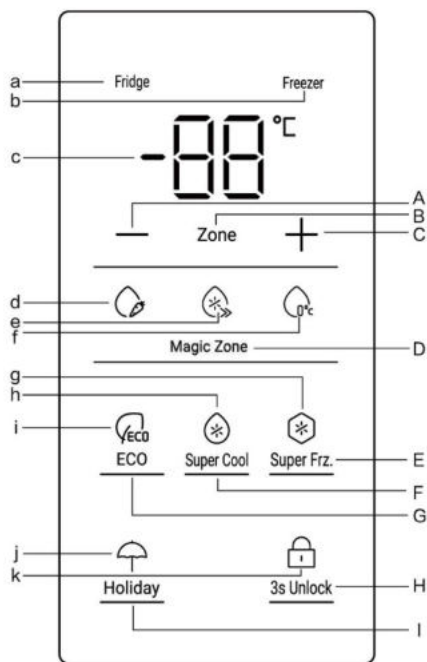
14 Pokrywa szuflady Magic

- 15 Szuflada Activefresh
- 16 Szuflada Magic

B: Komora zamrażarki

- 17 Taca przesuwna
- 18 Górna szuflada zamrażarki
- 19 Taca przesuwna
- 20 Dolna szuflada zamrażarki

Panel sterowania



Przyciski:

- A Przycisk obniżania temperatury
- B Przełączanie trybu temperatury chłodziarki i zamrażarki
- C Przycisk wzrostu temperatury
- D Przełączanie trybu Magic Zone
- E Przełącznik funkcji Super Frz.
- F Przełącznik funkcji Super Cool
- G Przełącznik funkcji ECO
- H Blokada/odblokowanie panelu wyświetlacza
- I Przełącznik funkcji Holiday

Wskaźniki:

- a Wskaźnik chłodziarki
- b Wskaźnik zamrażarki
- c Temperatura komory chłodziarki i zamrażarki
- d Funkcja Fruit&Veg.
- e Funkcja Cool Drink
- f Funkcja 0°C Fresh
- g Funkcja Super Frz.
- h Funkcja Super Cool
- i Funkcja ECO
- j Funkcja Holiday
- k Funkcja blokowania/odblokowywania panelu wyświetlacza

Przed pierwszym użyciem

- ▶ Usuń wszelkie opakowania, trzymaj je w miejscu niedostępnym dla dzieci i zutylizuj w sposób przyjazny dla środowiska.
- ▶ Przed włożeniem żywności wyczyść wnętrze i obudowę urządzenia wodą z dodatkiem łagodnego detergentu.
- ▶ Po wypoziomowaniu i wyczyszczeniu urządzenia odczekaj co najmniej 2-5 godzin przed podłączeniem go do zasilania. Zob. rozdział INSTALACJA.
- ▶ Przed włożeniem żywności należy wstępnie schłodzić komory z wysokimi ustawieniami. Funkcja Super Frz. pomaga szybko schłodzić komory.
- ▶ Temperatury chłodziarki i zamrażarki są automatycznie ustawiane odpowiednio na 5°C i -18°C . To są zalecane ustawienia. W razie potrzeby można ręcznie zmienić ustawioną temperaturę. Patrz TRYB REGULACJI RĘCZNEJ.

Klawisze czujnika

Przyciski na panelu sterowania są klawiszami sensorycznymi, które reagują już przy lekkim dotknięciu palcem.

Włącz/Wyłącz urządzenie

Urządzenie zacznie pracę jak tylko zostanie podłączone do źródła energii.

Gdy chłodziarka jest włączana po raz pierwszy, zapala się wskaźnik „c” (wyświetlacz temperatury). Temperatury chłodziarki i zamrażarki są automatycznie ustawiane odpowiednio na 5°C i -18°C. Zapala się wskaźnik „d” (Fruit&Veg.).

Panel wyświetlacza wyłączy się natychmiast po zamknięciu drzwi

UWAGA

1. Urządzenie jest wstępnie ustawione na zalecaną temperaturę 5°C (chłodziarka) i -18°C (zamrażarka). W normalnych warunkach otoczenia nie trzeba ustawiać temperatury.
2. Wstępnie ustawiona funkcja szuflady Magic Zone to Fruit&Veg.
3. Gdy urządzenie zostanie włączone po uprzednim odłączeniu od głównego źródła zasilania, osiągnięcie prawidłowej temperatury może potrwać do 12 godzin.

Przed wyłączeniem należy opróżnić urządzenie. Aby wyłączyć urządzenie, wyciągnij przewód zasilający z gniazdka.

Blokowanie/odblokowywanie panelu

Automatyczne blokowanie: Po zamknięciu drzwi chłodziarki i zamrażarki ekran wyświetlacza automatycznie wyłączy się i zablokuje.

Odblokowanie ręczne: Gdy ekran wyświetlacza jest zablokowany, naciśnij przycisk „H” (3s Unlock) i przytrzymaj przez 3 sekundy, usłyszysz jeden sygnał dźwiękowy, wskaźnik „k” (blokada panelu) zgaśnie, a wyświetlacz zostanie odblokowany.



Ręczne blokowanie: Po odblokowaniu ekranu wyświetlacza naciśnij przycisk „H” (3s Unlock) i przytrzymaj przez 3 sekundy. Rozlegnie się jeden sygnał dźwiękowy, zaświeci się wskaźnik „k” (blokada panelu), a wyświetlacz zostanie zablokowany.



UWAGA

Panel wyświetlacza jest blokowany za każdym razem, gdy otwierane są drzwi. Aby dokonać jakichkolwiek ustawień, panel sterowania musi być odblokowany.

Alarm otwarcia drzwi

Jeżeli jedno z drzwi chłodziarki zostaną otwarte na dłużej niż 3 minuty, włączy się alarm otwarcia drzwi. Alarm drzwi można także wyłączyć poprzez zamknięcie drzwi. Jeżeli drzwi pozostaną otwarte dłużej niż 7 minut, światło wewnątrz chłodziarki oraz podświetlenie panelu sterowania automatycznie wyłączą się.

Wybierz tryb pracy

Może być konieczne wybranie jednego z dwóch poniższych sposobów konfiguracji urządzenia.

UWAGA: Wpływ na temperaturę

Na temperaturę wewnątrz chłodziarki wpływają następujące czynniki

1. Temperatura otoczenia.
2. Częstotliwość otwierania drzwi.
3. Ilość przechowywanej żywności.
4. Instalacja urządzenia.

TRYB ECO

Jeżeli nie masz żadnych specjalnych wymagań, zalecamy korzystanie z trybu ECO. W tym trybie urządzenie może automatycznie regulować ustawienia temperatury w zależności od temperatury otoczenia i zmiany temperatury w urządzeniu.

1. Po odblokowaniu ekranu wyświetlacza naciśnij przycisk „G” (wybór funkcji ECO), usłyszysz jeden sygnał dźwiękowy, zaświeci się wskaźnik „i” (funkcja ECO), a następnie funkcja ECO zostanie włączona.
2. Gdy zaświeci się wskaźnik V (funkcja ECO), naciśnij przycisk „G” (wybór funkcji ECO), brzęczyk zadzwoni jeden raz, wskaźnik „i” (funkcja ECO) zgaśnie, a funkcja ECO zostanie wyłączona.



UWAGA

W trybie ECO nie można regulować temperatury chłodziarki ani zamrażarki. Jeżeli w celu zmiany temperatury chłodziarki lub zamrażarki naciśnięty zostanie przycisk „+” lub „-”, wskaźnik „i” (funkcja ECO) zacznie migać i rozlegnie się sygnał dźwiękowy, aby zasygnalizować, że tej operacji nie można wykonać. W funkcji ECO, ze względu na różne metody sterowania, jeżeli ustawiona jest funkcja Super Cool, Super Frz. lub Holiday, wskaźnik „i” (funkcja ECO) zgaśnie. W trybie ECO działanie Magic Zone można ręcznie dostosować do własnych potrzeb.

Wyreguluj temperaturę chłodziarki

Po odblokowaniu ekranu wyświetlacza naciśnij przycisk „B” (wybór strefy), wybierz „chłodziarkę”, zaświeci się wskaźnik „a” (wskaźnik chłodziarki), a następnie przejdziesz do trybu ustawiania temperatury chłodziarki.

Naciśnij przycisk „+” lub „-”. Każde naciśnięcie przycisku „+” lub „-” powoduje zwiększenie lub zmniejszenie wartości chłodzenia o 1. Temperatura w chłodziarce będzie wyświetlana w kolejności: „9°C -> 8°C -> 7°C -> 6°C -> 5°C -> 4°C -> 3°C -> 2°C -> 1°C”.

UWAGA

Po ustawieniu temperatury, jeśli w ciągu 5 sekund nie zostanie wykonana żadna operacja, system automatycznie zapisze ustawioną temperaturę.

Ustaw temperaturę zamrażarki

Po odblokowaniu ekranu wyświetlacza naciśnij przycisk „B” (wybór strefy), wybierz „zamrażarka”, zaświeci się wskaźnik „b” (wskaźnik zamrażarki), a następnie przejdziesz do trybu ustawiania temperatury zamrażarki.

Naciśnij przycisk „+” lub „-”. Każde naciśnięcie przycisku „+” lub „-” powoduje zwiększenie lub zmniejszenie wartości chłodzenia o 1. Temperatura w chłodziarce będzie wyświetlana w kolejności: -14°C <->-15°C<->-16°C <->-17°C <->-18°C <->-19°C<->-20°C <->-21°C <->-22°C<->-23°C <->-24°C.

UWAGA

Po ustawieniu temperatury, jeśli w ciągu 5 sekund nie zostanie wykonana żadna operacja, system automatycznie zapisze ustawioną temperaturę.

Funkcja Magic Zone

1. Funkcja Fruit&Veg.:

Po odblokowaniu ekranu wyświetlacza naciśnij przycisk „D” (wybór Magic Zone), aby włączyć tę funkcję. Zaświeci się ikona Fruit&Veg.

Ta funkcja jest odpowiednia do przechowywania świeżych owoców i warzyw.



i UWAGA

W szufladzie Magic Zone nie należy przechowywać owoców wrażliwych na zimno, takich jak ananas, awokado, banany, grejpfruty i warzyw, takich jak ziemniaki, bakłażany, fasola, ogórki, cukinia i pomidory oraz serów.

2. Funkcja Cool Drink:

Po odblokowaniu ekranu wyświetlacza naciśnij przycisk „D” (wybór Magic Zone), aby włączyć tę funkcję. Zaświeci się funkcja Cool Drink.

Ta funkcja umożliwia przechowywanie produktów takich jak woda, cola czy sok. Temperatura w komorze Magic Zone jest ustawiona na +2°C.



3. Funkcja 0°Fresh:

Po odblokowaniu ekranu wyświetlacza naciśnij przycisk „D” (wybór Magic Zone), aby włączyć tę funkcję. Włącza się 0°C Fresh.

Za pomocą tej funkcji temperatura w szufladzie Magic Zone jest ustawiana na 0°C. Nadaje się do przechowywania świeżej żywności, takiej jak mięso lub ryby. Większość produktów spożywczych zachowuje świeżość w temperaturze 0°C.



i UWAGA

Ze względu na różną zawartość wody w mięsie. Niektóre rodzaje mięsa zawierające więcej wilgoci będą zamrażane w temperaturach niższych niż 0°C. Dlatego „świeżo krojone” mięso należy przechowywać w szufladzie Magic Zone w temperaturze min. 0°C.

UWAGA: Szuflada Magic Zone

1. Wszystkie trzy funkcje Magic Zone nie mogą być aktywne jednocześnie, można podświetlić tylko jedną.
2. Aby obniżyć temperaturę w komorze chłodziarki, użyj funkcji Cool Drink. Aby ją zwiększyć, wybierz Fruit&Veg.

Funkcja Super Cool

1. Po odblokowaniu ekranu wyświetlacza naciśnij przycisk „F” (wybór Super Cool), usłyszysz jeden sygnał dźwiękowy, zaświeci się wskaźnik „h” (funkcja Super Cool), a następnie funkcja Super Cool zostanie włączona.
2. Gdy zaświeci się wskaźnik „h” (funkcja Super Cool), naciśnij przycisk „F” (wybór Super Cool), brzęczyk zadzwoni jeden raz, wskaźnik „h” (funkcja Super Cool) zgaśnie, a funkcja Super Cool zostanie wyłączona.
3. Po włączeniu funkcji Super Cool chłodziarka automatycznie wyłączy tę funkcję po upływie około 4 godzin. Jeśli chcesz wyjść ręcznie, naciśnij przycisk „G” (wybór Super Cool), aby wyłączyć tę funkcję.



UWAGA

1. W trybie Super Cool nie można regulować temperatury chłodziarki. Jeśli któryś z przycisków „+” lub „-” zostanie naciśnięty w celu ustawienia temperatury chłodziarki, wskaźnik „g” (funkcja Super Cool) zacznie migać wraz z sygnałem dźwiękowym wskazującym, że tej operacji nie można wykonać.
2. W trybie Super Cool, funkcji ECO i Holiday nie można włączyć jednocześnie ze względu na różne tryby sterowania. Gdy wybierzesz funkcję, która koliduje z inną, funkcja wybrana jako pierwsza zostanie automatycznie wyłączona.

Funkcja Super Frz

1. Po odblokowaniu ekranu wyświetlacza naciśnij przycisk „E” (wybór funkcji Super Freeze), usłyszysz jeden sygnał dźwiękowy, zaświeci się wskaźnik „g” (funkcja Super Freeze), a następnie funkcja Super Freeze zostanie włączona.
2. Gdy zaświeci się wskaźnik „g” (funkcja Super Freeze), naciśnij przycisk „E” (wybór funkcji Super Freeze), brzęczyk zadzwoni jeden raz, kontrolka „g” (funkcja Super Freeze) zgaśnie, a funkcja Super Freeze zostanie wyłączona.
3. Po włączeniu funkcji Super Freeze chłodziarka automatycznie ją wyłączy po upływie 50 godzin. Jeśli chcesz wyłączyć tę funkcję ręcznie, naciśnij przycisk „E” (wybór Super Freeze), aby ją wyłączyć.



Super Frz.



Super Frz.



Super Frz.



UWAGA

1. W stanie Super Freeze nie można regulować temperatury zamrażarki. Jeżeli w celu dostosowania temperatury zamrażarki zostanie naciśnięty przycisk „+” lub „-”, wskaźnik „g” (funkcja Super Freeze) zacznie migać i rozlegnie się sygnał dźwiękowy, aby zasygnalizować, że tej operacji nie można wykonać.
2. W trybie Super Freeze nie można jednocześnie włączyć funkcji ECO ze względu na różne tryby sterowania. Gdy wybierzesz funkcję, która koliduje z inną, funkcja wybrana jako pierwsza zostanie automatycznie wyłączona.
3. Funkcja Super Freeze ma na celu zachowanie wartości odżywczych mrożonej żywności poprzez zamrożenie jej w bardzo krótkim czasie. Jest przeznaczona do jednoczesnego zamrażania dużych ilości mrożonej żywności. Funkcję Super Freeze należy ustawić z 24-godzinnym wyprzedzeniem, aby zamrażarka miała odpowiednio niską temperaturę pozwalającą na umieszczenie w niej żywności. Przyspiesza to proces zamrażania w zamrażarce, co umożliwia skuteczne zachowanie wartości odżywczych żywności i ułatwia jej przechowywanie.

Funkcja Holiday

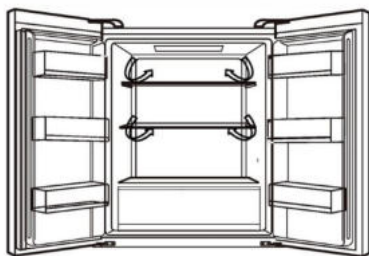
Tryb Holiday jest przydatny w przypadku, gdy chłodziarka nie jest używana przez dłuższy czas. Gdy włączona jest funkcja Holiday, temperatura w zamrażarce jest sterowana w sposób standardowy, a temperatura chłodziarki jest automatycznie ustawiana na 17°C. Rzeczywista temperatura nie przekracza 17°C, co zapobiega powstawaniu nieprzyjemnego zapachu spowodowanego zbyt wysoką temperaturą, a jednocześnie pomaga zmniejszyć zużycie energii.

1. Po odblokowaniu ekranu wyświetlacza naciśnij przycisk „I” (wybór funkcji Holiday), brzęczyk zadzwoni jeden raz, zaświeci się wskaźnik „j” (funkcja Holiday), a następnie funkcja Holiday zostanie włączona.
2. Gdy zaświeci się wskaźnik „j” (funkcja Holiday), naciśnij przycisk „T” (wybór funkcji Holiday), brzęczyk zadzwoni jeden raz, wskaźnik „j” (funkcja Holiday) zgaśnie, a funkcja Holiday zostanie wyłączona.



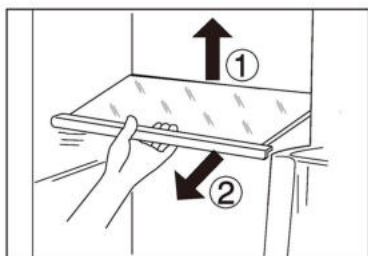
i UWAGA

1. W trybie Holiday nie można regulować temperatury chłodziarki. Jeśli któryś z przycisków „+” lub „-” zostanie naciśnięty w celu ustawienia temperatury chłodziarki, wskaźnik (funkcja Holiday) zacznie migać i zabrmi sygnał dźwiękowy, co wskazuje, że tej operacji nie można wykonać.
2. Przed użyciem funkcji Holiday należy opróżnić chłodziarkę, aby zapobiec zepsuciu się przechowywanej żywności. Gdy włączona jest funkcja Holiday, nie można jednocześnie włączyć funkcji ECO ani funkcji Super Cool.
3. W przypadku funkcji Holiday ustawienia ikon „Fruit&Veg, Cool Drink, 0°Fresh” w Magic Zone zostaną wyłączone i nie będzie można regulować temperatury w strefie Magic Zone. Po wyjściu z funkcji Holiday komora chłodziarki Magic Zone zostanie wyświetlona z poprzednim ustawieniem.



System obiegu powietrza

1. Chłodziarka jest wyposażona w system obiegu powietrza, dzięki któremu chłodne strumienie powietrza znajdują się na każdym poziomie półki. Pomaga to utrzymać jednolitą temperaturę, dzięki czemu żywność jest dłużej świeża.



Regulowane półki

1. Wysokość półek można dostosować do potrzeb przechowywania.
2. Aby przenieść półkę, zdejmij ją najpierw, podnosząc tylną krawędź ① i wyciągając ②.
3. Aby ponownie zamontować półkę, należy ją na uchwyty po obu stronach i przesunąć do pozycji najbardziej wysuniętej do tyłu, aż tylna część półki znajdzie się w szczelinach po bokach

Szuflada Magic Zone

W tej komorze poziom wilgotności jest niższy niż w komorze chłodziarki. Szuflada ta nadaje się do przechowywania suchych owoców i innych suchych produktów spożywczych o niskiej zawartości wody, takich jak masło, tłuszcze i olej czy czekolada.

MAGICZONE |

Szuflada ACTIVEFRESHZONE

W tej komorze poziom wilgotności jest wyższy niż w komorze chłodziarki. Jest sterowany automatycznie przez system i pozwala na przechowywanie owoców, warzyw, sałatek itp.

ACTIVEFRESHZONE |

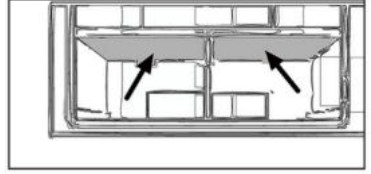


UWAGA:

Owoce wrażliwe na zimno, takie jak ananas, awokado, banany, grejpfruty i warzywa, takie jak ziemniaki, bakłażany, fasola, ogórki, cukinia i pomidory oraz ser nie powinny być przechowywane w przegrodzie Fresh Box.

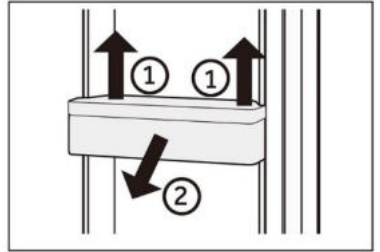
i UWAGA

1. Nie zdejmuj plastikowych osłon wewnątrz stref t.
2. Utrzymują one odpowiednią wilgotność.
3. Owoce wrażliwe na zimno, takie jak ananas, awokado, banany,
4. grejpfruty nie powinny być przechowywane w tych dwóch szufladach.



Zdejmowane półki na drzwiach/uchwyt na butelki

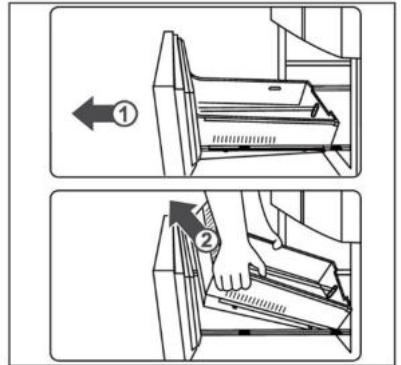
1. Półki na drzwiach można zdemontować w celu czyszczenia
2. Połóż dłoń po obu stronach półki, podnieś ją do góry ① i wyciągnij ②.
3. W celu ponownego zamontowania półek powyższe czynności wykonuje się w odwrotnej kolejności.



Wymowiona górna szuflada zamrażarki

1. Wsuń maksymalnie do górnej szuflady zamrażarki
2. Podnieś szufladę, aż zostanie oddzielona od bloku wspornika, wepchnij ją do zamrażarki i przechyl, aby ją wyjąć.

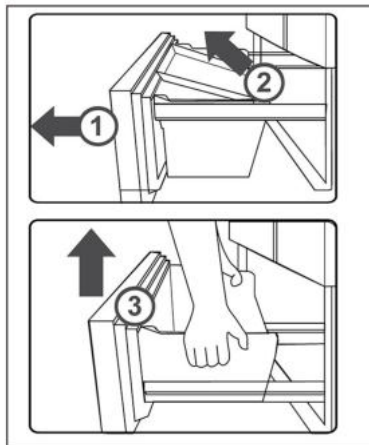
W celu ponownego włożenia szuflady powyższe czynności wykonuje się w odwrotnej kolejności.



Wymowana dolna szuflada zamrażarki

1. Wsuń maksymalnie do dolnej szuflady zamrażarki
2. Wyciągnij tacę do zamrażania do pozycji zatrzymania, podnieś i wyjmij.
3. Podnieś szufladę, aż zostanie oddzielona od bloku wspornika, wepchnij ją do zamrażarki i przechyl, aby ją wyjąć.

W celu ponownego włożenia szuflady powyższe czynności wykonuje się w odwrotnej kolejności.



Światło

Po otwarciu drzwi zapala się wewnętrzne oświetlenie LED. Na działanie światła nie ma wpływu żadne z pozostałych ustawień urządzenia.



Wskazówki dotyczące oszczędzania energii

- ▶ Upewnij się, że urządzenie jest właściwie wentylowane (patrz MONTAŻ).
- ▶ Nie należy instalować urządzenia w bezpośrednim świetle słonecznym lub w pobliżu źródeł ciepła (np. pieców, grzejników).
- ▶ Unikaj niepotrzebnie niskiej temperatury w urządzeniu. Zużycie energii zwiększa się wraz z ustawieniem niższej temperatury w urządzeniu.
- ▶ Funkcje takie jak POWER- FREEZE zwiększają zużycie energii.
- ▶ Przed włożeniem ciepłej żywności do urządzenia należy poczekać, aż ostygnie.
- ▶ Otwieraj drzwi możliwie rzadko i na krótko.
- ▶ Nie przepelniaj urządzenia, aby nie blokować przepływu powietrza.
- ▶ Unikaj powietrza w opakowaniu z żywnością.
- ▶ Utrzymuj w czystości uszczelki drzwi, aby zapewnić ich prawidłowe zamykanie.
- ▶ Rozmrażaj mrożoną żywność w komorze chłodziarki.
- ▶ Najbardziej energooszczędna konfiguracja wymaga, aby pojemniki i półki były umieszczone w urządzeniu jak w stanie fabrycznym, a żywność powinna być rozmieszczona w taki sposób, aby nie blokowała wylotu kanału wentylacyjnego.



OSTRZEŻENIE!

Przed czyszczeniem odłącz urządzenie od zasilania sieciowego.

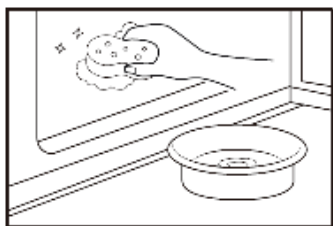
Czyszczenie

Urządzenie należy czyścić, gdy przechowywana jest niewielka ilość żywności lub nie ma jej wcale. Urządzenie powinno być czyszczone co cztery tygodnie, aby zapewnić dobrą konserwację i zapobiec nieprzyjemnym zapachom przechowywanej żywności.



OSTRZEŻENIE!

- ▶ Nie czyść urządzenia za pomocą twardych szczotek, szczotek drucianych, detergentów proszkowych, benzyny, octanu amylu, acetonu i podobnych roztworów organicznych, kwasów lub roztworów alkalicznych. Do czyszczenia należy używać specjalnego detergentu do chłodziarek, aby uniknąć uszkodzenia.
- ▶ Nie używaj aerolu ani nie przepłukuj urządzenia podczas czyszczenia.
- ▶ Nie używaj wody lub pary do czyszczenia urządzenia.
- ▶ Nie czyść zimnych szklanych półek gorącą wodą. Nagła zmiana temperatury może spowodować pęknięcie szkła.
- ▶ Nie dotykaj wnętrza komory, zwłaszcza mokrymi rękami, ponieważ mogą one przymarznąć do jej powierzchni.
- ▶ W przypadku zwiększenia temperatury sprawdzić stan zamrożonych produktów.



- ▶ Uszczelka drzwi powinna być zawsze utrzymywana w czystości.
- ▶ Czyść wnętrze i obudowę urządzenia gąbką zanurzoną w ciepłej wodzie i neutralnym detergentem.
- ▶ 1. Czyść wnętrze i zewnętrzną część chłodziarki, w tym uszczelnienie drzwi, stojak na drzwi, szklane półki, pudełka itd., miękkim ręcznikiem lub gąbką zanurzoną w ciepłej wodzie (można dodać neutralny detergent do ciepłej wody).
- ▶ 2. W przypadku rozlania płynu usuń wszystkie zanieczyszczone elementy, bezpośrednio spłucz bieżącą wodą, osusz i włóż z powrotem do chłodziarki.
- ▶ 3. W przypadku rozlanego kremu (np. śmietany, topniejących lodów), należy wyjąć wszystkie zanieczyszczone części, włożyć je na chwilę do ciepłej wody o temperaturze ok. 40°C, następnie spłukać bieżącą wodą, osuszyć i włożyć z powrotem do chłodziarki.
- ▶ 4. W przypadku, gdy jakaś mała część lub element dostanie się do wnętrza chłodziarki (pomiędzy półki lub szuflady), użyj małego miękkiego pędzelka, aby go wyciągnąć. Jeśli nie udało się dotrzeć do tego elementu, prosimy o kontakt z serwisem Haier
- ▶ Spłucz i wysusz miękką ściereczką.
- ▶ Nie należy myć żadnych części urządzenia w zmywarce do naczyń.
- ▶ Odczekaj co najmniej 5 minut przed ponownym uruchomieniem urządzenia, ponieważ częste uruchamianie może uszkodzić sprężarkę.

Rozmrażanie

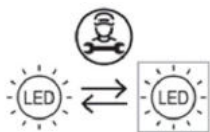
Rozmrażanie komór chłodziarki i zamrażarki przebiega automatycznie; nie jest wymagana ręczna obsługa.

Wymiana lampek LED

OSTRZEŻENIE!

Nie wolno samodzielnie wymieniać lampy LED, może to zrobić tylko producent lub autoryzowany serwis.

Jako źródło światła lampy wykorzystują diody LED, charakteryzujące się niskim zużyciem energii i długą żywotnością. W przypadku wystąpienia jakichkolwiek nieprawidłowości prosimy o kontakt z działem obsługi klienta. Zob. OBSŁUGA KLIENTA.



Wymienne (tylko LED) źródło światła przez profesjonalistę.

Ten produkt zawiera źródło światła o klasie efektywności energetycznej G.

Komora	Napięcie	Klasa efektywności energetycznej	Model
Chłodziarka	12 V	G	HFKR5718DNGB

Dłuższa przerwa w użytkowaniu

Jeżeli urządzenie nie będzie używane przez dłuższy czas i nie będzie wykorzystywana funkcja Holiday chłodziarki:

- ▶ Wyjmij żywność.
- ▶ Odłącz przewód zasilający.
- ▶ Wyczyść urządzenie jak opisano powyżej.
- ▶ Zostaw drzwi otwarte, aby zapobiec tworzeniu się wewnątrz nieprzyjemnych zapachów.

UWAGA

Wyłącz urządzenie tylko wtedy, gdy jest to absolutnie konieczne.

Przenoszenie urządzenia

1. Wyjmij wszystkie produkty spożywcze i odłącz urządzenie od zasilania.
2. Zabezpiecz taśmą klejącą półki i inne ruchome części w zamrażarce.
3. Nie przechylaj chłodziarki pod kątem większym niż 45°, aby uniknąć uszkodzenia układu chłodniczego.

OSTRZEŻENIE!

- ▶ Nie podnoś urządzenia za klamki.
- ▶ Nigdy nie należy ustawiać urządzenia poziomo na ziemi.

Wiele problemów można rozwiązać samodzielnie, bez specjalistycznej wiedzy. W przypadku problemów prosimy sprawdzić wszystkie pokazane możliwości i postępować zgodnie z poniższymi instrukcjami przed skontaktowaniem się z obsługą posprzedażową. Zob. OBSŁUGA KLIENTA.



OSTRZEŻENIE!

- ▶ Przed przystąpieniem do konserwacji wyłącz urządzenie i wyjmij wtyczkę z gniazdka sieciowego.
- ▶ Urządzenie elektryczne powinno być serwisowane tylko przez wykwalifikowanych ekspertów, ponieważ niewłaściwe naprawy mogą spowodować znaczne szkody.
- ▶ Jeśli kabel zasilania jest uszkodzony, musi on zostać wymieniony przez producenta, serwisanta lub inną wykwalifikowaną osobę w celu uniknięcia niebezpieczeństwa.

Problem	Potencjalna przyczyna	Możliwe rozwiązanie
Sprężarka nie działa.	<ul style="list-style-type: none"> • Wtyczka sieciowa nie jest podłączona do gniazdka. • Urządzenie znajduje się w cyklu rozmrażania. 	<ul style="list-style-type: none"> • Włącz wtyczkę sieciową. • Jest to normalne w przypadku automatycznego rozmrażania.
Urządzenie działa często lub przez zbyt długi okres czasu.	<ul style="list-style-type: none"> • Temperatura wewnątrz i na zewnątrz urządzenia jest za wysoka. • Urządzenie było odłączone od zasilania przez określony czas. • Drzwi urządzenia nie są szczelnie zamknięte. • Drzwi były za często otwierane lub pozostawały długo otwarte. • Ustawienie temperatury w komorze zamrażarki jest zbyt niskie. • Uszczelki drzwi są zabrudzone zużyte, pęknięte lub niedopasowane. • Wymagany przepływ powietrza nie jest gwarantowany. 	<ul style="list-style-type: none"> • W takim przypadku. Urządzenie zwykle pracuje dłużej • Całkowite schłodzenie urządzenia trwa zazwyczaj od 8 do 12 godzin. • Zamknij drzwi i upewnij się, że urządzenie jest ustawione na płaskiej powierzchni i jedzenie lub pojemniki nie blokują drzwi. • Nie otwieraj drzwi/szuflad zbyt często. • Ustaw wyższą temperaturę, aż do uzyskania zadowalającej temperatury w chłodziarce. Temperatura chodziarki ustabilizuje się po 24 godzinach. • Wyczyść uszczelki drzwi/szuflady lub wymień je z pomocą serwisu obsługi klienta. • Zapewnij odpowiednią wentylację.

Problem	Potencjalna przyczyna	Możliwe rozwiązanie
Wnętrze chłodziarki jest brudne i/lub nieprzyjemnie pachnie.	<ul style="list-style-type: none"> • Wnętrze chłodziarki wymaga czyszczenia. • W chłodziarce przechowywana jest żywność o intensywnym zapachu. 	<ul style="list-style-type: none"> • Wyczyść wnętrze chłodziarki. • Dokładnie owiń żywność.
Wewnątrz urządzenia nie jest wystarczająco zimno.	<ul style="list-style-type: none"> • Ustawiona temperatura jest za wysoka. • Była przechowywana zbyt ciepła żywność. • W chłodziarce umieszczono zbyt dużą ilość żywności. • Żywność jest zbyt blisko siebie. • Drzwi/szuflada urządzenia nie są szczelnie zamknięte. • Drzwi/szuflad były za często otwierane lub pozostawały długo otwarte. 	<ul style="list-style-type: none"> • Ponownie ustaw temperaturę. • Zawsze schładzaj żywność przed jej włożeniem do urządzenia. • Zawsze przechowuj małe ilości żywności. • Pozostaw przestrzeń między produktami spożywczymi, umożliwiając przepływ powietrza. • Zamknij drzwi/szufladę. • Nie otwieraj drzwi/szuflad zbyt często.
Wnętrze urządzenia jest za zimne.	<ul style="list-style-type: none"> • Temperatura jest za niska. • Funkcja Super Frz/Super Cool jest włączona lub działa zbyt długo. 	<ul style="list-style-type: none"> • Ponownie ustaw temperaturę. • Wyłącz funkcję Super Frz/Super Cool
Powstawanie wilgoci na wewnętrznych ściankach komory.	<ul style="list-style-type: none"> • Klimat jest zbyt ciepły i wilgotny. • Drzwi/szuflada urządzenia nie są szczelnie zamknięte. • Drzwi/szuflad były za często otwierane lub pozostawały długo otwarte. • Pojemniki na żywność lub płyny są otwarte. 	<ul style="list-style-type: none"> • Zwiększ temperaturę. • Zamknij drzwi/szufladę. • Nie otwieraj drzwi/szuflad zbyt często. • Pozostaw gorącą żywność do ostygnięcia do temperatury pokojowej i przykryj żywność oraz płyny.
Wilgoć gromadzi się na zewnętrznej powierzchni chłodziarki lub między drzwiami a szufladą.	<ul style="list-style-type: none"> • Klimat jest zbyt ciepły i wilgotny. • Drzwi nie są szczelnie zamknięte. Zimne powietrze skrapla się wewnątrz urządzenia, a ciepłe powietrze na zewnątrz. 	<ul style="list-style-type: none"> • Jest to normalne zjawisko w wilgotnym klimacie i zmieni się, gdy wilgotność spadnie. • Upewnij się, że drzwi/szuflada są szczelnie zamknięte.

Problem	Potencjalna przyczyna	Możliwe rozwiązanie
Nadmierny lód i szron w komorze zamrażarki.	<ul style="list-style-type: none"> • Artykuły spożywcze nie zostały odpowiednio zapakowane. • Drzwi/szuflada urządzenia nie są szczelnie zamknięte. • Drzwi/szuflady były za często otwierane lub pozostawały długo otwarte. • Uszczelki drzwi/szuflady są brudne, zużyte, pęknięte lub niedopasowane. • Coś wewnątrz uniemożliwia prawidłowe zamknięcie drzwi/szuflady. 	<ul style="list-style-type: none"> • Zawsze właściwie zapakuj artykuły spożywcze. • Zamknij drzwi/szufladę. • Nie otwieraj drzwi/szuflad zbyt często. • Wyczyść uszczelki drzwi lub wymień je na nowe. • Ponownie umieść półki, półki na drzwi lub pojemniki wewnętrzne, aby umożliwić zamknięcie drzwi/szuflady.
Boki obudowy i listwa drzwiowa nagrzewają się.	<ul style="list-style-type: none"> • - 	<ul style="list-style-type: none"> • To normalne.
Urządzenie wydaje dziwne dźwięki.	<ul style="list-style-type: none"> • Urządzenie nie znajduje się na wypoziomowanym podłożu. • Urządzenie dotyka jakiegoś przedmiotu. 	<ul style="list-style-type: none"> • Wyreguluj nóżki, aby wypoziomować urządzenie. • Usuń obiekty znajdujące się w pobliżu urządzenia.
Słychać delikatny szum podobny do płynącej wody.	<ul style="list-style-type: none"> • - 	<ul style="list-style-type: none"> • To normalne.
Usłyszysz sygnał alarmowy.	<ul style="list-style-type: none"> • Drzwi komory chłodziarki są otwarte. 	<ul style="list-style-type: none"> • Zamknij drzwi.
Usłyszysz słaby szum.	<ul style="list-style-type: none"> • Układ antykondensacyjny działa 	<ul style="list-style-type: none"> • Zapobiega to kondensacji i jest normalne
Oświetlenie wnętrza lub układ chłodzenia nie działa.	<ul style="list-style-type: none"> • Wtyczka sieciowa nie jest podłączona do gniazdka. • Zasilanie nie jest w dobrym stanie. • Lampa LED nie działa. 	<ul style="list-style-type: none"> • Włącz wtyczkę sieciową. • Sprawdź zasilanie elektryczne w pomieszczeniu. Skontaktuj się z lokalnym dostawcą energii elektrycznej! • Wezwij serwis w celu wymiany lampki.

Aby skontaktować się z pomocą techniczną, odwiedź naszą stronę internetową:
<https://corporate.haier-europe.com/en/>

W sekcji „Strona internetowa” wybierz markę swojego produktu i kraj. Otworzy się strona internetowa, na której znajdziesz numer telefonu i formularz do kontaktu z pomocą techniczną.

Przerwa w zasilaniu

W przypadku przerwy w dostawie prądu żywność powinna zachować bezpieczną temperaturę przez około 5 godzin. Podczas dłuższej przerwy w dostawie prądu, zwłaszcza latem, należy stosować się do poniższych wskazówek:

- ▶ Unikaj częstego otwierania drzwi/szuflady.
- ▶ Nie wkładaj do urządzenia dodatkowej żywności podczas przerwy w dostawie prądu.
- ▶ Jeśli przerwa w dostawie prądu została zgłoszona z wyprzedzeniem i trwa dłużej niż 5 godzin, należy przygotować trochę lodu i umieścić go w pojemniku w górnej części komory chłodziarki.
- ▶ Kontrola towaru jest wymagana niezwłocznie po przerwie.
- ▶ Ponieważ temperatura w chłodziarce wzrośnie podczas przerwy w zasilaniu lub innej awarii, okres przechowywania i jadalna jakość żywności ulegną skróceniu. Każda żywność, która się rozmraża, powinna zostać spożyta lub ugotowana i ponownie zamrożona (w stosownych przypadkach) wkrótce po tym, aby zapobiec zagrożeniom dla zdrowia.

Funkcja pamięci podczas przerwy w zasilaniu

Po przywróceniu zasilania urządzenie kontynuuje ustawienia ustawione przed awarią zasilania.

Ropakowanie



OSTRZEŻENIE!

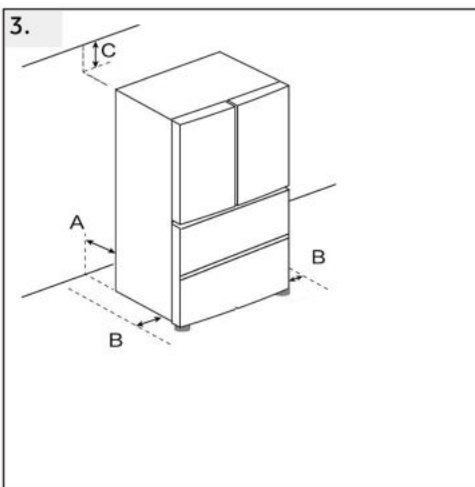
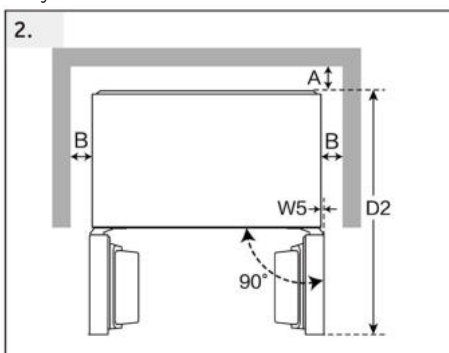
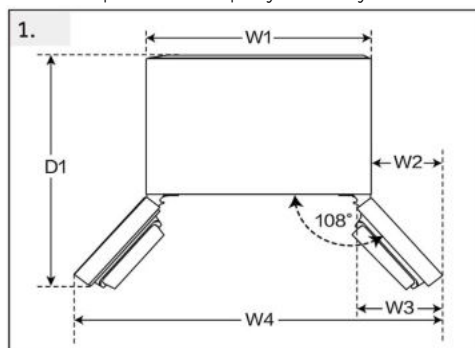
- ▶ Urządzenie jest ciężkie. Prace powinny być wykonywane przez co najmniej dwie osoby.
- ▶ Wszystkie materiały opakowaniowe należy przechowywać poza zasięgiem dzieci i utylizować w sposób przyjazny dla środowiska.
- ▶ Wyjmij urządzenie z opakowania.
- ▶ Usuń całe opakowanie.

Warunki środowiskowe

Temperatura w pomieszczeniu powinna zawsze wynosić od 10°C do 43°C, ponieważ może wpływać na temperaturę wewnątrz urządzenia i zużycie energii. Nie ustawiaj urządzenia w pobliżu innych urządzeń bez izolacji emitujących ciepło (piekarniki, chłodziarki).

Zalecenia dotyczące przestrzeni

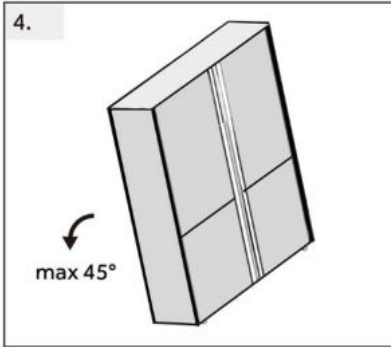
Zalecana przestrzeń przy otwartych drzwiach (rys. 1.2.)



(Jednostka: mm)		HFKR5718DNGB
Szerokość	W1	700
	W2	115
	W3	368
	W4	930
	W5	0
	W	700
	D1	910
	D2	918
	D	594
Odległość do tylnej ściany	A	6
Odległość do ścian bocznych	B	4
Odległość do sufitu	C	9
Całkowita wysokość	H	1850

Przekrój wentylatora

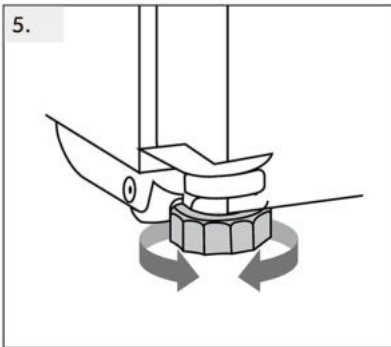
Aby zapewnić wystarczającą wentylację urządzenia ze względów bezpieczeństwa, należy przestrzegać informacji o wymaganych przekrojach wentylacji.



Ustawianie urządzenia (rys. 4.5.6.)

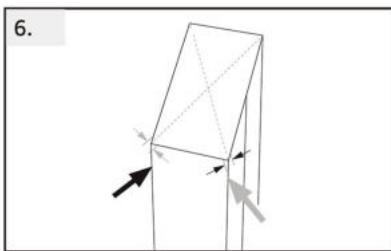
Urządzenie powinno być umieszczone na płaskiej i stabilnej powierzchni.

4. Odchyl chłodziarkę lekko do tyłu.



5. Ustaw nóżki na żądanym poziomie.

Upewnij się, że odległość od ściany po stronie zawiasu wynosi co najmniej 100 mm, aby drzwi mogły się prawidłowo otworzyć.



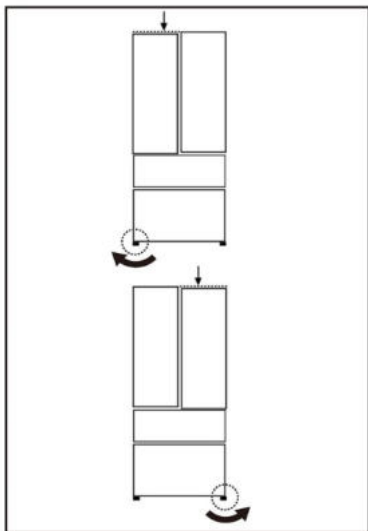
6. Stabilność można sprawdzić, popychając urządzenie naprzemiennie w linii przekątnych. Lekkie kołysanie powinno być takie same w obu kierunkach. W przeciwnym razie rama może się wykrzywić; w rezultacie może dojść do rozszczelnienia drzwi.

Niewielki przechył do tyłu pomaga przy zamykaniu drzwi.



UWAGA

Dotyczy urządzenia wolnostojącego: To urządzenie chłodnicze nie jest przeznaczone do zabudowy

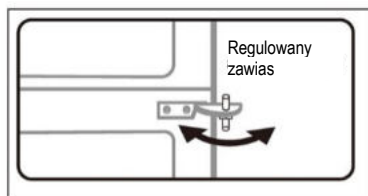


Regulowanie drzwi

Jeśli drzwi nie znajdują się na jednym poziomie, tę niezgodność można usunąć, wykonując następujące czynności:

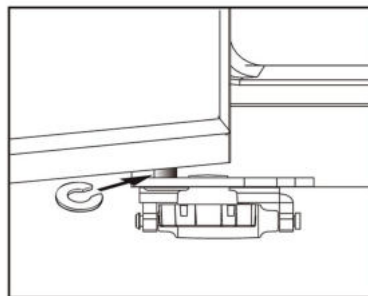
Korzystanie z regulowanej nóżki

Obrócić regulowaną nóżkę zgodnie z kierunkiem strzałki, aby podnieść lub opuścić nóżkę.



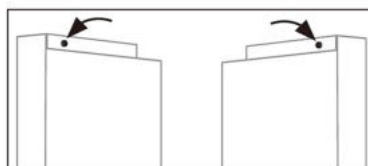
Regulacja położenia drzwi

► Jeśli drzwi nie znajdują się na tej samej wysokości, można precyzyjnie wyregulować zawiasy za pomocą dołączonego klucza, aby wypoziomować drzwi. Nie należy montować go gwałtownie, aby nie porysować ani nie uszkodzić wykończenia drzwi.



Korzystanie z przekładek

► Otwórz drzwi zamrażarki i podnieś je.
► Ostrożnie zacisnąć przekładkę (dołączoną w torbie na akcesoria) do osi dolnego zawiasu ręcznie lub za pomocą narzędzi takich jak szczytce. Uważaj, aby nie zarysować ani nie obić drzwi.

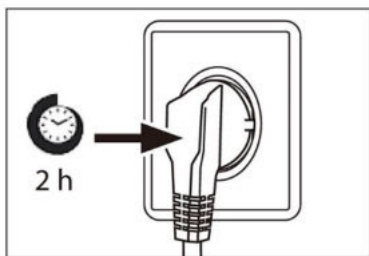


Korzystanie z pokrętła regulacyjnego

► Jeśli drzwi komory lodówki nie są wypoziomowane, możesz obrócić pokrętło regulacyjne znajdujące się w górnej części drzwi, aby dokonać drobnych korekt.

i UWAGA

W przyszłym użytkowaniu chłodziarki może wystąpić zjawisko nierówności drzwi w stosunku do wagi przechowywanej żywności. Należy je wyregulować zgodnie z powyższymi metodami.

**Czas oczekiwania**

W zbiorniku sprężarki znajduje się olej bezobsługowy. Olej ten może przedostać się poprzez zamknięty system rur podczas transportu w pozycji przechylonej. Przed podłączeniem urządzenia do zasilania trzeba odczekać co najmniej 2 godziny, aby olej spłynął z powrotem do zbiornika.

Podłączenie do prądu

Przed każdym podłączeniem sprawdź, czy:


- ▶ zasilacz, gniazdo i bezpieczniki odpowiadają parametrom podanym na tabliczce znamionowej.
- ▶ gniazdko jest uziemione i nie zastosowano rozgałęźnika lub przedłużacza.
- ▶ wtyczka i gniazdko są ściśle zgodne.

Podłącz wtyczkę do prawidłowo zainstalowanego gniazdka domowego.

! OSTRZEŻENIE!

Aby uniknąć ryzyka, uszkodzony przewód zasilający musi być wymieniony przez serwis (zob. karta gwarancyjna).

Karta produktu zgodnie z rozporządzeniem UE nr 2019/2016

Marka	Haier
Nazwa modelu / identyfikator	HFKR5718DNGB
Kategoria modelu	Chłodziarko- zamrażarka
Klasa efektywności energetycznej	D
Roczne zużycie energii (kWh/rok)(1)	226
Całkowita pojemność (l)	402
Pojemność chłodziarki (l)	227
Pojemność zamrażarki (l)	147
Pojemność chłodzenia (l)	28
Oznakowanie gwiazdkami	
System bez szronu	Tak
Wydajność zamrażania (kg/24h)	10,0
Klasyfikacja klimatyczna (2)	SN-N-ST-T
Klasa emisji hałasu i emisja hałasu akustycznego w powietrzu (db(A) re 1pW)	B (35)
Czas wzrostu temperatury (h)	8
Typ urządzenia	wolnostojąca

Objaśnienie:

- Tak, wyróżnione

- (1) Na podstawie wyników badania zgodności norm w ciągu 24 godzin. Rzeczywiste zużycie zależy od użytkownika i lokalizacji urządzenia.
- (2) Klasa klimatyczna SN: To urządzenie jest przeznaczone do użytku w temperaturze otoczenia od +10°C do +32°C
 Klasa klimatyczna N: To urządzenie jest przeznaczone do użytku w temperaturze otoczenia od +16°C do +32°C
 Klasa klimatyczna ST: To urządzenie jest przeznaczone do użytku w temperaturze otoczenia od +16°C do +38°C
 Klasa klimatyczna T: To urządzenie jest przeznaczone do użytku w temperaturze otoczenia od +16°C do +43°C

Dodatkowe dane techniczne

Napięcie / Częstotliwość	220-240V ~/50Hz
Natężenie wejściowe (A)	1,8
Bezpiecznik główny (A)	15
Płyn chłodzący	R600a
Wymiary (wys./szer./gł. w mm)	1850/700/594

Polecamy nasz system Obsługi Klienta Haier i stosowanie oryginalnych części zamiennych.

Jeśli masz problem z urządzeniem, najpierw sprawdź sekcję ROZWIĄZYWANIE PROBLEMÓW.

Jeżeli nie możesz znaleźć rozwiązania, skontaktuj się

z lokalnym sprzedawcą lub

naszym Europejskim Centrum Obsługi Klienta (zob. poniżej wymienione numery telefonów) lub

obszarem serwisu i wsparcia na stronie www.haier.com, gdzie można aktywować zgłoszenie serwisowe i znaleźć odpowiedzi na najczęściej zadawane pytania.

Zanim skontaktujesz się z naszym działem obsługi, upewnij się, że masz następujące dane. Informacje można znaleźć na tabliczce znamionowej.

Model _____

Nr seryjny _____

Sprawdź także kartę gwarancyjną dostarczoną z produktem.

Europejskie Centrum Obsługi Klienta		
Kraj*	Numer telefonu	Koszty
Haier Italy (IT)	199 100 912	
Haier Spain (ES)	902 509 123	
Haier Germany (DE)	0180 5 39 39 99	<ul style="list-style-type: none"> • 14 centów/min. telefon stacjonarny • maks. 42 centów/min. telefon komórkowy
Haier Austria (AT)	0820 001 205	<ul style="list-style-type: none"> • 14,53 centów/min. telefon stacjonarny • maks. 20 centów/min. wszystkie pozostałe
Haier United Kingdom (UK)	0333 003 8122	
Haier France (FR)	0980 406 409	

* Numery innych krajów można znaleźć na stronie www.haier.com

Haier Europe Trading S.r.l

Oddział Wielka Brytania

Westgate House, Westgate, Ealing

Londyn, W5 1YY

*Okres gwarancji na urządzenie chłodnicze:

Minimalna gwarancja wynosi: 2 lata dla krajów UE, 3 lata dla Turcji, 1 rok dla Wielkiej Brytanii, 1 rok dla Rosji, 3 lata dla Szwecji, 2 lata dla Serbii, 5 lat dla Norwegii, 1 rok dla Maroka, 6 miesięcy dla Algierii, w Tunezji nie jest wymagana gwarancja prawna.

*Okres dla części zamiennych do naprawy urządzenia:

Termostaty, czujniki temperatury, płytki drukowane i źródła światła są dostępne przez okres co najmniej siedem lat od wprowadzenia na rynek ostatniego egzemplarza modelu.

Klamki, zawiasy drzwi, tace i kosze przez okres co najmniej siedem lat, a uszczelki drzwi przez okres co najmniej 10 lat od wprowadzenia na rynek ostatniego egzemplarza modelu.

*Aby uzyskać więcej informacji o produkcie, odwiedź stronę internetową <https://eprel.ec.europe.eu/> lub zeskanuj kod QR na etykiecie wydajności energetycznej dołączonej do urządzenia.

<u>365 Informações de segurança</u>	•	<u>Antes da primeira utilização</u>	366
		<u>Instalação</u>	366
		<u>Utilização diária</u>	367
<u>370 Utilização prevista</u>	•		
<u>371 Descrição do produto</u>	•		
<u>372 Painel de controlo</u>	•		
<u>373 Utilização</u>	•	<u>Bloquear/desbloquear o painel</u>	373
		<u>MODOS ECO</u>	374
		<u>Ajuste a temperatura para o frigorífico</u>	375
		<u>Ajustar a temperatura do congelador</u>	375
		<u>Função Magic Zone</u>	375
		<u>Função Super Cool</u>	377
		<u>Função Super Frz</u>	378
		<u>Função Holiday</u>	379
<u>380 Equipamento</u>	•		
<u>383 Dicas de poupança de energia</u>	•		
<u>384 Cuidados e limpeza</u>	•		
<u>386 Resolução de problemas</u>	•		
<u>390 Instalação</u>	•		
<u>393 Dados técnicos</u>	•		
<u>395 Assistência ao Cliente</u>	•		

Obrigado por comprar um produto Haier.

Leia atentamente estas instruções antes de utilizar este aparelho. As instruções contêm informações importantes que irão ajudá-lo a obter o melhor proveito do aparelho e garantir a instalação, o uso e a manutenção seguros e adequados.

Mantenha este manual num local conveniente para que o possa sempre consultar para uma utilização segura e adequada do aparelho.

Se vender, oferecer ou deixar o aparelho para trás, caso mude de casa, certifique-se de que entrega também este manual para que o novo proprietário se possa familiarizar com o aparelho e os avisos de segurança.

Acessórios

Verifique os acessórios e a literatura de acordo com esta lista:



Etiqueta energética



Cartão de garantia



Autocolante "OK" do manual do utilizador



Guia rápido



AVISO - Informação importante de segurança



NOTA - Informações gerais e dicas



Informação ambiental



Eliminação

Ajude a proteger o ambiente e a saúde humana. Coloque a embalagem em recipientes adequados para reciclagem. Ajude a reciclar resíduos de aparelhos elétricos e eletrónicos. Não elimine os aparelhos identificados com este símbolo com o lixo doméstico. Entregue o produto na sua unidade de reciclagem local ou entre em contacto com seu gabinete municipal.



AVISO!

Risco de lesão ou sufocação!

Os refrigerantes e os gases devem ser eliminados de forma profissional. Certifique-se de que os tubos do circuito refrigerante não estão danificados antes de serem devidamente eliminados. Desligue o aparelho da alimentação elétrica. Corte o cabo de alimentação de rede e elimine-o. Remova as bandejas e gavetas, bem como a pega e vedantes da porta, para evitar que crianças e animais de estimação se fechem no interior do aparelho.

Antes de ligar o aparelho pela primeira vez, leia as seguintes dicas de segurança!:



AVISO!

Antes da primeira utilização

- ▶ Certifique-se de que não há danos provocados pelo transporte.
- ▶ Remova todas as embalagens e mantenha-as fora do alcance das crianças.
- ▶ Aguarde no mínimo duas horas antes de instalar o aparelho, de forma a garantir que o circuito refrigerante está com eficiência total.
- ▶ Manuseie o aparelho sempre com pelo menos duas pessoas porque é pesado.

Instalação

- ▶ O aparelho deve ser colocado num local bem ventilado. Certifique-se de que existe um espaço de, pelo menos, 10 cm por cima e ao redor do aparelho.
- ▶ Nunca coloque o aparelho numa área húmida ou num local onde possa ser salpicado com água. Limpe e seque as salpicos de água e manchas com um pano macio limpo.
- ▶ Não instale o aparelho sob luz solar direta ou na proximidade de fontes de calor (por exemplo, fogões, aquecedores).
- ▶ Instale e nivele o aparelho numa área adequada para o seu tamanho e utilização.
- ▶ Mantenha as aberturas de ventilação no aparelho ou na estrutura embutida livres de obstruções.
- ▶ Certifique-se de que as informações elétricas na placa de classificação correspondem à rede elétrica. Caso contrário, entre em contacto com um electricista.
- ▶ O aparelho é operado por uma fonte de alimentação de 220-240 VAC/50 Hz. Uma flutuação anormal da tensão pode fazer com que o aparelho não ligue ou danifique o controlo da temperatura ou o compressor, ou provocar um ruído anormal durante o funcionamento. Nesse caso, deve ser montado um regulador automático.
- ▶ Não use adaptadores de fichas múltiplas nem cabos de extensão.
- ▶ Não coloque tomadas triplas múltiplas portáteis ou fontes de alimentação portáteis na parte traseira do aparelho.
- ▶ Certifique-se de que o cabo de alimentação não fica preso pelo frigorífico. Não pise o cabo de alimentação.



AVISO!

- ▶ Use uma tomada de terra separada para a rede elétrica que seja fácil de aceder. Este aparelho deve ser ligado à terra.
- ▶ Apenas para o Reino Unido: O cabo de alimentação do aparelho está equipado com uma ficha de 3 cabos (terra) que se encaixa numa tomada standard de 3 cabos (ligada à terra). Nunca corte ou desmonte o terceiro pino (terra). Após a instalação do aparelho, a tomada deve ficar acessível.
- ▶ Não danifique o circuito refrigerante.

Utilização diária

- ▶ Este aparelho pode ser utilizado por crianças de idade igual ou superior a 8 anos e por pessoas com capacidades físicas, sensoriais ou mentais reduzidas ou falta de experiência e conhecimento, caso lhes tenha sido fornecida supervisão ou instruções relativas à utilização do aparelho de forma segura e desde que compreendam os perigos envolvidos.
- ▶ As crianças de 3 a 8 anos são autorizadas a carregar e descarregar, mas não podem limpar e instalar os aparelhos de refrigeração. Mantenha as crianças com menos de 3 anos de idade afastadas do aparelho, a menos que estejam constantemente sob supervisão.
- ▶ As crianças não devem brincar com o aparelho.
- ▶ Se o gás refrigerante ou outro gás inflamável verter perto do aparelho, desligue a válvula do gás de fuga, abra as portas e janelas e não desligue uma ficha no cabo de alimentação do frigorífico ou de qualquer outro aparelho.
- ▶ Notar que o aparelho está definido para funcionar num intervalo de temperatura ambiente específico entre 10 °C e 43 °C. O aparelho não pode funcionar corretamente se for deixado por um longo período a uma temperatura acima ou abaixo do intervalo indicado.
- ▶ Não coloque artigos instáveis (objetos pesados, recipientes cheios de água) em cima do frigorífico, para evitar lesões pessoais causadas por queda ou choque elétrico causado pelo contacto com a água.
- ▶ Não puxe pelas prateleiras da porta. A porta pode inclinar-se, o suporte de garrafas pode sair para fora ou o aparelho pode tombar.
- ▶ Abra e feche as portas apenas pelas pegas. O espaço entre as portas e entre as portas e o armário é muito estreito. Não ponha as mãos nessas áreas para evitar entalar os dedos. Abra ou feche as portas do frigorífico apenas quando não houver crianças dentro do alcance do movimento das portas.

**AVISO!**

- ▶ Não guarde nem use materiais inflamáveis, explosivos ou corrosivos no aparelho ou nas proximidades.
- ▶ Não guarde medicamentos, bactérias ou agentes químicos no aparelho. Este aparelho é um eletrodoméstico. Não é recomendado armazenar materiais que necessitem de temperaturas rigorosas.
- ▶ Nunca guarde líquidos em garrafas ou latas (exceto bebidas alcoólicas) especialmente bebidas gasificadas no congelador, porque estas rebentam quando congeladas.
- ▶ Verifique o estado dos alimentos caso ocorra aquecimento no congelador.
- ▶ Não ajuste uma temperatura desnecessariamente baixa no frigorífico. Podem ocorrer temperaturas negativas com altas definições. Atenção: As garrafas podem rebentar
- ▶ Não toque em artigos congelados com as mãos húmidas (use luvas). Especialmente não coma gelados de gelo imediatamente depois de os retirar do congelador. Existe o risco de congelar ou de se formarem bolhas de queimadura por gelo. PRIMEIROS socorros: passar imediatamente por água fria corrente. Não puxe!
- ▶ Não toque na superfície interna do compartimento do congelador, quando em funcionamento, especialmente com as mãos molhadas, pois as mãos podem congelar na superfície.
- ▶ Desligue o aparelho em caso de interrupção da energia ou antes da limpeza. Deixe passar pelo menos 7 minutos antes de reiniciar o aparelho, pois o arranque frequente pode danificar o compressor.
- ▶ Não utilize dispositivos elétricos no interior dos compartimentos para armazenamento de comida do aparelho, a não ser que sejam do tipo recomendado pelo fabricante. Manutenção/limpeza
- ▶ Certifique-se de que as crianças estão vigiadas caso estejam a realizar a limpeza e manutenção.
- ▶ Desligue o aparelho da alimentação elétrica antes de realizar qualquer manutenção de rotina. Deixe passar pelo menos 7 minutos antes de reiniciar o aparelho, pois o arranque frequente pode danificar o compressor.

 **AVISO!**

- ▶ Segure a ficha, não o cabo, ao desligar o aparelho.
- ▶ Não limpe o aparelho com escovas duras, escovas de arame, detergente em pó, gasolina, acetato de amilo, acetona e soluções orgânicas semelhantes, soluções ácidas ou alcalinas. Limpe com detergente especial do frigorífico para evitar danos.
- ▶ Não raspe o gelo com objetos afiados. Não use sprays, aquecedores elétricos, como secadores de cabelo, dispositivos de limpeza a vapor ou outras fontes de calor, de forma a evitar danos às peças plásticas.
- ▶ Não utilize dispositivos mecânicos ou outros meios para acelerar o processo de descongelação, que não os recomendados pelo fabricante.
- ▶ Se o cabo de alimentação estiver danificado, tem de ser substituído pelo fabricante, pelo agente de serviço ou por pessoas igualmente qualificadas de forma a evitar o perigo.
- ▶ Não tente reparar, desmontar ou modificar o aparelho sozinho. Em caso de reparação, entre em contato com a nossa assistência ao cliente.
- ▶ Elimine o pó na parte de trás da unidade pelo menos uma vez no ano para evitar perigo de incêndio, bem como o aumento do consumo de energia.
- ▶ Não pulverize ou lave o aparelho durante a limpeza.
- ▶ Não use spray de água ou vapor para limpar o aparelho.
- ▶ Não lave prateleiras de vidro frias com água quente. A mudança súbita de temperatura pode fazer com que o vidro se quebre.

Informações sobre gases refrigerantes

 **AVISO!**

O aparelho contém o refrigerante inflamável ISOBUTANO (R600a). Certifique-se de que o circuito refrigerante não fica danificado durante o transporte ou instalação. A fuga de refrigerante pode causar lesões oculares ou inflamações. Se ocorrer um dano, mantenha afastadas fontes de chama aberta, ventile completamente a sala, não ligue ou desligue os cabos de alimentação do eletrodoméstico ou de qualquer outro aparelho. Informe a assistência ao cliente.

No caso de os olhos entrarem em contacto com o fluido refrigerante, lave-os imediatamente sob água corrente e contacte imediatamente um oftalmologista.

Utilização prevista

Este aparelho destina-se a arrefecer e congelar alimentos. Foi desenhado exclusivamente para uso em aplicações domésticas e semelhantes, como áreas de cozinha para pessoal em lojas, escritórios e outros ambientes de trabalho; casas agrícolas e por clientes em hotéis, motéis e outros ambientes de tipo residencial, bem como em negócios de pousada e de catering. Não se destina a utilização comercial ou industrial.

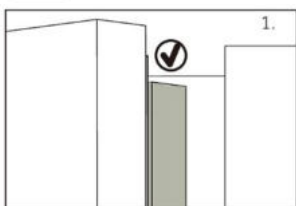
Não são permitidas alterações ou modificações no aparelho. Uma utilização indevida pode causar riscos e perda de reivindicações de garantia.

Normas e diretivas

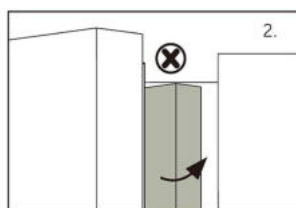
Este produto cumpre os requisitos de todas as diretivas CE aplicáveis com as normas harmonizadas correspondentes e normas UK, que permitem a marcação CE e UKCA.



CUIDADO!



Ao fechar a porta, a tira vertical da porta esquerda deve ser dobrada para dentro (1).

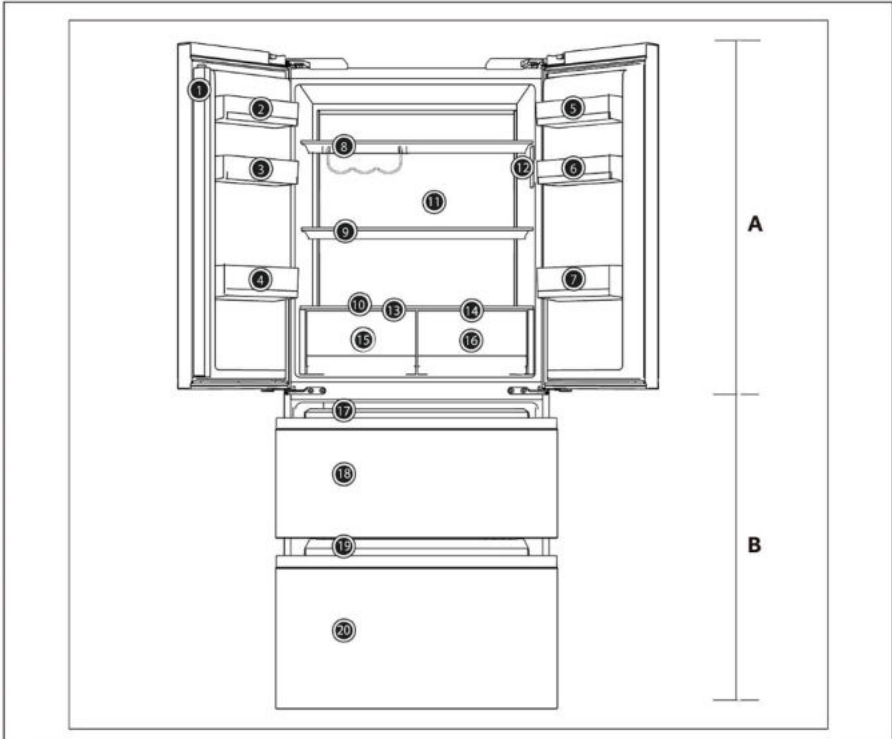


Se tentar fechar a porta esquerda e a tira vertical da porta não estiver dobrada (2), dobre-a primeiro, caso contrário, a tira da porta irá bater no eixo de fixação ou na porta direita. Isto pode danificar a tira da porta ou provocar uma fuga.

Há um piso de aquecimento dentro da estrutura. A temperatura da superfície subirá um pouco, o que é normal e não afetará a função do aparelho.

i AVISO

Devido a alterações técnicas e a modelos diferentes, algumas das ilustrações neste manual podem ser diferentes do seu modelo.



A: Compartimento do frigorífico

- 1 Viga da porta
- 2 Suporte para garrafas (em cima à esquerda)
- 3 Suporte para garrafas (no meio à esquerda)
- 4 Suporte para garrafas (em baixo à esquerda)
- 5 Suporte para garrafas (em cima à direita)
- 6 Suporte para garrafas (no meio à direita)
- 7 Suporte para garrafas (em baixo à direita)
- 8 Prateleira de vidro
- 9 Prateleira de vidro
- 10 Prateleira da tampa da gaveta
- 11 Lâmpada traseira
- 12 Painel do visor
- 13 Tampa da gaveta Activefresh

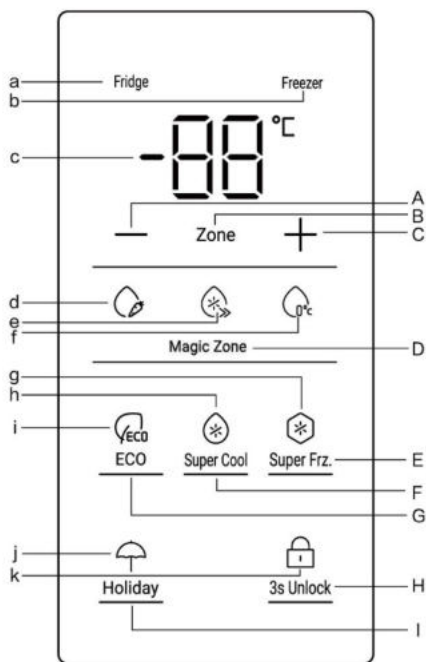
14 Tampa da gaveta Magic

- 15 Gaveta Activefresh
- 16 Gaveta Magic

B: Compartimento do congelador

- 17 Bandeja deslizante
- 18 Gaveta do congelador superior
- 19 Bandeja deslizante
- 20 Gaveta do congelador inferior

Painel de controlo



Botões:

- A Botão de redução da temperatura
- B Comutação do modo de temperatura Frigorífico & Congelador
- C Botão de aumento da temperatura
- D Comutação do modo da zona Magic
- E Seletor da função Super Frz.
- F Seletor da função Super-Cool
- G Seletor da função ECO
- H Bloqueio/Desbloqueio do painel do visor
- I Seletor da função Holiday

Indicadores:

- a Indicador do frigorífico
- b Indicador do congelador
- c Temperatura do frigorífico & congelador
- d Função Fruit&Veg.
- e Função Cool Drink
- f Função 0°C Fresh
- g Função Super Frz.
- h Função Super Cool
- i Função Eco
- j Função Holiday
- k Função de bloqueio/desbloqueio do painel do visor

Antes da primeira utilização

- ▶ Remova todos os materiais de embalagem e mantenha fora do alcance das crianças e elimine-os de forma ecológica.
- ▶ Limpe o interior e o exterior do aparelho com água e um detergente suave antes de colocar qualquer alimento no seu interior.
- ▶ Após o aparelho ter sido nivelado e limpo, aguarde pelo menos 2 a 5 horas antes de o ligar à rede elétrica. Consulte a secção INSTALAÇÃO.
- ▶ Pré-arrefeça os compartimentos com definições elevadas antes de carregar com alimentos. A função Super Frz. ajuda a arrefecer rapidamente os compartimentos.
- ▶ A temperatura do frigorífico e a temperatura do congelador são automaticamente definidas para 5°C e -18°C, respetivamente. Estas são as definições recomendadas. Se desejar, pode alterar estas temperaturas manualmente. Por favor, veja o MODO DE AJUSTE MANUAL.

Botões do sensor

Os botões no painel de controlo são teclas sensíveis que respondem logo quando tocadas levemente com o dedo.

Ligar/desligar o aparelho

O aparelho fica em funcionamento assim que for ligado à rede elétrica.

Quando o frigorífico é ligado pela primeira vez, o indicador "c" (visor de temperatura) acende-se. A temperatura do frigorífico e a temperatura do congelador são automaticamente regulados para 5°C e -18°C, respetivamente. O indicador "d" (Fruit&Veg.) acende-se.

O painel do visor desliga-se imediatamente após o fecho da porta

AVISO

1. O aparelho está pré-ajustado para a temperatura recomendada de 5°C (frigorífico) e -18°C (congelador). Em condições ambientais normais, não precisa de definir uma temperatura.
2. A função de predefinição para a gaveta Magic Zone é Fruit&Veg.
3. Quando o aparelho é ligado após a desconexão da fonte de alimentação principal, pode levar até 12 horas para que as temperaturas corretas sejam alcançadas.

Esvazie o aparelho antes de desligar. Para desligar o aparelho, puxe o cabo de alimentação para fora da tomada de alimentação.

Bloquear/desbloquear o painel

Bloqueio automático: Quando a porta do frigorífico e a porta do congelador estiverem fechadas, o ecrã do visor apaga-se automaticamente e fica bloqueado.

Desbloqueio manual: Quando o ecrã do visor está bloqueado, prima o botão "H" (3s Unlock) e mantenha premido durante 3 segundos, o sinal sonoro toca uma vez, o indicador "k" (Bloqueio do painel) apaga-se, e o visor fica desbloqueado.



Bloqueio manual: Quando o ecrã do visor está desbloqueado, prima o botão "H" (3s Unlock) e mantenha premido durante 3 segundos, o sinal sonoro toca uma vez, o indicador "k" (Bloqueio do painel) acende-se, e o visor fica bloqueado.



i AVISO

O painel do visor é bloqueado sempre que a porta é aberta. Para efetuar qualquer regulação, o painel de controlo tem de estar desbloqueado.

Alarme de abertura da porta

Quando uma das portas do frigorífico for aberta durante mais de 3 minutos, o alarme de abertura da porta soa. O alarme pode ser silenciado fechando a porta. Se a porta for deixada aberta durante mais de 7 minutos, a luz no interior do frigorífico e a iluminação do painel de controlo apagam-se automaticamente.

Selecionar o modo de funcionamento

Pode ser necessário selecionar uma das seguintes duas formas de configurar o aparelho.

i AVISO: Influencias nas temperaturas

As temperaturas interiores são influenciadas pelos seguintes fatores.

1. Temperatura ambiente.
2. Frequência de abertura da porta.
3. Quantidade de alimentos armazenados.
4. instalação do aparelho.

MODO ECO

Se não tiver quaisquer requisitos especiais, recomendamos que utilize o modo ECO. No modo, o aparelho pode ajustar automaticamente a regulação da temperatura de acordo com a temperatura ambiente e mudança de temperatura no aparelho.

1. Quando o ecrã do visor estiver desbloqueado, prima o botão "G" (seletor da função ECO), o sinal sonoro toca uma vez, o indicador "i" (função ECO) acende-se e, em seguida, a função ECO é ativada.
2. Quando o indicador V (função ECO) se acende, prima o botão "G" (seletor da função ECO), o sinal sonoro toca uma vez, o indicador "i" (função ECO) apaga-se e, em seguida, a função ECO é desligada.



AVISO

Na função ECO, a temperatura do frigorífico ou do congelador não pode ser ajustada. Se qualquer um dos botões "+" ou "-" for premido para regular a temperatura do frigorífico ou do congelador, o indicador "i" (função ECO) pisca com um som de aviso para indicar que esta operação não pode ser executada. Na função ECO, devido aos diferentes métodos de controlo, se a função Super Cool, Super Frz. ou Holiday estiver definida, o indicador "i" (função ECO) desliga-se. Na função ECO, a função de Magic Zone pode ser ajustada manualmente de acordo com as necessidades.

Ajuste a temperatura para o frigorífico

Quando o ecrã do visor estiver desbloqueado, prima o botão "B" (seletor de zona), seleccione "frigorífico", o indicador "a" (indicador de frigorífico) acende-se e, em seguida, surge o modo de regulação da temperatura do frigorífico. Prima o botão "+" ou "-". Sempre que premir os botões "+" ou "-", o valor da velocidade de regulação de refrigeração é aumentado em 1 ou diminuído em 1. A temperatura do frigorífico irá ser exibida na sequência de "9°C <->8°C<->7°C<->6°C <->5°C <->4°C<->3°C<->2°C <->1°C".

AVISO

Após a regulação da temperatura, se não houver operação dentro de 5 segundos, o sistema fica automaticamente determinado e memoriza a temperatura regulada.

Ajustar a temperatura do congelador

Quando o ecrã do visor estiver desbloqueado, prima o botão "B" (seletor de zona), seleccione "congelador", o indicador "b" (indicador do congelador) acende-se e, em seguida, surge o modo de regulação da temperatura do congelador. Prima o botão "+" ou "-". Sempre que premir os botões "+" ou "-", o valor da velocidade de regulação de refrigeração é aumentado em 1 ou diminuído em 1. A temperatura do frigorífico irá ser exibida na sequência de "-14°C <->-15°C<->-16°C <->-17°C <->-18°C<->-19°C<->-20°C <->-21°C <->-22°C<->-23°C <->-24°C".

AVISO

Após a regulação da temperatura, se não houver operação dentro de 5 segundos, o sistema fica automaticamente determinado e memoriza a temperatura regulada.

Função Magic Zone

1. Função Fruit&Veg:

Quando o ecrã do visor estiver desbloqueado, prima o botão "D" (seletor Magic Zone) para ativar a função, o ícone Fruit&Veg. acende-se.

Esta função é adequada para armazenar frutas e legumes frescos.

**i** AVISO

Frutas sensíveis ao frio como ananás, abacate, bananas, toranjas e legumes como batatas, beringelas, feijão, pepinos, abobrinhas e tomates e queijos não devem ser armazenados na gaveta Magic Zone.

2. Função Cool Drink:

Quando o ecrã do visor estiver desbloqueado, prima o botão "D" (seletor Magic Zone) para ativar a função. Cool Drink acende-se.

Esta função permite armazenar produtos como água, coca-cola e sumo. A temperatura no compartimento Magic Zone está regulada para +2°C.

**3. Função 0°Fresh:**

Quando o ecrã do visor estiver desbloqueado, prima o botão "D" (seletor Magic Zone) para ativar a função. 0°C Fresh acende-se.

Esta função regula a temperatura da gaveta Magic Zone para 0°C. Adequado para armazenar alimentos frescos, como carne ou peixe. A maioria dos alimentos mantém-se fresca a 0°C.

**i** AVISO

Devido aos diferentes teores de água da carne. Algumas carnes com mais humidade congelam a temperaturas inferiores a 0°C. Assim, a carne "imediatamente cortada" deve ser armazenada na gaveta Magic Zone, com temperaturas mínimas de 0°C.



AVISO: Gaveta Magic Zone

1. As três funções da Magic Zone não podem ser abertas ao mesmo tempo, apenas uma pode estar acesa.
2. Para reduzir a temperatura do compartimento do frigorífico, utilize a função Cool Drink. Para a aumentar, utilize a função Fruit&Veg.

Função Super Cool

1. Quando o ecrã do visor estiver desbloqueado, prima o botão "F" (seletor Super Cool), o sinal sonoro toca uma vez, o indicador "h" (função Super Cool) acende-se, e depois a função Super Cool é ativada.
2. Quando o indicador "h" (função Super Cool) se acende, prima o botão "F" (seletor Super Cool), o sinal sonoro toca uma vez, o indicador "h" (função Super Cool) apaga-se, e depois a função Super Cool desativa-se.
3. Após a função Super Cool ser ligada, o frigorífico desliga automaticamente a função quando esta durou cerca de 4 horas. Se quiser sair manualmente, pode premir o botão "G" (seletor Super Cool) para o desligar.



AVISO

1. No estado Super Cool, a temperatura do frigorífico não pode ser ajustada. Se qualquer um dos botões "+" ou "-" for premido para ajustar a temperatura do frigorífico, o indicador "h" (função Super Cool) piscará com um som rápido para indicar que esta operação não pode ser realizada.
2. No estado da função Super Cool, a função ECO e a função Holiday não pode ser ativada ao mesmo tempo devido a diferentes modos de controlo. Quando se escolhe uma função que entra em conflito com outra função, a função original é automaticamente desativada.

Função Super Frz

1. Quando o ecrã do visor está desbloqueado, prima o botão "E" (Seletor Super Freeze), o sinal sonoro toca uma vez, o indicador "g" (função Super Freeze) acende-se, e depois a função Super Freeze é ativada.
2. Quando o indicador "g" (função Super Freeze) acende, prima o botão "E" (seletor Super Freeze), o sinal sonoro toca uma vez, o indicador "g" (função Super Freeze) apaga-se, e depois a função Super Freeze é desativada.
3. Após a função Super Freeze ser ligada, o frigorífico desliga automaticamente a função quando esta durou cerca de 50 horas. Se quiser sair manualmente, pode premir o botão "E" (seletor Super Freeze) para o desligar.



Super Frz.



Super Frz.



Super Frz.



AVISO

1. No estado Super Freeze, a temperatura do congelador não pode ser ajustada. Se qualquer um dos botões "+" ou "-" for premido para regular a temperatura do congelador, o indicador "g" (função Super Freeze) pisca com um som de aviso para indicar que esta operação não pode ser executada.
2. No estado da função Super Freeze, a função ECO não pode ser ativada ao mesmo tempo devido a diferentes modos de controlo. Quando se escolhe uma função que entra em conflito com outra função, a função original é automaticamente desativada.
3. A função Super Freeze foi concebida para manter o valor nutricional dos alimentos congelados, pois congela os alimentos no mais curto espaço de tempo. Se se pretender congelar grandes quantidades de alimentos congelados de uma só vez. Entretanto, a função Super Freeze deve ser definida com 24h de antecedência, para que o congelador fique com uma temperatura baixa para se colocar os alimentos dentro. Neste momento, a velocidade de congelação do congelador é melhorada, os alimentos podem ser congelados rapidamente, a nutrição dos alimentos é efetivamente mantida, e o armazenamento torna-se bastante conveniente.

Função Holiday

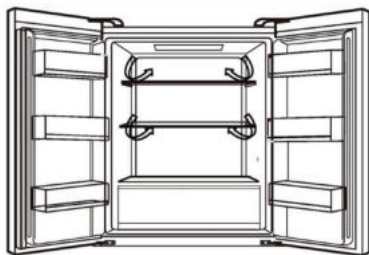
A função Holiday é concebido para não utilizar o frigorífico durante muito tempo. Quando a função Holiday está ligado, o congelador está sob controlo normal, e a temperatura do frigorífico é automaticamente definida para 17°C. A temperatura real não é superior a 17 °C, o que evita um cheiro peculiar causado por sobretemperatura, e ajuda a reduzir o consumo de energia ao mesmo tempo.

1. Quando o ecrã do visor estiver desbloqueado, prima o botão "I" (seletor da função Holiday), o sinal sonoro toca uma vez, o indicador "j" (função Holiday) acende-se, e depois a função Holiday será ligada.
2. Quando o indicador "j" (função Holiday) se acende, prima o botão T (seletor da função Holiday), o sinal sonoro toca uma vez, o indicador "j" (função Holiday) apaga-se e, em seguida, a função Holiday é desligada.



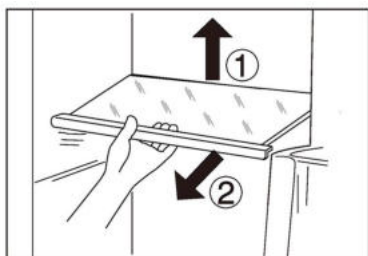
AVISO

1. Na função Holiday, a temperatura do frigorífico não pode ser ajustada. Se qualquer um dos botões "+" ou "-" for premido para ajustar a temperatura do frigorífico, o indicador (função Holiday) piscará com um som rápido para indicar que esta operação não pode ser realizada.
2. Antes de utilizar a função Holiday, esvaziar o frigorífico para evitar que a comida se estrague dentro do mesmo. Quando a função Holiday está ligada, ou a função ECO a função Super Cool não podem ser ligadas ao mesmo tempo.
3. Na função Holiday, a definição dos ícones "Fruit&Veg, Cool Drink, 0° Fresh" na Magic Zone será desativada e a função da Magic Zone não pode ser ajustada. O compartimento do frigorífico Magic Zone serão exibidos na definição anterior assim que sair da função Holiday.



Fluxo de ar múltiplo

1. O frigorífico está equipado com um sistema de fluxo de ar múltiplo que oferece fluxos de ar frio em cada nível de prateleira. Isso ajuda a manter uma temperatura uniforme para garantir que a sua comida é mantida mais fresca durante mais tempo.



Prateleiras ajustáveis

1. A altura das prateleiras pode ser ajustada para se adaptar às suas necessidades de armazenamento.
2. Para transferir uma prateleira, remova-a primeiro levantando a sua extremidade traseira ① e puxando-a para fora ②.
3. Para a reinstalar, coloque-a sobre as patilhas dos dois lados e empurre-a para a posição mais para trás até que a parte traseira da prateleira fique fixa no interior das ranhuras nos lados.

Gaveta Magic Zone

Neste compartimento o nível de humidade é inferior ao do compartimento do frigorífico. Esta gaveta é adequada para armazenar frutas secas e outros alimentos secos com baixo teor de água como manteiga, gorduras e óleos ou chocolate.

MAGICZONE | ☞

Gaveta ACTIVEFRESHZONE

Neste compartimento o nível de humidade é maior do que no compartimento do frigorífico. Este é controlado automaticamente pelo sistema e é adequado para armazenar frutas, legumes, saladas, etc.

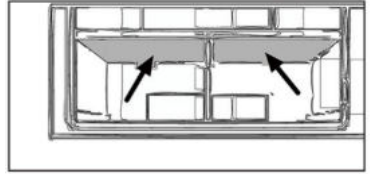
ACTIVEFRESHZONE | ☉

i AVISO:

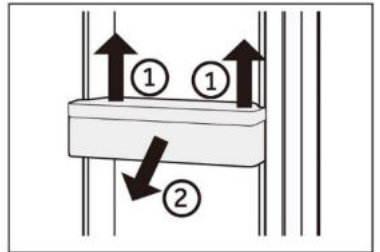
Frutas sensíveis ao frio como ananás, abacate, bananas, toranjas e legumes como batatas, beringelas, feijão, pepinos, abobrinhas e tomates e queijos não devem ser armazenados na Fresh Box.

i AVISO

1. Não retire a cobertura plástica dentro das zonas.
2. Mantém a humidade.
3. Não se recomenda guardar frutas sensíveis ao frio, como ananás, abacate, banana,
4. toranja nestas duas gavetas.

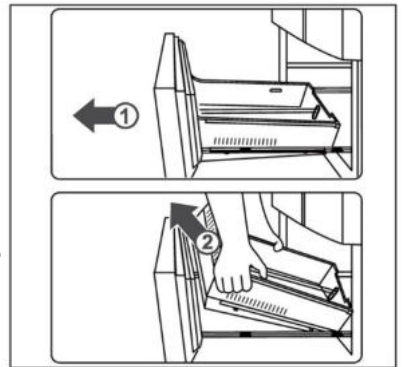
**Prateleiras das portas/suporte de garrafas amovíveis**

1. As prateleiras da porta podem ser removidas para limpeza
2. Coloque as mãos de cada lado da prateleira, levante-a para cima ① e puxe-a para fora ②.
3. Para inserir a prateleira da porta, deve executar os passos acima na ordem inversa.

**Gaveta superior amovível para o congelador**

1. Puxar a gaveta superior do congelador até ao limite máximo
2. Levante a gaveta até a separar do bloco de suporte. empurre-a para dentro do congelador e incline-a para a retirar.

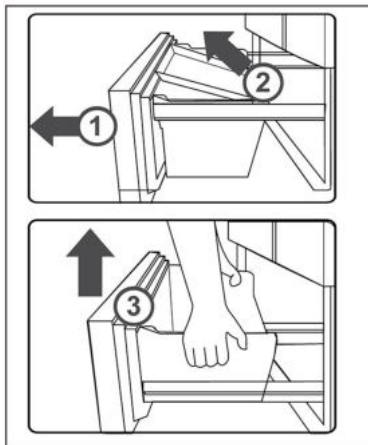
Para inserir a gaveta, os passos acima são executados em ordem inversa.



Gaveta inferior do congelador amovível

1. Puxe a gaveta inferior do congelador até ao limite máximo
2. Puxe o tabuleiro de congelação para a posição de paragem, levante-o e retire-o.
3. Levante a gaveta até a separar do bloco de suporte. empurre-a para dentro do congelador e incline-a para a retirar.

Para inserir a gaveta, os passos acima são executados em ordem inversa.

**A Luz**

A luz interior LED acende-se quando a porta é aberta. O desempenho das luzes não é afetado por nenhuma das outras definições de aparelhos.



Dicas de poupança de energia

- ▶ Certifique-se de que o aparelho está devidamente ventilado (ver INSTALAÇÃO).
- ▶ Não instale o aparelho sob luz solar direta ou na proximidade de fontes de calor (por exemplo, fogões, aquecedores).
- ▶ Evite temperaturas desnecessariamente baixas no aparelho. O consumo de energia aumenta quanto menor for a temperatura do aparelho.
- ▶ Funções como POWER-FREEZE consomem mais energia.
- ▶ Deixe os alimentos arrefecer antes de os colocar no aparelho.
- ▶ Abra a porta do aparelho o mínimo e tão brevemente quanto possível.
- ▶ Não encha demasiado o aparelho para evitar obstruir o fluxo de ar.
- ▶ Evite ar dentro das embalagens de alimentos.
- ▶ Mantenha os vedantes da porta limpos para que a porta feche sempre corretamente.
- ▶ Descongele alimentos congelados no frigorífico.
- ▶ A configuração mais economizadora de energia requer que o aparelho mantenha as gavetas, caixa de comida e prateleiras em condições de frescura de fábrica, e os alimentos devem ser colocados tanto quanto possível, sem bloquear a saída de ar da conduta.

**AVISO!**

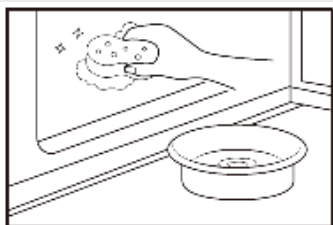
Desligue o aparelho da rede elétrica antes de limpar.

Limpeza

Limpe o aparelho quando apenas tiver armazenado pouca ou nenhuma comida. O aparelho deve ser limpo a cada quatro semanas para uma boa manutenção e para evitar maus odores de alimentos armazenados.

**AVISO!**

- ▶ Não limpe o aparelho com escovas duras, escovas de arame, detergente em pó, gasolina, acetato de amilo, acetona e soluções orgânicas semelhantes, soluções ácidas ou alcalinas. Limpe com detergente especial do frigorífico para evitar danos.
- ▶ Não pulverize ou lave o aparelho durante a limpeza.
- ▶ Não use spray de água ou vapor para limpar o aparelho.
- ▶ Não lave prateleiras de vidro frias com água quente. A mudança súbita de temperatura pode fazer com que o vidro se quebre.
- ▶ Não toque na superfície interna do compartimento do congelador, especialmente com as mãos molhadas, pois as mãos podem congelar na superfície.
- ▶ No caso de aquecimento, verificar a condição das mercadorias congeladas.



- ▶ Mantenha a junta de vedação da porta sempre limpa.
- ▶ Limpe o interior e a caixa do aparelho com uma esponja molhada em água morna e detergente neutro.
- ▶ 1. Esfregue o interior e o exterior do frigorífico, incluindo junta do vedante da porta, prateleira da porta, prateleiras de vidro, caixas e assim por diante, com uma toalha macia ou esponja embebida em água morna (pode adicionar-se detergente neutro).
- ▶ 2. Se houver líquido derramado, remova todas as partes contaminadas, lave-as diretamente com água corrente, seque e coloque novamente no frigorífico.
- ▶ 3. Se houver derramamento de produtos cremosos (como natas, gelado derretido), remova todas as peças contaminadas, coloque-as em água morna a cerca de 40 °C durante algum tempo, passe por água corrente, seque e volte a colocar no frigorífico.
- ▶ 4. Caso alguma peça ou componente pequeno entre no interior do frigorífico (entre as prateleiras ou gavetas), use uma pequena escova macia para a liberar. Se não conseguir alcançar a peça, entre em contato com a assistência da Haier
- ▶ Enxaguar e secar com um pano macio.
- ▶ Não limpe nenhuma das peças do aparelho numa máquina de lavar loiça.
- ▶ Deixe passar pelo menos 5 minutos antes de voltar a ligar o aparelho pois o arranque frequente pode danificar o compressor.

Descongelação

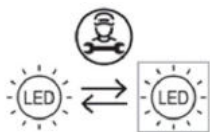
A descongelação do frigorífico e do congelador é feita automaticamente; sem necessidade de operação manual.

Substituir as lâmpadas LED

AVISO!

Não substitua a luz LED sozinho, esta apenas deve ser substituída pelo fabricante ou por um agente de serviço autorizado.

A lâmpada é do tipo LED com um baixo consumo de energia e longa vida útil. Se houver alguma anomalia, entre em contacto com a assistência ao cliente. Consulte a ASSISTÊNCIA AO CLIENTE.



Fonte de luz substituível (LED apenas) por um profissional.

Este produto contém uma fonte de luz de classe de eficiência energética G.

Compartimento	Tensão	Classe de eficiência energética	Modelo
Frigorífico	12V	G	HFKR5718DNGB

Não utilizar durante um período prolongado

Se o aparelho não for utilizado durante um período de tempo prolongado e caso não tenha utilizado a função Holiday para o frigorífico:

- ▶ Retire os alimentos.
- ▶ Desligue o cabo de alimentação.
- ▶ Limpe o aparelho conforme descrito acima.
- ▶ Mantenha as portas abertas para evitar a criação de maus odores no interior.

AVISO

Desligue o aparelho apenas se estritamente necessário.

Mover o aparelho

1. Remova todos os alimentos e desligue o aparelho.
2. Fixe as prateleiras e outras peças móveis no frigorífico e no congelador com fita adesiva.
3. Não incline o frigorífico mais de 45° para evitar danificar o sistema de refrigeração.

AVISO!

- ▶ Não levante o aparelho pelas suas pegas.
- ▶ Nunca coloque o aparelho na horizontal no chão.

Muitos problemas que ocorrem podem ser resolvidos por si mesmo sem experiência específica. Em caso de problema, por favor verifique todas as possibilidades apresentadas e siga as instruções abaixo antes de contactar um serviço pós-venda. Consulte a ASSISTÊNCIA AO CLIENTE.



AVISO!

- ▶ Antes da manutenção, desative o aparelho e desligue a ficha da tomada.
- ▶ Os equipamentos elétricos devem ser reparados apenas por eletricitas qualificados, uma vez que reparações inadequadas podem causar danos consequenciais consideráveis.
- ▶ Se o cabo de alimentação estiver danificado, este apenas pode ser substituído pelo fabricante, pelo agente de serviço ou por pessoas igualmente qualificadas de forma a evitar o perigo.

Problema	Causa possível	Possível solução
O compressor não funciona.	<ul style="list-style-type: none"> • A ficha de alimentação não está ligada na tomada de alimentação. • O aparelho está no ciclo de descongelação 	<ul style="list-style-type: none"> • Ligue a ficha de alimentação. • Isto é normal para uma descongelação automática
O aparelho funciona frequentemente ou funciona por um período de tempo demasiado longo.	<ul style="list-style-type: none"> • A temperatura interior ou exterior é muito alta. • O aparelho foi desligado da alimentação por um período de tempo. • Uma porta do aparelho não está bem fechada. • A porta foi aberta com muita frequência ou por muito tempo. • A regulação da temperatura para o congelador é muito baixa. • A junta de vedação da porta está suja, gasta, partida ou desalinhada. • A circulação de ar necessária não é garantida. 	<ul style="list-style-type: none"> • Neste caso. É normal que o aparelho funcione mais tempo. • Normalmente, demora 8 a 12 horas até o aparelho arrefecer completamente. • Feche a porta/gaveta e certifique-se de que o aparelho está localizado num piso plano e de que não existe qualquer alimento ou recipiente a obstruir a porta • Não abra a porta/gaveta com muita frequência. • Defina uma temperatura mais elevada até obter uma temperatura satisfatória do frigorífico. Demora 24 horas até a temperatura do frigorífico se tornar estável. • Limpe a junta de vedação da porta/gaveta ou peça à assistência ao cliente que a substitua. • Assegure uma ventilação adequada.

Problema	Causa possível	Possível solução
O interior do frigorífico está sujo e/ou com cheiros.	<ul style="list-style-type: none"> • O interior do frigorífico precisa de ser limpo. • Alimentos com forte odor estão armazenados no frigorífico 	<ul style="list-style-type: none"> • Limpe o interior do frigorífico. • Embrulhe os alimentos completamente.
Não está frio o suficiente dentro do aparelho.	<ul style="list-style-type: none"> • A temperatura definida é demasiado alta. • Foram guardados alimentos demasiado quentes. • Foram armazenados demasiados alimentos de uma vez. • Os produtos estão demasiado próximos uns dos outros. • Uma porta/gaveta do aparelho não está bem fechada. • A porta/gaveta foi aberta com muita frequência ou durante muito tempo. 	<ul style="list-style-type: none"> • Repor a temperatura. • Arrefeça os alimentos antes de os guardar. • Guarde sempre pequenas quantidades de alimentos. • Deixe um intervalo entre os vários alimentos permitindo o fluxo de ar. • Feche a porta/gaveta. • Não abra a porta/gaveta com muita frequência.
Está demasiado frio no interior do aparelho.	<ul style="list-style-type: none"> • A temperatura está definida para demasiado baixa. • A função Super Frz/Super Cool está ativada ou está a funcionar há demasiado tempo. 	<ul style="list-style-type: none"> • Repor a temperatura. • Desligue a função Super Frz/Super Cool
Formação de humidade no interior do compartimento do frigorífico.	<ul style="list-style-type: none"> • O clima é demasiado quente e demasiado húmido. • Uma porta/gaveta do aparelho não está bem fechada. • A porta/gaveta foi aberta com muita frequência ou durante muito tempo. • Recipientes para alimentos ou líquidos foram deixados abertos. 	<ul style="list-style-type: none"> • Aumente a temperatura. • Feche a porta/gaveta. • Não abra a porta/gaveta com muita frequência. • Deixe os alimentos quentes arrefecerem até à temperatura ambiente e cubra os alimentos e líquidos.
A humidade acumula-se nos frigoríficos fora da superfície ou entre as portas/porta e gaveta.	<ul style="list-style-type: none"> • O clima é demasiado quente e demasiado húmido. • A porta não está totalmente fechada. O ar frio no aparelho e o ar quente no exterior condensam. 	<ul style="list-style-type: none"> • Isso é normal num clima húmido e mudará quando a humidade diminuir. • Certifique-se de que a porta/gaveta está bem fechada.

Problema	Causa possível	Possível solução
Gelo forte e geada no compartimento do congelador.	<ul style="list-style-type: none"> • Os alimentos não foram devidamente embalados. • Uma porta/gaveta do aparelho não está bem fechada. • A porta/gaveta foi aberta com muita frequência ou durante muito tempo. • A junta de vedação da porta/gaveta está suja, gasta, fissurada ou não é adequada. • Algo no interior está a impedir que a porta/gaveta feche corretamente. 	<ul style="list-style-type: none"> • Embale sempre bem os alimentos. • Feche a porta/gaveta. • Não abra a porta/gaveta com muita frequência. • Limpe a junta de vedação da porta/gaveta ou substitua por novas. • Reposicione as prateleiras, prateleiras das portas ou recipientes internos para permitir que a porta/gaveta feche.
Os lados do armário e a tira da porta ficam quentes.	<ul style="list-style-type: none"> • - 	<ul style="list-style-type: none"> • Isto é normal.
O aparelho faz ruídos fora do normal.	<ul style="list-style-type: none"> • O aparelho não está colocado sobre um piso nivelado. • O aparelho toca em algum objeto em seu redor. 	<ul style="list-style-type: none"> • Ajuste os pés para nivelar o aparelho. • Remova objetos em redor do aparelho.
Deve ouvir-se um som leve semelhante ao de água a correr.	<ul style="list-style-type: none"> • - 	<ul style="list-style-type: none"> • Isto é normal.
Irá ouvir um sinal sonoro de alarme.	<ul style="list-style-type: none"> • A porta do frigorífico está aberta. 	<ul style="list-style-type: none"> • Feche a porta.
Irá ouvir um som abafado.	<ul style="list-style-type: none"> • O sistema anti condensação está a funcionar 	<ul style="list-style-type: none"> • Isto impede a condensação e é normal
O sistema de iluminação interior ou de arrefecimento não funciona.	<ul style="list-style-type: none"> • A ficha de alimentação não está ligada na tomada de alimentação. • A fonte de alimentação não está intacta. • A lâmpada LED está avariada. 	<ul style="list-style-type: none"> • Ligue a ficha de alimentação. • Verifique a alimentação elétrica da divisão. Ligue para a companhia de eletricidade local! • Por favor, ligue para a assistência para substituir a lâmpada.

Para contactar a assistência técnica, consulte o nosso website:

<https://corporate.haier-europe.com/en/>

Na seção "website", escolha a marca do seu produto e o seu país. Será redirecionado para o website específico onde pode encontrar o número de telefone e o formulário para contactar a assistência técnica.

Falha de energia

Em caso de falha de energia, os alimentos permanecem arrefecidos de forma segura durante cerca de 5 horas. Siga estas dicas durante uma falha de energia prolongada, especialmente no verão:

- ▶ Abra a porta/gaveta o mínimo de vezes possível.
- ▶ Não coloque mais alimentos no aparelho durante uma falha de energia.
- ▶ Se for dada uma notificação prévia de interrupção da energia e a duração da interrupção for superior a 5 horas, faça algum gelo e coloque-o num recipiente na parte superior do compartimento do frigorífico.
- ▶ É necessária uma inspeção dos alimentos imediatamente após a interrupção.
- ▶ Como a temperatura no frigorífico irá subir durante uma interrupção da energia ou outra falha, o período de armazenamento e a qualidade dos alimentos serão reduzidos. Qualquer alimento que descongele deve ser consumido, cozido e novamente congelado (se for caso disso) imediatamente, a fim de evitar riscos para a saúde.

Função de memória durante a falha de energia

Depois de restabelecida a energia elétrica, o aparelho continua com as configurações definidas antes da falha de energia.

Desembalar



AVISO!

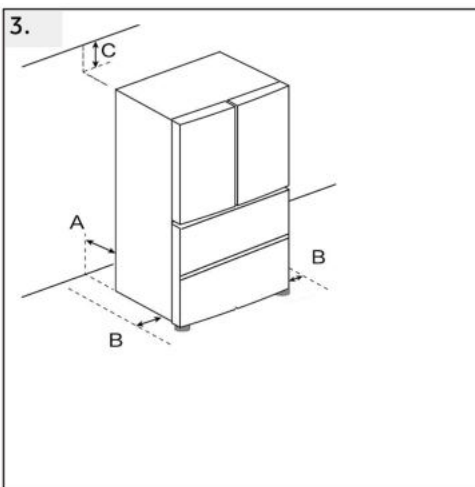
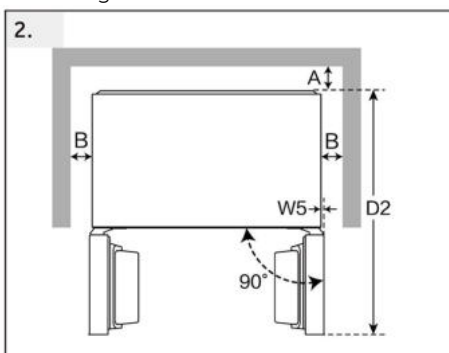
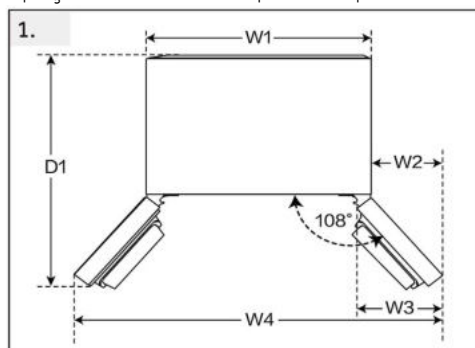
- ▶ O aparelho é pesado. Deve ser manuseado sempre por, pelo menos, duas pessoas.
- ▶ Mantenha todos os materiais de embalagem fora do alcance das crianças e elimine-os de forma ecológica.
- ▶ Retire o aparelho da embalagem.
- ▶ Remova todos os materiais de embalagem.

Condições ambientais

A temperatura ambiente deve estar sempre entre 10 °C e 43 °C, uma vez que pode influenciar a temperatura no interior do aparelho e o seu consumo de energia. Não instale o aparelho perto de outros aparelhos emissores de calor (fornos, frigoríficos) sem isolamento.

Recomendação de espaço

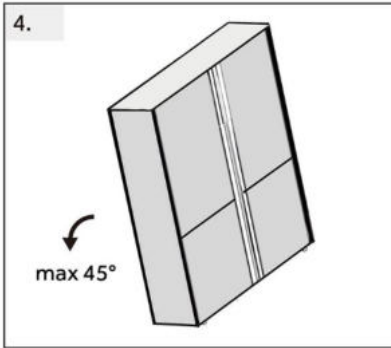
Espaço recomendado quando a porta está aberta (Fig 1.2.)



(Unidade: mm)		HFKR5718DNGB
Largura	W1	700
	W2	115
	W3	368
	W4	930
	W5	0
	W	700
	D1	910
	D2	918
	D	594
Distância até à parede traseira	A	6
Distância às paredes laterais	B	4
Distância até ao teto	C	9
Altura total	H	1850

Ventilação transversal

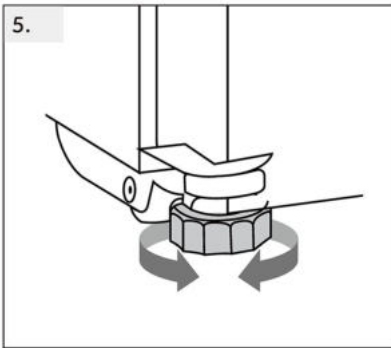
Para obter uma ventilação suficiente do aparelho por motivos de segurança, deve observar-se a informação das secções de ventilação transversal necessárias.



Alinhar o aparelho (Fig.4.5.6.)

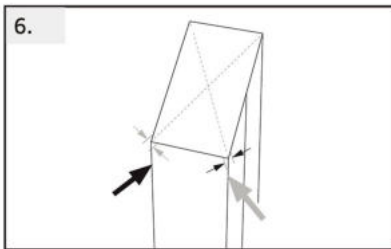
O aparelho deve ser colocado sobre uma superfície plana e sólida.

4. Incline o frigorífico ligeiramente para trás.



5. Ajuste os pés para a altura desejada.

Certifique-se de que a distância à parede do lado da dobradiça é de, pelo menos, 100 mm para que a porta se abra corretamente.

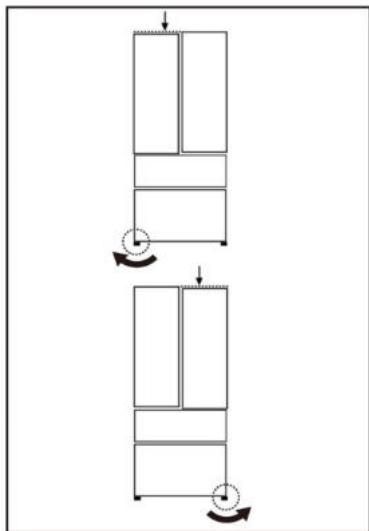


6. A estabilidade pode ser verificada empurrando alternadamente as diagonais. Uma ligeira oscilação deve ser a mesma em ambas as direções. Caso contrário, a estrutura pode empenar: a consequência pode ser fugas dos vedantes da porta. Uma leve inclinação para a traseira facilita o fecho das portas.



AVISO

Para um aparelho independente: este frigorífico não se destina a ser utilizado como eletrodoméstico de encastrar

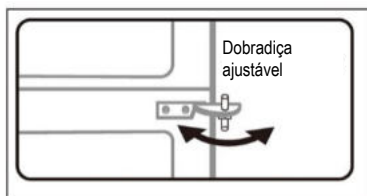


Ajuste fino das portas

Se as portas não estiverem no mesmo nível, esta discrepância pode ser solucionada da seguinte forma:

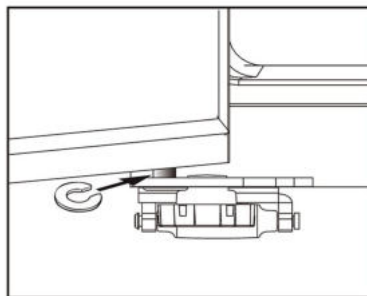
Utilizando o pé ajustável

Rode o pé ajustável de acordo com a direção da seta para subir ou descer o pé.



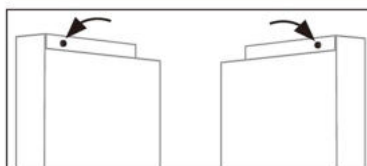
Ajuste da posição da porta

- ▶ Quando as duas portas não estão à mesma altura, as dobradiças ajustáveis podem ser afinadas com a chave que as acompanha para nivelar as duas portas. Não o instale a porta recorrendo à força para evitar riscos ou choques no revestimento da porta.



Utilização de espaçadores

- ▶ Abra a porta do congelador e levante-a.
- ▶ Prenda cuidadosamente o espaçador (incluído no saco de acessórios) no eixo da dobradiça inferior à mão ou usando ferramentas, como alicates. Não arranque nem amolgue a porta.

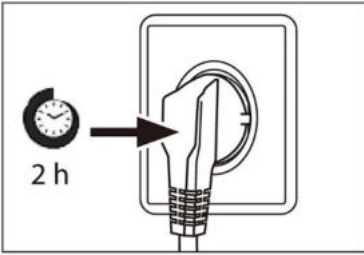


Utilizar o botão de ajuste

- ▶ Se a porta do compartimento do frigorífico não estiver nivelada, pode rodar o botão ajustável na parte superior da porta para fazer ajustes finos.

i AVISO

Quando voltar a utilizar o frigorífico, pode ocorrer um fenómeno de portas desiguais devido ao peso dos alimentos armazenados. Se for esse o caso, ajuste de acordo com os métodos acima.

**Tempo de espera**

O óleo de lubrificação sem manutenção está localizado na cápsula do compressor. Este óleo pode atravessar o sistema de tubagem fechada durante o transporte inclinado. Antes de ligar o aparelho à rede elétrica, tem de esperar pelo menos 2 horas para que o óleo volte à cápsula.

Ligação elétrica

Antes de cada conexão verificar se:


- ▶ a rede elétrica, tomada e fusíveis são adequados à placa de classificação.
- ▶ a tomada de alimentação está ligada à terra sem fichas múltiplas nem extensão.
- ▶ a ficha de alimentação e a tomada estão de acordo com as especificações.

Ligue a ficha a uma tomada doméstica instalada corretamente.

! AVISO!

Para evitar riscos, um cabo de alimentação danificado deve ser substituído pela assistência ao cliente (ver cartão de garantia).

Ficha de produto de acordo com o Regulamento UE N.º 2019/2016

Marca	Haier
Nome do modelo / identificador	HFKR5718DNGB
Categoria do modelo	Frigorífico-congelador
Classe de eficiência energética	D
Consumo de energia anual (kWh/year)(1)	226
Volume total(L)	402
Volume do frigorífico (L)	227
Volume do congelador (L)	147
Volume de arrefecimento (L)	28
Classificação em estrelas	
Sistema Frost-free	Sim
Capacidade de congelação (kg/24h)	10.0
Classificação climática(2)	SN-N-ST-T
Classe de emissão de ruído e emissões de ruído aéreo (db(A) re 1pW)	B (35)
Tempo de subida da temperatura (h)	8
Tipo de aparelho	instalação independente

Explicações:

• Sim, existe

(1) Com base nos resultados do teste de conformidade das normas ao longo de 24 horas. O consumo real depende da utilização e da localização do aparelho.

(2) Classificação climática SN: Este aparelho destina-se a ser utilizado a uma temperatura ambiente compreendida entre + 10°C e +32°C

Classificação climática N: Este aparelho destina-se a ser utilizado a uma temperatura ambiente compreendida entre + 16°C e +32°C

Classificação climática ST: Este aparelho destina-se a ser utilizado a uma temperatura ambiente compreendida entre + 16°C e +38°C

Classificação climática T: Este aparelho destina-se a ser utilizado a uma temperatura ambiente compreendida entre + 16°C e +43°C

Dados técnicos adicionais

Tensão/Frequência	220-240V ~/ 50Hz
Corrente de entrada (A)	1.8
Fusível principal (A)	15
Líquido de refrigeração	R600a
Dimensões (A/L/P em mm)	1850/700/594

Recomendamos o nosso Serviço de Assistência ao Cliente da Haier e a utilização de peças sobressalentes originais.

Se tiver algum problema com o seu aparelho, consulte primeiro a secção RESOLUÇÃO DE PROBLEMAS.

Se não conseguir encontrar uma solução nesta secção, entre em contacto

com o seu revendedor local ou

o nosso Serviço de Assistência Europeu (veja números de telefone listados abaixo) ou

a área de Serviço e Suporte em www.haier.com onde pode ativar a reclamação de serviço e também encontrar FAQs.

Para contactar a nossa Assistência, certifique-se de que tem os seguintes dados disponíveis.

As informações encontram-se na placa de classificação.

Modelo _____

N.º de série _____

Verifique também o cartão de garantia fornecido com o produto em caso de garantia.

Centro de Assistência Europeu		
País*	Número de telefone	Custos
Haier Italy (IT)	199 100 912	
Haier Spain (ES)	902 509 123	
Haier Germany (DE)	0180 5 39 39 99	<ul style="list-style-type: none"> • 14 CT/Min telefone fixo • Max 42 Ct/Min móvel
Haier Austria (AT)	0820 001 205	<ul style="list-style-type: none"> • 14,53 CT/Min telefone fixo • máx. 20 Ct/Min todos os outros
Haier United Kingdom (UK)	0333 003 8122	
Haier France (FR)	0980 406 409	

* Para outros países, consulte www.haier.com

Haier Europe Trading S.r.l

Branch UK

Westgate House, Westgate, Ealing

London, W5 1YY

*Duração da garantia do aparelho de refrigeração:

A garantia mínima é: 2 anos para os países da UE, 3 anos para a Turquia, 1 ano para o Reino Unido, 1 ano para a Rússia, 3 anos para a Suécia, 2 anos para a Sérvia, 5 anos para a Noruega, 1 ano para Marrocos, 6 meses para a Argélia, Tunísia nenhuma garantia legal necessária.

*O período de peças sobressalentes para a reparação do aparelho:

Termostatos, sensores de temperatura, placas de circuitos impressos e fontes de luz estão disponíveis durante um período mínimo de sete anos após a colocação da última unidade do modelo no mercado.

Puxadores da porta, dobradiças da porta, bandejas e cestos durante um período mínimo de sete anos e juntas da porta durante um período mínimo de 10 anos, depois de colocada a última unidade do modelo no mercado.

*Para mais informações sobre o produto, consulte <https://eprel.ec.europa.eu/> ou digitalize o código QR na etiqueta energética fornecida com o aparelho.

<u>401 Informații de siguranță</u>	•	Înainte de prima utilizare	402
		Instalare	402
		Utilizarea cotidiană	403
<u>406 Utilizarea prevăzută</u>	•		
<u>407 Descrierea produsului</u>	•		
<u>408 Panoul de comenzi</u>	•		
<u>409 Utilizarea</u>	•	Panou de blocare/deblocare	409
		MODECO	410
		Reglarea temperaturii frigiderului	411
		Ajustarea temperaturii congelatorului	411
		Funcția Magic Zone	411
		Funcția Super Cool	413
		Funcția Super Frz	414
		Funcția Holiday	415
<u>416 Echipament</u>	•		
<u>419 Sfaturi de economisire a energiei</u>	•		
<u>420 Îngrijire și curățare</u>	•		
<u>422 Depanare</u>	•		
<u>426 Instalare</u>	•		
<u>429 Date tehnice</u>	•		
<u>431 Serviciul pentru clienți</u>	•		

Vă mulțumim că ați achiziționat un produs Haier.

Citiți aceste instrucțiuni cu atenție înainte de a utiliza acest aparat. Instrucțiunile conțin informații importante care vă vor ajuta să folosiți aparatul la capacitate maximă și să asigurați instalarea, utilizarea și întreținerea sigure și corespunzătoare.

Păstrați manualul de față la îndemână astfel încât să îl puteți consulta pentru utilizarea sigură și corectă a aparatului.

Dacă vindeți, oferiți sau lăsați aparatul în vechea locuință când vă mutați, asigurați-vă că lăsați și manualul de utilizare, astfel încât noul proprietar să se poată familiariza cu aparatul și cu avertismentele de siguranță.

Accesorii

Verificați accesoriile și documentația în conformitate cu această listă:



Eticheta de energie



Fișa de garanție

Manual de utilizare
Autocolant „OK”

Ghid rapid



AVERTISMENT - Informații importante legate de siguranță



OBSERVAȚIE - Informații și sfaturi generale



Informații legate de mediu

Eliminare



Ajutați la protejarea mediului și a sănătății omului. Puneți ambalajul în containerele corespunzătoare în vederea reciclării. Ajutați la reciclarea deșeurilor de aparate electrice și electronice. Nu aruncați electronicele marcate cu acest simbol în același loc cu deșeurile menajere. Returnați produsul la centrul local de reciclare sau contactați agenția municipală.



AVERTIZARE!

Risc de vătămare sau sufocare!

Agenții frigorifici și gazele trebuie eliminate profesionist. Asigurați-vă că tubulatura circuitului de agent frigorific nu este deteriorată înainte de eliminarea corespunzătoare a acesteia. Deconectați aparatul de la rețeaua de curent. Tăiați cablul de alimentare de la rețeaua de curent și eliminați-l. Scoateți tăvile și sertarele, dar și opritorul și garniturile ușii, pentru a preveni închiderea copiilor și a animalelor în aparat.

Înainte de pornirea aparatului pentru prima dată, citiți următoarele sfaturi legate de siguranță:



AVERTIZARE!

Înainte de prima utilizare

- ▶ Asigurați-vă că nu există deteriorări provocate de transport.
- ▶ Eliminați toate ambalajele și păstrați-le la distanță de copii.
- ▶ Așteptați cel puțin două ore înainte de a instala aparatul pentru a lăsa timp circuitului frigorific să devină perfect eficient.
- ▶ Manevrați întotdeauna dispozitivul cu cel puțin încă două persoane, pentru că este greu.

Instalare

- ▶ Aparatul trebuie amplasat într-un loc bine ventilat. Asigurați un spațiu de cel puțin 10 cm deasupra aparatului și în jurul acestuia.
- ▶ Nu amplasați niciodată aparatul într-o zonă cu umezeală sau într-un loc în care acesta poate fi stropit cu apă. Curățați și uscați urmele de apă și petele cu o cârpă curată, moale.
- ▶ Nu instalați aparatul în lumina directă a soarelui sau în apropierea surselor de căldură (de ex., cuptoare, radiatoare).
- ▶ Instalați și poziționați dispozitivul într-o zonă potrivită dimensiunilor și destinației sale.
- ▶ Mențineți fantele de aerisire ale aparatului sau pe cele încorporate în structură fără obstrucții.
- ▶ Asigurați-vă că informațiile electrice de pe plăcuța cu date tehnice se potrivesc cu sursa de electricitate. Dacă nu se potrivesc, contactați un electrician.
- ▶ Dispozitivul este operat de o sursă de electricitate de 220-240 V c.a./50 Hz. Fluctuațiile anormale de tensiune pot face dispozitivul să nu pornească sau pot deteriora controlul temperaturii sau compresorul sau pot provoca un zgomot anormal în timpul utilizării. În acest caz, ar trebui să fie montat un regulator automat.
- ▶ Nu utilizați adaptoare cu ștecăre multiple și prelungitoare.
- ▶ Nu amplasați prizele portabile multiple sau alimentările portabile în spatele aparatului.
- ▶ Evitați prinderea cablului de alimentare în frigider. Nu călcați pe cablul de alimentare.



AVERTIZARE!

- ▶ Folosiți o priză separată cu împământare pentru alimentarea cu energie electrică, care să fie ușor accesibilă. Aparatul trebuie legat la împământare.
- ▶ Doar pentru Regatul Unit: Cablul de alimentare al dispozitivului este prevăzut cu ștecăr cu 3 pini (împământare) care se potrivește cu o priză standard cu 3 găuri (împământată). Nu demontați și nu tăiați niciodată cel de-al treilea pin (împământarea). După instalarea dispozitivului, ștecărul ar trebui să fie accesibil.
- ▶ Nu deteriorați circuitul frigorific.

Utilizarea cotidiană

- ▶ Acest aparat poate fi utilizat de către copiii cu vârste de minim 8 ani și de către persoanele cu abilități fizice, senzoriale sau mentale reduse sau cu lipsă de experiență sau cunoștințe, cu condiția să fie supravegheate sau instruite corespunzător privind modul de utilizare a acestui aparat în siguranță și să înțeleagă pericolele implicate.
- ▶ Copiii cu vârsta cuprinsă între 3 și 8 ani pot încărca și descărca aparate frigorifice, dar nu li se permite să curețe și să instaleze aparatele frigorifice. Țineți copiii mai mici de 3 ani la distanță de aparat, cu excepția cazului în care aceștia sunt supravegheați constant.
- ▶ Nu lăsați copiii să se joace cu aparatul.
- ▶ În cazul scurgerii gazului de răcire sau a altor gaze inflamabile în vecinătatea aparatului, închideți supapa gazului care curge, deschideți ușile și ferestrele și nu deconectați niciun ștecăr al cablului de alimentare al frigiderului sau al oricărui alt aparat.
- ▶ Observați că aparatul este setat să funcționeze într-un interval de mediu specific, între 10 și 43 °C. Este posibil ca aparatul să nu funcționeze corect dacă este lăsat pentru o perioadă lungă de timp la o temperatură superioară sau inferioară intervalului indicat.
- ▶ Nu puneți articole instabile (obiecte grele, recipiente umplute cu apă) deasupra frigiderului, pentru a evita vătămarea cauzată de cădere sau de electrocutarea cauzată de contactul cu apa.
- ▶ Nu trageți de rafturile de pe ușă. În caz contrar, ușa poate fi înclinată, raftul pentru sticle se poate desprinde sau aparatul se poate răsturna.
- ▶ Deschideți și închideți ușile numai cu ajutorul mânelor. Spațiul liber dintre uși și dintre uși și dulap este foarte îngust. Nu întindeți mâinile în zonele respective, pentru a evita ciupirea degetelor. Deschideți sau închideți ușile frigiderului numai atunci când nu se află niciun copil în raza de deplasare a ușii.

**AVERTIZARE!**

- ▶ Nu depozitați materiale inflamabile, explozive sau corozive în aparat sau în vecinătatea acestuia.
- ▶ Nu depozitați medicamente, bacterii sau agenți chimici în dispozitiv. Acest dispozitiv este un aparat electrocasnic. Nu este recomandat pentru depozitarea materialelor care necesită temperaturi stricte.
- ▶ Nu depozitați niciodată în congelator lichide în sticle sau doze (cu excepția băuturilor cu conținut ridicat de alcool), în special băuturi carbogazoase, deoarece acestea se vor sparge în timpul înghețării.
- ▶ Verificați starea alimentelor în cazul în care a avut loc încălzirea congelatorului.
- ▶ Nu setați o temperatură nenecesar de joasă în compartimentul frigiderului. În cazul setărilor ridicate, pot apărea temperaturi sub punctul de îngheț. Atenție: Sticlele se pot sparge
- ▶ Nu atingeți produsele înghețate cu mâinile ude (purtați mănuși). În special, nu consumați înghețată pe băț imediat după scoaterea din compartimentul congelatorului. Există riscul de îngheț sau de producere a leziunilor provocate de îngheț. PRIMUL ajutor: puneți imediat sub jet de apă rece. Nu trageți!
- ▶ Nu atingeți suprafața interioară a compartimentului de depozitare al congelatorului atunci când este în funcțiune, în special cu mâinile ude, deoarece mâinile pot îngheța pe suprafață.
- ▶ Deconectați aparatul de la energia electrică în cazul unei pene de curent sau înainte de curățare. Așteptați cel puțin 7 minute înainte de repornirea aparatului, deoarece pornirea frecventă poate deteriora compresorul.
- ▶ Nu utilizați dispozitive electrice în interiorul compartimentelor de depozitare a alimentelor ale aparatului decât dacă acestea sunt de tipul recomandat de către producător. Întreținere/curățare
- ▶ Asigurați-vă că supravegheați copiii dacă aceștia se ocupă de curățare și întreținere.
- ▶ Deconectați aparatul de la rețeaua de alimentare înainte de efectuarea întreținerii de rutină. Așteptați cel puțin 7 minute înainte de repornirea aparatului, deoarece pornirea frecventă poate deteriora compresorul.

**AVERTIZARE!**

- ▶ Țineți de ștecă, nu de cablu, atunci când deconectați aparatul.
- ▶ Nu curățați aparatul cu perii aspre, cu perii de sârmă, cu detergent pulbere, benzină, acetat de amidă, acetonă sau soluții organice similare, soluții acide sau alcaline. Curățați cu detergent special pentru frigider pentru a evita deteriorările.
- ▶ Nu răzuți gheața cu obiecte ascuțite. Nu folosiți pulverizatoare, dispozitive electrice de încălzire precum radiatoare, uscătoare de păr, aparate de curățat cu abur sau alte surse de căldură, pentru a evita deteriorarea pieselor din plastic.
- ▶ Nu utilizați dispozitive mecanice sau alte mijloace de a accelera procesul de decongelare, în afara celor recomandate de producător.
- ▶ În cazul în care cablul de alimentare este deteriorat, acesta trebuie înlocuit de către producător, agentul său de service sau persoane calificate similare, pentru a evita orice pericol.
- ▶ Nu încercați să reparați, să dezamblați sau să modificați dispozitivul pe cont propriu. În cazul în care este necesară o reparație, contactați serviciul de relații cu clienții.
- ▶ Eliminați praful din spatele unității cel puțin o dată pe an, pentru a evita riscul de incendiu, dar și consumul mărit de energie.
- ▶ Nu pulverizați și nu spălați aparatul în timpul curățării.
- ▶ Nu folosiți pulverizarea cu apă sau aburi de apă în timpul curățării aparatului.
- ▶ Nu curățați rafturile reci din sticlă cu apă fierbinte. Schimbarea bruscă de temperatură poate face ca sticla să se spargă.

Informații privind gazul refrigerant**AVERTIZARE!**

Aparatul conține agentul frigorific inflamabil IZOBUTAN (R600a). Asigurați-vă că circuitul frigorific nu este deteriorat în timpul transportării sau instalării. Scurgerile de agent frigorific pot cauza vătămări ale ochilor sau se pot aprinde. Dacă s-a produs o deteriorare a aparatului, țineți la distanță de sursele de flăcări deschise, ventilați bine camera, nu conectați și nu deconectați cablurile de alimentare ale aparatului sau ale oricărui alt aparat. Informați serviciul de asistență pentru clienți.

În cazul în care agentul frigorific intră în contact cu ochii, spălați imediat în jet de apă și contactați imediat un specialist oftalmolog.

Utilizarea prevăzută

Acest aparat este proiectat pentru răcirea și congelarea alimentelor. Acesta a fost conceput exclusiv pentru utilizarea în aplicații casnice și similare, precum în zona de bucătărie pentru personalul din magazine, în birouri și în alte medii de lucru; ferme și clienți din hoteluri, moteluri și alte tipuri de medii rezidențiale, precum și în pensiunile de tip bed-and-breakfast și catering. Nu este destinat utilizării comerciale sau industriale.

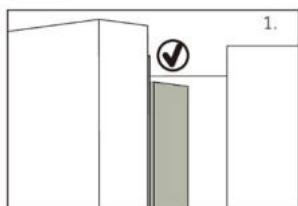
Nu este permisă aducerea schimbărilor sau modificărilor dispozitivului. Utilizarea necorespunzătoare poate duce la apariția pericolelor și la pierderea garanției.

Standarde și directive

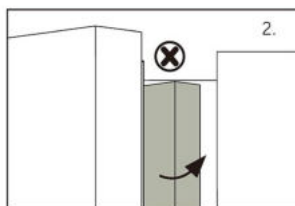
Acest produs îndeplinește cerințele tuturor directivelor CE aplicabile cu standardele armonizate corespunzătoare și standardele din Regatul Unit, prevăzute pentru marcajul CE și UKCA.



ATENȚIE!



Atunci când închideți ușa, banda verticală a ușii din partea stângă trebuie să se îndoie în interior (1).

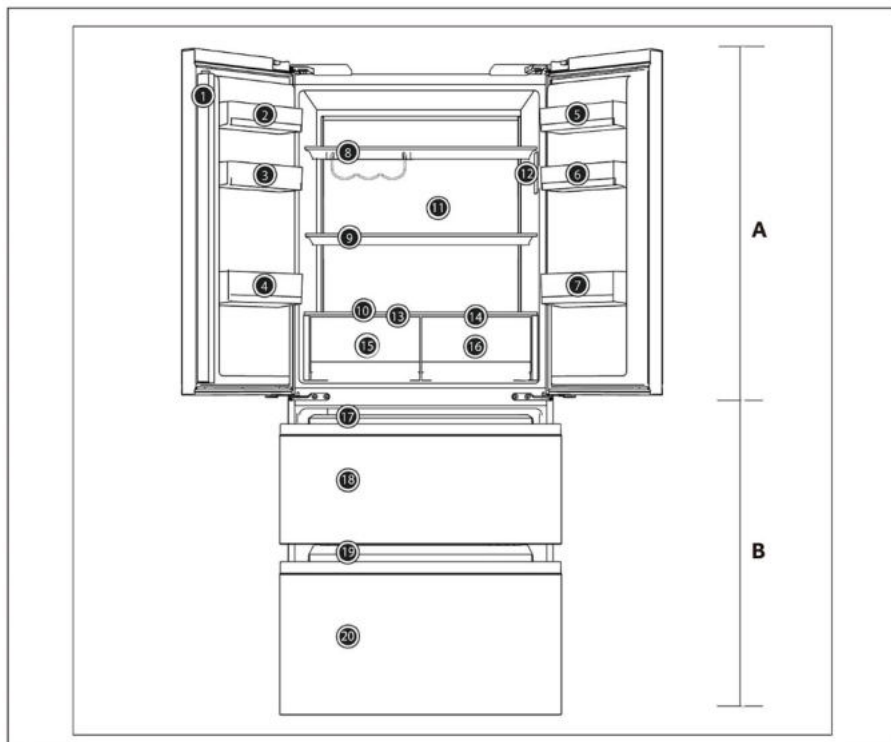


Dacă încercați să închideți ușa din stânga fără să îndoiiți banda verticală a ușii (2), banda ușii va lovi arborele de prindere sau ușa din dreapta. Astfel, garnitura ușii se poate deteriora sau pot apărea scurgeri.

În interiorul cadrului există un fir de încălzire. Temperatura suprafeței va crește puțin, ceea ce este normal și nu afectează funcționarea aparatului.

i OBSERVAȚIE

Ca urmare a modificărilor tehnice și a diferitelor modele, unele ilustrații din acest manual pot diferi de modelul dvs.



A: Compartiment frigider

- 1 Grindă ușă
- 2 Suport pentru sticle (stânga sus)
- 3 Suport pentru sticle (în mijloc, stânga)
- 4 Suport pentru sticle (stânga jos)
- 5 Suport pentru sticle (dreapta sus)
- 6 Suport pentru sticle (în mijloc, dreapta)
- 7 Suport pentru sticle (dreapta jos)
- 8 Raft din sticlă
- 9 Raft din sticlă
- 10 Raft pentru capacul sertarului
- 11 Bec spate
- 12 Panou de afișare
- 13 Capacul sertarului Activefresh

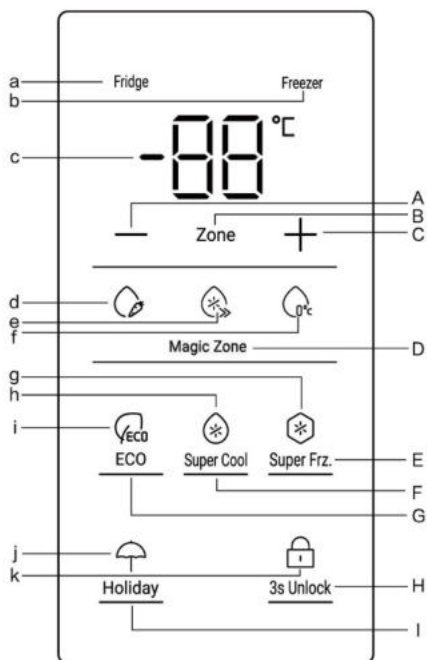
14 Capacul sertarului Magic

- 15 Sertar Activefresh
- 16 Sertar Magic

B: Compartimentul congelatorului

- 17 Tavă glisantă
- 18 Sertar superior congelator
- 19 Tavă glisantă
- 20 Sertar inferior congelator

Panoul de comenzi



Butoane:

A Buton de scădere a temperaturii
B Comutator pentru modul de temperatură a frigiderului și congelatorului

C Buton de creștere a temperaturii

D Comutator de mod Magic zone

E Selector funcția Super Frz.

F Selector funcția Super Cool

G Selector funcția ECO

H Blocarea/deblocarea panoului de afișare

I Selector funcția Holiday

Indicatoare:

a Indicator frigider

b Indicator congelator

c Temperatură compartiment frigider și congelator

d Funcția Fruit&Veg.

e Funcția Cool Drink

f Funcția 0°C Fresh

g Funcția Super Frz.

h Funcția Super Cool

i Funcția Eco

j Funcția Holiday

k Funcția de blocare/deblocare a panoului de afișare

Înainte de prima utilizare

- ▶ Scoateți toate materialele de ambalare, țineți-le departe de copii și eliminați-le într-un mod ecologic.
- ▶ Curățați interiorul și exteriorul aparatului cu apă și un detergent neutru înainte de a pune alimente în interior.
- ▶ După echilibrarea și curățarea aparatului, așteptați cel puțin 2-5 ore înainte de a-l conecta la rețeaua de alimentare. Consultați secțiunea INSTALARE.
- ▶ Răciți în prealabil compartimentele cu setări ridicate înainte de ale umple cu alimente. Funcția Super Frz. ajută la răcirea rapidă a compartimentelor.
- ▶ Temperaturile frigiderului și congelatorului sunt setate automat la 5°C, respectiv -18°C. Acestea sunt setările recomandate. Dacă doriți, puteți modifica manual aceste temperaturi. Consultați MODUL DE AJUSTARE MANUALĂ.

Taste cu senzor

Butoanele de pe panoul de comenzi sunt taste cu senzori, care răspund imediat ce sunt apăstate ușor cu degetul.

Pornirea/oprirea aparatului

Aparatul intră în funcțiune imediat ce este conectat la rețeaua de alimentare.

Când frigiderul este pornit pentru prima dată, indicatorul „c” (afișajul temperaturii) se aprinde. Temperaturile frigiderului și congelatorului sunt setate automat la 5°C, respectiv -18°C. Indicatorul „d” (Fruit&Veg.) se aprinde.

Panoul de afișare se va stinge imediat după închiderea ușii



OBSERVAȚIE

1. Aparatul este presetat la temperatura recomandată de 5 °C (frigider) și -18 °C (congelator). În condiții de temperaturi ambientale normale nu este necesară setarea unei temperaturi.
2. Funcția de presetare pentru sertarul Magic Zone este Fruit&Veg.
3. Atunci când aparatul este pornit după deconectarea de la rețeaua de alimentare, poate dura până la 12 ore pentru a se atinge temperaturile corecte.

Goliți aparatul înainte de oprire. Pentru oprirea aparatului, scoateți cablul de alimentare din priză.

Panou de blocare/deblocare

Blocare automată: Când ușa frigiderului și ușa congelatorului sunt închise, ecranul de afișare va fi stins și blocat automat.

Deblocare manuală: Când ecranul de afișare este blocat, apăsați butonul „H” (3s Unlock) și mențineți-l apăsat timp de 3 secunde; soneria sună o dată, indicatorul „k” (blocarea panoului) se stinge, iar afișajul este deblocat.



Blocare manuală: Când ecranul de afișare este deblocat, apăsați butonul „H” (3s Unlock) și țineți-l apăsat timp de 3 secunde; soneria sună o dată, indicatorul „k” (blocarea panoului) se aprinde, iar afișajul este blocat.



OBSERVAȚIE

Panoul de afișare este blocat de fiecare dată când se deschide ușa. Pentru orice setări, panoul de control trebuie să fie deblocat.

Alarmă deschidere ușă

Atunci când una din ușile frigiderului rămâne deschisă timp de peste 3 minute, se va activa alarma sonoră pentru deschiderea ușii. Alarma poate fi oprită prin închiderea ușii. Dacă ușa este lăsată deschisă timp de peste 7 minute, lumina din interiorul frigiderului și iluminarea panoului de comenzi se sting automat.

Selectarea modului de funcționare

Poate fi necesar să selectați unul din următoarele două moduri de setare a aparatului.

OBSERVAȚIE: Factori care influențează temperatura

Temperaturile din interior sunt influențate de următorii factori

1. Temperatura ambiantă.
2. Frecvența de deschidere a ușii.
3. Cantitatea de alimente depozitate.
4. Instalarea aparatului.

MOD ECO

Dacă nu aveți cerințe speciale, vă recomandăm să utilizați mod ECO. În acest mod, aparatul poate regla automat setarea temperaturii în funcție de temperatura ambiantă și de schimbarea temperaturii aparatului.

1. Când ecranul de afișare este deblocat, apăsați butonul „G” (selectorul funcției ECO); soneria sună o dată, indicatorul „I” (funcția ECO) se aprinde, iar funcția ECO va fi activată.
2. Când indicatorul V (funcția ECO) se aprinde, apăsați butonul „G” (selectorul funcției ECO); soneria sună o dată, indicatorul „I” (funcția ECO) se stinge, iar apoi funcția ECO va fi dezactivată.



OBSERVAȚIE

În funcția ECO, temperatura frigiderului sau a congelatorului nu poate fi reglată. Dacă este apăsat oricare dintre butoanele „+” sau „-” pentru a regla temperatura frigiderului sau a congelatorului, indicatorul „i” (funcția ECO) va lumina intermitent și se va emite un semnal sonor pentru a indica faptul că această operațiune nu poate fi efectuată. În funcția ECO, din cauza metodelor de control diferite, dacă este setată funcția Super Cool, Super Frz. sau Holiday, indicatorul „i” (funcția ECO) se stinge. În funcția ECO, funcția Magic Zone poate fi reglată manual în funcție de necesități.

Reglarea temperaturii frigiderului

Când ecranul de afișare este deblocat, apăsați butonul „B” (selector de zonă), selectați „frigider”; indicatorul „a” (indicator frigider) se aprinde și apoi apare modul de setare a temperaturii frigiderului.

Apăsați butonul „+” sau „-”. De fiecare dată când apăsați butoanele „+” sau „-”, valoarea vitezei de reglare a frigului este mărită cu 1 sau micșorată cu 1. Temperatura frigiderului se va afișa în secvența „9 °C <-> 8 °C <-> 7 °C <-> 6 °C <-> 5 °C <-> 4 °C <-> 3 °C <-> 2 °C <-> 1 °C”.

OBSERVAȚIE

După setarea temperaturii, dacă nu se efectuează nicio operațiune în 5 secunde, sistemul va salva temperatura setată.

Ajustarea temperaturii congelatorului

Când ecranul de afișare este deblocat, apăsați butonul „B” (selector de zonă), selectați „congelator”; indicatorul „b” (indicator congelator) se aprinde, apoi apare modul de setare a temperaturii congelatorului.

Apăsați butonul „+” sau „-”. De fiecare dată când apăsați butoanele „+” sau „-”, valoarea vitezei de reglare a frigului este mărită cu 1 sau micșorată cu 1. Temperatura frigiderului se va afișa în secvența „-14 °C <-> -15 °C <-> -16 °C <-> -17 °C <-> -18 °C <-> -19 °C <-> -20 °C <-> -21 °C <-> -22 °C <-> -23 °C <-> -24 °C”.

OBSERVAȚIE

După setarea temperaturii, dacă nu se efectuează nicio operațiune în 5 secunde, sistemul va salva temperatura setată.

Funcția Magic Zone

1. Funcția Fruit&Veg.:

Când ecranul de afișare este deblocat, apăsați butonul „D” (selectorul Magic Zone) pentru a activa funcția; pictograma Fruit&Veg. se aprinde.

Această funcție este potrivită pentru depozitarea fructelor și legumelor proaspete.



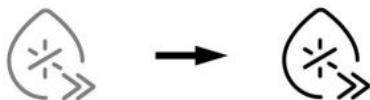
i OBSERVAȚIE

Fruitele sensibile la frig, cum ar fi ananasul, avocadoul, bananele, greșfrutul și legumele, cum ar fi cartofii, vinetele, fasolea, castraveții, dovleceii și roșiile, precum și brânza nu trebuie depozitate în sertarul Magic Zone.

2. Funcția Cool Drink:

Când ecranul de afișare este deblocat, apăsați butonul „D” (selectorul Magic Zone) pentru a activa funcția; pictograma Cool Drink se aprinde.

Această funcție permite stocarea unor produse precum apa, coca-cola și sucuri. Temperatura în compartimentul Magic Zone este setată la +2°C.



3. Funcția 0°Fresh:

Când ecranul de afișare este deblocat, apăsați butonul „D” (selectorul Magic Zone) pentru a activa funcția; pictograma 0°C Fresh se aprinde.

Această funcție setează temperatura din sertarul Magic Zone la 0°C. Potrivit pentru depozitarea alimentelor proaspete, cum ar fi carnea sau peștele. Majoritatea alimentelor rămân proaspete la 0°C.



i OBSERVAȚIE

Din cauza conținutului diferit de apă din carne. Unele tipuri de carne cu mai multă umiditate vor fi congelate la temperaturi mai mici de 0°C. Așadar, carnea „care a fost tăiată imediat” trebuie depozitată în sertarul Magic Zone, la temperaturi de minimum 0°C.

i OBSERVAȚIE: Sertarul Magic Zone

1. Cele trei funcții ale Magic Zone nu pot fi deschise în același timp, doar una poate fi iluminată.
2. Pentru a reduce temperatura compartimentului frigorific, utilizați funcția Cool Drink. Pentru a o crește, utilizați funcția Fruit&Veg.

Funcția Super Cool

1. Când ecranul de afișare este deblocat, apăsați butonul „F” (selector Super Cool); soneria sună o dată, indicatorul „h” (funcția Super Cool) se aprinde, iar funcția Super Cool se activează.
2. Când indicatorul „h” (funcția Super Cool) se aprinde, apăsați butonul „F” (selector Super Cool); soneria sună o dată, indicatorul „h” (funcția Super Cool) se stinge, iar funcția Super Cool se dezactivează.
3. După ce funcția Super Cool este pornită, frigiderul va opri automat funcția după ce aceasta a durat aproximativ 4 ore. Dacă doriți să ieșiți manual, puteți apăsa butonul „G” (selectorul funcției Super Cool) pentru a-l opri.



i OBSERVAȚIE

1. În starea Super Cool, temperatura frigiderului nu poate fi reglată. Dacă este apăsat oricare dintre butoanele „+” sau „-” pentru a regla temperatura frigiderului, indicatorul „h” (funcția Super Cool) va lumina intermitent și se va emite un semnal sonor, pentru a indica că această operațiune nu poate fi efectuată.
2. În starea funcției Super Cool, funcțiile ECO și Holiday nu pot fi activate în același timp, din cauza diferitelor moduri de control. Când alegeți o funcție care intră în conflict cu o altă funcție, funcția inițială va fi abandonată automat.

Funcția Super Frz

1. Când ecranul de afișare este deblocat, apăsați butonul „E” (selectorul Super Freeze); soneria sună o dată, indicatorul „g” (funcția Super Freeze) se aprinde, iar funcția Super Freeze se va activa.
2. Când indicatorul „g” (Super Freeze) luminează, apăsați butonul „E” (selectorul Super Freeze); soneria sună o dată, indicatorul „g” (funcția Super Freeze) se stinge, iar funcția Super Freeze se va dezactiva.
3. După ce funcția Super Freeze este pornită, frigiderul va opri automat funcția după ce aceasta a durat aproximativ 50 de ore. Dacă doriți să ieșiți manual, puteți apăsa butonul „E” (selectorul funcției Super Freeze) pentru a-l opri.



Super Frz.

Super Frz.

Super Frz.



OBSERVAȚIE

1. În starea Super Freeze, temperatura congelatorului nu poate fi reglată. Dacă este apăsat oricare dintre butoanele „+” sau „-” pentru a regla temperatura congelatorului, indicatorul „g” (funcția Super Freeze) va lumina intermitent și se va emite un semnal sonor, pentru a indica că această operațiune nu poate fi efectuată.
2. În starea funcției Super Freeze, funcția ECO nu poate fi activată în același timp, din cauza diferitelor moduri de control. Când alegeți o funcție care intră în conflict cu o altă funcție, funcția inițială va fi abandonată automat.
3. Funcția Super Freeze este concepută pentru a păstra valoarea nutritivă a alimentelor congelate; acestea vor fi congelate în cel mai scurt timp. În cazul în care trebuie congelate cantități mari de alimente congelate în același timp. Între timp, funcția Super Freeze ar trebui setată cu 24 de ore înainte, pentru a aduce congelatorul la o temperatură scăzută potrivită pentru depozitarea alimentelor. În acest moment, viteza de congelare a congelatorului este îmbunătățită, alimentele pot fi congelate rapid, valorile nutriționale sunt păstrate eficient, iar depozitarea devine destul de convenabilă.

Funcția Holiday

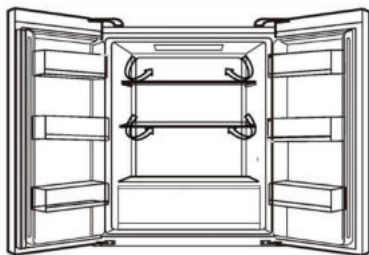
Funcția Holiday este concepută pentru a nu utiliza frigiderul pentru o perioadă de timp îndelungată. Atunci când este activată funcția Holiday, congelatorul este sub control normal, iar temperatura frigiderului este setată automat la 17 °C. Temperatura efectivă nu este mai mare de 17 °C, ceea ce previne mirosul specific cauzat de temperatura excesivă și, în același timp, ajută la reducerea consumului de energie.

1. Când ecranul de afișare este deblocat, apăsați butonul „I” (selector funcție Holiday), soneria sună o dată, indicatorul „j” (funcție Holiday) se aprinde, iar apoi funcția Holiday va fi activată.
2. Când indicatorul „j” (Funcția Holiday) se aprinde, apăsați butonul T (selector de funcție Holiday); soneria sună o dată, indicatorul „j” (Funcția Holiday) se stinge, iar apoi funcția Holiday va fi dezactivată.



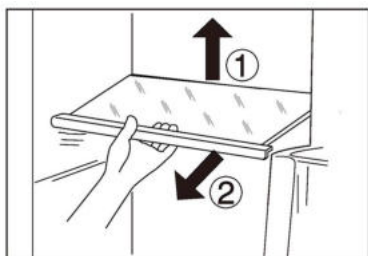
OBSERVAȚIE

1. În cadrul funcției Holiday, temperatura frigiderului nu poate fi reglată. Dacă este apăsat oricare dintre butoanele „+” sau „-” pentru a regla temperatura frigiderului, indicatorul j (Funcția Holiday) va lumina intermitent și va emite un sunet de avertizare pentru a indica faptul că această operațiune nu poate fi efectuată.
2. Înainte de a utiliza funcția Holiday, goliți frigiderul pentru a evita ca alimentele depozitate să se strice. Atunci când funcția Holiday este activată, nu pot fi activate în același timp nici funcția ECO și nici funcția Super Cool.
3. În funcția Holiday, setarea pictogramelor „Fruit&Veg, Cool Drink, 0°Fresh” din Magic zone va fi dezactivată, iar funcția Magic zone nu poate fi reglată. Compartimentul frigiderului Magic zone va afișa setarea anterioară după ieșirea din funcția Holiday.



Flux de aer multiplu

1. Frigiderul este prevăzut cu un sistem cu flux de aer multiplu, prin care fluxurile de aer rece sunt asigurate la nivelul fiecărui raft. Acest lucru ajută la păstrarea unei temperaturi uniforme pentru a asigura faptul că alimentele dvs. sunt menținute proaspete pentru mai mult timp.



Rafturi ajustabile

1. Înălțimea rafturilor poate fi ajustată pentru a se potrivi nevoilor dvs. de depozitare.
2. Pentru re poziționarea unui raft, scoateți-l mai întâi ridicând marginea din spate ① și trăgându-l afară ②.
3. Pentru montarea la loc, așezați-l pe canalele de pe ambele părți și împingeți-l în cea mai din spate poziție, până când partea din spate a raftului este fixată în interiorul fantelor laterale

Sertarul Magic Zone

În acest compartiment nivelul de umiditate este mai scăzut decât în compartimentul frigiderului. Acest sertar este potrivit pentru a stoca fructe uscate și alte alimente uscate, cu conținut scăzut de apă, precum unt, grăsimi și uleiuri sau ciocolată.

MAGICZONE | 

Sertar ACTIVEFRESHZONE

În acest compartiment nivelul de umiditate este mai mare decât cel al frigiderului. Acesta este controlat automat de sistem și este potrivit pentru a stoca fructe, legume, salate etc.

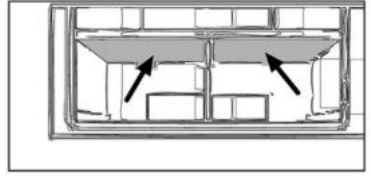
ACTIVEFRESHZONE | 

OBSERVAȚIE:

Fruitele sensibile la frig, cum ar fi ananasul, avocado, bananele, grepfruturile și legumele, cum ar fi cartofii, vinetele, fasolea, castraveții, dovleceii și roșiile, precum și brânza nu trebuie depozitate în Fresh Box.

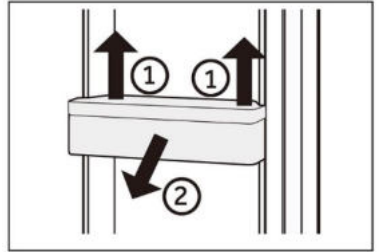
i OBSERVAȚIE

1. Nu îndepărtați capacul de plastic din interiorul zonelor.
2. Acesta menține umiditatea.
3. Nu se recomandă ca fructele sensibile la frig, cum ar fi ananasul, avocado, bananele,
4. grepfrutul să fie depozitate în aceste două sertare.



Rafturi de ușă detașabile/suport pentru sticle

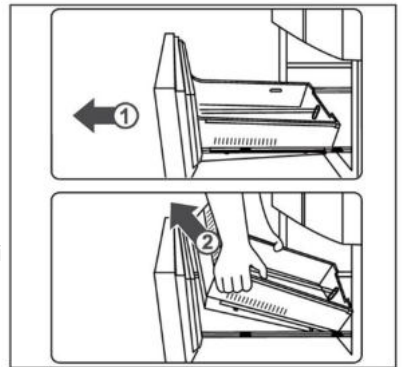
1. Rafturile de ușă pot fi demontate pentru curățare.
2. Puneți mâinile pe fiecare parte a raftului, ridicați-l ① și trageți-l în afară ②.
3. Pentru introducerea raftului de ușă urmați pașii de mai sus în ordine inversă.



Sertar superior detașabil pentru congelator

1. Trageți sertarul frigorific superior cât mai în afară posibil
2. Ridicați sertarul până când îl separați de suport, împingeți-l spre congelator și înclinați-l pentru a-l scoate.

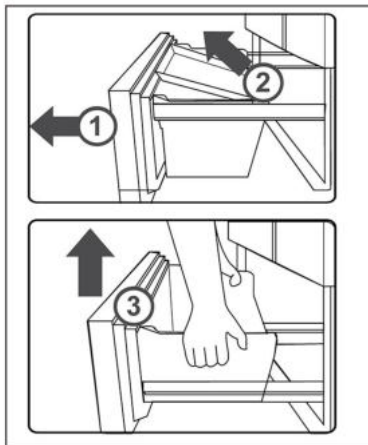
Pentru introducerea sertarului urmați pașii de mai sus în ordine inversă.



Sertar inferior detașabil pentru congelator

1. Scoateți sertarul frigorific inferior cât mai în afară posibil
2. Scoateți tava de congelare până când ajunge în poziția maximă, ridicați-o și scoateți-o.
3. Ridicați sertarul până când îl separați de suport, împingeți-l spre congelator și înclinați-l pentru a-l scoate.

Pentru introducerea sertarului urmați pașii de mai sus în ordine inversă.



Becul

Becul interior cu LED se aprinde la deschiderea ușii. Performanța luminilor nu este afectată de nicio altă setare a aparatului.



Sfaturi de economisire a energiei

- ▶ Asigurați-vă că aparatul este ventilat corespunzător (consultați secțiunea INSTALARE).
- ▶ Nu instalați aparatul în lumina directă a soarelui sau în apropierea surselor de căldură (de ex., cuptoare, radiatoare).
- ▶ Evitați setarea temperaturilor nenecesare de scăzute în aparat. Consumul de energie crește odată cu scăderea temperaturii setate în aparat.
- ▶ Funcții precum POWER-FREEZE consumă mai multă energie.
- ▶ Lăsați alimentele calde să se răcească înainte de a le amplasa în aparat.
- ▶ Deschideți ușa aparatului cât mai puțin și pentru o perioadă cât mai scurtă posibil.
- ▶ Nu umpleți excesiv aparatul, pentru a evita obstrucționarea fluxului de aer.
- ▶ Evitați prezența aerului în ambalajul alimentelor.
- ▶ Mențineți garniturile ușii curate astfel încât ușa să se închidă corect întotdeauna.
- ▶ Decongeleți alimentele congelate în compartimentul de depozitare al frigiderului.
- ▶ Configurația pentru economisirea cea mai mare de energie necesită păstrarea sertarelor, cutiilor de alimente și rafturilor etc. în starea lor din fabrică, iar alimentele trebuie plasate cât mai departe posibil, fără a bloca orificiile de ieșire a aerului de pe conducta de aer.



AVERTIZARE!

Deconectați aparatul de la rețeaua de alimentare înainte de curățare.

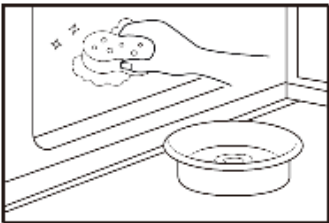
Curățare

Curățați aparatul atunci când sunt depozitate puține alimente sau când acesta este gol. Aparatul trebuie curățat o dată la patru săptămâni pentru o întreținere corectă și pentru a preveni mirosurile neplăcute cauzate de măncarea depozitată.



AVERTIZARE!

- ▶ Nu curățați aparatul cu perii aspre, cu perii de sârmă, cu detergent pulbere, benzină, acetat de amil, acetonă sau soluții organice similare, soluții acide sau alcaline. Curățați cu detergent special pentru frigider pentru a evita deteriorările.
- ▶ Nu pulverizați și nu spălați aparatul în timpul curățării.
- ▶ Nu folosiți pulverizarea cu apă sau aburi de apă în timpul curățării aparatului.
- ▶ Nu curățați rafturile reci din sticlă cu apă fierbinte. Schimbarea bruscă de temperatură poate face ca sticla să se spargă.
- ▶ Nu atingeți suprafața interioară a compartimentului de depozitare al congelatorului, în special cu mâinile ude, deoarece mâinile pot îngheța pe suprafață.
- ▶ În cazul încălzirii, verificați starea produselor congelate.



- ▶ Asigurați întotdeauna curățenia garniturii ușii.
- ▶ Curățați interiorul și carcasa aparatului cu un burete înmuiat în apă caldă și detergent neutru.
- ▶ 1. Este indicat să ștergeți interiorul și exteriorul frigiderului, inclusiv garniturile ușilor, raftul de pe ușă, rafturile din sticlă, cutiile și celelalte elemente, cu un prosop moale sau cu un burete înmuiat în apă caldă (puteți adăuga detergent neutru în apa caldă).
- ▶ 2. Dacă se varsă lichid, îndepărtați toate părțile contaminate, clătiți direct cu jet de apă, uscați-le și puneți-le înapoi în frigider.
- ▶ 3. Dacă se varsă alimente cu consistență cremoasă (cum ar fi smântâna, înghețata topită), vă rugăm să îndepărtați toate părțile contaminate, puneți-le în apă caldă la aproximativ 40 °C pentru o perioadă de timp, apoi clătiți-le cu jet de apă, uscați-le și puneți-le înapoi în frigider.
- ▶ 4. În cazul în care o parte mică sau o componentă este blocată în interiorul frigiderului (între rafturi sau sertare), utilizați o perie mică și moale pentru a o elibera. Dacă nu ați putut ajunge la piesa respectivă, contactați serviciul Haier
- ▶ Clătiți și uscați cu o cârpă moale.
- ▶ Nu curățați nicio parte a aparatului în mașina de spălat vase.
- ▶ Așteptați cel puțin 5 minute înainte de repornirea aparatului, deoarece pornirea frecventă poate deteriora compresorul.

Decongelarea

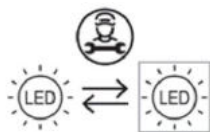
Decongelarea compartimentului frigiderului și congelatorului are loc automat, nefiind necesară intervenția manuală.

Înlocuirea becului LED

AVERTIZARE!

Nu înlocuiți becul LED de unul singur. Acesta trebuie înlocuit de producător sau de un agent de service autorizat.

Becul are un LED ca sursă de lumină a acestuia au un consum redus de energie și o durată mare de viață. În cazul în care există anormalități, contactați serviciul pentru clienți. Consultați secțiunea **SERVICIU PENTRU CLIEŢI**.



Sursă de lumină (numai cu LED) care poate fi înlocuită de către un profesionist.

Acest produs conține o sursă de lumină cu clasa de eficiență energetică G.

Compartiment	Tensiune	Clasa de eficiență energetică	Model
Frigider	12V	G	HFKR5718DNGB

Neutilizare pentru o perioadă lungă de timp

Dacă aparatul nu este utilizat pe o perioadă extinsă de timp și nu veți folosi funcția Holiday pentru frigider:

- ▶ Scoateți alimentele.
- ▶ Deconectați cablul de alimentare.
- ▶ Curățați aparatul conform descrierii de mai sus.
- ▶ Țineți ușile congelatorului deschise pentru a preveni apariția mirosurilor neplăcute în interior.

OBSERVAȚIE

Oprți aparatul numai dacă este strict necesar.

Mutarea aparatului

1. Scoateți toate alimentele și deconectați aparatul.
2. Securizați rafturile și restul părților mobile din frigider și congelator cu bandă adezivă.
3. Nu înclinați frigiderul la mai mult de 45°, pentru a evita deteriorarea sistemului frigorific.

AVERTIZARE!

- ▶ Nu ridicați aparatul de mână.
- ▶ Nu poziționați niciodată aparatul orizontal pe sol.

Multe probleme care pot apărea pot fi rezolvate de dvs., fără a fi necesare cunoștințe specifice. În cazul unei probleme verificați toate posibilitățile afișate și urmați instrucțiunile de mai jos înainte de a apela la un serviciu post-vânzare. Consultați secțiunea SERVICIU PENTRU CLIEȚI.



AVERTIZARE!

- ▶ Înainte de întreținere, dezactivați aparatul și deconectați ștecărul de la rețeaua de alimentare.
- ▶ Echipamentele electrice trebuie depanate numai de către specialiști calificați în domeniul electric, deoarece reparațiile necorespunzătoare pot provoca daune indirecte considerabile.
- ▶ Un articol furnizat deteriorat trebuie înlocuit numai de către producător, agentul său de service sau persoane calificate similare, pentru a evita orice pericol.

Problemă	Cauză posibilă	Soluție posibilă
Compresorul nu funcționează.	<ul style="list-style-type: none"> • Ștecărul de alimentare nu este conectat la priza de alimentare. • Aparatul este în ciclul de decongelare 	<ul style="list-style-type: none"> • Conectați ștecărul de alimentare. • Acest lucru este normal în cazul unei decongelări automate.
Aparatul pornește frecvent sau pentru o perioadă prea mare de timp.	<ul style="list-style-type: none"> • Temperatura interioară sau exterioară este prea ridicată. • Aparatul a fost deconectat de la energia electrică pentru o perioadă de timp. • O ușă a aparatului nu este închisă etanș. • Ușa a fost deschisă prea des sau pentru o perioadă prea lungă de timp. • Setarea temperaturii pentru compartimentul congelatorului este prea joasă. • Garnitura ușii este murdară, uzată, crăpată sau așezată incorect. • Circulația necesară a aerului nu este garantată. 	<ul style="list-style-type: none"> • În acest caz. Este normal ca aparatul să funcționeze mai mult. • În mod normal, durează între 8 și 12 ore ca aparatul să se răcească complet. • Închideți ușa/serarul și asigurați-vă că aparatul este amplasat pe o suprafață dreaptă și că nu există vreun aliment sau recipient care să deranjeze ușa. • Nu deschideți ușa/serarul prea des. • Setati temperatura la o valoare mai ridicată până când este obținută o temperatură satisfăcătoare a frigiderului. Durează 24 de ore ca temperatura frigiderului să se stabilizeze. • Curățați garnitura ușii/serarului sau înlocuiți-o prin serviciul pentru clienți. • Asigurați o ventilație adecvată.

Problemă	Cauză posibilă	Soluție posibilă
Interiorul frigiderului este murdar și/sau miroase.	<ul style="list-style-type: none"> Interiorul frigiderului necesită curățare. Sunt depozitate alimente cu miros puternic în frigider. 	<ul style="list-style-type: none"> Curățați interiorul frigiderului. Ambalați bine alimentele.
În interiorul aparatului nu este suficient de rece.	<ul style="list-style-type: none"> Temperatura setată este prea ridicată. Au fost depozitate alimente prea calde. Au fost depozitate prea multe alimente în același timp. Produsele sunt prea apropiate între ele. O ușă/un sertar al aparatului nu este închis(ă) etanș. Ușa/sertarul a fost deschis prea des sau pentru o perioadă prea mare de timp. 	<ul style="list-style-type: none"> Resetați temperatura. Răciți întotdeauna produsele înainte de a le depozita. Depozitați întotdeauna cantități mici de alimente. Lăsați un spațiu liber între mai multe alimente pentru a permite trecerea aerului. Închideți ușa/sertarul. Nu deschideți ușa/sertarul prea des.
În interiorul aparatului este prea rece.	<ul style="list-style-type: none"> Temperatura setată este prea joasă. Funcția Super Frz/Super Cool este activată sau funcționează de prea mult timp. 	<ul style="list-style-type: none"> Resetați temperatura. Opriiți funcția Super Frz/Super Cool
Se formează umezeală în interiorul compartimentului frigiderului.	<ul style="list-style-type: none"> Climatul este prea călduros și prea umed. O ușă/un sertar al aparatului nu este închis(ă) etanș. Ușa/sertarul a fost deschis prea des sau pentru o perioadă prea mare de timp. Recipientele cu alimente sau lichide sunt lăsate deschise. 	<ul style="list-style-type: none"> Creșteți temperatura. Închideți ușa/sertarul. Nu deschideți ușa/sertarul prea des. Lăsați alimentele fierbinți să se răcească la temperatura camerei și acoperiți alimentele și lichidele.
Umezeala se acumulează pe suprafața exterioră a frigiderului sau între uși/ușă și sertar.	<ul style="list-style-type: none"> Climatul este prea călduros și prea umed. Ușa nu este închisă etanș. Aerul rece din aparat și aerul cald din exterior formează condens. 	<ul style="list-style-type: none"> Acest lucru este normal într-un climat umed și se va modifica atunci când umiditatea va scădea. Asigurați-vă că ușa/sertarul este închis(ă) etanș.

Problemă	Cauză posibilă	Soluție posibilă
Gheață solidă în compartimentul congelatorului.	<ul style="list-style-type: none"> • Produsele nu au fost ambalate corespunzător. • O ușă/un sertar al aparatului nu este închis(ă) etanș. • Ușa/sertarul a fost deschis prea des sau pentru o perioadă prea mare de timp. • Garnitura ușii/sertarului este murdară, uzată, crăpată sau așezată incorect. • Ceva din interior împiedică închiderea corespunzătoare a ușii/sertarului. 	<ul style="list-style-type: none"> • Ambalați întotdeauna bine produsele. • Închideți ușa/sertarul. • Nu deschideți ușa/sertarul prea des. • Curățați garnitura ușii/sertarului sau înlocuiți-o cu una nouă. • Repoziționați rafturile, rafturile de ușă sau recipientele interne pentru a permite închiderea ușii/sertarului.
Lateralele dulapului și garnitura ușii se încălzesc.	<ul style="list-style-type: none"> • - 	<ul style="list-style-type: none"> • Acest lucru este normal.
Aparatul emite sunete anormale.	<ul style="list-style-type: none"> • Aparatul nu se află pe o suprafață dreaptă. • Aparatul atinge unele obiecte din jur. 	<ul style="list-style-type: none"> • Reglați suportul pentru a aduce aparatul la același nivel. • Îndepărtați obiectele din jurul aparatului.
Se aude un sunet similar cu cel al apei care curge.	<ul style="list-style-type: none"> • - 	<ul style="list-style-type: none"> • Acest lucru este normal.
Veți auzi o alarmă sonoră.	<ul style="list-style-type: none"> • Ușa compartimentului de depozitare al frigiderului este deschisă. 	<ul style="list-style-type: none"> • Închideți ușa.
Veți auzi un zumzet slab.	<ul style="list-style-type: none"> • Sistemul anti-condens este în funcțiune 	<ul style="list-style-type: none"> • Acesta împiedică formarea condensului și este normal
Iluminarea interioară sau sistemul de răcire nu funcționează.	<ul style="list-style-type: none"> • Ștecărul de alimentare nu este conectat la priza de alimentare. • Sursa de alimentare nu este intactă. • Becul cu LED este defect. 	<ul style="list-style-type: none"> • Conectați ștecărul de alimentare. • Verificați sursa de alimentare cu energie electrică din cameră. Contactați compania locală de electricitate! • Contactați serviciul de depanare pentru înlocuirea becului.

Pentru contactarea asistenței tehnice, vizitați site-ul nostru web:
<https://corporate.haier-europe.com/en/>

La secțiunea „website” alegeți marca produsului dvs. și țara dvs. Veți fi redirecționat către website-ul specific unde puteți găsi numărul de telefon și formularul de contactare a asistenței tehnice.

Pană de curent

În cazul unei pene de curent, alimentele ar trebui să rămână reci timp de aproximativ 5 ore. Urmați aceste sfaturi în cazul unei pene de curent prelungite, în special pe timpul verii:

- ▶ Deschideți ușa/sertarul de cât mai puține ori posibil.
- ▶ Nu puneți alimente adiționale în aparat în timpul unei pene de curent.
- ▶ În cazul în care știți că se va produce o pană de curent, iar durata acesteia va fi mai mare de 5 ore, faceți cuburi de gheață și puneți-le într-un recipient în partea de sus a compartimentului frigiderului.
- ▶ Imediat după întreruperea energiei electrice este necesară inspectarea produselor.
- ▶ Dat fiind faptul că temperatura din frigider va crește în timpul unei pene de curent sau în cazul altei defecțiuni, perioada de depozitare și calitatea alimentelor comestibile vor fi reduse. Alimentele care se decongelează trebuie consumate sau gătite și recongelate (unde este cazul) cât mai curând după aceea, pentru a preveni apariția riscurilor pentru sănătate.

Funcția de memorare în timpul penei de curent

După restabilirea alimentării cu energie electrică, aparatul continuă să funcționeze cu setările stabilite înaintea penei de curent.

Despachetare



AVERTIZARE!

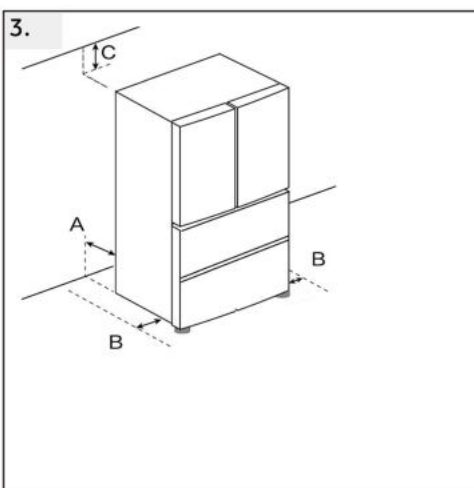
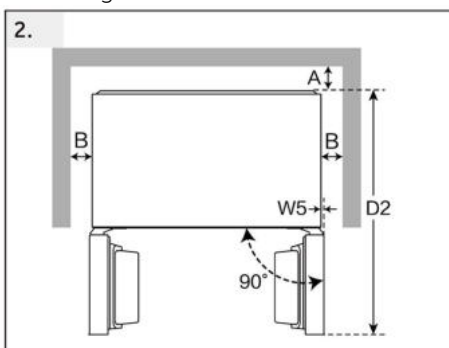
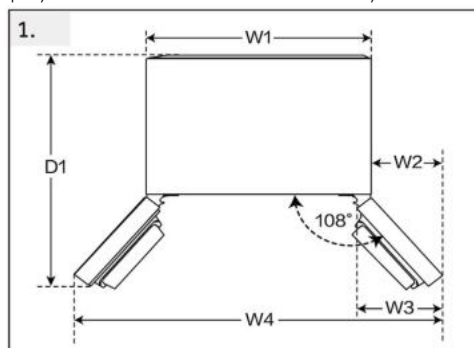
- ▶ Aparatul este greu. Manevrați-l întotdeauna cu cel puțin două persoane.
- ▶ Țineți toate materialele de ambalare la distanță de copii și eliminați-le într-un mod ecologic.
- ▶ Scoateți aparatul din ambalaj.
- ▶ Îndepărtați toate materialele de ambalare.

Condiții ambientale

Temperatura camerei trebuie să fie cuprinsă întotdeauna între 10 °C și 43 °C, deoarece poate influența temperatura din interiorul aparatului și consumul de energie al acestuia. Nu instalați aparatul în apropierea altor aparate care emit căldură (cuptoare, frigider) fără izolare.

Recomandare în ceea ce privește spațiul

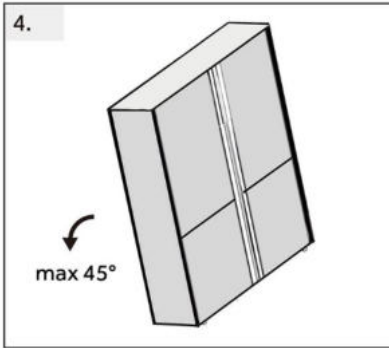
Spațiul recomandat atunci când ușa este deschisă (Fig. 1.2.)



(Unitate: mm)		HFKR5718DNGB
Lățime	W1	700
	W2	115
	W3	368
	W4	930
	W5	0
	W	700
	D1	910
	D2	918
	D	594
Distanța până la peretele din spate	A	6
Distanța față de pereții laterali	B	4
Distanța până la tavan	C	9
Înălțime totală	H	1850

Secțiune transversală ventilare

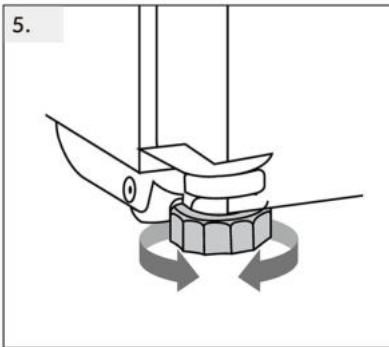
Pentru a obține o ventilare suficientă a aparatului din motive de siguranță, trebuie respectate informațiile legate de secțiunile transversale ale ventilării necesare.



Alinierea aparatului (Fig.4.5.6.)

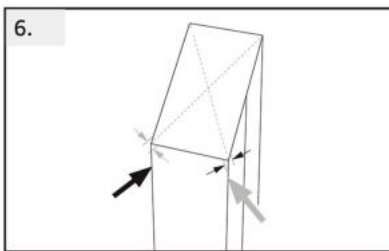
Aparatul trebuie amplasat pe o suprafață dreaptă și solidă.

4. Înclinați frigiderul ușor înapoi.



5. Reglați picioarele la nivelul dorit.

Asigurați-vă că distanța până la peretele de pe partea balamalei este de cel puțin 100 mm pentru ca ușa să se deschidă corect.

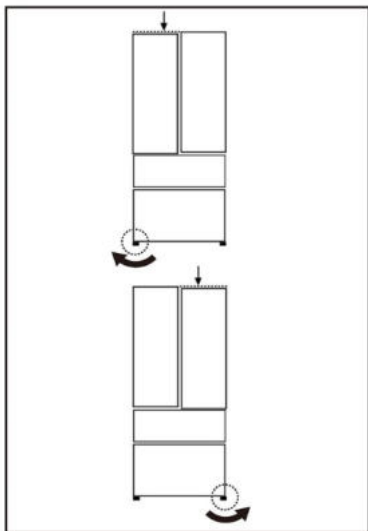


6. Stabilitatea poate fi verificată împingând alternativ pe diagonală. Balansarea ușoară trebuie să fie aceeași în ambele direcții. În caz contrar, cadrul se poate încovoia; drept rezultat, pot apărea pierderi pe la garniturile ușii. Înclinarea ușoară spre spate favorizează închiderea ușilor.



OBSERVAȚIE

Aparat de sine stătător: acest aparat frigorific nu este destinat utilizării ca aparat încorporabil

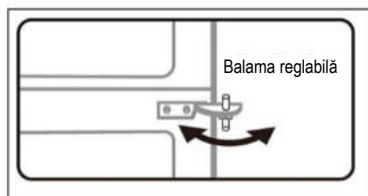


Reglarea fină a ușilor

Dacă ușile nu sunt la același nivel, această nepotrivire poate fi remediată prin următoarele metode:

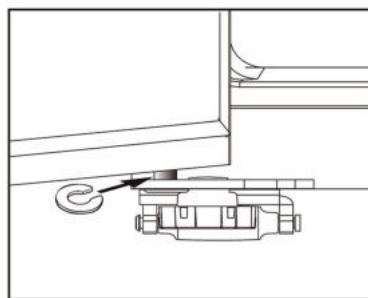
Utilizarea piciorului de reglare

Rotiți piciorul de reglare conform direcției săgeții pentru a ridica sau coborî piciorul



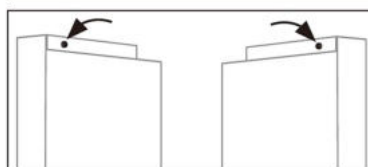
Reglarea poziției ușii

- ▶ Când cele două uși nu sunt la aceeași înălțime; balamalele reglabile pot fi reglate fin cu ajutorul cheii însoțitoare pentru a alinia cele două uși. Vă rugăm să nu instalați brutal pentru a preveni zgârieturi sau lovituri pe garnitura ușii.



Utilizarea distanțierelor

- ▶ Deschideți ușa congelatorului și ridicați-o.
- ▶ Fixați cu atenție distanțierul (inclus în punga cu accesorii) în axul balamalei inferioare, cu mâna sau folosind unelte precum un clește. Nu zgâriați sau loviți ușa.



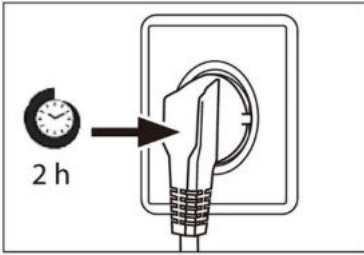
Utilizarea butonului de reglare

- ▶ Dacă ușa compartimentului frigiderului nu este la nivel, puteți roti butonul reglabil din partea superioară a ușii pentru a efectua reglaje fine.



OBSERVAȚIE

În timpul utilizării viitoare a frigiderului, fenomenul de nealiniere a ușilor poate apărea ca urmare a greutății alimentelor depozitate. În acest caz, ajustați în consecință prin metodele de mai sus.



Timpul de așteptare

Uleiul de ungere fără întreținere este amplasat în capsula compresorului. Uleiul respectiv poate trece prin sistemul cu țevi închis în timpul transportării înclinat. Înainte de conectarea aparatului la sursa de alimentare, trebuie să așteptați cel puțin 2 ore pentru ca uleiul să curgă înapoi în capsulă.

Conexiunea electrică

Înainte de fiecare conexiune verificați dacă:

- ▶ sursa de alimentare, priza și siguranța sunt conforme cu plăcuța cu date tehnice.
- ▶ priza de alimentare este legată la împământare și nu este de tip prize multiple sau prelungitor.
- ▶ ștecărul și priza de alimentare sunt strict conforme.


Conectați ștecărul la o priză de la domiciliu instalată corespunzător.



AVERTIZARE!

Pentru evitarea riscurilor, cablul de alimentare deteriorat trebuie înlocuit prin serviciul pentru clienți (consultați fișa de garanție).

Fișa de produs conform reglementării UE nr. 2019/2016

Marca	Haier
Numele/identificatorul modelului	HFKR5718DNGB
Categoria modelului	Combină frigorifică
Clasa de eficiență energetică	D
Consumul anual de energie (kWh/an)(1)	226
Volumul total (l)	402
Volum frigider (l)	227
Volum congelator (l)	147
Volum răcitor (l)	28
Clasificarea prin stele	
Sistem fără îngheț	Da
Capacitatea de congelare (kg/24 h)	10,0
Evaluare temperatură (2)	SN-N-ST-T
Clasa de emisii sonore și emisii de zgomote acustice aeropurtate (db(A) re 1pW)	B (35)
Timpul necesar creșterii temperaturii (h)	8
Tipul aparatului	de sine stătător

Explicații:

• Da, prezentate

- (1) Pe baza rezultatelor testului de conformitate cu standardele, cu o durată de peste 24 de ore. Consumul real depinde de utilizarea și locația aparatului.
- (2) Evaluare temperatură SN: Acest aparat este destinat utilizării la o temperatură ambientală cuprinsă între + 10 °C și +32 °C

Evaluare temperatură N: Acest aparat este destinat utilizării la o temperatură ambientală cuprinsă între + 16 °C și +32 °C

Evaluare temperatură ST: Acest aparat este destinat utilizării la o temperatură ambientală cuprinsă între + 16 °C și +38 °C

Evaluare temperatură T: Acest aparat este destinat utilizării la o temperatură ambientală cuprinsă între + 16 °C și +43 °C

Date tehnice suplimentare

Tensiune/Frecvență	220-240V ~ / 50Hz
Curentul de intrare (A)	1,8
Siguranța principală (A)	15
Răcire	R600a
Dimensiuni (Î/L/A în mm)	1850/700/594

Vă recomandăm să apelați la serviciul pentru clienți Haier și să utilizați piese de schimb originale.

Dacă aveți o problemă cu aparatul, consultați mai întâi secțiunea DEPANARE.

Dacă nu găsiți nicio soluție acolo, contactați

distribuitorul local sau

Centrul nostru european de servicii telefonice (vedeți numerele de telefon enumerate mai jos) sau

zona Service și Asistență pe www.haier.com, unde puteți activa cererea de service și găsi, de asemenea, întrebări frecvente.

Pentru contactarea serviciului nostru, asigurați-vă că aveți următoarele date. Informațiile pot fi găsite pe plăcuța cu date tehnice.

Model _____

Nr. serie _____

De asemenea, verificați și fișa de garanție furnizată cu produsul, în cazul garanției.

Centrul european de servicii telefonice		
Țara*	Număr de telefon	Costuri
Haier Italy (IT)	199 100 912	
Haier Spain (ES)	902 509 123	
Haier Germany (DE)	0180 5 39 39 99	<ul style="list-style-type: none"> • 14 Ct/min de pe telefon fix • max 42 Ct/Min de pe mobil
Haier Austria (AT)	0820 001 205	<ul style="list-style-type: none"> • 14,53 Ct/min de pe telefon fix • max 20 Ct/Min de pe toate celelalte
Haier United Kingdom (UK)	0333 003 8122	
Haier France (FR)	0980 406 409	

* Pentru alte țări, consultați www.haier.com

Haier Europe Trading S.r.l

Filiala Marea Britanie

Westgate House, Westgate, Ealing

Londra, W5 1YY

*Durata garanției aparatului frigorific:

Garanția minimă este de: 2 ani pentru țările din UE, 3 ani pentru Turcia, 1 an pentru Marea Britanie, 1 an pentru Rusia, 3 ani pentru Suedia, 2 ani pentru Serbia, 5 ani pentru Norvegia, 1 an pentru Maroc, 6 luni pentru Algeria, Tunisia nu necesită nicio garanție legală.

* Perioada de piese de schimb pentru repararea aparatului:

Termostatele, senzorii de temperatură, plăcile cu circuite imprimate și sursele de lumină sunt disponibile timp de o perioadă minimă de șapte ani de la punerea pe piață a ultimei unități a modelului.

Mânerele de uși, balamalele de uși, tăvile și coșurile, timp de o perioadă minimă de șapte ani, iar garniturile de uși timp de o perioadă minimă de 10 ani de la punerea pe piață a ultimei unități a modelului.

*Pentru mai multe informații despre produs, vă rugăm consultați

<https://eprel.ec.europe.eu/> sau scanați codul QR de pe eticheta energetică furnizată cu aparatul.

<u>437 Информация за безопасност</u>	•	<u>Преди първоначална употреба</u>	438
		<u>Монтаж</u>	438
		<u>Ежедневна употреба</u>	439
<u>442 Предназначение</u>	•		
<u>443 Описание на продукта</u>	•		
<u>444 Панел за управление</u>	•		
<u>445 Употреба</u>	•	<u>Заклучване/Отключване на панела</u>	445
		<u>„РЕЖИМ ЕСО“</u>	446
		<u>Регулиране на температурата на хладилника</u>	447
		<u>Регулиране на температурата на фризера</u>	447
		<u>Функция „Magic Zone“</u>	448
		<u>Функция „Super Cool“</u>	449
		<u>Функция „Super Frz“</u>	450
		<u>Функция „Holiday“</u>	450
<u>452 Оборудване</u>	•		
<u>455 Съвети за пестене на енергия</u>	•		
<u>456 Грижа и почистване</u>	•		
<u>458 Отстраняване на неизправности</u>	•		
<u>462 Монтаж</u>	•		
<u>465 Технически данни</u>	•		
<u>467 Обслужване на клиенти</u>	•		

Благодарим ви, че закупихте продукт на Haier.

Моля, прочетете внимателно тези инструкции, преди да използвате този уред. Инструкциите съдържат важна информация, която ще ви помогне да използвате уреда по възможно най-пълноценен начин и да се уверите, че той ще бъде монтиран, използван, и поддържан правилно и безопасно.

Съхранявайте това ръководство на удобно място, за да можете по всяко време да направите справка относно безопасното и правилно използване на уреда.

Ако продадете, подарите или оставите уреда в старото си жилище, когато се преместите, моля, предайте и това ръководство на новия собственик, за да може той да се запознае с уреда и с предупрежденията за безопасност.

Принадлежности

Проверете дали принадлежностите и книжните материали са в съответствие с този списък:



Енергиен етикет



Гаранционна карта



Ръководство за
потребителя;
Стикер „ОК“



Ръководство за
бърза справка



ПРЕДУПРЕЖДЕНИЕ – Важна информация за безопасност



ЗАБЕЛЕЖКА – Обща информация и съвети



Информация за околната среда

Обезвреждане



Помогнете за опазването на околната среда и човешкото здраве. Поставете опаковъчните материали в подходящите контейнери, за да бъдат рециклирани. Помогнете за рециклирането на отпадъци от електрически и електронни уреди. Уреди, обозначени с този символ, не бива да бъдат изхвърляни заедно с битовите отпадъци. Върнете продукта в местното съоръжение за рециклиране или се свържете с общинската служба.



ПРЕДУПРЕЖДЕНИЕ!

Опасност от нараняване или задушаване!

Хладилните агенти и газовете трябва да се обезвреждат по професионален начин. Уверете, че тръбите на охладителната верига не са повредени, преди да ги изхвърлите по подходящ начин. Изключете уреда от захранването. Отрежете захранващия кабел и го изхвърлете. Отстранете тавите и чекмеджетата, както и уплътненията на вратата и механизма за затварянето ѝ, за да предотвратите затварянето на деца и домашни любимци в уреда.

Преди да включите уреда за първи път, прочетете следните съвети за безопасност!:



ПРЕДУПРЕЖДЕНИЕ!

Преди първоначална употреба

- ▶ Уверете се, че няма транспортни повреди.
- ▶ Отстранете всички опаковъчни материали и ги оставете на място, недостъпно за деца.
- ▶ Изчакайте поне два часа, преди да монтирате уреда, за да сте сигурни, че охладителната верига е напълно ефективна.
- ▶ За преместването на уреда са нужни поне двама души, защото е тежък.

Монтаж

- ▶ Уредът трябва да бъде поставен на място с добра вентилация. Осигурете пространство от най-малко 10 см над уреда и около уреда.
- ▶ Никога не поставяйте уреда на влажно място или на място, където има опасност да бъде напръскан с вода. Петна и пръски вода трябва да се почистват и подсушават с чиста мека кърпа.
- ▶ Не поставяйте уреда на пряка слънчева светлина или в близост до източници на топлина (напр. печки, нагреватели).
- ▶ Монтирайте и подравнете уреда на място, подходящо за неговия размер и употреба.
- ▶ Не запречвайте вентилационните отвори на уреда или на вградената конструкция.
- ▶ Уверете се, че електрическата информация на табелката с данни съответства на захранването. Ако не съответства, обърнете се към електротехник.
- ▶ Уредът работи при захранване 220 – 240 VAC/50 Hz. Необичайни колебания в електрическото напрежение могат да доведат до неуспешно стартиране на уреда, да повредят системата за управление на температурата или компресора или да причинят необичаен шум при работа. В такъв случай трябва да се монтира автоматичен регулатор.
- ▶ Не използвайте разклонители и удължители.
- ▶ Не разполагайте преносими разклонители или преносими източници на захранване в задната част на уреда.
- ▶ Уверете се, че захранващият кабел не е заклещен под хладилника. Не стъпвайте върху захранващия кабел.



ПРЕДУПРЕЖДЕНИЕ!

- ▶ Използвайте отделен заземен контакт за захранването, който е леснодостъпен. Уредът трябва да бъде заземен.
- ▶ Само за Обединеното кралство: Захранващият кабел на уреда е снабден с троен (заземяващ) щепсел, който отговаря на стандартен троен (заземен) контакт. В никакъв случай не режете и не демонтирайте третия (заземяващ) щифт. След монтирането на уреда до щепсела трябва да има достъп.
- ▶ Не причинявайте повреди на охладителната верига.

Ежедневна употреба

- ▶ Този уред може да се използва от деца над 8-годишна възраст и от лица с намалени физически, сетивни или умствени способности или липса на опит и познания, ако се наблюдават или са инструктирани за използването на уреда по безопасен начин и разбират свързаните с това опасности.
- ▶ Деца на възраст от 3 до 8 години могат да товарят и разтоварват, но не могат да почистват или монтират хладилни уреди.
Деца под 3-годишна възраст трябва да се пазят далеч от уреда, с изключение на случаите, когато са под постоянен надзор.
- ▶ Децата не бива да използват уреда за игра.
- ▶ Ако в близост до уреда изтича охладителен газ или друг запалим газ, изключете вентила на изтичащия газ, отворете вратите и прозорците и не включвайте и не изключвайте захранващите кабели на хладилника или на друг уред.
- ▶ Обърнете внимание, че уредът е настроен за работа в определен диапазон на температурата на околната среда между 10 и 43°C. Уредът може да не работи правилно, ако бъде оставен за дълъг период при температура над или под посочения диапазон.
- ▶ Не поставяйте нестабилни предмети (тежки предмети, съдове, пълни с вода) върху хладилника, за да избегнете нараняване, причинено от падане или токов удар при контакт с вода.
- ▶ Не дърпайте рафтовете на вратата. Вратата може да бъде издърпана под наклон, поставката за бутилка може да бъде изтеглена или уредът може да се събори.
- ▶ Отваряйте и затваряйте вратите само посредством дръжките. Пролуката между вратите и между вратите и шкафа е много тясна. Не поставяйте ръцете си в тези зони, за да избегнете прищипване на пръстите. Отваряйте или затваряйте вратите на хладилника само когато в обсега на движението на вратата няма деца.



ПРЕДУПРЕЖДЕНИЕ!

- ▶ Не съхранявайте и не използвайте запалими, експлозивни или корозивни материали в уреда или в близост до него.
- ▶ Не съхранявайте лекарства, бактерии или химически агенти в уреда. Това е домакински уред. Не се препоръчва да съхранявате материали, които изискват строги температури.
- ▶ Никога във фризера не съхранявайте течности в бутилки или консерви (освен високоалкохолни спиртни напитки), особено газирани напитки, тъй като те ще се спукат по време на замразяването.
- ▶ Проверете състоянието на храната, ако във фризера е настъпило затопляне.
- ▶ Не задавайте излишно ниска температура в хладилното отделение. При високи настройки могат да възникнат минусови температури. Внимание: Бутилките могат да се пръснат
- ▶ Не докосвайте замразени продукти с мокри ръце (носете ръкавици). В никакъв случай не яжте ледени близалки веднага след изваждането им от фризерното отделение. Съществува риск от измръзване или образуване на мехури. ПЪРВА помощ: незабавно поставете под течаща студена вода. Не дърпайте!
- ▶ Не докосвайте вътрешната повърхност на отделението за съхранение на фризера, когато уредът работи, особено с мокри ръце, тъй като ръцете ви могат да замръзнат върху повърхността.
- ▶ Изключете уреда от електрическата мрежа в случай на прекъсване на захранването или преди почистване. Изчакайте поне 7 минути, преди да включите отново уреда, тъй като честото стартиране може да повреди компресора.
- ▶ Не използвайте електрически уреди в отделенията за съхранение на храна на уреда, освен ако не са от вид, препоръчан от производителя. Поддръжка/почистване
- ▶ Ако почистване и поддръжка се извършва от деца, уверете се, че те са под надзор.
- ▶ Изключете уреда от електрическото захранване, преди да предприемете каквато и да е рутинна поддръжка. Изчакайте поне 7 минути, преди да включите отново уреда, тъй като честото стартиране може да повреди компресора.



ПРЕДУПРЕЖДЕНИЕ!

- ▶ При изключване на уреда хващайте щепсела, а не кабела.
- ▶ Не почиствайте уреда с твърди четки, телени четки, прахообразни препарати, бензин, амилацетат, ацетон или подобни органични разтвори, киселинни или алкални разтвори. Моля, почиствайте със специален препарат за хладилник, за да избегнете повреди.
- ▶ Не стържете скреж и лед с остри предмети. Не използвайте спрейове, електрически нагреватели като сешоари, парочистачки или други източници на топлина, за да се избегне повреда на пластмасовите части.
- ▶ Не използвайте механични устройства или други средства за ускоряване процеса на размразяване, различни от препоръчаните от производителя.
- ▶ Ако хранващият кабел се повреди, той трябва да бъде заменен от производителя, негов обслужващ представител или лице с подобна квалификация, за да се избегне потенциална опасност.
- ▶ Не се опитвайте сами да ремонтирате, разглобявате или модифицирате уреда. При необходимост от ремонт се свържете с нашия отдел за обслужване на клиенти.
- ▶ Отстранявайте прахта по гърба на уреда поне веднъж годишно, за да се избегне пожар, както и повишен разход на енергия.
- ▶ Не пръскайте и не плискайте уреда по време на почистване.
- ▶ Не използвайте водна струя или пара за почистване на уреда.
- ▶ Не почиствайте студените стъклени рафтове с гореща вода. Рязката промяна в температурата може да причини напукване на стъклото.

Информация за хладилния газ



ПРЕДУПРЕЖДЕНИЕ!

Уредът съдържа запалим хладилен агент ISOBUTANE (R600a). Уверете се, че охладителната верига не е била повредена по време на транспортирането или монтажа. Течът на хладилен агент може да причини нараняване на очите или възпламеняване. При възникване на повреда се пазете от открити източниците на огън, проветрете добре помещението, не включвайте и не изключвайте хранващите кабели на уреда или на друг уред. Информирайте центъра за обслужване на клиенти.

В случай че хладилен агент попадне в очите, изплакнете веднага с течаща вода и незабавно се свържете с офталмолог.

Предназначение

Този уред е предназначен за охлаждане и замразяване на храни. Този уред е предназначен единствено за употреба в домакинството и в други подобни пространства, като кухненски помещения за персонал в магазини, офиси и други работни пространства, земеделски стопанства и за клиенти в хотели, мотели и други помещения за настаняване, като полупансион и фирми за кетъринг. Не е предназначен за търговска или промишлена употреба.

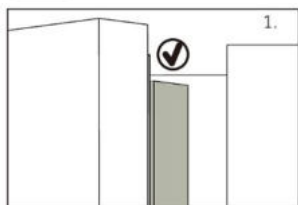
Не е разрешено извършването на промени или модификации на устройството. Използването не по предназначение може да доведе до опасности и загуба на гаранционно покритие.

Стандарти и директиви

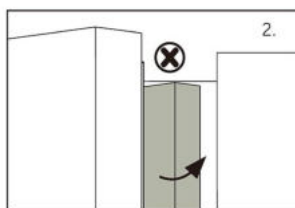
Този продукт отговаря на изискванията на всички приложими директиви на ЕО със съответстващите хармонизирани стандарти и стандарти на Обединеното кралство, които предвиждат маркировка CE и UKCA.



ВНИМАНИЕ!



Когато затваряте вратата, вертикалната лента на лявата врата трябва да бъде сгъната навътре (1).

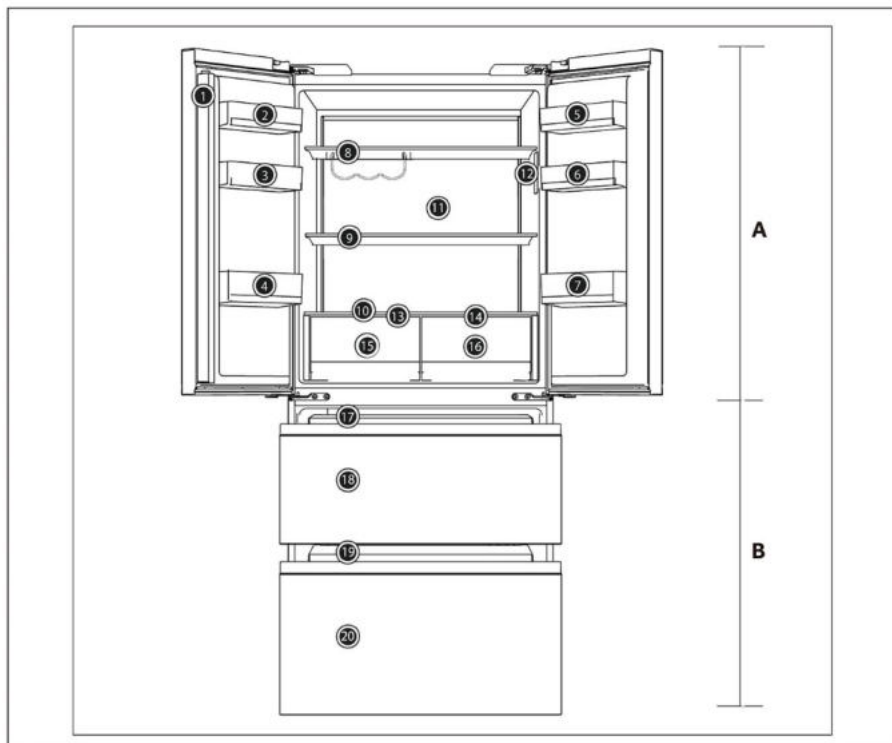


Ако се опитате да затворите лявата врата и вертикалната лента не е сгъната (2), първо трябва да я сгънете, в противен случай тя ще удари фиксиращия вал или дясната врата. Това ще повреди уплътнението на вратата или ще причини теч.

В рамката има нагревателна тръба. Температурата на повърхността ще се повиши малко, което е нормално и няма да повлияе на работата на уреда.

i ЗАБЕЛЕЖКА

Поради технически промени и наличие на различни модели, някои от илюстрациите в това ръководство може да се различават от вашия модел.



A: Хладилно отделение

- 1 Лента на вратата
- 2 Поставка за бутилки (горе вляво)
- 3 Поставка за бутилки (в средата вляво)
- 4 Поставка за бутилки (долу вляво)
- 5 Поставка за бутилки (горе вдясно)
- 6 Държач за бутылка (в средата вдясно)
- 7 Поставка за бутилки (долу вдясно)
- 8 Стъклен рафт
- 9 Стъклен рафт
- 10 Капак за чекмедже рафт
- 11 Задна лампа
- 12 Панел на дисплея
- 13 Капак за чекмедже „Activefresh“

14 Капак за чекмедже „Magic“

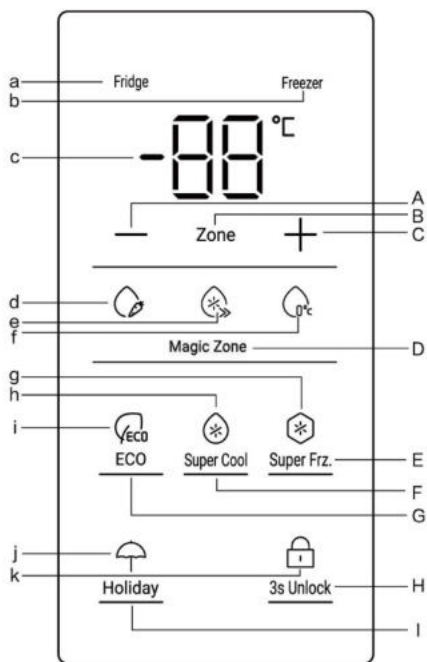
15 Чекмедже „Activefresh“

16 Чекмедже „Magic“

B: Фризерно отделение

- 17 Плъзгаща се тава
- 18 Горно чекмедже на фризера
- 19 Плъзгаща се тава
- 20 Долно чекмедже на фризера

Контролен панел



Бутони:

- A Бутон за намаляване на температурата
- B Превключване на температурния режим на хладилника и фризера
- C Бутон за повишаване на температурата
- D Превключване в режим Magic zone
- E Селектор за функция „Super Frz.“
- F Селектор за функция „Super Cool“
- G Селектор за функция „ECO“
- H Заклучване/отключване на панела на дисплея
- I Селектор на функция „Holiday“

Индикатори:

- a Индикатор за хладилника
- b Индикатор за фризера
- c Температура на хладилното и на фризерното отделение
- d Функция „Fruit&Veg.“
- e Функция „Cool Drink“
- f Функция „0°C Fresh“
- g Функция „Super Frz.“
- h Функция „Super Cool“
- i Функция „ECO“
- j Функция „Holiday“
- k Функция за заключване/отключване на панела на дисплея

Преди първоначална употреба

- ▶ Отстранете всички опаковъчни материали, дръжте ги далеч от деца, и ги изхвърлете по природосъобразен начин.
- ▶ Почистете вътрешните и външните повърхности на уреда с вода и мек почистващ препарат, преди да поставите храна в него.
- ▶ След като уредът е бил подравнен и почистен, изчакайте поне 2 – 5 часа, преди да го свържете към захранването. Вижте раздел „МОНТАЖ“.
- ▶ Преди да заредите с храна, предварително охладете отделенията при високи настройки. Функцията „Super Frz.“ помага за бързото охлаждане на отделенията.
- ▶ Температурата на хладилника и на фризера се задава автоматично съответно на 5°C и на -18°C. Това са препоръчителните настройки. По желание може да промените тези температури ръчно. Моля, вижте РЕЖИМ ЗА РЪЧНА НАСТРОЙКА.

Сензорни бутони

Бутоните на панела за управление са сензорни и реагират при леко докосване с пръст.

Включване/Изключване на уреда

Уредът започва да работи веднага щом бъде свързан към захранването. Когато хладилникът бъде включен за първи път, индикаторът „С“ (Дисплей за температурата) светва. Температурата на хладилника и на фризера се задава автоматично съответно на 5°C и на -18°C. Индикаторът „е“ (Fruit&Veg.) светва. Панелът на дисплея веднага ще се изключи след затваряне на вратата



ЗАБЕЛЕЖКА

1. Уредът е предварително настроен на препоръчителната температура от 5°C (хладилник) и -18°C (фризер). При нормални условия на околната среда не е необходимо да задавате температура.
2. Предварително зададената функция за чекмеджето „My Zone“ е „Fruit&Veg“.
3. Когато уредът бъде включен след прекъсване на захранването, може да са необходими до 12 часа, за да бъдат достигнати правилните температури.

Изпразнете уреда, преди да го изключите. За да изключите уреда, извадете захранващия кабел от контакта.

Заклучване/Отключване на панела

Автоматично заключване: След като вратата на хладилника и вратата на фризера са били затворени, екранът на дисплея автоматично се изключва и заключва.

Ръчно отключване: Когато екранът на дисплея е заключен, натиснете бутона „Н“ (3s Unlock) и задръжте за 3 секунди. Ще прозвучи сигнал, индикаторът „к“ (Заклучване на панела) ще угасне и дисплеят ще бъде отключен.



Ръчно заключване: Когато екранът на дисплея е отключен, натиснете бутона „L“ (3s Unlock) и задръжте за 3 секунди. Ще прозвучи сигнал, индикаторът „d“ (Заклучване на панела) ще светне и дисплеят ще бъде заключен.



ЗАБЕЛЕЖКА

Панелът на дисплея се заключва при всяко отваряне на вратата. Контролният панел трябва да бъде отключен за всички настройки.

Аларма при отворена врата

Когато една от вратите на хладилника е отворена за повече от 3 минути, ще се включи звуковата аларма за отваряне на вратата. Алармата спира при затваряне на вратата. Ако вратата остане отворена за повече от 7 минути, лампата вътре в хладилника и осветлението на контролния панел ще се изключат автоматично.

Изберете режима на работа

Възможно е да трябва да изберете един от следните два начина за настройване на уреда.

ЗАБЕЛЕЖКА: Влияния върху температурите

Температурите в уреда се влияят от следните фактори

1. Температура на околната среда.
2. Честота на отваряне на вратата.
3. Количество на съхраняваните храни.
4. Монтиране на уреда.

„РЕЖИМ ЕСО“

Ако нямате никакви специални изисквания, препоръчваме ви да използвате „Режим ЕСО“. В този режим уредът автоматично регулира настройката на температурата според температурата на околната среда и температурните промени в уреда.

1. Когато екранът на дисплея е отключен, натиснете бутона „G“ (Селектор за функция „ЕСО“), ще прозвучи сигнал, индикаторът „i“ (Функция „ЕСО“) ще светне и функцията „ЕСО“ ще бъде включена.
2. Когато индикаторът „i“ (Функция „ЕСО“) свети, натиснете бутона „G“ (Селектор за функция „ЕСО“). Ще прозвучи сигнал, индикаторът „i“ (Функция „ЕСО“) ще изгасне и функцията „ЕСО“ ще бъде изключена.



ЗАБЕЛЕЖКА

Докато функцията „ECO“ е активна, температурата на хладилника или на фризера не може да се регулира. Ако натиснете някой от бутоните „+“ или „-“, за да промените температурата на хладилника или на фризера, индикаторът „i“ (Функция „ECO“) ще замига и ще прозвучи сигнал, което означава, че тази операция не може да бъде извършена. При активна функция „ECO“, поради различните методи на управление, ако е зададена някоя от функциите „Super Cool“, „Super Frz.“ или „Holiday“, индикаторът „i“ (Функция „ECO“) ще изгасне. При активна функция „ECO“ функцията „Magic Zone“ може да се регулира ръчно според нуждите.

Регулиране на температурата на хладилника

Когато екранът на дисплея е отключен, натиснете бутона „B“ (Селектор за „Zone“), изберете „хладилник“, индикаторът „a“ (Индикатор за хладилника) светва и след това се включва режимът за настройка на температурата на хладилника.

Натиснете бутоните „+“ или „-“. При всяко натискане на някой от тях стойността на настройката за охлаждане се увеличава или намалява с 1. Температурата на хладилника се променя в следната последователност: „9°C <->8°C <->7°C <->6°C <->5°C <->4°C <->3°C <->2°C <->1°C“.

ЗАБЕЛЕЖКА

Ако не се извърши никаква манипулация в рамките на 5 секунди след задаване на температурата, системата автоматично ще запази зададената температура.

Регулиране на температурата на фризера

Когато екранът на дисплея е отключен, натиснете бутона „B“ (Селектор за „Zone“), изберете „фризер“, индикаторът „b“ (Индикатор за фризера) светва и след това се включва режимът за настройка на температурата на фризера. Натиснете бутоните „+“ или „-“. При всяко натискане на някой от тях стойността на настройката за охлаждане се увеличава или намалява с 1. Температурата на хладилника се променя в следната последователност: „-14°C <->-15°C <->-16°C <->-17°C <->-18°C <->-19°C <->-20°C <->-21°C <->-22°C <->-23°C <->-24°C“.

ЗАБЕЛЕЖКА

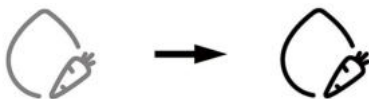
Ако не се извърши никаква манипулация в рамките на 5 секунди след задаване на температурата, системата автоматично ще запази зададената температура.

Функция „Magic Zone“

1. Функция „Fruit&Veg“:

Когато екранът на дисплея е отключен, натиснете бутона „D“ (Селектор за „Magic Zone“), за да включите функцията, иконата за „Fruit&Veg.“

Тази функция е подходяща за съхранение на пресни плодове и зеленчуци.



i ЗАБЕЛЕЖКА

Плодовете, чувствителни към студени температури като ананас, авокадо, банани, грейпфрути и зеленчуци като картофи, патладжани, боб, краставици, тиквички и домати, както и сирене, не трябва да се съхраняват в чекмеджето „Magic Zone“.

2. Функция „Cool Drink“

Когато екранът на дисплея е отключен, натиснете бутона „D“ (Селектор за „Magic Zone“), за да включите функцията. Иконата за „Cool Drink“ светва.

Тази функция позволява да се съхраняват продукти като вода, кола и сок.

Температурата в отделението „Magic Zone“ е настроена на +2°C.



3. Функция „0° Fresh“:

Когато екранът на дисплея е отключен, натиснете бутона „D“ (Селектор за „Magic Zone“), за да включите функцията. Иконата 0°C Fresh светва.

Тази функция настройва температурата в чекмеджето „Magic Zone“ на 0°C.

Подходяща е за съхранение на пресни храни като месо или риба. Повечето храни остават свежи при 0°C.



i ЗАБЕЛЕЖКА

Поради различното съдържание на вода в месото. Някои видове месо с повече влага ще бъдат замразени при температури, по-ниски от 0°C. Така че месото за „незабавно рязане“ трябва да се съхранява в чекмеджето „Magic Zone“ при температури мин. 0°C.

i ЗАБЕЛЕЖКА: Чекмедже „Magic Zone“

1. Трите функции „Magic Zone“ не могат да бъдат отворени едновременно, само една може да бъде осветена.
2. За да намалите температурата на хладилното отделение, използвайте функцията „Cool Drink“. За да я увеличите, използвайте функцията „Fruit&Veg.“.

Функция „Super Cool“

1. Когато екранът на дисплея е отключен, натиснете бутона „F“ (Селектор за функция „Super Cool“). Ще прозвучи сигнал, индикаторът „h“ (Функция „Super Cool“) ще светне и функцията „Super Cool“ ще бъде включена.
2. Когато индикаторът „i“ (Функция „Super Cool“) светне, натиснете бутона „F“ (Селектор за функция „Super Cool“). Ще прозвучи сигнал, индикаторът „h“ (Функция „Super Cool“) ще изгасне и функцията „Super Cool“ ще бъде изключена.
3. След като функцията „Super Cool“ бъде включена, хладилникът автоматично ще я изключи, когато изминат около 4 часа. Ако искате да я изключите ръчно, можете да го направите като натиснете бутона „G“ (Селектор за функция „Super Cool“).



i ЗАБЕЛЕЖКА

1. Докато функцията „Super Cool“ е включена, температурата на хладилника не може да бъде регулирана. Ако натиснете някой от бутоните „+“ или „-“, за да промените температурата на хладилника, индикаторът „h“ (Функция „Super Cool“) ще замига и ще прозвучи сигнал, което означава, че тази операция не може да бъде извършена.
2. Докато функцията „Super Cool“ е включена, режимите „ECO“ и „Holiday“ не могат да бъдат активирани, тъй като става въпрос за различни режими на управление. Когато изберете функция, която е в конфликт с друга функция, първоначалната функция ще бъде изключена автоматично.

Функция „Super Frz“

1. Когато екранът на дисплея е отключен, натиснете бутона „E“ (Селектор за функция „Super Freeze“). Ще прозвучи сигнал, индикаторът „g“ (Функция „Super Freeze“) ще светне и функцията „Super Freeze“ ще бъде включена.
2. Когато индикаторът „g“ (Функция „Super Freeze“) светне, натиснете бутона „E“ (Селектор за функция „Super Freeze“). Ще прозвучи сигнал, индикаторът „g“ (Функция „Super Freeze“) ще изгасне и функцията „Super Freeze“ ще бъде изключена.
3. След като функцията „Super Freeze“ бъде включена, хладилникът автоматично ще я изключи, когато изминат около 50 часа. Ако искате да я изключите ръчно, можете да го направите като натиснете бутона „E“ (Селектор за режима „Super Freeze“).



Super Frz.



Super Frz.



Super Frz.



ЗАБЕЛЕЖКА

1. Докато функцията „Super Freeze“ е включена, температурата на фризера не може да бъде регулирана. Ако натиснете някой от бутоните „+“ или „-“, за да промените температурата на хладилника, индикаторът „g“ (Функция „Super Freeze“) ще замига и ще прозвучи сигнал, което означава, че тази операция не може да бъде извършена.
2. Докато функцията „Super Freeze“ е включена, функцията „ECO“ не може да бъде активирана, тъй като става въпрос за различни режими на управление. Когато изберете функция, която е в конфликт с друга функция, първоначалната функция ще бъде изключена автоматично.
3. Функцията „Super Freeze“ е предназначена за замразяване на храни във възможно най-кратък период от време, с цел да се запази хранителната им стойност. Ако трябва да замразите големи количества храна наведнъж. Междувременно функцията „Super Freeze“ трябва да бъде включена 24 ч предварително, за да се понижи температурата във фризера, и храната да се постави вътре. По този начин се съкращава времето, необходимо за замразяване във фризера, храната може да бъде замразена бързо, нейната хранителна стойност се запазва и съхранението ѝ става много удобно.

Функция „Holiday“

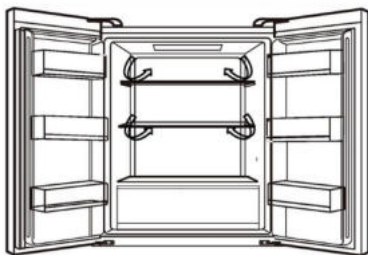
Функцията „Holiday“ е предназначена за случаи, когато хладилникът няма да се използва дълго време. Докато функцията „Holiday“ е включена, фризерът е под нормален контрол, а температурата на хладилника се задава автоматично на 17°C. Реалната температура не е по-висока от 17°C, което предотвратява образуването на специфична миризма, причинена от прекомерно високи температури, и същевременно спомага за намаляване консумацията на енергия.

1. Когато екранът на дисплея е отключен, натиснете бутона „I“ (Селектор за функция „Holiday“). Ще прозвучи сигнал, индикаторът „j“ (Функция „Holiday“) ще светне и функцията „Holiday“ ще бъде включена.
2. Когато индикаторът „k“ (Функция „Holiday“) свети, натиснете бутона „I“ (Селектор за функция „Holiday“). Ще прозвучи сигнал, индикаторът „j“ (Функция „Holiday“) ще изгасне и функцията „Holiday“ ще бъде изключена.



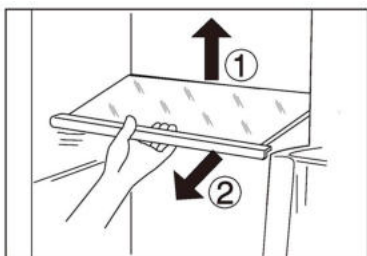
i ЗАБЕЛЕЖКА

1. Докато функцията „Holiday“ е включена, температурата на хладилника не може да бъде регулирана. Ако натиснете някой от бутоните „+“ или „-“, за да промените температурата на хладилника, индикаторът (Функция „Holiday“) ще замига и ще прозвучи сигнал, което означава, че тази операция не може да бъде извършена.
2. Преди да използвате функцията „Holiday“, моля, изпразнете хладилника, за да предотвратите развалянето на храната в него. Докато функцията „Holiday“ е активна, не могат да бъдат включени функциите за „ECO“ и „Super Cool“.
3. При активна функцията „Holiday“ настройката на иконите „Fruit&Veg“, „Cool Drink“, „0°Fresh“ в „Magic zone“ ще бъде изключена и функцията „Magic zone“ не може да се регулира. Хладилното отделение „Magic zone“ ще се покаже в предишната настройка, след като излезете от функцията „Holiday“.



Многоточков въздушен поток

1. Хладилникът е оборудван със система за многоточков въздушен поток, с който се студентите въздушни струи се позиционират на нивото на всеки рафт. Това помага за поддържането на постоянна температура, за да може храната Ви да остане свежа за по-дълго.



Регулируеми рафтове

1. Височината на рафтовете може да се регулира според вашите нужди за съхранение.
2. За да преместите рафт, първо го извадете, като повдигнете задния му ръб ① и го издърпате навън ②.
3. За да го поставите обратно, го сложете на релсите от двете страни и го избутайте до най-задното положение, докато задната част на рафта не се застопори в страничните отвори.

Чекмедже „Magic Zone“

В това отделение нивото на влажност е по-ниско от това в отделението на хладилника. Това чекмедже е подходящо за съхранение на сухи плодове и други сухи храни с ниско съдържание на вода като масло, мазнини и олио или шоколад.

MAGICZONE | 

Чекмедже ACTIVEFRESHZONE

В това отделение нивото на влажност е по-високо от това в отделението на хладилника. Управлява се автоматично от системата и е подходящо за съхранение на плодове, зеленчуци, салати и др.

ACTIVEFRESHZONE | 



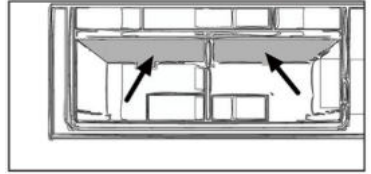
ЗАБЕЛЕЖКА:

Плодовете, чувствителни към студени температури като ананас, авокадо, банани, грейпфрути и зеленчуци като картофи, патладжани, боб, краставици, тиквички и домати, както и сирене, не трябва да се съхраняват в Fresh Box.



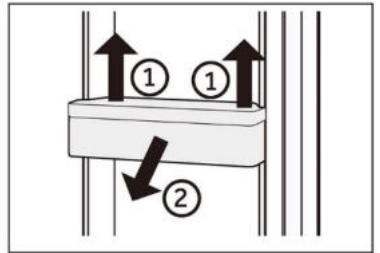
ЗАБЕЛЕЖКА

1. Не отстранявайте пластмасовите капаци, които се намират вътре в двете отделения.
2. Те поддържат влажността.
3. Плодовете, чувствителни към студени температури като ананас, авокадо, банани,
4. грейпфрути не трябва да се съхраняват в тези две чекмеджета.



Подвижни рафтове на вратата/Поставки за бутилки

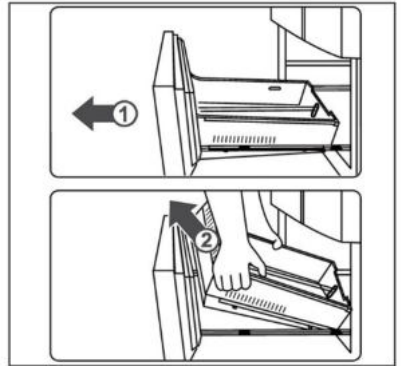
1. Рафтовете на вратата могат да се свалят за почистване
2. Хванете рафта с ръце от двете страни, повдигнете го нагоре ① и го извадете ②.
3. За да поставите рафта на вратата, следвайте горните стъпки в обратен ред.



Подвижно горно чекмедже на фризера

1. Издърпайте максимално горното чекмедже на фризера
2. Повдигнете чекмеджето, докато се отдели от опорния блок. натиснете го към фризера и го наклонете, за да го извадите.

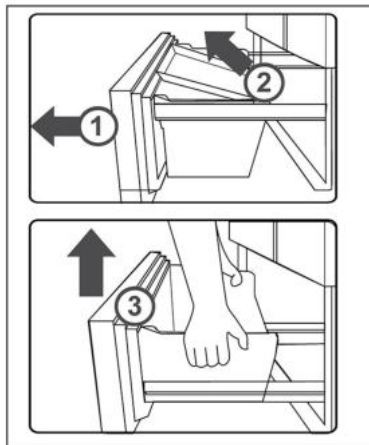
За да поставите чекмеджето обратно, следвайте горните стъпки в обратен ред.



Подвижно долно чекмедже на фризера

1. Издърпайте максимално долното чекмедже на фризера
2. Издърпайте тавата за замразяване докато не спре, повдигнете и извадете.
3. Повдигнете чекмеджето, докато се отдели от опорния блок. натиснете го към фризера и го наклонете, за да го извадите.

За да поставите чекмеджето обратно, следвайте горните стъпки в обратен ред.



Осветление

При отваряне на вратата се включва вътрешното LED осветление. Работата на лампите не се влияе от никоя друга настройка на уреда.



Съвети за пестене на енергия

- ▶ Уверете се, че уредът е монтиран така, че да е осигурена добра вентилация (вижте раздел „МОНТАЖ“).
- ▶ Не монтирайте уреда така, че да е изложен на пряка слънчева светлина или да е в близост до източници на топлина (напр. готварски печки, нагреватели).
- ▶ Избягвайте ненужно ниска температура в уреда. Консумацията на енергия се увеличава, колкото по-ниско е зададена температурата в уреда.
- ▶ Функции като „POWER-FREEZE“ консумират повече енергия.
- ▶ Оставете топлата храна да се охлади, преди да я поставите в уреда.
- ▶ Отваряйте вратата на уреда възможно най-малко и за възможно най-кратко време.
- ▶ Не препълвайте уреда, за да не се нарушава циркулацията на въздуха.
- ▶ Избягвайте поставянето на хранителни опаковки, в които има въздух.
- ▶ Поддържайте уплътненията на вратата чисти, така че вратата винаги да се затваря добре.
- ▶ Размразявайте замразените храни в отделението за съхранение на хладилника.
- ▶ Най-енергоспестяващата конфигурация изисква чекмеджетата, кутиите за храна и рафтовете в уреда да се поддържат в състояние, възможно най-близко до фабричното, а храната да се поставя възможно най-далеч от въздухопроводите, за да не пречи на циркулацията на въздуха.



ПРЕДУПРЕЖДЕНИЕ!

Изключвайте уреда от захранването преди почистване.

Почистване

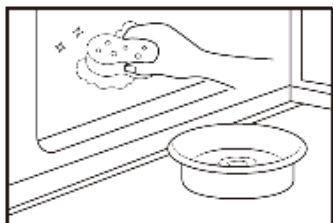
Почиствайте уреда, когато в него се съхранява малко или никаква храна.

Уредът трябва да бъде почистван на всеки четири седмици за добра поддръжка и за предотвратяване на лоши миризми от съхраняваните храни.



ПРЕДУПРЕЖДЕНИЕ!

- ▶ Не почиствайте уреда с твърди четки, телени четки, прахообразни препарати, бензин, амилаетат, ацетон или подобни органични разтвори, киселинни или алкални разтвори. Моля, почиствайте със специален препарат за хладилник, за да избегнете повреди.
- ▶ Не пръскайте и не плискайте уреда по време на почистване.
- ▶ Не използвайте водна струя или пара за почистване на уреда.
- ▶ Не почиствайте студения стъклен рафтове с гореща вода. Рязката промяна в температурата може да причини напукване на стъклото.
- ▶ Не докосвайте вътрешната повърхност на фризерното отделение за съхранение, особено с мокри ръце, тъй като ръцете ви може да замръзнат върху повърхността.
- ▶ В случай на повишаване на температурата проверете състоянието на замразените храни.



- ▶ Винаги поддържайте уплътнението на вратата чисто.
- ▶ Почиствайте вътрешността и корпуса на уреда с гъба, навлажнена с топла вода и неутрален препарат.
- ▶ 1. Моля, търкайте вътрешната и външната част на хладилника, включително уплътненията на вратата, рафтовете за врата, стъклените рафтове, кутиите и т.н., с мека кърпа или гъба, натопена в топла вода (може да добавите неутрален препарат към топлата вода).
- ▶ 2. Ако има разлята течност, отстранете всички замърсени части, изплакнете директно с течащата вода, подсушете и ги поставете обратно в хладилника.
- ▶ 3. Ако има разлята гъста течност (като сметана или разтопен сладолед), моля, отстранете всички замърсени части, поставете ги за известно време в топла вода с температура около 40°C, след това изплакнете с течаща вода, подсушете и ги поставете обратно в хладилника.
- ▶ 4. В случай че малка част или компонент заседне вътре в хладилника (между рафтовете или чекмеджетата), използвайте малка мека четка, за да го отстраните. Ако не можете да достигнете частта, моля, свържете се с отдела за обслужване на клиенти на Haier
- ▶ Изплакнете и подсушете с мека кърпа.
- ▶ Не почиствайте никоя от частите на уреда в съдомиялна машина.
- ▶ Изчакайте поне 5 минути, преди да включите отново уреда, тъй като честото стартиране може да повреди компресора.

Размразяване

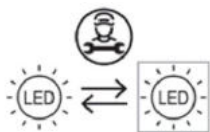
Размразяването на хладилното и фризерното отделение се извършва автоматично: не е необходимо ръчно управление.

Смяна на LED лампите

ПРЕДУПРЕЖДЕНИЕ!

Не заменяйте LED лампите сами. Те трябва да бъдат заменени единствено от производителя или от упълномощен сервизен представител.

Лампите използват LED технология, отличаваща се с ниско потребление на енергия и дълъг експлоатационен живот. В случай на аномалии, моля, свържете се с отдела за обслужване на клиенти. Вижте раздел „ОБСЛУЖВАНЕ НА КЛИЕНТИ“.



Източник на светлина (само LED), който може да бъде заменен от професионалист.

Този продукт съдържа източник на светлина с клас на енергийна ефективност G.

Отделение	Волтаж	Клас на енергийна ефективност	Модел
Хладилник	12 V	G	HFKR5718DNGB

При липса на употреба за дълъг период от време

Ако уредът не се употребява за продължителен период от време и няма да се използва функцията „Holiday“:

- ▶ Извадете храната.
- ▶ Изключете захранващия кабел от контакта.
- ▶ Почистете уреда, както е описано по-горе.
- ▶ Оставете вратите отворени, за да се предотврати появата на неприятни миризми вътре.

ЗАБЕЛЕЖКА

Изключете уреда само ако е абсолютно необходимо.

Преместване на уреда

1. Извадете всичката храна и изключете уреда от контакта.
2. Закрепете всички рафтове и други подвижни част в хладилник и фризера с тиксо.
3. Не накланяйте хладилника на повече от 45°, за да избегнете повреда на охладителната система.

ПРЕДУПРЕЖДЕНИЕ!

- ▶ Не вдигайте уреда за дръжките му.
- ▶ Никога не поставяйте уреда в хоризонтално положение на земята.

Много от възникналите проблеми могат да бъдат решени от вас самите без нужда от специфични умения. В случай на проблем, моля, проверете всички показани възможности и последвайте инструкциите по-долу, преди да се свържете с отдела за следпродажбено обслужване. Вижте раздел „ОБСЛУЖВАНЕ НА КЛИЕНТИ“.



ПРЕДУПРЕЖДЕНИЕ!

- ▶ Преди извършване на поддръжка изключете уреда и извадете щепсела от контакта.
- ▶ Електрическото оборудване трябва да се обслужва само от квалифицирани експерти, тъй като неправилният ремонт може да причини значителни последващи щети.
- ▶ Повреда в захранващия кабел може да бъде отстранена единствено от производителя, негов обслужващ представител или лице с подобна квалификация, за да се избегне потенциална опасност.

Проблем	Възможна причина	Възможно решение
Компресорът не работи.	<ul style="list-style-type: none"> • Щепселът не е включен в контакта. • Уредът е в цикъл на размразяване 	<ul style="list-style-type: none"> • Включете щепсела. • Това е нормално за автоматично размразяване
Уредът се включва често или работи за прекалено дълги периоди от време.	<ul style="list-style-type: none"> • Вътрешната или външната температура е твърде висока. • Уредът е бил изключен за известно време. • Една от вратите на уреда не е затворена плътно. • Вратата е била отваряна твърде често или за прекалено дълго време. • Температурата, зададена за фризерното отделение, е твърде ниска. • Уплътнението на вратата е замърсено, износено, напукано или разместено. • Необходимата циркулация на въздуха е възпрепятствана. 	<ul style="list-style-type: none"> • В този случай. Нормално е уредът да работи по-дълго • Обикновено са необходими от 8 до 12 часа за пълното охлаждане на уреда. • Затворете вратата/чекмеджето и се уверете, че уредът се намира върху нивелирана повърхност, както и че затварянето на вратата не е възпрепятствано от храна или контейнер. • Не отваряйте вратата/чекмеджето твърде често. • Задайте по-висока температура, докато температурата в хладилника стане задоволителна. Необходими са 24 часа за достигане на стабилна температура в хладилника. • Почистете уплътненията на вратата/чекмеджето или ги сменете с помощта на отдела за обслужване на клиенти. • Осигурете подходяща вентилация.

Проблем	Възможна причина	Възможно решение
Във вътрешната част на хладилника има замърсяване или лоша миризма.	<ul style="list-style-type: none"> Вътрешността на хладилника трябва да бъде почистена. В хладилника се съхранява храна със силен мирис. 	<ul style="list-style-type: none"> Почистете вътрешността на хладилника. Опаковайте добре храната.
В уреда не е достатъчно студено.	<ul style="list-style-type: none"> Зададена е прекалено висока температура. Съхранявани са твърде топли храни. Съхранява се прекалено голямо количество храна наведнъж. Артикулите са поставени прекалено близо един до друг. Врата/чекмедже на уреда не е затворена/о плътно. Вратите/чекмеджетата са били отворяни твърде често или за прекалено дълго време. 	<ul style="list-style-type: none"> Върнете първоначалната настройка на температурата. Винаги оставайте храните да изстинат, преди да ги приберете. Винаги съхранявайте малки количества храна. Оставайте празно място между артикулите, за може въздухът да циркулира свободно. Затворете вратата/чекмеджето. Не отваряйте вратата/чекмеджето твърде често.
В уреда е твърде студено.	<ul style="list-style-type: none"> Зададена е прекалено ниска температура. Функцията „Super Frz/Super Cool“ е активирана или е работила прекалено дълго. 	<ul style="list-style-type: none"> Върнете първоначалната настройка на температурата. Изключете функцията „Super Frz/Super Cool“.
По вътрешността на хладилното отделение се образува кондензация.	<ul style="list-style-type: none"> Климатът е твърде топъл и твърде влажен. Врата/чекмедже на уреда не е затворена/о плътно. Вратите/чекмеджетата са били отворяни твърде често или за прекалено дълго време. Контейнери, съдържащи течности или харни, са оставени отворени. 	<ul style="list-style-type: none"> Увеличете температурата. Затворете вратата/чекмеджето. Не отваряйте вратата/чекмеджето твърде често. Оставете горещите храни да изстинат до стайна температура и покривайте храните и течностите.
По външната повърхност на хладилника или между вратите/вратата и чекмеджето се образува кондензация.	<ul style="list-style-type: none"> Климатът е твърде топъл и твърде влажен. Вратата не е затворена плътно. Студеният въздух в уреда и топлият въздух извън него образуват кондензация. 	<ul style="list-style-type: none"> Това е нормално при влажен климат и ще се промени, когато влажността намалее. Уверете се, че вратите/чекмеджетата са затворени плътно.

Проблем	Възможна причина	Възможно решение
Много лед и скреж във фризерното отделение.	<ul style="list-style-type: none"> • Храните не са опаковани добре. • Врата/чекмедже на уреда не е затворена/о плътно. • Вратите/чекмеджетата са били отворяни твърде често или за прекалено дълго време. • Уплътнението на вратата/чекмеджето е замърсено, износено, напукано или разместено. • Нещо от вътрешната страна пречи на вратата/чекмеджето да се затвори добре. 	<ul style="list-style-type: none"> • Винаги опаковайте храните добре. • Затворете вратата/чекмеджето. • Не отваряйте вратата/чекмеджето твърде често. • Почистете уплътненията на вратата/чекмеджето или ги сменете с нови. • Разместете рафтовете, рафтовете за вратите или вътрешните контейнери, така че да може вратата/чекмеджето да се затвори.
Страните на корпуса и лентата на вратата се затоплят.	<ul style="list-style-type: none"> • - 	<ul style="list-style-type: none"> • Това е нормално.
Уредът издава необичайни звуци.	<ul style="list-style-type: none"> • Уредът не е разположен върху равна повърхност. • Уредът докосва някакъв предмет около него. 	<ul style="list-style-type: none"> • Регулирайте крачетата, за да подравните уреда. • Отстранете близкостоящите предмети.
Чува се слаб звук, наподобяващ звука от течаща вода.	<ul style="list-style-type: none"> • - 	<ul style="list-style-type: none"> • Това е нормално.
Чува се звуков сигнал.	<ul style="list-style-type: none"> • Вратата на хладилника е отворена. 	<ul style="list-style-type: none"> • Затворете вратата.
Чува се слабо бръмчене.	<ul style="list-style-type: none"> • Системата против кондензация работи 	<ul style="list-style-type: none"> • Това предотвратява кондензацията и е нормално
Вътрешната осветителна система или охладителната система не работи.	<ul style="list-style-type: none"> • Щепселът не е включен в контакта. • Има проблем с електрозахранването. • LED лампата е повредена. 	<ul style="list-style-type: none"> • Включете щепсела. • Проверете електрическото захранване на помещението. Свържете се с местната електрическа компания! • Моля, свържете се с центъра за обслужване на клиенти за смяна на лампата.

За да се свържете с отдела за техническа помощ, посетете уебсайта ни:
<https://corporate.haier-europe.com/en/>

В раздела „Уебсайт“ изберете марката на своя продукт и Вашата държава. Ще бъдете пренасочени към конкретния уебсайт, където може да намерите телефонния номер и формуляра за връзка с отдела за техническа помощ.

Прекъсване на електрозахранването

При прекъсване на електрозахранването храната би трябвало да остане студена в продължение на около 5 часа. Следвайте следните съвети по време на продължително прекъсване на електрозахранването, особено през лятото:

- ▶ Отваряйте вратата/чекмеджето възможно най-рядко.
- ▶ Не поставяйте друга храна в уреда по време на прекъсването на електрозахранването.
- ▶ Ако е дадено предварително известие за прекъсване на електрозахранването и продължителността на прекъсването надвишава 5 часа, направете малко лед и го поставете в съд в горната част на хладилното отделение.
- ▶ Необходима е проверка на храните веднага след прекъсването.
- ▶ Тъй като температурата в хладилника ще се повиши по време на прекъсване на захранването или при друга повреда, срокът на годност на храната ще бъде съкратен. Всички храни, които се размразят, трябва или да бъдат изконсумирани, или сготвени и замразени отново в най-кратък срок (ако това е възможно), за да се предотвратят възможни рискове за здравето.

Функция за запаметяване при прекъсване на електрозахранването

След възстановяване на захранването уредът продължава да работи с настройките, зададени преди спиране на тока.

Разопаковане



ПРЕДУПРЕЖДЕНИЕ!

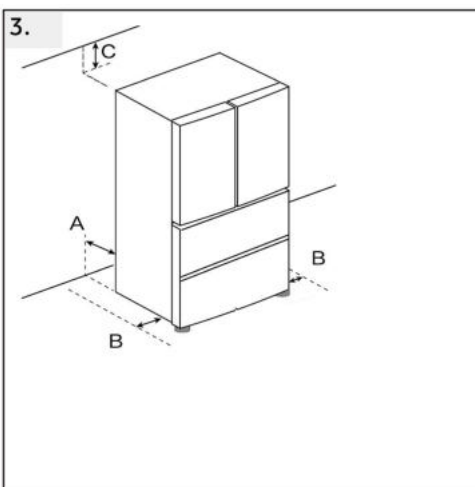
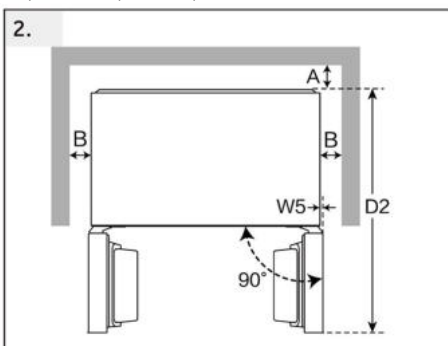
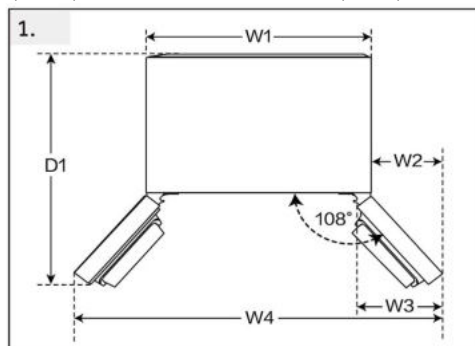
- ▶ Уредът е тежък. При преместването му винаги трябва да участват поне двама души.
- ▶ Пазете всички опаковъчни материали на място, недостъпно за деца, и ги изхвърлете по природосъобразен начин.
- ▶ Разопаковайте уреда.
- ▶ Отстранете всички опаковъчни материали.

Условия на обкръжаващата среда

Температурата в помещението винаги трябва да бъде между 10°C и 43°C, тъй като това може да повлияе на температурата вътре в уреда и консумацията на енергия. Не поставяйте уреда близо до други излъчващи топлина уреди (фурни, хладилници) без изолация.

Препоръки за свободно пространство

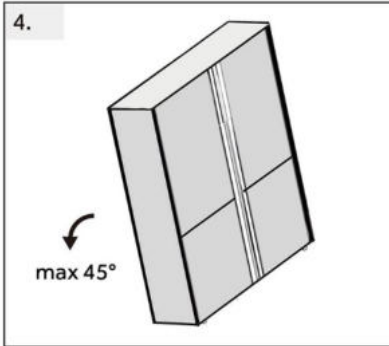
Препоръчително свободно пространство при отворена врата (Фиг. 1.2.)



(Единица: мм)		HFKR5718DNGB	
Ширина	W1	700	
	W2	115	
	W3	368	
	W4	930	
	W5	0	
	W	700	
	D1	910	
	D2	918	
	D	594	
Разстояние до задна стена	A	6	
Разстояние до странични стени	B	4	
Разстояние до тавана	C	9	
Обща височина	H	1850	

Вентилационно сечение

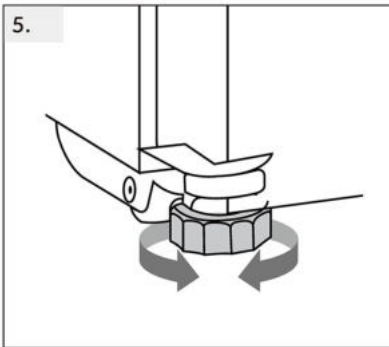
За да се осигури на уреда достатъчно добро ниво на вентилация от съображения за безопасност, трябва да се спазват изискванията, показани във вентилационното напречно сечение.



Подравняване на уреда (Фиг. 4.5.6.)

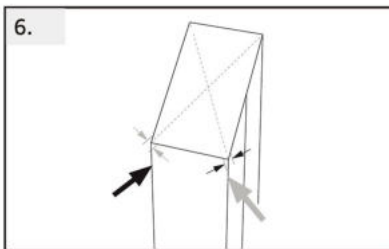
Уредът трябва да бъде поставен на равна и твърда повърхност.

4. Наклонете хладилника леко назад.



5. Нагласете крачетата до желаното ниво.

Уверете се, че разстоянието до стената от страните на пантите е поне 100 мм, за да се отварят свободно вратите.

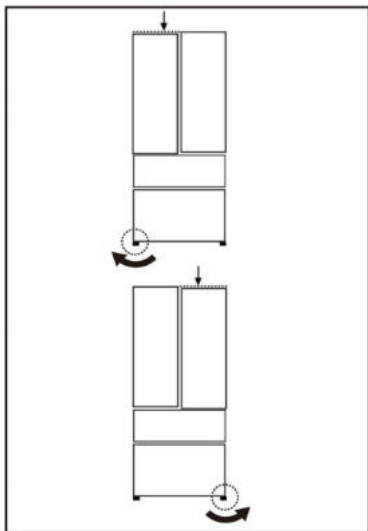


6. Стабилността може да се провери чрез последователно побутване по диагоналите. И в двете посоки трябва да се получава еднакво леко люлеене. В противен случай рамката може да се изкриви, в резултат на което уплътненията на вратата няма да прилепват плътно. Лекият наклон назад улеснява затварянето на вратите.



ЗАБЕЛЕЖКА

За свободно стоящ уред: този хладилник не е предназначен за вграждане



Фина настройка на вратите

Ако вратите не са подравнени, това несъответствие може да бъде отстранено по следния начин:

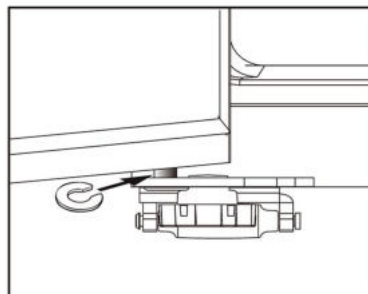
Използване на регулируемо краче

Завъртете регулируемото краче в посоката на стрелката, за да го повдигнете или свалите надолу



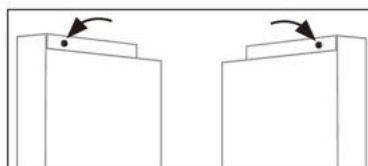
Регулиране на позицията на вратата

► Когато двете врати не са на еднаква височина, регулируемите панти могат да бъдат фина регулиране с приложения гаечен ключ, за да нивелирате двете врати. Моля, работете внимателно, за да предотвратите драскотини или наранявания по рамката на вратата.



Използване на разделители

► Отворете вратата на фризера и я повдигнете.
 ► Внимателно прикачете разделителя (предоставен с пакета аксесоари) към оста на долната панта на ръка или с помощта на инструменти като клещи. Не драскайте и не наранявайте повърхността на вратата.



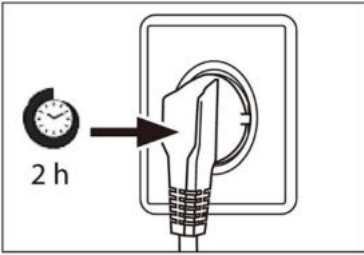
Използване на копчето за регулиране

► Ако вратата на хладилното отделение не е нивелирана, можете да завъртите копчето за регулиране в горната част на вратата, за да направите фина регулиране.



ЗАБЕЛЕЖКА

При бъдещо използване на хладилника денивелирането на вратите може да възникне в резултат на тежестта на съхраняваната храна. В такъв случай, моля, коригирайте според горните методи.



Време на изчакване

Смазочното масло, което не се нуждае от поддръжка, се намира в капсулата на компресора. Това масло може да се разнесе из затворената система от тръби, докато уредът се пренася в наклонено положение. Преди да свържете уреда към захранването, трябва да изчакате поне 2 часа, за да може маслото да се върне обратно в капсулата.

Свързване към електрозахранването

Преди всяко свързване проверявайте дали:

- ▶ захранването, контактът и предпазителите са подходящи според табелката с данни.
- ▶ електрическият контакт е заземен и няма включен разклонител или удължител.
- ▶ щепселът и контактът са в пълно съответствие.


Свържете щепсела към правилно инсталиран контакт с битово предназначение.



ПРЕДУПРЕЖДЕНИЕ!

За да се избегнат рискове, повреден захранващ кабел трябва да се заменя от сервизния отдел (вижте гаранционната карта).

Функции на продукта съгласно регламент (ЕС) № 2019/2016

Марка	Haier
Наименование на модела/идентификатор	HFKR5718DNGB
Категория на модела	Хладилник с фризер
Клас на енергийна ефективност	D
Годишно потребление на енергия (kWh/година)(1)	226
Общ обем (l)	402
Обем на хладилника (l)	227
Обем на фризера (l)	147
Обем на охлаждащото отделение (л)	28
Оценка със звезди	
Система против заскрежаване	Да
Капацитет на замразяване (кг/24 ч)	10,0
Клас на климатизация ⁽²⁾	SN-N-ST-T
Клас на шумовите емисии и излъчваните във въздуха шумови емисии (db(A) re 1pW)	B (35)
Време за покачване на температурата (ч)	8
Вид на уреда	свободно стоящ

Обяснения:

• Да, включен

- (1) Въз основа на резултатите от теста за съответствие на стандартите за 24 часа. Действителното потребление зависи от употребата и местоположението на уреда.
- (2) Клас на климатизация SN: Уредът е предназначен за използване при температура на околната среда между +10°C и +32°C
 Клас на климатизация N: Уредът е предназначен за използване при температура на околната среда между +16°C и +32°C
 Клас на климатизация ST: Уредът е предназначен за използване при температура на околната среда между +16°C и +38°C
 Клас на климатизация T: Уредът е предназначен за използване при температура на околната среда между +16°C и +43°C

Допълнителни технически данни

Напрежение/Честота	220 – 240 V ~ / 50Hz
Входящ ток (A)	1,8
Главен предпазител (A)	15
Хладилен агент	R600a
Размери (В/Ш/Д в мм)	1850/700/594

Препоръчваме да се консултирате с отдела по обслужване на клиенти на Haier и да използвате оригинални резервни части.

Ако имате проблем с вашия уред, първо проверете раздела „ОТСТРАНЯВАНЕ НА НЕИЗПРАВНОСТИ“.

Ако не успеете да намерите решение там, моля, обърнете се към

Вашия местен търговец или
нашия Европейски център за обслужване на клиенти по телефона (вижте телефонните номера по-долу) или
раздела „Обслужване и поддръжката“ на адрес www.haier.com, където можете да активирате услугата заявка за обслужване, както и да намерите често задавани въпроси.

За да се свържете с нашия отдел за обслужване на клиенти, се уверете, че разполагате със следните данни.

Информацията може да бъде намерена на табелката с данни.

Модел _____

Сериен № _____

Също така проверете предоставената с продукта гаранционна карта, в случай че е предоставена гаранция.

Европейски център за обслужване на клиенти по телефона		
Държава*	Телефонен номер	Цена
Haier Italy (IT)	199 100 912	
Haier Spain (ES)	902 509 123	
Haier Germany (DE)	0180 5 39 39 99	<ul style="list-style-type: none"> • 14 цента/мин стационарен • макс. 42 цента/мин мобилен
Haier Austria (AT)	0820 001 205	<ul style="list-style-type: none"> • 14,53 цента/мин стационарен • макс. 20 цента/мин всички останали
Haier United Kingdom (UK)	0333 003 8122	
Haier France (FR)	0980 406 409	

* За други държави, вижте www.haier.com

Haier Europe Trading S.r.l

Branch UK

Westgate House, Westgate, Ealing

London, W5 1YY

*Продължителност на гаранцията на хладилния уред:

Минималната гаранция е: 2 години за държавите от ЕС, 3 години за Турция, 1 година за Великобритания, 1 година за Русия, 3 години за Швеция, 2 години за Сърбия, 5 години за Норвегия, 1 година за Мароко, 6 месеца за Алжир, за Тунис не се изисква правна гаранция.

*Период на наличие на резервни части за ремонт на уреда:

Термостати, температурни сензори, платки и светлинни източници се предлагат за минимален период от седем години след излизане на последния уред от модела на пазара.

Дръжки за врата, панци за врата, тави и кошници се предлагат за минимален период от седем години, а уплътнения за вратата за минимален период от 10 години след излизане на последния уред от модела на пазара.

*За допълнителна информация относно продукта, моля, вижте <https://eprel.ec.europa.eu/> или сканирайте QR кода на енергийния етикет, предоставен с уреда.

<u>473 Informació de seguretat</u>	Abans del primer ús	474
	Instal·lació	474
	Ús diari	475
<u>478 Ús previst</u>		
<u>479 Descripció del producte</u>		
<u>480 Panell de control</u>		
<u>481 Ús</u>	Bloquejar/desbloquejar el panell	481
	Mode ECO	482
	Ajust de la temperatura del frigorífic	483
	Ajust de la temperatura del congelador	483
	Funció de Zona Magic	483
	Funció Super Cool	485
	Funció Super Frz.	486
	Funció Holiday	486
<u>488 Equipament</u>		
<u>491 Consells per estalviar energia</u>		
<u>492 Manteniment i neteja</u>		
<u>494 Resolució de problemes</u>		
<u>498 Instal·lació</u>		
<u>501 Dades tècniques</u>		
<u>503 Servei d'atenció al client</u>		

Gràcies per comprar un producte Haier.

Llegiu atentament aquestes instruccions abans de fer servir aquest electrodomèstic. Aquestes instruccions contenen informació important que us ajudarà a treure el màxim profit de l'electrodomèstic i a garantir una instal·lació, un ús i un manteniment segurs i adequats.

Guardeu aquest manual en un lloc accessible per poder consultar-lo sempre que vulgueu i garantir un ús segur i adequat de l'electrodomèstic.

Si veneu l'electrodomèstic, el doneu o el deixeu al lloc on està instal·lat quan canvieu de casa, assegureu-vos també de lliurar aquest manual perquè el nou propietari es pugui familiaritzar amb l'electrodomèstic i les advertències de seguretat.

Accessoris

Comproveu els accessoris i la documentació d'acord amb aquesta llista:



Etiqueta energètica



Targeta de garantia



Manual d'ús i adhesiu "OK"



Guia ràpida



ADVERTÈNCIA: informació de seguretat important



AVÍS: informació general i consells



Informació mediambiental



Eliminació

Ajudeu a protegir el medi ambient i la salut humana. Dipositeu els embalatges als contenidors corresponents per reciclar-los. Ajudeu a reciclar els residus d'aparells elèctrics i electrònics. No llenceu els electrodomèstics marcats amb aquest símbol a la brossa domèstica. Porteu el producte al punt verd o poseu-vos en contacte amb l'oficina municipal.



ADVERTÈNCIA!

Perill de lesions o asfíxia

Els refrigerants i els gasos s'han d'eliminar de manera professional. Assegureu-vos que els tubs del circuit de refrigerant no estiguin danyats abans de ser eliminats correctament. Desconnecteu l'aparell de la xarxa elèctrica. Talleu el cable d'alimentació i porteu-lo a un punt de recollida. Traieu les safates i els calaixos, així com el tancament i les juntes de la porta, per evitar que els nens i els animals de companyia puguin quedar tancats a l'interior de l'electrodomèstic.

Abans d'encendre l'electrodomèstic per primera vegada, llegiu els consells de seguretat següents:



ADVERTÈNCIA!

Abans del primer ús

- ▶ Assegureu-vos que l'aparell no hagi patit danys durant el transport.
- ▶ Traieu tots els embalatges i manteniu-los fora de l'abast dels infants.
- ▶ Espereu almenys dues hores abans d'instal·lar l'electrodomèstic per assegurar-vos que el circuit de refrigerant funcioni completament.
- ▶ Aquest electrodomèstic pesa molt: manipuleu-lo amb l'ajuda d'una altra persona.

Instal·lació

- ▶ Aquest electrodomèstic s'ha d'instal·lar en un lloc ben ventilat. Assegureu-vos que hi hagi un espai de 10 cm com a mínim per sobre i al voltant de l'electrodomèstic.
- ▶ No col·loqueu mai l'electrodomèstic en una zona humida ni en un lloc on pugui rebre esquitxos d'aigua. Netegeu i eixugueu els esquitxos d'aigua i les taques amb un drap suau i net.
- ▶ No instal·leu l'electrodomèstic sota la llum solar directa ni a prop de fonts de calor (per exemple, estufes, calefactores).
- ▶ Instal·leu i anivelleu l'electrodomèstic en una zona adequada a la seva mida i al seu ús.
- ▶ No obstruïu les obertures de ventilació de l'electrodomèstic o de l'estructura integrada.
- ▶ Assegureu-vos que la informació elèctrica de la placa de característiques coincideixi amb la font d'alimentació. Si no és així, poseu-vos en contacte amb un electricista.
- ▶ Aquest electrodomèstic funciona amb corrent elèctric de 220-240 V CA/50 Hz. Una fluctuació anormal del voltatge pot fer que l'electrodomèstic no s'enguegi, que es facin malbé el control de temperatura o el compressor, o que faci un soroll anormal durant el funcionament. En aquest cas, s'ha de muntar un regulador automàtic.
- ▶ No feu servir adaptadors de múltiples endolls ni cables allargadors.
- ▶ No poseu diversos endolls portàtils ni fonts d'alimentació portàtils a la part posterior de l'electrodomèstic.
- ▶ Assegureu-vos que el cable d'alimentació no quedi atrapat pel frigorífic. No trepitgeu el cable d'alimentació.



ADVERTÈNCIA!

- ▶ Feu servir una presa amb connexió a terra separada per a la font d'alimentació a la qual es pugui accedir fàcilment. Aquest electrodomèstic ha d'estar connectat a terra.
- ▶ Només per al Regne Unit: El cable d'alimentació d'aquest electrodomèstic està equipat amb un endoll de 3 fils (amb connexió a terra) que encaixa en un endoll estàndard de 3 fils (amb connexió a terra). No talleu ni desmunteu mai el tercer pin (connexió a terra). Després d'instal·lar l'electrodomèstic, heu de poder accedir a l'endoll.
- ▶ No feu malbé el circuit de refrigerant.

Ús diari

- ▶ Aquest aparell el poden fer servir nens de 8 anys o més i persones amb capacitats físiques, sensorials o mentals reduïdes o amb manca d'experiència i coneixements si han rebut supervisió o instruccions sobre l'ús de l'aparell de manera segura i entenen els perills que implica.
- ▶ Els infants de 3 a 8 anys poden omplir i buidar el frigorífic, però no poden netejar-lo ni instal·lar-lo.
Mantingueu allunyats els infants menors de 3 anys de l'electrodomèstic, llevat que tinguin supervisió constant.
- ▶ Els infants no han de jugar amb l'electrodomèstic.
- ▶ Si es filtra gas refrigerant o altres gasos inflamables a prop de l'electrodomèstic, tanqueu la vàlvula del gas filtrat, obriu les portes i les finestres i no desendol·leu el cable d'alimentació del frigorífic ni de cap altre electrodomèstic.
- ▶ Tingueu en compte que l'electrodomèstic està configurat per funcionar a una temperatura ambient específica d'entre 10 i 43 °C. És possible que l'electrodomèstic no funcioni correctament si es deixa durant un període prolongat a una temperatura superior o inferior a l'interval indicat.
- ▶ No poseu articles inestables (objectes pesants, recipients plens d'aigua) a sobre del frigorífic per evitar danys personals per caigudes o descàrregues elèctriques causades pel contacte amb l'aigua.
- ▶ No estireu els prestatges de la porta. La porta es podria desviar, el prestatge d'ampolles es podria desprendre o l'electrodomèstic es podria tombar.
- ▶ Obriu i tanqueu les portes només fent servir els tiradors. L'espai que hi ha entre les portes i entre les portes i el cos de l'aparell és molt estret. No introduïu les mans en aquestes zones per evitar pessigar-vos els dits. Obriu i tanqueu les portes del frigorífic només quan no hi hagi infants a prop del seu rang de moviment.



ADVERTÈNCIA!

- ▶ No emmagatzemeu ni feu servir materials inflamables, explosius o corrosius dins de l'electrodomèstic ni al seu voltant.
- ▶ No emmagatzemeu medicaments, bacteris ni agents químics dins de l'electrodomèstic. Aquest aparell és un electrodomèstic. No us recomanem que hi emmagatzemeu materials que hagin d'estar a una temperatura controlada.
- ▶ No guardeu mai líquids en ampolles o llaunes (excepte licors amb una alta graduació), especialment begudes amb gas, al congelador, ja que poden esclatar en congelar-se.
- ▶ Comproveu l'estat dels aliments si s'ha donat el cas que s'han escalfat al congelador.
- ▶ No configureu una temperatura innecessàriament baixa al compartiment frigorífic. Es poden assolir temperatures sota zero si els valors de configuració són alts. Atenció: Les ampolles poden esclatar
- ▶ No toqueu els productes congelats amb les mans molles (poseu-vos guants). No mengeu els gelats immediatament després de treure'ls del congelador. Hi ha el risc de congelació o de formació de butllofes a causa de la temperatura. PRIMERS AUXILIS: poseu la zona afectada immediatament sota aigua freda corrent. No arranqueu la pell!
- ▶ No toqueu la superfície interior del compartiment d'emmagatzematge del congelador quan estigui en funcionament, sobretot amb les mans mullades, ja que les mans es poden congelar en entrar en contacte amb la superfície.
- ▶ Desendolieu l'electrodomèstic en cas de fallada de corrent o abans de netejar-lo. Espereu almenys 7 minuts abans de tornar a engegar l'electrodomèstic, ja que, si s'engega sovint, es pot fer malbé el compressor.
- ▶ No feu servir aparells elèctrics dins dels compartiments d'emmagatzematge d'aliments de l'electrodomèstic, llevat que siguin del tipus recomanat pel fabricant. Manteniment / neteja
- ▶ Assegureu-vos que els infants estiguin supervisats si en fan la neteja i el manteniment.
- ▶ Desconnecteu l'electrodomèstic de la xarxa elèctrica abans de fer-hi qualsevol manteniment rutinari. Espereu almenys 7 minuts abans de tornar a engegar l'electrodomèstic, ja que, si s'engega sovint, es pot fer malbé el compressor.



ADVERTÈNCIA!

- ▶ Quan desendolleu l'electrodomèstic, estireu l'endoll i no el cable.
- ▶ No netegeu l'electrodomèstic amb raspalls durs, raspalls de filferro, detergent en pols, gasolina, acetat d'amil, acetona ni solucions orgàniques similars, àcides o alcalines. Netegeu-lo amb un detergent especial per a frigorífics per evitar-hi danys.
- ▶ No rasqueu el gelbre ni el gel amb objectes punxeguts. Per evitar danys a les peces de plàstic, no feu servir no feu servir esprais ni fonts de calor, com ara estufes elèctriques, assecadors de cabells, netejadors de vapor o altres fonts de calor.
- ▶ Llevat dels recomanats pel fabricant, no feu servir aparells mecànics ni altres mitjans per accelerar el procés de descongelació.
- ▶ Per evitar qualsevol perill, si el cable d'alimentació està malmès, l'ha de substituir el fabricant, el seu responsable de servei o persones amb una qualificació similar.
- ▶ No proveu d'arreglar, desmuntar o modificar l'electrodomèstic pel vostre compte. En cas de reparació, poseu-vos en contacte amb el nostre servei d'atenció al client.
- ▶ Traieu la pols de la part posterior de la unitat com a mínim un cop l'any per evitar riscos d'incendi i l'augment del consum d'energia.
- ▶ No ruixeu ni renteu amb un raig d'aigua l'aparell durant la neteja.
- ▶ No feu servir ruixadors d'aigua ni vapor per netejar l'electrodomèstic.
- ▶ No netegeu els prestatges de vidre freds amb aigua calenta. Un canvi sobtat de temperatura pot fer que el vidre es trenqui.

Informació sobre el gas refrigerant



ADVERTÈNCIA!

L'electrodomèstic conté el refrigerant inflamable ISOBUTA (R600a). Assegureu-vos que el circuit de refrigerant no pateixi danys durant el transport o la instal·lació. Una fuga de refrigerant pot causar lesions oculars o provocar un incendi. Si s'ha produït un dany, mantingueu-vos allunyats de fonts de flames obertes, ventileu bé l'habitació i no connecteu ni desconnecteu els cables d'alimentació de l'electrodomèstic ni de cap altre electrodomèstic. Informeu el servei d'atenció al client.

En cas de contacte amb el refrigerant als ulls, esbandiu-vos-els immediatament amb aigua corrent i consulteu immediatament un oftalmòleg.

Ús previst

Aquest electrodomèstic està pensat per refredar i congelar aliments. S'ha dissenyat exclusivament per fer-se servir en aplicacions domèstiques i similars, com ara cuines per al personal de botigues, oficines i altres entorns de treball; cases de pagès i per a clients d'hotels, motels i altres entorns residencials, així com en negocis d'hostaleria i càtering. No està pensat per a un ús comercial o industrial.

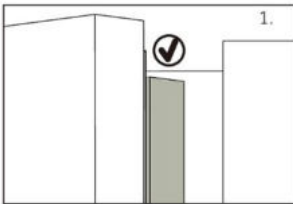
No es poden fer canvis o modificacions a l'aparell. L'ús no previst pot causar perills i la pèrdua del dret de la garantia.

Normes i directives CE

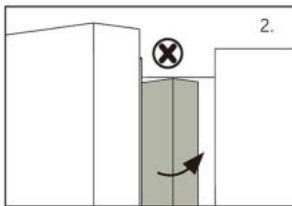
Aquest producte compleix els requisits de totes les directives CE aplicables amb les normes i les directives UK harmonitzades corresponents, que preveuen els marcatges CE i UKCA.



PRECAUCIÓ!



Quan tanqueu la porta, el perfil vertical de la porta de l'esquerra ha d'estar doblegat cap a l'interior (1).

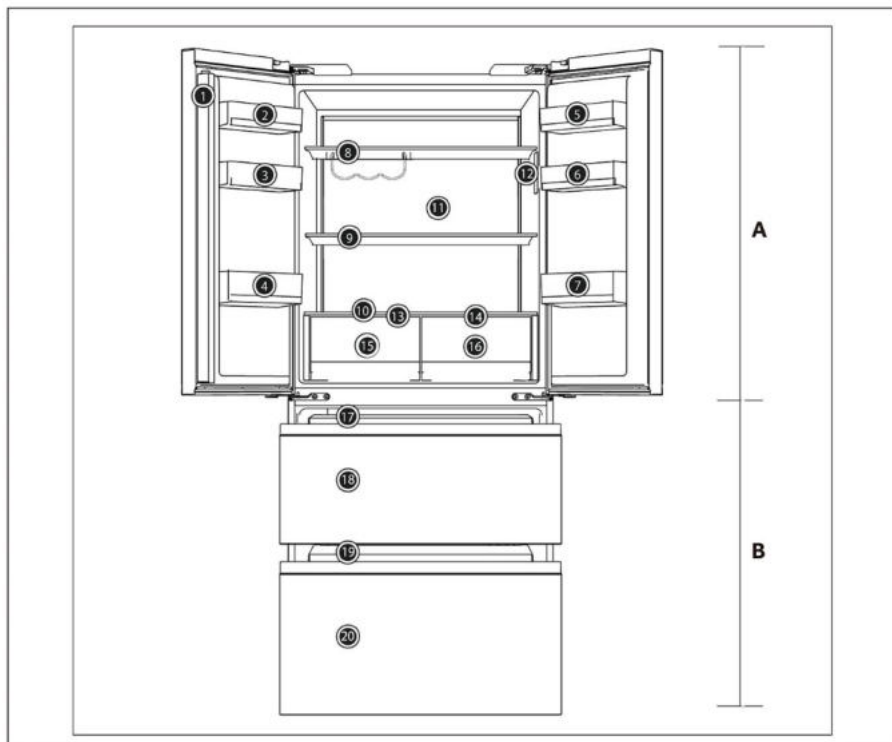


Si intenteu tancar la porta de l'esquerra i el perfil vertical de la porta no està doblegat (2), primer l'heu de doblegar, ja que si no ho feu el perfil de la porta podria tocar l'eix de fixació o la porta dreta. I, per tant, es podria fer malbé el perfil de la porta o haver-hi una fuga.

Hi ha un fil calefactor dins del marc. La temperatura de la superfície augmentarà una mica, cosa que és normal i no afectarà el funcionament de l'electrodomèstic.

i AVÍS

Algunes de les il·lustracions d'aquest manual poden ser diferents del vostre model a causa de canvis tècnics i de les diferències entre models.



A: Compartiment frigorífic

- 1 Perfil de la porta
- 2 Ampoller (superior esquerre)
- 3 Ampoller (central esquerre)
- 4 Ampoller (inferior esquerre)
- 5 Ampoller (superior dret)
- 6 Ampoller (centre dret)
- 7 Ampoller (inferior dret)
- 8 Prestatge de vidre
- 9 Prestatge de vidre
- 10 Prestatge de la coberta del calaix
- 11 Llum posterior
- 12 Panell de visualització
- 13 Coberta del calaix Activefresh

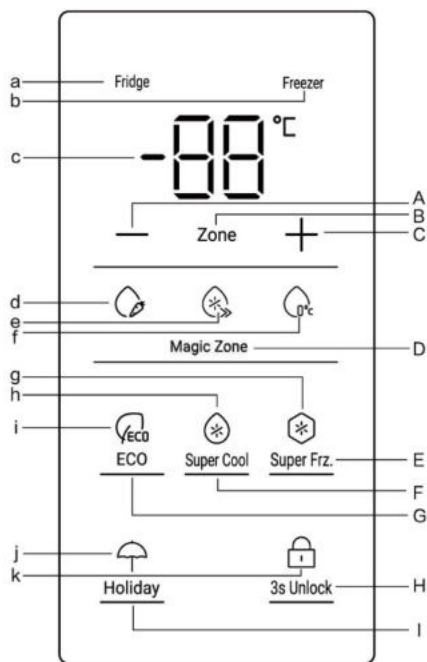
14 Coberta del calaix Magic

- 15 Calaix Activefresh
- 16 Calaix Magic

B: Compartiment congelador

- 17 Safata lliscant
- 18 Calaix superior del congelador
- 19 Safata lliscant
- 20 Calaix inferior del congelador

Panell de control



Botons:

- A Botó de reducció de temperatura
- B Canvi del mode de temperatura del frigorífic i congelador
- C Botó d'augment de temperatura
- D Canvi de Mode de la Magic Zone
- E Selector de la funció Super Frz
- F Selector de la funció Super Cool
- G Selector de la funció ECO
- H Bloqueig/desbloqueig panell de visualització
- I Selector de la funció Holiday

Indicadors:

- a Indicador del frigorífic
- b Indicador del congelador
- c Temperatura del compartiment frigorífic i congelador
- d Funció Fruit&Veg.
- e Funció Cool Drink
- f Funció 0°C Fresh
- g Funció Super Frz.
- h Funció Super Cool
- i Funció ECO
- j Funció Holiday (vacances)
- k Funció de bloqueig/desbloqueig del panell de visualització

Abans del primer ús

- ▶ Traieu tots els materials d'emalatge, manteniu-los fora de l'abast dels infants i elimineu-los de manera respectuosa amb el medi ambient.
- ▶ Abans de posar els aliments a l'electrodomèstic, netegeu-ne l'interior i l'exterior amb aigua i un detergent suau.
- ▶ Després d'anivellar i netejar l'aparell, espereu com a mínim 2-5 hores abans de connectar-lo a la xarxa elèctrica. Vegeu l'apartat INSTAL·LACIÓ.
- ▶ Refredeu prèviament els compartiments amb els ajustos alts abans de carregar-los amb aliments. La funció Super Frz. ajuda a refredar els compartiments ràpidament.
- ▶ La temperatura del refrigerador i la del congelador s'ajusten automàticament a 5 °C i -18 °C, respectivament. Aquests són els paràmetres recomanats. Si voleu, podeu canviar aquestes temperatures manualment. Consulteu la FUNCIO D'AJUST MANUAL.

Botons tàctils

Els botons del panell de control són botons de contacte que responen quan es toquen lleugerament amb el dit.

Encensa i apagada de l'aparell

L'electrodomèstic comença a funcionar tan bon punt es connecta a la font d'alimentació.

Quan es posa en marxa el frigorífic per primera vegada, s'encén l'indicador "c" (visualització de temperatura). La temperatura del frigorífic i la del congelador s'ajusten automàticament a 5 °C i -18 °C respectivament. S'encén l'indicador "d" (Fruit&Veg.).

El panell de visualització s'apaga immediatament després de tancar la porta

AVÍS

1. L'aparell està preconfigurat a la temperatura recomanada de 5°C (frigorífic) i -18°C (congelador). En condicions ambientals normals, no cal ajustar la temperatura.
2. La funció predefinida per al calaix Magic és Fruit&Veg.
3. Quan s'encén l'aparell després d'haver-lo desconnectat de la font d'alimentació, poden passar fins a 12 hores fins que s'arriba a les temperatures correctes.

Buideu l'aparell abans d'apagar-lo. Per apagar l'aparell, desendolieu el cable d'alimentació de la presa de corrent.

Bloquejar/desbloquejar el panell

Bloqueig automàtic: Quan les portes de la nevera i del congelador estiguin tancades, la pantalla s'apaga i es bloqueja automàticament.

Desbloqueig manual: Quan la pantalla estigui bloquejada, toqueu el botó "H" (3s Unlock) i manteniu-lo pitjat durant 3 segons; el brunzidor sonarà una vegada; l'indicador "k" (bloqueig del panell) s'apagarà i la pantalla es desbloquejarà.



Bloqueig manual: Quan la pantalla estigui desbloquejada, toqueu el botó "H" (3s Unlock) i manteniu-lo pitjat durant 3 segons; el brunzidor sonarà una vegada; l'indicador "k" (bloqueig del panell) s'encendrà i la pantalla es bloquejarà.



AVÍS

El panell de visualització es bloqueja cada vegada que s'obre la porta. Per a qualsevol configuració, cal desbloquejar el panell de control.

Alarma de porta oberta

Quan una de les portes del frigorífic s'obre durant més de 3 minuts, sona l'alarma d'obertura de la porta. L'alarma es pot silenciar tancant la porta. Si la porta es deixa oberta durant més de 7 minuts, el llum de l'interior de l'aparell i la del panell de control s'apaguen automàticament.

Selecció del mode de funcionament

Potser heu de seleccionar una de les dues maneres següents de configurar l'aparell.

AVÍS: Factors que incideixen en les temperatures

Els factors següents afecten la temperatura interior del frigorífic:

1. Temperatura ambient.
2. Freqüència d'obertura de la porta.
3. Quantitat d'aliments emmagatzemats
4. Instal·lació de l'aparell

Mode ECO

Si no teniu cap requisit especial, us recomanem que feu servir el mode ECO.

En la funció, l'electrodomèstic pot ajustar automàticament la temperatura d'acord amb la temperatura ambient i els canvis de temperatura a l'aparell.

1. Quan la pantalla estigui desbloquejada, toqueu el botó "G" (selector de la funció ECO); el brunzidor sonarà una vegada; l'indicador "i" (funció Holiday) s'encendrà i, a continuació, la funció ECO s'activarà.
2. Quan l'indicador V (funció ECO) s'encengui, pitgeu el botó "G" (selector de funció ECO); el brunzidor sonarà una vegada; l'indicador "i" (funció ECO) s'apagarà i la funció ECO es desactivarà.



AVÍS

En la funció ECO, no es pot ajustar ni la temperatura del frigorífic ni la del congelador. Si toqueu el botó "+" o "-" per ajustar la temperatura frigorífic o del congelador, l'indicador "i" (funció ECO) parpellejarà amb un so ràpid per indicar que aquesta operació no es pot dur a terme. En la funció ECO, a causa dels diferents mètodes de control, si s'ha configurat la funció Super Cool, Super Frz. o Holiday, l'indicador "i" (funció ECO) s'apagarà. En la funció ECO, la funció Magic Zone es pot ajustar manualment segons les necessitats.

Ajust de la temperatura del frigorífic

Quan la pantalla estigui desbloquejada, toqueu el botó "B" (Selector de zona), seleccioneu "frigorífic", l'indicador "a" (Indicador de frigorífic) s'encén i, a continuació, apareix el mode de configuració de la temperatura del frigorífic.

Toqueu el botó "+" o "-". Cada vegada que toqueu els botons "+" o "-", el valor de l'ajust de refrigeració augmenta en 1 o disminueix en 1. La temperatura del frigorífic es mostrarà en la seqüència "9°C <->8°C<->7°C<->6°C <->5°C <->4°C<- >3°C <->2°C <->1°C".

AVÍS

Després de configurar la temperatura, si no es fa cap operació durant els 5 segons posteriors, el sistema determinarà automàticament i desarà la temperatura configurada.

Ajust de la temperatura del congelador

Quan la pantalla estigui desbloquejada, toqueu el botó "B" (Selector de zona), seleccioneu "congelador", l'indicador "b" (Indicador de congelador) s'encén i, a continuació, apareix el mode de configuració de la temperatura del congelador.

Toqueu el botó "+". Cada vegada que toqueu els botons "+" o "-", el valor de l'ajust de refrigeració augmenta en 1 o disminueix en 1. La temperatura del congelador es mostrarà en la seqüència "-14°C <->-15°C<->-16°C <->-17°C <->-18°C <->-19°C<->-20°C <->-21°C <->-22°C<->-23°C <->-24°C".

AVÍS

Després de configurar la temperatura, si no es fa cap operació durant els 5 segons posteriors, el sistema determinarà automàticament i desarà la temperatura configurada.

Funció de Zona Magic

1. Funció Fruit&Veg.:

Quan la pantalla estigui desbloquejada, premeu el botó "D" (selector de la Magic Zone) per activar la funció; la icona Fruit&Veg. s'il·luminarà.

Aquesta funció és adequada per emmagatzemar fruita i verdura fresca.



i AVÍS

Les fruites sensibles al fred com la pinya, l'alvocat, el plàtan, l'aranja i les verdures com la patata, l'albergínia, la mongeta, el cogombre, el carbassó, el tomàquet i el formatge no s'han de guardar al calaix Magic Zone.

2. Funció Cool Drink:

Quan la pantalla estigui desbloquejada, premeu el botó "D" (selector de la Magic Zone) per activar la funció. S'encén l'indicador "Cool Drink".

Aquesta funció permet emmagatzemar productes com ara aigua, refresc i suc. La temperatura del compartiment Magic Zone està set a +2°C.



3. Funció 0° Fresh:

Quan la pantalla estigui desbloquejada, premeu el botó "D" (selector de la Magic Zone) per activar la funció. 0°C Fresh s'encén.

Aquesta funció ajusta la temperatura del calaix Magic Zone a 0°C. Adequat per emmagatzemar-hi aliments frescos com ara carn o peix. La majoria dels aliments es mantenen frescos a 0°C.



i AVÍS

A causa del diferent contingut d'aigua de la carn, algunes carns amb més humitat es congelen a temperatures inferiors a 0°C. Per tant, la carn "acabada de tallar" s'ha de guardar al calaix Magic Zone, amb temperatures mín, 0°C.

AVÍS: Calaix de la Magic Zone

1. Les tres funcions de la Magic Zone no es poden obrir alhora, només es pot encendre.
2. Per reduir la temperatura del compartiment del frigorífic, feu servir la funció Cool Drink. Per augmentar-la, feu servir la funció Fruit&Veg.

Funció Super Cool

1. Quan la pantalla estigui desbloquejada, toqueu el botó "F" (Selector de Super Cool); el bronzidor sonarà una vegada; l'indicador "h" (funció Super Cool) s'encendrà i la funció Super Cool s'activarà.
2. Quan l'indicador "h" (funció Super Cool) s'encengui, toqueu el botó "F" (selector de Super Cool); el bronzidor sonarà una vegada; l'indicador "h" (funció Super Cool) s'apagarà i la funció Super Cool es desactivarà.
3. Després d'activar la funció Super Cool, el frigorífic la desactivarà automàticament al cap d'un 4 hores. Si voleu sortir manualment, podeu tocar el botó "G" (Selector de Super Cool) per desactivar-lo.



AVÍS

1. En estat Super Cool, no es pot ajustar la temperatura del frigorífic. Si toqueu el botó "+" o "-" per ajustar la temperatura del frigorífic, l'indicador "h" (funció Super Cool) parpellejarà amb un so ràpid per indicar que aquesta operació no es pot portar a terme.
2. En l'estat de la funció Super Cool, la funció ECO i la funció Holiday no es poden activar alhora a causa dels diferents modes de control. Quan trieu una funció que entra en conflicte amb una altra, la funció original es desactivarà automàticament.

Funció Super Frz.

1. Quan la pantalla estigui desbloquejada, toqueu el botó "E" (Selector de Super Freeze); el bronzidor sonarà una vegada, l'indicador "g" (funció Super Freeze) s'encendrà i la funció Super Freeze s'activarà.
2. Quan l'indicador "g" (funció Super Freeze) s'encengui, toqueu el botó "E" (selector de Super Freeze), el bronzidor sonarà una vegada, l'indicador "g" (funció Super Freeze) s'apagarà i la funció Super Freeze es desactivarà.
3. Després d'activar la funció Super Freeze, el frigorífic la desactivarà automàticament al cap d'unes 50 hores. Si voleu sortir manualment, podeu tocar el botó "E" (selector de Super Freeze) per desactivar-lo.



Super Frz.



Super Frz.



Super Frz.



AVÍS

1. En estat Super Freeze, no es pot ajustar la temperatura del congelador. Si toqueu el botó "+" o "-" per ajustar la temperatura del congelador, l'indicador "g" (funció Super Freeze) parpellejarà amb un so ràpid per indicar que aquesta operació no es pot fer.
2. En l'estat de la funció Super Freeze i la funció ECO no es poden activar alhora a causa dels diferents modes de control. Quan trieu una funció que entra en conflicte amb una altra, la funció original es desactivarà automàticament.
3. La funció Super Freeze està dissenyada per mantenir el valor nutricional dels aliments congelats, congelant-los en el menor temps possible. Si s'han de congelar grans quantitats d'aliments congelats alhora. Mentrestant, la funció Super Freeze s'ha de configurar amb 24 hores d'antelació per abaixar la temperatura del congelador i posar-hi aliments. En aquest moment, millora la velocitat de congelació del congelador; els aliments es poden congelar ràpidament; els aliments mantenen les seves propietats nutritives, i la seva conservació és més bona.

Funció Holiday

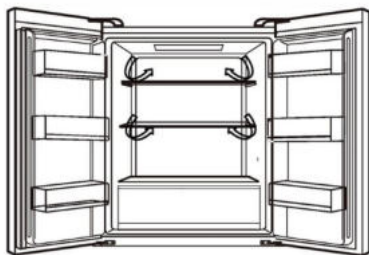
La funció Holiday està dissenyada per no fer servir el frigorífic durant un període llarg. Quan la funció Holiday està activada, el congelador està sota control normal i la temperatura del frigorífic s'ajusta automàticament a 17 °C. La temperatura real no és superior a 17 °C, cosa que evita les males olors peculiars causades per la sobretemperatura i alhora ajuda a reduir el consum d'energia.

1. Quan la pantalla estigui desbloquejada, toqueu el botó "I" (selector de la funció Holiday); el bronzidor sonarà una vegada, l'indicador "j" (funció Holiday) s'encendrà i, a continuació, la funció Holiday s'activarà.
2. Quan l'indicador "j" (funció Holiday) s'encengui, toqueu el botó "T" (selector de la funció Holiday); el bronzidor sonarà una vegada, l'indicador "j" (funció Holiday) s'apagarà i la funció Holiday es desactivarà.



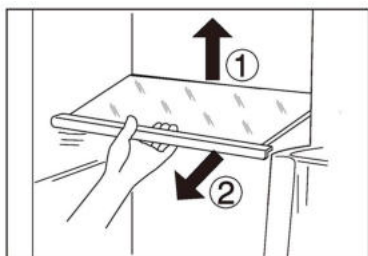
i AVÍS

1. En la funció Holiday, no es pot ajustar la temperatura del frigorífic. Si toqueu el botó "+" o "-" per ajustar la temperatura del frigorífic, l'indicador (funció Holiday) parpellejarà amb un so ràpid per indicar que aquesta operació no es pot dur a terme.
2. Abans d'activar la funció Holiday, buideu el frigorífic per evitar que el menjar s'hi faci malbé. Quan la funció Holiday està activada, no es pot activar ni la funció ECO ni la funció Super Cool alhora.
3. En la funció Holiday, la configuració de les icones "Fruit&Veg., Cool Drink, 0°Fresh" a la Magic Zone es desactivaran i no es podrà ajustar la funció Magic Zone. El compartiment del frigorífic i Magic Zone es mostrarà amb la configuració anterior un cop sortiu de la funció Holiday.



Flux d'aire múltiple

1. El frigorífic està equipat amb un sistema de flux d'aire múltiple, que permet que cada nivell de prestatge rebi fluxos d'aire fred. Això ajuda a mantenir una temperatura uniforme per garantir que els aliments es mantinguin frescos durant més temps.



Prestatges ajustables

1. L'altura dels prestatges es pot ajustar per adaptar-la a les vostres necessitats d'emmagatzematge.
2. Per canviar de lloc un prestatge, primer cal treure'l aixecant la part posterior ① i retirant-lo cap enfora ②.
3. Per tornar-lo a col·locar, poseu-lo a les orelletes dels dos costats i empenyeu-lo cap a la posició del darrere fins que la part posterior del prestatge quedi fixada dins de les ranures dels costats.

Calaix de la Magic Zone

En aquest compartiment, el nivell d'humitat és inferior al del compartiment del frigorífic. Aquest calaix és adequat per emmagatzemar-hi fruita seca i altres aliments secs amb baix contingut d'aigua com ara mantega, greixos i oli o xocolata.

MAGICZONE |

Calaix ACTIVEFRESHZONE

En aquest compartiment el nivell d'humitat és més alt que al compartiment del frigorífic. Està controlat automàticament pel sistema i és adequat per emmagatzemar-hi fruita, verdura, enciam, etc.

ACTIVEFRESHZONE |

AVÍS:

La fruita sensible al fred com la pinya, l'alvocat, el plàtan, l'aranja i la verdura com la patata, l'albergínia, la mongeta, el cogombre, el carbassó, el tomàquet i el formatge no s'han de guardar en aquest calaix Fresh Box.

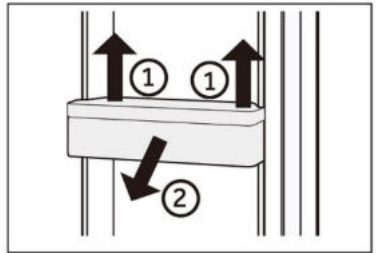
i AVÍS

1. No traieu les cobertes de plàstic de l'interior de les zones T.
2. Mantenen la humitat.
3. No es recomana guardar fruita sensible al fred com la pinya, l'alvocat, el plàtan,
4. i el raïm en aquests dos calaixos.



Prestatges a la porta/ ampollers desmuntables

1. Els prestatges de la porta es poden desmuntar per netejar-los
2. Col·loqueu les mans a cada costat del prestatge, aixequu-lo cap amunt ① i estireu-lo cap enfora ②.
3. Per introduir el prestatge de la porta, seguïu els passos anteriors en ordre invers.



Calaix superior del congelador extraïble

1. Estireu fins al màxim el calaix superior del congelador.
2. Aixequu el calaix fins que se separi del bloc de suport. Empenyeu-lo cap a dins del congelador i inclineu-lo per treure'l.

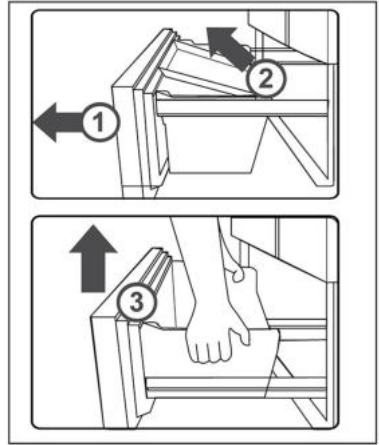
Per introduir el calaix, seguïu els passos anteriors en ordre invers.



Calaix inferior del congelador extraïble.

1. Estireu fins al màxim el calaix inferior del congelador.
2. Estireu la safata de congelació fins al topall, aixequeu-la i retireu-la.
3. Aixequeu el calaix fins que se separi del bloc de suport. Empenyeu-lo cap a dins del congelador i inclineu-lo per treure'l.

Per introduir el calaix, seguiu els passos anteriors en ordre invers.

**Llum**

El llum led interior s'encén quan s'obre la porta. El rendiment dels llums no es veu afectat per cap dels altres ajustos de l'electrodomèstic.



Consells per estalviar energia

- ▶ Assegureu-vos que l'electrodomèstic tingui una bona ventilació (vegeu INSTAL·LACIÓ).
- ▶ No instal·leu l'electrodomèstic sota la llum solar directa ni a prop de fonts de calor (per exemple, estufes, calefactors).
- ▶ Eviteu temperatures innecessàriament baixes a l'electrodomèstic. El consum d'energia augmenta com més baixa estigui configurada la temperatura a l'electrodomèstic.
- ▶ Funcions com POWER-FREEZE consumeixen més energia.
- ▶ Deixeu que els aliments calents es refredin abans d'introduir-los a l'electrodomèstic.
- ▶ Obriu la porta de l'electrodomèstic tan poques vegades i tan poca estona com sigui possible.
- ▶ No ompliu massa l'electrodomèstic per evitar obstruir el flux d'aire.
- ▶ Eviteu l'aire de l'interior dels envasos dels aliments.
- ▶ Mantingueu netes les juntes de les portes perquè les portes sempre tanquin correctament.
- ▶ Descongeleu els aliments congelats al compartiment d'emmagatzematge del frigorífic.
- ▶ La configuració que estalvia més energia requereix que l'aparell mantingui els calaixos, els food box i els prestatges en les condicions originals de fàbrica, i que els aliments es col·loquin tan separats com sigui possible per no bloquejar la sortida d'aire del conducte.



ADVERTÈNCIA!

Desconnecteu l'electrodomèstic de la xarxa elèctrica abans de netejar-lo.

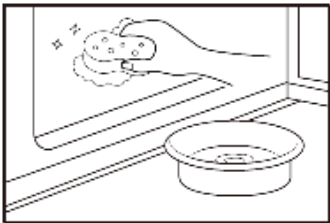
Neteja

Netegeu l'electrodomèstic quan només hi hagi pocs aliments o cap aliment a dins. Per a un bon manteniment de l'electrodomèstic i per evitar les males olors dels aliments emmagatzemats, netegeu-lo cada quatre setmanes.



ADVERTÈNCIA!

- ▶ No netegeu l'electrodomèstic amb raspalls durs, raspalls de filferro, detergent en pols, gasolina, acetat d'amil, acetona ni solucions orgàniques similars, àcides o alcalines. Netegeu-lo amb un detergent especial per a frigorífics per evitar-hi danys.
- ▶ No ruixeu ni renteu amb un raig d'aigua l'aparell durant la neteja.
- ▶ No feu servir ruixadors d'aigua ni vapor per netejar l'electrodomèstic.
- ▶ No netegeu els prestatges de vidre freds amb aigua calenta. Un canvi sobtat de temperatura pot fer que el vidre es trenqui.
- ▶ No toqueu la superfície interior del compartiment d'emmagatzematge del congelador, sobretot amb les mans mullades, ja que les mans es poden congelar en entrar en contacte amb la superfície.
- ▶ Comproveu l'estat dels productes congelats en el cas que s'escalfin.



- ▶ Mantingueu sempre neta la junta de la porta.
- ▶ Netegeu l'interior i la carcassa de l'electrodomèstic amb una esponja humitejada amb aigua tèbia i detergent neutre.
- ▶ 1. Fregueu l'interior i l'exterior del frigorífic, inclosa la junta de la porta, els prestatges de la porta, els prestatges de vidre, els compartiments, etc., amb un drap suau o una esponja submergida en aigua tèbia (podeu afegir detergent neutre a l'aigua tèbia).
- ▶ 2. Si s'ha vessat líquid, traieu totes les parts que s'han embrutat, esbandiu-les directament amb aigua corrent, eixugueu-les i torneu-les a posar al frigorífic.
- ▶ 3. Si s'ha vessat nata (com ara nata mateixa o gelat desfet), traieu totes les parts brutes, poseu-les una estona en aigua tèbia a uns 40 °C, després esbandiu-les amb aigua corrent, eixugueu-les i torneu-les a posar al frigorífic.
- ▶ 4. En cas que alguna peça o component petit quedi enganxat a dins del frigorífic (entre prestatges o calaixos), feu servir un raspall petit i suau per desenganxar-lo. Si no podeu arribar a la peça, poseu-vos en contacte amb el servei tècnic de Haier.
- ▶ Esbandiu-ho i assequeu-ho amb un drap suau.
- ▶ No netegeu cap de les peces de l'electrodomèstic al rentaplats.
- ▶ Espereu almenys 5 minuts abans de tornar a engegar l'aparell, ja que, si s'engega sovint, es pot fer malbé el compressor.

Descongelació

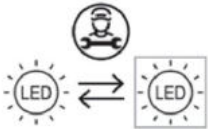
Aquest electrodomèstic té un procés de descongelació automàtic dels compartiments del frigorífic i del congelador. No s'ha de seguir cap procediment manual.

Substitució dels llums led

ADVERTÈNCIA!

No substituïu la bombeta led vosaltres mateixos, només l'ha de substituir el fabricant o el servei tècnic autoritzat.

L'electrodomèstic fa servir llums led com a font de llum, que tenen un baix consum d'energia i una llarga vida útil. Si detecteu alguna anomalia, poseu-vos en contacte amb el servei d'atenció al client. Vegeu SERVEI D'ATENCIÓ AL CLIENT.



Font de llum substituïble (només led) per un professional.

Aquest producte conté una font de llum de classe d'eficiència energètica G.

Compartiment	Tensió	Classe d'eficiència energètica	Model
Frigorífic	12 V	G	HFKR5718DNGB

Període més llarg sense ús

Si l'electrodomèstic no es fa servir durant un període llarg de temps i no voleu fer servir la funció Holiday per al frigorífic:

- ▶ Traieu-ne el menjar.
- ▶ Desendollegeu el cable d'alimentació.
- ▶ Netegeu l'electrodomèstic tal com s'ha descrit anteriorment.
- ▶ Mantingueu les portes obertes per evitar la creació de males olors a l'interior.

AVÍS

Apagueu l'electrodomèstic només si és estrictament necessari.

Desplaçament de l'electrodomèstic

1. Traieu-ne tots els aliments i desendollegeu l'electrodomèstic.
2. Assegureu els prestatges i les altres peces mòbils del frigorífic i del congelador amb cinta adhesiva.
3. No inclineu el frigorífic més de 45° per evitar danys al sistema de refrigeració.

ADVERTÈNCIA!

- ▶ No aixequiu l'electrodomèstic pels tiradors.
- ▶ No poseu mai l'electrodomèstic horitzontalment a terra.

Molts problemes que sorgeixen es poden resoldre sense tenir coneixements específics. Si teniu un problema, comproveu totes les opcions que es mostren i seguïu les instruccions següents abans de posar-vos en contacte amb un servei d'atenció al client. Vegeu SERVEI D'ATENCIÓ AL CLIENT.



ADVERTÈNCIA!

- ▶ Abans de fer-hi el manteniment, apagueu l'electrodomèstic i desconnecteu l'endoll de la presa de corrent.
- ▶ El manteniment dels electrodomèstics elèctrics només l'han de fer electricistes qualificats, ja que les reparacions incorrectes poden causar danys importants.
- ▶ Per evitar tot perill, si un cable d'alimentació està malmès, l'ha de substituir el fabricant, el seu responsable de servei o persones amb una qualificació similar.

Problema	Causa possible	Solució possible
El compressor no funciona.	<ul style="list-style-type: none"> • L'endoll no està connectat a la presa de corrent. • L'electrodomèstic es troba en el cicle de descongelació. 	<ul style="list-style-type: none"> • Connecteu l'endoll a la xarxa elèctrica. • Això és normal en una descongelació automàtica.
L'electrodomèstic funciona sovint o durant un període de temps massa llarg.	<ul style="list-style-type: none"> • La temperatura interior o exterior és massa alta. • L'electrodomèstic ha estat apagat durant un període de temps. • Hi ha una porta de l'electrodomèstic que no està ben tancada. • La porta s'ha obert massa sovint o ha estat oberta durant massa estona. • La temperatura ajustada per al compartiment del congelador és massa baixa. • La junta de la porta està bruta, desgastada, esquerpada o no encaixa. • La circulació d'aire necessària no està garantida. 	<ul style="list-style-type: none"> • En aquest cas, és normal que l'electrodomèstic funcioni durant més temps. • Normalment, l'electrodomèstic triga entre 8 i 12 hores a refredar-se del tot. • Tanqueu la porta o el calaix i assegureu-vos que l'aparell estigui situat en una superfície anivellada i que no hi hagi cap aliment o recipient que n'impedeixi el tancament. • No obriu la porta o el calaix massa sovint. • Ajusteu la temperatura a un valor més alt fins que tingueu una temperatura satisfactòria per al frigorífic. La temperatura del frigorífic triga 24 hores a estabilitzar-se. • Netegeu la junta de la porta o del calaix o feu-la substituir pel servei d'atenció al client. • Assegureu-vos que la ventilació és adequada.

Problema	Causa possible	Solució possible
L'interior del frigorífic està brut o fa pudor.	<ul style="list-style-type: none"> • Heu de netejar l'interior del frigorífic. • Al frigorífic hi ha aliments amb una olor forta. 	<ul style="list-style-type: none"> • Netegeu l'interior del frigorífic. • Emboliqueu bé el menjar.
No fa prou fred dins de l'electrodomèstic.	<ul style="list-style-type: none"> • La temperatura està configurada massa alta. • S'han emmagatzemat productes massa calents. • S'ha emmagatzemat massa menjar alhora. • Els productes estan massa a prop els uns dels altres. • Una porta o un calaix de l'electrodomèstic no estan ben tancats. • La porta o el calaix s'han obert massa sovint o durant massa estona. 	<ul style="list-style-type: none"> • Restabliu la temperatura. • Refredeu sempre els productes abans d'introduir-los-hi. • Emmagatzemeu sempre quantitats petites d'aliments. • Deixeu un espai entre els diversos aliments per facilitar la circulació de l'aire. • Tanqueu la porta o el calaix. • No obriu la porta o el calaix massa sovint.
A dins de l'electrodomèstic hi fa massa fred.	<ul style="list-style-type: none"> • La temperatura està configurada massa baixa. • La funció Super Frz/Super Cool està activada o fa massa temps que funciona. 	<ul style="list-style-type: none"> • Restabliu la temperatura. • Desactiveu la funció Super Frz/Super Cool.
Formació d'humitat a l'interior del compartiment del frigorífic.	<ul style="list-style-type: none"> • El clima és massa càlid i massa humit. • Una porta o un calaix de l'electrodomèstic no estan ben tancats. • La porta o el calaix s'han obert massa sovint o durant massa estona. • S'han deixat oberts alguns recipients d'aliments o líquids. 	<ul style="list-style-type: none"> • Augmenteu la temperatura. • Tanqueu la porta o el calaix. • No obriu la porta o el calaix massa sovint. • Deixeu que els aliments calents es refredin a temperatura ambient i tapeu tant els recipients com els líquids.
La humitat s'acumula a la superfície exterior del frigorífic o entre les portes/la porta i el calaix.	<ul style="list-style-type: none"> • El clima és massa càlid i massa humit. • La porta no està ben tancada. Hi ha aire fred a dins de l'electrodomèstic i aire calent a l'exterior, i es condensa. 	<ul style="list-style-type: none"> • Això és normal en climes humits i canviarà quan la humitat baixi. • Assegureu-vos que la porta o el calaix quedin ben tancats.

Problema	Causa possible	Solució possible
<p> molta acumulació de gel i gebre al compartiment del congelador.</p>	<ul style="list-style-type: none"> • Els productes no estaven ben envasats. • Una porta o un calaix de l'electrodomèstic no estan ben tancats. • La porta o el calaix s'han oberts massa sovint o durant massa estona. • La junta de la porta o del calaix està bruta, desgastada, esquerpada o no encaixa. • Alguna cosa a l'interior impedeix que la porta/calaix tanqui correctament. 	<ul style="list-style-type: none"> • Envaseu bé sempre els aliments. • Tanqueu la porta o el calaix. • No obriu la porta o el calaix massa sovint. • Netegeu la junta de la porta o del calaix o feu-la substituir per una de nova. • Canvieu la posició dels prestatges, els prestatges de les portes o els calaixos de l'interior perquè la porta/calaix tanqui.
<p>Els laterals del frigorífic i la junta de la porta s'escalfen.</p>	<ul style="list-style-type: none"> • - 	<ul style="list-style-type: none"> • Això és normal.
<p>L'electrodomèstic fa sons anormals.</p>	<ul style="list-style-type: none"> • L'electrodomèstic no està instal·lat en una superfície anivellada. • L'electrodomèstic toca algun objecte que té al voltant. 	<ul style="list-style-type: none"> • Ajusteu les potes per anivellar l'electrodomèstic. • Traieu els objectes que hi ha al voltant de l'electrodomèstic.
<p>Se sent un lleu soroll semblant al de l'aigua que flueix.</p>	<ul style="list-style-type: none"> • - 	<ul style="list-style-type: none"> • Això és normal.
<p>Sentireu un so d'alarma.</p>	<ul style="list-style-type: none"> • La porta del compartiment d'emmagatzematge del frigorífic és oberta. 	<ul style="list-style-type: none"> • Tanqueu la porta.
<p>Sentireu un brunzit feble.</p>	<ul style="list-style-type: none"> • El sistema anticondensació funciona. 	<ul style="list-style-type: none"> • Això evita la condensació i és normal.
<p>El sistema d'il·luminació o de refrigeració interior no funciona.</p>	<ul style="list-style-type: none"> • L'endoll no està connectat a la presa de corrent. • La font d'alimentació no està intacta. • La bombeta led no funciona. 	<ul style="list-style-type: none"> • Connecteu l'endoll a la xarxa elèctrica. • Comproveu el subministrament elèctric de l'estança. Poseu-vos en contacte amb la companyia elèctrica local! • Truqueu al servei tècnic perquè canviïn la bombeta.

Per posar-vos en contacte amb l'assistència tècnica, visiteu el nostre lloc web:
<https://corporate.haier-europe.com/en/>

A l'apartat "lloc web", trieu la marca del vostre producte i el vostre país. Se us redirigirà al lloc web específic on trobareu el número de telèfon i el formulari per posar-vos en contacte amb l'assistència tècnica.

Interrupció del corrent

En cas de tall de corrent, els aliments es mantindran freds durant aproximadament 5 hores. Durant una interrupció prolongada del subministrament elèctric, especialment a l'estiu, seguïu aquests consells:

- ▶ Obriu la porta o el calaix tan poc com sigui possible.
- ▶ Durant una interrupció del corrent, no introduïu més menjar a l'electrodomèstic.
- ▶ Si s'avisa amb antelació d'un tall de subministrament elèctric i la durada del tall és superior a 5 hores, feu gel i poseu-lo en un recipient a la part superior del compartiment del frigorífic.
- ▶ Reviseu bé els aliments immediatament després de la interrupció.
- ▶ Com que durant una interrupció del subministrament elèctric o altres avaries la temperatura del frigorífic augmenta, el període d'emmagatzematge i la qualitat dels aliments es reduiran. Per evitar riscos per a la salut, qualsevol aliment que es descongeli s'ha de consumir o bé cuinar i tornar a congelar (si és el cas) poc després.

Funció de memòria durant les interrupcions de corrent

Després de restablir el corrent, l'aparell continua amb els ajustos que tenia establerts abans de la fallada de corrent.

Desembalatge

**ADVERTÈNCIA!**

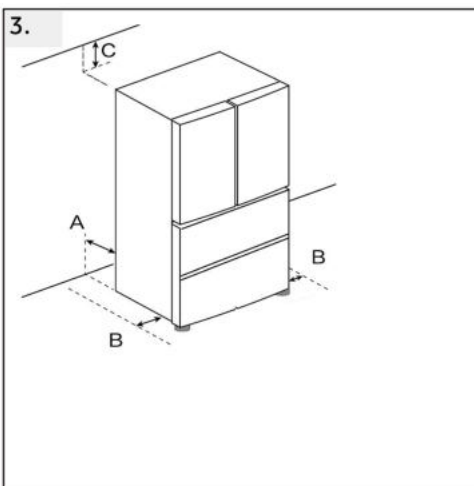
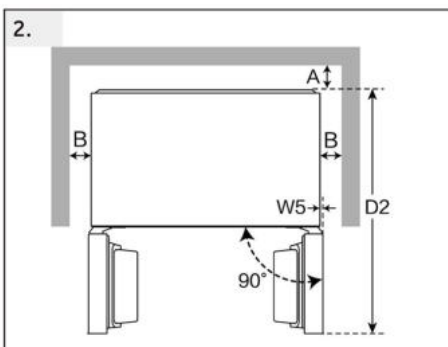
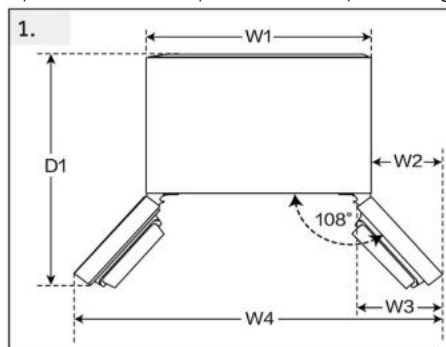
- ▶ Aquest electrodomèstic pesa. Manipuleu-lo sempre almenys entre dues persones.
- ▶ Manteniu tots els materials d'embalatge fora de l'abast dels infants i elimineu-los de manera respectuosa amb el medi ambient.
- ▶ Traieu l'electrodomèstic de l'embalatge.
- ▶ Retireu tots els materials d'embalatge.

Condicions ambientals

La temperatura ambient sempre ha d'estar entre 10 °C i 43 °C, ja que pot influir en la temperatura interior de l'electrodomèstic i en el seu consum d'energia. No instal·leu l'electrodomèstic a prop d'altres electrodomèstics que emetin calor (forns, neveres) sense aïllament.

Recomanacions d'espai

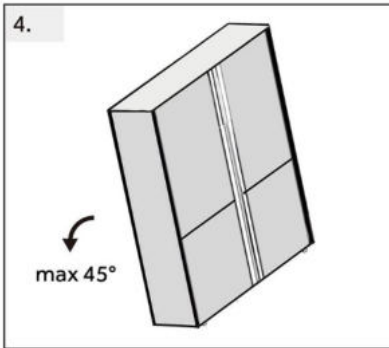
Espai recomanat quan s'obre la porta (Fig. 1.2)



(Unitat: mm)		HFKR5718DNGB
Amplada	W1	700
	W2	115
	W3	368
	W4	930
	W5	0
	W	700
	D1	910
	D2	918
	D	594
Distància a la paret posterior	A	6
Distància a les parets laterals	B	4
Distància al sostre	C	9
Alçada total	H	1850

Secció transversal de ventilació

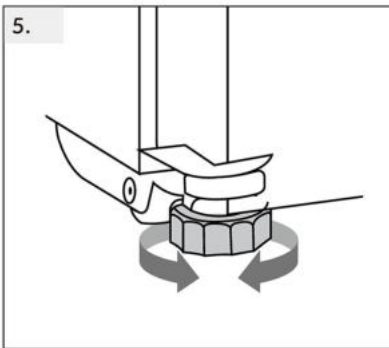
Per aconseguir una ventilació suficient de l'electrodomèstic per motius de seguretat, cal tenir en compte la informació de les seccions transversals de ventilació necessàries.



Anivellament de l'electrodomèstic (Fig.4.5.6.)

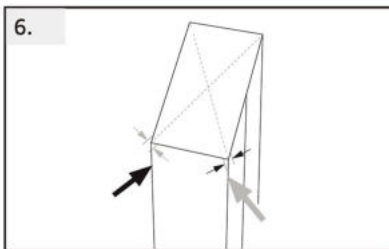
L'electrodomèstic s'ha de col·locar sobre una superfície plana i sòlida.

4. Inclineu el frigorífic lleugerament cap enrere.



5. Ajusteu les potes al nivell desitjat.

Assegureu-vos que la distància a la paret del costat de la frontissa sigui d'almenys 100 mm perquè la porta s'obri correctament.

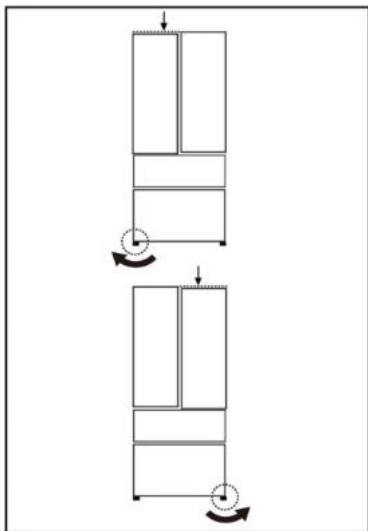


6. Podeu comprovar l'estabilitat de l'electrodomèstic colpejant lleugerament les diagonals de manera alternada. El lleuger balanceig hauria de ser igual a totes dues direccions. Si no és així, el marc es podria deformar i fer que les juntes de la porta tinguin fuites.

Una baixa inclinació cap enrere facilita el tancament de les portes.

i AVÍS

Per a un electrodomèstic independent: aquest aparell de refrigeració no està pensat per fer-se servir com a electrodomèstic integrat.

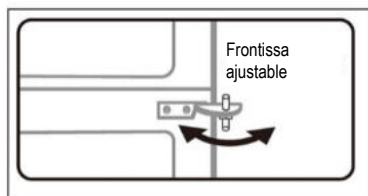


Ajust de les portes amb precisió

Si les portes no estan anivellades, aquest desajust es pot solucionar de la manera següent:

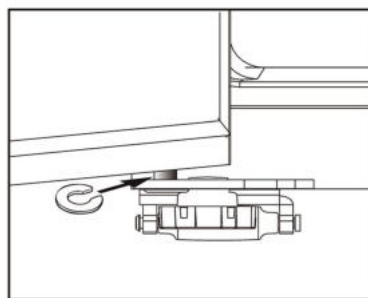
Ajusteu la pota regulable.

Gireu la pota regulable segons la direcció de la fletxa per apujar o abaixar-la.



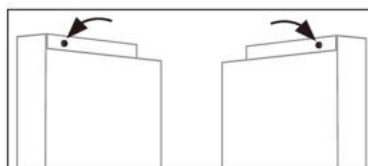
Ajust de la posició de la porta

- ▶ Quan les dues portes no estan a la mateixa alçada, es poden afinar les frontisses amb la clau anglesa adjunta per anivellar-les. No l'instal·leu de manera brusca per evitar ratllades o cops a l'embellidor de la porta.



Ús dels espaiadors

- ▶ Obriu la porta del congelador i aixequeu-la.
- ▶ Fixeu amb cura l'espaiador (inclòs a la bossa d'accessoris) a l'eix de la frontissa inferior amb la mà o amb eines com ara unes alicates. No ratlleu ni feu malbé la porta.

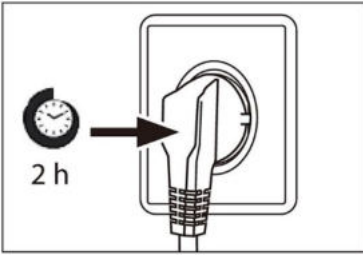


Ús del botó d'ajust

- ▶ Si la porta del compartiment del frigorífic no està anivellada, podeu girar el botó ajustable de la part superior de la porta per fer ajustaments precisos.

i AVÍS

En el futur ús del frigorífic, es pot produir un fenomen de portes irregulars a causa del pes dels aliments emmagatzemats. A continuació, ajusteu-lo segons els mètodes anteriors.

**Temps d'espera**

L'oli de lubricació sense manteniment està situat a la càpsula del compressor. Aquest oli pot passar pel sistema de tubs tancats si durant el transport s'inclina l'electrodomèstic. Abans de connectar l'electrodomèstic a la xarxa elèctrica, heu d'esperar almenys 2 hores perquè l'oli torni a fluir cap a la càpsula.

Connexió elèctrica

Abans de cada connexió, comproveu si:


- ▶ La font d'alimentació, la presa de corrent i els fusibles es corresponen amb els indicats a la placa de característiques.
- ▶ La presa de corrent té connexió a terra i no hi ha endolls múltiples ni allargadors.
- ▶ L'endoll i la presa d'alimentació són compatibles amb les especificacions.

Connecteu l'endoll a una presa de corrent domèstica correctament instal·lada.

! ADVERTÈNCIA!

Per evitar riscos, si hi ha un cable d'alimentació malmès, l'ha de substituir el servei d'atenció al client (vegeu la targeta de garantia).

Fitxa del producte segons el Reglament UE núm. 2019/2016

Marca	Haier
Nom / identificador del model	HFKR5718DNGB
Categoria del model	Frigorífic-congelador
Classe d'eficiència energètica	D
Consum anual d'energia (kWh/any)(1)	226
Volum total (L)	402
Volum del frigorífic (L)	227
Volum del congelador (L)	147
Volum Chill (L)	28
Classificació d'estrelles	
Sistema no frost	Sí
Capacitat de congelació (kg/24 h)	10.0
Classificació climàtica (2)	SN-N-ST
Classe d'emissió de soroll i emissions acústiques aèries (db(A) re 1pW)	B (35)
Temps d'augment de la temperatura (h)	8
Tipus d'electrodomèstic	Independent

Explicacions:

• Sí, inclòs

- (1) Basat en els resultats de la prova de conformitat amb els estàndards durant 24 hores. El consum real depèn de l'ús i de la ubicació de l'electrodomèstic.
- (2) Classificació climàtica SN: Aquest electrodomèstic està pensat per a un ús a una temperatura ambient d'entre +10 °C i +32 °C

Classificació climàtica N: Aquest electrodomèstic està pensat per a un ús a una temperatura ambient d'entre +16 °C i +32 °C

Classificació climàtica ST: Aquest electrodomèstic està pensat per a un ús a una temperatura ambient d'entre +16 °C i +38 °C

Classificació climàtica T: Aquest electrodomèstic està pensat per a un ús a una temperatura ambient d'entre +16 °C i +43 °C

Dades tècniques addicionals

Tensió / freqüència	220-240 V ~ / 50 Hz
Corrent d'entrada (A)	1,8
Fusible principal (A)	15
Refrigerant	R600a
Mides (alçada/amplada/profunditat en mm)	1850/700/594

Recomanem el nostre Servei d'atenció al client de Haier i l'ús de recanvis originals.

Si teniu cap problema amb el vostre electrodomèstic, consulteu primer l'apartat SOLUCIÓ DE PROBLEMES.

Si no hi trobeu cap solució, poseu-vos en contacte amb

el vostre distribuïdor local o

el nostre Centre europeu d'atenció al client (vegeu els números de telèfon que es mostren a continuació) o

el centre de Servei i assistència a www.haier.com, on podeu demanar el servei i també trobar-hi preguntes freqüents.

Per posar-vos en contacte amb el nostre servei, assegureu-vos que disposeu de les dades següents.

La informació la podeu trobar a la placa de característiques.

Model _____

Número de sèrie _____

Si necessiteu dades per a la garantia, consulteu també la targeta de garantia que s'inclou amb el producte.

Centre europeu d'atenció al client		
País*	Número de telèfon	Costos
Haier Itàlia (IT)	199 100 912	
Haier Espanya (ES)	902 509 123	
Haier Alemanya (DE)	0180 5 39 39 99	<ul style="list-style-type: none"> • 14 ct./min des de telèfon fix • màx. 42 ct./min mòbil
Haier Àustria (AT)	0820 001 205	<ul style="list-style-type: none"> • 14,53 ct./min telèfon fix • màx. 20 ct./min els altres
Haier Regne Unit (UK)	0333 003 8122	
Haier França (FR)	0980 406 409	

* Per a altres països, consulteu www.haier.com

Haier Europe Trading S.r.l

Divisió Regne Unit

Westgate House, Westgate, Ealing

London, W5 1YY

*Durada de la garantia de l'electrodomèstic de refrigeració:

La garantia mínima és de: 2 anys per als països de la UE; 3 anys per a Turquia; 1 any per al Regne Unit; 1 any per a Rússia; 3 anys per a Suècia; 2 anys per a Sèrbia; 5 anys per a Noruega; 1 any per al Marroc; 6 mesos per a Algèria; Tunísia, sense garantia legal.

* El període de recanvis per a la reparació de l'electrodomèstic:

Els termòstats, els sensors de temperatura, les plaques de circuit impreses i les fonts de llum estan disponibles durant un període mínim de set anys després de la comercialització de l'última unitat del model.

Els tiradors de la porta, les frontisses, les safates i les cistelles estan disponibles durant un període mínim de set anys, i les juntes de la porta durant un període mínim de 10 anys, després de la comercialització de l'última unitat del model al mercat.

*Per a més informació sobre el producte, consulteu <https://eprel.ec.europa.eu/> o escanegeu el codi QR de l'etiqueta energètica que s'inclou amb l'electrodomèstic.

<u>509 Bezpečnostné informácie</u>	•	<u>Pred prvým použitím</u>	510
		<u>Inštalácia</u>	510
		<u>Každodenné používanie</u>	511
<u>514 Určené použitie</u>	•		
<u>515 Opis výrobku</u>	•		
<u>516 Ovládací panel</u>	•		
<u>517 Použité</u>	•	<u>Uzamknutie a odomknutie panela</u>	517
		<u>REŽIM ECO</u>	518
		<u>Úprava teploty chladničky</u>	519
		<u>Úprava teploty mrazničky</u>	519
		<u>Funkcia Magic Zone</u>	519
		<u>Funkcia Super Cool</u>	521
		<u>Funkcia Super Frz</u>	522
		<u>Funkcia Holiday</u>	522
<u>524 Vybavenie</u>	•		
<u>527 Tipy na úsporu energie</u>	•		
<u>528 Starostlivosť a čistenie</u>	•		
<u>530 Riešenie problémov</u>	•		
<u>534 Inštalácia</u>	•		
<u>537 Technické údaje</u>	•		
<u>539 Zákaznícky servis</u>	•		

Ďakujeme za zakúpenie produktu Haier.

Pred použitím tohto spotrebiča si pozorne prečítajte tieto pokyny. Pokyny obsahujú dôležité informácie, ktoré vám pomôžu vyťažiť zo spotrebiča maximum a zaistia bezpečnú a správnu inštaláciu, používanie a údržbu.

Túto príručku uschovajte na vhodnom mieste, aby ste si mohli kedykoľvek prečítať pokyny na bezpečné a správne používanie spotrebiča.

Ak spotrebič predávate, darujete alebo ho nechávate v domácnosti po odstahovaní, nezabudnite s ním novému vlastníkovi odovzdať aj túto príručku, aby sa mohol oboznámiť so spotrebičom a bezpečnostnými upozoreniami.

Príslušenstvo

Skontrolujte príslušenstvo a dokumentáciu podľa tohto zoznamu:



Energetický štítok



Záručný list



Nálepka „OK“ Návod
na použitie



Stručná príručka



VAROVANIE – Dôležité bezpečnostné informácie



OZNÁMENIE – Všeobecné informácie a tipy



Informácie o životnom prostredí



Likvidácia

Pomáhajte chrániť životné prostredie a zdravie ľudí. Obal vyhodte do vhodných nádob na recykláciu. Pomáhajte recyklovať odpad z elektrických a elektronických prístrojov. Spotrebiče označené týmto symbolom nelikvidujte s domácim odpadom. Výrobok odneste do miestneho recyklačného strediska alebo kontaktujte mestský úrad.



VAROVANIE!

Nebezpečenstvo poranenia alebo zadusenia!

Chladivá a plyny sa musia likvidovať profesionálnym spôsobom. Pred správnu likvidáciou sa uistite, že nie je poškodené potrubie okruhu chladiva. Spotrebič odpojte od elektrickej siete. Odrežte a zlikvidujte napájací kábel. Vyberte podnosy a zásuvky, ako aj západku a tesnenie dvierok, aby ste zabránili zatvoreniu detí a domácich zvierat vnútri spotrebiča.

Pred prvým zapnutím spotrebiča si prečítajte nasledujúce bezpečnostné pokyny:



VAROVANIE!

Pred prvým použitím

- ▶ Uistite sa, že sa spotrebič pri preprave nepoškodil.
- ▶ Odstráňte všetky obaly a uložte ich mimo dosahu detí.
- ▶ Pred inštaláciou spotrebiča počkajte najmenej dve hodiny, aby sa zabezpečila plná účinnosť chladiaceho okruhu.
- ▶ Spotrebič musia prenášať minimálne dve osoby, pretože je ťažký.

Inštalácia

- ▶ Spotrebič musí byť umiestnený na dobre vetranom mieste. Nad spotrebičom a v jeho okolí musíte zabezpečiť minimálne 10 cm priestor.
- ▶ Spotrebič nikdy neumiestňujte na vlhké miesto ani na miesto, kde by mohla striekať voda. Postriekania vodou a škvrny vyčistite a osušte mäkkou čistou handričkou.
- ▶ Spotrebič neinštalujte na priame slnečné svetlo ani do blízkosti zdrojov tepla (napr. kachle, ohrievače).
- ▶ Spotrebič nainštalujte a vyrovnajte na mieste, ktoré je vhodné svojou veľkosťou a využitím.
- ▶ Vetracie otvory v spotrebiči alebo v zabudovanej konštrukcii udržiavajte bez prekážok.
- ▶ Uistite sa, že elektrické údaje na typovom štítku sa zhodujú s údajmi pre vašu sieť. V opačnom prípade kontaktujte elektrikára.
- ▶ Spotrebič je napájaný zo siete 220-240 VAC/50 Hz. Abnormálne kolísanie napätia môže spôsobiť, že sa spotrebič nezapne, poškodí sa regulátor teploty alebo kompresor alebo sa môže pri prevádzke vyskytnúť neobvyklý hluk. V takom prípade musíte namontovať automatický regulátor.
- ▶ Nepoužívajte adaptéry s viacerými zásuvkami ani predĺžovacie káble.
- ▶ Na zadnú stranu spotrebiča neumiestňujte rozvodné prenosné zásuvky ani prenosné zdroje napájania.
- ▶ Uistite sa, že napájací kábel nie je zachytený v chladničke. Na napájací kábel nestúpajte.



VAROVANIE!

- ▶ Na elektrické napájanie použite samostatnú uzemnenú zásuvku, aby k nej bol zabezpečený jednoduchý prístup. Spotrebič musí byť uzemnený.
- ▶ Len pre Spojené kráľovstvo: Napájací kábel spotrebiča je vybavený 3-vodičovou (uzemňovacou) zástrčkou, ktorá sa vsúva do štandardnej 3-vodičovej (uzemnenej) zásuvky. Tretí kolík (uzemnenie) nikdy neodrezávajte ani neodstraňujte. Po inštalácii spotrebiča musí byť zástrčka prístupná.
- ▶ Neпоškodte chladiaci okruh.

Každodenné používanie

- ▶ Deti staršie ako 8 rokov a osoby s obmedzenými fyzickými, zmyslovými alebo duševnými schopnosťami alebo nedostatkom skúseností či vedomostí môžu tento spotrebič používať pod dohľadom, resp. po poučení a oboznámení sa s bezpečným spôsobom používania a porozumení možným nebezpečenstvám.
- ▶ Deti vo veku od 3 do 8 rokov môžu do chladiacich spotrebičov nakladať a vykladať potraviny, nesmú ich však čistiť ani inštalovať.
Deťom do 3 rokov nedovoľte, aby sa priblížili ku spotrebiču, pokiaľ nie sú pod neustálym dohľadom.
- ▶ Deti sa so spotrebičom nesmú hrať.
- ▶ Ak v blízkosti spotrebiča uniká zemný plyn alebo iný horľavý plyn, zatvorte ventil unikajúceho plynu, otvorte dvere a okná a neodpájajte zástrčku napájacieho kábla chladničky ani iného zariadenia.
- ▶ Všimnite si, že spotrebič je nastavený na prevádzku v špecifickom klimatickom pásme 10 až 43 °C. Spotrebič možno nebude fungovať správne, ak sa ponechá dlho v prostredí s teplotou, ktorá je vyššia alebo nižšia než uvedený rozsah.
- ▶ Na chladničku neumiestňujte nestabilné predmety (ťažké predmety, nádoby naplnené vodou), aby nedošlo k zraneniu osôb následkom pádu alebo úrazu elektrickým prúdom po kontakte s vodou.
- ▶ Neťahajte za police vo dverkách. Dvierka by sa mohli skriviť, stojan na fľaše odtrhnúť alebo by sa spotrebič mohol prevrátiť.
- ▶ Dvierka otvárajte a zatvárajte iba pomocou rukovätí. Medzera medzi dvierkami a medzi dvierkami a skrinkou je veľmi úzka. Do týchto priestorov nesiahajte, aby nedošlo k pricviknutiu prstov. Dvere chladničky otvárajte alebo zatvárajte iba vtedy, ak v rozsahu pohybu dverí nestoja žiadne deti.

**VAROVANIE!**

- ▶ V spotrebiči ani v jeho blízkosti neskladujte a nepoužívajte horľavé, výbušné alebo korozívne materiály.
- ▶ V spotrebiči neskladujte lieky, baktérie ani chemické látky. Tento spotrebič je spotrebič pre domácnosť. Neodporúča sa skladovať materiály, ktoré vyžadujú presné teploty.
- ▶ V mrazničke nikdy neskladujte tekutiny vo fľašiach alebo v plechovkách (okrem liehovín s vysokým obsahom alkoholu), najmä sytené nápoje, pretože tieto počas mrazenia prasknú.
- ▶ Ak došlo v mrazničke k ohrevu, skontrolujte stav potravín.
- ▶ V chladiacom priestore nenastavujte zbytočne nízku teplotu. Pri vysokých nastaveniach sa môžu vyskytnúť mínusové teploty. Pozor: Flaše môžu prasknúť.
- ▶ Zmrazených potravín sa nedotýkajte mokkými rukami (nasadte si rukavice). Najmä nekonzumujte nanuky ihneď po vybratí z mrazničky. Existuje riziko primrznutia alebo vytvorenia pluzgierov z mrazu. PRVÁ pomoc: ihneď umiestnite pod tečúcu studenú vodu. Neodstraňujte ťahaním!
- ▶ Počas prevádzky sa nedotýkajte vnútorného povrchu priestoru mrazničky, najmä nie mokkými rukami, pretože by vám mohli ruky primrznúť k povrchu.
- ▶ V prípade prerušenia napájania alebo pred čistením odpojte spotrebič zo zásuvky. Pred opätovným zapnutím spotrebiča počkajte najmenej 7 minút, pretože časté spúšťanie môže poškodiť kompresor.
- ▶ Vo vnútri boxov spotrebiča, ktoré slúžia na skladovanie potravín, nepoužívajte elektrické zariadenia, pokiaľ ich používanie neschválil výrobca. Údržba/čistenie
- ▶ Keď čistenie a údržbu vykonávajú deti, nenechávajú ich bez dozoru.
- ▶ Pred vykonávaním akejkoľvek bežnej údržby odpojte spotrebič od elektrickej siete. Pred opätovným zapnutím spotrebiča počkajte najmenej 7 minút, pretože časté spúšťanie môže poškodiť kompresor.

**VAROVANIE!**

- ▶ Pri odpájani spotrebiča chytte za zástrčku, nie za kábel.
- ▶ Spotrebič nečistite tvrdými kefami, drôtenými kefami, čistiacim práškom, benzínom, amlacetátom, acetónom ani podobnými organickými roztokmi, kyselinami ani zásadami. Čistite pomocou špeciálneho čistiaceho prostriedku na chladničky, aby ste zabránili poškodeniu.
- ▶ Námraza a ľad nezoškrabávajte ostrými predmetmi. Nepoužívajte spreje, elektrické ohrievače ako ohrievač, sušič vlasov, parné čističe alebo iné zdroje tepla, aby nedošlo k poškodeniu plastových častí.
- ▶ Na urýchlenie odmrazovania nepoužívajte mechanické nástroje ani iné prostriedky s výnimkou tých, ktoré odporúča výrobca.
- ▶ Ak je poškodený vonkajší napájací kábel, v záujme eliminácie akéhokoľvek rizika ho musí vymeniť výrobca, jeho servisný zástupca alebo rovnako kvalifikovaná osoba.
- ▶ Spotrebič sa nepokúšajte sami opravovať, rozoberať alebo upravovať. V prípade opravy kontaktujte náš zákaznícky servis.
- ▶ Aspoň raz za rok odstráňte prach zo zadnej strany jednotky, aby ste predišli nebezpečenstvu požiaru a zvýšenej spotrebe energie.
- ▶ Počas čistenia na spotrebič nestriekajte ani ho neoplachujte.
- ▶ Na čistenie spotrebiča nepoužívajte prúd vody ani paru.
- ▶ Studené sklenené poličky neumývajte horúcou vodou. Náhla zmena teploty môže spôsobiť rozbitie skla.

Informácie o chladiacom plyne**VAROVANIE!**

Spotrebič obsahuje horľavé chladivo IZOBUTAN (R600a). Uistite sa, že sa počas prepravy alebo inštalácie nepoškodil chladiaci okruh. Unikajúce chladivo môže spôsobiť poranenie očí alebo vznietenie. Ak došlo k poškodeniu, udržujte zdroje otvoreného ohňa mimo dosahu, dôkladne vyvetrajte miestnosť a nepripájajte ani neodpájajte napájacie káble spotrebiča alebo akéhokoľvek iného spotrebiča. Informujte zákaznícky servis.

V prípade, že sa dostane chladivo do kontaktu s očami, ihneď ich vypláchnite pod tečúcou vodou a okamžite kontaktujte očného lekára.

Určené použitie

Tento spotrebič je určený na chladenie a mrazenie potravín. Bol navrhnutý výhradne na použitie v domácnostiach a podobných aplikáciách, ako sú kuchynské priestory pre zamestnancov v obchodoch, kanceláriách a iných pracovných prostrediach; vo farmárskych domoch, pre zákazníkov v hoteloch, moteloch a iných obytných priestoroch, ako aj pre zákazníkov ubytovacích a stravovacích služieb. Nie je určený na komerčné ani priemyselné použitie.

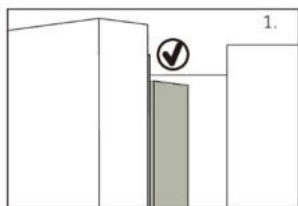
Zmeny alebo úpravy spotrebiča nie sú povolené. Neúmyselné použitie môže spôsobiť nebezpečenstvo a stratu nárokov na záruku.

Normy a smernice **CE**

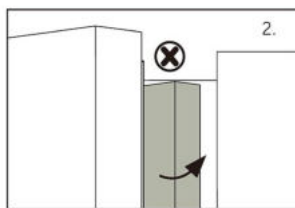
Tento výrobok spĺňa požiadavky všetkých príslušných smerníc ES s príslušnými harmonizovanými normami a normami v UK, ktoré umožňujú použitie označenia CE a UKCA.



POZOR!



Keď zatvoríte dvere, zvislá lišta na ľavých dverách by mala byť ohnutá dovnútra (1).

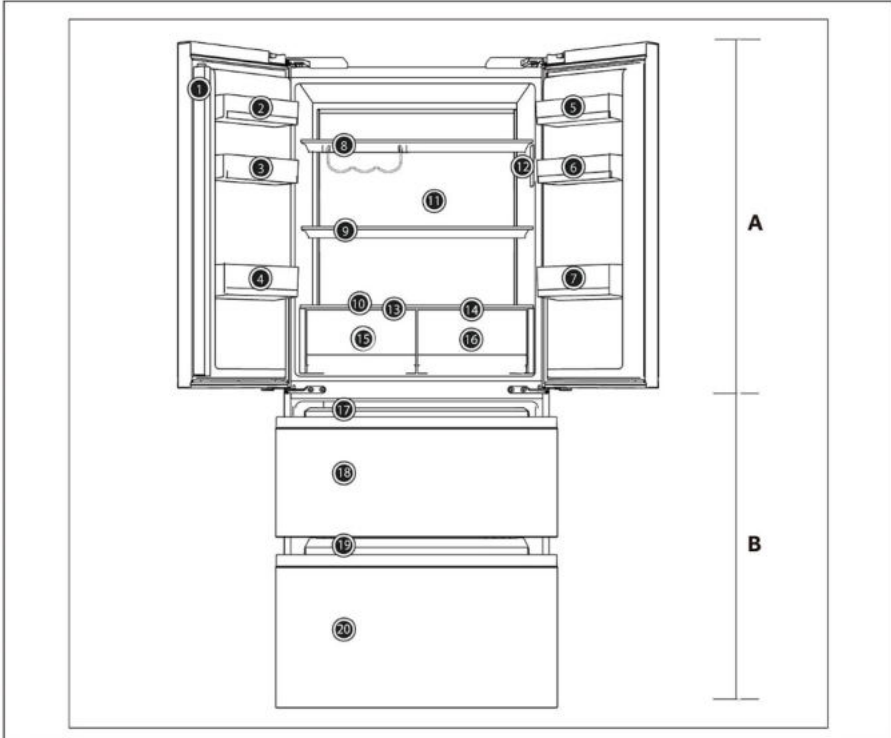


Ak sa pokúsite zatvoriť ľavé dvere a zvislá lišta dverí nie je ohnutá (2), mali by ste ju najprv ohnúť, inak lišta dverí narazí do upevňovacieho hriadeľa alebo pravých dverí. Mohla by sa tak poškodiť lišta alebo by mohlo dochádzať k úniku.

Vnútri rámu je ohrevné vlákno. Teplota povrchu sa trochu zvýši, čo je normálne a neovplyvní to funkciu spotrebiča.

i OZNÁMENIE

Z dôvodu technických zmien a rôznych modelov sa môžu niektoré ilustrácie v tejto príručke líšiť od vášho modelu.



A: Chladiaci priestor

- 1 Lišta dverí
- 2 Držiak na fľaše (vľavo hore)
- 3 Držiak na fľaše (vľavo v strede)
- 4 Držiak na fľaše (vľavo dole)
- 5 Držiak na fľaše (vpravo hore)
- 6 Držiak na fľašu (vpravo v strede)
- 7 Držiak na fľaše (vpravo dole)
- 8 Sklenená polica
- 9 Sklenená polica
- 10 Kryt zásuvky, polica
- 11 Zadné svetlo
- 12 Panel s displejom
- 13 Kryt zásuvky Activefresh

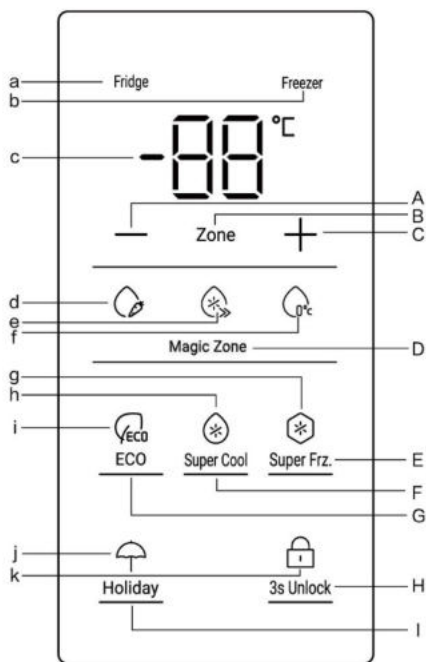
14 Kryt zásuvky Magic

- 15 Zásuvka Activefresh
- 16 Zásuvka Magic

B: Mraziaci priestor

- 17 Posuvný zásobník
- 18 Horná zásuvka mrazničky
- 19 Posuvný zásobník
- 20 Spodná zásuvka mrazničky

Ovládací panel



Tlačidlá:

- A Tlačidlo na zníženie teploty
- B Prepínanie teplotného režimu chladničky a mrazničky
- C Tlačidlo na zvýšenie teploty
- D Prepínanie režimu zóny Magic
- E Volič funkcie Super Frz.
- F Volič funkcie Super-Cool
- G Volič funkcie ECO
- H Uzamknutie/odomyknutie displeja panela
- I Volič funkcie dovolenky Holiday

Indikátory:

- a Indikátor chladničky
- b Indikátor mrazničky
- c Teplota priestoru chladničky a mrazničky
- d Funkcia Fruit&Veg
- e Funkcia Cool Drink
- f Funkcia 0°C Fresh
- g Funkcia Super Frz.
- h Funkcia Super-Cool
- i Funkcia Eco
- j Funkcia Holiday
- k Funkcia uzamknutia/odomyknutia displeja

Pred prvým použitím

- Odstráňte všetky obalové materiály a odložte ich mimo dosahu detí. Zlikvidujte ich s ohľadom na životné prostredie.
- Pred vložením potravín spotrebič umyte vodou a jemným čistiacim prostriedkom zvnútra aj zvonka.
- Po vyrovnaní a vyčistení spotrebiča počkajte pred pripojením k elektrickej sieti minimálne 2 – 5 hodín. Pozrite časť INŠTALÁCIA.
- Pred vložením potravín nechajte priehradky vychladiť pri vysokých nastaveniach. Funkcia Super Frz. pomáha rýchlo ochladiť priehradky.
- Teplota chladničky je automaticky nastavená na 5 °C a teplota mrazničky na -18 °C. Sú to odporúčané nastavenia. Ak je to potrebné, môžete tieto teploty zmeniť manuálne. Pozrite si REŽIM MANUÁLNEJ ÚPRAVY.

Tlačidlá snímača

Tlačidlá na ovládacom paneli sú dotykové tlačidlá, ktoré reagujú na ľahký dotyk prsta.

Zapnutie a vypnutie spotrebiča

Spotrebič sa zapne ihneď po pripojení k zdroju elektrického napájania.

Pri prvom zapnutí chladničky sa rozsvieti indikátor „c“ (displej teploty). Teplota chladničky a mrazničky je automaticky nastavená na 5 °C a -18 °C. Rozsvieti sa indikátor „d“ (Fruit&Veg.).

Po zatvorení dverí sa panel displeja okamžite vypne

OZNÁMENIE

1. Spotrebič je prednastavený na odporúčanú teplotu 5 °C (chladnička) a - 18 °C (mraznička). Za normálnych podmienok okolia teplotu nemusíte nastavovať.
2. Funkcia prednastavenia zásuvky Magic Zone je Fruit&Veg.
3. Keď sa spotrebič zapne po odpojení od elektrického sieťového napájania, dosiahnutie správnej teploty môže trvať až 12 hodín.

Pred vypnutím spotrebič vyprázdňte. Ak chcete spotrebič vypnúť, vyťahnite napájací elektrický kábel zo zásuvky.

Uzamknutie a odomknutie panela

Automatické uzamknutie: Keď sú dvere chladničky a dvere mrazničky zatvorené, obrazovka displeja automaticky zhasne a uzamkne sa.

Manuálne odomknutie: Po zamknutí obrazovky displeja stlačte tlačidlo „H“ (3s Unlock) a podržte ho 3 sekundy. Raz zaznie bzučiak, indikátor „k“ (Uzamknutie panela) zhasne, čím sa panel odomkne.



Manuálne uzamknutie: Po odomknutí obrazovky displeja stlačte tlačidlo „H“ (3s Unlock) a podržte ho 3 sekundy. Raz zaznie bzučiak, rozsvieti sa indikátor „k“ (Uzamknutie panela), čím sa panel uzamkne.



OZNÁMENIE

Panel displeja sa uzamkne pri každom otvorení dverí. Ak chcete urobiť akékoľvek nastavenie, musíte ovládací panel odomknúť.

Alarm otvorenia dverí

Keď sú jedny z dverí chladničky otvorené dlhšie než 3 minúty, zaznie alarm otvorenia dverí. Alarm je možné zrušiť zatvorením dverí. Ak necháte dvere otvorené dlhšie ako 7 minút, svetlo v chladničke a osvetlenie ovládacieho panela sa automaticky vypne.

Vyberte pracovný režim

Možno budete musieť vybrať jeden z nasledujúcich dvoch spôsobov nastavenia spotrebiča.

OZNÁMENIE Vplyvy na teploty

Teploty vo vnútri spotrebiča sú ovplyvnené nasledujúcimi faktormi

1. Teplota prostredia.
2. Frekvencia otvárania dverí.
3. Množstvo uskladnených potravín.
4. Inštalácia spotrebiča.

REŽIM ECO

Ak nemáte žiadne špeciálne požiadavky, odporúčame použiť režim ECO. V režime môže spotrebič nastaviť teplotu automaticky, v závislosti od zmeny teploty okolia a teploty v spotrebiči.

1. Keď je obrazovka displeja odomknutá, stlačte tlačidlo „G“ (volič funkcie ECO), bzučiak raz zazvoní, rozsvieti sa indikátor „i“ (funkcia ECO) a potom sa funkcia ECO zapne.
2. Keď sa rozsvieti indikátor V (funkcia ECO), stlačte tlačidlo „G“ (volič funkcie ECO), bzučiak raz zazvoní, indikátor „i“ (funkcia ECO) zhasne a funkcia ECO sa vypne.



OZNÁMENIE

V rámci funkcie ECO nie je možné regulovať teplotu chladničky ani mrazničky. Ak stlačíte tlačidlo „+“ alebo „-“ na úpravu teploty chladničky alebo mrazničky, indikátor „i“ (funkcia ECO) bude blikať a zaznie zvukové znamenie, ktoré signalizuje, že tento úkon nie je možné vykonať. V rámci funkcie ECO, ak je nastavená funkcia Super Cool, Super Frz. alebo Holiday, indikátor „i“ (funkcia ECO) zhasne. V rámci funkcie ECO možno funkciu Magic Zone manuálne upraviť podľa potreby.

Úprava teploty chladničky

Keď je obrazovka displeja odomknutá, stlačte tlačidlo „B“ (volič zóny), vyberte „chladnička“, čím sa rozsvieti sa indikátor „a“ (indikátor chladničky) a potom sa sprístupní režim nastavenia teploty chladničky.

Stlačte tlačidlo „+“ alebo „-“. Každým stlačením tlačidla „+“ alebo „-“ sa hodnota chladenia zvýši o 1 alebo zníži o 1 stupeň. Teplota chladničky sa bude zobrazovať v sekvencii „9°C <-> 8°C <-> 7°C <-> 6°C <-> 5°C <-> 4°C <-> 3°C <-> 2°C <-> 1°C“.

OZNÁMENIE

Ak po nastavení teploty neurobíte do 5 sekúnd žiadny úkon, systém automaticky prijme a uloží nastavenú teplotu.

Úprava teploty mrazničky

Keď je obrazovka displeja odomknutá, stlačte tlačidlo „B“ (volič Zóne), vyberte položku „mraznička“, čím sa rozsvieti indikátor „b“ (indikátor mrazničky) a potom sa sprístupní režim nastavenia teploty mrazničky.

Stlačte tlačidlo „+“ alebo „-“. Každým stlačením tlačidla „+“ alebo „-“ sa hodnota chladenia zvýši o 1 alebo zníži o 1 stupeň. Teplota chladničky sa bude zobrazovať v sekvencii „-14°C <-> -15°C <-> -16°C <-> -17°C <-> -18°C <-> -19°C <-> -20°C <-> -21°C <-> -22°C <-> -23°C <-> -24°C“.

OZNÁMENIE

Ak po nastavení teploty neurobíte do 5 sekúnd žiadny úkon, systém automaticky prijme a uloží nastavenú teplotu.

Funkcia Magic Zone

1. Funkcia Fruit&Veg

Keď je obrazovka displeja odomknutá, stlačte tlačidlo „D“ (volič Magic Zone), aby ste túto funkciu zapli, zapne sa ikona Fruit&Veg.

Táto funkcia je vhodná na skladovanie čerstvého ovocia a zeleniny.



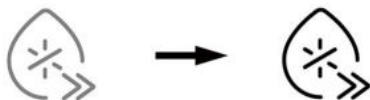
i OZNÁMENIE

Ovocie citlivé na chlad, ako je ananás, avokádo, banány, grapefruit, a zelenina, ako sú zemiaky, baklažány, fazuľa, uhorky, cuketa a paradajky, ako aj syr, by sa nemali skladovať v zásuvke Magic Zone.

2. Funkcia Cool Drink

Keď je obrazovka displeja odomknutá, stlačte tlačidlo „D“ (volič My Zone), aby ste túto funkciu zapli, zapne sa ikona Cool Drink.

Táto funkcia umožňuje skladovať produkty, napríklad vodu, kolu a džús. Teplota v priehradke Magic Zone je nastavená na +2°C.



3. Funkcia 0°Fresh:

Keď je obrazovka displeja odomknutá, stlačte tlačidlo „D“ (volič Magic Zone), aby ste túto funkciu zapli. Rozsvieti sa 0°C Fresh.

Táto funkcia nastaví teplotu v zásuvke Magic Zone na 0°C. Vhodné na uskladnenie čerstvých potravín, ako je mäso alebo ryby. Väčšina potravín zostáva čerstvá pri 0°C.



i OZNÁMENIE

Vzhľadom na rozdielny obsah vody v mäse. Niektoré druhy mäsa s vyšším obsahom vody pri teplotách nižších ako 0°C zmrznú. Takže „mäsové lahôdky a nárezy“ by sa mali skladovať v priestore Magic Zone s min. teplotou 0°C.



OZNÁMENIE Zásuvka Magic Zone

1. Tri funkcie oblasti Magic Zone sa nedajú aktivovať súčasne, môže sa rozsvietiť iba jedna z ich.
2. Ak chcete znížiť teplotu v chladiacom priestore, použijete funkciu Cool Drink. Na jej zvýšenie použijete funkciu Fruit&Veg.

Funkcia Super Cool

1. Po odomknutí obrazovky displeja stlačte tlačidlo „F“ (volič Super Cool), bzučiak raz zazvoní, rozsvieti sa indikátor „h“ (funkcia Super Cool) a zapne sa funkcia Super Cool.
2. Keď sa rozsvieti indikátor „h“ (funkcia Super Cool), stlačte tlačidlo „F“ (volič Super Cool), bzučiak raz zazvoní, indikátor „h“ (funkcia Super Cool) zhasne a funkcia Super Cool sa vypne.
3. Po zapnutí funkcie Super Cool sa chladnička po približne 4 hodinách fungovania v danom stave automaticky vypne. Ak chcete ukončiť manuálne, môžete ho vypnúť stlačením tlačidla „G“ (volič Super Cool).



OZNÁMENIE

1. V stave Super Cool sa teplota chladničky nedá upravovať. Po stlačení tlačidla „+“ alebo „-“ na nastavenie teploty chladničky indikátor „h“ (funkcia Super Cool) bude blikať a zaznie zvukové znamenie, ktoré signalizuje, že tento úkon nie je možné vykonať.
2. V stave funkcie Super Cool nie je možné zapnúť funkciu ECO ani Holiday, pretože nie je možné zapnúť súčasne rôzne režimy ovládania. Keď vyberiete jednu funkciu, ktorá je v rozpore s inou funkciou, pôvodná funkcia sa automaticky ukončí.

Funkcia Super Frz

- Po odomknutí obrazovky displeja stlačte tlačidlo „E“ (volič Super Freeze), bzučiak raz zazvoní, rozsvieti sa indikátor „g“ (funkcia Super Freeze) a zapne sa funkcia Super Freeze.
- Po rozsvietení indikátora „g“ (funkcia Super Freeze) stlačte tlačidlo „E“ (volič Super Freeze). Raz zaznie bzučiak, indikátor „g“ (funkcia Super Freeze) zhasne a funkcia Super Freeze sa vypne.
- Po zapnutí funkcie Super Freeze sa chladnička po približne 50 hodinách fungovania v danom stave automaticky vypne. Ak chcete funkciu ukončiť manuálne, môžete ju vypnúť stlačením tlačidla „E“ (prepínač Super Freeze).



Super Frz.



Super Frz.



Super Frz.

OZNÁMENIE

- V stave Super Freeze sa teplota mrazničky nedá upravovať. Ak stlačíte tlačidlo „+“ alebo „-“ na úpravu teploty mrazničky, indikátor „g“ (funkcia Super Freeze) bude blikať a zaznie zvukové znamenie, ktoré signalizuje, že tento úkon nie je možné vykonať.
- V stave funkcie Super Freeze nie je možné zapnúť funkciu ECO, pretože nie je možné zapnúť súčasne rôzne režimy ovládania. Keď vyberiete jednu funkciu, ktorá je v rozpore s inou funkciou, pôvodná funkcia sa automaticky ukončí.
- Funkcia Super Freeze je navrhnutá tak, aby zaistila uchovávanie nutričnej hodnoty mrazených potravín, takže bude zmrazovať potraviny v čo najkratšom čase. Ak chcete naraz zmraziť veľké množstvo potravín. Predtým však treba, 24 hodín vopred, nastaviť funkciu Super Freeze, aby mala mraznička nízku teplotu a mohli sa do nej vložiť potraviny. V tomto čase sa zvyšuje rýchlosť mrazenia v mrazničke, potraviny sa dajú rýchlo zmraziť, pričom sa udržiava ich nutričná hodnota a skladovanie bude výhodné.

Funkcia Holiday

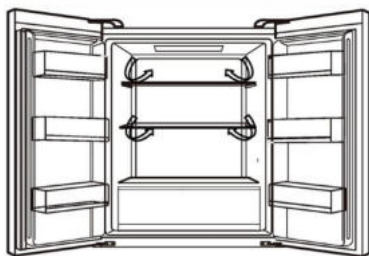
Dovolenková funkcia Holiday je určená pre dlhé obdobie, kedy sa chladnička nepoužíva. Keď je zapnutá funkcia Holiday, mraznička ostane v režime normálneho ovládania, ale teplota chladničky sa automaticky nastaví na 17 °C. Skutočná teplota nie je vyššia ako 17 °C, čo zabraňuje tvorbe zvláštneho zápachu spôsobenému vyššou teplotou, a zároveň pomáha znižovať spotrebu energie.

- Keď je obrazovka displeja odomknutá, stlačte tlačidlo „I“ (volič funkcie Holiday). Raz zaznie bzučiak, rozsvieti sa indikátor „j“ (funkcia Holiday) a potom sa funkcia Holiday zapne.
- Keď sa rozsvieti indikátor „j“ (funkcia Holiday), stlačte tlačidlo T (volič funkcie Holiday). Raz zaznie bzučiak, kontrolka „j“ (funkcia Holiday) zhasne a potom sa funkcia Holiday vypne.



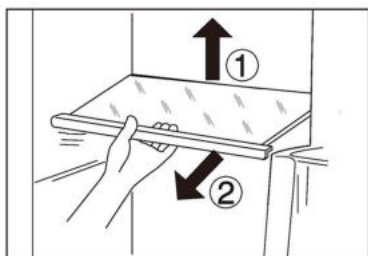
i OZNÁMENIE

1. Kým je aktívna funkcia Holiday, teplota chladničky nedá upravovať. Po stlačení tlačidla „+“ alebo „-“ na nastavenie teploty chladničky indikátor (funkcia Holiday) bude blikať a zaznie zvukové znamenie, ktoré signalizuje, že tento úkon nie je možné vykonať.
2. Pred použitím funkcie Holiday vyprázdnite chladničku, aby ste zabránili znehodnoteniu potravín. Keď je funkcia Holiday zapnutá, nie je možné súčasne zapnúť ani funkciu „ECO“, ani funkciu „Super Cool“.
3. V rámci funkcie Holiday sa vypne nastavenie ikon „Fruit&Veg, Cool Drink, 0°Fresh“ v Magic Zone, a funkcia Magic Zone sa nebude dať upraviť. Po ukončení funkcie dovolenky Holiday sa chladiaci priestor Magic Zone zobrazia v predchádzajúcom nastavení.



Viacnásobné prúdenie vzduchu

1. Chladnička je vybavená systémom s viacnásobným prúdením vzduchu, v ktorom sú prívody chladného vzduchu umiestnené na každej úrovni police. To pomáha udržiavať rovnomernú teplotu, aby sa vaše jedlo udržalo dlhšie čerstvé.



Nastaviteľné police

1. Výška políc sa môže nastaviť tak, aby vyhovovala vašim potrebám skladovania.
2. Ak chcete policu premiestniť, najprv nadvihnite jej zadný okraj ① a potom ju vytiahnite ②.
3. Ak ju chcete znovu nainštalovať, položte ju na výstupky na oboch stranách a zatlačte do najzadnejšej polohy, kým nezapadne do drážok na bokoch.

Zásuvka Magic Zone

V tejto priehradke je vlhkosť nižšia ako v chladničke. Táto zásuvka je vhodná na skladovanie suchého ovocia a iných suchých potravín s nízkym obsahom vody, ako je maslo, tuky a olej alebo čokoláda.

MAGICZONE |

Zásuvka ACTIVEFRESHZONE

V tomto oddelení je úroveň vlhkosti vyššia ako v oddelení chladničky. Je riadené automaticky systémom a vhodné na skladovanie ovocia, zeleniny, šalátov a pod.

ACTIVEFRESHZONE |

OZNÁMENIE

Ovocie citlivé na chlad, ako je ananás, avokádo, banány, grapefruit, a zelenina, ako sú zemiaky, baklažány, fazuľa, uhorky, cuketa a paradajky, ako aj syr, by sa nemali skladovať v priestore Fresh box.

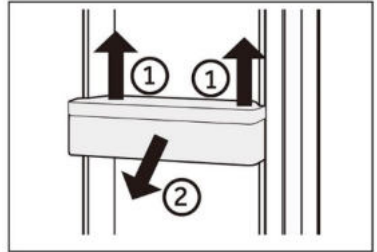
i OZNÁMENIE

1. Neodstraňujte plastový kryt vo vnútri zón t.
2. Udržiavajú vlhkosť.
3. Ovocie citlivé na chlad ako ananás, avokádo, banány.
4. grapefruity sa neodporúča skladovať v týchto dvoch zásuvkách.



Vyberateľné stojany na dverách/držiak na fľaše

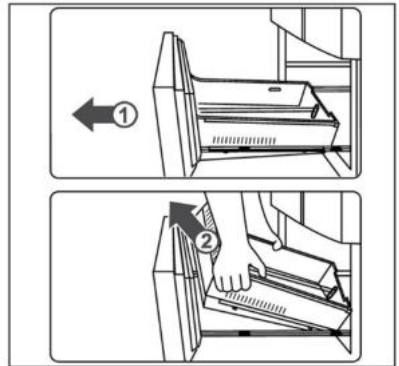
1. Priehradky na dverách sa dajú vybrať na čistenie
2. Uchopte poličku oboma rukami, nadvihnite ju ① a vytiahnite ②.
3. Ak chcete poličku vložiť späť do dverí, vykonajte vyššie uvedené kroky v opačnom poradí.



Vyberateľná horná zásuvka mrazničky

1. Hornú zásuvku mrazničky úplne vytiahnite
2. Zdvihnite zásuvku, kým sa neoddelí od nosného bloku, zatlačte ju do mrazničky a nakloňte ju, aby ste ju vybrali.

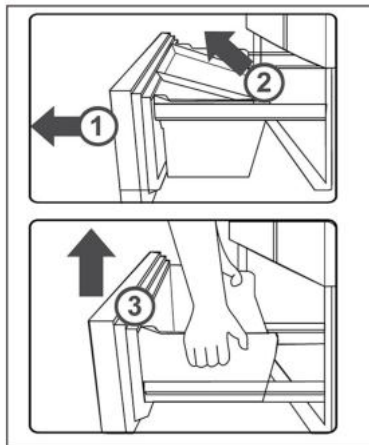
Ak chcete poličku znovu vsunúť, vykonajte vyššie uvedené kroky v opačnom poradí.



Vyberateľná spodná zásuvka mrazničky

1. Spodnú zásuvku mrazničky úplne vytiahnite
2. Vytiahnite mraziaci podnos po zarážku, nadvihnite a vyberte.
3. Zdvihnite zásuvku, kým sa neoddelí od nosného bloku, zatlačte ju do mrazničky a nakloňte ju, aby ste ju vybrali.

Ak chcete poličku znovu vsunúť, vykonajte vyššie uvedené kroky v opačnom poradí.



Osvetlenie

LED osvetlenie vnútra sa rozsvieti po otvorení dverí. Výkon svetiel nie je ovplyvnený žiadnym iným nastavením spotrebiča.



Tipy na úsporu energie

- ▶ Uistite sa, že je spotrebič správne vetraný (pozrite časť INŠTALÁCIA).
- ▶ Spotrebič neinštalujte na priame slnečné svetlo ani do blízkosti zdrojov tepla (napr. kachle, ohrievače).
- ▶ Zabráňte zbytočne nízkej teplote v spotrebiči. Čím je nižšia nastavená teplota v spotrebiči, tým vyššia bude spotreba energie.
- ▶ Funkcie ako POWER- FREEZE zvyšujú spotrebu energie.
- ▶ Pred vložením do spotrebiča nechajte teplé jedlo vychladnúť.
- ▶ Dvierka spotrebiča otvárajte čo najmenej a na čo najkratšie.
- ▶ Spotrebič nepreplňujte, aby ste nebránili prúdeniu vzduchu.
- ▶ Vyhýbajte sa vzduchu v obale potravín.
- ▶ Tesnenia dvierok udržiavajte čisté, aby boli dvierka vždy správne zatvorené.
- ▶ Mrazené potraviny rozmrazujte v úložnom priestore chladničky.
- ▶ Konfigurácia s najväčšou úsporou energie si vyžaduje, aby sa zásuvky, nádoby na potraviny a police udržiavali v stave ako na novom spotrebiči, pričom potraviny treba ukladať tak, aby nebránili prúdeniu vzduchu a neupchávali prívod vzduchu z potrubia.



VAROVANIE!

Spotrebič pred čistením odpojte od elektrickej siete.

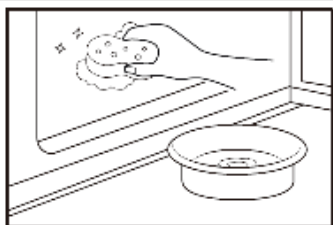
Čistenie

Spotrebič čistite, keď je v ňom uskladnené len malé množstvo alebo žiadne potraviny. Spotrebič by ste mali čistiť každé štyri týždne, aby sa zaistila dobrá starostlivosť a zabránilo pachu z nesprávne uskladnených potravín.



VAROVANIE!

- ▶ Spotrebič nečistite tvrdými kefami, drôtenými kefami, čistiacim práškom, benzínom, amylacetátom, acetónom ani podobnými organickými roztokmi, kyselinami ani zásadami. Čistite pomocou špeciálneho čistiaceho prostriedku na chladničky, aby ste zabránili poškodeniu.
- ▶ Počas čistenia na spotrebič nestriekajte ani ho neoplachujte.
- ▶ Na čistenie spotrebiča nepoužívajte prúd vody ani paru.
- ▶ Studené sklenené poličky neumývajte horúcou vodou. Náhla zmena teploty môže spôsobiť rozbitie skla.
- ▶ Nedotýkajte sa vnútorného povrchu priestoru mrazničky, najmä nie mokrými rukami, pretože by vám mohli k povrchu primrznúť.
- ▶ Ak dôjde k zahriatiu, skontrolujte stav zmrazených potravín.



- ▶ Tesnenie na dvierkach musí byť vždy čisté.
- ▶ Vnútro a plášť spotrebiča čistite špongiou navlhčenou v teplej vode s prídavkom neutrálneho saponátu.
- ▶ 1. Mäkkou handričkou alebo špongiou namočenou v teplej vode utrite interiér a exteriér chladničky, vrátane tesnenia dverí, dverovej poličky, sklenených polic, boxov atď. (do teplej vody môžete pridať neutrálny čistiaci prostriedok).
- ▶ 2. Ak sa rozleje nejaká kvapalina, vyberte všetky znečistené diely, opláchnite ich prúdom vody, vysušte a vložte späť do chladničky.
- ▶ 3. Ak dôjde k rozliatiu krému (napríklad smotana, roztopená zmrzlina), odstráňte všetky znečistené časti, vložte ich na nejaký čas do teplej vody s teplotou približne 40 °C, potom ich opláchnite prúdom vody, vysušte a vložte späť do chladničky.
- ▶ 4. V prípade, že v chladničke (medzi policami alebo zásuvkami) ostane nejaká malá usadenina alebo komponent, použite na uvoľnenie mäkkú kefku. Ak sa k tejto časti nedostanete, kontaktujte servis Haier
- ▶ Opláchnite a osušte mäkkou handričkou.
- ▶ Žiadne časti spotrebiča nečistite v umývačke riadu.
- ▶ Pred opätovným zapnutím spotrebiča počkajte najmenej 5 minút, pretože časté spúšťanie môže poškodiť kompresor.

Odmrazovanie

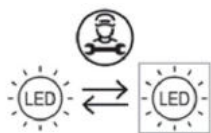
Odmrazovanie chladničky a mrazničky sa vykonáva automaticky: nie je potrebná žiadna manuálna činnosť.

Výmena LED žiaroviek

VAROVANIE!

LED žiarovku nevymieňajte sami, musí ju vymeniť iba výrobca alebo autorizovaný servisný pracovník.

Osvetlenie využíva ako zdroj svetla LED, ktoré sa vyznačujú nízkou spotrebou energie a dlhou životnosťou. Ak sa vyskytnú nejaké abnormality, kontaktujte zákaznícky servis. Pozrite časť ZÁKAZNÍCKY SERVIS.



Zdroj svetla (len LED) smie vymeniť iba odborník.

Tento výrobok obsahuje svetelný zdroj triedy energetickej účinnosti G.

Priestor	Napätie	Trieda energetickej účinnosti	Model
Chladnička	12 V	G	HFKR5718DNGB

Dlhodobé vyradenie z prevádzky

Ak nebudete spotrebič dlhšiu dobu používať a pre chladničku nepoužijete funkciu Holiday:

- ▶ Vyberte potraviny.
- ▶ Vytiahnite zástrčku zo zásuvky elektrickej siete,
- ▶ Spotrebič vyčistite podľa vyššie uvedeného návodu.
- ▶ Dvere nechajte otvorené, aby sa vo vnútri nevytvárali nepríjemné pachy.

OZNÁMENIE

Spotrebič vypnite, len ak je to nevyhnutne potrebné.

Premiestňovanie spotrebiča

1. Vyberte všetky potraviny a odpojte spotrebič od elektrickej siete.
2. Police a ďalšie vyberateľné diely chladničky a mrazničky zaistite lepiacou páskou.
3. Chladničku nenakláňajte o viac ako 45°, aby ste predišli poškodeniu chladiaceho systému.

VAROVANIE!

- ▶ Spotrebič nezdvíhajte za rukoväti dverí.
- ▶ Spotrebič nikdy neukladajte na podlahu v horizontálnej polohe.

Mnoho vyskytujúcich sa problémov môžete vyriešiť sami bez osobitných odborných znalostí. V prípade problému skontrolujte všetky zobrazené možnosti a pred kontaktovaním zákaznickeho servisu postupujte podľa nasledujúcich pokynov. Pozrite časť ZÁKAZNÍCKY SERVIS.



VAROVANIE!

- ▶ Pred údržbou spotrebič vypnite a vytriahnite zástrčku zo zásuvky.
- ▶ Údržbu elektrického zariadenia môže vykonávať iba kvalifikovaný elektrikár, pretože neodborné opravy môžu spôsobiť značné následné škody.
- ▶ Poškodený prívod môže v záujme eliminácie akéhokoľvek rizika vymeniť len výrobca, jeho servisný zástupca alebo rovnako kvalifikovaná osoba.

Problém	Možná príčina	Možné riešenie
Kompresor nefunguje.	<ul style="list-style-type: none"> • Zástrčka nie je vsunutá do zásuvky. • Spotrebič je v cykle odmrazovania. 	<ul style="list-style-type: none"> • Vsuňte zástrčku do zásuvky elektrickej siete. • To je normálne pri automatickom odmrazovaní.
Spotrebič sa zapína často alebo ostáva zapnutý príliš dlho.	<ul style="list-style-type: none"> • Príliš vysoká vnútorná alebo vonkajšia teplota. • Spotrebič bol dlhšie vypnutý. • Zatvorené dvierka spotrebiča netesnia dobre. • Dvierka boli otvorené príliš často alebo príliš dlho. • Nastavenie teploty mraziacej časti je príliš nízke. • Tesnenie dvierok je špinavé, opotrebované, popraskané alebo nevhodné. • Nie je zabezpečená požadovaná cirkulácia vzduchu. 	<ul style="list-style-type: none"> • V tomto prípade. Je normálne, že spotrebič beží dlhšie • Zvyčajne trvá 8 až 12 hodín, kým spotrebič úplne ochladne. • Zatvorte dvere/zásuvku a uistite sa, že je spotrebič umiestnený na rovnom povrchu a že sa v ňom nenachádzajú potraviny alebo nádoba, ktoré by blokovali dvere • Neotvárajte dvierka/zásuvku príliš často. • Nastavujte vyššiu teplotu, kým nedosiahnete uspokojivú teplotu chladničky. Trvá 24 hodín, kým sa teplota v chladničke ustáli. • Vyčistite tesnenie dvierok/zásuvky alebo ich dajte vymeniť v servise. • Zaisťte dostatočnú ventiláciu.
Vnútro chladničky je špinavé a/alebo zapácha.	<ul style="list-style-type: none"> • Vnútro chladničky treba vyčistiť. • V chladničke sú uložené potraviny so silnou arómou. 	<ul style="list-style-type: none"> • Vyčistite vnútro chladničky • Potraviny dôkladne zabaľte.

Problém	Možná príčina	Možné riešenie
V spotrebiči nie je dostatočne nízka teplota.	<ul style="list-style-type: none"> Nastavená teplota je príliš vysoká. Do spotrebiča ste vložili príliš teplé potraviny a jedlá. Vložili ste príliš veľa potravín naraz. Potraviny sú príliš blízko seba. Netesne zatvorené dvierka/zásuvka spotrebiča. Dvierka/zásuvka boli otvorené príliš často alebo príliš dlho. 	<ul style="list-style-type: none"> Resetujte teplotu. Pred uložením potraviny vždy ochladte. Vždy vkladajte malé množstvo potravín. Medzi potravinami nechávajte medzeru, aby mohol vzduch voľne prúdiť. Zatvorte dvierka/zásuvku. Neotvárajte dvierka/zásuvku príliš často.
V spotrebiči je príliš nízka teplota.	<ul style="list-style-type: none"> Nastavená teplota je príliš nízka. Funkcia Super Frz/Super Cool je aktivovaná alebo je zapnutá príliš dlho. 	<ul style="list-style-type: none"> Resetujte teplotu. Vypnite funkciu Super Frz/Super Cool
Vytváranie kondenzátu na vnútornej strane chladiaceho priestoru.	<ul style="list-style-type: none"> Ovzdušie je príliš teplé a príliš vlhké. Netesne zatvorené dvierka/zásuvka spotrebiča. Dvierka/zásuvka boli otvorené príliš často alebo príliš dlho. Otvorené nádoby na potraviny alebo kvapaliny. 	<ul style="list-style-type: none"> Zvýšte teplotu. Zatvorte dvierka/zásuvku. Neotvárajte dvierka/zásuvku príliš často. Horúce jedlá nechajte vychladnúť na izbovú teplotu a jedlá a kvapaliny zakryte.
Hromadenie vlhkosti na vonkajšom povrchu chladičky alebo medzi dvierkami/dvierkami a zásuvkou.	<ul style="list-style-type: none"> Ovzdušie je príliš teplé a príliš vlhké. Dvierka nie sú tesne zatvorené. Dochádza ku kondenzácii chladného vzduchu v spotrebiči a teplého vzduchu mimo neho. 	<ul style="list-style-type: none"> Vo vlhkom podnebí je to normálne a zmení sa to po poklese vlhkosti. Dbajte na to, aby boli dvierka/zásuvka tesne zatvorené.

Problém	Možná príčina	Možné riešenie
V mrazničke je silná vrstva ľadu a námrazy.	<ul style="list-style-type: none"> • Potraviny neboli správne zabalené. • Netesne zatvorené dverka/zásuvka spotrebiča. • Dverka/zásuvka boli otvorené príliš často alebo príliš dlho. • Tesnenie dvierok/zásuvky je znečistené, opotrebované, prasknuté alebo nevhodné. • Niečo na vnútornej strane bráni správne zatvoreniu dvierok/zásuvky. 	<ul style="list-style-type: none"> • Potraviny vždy správne zabalte. • Zatvorte dverka/zásuvku. • Neotvárajte dverka/zásuvku príliš často. • Vyčistite tesnenie dvierok/zásuvky alebo ich vymeňte za nové. • Premiestnite police, priehradky na dverkách alebo vnútorné zásobníky tak, aby sa dali dverka/zásuvka zatvoriť.
Boky skrinky a lišty dvierok sa zahrievajú.	<ul style="list-style-type: none"> • - 	<ul style="list-style-type: none"> • Je to normálne.
Spotrebič vydáva neobvyklé zvuky.	<ul style="list-style-type: none"> • Spotrebič nie je umiestnený na rovnom povrchu. • Spotrebič sa dotýka nejakého predmetu v jeho okolí. 	<ul style="list-style-type: none"> • Nastavte nožičky a vyrovnejte spotrebič do vodorovnej polohy. • Odstráňte predmety v okolí spotrebiča.
Počuť tichý zvuk podobný tečúcej vode.	<ul style="list-style-type: none"> • - 	<ul style="list-style-type: none"> • Je to normálne.
Budete počuť pípnutie alarmu.	<ul style="list-style-type: none"> • Dverka chladničky ostali otvorené. 	<ul style="list-style-type: none"> • Zatvorte dverka.
Budete počuť slabé hučanie.	<ul style="list-style-type: none"> • Funguje systém proti kondenzácii 	<ul style="list-style-type: none"> • To zabráňuje kondenzácii a je to normálne
Nefunguje osvetlenie interiéru alebo chladiaci systém.	<ul style="list-style-type: none"> • Zástrčka nie je vsunutá do zásuvky. • Porucha zdroja napájania. • LED žiarovka nie je v poriadku. 	<ul style="list-style-type: none"> • Vsuňte zástrčku do zásuvky elektrickej siete. • Skontrolujte elektrické napájanie v miestnosti. Kontaktujte miestnu elektrárenskú spoločnosť! • Kontaktujte servis kvôli výmene žiarovky.

Ak chcete kontaktovať technickú pomoc, navštívte našu webovú stránku:

<https://corporate.haier-europe.com/en/>

V sekcii „webová stránka“ vyberte značku svojho výrobku a svoju krajinu. Stránka vás presmeruje na konkrétnu webovú stránku, kde nájdete telefónne číslo a formulár na kontaktovanie technickej pomoci.

Prerušenie elektrického napájania

V prípade výpadku elektrického prúdu by mali potraviny zostať bezpečne vychladené približne 5 hodín. V prípade dlhšieho výpadku elektrického napájania, najmä v lete, postupujte podľa nasledujúcich pokynov:

- ▶ Dvierka/zásuvku otvárajte čo najmenej.
- ▶ Počas prerušenia napájania nekladajte do spotrebiča ďalšie potraviny.
- ▶ Ak vám je výpadok prúdu oznámený vopred a predpokladaná doba výpadku presahuje 5 hodín, vyrobte ľad a vložte ho do zásobníka v hornej časti chladničky.
- ▶ Ihneď po prerušení musíte potraviny skontrolovať.
- ▶ V dôsledku zvýšenia teploty v chladničke počas výpadku elektrického prúdu alebo inej poruchy dôjde k skráteniu trvanlivosti potravín a tiež sa zníži ich kvalita. Potraviny, ktoré sa rozmrazili, by ste mali buď rýchlo skonzumovať alebo uvariť a znovu zmraziť (ak je to vhodné), aby sa predišlo zdravotným rizikám.

Funkcia pamäte pri prerušení napájania

Po obnovení napájania spotrebič pokračuje v nastaveniach, ktoré boli nastavené pred výpadkom elektrického napájania.

Vybalenie



VAROVANIE!

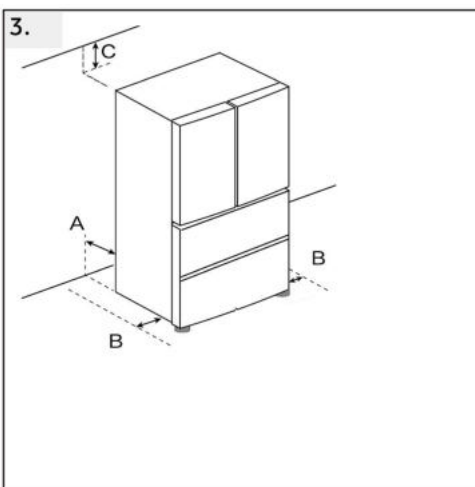
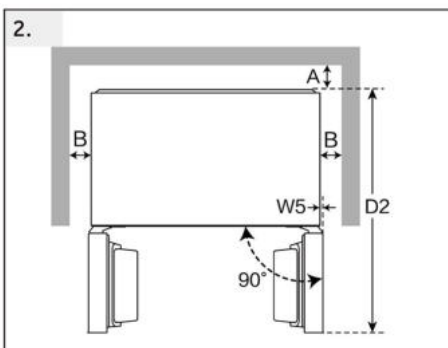
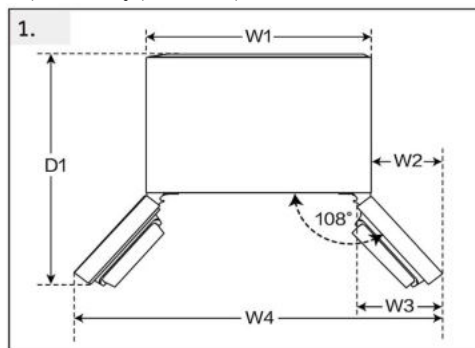
- ▶ Spotrebič je ťažký. Musia s ním vždy manipulovať dve osoby.
- ▶ Všetky obalové materiály udržiajte mimo dosahu detí a zlikvidujte ich spôsobom, ktorý je šetrný k životnému prostrediu.
- ▶ Vyberte spotrebič z obalu.
- ▶ Odstráňte všetok obalový materiál.

Podmienky prostredia

Teplota v miestnosti musí byť vždy medzi 10 °C až 43 °C, pretože môže mať vplyv na teplotu vo vnútri spotrebiča a na jeho spotrebu energie. Spotrebič neinstalujte v blízkosti iných spotrebičov sálajúcich teplo (rúry, chladničky) bez izolácie.

Odporúčania pre priestor

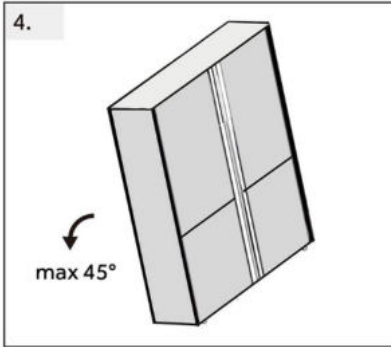
Odporúčaný priestor pri otvorení dverí (Obr. 1.2)



(jednotka: mm)	HFKR5718DNGB	
Šírka	W1	700
	W2	115
	W3	368
	W4	930
	W5	0
	W	700
	D1	910
	D2	918
	D	594
Vzdialenosť od zadnej steny	A	6
Vzdialenosť od bočných stien	B	4
Vzdialenosť od stropu	C	9
Celková výška	H	1850

Požiadavky na ventiláciu

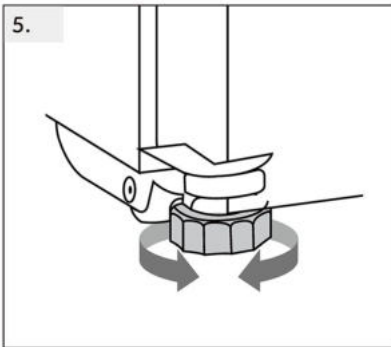
Na dosiahnutie dostatočnej ventilácie spotrebiča z bezpečnostných dôvodov je potrebné dodržiavať požiadavky pre správne vetranie.



Vyrovnanie spotrebiča do vodorovnej polohy (Obr.4.5.6.)

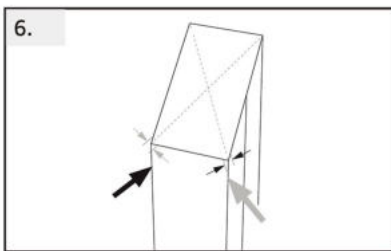
Zariadenie musí byť umiestnené na rovnom a pevnom povrchu.

4. Nakloňte chladničku mierne dozadu.



5. Nastavte nožičky na požadovanú úroveň.

Uistite sa, že vzdialenosť od steny na strane závesu je aspoň 100 mm, aby sa dali dvere správne otvoriť.



6. Stabilitu môžete skontrolovať striedavým potlačením v smere uhlopriečky. Spotrebič sa môže mierne vykloniť v oboch smeroch.

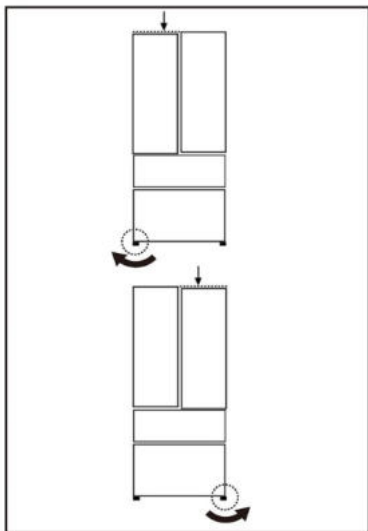
V opačnom prípade môže dôjsť k zdeformovaniu rámu; výsledkom je aj možné nedostatočné tesnenie dverí.

Mierne naklonenia dozadu uľahčuje zatváranie dverí.



OZNÁMENIE

Pre samostatne stojaci spotrebič: tento chladiaci spotrebič nie je určený na použitie ako zabudovaný spotrebič.

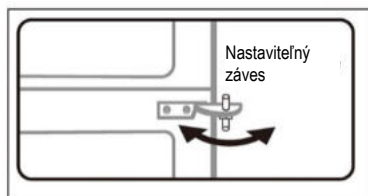


Jemné doladenie dverí

Ak sa dvere nenachádzajú v jednej úrovni, tento nesúlad možno odstrániť nasledovným spôsobom:

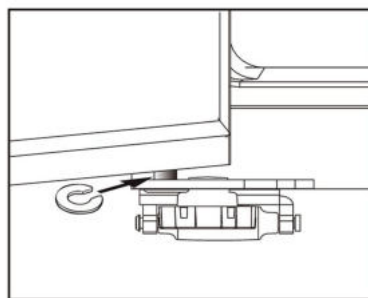
Použitie nastaviteľných nožičiek

Otočením nastaviteľnej nožičky v smere šípky sa nožička zdvíha alebo znižuje.



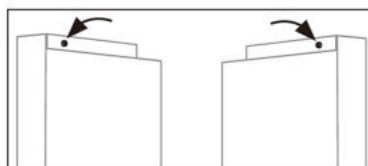
Úprava polohy dverí

- ▶ Ak nie sú dvere v rovnakej výške, nastaviteľné pánty je možné jemne doladiť pomocou priloženého kľúča, aby sa dvere vyrovnali. Nemanipulujte s nimi hrubo, aby ste predišli poškrabaniu alebo nárazom na obloženie dverí.



Používanie rozpier

- ▶ Otvorte dvere mrazničky a nadvihnite ich.
- ▶ Opatrne nasadte rozperu (dodáva sa vo vrecku s príslušenstvom) na stredný záves ručne alebo použite vhodný nástroj, napríklad kliešte. Dávajte pozor, aby sa dverka nepoškrabali ani neodreli.

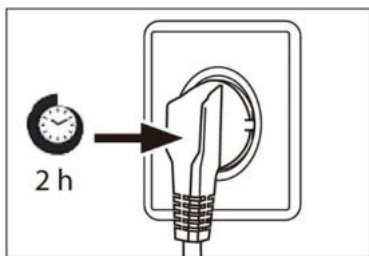


Použitie nastavovacieho gombíka

- ▶ Ak dvere chladiaceho priestoru nie sú v rovine, môžete ich jemne nastaviť otočením nastaviteľného gombíka v hornej časti dverok.

i OZNÁMENIE

Pri budúcom používaní dverok chladničky sa môže vyskytnúť nezarovnanie dverok v dôsledku hmotnosti uložených potravín. Potom nastavte podľa vyššie uvedených metód.



Doba čakania

V puzdre kompresora sa nachádza bezúdržbový mazací olej. Pri nakláňaní spotrebiča počas prevozu sa tento olej môže dostať cez uzatvorený systém rúrok. Pred pripojením spotrebiča ku zdroju napájania musíte počkať aspoň 2 hodiny, aby olej stiekol späť do puzdra.

Elektrické zapojenie

Pred každým pripojením skontrolujte, či:


- ▶ napájanie, zásuvka a istenie zodpovedajú typovému štítku.
- ▶ Je sieťová zásuvka uzemnená a nie je pripojený žiadny adaptér s viacerými zásuvkami ani predlžovací kábel.
- ▶ sa zástrčka a zásuvka presne zhodujú.

Zástrčku pripojte k správne nainštalovanej domácej zásuvke.

! VAROVANIE!

Poškodený napájací kábel musia vymeniť v zákazníckom servise, aby sa zabránilo nebezpečenstvu (pozrite záručný list).

Špecifikácie výrobku podľa nariadenia EÚ č. 2019/2016

Značka	Haier
Názov/identifikátor modelu	HFKR5718DNGB
Kategória modelu	Chladnička s mrazničkou
Trieda energetickej účinnosti	D
Ročná spotreba energie (kWh/rok)(1)	226
Celkový objem (l)	402
Objem chladničky (l)	227
Objem mrazničky (l)	147
Objem studeného priestoru (l)	28
Počet hviezdíčiek	
System bez námrazy Frost-free	Áno
Kapacita zmrazovania (kg/24 h)	10,0
Klimatická trieda (2)	SN-N-ST-T
Trieda emisie hluku a emisie hluku prenášané vzduchom (db(A) re 1pW)	B (35)
Čas nábehu teploty (h)	8
Typ spotrebiča	voľne stojaci

Vysvetlenie:

• Áno, odporúčané

(1) Na základe výsledkov skúšky zhody noriem počas 24 hodín. Skutočná spotreba závisí od použitia a umiestnenia spotrebiča.

(2) Klimatická trieda SN: Tento spotrebič je určený na použitie pri teplote okolia v rozsahu + 10 °C až +32 °C

Klimatická trieda N: Tento spotrebič je určený na použitie pri teplote okolia v rozsahu + 16 °C až +32 °C

Klimatická trieda ST: Tento spotrebič je určený na použitie pri teplote okolia v rozsahu + 16 °C až +38 °C

Klimatická trieda T: Tento spotrebič je určený na použitie pri teplote okolia v rozsahu + 16 °C až +43 °C

Doplňujúce technické údaje

Napätie/Frekvencia	220-240 V ~ / 50 Hz
Vstupný prúd (A)	1,8
Hlavná poistka (A)	15
Chladiace médium	R600a
Rozmery (V/Š/H v mm)	1850/700/594

Odporúčame vám náš zákaznícky servis Haier a použitie originálnych náhradných dielov.

Ak máte problém so svojim spotrebičom, najskôr si pozrite časť RIEŠENIE PROBLÉMOV.

Ak tam nenájdete riešenie, kontaktujte

svojho miestneho predajcu alebo

naše európske stredisko European Call Service-Center (pozri nižšie uvedené telefónne čísla) alebo

oblasť Service & Support na stránke www.haier.com, kde môžete požiadať o servis a najst' odpovede na najčastejšie otázky.

Ak chcete kontaktovať náš servis, uistite sa, že máte k dispozícii nasledujúce údaje. Informácie nájdete na typovom štítku.

Model _____

Sériové č. _____

V prípade záruky skontrolujte aj záručný list dodaný s výrobkom.

European Call Service-Center		
Krajina*	Telefónne číslo	Náklady
Haier Italy (IT)	199 100 912	
Haier Spain (ES)	902 509 123	
Haier Germany (DE)	0180 5 39 39 99	<ul style="list-style-type: none"> • 14 centov/min. pevná linka • max. 42 centov/min. mobil
Haier Austria (AT)	0820 001 205	<ul style="list-style-type: none"> • 14,53 centov/min. pevná linka • max. 20 centov/min. všetky ostatné
Haier United Kingdom (UK)	0333 003 8122	
Haier France (FR)	0980 406 409	

* Ďalšie krajiny nájdete na stránke www.haier.com

Haier Europe Trading S.r.l

Pobočka UK

Westgate House, Westgate, Ealing

London, W5 1YY

*Trvanie záruky na chladiaci spotrebič:

Minimálna záruka je: 2 roky pre krajiny EÚ, 3 roky pre Turecko, 1 rok pre Spojené kráľovstvo, 1 rok pre Rusko, 3 roky pre Švédsko, 2 roky pre Srbsko, 5 rokov pre Nórsko, 1 rok pre Maroko, 6 mesiacov pre Alžírsko, Tunisko nevyžaduje žiadnu zákonnú záruku.

*Obdobie poskytovania náhradných dielov na opravu spotrebiča:

Termostaty, snímače teploty, dosky plošných spojov a svetelné zdroje sú k dispozícii minimálne sedem rokov po uvedení poslednej jednotky modelu na trh.

Kľučky, závesy dverí, podnosy a koše minimálne na obdobie siedmich rokov a tesnenia dverí na minimálne 10 rokov po uvedení poslednej jednotky modelu na trh.

*Ďalšie informácie o výrobku nájdete na stránkach <https://eprel.ec.europa.eu/> alebo si oskenujte QR kód na štítku s údajmi o elektrickej spotrebe spotrebiča.

CERTIFICATE OF QUALITY

DESIGNATION: REFRIGERATOR

Q.C.PASSED

CHECKER No.

QC01

Haier



0060544478
2026 Version A