

# Haier

User Manual



Refrigerator-Freezer

HCR59F18DNMM

HCR59F18DNMB

<b><u>4 Safety information</u></b>	•	<u>Before first use</u>	<u>5</u>
		<u>Installation</u>	<u>5</u>
		<u>Daily use</u>	<u>6</u>
<b><u>8 Intended use</u></b>	•		
<b><u>9 Product description</u></b>	•		
<b><u>10 Control panel</u></b>	•		
<b><u>11 Use</u></b>	•	<u>Adjust the temperature for fridge</u>	<u>14</u>
		<u>Adjust the temperature for freezer</u>	<u>14</u>
		<u>Super-Cool function</u>	<u>15</u>
		<u>Super-Frz function</u>	<u>15</u>
		<u>Holiday mode</u>	<u>16</u>
		<u>Magic Zone function</u>	<u>17</u>
<b><u>20 Equipment</u></b>	•		
<b><u>22 Energy saving tips</u></b>	•		
<b><u>23 Care and cleaning</u></b>	•		
<b><u>25 Troubleshooting</u></b>	•		
<b><u>29 Installation</u></b>	•		
<b><u>33 Technical data</u></b>	•		
<b><u>35 Customer service</u></b>	•		

## Thank you for purchasing a Haier Product.

Please read these instructions carefully before using this appliance. The instructions contain important information which will help you get the best out of the appliance and ensure safe and proper installation, use and maintenance.

Keep this manual in a convenient place so you can always refer to it for the safe and proper use of the appliance.

If you sell the appliance, give it away, or leave it behind when you move house, make sure you also pass this manual so that the new owner can become familiar with the appliance and safety warnings.

## Accessories

Check the accessories and literature in accordance with this list:



Energy label



Warranty card



User manual



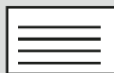
Warranty certificate



Quick Guide



Spacer×3



Warning card



wrench

**WARNING – Important Safety information**

---

**NOTICE-General information and tips**

---

**Environmental information**

---

**Disposal**

Help protect the environment and human health. Put the packaging in applicable containers to recycle it. Help to recycle waste of electrical and electronic appliances. Do not dispose appliances marked with this symbol with the household waste. Return the product to your local recycling facility or contact your municipal office.

**WARNING: Risk of fire/flammable material**

The symbol indicates there is a risk of fire since flammable materials are used. Take care to avoid causing a fire by igniting flammable material.

---

**WARNING!**

Risk of injury or suffocation!

Refrigerants and gases must be disposed of professionally. Ensure that the tubing of the refrigerant circuit is not damaged before being properly disposed of. Disconnect the appliance from the mains supply. Cut off the mains cable and dispose of it. Remove the trays and drawers as well as the door catch and seals, to prevent children and pets to get closed in the appliance.

## Before switching on the appliance for the first time read the following safety hints!



### WARNING!

#### Before first use

- ▶ Make sure there is no transport damage.
- ▶ Handle the appliance always with at least two persons because it is heavy.

#### Installation

- ▶ The appliance should be placed in a well-ventilated place. Ensure a space of at least 10 cm above and around the appliance.
- ▶ Never place the appliance in a damp area or location where it might be splashed with water. Clean and dry water splashes and stains with a soft clean cloth.
- ▶ Do not install the appliance in direct sunlight or in the near of heat sources (e.g. stoves, heaters).
- ▶ Install and level the appliance in an area suitable for its size and use.
- ▶ Keep ventilation openings in the appliance or in the in-built structure clear of obstruction.
- ▶ Make sure that the electrical information on the rating plate agrees with the power supply. If it does not, contact an electrician.
- ▶ The appliance is operated by a 220-240 VAC/50 Hz power supply. Abnormal voltage fluctuation may cause the appliance to fail to start, or damage to the temperature control or compressor, or there may be an abnormal noise when operating. In such case, an automatic regulator shall be mounted.
- ▶ Do not use multi-plug adapters and extension cables.
- ▶ Do not locate multiple portable socket-outlets or portable power supplies at the rear of the appliance.
- ▶ Ensure that the power cable is not trapped by the refrigerator. Do not step on the power cable.
- ▶ Use a separate earthed socket for the power supply which is easy accessible. The appliance must be earthed.  
Only for UK: The appliance's power cable is fitted with 3-cord (grounding) plug that fits a standard 3-cord (grounded) socket. Never cut off or dismount the third pin (grounding). After the appliance is installed, the plug should be accessible.
- ▶ Do not damage the refrigerant circuit.



## WARNING!

### Daily use

- ▶ This appliance can be used by children aged from 8 years and above and persons with reduced physical, sensory or mental capabilities or lack of experience and knowledge if they have been given supervision or instruction concerning use of the appliance in a safe way and understand the hazards involved.
- ▶ Children aged from 3 to 8 years are allowed to load and unload, but not allowed to clean or install the refrigerating appliances.
- ▶ Keep away children under 3 years of age from the appliance unless they are constantly supervised.
- ▶ Children shall not play with the appliance.
- ▶ If cool gas or other inflammable gas is leaking in the vicinity of the appliance, turn off the valve of the leaking gas, open the doors and windows and do not unplug a plug in the power cable of the refrigerator or any other appliance.
- ▶ Notice that the appliance is set for operation at a specific ambient range between 10 and 43°C. The appliance may not work properly if it is left for a long period at a temperature above or below the indicated range.
- ▶ Do not place unstable articles (heavy objects, containers filled with water) on top of the refrigerator, to avoid personal injury caused by falling or electric shock caused by contact with water.
- ▶ Do not pull on the door shelves. The door may be pulled slant, the bottle rack, may be pulled away, or the appliance may topple.
- ▶ Open and close the doors only with the handles. The gap between the doors and between the doors and the cabinet is very narrow. Do not extend your hands in these areas to avoid pinching your fingers. Open or close the refrigerator doors only when there are no children standing within the range of door movement.
- ▶ Do not store or use inflammable, explosive or corrosive materials in the appliance or in the vicinity.
- ▶ Do not store medicines, bacteria or chemical agents in the appliance. This appliance is a household appliance. It is not recommended to store materials that require strict temperatures.
- ▶ Never store liquids in bottles or cans (besides high percentage spirits) especially carbonated beverages in the freezer, as these will burst during freezing.
- ▶ Check the condition of food if a warming in the freezer has taken place.
- ▶ Do not set unnecessarily low temperature in the refrigerator compartment. Minus temperatures may occur at high settings. Attention: Bottles can burst
- ▶ Do not touch frozen goods with wet hands (wear gloves). Especially do not eat ice lollies immediately after removal from the freezer compartment. There is the risk to freeze or the formation of frost blisters. FIRST aid: keep immediately under running cold water. Do not pull away!
- ▶ Do not touch the inside surface of the freezer storage compartment when in operation, especially with wet hands, as your hands may freeze onto the surface.



## WARNING!

### Daily use

- ▶ Unplug the appliance in the event of a power interruption or before cleaning. Allow at least 7 minutes before restarting the appliance, as frequent starting may damage the compressor.
  - ▶ Do not use electrical devices inside the food storage compartments of the appliance, unless they are of the type recommended by the manufacturer.
- Maintenance / cleaning
- ▶ Make sure children are supervised if they carry out cleaning and maintenance.
  - ▶ Disconnect the appliance from the electrical supply before undertaking any routine maintenance. Allow at least 5 minutes before restarting the appliance, as frequent starting may damage the compressor.
  - ▶ Hold the plug, not the cable, when unplugging the appliance.
  - ▶ Do not clean the appliance with hard brushes, wire brushes, detergent powder, petrol, amyl acetate, acetone and similar organic solutions, acid or alkaline solutions. Please clean with special refrigerator detergent to avoid damage.
  - ▶ Do not scrape off frost and ice with sharp objects. Do not use sprays, electric heaters like heater, hair dryer, steam cleaners or other sources of heat in order to avoid damage to the plastic parts.
  - ▶ Do not use mechanical devices or other means to accelerate the defrosting process, other than those recommended by the manufacturer.
  - ▶ If the supply cord is damaged, it must be replaced by the manufacturer, its service agent or similarly qualified persons in order to avoid a hazard.
  - ▶ Do not try to repair, disassemble or modify the appliance by yourself. In case of repair please contact our customer service.
  - ▶ Eliminate the dust on the back of the unit at least once in the year to avoid hazard by fire, as well as increased energy consumption.
  - ▶ Do not spray or flush the appliance during cleaning.
  - ▶ Do not use water spray or steam to clean the appliance.
  - ▶ Do not clean the cold glass shelves with hot water. Sudden temperature change may cause the glass to break.

### Refrigerant gas information

- ▶ The appliance contains the flammable refrigerant ISOBUTANE (R600a). Make sure the refrigerant circuit is not damaged during transportation or installation. Leaking refrigerant may cause eye injuries or ignite. If a damage has occurred, keep away open fire sources, thoroughly ventilate the room, do not plug or unplug the power cords of the appliance or any other appliance. Inform the customer service.
- ▶ In case of eyes get into contact with the refrigerant, rinse immediately it under running water and call immediately the eye specialist.

## Intended use

This appliance is intended for cooling and freezing food. It has been designed exclusively for use in household and similar applications such as staff kitchen areas in shops, offices and other working environments; farm houses and by clients in hotels, motels and other residential type environments as well as in bed-and-breakfast and catering business. It is not intended for commercial or industrial use.

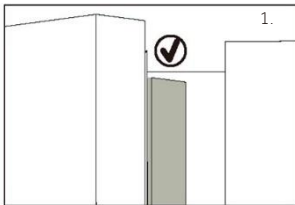
Changes or modifications to the device are not allowed. Unintended use may cause hazards and loss of warranty claims.

## Standards and directives

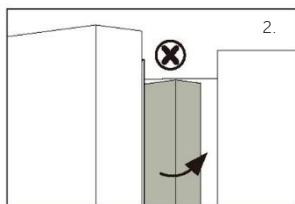
This product meets the requirements of all applicable EC directives with the corresponding harmonised standards, which provide for CE marking.



### CAUTION!



When you close the door, the vertical door strip on the left door should be bent inside (1).



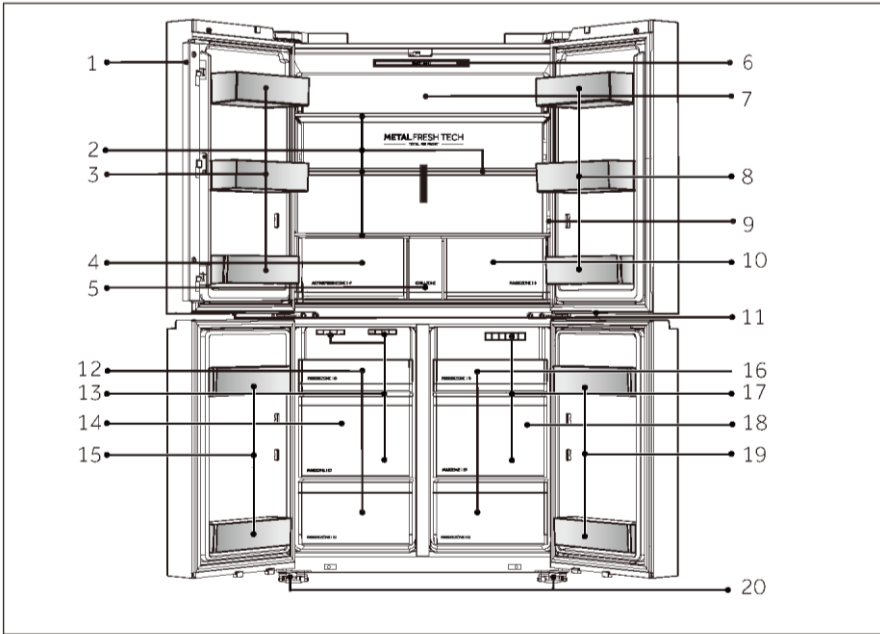
If you try to close the left door and the vertical door strip is unbent (2), you should bend it firstly, otherwise the door strip will hit the fixing shaft or right door. Thus a damage to the door slip or a leak will occur.

There is a heating thread inside the frame. The temperature of the surface will rise a little, which is normal and won't affect the function of appliance.



## NOTICE

Due to technical changes and different models, some of the illustrations in this manual may differ from your model.

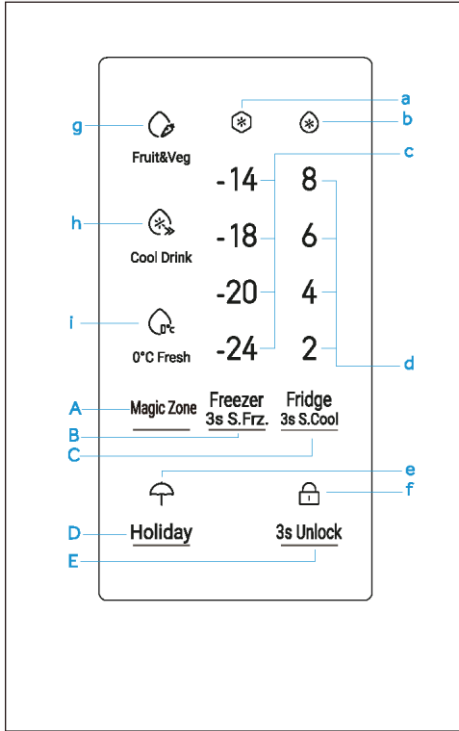


A: Refrigerator compartment

- 1 Door beam
- 2 Glass shelves
- 3 Bottle holder
- 4 ACTIVEFRESH ZONE drawer
- 5 CHILL ZONE box
- 6 Refrigerator lamp
- 7 Refrigerator duct
- 8 Bottle holder
- 9 Control panel
- 10 MAGIC ZONE drawer
- 11 Freezer lamp

B: Freezer compartment

- 12 FREEZE ZONE drawer
- 13 Air duct
- 14 MAX ZONE drawer
- 15 Bottle holder
- 16 FREEZE ZONE drawer
- 17 Air duct
- 18 MAX ZONE drawer
- 19 Bottle holder
- 20 Adjust feet



Keys:

- A Magic zone mode selector
- B Freezer function & super-frz function selector
- C Fridge function & super-cool function selector
- D Holiday function selector
- E Lock/ unlocking function selector

Indicators:

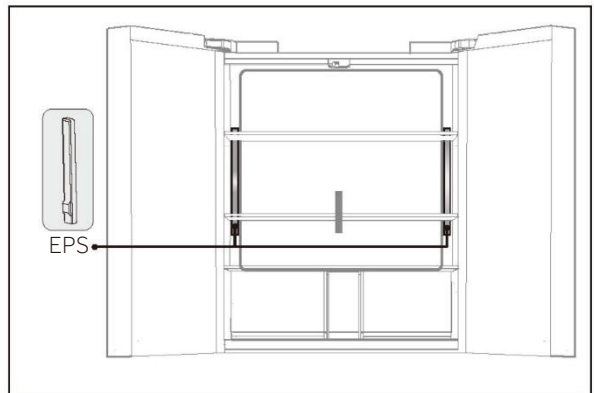
- a Super-Frz function
- b Super-Cool function
- c Freezer temperature
- d Refrigeration temperature
- e Holiday function
- f Lock/unlock function
- g Fruit & Veg function
- h Cool drink function
- i 0°C Fresh function

## Before first use

- ▶ Remove all the packaging, especially the white EPS foam on both sides of the refrigeration duct and keep out of children's reach. dispose them in an environmentally friendly manner.
- ▶ Clean the inside and outside of the appliance with water and a mild detergent before putting any food in it.
- ▶ After the appliance has been levelled and cleaned, wait for at least 2-5 hours before connecting it to the power supply. See Section INSTALLATION.
- ▶ Precool the compartments at high settings before loading with food. The function Power-Freeze helps to cool down the compartments quickly.
- ▶ The refrigerator temperature and freezer temperature are automatically set to 4°C and -18 °C respectively. These are the recommended settings. If desired, you can change these temperatures manually. Please see ADJUST THE TEMPERATURE.

## EPS removal method

First, remove the upper and middle shelves (the method for removing the shelves is described on page 25), and then take out the two EPS.



## Sensor keys

The buttons on the control panel are sensor keys, which already respond when lightly touched with the finger.

## Switch on /of the appliance

The appliance is in operation as soon as it is connected to the power supply.

The fridge temperature and freezer temperature are automatically set to 4° C and -18° C respectively.

Maybe the panel lock is active.



## NOTICE

The appliance is preset to the recommended temperature of 4 °C (Refrigerator) and -18 °C (Freezer). Under normal ambient condition you need not to set a temperature.

When the appliance is switched on after disconnection from the main power supply, it may take up to 12 hours for the correct temperatures to be reached.

Empty the appliance before switching off. To switch off the appliance, pull the power cord out of the power socket.

## Lock/unlock panel

Automatic lock: When the fridge door are closed and there is no key operation within 30 seconds, the display screen will be automatically extinguished and locked.

Manual lock: When the display screen is unlocked, press the key "E" (Panel lock selector) and hold for 3 seconds, the buzzer rings once, the indicator "F" (Panel lock) illuminates, and the display is locked. Under Lock state, long press key 'E' for 3 seconds, the buzzer rings once, the indicator "f" (panel locked) has gone out, the panel lock will be unlocked.



## Manual adjusting mode

If you want to manually adjust the temperature of the appliance, you can set the temperature via a temperature adjust button (refer to ADJUST THE TEMPERATURE)

## Door alarm

Door alarm will trigger when door opens for long time or not closed properly, as a reminder.

## Adjust the temperature

The indoor temperatures are influenced by the following factors:

Ambient temperature, Frequency of door opening, Amount of stored foods, Installation of the appliance

## Adjust the temperature for fridge

1. When the display screen is unlocked, press the button "C". The buzzer rings once, The indicator "b" flashes, and then here comes the temperature setting mode of the fridge
2. Press the button "C" every time, the buzzer rings once, the set temperature of the fridge will be change the fridge temperature will display the sequence of 8>6>4>2

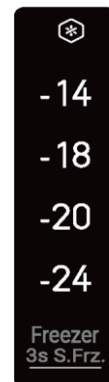


### NOTICE

After setting the temperature, if there is no operation within 5 seconds, the system will be automatically determined and save the set temperature.

## Adjust the temperature for freezer

1. When the display screen is unlocked, press the button "B". The buzzer rings once, The indicator "c" flashes, and then here comes the temperature setting mode of the freezer
2. Press the button "B" every time, the buzzer rings once, the set temperature of the fridge will be change the fridge temperature will display the sequence of -14 > -18 > -20 > -24

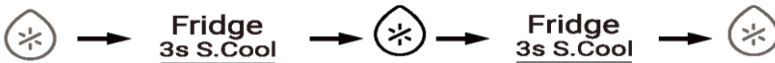


### NOTICE

After setting the temperature, if there is no operation within 5 seconds, the system will be automatically determined and save the set temperature.

## Super-Cool function

1. When the display screen is unlocked, Press and hold the button "C" for 3 seconds, the buzzer rings once, the indicator "b" illuminates, and then the Super-Cool function will be turned on.
2. When the indicator "b" illuminates, Press and hold the button "C" for 3 seconds, the buzzer rings once, the indicator "b" goes off, and then the Super-Cool function will be turned off.
3. After the Super-Cool function is turned on, the refrigerator will automatically turn off the function when it reaches the set condition. If you want to exit manually, you can press the button "C" to turn it off.



## NOTICE

1. Under Super-cool state, the fridge temperature cannot be adjusted. If either button "C" is pressed to adjust the temperature of fridge, the indicator "b" will flash with a prompt sound to indicate that this operation cannot be carried out.
2. In the state of Super-cool function, the Auto-set function cannot be turned on at the same time due to different control modes. When you choose one function that conflicts with another function, the original function will automatically exit.

## Super-Frz function

1. When the display screen is unlocked, Press and hold the button "B" for 3 seconds, the buzzer rings once, the indicator "a" illuminates, and then the Super-Frz function will be turned on.
2. When the indicator "a" illuminates, Press and hold the button "B" for 3 seconds, the buzzer rings once, the indicator "a" goes off, and then the Super-Frz function will be turned off.
3. After the Super-Frz function is turned on, the refrigerator will automatically turn off the function when it reaches the set condition. If you want to exit manually, you can press the button "B" to turn it off





## NOTICE

1. Under Super-Freeze state, the freezer temperature cannot be adjusted. If either button "B" is pressed to adjust the temperature of freezer, the indicator "a" will flash with a prompt sound to indicate that this operation cannot be carried out.
2. Super-Freeze function is designed to keep nutrition value of frozen food, it will be freeze food in the shortest time. At this time, the freezing speed of the freezer is improved, food can be frozen quickly, the nutrition of food is effectively kept, and the storage becomes quite. If you need to freeze a large amount of food once, it is recommended to set the Super Freeze function on ahead for 24 hours before the usage of freezer compartment.

## Holiday mode

Holiday mode is designed for not using the fridge for a long time. When the Holiday mode is turned on, the freezer is under normal control, and the temperature of fridge is automatically set to be 17°C. which prevents peculiar smell caused by over-temperature, and helps reduce energy consumption at the same time.

1. When the display screen is unlocked, press the button "D", the buzzer rings once, the indicator "e" illuminates, and then the Holiday function will be turned on.
2. When the indicator "e" illuminates, press the button "D", the buzzer rings once, the indicator "e" goes off, and then the Holiday function will be turned off.



## NOTICE

Before using the Holiday function, please empty the fridge to prevent food goes bad in it. When the Holiday function is turned on, "Super-Cool" function can not be turned on at the same time.

## Magic Zone function

When the display screen is unlocked, Press the "A" button to cycle through the functions of Fruit&Veges, Cool Drink and 0°C Fresh mode.

### 1. Fruit&Veg function:

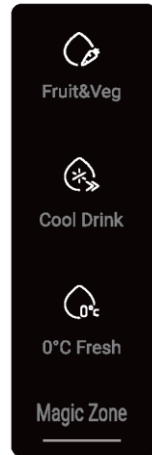
This function is suitable to store fresh fruits and vegetables. When this function is selected, the indicator "g" illuminates.

### 2. Cool Drink function:

This function allows to store products such as water, coke and juice. When this function is selected, the indicator "h" illuminates.

### 3. 0°Fresh function:

This function is suitable to store fresh food such as meat or fish. When this function is selected, the indicator "i" illuminates.



## NOTICE

1. The default setting upon startup is the Cool drink function.
2. For Fruit&Veg. function: Cold-sensitive fruits like pineapple, avocado, bananas, grapefruits and vegetables such as potatoes, aubergines, beans, cucumbers, zucchini and tomatoes and cheese should not be stored in the Magic Zone drawer.
3. For 0°Fresh function: Due to different water contents of meat. Some meat with more moisture will be frozen at temperatures lower than 0°C. So "immediately cut" meat should be stored in Magic Zone drawer, with temperatures min, 0°C.
4. The three functions of the Magic Zone cannot be opened at the same time, only one can be illuminated. To reduce the refrigerator compartment temperature use the Cool Drink function, to increase the refrigerator compartment temperature use the Fruit&Veg function.

## Tips on storing fresh food

### Storing into the refrigerator compartment

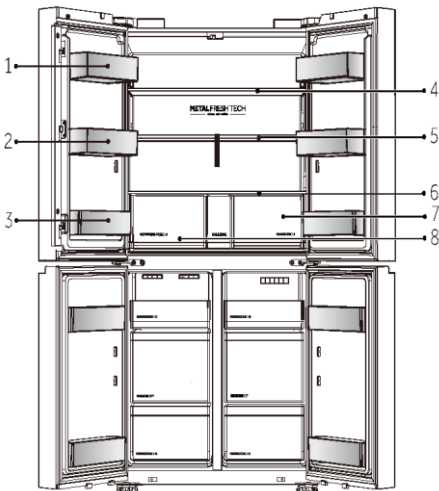
1. Keep your fridge temperature below 5°C.
2. Hot food must be cooled to room temperature before storing in the appliance.
3. Foods stored in the refrigerator should be washed and dried before storing.
4. Food to be stored should be properly sealed to avoid odour or taste alterations.

5. Do not store excessive quantities of food. Leave spaces between foods to air flowing around them, for a better and more.
6. Foods eaten daily should be stored at the front of the shelf.
7. Leave a gap between foods and the inner walls, allowing air flowing. In special way don't store foods against the rear wall: foods could freeze against rear wall. Avoid direct contact of food (especially oily or acidic food) with the inner liner as oil/acid can erode the inner liner. Clean away oily/acid dirt whenever it is found.
8. Defreeze frozen food in the fridge storage compartment. This way, you can use the frozen food to decrease the temperature in the compartment and save energy.
9. The ageing process of fruit and vegetables such as courgettes, melons, papaya, banana, pineapple, etc. can be accelerated in the refrigerator. Therefore, it is not advisable to store them in the refrigerator. However, the ripening of strongly green fruits can be promoted for a certain period. Onions, garlic, ginger and other root vegetables should also be stored at room temperature.
10. Unpleasant odours inside the fridge are a sign that something has spilled cleaning is required. See CARE AND CLEANING.
11. Different foods should be placed in different areas according to their properties.



## NOTICE

Please keep the distance more than 10 mm between the food placed and air duct or sensors to ensure the cooling effect.



1. Butter, cheese, etc.
2. Eggs, cans, canned food, spices, etc.
3. Drinks and bottled foods.
4. Pickled foods, canned food, etc.
5. Meat products, snack foods, pasta, canned food, milk, tofu, dairy etc.
6. Cooked meat, sausages, etc.
7. Magic ZONE drawer: Fruit, vegetables, salad, etc.
8. ACTIVEFRESH ZONE zone drawer: Fruit, vegetables, salad, etc.

## Storage into the freezer compartment

1. Keep the freezer temperature at -18°C.
2. 24 hours before freezing switch on the Super-freeze function; for small quantities of food 4-6 hours are sufficient.
3. Hot food must be cooled to room temperature before storing in the freezer compartment.
4. Food cut into small portions will freeze faster and be easier to defrost and cook. The recommended weight for each portion is less than 2.5 kg.
5. It is better to pack food before putting it into the freezer. The outside of the packaging must be dry to avoid bags sticking together. Packaging materials should be odour-free, airtight, non-poisonous and nontoxic.
6. In order to avoid expiration of storage periods, please note the freezing date, time limit and name of the food on the packaging according to the storage periods of different foods.
  1. **WARNING!** Acid, alkali and salt etc. could erode the internal surface of the freezer. Do not place the food having these substances (e.g. sea fish) directly on the internal surface. Salt water in the freezer should be cleaned up immediately.
  2. Do not exceed the food storage times recommended by the manufacturers. Only take the required amount of food out of the freezer.
  3. Consume defrosted food quickly. Defrosted food cannot be re-frozen unless it is first cooked, otherwise it may be less edible.
  4. Do not load excessive quantities of fresh food in the freezer compartment. Refer to the freezing capacity of the freezer - See TECHNICAL DATA or data at the type plate.
  5. Food can be stored in the freezer at a temperature of at least -18°C for 2 to 12 months, depending on its properties (e.g., meat: 3-12 months, vegetables: 6-12 months)
  6. When freezing fresh food, avoid bringing it in contact with already frozen or thawing!

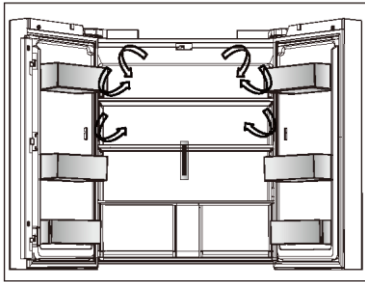
### When storing commercially frozen foods, please follow these guidelines:

1. Always follow manufacturers' guidelines for the length of time you should store food for. Do not exceed these guidelines!
2. Try to keep the length of time between purchase and storage as short as possible to preserve food quality.
3. Buy frozen foods, which have been stored at a temperature of 18 °C or below.
4. Avoid buying food which has ice or frost on the packaging - This indicates that the products might have been partially defrosted and refrozen at some point - temperature rises affect the quality of food.



## NOTICE

Please keep the distance more than 10 mm between the food placed and air duct to ensure the cooling effect.

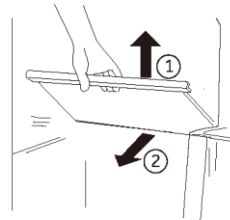


### Multi-air-flow

1. The refrigerator is equipped with a multi-air-flow system, with which cool air flows are located on every shelf level. This helps to maintain a uniform temperature to ensure that your food is kept fresher for longer.

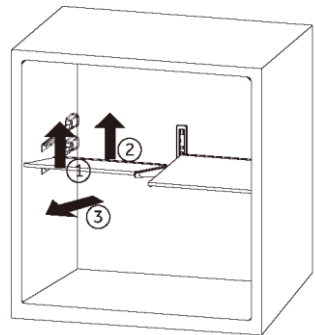
### Adjustable shelves

1. The height of the shelves can be adjusted to fit your storage needs.
2. To relocate a shelf, remove it first by uplifting its front edge ① and pulling it out ②.
3. To reinstall it, put it on the lugs on both sides and push it to the most rearward position until the rear of the shelf is fixed inside the slots in the sides.



### Adjust middle shelf

1. Remove the shelf stand: First, lift the front edge ① of the shelf stand up by 7 cm, then lift the hind edge ② of the shelf stand, so that the claw on the cantilever side can be separated from the installation hole. Finally, pull out the shelf stand outward ③.
2. Install the shelf stand: Push the shelf stand into place according to the inclined angle shown in the diagram, then lower the front edge ① of the shelf stand, so that the claw on the cantilever side can fit into the installation hole.



### **i** NOTICE

Ensure that all ends of a shelf are level.

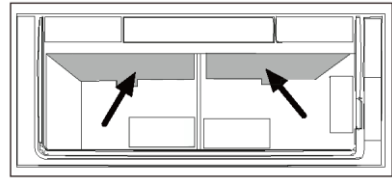
### ACTIVEFRESH ZONE drawer

1. In this compartment the humidity level is higher than fridge compartment. It is controlled automatically by the system and is suitable to store fruits, vegetables, salads etc.



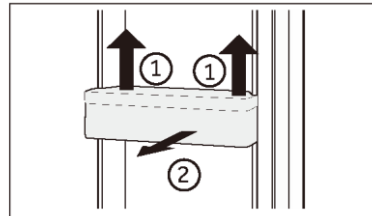
## NOTICE

1. Do not remove the plastic cover inside the two zones.
2. They maintain the humidity.
3. Cold-sensitive fruits like pineapple, avocado, bananas,
4. grapefruits are not recommended to be stored in these two drawers.



## Removable door racks/bottle holder

1. The door racks can be removed for cleaning:
2. Place hands on each side of the rack, lift it upwards ① and pull it out ②.
3. In order to insert the door rack, the above steps are carried out in reverse order.



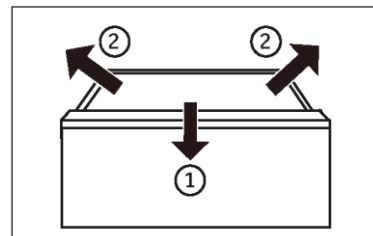
## NOTICE

When the appliance is switched on, it may take up to 12 hours for the correct temperatures to be reached.

## Removable drawer

To remove the drawer out, pull out to the maximum extent ①, lift and remove ②.

In order to insert the drawer, the above steps are carried out in reverse order.



## The Light

The LED interior light comes on when the door is opened and it will automatically go off if the door is left open for more than 7 minutes. The performance of the lights is not affected by any of the appliances other settings.



## Energy saving tips

- ▶ Make sure the appliance is properly ventilated (see INSTALLATION).
- ▶ Do not install the appliance in direct sunlight or in the near of heat sources (e.g. stoves, heaters).
- ▶ Avoid unnecessarily low temperature in the appliance. The energy consumption increases the lower the temperature in the appliance is set.
- ▶ Functions like POWER- FREEZE consume more energy.
- ▶ Allow warm food to cool down before placing it in the appliance.
- ▶ Open the appliance door as little and as briefly as possible.
- ▶ Do not overfill the appliance to avoid obstructing the air flow.
- ▶ Avoid air within the food packaging.
- ▶ Keep door seals clean so that the door always closes correctly.
- ▶ Defreeze frozen food in the fridge storage compartment.
- ▶ The most energy-saving configuration requires the appliance keep drawers, food box and shelves on factory-fresh condition, and food should be places as far as possible without blocking the air outlet of the duct.



## WARNING!

Disconnect the appliance from the power supply before cleaning.

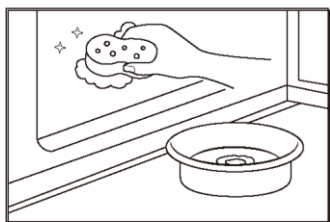
### Cleaning

1. Clean the appliance when only little or no food is stored.
2. The appliance should be cleaned every four weeks for good maintenance and to prevent bad stored food odors.



## WARNING!

- ▶ Do not clean the appliance with hard brushes, wire brushes, detergent powder, petrol, amyl acetate, acetone and similar organic solutions, acid or alkaline solutions. Please clean with special refrigerator detergent to avoid damage.
- ▶ Do not spray or flush the appliance during cleaning.
- ▶ Do not use water spray or steam to clean the appliance.
- ▶ Do not clean the cold glass shelves with hot water. Sudden temperature change may cause the glass to break.
- ▶ Do not touch the inside surface of the freezer storage compartment, especially with wet hands, as your hands may freeze onto the surface.
- ▶ In case of heating check the condition of frozen goods.



- ▶ Always keep the door gasket clean.
- ▶ Clean the inside and housing of the appliance with a sponge dampened in warm water and neutral detergent.
- ▶ 1. Please scrub the interior and exterior of the refrigerator, including door sealing, door rack, glass shelves, boxes and so on, with a soft towel or sponge dipped in warm water (you may add neutral detergent into the warm water).
- ▶ 2. If there is liquid spilled, remove all the contaminated parts, directly rinse with the flow water, dry and place it back into the fridge.
- ▶ 3. If there is spilled cream (such as the cream, melting ice cream), please remove all the contaminated parts, put into the warm water with about 40 °C for some time, then rinse with the flow water, dry and place it back into the fridge.
- ▶ 4. In case some small part or component gets stuck inside of the fridge (between shelves or drawers), use small soft brush to release it. If you could not reach the part, please contact Haier service
- ▶ Rinse and dry with soft cloth.
- ▶ Do not clean any of the parts of the appliance in a dishwasher.
- ▶ Allow at least 5 minutes before restarting the appliance as frequent starting may damage the compressor.

### Defrosting

The defrosting of the refrigerator and the freezer compartment are done automatically; no manual operation is needed.

## Replacing the LED-lamps



### WARNING!

Do not replace the LED lamp yourself, it must only be replaced by either the manufacturer or the authorised service agent.

The lamps adopts LED as its light source, featuring low energy consumption and long service life. If there is any abnormality, please contact the customer service. See CUSTOMER SERVICE.

Parameters of the lamps:

Refrigerator compartment: 12 V, 4 W

Freezer compartment: 12 V, 2W\*2

## Non-use for a longer period

If the appliance is not used for an extended period of time, and you will not use the Holiday-function for the refrigerator:

Take out the food.

Unplug the power cord.

Clean the appliance as described above.

Keep the doors open to prevent the creation of bad odours inside.



### NOTICE

Turn the appliance off only if strictly necessary.

## Moving the appliance

1. Remove all food and unplug the appliance.
2. Secure shelves and other moveable parts in the fridge and the freezer with adhesive tape.
3. Do not tilt the refrigerator more than 45° to avoid damaging the refrigerating system.



### WARNING!

- ▶ Do not lift the appliance by its handles.
- ▶ Never place the appliance horizontally on the ground.

Many occurring problems could be solved by yourself without specific expertise. In case of a problem please check all shown possibilities and follow below instructions before you contact an after sales service. See CUSTOMER SERVICE.



## WARNING!

- ▶ Before maintenance, deactivate the appliance and disconnect the mains plug from the mains socket.
- ▶ Electrical equipment should be serviced only by qualified electrical experts, because improper repairs can cause considerable consequential damages.
- ▶ A damaged supply should only be replaced by the manufacturer its service agent or similarly qualified persons in order to avoid a hazard.

Problem	Possible Cause	Possible Solution
The compressor does not work.	<ul style="list-style-type: none"> <li>• Mains plug is not connected in the mains socket.</li> <li>• The appliance is in the defrosting cycle</li> </ul>	<ul style="list-style-type: none"> <li>• Connect the mains plug.</li> <li>• This is normal for an automatic defrosting</li> </ul>
The appliance runs frequently or runs for a too long period of time.	<ul style="list-style-type: none"> <li>• The indoor or outdoor temperature is too high.</li> <li>• The appliance has been off power for a period of time.</li> <li>• A door of the appliance is not tightly closed.</li> <li>• The door has been opened too frequently or for too long.</li> <li>• The temperature setting for the freezer compartment is too low.</li> <li>• The door gasket is dirty, worn, cracked or mismatched.</li> <li>• The required air circulation is not guaranteed.</li> </ul>	<ul style="list-style-type: none"> <li>• In this case, it is normal for the appliance to run longer</li> <li>• Normally, it takes 8 to 12 hours for the appliance to cool down completely.</li> <li>• Close the door/drawer and ensure the appliance is located on a level ground and there is no food or container jarring the door.</li> <li>• Do not open the door/drawer too frequently.</li> <li>• Set the temperature higher until a satisfactory refrigerator temperature is obtained. It takes 24 hours for the refrigerator temperature to become stable.</li> <li>• Clean the door/drawer gasket or replace them by the customer service.</li> <li>• Ensure adequate ventilation.</li> </ul>
The inside of the refrigerator is dirty and/or smells.	<ul style="list-style-type: none"> <li>• The inside of the refrigerator needs cleaning.</li> <li>• Food of strong odour is stored in the refrigerator.</li> </ul>	<ul style="list-style-type: none"> <li>• Clean the inside of the refrigerator</li> <li>• Wrap the food thoroughly..</li> </ul>

Problem	Possible Cause	Possible Solution
It is not cold enough inside the appliance.	<ul style="list-style-type: none"> <li>• The temperature is set too high.</li> <li>• Too warm goods has been stored.</li> <li>• Too much food has been stored at one time.</li> <li>• The goods are too close to each other.</li> <li>• A door/drawer of the appliance is not tightly closed.</li> <li>• The door/drawer has been opened too frequently or for too long.</li> </ul>	<ul style="list-style-type: none"> <li>• Reset the temperature.</li> <li>• Always cool down goods before storing them.</li> <li>• Always store small quantities of food.</li> <li>• Leave a gap between several foods allowing air flowing.</li> <li>• Close the door/drawer.</li> <li>• Do not open the door/drawer too frequently.</li> </ul>
It is too cold inside the appliance.	<ul style="list-style-type: none"> <li>• The temperature is set too low.</li> <li>• The Super-Frz/Super-Cool function is activated or is running too long.</li> </ul>	<ul style="list-style-type: none"> <li>• Reset the temperature.</li> <li>• Switch off the Super-Frz/Super-Cool function</li> </ul>
Moisture formation on the inside of the refrigerator compartment.	<ul style="list-style-type: none"> <li>• The climate is too warm and too damp.</li> <li>• A door/drawer of the appliance is not tightly closed.</li> <li>• The door/drawer has been opened too frequently or for too long.</li> <li>• Food containers or liquids are left open.</li> </ul>	<ul style="list-style-type: none"> <li>• Increase the temperature.</li> <li>• Close the door/drawer.</li> <li>• Do not open the door/drawer too frequently.</li> <li>• Let hot foods cool to room temperature and cover foods and liquids.</li> </ul>
Moisture accumulates on the refrigerators outside surface or between the doors/door and drawer.	<ul style="list-style-type: none"> <li>• The climate is too warm and too damp.</li> <li>• The door is not closed tightly. The cold air in the appliance and the warm air outside it condensates.</li> </ul>	<ul style="list-style-type: none"> <li>• This is normal in damp climate and will change when the humidity decreases.</li> <li>• Ensure that he door/drawer is tightly shut.</li> </ul>

Problem	Possible Cause	Possible Solution
Strong ice and frost in the freezer compartment.	<ul style="list-style-type: none"> <li>The goods were not adequately packaged.</li> <li>A door/drawer of the appliance is not tightly closed.</li> <li>The door/drawer has been opened too frequently or for too long.</li> <li>The door/drawer gasket is dirty, worn, cracked or mismatched.</li> <li>Something on the inside prevents the door/drawer to close properly.</li> </ul>	<ul style="list-style-type: none"> <li>Always pack the goods well.</li> <li>Close the door/drawer.</li> <li>Do not open the door/drawer too frequently.</li> <li>Clean the door/drawer gasket or replace them by new ones.</li> <li>Reposition the shelves, door racks, or internal containers to allow the door/drawer to close.</li> </ul>
The sides of the cabinet and door strip get warm.		<ul style="list-style-type: none"> <li>This is normal.</li> </ul>
The appliance makes abnormal sounds.	<ul style="list-style-type: none"> <li>The appliance is not located on level ground.</li> <li>The appliance touches some object around it.</li> </ul>	<ul style="list-style-type: none"> <li>Adjust the feet to level the appliance.</li> <li>Remove objects around the appliance.</li> </ul>
A slight sound is to be heard similar to that of flowing water.		<ul style="list-style-type: none"> <li>This is normal.</li> </ul>
You will hear an alarm beep.	<ul style="list-style-type: none"> <li>The fridge storage compartment door is open.</li> </ul>	<ul style="list-style-type: none"> <li>Close the door.</li> </ul>
You will hear a faint hum.	<ul style="list-style-type: none"> <li>The anti-condensation system is working</li> </ul>	<ul style="list-style-type: none"> <li>This prevents condensation and is normal</li> </ul>
The interior lighting or cooling system does not work.	<ul style="list-style-type: none"> <li>Mains plug is not connected in the mains socket.</li> <li>The power supply is not intact.</li> <li>The LED-lamp is out of order.</li> </ul>	<ul style="list-style-type: none"> <li>Connect the mains plug.</li> <li>Check the electrical supply to the room. Call the local electricity company!</li> <li>Please call the service for changing the lamp.</li> </ul>

To contact the technical assistance, visit our website: <https://corporate.haier-europe.com/en/>

Under the section "website", choose the brand of your product and your country. You will be redirected to the specific website where you can find the telephone number and form to contact the technical assistance.

### **Power interruption**

In the event of a power cut, food should remain safely cold for about 5 hours. Follow these tips during a prolonged power interruption, especially in summer:

- ▶ Open the door/drawer as few times as possible.
- ▶ Do not put additional food into the appliance during a power interruption.
- ▶ If prior notice of a power interruption is given and the interruption duration is longer than 5 hours, make some ice and put it in a container in the top of the refrigerator compartment.
- ▶ An inspection of the goods is required immediately after the interruption.
- ▶ As temperature in the refrigerator will rise during a power interruption or other failure, the storage period and edible quality of food will be reduced. Any food that defrosts should be either consumed, or cooked and refrozen (where suitable) soon afterwards in order to prevent health risks.

### **Memory function during power interruption**

After restoration of power the appliance continues with the settings that were set before the power failure.

## Unpacking



### WARNING!

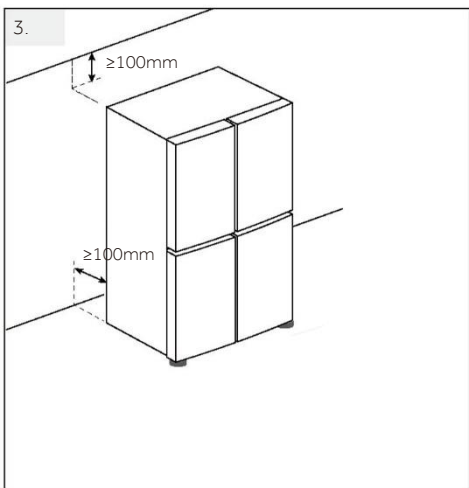
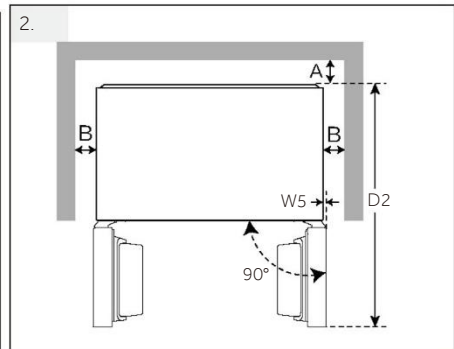
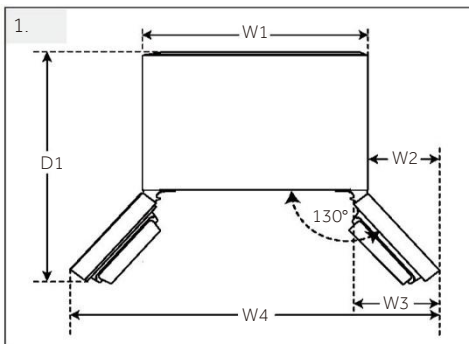
- ▶ The appliance is heavy. Always handle with at least two persons.
- ▶ Keep all packaging materials out of children's reach and dispose them in an environmentally friendly manner.
- ▶ Take the appliance out of the packaging.
- ▶ Remove all packaging materials.

## Environmental conditions

The room temperature should always be between 10° C and 43° C, since it can influence the temperature inside the appliance and its energy consumption. Do not install the appliance near other heat-emitting appliances (ovens, refrigerators) without isolation.

## Space recommendation

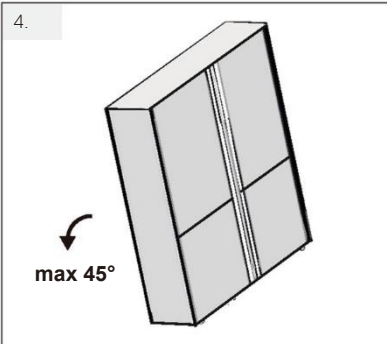
Recommended space when door is opened (Fig. 1.2.)



(Unit: mm)	Model#	
Width	W1	905
	W2	327
	W3	368
	W4	1559
	W5	51
	W	905
	D1	1061
	D2	1101
	D	738
Distance to back wall	A	100
Distance to lateral walls	B	100
Distance to ceiling	C	100
Overall Height	H	1825

## Ventilation cross-section

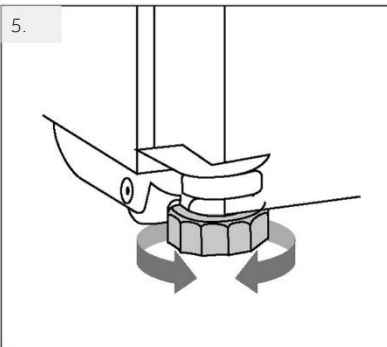
To achieve sufficient ventilation of the appliance for safety reasons, the information of the required ventilation cross sections must be observed.



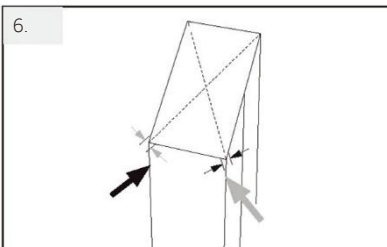
### Aligning the appliance (Fig.4.5.6.)

The appliance should be placed on a flat and solid surface.

4. Tilt the refrigerator slightly backwards.



5. Set the feet to the desired level.  
Make sure the distance to the wall on the hinge side is at least 100 mm for the door to open properly.

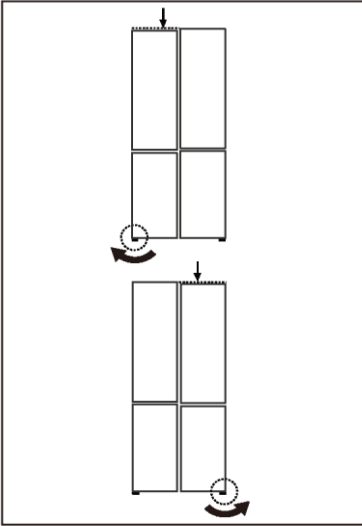


6. The stability can be checked by alternately bumping on the diagonals. The slightly swaying should be the same in both directions. Otherwise the frame can warp; possible leaking door seals are the result.  
A low tendency to the rear facilitates the closing of the doors.



## NOTICE

For a free standing appliance: this refrigerating appliance is not intended to be used as a built-in appliance

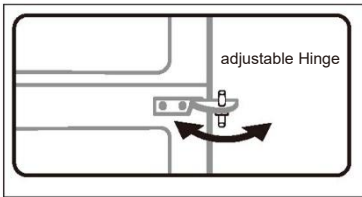


### Fine tuning of the doors

If the doors are not in one level, this mismatch can be remedied by following:

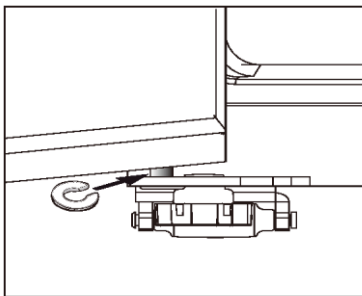
#### Using adjustable foot

Rotate the adjustable foot according to the direction of arrow to turn up or down the foot.



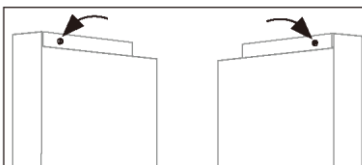
### Door position adjustment

- ▶ When the two doors are not at the same height, adjustable hinges can be fine-tuned with the accompanying wrench to level the two doors. Please do not install it brutally to prevent scratches or bumps on the door trim.



### Using spacers

- ▶ Open the freezer door and lift it.
- ▶ Carefully clip the spacer (enclosed in the accessory bag) in the axle of the lower hinge by hand or using tools like pliers. Do not scratch or bruise the door.

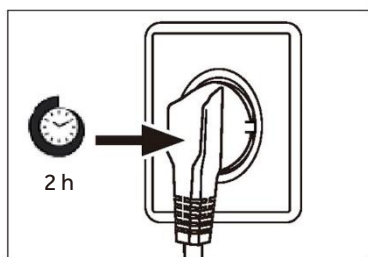


### Using adjustment knob

- ▶ If the door of Refrigerator Compartment isn't level, you can rotate the adjustable knob on the upper part of the door to make fine adjustments.

## **i** NOTICE

In the future use of refrigerator, doors uneven phenomenon may occur to the weight of stored food. Then please adjust according to the above methods.



### **Waiting time**

To the maintenance-free lubrication oil is located in the capsule of the compressor. This oil can get through the closed pipe system during slanting transport. Before connecting the appliance to the power supply you have to wait at least 2 hours so that the oil runs back into the capsule.

### **Electrical connection**

Before each connection check if:

- ▶ power supply, socket and fusing are appropriate to the rating plate.
- ▶ the power socket is earthed and no multi-plug or extension.
- ▶ the power plug and socket are strictly according.


Connect the plug to a properly installed household socket.



### **WARNING!**

To avoid risks a damaged power cord must be replaced by the customer service (see warranty card).

Product fiche according to regulation EU No. 2019/2016

Brand	Haier
Model name / identifier	HCR59F19DNMM HCR59F18DNMB
Category of the model	Refrigerator-freezer
Energy efficiency class	D
Annual energy consumption(kWh/year)(1)	306
Total volume(L)	706
Volume refrigerator(L)	417
Volume freezer(L)	251
Two-star section(L)	38
Star rating	
Frost-free system	Yes
Freezing capacity(kg/24h)	14
Climate rating(2)	SN-N-ST-T
Noise emission class and airborne acoustical noise emissions(db(A) re 1pW)	C(35)
Temperature rise time (h)	13
Type of appliance	freestanding

## Explanations:

- Yes, featured

- (1) Based on the results of the standards conformance test over 24 hours. The actual consumption depends on the use and the location of the appliance.
- (2) Climate rating SN: This appliance is intended for use in an ambient temperature of between + 10°C and +32°C  
Climate rating N: This appliance is intended for use in an ambient temperature of between + 16°C and +32°C  
Climate rating ST: This appliance is intended for use in an ambient temperature of between + 16°C and +38°C  
Climate rating T: This appliance is intended for use in an ambient temperature of between + 16°C and +43°C

## Additional technical data

Voltage / Frequency	220-240V ~ / 50Hz
Input current (A)	1.5
Main fuse (A)	16
Coolant	R600a 68g
Dimensions (W/D/H in mm)	905 / 738 / 1825

We recommend our Haier Customer Service and the use of original spare parts. If you have a problem with your appliance, please first check section TROUBLESHOOTING.

If you cannot find a solution there, please contact

- ▶ your local dealer or
- ▶ our European Call Service-Center (see listed phone numbers below) or
- ▶ the Service & Support area at [www.haier.com](http://www.haier.com) where you can activate the service claim and also find FAQs.

To contact our Service, ensure that you have the following data available. The information can be found on the rating plate.

Model \_\_\_\_\_

Serial No. \_\_\_\_\_

Also check the Warranty Card supplied with the product in case of warranty.

European Call Service-Center		
Country*	Phone number	Costs
Haier Italy (IT)	199 100 912	
Haier Spain (ES)	902 509 123	
Haier Germany (DE)	0180 5 39 39 99	<ul style="list-style-type: none"> <li>• 14 Ct/Min Landline</li> <li>• max 42 Ct/Min Mobile</li> </ul>
Haier Austria (AT)	0820 001 205	<ul style="list-style-type: none"> <li>• 14,53 Ct/Min Landline</li> <li>• max 20 Ct/Min all others</li> </ul>
Haier United Kingdom (UK)	0333 003 8122	
Haier France (FR)	0980 406 409	

\* For other countries please refer to [www.haier.com](http://www.haier.com)

Haier Europe Trading S.r.l

Branch UK

Westgate House, Westgate, Ealing

London, W5 1YY

\*Duration of the guarantee of the refrigerating appliance:

Minimum guarantee is: 2 years for EU Countries, 3 years for Turkey, 1 year for UK, 1 year for Russia, 3 years for Sweden, 2 years for Serbia, 5 years for Norway, 1 year for Morocco, 6 months for Algeria, Tunisia no legal warranty required.

\*The period of spare parts for the repair of the appliance:

Thermostats, temperature sensors, printed circuit boards and light sources are available for a minimum period of seven years after placing the last unit of the model on the market.

Door handles, door hinges, trays and baskets for a minimum period of seven years and door gaskets for a minimum period of 10 year, after placing the last unit of the model on the market.

\*For further information about the product, please consult <https://eprel.ec.europa.eu/> or scan the QR on the energy label supplied with the appliance.

**CERTIFICATE OF QUALITY**

DESIGNATION: REFRIGERATOR

Q.C.PASSED

CHECKER No.

QC01

**Haier**

专用号条码

0060543171  
2026 Version A

# Haier

Manuale dell'utente



Frigorifero-Congelatore

HCR59F18DNMM

HCR59F18DNMB

**4 Informazioni per la sicurezza****8 Uso previsto****9 Descrizione del prodotto****10 Pannello di controllo****11 Uso****20 Dotazioni****22 Suggerimenti per il risparmio energetico****23 Cura e pulizia****25 Risoluzione dei problemi****29 Installazione****33 Dati tecnici****35 Assistenza clienti**

Operazioni preliminari al primo utilizzo 5

Installazione 5

Utilizzo quotidiano 6

Regolazione della temperatura del frigorifero 14

Regolazione della temperatura del congelatore 14

Funzione Super-Cool 15

Funzione Super-Frz 15

Modalità Holiday 16

Funzione Magic Zone 17

## Grazie per aver acquistato un prodotto Haier.

Leggere attentamente queste istruzioni prima di utilizzare l'elettrodomestico.

Le istruzioni contengono informazioni importanti per ottimizzare l'uso dell'elettrodomestico e garantire l'installazione, l'uso e la manutenzione sicuri e corretti.

Conservare il presente manuale in un luogo comodo, in modo da poterlo sempre consultare per un uso sicuro e corretto dell'elettrodomestico.

Se l'elettrodomestico viene venduto, ceduto o abbandonato in caso di trasloco, trasferire anche il presente manuale in modo che il nuovo proprietario possa comprendere l'uso dell'elettrodomestico e delle avvertenze di sicurezza.

## Accessori

Controllare gli accessori e la documentazione in base al seguente elenco:



Etichetta  
energetica



Scheda della  
garanzia



Manuale per  
l'utente



Certificato  
di garanzia



Guida rapida



Distanziale×3



Scheda  
avvertenze



Chiave



## AVVERTENZA - Informazioni importanti per la sicurezza



## AVVISO - Informazioni generali e consigli



## Informazioni ambientali



### Smaltimento

Contribuire a proteggere l'ambiente e la salute umana. Collocare l'imballo in appositi contenitori affinché venga riciclato. Contribuire al riciclo dei rifiuti delle apparecchiature elettriche ed elettroniche. Non smaltire gli elettrodomestici contrassegnati con questo simbolo assieme ai rifiuti domestici. Conferire il prodotto presso la struttura di riciclo locale o rivolgersi all'ufficio comunale preposto.



### AVVERTENZA: Rischio di incendio/materiale infiammabile

Il simbolo indica che esiste il rischio di incendio poiché sono utilizzati materiali infiammabili. Prestare particolare attenzione per evitare incendi causati dall'accensione di materiali infiammabili.



## AVVERTENZA!

Pericolo di lesioni o soffocamento!

I refrigeranti e i gas devono essere smaltiti in maniera professionale. Accertarsi che la tubazione del circuito del refrigerante non sia danneggiata prima di smaltirla correttamente. Scollegare l'elettrodomestico dalla rete elettrica. Tagliare il cavo di alimentazione e smaltirlo. Rimuovere vassoi e cassette, fermaporte e guarnizioni, per evitare che bambini e animali domestici rimangano chiusi nell'elettrodomestico.

**Prima di accendere l'elettrodomestico per la prima volta, leggere i seguenti consigli sulla sicurezza.**



## **AVVERTENZA!**

### **Operazioni preliminari al primo utilizzo**

- ▶ Accertarsi dell'assenza di danni dovuti al trasporto.
- ▶ L'elettrodomestico deve essere maneggiato sempre da almeno due persone perché è pesante.

### **Installazione**

- ▶ Installare l'elettrodomestico in un luogo asciutto e ben ventilato. Lasciare uno spazio libero di almeno 10 cm sopra e attorno all'elettrodomestico.
- ▶ Non collocare mai l'elettrodomestico in zone umide o soggette a schizzi d'acqua. Pulire e asciugare schizzi e macchie d'acqua con un panno morbido e pulito.
- ▶ Non installare l'elettrodomestico esposto alla luce diretta del sole o in prossimità di fonti di calore (ad es. stufe o radiatori).
- ▶ Installare l'elettrodomestico a livello in un'area adatta alle dimensioni e all'uso.
- ▶ Le aperture di ventilazione nell'elettrodomestico o nella struttura a incasso devono rimanere sempre libere.
- ▶ Accertarsi che i dati elettrici sulla targhetta siano conformi all'alimentazione elettrica. In caso contrario, rivolgersi a un elettricista.
- ▶ L'elettrodomestico funziona con corrente elettrica 220-240 Vca / 50 Hz. Oscillazioni anomale della tensione possono causare il mancato avvio dell'elettrodomestico, danni al controllo della temperatura o al compressore oppure rumori anomali durante il funzionamento. In tal caso, è opportuno montare un regolatore automatico.
- ▶ Non adoperare prese multiple o cavi di prolunga.
- ▶ Non collocare prese multiple o alimentatori portatili nella parte posteriore dell'elettrodomestico.
- ▶ Accertarsi che il cavo di alimentazione non sia intrappolato dal frigorifero. Non calpestare il cavo di alimentazione.
- ▶ Per l'alimentazione elettrica utilizzare una presa separata collegata a terra e facilmente accessibile. L'elettrodomestico deve essere collegato a terra. Solo per il Regno Unito: il cavo di alimentazione dell'elettrodomestico è dotato di una spina a 3 conduttori (collegata a terra) adatta a una presa standard a 3 conduttori (collegata a terra). Non tagliare né smontare mai il terzo conduttore (collegamento a terra). Dopo l'installazione dell'elettrodomestico, la spina deve essere accessibile.
- ▶ Non danneggiare il circuito di refrigerazione.



## AVVERTENZA!

### Utilizzo quotidiano

- ▶ Questo elettrodomestico può essere utilizzato da bambini di almeno 8 anni, da persone con ridotte capacità fisiche, sensoriali o mentali e da persone inesperte solo sotto stretta sorveglianza o se hanno appreso le modalità di utilizzo sicuro dell'elettrodomestico e sono consapevoli dei relativi pericoli.
- ▶ I bambini di età da 3 a 8 anni possono introdurre e prelevare alimenti dall'elettrodomestico, ma non devono pulirlo o installarlo.
- ▶ Tenere lontani dall'elettrodomestico i bambini di età inferiore a 3 anni, a meno che non siano costantemente sorvegliati.
- ▶ Impedire ai bambini di giocare con l'elettrodomestico.
- ▶ In caso di perdite di gas refrigerante o altri gas infiammabili in prossimità dell'elettrodomestico, chiudere la valvola del gas che fuoriesce, aprire porte e finestre e non staccare la spina del cavo di alimentazione del frigorifero o di altri elettrodomestici.
- ▶ Si noti che l'elettrodomestico è impostato per il funzionamento in un intervallo di temperatura ambiente specifico compreso tra 10 e 43 °C. L'elettrodomestico potrebbe non funzionare correttamente se lasciato per un lungo periodo a una temperatura superiore o inferiore all'intervallo indicato.
- ▶ Non collocare elementi instabili (oggetti pesanti, contenitori pieni d'acqua) sopra il frigorifero, per evitare lesioni personali dovute a cadute o scosse elettriche causate dal contatto con l'acqua.
- ▶ Non caricare eccessivamente i ripiani dello sportello. Lo sportello potrebbe deformarsi, il portabottiglie potrebbe fuoriuscire o l'elettrodomestico potrebbe rovesciarsi.
- ▶ Aprire e chiudere gli sportelli solo adoperando le maniglie. La distanza tra gli sportelli e tra gli sportelli e il mobile è molto limitata. Non allungare le mani in queste zone per evitare di schiacciarsi le dita. Aprire o chiudere gli sportelli del frigorifero solo quando non ci sono bambini nel raggio di movimento degli sportelli.
- ▶ Non conservare né utilizzare materiali esplosivi o corrosivi nell'elettrodomestico o nelle vicinanze.
- ▶ Non conservare medicinali, batteri o sostanze chimiche nell'elettrodomestico. Questo apparecchio è un elettrodomestico. Si sconsiglia di conservare materiali che richiedono temperature rigide.
- ▶ Non riporre liquidi in bottiglie o lattine (né alcolici ad elevata gradazione), specialmente bevande gassate, nel congelatore, perché durante il congelamento potrebbero scoppiare.
- ▶ Se la temperatura del congelatore è aumentata, controllare lo stato degli alimenti.
- ▶ Non impostare una temperatura inutilmente bassa nel comparto frigorifero. Con impostazioni elevate possono crearsi temperature sotto zero. Attenzione: le bottiglie possono scoppiare.
- ▶ Non toccare i prodotti congelati con le mani bagnate (indossare i guanti). In particolare, non mangiare i ghiaccioli subito dopo averli tolti dal comparto congelatore. In caso contrario, potrebbe congelarsi la bocca e potrebbero formarsi vesciche da gelo. PRONTO SOCCORSO: collocare immediatamente la zona congelata sotto l'acqua fredda corrente. Non tirare via la zona congelata!
- ▶ Non toccare la superficie interna del comparto congelatore durante il funzionamento, soprattutto con le mani bagnate, poiché le mani potrebbero congelarsi sulla superficie.



## AVVERTENZA!

### Utilizzo quotidiano

- ▶ In caso di blackout o prima della pulizia, scollegare l'elettrodomestico. Attendere almeno 7 minuti prima di riavviare l'elettrodomestico, poiché un avvio frequente può danneggiare il compressore.
- ▶ Non adoperare dispositivi elettrici all'interno dei compartimenti dell'elettrodomestico destinati alla conservazione degli alimenti, a meno che non siano del tipo consigliato dal produttore.  
Manutenzione / pulizia
- ▶ Accertarsi che i bambini siano sorvegliati se effettuano la pulizia e la manutenzione.
- ▶ Scollegare l'elettrodomestico dalla rete elettrica prima di effettuare operazioni di manutenzione ordinaria. Attendere almeno 5 minuti prima di riavviare l'elettrodomestico, poiché un avvio frequente può danneggiare il compressore.
- ▶ Quando si scollega l'elettrodomestico, mantenere la spina e non il cavo.
- ▶ Non pulire l'elettrodomestico con spazzole rigide, spazzole metalliche, detersivi in polvere, benzina, acetato di pentile, acetone e soluzioni organiche simili, soluzioni acide o alcaline. Per evitare danni, effettuare la pulizia con un detergente speciale per frigoriferi.
- ▶ Non raschiare via ghiaccio e brina con oggetti appuntiti. Non adoperare spray, riscaldatori elettrici (ad es. asciugacapelli) o altre fonti di calore per evitare danni ai componenti in plastica.
- ▶ Non usare oggetti meccanici o utensili diversi da quelli consigliati dal produttore per accelerare lo sbrinamento.
- ▶ Se il cavo di alimentazione è danneggiato, deve essere sostituito dal produttore, da un tecnico dell'assistenza o da una persona con analogha qualifica per evitare rischi.
- ▶ Non cercare di riparare, smontare o modificare personalmente l'elettrodomestico. Per le riparazioni rivolgersi all'assistenza clienti.
- ▶ Eliminare la polvere sul retro dell'unità almeno una volta all'anno per scongiurare il rischio di incendio e limitare i consumi energetici.
- ▶ Non spruzzare o schizzare liquidi sull'elettrodomestico durante la pulizia.
- ▶ Per pulire questo elettrodomestico non utilizzare apparecchi a vapore.
- ▶ Non pulire i ripiani di vetro freddi con acqua calda. Un'improvvisa variazione della temperatura può causare la rottura del vetro.

### Informazioni sul gas refrigerante

- ▶ L'elettrodomestico contiene il refrigerante infiammabile ISOBUTANO (R600a). Accertarsi che il circuito del refrigerante non abbia subito danni durante il trasporto o l'installazione. Eventuali perdite di refrigerante possono causare lesioni oculari o incendi. In caso di danni, tenere lontane fonti di fiamme libere, ventilare perfettamente l'ambiente e non collegare o scollegare i cavi di alimentazione dell'elettrodomestico o di altri elettrodomestici. Informare l'assistenza clienti.
- ▶ In caso di contatto con gli occhi, sciacquare immediatamente con acqua corrente e rivolgersi tempestivamente a un oculista.

## Usso previsto

Questo elettrodomestico è destinato al raffreddamento e al congelamento di alimenti. È stato progettato esclusivamente per l'uso in applicazioni domestiche e simili, ad es. zone cucina del personale in negozi, uffici e altri ambienti di lavoro; in fattorie, da clienti in hotel, motel e altri ambienti di tipo residenziale, nonché in bed-and-breakfast e attività di ristorazione. Non è destinato ad usi commerciali o industriali.

Non sono consentiti cambiamenti o modifiche all'elettrodomestico. Utilizzi errati possono causare pericoli e annullare la garanzia.

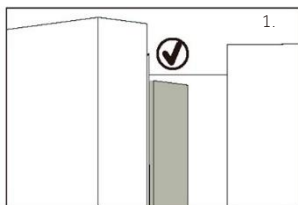
## Norme e direttive



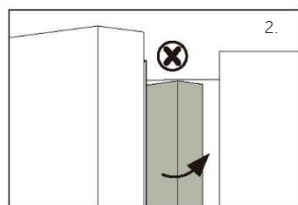
Questo prodotto è conforme ai requisiti di tutte le direttive CE vigenti con le corrispondenti norme armonizzate che prevedono il marchio CE.



### ATTENZIONE!



Quando si chiude lo sportello, la striscia verticale dello sportello sinistro deve essere piegata verso l'interno (1).

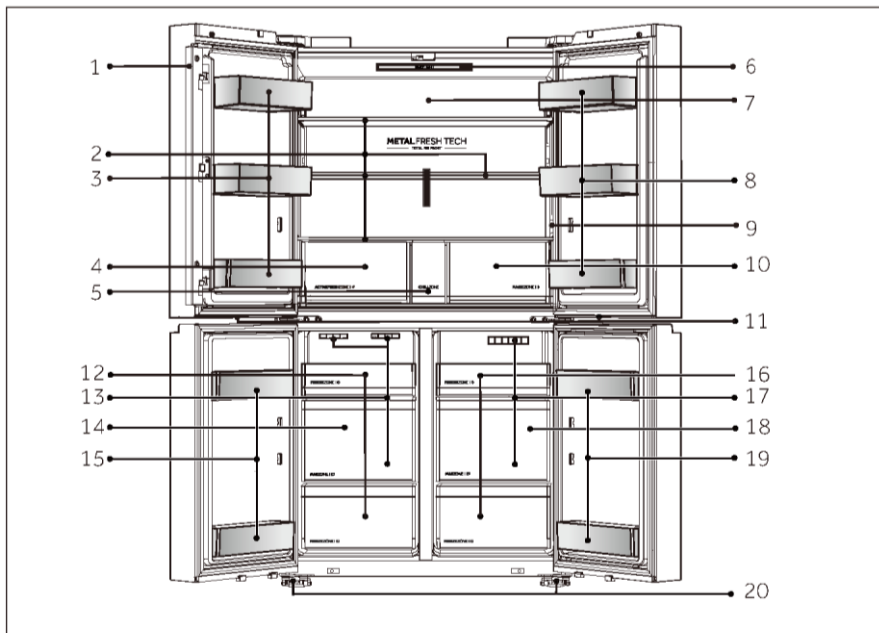


Se si cerca di chiudere lo sportello sinistro e la striscia verticale non è piegata (2), occorre prima piegarla, altrimenti colpirà l'asta di fissaggio o lo sportello destro. In tal caso, la striscia dello sportello potrebbe danneggiarsi o potrebbero verificarsi perdite.

Il telaio contiene una serpentina scaldante. La temperatura della superficie aumenta lievemente, ma ciò è normale e non influisce sul funzionamento dell'elettrodomestico.

## **i** AVVISO

A causa di modifiche tecniche e della varietà dei modelli, alcune illustrazioni riportate nel presente manuale possono essere diverse dall'aspetto reale del modello acquistato.

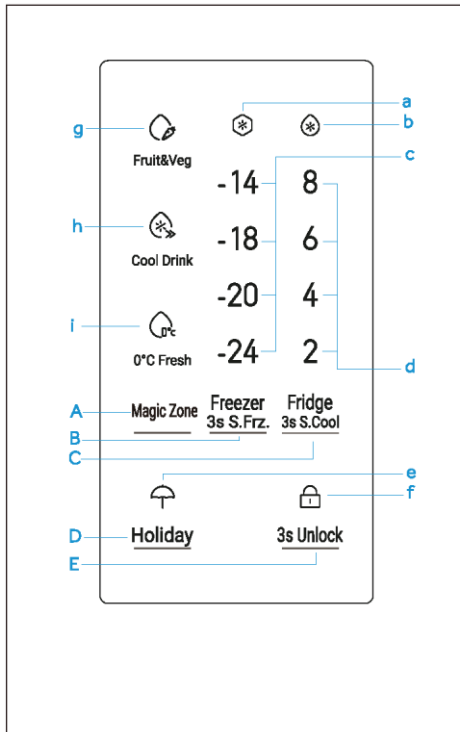


A: Comparto frigorifero

- 1 Supporto dello sportello
- 2 Ripiani in vetro
- 3 Portabottiglie
- 4 Cassetto ACTIVEFRESH ZONE
- 5 Contenitore CHILL ZONE
- 6 Lampadina del frigorifero
- 7 Condotto del frigorifero
- 8 Portabottiglie
- 9 Pannello di controllo
- 10 Cassetto MAGIC ZONE
- 11 Lampada congelatore

B: Comparto congelatore

- 12 Cassetto FREEZE ZONE
- 13 Condotto dell'aria
- 14 Cassetto MAX ZONE
- 15 Portabottiglie
- 16 Cassetto FREEZE ZONE
- 17 Condotto dell'aria
- 18 Cassetto MAX ZONE
- 19 Portabottiglie
- 20 Piedini di regolazione



Tasti:

- A Selettore modalità Magic Zone
- B Selettore funzione congelatore e funzione super-frz
- C Selettore funzione frigorifero e funzione super-cool
- D Selettore funzione Holiday
- E Selettore funzione di blocco/sblocco

Indicatori:

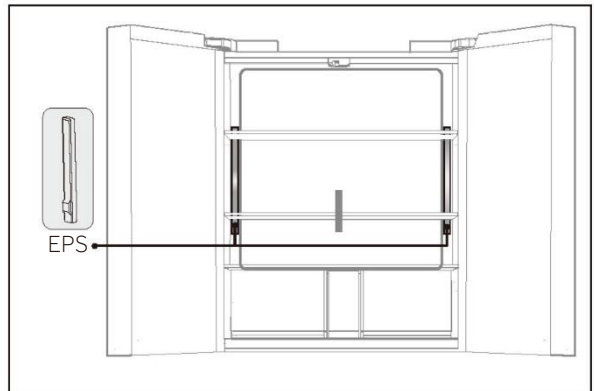
- a Funzione Super-Frz
- b Funzione Super-Cool
- c Temperatura congelatore
- d Temperatura di refrigerazione
- e Funzione Holiday
- f Funzione di blocco/sblocco
- g Funzione Fruit & Veg
- h Funzione Cool Drink
- i Funzione 0°C Fresh

## Operazioni preliminari al primo utilizzo

- ▶ Rimuovere tutti gli elementi d'imballaggio, in particolare la schiuma EPS bianca su entrambi i lati del condotto di refrigerazione, e tenerli fuori dalla portata dei bambini. Smaltirli nel rispetto dell'ambiente.
- ▶ Pulire l'interno e l'esterno dell'elettrodomestico con acqua e un detersivo delicato prima di inserire gli alimenti.
- ▶ Dopo l'installazione a livello e la pulizia, attendere almeno 2-5 ore prima di collegare l'elettrodomestico all'alimentazione elettrica. Vedere la sezione **INSTALLAZIONE**.
- ▶ Prima di caricare gli alimenti, preraffreddare i compartimenti con impostazioni elevate. La funzione Power-Freeze serve a raffreddare rapidamente i compartimenti.
- ▶ La temperatura del frigorifero e del congelatore viene impostata in maniera automatica rispettivamente a 4 °C e -18 °C. Queste impostazioni sono quelle consigliate. È possibile, tuttavia, cambiare manualmente queste temperature. Vedere **REGOLAZIONE DELLA TEMPERATURA**.

## Rimozione elementi in EPS

Per prima cosa, rimuovere i ripiani superiori e centrali (il metodo per rimuovere i ripiani è descritto a pagina 25), quindi estrarre i due elementi in EPS.



## Tasti a sensore

I tasti del pannello di controllo sono di tipo a sensore che rispondono toccandoli lievemente con un dito.

## Accensione e spegnimento dell'elettrodomestico

L'elettrodomestico entra in funzione non appena viene collegato all'alimentazione elettrica.

La temperatura del frigorifero e del congelatore viene impostata automaticamente a 4 °C e -18 °C rispettivamente.

È possibile che sia attivo il blocco del pannello.



### AVVISO

L'elettrodomestico è preimpostato alla temperatura consigliata di 4 °C (frigorifero) e -18 °C (congelatore). In condizioni ambientali normali, non è necessario impostare la temperatura.

Quando l'elettrodomestico viene acceso dopo averlo staccato dall'alimentazione elettrica, il raggiungimento delle temperature corrette potrebbe richiedere fino a 12 ore.

Svuotare l'elettrodomestico prima di spegnerlo. Per spegnere l'elettrodomestico, staccare il cavo di alimentazione dalla presa di corrente.

## Blocco e sblocco del pannello

Blocco automatico: quando lo sportello del frigorifero e lo sportello del congelatore sono chiusi e non viene eseguita alcuna operazione con i tasti entro 30 secondi, il display si spegne e si blocca automaticamente.

Blocco manuale: quando lo schermo del display è sbloccato, premere il tasto "E" (selettore blocco pannello) e tenerlo premuto per 3 secondi, il segnalatore acustico suona una volta, l'indicatore "f" (blocco pannello) si accende e il display si blocca. In stato di blocco, tenere premuto il tasto 'E' per 3 secondi: il cicalino suona una volta, l'indicatore "f" (pannello bloccato) si spegne e il pannello verrà sbloccato.



## Modalità di regolazione manuale

Per regolare manualmente la temperatura dell'elettrodomestico, è possibile impostare il tasto di regolazione della temperatura (fare riferimento a REGOLAZIONE DELLA TEMPERATURA)

## Allarme sportello

L'allarme sportello si attiva quando lo sportello rimane aperto per molto tempo o non viene chiuso correttamente, come promemoria.

## Regolazione della temperatura

Le temperature interne dipendono dai seguenti fattori:

temperatura ambiente, frequenza di apertura dello sportello, quantità di alimenti conservati, installazione dell'elettrodomestico.

## Regolazione della temperatura del frigorifero

1. Quando lo schermo del display è sbloccato, premere il tasto "C": il segnale acustico viene emesso una volta, l'indicatore "b" lampeggia e si accede alla modalità di impostazione della temperatura del frigorifero.
2. Premere ogni volta il tasto "C": viene emesso un segnale acustico, la temperatura impostata del frigorifero cambia nella sequenza 8>6>4>2

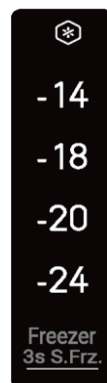


### AVVISO

Dopo avere impostato la temperatura, se non si esegue alcuna operazione entro 5 secondi il sistema viene determinato automaticamente e salva la temperatura impostata.

## Regolazione della temperatura del congelatore

1. Quando lo schermo del display è sbloccato, premere il tasto "B". Il segnalatore acustico suona una volta, l'indicatore "c" lampeggia, quindi si accede alla modalità di impostazione della temperatura del congelatore.
2. Premere ogni volta il tasto "B": viene emesso un segnale acustico, la temperatura impostata del frigorifero cambia nella sequenza -14>-18>-20>-24

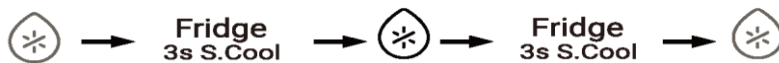


### AVVISO

Dopo avere impostato la temperatura, se non si esegue alcuna operazione entro 5 secondi il sistema viene determinato automaticamente e salva la temperatura impostata.

## Funzione Super-Cool

1. Quando lo schermo del display è sbloccato, premere il tasto "C" e tenerlo premuto per 3 secondi: viene emesso un segnale acustico, l'indicatore "b" si accende, quindi la funzione Super-Cool si attiva.
2. Quando l'indicatore "b" si accende, premere il tasto "C" e tenerlo premuto per 3 secondi: viene emesso un segnale acustico, l'indicatore "b" si spegne, quindi la funzione Super-Cool si disattiva.
3. Dopo l'attivazione della funzione Super-Cool, il frigorifero disattiva automaticamente la funzione quando raggiunge la condizione impostata. Se si desidera uscire manualmente, è possibile premere il tasto "C" per disattivarla.



## AVVISO

1. Nello stato Super-Cool, la temperatura del frigorifero non può essere regolata. Se si preme uno dei pulsanti "C" per regolare la temperatura del frigorifero, l'indicatore "b" lampeggerà con un segnale acustico per indicare che questa operazione non può essere eseguita.
2. Nello stato della funzione Super-Cool, la funzione Auto-set non può essere attivata contemporaneamente a causa delle diverse modalità di controllo. Quando si sceglie una funzione in conflitto con un'altra funzione, la funzione originale si disattiva automaticamente.

## Funzione Super-Frz

1. Quando lo schermo del display è sbloccato, premere il tasto "B" e tenerlo premuto per 3 secondi, viene emesso un segnale acustico, l'indicatore "f" si accende, quindi la funzione Super-Frz si attiva.
2. Quando l'indicatore "a" si accende, premere il tasto "B" e tenerlo premuto per 3 secondi: viene emesso un segnale acustico, l'indicatore "a" si spegne, quindi la funzione Super-Frz si disattiva.
3. Dopo l'attivazione della funzione Super-Frz, il frigorifero disattiva automaticamente la funzione quando raggiunge la condizione impostata. Se si desidera uscire manualmente, è possibile premere il tasto "B" per disattivarla.





## AVVISO

1. Nello stato Super-Freeze, la temperatura del congelatore non può essere regolata. Se si preme uno dei pulsanti "B" per regolare la temperatura del congelatore, l'indicatore "a" lampeggerà con un segnale acustico per indicare che questa operazione non può essere eseguita.
2. La funzione Super-Freeze è progettata per mantenere il valore nutritivo del cibo congelato perché i tempi di congelamento sono brevissimi. Così facendo, la velocità di congelamento del congelatore risulta migliorata, gli alimenti possono essere congelati rapidamente, viene conservato il valore nutrizionale degli alimenti e la conservazione diventa piuttosto pratica. Se occorre congelare molti alimenti insieme, è preferibile impostare la funzione Super Freeze 24 ore prima di inserire gli alimenti nel congelatore.

## Modalità Holiday

La modalità Holiday è progettata per i momenti in cui il frigorifero non viene utilizzato per un tempo prolungato. Quando la modalità Holiday è attiva, il congelatore funziona normalmente e la temperatura del frigorifero viene impostata automaticamente su 17 °C, il che impedisce la formazione di cattivi odori causati da temperature eccessive e aiuta a ridurre al contempo il consumo di energia.

1. Con lo schermo del display sbloccato, premere il pulsante "D": dopo l'emissione di un segnale acustico, l'indicatore "e" si accende e la funzione Holiday si attiva.
2. Quando l'indicatore "e" si accende, premere il tasto "D": viene emesso un segnale acustico, l'indicatore "e" si spegne, quindi la funzione Holiday si disattiva.



## AVVISO

Prima di utilizzare la funzione Holiday, svuotare il frigorifero per evitare che gli alimenti al suo interno si deteriorino. Quando la funzione Holiday è attivata, non è possibile attivare contemporaneamente la funzione "Super-Cool".

## Funzione Magic Zone

Quando lo schermo del display è sbloccato, premere il pulsante "A" per scorrere le funzioni Fruit&Veg, Cool Drink e 0°C Fresh.

### 1. Funzione Fruit&Veg:

Questa funzione è ideale per conservare frutta e verdura fresche. Quando è selezionata questa funzione, l'indicatore "g" è acceso.

### 2. Funzione Cool Drink:

Questa funzione consente di conservare prodotti come acqua, Coca-Cola e succhi di frutta. Quando è selezionata questa funzione, l'indicatore "h" è acceso.

### 3. Funzione 0° Fresh:

Questa funzione è adatta alla conservazione di alimenti freschi come carne o pesce. Quando è selezionata questa funzione, l'indicatore "i" è acceso.



## AVVISO

1. L'impostazione predefinita all'avvio è la funzione Cool Drink.
2. Per la funzione Fruit&Veg.: i formaggi, la frutta e gli ortaggi sensibili al freddo (ad es. ananas, avocado, banane, pompelmi, patate, melanzane, fagioli, cetrioli, zucchine e pomodori) non devono essere conservati nel cassetto Magic Zone.
3. Per la funzione 0° Fresh: a causa del diverso contenuto di acqua della carne, alcune carni con più umidità devono essere congelate a temperature inferiori a 0 °C. Quindi la carne "di fresco taglio" deve essere conservata nel cassetto Magic Zone, con temperature minime di 0 °C.
4. Le tre funzioni di Magic Zone non possono essere attivate contemporaneamente, ma solo una alla volta. Per ridurre la temperatura del comparto frigorifero utilizzare la funzione Cool Drink. Per aumentarla, utilizzare la funzione Fruit&Veg.

## Suggerimento per la conservazione di alimenti freschi

### Conservazione nel comparto frigorifero

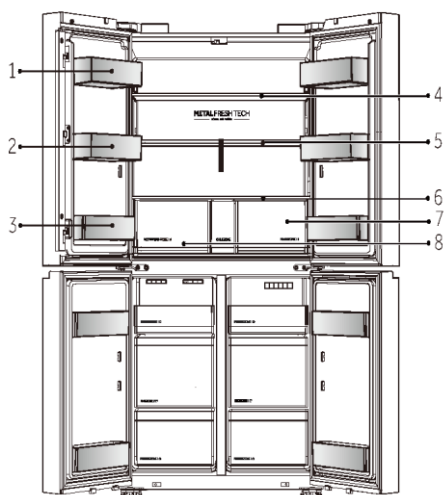
1. Mantenere nel frigorifero una temperatura inferiore a 5 °C.
2. Lasciare raffreddare gli alimenti caldi fino a quando raggiungono la temperatura ambiente prima di conservarli nell'elettrodomestico.
3. Lavare e asciugare gli alimenti prima di conservarli nel frigorifero.
4. Per evitare alterazioni dell'odore o del sapore, sigillare adeguatamente gli alimenti da conservare.

5. Non conservare alimenti in quantità eccessiva. Per un raffreddamento migliore e più omogeneo, lasciare spazio tra gli alimenti per consentire il passaggio dell'aria attorno a essi.
6. È preferibile conservare nella parte anteriore del ripiano gli alimenti consumati quotidianamente.
7. Lasciare spazio tra gli alimenti e le pareti interne per facilitare il passaggio dell'aria. In particolare, non riporre alimenti a contatto con la parete posteriore, perché potrebbero congelarsi. Evitare il contatto diretto degli alimenti (specialmente se oleosi o acidi) con il rivestimento interno, poiché l'olio e l'acido possono corroderlo. Pulire immediatamente lo sporco oleoso o acido.
8. Scongelare gli alimenti surgelati nel comparto frigorifero. In questo modo, è possibile utilizzare gli alimenti congelati per ridurre la temperatura nel comparto e risparmiare energia.
9. Il processo di invecchiamento di frutta e verdura come zucchine, meloni, papaia, banane, ananas ecc. può essere accelerato nel frigorifero. Per tale motivo, è sconsigliabile conservare questi alimenti nel frigorifero. Un breve periodo di conservazione in frigorifero, tuttavia, può accelerare la maturazione di frutti molto acerbi. Conservare a temperatura ambiente anche cipolle, aglio, zenzero e altri tuberi.
10. Eventuali odori sgradevoli all'interno del frigorifero indicano che qualcosa si è rovesciato ed è necessario pulire l'elettrodomestico. Vedere CURA E PULIZIA.
11. È preferibile collocare alimenti diversi in aree diverse, a seconda delle loro proprietà.



## AVVISO

Per ottimizzare il raffreddamento, lasciare uno spazio libero di almeno 10 mm tra gli alimenti e il condotto dell'aria o i sensori.



1. Burro, formaggi ecc.
2. Uova, cibo in scatola, spezie ecc.
3. Bevande e bibite imbottigliate.
4. Cibi in salamoia, cibo in scatola ecc.
5. Prodotti a base di carne, snack, pasta, cibo in scatola, latte, tofu, latticini ecc.
6. Carne cotta, salsicce ecc.
7. Cassetto Magic ZONE: frutta, verdura, insalata, ecc.
8. Cassetto ACTIVEFRESH ZONE: frutta, verdura, insalata, ecc.

## Conservazione nel vano congelatore

1. Nel congelatore mantenere la temperatura di  $-18^{\circ}\text{C}$ .
2. Attivare la funzione Super-Freeze 24 ore prima di congelare gli alimenti; per alimenti in quantità limitata, bastano 4-6 ore.
3. Lasciare raffreddare gli alimenti caldi fino a quando raggiungono la temperatura ambiente prima di conservarli nel comparto congelatore.
4. Gli alimenti tagliati in piccole porzioni si congelano e si scongelano più rapidamente. Il peso consigliato per ogni porzione è inferiore a 2,5 kg.
5. È preferibile confezionare gli alimenti prima di collocarli nel congelatore. Per evitare che i sacchetti si attacchino tra loro, la parte esterna della confezione deve essere asciutta. I materiali per il confezionamento devono essere inodori, ermetici, non velenosi e non tossici.
6. Per evitare di superare la scadenza dei periodi di conservazione, annotare sulla confezione la data di congelamento, il limite di tempo e il nome dell'alimento in base ai periodi di conservazione dei vari alimenti.

1. **AVVERTENZA!** acidi, alcali, sale ecc. potrebbero corrodere la superficie interna del congelatore. Non collocare alimenti contenenti tali sostanze (ad es. pesce di mare) a contatto diretto con la superficie interna. Eliminare immediatamente l'acqua salata dal congelatore.

2. Non superare i tempi di conservazione degli alimenti consigliati dai produttori. Estrarre dal congelatore solo la quantità di alimenti necessaria.

3. Consumare rapidamente gli alimenti scongelati. Gli alimenti scongelati non possono essere ricongelati, a meno che non vengano cotti.

4. Non caricare troppi alimenti freschi nel comparto congelatore. Fare riferimento alla capacità di congelamento del congelatore - Vedere DATI TECNICI o controllare i dati sulla targhetta.

5. Gli alimenti possono essere conservati nel congelatore a una temperatura di almeno  $-18^{\circ}\text{C}$  per 2-12 mesi, a seconda delle loro proprietà (ad es. carne: 3-12 mesi, verdure: 6-12 mesi)

6. Quando si congelano alimenti freschi, evitare che entrino a contatto con alimenti già congelati.

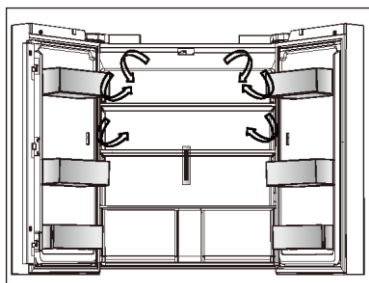
### **Quando si congelano alimenti surgelati, attenersi alle linee guida indicate di seguito:**

1. Per il tempo di conservazione degli alimenti, attenersi sempre alle linee guida dei produttori. Non ignorare queste linee guida!
2. Ridurre il più possibile il tempo tra l'acquisto e la conservazione per preservare la qualità degli alimenti.
3. Acquistare alimenti congelati conservati a una temperatura di  $-18^{\circ}\text{C}$  o inferiore.
4. Evitare di acquistare alimenti con ghiaccio o brina sulla confezione, in quanto potrebbero essere stati parzialmente scongelati e ricongelati; l'aumento della temperatura riduce la qualità degli alimenti.



## **AVVISO**

Per ottimizzare il raffreddamento, lasciare uno spazio libero di almeno 10 mm tra gli alimenti e il condotto dell'aria.

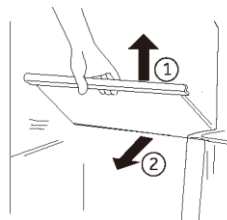


### Flusso d'aria multiple

1. Il frigorifero è dotato di un sistema con flusso d'aria multiple e i flussi di aria fresca investono tutti i ripiani. Ciò facilita il mantenimento di una temperatura uniforme per garantire la freschezza degli alimenti per un periodo maggiore.

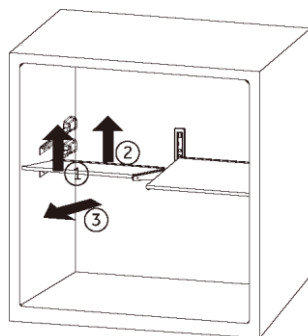
### Ripiani regolabili

1. L'altezza dei ripiani può essere regolata in base alle esigenze.
2. Per spostare un ripiano, rimuoverlo sollevandone il bordo anteriore ① ed estrarlo ②.
3. Per reinstallarlo, collocarlo sulle alette su entrambi i lati e spingerlo dentro fino in fondo in modo che la parte posteriore del ripiano sia fissata all'interno delle feritoie laterali.



### Regolazione del ripiano centrale

1. Rimozione del supporto dello scaffale:  
Per prima cosa sollevare il bordo anteriore ① del supporto del ripiano di 7 cm, quindi sollevare il bordo posteriore ② del supporto dello scaffale, in modo da separare il dente sul lato a sbalzo dal foro di installazione. Infine, estrarre il supporto dello scaffale verso l'esterno ③.
2. Installazione del supporto dello scaffale:  
Spingere il supporto del ripiano in posizione con l'angolo di inclinazione indicato in figura, quindi abbassare il bordo anteriore ④ del supporto dello scaffale, in modo che il dente sul lato a sbalzo possa inserirsi nel foro di installazione.



### AVVISO

Accertarsi che tutte le estremità del ripiano siano a livello.

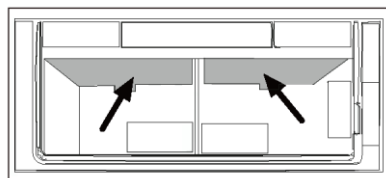
### Cassetto ACTIVEFRESH ZONE

1. In questo comparto il livello di umidità è superiore al vano frigorifero. Viene controllato automaticamente dal sistema ed è adatto alla conservazione di frutta, verdura, insalata ecc.



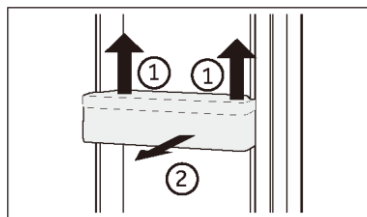
## AVVISO

1. Non rimuovere il coperchio di plastica all'interno delle due zone,
2. poiché mantengono l'umidità.
3. Non è consigliabile conservare la frutta sensibile al freddo come ananas, avocado, banane
4. e pompelmi in questi due cassetti.



## Portabottiglie/cassetti incassati nello sportello rimovibili

1. I cassetti incassati nello sportello possono essere rimossi per essere puliti:
2. Tenere con le mani entrambi i lati del cassetto incassato, sollevarlo ① ed estrarlo ②.
3. Per inserire il cassetto incassato nello sportello, seguire la procedura inversa.



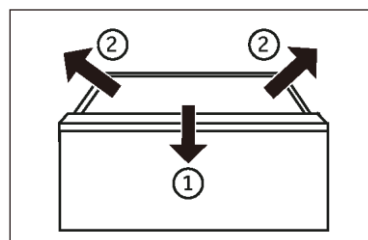
## AVVISO

Quando l'elettrodomestico viene acceso, il raggiungimento delle temperature corrette potrebbe richiedere fino a 12 ore.

## Cassetto rimovibile

Per rimuovere il cassetto, estrarlo al massimo ①, sollevarlo e toglierlo ②.

Per inserire il cassetto, seguire la procedura inversa.



## Illuminazione

L'illuminazione interna a LED si accende all'apertura dello sportello e si spegne automaticamente se lo sportello viene lasciato aperto per più di 7 minuti. Le prestazioni dell'illuminazione non dipendono da altre impostazioni degli elettrodomestici.



## Suggerimenti per il risparmio energetico

- ▶ Accertarsi che l'elettrodomestico sia adeguatamente ventilato (v. INSTALLAZIONE).
- ▶ Non installare l'elettrodomestico esposto alla luce diretta del sole o in prossimità di fonti di calore (ad es. stufe o radiatori).
- ▶ Evitare che la temperatura dell'elettrodomestico sia inutilmente bassa. Riducendo la temperatura impostata nell'elettrodomestico, il consumo energetico aumenta.
- ▶ Funzioni come POWER-FREEZE consumano più energia.
- ▶ Attendere che gli alimenti caldi si raffreddino prima di collocarli nell'elettrodomestico.
- ▶ Aprire lo sportello dell'elettrodomestico senza spalancarlo e per il più breve tempo possibile.
- ▶ Per evitare ostruzioni del flusso d'aria, non riempire eccessivamente l'elettrodomestico.
- ▶ Evitare l'ingresso di aria nelle confezioni di alimenti.
- ▶ Mantenere pulite le guarnizioni dello sportello in modo che si chiuda sempre perfettamente.
- ▶ Scongelare gli alimenti surgelati nel comparto frigorifero.
- ▶ Per ottimizzare il risparmio energetico, lasciare i cassetti, i contenitori per gli alimenti e i ripiani nelle posizioni di fabbrica e collocare gli alimenti il più possibile distanti tra loro senza ostruire l'uscita del condotto.



## AVVERTENZA!

Prima di effettuare la pulizia, staccare la spina di alimentazione dell'elettrodomestico.

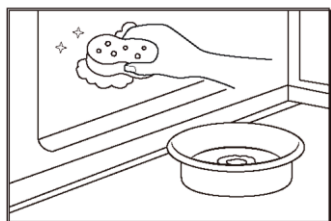
### Pulizia

1. Pulire l'elettrodomestico quando è vuoto o contiene pochi alimenti.
2. Per una corretta manutenzione e per evitare cattivi odori degli alimenti conservati, pulire l'elettrodomestico ogni quattro settimane.



## AVVERTENZA!

- ▶ Non pulire l'elettrodomestico con spazzole rigide, spazzole metalliche, detersivi in polvere, benzina, acetato di pentile, acetone e soluzioni organiche simili, soluzioni acide o alcaline. Per evitare danni, effettuare la pulizia con un detergente speciale per frigoriferi.
- ▶ Non spruzzare o schizzare liquidi sull'elettrodomestico durante la pulizia.
- ▶ Per pulire questo elettrodomestico non utilizzare apparecchi a vapore.
- ▶ Non pulire i ripiani di vetro freddi con acqua calda. Un'improvvisa variazione della temperatura può causare la rottura del vetro.
- ▶ Non toccare la superficie interna del comparto congelatore, soprattutto con le mani bagnate, poiché le mani potrebbero congelarsi sulla superficie.
- ▶ Se la temperatura aumenta, controllare lo stato degli alimenti congelati.



- ▶ Tenere sempre pulita la guarnizione dello sportello.
- ▶ Pulire l'interno e l'alloggiamento dell'elettrodomestico con una spugna imbevuta di acqua calda e detergente neutro.
  1. Strofinare l'interno e l'esterno del frigorifero (compresi la guarnizione dello sportello, il cassetto incassato nello sportello, i ripiani di vetro, i comparti ecc.) con un panno morbido o una spugna imbevuta di acqua calda (è possibile aggiungere un detergente neutro).
  2. In presenza di liquidi versati, rimuovere tutte le parti contaminate, sciacquarle sotto l'acqua corrente, asciugarle e ricollocarle nel frigorifero.
  3. In caso di versamenti di alimenti cremosi (ad es. panna o gelato sciolto), rimuovere tutte le parti contaminate, lasciarle un po' di tempo in acqua calda a circa 40 °C, poi sciacquarle sotto l'acqua corrente, asciugarle e ricollocarle nel frigorifero.
  4. Nel caso in cui rimangano intrappolati piccoli oggetti all'interno del frigorifero (tra i ripiani o i cassetti), toglierli con una spazzolina morbida. Se non si riesce a raggiungere l'oggetto, rivolgersi all'assistenza Haier
- ▶ Sciacquare e asciugare con un panno morbido.
- ▶ Non lavare i componenti dell'elettrodomestico in lavastoviglie.
- ▶ Attendere almeno 5 minuti prima di riavviare l'elettrodomestico, poiché un avvio frequente può danneggiare il compressore.

### Sbrinamento

Lo sbrinamento dei vani frigorifero e congelatore avviene automaticamente e non richiede operazioni manuali.

## Sostituzione delle lampade a LED



### AVVERTENZA!

La lampada a LED deve essere sostituita solo dal produttore o da un tecnico dell'assistenza autorizzato.

La lampada utilizza una sorgente luminosa a LED che riduce i consumi energetici e garantisce una lunga durata. In caso di anomalie, rivolgersi all'assistenza clienti. V. ASSISTENZA CLIENTI.

Parametri delle lampade:

Comparto frigorifero: 12 V, 4 W

Comparto congelatore: 12 V, 2 W\*2

## Inutilizzo per lunghi periodi

Se l'elettrodomestico non verrà adoperato per lunghi periodi e non verrà utilizzata la funzione Holiday per il frigorifero:

Estrarre gli alimenti.

Scollegare il cavo di alimentazione.

Pulire l'elettrodomestico come descritto in precedenza.

Lasciare aperti gli sportelli per evitare la produzione di cattivi odori all'interno.



### AVVISO

Spegnere l'elettrodomestico solo se è strettamente necessario.

## Spostamento dell'elettrodomestico

1. Togliere tutti gli alimenti e staccare la spina dell'elettrodomestico.
2. Fissare con nastro adesivo i ripiani e gli altri componenti mobili presenti nel frigorifero e nel congelatore.
3. Non inclinare il frigorifero oltre 45°, altrimenti il sistema di refrigerazione potrebbe danneggiarsi.



### AVVERTENZA!

- ▶ Non sollevare l'elettrodomestico tenendolo per le maniglie dello sportello.
- ▶ Non collocare mai l'elettrodomestico orizzontalmente a terra.

Molti problemi possono essere risolti personalmente senza particolari competenze. In caso di problemi, consultare tutte le soluzioni possibili indicate e attenersi alle seguenti istruzioni prima di contattare l'assistenza post-vendita. V. ASSISTENZA CLIENTI.



## AVVERTENZA!

- ▶ Prima di effettuare la manutenzione, spegnere l'elettrodomestico e staccare la spina dalla presa di corrente.
- ▶ La manutenzione delle apparecchiature elettriche deve essere effettuata solo da elettricisti qualificati, dal momento che eventuali riparazioni improprie possono causare danni notevoli.
- ▶ Se il cavo di alimentazione è danneggiato, deve essere sostituito unicamente dal produttore, da un tecnico dell'assistenza o da una persona con analogha qualifica per evitare rischi.

Problema	Causa possibile	Soluzione possibile
Il compressore non funziona.	<ul style="list-style-type: none"> <li>• La spina non è collegata alla presa di corrente.</li> <li>• L'elettrodomestico sta effettuando il ciclo di sbrinamento</li> </ul>	<ul style="list-style-type: none"> <li>• Collegare la spina alla presa di corrente.</li> <li>• Ciò è normale per lo sbrinamento automatico</li> </ul>
L'elettrodomestico si aziona frequentemente o per un periodo di tempo troppo lungo.	<ul style="list-style-type: none"> <li>• La temperatura interna o esterna è troppo elevata.</li> <li>• L'elettrodomestico è rimasto spento per un certo periodo di tempo.</li> <li>• Uno sportello dell'elettrodomestico non è chiuso ermeticamente.</li> <li>• Lo sportello è stato aperto troppo spesso o troppo a lungo.</li> <li>• L'impostazione della temperatura del comparto congelatore è troppo bassa.</li> <li>• La guarnizione dello sportello è sporca, usurata, danneggiata o inadeguata.</li> <li>• Non è garantita la circolazione dell'aria necessaria.</li> </ul>	<ul style="list-style-type: none"> <li>• In questo caso è normale che l'elettrodomestico rimanga in funzione più a lungo.</li> <li>• Il raffreddamento completo dell'elettrodomestico normalmente richiede 8-12 ore.</li> <li>• Chiudere lo sportello o il cassetto e accertarsi che l'elettrodomestico sia a livello e che gli alimenti o i contenitori non urtino lo sportello.</li> <li>• Non aprire lo sportello o il cassetto troppo spesso.</li> <li>• Scegliere un'impostazione della temperatura più alta fino a quando la temperatura del frigorifero è soddisfacente. Per stabilizzare la temperatura del frigorifero occorrono 24 ore.</li> <li>• Pulire la guarnizione dello sportello o del cassetto o farla sostituire dall'assistenza clienti.</li> <li>• Garantire un'adeguata ventilazione.</li> </ul>
L'interno del frigorifero è sporco	<ul style="list-style-type: none"> <li>• L'interno del frigorifero deve essere pulito.</li> </ul>	<ul style="list-style-type: none"> <li>• Pulire la parte interna del frigorifero</li> </ul>

Problema	Causa possibile	Soluzione possibile
e/o si sentono cattivi odori.	<ul style="list-style-type: none"> <li>In frigorifero vengono conservati alimenti che producono un odore intenso.</li> </ul>	<ul style="list-style-type: none"> <li>Avvolgere completamente gli alimenti.</li> </ul>
La temperatura nell'elettrodomestico non è sufficientemente bassa.	<ul style="list-style-type: none"> <li>La temperatura impostata è troppo alta.</li> <li>Sono stati collocati alimenti troppo caldi.</li> <li>Sono stati collocati troppi alimenti contemporaneamente.</li> <li>Gli alimenti sono troppo vicini tra loro.</li> <li>Uno sportello o un cassetto dell'elettrodomestico non è chiuso bene.</li> <li>Lo sportello o il cassetto è stato aperto troppo spesso o troppo a lungo.</li> </ul>	<ul style="list-style-type: none"> <li>Reimpostare la temperatura.</li> <li>Gli alimenti devono essere sempre raffreddati prima di conservarli.</li> <li>Non conservare troppi alimenti.</li> <li>Lasciare spazio tra i vari alimenti per consentire il passaggio del flusso d'aria.</li> <li>Chiudere lo sportello o il cassetto.</li> <li>Non aprire lo sportello o il cassetto troppo spesso.</li> </ul>
La temperatura nell'elettrodomestico è troppo bassa.	<ul style="list-style-type: none"> <li>La temperatura impostata è troppo bassa.</li> <li>La funzione Super-Frz/ Super-Cool è attiva o rimane attiva troppo a lungo.</li> </ul>	<ul style="list-style-type: none"> <li>Reimpostare la temperatura.</li> <li>Disattivare la funzione Super-Frz/Super-Cool</li> </ul>
Formazione di umidità all'interno del comparto frigorifero.	<ul style="list-style-type: none"> <li>Il clima è troppo caldo e troppo umido.</li> <li>Uno sportello o un cassetto dell'elettrodomestico non è chiuso bene.</li> <li>Lo sportello o il cassetto è stato aperto troppo spesso o troppo a lungo.</li> <li>Contenitori per alimenti o liquidi rimasti aperti.</li> </ul>	<ul style="list-style-type: none"> <li>Aumentare la temperatura.</li> <li>Chiudere lo sportello o il cassetto.</li> <li>Non aprire lo sportello o il cassetto troppo spesso.</li> <li>Lasciare raffreddare gli alimenti caldi a temperatura ambiente e coprire cibi e liquidi.</li> </ul>
Accumulo di umidità sulla superficie esterna del frigorifero o tra gli sportelli e il cassetto.	<ul style="list-style-type: none"> <li>Il clima è troppo caldo e troppo umido.</li> <li>Lo sportello non è chiuso ermeticamente. L'aria fredda all'interno dell'elettrodomestico e l'aria calda all'esterno formano condensa.</li> </ul>	<ul style="list-style-type: none"> <li>Ciò è normale in un clima umido; la situazione cambia quando l'umidità diminuisce.</li> <li>Accertarsi che lo sportello o il cassetto sia chiuso bene.</li> </ul>

Problema	Causa possibile	Soluzione possibile
Presenza di molto ghiaccio e brina nel comparto congelatore.	<ul style="list-style-type: none"> <li>• Gli alimenti non sono stati confezionati adeguatamente.</li> <li>• Uno sportello o un cassetto dell'elettrodomestico non è chiuso bene.</li> <li>• Lo sportello o il cassetto è stato aperto troppo spesso o troppo a lungo.</li> <li>• Le guarnizioni dello sportello o del cassetto sono sporche, usurate, danneggiate o inadeguate.</li> <li>• Qualcosa all'interno impedisce la chiusura corretta dello sportello o del cassetto.</li> </ul>	<ul style="list-style-type: none"> <li>• Confezionare sempre gli alimenti.</li> <li>• Chiudere lo sportello o il cassetto.</li> <li>• Non aprire lo sportello o il cassetto troppo spesso.</li> <li>• Pulire la guarnizione dello sportello o del cassetto oppure sostituirla.</li> <li>• Risistemare i ripiani, i cassetti incassati nello sportello o i contenitori interni per consentire la chiusura dello sportello o del cassetto.</li> </ul>
I lati del mobile e la striscia dello sportello si riscaldano.		<ul style="list-style-type: none"> <li>• È normale.</li> </ul>
L'elettrodomestico emette suoni anomali.	<ul style="list-style-type: none"> <li>• L'elettrodomestico non è a livello.</li> <li>• L'elettrodomestico urta qualche oggetto vicino.</li> </ul>	<ul style="list-style-type: none"> <li>• Regolare i piedini per collocare l'elettrodomestico a livello.</li> <li>• Rimuovere gli oggetti attorno all'elettrodomestico.</li> </ul>
Si sente un lieve rumore, simile a quello dell'acqua che scorre.		<ul style="list-style-type: none"> <li>• È normale.</li> </ul>
Viene emesso un allarme acustico.	<ul style="list-style-type: none"> <li>• Lo sportello del comparto frigorifero è aperto.</li> </ul>	<ul style="list-style-type: none"> <li>• Chiudere lo sportello.</li> </ul>
Viene emesso un lieve sibilo.	<ul style="list-style-type: none"> <li>• È in funzione il sistema anticondensa</li> </ul>	<ul style="list-style-type: none"> <li>• Ciò evita la formazione di condensa ed è normale</li> </ul>
L'illuminazione interna o il sistema di raffreddamento non funziona.	<ul style="list-style-type: none"> <li>• La spina non è collegata alla presa di corrente.</li> <li>• Problema della fonte di alimentazione.</li> <li>• La lampada a LED è fuori uso.</li> </ul>	<ul style="list-style-type: none"> <li>• Collegare la spina alla presa di corrente.</li> <li>• Controllare l'alimentazione elettrica. Chiamare l'azienda elettrica locale.</li> <li>• Chiamare l'assistenza per la sostituzione.</li> </ul>

Per rivolgersi all'assistenza tecnica, visitare il nostro sito web:

<https://corporate.haier-europe.com/en/>

Nella sezione "sito Web", scegliere la marca del proprio prodotto e il proprio paese. Si aprirà il sito Web specifico contenente il numero di telefono e il modulo per contattare l'assistenza tecnica.

### **Interruzione della corrente**

In caso di interruzione della corrente, gli alimenti dovrebbero rimanere freddi in maniera sicura per circa 5 ore. Durante un'interruzione prolungata della corrente, soprattutto in estate, attenersi ai suggerimenti seguenti:

- ▶ Limitare al massimo l'apertura dello sportello o del cassetto.
- ▶ In caso di interruzione della corrente, non collocare altri alimenti nell'elettrodomestico.
- ▶ Se viene fornito un preavviso di interruzione della corrente di durata superiore a 5 ore, produrre un po' di ghiaccio e collocarlo nella parte superiore del comparto frigorifero.
- ▶ Dopo l'interruzione della corrente, è indispensabile controllare immediatamente gli alimenti.
- ▶ Siccome la temperatura nel frigorifero aumenta durante un'interruzione della corrente o in caso di altri guasti, il periodo di conservazione e la commestibilità degli alimenti si riducono. Per evitare rischi per la salute, gli alimenti che si scongelano devono essere immediatamente consumati oppure cotti e ricongelati (se possibile).

### **Funzione di memoria durante un'interruzione di corrente**

Al ripristino della corrente, l'elettrodomestico riprende il funzionamento in base alle impostazioni precedenti.

## Disimballo



### AVVERTENZA!

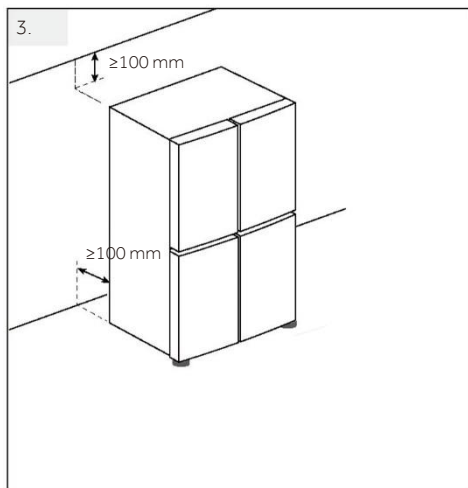
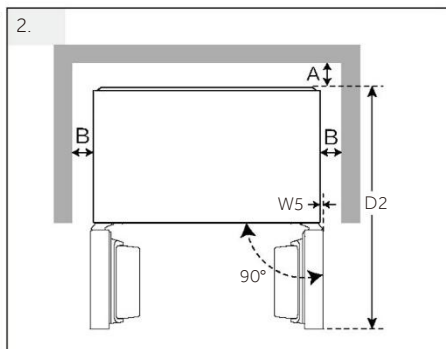
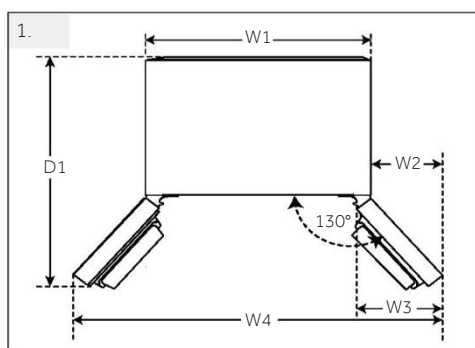
- ▶ L'elettrodomestico è pesante. Per spostarlo occorrono almeno due persone.
- ▶ Tenere fuori dalla portata dei bambini tutti i materiali di imballaggio e smaltirli nel rispetto dell'ambiente.
- ▶ Estrarre l'elettrodomestico dall'imballo.
- ▶ Togliere tutti i materiali di imballo.

### Condizioni ambientali

La temperatura ambiente deve essere sempre compresa tra 10 e 43 °C, poiché può influire sulla temperatura interna dell'elettrodomestico e sui consumi energetici. Non installare l'elettrodomestico vicino ad altri elettrodomestici che emettono calore (forni, frigoriferi) senza isolamento.

### Spazio consigliato

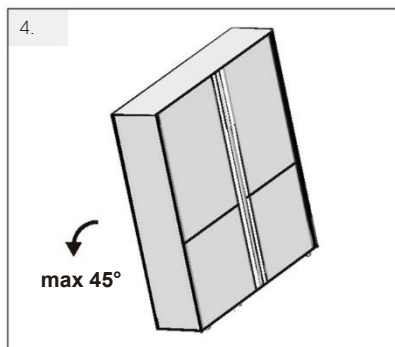
Spazio consigliato quando lo sportello è aperto (Fig. 1.2)



(unità di misura: mm)	N. modello	
Larghezza	W1	905
	W2	327
	W3	368
	W4	1559
	W5	51
	W	905
	D1	1061
	D2	1101
	D	738
Distanza dalla parete posteriore	A	100
Distanza dalle pareti laterali	B	100
Distanza dal soffitto	C	100
Altezza totale	H	1825

## Sezione di ventilazione

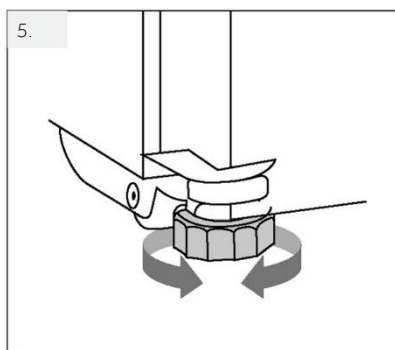
Per ottenere una ventilazione sufficiente dell'elettrodomestico per motivi di sicurezza, attenersi alle indicazioni sulle sezioni di ventilazione.



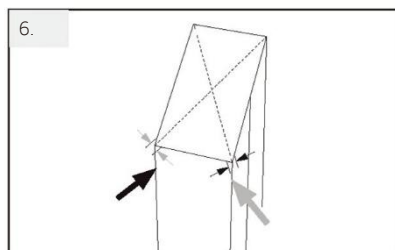
### Allineamento dell'elettrodomestico (Fig. 4.5.6)

Installare l'elettrodomestico su una superficie solida e piana.

4. Inclinare leggermente il frigorifero all'indietro.



5. Regolare i piedini all'altezza desiderata. Accertarsi che la distanza dalla parete lato cerniera sia almeno 100 mm affinché lo sportello possa aprirsi correttamente.

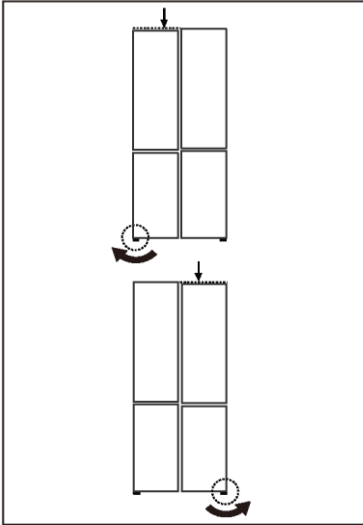


6. La stabilità può essere verificata spingendo diagonalmente l'elettrodomestico a destra e a sinistra. Il lieve ondeggiamento deve essere identico in entrambe le direzioni. In caso contrario, il telaio potrebbe deformarsi e le guarnizioni dello sportello potrebbero perdere. Una lieve inclinazione posteriore facilita la chiusura degli sportelli.



## AVVISO

Per gli elettrodomestici a libera installazione: questo elettrodomestico non è progettato per l'installazione a incasso

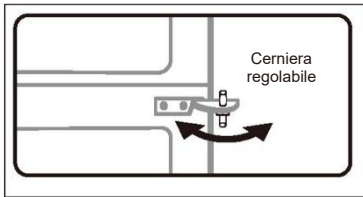


### Regolazione precisa degli sportelli

Se gli sportelli sono a livello, attenersi alla procedura seguente:

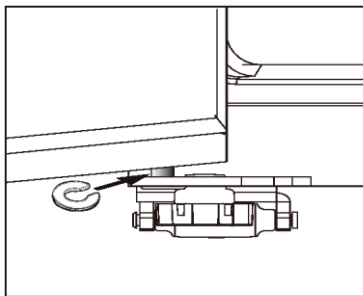
### Utilizzo del piedino regolabile

Ruotare il piedino regolabile nella direzione indicata dalla freccia per sollevarlo o abbassarlo.



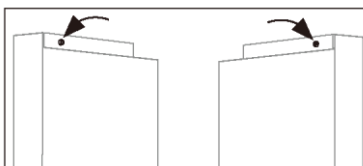
### Regolazione della posizione dello sportello

- ▶ Se i due sportelli non sono alla stessa altezza, è possibile regolare con precisione le cerniere regolabili per allinearli utilizzando la chiave in dotazione. Si prega di utilizzarla prestando cura a evitare graffi o urti sul rivestimento dello sportello.



### Uso di distanziatori

- ▶ Aprire lo sportello del congelatore e sollevarlo.
- ▶ Agganciare con attenzione il distanziatore (incluso nel sacchetto degli accessori) all'asse della cerniera centrale, a mano o con un utensile (ad es. una pinza). Attenzione a non graffiare o ammaccare lo sportello.



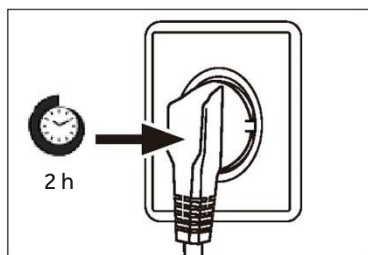
### Utilizzo della manopola di regolazione

- ▶ Se lo sportello del comparto frigorifero non è a livello, è possibile ruotare la manopola sulla parte superiore dello sportello per effettuare regolazioni di precisione.



## AVVISO

Nell'uso futuro del frigorifero, il fenomeno degli sportelli non a livello può verificarsi a causa del peso degli alimenti conservati. Per risolvere il problema, utilizzare i metodi descritti sopra.



### Tempo di attesa

L'olio di lubrificazione esente da manutenzione si trova nella capsula del compressore. Questo olio può penetrare nel sistema di tubazioni chiuse durante il trasporto. Prima di collegare l'elettrodomestico all'alimentazione elettrica, attendere almeno 2 ore in modo che l'olio torni nella capsula.

### Collegamento elettrico

Prima di ogni collegamento, effettuare i seguenti controlli:

- ▶ La fonte di alimentazione, la presa e i fusibili sono conformi ai dati indicati nella targhetta.
- ▶ La presa di corrente è collegata a terra e non sono utilizzate prese multiple o prolungh.
- ▶ La spina e la presa di corrente sono compatibili.


Collegare la spina a una presa domestica installata correttamente.



## AVVERTENZA!

Per evitare rischi, il cavo di alimentazione danneggiato deve essere sostituito dall'assistenza clienti (v. scheda di garanzia).

Specifiche del prodotto secondo il regolamento UE n. 2019/2016

Marchio	Haier
Nome / identificativo del modello	HCR59F19DNMM HCR59F18DNMB
Categoria del modello	Frigorifero- congelatore
Classe di efficienza energetica	D
Consumo energetico annuo (kWh/anno)(1)	306
Volume totale (litri)	706
Volume frigorifero (litri)	417
Volume congelatore (litri)	251
Sezione a due stelle (litri)	38
Prestazioni (stelle)	
Sistema senza formazione di brina	Sì
Capacità di congelamento (kg/24 h)	14
Classe climatica(2)	SN-N-ST-T
Classe di emissione di rumore ed emissioni acustiche aeree (db(A) re 1pW)	C(35)
Tempo di aumento della temperatura (h)	13
Tipo di elettrodomestico	Indipendente

Descrizioni:

• Sì

- (1) In base ai risultati del test di conformità agli standard per 24 ore. Il consumo effettivo dipende dall'uso e dalla posizione dell'elettrodomestico.
- (2) Classe climatica SN: questo elettrodomestico è destinato all'uso con temperature ambiente comprese tra +10 °C e +32 °C  
Classe climatica N: questo elettrodomestico è destinato all'uso con temperature ambiente comprese tra +16 °C e +32 °C  
Classe climatica ST: questo elettrodomestico è destinato all'uso con temperature ambiente comprese tra +16 °C e +38 °C  
Classe climatica T: questo elettrodomestico è destinato all'uso con temperature ambiente comprese tra +16 °C e +43 °C

#### Dati tecnici supplementari

Tensione / Frequenza	220-240 V~ / 50 Hz
Corrente di ingresso (A)	1,5
Fusibile principale (A)	16
Refrigerante	R600a 68 g
Dimensioni (L/P/A in mm)	905 / 738 / 1825

Si consiglia di rivolgersi all'Assistenza Clienti Haier e di utilizzare ricambi originali. In caso di problemi con l'elettrodomestico, consultare prima la sezione SOLUZIONE DEI PROBLEMI.

Se non si riesce a trovare una soluzione, contattare

- ▶ il rivenditore locale o
- ▶ lo European Call Service-Center (vedere i numeri di telefono elencati di seguito) o
- ▶ l'area Service & Support su [www.haier.com](http://www.haier.com) dove è possibile chiedere assistenza
- ▶ e trovare risposte a domande frequenti.

Per contattare l'assistenza, procurarsi i dati seguenti. Le informazioni si trovano sulla targhetta.

Modello \_\_\_\_\_

N. di serie \_\_\_\_\_

Controllare anche la scheda di garanzia fornita con il prodotto.

European Call Service-Center		
Paese*	Numero di telefono	Costi
Haier Italy (IT)	199 100 912	
Haier Spain (ES)	902 509 123	
Haier Germany (DE)	0180 5 39 39 99	<ul style="list-style-type: none"> <li>• 14 cent/min su linea fissa</li> <li>• max 42 cent/min su linea mobile</li> </ul>
Haier Austria (AT)	0820 001 205	<ul style="list-style-type: none"> <li>• 14,53 cent/min su linea fissa</li> <li>• max 20 cent/min su altre linee</li> </ul>
Haier United Kingdom (UK)	0333 003 8122	
Haier France (FR)	0980 406 409	

\*Per altri paesi fare riferimento al sito [www.haier.com](http://www.haier.com)

Haier Europe Trading S.r.l

Filiale Regno Unito

Westgate House, Westgate, Ealing

London, W5 1YY

\*Durata della garanzia dell'elettrodomestico:

Garanzia minima: 2 anni per i paesi UE, 3 anni per la Turchia, 1 anno per il Regno Unito, 1 anno per la Russia, 3 anni per la Svezia, 2 anni per la Serbia, 5 anni per la Norvegia, 1 anno per il Marocco, 6 mesi per l'Algeria; per la Tunisia non è obbligatoria alcuna garanzia legale.

\*Periodo di disponibilità dei pezzi di ricambio per la riparazione dell'elettrodomestico: termostati, sensori di temperatura, circuiti stampati e lampade rimangono disponibili per almeno sette anni dopo l'immissione sul mercato dell'ultima unità del modello. Maniglie e cerniere degli sportelli, vassoi e cestelli rimangono disponibili per almeno di sette anni e le guarnizioni degli sportelli per almeno 10 anni dopo l'immissione sul mercato dell'ultima unità del modello.

\*Per ulteriori informazioni sul prodotto, consultare <https://eprel.ec.europa.eu/> o effettuare una scansione del codice QR apposto sull'etichetta fornita con l'elettrodomestico.

## CERTIFICATO DI QUALITÀ

DENOMINAZIONE: FRIGORIFERO

Q.C.PASSED

CONTROLLORE N.

QC01

# Haier

专用号条码

0060543171  
2026 Versione A

# Haier

Manual de usuario



Frigorífico-congelador

HCR59F18DNMM

HCR59F18DNMB

<b><u>4 Información de seguridad</u></b>	•	Antes del primer uso	5
		Instalación	5
		Uso diario	6
<b><u>8 Uso previsto</u></b>	•		
<b><u>9 Descripción del producto</u></b>	•		
<b><u>10 Panel de control</u></b>	•		
<b><u>11 Uso</u></b>	•	Ajuste de la temperatura del frigorífico	14
		Ajustar la temperatura del congelador	14
		Función Super-Cool	15
		Función Super-Frz	15
		Modo Holiday	16
		Función Magic Zone	17
<b><u>20 Equipamiento</u></b>	•		
<b><u>22 Consejos de ahorro de energía</u></b>	•		
<b><u>23 Cuidado y limpieza</u></b>	•		
<b><u>25 Solución de problemas</u></b>	•		
<b><u>29 Instalación</u></b>	•		
<b><u>33 Datos técnicos</u></b>	•		
<b><u>35 Atención al cliente</u></b>	•		

## Gracias por comprar un producto Haier.

Lea atentamente estas instrucciones antes de utilizar este electrodoméstico. Estas instrucciones contienen información importante que le ayudará a sacar el máximo provecho del electrodoméstico y a garantizar una instalación, uso y mantenimiento seguros y adecuados.

Guarde este manual en un lugar seguro para poder consultarlo en cualquier momento y garantizar un uso seguro y adecuado del electrodoméstico.

Si vende este electrodoméstico, lo dona o lo deja al mudarse, asegúrese de entregar también este manual para que el nuevo propietario pueda familiarizarse con el electrodoméstico y las advertencias de seguridad.

## Accesorios

Verifique los accesorios y la documentación según la siguiente lista:



Etiqueta energética



Tarjeta de garantía



Manual de usuario



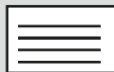
Certificado de garantía



Guía rápida



Separador ×3



Tarjeta de advertencia



llave fija



## **ADVERTENCIA: Información de seguridad importante**



## **AVISO: Información general y consejos**



## **Información medioambiental**



### **Eliminación**

Ayude a proteger el medio ambiente y la salud humana. Tire el embalaje en los contenedores correspondientes para reciclarlo. Ayude a reciclar los residuos de aparatos eléctricos y electrónicos. No deseché los aparatos marcados con este símbolo en la basura doméstica. Lleve el producto a su centro de reciclaje local o póngase en contacto con su oficina municipal.



### **ADVERTENCIA: riesgo de incendio/material inflamable**

El símbolo indica que existe riesgo de incendio dado que se utilizan materiales inflamables. Tenga cuidado de no provocar un incendio por la ignición del material inflamable.



### **¡ADVERTENCIA!**

¡Peligro de lesiones o asfíxia!

Los refrigerantes y gases deben ser eliminados de forma profesional. Asegúrese de que la tubería del circuito refrigerante no está dañada antes de desecharla adecuadamente. Desconecte el electrodoméstico de la red eléctrica. Corte el cable de red y deséchelo. Quite las bandejas y los cajones, así como el asa de la puerta y las juntas, para evitar que los niños y las mascotas se queden encerrados en el electrodoméstico.

**¡Antes de encender el electrodoméstico por primera vez, lea las siguientes directrices de seguridad!**



**¡ADVERTENCIA!**

**Antes del primer uso**

- ▶ Asegúrese de que no haya daños causados por el transporte.
- ▶ Este electrodoméstico pesa mucho: manipúlelo con la ayuda de otra persona.

**Instalación**

- ▶ Este electrodoméstico debe colocarse en un lugar bien ventilado. Asegúrese de dejar un espacio libre de al menos 10 cm por encima y alrededor del electrodoméstico.
- ▶ No coloque nunca el electrodoméstico en un área húmeda o en un lugar donde pueda recibir salpicaduras de agua. Limpie y seque las salpicaduras y manchas con un paño suave y limpio.
- ▶ No instale el electrodoméstico bajo la luz directa del sol o cerca de fuentes de calor (p. ej.: fogones, estufas...).
- ▶ Instale y nivele el electrodoméstico en un lugar adecuado para su tamaño y uso.
- ▶ No obstruya las aberturas de ventilación del armazón del electrodoméstico o de la estructura integrada.
- ▶ Asegúrese de que la información eléctrica de la placa de características técnicas coincida con la fuente de alimentación. Si no es así, póngase en contacto con un electricista.
- ▶ Este electrodoméstico funciona mediante una fuente de alimentación de 220-240 V CA / 50 Hz. Una fluctuación anormal del voltaje puede provocar que el electrodoméstico no se ponga en marcha o que se dañe el control de temperatura o el compresor, o que se oiga un ruido anormal durante el funcionamiento. En tal caso, se deberá instalar un regulador automático.
- ▶ No utilice adaptadores de múltiples contactos ni cables de extensión.
- ▶ No ubique tomas de corriente múltiples portátiles ni fuentes de alimentación portátiles en la parte trasera del electrodoméstico.
- ▶ Asegúrese de que el cable de alimentación no quede aprisionado por el frigorífico. No oprima el cable de alimentación.
- ▶ Utilice una toma de corriente independiente puesta a tierra como fuente de alimentación, que sea de fácil acceso. Este electrodoméstico debe conectarse a tierra.  
Solo para el Reino Unido: El cable de alimentación de este electrodoméstico está equipado con un enchufe de 3 cables (con puesta a tierra) que se ajusta a una toma de corriente estándar de 3 cables (puesta a tierra). No corte ni desmonte la tercera patilla (toma de tierra). Una vez instalado el electrodoméstico, el enchufe debe estar accesible.
- ▶ No dañe el circuito del refrigerante.



## ¡ADVERTENCIA!

### Uso diario

- ▶ Este electrodoméstico puede ser utilizado por niños a partir de los 8 años y por personas con capacidades físicas, sensoriales o mentales reducidas, o sin experiencia o conocimientos previos, siempre y cuando hayan recibido la supervisión y las instrucciones necesarias para utilizar el electrodoméstico de forma segura y comprendan los riesgos que conlleva.
- ▶ Los niños de 3 a 8 años pueden llenar y vaciar los electrodomésticos de refrigeración, pero no están autorizados a limpiarlos o instalarlos.
- ▶ Mantenga alejados del electrodoméstico a los niños menores de 3 años a menos que estén constantemente supervisados.
- ▶ Los niños no deben jugar con este electrodoméstico.
- ▶ Si se filtra gas refrigerante u otro gas inflamable en las proximidades del electrodoméstico, apague la válvula del gas filtrado, abra las puertas y ventanas y no desconecte un enchufe en el cable de alimentación del frigorífico/congelador o cualquier otro electrodoméstico.
- ▶ Tenga en cuenta que el electrodoméstico está configurado para funcionar en un intervalo de temperatura ambiente específico de entre 10 y 43 °C. El electrodoméstico no puede funcionar correctamente si se deja durante mucho tiempo a una temperatura superior o inferior al intervalo indicado.
- ▶ No coloque artículos inestables (objetos pesados, recipientes llenos de agua) en la parte superior del frigorífico, a fin de evitar lesiones personales causadas por caídas o descargas eléctricas causadas por el contacto con el agua.
- ▶ No tire de los estantes de la puerta. Se puede tirar de la puerta de forma inclinada, el botellero puede retirarse o el electrodoméstico puede volcar.
- ▶ Abra y cierre las puertas solamente usando las asas. El hueco entre las puertas y entre las puertas y el armario es muy estrecho. No ponga las manos en estas áreas para evitar pillarse los dedos. Abra o cierre las puertas del frigorífico solo cuando no haya niños dentro del área de movimiento de la puerta.
- ▶ No almacene ni utilice elementos inflamables, explosivos o corrosivos en el electrodoméstico ni cerca de él.
- ▶ No guarde medicamentos, bacterias ni agentes químicos en el electrodoméstico. Este aparato es un electrodoméstico. No se recomienda almacenar materiales que requieran temperaturas extremas.
- ▶ Nunca almacene líquidos en botellas o latas (aparte de bebidas de alto grado alcohólico), especialmente las bebidas carbonatadas, en el congelador, ya que se romperían durante la congelación.
- ▶ Compruebe el estado de los alimentos si se ha producido un calentamiento en el congelador.
- ▶ No ajuste una temperatura demasiado baja sin necesidad en el compartimento frigorífico. Los ajustes más altos pueden generar temperaturas bajo cero. Atención: las botellas pueden reventar.
- ▶ No toque los productos congelados con las manos mojadas (use guantes). Sobre todo, no coma hielo inmediatamente después de haberlo sacado del congelador. Existe el riesgo de congelación o de formación de ampollas. PRIMEROS AUXILIOS: poner inmediatamente bajo el grifo de agua fría. ¡No tirar!
- ▶ No toque la superficie interior del compartimento de almacenamiento del congelador cuando esté en funcionamiento, especialmente con las manos mojadas, ya que las manos pueden congelarse por la superficie.



## ¡ADVERTENCIA!

### Uso diario

- ▶ Desenchufe el electrodoméstico en caso de interrupción del suministro eléctrico o antes de limpiarlo. Espere al menos 7 minutos antes de volver a poner en marcha el aparato, ya que un arranque frecuente puede dañar el compresor.
- ▶ No deben utilizarse dispositivos eléctricos dentro de los compartimentos para alimentos del electrodoméstico, salvo que sean del tipo recomendado por el fabricante.  
Mantenimiento / limpieza
- ▶ Asegúrese de que los niños están bajo supervisión si realizan tareas de limpieza y mantenimiento.
- ▶ Desconecte el electrodoméstico de la red eléctrica antes de realizar cualquier mantenimiento rutinario. Deje pasar al menos 5 minutos antes de reiniciar el electrodoméstico, ya que el arranque frecuente puede dañar el compresor.
- ▶ Cuando desenchufe el electrodoméstico, hágalo por la clavija, no por el cable.
- ▶ No limpie el electrodoméstico con cepillos duros, cepillos de alambre, detergente en polvo, gasolina, acetato de amilo, acetona y soluciones orgánicas similares, ni con soluciones ácidas o alcalinas. Limpie con un detergente especial para frigoríficos a fin de evitar daños.
- ▶ No raspe la escarcha y el hielo con objetos afilados. No utilice aerosoles, calentadores eléctricos como secadores de pelo, limpiadores a vapor u otras fuentes de calor para evitar dañar las piezas de plástico.
- ▶ No utilice dispositivos mecánicos ni otros equipos para acelerar el proceso de descongelación, salvo aquellos recomendados por el fabricante.
- ▶ Si el cable de alimentación está dañado, debe ser sustituido por el fabricante, por su servicio técnico o por cualquier profesional cualificado similar para evitar riesgos.
- ▶ No intente reparar, desmontar o modificar este electrodoméstico por su cuenta. En caso de reparación, póngase en contacto con nuestro servicio de atención al cliente.
- ▶ Saque el polvo de la parte posterior de la unidad al menos una vez al año para evitar el riesgo de incendio, así como un mayor consumo de energía.
- ▶ No rocíe ni enjuague el electrodoméstico durante la limpieza.
- ▶ No use agua pulverizada o vapor para limpiar el electrodoméstico.
- ▶ No limpie los estantes de cristal fríos con agua caliente. Un cambio repentino de temperatura puede causar que el cristal se rompa.

### Información sobre el gas refrigerante

- ▶ Este electrodoméstico contiene el refrigerante inflamable ISOBUTANO (R600a). Asegúrese de no dañar el circuito refrigerante durante el transporte o la instalación. La fuga de refrigerante puede causar lesiones oculares o incendios. Si se produce algún daño, manténgase alejado de llamas abiertas, ventile bien la habitación y no conecte o desconecte los cables de alimentación de este ni de cualquier otro electrodoméstico. Informe al servicio de atención al cliente.
- ▶ En caso de que los ojos entren en contacto con el refrigerante, enjuáguelos inmediatamente con agua corriente y llame inmediatamente a un oftalmólogo.

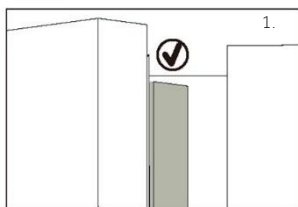
## Uso previsto

Este electrodoméstico está diseñado para enfriar y congelar alimentos. Ha sido diseñado exclusivamente para su uso en aplicaciones domésticas y similares, como áreas de cocina para personal de tiendas, oficinas y otros entornos de trabajo; granjas y el uso por clientes en hoteles, moteles y otros entornos de tipo residencial, así como en alojamientos y restauración. No está destinado a un uso comercial o industrial. No se permite realizar cambios o modificaciones en el electrodoméstico. Un uso no previsto puede causar riesgos y la pérdida de reclamaciones de garantía.

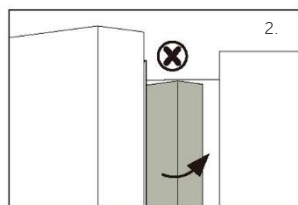
## Normas y directivas **CE**

Este producto cumple los requisitos de todas las directivas CE aplicables con las correspondientes normas acordadas, que establecen el mercado CE.

### ¡PRECAUCIÓN!



Al cerrar la puerta, la tira vertical de la puerta de la izquierda debe doblarse hacia el interior (1).

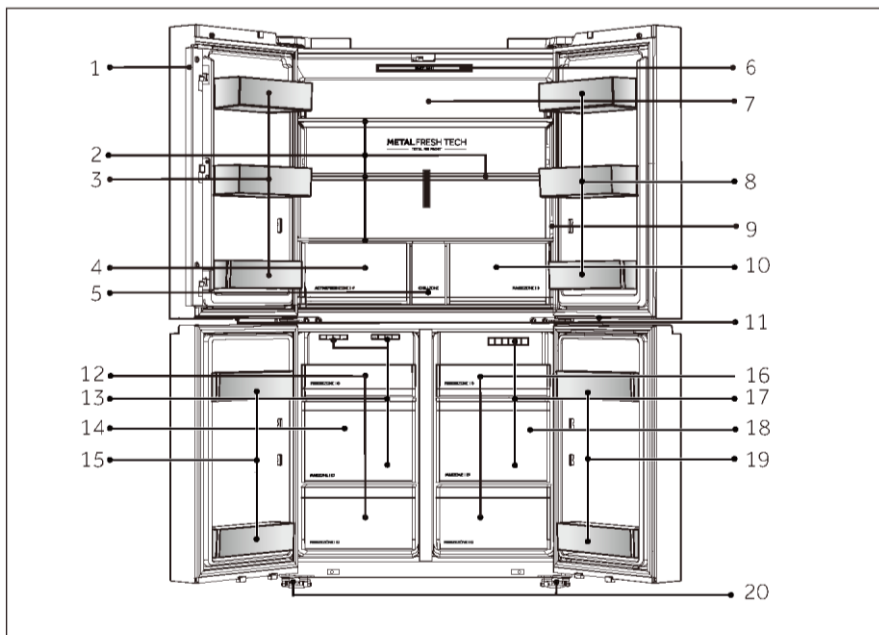


Si intenta cerrar la puerta izquierda y el listón de la puerta vertical no está doblado (2), en primer lugar, debe doblarlo, de lo contrario, el listón de la puerta chocará contra el eje de fijación o contra la puerta derecha. Por lo tanto, se dañará la puerta o se producirán fugas.

Dentro del marco hay un elemento calefactor. La temperatura de la superficie subirá un poco, lo que es normal y no afectará a la función del electrodoméstico.

## **i** AVISO

Debido a cambios técnicos y a las diferencias entre modelos, algunas de las ilustraciones de este manual pueden diferir de su modelo.



A: Compartimento frigorífico

B: Compartimento congelador

1 Marco de la puerta

12 Cajón FREEZE ZONE

2 Estantes de cristal

13 Conducto de aire

3 Soporte para botellas

14 Cajón MAX ZONE

4 Cajón ACTIVEFRESH ZONE

15 Soporte para botellas

5 Caja CHILL ZONE

16 Cajón FREEZE ZONE

6 Lámpara de la nevera

17 Conducto de aire

7 Conducto del frigorífico

18 Cajón MAX ZONE

8 Soporte para botellas

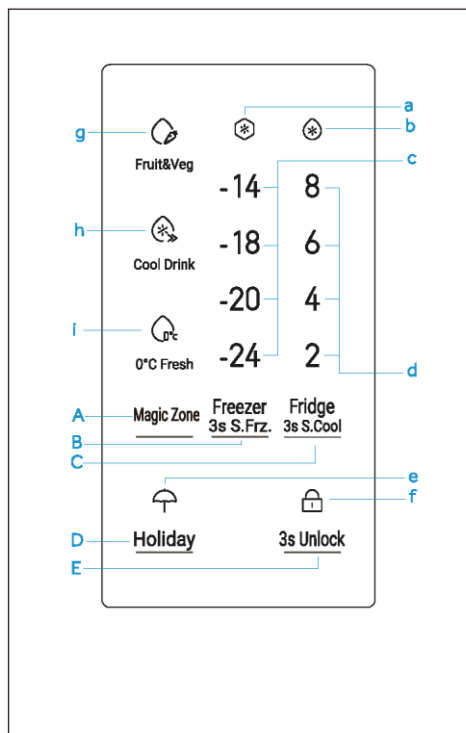
19 Soporte para botellas

9 Panel de control

20 Patas ajustables

10 Cajón MAGIC ZONE

11 Lámpara del congelador



## Teclas:

- A Selector del modo Magic Zone
- B Selector de función Congelador y de la función Super-Frz
- C Selector de función Frigorífico y función Super-Cool
- D Selector de función Holiday
- E Selector de función de bloqueo/desbloqueo

## Indicadores:

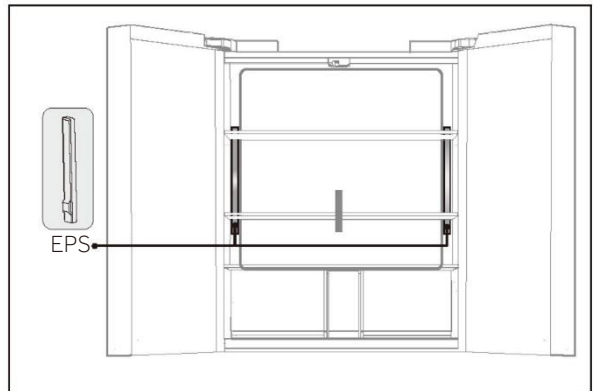
- a Función Super-Frz
- b Función Super-Cool
- c Temperatura del congelador
- d Temperatura de refrigeración
- e Función Holiday
- f Función de bloqueo/desbloqueo
- g Función Fruit & Veg
- h Función Cool Drink
- i Función 0°C Fresh

## Antes del primer uso

- ▶ Retire todo el embalaje, especialmente la espuma EPS blanca situada a ambos lados del conducto de refrigeración, y manténgalo fuera del alcance de los niños. Deséchelo de forma respetuosa con el medio ambiente.
- ▶ Limpie el interior y el exterior del electrodoméstico con agua y un detergente suave antes de introducir cualquier alimento en él.
- ▶ Después de nivelar y limpiar el electrodoméstico, espere de 2 a 5 horas como mínimo antes de conectarlo a la fuente de alimentación. Ver sección **INSTALACIÓN**.
- ▶ Enfríe previamente los compartimentos a altas temperaturas antes de llenarlos de alimentos. La función Power-Freeze ayuda a enfriar rápidamente los compartimentos.
- ▶ La temperatura del frigorífico y la temperatura del congelador se ajustan automáticamente a 4 °C y -18 °C respectivamente. Estos son los ajustes recomendados. Si lo desea, puede cambiar estas temperaturas manualmente. Consulte la sección **AJUSTE DE LA TEMPERATURA**.

## Método de eliminación del EPS

En primer lugar, retire los estantes superiores e intermedios (el método para hacerlo se describe en la página 25) y a continuación extraiga los dos EPS.



## Teclas táctiles

Los botones del panel de control son teclas táctiles, que se activan incluso cuando se rozan ligeramente con el dedo.

## Encender/apagar el electrodoméstico

El electrodoméstico se pondrá en marcha en cuanto se conecte a la fuente de alimentación.

La temperatura del frigorífico y la temperatura del congelador se ajustan automáticamente a 4 °C y -18 °C respectivamente.

Puede que el bloqueo del panel esté activo.



### AVISO

El electrodoméstico está preestablecido a la temperatura recomendada de 4 °C (frigorífico) y -18 °C (congelador). En condiciones ambientales normales, no es necesario ajustar la temperatura.

Cuando se enciende el electrodoméstico después de desconectarlo de la fuente de alimentación principal, alcanzar las temperaturas correctas puede tomar hasta 12 horas.

Vacíe el electrodoméstico antes de apagarlo. Para apagar el electrodoméstico, retire el cable de alimentación de la toma de corriente.

## Panel de bloqueo/desbloqueo

Bloqueo automático: Cuando las puertas del frigorífico están cerradas y no se toca ninguna tecla en 30 segundos, la pantalla se apaga y se bloquea automáticamente.

Bloqueo manual: con la pantalla desbloqueada, pulse la tecla "e" (selector de bloqueo del panel) y manténgala pulsada durante 3 segundos; el zumbador suena una vez, el indicador "E" (bloqueo del panel) se ilumina y la pantalla queda bloqueada.

En estado de bloqueo, mantenga pulsada la tecla «E» durante 3 segundos; el zumbador sonará una vez, el indicador «f» (panel bloqueado) se apagará y el panel quedará desbloqueado.



## Modo de ajuste manual

Si desea ajustar manualmente la temperatura del electrodoméstico, puede ajustar la temperatura mediante el botón de ajuste de temperatura (consulte AJUSTE DE LA TEMPERATURA).

## Alarma de la puerta

La alarma de la puerta se activará cuando la puerta esté abierta durante mucho tiempo o no se cierre correctamente, como recordatorio.

## Ajuste de la temperatura

Las temperaturas interiores están influenciadas por los siguientes factores:

temperatura ambiente, frecuencia de apertura de la puerta, cantidad de alimentos almacenados, instalación del aparato.

## Ajuste de la temperatura del frigorífico

1. Con la pantalla desbloqueada, pulse el botón «C». El zumbador sonará una vez, el indicador «b» parpadeará y, a continuación, se activará el Mode de ajuste de la temperatura del frigorífico.
2. Pulse el botón «C». El zumbador sonará una vez y la temperatura de ajuste del frigorífico cambiará, mostrando la secuencia 8>6>4>2.

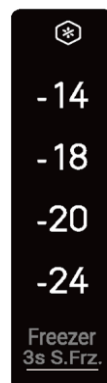


### AVISO

Después de ajustar la temperatura, si no se realiza otra ninguna acción en 5 segundos, el sistema guardará automáticamente la temperatura seleccionada.

## Ajustar la temperatura del congelador

1. Con la pantalla desbloqueada, pulse el botón "B". El zumbador sonará una vez, el indicador «c» parpadeará y, a continuación, aparecerá el modo de ajuste de la temperatura del congelador.
2. Siga pulsando el botón «B». El zumbador sonará una vez y el ajuste de temperatura del frigorífico cambiará; la pantalla mostrará la secuencia -14 > -18 > -20 y -24.

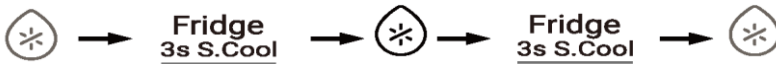


### AVISO

Después de ajustar la temperatura, si no se realiza otra ninguna acción en 5 segundos, el sistema guardará automáticamente la temperatura seleccionada.

## Función Super-Cool

1. Con la pantalla de visualización desbloqueada, pulse y mantenga pulsado el botón "C" durante 3 segundos; el zumbador sonará una vez, el indicador "b" (función Super-Cool) se iluminará y, a continuación, se activará la función Super-Cool.
2. Con el indicador «b» iluminado, mantenga pulsado el botón «C» durante 3 segundos; el zumbador sonará una vez, el indicador «b» se apagará y, a continuación, se desactivará la función Super-Cool.
3. Después de activar la función Super-Cool, el frigorífico desactivará automáticamente la función cuando se alcance la temperatura establecida. Si desea salir manualmente, puede pulsar el botón "C" para apagarlo.



## AVISO

1. En estado Super-Cool, la temperatura del frigorífico no se puede ajustar. Si se pulsa el botón "C" para ajustar la temperatura del frigorífico, el indicador "b" parpadeará y emitirá un sonido de aviso para indicar que esta operación no puede llevarse a cabo.
2. Con la función Super-Cool activa no se puede activar a la vez la función Auto-set debido a que son diferentes modos de control. Cuando elija una función que esté en conflicto con otra función, la función original se desactivará automáticamente.

## Función Super-Frz

1. Con la pantalla de visualización desbloqueada, pulse el botón "B" y manténgalo pulsado durante 3 segundos; el zumbador sonará una vez, el indicador "a" se iluminará y, a continuación, se activará la función Super-Frz.
2. Con el indicador "a" iluminado, mantenga pulsado el botón "B" durante 3 segundos; el zumbador sonará una vez, el indicador "a" se apagará y, a continuación, la función Super-Frz se desactivará.
3. Después de activar la función Super-Frz, el frigorífico desactivará automáticamente la función cuando se alcance la temperatura establecida. Si desea salir manualmente, puede pulsar el botón «B» para apagarlo.





## AVISO

1. En estado Super-Freeze, la temperatura del congelador no se puede ajustar. Si se pulsa el botón "B" para ajustar la temperatura del congelador, el indicador "a" parpadeará y emitirá un sonido de aviso para indicar que esta operación no puede llevarse a cabo.
2. La función Super-Freeze está diseñada para mantener el valor nutritivo de los alimentos congelados y congelar los alimentos en el menor tiempo posible. Actualmente, la velocidad de congelación del congelador se ha mejorado, los alimentos se congelan con rapidez, la calidad de los alimentos se mantiene de manera efectiva y se ha mejorado el almacenamiento. Si necesita congelar una gran cantidad de alimentos a la vez, se recomienda establecer la función Super Freeze por adelantado 24 horas antes de la utilización del compartimiento del congelador.

## Modo Holiday

El modo Holiday está diseñado para no utilizar el frigorífico durante mucho tiempo. Si se activa el modo Holiday, el congelador funciona normalmente y la temperatura del frigorífico se ajusta automáticamente a 17 °C, lo que evita el olor desagradable causado por el exceso de temperatura y ayuda a reducir el consumo de energía al mismo tiempo.

1. Con la pantalla de visualización desbloqueada, después de pulsar el botón "D", el zumbador suena una vez y el indicador "e" se ilumina: la función Holiday estará activa.
2. Con el indicador «e» iluminado, pulse el botón «D», el zumbador sonará una vez, se apagará el indicador «e» y a continuación se desactivará la función Holiday.



## AVISO

Antes de usar la función Holiday, vacíe la nevera para evitar que la comida se eche a perder. Si la función Holiday está activada, «Super-Cool» no puede estar activa al mismo tiempo.

## Función Magic Zone

Con la pantalla desbloqueada, pulse el botón «A» para recorrer las funciones de Fruit&Veg, Cool Drink y 0°C Fresh.

### 1. Función Fruit&Veg:

Esta función es adecuada para almacenar frutas y verduras frescas. Si esta función está seleccionada, el indicador "g" estará iluminado.

### 2. Función Cool Drink:

Esta función permite almacenar productos como agua, coca-cola y zumo. Si esta función está seleccionada, el indicador "h" estará iluminado.

### 3. Función 0°Fresh:

Esta función es adecuada para almacenar alimentos frescos como carne o pescado. Si esta función está seleccionada, el indicador "i" estará iluminado.



## **i** AVISO

1. La función Cool Drink está activa de forma predeterminada desde el inicio.
2. En la función Fruit&Veg.: Las frutas sensibles al frío como la piña, el aguacate, los plátanos o los pomelos, y las verduras como las patatas, las berenjenas, las judías, los pepinos, los calabacines o los tomates, así como el queso, no deben guardarse en el cajón Magic Zone.
3. En la función 0°Fresh: Debido a los diferentes niveles de agua de la carne, algunas carnes con mayor humedad se congelarán a temperaturas inferiores a 0 °C. Así pues, la carne "cortada inmediatamente" debe almacenarse en el cajón Magic Zone, con una temperatura mínima de 0 °C.
4. Las tres funciones de Magic Zone no pueden estar abiertas al mismo tiempo, solo una estará iluminada. Para reducir la temperatura del compartimento frigorífico, utilice la función Cool Drink; para aumentarla, utilice la función Fruit&Veg.

## Consejos para almacenar alimentos frescos

### Almacenar en el compartimento frigorífico

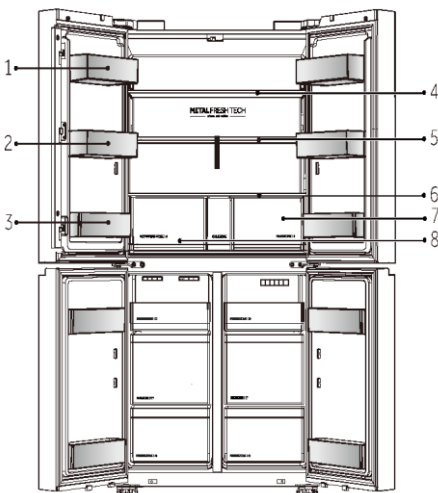
1. Mantenga la temperatura de su frigorífico por debajo de los 5° C.
2. Los alimentos calientes deben haberse enfriado a temperatura ambiente antes de ser almacenados en el electrodoméstico.
3. Los alimentos almacenados en el frigorífico deben lavarse y secarse antes de almacenarse.
4. Los alimentos a almacenar deben estar debidamente envasados para evitar olores o alteraciones del sabor.

5. No almacene cantidades excesivas de comida. Deje espacios entre los alimentos para que el aire circule a su alrededor y así obtener mejores resultados.
6. Los alimentos consumidos diariamente deben almacenarse en la parte delantera del estante.
7. Deje espacio entre los alimentos y las paredes interiores, permitiendo que el aire fluya. Se recomienda especialmente que los alimentos no toquen la pared trasera: los alimentos podrían congelarse contra la pared trasera. Evite el contacto directo de los alimentos (especialmente alimentos aceitosos o ácidos) con el revestimiento interno, ya que el aceite/ácido puede erosionarlo. Limpie los restos de aceite/ácido cuando los encuentre.
8. Descongele los alimentos congelados en el compartimento frigorífico. De esta manera, puede utilizar los alimentos congelados para disminuir la temperatura en el compartimento y ahorrar energía.
9. El proceso de maduración de las frutas y verduras como calabacines, melones, papaya, plátano, piña, etc. se puede acelerar en el frigorífico. Por lo tanto, no es aconsejable conservarlos en el frigorífico. Sin embargo, se puede promover la maduración de algunas frutas durante un cierto periodo. Las cebollas, el ajo, el jengibre y otras raíces también deben almacenarse a temperatura ambiente.
10. Los malos olores en el interior del frigorífico son un signo de que algo se ha derramado y se requiere limpieza. Vea CUIDADO Y LIMPIEZA.
11. Los diferentes alimentos deben colocarse en diferentes áreas según sus propiedades.



## AVISO

Mantenga una distancia superior a 10 mm entre los alimentos colocados y los conductos de aire o sensores para garantizar el efecto de refrigeración.



1. Mantequilla, quesos, etc.
2. Huevos, latas, conservas, especias, etc.
3. Bebidas y alimentos embotellados.
4. Alimentos encurtidos, alimentos enlatados, etc.
5. Productos cárnicos, aperitivos, pasta, alimentos enlatados, leche, tofu, productos lácteos, etc.
6. Carne cocinada, salchichas, etc.
7. Cajón Magic ZONE: Frutas, verduras, ensalada, etc.
8. Cajón ACTIVEFRESH ZONE: Frutas, verduras, ensalada, etc.

## Conservación en el compartimento congelador

1. Mantenga la temperatura del congelador a  $-18^{\circ}\text{C}$ .
2. 24 horas antes de congelar, active la función Super-Freeze (para pequeñas cantidades de alimentos, 4-6 horas son suficientes).
3. Los alimentos calientes deben haberse enfriado a temperatura ambiente antes de ser almacenados en el congelador.
4. Los alimentos cortados en porciones pequeñas se congelarán más rápido y serán más fáciles de descongelar y cocinar. El peso recomendado para cada porción es de menos de 2,5 kg.
5. Es mejor envasar los alimentos antes de introducirlos en el congelador. El exterior del embalaje debe estar seco para evitar que las bolsas se peguen. Los materiales de embalaje deben estar libres de olores y ser herméticos y atóxicos.
6. Para evitar la expiración de los periodos de conservación, anote la fecha de congelación, el límite de tiempo y el nombre de los alimentos en el envase según los periodos de conservación de los diferentes alimentos.

1. **ADVERTENCIA:** El ácido, la alcalinidad y la sal, etc. podrían erosionar la superficie interna del congelador. No coloque los alimentos que contengan estas sustancias (p.ej.: pescados marinos) directamente sobre la superficie interna. El agua salada en el congelador debe limpiarse inmediatamente.

2. No supere el tiempo de almacenamiento recomendado por los fabricantes.

Saque solo la cantidad necesaria de alimentos del congelador.

3. Consuma rápidamente los alimentos descongelados. Los alimentos descongelados no pueden volver a congelarse a menos que se cuezan antes; de lo contrario, pueden no ser comestibles.
4. No cargue cantidades excesivas de alimentos frescos en el congelador. Consulte la capacidad de congelación del congelador (Vea los DATOS TÉCNICOS o los datos de la placa).
5. Los alimentos pueden almacenarse en el congelador a una temperatura mínima de  $-18^{\circ}\text{C}$  de 2 a 12 meses, dependiendo de sus propiedades (p. ej. carne: 3-12 meses, verduras: 6-12 meses)
6. Cuando congele alimentos frescos, evite ponerlos en contacto con alimentos ya congelados o en proceso de descongelación.

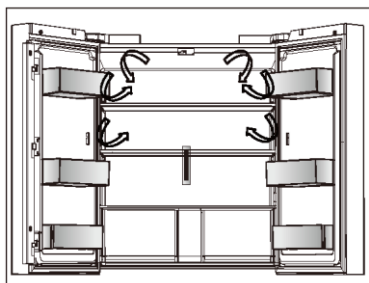
### Cuando guarde alimentos congelados en tienda, siga estas directrices:

1. Siempre siga las directrices de los fabricantes sobre el tiempo que debe almacenar los alimentos. ¡No exceda estas directrices!
2. Trate de que el tiempo que pasa entre la compra y el almacenamiento sea el menor posible para preservar la calidad de los alimentos.
3. Compre alimentos congelados que se hayan conservado a una temperatura de  $-18^{\circ}\text{C}$  o inferior.
4. Evite comprar alimentos que tengan hielo o escarcha en el envase: esto indica que los productos podrían haber sido parcialmente descongelados y recongelados en algún punto (el aumento de la temperatura afecta a la calidad de los alimentos).



## AVISO

Mantenga una distancia superior a 10 mm entre los alimentos colocados y los conductos de aire para garantizar el efecto de refrigeración.

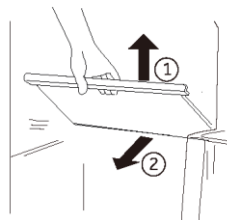


### Flujo de aire múltiple

1. El refrigerador está equipado con un sistema de flujo de aire múltiple, con el que se aseguran corrientes de aire frío en cada nivel de estante. Esto ayuda a mantener una temperatura uniforme para asegurar que sus alimentos se mantienen frescos por más tiempo.

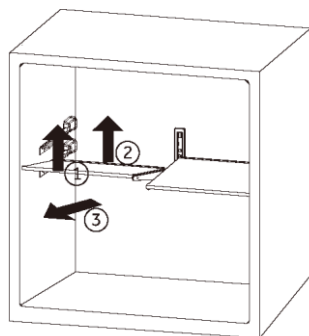
### Estantes ajustables

1. La altura de los estantes se puede ajustar para adaptarse a sus necesidades de almacenamiento.
2. Para reubicar un estante, retírelo primero levantando su borde anterior ① y extráigalo ②.
3. Para volver a instalarlo, colóquelo en los rieles de ambos lados y empuje hasta que la parte trasera del estante se fije dentro de las ranuras laterales.



### Ajuste el estante central

1. Retire el soporte del estante:  
En primer lugar, levante 7 cm el borde delantero ① del soporte de estantería y, a continuación, levante el borde trasero ② del soporte de la estantería, de modo que el enganche del lado voladizo pueda separarse del orificio de instalación. Por último, saque el soporte del estante hacia fuera ③.
2. Instale el soporte del estante:  
Empuje el soporte del estante en su lugar según el ángulo inclinado que se muestra en el diagrama, luego baje el borde delantero ① del mismo, de modo que el enganche del lado voladizo pueda encajar en el orificio de instalación.



## AVISO

Asegúrese de que todos los extremos del estante estén nivelados.

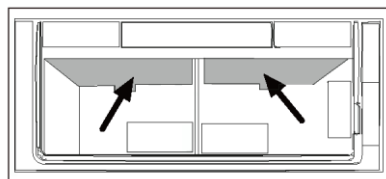
### Cajón ACTIVEFRESH ZONE

1. En este compartimento el nivel de humedad es superior al del compartimento frigorífico. Está controlado automáticamente por el sistema y es adecuado para guardar fruta, verdura, ensaladas, etc.



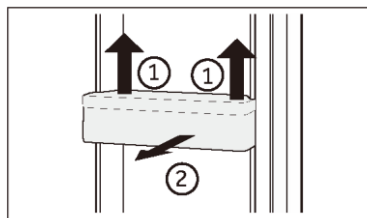
## AVISO

1. No retire la cubierta de plástico del interior de las dos zonas.
2. Mantienen la humedad.
3. No se recomienda guardar frutas sensibles al frío como piña, aguacate, plátanos y pomelos en estos dos cajones.



## Estantes de puerta/soportes para botellas desmontables

1. Los estantes de la puerta se pueden desmontar para limpiarlos:
2. Coloque las manos en cada lado del estante, levántelo hacia arriba ① y extráigalo ②.
3. Para insertar el estante de la puerta, realice los pasos anteriores en orden inverso.



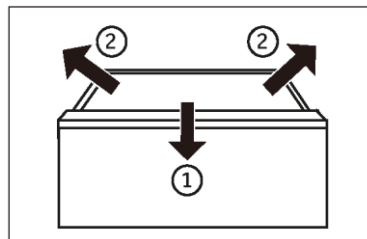
## AVISO

Cuando se enciende el aparato, pueden pasar hasta 12 horas hasta que se alcancen las temperaturas correctas.

## Cajón extraíble

Para sacar el cajón, tire al máximo, ① levante y retire ②.

Para insertar el cajón, realice los pasos anteriores en orden inverso.



## Luz

La luz LED interna se enciende cuando se abre la puerta y se apaga automáticamente si la puerta se deja abierta durante más de 7 minutos. El rendimiento de las luces no se ve afectado por ninguna de las otras configuraciones del electrodoméstico.



## Consejos de ahorro de energía

- ▶ Asegúrese de que el electrodoméstico esté bien ventilado (vea INSTALACIÓN).
- ▶ No instale el electrodoméstico bajo la luz directa del sol o cerca de fuentes de calor (p. ej.: fogones, estufas, etc.).
- ▶ Evite una temperatura innecesariamente baja en el electrodoméstico. El consumo de energía aumenta la temperatura del electrodoméstico.
- ▶ Las funciones como POWER-FREEZE consumen más energía.
- ▶ Deje enfriar los alimentos calientes antes de introducirlos en el electrodoméstico.
- ▶ Abra la puerta del electrodoméstico lo menos y lo más brevemente posible.
- ▶ No llene en exceso el electrodoméstico para evitar obstruir la circulación de aire.
- ▶ Evite la presencia de aire dentro del embalaje de los alimentos.
- ▶ Mantenga las juntas de la puerta limpias para que la puerta se cierre siempre correctamente.
- ▶ Descongele los alimentos congelados en el compartimento frigorífico.
- ▶ La configuración de más ahorro energético requiere que el electrodoméstico mantenga los cajones, las cajas de alimentos y los estantes en condiciones de fábrica, y los alimentos deben colocarse lo más lejos posible sin bloquear la salida de aire del conducto.



## ¡ADVERTENCIA!

Desconecte el electrodoméstico de la fuente de alimentación antes de limpiarlo.

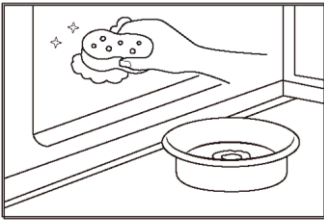
### Limpieza

1. Limpie el electrodoméstico solo cuando haya pocos o ningún alimento guardado.
2. Este electrodoméstico debe limpiarse cada cuatro semanas para realizar un buen mantenimiento y evitar malos olores.



## ¡ADVERTENCIA!

- ▶ No limpie el electrodoméstico con cepillos duros, cepillos de alambre, detergente en polvo, gasolina, acetato de amilo, acetona y soluciones orgánicas similares, ni con soluciones ácidas o alcalinas. Limpie con un detergente especial para frigoríficos a fin de evitar daños.
- ▶ No rocíe ni enjuague el electrodoméstico durante la limpieza.
- ▶ No use agua pulverizada o vapor para limpiar el electrodoméstico.
- ▶ No limpie los estantes de cristal fríos con agua caliente. Un cambio repentino de temperatura puede causar que el cristal se rompa.
- ▶ No toque la superficie interior del compartimento del electrodoméstico, especialmente con las manos mojadas, ya que las manos pueden congelarse en la superficie.
- ▶ En caso de calentamiento, compruebe el estado de los productos congelados.



- ▶ Mantenga siempre limpia la junta de la puerta.
- ▶ Limpie el interior y el armazón del electrodoméstico con una esponja humedecida en agua tibia y detergente neutro.
- ▶ 1. Frote el interior y el exterior del frigorífico, incluyendo la junta de la puerta, los estantes de la puerta, los estantes de cristal, los cajones, etc., con una toalla suave o una esponja sumergida en agua caliente (se puede añadir detergente neutro).
- ▶ 2. Si hay líquido derramado, retire todas las piezas contaminadas, enjuague directamente con agua corriente, seque y coloque las piezas de nuevo en el frigorífico.
- ▶ 3. Si hay productos cremosos derramados (como nata, helado derretido...), retire todas las piezas contaminadas, póngalas en agua caliente a unos 40 °C durante un rato, enjuague con agua corriente, séquelas y colóquelas de nuevo en el frigorífico.
- ▶ 4. En caso de que alguna parte o componente pequeño quede atascada dentro del frigorífico (entre las estanterías o los cajones), utilice un cepillo suave pequeño para sacarlo. Si no la alcanza, póngase en contacto con el servicio de Haier.
- ▶ Aclare y seque con un paño suave.
- ▶ No limpie ninguna de las piezas o partes de este electrodoméstico en un lavavajillas.
- ▶ Deje pasar al menos 5 minutos antes de reiniciar el electrodoméstico, ya que el arranque frecuente puede dañar el compresor.

## Descongelación

La descongelación de los compartimentos frigorífico y congelador se realiza automáticamente: no se requiere ninguna operación manual.

## Sustitución de las lámparas LED



### ¡ADVERTENCIA!

No sustituya usted mismo la lámpara LED, solo debe cambiarla el fabricante o un técnico autorizado.

Las lámparas utilizan LED como fuente de luz, con bajo consumo energético y larga vida útil. Si detecta alguna anomalía, póngase en contacto con el servicio de atención al cliente. Vea ATENCIÓN AL CLIENTE.

Parámetros de las lámparas:

Compartimento frigorífico: 12 V, 4 W

Compartimento congelador: 12 V, 2W\*2

## Si no se utiliza durante un período más largo

Si el aparato no se utiliza durante un periodo de tiempo prolongado, y no va a utilizar la función Holiday para el frigorífico:

Saque la comida.

Desenchufe el cable de la toma de corriente.

Limpie el electrodoméstico como se ha descrito anteriormente.

Mantenga las puertas abiertas para evitar que se generen malos olores en el interior.



### AVISO

Apague el electrodoméstico solo si es estrictamente necesario.

## Desplazar el electrodoméstico

1. Retire toda la comida y desenchufe el electrodoméstico.
2. Fije los estantes y otras partes móviles en el frigorífico y el congelador con cinta adhesiva.
3. No incline el frigorífico más de 45° para evitar dañar el sistema de refrigeración.



### ¡ADVERTENCIA!

- ▶ No levante el electrodoméstico por las asas.
- ▶ No coloque el electrodoméstico horizontalmente en el suelo.

Usted mismo puede resolver muchos de los problemas que puedan presentarse sin tener conocimientos específicos. En caso de que se produzca algún problema, compruebe todas las posibilidades ilustradas y siga las instrucciones pertinentes antes de ponerse en contacto con un servicio posventa. Vea ATENCIÓN AL CLIENTE.

 ¡ADVERTENCIA!

- ▶ Antes de realizar tareas de mantenimiento, desactive el electrodoméstico y desconecte el enchufe de la toma de corriente.
- ▶ Los equipos eléctricos solo deben ser revisados y manejados por electricistas expertos cualificados, ya que las reparaciones incorrectas pueden causar daños considerables en consecuencia.
- ▶ Si el sistema de alimentación está dañado, debe ser sustituido por el fabricante, por su servicio técnico o por cualquier profesional cualificado similar para evitar riesgos.

Problema	Causa posible	Solución posible
El compresor no funciona.	<ul style="list-style-type: none"> <li>• El enchufe no está conectado a la toma de corriente.</li> <li>• El electrodoméstico está en el ciclo de descongelación</li> </ul>	<ul style="list-style-type: none"> <li>• Conecte el enchufe.</li> <li>• Esto es normal para una descongelación automática</li> </ul>
El electrodoméstico funciona con frecuencia o funciona durante un período de tiempo demasiado largo.	<ul style="list-style-type: none"> <li>• La temperatura interior o exterior es demasiado alta.</li> <li>• El electrodoméstico ha estado apagado durante cierto de tiempo.</li> <li>• Una puerta del electrodoméstico no está bien cerrada.</li> <li>• La puerta se ha abierto con demasiada frecuencia o durante mucho tiempo.</li> <li>• El ajuste de temperatura del compartimento congelador es demasiado bajo.</li> <li>• La junta de la puerta está sucia, desgastada, agrietada o desparejada.</li> <li>• La circulación de aire requerida no está garantizada.</li> </ul>	<ul style="list-style-type: none"> <li>• En este caso, es normal que el aparato funcione durante más tiempo.</li> <li>• Normalmente, lleva de 8 a 12 horas que el electrodoméstico se enfríe completamente.</li> <li>• Cierre la puerta/cajón y asegúrese de que el electrodoméstico esté ubicado sobre una superficie plana y que no haya alimentos o recipientes que impidan que la puerta se cierre bien.</li> <li>• No abra la puerta/cajón con demasiada frecuencia.</li> <li>• Ajuste una temperatura más alta hasta obtener una temperatura satisfactoria para el frigorífico. Se necesitan 24 horas para que la temperatura del frigorífico se mantenga estable.</li> <li>• Limpie la junta de la puerta/cajón o pídale al servicio de atención al cliente que la cambie.</li> <li>• Garantice una ventilación adecuada.</li> </ul>
El interior del frigorífico está sucio y/o huele mal.	<ul style="list-style-type: none"> <li>• El interior del frigorífico necesita limpieza.</li> <li>• Hay alimentos de olor fuerte guardados en el frigorífico.</li> </ul>	<ul style="list-style-type: none"> <li>• Limpie el interior del frigorífico.</li> <li>• Envuelva bien los alimentos.</li> </ul>

Problema	Causa posible	Solución posible
La temperatura del interior del electrodoméstico no es lo suficientemente fría.	<ul style="list-style-type: none"> <li>• La temperatura establecida es demasiado alta.</li> <li>• Se han almacenado alimentos demasiado calientes.</li> <li>• Se ha almacenado demasiada comida a la vez.</li> <li>• Los alimentos están demasiado cerca entre sí.</li> <li>• Una puerta/cajón del electrodoméstico no está bien cerrada.</li> <li>• La puerta/cajón se ha abierto con demasiada frecuencia o durante mucho tiempo.</li> </ul>	<ul style="list-style-type: none"> <li>• Restablezca la temperatura.</li> <li>• Enfríe siempre los alimentos antes de guardarlos.</li> <li>• Guarde siempre pequeñas cantidades de alimentos.</li> <li>• Deje un espacio entre varios alimentos para permitir que el aire fluya.</li> <li>• Cierre la puerta/cajón.</li> <li>• No abra la puerta/cajón con demasiada frecuencia.</li> </ul>
La temperatura del interior del electrodoméstico es demasiado fría.	<ul style="list-style-type: none"> <li>• La temperatura establecida es demasiado baja.</li> <li>• La función Super-Frz/ Super-Cool está activada o ha estado funcionando demasiado tiempo.</li> </ul>	<ul style="list-style-type: none"> <li>• Restablezca la temperatura.</li> <li>• Apague la función Super-Frz/ Super-Cool.</li> </ul>
Formación de humedad en el interior del compartimento frigorífico.	<ul style="list-style-type: none"> <li>• El ambiente es demasiado cálido y demasiado húmedo.</li> <li>• Una puerta/cajón del electrodoméstico no está bien cerrada.</li> <li>• La puerta/cajón se ha abierto con demasiada frecuencia o durante mucho tiempo.</li> <li>• Hay recipientes de alimentos o líquidos abiertos.</li> </ul>	<ul style="list-style-type: none"> <li>• Aumente la temperatura.</li> <li>• Cierre la puerta/cajón.</li> <li>• No abra la puerta/cajón con demasiada frecuencia.</li> <li>• Deje que los alimentos calientes se enfrien a temperatura ambiente y cubra los alimentos y líquidos.</li> </ul>
Se acumula humedad fuera de la superficie externa de los frigoríficos o entre las puertas/puerta y cajón.	<ul style="list-style-type: none"> <li>• El ambiente es demasiado cálido y demasiado húmedo.</li> <li>• La puerta no está bien cerrada. Hay aire frío dentro del electrodoméstico y aire caliente en el exterior, y se produce condensación.</li> </ul>	<ul style="list-style-type: none"> <li>• Esto es normal en un ambiente húmedo y cambiará cuando la humedad disminuya.</li> <li>• Asegúrese de que la puerta/cajón está bien cerrada.</li> </ul>

Problema	Causa posible	Solución posible
Hay mucho hielo y escarcha en el compartimento congelador.	<ul style="list-style-type: none"> <li>• Los alimentos no están correctamente embalados.</li> <li>• Una puerta/cajón del electrodoméstico no está bien cerrada.</li> <li>• La puerta/cajón se ha abierto con demasiada frecuencia o durante mucho tiempo.</li> <li>• La junta de la puerta/cajón está sucia, desgastada, agrietada o desparejada.</li> <li>• Algo en el interior impide que la puerta/cajón se cierren correctamente.</li> </ul>	<ul style="list-style-type: none"> <li>• Embale bien los alimentos.</li> <li>• Cierre la puerta/cajón.</li> <li>• No abra la puerta/cajón con demasiada frecuencia.</li> <li>• Limpie la junta de la puerta/cajón o cámbiela por una nueva.</li> <li>• Vuelva a colocar los estantes, estantes de la puerta o contenedores internos para permitir que la puerta/cajón se cierre.</li> </ul>
Los lados del frigorífico y la tira de la puerta se calientan.		<ul style="list-style-type: none"> <li>• Esto es normal.</li> </ul>
El electrodoméstico hace sonidos anormales.	<ul style="list-style-type: none"> <li>• El electrodoméstico no está ubicado sobre una superficie plana.</li> <li>• El electrodoméstico toca algún objeto a su alrededor.</li> </ul>	<ul style="list-style-type: none"> <li>• Ajuste las patas para nivelar el electrodoméstico.</li> <li>• Retire los objetos que haya alrededor del electrodoméstico.</li> </ul>
Se oye un ligero sonido similar al del flujo de agua.		<ul style="list-style-type: none"> <li>• Esto es normal.</li> </ul>
Oirá un pitido de alarma.	<ul style="list-style-type: none"> <li>• La puerta del compartimento frigorífico está abierta.</li> </ul>	<ul style="list-style-type: none"> <li>• Cierre la puerta.</li> </ul>
Oirá un débil zumbido.	<ul style="list-style-type: none"> <li>• El sistema anticondensación está en marcha</li> </ul>	<ul style="list-style-type: none"> <li>• Esto evita la condensación y es normal.</li> </ul>
El sistema de iluminación o refrigeración interior no funciona.	<ul style="list-style-type: none"> <li>• El enchufe no está conectado a la toma de corriente.</li> <li>• La fuente de alimentación presenta alguna alteración.</li> <li>• La lámpara LED no funciona.</li> </ul>	<ul style="list-style-type: none"> <li>• Conecte el enchufe.</li> <li>• Compruebe el suministro eléctrico a la habitación. Llame a la compañía eléctrica local.</li> <li>• Llame al servicio técnico para cambiar la lámpara.</li> </ul>

Para ponerse en contacto con el servicio de asistencia técnica, visite nuestro sitio web: <https://corporate.haier-europe.com/en/>

En la sección "website", elija la marca de su producto y su país. Se le redirigirá a la página web específica donde podrá encontrar el número de teléfono y el formulario para ponerse en contacto con el servicio de asistencia técnica.

### **Interrupción del suministro**

En caso de un corte de luz, los alimentos deberían permanecer frescos y a salvo durante 5 horas. Siga estos consejos durante una interrupción prolongada del suministro, especialmente en verano:

- ▶ Abra la puerta/cajón lo menos posible.
- ▶ No introduzca más alimentos en el electrodoméstico durante un corte de luz.
- ▶ Si se da el aviso previo de un corte de luz y la duración de la interrupción es superior a 5 horas, fabrique algo de hielo y póngalo en un recipiente en la parte superior del compartimento frigorífico.
- ▶ Inmediatamente después de la interrupción, es necesario llevar a cabo una inspección de los alimentos.
- ▶ Como la temperatura del frigorífico subirá durante una interrupción del suministro eléctrico u otro fallo, el período de conservación y la calidad comestible de los alimentos se reducirán. Cualquier alimento que se descongele debe consumirse, o bien cocinarse y volver a congelarse (cuando proceda) rápidamente para evitar riesgos para la salud.

### **Función de memoria durante el corte de luz**

En cuanto vuelva la luz, el electrodoméstico restablecerá los ajustes establecidos antes del corte de luz.

## Desempaquetado



### ¡ADVERTENCIA!

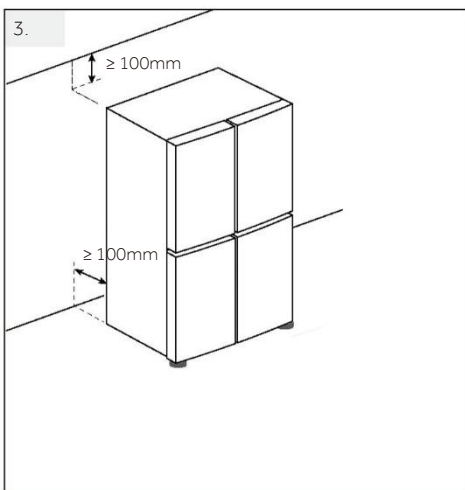
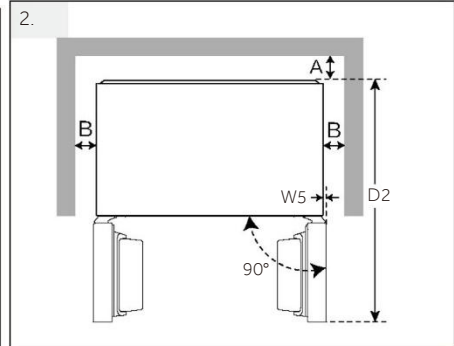
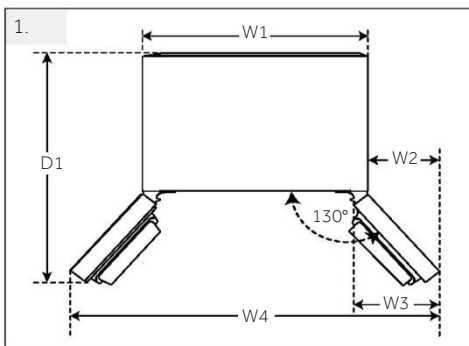
- ▶ Este es un electrodoméstico pesado. Manipúlelo con la ayuda de otra persona.
- ▶ Mantenga todo el material de embalaje fuera del alcance de los niños y deséchelo de forma respetuosa con el medio ambiente.
- ▶ Saque el electrodoméstico de su embalaje.
- ▶ Retire todos los materiales de embalaje.

### Condiciones ambientales

La temperatura ambiente debería encontrarse siempre entre 10° C y 43° C, ya que puede influir en la temperatura del interior del frigorífico y en su consumo de energía. No instale el electrodoméstico cerca de otros electrodomésticos emisores de calor (hornos, frigoríficos) sin aislamiento.

### Recomendaciones de espacio

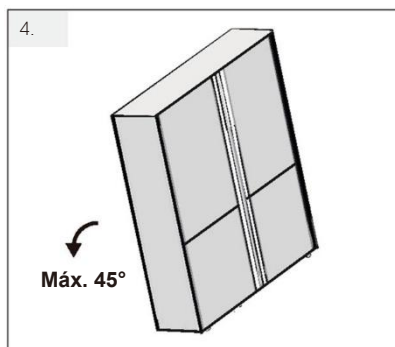
Espacio recomendado con la puerta abierta (fig. 1.2)



(Unidad: mm)	Número de modelo	
Ancho	W1	905
	W2	327
	W3	368
	W4	1559
	W5	51
	W	905
	D1	1061
	D2	1101
	D	738
Distancia a la pared trasera	A	100
Distancia a las paredes laterales	B	100
Distancia al techo	C	100
Altura total	H	1825

## Sección cruzada de ventilación

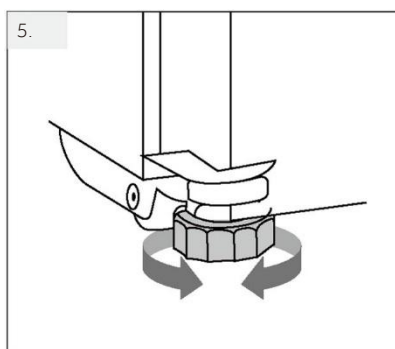
Para lograr una ventilación suficiente del electrodoméstico por razones de seguridad, debe observarse la información de las secciones cruzadas de ventilación requeridas.



### Alineación del aparato (Fig. 4.5.6.)

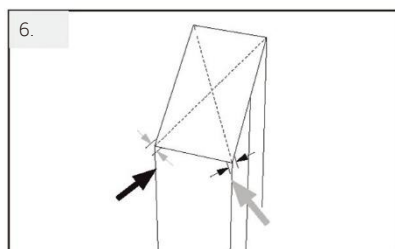
Este electrodoméstico debe colocarse sobre una superficie plana y sólida.

4. Incline el frigorífico ligeramente hacia atrás.



5. Ajuste las patas al nivel deseado.

Asegúrese de que la distancia a la pared del lado de la bisagra sea de al menos 100 mm para que la puerta se abra correctamente.



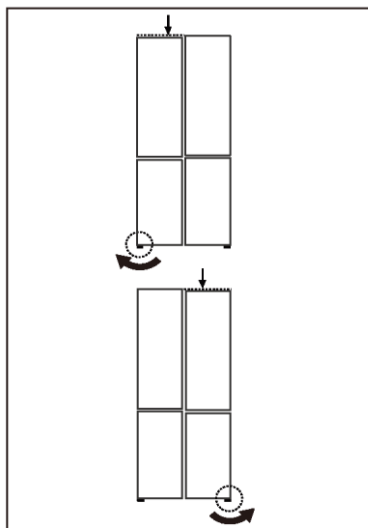
6. Puede comprobarse la estabilidad golpeando alternativamente las diagonales. El ligero bamboleo debe ser el mismo en ambas direcciones. De lo contrario, el marco puede deformarse y resultar en fugas en las juntas de la puerta.

Una ligerísima inclinación hacia atrás facilita el cierre de las puertas.



## AVISO

Para un electrodoméstico independiente: este electrodoméstico de refrigeración no está diseñado para ser utilizado como un electrodoméstico integrado.

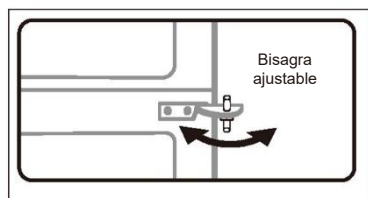


### Ajuste de las puertas

Si las puertas no están niveladas, este desajuste puede ser solucionado de la siguiente manera:

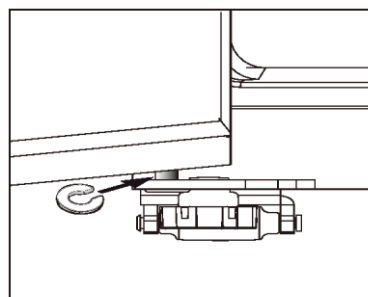
#### Uso de las patas ajustables

Gire la pata ajustable según la dirección de la flecha para subir o bajar la puerta.



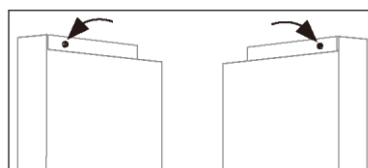
### Ajuste de la posición de la puerta

- ▶ Cuando las dos puertas no estén a la misma altura, las bisagras ajustables se pueden regular con la llave fija incluida para nivelarlas. Por favor, no lo instale de forma brusca para evitar arañazos o golpes en el embellecedor de la puerta.



### Uso de separadores

- ▶ Abra la puerta del congelador y levántela.
- ▶ Fije cuidadosamente el separador (incluido en la bolsa de accesorios) en el eje de la bisagra inferior, a mano o utilizando herramientas como alicates. No raye ni abolle la puerta.



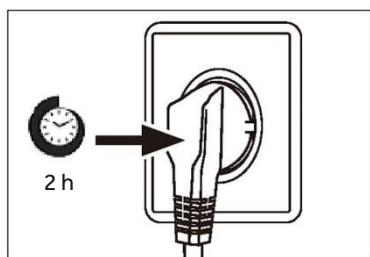
### Uso del mando de ajuste

- ▶ Si la puerta del compartimento frigorífico no está nivelada, puede girar el mando ajustable situado en la parte superior de ésta para realizar ajustes finos.



## AVISO

Durante el uso futuro del frigorífico, las puertas pueden desnivelarse por el peso de los alimentos almacenados. En ese caso, ajuste siguiendo las instrucciones anteriores.



### Tiempo de espera

El aceite de lubricación sin mantenimiento se encuentra en la cápsula del compresor. Este aceite puede pasar por el sistema de tuberías cerradas durante el transporte si el electrodoméstico está inclinado. Antes de conectar el electrodoméstico a la fuente de alimentación, espere al menos 2 horas para que el aceite vuelva a entrar en la cápsula.

### Conexión eléctrica

Antes de cada conexión, compruebe si:

- ▶ La fuente de alimentación, la toma de corriente y el fusible son adecuados para la placa de clasificación.
- ▶ La toma de corriente tiene conexión a tierra y no tiene múltiples contactos ni extensiones.
- ▶ El enchufe y la toma de corriente encajan perfectamente.


Conecte el enchufe a una toma de corriente doméstica correctamente instalada.



## ¡ADVERTENCIA!

Para evitar riesgos, solo el servicio de atención al cliente debe reemplazar un cable de alimentación dañado (ver tarjeta de garantía).

Ficha del producto conforme al Reglamento UE n.º 2019/2016

Marca	Haier
Nombre del modelo / identificador	HCR59F19DNMM HCR59F18DNMB
Categoría del modelo	Frigorífico-congelador
Clase de eficiencia energética	D
Consumo anual de energía (kWh/año)(1)	306
Volumen total (L)	706
Volumen del frigorífico (L)	417
Volumen del congelador (L)	251
Sección de dos estrellas (L)	38
Estrellas	
Sistema Frost-free	Sí
Capacidad de congelación (kg/24 h)	14
Clasificación climática(2)	SN-N-ST-T
Clase de emisión de ruido y emisiones de ruido acústico en el aire (db (A) re 1pW)	C(35)
Tiempo de aumento de la temperatura (h)	13
Tipo de electrodoméstico	Independiente

Explicaciones:

• Sí, se incluye

- (1) Basado en los resultados de la prueba de conformidad normativa durante 24 horas. El consumo real depende del uso y de la ubicación del electrodoméstico.
- (2) Calificación climática SN: Este electrodoméstico está diseñado para ser utilizado a una temperatura ambiente comprendida entre + 10 °C y +32 °C  
 Calificación climática N: Este electrodoméstico está diseñado para ser utilizado a una temperatura ambiente comprendida entre + 16 °C y +32 °C  
 Calificación climática ST: Este electrodoméstico está diseñado para ser utilizado a una temperatura ambiente comprendida entre + 16 °C y +38 °C  
 Calificación climática T: Este electrodoméstico está diseñado para ser utilizado a una temperatura ambiente comprendida entre + 16 °C y +43 °C

#### Datos técnicos adicionales

Voltaje / Frecuencia	220-240 V ~ / 50 Hz
Corriente de entrada (A)	1,5
Fusible principal (A)	16
Refrigerante	R600a 68g
Dimensiones (Al/F/An en mm)	905 / 738 / 1825

Recomendamos nuestro Servicio de atención al cliente Haier y el uso de repuestos originales.

Si tiene algún problema con su electrodoméstico, compruebe primero la sección SOLUCIÓN DE PROBLEMAS.

Si no encuentra una solución allí, póngase en contacto con

- ▶ su distribuidor local o
- ▶ nuestro Centro europeo de atención al cliente (ver números de teléfono listados abajo) o
- ▶ el área de servicio y asistencia en [www.haier.com](http://www.haier.com), donde puede activar la
- ▶ solicitud de servicio y encontrar las Preguntas frecuentes.

Para ponerse en contacto con nuestro Servicio, asegúrese de tener los siguientes datos disponibles.

Puede encontrar la información en la placa de datos.

Modelo \_\_\_\_\_

N.º de serie \_\_\_\_\_

Compruebe también la tarjeta de garantía suministrada con el producto en caso de garantía.

Centro europeo de atención al cliente		
País*	Número de teléfono	Costes
Haier Italy (IT)	199 100 912	
Haier Spain (ES)	902 509 123	
Haier Germany (DE)	0180 5 39 39 99	<ul style="list-style-type: none"> <li>• 14 ct/min. teléfono fijo</li> <li>• máx. 42 ct/min. móvil</li> </ul>
Haier Austria (AT)	0820 001 205	<ul style="list-style-type: none"> <li>• 14,53 ct/min. teléfono fijo</li> <li>• máx. 20 ct/min. el resto</li> </ul>
Haier United Kingdom (UK)	0333 003 8122	
Haier France (FR)	0980 406 409	

\*Para otros países, consulte [www.haier.com](http://www.haier.com)

Haier Europe Trading S.r.l

Sucursal Reino Unido

Westgate House, Westgate, Ealing

Londres, W5 1YY

\*Duración de la garantía del electrodoméstico de refrigeración:

La garantía mínima es de: 2 años para los países de la UE, 3 años para Turquía, 1 año para el Reino Unido, 1 año para Rusia, 3 años para Suecia, 2 años para Serbia, 5 años para Noruega, 1 año para Marruecos, 6 meses para Argelia, Túnez no tiene garantía legal, al no requerirse.

\*Período de disponibilidad de las piezas de repuesto para la reparación del aparato:

Los termostatos, los sensores de temperatura, las placas de circuito impresas y las fuentes de luz están disponibles durante un período mínimo de 7 años después de la comercialización de la última unidad del modelo.

Las asas, bisagras, bandejas y cestas lo están durante un período mínimo de siete años, y las juntas durante un período mínimo de 10 años después de la comercialización de la última unidad del modelo.

\*Para más información sobre el producto, consulte <https://eprel.ec.europa.eu/> o escanee el código QR en la etiqueta energética suministrada con el electrodoméstico.

## CERTIFICADO DE CALIDAD

DESIGNACIÓN: FRIGORÍFICO

C. C. APROBADO

N.º DE COMPROBADOR

QC01

# Haier

专用号条码

0060543171  
2026 Versión A

# Haier

Benutzerhandbuch



Kühl-Gefrierkombination

HCR59F18DNMM

HCR59F18DNMB

<b><u>4 Sicherheitsinformationen</u></b>	•	Vor der ersten Inbetriebnahme	5
		Installation	5
		Täglicher Gebrauch	6
<b><u>8 Bestimmungsgemäße Verwendung</u></b>	•		
<b><u>9 Produktbeschreibung</u></b>	•		
<b><u>10 Bedienfeld</u></b>	•		
<b><u>11 Verwendung</u></b>	•	Einstellen der Temperatur für den Kühlschrank	14
		Einstellen der Temperatur für den Gefrierschrank	14
		Super-Cool-Funktion	15
		Super-Frz-Funktion	15
		Holiday-Modus	16
		Magic Zone-Funktion	17
<b><u>20 Ausrüstung</u></b>	•		
<b><u>22 Energiespartipps</u></b>	•		
<b><u>23 Pflege und Reinigung</u></b>	•		
<b><u>25 Fehlerbehebung</u></b>	•		
<b><u>29 Installation</u></b>	•		
<b><u>33 Technische Daten</u></b>	•		
<b><u>35 Kundendienst</u></b>	•		

## Vielen Dank für den Kauf eines Haier-Produkts.

Bitte lesen Sie diese Anweisungen sorgfältig durch, bevor Sie dieses Gerät benutzen. Die Anleitung enthält wichtige Informationen, die Ihnen dabei helfen, das Gerät optimal zu nutzen und eine sichere und ordnungsgemäße Installation, Verwendung und Wartung zu gewährleisten.

Bewahren Sie diese Anleitung an einem geeigneten Ort auf, damit Sie jederzeit für die sichere und ordnungsgemäße Verwendung des Geräts darauf zurückgreifen können.

Wenn Sie das Gerät verkaufen, weggeben oder bei einem Umzug zurücklassen, vergewissern Sie sich, dass diese Anleitung auch beigelegt wird, damit sich der neue Besitzer bzw. die neue Besitzerin mit dem Gerät und den Sicherheitshinweisen vertraut machen kann.

## Zubehör

Überprüfen Sie das Zubehör und die Dokumentation gemäß dieser Liste:



Energielabel



Garantie-  
karte



Benutzer-  
handbuch



Garantie-  
schein



Kurzanleitung



3 Abstands-  
halter



Warn-  
hinweis



Schrauben-  
schlüssel



## **WARNUNG - Wichtige Sicherheitsinformationen**



## **HINWEIS - Allgemeine Informationen und Tipps**



## **Umweltinformationen**



### **Entsorgung**

Tragen Sie zum Schutz der Umwelt und der menschlichen Gesundheit bei. Entsorgen Sie die Verpackung zum Recyceln in die entsprechenden Behälter. Unterstützen Sie das Recycling von Elektro- und Elektronik-Altgeräten. Entsorgen Sie Geräte, die mit diesem Symbol gekennzeichnet sind, nicht mit dem Hausmüll. Geben Sie das Produkt an Ihre lokale Recyclinganlage zurück oder wenden Sie sich an Ihre Stadtverwaltung.



### **WARNUNG: Brandgefahr/brennbares Material**

Das Symbol zeigt an, dass Brandgefahr besteht, da brennbare Materialien verwendet werden. Achten Sie darauf, dass kein Feuer entstehen kann, indem brennbares Material sich entzündet.



### **WARNUNG!**

Verletzungs- oder Erstickungsgefahr!

Kältemittel und Gase müssen fachgerecht entsorgt werden. Stellen Sie sicher, dass der Schlauch des Kühlkreislaufs nicht beschädigt ist, bevor er ordnungsgemäß entsorgt wird. Trennen Sie das Gerät von der Stromversorgung. Trennen Sie das Netzkabel und entsorgen Sie es. Entfernen Sie die Fächer und Schubladen sowie die Türöffnung und die Dichtungen, um zu verhindern, dass Kinder und Haustiere im Gerät eingeschlossen werden.

## Lesen Sie vor dem ersten Einschalten des Geräts folgende Sicherheitshinweise:



### WARNUNG!

#### Vor der ersten Inbetriebnahme

- ▶ Vergewissern Sie sich, dass keine Transportschäden vorliegen.
- ▶ Das Gerät immer mit mindestens zwei Personen transportieren, da es schwer ist.

#### Installation

- ▶ Das Gerät sollte an einem gut belüfteten Ort aufgestellt werden. Idealerweise müssen mindestens 10 cm rund um das Gerät frei bleiben.
- ▶ Stellen Sie das Gerät niemals in einem feuchten Bereich oder an einem Ort auf, wo es mit Wasser nassgespritzt werden könnte. Reinigen Sie Wasserspritzer und Flecken mit einem weichen, sauberen Tuch.
- ▶ Stellen Sie das Gerät nicht in direktem Sonnenlicht oder in der Nähe von Hitzequellen (z. B. Herden, Heizungen) auf.
- ▶ Installieren und richten Sie das Gerät in einem Bereich ein, der für seine Größe und Verwendung geeignet ist.
- ▶ Halten Sie die Lüftungsschlitze am Gerät oder in der Einbaustruktur frei.
- ▶ Stellen Sie sicher, dass die elektrischen Informationen auf dem Typenschild der Stromversorgung entsprechen. Ist dies nicht der Fall, wenden Sie sich an einen Elektriker.
- ▶ Das Gerät wird über eine 220-240 V / 50 Hz Stromversorgung betrieben. Abnormale Spannungsschwankungen könnten dazu führen, dass sich das Gerät nicht einschaltet, der Temperaturregler oder Kompressor beschädigt wird, oder dass während des Betriebs ein abnormales Geräusch auftritt. In einem solchen Fall ist ein automatischer Regler anzubringen.
- ▶ Verwenden Sie keine Mehrfachsteckadapter und Verlängerungskabel.
- ▶ Positionieren Sie keine Mehrfachsteckdosen oder Verlängerungen hinter dem Gerät.
- ▶ Stellen Sie sicher, dass das Netzkabel nicht durch den Kühlschrank eingeklemmt wird. Nicht auf das Netzkabel treten.
- ▶ Verwenden Sie eine separate, geerdete Steckdose für eine leicht zugängliche Stromversorgung. Das Gerät muss geerdet werden.  
Nur für Großbritannien: Das Gerätenetzkabel ist mit einem 3-adrigen Stecker (Erdungsstecker) ausgestattet, der in eine 3-adrige Norm-Buchse (geerdet) passt. Der dritte Stift (Erdung) darf auf keinen Fall gekappt oder entfernt werden. Das Gerät muss so installiert werden, dass der Stecker erreichbar ist.
- ▶ Achten Sie darauf, den Kühlkreislauf nicht zu beschädigen.



## WARNUNG!

### Täglicher Gebrauch

- ▶ Dieses Gerät kann von Kindern ab 8 Jahren und Personen mit eingeschränkten körperlichen, sensorischen oder geistigen Fähigkeiten oder mangelnder Erfahrung und mangelndem Wissen benutzt werden, wenn diese in die sichere Bedienung des Geräts eingewiesen wurden oder beaufsichtigt werden und die damit verbundenen Gefahren verstanden haben.
- ▶ Kinder im Alter von 3 bis 8 Jahren dürfen Kühlschränke be- und entladen, aber nicht reinigen und installieren.
- ▶ Kinder unter 3 Jahren vom Gerät fernhalten, es sei denn, sie werden ständig beaufsichtigt.
- ▶ Kinder dürfen nicht mit dem Gerät spielen.
- ▶ Wenn Kühlgas oder ein anderes brennbares Gas in der Nähe des Geräts austritt, drehen Sie das Ventil des austretenden Gases ab. Öffnen Sie die Türen und Fenster, und ziehen Sie nicht den Netzstecker des Kühlschranks oder eines anderen Haushaltsgeräts.
- ▶ Beachten Sie, dass das Gerät für den Betrieb bei einer bestimmten Umgebungstemperatur zwischen 10 und 43 °C eingestellt ist. Das Gerät funktioniert möglicherweise nicht ordnungsgemäß, wenn es über einen längeren Zeitraum bei einer Temperatur oberhalb oder unterhalb des angegebenen Bereichs betrieben wird.
- ▶ Stellen Sie keine instabilen Gegenstände (schwere Gegenstände, mit Wasser gefüllte Behälter) auf den Kühlschrank, um Verletzungen durch Herunterfallen oder elektrische Schläge durch Kontakt mit Wasser zu vermeiden.
- ▶ Ziehen Sie nicht an den Türfächern. Die Tür kann schief verzogen werden, das Flaschenregal kann herausgezogen werden, oder das Gerät kann umkippen.
- ▶ Schließen und öffnen Sie die Tür nur mit den Griffen. Der Spalt zwischen den Türen sowie zwischen den Türen und dem Schrank ist sehr schmal. Stecken Sie nicht Ihre Hände in diese Bereiche, um zu vermeiden, dass Sie Ihre Finger eingeklemmt werden. Die Kühlschranktüren nur dann öffnen oder schließen, wenn keine Kinder im Bewegungsbereich der Tür stehen.
- ▶ Keine brennbaren, explosionsfähigen oder korrosiven Substanzen im Gerät oder in der Nähe verwenden.
- ▶ Lagern Sie keine Arzneimittel, Bakterien oder Chemikalien im Gerät. Dieses Gerät ist ein Haushaltsgerät. Es wird davon abgeraten, Materialien zu lagern, die extreme Temperaturen erfordern.
- ▶ Lagern Sie niemals Flüssigkeiten in Flaschen oder Dosen (außer hochprozentige Spirituosen), insbesondere kohlenensäurehaltige Getränke, im Gefrierschrank, da diese beim Einfrieren platzen können.
- ▶ Überprüfen Sie den Zustand der Lebensmittel, wenn die Temperatur im Gefrierschrank angestiegen ist.
- ▶ Stellen Sie keine unnötig niedrigen Temperaturen im Kühlfach ein. Bei hohen Einstellungen kann es zu Minustemperaturen kommen. Achtung: Flaschen können platzen.
- ▶ Berühren Sie Gefriergut nicht mit nassen Händen (Handschuhe tragen). Verzehren Sie insbesondere Eis am Stiel nicht sofort nach der Entnahme aus dem Gefrierfach. Es besteht die Gefahr des Erfrierens oder der Bildung von Frostblasen am Mund und Zunge. ERSTE HILFE: Sofort unter fließend kaltes Wasser halten. Nicht mit Gewalt abziehen!
- ▶ Berühren Sie nicht die Innenfläche des Gefrierfachs, wenn es in Betrieb ist, insbesondere nicht mit nassen Händen, da Ihre Hände an der Oberfläche festfrieren könnten.



## WARNUNG!

### Täglicher Gebrauch

- ▶ Ziehen Sie den Gerätestecker aus der Steckdose, falls die Stromversorgung unterbrochen wird oder bevor Sie das Gerät reinigen. Warten Sie vor dem Neustart mindestens 7 Minuten, da durch häufiges Einschalten der Kompressor beschädigt werden kann.
- ▶ Verwenden Sie Im Inneren des Haushaltsgeräts keine elektrischen Geräte, es sei denn, sie werden vom Hersteller empfohlen.  
Wartung / Reinigung
- ▶ Kinder müssen beaufsichtigt werden, wenn sie das Gerät reinigen und warten.
- ▶ Trennen Sie das Gerät von der Stromversorgung, bevor Sie eine routinemäßige Wartung durchführen. Warten Sie vor dem Neustart mindestens 5 Minuten, da durch häufiges Einschalten der Kompressor beschädigt werden kann.
- ▶ Fassen Sie beim Herausziehen des Gerätesteckers aus der Steckdose den Stecker und nicht das Kabel an.
- ▶ Reinigen Sie das Gerät nicht mit harten Bürsten, Drahtbürsten, Reinigungspulver, Benzin, Amylacetat, Aceton und ähnlichen organischen Lösungen, Säure oder Alkalilösungen. Reinigen Sie das Gerät mit einem speziellen Reinigungsmittel für Kühlgeräte, um Beschädigungen zu vermeiden.
- ▶ Kratzen Sie Eis nicht mit scharfkantigen Gegenständen ab. Verwenden Sie keine Sprays, elektrischen Heizgeräte, Haartrockner zum Abtauen oder Dampfreiniger im Gerät, um Beschädigungen der Kunststoffteile zu vermeiden.
- ▶ Verwenden Sie keine mechanischen oder sonstigen Hilfsmittel, um den Abtauvorgang zu beschleunigen, es sei denn, dies wird vom Hersteller so empfohlen.
- ▶ Wenn das Stromkabel beschädigt ist, muss es vom Hersteller, von seinem Service-Mitarbeiter oder einer gleichwertig qualifizierten Person ausgetauscht werden, um jegliches Risiko zu vermeiden.
- ▶ Versuchen Sie nicht, das Gerät selbst zu reparieren, zu zerlegen oder zu verändern. Bei Reparaturen wenden Sie sich bitte an unseren Kundenservice.
- ▶ Entfernen Sie den Staub auf der Geräterückseite mindestens einmal im Jahr, um Brandgefahr und einen erhöhten Energieverbrauch zu vermeiden.
- ▶ Das Gerät darf während der Reinigung nicht besprüht oder mit Wasser beschüttet werden.
- ▶ Das Gerät darf nicht mit Wasser besprüht oder mit Dampf gereinigt werden.
- ▶ Reinigen Sie die kalten Einlegeböden aus Glas nicht mit heißem Wasser. Plötzliche Temperaturschwankungen können dazu führen, dass das Glas zerspringt.

### Informationen zum Kältemittelgas

- ▶ Das Gerät enthält das entzündliche Kältemittel ISOBUTAN (R600a). Stellen Sie sicher, dass der Kühlkreislauf während des Transports oder der Installation nicht beschädigt wird. Auslaufendes Kältemittel kann Augenverletzungen verursachen oder sich entzünden. Falls Schäden aufgetreten sind, halten Sie sich von offenen Brandquellen fern, lüften Sie den Raum gründlich, stecken Sie die Netzkabel des Geräts oder eines anderen Geräts nicht ein oder aus. Informieren Sie den Kundenservice.
- ▶ Falls die Augen mit dem Kältemittel in Kontakt kommen, spülen Sie sofort unter fließendem Wasser aus und verständigen Sie den Augenarzt.

## Bestimmungsgemäße Verwendung

Dieses Gerät ist zum Kühlen und Gefrieren von Lebensmitteln bestimmt. Es ist ausschließlich für den Einsatz in Haushalten und ähnlichen Bereichen konzipiert, wie z. B. in Personalküchen in Geschäften, Büros und anderen Arbeitsumgebungen, auf Bauernhöfen und in Hotels, Motels und anderen wohnähnlichen Umgebungen sowie in Bed-and-Breakfasts und für Catering-Zwecke. Das Gerät ist nicht für die kommerzielle oder industrielle Nutzung bestimmt.

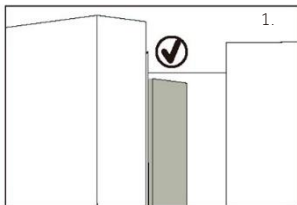
Änderungen oder Anpassungen am Gerät sind nicht erlaubt. Eine unsachgemäße Verwendung kann zu Gefahren und zum Verlust von Garantieansprüchen führen.

## Normen und Richtlinien **CE**

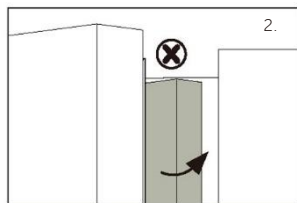
Dieses Produkt erfüllt die Anforderungen aller geltenden EG-Richtlinien mit den entsprechenden harmonisierten Normen, die eine CE-Kennzeichnung vorsehen.



### VORSICHT!



Beim Schließen der Türe sollte die vertikale Türleiste an der linken Tür nach innen gebogen sein (1).

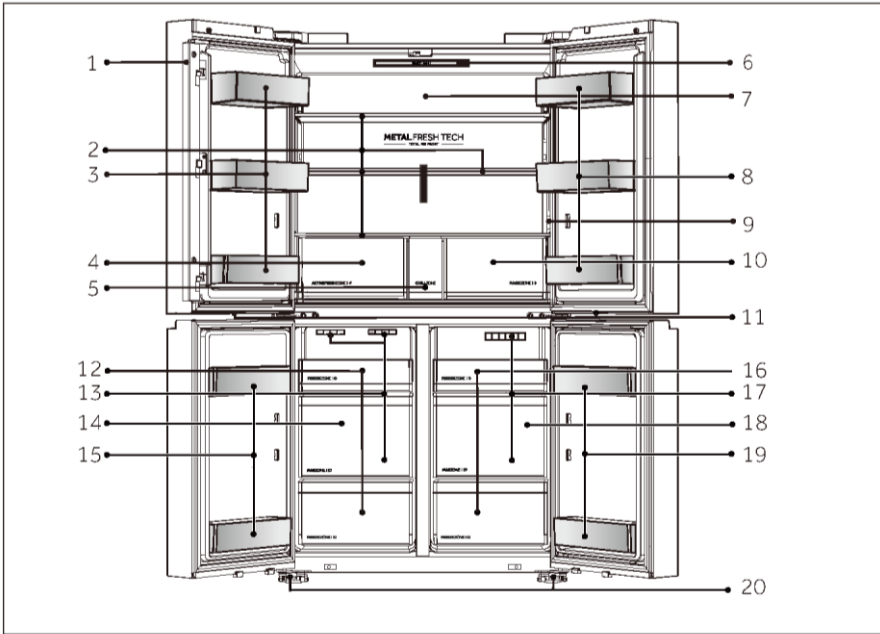


Wenn Sie versuchen, die linke Tür zu schließen und die vertikale Türleiste nicht gebogen (2), sollten Sie sie zuerst zurechtbiegen, da sie sonst gegen die Befestigung oder die rechte Tür stößt. Dadurch kommt es zu einer Beschädigung des Türanschlags oder zu einer Undichtigkeit.

Im Inneren des Rahmens befindet sich ein Heizfaden. Die Temperatur der Oberfläche steigt ein wenig an, was normal ist und die Funktion des Geräts nicht beeinträchtigt.

**i HINWEIS**

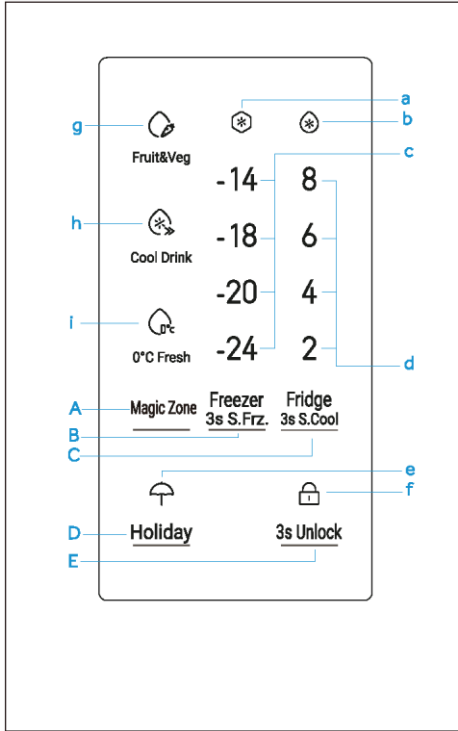
Aufgrund von technischen Änderungen und unterschiedlichen Modellen können einige der Abbildungen in dieser Anleitung von Ihrem Modell abweichen.



A: Kühlfach des Kühlschranks

B: Gefrierfach

- |                              |                          |
|------------------------------|--------------------------|
| 1 Türträger                  | 12 FREEZE ZONE-Schublade |
| 2 Einlegeböden aus Glas      | 13 Luftkanal             |
| 3 Flaschenhalter             | 14 MAX ZONE-Schublade    |
| 4 ACTIVEFRESH ZONE-Schublade | 15 Flaschenhalter        |
| 5 CHILL ZONE-Box             | 16 FREEZE ZONE-Schublade |
| 6 Kühlschranklampe           | 17 Luftkanal             |
| 7 Kühlschrankrohr            | 18 MAX ZONE-Schublade    |
| 8 Flaschenhalter             | 19 Flaschenhalter        |
| 9 Bedienfeld                 | 20 Verstellbare Füße     |
| 10 MAGIC ZONE-Schublade      |                          |
| 11 Gefrierschrankleuchte     |                          |



Tasten:

- A Wahlschalter für den Magic Zone-Modus
- B Wahlschalter für die Gefrierschrank- & die super-frz-Funktion
- C Wahlschalter für die Kühlschrank- & die super-cool-Funktion
- D Wahlschalter für die Holiday-Funktion
- E Wahlschalter für die Sperr-/Entriegelungsfunktion

Anzeigen:

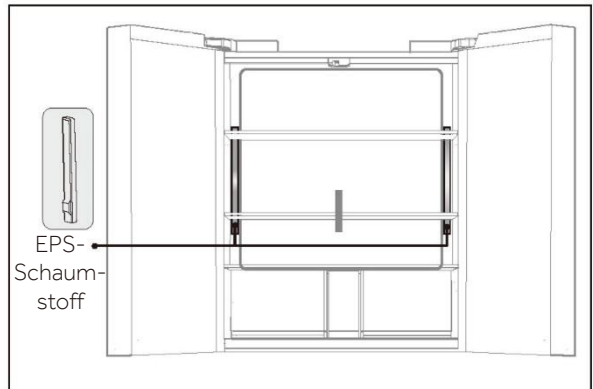
- a Super-Frz-Funktion
- b Super-Cool-Funktion
- c Temperatur im Gefrierschrank
- d Kühltemperatur
- e Holiday-Funktion
- f Sperr-/Entriegelungsfunktion
- g Fruit & Veg-Funktion
- h Cool Drink-Funktion
- i 0°C Fresh-Funktion

### Vor der ersten Inbetriebnahme

- ▶ Entfernen Sie alle Bestandteile der Verpackung, insbesondere den weißen EPS-Schaumstoff zu beiden Seiten des Kühlrohrs, und bewahren Sie sie außerhalb der Reichweite von Kindern auf. Entsorgen Sie sie auf umweltfreundliche Weise.
- ▶ Reinigen Sie das Gerät innen und außen mit Wasser und einem milden Reinigungsmittel, bevor Sie Lebensmittel hineinlegen.
- ▶ Warten Sie nach dem Nivellieren und Reinigen mindestens 2-5 Stunden, bevor Sie das Gerät an die Stromversorgung anschließen. Siehe Abschnitt INSTALLATION.
- ▶ Kühlen Sie die Fächer auf hoher Stufe vor, bevor Sie die Lebensmittel einlegen. Die Power-Freeze-Funktion sorgt für eine schnelle Abkühlung des Gefrierfachs.
- ▶ Die Kühlschranktemperatur und die Gefrierschranktemperatur werden automatisch auf 4 °C bzw. -18 °C eingestellt. Dies sind die empfohlenen Einstellungen. Falls gewünscht, können Sie diese Temperatur manuell ändern. Siehe EINSTELLEN DER TEMPERATUR.

### Methode zum Entfernen des EPS-Schaumstoffs

Entfernen Sie zunächst den oberen und den mittleren Einlegeboden (die Methode zum Entfernen der Einlegeböden ist auf Seite 25 beschrieben), und nehmen Sie dann die beiden EPS-Elemente heraus.



## Sensortasten

Die Tasten auf dem Bedienfeld sind Sensortasten, die schon bei leichter Berührung mit dem Finger ansprechen.

## Gerät ein-/ausschalten

Das Gerät ist sofort in Betrieb, wenn es an die Stromversorgung angeschlossen wird.

Die Kühlschranktemperatur und die Gefrierschranktemperatur werden automatisch auf 4 °C bzw. -18 °C eingestellt.

Möglicherweise ist die Bedienfeldsperre aktiv.



## HINWEIS

Das Gerät ist auf die empfohlene Temperatur von 4 °C (Kühlschrank) und -18 °C (Gefrierschrank) voreingestellt. Unter normalen Umgebungsbedingungen müssen Sie keine Temperatur einstellen.

Wenn das Gerät, nachdem es von der Hauptstromversorgung getrennt wurde, eingeschaltet wird, kann es bis zu 12 Stunden dauern, bis die richtigen Temperaturen erreicht sind.

Räumen Sie das Gerät vor dem Ausschalten aus. Schalten Sie das Gerät aus, indem Sie den Netzstecker aus der Steckdose ziehen.

## Bedienfeld sperren/entsperren

**Automatische Sperre:** Wenn die Kühlschranktür geschlossen ist und innerhalb von 30 Sekunden keine Tastenbetätigung erfolgt, wird der Bildschirm automatisch gelöscht und gesperrt.

**Manuelle Sperre:** Wenn der Bildschirm entsperrt ist, drücken Sie die Taste „E“ (Auswahl der Bedienfeldsperre) und halten Sie sie 3 Sekunden lang gedrückt; der Summer ertönt einmal, die Anzeige „f“ (Bedienfeldsperre) leuchtet auf und das Display ist gesperrt. Im verriegelten Zustand drücken Sie die Taste „E“ und halten Sie sie 3 Sekunden lang gedrückt, der Summer ertönt einmal, die Anzeige „f“ (Bedienfeld verriegelt) ist erloschen, das Bedienfeldverriegelung wurde entriegelt.



## Manueller Einstellmodus

Wenn Sie die Temperatur des Geräts manuell einstellen möchten, können Sie die Taste zur Temperatureinstellung betätigen (siehe EINSTELLEN DER TEMPERATUR).

## Türalarm

Der Türalarm wird ausgelöst, wenn die Tür längere Zeit geöffnet oder nicht richtig geschlossen ist, und erinnert daran, die Tür zu schließen.

## Temperatur einstellen

Die Temperaturen im Inneren werden durch folgende Faktoren beeinflusst:

Umgebungstemperatur, Häufigkeit der Türöffnung, Menge der gelagerten Lebensmittel, Installation des Geräts.

### Einstellen der Temperatur für den Kühlschrank

1. Wenn der Bildschirm entsperrt ist, drücken Sie die Taste „C“. Der Summer ertönt einmal, die Anzeige „b“ blinkt, und Sie gelangen in den Temperatureinstellungsmodus des Kühlschranks.
2. Drücken Sie die Taste „C“ jedes Mal, der Summer ertönt einmal, die eingestellte Temperatur des Kühlschranks wird geändert, die Kühlschranktemperatur wird in der Reihenfolge 8>6>4>2 angezeigt.

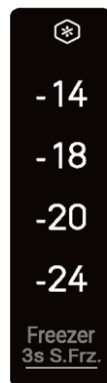


#### HINWEIS

Wenn nach dem Einstellen der Temperatur innerhalb von 5 Sekunden kein Betätigungsvorgang erfolgt, ermittelt und speichert das System automatisch die eingestellte Temperatur.

### Einstellen der Temperatur für den Gefrierschrank

1. Wenn der Bildschirm entsperrt ist, drücken Sie die Taste „B“. Der Summer ertönt einmal, die Anzeige „c“ blinkt, und dann wird der Temperatureinstellungsmodus des Gefrierschranks aktiviert.
2. Drücken Sie die Taste „B“ jedes Mal, der Summer ertönt einmal, die eingestellte Temperatur des Gefrierschranks wird geändert, die Gefrierschranktemperatur wird in der Reihenfolge -14>-18>-20>-24 angezeigt.

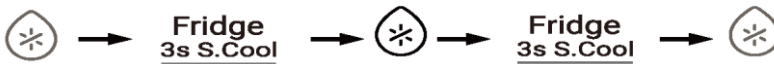


#### HINWEIS

Wenn nach dem Einstellen der Temperatur innerhalb von 5 Sekunden kein Betätigungsvorgang erfolgt, ermittelt und speichert das System automatisch die eingestellte Temperatur.

## Super-Cool-Funktion

1. Wenn der Bildschirm entsperrt ist, halten Sie die Taste „C“ drei Sekunden lang gedrückt. Der Summer ertönt einmal, die Anzeige „b“ leuchtet auf und die Super-Cool-Funktion wird eingeschaltet.
2. Wenn Anzeige „b“ aufleuchtet, halten Sie die Taste „C“ drei Sekunden lang gedrückt. Der Summer ertönt einmal, die Anzeige „b“ erlischt und die Super-Cool-Funktion wird ausgeschaltet.
3. Nach dem Einschalten der Super-Cool-Funktion schaltet der Kühlschrank die Funktion automatisch aus, wenn die gewählte Gradzahl erreicht ist. Wenn Sie die Funktion manuell beenden möchten, können Sie die Taste „C“ drücken, um sie auszuschalten.



## HINWEIS

1. Im Super-Cool-Status kann die Kühlschranktemperatur nicht eingestellt werden. Wenn zum Einstellen der Kühlschranktemperatur eine der Tasten „C“ gedrückt wird, blinkt die Anzeige „b“ und es ertönt ein Hinweis darauf, dass dieser Vorgang nicht durchgeführt werden kann.
2. Im Status der Super-Cool-Funktion kann die Auto-Set-Funktion aufgrund der unterschiedlichen Steuerungsmodi nicht gleichzeitig eingeschaltet werden. Wenn Sie eine Funktion wählen, die mit einer anderen Funktion in Konflikt steht, wird die ursprüngliche Funktion automatisch beendet.

## Super-Frz-Funktion

1. Wenn der Bildschirm entsperrt ist, drücken Sie die Taste „B“ drei Sekunden lang, der Summer ertönt einmal, die Anzeige „a“ leuchtet auf, und die Super-Frz-Funktion wird eingeschaltet.
2. Wenn Anzeige „a“ aufleuchtet, halten Sie die Taste „B“ drei Sekunden lang gedrückt. Der Summer ertönt einmal, die Anzeige „a“ erlischt und die Super-Frz-Funktion wird ausgeschaltet.
3. Nach dem Einschalten der Super-Frz-Funktion schaltet der Kühlschrank die Funktion automatisch aus, wenn die gewählte Gradzahl erreicht ist. Wenn Sie die Funktion manuell beenden möchten, können Sie die Taste „B“ drücken, um sie auszuschalten.





## HINWEIS

1. Im Super-Freeze-Status kann die Gefriertemperatur nicht eingestellt werden. Wenn zum Einstellen der Gefrierschranktemperatur eine der Tasten „B“ gedrückt wird, blinkt die Anzeige „a“ und es ertönt ein Hinweis darauf, dass dieser Vorgang nicht durchgeführt werden kann.
2. Die Super-Freeze-Funktion ist so konzipiert, dass der Nährwert der gefrorenen Lebensmittel erhalten bleibt und die Lebensmittel in kürzester Zeit eingefroren werden. In dieser Zeit wird die Gefriereschwindigkeit des Gefrierschranks verbessert, Lebensmittel können schnell eingefroren werden, die Nährstoffe der Lebensmittel bleiben erhalten, und die Lagerung ist praktischer. Wenn Sie einmal eine große Menge an Lebensmitteln einfrieren müssen, empfiehlt es sich, die Super Freeze-Funktion 24 Stunden vor der Verwendung des Gefrierfachs einzuschalten.

## Holiday-Modus

Der Holiday-Modus ist dafür gedacht, den Kühlschrank über einen längeren Zeitraum nicht zu benutzen. Wenn der Holiday-Modus eingeschaltet ist, funktioniert der Gefrierschrank normal und die Temperatur des Kühlschranks wird automatisch auf 17 °C eingestellt. So wird ein durch höhere Temperaturen verursachter Geruch vermieden und gleichzeitig wird der Energieverbrauch gesenkt.

1. Wenn das Display entsperrt ist, drücken Sie die Taste „D“, der Summer ertönt einmal und die Anzeige „e“ leuchtet auf, dann wird die Holiday-Funktion eingeschaltet.
2. Wenn die Anzeige „e“ aufleuchtet, drücken Sie die Taste „D“, der Summer ertönt einmal, die Anzeige „e“ erlischt und die Holiday-Funktion wird ausgeschaltet.



## HINWEIS

Bevor Sie die Holiday-Funktion nutzen, leeren Sie bitte den Kühlschrank, um zu verhindern, dass Lebensmittel darin verderben. Wenn die Holiday-Funktion eingeschaltet ist, kann nicht zugleich die „Super-Cool“-Funktion eingeschaltet werden.

## Magic Zone-Funktion

Wenn der Bildschirm entriegelt ist, drücken Sie die Taste „A“, um durch die Funktionen Fruit&Veg, Cool Drink und 0°C Fresh zu laufen.

### 1. Fruit&Veg-Funktion:

Diese Funktion eignet sich für die Lagerung von frischem Obst und Gemüse. Wenn diese Funktion ausgewählt wurde, leuchtet die Anzeige „g“.

### 2. Cool Drink-Funktion:

Diese Funktion ermöglicht die Lagerung von Produkten wie Wasser, Cola und Saft. Wenn diese Funktion ausgewählt wurde, leuchtet die Anzeige „h“.

### 3. 0° Fresh-Funktion:

Diese Funktion eignet sich für die Aufbewahrung frischer Lebensmittel wie Fleisch oder Fisch. Wenn diese Funktion ausgewählt wurde, leuchtet die Anzeige „i“.



## HINWEIS

1. Standardmäßig ist bei der Inbetriebnahme die Cool Drink-Funktion eingestellt.
2. Bei der Fruit&Veg.-Funktion: Kälteempfindliche Früchte wie Ananas, Avocados, Bananen, Grapefruits und Gemüse wie Kartoffeln, Auberginen, Bohnen, Gurken, Zucchini und Tomaten sowie Käse sollten nicht in der Magic Zone-Schublade gelagert werden.
3. Bei der 0° Fresh-Funktion: Aufgrund des unterschiedlichen Wassergehalts von Fleisch gefrieren Fleischsorten mit mehr Feuchtigkeit bei Temperaturen unter 0 °C. Daher sollte „frisch geschnittenes“ Fleisch in der Magic Zone-Schublade bei einer Mindesttemperatur von 0 °C gelagert werden.
4. Die drei Magic Zone-Funktionen können nicht gleichzeitig aktiviert werden, nur eine kann leuchten. Um die Temperatur im Kühlfach zu senken, verwenden Sie die Cool Drink-Funktion, um die Temperatur im Kühlfach zu erhöhen, verwenden Sie die Fruit&Veg-Funktion.

## Tipps zum Lagern frischer Lebensmittel

### Aufbewahrung im Kühlfach

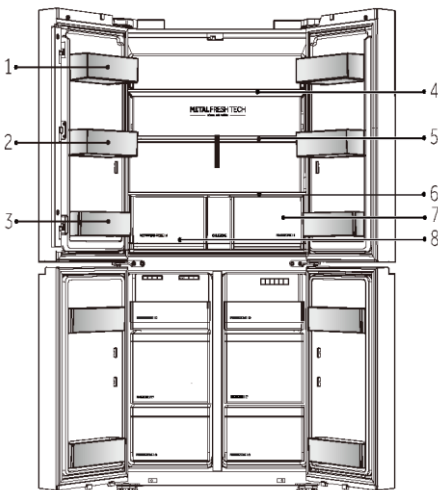
1. Halten Sie die Temperatur Ihres Kühlschranks unter 5 °C.
2. Lassen Sie heiße Lebensmittel vor der Lagerung im Kühlschrank auf Raumtemperatur abkühlen.
3. Lebensmittel sollten vor der Lagerung im Kühlschrank gewaschen und abgetrocknet werden.
4. Die aufzubewahrenden Lebensmittel sollten gut verschlossen sein, um Geruchs- oder Geschmacksveränderungen zu vermeiden.

5. Lagern Sie keine übermäßigen Mengen an Lebensmitteln. Lassen Sie Zwischenräume zwischen den Lebensmitteln, damit die Luft um sie herum zirkulieren kann, um eine bessere und gleichmäßigere Kühlung zu erreichen.
6. Lebensmittel, die täglich verzehrt werden, sollten im vorderen Teil des Einlegebodens gelagert werden.
7. Lassen Sie Platz zwischen den Lebensmitteln und den Innenwänden, damit die Luft zirkulieren kann. Lagern Sie Lebensmittel insbesondere nicht an der Rückwand, da sie dort festfrieren könnten. Vermeiden Sie den direkten Kontakt von Lebensmitteln (insbesondere bei öligen oder säurehaltigen Lebensmitteln) mit der Innenauskleidung, da Öl/Säure diese angreifen kann. Reinigen Sie ölige/saure Verschmutzungen sofort, wenn Sie sie sehen.
8. Tauen Sie gefrorene Lebensmittel im Vorratsfach des Kühlfachs auf. Auf diese Weise können Sie die gefrorenen Lebensmittel verwenden, um die Temperatur im Fach zu senken und Energie zu sparen.
9. Die Reifung von Obst und Gemüse wie Zucchini, Melonen, Papayas, Bananen, Ananas usw. kann im Kühlschrank beschleunigt werden. Daher sollten sie nicht im Kühlschrank aufbewahrt werden. Die Reifung von noch grünem Obst kann im Kühlschrank jedoch auch beschleunigt werden. Zwiebeln, Knoblauch, Ingwer und anderes Wurzelgemüse sollten ebenfalls bei Raumtemperatur gelagert werden.
10. Unangenehme Gerüche im Inneren des Kühlschranks sind ein Zeichen dafür, dass etwas verschüttet wurde und gesäubert werden muss. Siehe PFLEGE UND REINIGUNG.
11. Verschiedene Lebensmittel sollten entsprechend ihrer Eigenschaften an verschiedenen Stellen eingeräumt werden.



## HINWEIS

Lassen Sie mehr als 10 mm Abstand zwischen den Lebensmitteln und dem Luftkanal oder den Sensoren, um die Kühlwirkung zu gewährleisten.



1. Butter, Käse usw.
2. Eier, Dosen, Konserven, Gewürze usw.
3. Getränke und Lebensmittel in Flaschen.
4. Eingelegte Lebensmittel, Konserven usw.
5. Fleischerzeugnisse, Snacks, Nudeln, Konserven, Milch, Tofu, Milchprodukte usw.
6. Gekochtes Fleisch, Würste usw.
7. Magic ZONE-Schublade: Obst, Gemüse, Salat usw.
8. ACTIVEFRESH ZONE-Schublade: Obst, Gemüse, Salat usw.

## Einlagerung im Gefrierfach

1. Halten Sie die Gefriertemperatur bei  $-18^{\circ}\text{C}$ .
2. 24 Stunden vor dem Einfrieren die Super-Freeze-Funktion einschalten; bei kleinen Mengen an Lebensmitteln reichen 4-6 Stunden.
3. Heiße Lebensmittel vor der Lagerung im Gefrierschrank auf Raumtemperatur abkühlen lassen.
4. In kleine Portionen geschnittene Lebensmittel frieren schneller ein und lassen sich leichter auftauen und garen. Das empfohlene Gewicht für jede Portion beträgt höchstens 2,5 kg.
5. Lebensmittel verpacken, bevor Sie sie in den Gefrierschrank legen. Die Außenseite der Verpackung muss trocken sein, damit die Gefrierbeutel nicht aneinanderkleben. Verpackungsmaterialien sollten geruchsfrei, luftdicht, lebensmittelecht und ungiftig sein.
6. Damit das Verfallsdatum nicht abläuft, notieren Sie sich das Einfrierdatum, das Verfallsdatum und den Namen des Lebensmittels auf der Verpackung. Unterschiedliche Lebensmittel können unterschiedlich lange gelagert werden.
  1. **WARNUNG!** Säuren, Laugen, Salze usw. können die Innenfläche des Gefriergeräts angreifen. Legen Sie die Lebensmittel, die diese Stoffe enthalten (z. B. Seefisch), nicht direkt auf die Innenfläche. Ausgetropftes Salzwasser im Gefrierschrank sollte sofort beseitigt werden.
  2. Überschreiten Sie nicht die von den Herstellern empfohlene Haltbarkeitsdauer der Lebensmittel.Nehmen Sie nur die benötigte Menge an Lebensmitteln aus dem Gefrierschrank.
3. Verbrauchen Sie aufgetaute Lebensmittel schnell. Aufgetaute Lebensmittel können nicht wieder eingefroren werden, es sei denn, sie wurden erneut durchgegart. Andernfalls können sie ungenießbar sein.
4. Legen Sie keine übermäßigen Mengen an frischen Lebensmitteln in das Gefrierfach. Informieren Sie sich über die Gefrierkapazität des Gefrierschranks. Siehe TECHNISCHE DATEN oder Daten auf dem Typenschild.
5. Lebensmittel können im Gefrierschrank bei einer Temperatur von mindestens  $-18^{\circ}\text{C}$  je nach Beschaffenheit 2 bis 12 Monate gelagert werden (z. B. Fleisch: 3–12 Monate, Gemüse: 6–12 Monate)
6. Vermeiden Sie beim Einfrieren frischer Lebensmittel den Kontakt mit bereits gefrorenen Lebensmitteln.

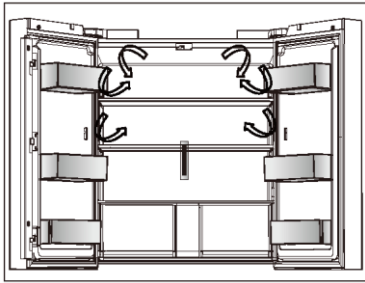
### Beachten Sie bei der Lagerung von handelsüblicher Tiefkühlware diese Richtlinien:

1. Befolgen Sie immer die Richtlinien der Hersteller, die angeben, wie lange die Lebensmittel aufbewahrt werden können. Überschreiten Sie diese Richtlinien nicht!
2. Versuchen Sie, die Zeitspanne zwischen Einkauf und Lagerung so kurz wie möglich zu halten, um die Lebensmittelqualität zu erhalten.
3. Kaufen Sie Tiefkühlkost, die bei einer Temperatur von  $-18^{\circ}\text{C}$  oder darunter gelagert wurde.
4. Vermeiden Sie den Kauf von Lebensmitteln, die Eis oder Reif auf der Verpackung aufweisen – dies deutet darauf hin, dass die Produkte möglicherweise teilweise aufgetaut und dann wieder eingefroren wurden. Ein Temperaturanstieg beeinträchtigt die Qualität der Lebensmittel.



## HINWEIS

Lassen Sie mehr als 10 mm Abstand zwischen den Lebensmitteln und dem Luftkanal, um die Kühlwirkung zu gewährleisten.

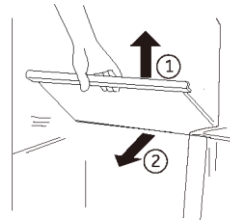


### Mehrfach-Luftstrom

1. Der Kühlschrank ist mit einem Mehrfach-Luftstrom-System ausgestattet, bei dem auf jeder Einlegebodenebene kühle Luftströme zirkulieren. Dadurch wird eine gleichmäßige Temperatur aufrechterhalten, um sicherzustellen, dass Ihre Lebensmittel länger frisch bleiben.

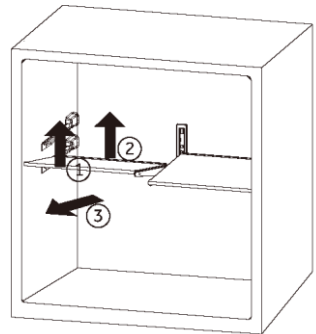
### Verstellbare Einlegeböden

1. Die Höhe der Einlegeböden kann an Ihren Lagerbedarf angepasst werden.
2. Um einen Einlegeboden zu versetzen, heben Sie ihn an der Vorderkante an ① und ziehen Sie ihn heraus ②.
3. Um ihn wieder einzubauen, setzen Sie ihn auf die Träger an beiden Seiten und schieben Sie ihn ganz nach hinten, bis die Rückseite des Einlegebodens in den Schlitz an den Seiten steckt.



### Einstellen des mittleren Einlegebodens

1. Entfernen Sie die Halterung des Einlegebodens: Heben Sie zuerst die vordere Kante ① der Halterung des Einlegebodens um 7 cm an, dann die hintere Kante ② der Halterung des Einlegebodens, sodass die Krallen an der Seite des Trägers aus dem Montageloch gelöst werden kann. Zuletzt ziehen Sie die Halterung des Einlegebodens nach außen ③.
2. Installation der Halterung des Einlegebodens: Schieben Sie die Halterung des Einlegebodens entsprechend dem in der Abbildung gezeigten Neigungswinkel in Position und senken Sie dann die Vorderkante ① der Halterung des Einlegebodens ab, sodass die Krallen an der Seite des Trägers in das Montageloch passt.



## HINWEIS

Prüfen Sie, ob alle Seiten des Einlegebodens waagrecht sind.

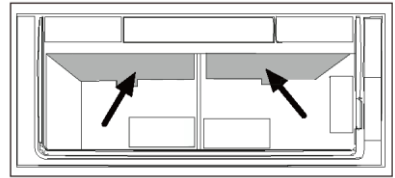
### ACTIVEFRESH ZONE-Schublade

1. In diesem Fach ist die Luftfeuchtigkeit höher als im Kühlfach. Sie wird automatisch vom System gesteuert und eignet sich für die Lagerung von Obst, Gemüse, Salaten usw.



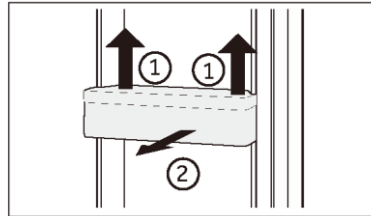
## HINWEIS

1. Entfernen Sie nicht die Kunststoffabdeckung in den beiden Zonen.
2. Sie halten die Feuchtigkeit aufrecht.
3. Kälteempfindliche Früchte wie Ananas, Avocado, Bananen,
4. Grapefruits sollten nicht in diesen beiden Schubladen gelagert werden.



## Abnehmbare Türfächer/Flaschenhalter

1. Die Türablagen können zur Reinigung herausgenommen werden:
2. Halten Sie dazu die Ablage mit beiden Händen fest, heben Sie sie nach oben ① und ziehen Sie sie heraus ②.
3. Um die Ablage wieder einzusetzen, werden die oben genannten Schritte in umgekehrter Reihenfolge durchgeführt.



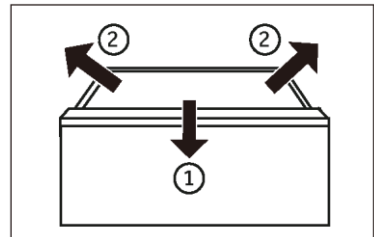
## HINWEIS

Wenn das Gerät eingeschaltet wird, kann es bis zu 12 Stunden dauern, bis die richtigen Temperaturen erreicht sind.

## Herausnehmbare Schublade

Um die Schublade herauszunehmen, diese bis zum Anschlag herausziehen ①, anheben und herausnehmen ②.

Um die Schublade wieder einzusetzen, werden die oben genannten Schritte in umgekehrter Reihenfolge durchgeführt.



## Das Licht

Die LED-Innenbeleuchtung leuchtet auf, wenn die Tür geöffnet wird, und erlischt automatisch, wenn die Tür länger als 7 Minuten offenbleibt. Die Leistung der LEDs wird durch keine der anderen Geräteeinstellungen beeinflusst.



## Energiespartipps

- ▶ Stellen Sie sicher, dass das Gerät ordnungsgemäß belüftet ist (siehe INSTALLATION).
- ▶ Stellen Sie das Gerät nicht in direktem Sonnenlicht oder in der Nähe von Hitzequellen (z. B. Herden, Heizungen) auf.
- ▶ Vermeiden Sie unnötig niedrige Temperaturen im Gerät. Je niedriger die im Gerät eingestellte Temperatur, umso höher der Energieverbrauch.
- ▶ Funktionen wie POWER-FREEZE verbrauchen mehr Energie.
- ▶ Lassen Sie warme Mahlzeiten abkühlen, bevor Sie diese in den Kühlschrank stellen.
- ▶ Öffnen Sie die Gerätetür so wenig und so kurz wie möglich.
- ▶ Achten Sie darauf, das Gerät nicht zu überladen, um den Luftstrom nicht zu behindern.
- ▶ Vermeiden Sie Luft innerhalb der Lebensmittelverpackung.
- ▶ Halten Sie die Türdichtungen sauber, damit die Tür immer richtig schließt.
- ▶ Tauen Sie gefrorene Lebensmittel im Vorratsfach des Kühlschranks auf.
- ▶ Die energiesparendste Konfiguration erfordert, dass das Gerät Schubladen, Lebensmittelboxen und Einlegeböden in fabriksauberem Zustand enthält, und die Lebensmittel sollten so weit wie möglich von den Auslässen des Luftkanals eingeräumt werden und diesen nicht blockieren.



## WARNUNG!

Trennen Sie das Gerät vor der Reinigung von der Stromversorgung.

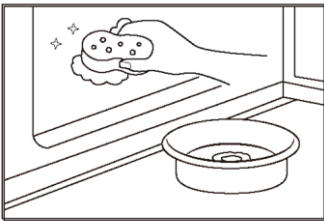
### Reinigung

1. Reinigen Sie das Gerät, wenn nur wenig oder keine Lebensmittel gelagert werden.
2. Das Gerät sollte alle vier Wochen gereinigt werden, um eine gute Wartung zu gewährleisten und um schlechte Gerüche von gelagerten Lebensmitteln zu vermeiden.



## WARNUNG!

- ▶ Reinigen Sie das Gerät nicht mit harten Bürsten, Drahtbürsten, Reinigungspulver, Benzin, Amylacetat, Aceton und ähnlichen organischen Lösungen, Säure oder Alkalilösungen. Reinigen Sie das Gerät mit einem speziellen Reinigungsmittel für Kühlgeräte, um Beschädigungen zu vermeiden.
- ▶ Das Gerät darf während der Reinigung nicht besprüht oder mit Wasser beschüttet werden.
- ▶ Das Gerät darf nicht mit Wasser besprüht oder mit Dampf gereinigt werden.
- ▶ Reinigen Sie die kalten Einlegeböden aus Glas nicht mit heißem Wasser. Plötzliche Temperaturschwankungen können dazu führen, dass das Glas zerspringt.
- ▶ Berühren Sie nicht die Innenfläche des Gefrierfachs, insbesondere nicht mit nassen Händen, da Ihre Hände an der Oberfläche festfrieren könnten.
- ▶ Überprüfen Sie bei einem eventuellen Temperaturanstieg den Zustand des Gefrierguts.



- ▶ Halten Sie die Türdichtung immer sauber.
- ▶ Reinigen Sie das Innere und das Gehäuse des Geräts mit einem Schwamm, der mit warmem Wasser und einem neutralen Reinigungsmittel angefeuchtet wurde.
- ▶ 1. Säubern Sie den Kühlschrank außen und innen, einschließlich Türdichtungen, Türablage, Einlegeböden aus Glas, Schubladen usw., gründlich mit einem weichen Geschirrtuch oder einem Schwamm mit warmem Wasser (eventuell mit etwas neutralem Reinigungsmittel im Wasser).
- ▶ 2. Wenn Flüssigkeit verschüttet wurde, nehmen Sie alle verschmutzten Teile heraus, spülen Sie sie unter fließendem Wasser ab, trocknen Sie sie ab und setzen Sie sie wieder in den Kühlschrank ein.
- ▶ 3. Bei verschütteten Milchprodukten (z. B. Sahne, schmelzendes Eis) entfernen Sie die verunreinigten Teile, legen Sie sie für eine Weile in ca. 40 °C warmes Wasser, spülen Sie sie dann unter fließendem Wasser ab, trocknen Sie sie ab, und setzen Sie sie wieder in den Kühlschrank ein.
- ▶ 4. Falls ein kleines Teil oder Krümel im Inneren des Kühlschranks (zwischen die Ablagen oder Schubladen) festsitzen, lösen Sie die Verunreinigung mit einer weichen Zahnbürste. Wenn Sie die Verunreinigung nicht entfernen konnten, wenden Sie sich bitte an den Haier-Kundendienst.
- ▶ Wischen Sie den Kühlschrank mit einem feuchten Tuch gründlich aus und trocknen Sie ihn mit einem weichen Tuch ab.

- ▶ Reinigen Sie Geräteteile nicht in einer Geschirrspülmaschine.
- ▶ Warten Sie vor dem Neustart mindestens 5 Minuten, da durch häufiges Einschalten der Kompressor beschädigt werden kann.

### **Abtauen**

Das Abtauen des Kühl- und Gefrierfachs erfolgt automatisch, es ist keine manuelle Tätigkeit erforderlich.

### **Austausch der LED-Leuchten**



#### **WARNUNG!**

Wechseln Sie die LED nicht selbst. Sie darf nur vom Hersteller oder von einem autorisierten Service-Mitarbeiter ausgetauscht werden.

Die Leuchte nutzt als Lichtquelle eine LED mit geringem Energieverbrauch und langer Lebensdauer. Bei Anomalien wenden Sie sich bitte an den Kundenservice. Siehe KUNDENSERVICE.

Parameter der Leuchte:

Kühlfach: 12 V, 4 W

Gefrierschrank: 12 V, 2 W\*2

### **Nichtverwendung für einen längeren Zeitraum**

Wenn das Gerät über einen längeren Zeitraum nicht benutzt wird und Sie die Holiday-Funktion für den Kühlschrank nicht verwenden:

Nehmen Sie die Lebensmittel heraus.

Ziehen Sie das Netzkabel ab.

Reinigen Sie das Gerät wie oben beschrieben.

Lassen Sie die Türen auf, um die Bildung von schlechten Gerüchen zu verhindern.



#### **HINWEIS**

Schalten Sie das Gerät nur aus, wenn es unbedingt nötig ist.

### **Verstellen des Geräts**

1. Nehmen Sie alle Lebensmittel heraus und ziehen Sie den Gerätestecker aus der Steckdose.
2. Fixieren Sie die Einlegeböden und andere bewegliche Teile im Kühlschrank und im Gefrierschrank mit Klebeband.
3. Den Kühlschrank um maximal 45° kippen, um eine Beschädigung des Kühlsystems zu vermeiden.



#### **WARNUNG!**

- ▶ Heben Sie das Gerät nicht an seinen Griffen an.
- ▶ Stellen Sie das Gerät niemals waagrecht auf den Boden.

Viele auftretende Probleme können von Ihnen selbst ohne spezifische Fachkenntnisse gelöst werden. Bei Problemen prüfen Sie bitte alle angezeigten Möglichkeiten und befolgen Sie die nachstehenden Anweisungen, bevor Sie einen Kundendienst kontaktieren. Siehe KUNDENSERVICE.



## WARNUNG!

- ▶ Schalten Sie das Gerät vor der Wartung aus und ziehen Sie den Netzstecker aus der Steckdose.
- ▶ Elektrische Geräte sollten nur von qualifizierten Fachelektrikern repariert werden, da unsachgemäße Reparaturen erhebliche Folgeschäden verursachen können.
- ▶ Eine beschädigte Lieferung sollte nur vom Hersteller, von seinem Service-Mitarbeiter oder einer gleichwertig qualifizierten Person ausgetauscht werden, um jegliches Risiko zu vermeiden.

Problem	Mögliche Ursache	Mögliche Behebung
Der Kompressor funktioniert nicht.	<ul style="list-style-type: none"> <li>• Der Netzstecker ist nicht an die Steckdose angeschlossen.</li> <li>• Das Gerät befindet sich im Abtauvorgang.</li> </ul>	<ul style="list-style-type: none"> <li>• Den Netzstecker anschließen.</li> <li>• Dies ist normal für eine automatische Abtaugung.</li> </ul>
Das Gerät läuft häufig oder zu lange.	<ul style="list-style-type: none"> <li>• Die Innen- oder Außentemperatur ist zu hoch.</li> <li>• Das Gerät wurde über einen längeren Zeitraum ausgeschaltet.</li> <li>• Eine Gerätetür wurde nicht richtig geschlossen.</li> <li>• Die Tür wurde zu häufig oder zu lange geöffnet.</li> <li>• Die Temperatur für den Gefrierschrank ist zu niedrig.</li> <li>• Die Türdichtungen sind verschmutzt, verschlissen, gerissen oder verrutscht.</li> <li>• Die erforderliche Luftzirkulation ist nicht gewährleistet.</li> </ul>	<ul style="list-style-type: none"> <li>• In diesem Fall ist es normal, dass das Gerät länger läuft.</li> <li>• Normalerweise dauert es 8 bis 12 Stunden, bis das Gerät vollständig abgekühlt ist.</li> <li>• Die Tür/Schublade schließen und sicherstellen, dass das Gerät auf einem ebenen Untergrund steht und dass keine Lebensmittel oder Behälter gegen die Tür stoßen.</li> <li>• Die Tür/Schublade nicht zu häufig öffnen.</li> <li>• Die Temperatur höher einstellen, bis eine zufriedenstellende Kühlschranktemperatur erreicht ist. Es dauert 24 Stunden, bis sich die Kühlschranktemperatur stabilisiert hat.</li> <li>• Die Tür-/Schubladendichtungen reinigen oder vom Kundenservice ersetzen lassen.</li> <li>• Für eine ausreichende Belüftung sorgen.</li> </ul>
Das Innere des Kühlschranks ist schmutzig und/oder übelriechend.	<ul style="list-style-type: none"> <li>• Das Innere des Kühlschranks muss gereinigt werden.</li> <li>• Lebensmittel mit starkem Geruch werden im Kühlschrank gelagert.</li> </ul>	<ul style="list-style-type: none"> <li>• Das Innere des Kühlschranks reinigen.</li> <li>• Stark riechende Lebensmittel stets sorgfältig umhüllen und einpacken.</li> </ul>

Problem	Mögliche Ursache	Mögliche Behebung
Das Innere des Geräts ist nicht kalt genug.	<ul style="list-style-type: none"> <li>• Die Temperatur ist zu hoch eingestellt.</li> <li>• Es wurden zu warme Lebensmittel eingelagert.</li> <li>• Es wurden zu viele Lebensmittel auf einmal hineingelegt.</li> <li>• Die Lebensmittel liegen zu dicht beieinander.</li> <li>• Eine Tür/Schublade wurde nicht richtig geschlossen.</li> <li>• Die Tür/Schublade wurde zu häufig oder zu lange geöffnet.</li> </ul>	<ul style="list-style-type: none"> <li>• Die Temperatur zurücksetzen.</li> <li>• Die Lebensmittel immer erst abkühlen lassen, bevor Sie sie hineinlegen.</li> <li>• Nur kleinere Mengen an Lebensmitteln hineinlegen.</li> <li>• Zwischen mehreren Lebensmitteln einen Abstand lassen, damit die Luft zirkulieren kann.</li> <li>• Die Tür/Schublade schließen.</li> <li>• Die Tür/Schublade nicht zu häufig öffnen.</li> </ul>
Das Innere des Geräts ist zu kalt.	<ul style="list-style-type: none"> <li>• Die Temperatur ist zu niedrig eingestellt.</li> <li>• Die Super-Frz-/Super-Cool-Funktion ist aktiviert oder läuft zu lange.</li> </ul>	<ul style="list-style-type: none"> <li>• Die Temperatur zurücksetzen.</li> <li>• Die Super-Frz-/Super-Cool-Funktion ausschalten</li> </ul>
Feuchtigkeitsbildung im Innern des Kühlfachs.	<ul style="list-style-type: none"> <li>• Das Klima ist zu warm und zu feucht.</li> <li>• Eine Tür/Schublade wurde nicht richtig geschlossen.</li> <li>• Die Tür/Schublade wurde zu häufig oder zu lange geöffnet.</li> <li>• Lebensmittelbehälter oder Flüssigkeiten werden offen gelassen.</li> </ul>	<ul style="list-style-type: none"> <li>• Die Temperatur erhöhen.</li> <li>• Die Tür/Schublade schließen.</li> <li>• Die Tür/Schublade nicht zu häufig öffnen.</li> <li>• Heiße Speisen auf Raumtemperatur abkühlen lassen und Speisen und Flüssigkeiten abdecken.</li> </ul>
Feuchtigkeit sammelt sich außen am Kühlschrank oder zwischen der Tür oder den Türen und der Schublade.	<ul style="list-style-type: none"> <li>• Das Klima ist zu warm und zu feucht.</li> <li>• Die Tür ist nicht richtig geschlossen. Die kalte Luft im Gerät und die warme Außenluft kondensieren.</li> </ul>	<ul style="list-style-type: none"> <li>• Das ist bei feuchtem Klima normal und ändert sich, wenn die Feuchtigkeit abnimmt.</li> <li>• Prüfen Sie, ob die Tür/Schublade fest geschlossen ist.</li> </ul>

Problem	Mögliche Ursache	Mögliche Behebung
Starke Eisbildung und Frost im Gefrierfach.	<ul style="list-style-type: none"> <li>Die Lebensmittel sind nicht angemessen verpackt.</li> <li>Eine Tür/Schublade wurde nicht richtig geschlossen.</li> <li>Die Tür/Schublade wurde zu häufig oder zu lange geöffnet.</li> <li>Die Tür-/Schubladendichtungen sind verschmutzt, verschlissen, gerissen oder verrutscht.</li> <li>Etwas im Inneren verhindert, dass die Tür/Schublade richtig schließt.</li> </ul>	<ul style="list-style-type: none"> <li>Die Lebensmittel immer gut verpacken.</li> <li>Die Tür/Schublade schließen.</li> <li>Die Tür/Schublade nicht zu häufig öffnen.</li> <li>Die Tür-/Schubladendichtungen reinigen oder austauschen.</li> <li>Die Einlegeböden, Türfächer oder Behälter so versetzen, dass die Tür/Schublade richtig schließt.</li> </ul>
Die Seitenwände des Geräts und die Türleiste werden warm.		<ul style="list-style-type: none"> <li>Das ist normal.</li> </ul>
Das Gerät macht ungewöhnliche Geräusche.	<ul style="list-style-type: none"> <li>Das Gerät befindet sich nicht auf einem ebenen Untergrund.</li> <li>Das Gerät berührt einige Gegenstände um es herum.</li> </ul>	<ul style="list-style-type: none"> <li>Die Füße entsprechend einstellen, um das Gerät zu nivellieren.</li> <li>Die Gegenstände um das Gerät herum entfernen.</li> </ul>
Es ist ein leichtes Geräusch zu hören, ähnlich wie dem von fließendem Wasser.		<ul style="list-style-type: none"> <li>Das ist normal.</li> </ul>
Sie hören einen Signalton.	<ul style="list-style-type: none"> <li>Die Kühlfachtür ist offen.</li> </ul>	<ul style="list-style-type: none"> <li>Die Tür schließen.</li> </ul>
Sie hören ein schwaches Brummen.	<ul style="list-style-type: none"> <li>Das Antikondensations-system arbeitet.</li> </ul>	<ul style="list-style-type: none"> <li>Dies verhindert Kondensation und ist normal.</li> </ul>
Die Innenbeleuchtung oder das Kühlsystem funktioniert nicht.	<ul style="list-style-type: none"> <li>Der Netzstecker ist nicht an die Steckdose angeschlossen.</li> <li>Die Stromversorgung ist nicht intakt.</li> <li>Die LED-Leuchte ist defekt.</li> </ul>	<ul style="list-style-type: none"> <li>Den Netzstecker anschließen.</li> <li>Die Stromversorgung des Raums überprüfen. Den örtlichen Stromversorger anrufen!</li> <li>Den Kundenservice kontaktieren, um die Leuchte auszutauschen.</li> </ul>

Um den technischen Kundendienst zu kontaktieren, besuchen Sie unsere Website:  
<https://corporate.haier-europe.com/en/>

Wählen Sie im Abschnitt „Website“ die Marke Ihres Produkts und Ihr Land aus. Sie werden auf die entsprechende Website weitergeleitet, auf der Sie die Telefonnummer und das Formular zur Kontaktaufnahme mit dem technischen Kundendienst finden.

### **Stromunterbrechung**

Bei Stromausfall sollten die gelagerten Lebensmittel noch 5 Stunden lang frisch gekühlt bleiben. Beachten Sie diese Tipps bei einer längeren Stromunterbrechung, insbesondere im Sommer:

- ▶ Öffnen Sie die Tür/Schublade so selten wie möglich.
- ▶ Legen Sie während eines Stromausfalls keine weiteren Lebensmittel in das Gerät.
- ▶ Wenn der Stromausfall vorher angekündigt wurde und die Unterbrechungsdauer länger als 5 Stunden ist, frieren Sie im Voraus ein paar Eiswürfel oder Kühlakkus ein, und legen Sie diese beim Stromausfall oben in das Kühlfach.
- ▶ Prüfen Sie nach dem Stromausfall sofort, ob die Lebensmittel verdorben sind.
- ▶ Da die Temperatur im Kühlschrank während einer Stromunterbrechung oder eines anderen Fehlers ansteigt, werden die Haltbarkeit und die Qualität der Lebensmittel reduziert. Aufgetaute Lebensmittel sollten entweder verzehrt oder gekocht und (sofern geeignet) gleich danach wieder eingefroren werden, um Gesundheitsrisiken zu vermeiden.

### **Speicherfunktion bei Stromunterbrechung**

Nach Wiederherstellung der Stromversorgung fährt das Gerät mit den Einstellungen fort, die vor dem Stromausfall eingestellt waren.

## Auspacken



### WARNUNG!

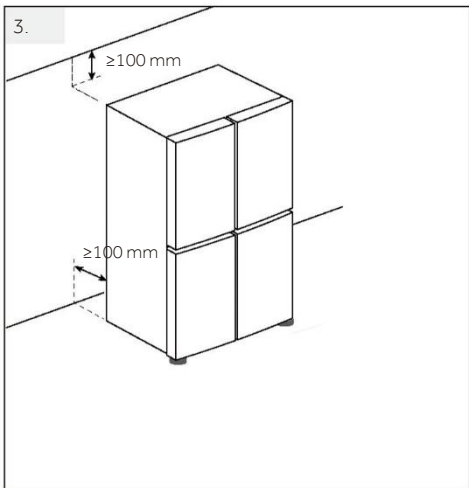
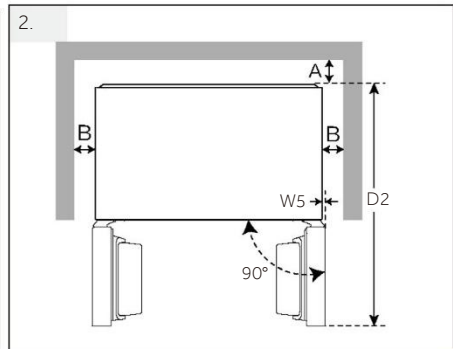
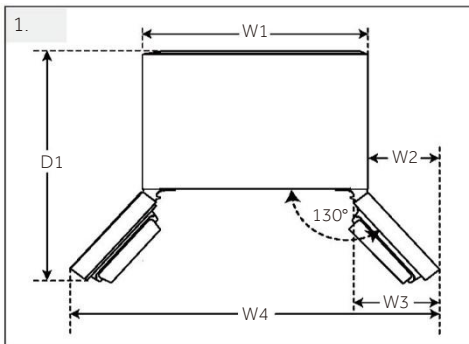
- ▶ Das Gerät ist schwer. Transportieren oder bewegen Sie es immer mit mindestens zwei Personen.
- ▶ Bewahren Sie sämtliche Verpackungsmaterialien außerhalb der Reichweite von Kindern auf und entsorgen Sie sie umweltfreundlich.
- ▶ Nehmen Sie das Gerät aus der Verpackung.
- ▶ Entfernen Sie alle Verpackungsmaterialien.

### Umgebungsbedingungen

Die Raumtemperatur sollte immer zwischen 10 °C und 43 °C liegen, da sie die Temperatur im Inneren des Geräts und dessen Energieverbrauch beeinflussen kann. Installieren Sie das Gerät nicht in der Nähe anderer wärmeemittierender Geräte (Ofen, Kühlschränke).

### Empfohlener Abstand

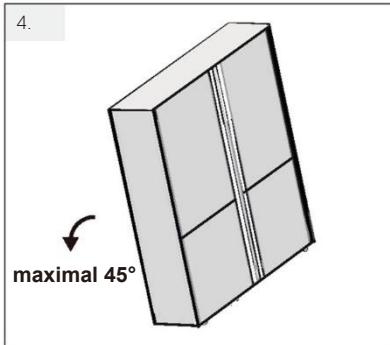
Empfohlener Abstand beim Öffnen der Tür (Abb. 1.2.)



(Einheit: mm)	Modell#	
<b>Breite</b>	W1	905
	W2	327
	W3	368
	W4	1559
	W5	51
	W	905
	D1	1061
	D2	1101
	D	738
<b>Abstand zur Rückwand</b>	A	100
<b>Abstand zu den Seitenwänden</b>	B	100
<b>Abstand zur Decke</b>	C	100
<b>Gesamthöhe</b>	H	1825

## Platzbedarf für eine ausreichende Belüftung

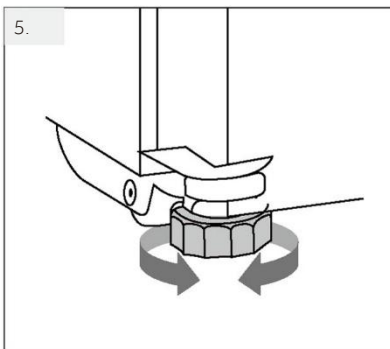
Damit eine ausreichende Belüftung des Geräts gewährleistet wird, dürfen die Hinweise zum ausreichenden Platzbedarf aus Sicherheitsgründen nicht missachtet werden.



### Geräteausrichtung (Abb. 4.5.6.)

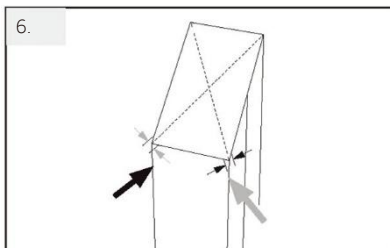
Das Gerät sollte auf einer flachen und festen Oberfläche aufgestellt werden.

4. Kippen Sie den Kühlschrank leicht nach hinten.



5. Justieren Sie die Stellfüße auf die gewünschte Höhe.

Stellen Sie sicher, dass der Abstand zur Wand auf der Scharnierseite mindestens 100 mm beträgt, damit sich die Tür richtig öffnen lässt.

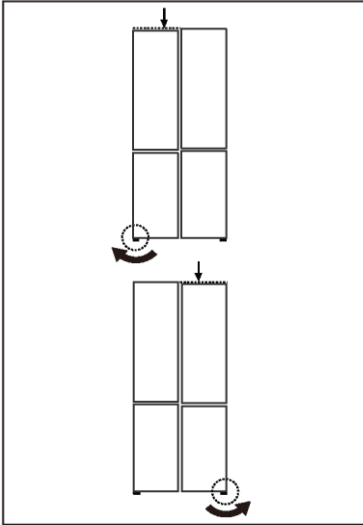


6. Die Stabilität kann durch abwechselndes Anschlagen gegen die Diagonalen überprüft werden. Das leichte Schwanken sollte in beide Richtungen gleich sein. Anderenfalls kann sich der Rahmen verziehen; mögliche undichte Türdichtungen sind die Folge. Eine geringe Neigung nach hinten erleichtert das Schließen der Türen.



### HINWEIS

Für ein frei stehendes Gerät: Dieses Kühlgerät ist nicht zur Verwendung als Einbaugerät bestimmt.

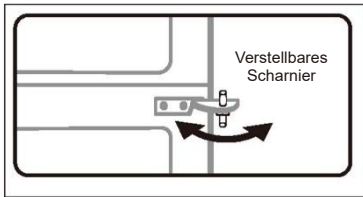


### Feinabstimmung der Türen

Wenn sich die Türen nicht gleichmäßig auf einer Ebene befinden, kann dies wie folgt behoben werden:

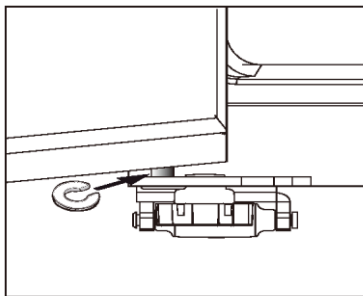
#### Durch Justieren der Stellfüße

Drehen Sie den Stellfuß entsprechend der Pfeilrichtung, um ihn nach oben oder unten zu justieren.



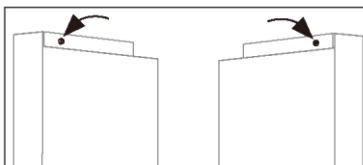
### Einstellung der Türposition

- ▶ Wenn die beiden Türen nicht auf gleicher Höhe sind, können die verstellbaren Scharniere mit dem beiliegenden Schraubenschlüssel feinjustiert werden, um die beiden Türen zu nivellieren. Verwenden Sie ihn bitte vorsichtig, um Kratzer oder Beulen an der Türverkleidung zu vermeiden.



### Verwendung von Abstandshaltern

- ▶ Öffnen Sie die Gefrierschranktür und heben Sie sie an.
- ▶ Klipsen Sie den Abstandshalter (im Zubehörbeutel beiliegend) vorsichtig mit der Hand oder mit Werkzeugen wie einer Zange auf die Achse des unteren Scharniers. Achten Sie dabei darauf, die Tür nicht zu zerkratzen oder einzudellen.



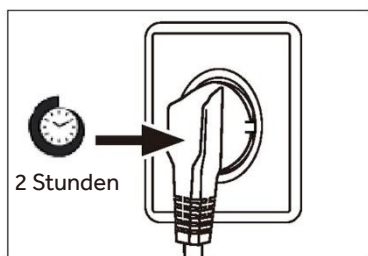
### Verwendung des Einstellknopfes

- ▶ Wenn die Tür des Kühlfachs nicht waagrecht ist, können Sie den Einstellknopf am oberen Teil der Tür drehen, um eine Feineinstellung vorzunehmen.



## HINWEIS

Bei der zukünftigen Verwendung des Kühlschranks kann sich das Gewicht der gelagerten Lebensmittel ungleichmäßig auf die Türen einwirken. Dann stellen Sie diese nach den oben genannten Methoden ein.



### Wartezeit

Das wartungsfreie Schmieröl befindet sich in der Kapsel des Kompressors. Dieses Öl kann beim Transport durch das geschlossene Rohrsystem gelangen, wenn das Gerät gekippt wird. Warten Sie mindestens 2 Stunden, bevor Sie das Gerät an die Stromversorgung anschließen, damit das Öl wieder in die Kapsel zurückfließt.

### Elektrischer Anschluss

Stellen Sie vor jedem Anschluss sicher, dass:

- ▶ die Stromversorgung, Steckdose und Sicherung den Angaben auf dem Typenschild entsprechen.
- ▶ die Steckdose geerdet ist und kein Mehrfachstecker oder Verlängerungskabel vorhanden ist.
- ▶ der Netzstecker und die Steckdose richtig zusammenpassen.


Schließen Sie den Stecker an eine ordnungsgemäß installierte Haushaltssteckdose an.



## WARNING!

Um Gefahren zu vermeiden, muss ein beschädigtes Netzkabel vom Kundenservice ausgetauscht werden (siehe Garantiekarte).

Produktdatenblatt gemäß der EU-Verordnung Nr. 2019/2016

Marke	Haier
Modellname / Kennung	HCR59F19DNMM HCR59F18DNMB
Kategorie des Modells	Kühl-Gefrierkombination
Energieeffizienzklasse	D
Jährlicher Energieverbrauch (kWh/Jahr) (1)	306
Gesamtvolumen (l)	706
Volumen Kühlschrank (l)	417
Volumen Gefrierschrank (l)	251
Zwei-Sterne-Bereich (l)	38
Sterne-Bewertung	
Frostfreies System	Ja
Gefrierleistung (kg/24h)	14
Klima-Bewertung (2)	SN-N-ST-T
Geräuschemissionsklasse und Luftschallemissionen (db(A) re 1pW)	C(35)
Temperaturanstiegszeit (h)	13
Gerätetyp	Freistehend

Erläuterungen:

- Ja, vorhanden

- (1) Basierend auf den Ergebnissen des Normenkonformitätstests über 24 Stunden. Der tatsächliche Verbrauch hängt von der Verwendung und dem Standort des Geräts ab.
- (2) Klima-Bewertung SN: Dieses Gerät ist für die Verwendung bei einer Umgebungstemperatur zwischen +10 °C und +32 °C ausgelegt.  
Klima-Bewertung N: Dieses Gerät ist für die Verwendung bei einer Umgebungstemperatur zwischen +16 °C und +32 °C ausgelegt.  
Klima-Bewertung ST: Dieses Gerät ist für die Verwendung bei einer Umgebungstemperatur zwischen +16 °C und +38 °C ausgelegt.  
Klima-Bewertung T: Dieses Gerät ist für die Verwendung bei einer Umgebungstemperatur zwischen +16 °C und +43 °C ausgelegt.

#### Zusätzliche technische Daten

Spannung / Frequenz	220-240 V ~ / 50 Hz
Eingangsstrom (A)	1,5
Hauptsicherung (A)	16
Kühlmittel	R600a 68 g
Abmessungen (B/T/H in mm)	905/738/1825

Wir empfehlen unseren Haier-Kundendienst und die Verwendung von Original-Ersatzteilen.

Wenn Sie Probleme mit dem Gerät haben, lesen Sie bitte zuerst den Abschnitt „FEHLERBEHEBUNG“.

Wenn Sie dort keine Lösung finden, wenden Sie sich bitte an

- ▶ Ihren Händler vor Ort oder
- ▶ an unser Europäisches Call-Service-Center (siehe unten aufgeführte Telefonnummern) oder
- ▶ an den Service und Support unter [www.haier.com](http://www.haier.com), wo Sie den Service aktivieren können.
- ▶ Hier finden Sie auch die FAQs.

Um unseren Kundendienst zu kontaktieren, stellen Sie sicher, dass Sie die nachfolgend aufgeführten Daten zur Hand haben.

Die Informationen finden Sie auf dem Typenschild.

Modell \_\_\_\_\_

Seriennummer \_\_\_\_\_

Prüfen Sie im Garantiefall auch die mit dem Produkt mitgelieferte Garantiekarte.

Europäisches Call-Service-Center		
Land*	Telefonnummer	Kosten
Haier Italy (IT)	199 100 912	
Haier Spain (ES)	902 509 123	
Haier Germany (DE)	0180 5 39 39 99	<ul style="list-style-type: none"> <li>• 14 Ct/min Festnetz</li> <li>• max. 42 Ct/min Mobil</li> </ul>
Haier Austria (AT)	0820 001 205	<ul style="list-style-type: none"> <li>• 14,53 Ct/min Festnetz</li> <li>• max. 20 Ct/min alle anderen</li> </ul>
Haier United Kingdom (UK)	0333 003 8122	
Haier France (FR)	0980 406 409	

\*Für andere Länder siehe [www.haier.com](http://www.haier.com)

Haier Europe Trading S.r.l

Niederlassung UK

Westgate House, Westgate, Ealing

London, W5 1YY

\*Gewährleistungsdauer des Kühlgeräts:

Die Mindestgarantie beträgt: 2 Jahre für EU-Länder, 3 Jahre für die Türkei, 1 Jahr für Großbritannien, 1 Jahr für Russland, 3 Jahre für Schweden, 2 Jahre für Serbien, 5 Jahre für Norwegen, 1 Jahr für Marokko, 6 Monate für Algerien, Tunesien keine gesetzliche Gewährleistung erforderlich.

\*Der Zeitraum für die Beschaffung von Ersatzteilen für die Reparatur des Geräts:

Thermostate, Temperatursensoren, Leiterplatten und Leuchtmittel sind für einen Zeitraum von mindestens sieben Jahren nach Inverkehrbringen des letzten Gerätes des Modells erhältlich.

Türgriffe, Türscharniere, Ablagen und Schubladen für eine Mindestdauer von sieben Jahren und Türdichtungen für eine Mindestdauer von 10 Jahren, nachdem das letzte Gerät des Modells in Verkehr gebracht wurde.

\*Weitere Informationen zum Produkt finden Sie unter <https://eprel.ec.europa.eu/> oder scannen Sie den QR-Code auf dem Energielabel, das dem Gerät beiliegt.

## QUALITÄTSZERTIFIKAT

BEZEICHNUNG: KÜHLSCHRANK  
QC PASSED  
PRÜFER Nr. QC01

# Haier

专用号条码

0060543171  
2026 Version A

# Haier

Manuel d'utilisation



Réfrigérateur-congélateur

HCR59F18DNMM

HCR59F18DNMB

<b><u>4 Informations sur la sécurité</u></b>	•	Avant la première utilisation	5
		Installation	5
		Utilisation quotidienne	6
<b><u>8 Utilisation prévue</u></b>	•		
<b><u>9 Description du produit</u></b>	•		
<b><u>10 Panneau de commande</u></b>	•		
<b><u>11 Utilisation</u></b>	•	Réglage de la température du réfrigérateur	14
		Régler la température du congélateur	14
		Fonction Super-Cool	15
		Fonction Super-Frz	15
		Mode Holiday	16
		Fonction Magic Zone	17
<b><u>20 Matériel</u></b>	•		
<b><u>22 Conseils d'économie d'énergie</u></b>	•		
<b><u>23 Entretien et nettoyage</u></b>	•		
<b><u>25 Dépannage</u></b>	•		
<b><u>29 Installation</u></b>	•		
<b><u>33 Données techniques</u></b>	•		
<b><u>35 Service clientèle</u></b>	•		

## Merci d'avoir acheté un produit Haier.

Veuillez lire attentivement ces instructions avant d'utiliser cet appareil.

Les instructions contiennent des informations importantes qui vous aideront à tirer le meilleur parti de l'appareil et à assurer l'installation, l'utilisation et l'entretien sûrs et appropriés de celui-ci.

Conservez ce manuel dans un endroit facilement accessible afin que vous puissiez toujours vous y référer pour une utilisation sûre et appropriée de l'appareil.

Si vous vendez l'appareil, si vous le donnez ou si vous le confiez à quelqu'un lorsque vous déménagez, assurez-vous que vous transmettez également ce manuel pour que le nouveau propriétaire puisse se familiariser avec l'appareil et les consignes de sécurité.

## Accessoires

Vérifiez les accessoires et la littérature conformément à cette liste :



Étiquette  
énergie



Carte de  
garantie



Manuel  
d'utilisation



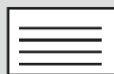
Certificat  
de garantie



Guide rapide



Entretoise×3



Fiche  
d'avertissement



clé à molette



## AVERTISSEMENT – Informations importantes sur la sécurité



## REMARQUE : informations générales et conseils



## Informations environnementales



### Mise au rebut

Contribuez à protéger l'environnement et la santé humaine. Jetez l'emballage dans les bacs correspondants pour le recycler. Participez au recyclage des déchets d'appareils électriques et électroniques. Ne jetez pas les appareils marqués de ce symbole avec les déchets ménagers. Ramenez le produit à votre déchetterie locale ou contactez votre bureau municipal.



### AVERTISSEMENT : risque d'incendie/matière inflammable

Le symbole indique qu'il y a un risque d'incendie, étant donné que des matières inflammables sont utilisées. Évitez de provoquer un incendie en brûlant des matières inflammables.



### AVERTISSEMENT !

Risque de blessure ou de suffocation !

Les frigorigènes et les gaz doivent être éliminés par un professionnel. Assurez-vous que le tube du circuit réfrigérant n'est pas endommagé avant d'être correctement éliminé. Débranchez l'appareil du secteur. Coupez le câble d'alimentation et jetez-le. Retirez les clayettes et les tiroirs ainsi que le verrou et les joints de la porte, afin d'éviter que les enfants et les animaux domestiques ne se retrouvent enfermés dans l'appareil.

## Avant d'allumer l'appareil pour la première fois, lisez les conseils de sécurité suivants !



### AVERTISSEMENT !

#### Avant la première utilisation

- ▶ Assurez-vous qu'il n'a pas été endommagé pendant le transport.
- ▶ Manipulez toujours l'appareil avec au moins deux personnes parce qu'il est lourd.

#### Installation

- ▶ L'appareil doit être placé dans un endroit bien ventilé. Garantisiez un espace d'au moins 10 cm au-dessus et autour de l'appareil.
- ▶ Ne placez jamais l'appareil dans un endroit humide ou un endroit où il pourrait être éclaboussé d'eau. Nettoyez et séchez les éclaboussures d'eau et les taches avec un chiffon doux et propre.
- ▶ N'installez pas l'appareil en plein soleil ou à proximité de sources de chaleur (par ex. cuisinières, chauffages).
- ▶ Installez et mettez à niveau l'appareil dans une zone adaptée à sa taille et à son utilisation.
- ▶ Maintenez les ouvertures de ventilation situées dans l'appareil ou dans la structure encastrée libres de toute obstruction.
- ▶ Assurez-vous que les informations électriques figurant sur la plaque signalétique sont conformes à l'alimentation électrique. Si ce n'est pas le cas, contactez un électricien.
- ▶ L'appareil est alimenté par une alimentation de 220-240 VCA/50 Hz. Les variations anormales de tension peuvent provoquer l'arrêt de l'appareil ou endommager le régulateur de température ou le compresseur, ou il peut y avoir un bruit anormal lors du fonctionnement. Dans ce cas, un régulateur automatique doit être monté.
- ▶ N'utilisez pas d'adaptateurs multiprises ni de rallonges.
- ▶ Ne placez pas de systèmes multiprises portatifs ou d'alimentations portatives à l'arrière de l'appareil.
- ▶ Assurez-vous que le câble d'alimentation n'est pas coincé par le réfrigérateur. Ne marchez pas sur le câble d'alimentation.
- ▶ Utilisez une prise de terre séparée pour l'alimentation électrique qui soit facile d'accès. L'appareil doit être mis à la terre.  
Uniquement pour le Royaume-Uni : le câble d'alimentation de l'appareil est équipé d'une fiche 3 pôles (de mise à la terre) qui s'adapte à une prise standard 3 pôles (de mise à la terre). Ne coupez jamais ou ne démontez jamais la troisième broche (mise à la terre). Une fois l'appareil installé, la fiche doit être accessible.
- ▶ N'endommagez pas le circuit réfrigérant.



## AVERTISSEMENT !

### Utilisation quotidienne

- ▶ Cet appareil peut être utilisé par des enfants à partir de 8 ans et par des personnes ayant des capacités physiques, sensorielles ou mentales réduites ou un manque d'expérience et de connaissances, s'ils sont sous surveillance ou si on leur a appris à utiliser l'appareil en toute sécurité et s'ils comprennent les risques courus.
- ▶ Les enfants âgés de 3 à 8 ans sont autorisés à remplir et vider les appareils de réfrigération, mais ne sont pas autorisés à les nettoyer ni à les installer.
- ▶ Gardez les enfants âgés de moins de 3 ans à l'écart de l'appareil à moins qu'ils ne soient constamment surveillés.
- ▶ Les enfants ne doivent pas jouer avec l'appareil.
- ▶ Si du gaz réfrigérant ou tout autre gaz inflammable fuit à proximité de l'appareil, fermez la vanne du gaz qui fuit, ouvrez les portes et les fenêtres et ne débranchez pas le câble d'alimentation du réfrigérateur ou de tout autre appareil.
- ▶ Notez que l'appareil est conçu pour fonctionner dans une plage de température ambiante spécifique comprise entre 10 °C et 43 °C. L'appareil peut ne pas fonctionner correctement s'il est laissé pendant une longue période à une température inférieure ou supérieure à la plage indiquée.
- ▶ Ne placez pas d'objets instables (objets lourds, récipients remplis d'eau) sur le dessus du réfrigérateur, pour éviter les blessures corporelles causées par une chute ou une électrocution causée par le contact avec de l'eau.
- ▶ Ne tirez pas sur les balconnets. La porte peut être tirée en biais, le porte-bouteilles peut être retiré ou l'appareil risque de basculer.
- ▶ Ouvrez et fermez les portes uniquement avec les poignées. L'écart entre les portes et entre les portes et le compartiment est très étroit. Ne mettez pas vos mains dans ces zones pour éviter de vous pincer les doigts. Ouvrez ou fermez les portes du réfrigérateur uniquement lorsqu'il n'y a pas d'enfants dans le rayon de mouvement de la porte.
- ▶ Ne conservez pas et n'utilisez pas de matières corrosives, explosives ou inflammables dans l'appareil ou à proximité.
- ▶ Ne conservez pas de médicaments, de bactéries ou d'agents chimiques dans l'appareil. Cet appareil est un appareil électroménager. Il n'est pas recommandé pour stocker des produits qui nécessitent des températures strictes.
- ▶ Ne conservez jamais des liquides dans des bouteilles ou des canettes (en dehors des spiritueux avec un degré d'alcool très élevé), en particulier les boissons gazeuses, dans le congélateur car ceux-ci pourraient exploser durant la congélation.
- ▶ Vérifiez l'état des aliments si l'intérieur du congélateur s'est réchauffé.
- ▶ Ne réglez pas une température inutilement basse dans le compartiment du réfrigérateur. Des températures négatives peuvent se produire à des réglages élevés. Attention : les bouteilles peuvent éclater
- ▶ Ne touchez pas les produits surgelés avec les mains mouillées (portez des gants). Ne mangez surtout pas les glaces à l'eau juste après les avoir sorties du compartiment congélateur. Vous risquez de vous blesser ou de vous brûler à cause du froid. Premiers secours : mettez immédiatement sous l'eau froide. Ne retirez pas !
- ▶ Ne touchez pas la surface intérieure du compartiment congélateur lorsqu'il est en fonctionnement, en particulier avec les mains mouillées, car vos mains peuvent geler sur la surface.



## AVERTISSEMENT !

### Utilisation quotidienne

- ▶ Débranchez l'appareil en cas de coupure de courant ou avant de le nettoyer. Attendez au moins 7 minutes avant de redémarrer l'appareil, car des démarrages trop fréquents risqueraient d'endommager le compresseur.
- ▶ N'utilisez pas des appareils électriques à l'intérieur des compartiments de conservation des aliments de l'appareil, sauf s'ils correspondent aux modèles recommandés par le fabricant.  
Entretien / nettoyage
- ▶ Veillez à superviser les enfants s'ils effectuent le nettoyage et l'entretien.
- ▶ Débranchez l'appareil du secteur avant d'effectuer tout entretien courant. Attendez au moins 5 minutes avant de redémarrer l'appareil, car des démarrages trop fréquents risqueraient d'endommager le compresseur.
- ▶ Tenez la fiche, pas le câble, lorsque vous débranchez l'appareil.
- ▶ Ne nettoyez pas l'appareil à l'aide de brosses dures, de brosses métalliques, de détergents en poudre, d'essence, d'acétate d'amyle, d'acétone et de solutions organiques similaires, d'acides ou de solutions alcalines. Nettoyez-le avec un détergent spécial pour réfrigérateur afin d'éviter de l'endommager.
- ▶ Ne raclez pas le givre et la glace avec des objets tranchants. N'utilisez pas de pulvérisateurs ni de réchauffeurs électriques comme des nettoyeurs à vapeur, des sèche-cheveux ou d'autres sources de chaleur pour éviter d'endommager les pièces en plastique.
- ▶ N'utilisez pas de dispositifs mécaniques ou d'autres moyens pour accélérer le processus de dégivrage, hormis ceux recommandés par le fabricant.
- ▶ Si le cordon d'alimentation est endommagé, faites-le remplacer par le fabricant, le service clientèle ou un électricien qualifié pour éviter tout risque d'accident.
- ▶ N'essayez pas de réparer, démonter ou modifier l'appareil vous-même. En cas de réparation, veuillez contacter notre service clientèle.
- ▶ Éliminez la poussière à l'arrière de l'appareil au moins une fois par an pour éviter tout risque d'incendie, ainsi que l'augmentation de la consommation d'énergie.
- ▶ Ne pulvérisez pas et ne rincez pas l'appareil pendant le nettoyage.
- ▶ N'utilisez pas de jet d'eau ou de vapeur pour nettoyer l'appareil.
- ▶ Ne nettoyez pas les clayettes froides en verre à l'eau chaude. Un changement soudain de température peut casser le verre.

### Informations sur les gaz réfrigérants

- ▶ L'appareil contient de l'ISOBUTANE, un réfrigérant inflammable (R600a). Assurez-vous que le circuit du réfrigérant n'est pas endommagé pendant le transport ou l'installation. Les fuites de frigorigène peuvent provoquer des blessures oculaires ou s'enflammer. Si un dommage s'est produit, gardez les sources de feu ouvert à l'écart, aérez complètement la pièce, ne branchez pas ou ne débranchez pas les cordons d'alimentation de l'appareil ou de tout autre appareil. Informez le service clientèle.
- ▶ En cas de contact du réfrigérant avec les yeux, rincez-les immédiatement à l'eau courante et appelez immédiatement un oculiste.

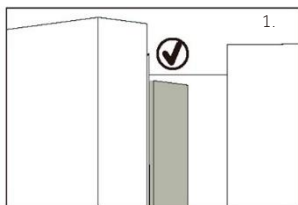
## Utilisation prévue

Cet appareil est destiné à réfrigérer et à congeler les aliments. Il a été conçu exclusivement pour une utilisation dans les habitations et des applications similaires telles que les espaces de cuisine dans les magasins, bureaux et autres environnements de travail ; les habitations rurales et par les clients dans les hôtels, motels et autres environnements de type résidentiel, ainsi que dans les chambres d'hôtes ou B&B et activités de restauration. Il n'est pas destiné à un usage commercial ou industriel. Les changements ou modifications apportés à l'appareil ne sont pas autorisés. Une utilisation non prévue peut entraîner des risques et la perte de garantie.

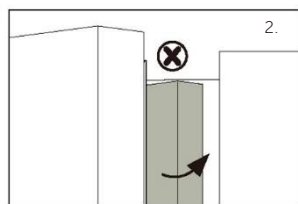
## Normes et directives **CE**

Ce produit satisfait aux exigences de toutes les directives CE applicables avec les normes harmonisées correspondantes, qui prévoient le marquage CE.

### ATTENTION!



Lorsque vous fermez la porte, la bande verticale de la porte gauche doit être pliée à l'intérieur (1).

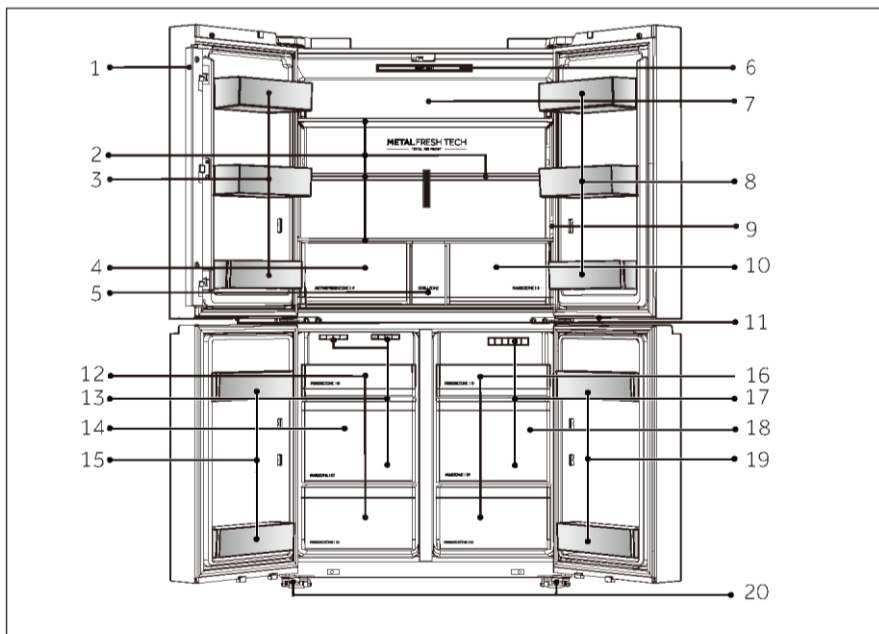


Si vous essayez de fermer la porte gauche et que la bande de la porte verticale n'est pas pliée (2), vous devriez la plier d'abord, sinon la bande de la porte frappera la tige de fixation ou la porte de droite. Ainsi, il y aura un dommage au niveau de la bande de la porte ou une fuite se produira.

Il y a un filament chauffant à l'intérieur du cadre. La température de la surface augmentera légèrement, ce qui est normal et n'affectera pas le fonctionnement de l'appareil.

## **i** REMARQUE

En raison des changements techniques et de différents modèles, certaines des illustrations de ce manuel peuvent différer de votre modèle.



A : Compartiment réfrigérateur

B : Compartiment congélateur

1 Bandeau de porte

12 Tiroir FREEZE ZONE

2 Clayettes en verre

13 Conduit d'air

3 Porte-bouteilles

14 Tiroir MAX ZONE

4 Tiroir ACTIVEFRESH ZONE

15 Porte-bouteilles

5 Bac CHILL ZONE

16 Tiroir FREEZE ZONE

6 Lampe du réfrigérateur

17 Conduit d'air

7 Conduit de réfrigérateur

18 Tiroir MAX ZONE

8 Porte-bouteilles

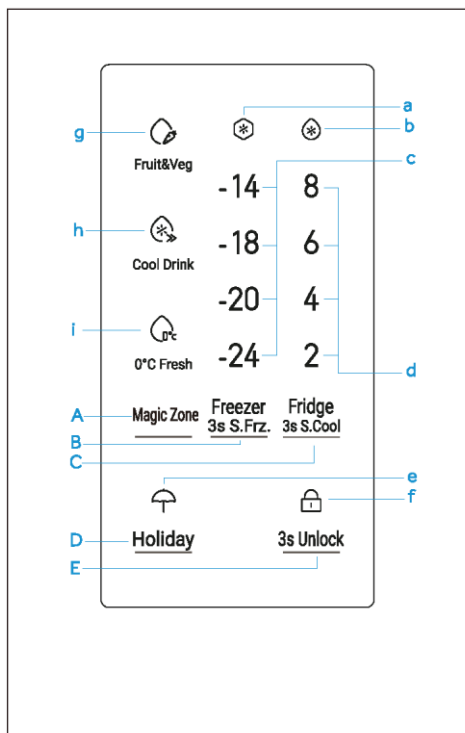
19 Porte-bouteilles

9 Panneau de commande

20 Pieds réglables

10 Tiroir MAGIC ZONE

11 Lampe du congélateur



Touches :

- A Sélecteur de mode Magic Zone
- B Sélecteur de fonctions congélateur et Super-Frz
- C Sélecteur de fonctions réfrigérateur et Super-Cool
- D Sélecteur de fonction Holiday
- E Sélecteur de fonction de verrouillage/déverrouillage

Voyants :

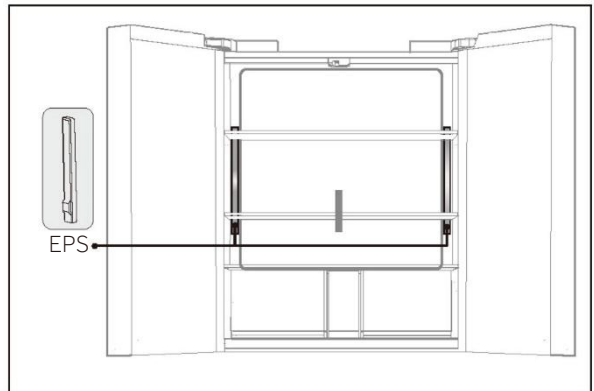
- a Fonction Super-Frz
- b Fonction Super-Cool
- c Température du congélateur
- d Température de réfrigération
- e Fonction Holiday
- f Fonction Verrouiller/Déverrouiller
- g Fonction Fruit & Veg
- h Fonction Cool Drink
- i Fonction 0°C Fresh

### Avant la première utilisation

- ▶ Retirez tous les emballages, en particulier la mousse blanche en polystyrène expansé (EPS) située de part et d'autre du conduit de réfrigération et gardez-les hors de portée des enfants. Mettez-les au rebut dans le respect de l'environnement.
- ▶ Nettoyez l'intérieur et l'extérieur de l'appareil avec de l'eau et un détergent doux avant d'y mettre des aliments.
- ▶ Une fois l'appareil à plat et nettoyé, attendez au moins 2 à 5 heures avant de le brancher à l'alimentation électrique. Voir la section INSTALLATION.
- ▶ Pré-réfrigérez les compartiments à des réglages élevés avant de les remplir d'aliments. La fonction Power-Freeze permet de refroidir rapidement les compartiments.
- ▶ La température du réfrigérateur et celle du congélateur sont réglées automatiquement sur 4 °C et -18 °C, respectivement. Il s'agit des réglages recommandés. Si vous le souhaitez, vous pouvez modifier ces températures manuellement. Voir RÉGLAGE DE LA TEMPÉRATURE.

### Méthode de retrait de la mousse EPS

Commencez par retirer les clayettes supérieure et centrale (la méthode de retrait des clayettes est décrite à la page 25), puis retirez les deux mousses EPS.



## Touches tactiles

Les touches du panneau de commande sont des touches tactiles qui réagissent dès que le doigt les touche légèrement.

## Allumer/éteindre l'appareil

L'appareil fonctionne dès qu'il est branché sur l'alimentation électrique.

La température du réfrigérateur et celle du congélateur sont réglées automatiquement sur 4 °C et -18 °C, respectivement.

Le verrouillage du panneau est peut-être actif.



### REMARQUE

L'appareil est préréglé à la température recommandée de 4 °C (réfrigérateur) et de -18 °C (congélateur). Dans des conditions ambiantes normales, vous n'avez pas besoin de régler la température.

Lorsque l'appareil est allumé après avoir été débranché de l'alimentation secteur, il peut falloir jusqu'à 12 heures pour que les températures correctes soient atteintes.

Videz l'appareil avant de l'éteindre. Pour éteindre l'appareil, tirez le cordon d'alimentation pour le sortir de la prise d'alimentation.

## Verrouillage/Déverrouillage du panneau

Verrouillage automatique : lorsque la porte du réfrigérateur est fermée et qu'aucune touche n'est actionnée dans les 30 secondes, l'écran s'éteint et se verrouille automatiquement.

Verrouillage manuel : lorsque l'écran d'affichage est déverrouillé, appuyez sur la touche « E » (sélecteur de verrouillage du panneau) et maintenez-la enfoncée pendant 3 secondes, le signal sonore retentit une fois, l'indicateur « f » (verrouillage du panneau) s'allume et l'affichage est verrouillé. En mode de verrouillage, appuyez longuement sur la touche « E » pendant 3 secondes, le signal sonore retentit une fois, l'indicateur « f » (panneau verrouillé) s'éteint, le panneau est déverrouillé.



## Mode de réglage manuel

Si vous souhaitez régler manuellement la température de l'appareil, vous pouvez régler la température à l'aide d'une touche de réglage de la température (reportez-vous à la rubrique RÉGLER LA TEMPÉRATURE)

## Alarme de porte

L'alarme de porte se déclenche lorsque la porte est ouverte pendant longtemps ou si elle n'est pas fermée correctement, en tant que rappel.

## Réglage de la température

Les températures intérieures sont influencées par les facteurs suivants :

Température ambiante, fréquence d'ouverture de la porte, quantité d'aliments conservés, installation de l'appareil

## Réglage de la température du réfrigérateur

1. Lorsque l'écran d'affichage est déverrouillé, appuyez sur la touche « C ». Le signal sonore retentit une fois, l'indicateur « b » clignote, puis vient le mode de réglage de la température du réfrigérateur.
2. Appuyez sur la touche « C » à chaque fois, le signal sonore retentit une fois, la température définie du réfrigérateur changera et s'affichera dans l'ordre 8>6>4>2.

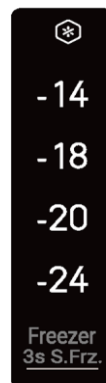


### REMARQUE

Après avoir réglé la température, s'il n'y a pas d'opération dans les 5 secondes, le système enregistrera automatiquement la température définie.

## Régler la température du congélateur

1. Lorsque l'écran d'affichage est déverrouillé, appuyez sur la touche « B ». Le signal sonore retentit une fois, l'indicateur « c » clignote, puis vient le mode de réglage de la température du congélateur.
2. Appuyez sur la touche « B » à chaque fois, le signal sonore retentit une fois, la température réglée du réfrigérateur sera modifiée et la température du réfrigérateur s'affichera dans l'ordre -14>-18>-20>-24.

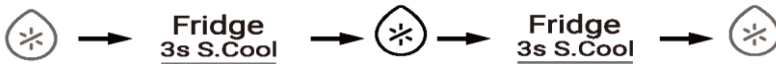


### REMARQUE

Après avoir réglé la température, s'il n'y a pas d'opération dans les 5 secondes, le système enregistrera automatiquement la température définie.

## Fonction Super-Cool

1. Lorsque l'écran d'affichage est déverrouillé, appuyez sur la touche « C » et maintenez-la pendant 3 secondes, le signal sonore retentit une fois, l'indicateur « b » s'allume, puis la fonction Super-Cool est activée.
2. Lorsque l'indicateur « b » s'allume, appuyez sur la touche « C » et maintenez-la enfoncée pendant 3 secondes, le signal sonore retentit une fois, l'indicateur « b » s'éteint, puis la fonction Super-Cool est désactivée.
3. Une fois la fonction Super-Cool activée, le réfrigérateur arrêtera automatiquement la fonction lorsqu'il atteindra la condition définie. Si vous voulez quitter la fonction manuellement, vous pouvez appuyer sur le bouton « C » pour la désactiver.



## REMARQUE

1. En mode Super-Cool, la température du réfrigérateur ne peut pas être réglée. Si vous appuyez sur l'une des touches « C » pour régler la température du réfrigérateur, l'indicateur « b » clignote et un signal sonore indique que cette opération ne peut pas être effectuée.
2. En mode Super-Cool, la fonction Auto-Set ne peut pas être activée en même temps en raison des différents modes de contrôle. Lorsque vous choisissez une fonction qui entre en conflit avec une autre, la fonction d'origine est automatiquement désactivée.

## Fonction Super-Frz

1. Lorsque l'écran d'affichage est déverrouillé, appuyez sur la touche « B » et maintenez-la enfoncée pendant 3 secondes, le signal sonore retentit une fois, l'indicateur « a » s'allume, puis la fonction Super-Frz est activée.
2. Lorsque l'indicateur « a » s'allume, appuyez sur la touche « B » et maintenez-la enfoncée pendant 3 secondes, le signal sonore retentit une fois, l'indicateur « a » s'éteint, puis la fonction Super-Frz est désactivée.
3. Une fois la fonction Super-Frz activée, le réfrigérateur arrêtera automatiquement la fonction lorsqu'il atteindra la condition définie. Si vous souhaitez quitter manuellement, vous pouvez appuyer sur la touche « B » pour l'éteindre.





## REMARQUE

1. En mode Super-Freeze, la température du congélateur ne peut pas être réglée. Si vous appuyez sur l'une des touches « B » pour régler la température du congélateur, l'indicateur « a » clignote et un signal sonore indique que cette opération ne peut pas être effectuée.
2. La fonction Super-Freeze est conçue pour conserver la valeur nutritive des aliments congelés, elle congèlera les aliments dans les plus brefs délais. À ce moment-là, la vitesse de congélation du congélateur s'améliore, les aliments peuvent être congelés rapidement, la nutrition des aliments est efficacement conservée et le stockage devient plus aisé. Si vous devez congeler une grande quantité d'aliments en une seule fois, il est recommandé de régler la fonction Super Freeze à l'avance pendant 24 heures avant d'utiliser le compartiment congélateur.

## Mode Holiday

Le mode Holiday est conçu pour ne pas utiliser le réfrigérateur pendant une période prolongée. Lorsque le mode Holiday est activé, le congélateur est sous contrôle normal et la température du réfrigérateur est automatiquement réglée sur 17 °C. Cela permet d'éviter les odeurs particulières dues à une surchauffe tout en réduisant la consommation d'énergie.

1. Lorsque l'écran d'affichage est déverrouillé, appuyez sur la touche « D », le signal sonore retentit une fois, l'indicateur « e » s'allume, puis la fonction Holiday est activée.
2. Lorsque l'indicateur « e » s'allume, appuyez sur la touche « D », le signal sonore retentit une fois, l'indicateur « e » s'éteint, puis la fonction Holiday est désactivée.



## REMARQUE

Avant d'utiliser la fonction Holiday, videz le réfrigérateur pour éviter que des aliments ne s'y détériorent. Lorsque la fonction Holiday est activée, la fonction Super-Cool ne peut pas être activée en même temps.

## Fonction Magic Zone

Lorsque l'écran d'affichage est déverrouillé, appuyez sur la touche « A » pour faire défiler les fonctions Fruit&Veg, Cool Drink et le mode 0°C Fresh.

### 1. Fonction Fruit&Veg :

Cette fonction convient à la conservation de fruits et légumes frais. Lorsque cette fonction est sélectionnée, l'indicateur « g » s'allume.

### 2. Fonction Cool Drink :

Cette fonction permet de stocker des produits tels que de l'eau, du coca et du jus. Lorsque cette fonction est sélectionnée, l'indicateur « h » s'allume.

### 3. Fonction 0°Fresh :

Cette fonction convient à la conservation d'aliments frais tels que la viande ou le poisson. Lorsque cette fonction est sélectionnée, l'indicateur « i » s'allume.



## REMARQUE

1. Le réglage par défaut lors de la mise en service est la fonction Cool Drink.
2. Pour la fonction Fruit&Veg : Les fruits sensibles au froid comme l'ananas, l'avocat, les bananes, les pamplemousses et les légumes tels que les pommes de terre, les aubergines, les haricots, les concombres, les courgettes et les tomates et le fromage ne doivent pas être conservés dans le tiroir Magic Zone.
3. Pour la fonction 0°Fresh : En raison des différentes teneurs en eau de la viande, certaines viandes plus humides seront congelées à des températures inférieures à 0 °C. La viande « coupée immédiatement » doit donc être conservée dans le tiroir Magic Zone, à une température minimale de 0 °C.
4. Les trois fonctions de Magic Zone ne peuvent pas être activées simultanément, une seule peut être allumée. Pour réduire la température du compartiment réfrigérateur, utilisez la fonction Cool Drink. Pour augmenter la température du compartiment réfrigérateur, utilisez la fonction Fruit&Veg.

## Conseils pour conserver des aliments frais

### Conservation dans le compartiment réfrigérateur

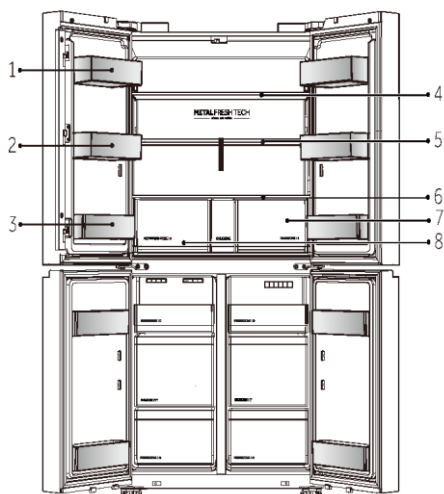
1. Conservez la température de votre réfrigérateur en dessous de 5 °C.
2. Les aliments chauds doivent avoir refroidi à température ambiante avant d'être placés dans l'appareil.
3. Les aliments conservés au réfrigérateur doivent être lavés et essuyés avant d'être entreposés.
4. Les aliments à conserver doivent être correctement emballés hermétiquement pour éviter les altérations d'odeurs ou de goût.

5. Ne conservez pas des quantités excessives d'aliments. Laissez des espaces entre les aliments pour améliorer la circulation de l'air autour d'eux.
6. Les aliments consommés quotidiennement doivent être conservés à l'avant de la clayette.
7. Laissez un espace entre les aliments et les parois intérieures, pour permettre la circulation de l'air. En particulier, ne placez pas des aliments contre la paroi arrière : les aliments peuvent geler contre la paroi arrière. Évitez tout contact direct des aliments (en particulier les aliments gras ou acides) avec le revêtement intérieur, car l'huile / l'acide peut éroder le revêtement intérieur. Nettoyez les saletés grasses / acides chaque fois que vous en découvrez.
8. Décongelez les aliments surgelés dans le compartiment de rangement du réfrigérateur. De cette façon, vous pouvez utiliser les aliments surgelés pour diminuer la température du compartiment et faire des économies d'énergie.
9. Le vieillissement des fruits et légumes comme les courgettes, les melons, la papaye, la banane, l'ananas, etc. peut s'accélérer au réfrigérateur. Par conséquent, il est déconseillé de les conserver au réfrigérateur. Cependant, la maturation des fruits très verts peut être favorisée pendant une certaine période. Les oignons, l'ail, le gingembre et les autres légumes-racines doivent également être conservés à température ambiante.
10. Les odeurs désagréables à l'intérieur du réfrigérateur sont un signe que quelque chose a été renversé et qu'il faut nettoyer. Voir ENTRETIEN ET NETTOYAGE.
11. Différents aliments doivent être placés dans différents endroits en fonction de leurs propriétés.



## REMARQUE

Maintenez une distance de plus de 10 mm entre les aliments rangés et le conduit d'air ou les capteurs afin d'assurer l'effet de refroidissement.



1. Beurre, fromage, etc.
2. Œufs, cannettes, aliments en conserve, épices, etc.
3. Boissons et aliments en bouteille.
4. Aliments marinés, aliments en conserve, etc.
5. Produits à base de viande, snacks, pâtes, aliments en conserve, lait, tofu, produits laitiers, etc.
6. Viande cuite, saucisses, etc.
7. Tiroir Magic ZONE : fruits, légumes, salade, etc.
8. Tiroir de la zone ACTIVEFRESH ZONE : fruits, légumes, salade, etc.

## Conservation dans le compartiment congélateur

1. Maintenez la température du congélateur à  $-18^{\circ}\text{C}$ .
2. 24 heures avant de congeler, la fonction Super-Freeze ; pour de petites quantités d'aliments de 4 à 6 heures suffisent.
3. Les aliments chauds doivent avoir refroidi à température ambiante avant d'être placés dans le compartiment congélateur.
4. Les aliments coupés en petites portions congèleront plus rapidement et seront plus faciles à décongeler et à cuire. Le poids recommandé pour chaque portion est inférieur à 2,5 kg.
5. Il vaut mieux emballer les aliments avant de les mettre dans le congélateur. L'extérieur de l'emballage doit être sec pour éviter que les sacs ne collent les uns aux autres. Les matériaux d'emballage doivent être exempts d'odeurs, étanches à l'air et non toxiques.
6. Afin d'éviter l'expiration des périodes de conservation, notez la date de congélation, la limite de temps et le nom des aliments présents sur l'emballage en fonction des périodes de conservation des différents aliments.

1. **AVERTISSEMENT !** : Les acides, les alcalins et le sel, etc., pourraient éroder la surface interne du congélateur. Ne placez pas les aliments contenant ces substances (par ex. poissons de mer) directement sur la surface interne. L'eau salée dans le congélateur doit être nettoyée immédiatement.

2. Ne dépassez pas les temps de conservation des aliments recommandés par les fabricants.

Ne sortez que la quantité requise d'aliments du congélateur.

3. Consommez rapidement les aliments décongelés. Les aliments décongelés ne peuvent pas être recongelés à moins qu'ils ne soient d'abord cuits, sinon ils risquent d'être moins comestibles.
4. Ne mettez pas de quantités excessives d'aliments frais dans le compartiment congélateur. Reportez-vous à la capacité de congélation du congélateur - Voir les DONNÉES TECHNIQUES ou les données sur la plaque signalétique.
5. Les aliments peuvent être conservés au congélateur à une température d'au moins  $-18^{\circ}\text{C}$  pendant 2 à 12 mois, en fonction de leurs propriétés (par ex. viande : 3-12 mois, légumes : 6-12 mois)
6. Lorsque vous congélez des aliments frais, évitez de les mettre en contact avec des aliments déjà congelés ou en décongélation.

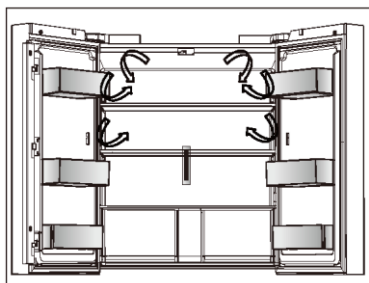
### **Lorsque vous conservez des aliments surgelés achetés dans le commerce, veuillez suivre ces directives :**

1. Suivez toujours les directives du fabricant pour la durée de conservation des aliments. Ne dépassez pas ces directives !
2. Essayez de garder le temps entre l'achat et le stockage le plus court possible pour préserver la qualité des aliments.
3. Achetez des aliments surgelés qui ont été conservés à une température inférieure ou égale à  $-18^{\circ}\text{C}$ .
4. Évitez d'acheter des aliments qui ont de la glace ou du givre sur l'emballage - cela indique que les produits ont pu être partiellement décongelés et recongelés à un moment donné - les hausses de température affectent la qualité des aliments.



### **REMARQUE**

Maintenez une distance de plus de 10 mm entre les aliments rangés et la conduite d'air afin d'assurer l'effet de refroidissement.

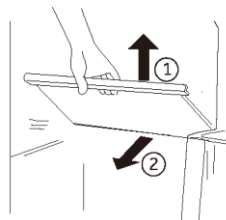


### Flux multi-air

1. Le réfrigérateur est équipé d'un système à flux multi-air, avec lequel des flux d'air froid se trouvent au niveau de chaque clayette. Cela permet de maintenir une température uniforme afin de garantir que vos aliments conservent leur fraîcheur pendant plus longtemps.

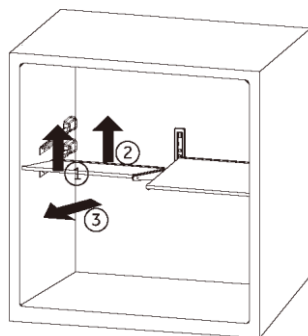
### Clayettes réglables

1. La hauteur des clayettes peut être réglée en fonction de vos besoins de rangement.
2. Pour déplacer une clayette, commencez par la retirer en levant son bord avant ① et en la tirant ②.
3. Pour la remettre en place, placez-la sur les ergots des deux côtés et poussez-la dans la position la plus reculée jusqu'à ce que l'arrière de la clayette soit fixé à l'intérieur des fentes sur les côtés.



### Réglage de la clayette centrale

1. Retrait du support de clayette : Pour commencer, soulevez le bord avant ① du support de clayette de 7 cm, puis soulevez le bord arrière ② du support de clayette, de sorte que la griffe du côté du porte-à-faux puisse être séparée du trou d'installation. Pour finir, tirez le support de clayette vers l'extérieur ③.
2. Installation du support de clayette : Poussez le support de clayette en place selon l'angle d'inclinaison indiqué sur le diagramme, puis abaissez le bord avant ① du support de clayette de sorte que la griffe du côté du porte-à-faux puisse s'insérer dans le trou d'installation.



### REMARQUE

Assurez-vous que toutes les extrémités d'une clayette sont au même niveau.

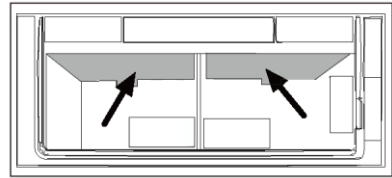
### Tiroir ACTIVEFRESH ZONE

1. Dans ce compartiment, le niveau d'humidité est supérieur au compartiment du réfrigérateur. Il est contrôlé automatiquement par le système et convient au stockage des fruits, des légumes, des salades, etc.



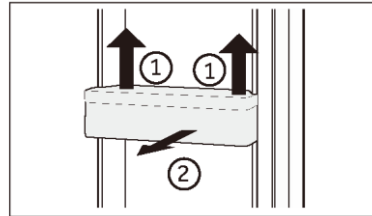
## REMARQUE

1. Ne retirez pas les couvercles en plastique à l'intérieur des deux zones.
2. Ils maintiennent l'humidité.
3. Fruits sensibles au froid comme l'ananas, l'avocat, les bananes,
4. il n'est pas recommandé de conserver les pamplemousses dans ces deux tiroirs.



## Balconnets de porte amovibles/Porte-bouteilles

1. Les balconnets de porte peuvent être retirés pour le nettoyage :
2. Placez les mains de chaque côté du balconnet, soulevez-le ① et tirez-le ②.
3. Pour insérer le balconnet de porte, vous devez suivre les étapes ci-dessus dans l'ordre inverse.



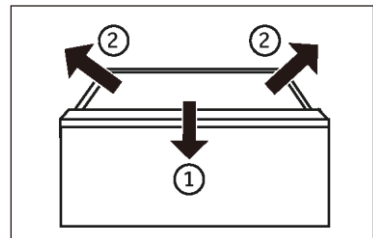
## REMARQUE

Lorsque vous allumez l'appareil, il peut falloir jusqu'à 12 heures pour que les températures appropriées soient atteintes.

## Tiroir amovible

Pour retirer le tiroir, sortez-le au maximum ①, soulevez-le et retirez-le ②.

Pour introduire le tiroir, vous devez effectuer les étapes ci-dessus dans l'ordre inverse.



## Lumière

La lumière intérieure LED s'allume lorsque la porte est ouverte et elle s'éteint automatiquement si la porte reste ouverte pendant plus de 7 minutes. Le fonctionnement des lampes n'est affecté par aucun des autres réglages de l'appareil.



## Conseils d'économie d'énergie

- ▶ Assurez-vous que l'appareil est bien ventilé (voir INSTALLATION).
- ▶ N'installez pas l'appareil en plein soleil ou à proximité de sources de chaleur (par ex. cuisinières, chauffages).
- ▶ Évitez une température inutilement basse dans l'appareil. Plus vous réglez bas la température de l'appareil, plus la consommation d'énergie augmente.
- ▶ Des fonctions comme POWER-FREEZE consomment plus d'énergie.
- ▶ Laissez les aliments chauds refroidir avant de les mettre dans l'appareil.
- ▶ Ouvrez la porte de l'appareil le moins souvent et le plus rapidement possible.
- ▶ Ne remplissez pas trop l'appareil pour éviter de bloquer la circulation de l'air.
- ▶ Évitez l'air dans l'emballage des aliments.
- ▶ Gardez les joints de la porte propres afin que la porte se ferme toujours correctement.
- ▶ Décongelez les aliments surgelés dans le compartiment de rangement du réfrigérateur.
- ▶ La configuration la plus économe en énergie exige que l'appareil conserve les tiroirs, la boîte de rangement et les clayettes en parfait état, et les aliments doivent être placés le plus loin possible des orifices de sortie de la conduite d'air.



## AVERTISSEMENT !

Débranchez l'appareil de l'alimentation électrique avant de le nettoyer.

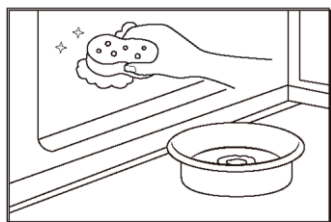
### Nettoyage

1. Nettoyez l'appareil lorsqu'il n'y a qu'un peu de nourriture ou qu'il n'y a pas de nourriture à l'intérieur.
2. L'appareil doit être nettoyé toutes les quatre semaines pour un bon entretien et pour éviter les mauvaises odeurs des aliments conservés à l'intérieur.



## AVERTISSEMENT !

- ▶ Ne nettoyez pas l'appareil à l'aide de brosses dures, de brosses métalliques, de détergents en poudre, d'essence, d'acétate d'amyle, d'acétone et de solutions organiques similaires, d'acides ou de solutions alcalines. Nettoyez-le avec un détergent spécial pour réfrigérateur afin d'éviter de l'endommager.
- ▶ Ne pulvérisiez pas et ne rincez pas l'appareil pendant le nettoyage.
- ▶ N'utilisez pas de jet d'eau ou de vapeur pour nettoyer l'appareil.
- ▶ Ne nettoyez pas les clayettes froides en verre à l'eau chaude. Un changement soudain de température peut casser le verre.
- ▶ Ne touchez pas la surface intérieure du compartiment de l'appareil, en particulier avec les mains mouillées, car vos mains peuvent geler sur la surface.
- ▶ En cas de réchauffement, vérifiez l'état des produits surgelés.



- ▶ Gardez toujours le joint de la porte propre.
- ▶ Nettoyez l'intérieur et le bâti de l'appareil à l'aide d'une éponge imbibée d'eau tiède et de détergent neutre.
- ▶ 1. Veuillez frotter l'intérieur et l'extérieur du réfrigérateur, y compris le joint de porte, le porte-bouteille, les clayettes en verre, les boîtes, etc., avec un torchon doux ou une éponge imbibée d'eau chaude (vous pouvez ajouter un détergent neutre dans l'eau chaude).
- ▶ 2. S'il y a du liquide renversé, retirez toutes les parties contaminées, rincez-les directement sous l'eau du robinet, séchez-les et remettez-les dans le réfrigérateur.
- ▶ 3. S'il y a de la crème (par exemple de la crème, de la crème glacée qui fond), retirez toutes les parties contaminées, placez-les dans de l'eau chaude à 40 °C pendant un certain temps, puis rincez-les à l'eau courante, séchez-les et remettez-les dans le réfrigérateur.
- ▶ 4. Si une petite pièce ou un élément reste coincé à l'intérieur du réfrigérateur (entre les clayettes ou les tiroirs), utilisez une petite brosse souple pour l'éliminer. Si vous ne pouvez pas atteindre la pièce, veuillez contacter le service clientèle Haier
- ▶ Rincez et séchez avec un chiffon doux.
- ▶ Ne nettoyez aucune des parties de l'appareil au lave-vaisselle.
- ▶ Attendez au moins 5 minutes avant de redémarrer l'appareil, car un démarrage fréquent risque d'endommager le compresseur.

## Dégivrage

Le dégivrage des compartiments réfrigérateur et congélateur se fait automatiquement ; aucune opération manuelle n'est nécessaire.

## Remplacement des lampes LED



### AVERTISSEMENT !

Ne remplacez pas la lampe LED vous-même, elle ne doit être remplacée que par le fabricant ou l'agent de maintenance agréé.

Les lampes utilisent des LED comme source lumineuse, avec une faible consommation d'énergie et une longue durée de vie. En cas d'anomalie, veuillez contacter le service clientèle. Reportez-vous au paragraphe SERVICE CLIENTÈLE.

Paramètres des lampes :

Compartiment réfrigérateur : 12 V, 4 W

Compartiment congélateur : 12 V, 2 W\*2

## Non-utilisation pendant une période prolongée

Si l'appareil n'est pas utilisé pendant une période prolongée et que vous n'utiliserez pas la fonction Holiday pour le réfrigérateur :

Sortez les aliments.

Débranchez le cordon d'alimentation.

Nettoyez l'appareil selon les instructions ci-dessus.

Gardez les portes ouvertes pour éviter la formation de mauvaises odeurs à l'intérieur.



### REMARQUE

N'éteignez l'appareil que si cela est strictement nécessaire.

## Déplacement de l'appareil

1. Retirez tous les aliments et débranchez l'appareil.
2. Fixez les clayettes et les autres parties mobiles dans le réfrigérateur et dans le congélateur avec du ruban adhésif.
3. N'inclinez pas le réfrigérateur à plus de 45° pour éviter d'endommager le système de réfrigération.



### AVERTISSEMENT !

- ▶ Ne soulevez pas l'appareil par ses poignées.
- ▶ Ne placez jamais l'appareil à l'horizontale sur le sol.

Vous pouvez résoudre de nombreux problèmes vous-même sans expertise spécifique. En cas de problème, veuillez vérifier toutes les possibilités indiquées et suivre les instructions ci-dessous avant de contacter un service clientèle. Reportez-vous au paragraphe SERVICE CLIENTÈLE.



## AVERTISSEMENT !

- ▶ Avant l'entretien, désactivez l'appareil et débranchez la fiche secteur de la prise secteur.
- ▶ L'équipement électrique ne doit être entretenu que par des experts en électricité qualifiés, car des réparations inappropriées peuvent causer des dommages consécutifs considérables.
- ▶ Une alimentation endommagée ne devrait être remplacée que par le fabricant, son agent de maintenance ou des personnes ayant une qualification similaire de sorte à éviter tout danger.

Problème	Cause possible	Solution possible
Le compresseur ne fonctionne pas.	<ul style="list-style-type: none"> <li>• La fiche secteur n'est pas branchée dans la prise secteur.</li> <li>• L'appareil est en cours de dégivrage</li> </ul>	<ul style="list-style-type: none"> <li>• Branchez la fiche secteur.</li> <li>• C'est normal pour un dégivrage automatique</li> </ul>
L'appareil fonctionne fréquemment ou fonctionne trop longtemps.	<ul style="list-style-type: none"> <li>• La température intérieure ou extérieure est trop élevée.</li> <li>• L'appareil a été hors tension pendant un certain temps.</li> <li>• Une porte de l'appareil n'est pas bien fermée.</li> <li>• La porte a été ouverte trop fréquemment ou trop longtemps.</li> <li>• Le réglage de la température du compartiment congélateur est trop bas.</li> <li>• Le joint de la porte est sale, usé, fissuré ou ne correspond pas.</li> <li>• La circulation de l'air requise n'est pas garantie.</li> </ul>	<ul style="list-style-type: none"> <li>• Dans ce cas, il est normal que l'appareil fonctionne plus longtemps.</li> <li>• Normalement, il faut 8 à 12 heures pour que l'appareil refroidisse complètement.</li> <li>• Fermez la porte / le tiroir et assurez-vous que l'appareil est situé sur un sol à niveau et qu'il n'y a pas d'aliment ou de récipient bloquant la porte.</li> <li>• N'ouvrez pas trop souvent la porte/le tiroir.</li> <li>• Réglez une température plus élevée jusqu'à l'obtention d'une température satisfaisante dans le réfrigérateur. Il faut 24 heures pour que la température du réfrigérateur devienne stable.</li> <li>• Nettoyez le joint de la porte/du tiroir ou faites-le remplacer par le service clientèle.</li> <li>• Assurez une ventilation adéquate.</li> </ul>

Problème	Cause possible	Solution possible
L'intérieur du réfrigérateur est sale et/ou dégage une odeur.	<ul style="list-style-type: none"> <li>• L'intérieur du réfrigérateur a besoin d'être nettoyé.</li> <li>• Des aliments à forte odeur sont conservés au réfrigérateur.</li> </ul>	<ul style="list-style-type: none"> <li>• Nettoyez l'intérieur du réfrigérateur</li> <li>• Enveloppez soigneusement les aliments.</li> </ul>
Il ne fait pas suffisamment froid à l'intérieur de l'appareil.	<ul style="list-style-type: none"> <li>• La température réglée est trop élevée.</li> <li>• Des produits trop chauds ont été stockés.</li> <li>• Trop d'aliments ont été mis à l'intérieur en même temps.</li> <li>• Les aliments sont trop proches les uns des autres.</li> <li>• Une porte/un tiroir de l'appareil n'est pas bien fermé(e).</li> <li>• La porte/le tiroir a été ouvert(e) trop fréquemment ou trop longtemps.</li> </ul>	<ul style="list-style-type: none"> <li>• Réinitialisez la température.</li> <li>• Laissez toujours refroidir les aliments avant de les mettre à l'intérieur.</li> <li>• Conservez toujours de petites quantités d'aliments.</li> <li>• Laissez de la place entre plusieurs aliments pour permettre la circulation de l'air.</li> <li>• Fermez la porte/le tiroir.</li> <li>• N'ouvrez pas trop souvent la porte/le tiroir.</li> </ul>
Il fait trop froid à l'intérieur de l'appareil.	<ul style="list-style-type: none"> <li>• La température réglée est trop basse.</li> <li>• La fonction Super-Frz/ Super-Cool est activée ou fonctionne trop longtemps.</li> </ul>	<ul style="list-style-type: none"> <li>• Réinitialisez la température.</li> <li>• Éteignez la fonction Super-Frz/ Super-Cool.</li> </ul>
Formation d'humidité à l'intérieur du compartiment réfrigérateur.	<ul style="list-style-type: none"> <li>• Le climat est trop chaud et trop humide.</li> <li>• Une porte/un tiroir de l'appareil n'est pas bien fermé(e).</li> <li>• La porte/le tiroir a été ouvert(e) trop fréquemment ou trop longtemps.</li> <li>• Les récipients contenant des aliments ou des liquides sont laissés ouverts.</li> </ul>	<ul style="list-style-type: none"> <li>• Augmentez la température.</li> <li>• Fermez la porte/le tiroir.</li> <li>• N'ouvrez pas trop souvent la porte/le tiroir.</li> <li>• Laissez refroidir les aliments chauds à température ambiante et couvrez les aliments et les liquides.</li> </ul>
L'humidité s'accumule sur le réfrigérateur à l'extérieur de la surface ou entre les portes / la porte et le tiroir.	<ul style="list-style-type: none"> <li>• Le climat est trop chaud et trop humide.</li> <li>• La porte n'est pas fermée hermétiquement. L'air froid de l'appareil et l'air chaud à l'extérieur de celui-ci se condense.</li> </ul>	<ul style="list-style-type: none"> <li>• C'est normal dans un climat humide et cela va changer lorsque l'humidité diminuera.</li> <li>• Assurez-vous que la porte / le tiroir est bien fermé(e).</li> </ul>

Problème	Cause possible	Solution possible
Glace dure et givre dans le compartiment congélateur.	<ul style="list-style-type: none"> <li>• Les produits n'ont pas été correctement emballés.</li> <li>• Une porte/un tiroir de l'appareil n'est pas bien fermé(e).</li> <li>• La porte/le tiroir a été ouvert(e) trop fréquemment ou trop longtemps.</li> <li>• Le joint de la porte/du tiroir est sale, usé, fissuré ou ne correspond pas.</li> <li>• Quelque chose à l'intérieur empêche la porte / le tiroir de se fermer correctement.</li> </ul>	<ul style="list-style-type: none"> <li>• Emballez toujours bien les produits.</li> <li>• Fermez la porte/le tiroir.</li> <li>• N'ouvrez pas trop souvent la porte/le tiroir.</li> <li>• Nettoyez le joint de la porte / du tiroir ou remplacez-les par des joints neufs.</li> <li>• Repositionnez les clayettes, les balconnets de porte ou les récipients à l'intérieur pour permettre à la porte / au tiroir de se fermer.</li> </ul>
Les côtés de l'appareil et de la bande de la porte se réchauffent.		<ul style="list-style-type: none"> <li>• Cela est normal.</li> </ul>
L'appareil émet des sons anormaux.	<ul style="list-style-type: none"> <li>• L'appareil n'est pas situé sur un sol plan.</li> <li>• L'appareil touche un objet situé à proximité.</li> </ul>	<ul style="list-style-type: none"> <li>• Réglez le pied pour mettre l'appareil à niveau.</li> <li>• Retirez les objets autour de l'appareil.</li> </ul>
Un léger son doit être entendu comme celui de l'eau courante.		<ul style="list-style-type: none"> <li>• Cela est normal.</li> </ul>
Un bip d'alarme retentit.	<ul style="list-style-type: none"> <li>• La porte du compartiment de rangement du réfrigérateur est ouverte.</li> </ul>	<ul style="list-style-type: none"> <li>• Fermez la porte.</li> </ul>
Vous entendrez un petit « hum ».	<ul style="list-style-type: none"> <li>• Le système anti-condensation fonctionne.</li> </ul>	<ul style="list-style-type: none"> <li>• Cela empêche la condensation et c'est normal.</li> </ul>
Le système d'éclairage ou de refroidissement à l'intérieur ne fonctionne pas.	<ul style="list-style-type: none"> <li>• La fiche secteur n'est pas branchée dans la prise secteur.</li> <li>• L'alimentation n'est pas intacte.</li> <li>• La lampe LED est hors service.</li> </ul>	<ul style="list-style-type: none"> <li>• Branchez la fiche secteur.</li> <li>• Vérifiez l'alimentation électrique de la pièce. Appelez la société d'électricité locale !</li> <li>• Veuillez appeler le service technique pour faire changer la lampe.</li> </ul>

Pour contacter l'assistance technique, visitez notre site Web :

<https://corporate.haier-europe.com/en/>

Dans la rubrique « site web », choisissez la marque de votre produit et votre pays.

Vous serez redirigé vers le site web spécifique où vous trouverez le numéro de téléphone et le formulaire pour contacter l'assistance technique.

## Coupure de courant

En cas de coupure de courant, les aliments devraient rester froids en toute sécurité pendant 5 heures environ. Suivez ces conseils pendant une coupure de courant prolongée, en particulier en été :

- ▶ Ouvrez la porte/le tiroir le moins possible.
- ▶ Ne mettez pas d'aliments supplémentaires dans l'appareil pendant une coupure de courant.
- ▶ Si un préavis de coupure de courant est donné et que la durée de la coupure est supérieure à 5 heures, préparez des glaçons et placez-les dans un récipient en haut du compartiment réfrigérateur.
- ▶ Une inspection des produits est requise immédiatement après la coupure de courant.
- ▶ Étant donné que la température du réfrigérateur augmentera lors d'une coupure de courant ou d'une autre panne, la durée de conservation et la qualité alimentaire des aliments seront réduites. Tout aliment décongelé doit être consommé ou cuit et recongelé (le cas échéant) peu de temps après afin de prévenir les risques pour la santé.

## Fonction mémoire pendant la coupure de courant

Lorsque le courant revient, l'appareil continue à fonctionner avec les réglages réglés avant la panne de courant.

## Déballage



### AVERTISSEMENT !

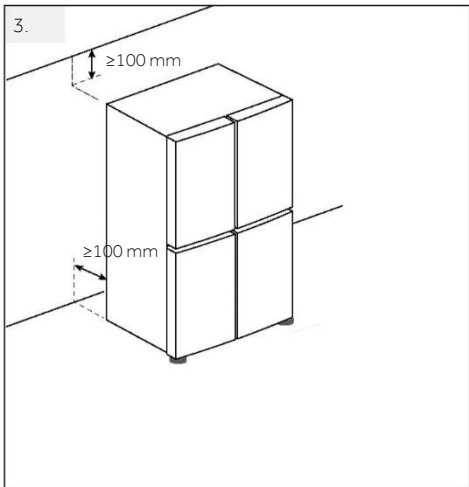
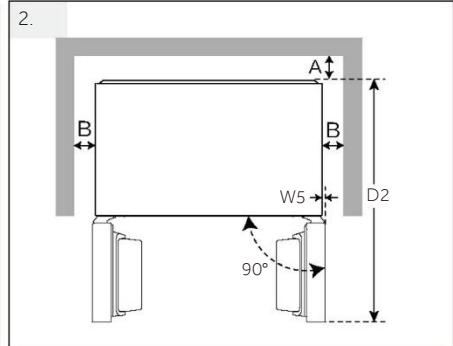
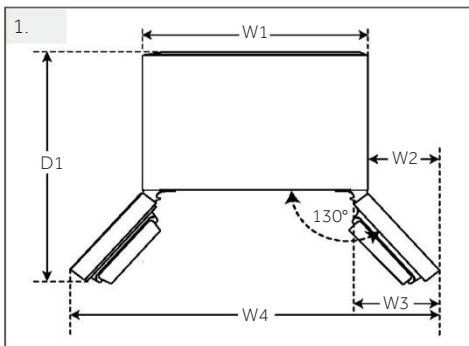
- ▶ L'appareil est lourd. Manipulez-le toujours avec au moins deux personnes.
- ▶ Conservez tous les emballages hors de la portée des enfants, puis jetez-les d'une manière respectueuse de l'environnement.
- ▶ Sortez l'appareil de l'emballage.
- ▶ Retirez tous les matériaux d'emballage.

### Conditions environnementales

La température ambiante doit toujours être comprise entre 10 °C et 43 °C, car elle peut influencer sur la température à l'intérieur de l'appareil et sa consommation d'énergie. N'installez pas l'appareil à proximité d'autres appareils générant de la chaleur (fours, réfrigérateurs) sans isolation.

### Espace recommandé

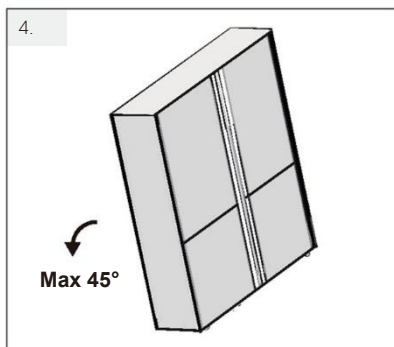
Espace recommandé lorsque la porte est ouverte (Fig. 1.2.)



(unité : mm)	N° de modèle	
Largeur	W1	905
	W2	327
	W3	368
	W4	1 559
	W5	51
	W	905
	D1	1 061
	D2	1 101
	D	738
Distance par rapport à la paroi arrière	A	100
Distance par rapport aux murs latéraux	B	100
Distance par rapport au plafond	C	100
Hauteur totale	H	1 825

### Coupe transversale de ventilation

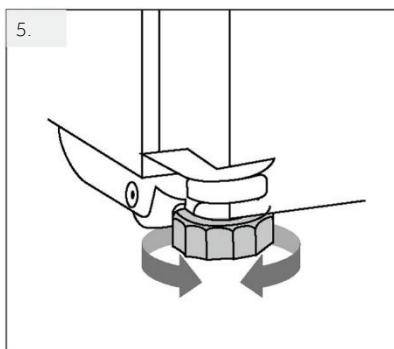
Pour obtenir une ventilation suffisante de l'appareil pour des raisons de sécurité, il convient de respecter les informations relatives aux coupes transversales de ventilation requises.



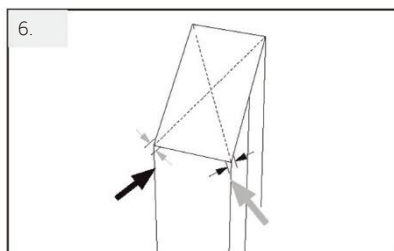
### Alignement de l'appareil (Fig. 4.5.6.)

L'appareil doit être placé sur une surface plane et solide.

- Inclinez le réfrigérateur légèrement vers l'arrière.



- Régalez les pieds au niveau souhaité. Assurez-vous que la distance entre le mur et le côté de la charnière est d'au moins 100 mm pour que la porte s'ouvre correctement.

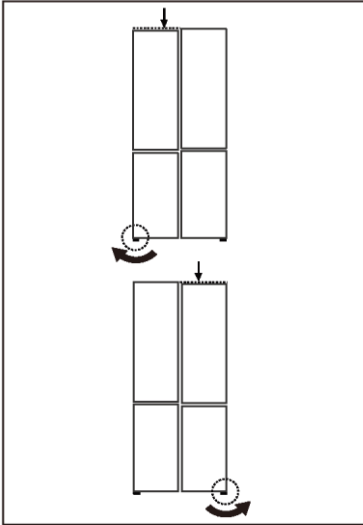


- La stabilité peut être vérifiée en alternant les diagonales. Le léger flottement doit être le même dans les deux directions. Dans le cas contraire, le cadre peut se déformer ; cela se traduit par des fuites au niveau des joints de la porte. Une faible tendance vers l'arrière facilite la fermeture des portes.



### REMARQUE

Pour un appareil en pose libre : cet appareil de réfrigération n'est pas destiné à être utilisé comme un appareil encastré

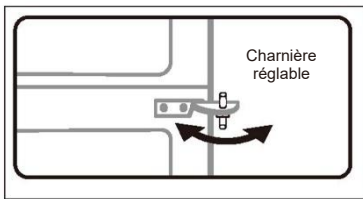


### Réglage fin des portes

Si les portes ne se retrouvent pas au même niveau, vous pouvez y remédier de la manière suivante :

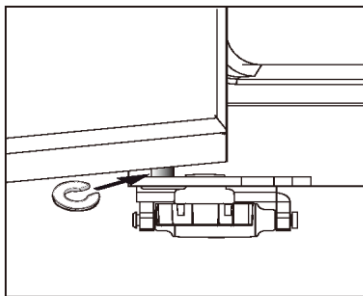
#### En utilisant un pied réglable

Faites tourner le pied réglable selon le sens de la flèche pour faire tourner le pied vers le haut ou vers le bas.



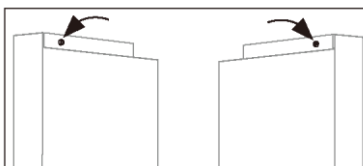
#### Ajustement de la position de la porte

- ▶ Lorsque les deux portes ne sont pas à la même hauteur, il est possible d'affiner le réglage des charnières réglables à l'aide de la clé jointe pour mettre les deux portes de niveau. Ne l'installez pas brutalement afin d'éviter les rayures ou les bosses sur la garniture de la porte.



#### En utilisant des entretoises

- ▶ Ouvrez la porte du congélateur et soulevez-la.
- ▶ Clipsez avec précaution l'entretoise (fournie dans le sac d'accessoires) dans l'axe de la charnière inférieure à la main ou à l'aide d'outils comme des pinces. Ne rayez pas et n'abîmez pas la porte.



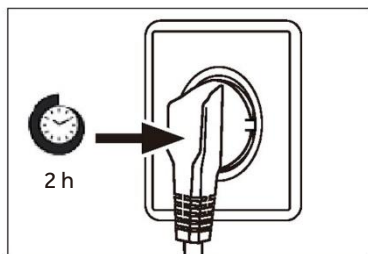
#### Utilisation du bouton de réglage

- ▶ Si la porte du compartiment réfrigérateur n'est pas de niveau, vous pouvez tourner le bouton de réglage situé sur la partie supérieure de la porte pour effectuer des ajustements précis.



## REMARQUE

Dans l'utilisation future du réfrigérateur, les portes peuvent se retrouver désalignées à cause du poids des aliments stockés. Veuillez ensuite les ajuster selon les méthodes ci-dessus.



### Temps d'attente

L'huile de lubrification sans entretien se trouve dans la capsule du compresseur. Cette huile peut passer par le système fermé de tuyauterie pendant le transport incliné. Avant de brancher l'appareil sur l'alimentation électrique, attendez au moins 2 heures afin que l'huile revienne dans la capsule.

### Branchement électrique

Avant chaque branchement, vérifiez si :

- ▶ l'alimentation, la prise et le fusible sont adaptés à la plaque signalétique.
- ▶ la prise de courant est mise à la terre et sans multiprise ni rallonge.
- ▶ la fiche d'alimentation et la prise sont adaptées l'une à l'autre.


Branchez la fiche sur une prise domestique correctement installée.



## AVERTISSEMENT !

Pour éviter tout risque, un câble d'alimentation endommagé doit être remplacé par le service à la clientèle (voir carte de garantie).

Fiche du produit selon la réglementation UE n° 2019/2016

Marque	Haier
Nom du modèle / identifiant	HCR59F19DNMM HCR59F18DNMB
Catégorie du modèle	Réfrigérateur- congélateur
Classe d'efficacité énergétique	D
Consommation d'énergie annuelle (kWh/an)(1)	306
Volume total (L)	706
Volume du réfrigérateur (L)	417
Volume du congélateur (L)	251
Section à deux étoiles (L)	38
Nombre d'étoiles	
Système de dégivrage	Oui
Capacité de congélation (kg/24h)	14
Classe climatique (2)	SN-N-ST-T
Classe d'émission de bruit et émissions acoustiques dans l'air (db(A) re 1pW)	C(35)
Temps de montée en température (h)	13
Type d'appareil	Autonome

Explications :

- Oui, fonction présente

- (1) Sur la base des résultats de l'essai de conformité aux normes pendant plus de 24 heures. La consommation réelle dépend de l'utilisation et de l'emplacement de l'appareil.
- (2) Classe climatique SN : cet appareil est destiné à être utilisé à une température ambiante comprise entre +10 °C et +32 °C  
Classe climatique N : cet appareil est destiné à être utilisé à une température ambiante comprise entre +16 °C et +32 °C  
Classe climatique ST : cet appareil est destiné à être utilisé à une température ambiante comprise entre +16 °C et +38 °C  
Classe climatique T : cet appareil est destiné à être utilisé à une température ambiante comprise entre +16 °C et +43 °C

#### Données techniques supplémentaires

Tension / Fréquence	220-240 V ~/50 Hz
Courant d'entrée (A)	1,5
Fusible principal (A)	16
Réfrigérant	R600a 68g
Dimensions (L/P/H en mm)	905 / 738 / 1 825

Nous recommandons notre Service clientèle Haier et l'utilisation de pièces détachées d'origine.

Si vous rencontrez un problème avec votre appareil, veuillez d'abord consulter le paragraphe DÉPANNAGE.

Si vous ne trouvez pas de solution, veuillez contacter

- ▶ votre revendeur local ou
- ▶ notre centre de service d'appel européen (voir les numéros de téléphone ci-dessous) ou
- ▶ l'espace Service & Assistance à l'adresse [www.haier.com](http://www.haier.com) où vous pouvez activer la demande
- ▶ de service et trouver également les FAQ.

Pour contacter notre Service, assurez-vous que vous disposez des données suivantes. Les informations se trouvent sur la plaque signalétique.

Modèle \_\_\_\_\_

N° de série \_\_\_\_\_

Vérifiez également la carte de garantie fournie avec le produit en cas de garantie.

Centre de service d'appel européen		
Pays*	Numéro de téléphone	Coûts
Haier Italy (IT)	199 100 912	
Haier Spain (ES)	902 509 123	
Haier Germany (DE)	0180 5 39 39 99	<ul style="list-style-type: none"> <li>• 14 centimes/min ligne fixe</li> <li>• max 42 centimes/min mobile</li> </ul>
Haier Austria (AT)	0820 001 205	<ul style="list-style-type: none"> <li>• 14,53 centimes/min ligne fixe</li> <li>• max 20 centimes/min pour tous les autres</li> </ul>
Haier United Kingdom (UK)	0333 003 8122	
Haier France (FR)	0980 406 409	

\*Pour les autres pays, rendez-vous sur [www.haier.com](http://www.haier.com)

Haier Europe Trading S.r.l

Filiale Royaume-Uni

Westgate House, Westgate, Ealing

Londres, W5 1YY

\*Durée de la garantie de l'appareil de réfrigération :

La garantie minimale est : 2 ans pour les pays de l'UE, 3 ans pour la Turquie, 1 an pour le Royaume-Uni, 1 an pour la Russie, 3 ans pour la Suède, 2 ans pour la Serbie, 5 ans pour la Norvège, 1 an pour le Maroc, 6 mois pour l'Algérie, aucune garantie légale pour la Tunisie.

\*La période des pièces détachées pour la réparation de l'appareil :

Les thermostats, les capteurs de température, les circuits imprimés et les sources de lumière sont disponibles pendant une période minimale de sept ans après la mise sur le marché de la dernière unité du modèle.

Poignées de porte, charnières de porte, bacs et paniers pendant une période minimale de sept ans et joints de porte pendant une période minimale de 10 ans, après la mise sur le marché de la dernière unité du modèle.

\*Pour plus d'informations sur le produit, consultez <https://eprel.ec.europa.eu/> ou scannez le QR code sur l'étiquette énergétique fournie avec l'appareil.

**CERTIFICAT DE QUALITÉ**

DÉSIGNATION : RÉFRIGÉRATEUR  
C.Q. PASSÉ  
VÉRIFICATEUR N° QC01

**Haier**

专用号条码

0060543171  
2026 version A

# Haier

Gebruikershandleiding



Koelvriescombinatie

HCR59F18DNMM

HCR59F18DNMB

<b><u>4 Veiligheidsinformatie</u></b>	<b><u>Voor het eerste gebruik</u></b>	<b>5</b>
	<b><u>Installatie</u></b>	<b>5</b>
	<b><u>Dagelijks gebruik</u></b>	<b>6</b>
<b><u>8 Beoogd gebruik</u></b>		
<b><u>9 Productbeschrijving</u></b>		
<b><u>10 Bedieningspaneel</u></b>		
<b><u>11 Gebruik</u></b>	<b><u>De koelkasttemperatuur aanpassen</u></b>	<b>14</b>
	<b><u>De vriezertemperatuur aanpassen</u></b>	<b>14</b>
	<b><u>Super-Cool-functie</u></b>	<b>15</b>
	<b><u>Super-Frz-functie</u></b>	<b>15</b>
	<b><u>Holiday-modus</u></b>	<b>16</b>
	<b><u>Magic Zone-functie</u></b>	<b>17</b>
<b><u>20 Apparatuur</u></b>		
<b><u>22 Tips voor energiebesparing</u></b>		
<b><u>23 Onderhoud en reiniging</u></b>		
<b><u>25 Problemen oplossen</u></b>		
<b><u>29 Installatie</u></b>		
<b><u>33 Technische gegevens</u></b>		
<b><u>35 Klantenservice</u></b>		

## Bedankt voor de aankoop van dit Haier-product.

Lees deze instructies zorgvuldig door voordat u dit apparaat gebruikt. De instructies bevatten belangrijke informatie die u helpt het beste uit het apparaat te halen en veilig(e) en correct(e) installatie, gebruik en onderhoud te waarborgen.

Bewaar deze handleiding op een handige plaats zodat u hem altijd kunt raadplegen voor een veilig en correct gebruik van het apparaat.

Als u het apparaat verkoopt, weggeeft of achterlaat wanneer u verhuist, zorg er dan voor dat u deze handleiding ook overdraagt, zodat de nieuwe eigenaar het apparaat en de veiligheidswaarschuwingen kan leren kennen.

## Accessoires

Controleer de accessoires en literatuur in overeenstemming met deze lijst:



Energielabel



Garantie-  
kaart



Gebruikers-  
handleiding



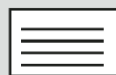
Garantie-  
certificaat



Snelgids



3 tussens-  
tukken



Waarschu-  
wingskaart



Moersleutel



## WAARSCHUWING – Belangrijke veiligheidsinformatie



## LET OP – Algemene informatie en tips



## Milieu-informatie



### Verwijdering

Help het milieu en de menselijke gezondheid te beschermen. Doe de verpakking in de daarvoor bestemde containers om deze te recyclen. Help het afval van elektrische en elektronische apparaten te recyclen. Gooi apparaten met dit symbool niet weg bij het huisvuil. Lever het product in bij uw plaatselijke recyclingfaciliteit of neem contact op met de gemeente.



### WAARSCHUWING: Risico op brand/ontvlambaar materiaal

Het symbool geeft aan dat er brandgevaar bestaat doordat brandbare materialen worden gebruikt. Let op dat u geen brand veroorzaakt door brandbare materialen te ontsteken.



## WAARSCHUWING!

Gevaar voor letsel of verstikking!

Koelmiddelen en gassen moeten professioneel worden verwijderd. Controleer of de leidingen van het koelmiddelcircuit niet zijn beschadigd voordat ze op de juiste manier worden afgevoerd. Koppel het apparaat los van de stroomvoorziening. Knip het netsnoer af en gooi het weg. Verwijder de bakken en laden en de deurvergrendeling en -afdichtingen om te voorkomen dat kinderen en huisdieren in het apparaat worden opgesloten.

## Lees voordat u het apparaat voor het eerst inschakelt de volgende veiligheidstips!



### WAARSCHUWING!

#### Voor het eerste gebruik

- ▶ Controleer of er geen transportschade is.
- ▶ Verplaats het apparaat altijd met ten minste twee personen, het is namelijk zwaar.

#### Installatie

- ▶ Het apparaat moet op een goed geventileerde plaats worden geplaatst. Zorg voor een ruimte van ten minste 10 cm boven en rond het apparaat.
- ▶ Plaats het apparaat nooit in een vochtige ruimte of op een plaats waar het met water kan worden bespat. Reinig en droog waterspatten en vlekken met een zachte, schone doek.
- ▶ Installeer het apparaat niet in direct zonlicht of in de buurt van warmtebronnen (bijv. kachels, verwarmingstoestellen).
- ▶ Installeer het apparaat waterpas op een plaats die geschikt is voor de grootte en het gebruik ervan.
- ▶ Zorg ervoor dat de ventilatieopeningen in het apparaat of in de ingebouwde constructie open blijven.
- ▶ Controleer of de elektrische informatie op het typeplaatje overeenkomt met de stroomvoorziening. Als dat niet het geval is, neem dan contact op met een elektricien.
- ▶ Het apparaat wordt gebruikt met een voeding van 220–240 VAC/50 Hz. Abnormale spanningssschommelingen kunnen ertoe leiden dat het apparaat niet start of dat de temperatuurregeling of de compressor beschadigd raakt of dat er tijdens het gebruik een abnormaal geluid optreedt. In dat geval moet er een automatische regelaar worden gemonteerd.
- ▶ Gebruik geen stekkerdozen en verlengkabels.
- ▶ Plaats niet meerdere draagbare stopcontacten of draagbare voedingen op de achterkant van het apparaat.
- ▶ Zorg ervoor dat de stroomkabel niet bekneld zit door de koelkast. Ga niet op de stroomkabel staan.
- ▶ Gebruik een apart geaard stopcontact voor de stroomvoorziening, dat gemakkelijk toegankelijk is. Het apparaat moet geaard zijn.  
Alleen voor het Verenigd Koninkrijk: Het netsnoer van het apparaat is voorzien van een 3-aderige (geaarde) stekker die past op een standaard 3-aderig (geaard) stopcontact. De derde pin (aarding) mag nooit worden afgesneden of gedemonteerd. Nadat het apparaat is geïnstalleerd, moet de stekker bereikbaar zijn.
- ▶ Beschadig het koelcircuit niet.



## WAARSCHUWING!

### Dagelijks gebruik

- ▶ Dit apparaat mag worden gebruikt door kinderen vanaf 8 jaar en door personen met verminderde lichamelijke, zintuiglijke of geestelijke vermogens of met een gebrek aan kennis en ervaring, mits zij onder toezicht worden gehouden of instructies hebben gekregen om het apparaat veilig te kunnen gebruiken en de gevaren begrijpen die ermee gepaard gaan.
- ▶ Kinderen van 3 tot 8 jaar mogen wel inladen en uitladen, maar mogen koelapparatuur niet reinigen of installeren.
- ▶ Houd kinderen onder de 3 jaar uit de buurt van het apparaat, tenzij ze voortdurend onder toezicht staan.
- ▶ Kinderen mogen niet met het apparaat spelen.
- ▶ Als er koelgas of ander brandbaar gas in de buurt van het apparaat lekt, moet u het ventiel van het lekkende gas sluiten, de deuren en ramen openen en mag u de stekker van de koelkast of een ander apparaat niet uit het stopcontact halen of in een stopcontact steken.
- ▶ Let op, het apparaat is ingesteld om te werken bij een specifiek omgevings-temperatuurbereik van 10 tot 43°C. Het is mogelijk dat het apparaat na een lange tijd bij een temperatuur boven of onder het aangegeven bereik niet goed werkt.
- ▶ Plaats geen onstabiele voorwerpen (zware voorwerpen, containers gevuld met water) boven op de koelkast, om persoonlijk letsel door vallen of elektrische schokken door contact met water te voorkomen.
- ▶ Trek niet aan de deurschappen. De deur kan scheefgetrokken worden, het flessenrek kan eruit worden getrokken, of het apparaat kan omvallen.
- ▶ Open en sluit de deuren alleen met de handgrepen. De ruimte tussen de deuren en tussen de deuren en de kast is zeer smal. Steek uw handen niet in deze ruimtes, om te voorkomen dat uw vingers bekneld raken. Open of sluit de koelkastdeuren alleen als er geen kinderen zijn die zich binnen het bewegingsbereik van de deur bevinden.
- ▶ Bewaar of gebruik in het apparaat of in de buurt ervan geen brandbare, explosieve of corrosieve materialen.
- ▶ Bewaar geen geneesmiddelen, bacteriën of chemische middelen in het apparaat. Dit is een huishoudelijk apparaat. Het wordt niet aanbevolen om materialen op te slaan die strikte temperaturen vereisen.
- ▶ Bewaar vloeistoffen in flessen of blikjes (met uitzondering van sterke drank), met name koolzuurhoudende dranken, nooit in de vriezer, omdat deze tijdens het invriezen barsten.
- ▶ Controleer de staat van het voedsel als er sprake van opwarming is geweest in de vriezer.
- ▶ Stel de temperatuur in het koelkastgedeelte niet onnodig laag in. Bij een hoge instelling kunnen temperaturen onder nul optreden. Let op: Flessen kunnen barsten
- ▶ Raak geen bevroren producten aan met natte handen (draag handschoenen). Eet vooral ijsjes niet onmiddellijk na verwijdering uit het vriezergedeelte op. Er bestaat het risico op bevriesting of vriesblaren. Eerste hulp: houd onmiddellijk onder de koude kraan. Niet lostrekken!
- ▶ Raak het binnenoppervlak van het vriezergedeelte niet aan wanneer het in werking is, vooral niet met natte handen, omdat uw handen aan het oppervlak vast kunnen vriezen.



## WAARSCHUWING!

### Dagelijks gebruik

- ▶ Haal de stekker van het apparaat uit het stopcontact wanneer er een stroomonderbreking optreedt of voordat u het schoonmaakt. Laat het apparaat minstens 7 minuten rusten voordat u het opnieuw opstart, omdat vaak starten de compressor kan beschadigen.
- ▶ Gebruik geen elektrische toestellen in de bewaarruimten voor levensmiddelen van het apparaat, tenzij deze van het type zijn dat door de fabrikant wordt aanbevolen. Onderhoud/reiniging
- ▶ Zorg ervoor dat kinderen onder toezicht staan als ze schoonmaak en onderhoud uitvoeren.
- ▶ Haal de stekker van het apparaat uit het stopcontact voordat u routineonderhoud uitvoert. Laat het apparaat minstens 5 minuten rusten voordat u het opnieuw opstart, omdat vaak starten de compressor kan beschadigen.
- ▶ Houd de stekker vast, niet het snoer, wanneer u de stekker uit het stopcontact haalt.
- ▶ Reinig het apparaat niet met harde borstels, draadborstels, waspoeder, benzine, amylacetaat, aceton en soortgelijke organische oplossingen, zure of alkalische oplossingen. Reinig het apparaat met een speciaal reinigingsmiddel voor koelkasten om schade te voorkomen.
- ▶ Schraap vorst en ijs niet af met scherpe voorwerpen. Gebruik om schade aan de kunststof onderdelen te voorkomen geen sprays, elektrische verwarmings-toestellen zoals haardrogers, stoomreinigers of andere warmtebronnen.
- ▶ Gebruik geen mechanische apparaten of andere middelen om het ontdooven te versnellen, behalve als deze door de fabrikant worden aanbevolen.
- ▶ Als het netsnoer beschadigd is, moet het worden vervangen door de fabrikant, diens servicevertegenwoordiger of vergelijkbaar gekwalificeerde personen om gevaar te voorkomen.
- ▶ Probeer het apparaat niet zelf te repareren, te demonteren of te wijzigen. In geval van reparatie kunt u contact opnemen met onze klantenservice.
- ▶ Verwijder het stof aan de achterkant van het apparaat ten minste eenmaal per jaar om brandgevaar en een verhoogd energieverbruik te voorkomen.
- ▶ Spuit niet op het apparaat en spoel het niet af tijdens het reinigen.
- ▶ Gebruik geen waterstraal of stoom om het apparaat schoon te maken.
- ▶ Reinig de koude glazen planken niet met heet water. Door plotselinge temperatuurveranderingen kan het glas breken.

### Informatie over koudemiddel

- ▶ Het apparaat bevat het brandbare koelmiddel ISOBUTAAN (R600a). Controleer of het koelcircuit tijdens transport of installatie niet is beschadigd. Lekkend koelmiddel kan oogletsel veroorzaken of ontbranden. Als er schade is opgetreden, weghouden van open vuurbronnen, de kamer grondig ventileren, de stekker van het apparaat of enig ander apparaat niet in het stopcontact steken of eruit halen. Informeer de klantenservice.
- ▶ Als de ogen in contact komen met het koelmiddel, spoel het dan onmiddellijk onder stromend water af en bel onmiddellijk de oogspecialist.

## Beoogd gebruik

Dit apparaat is bedoeld voor het koelen en invriezen van voedsel. Het is uitsluitend ontworpen voor gebruik in huishoudelijke en soortgelijke toepassingen, zoals personeelskeukens in winkels, kantoren en andere werkomgevingen; op boerderijen en door gasten in hotels, motels en andere woonomgevingen, maar ook in bed and breakfasts en bij cateringbedrijven. Het is niet bedoeld voor commercieel of industrieel gebruik.

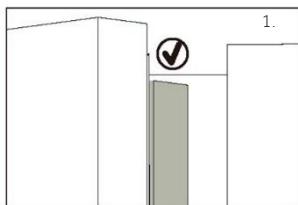
Wijzigingen of aanpassingen aan het apparaat zijn niet toegestaan. Onbedoeld gebruik kan risico's en verlies van garantieclaims veroorzaken.

## Normen en richtlijnen **CE**

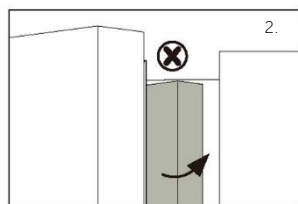
Dit product voldoet aan de eisen van alle toepasselijke EG-richtlijnen met de bijbehorende geharmoniseerde normen die voorzien in een CE-markering.



### VOORZICHTIG!



Bij het sluiten van de deur moet de verticale deurstrip op de linkerdeur naar binnen gebogen zijn (1).

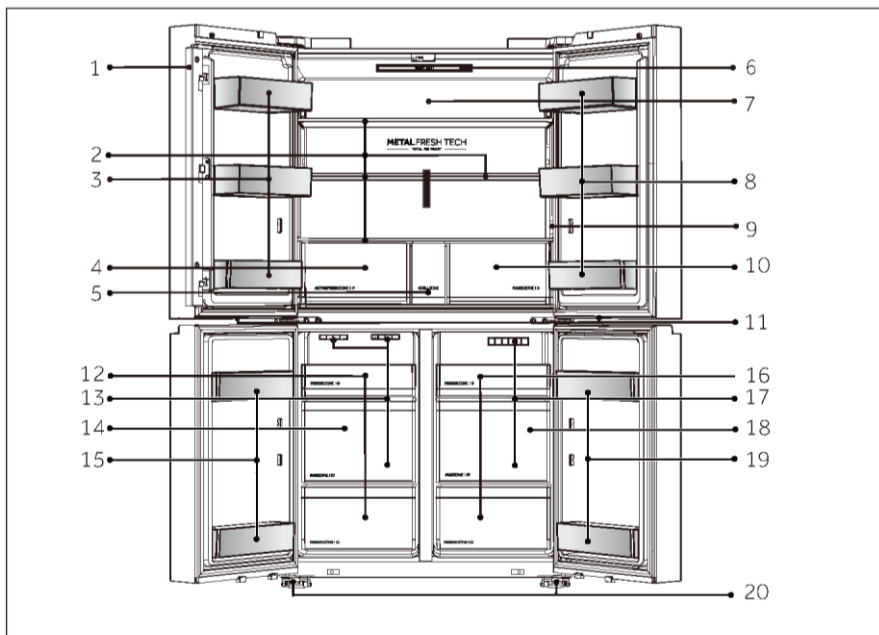


Als u de linkerdeur probeert te sluiten en de verticale deurstrip is niet gebogen (2), dan moet u hem eerst buigen, anders raakt de deurstrip de bevestigingsas of de rechterdeur. Hierdoor zal er schade aan de deurstrip of lekkage optreden.

In het frame zit een verwarmingsdraad. De temperatuur van het oppervlak zal wat stijgen, wat normaal is en de werking van het apparaat niet beïnvloedt.

## **i** LET OP

Door technische wijzigingen en verschillende modellen kunnen sommige afbeeldingen in deze handleiding afwijken van uw model.

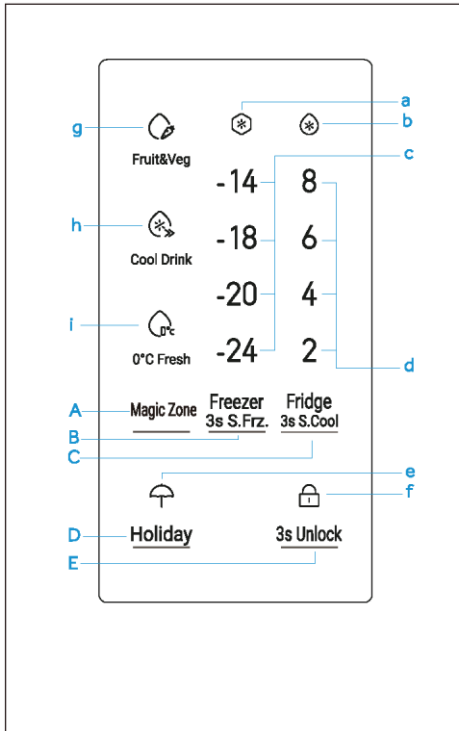


A: Koelkastgedeelte

- 1 Deurgreep
- 2 Glazen planken
- 3 Flessenhouder
- 4 ACTIVEFRESH ZONE-lade
- 5 CHILL ZONE-bak
- 6 Koelkastlamp
- 7 Koelkastkanaal
- 8 Flessenhouder
- 9 Bedieningspaneel
- 10 MAGIC ZONE-lade
- 11 Vriezerlamp

B: Vriezergedeelte

- 12 FREEZE ZONE-lade
- 13 Luchtkanaal
- 14 MAX ZONE-lade
- 15 Flessenhouder
- 16 FREEZE ZONE-lade
- 17 Luchtkanaal
- 18 MAX ZONE-lade
- 19 Flessenhouder
- 20 Stelvoeten



Toetsen:

- A Keuzetoets Magic Zone-modus
- B Keuzetoets vriezerfunctie en Super-Frz-functie
- C Keuzetoets koelkastfunctie en Super-Cool-functie
- D Keuzetoets Holiday-functie
- E Keuzetoets voor vergrendelen/ontgrendelen

Indicatoren:

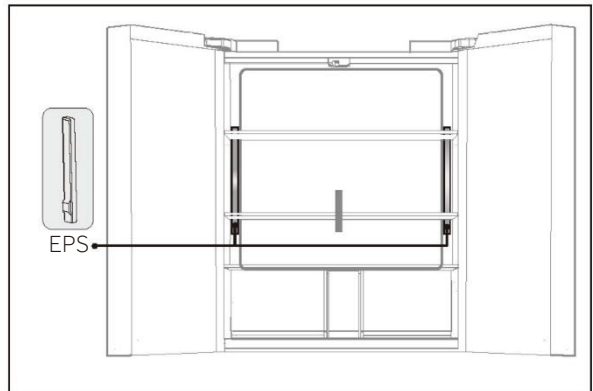
- a Super-Frz-functie
- b Super-Cool-functie
- c Temperatuur vriezer
- d Temperatuur koelkast
- e Holiday-functie
- f Functie Vergrendelen/ontgrendelen
- g Fruit & Veg-functie
- h Cool Drink-functie
- i 0°C Fresh-functie

## Vóór het eerste gebruik

- ▶ Verwijder alle verpakkingen, vooral het witte EPS-schuim aan beide zijden van het koelkanaal, en houd ze buiten het bereik van kinderen. Gooi ze weg op een milieuvriendelijke manier.
- ▶ Reinig de binnen- en de buitenkant van het apparaat met water en een mild reinigingsmiddel voordat u er voedingsmiddelen in plaatst.
- ▶ Nadat het apparaat waterpas is gezet en is schoongemaakt, moet u minstens 2–5 uur wachten voordat u het aansluit op het elektriciteitsnet. Raadpleeg het hoofdstuk INSTALLATIE.
- ▶ Koel de compartimenten op hoge instellingen voor voordat u het voedsel erin zet. De Power-Freeze-functie helpt om de compartimenten snel af te koelen.
- ▶ De temperatuur van de koelkast en de vriezer worden automatisch ingesteld op respectievelijk 4°C en -18°C. Dit zijn de aanbevolen instellingen. Als u wilt, kunt u deze temperaturen handmatig veranderen. Raadpleeg DE TEMPERATUUR AANPASSEN.

## EPS-verwijderingsmethode

Verwijder eerst de bovenste en middelste planken (de methode voor het verwijderen van de planken wordt beschreven op pagina 25), en haal vervolgens de twee EPS eruit.



## Sensortoetsen

De toetsen op het bedieningspaneel zijn sensortoetsen, die al reageren als ze licht met de vinger worden aangeraakt.

## Het apparaat in-/uitschakelen

Het apparaat werkt zodra het op de voeding is aangesloten.

De temperatuur van de koelkast en de vriezer worden automatisch ingesteld op respectievelijk 4°C en -18°C.

Mogelijk is de paneelvergrendeling actief.



### LET OP

Het apparaat is vooraf ingesteld op de aanbevolen temperatuur van 4°C (koelkast) en -18°C (vriezer). In normale omgevingscondities hoeft u geen temperatuur in te stellen.

Wanneer het apparaat wordt ingeschakeld nadat de stekker uit het stopcontact is gehaald, kan het tot wel 12 uren duren voordat de juiste temperaturen zijn bereikt.

Leeg het apparaat voordat u het uitschakelt. Trek het netsnoer uit het stopcontact om het apparaat uit te schakelen.

## Paneel vergrendelen/ontgrendelen

Automatische vergrendeling: Wanneer de koelkastdeur dicht is en er binnen 30 seconden geen toetsbediening is, gaat het display automatisch uit en wordt het vergrendeld.

Handmatige vergrendeling: Wanneer het display is ontgrendeld, drukt u op de toets 'E' (keuzetoets paneelvergrendeling) en houdt u deze 3 seconden ingedrukt. De zoemer klinkt eenmaal, de indicator 'f' (paneelvergrendeling) gaat branden en het display is vergrendeld. Houd in de vergrendelde stand toets 'E' 3 seconden ingedrukt. De zoemer klinkt eenmaal, de indicator 'f' (paneelvergrendeling) gaat uit en de paneelvergrendeling wordt ontgrendeld.



## De modus handmatig veranderen

Als u de temperatuur van het apparaat handmatig wilt aanpassen, kunt u de temperatuur instellen via een toets voor het aanpassen van de temperatuur (raadpleeg DE TEMPERATUUR AANPASSEN).

## Alarm van de deur

Het deuralarm gaat aan als de deur lange tijd open staat of niet goed is gesloten; als herinnering.

## De temperatuur aanpassen

De binnentemperaturen worden beïnvloed door de volgende factoren:

Omgevingstemperatuur, Frequentie van openen van deur, Hoeveelheid opgeslagen voedsel, Installatie van het apparaat.

## De koelkasttemperatuur aanpassen

1. Wanneer het scherm is ontgrendeld, drukt u op de toets 'C'. De zoemer klinkt eenmaal, de indicator 'b' knippert en dan verschijnt de temperatuurinstelmodus van de koelkast.
2. Druk herhaaldelijk op de toets 'C', elke keer klinkt de zoemer eenmaal en wordt de ingestelde temperatuur van de koelkast aangepast in de weergegeven volgorde 8>6>4>2.

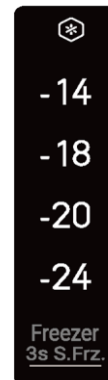


### LET OP

Als er na het instellen van de temperatuur binnen 5 seconden geen handeling plaatsvindt, wordt het systeem automatisch bepaald en de ingestelde temperatuur opgeslagen.

## De vriezertemperatuur aanpassen

1. Wanneer het scherm is ontgrendeld, drukt u op de toets 'B'. De zoemer klinkt eenmaal, de indicator 'c' knippert en dan verschijnt de temperatuurinstelmodus van de vriezer.
2. Druk herhaaldelijk op de toets 'B', elke keer klinkt de zoemer eenmaal en wordt de ingestelde temperatuur van de koelkast aangepast in de weergegeven volgorde -14>-18>-20>-24.

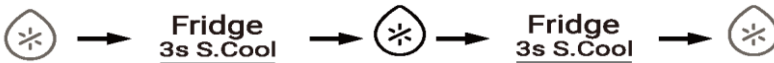


### LET OP

Als er na het instellen van de temperatuur binnen 5 seconden geen handeling plaatsvindt, wordt het systeem automatisch bepaald en de ingestelde temperatuur opgeslagen.

## Super-Cool-functie

1. Wanneer het display is ontgrendeld, drukt u op de toets 'C' en houdt deze 3 seconden ingedrukt. De zoemer klinkt eenmaal, de indicator 'b' gaat branden en de Super-Cool-functie wordt ingeschakeld.
2. Wanneer de indicator 'b' gaat branden, drukt u op de toets 'C' en houdt deze 3 seconden ingedrukt. De zoemer klinkt eenmaal, de indicator 'b' gaat uit en de Super-Cool-functie wordt uitgeschakeld.
3. Nadat de Super-Cool-functie is ingeschakeld, schakelt de koelkast automatisch de functie uit wanneer deze de ingestelde toestand bereikt. Als u de functie handmatig wilt verlaten, kunt u op de toets 'C' drukken om hem uit te schakelen.



## LET OP

1. In de Super-Cool-toestand kan de koelkasttemperatuur niet worden aangepast. Als de toets 'C' wordt ingedrukt om de temperatuur van de koelkast aan te passen, knippert de indicator 'b' met een waarschuwingsgeluid om aan te geven dat deze handeling niet kan worden uitgevoerd.
2. In de Super-Cool-functie kan de Auto-Set-functie niet tegelijkertijd worden ingeschakeld vanwege verschillende bedieningsmodi. Wanneer u een functie kiest die in strijd is met een andere functie, zal de oorspronkelijke functie automatisch worden verlaten.

## Super-Frz-functie

1. Wanneer het display is ontgrendeld, drukt u op de toets 'B' en houdt deze 3 seconden ingedrukt. De zoemer klinkt eenmaal, de indicator 'a' gaat branden en de Super-Frz-functie wordt ingeschakeld.
2. Wanneer de indicator 'a' gaat branden, drukt u op de toets 'B' en houdt deze 3 seconden ingedrukt. De zoemer klinkt eenmaal, de indicator 'a' gaat uit en de Super Frz-functie wordt uitgeschakeld.
3. Nadat de Super-Frz-functie is ingeschakeld, schakelt de koelkast automatisch de functie uit wanneer deze de ingestelde toestand bereikt. Als u de functie handmatig wilt verlaten, kunt u op de toets 'B' drukken om hem uit te schakelen.





## LET OP

1. In de Super-Freeze-toestand kan de vriezer temperatuur niet worden aangepast. Als de toets 'B' wordt ingedrukt om de temperatuur van de vriezer aan te passen, knippert de indicator 'a' met een waarschuwingsgeluid om aan te geven dat deze handeling niet kan worden uitgevoerd.
2. De Super-Freeze-functie is ontworpen om de voedingswaarden van bevroren voedsel te behouden; voedsel wordt in de kortste tijd ingevroren. Op dit moment is de vrieskracht van de vriezer verbeterd, waardoor voedsel snel kan worden ingevroren, de voedingswaarde effectief behouden blijft en de opslag aanzienlijk wordt verbeterd. Als u een grote hoeveelheid voedsel in één keer wilt invriezen, is het aan te raden om de Super Freeze-functie 24 uur van tevoren in te stellen voordat u het vriezercompartiment gebruikt.

## Holiday-modus

De Holiday-modus is ontworpen voor als de koelkast langere tijd niet wordt gebruikt. Wanneer de Holiday-modus is ingeschakeld, wordt de vriezer normaal geregeld en wordt de temperatuur van de koelkast automatisch ingesteld op 17 °C. Dit voorkomt een eigenaardige geur veroorzaakt door te hoge temperatuur en helpt tegelijkertijd het energieverbruik te verminderen.

1. Wanneer het display is ontgrendeld, drukt u op de toets 'D'. De zoemer klinkt eenmaal, de indicator 'e' gaat branden en de Holiday-functie wordt ingeschakeld.
2. Wanneer de indicator 'e' gaat branden, drukt u op de toets 'D'. De zoemer klinkt eenmaal, de indicator 'e' gaat uit en de Holiday-functie wordt uitgeschakeld.



## LET OP

Voordat u de Holiday-functie gebruikt, moet u de koelkast leegmaken om te voorkomen dat het voedsel erin bederft. Wanneer de Holiday-functie is ingeschakeld, kan de functie 'Super-Cool' niet tegelijkertijd worden ingeschakeld.

## Magic Zone-functie

Wanneer het scherm ontgrendeld is, drukt u op de toets 'A' om de functies Fruit&Veg, Cool Drink en 0°C Fresh-modus te doorlopen.

### 1. Fruit&Veg-functie:

Deze functie is geschikt voor het bewaren van vers fruit en groenten. Wanneer deze functie geselecteerd is, licht de indicator 'g' op.

### 2. Cool Drink-functie:

Met deze functie kunnen producten zoals water, cola en sap worden opgeslagen. Wanneer deze functie geselecteerd is, licht de indicator 'h' op.

### 3. 0°C Fresh-functie:

Deze functie is geschikt voor het bewaren van vers voedsel zoals vlees of vis. Wanneer deze functie geselecteerd is, licht de indicator 'i' op.



## LET OP

1. De standaardinstelling bij het opstarten is functie 'Cool Drink'.
2. Bij de Fruit&Veg.-functie: Koudegevoelige vruchten zoals ananas, avocado, bananen, grapefruit en groenten zoals aardappelen, aubergines, bonen, komkommer, courgette en tomaten, en kaas mogen niet in de Magic Zone-lade worden bewaard.
3. Bij de 0°C Fresh-functie: Door verschillende watergehaltes van vlees zullen sommige vleessoorten met meer vocht bevroren bij temperaturen lager dan 0°C. 'Vers gesneden' vlees moet dus worden bewaard in de Magic Zone-lade, met een temperatuur van minimaal 0°C.
4. De drie functies van de Magic Zone kunnen niet tegelijkertijd worden geactiveerd, er kan er maar één verlicht zijn. Gebruik de Cool Drink-functie om de temperatuur van het koelkastcompartiment te verlagen. Gebruik de Fruit&Veg-functie om de temperatuur van het koelkastcompartiment te verhogen.

## Tips voor het bewaren van vers voedsel

### Bewaren in het koelkastgedeelte

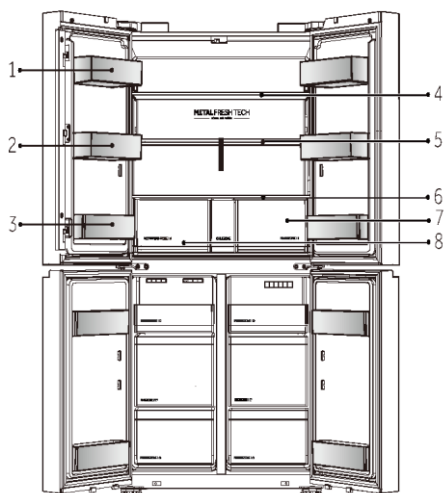
1. Houd de koelkasttemperatuur lager dan 5°C.
2. Laat warm voedsel afkoelen tot kamertemperatuur voordat u het in het apparaat opbergt.
3. In de koelkast opgeslagen levensmiddelen moeten worden gewassen en afgedroogd voordat zij worden opgeborgen.
4. Het te bewaren voedsel moet goed afgesloten zijn om geur- of smaakveranderingen te voorkomen.

5. Bewaar geen overmatige hoeveelheden voedsel. Laat ruimtes tussen voedingswaren zodat er lucht omheen kan stromen, voor een betere en gelijkmatiger koeling.
6. Voedsel dat dagelijks wordt gegeten moet worden bewaard aan de voorkant van de plank.
7. Laat ruimte tussen voedingswaren en de binnenwanden, zodat lucht kan stromen. Bewaar vooral geen voedsel tegen de achterwand: voedsel kan tegen achterwand bevriezen. Vermijd direct contact tussen voedsel (met name vette of zure voedingsproducten) met de binnenvoering, omdat olie/zuur de binnenvoering kan beschadigen. Haal vettig en zuur vuil altijd weg wanneer het wordt ontdekt.
8. Ontdooi bevroren voedsel in het koelkastgedeelte. Op deze manier kunt u het ingevroren voedsel gebruiken om de temperatuur in het compartiment te verlagen en energie te besparen.
9. Het rijpingsproces van groenten en fruit zoals courgette, meloen, papaja, banaan, ananas, etc. kan in de koelkast versneld worden. Daarom is het niet aan te raden om deze in de koelkast te bewaren. Het rijpen van onrijp fruit kan echter wel worden versneld gedurende een bepaalde periode. Uien, knoflook, gember en andere wortelgroenten moeten ook bij kamertemperatuur worden bewaard.
10. Onaangename geurtjes in de koelkast zijn een teken dat er iets is gemorst en moet worden schoongemaakt. Zie ONDERHOUD EN REINIGING.
11. Verschillende voedingswaren moeten op verschillende plaatsen worden geplaatst naargelang de eigenschappen ervan.



## LET OP

Houd de afstand tussen het in het apparaat geplaatste voedsel en het luchtkanaal of de sensoren op meer dan 10 mm om het koelingseffect te waarborgen.



1. Boter, kaas, etc.
2. Eieren, blikjes, conserven, specerijen, etc.
3. Dranken en voedingsmiddelen in een fles.
4. Ingemaakt voedingsmiddelen, conserven, etc.
5. Vleesproducten, snackvoeding, pasta, conserven, melk, tofu, zuivel, etc.
6. Gekookt vlees, worstjes, etc.
7. Magic ZONE-lade: fruit, groenten, salade, etc.
8. ACTIVEFRESH ZONE-lade: fruit, groenten, salade, etc.

## Bewaren in het vriezergedeelte

1. Houd de temperatuur van de vriezer op  $-18^{\circ}\text{C}$ .
2. Schakel 24 uur voor het invriezen de Super-Freeze-functie in; voor kleine hoeveelheden voedsel is 4–6 uur voldoende.
3. Warm voedsel moet eerst worden afgekoeld tot kamertemperatuur voordat het in het vriezergedeelte kan worden bewaard.
4. Voedsel dat in kleine porties is gesneden zal sneller bevroren en is gemakkelijker te ontdooien en bereiden. Het aanbevolen gewicht per portie bedraagt minder dan 2,5 kg.
5. Het is beter om voedsel te verpakken voordat u het in de vriezer plaatst. De buitenkant van de verpakking moet droog zijn om te voorkomen dat de zakken aan elkaar blijven plakken. Verpakkingsmaterialen moeten geurvrij, luchtdicht, niet-giftig en niet-toxisch zijn.
6. Schrijf om overschrijden van de houdbaarheidstermijnen te voorkomen de invriesdatum, de tijdlimiet en de naam van het voedsel op de verpakking volgens de bewaartermijnen van de verschillende levensmiddelen.
  1. **WAARSCHUWING!** Zuren, basen en zout, etc. kunnen het interne oppervlak van de vriezer wegvreten. Plaats voedsel met deze stoffen (bijv. vis uit de zee) niet direct tegen de binnenzijde. Zout water in de vriezer moet onmiddellijk worden verwijderd.
  2. Overschrijd niet de door de fabrikanten aanbevolen bewaartijden van levensmiddelen. Neem alleen de benodigde hoeveelheid voedsel uit de vriezer.
  3. Gebruik ontdooid etenswaren zo snel mogelijk. Ontdooid voedsel kan niet opnieuw worden ingevroren, tenzij het eerst wordt bereid; anders is het mogelijk niet meer eetbaar.
  4. Plaats geen overmatige hoeveelheden vers voedsel in het vriezergedeelte. Raadpleeg de vriescapaciteit van de diepvriezer – zie TECHNISCHE GEGEVENS of de gegevens op het typeplaatje.
  5. Levensmiddelen kunnen bij een temperatuur van ten minste  $-18^{\circ}\text{C}$  gedurende 2 tot 12 maanden in de vriezer worden bewaard, afhankelijk van de eigenschappen (bijv. vlees: 3–12 maanden, groenten: 6–12 maanden).
  6. Vermijd bij het invriezen van vers voedsel dat het in contact komt met al ingevroren levensmiddelen.

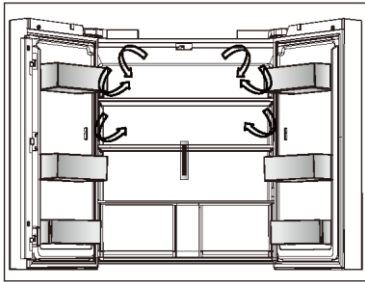
### Volg de volgende richtlijnen bij het opslaan van commercieel ingevroren levensmiddelen:

1. Volg altijd de richtlijnen van de fabrikanten voor hoelang u het voedsel kunt bewaren. Overschrijd deze richtlijnen niet!
2. Probeer de tijd tussen aankoop en opslag zo kort mogelijk te houden om de voedselkwaliteit te behouden.
3. Koop alleen diepvriesproducten die bij een temperatuur van  $-18^{\circ}\text{C}$  of lager zijn bewaard.
4. Vermijd het kopen van voedsel dat ijs of rijp op de verpakking heeft. Dit wijst erop dat de producten op een bepaald moment gedeeltelijk ontdooid en opnieuw ingevroren kunnen zijn – temperatuurstijgingen hebben invloed op de kwaliteit van het voedsel.



### LET OP

Houd de afstand tussen het in het apparaat geplaatste voedsel en het luchtkanaal op meer dan 10 mm om het koelingseffect te waarborgen.

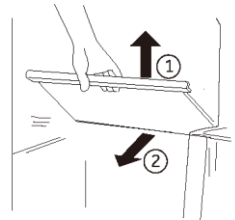


### Meervoudige luchtstroom

1. De koelkast is uitgerust met een meervoudige-luchtstroomsysteem, waarmee er op elke plank koude luchtstromen zijn. Dit helpt om een gelijkmatige temperatuur te handhaven om ervoor te zorgen dat uw voedsel langer vers blijft.

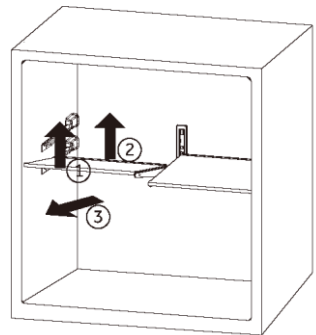
### Verstelbare planken

1. De hoogte van de planken kan worden aangepast aan uw opslagbehoeften.
2. Om een plank te verplaatsen, verwijdert u hem eerst door de voorste rand ① op te tillen en de plank eruit te trekken ②.
3. Om hem weer te installeren, plaatst u hem op de nokjes aan beide kanten en duwt u hem helemaal naar achteren tot de achterkant van de plank vastzit in de gleuven in de zijkanten.



### Middelste plank aanpassen

1. Verwijder de plankdrager:  
Til eerst de voorste rand ① van de plankdrager 7 cm omhoog en til daarna de achterste rand ② van de plankdrager op, zodat de klauw aan de uitkragende kant kan worden losgemaakt van het installatiegat. Trek ten slotte de plankdrager naar buiten ③.
2. Installeer de plankdrager:  
Duw de plankdrager op zijn plaats volgens de hellingshoek die wordt getoond in het diagram en laat vervolgens de voorste rand ① van de plankdrager naar beneden zakken, zodat de klauw aan de uitkragende kant in het installatiegat past.



### LET OP

Zorg ervoor dat alle kanten van een plank vlak zijn.

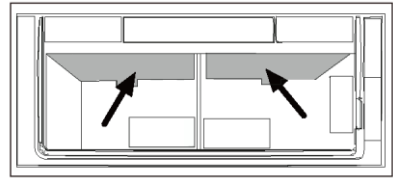
### ACTIVEFRESH ZONE-lade

1. In dit gedeelte is de vochtigheidsgraad hoger dan het koelkastgedeelte. Dit wordt automatisch gereguleerd door het systeem en is geschikt voor het bewaren van fruit, groenten, salades, etc.



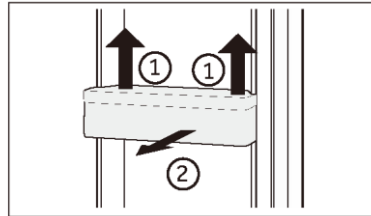
## LET OP

1. Verwijder de plastic deksels in de twee zones niet.
2. Ze houden de luchtvochtigheid in stand.
3. Het wordt afgeraden koudegevoelig fruit zoals ananas, avocado, bananen en grapefruits in deze twee lades te bewaren.



### Verwijderbare deurrekken/fleshouder

1. De deurrekken kunnen worden verwijderd om te worden schoongemaakt:
2. Plaats uw handen aan beide kanten van het rek, til het omhoog ① en trek het eruit ②.
3. Voer de bovenstaande stappen in omgekeerde volgorde uit om het deurrek weer terug te plaatsen.



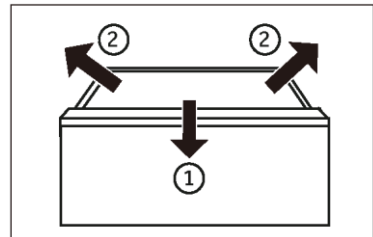
## LET OP

Als het apparaat is ingeschakeld, kan het tot 12 uur duren voordat de juiste temperaturen worden bereikt.

### Verwijderbare lade

Om de lade te verwijderen, trekt u deze zo ver mogelijk naar buiten ①, daarna optillen en verwijderen ②.

Voer de bovenstaande stappen in omgekeerde volgorde uit om de lade weer terug te plaatsen.



### De verlichting

De ledverlichting aan de binnenkant gaat aan wanneer de deur wordt geopend en gaat automatisch uit als de deur meer dan 7 minuten open blijft staan. De werking van de verlichting wordt niet beïnvloed door een van de andere instellingen van het apparaat.



## Tips voor energiebesparing

- ▶ Zorg ervoor dat het apparaat goed wordt geventileerd (raadpleeg INSTALLATIE).
- ▶ Installeer het apparaat niet in direct zonlicht of in de buurt van warmtebronnen (bijv. kachels, verwarmingstoestellen).
- ▶ Vermijd onnodig lage temperaturen in het apparaat. Het energieverbruik neemt toe naarmate de temperatuur in het apparaat lager is ingesteld.
- ▶ Functies zoals POWER-FREEZE verbruiken meer energie.
- ▶ Laat warm voedsel afkoelen voordat u het in de koelkast plaatst.
- ▶ Open de deur van het apparaat zo weinig en zo kort mogelijk.
- ▶ Vul het apparaat niet te vol om te voorkomen dat de luchtdoorstroming wordt geblokkeerd.
- ▶ Vermijd lucht in de verpakking van het voedsel.
- ▶ Houd de deurpakking schoon, zodat de deur altijd goed sluit.
- ▶ Ontdooi bevroren voedsel in het koelkastgedeelte.
- ▶ De meest energiebesparende configuratie vereist dat de lades, voedselbakken en planken in fabrieksstaat worden gehouden, en dat voedsel zo diep mogelijk wordt geplaatst zonder dat de openingen van het luchtkanaal worden geblokkeerd.



## WAARSCHUWING!

Haal de stekker van het apparaat uit het stopcontact voordat u het reinigt.

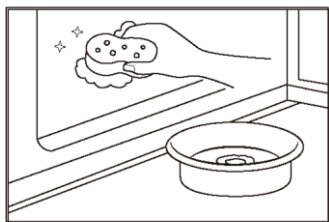
### Reinigen

1. Reinig het apparaat als er weinig of geen voedsel in is opgeslagen.
2. Het apparaat moet om de vier weken worden schoongemaakt voor een goed onderhoud en om nare voedselgeuren te voorkomen.



## WAARSCHUWING!

- ▶ Reinig het apparaat niet met harde borstels, draadborstels, waspoeder, benzine, amylacetaat, aceton en soortgelijke organische oplossingen, zure of alkalische oplossingen. Reinig het apparaat met een speciaal reinigingsmiddel voor koelkasten om schade te voorkomen.
- ▶ Spuit niet op het apparaat en spoel het niet af tijdens het reinigen.
- ▶ Gebruik geen waterstraal of stoom om het apparaat schoon te maken.
- ▶ Reinig de koude glazen planken niet met heet water. Door plotselinge temperatuurveranderingen kan het glas breken.
- ▶ Raak het binnenoppervlak van het vriezergedeelte niet aan, vooral niet met natte handen, omdat uw handen aan het oppervlak vast kunnen vriezen.
- ▶ Controleer in geval van opwarming de toestand van de ingevroren producten.



- ▶ Houd de deurpakking altijd schoon.
- ▶ Reinig de binnenkant en behuizing van het apparaat met een spons die is bevochtigd in warm water en een neutraal reinigingsmiddel.
  1. Was de binnenkant en buitenkant van de koelkast, waaronder deurrubbers, deurrek, glazen planken, bakken enzovoort, met een zachte handdoek of spons die in warm water is gedrenkt (u mag een neutraal schoonmaakmiddel toevoegen aan het warme water).
- ▶ 2. Als er vloeistof is gemorst, verwijder dan alle verontreinigde onderdelen en spoel ze direct af met het stromend water. Daarna afdrogen en terug in de koelkast plaatsen.
- ▶ 3. Als er room (zoals koffiemelk, smeltend ijs) wordt gemorst, moeten alle verontreinigde delen worden verwijderd. Zet ze een tijdje in warm water van ongeveer 40°C en spoel vervolgens af met stromend water. Daarna afdrogen en terug in de koelkast plaatsen.
- ▶ 4. Als een klein deeltje of onderdeel vast komt te zitten in de koelkast (tussen planken of laden), gebruik dan een klein, zacht borsteltje om het weg te halen. Als u het onderdeel niet kan bereiken, neem dan contact op met de klantenservice van Haier.
- ▶ Spoel af en droog af met een zachte doek.
- ▶ Reinig de onderdelen van het apparaat niet in een vaatwasser.
- ▶ Laat het apparaat minstens 5 minuten rusten voordat u het opnieuw opstart, omdat vaak opstarten de compressor kan beschadigen.

## Ontdooien

Het ontdooien van de koelkast en het vriezergedeelte gebeurt automatisch; er is geen handmatige actie nodig.

## De ledlampjes vervangen



### WAARSCHUWING!

Vervang de ledlamp niet zelf, deze mag alleen worden vervangen door de fabrikant of door de erkende servicevertegenwoordiger.

De lamp heeft een led als lichtbron, met een laag energieverbruik en een lange levensduur. Als er sprake is van een afwijking, neem dan contact op met de klantenservice. Zie KLANTENSERVICE.

Parameters van de lampen:

Koelkastgedeelte: 12 V max. 4 W

Vriezergedeelte: 12 V max. 2 W\*2

## Geen gebruik voor een langere periode

Als het apparaat gedurende langere tijd niet wordt gebruikt en u gebruikt niet de Holiday-functie bij de koelkast:

Haal het voedsel eruit.

Haal de stekker van het netsnoer uit het stopcontact.

Reinig het apparaat zoals hierboven beschreven.

Houd de deur open om de vorming van nare geuren binnenin te voorkomen.



### LET OP

Schakel het apparaat alleen uit als dat echt nodig is.

## Het apparaat verplaatsen

1. Verwijder alle etenswaren en haal de stekker van het apparaat uit het stopcontact.
2. Maak planken en andere beweegbare delen in de koelkast en vriezer vast met plakband.
3. Kantel de koelkast niet meer dan 45° om schade aan het koelsysteem te voorkomen.



### WAARSCHUWING!

- ▶ Til het apparaat niet op aan de grepen.
- ▶ Plaats het apparaat nooit horizontaal op de grond.

Veel problemen kunnen door uzelf worden opgelost zonder specifieke expertise. Raadpleeg in geval van een probleem alle getoonde mogelijkheden en volg de onderstaande instructies voordat u contact opneemt met de klantenservice. Zie KLANTENSERVICE.



## WAARSCHUWING!

- ▶ Schakel het apparaat uit voordat u onderhoud uitvoert en haal de stekker uit het stopcontact.
- ▶ Elektrische apparatuur mag alleen worden onderhouden door gekwalificeerde elektrische experts, omdat onjuiste reparaties aanzienlijke gevolgschade kunnen veroorzaken.
- ▶ Als de voeding beschadigd is, mag deze alleen worden vervangen door de fabrikant, diens servicevertegenwoordiger of vergelijkbaar gekwalificeerde personen om gevaar te voorkomen.

Probleem	Mogelijke oorzaak	Mogelijke oplossing
De compressor werkt niet.	<ul style="list-style-type: none"> <li>• De netstekker is niet aangesloten op het stopcontact.</li> <li>• Het apparaat is aan het ontdoien.</li> </ul>	<ul style="list-style-type: none"> <li>• Steek de stekker in het stopcontact.</li> <li>• Dit is normaal voor automatisch ontdoien.</li> </ul>
Het apparaat slaat vaak aan of blijft te lang draaien.	<ul style="list-style-type: none"> <li>• De binnen- of buiten-temperatuur is te hoog.</li> <li>• Het apparaat is een tijd lang niet ingeschakeld geweest.</li> <li>• Een deur van het apparaat is niet goed gesloten.</li> <li>• De deur is te vaak of te lang geopend.</li> <li>• De temperatuurstelling voor het vriezergedeelte is te laag.</li> <li>• De deurpakkingen zijn vuil, versleten, gebarsten of niet goed op elkaar afgestemd.</li> <li>• De vereiste luchtcirculatie is niet gegarandeerd.</li> </ul>	<ul style="list-style-type: none"> <li>• In dit geval is het normaal dat het apparaat langer werkt.</li> <li>• Normaal gesproken duurt het 8–12 uur voordat het apparaat volledig is afgekoeld.</li> <li>• Sluit de deur/lade en zorg ervoor dat het apparaat op een vlakke ondergrond staat en dat er geen etenswaren of voedselbakjes de deur blokkeren.</li> <li>• Open de deur/lade niet te vaak.</li> <li>• Stel de temperatuur hoger in totdat een toereikende koelkasttemperatuur is bereikt. Het duurt 24 uur voordat de koelkasttemperatuur stabiel is.</li> <li>• Reinig de deur-/ladepakkingen of laat ze vervangen door de klantenservice.</li> <li>• Zorg voor voldoende ventilatie.</li> </ul>
De binnenkant van de vriezer is vies en/of stinkt.	<ul style="list-style-type: none"> <li>• De binnenkant van de koelkast moet worden schoongemaakt.</li> <li>• Er wordt voedsel met een sterke geur bewaard in de koelkast.</li> </ul>	<ul style="list-style-type: none"> <li>• Reinig de binnenkant van de koelkast</li> <li>• Verpak het voedsel goed.</li> </ul>

Probleem	Mogelijke oorzaak	Mogelijke oplossing
Het is niet koud genoeg in het apparaat.	<ul style="list-style-type: none"> <li>• De temperatuur is te hoog ingesteld.</li> <li>• Er zijn te warme producten opgeslagen.</li> <li>• Er is te veel voedsel in één keer bewaard.</li> <li>• De producten zijn te dicht bij elkaar geplaatst.</li> <li>• Een deur/lade van het apparaat zit niet goed dicht.</li> <li>• De deur/lade is te vaak of te lang geopend.</li> </ul>	<ul style="list-style-type: none"> <li>• Stel de temperatuur opnieuw in.</li> <li>• Koel de producten altijd af voordat u ze opbergt.</li> <li>• Bewaar altijd kleine hoeveelheden voedsel.</li> <li>• Laat een gat tussen verschillende voedingsmiddelen waardoor lucht kan stromen.</li> <li>• Sluit de deur/lade.</li> <li>• Open de deur/lade niet te vaak.</li> </ul>
Het is te koud in het apparaat.	<ul style="list-style-type: none"> <li>• De temperatuur is te laag ingesteld.</li> <li>• De Super-Frz-/Super-Cool-functie is geactiveerd of loopt te lang.</li> </ul>	<ul style="list-style-type: none"> <li>• Stel de temperatuur opnieuw in.</li> <li>• Schakel de functie Super-Frz./Super-Cool uit.</li> </ul>
Vochtvorming aan de binnenkant van het koelkastgedeelte.	<ul style="list-style-type: none"> <li>• Het klimaat is te warm en te vochtig.</li> <li>• Een deur/lade van het apparaat zit niet goed dicht.</li> <li>• De deur/lade is te vaak of te lang geopend.</li> <li>• Voedselbakjes of vloeistoffen zijn open gelaten.</li> </ul>	<ul style="list-style-type: none"> <li>• Verhoog de temperatuur.</li> <li>• Sluit de deur/lade.</li> <li>• Open de deur/lade niet te vaak.</li> <li>• Laat warm voedsel afkoelen tot kamertemperatuur en dek voedsel en vloeistoffen af.</li> </ul>
Vocht hoopt zich op het oppervlak aan de buitenkant van de koelkast en tussen de deuren/deur en lade op.	<ul style="list-style-type: none"> <li>• Het klimaat is te warm en te vochtig.</li> <li>• De deur is niet goed gesloten. De koude lucht in het apparaat en de warme lucht daarbuiten condenseert.</li> </ul>	<ul style="list-style-type: none"> <li>• Dit is normaal in een vochtig klimaat en zal veranderen wanneer de luchtvochtigheid daalt.</li> <li>• Zorg dat de deur/lade goed dicht zit.</li> </ul>

Probleem	Mogelijke oorzaak	Mogelijke oplossing
Veel ijs en rijp in het vriezergedeelte.	<ul style="list-style-type: none"> <li>• De etenswaren zijn niet goed verpakt.</li> <li>• Een deur/lade van het apparaat zit niet goed dicht.</li> <li>• De deur/lade is te vaak of te lang geopend.</li> <li>• De deur-/ladepakkingen zijn vuil, versleten, gebarsten of niet goed op elkaar afgestemd.</li> <li>• Iets aan de binnenkant voorkomt dat de deur/lade goed kan sluiten.</li> </ul>	<ul style="list-style-type: none"> <li>• Verpak de etenswaren altijd goed.</li> <li>• Sluit de deur/lade.</li> <li>• Open de deur/lade niet te vaak.</li> <li>• Reinig de deur-/ladepakkingen of vervang ze door nieuwe.</li> <li>• Verplaats de planken, deurrekken of interne containers zodat de deur/lade kan worden gesloten.</li> </ul>
De zijkanten van de kast en de deurstrip worden warm.		<ul style="list-style-type: none"> <li>• Dit is normaal.</li> </ul>
Het apparaat maakt afwijkende geluiden.	<ul style="list-style-type: none"> <li>• Het apparaat staat niet op een vlakke ondergrond.</li> <li>• Het apparaat raakt voorwerpen rondom.</li> </ul>	<ul style="list-style-type: none"> <li>• Stel de pootjes af om het apparaat waterpas te zetten.</li> <li>• Verwijder voorwerpen rondom het apparaat.</li> </ul>
Er is een licht geluid te horen dat lijkt op dat van stromend water.		<ul style="list-style-type: none"> <li>• Dit is normaal.</li> </ul>
U hoort een alarm-piepton.	<ul style="list-style-type: none"> <li>• De deur van het koelkast-gedeelte staat open.</li> </ul>	<ul style="list-style-type: none"> <li>• Sluit de deur.</li> </ul>
U hoort een zacht gebrom.	<ul style="list-style-type: none"> <li>• Het anticondensatie-systeem is aan het werk</li> </ul>	<ul style="list-style-type: none"> <li>• Dit voorkomt condensatie en is normaal</li> </ul>
De binnen-verlichting of het koelsysteem werkt niet.	<ul style="list-style-type: none"> <li>• De netstekker is niet aangesloten op het stopcontact.</li> <li>• De voeding is niet intact.</li> <li>• Het ledlampje is buiten werking.</li> </ul>	<ul style="list-style-type: none"> <li>• Steek de stekker in het stopcontact.</li> <li>• Controleer de elektrische voeding naar de kamer. Bel het plaatselijke elektriciteitsbedrijf!</li> <li>• Bel de klantenservice om het lampje te laten vervangen.</li> </ul>

Ga naar onze website om contact op te nemen met de technische ondersteuning:  
<https://corporate.haier-europe.com/en/>

Kies onder de kop 'website' het merk van uw product en uw land. U wordt doorgestuurd naar de specifieke website waar u het telefoonnummer en formulier kunt vinden om contact op te nemen met de technische dienst.

## Stroomonderbreking

In het geval van een stroomstoring, zou voedsel ongeveer 5 uur lang veilig koud moeten blijven. Volg de volgende tips tijdens een langdurige stroomstoring, vooral in de zomer:

- ▶ Open de deur/lade zo weinig mogelijk.
- ▶ Plaats geen extra voedsel in het apparaat tijdens een stroomstoring.
- ▶ Als een stroomstoring vooraf wordt aangekondigd en de onderbrekingsduur langer is dan 5 uur, maak dan ijs en zet dit in een bak boven in het koelkastgedeelte.
- ▶ Onmiddellijk na de onderbreking is een controle van de producten vereist.
- ▶ Aangezien de temperatuur in de koelkast stijgt tijdens een stroomonderbreking of een andere storing, wordt de bewaarperiode en de eetbare kwaliteit van voedsel nadelig beïnvloed. Alle levensmiddelen die ontdooien moeten worden gegeten, of worden bereid en daarna zo snel mogelijk opnieuw worden ingevroren (indien van toepassing) om gezondheidsrisico's te voorkomen.

## Geheugenfunctie tijdens de stroomonderbreking

Na herstel van de stroom gaat het apparaat door met de instellingen die waren ingesteld voor de stroomstoring.

## Uitpakken



### WAARSCHUWING!

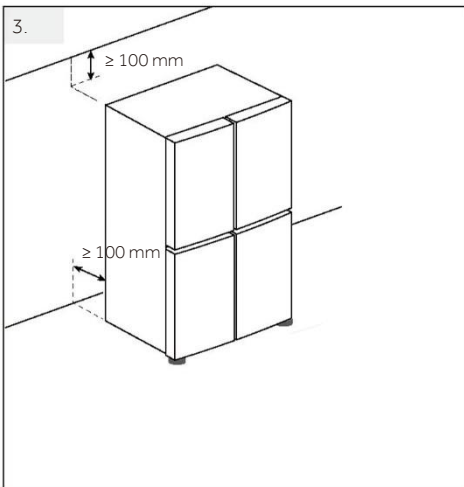
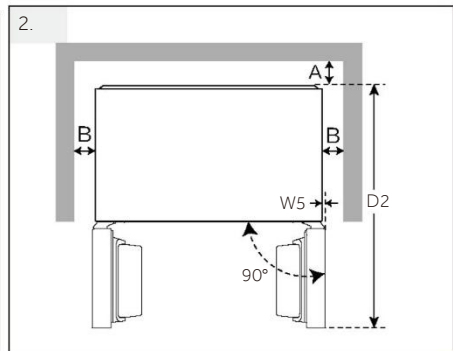
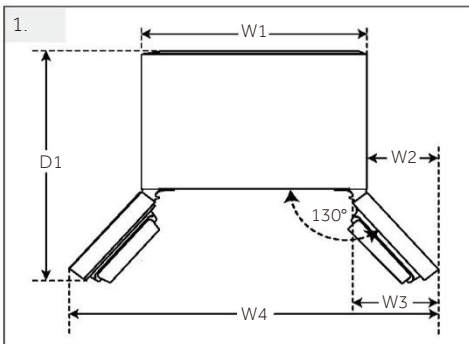
- ▶ Het apparaat is zwaar. Altijd hanteren met ten minste twee personen.
- ▶ Houd alle verpakkingsmaterialen buiten bereik van kinderen en gooi ze op een milieuvriendelijke manier weg.
- ▶ Haal het apparaat uit de verpakking.
- ▶ Verwijder al het verpakkingsmateriaal.

### Omgevingsomstandigheden

De kamertemperatuur moet altijd tussen 10°C en 43°C liggen, aangezien het de temperatuur in het apparaat en het energieverbruik kan beïnvloeden. Installeer het apparaat niet in de buurt van andere warmtebronnen (ovens, koelkasten) zonder isolatie.

### Ruimteaanbeveling

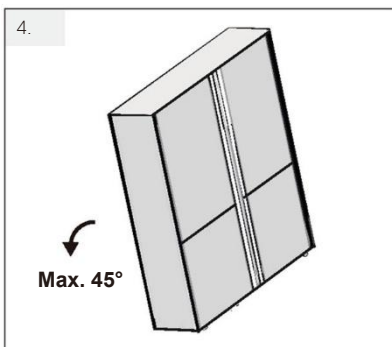
Aanbevolen ruimte als de deur wordt geopend (afb. 1.2).



(Eenheid: mm)	Modelnr.	
<b>Breedte</b>	W1	905
	W2	327
	W3	368
	W4	1559
	W5	51
	W	905
<b>Afstand tot achterwand</b>	D1	1061
	D2	1101
	D	738
<b>Afstand tot achterwand</b>	A	100
<b>Afstand tot zijmuren</b>	B	100
<b>Afstand tot plafond</b>	C	100
<b>Totale hoogte</b>	H	1825

## Doorsnede van ventilatie

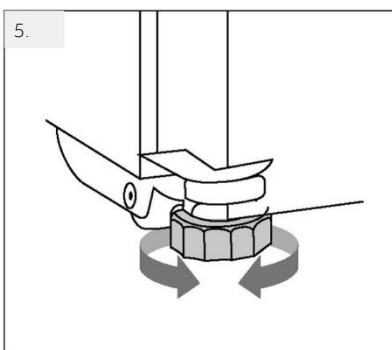
Om voor de veiligheid voldoende ventilatie van het apparaat te bereiken, moet de informatie over de vereiste ventilatiedoorsneden in acht worden genomen.



### Het apparaat uitlijnen (afb. 4.5.6.)

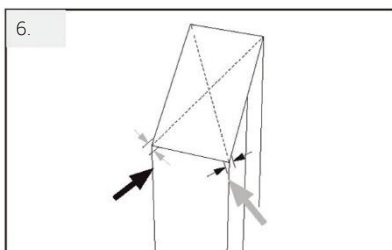
Plaats het apparaat op een vlakke en stevige ondergrond.

4. Kantel de vriezer iets naar achteren.



5. Stel de voeten in op het gewenste niveau.

Zorg dat de afstand tot de wand aan de scharnierzijde ten minste 100 mm is om de deur goed te kunnen openen.

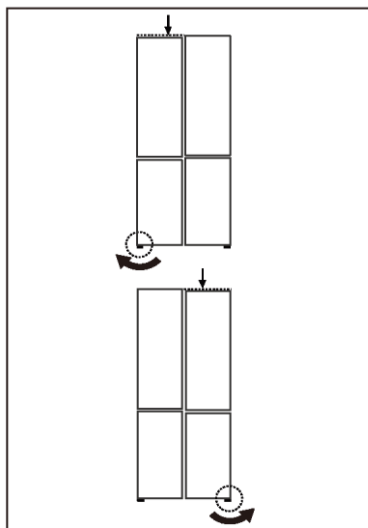


6. De stabiliteit kan worden gecontroleerd door afwisselend op de diagonalen te duwen. De lichte slingering moet in beide richtingen hetzelfde zijn. Anders kan het frame kromtrekken; mogelijk lekkende deurafdichtingen zijn het resultaat. Een kleine helling naar achteren vergemakkelijkt het sluiten van de deuren.



### LET OP

Voor een vrijstaand apparaat: Dit koelapparaat is niet bedoeld voor gebruik als inbouwapparaat.

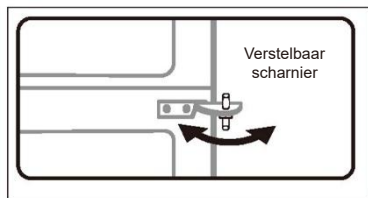


### Fijnafstelling van de deuren

Als de deuren niet op één lijn zitten, kan deze afwijking als volgt worden verholpen:

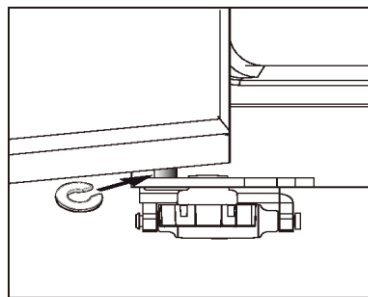
#### Met een verstelbare voet

Draai de verstelbare voet in de richting van de pijl om de voet omhoog of omlaag te draaien.



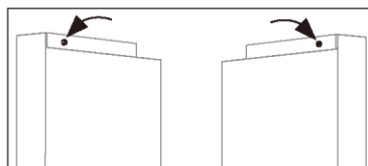
### De deurpositie aanpassen

- ▶ Als de twee deuren niet op dezelfde hoogte zitten, kunnen de verstelbare scharnieren worden afgesteld met de bijgeleverde sleutel om ze waterpas te zetten. Installeer het niet ruw om krassen of deuken op de deurlijst te voorkomen.



### Met tussenstukken

- ▶ Open de vriezerdeur en til die op.
- ▶ Klem het tussenstuk (bijgesloten in de zak met accessoires) met de hand of met gereedschap zoals een tang voorzichtig vast in de as van het onderste scharnier. De deur niet krassen of stoten.

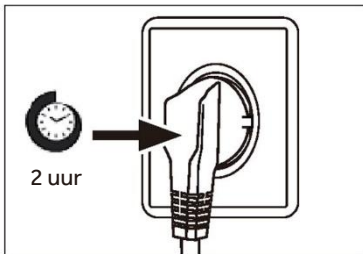


### De afstelknop gebruiken

- ▶ Als de deur van het koelkastcompartiment niet waterpas is, kunt u de afstelknop aan de bovenkant ervan draaien om fijne aanpassingen te maken.

**i LET OP**

Bij toekomstig gebruik van de koelkast kan het gebeuren dat de deuren niet gelijk zitten door het gewicht van opgeslagen voedsel. Pas dit aan volgens de bovenstaande methodes.

**Wachttijd**

De onderhoudsvrije smeerolie bevindt zich in de behuizing van de compressor. Deze olie kan door het gesloten buissysteem komen bij liggend transport. Voordat u het apparaat op de voeding aansluit, moet u ten minste 2 uur wachten zodat de olie weer in de behuizing loopt.

**Elektrische aansluiting**

Controleer vóór elke aansluiting of:


- ▶ voeding, stopcontact en zekering geschikt zijn volgens het typeplaatje;
- ▶ het stopcontact is geaard en er geen stekkerdoos of verlengsnoer is;
- ▶ de stekker en het stopcontact goed passen.

Sluit de stekker aan op een correct geïnstalleerd huishoudelijk stopcontact.

**WAARSCHUWING!**

Om risico's te vermijden moet een beschadigd netsnoer worden vervangen door de klantenservice (zie garantiekaart).

Productkaart volgens de verordening EU nr. 2019/2016

Merk	Haier
Modelnaam/identificatie	HCR59F19DNMM HCR59F18DNMB
Categorie van het model	Koelvriescombinatie
Energie-efficiëntieklasse	D
Jaarlijks energieverbruik (kWh/jaar)(1)	306
Totaal volume (liter)	706
Volume koelkast (liter)	417
Volume vriezer (liter)	251
Sectie met twee sterren (liter)	38
Steraanduiding	
Vorstvrij systeem	Ja
Vriescapaciteit (kg/24 uur)	14
Klimaatklasse (2)	SN-N-ST-T
Geluidsemissieklasse en geluidsemissie via de lucht (db(A) re 1pW)	C(35)
Temperatuurstijgingstijd (uur)	13
Type apparaat	Vrijstaand

Uitleg:

• Ja, aanwezig

- (1) Op basis van de resultaten van de normenconformiteitstest gedurende 24 uur. Het werkelijke verbruik is afhankelijk van het gebruik en de locatie van het apparaat.
- (2) Klimaatklasse SN: Dit apparaat is bedoeld voor gebruik bij een omgevingstemperatuur tussen +10°C en +32°C  
Klimaatklasse N: Dit apparaat is bedoeld voor gebruik bij een omgevingstemperatuur tussen +16°C en +32°C  
Klimaatklasse ST: Dit apparaat is bedoeld voor gebruik bij een omgevingstemperatuur tussen +16°C en +38°C  
Klimaatklasse T: Dit apparaat is bedoeld voor gebruik bij een omgevingstemperatuur tussen +16°C en +43°C

#### Aanvullende technische gegevens

Spanning/frequentie	220–240 V ~/50 Hz
Ingangsstroom (A)	1,5
Belangrijkste zekering (A)	16
Koelmiddel	R600a 68 g
Afmetingen (BxDxH in mm)	905x738x1825

Wij adviseren onze Haier-klantenservice en het gebruik van originele onderdelen. Als u een probleem hebt met uw apparaat, controleer dan eerst het hoofdstuk **PROBLEMEN OPLOSSEN**.

Als u daar geen oplossing kunt vinden, neem dan contact op met

- ▶ uw plaatselijke dealer; of
- ▶ ons Europese service-callcentrum (zie onderstaande telefoonnummers); of
- ▶ het gedeelte Service & Support op [www.haier.com](http://www.haier.com), waar u de serviceclaim kunt activeren
- ▶ en ook veelgestelde vragen kunt vinden.

Om contact op te nemen met onze klantenservice, moet u ervoor zorgen dat u over de volgende gegevens beschikt.

De informatie is te vinden op het typeplaatje.

Model \_\_\_\_\_

Serienummer \_\_\_\_\_

Controleer ook de garantiekaart die met het product is meegeleverd in geval van garantie.

Europees service-callcentrum		
Land*	Telefoonnummer	Kosten
Haier Italy (IT)	199 100 912	
Haier Spain (ES)	902 509 123	
Haier Germany (DE)	0180 5 39 39 99	<ul style="list-style-type: none"> <li>• 14 ct/min – vaste lijn</li> <li>• max. 42 ct/min – mobiel</li> </ul>
Haier Austria (AT)	0820 001 205	<ul style="list-style-type: none"> <li>• 14,53 ct/min – vaste lijn</li> <li>• max. 20 ct/min – alle andere</li> </ul>
Haier United Kingdom (UK)	0333 003 8122	
Haier France (FR)	0980 406 409	

\*Voor andere landen verwijzen wij u naar [www.haier.com](http://www.haier.com)

Haier Europe Trading S.r.l

Branch UK

Westgate House, Westgate, Ealing

London, W5 1YY, Verenigd Koninkrijk

\*Duur van de garantie van het koelapparaat:

De minimumgarantie is: 2 jaar voor EU-landen, 3 jaar voor Turkije, 1 jaar voor het Verenigd Koninkrijk, 1 jaar voor Rusland, 3 jaar voor Zweden, 2 jaar voor Servië, 5 jaar voor Noorwegen, 1 jaar voor Marokko, 6 maanden voor Algerije, Tunesië geen wettelijke garantie vereist.

\*De beschikbaarheidsperiode van reserveonderdelen voor reparatie van het apparaat:

Thermostaten, temperatuursensoren, printplaten en lichtbronnen zijn gedurende minimaal zeven jaar na het op de markt brengen van de laatste eenheid van het model beschikbaar.

Deurgrepen, deurscharnieren, bakken en manden zijn minimaal zeven jaar en deuropakkingen minimaal 10 jaar na het in de handel brengen van de laatste eenheid van het model verkrijgbaar.

\*Raadpleeg voor meer informatie over het product <https://eprel.ec.europa.eu/> of scan de QR-code op het energielabel dat met het apparaat wordt meegeleverd.

## KWALITEITSCERTIFICAAT

AANDUIDING: KOELKAST  
GESLAAGDE QC  
Nr. CONTROLEUR

QC01

# Haier

专用号条码

0060543171  
2026 Versie A

# Haier

Felhasználói kézikönyv



Hűtő-fagyasztó

HCR59F18DNMM

HCR59F18DNMB

<b><u>4 Biztonsági információk</u></b>	Első használat előtt	5
	Telepítés	5
	Napi használat	6
<b><u>8 Rendeltetészerű használat</u></b>		
<b><u>9 Termékleírás</u></b>		
<b><u>10 Vezérlőpanel</u></b>		
<b><u>11 Használat</u></b>	Hűtőszekrény hőmérsékletének a beállítása	14
	Fagyasztó hőmérsékletének a beállítása	14
	Super-Cool funkció	15
	Super-Frz funkció	15
	Holiday üzemmód	16
	Magic Zone funkció	17
<b><u>20 Berendezés</u></b>		
<b><u>22 Energiatakarékosági tippek</u></b>		
<b><u>23 Ápolás és tisztítás</u></b>		
<b><u>25 Hibaelhárítás</u></b>		
<b><u>29 Telepítés</u></b>		
<b><u>33 Műszaki adatok</u></b>		
<b><u>35 Ügyfélszolgálat</u></b>		

## Köszönjük, hogy Haier terméket vásárolt.

A készülék használata előtt olvassa el figyelmesen ezeket az utasításokat.

Az utasítások fontos információkat tartalmaznak, amelyek segítenek abban, hogy a lehető legtöbbet hozza ki a készülékből, és szavatolják a biztonságos és megfelelő telepítést, használatot és karbantartást.

Tartsa ezt a kézikönyvet könnyen elérhető helyen, hogy bármikor fellapozhassa a készülék biztonságos és megfelelő használatához.

Ha eladja a készüléket, elajándékozza, vagy a lakásban hagyja költözéskor, győződjön meg arról, hogy ezt a kézikönyvet is átadja, hogy az új tulajdonos megismerhesse a készüléket és a biztonsági figyelmeztetéseket.

## Tartozékok

Ellenőrizze a tartozékokat és a szakirodalmat ennek a listának megfelelően:



Energia címké



Jótállási jegy



Felhasználói kézikönyv



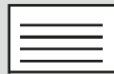
Jótállási jegy



Gyors útmutató



Távtartó × 3



Figyelmeztető kártya



csavarkulcs



## FIGYELMEZTETÉS – Fontos biztonsági információk



## MEGJEGYZÉS - Általános információk és tippek



## Környezetvédelmi információk



### Ártalmatlanítás

Járuljon hozzá a környezet és az emberi egészség védelméhez. Az újrahasznosítás érdekében a csomagolást a megfelelő hulladéktárolóba selejtezze ki. Járuljon hozzá az elektromos és elektronikus berendezések hulladékainak az újrahasznosításához. Ne a háztartási hulladékkal együtt dobja ki az ezzel a szimbólummal jelölt készülékeket. Vigye vissza a terméket a helyi újrahasznosító létesítménybe, vagy vegye fel a kapcsolatot a helyi hivatallal.



### FIGYELMEZTETÉS: Tűzveszély/gyúlékony anyagok

A szimbólum a tűzveszélyről tájékoztat, ami a gyúlékony anyagok használatából adódik. Ügyeljen a tűz megelőzésére, mivel a gyúlékony anyag lángra kaphat.



## FIGYELMEZTETÉS!

Sérülés vagy fulladás veszélye!

A hűtőközegeket és a gázokat szakszerűen kell ártalmatlanítani. Győződjön meg a hűtőkör csövének a sértetlenségéről, mielőtt megfelelően ártalmatlanítaná. Válassza le a készüléket a hálózati tápellátásról. Vágja el a hálózati kábelt és selejtezze ki. Távolítsa el a tálcákat és fiókokat, valamint az ajtóreteszt és a tömítéseket, hogy megakadályozza a gyermekek és háziállatok bezáródását a készülékbe.

## A készülék első bekapcsolása előtt olvassa el a következő biztonsági tanácsokat!



### FIGYELMEZTETÉS!

#### Első használat előtt

- ▶ Győződjön meg arról, hogy szállítás során a termék nem sérült.
- ▶ Mivel a készülék nehéz, mindig legalább két személy szükséges a kezeléséhez vagy mozgatásához.

#### Telepítés

- ▶ A készüléket jól szellőző helyre telepítse. Biztosítson legalább 10 cm-es helyet a készülék felett és körül.
- ▶ Soha ne helyezze a készüléket nedves területre vagy olyan helyre, ahol víz fröccsenhet rá. A vízfröccsenéseket és a foltokat törölje le és szárazra puha, tiszta törülközővel.
- ▶ Ne szerelje be a készüléket közvetlen napsugárzásnak kitett helyre vagy hőforrások (pl. kályhák, fűtőberendezések) közelébe.
- ▶ A méretének és felhasználásnak megfelelő helyre szerelje be és állítsa szintbe a készüléket.
- ▶ A berendezésen vagy a beépített szerkezetben a szellőzőnyílásokat ne takarja el.
- ▶ Bizonyosodjon meg arról, hogy az adattáblán olvasható elektromos jellemzők megfelelnek az elérhető tápellátás jellemzőinek. Ellenkező esetben forduljon villanszerelőhöz.
- ▶ A készülék 220–240 V váltóáramú, 50 Hz-es tápellátást igényel. A rendellenes feszültségingadozás nyomán előfordulhat, hogy a készülék nem indul be, károsodhat a hőmérséklet-vezérlő vagy a kompresszor, illetve működés során rendellenes zaj jelentkezhethet. Hasonló esetben szereljen fel automatikus feszültség szabályozót.
- ▶ Ne használjon többdugós adaptereket és hosszabbítókábeleket.
- ▶ Ne helyezzen több hordozható csatlakozót vagy hordozható tápegységet a berendezés mögé.
- ▶ Ügyeljen arra, hogy a tápkábel ne szoruljon a hűtőberendezés alá. Ne lépjen a tápkábelre.
- ▶ A tápegységhez külön földelt aljzatot használjon, amely könnyen hozzáférhető. A készülék mindenképpen földelésre szorul.  
Csak az Egyesült Királyság esetén: A készülék tápkábele 3 érintkezős (földeléses) dugasszal rendelkezik, amelyik szabványos 3 érintkezős (földeléses) aljzathoz illeszkedik. Soha ne vágja le vagy távolítsa el a harmadik érintkezőt (földelést). A készülék beszerelését követően a dugasznak hozzáférhetőnek kell maradnia.
- ▶ Ügyeljen a hűtőkör épségére!



## FIGYELMEZTETÉS!

### Napi használat

- ▶ A berendezést 8 évnél idősebb gyermekek vagy csökkent fizikai, érzékszervi vagy mentális képességű, vagy tapasztalattal és ismerettel nem rendelkező személyek akkor használhatják, ha felügyelet alatt állnak vagy ha megfelelő utasításokkal látták el őket a berendezés biztonságos használatát illetően, és megértették a használatból eredő veszélyeket.
- ▶ A 3 és 8 év közötti gyermekek be- és kirakodhatják a hűtőkészülékeket, de a hűtőkészülékek tisztítását és szerelését nem végezhetik.
- ▶ Tartsa távol a 3 évesnél fiatalabb gyermekeket a készüléktől, kivéve, ha biztosítja a folyamatos felügyeletet.
- ▶ Gyermekek nem játszhatnak a berendezéssel.
- ▶ Ha hűtőgáz vagy más gyúlékony gáz szivárog a készülék közelében, zárja el a szivárgó gáz szelepét, nyissa ki az ajtókat és ablakokat, és ne húzza ki a hűtőszekrény/fagyasztó vagy más készülék tápkábelének a dugaszát.
- ▶ Vegye figyelembe, hogy a készülék 10 és 43 °C közötti környezeti hőmérsékletben való működésre készült. Előfordulhat, hogy a készülék nem működik megfelelően, ha hosszabb ideig a jelzett tartomány feletti vagy alatti hőmérsékleten üzemel.
- ▶ Ne helyezzen instabil cikkeket (nehéz tárgyakat, vízzel teli edényeket) a hűtőberendezés tetejére, elkerülve így a személyi sérüléseket, amiket ezen tárgyak leesése vagy a vízzel való érintkezés nyomán bekövetkező áramütés okozhat.
- ▶ Ne húzza meg az ajtópolcokat. Az ajtó elferdülhet, kihúzhatja a helyéről a palacktartót, vagy a készülék felborulhat.
- ▶ Az ajtók nyitását vagy becsukását kizárólag a fogantyúkkal végezze. Az ajtók közötti, ill. az ajtó és a szekrény közötti rés nagyon szűk. Ne nyújtsa a kezét ezekre a területekre, mivel az ujjai becsípődhetnek. Csak akkor nyissa ki vagy csukja be a hűtőszekrény ajtaját, ha nem állnak gyermekek az ajtó mozgási tartományán belül.
- ▶ Ne tároljon, ill. használjon gyúlékony, robbanásveszélyes vagy maró hatású anyagokat a készülékben vagy a közelében.
- ▶ A készülékben ne tároljon gyógyszereket, baktériumokat vagy vegyszereket. Ez a készülék háztartási készülék. Nem javasoljuk olyan anyagok tárolását, amelyek szűk hőmérséklet-tartományban tárolhatók.
- ▶ Soha ne tároljon folyadékokat palackokban vagy kannákban (magas alkoholtartalmú italok kivételével), különösen szénsavas italokat a fagyasztóban, mert ezek szétrobbannak fagyasztás közben.
- ▶ Ellenőrizze az élelmiszer állapotát, ha a fagyasztóban felmelegedett a hőmérséklet.
- ▶ Ne állítson be szükségtelenül alacsony hőmérsékletet a hűtőrekeszben. Magas teljesítménybeállítások esetén mínusz fokok alakulhatnak ki. Figyelem: A palackok szétrobbanhatnak
- ▶ Ne nyúljon fagyott tárgyakhoz nedves kézzel (viseljen kesztyűt). Különösen ne egyen jeges nyalókát közvetlenül a fagyasztóból való kivétel után. Fennáll a fagysérülések vagy a hólyagok kialakulásának veszélye. ELSŐSEGÉLYNYÚJTÁS: tartsa a sérülést azonnal folyó hideg víz alá. Ne húzza el!
- ▶ Működés közben ne érintse meg a fagyasztórekesz belső felületét, különösen nedves kézzel, mert a keze a felülethez fagyhat.



## FIGYELMEZTETÉS!

### Napi használat

- ▶ Áramszünet esetén vagy tisztítás előtt húzza ki a készüléket az aljzatból. A készülék újraindítása előtt várjon legalább 7 perccel, mivel a készülék gyakori indítása során károsodhat a kompresszor.
- ▶ Ne használjon elektromos készülékeket a berendezés élelmiszer tároló rekeszében, kivéve a gyártó által jóváhagyott típust.  
Karbantartás / tisztítás
- ▶ Gondoskodjon a gyermekek felügyeletéről, ha tisztítást vagy karbantartást végeznek.
- ▶ A rutinszerű karbantartás megkezdése előtt húzza ki a készüléket a villanyhálózatból. A készülék újraindítása előtt várjon legalább 5 perccel, mivel a készülék gyakori indítása során károsodhat a kompresszor.
- ▶ A készülék aljzatból való leválasztásakor ne a kábelt, hanem a csatlakozódugót húzza.
- ▶ Ne tisztítsa a készüléket keménysörtés kefékkel, drótkefékkel, mosóporral, benzinnel, amil-acetáttal, acetonnal és hasonló szerves oldatokkal, valamint savas vagy lúgos oldatokkal. A károsodások elkerülése érdekében a hűtőszekrény tisztítását speciális, adott célra kialakított tisztítószerrel végezze.
- ▶ Ne kaparja le a fagyot és a jeget éles tárgyakkal. A műanyag alkatrészek károsodásának elkerülése érdekében ne használjon spray-t, elektromos hevítő berendezést, például fűtőberendezést, hajszárítót, gőztisztítót vagy más hőforrást.
- ▶ A kiolvasztási folyamat felgyorsításához csak a gyártó által javasolt mechanikai berendezéseket vagy egyéb eszközöket használja.
- ▶ Ha a tápkábel megsérül, a veszély elkerülése érdekében cseréltesse ki a gyártóval, a gyártó szervizközpontjával vagy más szakemberrel.
- ▶ Ne tegyen kísérletet a készülék saját kezű javítására, szétszerelésére vagy módosítására. Javítás szükségessége esetén vegye fel a kapcsolatot az ügyfélszolgálatunkkal.
- ▶ Évente legalább egyszer távolítsa el a port a készülék hátoldaláról, így elkerülve a tűzveszélyt, valamint a megnövekedett energiafogyasztást.
- ▶ Tisztítás közben ne permetezze vagy öblítse le a készüléket.
- ▶ Ne használjon vízpermetet vagy gőzt a készülék tisztításához.
- ▶ A hideg üvegpohalokat ne tisztítsa forró vízzel. A hirtelen hőmérséklet-változás nyomán az üveg megrepedhet.

### Gázalapú hűtőközre vonatkozó információk

- ▶ A készülék gyálékony IZOBUTÁN (R600a) hűtőközeget tartalmaz. Győződjön meg arról, hogy a hűtőközeg köre nem sérült meg szállítás vagy beszerelés közben. A szivárgó hűtőközeg szemsérülést okozhat, vagy belobbanhat. Sérülés esetén tartsa távol a tűzforrásokat, szellőztesse ki alaposan a helyiséget, ne csatlakoztassa, vagy húzza ki a készülék vagy egyéb készülék tápkábelét. Tájékoztassa az ügyfélszolgálatot.
- ▶ Ha a hűtőközeg szembe kerül, akkor azonnal öblítse ki folyó víz alatt, és azonnal forduljon szemész szakorvoshoz.

## Rendeltetésszerű használat

Ez a készülék élelmiszerek hűtésére és fagyasztására szolgál. Kizárólag háztartási és hasonló alkalmazásokra tervezték, mint például az üzletek, irodák és egyéb munkakörnyezetek személyzeti konyháinak területei; tanyasi házakban és szállodák, motelek és egyéb lakókörnyezetben, valamint panziós és vendéglátóipari vállalkozásokban való használatra ügyfelek számára. Tervezéséből adódóan nem alkalmas kereskedelmi vagy ipari használatra.

A készüléken változtatások vagy módosítások végrehajtása nem megengedett.

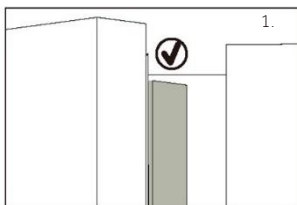
A nem rendeltetésszerű használat veszélyeket eredményezhet, illetve a szavatossági igények érvénytelenítésével járhat.

## Szabványok és irányelvek **CE**

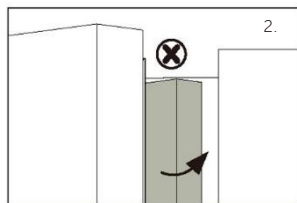
A termék megfelel az összes vonatkozó EK irányelvben meghatározott követelménynek, illetve a vonatkozó harmonizált szabványoknak, amelyek alapján megilleti a CE-jelölés.



### VIGYÁZAT!



Amikor becsukja az ajtót, a bal oldali ajtó függőleges szalagjának belül be kell hajolnia (1).

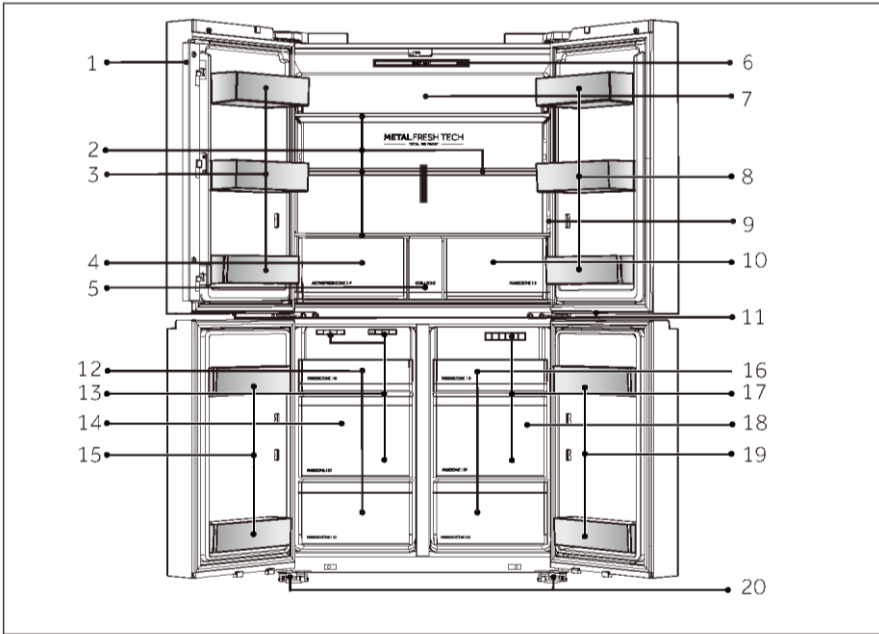


Ha megpróbálja becsukni a bal ajtót, és a függőleges ajtószalag nincs meghajolva (2), először hajlítsa meg, ellenkező esetben az ajtószalag a rögzítő tengelynek vagy a jobb ajtónak ütközik. Ez az ajtó csúszását vagy szivárgást eredményezhet.

A keretben található egy fűtőszál. A felület hőmérséklete egy kicsit emelkedni fog, ami normális, és nem befolyásolja a készülék működését.

## **i** MEGJEGYZÉS

A műszaki módosítások és különböző modellek miatt előfordulhat, hogy a kézikönyvben látható egyes ábrák eltérőek az Ön modelljéhez képest.

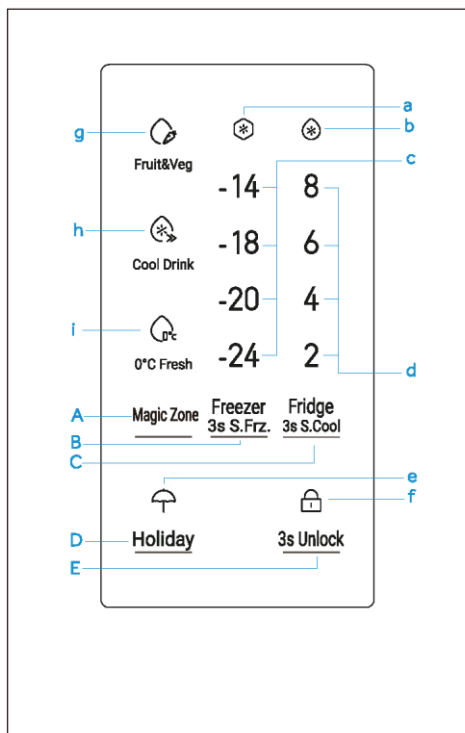


A: A hűtőszekrény rekeszei

- 1 Ajtó tartószelvény
- 2 Üvegpolcok
- 3 Palacktartó
- 4 ACTIVEFRESH ZONE fiók
- 5 CHILL ZONE doboz
- 6 Hűtőszekrény lámpa
- 7 Hűtőszekrény légcsatornája
- 8 Palacktartó
- 9 Vezérlőpanel
- 10 MAGIC ZONE fiók
- 11 Fagyasztólámpa

B: Fagyasztó rekesz

- 12 FREEZE ZONE fiók
- 13 Légcsatorna
- 14 MAX ZONE fiók
- 15 Palacktartó
- 16 FREEZE ZONE fiók
- 17 Légcsatorna
- 18 MAX ZONE fiók
- 19 Palacktartó
- 20 A lábak beállítása



Gombok:

- A Magic Zone módválasztó
- B Fagyasztó funkció és super-frz funkcióválasztó
- C Hűtőszekrény funkció és super-cool funkcióválasztó
- D Holiday funkcióválasztó
- E Zárolás/feloldás funkció kiválasztója

Jelzőfények:

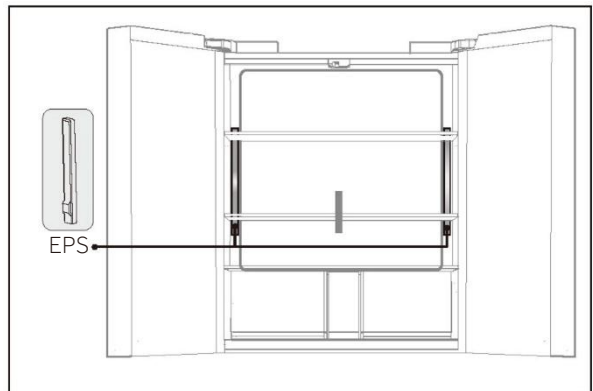
- a Super-Frz funkció
- b Super-Cool funkció
- c Fagyasztó hőmérséklete
- d Hűtési hőmérséklet
- e Holiday funkció
- f Zárolás/feloldás funkció
- g Fruit & Veg funkció
- h Cool Drink funkció
- i 0°C Fresh funkció

### Első használat előtt

- ▶ Távolítsa el az összes csomagolóanyagot, különös tekintettel a hűtőcsatorna mindkét oldalán található fehér EPS-habra, és ezeket tartsa gyermekektől elzárva, ártalmatlanításukat pedig környezetbarát módon végezze.
- ▶ Tisztítsa meg a készülék belsejét és külsejét vízzel és kíméletes tisztítószerrel, mielőtt bármilyen ételt tenne bele.
- ▶ A készülék szintbeállítását és tisztítását követően várjon legalább 2–5 órát, mielőtt csatlakoztatná a tápellátáshoz. Lásd a TELEPÍTÉS részt.
- ▶ Az étellel való feltöltés előtt hűtse le a rekeszeket magas beállítások alkalmazásával. A Power-Freeze funkció elősegíti a rekeszek gyors lehűtését.
- ▶ A hűtőrekesz, illetve a fagyasztó hőmérséklete gyári alapbeállítás szerint automatikusan 4 °C, illetve -18 °C. Ezek a javasolt beállítások. Ha kívánja, ezeket a hőmérsékleteket módosíthatja manuálisan. Lásd a HŐMÉRSÉKLET BEÁLLÍTÁSA c. részt.

### EPS eltávolítási módszer

Először távolítsa el a felső és a középső polcokat (a polcok eltávolításának módját a 25. oldalon találja), majd vegye ki a két EPS-t.



## Érintésérzékeny gombok

A vezérlőpulton található gombok érintésérzékenyek, és már akkor reagálnak, ha enyhén megérinti az ujjával.

## A készülék be- és kikapcsolása

A készülék működésbe lép, amint csatlakoztatja a tápellátáshoz.

A hűtőrekesz, illetve a fagyasztó hőmérséklete gyári alapbeállítás szerint automatikusan 4 °C és -18 °C.

Talán aktív a panelzár.



## MEGJEGYZÉS

A készülék alapbeállítása gyárilag az ajánlott 4 °C (hűtőszekrény) és -18 °C (fagyasztó) hőmérséklet. Normál környezeti feltételek mellett nem kell módosítania a hőmérsékletet.

Amikor a készüléket visszakapcsolja a hálózati tápellátásról való leválasztás után, akár 12 órát is igénybe vehet a megfelelő hőmérséklet elérése.

A kikapcsolás előtt ürítse ki a készüléket. A készülék kikapcsolásához húzza ki a tápkábel dugaszát az aljzatból.

## Panel zárolása/feloldása

Automatikus zárolás: Amikor a hűtőszekrény ajtaja becsukódik, és 30 másodpercen belül nem nyom meg semmilyen gombot, a kijelző automatikusan kialszik és lezáródik.

Kézi lezárás: A kijelző feloldása után nyomja meg az „E” gombot (Panelzár visszajelző), és tartsa lenyomva 3 másodpercig, a csengő egyszer cseng, az „f” jelzőfény (Panelzár) kigyullad, ekkor a kijelző zárolva van. Zárolt állapotban tartsa lenyomva az „E” gombot 3 másodpercig, a csengő egyszer cseng, az „f” jelzőfény (Vezérlőpult zárolása) kialszik, és ezzel feloldja a vezérlőpult zárolását.



## Kézi beállítási mód

Ha manuálisan szeretné beállítani a készülék hőmérsékletét, ez a hőmérséklet módosítás végrehajtható egy hőmérséklet szabályozó gombbal (lásd a HŐMÉRSÉKLET BEÁLLÍTÁSA c. részt)

## Ajtó riasztás

Az ajtó riasztás akkor élesedik, amikor az ajtót hosszú ideig nyitva tartja, vagy nincs megfelelően becsukva, és a riasztás emlékeztetőként szolgál.

## Hőmérséklet beállítása

A beltéri hőmérsékletet a következő tényezők befolyásolják:

környezeti hőmérséklet, ajtónyitás gyakorisága, a tárolt élelmiszerek mennyisége, a készüléknek a helye

## Hűtőszekrény hőmérsékletének a beállítása

1. A kijelző képernyőjének feloldása után nyomja meg a „C” gombot. A csengő egyszer cseng, a „b” visszajelzés villog, majd megjelenik a hűtő hőmérséklet-beállítási módja.
2. A „C” gomb minden egyes megnyomásakor a hangjelző egyszer megszólal, és a hűtő beállított hőmérséklete a következő sorrendben változik; a kijelzőn a hűtő hőmérséklete az alábbi sorrendben jelenik meg: 8>6>4>2.

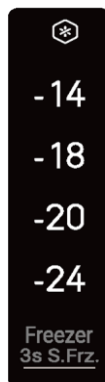


### MEGJEGYZÉS

A hőmérséklet beállítása után, ha 5 másodpercen belül nem végeznek semmilyen műveletet, a rendszer automatikusan meghatározza és menti a beállított hőmérsékletet.

## Fagyasztó hőmérsékletének a beállítása

1. A kijelző feloldása után nyomja meg a „B” gombot. A csengő egyszer cseng, a „c” visszajelzés (Fagyasztó visszajelző) villog, majd megjelenik a fagyasztó hőmérséklet-beállítási módja.
2. A „B” gomb minden egyes megnyomásakor a hangjelző egyszer megszólal, és a hűtő beállított hőmérséklete a következő sorrendben változik; a kijelzőn a hűtő hőmérséklete az alábbi sorrendben jelenik meg: -14 > -18 > -20 > -24

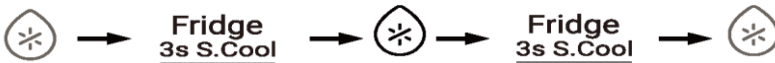


### MEGJEGYZÉS

A hőmérséklet beállítása után, ha 5 másodpercen belül nem végeznek semmilyen műveletet, a rendszer automatikusan meghatározza és menti a beállított hőmérsékletet.

## Super-Cool funkció

1. Amikor a kijelző fel van oldva, tartsa lenyomva a „C” gombot 3 másodpercig. Miután a csengő egyszer cseng és a „b” jelzőfény világít, a Super-Cool funkció bekapcsol.
2. A „b” visszajelző világítása mellett tartsa lenyomva a „C” gombot 3 másodpercig, a csengő egyszer cseng, a „b” visszajelző kialszik, majd a Super-Cool funkció kikapcsol.
3. A Super-Cool funkció bekapcsolása után a hűtőszekrény automatikusan kikapcsolja a funkciót, amint elérte a beállított állapotot. Ha manuálisan szeretné kikapcsolni a funkciót, nyomja meg a „C” gombot a kikapcsoláshoz.



## MEGJEGYZÉS

1. Super-Cool állapotban a hűtő hőmérséklete nem állítható be. Ha megnyomja a „C” gombot a hűtő hőmérsékletének beállításához, a „b” jelzőfény villogni kezd hangjelzés kíséretében, jelezve, hogy ez a művelet nem hajtható végre.
2. Super-Cool üzemmódban az Auto-set funkció nem kapcsolható be egyszerre a különböző vezérlési módok miatt. Ha kiválaszt egy olyan funkciót, amely ütközik egy másik funkcióval, az eredeti funkció automatikusan kikapcsol.

## Super-Frz funkció

1. Amikor a kijelző fel van oldva, tartsa lenyomva a „B” gombot 3 másodpercig. Miután a csengő egyszer cseng és az „a” jelzőfény világít, a Super-Frz funkció bekapcsol.
2. Az „a” visszajelző világítása mellett tartsa lenyomva a „B” gombot 3 másodpercig, a csengő egyszer cseng, az „a” visszajelző kialszik, majd a Super-Frz funkció kikapcsol.
3. A Super-Frz funkció bekapcsolása után a hűtőszekrény automatikusan kikapcsolja a funkciót, amint elérte a beállított állapotot. Ha manuálisan szeretné kikapcsolni a funkciót, nyomja meg a „B” gombot a kikapcsoláshoz.





## MEGJEGYZÉS

1. Super-Freeze állapotban a fagyasztó hőmérséklete nem állítható be. Ha megnyomja a „B” gombot a fagyasztó hőmérsékletének beállításához, az „a” jelzőfény villogni kezd hangjelzés kíséretében, jelezve, hogy ez a művelet nem hajtható végre.
2. A Super-Freeze funkció a fagyasztott élelmiszerek tápértékének megőrzésére szolgál, és a legrövidebb idő alatt lefagyasztja az ételt. Ekkor a fagyasztó fagyasztási sebessége javul, az élelmiszerek gyorsan lefagyaszthatók, az élelmiszerek tápanyagtartalma hatékonyan megőrizhető, és a tárolás kényelmesebbé válik. Ha egyszerre nagy mennyiségű ételt kell lefagyasztania, ajánlott a Super Freeze funkciót 24 órával azelőtt bekapcsolni, hogy betenné az élelmiszert a fagyasztórekeszbe.

### Holiday üzemmód

A Holiday üzemmód a hűtőszekrény hosszú idejű használaton kívüli állapotához készült. Ha a Holiday üzemmód be van kapcsolva, a fagyasztó normál vezérléssel működik, míg a hűtőszekrény hőmérsékletét a készülék automatikusan 17 °C-ra állítja. Ez megakadályozza a túlmelegedés által okozott kellemetlen szag kialakulását, és egyúttal csökkenti az energiafogyasztást.

1. Ha a kijelző fel van oldva, nyomja meg a „D” gombot, a csengő egyszer cseng és az „e” jelzőfény világít, majd a készülék bekapcsolja a Holiday funkciót.
2. Amikor az „e” jelzőfény világít, nyomja meg a „D” gombot, a csengő egyszer cseng, az „e” jelzőfény kialszik, majd a Holiday funkció kikapcsol.



## MEGJEGYZÉS

A Holiday funkció használata előtt ürítse ki a hűtőszekrényt, nehogy az étel megromoljon benne. Amikor a Holiday funkció be van kapcsolva, a „Super-Cool” funkció nem kapcsolható be egyszerre.

## Magic Zone funkció

Amikor a kijelző képernyője fel van oldva, nyomja meg az „A” gombot a Fruit&Veg, a Cool Drink és a 0°C Fresh üzemmód funkcióinak váltogatásához.

### 1. Fruit&Veg funkció:

Ez a funkció friss gyümölcsök és zöldségek tárolására készült. Amikor ezt a funkciót kiválasztja, a „g” jelzőfény világít.

### 2. Cool Drink funkció:

Ez a funkció lehetővé teszi olyan termékek tárolását, mint víz, kóla és gyümölcslé. Amikor ezt a funkciót kiválasztja, a „h” jelzőfény világít.

### 3. 0°Fresh funkció:

Ez a funkció friss élelmiszerek, például hús vagy hal tárolására alkalmas. Amikor ezt a funkciót kiválasztja, az „i” jelzőfény világít.



## MEGJEGYZÉS

1. Indításkor az alapértelmezett beállítás a Cool Drink funkció.
2. Fruit&Veg. funkció esetén: A hidegre érzékeny gyümölcsök, így például az ananász, az avokádó, a banán, a grapefruit és a zöldségek, mint például a burgonya, padlizsán, bab, uborka, cukkini, paradicsom és sajt nem tárolható a Magic Zone fiókban.
3. 0°Fresh funkció esetén: A hús eltérő víztartalma miatt. Néhány nagyobb nedvességtartalmú hús megfagy 0 °C-nál alacsonyabb hőmérsékleten. Tehát az „azonnal felvágott” húst a Magic Zone fiókban tárolja, min. 0 °C hőmérsékleten.
4. A Magic Zone három funkciója nem nyitható meg egyszerre, csak az egyik világíthat. A hűtőtér hőmérsékletének csökkentéséhez használja a Cool Drink funkciót, növeléséhez pedig használja a Fruit&Veg funkciót.

## Tippek friss élelmiszer tárolásához

### Tárolás a hűtőrekeszben

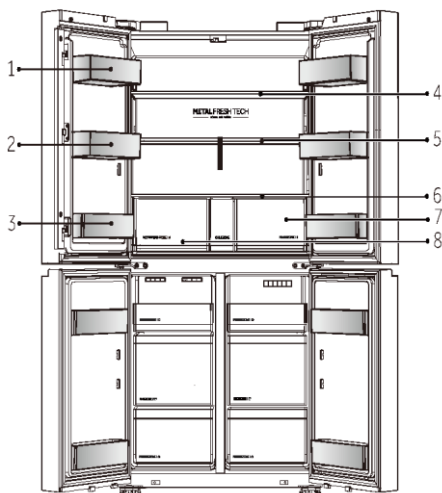
1. A hűtőszekrényben a hőmérsékletet tartsa 5 °C alatt.
2. A forró élelmiszert a készülékbe helyezés előtt mindenképpen hűtse le szobahőmérsékletre.
3. A hűtőberendezésben tárolt élelmiszereket előzetesen mossa meg és szárítsa meg.
4. A tárolni kívánt élelmiszert tegye megfelelően zárható edénybe, hogy elkerülje az illatok és ízek módosulását.

5. Ne tároljon túlságosan sok élelmiszert a készülékben. Hagyon területet az élelmiszerek között, hogy a levegő keringhessen mellettük, így jobb hatásfokú és homogénebb lesz a hűtés.
6. A napi rendszerességgel fogyasztott élelmiszereket a polc elején tárolja.
7. A légáramlás lehetővé tétele érdekében hagyjon némi teret az élelmiszerek és a belső falak között. Ne tároljon élelmiszereket úgy, hogy azok a hátsó fallal érintkezzenek, mivel az élelmiszer megfagyhat. Kerülje az élelmiszer (különösen az olajos vagy savas ételek) közvetlen érintkezését a belső bevonattal, mivel az olaj/sav a belső bevonat károsodását eredményezheti. Távolítsa el az olajos/savas szennyeződések, amint észleli ezeket.
8. A fagyos élelmiszert a hűtőrekeszben olvassza ki. Ily módon a fagyasztott étel segítségével csökkentheti a hűtőrekesz hőmérsékletét, és energiát takaríthat meg.
9. Egyes gyümölcsök és zöldségek, például a cukkini, dinnye, papaja, banán, ananász stb. érési folyamata felgyorsulhat a hűtőszekrényben. Következésképpen nem javasoljuk ezek hűtőberendezésben való tárolását. Mindazonáltal rendkívül zöld gyümölcsök esetében a hűtőberendezésben adott ideig elősegíthető az érési folyamat. Javasoljuk, hogy a hagymát, fokhagymát, gyömbért és egyéb gyökeres zöldségeket szobahőmérsékleten tárolja.
10. A hűtőben érezhető kellemetlen illat megjelenése arra utal, hogy valami kiömlött, és a készülék tisztítást igényel. Lásd az **ÁPOLÁS ÉS TISZTÍTÁS** részt.
11. Különböző élelmiszereket különböző területeken helyezzen el az ételek tulajdonságai szerint.



## MEGJEGYZÉS

Kérjük, a hűtés biztosítása érdekében tartson 10 mm-nél nagyobb távolságot az elhelyezett étel és a légcsatorna vagy az érzékelők között.



1. Vaj, sajt stb.
2. Tojás, italosdoboz, konzerv, fűszerek stb.
3. Italok és palackozott ételek.
4. Savanyú ételek, konzervek stb.
5. Húskészítmények, harapnivalók, tészták, konzervek, tej, tofu, tejtermékek stb.
6. Főtt hús, kolbász stb.
7. Magic ZONE fiók: Gyümölcs, zöldség, saláta stb.
8. ACTIVEFRESH ZONE zónafiók: Gyümölcs, zöldség, saláta stb.

## Tárolás a fagyasztórekeszben

1. A fagyasztó hőmérsékletét tartsa  $-18\text{ }^{\circ}\text{C}$ -on.
2. 24 órával a fagyasztás előtt kapcsolja be a Super-Freeze funkciót; kis mennyiségű élelmiszerek esetén 4–6 óra is elegendő.
3. A forró élelmiszert a fagyasztó rekeszbe helyezés előtt mindenképpen hűtse le szobahőmérsékletre.
4. Az apró darabokra szeletelt élelmiszer gyorsabban lefagyasztható, illetve könnyebben kiolvasztható és megfőzhető. Javasoljuk, hogy az egyes darabok tömege ne érje el a 2,5 kg-ot.
5. Javasoljuk, hogy csomagolja be az élelmiszert, mielőtt a fagyasztóba tenné azt. A zacskók összeragadásának megelőzése érdekében biztosítsa a csomagolások külső felületének a szárazságát. A csomagolásoknak szagmentesnek, légmentesnek, nem mérgezőnek és ártalmatlannak kell lenniük.
6. A tárolt élelmiszerek szavatossági idejének a lejártát elkerülendő, kérjük, jegyezze fel a lefagyasztás dátumát, a szavatossági időt és az élelmiszer nevét a csomagolásra, az adott élelmiszerek szavatossági idejének megfelelően.

1. **FIGYELMEZTETÉS!** A sav, lúg és só stb. károsíthatja a fagyasztó belső felületét. Ne helyezze el az ilyen anyagokat (pl. tengeri halakat) tartalmazó élelmiszereket úgy, hogy azok érintkezhessenek a belső felülettel. A fagyasztóban lévő sós vizet azonnal távolítsa el.

2. Ne haladja meg a gyártó által javasolt tárolhatósági időt.

Csak a szükséges mennyiségű ételt vegye ki a fagyasztóból.

3. A kiolvasztott ételt gyorsan fogyassza el. A kiolvasztott élelmiszer kizárólag megfőzést követően fagyasztható le ismét, ellenkező esetben fogyaszthatatlanná válhat.

4. Ne tegyen túl sok friss élelmiszert a fagyasztó rekeszbe. Lásd a fagyasztó fagyasztási kapacitását – Lásd a MŰSZAKI ADATOK részt vagy az adattáblán található adatokat.

5. A fagyasztóban legalább  $-18\text{ }^{\circ}\text{C}$ -on 2 és 12 hónap közötti ideig tárolható az élelmiszer a jellemzőitől függően (pl. hús: 3–12 hónap, zöldségek: 6–12 hónap)

6. Friss élelmiszer fagyasztásakor kerülje a már fagyasztott vagy kiolvasztott élelmiszerekkel való érintkezést!

### **A kereskedelmi forgalomban lévő fagyasztott élelmiszerek tárolásakor kövesse az alábbi irányelveket:**

1. Mindig kövesse a gyártó utasításait arra vonatkozóan, hogy mennyi ideig tárolhatja az élelmiszert. Ne lépje túl a javasolt értékeket!

2. Az élelmiszerek minőségének megőrzése érdekében törekedjen arra, hogy a legrövidebb idő teljen el a vásárlás és a lefagyasztás időpontja között.

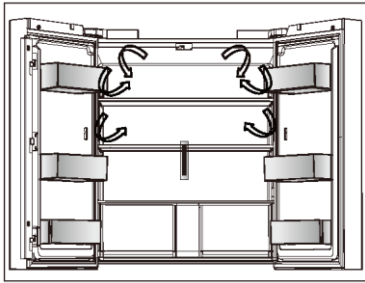
3. Vásároljon  $-18\text{ }^{\circ}\text{C}$  vagy annál alacsonyabb hőmérsékleten tárolt fagyasztott élelmiszereket.

4. Kerülje az olyan élelmiszerek vásárlását, amelyek csomagolásán jég vagy fagy látható. Ez azt jelzi, hogy a termékeket részben kiolvasztották, majd valamikor újrafagyasztották; a hőmérséklet-emelkedés hatással van az élelmiszerek minőségére.



## MEGJEGYZÉS

Kérjük, a hűtés biztosítása érdekében tartson 10 mm-nél nagyobb távolságot az elhelyezett étel és a légcsatorna között.

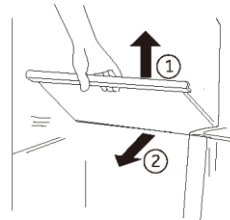


### Többirányú légáramlás

1. A hűtőszekrény többirányú légáramlási rendszerrel van felszerelve, amely hűvös légárammal látja el az összes polcszintet. Ez segít az egységes hőmérséklet megőrzésében a készülékben, így az étel hosszabb ideig frissebb maradhat.

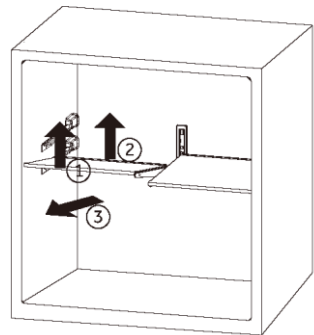
### Állítható polcok

1. A polcok magasságát az Ön tárolási igényeihez igazíthatja.
2. Egy polc áthelyezéséhez először emelje fel az elülső szélét ①, majd húzza ki a polcot ②.
3. A visszaszereléshez helyezze mindkét oldalon a fülékre, és tolja a leghátsó helyzetbe, amíg a polc hátulja nem rögzül az oldalsó nyílásokban.



### Állítsa be a középső polcot

1. A polctartó eltávolítása:  
Először emelje fel a polctartó elülső élét ① 7 cm-rel, majd emelje fel a polctartó hátsó élét ②, hogy a konzolos oldalon lévő karmot ki lehessen oldani a rögzítőnyílásból. Végül húzza kifelé a polctartót ③.
2. A polctartó felszerelése:  
A diagramon látható dőlésszögnek megfelelően nyomja a polctartót a helyére, majd engedje le a polctartó elülső szélét ①, hogy a konzolos oldalon lévő köröm beilleszkedjen a rögzítőfuratba.



## **i** MEGJEGYZÉS

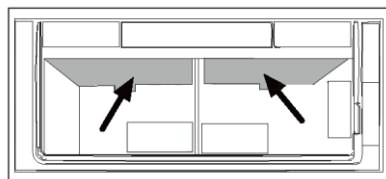
Győződjön meg arról, hogy a polc mindegyik éle vízszintesen helyezkedik el.

### ACTIVEFRESH ZONE fiók

1. Ebben a rekeszben a páratartalom magasabb, mint a hűtőrekeszben. Automatikusan vezérli a rendszer, és a rekesz gyümölcsök, zöldségek, saláták stb. tárolására alkalmas.

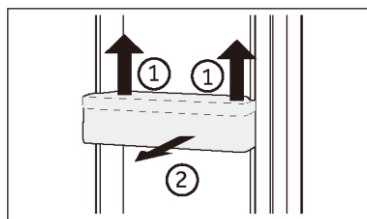
## **i** MEGJEGYZÉS

1. Ne távolítsa el a műanyag fedelet a két zónán belül.
2. Ezek segítenek a páratartalom fenntartásában.
3. Hidegre érzékeny gyümölcsöket, például ananászt, avokádót, banánt,
4. grapefruitot nem ajánlott ebben a két fiókban tárolni.



## Levehető ajtópolcok/palacktartó

1. Az ajtó polcai tisztítás céljából eltávolíthatók:
2. Tegye a kezét az állvány két oldalára, emelje fel ①, majd húzza ki a polcot ②.
3. Az ajtópolc behelyezéséhez hajtsa végre a fenti lépéseket fordított sorrendben.



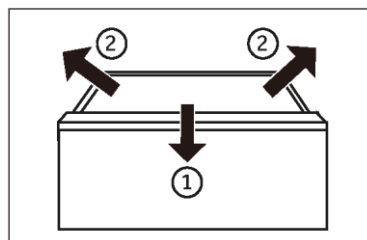
## **i** MEGJEGYZÉS

Amikor a készüléket bekapcsolja, akár 12 órát is igénybe vehet a megfelelő hőmérséklet elérése.

## Eltávolítható fiók

A fiók eltávolításához húzza ki azt a végpontig ①, majd emelje fel és vegye ki ②.

A fiók behelyezéséhez hajtsa végre a fenti lépéseket fordított sorrendben.



## A világítás

A LED-es belső világítás az ajtó kinyitásakor bekapcsol, és automatikusan kialszik, ha az ajtó 7 percnél hosszabb ideig nyitva marad. A lámpák teljesítményét a készülék semmilyen egyéb beállítása nem befolyásolja.



## Energiatakarékossági tippek

- ▶ Bizonyosodjon meg arról, hogy a készülék megfelelő szellőzéssel rendelkezik (lásd BESZERELÉS).
- ▶ Ne szerelje be a készüléket közvetlen napsugárzásnak kitett helyre vagy hőforrások (pl. kályhák, fűtőberendezések) közelébe.
- ▶ Kerülje a szükségtelenül alacsony hőmérsékletet a készülékben. Minél alacsonyabb hőmérsékletet állít be, annál jobban növekszik az energiafogyasztás.
- ▶ Az olyan funkciók, mint a POWER-FREEZE, több energiát fogyasztanak.
- ▶ Mielőtt a készülékbe tenné, hagyja, hogy a meleg élelmiszer kihűljön.
- ▶ Minél kevésbé és minél rövidebb ideig nyissa ki a készülék ajtaját.
- ▶ Ne töltsé túlságosan meg a készüléket, mivel ez akadályozza a légáramlást.
- ▶ Kerülje, hogy levegő legyen az élelmiszerek csomagolásában.
- ▶ Az ajtótmítéseket tartsa tisztán, hogy az ajtó mindig megfelelően becsukódhasson.
- ▶ A fagyos élelmiszert a hűtőrekeszben olvassza ki.
- ▶ Az energiatakarékosság szempontjából leghatékonyabb konfiguráció biztosításához a készüléknek gyári állapotú és tisztaságú fiókokra, élelmiszerdobozokra, polcokra van szüksége, és az élelmiszert úgy kell elhelyezni, hogy az a legkevésbé korlátozza a levegőáramlást a légcsatorna levegőkimeneténél.



## FIGYELMEZTETÉS!

Tisztítás előtt válassza le a hálózatról a készüléket.

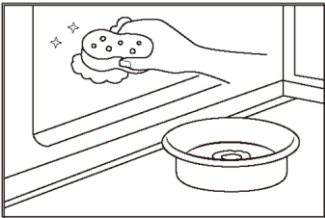
### Tisztítás

1. Akkor tisztítsa meg a készüléket, amikor kevés vagy semmilyen élelmiszer nem található benne.
2. A készüléket tisztítsa meg négyhetente a megfelelő karbantartás jegyében, illetve megelőzendő a kellemetlen élelmiszer illatok kialakulását.



## FIGYELMEZTETÉS!

- ▶ Ne tisztítsa a készüléket keménysörtés kefékkel, drótkefékkel, mosóporral, benzinnel, amil-acetáttal, acetonnal és hasonló szerves oldatokkal, valamint savas vagy lúgos oldatokkal. A károsodások elkerülése érdekében a hűtőszekrény tisztítását speciális, adott célra kialakított tisztítószerrel végezze.
- ▶ Tisztítás közben ne permetezze vagy öblítse le a készüléket.
- ▶ Ne használjon vízpermetet vagy gózt a készülék tisztításához.
- ▶ A hideg üvegpolicokat ne tisztítsa forró vízzel. A hirtelen hőmérséklet-változás nyomán az üveg megrepedhet.
- ▶ Ne érintse meg a fagyasztórekesz belső felületét, különösen nedves kézzel, mert a keze a felülethez fagyhat.
- ▶ Felmelegítés esetén ellenőrizze a fagyasztott áruk állapotát.



- ▶ Mindig tartsa tisztán az ajtótomítést.
- ▶ Tisztítsa meg a készülék belsejét és burkolatát meleg vízzel és semleges tisztítószerrel átnedvesített szivaccsal.
- ▶ 1. Tisztítsa meg a hűtőszekrény belsejét és külsejét, beleértve az ajtótomítést, az ajtópolcot, az üvegpolicokat, a dobozokat és így tovább, puha törölkendővel vagy meleg vízbe mártott szivaccsal (a művelethez a meleg vízbe elegyíthet semleges tisztítószert).
- ▶ 2. Ha folyadék ömlött ki, távolítsa el az összes szennyezett alkatrészt, öblítse át ezeket közvetlenül folyó víz alatt, majd szárítsa meg és tegye vissza az alkatrészeket a hűtőbe.
- ▶ 3. Krémszerű termékek (például tejszín, olvadó jégkrém) kiömlése esetén, kérjük, távolítsa el az összes szennyezett alkatrészt, helyezze adott időtartamra meleg, kb. 40 °C-os vízbe, majd öblítse át folyó vízzel, szárítsa meg, és tegye vissza a hűtőszekrénybe.
- ▶ 4. Abban az esetben, ha egy kisebb alkatrész vagy alkotóelem reked a hűtőszekrény belsejébe (a polcok vagy fiókok közé), az eltávolításhoz kis puha kefért használjon. Ha az alkatrész nem elérhető, kérjük, vegye fel a kapcsolatot a Haier szervizzel
- ▶ Öblítse le a felületeket, majd törölje szárazra egy puha törölkendővel.
- ▶ A készülék egyetlen részét vagy tartozékát se tisztítsa mosogatógépben.
- ▶ A készülék újraindítása előtt várjon legalább 5 percet, mivel a készülék gyakori indítása során károsodhat a kompresszor.

## Leolvasztás

A hűtőszekrény és a fagyasztórekeszek kiolvasztása automatikusan történik: nincs szükség felhasználói beavatkozásra.

## A LED-es lámpák cseréje



### FIGYELMEZTETÉS!

Ne tegyen kísérletet a LED-es lámpák saját kezű cseréjére, ezeket csak a gyártó vagy a hivatalos szerviz munkatársa cserélheti ki.

A lámpa fényforrása LED alapú, amely alacsony fogyasztást és hosszú élettartamot szavatol. Bármilyen rendellenesség esetén vegye fel a kapcsolatot az ügyfélszolgálattal. Lásd az ÜGYFÉLSZOLGÁLAT részt.

A lámpák paraméterei:

Hűtőrekesz: 12 V, max. 4 W

Fagyasztórekesz: 12 V, 2 W\*2

## Hosszabb használaton kívüli időszak

Ha a készüléket hosszabb ideig nem használja, és a Holiday funkciót nem használja: Vegye ki az ételt.

Húzza ki a tápkábelt.

Tisztítsa meg a készüléket a fent leírtak szerint.

A kellemetlen szagok készüléken belüli megjelenésének elkerülése érdekében hagyja nyitva az ajtókat.



### MEGJEGYZÉS

Csak akkor kapcsolja ki a készüléket, ha feltétlenül szükséges.

## A készülék mozgatása

1. Távolítsa el az összes élelmiszert, és húzza ki a készülék csatlakozódugóját.
2. Rögzítse a polcokat és az egyéb mozgatható alkatrészeket a hűtőben és a fagyasztóban szigetelőszalaggal.
3. A hűtőrendszer károsodásának az elkerülése érdekében ne döntse meg a hűtőberendezést 45°-nál nagyobb szögben.



### FIGYELMEZTETÉS!

- ▶ Ne emelje a készüléket a fogantyútól.
- ▶ Soha ne fektesse a készüléket vízszintesen a földre.

Sok felmerülő problémát saját maga is megoldhat speciális szakértelem nélkül. Probléma felmerülése esetén ellenőrizze az összes felsorolt lehetőséget, és kövesse az alábbi utasításokat, mielőtt felvenné a kapcsolatot egy ügyfélszolgálattal. Lásd az ÜGYFÉLSZOLGÁLAT részt.



## FIGYELMEZTETÉS!

- ▶ Karbantartás előtt kapcsolja ki a készüléket, és húzza ki a hálózati dugaszt a hálózati aljzathból.
- ▶ Az elektromos berendezéseket csak szakképzett villamosági szakemberek szervizelhetik, mert a nem megfelelő javítások jelentős károkat okozhatnak.
- ▶ Sérült tápkábel esetén a veszély elkerülése érdekében cseréltesse ki azt a gyártóval, a gyártó szervizközpontjával vagy más szakemberrel.

Probléma	Lehetséges ok	Lehetséges megoldás
A kompresszor nem működik.	<ul style="list-style-type: none"> <li>• A hálózati dugasz nem csatlakozik a hálózati aljzathoz.</li> <li>• A készülék leolvasztási ciklust végez</li> </ul>	<ul style="list-style-type: none"> <li>• Csatlakoztassa a hálózati csatlakozódugót.</li> <li>• Ez természetes jelenség automatikus leolvasztásnál</li> </ul>
A készülék gyakran bekapcsol vagy túlságosan hosszú ideig üzemel.	<ul style="list-style-type: none"> <li>• A beltéri vagy kültéri hőmérséklet túl magas.</li> <li>• A készülék hosszabb ideig kikapcsolt állapotban volt.</li> <li>• Egy ajtó a készülékben nem záródik megfelelően.</li> <li>• Az ajtót túlságosan gyakran nyitotta ki, vagy túlságosan sokáig tartotta nyitva.</li> <li>• A fagyasztórekesz hőmérsékletének a beállítása túl alacsony.</li> <li>• Az ajtó tömítése szennyezett, kopott, repedt vagy nem megfelelő.</li> <li>• A szükséges szellőzés nem biztosított.</li> </ul>	<ul style="list-style-type: none"> <li>• Ebben az esetben természetes, hogy a készülék üzemideje megnövekedett</li> <li>• Normál esetben 8 és 12 óra közötti időtartam szükséges a készülék teljes lehűléséhez.</li> <li>• Csukja be az ajtót/fiókot, és bizonyosodjon meg arról, hogy a készülék egyenes felületen található, és hogy élelmiszer vagy tárolóedény nem akadályozza az ajtó záródását.</li> <li>• Ne nyissa ki az ajtót/fiókot túl gyakran.</li> <li>• Állítsa a hőmérsékletet magasabbra, amíg a hűtőszekrény hőmérséklete megfelelő nem lesz. A hűtőszekrény hőmérsékletének a stabilizálódása 24 órát vesz igénybe.</li> <li>• Tisztítsa meg az ajtót/fiók tömítését, vagy cserélje ki ezt az ügyfélszolgálat bevonásával.</li> <li>• Bizonyosodjon meg arról, hogy megfelelő a szellőzés.</li> </ul>
A hűtőberendezés belső része szennyezett és/vagy kellemetlen szagú.	<ul style="list-style-type: none"> <li>• A hűtőszekrény belső része tisztítást igényel.</li> <li>• Erős illatú élelmiszer tárol a hűtőberendezésben.</li> </ul>	<ul style="list-style-type: none"> <li>• Tisztítsa meg a hűtőberendezés belső részét</li> <li>• Alaposan csomagolja be az élelmiszert.</li> </ul>

Probléma	Lehetséges ok	Lehetséges megoldás
Nincs elég hideg a készülék belsejében.	<ul style="list-style-type: none"> <li>A beállított hőmérséklet túl magas.</li> <li>Túl meleg árukat helyezett a készülékbe.</li> <li>Túl sok ételt helyezett egyszerre a készülékbe.</li> <li>Az élelmiszert egymáshoz túl közel helyezte.</li> <li>Egy ajtó/fiók a készülékben nem záródik megfelelően.</li> <li>Az ajtót/fiókot túlságosan gyakran nyitotta ki, vagy túlságosan sokáig tartotta nyitva.</li> </ul>	<ul style="list-style-type: none"> <li>Állítsa vissza a hőmérsékletet.</li> <li>Tárolás előtt mindig hagyja lehűlni az élelmiszert.</li> <li>Az élelmiszereket mindig kis mennyiségben helyezze be.</li> <li>Hagyjon rést az élelmiszerek között, ami lehetővé teszi a levegő áramlását.</li> <li>Csukja be az ajtót/fiókot.</li> <li>Ne nyissa ki az ajtót/fiókot túl gyakran.</li> </ul>
Túl hideg van a készülék belsejében.	<ul style="list-style-type: none"> <li>A beállított hőmérséklet túl alacsony.</li> <li>A Super-Frz/Super-Cool funkció aktív, vagy túl sokáig működik.</li> </ul>	<ul style="list-style-type: none"> <li>Állítsa vissza a hőmérsékletet.</li> <li>Kapcsolja ki a Super-Frz/Super-Cool funkciót</li> </ul>
Pára csapódik le a hűtőrekesz belső részén.	<ul style="list-style-type: none"> <li>Az éghajlat túl meleg vagy túl nedves.</li> <li>Egy ajtó/fiók a készülékben nem záródik megfelelően.</li> <li>Az ajtót/fiókot túlságosan gyakran nyitotta ki, vagy túlságosan sokáig tartotta nyitva.</li> <li>Étel- vagy folyadékártalók nyitott állapotban maradtak a hűtőben.</li> </ul>	<ul style="list-style-type: none"> <li>Növelje a hőmérsékletet.</li> <li>Csukja be az ajtót/fiókot.</li> <li>Ne nyissa ki az ajtót/fiókot túl gyakran.</li> <li>A forró élelmiszereket hagyja szobahőmérsékletre hűlni, illetve fedje le az élelmiszereket és folyadékokat.</li> </ul>
Nedvesség gyűlik fel a hűtőberendezés külső felületén vagy az ajtó/ajtók és a fiók között.	<ul style="list-style-type: none"> <li>Az éghajlat túl meleg vagy túl nedves.</li> <li>Az ajtó nincs megfelelően becsukva. A készülékben lévő hideg levegő és az azon kívüli meleg levegő páralecsapódást eredményez.</li> </ul>	<ul style="list-style-type: none"> <li>Ez természetes jelenség nedves éghajlati viszonyok között, és megszűnik, amint csökken a páratartalom.</li> <li>Bizonyosodjon meg arról, hogy megfelelően becsukta az ajtót/fiókot.</li> </ul>

Probléma	Lehetséges ok	Lehetséges megoldás
Vastag jég és zúzmara található a fagyasztórekeszben.	<ul style="list-style-type: none"> <li>Az élelmiszereket nem csomagolta be megfelelően.</li> <li>Egy ajtó/fiók a készülékben nem záródik megfelelően.</li> <li>Az ajtót/fiókot túlságosan gyakran nyitotta ki, vagy túlságosan sokáig tartotta nyitva.</li> <li>Az ajtó/fiók tömítése szennyezett, kopott, repedt vagy nem megfelelő.</li> <li>Valami belülről megakadályozza az ajtó/fiók megfelelő záródását.</li> </ul>	<ul style="list-style-type: none"> <li>Mindig csomagolja be alaposan az élelmiszereket.</li> <li>Csukja be az ajtót/fiókot.</li> <li>Ne nyissa ki az ajtót/fiókot túl gyakran.</li> <li>Tisztítsa meg az ajtó/fiók tömítését, vagy cserélje ki ezt újjal.</li> <li>Helyezze vissza a polcokat, az ajtópolcokat vagy belső tartályokat, hogy az ajtó/fiók becsukódhasson.</li> </ul>
A szekrény oldalai és az ajtó-tömítés felmelegedik.		<ul style="list-style-type: none"> <li>Ez természetes jelenség.</li> </ul>
A készülék rendellenes hangokat ad ki.	<ul style="list-style-type: none"> <li>A készülék nem vízszintes talajon helyezkedik el.</li> <li>A készülék hozzáér valamilyen körülötte lévő tárgyhoz.</li> </ul>	<ul style="list-style-type: none"> <li>Állítsa be a lábakat a készülék szintbe állításához.</li> <li>Távolítsa el a készülék mellett lévő tárgyakat.</li> </ul>
Az áramló vízhez hasonló halk hang hallható.		<ul style="list-style-type: none"> <li>Ez természetes jelenség.</li> </ul>
Riasztó hangjelzése hallható.	<ul style="list-style-type: none"> <li>A hűtőrekesz ajtója nyitva maradt.</li> </ul>	<ul style="list-style-type: none"> <li>Csukja be az ajtót.</li> </ul>
Halk zümmögés hallható.	<ul style="list-style-type: none"> <li>A kondenzációgátló rendszer működik</li> </ul>	<ul style="list-style-type: none"> <li>Ez megakadályozza a páralecsapódást és normális</li> </ul>
A belső világítás vagy hűtőrendszer nem működik.	<ul style="list-style-type: none"> <li>A hálózati dugasz nem csatlakozik a hálózati aljzathoz.</li> <li>Az áramellátás nem megfelelő.</li> <li>A LED-es lámpa meghibásodott.</li> </ul>	<ul style="list-style-type: none"> <li>Csatlakoztassa a hálózati csatlakozódugót.</li> <li>Ellenőrizze a helyiség áramellátását. Vegye fel a kapcsolatot a helyi áramszolgáltatóval!</li> <li>Vegye fel a kapcsolatot a szervizzel a lámpa kicseréléséhez.</li> </ul>

A műszaki támogatással való kapcsolatfelvételhez látogasson el a következő webhelyre: <https://corporate.haier-europe.com/en/>

A „webhely” (website) rész alatt válassza ki a termék márkáját és országát. Az oldal átirányítja az adott webhelyre, ahol megtalálható a műszaki támogatás eléréséhez szükséges telefonszám és űrlap.

## Tápellátás megszakadása

Tápkimaradás esetén az élelmiszer biztonságos hidegben marad megközelítőleg 5 órán át. Hosszabb tápkimaradás esetén, különösen nyáron, kövesse az alábbi tippeket:

- ▶ Minél kevesebbszer nyissa ki az ajtót/fiókot.
- ▶ Tápkimaradás esetén ne tegyen további élelmiszereket a készülékbe.
- ▶ Ha a szolgáltató előzetesen tájékoztat a várható tápkimaradásról, és ha a tápkimaradás időtartama meghaladja az 5 órát, gyártson némi jeget, és helyezze a hűtőrekesz felső részébe.
- ▶ A megszakítást követően azonnal vizsgálja meg az élelmiszert.
- ▶ Mivel a hűtőszekrényben a hőmérséklet áramkimaradás vagy egyéb meghibásodás esetén emelkedni fog, a tárolási időtartam és az élelmiszer fogyaszthatósági időtartama lecsökken. Röviddel a kimaradást követően a kiolvadt élelmiszert fogyassza el, vagy főzze meg, és fagyassza le ismét (ha lehetséges) az egészségügyi kockázatok elkerülése érdekében.

## Memória funkció áramkimaradás esetén

Az áramellátás helyreállítása után a készülék az áramkimaradás előtt meghatározott beállításokkal folytatja a működést.

## Kicsomagolás

**FIGYELMEZTETÉS!**

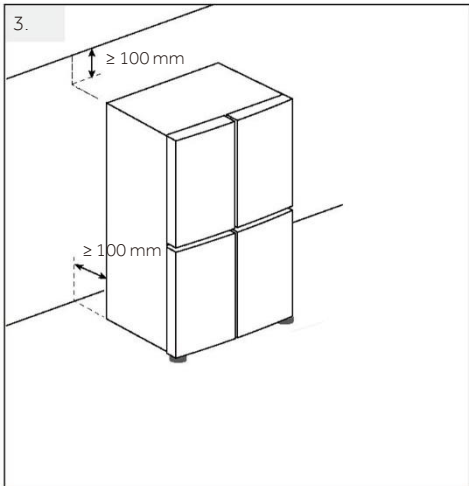
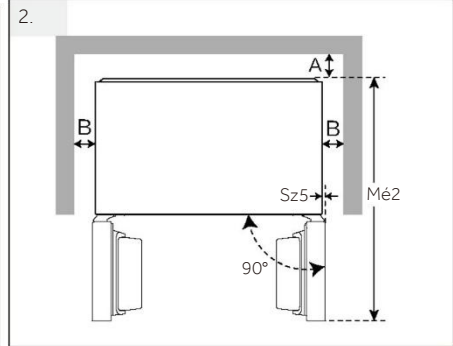
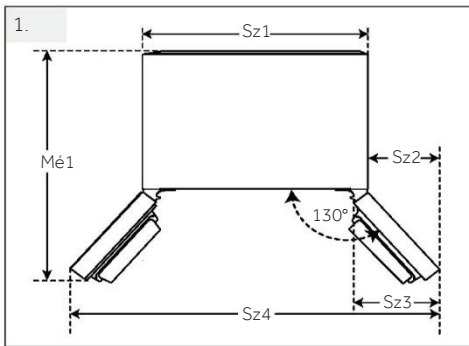
- ▶ A készülék nehéz. A készülék mozgatásához mindig legalább két személy szükséges.
- ▶ Tartson minden csomagolóanyagot gyermekektől elzárva, kiselejtezésüket pedig környezetbarát módon végezze.
- ▶ Vegye ki a készüléket a csomagolásból.
- ▶ Távolítsa el az összes csomagolóanyagot.

**Környezeti körülmények**

A szobahőmérsékletnek mindig 10 °C és 43 °C között kell lennie, mivel befolyásolhatja a készülék belsejének hőmérsékletét és energiafogyasztását. Szigetelés nélkül ne telepítse a készüléket egyéb hőkibocsátó készülékek (sütők, hűtőgépek) közelébe.

**Helyigényt illető javaslatok**

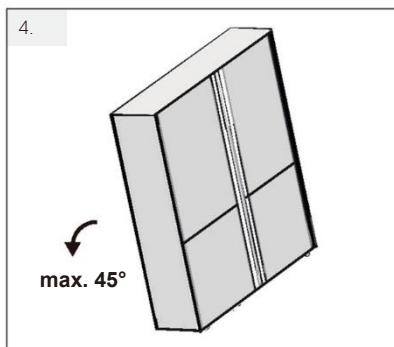
Javasolt hely nyitott ajtó mellett (1.2. ábra)



(mértékegység: mm)	Modell	
Szélesség	Sz1	905
	Sz2	327
	Sz3	368
	Sz4	1559
	Sz5	51
	SZ	905
	Mé1	1061
	Mé2	1101
	Mé	738
Távolság a hátsó faltól	A	100
Távolság az oldalfaltól	B	100
Távolság a mennyezettől	C	100
Teljes magasság	H	1825

## Szellőzés keresztmetszet

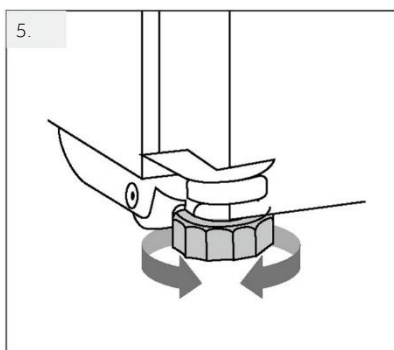
A készülék számára biztonsági okokból szükséges szellőzése érdekében kötelezően vegye figyelembe a szellőzés keresztmetszetére vonatkozó tájékoztatást.



### A készülék elhelyezése (4.5.6. ábra)

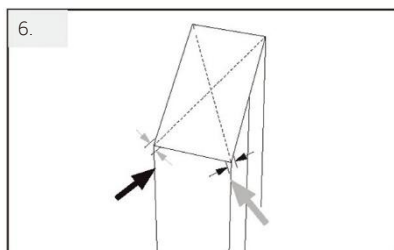
A készüléket sík és szilárd felületre telepítse.

4. Döntse a hűtőszekrényt kissé hátrafelé.



5. Állítsa a lábakat a kívánt szintre.

Bizonyosodjon meg arról, a zsanér felőli oldalon a fal legalább 100 mm-re található, így biztosítható az ajtó megfelelő nyithatósága.

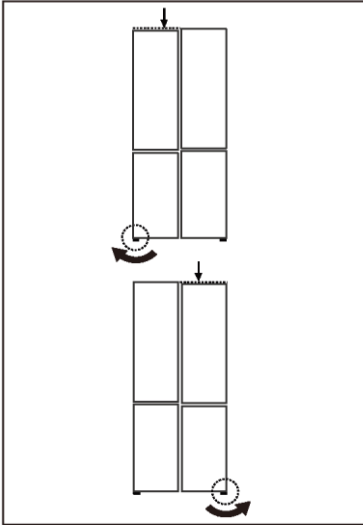


6. A stabilitást ellenőrizheti, ha az átlók mentén nyomást helyez a készülékre. A kis lengésnek mindkét irányban azonosnak kell lennie. Ellenkező esetben a keret görbülhet; ez pedig esetleg szivárgó ajtótmítéseket eredményezhet. Az enyhe hátradőlés elősegíti az ajtók bezáródását.



## MEGJEGYZÉS

Önálló készülékek esetén: ez a hűtőberendezés kialakításából adódóan nem arra készült, hogy beépíthető készülékként használják

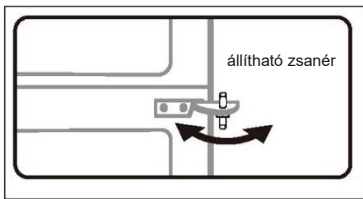


### Az ajtók finomhangolása

Ha az ajtók nincsenek egy szinten, az eltérés a következőkkel orvosolható:

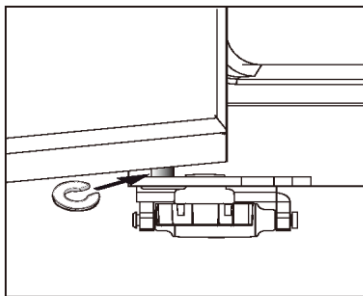
### Állítható lábak használata

Forgassa el az állítható lábat a nyíl irányának megfelelően a láb magasabbra vagy alacsonyabbra állításához.



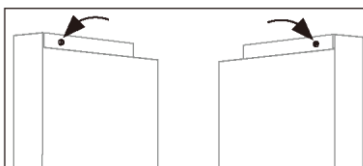
### Ajtó helyzetének beállítása

- ▶ Ha a két ajtó nincs egy magasságban, az állítható zsanérok finomhangolhatók a mellékelt kulccsal, hogy a két ajtó szintbe kerüljön. Kérjük, ne szerelje fel túl nagy erőt kifejtve, hogy elkerülje az ajtó díszlécének karcolódását vagy ütődését.



### Távtartók használata

- ▶ Nyissa ki a fagyasztó ajtaját, és emelje fel.
- ▶ Óvatosan pattintsa be a (tartozéktáskában mellékelt) távtartót az alsó csuklópánt tengelyébe kézzel vagy fogóhoz hasonló szerszámmal. Ne karcolja meg vagy károsítsa az ajtót.



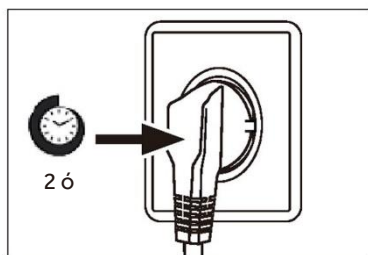
### Az állítógomb használata

- ▶ Ha a hűtőtér ajtaja nincs vízszintben, az ajtó felső részén található állítógomb elforgatásával finombeállításokat végezhet.



## MEGJEGYZÉS

A hűtőszekrény jövőbeni használata során felmerülő, egyenetlenül elhelyezkedő ajtók jelensége a tárolt élelmiszerek tömegének köszönhetően merülhet fel. Ebben az esetben állítsa be az ajtót a fenti módszerekkel.



### Várakozási idő

Karbantartásmentes kenőolaj található a kompresszorban kialakított gyűjtőedényben. Ferde szállítás esetén ez az olaj a zárt csőrendszerbe juthat. Mielőtt tápellátáshoz csatlakoztatná a készüléket, mindenképpen várjon legalább 2 órát, hogy az olaj visszajusson a gyűjtőedénybe.

### Elektromos csatlakoztatás

Minden egyes csatlakoztatás előtt ellenőrizze az alábbiakat:

- ▶ tápellátás, aljzat és biztosíték megfelelősége az adattáblán szereplő adatoknak;
- ▶ a tápaljzat földeléssel rendelkezik, és nem használ többcsatlakozós hosszabbítót a tápellátáshoz;
- ▶ a tápdugasz és az aljzat teljes mértékben illeszkedik egymáshoz.


Csatlakoztassa a csatlakozódugót egy megfelelően beépített háztartási aljzathoz.



## FIGYELMEZTETÉS!

A kockázatok elkerülése érdekében a sérült tápkábelt kötelezően ki kell cserélni, ezt pedig csak az ügyfélszolgálat munkatársa végezheti el (lásd a jótállási jegyet).

Az (EU) 2019/2016 előírásnak megfelelő termékadatlap

Márka	Haier
Modellnév/azonosító	HCR59F19DNMM HCR59F18DNMB
Modellkategória	Hűtő-fagyasztó
Energhatékonyági osztály	Mé
Éves energiafogyasztás (kWh/év)(1)	306
Össztérfogat (l)	706
Hűtőszekrény térfogata (l)	417
Fagyasztó térfogata (l)	251
Kétcsillagos rekesz térfogata (l)	38
Csillaggal történő megjelölés	
Fagymentes rendszer	Igen
Fagyasztási kapacitás (kg/24 ó)	14
Éghajlati besorolás(2)	SN-N-ST-T
Zajkibocsátási osztály és levegőben terjedő akusztikus zajkibocsátás (db(A) re 1pW)	C(35)
Hőmérséklet-emelkedési idő (ó)	13
A berendezés típusa	önálló

Magyarázatok:

• Igen, támogatott

- (1) 24 órás szabványos megfelelőségi vizsgálat eredményei alapján. A tényleges fogyasztás függ a készülék használatától és helyétől.
- (2) SN éghajlati besorolás: A készüléket +10 °C és +32 °C közötti környezeti hőmérsékleten való használatra tervezték  
N éghajlati besorolás: A készüléket +16 °C és +32 °C közötti környezeti hőmérsékleten való használatra tervezték  
ST éghajlati besorolás: A készüléket +16 °C és +38 °C közötti környezeti hőmérsékleten való használatra tervezték  
T éghajlati besorolás: A készüléket +16 °C és +43 °C közötti környezeti hőmérsékleten való használatra tervezték

#### Kiegészítő műszaki adatok

Feszültség / Frekvencia	220–240 V váltóáram / 50 Hz
Bemeneti áramerősség (A)	1.5
Fő biztosíték (A)	16
Hűtőfolyadék	R600a 68 g
Méretek (Sz/Mé/Ma mm-ben)	905 / 738 / 1825

Figyelmébe ajánljuk a Haier ügyfélszolgálat és az eredeti pótalkatrészek igénybe vételét. Ha probléma merül fel a készülékkel, először tekintse át a HIBAELHÁRÍTÁS részt.

Ha ebben nem talál megoldást, lépjen kapcsolatba

- ▶ a helyi márkakereskedővel vagy
- ▶ európai telefonos ügyfélszolgálati központunkkal (lásd alább a felsorolt telefonszámokat) vagy
- ▶ a [www.haier.com](http://www.haier.com) oldalon található Szerviz és támogatás (Service & Support) területen, ahol aktiválhatja a szervizelési
- ▶ igényt, illetve megtalálhatja a GYIK oldalt.

A szerviz szolgáltatásunkkal való kapcsolatfelvétel előtt bizonyosodjon meg arról, hogy elérhetők az alábbi adatok.

Az információ az adattáblán található.

Modell \_\_\_\_\_

Sorozatszám \_\_\_\_\_

Jótállási igény felmerülése esetén ellenőrizze a termékhez mellékelte jótállási kártyát is.

Európai telefonos ügyfélszolgálati központ		
Ország*	Telefonszám	Költségek
Haier Italy (IT)	199 100 912	
Haier Spain (ES)	902 509 123	
Haier Germany (DE)	0180 5 39 39 99	<ul style="list-style-type: none"> <li>• 14 cent/perc vezetékes</li> <li>• max. 42 cent/perc mobil</li> </ul>
Haier Austria (AT)	0820 001 205	<ul style="list-style-type: none"> <li>• 14,53 cent/perc vezetékes</li> <li>• max. 20 cent/perc összes egyéb</li> </ul>
Haier United Kingdom (UK)	0333 003 8122	
Haier France (FR)	0980 406 409	

\*További országokért látogasson el a [www.haier.com](http://www.haier.com)

Haier Europe Trading S.r.l

Branch UK

Westgate House, Westgate, Ealing

London, W5 1YY

\*A hűtőszekrény jótállásának időtartama:

Minimális jótállás: 2 év az uniós tagállamokban, 3 év Törökországban, 1 év az Egyesült Királyságban, 1 év Oroszországban, 3 év Svédországban, 2 év Szerbiában, 5 év Norvégiában, 1 év Marokkóban, 6 hónap Algériában, Tunézia nincs kötelező jogi jótállás.

\*A készülék javításához szükséges pótalkatrészek rendelkezésre állásának időtartama:

Termosztátok, hőmérséklet érzékelők, nyomtatott áramköri lapok és fényforrások legalább hét évig elérhetők a piacra bocsátott utolsó modelltől számítva.

Ajtófogantyúk, ajtópántok, tálcák és kosarak legalább hét évig, míg ajtótomítések legalább 10 évig elérhetők a piacra bocsátott utolsó modelltől számítva.

\*A termékre vonatkozó további tájékoztatásért tekintse meg

a <https://eprel.ec.europa.eu/> oldalt, vagy olvassa be a készüléken elhelyezett, energiafogyasztást jelölő címkén található QR-kódot.

## MINŐSÉGI TANÚSÍTVÁNY

MEGNEVEZÉS: HŰTŐBERENDEZÉS  
MINŐSÉGELLENŐRZÉSEN  
MEGFELELT  
ELLENŐRZŐ száma

QC01

# Haier

专用号条码

0060543171  
2026, A verzió

# Haier

Manualul de utilizare



Combină frigorifică

HCR59F18DNMM

HCR59F18DNMB

<b><u>4 Informații de siguranță</u></b>	•	Înainte de prima utilizare	5
		Instalare	5
		Utilizarea cotidiană	6
<b><u>8 Utilizarea prevăzută</u></b>	•		
<b><u>9 Descrierea produsului</u></b>	•		
<b><u>10 Panoul de comenzi</u></b>	•		
<b><u>11 Utilizarea</u></b>	•	Reglarea temperaturii frigiderului	14
		Ajustarea temperaturii congelatorului	14
		Funcția Super-Cool	15
		Funcția Super-Frz	15
		Modul Holiday	16
		Funcția Magic Zone	17
<b><u>20 Echipament</u></b>	•		
<b><u>22 Sfaturi de economisire a energiei</u></b>	•		
<b><u>23 Îngrijire și curățare</u></b>	•		
<b><u>25 Depanare</u></b>	•		
<b><u>29 Instalare</u></b>	•		
<b><u>33 Date tehnice</u></b>	•		
<b><u>35 Serviciul pentru clienți</u></b>	•		

## Vă mulțumim că ați achiziționat un produs Haier.

Citiți aceste instrucțiuni cu atenție înainte de a utiliza acest aparat. Instrucțiunile conțin informații importante care vă vor ajuta să folosiți aparatul la capacitate maximă și să asigurați instalarea, utilizarea și întreținerea sigure și corespunzătoare. Păstrați manualul de față la îndemână astfel încât să îl puteți consulta pentru utilizarea sigură și corectă a aparatului.

Dacă vindeți, oferiți sau lăsați aparatul în vechea locuință când vă mutați, asigurați-vă că lăsați și manualul de utilizare, astfel încât noul proprietar să se poată familiariza cu aparatul și cu avertismentele de siguranță.

## Accesorii

Verificați accesoriile și documentația în conformitate cu această listă:



Eticheta  
de energie



Fișa de  
garanție



Manual  
de utilizare



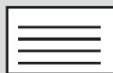
Certificat  
de garanție



Ghid rapid



Distanțier×3



Carte de  
avertizare



cheie



## AVERTISMENT - Informații importante privind siguranța



## OBSERVAȚIE - Informații și sfaturi generale



## Informații legate de mediu



### Eliminare

Ajutați la protejarea mediului și a sănătății omului. Puneți ambalajul în containerele corespunzătoare în vederea reciclării. Ajutați la reciclarea deșeurilor de aparate electrice și electronice. Nu aruncați electronicele marcate cu acest simbol în același loc cu deșeurile menajere. Returnați produsul la centrul local de reciclare sau contactați agenția municipală.



### AVERTISMENT: Risc de incendiu/material inflamabil

Simbolul indică riscul de incendiu, deoarece se utilizează materiale inflamabile. Evitați cu atenție provocarea unui incendiu cauzat de materialele inflamabile.



## AVERTISMENT!

Risc de vătămare sau sufocare!

Agenții frigorifici și gazele trebuie eliminate profesionist. Asigurați-vă că tubulatura circuitului de agent frigorific nu este deteriorată înainte de eliminarea corespunzătoare a acesteia. Deconectați aparatul de la rețeaua de curent. Tăiați cablul de alimentare de la rețeaua de curent și eliminați-l. Scoateți tăvile și sertarele, dar și opritorul și garniturile ușii, pentru a preveni închiderea copiilor și a animalelor în aparat.

## Înainte de pornirea aparatului pentru prima dată, citiți următoarele sfaturi legate de siguranță!



### AVERTISMENT!

#### Înainte de prima utilizare

- ▶ Asigurați-vă că nu există deteriorări provocate de transport.
- ▶ Manevrați întotdeauna dispozitivul cu cel puțin încă două persoane, pentru că este greu.

#### Instalare

- ▶ Aparatul trebuie amplasat într-un loc bine ventilat. Asigurați un spațiu de cel puțin 10 cm deasupra aparatului și în jurul acestuia.
- ▶ Nu amplasați niciodată aparatul într-o zonă cu umezeală sau într-un loc în care acesta poate fi stropit cu apă. Curățați și uscați urmele de apă și petele cu o cârpă curată, moale.
- ▶ Nu instalați aparatul în lumina directă a soarelui sau în apropierea surselor de căldură (de ex., cuptoare, radiatoare).
- ▶ Instalați și poziționați dispozitivul într-o zonă potrivită dimensiunilor și destinației sale.
- ▶ Mențineți fantele de aerisire ale aparatului sau pe cele încorporate în structură fără obstrucții.
- ▶ Asigurați-vă că informațiile electrice de pe plăcuța cu date tehnice se potrivesc cu sursa de electricitate. Dacă nu se potrivesc, contactați un electrician.
- ▶ Dispozitivul este operat de o sursă de electricitate de 220-240 V c.a./50 Hz. Fluctuațiile anormale de tensiune pot face dispozitivul să nu pornească sau pot deteriora controlul temperaturii sau compresorul sau pot provoca un zgomot anormal în timpul utilizării. În acest caz, ar trebui să fie montat un regulator automat.
- ▶ Nu utilizați adaptoare cu ștecăre multiple și prelungitoare.
- ▶ Nu amplasați prizele portabile multiple sau alimentările portabile în spatele aparatului.
- ▶ Evitați prinderea cablului de alimentare în frigider. Nu călcați pe cablul de alimentare.
- ▶ Folosiți o priză separată cu împământare pentru alimentarea cu energie electrică, care să fie ușor accesibilă. Aparatul trebuie legat la împământare.  
Doar pentru Regatul Unit: Cablul de alimentare al dispozitivului este prevăzut cu ștecăr cu 3 pini (împământare) care se potrivește cu o priză standard cu 3 găuri (împământată). Nu demontați și nu tăiați niciodată cel de-al treilea pin (împământarea). După instalarea dispozitivului, ștecărul ar trebui să fie accesibil.
- ▶ Nu deteriorați circuitul frigorific.



## AVERTISMENT!

### Utilizarea cotidiană

- ▶ Acest aparat poate fi utilizat de către copiii cu vârste de minim 8 ani și de către persoanele cu abilități fizice, senzoriale sau mentale reduse sau cu lipsă de experiență sau cunoștințe, cu condiția să fie supravegheate sau instruite corespunzător privind modul de utilizare a acestui aparat în siguranță și să înțeleagă pericolele implicate.
- ▶ Copiii cu vârsta cuprinsă între 3 și 8 ani pot încărca și descărca aparate frigorifice, dar nu li se permite să curețe și să instaleze aparatele frigorifice.
- ▶ Țineți copiii mai mici de 3 ani la distanță de aparat, cu excepția cazului în care aceștia sunt supravegheați constant.
- ▶ Nu lăsați copiii să se joace cu aparatul.
- ▶ În cazul scurgerii gazului de răcire sau a altor gaze inflamabile în vecinătatea aparatului, închideți valva gazului care curge, deschideți ușile și ferestrele și nu deconectați niciun ștecăr al cablului de alimentare al frigiderului sau al oricărui alt aparat.
- ▶ Observați că aparatul este setat să funcționeze într-un interval de mediu specific, între 10 °C și 43 °C. Este posibil ca aparatul să nu funcționeze corect dacă este lăsat pentru o perioadă lungă de timp la o temperatură superioară sau inferioară intervalului indicat.
- ▶ Nu puneți articole instabile (obiecte grele, recipiente umplute cu apă) deasupra frigiderului, pentru a evita vătămarea cauzată de cădere sau de electrocutarea cauzată de contactul cu apa.
- ▶ Nu trageți de rafturile de pe ușă. În caz contrar, ușa poate fi înclinată, raftul pentru sticle se poate desprinde sau aparatul se poate răsturna.
- ▶ Deschideți și închideți ușile numai cu ajutorul mânerelor. Spațiul liber dintre uși și dintre uși și dulap este foarte îngust. Nu întindeți mâinile în zonele respective, pentru a evita ciupirea degetelor. Deschideți sau închideți ușile frigiderului numai atunci când nu se află niciun copil în raza de deplasare a ușii.
- ▶ Nu depozitați materiale inflamabile, explozive sau corozive în aparat sau în vecinătatea acestuia.
- ▶ Nu depozitați medicamente, bacterii sau agenți chimici în dispozitiv. Acest dispozitiv este un aparat electrocasnic. Nu este recomandat pentru depozitarea materialelor care necesită temperaturi stricte.
- ▶ Nu depozitați niciodată în congelator lichide în sticle sau doze (cu excepția băuturilor cu conținut ridicat de alcool), în special băuturi carbogazoase, deoarece acestea se vor sparge în timpul înghețării.
- ▶ Verificați starea alimentelor în cazul în care a avut loc încălzirea congelatorului.
- ▶ Nu setați o temperatură nenecesar de joasă în compartimentul frigiderului. În cazul setărilor ridicate, pot apărea temperaturi sub punctul de îngheț. Atenție: Sticlele se pot sparge
- ▶ Nu atingeți produsele înghețate cu mâinile ude (purtați mănuși). În special, nu consumați înghețată pe băț imediat după scoaterea din compartimentul congelatorului. Există riscul de îngheț sau de producere a leziunilor provocate de îngheț. PRIMUL ajutor: puneți imediat sub jet de apă rece. Nu trageți!
- ▶ Nu atingeți suprafața interioară a compartimentului de depozitare al congelatorului atunci când este în funcțiune, în special cu mâinile ude, deoarece mâinile pot îngheța pe suprafață.



## AVERTISMENT!

### Utilizarea zilnică

- ▶ Deconectați aparatul de la energia electrică în cazul unei pene de curent sau înainte de curățare. Așteptați cel puțin 7 minute înainte de repornirea aparatului, deoarece pornirea frecventă poate deteriora compresorul.
- ▶ Nu utilizați dispozitive electrice în interiorul compartimentelor de depozitare a alimentelor ale aparatului decât dacă acestea sunt de tipul recomandat de către producător.  
Întreținere/curățare
- ▶ Asigurați-vă că supravegheați copiii dacă aceștia se ocupă de curățare și întreținere.
- ▶ Deconectați aparatul de la rețeaua de alimentare înainte de efectuarea întreținerii de rutină. Așteptați cel puțin 5 minute înainte de repornirea aparatului, deoarece pornirea frecventă poate deteriora compresorul.
- ▶ Țineți de ștecăr, nu de cablu, atunci când deconectați aparatul.
- ▶ Nu curățați aparatul cu perii aspre, cu perii de sârmă, cu detergent pulbere, benzină, acetat de amil, acetonă sau soluții organice similare, soluții acide sau alcaline. Curățați cu detergent special pentru frigider pentru a evita deteriorările.
- ▶ Nu răzuți gheața cu obiecte ascuțite. Nu folosiți pulverizatoare, dispozitive electrice de încălzire precum radiatoare, uscătoare de păr, aparate de curățat cu abur sau alte surse de căldură, pentru a evita deteriorarea pieselor din plastic.
- ▶ Nu utilizați dispozitive mecanice sau alte mijloace de a accelera procesul de decongelare, în afara celor recomandate de producător.
- ▶ În cazul în care cablul de alimentare este deteriorat, acesta trebuie înlocuit de către producător, agentul său de service sau persoane calificate similare, pentru a evita orice pericol.
- ▶ Nu încercați să reparați, să dezasamblați sau să modificați dispozitivul pe cont propriu. În cazul în care este necesară o reparație, contactați serviciul de relații cu clienții.
- ▶ Eliminați praful din spatele unității cel puțin o dată pe an, pentru a evita riscul de incendiu, dar și consumul mărit de energie.
- ▶ Nu pulverizați și nu spălați aparatul în timpul curățării.
- ▶ Nu folosiți pulverizarea cu apă sau aburi de apă în timpul curățării aparatului.
- ▶ Nu curățați rafturile reci din sticlă cu apă fierbinte. Schimbarea bruscă de temperatură poate face ca sticla să se spargă.

### Informații privind gazul refrigerant

- ▶ Aparatul conține agentul frigorific inflamabil IZOBUTAN (R600a). Asigurați-vă că circuitul frigorific nu este deteriorat în timpul transportării sau instalării. Scurgerile de agent frigorific pot cauza vătămări ale ochilor sau se pot aprinde. Dacă s-a produs o deteriorare a aparatului, țineți la distanță de sursele de flăcări deschise, ventilați bine camera, nu conectați și nu deconectați cablurile de alimentare ale aparatului sau ale oricărui alt aparat. Informați serviciul de asistență pentru clienți.
- ▶ În cazul în care agentul frigorific intră în contact cu ochii, spălați imediat în jet de apă și contactați imediat un specialist oftalmolog.

## Utilizarea prevăzută

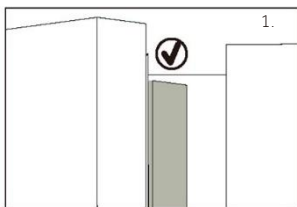
Acest aparat este proiectat pentru răcirea și congelarea alimentelor. Acesta a fost conceput exclusiv pentru utilizarea în aplicații casnice și similare, precum în zona de bucătărie pentru personalul din magazine, în birouri și în alte medii de lucru; ferme și clienți din hoteluri, moteluri și alte tipuri de medii rezidențiale, precum și în pensiunile de tip bed-and-breakfast și catering. Nu este destinat utilizării comerciale sau industriale.

Nu este permisă aducerea schimbărilor sau modificărilor dispozitivului. Utilizarea necorespunzătoare poate duce la apariția pericolelor și la pierderea garanției.

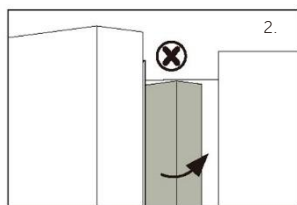
## Standarde și directive **CE**

Acest produs respectă cerințele tuturor directivelor CE aplicabile, cu standardele corespunzătoare armonizate, care asigură marcajul CE.

### ATENȚIE!



Atunci când închideți ușa, banda verticală a ușii din partea stângă trebuie să se îndoie în interior (1).

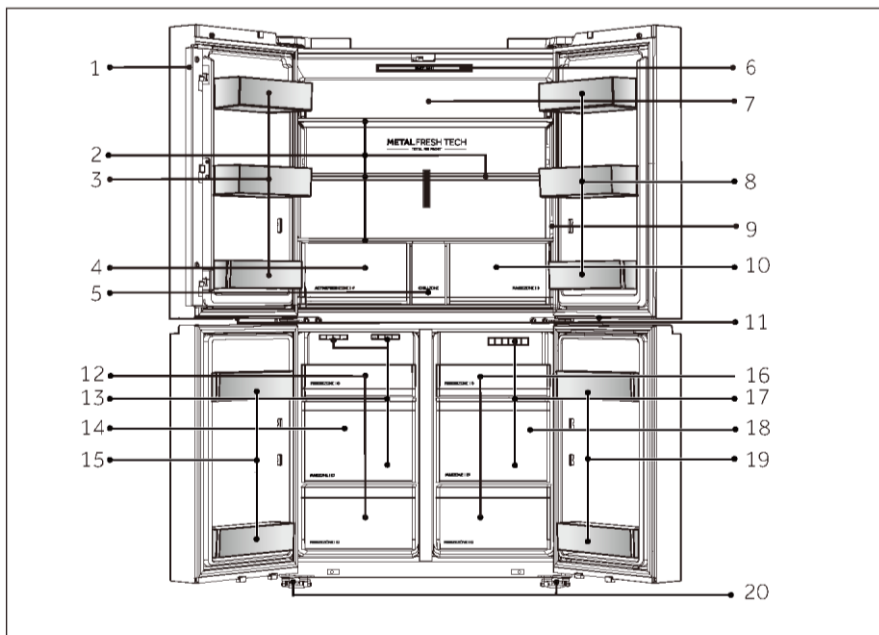


Dacă încercați să închideți ușa din stânga fără să îndoiiți banda verticală a ușii (2), banda ușii va lovi arborele de prindere sau ușa din dreapta. Astfel, poate fi deteriorată garnitura ușii sau pot apărea scurgeri.

În interiorul cadrului există un fir de încălzire. Temperatura suprafeței va crește puțin, lucru care este normal și nu afectează funcționarea aparatului.

## **i** OBSERVAȚIE

Ca urmare a modificărilor tehnice și a diferitelor modele, unele ilustrații din acest manual pot diferi de modelul dvs.

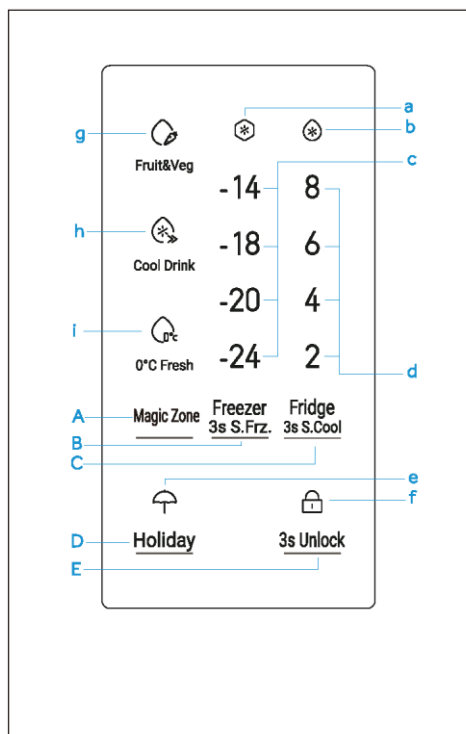


A: Compartiment frigider

- 1 Grindă ușă
- 2 Rafturi din sticlă
- 3 Suport pentru sticle
- 4 Sertar ACTIVEFRESH ZONE
- 5 Cutie CHILL ZONE
- 6 Bec frigider
- 7 Conductă frigider
- 8 Suport pentru sticle
- 9 Panoul de comenzi
- 10 Sertar MAGIC ZONE
- 11 Bec congelator

B: Compartiment congelator

- 12 Sertar FREEZE ZONE
- 13 Conductă de aer
- 14 Sertar MAX ZONE
- 15 Suport pentru sticle
- 16 Sertar FREEZE ZONE
- 17 Conductă de aer
- 18 Sertar MAX ZONE
- 19 Suport pentru sticle
- 20 Reglați picioarele



Taste:

- A Selector mod Magic Zone
- B Selector funcții congelator & super-frz
- C Selector funcție frigider & funcție super-cool
- D Selector de funcții Holiday
- E Selector funcție blocare/ deblocare

Indicatoare:

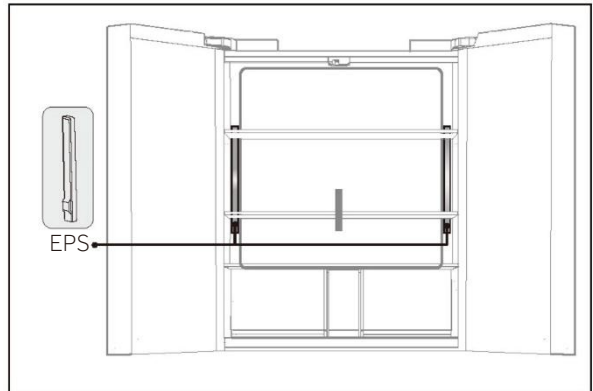
- a Funcția Super-Frz
- b Funcția Super-Cool
- c Temperatură congelator
- d Temperatură refrigerare
- e Funcția Holiday
- f Funcția de blocare/ deblocare
- g Funcția Fruit & Veg
- h Funcția Cool Drink
- i Funcție 0°C Fresh

## Înainte de prima utilizare

- ▶ Îndepărtați toate ambalajele, în special spuma EPS albă de pe ambele părți ale conductei de răcire, și păstrați-le astfel încât să fie inaccesibile copiilor. Aruncați-le într-un mod ecologic.
- ▶ Curățați interiorul și exteriorul aparatului cu apă și un detergent neutru înainte de a pune alimente în interior.
- ▶ După echilibrarea și curățarea aparatului, așteptați cel puțin 2-5 ore înainte de a-l conecta la rețeaua de alimentare. Consultați secțiunea INSTALARE.
- ▶ Răciți în prealabil compartimentele cu setări ridicate înainte de ale umple cu alimente. Funcția Power-Freeze ajută la răcirea rapidă a compartimentelor.
- ▶ Temperaturile frigiderului și congelatorului sunt setate automat la 4°C, respectiv -18°C. Acestea sunt setările recomandate. Dacă doriți, puteți modifica manual aceste temperaturi. Consultați REGLARE TEMPERATURĂ.

## Metoda de eliminare a EPS

Mai întâi, scoateți rafturile superioare și centrale (metoda de scoatere a rafturilor este descrisă la pagina 25) și apoi scoateți cele două EPS.



## Taste cu senzor

Butoanele de pe panoul de comenzi sunt taste cu senzori, care răspund imediat ce sunt apăsatate ușor cu degetul.

## Pornirea/ oprirea aparatului

Aparatul intră în funcțiune imediat ce este conectat la rețeaua de alimentare.

Temperaturile frigiderului și congelatorului sunt setate automat la 4°C, respectiv -18°C.

Este posibil ca blocarea panoului să fie activă.



## OBSERVAȚIE

Aparatul este preconfigurat la temperatura recomandată de 4°C (frigider) și -18°C (congelator). În condiții de temperaturi ambientale normale, nu este necesară setarea unei temperaturi.

Atunci când aparatul este pornit după deconectarea de la rețeaua de alimentare, poate dura până la 12 ore pentru atingerea temperaturilor corecte.

Goliți aparatul înainte de oprire. Pentru oprirea aparatului, scoateți cablul de alimentare din priză.

## Blocare/deblocare panou

Blocare automată: Când ușa frigiderului este închisă și nu se efectuează nicio acțiune asupra tastelor în decursul a 30 de secunde, ecranul de afișare va fi stins și se va bloca automat.

Blocare manuală: Când ecranul de afișare este deblocat, apăsați tasta „E” (selector de blocare a panoului) și țineți apăsat timp de 3 secunde; soneria sună o dată, indicatorul „f” (blocare panou) se aprinde, iar afișajul este blocat. În starea de blocare, apăsați lung tasta „E” timp de 3 secunde, soneria sună o dată, indicatorul „f” (panou blocat) s-a stins, blocarea panoului va fi deblocată.



## Modul de ajustare manuală

Dacă doriți să reglați manual temperatura aparatului, puteți seta temperatura prin intermediul butonului de reglare a temperaturii (consultați REGLAREA TEMPERATURII)

## Alarma privind ușa

Alarma privind ușa se va declanșa atunci când ușa se deschide pentru o perioadă lungă de timp sau, ca memento, atunci când nu este închisă corect.

## Reglarea temperaturii

Temperaturile din interior sunt influențate de următorii factori:

Temperatura ambientală, frecvența deschiderii ușii, cantitatea de alimente depozitate, instalarea aparatului

## Reglarea temperaturii frigiderului

1. Când ecranul de afișare este deblocat, apăsați butonul „C”. Soneria sună o dată, Indicatorul „b” luminează intermitent și apoi apare modul de setare a temperaturii frigiderului
2. Apăsați butonul „C” de fiecare dată, soneria sună o dată, temperatura setată a frigiderului se va modifica, temperatura frigiderului va afișa secvența 8>6>4>2

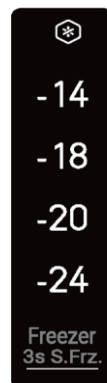


### OBSERVAȚIE

După setarea temperaturii, dacă nu există nicio operațiune în 5 secunde, sistemul va salva temperatura setată.

## Ajustarea temperaturii congelatorului

1. Când ecranul de afișare este deblocat, apăsați butonul „B”. Soneria sună o dată, indicatorul „c” luminează intermitent și apoi apare modul de setare a temperaturii congelatorului
2. Apăsați butonul „B” de fiecare dată, soneria sună o dată, temperatura setată a frigiderului se va modifica, temperatura frigiderului va afișa secvența -14 > -18 > -20 > -24

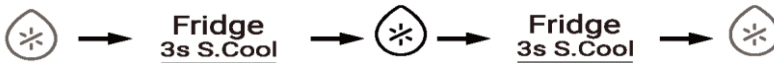


### OBSERVAȚIE

După setarea temperaturii, dacă nu există nicio operațiune în 5 secunde, sistemul va salva temperatura setată.

## Funcția Super-Cool

1. Când ecranul de afișare este deblocat, apăsați și mențineți apăsat butonul „C” timp de 3 secunde, soneria sună o dată, indicatorul „b” se aprinde și apoi funcția Super-Cool va fi activată.
2. Când indicatorul „b” se aprinde, apăsați și mențineți apăsat butonul „C” timp de 3 secunde, soneria sună o dată, indicatorul „b” se stinge și apoi funcția Super-Cool va fi oprită.
3. După ce funcția Super-Cool este activată, frigiderul va dezactiva automat funcția când se atinge starea setată. Dacă doriți să ieșiți manual, puteți apăsa butonul „C” pentru a-l opri.



### OBSERVAȚIE

1. În starea Super-Cool, temperatura frigiderului nu poate fi reglată. Dacă este apăsat oricare dintre butoanele „C” pentru a regla temperatura frigiderului, indicatorul „b” va lumina intermitent cu un sunet de avertizare pentru a indica faptul că această operațiune nu poate fi efectuată.
2. În starea funcției Super-Cool, funcția Auto-set nu poate fi activată în același timp, din cauza diferitelor moduri de control. Când alegeți o funcție care intră în conflict cu o altă funcție, funcția originală va fi abandonată automat.

## Funcția Super-Frz

1. Când ecranul de afișare este deblocat, apăsați și mențineți apăsat butonul „B” timp de 3 secunde, soneria sună o dată, indicatorul „a” se aprinde și apoi funcția Super-Frz va fi activată.
2. Când indicatorul „a” se aprinde, apăsați și mențineți apăsat butonul „B” timp de 3 secunde, soneria sună o dată, indicatorul „a” se stinge, iar apoi funcția Super-Frz va fi oprită.
3. După ce funcția Super-Frz este activată, frigiderul va dezactiva automat funcția când se atinge starea setată. Dacă doriți să ieșiți manual, puteți apăsa butonul „B” pentru a-l opri.





## OBSERVAȚIE

- În starea Super-Freeze, temperatura congelatorului nu poate fi reglată. Dacă este apăsat oricare dintre butoanele „B” pentru a regla temperatura congelatorului, indicatorul „a” va lumina intermitent cu un sunet de avertizare pentru a indica faptul că această operațiune nu poate fi efectuată.
- Funcția Super-Freeze este concepută pentru a păstra valoarea nutritivă a alimentelor congelate; acestea vor fi congelate în cel mai scurt timp. În acest moment, viteza de congelare a congelatorului este îmbunătățită, alimentele pot fi congelate rapid, nutrienții alimentelor sunt păstrați în mod eficient, iar depozitarea devine silențioasă. Dacă trebuie să congelați o cantitate mare de alimente dintr-o singură dată, se recomandă să setați funcția Super Freeze cu 24 de ore înainte de utilizarea compartimentului congelatorului.

### Modul Holiday

Modul Holiday este conceput pentru a nu utiliza frigiderul pentru o perioadă îndelungată. Când modul Holiday este activat, congelatorul funcționează normal, iar temperatura frigiderului este setată automat la 17°C. Acest lucru previne apariția mirosurilor neplăcute cauzate de supraîncălzire și contribuie în același timp la reducerea consumului de energie.

- Când afișajul este deblocat, apăsați butonul „D”, soneria sună o dată, indicatorul „e” se aprinde, iar apoi funcția Holiday va fi activată.
- Când indicatorul „e” se aprinde, apăsați butonul „D”, soneria sună o dată, indicatorul „e” se stinge, iar apoi funcția Holiday va fi oprită.



Holiday



Holiday



## OBSERVAȚIE

Înainte de a utiliza funcția Holiday, goliți frigiderul pentru a evita ca alimentele depozitate să se strice înăuntru. Atunci când funcția Holiday este activată, funcția „Super-Cool” nu poate fi activată în același timp.

## Funcția Magic Zone

Când afișajul este deblocat, apăsați butonul „A” pentru a parcurge funcțiile modurilor Fruit&Veg, Cool Drink și 0°C Fresh.

### 1. Funcția Fruit&Veg:

Această funcție este potrivită pentru depozitarea fructelor și legumelor proaspete. Când această funcție este selectată, indicatorul „g” se aprinde.

### 2. Funcția Cool Drink:

Această funcție permite depozitarea de produse precum apă, cola și suc. Când această funcție este selectată, indicatorul „h” se aprinde.

### 3. Funcția 0°Fresh:

Această funcție este potrivită pentru depozitarea alimentelor proaspete, cum ar fi carnea sau peștele. Când această funcție este selectată, indicatorul „i” se aprinde.



## OBSERVAȚIE

1. Setarea implicită la pornire este funcția Cool Drink.
2. Pentru funcția Fruit&Veg.: Fructele sensibile la frig, cum ar fi ananasul, avocado, bananele, grepfrutul și legumele, cum ar fi cartofii, vinetele, fasolea, castraveții, dovleceii și roșiile, precum și brânza nu trebuie depozitate în sertarul Magic Zone.
3. Pentru funcția 0°Fresh: Din cauza conținutului diferit de apă din carne. Unele tipuri de carne cu mai multă umiditate vor fi congelate la temperaturi mai mici de 0°C. Așadar, carnea „care a fost tăiată imediat” trebuie depozitată în sertarul Magic Zone, la temperaturi de minimum 0°C.
4. Cele trei funcții ale Magic Zone nu pot fi deschise în același timp, doar una poate fi iluminată. Pentru a reduce temperatura compartimentului frigorific utilizați funcția Cool Drink, pentru a crește temperatura compartimentului frigorific utilizați funcția Fruit&Veg.

## Sfaturi legate de depozitarea alimentelor proaspete

### Depozitarea în compartimentul frigiderului

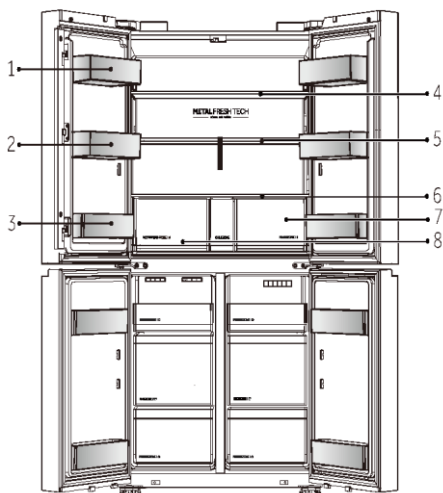
1. Mențineți temperatura frigiderului sub 5 °C.
2. Alimentele fierbinți trebuie răcite la temperatura camerei înainte de a fi depozitate în aparat.
3. Alimentele depozitate în frigider trebuie spălate și uscate înainte de depozitare.
4. Alimentele care vor fi depozitate trebuie sigilate corespunzător pentru a evita modificarea mirosului sau a gustului.

5. Nu depozitați cantități excesive de alimente. Lăsați spații între alimente pentru ca aerul să circule în jurul lor, pentru a fi congelate mai bine.
6. Alimentele consumate zilnic trebuie depozitate în partea din față a raftului.
7. Lăsați un spațiu între alimente și pereții interior, pentru a permite trecerea aerului. În special, nu depozitați alimente lipite de peretele din spate: alimentele pot îngheța dacă ating peretele din spate. Evitați contactul direct dintre alimente (în special alimentele uleioase sau acide) și căptușeala interioară, deoarece uleiul/ acidul poate eroda căptușeala interioară. Curățați reziduurile de ulei/acid atunci când le depistați.
8. Decongealați alimentele congelate în compartimentul de depozitare al frigiderului. În acest fel, puteți utiliza alimentele congelate pentru a reduce temperatura din compartiment și pentru a economisi energie.
9. Procesul de îmbătrânire a fructelor și legumelor precum în cazul dovleceilor, pepenilor, al papaya, bananelor, ananasului etc. poate fi accelerat în frigider. Prin urmare, nu este recomandată depozitarea lor în frigider. Cu toate acestea, coacerea fructelor foarte verzi poate fi accelerată pentru o anumită perioadă. Ceapa, usturoiul, ghimbirul și alte legume rădăcinoase trebuie de asemenea, păstrate la temperatura camerei.
10. Mirosurile neplăcute din interiorul frigiderului reprezintă un semn că ceva s-a vărsat și este necesară curățarea. Consultați secțiunea ÎNGRIJIRE ȘI CURĂȚARE.
11. Alimentele diferite trebuie amplasate în zone diferite, în funcție de proprietățile acestora.



## OBSERVAȚIE

Vă rugăm să păstrați o distanță mai mare de 10 mm între alimentele stocate și conducta de aer sau senzori pentru a asigura efectul de răcire.



1. Unt, brânză etc.
2. Ouă, conserve, alimente în conserve, condimente etc.
3. Băuturi și alimente în sticle.
4. Alimente murate, alimente în conserve etc.
5. Produse din carne, gustări, paste, conserve, lapte, tofu, lactate etc.
6. Carne gătită, cârnați etc.
7. Sertar Magic ZONE: Fructe, legume, salată etc.
8. Sertar de zonă ACTIVEFRESH ZONE: Fructe, legume, salată etc.

## Depozitarea în compartimentul congelatorului

1. Mențineți temperatura congelatorului la -18 °C.
2. Cu 24 de ore înainte de congelare porniți funcția Super-Freeze; pentru cantități mici de alimente sunt suficiente 4-6 ore.
3. Alimentele fierbinți trebuie răcite la temperatura camerei înainte de a fi depozitate în compartimentul congelatorului.
4. Alimentele tăiate în bucăți mici se vor congela mai repede și vor fi mai ușor de decongelat și gătit. Greutatea recomandată pentru fiecare bucată este de sub 2,5 kg.
5. Este recomandată ambalarea alimentelor înainte de amplasarea lor în congelator. Exteriorul ambalajului trebuie să fie uscat pentru a evita lipirea pungilor între ele. Materialele folosite pentru ambalare trebuie să nu aibă miros, să fie etanșe, să nu fie otrăvitoare sau toxice.
6. Pentru a evita expirarea perioadelor de depozitare, vă rugăm să notați data congelării, termenul limită și denumirea alimentului pe ambalaj, în funcție de perioadele de depozitare ale diferitelor alimente.

1. **AVERTIZARE!** Produsele acide, alcaline și sarea etc. pot eroda suprafața interioară a congelatorului. Nu puneți alimentele care conțin aceste substanțe (de exemplu, peștele de mare) direct pe suprafața interioară. Apa sărată din interiorul congelatorului trebuie curățată imediat.
2. Nu depășiți perioadele de depozitare a alimentelor recomandate de producători. Scoateți din congelator numai cantitatea necesară de alimente.
3. Consumați alimentele decongelate în scurt timp. Alimentele decongelate nu pot fi recongelate decât dacă sunt gătite, mai întâi. În caz contrar, acestea pot fi mai puțin comestibile.
4. Nu încărcăți cantități excesive de alimente proaspete în compartimentul congelatorului. Consultați capacitatea de congelare a congelatorului - Vedeti DATELE TEHNICE sau datele de pe plăcuța de identificare.
5. Alimentele pot fi depozitate în congelator la o temperatură de cel puțin -18°C timp de 2-12 luni funcție de proprietăți (de ex., carnea: 3-12 luni, legumele: 6-12 luni)
6. Atunci când congelați alimente proaspete, evitați să le aduceți în contact cu alimente deja congelate sau în curs de decongelare!

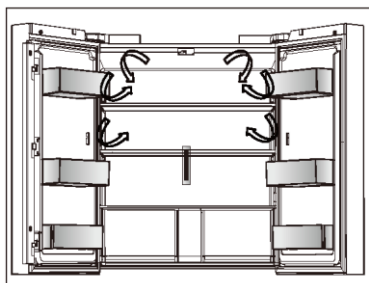
### În cazul depozitării alimentelor congelate comercial, urmați următoarele indicații:

1. Urmăți întotdeauna instrucțiunile producătorilor privind durata de timp în care puteți depozita alimentele. Nu depășiți aceste indicații!
2. Încercați să păstrați durata de timp dintre cumpărare și depozitare cât mai mică posibil pentru a menține calitatea alimentelor.
3. Cumpărați alimente congelate care au fost depozitate la o temperatură de -18°C sau mai joasă.
4. Evitați să cumpărați alimente care au gheață pe ambalaj - acest lucru indică faptul că produsele ar fi putut fi parțial decongelate și recongelate la un moment dat - creșterea temperaturii afectează calitatea alimentelor.



## OBSERVAȚIE

Vă rugăm să păstrați distanța mai mare de 10 mm între alimentele stocate și conducta de aer pentru a asigura efectul de răcire.

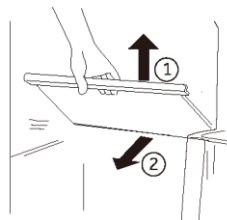


### Flux de aer multiplu

1. Frigiderul este prevăzut cu un sistem cu flux de aer multiplu, prin care fluxurile de aer rece sunt asigurate la nivelul fiecărui raft. Acest lucru ajută la păstrarea unei temperaturi uniforme pentru a asigura faptul că alimentele dvs. sunt menținute proaspete pentru mai mult timp.

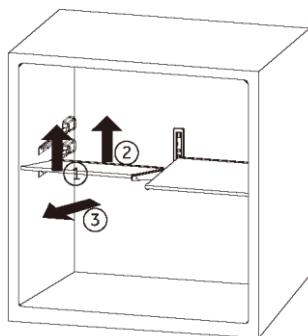
### Rafturi ajustabile

1. Înălțimea rafturilor poate fi ajustată pentru a se potrivi nevoilor dvs. de depozitare.
2. Pentru re poziționarea unui raft, scoateți-l mai întâi prin ridicarea marginii din față ① și tragerea în afară ②.
3. Pentru montarea la loc, așezați-l pe canalele de pe ambele părți și împingeți-l în cea mai din spate poziție, până când partea din spate a raftului este fixată în interiorul fantelor laterale.



### Reglați raftul din mijloc

1. Scoateți suportul de raft:  
Mai întâi, ridicați marginea frontală ① a suportului de raft cu 7 cm, apoi ridicați marginea din spate ② a suportului de raft, astfel încât clema de pe partea suportului-consolă să poată fi separată de orificiul de instalare. În cele din urmă, scoateți suportul de raft spre exterior ③.
2. Instalați suportul de raft:  
Împingeți suportul de raft pe poziție în conformitate cu unghiul de înclinare indicat în diagramă, apoi coborâți marginea frontală ① a suportului de raft, astfel încât clema de pe partea suportului-consolă să poată intra în orificiul de instalare.



### OBSERVAȚIE

Asigurați-vă că toate capetele unui raft sunt drepte.

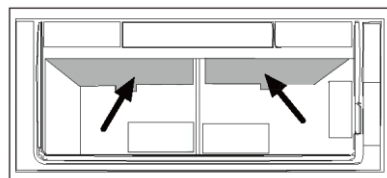
### Sertar ACTIVEFRESH ZONE

1. În acest compartiment nivelul de umiditate este mai mare decât cel al frigiderului. Acesta este controlat automat de sistem și este potrivit pentru a stoca fructe, legume, salate etc.



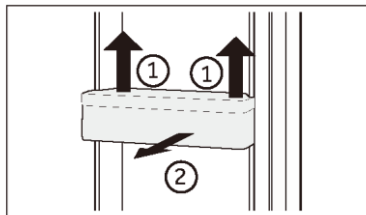
## OBSERVAȚIE

1. Nu îndepărtați capacul de plastic din interiorul celor două zone.
2. Acesta menține umiditatea.
3. Fructe sensibile la frig, cum ar fi ananasul, avocado, bananele,
4. nu se recomandă depozitarea pomuşoarelor în aceste două sertare.



## Rafturi de uşă detaşabile/suport pentru sticle

1. Rafturile de uşă pot fi demontate pentru curățare:
2. Puneți mâinile pe fiecare parte a raftului, ridicați-l ① și trageți-l în afară ②.
3. Pentru introducerea raftului de uşă urmați pașii de mai sus în ordine inversă.



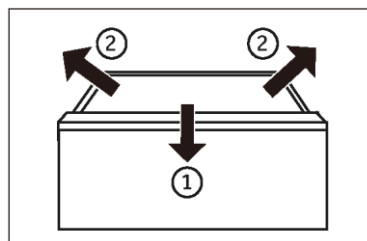
## OBSERVAȚIE

Atunci când aparatul este pornit, poate dura până la 12 ore pentru a ajunge la temperaturile corecte.

## Sertar demontabil

Pentru a scoate sertarul, trageți în afară până la maximum ①, ridicați și scoateți-l ②.

Pentru introducerea sertarului urmați pașii de mai sus în ordine inversă.



## Lumina

Lumina LED din interior se aprinde când ușa este deschisă și se stinge automat dacă ușa este lăsată deschisă mai mult de 7 minute. Performanța luminilor nu este afectată de nicio altă setare a aparatului.



## Sfaturi de economisire a energiei

- ▶ Asigurați-vă că aparatul este ventilat corespunzător (consultați secțiunea INSTALARE).
- ▶ Nu instalați aparatul în lumina directă a soarelui sau în apropierea surselor de căldură (de ex., cuptoare, radiatoare).
- ▶ Evitați setarea temperaturilor nenecesar de scăzute în aparat. Consumul de energie crește odată cu scăderea temperaturii setate în aparat.
- ▶ Funcții precum POWER-FREEZE consumă mai multă energie.
- ▶ Lăsați alimentele calde să se răcească înainte de a le amplasa în aparat.
- ▶ Deschideți ușa aparatului cât mai puțin și pentru o perioadă cât mai scurtă posibil.
- ▶ Nu umpleți excesiv aparatul, pentru a evita obstrucționarea fluxului de aer.
- ▶ Evitați prezența aerului în ambalajul alimentelor.
- ▶ Mențineți garniturile ușii curate astfel încât ușa să se închidă corect întotdeauna.
- ▶ Decongeleți alimentele congelate în compartimentul de depozitare al frigiderului.
- ▶ Configurația pentru economisirea cea mai mare de energie necesită păstrarea sertarelor, cutiilor de alimente și rafturilor etc. în starea lor din fabrică, iar alimentele trebuie plasate cât mai departe posibil, fără a bloca orificiile de ieșire a aerului de pe conducta de aer.

**AVERTISMENT!**

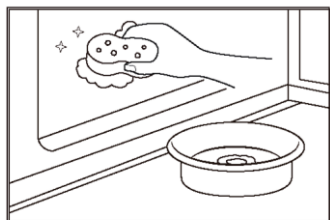
Deconectați aparatul de la rețeaua de alimentare înainte de curățare.

**Curățare**

1. Curățați aparatul atunci când sunt depozitate puține alimente sau când acesta este gol.
2. Aparatul trebuie curățat o dată la patru săptămâni pentru o întreținere corectă și pentru a preveni mirosurile neplăcute cauzate de mâncarea depozitată.

**AVERTISMENT!**

- ▶ Nu curățați aparatul cu perii aspre, cu perii de sârmă, cu detergent pulbere, benzină, acetat de amil, acetonă sau soluții organice similare, soluții acide sau alcaline. Curățați cu detergent special pentru frigider pentru a evita deteriorările.
- ▶ Nu pulverizați și nu spălați aparatul în timpul curățării.
- ▶ Nu folosiți pulverizarea cu apă sau aburi de apă în timpul curățării aparatului.
- ▶ Nu curățați rafturile reci din sticlă cu apă fierbinte. Schimbarea bruscă de temperatură poate face ca sticla să se spargă.
- ▶ Nu atingeți suprafața interioară a compartimentului de depozitare al congelatorului, în special cu mâinile ude, deoarece mâinile pot îngheța pe suprafață.
- ▶ În cazul încălzirii, verificați starea produselor congelate.



- ▶ Asigurați întotdeauna curățenia garniturii ușii.
  - ▶ Curățați interiorul și carcasa aparatului cu un burete înmuiat în apă caldă și detergent neutru.
1. Este indicat să ștergeți interiorul și exteriorul frigiderului, inclusiv garniturile ușilor, raftul de pe uși, rafturile din sticlă, cutiile și celelalte elemente, cu un prosop moale sau cu un burete înmuiat în apă caldă (puteți adăuga detergent neutru în apa caldă).
  2. Dacă se varsă lichid, îndepărtați toate părțile contaminate, clătiți direct cu jet de apă, uscați-le și puneți-le înapoi în frigider.
  3. Dacă se varsă alimente cu consistență cremoasă (cum ar fi smântâna, înghețata topită), vă rugăm să îndepărtați toate părțile contaminate, puneți-le în apă caldă la aproximativ 40 °C pentru o perioadă de timp, apoi clătiți-le cu jet de apă, uscați-le și puneți-le înapoi în frigider.
  4. În cazul în care o parte mică sau o componentă este blocată în interiorul frigiderului (între rafturi sau sertare), utilizați o perie mică și moale pentru a o elibera. Dacă nu ați putut ajunge la piesa respectivă, contactați serviciul Haier
- ▶ Clătiți și uscați cu o cârpă moale.
  - ▶ Nu curățați nicio parte a aparatului în mașina de spălat vase.
  - ▶ Așteptați cel puțin 5 minute înainte de a reporni aparatul, deoarece pornirea frecventă poate deteriora compresorul.

**Decongelarea**

Decongelarea compartimentului frigiderului și congelatorului are loc automat, nefiind necesară intervenția manuală.

## Înlocuirea becului LED



### AVERTISMENT!

Nu înlocuiți becul LED de unul singur. Acesta trebuie înlocuit de producător sau de un agent de service autorizat.

Becul are un LED ca sursă de lumină a acestuia au un consum redus de energie și o durată mare de viață. În cazul în care există anormalități, contactați serviciul pentru clienți. Consultați secțiunea SERVICIU PENTRU CLIENȚI.

Parametrii becurilor:

Compartiment frigider: 12 V, 4 W

Compartiment congelator: 12 V, 2 W\*2

## Neutilizare pentru o perioadă lungă de timp

Dacă aparatul nu este utilizat pe o perioadă extinsă de timp și nu veți folosi funcția Holiday pentru frigider:

Scoateți alimentele.

Deconectați cablul de alimentare.

Curățați aparatul conform descrierii de mai sus.

Țineți ușile congelatorului deschise pentru a preveni apariția mirosurilor neplăcute în interior.



### OBSERVAȚIE

Oprii aparatul numai dacă este strict necesar.

## Mutarea aparatului

1. Scoateți toate alimentele și deconectați aparatul.
2. Securizați rafturile și restul părților mobile din frigider și congelator cu bandă adezivă.
3. Nu înclinați frigiderul la mai mult de 45°, pentru a evita deteriorarea sistemului frigorific.



### AVERTISMENT!

- ▶ Nu ridicați aparatul de mânăre.
- ▶ Nu poziționați niciodată aparatul orizontal pe sol.

Multe probleme care pot apărea pot fi rezolvate de dvs., fără a fi necesare cunoștințe specifice. În cazul unei probleme verificați toate posibilitățile afișate și urmați instrucțiunile de mai jos înainte de a apela la un serviciu post-vânzare. Consultați secțiunea SERVICIU PENTRU CLIEŢI.



## AVERTISMENT!

- ▶ Înainte de întreținere, dezactivați aparatul și deconectați ștecărul de la rețeaua de alimentare.
- ▶ Echipamentele electrice trebuie depanate numai de către specialiști calificați în domeniul electric, deoarece reparațiile necorespunzătoare pot provoca daune indirecte considerabile.
- ▶ Un articol furnizat deteriorat trebuie înlocuit numai de către producător, agentul său de service sau persoane calificate similare, pentru a evita orice pericol.

Problemă	Cauză posibilă	Soluție posibilă
Compresorul nu funcționează.	<ul style="list-style-type: none"> <li>• Ștecărul de alimentare nu este conectat la priza de alimentare.</li> <li>• Aparatul este în ciclul de decongelare</li> </ul>	<ul style="list-style-type: none"> <li>• Conectați ștecărul de alimentare.</li> <li>• Acest lucru este normal în cazul unei decongelări automate</li> </ul>
Aparatul pornește frecvent sau pentru o perioadă prea mare de timp.	<ul style="list-style-type: none"> <li>• Temperatura interioară sau exterioară este prea ridicată.</li> <li>• Aparatul a fost deconectat de la energia electrică pentru o perioadă de timp.</li> <li>• O ușă a aparatului nu este închisă etanș.</li> <li>• Ușa a fost deschisă prea des sau pentru o perioadă prea lungă de timp.</li> <li>• Setarea temperaturii pentru compartimentul congelatorului este prea joasă.</li> <li>• Garnitura ușii este murdară, uzată, crăpată sau așezată incorect.</li> <li>• Circulația necesară a aerului nu este garantată.</li> </ul>	<ul style="list-style-type: none"> <li>• În acest caz, este normal ca aparatul să funcționeze mai mult timp</li> <li>• În mod normal, durează între 8 și 12 ore ca aparatul să se răcească complet.</li> <li>• Închideți ușa/serarul și asigurați-vă că aparatul este amplasat pe o suprafață dreaptă și că nu există vreun aliment sau recipient care să deranjeze ușa.</li> <li>• Nu deschideți ușa/serarul prea des.</li> <li>• Setati temperatura la un valoare mai ridicată până când este obținută o temperatură satisfăcătoare a frigiderului. Durează 24 de ore ca temperatura frigiderului să se stabilizeze.</li> <li>• Curățați garnitura ușii/serarului sau înlocuiți-o prin serviciul pentru clienți.</li> <li>• Asigurați o ventilație adecvată.</li> </ul>

Problemă	Cauză posibilă	Soluție posibilă
Interiorul frigiderului este murdar și/sau miroase.	<ul style="list-style-type: none"> <li>Interiorul frigiderului necesită curățare.</li> <li>Sunt depozitate alimente cu miros puternic în frigider.</li> </ul>	<ul style="list-style-type: none"> <li>Curățați interiorul frigiderului</li> <li>Ambalați bine alimentele.</li> </ul>
În interiorul aparatului nu este suficient de rece.	<ul style="list-style-type: none"> <li>Temperatura setată este prea ridicată.</li> <li>Au fost depozitate alimente prea calde.</li> <li>Au fost depozitate prea multe alimente în același timp.</li> <li>Produsele sunt prea apropiate între ele.</li> <li>O ușă/un sertar al aparatului nu este închis etanș.</li> <li>Ușa/sertarul a fost deschis prea des sau pentru o perioadă prea mare de timp.</li> </ul>	<ul style="list-style-type: none"> <li>Resetați temperatura.</li> <li>Răciți întotdeauna produsele înainte de a le depozita.</li> <li>Depozitați întotdeauna cantități mici de alimente.</li> <li>Lăsați un spațiu liber între mai multe alimente pentru a permite trecerea aerului.</li> <li>Închideți ușa/sertarul.</li> <li>Nu deschideți ușa/sertarul prea des.</li> </ul>
În interiorul aparatului este prea rece.	<ul style="list-style-type: none"> <li>Temperatura setată este prea joasă.</li> <li>Funcția Super-Frz/ Super-Cool este activată sau este activă de prea mult timp.</li> </ul>	<ul style="list-style-type: none"> <li>Resetați temperatura.</li> <li>Opriti funcția Super-Frz/ Super-Cool</li> </ul>
Se formează umezeală în interiorul compartimentului frigiderului.	<ul style="list-style-type: none"> <li>Climatul este prea călduros și prea umed.</li> <li>O ușă/un sertar al aparatului nu este închis etanș.</li> <li>Ușa/sertarul a fost deschis prea des sau pentru o perioadă prea mare de timp.</li> <li>Recipientele cu alimente sau lichide sunt lăsate deschise.</li> </ul>	<ul style="list-style-type: none"> <li>Creșteți temperatura.</li> <li>Închideți ușa/sertarul.</li> <li>Nu deschideți ușa/sertarul prea des.</li> <li>Lăsați alimentele fierbinți să se răcească la temperatura camerei și acoperiți alimentele și lichidele.</li> </ul>
Umezeala se acumulează pe suprafața exterioară a frigiderului sau între uși/ușă și sertar.	<ul style="list-style-type: none"> <li>Climatul este prea călduros și prea umed.</li> <li>Ușa nu este închisă etanș. Aerul rece din aparat și aerul cald din exterior formează condens.</li> </ul>	<ul style="list-style-type: none"> <li>Acest lucru este normal într-un climat umed și se va modifica atunci când umiditatea va scădea.</li> <li>Asigurați-vă că ușa/sertarul este închis etanș.</li> </ul>

Problemă	Cauză posibilă	Soluție posibilă
Gheață solidă în compartimentul congelatorului.	<ul style="list-style-type: none"> <li>• Produsele nu au fost ambalate corespunzător.</li> <li>• O ușă/un sertar al aparatului nu este închis etanș.</li> <li>• Ușa/sertarul a fost deschis prea des sau pentru o perioadă prea mare de timp.</li> <li>• Garnitura ușii/sertarului este murdară, uzată, crăpată sau așezată incorect.</li> <li>• Ceva din interior împiedică închiderea corespunzătoare a ușii/sertarului.</li> </ul>	<ul style="list-style-type: none"> <li>• Ambalați întotdeauna bine produsele.</li> <li>• Închideți ușa/sertarul.</li> <li>• Nu deschideți ușa/sertarul prea des.</li> <li>• Curățați garnitura ușii/sertarului sau înlocuiți-o cu una nouă.</li> <li>• Repoziționați rafturile, rafturile de ușă sau recipientele interne pentru a permite închiderea ușii/sertarului.</li> </ul>
Lateralele dulapului și garnitura ușii se încălzesc.		<ul style="list-style-type: none"> <li>• Acest lucru este normal.</li> </ul>
Aparatul emite sunete anormale.	<ul style="list-style-type: none"> <li>• Aparatul nu se află pe o suprafață dreaptă.</li> <li>• Aparatul atinge unele obiecte din jurul acestuia.</li> </ul>	<ul style="list-style-type: none"> <li>• Reglați suportul pentru a aduce aparatul la același nivel.</li> <li>• Îndepărtați obiectele din jurul aparatului.</li> </ul>
Se aude un sunet similar cu cel al apei care curge.		<ul style="list-style-type: none"> <li>• Acest lucru este normal.</li> </ul>
Veți auzi o alarmă sonoră.	<ul style="list-style-type: none"> <li>• Ușa compartimentului de depozitare al frigiderului este deschisă.</li> </ul>	<ul style="list-style-type: none"> <li>• Închideți ușa.</li> </ul>
Veți auzi un zumzet slab.	<ul style="list-style-type: none"> <li>• Sistemul anti-condens este în funcțiune</li> </ul>	<ul style="list-style-type: none"> <li>• Acesta împiedică formarea condensului și este normal</li> </ul>
Iluminarea interioară sau sistemul de răcire nu funcționează.	<ul style="list-style-type: none"> <li>• Ștecărul de alimentare nu este conectat la priza de alimentare.</li> <li>• Sursa de alimentare nu este intactă.</li> <li>• Becul cu LED este defect.</li> </ul>	<ul style="list-style-type: none"> <li>• Conectați ștecărul de alimentare.</li> <li>• Verificați sursa de alimentare cu energie electrică din cameră. Contactați compania locală de electricitate!</li> <li>• Contactați serviciul de depanare pentru înlocuirea becului.</li> </ul>

Pentru contactarea asistenței tehnice, vizitați site-ul nostru web:

<https://corporate.haier-europe.com/en/>

La secțiunea „website” alegeți marca produsului dvs. și țara dvs. Veți fi redirectionat către website-ul specific unde puteți găsi numărul de telefon și formularul de contactare a asistenței tehnice.

### **Pană de curent**

În cazul unei pene de curent, alimentele ar trebui să rămână reci timp de aproximativ 5 ore. Urmați aceste sfaturi în cazul unei pene de curent prelungite, în special pe timpul verii:

- ▶ Deschideți ușa/sertarul de cât mai puține ori posibil.
- ▶ Nu puneți alimente adiționale în aparat în timpul unei pene de curent.
- ▶ În cazul în care știți că se va produce o pană de curent, iar durata acesteia va fi mai mare de 5 ore, faceți cuburi de gheață și puneți-le într-un recipient în partea de sus a compartimentului frigiderului.
- ▶ Imediat după întreruperea energiei electrice este necesară inspectarea produselor.
- ▶ Dat fiind faptul că temperatura din frigider va crește în timpul unei pene de curent sau în cazul altei defecțiuni, perioada de depozitare și calitatea alimentelor comestibile vor fi reduse. Alimentele care se decongelează trebuie consumate sau gătite și recongelate (unde este cazul) cât mai curând după aceea, pentru a preveni apariția riscurilor pentru sănătate.

### **Funcția de memorare în timpul penei de curent**

După restabilirea alimentării cu energie electrică, aparatul continuă să funcționeze cu setările stabilite înaintea penei de curent.

## Despachetare



### AVERTISMENT!

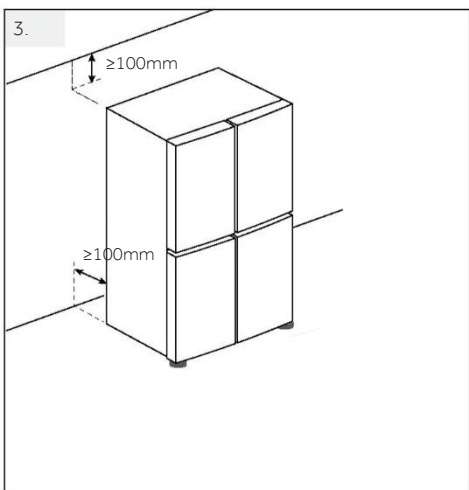
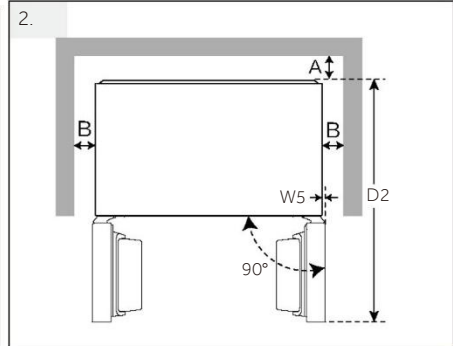
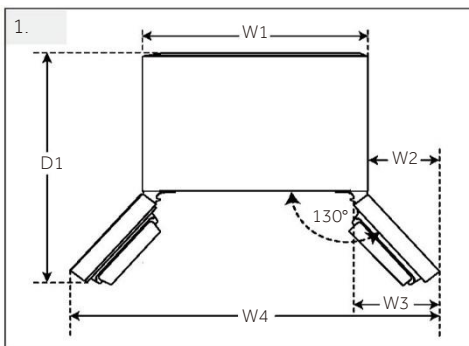
- ▶ Aparatul este greu. Manevrați-l întotdeauna cu cel puțin două persoane.
- ▶ Țineți toate materialele de ambalare la distanță de copii și eliminați-le într-un mod ecologic.
- ▶ Scoateți aparatul din ambalaj.
- ▶ Îndepărtați toate materialele de ambalare.

### Condiții ambientale

Temperatura camerei trebuie să fie cuprinsă întotdeauna între 10 °C și 43 °C, deoarece poate influența temperatura din interiorul aparatului și consumul de energie al acestuia. Nu instalați aparatul în apropierea altor aparate care emit căldură (cuptoare, frigider) fără izolare.

### Recomandare în ceea ce privește spațiul

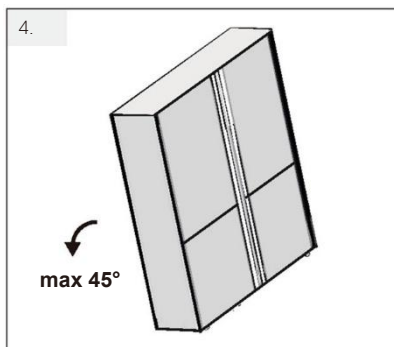
Spațiul recomandat atunci când ușa este deschisă (Fig. 1.2.)



(Unitate: mm)	Model#	
Lățime	W1	905
	W2	327
	W3	368
	W4	1559
	W5	51
	I	905
	D1	1061
	D2	1101
	D	738
Distanța până la peretele din spate	A	100
Distanța față de pereții laterali	B	100
Distanța până la tavan	C	100
Înălțime totală	H	1825

## Secțiune transversală ventilare

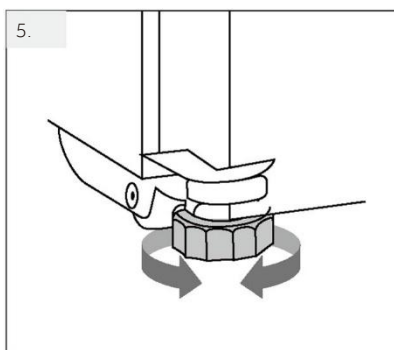
Pentru a obține o ventilare suficientă a aparatului din motive de siguranță, trebuie respectate informațiile legate de secțiunile transversale ale ventilării necesare.



### Alinierea aparatului (Fig.4.5.6.)

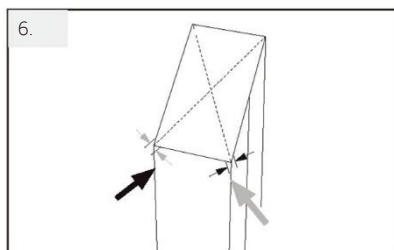
Aparatul trebuie amplasat pe o suprafață dreaptă și solidă.

4. Înclinați frigiderul ușor înapoi.



5. Reglați picioarele la nivelul dorit.

Asigurați-vă că distanța până la peretele de pe partea balamalei este de cel puțin 100 mm pentru ca ușa să se deschidă corect.

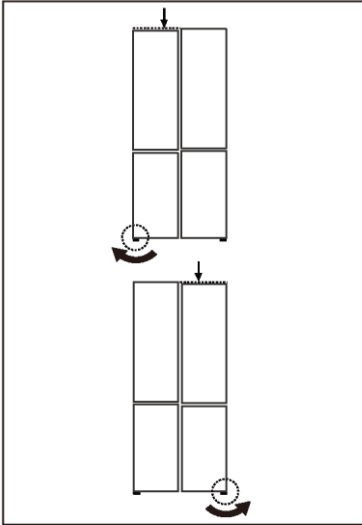


6. Stabilitatea poate fi verificată împingând alternativ pe diagonală. Balansarea ușoară trebuie să fie aceeași în ambele direcții. În caz contrar, cadrul se poate încovoia; drept rezultat pot apărea pierderi pe la garniturile ușii. Înclinarea ușoară spre spate favorizează închiderea ușilor.



### OBSERVAȚIE

Aparat de sine stătător: acest aparat frigorific nu este destinat utilizării ca aparat încorporabil

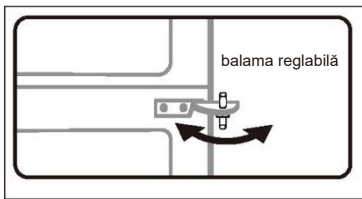


### Reglarea fină a ușilor

Dacă ușile nu sunt la același nivel, această nepotrivire poate fi remediată prin următoarele metode:

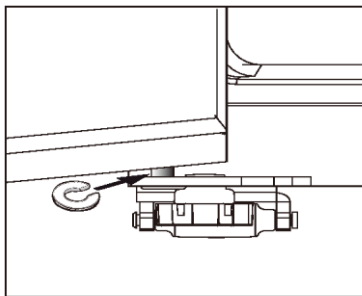
#### Utilizarea piciorului de reglare

Rotiți piciorul de reglare conform direcției săgeții pentru a ridica sau coborî piciorul.



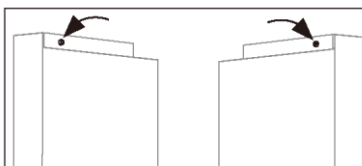
### Reglarea poziției ușii

- ▶ Când cele două uși nu sunt la aceeași înălțime, balamalele reglabile pot fi reglate fin cu ajutorul cheii însoțitoare pentru a alinia cele două uși. Vă rugăm să nu instalați brutal pentru a preveni zgârieturi sau lovituri pe garnitura ușii.



### Utilizarea distanțierelor

- ▶ Deschideți ușa congelatorului și ridicați-o.
- ▶ Fixați cu atenție distanțierul (inclus în punga cu accesorii) în axul balamalei inferioare, cu mâna sau folosind unelte precum un clește. Nu zgâriați sau loviți ușa.



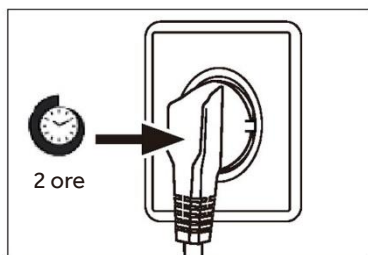
### Utilizarea butonului de reglare

- ▶ Dacă ușa compartimentului frigiderului nu este la nivel, puteți roti butonul reglabil din partea superioară a ușii pentru a efectua reglaje fine.



## OBSERVAȚIE

În timpul utilizării viitoare a frigiderului, fenomenul de nealiniere a ușilor poate apărea ca urmare a greutateii alimentelor depozitate. În acest caz, ajustați în consecință prin metodele de mai sus.



### Timpul de așteptare

Uleiul de ungere fără întreținere este amplasat în capsula compresorului. Uleiul respectiv poate trece prin sistemul cu țevi închis în timpul transportării înclinate. Înainte de conectarea aparatului la sursa de alimentare, trebuie să așteptați cel puțin 2 ore pentru ca uleiul să curgă înapoi în capsulă.

### Conexiunea electrică

Înainte de fiecare conexiune verificați dacă:

- ▶ sursa de alimentare, priza și siguranța sunt conforme cu plăcuța cu date tehnice.
- ▶ priza de alimentare este legată la împământare și nu este de tip prize multiple sau prelungitor.
- ▶ ștecărul și priza de alimentare sunt strict conforme.


Conectați ștecărul la o priză de la domiciliu instalată corespunzător.



## AVERTISMENT!

Pentru evitarea riscurilor, cablul de alimentare deteriorat trebuie înlocuit prin serviciul pentru clienți (consultați fișa de garanție).

Fișa de produs conform reglementării UE nr. 2019/2016

Marca	Haier
Numele/identificatorul modelului	HCR59F19DNMM HCR59F18DNMB
Categoria modelului	Combină frigorifică
Clasa de eficiență energetică	D
Consumul anual de energie (kWh/an)(1)	306
Volumul total (l)	706
Volum frigider (l)	417
Volum congelator (L)	251
Secțiunea cu două stele (L)	38
Clasificarea prin stele	
Sistem fără îngheț	Da
Capacitatea de congelare (kg/24 h)	14
Evaluare temperatură (2)	SN-N-ST-T
Clasa de emisii sonore și emisii de zgomote acustice aeropurtate (db(A) re 1pW)	C(35)
Timpul necesar creșterii temperaturii (h)	13
Tipul aparatului	de sine stătător

Explicații:

• Da, prezentate

- (1) Pe baza rezultatelor testului de conformitate cu standardele, cu o durată de peste 24 de ore. Consumul real depinde de utilizarea și locația aparatului.
- (2) Evaluare temperatură SN: Acest aparat este destinat utilizării la o temperatură ambientală cuprinsă între + 10 °C și +32 °C  
Evaluare temperatură N: Acest aparat este destinat utilizării la o temperatură ambientală cuprinsă între + 16 °C și +32 °C  
Evaluare temperatură ST: Acest aparat este destinat utilizării la o temperatură ambientală cuprinsă între + 16 °C și +38 °C  
Evaluare temperatură T: Acest aparat este destinat utilizării la o temperatură ambientală cuprinsă între + 16 °C și +43 °C

#### Date tehnice suplimentare

Tensiune/Frecvență	220-240V ~ / 50Hz
Curentul de intrare (A)	1,5
Siguranța principală (A)	16
Răcire	R600a 68g
Dimensiuni (l/A/h în mm)	905 / 738 / 1825

Vă recomandăm să apelați la serviciul pentru clienți Haier și să utilizați piese de schimb originale.

Dacă aveți o problemă cu aparatul, consultați mai întâi secțiunea DEPANARE.

Dacă nu găsiți nicio soluție acolo, contactați

- ▶ distribuitorul local sau
- ▶ Centrul nostru european de servicii telefonice (vedeți numerele de telefon enumerate mai jos) sau
- ▶ zona Service și Asistență pe [www.haier.com](http://www.haier.com), unde puteți activa cererea de service și găsi, de asemenea, întrebări frecvente.

Pentru contactarea serviciului nostru, asigurați-vă că aveți următoarele date.

Informațiile pot fi găsite pe plăcuța cu date tehnice.

Model \_\_\_\_\_

Nr. serie \_\_\_\_\_

De asemenea, verificați și fișa de garanție furnizată cu produsul, în cazul garanției.

Centrul european de servicii telefonice		
Țară*	Număr de telefon	Costuri
Haier Italy (IT)	199 100 912	
Haier Spain (ES)	902 509 123	
Haier Germany (DE)	0180 5 39 39 99	<ul style="list-style-type: none"> <li>• 14 Ct/min de pe telefon fix</li> <li>• max 42 Ct/Min de pe mobil</li> </ul>
Haier Austria (AT)	0820 001 205	<ul style="list-style-type: none"> <li>• 14,53 Ct/min de pe telefon fix</li> <li>• max 20 Ct/Min de pe toate celelalte</li> </ul>
Haier United Kingdom (UK)	0333 003 8122	
Haier France (FR)	0980 406 409	

\*Pentru alte țări, consultați [www.haier.com](http://www.haier.com)

Haier Europe Trading S.r.l

Filiala Marea Britanie

Westgate House, Westgate, Ealing

Londra, W5 1YY

\*Durata garanției aparatului frigorific:

Garanția minimă este de: 2 ani pentru țările din UE, 3 ani pentru Turcia, 1 an pentru Marea Britanie, 1 an pentru Rusia, 3 ani pentru Suedia, 2 ani pentru Serbia, 5 ani pentru Norvegia, 1 an pentru Maroc, 6 luni pentru Algeria, Tunisia nu necesită nicio garanție legală.

\*Perioada de piese de schimb pentru repararea aparatului:

Termostatele, senzorii de temperatură, plăcile cu circuite imprimate și sursele de lumină sunt disponibile timp de o perioadă minimă de șapte ani de la punerea pe piață a ultimei unități a modelului.

Mânerele de uși, balamalele de uși, tăvile și coșurile, timp de o perioadă minimă de șapte ani, iar garniturile de uși timp de o perioadă minimă de 10 ani de la punerea pe piață a ultimei unități a modelului.

\*Pentru mai multe informații despre produs, consultați <https://eprel.ec.europa.eu/> sau scanați codul QR de pe eticheta energetică furnizată cu aparatul.

## CERTIFICAT DE CALITATE

DENUMIRE: FRIGIDER

Q.C.PROMOVAT

Nr. VERIFICATOR

QC01

# Haier

专用号条码

0060543171  
2026 Versiunea A

# Haier

Ръководство  
за потребителя



Хладилник с фризер

HCR59F18DNMM

HCR59F18DNMB

<b><u>4 Информация за безопасност</u></b>	•	<u>Преди първоначална употреба</u>	5
		<u>Монтаж</u>	5
		<u>Ежедневна употреба</u>	6
<b><u>8 Предвидена употреба</u></b>	•		
<b><u>9 Описание на продукта</u></b>	•		
<b><u>10 Панел за управление</u></b>	•		
<b><u>11 Употреба</u></b>	•	<u>Регулиране на температурата на хладилника</u>	14
		<u>Регулиране на температурата на фризера</u>	14
		<u>Функция „Super-Cool“</u>	15
		<u>Функция „Super-Frz“</u>	15
		<u>Режим „Holiday“</u>	16
		<u>Функция „Magic Zone“</u>	17
<b><u>20 Оборудване</u></b>	•		
<b><u>22 Съвети за пестене на енергия</u></b>	•		
<b><u>23 Грижа и почистване</u></b>	•		
<b><u>25 Отстраняване на неизправности</u></b>	•		
<b><u>29 онтаж</u></b>	•		
<b><u>33 Технически данни</u></b>	•		
<b><u>35 Обслужване на клиенти</u></b>	•		

## Благодарим Ви, че закупихте продукт на Haier.

Моля, прочетете внимателно тези инструкции, преди да използвате този уред. Инструкциите съдържат важна информация, която ще ви помогне да използвате уреда по възможно най-пълноценен начин и да се уверите, че той ще бъде монтиран, използван, и поддържан правилно и безопасно. Съхранявайте това ръководство на удобно място, за да можете по всяко време да направите справка относно безопасното и правилно използване на уреда. Ако продадете, подарите или оставите уреда в старото си жилище, когато се преместите, моля, предайте и това ръководство на новия собственик, за да може той да се запознае с уреда и с предупрежденията за безопасност.

## Принадлежности

Проверете дали принадлежностите и книжните материали са в съответствие с този списък:



Енергиен  
етикет



Гаранционна  
карта



Ръководство за  
потребителя



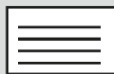
Гаранционен  
сертификат



Ръководство за  
бърза справка



3 бр.  
разделителя



Карта  
с предупреждения



гаечен  
ключ



**ПРЕДУПРЕЖДЕНИЕ – Важна информация за безопасност**



**ЗАБЕЛЕЖКА – Обща информация и съвети**



**Информация за околната среда**



### Обезвреждане

Помогнете за опазването на околната среда и човешкото здраве. Поставете опаковъчните материали в подходящите контейнери, за да бъдат рециклирани. Помогнете за рециклирането на отпадъци от електрически и електронни уреди. Уреди, обозначени с този символ, не бива да бъдат изхвърляни заедно с битовите отпадъци. Върнете продукта в местното съоръжение за рециклиране или се свържете с общинската служба.



### ПРЕДУПРЕЖДЕНИЕ: Опасност от пожар/ запалим материал

Символът показва, че съществува опасност от пожар, тъй като се използват запалими материали. Внимавайте да не предизвикате пожар чрез подпалване на запалим материал.



### ПРЕДУПРЕЖДЕНИЕ!

Опасност от нараняване или задушаване!

Хладилните агенти и газовете трябва да се обезвреждат по професионален начин. Уверете, че тръбите на охладителната верига не са повредени, преди да ги изхвърлите по подходящ начин. Изключете уреда от захранването. Отрежете захранващия кабел и го изхвърлете. Отстранете тавите и чекмеджетата, както и уплътненията на вратата и механизма за затварянето ѝ, за да предотвратите затварянето на деца и домашни любимци в уреда.

## Преди да включите уреда за първи път, прочетете следните съвети за безопасност!



### ПРЕДУПРЕЖДЕНИЕ!

#### Преди първоначална употреба

- ▶ Уверете се, че няма транспортни повреди.
- ▶ За преместването на уреда са нужни поне двама души, защото е тежък.

#### Монтаж

- ▶ Уредът трябва да бъде поставен на място с добра вентилация. Осигурете пространство от най-малко 10 см над уреда и около уреда.
- ▶ Никога не поставяйте уреда на влажно място или на място, където има опасност да бъде напръскан с вода. Петна и пръски вода трябва да се почистват и подсушават с чиста мека кърпа.
- ▶ Не поставяйте уреда на пряка слънчева светлина или в близост до източници на топлина (напр. печки, нагреватели).
- ▶ Монтирайте и подравнете уреда на място, подходящо за неговия размер и употреба.
- ▶ Не запречвайте вентилационните отвори на уреда или на вградената конструкция.
- ▶ Уверете се, че електрическата информация на табелката с данни съответства на захранването. Ако не съответства, обърнете се към електротехник.
- ▶ Уредът работи при захранване 220 – 240 VAC/50 Hz. Необичайни колебания в електрическото напрежение могат да доведат до неуспешно стартиране на уреда, да повредят системата за управление на температурата или компресора или да причинят необичаен шум при работа. В такъв случай трябва да се монтира автоматичен регулатор.
- ▶ Не използвайте разклонители и удължители.
- ▶ Не разполагайте преносими разклонители или преносими източници на захранване в задната част на уреда.
- ▶ Уверете се, че захранващият кабел не е заклезен под хладилника. Не стъпвайте върху захранващия кабел.
- ▶ Използвайте отделен заземен контакт за захранването, който е лесно-достъпен. Уредът трябва да бъде заземен.  
Само за Обединеното кралство: Захранващият кабел на уреда е снабден с троен (заземяващ) щепсел, който отговаря на стандартен троен (заземен) контакт. В никакъв случай не режете и не демонтирайте третия (заземяващ) щифт. След монтирането на уреда до щепсела трябва да има достъп.
- ▶ Не причинявайте повреди на охладителната верига.



## ПРЕДУПРЕЖДЕНИЕ!

### Ежедневна употреба

- ▶ Този уред може да се използва от деца над 8-годишна възраст и от лица с намалени физически, сетивни или умствени способности или липса на опит и познания, ако се наблюдават или са инструктирани за използването на уреда по безопасен начин и разбират свързаните с това опасности.
- ▶ Деца на възраст от 3 до 8 години могат да товарят и разтоварват, но не могат да почистват или монтират хладилни уреди.
- ▶ Деца под 3-годишна възраст трябва да се пазят далеч от уреда, с изключение на случаите, когато са под постоянен надзор.
- ▶ Децата не бива да използват уреда за игра.
- ▶ Ако в близост до уреда изтича охладителен газ или друг запалим газ, изключете вентила на изтичащия газ, отворете вратите и прозорците и не включвайте и не изключвайте захранващите кабели на хладилника или на друг уред.
- ▶ Обърнете внимание, че уредът е настроен за работа в определен диапазон на температурата на околната среда между 10 и 43°C. Уредът може да не работи правилно, ако бъде оставен за дълъг период при температура над или под посочения диапазон.
- ▶ Не поставяйте нестабилни предмети (тежки предмети, съдове, пълни с вода) върху хладилника, за да избегнете нараняване, причинено от падане или токов удар при контакт с вода.
- ▶ Не дърпайте рафтовете на вратата. Вратата може да бъде издърпана под наклон, поставката за бутилка може да бъде изтеглена или уредът може да се събори.
- ▶ Отваряйте и затваряйте вратите само посредством дръжките. Пролуката между вратите и между вратите и шкафа е много тясна. Не поставяйте ръцете си в тези зони, за да избегнете прищипване на пръстите. Отваряйте или затваряйте вратите на хладилника само когато в обсега на движението на вратата няма деца.
- ▶ Не съхранявайте и не използвайте запалими, експлозивни или корозивни материали в уреда или в близост до него.
- ▶ Не съхранявайте лекарства, бактерии или химически агенти в уреда. Това е домакински уред. Не се препоръчва да съхранявате материали, които изискват строги температури.
- ▶ Никога във фризера не съхранявайте течности в бутилки или консерви (освен високоалкохолни спиртни напитки), особено газирани напитки, тъй като те ще се спукат по време на замразяването.
- ▶ Проверете състоянието на храната, ако във фризера е настъпило затопляне.
- ▶ Не задавайте излишно ниска температура в хладилното отделение. При високи настройки могат да възникнат минусови температури. Внимание: Бутилките могат да се пръснат
- ▶ Не докосвайте замразени продукти с мокри ръце (носете ръкавици). В никакъв случай не яжте ледени близалки веднага след изваждането им от фризерното отделение. Съществува риск от измръзване или образуване на мехури. ПЪРВА помощ: незабавно поставете под течаща студена вода. Не дърпайте!
- ▶ Не докосвайте вътрешната повърхност на фризерното отделение за съхранение, докато уредът работи, особено с мокри ръце, тъй като ръцете Ви може да замръзнат върху повърхността.



## ПРЕДУПРЕЖДЕНИЕ!

### Ежедневна употреба

- ▶ Изключете уреда от електрическата мрежа в случай на прекъсване на захранването или преди почистване. Изчакайте поне 7 минути, преди да включите отново уреда, тъй като честото стартиране може да повреди компресора.
- ▶ Не използвайте електрически уреди в отделенията за съхранение на храна на уреда, освен ако не са от вид, препоръчан от производителя.
- ▶ Поддръжка/почистване
- ▶ Ако почистване и поддръжка се извършва от деца, уверете се, че те са под надзор.
- ▶ Изключете уреда от електрическото захранване, преди да предприемете каквато и да е рутинна поддръжка. Изчакайте поне 5 минути, преди да включите отново уреда, тъй като честото стартиране може да повреди компресора.
- ▶ При изключване на уреда хващайте щепсела, а не кабела.
- ▶ Не почиствайте уреда с твърди четки, телени четки, прахообразни препарати, бензин, амилацетат, ацетон или подобни органични разтвори, киселинни или алкални разтвори. Моля, почиствайте със специален препарат за хладилник, за да избегнете повреди.
- ▶ Не стържете скреж и лед с остри предмети. Не използвайте спрейове, електрически нагреватели като сешоари, парочистачки или други източници на топлина, за да се избегне повреда на пластмасовите части.
- ▶ Не използвайте механични устройства или други средства за ускоряване процеса на размразяване, различни от препоръчаните от производителя.
- ▶ Ако захранващият кабел се повреди, той трябва да бъде заменен от производителя, негов обслужващ представител или лице с подобна квалификация, за да се избегне потенциална опасност.
- ▶ Не се опитвайте сами да ремонтирате, разглобявате или модифицирате уреда. При необходимост от ремонт се свържете с нашия отдел за обслужване на клиенти.
- ▶ Отстранявайте прахта по гърба на уреда поне веднъж годишно, за да се избегне пожар, както и повишен разход на енергия.
- ▶ Не пръскайте и не плискайте уреда по време на почистване.
- ▶ Не използвайте водна струя или пара за почистване на уреда.
- ▶ Не почиствайте студените стъклени рафтове с гореща вода. Рязката промяна в температурата може да причини напукване на стъклото.

### Информация за хладилния газ

- ▶ Уредът съдържа запалим хладилен агент ИЗОБУТАН (R600a). Уверете се, че охладителната верига не е била повредена по време на транспортирането или монтажа. Течът на хладилен агент може да причини нараняване на очите или възпламеняване. При възникване на повреда се пазете от открити източниците на огън, проветрете добре помещението, не включвайте и не изключвайте захранващите кабели на уреда или на друг уред. Информирайте центъра за обслужване на клиенти.
- ▶ В случай че хладилен агент попадне в очите, изплакнете веднага с течаща вода и незабавно се свържете с офталмолог.

## Предназначение

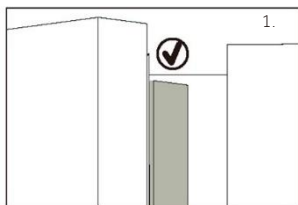
Този уред е предназначен за охлаждане и замразяване на храни. Този уред е предназначен единствено за употреба в домакинството и в други подобни пространства, като кухненски помещения за персонал в магазини, офиси и други работни пространства, земеделски стопанства и за клиенти в хотели, мотели и други помещения за настаняване, като полупансионни и фирми за кетъринг. Не е предназначен за търговска или промишлена употреба. Не е разрешено извършването на промени или модификации на устройството. Използването не по предназначение може да доведе до опасности и до загуба на гаранционно покритие.

## Стандарти и директиви **CE**

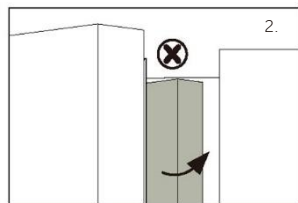
Този продукт отговаря на изискванията на всички приложими директиви на ЕО със съответстващите хармонизирани стандарти, които предвиждат маркировка „CE“.



### ВНИМАНИЕ!



Когато затваряте вратата, вертикалната лента на лявата врата трябва да бъде сгъната навътре (1).

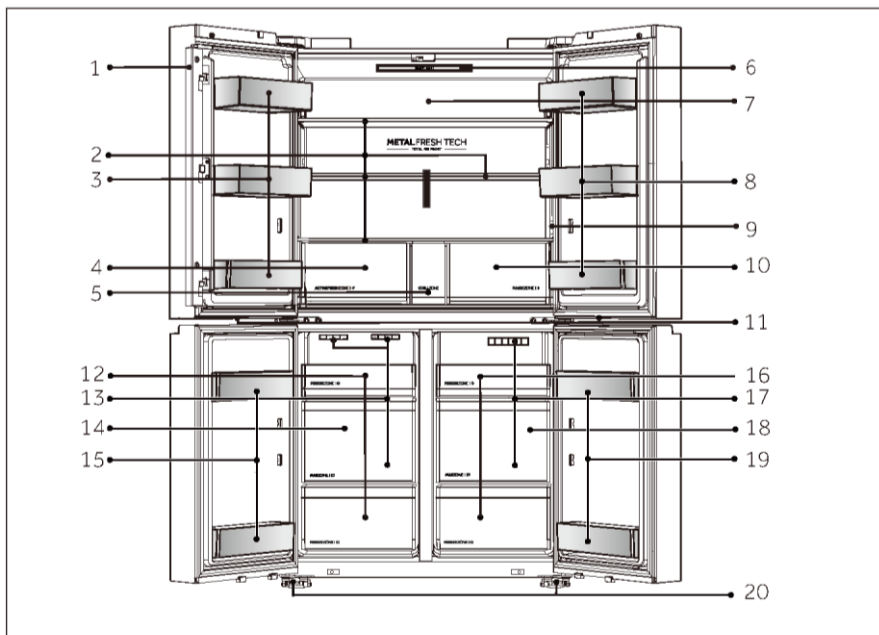


Ако се опитате да затворите лявата врата и вертикалната лента не е сгъната (2), първо трябва да я сгънете, в противен случай тя ще удари фиксация вал или дясната врата. Това ще повреди уплътнението на вратата или ще причини теч.

В рамката има нагревателна тръба. Температурата на повърхността ще се повиши малко, което е нормално и няма да повлияе на работата на уреда.

## **i** ЗАБЕЛЕЖКА

Поради технически промени и наличие на различни модели, някои от илюстрациите в това ръководство може да се различават от вашия модел.

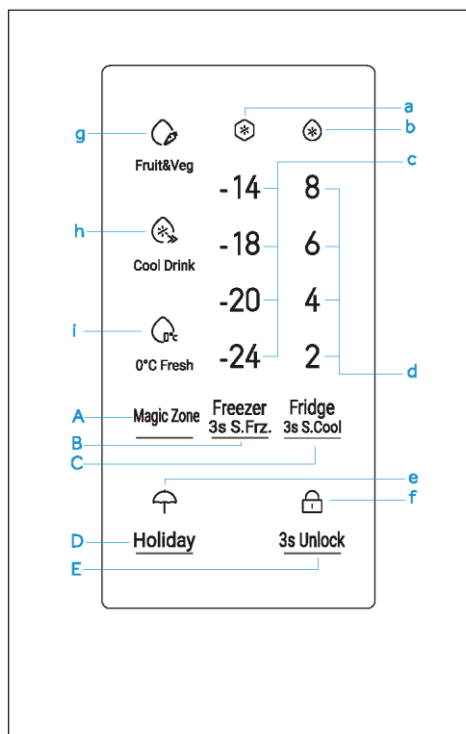


А: Хладилно отделение

- 1 Лента на вратата
- 2 Стъклени рафтове
- 3 Поставка за бутилки
- 4 Чекмедже „ACTIVEFRESH ZONE“
- 5 Кутия „CHILL ZONE“
- 6 Лампа на хладилника
- 7 Въздуховод на хладилника
- 8 Поставка за бутилки
- 9 Панел за управление
- 10 Чекмедже „MAGIC ZONE“
- 11 Лампа на фризера

В: Отделение на фризера

- 12 Чекмедже „FREEZE ZONE“
- 13 Въздуховод
- 14 Чекмедже „MAX ZONE“
- 15 Поставка за бутилки
- 16 Чекмедже „FREEZE ZONE“
- 17 Въздуховод
- 18 Чекмедже „MAX ZONE“
- 19 Поставка за бутилки
- 20 Регулиране на крачетата



Бутони:

- A Селектор за режим „Magic Zone“
- B Селектор за функциите „Freezer“ и „Super-Frz“
- C Селектор за функциите „Fridge“ и „Super-Cool“
- D Селектор за функцията „Holiday“
- E Селектор за функцията за заключване/отключване

Индикатори:

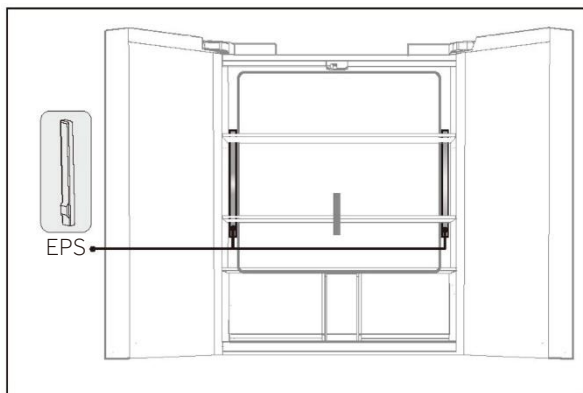
- a Функция „Super-Frz“
- b Функция „Super-Cool“
- c Температура на фризера
- d Температура на охлаждане
- e Функция „Holiday“
- f Функция за заключване/отключване
- g Функция „Fruit & Veg“
- h Функция „Cool Drink“
- i Функция „0°C Fresh“

## Преди първоначална употреба

- ▶ Отстранете всички опаковки, най-вече панелите от бяла EPS пяна от двете страни на въздуховода на хладилника и ги дръжте на място, недостъпно за деца. Изхвърлете ги по природосъобразен начин.
- ▶ Почистете вътрешните и външните повърхности на уреда с вода и мек почистващ препарат, преди да поставите храна в него.
- ▶ След като уредът е бил подравнен и почистен, изчакайте поне 2 – 5 часа, преди да го свържете към захранването. Вижте раздел „МОНТАЖ“.
- ▶ Преди да заредите с храна, предварително охладете отделенията при високи настройки. Функцията „Power-Freeze“ помага за бързото охлаждане на отделенията.
- ▶ Температурата на хладилника и на фризера се задава автоматично съответно на 4°C и на -18°C. Това са препоръчителните настройки. По желание може да промените тези температури ръчно. Моля вижте раздел „РЕГУЛИРАНЕ НА ТЕМПЕРАТУРАТА“.

## Метод за изваждане на панелите от EPS пяна

Първо извадете горния и средния рафт (методът за изваждане на рафтовете е описан на страница 25) и след това извадете двата панела от EPS пяна.



## Сензорни бутони

Бутоните на панела за управление са сензорни и реагират при леко докосване с пръст.

## Включване/Изключване на уреда

Уредът започва да работи веднага щом бъде свързан към захранването.

Температурата на хладилника и на фризера се задава автоматично съответно на 4°C и на -18°C.

Възможно е функцията „Заклучване на панела“ да е включена.



## ЗАБЕЛЕЖКА

Уредът е предварително настроен на препоръчителната температура от 4°C (хладилник) и -18°C (фризер). При нормални условия на околната среда не е необходимо да задавате температура.

Когато уредът бъде включен след прекъсване на захранването, може да са необходими до 12 часа, за да бъдат достигнати правилните температури.

Изпразнете уреда, преди да го изключите. За да изключите уреда, извадете захранващия кабел от контакта.

## Заклучване/Отключване на панела

Автоматично заключване: След като вратата на хладилника е затворена и бутоните не са използвани в продължение на 30 секунди, екранът на дисплея автоматично се изключва и заключва.

Ръчно заключване: Когато екранът на дисплея е отключен, натиснете бутон „Е“ (Селектор за функция „Заклучване на панела“) и задръжте за 3 секунди. Ще прозвучи сигнал, индикаторът „F“ (Заклучване на панела) ще светне и дисплеят ще бъде заключен. В заключено състояние, натиснете продължително бутон „Е“ за 3 секунди. Ще прозвучи сигнал, индикаторът „F“ (Заклучване на панела) ще изгасне и дисплеят ще бъде отключен.



## Режим за ръчно регулиране

Ако искате ръчно да регулирате температурата на уреда, можете да настроите температурата от бутона за регулиране на температурата (вижте раздел „РЕГУЛИРАНЕ НА ТЕМПЕРАТУРАТА“).

## Аларма за врата

Алармата за вратата ще се задейства, когато вратата остане отворена дълго време или не е затворена правилно, като напомняне.

## Регулиране на температурата

Температурите в уреда се влияят от следните фактори:

Температура на околната среда, Честота на отваряне на вратата, Количество на съхраняваните храни, Инсталация на уреда.

### Регулиране на температурата на хладилника

1. Когато дисплеят е отключен, натиснете бутон „С“. Ще прозвучи сигнал, индикаторът „b“ ще светне и ще се активира режимът за настройка на температурата на хладилника.
2. При всяко натискане на бутона „С“ ще прозвучава сигнал и зададената температура на хладилника ще бъде променяна. Ще се показва температура в поредност 8>6>4>2.

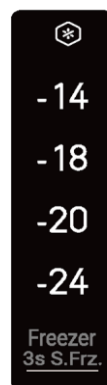


### ЗАБЕЛЕЖКА

Ако не се извърши никаква манипулация в рамките на 5 секунди след задаване на температурата, системата автоматично ще запази зададената температура.

### Регулиране на температурата на фризера

1. Когато екранът на дисплея е отключен, натиснете бутон „В“. Ще прозвучи сигнал, индикаторът „с“ ще замига и след това ще можете да зададете температурата на фризера.
2. При всяко натискане на бутона „В“ ще прозвучава сигнал и зададената температура на фризера ще бъде променяна. Ще се показва температура в поредност -14 > -18 > -20 > -24.

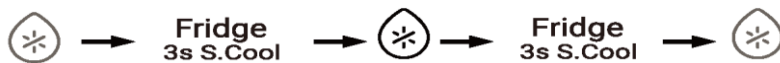


### ЗАБЕЛЕЖКА

Ако не се извърши никаква манипулация в рамките на 5 секунди след задаване на температурата, системата автоматично ще запази зададената температура.

## Функция „Super-Cool“

1. Когато екранът на дисплея е отключен, натиснете и задръжте бутона „С“ за 3 секунди. Ще прозвучи сигнал, индикаторът „b“ ще светне и функцията „Super-Cool“ ще бъде включена.
2. Когато индикаторът „b“ свети, натиснете и задръжте бутона „С“ за 3 секунди. Ще прозвучи сигнал, индикаторът „b“ ще изгасне и функцията „Super-Cool“ ще бъде изключена.
3. След като функцията „Super-Cool“ бъде включена, хладилникът автоматично ще я изключи, когато зададеното състояние бъде достигнато. Ако искате да я изключите ръчно, можете да го направите като натиснете бутона „С“.



## ЗАБЕЛЕЖКА

1. Докато функцията „Super-Cool“ е включена, температурата на хладилника не може да бъде регулирана. Ако натиснете бутон „С“, за да промените температурата на хладилника, индикаторът „b“ ще замига и ще прозвучи сигнал, което означава, че тази операция не може да бъде извършена.
2. Докато функцията „Super-Cool“ е включена, режимът „Auto-Set“ не може да бъде активиран, тъй като става въпрос за различни режими на управление. Когато изберете функция, която е в конфликт с друга функция, първоначалната функция ще бъде изключена автоматично.

## Функция „Super-Frz“

1. Когато екранът на дисплея е отключен, натиснете и задръжте бутона „В“ за 3 секунди. Ще прозвучи сигнал, индикаторът „a“ ще светне и функцията „Super-Frz“ ще бъде включена.
2. Когато индикаторът „a“ свети, натиснете и задръжте бутона „В“ за 3 секунди. Ще прозвучи сигнал, индикаторът „a“ ще изгасне и функцията „Super-Frz“ ще бъде изключена.
3. След като функцията „Super-Frz“ бъде включена, хладилникът автоматично ще я изключи, когато зададеното състояние бъде достигнато. Ако искате да я изключите ръчно, можете да го направите като натиснете бутона „В“.





## ЗАБЕЛЕЖКА

1. Докато функцията „Super-Freeze“ е включена, температурата на фризера не може да бъде регулирана. Ако натиснете бутон „В“, за да промените температурата на фризера, индикаторът „а“ ще замига и ще прозвучи сигнал, което означава, че тази операция не може да бъде извършена.
2. Функцията „Super-Freeze“ е предназначен за замразяване на храни във възможно най-кратък период от време, с цел да се запази хранителната им стойност. По този начин се съкращава времето, необходимо за замразяване във фризера, храната може да бъде замразена бързо, нейната хранителна стойност се запазва и съхранението ѝ става много удобно. Ако се налага да замразите едновременно голямо количество храна, препоръчително е да зададете функцията Super Freeze 24 часа преди използването на фризерното отделение.

### Режим „Holiday“

Режимът „Holiday“ е предназначен за случаи, когато хладилникът няма да се използва дълго време. Докато режим „Holiday“ е включен, фризерът е под нормален контрол, а температурата на хладилника се задава автоматично на 17°C, което предотвратява образуването на специфична миризма, причинена от прекомерно високи температури, и същевременно спомага за намаляване консумацията на енергия.

1. Когато екранът на дисплея е отключен, натиснете бутон „D“. Ще прозвучи сигнал, индикаторът „е“ ще светне и функцията „Holiday“ ще бъде включена.
2. Когато индикаторът „е“ свети, натиснете бутона „D“. Ще прозвучи сигнал, индикаторът „е“ ще изгасне и функцията „Holiday“ ще бъде изключена.



## ЗАБЕЛЕЖКА

Преди да използвате функцията „Holiday“, моля, изпразнете хладилника, за да предотвратите развалянето на храната в него. Докато функцията „Holiday“ е активна, не може да бъде включена функцията „Super-Cool“.

## Функция „Magic Zone“

Когато дисплеят е отключен, натиснете бутона „А“, за да превключвате между функциите „Fruit&Veg“, „Cool Drink“ и режим „0°C Fresh“.

### 1. Функция „Fruit&Veg“:

Тази функция е подходяща за съхранение на пресни плодове и зеленчуци. Когато тази функция е избрана, индикаторът „g“ свети.

### 2. Функция „Cool Drink“:

Тази функция позволява да се съхраняват продукти като вода, кола и сок. Когато тази функция е избрана, индикаторът „h“ свети.

### 3. Функция „0°C Fresh“:

Тази функция е подходяща за съхранение на пресни храни като месо или риба. Когато тази функция е избрана, индикаторът „l“ свети.



## ЗАБЕЛЕЖКА

1. Настройката по подразбиране при стартиране е функцията „Cool Drink“.
2. За функция „Fruit&Veg“: Плодовете, чувствителни към студени температури като ананас, авокадо, банани, грейпфрути и зеленчуци като картофи, патладжани, боб, краставици, тиквички и домати, както и сирене, не трябва да се съхраняват в чекмеджето „Magic Zone“.
3. За функция „0°C Fresh“: Поради различното съдържание на вода в месото. Някои видове месо с повече влага ще бъдат замразени при температури, по-ниски от 0°C. Така че месото за „незабавно рязане“ трябва да се съхранява в чекмеджето „Magic Zone“ при температури мин. 0°C.
4. Трите функции „Magic Zone“ не могат да бъдат отворени едновременно, само една може да бъде осветена. За да намалите температурата на хладилното отделение, използвайте функцията „Cool Drink“. За да увеличите температурата на хладилното отделение, използвайте функцията „Fruit&Veg“.

## Съвети за съхранение на прясна храна

### Съхранение в хладилното отделение

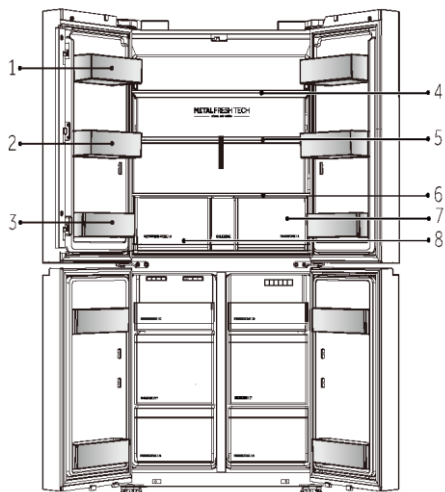
1. Поддържайте температурата на хладилника си под 5° C.
2. Горещата храна трябва да изстине до стайна температура, преди да бъде съхранявана в уреда.
3. Съхраняваната в хладилника храна трябва да бъде измита и подсушена.
4. Храната, която ще се съхранява, трябва да бъде затворена правилно, за да се избегнат промени на аромата или вкуса.

5. Не съхранявайте прекомерни количества храна. Оставете пространства между храните, за да преминава студен въздух около тях, което осигурява по-добро и по-равномерно охлаждане.
6. Храни, консумирани ежедневно, трябва да се съхраняват в предната част на рафта.
7. Оставете разстояние между храните и вътрешните стени, за да може да преминава въздух. По-специално избягвайте да допирате храните, които съхранявате, до задната стена, тъй като могат да залепнат за стената. Избягвайте директен контакт на храната (особено мазна или киселинна храна) с вътрешната облицовка, тъй като е възможно тя да бъде разядена от мазнина или киселина. Когато откриете мазна/киселинна мръсотия, я почиствайте веднага.
8. Размразявайте замразените храни в отделението за съхранение на хладилника. По този начин можете да използвате замразените храни, за да намалите температурата в отделението и да спестите енергия.
9. Процесът на стареене на плодове и зеленчуци като тиквички, пъпеши, папая, банан, ананас и др. може да се ускори в хладилника. Следователно не е препоръчително да ги съхранявате в хладилника. Узряването на много зелени плодове обаче може да бъде стимулирано за определен период. Лук, чесън, джинджифил и други кореноплодни зеленчуци трябва да се съхраняват при стайна температура.
10. Неприятните миризми в хладилника сигнализират, че нещо се е разляло и е необходимо почистване. Вижте ГРИЖА И ПОЧИСТВАНЕ.
11. Различните храни трябва да се поставят в различни зони според техните свойства.



## ЗАБЕЛЕЖКА

Моля, оставете разстоянието повече от 10 мм между поставената храна и въздуховода или сензора, за да осигурите охлаждащ ефект.



1. Масло, сирене и др.
2. Яйца, консерви, консервирани храни, подправки и др.
3. Напитки и бутилирани храни.
4. Мариновани храни, консервирани храни и др.
5. Месни продукти, полуфабрикати, паста, консервирани храни, мляко, тофу, млечни продукти и др.
6. Сготвено месо, колбаси и др.
7. Чекмедже „Magic ZONE“: Плодове, зеленчуци, салата и др.
8. Чекмедже „ACTIVEFRESH ZONE“: Плодове, зеленчуци, салата и др.

## Съхранение във фризерното отделение

1. Поддържайте температурата на фризера на  $-18^{\circ}\text{C}$ .
2. 24 часа преди замразяване включете функцията „Super-Freeze“; за малки количества храна са достатъчни 4 – 6 часа.
3. Горещата храна трябва да изстине до стайна температура, преди да бъде съхранявана във фризерното отделение.
4. Храна, нарязана на малки порции, ще замръзне по-бързо и ще бъде по-лесна за размразяване и готвене. Препоръчителното тегло за всяка порция е под 2,5 кг.
5. Най-добре е храната да бъде опакована, преди да я поставите във фризера. Външната страна на опаковката трябва да е суха, за да се избегне слепване на торбички. Опаковъчните материали трябва да са без мирис, херметически затворени, да не съдържат отрови и токсини.
6. За да се избегне изтичането на сроковете за съхранение, моля, обърнете внимание на датата на замразяване, срока и името на храната върху опаковката според сроковете за съхранение на различни храни.

1. **ВНИМАНИЕ!**Киселина, алкали, сол и др. могат да разядат вътрешната повърхност на фризера. Не поставяйте храна с тези вещества (напр. морски риби) директно върху вътрешната повърхност. Солената вода във фризера трябва да се почисти незабавно.

2. Не надхвърляйте времето за съхранение на храните, препоръчвано от производителите.

Изваждайте само необходимото количество храна от фризера.

3. Консумирайте размразените храни бързо. Размразената храна не може да бъде замразявана повторно, освен ако преди това не бъде сготвена, в противен случай ще загуби качествата си.

4. Не зареждайте прекомерни количества прясна храна във фризерното отделение. Вижте капацитета на замразяване на фризера – вижте „ТЕХНИЧЕСКИ ДАННИ“ или данните на типовата табелка.

5. Храна може да бъде съхранявана във фризера при температура от поне  $-18^{\circ}\text{C}$  за срок от 2 до 12 месеца в зависимост от характеристиките ѝ (напр. месо: 3 – 12 месеца, зеленчуци: 6 – 12 месеца)

6. Когато замразявате пресни храни, избягвайте да ги допирате до вече замразени храни. Риск от размразяване!

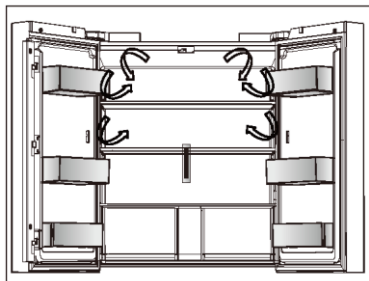
### Когато съхранявате търговски замразени продукти, моля, следвайте тези указания:

1. Винаги следвайте указанията на производителя за допустимата продължителност на съхранение на храната. Не пренебрегвайте тези указания!
2. Опитайте се да съхранявате храната след покупката ѝ възможно най-кратко, за да се запази нейното качество.
3. Купувайте замразени храни, които са били съхранявани при температура от  $-18^{\circ}\text{C}$  или по-ниска.
4. Избягвайте да купувате храна, която има лед или замръзване върху опаковката – това показва, че продуктите може да са били частично размразени и отново замразени. Повишаването на температурата се отразява на качеството на храната.



## ЗАБЕЛЕЖКА

Моля, оставяйте разстоянието повече от 10 мм между поставената храна и въздуховода, за да осигурите охлаждащ ефект.

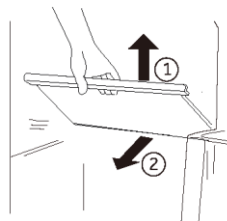


### Многоточков въздушен поток

1. Хладилникът е оборудван със система за многоточков въздушен поток, което позволява студени въздушни струи да текат през всеки рафт. Това помага за поддържането на постоянна температура, за да може храната Ви да остане свежа за по-дълго.

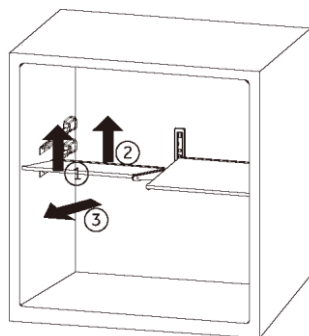
### Регулируеми рафтове

1. Височината на рафтовете може да се регулира според вашите нужди за съхранение.
2. За да преместите един от рафтовете, първо го извадете, като повдигнете предния му ръб ① и го издърпате навън ②.
3. За да го поставите обратно, го сложете на релсите от двете страни и го избутайте до най-задното положение, докато задната част на рафта не се застопори в страничните отвори.



### Регулиране на средния рафт

1. Извадете стойката на рафта: Първо повдигнете предния ръб ① изправете рафта нагоре със 7 см, след това повдигнете задния ръб ② на стойката на рафта, така че захващащата скоба от страната на конзолата да може да се отдели от монтажния отвор. Накрая издърпайте стойката на рафта навън ③.
2. Поставяне на стойката на рафта: Натиснете стойката на рафта на място според ъгъла на наклона, показан на диаграмата, след което спуснете предния ръб ① на стойката на рафта, така че захващащата скоба от страната на конзолата да може да легне в монтажния отвор.



### ЗАБЕЛЕЖКА

Уверете се, че всички страни на рафта са подравнени.

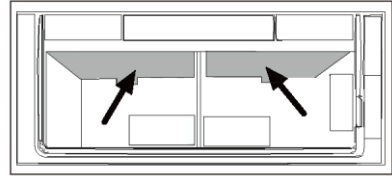
### Чекмедже „ACTIVEFRESH ZONE“

1. В това отделение нивото на влажност е по-високо от това в отделението на хладилника. Управлява се автоматично от системата и е подходящо за съхранение на плодове, зеленчуци, салати и др.



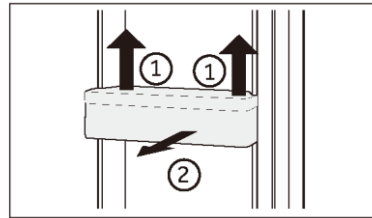
## ЗАБЕЛЕЖКА

1. Не отстранявайте пластмасовите капаци, които се намират вътре в двете отделения.
2. Те поддържат влажността.
3. Плодовете, чувствителни към студени температури като ананас, авокадо, банани, грейпфрути не трябва да се съхраняват в тези две чекмеджета.



## Подвижни рафтове на вратата/ Поставки за бутилки

1. Рафтовете на вратата могат да се свалят за почистване:
2. Хванете рафта с ръце от двете страни, повдигнете го нагоре ① и го извадете ②.
3. За да поставите рафта на вратата, следвайте горните стъпки в обратен ред.



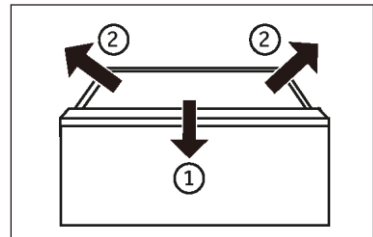
## ЗАБЕЛЕЖКА

След като уредът бъде включен, може да са необходими до 12 часа, за да бъдат достигнати правилните температури.

## Вадещо се чекмедже

За да извадите чекмеджето, го издърпайте максимално назад ①, повдигнете го и го извадете ②.

За да поставите чекмеджето обратно, следвайте горните стъпки в обратен ред.



## Осветление

Вътрешната LED светлина светва при отваряне на вратата и автоматично ще изгасне, ако вратата остане отворена повече от 7 минути. Работата на лампите не се влияе от никоя друга настройка на уреда.



## Съвети за пестене на енергия

- ▶ Уверете се, че уредът е монтиран така, че да е осигурена добра вентилация (вижте раздел „МОНТАЖ“).
- ▶ Не монтирайте уреда така, че да е изложен на пряка слънчева светлина или да е в близост до източници на топлина (напр. готварски печки, нагреватели).
- ▶ Избягвайте ненужно ниска температура в уреда. Консумацията на енергия се увеличава, колкото по-ниско е зададена температурата в уреда.
- ▶ Функции като „POWER-FREEZE“ консумират повече енергия.
- ▶ Оставете топлата храна да се охлади, преди да я поставите в уреда.
- ▶ Отваряйте вратата на уреда възможно най-малко и за възможно най-кратко време.
- ▶ Не препълвайте уреда, за да не се нарушава циркулацията на въздуха.
- ▶ Избягвайте поставянето на хранителни опаковки, в които има въздух.
- ▶ Поддържайте уплътненията на вратата чисти, така че вратата винаги да се затваря добре.
- ▶ Размразявайте замразените храни в отделението за съхранение на хладилника.
- ▶ Най-енергоспестяващата конфигурация изисква чекмеджетата, кутиите за храна и рафтовете в уреда да се поддържат в състояние, възможно най-близко до фабричното, а храната да се поставя възможно най-далеч от въздухопроводите, за да не пречи на циркулацията на въздуха.



## ПРЕДУПРЕЖДЕНИЕ!

Изключвайте уреда от захранването преди почистване.

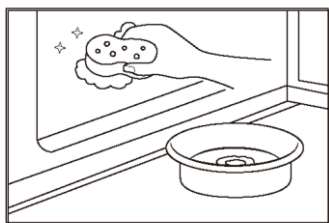
### Почистване

1. Почиствайте уреда, когато в него се съхранява малко или никаква храна.
2. Уредът трябва да бъде почистван на всеки четири седмици за добра поддръжка и за предотвратяване на лоши миризми от съхраняваните храни.



## ПРЕДУПРЕЖДЕНИЕ!

- ▶ Не почиствайте уреда с твърди четки, телени четки, прахообразни препарати, бензин, амилацетат, ацетон или подобни органични разтвори, киселинни или алкални разтвори. Моля, почиствайте със специален препарат за хладилник, за да избегнете повреди.
- ▶ Не пръскайте и не плискайте уреда по време на почистване.
- ▶ Не използвайте водна струя или пара за почистване на уреда.
- ▶ Не почиствайте студените стъклени рафтове с гореща вода. Рязката промяна в температурата може да причини напукване на стъклото.
- ▶ Не докосвайте вътрешната повърхност на фризерното отделение за съхранение, особено с мокри ръце, тъй като ръцете ви може да замръзнат върху повърхността.
- ▶ В случай на повишаване на температурата проверете състоянието на замразените храни.



- ▶ Винаги поддържайте уплътнението на вратата чисто.
- ▶ Почиствайте вътрешността и корпуса на уреда с гъба, навлажнена с топла вода и неутрален препарат.
- ▶ 1. Моля, търкайте вътрешната и външната част на хладилника, включително уплътненията на вратата, рафтовете за врата, стъклените рафтове, кутиите и т.н., с мека кърпа или гъба, натопена в топла вода (може да добавите неутрален препарат към топлата вода).
- ▶ 2. Ако има разлята течност, отстранете всички замърсени части, изплакнете директно с течащата вода, подсушете и ги поставете обратно в хладилника.
- ▶ 3. Ако има разлята гъста течност (като сметана или разтопен сладолед), моля, отстранете всички замърсени части, поставете ги за известно време в топла вода с температура около 40°C, след това изплакнете с течаща вода, подсушете и ги поставете обратно в хладилника.
- ▶ 4. В случай че малка част или компонент заседне вътре в хладилника (между рафтовете или чекмеджетата), използвайте малка мека четка, за да го отстраните. Ако не можете да достигнете частта, моля, свържете се с отдела за обслужване на клиенти на Haier
- ▶ Изплакнете и подсушете с мека кърпа.
- ▶ Не почиствайте никоя от частите на уреда в съдомиялна машина.

- ▶ Изчакайте поне 5 минути, преди да включите отново уреда, тъй като честото стартиране може да повреди компресора.

### Размразяване

Размразяването на хладилното и фризерното отделение се извършва автоматично: не е необходимо ръчно управление.

### Смяна на LED лампите



#### ПРЕДУПРЕЖДЕНИЕ!

Не заменяйте LED лампите сами. Те трябва да бъдат заменени единствено от производителя или от упълномощен сервизен представител.

Лампите използват LED технология, отличаваща се с ниско потребление на енергия и дълъг експлоатационен живот. В случай на аномалии, моля, свържете се с отдела за обслужване на клиенти. Вижте раздел „ОБСЛУЖВАНЕ НА КЛИЕНТИ“.

Параметри на лампите:

Хладилно отделение: 12 V, 4 W

Фризерно отделение: 12 V, 2W\*2

### При липса на употреба за дълъг период от време

Ако уредът не се употребява за продължителен период от време и няма да се използва функцията „Holiday“:

Извадете храната.

Изключете захранващия кабел от контакта.

Почистете уреда, както е описано по-горе.

Оставете вратите отворени, за да се предотврати появата на неприятни миризми вътре.



#### ЗАБЕЛЕЖКА

Изключете уреда само ако е абсолютно необходимо.

### Преместване на уреда

1. Извадете всичката храна и изключете уреда от контакта.
2. Закрепете всички рафтове и други подвижни част в хладилник и фризера с тиксо.
3. Не наклоняйте хладилника повече от 45°, за да избегнете повреда на охлаждащата система.



#### ПРЕДУПРЕЖДЕНИЕ!

- ▶ Не хващайте уреда за дръжките при повдигане.
- ▶ Никога не поставяйте уреда в хоризонтално положение на земята.

Много от възникналите проблеми могат да бъдат решени от вас самите без нужда от специфични умения. В случай на проблем, моля, проверете всички показани възможности и последвайте инструкциите по-долу, преди да се свържете с отдела за следпродажбено обслужване. Вижте раздел „ОБСЛУЖВАНЕ НА КЛИЕНТИ“.



## ПРЕДУПРЕЖДЕНИЕ!

- ▶ Преди извършване на поддръжка изключете уреда и извадете щепсела от контакта.
- ▶ Електрическото оборудване трябва да се обслужва само от квалифицирани експерти, тъй като неправилният ремонт може да причини значителни последващи щети.
- ▶ Повреда в хранящия кабел може да бъде отстранена единствено от производителя, негов обслужващ представител или лице с подобна квалификация, за да се избегне потенциална опасност.

Проблем	Възможна причина	Възможно решение
Компресорът не работи.	<ul style="list-style-type: none"> <li>• Щепселът не е включен в контакта.</li> <li>• Уредът е в цикъл на размразяване.</li> </ul>	<ul style="list-style-type: none"> <li>• Включете щепсела.</li> <li>• Това е нормално при автоматично размразяване.</li> </ul>
Уредът се включва често или работи за прекалено дълги периоди от време.	<ul style="list-style-type: none"> <li>• Вътрешната или външната температура е твърде висока.</li> <li>• Уредът е бил изключен за продължително време.</li> <li>• Вратата на уреда не е затворена плътно.</li> <li>• Вратата е била отворена твърде често или за прекалено дълго време.</li> <li>• Температурата на фризерното отделение е настроена на твърде ниски стойности.</li> <li>• Уплътнението на вратата е замърсено, износено, напукано или разместено.</li> <li>• Необходимата циркулация на въздуха е възпрепятствана.</li> </ul>	<ul style="list-style-type: none"> <li>• В такъв случай е нормално уредът да работи по-дълго.</li> <li>• Обикновено са необходими от 8 до 12 часа, за да се охлади уредът напълно.</li> <li>• Затворете вратата/чекмеджето и се уверете, че уредът се намира върху равна повърхност, както и че затварянето на вратата не е възпрепятствано от храна или контейнер.</li> <li>• Не отваряйте вратата/чекмеджето твърде често.</li> <li>• Задайте по-висока температура, докато температурата в хладилника стане задоволителна. Необходими са 24 часа за достигане на стабилна температура в хладилника.</li> <li>• Почистете уплътненията на вратата/чекмеджето или ги сменете с помощта на отдела за обслужване на клиенти.</li> <li>• Осигурете подходяща вентилация.</li> </ul>

Проблем	Възможна причина	Възможно решение
Във вътрешната част на хладилника има замърсяване или лоша миризма.	<ul style="list-style-type: none"> <li>Вътрешността на хладилника трябва да бъде почистена.</li> <li>В хладилника се съхранява храна със силен мирис.</li> </ul>	<ul style="list-style-type: none"> <li>Почистете вътрешността на хладилника</li> <li>Опаковайте добре храната..</li> </ul>
В уреда не е достатъчно студено.	<ul style="list-style-type: none"> <li>Зададена е прекалено висока температура.</li> <li>Съхранявани са твърде топли стоки.</li> <li>Съхранявано е прекалено голямо количество храна наведнъж.</li> <li>Храните са поставени прекалено близко една до друга.</li> <li>Врата/чекмедже на уреда не е затворена/о плътно.</li> <li>Вратите/чекмеджетата са били отворяни твърде често или за прекалено дълго време.</li> </ul>	<ul style="list-style-type: none"> <li>Върнете първоначалната настройка на температурата.</li> <li>Винаги оставайте храните да изстинат, преди да ги приберете.</li> <li>Винаги съхранявайте малки количества храна.</li> <li>Оставайте празно място между храните, за да осигурите възможност на въздуха да циркулира.</li> <li>Затворете вратата/чекмеджетото.</li> <li>Не отваряйте вратата/чекмеджетото твърде често.</li> </ul>
В уреда е твърде студено.	<ul style="list-style-type: none"> <li>Зададена е прекалено ниска температура.</li> <li>Функцията „Super-Frz/ Super-Cool“ е активирана или е работила прекалено дълго.</li> </ul>	<ul style="list-style-type: none"> <li>Върнете първоначалната настройка на температурата.</li> <li>Изключете функцията „Super-Frz/Super-Cool“</li> </ul>
По вътрешността на хладилното отделение се образува кондензация.	<ul style="list-style-type: none"> <li>Климатът е твърде топъл и твърде влажен.</li> <li>Врата/чекмедже на уреда не е затворена/о плътно.</li> <li>Вратите/чекмеджетата са били отворяни твърде често или за прекалено дълго време.</li> <li>Контейнери, съдържащи течности или храни, са оставени отворени.</li> </ul>	<ul style="list-style-type: none"> <li>Увеличете температурата.</li> <li>Затворете вратата/чекмеджетото.</li> <li>Не отваряйте вратата/чекмеджетото твърде често.</li> <li>Оставете горещите храни да изстинат до стайна температура и покривайте храните и течностите.</li> </ul>
По външната повърхност на хладилника или между вратите/вратата и чекмеджетото се образува кондензация.	<ul style="list-style-type: none"> <li>Климатът е твърде топъл и твърде влажен.</li> <li>Вратата не е затворена плътно. Студеният въздух в уреда и топлият въздух извън него образуват кондензация.</li> </ul>	<ul style="list-style-type: none"> <li>Това е нормално при влажен климат и ще се промени, когато влажността намалее.</li> <li>Уверете се, че вратите/чекмеджетата са затворени плътно.</li> </ul>

Проблем	Възможна причина	Възможно решение
Много лед и скреж във фризерното отделение.	<ul style="list-style-type: none"> <li>Храните не са опаковани добре.</li> <li>Врата/чекмедже на уреда не е затворена/о плътно.</li> <li>Вратите/чекмеджетата са били отворяни твърде често или за прекалено дълго време.</li> <li>Уплътнението на вратата/чекмеджето е замърсено, износено, напукано или разместено.</li> <li>Нещо от вътрешната страна пречи на вратата/чекмеджето да се затвори добре.</li> </ul>	<ul style="list-style-type: none"> <li>Винаги опаковайте храните добре.</li> <li>Затворете вратата/чекмеджето.</li> <li>Не отваряйте вратата/чекмеджето твърде често.</li> <li>Почистете уплътненията на вратата/чекмеджето или ги сменете с нови.</li> <li>Разместете рафтовете, рафтовете за вратите или вътрешните контейнери, така че да може вратата/чекмеджето да се затвори.</li> </ul>
Страните на шкафа и лентата на вратата се затоплят.		<ul style="list-style-type: none"> <li>Това е нормално.</li> </ul>
Уредът издава необичайни звуци.	<ul style="list-style-type: none"> <li>Уредът не е разположен върху равна повърхност.</li> <li>Уредът докосва някакъв предмет около него.</li> </ul>	<ul style="list-style-type: none"> <li>Регулирайте крачетата, за да нивелирате уреда.</li> <li>Отстранете близкостоящите предмети.</li> </ul>
Чува се слаб звук, наподобяващ звука от течаща вода.		<ul style="list-style-type: none"> <li>Това е нормално.</li> </ul>
Чува се звуков сигнал.	<ul style="list-style-type: none"> <li>Вратата на хладилника е отворена.</li> </ul>	<ul style="list-style-type: none"> <li>Затворете вратата.</li> </ul>
Чува се слабо бръмчене.	<ul style="list-style-type: none"> <li>Системата против кондензация работи</li> </ul>	<ul style="list-style-type: none"> <li>Това предотвратява кондензацията и е нормално</li> </ul>
Вътрешната осветителна система или охладителната система не работи.	<ul style="list-style-type: none"> <li>Щепселът не е включен в контакта.</li> <li>Захранването не е цялостно.</li> <li>LED лампата е повредена.</li> </ul>	<ul style="list-style-type: none"> <li>Включете щепсела.</li> <li>Проверете електрическото захранване на помещението. Свържете се с местната електрическа компания!</li> <li>Моля, свържете се с центъра за обслужване на клиенти за смяна на лампата.</li> </ul>

За да се свържете с отдела за техническа помощ, посетете уебсайта ни:

<https://corporate.haier-europe.com/en/>

В раздела „Уебсайт“ изберете марката на своя продукт и Вашата държава.

Ще бъдете пренасочени към конкретния уебсайт, където може да намерите телефонния номер и формуляра за връзка с отдела за техническа помощ.

## Прекъсване на електрозахранването

При прекъсване на електрозахранването храната би трябвало да остане студена в продължение на около 5 часа. Следвайте следните съвети по време на продължително прекъсване на електрозахранването, особено през лятото:

- ▶ Отваряйте вратата/чекмеджето възможно най-рядко.
- ▶ Не поставяйте друга храна в уреда по време на прекъсването на електрозахранването.
- ▶ Ако е дадено предварително известие за прекъсване на електрозахранването и продължителността на прекъсването надвишава 5 часа, направете малко лед и го поставете в съд в горната част на хладилното отделение.
- ▶ Необходима е проверка на храните веднага след прекъсването.
- ▶ Тъй като температурата в хладилника ще се повиши по време на прекъсване на захранването или при друга повреда, срокът на годност на храната ще бъде съкратен. Всички храни, които се размразят, трябва или да бъдат изконсумирани, или сготвени и замразени отново в най-кратък срок (ако това е възможно), за да се предотвратят възможни рискове за здравето.

## Функция за запаметяване при прекъсване на електрозахранването

След възстановяване на захранването уредът продължава да работи с настройките, зададени преди спиране на тока.

## Разопаковане



### ПРЕДУПРЕЖДЕНИЕ!

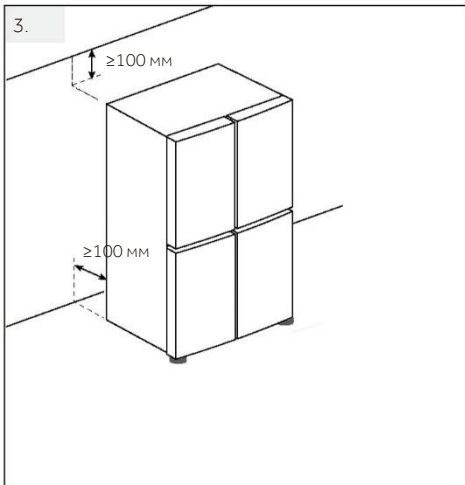
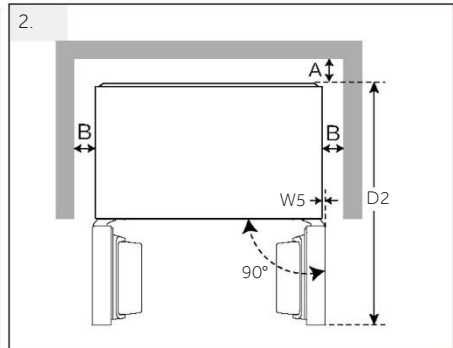
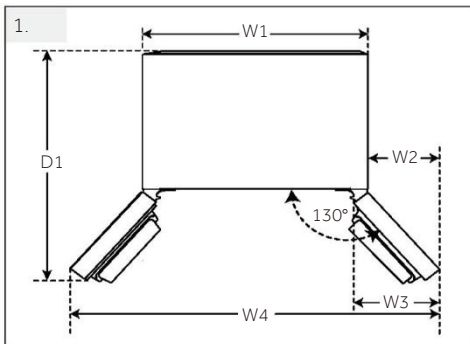
- ▶ Уредът е тежък. При преместването му винаги трябва да участват поне двама души.
- ▶ Пазете всички опаковъчни материали на място, недостъпно за деца, и ги изхвърлете по природосъобразен начин.
- ▶ Разопакувайте уреда.
- ▶ Отстранете всички опаковъчни материали.

### Условия на обкръжаващата среда

Температурата в помещението винаги трябва да бъде между 10°C и 43°C, тъй като това може да повлияе на температурата вътре в уреда и консумацията на енергия. Не поставяйте уреда близо до други излъчващи топлина уреди (фурни, хладилници) без изолация.

### Препоръки за свободно пространство

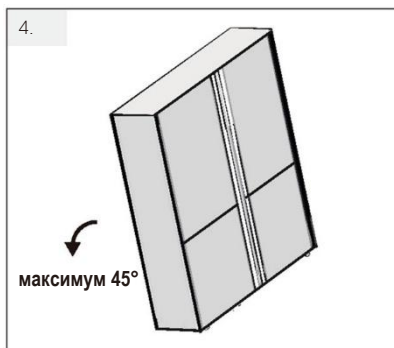
Препоръчително свободно пространство при отворена врата (Фиг. 1. 2.)



(Единица: мм)	Модел#	
Ширина	W1	905
	W2	327
	W3	368
	W4	1559
	W5	51
	W	905
	D1	1061
	D2	1101
	D	738
Разстояние до задна стена	A	100
Разстояние до странични стени	B	100
Разстояние до тавана	C	100
Обща височина	H	1825

## Вентилационно сечение

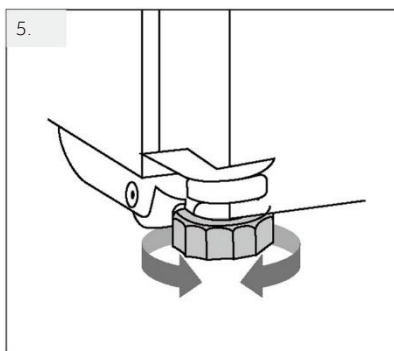
За да се осигури на уреда достатъчно добро ниво на вентилация от съображения за безопасност, трябва да се спазват изискванията, показани във вентилационното напречно сечение.



### Подравняване на уреда (Фиг. 4.5.6.)

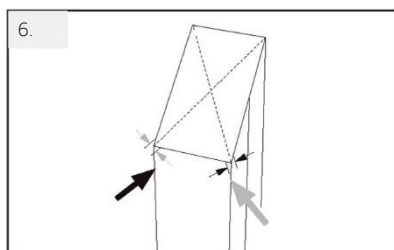
Уредът трябва да бъде поставен на равна и твърда повърхност.

4. Наклонете хладилника леко назад.



5. Нагласете крачетата до желаното ниво.

Уверете се, че разстоянието до стената от страните на пантите е поне 100 мм, за да се отворят свободно вратите.



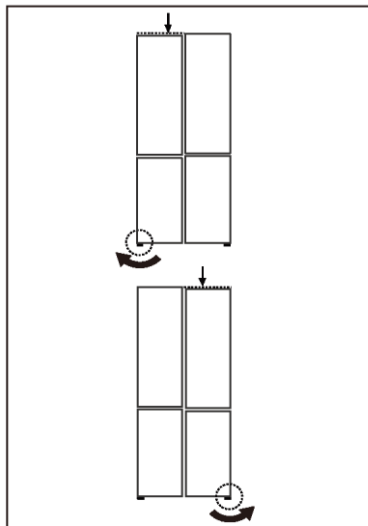
6. Стабилността може да се провери чрез последователно побутване по диагоналите. И в двете посоки трябва да се получава еднакво леко люлеене. В противен случай рамката може да се изкриви, в резултат на което уплътненията на вратата няма да прилепват плътно.

Лекият наклон назад улеснява затварянето на вратите.



## ЗАБЕЛЕЖКА

За свободно стоящ уред: този хладилник не е предназначен за вграждане

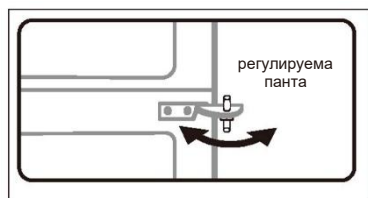


### Фина настройка на вратите

Ако вратите не са подравнени, това несъответствие може да бъде отстранено по следния начин:

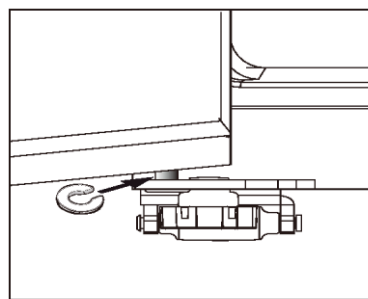
### Използване на регулируемо краче

Завъртете регулируемото краче в посоката на стрелката, за да го повдигнете или свалите надолу.



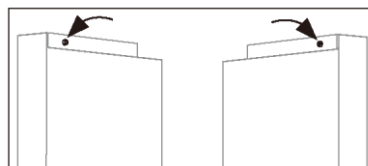
### Регулиране на позицията на вратата

- ▶ Когато двете врати не са на еднаква височина, регулируемите панти могат да бъдат фино регулирани с приложения гаечен ключ, за да нивелирате двете врати. Моля, работете внимателно, за да предотвратите драскотини или наранявания по рамката на вратата.



### Използване на разделители

- ▶ Отворете вратата на фризера и я повдигнете.
- ▶ Внимателно прикачете разделителя (предоставен с пакета аксесоари) към оста на долната панта на ръка или с помощта на инструменти като клещи. Не драскайте и не наранявайте повърхността на вратата.



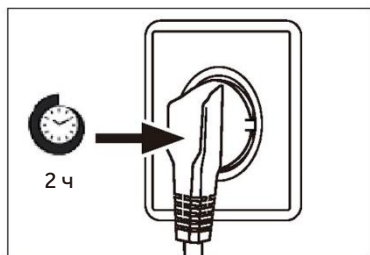
### Използване на копчето за регулиране

- ▶ Ако вратата на хладилното отделение не е нивелирана, можете да завъртите копчето за регулиране в горната част на вратата, за да направите фино регулиране.



## ЗАБЕЛЕЖКА

При бъдещо използване на хладилника денивелирането на вратите може да възникне в резултат на тежестта на съхраняваната храна. В такъв случай, моля, коригирайте според горните методи.



### Време на изчакване

Смазочното масло, което не се нуждае от поддръжка, се намира в капсулата на компресора. Това масло може да се разнесе из затворената система от тръби, докато уредът се пренася в наклонено положение. Преди да свържете уреда към захранването, трябва да изчакате поне 2 часа, за да може маслото да се върне обратно в капсулата.

### Свързване към електрозахранването

Преди всяко свързване проверявайте дали:

- ▶ захранването, контактът и предпазителите са подходящи според табелката с данни.
- ▶ електрическият контакт е заземен и няма включен разклонител или удължител.
- ▶ щепселът и контактът са в пълно съответствие.


Свържете щепсела към правилно инсталиран контакт за битова употреба.



## ПРЕДУПРЕЖДЕНИЕ!

За да се избегнат рискове, при повреда на захранващия кабел той трябва да бъде заменен от отдела за обслужване на клиенти (вижте гаранционната карта).

Функции на продукта съгласно регламент (ЕС) № 2019/2016

Марка	Haier
Наименование на модела/идентификатор	HCR59F19DNMM HCR59F18DNMB
Категория на модела	Хладилник с фризер
Клас на енергийна ефективност	D
Годишно потребление на енергия (kWh/година)(1)	306
Общ обем (л)	706
Обем на хладилника (л)	417
Обем на фризера (л)	251
Раздел с две звезди (л)	38
Оценка със звезди	
Система против заскрежаване	Да
Капацитет на замразяване (кг/24 ч)	14
Клас на климатизация <sup>(2)</sup>	SN-N-ST-T
Клас на шумовите емисии и излъчваните във въздуха шумови емисии (db(A) re 1pW)	C-35
Време на покачване на температурата (ч)	13
Вид на уреда	свободно стоящ

Обяснения:

- Да, включен

- (1) Въз основа на резултатите от теста за съответствие на стандартите за 24 часа. Действителното потребление зависи от употребата и местоположението на уреда.
- (2) Клас на климатизация SN: Уредът е предназначен за използване при температура на околната среда между +10°C и +32°C  
Клас на климатизация N: Уредът е предназначен за използване при температура на околната среда между +16°C и +32°C  
Клас на климатизация ST: Уредът е предназначен за използване при температура на околната среда между +16°C и +38°C  
Клас на климатизация T: Уредът е предназначен за използване при температура на околната среда между +16°C и +43°C

#### Допълнителни технически данни

Напрежение/Честота	220 – 240 V ~ / 50Hz
Входящ ток (A)	1.5
Главен предпазител (A)	16
Хладилен агент	R600a 68 г
Размери (Ш/Д/В в мм)	905/738/1825

Препоръчваме да се консултирате с отдела по обслужване на клиенти на Haier и да използвате оригинални резервни части.

Ако имате проблем с вашия уред, първо проверете раздела „ОТСТРАНЯВАНЕ НА НЕИЗПРАВНОСТИ“.

Ако не успеете да намерите решение там, моля, обърнете се към

- ▶ Вашия местен търговец или
- ▶ нашия Европейски център за обслужване на клиенти по телефона (вижте телефонните номера по-долу) или
- ▶ раздела „Обслужване и поддръжката“ на адрес [www.haier.com](http://www.haier.com), където можете да направите
- ▶ заявка за обслужване, както и да намерите често задавани въпроси.

За да се свържете с нашия отдел за обслужване на клиенти, се уверете, че разполагате със следните данни.

Информацията може да бъде намерена на табелката с данни.

Модел \_\_\_\_\_

Сериен № \_\_\_\_\_

Също така проверете предоставената с продукта гаранционна карта, в случай че е предоставена гаранция.

Европейски център за обслужване на клиенти по телефона		
Държава*	Телефонен номер	Цена
Haier Italy (IT)	199 100 912	
Haier Spain (ES)	902 509 123	
Haier Germany (DE)	0180 5 39 39 99	<ul style="list-style-type: none"> <li>• 14 цента/мин стационарен</li> <li>• макс. 42 цента/мин мобилен</li> </ul>
Haier Austria (AT)	0820 001 205	<ul style="list-style-type: none"> <li>• 14,53 цента/мин стационарен</li> <li>• макс. 20 цента/мин всички останали</li> </ul>
Haier United Kingdom (UK)	0333 003 8122	
Haier France (FR)	0980 406 409	

\*За други държави, моля, проверете на [www.haier.com](http://www.haier.com)

Haier Europe Trading S.r.l

Branch UK

Westgate House, Westgate, Ealing

London, W5 1YY

\*Продължителност на гаранцията на хладилния уред:

Минималната гаранция е: 2 години за държавите от ЕС, 3 години за Турция, 1 година за Великобритания, 1 година за Русия, 3 години за Швеция, 2 години за Сърбия, 5 години за Норвегия, 1 година за Мароко, 6 месеца за Алжир, за Тунис не се изисква правна гаранция.

\*Период на наличие на резервни части за ремонт на уреда:

Термостати, температурни сензори, платки и светлинни източници се предлагат за минимален период от седем години след излизане на последния уред от модела на пазара.

Дръжки за врати, панци за врати, тави и кошници се предлагат за минимален период от седем години, а уплътнения за врати за минимален период от 10 години след излизане на последния уред от модела на пазара.

\*За допълнителна информация относно продукта, моля, вижте

<https://eprel.ec.europa.eu/> или сканирайте QR кода на енергийния етикет, предоставен с уреда

## СЕРТИФИКАТ ЗА КАЧЕСТВО

ОБОЗНАЧЕНИЕ: ХЛАДИЛНИК

Q.C.PASSED

ПРОВЕРКА №

QC01

# Haier

专用号条码

0060543171  
2026 г. Версия А

# Haier

Uživatelská příručka



Chladnička-mraznička

HCR59F18DNMM

HCR59F18DNMB

<b><u>4 Bezpečnostní informace</u></b>	<b><u>Před prvním použitím</u></b>	<b>5</b>
	<b><u>Instalace</u></b>	<b>5</b>
	<b><u>Každodenní používání</u></b>	<b>6</b>
<b><u>8 Určené použití</u></b>		
<b><u>9 Popis výrobku</u></b>		
<b><u>10 Ovládací panel</u></b>		
<b><u>11 Používání</u></b>	<b><u>Nastavení teploty v chladničce</u></b>	<b>14</b>
	<b><u>Nastavení teploty v mrazničce</u></b>	<b>14</b>
	<b><u>Funkce Super-Cool</u></b>	<b>15</b>
	<b><u>Funkce Super-Frz</u></b>	<b>15</b>
	<b><u>Režim Holiday</u></b>	<b>16</b>
	<b><u>Funkce Magic Zone</u></b>	<b>17</b>
<b><u>20 Vybavení</u></b>		
<b><u>22 Tipy pro úsporu energie</u></b>		
<b><u>23 Čištění a údržba</u></b>		
<b><u>25 Řešení problémů</u></b>		
<b><u>29 Instalace</u></b>		
<b><u>33 Technické údaje</u></b>		
<b><u>35 Zákaznický servis</u></b>		

## Děkujeme vám, že jste si koupili výrobek značky Haier.

Před použitím spotřebiče si pozorně přečtěte tyto pokyny. Obsahují důležité informace, které vám pomohou co nejlépe využít spotřebič a zajistit jeho bezpečnou a správnou instalaci, používání a údržbu.

Uschovejte tuto příručku na praktickém místě, abyste do ní mohli kdykoli nahlédnout ohledně bezpečného a správného používání spotřebiče.

Pokud spotřebič prodáváte, věnujte nebo nechávejte ve starém domě, předejte společně s ním také tuto příručku, aby se mohl nový vlastník seznámit se spotřebičem a přečísti si bezpečnostní varování.

## Příslušenství

Zkontrolujte příslušenství a literaturu podle tohoto seznamu:



Energetický štítek



Záruční list



Uživatelská příručka



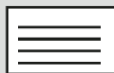
Záruční certifikát



Stručná příručka



Rozpěrka × 3



Výstražný štítek



Klíč



## **VAROVÁNÍ – Důležité bezpečnostní informace**



## **UPOZORNĚNÍ – Všeobecné informace a tipy**



## **Informace týkající se životního prostředí**



### **Likvidace**

Pomáhejte chránit životní prostředí a lidské zdraví. Vložte obalový materiál do vhodných kontejnerů pro recyklaci. Pomáhejte recyklovat odpadní elektrické a elektronické spotřebiče. Spotřebiče označené tímto symbolem nevyhazujte do domovního odpadu. Zašlete výrobek do místního recyklačního závodu, nebo se obraťte na váš obecní úřad.



### **VAROVÁNÍ: Nebezpečí požáru / hořlavý materiál**

Tento symbol signalizuje, že hrozí nebezpečí požáru kvůli použití hořlavých materiálů. Dejte pozor, abyste zamezili způsobení požáru zapálením hořlavého materiálu.



## **VAROVÁNÍ!**

Nebezpečí poranění nebo udušení!

Chladiva a plyny vyžadují profesionální likvidaci. Zajistěte, aby se potrubí chladicího okruhu nepoškodilo, než bude náležitě zlikvidováno. Odpojte spotřebič od síťového napájení. Odstřihněte síťový kabel a zlikvidujte ho. Odstraňte police a přihrádky, stejně jako západku a těsnění dveří, aby nedošlo k uzavření dětí a domácích zvířat uvnitř spotřebiče.

## Před prvním zapnutím spotřebiče si přečtěte následující rady týkající se bezpečnosti!



### VAROVÁNÍ!

#### Před prvním použitím

- ▶ Ujistěte se, že při přepravě nedošlo k žádnému poškození.
- ▶ Se spotřebičem vždy manipulujte alespoň ve dvou osobách, protože je těžký.

#### Instalace

- ▶ Spotřebič by se měl umístit do dobře větrané místnosti. Nad spotřebičem a kolem něj zajistěte volný prostor alespoň 10 cm.
- ▶ Nikdy neumísťujte spotřebič do vlhkého prostoru nebo na místo, kde by na něj mohla stříkat voda. Vodu a skvrny odstraňte a vysušte měkkou, čistou látkou.
- ▶ Neinstalujte spotřebič na přímé sluneční světlo nebo do blízkosti zdrojů tepla (např. sporáků nebo ohřívačů).
- ▶ Nainstalujte spotřebič na místo odpovídající jeho velikost a používání a vyrovnejte ho.
- ▶ Zajistěte, aby nic nezakrývalo větrací otvory ve spotřebiči nebo v konstrukci pro vestavění.
- ▶ Ujistěte se, že parametry elektrického napájení se shodují s údaji na výrobním štítku. V opačném případě kontaktujte elektrikáře.
- ▶ Spotřebič pracuje s napájením 220–240 VAC/50 Hz. Abnormální kolísání napětí může způsobit, že spotřebič se nespustí, nebo se poškodí regulátor teploty či kompresor, případně se může za chodu ozývat neobvyklý hluk. V takovém případě by se měl nainstalovat automatický regulátor.
- ▶ Nepoužívejte rozbočovací adaptéry ani prodlužovací kabely.
- ▶ Neumísťujte za spotřebič přenosné rozbočovací zásuvky ani prodlužovací kabely.
- ▶ Ujistěte se, že napájecí kabel není zachycen chladničkou. Nešlapejte na napájecí kabel.
- ▶ K napájení použijte samostatnou, snadno přístupnou uzemněnou zásuvku. Tento spotřebič musí být uzemněný.  
Pouze pro Spojené království: Napájecí kabel spotřebiče je vybaven trojpólovou zástrčkou (s uzemněním), která se zapojuje do standardní trojpólové zásuvky (s uzemněním). Nikdy neodřezávejte ani nedemontujte třetí kolík (uzemnění). Zástrčka by měla být přístupná i po instalaci spotřebiče.
- ▶ Nepoškodte okruh chladiva.



## VAROVÁNÍ!

### Každodenní používání

- ▶ Tento spotřebič mohou používat děti starší osmi let a osoby s omezenými fyzickými, smyslovými nebo duševními schopnostmi nebo osoby nezkušené a neznalé za předpokladu, že mají zajištěný dohled nebo byly poučeny o bezpečném používání spotřebiče a chápou související rizika.
- ▶ Děti ve věku od 3 do 8 let mohou spotřebič plnit a vyprazdňovat, ale nesmějí jej čistit ani instalovat.
- ▶ Zabraňte dětem mladším 3 let v přístupu ke spotřebiči, pokud nejsou pod nepřetržitým dozorem.
- ▶ Děti si se spotřebičem nesmějí hrát.
- ▶ Jestliže v blízkosti spotřebiče uniká chladný plyn nebo jiný hořlavý plyn, vypněte ventil unikajícího plynu, otevřete dveře a okna a neodpojujte zástrčku napájecího kabelu chladničky nebo jakéhokoli jiného spotřebiče od zásuvky.
- ▶ Upozorňujeme, že spotřebič je nastaven na provoz při určitém rozsahu teplot mezi 10 a 43 °C. Pokud je spotřebič delší dobu ponechán při teplotě nad nebo pod uvedeným rozsahem, nemusí správně fungovat.
- ▶ Nepokládejte na horní stranu chladničky nestabilní předměty (těžké předměty, nádoby naplněné vodou), aby se předešlo zranění způsobenému pádem nebo elektrickým proudem v důsledku styku s vodou.
- ▶ Netahejte za police ve dvířkách. Dvířka by se mohla vychýlit, mohla by se vytáhnout police na láhve nebo by se spotřebič mohl převrhnout.
- ▶ Otvírejte a zavírejte dvířka pouze pomocí madel. Mezera mezi dvířky a mezi dvířky a skříní je velmi úzká. Nedávejte do těchto míst ruce, abyste si nepřiskřípli prsty. Dvířka chladničky otvírejte nebo zavírejte pouze v případě, že v dosahu jejich pohybu nestojí žádné děti.
- ▶ Ve spotřebiči nebo v jeho blízkosti neskladujte ani nepoužívejte hořlavé, výbušné nebo korozivní látky.
- ▶ Ve spotřebiči neskladujte léky, bakterie ani chemické látky. Tento spotřebič je určen k použití v domácnosti. Nedoporučuje se skladovat materiály, které vyžadují přesně stanovené teploty.
- ▶ Do mrazničky nikdy neukládejte tekutiny v láhvích nebo plechovkách (kromě vysoko-percentních lihovin), a zejména nápoje syčené oxidem uhličitým, protože by během mrazení praskly.
- ▶ Pokud se v mrazničce zvýší teplota, zkontrolujte stav potravin.
- ▶ Nenastavujte zbytečně nízkou teplotu ve vnitřním prostoru chladničky. Při vysokém nastavení může teplota klesnout do záporných hodnot. Pozor: Láhve mohou prasknout.
- ▶ Nedotýkejte se mražených potravin mokřýma rukama (noste rukavice). Zejména nejezte nanuky bezprostředně po vyjmutí z prostoru mrazničky. Hrozí nebezpečí přimrznutí nebo vzniku omrzlin. PRVNÍ POMOC: ihned umístěte zasažené místo pod tekoucí studenou vodu. Neodtrhujte!
- ▶ Za provozu se nedotýkejte vnitřního povrchu úložného prostoru mrazničky, zejména ne mokřýma rukama, protože by mohly přimrznout k povrchu.



## VAROVÁNÍ!

### Každodenní používání

- ▶ V případě výpadku napájení nebo před čištěním odpojte spotřebič od napájení. Před opětovným spuštěním spotřebiče počkejte alespoň 7 minut, protože časté spouštění by mohlo poškodit kompresor.
- ▶ Uvnitř prostoru pro skladování potravin ve spotřebiči nepoužívejte elektrická zařízení, pokud se nejedná o zařízení doporučené výrobcem.  
Údržba/čištění
- ▶ Jestliže jsou čištění a údržba prováděny dětmi, je nutné na ně dohlížet.
- ▶ Před zahájením jakékoli pravidelné údržby odpojte spotřebič od elektrického napájení. Před opětovným spuštěním spotřebiče počkejte alespoň 5 minut, protože časté spouštění by mohlo poškodit kompresor.
- ▶ Při odpojování spotřebiče od napájení držte zástrčku, nikoli kabel.
- ▶ Nečistěte spotřebič tvrdými kartáči, drátěnými kartáči, práškovými čistícími prostředky, benzínem, amylacetátem, acetonem a podobnými organickými roztoky a kyselými nebo zásaditými roztoky. K čištění použijte speciální čistící prostředek na chladničky, aby se zamezilo poškození.
- ▶ Neseškrabávejte námrazu a led ostrými předměty. Nepoužívejte spreje, elektrické ohřívače jako fén na vlasy, parní čističe ani jiné zdroje tepla, aby nedošlo k poškození plastových součástí.
- ▶ K rozmrazování nepoužívejte mechanické nástroje ani jiné prostředky. Používejte pouze prostředky doporučené výrobcem.
- ▶ Pokud se poškodí napájecí kabel, výměnu musí provést výrobce, jeho servisní zástupce nebo osoba s podobnou kvalifikací, aby se vyloučilo riziko.
- ▶ Nepokoušejte se opravovat, rozebírat nebo upravovat spotřebič vlastními silami. Je-li nutná oprava, obraťte se na náš zákaznický servis.
- ▶ Alespoň jednou za rok odstraňte prach ze zadní strany spotřebiče, aby se předešlo nebezpečí požáru a nezvyšovala se spotřeba energie.
- ▶ Během čištění na spotřebič nestříkejte ani jej neoplachujte.
- ▶ K čištění spotřebiče nepoužívejte vodní postřik ani proud vody.
- ▶ Nečistěte chladné skleněné police horkou vodou. Náhlá změna teploty by mohla způsobit, že sklo praskne.

### Informace o plyném chladihu

- ▶ Spotřebič obsahuje hořlavé chladihu ISOBUTAN (R600a). Ujistěte se, že během přepravy nebo instalace nedošlo k poškození okruhu chladihu. Unikající chladihu by mohlo způsobit zranění očí, nebo by se mohlo vznítit. Pokud dojde k poškození, nepřibližujte se s otevřeným plamenem, důkladně vyvětrejte místnost a nezapojte ani neodpojte napájecí kabely tohoto či jiných spotřebičů. Informujte zákaznický servis.
- ▶ V případě zasažení očí chladihem důkladně vypláchněte oči pod tekoucí vodou a ihned zavolejte očnímu lékaři.

## Určené použití

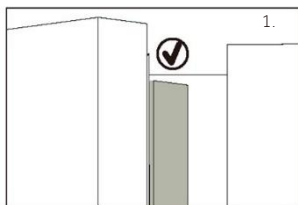
Tento spotřebič je určen k chlazení a mražení potravin. Je určen výhradně k používání v domácnostech a podobných oblastech, jako jsou kuchyně pro personál v obchodech, kancelářích a na dalších pracovištích, chalupy a hotely, motely a další obytné objekty, kde je používají zákazníci, stejně jako ubytovací zařízení typu penzionu se snídaní a cateringové služby. Není určen k používání v komerčním nebo průmyslovém prostředí.

Na spotřebiči neprovádějte žádné změny nebo úpravy. Používání k jinému než určenému účelu může představovat nebezpečí a vést ke ztrátě platnosti záruky.

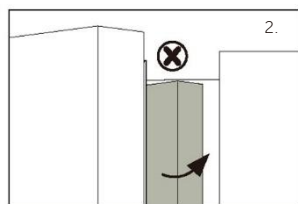
## Normy a směrnice

Tento výrobek splňuje požadavky všech platných směrnic ES s odpovídajícími harmonizovanými normami, které stanoví používání označení CE.

### POZOR!



Když zavřete dvířka, svislá dvevní lišta na levých dvířkách by se měla ohnout dovnitř (1).

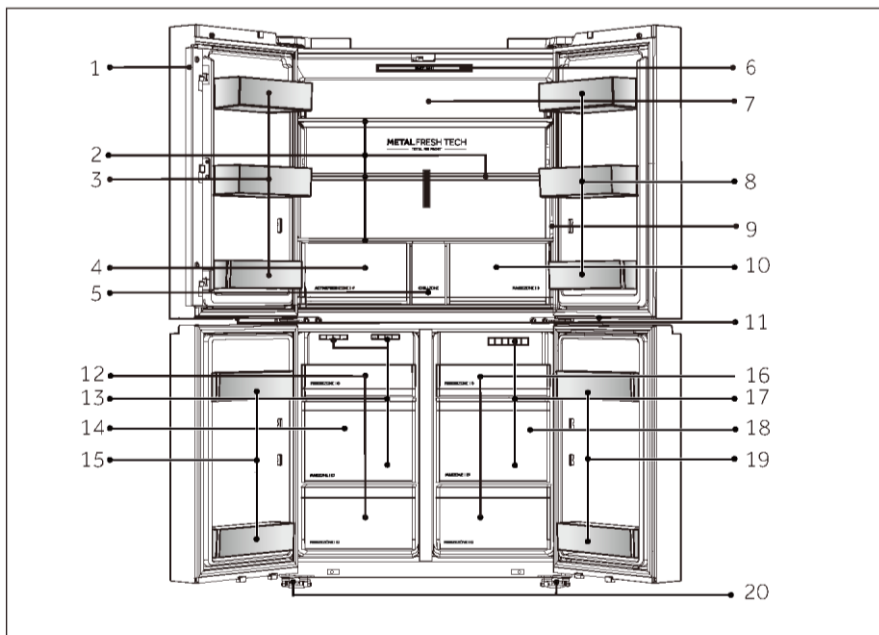


Jestliže se pokusíte zavřít levá dvířka a svislá dvevní lišta není ohnutá (2), nejprve byste ji měli ohnout, jinak dvevní lišta narazí do upevňovací osy nebo pravých dvířek. Pak by mohlo dojít k poškození dvířek nebo k netěsnosti.

Uvnitř rámu je topné vlákno. Teplota povrchu mírně vzroste, což je normální a nebude to mít vliv na fungování spotřebiče.

## **i** UPOZORNĚNÍ

Vzhledem k technickým změnám a různým modelům nemusí některé obrázky v této příručce přesně zobrazovat váš model.

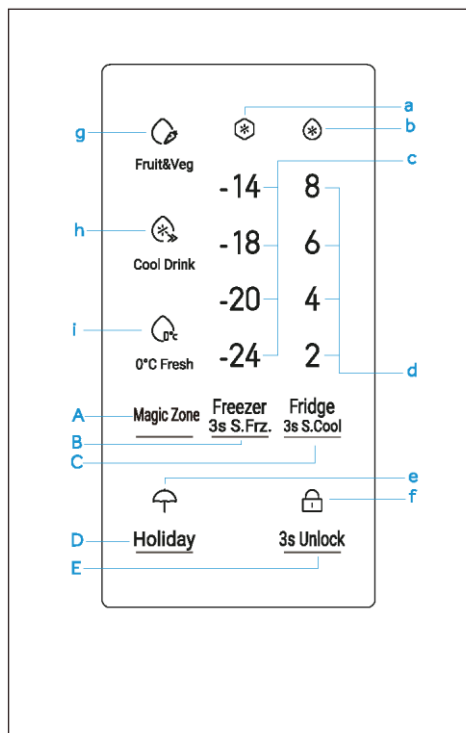


A: Prostor chladničky

- 1 Vzpěra dveří
- 2 Skleněné police
- 3 Držák lahví
- 4 Zásuvka ACTIVEFRESH ZONE
- 5 Přihrádka CHILL ZONE
- 6 Světlo chladničky
- 7 Dvířka chladničky
- 8 Držák lahví
- 9 Ovládací panel
- 10 Zásuvka MAGIC ZONE
- 11 Světlo mrazničky

B: Prostor mrazničky

- 12 Zásuvka FREEZE ZONE
- 13 Vzduchový kanál
- 14 Zásuvka MAX ZONE
- 15 Držák lahví
- 16 Zásuvka FREEZE ZONE
- 17 Vzduchový kanál
- 18 Zásuvka MAX ZONE
- 19 Držák lahví
- 20 Nastavitelné nohy



Tlačítka:

- A Volič režimu Magic Zone
- B Volič funkce mrazničky a funkce Super-Frz
- C Volič funkce chladničky a funkce Super-Cool
- D Volič funkce Holiday
- E Volič funkce zamknutí/odemknutí

Indikátory:

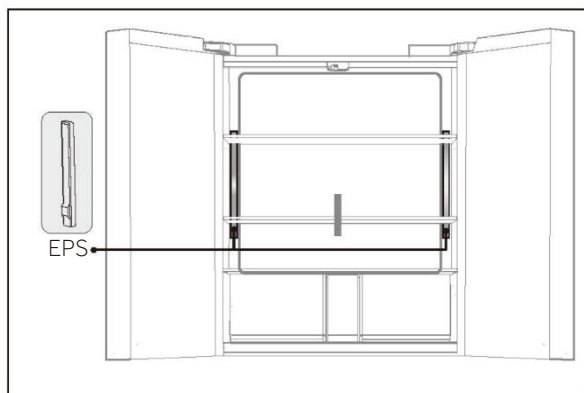
- a Funkce Super-Frz
- b Funkce Super-Cool
- c Teplota mrazničky
- d Teplota chlazení
- e Funkce Holiday
- f Funkce zamknutí/odemknutí
- g Funkce Fruit & Veg
- h Funkce Cool Drink
- i Funkce 0°C Fresh

### Před prvním použitím

- ▶ Odstraňte všechen obalový materiál, zejména bílý pěnový EPS na obou stranách chladicího kanálu, a uschovejte ho mimo dosah dětí. Zlikvidujte ho způsobem šetrným k životnímu prostředí.
- ▶ Než do spotřebiče vložíte jakékoli potraviny, vyčistěte jeho vnitřní i vnější povrchy vodou a slabým saponátem.
- ▶ Po vyrovnání a vyčištění počkejte alespoň 2–5 hodin, než spotřebič připojíte k napájení. Viz část **INSTALACE**.
- ▶ Než naplníte prostory potravinami, nejprve je nechte ochladit na vysoké nastavení. Funkce Power-Freeze pomůže rychle ochladit prostory.
- ▶ Teploty chladničky a mrazničky jsou automaticky nastaveny na 4 °C a -18 °C. Jedná se o doporučené nastavení. V případě potřeby můžete tyto teploty změnit ručně. Viz **NASTAVENÍ TEPLoty**.

### Způsob odstranění EPS

Nejprve vyjměte horní a prostřední police (způsob vyjímání polic je popsán na straně 25) a potom vyndejte dva kusy EPS.



## Dotyková tlačítka

Na ovládacím panelu jsou dotyková tlačítka, která reagují již na lehký dotyk prstem.

## Zapínání/vypínání spotřebiče

Spotřebič se spustí ihned po připojení k napájení.

Teploty chladničky a mrazničky jsou automaticky nastaveny na 4 °C a -18 °C.

Pravděpodobně je aktivní zámek panelu.



## UPOZORNĚNÍ

Spotřebič je přednastaven na doporučené teploty 4 °C (chladnička) a -18 °C (mraznička). V normálních podmínkách okolního prostředí nemusíte nastavovat teplotu.

Když se spotřebič zapne poté, co byl odpojen od napájení, může trvat až 12 hodin, než dosáhne správné teploty.

Před vypnutím vyprázdněte spotřebič. Chcete-li spotřebič vypnout, vytáhněte napájecí kabel ze síťové zásuvky.

## Zamknutí/odemknutí panelu

Automatický zámek: Když jsou dvířka chladničky zavřená a během 30 sekund není stisknuto žádné tlačítko, obrazovka displeje automaticky zhasne a zamkne se.

Ruční zamykání: Když je obrazovka displeje odemčená, stiskněte tlačítko „E“ (volič funkce Zámek panelu) a podržte ho 3 sekundy, ozve se jeden zvukový signál, rozsvítí se indikátor „f“ (Zámek panelu) a displej se zamkne. V zamčeném stavu dlouze stiskněte tlačítko „E“ na 3 sekundy, ozve se jeden zvukový signál, indikátor „f“ (Zámek panelu) zhasne a zámek panelu se odemkne.



## Režim ručního nastavení

Pokud chcete teplotu spotřebiče nastavit ručně, můžete ji nastavit pomocí tlačítka pro nastavení teploty (viz část NASTAVENÍ TEPLITY).

## Výstraha dveří

Výstraha dveří se spustí jako připomínka, když jsou dveře dlouho otevřené nebo nejsou správně zavřené.

## Nastavování teploty

Vnitřní teploty jsou ovlivňovány následujícími faktory:

Okolní teplota, četnost otvírání dvířek, množství uložených potravin a instalace spotřebiče.

## Nastavení teploty v chladničce

1. Když je obrazovka displeje odemčená, stiskněte tlačítko „C“. Ozve se jeden zvukový signál, indikátor „b“ bliká a potom se spustí režim nastavení teploty chladničky.
2. Při každém stisknutí tlačítka „C“ se ozve jeden zvukový signál a zobrazovaná nastavená teplota chladničky se bude měnit v pořadí 8 > 6 > 4 > 2.

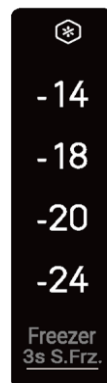


## UPOZORNĚNÍ

Pokud po nastavení teploty neproběhne do 5 sekund žádná akce, systém automaticky určí a uloží nastavenou teplotu.

## Nastavení teploty v mrazničce

1. Když je obrazovka displeje odemčená, stiskněte tlačítko „B“. Ozve se jeden zvukový signál, indikátor „b“ bliká a potom se spustí režim nastavení teploty mrazničky.
2. Při každém stisknutí tlačítka „B“ se ozve jeden zvukový signál a zobrazovaná nastavená teplota mrazničky se bude měnit v pořadí -14 > -18 > -20 > -24.

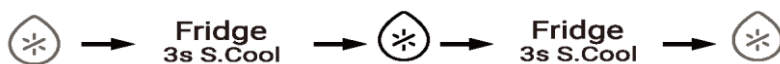


## UPOZORNĚNÍ

Pokud po nastavení teploty neproběhne do 5 sekund žádná akce, systém automaticky určí a uloží nastavenou teplotu.

## Funkce Super-Cool

1. Když je obrazovka displeje odemčená, stiskněte a 3 sekundy podržte tlačítko „C“, ozve se jeden zvukový signál, rozsvítí se indikátor „b“ a potom se zapne funkce Super-Cool.
2. Když svítí indikátor „b“, stiskněte a 3 sekundy podržte tlačítko „C“, ozve se jeden zvukový signál, indikátor „b“ zhasne a potom se funkce Super-Cool vypne.
3. Po zapnutí funkce Super-Cool a dosažení nastaveného stavu chladnička tuto funkci automaticky vypne. Chcete-li funkci ukončit ručně, můžete ji vypnout stisknutím tlačítka „C“.



## UPOZORNĚNÍ

1. Ve stavu Super-Cool nelze nastavovat teplotu chladničky. Pokud stisknete tlačítko „C“ pro nastavení teploty chladničky, indikátor „b“ začne blikat a ozve se zvukový signál, což signalizuje, že tento úkon nelze provést.
2. Ve stavu funkce Super-Cool nelze současně zapnout funkci Auto-set z důvodu různých režimů řízení. Pokud zvolíte funkci, kterou nelze spustit souběžně s jinou funkcí, původní funkce se automaticky ukončí.

## Funkce Super-Frz

1. Když je obrazovka displeje odemčená, stiskněte a 3 sekundy podržte tlačítko „B“, ozve se jeden zvukový signál, rozsvítí se indikátor „a“ a potom se zapne funkce Super-Frz.
2. Když svítí indikátor „a“, stiskněte a 3 sekundy podržte tlačítko „B“, ozve se jeden zvukový signál, indikátor „a“ zhasne a potom se funkce Super-Frz vypne.
3. Po zapnutí funkce Super-Frz a dosažení nastaveného stavu chladnička tuto funkci automaticky vypne. Chcete-li funkci ukončit ručně, můžete ji vypnout stisknutím tlačítka „B“.



## **i** UPOZORNĚNÍ

1. Ve stavu Super-Freeze nelze teplotu chladničky nastavit. Pokud stisknete tlačítko „B“ pro nastavení teploty mrazničky, indikátor „a“ začne blikat a ozve se zvukový signál, což signalizuje, že tento úkon nelze provést.
2. Funkce Super-Freeze je navržena tak, aby zachovala nutriční hodnotu zmrazených potravin, a umožňuje zmrazit potraviny v co nejkratší době. Rychlost zmrazování mrazničky se zvýší, potraviny lze rychle zmrazit, účinně se zachová jejich výživná hodnota a budou vhodně uskladněny. Pokud potřebujete najednou zmrazit velké množství potravin, doporučuje se nastavit funkci Super Freeze 24 h před použitím prostoru mrazničky.

### Režim Holiday

Režim Holiday je určen pro případ, že se chladnička nebude delší dobu používat. Když je zapnutý režim Holiday, mraznička běží standardním způsobem a teplota chladničky je automaticky nastavena na 17 °C, což zabraňuje vzniku nejrůznějších zápachů v důsledku vyšších teplot a zároveň pomáhá snížit spotřebu energie.

1. Když je obrazovka displeje odemčená, stiskněte tlačítko „D“, ozve se jeden zvukový signál, rozsvítí se indikátor „e“ a potom se zapne funkce Holiday.
2. Když svítí indikátor „e“, stiskněte tlačítko „D“, ozve se jeden zvukový signál, indikátor „e“ zhasne a potom se funkce Holiday vypne.



## **i** UPOZORNĚNÍ

Před použitím funkce Holiday chladničku vyprázdněte, aby se v ní potraviny nezkazily. Když je zapnutá funkce Holiday, nelze současně zapnout funkci „Super-Cool“.

## Funkce Magic Zone

Když je obrazovka displeje odemčená, stisknutím tlačítka „A“ přecházejte mezi funkcemi Fruit&Veg, Cool Drink a režimem 0°C Fresh.

### 1. Funkce Fruit&Veg:

Tato funkce je vhodná k ukládání čerstvého ovoce a zeleniny. Po vybrání této funkce se rozsvítí indikátor „g“.

### 2. Funkce Cool Drink:

Tato funkce umožňuje ukládat výrobky jako voda, kola a džus. Po vybrání této funkce se rozsvítí indikátor „h“.

### 3. Funkce 0°Fresh:

Tato funkce je vhodná k ukládání čerstvých potravin, například masa nebo ryb. Po vybrání této funkce se rozsvítí indikátor „i“.



## UPOZORNĚNÍ

- Po spuštění je standardně nastavena funkce Cool Drink.
- Pro funkci Fruit&Veg.: V zásuvce Magic Zone by se nemělo uchovávat ovoce citlivé na chlad, například ananasy, avokádo, banány, grapefruity, zelenina jako brambory, lilky, fazole, okurky, cukety a rajčata a sýry.
- Pro funkci 0°Fresh: Vzhledem k odlišnému obsahu vody v maso se maso s větším obsahem vlhkosti zmrazí při teplotách nižších než 0 °C. Takže „krájené“ maso by se mělo skladovat v zásuvce Magic Zone s teplotou min. 0 °C.
- Tři funkce Magic Zone nelze zapínat současně, může svítit kontrolka pouze jedné z nich. Chcete-li snížit teplotu v prostoru chladničky, použijte funkci Cool Drink, chcete-li ji zvýšit, použijte funkci Fruit&Veg.

## Tipy pro ukládání čerstvých potravin

### Ukládání do prostoru chladničky

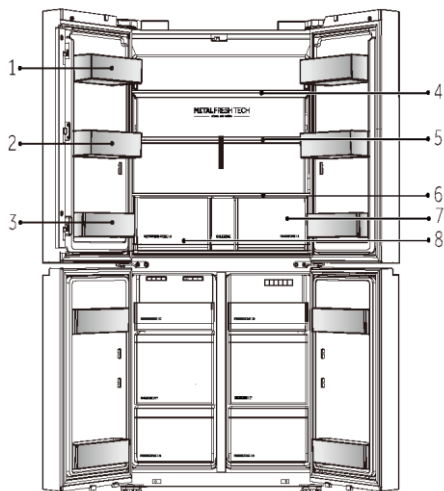
- Udržujte teplotu v chladničce pod 5 °C.
- Horké potraviny musí před uložením do spotřebiče vychladnout na pokojovou teplotu.
- Potraviny uchovávané v chladničce by se měly před uložením omýt a osušit.
- Potraviny určené k uložení by měly být náležitě uzavřené, aby se zamezilo změnám vůně nebo chuti.

5. Neskladujte nadměrné množství potravin. Mezi potravinami nechávejte volné místo, aby kolem nich mohl proudit studený vzduch; pak bude chlazení lepší a rovnoměrnější.
6. Potraviny konzumované každý den by se měly ukládat v přední části police.
7. Mezi potravinami a vnitřními stěnami nechávejte mezery, kterými může proudit vzduch. Zejména neopírejte potraviny o zadní stěnu, protože tam by mohly zmraznout. Zamezte přímému kontaktu potravin (zejména olejnatých nebo kyselých) s vnitřním povrchem, protože oleje/kyseliny by mohly způsobit jeho korozi. Kdykoli objevíte olejnaté/kyselé nečistoty, odstraňte je.
8. Rozmrazujte zmrazené potraviny v úložném prostoru chladničky. Pak budete moci použít zmrazené potraviny ke snížení teploty ve vnitřním prostoru a ušetříte energii.
9. Uchování v chladničce může urychlit proces stárnutí některých druhů ovoce a zeleniny, například cuket, melounů, papáji, banánů, ananasu atd. Proto se nedoporučuje skladovat je v chladničce. Nicméně uložení na určitou dobu může podpořit zrání velmi nezralého ovoce. Také cibule, česnek, zázvor a další kořenová zelenina by se měly skladovat při pokojové teplotě.
10. Nepříjemný zápach uvnitř chladničky může znamenat, že se něco zkazilo a bude nutné čištění. Viz ČIŠTĚNÍ A ÚDRŽBA.
11. Různé potraviny by se měly ukládat na různá místa podle jejich vlastností.



## UPOZORNĚNÍ

Mezi uloženými potravinami a vzduchovým kanálem nebo snímači udržujte vzdálenost větší než 10 mm, aby bylo zaručeno účinné chlazení.



1. Máslo, sýry atd.
2. Vejce, plechovky, konzervy, koření atd.
3. Nápoje a láhve.
4. Nakládané potraviny, konzervy atd.
5. Masné výrobky, přesnídávky, těstoviny, konzervy, mléko, tofu, mléčné výrobky atd.
6. Vařené maso, klobásy atd.
7. Zásuvka Magic ZONE: Ovoce, zelenina, saláty atd.
8. Zásuvka ACTIVEFRESH ZONE: Ovoce, zelenina, saláty atd.

## Ukládání do prostoru mrazničky

1. Udržujte teplotu mrazničky na  $-18\text{ }^{\circ}\text{C}$ .
2. 24 hodin před zmrazením zapněte funkci Super-Freeze; pro malé množství potravin postačí 4–6 hodin.
3. Horké potraviny musí před uložením do prostoru mrazničky vychladnout na pokojovou teplotu.
4. Potraviny nakrájené na malé porce zmrznou rychleji a snáze se rozmrazují a připravují. Doporučená hmotnost každé porce je méně než 2,5 kg.
5. Před vložením do mrazničky je vhodné potraviny zabalit. Vnější povrch obalu musí být suchý, aby balíčky nepřimrzly k sobě. Obalové materiály by měly být bez zápachu, vzduchotěsné, nejedovaté a netoxické.
6. Na obal zaznamenejte datum zmrazení, maximální dobu a název potraviny podle doby skladování pro různé potraviny, abyste předešli překročení doby skladovatelnosti.
  1. **VAROVÁNÍ!** Kyseliny, zásady, sůl apod. by mohly způsobit korozi vnitřního povrchu mrazničky. Nepokládejte potraviny obsahující tyto látky (např. mořské ryby) přímo na vnitřní povrch. Slaná voda v mrazničce by se měla ihned odstranit.
  2. Nepřekračujte dobu skladovatelnosti potravin doporučenou výrobcem. Vyjímajte z mrazničky pouze potřebné množství potravin.
  3. Rozmrazené potraviny rychle zkonzumujte. Rozmrazené potraviny již nelze znovu zmrazit, dokud se nejprve nepřipraví, jinak by se zhoršila jejich požitelnost.
  4. Neukládejte do prostoru mrazničky nadměrné množství čerstvých potravin. Věnujte pozornost kapacitě mrazničky – viz TECHNICKÉ ÚDAJE nebo údaje na typovém štítku.
  5. Potraviny lze skladovat v mrazničce při teplotě nejméně  $-18\text{ }^{\circ}\text{C}$  po dobu 2 až 12 měsíců v závislosti na jejich vlastnostech (např. maso: 3–12 měsíců, zelenina: 6–12 měsíců)
  6. Při zmrazování čerstvých potravin zamezte jejich kontaktu s již zmrazenými potravinami!

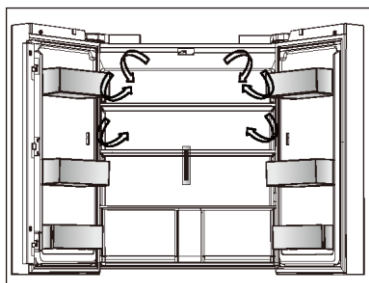
### Při ukládání potravin prodáváných ve zmrazeném stavu se řiďte těmito pokyny:

1. Vždy dodržujte pokyny výrobce ohledně doby skladovatelnosti potravin. Tyto pokyny nepřekračujte!
2. Snažte se co nejvíce zkrátit dobu mezi nákupem a uložením, aby zůstala zachována kvalita potravin.
3. Kupujte mražené potraviny, které byly skladovány při teplotě  $-18\text{ }^{\circ}\text{C}$  nebo nižší.
4. Nekupujte potraviny, které mají na obalu led nebo námrazu. Znamená to, že tyto výrobky mohly být v nějakém okamžiku částečně rozmrazené a znovu zmrazené. Vzárust teploty ovlivňuje kvalitu potravin.



## UPOZORNĚNÍ

Mezi uloženými potravinami a vzduchovým kanálem udržujte vzdálenost větší než 10 mm, aby bylo zaručeno účinné chlazení.

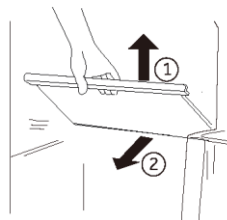


### Vícecestný průtok vzduchu

1. Chladnička je vybavena systémem vícecestného průtoku vzduchu, který zajišťuje proudění chladného vzduchu v každé úrovni polic. Pomáhá to udržovat jednotnou teplotu, která zaručí, že potraviny vydrží déle v čerstvém stavu.

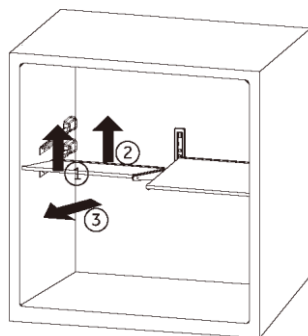
### Nastavitelné police

1. Výšku polic lze upravovat tak, aby vyhovovala vašim požadavkům na ukládání.
2. Chcete-li přemístit nějakou polici, vyjměte ji tak, že nejprve nadzdvihnete přední okraj ① a potom ji vytáhnete ven ②.
3. Při instalaci ji položte na výstupky na obou stranách a zatlačte ji až dozadu tak, aby se zadní strana police usadila uvnitř drážek v bočních stranách.



### Nastavení prostřední police

1. Vyjmutí držáku police:  
Nejprve nadzdvihněte přední okraj ① držáku police o 7 cm, potom zdvihněte zadní okraj ② držáku police, aby bylo možné oddělit západku na straně nosníku od montážního otvoru. Nakonec vytáhnete držák police ven ③.
2. Instalace držáku police:  
Zatlačte držák police na místo v úhlu znázorněném na obrázku, potom spusťte přední okraj ① držáku police dolů, aby mohla západka na straně nosníku zapadnout do montážního otvoru.



## UPOZORNĚNÍ

Ujistěte se, že všechny konce police jsou v rovině.

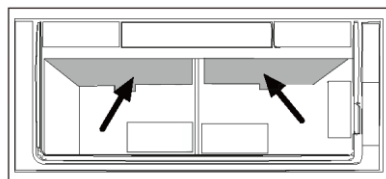
### Zásuvka ACTIVEFRESH ZONE

1. V tomto prostoru je vlhkost vyšší než v chladničce. Je regulována automaticky systémem a vhodná k ukládání ovoce, zeleniny, salátů a jiných potravin.



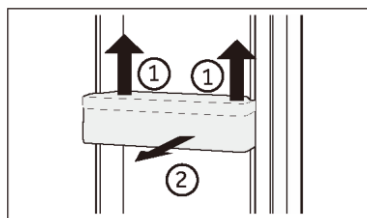
## UPOZORNĚNÍ

1. Plastový kryt uvnitř obou zón neodstraňujte.
2. Udržuje vlhkost.
3. V těchto dvou zásuvkách se nedoporučuje skladovat
4. ovoce citlivé na chlad, jako jsou ananas, avokádo, banány a grapefruity.



## Odnímatelné policičky / držák na láhve umístěné ve dvířkách

1. Police ve dvířkách lze vyjmát za účelem čištění:
2. Uchopte rukama obě strany police, zdvihněte ji nahoru ① a vytáhněte ji ven ②.
3. Při vkládání dveřní police proveďte výše popsané kroky v opačném pořadí.



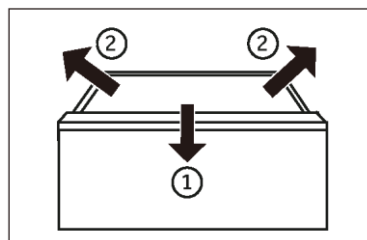
## UPOZORNĚNÍ

Když se spotřebič zapne, může trvat až 12 hodin, než dosáhne správné teploty.

## Vyjímatelná zásuvka

Chcete-li vyndat zásuvku, vytáhněte ji, jak nejdále to půjde ①, zdvihněte ji a vyjměte ②.

Při vkládání zásuvky proveďte výše popsané kroky v opačném pořadí.



## Světlo

Vnitřní osvětlení LED se rozsvítí při otevření dvířek a automaticky zhasne, pokud zůstanou dvířka otevřená déle než 7 minut. Fungování světel není ovlivňováno žádným z nastavení spotřebiče.



## Tipy pro úsporu energie

- ▶ Zajistěte, aby měl spotřebič náležité větrání (viz INSTALACE).
- ▶ Neinstalujte spotřebič na přímé sluneční světlo nebo do blízkosti zdrojů tepla (např. sporáků nebo ohříváčů).
- ▶ Vyhněte se zbytečně nízké teplotě uvnitř spotřebiče. Čím nižší je nastavená teplota ve spotřebiči, tím vyšší je spotřeba energie.
- ▶ Funkce jako POWER-FREEZE spotřebovávají více energie.
- ▶ Teplé jídlo nechte před vložením do spotřebiče vychladnout.
- ▶ Otvírejte dvířka spotřebiče co nejméně a na co nejkratší dobu.
- ▶ Nepřepřehňujte spotřebič, aby se nenarušilo proudění vzduchu.
- ▶ Zamezte přítomnosti vzduchu v obalech potravin.
- ▶ Udržujte těsnění dvířek v čistém stavu, aby se dvířka vždy správně zavírala.
- ▶ Rozmrazujte zmrazené potraviny v úložném prostoru chladničky.
- ▶ Energeticky nejušpornější konfigurace vyžaduje, aby byly ve spotřebiči nainstalovány přihrádky, schránka na potraviny a police ve stavu jako z výroby a aby potraviny byly uloženy co nejvíce vzadu, aniž by zakrývaly výstup vzduchového kanálu.



## VAROVÁNÍ!

Před čištěním odpojte spotřebič od napájení.

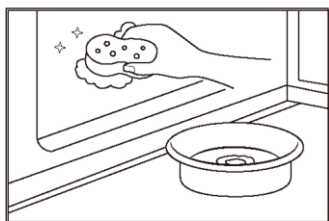
### Čištění

1. Spotřebič čistěte pouze tehdy, když je v něm uloženo jen málo potravin, nebo je prázdný.
2. Spotřebič by se měl čistit každé čtyři týdny, aby byl dobře udržovaný a zamezilo se zápachu z uložených potravin.



## VAROVÁNÍ!

- ▶ Nečistěte spotřebič tvrdými kartáči, drátěnými kartáči, práškovými čisticími prostředky, benzínem, amylacetátem, acetonem a podobnými organickými roztoky a kyselými nebo zásaditými roztoky. K čištění použijte speciální čisticí prostředek na chladničky, aby se zamezilo poškození.
- ▶ Během čištění na spotřebič nestříkejte ani jej neoplachujte.
- ▶ K čištění spotřebiče nepoužívejte vodní postřik ani proud vody.
- ▶ Nečistěte chladné skleněné police horkou vodou. Náhlá změna teploty by mohla způsobit, že sklo praskne.
- ▶ Nedotýkejte se vnitřního povrchu úložného prostoru mrazničky, zejména ne mokřkýma rukama, protože by mohly přimrznout k povrchu.
- ▶ V případě ohřátí zkontrolujte stav mražených potravin.



- ▶ Vždy udržujte těsnění dvířek v čistém stavu.
- ▶ Očistěte vnitřek a skříň spotřebiče houbou navlhčenou v teplé vodě s neutrálním čisticím prostředkem.
- ▶ 1. Vydrhněte vnitřní a vnější povrchy chladničky včetně těsnění dvířek, polic ve dvířkách, skleněných polic, přihrádek apod. měkkou utěrkou nebo houbou namočenou v teplé vodě (do teplé vody můžete přidat neutrální saponát).
- ▶ 2. Pokud se rozlije nějaká tekutina, vyjměte všechny zasažené součásti, opláchněte je přímo pod tekoucí vodou, osušte a vraťte zpět do chladničky.
- ▶ 3. Pokud se rozlije smetana (například šlehačka nebo roztátá zmrzlina), vyjměte všechny zasažené součásti, na nějakou dobu je vložte do teplé vody o teplotě asi 40 °C, potom je opláchněte pod tekoucí vodou, osušte a vraťte zpět do chladničky.
- ▶ 4. V případě, že uvnitř chladničky uvíznou nějaké malé díly nebo součásti (mezi policemi nebo zásuvkami), uvolněte je měkkým kartáčkem. Pokud na nějakou součást nedosáhnete, obraťte se na servis společnosti Haier
- ▶ Opláchněte povrch a vysušte ho měkkou látkou.
- ▶ Nemyjte žádné součásti spotřebiče v myčce.
- ▶ Před opětovným spuštěním spotřebiče počkejte alespoň 5 minut, protože časté spouštění by mohlo poškodit kompresor.

### Odmrazování

Prostory chladničky a mrazničky se odmrazují automaticky; není nutný žádný ruční zásah.

## Výměna žárovek LED



### VAROVÁNÍ!

Nevyměňujte žárovku LED vlastními silami, její výměnu musí provést buď výrobce, nebo autorizovaný servisní zástupce.

Jako zdroj světla v žárovce se využívají diody LED, které se vyznačují nízkou spotřebou energie a dlouhou životností. Pokud se vyskytne nějaký neobvyklý stav, kontaktujte zákaznický servis. Viz ZÁKAZNICKÝ SERVIS.

Parametry žárovek:

Prostor chladničky: 12 V, 4 W

Prostor mrazničky: 12 V, 2 W\*2

## Když se spotřebič delší dobu nepoužívá

Jestliže se spotřebič nebude delší dobu používat a nebudete využívat funkci chladničky Holiday:

Vyjměte potraviny.

Vytáhněte napájecí kabel ze zásuvky.

Vyčistěte spotřebič podle výše uvedeného popisu.

Nechte dvířka otevřená, aby se uvnitř nevytvořil zápach.



### UPOZORNĚNÍ

Spotřebič vypínejte pouze v nezbytně nutných případech.

## Přemísťování spotřebiče

1. Vyjměte všechny potraviny a odpojte spotřebič od napájení.
2. Připevněte police a ostatní pohyblivé součásti v chladničce a mrazničce lepicí páskou.
3. Nenaklánějte chladničku v úhlu větším než 45°, aby se předešlo poškození chladicího systému.



### VAROVÁNÍ!

- ▶ Nezdvihejte spotřebič za madla.
- ▶ Nikdy nepokládejte spotřebič vodorovně na zem.

Mnoho problémů můžete vyřešit sami bez konkrétních odborných znalostí. V případě problému zkontrolujte všechny možnosti a řiďte se níže uvedenými pokyny, než se obrátíte na poprodejní servis. Viz ZÁKAZNICKÝ SERVIS.



## VAROVÁNÍ!

- ▶ Před zahájením údržby vypněte spotřebič a vytáhněte zástrčku napájecího kabelu ze zásuvky.
- ▶ Servis elektrického zařízení by měli provádět pouze kvalifikovaní elektrikáři, protože nepatřičné opravy mohou vést k vážným následným škodám.
- ▶ Poškozený napájecí kabel by měl vyměnit pouze výrobce, jeho servisní zástupce nebo osoby s podobnou kvalifikací, aby se vyloučilo riziko.

Problém	Možná příčina	Možné řešení
Kompresor nepracuje.	<ul style="list-style-type: none"> <li>• Síťová zástrčka není zapojena do síťové zásuvky.</li> <li>• Spotřebič provádí cyklus odmrazování</li> </ul>	<ul style="list-style-type: none"> <li>• Zapojte síťovou zástrčku.</li> <li>• Jedná se o normální jev při automatickém odmrazování</li> </ul>
Spotřebič se spouští často nebo běží příliš dlouho.	<ul style="list-style-type: none"> <li>• Vnitřní nebo venkovní teplota je příliš vysoká.</li> <li>• Spotřebič byl určitou dobu vypnutý.</li> <li>• Dvířka spotřebiče nejsou těsně zavřená.</li> <li>• Dvířka se otvírala příliš často, nebo byla příliš dlouho otevřená.</li> <li>• Nastavená teplota pro prostor mrazničky je příliš nízká.</li> <li>• Těsnění dvířek je znečištěné, opotřebené, popraskané nebo nesprávně nainstalované.</li> <li>• Není zaručena požadovaná cirkulace vzduchu.</li> </ul>	<ul style="list-style-type: none"> <li>• V tomto případě je normální, že spotřebič běží déle.</li> <li>• Normálně trvá 8 až 12 hodin, než se spotřebič úplně ochladí.</li> <li>• Zavřete dvířka/zásuvku a ujistěte se, že spotřebič je umístěn na rovné zemi a dvířkům nepřekáží žádná potraviny nebo nádoby.</li> <li>• Neotvírejte dvířka/zásuvku příliš často.</li> <li>• Nastavte vyšší teplotu tak, abyste dosáhli uspokojivé teploty chladničky. Trvá 24 hodin, než se teplota chladničky ustálí.</li> <li>• Vyčistěte těsnění dvířek/zásuvky, nebo ho nechte vyměnit zákaznickým servisem.</li> <li>• Zajistěte odpovídající větrání.</li> </ul>
Vnitřek chladničky je znečištěný a/nebo zapáchá.	<ul style="list-style-type: none"> <li>• Je třeba vyčistit vnitřek chladničky.</li> <li>• V chladničce je uloženo nějaké silně aromatické jídlo.</li> </ul>	<ul style="list-style-type: none"> <li>• Vyčistěte vnitřek chladničky</li> <li>• Jídlo důkladně zabalte.</li> </ul>

Problém	Možná příčina	Možné řešení
Uvnitř spotřebiče není dostatečně chladno.	<ul style="list-style-type: none"> <li>• Je nastavena příliš vysoká teplota.</li> <li>• Bylo uloženo příliš teplé jídlo.</li> <li>• Bylo uloženo příliš potravin najednou.</li> <li>• Potraviny jsou příliš blízko sebe.</li> <li>• Dvířka/zásuvka spotřebiče nejsou těsně zavřené.</li> <li>• Dvířka/zásuvka se otvírala příliš často, nebo byla příliš dlouho otevřená.</li> </ul>	<ul style="list-style-type: none"> <li>• Znovu nastavte teplotu.</li> <li>• Před uložením vždy nechte jídlo vychladnout.</li> <li>• Vždy ukládejte menší množství potravin.</li> <li>• Nechte mezi potravinami mezery umožňující proudění vzduchu.</li> <li>• Zavřete dvířka/zásuvku.</li> <li>• Neotvírejte dvířka/zásuvku příliš často.</li> </ul>
Uvnitř spotřebiče je příliš chladno.	<ul style="list-style-type: none"> <li>• Je nastavena příliš nízká teplota.</li> <li>• Je aktivována funkce Super-Frz/Super-Cool, nebo běží příliš dlouho.</li> </ul>	<ul style="list-style-type: none"> <li>• Znovu nastavte teplotu.</li> <li>• Vypněte funkci Super-Frz/Super-Cool</li> </ul>
Tvoření vlhkosti na vnitřním povrchu chladicího prostoru.	<ul style="list-style-type: none"> <li>• Prostředí je příliš teplé a vlhké.</li> <li>• Dvířka/zásuvka spotřebiče nejsou těsně zavřené.</li> <li>• Dvířka/zásuvka se otvírala příliš často, nebo byla příliš dlouho otevřená.</li> <li>• Nádobky na potraviny nebo tekutiny zůstaly otevřené.</li> </ul>	<ul style="list-style-type: none"> <li>• Zvyšte teplotu.</li> <li>• Zavřete dvířka/zásuvku.</li> <li>• Neotvírejte dvířka/zásuvku příliš často.</li> <li>• Nechte horké potraviny vychladnout na pokojovou teplotu a potraviny a tekutiny zakryjte.</li> </ul>
Na vnějším povrchu chladničky nebo mezi dvířky / dvířkou a zásuvkou se hromadí vlhkost.	<ul style="list-style-type: none"> <li>• Prostředí je příliš teplé a vlhké.</li> <li>• Dvířka nejsou těsně zavřené. Chladný vzduch ve spotřebiči a teplý vnější vzduch, dochází ke kondenzaci.</li> </ul>	<ul style="list-style-type: none"> <li>• Jedná se o normální jev ve vlhkém prostředí; až se sníží vlhkost, situace se změní.</li> <li>• Ujistěte se, že dvířka/zásuvka jsou těsně zavřené.</li> </ul>

Problém	Možná příčina	Možné řešení
V prostoru mrazničky je silná vrstva ledu a námrazy.	<ul style="list-style-type: none"> <li>Potraviny nebyly náležitě zabalené.</li> <li>Dvířka/zásuvka spotřebiče nejsou těsně zavřené.</li> <li>Dvířka/zásuvka se otvírala příliš často, nebo byla příliš dlouho otevřená.</li> <li>Těsnění dvířek/zásuvky je znečištěné, opotřebené, popraskané nebo nesprávně nainstalované.</li> <li>Něco uvnitř brání správnému zavření dvířek/zásuvky.</li> </ul>	<ul style="list-style-type: none"> <li>Vždy dobře zabalte potraviny.</li> <li>Zavřete dvířka/zásuvku.</li> <li>Neotvírejte dvířka/zásuvku příliš často.</li> <li>Vyčistěte těsnění dvířek/zásuvky nebo ho vyměňte za nové.</li> <li>Přemístěte vnitřní police, police na dvířkách nebo vnitřní nádoby, aby se mohla dvířka/zásuvka zavřít.</li> </ul>
Boční strany skříně a lišta na dvířkách jsou teplé.		<ul style="list-style-type: none"> <li>Jedná se o normální jev.</li> </ul>
Spotřebič vydává neobvyklé zvuky.	<ul style="list-style-type: none"> <li>Spotřebič nestojí na rovné zemi.</li> <li>Spotřebič se dotýká nějakého předmětu ve svém okolí.</li> </ul>	<ul style="list-style-type: none"> <li>Seřídte nožky, aby stál spotřebič rovně.</li> <li>Odstaňte předměty z okolí spotřebiče.</li> </ul>
Ozývá se slabý zvuk podobný proudění vody.		<ul style="list-style-type: none"> <li>Jedná se o normální jev.</li> </ul>
Ozývá se pípání alarmu.	<ul style="list-style-type: none"> <li>Dvířka úložného prostoru chladničky jsou otevřená.</li> </ul>	<ul style="list-style-type: none"> <li>Zavřete dvířka.</li> </ul>
Ozývá se slabé hučení.	<ul style="list-style-type: none"> <li>Protikondenzační systém je v chodu</li> </ul>	<ul style="list-style-type: none"> <li>Zabraňuje kondenzaci, jedná se o normální jev</li> </ul>
Nefunguje osvětlení interiéru nebo chladicí systém.	<ul style="list-style-type: none"> <li>Síťová zástrčka není zapojena do síťové zásuvky.</li> <li>Napájení nemá správné parametry.</li> <li>Žárovka LED je porouchaná.</li> </ul>	<ul style="list-style-type: none"> <li>Zapojte síťovou zástrčku.</li> <li>Zkontrolujte přívod elektrického napájení do místnosti. Zavolejte místnímu dodavateli elektřiny!</li> <li>Zavolejte servis se žádostí o výměnu žárovky.</li> </ul>

Chcete-li kontaktovat technickou pomoc, navštivte naše webové stránky:

<https://corporate.haier-europe.com/en/>

V části „Website“ zvolte značku svého výrobku a svou zemi. Budete přesměrováni na konkrétní webovou stránku, kde najdete telefonní číslo a kontaktní formulář technické pomoci.

## Výpadek napájení

V případě výpadku napájení by měly potraviny zůstat bezpečně v chladu po dobu asi 5 hodin. Během delšího výpadku napájení se řiďte těmito tipy, zejména v létě:

- ▶ Otvírejte dvířka/zásuvku co nejméně často.
- ▶ Během výpadku napájení nevkládejte do spotřebiče další potraviny.
- ▶ Pokud je výpadek napájení oznámen předem a jeho délka překračuje 5 hodin, vyrobte trochu ledu a umístěte ho do nádoby v horní části prostoru chladničky.
- ▶ Ihned po výpadku napájení je nutné zkontrolovat potraviny.
- ▶ Vzhledem k tomu, že během výpadku napájení nebo jiné závady vzroste teplota v chladničce, doba skladování a požitelnost potravin se zkrátí. Jakékoli potraviny, které se rozmrazí, by se měly buď zkonsumovat, nebo tepelně upravit a znovu zmrazit (je-li to vhodné), aby se předešlo zdravotním rizikům.

## Funkce paměti během výpadku napájení

Po obnovení napájení bude spotřebič pokračovat v činnosti s parametry, které byly nastaveny před výpadkem.

## Vybalení



### VAROVÁNÍ!

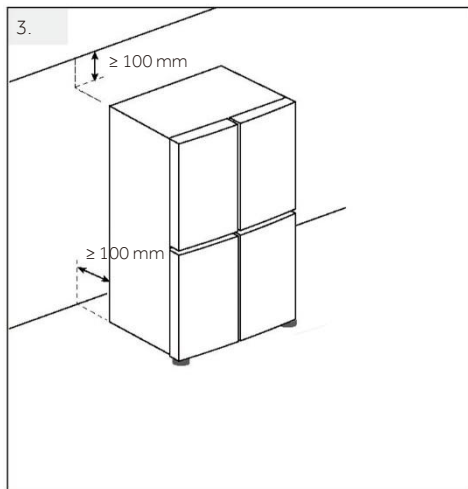
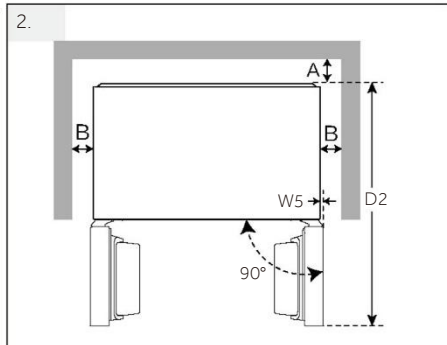
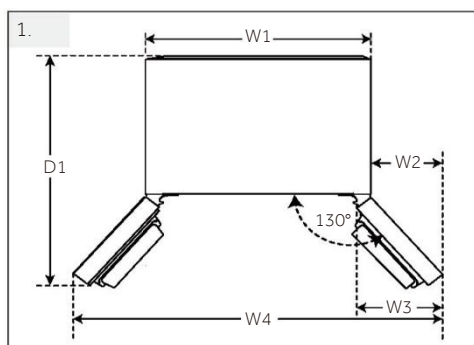
- ▶ Spotřebič je těžký. Vždy s ním manipulujte alespoň ve dvou osobách.
- ▶ Uchovávejte všechny obalové materiály mimo dosah dětí a zlikvidujte je způsobem šetrným k životnímu prostředí.
- ▶ Vyjměte spotřebič z obalu.
- ▶ Odstraňte všechny obalové materiály.

### Podmínky prostředí

Pokojová teplota by měla být vždy mezi 10 °C a 43 °C, protože může ovlivňovat teplotu uvnitř spotřebiče a jeho spotřebu energie. Bez náležité izolace neinstalujte spotřebič do blízkosti jiných spotřebičů vytvářejících teplo (trub, chladniček).

### Doporučení ohledně prostoru

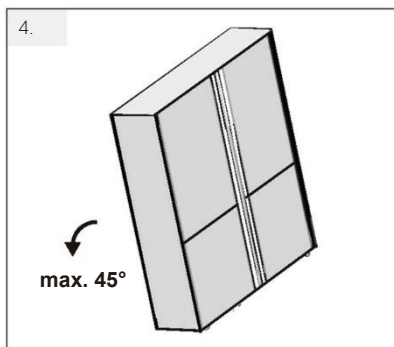
Doporučený prostor s otevřenými dvířky (obr. 1.2).



(Jednotky: mm)	Č. modelu	
Šířka	W1	905
	W2	327
	W3	368
	W4	1559
	W5	51
	W	905
	D1	1061
	D2	1101
	D	738
Vzdálenost od zadní stěny	A	100
Vzdálenost od bočních stěn	B	100
Vzdálenost od stropu	C	100
Celková výška	H	1825

## Prostor pro větrání

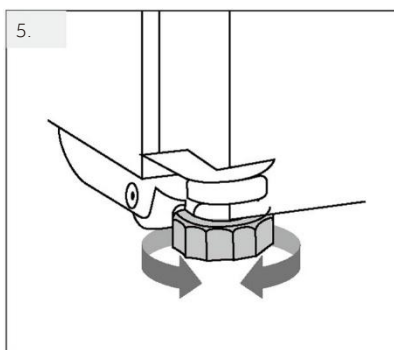
Z bezpečnostních důvodů je nutné dodržet informace o požadovaném prostoru pro větrání, aby byl spotřebič dostatečně větráný.



## Vyrovnání spotřebiče (obr. 4.5.6)

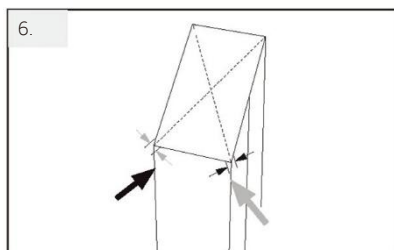
Spotřebič by se měl postavit na rovný a pevný povrch.

4. Nakloňte chladničku mírně dozadu.



5. Nastavte nohy na požadovanou výšku.

Ujistěte se, že vzdálenost od stěny na straně se závěsem je nejméně 100 mm, aby se mohla dvířka správně otvírat.

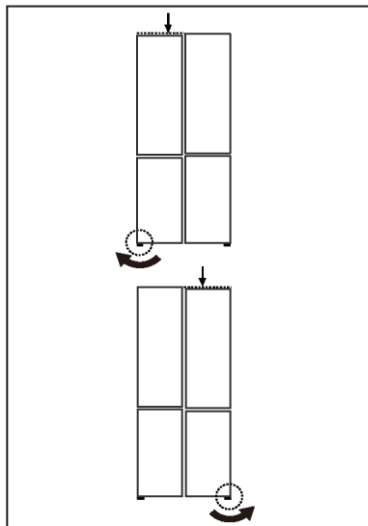


6. Stabilitu lze zkontrolovat střídavým kýváním po úhlopříčkách. Mírné kymácení by mělo být v obou směrech stejné. Jinak by se mohl rám zdeformovat, což by mohlo mít za následek, že těsnění dvířek nebude přiléhat. Mírný náklon dozadu usnadňuje zavírání dvířek.



## UPOZORNĚNÍ

Pro volně stojící spotřebič: tento chladicí spotřebič není určen k používání jako vestavný spotřebič

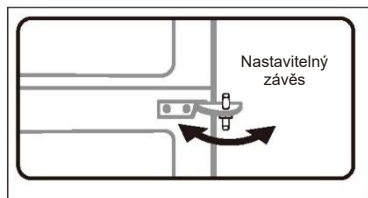


### Jemné nastavení dvířek

Jestliže nejsou dvířka v rovině, lze to napravit následujícím způsobem:

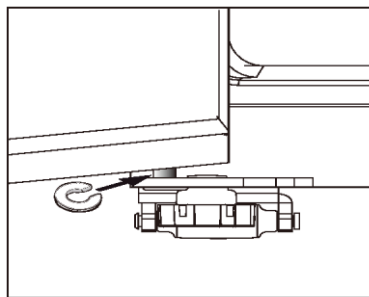
### Pomocí nastavitelné nožky

Otáčením nastavitelné nožky ve směru šipky zvyšujete nebo snižujete výšku.



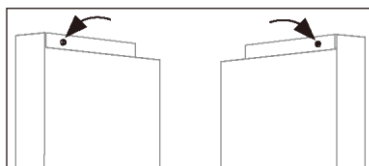
### Nastavení polohy dvířek

- ▶ Když obě dvířka nejsou ve stejné výšce, lze seřadit nastavitelné závěsy dodaným klíčem, aby se obě dvířka vyrovnala. Při instalaci nepoužívejte hrubou sílu, aby se předešlo vzniku škrábanců nebo nerovností na povrchu dvířek.



### Použití rozpěrek

- ▶ Otevřete dvířka mrazničky a zdvihněte je.
- ▶ Rukou nebo pomocí nářadí, například kleští, opatrně upněte rozpěrku (dodanou v sáčku s příslušenstvím) na osu dolního závěsu. Dejte pozor, abyste nepoškrábali nebo nepotloukli dvířka.



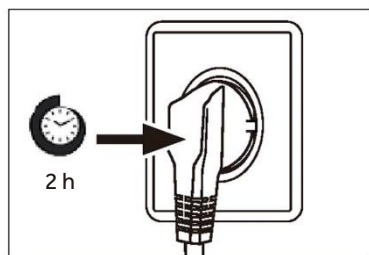
### Použití seřizovacího knoflíku

- ▶ Pokud dvířka prostoru chladničky nejsou vyrovnaná, můžete je seřadit otáčením nastavitelného knoflíku v horní části dvířek.



## UPOZORNĚNÍ

V průběhu používání chladničky může dojít k vychýlení dvířek způsobenému hmotností uložených potravin. V takovém případě je vyrovnejte výše popsány metodami.



### Doba čekání

V kapsli kompresoru se nachází bezúdržbový mazací olej. V případě naklonění během přepravy se olej může dostat do uzavřeného hadicového systému. Před připojením spotřebiče k napájení musíte počkat 2 hodiny, aby všechen olej natekl zpět do kapsle.

### Připojení k elektrickému napájení

Před každým připojením zkontrolujte:

- ▶ zda napájení, zásuvka a jištění odpovídají údajům na výrobním štítku.
- ▶ zda je síťová zásuvka uzemněná a nepoužívá se rozbočovací adaptér ani prodlužovací kabel.
- ▶ zda zástrčka přesně pasuje do zásuvky.


Zapojte zástrčku do náležitě nainstalované domácí zásuvky.



## VAROVÁNÍ!

Aby se zamezilo rizikům, výměnu poškozeného napájecího kabelu musí provést zákaznický servis (viz záruční list).

Informační list výrobku podle nařízení EU 2019/2016

Značka	Haier
Název/označení modelu	HCR59F19DNMM HCR59F18DNMB
Kategorie modelu	Chladnička-mraznička
Třída energetické účinnosti	D
Roční spotřeba energie (kWh/rok)(1)	306
Celkový objem (l)	706
Objem chladničky (l)	417
Objem mrazicího prostoru (l)	251
Část se dvěma hvězdičkami (l)	38
Hodnocení hvězdičkami	
Beznámrazový systém	Ano
Mrazicí výkon (kg/24 h)	14
Klimatická třída (2)	SN-N-ST-T
Třída emisí hluku a emise hluku šířeného vzduchem (db(A) re 1 pW)	C(35)
Doba náběhu teploty (h)	13
Typ spotřebiče	volně stojící

Vysvětlení:

• Ano, ve výbavě

(1) Na základě výsledků zkoušky shody s normami v průběhu 24 hodin. Skutečná spotřeba je závislá na způsobu používání a umístění spotřebiče.

(2) Klimatická třída SN: Tento spotřebič je určen k používání při teplotě okolí mezi +10 °C a +32°C

Klimatická třída N: Tento spotřebič je určen k používání při teplotě okolí mezi +16 °C a +32°C

Klimatická třída ST: Tento spotřebič je určen k používání při teplotě okolí mezi +16 °C a +38°C

Klimatická třída T: Tento spotřebič je určen k používání při teplotě okolí mezi +16 °C a +43°C

#### Další technické údaje

Napětí/frekvence	220–240 V~/50 Hz
Vstupní proud (A)	1.5
Hlavní pojistka (A)	16
Chladivo	R600a 68 g
Rozměry (Š/H/V v mm)	905 / 738 / 1825

Doporučujeme využívat zákaznický servis společnosti Haier a používat originální náhradní díly.

V případě problému se spotřebičem si nejprve přečtete část ŘEŠENÍ PROBLÉMŮ.

Pokud v ní nenajdete řešení, kontaktujte

- ▶ místního prodejce nebo
- ▶ naše Evropské středisko telefonické podpory (viz telefonní čísla uvedená níže) nebo
- ▶ část Servis a podpora na stránkách [www.haier.com](http://www.haier.com), kde můžete aktivovat požadavek na servis
- ▶ a kde najdete také časté dotazy.

Chcete-li kontaktovat náš servis, ujistěte se, že máte k dispozici následující údaje. Tyto údaje lze najít na výrobním štítku.

Model \_\_\_\_\_

Výrobní číslo \_\_\_\_\_

V případě záruky se také podívejte do záručního listu dodaného s výrobkem.

Evropské středisko telefonické podpory		
Země*	Telefonní číslo	Ceny
Haier Italy (IT)	199 100 912	
Haier Spain (ES)	902 509 123	
Haier Germany (DE)	0180 5 39 39 99	<ul style="list-style-type: none"> <li>• 14 ct/min pevná linka</li> <li>• max. 42 ct/min mobil</li> </ul>
Haier Austria (AT)	0820 001 205	<ul style="list-style-type: none"> <li>• 14,53 ct/min pevná linka</li> <li>• max. 20 ct/min vše ostatní</li> </ul>
Haier United Kingdom (UK)	0333 003 8122	
Haier France (FR)	0980 406 409	

\*Údaje o ostatních zemích najdete na adrese [www.haier.com](http://www.haier.com)

Haier Europe Trading S.r.l

Branch UK

Westgate House, Westgate, Ealing

London, W5 1YY

\*Doba záruky chladničky:

Minimální záruka: 2 roky pro země EU, 3 roky pro Turecko, 1 rok pro Spojené království, 1 rok pro Rusko, 3 roky pro Švédsko, 2 roky pro Srbsko, 5 let pro Norsko, 1 rok pro Maroko, 6 měsíců pro Alžírsko, Tunisko nevyžaduje žádnou zákonnou záruku.

\*Doba dostupnosti náhradních dílů pro opravu spotřebiče:

Termostaty, snímače teploty, desky s plošnými spoji a světelné zdroje budou k dispozici po dobu nejméně sedmi let od uvedení posledního modelu spotřebiče na trh.

Madla dvířek, závěsy dvířek, přihrádky a koše budou k dispozici po dobu nejméně sedmi let a těsnění dvířek po dobu nejméně deseti let od uvedení posledního modelu spotřebiče na trh.

\*Chcete-li další informace o výrobku, navštivte stránky <https://eprel.ec.europa.eu/> nebo naskenujte kód QR na energetickém štítku dodaném se spotřebičem.

## CERTIFIKÁT KVALITY

OZNAČENÍ: CHLADNIČKA  
Q.C.PASSED  
KONTROLOR č. QC01

# Haier

专用号条码

0060543171  
Verze A 2026

# Haier

Instrukcja obsługi



Chłodziarko-zamrażarka

HCR59F18DNMM

HCR59F18DNMB

<b><u>4</u></b> <b><u>Informacje dotyczące bezpieczeństwa</u></b>	•	<u>Przed pierwszym użyciem</u>	5
		<u>Instalacja</u>	5
		<u>Codzienne użytkowanie</u>	6
<b><u>8</u></b> <b><u>Przeznaczenie</u></b>	•		
<b><u>9</u></b> <b><u>Opis produktu</u></b>	•		
<b><u>10</u></b> <b><u>Panel sterowania</u></b>	•		
<b><u>11</u></b> <b><u>Użytkowanie</u></b>	•	<u>Wyreguluj temperaturę chłodziarki</u>	14
		<u>Ustaw temperaturę zamrażarki</u>	14
		<u>Funkcja Super-Cool</u>	15
		<u>Funkcja Super-Frz</u>	15
		<u>Tryb Holiday</u>	16
		<u>Funkcja Magic Zone</u>	17
<b><u>20</u></b> <b><u>Sprzęt</u></b>	•		
<b><u>22</u></b> <b><u>Wskazówki dotyczące oszczędzania energii</u></b>	•		
<b><u>23</u></b> <b><u>Pielęgnacja i czyszczenie</u></b>	•		
<b><u>25</u></b> <b><u>Usuwanie usterek</u></b>	•		
<b><u>29</u></b> <b><u>Instalacja</u></b>	•		
<b><u>33</u></b> <b><u>Dane techniczne</u></b>	•		
<b><u>35</u></b> <b><u>Obsługa klienta</u></b>	•		

## Dziękujemy za zakup produktu firmy Haier.

Przed użyciem urządzenia należy dokładnie przeczytać niniejsze instrukcje. Instrukcje zawierają ważne informacje, które pomogą możliwie najlepiej wykorzystać funkcje urządzenia, bezpiecznie i prawidłowo je zainstalować, eksploatować oraz konserwować.

Niniejszą instrukcję obsługi należy przechowywać w dostępnym miejscu, aby móc z niej zawsze skorzystać w celu bezpiecznego i właściwego użytkowania urządzenia. Przy sprzedaży urządzenia należy do niego dołączyć niniejszą instrukcję obsługi, a w przypadku przeprowadzki przekazać ją nowemu właścicielowi, aby mógł się zapoznać z urządzeniem i ostrzeżeniami dotyczącymi bezpieczeństwa.

## Akcesoria

Sprawdź akcesoria i materiały zgodnie z tą listą:



Etykieta wydajności energetycznej



Karta gwarancyjna



Instrukcja obsługi



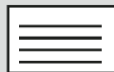
Certyfikat gwarancyjny



Szybki przewodnik



Przekładka×3



Karta ostrzegawcza



klucz



## **OSTRZEŻENIE – Ważne informacje dotyczące bezpieczeństwa**



## **UWAGA - Ogólne informacje i wskazówki**



## **Informacje dotyczące ochrony środowiska**



### **Utylizacja**

Pomóż chronić środowisko i ludzkie zdrowie. Wyrzuć opakowanie do odpowiednich pojemników do recyklingu. Pomóż w recyklingu odpadów z urządzeń elektrycznych i elektronicznych.

Nie wyrzucaj urządzeń oznaczonych tym symbolem razem z odpadami domowymi. Oddaj produkt do miejscowego zakładu recyklingu lub skontaktuj się z urzędem miejskim.



### **OSTRZEŻENIE: Ryzyko pożaru / materiał łatwopalny**

Ten symbol wskazuje na zagrożenie pożarowe, ponieważ urządzenie zawiera materiały łatwopalne. Uważaj, aby nie spowodować pożaru w wyniku podpalenia łatwopalnego materiału.



## **OSTRZEŻENIE!**

Ryzyko obrażeń lub uduszenia!

Czynniki chłodnicze i gazy muszą być utylizowane w profesjonalny sposób. Przed utylizacją upewnij się, że przewody układu chłodniczego nie są uszkodzone. Odłącz urządzenie od zasilania sieciowego. Odetnij przewód zasilający i zutylizuj go. Usuń tace i szuflady oraz zamek drzwi i uszczelki, aby zapobiec zamknięciu się dzieci i zwierząt w urządzeniu.

## Przed włączeniem urządzenia po raz pierwszy, przeczytaj poniższe wskazówki dotyczące bezpieczeństwa!



### OSTRZEŻENIE!

#### Przed pierwszym użyciem

- ▶ Upewnij się, że nie ma uszkodzeń powstałych podczas transportu.
- ▶ Zawsze przenoś urządzenie z pomocą co najmniej dwóch osób, ponieważ jest ono ciężkie.

#### Instalacja

- ▶ Urządzenie powinno być umieszczone w dobrze wentylowanym miejscu. Zapewnij przestrzeń co najmniej 10 cm nad urządzeniem i wokół niego.
- ▶ Nigdy nie umieszczaj urządzenia w wilgotnym miejscu lub w takim, w którym może być ochlapanie wodą. Zetrzyj plamy i zachlapania do sucha miękką i czystą ściereczką.
- ▶ Nie instaluj urządzenia w miejscu, w którym będzie narażone na bezpośrednie działanie słońca lub w pobliżu źródeł ciepła (np. pieców, grzejników).
- ▶ Zainstaluj i wypoziomuj urządzenie w miejscu odpowiednim dla jego wielkości i przeznaczenia.
- ▶ Dbaj o drożność otworów wentylacyjnych w obudowie urządzenia wolnostojącego lub w konstrukcji do zabudowy.
- ▶ Upewnij się, że informacje dotyczące elektryki na tabliczce znamionowej są zgodne z parametrami zasilania. Jeśli tak nie jest, skontaktuj się z elektrykiem.
- ▶ Urządzenie jest zasilane prądem 220–240 V AC/50 Hz. Odbiegające od normy wahania napięcia mogą spowodować niewłączenie się urządzenia albo uszkodzenie regulatora temperatury lub sprężarki. Mogą też być przyczyną nietypowego hałasu podczas pracy. W takim przypadku powinien zostać zamontowany automatyczny regulator.
- ▶ Nie używaj adapterów wtyczek i przedłużaczy.
- ▶ Za urządzeniem nie należy umieszczać kilku listew zasilających ani przenośnych zasilaczy.
- ▶ Upewnij się, że kabel zasilający nie jest przytrzaśnięty przez chłodziarkę. Nie stawaj na przewodzie zasilającym.
- ▶ Używaj oddzielnego, łatwo dostępnego i uziemionego gniazdka. Urządzenie musi być uziemione.  
Dotyczy tylko Wielkiej Brytanii: Kabel zasilający urządzenie jest wyposażony we wtyczkę z 3 bolcami (z uziemieniem), która pasuje do standardowego gniazda z 3 przewodami (z uziemieniem). Nigdy nie odcinaj ani nie demontuj trzeciego bolca (z uziemieniem). Po zainstalowaniu urządzenia wtyczka powinna być łatwo dostępna.
- ▶ Uważaj, aby nie uszkodzić obwodu chłodniczego.



## OSTRZEŻENIE!

### Codzienne użytkowanie

- ▶ Urządzenie może być obsługiwane przez dzieci powyżej 8 roku życia i przez osoby o ograniczonych możliwościach fizycznych, sensorycznych lub umysłowych lub osoby nieposiadające doświadczenia ani wiedzy pod warunkiem, że są one pod odpowiednim nadzorem lub zostały poinstruowane, jak bezpiecznie obsługiwać urządzenie i rozumieją związane z nim zagrożenia.
- ▶ Dzieciom w wieku od 3 do 8 lat wolno wkładać i wyjmować produkty z urządzeń chłodniczych, ale nie wolno ich czyścić ani instalować.
- ▶ Trzymaj z dala od urządzenia dzieci poniżej 3 roku życia, chyba że są pod stałym nadzorem.
- ▶ Dzieci nie powinny bawić się urządzeniem.
- ▶ Jeśli czynnik chłodniczy lub inny łatwopalny gaz wycieka w pobliżu urządzenia, zamknij zawór wyciekającego gazu, otwórz drzwi oraz okna i nie odłączaj kabla zasilającego chłodziarki lub innego urządzenia.
- ▶ Zwróć uwagę, że urządzenie jest ustawione do pracy w określonym zakresie temperatur pomiędzy 10 a 43°C. Chłodziarka może nie pracować prawidłowo, jeśli pozostanie na dłuższy czas w temperaturze powyżej lub poniżej podanego zakresu.
- ▶ Na chłodziarce nie należy umieszczać niestabilnych przedmiotów (ciężkich przedmiotów, pojemników wypełnionych wodą), aby uniknąć obrażeń ciała spowodowanych upadkiem lub porażeniem prądem elektrycznym w wyniku kontaktu z wodą.
- ▶ Nie ciągnij za półki drzwiowe. Drzwi mogą być pochylone, stojak na butelki może zostać wyciągnięty lub urządzenie może się przewrócić.
- ▶ Otwieraj i zamykaj drzwi tylko za pomocą klamek. Szczelina między drzwiami a obudową jest bardzo wąska. Nie trzymaj rąk w tych obszarach, aby uniknąć przycięcia palców. Otwieraj i zamykaj drzwi chłodziarki tylko wtedy, gdy nie ma dzieci stojących w obrębie ruchu drzwi.
- ▶ Nie przechowuj ani nie używaj materiałów łatwopalnych, wybuchowych lub żrących w urządzeniu lub w jego sąsiedztwie.
- ▶ Nie przechowuj w urządzeniu leków, bakterii lub substancji chemicznych. To urządzenie jest urządzeniem gospodarstwa domowego. Nie zaleca się przechowywania materiałów, które wymagają ściśle określonej temperatury.
- ▶ Nigdy nie przechowuj płynów w butelkach lub puszkach (oprócz alkoholi wysokoprocentowych), zwłaszcza napojów gazowanych w zamrażarce, ponieważ mogą one pęknąć podczas zamrażania.
- ▶ Sprawdź stan żywności, jeśli w zamrażarce miało miejsce zwiększenie temperatury.
- ▶ Nie ustawiaj niepotrzebnie niskiej temperatury w komorze chłodziarki. Ujemne temperatury mogą wystąpić przy wysokich ustawieniach. Uwaga: Butelki mogą wybuchnąć.
- ▶ Nie dotykaj zamrożonych towarów mokrymi rękami (załóż rękawiczki). Szczególnie nie należy jeść lizaków lodowych bezpośrednio po wyjęciu z komory zamrażarki. Istnieje ryzyko przymarznienia naskórka lub powstania pęcherzy. PIERWSZA pomoc: Natychmiast polej miejsce przymarznienia bieżącą zimną wodą. Nie odrywaj!
- ▶ Nie dotykaj wnętrza komory zamrażalnika podczas pracy, zwłaszcza mokrymi rękami, ponieważ mogą one przymarznąć do jej powierzchni.



## OSTRZEŻENIE!

### Codzienne użytkowanie

- ▶ Odłącz urządzenie w przypadku przerwy w zasilaniu lub przed czyszczeniem. Nie uruchamiaj ponownie urządzenia przez co najmniej 7 minut, ponieważ szybkie włączenie może doprowadzić do uszkodzenia sprężarki.
- ▶ Nie używaj urządzeń elektrycznych wewnątrz komór do przechowywania żywności, chyba że są to urządzenia typu zalecanego przez producenta.  
Konserwacja / czyszczenie
- ▶ Upewnij się, że dzieci są nadzorowane podczas czyszczenia i konserwacji urządzenia.
- ▶ Przed przystąpieniem do rutynowej konserwacji należy odłączyć urządzenie od zasilania elektrycznego. Odczekaj co najmniej 5 minut przed ponownym uruchomieniem urządzenia, ponieważ częste uruchamianie może uszkodzić sprężarkę.
- ▶ Podczas odłączania urządzenia trzymaj za wtyczkę, a nie za przewód.
- ▶ Nie czyść urządzenia za pomocą twardych szczotek, szczotek drucianych, detergentów proszkowych, benzyny, octanu amyłu, acetonu i podobnych roztworów organicznych, kwasów lub roztworów alkalicznych. Do czyszczenia należy używać specjalnego detergentu do chłodziarek, aby uniknąć uszkodzenia.
- ▶ Nie zeskrobuj szronu i lodu ostrymi przedmiotami. Nie używaj rozpylaczy, grzejników elektrycznych, takich jak suszarka do włosów, myjek parowych lub innych źródeł ciepła, aby uniknąć uszkodzenia plastikowych części.
- ▶ Nie używaj urządzeń mechanicznych ani innych środków do przyspieszania procesu rozmrażania, chyba że są one zalecane przez producenta.
- ▶ Jeśli kabel zasilający ulegnie uszkodzeniu, dla bezpieczeństwa należy zlecić jego wymianę producentowi, autoryzowanemu serwisowi lub osobom o podobnych kwalifikacjach.
- ▶ Nie należy próbować samodzielnie naprawiać, demontować ani modyfikować urządzenia. W przypadku konieczności naprawy prosimy o kontakt z naszym działem obsługi klienta.
- ▶ Usuń kurz z tyłu urządzenia co najmniej raz w roku, aby uniknąć zagrożenia ogniem, a także zwiększonego zużycia energii.
- ▶ Nie używaj aerozolu ani nie przepłukuj urządzenia podczas czyszczenia.
- ▶ Nie używaj wody lub pary do czyszczenia urządzenia.
- ▶ Nie czyść zimnych szklanych półek gorącą wodą. Nagła zmiana temperatury może spowodować pęknięcie szkła.

### Informacje dotyczące czynnika chłodniczego

- ▶ Urządzenie zawiera łatwopalny czynnik chłodniczy IZOBUTAN (R600a). Upewnij się, że układ chłodniczy nie został uszkodzony podczas transportu lub instalacji. Wyciek czynnika może spowodować uszkodzenie wzroku lub zapalenie. Jeśli wystąpiło uszkodzenie, trzymaj urządzenie z dala od otwartych źródeł ognia, dokładnie przewietrz pomieszczenie, nie podłączaj ani nie odłączaj kabli zasilających tego lub innego urządzenia. Poinformuj obsługę klienta.
- ▶ W przypadku kontaktu czynnika chłodniczego z oczami natychmiast przepłucz je pod bieżącą wodą i natychmiast skontaktuj się z okulistą.

## Przeznaczenie

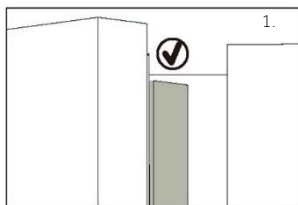
To urządzenie jest przeznaczone do chłodzenia i zamrażania żywności. Zostało zaprojektowane wyłącznie do użytku w gospodarstwach domowych i podobnych zastosowaniach, takich jak pomieszczenia kuchenne dla personelu w sklepach, biurach i innych środowiskach pracy; w gospodarstwach rolnych oraz przez klientów w hotelach, motelach i innych obiektach mieszkalnych, a także w pensjonatach i gastronomii. Nie jest przeznaczone do użytku komercyjnego ani przemysłowego. Zmiany lub modyfikacje urządzenia są niedozwolone. Użycie niezgodne z przeznaczeniem może spowodować zagrożenie i utratę roszczeń gwarancyjnych.

## Normy i dyrektywy **CE**

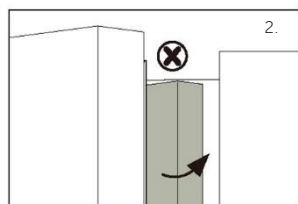
Produkt ten spełnia wymagania wszystkich obowiązujących dyrektyw UE z odpowiednimi normami zharmonizowanymi, które przewidują oznakowanie CE.



### OSTRZEŻENIE!



Po zamknięciu drzwi pionowa listwa drzwi na lewych drzwiach powinna być wygięta wewnątrz (1).

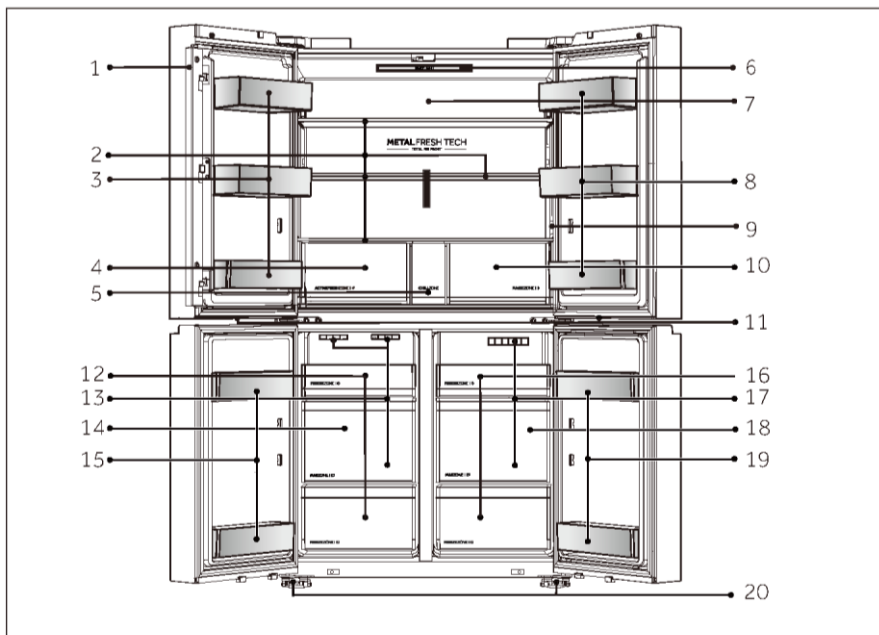


Jeśli próbujesz zamknąć lewe drzwi, a pionowa listwa drzwiowa jest niezapięta (2), należy ją najpierw zgiąć, w przeciwnym razie listwa drzwiowa uderzy w wał mocujący lub prawe drzwi. W ten sposób może dojść do uszkodzenia drzwi lub wycieku.

W ramie znajduje się gwint grzewczy. Temperatura powierzchni nieco wzrośnie, co jest normalne i nie wpłynie na działanie urządzenia.

## **i** UWAGA

Z powodu zmian technicznych i różnych modeli, niektóre ilustracje w tej instrukcji mogą się różnić od Twojego modelu.

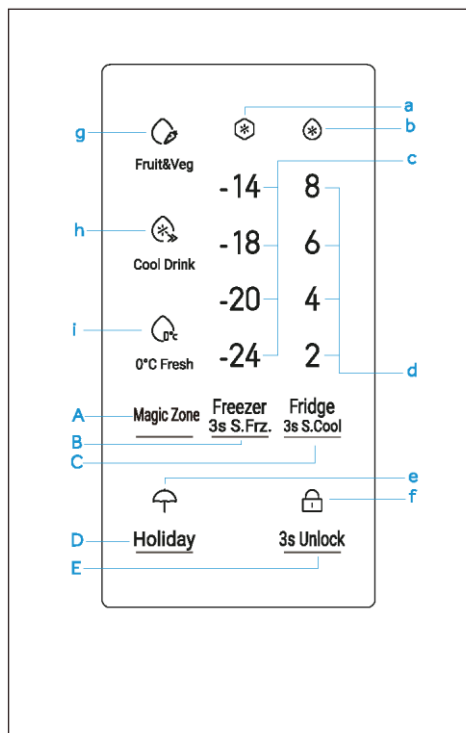


A: Komora chłodziarki

- 1 Belka drzwiowa
- 2 Szklane półki
- 3 Uchwyt na butelki
- 4 Szuflada ACTIVEFRESH ZONE
- 5 Komora CHILL ZONE
- 6 Żarówka chłodziarki
- 7 Kanał chłodziarki
- 8 Uchwyt na butelki
- 9 Panel sterowania
- 10 Szuflada MAGIC ZONE
- 11 Lampka zamrażarki

B: Komora zamrażarki

- 12 Szuflada FREEZE ZONE
- 13 Kanał powietrzny
- 14 Szuflada MAX ZONE
- 15 Uchwyt na butelki
- 16 Szuflada FREEZE ZONE
- 17 Kanał powietrzny
- 18 Szuflada MAX ZONE
- 19 Uchwyt na butelki
- 20 Regulowane nóżki



Przyciski:

- A Przetącznik trybu Magic Zone
- B Przetącznik funkcji zamrażarki i funkcji super-frz
- C Funkcja chłodziarki i przetącznik super-cool
- D Przetącznik funkcji Holiday
- E Przetącznik funkcji blokowania/ odblokowywania

Wskaźniki:

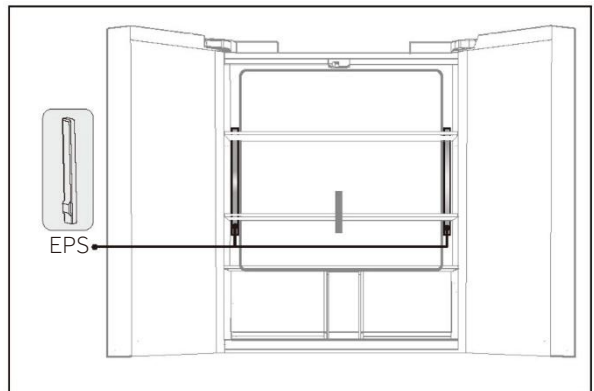
- a Funkcja Super-Frz
- b Funkcja Super-Cool
- c Temperatura zamrażarki
- d Temperatura chłodzenia
- e Funkcja Holiday
- f Funkcja blokowania/ odblokowywania
- g Funkcja Fruit & Veg
- h Funkcja Cool Drink
- i Funkcja 0°C Fresh

### Przed pierwszym użyciem

- ▶ Usunąć całe opakowanie, zwłaszcza białą piankę EPS po obu stronach kanału chłodniczego, i trzymać je poza zasięgiem dzieci. Utylizuj je w sposób przyjazny dla środowiska.
- ▶ Przed włożeniem żywności wyczyścić wnętrze i obudowę urządzenia wodą z dodatkiem łagodnego detergentu.
- ▶ Po wypoziomowaniu i wyczyszczeniu urządzenia odczekaj co najmniej 2-5 godzin przed podłączeniem go do zasilania. Zob. rozdział INSTALACJA.
- ▶ Przed włożeniem żywności należy wstępnie schłodzić komory z wysokimi ustawieniami. Funkcja Power-Freeze pomaga szybko schłodzić komory.
- ▶ Temperatury chłodziarki i zamrażarki są automatycznie ustawiane odpowiednio na 4°C oraz - 18°C. Są to zalecane ustawienia. W razie potrzeby można ręcznie zmienić ustawioną temperaturę. Zob. rozdział REGULACJA TEMPERATURY.

### Metoda usuwania EPS

Najpierw należy zdjąć górne i środkowe półki (sposób zdejmowania półek opisano na stronie 25), a następnie wyjąć dwa EPS.



## Klawisze czujnika

Przyciski na panelu sterowania są klawiszami czujników, które reagują przy delikatnym dotknięciu palcem.

## Włącz/Wyłącz urządzenie

Urządzenie zacznie pracę jak tylko zostanie podłączone do źródła energii.

Temperatury chłodziarki i zamrażarki są automatycznie ustawiane odpowiednio na 4°C i -18°C.

Blokada panelu może być aktywna.



## UWAGA

Urządzenie jest wstępnie ustawione na zalecaną temperaturę 4°C (chłodziarka) i -18°C (zamrażarka). W normalnych warunkach otoczenia nie trzeba ustawiać temperatury.

Gdy urządzenie zostanie włączone po uprzednim odłączeniu od głównego źródła zasilania, osiągnięcie prawidłowej temperatury może potrwać do 12 godzin.

Przed wyłączeniem należy opróżnić urządzenie. Aby wyłączyć urządzenie, wyciągnij przewód zasilający z gniazdka.

## Blokowanie/Odblokowanie panelu

**Automatyczne blokowanie:** Gdy drzwi chłodziarki są zamknięte i w ciągu 30 sekund nie zostanie naciśnięty żaden klawisz, ekran wyświetlacza zostanie automatycznie zgaszony i zablokowany.

**Ręczne blokowanie:** Gdy ekran wyświetlacza jest odblokowany, naciśnij przycisk „E” (selektor blokady panelu) i przytrzymaj przez 3 sekundy; brzęczyk zadzwoni jeden raz, wskaźnik „E” (blokada panelu) zaświeci się i wyświetlacz zostanie zablokowany. W stanie blokady naciśnij i przytrzymaj przycisk „E” przez 3 sekundy, rozlegnie się jeden sygnał dźwiękowy, zgaśnie wskaźnik „f” (panel zablokowany), a blokada panelu zostanie odblokowana.



## Tryb regulacji ręcznej

Jeśli chcesz ręcznie wyregulować temperaturę urządzenia, możesz ustawić temperaturę za pomocą przycisku regulacji temperatury (patrz REGULACJA TEMPERATURY)

## Alarm drzwi

Alarm drzwi zostanie uruchomiony, gdy drzwi będą otwarte przez dłuższy czas lub nie zostaną prawidłowo zamknięte, jako przypomnienie.

## Regulacja temperatury

Na temperaturę wewnątrz chłodziarki wpływają następujące czynniki:

Temperatura otoczenia, częstotliwość otwierania drzwi, ilość przechowywanej żywności, instalacja urządzenia.

## Wyreguluj temperaturę chłodziarki

1. Po odblokowaniu ekranu wyświetlacza naciśnij przycisk „C”. Rozlegnie się jeden sygnał dźwiękowy, wskaźnik „b” zacznie migać, a następnie chłodziarka przejdzie w tryb ustawiania temperatury.
2. Po każdorazowym naciśnięciu przycisku „C”, rozlegnie się jeden sygnał dźwiękowy, a temperatura lodówki zmieni się i wyświetli sekwencję 8>6>4>2

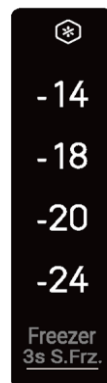


### UWAGA

Po ustawieniu temperatury, jeśli w ciągu 5 sekund nie zostanie wykonana żadna operacja, system automatycznie zapisze ustawioną temperaturę.

## Ustaw temperaturę zamrażarki

1. Gdy ekran wyświetlacza jest odblokowany, naciśnij przycisk „B”. Rozlegnie się jeden sygnał dźwiękowy, wskaźnik „c” miga, a następnie włącza się tryb ustawiania temperatury w zamrażarce.
2. Po każdorazowym naciśnięciu przycisku „B”, rozlegnie się jeden sygnał dźwiękowy, temperatura chłodziarki zmieni się i wyświetli sekwencję -14>-18>-20>-24.

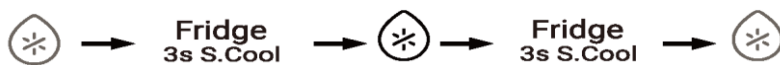


### UWAGA

Po ustawieniu temperatury, jeśli w ciągu 5 sekund nie zostanie wykonana żadna operacja, system automatycznie zapisze ustawioną temperaturę.

## Funkcja Super-Cool

1. Gdy ekran wyświetlacza jest odblokowany, naciśnij przycisk „C” i przytrzymaj przez 3 sekundy, brzęczyk zadzwoni jeden raz, zaświeci się wskaźnik „b”, a następnie funkcja Super-Cool zostanie włączona.
2. Gdy zaświeci się wskaźnik „b”, naciśnij i przytrzymaj przycisk „C” przez 3 sekundy, usłyszysz jeden sygnał dźwiękowy, wskaźnik „b” zgaśnie, a funkcja Super-Cool zostanie wyłączona.
3. Po włączeniu funkcji Super-Cool chłodziarka automatycznie ją wyłączy, gdy osiągnięty zostanie określony stan. Jeśli chcesz ją wyłączyć ręcznie, możesz naciśnąć przycisk „C”, aby wyłączyć urządzenie.



## UWAGA

1. W trybie Super-Cool nie można regulować temperatury chłodziarki. Jeśli przycisk „C” zostanie naciśnięty w celu ustawienia temperatury chłodziarki, wskaźnik „b” zacznie migać i zabrzmi sygnał dźwiękowy, co wskazuje, że tej operacji nie można wykonać.
2. Po uruchomieniu funkcji Super-Cool nie można jednocześnie włączyć funkcji Auto-Set ze względu na różne tryby sterowania. Gdy wybierzesz funkcję, która koliduje z inną funkcją, pierwotnie wybrana funkcja zostanie automatycznie zamknięta.

## Funkcja Super-Frz

1. Gdy ekran wyświetlacza jest odblokowany, naciśnij przycisk „B” i przytrzymaj przez 3 sekundy, brzęczyk zadzwoni jeden raz, zaświeci się wskaźnik „a”, a następnie funkcja Super-Frz zostanie włączona.
2. Gdy zaświeci się wskaźnik „a”, naciśnij i przytrzymaj przycisk „B” przez 3 sekundy, usłyszysz jeden sygnał, wskaźnik „a” zgaśnie, a funkcja Super-Frz zostanie wyłączona.
3. Po włączeniu funkcji Super-Frz chłodziarka automatycznie ją wyłączy, gdy osiągnięty zostanie określony stan. Jeśli chcesz ją wyłączyć ręcznie, możesz naciśnąć przycisk „B”, aby wyłączyć ją





## UWAGA

1. W stanie Super-Freeze nie można regulować temperatury zamrażarki. Jeśli przycisk „B” zostanie naciśnięty w celu ustawienia temperatury zamrażarki, wskaźnik „a” zacznie migać i zabrmi sygnał dźwiękowy, co oznacza, że tej operacji nie można wykonać.
2. Funkcja Super-Freeze ma na celu zachowanie wartości odżywczych mrożonej żywności poprzez zamrożenie jej w bardzo krótkim czasie. W tym czasie zwiększa się szybkość zamrażania, żywność można szybko zamrozić, wartości odżywcze są skutecznie zachowane, a przechowywanie staje się znacznie lepsze. Jeśli chcesz jednorazowo zamrozić dużą ilość żywności, zaleca się ustawienie funkcji Super Freeze na 24 godziny przed użyciem komory zamrażarki.

## Tryb Holiday

Tryb Holiday jest przydatny w przypadku, gdy chłodziarka nie jest używana przez dłuższy czas. Po włączeniu trybu Holiday zamrażarka działa pod normalną kontrolą, a temperatura w chłodziarce jest automatycznie ustawiana na 17°C. Zapobiega to powstawaniu dziwnego zapachu spowodowanego przegrzaniem, a jednocześnie pomaga zmniejszyć zużycie energii.

1. Po odblokowaniu ekranu wyświetlacza naciśnij przycisk „D”, po usłyszeniu sygnału dźwiękowego jeden raz, zaświeci się wskaźnik „e”, a następnie włączy się funkcja Holiday.
2. Gdy zaświeci się kontrolka „e”, naciśnij przycisk „D”, brzęczyk zadzwoni jeden raz, kontrolka „e” zgaśnie, a funkcja Holiday zostanie wyłączona.



## UWAGA

Przed użyciem funkcji Holiday należy opróżnić chłodziarkę, aby zapobiec zepsuciu się przechowywanej żywności. Gdy włączona jest funkcja Holiday, nie można jednocześnie włączyć funkcji „Super-Cool”.

## Funkcja Magic Zone

Po odblokowaniu ekranu wyświetlacza naciśnij przycisk „A”, aby przełączyć się między funkcjami: Fruit&Veg, Cool Drink i 0°C Fresh.

### 1. Funkcja Fruit&Veg:

Ta funkcja jest odpowiednia do przechowywania świeżych owoców i warzyw. Po wybraniu tej funkcji zaświeci się wskaźnik „g”.

### 2. Funkcja Cool Drink:

Funkcja ta umożliwia przechowywanie produktów takich jak woda, cola i sok. Po wybraniu tej funkcji zaświeci się wskaźnik „h”.

### 3. Funkcja 0°Fresh:

Funkcja ta nadaje się do przechowywania świeżej żywności, np. mięsa lub ryb. Po wybraniu tej funkcji zaświeci się wskaźnik „i”.



## UWAGA

1. Domyślnym ustawieniem po uruchomieniu jest funkcja Cool Drink.
2. Funkcja Fruit&Veg.: W szufladzie Magic Zone nie należy przechowywać owoców wrażliwych na zimno, takich jak ananas, awokado, banany, grejpfruty i warzyw, takich jak ziemniaki, bakłażany, fasola, ogórki, cukinia i pomidory oraz serów.
3. Funkcja 0°Fresh: Ze względu na różną zawartość wody w mięsie. Niektóre rodzaje mięsa zawierające więcej wilgoci będą zamrażane w temperaturach niższych niż 0°C. Dlatego „świeżo krojone” mięso należy przechowywać w szufladzie Magic Zone w temperaturze min. 0°C.
4. Wszystkie trzy funkcje Magic Zone nie mogą być aktywne jednocześnie, można podświetlić tylko jedną. Aby obniżyć temperaturę w komorze lodówki, użyj funkcji Cool Drink, natomiast funkcji Fruit&Veg użyj, aby ją podwyższyć.

## Wskazówki dotyczące przechowywania świeżej żywności

### Przechowywanie w komorze chłodziarki

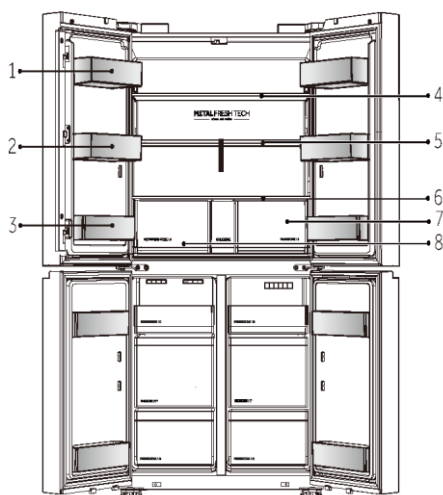
1. Należy utrzymywać temperaturę w chłodziarce poniżej 5°C.
2. Gorące jedzenie musi zostać schłodzone do temperatury pokojowej przed włożeniem go do urządzenia.
3. Żywność przechowywana w chłodziarce powinna zostać wcześniej umyta i wysuszona.
4. Przechowywana żywność powinna być odpowiednio zamknięta, co pozwoli uniknąć zmiany zapachu lub smaku.

5. Nie przechowuj nadmiernych ilości żywności. Pozostaw odstępy między produktami spożywczymi, aby powietrze mogło swobodnie przepływać wokół nich, co poprawi jakość i efekt końcowy.
6. Żywność spożywaną codziennie należy przechowywać z przodu półki.
7. Pozostaw szczelinę pomiędzy żywnością a wewnętrznymi ściankami, umożliwiającą przepływ powietrza. W szczególności nie należy przechowywać żywności przy tylnej ścianie: żywność może zamarznąć przy tylnej ścianie. Unikaj bezpośredniego kontaktu żywności (zwłaszcza tłustej lub kwaśnej) z wkładką wewnętrzną, ponieważ olej/kwas może spowodować erozję wkładki wewnętrznej. Usuwać tłuste/kwaśne zabrudzenia, gdy tylko się pojawią.
8. Rozmrażaj mrożoną żywność w komorze chłodziarki. W ten sposób można wykorzystać zamrożoną żywność do obniżenia temperatury w komorze i oszczędzania energii.
9. W chłodziarce można przyspieszyć proces starzenia się owoców i warzyw takich jak cukinia, melon, papaja, banan, ananas itp. Dlatego nie zaleca się przechowywania ich w chłodziarce. Jednak przez pewien czas możliwe jest przyspieszenie dojrzewania zielonych owoców. Cebula, czosnek, imbir i inne warzywa korzeniowe również powinny być przechowywane w temperaturze pokojowej.
10. Nieprzyjemne zapachy wewnątrz chłodziarki to znak, że coś się rozlało i konieczne jest czyszczenie. Zobacz „PIELĘGNACJA I CZYSZCZENIE”.
11. Różne rodzaje żywności powinny być umieszczane w różnych miejscach w zależności od ich właściwości.



## UWAGA

Należy zachować odległość większą niż 10 mm między umieszczoną żywnością a kanałem wentylacyjnym lub czujnikami, aby zapewnić efekt chłodzenia.



1. Masło, sery itp.
2. Jaja, napoje w puszkach, konserwy, przyprawy itp.
3. Napoje i żywność w butelkach.
4. Żywność marynowana, konserwy itp.
5. Produkty mięsne, przekąski, makarony, konserwy, mleko, tofu, nabiał itp.
6. Gotowane mięso, kiełbaski itp.
7. Szuflada Magic ZONE: Owoce, warzywa, sałatka itp.
8. Szuflada strefowa ACTIVEFRESH ZONE: Owoce, warzywa, sałatka itp.

## Przechowywanie w komorze zamrażarki

1. Należy utrzymywać temperaturę zamrażarki na poziomie - 18 °C.
2. 24 godziny przed włączeniem funkcji Super-Freeze; dla małych ilości żywności wystarczy 4-6 godzin.
3. Gorące jedzenie musi zostać schłodzone do temperatury pokojowej przed włożeniem go do komory zamrażarki.
4. Żywność pokrojona na małe porcje zamraża się szybciej i jest łatwiejsza do rozmrożenia i ugotowania. Zalecana waga każdej porcji wynosi mniej niż 2,5 kg.
5. Zaleca się zapakowanie żywności przed jej włożeniem do zamrażarki. Zewnętrzna strona opakowania musi być sucha, aby uniknąć sklejaniasię worków. Materiały opakowaniowe powinny być bezwonne, hermetyczne, nietrujące i nietoksyczne.
6. Aby uniknąć upływu terminu przydatności do spożycia, należy podać na opakowaniu datę zamrożenia, termin i nazwę produktu, zgodnie z okresami przechowywania różnych produktów spożywczych.

1. **OSTRZEŻENIE!** Kwas, zasady, sól itp. mogą spowodować erozję wewnętrznej powierzchni zamrażarki. Nie należy umieszczać żywności zawierającej te substancje (np. ryb morskich) bezpośrednio na wewnętrznej powierzchni. Słona woda w zamrażarce powinna być natychmiast oczyszczona.

2. Nie należy przekraczać czasu przechowywania żywności zalecanego przez producentów.

Należy wyjąć z zamrażarki tylko wymaganą ilość jedzenia.

3. Należy szybko spożyć rozmrożoną żywność. Rozmrożonego jedzenia nie wolno ponownie zamrażać, jeśli nie zostanie najpierw ugotowane, w przeciwnym razie może być niejadalne.
4. Nie wkładaj nadmiernej ilości świeżej żywności do komory zamrażarki. Patrz pojemność zamrażarki - patrz DANE TECHNICZNE lub dane na tabliczce znamionowej.
5. Żywność może być przechowywana w zamrażarce w temperaturze wynoszącej co najmniej -18°C przez okres od 2 do 12 miesięcy, w zależności od jej właściwości (np. mięso: 3-12 miesięcy, warzywa: 6-12 miesięcy)
6. Podczas zamrażania świeżej żywności należy unikać kontaktu z już zamrożoną żywnością.

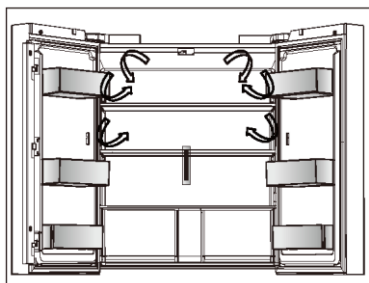
### Przechowując komercyjnie zamrożoną żywność, należy przestrzegać następujących wytycznych:

1. Zawsze postępuj zgodnie z wytycznymi producenta dotyczącymi czasu przechowywania żywności. Nie przekraczaj czasu wskazanego w tych wytycznych!
2. Staraj się, aby czas od zakupu do umieszczenia w zamrażarce był jak najkrótszy, aby zachować jakość żywności.
3. Kupuj mrozonki, które były przechowywane w temperaturze -18°C lub niższej.
4. Unikaj kupowania żywności, która ma lód lub szron na opakowaniu - wskazuje to, że produkty mogły zostać częściowo rozmrożone i ponownie zamrożone w pewnym momencie, a wzrost temperatury wpływa na jakość żywności.



## UWAGA

Należy zachować odległość większą niż 10 mm między umieszczoną żywnością a kanałem wentylacyjnym, aby zapewnić efekt chłodzenia.

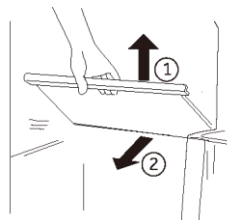


### System obiegu powietrza

1. Chłodziarka jest wyposażona w system obiegu powietrza, dzięki któremu chłodne strumienie powietrza znajdują się na każdym poziomie półki. Pomaga to utrzymać jednolitą temperaturę, dzięki czemu żywność jest dłużej świeża.

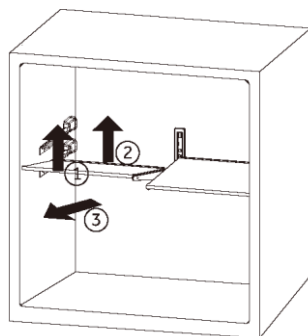
### Regulowane półki

1. Wysokość półek można dostosować do potrzeb przechowywania.
2. Aby przenieść półkę, zdejmij ją najpierw, podnosząc przednią krawędź ① i wysuwając ją ②.
3. Aby ponownie zamontować półkę, należy nałożyć ją na uchwyty po obu stronach i wsunąć maksymalnie do tyłu, aż tylna część półki znajdzie się w szczelinach po bokach.



### Ustaw środkową półkę

1. Zdejmij stojak z półki:  
Najpierw unieś przednią krawędź stojaka półki ① o 7 cm, a następnie unieś tylną krawędź stojaka półki ②, aby pazur po stronie wspornika oddzielił się od otworu montażowego. Na koniec wyciągnij stojak półki na zewnątrz ③.
2. Zamontuj stojak na półkę:  
Wsuń stojak na półkę zgodnie z kątem nachylenia pokazanym na schemacie, a następnie opuść przednią krawędź ① stojaka, tak aby pazur po stronie wspornika mógł wejść w otwór montażowy.



### UWAGA

Upewnij się, że wszystkie końce półki są wypoziomowane.

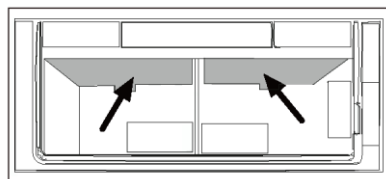
### Szuflada ACTIVEFRESH ZONE

1. W tej komorze poziom wilgotności jest wyższy niż w komorze chłodziarki. Jest sterowany automatycznie przez system i pozwala na przechowywanie owoców, warzyw, sałatek itp.



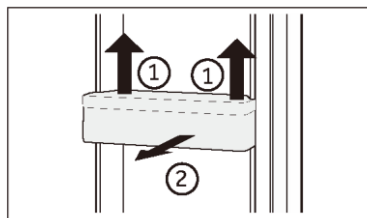
## UWAGA

1. Nie zdejmuj plastikowych osłon wewnątrz dwóch stref.
2. Utrzymuj one odpowiednią wilgotność.
3. Owoce wrażliwe na zimno, takie jak ananas, awokado, banany,
4. grejpferty nie powinny być przechowywane w tych dwóch szufladach.



## Zdejmowane półki na drzwiach/uchwyt na butelki

1. Półki na drzwiach można zdemontować w celu czyszczenia:
2. Połóż dłonie po obu stronach półki, podnieś ją do góry ① i wyciągnij ②.
3. W celu ponownego zamontowania półek powyższe czynności wykonuje się w odwrotnej kolejności.



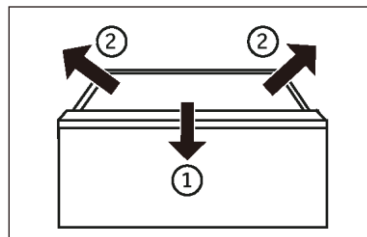
## UWAGA

Po włączeniu urządzenia osiągnięcie właściwej temperatury może potrwać do 12 godzin.

## Wyjmowana szuflada

Aby wyjąć szufladę, wyciągnij ją maksymalnie ①, podnieś i wyjmij ②.

W celu ponownego włożenia szuflady powyższe czynności wykonuje się w odwrotnej kolejności.



## Światło

Oświetlenie wewnętrzne LED zapala się po otwarciu drzwi i gaśnie automatycznie, jeśli drzwi pozostaną otwarte przez ponad 7 minut. Na działanie światła nie ma wpływu żadne z pozostałych ustawień urządzenia.



## Wskazówki dotyczące oszczędzania energii

- ▶ Upewnij się, że urządzenie jest właściwie wentylowane (patrz INSTALACJA).
- ▶ Nie należy instalować urządzenia w bezpośrednim świetle słonecznym lub w pobliżu źródeł ciepła (np. pieców, grzejników).
- ▶ Unikaj niepotrzebnie niskiej temperatury w urządzeniu. Zużycie energii zwiększa się wraz z ustawieniem niższej temperatury w urządzeniu.
- ▶ Funkcje takie jak POWER- FREEZE zwiększają zużycie energii.
- ▶ Przed włożeniem ciepłej żywności do urządzenia należy poczekać, aż ostygnie.
- ▶ Otwieraj drzwi możliwie rzadko i na krótko.
- ▶ Nie przepelniaj urządzenia, aby nie blokować przepływu powietrza.
- ▶ Unikaj powietrza w opakowaniu z żywnością.
- ▶ Utrzymuj w czystości uszczelki drzwi, aby zapewnić ich prawidłowe zamykanie.
- ▶ Rozmrażaj mrożoną żywność w komorze chłodziarki.
- ▶ Najbardziej energooszczędna konfiguracja wymaga, aby pojemniki i półki były umieszczone w urządzeniu jak w stanie fabrycznym, a żywność powinna być rozmieszczona w taki sposób, aby nie blokowała wylotu kanału wentylacyjnego.



## OSTRZEŻENIE!

Przed czyszczeniem odłącz urządzenie od zasilania sieciowego.

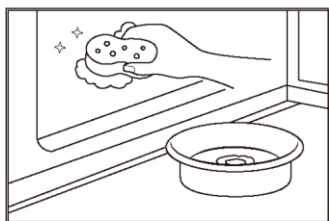
### Czyszczenie

1. Urządzenie należy czyścić, gdy przechowywana jest niewielka ilość żywności lub nie ma jej wcale.
2. Urządzenie powinno być czyszczone co cztery tygodnie, aby zapewnić dobrą konserwację i zapobiec nieprzyjemnym zapachom przechowywanej żywności.



## OSTRZEŻENIE!

- ▶ Nie czyść urządzenia za pomocą twardych szczotek, szczotek drucianych, detergentów proszkowych, benzyny, octanu amylu, acetonu i podobnych roztworów organicznych, kwasów lub roztworów alkalicznych. Do czyszczenia należy używać specjalnego detergentu do chłodziarek, aby uniknąć uszkodzenia.
- ▶ Nie używaj aerozolu ani nie przepłukuj urządzenia podczas czyszczenia.
- ▶ Nie używaj wody lub pary do czyszczenia urządzenia.
- ▶ Nie czyść zimnych szklanych półek gorącą wodą. Nagła zmiana temperatury może spowodować pęknięcie szkła.
- ▶ Nie dotykaj wnętrza komory, zwłaszcza mokrymi rękami, ponieważ mogą one przymarznąć do jej powierzchni.
- ▶ W przypadku zwiększenia temperatury sprawdzić stan zamrożonych produktów.



- ▶ Uszczelka drzwi powinna być zawsze utrzymywana w czystości.
- ▶ Czyść wnętrze i obudowę urządzenia gąbką zanurzoną w ciepłej wodzie i neutralnym detergentem.
  1. Czyścić wnętrze i zewnętrzną część chłodziarki, w tym uszczelnienie drzwi, stojak na drzwi, szklane półki, pudełka itd., miękkim ręcznikiem lub gąbką zanurzoną w ciepłej wodzie (można dodać neutralny detergent do ciepłej wody).
  2. W przypadku rozlania płynu usunąć wszystkie zanieczyszczone elementy, bezpośrednio spłucz bieżącą wodą, osusz i włóż z powrotem do chłodziarki.
  3. W przypadku rozlanego kremu (np. śmietany, topniejących lodów), należy wyjąć wszystkie zanieczyszczone części, włożyć je na chwilę do ciepłej wody o temperaturze ok. 40°C, następnie spłukać bieżącą wodą, osuszyć i włożyć z powrotem do chłodziarki.
  4. W przypadku, gdy jakaś mała część lub element dostanie się do wnętrza chłodziarki (pomiędzy półki lub szuflady), użyć małego miękkiego pędzelka, aby go wyciągnąć. Jeśli nie udało się dotrzeć do tego elementu, prosimy o kontakt z serwisem Haier
- ▶ Spłucz i wysusz miękką ściereczką.
- ▶ Nie należy myć żadnych części urządzenia w zmywarce do naczyń.
- ▶ Odczekaj co najmniej 5 minut przed ponownym uruchomieniem urządzenia, ponieważ częste uruchamianie może uszkodzić sprężarkę.

## Rozmrażanie

Rozmrażanie komór chłodziarki i zamrażarki przebiega automatycznie; nie jest wymagana ręczna obsługa.

## Wymiana lampek LED



### OSTRZEŻENIE!

Nie wolno samodzielnie wymieniać lampy LED, może to zrobić tylko producent lub autoryzowany serwis.

Jako źródło światła lampy wykorzystują diody LED, charakteryzujące się niskim zużyciem energii i długą żywotnością. W przypadku wystąpienia jakichkolwiek nieprawidłowości prosimy o kontakt z działem obsługi klienta. Zob. OBSŁUGA KLIENTA.

Parametry lamp:

Komora chłodziarki: 12 V, 4 W

Komora zamrażarki: 12 V, 2W\*2

## Dłuższa przerwa w użytkowaniu

Jeżeli urządzenie nie będzie używane przez dłuższy czas i nie będzie wykorzystywana funkcja Holiday chłodziarki:

Wyjmij żywność.

Odłącz przewód zasilający.

Wyczyść urządzenie jak opisano powyżej.

Zostaw drzwi otwarte, aby zapobiec tworzeniu się wewnątrz nieprzyjemnych zapachów.



### UWAGA

Wyłącz urządzenie tylko wtedy, gdy jest to absolutnie konieczne.

## Przenoszenie urządzenia

1. Wyjmij wszystkie produkty spożywcze i odłącz urządzenie od zasilania.
2. Zabezpiecz taśmą klejącą półki i inne ruchome części w zamrażarce.
3. Nie przechylaj chłodziarki pod kątem większym niż 45°, aby uniknąć uszkodzenia układu chłodniczego.



### OSTRZEŻENIE!

- ▶ Nie podnoś urządzenia za klamki.
- ▶ Nigdy nie należy ustawiać urządzenia poziomo na ziemi.

Wiele problemów można rozwiązać samodzielnie, bez specjalistycznej wiedzy. W przypadku problemów prosimy sprawdzić wszystkie pokazane możliwości i postępować zgodnie z poniższymi instrukcjami przed skontaktowaniem się z obsługą posprzedażową. Zob. OBSŁUGA KLIENTA.



## OSTRZEŻENIE!

- ▶ Przed przystąpieniem do konserwacji wyłącz urządzenie i wyjmij wtyczkę z gniazdka sieciowego.
- ▶ Urządzenie elektryczne powinno być serwisowane tylko przez wykwalifikowanych ekspertów, ponieważ niewłaściwe naprawy mogą spowodować znaczne szkody.
- ▶ Jeśli kabel zasilania jest uszkodzony, musi on zostać wymieniony przez producenta, serwisanta lub inną wykwalifikowaną osobę w celu uniknięcia niebezpieczeństwa.

Problem	Potencjalna przyczyna	Możliwe rozwiązanie
Sprężarka nie działa.	<ul style="list-style-type: none"> <li>• Wtyczka sieciowa nie jest podłączona do gniazdka.</li> <li>• Urządzenie znajduje się w cyklu rozmrażania</li> </ul>	<ul style="list-style-type: none"> <li>• Podłącz wtyczkę sieciową.</li> <li>• Jest to normalne w przypadku automatycznego odszraniania</li> </ul>
Urządzenie działa często lub przez zbyt długi okres czasu.	<ul style="list-style-type: none"> <li>• Temperatura wewnątrz i na zewnątrz urządzenia jest za wysoka.</li> <li>• Urządzenie było odłączone od zasilania przez określony czasu.</li> <li>• Drzwi urządzenia nie są szczelnie zamknięte.</li> <li>• Drzwi były za często otwierane lub pozostawały długo otwarte.</li> <li>• Ustawienie temperatury w komorze zamrażarki jest zbyt niskie.</li> <li>• Uszczelki drzwi są zabrudzone zużyte, pęknięte lub niedopasowane.</li> <li>• Wymagany przepływ powietrza nie jest gwarantowany.</li> </ul>	<ul style="list-style-type: none"> <li>• W tym przypadku to normalne, że urządzenie będzie pracować dłużej</li> <li>• Całkowite schłodzenie urządzenia trwa zazwyczaj od 8 do 12 godzin.</li> <li>• Zamknij drzwi i upewnij się, że urządzenie jest ustawione na płaskiej powierzchni i jedzenie lub pojemniki nie blokują drzwi.</li> <li>• Nie otwieraj drzwi/szuflad zbyt często.</li> <li>• Ustaw wyższą temperaturę, aż do uzyskania zadowalającej temperatury w chłodziarce. Temperatura chodziarki ustabilizuje się po 24 godzinach.</li> <li>• Wyczyść uszczelki drzwi/szuflady lub wymień je z pomocą serwisu obsługi klienta.</li> <li>• Zapewnij odpowiednią wentylację.</li> </ul>
Wnętrze chłodziarki jest brudne i/lub nieprzyjemnie pachnie.	<ul style="list-style-type: none"> <li>• Wnętrze chłodziarki wymaga czyszczenia.</li> <li>• W chłodziarce przechowywana jest żywność o intensywnym zapachu.</li> </ul>	<ul style="list-style-type: none"> <li>• Wyczyść wnętrze chłodziarki</li> <li>• Dokładnie owiń żywność.</li> </ul>

Problem	Potencjalna przyczyna	Możliwe rozwiązanie
Wewnątrz urządzenia nie jest wystarczająco zimno.	<ul style="list-style-type: none"> <li>• Ustawiona temperatura jest za wysoka.</li> <li>• Była przechowywana zbyt ciepła żywność.</li> <li>• W chłodziarce umieszczono zbyt dużą ilość żywności.</li> <li>• Żywność jest zbyt blisko siebie.</li> <li>• Drzwi/szuflada urządzenia nie są szczelnie zamknięte.</li> <li>• Drzwi/szuflady były za często otwierane lub pozostawały długo otwarte.</li> </ul>	<ul style="list-style-type: none"> <li>• Ponownie ustaw temperaturę.</li> <li>• Zawsze schładzaj żywność przed jej włożeniem do urządzenia.</li> <li>• Zawsze przechowuj małe ilości żywności.</li> <li>• Pozostaw przestrzeń między produktami spożywczymi, umożliwiając przepływ powietrza.</li> <li>• Zamknij drzwi/szufladę.</li> <li>• Nie otwieraj drzwi/szuflad zbyt często.</li> </ul>
Wnętrze urządzenia jest za zimne.	<ul style="list-style-type: none"> <li>• Temperatura jest za niska.</li> <li>• Funkcja Super-Frz/Super-Cool jest włączona lub działa zbyt długo.</li> </ul>	<ul style="list-style-type: none"> <li>• Ponownie ustaw temperaturę.</li> <li>• Wyłącz funkcję Super-Frz/Super-Cool</li> </ul>
Powstawanie wilgoci na wewnętrznych ściankach komory.	<ul style="list-style-type: none"> <li>• Klimat jest zbyt ciepły i wilgotny.</li> <li>• Drzwi/szuflada urządzenia nie są szczelnie zamknięte.</li> <li>• Drzwi/szuflady były za często otwierane lub pozostawały długo otwarte.</li> <li>• Pojemniki na żywność lub płyny są otwarte.</li> </ul>	<ul style="list-style-type: none"> <li>• Zwiększ temperaturę.</li> <li>• Zamknij drzwi/szufladę.</li> <li>• Nie otwieraj drzwi/szuflad zbyt często.</li> <li>• Pozostaw gorącą żywność do ostygnięcia do temperatury pokojowej i przykryj żywność oraz płyny.</li> </ul>
Wilgoć gromadzi się na zewnętrznej powierzchni chłodziarki lub między drzwiami a szufladą.	<ul style="list-style-type: none"> <li>• Klimat jest zbyt ciepły i wilgotny.</li> <li>• Drzwi nie są szczelnie zamknięte. Zimne powietrze skrapla się wewnątrz urządzenia, a ciepłe powietrze na zewnątrz.</li> </ul>	<ul style="list-style-type: none"> <li>• Jest to normalne zjawisko w wilgotnym klimacie i zmieni się, gdy wilgotność spadnie.</li> <li>• Upewnij się, że drzwi/szuflada są szczelnie zamknięte.</li> </ul>

Problem	Potencjalna przyczyna	Możliwe rozwiązanie
Nadmierny lód i szron w komorze zamrażarki.	<ul style="list-style-type: none"> <li>• Artykuły spożywcze nie zostały odpowiednio zapakowane.</li> <li>• Drzwi/szuflada urządzenia nie są szczelnie zamknięte.</li> <li>• Drzwi/szuflady były za często otwierane lub pozostawały długo otwarte.</li> <li>• Uszczelki drzwi/szuflady są brudne, zużyte, pęknięte lub niedopasowane.</li> <li>• Coś wewnątrz uniemożliwia prawidłowe zamknięcie drzwi/szuflady.</li> </ul>	<ul style="list-style-type: none"> <li>• Zawsze właściwie pakuj artykuły spożywcze.</li> <li>• Zamknij drzwi/szufladę.</li> <li>• Nie otwieraj drzwi/szuflad zbyt często.</li> <li>• Wyczyść uszczelki drzwi lub wymień je na nowe.</li> <li>• Ponownie umieść półki, półki na drzwi lub pojemniki wewnętrzne, aby umożliwić zamknięcie drzwi/szuflady.</li> </ul>
Boki obudowy i listwa drzwiowa nagrzewają się.		<ul style="list-style-type: none"> <li>• To normalne.</li> </ul>
Urządzenie wydaje dziwne dźwięki.	<ul style="list-style-type: none"> <li>• Urządzenie nie znajduje się na wypoziomowanym podłożu.</li> <li>• Urządzenie dotyka jakiegoś przedmiotu.</li> </ul>	<ul style="list-style-type: none"> <li>• Wyreguluj nóżki, aby wypoziomować urządzenie.</li> <li>• Usuń objekty znajdujące się w pobliżu urządzenia.</li> </ul>
Słysząc delikatny szum podobny do płynącej wody.		<ul style="list-style-type: none"> <li>• To normalne.</li> </ul>
Usłyszysz sygnał alarmowy.	<ul style="list-style-type: none"> <li>• Drzwi komory chłodziarki są otwarte.</li> </ul>	<ul style="list-style-type: none"> <li>• Zamknij drzwi.</li> </ul>
Usłyszysz słaby szum.	<ul style="list-style-type: none"> <li>• Układ antykondensacyjny działa</li> </ul>	<ul style="list-style-type: none"> <li>• Zapobiega to kondensacji i jest normalne</li> </ul>
Oświetlenie wnętrza lub układ chłodzenia nie działa.	<ul style="list-style-type: none"> <li>• Wtyczka sieciowa nie jest podłączona do gniazdka.</li> <li>• Zasilanie nie jest w dobrym stanie.</li> <li>• Lampa LED nie działa.</li> </ul>	<ul style="list-style-type: none"> <li>• Podłącz wtyczkę sieciową.</li> <li>• Sprawdź zasilanie elektryczne w pomieszczeniu. Skontaktuj się z lokalnym dostawcą energii elektrycznej!</li> <li>• Wezwij serwis w celu wymiany lampki.</li> </ul>

Aby skontaktować się z pomocą techniczną, odwiedź naszą stronę internetową:  
<https://corporate.haier-eu-ropo.com/en/>

W sekcji „Strona internetowa” wybierz markę swojego produktu i kraj. Otworzy się strona internetowa, na której znajdziesz numer telefonu i formularz do kontaktu z pomocą techniczną.

## Przerwa w zasilaniu

W przypadku przerwy w dostawie prądu żywność powinna zachować bezpieczną temperaturę przez około 5 godzin. Podczas dłuższej przerwy w dostawie prądu, zwłaszcza latem, należy stosować się do poniższych wskazówek:

- ▶ Unikaj częstego otwierania drzwi/szuflady.
- ▶ Nie wkładaj do urządzenia dodatkowej żywności podczas przerwy w dostawie prądu.
- ▶ Jeśli przerwa w dostawie prądu została zgłoszona z wyprzedzeniem i trwa dłużej niż 5 godzin, należy przygotować trochę lodu i umieścić go w pojemniku w górnej części komory chłodziarki.
- ▶ Kontrola towaru jest wymagana niezwłocznie po przerwie.
- ▶ Ponieważ temperatura w chłodziarce wzrośnie podczas przerwy w zasilaniu lub innej awarii, okres przechowywania i jadalna jakość żywności ulegną skróceniu. Każda żywność, która się rozmraża, powinna zostać spożyta lub ugotowana i ponownie zamrożona (w stosownych przypadkach) wkrótce po tym, aby zapobiec zagrożeniom dla zdrowia.

## Funkcja pamięci podczas przerwy w zasilaniu

Po przywróceniu zasilania urządzenie kontynuuje ustawienia ustawione przed awarią zasilania.

## Rozpakowanie



### OSTRZEŻENIE!

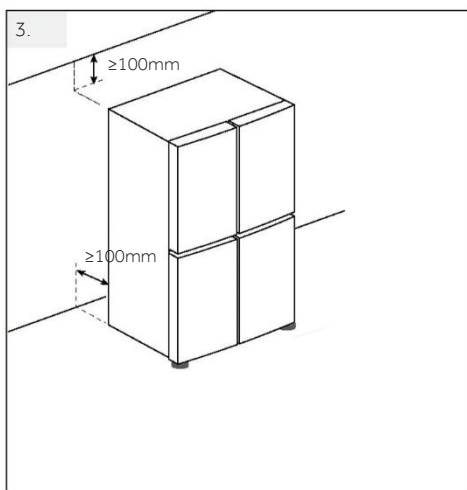
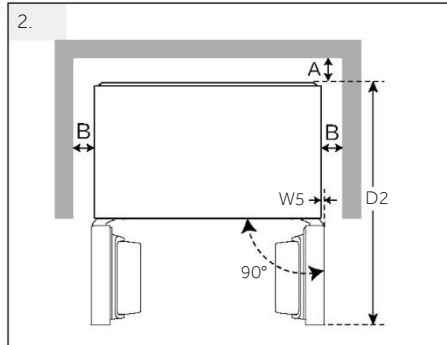
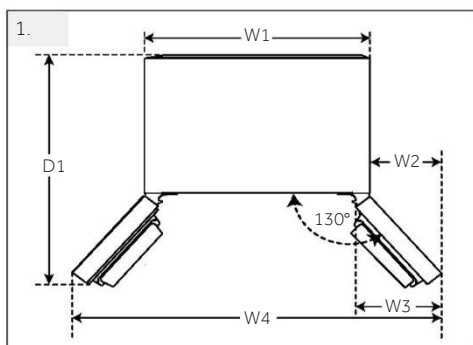
- ▶ Urządzenie jest ciężkie. Prace powinny być wykonywane przez co najmniej dwie osoby.
- ▶ Wszystkie materiały opakowaniowe należy przechowywać poza zasięgiem dzieci i utylizować w sposób przyjazny dla środowiska.
- ▶ Wyjmij urządzenie z opakowania.
- ▶ Usuń całe opakowanie.

### Warunki środowiskowe

Temperatura w pomieszczeniu powinna zawsze wynosić od 10°C do 43°C, ponieważ może wpływać na temperaturę wewnątrz urządzenia i zużycie energii. Nie ustawiaj urządzenia w pobliżu innych urządzeń bez izolacji emitujących ciepło (piekarniki, chłodziarki).

### Zalecenia dotyczące przestrzeni

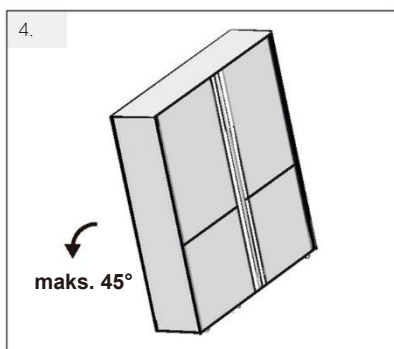
Zalecana przestrzeń przy otwartych drzwiach (rys. 1.2.)



(Jednostka: mm)	Model#	
Szerokość	W1	905
	W2	327
	W3	368
	W4	1559
	W5	51
	W	905
	D1	1061
	D2	1101
	D	738
Odległość do tylnej ściany	A	100
Odległość do ścian bocznych	B	100
Odległość do sufitu	C	100
Całkowita wysokość	H	1825

## Przekrój wentylatora

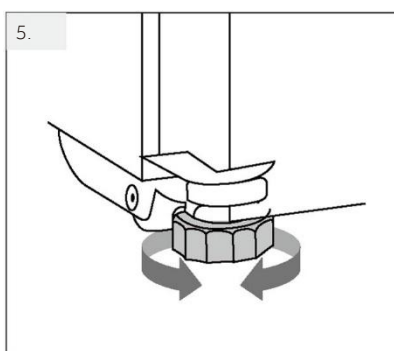
Aby zapewnić wystarczającą wentylację urządzenia ze względów bezpieczeństwa, należy przestrzegać informacji o wymaganych przekrojach wentylacji.



### Ustawianie urządzenia (rys. 4.5.6.)

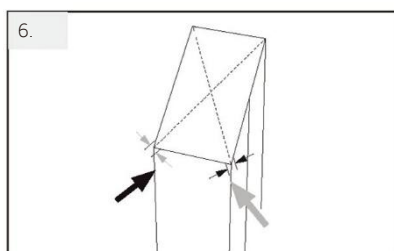
Urządzenie powinno być umieszczone na płaskiej i stabilnej powierzchni.

4. Odchyl chłodziarkę lekko do tyłu.



5. Ustaw nóżki na żądanym poziomie.

Upewnij się, że odległość od ściany po stronie zawiasu wynosi co najmniej 100 mm, aby drzwi mogły się prawidłowo otworzyć.

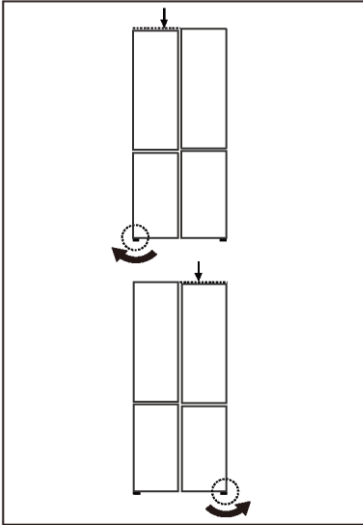


6. Stabilność można sprawdzić, popychając urządzenie naprzemiennie w linii przekątnych. Lekkie kołysanie powinno być takie same w obu kierunkach. W przeciwnym razie rama może się wykrzywić; w rezultacie może dojść do rozszczenia drzwi. Niewielki przechył do tyłu pomaga przy zamykaniu drzwi.



## UWAGA

Dotyczy urządzenia wolnostojącego: To urządzenie chłodnicze nie jest przeznaczone do zabudowy

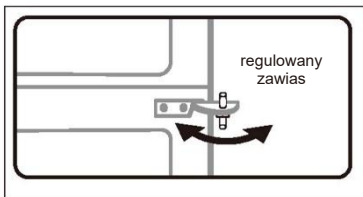


### Regulowanie drzwi

Jeśli drzwi nie znajdują się na jednym poziomie, tę niezgodność można usunąć, wykonując następujące czynności:

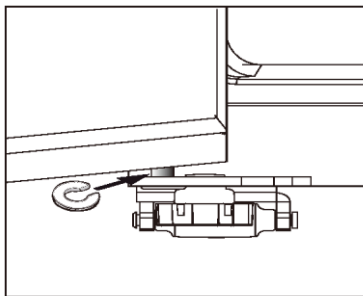
### Korzystanie z regulowanej nóżki

Obrócić regulowaną nóżkę zgodnie z kierunkiem strzałki, aby podnieść lub opuścić nóżkę.



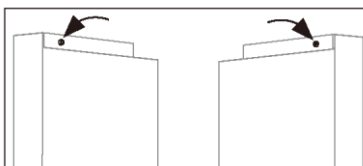
### Regulacja położenia drzwi

- ▶ Jeśli drzwi nie znajdują się na tej samej wysokości, można precyzyjnie wyregulować zawiasy za pomocą dołączonego klucza, aby wypoziomować drzwi. Nie należy montować go gwałtownie, aby nie porysować ani nie uszkodzić wykończenia drzwi.



### Korzystanie z przekładek

- ▶ Otwórz drzwi zamrażarki i podnieś je.
- ▶ Ostrożnie zacisnąć przekładkę (dołączoną w torbie na akcesoria) do osi dolnego zawiasu ręcznie lub za pomocą narzędzi takich jak szczypce. Uważaj, aby nie zarysować ani nie obić drzwi.



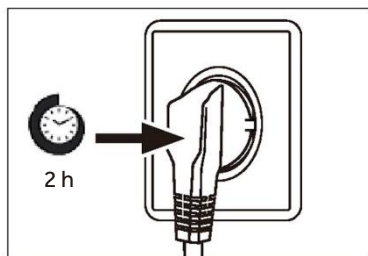
### Korzystanie z pokrętła regulacyjnego

- ▶ Jeśli drzwi komory lodówki nie są wypoziomowane, możesz obrócić pokrętło regulacyjne znajdujące się w górnej części drzwi, aby dokonać drobnych korekt.



## UWAGA

W przyszłym użytkowaniu chłodziarki może wystąpić zjawisko nierówności drzewi w stosunku do wagi przechowywanej żywności. Należy je wyregulować zgodnie z powyższymi metodami.



### Czas oczekiwania

W zbiorniku sprężarki znajduje się olej bezobsługowy. Olej ten może przedostać się poprzez zamknięty system rur podczas transportu w pozycji przechylonej. Przed podłączeniem urządzenia do zasilania trzeba odczekać co najmniej 2 godziny, aby olej spłynął z powrotem do zbiornika.

### Podłączenie do prądu

Przed każdym podłączeniem sprawdź, czy:

- ▶ zasilacz, gniazdo i bezpieczniki odpowiadają parametrom podanym na tabliczce znamionowej.
- ▶ gniazdko jest uziemione i nie zastosowano rozgałęźnika lub przedłużacza.
- ▶ wtyczka i gniazdko są ściśle zgodne.


Podłącz wtyczkę do prawidłowo zainstalowanego gniazdka domowego.



## OSTRZEŻENIE!

Aby uniknąć ryzyka, uszkodzony przewód zasilający musi być wymieniony przez serwis (zob. karta gwarancyjna).

Karta produktu zgodnie z rozporządzeniem UE nr 2019/2016

Marka	Haier
Nazwa modelu / identyfikator	HCR59F19DNMM HCR59F18DNMB
Kategoria modelu	Chłodziarko- zamrażarka
Klasa efektywności energetycznej	D
Roczne zużycie energii (kWh/rok)(1)	306
Całkowita pojemność (l)	706
Pojemność chłodziarki (l)	417
Pojemność zamrażarki (l)	251
Sekcja dwugwiazdkowa (l)	38
Oznakowanie gwiazdkami	
System bez szronu	Tak
Wydajność zamrażania (kg/24h)	14
Klasyfikacja klimatyczna (2)	SN-N-ST-T
Klasa emisji hałasu i emisja hałasu akustycznego w powietrzu (db(A) re 1pW)	C(35)
Czas wzrostu temperatury (h)	13
Typ urządzenia	wolnostojąca

Objaśnienie:

• Tak, wyróżnione

- (1) Na podstawie wyników badania zgodności norm w ciągu 24 godzin.  
Rzeczywiste zużycie zależy od użytkownika i lokalizacji urządzenia.
- (2) Klasa klimatyczna SN: To urządzenie jest przeznaczone do użytku w temperaturze otoczenia od +10°C do +32°C  
Klasa klimatyczna N: To urządzenie jest przeznaczone do użytku w temperaturze otoczenia od +16°C do +32°C  
Klasa klimatyczna ST: To urządzenie jest przeznaczone do użytku w temperaturze otoczenia od +16°C do +38°C  
Klasa klimatyczna T: To urządzenie jest przeznaczone do użytku w temperaturze otoczenia od +16°C do +43°C

#### Dodatkowe dane techniczne

Napięcie / Częstotliwość	220-240V ~/50Hz
Natężenie wejściowe (A)	1,5
Bezpiecznik główny (A)	16
Płyn chłodzący	R600a 68g
Wymiary (szer./gł./wys. w mm)	905 / 738 / 1825

Polecamy nasz system Obsługi Klienta Haier i stosowanie oryginalnych części zamiennych.

Jeśli masz problem z urządzeniem, najpierw sprawdź sekcję ROZWIĄZYWANIE PROBLEMÓW.

Jeżeli nie możesz znaleźć rozwiązania, skontaktuj się

- ▶ z lokalnym sprzedawcą lub
- ▶ naszym Europejskim Centrum Obsługi Klienta (zob. poniżej wymienione numery telefonów) lub
- ▶ obszarem serwisu i wsparcia na stronie [www.haier.com](http://www.haier.com), gdzie można aktywować zgłoszenie
- ▶ serwisowe i znaleźć odpowiedzi na najczęściej zadawane pytania.

Zanim skontaktujesz się z naszym działem obsługi, upewnij się, że masz następujące dane.

Informacje można znaleźć na tabliczce znamionowej.

Model \_\_\_\_\_

Nr seryjny \_\_\_\_\_

Sprawdź także kartę gwarancyjną dostarczoną z produktem.

Europejskie Centrum Obsługi Klienta		
Kraj*	Numer telefonu	Koszty
Haier Italy (IT)	199 100 912	
Haier Spain (ES)	902 509 123	
Haier Germany (DE)	0180 5 39 39 99	<ul style="list-style-type: none"> <li>• 14 centów/min. telefon stacjonarny</li> <li>• maks. 42 centów/min. telefon komórkowy</li> </ul>
Haier Austria (AT)	0820 001 205	<ul style="list-style-type: none"> <li>• 14,53 centów/min. telefon stacjonarny</li> <li>• maks. 20 centów/min. wszystkie pozostałe</li> </ul>
Haier United Kingdom (UK)	0333 003 8122	
Haier France (FR)	0980 406 409	

\*Numery innych krajów można znaleźć na stronie [www.haier.com](http://www.haier.com)

Haier Europe Trading S.r.l  
Oddział Wielka Brytania  
Westgate House, Westgate, Ealing  
Londyn, W5 1YY

\*Okres gwarancji na urządzenie chłodnicze:

Minimalna gwarancja wynosi: 2 lata dla krajów UE, 3 lata dla Turcji, 1 rok dla Wielkiej Brytanii, 1 rok dla Rosji, 3 lata dla Szwecji, 2 lata dla Serbii, 5 lat dla Norwegii, 1 rok dla Maroka, 6 miesięcy dla Algierii, w Tunezji nie jest wymagana gwarancja prawna.

\*Okres dla części zamiennych do naprawy urządzenia:

Termostaty, czujniki temperatury, płytki drukowane i źródła światła są dostępne przez okres co najmniej siedem lat od wprowadzenia na rynek ostatniego egzemplarza modelu.

Klamki, zawiasy drzwi, tace i kosze przez co najmniej siedem lat, a uszczelki drzwi przez co najmniej 10 lat od wprowadzenia na rynek ostatniego egzemplarza modelu.

\*Aby uzyskać więcej informacji o produkcie, odwiedź stronę internetową <https://eprel.ec.europa.eu//> lub zeskanuj kod QR na etykiecie wydajności energetycznej dołączonej do urządzenia.

## CERTYFIKAT JAKOŚCI

OZNACZENIE: CHŁODZIARKA

Q.C.PASSED

SPRAWDZANIE Nr.

QC01

# Haier

专用号条码

0060543171  
2026 Wersja A

# Haier

Εγχειρίδιο χρήστη



Ψυγειοκαταψύκτης

HCR59F18DNMM

HCR59F18DNMB

**4 Πληροφορίες ασφαλείας**

Πριν από την πρώτη χρήση 5

Εγκατάσταση 5

Καθημερινή χρήση 6

**8 Προβλεπόμενη χρήση****9 Περιγραφή προϊόντος****10 Πίνακας ελέγχου****11 Χρήση**

Ρύθμιση θερμοκρασίας του ψυγείου 14

Ρύθμιση θερμοκρασίας του καταψύκτη 14

Λειτουργία Super-Cool 15

Λειτουργία Super-Frz 15

Λειτουργία Holiday 16

Λειτουργία Magic Zone 17

**20 Εξοπλισμός****22 Συμβουλές εξοικονόμησης ενέργειας****23 Φροντίδα και καθαρισμός****25 Αντιμετώπιση προβλημάτων****29 Εγκατάσταση****33 Τεχνικά δεδομένα****35 Εξυπηρέτηση πελατών**

## Ευχαριστούμε που αγοράσατε ένα προϊόν Haier.

Παρακαλούμε διαβάστε προσεκτικά αυτές τις οδηγίες πριν από την χρήση αυτής της συσκευής. Οι οδηγίες περιέχουν σημαντικές πληροφορίες που θα σας βοηθήσουν να αξιοποιήσετε στο έπακρο τη συσκευή και να εξασφαλίσετε την ασφάλη και σωστή εγκατάσταση, χρήση και συντήρηση.

Φυλάξτε αυτό το εγχειρίδιο σε μια προσβάσιμη θέση, ώστε να μπορείτε πάντα να ανατρέξετε σε αυτό για την ασφάλη και σωστή χρήση της συσκευής.

Εάν πουλήσετε τη συσκευή, την χαρίσετε ή την αφήσετε πίσω όταν μετακομίσετε από το σπίτι, βεβαιωθείτε ότι έχετε αφήσει επίσης και αυτό το εγχειρίδιο, ώστε ο νέος ιδιοκτήτης να εξοικειωθεί με τη συσκευή και τις προειδοποιήσεις ασφαλείας.

## Εξαρτήματα

Ελέγξτε τα εξαρτήματα και τη βιβλιογραφία σύμφωνα με αυτόν τον κατάλογο:



Ενεργειακή  
ετικέτα



Κάρτα  
εγγύησης



Εγχειρίδιο  
χρήστη



Πιστοποιητικό  
εγγύησης



Σύντομος  
οδηγός



Αποστάτης×3



Κάρτα  
προειδοποίησης



κλειδί



## ΠΡΟΕΙΔΟΠΟΙΗΣΗ – Σημαντικές πληροφορίες ασφάλειας



## ΕΙΔΟΠΟΙΗΣΗ-Γενικές πληροφορίες και συμβουλές



## Περιβαλλοντικές πληροφορίες



### Απόρριψη

Βοήθεια και συμβολή στην προστασία του περιβάλλοντος και της ανθρώπινης υγείας. Τοποθετήστε τη συσκευασία σε κατάλληλα δοχεία για την ανακύκλωση της. Συμβολή στην ανακύκλωση των αποβλήτων ηλεκτρικών και ηλεκτρονικών συσκευών. Συσκευές που φέρουν αυτό το σύμβολο μην τις απορρίπτετε μαζί με τα οικιακά απορρίμματα. Επιστρέψτε το προϊόν στην τοπική μονάδα ανακύκλωσης ή επικοινωνήστε με το αρμόδιο δημοτικό γραφείο του Δήμου σας.



### ΠΡΟΕΙΔΟΠΟΙΗΣΗ: Κίνδυνος πυρκαγιάς/ εύφλεκτα υλικά

Το σύμβολο υποδεικνύει ότι υπάρχει κίνδυνος πυρκαγιάς, καθώς χρησιμοποιούνται εύφλεκτα υλικά. Επιδείξτε προσοχή για την αποτροπή της πρόκλησης πυρκαγιάς εξαιτίας της ανάφλεξης εύφλεκτου υλικού.



### ΠΡΟΕΙΔΟΠΟΙΗΣΗ!

Κίνδυνος τραυματισμού ή ασφυξίας!

Τα ψυκτικά μέσα και τα αέρια πρέπει να απορρίπτονται επαγγελματικά. Βεβαιωθείτε ότι η σωλήνωση του κυκλώματος ψυκτικού δεν έχει υποστεί ζημιά πριν απορριφθεί σωστά. Αποσυνδέστε τη συσκευή από την πρίζα παροχής ρεύματος. Κόψτε το καλώδιο τροφοδοσίας και απορρίψτε το. Αφαιρέστε τους δίσκους και τα συρτάρια, καθώς και τα αλιεύματα και τις σφραγίδες της πόρτας, για να αποτρέψετε τα παιδιά και τα κατοικίδια ζώα να κλείσουν στη συσκευή.

**Διαβάστε τις παρακάτω υποδείξεις ασφαλείας πριν ενεργοποιήσετε τη συσκευή για πρώτη φορά!**



## **ΠΡΟΕΙΔΟΠΟΙΗΣΗ!**

### **Πριν από την πρώτη χρήση**

- ▶ Βεβαιωθείτε ότι δεν υπάρχει ζημιά εξαιτίας της μεταφοράς.
- ▶ Χειριστείτε τη συσκευή πάντοτε με δύο άτομα τουλάχιστον, διότι είναι βαριά.

### **Εγκατάσταση**

- ▶ Η συσκευή πρέπει να τοποθετηθεί σε καλά αεριζόμενο μέρος. Βεβαιωθείτε ότι υπάρχει χώρος τουλάχιστον 10 εκατοστών πάνω και γύρω από τη συσκευή.
- ▶ Μην τοποθετείτε ποτέ τη συσκευή σε υγρή περιοχή ή θέση όπου μπορεί να πιτσιλιστεί ή βραχεί με νερό. Καθαρίστε και ξύστε τις ξεραμένες πιτσιλιές νερού και λεκέδες με ένα μαλακό καθαρό πανί.
- ▶ Μην εγκαθιστάτε τη συσκευή σε σημείο με άμεσο ηλιακό φως ή κοντά σε πηγές θερμότητας (π.χ. σόμπες, θερμαντήρες).
- ▶ Εγκαταστήστε και τοποθετήστε τη συσκευή σε μια περιοχή κατάλληλη για το μέγεθος και τη χρήση της.
- ▶ Διατηρείτε τα ανοίγματα εξαερισμού στη συσκευή ή την ενσωματωμένη δομή ελεύθερα εμποδίων.
- ▶ Βεβαιωθείτε ότι οι ηλεκτρολογικές πληροφορίες στην πινακίδα τύπου συμφωνούν με την αντίστοιχη παροχή ρεύματος. Εάν όχι, επικοινωνήστε με έναν ηλεκτρολόγο.
- ▶ Η συσκευή λειτουργεί με τροφοδοσία 220-240 VAC / 50 Hz. Η μη φυσιολογική διακύμανση της τάσης μπορεί να προκαλέσει την αποτυχία εκκίνησης της συσκευής ή ζημιά στον έλεγχο θερμοκρασίας ή τον συμπιεστή ή μπορεί να υπάρχει ανώμαλος θόρυβος κατά τη λειτουργία. Στην περίπτωση αυτή, πρέπει να τοποθετηθεί ένας αυτόματος ρυθμιστής.
- ▶ Μη χρησιμοποιείτε προσαρμογείς πολλαπλών θέσεων (πολύπριζα) και καλώδια επέκτασης / προέκτασης.
- ▶ Μην τοποθετείτε πολλαπλές φορητές πρίζες ή φορητά τροφοδοτικά στο πίσω μέρος της συσκευής.
- ▶ Βεβαιωθείτε ότι το καλώδιο τροφοδοσίας δεν έχει παγιδευτεί από το ψυγείο. Μην πατάτε το καλώδιο τροφοδοσίας.
- ▶ Χρησιμοποιήστε μια ξεχωριστή γεωμένη πρίζα για την παροχή ηλεκτρικού ρεύματος, η οποία να είναι εύκολα προσβάσιμη. Αυτή η συσκευή πρέπει να είναι γεωμένη.  
Μόνο για το Ηνωμένο Βασίλειο: Το καλώδιο τροφοδοσίας της συσκευής είναι εξοπλισμένο με βύσμα 3-καλωδίων (με γείωση) που ταιριάζει σε μια τυπική πρίζα 3-καλωδίων (πρίζα με γείωση). Ποτέ μην κόβετε ή αποσυναρμολογείτε τον τρίτο πείρο (γείωση). Μετά την εγκατάσταση της συσκευής, το βύσμα πρέπει να είναι άμεσα προσβάσιμο.
- ▶ Αποφύγετε την πρόκληση ζημιών στο κύκλωμα ψύξης.



## ΠΡΟΕΙΔΟΠΟΙΗΣΗ!

### Καθημερινή χρήση

- ▶ Η συσκευή αυτή μπορεί να χρησιμοποιηθεί από παιδιά ηλικίας 8 ετών και άνω και από άτομα με μειωμένες σωματικές, αισθητηριακές ή διανοητικές ικανότητες ή έλλειψη εμπειρίας και γνώσης, εφόσον βρίσκονται υπό εποπτεία ή εάν τους έχουν δοθεί σαφείς οδηγίες σχετικά με τη χρήση της συσκευής με ασφαλή τρόπο και έχουν κατανοήσει επακριβώς τους σχετικούς κινδύνους.
- ▶ Τα παιδιά ηλικίας 3 έως 8 ετών επιτρέπεται να τοποθετούν και να βγάζουν (αντικείμενα) από τις ψυκτικές συσκευές, αλλά δεν επιτρέπεται να τις καθαρίζουν ή να τις εγκαθιστούν.
- ▶ Κρατήστε μακριά τα παιδιά κάτω των 3 ετών από τη συσκευή, εκτός εάν επιβλέπονται συνεχώς.
- ▶ Τα παιδιά δεν επιτρέπεται να παίζουν με τη συσκευή.
- ▶ Εάν υπάρχει διαρροή ψυκτικού αερίου ή άλλου εύφλεκτου αερίου κοντά στη συσκευή, κλείστε τη βαλβίδα του αερίου που διαρρέει, ανοίξτε τις πόρτες και τα παράθυρα και μην αποσυνδέσετε ή συνδέσετε το καλώδιο τροφοδοσίας του ψυγείου ή οποιασδήποτε άλλης συσκευής.
- ▶ Σημειώστε ότι η συσκευή έχει ρυθμιστεί για λειτουργία σε συγκεκριμένο εύρος θερμοκρασίας περιβάλλοντος μεταξύ 10 και 43°C. Η συσκευή ενδέχεται να μη λειτουργεί σωστά εάν αφεθεί για μεγάλο χρονικό διάστημα σε θερμοκρασία υψηλότερη ή χαμηλότερη από το υποδεικνυόμενο εύρος τιμών.
- ▶ Μην τοποθετείτε ασταθή αντικείμενα (βαριά αντικείμενα, δοχεία γεμάτα με νερό) στο πάνω μέρος του ψυγείου, για να αποφύγετε τραυματισμούς από πτώση ή ηλεκτροπληξία από επαφή με νερό.
- ▶ Μην τραβάτε τα ράφια των θυρών της πόρτας. Η πόρτα μπορεί να βγει από τη θέση της, η σχάρα για τα μπουκάλια μπορεί να τραβηχτεί μακριά ή η συσκευή μπορεί να ανατραπεί.
- ▶ Ανοίγετε και κλείνετε την πόρτα μόνο από τις λαβές. Το κενό ανάμεσα στις πόρτες και ανάμεσα στις πόρτες και το ντουλάπι είναι πολύ στενό. Μην βάζετε τα χέρια σας σε αυτές τις περιοχές για να αποφύγετε να πιαστούν (μαγκωθούν) τα δάκτυλά σας. Ανοίξτε ή κλείστε τις πόρτες ψυγείου μόνο όταν δεν υπάρχουν παιδιά που να στέκονται εντός του εύρους κίνησης της πόρτας.
- ▶ Μην αποθηκεύετε και μην χρησιμοποιείτε εύφλεκτα, εκρηκτικά ή διαβρωτικά υλικά εντός ή εγγύς της συσκευής.
- ▶ Μην αποθηκεύετε φάρμακα, βακτήρια ή χημικούς παράγοντες στη συσκευή. Αυτή η συσκευή είναι μια οικιακή συσκευή. Δεν συνιστάται η αποθήκευση υλικών που απαιτούν αυστηρές θερμοκρασίες.
- ▶ Ποτέ μην αποθηκεύετε υγρά σε φιάλες ή δοχεία (πέραν των αλκοολούχων υψηλού βαθμού) και ιδιαίτερα ανθρακούχα αναψυκτικά στον καταψύκτη καθώς θα διαρραγούν κατά την ψύξη.
- ▶ Ελέγξτε την κατάσταση των τροφίμων εάν έχουν προηγηθεί συνθήκες θέρμανσης στον καταψύκτη.
- ▶ Μην ορίσετε άσκοπα χαμηλή θερμοκρασία στον θάλαμο του ψυγείου. Οι αρνητικές θερμοκρασίες μπορεί να εμφανιστούν σε υψηλές ρυθμίσεις. Προσοχή: Τα μπουκάλια μπορούν να σκάσουν
- ▶ Μην αγγίζετε κατεψυγμένα προϊόντα με βρεγμένα χέρια (φοράτε γάντια). Ειδικά μην πιείτε (τρώπε) γρανίτες αμέσως μετά την αφαίρεση από τον θάλαμο κατάψυξης. Υπάρχει ο κίνδυνος κατάψυξης ή σχηματισμός φουσκάλων παγετού. ΠΡΩΤΕΣ ΒΟΗΘΕΙΕΣ: Κρατήστε αμέσως κάτω από τρεχούμενο κρύο νερό. Μην τις τραβάτε μακριά!
- ▶ Μην αγγίζετε την εσωτερική επιφάνεια του χώρου αποθήκευσης του καταψύκτη όταν λειτουργεί, ειδικά με βρεγμένα χέρια, καθώς τα χέρια σας μπορεί να παγώσουν στην επιφάνεια.



## ΠΡΟΕΙΔΟΠΟΙΗΣΗ!

### Καθημερινή χρήση

- ▶ Αποσυνδέστε τη συσκευή από την πρίζα σε περίπτωση διακοπής ρεύματος ή πριν από τον καθαρισμό. Αφήστε τουλάχιστον 7 λεπτά πριν από την επανεκκίνηση της συσκευής, καθώς η συχνή εκκίνηση μπορεί να προκαλέσει ζημιά στον συμπιεστή.
- ▶ Μη χρησιμοποιείτε ηλεκτρικές συσκευές στο εσωτερικό των θαλάμων αποθήκευσης τροφίμων της συσκευής, εκτός αν είναι συσκευές που συνιστά ο κατασκευαστής.  
Συντήρηση / καθαρισμός
- ▶ Βεβαιωθείτε ότι τα παιδιά επιβλέπονται εάν πραγματοποιούν καθαρισμό και συντήρηση.
- ▶ Αποσυνδέστε τη συσκευή από την ηλεκτρική τροφοδοσία πριν πραγματοποιήσετε οποιαδήποτε συντήρηση ρουτίνας. Αφήστε τουλάχιστον 5 λεπτά πριν από την επανεκκίνηση της συσκευής, καθώς η συχνή εκκίνηση μπορεί να προκαλέσει ζημιά στον συμπιεστή.
- ▶ Κρατήστε το φιλτράρισμα, όχι το καλώδιο, όταν αποσυνδέετε τη συσκευή.
- ▶ Μην καθαρίζετε τη συσκευή με σκληρές βούρτσες, συμράτινες βούρτσες, σκόνη απορρυπαντικού, βενζίνη, οξικό αμύλιο, ακετόνη και παρόμοια οργανικά διαλύματα, όξινα ή αλκαλικά διαλύματα. Καθαρίστε με ειδικό απορρυπαντικό ψυγείου για να αποφύγετε ζημιές.
- ▶ Μην ξύσετε τον δροσιστήρα και τον πάγο με αιχμηρά αντικείμενα. Μη χρησιμοποιείτε σπρέι, ηλεκτρικούς θερμαντήρες όπως θερμαντήρα, στεγνωτήρα μαλλιών, ατμοκαθαριστές ή άλλες πηγές θερμότητας για να αποφύγετε ζημιές στα πλαστικά μέρη.
- ▶ Μην χρησιμοποιείτε μηχανικές συσκευές ή άλλα μέσα για να επιταχύνετε τη διαδικασία απόψυξης, παρά μόνο όσα συνιστώνται από τον κατασκευαστή.
- ▶ Αν το καλώδιο παροχής ρεύματος έχει φθαρεί πρέπει να αντικατασταθεί από τον κατασκευαστή ή τον αντιπρόσωπο του σέρβις ή παρόμοια εξουσιοδοτημένα πρόσωπα, προς αποφυγή του κινδύνου.
- ▶ Μην προσπαθήσετε να επισκευάσετε, να αποσυναρμολογήσετε ή να τροποποιήσετε τη συσκευή μόνοι σας. Σε περίπτωση επισκευής επικοινωνήστε με την εξυπηρέτηση πελατών μας.
- ▶ Εξαλείψτε τη σκόνη στο πίσω μέρος της μονάδας τουλάχιστον μία φορά τον χρόνο για να αποφύγετε τον κίνδυνο από πυρκαγιά, καθώς και την αυξημένη κατανάλωση ενέργειας.
- ▶ Μην ψεκάζετε ή ξεπλένετε τη συσκευή κατά τον καθαρισμό.
- ▶ Μην χρησιμοποιείτε σπρέι νερού ή ατμό για να καθαρίσετε τη συσκευή.
- ▶ Μην καθαρίζετε τα κρύα γυάλινα ράφια με ζεστό νερό. Η απότομη αλλαγή θερμοκρασίας μπορεί να προκαλέσει το σπάσιμο του γυαλιού.

### Πληροφορίες για τα ψυκτικά αέρια

- ▶ Η συσκευή περιέχει το εύφλεκτο ψυκτικό μέσο ΙΣΟΒΟΥΤΑΝΙΟ (R600a). Βεβαιωθείτε ότι το κύκλωμα ψυκτικού δεν έχει υποστεί ζημιά κατά τη μεταφορά ή την εγκατάσταση. Η διαρροή ψυκτικού μπορεί να προκαλέσει τραυματισμούς στα μάτια ή ανάφλεξη. Εάν έχει προκληθεί ζημιά, κρατήστε το μακριά από ακάλυπτες πηγές φωτιάς, αερίστε καλά το δωμάτιο, μην συνδέσετε ή αποσυνδέσετε τα καλώδια τροφοδοσίας της συσκευής ή οποιασδήποτε άλλης συσκευής. Ενημερώστε την εξυπηρέτηση πελατών.
- ▶ Σε περίπτωση που τα μάτια έρθουν σε επαφή με το ψυκτικό μέσο, ξεπλύνετε τα αμέσως κάτω από τρεχούμενο νερό και καλέστε αμέσως τον οφθαλμίατρο.

## Προβλεπόμενη χρήση

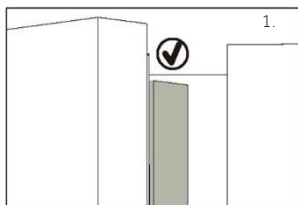
Αυτή η συσκευή προορίζεται για ψύξη και κατάψυξη τροφίμων. Έχει σχεδιαστεί αποκλειστικά για χρήση σε οικιακές και παρόμοιες εφαρμογές, όπως χώρους κουζίνας προσωπικού σε καταστήματα, γραφεία και άλλα εργασιακά περιβάλλοντα· αγροικίες και από πελάτες σε ξενοδοχεία, μοτέλ και άλλα περιβάλλοντα οικιστικού τύπου, καθώς και σε ξενοδοχειακές επιχειρήσεις bed-and-breakfast και catering. Δεν προορίζεται για εμπορική ή βιομηχανική χρήση. Δεν επιτρέπονται αλλαγές ή τροποποιήσεις στη συσκευή. Η ακούσια χρήση μπορεί να προκαλέσει κινδύνους και απώλεια αξιώσεων εγγύησης.

## Πρότυπα και οδηγίες **CE**

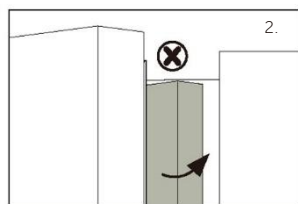
Αυτό το προϊόν πληροί τις απαιτήσεις όλων των εφαρμοστέων οδηγιών της ΕΚ με τα αντίστοιχα εναρμονισμένα πρότυπα, τα οποία προβλέπονται για την σήμανση CE.



### ΠΡΟΣΟΧΗ!



Όταν κλείνετε την πόρτα, η κάθετη λωρίδα της πόρτας στην αριστερή πόρτα πρέπει να λυγίσει μέσα (1).

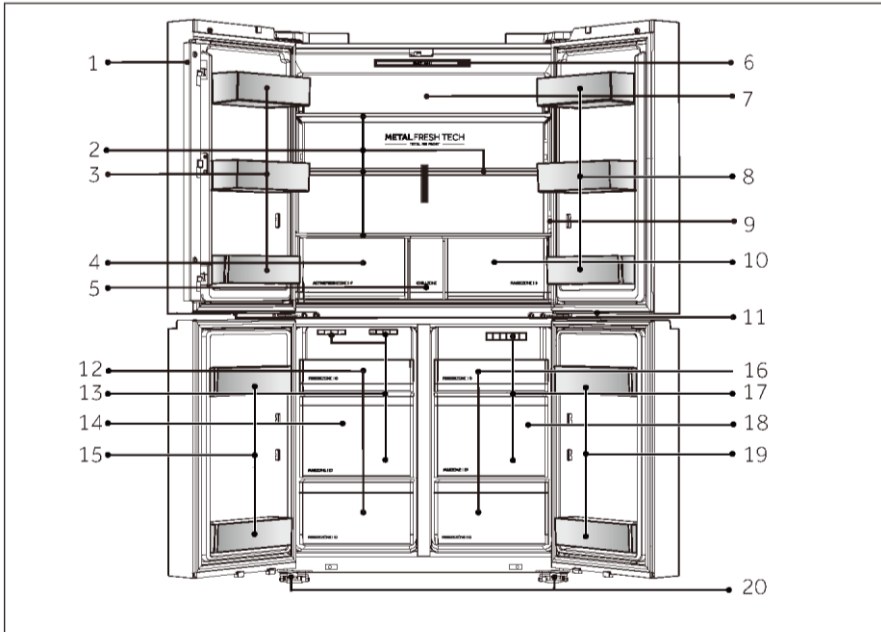


Εάν προσπαθήσετε να κλείσετε την αριστερή πόρτα και η κάθετη λωρίδα της πόρτας δεν είναι λυγισμένη (2), θα πρέπει να την λυγίσετε πρώτα, διαφορετικά η λωρίδα της πόρτας θα χτυπήσει τον άξονα στερέωσης ή τη δεξιά πόρτα. Έτσι θα προκληθεί ζημιά στο ολίσθημα της πόρτας ή διαρροή.

Υπάρχει ένα νήμα θέρμανσης μέσα στο πλαίσιο. Η θερμοκρασία της επιφάνειας θα αυξηθεί λίγο, κάτι που είναι φυσιολογικό και δεν θα επηρεάσει τη λειτουργία της συσκευής.

## **i** ΕΙΔΟΠΟΙΗΣΗ

Λόγω τεχνικών αλλαγών και διαφορετικών μοντέλων, ορισμένες από τις εικόνες σε αυτό το εγχειρίδιο ενδέχεται να διαφέρουν από το μοντέλο σας.

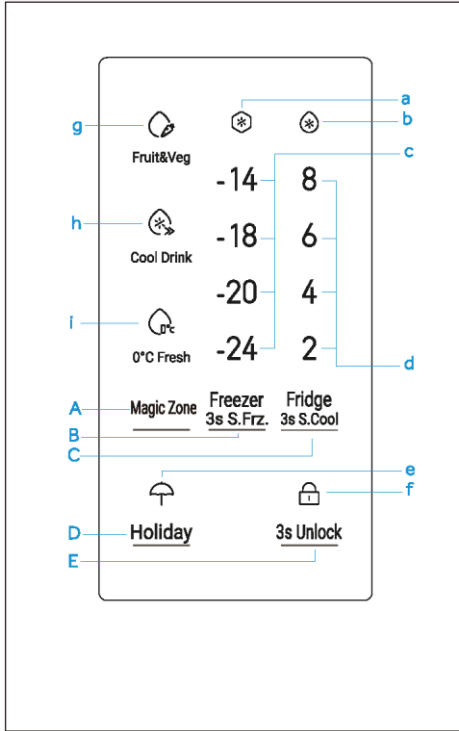


A: Θάλαμος ψυγείου

- 1 Δοκός πόρτας
- 2 Γυάλινα ράφια
- 3 Μπουκαλοθήκη
- 4 Συρτάρι ACTIVEFRESH ZONE
- 5 Δοχείο CHILL ZONE
- 6 Λαμπτήρας ψυγείου
- 7 Αγωγός ψυγείου
- 8 Μπουκαλοθήκη
- 9 Πίνακας ελέγχου
- 10 Συρτάρι MAGIC ZONE
- 11 Λαμπτήρας καταψύκτη

B: Θάλαμος καταψύκτη

- 12 Συρτάρι FREEZE ZONE
- 13 Αεραγωγός
- 14 Συρτάρι MAX ZONE
- 15 Μπουκαλοθήκη
- 16 Συρτάρι FREEZE ZONE
- 17 Αεραγωγός
- 18 Συρτάρι MAX ZONE
- 19 Μπουκαλοθήκη
- 20 Ρύθμιση ποδιών



Πλήκτρα:

- A Επιλογέας λειτουργίας Magic Zone
- B Επιλογέας λειτουργίας καταψύκτη και λειτουργίας super-frz
- C Επιλογέας λειτουργίας ψυγείου και λειτουργίας super-cool
- D Επιλογέας λειτουργίας Holiday
- E Επιλογέας λειτουργίας κλειδώματος/ξεκλειδώματος

Ενδείξεις:

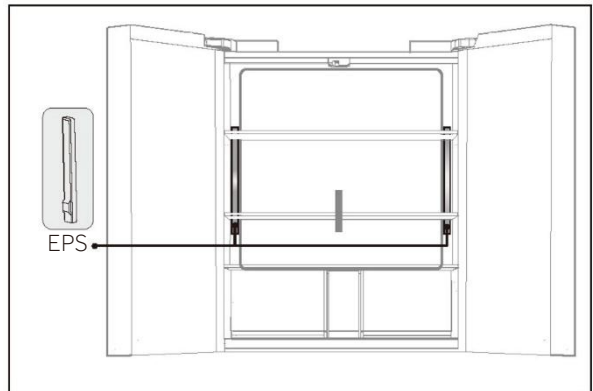
- a Λειτουργία Super-Frz
- b Λειτουργία Super-Cool
- c Θερμοκρασία καταψύκτη
- d Θερμοκρασία ψύξης
- e Λειτουργία Holiday
- f Λειτουργία κλειδώματος/ξεκλειδώματος
- g Λειτουργία Fruit & Veg
- h Λειτουργία Cool Drink
- i Λειτουργία 0°C Fresh

## Πριν από την πρώτη χρήση

- ▶ Αφαιρέστε όλη τη συσκευασία, ιδίως τον λευκό αφρό EPS από αμφότερες τις πλευρές του αγωγού ψύξης και φυλάξτε τον μακριά από παιδιά. Τον απορρίψτε με τρόπο φιλικό προς το περιβάλλον.
- ▶ Καθαρίστε το εσωτερικό και το εξωτερικό της συσκευής με νερό και ένα ήπιο απορρυπαντικό πριν βάλετε οποιοδήποτε φαγητό σε αυτό.
- ▶ Αφού η συσκευή τοποθετηθεί απολύτως ίσια στο δάπεδο και καθαριστεί, περιμένετε τουλάχιστον 2-5 ώρες πριν τη συνδέσετε στην παροχή ρεύματος. Ανατρέξτε στην ενότητα ΕΓΚΑΤΑΣΤΑΣΗ.
- ▶ Προψύξτε τους θαλάμους σε υψηλές ρυθμίσεις πριν τοποθετήσετε τρόφιμα. Η λειτουργία Power-Freeze βοηθά στην γρήγορη ψύξη των θαλάμων.
- ▶ Η θερμοκρασία ψυγείου και η θερμοκρασία καταψύκτη ρυθμίζονται αυτόματα στους 4°C και -18°C αντίστοιχα. Αυτές είναι οι προτεινόμενες ρυθμίσεις. Εάν θέλετε, μπορείτε να αλλάξετε αυτές τις θερμοκρασίες χειροκίνητα. Ανατρέξτε στην ενότητα ΡΥΘΜΙΣΗ ΘΕΡΜΟΚΡΑΣΙΑΣ.

## Μέθοδος αφαίρεσης EPS

Πρώτα, αφαιρέστε το επάνω και το μεσαίο ράφι (η μέθοδος αφαίρεσης των ραφιών περιγράφεται στη σελίδα 25) και στη συνέχεια βγάλτε τα δύο EPS.



## Πλήκτρα αισθητήρων

Τα κουμπιά στον πίνακα ελέγχου είναι πλήκτρα αισθητήρων, τα οποία ανταποκρίνονται ήδη όταν αγγίζονται ελαφρά με το δάχτυλο.

## Αναμμα/σβήσιμο της συσκευής

Η συσκευή λειτουργεί μόλις συνδεθεί με την παροχή ρεύματος.

Η θερμοκρασία ψυγείου και η θερμοκρασία καταψύκτη ρυθμίζονται αυτόματα στους 4°C και -18°C αντίστοιχα.

Ίσως το κλείδωμα του πίνακα να είναι ενεργό.



## ΕΙΔΟΠΟΙΗΣΗ

Η συσκευή είναι προρυθμισμένη στη συνιστώμενη θερμοκρασία 4°C (Ψυγείο) και -18°C (Καταψύκτης). Υπό κανονικές συνθήκες περιβάλλοντος δεν χρειάζεται να ρυθμίσετε θερμοκρασία.

Όταν η συσκευή είναι ενεργοποιημένη μετά την αποσύνδεση από την κύρια παροχή ρεύματος, μπορεί να χρειαστούν έως και 12 ώρες για να επιτευχθούν οι σωστές θερμοκρασίες.

Αδειάστε τη συσκευή πριν τη σβήσετε. Για να απενεργοποιήσετε τη συσκευή, τραβήξτε το καλώδιο τροφοδοσίας από την πρίζα.

## Κλείδωμα/ξεκλείδωμα πίνακα

Αυτόματο κλείδωμα: Όταν η πόρτα του ψυγείου είναι κλειστή και δεν εκτελεστεί καμία βασική λειτουργία εντός 30 δευτερολέπτων, η οθόνη θα σβήσει αυτόματα και θα κλειδώσει.

Χειροκίνητο κλείδωμα: Όταν η οθόνη είναι ξεκλειδωτή, πατήστε το πλήκτρο "E" (Επιλογέας κλειδώματος πίνακα) και κρατήστε το πατημένο για 3 δευτερόλεπτα. Ο βομβητής θα ηχήσει μία φορά, η ένδειξη "F" (Κλείδωμα πίνακα) θα ανάψει και η οθόνη θα κλειδώσει. Σε κατάσταση κλειδώματος, πατήστε παρατεταμένα το πλήκτρο "E" για 3 δευτερόλεπτα, ο βομβητής ηχεί μία φορά, η ένδειξη "F" (κλειδωμένος πίνακας) σβήνει, το κλείδωμα του πίνακα θα ξεκλειδώσει.



## Χειρωνακτικός τρόπος ρύθμισης

Αν θέλετε να ρυθμίσετε χειρωνακτικά τη θερμοκρασία της συσκευής μπορείτε να ρυθμίσετε τη θερμοκρασία με ένα κουμπί ρύθμισης θερμοκρασίας (ανατρέξτε στο «ΡΥΘΜΙΣΗ ΘΕΡΜΟΚΡΑΣΙΑΣ»)

## Συναγερμός πόρτας

Ο συναγερμός πόρτας θα ενεργοποιηθεί όταν η πόρτα ανοίγει για μεγάλο χρονικό διάστημα ή δεν έχει κλείσει σωστά, ως υπενθύμιση.

## Ρύθμιση θερμοκρασίας

Οι εσωτερικές θερμοκρασίες επηρεάζονται από τους ακόλουθους παράγοντες:

Θερμοκρασία περιβάλλοντος, Συχνότητα ανοίγματος της πόρτας, Ποσότητα αποθηκευμένων τροφίμων, Εγκατάσταση της συσκευής

## Ρύθμιση θερμοκρασίας του ψυγείου

1. Όταν η οθόνη ενδείξεων είναι ξεκλειδωτή, πατήστε το κουμπί "C". Ο βομβητής ηχεί μία φορά, η ένδειξη "b" αναβοσβήνει και στη συνέχεια εμφανίζεται η λειτουργία ρύθμισης θερμοκρασίας του ψυγείου
2. Πατήστε το κουμπί "C", κάθε φορά ο βομβητής ηχεί μία φορά, η ρυθμισμένη θερμοκρασία του ψυγείου θα αλλάξει. Η θερμοκρασία ψυγείου θα εμφανίζει τη σειρά 8>6>4>2



### ΕΙΔΟΠΟΙΗΣΗ

Μετά τη ρύθμιση της θερμοκρασίας, εάν δεν εκτελεστεί κάποια λειτουργία εντός 5 δευτερολέπτων, το σύστημα θα προσδιοριστεί αυτόματα και θα αποθηκεύσει τη ρυθμισμένη θερμοκρασία.

## Ρύθμιση θερμοκρασίας του καταψύκτη

1. Όταν η οθόνη ενδείξεων είναι ξεκλειδωτή, πατήστε το κουμπί "B". Ο βομβητής ηχεί μία φορά, η ένδειξη "c" αναβοσβήνει και στη συνέχεια εμφανίζεται η λειτουργία ρύθμισης θερμοκρασίας του καταψύκτη
2. Πατήστε το κουμπί "B", κάθε φορά ο βομβητής ηχεί μία φορά, η ρυθμισμένη θερμοκρασία του ψυγείου θα αλλάξει. Η θερμοκρασία ψυγείου θα εμφανίζει τη σειρά -14 > -18 > -20 > -24

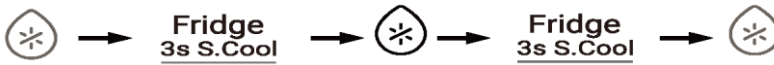


### ΕΙΔΟΠΟΙΗΣΗ

Μετά τη ρύθμιση της θερμοκρασίας, εάν δεν εκτελεστεί κάποια λειτουργία εντός 5 δευτερολέπτων, το σύστημα θα προσδιοριστεί αυτόματα και θα αποθηκεύσει τη ρυθμισμένη θερμοκρασία.

## Λειτουργία Super-Cool

1. Όταν η οθόνη είναι ξεκλειδωτή, πατήστε το κουμπί "C" παρατεταμένα για 3 δευτερόλεπτα, ο βομβητής ηχεί μία φορά, η ένδειξη "b" ανάβει και στη συνέχεια η λειτουργία Super-Cool ενεργοποιείται.
2. Όταν ανάβει η ένδειξη "b", πατήστε το κουμπί "C" παρατεταμένα για 3 δευτερόλεπτα, ο βομβητής ηχεί μία φορά, η ένδειξη "b" σβήνει και στη συνέχεια η λειτουργία Super-Cool απενεργοποιείται.
3. Αφού ενεργοποιηθεί η λειτουργία Super-Cool, το ψυγείο θα την απενεργοποιήσει αυτόματα όταν φτάσει στην καθορισμένη κατάσταση. Εάν θέλετε να βγείτε από τη λειτουργία χειροκίνητα, μπορείτε να πατήσετε το κουμπί "C" για να την απενεργοποιήσετε.



## ΕΙΔΟΠΟΙΗΣΗ

1. Όταν η λειτουργία Super-cool είναι ενεργοποιημένη, η θερμοκρασία του ψυγείου δεν μπορεί να ρυθμιστεί. Εάν πατήσετε κάποιο από τα κουμπιά "C" για να ρυθμίσετε τη θερμοκρασία του ψυγείου, η ένδειξη "b" θα αναβοσβήνει με έναν προειδοποιητικό ήχο για να υποδείξει ότι αυτή η λειτουργία δεν μπορεί να εκτελεστεί.
2. Όταν η λειτουργία Super-cool είναι ενεργοποιημένη, δεν μπορεί να ενεργοποιηθεί ταυτόχρονα η λειτουργία Auto-set λόγω διαφορετικών λειτουργιών ελέγχου. Όταν επιλέγετε μια λειτουργία που έρχεται σε διένεξη με μια άλλη λειτουργία, η αρχική λειτουργία θα τερματίζεται αυτόματα.

## Λειτουργία Super-Frz

1. Όταν η οθόνη είναι ξεκλειδωτή, πατήστε το κουμπί "B" παρατεταμένα για 3 δευτερόλεπτα, ο βομβητής ηχεί μία φορά, η ένδειξη "a" ανάβει και στη συνέχεια η λειτουργία Super-Frz ενεργοποιείται.
2. Όταν ανάβει η ένδειξη "a", πατήστε το κουμπί "B" παρατεταμένα για 3 δευτερόλεπτα, ο βομβητής ηχεί μία φορά, η ένδειξη "a" σβήνει και στη συνέχεια η λειτουργία Super-Frz απενεργοποιείται.
3. Αφού ενεργοποιηθεί η λειτουργία Super-Frz, το ψυγείο θα την απενεργοποιήσει αυτόματα όταν φτάσει στην καθορισμένη κατάσταση. Εάν θέλετε να βγείτε από τη λειτουργία χειροκίνητα, μπορείτε να πατήσετε το κουμπί "B" για να την απενεργοποιήσετε.





## ΕΙΔΟΠΟΙΗΣΗ

1. Όταν η λειτουργία Super-Freeze είναι ενεργοποιημένη, η θερμοκρασία του καταψύκτη δεν μπορεί να προσαρμοστεί. Εάν πατήσετε κάποιο από τα κουμπιά "B" για να ρυθμίσετε τη θερμοκρασία του καταψύκτη, η ένδειξη "a" θα αναβοσβήνει με έναν προειδοποιητικό ήχο για να υποδείξει ότι αυτή η λειτουργία δεν μπορεί να εκτελεστεί.
2. Η λειτουργία Super-Freeze έχει σχεδιαστεί για να διατηρεί τη θρεπτική αξία των κατεψυγμένων τροφίμων, καταψύχει τα τρόφιμα σε σύντομο χρονικό διάστημα. Αυτή τη στιγμή, η ταχύτητα κατάψυξης του καταψύκτη βελτιώνεται, τα τρόφιμα μπορούν να καταψυχθούν γρήγορα, η θρεπτική αξία των τροφίμων διατηρείται αποτελεσματικά και η αποθήκευση γίνεται τέλεια. Εάν κάποια φορά πρέπει να καταψύξετε μια μεγάλη ποσότητα τροφίμων, συνιστάται να ρυθμίσετε τη λειτουργία Super Freeze 24 ώρες νωρίτερα από τη χρήση του θαλάμου καταψύκτη.

### Λειτουργία Holiday

Η λειτουργία Holiday έχει σχεδιαστεί για να μην χρησιμοποιείτε το ψυγείο για μεγάλο χρονικό διάστημα. Όταν είναι ενεργοποιημένη η λειτουργία Holiday, ο καταψύκτης βρίσκεται υπό κανονικό έλεγχο και η θερμοκρασία του ψυγείου ρυθμίζεται αυτόματα στους 17°C, κάτι που αποτρέπει την ιδιαίτερη μυρωδιά η οποία προκαλείται από την υπερβολική θερμοκρασία και ταυτόχρονα συμβάλλει στη μείωση της κατανάλωσης ενέργειας.

1. Όταν η οθόνη ενδείξεων είναι ξεκλειδωτή, πατήστε το κουμπί "D", ο βομβητής ηχεί μία φορά, η ένδειξη "e" φωτίζεται και στη συνέχεια θα ενεργοποιηθεί η λειτουργία Holiday.
2. Όταν η ένδειξη "e" φωτίζεται, πατήστε το κουμπί "D", ο βομβητής ηχεί μία φορά, η ένδειξη "e" σβήνει και στη συνέχεια θα απενεργοποιηθεί η λειτουργία Holiday.



Holiday



Holiday



## ΕΙΔΟΠΟΙΗΣΗ

Πριν χρησιμοποιήσετε τη λειτουργία Holiday, αδειάστε το ψυγείο για να αποφύγετε την αλλοίωση των τροφίμων. Όταν είναι ενεργοποιημένη η λειτουργία Holiday, δεν είναι δυνατή η ταυτόχρονη ενεργοποίηση της λειτουργίας Super Cool.

## Λειτουργία Magic Zone

Όταν η οθόνη ενδείξεων είναι ξεκλειδωτή, πατήστε το κουμπί "A" για να περιηγηθείτε στις λειτουργίες Fruit&Veg, Cool Drink και 0°C Fresh.

### 1. Λειτουργία Fruit&Veg:

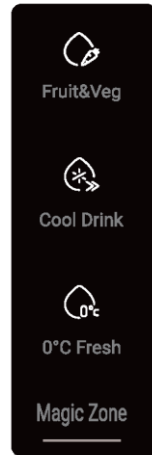
Αυτή η λειτουργία είναι κατάλληλη για την αποθήκευση φρέσκων φρούτων και λαχανικών. Όταν είναι επιλεγμένη αυτή η λειτουργία, ανάβει η ένδειξη "g".

### 2. Λειτουργία Cool Drink:

Αυτή η λειτουργία επιτρέπει την αποθήκευση προϊόντων όπως νερό, κόκα κόλα και χυμούς. Όταν είναι επιλεγμένη αυτή η λειτουργία, ανάβει η ένδειξη "h".

### 3. Λειτουργία 0°Fresh:

Αυτή η λειτουργία είναι κατάλληλη για την αποθήκευση φρέσκων τροφίμων όπως κρέας ή ψάρι. Όταν είναι επιλεγμένη αυτή η λειτουργία, ανάβει η ένδειξη "i".



## ΕΙΔΟΠΟΙΗΣΗ

1. Η προεπιλεγμένη ρύθμιση κατά την εκκίνηση είναι η λειτουργία Cool Drink.
2. Για τη λειτουργία Fruit&Veg.: Φρούτα ευαίσθητα στο κρύο όπως ανανάς, αβοκάντο, μπανάνες, γκρέιπφρουτ και λαχανικά όπως πατάτες, μελιτζάνες, φασόλια, αγγούρια, κολοκυθάκια και ντομάτες και τυρί δεν πρέπει να αποθηκεύονται στο συρτάρι Magic Zone.
3. Για τη λειτουργία 0°Fresh: Λόγω της διαφορετικής περιεκτικότητας του κρέατος σε νερό. Ορισμένα κρέατα με περισσότερη υγρασία θα καταψυχθούν σε θερμοκρασίες χαμηλότερες από 0°C. Έτσι, το "φρεσκοκομμένο" κρέας θα πρέπει να αποθηκεύεται στο συρτάρι Magic Zone, με θερμοκρασίες τουλάχιστον 0°C.
4. Οι τρεις λειτουργίες του Magic Zone δεν μπορούν να ανοίξουν ταυτόχρονα, μόνο μία μπορεί να είναι αναμμένη. Για να μειώσετε τη θερμοκρασία του θαλάμου ψυγείου χρησιμοποιήστε τη λειτουργία Cool Drink. Για να αυξήσετε τη θερμοκρασία του θαλάμου ψυγείου χρησιμοποιήστε τη λειτουργία Fruit&Veg.

## Συμβουλές για την αποθήκευση νωπών τροφίμων

### Αποθήκευση στον θάλαμο ψυγείου

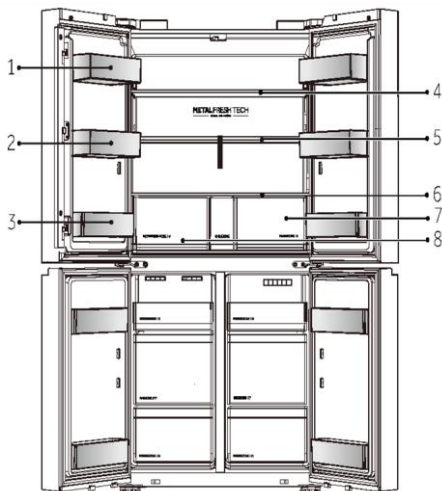
1. Διατηρήστε τη θερμοκρασία του ψυγείου σας κάτω από 5° C.
2. Το ζεστό φαγητό πρέπει να ψύχεται σε θερμοκρασία δωματίου πριν από την αποθήκευση στη συσκευή.
3. Τα τρόφιμα που αποθηκεύονται στο ψυγείο πρέπει να πλένονται και να στεγνώνουν πριν από την αποθήκευση.
4. Τα τρόφιμα προς αποθήκευση θα πρέπει να σφραγίζονται σωστά για να αποφευχθούν δυσοσμίες ή αλλοιώσεις γεύσης.

5. Μην αποθηκεύετε υπερβολικές ποσότητες τροφίμων. Αφήστε κενά μεταξύ των τροφίμων να ρέει αέρας γύρω τους, για καλύτερη και πιο ομοιογενή ψύξη.
6. Τα τρόφιμα που τρώγονται καθημερινά πρέπει να αποθηκεύονται στο μπροστινό μέρος του ραφιού.
7. Αφήστε ένα κενό μεταξύ τροφίμων και εσωτερικών τοιχωμάτων, επιτρέποντας τη ροή του αέρα. Ιδιαίτερως και με κάθε τρόπο μην αποθηκεύετε τρόφιμα σε επαφή με το πίσω τοίχωμα: τα τρόφιμα θα μπορούσαν να παγώσουν σε επαφή με το πίσω τοίχωμα. Αποφύγετε την άμεση επαφή των τροφίμων (ιδιαίτερα των ελαιωδών ή όξινων τροφίμων) με την εσωτερική επένδυση, καθώς το λάδι/οξύ μπορεί να διαβρώσει την εσωτερική επένδυση. Καθαρίστε τη λιπαρή/όξινη βρωμιά όποτε βρεθεί.
8. Να αποψύχετε τα κατεψυγμένα τρόφιμα στο χώρο αποθήκευσης του ψυγείου. Με αυτόν τον τρόπο, μπορείτε να χρησιμοποιήσετε τα κατεψυγμένα τρόφιμα για να μειώσετε τη θερμοκρασία στον θάλαμο και να εξοικονομήσετε ενέργεια.
9. Η διαδικασία παλαίωσης φρούτων και λαχανικών όπως κολοκυθάκια, πεπόνια, παπάγια, μπανάνα, ανανάς κλπ., μπορεί να επιταχυνθεί στο ψυγείο. Ως εκ τούτου, δεν συνιστάται η αποθήκευσή τους στο ψυγείο. Ωστόσο, η ωρίμανση (γήρανση) των φρούτων που έχουν έντονη τάση ωρίμανσης μπορεί να επιταχυνθεί για μια συγκεκριμένη περίοδο. Τα κρεμμύδια, το σκόρδο, το τζιντζερ και άλλα λαχανικά που διαθέτουν ρίζες θα πρέπει επίσης να αποθηκεύονται σε θερμοκρασία δωματίου.
10. Οι δυσάρεστες οσμές μέσα στο ψυγείο είναι ένα σημάδι ότι κάτι έχει χυθεί και απαιτείται καθαρισμός. Βλέπε ΦΡΟΝΤΙΔΑ ΚΑΙ ΚΑΘΑΡΙΣΜΟΣ.
11. Διαφορετικά τρόφιμα πρέπει να τοποθετούνται σε διαφορετικές περιοχές ανάλογα με τις ιδιότητές τους.



## ΕΙΔΟΠΟΙΗΣΗ

Κρατήστε απόσταση μεγαλύτερη από 10 mm μεταξύ των τροφίμων που τοποθετούνται και του αεραγωγού ή των αισθητήρων, για να εξασφαλίσετε το ψυκτικό αποτέλεσμα.



1. Βούτυρο, τυριά, κ.λπ.
2. Αυγά, κονσέρβες, κονσερβοποιημένα τρόφιμα, μπαχαρικά κλπ.
3. Ποτά και εμφιαλωμένο φαγητό.
4. Τουρσί, κονσερβοποιημένα τρόφιμα κλπ.
5. Προϊόντα κρέατος, σνακ, ζυμαρικά, κονσέρβες, γάλα, τόφου, γαλακτοκομικά κλπ.
6. Μαγειρευτά κρέατα, λουκάνικα κλπ.
7. Συρτάρι Magic ZONE: Φρούτα, λαχανικά, σαλάτα, κ.λπ.
8. Συρτάρι ζώνης ACTIVEFRESH ZONE: Φρούτα, λαχανικά, σαλάτα, κ.λπ.

## Αποθήκευση στον θάλαμο καταψύκτη

1. Διατηρήστε τη θερμοκρασία καταψύκτη στους  $-18^{\circ}\text{C}$ .
2. 24 ώρες πριν την κατάψυξη ανάψτε τη λειτουργία Super-freeze για μικρές ποσότητες τροφίμων επαρκούν 4-6 ώρες.
3. Το ζεστό φαγητό πρέπει να ψύχεται σε θερμοκρασία δωματίου πριν από την αποθήκευση στον θάλαμο καταψύκτη.
4. Τα τρόφιμα που κόβονται σε μικρές μερίδες θα παγώσουν γρηγορότερα και θα είναι πιο εύκολο να ξεπαγώσουν και να μαγειρευτούν. Το συνιστώμενο βάρος για κάθε μερίδα είναι μικρότερο από 2,5 κιλά.
5. Είναι καλύτερα να συσκευάσετε το φαγητό πριν το βάλετε στον καταψύκτη. Το εξωτερικό της συσκευασίας πρέπει να είναι στεγνό για να αποφεύγονται οι σακούλες που κολλάνε μεταξύ τους. Τα υλικά συσκευασίας πρέπει να είναι χωρίς οσμές, αεροστεγή, μη δηλητηριώδη και μη τοξικά.

6. Για να αποφύγετε τη λήξη των περιόδων αποθήκευσης, παρακαλείστε να σημειώσετε την ημερομηνία κατάψυξης, την προθεσμία και το όνομα του τροφικού στη συσκευασία ανάλογα με τις περιόδους αποθήκευσης διαφορετικών τροφίμων.

1. **ΠΡΟΕΙΔΟΠΟΙΗΣΗ!** Οξύ, αλκάλια και αλάτι κ.λπ. θα μπορούσαν να διαβρώσουν την εσωτερική επιφάνεια του καταψύκτη. Μην τοποθετείτε τα τρόφιμα που έχουν αυτές τις ουσίες (π.χ. θαλάσσια ψάρια) απευθείας στην εσωτερική επιφάνεια. Το αλμυρό νερό στην κατάψυξη πρέπει να καθαριστεί αμέσως.

2. Μην υπερβγαίνετε τους χρόνους αποθήκευσης τροφίμων που προτείνουν οι κατασκευαστές.

Βγάλτε μόνο την απαιτούμενη ποσότητα τροφής από την κατάψυξη.

3. Καταναλώστε τα αποψυγμένα τρόφιμα γρήγορα. Το παγωμένο φαγητό δεν μπορεί να καταψυχθεί εκ νέου εκτός εάν μαγειρευτεί για πρώτη φορά, διαφορετικά μπορεί να χαλάσει και να μην τρώγεται.

4. Μην τοποθετείτε υπερβολικές ποσότητες νωπών τροφίμων στον θάλαμο κατάψυξης. Ανατρέξτε στην ικανότητα κατάψυξης του καταψύκτη - Δείτε στο ΤΕΧΝΙΚΑ ΔΕΔΟΜΕΝΑ ή δεδομένα στην πινακίδα τύπου.

5. Τα τρόφιμα μπορούν να αποθηκευτούν στον καταψύκτη σε θερμοκρασία τουλάχιστον  $-18^{\circ}\text{C}$  για 2 έως 12 μήνες, ανάλογα με τις ιδιότητές του (π.χ. κρέας: 3-12 μήνες, λαχανικά: 6-12 μήνες)

6. Κατά την κατάψυξη νωπών τροφίμων, αποφύγετε να τα φέρετε σε επαφή με ήδη κατεψυγμένα τρόφιμα!

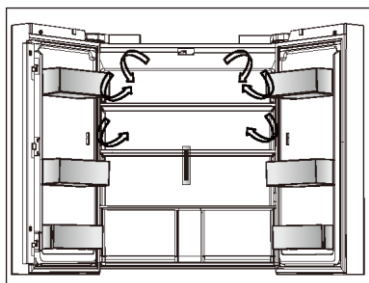
### Κατά την αποθήκευση εμπορικά κατεψυγμένων τροφίμων, ακολουθήστε αυτές τις οδηγίες:

1. Να ακολουθείτε πάντα τις οδηγίες των κατασκευαστών για το χρονικό διάστημα για το οποίο πρέπει να αποθηκεύετε τρόφιμα. Μην υπερβαίνουμε αυτές τις οδηγίες!
2. Προσπαθήστε να διατηρήσετε το χρονικό διάστημα μεταξύ αγοράς και αποθήκευσης όσο το δυνατόν συντομότερο για να διατηρήσετε την ποιότητα των τροφίμων.
3. Αγοράστε κατεψυγμένα τρόφιμα, τα οποία έχουν αποθηκευτεί σε θερμοκρασία  $-18^{\circ}\text{C}$  ή χαμηλότερη.
4. Αποφύγετε να αγοράζετε τρόφιμα που έχουν πάγο ή δροσοπάγο πάνω στη συσκευασία - Αυτό υποδηλώνει ότι τα προϊόντα μπορεί να έχουν αποψυχθεί μερικώς και να έχουν καταψυχθεί ξανά κάποια στιγμή - οι αυξήσεις της θερμοκρασίας επηρεάζουν την ποιότητα των τροφίμων.



## ΕΙΔΟΠΟΙΗΣΗ

Κρατήστε απόσταση μεγαλύτερη από 10 mm μεταξύ των τροφίμων που τοποθετούνται και του αεραγωγού, για να εξασφαλίσετε το ψυκτικό αποτέλεσμα.

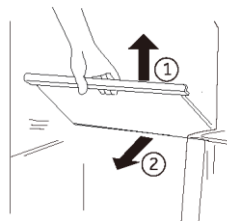


### Πολλαπλή ροή αέρα

1. Το ψυγείο είναι εξοπλισμένο με σύστημα πολλαπλών ροών αέρα, το οποίο παρέχει ροή κρύου αέρα σε κάθε επίπεδο στα ράφια. Αυτό βοηθά στη διατήρηση μιας ομοιόμορφης θερμοκρασίας για να διασφαλιστεί ότι τα τρόφιμά σας διατηρούνται πιο φρέσκα για μεγαλύτερο χρονικό διάστημα.

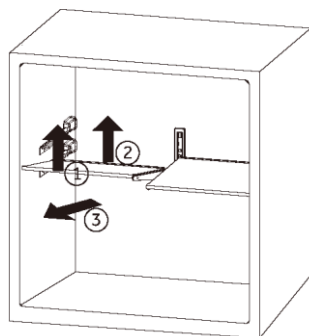
### Ρυθμιζόμενα ράφια

1. Το ύψος των ραφιών μπορεί να ρυθμιστεί ώστε να ταιριάζει στις ανάγκες αποθήκευσης.
2. Για να μετακινήσετε ένα ράφι, αφαιρέστε το πρώτα ανυψώνοντας την μπροστινή άκρη του ① και τραβώντας το έξω ②.
3. Για να το επανατοποθετήσετε, τοποθετήστε το στις υποδοχές και στις δύο πλευρές και σπρώξτε το στην πίσω θέση μέχρι το πίσω μέρος του ραφιού να στερεωθεί στις πλαϊνές σχισμές.



### Ρύθμιση μεσαίου ραφιού

1. Αφαιρέστε τη βάση του ραφιού: Πρώτα ανασηκώστε την μπροστινή άκρη ① της βάσης ραφιού κατά 7 cm, στη συνέχεια ανασηκώστε την πίσω άκρη ② της βάσης ραφιού, έτσι ώστε το δίχαλο στην πλευρά του προβόλου να μπορεί να διαχωριστεί από την οπή εγκατάστασης. Τέλος, τραβήξτε τη βάση ραφιού προς τα έξω ③.
2. Εγκατάσταση της βάσης ραφιού: Σπρώξτε τη βάση ραφιού στη θέση της σύμφωνα με την κεκλιμένη γωνία που υποδεικνύεται στο διάγραμμα, στη συνέχεια χαμηλώστε το μπροστινό άκρο ① της βάσης ραφιού, έτσι ώστε το δίχαλο στην πλευρά του προβόλου να μπορεί να τοποθετηθεί στην οπή εγκατάστασης.



### ΕΙΔΟΠΟΙΗΣΗ

Βεβαιωθείτε ότι όλα τα άκρα ενός ραφιού είναι επίπεδα.

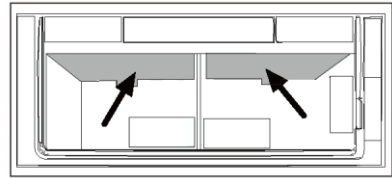
### Συρτάρι ACTIVEFRESH ZONE

1. Σε αυτό το τμήμα, το επίπεδο υγρασίας είναι υψηλότερο από ό,τι στο τμήμα του ψυγείου. Ελέγχεται αυτόματα από το σύστημα και είναι κατάλληλο για αποθήκευση φρούτων, λαχανικών, σαλατικών κλπ.



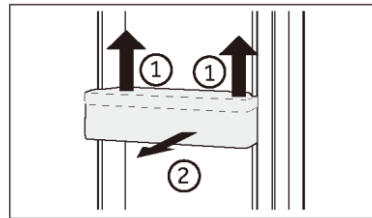
## ΕΙΔΟΠΟΙΗΣΗ

1. Μην αφαιρείτε το πλαστικό κάλυμμα μέσα στις δύο ζώνες.
2. Διατηρούν την υγρασία.
3. Φρούτα ευαίσθητα στο κρύο όπως ο ανανάς, το αβοκάντο, οι μπανάνες,
4. τα γκρέιπφρουτ δεν συνιστάται να αποθηκεύονται σε αυτά τα δύο συρτάρια.



## Αφαιρούμενες σχάρες πόρτας/αφαιρούμενη μπουκαλοθήκη

1. Τα ράφια των πορτών μπορούν να αφαιρεθούν για καθαρισμό:
2. Τοποθετήστε τα χέρια σε κάθε πλευρά της σχάρας, σηκώστε την προς τα πάνω ① και τραβήξτε την προς τα έξω ②.
3. Για την εισαγωγή της σχάρας της πόρτας, τα παραπάνω βήματα πραγματοποιούνται με αντίστροφη σειρά.



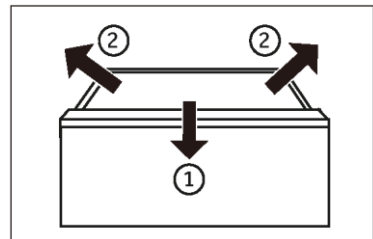
## ΕΙΔΟΠΟΙΗΣΗ

Όταν η συσκευή είναι ενεργοποιημένη, μπορεί να χρειαστούν έως και 12 ώρες για να επιτευχθούν οι σωστές θερμοκρασίες.

## Αφαιρούμενο συρτάρι

Για να αφαιρέσετε το συρτάρι προς τα έξω, τραβήξτε προς τα έξω στο μέγιστο βαθμό ①, σηκώστε και αφαιρέστε ②.

Για την τοποθέτηση του συρταριού, τα παραπάνω βήματα γίνονται με αντίστροφη σειρά.



## Το φως

Ο εσωτερικός φωτισμός LED ανάβει όταν ανοίγει η πόρτα και σβήνει αυτόματα εάν η πόρτα μείνει ανοιχτή για περισσότερα από 7 λεπτά. Η απόδοση των φώτων δεν επηρεάζεται από καμία από τις άλλες ρυθμίσεις της συσκευής.



## Συμβουλές εξοικονόμησης ενέργειας

- ▶ Βεβαιωθείτε ότι η συσκευή αερίζεται σωστά (δείτε ΕΓΚΑΤΑΣΤΑΣΗ).
- ▶ Μην εγκαθιστάτε τη συσκευή σε σημείο με άμεσο ηλιακό φως ή κοντά σε πηγές θερμότητας (π.χ. σόμπες, θερμαντήρες).
- ▶ Αποφύγετε την άσκοπα χαμηλή θερμοκρασία στη συσκευή. Η κατανάλωση ενέργειας αυξάνεται όσο χαμηλότερη είναι η θερμοκρασία στη συσκευή.
- ▶ Λειτουργίες όπως το POWER-FREEZE καταναλώνουν περισσότερη ενέργεια.
- ▶ Αφήστε το ζεστό φαγητό να κρυώσει πριν το τοποθετήσετε μέσα στη συσκευή.
- ▶ Να ανοίγετε την πόρτα της συσκευής όσο το δυνατόν λιγότερες φορές και για όσο πιο σύντομα γίνεται.
- ▶ Μην γεμίζετε και φορτώνετε υπερβολικά τη συσκευή για να αποφύγετε τη φραγή του αέρα χαμηλά.
- ▶ Αποφύγετε το να υπάρχει αέρας μέσα στη συσκευασία των τροφίμων.
- ▶ Διατηρείτε τα λάστιχα της πόρτας καθαρά, ώστε η πόρτα να κλείνει πάντα σωστά.
- ▶ Να αποψύχετε τα κατεψυγμένα τρόφιμα στο χώρο αποθήκευσης του ψυγείου.
- ▶ Η διαμόρφωση εξοικονόμησης ενέργειας απαιτεί τη διατήρηση του συρταριού, του κουτιού τροφίμων και των ραφιών όπως ακριβώς είναι, δηλαδή στην εργοστασιακή τους κατάσταση, και την τοποθέτηση των τροφίμων με τέτοιο τρόπο, ώστε να μην εμποδίζεται η έξοδος αεραγωγού.



## ΠΡΟΕΙΔΟΠΟΙΗΣΗ!

Αποσυνδέστε τη συσκευή από την τροφοδοσία πριν από τον καθαρισμό.

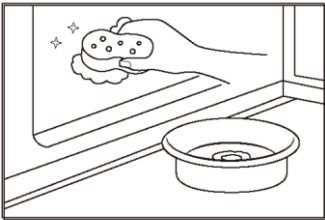
### Καθαρισμός

1. Καθαρίστε τη συσκευή μόνο όταν υπάρχουν αποθηκευμένα λίγα ή καθόλου τρόφιμα.
2. Η συσκευή πρέπει να καθαρίζεται κάθε τέσσερις εβδομάδες για καλή συντήρηση και για την αποφυγή αποθηκευμένων τροφίμων με δυσάρεστες οσμές.



## ΠΡΟΕΙΔΟΠΟΙΗΣΗ!

- ▶ Μην καθαρίζετε τη συσκευή με σκληρές βούρτσες, συρμάτινες βούρτσες, σκόνη απορρυπαντικού, βενζίνη, οξικό αμύλιο, ακετόνη και παρόμοια οργανικά διαλύματα, όξινα ή αλκαλικά διαλύματα. Καθαρίστε με ειδικό απορρυπαντικό ψυγείου για να αποφύγετε ζημιές.
- ▶ Μην ψεκάζετε ή ξεπλένετε τη συσκευή κατά τον καθαρισμό.
- ▶ Μην χρησιμοποιείτε σπρέι νερού ή ατμό για να καθαρίσετε τη συσκευή.
- ▶ Μην καθαρίζετε τα κρύα γυάλινα ράφια με ζεστό νερό. Η απότομη αλλαγή θερμοκρασίας μπορεί να προκαλέσει το σπάσιμο του γυαλιού.
- ▶ Μην αγγίζετε την εσωτερική επιφάνεια του χώρου αποθήκευσης του καταψύκτη, ειδικά με βρεγμένα χέρια, καθώς τα χέρια σας μπορεί να παγώσουν στην επιφάνεια.
- ▶ Σε περίπτωση θέρμανσης ελέγξτε την κατάσταση των κατεψυγμένων αγαθών.



- ▶ Διατηρείτε πάντα το λάστιχο της πόρτας καθαρό.
- ▶ Καθαρίστε το εσωτερικό και το περίβλημα της συσκευής με ένα σφουγγάρι βρεγμένο σε ζεστό νερό και ουδέτερο απορρυπαντικό.
- ▶ 1. Παρακαλώ τρίψτε το εσωτερικό και το εξωτερικό του ψυγείου, συμπεριλαμβανομένης της σφράγισης των θυρών, της σχάρας της πόρτας, των γυάλινων ραφιών, των κιβωτίων και ούτω καθεξής, με μια μαλακή πετσέτα ή σφουγγάρι βουτηγμένο σε ζεστό νερό (μπορείτε να προσθέσετε ουδέτερο απορρυπαντικό στο ζεστό νερό).
- ▶ 2. Εάν χυθεί υγρό, αφαιρέστε όλα τα μολυσμένα μέρη, ξεπλύνετε απευθείας με το νερό ροής, στεγνώστε και τοποθετήστε το πίσω στο ψυγείο.
- ▶ 3. Εάν υπάρχει χυμένη κρέμα (όπως η κρέμα γάλακτος, το παγωτό που λιώνει), αφαιρέστε όλα τα μολυσμένα μέρη, βάλτε στο ζεστό νερό με περίπου 40 °C για κάποιο χρονικό διάστημα, στη συνέχεια ξεπλύνετε με το νερό ροής, στεγνώστε και τοποθετήστε το ξανά στο ψυγείο.
- ▶ 4. Σε περίπτωση που κάποιο μικρό μέρος ή εξάρτημα κολλήσει μέσα στο ψυγείο (ανάμεσα σε ράφια ή συρτάρια), χρησιμοποιήστε μια μικρή μαλακή βούρτσα για να το απελευθερώσετε. Εάν δεν μπορείτε να φτάσετε το εξάρτημα, επικοινωνήστε με την υπηρεσία Haier
- ▶ Ξεπλύνετε και στεγνώστε με μαλακό πανί.
- ▶ Μην καθαρίζετε κανένα από τα μέρη της συσκευής σε πλυντήριο πιάτων.
- ▶ Αφήστε να περάσουν τουλάχιστον 5 λεπτά πριν θέσετε ξανά σε λειτουργία τη συσκευή, καθώς η συχνή ενεργοποίηση μπορεί να προκαλέσει ζημιά στον συμπιεστή.

## Απόψυξη

Η απόψυξη των θαλάμων του ψυγείου και της κατάψυξης γίνεται αυτόματα, δεν απαιτείται χειροκίνητη λειτουργία.

## Αντικατάσταση των λαμπτήρων LED



### ΠΡΟΕΙΔΟΠΟΙΗΣΗ!

Μην αντικαθιστάτε μόνοι σας τον λαμπτήρα LED, πρέπει να αντικατασταθεί μόνον από τον κατασκευαστή ή από τον εξουσιοδοτημένο αντιπρόσωπο σέρβις.

Ο λαμπτήρας υιοθετεί το LED ως πηγή φωτός του, που χαρακτηρίζεται για τη χαμηλή κατανάλωση ενέργειας και τη μακριά διάρκεια ζωής. Εάν υπάρχει κάποια ανωμαλία, επικοινωνήστε με την εξυπηρέτηση πελατών. Δείτε την ενότητα ΕΞΥΠΗΡΕΤΗΣΗ ΠΕΛΑΤΩΝ.

Παράμετροι του λαμπτήρα:

Θάλαμος ψυγείου: 12 V, 4 W

Θάλαμος καταψύκτη: 12 V, 2W\*2

## Μη χρήση για παρατεταμένο χρονικό διάστημα

Εάν η συσκευή δεν χρησιμοποιηθεί για μεγάλο χρονικό διάστημα και δεν σκοπεύετε να χρησιμοποιήσετε τη λειτουργία Holiday για το ψυγείο:

Αφαιρέστε τα τρόφιμα.

Αποσυνδέστε το καλώδιο τροφοδοσίας.

Καθαρίστε τη συσκευή, όπως περιγράφεται παραπάνω.

Διατηρήστε τις πόρτες ανοικτές για να αποτρέψετε τη δημιουργία δυσοσμίας στο εσωτερικό.



### ΕΙΔΟΠΟΙΗΣΗ

Απενεργοποιήστε τη συσκευή μόνο εάν είναι απολύτως απαραίτητο.

## Μετακίνηση της συσκευής

1. Αφαιρέστε όλα τα τρόφιμα και αποσυνδέστε τη συσκευή.
2. Ασφαλίστε τα ράφια και τα άλλα κινητά μέρη στο ψυγείο και στον καταψύκτη με κολλητική ταινία.
3. Μην γέρνετε το ψυγείο περισσότερο από 45° ώστε να αποφύγετε ζημιά στο ψυκτικό σύστημα.



### ΠΡΟΕΙΔΟΠΟΙΗΣΗ!

- ▶ Μην σηκώνετε τη συσκευή από τις λαβές της.
- ▶ Μην τοποθετείτε ποτέ τη συσκευή οριζόντια στο έδαφος.

Πολλά προβλήματα που παρουσιάζονται θα μπορούσαν να επιλυθούν από τον εαυτό σας χωρίς ειδική εμπειρογνώμοσύνη. Σε περίπτωση προβλήματος, ελέγξτε όλες τις εμφανιζόμενες δυνατότητες και ακολουθήστε τις παρακάτω οδηγίες προτού επικοινωνήσετε με το τμήμα εξυπηρέτησης πελατών μετά την πώληση. Δείτε την ενότητα ΕΞΥΠΗΡΕΤΗΣΗ ΠΕΛΑΤΩΝ.



## ΠΡΟΕΙΔΟΠΟΙΗΣΗ!

- ▶ Πριν από τη συντήρηση, απενεργοποιήστε τη συσκευή και αποσυνδέστε το φις από την πρίζα.
- ▶ Ο ηλεκτρικός εξοπλισμός πρέπει να συντηρείται μόνο από εξειδικευμένους ηλεκτρολόγους, επειδή οι ακατάλληλες επισκευές μπορούν να προκαλέσουν σημαντικές επακόλουθες ζημιές.
- ▶ Μια κατεστραμμένη τροφοδοσία θα πρέπει να αντικατασταθεί από τον κατασκευαστή ή τον αντιπρόσωπο του σέρβις ή παρόμοια εξουσιοδοτημένα πρόσωπα, προς αποφυγή του κινδύνου.

Πρόβλημα	Πιθανή αιτία	Πιθανή λύση
Ο συμπιεστής δεν λειτουργεί.	<ul style="list-style-type: none"> <li>• Το βύσμα δικτύου δεν είναι συνδεδεμένο στην πρίζα.</li> <li>• Η συσκευή βρίσκεται στον κύκλο απόψυξης</li> </ul>	<ul style="list-style-type: none"> <li>• Συνδέστε την πρίζα.</li> <li>• Αυτό είναι φυσιολογικό για αυτόματη απόψυξη</li> </ul>
Η συσκευή λειτουργεί συχνά ή λειτουργεί για πολύ μεγάλο χρονικό διάστημα.	<ul style="list-style-type: none"> <li>• Η εσωτερική και η εξωτερική θερμοκρασία είναι πολύ υψηλή.</li> <li>• Η συσκευή απενεργοποιήθηκε για ένα χρονικό διάστημα.</li> <li>• Η πόρτα της συσκευής δεν είναι ερμητικά κλειστή.</li> <li>• Η πόρτα ανοίγει πολύ συχνά ή για μεγάλα χρονικά διαστήματα.</li> <li>• Η ρύθμιση θερμοκρασίας για την κατάψυξη είναι πολύ χαμηλή.</li> <li>• Το λάστιχο της πόρτας είναι βρώμικο, έχει φθαρεί, έχει ρωγμές ή δεν ταιριάζει.</li> <li>• Η απαιτούμενη κυκλοφορία του αέρα δεν είναι εγγυημένη.</li> </ul>	<ul style="list-style-type: none"> <li>• Είναι φυσιολογικό η συσκευή να λειτουργεί περισσότερο</li> <li>• Κανονικά, χρειάζονται 8 έως 12 ώρες για να κρυώσει εντελώς η συσκευή.</li> <li>• Κλείστε την πόρτα / συρτάρι και βεβαιωθείτε ότι η συσκευή βρίσκεται σε επίπεδη επιφάνεια και ότι δεν υπάρχει τροφή ή δοχείο που να «χτυπά» πάνω στην πόρτα.</li> <li>• Μην ανοίγετε την πόρτα / το συρτάρι πολύ συχνά.</li> <li>• Ρυθμίστε τη θερμοκρασία ψηλότερα μέχρι να ληφθεί ικανοποιητική θερμοκρασία ψυγείου. Χρειάζονται 24 ώρες για να σταθεροποιηθεί η θερμοκρασία του ψυγείου.</li> <li>• Καθαρίστε την πόρτα/το φλόαυτο του συρταριού ή αντικαταστήστε τα από την εξυπηρέτηση πελατών.</li> <li>• Εξασφαλίστε επαρκή αερισμό.</li> </ul>

Πρόβλημα	Πιθανή αιτία	Πιθανή λύση
Το εσωτερικό του ψυγείου είναι βρώμικο ή/και μυρίζει άσχημα.	<ul style="list-style-type: none"> <li>• Το εσωτερικό του ψυγείου χρειάζεται καθαρισμό.</li> <li>• Τα τρόφιμα με έντονη οσμή αποθηκεύονται στο ψυγείο.</li> </ul>	<ul style="list-style-type: none"> <li>• Καθαρίστε το εσωτερικό του ψυγείου</li> <li>• Τυλίξτε καλά το φαγητό.</li> </ul>
Δεν υπάρχει αρκετή ψύξη στο εσωτερικό της συσκευής.	<ul style="list-style-type: none"> <li>• Η θερμοκρασία είναι πολύ υψηλή.</li> <li>• Πολύ ζεστά αγαθά έχουν αποθηκευτεί.</li> <li>• Πάρα πολύ φαγητό έχει αποθηκευτεί ταυτόχρονα.</li> <li>• Τα αγαθά είναι πολύ κοντά το ένα στο άλλο.</li> <li>• Η πόρτα / συρτάρι της συσκευής δεν είναι κλειστά.</li> <li>• Η πόρτα/το συρτάρι ανοίγει πολύ συχνά ή για μεγάλα χρονικά διαστήματα.</li> </ul>	<ul style="list-style-type: none"> <li>• Επαναφέρετε τη θερμοκρασία.</li> <li>• Πάντα να ψύχετε τα αγαθά πριν τα αποθηκεύετε.</li> <li>• Να αποθηκεύετε πάντα μικρές ποσότητες τροφίμων.</li> <li>• Αφήστε ένα κενό μεταξύ πολλών τροφίμων που επιτρέπουν τη ροή του αέρα.</li> <li>• Κλείστε την πόρτα / τα συρτάρι.</li> <li>• Μην ανοίγετε την πόρτα / το συρτάρι πολύ συχνά.</li> </ul>
Υπάρχει αρκετή ψύξη στο εσωτερικό της συσκευής.	<ul style="list-style-type: none"> <li>• Η θερμοκρασία είναι πολύ χαμηλή.</li> <li>• Η λειτουργία Super-Frz/ Super-Cool είναι ενεργοποιημένη ή λειτουργεί για μεγάλο διάστημα.</li> </ul>	<ul style="list-style-type: none"> <li>• Επαναφέρετε τη θερμοκρασία.</li> <li>• Απενεργοποιήστε τη λειτουργία Super-Frz/Super-Cool</li> </ul>
Σχηματισμός υγρασίας στο εσωτερικό του θαλάμου του ψυγείου.	<ul style="list-style-type: none"> <li>• Το κλίμα είναι πολύ ζεστό και πολύ υγρό.</li> <li>• Η πόρτα / συρτάρι της συσκευής δεν είναι κλειστά.</li> <li>• Η πόρτα/το συρτάρι ανοίγει πολύ συχνά ή για μεγάλα χρονικά διαστήματα.</li> <li>• Τα δοχεία τροφίμων ή τα υγρά παραμένουν ανοιχτά.</li> </ul>	<ul style="list-style-type: none"> <li>• Αυξήστε τη θερμοκρασία.</li> <li>• Κλείστε την πόρτα / τα συρτάρι.</li> <li>• Μην ανοίγετε την πόρτα / το συρτάρι πολύ συχνά.</li> <li>• Αφήστε τα ζεστά τρόφιμα να κρυώσουν σε θερμοκρασία δωματίου και καλύψτε τα τρόφιμα και τα υγρά.</li> </ul>
Η υγρασία συσσωρεύεται στα ψυγεία έξω από την επιφάνεια ή ανάμεσα στις πόρτες / την πόρτα και τα συρτάρι.	<ul style="list-style-type: none"> <li>• Το κλίμα είναι πολύ ζεστό και πολύ υγρό.</li> <li>• Η πόρτα δεν είναι ερμητικά κλειστή. Ο κρύος αέρας στη συσκευή και ο ζεστός αέρας έξω από αυτήν συμπυκνώνονται.</li> </ul>	<ul style="list-style-type: none"> <li>• Αυτό είναι φυσιολογικό σε υγρό κλίμα και θα αλλάξει όταν μειώνεται η υγρασία.</li> <li>• Βεβαιωθείτε ότι η πόρτα/το συρτάρι είναι καλά κλειστά.</li> </ul>

Πρόβλημα	Πιθανή αιτία	Πιθανή λύση
Ισχυρός πάγος και παγετός στο διαμέρισμα του καταψύκτη.	<ul style="list-style-type: none"> <li>• Τα εμπορεύματα δεν είχαν συσκευαστεί επαρκώς.</li> <li>• Η πόρτα / συρτάρια της συσκευής δεν είναι κλειστά.</li> <li>• Η πόρτα/το συρτάρι ανοίγει πολύ συχνά ή για μεγάλα χρονικά διαστήματα.</li> <li>• Η φλάντζα πόρτας/συρταριού είναι βρώμικη, φθαρμένη, ραγισμένη ή αταίριαστη.</li> <li>• Κάτι στο εσωτερικό εμποδίζει την πόρτα / συρτάρι να κλείσει σωστά.</li> </ul>	<ul style="list-style-type: none"> <li>• Πάντα να συσκευάζετε καλά τα προϊόντα.</li> <li>• Κλείστε την πόρτα / τα συρτάρια.</li> <li>• Μην ανοίγετε την πόρτα / το συρτάρι πολύ συχνά.</li> <li>• Καθαρίστε την τσιμουχα πόρτας/συρταριού ή αντικαταστήστε την με νέα.</li> <li>• Επανατοποθετήστε τα ράφια, τα ράφια των θυρών ή τα εσωτερικά δοχεία για να επιτρέψετε στο κλείσιμο της πόρτας / συρταριού.</li> </ul>
Οι πλευρές του ντουλαπιού και του λάστιχου της πόρτας θερμαίνονται.		<ul style="list-style-type: none"> <li>• Αυτό είναι φυσιολογικό.</li> </ul>
Η συσκευή κάνει αφύσικους ήχους.	<ul style="list-style-type: none"> <li>• Η συσκευή δεν βρίσκεται σε επίπεδο έδαφος.</li> <li>• Η συσκευή αγγίζει κάποιο αντικείμενο γύρω της.</li> </ul>	<ul style="list-style-type: none"> <li>• Ρυθμίστε τα πόδια για να ισιώσετε τη συσκευή.</li> <li>• Αφαιρέστε τα αντικείμενα γύρω από τη συσκευή.</li> </ul>
Ένας ελαφρύς ήχος πρέπει να ακούγεται παρόμοιος με αυτόν του ρέοντος νερού.		<ul style="list-style-type: none"> <li>• Αυτό είναι φυσιολογικό.</li> </ul>
Θα ακούσετε ένα ηχητικό σήμα συναγερμού.	<ul style="list-style-type: none"> <li>• Η πόρτα του χώρου αποθήκευσης ψυγείου είναι ανοιχτή.</li> </ul>	<ul style="list-style-type: none"> <li>• Κλείστε την πόρτα.</li> </ul>
Θα ακούσετε ένα αχνό βουητό.	<ul style="list-style-type: none"> <li>• Το σύστημα κατά της συμπύκνωσης λειτουργεί</li> </ul>	<ul style="list-style-type: none"> <li>• Αυτό αποτρέπει τη συμπύκνωση και είναι φυσιολογικό</li> </ul>
Το σύστημα εσωτερικού φωτισμού ή ψύξης δεν λειτουργεί.	<ul style="list-style-type: none"> <li>• Το βύσμα δικτύου δεν είναι συνδεδεμένο στην πρίζα.</li> <li>• Η παροχή ρεύματος δεν είναι άθικτη.</li> <li>• Η λυχνία LED είναι εκτός λειτουργίας.</li> </ul>	<ul style="list-style-type: none"> <li>• Συνδέστε την πρίζα.</li> <li>• Ελέγξτε την παροχή ηλεκτρικού ρεύματος στο δωμάτιο. Καλέστε την τοπική εταιρεία ηλεκτρισμού!</li> <li>• Καλέστε την υπηρεσία για αλλαγή της λυχνίας.</li> </ul>

Για να επικοινωνήσετε με την τεχνική βοήθεια, επισκεφθείτε τον ιστότοπό μας:

<https://corporate.haier-europe.com/en/>

Στην ενότητα "ιστότοπος", επιλέξτε τη μάρκα του προϊόντος σας και τη χώρα σας. Θα ανακατευθυνθείτε στον συγκεκριμένο ιστότοπο, όπου μπορείτε να βρείτε τον αριθμό τηλεφώνου και τη φόρμα για να επικοινωνήσετε με την τεχνική υποστήριξη.

## Διακοπή ρεύματος

Σε περίπτωση διακοπής ρεύματος, τα τρόφιμα πρέπει να παραμένουν με ασφάλεια κρύα και σε συνθήκες ψύξης για περίπου 5 ώρες. Ακολουθήστε αυτές τις συμβουλές κατά τη διάρκεια παρατεταμένης διακοπής ρεύματος, ειδικά το καλοκαίρι:

- ▶ Ανοίγετε την πόρτα / συρτάρια όσο το δυνατόν λιγότερες φορές.
- ▶ Μη βάζετε επιπλέον τρόφιμα στη συσκευή κατά τη διάρκεια διακοπής ρεύματος.
- ▶ Εάν δοθεί προηγούμενη ειδοποίηση για διακοπή ρεύματος και η διάρκεια διακοπής είναι μεγαλύτερη από 5 ώρες, φτιάξτε λίγο πάγο και τοποθετήστε τον σε ένα δοχείο στο πάνω μέρος του ψυγείου.
- ▶ Ο έλεγχος των εμπορευμάτων απαιτείται αμέσως μετά τη διακοπή.
- ▶ Καθώς η θερμοκρασία στο ψυγείο θα αυξηθεί κατά τη διάρκεια διακοπής ρεύματος ή άλλης βλάβης, η περίοδος αποθήκευσης και η βρώσιμη ποιότητα των τροφίμων θα μειωθούν. Οποιοδήποτε φαγητό αποψύχεται πρέπει να καταναλώνεται ή να μαγειρεύεται και να καταψύχεται (όταν επιτρέπεται αυτή η διαδικασία) λίγο μετά για την αποφυγή κινδύνων για την υγεία.

## Λειτουργία μνήμης κατά τη διακοπή ρεύματος

Μετά την αποκατάσταση του ρεύματος, η συσκευή συνεχίζει με τις ρυθμίσεις που είχαν ρυθμιστεί πριν από την διακοπή ρεύματος.

## Αποσυσκευασία



### ΠΡΟΕΙΔΟΠΟΙΗΣΗ!

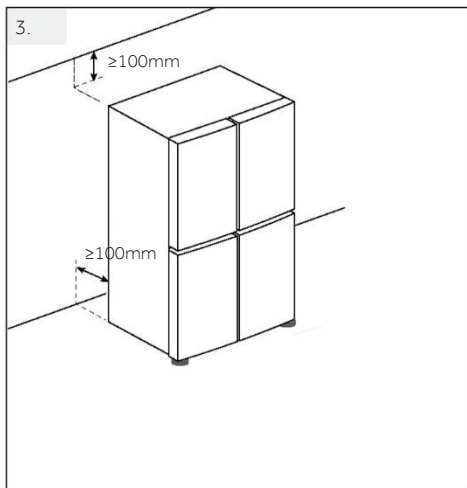
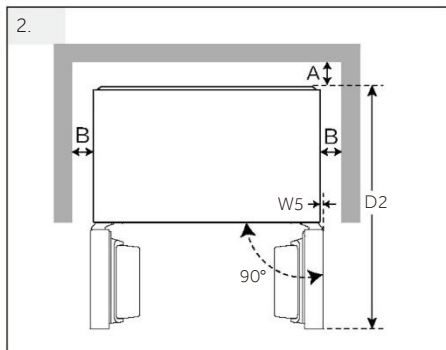
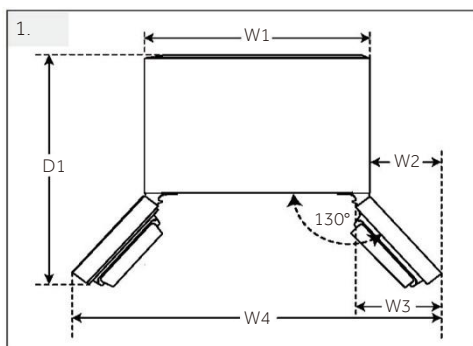
- ▶ Η συσκευή είναι βαριά. Πάντοτε θα πρέπει να χειρίζονται τη συσκευή δύο άτομα τουλάχιστον.
- ▶ Κρατήστε όλα τα υλικά συσκευασίας μακριά από τα παιδιά και απορρίψτε τα με φιλικό προς το περιβάλλον τρόπο.
- ▶ Βγάλε τη συσκευή από τη συσκευασία.
- ▶ Αφαιρέστε όλα τα υλικά συσκευασίας.

### Περιβαλλοντικές συνθήκες

Η θερμοκρασία δωματίου πρέπει να είναι πάντα μεταξύ 10°C και 43°C, καθώς μπορεί να επηρεάσει τη θερμοκρασία στο εσωτερικό της συσκευής και την κατανάλωση ενέργειας της. Μην εγκαθιστάτε τη συσκευή κοντά σε άλλες συσκευές που εκπέμπουν θερμότητα (φούρνους, ψυγεία) χωρίς μόνωση.

### Σύσταση για τον χώρο

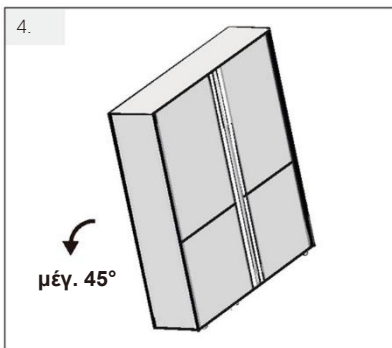
Συνοστώμενος ελάχιστος χώρος όταν η πόρτα είναι ανοικτή (Εικ. 1.2.)



(Μονάδα: mm)	Μοντέλο#	
Πλάτος	W1	905
	W2	327
	W3	368
	W4	1559
	W5	51
	W	905
	D1	1061
	D2	1101
	D	738
Απόσταση από πίσω τοίχο	A	100
Απόσταση πλευρικούς τοίχους	B	100
Απόσταση από οροφή	C	100
Συνολικό ύψος	H	1825

## Διατομή εξαερισμού

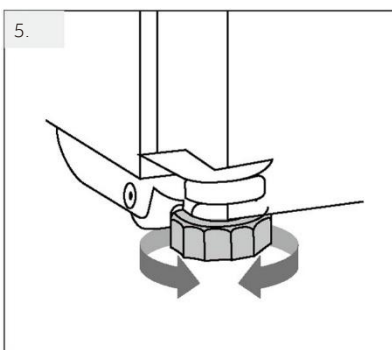
Για να επιτευχθεί επαρκής αερισμός της συσκευής για λόγους ασφαλείας, πρέπει να τηρούνται οι πληροφορίες των απαιτούμενων διατομών εξαερισμού.



### Ευθυγράμμιση της συσκευής (Εικ.4.5.6.)

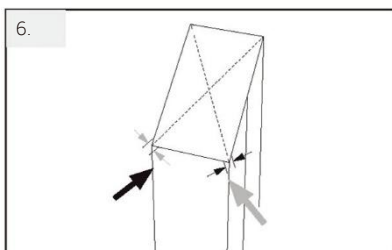
Η συσκευή πρέπει να τοποθετηθεί σε επίπεδη και συμπαγή επιφάνεια.

4. Γείρετε ελαφρά το ψυγείο προς τα πίσω.



5. Ρυθμίστε τα πόδια στο επιθυμητό επίπεδο.

Βεβαιωθείτε ότι η απόσταση από τον τοίχο στην πλευρά του μεντεσέ είναι τουλάχιστον 100 mm για να ανοίξει σωστά η πόρτα.

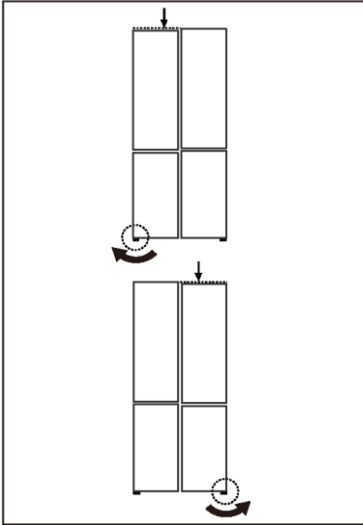


6. Η σταθερότητα μπορεί να ελεγχθεί χτυπώντας εναλλάξ τις διαγώνιες πλευρές. Η ελαφριά ταλάντωση πρέπει να είναι ίδια και προς τις δύο κατευθύνσεις. Διαφορετικά το πλαίσιο μπορεί να στρεβλώσει, και το αποτέλεσμα μπορεί να είναι πιθανές διαρροές στις σφραγίδες της πόρτας. Μια χαμηλή κλίση προς τα πίσω διευκολύνει το κλείσιμο των θυρών.



## ΕΙΔΟΠΟΙΗΣΗ

Για μια συσκευή ελεύθερης τοποθέτησης: αυτή η ψυκτική συσκευή δεν προορίζεται για χρήση ως εντοιχιζόμενη συσκευή

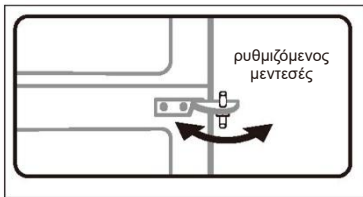


### Ρύθμιση των θυρών

Εάν οι πόρτες δεν είναι σε ένα επίπεδο, αυτή η αναντιστοιχία μπορεί να διορθωθεί με τα εξής:

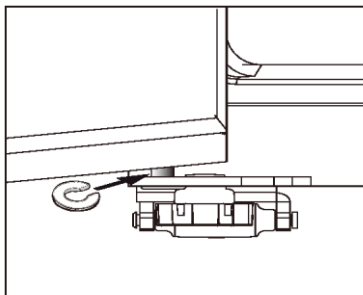
### Χρήση ρυθμιζόμενου ποδιού

Περιστρέψτε το ρυθμιζόμενο πόδι σύμφωνα με την κατεύθυνση του βέλους για να γυρίσετε προς τα πάνω ή προς τα κάτω το πόδι.



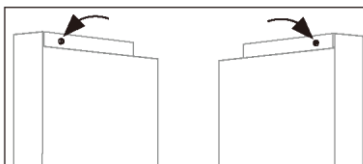
### Ρύθμιση θέσης πόρτας

► Όταν οι δύο πόρτες δεν βρίσκονται στο ίδιο ύψος, οι ρυθμιζόμενοι μεντεσέδες μπορούν να ρυθμιστούν με ακρίβεια, με το συνοδευτικό κλειδί, για να έρθουν στο ίδιο ύψος οι δύο πόρτες. Μην τον τοποθετείτε με το ζορι για να αποτραπούν γρατσουνιές ή εξογκώματα στην επένδυση της πόρτας.



### Χρήση αποστάτη

► Ανοίξτε την πόρτα κατάψυξης και ανασηκώστε την.  
 ► Προσαρμόστε προσεκτικά τον αποστάτη (περιλαμβάνεται στην τσάντα παρελκόμενων) στον άξονα του κάτω μεντεσέ με το χέρι ή χρησιμοποιώντας εργαλεία όπως πένσες. Μην γρατζουνάτε ή αφήνετε βαθουλώματα στην πόρτα.



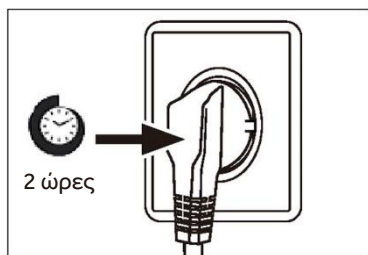
### Χρήση του διακόπτη ρύθμισης

► Εάν η πόρτα του θαλάμου ψυγείου δεν είναι οριζοντιωμένη, μπορείτε να περιστρέψετε τον ρυθμιζόμενο διακόπτη στο επάνω μέρος της πόρτας για να κάνετε λεπτές ρυθμίσεις.



## ΕΙΔΟΠΟΙΗΣΗ

Στη μελλοντική χρήση ψυγείου, μπορεί να εμφανιστεί ανομοιόμορφο φαινόμενο στις πόρτες στο βάρος των αποθηκευμένων τροφίμων. Στη συνέχεια, προσαρμόστε σύμφωνα με τις παραπάνω μεθόδους.



### Χρόνος αναμονής

Το λάδι λίπανσης χωρίς συντήρηση βρίσκεται στην κάψουλα του συμπιεστή. Αυτό το λάδι μπορεί να περάσει από το κλειστό σύστημα σωλήνων κατά τη διάρκεια της κεκλιμένης μεταφοράς. Πριν συνδέσετε τη συσκευή στην παροχή ρεύματος θα πρέπει να περιμένετε τουλάχιστον 2 ώρες, ώστε το λάδι να επιστρέψει στην κάψουλα.

### Ηλεκτρική σύνδεση

Πριν από κάθε σύνδεση ελέγξτε αν:

- ▶ η τροφοδοσία ρεύματος, η πρίζα και η ασφάλεια είναι κατάλληλα σύμφωνα με την πινακίδα ονομαστικών στοιχείων.
- ▶ η πρίζα είναι γειωμένη και δεν υπάρχει πολλαπλή πρίζα ή επέκταση.
- ▶ το βύσμα τροφοδοσίας και η πρίζα είναι σύμφωνα με.


Συνδέστε το βύσμα σε μια σωστά εγκατεστημένη οικιακή πρίζα.



## ΠΡΟΕΙΔΟΠΟΙΗΣΗ!

Για να αποφύγετε τους κινδύνους, ένα κατεστραμμένο καλώδιο τροφοδοσίας πρέπει να αντικατασταθεί από την εξυπηρέτηση πελατών (βλ. κάρτα εγγύησης).

Δελτίο προϊόντος σύμφωνα με τον κανονισμό ΕΕ υπ' αριθ. 2019/2016

Μάρκα	Haier
Όνομα μοντέλου / αναγνωριστικό	HCR59F19DNMM HCR59F18DNMB
Κατηγορία του μοντέλου	Ψυγειοκαταψύκτης
Κατηγορία ενεργειακής απόδοσης	D
Ετήσια κατανάλωση ενέργειας (kWh/έτος)(1)	306
Συνολικός όγκος (L)	706
Όγκος ψυγείου (L)	417
Όγκος καταψύκτη (L)	251
Τμήμα δύο αστέρων (L)	38
Αξιολόγηση με αστέρια	
Σύστημα χωρίς πάγο	Ναι
Χωρητικότητα καταψύκτη (κιλά/24 ώρες)	14
Βαθμολογία κλίματος (2)	SN-N-ST-T
Κατηγορία εκπομπών θορύβου και εκπομπών αερομεταφερόμενου ακουστικού θορύβου (db(A) re 1pW)	C(35)
Χρόνος αύξησης θερμοκρασίας (ώρες)	13
Τύπος συσκευής	Αυτόνομη ελεύθερη τοποθέτηση

Επεξηγήσεις:

• Ναι, υπάρχει

- (1) Με βάση τα αποτελέσματα της δοκιμής συμμόρφωσης προτύπων για 24 ώρες, Η πραγματική κατανάλωση εξαρτάται από τη χρήση και τη θέση της συσκευής.
- (2) Κλιματική κατάταξη SN: Αυτή η συσκευή προορίζεται για χρήση σε θερμοκρασία περιβάλλοντος μεταξύ + 10 °C και +32 °C  
Κλιματική κατάταξη N: Αυτή η συσκευή προορίζεται για χρήση σε θερμοκρασία περιβάλλοντος μεταξύ + 16 °C και +32 °C  
Κλιματική κατάταξη ST: Αυτή η συσκευή προορίζεται για χρήση σε θερμοκρασία περιβάλλοντος μεταξύ + 16 °C και +38 °C  
Κλιματική κατάταξη T: Αυτή η συσκευή προορίζεται για χρήση σε θερμοκρασία περιβάλλοντος μεταξύ + 16 °C και +43 °C

#### Πρόσθετα τεχνικά δεδομένα

Τάση / Συχνότητα	220-240V ~ / 50Hz
Ρεύμα εισόδου (A)	1.5
Κύρια ασφάλεια (A)	16
Ψυκτικό	R600a 68g
Διαστάσεις (Π/Β/Υ σε mm)	905 / 738 / 1825

Συνιστούμε την Εξυπηρέτηση Πελατών της Haier και τη χρήση γνήσιων ανταλλακτικών.

Εάν έχετε κάποιο πρόβλημα με τη συσκευή σας, ελέγξτε πρώτα την ενότητα ΑΝΤΙΜΕΤΩΠΙΣΗ ΠΡΟΒΛΗΜΑΤΩΝ.

Εάν δεν μπορείτε να βρείτε μια λύση εκεί, επικοινωνήστε

- ▶ με τον τοπικό σας αντιπρόσωπο ή
- ▶ το Ευρωπαϊκό τηλεφωνικό κέντρο εξυπηρέτησης (βλ. παρακάτω αριθμούς τηλεφώνου) ή
- ▶ πηγαίνετε στην ενότητα Εξυπηρέτηση και Υποστήριξη στη διεύθυνση [www.haier.com](http://www.haier.com) όπου μπορείτε να υποβάλετε αίτημα εξυπηρέτησης
- ▶ και επίσης να βρείτε τις συχνές ερωτήσεις.

Για να επικοινωνήσετε με την Υπηρεσία μας, βεβαιωθείτε ότι έχετε τα ακόλουθα δεδομένα διαθέσιμα.

Οι πληροφορίες μπορούν να βρεθούν στην πινακίδα ονομαστικών στοιχείων.

Μοντέλο \_\_\_\_\_

Σειριακός αριθμός. \_\_\_\_\_

Επίσης, ελέγξτε την Κάρτα Εγγύησης που παρέχεται με το προϊόν σε περίπτωση εγγύησης.

Ευρωπαϊκό Τηλεφωνικό Κέντρο		
Χώρα*	Αριθμός τηλεφώνου	Έξοδα
Haier Italy (IT)	199 100 912	
Haier Spain (ES)	902 509 123	
Haier Germany (DE)	0180 5 39 39 99	<ul style="list-style-type: none"> <li>• 14 λεπτά/λεπτό από σταθερό</li> <li>• μέγιστο 42 λεπτά/λεπτό από κινητό</li> </ul>
Haier Austria (AT)	0820 001 205	<ul style="list-style-type: none"> <li>• 14,53 λεπτά/λεπτό από σταθερό</li> <li>• μέγιστο 20 λεπτά/λεπτό όλα τα άλλα</li> </ul>
Haier United Kingdom (UK)	0333 003 8122	
Haier France (FR)	0980 406 409	

\*Για άλλες χώρες, ανατρέξτε στο [www.haier.com](http://www.haier.com)

Haier Europe Trading S.r.l

Branch UK

Westgate House, Westgate, Ealing

Λονδίνο, W5 1YY

\*Διάρκεια εγγύησης της ψυκτικής συσκευής:

Η ελάχιστη εγγύηση είναι: 2 χρόνια για τις χώρες της ΕΕ, 3 χρόνια για την Τουρκία, 1 χρόνο για το Ηνωμένο Βασίλειο, 1 χρόνο για τη Ρωσία, 3 χρόνια για τη Σουηδία, 2 χρόνια για τη Σερβία, 5 χρόνια για τη Νορβηγία, 1 χρόνο για το Μαρόκο, 6 μήνες για την Αλγερία, για την Τυνησία δεν απαιτείται νομική εγγύηση.

\*Περίοδος διάθεσης ανταλλακτικών για επισκευή της συσκευής:

Θερμοστάτες, αισθητήρες θερμοκρασίας, πλακέτες τυπωμένων κυκλωμάτων και πηγές φωτός διατίθενται για επτά τουλάχιστον χρόνια μετά τη διάθεση της τελευταίας μονάδας του μοντέλου στην αγορά.

Λαβές πόρτας, μεντεσέδες πόρτας, δίσκοι και καλάθια διατίθενται για περίοδο τουλάχιστον επτά ετών και λάστιχα πόρτας για περίοδο τουλάχιστον 10 ετών μετά τη διάθεση της τελευταίας μονάδας του μοντέλου στην αγορά.

\*Για περισσότερες πληροφορίες σχετικά με το προϊόν, συμβουλευτείτε το <https://eprel.ec.europa.eu/> ή σαρώστε τον κωδικό QR στην ενεργειακή ετικέτα που παρέχεται με τη συσκευή.

**ΠΙΣΤΟΠΟΙΗΤΙΚΟ ΠΟΙΟΤΗΤΑΣ**

ΟΝΟΜΑΣΙΑ: ΨΥΓΕΙΟ  
ΕΠΙΤΥΧΗΣ ΕΛ.ΠΟΙΟΤ.  
ΕΛΕΓΚΤΗΣ Αριθ.

QC01

**Haier**

专用号条码

0060543171  
2026 Έκδοση Α

# Haier

Manual do Utilizador



Frigorífico-Congelador

HCR59F18DNMM

HCR59F18DNMB

**4 Informações de segurança**

Antes da primeira utilização 5

Instalação 5

Utilização diária 6

**8 Utilização prevista****9 Descrição do produto****10 Pannel de controlo****11 Utilização**

Ajuste a temperatura para o frigorífico 14

Ajustar a temperatura do congelador 14

Função Super-Cool 15

Função Super-Frz 15

Modo Holiday 16

Função Magic Zone 17

**20 Equipamento****22 Dicas de poupança de energia****23 Cuidados e limpeza****25 Resolução de problemas****29 Instalação****33 Dados técnicos****35 Assistência ao Cliente**

## Obrigado por comprar um produto Haier.

Leia atentamente estas instruções antes de utilizar este aparelho. As instruções contêm informações importantes que irão ajudá-lo a obter o melhor proveito do aparelho e garantir a instalação, o uso e a manutenção seguros e adequados.

Mantenha este manual num local conveniente para que o possa sempre consultar para uma utilização segura e adequada do aparelho.

Se vender, oferecer ou deixar o aparelho para trás, caso mude de casa, certifique-se de que entrega também este manual para que o novo proprietário se possa familiarizar com o aparelho e os avisos de segurança.

## Acessórios

Verifique os acessórios e a literatura de acordo com esta lista:



Etiqueta energética



Cartão de garantia



Manual do utilizador



Certificado de garantia



Guia rápido



Espaçador×3



Cartão de aviso



chave inglesa



## AVISO - Informação Importante de Segurança



## AVISO - Informações gerais e dicas



## Informação ambiental



### Eliminação

Ajude a proteger o ambiente e a saúde humana. Coloque a embalagem em recipientes adequados para reciclagem. Ajude a reciclar resíduos de aparelhos elétricos e eletrônicos. Não elimine os aparelhos identificados com este símbolo com o lixo doméstico. Entregue o produto na sua unidade de reciclagem local ou entre em contacto com seu gabinete municipal.



### AVISO: Risco de incêndio/material inflamável

O símbolo indica que existe um risco de incêndio, uma vez que são utilizados materiais inflamáveis. Tenha cuidado para evitar provocar um incêndio acendendo material inflamável.



## AVISO!

Risco de lesão ou sufocação!

Os refrigerantes e os gases devem ser eliminados de forma profissional. Certifique-se de que os tubos do circuito refrigerante não estão danificados antes de serem devidamente eliminados. Desligue o aparelho da alimentação elétrica. Corte o cabo de alimentação de rede e elimine-o. Remova as bandejas e gavetas, bem como a pega e vedantes da porta, para evitar que crianças e animais de estimação se fechem no interior do aparelho.

## Antes de ligar o aparelho pela primeira vez, leia as seguintes dicas de segurança!



### AVISO!

#### Antes da primeira utilização

- ▶ Certifique-se de que não há danos provocados pelo transporte.
- ▶ Manuseie o aparelho sempre com pelo menos duas pessoas porque é pesado.

#### Instalação

- ▶ O aparelho deve ser colocado num local bem ventilado. Certifique-se de que existe um espaço de, pelo menos, 10 cm por cima e ao redor do aparelho.
- ▶ Nunca coloque o aparelho numa área húmida ou num local onde possa ser salpicado com água. Limpe e seque as salpicos de água e manchas com um pano macio limpo.
- ▶ Não instale o aparelho sob luz solar direta ou na proximidade de fontes de calor (por exemplo, fogões, aquecedores).
- ▶ Instale e nivele o aparelho numa área adequada para o seu tamanho e utilização.
- ▶ Mantenha as aberturas de ventilação no aparelho ou na estrutura embutida livres de obstruções.
- ▶ Certifique-se de que as informações elétricas na placa de classificação correspondem à rede elétrica. Caso contrário, entre em contacto com um electricista.
- ▶ O aparelho é operado por uma fonte de alimentação de 220-240 VAC/50 Hz. Uma flutuação anormal da tensão pode fazer com que o aparelho não ligue ou danifique o controlo da temperatura ou o compressor, ou provocar um ruído anormal durante o funcionamento. Nesse caso, deve ser montado um regulador automático.
- ▶ Não use adaptadores de fichas múltiplas nem cabos de extensão.
- ▶ Não coloque tomadas triplas múltiplas portáteis ou fontes de alimentação portáteis na parte traseira do aparelho.
- ▶ Certifique-se de que o cabo de alimentação não fica preso pelo frigorífico. Não pise o cabo de alimentação.
- ▶ Use uma tomada de terra separada para a rede elétrica que seja fácil de aceder. Este aparelho deve ser ligado à terra.  
Apenas para o Reino Unido: O cabo de alimentação do aparelho está equipado com uma ficha de 3 cabos (terra) que se encaixa numa tomada standard de 3 cabos (ligada à terra). Nunca corte ou desmonte o terceiro pino (terra). Após a instalação do aparelho, a tomada deve ficar acessível.
- ▶ Não danifique o circuito do refrigerante.

**AVISO!****Utilização diária**

- ▶ Este aparelho pode ser utilizado por crianças de idade igual ou superior a 8 anos e por pessoas com capacidades físicas, sensoriais ou mentais reduzidas ou falta de experiência e conhecimento, caso lhes tenha sido fornecida supervisão ou instruções relativas à utilização do aparelho de forma segura e desde que compreendam os perigos envolvidos.
- ▶ As crianças de 3 a 8 anos são autorizadas a carregar e descarregar, mas não podem limpar e instalar os aparelhos de refrigeração.
- ▶ Mantenha as crianças com menos de 3 anos de idade afastadas do aparelho, a menos que estejam constantemente sob supervisão.
- ▶ As crianças não devem brincar com o aparelho.
- ▶ Se o gás refrigerante ou outro gás inflamável verter perto do aparelho, desligue a válvula do gás de fuga, abra as portas e janelas e não desligue uma ficha no cabo de alimentação do frigorífico ou de qualquer outro aparelho.
- ▶ Notar que o aparelho está definido para funcionar num intervalo de temperatura ambiente específico entre 10 °C e 43 °C. O aparelho não pode funcionar corretamente se for deixado por um longo período a uma temperatura acima ou abaixo do intervalo indicado.
- ▶ Não coloque artigos instáveis (objetos pesados, recipientes cheios de água) em cima do frigorífico, para evitar lesões pessoais causadas por queda ou choque elétrico causado pelo contacto com a água.
- ▶ Não puxe pelas prateleiras da porta. A porta pode inclinar-se, o suporte de garrafas pode sair para fora ou o aparelho pode tombar.
- ▶ Abra e feche as portas apenas pelas pegas. O espaço entre as portas e entre as portas e o armário é muito estreito. Não ponha as mãos nessas áreas para evitar entalar os dedos. Abra ou feche as portas do frigorífico apenas quando não houver crianças dentro do alcance do movimento das portas.
- ▶ Não guarde nem use materiais inflamáveis, explosivos ou corrosivos no aparelho ou nas proximidades.
- ▶ Não guarde medicamentos, bactérias ou agentes químicos no aparelho. Este aparelho é um eletrodoméstico. Não é recomendado armazenar materiais que necessitem de temperaturas rigorosas.
- ▶ Nunca guarde líquidos em garrafas ou latas (exceto bebidas alcoólicas) especialmente bebidas gaseificadas no congelador, porque estas rebentam quando congeladas.
- ▶ Verifique o estado dos alimentos caso ocorra aquecimento no congelador.
- ▶ Não ajuste uma temperatura desnecessariamente baixa no frigorífico. Podem ocorrer temperaturas negativas com altas definições. Atenção: As garrafas podem rebentar
- ▶ Não toque em artigos congelados com as mãos húmidas (use luvas). Especialmente não coma gelados de gelo imediatamente depois de os retirar do congelador. Existe o risco de congelar ou de se formarem bolhas de queimadura por gelo. **PRIMEIROS socorros:** passar imediatamente por água fria corrente. Não puxe!
- ▶ Não toque na superfície interna do compartimento do congelador, quando em funcionamento, especialmente com as mãos molhadas, pois as mãos podem congelar na superfície.



## AVISO!

### Utilização diária

- ▶ Desligue o aparelho em caso de interrupção da energia ou antes da limpeza. Deixe passar pelo menos 7 minutos antes de reiniciar o aparelho, pois o arranque frequente pode danificar o compressor.
- ▶ Não utilize dispositivos elétricos no interior dos compartimentos para armazenamento de comida do aparelho, a não ser que sejam do tipo recomendado pelo fabricante.  
Manutenção/limpeza
- ▶ Certifique-se de que as crianças estão vigiadas caso estejam a realizar a limpeza e manutenção.
- ▶ Desligue o aparelho da alimentação elétrica antes de realizar qualquer manutenção de rotina. Deixe passar pelo menos 5 minutos antes de voltar a ligar o aparelho pois o arranque frequente pode danificar o compressor.
- ▶ Segure a ficha, não o cabo, ao desligar o aparelho.
- ▶ Não limpe o aparelho com escovas duras, escovas de arame, detergente em pó, gasolina, acetato de amilo, acetona e soluções orgânicas semelhantes, soluções ácidas ou alcalinas. Limpe com detergente especial do frigorífico para evitar danos.
- ▶ Não raspe o gelo com objetos afiados. Não use sprays, aquecedores elétricos, como secadores de cabelo, dispositivos de limpeza a vapor ou outras fontes de calor, de forma a evitar danos às peças plásticas.
- ▶ Não utilize dispositivos mecânicos ou outros meios para acelerar o processo de descongelação, que não os recomendados pelo fabricante.
- ▶ Se o cabo de alimentação estiver danificado, tem de ser substituído pelo fabricante, pelo agente de serviço ou por pessoas igualmente qualificadas de forma a evitar o perigo.
- ▶ Não tente reparar, desmontar ou modificar o aparelho sozinho. Em caso de reparação, entre em contato com a nossa assistência ao cliente.
- ▶ Elimine o pó na parte de trás da unidade pelo menos uma vez no ano para evitar perigo de incêndio, bem como o aumento do consumo de energia.
- ▶ Não pulverize ou lave o aparelho durante a limpeza.
- ▶ Não use spray de água ou vapor para limpar o aparelho.
- ▶ Não lave prateleiras de vidro frias com água quente. A mudança súbita de temperatura pode fazer com que o vidro se quebre.

### Informações sobre gases refrigerantes

- ▶ O aparelho contém o refrigerante inflamável ISOBUTANO (R600a). Certifique-se de que o circuito refrigerante não fica danificado durante o transporte ou instalação. A fuga de refrigerante pode causar lesões oculares ou inflamações. Se ocorrer um dano, mantenha afastadas fontes de chama aberta, ventile completamente a sala, não ligue ou desligue os cabos de alimentação do eletrodoméstico ou de qualquer outro aparelho. Informe a assistência ao cliente.
- ▶ No caso de os olhos entrarem em contacto com o fluido refrigerante, lave-os imediatamente sob água corrente e contacte imediatamente um oftalmologista.

## Utilização prevista

Este aparelho destina-se a arrefecer e congelar alimentos. Foi desenhado exclusivamente para uso em aplicações domésticas e semelhantes, como áreas de cozinha para pessoal em lojas, escritórios e outros ambientes de trabalho; casas agrícolas e por clientes em hotéis, motéis e outros ambientes de tipo residencial, bem como em negócios de pousada e de catering. Não se destina a utilização comercial ou industrial.

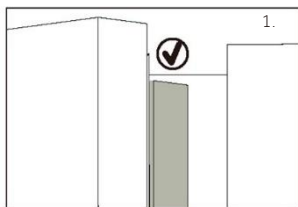
Não são permitidas alterações ou modificações no aparelho. Uma utilização indevida pode causar riscos e perda de reivindicações de garantia.

## Normas e diretivas

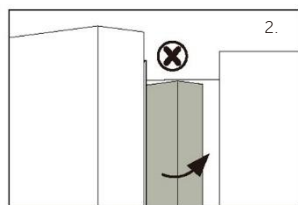
Este produto cumpre os requisitos de todas as diretivas CE aplicáveis com as normas harmonizadas correspondentes, que permitem a marcação CE.



### CUIDADO!



Ao fechar a porta, a tira vertical da porta esquerda deve ser dobrada para dentro (1).

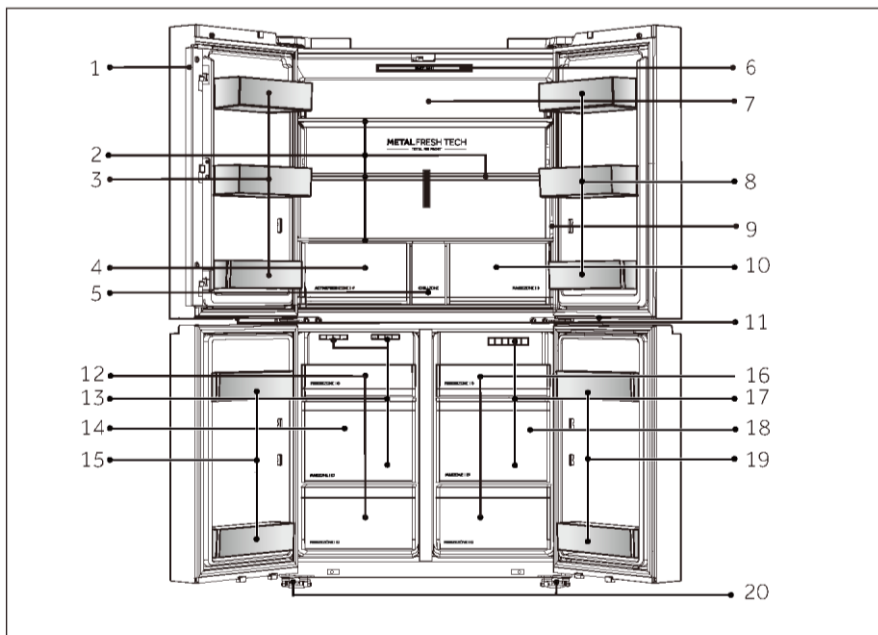


Se tentar fechar a porta esquerda e a tira vertical da porta não estiver dobrada (2), dobre-a primeiro, caso contrário, a tira da porta irá bater no eixo de fixação ou na porta direita. Isto pode danificar a tira da porta ou provocar uma fuga.

Há um piso de aquecimento dentro da estrutura. A temperatura da superfície subirá um pouco, o que é normal e não afetará a função do aparelho.

**i** AVISO

Devido a alterações técnicas e a modelos diferentes, algumas das ilustrações neste manual podem ser diferentes do seu modelo.



A: Compartmento do frigorífico

B: Compartmento do congelador

1 Viga da porta

12 Gaveta FREEZE ZONE

2 Prateleiras de vidro

13 Conduta de ar

3 Porta-garrafas

14 Gaveta MAX ZONE

4 Gaveta ACTIVEFRESH ZONE

15 Porta-garrafas

5 Caixa CHILL ZONE

16 Gaveta FREEZE ZONE

6 Lâmpada de frigorífico

17 Conduta de ar

7 Conduta do frigorífico

18 Gaveta MAX ZONE

8 Porta-garrafas

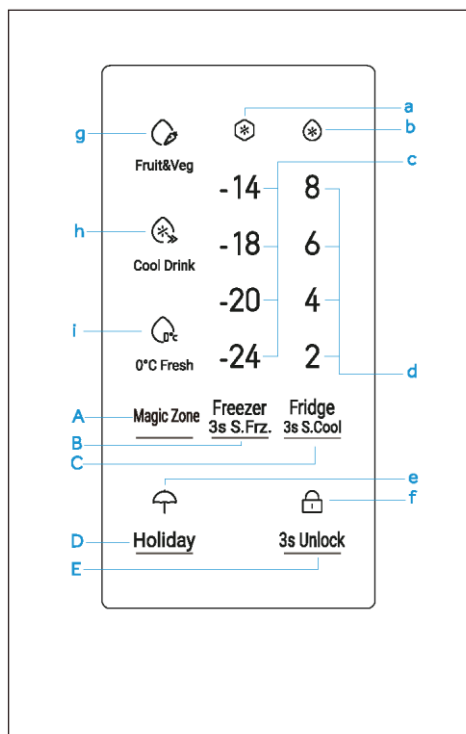
19 Porta-garrafas

9 Painel de controlo

20 Ajustar os pés

10 Gaveta da MAGIC ZONE

11 Lâmpada do congelador



## Teclas:

- A Seletor de modo da Magic Zone
- B Seletor da função congelador e da função Super-Frz
- C Seletor de função de frigorífico e função Super-Cool
- D Seletor da função Holiday
- E Seletor da função de bloqueio/desbloqueio

## Indicadores:

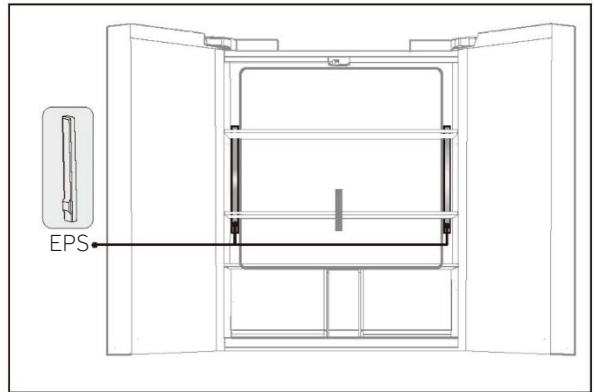
- a Função Super-Frz
- b Função Super-Cool
- c Temperatura do congelador
- d Temperatura de refrigeração
- e Função Holiday
- f Função de bloquear/desbloquear
- g Função Fruit & Veg
- h Função Cool Drink
- i Função 0°C Fresh

### Antes da primeira utilização

- ▶ Retire todas as embalagens, especialmente a espuma EPS branca em ambos os lados da conduta de refrigeração e mantenha-as fora do alcance das crianças.
- ▶ Limpe o interior e o exterior do aparelho com água e um detergente suave antes de colocar qualquer alimento no seu interior.
- ▶ Após o aparelho ter sido nivelado e limpo, aguarde pelo menos 2 a 5 horas antes de o ligar à rede elétrica. Consulte a secção INSTALAÇÃO.
- ▶ Pré-arrefeça os compartimentos com definições elevadas antes de carregar com alimentos. A função Power-Freeze ajuda a arrefecer rapidamente os compartimentos.
- ▶ A temperatura do frigorífico e a temperatura do congelador são automaticamente definidas para 4°C e -18 °C, respetivamente. Estas são as definições recomendadas. Se desejar, pode alterar estas temperaturas manualmente. Ver AJUSTAR A TEMPERATURA.

### Método de remoção EPS

Primeiro, retire as prateleiras superior e intermédia (o método para retirar as prateleiras está descrito na página 25) e, em seguida, retire os dois EPS.



## Botões do sensor

Os botões no painel de controlo são teclas de sensor que respondem logo quando tocadas levemente com o dedo.

## Ligar/desligar o aparelho

O aparelho fica em funcionamento assim que for ligado à rede elétrica.

A temperatura do frigorífico e a temperatura do congelador são automaticamente regulados para 4 °C e -18°C, respetivamente.

Provavelmente o bloqueio do painel está ativo.



## AVISO

O aparelho está predefinido para a temperatura recomendada de 4 °C (Frigorífico) e -18 °C (Congelador). Em condições ambientais normais, não precisa de definir uma temperatura.

Quando o aparelho é ligado após a desconexão da fonte de alimentação principal, pode levar até 12 horas para que as temperaturas corretas sejam alcançadas.

Esvazie o aparelho antes de desligar. Para desligar o aparelho, puxe o cabo de alimentação para fora da tomada de alimentação.

## Bloquear/desbloquear o painel

Bloqueio automático: Quando a porta do frigorífico está fechada e não há nenhuma operação de tecla dentro de 30 segundos, o ecrã do visor apaga-se e bloqueia automaticamente.

Bloqueio manual: Quando o ecrã do visor está desbloqueado, prima a tecla "E" (seletor de bloqueio do painel) e mantenha premido durante 3 segundos, o sinal sonoro toca uma vez, o indicador "f" (bloqueio do painel) acende-se, e o visor fica bloqueado. No estado de bloqueio, prima longamente a tecla "E" durante 3 segundos, o sinal sonoro toca uma vez, o indicador "f" (painel bloqueado) apaga-se, o bloqueio do painel é desbloqueado.



## Modo de ajuste manual

Se desejar ajustar manualmente a temperatura do aparelho, pode ajustar a temperatura através do botão de ajuste de temperatura (consulte AJUSTAR A TEMPERATURA)

## Alarme da porta

O alarme de porta dispara quando a porta se abre durante muito tempo ou não está fechada corretamente, como lembrete.

## Ajustar a temperatura

As temperaturas interiores são influenciadas pelos seguintes fatores:

Temperatura ambiente, frequência de abertura da porta, quantidade de alimentos armazenados, instalação do aparelho

### Ajuste a temperatura para o frigorífico

1. Quando o ecrã do visor estiver desbloqueado, prima o botão "C". O sinal sonoro toca uma vez, o indicador "b" pisca e, em seguida, surge o modo de regulação da temperatura do frigorífico
2. Prima o botão "C" de cada vez, o sinal sonoro toca uma vez, a temperatura definida do frigorífico será alterada e a temperatura do frigorífico apresentará a sequência de 8>6>4>2

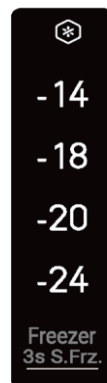


### AVISO

Após a regulação da temperatura, se não houver operação dentro de 5 segundos, o sistema fica automaticamente determinado e memoriza a temperatura regulada.

### Ajustar a temperatura do congelador

1. Quando o ecrã do visor estiver desbloqueado, prima o botão "B". O sinal sonoro toca uma vez, o indicador "c" pisca, e depois entra-se no modo de regulação da temperatura do congelador
2. Prima o botão "B" de cada vez, o sinal sonoro toca uma vez, a temperatura definida do frigorífico será alterada e a temperatura do frigorífico apresentará a sequência de -14 > -18 > -20 > -24

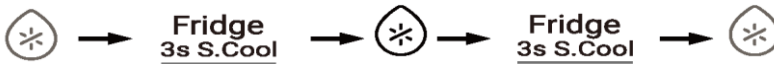


### AVISO

Após a regulação da temperatura, se não houver operação dentro de 5 segundos, o sistema fica automaticamente determinado e memoriza a temperatura regulada.

## Função Super-Cool

1. Quando o ecrã do visor estiver desbloqueado, prima e mantenha premido o botão "C" durante 3 segundos, o sinal sonoro toca uma vez, o indicador "b" (função Super-Cool) acende-se, e depois a função Super-Cool é ativada.
2. Quando o indicador "b" se ilumina, prima e mantenha premido o botão "C" durante 3 segundos, o sinal sonoro toca uma vez, o indicador "b" apaga-se e, em seguida, a função Super-Cool é desligada.
3. Após a função Super-Cool ser ligada, o frigorífico desliga automaticamente a função quando atinge a condição definida. Se quiser sair manualmente, pode premir o botão "C" para o desligar.



## AVISO

1. No estado Super-cool, a temperatura do frigorífico não pode ser ajustada. Se qualquer um dos botões "C" for premido para ajustar a temperatura do frigorífico, o indicador "b" piscará com um som rápido para indicar que esta operação não pode ser realizada.
2. No estado da função Super-cool, a função Auto-set não pode ser ativada ao mesmo tempo devido a diferentes modos de controlo. Quando se escolhe uma função que entra em conflito com outra função, a função original é automaticamente desativada.

## Função Super-Frz

1. Quando o ecrã do visor está desbloqueado, prima e mantenha o botão "B" durante 3 segundos, o indicador "a" acende-se e depois a função Super-Frz é ativada.
2. Quando o indicador "a" se ilumina, prima e mantenha premido o botão "B" durante 3 segundos, o sinal sonoro toca uma vez, o indicador "a" apaga-se e, em seguida, a função Super-Frz é desligada.
3. Após a função Super-Frz ser ligada, o frigorífico desliga automaticamente a função quando atinge a condição definida. Se quiser sair manualmente, pode premir o botão "B" para o desligar.





## AVISO

1. No estado Super-Freeze, a temperatura do congelador não pode ser ajustada. Se qualquer um dos botões "B" for premido para ajustar a temperatura do congelador, o indicador "a" piscará com um som rápido para indicar que esta operação não pode ser realizada.
2. A função Super-Freeze foi concebida para manter o valor nutricional dos alimentos congelados, pois congela os alimentos no mais curto espaço de tempo. Neste momento, a velocidade de congelação do congelador é melhorada, os alimentos podem ser congelados rapidamente, a nutrição dos alimentos é mantida de forma eficaz e o armazenamento é facilitado. Se necessitar de congelar uma grande quantidade de alimentos de uma só vez, recomenda-se que defina a função Super Freeze durante 24 horas antes de utilizar o compartimento do congelador.

## Modo Holiday

O modo Holiday é concebido para não utilizar o frigorífico durante muito tempo. Quando o modo Holiday está ligado, o congelador está sob controlo normal e a temperatura do frigorífico é automaticamente regulada para 17°C. Isto evita o cheiro peculiar causado pela temperatura excessiva e, ao mesmo tempo, ajuda a reduzir o consumo de energia.

1. Com o ecrã do visor desbloqueado, prima o botão "D", e em seguida o sinal sonoro toca uma vez, o indicador "e" acende-se e, em seguida, a função Holiday é ativada.
2. Quando o indicador "e" se acende, prima o botão "D", o sinal sonoro toca uma vez, o indicador "e" apaga-se e, em seguida, a função Holiday é desligada.



## AVISO

Antes de utilizar a função Holiday, esvaziar o frigorífico para evitar que a comida se estrague dentro do mesmo. Quando a função Holiday está ativada, a função "Super-Cool" não pode ser ativada ao mesmo tempo.

## Função Magic Zone

Quando o ecrã do visor estiver desbloqueado, prima o botão "A" para percorrer as funções dos modos Fruit&Veg, Cool Drink e 0°C Fresh.

### 1. Função Fruit&Veg:

Esta função é adequada para armazenar frutas e legumes frescos. Quando esta função está selecionada, o indicador "g" acende-se.

### 2. Função Cool Drink:

Esta função permite armazenar produtos como água, coca-cola e sumo. Quando esta função está selecionada, o indicador "h" acende-se.

### 3. Função 0°Fresh:

Esta função é adequada para armazenar alimentos frescos, como carne ou peixe. Quando esta função está selecionada, o indicador "i" acende-se.



## AVISO

1. A definição predefinida no arranque é a função Cool Drink.
2. Para a função Fruit&Veg.: Frutas sensíveis ao frio como ananás, abacate, bananas, toranjas e legumes como batatas, beringelas, feijão, pepinos, abobrinhas e tomates e queijos não devem ser armazenados na gaveta Magic Zone.
3. Para a função 0°Fresh: Devido aos diferentes teores de água da carne. Algumas carnes com mais humidade congelam a temperaturas inferiores a 0°C. Assim, a carne "imediatamente cortada" deve ser armazenada na gaveta Magic Zone, com temperaturas mínimas de 0°C.
4. As três funções da Magic Zone não podem ser abertas ao mesmo tempo, apenas uma pode estar acesa. Para reduzir a temperatura do compartimento do frigorífico, utilize a função Cool Drink e, para aumentar a temperatura do compartimento do frigorífico, utilize a função Fruit&Veg.

## Dicas para armazenar alimentos frescos

### Guardar no compartimento do frigorífico

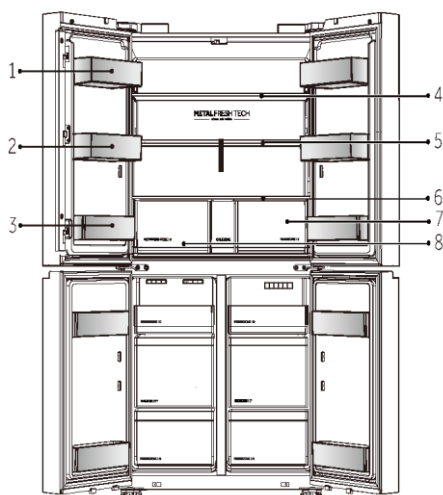
1. Mantenha a temperatura do frigorífico inferior a 5°C.
2. Os alimentos quentes devem ser arrefecidos até à temperatura ambiente antes de serem armazenados no aparelho.
3. Os alimentos armazenados no frigorífico devem ser lavados e secos antes de serem armazenados.
4. Os alimentos a armazenar devem estar devidamente selados para evitar alterações no aroma ou no sabor.

5. Não guarde quantidades excessivas de alimentos. Deixe espaços entre os alimentos para permitir que o ar flua ao seu redor.
6. Os alimentos consumidos diariamente devem ser guardados na frente da prateleira.
7. Deixe um espaço entre os alimentos e as paredes internas, permitindo que o ar flua. Em especial, não armazene alimentos contra a parede traseira: os alimentos podem congelar contra a parede traseira. Evite o contacto direto dos alimentos (especialmente os alimentos oleosos ou ácidos) com o revestimento interno, pois o óleo/ácido pode erodir o revestimento interno. Limpe a sujidade oleosa/ácida sempre que for encontrada.
8. Descongele alimentos congelados no frigorífico. Desta forma, pode usar a comida congelada para diminuir a temperatura no compartimento e economizar energia.
9. O processo de envelhecimento da fruta e dos legumes, como curgetes, melões, papaia, banana, abacaxi, etc. pode ser acelerado no frigorífico. Portanto, não é aconselhável armazená-los no frigorífico. No entanto, o amadurecimento de frutas muito verdes pode ser promovido durante um determinado período. Cebolas, alho, gengibre e outros legumes radiculares também devem ser armazenados à temperatura ambiente.
10. Odores desagradáveis dentro do frigorífico são um sinal de que algo foi derramado e é necessário limpar. Ver CUIDADOS E LIMPEZA.
11. Diferentes alimentos devem ser colocados em diferentes áreas, de acordo com as suas propriedades.



## AVISO

Mantenha uma distância superior a 10 mm entre os alimentos colocados e a conduta de ar ou sensores, para garantir o efeito de arrefecimento.



1. Manteiga, queijos, etc.
2. Ovos, latas, conservas, condimentos, etc.
3. Bebidas e alimentos engarrafados.
4. Alimentos em conserva, alimentos enlatados, etc.
5. Produtos à base de carne, lanches, massas, alimentos enlatados, leite, tofu, laticínios etc.
6. Carne cozinhada, salsichas, etc.
7. Gaveta Magic ZONE: Fruta, legumes, salada, etc.
8. Gaveta da zona ACTIVEFRESH ZONE: Fruta, legumes, salada, etc.

## Armazenamento no congelador

1. Mantenha a temperatura do congelador a  $-18^{\circ}\text{C}$ .
2. 24 horas antes do congelar, ligue a função Super-Freeze; para pequenas quantidades de alimentos 4-6 horas são suficientes.
3. Os alimentos quentes devem ser arrefecidos até à temperatura ambiente antes de serem armazenados no congelador.
4. Alimentos cortados em pequenas porções irão congelar mais depressa e serão mais fáceis de descongelar e cozinhar. O peso recomendado para cada porção é inferior a 2,5 kg.
5. É melhor embalar os alimentos antes de os colocar no congelador. O exterior da embalagem deve estar seco para evitar que os sacos colem. Os materiais de embalagem devem estar isentos de odores, serem herméticos, não serem venenosos nem tóxicos.
6. Para evitar a expiração dos períodos de conservação, tome nota da data de congelamento, do prazo e o nome dos alimentos na embalagem, de acordo com os períodos de armazenamento dos diferentes alimentos.

1. **AVISO!** ácido, alcalino e sal, etc. podem erodir a superfície interna do congelador. Não coloque alimentos com estas substâncias (p.ex. peixe diretamente do mar) diretamente na superfície interna. A água salgada no congelador deve ser limpa imediatamente.

2. Não exceda o tempo de armazenamento de alimentos recomendado pelos fabricantes.

Retire apenas a quantidade necessária de alimentos do congelador.

3. Consuma os alimentos descongelados rapidamente. Os alimentos descongelados não podem voltar a ser congelados, a menos que sejam primeiramente cozinhados.
4. Não coloque quantidades excessivas de alimentos frescos no congelador. Consulte a capacidade de congelação do congelador - Ver DADOS TÉCNICOS ou dados na placa do tipo.
5. Os alimentos podem ser armazenados no congelador a uma temperatura mínima de  $-18^{\circ}\text{C}$  durante 2 a 12 meses, dependendo das suas propriedades (por exemplo, carne: 3-12 meses, legumes: 6-12 meses)
6. Quando congelar alimentos frescos, evite pô-los em contato com alimentos já congelados!

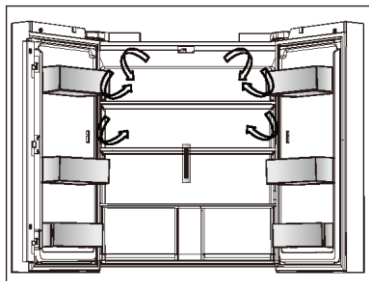
### **Ao armazenar alimentos congelados comercialmente, siga estas diretrizes:**

1. Siga sempre as diretrizes dos fabricantes relativas ao período de tempo que deve armazenar alimentos. Não exceda estas diretrizes!
2. Tente manter o tempo entre a compra e o armazenamento o mais curto possível para preservar a qualidade dos alimentos.
3. Compre alimentos congelados que tenham sido armazenados a uma temperatura igual ou inferior a  $-18^{\circ}\text{C}$ .
4. Evite comprar alimentos com gelo ou gelo na embalagem - Isto indica que os produtos podem ter sido parcialmente descongelados e congelados em algum momento - a temperatura afeta a qualidade dos alimentos.



## **AVISO**

Mantenha uma distância superior a 10 mm entre os alimentos colocados e o tubo de ar para assegurar o efeito de arrefecimento.

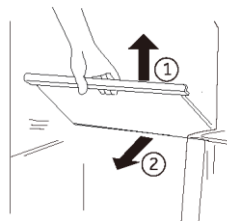


### Fluxo de ar múltiplo

1. O frigorífico está equipado com um sistema de fluxo de ar múltiplo que oferece fluxos de ar frio em cada nível de prateleira. Isso ajuda a manter uma temperatura uniforme para garantir que a sua comida é mantida mais fresca durante mais tempo.

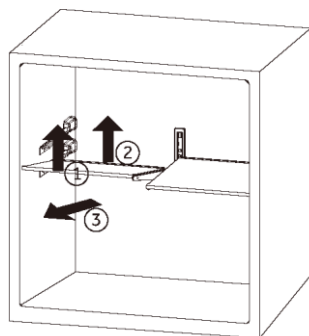
### Prateleiras ajustáveis

1. A altura das prateleiras pode ser ajustada para se adaptar às suas necessidades de armazenamento.
2. Para transferir uma prateleira, remova-a primeiro levantando a sua extremidade dianteira ① e puxando-a para fora ②.
3. Para a reinstalar, coloque-a sobre as patilhas dos dois lados e empurre-a para a posição mais para trás até que a parte traseira da prateleira fique fixa no interior das ranhuras nos lados.



### Ajustar a prateleira intermédia

1. Retirar o suporte da prateleira: Em primeiro lugar, levante a extremidade frontal ① do suporte da prateleira 7 cm e, em seguida, levante a extremidade traseira ② do suporte da prateleira, para que a garra do lado do cantilever possa ser separada do orifício de instalação. Por fim, puxe o suporte da prateleira para fora ③.
2. Instalar o suporte da prateleira: Empurre o suporte da prateleira para o lugar de acordo com o ângulo inclinado indicado no diagrama e, em seguida, baixe a extremidade dianteira ① do suporte da prateleira, de modo a que a garra no lado do cantilever possa encaixar no orifício de instalação.



## AVISO

Certifique-se de que todas as extremidades de uma prateleira estão niveladas.

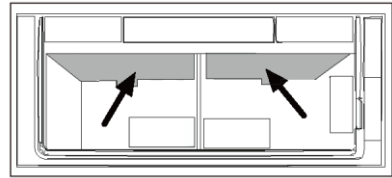
### Gaveta ACTIVEFRESH ZONE

1. Neste compartimento o nível de humidade é maior do que no compartimento do frigorífico. Este é controlado automaticamente pelo sistema e é adequado para armazenar frutas, legumes, saladas, etc.



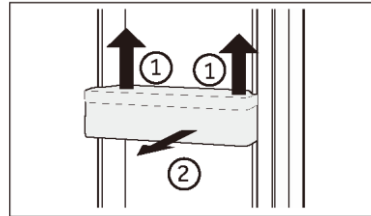
## AVISO

1. Não retire a cobertura plástica dentro das duas zonas.
2. Mantém a humidade.
3. Frutas sensíveis ao frio, como o ananás, o abacate e a banana,
4. Não se recomenda guardar toranjas nestas duas gavetas.



## Prateleiras das portas/suporte de garrafas amovíveis

1. As prateleiras da porta podem ser removidas para limpeza:
2. Coloque as mãos de cada lado da prateleira, levante-a para cima ① e puxe-a para fora ②.
3. Para inserir a prateleira da porta, deve executar os passos acima na ordem inversa.



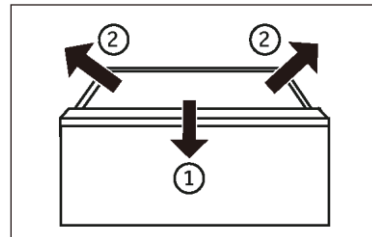
## AVISO

Quando o aparelho é ligado, pode demorar até 12 horas para atingir as temperaturas corretas.

## Gaveta amovível

Para remover a gaveta, puxe até à extensão máxima ①, levante e remova ②.

Para inserir a gaveta, os passos acima são executados em ordem inversa.



## A luz

A luz interior LED acende-se quando a porta é aberta e desliga-se automaticamente se a porta for deixada aberta durante mais de 7 minutos. O desempenho das luzes não é afetado por nenhuma das outras definições de aparelhos.



## Dicas de poupança de energia

- ▶ Certifique-se de que o aparelho está devidamente ventilado (ver INSTALAÇÃO).
- ▶ Não instale o aparelho sob luz solar direta ou na proximidade de fontes de calor (por exemplo, fogões, aquecedores).
- ▶ Evite temperaturas desnecessariamente baixas no aparelho. O consumo de energia aumenta quanto menor for a temperatura do aparelho.
- ▶ Funções como POWER-FREEZE consomem mais energia.
- ▶ Deixe os alimentos arrefecer antes de os colocar no aparelho.
- ▶ Abra a porta do aparelho o mínimo e tão brevemente quanto possível.
- ▶ Não encha demasiado o aparelho para evitar obstruir o fluxo de ar.
- ▶ Evite ar dentro das embalagens de alimentos.
- ▶ Mantenha os vedantes da porta limpos para que a porta feche sempre corretamente.
- ▶ Descongele alimentos congelados no frigorífico.
- ▶ A configuração mais economizadora de energia requer que o aparelho mantenha as gavetas, caixa de comida e prateleiras em condições de frescura de fábrica, e os alimentos devem ser colocados tanto quanto possível, sem bloquear a saída de ar da conduta.

**AVISO!**

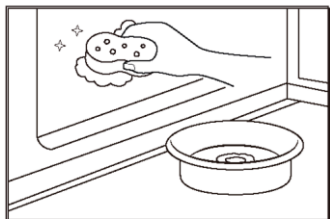
Desligue o aparelho da rede elétrica antes de limpar.

**Limpeza**

1. Limpe o aparelho quando apenas tiver armazenado pouca ou nenhuma comida.
2. O aparelho deve ser limpo a cada quatro semanas para uma boa manutenção e para evitar maus odores de alimentos armazenados.

**AVISO!**

- ▶ Não limpe o aparelho com escovas duras, escovas de arame, detergente em pó, gasolina, acetato de amilo, acetona e soluções orgânicas semelhantes, soluções ácidas ou alcalinas. Limpe com detergente especial do frigorífico para evitar danos.
- ▶ Não pulverize ou lave o aparelho durante a limpeza.
- ▶ Não use spray de água ou vapor para limpar o aparelho.
- ▶ Não lave prateleiras de vidro frias com água quente. A mudança súbita de temperatura pode fazer com que o vidro se quebre.
- ▶ Não toque na superfície interna do compartimento do congelador, especialmente com as mãos molhadas, pois as mãos podem congelar na superfície.
- ▶ No caso de aquecimento, verificar a condição das mercadorias congeladas.



- ▶ Mantenha a junta de vedação da porta sempre limpa.
- ▶ Limpe o interior e a caixa do aparelho com uma esponja molhada em água morna e detergente neutro.
- ▶ 1. Esfregue o interior e o exterior do frigorífico, incluindo junta do vedante da porta, prateleira da porta, prateleiras de vidro, caixas e assim por diante, com uma toalha macia ou esponja embebida em água morna (pode adicionar-se detergente neutro).
- ▶ 2. Se houver líquido derramado, remova todas as partes contaminadas, lave-as diretamente com água corrente, seque e coloque novamente no frigorífico.
- ▶ 3. Se houver derramamento de produtos cremosos (como natas, gelado derretido), remova todas as peças contaminadas, coloque-as em água morna a cerca de 40 °C durante algum tempo, passe por água corrente, seque e volte a colocar no frigorífico.
- ▶ 4. Caso alguma peça ou componente pequeno entre no interior do frigorífico (entre as prateleiras ou gavetas), use uma pequena escova macia para a liberar. Se não conseguir alcançar a peça, entre em contato com a assistência da Haier
- ▶ Enxaguar e secar com um pano macio.
- ▶ Não limpe nenhuma das peças do aparelho numa máquina de lavar loiça.
- ▶ Deixe passar pelo menos 5 minutos antes de voltar a ligar o aparelho pois o arranque frequente pode danificar o compressor.

**Descongelação**

A descongelação do frigorífico e do congelador é feito automaticamente; sem necessidade de operação manual.

## Substituir as lâmpadas LED



### AVISO!

Não substitua a luz LED sozinho, esta apenas deve ser substituída pelo fabricante ou por um agente de serviço autorizado.

A lâmpada é do tipo LED com um baixo consumo de energia e longa vida útil. Se houver alguma anomalia, entre em contacto com a assistência ao cliente. Consulte a ASSISTÊNCIA AO CLIENTE.

Parâmetros das lâmpadas:

Compartimento do frigorífico: 12 V, 4 W

Compartimento do congelador: 12 V, 2W\*2

## Não utilizar durante um período prolongado

Se o aparelho não for utilizado durante um período de tempo prolongado e caso não tenha utilizado a função Holiday para o frigorífico:

Retire os alimentos.

Desligue o cabo de alimentação.

Limpe o aparelho conforme descrito acima.

Mantenha as portas abertas para evitar a criação de maus odores no interior.



### AVISO

Desligue o aparelho apenas se estritamente necessário.

## Mover o aparelho

1. Remova todos os alimentos e desligue o aparelho.
2. Fixe as prateleiras e outras peças móveis no frigorífico e no congelador com fita adesiva.
3. Não incline o frigorífico mais de 45° para evitar danificar o sistema de refrigeração.



### AVISO!

- ▶ Não levante o aparelho pelas suas pegas.
- ▶ Nunca coloque o aparelho na horizontal no chão.

Muitos problemas que ocorrem podem ser resolvidos por si mesmo sem experiência específica. Em caso de problema, por favor verifique todas as possibilidades apresentadas e siga as instruções abaixo antes de contactar um serviço pós-venda. Consulte a ASSISTÊNCIA AO CLIENTE.



## AVISO!

- ▶ Antes da manutenção, desative o aparelho e desligue a ficha da tomada.
- ▶ Os equipamentos elétricos devem ser reparados apenas por eletricistas qualificados, uma vez que reparações inadequadas podem causar danos consequenciais consideráveis.
- ▶ Se o cabo de alimentação estiver danificado, este apenas pode ser substituído pelo fabricante, pelo agente de serviço ou por pessoas igualmente qualificadas de forma a evitar o perigo.

Problema	Causa possível	Possível solução
O compressor não funciona.	<ul style="list-style-type: none"> <li>• A ficha de alimentação não está ligada na tomada de alimentação.</li> <li>• O aparelho está no ciclo de descongelação</li> </ul>	<ul style="list-style-type: none"> <li>• Ligue a ficha de alimentação.</li> <li>• Isto é normal para uma descongelação automática</li> </ul>
O aparelho funciona frequentemente ou funciona por um período de tempo demasiado longo.	<ul style="list-style-type: none"> <li>• A temperatura interior ou exterior é muito alta.</li> <li>• O aparelho foi desligado da alimentação por um período de tempo.</li> <li>• Uma porta do aparelho não está bem fechada.</li> <li>• A porta foi aberta com muita frequência ou por muito tempo.</li> <li>• A regulação da temperatura para o congelador é muito baixa.</li> <li>• A junta de vedação da porta está suja, gasta, partida ou desalinhada.</li> <li>• A circulação de ar necessária não é garantida.</li> </ul>	<ul style="list-style-type: none"> <li>• Neste caso, é normal que o aparelho funcione mais tempo</li> <li>• Normalmente, demora 8 a 12 horas até o aparelho arrefecer completamente.</li> <li>• Feche a porta/gaveta e certifique-se de que o aparelho está localizado num piso plano e de que não existe qualquer alimento ou recipiente a obstruir a porta.</li> <li>• Não abra a porta/gaveta com muita frequência.</li> <li>• Defina uma temperatura mais elevada até obter uma temperatura satisfatória do frigorífico. Demora 24 horas até a temperatura do frigorífico se tornar estável.</li> <li>• Limpe a junta de vedação da porta/gaveta ou peça à assistência ao cliente que a substitua.</li> <li>• Assegure uma ventilação adequada.</li> </ul>
O interior do frigorífico está sujo e/ou com cheiros.	<ul style="list-style-type: none"> <li>• O interior do frigorífico precisa de ser limpo.</li> </ul>	<ul style="list-style-type: none"> <li>• Limpe o interior do frigorífico</li> <li>• Embrulhe os alimentos completamente.</li> </ul>

Problema	Causa possível	Possível solução
	<ul style="list-style-type: none"> <li>Alimentos com forte odor estão armazenados no frigorífico.</li> </ul>	
Não está frio o suficiente dentro do aparelho.	<ul style="list-style-type: none"> <li>A temperatura definida é demasiado alta.</li> <li>Foram guardados alimentos demasiado quentes.</li> <li>Foram armazenados demasiados alimentos de uma vez.</li> <li>Os produtos estão demasiado próximos uns dos outros.</li> <li>Uma porta/gaveta do aparelho não está bem fechada.</li> <li>A porta/gaveta foi aberta com muita frequência ou durante muito tempo.</li> </ul>	<ul style="list-style-type: none"> <li>Repore a temperatura.</li> <li>Arrefeça os alimentos antes de os guardar.</li> <li>Guarde sempre pequenas quantidades de alimentos.</li> <li>Deixe um intervalo entre os vários alimentos permitindo o fluxo de ar.</li> <li>Feche a porta/gaveta.</li> <li>Não abra a porta/gaveta com muita frequência.</li> </ul>
Está demasiado frio no interior do aparelho.	<ul style="list-style-type: none"> <li>A temperatura está definida para demasiado baixa.</li> <li>A função Super-Frz/ Super-Cool está ativada ou está a funcionar há demasiado tempo.</li> </ul>	<ul style="list-style-type: none"> <li>Repore a temperatura.</li> <li>Desligue a função Super-Frz/ Super-Cool</li> </ul>
Formação de humidade no interior do compartimento do frigorífico.	<ul style="list-style-type: none"> <li>O clima é demasiado quente e demasiado húmido.</li> <li>Uma porta/gaveta do aparelho não está bem fechada.</li> <li>A porta/gaveta foi aberta com muita frequência ou durante muito tempo.</li> <li>Recipientes para alimentos ou líquidos foram deixados abertos.</li> </ul>	<ul style="list-style-type: none"> <li>Aumente a temperatura.</li> <li>Feche a porta/gaveta.</li> <li>Não abra a porta/gaveta com muita frequência.</li> <li>Deixe os alimentos quentes arrefecerem até à temperatura ambiente e cubra os alimentos e líquidos.</li> </ul>
A humidade acumula-se nos frigoríficos fora da superfície ou entre as portas/porta e gaveta.	<ul style="list-style-type: none"> <li>O clima é demasiado quente e demasiado húmido.</li> <li>A porta não está totalmente fechada. O ar frio no aparelho e o ar quente no exterior condensam.</li> </ul>	<ul style="list-style-type: none"> <li>Isso é normal num clima húmido e mudará quando a humidade diminuir.</li> <li>Certifique-se de que a porta/gaveta está bem fechada.</li> </ul>

Problema	Causa possível	Possível solução
Gelo forte e geada no compartimento do congelador.	<ul style="list-style-type: none"> <li>Os alimentos não foram devidamente embalados.</li> <li>Uma porta/gaveta do aparelho não está bem fechada.</li> <li>A porta/gaveta foi aberta com muita frequência ou durante muito tempo.</li> <li>A junta de vedação da porta/gaveta está suja, gasta, fissurada ou não é adequada.</li> <li>Algo no interior está a impedir que a porta/gaveta feche corretamente.</li> </ul>	<ul style="list-style-type: none"> <li>Embale sempre bem os alimentos.</li> <li>Feche a porta/gaveta.</li> <li>Não abra a porta/gaveta com muita frequência.</li> <li>Limpe a junta de vedação da porta/gaveta ou substitua por novas.</li> <li>Reposicione as prateleiras, prateleiras das portas ou recipientes internos para permitir que a porta/gaveta feche.</li> </ul>
Os lados do armário e a tira da porta ficam quentes.		<ul style="list-style-type: none"> <li>Isto é normal.</li> </ul>
O aparelho faz ruídos fora do normal.	<ul style="list-style-type: none"> <li>O aparelho não está colocado sobre um piso nivelado.</li> <li>O aparelho toca em algum objeto em seu redor.</li> </ul>	<ul style="list-style-type: none"> <li>Ajuste os pés para nivelar o aparelho.</li> <li>Remova objetos em redor do aparelho.</li> </ul>
Deve ouvir-se um som leve semelhante ao de água a correr.		<ul style="list-style-type: none"> <li>Isto é normal.</li> </ul>
Irá ouvir um sinal sonoro de alarme.	<ul style="list-style-type: none"> <li>A porta do frigorífico está aberta.</li> </ul>	<ul style="list-style-type: none"> <li>Feche a porta.</li> </ul>
Irá ouvir um som abafado.	<ul style="list-style-type: none"> <li>O sistema anti condensação está a funcionar</li> </ul>	<ul style="list-style-type: none"> <li>Isto impede a condensação e é normal</li> </ul>
O sistema de iluminação interior ou de arrefecimento não funciona.	<ul style="list-style-type: none"> <li>A ficha de alimentação não está ligada na tomada de alimentação.</li> <li>A fonte de alimentação não está intacta.</li> <li>A lâmpada LED está avariada.</li> </ul>	<ul style="list-style-type: none"> <li>Ligue a ficha de alimentação.</li> <li>Verifique a alimentação elétrica da divisão. Ligue para a companhia de eletricidade local!</li> <li>Por favor, ligue para a assistência para substituir a lâmpada.</li> </ul>

Para contactar a assistência técnica, consulte o nosso website:

<https://corporate.haier-europe.com/en/>

Na seção "website", escolha a marca do seu produto e o seu país. Será redirecionado para o website específico onde pode encontrar o número de telefone e o formulário para contactar a assistência técnica.

## **Falha de energia**

Em caso de falha de energia, os alimentos permanecem arrefecidos de forma segura durante cerca de 5 horas. Siga estas dicas durante uma falha de energia prolongada, especialmente no verão:

- ▶ Abra a porta/gaveta o mínimo de vezes possível.
- ▶ Não coloque mais alimentos no aparelho durante uma falha de energia.
- ▶ Se for dada uma notificação prévia de interrupção da energia e a duração da interrupção for superior a 5 horas, faça algum gelo e coloque-o num recipiente na parte superior do compartimento do frigorífico.
- ▶ É necessária uma inspeção dos alimentos imediatamente após a interrupção.
- ▶ Como a temperatura no frigorífico irá subir durante uma interrupção da energia ou outra falha, o período de armazenamento e a qualidade dos alimentos serão reduzidos. Qualquer alimento que descongele deve ser consumido, cozido e novamente congelado (se for caso disso) imediatamente, a fim de evitar riscos para a saúde.

## **Função de memória durante a falha de energia**

Depois de restabelecida a energia elétrica, o aparelho continua com as configurações definidas antes da falha de energia.

## Desembalar

### AVISO!

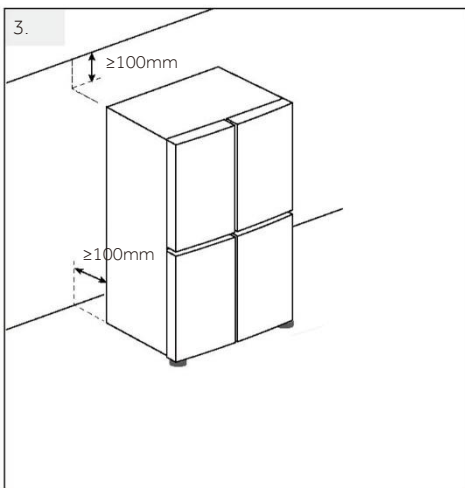
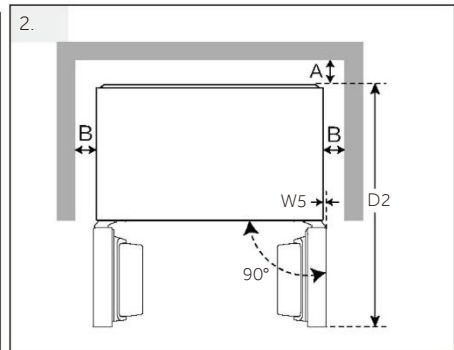
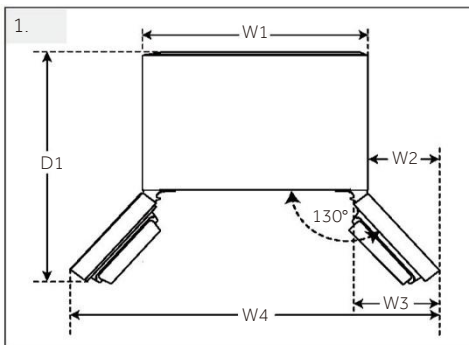
- ▶ O aparelho é pesado. Deve ser manuseado sempre por, pelo menos, duas pessoas.
- ▶ Mantenha todos os materiais de embalagem fora do alcance das crianças e elimine-os de forma ecológica.
- ▶ Retire o aparelho da embalagem.
- ▶ Remova todos os materiais de embalagem.

### Condições ambientais

A temperatura ambiente deve estar sempre entre 10 °C e 43 °C, uma vez que pode influenciar a temperatura no interior do aparelho e o seu consumo de energia. Não instale o aparelho perto de outros aparelhos emissores de calor (fornos, frigoríficos) sem isolamento.

### Recomendação de espaço

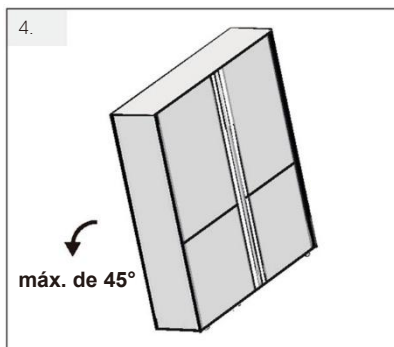
Espaço recomendado quando a porta está aberta (Fig 1.2.)



(Unidade: mm)	Modelo #	
Largura	W1	905
	W2	327
	W3	368
	W4	1559
	W5	51
	W	905
	D1	1061
	D2	1101
	D	738
Distância até à parede traseira	A	100
Distância às paredes laterais	B	100
Distância até ao teto	C	100
Altura total	H	1825

## Ventilação transversal

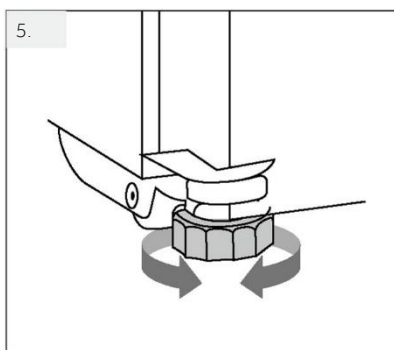
Para obter uma ventilação suficiente do aparelho por motivos de segurança, deve observar-se a informação das secções de ventilação transversal necessárias.



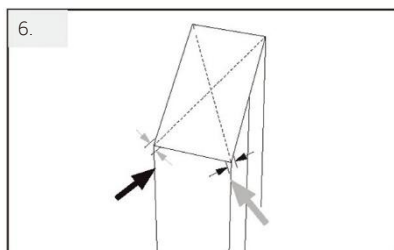
### Alinhar o aparelho (Fig.4.5.6.)

O aparelho deve ser colocado sobre uma superfície plana e sólida.

4. Incline o frigorífico ligeiramente para trás.



5. Ajuste os pés para a altura desejada. Certifique-se de que a distância à parede do lado da dobradiça é de, pelo menos, 100 mm para que a porta se abra corretamente.

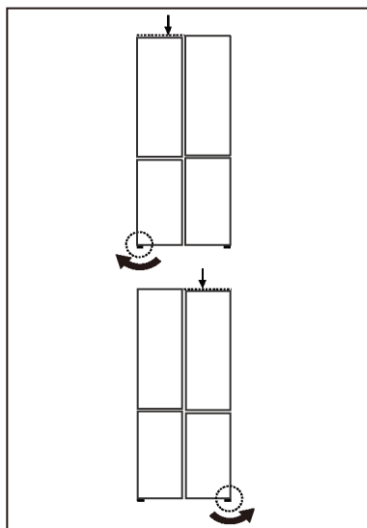


6. A estabilidade pode ser verificada empurrando alternadamente as diagonais. Uma ligeira oscilação deve ser a mesma em ambas as direções. Caso contrário, a estrutura pode empenar; a consequência pode ser fugas dos vedantes da porta. Uma leve inclinação para a traseira facilita o fecho das portas.



## AVISO

Para um aparelho independente: este frigorífico não se destina a ser utilizado como eletrodoméstico de encastrar

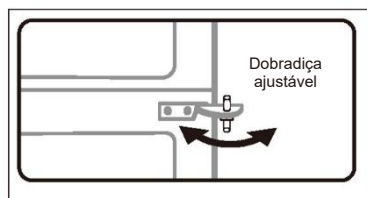


### Ajuste fino das portas

Se as portas não estiverem no mesmo nível, esta discrepância pode ser solucionada da seguinte forma:

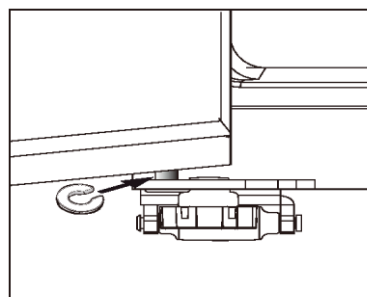
#### Utilizando o pé ajustável

Rode o pé ajustável de acordo com a direção da seta para subir ou descer o pé.



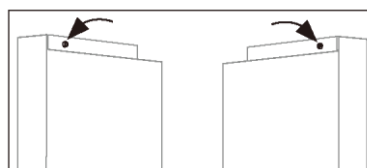
### Ajuste da posição da porta

- ▶ Quando as duas portas não estão à mesma altura, as dobradiças ajustáveis podem ser afinadas com a chave que as acompanha para nivelar as duas portas. Não o instale a porta recorrendo à força para evitar riscos ou choques no revestimento da porta.



### Utilização de espaçadores

- ▶ Abra a porta do congelador e levante-a.
- ▶ Prenda cuidadosamente o espaçador (incluído no saco de acessórios) no eixo da dobradiça inferior à mão ou usando ferramentas, como alicates. Não arranque nem amolgue a porta.



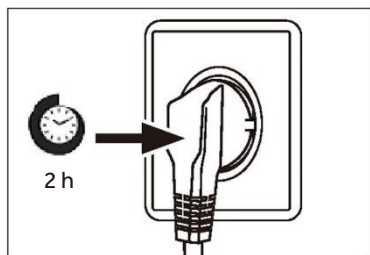
### Utilizar o botão de ajuste

- ▶ Se a porta do compartimento do frigorífico não estiver nivelada, pode rodar o botão ajustável na parte superior da porta para fazer ajustes finos.



## AVISO

Quando voltar a utilizar o frigorífico, pode ocorrer um fenómeno de portas desiguais devido ao peso dos alimentos armazenados. Se for esse o caso, ajuste de acordo com os métodos acima.



### Tempo de espera

O óleo de lubrificação sem manutenção está localizado na cápsula do compressor. Este óleo pode atravessar o sistema de tubagem fechada durante o transporte inclinado. Antes de ligar o aparelho à rede elétrica, tem de esperar pelo menos 2 horas para que o óleo volte à cápsula.

### Ligação elétrica

Antes de cada conexão verificar se:

- ▶ a rede elétrica, tomada e fusíveis são adequados à placa de classificação.
- ▶ a tomada de alimentação está ligada à terra sem fichas múltiplas nem extensão.
- ▶ a ficha de alimentação e a tomada estão de acordo com as especificações.


Ligue a ficha a uma tomada doméstica instalada corretamente.



## AVISO!

Para evitar riscos, um cabo de alimentação danificado deve ser substituído pela assistência ao cliente (ver cartão de garantia).

Ficha de produto de acordo com o Regulamento UE N.º 2019/2016

Marca	Haier
Nome do modelo / identificador	HCR59F19DNMM HCR59F18DNMB
Categoria do modelo	Frigorífico-congelador
Classe de eficiência energética	D
Consumo de energia anual (kWh/year)(1)	306
Volume total (L)	706
Volume do frigorífico (L)	417
Volume do congelador (L)	251
Secção de duas estrelas (L)	38
Classificação em estrelas	
Sistema Frost-free	Sim
Capacidade de congelação (kg/24h)	14
Classificação climática(2)	SN-N-ST-T
Classe de emissão de ruído e emissões de ruído aéreo (db(A) re 1pW)	C(35)
Tempo de subida da temperatura (h)	13
Tipo de aparelho	instalação independente

Explicações:

- Sim, existe
- (1) Com base nos resultados do teste de conformidade das normas ao longo de 24 horas. O consumo real depende da utilização e da localização do aparelho.
  - (2) Classificação climática SN: Este aparelho destina-se a ser utilizado a uma temperatura ambiente compreendida entre + 10°C e +32°C  
Classificação climática N: Este aparelho destina-se a ser utilizado a uma temperatura ambiente compreendida entre + 16°C e +32°C  
Classificação climática ST: Este aparelho destina-se a ser utilizado a uma temperatura ambiente compreendida entre + 16°C e +38°C  
Classificação climática T: Este aparelho destina-se a ser utilizado a uma temperatura ambiente compreendida entre + 16°C e +43°C

#### Dados técnicos adicionais

Tensão/Frequência	220-240V ~ / 50Hz
Corrente de entrada (A)	1,5
Fusível principal (A)	16
Líquido de refrigeração	R600a 68g
Dimensões (L/P/A em mm)	905 / 738 / 1825

Recomendamos o nosso Serviço de Assistência ao Cliente da Haier e a utilização de peça sobressalentes originais.

Se tiver algum problema com o seu aparelho, consulte primeiro a secção RESOLUÇÃO DE PROBLEMAS.

Se não conseguir encontrar uma solução nesta secção, entre em contacto

- ▶ com o seu revendedor local ou
- ▶ o nosso Serviço de Assistência Europeu (veja números de telefone listados abaixo) ou
- ▶ a área de Serviço e Suporte em [www.haier.com](http://www.haier.com) onde pode ativar a reclamação de serviço
- ▶ e também encontrar FAQs.

Para contactar a nossa Assistência, certifique-se de que tem os seguintes dados disponíveis.

As informações encontram-se na placa de classificação.

Modelo \_\_\_\_\_

N.º de série \_\_\_\_\_

Verifique também o cartão de garantia fornecido com o produto em caso de garantia.

Centro de Assistência Europeu		
Pais*	Número de telefone	Custos
Haier Italy (IT)	199 100 912	
Haier Spain (ES)	902 509 123	
Haier Germany (DE)	0180 5 39 39 99	<ul style="list-style-type: none"> <li>• 14 CT/Min telefone fixo</li> <li>• Max 42 Ct/Min móvel</li> </ul>
Haier Austria (AT)	0820 001 205	<ul style="list-style-type: none"> <li>• 14,53 CT/Min telefone fixo</li> <li>• máx. 20 Ct/Min todos os outros</li> </ul>
Haier United Kingdom (UK)	0333 003 8122	
Haier France (FR)	0980 406 409	

\*Para outros países, consulte [www.haier.com](http://www.haier.com)

Haier Europe Trading S.r.l

Branch UK

Westgate House, Westgate, Ealing

London, W5 1YY

\*Duração da garantia do aparelho de refrigeração:

A garantia mínima é: 2 anos para os países da UE, 3 anos para a Turquia, 1 ano para o Reino Unido, 1 ano para a Rússia, 3 anos para a Suécia, 2 anos para a Sérvia, 5 anos para a Noruega, 1 ano para Marrocos, 6 meses para a Argélia, Tunísia nenhuma garantia legal necessária.

\*O período de peças sobressalentes para a reparação do aparelho:

Termostatos, sensores de temperatura, placas de circuitos impressos e fontes de luz estão disponíveis durante um período mínimo de sete anos após a colocação da última unidade do modelo no mercado.

Puxadores da porta, dobradiças da porta, bandejas e cestos durante um período mínimo de sete anos e juntas da porta durante um período mínimo de 10 anos, depois de colocada a última unidade do modelo no mercado.

\*Para mais informações sobre o produto, consulte <https://eprel.ec.europa.eu/> ou digitalize o código QR na etiqueta energética fornecida com o aparelho.

## CERTIFICADO DE QUALIDADE

DESIGNAÇÃO: FRIGORÍFICO

Q.C. APROVADO

VERIFICADOR N.º

QC01

# Haier

专用号条码

0060543171  
2026 Versão A

# Haier



## Průručka používatela

Chladnička s mrazničkou

HCR59F18DNMM

HCR59F18DNMB

<b><u>4 Bezpečnostné informácie</u></b>	<b><u>Pred prvým použitím</u></b>	<b>5</b>
	<b><u>Inštalácia</u></b>	<b>5</b>
	<b><u>Každodenné používanie</u></b>	<b>6</b>
<b><u>8 Určené použitie</u></b>		
<b><u>9 Opis výrobku</u></b>		
<b><u>10 Ovládací panel</u></b>		
<b><u>11 Použite</u></b>	<b><u>Úprava teploty chladničky</u></b>	<b>14</b>
	<b><u>Úprava teploty mrazničky</u></b>	<b>14</b>
	<b><u>Funkcia Super-Cool</u></b>	<b>15</b>
	<b><u>Funkcia Super-Frz</u></b>	<b>15</b>
	<b><u>Režim Holiday</u></b>	<b>16</b>
	<b><u>Funkcia Magic Zone</u></b>	<b>17</b>
<b><u>20 Vybavenie</u></b>		
<b><u>22 Tipy na úsporu energie</u></b>		
<b><u>23 Starostlivosť a čistenie</u></b>		
<b><u>25 Riešenie problémov</u></b>		
<b><u>29 Inštalácia</u></b>		
<b><u>33 Technické údaje</u></b>		
<b><u>35 Zákaznícky servis</u></b>		

## Ďakujeme za zakúpenie produktu Haier.

Pred použitím tohto spotrebiča si pozorne prečítajte tieto pokyny. Pokyny obsahujú dôležité informácie, ktoré vám pomôžu vyťažiť zo spotrebiča maximum a zaistia bezpečnú a správnu inštaláciu, používanie a údržbu.

Túto príručku uschovajte na vhodnom mieste, aby ste si mohli kedykoľvek prečítať pokyny na bezpečné a správne používanie spotrebiča.

Ak spotrebič predávate, darujete alebo ho nechávate v domácnosti po odťahovaní, nezabudnite s ním novému vlastníkovi odovzdať aj túto príručku, aby sa mohol oboznámiť so spotrebičom a bezpečnostnými upozoreniami.

## Príslušenstvo

Skontrolujte príslušenstvo a dokumentáciu podľa tohto zoznamu:



Energetický štítok



Záručný list



Príručka používateľa



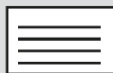
Záručný list



Stručná príručka



Rozpera×3



Karta s upozoreniami



klúč



## **VAROVANIE – Dôležité bezpečnostné informácie**



## **OZNÁMENIE – Všeobecné informácie a tipy**



## **Informácie o životnom prostredí**



### **Likvidácia**

Pomáhajte chrániť životné prostredie a zdravie ľudí. Obal vyhoďte do vhodných nádob na recykláciu. Pomáhajte recyklovať odpad z elektrických a elektronických prístrojov. Spotrebiče označené týmto symbolom nelikvidujte s domácim odpadom. Výrobok odneste do miestneho recyklačného strediska alebo kontaktujte mestský úrad.



### **VAROVANIE: Nebezpečenstvo požiaru/horľavý materiál**

Symbol označuje nebezpečenstvo požiaru, pretože sa používajú horľavé materiály. Dávajte pozor, aby ste predišli vzniku požiaru vznietením horľavého materiálu.



## **VAROVANIE!**

Nebezpečenstvo poranenia alebo zadusenía!

Chladivá a plyny sa musia likvidovať profesionálnym spôsobom. Pred správnu likvidáciou sa uistite, že nie je poškodené potrubie okruhu chladiva. Spotrebič odpojte od elektrickej siete. Odrežte a zlikvidujte napájací kábel. Vyberte podnosy a zásuvky, ako aj západku a tesnenie dvierok, aby ste zabránili zatvoreniu detí a domácich zvierat vnútri spotrebiča.

## Pred prvým zapnutím spotrebiča si prečítajte nasledujúce bezpečnostné pokyny!



### **VAROVANIE!**

#### **Pred prvým použitím**

- ▶ Uistite sa, že sa spotrebič pri preprave nepoškodil.
- ▶ Spotrebič musia prenášať minimálne dve osoby, pretože je ťažký.

#### **Inštalácia**

- ▶ Spotrebič musí byť umiestnený na dobre vetranom mieste. Nad spotrebičom a v jeho okolí musíte zabezpečiť minimálne 10 cm priestor.
- ▶ Spotrebič nikdy neumiestňujte na vlhké miesto ani na miesto, kde by mohla striekať voda. Postriekania vodou a škvrny vyčistite a osušte mäkkou čistou handričkou.
- ▶ Spotrebič neinštalujte na priame slnečné svetlo ani do blízkosti zdrojov tepla (napr. kachle, ohrievače).
- ▶ Spotrebič nainštalujte a vyrovnajte na mieste, ktoré je vhodné svojou veľkosťou a využitím.
- ▶ Vetracie otvory v spotrebiči alebo v zabudovanej konštrukcii udržiavajte bez prekážok.
- ▶ Uistite sa, že elektrické údaje na typovom štítku sa zhodujú s údajmi pre vašu sieť. V opačnom prípade kontaktujte elektrikára.
- ▶ Spotrebič je napájaný zo siete 220-240 VAC/50 Hz. Abnormálne kolísanie napätia môže spôsobiť, že sa spotrebič nezapne, poškodí sa regulátor teploty alebo kompresor alebo sa môže pri prevádzke vyskytnúť neobvyklý hluk. V takom prípade musíte namontovať automatický regulátor.
- ▶ Nepoužívajte adaptéry s viacerými zásuvkami ani predĺžovacie káble.
- ▶ Na zadnú stranu spotrebiča neumiestňujte rozvodné prenosné zásuvky ani prenosné zdroje napájania.
- ▶ Uistite sa, že napájací kábel nie je zachytený v chladničke. Na napájací kábel nestúpajte.
- ▶ Použite samostatnú uzemnenú zásuvku, aby k nej bol zabezpečený jednoduchý prístup. Spotrebič musí byť uzemnený.  
Len pre Spojené kráľovstvo: Napájací kábel spotrebiča je vybavený 3-vodičovou (uzemňovacou) zástrčkou, ktorá sa vsúva do štandardnej 3-vodičovej (uzemnenej) zásuvky. Tretí kolík (uzemnenie) nikdy neodrezávajte ani neodstraňujte. Po inštalácii spotrebiča musí byť zástrčka prístupná.
- ▶ Nepoškodte chladiaci okruh.



## VAROVANIE!

### Každodenné používanie

- ▶ Deti staršie ako 8 rokov a osoby s obmedzenými fyzickými, zmyslovými alebo duševnými schopnosťami alebo nedostatkom skúseností či vedomostí môžu tento spotrebič používať pod dohľadom, resp. po poučení a oboznámení sa s bezpečným spôsobom používania a porozumení možným nebezpečenstvám.
- ▶ Deti vo veku od 3 do 8 rokov môžu do chladiacich spotrebičov nakladať a vykladať potraviny, nesmú ich však čistiť ani inštalovať.
- ▶ Deťom do 3 rokov nedovoľte, aby sa priblížili ku spotrebiču, pokiaľ nie sú pod neustálym dohľadom.
- ▶ Deti sa so spotrebičom nesmú hrať.
- ▶ Ak do blízkosti spotrebiča uniká studený plyn alebo iný horľavý plyn, zatvorte ventil unikajúceho plynu, otvorte dvere a okná a neodpájajte zástrčku napájacieho kábla chladničky ani iného zariadenia.
- ▶ Všimnite si, že spotrebič je nastavený na prevádzku v špecifickom klimatickom pásme 10 až 43 °C. Spotrebič možno nebude fungovať správne, ak sa ponechá dlho v prostredí s teplotou, ktorá je vyššia alebo nižšia než uvedený rozsah.
- ▶ Na chladničku neumiestňujte nestabilné predmety (ťažké predmety, nádoby naplnené vodou), aby nedošlo k zraneniu osôb následkom pádu alebo úrazu elektrickým prúdom po kontakte s vodou.
- ▶ Neťahajte za police vo dverkách. Dvierka by sa mohli skriviť, stojan na fľaše odtrhnúť alebo by sa spotrebič mohol prevrátiť.
- ▶ Dvierka otvárajte a zatvárajte iba pomocou rúkaví. Medzera medzi dvierkami a medzi dvierkami a skrinkou je veľmi úzka. Do týchto priestorov nesiahajte, aby nedošlo k pricviknutiu prstov. Dvere chladničky otvárajte alebo zatvárajte iba vtedy, ak v rozsahu pohybu dverí nestoja žiadne deti.
- ▶ V spotrebiči ani v jeho blízkosti neskladujte a nepoužívajte horľavé, výbušné alebo korozívne materiály.
- ▶ V spotrebiči neskladujte lieky, baktérie ani chemické látky. Tento spotrebič je spotrebič pre domácnosť. Neodporúča sa skladovať materiály, ktoré vyžadujú presné teploty.
- ▶ V mrazničke nikdy neskladujte tekutiny vo fľašiach alebo v plechovkách (okrem liehovín s vysokým obsahom alkoholu), najmä sýtené nápoje, pretože tieto počas mrazenia prasknú.
- ▶ Ak došlo v mrazničke k ohrevu, skontrolujte stav potravín.
- ▶ V chladiacom priestore nenastavujte zbytočne nízku teplotu. Pri vysokých nastaveniach sa môžu vyskytnúť mínusové teploty. Pozor: Fľaše môžu prasknúť
- ▶ Zmrazených potravín sa nedotýkajte mokrymi rukami (nasad'te si rukavice). Najmä nekonzumujte nanuky ihneď po vybratí z mrazničky. Existuje riziko primrznutia alebo vytvorenia pluzgierov z mrazu. PRVÁ pomoc: ihneď umiestnite pod tečúcu studenú vodu. Neodstraňujte ťahaním!
- ▶ Počas prevádzky sa nedotýkajte vnútorného povrchu priestoru mrazničky, najmä nie mokrymi rukami, pretože by vám mohli ruky primrznúť k povrchu.



## VAROVANIE!

### Každodenné používanie

- ▶ V prípade prerušenia napájania alebo pred čistením odpojte spotrebič zo zásuvky. Pred opätovným zapnutím spotrebiča počkajte najmenej 7 minút, pretože časté spúšťanie môže poškodiť kompresor.
- ▶ Vo vnútri boxov spotrebiča, ktoré slúžia na skladovanie potravín, nepoužívajte elektrické zariadenia, pokiaľ ich používanie neschválil výrobca.  
Údržba/čistenie
- ▶ Keď čistenie a údržbu vykonávajú deti, nenechávajú ich bez dozoru.
- ▶ Pred vykonávaním akejkoľvek bežnej údržby odpojte spotrebič od elektrickej siete. Pred opätovným zapnutím spotrebiča počkajte najmenej 5 minút, pretože časté štartovanie môže poškodiť kompresor.
- ▶ Pri odpájaní spotrebiča chyťte zástrčku, nie kábel.
- ▶ Spotrebič nečistite tvrdými kefami, drôtenými kefami, čistiacim práškom, benzínom, amylacetátom, acetónom ani podobnými organickými roztokmi, kyselinami ani zásadami. Čistite pomocou špeciálneho čistiaceho prostriedku na chladničky, aby ste zabránili poškodeniu.
- ▶ Námraza a ľad nezoškrabávajte ostrými predmetmi. Nepoužívajte spreje, elektrické ohrievače ako ohrievač, sušič vlasov, parné čističe alebo iné zdroje tepla, aby nedošlo k poškodeniu plastových častí.
- ▶ Na urýchlenie odmravovania nepoužívajte mechanické nástroje ani iné prostriedky s výnimkou tých, ktoré odporúča výrobca.
- ▶ Ak je poškodený vonkajší napájací kábel, v záujme eliminácie akéhokoľvek rizika ho musí vymeniť výrobca, jeho servisný zástupca alebo rovnako kvalifikovaná osoba.
- ▶ Spotrebič sa nepokúšajte sami opravovať, rozoberať alebo upravovať. V prípade opravy kontaktujte náš zákaznícky servis.
- ▶ Aspoň raz za rok odstráňte prach zo zadnej strany jednotky, aby ste predišli nebezpečenstvu požiaru a zvýšenej spotrebe energie.
- ▶ Počas čistenia na spotrebič nestriekajte ani ho neoplachujte.
- ▶ Na čistenie spotrebiča nepoužívajte prúd vody ani paru.
- ▶ Studené sklenené poháre neumývajte horúcou vodou. Náhla zmena teploty môže spôsobiť rozbitie skla.

### Informácie o chladiacom plyne

- ▶ Spotrebič obsahuje horľavé chladivo IZOBUTÁN (R600a). Uistite sa, že sa počas prepravy alebo inštalácie nepoškodil chladiaci okruh. Unikajúce chladivo môže spôsobiť poranenie očí alebo vznietenie. Ak došlo k poškodeniu, udržujte zdroje otvoreného ohňa mimo dosahu, dôkladne vyvetrajte miestnosť a nepripájajte ani neodpájajte napájacie káble spotrebiča alebo akéhokoľvek iného spotrebiča. Informujte zákaznícky servis.
- ▶ V prípade, že sa dostane chladivo do kontaktu s očami, ihneď ich vypláchnite pod tečúcou vodou a okamžite kontaktujte očnému lekárovi.

## Určené použitie

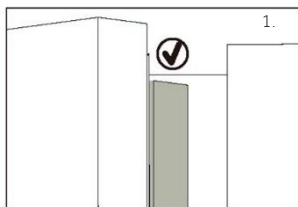
Tento spotrebič je určený na chladenie a mrazenie potravín. Bol navrhnutý výhradne na použitie v domácnostiach a podobných aplikáciách, ako sú kuchynské priestory pre zamestnancov v obchodoch, kanceláriách a iných pracovných prostrediach; vo farmárskych domoch, pre zákazníkov v hoteloch, motelloch a iných obytných priestoroch, ako aj pre zákazníkov ubytovacích a stravovacích služieb. Nie je určený na komerčné ani priemyselné použitie.

Zmeny alebo úpravy spotrebiča nie sú povolené. Neúmyselné použitie môže spôsobiť nebezpečenstvo a stratu nárokov na záruku.

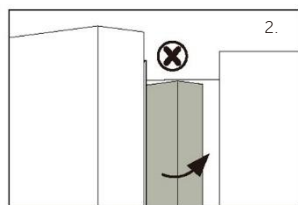
## Normy a smernice

Tento výrobok spĺňa požiadavky všetkých príslušných smerníc ES s príslušnými harmonizovanými normami, ktoré ustanovujú označenie CE.

### POZOR!



Keď zatvoríte dvere, zvislá lišta na ľavých dverách by mala byť ohnutá dovnútra (1).

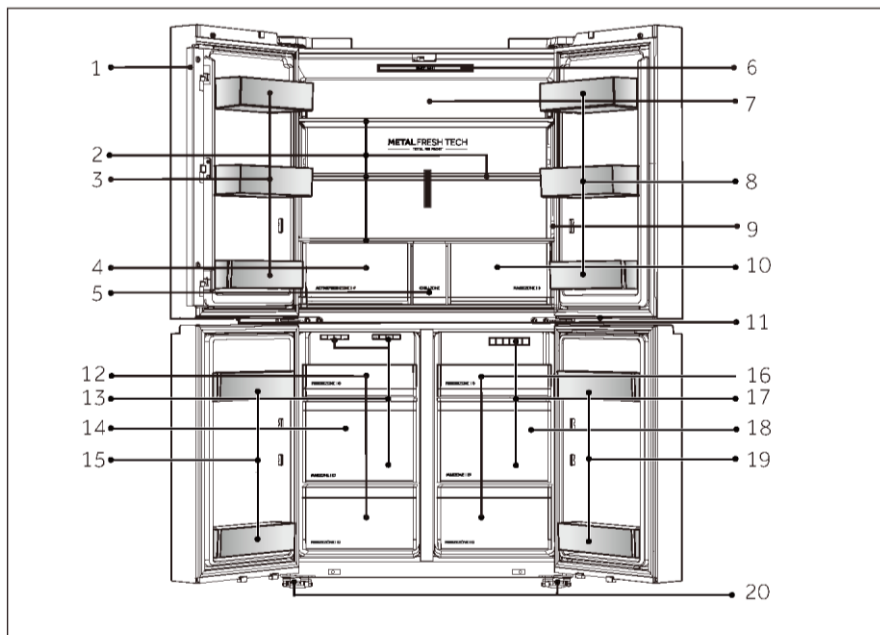


Ak sa pokúsíte zatvoriť ľavé dvere a zvislá lišta dverí nie je ohnutá (2), mali by ste ju najprv ohnúť, inak lišta dverí narazí do upevňovacieho hriadeľa alebo pravých dverí. Mohla by sa tak poškodiť lišta alebo by mohlo dochádzať k únikom.

Vnútri rámu je ohrevné vlákno. Teplota povrchu sa trochu zvýši, čo je normálne a neovplyvní to funkciu spotrebiča.

## **i** OZNÁMENIE

Z dôvodu technických zmien a rôznych modelov sa môžu niektoré ilustrácie v tejto príručke líšiť od vášho modelu.

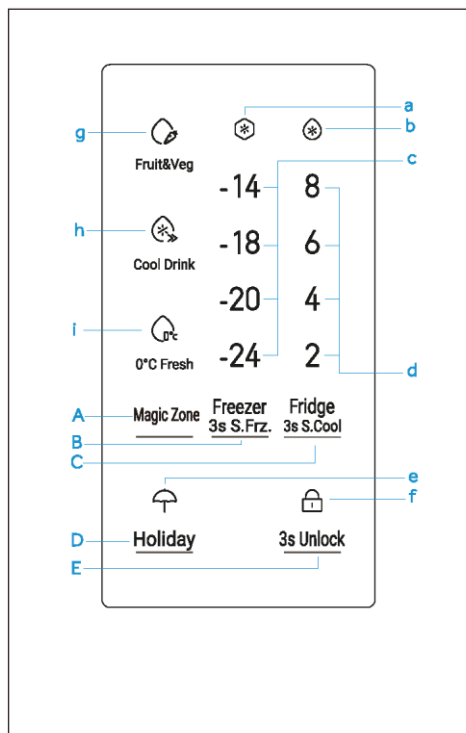


A: Chladiaci priestor

- 1 Lišta dverí
- 2 Sklenené police
- 3 Držiak na fľaše
- 4 Zásuvka ACTIVEFRESH ZONE
- 5 Priestor CHILL ZONE
- 6 Osvetlenie chladničky
- 7 Vedenie chladiva
- 8 Držiak na fľaše
- 9 Ovládací panel
- 10 Zásuvka MAGIC ZONE
- 11 Svetidlo mrazničky

B: Mraziaci priestor

- 12 Zásuvka FREEZE ZONE
- 13 Vzduchové potrubie
- 14 Zásuvka MAX ZONE
- 15 Držiak na fľaše
- 16 Zásuvka FREEZE ZONE
- 17 Vzduchové potrubie
- 18 Zásuvka MAX ZONE
- 19 Držiak na fľaše
- 20 Nastavovacie nožičky



Tlačidlá:

- A Volič režimu pre Magic Zone
- B Volič funkcie mrazničky a funkcie super-frz.
- C Volič funkcie chladničky a super-cool
- D Volič funkcie dovolenky Holiday
- E Volič funkcií uzamknutia/odmknutia

Indikátory:

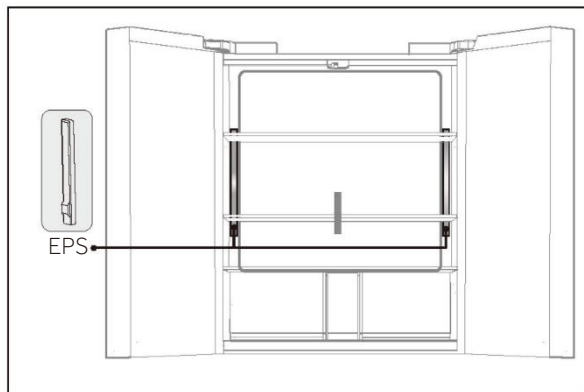
- a Funkcia Super-Frz
- b Funkcia Super-Cool
- c Teplota mrazničky
- d Teplota chladenia
- e Funkcia Holiday
- f Funkcia uzamknutia/odmknutia
- g Funkcia Fruit & Veg
- h Funkcia Cool Drink
- i Funkcia 0°C Fresh

## Pred prvým použitím

- ▶ Odstráňte všetky obaly, najmä bielu EPS penu na oboch stranách vedenia chladiva a odložte ich mimo dosahu detí. Zlikvidujte ich spôsobom, ktorý nepoškodzuje životné prostredie.
- ▶ Pred vložením potravín spotrebič umyte vodou a jemným čistiacim prostriedkom zvnútra aj zvonka.
- ▶ Po vyrovnaní a vyčistení spotrebiča počkajte pred pripojením k elektrickej sieti minimálne 2 – 5 hodín. Pozrite časť INŠTALÁCIA.
- ▶ Pred vložením potravín nechajte priehradky vychladiť nastavením na nízku teplotu. Funkcia Power- Freeze pomáha pri rýchlom vychladení priehradiek.
- ▶ Teplota chladničky je automaticky nastavená na 4 °C a teplota mrazničky na -18 °C. Sú to odporúčané nastavenia. Ak je to potrebné, tieto teploty môžete manuálne zmeniť. Pozrite časť NASTAVENIE TEPLoty.

## Metóda odstránenia EPS

Najprv vyberte hornú a strednú policu (postup vybratia políc je popísaný na strane 25) a potom vyberte dva EPS panely.



## Tlačidlá snímača

Tlačidlá na ovládacom paneli sú dotykové tlačidlá, ktoré reagujú na ľahký dotyk prsta.

## Zapnutie a vypnutie spotrebiča

Spotrebič sa zapne ihneď po pripojení k zdroju elektrického napájania.

Teplota chladničky a mrazničky je automaticky nastavená na 4 °C a -18 °C.

Môže byť aktívna zámka panelu.



## OZNÁMENIE

Spotrebič je prednastavený na odporúčanú teplotu 4 °C (Chladnička) a -18 °C (Mraznička). Za normálnych podmienok okolia teplotu nemusíte nastavovať.

Keď sa spotrebič zapne po odpojení od elektrického sieťového napájania, dosiahnutie správnej teploty môže trvať až 12 hodín.

Pred vypnutím spotrebič vyprázdnite. Ak chcete spotrebič vypnúť, vytiahnite napájací kábel zo zásuvky.

## Uzamknutie a odomknutie panela

Automatické uzamknutie: Keď sú dvere chladničky zatvorené a do 30 sekúnd nestlačíte žiadne tlačidlo, obrazovka displeja automaticky zhasne a uzamkne sa.

Manuálne uzamknutie: Po odomknutí obrazovky displeja stlačte tlačidlo „E“ (volič uzamknutia panela) a podržte ho 3 sekundy, bzučiak raz zazvoní, rozsvieti sa indikátor „f“ (uzamknutie panela), čím sa panel uzamkne. V stave uzamknutia dlho stlačte tlačidlo „E“ na 3 sekundy, bzučiak zaznie raz, indikátor „f“ (panel uzamknutý) zhasne a zámka panela sa odomkne.



## Režim manuálneho nastavenia

Ak chcete manuálne nastaviť teplotu spotrebiča, môžete nastaviť teplotu pomocou tlačidla nastavenia teploty (pozri NASTAVENIE TEPLITY)

## Alarm dverí

Alarm dverí sa spustí, keď sa dvere otvoria na dlhú dobu alebo ak nie sú správne zatvorené, ako pripomenka.

## Nastavenie teploty

Teploty vo vnútri spotrebiča sú ovplyvnené nasledujúcimi faktormi:

Teplota okolia, frekvencia otvárania dverí, množstvo uložených potravín, inštalácia spotrebiča

## Úprava teploty chladničky

1. Keď je displej odomknutý, stlačte tlačidlo „C“. Bzučiak zaznie raz, indikátor „b“ bliká a potom sa aktivuje režim nastavenia teploty chladničky
2. Pri každom stlačení tlačidla „C“ zaznie bzučiak a nastavená teplota chladničky sa zmení, teplota chladničky sa zobrazí v poradí 8>6>4>2

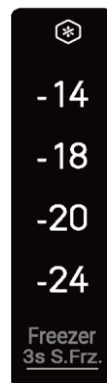


### OZNÁMENIE

Ak po nastavení teploty neurobite do 5 sekúnd žiadny úkon, systém automaticky prijme a uloží nastavenú teplotu.

## Úprava teploty mrazničky

1. Po odomknutí obrazovky displeja stlačte tlačidlo „B“. Bzučiak zazvoní raz, indikátor „c“ bliká a potom sa aktivuje režim nastavenia teploty mrazničky
2. Pri každom stlačení tlačidla „C“ zaznie bzučiak a nastavená teplota chladničky sa zmení, teplota chladničky sa zobrazí v poradí -14 > -18 > -20 > -24

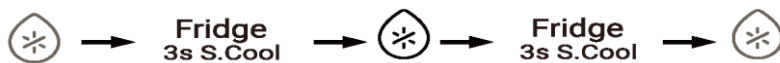


### OZNÁMENIE

Ak po nastavení teploty neurobite do 5 sekúnd žiadny úkon, systém automaticky prijme a uloží nastavenú teplotu.

## Funkcia Super-Cool

- Po odomknutí obrazovky displeja stlačte tlačidlo „C“ a podržte ho 3 sekundy, raz zaznie bzučiak, rozsvieti sa indikátor „b“ a zapne sa funkcia Super-Cool.
- Keď sa rozsvieti indikátor „b“, stlačte a podržte tlačidlo „C“ 3 sekundy, raz zaznie bzučiak, indikátor „b“ zhasne a funkcia Super-Cool sa vypne.
- Po zapnutí funkcie Super-Cool sa chladnička po dosiahnutí nastaveného stavu automaticky vypne. Ak chcete funkciu ukončiť manuálne, môžete ju ukončiť stlačením tlačidla „C“.



## OZNÁMENIE

- V stave Super-Cool sa teplota chladničky nedá upravovať. Po stlačení tlačidla „C“ na úpravu teploty chladničky indikátor „b“ bude blikať a zaznie zvukové znamenie, ktoré signalizuje, že tento úkon nie je možné vykonať.
- V stave funkcie Super-Cool nie je možné zapnúť funkciu automatického nastavenia Auto-set, pretože nie je možné zapnúť súčasne rôzne režimy ovládania. Keď vyberiete jednu funkciu, ktorá je v rozpore s inou funkciou, pôvodná funkcia sa automaticky ukončí.

## Funkcia Super-Frz

- Po odomknutí obrazovky displeja stlačte tlačidlo „B“ a podržte ho 3 sekundy, raz zaznie bzučiak, rozsvieti sa indikátor „a“ a zapne sa funkcia Super-Frz.
- Keď sa rozsvieti indikátor „a“, stlačte a podržte tlačidlo „B“ 3 sekundy, raz zaznie bzučiak, indikátor „a“ zhasne a funkcia Super-Frz sa vypne.
- Po zapnutí funkcie Super-Frz sa chladnička po dosiahnutí nastaveného stavu automaticky vypne. Ak chcete funkciu ukončiť manuálne, môžete ju ukončiť stlačením tlačidla „B“.





## OZNÁMENIE

1. V stave Super-Freeze sa teplota mrazničky neďa upravovať. Po stlačení tlačidla „B“ na úpravu teploty mrazničky bude indikátor „a“ blikať a zaznie zvukové znamenie, ktoré signalizuje, že tento úkon nie je možné vykonať.
2. Funkcia Super-Freeze je navrhnutá tak, aby zaistila uchovávanie nutričnej hodnoty mrazených potravín, takže bude zmrazovať potraviny v čo najkratšom čase. V danej dobe sa zlepší rýchlosť mrazenia v mrazničke, potraviny sa dajú zmraziť rýchlo, nutričné hodnoty potravín sa efektívne zachovávajú a zlepší sa skladovanie. Ak potrebujete zmraziť veľké množstvo potravín naraz, odporúča sa aktivovať funkciu Super Freeze 24 hodín pred použitím mraziaceho priestoru.

### Režim Holiday

Dovolenkový režim Holiday je určený pre dlhé obdobie, kedy sa chladnička nepoužíva. Keď je zapnutý režim Holiday, mraznička sa ovláda normálne a teplota chladničky sa automaticky nastaví na 17 °C, čo zabraňuje vzniku nepríjemného zápachu spôsobenému nadmernou teplotou, a zároveň pomáha znižovať spotrebu energie.

1. Keď je obrazovka displeja odomknutá, po jednom zazvonení bzučiaka stlačte tlačidlo „D“, rozsvieti sa indikátor „e“ a zapne sa funkcia Holiday.
2. Keď sa rozsvieti indikátor „e“, stlačte tlačidlo „D“, raz zaznie bzučiak, indikátor „e“ zhasne a funkcia Holiday sa vypne.



## OZNÁMENIE

Pred použitím funkcie Holiday vyprázdňte chladničku, aby ste zabránili znehodnoteniu potravín. Keď je zapnutá funkcia Holiday, nie je možné súčasne zapnúť funkciu „Super-Cool“.

## Funkcia Magic Zone

Keď je obrazovka displeja odomknutá, stláčaním tlačidla „A“ môžete prepínať medzi funkciami Fruit&Veg, Cool Drink a 0 °C Fresh.

### 1. Funkcia Fruit&Veg:

Táto funkcia je vhodná na skladovanie čerstvého ovocia a zeleniny. Po zvolení funkcie sa rozsvieti indikátor „g“.

### 2. Funkcia Cool Drink:

Táto funkcia umožňuje uchovávať produkty, ako je voda, kola a džús. Po zvolení funkcie sa rozsvieti indikátor „h“.

### 3. Funkcia 0°Fresh:

Táto funkcia je vhodná na skladovanie čerstvých potravín, ako je mäso alebo ryby. Po zvolení funkcie sa rozsvieti indikátor „i“.



## OZNÁMENIE

1. Predvolené nastavenie pri spustení je funkcia Cool drink.
2. Funkcia Fruit&Veg.: Ovocie citlivé na chlad, ako je ananás, avokádo, banány, grapefruit, a zelenina, ako sú zemiaky, baklažány, fazuľa, uhorky, cuketa a paradajky, ako aj syr, by sa nemali skladovať v zásuvke Magic Zone.
3. Funkcia 0°Fresh: Vzhľadom na rozdielny obsah vody v mäse. Niektoré druhy mäsa s vyšším obsahom vody pri teplotách nižších ako 0°C zmrznú. Takže „mäsové lahôdky a nárezy“ by sa mali skladovať v priestore Magic Zone s min. teplotou 0 °C.
4. Tri funkcie oblasti Magic Zone sa nedajú aktivovať súčasne, môže sa rozsvietiť iba jedna z ich. Ak chcete znížiť teplotu v chladiacom priestore, použijete funkciu Cool Drink. Na jej zvýšenie teploty priestoru chladničky použijete funkciu Fruit&Veg.

## Tipy na skladovanie čerstvých potravín

### Uchovávanie v chladiacom priestore

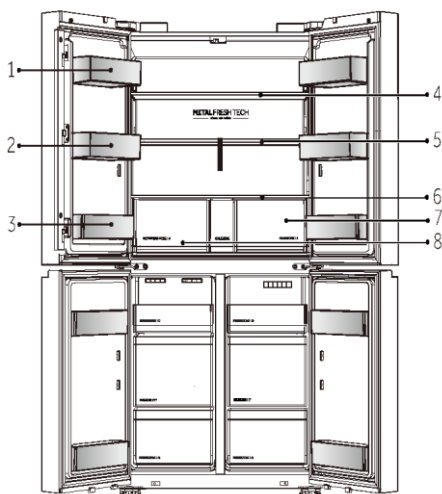
1. Teplotu v chladničke udržiavajte pod 5 °C.
2. Horúce jedlá musíte pred uložením do spotrebiča ochladiť na izbovú teplotu.
3. Potraviny skladované v chladničke by ste mali pred uložením umyť a vysušiť.
4. Potraviny, ktoré sa majú skladovať, by mali byť riadne uzavreté, aby sa zabránilo prenosu zápachu alebo chuti.

5. Neskladujte nadmerné množstvo potravín. Lepšie výsledky pri skladovaní potravín dosiahnete, ak medzi potravinami necháte priestor, aby okolo nich prúdil vzduch.
6. Potraviny konzumované denne by sa mali skladovať v prednej časti police.
7. Medzi potravinami a vnútornými stenami nechajte dostatočne veľký voľný priestor na prúdenie vzduchu. Predovšetkým neskladujte potraviny opreté o zadnú stenu: potraviny by mohli primrznúť ku zadnej stene. Zabráňte priamemu kontaktu potravín (predovšetkým mastných alebo kyslých potravín) s vnútorným povrchom, pretože olej/kyselina môže narušiť vnútorný povrch. Očistite mastné/kyslé nečistoty vždy, keď sa objavia.
8. Mrazené potraviny rozmrazujte v úložnom priestore chladničky. Takto môžete použiť mrazené potraviny na zníženie teploty v danom priestore a usporiť energiu.
9. Proces dozrievania ovocia a zeleniny, ako sú cukety, melóny, papája, banán, ananás atď. sa môže v chladničke urýchliť. Preto sa neodporúča uchovávať ich v chladničke. Zrenie veľmi nezrelých plodov však môže byť počas určitej doby prospešné. Cibulu, cesnak, zázvor a inú koreňovú zeleninu by ste tiež mali skladovať pri izbovej teplote.
10. Neprijemný zápach vnútri chladničky je znakom toho, že sa niečo rozlialo a priestor treba vyčistiť. Pozrite STAROSTLIVOSŤ A ČISTENIE.
11. Rôzne potraviny je potrebné umiestniť do rôznych oblastí podľa ich vlastností.



## OZNÁMENIE

Udržujte vzdialenosť viac ako 10 mm medzi umiestnenými potravinami a vzduchovým kanálom alebo snímačmi, aby sa zabezpečil chladiaci účinok.



1. Maslo, syr, atď.
2. Vajcia, konzervy, zaváraniny, koreniny atď.
3. Nápoje a potraviny vo fľašiach.
4. Potraviny v pohároch, konzervované potraviny atď.
5. Mäsové výrobky, lahôdky, cestoviny, zaváraniny, mlieko, tofu, mliečne výrobky atď.
6. Varené mäso, klobásy atď.
7. Zásuvka Magic ZONE: Ovocie, zelenina, šalát, atď.
8. Zásuvka zóny ACTIVEFRESH ZONE: Ovocie, zelenina, šalát, atď.

## Skladovanie v mraziacom priestore

1. Teplotu v mrazničke udržiavajte na  $-18\text{ }^{\circ}\text{C}$ .
2. 24 hodín pred zmrazovaním zapnite funkciu Super-freeze: -pre malé množstvá potravín postačí 4 – 6 hodín.
3. Horúce jedlá musíte pred uložením do mraziaceho boxu ochladiť na izbovú teplotu.
4. Potraviny nakrájané na malé porcie sa zmrazia rýchlejšie a ľahšie sa rozmrazia a uvaria. Odporúčaná hmotnosť pre každú porciu je menej ako 2,5 kg.
5. Pred vložením do mrazničky je lepšie potraviny zabaliť. Vonkajšia strana obalu musí byť suchá, aby sa zabránilo zlepeniu vreciek. Obalové materiály by mali byť bez zápachu, vzduchotesné, nejedovaté a netoxické.
6. Aby sa predišlo uplynutiu doby skladovania, všimnite si dátum zmrazenia, trvanlivosť a názov potraviny na obale a podľa toho skladujte rôzne potraviny.

1. **VAROVANIE!** Kyselina, zásady a soľ atď. by mohli narušiť vnútorný povrch mrazničky. Nekladte potraviny s týmito látkami (napr. morské ryby) priamo na vnútorný povrch. Slanú vodu je treba z mrazničky okamžite utrieť.

2. Neprekračujte dobu skladovania potravín odporúčanú výrobcami. Z mrazničky vyberte len požadované množstvo potravín.
3. Rozmrazené potraviny rýchlo skonzumujte. Aby jedli ostali jedlé, rozmrazené potraviny sa nesmú opäť zmraziť, pokiaľ ich najprv neuvaríte.
4. Do mraziaceho priestoru nekladajte nadmerné množstvo čerstvých potravín. Pozrite si mraziacu kapacitu mrazničky - pozrite si TECHNICKÉ ÚDAJE alebo údaje na typovom štítku.
5. Potraviny je možné skladovať v mrazničke pri teplote najmenej  $-18\text{ }^{\circ}\text{C}$  2 až 12 mesiacov, v závislosti od ich vlastností (napr. mäso: 3 – 12 mesiacov, zelenina: 6 – 12 mesiacov)
6. Pri mrazení čerstvých potravín sa vyhýbajte ich kontaktu s už zmrazenými potravinami, aby sa nerozmrazili.

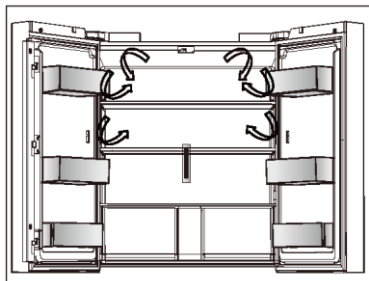
### Pri skladovaní komerčne mrazených potravín dodržiavajte tieto pokyny:

1. Vždy dodržiavajte pokyny výrobcov o dobe skladovania potravín. Usmernenia neporušujte!
2. Snažte sa čas medzi nákupom a uložením potravín čo najviac skrátiť, aby ste zachovali kvalitu potravín.
3. Kupujte mrazené potraviny, ktoré boli skladované pri teplote  $-18\text{ }^{\circ}\text{C}$  alebo nižšej.
4. Vyhnite sa nákupu potravín, ktoré majú na obale ľad alebo námrazu – to znamená, že výrobky mohli byť čiastočne rozmrazené a opätovne zmrazené pri určitom náraste teploty, čo mohlo znížiť ich kvalitu.



## OZNÁMENIE

Udržiavajte vzdialenosť viac ako 10 mm medzi umiestnenými potravinami a vzduchovým potrubím, aby sa zabezpečil chladiaci účinok.

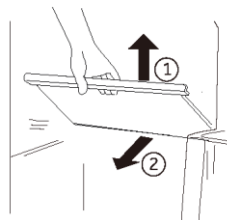


### Viacnásobné prúdenie vzduchu

1. Chladnička je vybavená systémom s viacnásobným prúdením vzduchu, v ktorom sú príruby chladného vzduchu umiestnené na každej úrovni police. To pomáha udržiavať rovnomernú teplotu, aby sa vaše jedlo udržalo dlhšie čerstvé.

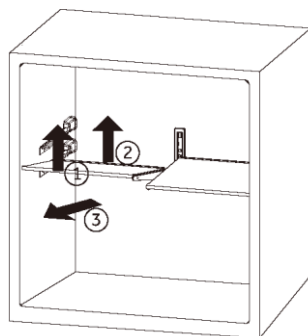
### Nastavitelné police

1. Výška polic sa môže nastaviť tak, aby vyhovovala vašim potrebám skladovania.
2. Ak chcete premiestniť policu, najprv zdvihnite jej predný okraj ① a potom ju vytiahnite ②.
3. Ak ju chcete znovu nainštalovať, položte ju na výstupky na obidvoch stranách a zatlačte do najzadnejšej polohy, kým policca nezapadne do drážok na bokoch.



### Nastavenie strednej police

1. Odstráňte držiak police: Najprv zdvihnite predný okraj ① police o 7 cm a potom zdvihnite zadný okraj ② držiaka police tak, aby sa čelúšť na konzolovej strane dala oddeliť od montážneho otvoru. Nakoniec vytiahnite držiak police smerom von ③.
2. Nainštalujte držiak police: Zatlačte držiak police na miesto podľa uhla sklonu znázorneného na obrázku a potom sklopte predný okraj ① držiaka police tak, aby sa úchytka na konzolovej strane vsunula do montážneho otvoru.



### OZNÁMENIE

Uistite sa, že všetky konce police sú v jednej rovine.

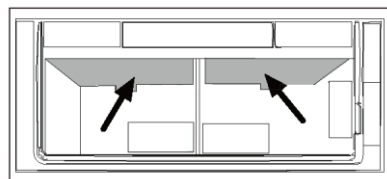
### Zásuvka ACTIVEFRESH ZONE

1. V tomto oddelení je úroveň vlhkosti vyššia ako v oddelení chladničky. Je riadené automaticky systémom a vhodné na skladovanie ovocia, zeleniny, šalátov a pod.



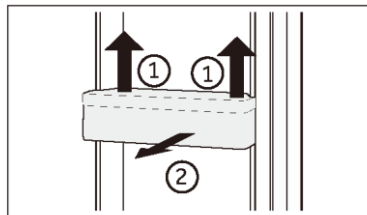
## OZNÁMENIE

1. Neodstraňujte plastový kryt vo vnútri dvoch zón.
2. Udržiavajú vlhkosť.
3. Ovocie citlivé na chlad ako ananás, avokádo, banány,
4. grapefruity sa neodporúča skladovať v týchto dvoch zásuvkách.



### Vyberateľné stojany na dverách/držiak na fľaše

1. Priehradky na dverách sa dajú vybrať na čistenie:
2. Uchopte poličku oboma rukami, nadvihnite ju ① a vytiahnite ②.
3. Ak chcete poličku vložiť späť do dverí, vykonajte vyššie uvedené kroky v opačnom poradí.



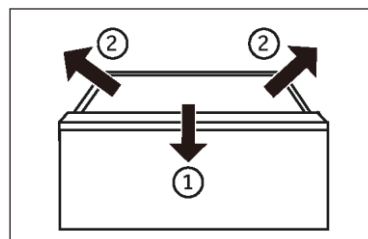
## OZNÁMENIE

Po zapnutí spotrebiča môže dosiahnutie správnej teploty trvať až 12 hodín.

### Vyberateľná zásuvka

Ak chcete zásuvku vybrať, vytiahnite ju do maximálnej polohy ①, nadvihnite ju a vyberte ②.

Ak chcete poličku znovu vsunúť, vykonajte vyššie uvedené kroky v opačnom poradí.



### Osvetlenie

Vnútorňé LED svetlo sa rozsvieti pri otvorení dvierok a automaticky zhasne, ak sú dvierka otvorené dlhšie ako 7 minút. Výkon svetiel nie je ovplyvnený žiadnym iným nastavením spotrebiča.



## Tipy na úsporu energie

- ▶ Uistite sa, že je spotrebič správne vetraný (pozrite časť INŠTALÁCIA).
- ▶ Spotrebič neinštalujte na priame slnečné svetlo ani do blízkosti zdrojov tepla (napr. kachle, ohrievače).
- ▶ Zabráňte zbytočne nízkej teplote v spotrebiči. Čím je nižšia nastavená teplota v spotrebiči, tým vyššia bude spotreba energie.
- ▶ Funkcie ako POWER- FREEZE zvyšujú spotrebu energie.
- ▶ Pred vložením do spotrebiča nechajte teplé jedlo vychladnúť.
- ▶ Dvierka spotrebiča otvárajte čo najmenej a na čo najkratšie.
- ▶ Spotrebič nepreplňujte, aby ste nebránili prúdeniu vzduchu.
- ▶ Vyhybajte sa vzduchu v obale potravín.
- ▶ Tesnenia dvierok udržiavajte čisté, aby boli dvierka vždy správne zatvorené.
- ▶ Mrazené potraviny rozmrazujte v úložnom priestore chladničky.
- ▶ Konfigurácia s najväčšou úsporou energie si vyžaduje, aby sa zásuvky, nádoby na potraviny a police udržiavali v stave ako na novom spotrebiči, pričom potraviny treba ukladať tak, aby nebránili prúdeniu vzduchu a neupchávali prívod vzduchu z potrubia.

**VAROVANIE!**

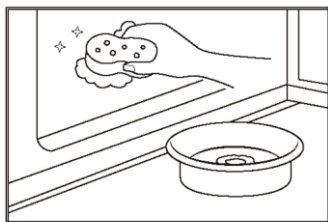
Spotrebič pred čistením odpojte od elektrickej siete.

**Čistenie**

1. Spotrebič čistite, keď je v ňom uskladnené len malé množstvo alebo žiadne potraviny.
2. Spotrebič by ste mali čistiť každé štyri týždne, aby sa zaistila dobrá starostlivosť a zabránilo pachu z nesprávne uskladnených potravín.

**VAROVANIE!**

- ▶ Spotrebič nečistite tvrdými kefami, drôtenými kefami, čistiacim práškom, benzínom, amylacetátom, acetónom ani podobnými organickými roztokmi, kyselinami ani zásadami. Čistite pomocou špeciálneho čistiaceho prostriedku na chladničky, aby ste zabránili poškodeniu.
- ▶ Počas čistenia na spotrebič nestriekajte ani ho neoplachujte.
- ▶ Na čistenie spotrebiča nepoužívajte prúd vody ani paru.
- ▶ Studené sklenené poličky neumývajte horúcou vodou. Náhla zmena teploty môže spôsobiť rozbitie skla.
- ▶ Nedotýkajte sa vnútorného povrchu priestoru mrazničky, najmä nie mokrými rukami, pretože by vám mohli k povrchu primrznúť.
- ▶ Ak dôjde k zahriatiu, skontrolujte stav zmrazených potravín.



- ▶ Tesnenie na dverkách musí byť vždy čisté.
- ▶ Vnútro a plášť spotrebiča čistite špongiou navlhčenou v teplej vode s prídavkom neutrálneho saponátu.
  1. Mäkkou handričkou alebo špongiou namočenou v teplej vode utrite interiér a exteriér chladničky, vrátane tesnenia dverí, dverovej poličky, sklenených polic, boxov atď. (do teplej vody môžete pridať neutrálny čistiaci prostriedok).
  2. Ak sa rozleje nejaká kvapalina, vyberte všetky znečistené diely, opláchnite ich prúdom vody, vysušte a vložte späť do chladničky.
  3. Ak dôjde k rozliatiu krému (napríklad smotana, roztopená zmrzlina), odstráňte všetky znečistené časti, vložte ich na nejaký čas do teplej vody s teplotou približne 40 °C, potom ich opláchnite prúdom vody, vysušte a vložte späť do chladničky.
  4. V prípade, že v chladničke (medzi policami alebo zásuvkami) ostane nejaká malá usadenina alebo komponent, použite na uvoľnenie mäkkú kefku. Ak sa k tejto časti nedostanete, kontaktujte servis Haier
- ▶ Opláchnite a osušte mäkkou handričkou.
- ▶ Žiadne časti spotrebiča nečistite v umývačke riadu.
- ▶ Pred opätovným zapnutím spotrebiča počkajte najmenej 5 minút, pretože časté štartovanie môže poškodiť kompresor.

**Odmrazovanie**

Odmrazovanie chladničky a mrazničky sa vykonáva automaticky: nie je potrebná žiadna manuálna činnosť.

## Výmena LED žiaroviek



### VAROVANIE!

LED žiarovku nevymieňajte sami, musí ju vymeniť iba výrobca alebo autorizovaný servisný pracovník.

Osvetlenie využíva ako zdroj svetla LED, ktoré sa vyznačujú nízkou spotrebou energie a dlhou životnosťou. Ak sa vyskytnú nejaké abnormality, kontaktujte zákaznícky servis. Pozrite časť ZÁKAZNÍCKY SERVIS.

Parametre žiarovky:

Priestor chladničky: 12 V, 4 W

Priestor mrazničky: 12 V, 2 W\*2

## Dlhodobé vyradenie z prevádzky

Ak nebudete spotrebič dlhšiu dobu používať a pre chladničku nepoužijete funkciu Holiday:

Vyberte potraviny.

Odpojte napájací kábel.

Spotrebič vyčistite podľa vyššie uvedeného návodu.

Dvere nechajte otvorené, aby sa vo vnútri nevytvárali nepríjemné pachy.



### OZNÁMENIE

Spotrebič vypnite, len ak je to nevyhnutne potrebné.

## Premiestňovanie spotrebiča

1. Vyberte všetky potraviny a odpojte spotrebič od elektrickej siete.
2. Police a ďalšie vyberateľné diely chladničky a mrazničky zaistite lepiacou páskou.
3. Chladničku nenakláňajte o viac ako 45°, aby ste predišli poškodeniu chladiaceho systému.



### VAROVANIE!

- ▶ Spotrebič nezdvíhajte za rukoväti dvierok.
- ▶ Spotrebič nikdy neukladajte na podlahu v horizontálnej polohe.

Mnoho vyskytujúcich sa problémov môžete vyriešiť sami bez osobitných odborných znalostí. V prípade problému skontrolujte všetky zobrazené možnosti a pred kontaktovaním zákazníckeho servisu postupujte podľa nasledujúcich pokynov. Pozrite časť ZÁKAZNÍCKY SERVIS.



## VAROVANIE!

- ▶ Pred údržbou spotrebič vypnite a vyťahnite zástrčku zo zásuvky.
- ▶ Údržbu elektrického zariadenia môže vykonávať iba kvalifikovaný elektrikár, pretože neodborné opravy môžu spôsobiť značné následné škody.
- ▶ Poškodený prívod môže v záujme eliminácie akéhokoľvek rizika vymeniť len výrobca, jeho servisný zástupca alebo rovnako kvalifikovaná osoba.

Problém	Možná príčina	Možné riešenie
Kompresor nefunguje.	<ul style="list-style-type: none"> <li>• Zástrčka nie je vsunutá do zásuvky.</li> <li>• Spotrebič je v cykle odmrazovania</li> </ul>	<ul style="list-style-type: none"> <li>• Vsuňte zástrčku do zásuvky elektrickej siete.</li> <li>• To je normálne pri automatickom odmrazovaní.</li> </ul>
Spotrebič sa zapína často alebo ostáva zapnutý príliš dlho.	<ul style="list-style-type: none"> <li>• Príliš vysoká vnútorná alebo vonkajšia teplota.</li> <li>• Spotrebič bol dlhšie vypnutý.</li> <li>• Zatvorené dvere spotrebiča netesnia dobre.</li> <li>• Dvere boli otvorené príliš často alebo príliš dlho.</li> <li>• Nastavenie teploty mraziacej časti je príliš nízke.</li> <li>• Tesnenie dverí je špinavé, opotrebované, popraskané alebo nevhodné.</li> <li>• Nie je zabezpečené požadované prúdenie vzduchu.</li> </ul>	<ul style="list-style-type: none"> <li>• V takom prípade je normálne, že kompresor spotrebiča ostane zapnutý dlhšie.</li> <li>• Zvyčajne trvá 8 až 12 hodín, kým spotrebič úplne ochladne.</li> <li>• Zatvorte dvere/zásuvku a uistite sa, že je spotrebič umiestnený na rovnom povrchu a že sa v ňom nenachádzajú potraviny alebo nádoba, ktoré by blokovali dvere.</li> <li>• Neotvárajte dvere/zásuvku príliš často.</li> <li>• Nastavujte vyššiu teplotu, kým nedosiahnete uspokojivú teplotu chladničky. Trvá 24 hodín, kým sa teplota v chladničke ustáli.</li> <li>• Vyčistite tesnenie dverí/zásuvky alebo ich dajte vymeniť v servise.</li> <li>• Zaisťte dostatočnú ventiláciu.</li> </ul>
Vnútro chladničky je špinavé a/alebo zapácha.	<ul style="list-style-type: none"> <li>• Vnútro chladničky treba vyčistiť.</li> <li>• V chladničke sú uložené potraviny so silnou arómou.</li> </ul>	<ul style="list-style-type: none"> <li>• Vyčistite vnútro chladničky</li> <li>• Potraviny dôkladne zabaľte.</li> </ul>

Problém	Možná príčina	Možné riešenie
V spotrebiči nie je dostatočne nízka teplota.	<ul style="list-style-type: none"> <li>Nastavená teplota je príliš vysoká.</li> <li>Do spotrebiča ste vložili príliš teplé potraviny a jedlá.</li> <li>Vložili ste príliš veľa potravín naraz.</li> <li>Potraviny sú príliš blízko seba.</li> <li>Netesne zatvorené dvere/zásuvka spotrebiča.</li> <li>Dvere/zásuvka boli otvorené príliš často alebo príliš dlho.</li> </ul>	<ul style="list-style-type: none"> <li>Resetujte teplotu</li> <li>Pred uložením potraviny vždy ochladte.</li> <li>Vždy vkladajte malé množstvo potravín.</li> <li>Medzi potravinami nechávajte medzeru, aby mohol vzduch voľne prúdiť.</li> <li>Zatvorte dvere/zásuvku.</li> <li>Neotvárajte dvere/zásuvku príliš často.</li> </ul>
V spotrebiči je príliš nízka teplota.	<ul style="list-style-type: none"> <li>Nastavená teplota je príliš nízka.</li> <li>Funkcia Super-Frz/Super-Cool je aktivovaná alebo beží príliš dlho.</li> </ul>	<ul style="list-style-type: none"> <li>Resetujte teplotu.</li> <li>Vypnite funkciu Super-Frz/Super-Cool</li> </ul>
Vytváranie kondenzátu na vnútornej strane chladiaceho priestoru.	<ul style="list-style-type: none"> <li>Ovzdušie je príliš teplé a príliš vlhké.</li> <li>Netesne zatvorené dvere/zásuvka spotrebiča.</li> <li>Dvere/zásuvka boli otvorené príliš často alebo príliš dlho.</li> <li>Otvorené nádoby na potraviny alebo kvapaliny.</li> </ul>	<ul style="list-style-type: none"> <li>Zvýšte teplotu.</li> <li>Zatvorte dvere/zásuvku.</li> <li>Neotvárajte dvere/zásuvku príliš často.</li> <li>Horúce jedlá nechajte vychladnúť na izbovú teplotu a jedlá a kvapaliny zakryte.</li> </ul>
Hromadenie vlhkosti na vonkajšom povrchu chladničky alebo medzi dvierkami/dvierkami a zásuvkou.	<ul style="list-style-type: none"> <li>Ovzdušie je príliš teplé a príliš vlhké.</li> <li>Dvere nie sú tesne zatvorené. Dochádza ku kondenzácii chladného vzduchu v spotrebiči a teplého vzduchu mimo neho.</li> </ul>	<ul style="list-style-type: none"> <li>Vo vlhkom podnebí je to normálne a zmení sa to po poklese vlhkosti.</li> <li>Dbajte na to, aby boli dvere/zásuvka tesne zatvorené.</li> </ul>

Problém	Možná príčina	Možné riešenie
V mrazničke je silná vrstva ľadu a námrazy.	<ul style="list-style-type: none"> <li>• Potraviny neboli správne zabalené.</li> <li>• Netesne zatvorené dvere/zásuvka spotrebiča.</li> <li>• Dvere/zásuvka boli otvorené príliš často alebo príliš dlho.</li> <li>• Tesnenie dveri/zásuvky je znečistené, opotrebované, prasknuté alebo nevhodné.</li> <li>• Niečo na vnútornej strane bráni správne zatvoreniu dvierok/zásuvky.</li> </ul>	<ul style="list-style-type: none"> <li>• Potraviny vždy správne zabalte.</li> <li>• Zatvorte dvere/zásuvku.</li> <li>• Neotvárajte dvere/zásuvku príliš často.</li> <li>• Vyčistite tesnenie dveri/zásuvky alebo ich vymeňte za nové.</li> <li>• Premiestnite police, priehradky na dverách alebo vnútorné zásobníky tak, aby sa dali dvere/zásuvka zatvoriť.</li> </ul>
Boky skrinky a lišty dvierok sa zahrievajú.		<ul style="list-style-type: none"> <li>• Je to normálne.</li> </ul>
Spotrebič vydáva neobvyklé zvuky.	<ul style="list-style-type: none"> <li>• Spotrebič nie je umiestnený na rovnom povrchu.</li> <li>• Spotrebič sa dotýka nejakého predmetu v jeho okolí.</li> </ul>	<ul style="list-style-type: none"> <li>• Nastavte nožičky a vyrovnejte spotrebič do vodorovnej polohy.</li> <li>• Odstráňte predmety v okolí spotrebiča.</li> </ul>
Počuť tichý zvuk podobný tečúcej vode.		<ul style="list-style-type: none"> <li>• Je to normálne.</li> </ul>
Budete počuť pípnutie alarmu.	<ul style="list-style-type: none"> <li>• Dvierka chladničky ostali otvorené.</li> </ul>	<ul style="list-style-type: none"> <li>• Zatvorte dvierka.</li> </ul>
Budete počuť slabé hučanie.	<ul style="list-style-type: none"> <li>• Funguje systém proti kondenzácii</li> </ul>	<ul style="list-style-type: none"> <li>• To zabraňuje kondenzácii a je to normálne</li> </ul>
Nefunguje osvetlenie interiéru alebo chladiaci systém.	<ul style="list-style-type: none"> <li>• Zástrčka nie je vsunutá do zásuvky.</li> <li>• Porucha zdroja napájania.</li> <li>• LED žiarovka nie je v poriadku.</li> </ul>	<ul style="list-style-type: none"> <li>• Vsuňte zástrčku do zásuvky elektrickej siete.</li> <li>• Skontrolujte elektrické napájanie v miestnosti. Kontaktujte miestnu elektrárenskú spoločnosť!</li> <li>• Kontaktujte servis kvôli výmene žiarovky.</li> </ul>

Ak chcete kontaktovať technický servis, navštívte našu webovú stránku:

<https://corporate.haier-europe.com/en/>

V sekcii „webová stránka“ vyberte značku svojho produktu a svoju krajinu. Stránka vás presmeruje na konkrétnu webovú stránku, kde nájdete telefónne číslo a formulár na kontaktovanie technickej pomoci.

## Prerušenie elektrického napájania

V prípade výpadku elektrického prúdu by mali potraviny zostať bezpečne vychladené približne 5 hodín. V prípade dlhšieho výpadku elektrického napájania, najmä v lete, postupujte podľa nasledujúcich pokynov:

- ▶ Dvierka/zásuvku otvárajte čo najmenej.
- ▶ Počas prerušenia napájania nekladajte do spotrebiča ďalšie potraviny.
- ▶ Ak vám je výpadok prúdu oznámený vopred a predpokladaná doba výpadku presahuje 5 hodín, vyrobte ľad a vložte ho do zásobníka v hornej časti chladničky.
- ▶ Ihneď po prerušení musíte potraviny skontrolovať.
- ▶ V dôsledku zvýšenia teploty v chladničke počas výpadku elektrického prúdu alebo inej poruchy dôjde k skráteniu trvanlivosti potravín a tiež sa zníži ich kvalita. Potraviny, ktoré sa rozmrazili, by ste mali buď rýchlo skonzumovať alebo uvariť a znovu zmraziť (ak je to vhodné), aby sa predišlo zdravotným rizikám.

## Funkcia pamäte pri prerušení napájania

Po obnovení napájania spotrebič pokračuje v nastaveniach, ktoré boli nastavené pred výpadkom prúdu.

## Vybalenie



### VAROVANIE!

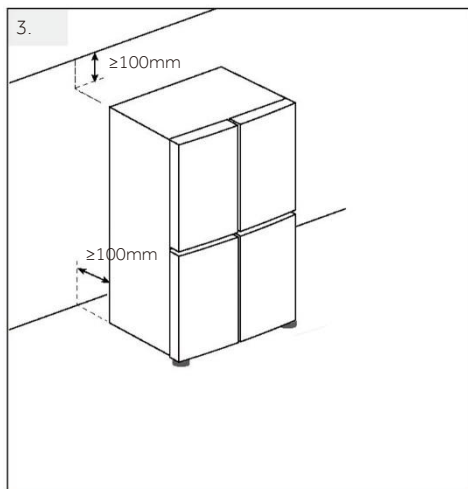
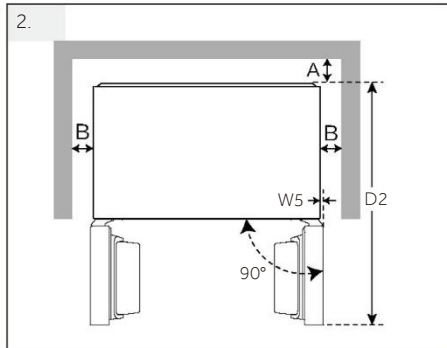
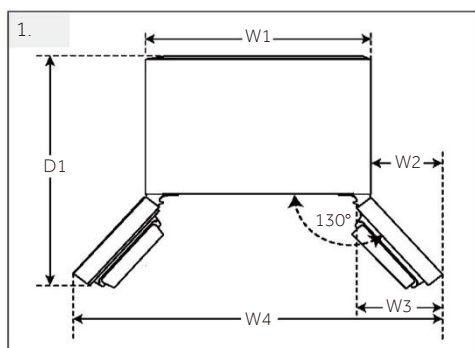
- ▶ Spotrebič je ťažký. Musia s ním vždy manipulovať dve osoby.
- ▶ Všetky obalové materiály udržiajte mimo dosahu detí a zlikvidujte ich spôsobom, ktorý je šetrný k životnému prostrediu.
- ▶ Vyberte spotrebič z obalu.
- ▶ Odstráňte všetok obalový materiál.

### Podmienky prostredia

Teplota v miestnosti musí byť vždy medzi 10 °C až 43 °C, pretože môže mať vplyv na teplotu vo vnútri spotrebiča a na jeho spotrebu energie. Spotrebič neinstalujte v blízkosti iných spotrebičov sálajúcich teplo (rúry, chladničky) bez izolácie.

### Odporúčania pre priestor

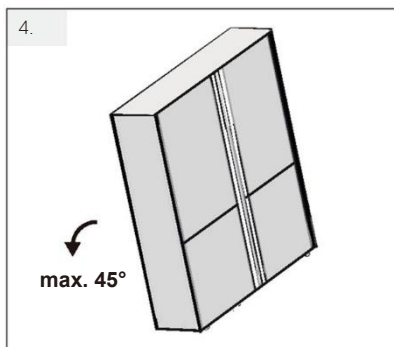
Odporúčaný priestor pri otvorení dverí (Obr. 1.2)



(jednotka: mm)	Model č.	
Šírka	W1	905
	W2	327
	W3	368
	W4	1559
	W5	51
	W	905
	D1	1061
	D2	1101
	D	738
Vzdialenosť od zadnej steny	A	100
Vzdialenosť od bočných stien	B	100
Vzdialenosť od stropu	C	100
Celková výška	H	1825

## Požiadavky na ventiláciu

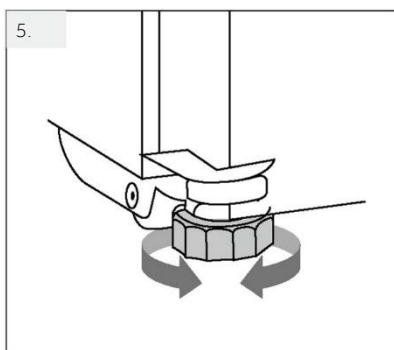
Na dosiahnutie dostatočnej ventilácie spotrebiča z bezpečnostných dôvodov je potrebné dodržiavať požiadavky pre správne vetranie.



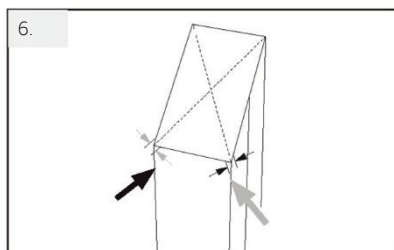
### Vyrovnanie spotrebiča do vodorovnej polohy (Obr.4.5.6.)

Zariadenie musí byť umiestnené na rovnom a pevnom povrchu.

4. Nakloňte chladničku mierne dozadu.



5. Nastavte nožičky na požadovanú úroveň. Uistite sa, že vzdialenosť od steny na strane závesu je aspoň 100 mm, aby sa dali dvere správne otvoriť.

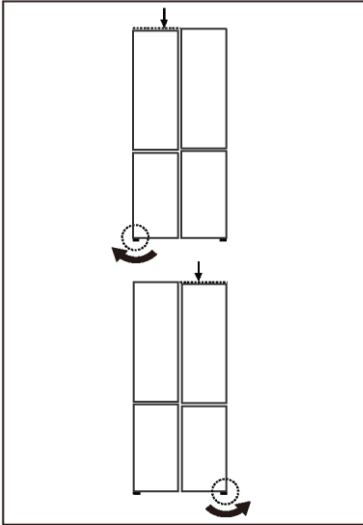


6. Stabilitu môžete skontrolovať striedavým potlačением v smere uhlopriečky. Spotrebič sa môže mierne vykloniť v oboch smeroch. V opačnom prípade môže dôjsť k zdeformovaniu rámu, výsledkom čoho môže byť aj nedostatočné tesnenie dverí. Mierne naklonenia dozadu uľahčuje zatváranie dverí.



## OZNÁMENIE

Pre samostatne stojaci spotrebič: tento chladiaci spotrebič nie je určený na použitie ako zabudovaný spotrebič.

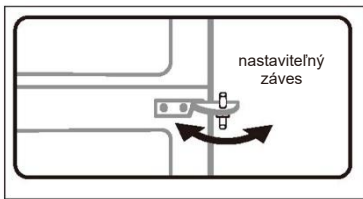


### Jemné doladenie dverí

Ak sa dvere nenachádzajú v jednej úrovni, tento nesúlad možno odstrániť nasledovným spôsobom:

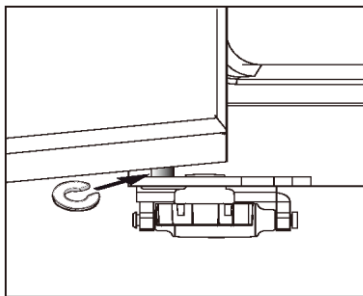
### Použitie nastaviteľných nožičiek

Otočením nastaviteľnej nožičky v smere šípky sa nožička zdvíha alebo znižuje.



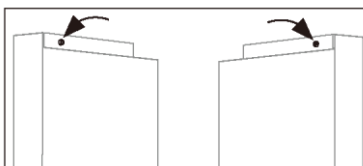
### Úprava polohy dverí

- ▶ Ak nie sú dvere v rovnakej výške, nastaviteľné pánty je možné jemne doladiť pomocou priloženého kľúča, aby sa dvere vyrovnali. Nemanipulujte s nimi hrubo, aby ste predišli poškriabaniu alebo nárazom na obložení dverí.



### Používanie rozpier

- ▶ Otvorte dvere mrazničky a nadvihnite ich.
- ▶ Opatrne nasadte rozperu (dodáva sa vo vrecku s príslušenstvom) na stredný záves ručne alebo použite vhodný nástroj, napríklad kliešte. Dávajte pozor, aby sa dvierka nepoškrabali ani neodreli.



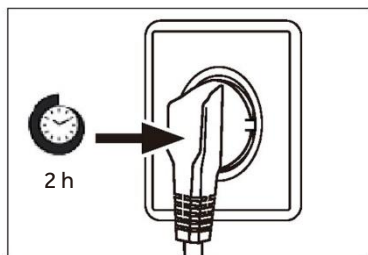
### Použitie nastavovacieho gombíka

- ▶ Ak dvere chladiaceho priestoru nie sú v rovine, môžete ich jemne nastaviť otočením nastaviteľného gombíka v hornej časti dverí.



## OZNÁMENIE

Pri budúcom používaní dvierok chladničky sa môže vyskytnúť nezarovnanie dvierok v dôsledku hmotnosti uložených potravín. Potom nastavte podľa vyššie uvedených metód.



### Doba čakania

V puzdre kompresora sa nachádza bezúdržbový mazací olej. Pri nakláňaní spotrebiča počas prevozu sa tento olej môže dostať cez uzatvorený systém rúrok. Pred pripojením spotrebiča ku zdroju napájania musíte počkať aspoň 2 hodiny, aby olej stiekol späť do puzdra.

### Elektrické zapojenie

Pred každým pripojením skontrolujte, či:

- ▶ napájanie, zásuvka a istenie zodpovedajú typovému štítku.
- ▶ je sieťová zásuvka uzemnená a nie je pripojený žiadny adaptér s viacerými zásuvkami ani predžovacia kábel.
- ▶ sa zástrčka a zásuvka presne zhodujú.


Zástrčku pripojte k správne nainštalovanej domácej zásuvke.



## VAROVANIE!

Poškodený napájací kábel musia vymeniť v zákazníckom servise, aby sa zabránilo nebezpečenstvu (pozrite záručný list).

Špecifikácie výrobku podľa nariadenia EÚ č. 2019/2016

Značka	Haier
Názov/identifikačný kód modelu	HCR59F19DNMM HCR59F18DNMB
Kategória modelu	Chladnička s mrazničkou
Trieda energetickej účinnosti	D
Ročná spotreba energie (kWh/rok)(1)	306
Celkový objem (l)	706
Objem chladničky (l)	417
Objem mrazničky (l)	251
Dvojhviezdičkové oddelenie (L)	38
Počet hviezdíček	
Systém bez námrazy Frost-free	Áno
Kapacita zmrazovania (kg/24 h)	14
Klimatická trieda (2)	SN-N-ST-T
Trieda emisie hluku a emisie hluku prenášané vzduchom (db(A) re 1pW)	C(35)
Doba nábehu teploty (h)	13
Typ spotrebiča	voľne stojaci

Vysvetlenie:

• Áno, odporúčané

- (1) Na základe výsledkov skúšky zhody noriem počas 24 hodín. Skutočná spotreba závisí od použitia a umiestnenia spotrebiča.
- (2) Klimatická trieda SN: Tento spotrebič je určený na použitie pri teplote okolia v rozsahu + 10 °C až +32 °C  
Klimatická trieda N: Tento spotrebič je určený na použitie pri teplote okolia v rozsahu + 16°C až +32°C  
Klimatická trieda ST: Tento spotrebič je určený na použitie pri teplote okolia v rozsahu + 16 °C až +38 °C  
Klimatická trieda T: Tento spotrebič je určený na použitie pri teplote okolia v rozsahu + 16°C až +43°C

#### Doplňujúce technické údaje

Napätie/Frekvencia	220-240 V ~ / 50 Hz
Vstupný prúd (A)	1,5
Hlavná poistka (A)	16
Chladiace médium	R600a 68 g
Rozmery (Š/H/V v mm)	905/738/1825

Odporúčame vám náš zákaznícky servis Haier a použitie originálnych náhradných dielov. Ak máte problém so svojím spotrebičom, najskôr si pozrite časť RIEŠENIE PROBLÉMOV.

Ak tam nenájdete riešenie, kontaktujte

- ▶ svojho miestneho predajcu alebo
- ▶ naše európske stredisko European Call Service-Center (pozri nižšie uvedené telefónne čísla) alebo
- ▶ oblasť Service & Support na stránke [www.haier.com](http://www.haier.com), kde môžete požiadať o servis
- ▶ a nájsť odpovede na najčastejšie otázky.

Ac chcete kontaktovať náš servis, uistite sa, že máte k dispozícii nasledujúce údaje. Informácie nájdete na typovom štítku.

Model \_\_\_\_\_

Sériové č. \_\_\_\_\_

V prípade záruky skontrolujte aj záručný list dodaný s výrobkom.

European Call Service-Center		
Krajina*	Telefónne číslo	Náklady
Haier Italy (IT)	199 100 912	
Haier Spain (ES)	902 509 123	
Haier Germany (DE)	0180 5 39 39 99	<ul style="list-style-type: none"> <li>• 14 centov/min. pevná linka</li> <li>• max. 42 centov/min. mobil</li> </ul>
Haier Austria (AT)	0820 001 205	<ul style="list-style-type: none"> <li>• 14,53 centov/min. pevná linka</li> <li>• max. 20 centov/min. všetky ostatné</li> </ul>
Haier United Kingdom (UK)	0333 003 8122	
Haier France (FR)	0980 406 409	

\*Ďalšie krajiny nájdete na stránkach [www.haier.com](http://www.haier.com)

Haier Europe Trading S.r.l

Pobočka UK

Westgate House, Westgate, Ealing

London, W5 1YY

\*Trvanie záruky na chladiaci spotrebič:

Minimálna záruka je: 2 roky pre krajiny EÚ, 3 roky pre Turecko, 1 rok pre Spojené kráľovstvo, 1 rok pre Rusko, 3 roky pre Švédsko, 2 roky pre Srbsko, 5 rokov pre Nórsko, 1 rok pre Maroko, 6 mesiacov pre Alžírsko, Tunisko nevyžaduje žiadnu zákonnú záruku.

\*Obdobie poskytovania náhradných dielov na opravu spotrebiča:

Termostaty, snímače teploty, dosky plošných spojov a svetelné zdroje sú k dispozícii minimálne sedem rokov po uvedení poslednej jednotky modelu na trh.

Kľučky, závesy dvierok, podnosy a koše minimálne na obdobie siedmich rokov a tesnenia dvierok na minimálne 10 rokov po uvedení poslednej jednotky modelu na trh.

\*Ďalšie informácie o výrobku nájdete na stránkach <https://eprel.ec.europa.eu/> alebo si oskenujte QR kód na štítku s údajmi o elektrickej spotrebe spotrebiča.

## CERTIFIKÁT KVALITY

OZNAČENIE: CHLADNIČKA

Kontrola kvality úspešná

KONTROLÓR č.

QC01

# Haier

专用号条码

0060543171  
2026 Verzia A

# Haier

Kullanım Kılavuzu



Buzdolabı-Dondurucu

HCR59F18DNMM

HCR59F18DNMB

**4 Güvenlik bilgileri**

İlk kullanımdan önce 5

Kurulum 5

Günlük kullanım 6

**8 Kullanım amacı****9 Ürün açıklaması****10 Kumanda paneli****11 Kullanım**

Buzdolabı için sıcaklığı ayarlama 14

Dondurucu için sıcaklığı ayarlama 14

Super-Cool işlevi 15

Super-Frz işlevi 15

Holiday modu 16

Magic Zone işlevi 17

**20 Ekipman****22 Enerji tasarrufu ipuçları****23 Bakım ve temizlik****25 Sorun giderme****29 Kurulum****33 Teknik veriler****35 Müşteri hizmetleri**

**Bir Haier Ürünü satın aldığınız için teşekkür ederiz.**

Lütfen cihazı kullanmadan önce bu talimatları dikkatlice okuyun. Talimatlar, cihazdan en iyi şekilde yararlanmanıza ve güvenli ve doğru kurulum, kullanım ve bakım sağlamanıza yardımcı olacak önemli bilgiler içerir.

Bu kılavuzu, cihazın güvenli ve doğru kullanımı için her zaman başvurabileceğiniz uygun bir yerde saklayın.

Cihazı satarsanız, başka birine verirsiniz veya taşınırken geride bırakırsanız, yeni sahibinin cihaza ve güvenlik uyarılarına aşına olabilmesi için bu kılavuzu da teslim ettiğinizden emin olun.

**Aksesuarlar**

Bu listeye göre aksesuarları ve literatürü kontrol edin:



Enerji etiketi



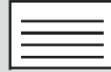
Garanti kartı

Kullanım  
kılavuzuGaranti  
belgesi

Hızlı Kılavuz



Ayrıcı×3



Uyarı kartı

İngiliz  
anahtarı



## UYARI – Önemli Güvenlik bilgileri



## AÇIKLAMA-Genel bilgiler ve ipuçları



## Çevre bilgisi



### Bertaraf

Çevrenin ve insan sağlığının korunmasına yardımcı olun. Ambalajı geri dönüştürmek için uygun kaplara koyun. Elektrikli ve elektronik aletlerin atıklarının geri dönüştürülmesine yardımcı olun. Bu sembolle işaretlenmiş cihazları evsel atıklarla birlikte atmayın. Ürünü yerel geri dönüşüm tesisinize iade edin veya belediye ofisiyle iletişime geçin.



### UYARI: Yangın/yanıcı malzeme riski

Sembol, yanıcı malzemeler kullanıldığından yangın riski olduğunu gösterir. Yanıcı malzemeyi ateşleyerek yangına yol açmamaya özen gösterin.



## UYARI!

Yaralanma veya boğulma tehlikesi!

Soğutucu akışkanlar ve gazlar profesyonelce bertaraf edilmelidir. Uygun şekilde atılmadan önce soğutucu devresinin borularının hasar görmediğinden emin olun. Cihazı elektrik şebekesinden ayırın. Elektrik kablosunu kesin ve atın. Çocukların ve evcil hayvanların cihaz içinde kalmasını önlemek için tepsileri ve çekmeceleri, kapı mandalını ve contaları çıkarın.

## Cihazı ilk kez çalıştırmadan önce aşağıdaki güvenlik ipuçlarını okuyun!



### UYARI!

#### İlk kullanımdan önce

- ▶ Nakliye hasarı olmadığından emin olun.
- ▶ Ağır olduğu için cihazı her zaman en az iki kişi ile taşıyın.

#### Kurulum

- ▶ Cihaz iyi havalandırılan bir yere yerleştirilmelidir. Cihazın üstünde ve çevresinde en az 10 cm boşluk bırakın.
- ▶ Cihazı asla nemli bir alana veya üzerine su sıçrayabilecek bir yere koymayın. Sıçrayan suları ve lekeleri yumuşak temiz bir bezle temizleyin ve kurulayın.
- ▶ Cihazı doğrudan güneş ışığı alan bir yere veya ısı kaynaklarının (örn. soba, ısıtıcı) yakınına kurmayın.
- ▶ Cihazı, boyutuna ve kullanımına uygun bir alana kurun ve düzleştirin.
- ▶ Cihazdaki veya ankastre yapıdaki havalandırma deliklerini engelden uzak tutun.
- ▶ Anma değeri plakasındaki elektrik bilgilerinin güç kaynağı ile uyumlu olduğundan emin olun. Değilse, bir elektrikçiye başvurun.
- ▶ Cihaz 220-240 VAC/50 Hz güç kaynağı ile çalıştırılır. Anormal voltaj dalgalanması, cihazın çalışmamasına veya sıcaklık kontrolünün veya kompresörün hasar görmesine neden olabilir veya çalışırken anormal bir gürültü olabilir. Bu durumda otomatik regülatör takılmalıdır.
- ▶ Çoklu fiş adaptörleri ve uzatma kabloları kullanmayın.
- ▶ Cihazın arkasına birden fazla portatif priz veya portatif güç kaynağı yerleştirmeyin.
- ▶ Güç kablosunun buzdolabına sıkışmadığından emin olun. Güç kablosunun üzerine basmayın.
- ▶ Güç kaynağı için kolay erişilebilen ayrı bir topraklı priz kullanın. Cihaz topraklanmalıdır. Yalnızca İngiltere için: Cihazın güç kablosu, standart bir 3 kablolu (topraklı) prize uyan 3 kablolu (topraklı) fiş ile donatılmıştır. Üçüncü pimi (topraklama) asla kesmeyin veya sökmeyin. Cihaz kurulduktan sonra fiş erişilebilir olmalıdır.
- ▶ Soğutucu devresine zarar vermeyin.



## UYARI!

### Günlük kullanım

- ▶ Bu cihaz, 8 yaş ve üzeri çocuklar ve fiziksel, duyuşsal veya zihinsel yetenekleri azalmıř veya deneyim ve bilgi eksiklięi olan kiřiler tarafından, cihazın güvenli bir řekilde kullanımına iliřkin gözetim veya talimat verildiyse ve ięerdięi tehlikeleri anlıyorsa kullanılabilir.
- ▶ 3-8 yař arası çocukların soęutma cihazlarını yüklemelerine ve boşaltmalarına izin verilir, ancak bunları temizlemelerine ve kurmalarına izin verilmez.
- ▶ Sürekli gözetim altında olmadıkları sürece 3 yařından küçük çocukları cihazdan uzak tutun.
- ▶ Çocuklar cihazla oynamamalıdır.
- ▶ Cihazın yakınına kömür gazı veya bařka bir yanıcı gaz sızıyorsa, sızan gazın vanasını kapatın, kapı ve pencereleri açın ve buzdolabının veya herhangi bir cihazın elektrik kablosunu prizden çekmeyin.
- ▶ Cihazın, 10 ile 43 °C arasındaki özel bir ortam sıcaklıęı aralıęında çalıştırılmak üzere ayarlandığına dikkat edin. Cihaz, belirtilen aralıęın üstünde veya altında bir sıcaklıkta uzun süre bırakılırsa düzgün çalışmayabilir.
- ▶ Düşmeden kaynaklanan kiřisel yaralanmaları veya suyla temastan kaynaklanan elektrik çarpmasını önlemek için buzdolabının üzerine dengesiz nesnelere (aęir nesnelere, su dolu kaplar) koymayın.
- ▶ Kapı raflarını çekmeyin. Kapı çekilirken eğilebilir, řiře rafı dıřarı çekilebilir veya cihaz devrilebilir.
- ▶ Kapıları sadece kollarla açıp kapatın. Kapılar arasındaki ve kapılar ile dolap arasındaki boşluk çok dardır. Parmaklarınızı sıkıřtırmamak için ellerinizi bu alanlara uzatmayın. Buzdolabı kapılarını sadece kapı hareket alanı içinde çocuklar yokken açın veya kapatın.
- ▶ Cihazın içinde veya çevresinde yanıcı, patlayıcı veya aşındırıcı malzemeler saklamayın veya kullanmayın.
- ▶ Cihazda ilaç, bakteri veya kimyasal maddeler saklamayın. Bu cihaz bir ev aletidir. Katı bir biçimde uyulması gereken sıcaklık sınırlamaları bulunan malzemelerin saklanması önerilmez.
- ▶ řiře veya kutulardaki sıvıları (yüksek alkollü içkiler dışında), özellikle gazlı içecekleri asla dondurucuda saklamayın, çünkü bunlar dondurma sırasında patlayabilir.
- ▶ Dondurucuda bir ısınma geręekleřimişse yiyeceęin durumunu kontrol edin.
- ▶ Buzdolabı bölmesinde gereksiz yere düşük sıcaklık ayarlamayın. Yüksek ayarlarda eksi sıcaklıklar oluşabilir. Dikkat: řiřeler patlayabilir
- ▶ Donmuş ürünlere ıslak ellerle dokunmayın (eldiven giyin). Özellikle buzlu řekerleri dondurucu bölmesinden çıkardıktan hemen sonra yemeyin. Donma veya donma kabarcıkları oluşma riski vardır. İLK YARDIM: Hemen akan soęuk su altında tutun. Geri çekmeyin!
- ▶ Elleriniz yüzeyde donabileceęinden, çalışırken özellikle ıslak ellerle dondurucu depolama bölmesinin iç yüzeyine dokunmayın.



## UYARI!

### Günlük kullanım

- ▶ Elektrik kesintisi durumunda veya temizlemeden önce cihazın fişini çekin. Sık çalıştırma kompresöre zarar verebileceğinden, cihazı yeniden başlatmadan önce en az 7 dakika bekleyin.
- ▶ Üretici tarafından önerilen tipte olmadıkça, cihazın gıda saklama bölmelerinde elektrikli cihazlar kullanmayın.  
Bakım / temizlik
- ▶ Temizlik ve bakım yaparken çocukların gözetim altında olduğundan emin olun.
- ▶ Herhangi bir rutin bakım yapmadan önce cihazın elektrik bağlantısını kesin. Sık çalıştırma kompresöre zarar verebileceğinden, cihazı yeniden başlatmadan önce en az 5 dakika bekleyin.
- ▶ Cihazın fişini prizden çekerken kablodan değil fişten tutun.
- ▶ Cihazı sert fırçalar, tel fırçalar, deterjan tozu, benzin, amil asetat, aseton ve benzeri organik solüsyonlar, asit veya alkali solüsyonlarla temizlemeyin. Hasarı önlemek için lütfen özel buzdolabı deterjanı ile temizleyin.
- ▶ Buzlanma ve buzu keskin nesnelere kazımayın. Plastik parçalara zarar vermemek için spreylere, ısıtıcı ve saç kurutma makinesi gibi elektrikli ısıtıcılar, buharlı temizleyiciler veya diğer ısı kaynaklarını kullanmayın.
- ▶ Üretici tarafından önerilenler dışında, buz çözme işlemini hızlandırmak için mekanik cihazlar veya başka araçlar kullanmayın.
- ▶ Besleme kablosu hasarlıysa, bir tehlikeyi önlemek için üretici, servis acentesi veya benzer kalifiye kişiler tarafından değiştirilmelidir.
- ▶ Cihazı kendi başınıza tamir etmeye, parçalarına ayırmaya veya üzerinde değişiklik yapmaya çalışmayın. Onarım durumunda lütfen müşteri hizmetlerimizle iletişime geçin.
- ▶ Yangın tehlikesini ve artan enerji tüketimini önlemek için ünitenin arkasındaki tozu yılda en az bir kez ortadan kaldırın.
- ▶ Temizlik sırasında cihaza bir şey püskürtmeyin veya onu yıkamayın.
- ▶ Cihazı temizlemek için su spreyi veya buhar kullanmayın.
- ▶ Soğuk cam rafları sıcak suyla temizlemeyin. Ani sıcaklık değişimi camın kırılmasına neden olabilir.

### Soğutucu gaz bilgisi

- ▶ Cihaz, yanıcı soğutucu İZOBÜTAN (R600a) içerir. Nakliye veya kurulum sırasında soğutucu devresinin hasar görmediğinden emin olun. Sızan soğutucu, göz yaralanmalarına veya tutuşmaya neden olabilir. Bir hasar meydana gelirse, açık ateş kaynaklarından uzak tutun, odayı iyice havalandırın, cihazın veya başka bir cihazın güç kablolarını takmayın veya çıkarmayın. Müşteri hizmetlerini bilgilendirin.
- ▶ Soğutucu ile göz teması halinde, hemen akan su altında yıkayın ve hemen göz sağlığı uzmanını arayın.

## Kullanım amacı

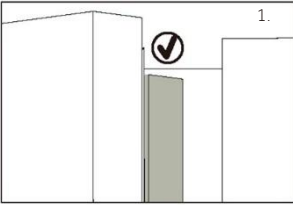
Bu cihaz, yiyecekleri soğutmak ve dondurmak için tasarlanmıştır. Bu cihaz mağazalar, ofisler ve diğer çalışma ortamlarındaki personel mutfak alanları; çiftlik evleri ve pansiyon ve yemek hizmetleri işinin yanı sıra oteller, moteller ve diğer konut tipi ortamlardaki müşteriler tarafından olmak üzere ev içi ve benzeri uygulamalarda kullanılmak üzere özel olarak tasarlanmıştır. Ticari veya endüstriyel kullanım için tasarlanmamıştır.

Cihazda değişiklik veya modifikasyon yapılmasına izin verilmez. Amaç dışı kullanım, tehlikelere ve garanti taleplerinde hak kaybına neden olabilir.

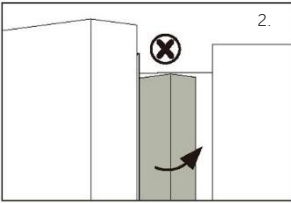
## Standartlar ve direktifler

Bu ürün, CE işareti sağlayan ilgili uyumlaştırılmış standartlarla birlikte geçerli tüm EC direktiflerinin gereksinimlerini karşılar.

### DİKKAT!



Kapıyı kapattığınızda, sol kapıdaki dikey kapı çitası içe doğru bükülmelidir (1).

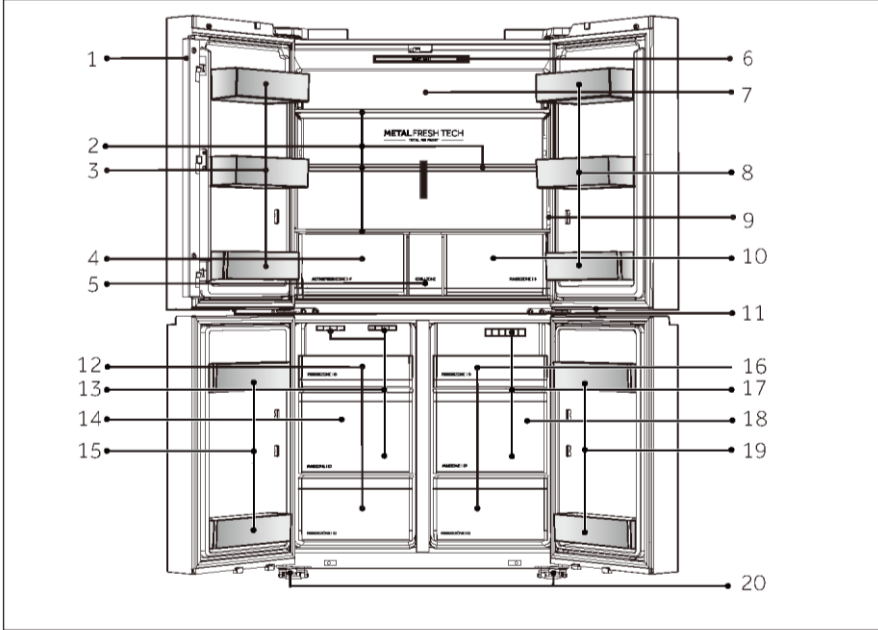


Sol kapıyı kapatmaya çalışırsanız ve dikey kapı şeridi bükülmemişse (2), önce onu bükmelisiniz, aksi takdirde kapı şeridi sabitleme miline veya sağ kapıya çarpacaktır. Böylece kapıda bir hasar kayması veya sızıntı meydana gelecektir.

Çerçevenin içinde bir ısıtma ipliği vardır. Yüzey sıcaklığı biraz artacaktır, bu normaldir ve cihazın işlevini etkilemez.

## **i** AÇIKLAMA

Teknik değişiklikler ve farklı modeller nedeniyle bu kılavuzdaki bazı resimler sizin modelinizden farklı olabilir.

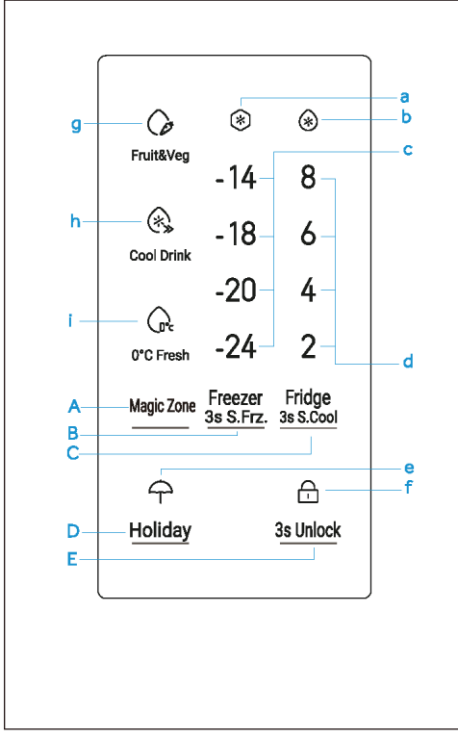


A: Soğutucu bölümü

- 1 Kapı kirişi
- 2 Cam raflar
- 3 Şişe tutucu
- 4 ACTIVEFRESH ZONE çekmecesini
- 5 CHILL ZONE kutusu
- 6 Buzdolabı lambası
- 7 Buzdolabı kanalı
- 8 Şişe tutucu
- 9 Kumanda paneli
- 10 MAGIC ZONE çekmecesini
- 11 Dondurucu lambası

B: Dondurucu bölümü

- 12 FREEZE ZONE çekmecesini
- 13 Havalandırma kanalı
- 14 MAX ZONE çekmecesini
- 15 Şişe tutucu
- 16 FREEZE ZONE çekmecesini
- 17 Havalandırma kanalı
- 18 MAX ZONE çekmecesini
- 19 Şişe tutucu
- 20 Ayak ayarı



Tuşlar:

- A Magic Zone modu seçici
- B Dondurucu işlevi ve &super-frz işlevi seçici
- C Buzdolabı işlevi ve &super-cool işlevi seçici
- D Holiday işlevi seçici
- E Kilitleme/kilit açma işlevi seçicisi

Göstergeler:

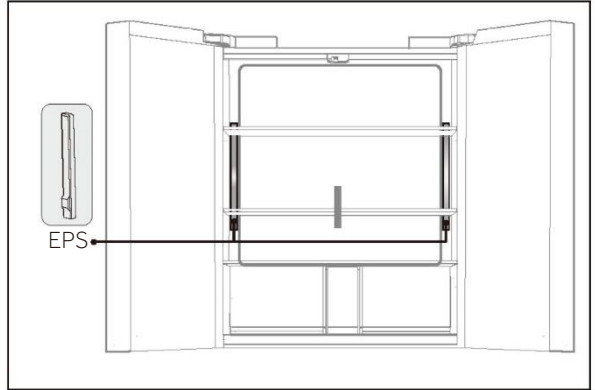
- a Super-Frz işlevi
- b Super-Cool işlevi
- c Dondurucu sıcaklığı
- d Soğutma sıcaklığı
- e Holiday işlevi
- f Kilitleme/kilit açma işlevi
- g Fruit & Veg işlevi
- h Cool Drink işlevi
- i 0°C Fresh işlevi

### İlk kullanımdan önce

- ▶ Tüm ambalajları, özellikle soğutma kanalının her iki tarafındaki beyaz EPS köpüğü çıkarın ve çocukların erişemeyeceği bir yerde saklayın. Çevre dostu bir şekilde imha edin.
- ▶ İçine yiyecek koymadan önce cihazın içini ve dışını su ve hafif bir deterjanla temizleyin.
- ▶ Cihaz seviyelendirilip temizlendikten sonra, güç kaynağına bağlamadan önce en az 2-5 saat bekleyin. KURULUM Bölümüne bakın.
- ▶ Yiyecekleri yerleştirmeden önce bölmeleri önceden yüksek ayarlarda soğütün. Power-Freeze işlevi, bölmelerin hızlı bir şekilde soğutulmasına yardımcı olur.
- ▶ Buzdolabı sıcaklığı ve dondurucu sıcaklığı sırasıyla 4 °C ve -18 °C olarak otomatik ayarlanır. Bunlar önerilen ayarlardır. Dilerseniz bu sıcaklıkları manuel olarak değiştirebilirsiniz. Lütfen SICAKLIĞI AYARLAMA bölümüne bakın.

### EPS çıkarma yöntemi

Önce üst ve orta rafları çıkarın (rafları çıkarma yöntemi sayfa 25'te açıklanmıştır) ve ardından iki EPS'yi çıkarın.



## Sensör tuşları

Kumanda panelindeki düğmeler, parmakla hafifçe dokunulduğunda tepki veren sensörlü tuşlardır.

## Cihazı açma/kapama

Cihaz, güç kaynağına bağlanır bağlanmaz çalışmaya başlar.

Soğutucu sıcaklığı ve dondurucu sıcaklığı sırasıyla 4° C ve -18° C olarak otomatik ayarlanır.

Panel kilidi aktif olabilir.



## AÇIKLAMA

Cihaz, tavsiye edilen 4 °C (Buzdolabı) ve -18 °C (Dondurucu) sıcaklığa önceden ayarlanmıştır. Normal ortam koşullarında, bir sıcaklık ayarı yapmanıza gerek yoktur.

Ana güç kaynağıyla bağlantısı kesildikten sonra cihaz açıldığında, doğru sıcaklıklara ulaşılması 12 saate kadar sürebilir.

Cihazı kapatmadan önce boşaltın. Cihazı kapatmak için güç kablosunu prizden çekin.

## Paneli kilitleme/kilidini açma

Otomatik kilit: Buzdolabı kapısı kapatıldıktan sonra 30 saniye içinde herhangi bir tuş işlemi yapılmazsa, ekran otomatik olarak söner ve kilitlenir.

Manuel kilit: Görüntü ekranının kilidi açıldığında, "E" tuşuna (Panel kilidi seçici) basın ve 3 saniye basılı tutun; bir kez sesli uyarı verilir, "F" (Panel kilidi) göstergesi yanar ve ekran kilitlenir. Kilitleme durumunda, "E" tuşuna 3 saniye boyunca uzun basın, sesli uyarı bir kez çalar, "F" (panel kilitli) göstergesi söner, panel kilidi açılır.



## Manuel ayarlama modu

Cihazın sıcaklığını manuel olarak ayarlamak isterseniz, sıcaklık ayar düğmesi ile sıcaklığı ayarlayabilirsiniz (SICAKLIĞI AYARLAMA bölümüne bakın)

## Kapı alarmı

Kapı uzun süre açıldığında veya düzgün kapanmadığında, bir hatırlatma olarak kapı alarmı tetiklenir.

## Sıcaklığı ayarlayın

İç ortam sıcaklıkları aşağıdaki faktörlerden etkilenir:

Ortam sıcaklığı, Kapının açılma sıklığı, Depolanan gıda miktarı, Cihazın kurulumu

### Buzdolabı için sıcaklığı ayarlama

1. Ekran kilidi açıldığında, "C" düğmesine basın. Sesli uyarı bir kez çalar, "b" göstergesi yanıp söner ve ardından buzdolabının sıcaklık ayar modu gelir
2. "C" düğmesine basmaya devam ettiğinizde sesli uyarı bir kez çalar, buzdolabının ayarlanan sıcaklığı değişir, buzdolabı sıcaklığı 8>6>4>2 sırasıyla gösterilir

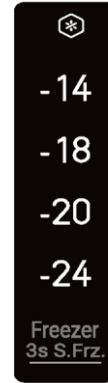


### AÇIKLAMA

Sıcaklık ayarlandıktan sonra 5 saniye içinde herhangi bir işlem yapılmazsa sistem otomatik olarak ayarlanan sıcaklığı belirleyecek ve kaydedecektir.

### Dondurucu için sıcaklığı ayarlama

1. Ekran kilidi açıldığında, "B" düğmesine basın. Zil bir kez çalar, "c" göstergesi yanıp söner ve ardından dondurucunun sıcaklık ayar modu gelir
2. "B" düğmesine basmaya devam ettiğinizde sesli uyarı bir kez çalar, buzdolabının ayarlanan sıcaklığı değişir, buzdolabı sıcaklığı -14 > -18 > -20 > -24 sırasıyla gösterilir

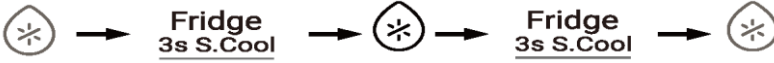


### AÇIKLAMA

Sıcaklık ayarlandıktan sonra 5 saniye içinde herhangi bir işlem yapılmazsa sistem otomatik olarak ayarlanan sıcaklığı belirleyecek ve kaydedecektir.

## Super-Cool işlevi

1. Ekran kilidi açıldığında "C" düğmesini 3 saniye basılı tutun, sesli uyarı bir kez çalar, "b" göstergesi yanar ve ardından Super-Cool işlevi açılır.
2. "b" göstergesi yandığında, "C" düğmesini 3 saniye basılı tutun, sesli uyarı bir kez çalar, "b" göstergesi söner ve ardından Super-Cool işlevi kapanır.
3. Super-Cool işlevi açıldıktan sonra, buzdolabı ayarlanan koşula geldiğinde işlevi otomatik olarak kapatacaktır. Manuel olarak çıkmak isterseniz, kapatmak için "C" düğmesine basabilirsiniz.



## AÇIKLAMA

1. Super-cool durumunda, soğutucu sıcaklığı ayarlanamaz. Buzdolabının sıcaklığını ayarlamak için "C" düğmelerinden birine basılırsa, bu işlemin gerçekleştirilemeyeceğini belirtmek için "b" göstergesi bir uyarı sesiyle birlikte yanıp söner.
2. Super-cool işlevi durumunda, farklı kontrol modları nedeniyle Auto-Set işlevi aynı anda açılmaz. Başka bir işlevle çakışan bir işlevi seçtiğinizde, orijinal işlevden otomatik olarak çıkış yapılacaktır.

## Super-Frz işlevi

1. Ekran kilidi açıldığında, "B" düğmesini 3 saniye boyunca basılı tutun, sesli uyarı bir kez çalar, "a" göstergesi yanar ve ardından Super-Frz işlevi açılır.
2. "a" göstergesi yandığında, "B" düğmesini 3 saniye basılı tutun, sesli uyarı bir kez çalar, "a" göstergesi söner ve ardından Super-Frz işlevi kapanır.
3. Super-Frz işlevi açıldıktan sonra, buzdolabı ayarlanan koşula geldiğinde işlevi otomatik olarak kapatacaktır. Manuel olarak çıkmak istiyorsanız, kapatmak için "B" düğmesine basabilirsiniz.





## AÇIKLAMA

1. Super-Freeze durumunda, dondurucu sıcaklığı ayarlanamaz. Dondurucunun sıcaklığını ayarlamak için "B" düğmelerinden birine basılırsa, bu işlemin gerçekleştirilemeyeceğini belirtmek için "a" göstergesi bir uyarı sesiyle birlikte yanıp söner.
2. Super-Freeze işlevi, dondurulmuş gıdaların besin değerini korumak için tasarlanmıştır ve gıdaları en kısa sürede donduracaktır. Bu sırada, dondurucunun dondurma hızı artar, yiyecekler hızlı bir şekilde dondurulabilir, yiyeceklerin besleyiciliği etkili bir şekilde korunur ve saklama oldukça kolaylaşır. Çok miktarda yiyeceği bir kez dondurmanız gerekiyorsa, dondurucu bölmesini kullanmadan önce Super Freeze işlevini 24 saat önceden ayarlamanız tavsiye edilir.

## Holiday modu

Holiday modu, buzdolabını uzun süre kullanmamak için tasarlanmıştır. Holiday modu açıldığında, dondurucu normal kontrol altındadır ve buzdolabının sıcaklığı otomatik olarak 17°C'ye ayarlanır. Bu, aşırı sıcaklıktan kaynaklanan tuhaf kokuyu önler ve aynı zamanda enerji tüketimini azaltmaya yardımcı olur.

1. Ekran kilidi açıldığında "D" düğmesine basın, sesli uyarı bir kez çalar, "e" göstergesi yanar ve ardından Holiday işlevi açılır.
2. "e" göstergesi yandığında "D" düğmesine basın, sesli uyarı bir kez çalar, "e" göstergesi söner ve ardından Holiday işlevi kapatılır.



## AÇIKLAMA

Holiday işlevini kullanmadan önce yiyeceklerin bozulmasını önlemek için lütfen buzdolabını boşaltın. Holiday işlevi açıldığında, aynı anda "Super-Cool" işlevi açılmaz.

## Magic Zone işlevi

Ekran kilidi açıldığında Fruit&Veg, Cool Drink ve 0°C Fresh modu işlevleri arasında geçiş yapmak için "A" düğmesine basın.

### 1. Fruit&Veg işlevi:

Bu işlev, taze meyve ve sebzeleri saklamak için uygundur. Bu işlev seçildiğinde "g" göstergesi yanar.

### 2. Cool Drink işlevi:

Bu işlev su, kola ve meyve suyu gibi ürünlerin saklanması içindir. Bu işlev seçildiğinde "h" göstergesi yanar.

### 3. 0°Fresh işlevi:

Bu işlev et veya balık gibi taze gıdaları saklamak için uygundur. Bu işlev seçildiğinde "i" göstergesi yanar.



## AÇIKLAMA

1. Başlangıçta varsayılan ayar Cool drink işlevidir.
2. Fruit&Veg. işlevi için: Ananas, avokado, muz, greyturt gibi soğuğa duyarlı meyveler ile patates, patlıcan, fasulye, salatalık, kabak, domates gibi sebzeler ve peynir, Magic Zone çekmecesinde saklanmamalıdır.
3. 0°Fresh işlevi için: Etin su içeriğinin farklı olması nedeniyle. Nem oranı daha yüksek bazı etler 0°C'nin altındaki sıcaklıklarda donacaktır. Bu nedenle "kısa süre önce kesilmiş" et, Magic Zone çekmecesinde min. 0°C sıcaklıkta saklanmalıdır.
4. Magic Zone üç işlevi aynı anda açılmaz, sadece bir tanesi aydınlatılabilir. Soğutucu bölme sıcaklığını düşürmek için Cool Drink işlevini, soğutucu bölme sıcaklığını artırmak için Fruit&Veg işlevini kullanın.

## Taze yiyecekleri saklamayla ilgili ipuçları

### Buzdolabı bölmesinde saklama

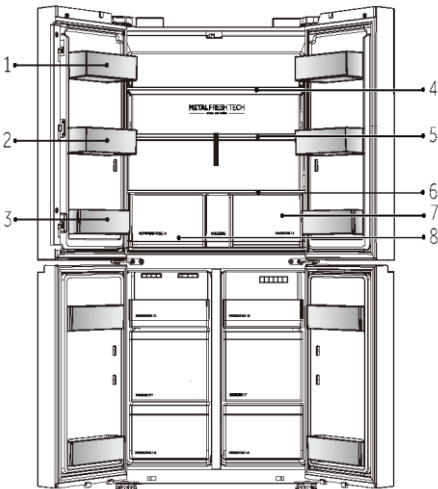
1. Buzdolabınızın sıcaklığını 5°C'nin altında tutun.
2. Sıcak yiyecekler cihaza yerleştirilmeden önce oda sıcaklığına soğutulmalıdır.
3. Buzdolabında saklanan yiyecekler saklanmadan önce yıkanmalı ve kurutulmalıdır.
4. Saklanacak yiyecekler, koku veya tat değişikliklerini önlemek için uygun şekilde kapatılmalıdır.

5. Aşırı miktarda yiyecek saklamayın. Daha iyi ve daha fazla hava akışı için gıdalar arasında boşluk bırakın.
6. Günlük yenilen yiyecekler rafın ön tarafında saklanmalıdır.
7. Yiyecekler ile iç duvarlar arasında hava akışına izin verecek bir boşluk bırakın.  
Özellikle yiyecekleri arka duvara dayalı olarak saklamayın: yiyecekler arka duvara yaslandığında donabilir. Yağ/asit iç kaplamayı aşındırabileceğinden, yiyeceklerin (özellikle yağlı veya asitli yiyecekler) iç kaplamayla doğrudan temasından kaçının. Yağ/asit kirlendiğinde temizleyin.
8. Dondurulmuş yiyecekleri buzdolabı saklama bölümünde çözün. Bu şekilde, bölmedeki sıcaklığı düşürmek ve enerji tasarrufu sağlamak için dondurulmuş gıdaları kullanabilirsiniz.
9. Kabak, kavun, papaya, muz, ananas gibi meyve ve sebzelerin yaşlanma süreci buzdolabında hızlanabilir. Bu nedenle, buzdolabında saklanması tavsiye edilmez. Bununla birlikte, fazlasıyla yeşil meyvelerin olgunlaşması belirli bir süre için teşvik edilebilir. Soğan, sarımsak, zencefil ve diğer kök sebzeler de oda sıcaklığında saklanmalıdır.
10. Buzdolabının içindeki hoş olmayan kokular, bir şeyin döküldüğünün veya temizlenmesi gerektiğinin bir işaretidir. Bkz. BAKIM VE TEMİZLİK.
11. Farklı gıdalar özelliklerine göre farklı alanlara yerleştirilmelidir.



## AÇIKLAMA

Soğutma etkisini sağlamak için lütfen yerleştirilen yiyecek ile hava kanalı veya sensörler arasındaki mesafeyi 10 mm'den fazla tutun.



1. Tereyağı, peynir vb.
2. Yumurta, konserve kutular, konserve yiyecekler, baharat vb.
3. İçecekler ve şişelenmiş yiyecekler.
4. Salamura yiyecekler, konserve yiyecekler vb.
5. Et ürünleri, atıştırmalık yiyecekler, makarna, konserve yiyecekler, süt, tofu, süt ürünleri vb.
6. Pişmiş et, sosus vb.
7. Magic ZONE çekmecesini: Meyve, sebze, salata vb.
8. ACTIVEFRESH ZONE çekmecesini: Meyve, sebze, salata vb.

## Dondurucu bölümünde saklama

1. Dondurucu sıcaklığını  $-18^{\circ}\text{C}$ 'de tutun.
  2. Dondurmadan 24 saat önce Super-freeze işlevini açın; az miktarda yiyecek için 4-6 saat yeterlidir.
  3. Sıcak yiyecekler, dondurucu bölümüne yerleştirilmeden önce oda sıcaklığına soğutulmalıdır.
  4. Küçük porsiyonlar halinde kesilen yiyecekler daha hızlı donacak ve buzunun çözülüp yiyeceğin pişirilmesi daha kolay olacaktır. Her porsiyon için önerilen ağırlık 2,5 kg'dan azdır.
  5. Yiyecekleri dondurucuya koymadan önce paketlemek daha iyidir. Torbaların birbirine yapışmasını önlemek için ambalajın dışı kuru olmalıdır. Ambalaj malzemeleri kokusuz, hava geçirmez, zehirsiz ve zararsız olmalıdır.
  6. Saklama sürelerinin dolmaması için farklı gıdaların saklama sürelerine göre gıdanın ambalaj üzerindeki dondurma tarihini, süre sınırını ve ismini lütfen not edin.
1. **UYARI!**Asit, alkali ve tuz vb. dondurucunun iç yüzeyini aşındırabilir. Bu maddeleri içeren yiyecekleri (örn. deniz balığı) doğrudan iç yüzeye koymayın. Dondurucudaki tuzlu su hemen temizlenmelidir.
  2. Üreticiler tarafından tavsiye edilen gıda saklama sürelerini aşmayın. Dondurucudan sadece gerekli miktarda yiyecek alın.
  3. Çözülmüş yiyecekleri hızlıca tüketin. Buzu çözülmüş yiyecekler, ilk olarak pişirilmedikçe tekrar dondurulamaz, aksi halde daha az yenilebilir.
  4. Dondurucu bölümüne aşırı miktarda taze yiyecek koymayın. Dondurucunun dondurma kapasitesine bakın - TEKNİK VERİLERE veya tip plakasındaki verilere bakın.
  5. Yiyecekler, özelliklerine bağlı olarak dondurucuda en az  $-18^{\circ}\text{C}$ 'de 2 - 12 ay arasında saklanabilir (örn. et: 3-12 ay, sebzeler: 6-12 ay)
  6. Taze yiyecekleri dondururken, halihazırda donmuş olan yiyeceklerle temas ettirmekten kaçının!

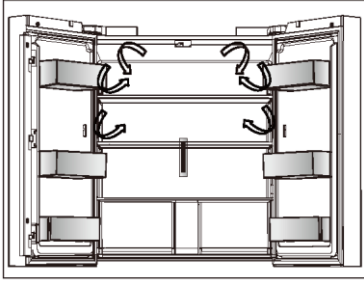
### Ticari olarak dondurulmuş gıdaları saklarken lütfen şu yönergeleri izleyin:

1. Yiyecekleri saklamanız gereken süre boyunca her zaman üreticinin yönergelerine uyun. Bu yönergelerin dışına çıkmayın!
2. Gıda kalitesini korumak için satın alma ile saklama arasındaki süreyi mümkün olduğunca kısa tutmaya çalışın.
3.  $-18^{\circ}\text{C}$  veya altında bir sıcaklıkta saklanmış donmuş gıdaları satın alın.
4. Ambalajında buz veya buzlanma bulunan gıdaları satın almaktan kaçının. Bu, ürünlerin bir noktada kısmen çözülmüş ve yeniden donmuş olabileceğini gösterir, sıcaklık artışları gıda kalitesini etkiler.



## AÇIKLAMA

Soğutma etkisini sağlamak için lütfen konulan yiyecek ile hava kanalı arasındaki mesafeyi 10 mm'den fazla tutun.

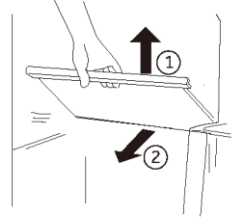


### Çoklu hava akışı

1. Buzdolabı, her raf seviyesinde soğuk hava akışlarının bulunduğu çoklu hava akışı sistemi ile donatılmıştır. Bu, yiyeceklerinizin daha uzun süre taze kalmasını sağlamak için sabit bir sıcaklığın korunmasına yardımcı olur.

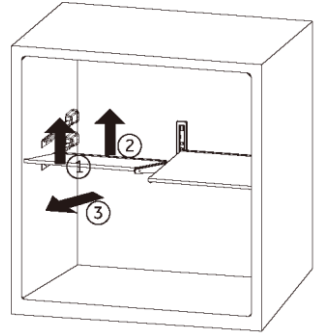
### Ayarlanabilir raflar

1. Rafların yüksekliği, depolama ihtiyaçlarınıza göre ayarlanabilir.
2. Bir rafın yerini değiştirmek için önce ön kenarını yukarı kaldırıp ① dışarı doğru çekerek ② çıkarın.
3. Yeniden takmak için her iki taraftaki tırnaklara yerleştirin ve rafın arkası, yanlardaki yuvalara sabitlenene kadar arkaya doğru itin.



### Orta rafı ayarlayın

1. Raf standını çıkarın:  
Önce raf standının ön kenarını ① 7 cm yukarı kaldırın, ardından raf standının arka kenarını ② kaldırın; böylece konsol tarafındaki tırnak montaj deliğinden ayrılabilir. Son olarak, raf standını dışarı doğru çekin ③.
2. Raf standını takın:  
Raf standını şemada gösterilen eğimli açığa göre yerine itin, ardından raf standının ön kenarını ① indirin; böylece konsol tarafındaki tırnak montaj deliğine oturabilir.



### AÇIKLAMA

Bir rafın tüm uçlarının düz olduğundan emin olun.

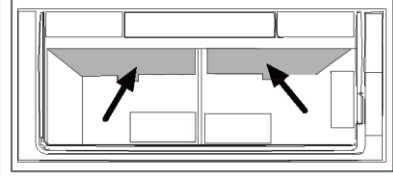
### ACTIVEFRESH ZONE çekmecesini

1. Bu bölmede nem oranı buzdolabı bölmesine göre daha yüksektir. Sistem tarafından otomatik olarak kontrol edilir ve meyve, sebze, salata vb. saklamaya uygundur.



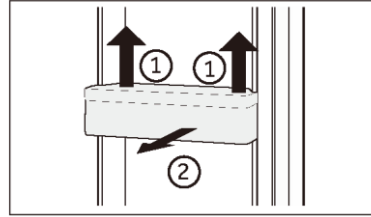
## AÇIKLAMA

1. İki bölgenin içindeki plastik kapağı çıkarmayın.
2. Nemi korurlar.
3. Ananas, avokado, muz ve nar gibi soğuğa duyarlı meyveler bu iki çekmecede saklanması tavsiye edilmez.



### Çıkarılabilir kapı rafları/şişe tutucu

1. Kapı rafları temizlik için çıkarılabilir:
2. Ellerinizi rafın her iki yanına koyun, yukarı doğru kaldırın ① ve dışarı doğru çekin ②.
3. Kapı rafını takmak için yukarıdaki adımlar ters sırayla gerçekleştirilir.



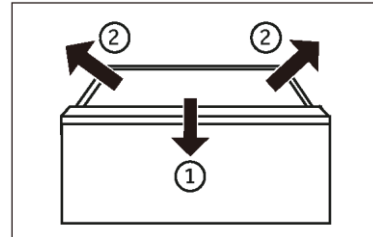
## AÇIKLAMA

Cihaz açıldığında, doğru sıcaklıklara ulaşılması 12 saati bulabilir.

### Çıkarılabilir çekmece

Çekmeceyi çıkarmak için, ①'i azami ölçüde dışarı çekin, ②'yi kaldırın ve çıkarın.

Çekmeceyi takmak için yukarıdaki adımlar ters sırayla gerçekleştirilir.



### Işık

Kapı açıldığında LED iç aydınlatma yanar ve kapı 7 dakikadan fazla açık bırakılırsa otomatik olarak söner. Işıkların performansı, cihazın diğer ayarlarından etkilenmez.



## Enerji tasarrufu ipuçları

- ▶ Cihazın uygun şekilde havalandırıldığından emin olun (bkz. KURULUM).
- ▶ Cihazı doğrudan güneş ışığı alan bir yere veya ısı kaynaklarının (örn. soba, ısıtıcı) yakınına kurmayın.
- ▶ Cihazda gereksiz yere düşük sıcaklıktan kaçınin. Enerji tüketimi, cihazdaki sıcaklık ne kadar düşük ayarlanırsa o kadar artar.
- ▶ POWER- FREEZE gibi işlevler daha fazla enerji tüketir.
- ▶ Sıcak yiyecekleri cihaza yerleştirmeden önce soğumaya bırakın.
- ▶ Cihaz kapısını mümkün olduğunca az ve kısa süreliğine açın.
- ▶ Hava akışını engellemek için cihazı aşırı doldurmayın.
- ▶ Gıda ambalajının içinde hava olmasını önleyin.
- ▶ Kapının her zaman doğru şekilde kapanması için kapı contalarını temiz tutun.
- ▶ Dondurulmuş yiyecekleri buzdolabı saklama bölümünde çözün.
- ▶ En fazla enerji tasarrufu sağlayan konfigürasyon, cihazın çekmeceleri, yiyecek kutusunu ve rafları fabrikadan yeni çıkmış durumda tutmasını gerektirir ve yiyecekler mümkün olduğunca kanalin hava çıkışını engellemeyecek şekilde yerleştirilmelidir.



## UYARI!

Temizlemeden önce cihazı güç kaynağından ayırın.

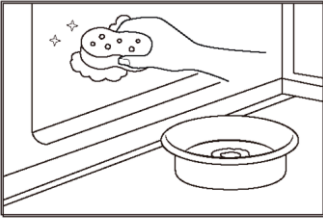
### Temizleme

1. Cihazı çok az yiyecek saklandığında veya hiç yiyecek saklanmadığında temizleyin.
2. Cihaz, iyi bir bakım sağlamak ve depolanmış kötü yiyecek kokularını önlemek için her dört haftada bir temizlenmelidir.



## UYARI!

- ▶ Cihazı sert fırçalar, tel fırçalar, deterjan tozu, benzin, amil asetat, aseton ve benzeri organik solüsyonlar, asit veya alkali solüsyonlarla temizlemeyin. Hasarı önlemek için lütfen özel buzdolabı deterjanı ile temizleyin.
- ▶ Temizlik sırasında cihaza bir şey püskürtmeyin veya onu yıkamayın.
- ▶ Cihazı temizlemek için su spreyi veya buhar kullanmayın.
- ▶ Soğuk cam rafları sıcak suyla temizlemeyin. Ani sıcaklık değişimi camın kırılmasına neden olabilir.
- ▶ Elleriniz yüzeyde donabileceğinden, özellikle ıslak ellerle dondurucu depolama bölmesinin iç yüzeyine dokunmayın.
- ▶ Isıtma durumunda donmuş ürünlerin durumunu kontrol edin.



- ▶ Kapı contasını daima temiz tutun.
- ▶ Cihazın içini ve muhafazasını ılık su ve nötr deterjanla nemlendirilmiş bir süngerle temizleyin.
- ▶ 1. Lütfen kapı contası, kapı rafı, cam raflar, kutular vb. dahil olmak üzere buzdolabının içini ve dışını yumuşak bir havlu veya ılık suya batırılmış süngerle silin (ılık suya nötr deterjan ekleyebilirsiniz).

- ▶ 2. Dökülen sıvı varsa, kirlenmiş tüm parçaları çıkarın, doğrudan akan su ile yıkayın, kurutun ve tekrar buzdolabına yerleştirin.
- ▶ 3. Dökülen krema varsa (krema, eriyen dondurma gibi) lütfen kirlenmiş tüm parçaları çıkarın, yaklaşık 40°C'lik ılık suda bir süre bekletin, ardından akan su ile durulayın, kurutun ve tekrar buzdolabına yerleştirin.
- ▶ 4. Küçük bir parçanın veya bileşenin buzdolabının içine (raflar veya çekmeceler arasına) sıkışması durumunda, çıkarmak için küçük yumuşak bir fırça kullanın. Parçaya ulaşamadıysanız, lütfen Haier servisi ile iletişime geçin.
- ▶ Durulayın ve yumuşak bir bezle kurulayın.
- ▶ Cihazın hiçbir parçasını bulaşık makinesinde yıkamayın.
- ▶ Sık çalıştırma kompresöre zarar verebileceğinden, cihazı yeniden başlatmadan önce en az 5 dakika bekleyin.

### Buz çözme

Buzdolabı ve dondurucu bölmesinin buzunun çözülmesi otomatik olarak gerçekleştirilir; manuel işleme gerek yoktur.

## LED lambaların deęiřtirilmesi



### UYARI!

LED lambayı kendiniz deęiřtirmeyin, bu para, yalnızca üretici veya yetkili servis temsilcisi tarafından deęiřtirilmelidir.

Lambalar, düşük enerji tüketimi ve uzun hizmet ömrü sunan ışık kaynaęı olarak LED ile donatılmıştır. Herhangi bir anormallik varsa, lütfen müşteri hizmetleri ile iletişime geçin. Bkz. MÜŞTERİ HİZMETLERİ.

Lambaların parametreleri:

Buzdolabı bölmesi: 12 V, 4 W

Dondurucu bölmesi: 12 V, 2 W\*2

## Uzun süre kullanılmaması

Cihaz uzun bir süre kullanılmayacaksa ve buzdolabı için Holiday işlevini kullanmayacaksanız:

Yiyecekleri çıkarın.

Güç kablosunu çıkarın.

Cihazı yukarıda açıklandığı gibi temizleyin.

İçeride kötü kokuların oluşmasını önlemek için kapıyı açık tutun.



## AÇIKLAMA

Cihazı yalnızca kesinlikle gerekiyorsa kapatın.

## Cihazın taşınması

1. Tüm yiyecekleri çıkarın ve cihazın fişini çekin.
2. Buzdolabı ve dondurucudaki rafları ve diğer hareketli parçaları yapışkan bantla sabitleyin.
3. Soğutma sistemine zarar vermemek için buzdolabını 45°'den fazla eğmeyin.



### UYARI!

- ▶ Cihazı kollarından kaldırmayın.
- ▶ Cihazı asla yere yatay olarak yerleřtirmeyin.

Ortaya çıkan birçok sorun, belirli bir uzmanlık olmadan kendi başınıza çözülebilir. Bir sorunla karşılaşırsanız, lütfen gösterilen tüm olasılıkları kontrol edin ve bir satış sonrası servisle iletişime geçmeden önce aşağıdaki talimatları izleyin. Bkz. MÜŞTERİ HİZMETLERİ.



## UYARI!

- ▶ Bakımdan önce cihazı devre dışı bırakın ve elektrik fişini elektrik prizinden çekin.
- ▶ Elektrikli ekipmanın servisi yalnızca kalifiye elektrik uzmanları tarafından yapılmalıdır, çünkü uygun olmayan onarımlar önemli ölçüde dolaylı hasarlara neden olabilir.
- ▶ Hasarlı bir besleme kablosu, bir tehlikeyi önlemek için yalnızca üretici, servis acentesi veya benzer kalifiye kişiler tarafından değiştirilmelidir.

Sorun	Olası Neden	Olası Çözüm
Kompresör çalışmıyor.	<ul style="list-style-type: none"> <li>• Elektrik fişi prize takılı değil.</li> <li>• Cihaz buz çözme döngüsünde</li> </ul>	<ul style="list-style-type: none"> <li>• Elektrik fişini bağlayın.</li> <li>• Otomatik buz çözme için bu normaldir</li> </ul>
Cihaz sık sık çalışıyor veya çok uzun süre çalışıyor.	<ul style="list-style-type: none"> <li>• İç veya dış ortam sıcaklığı çok yüksek.</li> <li>• Cihaz bir süredir kapalı durumda.</li> <li>• Cihazın bir kapısı sıkıca kapatılmamış.</li> <li>• Kapı çok sık veya çok uzun süre açıldı.</li> <li>• Dondurucu bölmesi için sıcaklık ayarı çok düşük.</li> <li>• Kapı contası kirli, aşınmış, çatlamış veya uyumsuz.</li> <li>• Gerekli hava sirkülasyonu sağlanmamış.</li> </ul>	<ul style="list-style-type: none"> <li>• Bu durumda cihazın daha uzun süre çalışması normaldir</li> <li>• Normalde, cihazın tamamen soğuması 8 ila 12 saat alır.</li> <li>• Kapıyı/çekmeceyi kapatın ve cihazın düz bir zemine yerleştirildiğinden ve kapıyı sarsan yiyecek veya kap olmadığından emin olun.</li> <li>• Kapıyı/çekmeceyi çok sık açmayın.</li> <li>• Uygun bir buzdolabı sıcaklığı elde edilene kadar sıcaklığı daha yükseğe ayarlayın. Buzdolabı sıcaklığının sabit hale gelmesi 24 saat sürer.</li> <li>• Kapı/çekmece contasını temizleyin veya müşteri hizmetleri tarafından değiştirilmesini sağlayın.</li> <li>• Yeterli havalandırma sağlayın.</li> </ul>
Buzdolabının içi kirli ve/veya kokuyor.	<ul style="list-style-type: none"> <li>• Buzdolabının içinin temizlenmesi gerekiyor.</li> <li>• Keskin kokulu yiyecekler buzdolabında saklanır.</li> </ul>	<ul style="list-style-type: none"> <li>• Buzdolabının içini temizleyin</li> <li>• Yiyecekleri iyice sarın.</li> </ul>

Sorun	Olası Neden	Olası Çözüm
Cihazın içi yeterince soğuk değil.	<ul style="list-style-type: none"> <li>Sıcaklık çok yüksek ayarlanmış.</li> <li>Çok sıcak ürünler saklanmış.</li> <li>Bir seferde çok fazla yiyecek depolanmış.</li> <li>Ürünler birbirine çok yakın.</li> <li>Cihazın bir kapısı/çekmecesini sıkıca kapatılmamış.</li> <li>Kapı/çekmece çok sık veya çok uzun süre açıldı.</li> </ul>	<ul style="list-style-type: none"> <li>Sıcaklığı sıfırlayın.</li> <li>Ürünleri saklamadan önce daima soğutun.</li> <li>Her zaman az miktarda yiyecek saklayın.</li> <li>Birkaç yiyecek arasında hava akışına izin verecek bir boşluk bırakın.</li> <li>Kapıyı/çekmeceyi kapatın.</li> <li>Kapıyı/çekmeceyi çok sık açmayın.</li> </ul>
Cihazın içi çok soğuk.	<ul style="list-style-type: none"> <li>Sıcaklık çok düşük ayarlanmış.</li> <li>Super-Frz/Super-Cool işlevi etkinleştirilmiş veya çok uzun süre çalışıyor.</li> </ul>	<ul style="list-style-type: none"> <li>Sıcaklığı sıfırlayın.</li> <li>Super-Frz/Super-Cool işlevini kapatın</li> </ul>
Buzdolabı bölmesinin iç kısmında nem oluşumu.	<ul style="list-style-type: none"> <li>İklim çok sıcak ve çok nemli.</li> <li>Cihazın bir kapısı/çekmecesini sıkıca kapatılmamış.</li> <li>Kapı/çekmece çok sık veya çok uzun süre açıldı.</li> <li>Yiyecek kapları veya sıvılar açık bırakılmış.</li> </ul>	<ul style="list-style-type: none"> <li>Sıcaklığı artırın.</li> <li>Kapıyı/çekmeceyi kapatın.</li> <li>Kapıyı/çekmeceyi çok sık açmayın.</li> <li>Sıcak yiyecekleri oda sıcaklığına soğumaya bırakın ve yiyecek ve sıvıları kapatın.</li> </ul>
Nem, buzdolabının dış yüzeyinde veya kapılar/kapı ile çekmece arasında birikiyor.	<ul style="list-style-type: none"> <li>İklim çok sıcak ve çok nemli.</li> <li>Kapı sıkıca kapatılmamış. Cihazdaki soğuk hava ve dışındaki sıcak hava yoğunlaşır.</li> </ul>	<ul style="list-style-type: none"> <li>Nemli iklimde bu normaldir ve nem azaldığında değişecektir.</li> <li>Kapının/çekmecenin sıkıca kapatıldığından emin olun.</li> </ul>

Sorun	Olası Neden	Olası Çözüm
Dondurucu bölümünde kuvvetli buz ve buzlanma.	<ul style="list-style-type: none"> <li>• Ürünler yeterince paketlenmemiş.</li> <li>• Cihazın bir kapısı/çekmececi sıkıca kapatılmamış.</li> <li>• Kapı/çekmece çok sık veya çok uzun süre açıldı.</li> <li>• Kapı/çekmece contası kirlili, aşınmış, çatlamış veya uyumsuz.</li> <li>• İçerideki bir şey kapının/çekmecenin düzgün kapanmasını engelliyor.</li> </ul>	<ul style="list-style-type: none"> <li>• Ürünleri her zaman iyi paketleyin.</li> <li>• Kapıyı/çekmeceyi kapatın.</li> <li>• Kapıyı/çekmeceyi çok sık açmayın.</li> <li>• Kapı/çekmece contasını temizleyin veya yenileriyle değiştirin.</li> <li>• Kapının/çekmecenin kapanmasına izin vermek için rafları, kapı raflarını veya dahili kapları yeniden konumlandırın.</li> </ul>
Kabinin kenarları ve kapı şeridi ısınıyor.		<ul style="list-style-type: none"> <li>• Bu normaldir.</li> </ul>
Cihaz anormal sesler çıkarıyor.	<ul style="list-style-type: none"> <li>• Cihaz düz bir zemine yerleştirilmemiştir.</li> <li>• Cihaz etrafındaki bir nesneye dokunuyor.</li> </ul>	<ul style="list-style-type: none"> <li>• Cihazı düzleştirmek için ayakları ayarlayın.</li> <li>• Cihazın etrafındaki nesnelere kaldırın.</li> </ul>
Akan suya benzer hafif bir ses duyulacaktır.		<ul style="list-style-type: none"> <li>• Bu normaldir.</li> </ul>
Bir alarm bip sesi duyacaksınız.	<ul style="list-style-type: none"> <li>• Buzdolabı saklama bölümü kapısı açık.</li> </ul>	<ul style="list-style-type: none"> <li>• Kapıyı kapatın.</li> </ul>
Hafif bir uğultu duyacaksınız.	<ul style="list-style-type: none"> <li>• Yoğuşma önleyici sistem çalışıyor</li> </ul>	<ul style="list-style-type: none"> <li>• Bu, yoğuşmayı önler ve normaldir</li> </ul>
İç aydınlatma veya soğutma sistemi çalışmıyor.	<ul style="list-style-type: none"> <li>• Elektrik fişi prize takılı değil.</li> <li>• Güç kaynağı sağlam değil.</li> <li>• LED lamba arızalı.</li> </ul>	<ul style="list-style-type: none"> <li>• Elektrik fişini bağlayın.</li> <li>• Odanın elektrik beslemesini kontrol edin. Yerel elektrik şirketini arayın!</li> <li>• Lütfen lamba değişimi için servisi arayın.</li> </ul>

Teknik yardıma başvurmak için web sitemizi ziyaret edin: <https://corporate.haier-europe.com/en/>

"Web sitesi" bölümünün altında, ürününüzün markasını ve ülkenizi seçin. Teknik yardıma başvurmak için telefon numarasını ve formu bulabileceğiniz belirli bir web sitesine yönlendirileceksiniz.

## Güç kesintisi

Elektrik kesintisi durumunda, yiyecekler yaklaşık 5 saat boyunca güvenli bir şekilde soğuk kalmalıdır. Özellikle yaz aylarında, uzun süreli elektrik kesintisi sırasında şu ipuçlarını izleyin:

- ▶ Kapıyı/çekmeceyi olabildiğince az açın.
- ▶ Elektrik kesintisi sırasında cihaza ilave yiyecek koymayın.
- ▶ Elektrik kesintisi önceden bildirilmişse ve kesinti süresi 5 saatten uzunsa, biraz buz yapın ve buzdolabı bölmesinin üst kısmındaki bir kaba koyun.
- ▶ Kesintiden hemen sonra ürünlerin kontrol edilmesi gereklidir.
- ▶ Bir elektrik kesintisi veya başka bir arıza sırasında buzdolabındaki sıcaklık artacağından, yiyeceklerin saklama süresi ve yenilebilir kalitesi azalacaktır. Sağlık risklerini önlemek için bunu çözülen yiyecekler tüketilmeli veya kısa süre sonra pişirilip yeniden dondurulmalıdır (uygunsa).

## Güç kesintisi sırasında hafıza işlevi

Güç geri geldikten sonra cihaz, elektrik kesintisinden önce belirlenen ayarlarla devam eder.

## Ambalajın açılması



### UYARI!

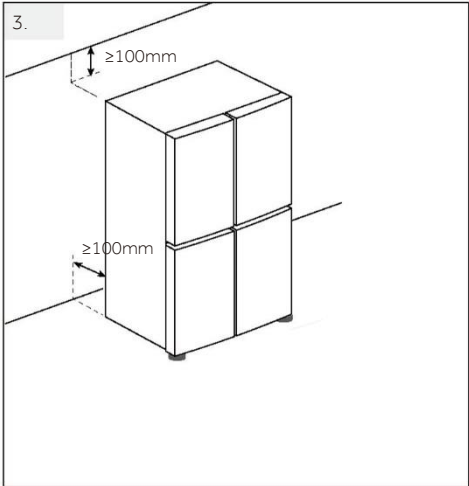
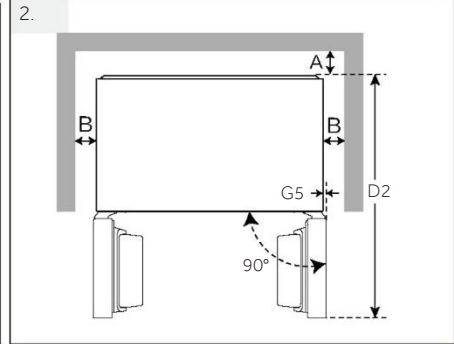
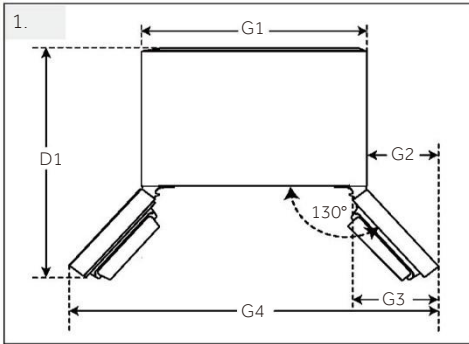
- ▶ Cihaz ağırdır. Daima en az iki kişi taşıyın.
- ▶ Tüm ambalajları çocukların erişemeyeceği bir yerde saklayın ve çevreye zarar vermeyecek şekilde atın.
- ▶ Cihazı ambalajından çıkarın.
- ▶ Tüm ambalaj malzemelerini çıkarın.

## Çevre koşulları

Cihazın içindeki sıcaklığı ve enerji tüketimini etkileyebileceğinden, oda sıcaklığı her zaman 10°C ile 43 °C arasında olmalıdır. Cihazı izolasyonu olmayan diğer ısı yayan cihazların (fırınlara, buzdolapları) yanına kurmayın.

## Alan önerisi

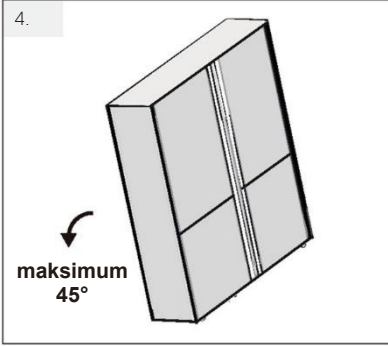
Kapı açıldığında önerilen boşluk (Şekil 1.2.)



(Birim: mm)	Model#	
Genişlik	G1	905
	G2	327
	G3	368
	G4	1559
	G5	51
	G	905
Arka duvara olan mesafe	D1	1061
	D2	1101
	D	738
Arka duvara olan mesafe	A	100
Yan duvarlara olan mesafe	B	100
Tavana olan mesafe	C	100
Toplam Yükseklik	H	1825

## Havalandırma kesiti

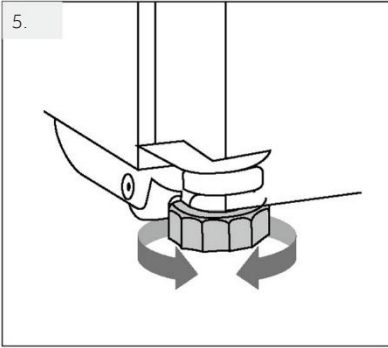
Güvenlik nedeniyle cihazın yeterli şekilde havalandırılmasını sağlamak için, gerekli havalandırma kesitlerine ilişkin bilgilere uyulmalıdır.



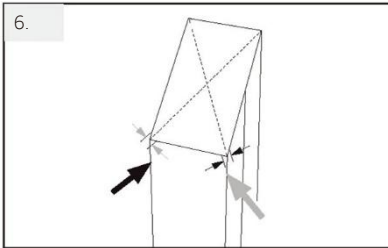
### Cihazın hizalanması (Şekil 4.5.6.)

Cihaz düz ve sağlam bir yüzeye yerleştirilmelidir.

4. Buzdolabını hafifçe geriye doğru eğin.



5. Ayakları istenilen seviyeye ayarlayın. Kapının düzgün açılabilmesi için menteşe tarafında duvara olan mesafenin en az 100 mm olduğundan emin olun.

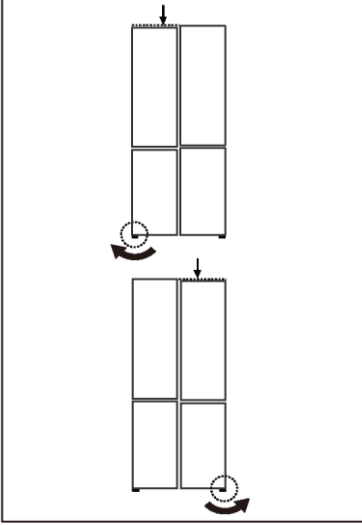


6. Stabilité, köşegenlere dönüşümlü olarak çarpılarak kontrol edilebilir. Hafif sallanma her iki yönde de aynı olmalıdır. Aksi takdirde çerçeve bükülebilir; sonuç olarak kapı contaları sızdırabilir. Arkaya doğru düşük bir eğilim, kapıların kapanmasını kolaylaştırır.



## AÇIKLAMA

Bağımsız bir cihaz için: Bu soğutma cihazı, ankastre bir cihaz olarak kullanılmak üzere tasarlanmamıştır.

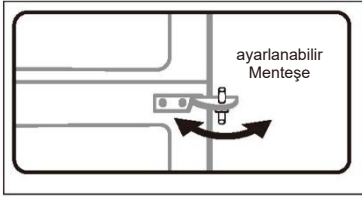


### Kapıların ince ayarı

Kapılar aynı seviyede değilse, bu uyumsuzluk şu şekilde giderilebilir:

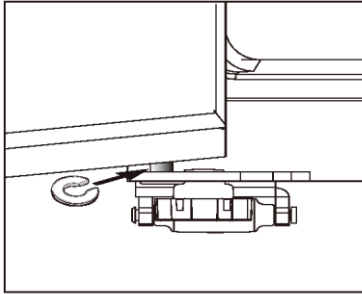
### Ayarlanabilir ayak kullanma

Ayağı yukarı veya aşağı çevirmek için ayarlanabilir ayağı ok yönüne göre döndürün.



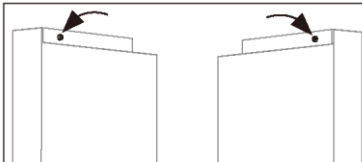
### Kapı pozisyon ayarı

- ▶ İki kapı aynı yükseklikte olmadığında, iki kapıyı düzleştirmek için birlikte verilen anahtarla ayarlanabilir menteşelerde ince ayar yapılabilir. Kapı döşemesinde çizik veya darbeleri önlemek için lütfen sert hareketlerden kaçının.



### Ayırıcıları kullanma

- ▶ Dondurucu kapağını açın ve kaldırın.
- ▶ Ara parçayı (aksesuar çantasında bulunur) elinizle veya pense gibi aletler kullanarak alt menteşenin aksına dikkatlice klipsleyin. Kapıyı çizmeyin veya ezmeyin.



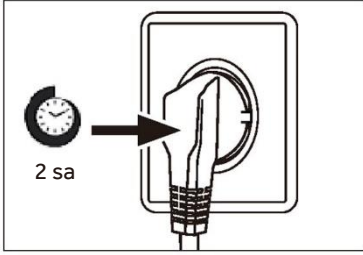
### Ayar düğmesinin kullanımı

- ▶ Buzdolabı Bölmesinin kapısı düz değilse, ince ayarlar yapmak için kapının üst kısmındaki ayarlanabilir düğmeyi döndürebilirsiniz.



## AÇIKLAMA

Buzdolabının gelecekteki kullanımında, saklanan gıdaların ağırlığında kapı eşitsizliği olabilir. O zaman lütfen yukarıdaki yöntemlere göre ayarlayın.



### Bekleme süresi

Bakım gerektirmeyen yağlama yağı, kompresörün kapsülünde bulunur. Bu yağ eğimli taşıma sırasında kapalı boru sisteminden geçebilir. Cihazı güç kaynağına bağlamadan önce, yağın tekrar kapsüle akması için en az 2 saat beklemeniz gerekir.

### Elektrik bağlantısı

Her bağlantıdan önce şunları kontrol edin:

- ▶ Güç kaynağı, priz ve sigortanın anma değeri plakasına uygun olduğunu.
- ▶ Elektrik prizinin topraklı olduğunu ve çoklu fiş veya uzatma olmadığını.
- ▶ Elektrik fişi ve prizin kesinlikle doğru olduğunu.


Fişi uygun şekilde kurulmuş bir ev prizine takın.



### UYARI!

Riskleri önlemek için hasarlı bir güç kablosu müşteri hizmetleri tarafından değiştirilmelidir (garanti kartına bakın).

AB No. 2019/2016 yönetmeliğine göre ürün fişi

Marka	Haier
Model adı / tanımlayıcı	HCR59F19DNMM HCR59F18DNMB
Modelin kategorisi	Buzdolabı-dondurucu
Enerji verimliliği sınıfı	D
Yıllık enerji tüketimi (kWsa/yıl)(1)	306
Toplam hacim (L)	706
Buzdolabı hacmi (L)	417
Dondurucu hacmi (L)	251
İki yıldızlı bölüm (L)	38
Yıldız derecelendirmesi	
Buzlanmayan sistem	Evet
Dondurma kapasitesi (kg/24sa)	14
İklim derecelendirmesi (2)	SN-N-ST-T
Gürültü emisyon sınıfı ve hava kaynaklı akustik gürültü emisyonları (db(A) re 1pW)	C (35)
Sıcaklık yükselme süresi (saat)	13
Cihaz tipi	Bağımsız

Açıklamalar:

• Evet, özelliği

- (1) 24 saatlik standart uygunluk testi sonuçlarına göre. Gerçek tüketim, cihazın kullanımına ve konumuna bağlıdır.
- (2) İklim derecelendirmesi SN: Bu cihaz, + 10°C ile +32°C arasındaki ortam sıcaklığında kullanılmak üzere tasarlanmıştır  
İklim derecelendirmesi N: Bu cihaz, + 16°C ile +32°C arasındaki ortam sıcaklığında kullanılmak üzere tasarlanmıştır  
İklim derecelendirmesi ST: Bu cihaz, + 16°C ile +38°C arasındaki ortam sıcaklığında kullanılmak üzere tasarlanmıştır  
İklim derecelendirmesi T: Bu cihaz, + 16°C ile +43°C arasındaki ortam sıcaklığında kullanılmak üzere tasarlanmıştır

#### Ek teknik veriler

Gerilim / Frekans	220-240V ~ / 50Hz
Giriş akımı (A)	1,5
Ana sigorta (A)	16
Soğutma sıvısı	R600a 68g
Boyutlar (G/D/Y mm cinsinden)	905 / 738 / 1825

Haier Müşteri Hizmetlerimizi ve orijinal yedek parça kullanımını öneriyoruz. Cihazınızla ilgili bir sorunuz varsa, lütfen önce SORUN GIDERME bölümüne bakın.

Orada bir çözüm bulamazsanız, lütfen

- ▶ yerel bayinizle veya
- ▶ Avrupa Çağrı Hizmet Merkezimizle (aşağıda listelenen telefon numaralarına bakın) ya da
- ▶ servis talebini etkinleştirebileceğiniz ve ayrıca SSS'leri bulabileceğiniz [www.haier.com](http://www.haier.com) adresindeki Servis ve Destek alanı
- ▶ ile iletişime geçin.

Hizmetimizle iletişime geçmek için aşağıdaki verilere sahip olduğunuzdan emin olun. Bilgiler, anma değeri plakasında bulunabilir.

Model \_\_\_\_\_

Seri Numarası \_\_\_\_\_

Garanti ile ilgili olarak, ürünle birlikte verilen Garanti Kartını da kontrol edin.

Avrupa Çağrı Servis Merkezi		
Ülke*	Telefon Numarası	Maliyetler
Haier Italy (IT)	199 100 912	
Haier Spain (ES)	902 509 123	
Haier Germany (DE)	0180 5 39 39 99	<ul style="list-style-type: none"><li>• 14 Ct/Dk. Sabit Hat</li><li>• maks 42 Ct/Dk. Mobil</li></ul>
Haier Austria (AT)	0820 001 205	<ul style="list-style-type: none"><li>• 14,53 Ct/Dk. Sabit Hat</li><li>• maks 20 Ct/Dk. diğerleri</li></ul>
Haier United Kingdom (UK)	0333 003 8122	
Haier France (FR)	0980 406 409	

\*Diğer ülkeler için lütfen [www.haier.com](http://www.haier.com) adresine bakın

Haier Europe Trading S.r.l

Branch UK

Westgate House, Westgate, Ealing

London, W5 1YY

\*Soğutma cihazının garanti süresi:

Asgari garanti: AB Ülkeleri için 2 yıl, Türkiye için 3 yıl, İngiltere için 1 yıl, Rusya için 1 yıl, İsveç için 3 yıl, Sırbistan için 2 yıl, Norveç için 5 yıl, Fas için 1 yıl, Cezayir için 6 ay, Tunus yasal garanti gerekli değildir.

\*Cihazın tamiri için yedek parça süresi:

Termostatlar, sıcaklık sensörleri, baskılı devre kartları ve ışık kaynakları, modelin son ünitesinin piyasaya sürülmesinden sonra en az yedi yıl süreyle mevcuttur.

Modelin son ünitesinin piyasaya sürülmesinden sonra en az yedi yıl kapı kolları, kapı menteşeleri, tepsi ve sepetler ve en az 10 yıl kapı contaları.

\*Ürün hakkında daha fazla bilgi için lütfen <https://eprel.ec.europa.eu/> adresini ziyaret edin veya cihazla birlikte verilen enerji etiketindeki QR kodunu tarayın.

## KALİTE SERTİFİKASI

AD: BUZDOLABI

Q.C.PASSED

KONTROL No.

QC01

# Haier

专用号条码

0060543171  
2026 Versiyon A

# Haier

Priručnik za korisnika



Frižider – zamrzivač

HCR59F18DNMM

HCR59F18DNMB

<b><u>4 Bezbednosne informacije</u></b>	<b><u>Pre prve upotrebe</u></b>	<b>5</b>
	<b><u>Ugradnja</u></b>	<b>5</b>
	<b><u>Svakodnevna upotreba</u></b>	<b>6</b>
<b><u>8 Namena</u></b>		
<b><u>9 Opis proizvoda</u></b>		
<b><u>10 Kontrolna tabla</u></b>		
<b><u>11 Upotreba</u></b>	<b><u>Podešavanje temperature frižidera</u></b>	<b>14</b>
	<b><u>Podešavanje temperature zamrivača</u></b>	<b>14</b>
	<b><u>Funkcija Super Cool</u></b>	<b>15</b>
	<b><u>Funkcija Super-Frz</u></b>	<b>15</b>
	<b><u>Režim Holiday</u></b>	<b>16</b>
	<b><u>Funkcija Magic Zone</u></b>	<b>17</b>
<b><u>20 Oprema</u></b>		
<b><u>22 Saveti za uštedu energije</u></b>		
<b><u>23 Održavanje i čišćenje</u></b>		
<b><u>25 Rešavanje problema</u></b>		
<b><u>29 Ugradnja</u></b>		
<b><u>33 Tehnički podaci</u></b>		
<b><u>35 Korisnička služba</u></b>		

## Hvala vam što ste kupili proizvod kompanije Haier.

Pažljivo pročitajte ova uputstva pre upotrebe ovog uređaja. Uputstva sadrže važne informacije koje će vam pomoći da iskoristite sve mogućnosti uređaja i obezbedite bezbednu i pravilnu montažu, upotrebu i održavanje.

Držite ovaj priručnik na pogodnom mestu, tako da uvek možete da ga pročitate radi bezbedne i pravilne upotrebe uređaja.

Ako prodajete uređaj, poklanjate ga ili ostavljate nakon preseljenja, obavezno priložite ovaj priručnik tako da novi vlasnik može da se upozna sa uređajem i sigurnosnim upozorenjima.

## Dodatna oprema

Proverite dodatnu opremu i literaturu u skladu sa ovom listom:



Energetska nalepnica



Garantni list



Priručnik za korisnika



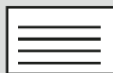
Garantni list



Brzi vodič



Odstojnik×3



Kartica upozorenja



Ključ



## UPOZORENJE – Važne bezbednosne informacije



## OBAVEŠTENJE – Opšte informacije i saveti



## Informacije o životnoj sredini



### Odlaganje u otpad

Pomozite u zaštiti životne sredine i očuvanju ljudskog zdravlja. Odložite ambalažu u odgovarajući kontejner radi recikliranja. Pomozite u reciklaži otpada od električnih i elektronskih uređaja. Ne odlažite u otpad uređaje označene ovim simbolom zajedno sa otpadom iz domaćinstva. Vratite proizvod u lokalni objekat za reciklažu ili se obratite opštinskoj kancelariji.



### UPOZORENJE: Rizik od vatre / zapaljivog materijala

Simbol označava da postoji opasnost od požara jer se koriste zapaljivi materijali. Pazite da ne izazovete požar paljenjem zapaljivog materijala.



## UPOZORENJE!

Rizik od povrede ili gušenja!

Stručnjaci moraju da odlože u otpad rashladna sredstva i gasove. Uverite se da cev rashladnog kola nije oštećena pre pravilnog odlaganja u otpad. Isključite uređaj iz mrežnog napajanja. Isecite mrežni kabl i odložite ga u otpad. Uklonite tacne i fiokke, kao i rezu vrata i zaptivke, kako biste sprečili zaglavljivanje dece i kućnih ljubimaca u uređaju.

## Pre prvog uključivanja uređaja, pročitajte sledeće savete o bezbednosti!



### UPOZORENJE!

#### Pre prve upotrebe

- ▶ Uverite se da se nisu pojavila oštećenja pri transportu.
- ▶ Rukujte uređajem uvek sa još najmanje dve osobe jer je težak.

#### Ugradnja

- ▶ Postavite uređaj na dobro provetreno mesto. Obezbedite prostor od najmanje 10 cm iznad i oko uređaja.
- ▶ Nikada ne montirajte uređaj u vlažnom prostoru ili na mestu gde se može isprskati vodom. Prebrišite vodu i mrlje od vode mekom i čistom krpom.
- ▶ Ne montirajte uređaj na direktnoj sunčevoj svetlosti ili u blizini izvora toplote (npr. rerna, grejalica).
- ▶ Montirajte i nivelišite uređaj u prostoru pogodnom za njegovu veličinu i upotrebu.
- ▶ Ne blokirajte ventilacione otvore na uređaju ili u ugrađenoj strukturi.
- ▶ Uverite se da su električne informacije na natpisnoj pločici usklađene sa napajanjem. Ako to nije slučaj, obratite se električaru.
- ▶ Uređaj radi pod napajanjem od 220–240 VAC / 50 Hz. Neuobičajena fluktuacija napona može prouzrokovati da se uređaj ne uključi ili oštećenje regulacije temperature, a pored toga može doći do neuobičajene buke prilikom rada. U tom slučaju, treba da se montira automatski regulator.
- ▶ Nemojte da koristite adaptere sa više utičnica niti produžne kablove.
- ▶ Nemojte da smeštate više prenosivih utičnica ili prenosivih izvora napajanja na zadnji deo uređaja.
- ▶ Uverite se da mrežni kabl nije zaglavljen u frižideru. Nemojte da gazite mrežni kabl.
- ▶ Koristite zasebnu uzemljenu utičnicu za mrežno napajanje koja je lako dostupna. Uređaj mora biti uzemljen.  
Samo za Ujedinjeno Kraljevstvo: Mrežni kabl uređaja opremljen je utikačem sa 3 priključnice (sa uzemljenjem) koji se podudara sa standardnom utičnicom sa 3 priključnice (sa uzemljenjem). Nemojte nikada da sećete ili skidate treću iglicu (uzemljenje). Nakon montaže uređaja, utikač treba da bude pristupačan.
- ▶ Nemojte da oštetite rashladno kolo.



## UPOZORENJE!

### Svakodnevna upotreba

- ▶ Ovaj uređaj smeju da koriste deca uzrasta od 8 godina i osobe sa smanjenim fizičkim, čulnim ili mentalnim sposobnostima ili nedostatkom iskustva i znanja ako su pod nadzorom ili ako imaju na raspolaganju uputstva u vezi sa upotrebom uređaja na bezbedan način i ako razumeju opasnosti koje su uključene.
- ▶ Deca uzrasta od 3 do 8 godina smeju da stavljaju hranu i vade je ih rashladnih uređaja, ali im nije dozvoljeno da ih čiste ili montiraju.
- ▶ Deca mlađa od 3 godina moraju se držati podalje od uređaja, osim ako su pod stalnim nadzorom.
- ▶ Deca ne smeju da se igraju uređajem.
- ▶ Ako u blizini uređaja curi hladni gas ili drugi zapaljivi gas, isključite ventil isecurelog gasa, otvorite vrata i prozore i nemojte da isključujete iz utičnice utikač mrežnog kabla frižidera ili bilo kog drugog uređaja.
- ▶ Imajte na umu da je uređaj pripremljen za rad u određenom opsegu temperature okruženja između 10 i 43 °C. Uređaj možda neće raditi ispravno ako se ostavi tokom dužeg perioda na temperaturi iznad ili ispod navedenog opsega.
- ▶ Ne stavljajte nestabilne predmete (teške predmete, posude napunjene vodom) na vrh frižidera kako biste izbegli telesne povrede izazvane padom ili strujnim udarom koji je izazvan kontaktom sa vodom.
- ▶ Nemojte da vučete police u vratima. Moguće je naginjanje vrata, police za flaše, izvlačenje vrata ili rušenje uređaja.
- ▶ Otvarajte i zatvarajte vrata samo pomoću ručki. Razmak između vrata i između vrata i unutrašnjosti zamrzivača je veoma uzak. Nemojte da pružate ruke u ove oblasti kako biste izbegli prikleštenje prstiju. Otvarajte ili zatvarajte vrata frižidera samo kada nema dece u domaćaju kretanja vrata.
- ▶ Nemojte da čuvate ili koristite zapaljive, eksplozivne ili korozivne materijale u uređaju ili u njegovoj blizini.
- ▶ Nemojte da čuvate lekove, bakterije ili hemijska sredstva u uređaju. Ovaj uređaj je kućni aparat. Ne preporučuje se skladištenje materijala koji iziskuju strogo određene temperature.
- ▶ Nemojte da čuvate u zamrzivaču tečnosti u flašama ili limenkama (osim jakih alkoholnih pića), naročito gazirana pića, jer će one pući tokom zamrzavanja.
- ▶ Proverite stanje hrane ako je došlo do zagrevanja zamrzivača.
- ▶ Nemojte da podešavate nepotrebno nisku temperaturu u frižideru. Temperature ispod nule se mogu javiti na visokim postavkama. Pažnja: Flaše mogu da puknu
- ▶ Nemojte da dodirujete smrznute predmete mokrim rukama (nosite rukavice). Posebno nemojte da jedete zaleđene lizalice neposredno nakon vađenja iz zamrzivača. Postoji rizik od smrzavanja ili stvaranja promrzlina. Prva pomoć: odmah stavite pod tekuću hladnu vodu. Ne povlačite!
- ▶ Nemojte da dodirujete unutrašnju površinu zamrzivača dok radi, naročito ne vlažnim šakama, jer šake mogu da vam se zamrznu na površini.



## UPOZORENJE!

### Svakodnevna upotreba

- ▶ Isključite uređaj u slučaju nestanka struje ili pre čišćenja. Sačekajte najmanje 7 minuta pre ponovnog uključivanja uređaja, jer često uključivanje može oštetiti kompresor.
- ▶ Nemojte da koristite električne uređaje unutar odeljaka za čuvanje hrane u uređaju, osim ako nisu onog tipa koji preporučuje proizvođač.  
Održavanje/čišćenje
- ▶ Deca moraju da budu pod nadzorom ako obavljaju čišćenje i održavanje.
- ▶ Isključite uređaj iz mrežnog napajanja pre nego što preduzmete bilo kakvo rutinsko održavanje. Sačekajte najmanje 5 minuta pre ponovnog uključivanja uređaja, jer često uključivanje može oštetiti kompresor.
- ▶ Držite utikač, a ne kabl, prilikom isključivanja uređaja iz napajanja.
- ▶ Nemojte da čistite uređaj tvrdim četkama, žičanim četkama, deterdžentom u prahu, benzinom, amil acetatom, acetonom i sličnim organskim, kiselim ili alkalnim rastvorima. Čistite uređaj specijalnim deterdžentom za frižidere kako biste izbegli oštećenje.
- ▶ Nemojte da stružete mraz ili led ostrim predmetima. Nemojte da koristite sprejeve, električne grejače poput grejalica, fenova za kosu, parnih čistača ili drugih izvora toplote, kako bi se izbeglo oštećenje plastičnih delova.
- ▶ Nemojte da koristite mehaničke uređaje ili druga sredstva za ubrzavanje procesa odmrzavanja, osim onih koje preporučuje proizvođač.
- ▶ Ako je mrežni kabl oštećen, mora da ga zameni proizvođač, radnik servisne službe ili slično kvalifikovana lica kako bi se izbegla opasnost.
- ▶ Nemojte da pokušavate sami da popravite, rastavljate ili izmenite uređaj. U slučaju popravke, obratite se našoj službi za korisnike.
- ▶ Uklonite prašinu na poleđini jedinice najmanje jednom godišnje kako bi se izbegla opasnost od požara, kao i povećana potrošnja energije.
- ▶ Nemojte da prskate tečnost na uređaj niti da ga ispirate tokom čišćenja.
- ▶ Nemojte da koristite raspršenu vodu ili paru za čišćenje uređaja.
- ▶ Nemojte da čistite hladne staklene police vrućom vodom. Iznenadna promena temperature može da prouzrokuje lom stakla.

### Informacije o rashladnom gasu

- ▶ Uređaj sadrži zapaljivo rashladno sredstvo IZOBUTAN (R600a). Uverite se da rashladno kolo nije oštećeno tokom transporta ili montaže. Curenje rashladnog sredstva može izazvati povrede oka ili se može zapaliti. Ako je došlo do oštećenja, držite dalje od otvorenih izvora vatre, dobro provetrite prostoriju, ne priključujte niti isključujte kablove za napajanje ovog uređaja ili bilo kog drugog uređaja. Obavestite korisničku službu.
- ▶ U slučaju da rashladno sredstvo dođe u kontakt sa očima, odmah ih isperite tekućom vodom i odmah pozovite očnog lekara.

## Namena

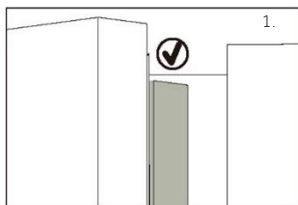
Ovaj uređaj je namenjen za hlađenje i zamrzavanje hrane. Dizajniran je isključivo za upotrebu u domaćinstvu i za slične primene, kao što su kuhinjske prostorije za osoblje u okviru prodavnica, kancelarija ili drugih radnih prostorija, seoske kuće i za klijente u hotelima, motelima i drugim okruženjima stambenog tipa, kao i za smeštajne objekte tipa noćenja sa doručkom, kao i u katering. Nije namenjen za komercijalnu ili industrijsku upotrebu.

Promene ili izmene uređaja nisu dozvoljene. Upotreba u suprotnosti sa namenom može izazvati opasnosti i poništiti garanciju.

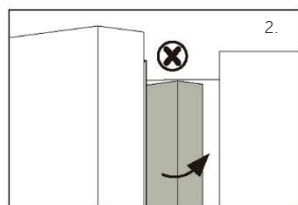
## Standardi i direktive **CE**

Ovaj proizvod zadovoljava zahteve svih važećih direktiva EC sa odgovarajućim usklađenim standardima, koji predviđaju CE oznaku.

### OPREZ!



Kada zatvorite vrata, uspravna lajsna na levim vratima treba da se presavije prema unutra (1).

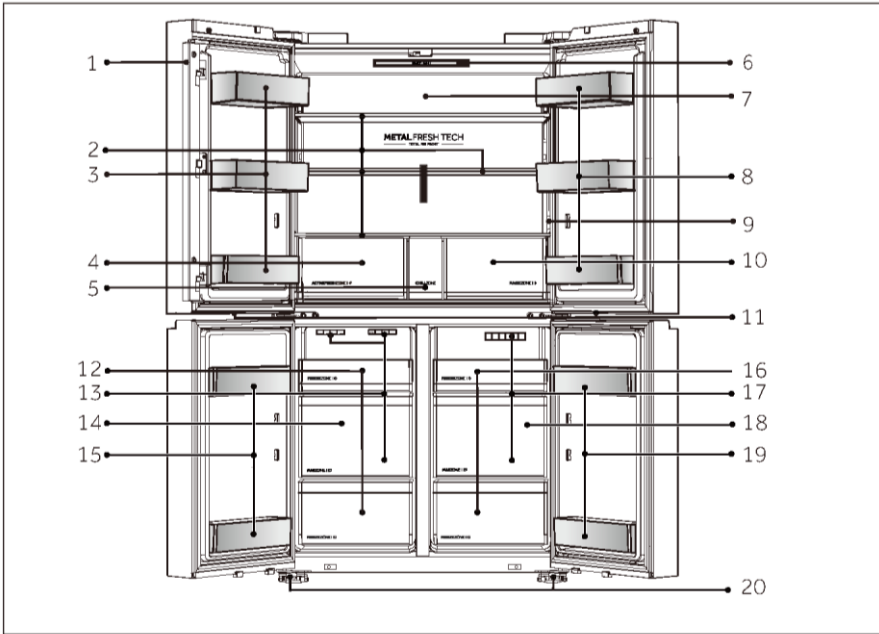


Ako pokušate da zatvorite leva vrata dok uspravna lajsna vrata nije presavijena (2), prvo je savijte, inače će lajsna vrata pogoditi pričvrstnu osovinu ili desna vrata. Tako će doći do oštećenja lajsne vrata ili curenja.

Postoji grejni navoj unutar okvira. Temperatura površine će porasti blago, što je normalno i neće uticati na funkciju uređaja.

## **i** NAPOMENA

Zbog tehničkih promena i različitih modela, neke ilustracije u ovom priručniku mogu se razlikovati od vašeg modela.

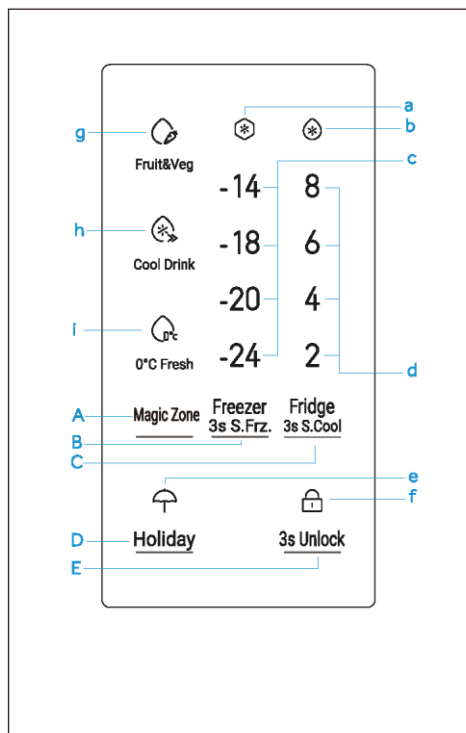


A: Frižider

- 1 Lajsna vrata
- 2 Staklene police
- 3 Držać za boce
- 4 Fioka ACTIVEFRESH ZONE
- 5 Kutija CHILL ZONE
- 6 Lampa frižidera
- 7 Kanal frižidera
- 8 Držać za boce
- 9 Kontrolni panel
- 10 Fioka MAGIC ZONE
- 11 Lampa zamrzivača

B: Odeljak zamrzivača

- 12 Fioka FREEZE ZONE
- 13 Vazdušni kanal
- 14 Fioka MAX ZONE
- 15 Držać za boce
- 16 Fioka FREEZE ZONE
- 17 Vazdušni kanal
- 18 Fioka MAX ZONE
- 19 Držać za boce
- 20 Podesive stopice



## Tasteri:

- A Birač režima Magic Zone
- B Birač funkcije zamrzivača i super-frz
- C Birač funkcije frižidera i super-cool
- D Birač funkcije Holiday
- E Birač funkcije zaključavanja/ otključavanja

## Indikatori:

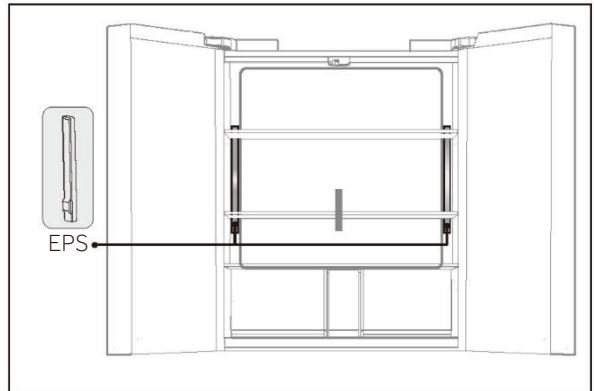
- a Funkcija Super-Frz
- b Funkcija Super-Cool
- c Temperatura zamrzivača
- d Temperatura frižidera
- e Funkcija Holiday
- f Funkcija zaključavanja/otključavanja
- g Funkcija Fruit & Veg
- h Funkcija Cool drink
- i Funkcija 0°C Fresh

### Pre prve upotrebe

- ▶ Uklonite sva pakovanja, posebno belu EPS penu sa obe strane rashladnog kanala i držite ih van domašaja dece. Odložite je na ekološki prihvatljiv način.
- ▶ Očistite unutrašnjost i spoljašnjost uređaja vodom i blagim deterdžentom pre stavljanja bilo kakve hrane u njega.
- ▶ Nakon što je uređaj nivelisan i očišćen, sačekajte najmanje 2–5 sati pre nego što ga priključite na napajanje. Pogledajte odeljak MONTAŽA.
- ▶ Ohladite odeljke pri visokim postavkama pre postavljanja hrane. Funkcija Power-Freeze pomaže da se odeljci brzo ohlade.
- ▶ Temperatura frižidera i zamrzivača su automatski podešene na 4 °C, odnosno, -18 °C. Ovo su preporučene postavke. Ako želite, možete ručno da promenite ove temperature. Pogledajte odeljak PODESITE TEMPERATURU.

### Metoda uklanjanja EPS-a

Prvo, uklonite gornju i srednju policu (postupak za uklanjanje polica je opisan na strani 25), a zatim izvadite dva EPS-a.



## Senzorski tasteri

Tasteri na kontrolnom panelu su senzorski tasteri koji reaguju i na blag dodir prstom.

## Uključite/isključite uređaj

Uređaj je u funkciji čim se priključi na napajanje.

Temperatura frižidera i temperatura zamrzivača se automatski podešavaju na 4 °C odnosno -18 °C.

Možda je zaključavanje panela aktivno.



## NAPOMENA

Uređaj je podešen na preporučenu temperaturu od 4 °C (frižider) i -18 °C (zamrzivač). U normalnim uslovima okoline ne morate da podesite temperaturu.

Kada se uređaj uključi nakon isključivanja iz mrežnog napajanja, može potrajati i do 12 sati da se postignu ispravne temperature.

Ispraznite uređaj pre isključivanja. Da biste isključili uređaj, izvucite mrežni kabl iz utičnice.

## Zaključavanje/otključavanje panela

Automatsko zaključavanje: Kada su vrata frižidera zatvorena i nijedan taster se ne pritisne u roku od 30 sekundi, ekran će se automatski ugasiti i zaključati.

Ručno zaključavanje: Kada je ekran otključan, držite taster „E” (birač zaključavanja panela) i pritisnutim 3 sekunde, zujalica će se oglasiti jednom, indikator „f” (zaključavanje panela) će zasvetleti i ekran će se zaključati. U zaključanom stanju, pritisnite taster „E” u trajanju od 3 sekunde; zvučni signal će se oglasiti jednom, indikator „f” (panel zaključan) će se ugasiti i panel će se otključati.



## Režim ručnog podešavanja

Ako želite da ručno podesite temperaturu uređaja, možete da podesite temperaturu preko tastera za podešavanje temperature (pogledajte odeljak PODESITE TEMPERATURU)

## Alarm za vrata

Alarm za vrata se aktivira ako su vrata ostavljena otvorena duže vreme ili nisu pravilno zatvorena, kako bi vas podsetio.

## Podešavanje temperature

Na unutrašnju temperaturu utiču sledeći faktori:

Temperatura okruženja, učestalost otvaranja vrata, količina uskladištene hrane, ugradnja uređaja

## Podešavanje temperature frižidera

1. Kada je ekran otključan, pritisnite dugme „C“. Zvučni signal će se oglasiti jednom, indikator „b“ će treptati, a zatim će se prikazati režim podešavanja temperature frižidera.
2. Pritisnite dugme „C“ svaki put. Zvučni signal će se oglasiti jednom, podešena temperatura frižidera će se promeniti, a temperatura frižidera će se prikazivati u redosledu 8>6>4>2.

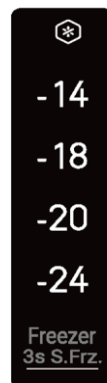


### NAPOMENA

Nakon podešavanja temperature, ako nema aktivnosti u roku od 5 sekundi, sistem će se automatski odrediti i sačuvati podešenu temperaturu.

## Podešavanje temperature zamrzivača

1. Kada je ekran otključan, pritisnite dugme „B“. Zvučni signal će se oglasiti jednom, indikator „c“ će treperiti, a zatim će se aktivirati režim podešavanja temperature zamrzivača
2. Pritisnite dugme „B“ svaki put. Zvučni signal će se oglasiti jednom, podešena temperatura frižidera će se promeniti, a temperatura frižidera će se prikazivati u redosledu -14 > -18 > -20 > -24

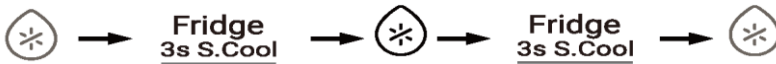


### NAPOMENA

Nakon podešavanja temperature, ako nema aktivnosti u roku od 5 sekundi, sistem će se automatski odrediti i sačuvati podešenu temperaturu.

## Funkcija Super Cool

1. Kada je ekran otključan, pritisnite i zadržite dugme „C” u trajanju od 3 sekunde. Zvučni signal će se oglasiti jednom, indikator „b” će se upaliti i funkcija Super-Cool će se aktivirati.
2. Kada se upali indikator „b”, pritisnite i zadržite dugme „C” u trajanju od 3 sekunde. Zvučni signal će se oglasiti jednom, indikator „b” će se ugasisi i funkcija Super-Cool će se isključiti.
3. Nakon uključivanja funkcije Super-Cool, frižider će automatski isključiti funkciju kada dostigne podešeno stanje. Ako želite da izađete ručno, možete da pritisnete dugme „C” radi isključivanja.



## NAPOMENA

1. U Super-Cool stanju, temperatura frižidera se ne može podesiti. Ako pritisne dugme „C” da bi se podesila temperatura frižidera, indikator „b” će treptati i oglasice se zvučni signal koji ukazuje da se ova operacija ne može izvršiti.
2. U stanju funkcije Super-Cool, funkcija Auto-Set ne može se istovremeno uključiti zbog različitih režima upravljanja. Kada izaberete jednu funkciju koja je u sukobu sa drugom funkcijom, prvobitna funkcija će se automatski zatvoriti.

## Funkcija Super-Frz

1. Kada je ekran otključan, pritisnite i zadržite dugme „B” u trajanju od 3 sekunde. Zvučni signal će se oglasiti jednom, indikator „a” će se upaliti i funkcija Super-Frz će se aktivirati.
2. Kada se upali indikator „a”, pritisnite i zadržite dugme „B” u trajanju od 3 sekunde. Zvučni signal će se oglasiti jednom, indikator „a” će se ugasisi i funkcija Super-Frz će se isključiti.
3. Nakon uključivanja funkcije Super-Frz, frižider će automatski isključiti funkciju kada dostigne podešeno stanje. Ako želite da izađete ručno, možete da pritisnete dugme „B” radi isključivanja.





## NAPOMENA

1. U stanju Super-Freeze, temperatura zamrzivača se ne može podesiti. Ako pritisne dugme „B” da bi se podesila temperatura zamrzivača, indikator „a” će treptati i oglašiće se zvučni signal koji ukazuje da se ova operacija ne može izvršiti.
2. Funkcija Super-Freeze je dizajnirana da zadrži hranljivu vrednost zamrznute hrane, ona će biti zamrznuta u najkraćem roku. Brzina zamrzavanja zamrzivača je poboljšana, što omogućava brzo zamrzavanje hrane, efikasno očuvanje hranljivih materija i olakšavanje skladištenja. Ako treba da zamrznete veliku količinu hrane odjednom, preporučuje se da aktivirate funkciju Super Freeze 24 sata pre upotrebe odeljka zamrzivača.

## Režim Holiday

Režim Holiday je dizajniran za situacije kada se frižider ne koristi dugo. Kada je aktiviran režim Holiday, zamrzivač se normalno kontroliše i temperatura frižidera se automatski podešava na 17 °C. Ovo sprečava mirise izazvane preterano visokim temperaturama i takođe pomaže u smanjenju potrošnje energije.

1. Kada je ekran otključan, pritisnite dugme „D”. Zvučni signal će se oglasiti jednom, indikator „e” će se upaliti i funkcija Holiday će se aktivirati.
2. Kada se upali indikator „e”, pritisnite dugme „D”. Zvučni signal će se oglasiti jednom, indikator „e” će se ugasiti i funkcija Holiday će biti deaktivirana.



## NAPOMENA

Pre korišćenja funkcije Holiday ispraznite frižider kako biste sprečili da se hrana u njemu pokvari. Kada je funkcija Holiday uključena, funkcija „Super-Cool” se ne može istovremeno uključiti.

## Funkcija Magic Zone

Kada je ekran otključan, pritisnite dugme „A“ da biste prelazili između funkcija režima Fruit&Veg, Cool Drink i 0°C Fresh.

### 1. Funkcija Fruit&Veg:

Ova funkcija je pogodna za skladištenje svežeg voća i povrća. Kada je ova funkcija izabrana, svetli indikator „g“.

### 2. Funkcija Cool Drink:

Ova funkcija omogućava skladištenje proizvoda kao što su voda, koka-kola i sok. Kada je ova funkcija izabrana, svetli indikator „h“.

### 3. Funkcija 0°Fresh:

Ova funkcija je pogodna za skladištenje svežih namirnica kao što su meso ili riba. Kada je ova funkcija izabrana, svetli indikator „i“.



## NAPOMENA

1. Podrazumevano podešavanje nakon pokretanja je funkcija Cool drink.
2. Za funkciju Fruit&Veg.: Voće osetljivo na hladnoću, kao što su ananas, avokado, banane, grejpfrut i povrće kao što su krompir, patlidžan, pasulj, krastavci, tikvice i paradajz, kao i sir, ne treba čuvati u fioci „Magic Zone“.
3. Za funkciju 0°Fresh: Zbog različitog sadržaja vode u mesu. Neko meso sa više vlage biće zamrznuto na temperaturama nižim od 0 °C. Dakle, isečeno meso treba čuvati u fioci Magic Zone, u kojoj je temperatura minimalno 0 °C.
4. Tri funkcije Magic Zone ne mogu se otvoriti istovremeno, samo jedna može biti osvetljena. Da biste snizili temperaturu u odeljku frižidera, koristite funkciju Cool Drink. Da biste podigli temperaturu u odeljku frižidera, koristite funkciju Fruit&Veg.

## Saveti za čuvanje sveže hrane

### Čuvanje u frižideru

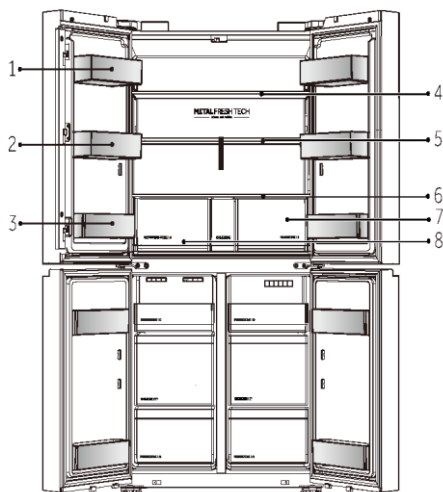
1. Držite temperaturu frižidera ispod 5 °C.
2. Topla hrana mora da se ohladi na sobnu temperaturu pre čuvanja u uređaju.
3. Hrana koja se čuva u frižideru treba da se opere i osuši pre čuvanja.
4. Dobro zatvorite hranu koju treba čuvati kako bi se izbegle promene mirisa ili ukusa.

5. Nemojte da čuvate prekomerne količine hrane. Ostavite razmak između namirnica kako bi se omogućilo da vazduh struji oko njih radi boljeg hlađenja.
6. Hranu koja se jede svakodnevno treba čuvati na prednjoj strani police.
7. Ostavite razmak između hrane i unutrašnjih zidova da biste omogućili protok vazduha. Naročito nemojte da čuvate hranu uz zadnji zid jer se hrana može zamrznuti na njemu. Izbegavajte direktan kontakt hrane (posebno masne ili kisele hrane) sa unutrašnjom oblogom, jer ulje/kiselina može poremetiti unutrašnju sloj. Očistite zaprljanja od ulja/kiselina kad god ih uočite.
8. Odmrzavajte smrznutu hranu u frižideru. Na ovaj način možete koristiti zamrznutu hranu za smanjenje temperature u odeljku i uštedu energije.
9. Proces sazrevanja voća i povrća, kao što su tikvice, dinje, papaja, banana, ananas itd. može se ubrzati u frižideru. Zbog toga nije preporučljivo da ih čuvate u frižideru. Međutim, sazrevanje jako zelenih voćki može se ubrzati tokom određenog perioda. Luk, beli luk, đumbir i drugo korenasto povrće takođe treba čuvati na sobnoj temperaturi.
10. Neprijatni mirisi unutar frižidera znak su da se nešto prosulo i da je potrebno čišćenje. Pogledajte NEGA I ČIŠĆENJE.
11. Različite namirnice treba staviti u različite oblasti prema njihovim svojstvima.



## NAPOMENA

Zadržite rastojanje veće od 10 mm između postavljene hrane i vazdušnih kanala ili senzora kako biste osigurali efekat hlađenja.



1. Maslac, sir itd.
2. Jaja, konzerve, konzervirana hrana, začini itd.
3. Pića i flaširana hrana.
4. Kisela hrana, konzervirana hrana itd.
5. Mesni proizvodi, grickalice, testenina, konzervirana hrana, mleko, tofu, mlečni proizvodi itd.
6. Kuvano meso, kobasice itd.
7. Fioka Magic ZONE: Voće, povrće, salata itd.
8. Fioka ACTIVEFRESH ZONE: Voće, povrće, salata itd.

## Čuvanje u zamrzivaču

1. Održavajte temperaturu zamrzivača na  $-18\text{ }^{\circ}\text{C}$ .
2. 24 sata pre zamrzavanja pređite na funkciju Super-Freeze; za male količine hrane, dovoljno je 4–6 sati.
3. Topla hrana mora biti ohlađena na sobnu temperaturu pre čuvanja u zamrzivaču.
4. Namirnice isečene na manje delove će se brže zamrznuti i lakše odmrzavati i kuvati. Preporučuje se da svaki deo teži manje od 2,5 kg.
5. Bolje je pakovati hranu pre stavljanja u zamrzivač. Spoljašnji deo ambalaže mora biti suv kako bi se izbeglo lepljenja kesa. Materijali ambalaže treba da budu bez mirisa, da se hermetički zatvaraju, da su neotrovni i netoksični.
6. Da biste izbegli istek perioda čuvanja, zabeležite datum zamrzavanja, rok i naziv namirnica na pakovanju prema periodima čuvanja različitih namirnica.
  1. **UPOZORENJE!**Kiselina, baze i soli mogu da erodiraju unutrašnju površinu zamrzivača. Ne stavljajte hranu koja ima ove supstance (npr. morsku ribu) direktno na unutrašnju površinu. Slanu vodu u zamrzivaču treba odmah očistiti.
  2. Nemojte da prekoračite vreme čuvanja hrane koje preporučuju proizvođači. Izvadite samo potrebnu količinu hrane iz zamrzivača.
  3. Konzumirajte odmrznutu hranu brzo. Odmrznuta hrana se ne može ponovo zamrznuti osim ako se prvo ne skuva, inače možda neće biti jestiva.
  4. Nemojte stavljati prekomerne količine sveže hrane u zamrzivač. Pogledajte kapacitet zamrzavanja zamrzivača – pogledajte TEHNIČKI PODACI ili natpisanu pločicu.
  5. Hrana se može čuvati u zamrzivaču na temperaturi od najmanje  $-18\text{ }^{\circ}\text{C}$  od 2 do 12 meseci, u zavisnosti od svojstava (npr. meso: 3–12 meseci, povrće: 6–12 meseci)
  6. Kada zamrzavate svežu hranu, izbegavajte da je dovedete u kontakt sa već zamrznutom ili odmrznutom hranom!

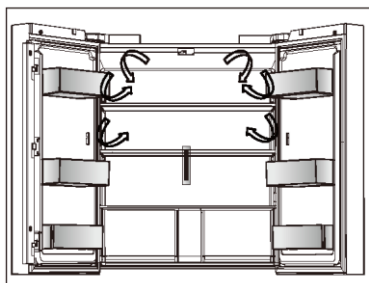
### Prilikom čuvanja komercijalno smrznute hrane, pratite ove smernice:

1. Uvek pratite smernice proizvođača u pogledu vremena tokom kojeg treba čuvati hranu. Nemojte prekoračiti ove smernice!
2. Pokušajte da održite što je moguće kraće vreme između kupovine i čuvanja kako biste očuvali kvalitet hrane.
3. Kupite smrznutu hranu koja se čuva na temperaturi od  $-18\text{ }^{\circ}\text{C}$  ili manjoj.
4. Izbegavajte kupovinu hrane koja ima led ili mraz na pakovanju. Ovo ukazuje na to da su proizvodi možda delimično odmrznuti i zamrznuti u nekom trenutku – porast temperature utiče na kvalitet hrane.



## NAPOMENA

Zadržite rastojanje veće od 10 mm između postavljene hrane i vazdušnih kanala kako biste osigurali efekat hlađenja.

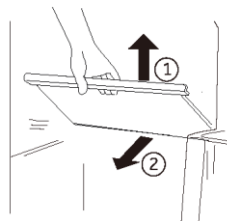


### Višestruki protok vazduha

1. Frižider je opremljen sistemom sa višestrukim protokom vazduha, pri čemu se struja hladnog vazduha nalazi na svakom nivou police. Ovo pomaže u održavanju ravnomerne temperature kako bi se osiguralo da hrana bude sveža duže.

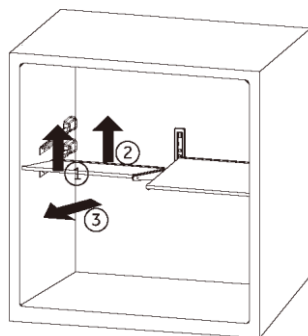
### Podesive police

1. Visina polica može se podesiti tako da odgovara vašim potrebama u pogledu čuvanja hrane.
2. Da biste premestili policu, prvo je uklonite podizanjem prednje ivice ① i izvlačenjem ②.
3. Da biste je ponovo postavili, stavite je na držače sa obe strane i gurnite je što je moguće dublje dok se zadnji deo police ne učvrsti unutar bočnih ureza.



### Podešavanje srednje police

1. Uklonite postolje police: Prvo podignite prednju ivicu ① postolja police za 7 cm, a zatim podignite zadnju ivicu ② postolja police, tako da se kandža na konzolnoj strani može odvojiti od otvora za instalaciju. Na kraju, izvucite postolje police prema spolja ③.
2. Instalirajte postolje police: Gurnite postolje police na mesto prema nagnutom uglu prikazanom na dijagramu, a zatim spustite prednju ivicu ① postolja police, tako da kandža na konzolnoj strani može da stane u otvor za instalaciju.



### NAPOMENA

Uverite se da su svi krajevi police ravni.

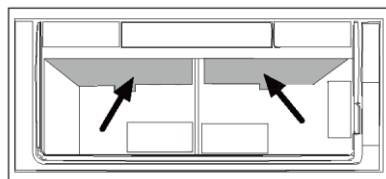
### Fioka ACTIVEFRESH ZONE

1. U ovom odeljku je nivo vlažnosti viši nego u odeljku frižidera. Sistem ga automatski reguliše i pogodan je za čuvanje voća, povrća, salata itd.



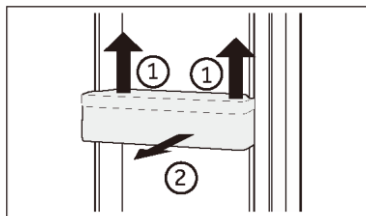
## NAPOMENA

1. Ne skidajte plastični poklopac unutar dve zone.
2. Oni služe da održavaju vlažnost.
3. Voće osetljivo na hladnoću kao što su ananas, avokado, banane,
4. grejpfрут, nije preporučljivo da se čuva u ove dve fiokе.



## Demontažne police u vratima / držači za flaše

1. Nosači u vratima se mogu ukloniti radi čišćenja:
2. Stavite šake sa obe strane police, podignite je nagore ① i izvucite je ②.
3. Da biste vratili nosač u vratima, obavite gorenavedene korake obrnutim redosledom.



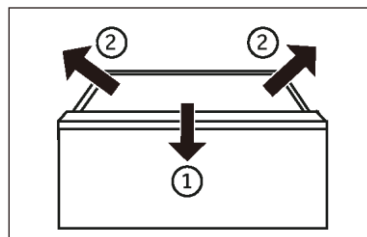
## NAPOMENA

Kada se uređaj uključi, može potrajati i do 12 sati da se postignu ispravne temperature.

## Demontažna fioka

Da biste izvadili fioku, izvucite je u najvećoj mogućoj meri ①, podignite i izvadite je ②.

Da biste ubacili fioku, obavite gorenavedene korake obrnutim redosledom.



## Svetlo

LED unutrašnje svetlo se pali kada se vrata otvore i automatski će se ugasiiti ako vrata ostanu otvorena duže od 7 minuta. Na učinak svetla ne utiče nijedna postavka uređaja.



## Saveti za uštedu energije

- ▶ Uverite se da uređaj ima ispravnu ventilaciju (pogledajte MONTAŽA).
- ▶ Ne montirajte uređaj na direktnoj sunčevoj svetlosti ili u blizini izvora toplote (npr. rerna, grejalica).
- ▶ Izbegavajte nepotrebno nisku temperaturu u uređaju. Potrošnja energije se povećava što je niža temperatura podešena u uređaju.
- ▶ Funkcije poput POWER- FREEZE troše više energije.
- ▶ Sačekajte da se topla hrana ohladi pre nego što je stavite u uređaj.
- ▶ Otvarajte vrata uređaja što je manje i što kraće moguće.
- ▶ Nemojte da prepunite uređaj kako bi se izbeglo ometanje protoka vazduha.
- ▶ Izbegavajte zadržavanje vazduha pri pakovanju hrane.
- ▶ Održavajte čistoću zaptivki vrata tako da se uvek zatvaraju ispravno.
- ▶ Odmrzavajte smrznutu hranu u frižideru.
- ▶ Konfiguracija koja najviše štedi energiju zahteva da uređaj drži fioke, kutiju za hranu i police itd. u fabrički svežem stanju, a hranu treba postaviti što je dublje moguće bez blokiranja izlaza vazdušnog voda.



## UPOZORENJE!

Isključite uređaj iz mrežnog napajanja pre čišćenja.

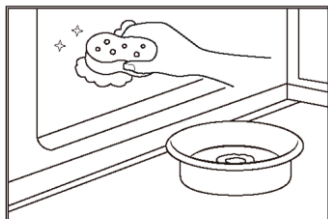
### Čišćenje

1. Očistite uređaj samo kada se čuva mala količina hrane ili kada nema hrane u njemu.
2. Uređaj treba da čistite na četiri nedelje radi dobrog održavanja i kako bi se sprečilo stvaranje neprijatnog mirisa hrane.



## UPOZORENJE!

- ▶ Nemojte da čistite uređaj tvrdim četkama, žičanim četkama, deterdžentom u prahu, benzinom, amil acetatom, acetonom i sličnim organskim, kiselim ili alkalnim rastvorima. Čistite uređaj specijalnim deterdžentom za frižidere kako biste izbegli oštećenje.
- ▶ Nemojte da prskate tečnost na uređaj niti da ga ispirate tokom čišćenja.
- ▶ Nemojte da koristite raspršenu vodu ili paru za čišćenje uređaja.
- ▶ Nemojte da čistite hladne staklene police vrućom vodom. Iznenadna promena temperature može da prouzrokuje lom stakla.
- ▶ Nemojte da dodirujete unutrašnju površinu zamrzivača, naročito ne vlažnim šakama, jer šake mogu da vam se zamrznu na površini.
- ▶ U slučaju zagrevanja, proverite stanje zamrznute hrane.



- ▶ Uvek održavajte zaptivku vrata čistom.
- ▶ Očistite unutrašnjost i kućište uređaja sunderom natopljenim toplom vodom i neutralnom deterdžentu.
- ▶ 1. Oribajte unutrašnjost i spoljašnjost frižidera, uključujući zaptivku vrata, policu u vratima, staklene police, kutije itd. koristeći meku krpu ili sunder umočen u toplu vodu (možete da dodate neutralni deterdžent u toplu vodu).
- ▶ 2. Ako se prolije tečnost, uklonite sve zaprljane delove, direktno isperite pod tekućom vodom, osušite i vratite nazad u frižider.
- ▶ 3. Ako se prolije gusta tečnost (na primer, šlag, otopljeni sladoled), uklonite sve zaprljane delove, stavite u toplu vodu od oko 40 °C neko vreme, a zatim isperite pod tekućom vodom, osušite i vratite nazad u frižider.
- ▶ 4. U slučaju da se neki mali deo ili komponenta zaglavi unutar frižidera (između polica ili fioka), oslobodite ih malom četkom. Ako niste mogli da dođete do dela, obratite se servisnoj službi kompanije Haier
- ▶ Isperite i osušite mekom krpom.
- ▶ Nemojte da čistite nijedan deo uređaja u mašini za pranje sudova.
- ▶ Sačekajte najmanje 5 minuta pre ponovnog uključivanja uređaja, jer često uključivanje može oštetiti kompresor.

### Odmrzavanje

Odmrzavanje frižidera i zamrzivača se vrši automatski, tako da ne morate to da radite ručno.

## Zamena LED lampica



### UPOZORENJE!

Nemojte sami da menjate LED lampicu. Nju sme da zameni samo proizvođač ili ovlašćeni serviser.

Lampice imaju LED tehnologiju za izvor svetlosti, što podrazumeva malu potrošnju energije i dugi vek trajanja. Ako postoji bilo kakva abnormalnost, obratite se korisničkoj službi. Pogledajte odeljak KORISNIČKA SLUŽBA.

Parametri lampica:

Odeljak frižidera: 12 V, 4 W

Odeljak zamrzivača: 12 V, 2W\*2

## Duži prekid rada

Ako se uređaj neće koristiti tokom dužeg vremenskog perioda i nećete koristiti funkciju „Holiday” u frižideru:

Izvadite hranu.

Isključite kabl za napajanje.

Očistite uređaj kao što je opisano u prethodnom tekstu.

Držite vrata otvorena kako bi se sprečilo stvaranje neprijatnih mirisa u unutrašnjosti uređaja.



### NAPOMENA

Isključite uređaj samo ako je to neophodno.

## Premeštanje uređaja

1. Uklonite svu hranu i isključite uređaj iz mrežnog napajanja.
2. Zalepите police i druge pokretne delove u frižideru i zamrzivaču lepljivom trakom.
3. Nemojte naginjati frižider za više od 45° kako biste izbegli oštećenje rashladnog sistema.



### UPOZORENJE!

- ▶ Nemojte da podižete uređaj držeći ga za ručke.
- ▶ Nemojte da postavljate uređaj vodoravno na zemlju.

Mnoge probleme koji se javljaju možete da rešite sami bez posedovanja posebne stručnosti. U slučaju problema, proverite sve predstavljene mogućnosti i pratite uputstva u nastavku pre nego što se obratite postprodajnoj službi. Pogledajte odeljak KORISNIČKA SLUŽBA.



## UPOZORENJE!

- ▶ Pre sprovođenja održavanja, deaktivirajte uređaj i isključite utikač iz utičnice.
- ▶ Električnu opremu smeju da servisiraju samo stručni električari, jer nepravilne popravke mogu prouzrokovati značajnu posledičnu štetu.
- ▶ Oštećeni mrežni kabl sme da zameni samo proizvođač, radnik servisne službe ili slično kvalifikovana lica kako bi se izbegla opasnost.

Problem	Mogući uzrok	Moguće rešenje
Kompresor ne radi.	<ul style="list-style-type: none"> <li>• Utikač nije priključen u utičnicu.</li> <li>• Uređaj je u ciklusu odmrzavanja</li> </ul>	<ul style="list-style-type: none"> <li>• Priključite utikač.</li> <li>• Ovo je normalno za automatsko odmrzavanje</li> </ul>
Uređaj radi često ili radi tokom dužeg vremenskog perioda.	<ul style="list-style-type: none"> <li>• Unutrašnja ili spoljašnja temperatura je previsoka.</li> <li>• Uređaj je isključen tokom određenog vremenskog perioda.</li> <li>• Vrata uređaja nisu dobro zatvorena.</li> <li>• Vrata se otvaraju prečesto ili predugo.</li> <li>• Postavka temperature za zamrzivač je preniska.</li> <li>• Zaptivka vrata je prljava, istrošena, napukla ili neodgovarajuća.</li> <li>• Potrebna cirkulacija vazduha nije zagarantovana.</li> </ul>	<ul style="list-style-type: none"> <li>• U ovom slučaju, normalno je da uređaj radi duže.</li> <li>• Obično je potrebno od 8 do 12 sati da se uređaj potpuno ohladi.</li> <li>• Zatvorite vrata/fioku i uverite se da se uređaj nalazi na ravnom terenu i da nikakva hrana niti posuda ne blokiraju vrata.</li> <li>• Ne otvarajte vrata/fioku prečesto.</li> <li>• Podesite višu temperaturu dok se ne dobije zadovoljavajuća temperatura frižidera. Potrebno je 24 sata da temperatura frižidera postane stabilna.</li> <li>• Očistite zaptivku vrata/fioke ili neka je korisnička služba zameni.</li> <li>• Osigurajte adekvatnu ventilaciju.</li> </ul>
Unutrašnjost frižidera je prljava i/ili neprijatno miriše.	<ul style="list-style-type: none"> <li>• Unutrašnjost frižidera treba da se očisti.</li> <li>• Hrana jakog mirisa čuva se u frižideru.</li> </ul>	<ul style="list-style-type: none"> <li>• Očistite unutrašnjost frižidera</li> <li>• Dobro umotajte hranu.</li> </ul>

Problem	Mogući uzrok	Moguće rešenje
Nije dovoljno hladno u unutrašnjosti uređaja.	<ul style="list-style-type: none"> <li>• Podešena je previsoka temperatura.</li> <li>• Pretopla hrana se čuva u uređaju.</li> <li>• Previše hrane je smešteno u uređaj.</li> <li>• Namirnice su preblizu jedna drugoj.</li> <li>• Vrata/fioka uređaja nije dobro zatvorena.</li> <li>• Vrata/fioka je otvorena prečesto ili predugo.</li> </ul>	<ul style="list-style-type: none"> <li>• Resetujte temperaturu.</li> <li>• Uvek ohladite hranu pre nego što je stavite u uređaj.</li> <li>• Uvek čuvajte manje količine hrane.</li> <li>• Ostavite razmak između namirnica da biste omogućili protok vazduha.</li> <li>• Zatvorite vrata/fioku.</li> <li>• Ne otvarajte vrata/fioku prečesto.</li> </ul>
Prehladno je u unutrašnjosti uređaja.	<ul style="list-style-type: none"> <li>• Podešena je preniska temperatura.</li> <li>• Funkcija Super-Frz/ Super-Cool se aktivirala ili radi predugo.</li> </ul>	<ul style="list-style-type: none"> <li>• Resetujte temperaturu.</li> <li>• Isključite funkciju Super-Frz/ Super-Cool</li> </ul>
Vlaga se formira na unutrašnjoj strani frižidera.	<ul style="list-style-type: none"> <li>• Klima okruženja je previše topla i previše vlažna.</li> <li>• Vrata/fioka uređaja nije dobro zatvorena.</li> <li>• Vrata/fioka je otvorena prečesto ili predugo.</li> <li>• Posude za hranu ili tečnosti su otvorene.</li> </ul>	<ul style="list-style-type: none"> <li>• Povećajte temperaturu.</li> <li>• Zatvorite vrata/fioku.</li> <li>• Ne otvarajte vrata/fioku prečesto.</li> <li>• Sačekajte da se vruća hrana ohladi na sobnoj temperaturi i prekrijte hranu i tečnosti.</li> </ul>
Vlaga se akumulira na spoljnoj površini frižidera ili između vrata, to jest, vrata i fioke.	<ul style="list-style-type: none"> <li>• Klima okruženja je previše topla i previše vlažna.</li> <li>• Vrata nisu dobro zatvorena. Hladan vazduh u uređaju i topao vazduh van njega izaziva kondenzaciju.</li> </ul>	<ul style="list-style-type: none"> <li>• Ovo je uobičajeno u vlažnoj klimi i promeniće se kada se vlažnost smanji.</li> <li>• Uverite se da su vrata/fioke čvrsto zatvorene.</li> </ul>

Problem	Mogući uzrok	Moguće rešenje
Velike količine leda i mraza su se formirale u zamrzivaču.	<ul style="list-style-type: none"> <li>Namirnice nisu bile dobro upakovane.</li> <li>Vrata/fioka uređaja nije dobro zatvorena.</li> <li>Vrata/fioka je otvorena prečesto ili predugo.</li> <li>Zaptivka vrata/fioke je prljava, istrošena, napukla ili neodgovarajuća.</li> <li>Nešto iznutra sprečava pravilno zatvaranje vrata/fioke.</li> </ul>	<ul style="list-style-type: none"> <li>Uvek dobro upakujte namirnice.</li> <li>Zatvorite vrata/fioku.</li> <li>Ne otvarajte vrata/fioku prečesto.</li> <li>Očistite zaptivku vrata/fioke ili zamenite je novom.</li> <li>Promenite položaj polica, polica za vrata ili unutrašnjih posuda kako biste omogućili zatvaranje vrata/fioke.</li> </ul>
Bočne strane frižidera i lajsne na vratima se zagrevaju.		<ul style="list-style-type: none"> <li>Ovo je normalna pojava.</li> </ul>
Uređaj pravi neuobičajene zvukove.	<ul style="list-style-type: none"> <li>Uređaj se nalazi na neravnoj površini.</li> <li>Uređaj dodiruje neki predmet do njega.</li> </ul>	<ul style="list-style-type: none"> <li>Podesite stopice za nivelisanje uređaja.</li> <li>Uklonite predmete oko uređaja.</li> </ul>
Čuje se tih zvuk koji je sličan zvuku tekuće vode.		<ul style="list-style-type: none"> <li>Ovo je normalna pojava.</li> </ul>
Čuje se pištanje.	<ul style="list-style-type: none"> <li>Vrata frižidera su otvorena.</li> </ul>	<ul style="list-style-type: none"> <li>Zatvorite vrata.</li> </ul>
Čuje se tiho brujanje.	<ul style="list-style-type: none"> <li>Sistem protiv kondenzacije radi</li> </ul>	<ul style="list-style-type: none"> <li>Ovo sprečava kondenzaciju i normalna je pojava</li> </ul>
Unutrašnji sistem osvetljenja ili hlađenja ne radi.	<ul style="list-style-type: none"> <li>Utikač nije priključen u utičnicu.</li> <li>Napajanje je neispravno.</li> <li>LED lampica nije ispravna.</li> </ul>	<ul style="list-style-type: none"> <li>Priključite utikač.</li> <li>Proverite napajanje električnom energijom u prostoriji. Pozovite električara!</li> <li>Pozovite korisničku službu radi zamene lampice.</li> </ul>

Da biste se obratili tehničkoj pomoći, posetite našu veb-lokaciju:

<https://corporate.haier-europe.com/en/>

U odeljku „veb-lokacija“ izaberite brend proizvoda i svoju zemlju. Bićete preusmereni na određenu veb-lokaciju na kojoj možete pronaći telefonski broj i obrazac za kontakt sa službom tehničke pomoći.

## Prekid napajanja

U slučaju prekida napajanja, hrana bi trebalo da ostane bezbedno hladna oko 5 sati. Pratite ove savete tokom dužeg prekida napajanja, posebno tokom leta:

- ▶ Otvorite vrata/fioku što je ređe moguće.
- ▶ Ne stavljajte dodatnu hranu u uređaj tokom prekida napajanja.
- ▶ Ako se najavi prekid napajanja i ono traje duže od 5 sati, napravite led i stavite ga u posudu na gornju policu u unutrašnjosti frižidera.
- ▶ Odmah nakon prekida napajanja pregledajte sve namirnice.
- ▶ Pošto će temperatura u frižideru porasti tokom prekida napajanja ili drugog kvara, period čuvanja i jestivost hrane će se smanjiti. Svaku hranu koja se odmrzava treba konzumirati ili skuvati i ponovo zamrznuti (gde je to prikladno) ubrzo nakon toga kako bi se sprečili zdravstveni rizici.

## Funkcija memorije tokom prekida napajanja

Nakon povratka napajanja, uređaj nastavlja rad sa postavkama koje su podešene pre nestanka struje.

## Raspakivanje



### UPOZORENJE!

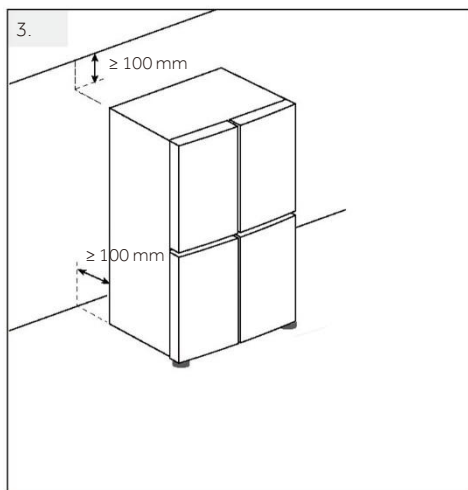
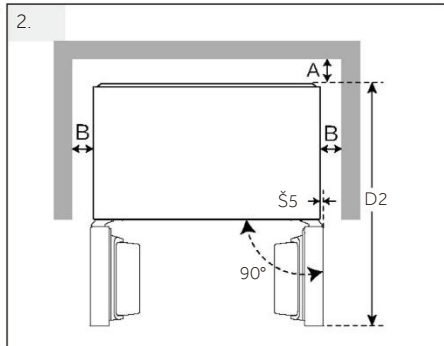
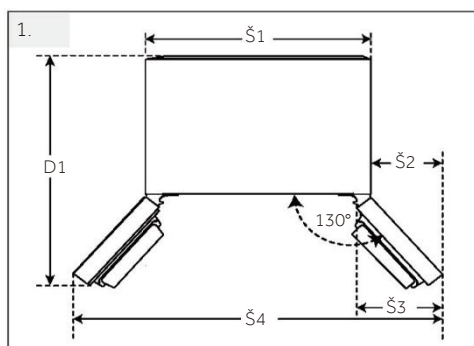
- ▶ Uređaj je težak. Njime uvek moraju da rukuju najmanje dve osobe.
- ▶ Čuvajte sve materijale ambalaže van domašaja dece i odložite ih u otpad na ekološki prihvatljiv način.
- ▶ Izvadite uređaj iz ambalaže.
- ▶ Uklonite sve materijale ambalaže.

### Uslovi u okruženju

Sobna temperatura uvek treba da bude između 10 °C i 43 °C, jer može uticati na temperaturu unutar uređaja i njegovu potrošnju energije. Nemojte da montirate uređaj u blizini drugih uređaja koji emituju toplotu (rerne, frižideri) bez izolacije.

### Preporuka za prostor

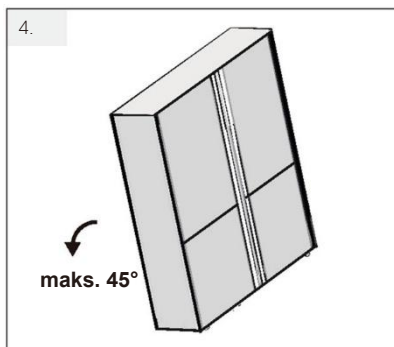
Preporučeni prostor kada su vrata otvorena (slika 1.2)



(Jedinica: mm)	Br. modela	
Širina	Š1	905
	Š2	327
	Š3	368
	Š4	1559
	Š5	51
	Š	905
	D1	1061
	D2	1101
	D	738
Udaljenost do zadnjeg zida	A	100
Udaljenost do bočnih zidova	B	100
Udaljenost do plafona	C	100
Ukupna visina	H	1825

## Poprečni presek za ventilaciju

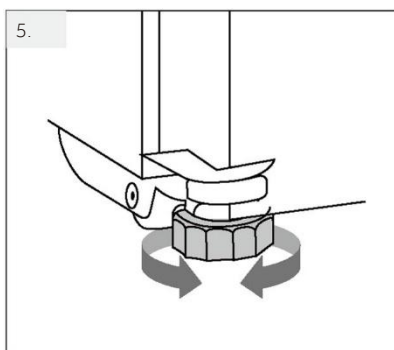
Da bi se postigla dovoljna ventilacija uređaja iz bezbednosnih razloga, moraju se poštovati informacije o potrebnim poprečnim presecima za ventilaciju.



### Poravnanje uređaja (slika 4.5.6.)

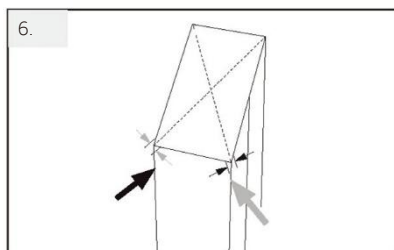
Uređaj treba da postavite na ravnu i čvrstu površinu.

4. Nagnite frižider malo unazad.



5. Podesite stopice na željeni nivo.

Uverite se da je udaljenost do zida na strani sa šarkama najmanje 100 cm kako bi se vrata ispravno otvarala.

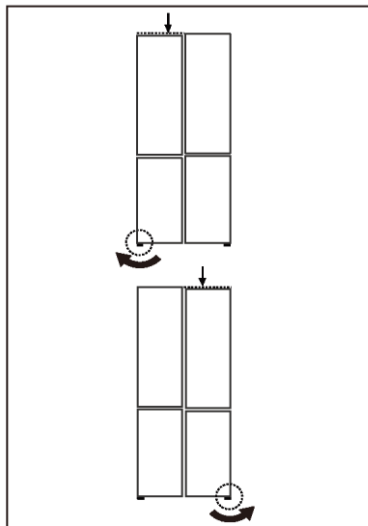


6. Stabilnost se može proveriti naizmeničnim udarcima po dijagonalama. Blago ljuľjanje treba da bude ravnomerno u oba smeru. U suprotnom se okvir moľe iskriviti. Posledica je moguće curenje zaptivki vrata. Blagi nagib prema nazad olakšava zatvaranje vrata.



## NAPOMENA

Kod samostojećih uređaja: Ovaj frižider nije predviđen da se koristi kao ugradni uređaj

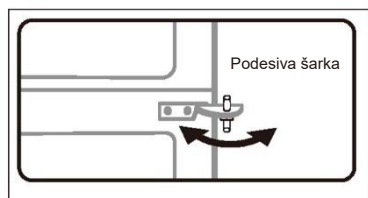


### Precizno podešavanje vrata

Ako vrata nisu u istom nivou, ova neusklađenost se može otkloniti na sledeći način:

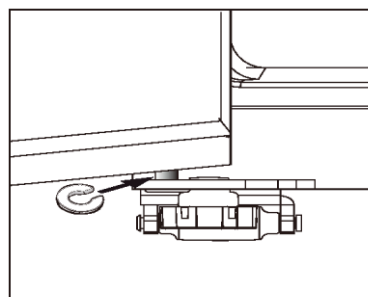
### Pomoću podesive stopice

Okrenite podesivu stopicu u pravcu strelice da biste okrenuli stopicu prema gore ili dole.



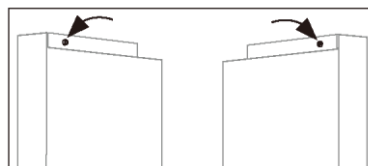
### Podešavanje položaja vrata

- ▶ Ako dvojna vrata nisu na istoj visini, podesive šarke se mogu fino podesiti pomoću priloženog ključa kako bi se poravnala. Ne postavljajte silom kako biste izbegli ogrebotine ili udubljenja na panelu vrata.



### Pomoću odstojnika

- ▶ Otvorite vrata zamrzivača i podignite ih.
- ▶ Pažljivo zakačite odstojnik (spakovan je u torbi za dodatnu opremu) u osu donje šarke ručno ili pomoću alata kao što su klešta. Nemojte ogrebat i udubiti vrata.



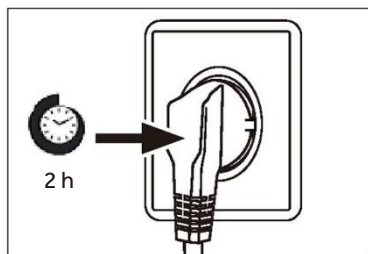
### Pomoću dugmeta za podešavanje

- ▶ Ako vrata odeljka frižidera nisu poravnata, možete da okrenete podesivo dugme na gornjem delu vrata kako biste izvršili fino podešavanje.



## NAPOMENA

Pri budućem korišćenju frižidera, neujednačenost vrata može da nastane usled težine hrane u frižideru. Zatim obavite podešavanje prema gorenavedenim metodama.



### Vreme čekanja

Ulje za podmazivanje koje ne zahteva održavanje nalazi se u kapsuli kompresora. Ovo ulje može da prođe kroz zatvoreni sistem cevi tokom transporta na nagibu. Pre priključivanja uređaja na mrežno napajanje, morate da sačekate 2 sata tako da ulje otekne nazad u kapsulu.

### Električna veza

Pre svakog spajanja, proverite sledeće:

- ▶ napajanje, utičnica i osigurači su u skladu sa natpisnom pločicom.
- ▶ utičnica je uzemljena i nema više priključnica niti produžetka.
- ▶ utikač i utičnica su strogo usklađeni sa pravilima.


Priključite utikač u pravilno montiranu utičnicu za domaćinstvo.



## UPOZORENJE!

Da bi se izbegli rizici, korisnička služba mora da zameni oštećeni mrežni kabl (pogledajte garantni list).

Tehnički podaci o proizvodu u skladu sa Uredbom EU br. 2019/2016

Marka	Haier
Naziv/identifikator modela	HCR59F19DNMM HCR59F18DNMB
Kategorija modela	Frižider – zamrzivač
Klasa energetske efikasnosti	D
Godišnja potrošnja energije (kWh/godišnje) (1)	306
Ukupna zapremina (l)	706
Zapremina frižidera (l)	417
Zapremina zamrzivača (l)	251
Odeljak sa dve zvezdice (l)	38
Ocena u zvezdicama	
Sistem bez smrzavanja	Da
Kapacitet zamrzavanja (kg/24 h)	14
Klimatska ocena (2)	SN-N-ST-T
Klasa emisija buke i emisija akustične buke koje se prenose vazduhom (dB(A)cre 1pW)	C(35)
Vreme porasta temperature (h)	13
Tip uređaja	Samostojeći

Objašnjenja:

• Da, deo opreme

- (1) Na osnovu rezultata ispitivanja usklađenosti sa standardima tokom 24 sata. Stvarna potrošnja zavisi od upotrebe i lokacije uređaja.
- (2) Klimatska ocena za SN: Ovaj uređaj je namenjen za upotrebu na temperaturi okruženja između +10 °C i +32 °C  
Klimatska ocena za N: Ovaj uređaj je namenjen za upotrebu na temperaturi okruženja između +16 °C i +32 °C  
Klimatska ocena za ST: Ovaj uređaj je namenjen za upotrebu na temperaturi okruženja između +16 °C i +38 °C  
Klimatska ocena za T: Ovaj uređaj je namenjen za upotrebu na temperaturi okruženja između +16 °C i +43 °C

#### Dodatni tehnički podaci

Napon/frekvencija	220–240 V~ / 50 Hz
Ulazna struja (A)	1,5
Glavni osigurač (A)	16
Rashladna tečnost	R600a 68g
Dimenzije (Š/D/V u mm)	905 / 738 / 1825

Preporučujemo našu Haier korisničku službu i upotrebu originalnih rezervnih delova. Ako imate problema sa uređajem, prvo pogledajte odeljak REŠAVANJE PROBLEMA.

Ako ne možete da pronađete rešenje tamo, obratite se

- ▶ lokalnom prodavcu ili
- ▶ našem evropskom pozivnom centru servisne službe (pogledajte brojeve telefona navedene u nastavku) ili
- ▶ idite u oblast „Servis i podrška“ na stranici [www.haier.com](http://www.haier.com) gde možete poslati zahtev
- ▶ za servis i pronaći pitanja i odgovore.

Da biste se obratili našem servisu, uverite se da imate na raspolaganju sledeće podatke. Informacije se mogu naći na natpisnoj pločici.

Model \_\_\_\_\_

Serijski broj \_\_\_\_\_

Takođe, pogledajte garantni list koji je isporučen sa proizvodom u slučaju garancije.

Evropski pozivni centar servisne službe		
Zemlja*	Broj telefona	Troškovi
Haier Italy (IT)	199 100 912	
Haier Spain (ES)	902 509 123	
Haier Germany (DE)	0180 5 39 39 99	<ul style="list-style-type: none"> <li>• 14 ct/min. za pozive na fiksni telefon</li> <li>• maks. 42 ct/min. za pozive na mobilni telefon</li> </ul>
Haier Austria (AT)	0820 001 205	<ul style="list-style-type: none"> <li>• 14,53 ct/min. za pozive na fiksni telefon</li> <li>• maks. 20 ct/min. sve ostalo</li> </ul>
Haier United Kingdom (UK)	0333 003 8122	
Haier France (FR)	0980 406 409	

\* Za druge zemlje, pogledajte [www.haier.com](http://www.haier.com)

Haier Europe Trading S.r.l

Branch UK

Westgate House, Westgate, Ealing

London, W5 1YY

\*Trajanje garancije za rashladni uređaj:

Minimalna garancija je: 2 godine za zemlje EU, 3 godine za Tursku, 1 godina za Veliku Britaniju, 1 godina za Rusiju, 3 godine za Švedsku, 2 godine za Srbiju, 5 godina za Norvešku, 1 godina za Maroko, 6 meseci za Alžir, u Tunisu nije potrebna zakonska garancija.

\*Period dostupnosti rezervnih delova za popravku uređaja:

Termostati, temperaturni senzori, štampane ploče i izvori svetlosti dostupni su u trajanju od najmanje sedam godina nakon stavljanja poslednje jedinice modela na tržište.

Ručke za vrata, šarke vrata, tacne i korpe za minimalni period od sedam godina i zaptivke vrata za minimalni period od 10 godina, nakon stavljanja poslednje jedinice modela na tržište.

Za dodatne informacije o proizvodu, pogledajte stranicu <https://eprel.ec.europa.eu/> ili skenirajte QR kôd na energetske nalepnici koja je isporučena sa uređajem.

**POTVRDA KVALITETA**

OZNAKA: FRIŽIDER

Q.C.PASSED

BR. KONTROLORA

QC01

**Haier**

专用号条码

0060543171  
2026. Verzija A

# Haier

Manual d'usuari



Nevera-congelador

HCR59F18DNMM

HCR59F18DNMB

<u>4 Informació de seguretat</u>	<u>Abans del primer ús</u>	5
	<u>Instal·lació</u>	5
<u>8 Ús previst</u>	<u>Ús diari</u>	6
<u>9 Descripció del producte</u>		
<u>10 Tauler de control</u>		
<u>11 Ús</u>		
	<u>Ajustar la temperatura de la nevera</u>	14
	<u>Ajustar la temperatura del congelador</u>	14
	<u>Funció Super-Cool</u>	15
	<u>Funció Super-Frz</u>	15
	<u>Mode vacances</u>	16
<u>20 Equipament</u>	<u>Funció Zona Màgica</u>	17
<u>22 Consells per estalviar energia</u>		
<u>23 Cura i neteja</u>		
<u>25 Resolució de problemes</u>		
<u>29 Instal·lació</u>		
<u>33 Dades tècniques</u>		
<u>35 Servei d'atenció al client</u>		

## Gràcies per comprar un producte Haier.

Si us plau, llegiu atentament aquestes instruccions abans d'utilitzar aquest aparell. Les instruccions contenen informació important que us ajudarà a treure el màxim profit de l'aparell i a garantir una instal·lació, un ús i un manteniment segurs i correctes.

Guardeu aquest manual en un lloc convenient per poder consultar-lo sempre que vulgueu per a un ús segur i correcte de l'aparell.

Si vens l'electrodomèstic, el regales o el deixes enrere quan et mudes de casa, assegura't també de lliurar-li aquest manual perquè el nou propietari es pugui familiaritzar amb l'electrodomèstic i els avisos de seguretat.

## Accessoris

Comproveu els accessoris i la documentació d'acord amb aquesta llista:



Etiqueta energètica



Targeta de garantia



Manual d'usuari



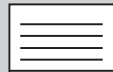
Garantia certificada



Guia ràpida



Espaciador × 3



Targeta d'avertència



clau anglesa



**ADVERTÈNCIA – Informació important de seguretat**



**AVÍS: informació general i consells**



**Informació ambiental**

## Eliminació



Ajudeu a protegir el medi ambient i la salut humana. Poseu l'embalatge en els contenidors corresponents per reciclar-lo. Ajudeu a reciclar els residus d'aparells elèctrics i electrònics. No llenceu els aparells marcats amb aquest símbol amb les escombraries domèstiques. Torneu el producte a la vostra planta de reciclatge local poseu-vos en contacte amb el vostre ajuntamen



**ADVERTÈNCIA: Risc d'incendi/material inflamable.**

El símbol indica que hi ha risc d'incendi, ja que s'utilitzen materials inflamables. Aneu amb compte per evitar provocar un incendi encenent-lo. material inflamable.



**AVÍS!**

### Risc de lesions o asfíxia!

Els refrigerants i els gasos s'han d'eliminar professionalment. Assegureu-vos que els tubs del circuit de refrigerant no estiguin danyats abans de llençar-los correctament. Desconnecteu l'aparell de la xarxa elèctrica. Talleu el cable d'alimentació i llenceu-lo. Traieu les safates i els calaixos, així com el tancament i les juntes de la porta, per evitar que els nens i les mascotes es tanquin a l'interior de l'aparell.

## Abans d'encendre l'aparell per primera vegada, llegiu els següents consells de seguretat!



### AVÍS!

#### Abans del primer ús

- ▶ Assegureu-vos que no hi hagi danys durant el transport
- ▶ Manipuleu l'aparell sempre amb almenys dues persones, ja que és pesat.

#### Instal·lació

- ▶ L'aparell s'ha de col·locar en un lloc ben ventilat. Assegureu-vos d'un espai d'almenys almenys 10 cm per sobre i al voltant de l'aparell.
- ▶ No col·loqueu mai l'aparell en una zona humida ni en un lloc on pugui rebre esquitxades d'aigua. Netegeu i eixugueu les esquitxades d'aigua i les taques amb un drap suau i net.
- ▶ No instal·leu l'aparell sota la llum solar directa ni a prop de fonts de calor (per exemple, estufes, calefactores).
- ▶ Instal·leu i anivelleu l'aparell en una zona adequada per a la seva mida i ús.
- ▶ Mantingueu les obertures de ventilació de l'aparell o de l'estructura integrada allunyades de obstrucció.
- ▶ Assegureu-vos que la informació elèctrica de la placa de característiques coincideixi amb la font d'alimentació. Si no és així, contacteu amb un electricista.
- ▶ L'aparell funciona amb una font d'alimentació de 220-240 V CA/50 Hz. Les fluctuacions anormals de voltatge poden fer que l'aparell no s'iniciï, que es facin malbé el control de temperatura o el compressor, o que hi hagi un soroll anormal durant el funcionament. En aquest cas, cal muntar un regulador automàtic.
- ▶ No utilitzeu adaptadors multiendoll ni cables d'extensió.
- ▶ No col·loqueu diversos endolls portàtils ni fonts d'alimentació portàtils a prop part posterior de l'aparell.
- ▶ Assegureu-vos que el cable d'alimentació no quedi atrapat per la nevera. No trepitgeu el cable d'alimentació.
- ▶ Feu servir una presa de terra separada per a la font d'alimentació que sigui fàcilment accessible. L'aparell ha d'estar connectat a terra. Només per al Regne Unit: El cable d'alimentació de l'aparell està equipat amb un endoll de 3 cables (amb connexió a terra) que s'adapta a una presa de corrent estàndard de 3 cables (amb connexió a terra). No tal·leu ni desmunteu mai la tercera clavilla (connexió a terra). Un cop instal·lat l'aparell, l'endoll ha de ser accessible.
- ▶ No danyeu el circuit de refrigerant.



## AVÍS!

### Úsdiari

- ▶ Aquest aparell pot ser utilitzat per nens de 8 anys o més i persones amb capacitats físiques, sensorials mentals reduïdes o amb manca d'experiència i coneixements si han rebut supervisió o instruccions sobre l'ús de l'aparell de manera segura i entenen els perills que comporta.
- ▶ Els nens de 3 a 8 anys poden carregar i descarregar, però no per netejar o instal·lar els aparells de refrigeració.
- ▶ Mantingueu allunyats els nens menors de 3 anys de l'aparell, llevat que estiguin supervisat constantment.
- ▶ Els nens no han de jugar amb l'aparell.
- ▶ Si hi ha una fuga de gas fred o un altre gas inflamable a prop de l'aparell, tanqueu la vàlvula del gas que surt, obriu les portes i les finestres i no desendolieu el cable d'alimentació de la nevera ni de cap altre aparell.
- ▶ Tingueu en compte que l'aparell està configurat per funcionar a un interval ambient específic d'entre 10 i 43 °C. És possible que l'aparell no funcioni correctament si es deixa durant molt de temps a una temperatura superior o inferior a l'interval indicat.
- ▶ No col·loqueu articles inestables (objectes pesats, recipients plens d'aigua) a sobre de la nevera per evitar lesions personals causades per caigudes o descàrregues elèctriques causades pel contacte amb l'aigua.
- ▶ No estireu els prestatges de la porta. La porta es pot estirar inclinada, el prestatge per a ampolles, es pot arrencar o l'aparell es pot bolcar.
- ▶ Obriu i tanqueu les portes només amb les manetes. L'espai entre les portes i entre les portes i l'armari és molt estret. No esteneu les mans en aquestes zones per evitar pessigar-vos els dits. Obriu o tanqueu les portes de la nevera només quan no hi hagi nens a prop del rang de moviment de la porta.
- ▶ No emmagatzemeu ni utilitzeu materials inflamables, explosius o corrosius dins de l'aparell ni a les seves rodalies.
- ▶ No emmagatzemeu medicaments, bacteris ni agents químics a l'aparell. Aquest aparell és un electrodomèstic. No es recomana emmagatzemar materials que requereixin temperatures estrictes.
- ▶ No guardeu mai líquids en ampolles o llaunes (excepte licors amb un alt percentatge), especialment begudes carbonatades, al congelador, ja que esclataran durant la congelació.
- ▶ Comproveu l'estat dels aliments si s'han escalfat al congelador.
- ▶ No configureu una temperatura innecessàriament baixa al compartiment de la nevera. Es poden produir temperatures negatives amb configuracions altes. Atenció: Les ampolles poden rebentar.
- ▶ No toqueu els productes congelats amb les mans mullades (porteu-vos guants). Especialment, no mengeu els gelats immediatament després de treure'ls del compartiment del congelador. Hi ha risc de congelació o de formació de butllofes de gel. PRIMERS AUXILIS: manteniu-los immediatament sota aigua freda corrent. No els arrenqueu!
- ▶ No toqueu la superfície interior del compartiment d'emmagatzematge del congelador mentre estigui en funcionament, sobretot amb les mans mullades, ja que les mans es poden congelar a la superfície.



## AVÍS!

### Ús diari

- ▶ Desendolleu l'aparell en cas d'interrupció del corrent o abans de netejar-lo. Espereu almenys 7 minuts abans de tornar a engegar l'aparell, ja que un engegada freqüent pot fer malbé el compressor.
- ▶ No utilitzeu aparells elèctrics dins dels compartiments d'emmagatzematge d'aliments de l'aparell, tret que siguin del tipus recomanat pel fabricant. Manteniment / neteja
- ▶ Assegureu-vos que els nens estiguin supervisats si realitzen la neteja i el manteniment.
- ▶ Desconnecteu l'aparell de la xarxa elèctrica abans de dur a terme qualsevol manteniment rutinari. Espereu almenys 5 minuts abans de tornar a engegar l'aparell, ja que un engegada freqüent pot danyar el compressor.
- ▶ Subjecteu l'endoll, no el cable, quan desendolleu l'aparell.
- ▶ No netegeu l'aparell amb raspalls durs, raspalls de filferro, detergent en pols, gasolina, acetat d'amil, acetona ni solucions orgàniques similars, àcides o alcalines. Netegeu-lo amb un detergent especial per a nevera per evitar danys.
- ▶ No rasqueu la gebrada ni el gel amb objectes punxants. No utilitzeu esprais, escalfadors elèctrics com ara escalfadors, assecadors de cabells, netejadors de vapor o altres fonts de calor per evitar danys a les peces de plàstic.
- ▶ No utilitzeu dispositius mecànics ni altres mitjans per accelerar la descongelació procés, diferents dels recomanats pel fabricant.
- ▶ Si el cable d'alimentació està malmès, l'ha de substituir el fabricant, el seu agent de servei o persones amb qualificació similar per evitar un perill.
- ▶ No intenteu reparar, desmuntar o modificar l'aparell vosaltres mateixos. En cas de reparació, poseu-vos en contacte amb el nostre servei d'atenció al client.
- ▶ Elimineu la pols de la part posterior de la unitat com a mínim un cop l'any per evitar riscos.
- ▶ No ruixeu ni llenceu l'aparell durant la neteja.
- ▶ No utilitzeu aigua en esprai ni vapor per netejar l'aparell.
- ▶ No netegeu les prestatgeries de vidre fredes amb aigua calenta. Canvis sobtats de temperatura pot fer que el vidre es trenqui.

### Informació sobre el gas refrigerant

- ▶ L'aparell conté el refrigerant inflamable ISOBUTÀ (R600a). Assegureu-vos que el circuit refrigerant no es faci malbé durant el transport o la instal·lació.
- ▶ Una fuga de refrigerant pot causar lesions oculars o incendiar-se. Si s'ha produït un dany, mantingueu-lo allunyat de les flames obertes, ventileu bé l'habitació i no connecteu ni desconnecteu els cables d'alimentació de l'aparell ni de cap altre aparell. Informeu el servei d'atenció al client.
- ▶ En cas de contacte amb els ulls amb el refrigerant, esbandiu-los immediatament amb aigua corrent i truqueu immediatament a un oftalmòleg.

## Ús previst

Aquest aparell està pensat per refredar i congelar aliments. Ha estat dissenyat exclusivament per al seu ús en aplicacions domèstiques i similars, com ara cuines per al personal en botigues, oficines i altres entorns de treball; cases de pagès i per a clients en hotels, motels i altres entorns de tipus residencial, així com en allotjaments amb esmorzar i serveis de càtering. No està pensat per a ús comercial o industrial.

No es permeten canvis o modificacions al dispositiu. L'ús no previst pot causar perills i la pèrdua de la garantia.

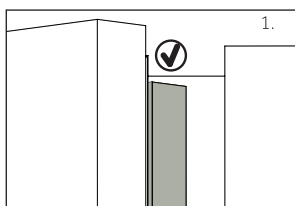
## Normes i directives



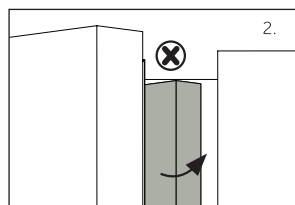
Aquest producte compleix els requisits de totes les directives CE aplicables amb les normes harmonitzades corresponents, que preveuen el marcatge CE.



### PRECAUCIÓ



Quan tanqueu la porta, la tira vertical de la porta esquerra ha d'estar doblegada cap a dins (1)



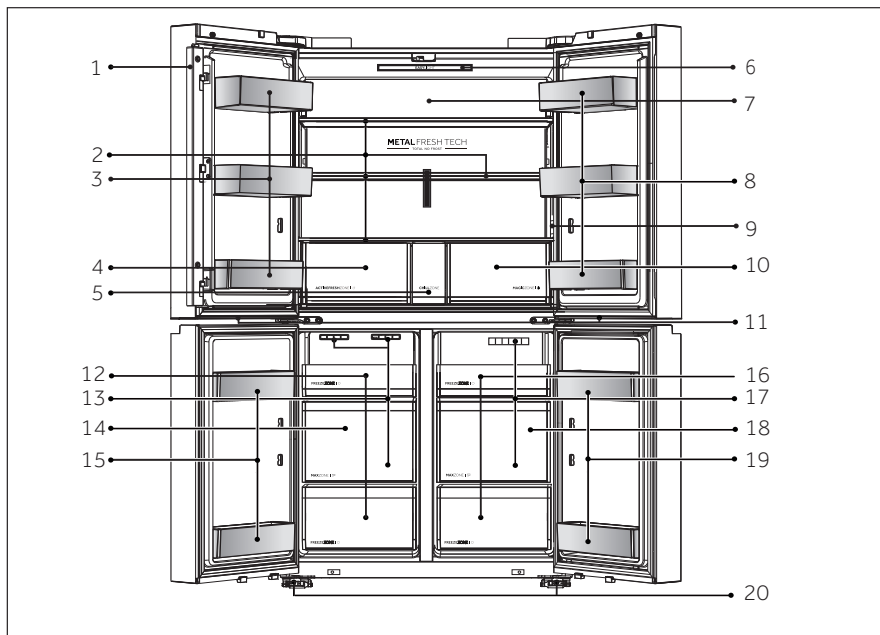
Si intenteu tancar la porta esquerra i la tira vertical de la porta no està doblegada (2), primer l'heu de doblegar, ja que en cas contrari la tira de la porta colpejarà l'eix de fixació o la porta dreta. Això farà que la porta rellisqui o que hi hagi una fuga.

Hi ha un fil de calefacció dins del marc. La temperatura de la superfície augmentarà una mica, cosa que és normal i no afectarà el funcionament de l'aparell.



## AVÍS

A causa de canvis tècnics i diferents models, algunes de les il·lustracions d'aquest manual poden ser diferents del vostre model.

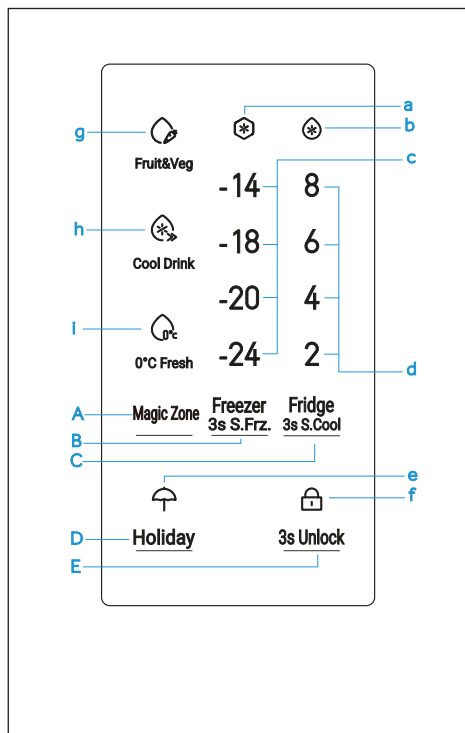


**A:** Compartiment de la nevera

- 1 Barra de la porta
- 2 Prestatgeries de vidre
- 3 Portaampolles
- 4 Calaix ACTIVEFRESH ZONE
- 5 Caixa CHILL ZONE
- 6 Làmpada de la nevera
- 7 Conducte de la nevera
- 8 Portaampolles
- 9 Panell de control
- 10 Calaix MAGIC ZONE
- 11 Làmpada del congelador

**B:** Compartiment del congelador

- 12 Calaix ZONA DE CONGELACIÓ
- 13 Conducte d'aire
- 14 Calaix ZONA MÀXIMA
- 15 Portaampolles
- 16 Calaix ZONA DE CONGELACIÓ
- 17 Conducte d'aire
- 18 Calaix ZONA MÀXIMA
- 19 Portaampolles
- 20 Ajustar les potes



## Tecles:

- A Selector del mode de la zona màgica
- B Selector de la funció de congelador i de supercongelació
- C Selector de la funció de nevera i de superrefrigeració
- D Selector de la funció de vacances
- E Selector de funció de bloqueig/desbloqueig

## Indicadors:

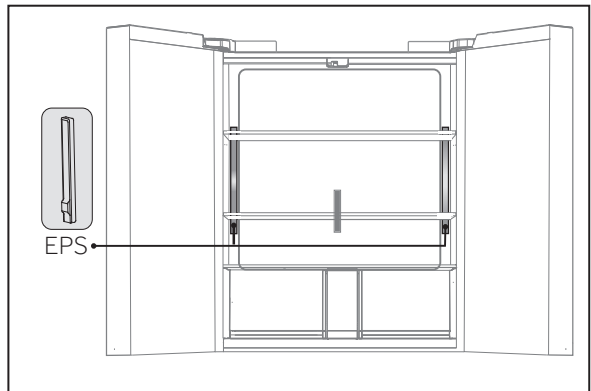
- a funció Super-Frz
- b Funció Super-Cool
- c Temperatura del congelador
- d Temperatura de refrigeració
- e Funció de vacances
- f Funció de bloqueig/desbloqueig
- g Funció de fruites i verdures
- h Funció de beguda fresca
- i Funció Frescor a 0 °C

## Abans del primer ús

- ▶ Traieu tot l'embalatge, especialment l'escuma blanca d'EPS a banda i banda del conducte de refrigeració i manteniu-lo fora de l'abast dels nens. Desfeu-vos-en de manera respectuosa amb el medi ambient.
- ▶ Netegeu l'interior i l'exterior de l'aparell amb aigua i un detergent suau abans de posar-hi cap menjar.
- ▶ Després d'anivellar i netejar l'aparell, espereu com a mínim de 2 a 5 hores abans de connectar-lo a la xarxa elèctrica. Vegeu la secció **INSTAL·LACIÓ**.
- ▶ Prerrefredeu els compartiments a la configuració alta abans de carregar-los amb aliments. La funció Power-Freeze ajuda a refredar els compartiments ràpidament.
- ▶ La temperatura de la nevera i la temperatura del congelador s'estableixen automàticament a 4 °C i -18 °C respectivament. Aquests són els paràmetres recomanats. Si ho desitgeu, podeu canviar aquestes temperatures manualment. Vegeu **AJUST DE LA TEMPERATURA**.

## Mètode d'eliminació d'EPS

Primer, traieu els prestatges superior i del mig (el mètode per treure els prestatges es descriu a la pàgina 25) i després traieu els dos EPS.



## Teclessensores

Els botons del tauler de control són tecles sensores, que ja responen quan es toquen lleugerament amb el dit.

## Engegar/apagar l'aparell

L'aparell està en funcionament tan bon punt es connecta a la xarxa elèctrica. La temperatura de la nevera i la temperatura del congelador s'estableixen automàticament a 4 °C i -18 °C respectivament. Potser el bloqueig del panell està actiu.



## AVÍS

L'aparell està preconfigurat a la temperatura recomanada de 4 °C (nevera) i -18 °C (congelador). En condicions ambientals normals, no cal configurar la temperatura. llei.

Quan l'aparell s'encén després de desconnectar-lo de la xarxa elèctrica principal, pot trigar fins a 12 hores a assolir les temperatures correctes.

Buideu l'aparell abans d'apagar-lo. Per apagar l'aparell, desconnecteu el cable d'alimentació de la presa de corrent.

## Bloqueja/desbloqueja el panell

**Bloqueig automàtic:** Quan la porta de la nevera estigui tancada i no es prem cap tecla en 30 segons, la pantalla s'apagarà i es bloquejarà automàticament.

**Bloqueig manual:** Quan la pantalla estigui desbloquejada, premeu la tecla "E" (selector de bloqueig del panell) i manteniu-la premuda durant 3 segons, el bronzidor sona una vegada, l'indicador "f" (bloqueig del panell) s'il·lumina i la pantalla es bloqueja. En estat bloquejat, premeu llargament la tecla 'E' durant 3 segons, el bronzidor sona una vegada, l'indicador "f" (panell bloquejat) s'hagi apagat i el bloqueig es desbloquejarà.



## Mode d'ajust manual

Si voleu ajustar manualment la temperatura de l'aparell, podeu configurar el temperatura mitjançant un botó d'ajust de temperatura (vegeu AJUST DE LATEMPORATURA)

## Acausadel'alarma

L'alarma de la porta s'activarà quan la porta s'obri durant molt de temps o no es tanqui correctament, com a recordatori.

## Ajusta la temperatura

Les temperatures interiors es veuen influenciades pels factors següents:

Temperatura ambient, freqüència d'obertura de la porta, quantitat d'aliments emmagatzemats, instal·lació de l'aparell

## Ajustar la temperatura de la nevera

1. Quan la pantalla estigui desbloquejada, premeu el botó "C". El bronzidor sona una vegada, l'indicador "b" parpelleja i, a continuació, apareix el mode de configuració de la temperatura de la nevera.
2. Premeu el botó "C" cada vegada, el bronzidor sonarà una vegada, la temperatura configurada de la nevera canviarà i la temperatura de la nevera mostrarà la seqüència 8>6>4>2

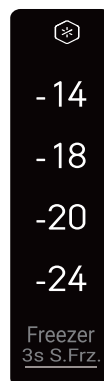


### **i** AVÍS

Després de configurar la temperatura, si no es realitza cap operació en 5 segons, el sistema determinarà automàticament i desarà la temperatura configurada.

## Ajustar la temperatura del congelador

1. Quan la pantalla estigui desbloquejada, premeu el botó «B». El bronzidor sona una vegada, l'indicador "c" parpelleja i, a continuació, apareix el mode d'ajust de la temperatura del congelador.
2. Premeu el botó "B" cada vegada, el bronzidor sonarà una vegada, la temperatura configurada de la nevera canviarà i la temperatura de la nevera mostrarà la seqüència de -14 > -18 > -20 > -24

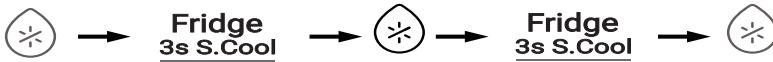


### **i** AVÍS

Després de configurar la temperatura, si no es realitza cap operació en 5 segons, el sistema determinarà automàticament i desarà la temperatura configurada

## Funció Super-Cool

1. Quan la pantalla estigui desbloquejada, premeu i manteniu premut el botó "C" durant 3 segons, el bronzidor sona una vegada, l'indicador "b" s'il·lumina i, a continuació, s'activarà la funció Super-Cool.
2. Quan l'indicador "b" s'il·lumini, premeu i manteniu premut el botó "C" durant 3 segons, el bronzidor sona una vegada, l'indicador "b" s'apaga i la funció Super-Cool es desactivarà.
3. Després d'activar la funció Super-Cool, la nevera desactivarà automàticament la funció quan arribi a la condició configurada. Si voleu sortir manualment, podeu prémer el botó "C" per desactivar-la.



## **i** AVÍS

1. En l'estat de superrefrigeració, no es pot ajustar la temperatura de la nevera. Si es prem qualsevol dels botons "C" per ajustar la temperatura de la nevera, l'indicador "b" parpellejarà amb un so ràpid per indicar que aquesta operació no es pot dur a terme.
2. En l'estat de la funció de superrefrigeració, la funció de configuració automàtica no es pot activar alhora a causa dels diferents modes de control. Quan trieu una funció que entra en conflicte amb una altra, la funció original es tancarà automàticament.

## Funció Super-Frz

1. Quan la pantalla estigui desbloquejada, premeu i manteniu premut el botó "B" durant 3 segons, el bronzidor sonarà una vegada, l'indicador "a" s'il·luminarà i la funció Super-Frz s'activarà.
2. Quan l'indicador "a" s'il·lumini, premeu i manteniu premut el botó "B" durant 3 segons, el bronzidor sonarà una vegada, l'indicador "a" s'apagarà i la funció Super-Frz es desactivarà.
3. Després d'activar la funció Super-Frz, la nevera desactivarà automàticament la funció quan arribi a la condició configurada. Si voleu sortir manualment, podeu prémer el botó "B" per desactivar-la.



## AVÍS

1. En l'estat de Super-Freeze, no es pot ajustar la temperatura del congelador. Si es prem qualsevol dels botons "B" per ajustar la temperatura del congelador, l'indicador "a" parpellejarà amb un so ràpid per indicar que aquesta operació no es pot dur a terme.
2. La funció Super-Freeze està dissenyada per mantenir el valor nutricional dels aliments congelats, congelant els aliments en el menor temps possible. En aquest moment, es millora la velocitat de congelació del congelador, els aliments es poden congelar ràpidament, es manté la nutrició dels aliments de manera efectiva i l'emmagatzematge es torna tranquil. Si necessiteu congelar una gran quantitat d'aliments una vegada, es recomana activar la funció Super Freeze durant 24 hores abans d'utilitzar el compartiment congelador.

### Modevacances

El mode Vacances està dissenyat per no utilitzar la nevera durant un període prolongat. Quan el mode Vacances està activat, el congelador està sota control normal i la temperatura de la nevera s'estableix automàticament a 17 ° C, cosa que evita les olors estranyes causades per un excés de temperatura i ajuda a reduir el consum d'energia alhora.

1. Quan la pantalla estigui desbloquejada, premeu el botó "D", el brunzidor sonarà una vegada, l'indicador "e" s'il·luminarà i la funció Vacances s'activarà.
2. Quan l'indicador "e" s'il·lumini, premeu el botó "D", el brunzidor sonarà una vegada, l'indicador "e" s'apagarà i la funció Vacances es desactivarà.



## AVÍS

Abans d'utilitzar la funció Vacances, buideu la nevera per evitar que el menjar es faci malbé. Quan la funció Vacances està activada, la funció "Super-Cool" no es pot activar alhora.

## Funció Zona Màgica

Quan la pantalla estigui desbloquejada, premeu el botó "A" per canviar per les funcions de Fruites i Verdures, Beguda Freda i Mode Frescor 0°C.

### 1. Funció Fruites i Verdures:

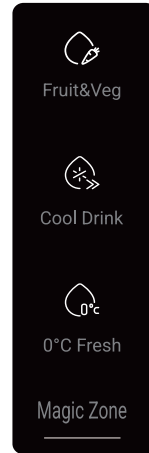
Aquesta funció és adequada per emmagatzemar fruites i verdures fresques. Quan aquesta funció està seleccionada, l'indicador "g" s'il·lumina.

### 2. Funció Beguda Freda:

Aquesta funció permet emmagatzemar productes com ara aigua, Coca-Cola i suc. Quan aquesta funció està seleccionada, l'indicador "h" s'il·lumina.

### 3. Funció Frescor 0°C:

Aquesta funció és adequada per emmagatzemar aliments frescos com ara carn o peix. Quan aquesta funció està seleccionada, l'indicador "i" s'il·lumina.



## **i** AVÍS

1. La configuració per defecte en l'inici és la funció Beguda freda.
2. Per a la funció Fruites i verdures: Les fruites sensibles al fred com la pinya, l'alvocat, els plàtans, els aranges i les verdures com les patates, les albergínies, els fesols, els cogombres, els carbassons i els tomàquets, i el formatge, no s'han de guardar al calaix de la Zona Màgica.
3. Per a la funció Frescor 0°: A causa del diferent contingut d'aigua de la carn, algunes carns amb més humitat es congelaran a temperatures inferiors a 0° C. Per tant, la carn "tallada immediatament" s'ha de guardar al calaix de la Zona Màgica, amb temperatures mínimes de 0°C.
4. Les tres funcions de la Zona Màgica no es poden obrir alhora, només una pot estar il·luminada. Per reduir la temperatura del compartiment de la nevera, utilitzeu la funció Beguda freda, per augmentar la temperatura del compartiment de la nevera, utilitzeu la funció Fruites i verdures.

## Consells per emmagatzemar aliments frescos Emmagatzematge al compartiment de la nevera

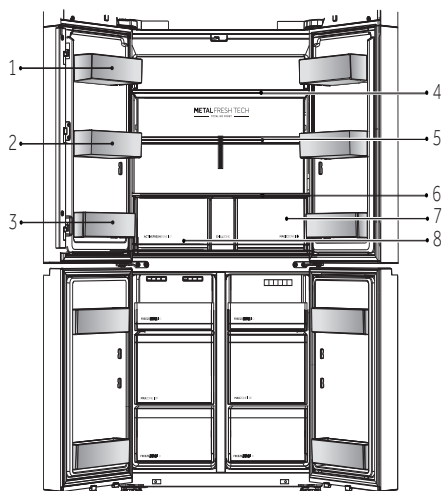
1. Mantingueu la temperatura de la nevera per sota dels 5 °C.
2. Els aliments calents s'han de refredar a temperatura ambient abans de guardar-los a l'aparell.
3. Els aliments emmagatzemats a la nevera s'han de rentar i assecat abans de guardar-los.
4. Els aliments que s'han d'emmagatzemar han d'estar correctament segellats per evitar alteracions d'olors o gust

5. No emmagatzemeu quantitats excessives d'aliments. Deixeu espais entre els aliments per permetre la ventilació. El flux al seu voltant, per a una millor i més.
6. Els aliments que es mengen diàriament s'han de guardar a la part frontal del prestatge.
7. Deixeu un espai entre els aliments i les parets interiors, permetent que l'aire circuli. De manera especial, no emmagatzemeu els aliments contra la paret posterior: els aliments es podrien congelar contra la paret posterior. Eviteu el contacte directe dels aliments (especialment els aliments oliosos o àcids) amb el revestiment interior, ja que l'oli/àcid pot erosionar el revestiment interior. Netegeu la brutícia oliosa/àcida sempre que en trobeu.
8. Descongeleu els aliments congelats al compartiment d'emmagatzematge de la nevera. D'aquesta manera, podeu utilitzar els aliments congelats per disminuir la temperatura del compartiment i estalviar energia.
9. El procés d'envelliment de fruites i verdures com ara carbassons, cebes, papaia, plàtan, pinya, etc. es pot accelerar a la nevera. Per tant, no és recomanable emmagatzemar-les a la nevera. Tanmateix, la maduració de les fruites de color verd intens es pot promoure durant un cert període. Les cebes, els alls, el gingebre i altres verdures també s'han de guardar a temperatura ambient.
10. Les olors desagradables dins de la nevera són un senyal que s'ha vessat alguna cosa; cal netejar-la. Vegeu CURA I NETEJA.
11. Els diferents aliments s'han de col·locar en diferents zones segons les seves propietats.



## AVÍS

Si us plau, mantingueu una distància de més de 10 mm entre el menjar col·locat i el conducte d'aire o els sensors per garantir l'efecte de refrigeració.



1. Mantega, formatge, etc.
2. Ous, llaunes, aliments enllaunats, espècies, etc.
3. Begudes i aliments envasats.
4. Aliments adobats, aliments enllaunats, etc.
5. Productes carnis, aperitius, pasta, aliments enllaunats, llet, tofu, lactis, etc.
6. Carn cuïta, salsitxes, etc.
7. Calaix Magic ZONE: Fruites, verdures, amanides, etc.
8. Calaix de la zona ACTIVEFRESH ZONE: Fruites, verdures, amanides, etc.

## Emmagatzematge al compartiment del congelador

1. Mantingueu la temperatura del congelador a  $-18^{\circ}\text{C}$ .
2. 24 hores abans de la congelació, activeu la funció Super-freeze; per a petites quantitats de menjar de 4 a 6 hores són suficients.
3. Els aliments calents s'han de refredar a temperatura ambient abans de guardar-los al congelador.  
departament.
4. Els aliments tallats en porcions petites es congelaran més ràpidament i seran més fàcils de descongelar i refredar. El pes recomanat per a cada porció és inferior a 2,5 kg.
5. És millor envasar els aliments abans de ficar-los al congelador. La part exterior de l'envàs ha d'estar seca per evitar que les bosses s'enganxin. Els materials d'envasament han de ser sense olor, hermètic, no verinós i no tòxic.
6. Per evitar que els períodes d'emmagatzematge caduquin, tingueu en compte la data i l'hora de congelació.  
límit i nom de l'aliment a l'envàs segons els períodes d'emmagatzematge dels diferents aliments

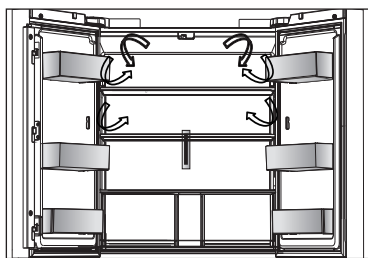
1. **AVÍS!** Els àcids, els àlcals, la sal, etc. poden erosionar la superfície interna del congelador.  
No col·loqueu els aliments que continguin aquestes substàncies (per exemple, peix de mar) directament sobre la superfície interna. L'aigua salada del congelador s'ha de netejar immediatament.
2. No supereu els temps de conservació dels aliments recomanats pels fabricants. Només traieu la quantitat d'aliment necessària del congelador.
3. Consumeix els aliments descongelats ràpidament. Els aliments descongelats no es poden tornar a congelar si no ho estan primer cuit, altrament pot beneir comestible.
4. No carregueu quantitats excessives d'aliments frescos al compartiment del congelador. Consulteu a la capacitat de congelació del congelador: vegeu les DADES TÈCNIQUES o les dades del tipus placa.
5. Els aliments es poden emmagatzemar al congelador a una temperatura de com a mínim  $-18^{\circ}\text{C}$  durant 2 a 12 mesos, depenent de les seves propietats (per exemple, carn: 3-12 mesos, verdures: 6-12 mesos)
6. Quan congeleu aliments frescos, eviteu que entrin en contacte amb aliments ja congelats o que s'estan descongelant!

### Quan emmagatzemeu aliments congelats comercialment, seguïu aquestes pautes:

1. Seguiu sempre les instruccions dels fabricants pel que fa al temps que heu de conservar els aliments. No supereu aquestes instruccions!
2. Intenta que el temps entre la compra i l'emmagatzematge sigui el més curt possible per preservar la qualitat dels aliments.
3. Compreu aliments congelats que s'hagin emmagatzemat a una temperatura de  $18^{\circ}\text{C}$  o inferior.
4. Eviteu comprar aliments que tinguin gel o gebre a l'envàs: això indica que Els productes poden haver estat parcialment descongelats i tornats a congelar en algun moment; els augments de temperatura afecten la qualitat dels aliments.

## AVÍS

Si us plau, mantingueu una distància de més de 10 mm entre els aliments col·locats i el conducte d'aire per garantir l'efecte de refrigeració.

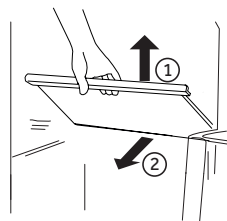


## Flux d'aire múltiple

1. La nevera està equipada amb un sistema de flux d'aire múltiple, amb el qual els fluxos d'aire fred es troben a cada nivell de les prestatgeries. Això ajuda a mantenir una temperatura uniforme per garantir que els aliments es mantinguin frescos durant més temps.

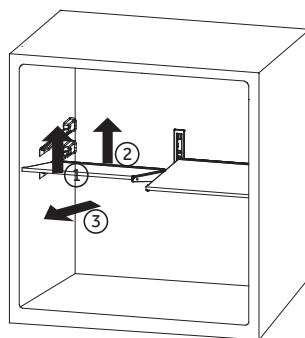
## Prestatgesajustables

1. L'alçada dels prestatges es pot ajustar a s'adaptin a les teves necessitats
2. d'emmagatzematge.  
Per reubicar un prestatge, primer traieu-lo aixecant-ne la vora frontal ① i estirant-lo cap a fora ②.
3. Per tornar-lo a instal·lar, poseu-lo a les orelles dels dos costats i empenyeu-la fins a la posició més enrere fins que la part posterior del prestatge quedi fixada dins de les ranures dels laterals.



## Ajustar el prestatge del mig

1. Traieu el suport de la prestatgeria:  
Primer, aixequiu la vora frontal ① del suport de la prestatgeria 7 cm i, a continuació, aixequiu la vora posterior ② del suport de la prestatgeria, de manera que la urpa del costat en voladís es pugui separar del forat d'instal·lació. Finalment, estireu el suport de la prestatgeria cap a fora ③.
2. Instal·leu el suport de la prestatgeria:  
Empenyeu el suport de la prestatgeria al seu lloc segons l'angle inclinat que es mostra al diagrama i, a continuació, baixeu la vora frontal ① del suport de la prestatgeria, de manera que la urpa del costat en voladís pugui encaixar al forat d'instal·lació.



## **i** AVÍS

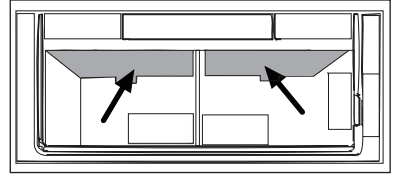
Assegureu-vos que tots els extrems d'un prestatge estiguin anivellats.

## Calaix ACTIVEFRESH ZONE

1. En aquest compartiment el nivell d'humitat és més alt que al compartiment de la nevera. Està controlat automàticament pel sistema i és adequat per emmagatzemar fruites, verdures, amanides, etc.

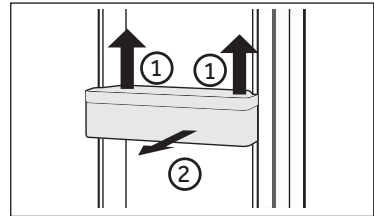
## **i** AVÍS

1. No traiu la coberta de plàstic de l'interior de les dues zones
2. Mantenen la humitat.
3. Fruïtes sensibles al fred com la pinya, l'alvocat, els plàtans,
4. No es recomana guardar els aranges en aquests dos calaixos.



### Prestatgeries/portaampolles extraïbles a la porta

1. Els prestatges de la porta es poden treure per netejar-los:
2. Col·loqueu les mans a cada costat del prestatge, aixequu-lo cap amunt ① i estireu-lo cap a fora ②.
3. Per inserir el prestatge de la porta, els passos anteriors es realitzen en ordre invers.



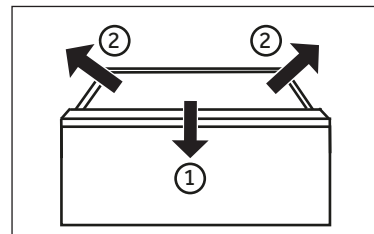
## **i** AVÍS

Quan l'aparell està encès, pot trigar fins a 12 hores a assolir les temperatures correctes.

### Calaix extraïble

Per treure el calaix, estireu-lo fins al màxim ①, aixequu-lo i retireu-lo ②.

Per inserir el calaix, els passos anteriors es realitzen en ordre invers.



### LaLlum

El llum LED interior s'encén quan s'obre la porta i s'apaga automàticament si la porta es deixa oberta durant més de 7 minuts. El rendiment dels llums no es veu afectat per cap altra configuració de l'aparell.



## Consells per estalviar energia

- ▶ Assegureu-vos que l'aparell estigui correctament ventilat (vegeu INSTAL·LACIÓ).
- ▶ No instal·leu l'aparell sota la llum solar directa ni a prop de fonts de calor (per exemple, fogons, calefactores).
- ▶ Eviteu temperatures innecessàriament baixes a l'aparell. El consum d'energia augmenta com més baixa estigui la temperatura de l'aparell.
- ▶ Funcions com ara POWER-FREEZE consumeixen més energia.
- ▶ Deixeu que els aliments calents es refredin abans de col·locar-los a l'aparell.
- ▶ Obriu la porta de l'aparell el mínim i el més breument possible.
- ▶ No ompliu massa l'aparell per evitar obstruir el flux d'aire.
- ▶ Eviteu que hi hagi aire dins de l'envàs dels aliments.
- ▶ Mantingueu netes les juntes de la porta perquè la porta sempre tanqui correctament.
- ▶ Descongeleu els aliments congelats al compartiment d'emmagatzematge de la nevera.
- ▶ La configuració que més estalvia energia requereix que l'aparell mantingui els calaixos, la caixa d'aliments i els prestatges en perfectes condicions de fàbrica, i que els aliments estiguin al seu lloc el més lluny possible sense bloquejar la sortida d'aire del conducte.

**AVÍS!**

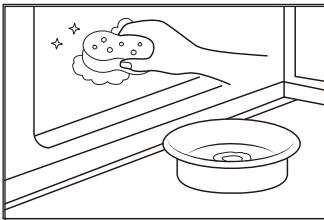
Desconnecteu l'aparell de la xarxa elèctrica abans de netejar-lo.

**Neteja**

1. Netegeu l'aparell quan només hi hagi pocs o cap menjar emmagatzemat.
2. L'aparell s'ha de netejar cada quatre setmanes per a un bon manteniment i per evitar les males olors dels aliments emmagatzemats.

**AVÍS!**

- ▶ No netegeu l'aparell amb raspalls durs, raspalls de filferro, detergent en pols, gasolina, acetat d'amil, acetona ni solucions orgàniques similars, solucions àcides o alcalines. Netegeu-lo amb un detergent especial per a frigorífics per evitar danys.
- ▶ No ruixeu ni renteu l'aparell durant la neteja.
- ▶ No utilitzeu aigua en pols ni vapor per netejar l'aparell.
- ▶ No netegeu les prestatgeries de vidre fred amb aigua calenta. Un canvi sobtat de temperatura pot fer que el vidre es trenqui.
- ▶ No toqueu la superfície interior del compartiment d'emmagatzematge del congelador, especialment amb les mans mullades, ja que les mans es poden congelar a la superfície.
- ▶ En cas d'escalfament, comproveu l'estat dels productes congelats.



- ▶ Mantingueu sempre neta la junta de la porta.
- ▶ Netegeu l'interior i la carcassa de l'aparell amb una esponja humitejada en aigua tèbia i detergent neutre.
- ▶ 1. Fregueu l'interior i l'exterior de la nevera, incloent-hi la junta de la porta, el prestatge de la porta, els prestatges de vidre, les caixes, etc., amb una tovallola suau o una esponja submergida en aigua tèbia (podeu afegir detergent neutre a l'aigua tèbia).
- ▶ 2. Si hi ha líquid vessat, traieu totes les peces contaminades, esbandiu-les directament amb aigua corrent, eixugueu-les i torneu-les a posar a la nevera.
- ▶ 3. Si hi ha nata vessada (com ara nata o gelat desfet), traieu totes les peces contaminades, poseu-les en aigua tèbia a uns 40 °C durant un temps i després esbandiu-les amb aigua corrent, eixugueu-les i torneu-les a posar a la nevera.
- ▶ 4. En cas que alguna peça o component petit quedi enganxat a l'interior de la nevera (entre prestatges o calaixos), utilitzeu un raspall petit i suau per alliberar-lo. Si no podeu arribar a la peça, poseu-vos en contacte amb el servei tècnic de Haier.
- ▶ Esbandiu i eixugueu amb un drap suau.
- ▶ No netegeu cap de les peces de l'aparell al rentaplats.
- ▶ Espereu almenys 5 minuts abans de reiniciar l'aparell, ja que un inici freqüent pot danyar el compressor.

**Descongelació**

La descongelació de la nevera i del congelador es fa automàticament; no cal cap operació manual.

## Substitució de les làmpades LED



### AVÍS!

No substituïu la làmpada LED vosaltres mateixos; només l'ha de substituir el fabricant o un agent de servei autoritzat.

Les làmpades utilitzen LED com a font de llum, amb un baix consum d'energia i una llarga vida útil. Si hi ha alguna anomalia, poseu-vos en contacte amb el servei d'atenció al client. Vegeu **SERVEI D'ATENCIÓ AL CLIENT**.

Paràmetres de les làmpades:

Compartiment de la nevera: 12 V, 4 W

Compartiment del congelador: 12 V, 2 W\*2

No ús durant un període prolongat

Si l'aparell no s'utilitza durant un període de temps prolongat i no utilitzareu la funció Vacances per a la nevera:

Traieu el menjar.

Desendolieu el cable d'alimentació.

Netegeu l'aparell tal com s'ha descrit anteriorment.

Mantingueu les portes obertes per evitar la creació de males olors a l'interior.



### AVÍS

Apagueu l'aparell només si és estrictament necessari.

Moure l'aparell

1. Traieu tots els aliments i desendolieu l'aparell.
2. Fixeu les prestatgeries i altres peces mòbils de la nevera i del congelador amb cinta adhesiva.
3. No inclineu la nevera més de 45° per evitar danys al sistema de refrigeració.



### AVÍS

- ▶ No aixequiu l'aparell per les nanses.
- ▶ No col·loqueu mai l'aparell horitzontalment a terra.

Molts dels problemes que es poden produir es poden resoldre vostè mateix sense coneixements específics. En cas de problema, comproveu totes les possibilitats que es mostren i seguïu les instruccions següents abans de contactar amb un servei postvenda. Consulteu SERVEI D'ATENCIÓ AL CLIENT.



## AVÍS!

- ▶ Abans del manteniment, desactiveu l'aparell i desconnecteu l'endoll de la presa de corrent.
- ▶ El manteniment dels aparells elèctrics només ha de ser realitzat per electricistes qualificats, ja que les reparacions inadequades poden causar danys importants.
- ▶ Un subministrament danyat només l'ha de substituir el fabricant, el seu agent de servei o persones amb qualificació similar per evitar perills.

Problem	Possible Cause	Possible Solution
El compressor no funciona.	<ul style="list-style-type: none"> <li>• L'endoll no està connectat a la presa de corrent</li> <li>• L'aparell està en el cicle de descongelació.</li> </ul>	<ul style="list-style-type: none"> <li>• Connecteu l'endoll de la xarxa elèctrica.</li> <li>• Això és normal per a una descongelació automàtica</li> </ul>
L'aparell funciona amb freqüència o durant un període de temps massa llarg.	<ul style="list-style-type: none"> <li>• La temperatura interior o exterior és massa alta.</li> <li>• L'aparell ha estat apagat durant un període de temps.</li> <li>• Una porta de l'aparell no està ben tancada.</li> <li>• La porta s'ha obert massa sovint o durant massa temps.</li> <li>• La temperatura configurada per al compartiment del congelador és massa baixa.</li> <li>• La junta de la porta està bruta, desgastada, esquerpada o no encaixa correctament.</li> <li>• No es garanteix la circulació d'aire necessària.</li> </ul>	<ul style="list-style-type: none"> <li>• En aquest cas, és normal que l'aparell funcioni més temps.</li> <li>• Normalment, l'aparell triga de 8 a 12 hores a refredar-se completament.</li> <li>• Tanqueu la porta/calaix i assegureu-vos que l'aparell estigui situat en un terreny pla i que no hi hagi aliments ni recipients que facin soroll a la porta.</li> <li>• No obriu la porta/calaix massa sovint.</li> <li>• Ajusteu la temperatura més alta fins que s'obtingui una temperatura satisfactòria per a la nevera. La temperatura de la nevera triga 24 hores a estabilitzar-se.</li> <li>• Netegeu la junta de la porta/calaix o substituïu-la mitjançant el servei d'atenció al client.</li> <li>• Assegureu-vos que hi hagi una ventilació adequada.</li> </ul>
L'interior de la nevera està brut i/ o fa olor.	<ul style="list-style-type: none"> <li>• Cal netejar l'interior de la nevera.</li> <li>• Els aliments amb una olor forta s'emmagatzemen a la nevera.</li> </ul>	<ul style="list-style-type: none"> <li>• Netegeu l'interior de la nevera.</li> <li>• Emboliqueu bé els aliments.</li> </ul>

Problem	Possible Cause	Possible Solution
No fa fred prou dins de l'aparell.	<ul style="list-style-type: none"> <li>• La temperatura està massa alta.</li> <li>• S'han emmagatzemat aliments massa calents.</li> <li>• S'han emmagatzemat massa aliments alhora.</li> <li>• Els aliments estan massa a prop els uns dels altres.</li> <li>• Una porta/calaix de l'aparell no està ben tancat.</li> <li>• La porta/calaix s'ha obert massa sovint o durant massa temps.</li> </ul>	<ul style="list-style-type: none"> <li>• Restableix la temperatura.</li> <li>• Refreda sempre els aliments abans de guardar-los.</li> <li>• Guarda sempre petites quantitats d'aliments.</li> <li>• Deixa un espai entre diversos aliments per permetre la circulació de l'aire.</li> <li>• Tanca la porta/calaix.</li> <li>• No obris la porta/calaix massa sovint.</li> </ul>
Fa massa fred dins de l'aparell.	<ul style="list-style-type: none"> <li>• La temperatura està configurada massa baixa.</li> <li>• La funció Super-Frz/ Super-Cool està activada o fa massa temps que funciona.</li> </ul>	<ul style="list-style-type: none"> <li>• Restableix la temperatura.</li> <li>• Desactiva la funció Super-Frz/Super-Cool</li> </ul>
Formació d'humitat a l'interior del compartiment de la nevera.	<ul style="list-style-type: none"> <li>• El clima és massa càlid i massa humit.</li> <li>• Una porta/calaix de l'aparell no està ben tancat.</li> <li>• La porta/calaix s'ha obert massa sovint o durant massa temps.</li> <li>• S'han deixat recipients d'aliments o líquids oberts.</li> </ul>	<ul style="list-style-type: none"> <li>• Augmentar la temperatura.</li> <li>• Tancar la porta/calaix.</li> <li>• No obrir la porta/calaix massa sovint.</li> <li>• Deixar refredar els aliments calents a temperatura ambient i tapar els aliments i líquids.</li> </ul>
La humitat • s'acumula a la superfície exterior de la nevera o entre les portes/porta i calaix.	<p>El clima és massa càlid i massa humit.</p> <p>La porta no està ben tancada. L'aire fred de l'aparell i l'aire calent de l'exterior es condensa.</p>	<ul style="list-style-type: none"> <li>• Això és normal en climes humits i canviarà quan la humitat disminueixi.</li> <li>• Assegureu-vos que la porta/calaix estigui ben tancat.</li> </ul>

Problem	Possible Cause	Possible Solution
Forta acumulació de gel i gebre al compartiment del congelador.	<ul style="list-style-type: none"> <li>• Els productes no estaven ben embalatats.</li> <li>• Una porta/calaix de l'aparell no està ben tancat.</li> <li>• La porta/calaix s'ha obert massa sovint o durant massa temps.</li> <li>• La junta de la porta/calaix està bruta, desgastada, esquerpada o no coincideix.</li> <li>• Alguna cosa a l'interior impedeix que la porta/calaix tanqui correctament.</li> </ul>	<ul style="list-style-type: none"> <li>• Empaqueu sempre bé els productes.</li> <li>• Tanqueu la porta/calaix.</li> <li>• No obriu la porta/calaix massa sovint.</li> <li>• Netegeu la junta de la porta/calaix o substituïu-la per una de nova.</li> <li>• Reposicioneu els prestatges, els prestatges de la porta o els contenidors interns per permetre que la porta/calaix es tanqui.</li> </ul>
Els laterals de l'armari i el llistó de la porta s'escalfen.		<ul style="list-style-type: none"> <li>• Això és normal.</li> </ul>
L'aparell fa sons anormals.	<ul style="list-style-type: none"> <li>• L'aparell no està situat en un terreny pla.</li> <li>• L'aparell toca algun objecte al seu voltant.</li> </ul>	<ul style="list-style-type: none"> <li>• Ajusteu els peus per anivellar l'aparell.</li> <li>• Traieu els objectes que hi ha al voltant de l'aparell.</li> </ul>
Se sent un lleuger so semblant al de l'aigua que flueix.		<ul style="list-style-type: none"> <li>• Això és normal.</li> </ul>
Sentiràs un bip d'alarma.	<ul style="list-style-type: none"> <li>• La porta del compartiment d'emmagatzematge de la nevera està oberta.</li> </ul>	<ul style="list-style-type: none"> <li>• Tanca la porta.</li> </ul>
Sentiràs un brunzit feble.	<ul style="list-style-type: none"> <li>• El sistema anticondensació funciona</li> </ul>	<ul style="list-style-type: none"> <li>• Això evita la condensació i és normal</li> </ul>
L'interior el sistema d'il·luminació o de refrigeració no funciona.	<ul style="list-style-type: none"> <li>• L'endoll no està connectat a la presa de corrent.</li> <li>• La font d'alimentació no està intacta.</li> <li>• El llum LED no funciona.</li> </ul>	<ul style="list-style-type: none"> <li>• Connecteu l'endoll de la xarxa elèctrica.</li> <li>• Comproveu el subministrament elèctric de l'habitació. Truqueu a la companyia elèctrica local!</li> <li>• Truqueu al servei tècnic per canviar la làmpada.</li> </ul>

Per contactar amb l'assistència tècnica, visiteu el nostre lloc web: <https://corporate.haier-eu-ropo.com/en/>

A la secció "lloc web", trieu la marca del vostre producte i el vostre país. Se us redirigirà al lloc web específic on trobareu el número de telèfon i el formulari per contactar amb l'assistència tècnica.

### **Interrupció del subministrament elèctric**

En cas de tall de subministrament elèctric, els aliments s'han de mantenir freds durant unes 5 hores. Seguiu aquests consells durant una interrupció prolongada del subministrament elèctric, sobretot a l'estiu:

- ▶ Obriu la porta/calaix tantes vegades com sigui possible.
- ▶ No poseu més menjar a l'aparell durant una interrupció del corrent.
- ▶ Si es dóna un avís previ d'una interrupció del corrent i la durada de la interrupció és superior a 5 hores, feu gel i poseu-lo en un recipient a la part superior del compartiment de la nevera.
- ▶ Cal inspeccionar els productes immediatament després de la interrupció.
- ▶ Com que la temperatura a la nevera augmentarà durant una interrupció del corrent o una altra fallada, el període d'emmagatzematge i la qualitat comestible dels aliments es reduiran. Qualsevol aliment que es descongeli s'ha de consumir o cuinar i tornar a congelar (si escau) poc després per evitar riscos per a la salut.

### **Funció de memòria durant les interrupcions de corrent**

Després de restablir el corrent, l'aparell continua amb la configuració que tenia establerta abans de la fallada de corrent.

## Desembalatge



### AVÍS!

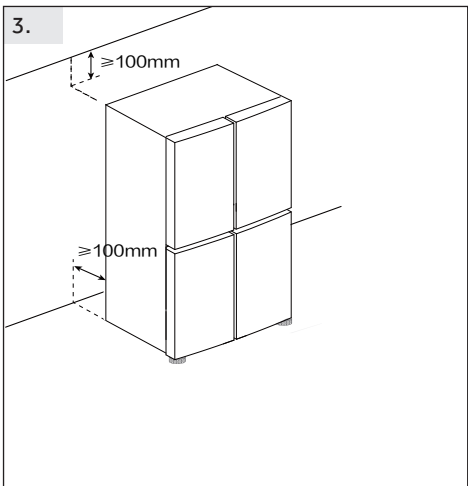
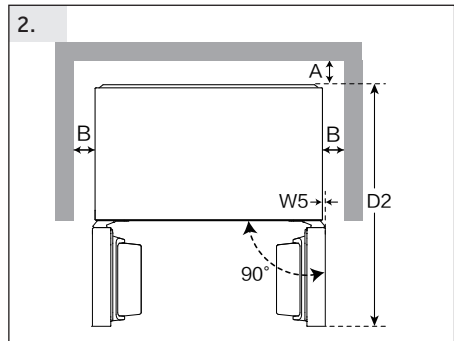
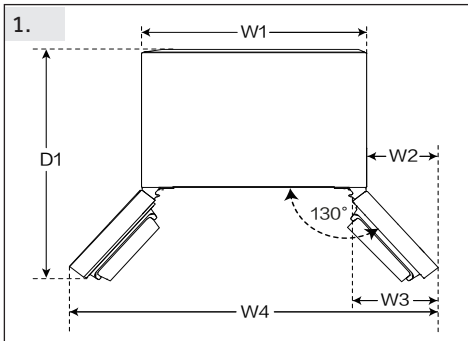
- ▶ L'aparell és pesat. Manipuleu-lo sempre amb almenys dues persones.
- ▶ Mantingueu tots els materials d'emballatge fora de l'abast dels nens i llenceu-los de manera respectuosa amb el medi ambient.
- ▶ Traieu l'aparell de l'emballatge
- ▶ Traieu tots els materials d'emballatge..

## Condicions ambientals

La temperatura ambient sempre ha d'estar entre 10 °C i 43 °C, ja que pot influir en la temperatura interior de l'aparell i en el seu consum d'energia. No instal·leu l'aparell a prop d'altres aparells que emetin calor (forns, neveres) sense aïllar-lo.

## Recomanació d'espai

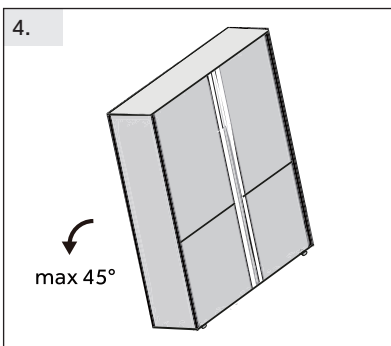
Espai recomanat quan la porta està oberta (Fig. 1.2.)



(Unit : mm)	Model#	
Width	W1	905
	W2	327
	W3	368
	W4	1559
	W5	51
	W	905
	D1	1061
	D2	1101
	D	738
Distance to back wall	A	100
Distance to lateral walls	B	100
Distance to ceiling	C	100
Overall Height	H	1825

### Secció transversal de ventilació

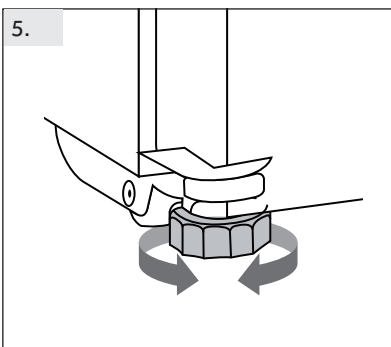
Per aconseguir una ventilació suficient de l'aparell per part del client per motius de seguretat, cal tenir en compte la informació de les seccions transversals de ventilació necessàries.



#### Signatura de l'aparell ((Fig.4.5.6.)

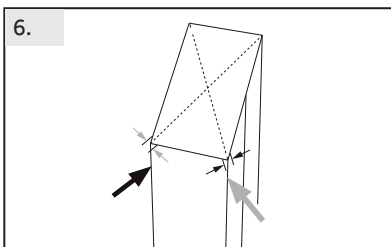
L'aparell s'ha de col·locar sobre una superfície plana i sòlida.

4. Inclineu la nevera lleugerament cap enrere.



5. Col·loqueu els peus al nivell desitjat.

Assegureu-vos que la distància a la paret del costat de la frontissa sigui d'almenys 100 mm perquè la porta s'obri correctament.

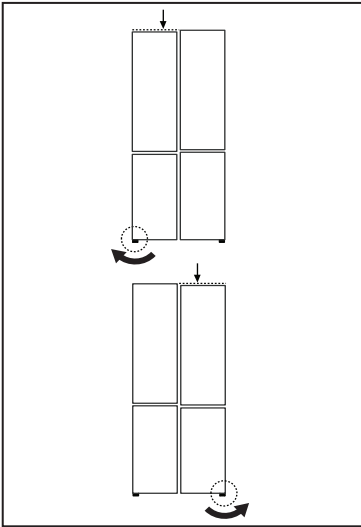


6. L'estabilitat es pot comprovar colpejant alternativament les diagonals. El lleuger balanceig ha de ser el mateix en ambdues direccions. En cas contrari, el marc es pot deformar; el resultat és possible que les juntes de les portes tinguin fuites. Una baixa tendència cap enrere facilita el tancament de les portes.



### AVÍS

Per a un aparell independent: aquest aparell frigorífic no està pensat per ser utilitzat com a aparell encastat.

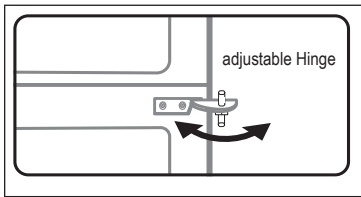


### Afinació fina de les portes

Si les portes no estan en un mateix nivell, aquesta desconexió es pot solucionar de la següent manera:

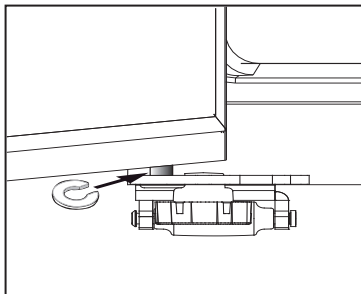
#### Ús del peu ajustable

Gireu el peu ajustable segons la direcció de la fletxa per girar el peu amunt o avall.



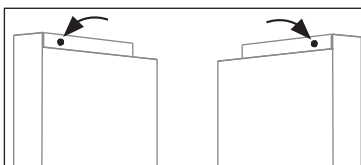
### Ajust de la posició de la porta

- ▶ Quan les dues portes no estan a la mateixa alçada, les frontisses ajustables es poden ajustar amb la clau anglesa adjunta per anivellar les dues portes. Si us plau, no les instal·leu de manera brusca per evitar ratllades o cops al marc de la porta.



### Ús d'espaiadors

- ▶ Obriu la porta del congelador i aixequen-la
- ▶ Enganxeu amb cura l'espaiador (inclòs a la bossa d'accessoris) a l'eix de la frontissa inferior amb la mà o amb eines com ara unes alicates. No ratlleu ni mateu la porta.

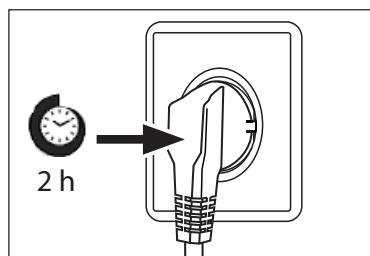


### Ús del botó d'ajust

- ▶ Si la porta del compartiment de la nevera no està anivellada, podeu girar el botó ajustable de la part superior de la porta per fer ajustaments precisos.

**i AVÍS**

En el futur ús de la nevera, és possible que es produeixi un fenomen desigual de les portes a causa del pes dels aliments emmagatzemats. Aleshores, ajusteu-les segons els mètodes anteriors.

**Temps d'espera**

Perquè l'oli lubricant no necessiti manteniment es trobi a la càpsula del compressor. Aquest oli pot passar pel sistema de canonades tancades durant el transport inclinat. Abans de connectar l'aparell a la xarxa elèctrica, cal esperar almenys 2 hores perquè l'oli torni a la càpsula.

**Connexió elèctrica**

Abans de cada connexió, comproveu si:


- ▶ La font d'alimentació, la presa i els fusibles són els corresponents a la placa de característiques.
- ▶ La presa de corrent té connexió a terra i no hi ha endolls múltiples ni extensió.
- ▶ L'endoll i la presa de corrent són estrictament conformes.

Connecteu l'endoll a una presa de corrent domèstica instal·lada correctament.

**! AVÍS!**

Per evitar riscos, el servei d'atenció al client ha de substituir un cable d'alimentació danyat (vegeu la targeta de garantia).

Producte fabricat segons el reglament UE núm. 2019/2016

Marca	Haier
Nom / identificador del model	HCR59F18DNMM(UK)
Categoria del model	Frigorífic-congelador
Classe d'eficiència energètica	D
Consum anual d'energia (kWh/any)(1)	306
Volum total (L)	706
Volum de la nevera (L)	417
Volum del congelador (L)	251
Secció de dues estrelles (L)	38
Classificació per estrelles	
Sistema sense gelades	Yes
Capacitat de congelació (kg/24h)	14
Classificació climàtica (2)	SN-N-ST-T
NClasse d'emissió de soroll i emissions de soroll acústic aeri (db(A) re 1pW)	C(35)
Temps d'augment de temperatura (h)	13
Tipus d'aparell	independent

**Explicacions:**• **Si, destacat**

- (1) Basat en els resultats de la prova de conformitat amb els estàndards durant 24 hores. El consum real depèn de l'ús i la ubicació de l'aparell.
- (2) Classificació climàtica SN: Aquest aparell està pensat per a ser utilitzat a una temperatura ambient d'entre +10 °C i +32 °C  
 Classificació climàtica N: Aquest aparell està pensat per a ser utilitzat a una temperatura ambient d'entre +16 °C i +32 °C  
 Classificació climàtica ST: Aquest aparell està pensat per a ser utilitzat a una temperatura ambient d'entre +16 °C i +38 °C  
 Classificació climàtica T: Aquest aparell està pensat per a ser utilitzat a una temperatura ambient d'entre +16 °C i +43 °C

**Dades tècniques addicionals**

Voltatge / Freqüència	220-240V ~ / 50Hz
Corrent d'entrada (A)	1.5
Fusible principal (A)	16
Refrigerant	R600a 68g
Dimensions (A/P/A en mm)	905 / 738 / 1825

Recomanem el nostre servei d'atenció al client de Haier i l'ús de recanvis originals.

Si teniu algun problema amb el vostre electrodomèstic, consulteu primer la secció SOLUCIÓ DE PROBLEMES.

Si no hi trobeu cap solució, poseu-vos en contacte amb

- ▶ el vostre distribuïdor local o
- ▶ el nostre Centre de servei d'atenció telefònica europeu (vegeu els números de telèfon que apareixen a continuació) o
- ▶ l'àrea de servei i assistència a [www.haier.com](http://www.haier.com), on podeu activar el servei
- ▶ reclamar i també trobar preguntes freqüents.

Per contactar amb el nostre servei tècnic, assegureu-vos que disposeu de les dades següents.

Podeu trobar la informació a la placa de característiques.

Model \_\_\_\_\_

Serial No. \_\_\_\_\_

Consulteu també la targeta de garantia que s'inclou amb el producte en

cas de garantia.

Centre de servei d'atenció telefònica europeu		
Country*	Phone number	Costs
Haier Italy (IT)	199 100 912	
Haier Spain (ES)	902 509 123	
Haier Germany (DE)	0180 5 39 39 99	<ul style="list-style-type: none"> <li>• 14 Ct/Min Landline</li> <li>• max 42 Ct/Min Mobile</li> </ul>
Haier Austria (AT)	0820 001 205	<ul style="list-style-type: none"> <li>• 14,53 Ct/Min Landline</li> <li>• max 20 Ct/Min all others</li> </ul>
Haier United Kingdom (UK)	0333 003 8122	
Haier France (FR)	0980 406 409	

\* Per a altres països, consulteu [www.haier.com](http://www.haier.com) Haier Europe Trading

S.r.l

Sucursal al Regne Unit

Westgate House, Westgate, Ealing

Londres, W5 1YY

\* Durada de la garantia de l'aparell frigorífic:

La garantia mínima és: 2 anys per als països de la UE, 3 anys per a Turquia, 1 any per al Regne Unit, 1 any per a Rússia, 3 anys per a Suècia, 2 anys per a Sèrbia, 5 anys per a Noruega, 1 any per al Marroc, 6 mesos per a Algèria, Tunísia. No cal cap garantia legal.

\*El període de recanvis per a la reparació de l'aparell:

Els termòstats, els sensors de temperatura, les plaques de circuits impresos i les fonts de llum estan disponibles durant un període mínim de set anys després de la comercialització de l'última unitat del model.

Manetes, frontisses, safates i cistelles de les portes durant un període mínim de set anys i juntes de les portes durant un període mínim de 10 anys, després de la comercialització de l'última unitat del model.

\*Per a més informació sobre el producte, consulteu <https://eprel.ec.europa.eu/> o escanegeu el codi QR de l'etiqueta energètica que s'inclou amb l'aparell.

CERTIFICATE OF QUALITY

DESIGNATION: REFRIGERATOR

Q.C.PASSED

CHECKER No.

QC01

**Haier**

专用号条码

0060544189  
2026 Version A

# Haier

Navodila za uporabo



Hladilnik–zamrzovalnik

HCR59F18DNMM

HCR59F18DNMB

<b><u>4 Varnostne informacije</u></b>	●	Pred prvo uporabo	5
		Namestitev	5
		Vsakodnevna uporaba	6
<b><u>8 Predvidena uporaba</u></b>	●		
<b><u>9 Opis izdelka</u></b>	●		
<b><u>10 Nadzorna plošča</u></b>	●		
<b><u>11 Uporaba</u></b>	●	Prilagoditev temperature hladilnika	14
		Prilagoditev temperature zamrzovalnika	14
		Funkcija Super-Cool	15
		Funkcija Super-Frz	15
		Način Holiday	16
		Funkcija Magic Zone	17
<b><u>20 Oprema</u></b>	●		
<b><u>22 Nasveti za varčevanje z energijo</u></b>	●		
<b><u>23 Nega in čiščenje</u></b>	●		
<b><u>25 Odpravljanje težav</u></b>	●		
<b><u>29 Namestitev</u></b>	●		
<b><u>33 Tehnični podatki</u></b>	●		
<b><u>35 Služba za pomoč strankam</u></b>	●		

## Zahvaljujemo se vam za nakup izdelka Haier.

Pred uporabo aparata skrbno preberite ta navodila. Navodila vsebujejo pomembne informacije, ki vam bodo pomagale čim boljje izkoristiti aparat ter zagotoviti varno in pravilno namestitvev, uporabo in vzdrževanje.

Ta priročnik hranite na priročnem mestu, da je vedno na dosegu roke za varno in pravilno uporabo aparata.

Če aparat prodate, ga podarite ali pustite za sabo, ko se selite, poskrbite, da boste ta priročnik predali novemu lastniku, da se bo lahko seznanil z aparatom in varnostnimi opozorili.

## Dodatki

Preverite dodatke in literaturo v skladu s tem seznamom:



Energijska nalepka



Garancijska kartica



Navodila za uporabo



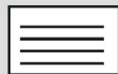
Garancijsko potrdilo



Kratka navodila



Distančnik × 3



Kartica z opozorili



ključ

**OPOZORILO – Pomembne varnostne informacije****OBVESTILO – Splošne informacije in nasveti****Okoljske informacije****Odstranjevanje**

Pomagajte varovati okolje in zdravje ljudi. Embalažo odložite v ustrezne zbiralnike za recikliranje. Pomagajte pri recikliranju električnih in elektronskih odpadnih naprav. Aparatov, označenih s tem simbolom, ne odlagajte med gospodinjne odpadke. Vrnite izdelek vašemu lokalnemu obratu za recikliranje ali se obrnite na občinski urad.

**OPOZORILO: Nevarnost požara/vnetljiv material**

Simbol označuje nevarnost požara, saj se uporabljajo vnetljivi materiali. Pazite, da ne povzročite požara z vžigom vnetljivega materiala.

**OPOZORILO!**

Nevarnost telesnih poškodb ali zadužitve!

Hladilna sredstva in pline je treba odstraniti profesionalno. Prepričajte se, da cevi hladilnega tokokroga niso poškodovane, preden jih ustrezno zavržete. Aparat pred čiščenjem odklopite z napajanja. Odsluženemu aparatu odrežite električni kabel in ga zavržite. Odstranite pladnje in predale ter zatič in tesnila vrat, da preprečite zapiranje otrok in hišnih ljubljencev v aparat.

**Pred prvim vklopom aparata preberite naslednje varnostne nasvete!****OPOZORILO!****Pred prvo uporabo**

- ▶ Prepričajte se, da med prevozom ni prišlo do poškodb.
- ▶ Aparat naj prenašata vsaj dve osebi, ker je težek.

**Namestitev**

- ▶ Aparat naj bo postavljen v dobro prezračevan prostor. Poskrbite, da bo nad aparatom in okoli njega vsaj 10 cm prostora.
- ▶ Aparata nikoli ne postavljajte na vlažno mesto ali mesto, kjer bi lahko po njem brizgala voda. Očistite in pobrišite vodne kapljice in madeže z mehko čisto krpo.
- ▶ Aparata ne postavljajte neposredno na sonce ali blizu virov toplote (npr. štedilnikov, grelcev).
- ▶ Aparat namestite na mestu, ki je primerno njegovi velikosti in namenu.
- ▶ Poskrbite, da bodo prezračevalne odprtine aparata ali vgradnih elementov proste in neovirane.
- ▶ Prepričajte se, da se podatki o električnem toku na ploščici s tehničnimi navedbami ujemajo z napajanjem. V nasprotnem primeru se obrnite na električarja.
- ▶ Aparat deluje z izmeničnim napajanjem 220–240 VAC/50 Hz. Nenormalno nihanje napetosti lahko povzroči, da se aparat ne zažene, poškoduje regulator temperature ali kompresor ali pa se med delovanjem pojavi nenavaden hrup. V tem primeru se namesti samodejni regulator.
- ▶ Ne uporabljajte adapterjev z več vtiči in podaljškov.
- ▶ Prenosnih vtičnic ali prenosnega električnega napajanja ne postavljajte za aparat.
- ▶ Prepričajte se, da se napajalni kabel ni zataknil pod hladilnikom. Ne stopajte na napajalni kabel.
- ▶ Uporabite ločeno ozemljeno vtičnico za napajanje, ki je lahko dostopna. Aparat mora biti ustrezno ozemljen.  
Samo za Združeno kraljestvo: Napajalni kabel aparata je opremljen s 3-žilnim (ozemljitvenim) vtičem, ki ustreza standardni 3-žilni (ozemljeni) vtičnici. Nikoli ne odrežite in ne odstranjujte tretjega zatiča (ozemljitev). Po namestitvi aparata mora biti vtič dostopen.
- ▶ Ne poškodujte hladilne napeljave.



## OPOZORILO!

### Vsakodnevna uporaba

- ▶ Ta aparat lahko uporabljajo otroci, starejši od 8 let, ter osebe z zmanjšanimi fizičnimi, senzoričnimi ali umskimi zmožnostmi ali s pomanjkanjem izkušenj in znanja, pod ustreznim nadzorom, ali če imajo navodila za varno uporabo aparata ter če razumejo s tem povezana tveganja.
- ▶ Otrokom, starim od 3 do 8 let, je dovoljeno polnjenje in praznjenje, vendar jim ni dovoljeno čiščenje in nameščanje hladilnih aparatov.
- ▶ Otroci, mlajši od 3 let, naj se zadržujejo stran od aparata, razen če so pod stalnim nadzorom.
- ▶ Otroci naj se z aparatom ne igrajo.
- ▶ Če v bližini aparata pušča hladilni plin ali drug vnetljiv plin, izklopite ventil uhajajočega plina, odprite vrata in okna ter ne odklopite napajalnega kabla hladilnika ali drugega aparata.
- ▶ Upoštevajte, da je aparat nastavljen za delovanje v določenem območju temperature okolja med 10 in 43 °C. Aparat morda ne bo deloval pravilno, če je dlje časa izpostavljen temperaturi, ki je višja ali nižja od navedene.
- ▶ Na hladilnik ne postavljajte nestabilnih predmetov (težkih predmetov, posod, napolnjenih z vodo), da se izognete poškodbam zaradi padca ali električnega udara zaradi stika z vodo.
- ▶ Ne vlecite vratnih polic. Vrata se lahko potegnejo poševno, stojalo za steklenice se lahko izvleče ali pa se aparat prevrne.
- ▶ Vrata odpirajte in zapirajte samo z ročaji. Razmik med vrati ter vrati in omaro je zelo ozek. Ne segajte z rokami v te predele, da se izognete priprtju prstov. Vrata hladilnika odprite ali zaprite le, če v območju premikanja vrat ni otrok.
- ▶ Ne shranjujte ali uporabljajte vnetljivih, eksplozivnih ali jedkih snovi v aparatu ali njegovi bližini.
- ▶ V aparatu ne shranjujte zdravil, bakterij ali kemičnih snovi. Ta aparat je gospodinjski aparat, zato ni priporočljivo hraniti materialov, za katere so zahtevane strogo določene temperature.
- ▶ V zamrzovalniku nikoli ne shranjujte tekočin v steklenicah ali pločevinkah (razen močnih žganih pijač), zlasti gaziranih pijač, saj jih bo med zamrzovanjem razneslo.
- ▶ Preverite stanje hrane, če je prišlo do segrevanja v zamrzovalniku.
- ▶ Ne nastavite nepotrebno nizke temperature v predelu hladilnika. Pri visokih nastavitvah lahko pride do temperatur pod ničlo. Pozor: Steklenice lahko počijo
- ▶ Zamrznjenih živil se ne dotikajte z mokrimi rokami (uporabite rokavice). Še posebej ne jejte ledenk takoj, ko jih vzamete iz zamrzovalnika. Obstaja tveganje za zamrznitev ali nastanek mehurjev zaradi zmrzali. PRVA pomoč: takoj postavite pod tekočo mrzlo vodo. Ne vlecite proč!
- ▶ Med delovanjem se ne dotikajte notranjosti zamrzovalnega dela, zlasti z mokrimi rokami, saj lahko vaše roke primrznejo na površino.



## OPOZORILO!

### Vsakodnevna uporaba

- ▶ V primeru prekinitve napajanja ali pred čiščenjem aparat izklopite. Pred ponovnim zagonom aparata počakajte vsaj 7 minut, saj lahko pogosto zaganjanje poškoduje kompresor.
- ▶ Ne uporabljajte električnih naprav v predalih za shranjevanje živil v aparatu, razen če njihovo uporabo priporoča proizvajalec.  
Vzdrževanje/čiščenje
- ▶ Poskrbite, da bodo otroci pod nadzorom, če bodo opravljali čiščenje in vzdrževanje.
- ▶ Pred vsakim rednim vzdrževanjem aparat odklopite iz električnega napajanja. Pred ponovnim zagonom aparata počakajte vsaj 5 minut, saj lahko pogosto zaganjanje poškoduje kompresor.
- ▶ Pri izklopu aparata primate vtič kabla, ne vlecite kabla.
- ▶ Aparata ne čistite s trdimi ščetkami, žičnimi krtačami, detergentom v prahu, bencinom, amil acetatom, acetonom in podobnimi organskimi raztopinami, kislimi ali alkalnimi raztopinami. Čistite ga s posebnim detergentom za hladilnik, da se izognete poškodbam.
- ▶ Zmrzali in ledu ne strgajte z ostrimi predmeti. Ne uporabljajte razpršil in električnih grelnikov, kot so grelnik, sušilec za lase, parni čistilniki ali drugi viri toplote, da se izognete poškodbam plastičnih delov.
- ▶ Ne uporabljajte mehanskih sredstev za pospešitev odmrzovanja oziroma sredstev, ki jih ne priporoča proizvajalec.
- ▶ Če je priključni kabel poškodovan, morate preprečiti morebitna tveganja, zato ga sme nadomestiti samo proizvajalec, njegov servisni agent ali drug kvalificiran serviser.
- ▶ Aparata ne poskušajte popravljati, razstavljati ali spreminjati sami. V primeru popravila se obrnite na našo službo za stranke.
- ▶ Vsaj enkrat letno odstranite prah na hrbtni strani enote, da se izognete nevarnosti požara in povečani porabi energije.
- ▶ Med čiščenjem aparata ne škropite ali spirajte.
- ▶ Aparata ne čistite s pršenjem vode ali paro.
- ▶ Hladnih steklenih polic ne čistite z vročo vodo. Zaradi nenadne spremembe temperature se lahko steklo zlomi.

### Informacije o hladilnih plinih

- ▶ Aparat vsebuje vnetljivo hladilno sredstvo IZOBUTAN (R600a). Prepričajte se, da hladilni tokokrog med transportom ali namestitvijo ni poškodovan. Puščanje hladilnega sredstva lahko povzroči poškodbe oči ali pa se sredstvo vname. Če je prišlo do poškodbe, aparatu ne približujte odprtih virov ognja, temeljito prezračite prostor, ne priključujte ali odklapljajte napajalnih kablov aparata ali katere koli druge naprave. Obvestite službo za pomoč strankam.
- ▶ Če oči pridejo v stik s hladilnim sredstvom, jih takoj sperite pod tekočo vodo in pokličite očesnega specialista.

## Predvidena uporaba

Ta aparat je namenjen hlajenju in zamrzovanju hrane. Zasnovan je bil izključno za uporabo v gospodinjstvih in prostorih, kot so kuhinjski prostori za osebje v trgovinah, pisarne in druga delovna okolja; na kmetijah in za uporabo strank v hotelih, motelih in drugih bivalnih objektih ter v prenočitvenih in gostinskih dejavnostih. Ni primeren za komercialno ali industrijsko uporabo.

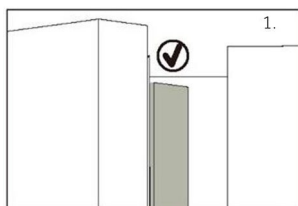
Spreminjanje aparata je prepovedano. Nenamenska uporaba lahko povzroči nevarnosti in izgubo garancijskih zahtevkov.

## Standardi in direktive

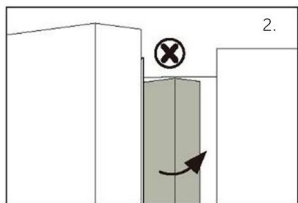
Ta izdelek izpolnjuje zahteve vseh veljavnih direktiv ES z ustreznimi usklajenimi standardi, ki določajo oznako CE.



### POZOR!



Ko zaprete vrata, naj bo navpični trak vrat na levih vratih upognjen navznoter (1).



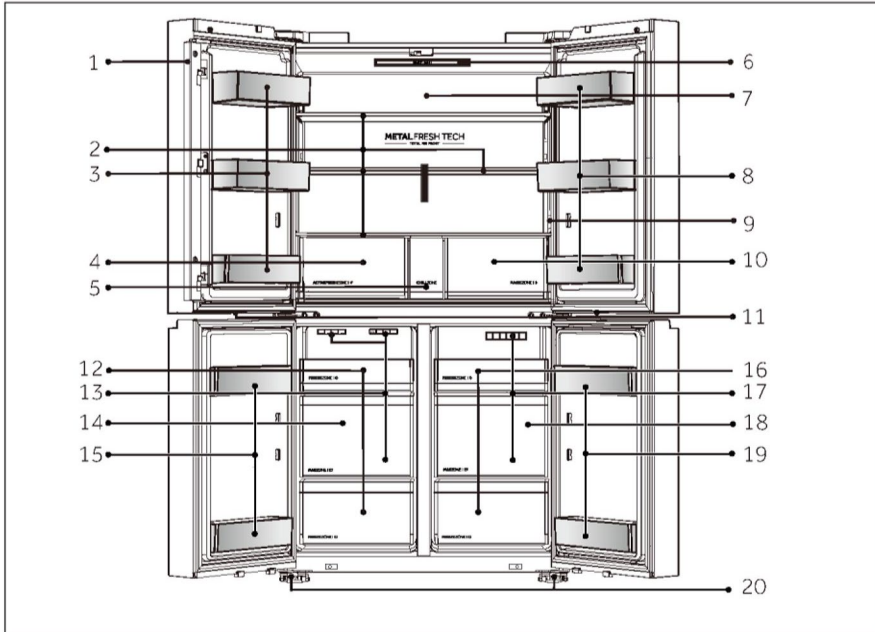
Če poskušate zapreti leva vrata in vodoravni vratni trak ni upognjen (2), ga morate najprej upogniti, sicer bo vratni trak zadel pritrdilno gred ali desna vrata. Tako lahko pride do poškodbe tesnila ali puščanja.

V okvirju je grelna nit. Temperatura površine se bo nekoliko dvignila, kar je normalno in ne bo vplivalo na delovanje aparata.



## OBVESTILO

Zaradi tehničnih sprememb in različnih modelov se lahko nekatere ilustracije v tem priročniku razlikujejo od vašega modela.

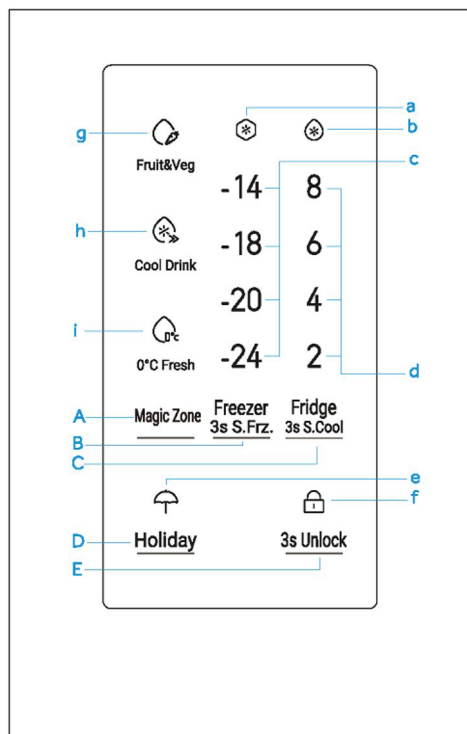


A: Predel hladilnika

- 1 Vratni nosilec
- 2 Steklene police
- 3 Držalo za steklenice
- 4 Predal ACTIVEFRESH ZONE
- 5 Škatla CHILL ZONE
- 6 Luč hladilnika
- 7 Vod hladilnika
- 8 Držalo za steklenice
- 9 Nadzorna plošča
- 10 Predal MAGIC ZONE
- 11 Luč v zamrzovalniku

B: Predel zamrzovalnika

- 12 Predal FREEZE ZONE
- 13 Prezračevalnik
- 14 Predal MAX ZONE
- 15 Držalo za steklenice
- 16 Predal FREEZE ZONE
- 17 Prezračevalnik
- 18 Predal MAX ZONE
- 19 Držalo za steklenice
- 20 Prilagodljive noge



Tipke:

- A Izbirnik načina Magic Zone
- B Izbirnik funkcije zamrzovalnika in funkcije Super-Frz
- C Izbirnik funkcije hladilnika in funkcije Super-Cool
- D Izbirnik funkcije Holiday
- E Izbirnik funkcije zaklepanja /odklepanja

Kazalniki:

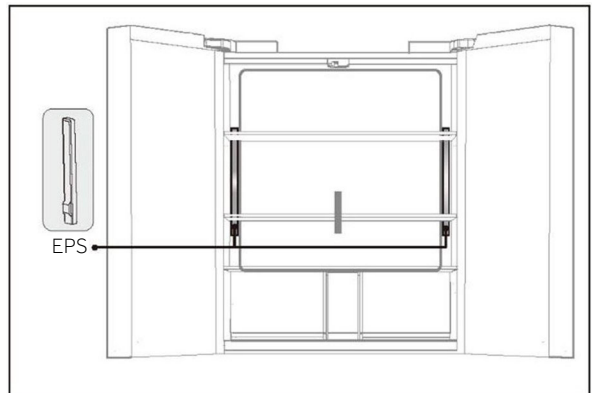
- a Funkcija Super-Frz
- b Funkcija Super-Cool
- c Temperatura zamrzovalnika
- d Temperatura hlajenja
- e Funkcija Holiday
- f Funkcija zaklepanja/odklepanja
- g Funkcija Fruit & Veg
- h Funkcija Cool Drink
- i Funkcija 0°C Fresh

## Pred prvo uporabo

- ▶ Odstranite vso embalažo, zlasti belo peno EPS na obeh straneh hladilnega kanala, in jo shranite zunaj dosega otrok. Odstranite jo na okolju prijazen način.
- ▶ Očistite notranjost in zunanost aparata z vodo in blagim detergentom, preden vanj položite hrano.
- ▶ Ko je aparat poravnan in očiščen, počakajte vsaj 2–5 ur, preden ga priključite na napajanje. Glejte poglavje NAMESTITEV.
- ▶ Preden aparat napolnite s hrano, predhodno ohladite predele pri visokih nastavitvah. Funkcija Power-Freeze pomaga hitro ohladiti predele.
- ▶ Temperaturi v hladilniku in zamrzovalniku se samodejno nastavita na 4 °C oziroma –18 °C. To so priporočene nastavitve, po želji pa lahko ti temperaturi spremenite ročno. Glejte razdelek PRILAGODITEV TEMPERATURE.

## Metoda odstranjevanja EPS

Najprej odstranite zgornjo in srednjo polico (način odstranjevanja polic je opisan na strani 25), nato pa odstranite dva kosa EPS.



## Senzorske tipke

Gumbi na nadzorni plošči so senzorske tipke, ki se odzovejo, ko se jih rahlo dotaknete s prstom.

## Vklop/izklop aparata

Aparat začne delovati takoj, ko ga priključite na napajanje.

Temperaturi v hladilniku in zamrzovalniku se samodejno nastavita na 4 °C in –18 °C.

Morda je aktiven zaklep plošče.



## OBVESTILO

Aparat je nastavljen na priporočeno temperaturo 4 °C (hladilnik) in –18 °C (zamrzovalnik). V običajnih pogojih okolja vam temperature ni treba nastavljanjati.

Ko aparat vklopite potem, ko ste ga odklopili iz glavnega napajanja, lahko traja do 12 ur, da doseže pravilno temperaturo.

Pred izklopom izpraznite aparat. Če želite izklopiti aparat, izvlecite napajalni kabel iz vtičnice.

## Zaklepanje/odklepanje plošče

Samodejno zaklepanje: Če po zapiranju vrat hladilnika v 30 sekundah ne pritisnete nobene tipke, zaslon samodejno ugasne in se zaklene.

Ročno zaklepanje: Ko je zaslon odklenjen, pritisnite gumb »E« (izbirnik za zaklepanje plošče) in ga pridržite 3 sekunde; enkrat se oglasi zvočni signal, zasveti indikator »f« (zaklepanje plošče) in zaslon se zaklene. V zaklenjenem stanju dolgo pritisnite tipko »E« za 3 sekunde; enkrat se oglasi zvočni signal, indikator »f« (plošča zaklenjena) ugasne in plošča se odklene.



## Način ročnega prilagajanja

Če želite temperaturo v aparatu nastaviti ročno, jo lahko nastavite s pomočjo gumba za prilagajanje temperature (glejte NASTAVITEV TEMPERATURE)

## Alarm za vrata

Alarm za vrata se sproži, da vas opomni, če so vrata odprta dolgo časa ali niso dobro zaprta.

## Nastavitev temperature

Na notranjo temperaturo vplivajo naslednji dejavniki:

Temperatura okolja, pogostost odpiranja vrat, količina shranjenih živil, namestitvev aparata.

## Prilagoditev temperature hladilnika

1. Ko je zaslon odklenjen, pritisnite gumb »C«. Enkrat se oglasi zvočni signal, indikator »b« utripa, nato pa se prikaže način nastavljanja temperature hladilnika.
2. Ob vsakem pritisku na gumb »C« se enkrat oglasi zvočni signal in nastavljena temperatura hladilnika se spremeni ter prikaže v zaporedju 8>6>4>2.

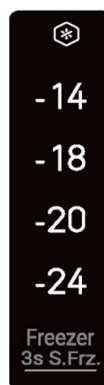


## OBVESTILO

Če po nastavitvi temperature 5 sekund ne izvedete nobenega dejanja, sistem samodejno shrani nastavljeno temperaturo.

## Prilagoditev temperature zamrzovalnika

1. Ko je zaslon odklenjen, pritisnite gumb »B«. Enkrat se oglasi zvočni signal, indikator »c« utripa, nato pa se prikaže način nastavljanja temperature zamrzovalnika.
2. Ob vsakem pritisku na gumb »B« se enkrat oglasi zvočni signal in nastavljena temperatura hladilnika se spremeni ter prikaže v zaporedju -14 > -18 > -20 > -24.

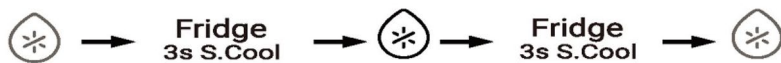


## OBVESTILO

Če po nastavitvi temperature 5 sekund ne izvedete nobenega dejanja, sistem samodejno shrani nastavljeno temperaturo.

## Funkcija Super-Cool

1. Ko je zaslon odklenjen, pritisnite gumb »C« in ga pridržite 3 sekunde; enkrat se oglasi zvočni signal, zasveti indikator »b« in vklopi se funkcija Super-Cool.
2. Ko sveti indikator »b«, pritisnite gumb »C« in ga pridržite 3 sekunde; enkrat se oglasi zvočni signal, indikator »b« ugasne in funkcija Super-Cool se izklopi.
3. Po vklopu funkcije Super-Cool jo hladilnik samodejno izklopi, ko doseže nastavljeno stanje. Če jo želite izklopiti ročno, lahko to storite s pritiskom gumba »C«.



## OBVESTILO

1. V stanju Super-Cool temperature hladilnika ni mogoče prilagajati. Če pritisnete gumb »C«, da bi nastavili temperaturo hladilnika, indikator »b« utripa in oglasi se kratek zvočni signal, ki pomeni, da tega dejanja ni mogoče izvesti.
2. V stanju funkcije Super-Cool funkcije Auto-Set zaradi različnih načinov krmiljenja ni mogoče vklopiti. Če izberete funkcijo, ki je v nasprotju z drugo funkcijo, se izvirna funkcija samodejno preklopi.

## Funkcija Super-Frz

1. Ko je zaslon odklenjen, pritisnite gumb »B« in ga pridržite 3 sekunde; enkrat se oglasi zvočni signal, zasveti indikator »a« in vklopi se funkcija Super-Frz.
2. Ko sveti indikator »a«, pritisnite gumb »B« in ga pridržite 3 sekunde; enkrat se oglasi zvočni signal, indikator »a« ugasne in funkcija Super-Frz se izklopi.
3. Po vklopu funkcije Super-Frz jo hladilnik samodejno izklopi, ko doseže nastavljeno stanje. Če jo želite izklopiti ročno, lahko to storite s pritiskom gumba »B«.





## OBVESTILO

1. V stanju Super-Freeze temperature zamrzovalnika ni mogoče prilagajati. Če pritisnete gumb »B«, da bi nastavili temperaturo zamrzovalnika, indikator »a« utripa in oglasi se kratek zvočni signal, ki pomeni, da tega dejanja ni mogoče izvesti.
2. Funkcija Super-Freeze je zasnovana tako, da ohrani hranilno vrednost zamrznjenih živil, saj bodo živila zamrznjena v najkrajšem času. V tem času se hitrost zamrzovanja v zamrzovalniku poveča, živila lahko hitro zamrznejo, hranilna vrednost živil se učinkovito ohrani in shranjevanje postane zelo priročno. Če morate naenkrat zamrzniti veliko količino hrane, priporočamo, da predhodno nastavite funkcijo Super Freeze 24 ur pred uporabo predela zamrzovalnika.

### Način Holiday

Način Holiday je zasnovan za primere, ko hladilnika dalj časa ne boste uporabljali. Ko je vklopljen način Holiday, je zamrzovalnik pod običajnim nadzorom, temperatura hladilnika pa se samodejno nastavi na 17 °C. To preprečuje neprijetne vonjave zaradi previsoke temperature in hkrati pomaga zmanjšati porabo energije.

1. Ko je zaslon odklenjen, pritisnite gumb »D«; enkrat se oglasi zvočni signal, zasveti indikator »e« in vklopi se funkcija Holiday.
2. Ko sveti indikator »e«, pritisnite gumb »D«; enkrat se oglasi zvočni signal, indikator »e« ugasne in funkcija Holiday se izklopi.



## OBVESTILO

Pred uporabo funkcije Holiday izpraznite hladilnik, da preprečite, da bi se hrana v njem pokvarila. Ko je vklopljena funkcija Holiday, ni mogoče sočasno vklopiti funkcije »Super-Cool«.

## Funkcija Magic Zone

Ko je zaslon odklenjen, pritisnite gumb »A«, da preklopite med funkcijami Fruit&Veges, Cool Drink in 0°C Fresh.

### 1. Funkcija Fruit&Veg:

Ta funkcija je primerna za shranjevanje svežega sadja in zelenjave. Ko je ta funkcija izbrana, sveti indikator »g«.

### 2. Funkcija Cool Drink:

Ta funkcija omogoča shranjevanje izdelkov, kot so voda, kokakola in sok. Ko je ta funkcija izbrana, sveti indikator »h«.

### 3. Funkcija 0°C Fresh:

Ta funkcija je primerna za shranjevanje sveže hrane, na primer mesa in rib. Ko je ta funkcija izbrana, sveti indikator »i«.



## OBVESTILO

1. Privzeta nastavitev ob zagonu je funkcija Cool Drink.
2. Za funkcijo Fruit&Veg.: V predalu Magic Zone ne shranjujte živil, občutljivih na mraz, kot so sadeži (ananas, avokado, banane, grenivke), zelenjava (krompir, jajčevci, fižol, kumare, bučke, paradižnik) in sir.
3. Za funkcijo 0°C Fresh: Zaradi različnih vsebnosti vode v mesu. Nekatero meso z več vlage zamrzne pri temperaturah, nižjih od 0 °C. Zato je treba narezano meso hraniti v predalu Magic Zone pri najnižji temperaturi 0 °C.
4. Vse tri funkcije predela Magic Zone ne morejo delovati hkrati; osvetli se lahko samo ena. Za znižanje temperature v hladilniku uporabite funkcijo Cool Drink, za zvišanje temperature v hladilniku pa funkcijo Fruit&Veg.

## Nasveti za shranjevanje svežih živil

### Shranjevanje v hladilnik

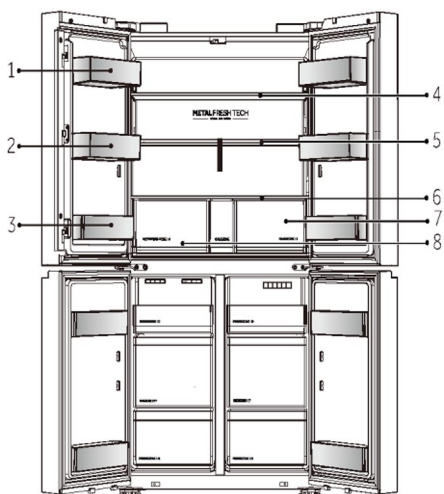
1. Temperatura v hladilniku naj bo manj kot 5 °C.
2. Vročo hrano je treba pred shranjevanjem v aparatu ohladiti na sobno temperaturo.
3. Živila, ki jih želite shranjevati v hladilniku, je treba pred shranjevanjem oprati in posušiti.
4. Živila, ki jih želite shranjevati, morajo biti pravilno zaprta, da se izognete spremembam vonja ali okusa.
5. Ne shranjujte prevelikih količin hrane. Med posameznimi živili naj bo nekaj prostora, da omogočite pretok zraka za boljše hlajenje.
6. Živila, ki jih uporabljate vsak dan, je treba hraniti na sprednji strani police.

7. Med posameznimi živili in notranjimi stenami pustite nekaj prostora, s čimer omogočite pretok zraka. Zlasti pa ne shranjujte živil ob zadnji steni: hrana lahko primrzne na zadnjo steno. Izogibajte se neposrednemu stiku hrane (zlasti mastne ali kisle hrane) z notranjo oblogo, saj lahko olje/kislina uniči notranjo oblogo. Očistite mastno/kislo umazanijo, kadarkoli jo najdete.
8. Zamrznjeno hrano odmrznite v hladilniku. Tako lahko z zamrznjeno hrano znižate temperaturo v hladilniku in prihranite energijo.
9. Postopek staranja sadja in zelenjave, kot so bučke, melone, papaja, banana, ananas itd., se lahko v hladilniku pospeši. Zato jih ni priporočljivo hraniti v hladilniku. Zorenje močno zelenih plodov pa za nekaj časa lahko pospešite. Tudi čebulo, česen, ingver in drugo korenovko je treba hraniti pri sobni temperaturi.
10. Neprijetni vonji v hladilniku so znak, da se je nekaj razlilo in da je potrebno čiščenje. Glejte poglavje NEGA IN ČIŠČENJE.
11. Različna živila je treba postaviti na različna območja glede na njihove lastnosti.



## OBVESTILO

Razdalja med hrano in prezračevalnikom ali senzorji mora biti večja kot 10 mm, da zagotovite učinek hlajenja.



1. Maslo, sir itd.
2. Jajca, pločevinke, konzervirana živila, začimbe itd.
3. Pijače in ustekleničena živila.
4. Vložena hrana, konzervirana živila itd.
5. Mesni izdelki, prigrizki, testenine, konzervirana hrana, mleko, tofu, mlečni izdelki itd.
6. Kuhano meso, klobase itd.
7. Predal Magic ZONE: Sadje, zelenjava, solata itd.
8. Predal ACTIVEFRESH ZONE: Sadje, zelenjava, solata itd.

## Shranjevanje v predelu zamrzovalnika

1. Temperaturo zamrzovalnika pustite na  $-18\text{ }^{\circ}\text{C}$ .
2. 24 ur pred zamrznitvijo preklopite na funkcijo Super-Freeze; za majhne količine hrane zadostuje 4–6 ur.
3. Vročo hrano je treba pred shranjevanjem v zamrzovalnem predelu ohladiti na sobno temperaturo.
4. Hrana, razrezana na majhne porcije, bo hitreje zamrznila in jo boste lažje odtalili ter kuhali. Priporočena teža enega obroka je manj kot 2,5 kg.
5. Bolje je, da hrano spravite v embalažo, preden jo shranite v zamrzovalnik. Zunanost embalaže mora biti suha, da se prepreči lepljenje vrečk. Embalažni materiali morajo biti brez vonja, nestrupeni in netoksični ter morajo tesniti.
6. Da bi se izognili izteku obdobja shranjevanja, si zabeležite datum zamrznitve, rok in ime živila na embalaži glede na obdobja shranjevanja različnih živil.
  1. **OPOZORILO:** Kislina, alkalije in sol itd. lahko poškodujejo notranjo površino zamrzovalnika. Živil, ki vsebujejo te snovi (npr. morske ribe), ne polagajte neposredno na notranjo površino. Slano vodo v zamrzovalniku je treba takoj očistiti.
  2. Ne prekoračite časa shranjevanja živil, ki ga priporočajo proizvajalci. Iz zamrzovalnika vzemite samo potrebno količino hrane.
  3. Odmrznjena živila hitro zaužijte. Odmrznjene hrane ni mogoče znova zamrzniti, če je najprej ne skuhamo, sicer je manj užitna.
  4. V hladilnik ne nalagajte prevelikih količin sveže hrane. Glejte zamrzovalno zmogljivost zamrzovalnika - glejte TEHNIČNE PODATKE ali podatke na tipski ploščici.
  5. Živila lahko hranite v zamrzovalniku pri temperaturi najmanj  $-18\text{ }^{\circ}\text{C}$  od 2 do 12 mesecev, odvisno od njihovih lastnosti (npr. meso: 3–12 mesecev, zelenjavo: 6–12 mesecev)
  6. Pri zamrzovanju sveže hrane se izogibajte stiku z že zamrznjeno hrano, da se ne bi odtalila!

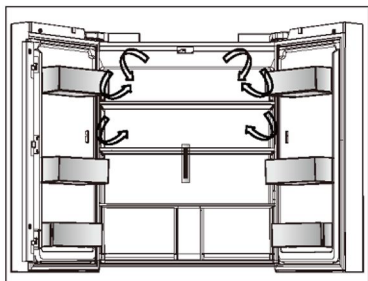
### Pri shranjevanju komercialno zamrznjenih živil upoštevajte ta navodila:

1. Vedno upoštevajte proizvajalčeve smernice glede dolžine za shranjevanje živil. Ne prekoračite teh smernic!
2. Naj bo čas med nakupom in shranjevanjem čim krajši, da ohranite kakovost hrane.
3. Kupite zamrznjena živila, ki so bila shranjena pri temperaturi  $-18\text{ }^{\circ}\text{C}$  ali nižji.
4. Izogibajte se nakupu hrane z ledom ali zmrzaljo na embalaži. To pomeni, da so bili izdelki v določenem trenutku morda delno odmrznjeni in znova zamrznjeni, dvig temperature pa vpliva na kakovost hrane.



## OBVESTILO

Poskrbite, da bo razdalja med hrano in prezračevalnikom več kot 10 mm, da zagotovite učinek hlajenja.

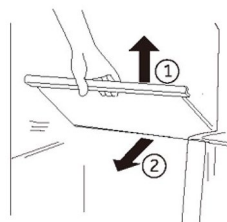


## Več pretokov zraka

1. Hladilnik je opremljen s sistemom z več pretoki zraka, s katerim se hladni pretoki zraka nahajajo na vsaki ravni police. To pomaga ohranjati enotno temperaturo, da ostane hrana dlje časa sveža.

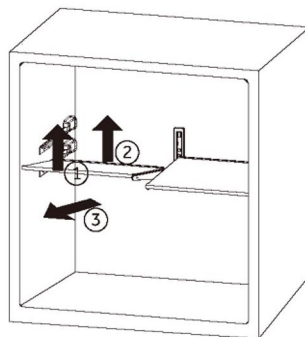
## Nastavljive police

1. Višino polic lahko prilagodite tako, da ustrezajo vašim potrebam po shranjevanju.
2. Za premik police jo najprej odstranite tako, da dvignete njen sprednji rob ① in jo izvlečete ②.
3. Če jo želite ponovno namestiti, jo postavite na vodila na obeh straneh in potisnite do konca nazaj, dokler zadnji del police ni pritrjen v reže na strani.



## Prilagajanje sprednje police

1. Odstranite stojalo za police:  
Najprej za 7 cm dvignite sprednji rob ① stojala za police, nato dvignite zadnji rob ② stojala za police, tako da lahko kavelj na konzolni strani ločite od luknje za namestitvev. Na koncu izvlecite stojalo za police navzven ③.
2. Namestite stojalo za police:  
Stojalo za police potisnite na svoje mesto v skladu s kotom nagiba, prikazanim na sliki, nato spustite sprednji rob ① stojala za police, tako da se kavelj na strani konzole lahko vstavi v luknjo za namestitvev.



## OBVESTILO

Prepričajte se, da so vsi konci police poravnani.

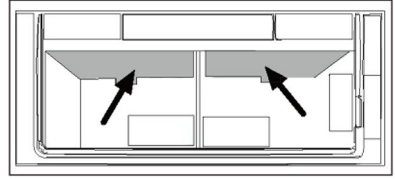
## Predal ACTIVEFRESH ZONE

1. V tem predalu je raven vlažnosti višja kot v hladilniku. Sistem ga samodejno nadzoruje in je primeren za shranjevanje sadja, zelenjave, solat itd.



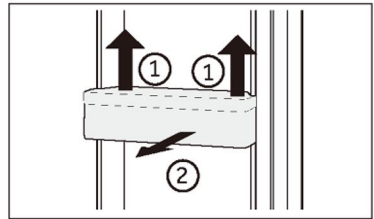
## OBVESTILO

1. Ne odstranjajte plastičnega pokrova znotraj obeh con.
2. Ohranjajo vlažnost.
3. Sadja, občutljivega na mraz, kot so ananas, avokado, banane,
4. in grenivke, v teh dveh predalih ni priporočljivo shranjevati.



### Odstranljive police na vratih/ nosilec za steklenice

1. Posode v vratih lahko odstranite za čiščenje:
2. Položite roko na vsako stran posode in jo dvignite ① ter izvlecite ②.
3. Za vstavev posode v vrata izvedite zgornje korake v obratnem vrstnem redu.



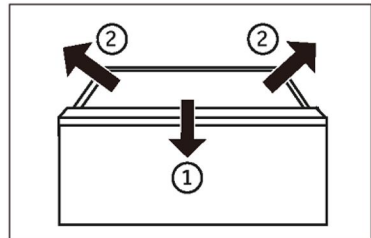
## OBVESTILO

Ko je aparat vklopljen, lahko traja do 12 ur, da doseže pravilne temperature.

### Odstranljiv predal

Če želite predal odstraniti, ga v največji možni meri izvlecite ①, dvignite in odstranite ②.

Za vstavev predala zgornje korake izvedite v obratnem vrstnem redu.



### Luč

Notranja luč LED se prižge, ko odprete vrata, in samodejno ugasne, če pustite vrata odprta več kot 7 minut. Na delovanje luči ne vpliva nobena druga nastavev aparata.



## Namigi za varčevanje z električno energijo

- ▶ Prepričajte se, da je aparat pravilno prezračen (glejte NAMESTITEV).
- ▶ Aparata ne postavljajte neposredno na sonce ali blizu virov toplote (npr. štedilnikov, grelcev).
- ▶ Izogibajte se nepotrebno nizki temperaturi v aparatu. Poraba energije se poveča, ko je v aparatu nastavljena nižja temperatura.
- ▶ Funkcije, kot je POWER-FREEZE, porabljajo več energije.
- ▶ Počakajte, da se toplotno obdelana živila ohladijo in jih šele nato postavite v aparat.
- ▶ Vrata aparata odprite čim manjkrat in za čim krajše obdobje.
- ▶ Aparata ne polnite preveč, da se izognete oviranju pretoka zraka.
- ▶ Izogibajte se zraku v embalaži živil.
- ▶ Tesnila vrat naj bodo čista, da se bodo vrata vedno pravilno zaprla.
- ▶ Zamrznjeno hrano odmrznite v hladilniku.
- ▶ Konfiguracija, ki najbolj varčuje z energijo, zahteva, da ima aparat predale, škatle za hrano in police v tovarniško nastavljenem stanju, hrano pa je treba postaviti čim bolj narazen, ne da bi blokirali odprtin zračnega kanala.



## OPOZORILO!

Aparat pred čiščenjem izključite iz napajanja.

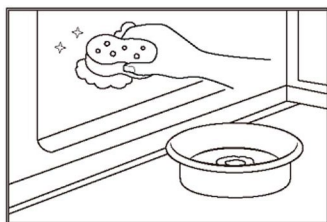
### Čiščenje

1. Aparat očistite, ko hranite le malo živil ali nič.
2. Aparat je treba očistiti vsake štiri tedne za dobro vzdrževanje in za preprečevanje neprijetnega vonja hrane.



## OPOZORILO!

- ▶ Aparata ne čistite s trdimi ščetkami, žičnimi krtačami, detergentom v prahu, bencinom, amil acetatom, acetonom in podobnimi organskimi raztopinami, kislimi ali alkalnimi raztopinami. Čistite ga s posebnim detergentom za hladilnik, da se izognete poškodbam.
- ▶ Med čiščenjem aparata ne škropite ali spirajte.
- ▶ Aparata ne čistite s pršenjem vode ali paro.
- ▶ Hladnih steklenih polic ne čistite z vročo vodo. Zaradi nenadne spremembe temperature se lahko steklo zlomi.
- ▶ Ne dotikajte se notranjosti zamrzovalnega predela, zlasti z mokrimi rokami, saj lahko vaše roke primrznejo na površino.
- ▶ V primeru ogrevanja preverite stanje zamrznjenega blaga.



- ▶ Tesnilo na vratih naj bo vedno čisto.
- ▶ Očistite notranjost in ohišje aparata z gobo, navlaženo v topli vodi in nevtralnem čistilu.
- ▶ 1. Z mehko brisačo ali gobico, namočeno v toplo vodo (v toplo vodo lahko dodate nevtralen detergent), obrišite notranjost in zunanost hladilnika, vključno s tesnilom na vratih, stojalom za vrata, steklenimi policami, posodami in podobno.
- ▶ 2. Če pride do razlitja tekočine, odstranite vse kontaminirane dele, neposredno jih sperite s tekočo vodo, posušite in vrnite v hladilnik.
- ▶ 3. Če pride do razlitja kremaste snovi (na primer smetana, stopljeni sladoled), odstranite vse kontaminirane dele, za nekaj časa postavite v toplo vodo s temperaturo približno 40 °C, nato sperite s tekočo vodo, posušite in vrnite nazaj v hladilnik.
- ▶ 4. Če se majhen del ali komponenta zatakne v hladilniku (med policami ali predali), ga odstranite z majhno mehko krtačo. Če dela ne dosežete, se obrnite na servis Haier
- ▶ Sperite in posušite z mehko krpo.
- ▶ Nobenega dela aparata ne čistite v pomivalnem stroju.
- ▶ Pred ponovnim zagonom aparata počakajte vsaj 5 minut, saj lahko pogosto zaganjanje poškoduje kompresor.

### Odmrzovanje

Odmrzovanje predelov hladilnika in zamrzovalnika se izvede samodejno: ročno upravljanje ni potrebno.

## Menjava luči LED



### OPOZORILO!

LED-lučke ne smete zamenjati sami, zamenjati jo sme le proizvajalec ali pooblaščen servisier.

Luči kot vir svetlobe uporabljajo sijalke LED z nizko porabo energije in dolgo življenjsko dobo. Če pride do kakršnih koli nepravilnosti, se obrnite na službo za pomoč strankam. Glejte SLUŽBA ZA POMOČ STRANKAM.

Parametri luči:

Predel hladilnika: 12 V, 4 W

Zamrzovalni prostor: 12 V, 2 W\*2

## Dolgotrajna neuporaba

Če aparata ne uporabljate dalj časa in ne boste uporabljali načina Holiday za hladilnik: vso hrano odstranite.

izklopite napajalni kabel.

očistite aparat, kot je opisano zgoraj.

vrata naj ostanejo odprta, da preprečite nastanek neprijetnega vonja.



### OBVESTILO

Aparat izklopite le, če je to nujno potrebno.

## Premikanje aparata

1. Odstranite vso hrano in izključite aparat.
2. Police in druge premične dele v hladilniku in zamrzovalniku pritrdite z lepilnim trakom.
3. Hladilnika ne nagibajte za več kot 45°, da ne poškodujete hladilnega sistema.



### OPOZORILO!

- ▶ Aparata ne dvigujte za ročaje.
- ▶ Aparata nikoli ne postavljajte vodoravno na tla.

Številne težave, do katerih prihaja, bi lahko rešili sami brez posebnega strokovnega znanja. V primeru težav preverite vse prikazane možnosti in sledite spodnjim navodilom, preden se obrnete na servisno službo. Glejte SLUŽBA ZA POMOČ STRANKAM.



## OPOZORILO!

- ▶ Pred vzdrževanjem izklopite aparat in odklopite vtič iz vtičnice.
- ▶ Električno opremo lahko servisirajo samo usposobljeni električarji, saj lahko nepravilna popravila povzročijo znatno posledično škodo.
- ▶ Če je napajalni kabel poškodovan, ga sme zamenjati samo proizvajalec, njegov servisni agent ali drug kvalificiran serviser, da preprečite morebitne nevarnosti.

Težava	Možen vzrok	Možna rešitev
Kompresor ne deluje.	<ul style="list-style-type: none"> <li>• Omrežni vtič ni priključen v omrežno vtičnico.</li> <li>• Aparat je v ciklu odmrzovanja</li> </ul>	<ul style="list-style-type: none"> <li>• Priključite omrežni vtič.</li> <li>• To je normalno za avtomatsko odmrzovanje</li> </ul>
Aparat deluje prepogosto ali deluje predolgo.	<ul style="list-style-type: none"> <li>• Notranja ali zunanja temperatura je previsoka.</li> <li>• Aparat že nekaj časa ni vklopljen.</li> <li>• Vrata aparata niso tesno zaprta.</li> <li>• Vrata so bila odprta prepogosto ali predolgo.</li> <li>• Nastavitev temperature v zamrzovalnem prostoru je prenizka.</li> <li>• Tesnila vrat so umazana, obrabljena, razpokana ali neustrezna.</li> <li>• Zahtevano kroženje zraka ni zagotovljeno.</li> </ul>	<ul style="list-style-type: none"> <li>• V tem primeru je običajno, da aparat deluje dlje.</li> <li>• Običajno traja od 8 do 12 ur, da se aparat popolnoma ohladi.</li> <li>• Zaprite vrata/predal in se prepričajte, da je aparat nameščen na ravni podlagi in da na vratih ni ovirajoče hrane ali posode.</li> <li>• Vrat/predala ne odpirajte prepogosto.</li> <li>• Nastavite višjo temperaturo, dokler ni dosežena zadovoljiva temperatura za hlajenje. Temperatura hladilnika je stabilna po 24 urah.</li> <li>• Očistite tesnilo vrat/predala ali prosite službo za pomoč strankam, da vam ga zamenja.</li> <li>• Zagotovite ustrezno prezračevanje.</li> </ul>
Notranost hladilnika je umazana in/ali ima neprijeten vonj.	<ul style="list-style-type: none"> <li>• Notranost hladilnika je potrebno očistiti.</li> <li>• V hladilniku je shranjena hrana z močnim vonjem.</li> </ul>	<ul style="list-style-type: none"> <li>• Očistite notranost hladilnika</li> <li>• Hrano dobro zavijte.</li> </ul>

Težava	Možen vzrok	Možna rešitev
Znotraj aparata ni dovolj hladno.	<ul style="list-style-type: none"> <li>• Temperatura je nastavljena previsoko.</li> <li>• Spravili ste preveč tople hrane.</li> <li>• Naenkrat ste spravili preveč hrane.</li> <li>• Živila so preblizu drug drugemu.</li> <li>• Vrata/predal aparata ni tesno zaprt.</li> <li>• Vrata/predal je bil odprt prepogosto ali predolgo.</li> </ul>	<ul style="list-style-type: none"> <li>• Ponastavite temperaturo.</li> <li>• Preden blago shranite, ga vedno ohladite.</li> <li>• Vedno shranjujte manjše količine hrane.</li> <li>• Pustite razmik med živili, ki omogoča pretok zraka.</li> <li>• Zaprite vrata/predal.</li> <li>• Vrat/predala ne odpirajte prepogosto.</li> </ul>
Znotraj aparata je prehladno.	<ul style="list-style-type: none"> <li>• Temperatura je nastavljena prenizko.</li> <li>• Funkcija Super-Frz/ Super-Cool je aktivirana ali deluje predolgo.</li> </ul>	<ul style="list-style-type: none"> <li>• Ponastavite temperaturo.</li> <li>• Izklopite funkcijo Super-Frz/ Super-Cool</li> </ul>
Nastajanje vlage na notranji strani hladilnega prostora.	<ul style="list-style-type: none"> <li>• Zunanje okolje je pretoplo in prevlažno.</li> <li>• Vrata/predal aparata ni tesno zaprt.</li> <li>• Vrata/predal je bil odprt prepogosto ali predolgo.</li> <li>• Posode s hrano ali tekočine so ostale odprte.</li> </ul>	<ul style="list-style-type: none"> <li>• Povečajte temperaturo.</li> <li>• Zaprite vrata/predal.</li> <li>• Vrat/predala ne odpirajte prepogosto.</li> <li>• Vroča hrana naj se ohladi na sobno temperaturo, hrano in tekočine pa zaprite.</li> </ul>
Vlaga se nabira na zunanji površini hladilnika ali med vrati in predalom.	<ul style="list-style-type: none"> <li>• Zunanje okolje je pretoplo in prevlažno.</li> </ul>	<ul style="list-style-type: none"> <li>• To je normalno v vlažnem podnebju in se bo spremenilo, ko se vlažnost zmanjša.</li> </ul>
	<ul style="list-style-type: none"> <li>• Vrata niso tesno zaprta. Hladen zrak v aparatu in topel zunanji zrak kondenzirata.</li> </ul>	<ul style="list-style-type: none"> <li>• Prepričajte se, da so vrata/predal tesno zaprta.</li> </ul>
Močan led in zmrzal v zamrzovalnem prostoru.	<ul style="list-style-type: none"> <li>• Blago ni bilo ustrezno zapakirano.</li> <li>• Vrata/predal aparata ni tesno zaprt.</li> <li>• Vrata/predal je bil odprt prepogosto ali predolgo.</li> <li>• Tesnila vrat/predala so umazana, obrabljena, razpokana ali neustrezna.</li> </ul>	<ul style="list-style-type: none"> <li>• Blago vedno dobro zapakirajte.</li> <li>• Zaprite vrata/predal.</li> <li>• Vrat/predala ne odpirajte prepogosto.</li> <li>• Očistite tesnilo vrat/predala ali pa ga zamenjajte z novim.</li> </ul>

Težava	Možen vzrok	Možna rešitev
	<ul style="list-style-type: none"> <li>Nekaj na notranji strani preprečuje pravilno zapiranje vrat/predala.</li> </ul>	<ul style="list-style-type: none"> <li>Premaknite police, posode v vratih ali notranje posode, da se vrata/predal zaprejo.</li> </ul>
Strani hladilnika in trak na vratih se segrejejo.		<ul style="list-style-type: none"> <li>To je običajno.</li> </ul>
Aparat proizvaja nenormalne zvoke.	<ul style="list-style-type: none"> <li>Aparat ni nameščen na ravno podlago.</li> <li>Aparat se dotika predmeta v njeni bližini.</li> </ul>	<ul style="list-style-type: none"> <li>Nastavite noge, da poravnate aparat.</li> <li>Odstranite predmete okoli aparata.</li> </ul>
Slišati je mogoče rahel zvok, podoben zvoku pretakanja vode.		<ul style="list-style-type: none"> <li>To je običajno.</li> </ul>
Zaslišali boste pisk alarma.	<ul style="list-style-type: none"> <li>Vrata hladilnega prostora so odprta.</li> </ul>	<ul style="list-style-type: none"> <li>Zaprte vrata.</li> </ul>
Slišali boste šibko brnenje.	<ul style="list-style-type: none"> <li>Sistem proti kondenzaciji deluje</li> </ul>	<ul style="list-style-type: none"> <li>To preprečuje kondenzacijo in je normalno</li> </ul>
Notranja razsvetljava ali hladilni sistem ne deluje.	<ul style="list-style-type: none"> <li>Omrežni vtič ni priključen v omrežno vtičnico.</li> <li>Napajanje ne deluje pravilno.</li> <li>Lučka LED ne deluje.</li> </ul>	<ul style="list-style-type: none"> <li>Priključite omrežni vtič.</li> <li>Preverite električno napajanje prostora. Pokličite lokalno elektro podjetje!</li> <li>Za zamenjavo lučke pokličite servisno službo.</li> </ul>

Če se želite obrniti na tehnično pomoč, obiščite naše spletno mesto:

<https://corporate.haier-europe.com/en/>

V razdelku »spletno mesto« izberite blagovno znamko izdelka in državo. Preusmerjeni boste na določeno spletno mesto, kjer boste našli telefonsko številko in obrazec za stik s tehnično pomočjo.

## Prekinitev napajanja

V primeru izpada električne energije naj bi hrana ostala varno hladna približno 5 ur.

Upoštevajte te nasvete, če pride do daljše prekinitve napajanja, zlasti poleti:

- ▶ Čim manjkrat odprite vrata/predal.
- ▶ Med prekinitvijo napajanja v aparat ne vstavljajte dodatnih živil.
- ▶ Če ste predhodno obveščeni o prekinitvi napajanja in je trajanje prekinitve daljše od 5 ur, naredite nekaj ledu in ga postavite na vrh hladilnega predela.
- ▶ Takoj po prekinitvi je potreben pregled blaga.
- ▶ Ker bo temperatura v hladilniku med prekinitvijo napajanja ali drugo okvaro narasla, se obdobje shranjevanja in užitnosti hrane skrajša. Takoj za tem je vsako hrano, ki se odtaja, treba zaužiti ali skuhati in znova zamrzniti (kjer je to primerno), da se prepreči tveganje za zdravje.

## Funkcija pomnilnika med prekinitvijo napajanja

Po ponovni vzpostavitvi napajanja aparat nadaljuje z nastavitvami, ki so bile nastavljene pred izpadom električne energije.

## Razpakiranje



### OPOZORILO!

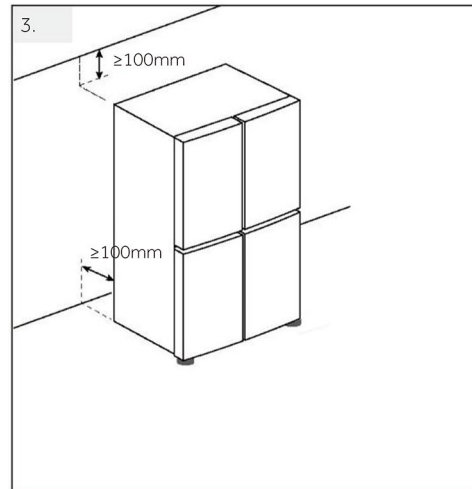
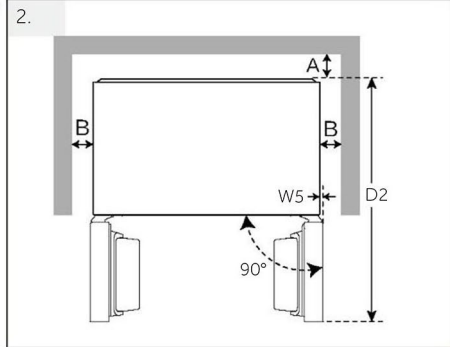
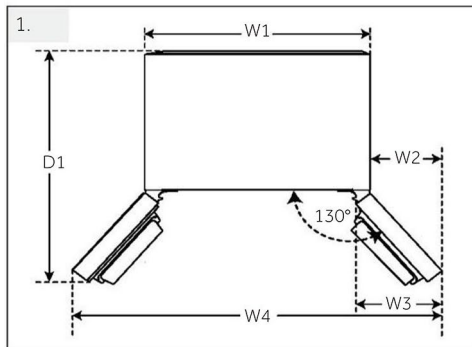
- ▶ Aparat je težak. Prenašata ga naj vsaj dve osebi.
- ▶ Vso embalažo hranite izven dosega otrok in jo zavržite na okolju prijazen način.
- ▶ Vzemite aparat iz embalaže.
- ▶ Odstranite vso embalažo.

## Okoljski pogoji

Sobna temperatura mora biti vedno med 10 °C in 43 °C, saj lahko to vpliva na temperaturo v aparatu in njegovo porabo energije. Aparata ne nameščajte brez izolacije v bližini drugih naprav, ki oddajajo toploto (pečice, hladilniki).

## Priporočilo glede prostora

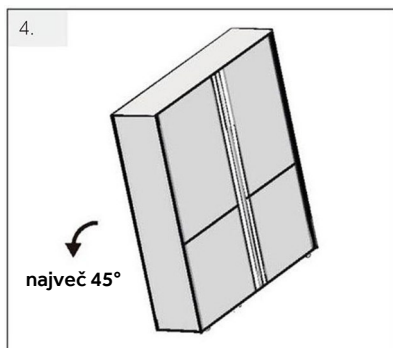
Priporočeni prostor ob odpiranju vrat (slika 1.2.)



(Enota: mm)	Št. modela	
Širina	W1	905
	W2	327
	W3	368
	W4	1559
	W5	51
	Š	905
	D1	1061
	D2	1101
	D	738
Oddaljenost od zadnje stene	A	100
Oddaljenost od stranskih sten	B	100
Oddaljenost od stropa	C	100
Skupna višina	H	1825

## Prezračevanje v prerezu

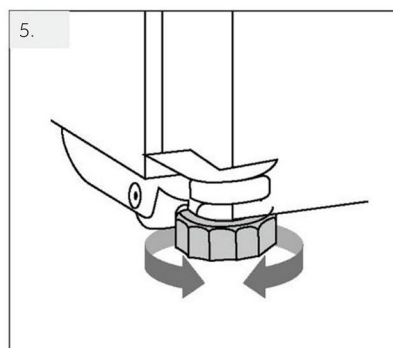
Da bi iz varnostnih razlogov dosegli zadostno prezračevanje aparata, je treba upoštevati informacije o zahtevanih normah prezračevanja.



### Poravnava aparata (slika 4.5.6.)

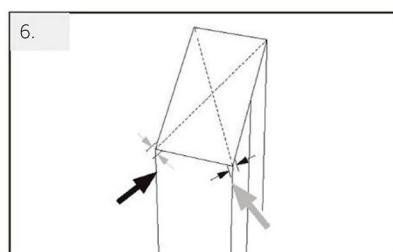
Aparat naj bo postavljen na ravno in trdno površino.

4. Hladilnik rahlo nagnite nazaj.



5. Noge nastavite na želeno raven.

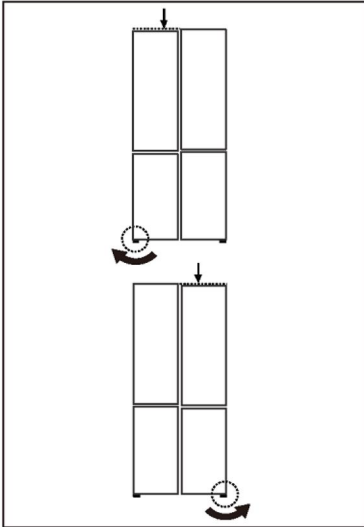
Prepričajte se, da je razdalja do stene na strani tečaja vsaj 100 mm, da se lahko vrata normalno odprejo.



6. Stabilnost lahko preverite z izmeničnim pomikanjem po diagonalah. Rahlo zibanje mora biti enako v obe smeri. V nasprotnem primeru se okvir lahko deformira; rezultat je morebitno puščanje tesnil vrat. Rahel nagib nazaj olajša zapiranje vrat.

## OBVESTILO

Za prostostoječi aparat: ta hladilnik ni namenjen uporabi kot vgradni hladilnik

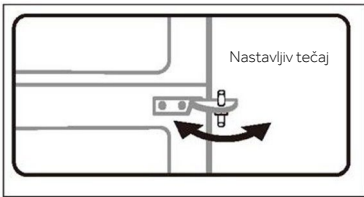


### Natančna nastavitve vrat

Če vrata niso na enakem nivoju, je to neuskkljenost mogoče odpraviti na naslednji način:

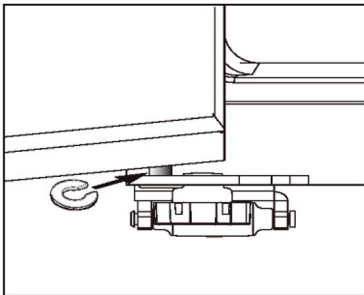
### Uporaba nastavljive nožice

Obrnite nastavljivo nožico v smeri puščice, da se nožica obrne navzgor ali navzdol.



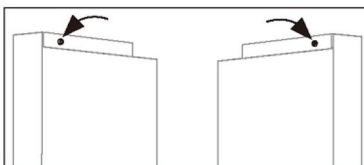
### Nastavitev položaja vrat

- ▶ Če oboja vrata niso enako visoka, lahko s priloženim ključem natančno nastavite nastavljive tečaje, da se vrata izravnajo. Ne uporabljajte ga na silo, da preprečite praske ali udarce na oblogi vrat.



### Uporaba distančnikov

- ▶ Odprite vrata zamrzovalnika in jih dvignite.
- ▶ Z roko ali orodjem, kot so kleščice, previdno pritrdite distančnik (priložen v vrečki z dodatki) na os spodnjega tečaja. Ne praskajte ali udarjajte po vratih vrat.



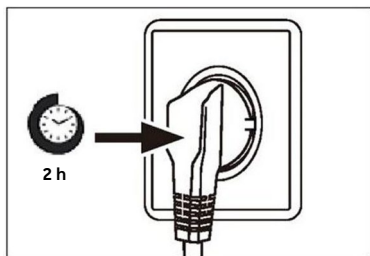
### Uporaba nastavitvenega gumba

- ▶ Če vrata predela hladilnika niso vodoravna, lahko z vrtenjem nastavljivega gumba na zgornjem delu vrat opravite natančne nastavitve.



## OBVESTILO

Pri prihodnji uporabi hladilnika lahko pride do neenakomerno postavljenih vrat zaradi teže shranjene hrane. Poravnajte jih v skladu z zgornjimi metodami.



### Čas čakanja

Mazalno olje, ki ga ni treba vzdrževati, je v kapsuli kompresorja. Če je aparat nagnjen, lahko to olje med transportom steče skozi zaprt cevni sistem. Preden aparat priključite na napajanje, počakajte vsaj 2 uri, da olje priteče nazaj v kapsulo.

### Priključitev v električno omrežje

Pred vsako priključitvijo preverite, ali:

- ▶ so napajanje, vtičnica in varovalke skladni s tipsko tablico,
- ▶ je vtičnica ozemljena in da v bližini ni podaljška z več vtičnicami ali kableskega podaljška.
- ▶ vtič in vtičnica sta pravilno nameščena.


Vtič priključite v pravilno nameščeno gospodinjsko vtičnico.



## OPOZORILO!

Da bi se izognili tveganju, mora servis zamenjati poškodovan napajalni kabel (glejte garancijski list).

List izdelka v skladu z Uredbo EU št. 2019/2016

<b>Blagovna znamka</b>	<b>Haier</b>
Ime/identifikator modela	HCR59F19DNMM HCR59F18DNMB
Kategorija modela	Hladilnik-zamrzovalnik
Razred energijske učinkovitosti	D
Letna poraba energije (kWh/leto) (1)	306
Skupna prostornina (L)	706
Prostornina hladilnika (L)	417
Prostornina zamrzovalnika (L)	251
Oddelek z dvema zvezdicama (L)	38
Ocena z zvezdicami	
Sistem brez zmrzali	Da
Zmogljivost zamrzovanja (kg/24 h)	14
Ocena podnebja (2)	SN-N-ST-T
Razred emisij hrupa in emisije akustičnega hrupa v zraku (dB(A) re 1 pW)	C (35)
Čas dviga temperature (h)	13
Vrsta aparata	prostostoječi

Pojasnila:

- Da, vključeno
- (1) Na podlagi rezultatov preskusa skladnosti s standardi v 24 urah. Dejanska poraba je odvisna od uporabe in lokacije aparata.
  - (2) Ocena podnebja SN: Ta aparat je namenjen uporabi pri sobni temperaturi med 10 in 32 °C  
Ocena podnebja N: Ta aparat je namenjen uporabi pri sobni temperaturi med 16 in 32 °C  
Ocena podnebja ST: Ta aparat je namenjen uporabi pri sobni temperaturi med +16 in +38 °C  
Ocena podnebja T: Ta aparat je namenjen uporabi pri sobni temperaturi med +16 in +43 °C

#### Dodatni tehnični podatki

Napetost/frekvenca	220–240 V ~/50 Hz
Vhodni tok (A)	1,5
Glavna varovalka (A)	16
Hladilno sredstvo	R600a 68g
Mere (Š/G/V v mm)	905 / 738 / 1825

Priporočamo našo službo za pomoč strankam Haier in uporabo originalnih nadomestnih delov.

Če imate težave z aparatom, najprej preverite poglavje ODPRAVLJANJE TEŽAV.

Če tam ne najdete rešitve, se obrnite na

- ▶ lokalnega prodajalca ali
- ▶ naš evropski klicni servisni center (glejte spodaj navedene telefonske številke) ali
- ▶ razdelek Servis in podpora na spletnem mestu [www.haier.com](http://www.haier.com), kjer lahko oddate zahtevek
- ▶ za servis in poiščete odgovore na pogosto postavljena vprašanja.

Če se želite obrniti na naš servis, se prepričajte, da imate na voljo naslednje podatke. Podatke najdete na tipski tablici.

Model \_\_\_\_\_

Serijska št. \_\_\_\_\_

V primeru uveljavljanja garancije preverite tudi garancijsko kartico, ki je priložena izdelku.

Evropski center za klicne storitve		
Država*	Telefonska številka	Stroški
Haier Italy (IT)	199 100 912	
Haier Spain (ES)	902 509 123	
Haier Germany (DE)	0180 5 39 39 99	<ul style="list-style-type: none"> <li>• 14 centov/min, stacionarno omrežje</li> <li>• največ 42 centov/min, mobilno omrežje</li> </ul>
Haier Austria (AT)	0820 001 205	<ul style="list-style-type: none"> <li>• 14,53 centa/min, stacionarno omrežje</li> <li>• največ 20 centov/min, vsa ostala omrežja</li> </ul>
Haier United Kingdom (UK)	0333 003 8122	
Haier France (FR)	0980 406 409	

\* Za druge države glejte [www.haier.com](http://www.haier.com)  
Haier Europe Trading S.r.l  
Branch UK  
Westgate House, Westgate, Ealing  
London, W5 1YY

\* Trajanje garancije hladilnega aparata:  
Minimalno garancijsko obdobje je: 2 leti za države EU, 3 leta za Turčijo, 1 leto za Združeno kraljestvo, 1 leto za Rusijo, 3 leta za Švedsko, 2 leti za Srbijo, 5 let za Norveško, 1 leto za Maroko, 6 mesecev za Alžirijo, za Tunizijo pravna garancija ni potrebna.

\* Obdobje razpoložljivosti rezervnih delov za popravilo aparata:  
Termostati, temperaturni senzorji, tiskana vezja in svetlobni viri so na voljo najmanj sedem let po tem, ko je bila na trg dostavljena zadnja enota modela.  
Ključavnice, tečajji vrat, pladnji in košare najmanj sedem let, tesnila vrat pa najmanj 10 let po tem, ko je bila na trg dostavljena zadnja enota modela.

\* Za dodatne informacije o izdelku obiščite spletno mesto <https://eprel.ec.europa.eu/> ali optično preberite kodo QR na energijski nalepki, priloženi aparatu.

**POTRDILO O KAKOVOSTI**

OZNAKA: KONTROLA KAKOVOSTI  
HLADILNIKA USPEŠNA QC01  
ŠT. KONTROLORJA:

**Haier**

专用号条码

0060543171  
2026, različica A