

**CANDY**

ENGLISH	INSTALLATION AND USER'S MANUAL
---------	--------------------------------

# INSTALLATION AND USER'S MANUAL

<b>CONTENT</b>	
INTRODUCTION	2
SAFETY PRECAUTION	2
SPECIFICATION	3
INSTALLATION	5
DESCRIPTION OF COMPONENTS	5
OPERATION	10
MAINTENANCE	11
TROUBLESHOOTING	12
ENVIRONMENTAL PROTECTION	13

## **INTRODUCTION**

### **Thank you for choosing this cooker hood.**

This instruction manual is designed to provide you with all required instructions related to the installation, use and maintenance of the appliance. In order to operate the unit correctly and safety, please read this instruction manual carefully before installation and usage.

The cooker hood uses high quality materials, and is made with a streamlined design. Equipped with large power electric motor and centrifugal fan, it also provides strong suction power, low noise operation, non-stick grease filter and easy assembly installation.

## **SAFETY PRECAUTION**

Never let the children operate the machine.

The cooker hood is for home use only, not suitable for barbecue, roast shop and other commercial purpose.

The cooker hood and its filter should be clean regularly in order to keep in good working condition.

Clean the cooker hood according to the instruction manual and keep the unit from danger of burning.

Forbid the direct baking from the gas cooker.

Please keep the kitchen room a good convection.

Before connecting this appliance check that the power supply cord is not damaged. A damage supply cord must be replaced by qualified service personnel only.

There shall be adequate ventilation of the room when the range hood is used at the same time as appliances burning gas or other fuels;

the air must not be discharged into a flue that is used for exhausting fumes from appliances burning gas or other fuels;

Regulations concerning the discharge of air have to be fulfilled.

This appliance is not intended for use by persons (including children) with reduced physical, sensory or mental capabilities, or lack of experience and knowledge, unless they have been given supervision or instruction concerning use of the appliance by a person skilled for their safety.

Children should be supervised to ensure that they do not play with the appliance.

Do not flambé under the range hood.

CAUTION: Accessible parts may become hot when used with cooking appliance

### Electrical Shock Hazard

Only plug this unit into a properly earthed outlet. If in doubt seek advice from a suitably qualified engineer.

Failure to follow these instructions can result in death, fire, or electrical shock.

### Electrical Installation

All installation must be carried out by a competent person or qualified electrician. Before connecting the mains supply ensure that the mains voltage corresponds to the voltage on the rating plate.

#### Direct Connection

The appliance must be connected directly to the mains using an omnipolar circuit breaker with a minimum opening of 3mm between the contacts.

The installer must ensure that the correct electrical connection has been made and that it complies with the wiring diagram.

The cable must not be bent or compressed.


Regularly check the power plug and power cord for damage. If the supply cord is damaged, it must be replaced by a special cord or assembly available from the manufacturer or its service agent.

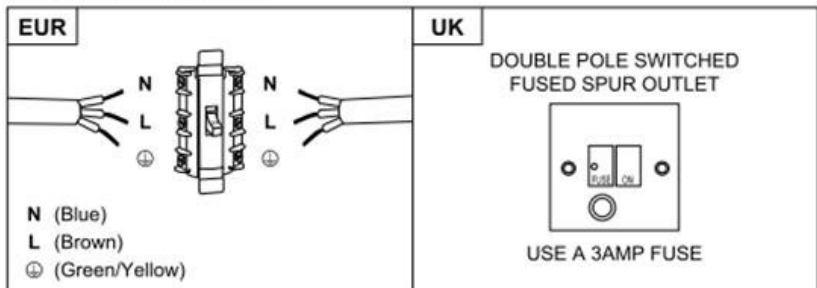
#### **WARNING: This is a Class I appliance and MUST be earthed**

This appliance is supplied with a 3 core mains cable coloured as follows:

Brown = L or Live

Blue = N or Neutral

Green and Yellow = E or Earth 



The fuse must be rated at 3 Amps.

## PRODUCT OVERVIEW



---

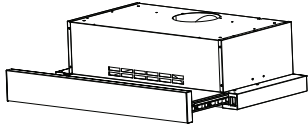







### KEY

- 1 Rangehood housing
  - 2 Slide-out Front Fascia Rail
  - 3 Inner Aluminium Grease Filter
  - 4 Outer Aluminium Grease Filter
  - 5 On/Off Switch
  - 6 Fan Speed Switch
  - 7 Light
-

# INSTALLATION

## Installation Kit

The installation kit contains the following parts:

Part ID	Description	Illustration	Qty
1	Rangehood		1
2	Rear-underside support mounting bracket		1
3	Charcoal Filters —Already installed		1 set (2 pcs)
4	Screws (ST4 x 30mm)		6
5	Screws (ST4 x 8mm)		2
6	Wall Plugs (8mm)		6
7	Front Vent Cover —If external ducting selected		1
8	Flu Outlet Adapter		1

## Unpacking

- This product has been packaged to protect it against transportation damage. Unpack the appliance and remove all packaging materials from around the rangehood. Keep all packaging materials until you have made sure your new rangehood is undamaged and in good working order. The carton is recyclable. Whenever possible, reuse the carton and recycle it when disposing of the packaging materials.
- Plastic wrapping can be a suffocation hazard for babies and young children, so ensure all packaging materials are out of their reach, and dispose of them safely.

## Important installation advice

### WARNING!

- All electrical work associated with the installation of this rangehood must be carried out by a licensed electrician.
- This rangehood must be correctly installed by a suitably qualified person in strict accordance with all applicable rules and regulations and following the instructions in this manual.
- Do not try to install the rangehood yourself; doing so will expose you to danger and void the warranty. Improper installation, adjustment, alteration or service can cause injury or damage. We decline any responsibility for injury or damage, to persons or property, as a result of improper installation.

## Before Installation:

Before Installation, please decide the extraction mode with the adjuster on the motor (Fig. 1).

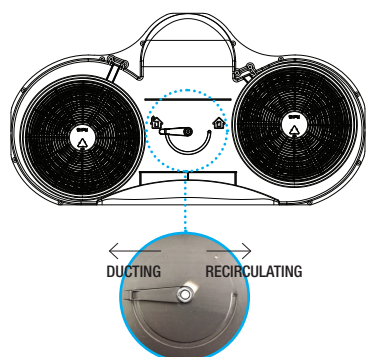


Fig. 1

## Rangehood standard configuration

This product has been supplied with “recirculation mode” as the default setting. The rangehood is suitable for both recirculation (Fig. 3.) and external ducting (Fig. 2) modes

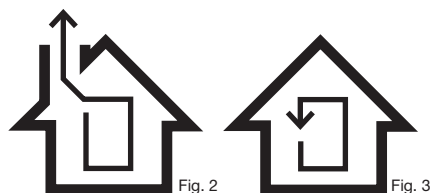


Fig. 2

Fig. 3

## External Outdoor Ducting Mode

Recommended wherever possible for optimal performance

If you have chosen to operate your rangehood in “External Outdoor Ducting Mode” you will need to follow the steps below:

1. Unscrew the 80mm fascia rail which is already installed on the rangehood (Fig. 4)

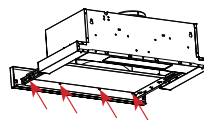


Fig. 4

2. Using the same screws, attach the 40mm fascia rail (part ID 3, Installation Kit) supplied in the box
3. Remove the aluminium grease filters (Fig. 6. on page 10) from the underside of the rangehood. Turn the switch in the centre of the motor housing to “External Outside Ducting” position (Fig. 1)
4. Remove the charcoal filters by twisting anti-clockwise (Fig. 8 on page 11). The charcoal filters are not required for “external outdoor ducting mode”
5. Clip in the plastic Front Vent Cover (part ID 9, installation kit) over the vent holes on the front of the rangehood.
6. Using the screws provided, install the Flu Outlet Adaptor (Part ID 10, Installation kit) to the top of the rangehood
7. Install the ducting pipe (not supplied) to the outlet on the top of the rangehood and vent to external air. It is recommended that the ducting pipe is 120mm in diameter.

### White Plastic Cover

- When choosing the outdoor exhausting mode, you can cover the front outlet (part ID 9) with the white plastic cover. (fig. 5).

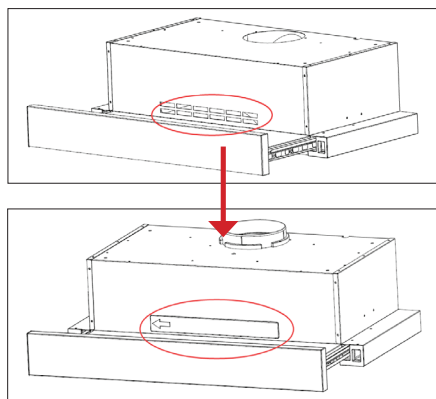


Fig. 5

### Recirculation Mode

This mode is the default setting. The rangehood will operate with carbon filters and vent the air back into the kitchen.

To ensure that the mode is correct, remove the grease filters (see Fig. 6) and check that the switch is in "Recirculation mode" position (Fig. 1).

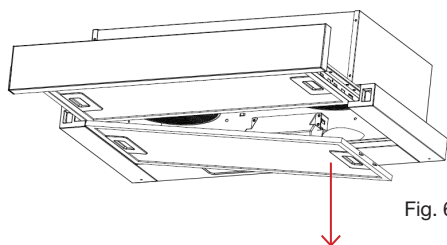


Fig. 6

### Charcoal filters

- If you intend to use the rangehood with the air recirculating back into the kitchen, it is important that you use the charcoal filters that are already installed to prevent the odours generated through cooking from being vented back into the kitchen.
- Before installing the rangehood into the cabinet, please remember to remove the adhesive transit support tape on the carbon filters first (Fig. 7).



Fig. 7

### Removing and Installing Charcoal filters

To remove the charcoal filters you will first need to remove the grease filters (see Fig. 6), now twist anti-clockwise and pull down as shown in Fig. 8.

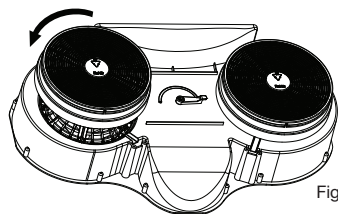


Fig. 8

To install new charcoal filters you will need to first remove the grease filters (Fig. 9), now align the charcoal filters with the centre of the motors, twist clockwise (Fig. 9) and push upwards until they lock into place.

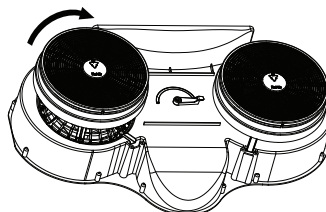


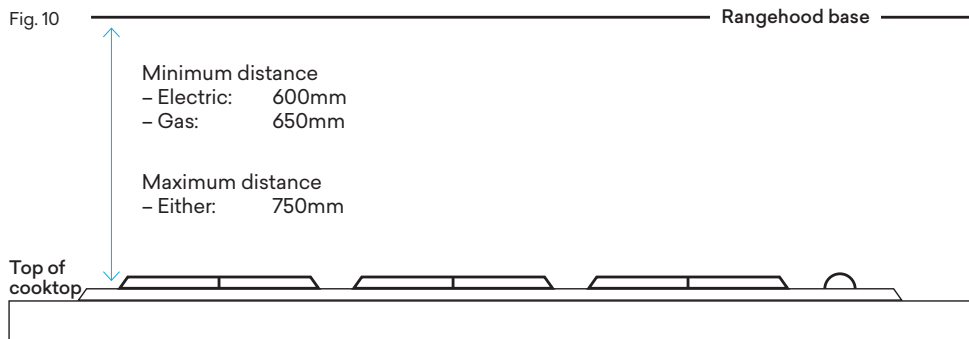
Fig. 9

### Installation height:

For optimum performance, it is recommended that the rangehood be installed at a height of between 650-750mm from the cooking surface. See Fig. 10 for detailed AS/NZS minimum distance requirements.

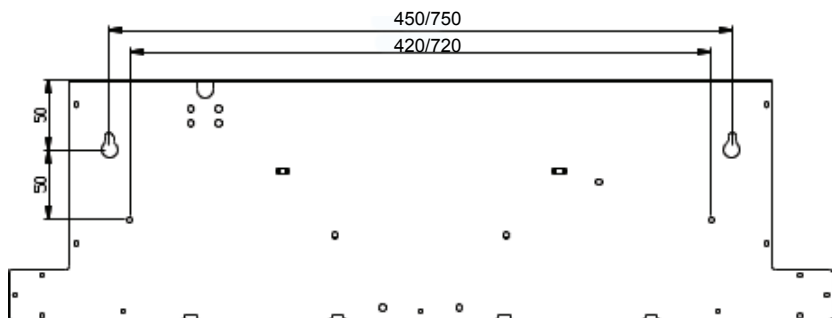
### Rear-mounting to the wall

- Using a spirit level, mark a horizontal line on the wall where the rangehood base will be, observing all necessary clearances (Fig. 10). Check the required clearances in your cooktop/stove manual and, should they be greater than those specified in Fig. 10, make sure to observe them.



- Drill 4 holes of  $\varnothing 8\text{mm}$  on the wall, as illustrated below (Fig. 11).
- Hammer the wall plugs into the holes, then insert two ST4x30mm screws into the lower wall plugs. Tighten the screws, but leave a 2mm gap so that you can hang the rangehood on the screws in the keyhole slots.
- Hang the hood to the wall screws, and make sure the hood is in balance and positioned correctly.
- Take away the Aluminum Filters, mark and drill another 2 holes of  $\varnothing 8\text{mm}$  on the wall. (Safety Screw Holes)
- Take back the hood and hammer the wall plugs, hang the hood again and fix the hood with two ST4x30mm screws.

**WARNING:** Failure to install the screws or fixing device in accordance with these instructions may result in electrical hazards!



### Top-mounting in a cabinet

- Determine where in the bottom cabinet you want to install the rangehood(Fig. 12).

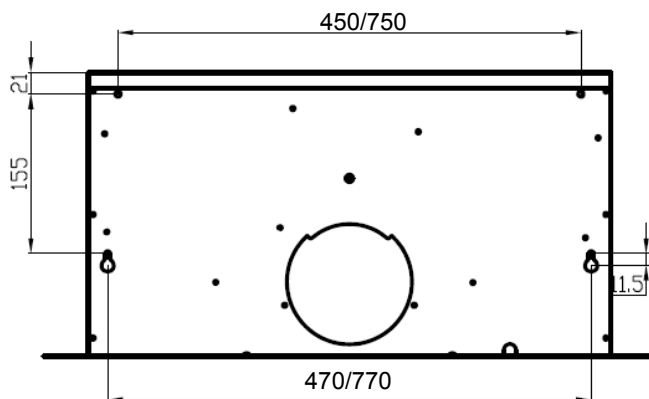


Fig. 12

- Install the rangehood onto the bottom of the cupboard, take away the Aluminum Filters,mark two Horn-shape holes and drill those 2 holes of  $\varnothing 4$ mm at the bottom of the hanging board of your cabinet (Fig. 13).
- Secure two Horn-shape holes in place with 2 ST4x30mm. screws. Tighten the screws, but leave a 2mm gap so that you can hang the rangehood on the screws in the keyhole slots.(Fig 13)
- Hang the hood to the cabinet screws and make sure the hood is in balance and positioned correctly, and then secure the rest two holes in place with 2 ST4x30mm screws (Fig 13).
- Tighten all the 4 ST4x30mm completely.

**WARNING:** Failure to install the screws or fixing device in accordance with these instructions may result in electrical hazards!

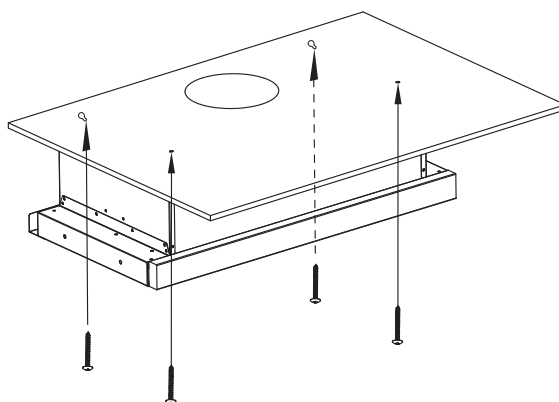


Fig. 13

## OPERATING INSTRUCTIONS



This switch is to turn the rangehood either on or off.

- I Turns the rangehood ON
- O Turns the rangehood OFF



This button toggles between fan speed high, fan speed low and off setting

- = Turns on the fan motors to high speed for maximum extraction
- O Turns off the fan motors for no extraction, the fan motors are off
- Turns on the fan motors to low speed minimum extraction

### NOTE:

- The rangehood will only operate once the slide-out rail is pulled outwards towards the kitchen.
- Close the front panel and the rangehood will stop working.
- The next time the front panel is pulled back out, the rangehood will start working at the previously set level.

## OTHER USEFUL INFORMATION

### Cleaning and maintenance

#### CAUTION!

- Before cleaning the rangehood or carrying out maintenance, make sure the operation and light switches are set to the “0” position and the rangehood is disconnected from the power supply.
- It is important to clean the filters regularly as oil and food residues can become a fire hazard.
- Never use a steam cleaner to clean any part of the rangehood.

### Cleaning the rangehood exterior

Wipe the exterior surface of the rangehood regularly using a soft cloth moistened with a household solvent such as methylated spirits, or with a sponge dampened with water and a little non-abrasive liquid detergent.

### Cleaning the grease filters

The aluminium mesh filters must be cleaned regularly in order to prevent a fire hazard. Regular cleaning also ensures better efficiency, as grease and grime can impede the airflow. We recommend cleaning them at least every two months.

- Push in the plastic opening latch and take the filters out of their frames (Fig. 14).

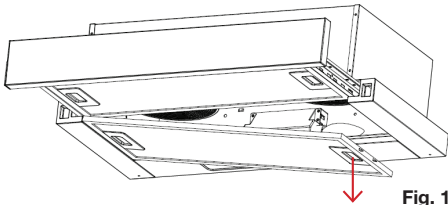


Fig. 14

- Wash the filters thoroughly in warm, soapy water, leaving them to soak for best results. Rinse with warm water and leave to dry.

**NOTE:** The aluminum panels may slightly change colour after several washes. This is not a fault and no cause for concern. It does not affect performance and does not warrant replacement of these parts.

### Charcoal filters

If you are using the rangehood with the air recirculating back into the room, the charcoal filters which were supplied with the rangehood would have already been installed.

A charcoal filter absorbs cooking odours and must be changed regularly. How often you need to change the filters depends on your usage. We recommend changing them every three to six months. An activated charcoal filter cannot be washed or recycled; it must be replaced with a new one.

To obtain replacement filters, contact our after sales support line and arrange for purchase (see page 18 for details).

**NOTE:** The suction power will be lowered with charcoal filters installed.

To remove and/or install new filters, please see page 11.

### Replacing a light bulb

If the light bulb needs replacing, proceed as follows:

- Slide out the front panel for easier access and remove the two aluminium mesh filters (Fig. 15).
- Carefully turn the bulb in anticlockwise direction and remove (Fig. 16).
- Replace the bulb with one of the same type and wattage (E14, 28W), as illustrated below (Fig. 17).

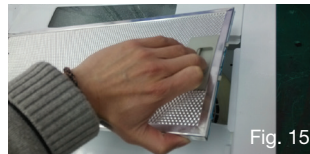


Fig. 15



Fig. 16



Fig. 17

Refit the hood glass and fasten the glass screws. Make sure the screws are fully tightened.

## **TROUBLESHOOTING**

<b>Fault</b>	<b>Cause</b>	<b>Solution</b>
Light on, but fan does not work	The fan blade is jammed.	Switch off the unit and repair by qualified service personnel only.
	The motor is damaged.	
Both light and fan do not work	Halogen light bulb burn.	Replace the bulb with correct rating.
	Power cord looses.	Plug in to the power supply again.
Serious Vibration of the unit	The fan blade is damaged.	Switch of the unit and repair by qualified service personnel only.
	The fan motor is not fixed tightly.	Switch off the unit and repair by qualified service personnel only.
	The unit is not hung properly on the bracket.	Take down the unit and check whether the bracket is in proper location.
Suction performance not good	Too long distance between the unit and the cooking plane	Readjust the distance to 65-75cm

## **CUSTOMER ASSISTANCE SERVICE**

If you cannot identify the cause of the operating anomaly, switch off the appliance and contact the Assistance Service.

PRODUCT SERIAL NUMBER. Where can I find it?

It is important you to inform the Assistance Service of your product code and its serial number (a 16 character code which begins with the number 3); this can be found on the guarantee certificate or on the data plate located on the appliance.

It will help to avoid wasted journeys to technicians, thereby (and most significantly) saving the corresponding callout charges.

## **ENVIRONMENTAL PROTECTION**

Waste electrical products should not be disposed of with household waste. Please recycle where facilities exist. Check with your Local Authority or retailer for recycling advice.



This appliance is marked according to the European directive 2012/19/EU on Waste Electrical and Electronic Equipment (WEEE).

By ensuring this product is disposed of correctly, you will help prevent potential negative consequences for the environment and human health, which could otherwise be caused by inappropriate waste handling of this product.

The symbol on the product indicates that this product may not be treated as household waste. Instead it shall be handed over to the applicable collection point for the recycling of electrical and electronic equipment. Disposal must be carried out in accordance with local environmental regulations for waste disposal.

For more detailed information about treatment, recovery and recycling of this product, please contact your local city office, your household waste disposal service or the shop where you purchased the product.