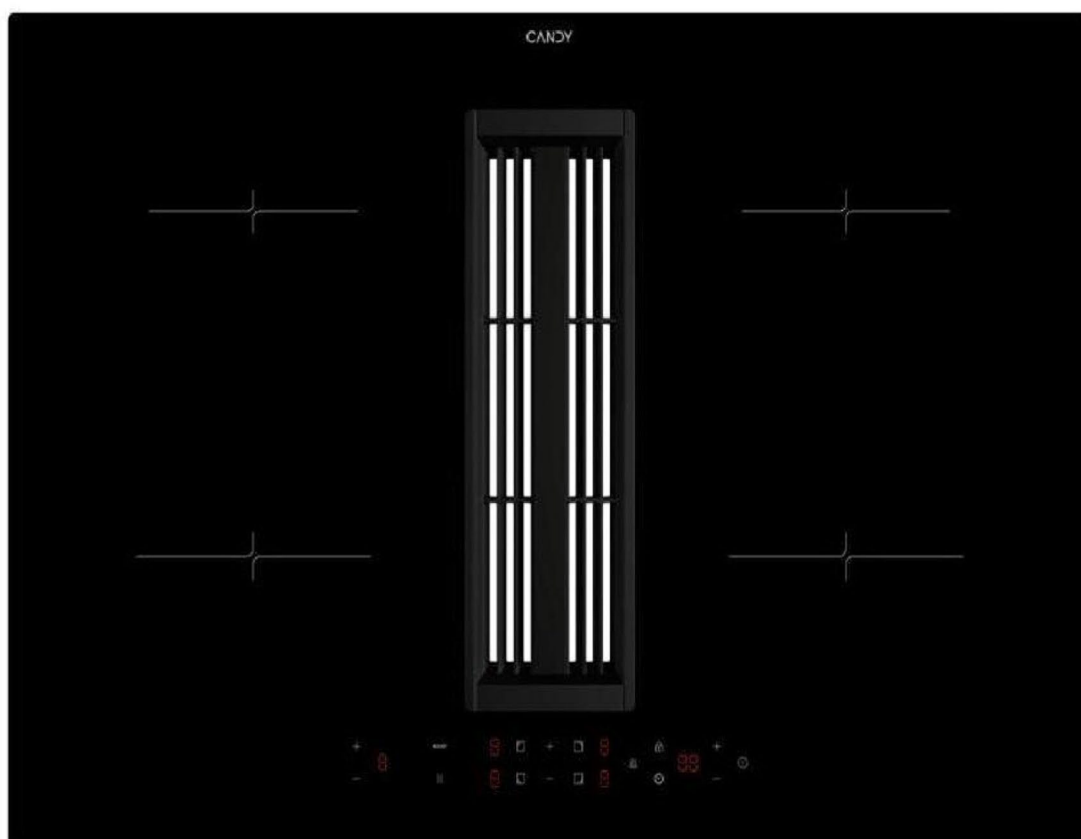


CANDY

User Manual

CIH6I4CF

CIH6I4CE



- EN** Instruction Manual For Induction Hob
- DA** Brugervejledning til induktionskogeplade
- FI** Induktiokaittoston käyttöopas
- FR** Manuel destruction pour plaque à induction
- NO** Bruksanvisning for induksjonskokeplate
- PT** Manual de instruções para placa de indução
- SV** Bruksanvisning for induktionshall
- CS** Návod k obsluze indukční varné desky
- SK** Návod na obsluhu pre indukčnú varnú dosku
- IT** Manuale di istruzioni per piano cottura a induzione

Thank you for purchasing the CANDY induction hob. Please read this instruction Manual carefully before using the hob and keep it in safe place for future reference.

CONTENTS

INSTRUCTION MANUAL -----	2
OPERATION-----	19
POWER MANAGEMENT - -----	25
CLEANING AND CARE -----	27
LIST OF ACCESSORIES -----	31
PRODUCT INSTALLATION -----	32
FAILURE DISPLAY AND INSPECTION -----	33
WHAT TO DO IF TROUBLE OCCURS -----	33
ELECTRICAL CONNECTION -----	35

INSTRUCTION MANUAL

Strictly observe the instructions in this manual. All liability is declined for any problems, damage or fires caused by failure to comply with the instructions in this manual. The device is intended for domestic use only, to cook food and extract the fumes generated by cooking. No other use is allowed (e.g. heating rooms). The manufacturer declines any liability for inappropriate use or incorrect control settings.

Read the instructions carefully: they include important information about installation, use and safety.

Do not make electrical changes to the device. Before installing the device, make sure that none of the components are damaged. Otherwise, contact the dealer and do not continue with the installation.

Check that the device is intact before continuing with installation. Otherwise, contact the dealer and do not continue with the installation.

1. Warnings

Please note! Pay strict attention to the following instructions:

- The device must be disconnected from the electric power supply before carrying out any installation work.
- Installation or maintenance must be performed by a qualified technician, in compliance with the manufacturer's instructions and local safety regulations. Do not repair or replace any part of the device unless specifically stated in the operating manual.
- By law, the appliance must be earthed.
- The power cable must be long enough to allow the device built into the unit to be connected to the power supply.
- In order for the installation to comply with current safety regulations, an approved omnipolar circuit breaker is required that guarantees complete disconnection of the mains in over voltage category III, in accordance with the installation rules.
- Do not use power strips or extension cords.
- Once installation is complete, the

electrical components must no longer be accessible by the user.

- The device and its accessible parts get hot during use. Be careful not to touch the heating elements.
- Ensure that children do not play with the device; keep children away and supervise them because the accessible parts may become very hot during use.
- For people with pacemakers and active implants, it is important to check, prior to using the induction hob, that their pacemaker is compatible with the device.
- Do not touch the heating elements of the device during and after use.
- Avoid contact with cloths or any other flammable material until all the hob components have cooled down sufficiently, risk of fire.
- Do not place flammable material on or near the device.
- Overheated fats and oils easily catch fire. Supervise the cooking of fatty or oily food.
- If the surface is cracked, switch the device off immediately to prevent the risk of an

electric shock.

- The device is not intended to be operated with an external timer or a separate remote control system.
- Unattended cooking on a device with oil or fat can be dangerous and may cause a fire.
- The cooking process must be supervised. A short cooking process must be constantly monitored.
- NEVER attempt to put fires out using water. Instead, turn off the device and smother the flames, for example with a lid or a fire blanket. Fire hazard: do not place objects on the cooking surfaces.
- Do not use steam cleaners, risk of electric shock.
- Do not place metal objects, such as knives, forks, spoons or lids on the device because they could become hot.
- Before connecting the device to the electrical network: check the data plate (on the bottom of the device) to ensure that the voltage and power correspond to the mains supply and that the power socket is suitable. If in doubt, consult a qualified electrician.

Important

- After use, turn off the hob at the switch and do not rely on the pan detector.
- Prevent liquids from boiling over, so turn the heat down when boiling or heating liquids.
- Do not leave the heating elements turned on with empty pots and pans or with no pans.
- Switch off the relevant hot plate when you have finished cooking.
- Never use aluminium foil for cooking and never place products packaged in aluminium on the hob. The aluminium would melt and irreparably damage your device.
- Never heat a tin or can containing foods without opening it first: it might explode!
- This warning also applies to all other types of hobs.
- High power levels such as the Booster function should not be used to heat certain liquids, such as oil for frying. Excessive heat may be dangerous. In these cases, we recommend the use of a lower power level.

- Containers must be placed directly on the hob and in the centre. Under no circumstances may any other objects be placed between the pan and the hob.
- If the temperature becomes high, the device automatically decreases the power level of the cooking zones.
- Before doing any cleaning or maintenance work, disconnect the device from the mains power supply by removing the plug or turning off the mains switch. Wear protective gloves for all installation and maintenance operations. The device can be used by children over the age of eight and by people with impaired physical, sensory or mental abilities or lacking in experience or the necessary knowledge provided that they are supervised or after they have received instruction about how to safely use the device and understand the inherent dangers. Children must be supervised to ensure they do not play with the device. Cleaning and maintenance must never be performed by children unless they are properly supervised.

The room must be properly ventilated when the device is used at the same time as other gas-powered devices, or powered by other fuel. The device must be regularly cleaned both internally and externally (AT LEAST ONCE A MONTH), in strict accordance with the maintenance instructions. Failure to follow the rules for device cleaning and filter replacement and cleaning may result in a fire hazard. Food must never be cooked flambe. Using a naked flame may damage the filters and cause a fire hazard; it must, therefore, be avoided under all circumstances. Extra care must be taken when frying to prevent the oil from overheating and catching fire.

PLEASE NOTE

- The accessible parts of the device may become hot when the hob is switched on.
- Please note!** Do not connect the device to the electric power supply until installation has been fully completed. The regulations laid down by local authorities must be strictly followed with regard to the technical and safety measures to adopt for fume

extraction.


- The extracted air must not be conveyed through the same ducts used to extract the fumes generated by gas combustion or other types of combustion devices. Never use the device without the grille properly installed! Only use the fastening screws supplied with the device for installation, or if not supplied, purchase the correct type of screws.

- When the device is used together with other devices powered with non-electrical energy, the negative pressure of the room must not exceed 4 Pa (4×10^{-5} bar). This manual must be stored for future consultation at any time. If sold, transferred or moved, it must remain with the device.

This device is marked in compliance with the European Directive 2012/19/EC - UK SI 2013 No3113, Waste Electrical and Electronic Equipment (WEEE). By ensuring that this device is disposed of correctly, the user will

help prevent potential negative impacts on the environment and human health.



The  symbol on the device or documentation provided indicates that this device must not be treated as domestic waste, but must be taken to a suitable waste collection site for the recycling of electrical and electronic appliances. Dispose of it in accordance with local regulations for waste disposal. For further information about the treatment, recovery and recycling of this device, please contact your local authority, the collection service for household waste or the shop from where the device was purchased.

Device designed, tested and developed in compliance with regulations on:

- Safety: EN/IEC 60335-1; EN/IEC 60335-2-6, EN/IEC 60335-2-31, EN/IEC 62233.
- Performance: EN/IEC 61591; ISO 5167-1; ISO 5167-3; ISO 5168; EN/IEC 60704-1; EN/IEC 60704-2-13; EN/IEC 60704-3; ISO 3741; EN 50564; IEC 62301. EN 60350-2;

- EMC: EN 55014-1; CISPR 14-1; EN 55014-2; CISPR 14-2; EN/IEC 61000-3-3; EN/IEC 61000-3-12. Recommendations for correct use in order to reduce the impact on the environment: When you start cooking, turn the device on at minimum speed, leaving it on for a few minutes when you have finished cooking. Increase the speed only if there is a large quantity of fumes and steam, using the Booster function only in extreme cases. To keep the odour reduction system running efficiently, replace the carbon filter/s when necessary. To ensure the high performance of the grease filter, clean it when necessary. To improve efficiency and minimize noise, use the maximum duct diameter indicated in this manual.

2. Use

Using the hob

The induction cooking system uses the physical principle of magnetic induction to directly transfer energy from the generator to the pot.

Advantages:

When compared to electric hobs, your induction hob is:

- **Safer:** lower temperature on the glass surface.
- **Faster:** shorter food heating times.
- **More accurate:** the hob immediately reacts to your commands.
- **More efficient:** 90% of the absorbed energy is converted into heat. Moreover, once the pot is removed from the hob, heat transmission is immediately interrupted, avoiding unnecessary heat losses.

2.1 Cooking containers

Only use pots marked with the symbol  :

to prevent scratching, do not use:

- containers with less than perfectly flat bottoms.
- metal containers with enamelled bottoms.
- containers with a rough base, to avoid scratching the hob surface.
- do not place hot pots and pans on the control panel surface.

2.1.1 Preexisting containers

Induction cooking generates heat through the use of magnetism.

Therefore, containers must be made of a magnetic material, such as iron. To determine if a pot is suitable, test its material with a magnet. If a pot does not respond to a magnet, it is not suitable for induction cooking.

2.1.2 Recommended pan bottom diameters

IMPORTANT: If the pot size is incorrect, the cooking zones will not activate.

For details of the minimum pot diameter that needs to be used on each zone, see the illustrated part of this manual.

2.2 Energy saving

Recommendations for best results:

- Use pots and pans with a bottom diameter equal to that of the cooking zone.
- Use only pots and pans with flat bottoms.
- Keep the lid on the pot whenever possible during cooking.
- Cook vegetables, potatoes, etc. with a minimal amount of water to reduce cooking time.
- Use a pressure cooker, as it further reduces the energy consumption and cooking

time.

- Center the pot within the cooking zone indicated on the hob.

CHOOSING THE RIGHT COOKWARE

Cookware for induction hobs

Cookware for induction cooking zones must be made of metal and have magnetic properties. The base must be sufficiently large.

Only use pots with a base suitable for induction.

This is how to establish the suitability of a pot:

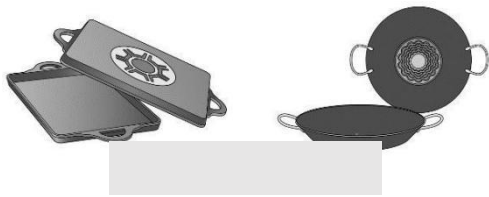
Suitable cookware	Unsuitable cookware
Enamelled steel pots with a thick base	Pots made of copper, stainless steel, aluminium, ovenproof glass, wood, ceramic and terracotta
Cast iron pots with an enamelled base	
Pots made of multi-layer stainless steel, rustproof ferromagnetic steel or aluminium with a special base	

Conduct the magnet test described below or make sure that the pot bears the symbol for suitability for cooking with induction current.

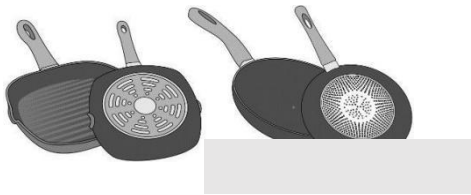
Never use pans with a misshapen base. A hollow or rounded base can interfere with the operation of the overheating protection, so that the appliance becomes too hot. This may lead to the glass top cracking and the pan base melting. Damage arising from the use of unsuitable pans or from boiling dry is excluded from the guarantee.



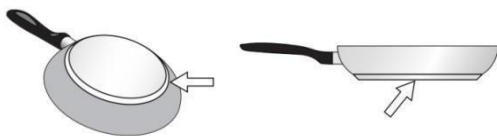
If the base of the cookware is only partially ferromagnetic, only the area that is ferromagnetic will heat up. This may mean that heat will not be distributed evenly. The non-ferromagnetic area may not heat up to a sufficient temperature for cooking.



The ferromagnetic area will also be reduced if the material from which the base of the cookware is made contains aluminum, for example. This may mean that the cookware will not become sufficiently hot or even that it will not be detected.



The material(s) from which the base of the cookware is made can affect the cooking result. Using pots and pans made from materials that distribute heat evenly through them, such as stainless-steel pans with a three-layer base, saves time and energy. Use cookware with a flat base; if the base of the cookware is uneven, this may impair the heat supply.



Magnet test:

Move a magnet towards the base of your cookware. If it is attracted, you can use the cookware on the induction hob.



Note:

When using pans suitable for induction from certain manufacturers, noises may occur which are attributable to the design of these pans. Take care when using simmering pans as simmering water may dry up unnoticed, resulting in damage to the pot and to the hob for which no liability will be assumed.

Dimension of Cookware

To achieve a good cooking result, the ferromagnetic area on the base of the pan should match the size of the hotplate. If a hotplate does not detect an item of cookware, try placing it on another hotplate with a smaller diameter.

Cooking zone	Minimum pan diameter
Ø 160mm	Ø 120mm
Ø 180mm	Ø 140mm

Using the extractor fan

The extractor fan system can be used in two ways: as an external exhausting version or as a filtration version with internal re-circulation. The external exhausting version removes smoke, steam, and cooking odors to the outside, while the internal filtration re-circulation version filters these elements and circulates cleaned air back into the room.



Exhausting version

The fumes are expelled to the outside using a series of pipes (sold separately) attached to the included connecting pipe. The diameter of the exhaust pipes or adaptor must match the dimension of the included connecting pipe 222 x 89mm.

For more information on using the exhausting version, refer to the relevant page in the illustrated section of the manual. When connecting the product to wall-mounted exhaust pipes and holes, make sure the diameter matches the air outlet (connecting flange). Using pipes and holes with a smaller diameter may decrease the extractor's efficiency and increase noise levels. For best results, keep the duct as short as possible with a minimum number of curves (maximum angle: 90°) and avoid sudden

changes in duct diameter.

- Keep duct as short as possible.
- Use ducting with the least possible number of curves (maximum angle: 90°).
- Avoid drastic changes in the ducting diameter.



Filtrating version

Internal filtration re-circulation version is to filter cooking fumes and release clean air back into the kitchen. Instead of venting outside, this system recirculates air indoors after passing it through filters. It's handy when outdoor venting isn't possible. Specialized filters, like activated carbon filters (include in the accessory), trap grease and odors effectively. Regular maintenance, including filter replacement, is necessary for optimal performance. This method helps maintain clean indoor air and is energy-efficient, but it doesn't entirely remove pollutants from the home. Installation way and dimension requirement can refer to user manual.

3. Installation

- Both the electrical and mechanical installation must be performed by qualified professionals. This electrical appliance is designed to be installed into a worktop with a thickness between 2 to 6 cm for a top installation, or 2.5 to 6 cm for a flush installation. When installing the hob, keep a minimum distance of 5 cm in front, 4 cm on the sides, and 50 cm from overhead wall units. Note: The recommended distances are provided as examples only. When planning your kitchen, follow the guidelines provided by the kitchen manufacturer.

3.1 Connecting to the electrical supply

To connect the hob to the electrical supply, proceed as follows

- Remove the hob from its packaging and place it on a flat surface.
- Connect the power cable to the hob.
- Connect the other end of the power cable to the electrical supply.
- Make sure the electrical connection is secure and meets the local electrical regulations.

- Disconnect the device from the electric power supply.
- Installation must be carried out by professionally qualified personnel with knowledge of the regulations in force for installation and safety.
- The manufacturer denies all liability to persons, animals or property if the guidelines provided in this chapter are not followed.
- The power cable must be long enough to allow the hob to be removed from the worktop.
- Make sure the electrical connection is secure and meets the local electrical regulations.
- Do not use extension leads.
- The earth power cable must be 2cm longer than the other cables.

- If the electrical appliance is not supplied with a power cable, use one with a minimum conductor diameter of 2.5 mm² for power up to 7200 Watt; for higher power levels, the diameter must be 4 mm².
- The temperature must not reach 50°C above room temperature anywhere along the cable.
- The appliance is intended for permanent connection to the power supply.

• **Please note!** Before reconnecting the circuit to the mains power supply, make sure that it is working correctly, always check that the power cable is correctly installed.

• **Please note!** The interconnection cable must be replaced by the authorized technical support service or by a person with similar qualifications.

Note : the product is equipped with a Power Limitor function, which allows a maximum power limit to be set. The limit must be set at the time of the product's connection to the electrical network or when the electrical network itself is reconnected (within the following 2 minutes).

3.3 Mounting

Before starting the installation:

• **After unpacking the product, check that it has not been damaged during transport and in the event of problem, please contact the reseller or the Customer support service before installing it.**

• Check that the product is the right size for the installation area.

• Check for accessories (e.g. bags containing screws, warranty certificates, etc.) inside the packaging (placed there for transport reasons). Remove and keep them safe, if present.

• Also check that there is a power socket near the installation area.

Preparing the cabinet for installation:

- The product cannot be installed above cooling appliances, dishwashers, heaters, ovens, washing machines and dryers.

- Create the cut-outs in the cabinet before inserting the hob and carefully remove any shavings or sawdust.

- **to optimize the filter installation, it is advisable to cut a slot in the plinth to insert a grille (available on the market) IMPORTANT:** use a single-component adhesive sealant (**S**), which withstands temperatures up to 250°; before installation, thoroughly clean the surfaces to stick and eliminate any substance that may compromise adhesion, (e.g. release agents, preservatives, fats, oil, dust, traces of old adhesives, etc.); the adhesive should be uniformly spread all around the outside of the frame; after sticking, leave the adhesive to dry for about 24 hours.

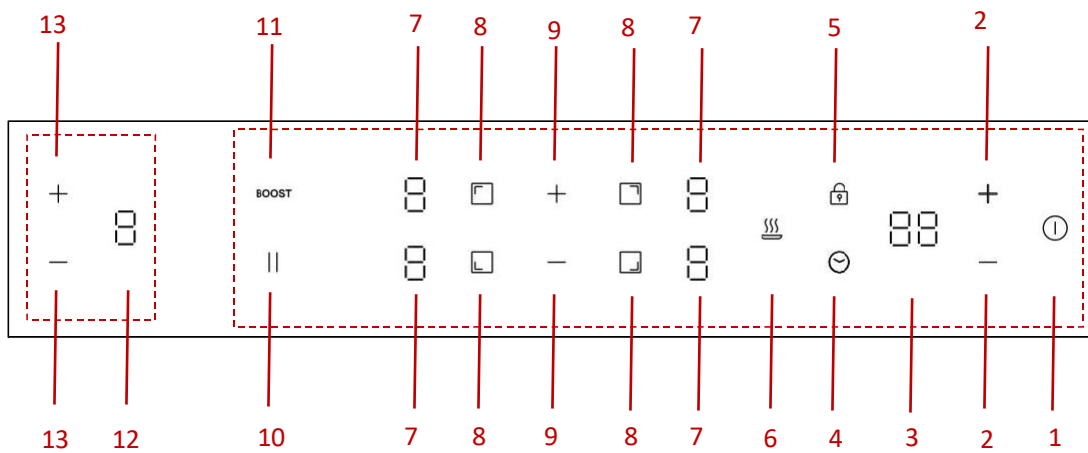
Caution! Failure to install screws and fasteners in accordance with these instructions may result in electrical hazards.

Note: to ensure the correct installation of the product, it is recommended to tape the pipes using an adhesive with the following characteristics:

- soft elastic PVC film, with an acrylic-based adhesive.
- compliant with DIN EN 60454 regulations.
- flame retardant.

- excellent resistance to wear.
- resistant to temperature fluctuations.
- can be used at low temperatures.

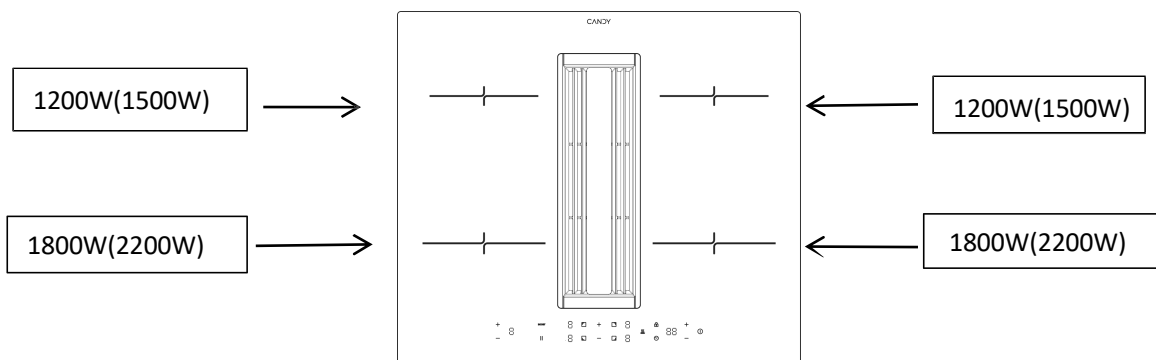
OPERATING THE HOB WITH THE SENSOR BUTTONS



- | | | | |
|----|--------------------------------|----|------------------------------|
| 1 | ON/OFF | 2 | Timer setting |
| 3 | Timer display | 4 | Timer selection |
| 5 | Childlock | 6 | Keep warm function |
| 7 | Power level display for HOB | 8 | Cooking zone selection |
| 9 | Power level selection for HOB | 10 | Pause |
| 11 | Boost | 12 | Power level display for HOOD |
| 13 | Power level selection for HOOD | | |

PRODUCT SPECIFICATION

CIH6I4CF/CIH6I4CE



Using the Hood

1. STANDBY MODE:

After power on, the buzzer beeps once, all displays show “0” and the hood enters the state of standby mode.

If there is no operation within 60s, all display will turn off completely and the hood will automatically switch off. You can re-activate the hood at any time by touching any control panel.

2. POWER LEVEL SETTING:

The hood offers four power levels (level 1 to level 4), allowing users to adjust suction intensity according to their needs.

Press and hold the power selection key **+** for 1 second to activate the hood. By default, it will start on level 1. You can select the power level by pressing the key **+** and **-**.

3. BOOST MODE:

Boost mode, activated by selecting the highest power level ("P"), provides intensified suction for rapid clearing of cooking fumes. It lasts for only 5 minutes to prevent excessive energy consumption and is designed to efficiently remove cooking odors and grease during intense cooking sessions.

Press and hold the key **+** for one second after power level setting, the hood will get into the BOOST MODE (P) directly. Please note that the BOOST MODE can only last for 10min, after that it will go to level 4 automatically.

a) DELAYED SHUT-DOWN MODE:

After the hob stops operating, the hood continues to extract residual oil fumes.

Operates for up to 5 minutes to ensure thorough ventilation even after cooking has ceased. After 5 minutes, it will turn off automatically.

Helps maintain a clean and odor-free kitchen environment by removing lingering cooking smells and grease particles.

Press the key **⏻** to turn off the hood (P→4→3→2→1→d→turn off). You can also press and hold the key **-** for one second to get into delayed shutdown mode (d) directly.

During delayed shutdown mode, you can press **-** to turn off the hood directly, or press **+** to turn on the hood to level 1. And you can select the power level by pressing the key **+** and **-**.


4. AUTOMATIC MODE:

The hood adjusts its operation based on the induction hob's activity. When the hob is on, the hood activates to level 1. After the hob turns off, the hood switches to delayed shutdown mode automatically. This ensures continuous ventilation even after cooking is complete, effectively eliminating residual odors and grease from the kitchen environment.

Using the Hob

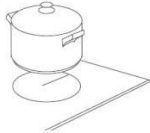
To start cooking

- After power on, the buzzer beeps once, all the indicators for HOB light up for 1 second then go out, indicating that the hob has entered the state of standby mode.

1. Touch the ON/OFF  switch. all the indicators show “– “



2. Place a suitable pan on the cooking zone that you wish to use. Make sure the bottom of the pan and the surface of the cooking zone is clean and dry.



3. Touching the heating zone selection control and an indicator next to the key will flash.



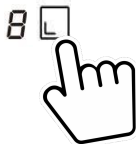
4. Select a heat setting by touching the power level control.



- If you don't choose a heat setting within 1 minute, the Induction hob will automatically switch off.
- You will need to start again at step 1.
- You can modify the heat setting at any time during cooking.

When you have finished cooking

- Touching the heating zone selection that you wish to switch off.



- Turn the cooking zone off by touching the power level control. Make sure the display shows "0".



- Turn the whole hob off by touching the ON/OFF control.



- Beware of hot surfaces

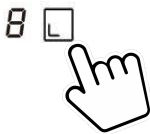
"H" will show which means cooking zone is too hot to touch. It will disappear when the surface has cooled down to a safe temperature. It can also be used as an energy saving function if you want to heat further pans, use the hotplate that is still hot.

H

Using Boost function

Activate the boost function

1. Select the zone with boost function.

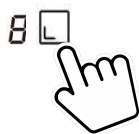


2. Touching the booster key "BOOST", power level indication shows "P".

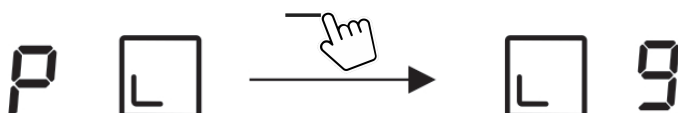


Cancel Boost function

1. Select the zone with boost function.



2. Press the power level to cancel the Boost function, and select the level you want to set.



- Boost function can only last for 5 minutes, after that the zone will go to level 9 automatically.


Locking the Controls


- You can lock the controls to prevent unintended use (for example children accidentally turning the cooking zones on).
- When the controls are locked, all the controls except the ON/OFF control are disabled.

To lock the controls

Touch the childlock control . The timer indicator will show “Lo”.

To unlock the controls

- Make sure the hob is turned on.
- Touch and hold the childlock control  for 3 seconds.
- You can now start using your hob.

 When the hob is in lock mode, all the controls are disabled except the ON/OFF, you can always turn the hob off with the ON/OFF control in an emergency, but you shall unlock the hob first in the next operation.

Residual Heat Warning

When the hob has been operating for some time, there will be some residual heat. The letter “H” appears to warn you to keep away from it.

Auto Shutdown

Safety feature of the hob is auto shut down. This occurs whenever you forget to switch off a cooking zone. The default shutdown times are shown in the table below:

Power level	1	2	3	4	5	6	7	8	9
Default working timer (hour)	8	8	8	4	4	4	2	2	2

Using the Timer

You can use the timer in two different ways:

- You can use it as a minute minder. In this case, the timer will not turn any cooking zone off when the set time is up.
- You can use it as cut-off timer to turn one or more cooking zones off after time is up.
- You can set the timer up to 99 minutes.

Using the Timer as a Minute Minder

- Make sure the cooktop is turned on. And zone selection key is not activated (zone indication ‘-’ is not blinking).

Note: You can set minute minder before or after cooking zone power setting finished.



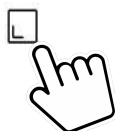
- Touch timer key, “30” will show in the timer display and blink. The default setting is 30min.
- Set the time by touching the “+” or “-” control. (e.g.5)
Short touch for adjusting 1min and long touch for adjusting 10min.



- When the time is set, it will begin to count down immediately. The display will show the remaining time.
- Buzzer will beeps for 20 seconds and the timer indicator shows “- -” when the setting time finished.

Using the timer to switch off one or more cooking zones

- Touching the heating zone selection control that you want to set the timer for.



- Touch timer key, “30” will show in the timer display and blink. The default setting is 30min.

- Set the time by touching the “+” or “-” control. (e.g.5)
Short touch for adjusting 1min and long touch for adjusting 10min.



- When the time is set, it will begin to count down immediately. The display will show the remaining time.

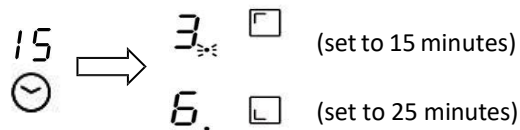
NOTE: There will be a red dot in the right bottom corner of power level indication which indicating that zone is selected.

- When cooking timer expires, the corresponding cooking zone will be switch off automatically.

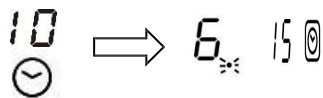
Note: Other cooking zones will keep operating if they are turned on previously.

If the timer is set on more than one zone:

- When you set timer for several cooking zones, red dots of the relevant cooking zones are indicated. The timer display shows the min. timer. The dot of the corresponding zone blinks.



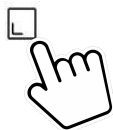
- Once the countdown timer expires, the corresponding zone will switch off. Then it will show the new min. timer and the dot of corresponding zone will flash.



Note: Touch the heating zone selection control, the corresponding timer will be shown in the timer indicator.

Cancel the timer

- Touching the heating zone selection control that you want to cancel the timer.



- Touching the timer control, the indicator will flash.

- Touching the “-” control to set the timer to “00”, the timer is cancelled.



Power settings

The heating power of the cooking zones can be set at various power levels. In the chart you will find examples of how to use each setting.

Cooking level:	Suitable for:
1	Keeping food warm. Simmering small quantity (lowest power setting).
2	Simmering.
3-4	Simmering larger quantities or roasting larger pieces of meat until they are cooked through.
5-6	getting juices.
7-8	Roasting, getting juices.
9	Roasting.
P	Roasting (highest power output).

Power management

This hob can be connected to a 13, 20, 25, 32 Amp supply and configured to work on any of these power settings.

The hob is preset to be connected to a 32Amp supply; When four zones are selected at the same time the hob will limit the maximum power consumed so that the 7.0kW power supply cannot be exceeded. In a similar way, when the hob is connected and configured to a 13/20/25Amp supply mode, the hob will limit the maximum power at 2.5/3.5/4.5/7.0kW.

If, however, the hob is connected and configured to a 32Amp power supply, all four zones can be used on the maximum setting with boost at the same time.

To change the Power management setting

1. Cut off the power supply to the hob.
2. Leave the power supply cut off for one minutes.
3. Switch on the power supply again.
4. Follow the instructions under “To configure the hob into ECO Mode” from step “1” onward.

NOTE: The ECO Mode Configuration can be entered only once if the power supply of the hob is not cut off.

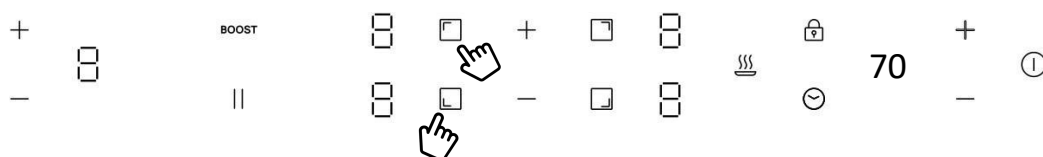
(Note: The ECO mode should be set within one minute after the power is turned on, otherwise the ECO mode setting cannot be entered after more than one minute)

To configure the hob into Power management

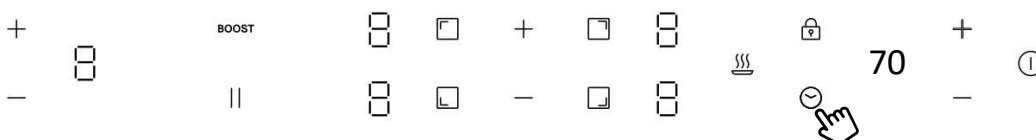
1. Touch ON/OFF key to switch on the power supply. The buzzer beeps once, all displays show “-” and “--”.



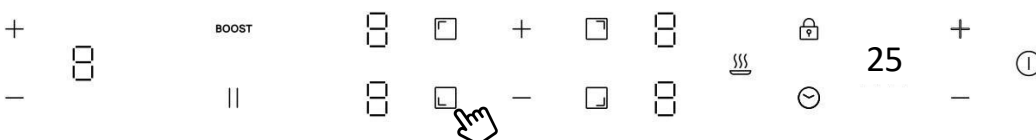
2. Touch front left zone key and rear left zone key simultaneously for 3 seconds. The buzzer beeps indicating that the induction hob enters selection of ECO Mode. (Display shows the preset power 7.0kW)



3. Touch timer key, then timer display will flash. You can select the power setting now.

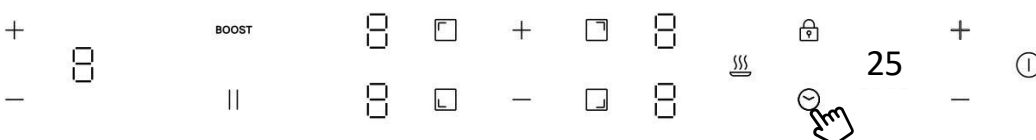


4. To change the total power setting, press the front left area key to select a new total power setting. Pressing the front left area key again will cycle through the options. The timer display will show four options: 25, 35, 45, and 70. For example, when the timer display shows the number "25," it indicates that the total power is set to 2500W. Keep pressing the front left area key until you find the desired power setting.

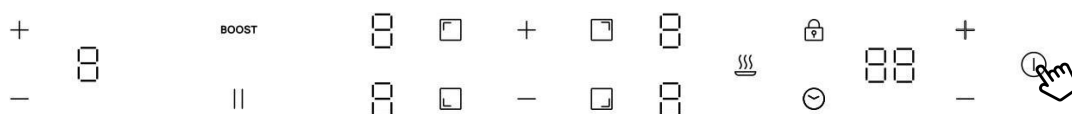


* By default, the power setting is factory set to 7.0kW.

5. Touch timer key again, the timer display stop flashing and the previously selected zone key will show “o” indicating that the setting is confirmed.



6. Touch the ON/OFF to switch off. Then switch on and the hob is configured ready to use at the ECO Mode you set for.



7. Touch the ON/OFF to switch on, now you can use the new power setting.

CLEANING AND CARE

- Before cleaning, switch off the hob and let it cool down.
- Do not use steam cleaners or high-pressure cleaners to clean the cooking hob, as this may result in an electric shock.
- When cleaning make sure that you only wipe lightly over the on/off sensor. The hob may otherwise be accidentally switched on!

Glass ceramic hob

Important! Never use aggressive cleaning agents such as rough scouring agents, abrasive saucepan cleaners, rust and stain removers etc.

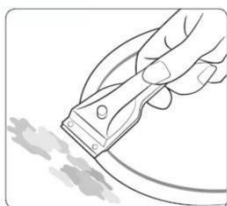
Cleaning after use

Always clean the entire hob when it has become soiled. It is recommended that you do so every time the hob is used. Use a damp cloth and a little washing up liquid for cleaning. Then dry the hob with a clean dry cloth to ensure that there is no detergent left on the surface of the hob.

Weekly clean

Clean the entire hob thoroughly once a week with commercial glass ceramic cleaning agents. Please follow the manufacturer's instructions carefully. When applied, the cleaning agent will coat the hob in a protective film which is resistant to water and dirt. All dirt remains on the film and can be removed easily. Then rub the hob dry with a clean cloth. Make sure that no cleaning agent remains on the surface of the hob since this will react aggressively when the hob is heated up and will change the surface.

Specific soiling Heavy soiling and stains (limescaling and shiny, mother-of pearl- type stains) can best be removed when the hob is still slightly warm. Use commercial cleaning agents to clean the hob. Proceed as outlined under Item 2. First soak food which has boiled over with a wet cloth and then remove remaining soiling with a special glass scraper for glass ceramic hobs. Then clean the hob again as described under Item 2.



Grid and grease filter

Clean once a week in manually or dishwasher. Use a little washing up liquid for cleaning.

Charcoal filter

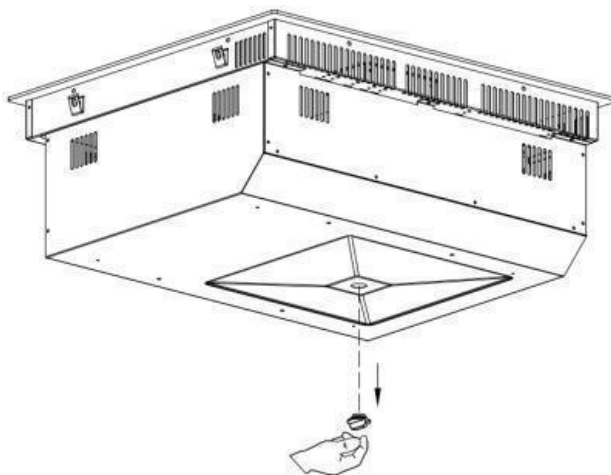
Charcoal filter is recommended to replace it within 2-4 months.

Burnt sugar and melted plastic must be removed immediately, when they are still hot, with a glass scraper. Then clean the hob again as described under Item 2.

Grains of sand which may get onto the hob when you peel potatoes or clean lettuce may scratch the surface of the hob when you move pots around. Make sure that no grains of sand are left on the hob.

Changes in the colour of the hob will not affect the function and the stability of the glass ceramic material. These colour changes are not changes in the material but food residues which were not removed and which have burnt into the surface. Shiny spots result when the base of the cookware rubs on the surface of the hob, particularly when cookware with an aluminium base or unsuitable cleaning agents are used. They are difficult to remove with standard cleaning agents. You may need to repeat the cleaning process several times. In time, the decoration will wear off and dark stains will appear as a result of using aggressive cleaning agents and faulty pan bottoms.

In case large amount of liquid is accidentally poured into the machine, take off the silicone plug on the bottom case to release the liquid.



WHAT TO DO IF TROUBLE OCCURS

In case of any errors during operation, please check the following table before calling for service. Below are some common errors and the checks to perform.

Problem	Possible causes	What to do
The cooktop cannot be turned on.	No power.	Make sure the cooktop is connected to the power supply and that it is switched on. Check whether there is a power outage in your home or area. If you've checked everything and the problem persists, call a qualified technician.
The touch controls are unresponsive.	The controls are locked.	Unlock the controls. See section 'OPERATING THE HOB WITH THE SENSOR BUTTONS' for instructions.
The touch controls are difficult to operate.	There may be a slight film of water over the controls or you may be using the tip of your finger when touching the controls.	Make sure the touch control area is dry and use the ball of your finger when touching the controls.
The glass is being scratched.	Rough-edged cookware. Unsuitable, abrasive scourer or cleaning products being used.	Use cookware with flat and smooth bases. See 'Choosing the right cookware'. See 'Care and cleaning'.
Some pans make crackling or clicking noises.	This may be caused by the construction of your cookware (layers of different metals vibrating differently).	This is normal for cookware and does not indicate a fault.
The induction hob makes a low humming noise when used on a high heat setting.	This is caused by the technology of induction cooking.	This is normal, but the noise should quieten down or disappear completely when you decrease the heat setting.
Fan noise coming from the induction hob.	A cooling fan built into your induction hob has come on to prevent the electronics from overheating. It may continue to run even after you've turned the induction hob off.	This is normal and needs no action. Do not switch the power to the induction hob off at the wall while the fan is running.
Pans do not become hot and appears in the display.	The induction hob cannot detect the pan because it is not suitable for induction cooking. The induction hob cannot detect the pan because it is too small for the cooking zone or not properly centered on it.	Use cookware suitable for induction cooking. See section 'Choosing the right cookware'. Centre the pan and make sure that its base matches the size of the cooking zone.

The induction hob or a cooking zone has turned itself off unexpectedly, a tone sounds and an error code is displayed (typically alternating with one or two digits in the cooking timer display).	Technical fault.	Please note down the error letters and numbers, switch the power to the induction hob off at the wall, and contact a qualified technician.
After connecting the power and pressing the “power” key, there is no response from the appliance.	Is there a power supply failure?	Wait for the power supply to be resumed
	Is the fuse blown or circuit breaker tripped?	Check the root causes carefully. If the problem cannot be fixed, please contact our Service Centre for inspection and repair.
	Is the plug connected firmly?	
Heating is interrupted during normal use and a “Beep” is heard.	Incompatible cookware or no cookware used?	Replace cookware; use cookware suitable for the induction cooker.
	The cookware is not placed on the center of the heating zone.	Place the cookware on the center of the indicated heating zone.
	Is the cookware being heated but it is continually being removed?	Place the cookware inside the heating zone.
No operation during the heating being in use	Is the cookware empty or the temperature too high?	Please check whether the appliance is being misused
	Is the air intake/exhaust vent clogged or has dirt accumulated on it?	Unclog the air intake/exhaust vent. Wait for the appliance to cool down, then switch it on again.
	Is the cooker working over 2 hours without any interaction?	Reset cooking modes or use the timer function


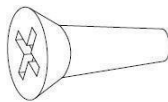






If the above remedies/controls cannot fix the problem, unplug the appliance immediately, and contact the Service Centre for inspection and repair. Note the error code and report it to the Service Centre Ltd. To avoid any danger and damage to the appliance, do not disassemble or repair it by yourself.

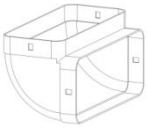
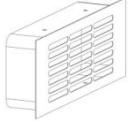

FAILURE DISPLAY AND INSPECTION

Error code	Possible cause	What to do
U	No pan	Please put suitable pot on the heating zone. If it is still unworkable, please contact the service center.
E1	Abnormal supply voltage(lower than 160V).	Please inspect whether power supply is normal. Power on after the power supply is normal.
E2	Abnormal supply voltage(higher than 280V).	Please inspect whether power supply is normal. Power on after the power supply is normal.
E3/E5/E7	Induction coil temperature sensor failure	Please contact the service center.
E4/E6	IGBT temperature sensor failure	Please contact the service center.
Er	Communication between main board	Please contact the service center.

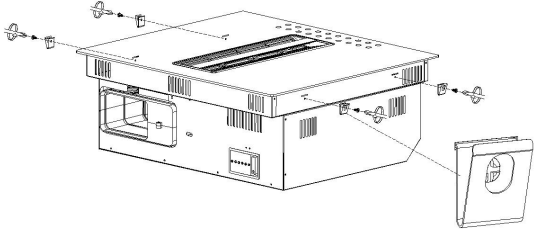
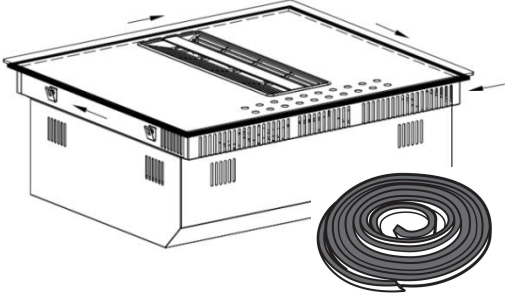
	and display board failure	
Et	Overflow protection	Please clean the water on the control panel and turn on the hob again.

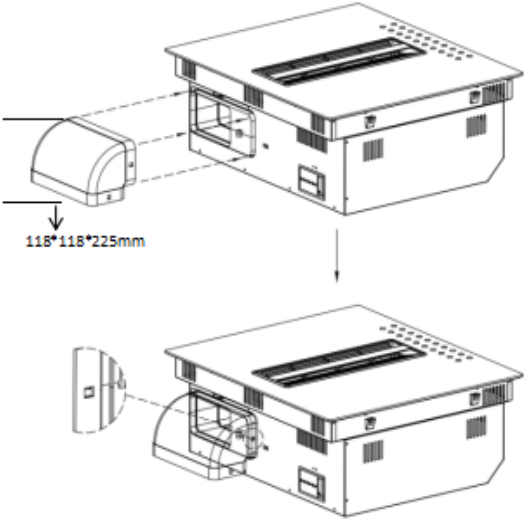
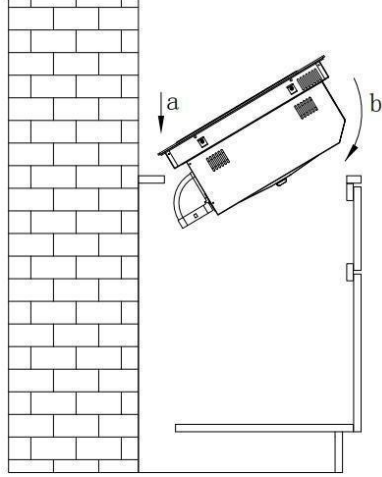
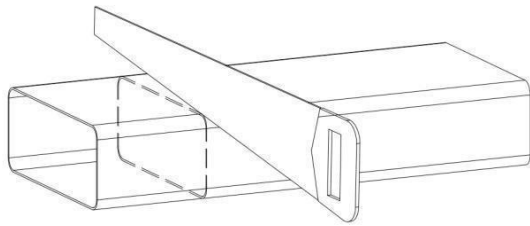
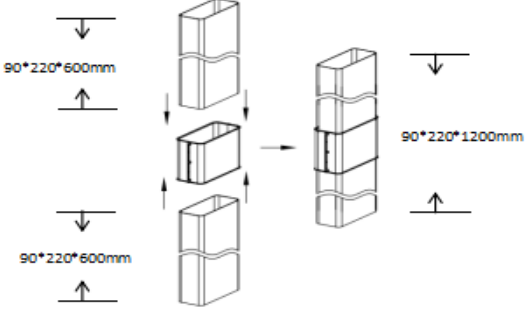
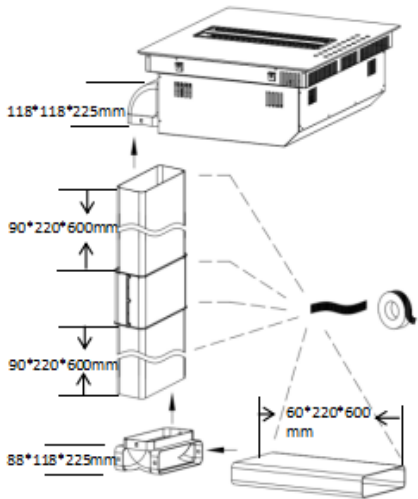
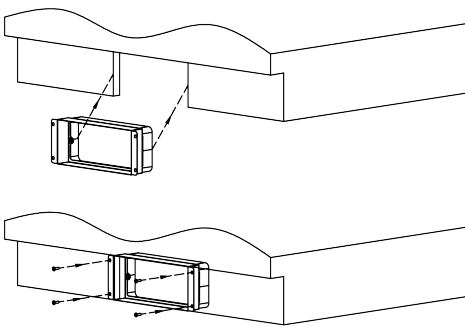
LIST OF ACCESSORIES

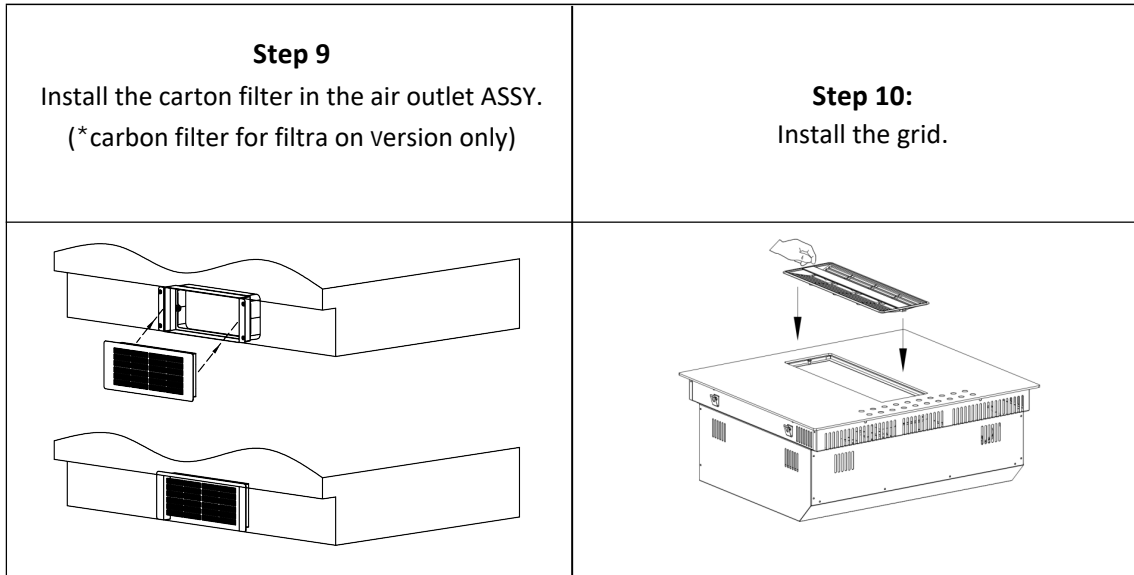
No.	Name	Diagram	Qty
1	ST 4x5 Screw		4 pcs
2	ST 4x14 Screw		4 pcs
3	Installation bracket		4 pcs
4	Sponge bar		1 pcs
5	Air intake grid		1 pcs
6	9cm Square pipe		2 pcs
7	6cm Square pipe		1 pcs(only for filtrating version)
8	Connection pipe		1 pcs

9	Bent pipe		2 pcs for filtrating version 1 pcs for exhausting version
10	Air outlet ASSY		1 pcs(only for filtrating version)
11	Aluminium sticker		7 pcs

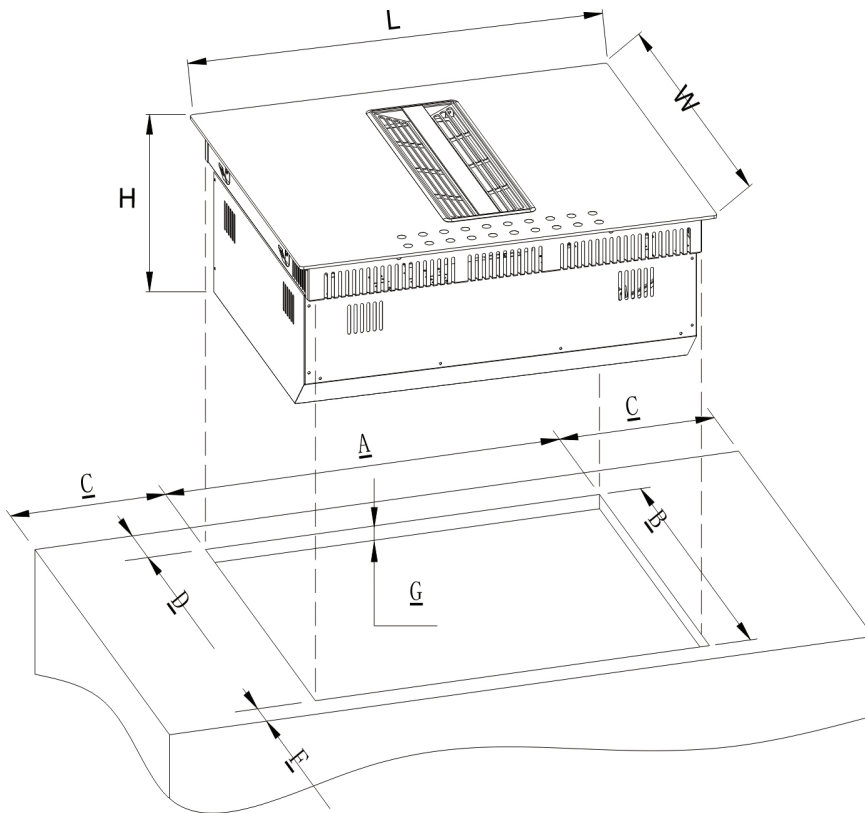
PRODUCT INSTALLATION

<p>Step 1: Screw the installation brackets on the bottom case.</p>	<p>Step 2: Stick the sponge bar around the ceramic glass.</p>
	

<p align="center">Step 3: Fix the bent pipe.</p>	<p align="center">Step 4: Install the product into the cabinet.(from step a to step b)</p>
	
<p align="center">Step 5: If the cabinet height is less than 80cm, we can cut the pipe to desired length.</p>	<p align="center">Step 6: If the cabinet height is more than 80cm, we can use two pipes with a connection.</p>
	
<p align="center">Step 7: Install the pipe and stick with sealing strip.</p>	<p align="center">Step 8: Install the air outlet ASSY at the bottom of cabinet, fix the screwing.</p>
	



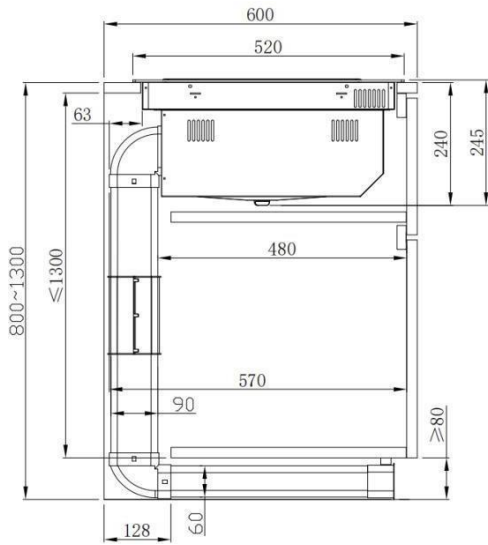
DIMENSION OF INSTALLATION



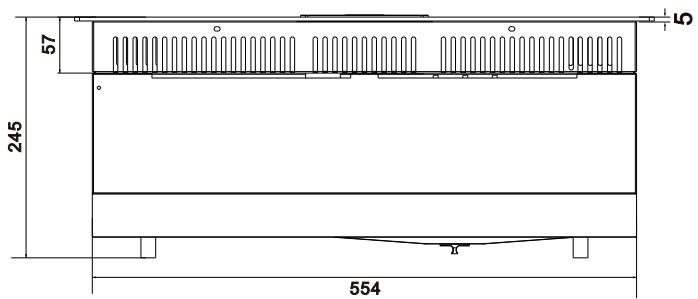
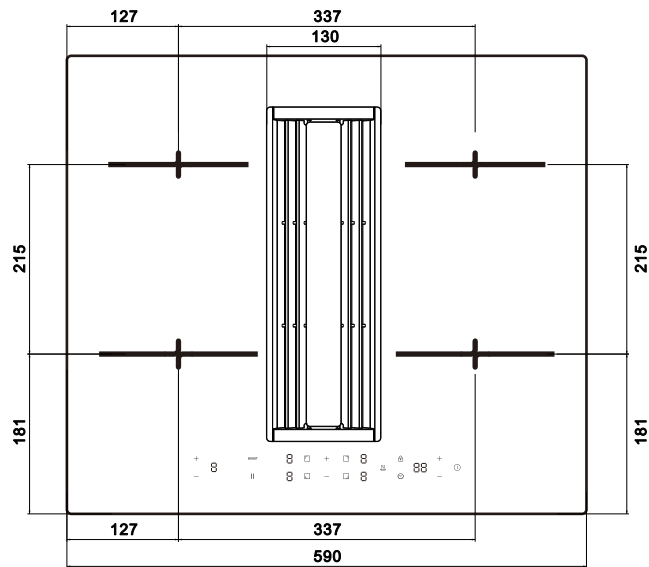
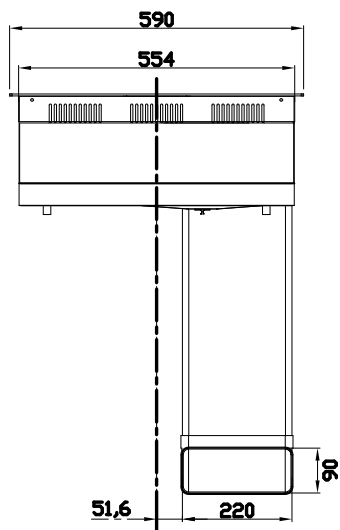
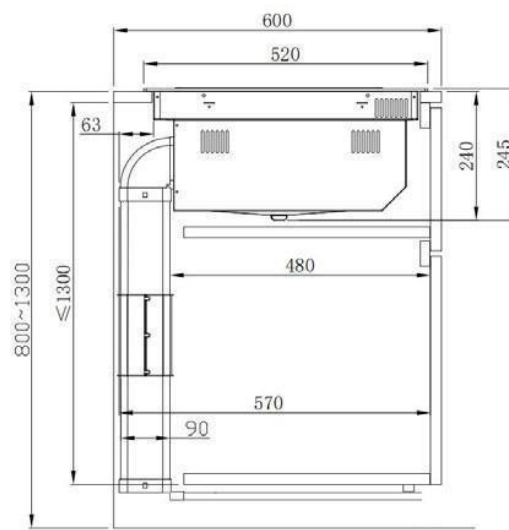
Model	L (mm)	B (mm)	H (mm)	A (mm)	B (mm)	C (mm)	D (mm)	F (mm)	G (mm)
CIH6I4CF	590	520	245	560	490	≥ 40	≥ 70	≥ 40	20-40
CIH6I4CE									

Cabinet and Flue Pipe Size


Filtration Version



Exhausting Version



ELECTRICAL CONNECTION


 This hob must be connected to the mains power supply only by a suitably qualified person.

Before connecting the hob to the mains power supply, check that:

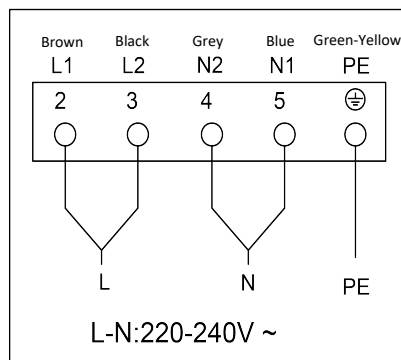
1. the domestic wiring system is suitable for the power drawn by the hob.
2. the voltage corresponds to the value given in the rating plate
3. the power supply cable sections can withstand the load specified on the rating plate.

To connect the hob to the mains power supply, do not use adapters, reducers, or branching devices, as they can cause overheating and fire.

The power supply cable must not touch any hot parts and must be positioned so that its temperature will not exceed 75°C at any point.

 Check with an electrician whether the domestic wiring system is suitable without alterations. Any alterations must only be made by a qualified electrician.

The power supply should be connected in compliance with the relevant standard. The method of connection is shown below.



- If the cable is damaged or to be replaced, the operation must be carried out by the after-sale agent with dedicated tools to avoid any accidents.
- If the appliance is being connected directly to the main supply, an Omani polar circuit-breaker must be installed with a minimum opening of 3mm between contacts.
- The installer must ensure that the correct electrical connection has been made and that it is compliant with safety regulations.
- The cable must not be bent or compressed.
- The cable must be checked regularly and replaced by authorized technicians only.

Special Declaration

The contents of this manual have been carefully checked. However, the company cannot be held responsible for any misprints or omissions. Also, any technical modifications may be included in a revised version of the manual without notice. The appearance and colour of the appliance in this manual may differ from the actual one.



This appliance is labelled in accordance with European Directive 2012/19/EU regarding electric and electronic appliances (WEEE). The WEEE contain both polluting substances (that can have a negative effect on the environment) and base elements (that can be reused). It is important that the WEEE undergo specific treatments to correctly remove and dispose of the pollutants and recover all the materials. Individuals can play an important role in ensuring that the WEEE do not become an environmental problem; it is essential to follow a few basic rules;

- The WEEE should not be treated as domestic waste;
- The WEEE should be taken to dedicated collection areas managed by the town council or a registered company.

In many countries, domestic collections may be available for large WEEEs. When you buy a new appliance, the old one can be returned to the vendor who must accept it free of charge as one-off, as long as the appliance is of an equivalent type and has the same functions as the purchased appliance.



Valid only for Cyprus

INDHOLD

BRUGERVEJLEDNING.....	2
BETJENING AF KOGEPLADEN MED SENSORKNAPPERNE.....	19
Effektstyring.....	26
RENGØRING OG PLEJE	28
HVAD DU SKAL GØRE, HVIS DER OPSTÅR PROBLEMER.....	30
FEJLVISNING OG INSPEKTION	31
LISTE OVER TILBEHØR	32
PRODUKTINSTALLATION.....	33
ELEKTRISK TILSLUTNING	36

BRUGERVEJLEDNING

Følg alle instruktioner i denne vejledning nøje. Der frasiges ethvert ansvar for problemer, skader eller brand, der opstår som følge af manglende overholdelse af instruktionerne i denne vejledning. Enheden er kun beregnet til husholdningsbrug, til tilberedning af mad og til at udsuge de dampe, der generes gennem tilberedningen. Ingen anden brug er tilladt (f.eks. opvarmning af rum). Producenten frasiger sig enhver ansvarspligt for utilsigtet brug eller forkerte kontrolindstillinger.

Læs vejledningen grundigt: Den indeholder vigtige oplysninger om installation, brug og sikkerhed.

Foretag ikke elektriske ændringer af enheden. Før du installerer enheden, skal du sikre dig, at ingen af komponenterne er beskadiget. Ellers skal du kontakte forhandleren og ikke fortsætte med installationen.

Kontrollér, at enheden er intakt, før du fortsætter med installationen. Ellers skal du kontakte forhandleren og ikke fortsætte med installationen.

1. Advarsler

Bemærk! Vær ekstra opmærksom på følgende vejledning:

- Apparatet skal afbrydes fra strømforsyningen, før der udføres installationsarbejde.
- Installation eller vedligeholdelse skal udføres af en kvalificeret tekniker i overensstemmelse med producentens instruktioner og de lokale sikkerhedsbestemmelser.

Du må ikke reparere eller udskifte dele af enheden, medmindre det er specifikt angivet i brugervejledningen.

- Apparatet skal have jordforbindelse i henhold til lovgivningen.
- Strømkablet skal være langt nok til, at den indbyggede enhed i enheden kan tilsluttes strømforsyningen.
- For at installationen kan overholde gældende sikkerhedsforskrifter, kræves der en godkendt flerpolet afbryder, der garanterer fuldstændig afbrydelse af lysnettet i overspændingskategori III, i henhold til installationsreglerne.
- Brug ikke stikdåser eller forlængerledninger.

- Når installationen er afsluttet, må de elektriske komponenter ikke længere være tilgængelige for brugeren.
- Enheden og dens tilgængelige dele bliver varme under brug. Pas på ikke at røre ved varmeelementerne.
- Sørg for, at børn ikke leger med enheden, hold børn væk og overvåg dem, da de tilgængelige dele kan blive meget varme under brug.
- For personer med pacemakere og aktive implantater er det vigtigt at kontrollere, inden induktionskogepladen tages i brug, at deres pacemaker er kompatibel med enheden.
- Rør ikke ved apparatets varmeelementer under og efter brug.
- Undgå kontakt med klude eller andet brændbart materiale, indtil alle kogepladens komponenter er kølet tilstrækkeligt ned, da der ellers er risiko for brand.
- Anbring ikke brændbart materiale på eller i nærheden af enheden.
- Overophedede fedtstoffer og olier brænder let. Overvåg tilberedning af fødevarer med meget fedt eller olie.

- Hvis overfladen er revnet, skal du straks slukke for enheden for at undgå risiko for elektrisk stød.
- Enheden er ikke beregnet til at blive betjent med en ekstern timer eller et separat fjernbetjeningssystem.
- Tilberedning med olie eller fedt uden opsyn kan være farligt og medføre brand.
- **FORSIGTIG:** Tilberedningsprocessen skal overvåges. Korte tilberedningssessioner skal være under konstant opsyn.
- Forsøg **ALDRIG** at slukke ild med vand. Sluk i stedet for enheden, og kvæl flammerne, f.eks. med et låg eller et brandtæppe. Brandfare: Placer ikke genstande på kogepladen.
- Brug ikke damprensere, da der er risiko for elektrisk stød.
- Anbring ikke metalgenstande, som f.eks. knive, gafler, skeer eller låg på enheden, da de kan blive varme.
- Før du tilslutter enheden til det elektriske netværk: Kontroller datapladen (i bunden af enheden) for at sikre, at spændingen og strømmen svarer til netforsyningen, og at stikkontakten er egnet. Hvis du er i tvivl, skal du kontakte en kvalificeret elektriker.

Vigtigt

- Efter brug skal du slukke kogepladen på kontakten og ikke bruge grydedektoren.
- Undgå at væsker koger over, så skru ned for varmen, når du koger eller opvarmer væsker.
- Lad ikke varmeelementerne være tændt med tomme gryder og pander eller uden kogegej.
- Sluk for den relevante kogeplade, når du er færdig med madlavningen.
- Brug aldrig aluminiumsfolie til madlavning, og placer aldrig produkter pakket i aluminium på kogepladen. Folien vil smelte og forårsage uoprettelig skade på din enhed.
- Opvarm aldrig dåser med fødevarer uden at åbne dåsen først: Den kan eksplodere!
- Denne advarsel gælder også for alle andre typer af kogeplader.
- Høje effektniveauer som f.eks. Booster-funktionen bør ikke anvendes til opvarmning af visse typer væske, som f.eks. olie i forbindelse med stegning. Overdreven varme kan være farligt. I disse tilfælde anbefaler vi at anvende et lavere effektniveau.

- Beholdere skal placeres direkte på kogepladen og i midten. Der må under ingen omstændigheder placeres andre genstande mellem gryden og kogepladen.
- Hvis temperaturen bliver høj, sænker apparatet automatisk kogezonernes effektniveau.
- Før du udfører rengørings- eller vedligeholdelsesarbejde, skal du afbryde enheden fra strømforsyningen ved at tage stikket ud eller slukke for hovedafbryderen. Bær beskyttelseshandsker i forbindelse med alle installations- og vedligeholdelsesprocedurer. Enheden kan bruges af børn over otte år og af personer med nedsatte fysiske, sensoriske eller mentale evner eller mangler erfaring eller den nødvendige viden, forudsat at de er under opsyn, eller efter at de har modtaget instruktion i, hvordan man sikkert bruger enheden og forstår de iboende farer. Børn skal holdes under opsyn med henblik på at sikre, at de ikke leger med apparatet. Rengøring og vedligeholdelse må aldrig udføres af børn, medmindre de er under korrekt overvågning.

Rummet skal være ordentligt ventileret, når apparatet bruges samtidig med andre gasdrevne apparater eller drives af andet brændstof. Enheden skal rengøres regelmæssigt både indvendigt og udvendigt (MINDST ÉN GANG OM MÅNEDEN) i overensstemmelse med instruktionerne til vedligeholdelse. Manglende overholdelse af instruktionerne for rengøring af enheden samt udskiftning og rengøring af filteret kan medføre brandfare. Du må aldrig flambere maden. Brug af åben ild kan beskadige filtrene og medføre brandfare. Det skal derfor undgås i alle tilfælde. Udvis ekstra omhyggelighed, når du steger for at undgå, at olien overopheder og bryder i brand.

BEMÆRK

- De tilgængelige dele på enheden kan blive varme, når kogepladen er tændt.
- **Bemærk!** Tilslut ikke enheden til strømfor- syningen, før installationen er fuldført. De lokale myndigheders forskrifter skal følges nøje med hensyn til de tekniske og sikkerhedsmæssige foran- staltninger, der skal træffes for udsugning af røg.

- Den udsugede luft må ikke ledes gennem de samme kanaler, som bruges til at udsuge røg fra gasforbrænding eller andre typer forbrændingsanordninger. Brug aldrig enheden, uden at gitteret er installeret korrekt! Brug kun de fastgørelsesskruer, der medfølger apparatet, til installation, eller køb den korrekte type skruer, hvis de ikke medfølger.
- Når enheden bruges sammen med andre enheder, der drives med ikke-elektrisk energi, må rummets undertryk ikke overstige 4 Pa (4×10^{-5} bar). Denne vejledning skal altid gemmes til fremtidig konsultation. Hvis enheden sælges, overføres eller flyttes, skal vejledningen forblive sammen med enheden.

Denne enhed er mærket i overensstemmelse med det europæiske direktiv 2012/19/EC – UK SI 2013 No3113 om affald fra elektrisk og elektronisk udstyr (WEEE). Ved at sikre, at denne enhed bortskaffes korrekt, hjælper brugeren med at forhindre potentielle negative påvirkninger af miljøet og menneskers sundhed.



-symbolet på enheden eller dokumentationen angiver, at enheden ikke må betragtes som restaffald, men skal bringes til en passende genbrugsstation til genanvendelse af elektriske og elektroniske apparater. Bortskaf apparatet i overensstemmelse med lokal lovgivning om bortskaffelse af affald. For yderligere information om behandling, genindvinding og genbrug af denne enhed bedes du kontakte din lokale kommune, din genbrugsstation eller butikken, hvor du købte den. Enheden er designet, testet og udviklet i overensstemmelse med lovgivning om:

- Sikkerhed EN/IEC 60335-1; EN/IEC 60335-2-6, EN/IEC 60335-2-31, EN/IEC 62233.
- Ydeevne: EN/IEC 61591; ISO 5167-1; ISO 5167-3; ISO 5168; EN/IEC 60704-1; EN/IEC 60704-2-13; EN/IEC 60704-3; ISO 3741; EN 50564; IEC 62301. EN 60350-2;

- EMC: EN 55014-1; CISPR 14-1; EN 55014-2; CISPR 14-2; EN/IEC 61000-3-3; EN/IEC 61000-3-12. Anbefalinger til korrekt brug for at reducere påvirkningen af miljøet: Når du begynder at lave mad, skal du tænde for enheden ved minimumshastighed og lade den stå tændt i et par minutter, når du er færdig med at lave mad. Øg kun hastigheden, hvis der er en stor mængde røg og damp, og brug kun Booster-funktionen i ekstreme tilfælde. Udskift kulfilteret efter behov for at sørge for, at lugtreduktionssystemet fungerer effektivt. Rengør fedtfilteret, når det er nødvendigt, for at sørge for, at det fungerer effektivt. For at forbedre effektiviteten og minimere støjniveauet skal du bruge den maksimale kanaldiameter, der er angivet i denne vejledning.

2. Brug

Brug af kogepladen

Induktionstilberedningssystemet bruger det fysiske princip magnetisk induktion til at overføre energi direkte fra generatoren til gryden.

Fordele:

Sammenlignet med elektriske kogeplader er din induktionskogeplade:

- **Sikker:** lavere temperatur på glasoverfladen.
- **Hurtigere:** kortere madopvarmningstider.
- **Mere præcis:** kogepladen reagerer straks på dine kommandoer.
- **Mere effektiv:** 90 % af den absorberede energi omdannes til varme. Når gryden er fjernet fra kogepladen, afbrydes varmetransmissionen desuden øjeblikkeligt, hvilket forhindrer unødvendigt varmetab.

2.1 Madlavningsbeholdere

Brug kun gryder, der er mærket med symbolet  :

for at undgå ridser skal du undlade at bruge følgende:

- beholdere, der ikke har en helt flad bund.
- metalbeholdere med emaljeret bund.
- beholdere med ru bund, så kogepladens overflade ikke ridses.
- anbring ikke varme gryder og pander på kontrolpanelets overflade.

2.1.1 Eksisterende beholdere

Induktionstilberedning genererer varme ved brug af magnetisme.

Derfor skal beholderne være fremstillet af et magnetisk materiale, f.eks. jern. Du kan afgøre, om en gryde er egnet, ved at teste materialet med en magnet. Hvis en gryde ikke reagerer på en magnet, er den ikke egnet til induktionstilberedning.

2.1.2 Anbefalede grydebunddiametre

VIGTIGT: Hvis grydestørrelsen er forkert, aktiveres kogezoneerne ikke.

Du kan få yderligere oplysninger om den minimumsgrydediameter, der skal bruges på hver zone, i den illustrerede del af denne vejledning.

2.2 Energibesparelse

Anbefalinger for de bedste resultater:

- Brug gryder og pander med en bunddiameter svarende til kogezonens.
- Brug kun gryder og pander med flad bund.
- Hold låget på gryden, når det er muligt under tilberedningen.
- Kog grøntsager, kartofler osv. med en minimal mængde vand for at reducere tilberedningstiden.

- Brug en trykkoger, da det yderligere reducerer energiforbruget og tilberedningstiden.
- Centrér gryden inden for den kogezone, der er angivet på kogepladen.

SÅDAN VÆLGES DET RIGTIGE KØKKENGREJ

Køkkengrej til induktionskogeplader

Køkkengrej til induktionskogeplader skal være lavet af metal og have magnetiske egenskaber. Bunden skal være tilstrækkelig stor.

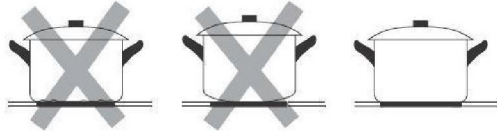
Brug kun gryder med en bund, der er egnet til induktion.

Sådan finder du ud af, om en gryde er egnet:

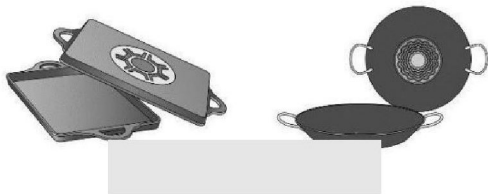
Egnet køkkengrej	Uegnet køkkengrej
Emaljerede stål-gryder med tyk bund	Gryder lavet af kobber, rustfrit stål, aluminium, ovenfast glas, træ, keramik og terrakotta
Støbejernsgryder med emaljeret bund	
Gryder lavet af flere lag rustfrit stål, rustfrit fermitstål eller aluminium med en speciel bund	

Udfør magnettesten, som er beskrevet nedenfor, eller sørg for, at gryden har symbolet for egnethed til madlavning med induktionsstrøm.

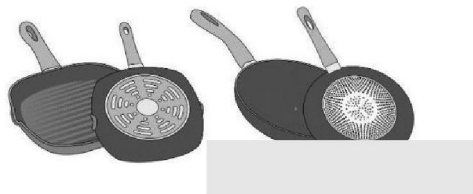
Brug aldrig gryder eller pander med en misformet bund. En hul eller afrundet bund kan påvirke funktionen af overophedningsbeskyttelsen, så apparatet bliver for varmt. Dette kan føre til, at glaspladen revner, og gryden eller pandens bund smelter. Skader som følge af brug af uegnede pander eller tørkogning er ikke omfattet af garantien.



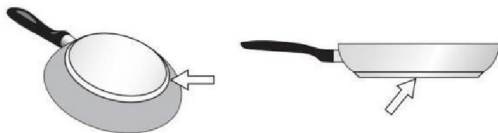
Hvis bunden af kogegrejet kun er delvist ferromagnetisk, vil kun det område, der er ferromagnetisk, blive varmet op. Det kan betyde, at varmen ikke bliver jævnt fordelt. Det ikke-ferromagnetiske område opvarmes muligvis ikke til en tilstrækkelig temperatur til madlavning.



Det ferromagnetiske område vil også blive reduceret, hvis materialet, som bunden af kogegrejet er lavet af, for eksempel indeholder aluminium. Det kan betyde, at kogegrejet ikke bliver tilstrækkeligt varmt, eller endda at det ikke bliver registreret.



Materialet/materialerne, som bunden af kogegrejet er lavet af, kan påvirke tilberedningsresultatet. Brug af gryder og pander, som er lavet af materialer, der fordeler varmen jævnt gennem dem, såsom gryder i rustfrit stål med en trelags bund, sparer tid og energi. Brug køkkengrej med en flad bund. Hvis køkkengrejets bund er ujævn, kan det forringe varmetilførslen.



Magnettest:

Bevæg en magnet mod bunden af dit køkkengrej. Hvis den bliver tiltrukket, kan du bruge kogegrejet på induktionskogepladen.



Bemærk:

Ved brug af pander, der er egnede til induktion, fra visse producenter, kan der opstå støj, som kan tilskrives disse panders design. Vær forsigtig, hvis du bruger en sauterpande, da kogende vand ubemærket kan tørre ud. Det kan medføre skader på gryden og kogepladen, som vi ikke kan påtage os ansvaret for.

Køkkengrejets mål

For at opnå et godt tilberedningsresultat skal det ferromagnetiske område på bunden af gryden passe til kogepladens størrelse. Hvis en kogeplade ikke registrerer kogegrejet, kan du prøve at placere det på en anden kogeplade med en mindre diameter.

Kogezone	Minimumsgrydediameter
Ø 160 mm	Ø 120 mm
Ø 180 mm	Ø 140 mm

Brug af udsugningsventilator

Udsugningssystemet kan bruges på to måder: som en version med ekstern udsugning eller som filtreringsversion med intern recirkulation. Versionen med udvendig udsugning fjerner røg, damp og lugt fra madlavningen, mens versionen med indvendig filtrerende recirkulation filtrerer disse elementer og cirkulerer rensede luft tilbage i rummet.



Udsugningsversion

Dampene ledes udenfor ved hjælp af en række rør (sælges separat), som er fastgjort til det medfølgende tilslutningsrør. Diameteren på udstødningsrørene eller adapteren skal passe til målet på det medfølgende tilslutningsrør, 222 x 89 mm.

Du kan få flere oplysninger om brugen af udsugningsversionen på den relevante side i den illustrerede del af vejledningen. Når du tilslutter produktet til de vægmonterede udsugningsrør og -huller, skal du sørge for, at diameteren svarer til luftudtaget (tilslutningsflange). Brug af rør og huller med en mindre diameter kan reducere udsugningens effektivitet og øge støjniveauet. For at opnå det bedste resultat du sørge

for, at kanalen er så kort som muligt og har så få kurver som muligt (maksimal vinkel: 90°). Undgå desuden pludselige ændringer af kanaldiameteren.

- Sørg for, at kanalen er så kort som muligt.
- Brug en kanal med så få bøjninger som muligt (maksimal vinkel: 90°).
- Undgå drastiske ændringer i kanaldiameteren.



Filtreringsversion

Versionen med indvendig filtrerende cirkulation er beregnet til at filtrere dampe fra madlavningen og sende ren luft ud i køkkenet. I stedet for at sende luften udenfor recirkulerer dette system luft indendørs, når den har passeret igennem filtrene. Det er praktisk, når det ikke er muligt at sende luften udenfor. Specialfremstillede filtre, som f.eks. filtre med aktiveret kul (medfølgende tilbehør), opsamler effektivt fedt og lugte. Regelmæssig vedligeholdelse, herunder filterudskiftning, er nødvendig for optimal ydeevne. Denne metode hjælper med at opretholde ren indendørsluft, og den er energieffektiv, men den fjerner ikke helt forurenende stoffer fra hjemmet. Du kan finde oplysninger om installationsmetoden og krav til mål i brugervejledningen.

3. Installation

- Både den elektriske og mekaniske installation skal udføres af kvalificerede fagfolk. Dette elektriske apparat er beregnet til at blive installeret i en bordplade med en tykkelse på 2 til 6 cm (hvis det installeres oven på bordpladen) eller 2,5 til 6 cm ved en installation, der flugter med bordpladen. Når du installerer kogepladen, skal du holde en minimumsafstand på 5 cm foran, 4 cm på siderne og 50 cm fra overliggende vægelementer. Bemærk: De anbefalede afstande er kun angivet som eksempler. Når du planlægger dit køkken, skal du følge retningslinjerne fra køkkenproducenten.

3.1 Tilslutning til elforsyning

For at tilslutte kogepladen til strømforsyningen skal du fortsætte på følgende måde

- Tag kogepladen ud af emballagen og anbring den på en flad overflade.
 - Tilslut strømkablet til kogepladen.
 - Tilslut den anden ende af strømkablet til strømforsyningen.
 - Sørg for, at den elektriske forbindelse er sikker og overholder de lokale elektriske regler.
- Afbryd enheden fra strømforsyningen.
 - Installation skal udføres af fagligt kvalificeret personale med kendskab til de gældende regler for montering og sikkerhed.
 - Producenten fralægger sig ethvert ansvar over for personer, dyr eller ejendom, hvis de retningslinjer, der er angivet i dette kapitel, ikke er fulgt.
 - Strømkablet skal være langt nok til, at kogepladen kan fjernes fra bordpladen.
 - Sørg for, at den elektriske forbindelse er sikker og overholder de lokale elektriske regler.
 - Brug ikke forlængerledninger.
 - Strømkablet med jord skal være 2 cm længere end de øvrige kabler.

- Hvis det elektriske apparat ikke er forsynet med et strømkabel, skal du bruge et med en minimumslederdiameter på 2,5 mm² til en effekt på op til 7200 watt. Til højere effektiveauer skal diameteren være 4 mm².
- Temperaturen må ikke nå 50 °C over stuetemperatur nogen steder langs kablet.
- Apparatet er beregnet til permanent tilslutning til strømforsyningen.

• **Bemærk!** Før du tilslutter kredsløbet til lysnettet igen, skal du sørge for, at det fungerer korrekt. Tjek altid, at strømkablet er korrekt installeret.

• **Bemærk!** Forbindelseskablet skal udskiftes af den autoriserede tekniske supporttjeneste eller af en person med lignende kvalifikationer.

Bemærk: Produktet er udstyret med en funktion til effektbegrænsning, som gør det muligt at indstille en maksimal effektgrænse. Grænsen skal indstilles, når produktet tilsluttes det elektriske netværk, eller når selve det elektriske netværk tilsluttes igen (inden for de følgende 2 minutter).

3.2 Montering

Før du starter installationen:

• **Når produktet er pakket ud, skal du kontrollere, at det ikke er blevet beskadiget under transporten, og i tilfælde af et problem skal du kontakte forhandleren eller kundesupporttjenesten, før du installerer det.**

- Kontrollér, at produktet har den rigtige størrelse til installationsområdet.
- Tjek for tilbehør (f.eks. poser med skruer, garantibeviser osv.) inde i emballagen (placeret der af transporthensyn). Fjern og opbevar det sikkert, hvis det findes.
- Kontrollér også, at der er en stikkontakt i nærheden af installationsområdet.

Forberedelse af kabinettet til installation:

- Produktet må ikke installeres over køleapparater, opvaskemaskiner, varmeovne, ovne, vaskemaskiner og tørretumbler.

- Lav udskæringerne i skabet, inden du sætter kogepladen i, og fjern forsigtigt eventuelle spåner eller savsmuld.

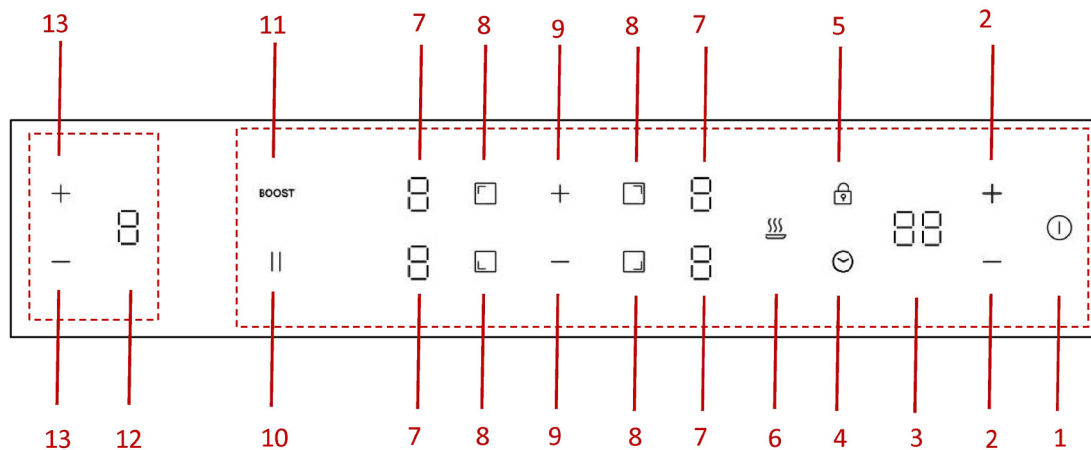
- **For at optimere filterinstallationen, anbefales det at skære en spalte i soklen for at indsætte et gitter (tilgængelig på markedet) VIGTIGT:** Brug en enkelt-komponent klæbende tætningsmasse (**S**), som tåler temperaturer op til 250 °C. Før installation skal du rengøre overfladerne grundigt, så de kan klæbe, og fjerne alle stoffer, der kan forhindre klæbeevnen (f.eks. slipmidler, konserveringsmidler, fedtstoffer, olie, støv, spor af gamle klæbemidler osv.). Klæbemidlet skal være jævnt fordelt rundt om ydersiden af rammen. Efter klæbning skal du lade limen tørre i ca. 24 timer.

Forsigtig! Hvis skruerne eller fastgørelseselementerne ikke monteres i henhold til denne vejledning, kan det medføre elektriske farer.

Bemærk: For at sikre den korrekte installation af produktet anbefales det at tape rørene med et klæbemiddel, der har følgende egenskaber:

- Blød elastisk PVC-film, med en akrylbaseret klæber.
- i overensstemmelse med DIN EN 60454-forskrifterne.
- Brandhæmmende.
- Fremragende slidstyrke.
- Modstandsdygtig over for temperatursvingninger.
- Kan bruges ved lave temperaturer.

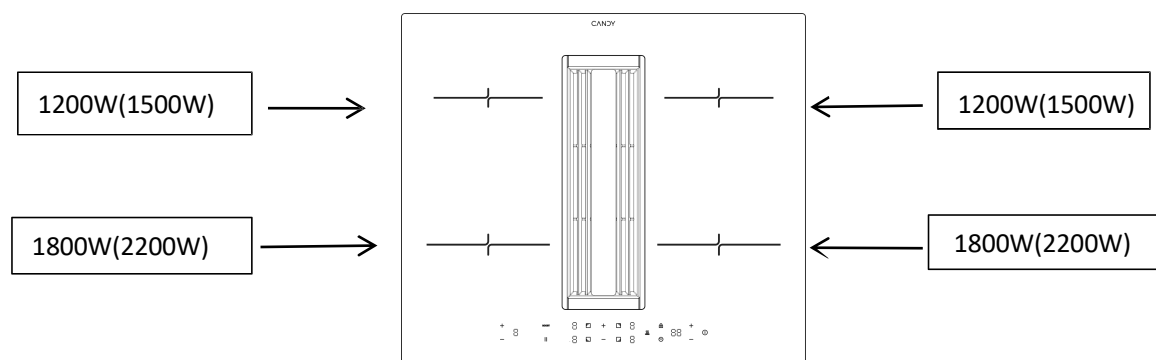
BETJENING AF KOGEPLADEN MED SENSORKNAPPERNE



- | | |
|--------------------------------------|------------------------------------|
| 1 TÆND/SLUK | 2 Timerindstilling |
| 3 Timerdisplay | 4 Timervalg |
| 5 Børnesikring | 6 Hold varm-funktion |
| 7 Effektniveaudisplay til kogeplade | 8 Valg af kogezone |
| 9 Valg af effektniveau for kogeplade | 10 Pause |
| 11 Boost | 12 Effektniveaudisplay til emhætte |
| 13 Valg af effektniveau for emhætte | |

PRODUKTSPECIFIKATION

CIH6I4CF/CIH6I4CE



Brug af emhætten

1. STANDBYTILSTAND:

Når den er tændt, bipper summeren én gang, alle displays viser "0", og emhætten går i standbytilstand. Hvis der ikke foretages nogen handlinger inden for 60 sekunder, slukkes hele displayet, og emhætten slukker automatisk. Du kan til enhver tid genaktivere emhætten ved at trykke på kontrolpanelet.

2. INDSTILLING AF EFFEKTNIVEAU:

Emhætten har fire effektniveauer (niveau 1 til niveau 4), hvilket giver brugerne mulighed for at justere sugeintensiteten efter deres behov.

Tryk og hold tænd/sluk-knappen \oplus nede i 1 sekund for at aktivere emhætten. Som standard starter den på niveau 1. Du kan vælge effektniveauet ved at trykke på tasten \oplus og \ominus .

3. BOOST-TILSTAND:

Boost-tilstand, som aktiveres ved at vælge det højeste effektniveau ("P"), giver intensiveret sugning til hurtig fjernelse af madlavningsdampe. Den varer kun i 10 minutter for at forhindre for stort energiforbrug og er designet til effektivt at fjerne madlavningslugte og fedt under intense madlavnings-sessioner.

Tryk og hold tasten \oplus nede i ét sekund efter indstilling af effektniveauet. Emhætten går direkte i BOOST-TILSTAND (P). Bemærk, at BOOST-TILSTAND kun kan vare i 10 minutter, hvorefter den automatisk går til niveau 4.

a) FORSINKET NEDLUKNINGSTILSTAND:

Når kogepladen holder op med at fungere, fortsætter emhætten med at udsuge resterende olieredamper. Den kører i op til 5 minutter for at sikre grundig ventilation, selv efter at tilberedningen er ophørt. Efter 5 minutter slukker den automatisk.

Hjælper med at opretholde et rent og lugtfrit køkkenmiljø ved at fjerne tilbageværende madlavningslugte og fedtpartikler.

Tryk på tasten \ominus for at slukke for emhætten (P \rightarrow 4 \rightarrow 3 \rightarrow 2 \rightarrow 1 \rightarrow d \rightarrow sluk). Du kan også trykke på og holde tasten \ominus nede i ét sekund for at gå direkte til forsinket nedlukningstilstand (d).

Under forsinket nedlukningstilstand kan du trykke på \ominus for at slukke emhætten direkte eller trykke på \oplus for at tænde emhætten på niveau 1. Og du kan vælge effektniveauet ved at trykke på tasten \oplus og \ominus .

4. AUTOMATISK TILSTAND:

Emhætten justerer sin funktion ud fra induktionskogepladens aktivitet. Når kogepladen er tændt, aktiveres emhætten til niveau 1. Når kogepladen slukkes, skifter emhætten automatisk til forsinket nedlukningstilstand. Dette sikrer kontinuerlig ventilation, selv efter tilberedningen er afsluttet, og eliminerer effektivt resterende lugte og fedt fra køkkenmiljøet.

Brug af kogepladen

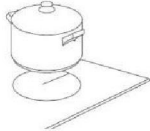
Start på madlavning

- Når kogepladen er tændt, bipper summeren én gang, alle indikatorerne lyser i 1 sekund og slukker derefter, hvilket indikerer, at kogepladen er gået i standbytilstand.

1. Tryk på TÆND/SLUK ①-kontakten, alle indikatorerne viser "- "



2. Anbring en egnet gryde/pande på den kogezone, du vil bruge. Sørg for, at bunden af gryden/panden og overfladen på kogezoneen er rene og tørre.



3. Rør ved touch-knappen til valg af varmezone, og en indikator ved siden af knappen blinker.



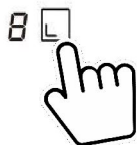
4. Vælg en varmeindstilling ved at trykke på effektiveknappen.



- Hvis du ikke vælger en varmeindstilling inden for 1 minut, slukker induktionskogepladen automatisk.
- Du skal herefter starte igen ved trin 1.
- Du kan ændre varmeindstillingen når som helst under madlavningen.

Når du er færdig med madlavningen

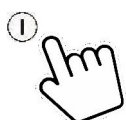
- Tryk på tasten til valg af den varmezone, du ønsker at slukke.



- Sluk for kogezone ved at trykke på effekt-niveautasten. Sørg for, at displayet viser "0".



- Sluk for hele kogepladen ved at trykke på TÆND/SLUK-funktionen.



- Pas på varme overflader

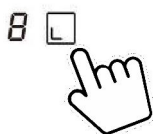
"H" vises, hvilket betyder, at kogezone er for varm til at røre ved. Det forsvinder, når kogezone er kølet ned til en sikker temperatur. Den kan også bruges som en energibesparende funktion: Hvis du vil opvarme flere gryder/pander, så brug den kogeplade, der stadig er varm.

H

Brug af Boost-funktionen

Aktivering af Boost-funktionen

1. Vælg zonen med boost-funktion.

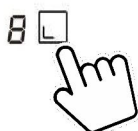


2. Tryk på booster-knappen "BOOST", effekt-niveau-indikatoren viser "P".

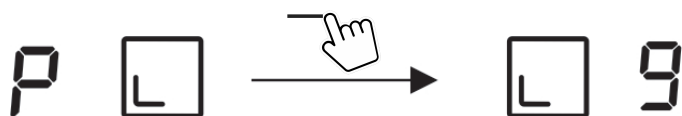


Annullering af Boost-funktionen

1. Vælg zonen med boost-funktion.



2. Tryk på effektniveauet for at afbryde Boost-funktionen, og vælg det niveau, du vil indstille.



- Boost-funktionen kan kun vare i 5 minutter, derefter vil zonen automatisk gå til niveau 9.


Låsning af betjeningselementerne

- Du kan låse betjeningselementerne for at forhindre utilsigtet brug (f.eks. at børn ved et uheld tænder for kogezoneerne).
- Når funktionstasterne er låst, er alle funktioner undtagen TÆND/SLUK-funktionen deaktiveret.

Sådan låses betjeningselementerne

Tryk på børnesikringen . Timer-indikatoren viser "Lo".

Sådan låses betjeningselementerne op

- Sørg for, at kogepladen er tændt.
- Tryk og hold børnesikringen  i 3 sekunder.
- Du kan nu begynde at bruge kogepladen.

Når kogepladen er i låst tilstand, deaktiveres alle funktionstaster med undtagelse af TÆND/SLUK-funktionen, og du kan altid slukke for kogepladen med TÆND/SLUK-funktionen i en nødsituation, men du skal først låse kogepladen op i næste funktion.

Advarsel om restvarme

Når kogepladen har været i drift i nogen tid, vil der være en restvarme. Bogstavet "H" vises for at advare dig om ikke at berøre pladen.

Automatisk nedlukning

Som sikkerhedsfunktion på kogepladen slukker den automatisk. Den fungerer, hver gang du glemmer at slukke for en kogezone. Standard nedlukningstider ses i tabellen nedenfor:

Effektniveau	1	2	3	4	5	6	7	8	9
Standardfunktionstid (timer)	8	8	8	4	4	4	2	2	2

Sådan bruges timeren

Du kan bruge timeren på to forskellige måder:

- Den kan bruges som minutpåmindelse. Hvis det er tilfældet, så slukkes kogezoneen ikke, når den indstillede tid er udløbet.
- Du kan bruge den som afbrydertimer til at slukke for en eller flere kogezoneer, når tiden er gået.
- Du kan indstille timeren i op til 99 minutter.

Sådan bruges timeren som minutpåmindelse

- Sørg for, at kogepladen er tændt. Og zonevalgstasten er ikke aktiveret (zoneindikation '-' blinker ikke).

Bemærk: Du kan indstille minuturet, før eller efter kogezonens effektindstilling er færdig.



- Tryk på timertasten. "30" vises og blinker i timerdisplayet. Standardindstillingen er 30 minutter.
- Indstil tiden ved at trykke på funktionstasten "+" eller "-" (f.eks. 5).

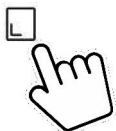
Kort berøring til indstilling af 1 min. og lang berøring til indstilling af 10 min.



- Når tiden er indstillet, begynder nedtællingen straks. Displayet viser den resterende tid.
- Summeren bipper i 20 sekunder, og timerindikatoren viser "- -", når den indstillede tid er udløbet.

Brug af timeren til at slukke for en eller flere kogezoneer

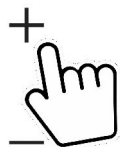
- Tryk på tasten til valg af den varmezone, du ønsker at indstille tiden for.



- Tryk på timertasten. "30" vises og blinker i timerdisplayet. Standardindstillingen er 30 minutter.

- Indstil tiden ved at trykke på funktionstasten "+" eller "-" (f.eks. 5).

Kort berøring til indstilling af 1 min. og lang berøring til indstilling af 10 min.



- Når tiden er indstillet, begynder nedtællingen straks. Displayet viser den resterende tid.

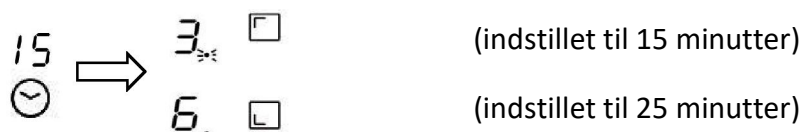
BEMÆRK: Der vil være en rød prik i nederste højre hjørne af effektniveauindikatoren, som indikerer, at en zone er valgt.

- Når madlavningstimeren udløber, slukkes der automatisk for den tilhørende kogezone.

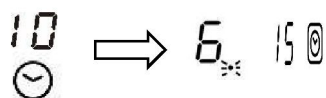
Bemærk: Andre kogezone kører fortsat, hvis de er blevet tændt tidligere.

Hvis timeren er indstillet på mere end én zone:

- Når du indstiller timeren for flere kogezone, vises røde prikker på de relevante kogezone. Timerdisplayet viser min. timer. Prikken i den tilsvarende zone blinker.



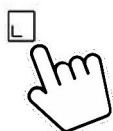
- Når nedtællingstimeren udløber, slukkes den tilsvarende zone. Så vil den vise den nye min. timeren og prikken for den tilsvarende zone blinker.



Bemærk: Tryk på knappen til valg af varmezone, den tilsvarende timer vil blive vist i timer-indikatoren.

Annuler timeren

- Tryk på touch-knappen til valg af den varmezone, du ønsker at afbryde timeren for.



- Når der trykkes på timerfunktionen, blinker indikatoren.
- Når der trykkes på funktionsknappen "-" for at indstille timeren til "00", vil timeren blive annulleret.



Effektindstillinger

Kogezonernes varmeeffekt kan indstilles på forskellige effektiveauer. I skemaet finder du eksempler på, hvordan du bruger hver indstilling.

Tilberedningsniveau:	Egnet til:
1	Holde maden varm. Simre en lille mængde (laveste effektindstilling).
2	Simring.
3-4	Simre større mængder eller stege større stykker kød, til de er gennemstegte.
5-6	med bevaring af saften.
7-8	Stegning med bevaring af saften.
9	Stegning
P	Stegning (højeste effekt).

Effektstyring

Denne kogeplade kan tilsluttes en 13, 20, 25 eller 32 A-forsyning og er konfigureret til at fungere på alle disse effektindstillinger.

Kogepladen er forudindstillet til at blive tilsluttet en 32 A-forsyning. Når der vælges fire zoner på samme tid, vil kogepladen begrænse den maksimale effekt, der forbruges, så strømforsyningen på 7,0 kW ikke kan overskrides. Når kogepladen er tilsluttet og konfigureret til en 13/20/25 A-forsyningstilstand, vil kogepladen på samme måde begrænse den maksimale effekt til 2,5/3,5/4,5/7,0 kW.

Hvis kogepladen derimod er tilsluttet og konfigureret til en 32 A-strømforsyning, kan alle fire zoner bruges på den maksimale indstilling med boost på samme tid.

Sådan ændres indstillingen for effektstyring

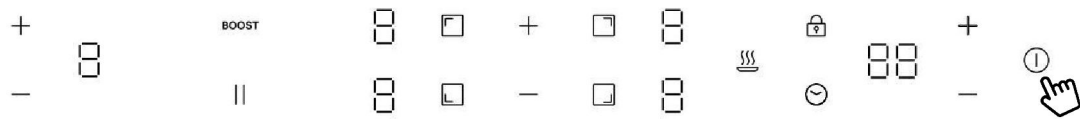
1. Afbryd strømforsyningen til kogepladen.
2. Lad strømforsyningen være afbrudt i et minut.
3. Tænd for strømforsyningen igen.
4. Følg vejledningen under "Sådan konfigureres kogepladen til ØKO-tilstand" fra trin "1" og fremefter.

BEMÆRK: Konfigurationen af ØKO-tilstanden kan kun angives én gang, hvis strømforsyningen til kogepladen ikke er afbrudt.

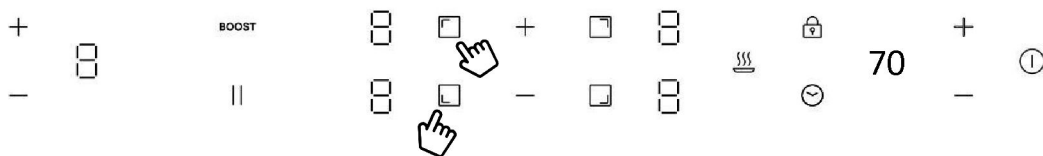
(Bemærk: ØKO-tilstanden bør indstilles inden for et minut efter, at strømmen er tændt, ellers kan indstillingen for ØKO-tilstand ikke aktiveres efter mere end et minut)

Sådan konfigureres kogepladen til effektstyring

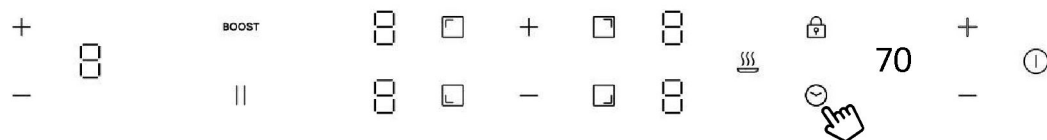
1. Tryk på TÆND/SLUK-knappen for at tænde strømforsyningen. Summeren bipper én gang, alle displays viser "-" og "--".



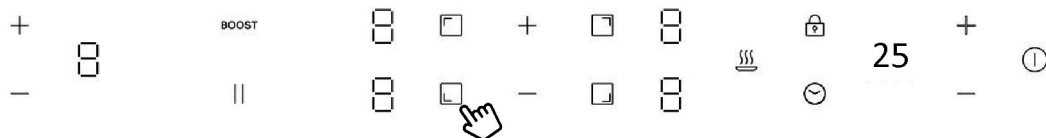
2. Tryk samtidigt på zoneknappen forrest til venstre og på zoneknappen bagerst til venstre i 3 minutter. Summeren bipper, hvilket angiver, at induktionskogepladen går i ØKO-tilstand. (Displayet viser den forudindstillede effekt 7,0 kW)



3. Tryk på timertasten, hvorefter timerdisplayet blinker. Du kan nu vælge effektindstillingen.

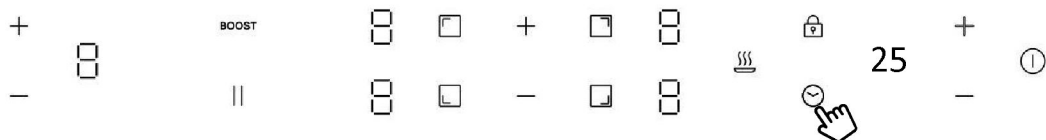


4. Du kan ændre den samlede strømindstilling ved at trykke på områdeknappen forrest til venstre for at vælge en ny samlet strømindstilling. Hvis du trykker på den forreste venstre områdetast igen, kan du bladre gennem mulighederne. Timerdisplayet viser fire muligheder: 25, 35, 45 og 70. Når timerdisplayet viser tallet "25", betyder det f.eks., at den samlede strøm er indstillet til 2500 W. Bliv ved med at trykke på den forreste venstre områdetast, indtil du finder den ønskede effektindstilling.



*Som standard er effektindstillingen fabriksindstillet til 7,0 kW.

5. Tryk på timertasten igen, timerdisplayet holder op med at blinke, og den tidligere valgte zonetast vil vise "0", hvilket indikerer, at indstillingen er bekræftet.



6. Tryk på TÆND/SLUK for at slukke. Tænd derefter, og kogepladen er konfigureret og klar til brug i den ØKO-tilstand, du har indstillet.



7. Tryk på TÆND/SLUK for at tænde. Nu kan du bruge den nye strømindstilling.

RENGØRING OG PLEJE

- Før rengøring skal du slukke for kogepladen og lade den køle af.
- Brug ikke damprensere eller højtryksrensere til at rengøre kogepladen, da dette kan resultere i elektrisk stød.
- Ved rengøring skal du sørge for, at du kun tørrer let over tænd/sluk-sensoren. Ellers kan kogepladen blive tændt ved et uheld!

Glaskeramisk kogeplade

Vigtigt! Brug aldrig aggressive rengøringsmidler såsom grove skuremidler, slibende gryderensere, rust- og pletfjernere osv.

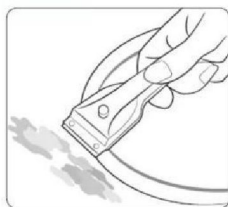
Rengøring efter brug

Rengør altid hele kogepladen, når den er blevet snavset. Det anbefales, at du gør det, hver gang kogepladen har været brugt. Brug en fugtig klud og lidt opvaskemiddel til rengøring. Tør derefter kogepladen med en ren, tør klud for at sikre, at der ikke er noget rengøringsmiddel tilbage på kogepladens overflade.

Ugentlig rengøring

Rengør hele kogepladen grundigt en gang om ugen med kommercielle rengøringsmidler til glaskeramiske kogeplader. Følg producentens vejledning omhyggeligt. Når rengøringsmidlet påføres, vil det lægge sig som en beskyttende film på kogepladen. Denne film er modstandsdygtig over for vand og snavs. Alt snavs forbliver på filmen og kan nemt fjernes. Gnid derefter kogepladen tør med en ren klud. Sørg for, at der ikke er noget rengøringsmiddel tilbage på kogepladens overflade, da dette vil reagere aggressivt, når kogepladen varmes op, og vil ændre overfladen.

Specifik tilsmudsning, kraftig tilsmudsning og pletter (kalkpletter og skinnende, perlemorslignende pletter) kan bedst fjernes, når kogepladen er lidt varm. Brug almindelige rengøringsmidler til at rengøre kogepladen. Fortsæt som beskrevet under punkt 2. Opblød først mad, der er kogt over, med en våd klud, og fjern derefter resterende snavs med en speciel glasskraber til glaskeramiske kogeplader. Rengør derefter kogepladen igen som beskrevet under punkt 2.



Rist og fedtfilter

Rengør en gang om ugen i hånden eller opvaskemaskine. Brug lidt opvaskemiddel til rengøring.

Kulfilter

Det anbefales at udskifte kulfilteret inden for 2-4 måneder.

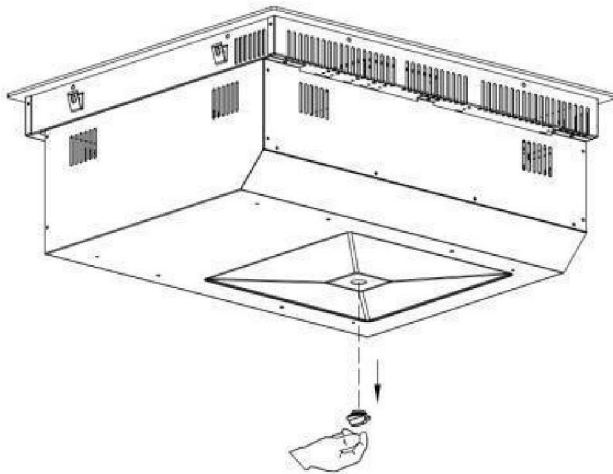
Brændt sukker og smeltet plastik skal straks fjernes med en glasskraber, mens det stadig er varmt. Rengør derefter kogepladen igen som beskrevet under punkt 2.

Sandkorn, som kan komme ind på kogepladen, når du skræller kartofler eller renser salat, kan ridse kogepladens overflade, når du flytter rundt på gryder. Sørg for, at der ikke efterlades sandkorn på kogepladen.

Ændringer i kogepladens farve påvirker ikke funktionen og stabiliteten af det glaskeramiske materiale. Disse farveændringer er ikke ændringer i materialet, men madrester, som ikke blev fjernet, og som er brændt fast i overfladen.

Skinnende pletter opstår, når bunden af kogegrejet gnider på kogepladens overflade, især når der bruges køkkengrej med aluminiumsbund eller uegnede rengøringsmidler. De er svære at fjerne med almindelige rengøringsmidler. Du skal muligvis gentage rengøringsprocessen flere gange. Med tiden vil decorationen blive slidt af, og der vil komme mørke pletter som følge af brug af aggressive rengøringsmidler og defekte pandebunde.

Hvis der ved et uheld hældes en stor mængde væske ind i maskinen, skal du fjerne silikoneproppen på bundkabinettet for at frigive væsken.



HVAD DU SKAL GØRE, HVIS DER OPSTÅR PROBLEMER

I tilfælde af fejl under driften bedes du kontrollere følgende tabel, før du tilkaller service. Herunder er beskrevet nogle almindelige fejl og de kontroller, der skal udføres.

Problem	Mulige årsager	Hvad du skal gøre
Kogepladen kan ikke tændes.	Ingen strøm.	Sørg for, at kogepladen er sluttet til strømforsyningen, og at den er tændt. Undersøg, om der er strømsvigt i hjemmet eller i området. Hvis du har undersøgt alt, og problemet fortsætter, så ring til en kvalificeret tekniker.
Berøringstasterne reagerer ikke.	Funktionstasterne er låst.	Lås funktionstasterne op. Se afsnittet "BETJENING AF KOGEPLADEN MED SENSORKNAPPERNE" for at få vejledning.
Berøringstasterne er vanskelige at betjene.	Der kan være et lag vand over funktionstasterne, eller måske bruger du fingerspidsen, når du trykker på tasterne.	Sørg for, at området med berøringstasterne er tørt, og brug puden på fingeren, når du trykker på tasterne.
Glasset er blevet ridset.	Gryder/pander med grove kanter. Der er anvendt uegnede, skuresvampe eller rengøringsmidler.	Brug gryder/pander med en flad og glat bund. Se 'Sådan vælges det rigtige kogegej'. Se 'Pleje og rengøring'.
Visse gryder laver knitrende eller klikkende lyde.	Det kan skyldes konstruktionen af dine gryder/pander (lag med forskellige metaller vibrerer forskelligt).	Det er normalt for gryder/pander og er ikke tegn på en fejl.
Induktionskogepladen laver en lav summelyd, når man bruger en høj varmeindstilling.	Det skyldes teknologien bag induktionsmadlavning.	Det er normalt, men støjen skal blive mindre eller helt forsvinde, når du sænker varmeindstillingen.
Der kommer blæserstøj fra induktionskogepladen.	Induktionskogepladen er udstyret med en køleblæser for at forhindre, at elektronikken overophedes. Den kan fortsætte med at køre, når du har slukket for induktionskogepladen.	Det er normalt og kræver ingen handling. Sluk ikke for strømmen til induktionskogepladen på væggen, mens blæseren kører.
Gryder bliver ikke varme og vises på displayet.	Induktionskogepladen kan ikke registrere gryden, fordi den ikke er egnet induktionsmadlavning. Induktionskogepladen kan ikke registrere gryden/panden, fordi den er for lille til kogezone eller ikke er korrekt centreret på den.	Brug gryder/pander, der er egnet til induktion. Se afsnittet 'Sådan vælges det rigtige kogegej'. Centrer gryden/panden, og sørg for, at bunden af passer til kogezoneens størrelse.
Induktionskogepladen eller en kogezone har uventet slukket sig selv, der lyder en tone, og der vises en fejlkode (typisk skiftevis med et eller to cifre i displayet for tilberedningstid).	Teknisk fejl.	Skriv fejlkode og -tallene ned, sluk for strømmen til induktionskogepladen på vægkontakten, og kontakt en kvalificeret tekniker.


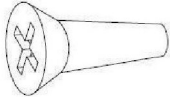






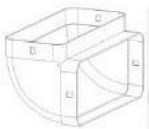
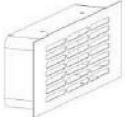
Efter strømmen er tilsluttet, og der er trykket på "strøm"-knappen, reagerer apparatet ikke.	Er der strømsvigt?	Vent på, at strømforsyningen genoptages
	Er sikringen sprunget eller afbryderen udløst?	Tjek de grundlæggende årsager omhyggeligt. Hvis problemet ikke kan løses, kan du kontakte vores servicecenter med henblik på inspektion og reparation.
	Er stikket tilsluttet ordentligt?	
Opvarmningen afbrydes ved normal brug, og der høres et "bip".	Er der brugt inkompatibelt køkkengrej eller intet køkkengrej?	Udskift køkkengrejet. Brug køkkengrej, der passer til induktionskomfuret.
	Kogegrejet er ikke placeret midt på varmezonen.	Placer kogegrejet midt på den angivne varmezone.
	Bliver kogegrejet opvarmet, men fjernes det gentagne gange?	Placer kogegrejet inden for varmezonen.
Ingen drift, mens opvarmningen er i brug	Er kogegrejet tomt, eller er temperaturen for høj?	Kontrollér, om apparatet bruges forkert
	Er luftindtaget/udsugningsventilen tilstoppet, eller har der samlet sig snavs på den?	Rens luftindtaget/udsugningsventilen. Vent på, at apparatet køler af, og tænd det derefter igen.
	Kører komfuret i mere end 2 timer uden interaktion?	Nulstil tilberedningstilstandene, eller brug timerfunktionen


Hvis ovenstående løsninger/kontroller ikke kan løse problemet, skal du straks tage stikket ud af stikkontakten og kontakte servicecentret med henblik på inspektion og reparation. Notér fejlkoden, og oplys den til Service Center Ltd. For at undgå enhver fare og beskadigelse af apparatet må du ikke selv skille det ad eller reparere det.

FEJLVISNING OG INSPEKTION

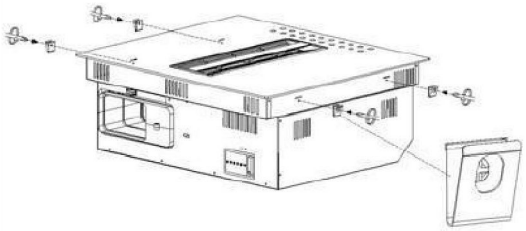
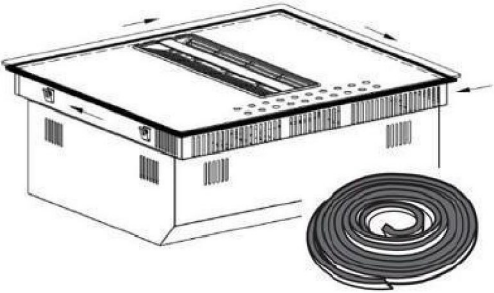
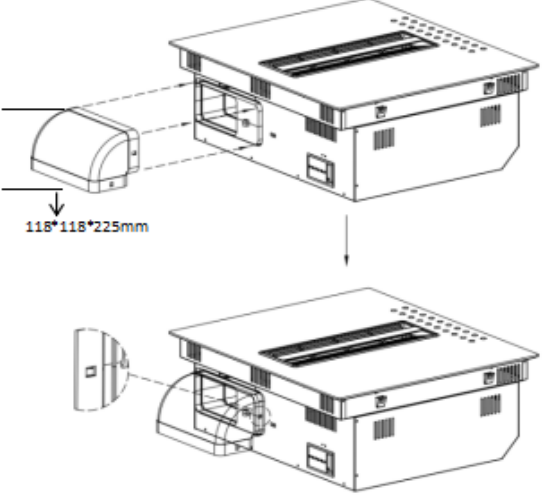
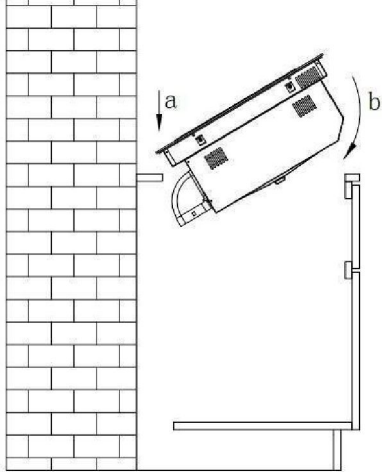
Fejlkode	Mulig årsag	Hvad du skal gøre
U	Ingen pande	Sæt en egnet gryde eller pande på varmezonen. Hvis det stadig ikke fungerer, skal du kontakte servicecenteret.
E1	Unormal forsyningsspænding (lavere end 160 V).	Undersøg, om strømforsyningen er normal. Tænd, når strømforsyningen er normal.
E2	Unormal forsyningsspænding (højere end 280 V).	Undersøg, om strømforsyningen er normal. Tænd, når strømforsyningen er normal.
E3/E5/E7	Fejl på induktionsspolens temperaturføler	Kontakt servicecenteret.
E4/E6	Fejl på IGBT-temperatursensor	Kontakt servicecenteret.
Er	Fejl i kommunikationen mellem hovedkort og displaykort	Kontakt servicecenteret.
Et	Overløbsikring	Tør vandet af kontrolpanelet, og tænd kogepladen igen.

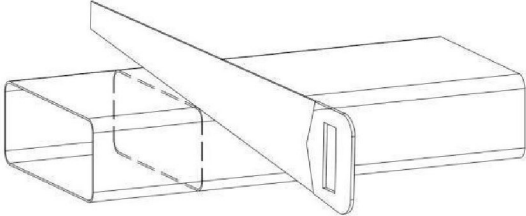
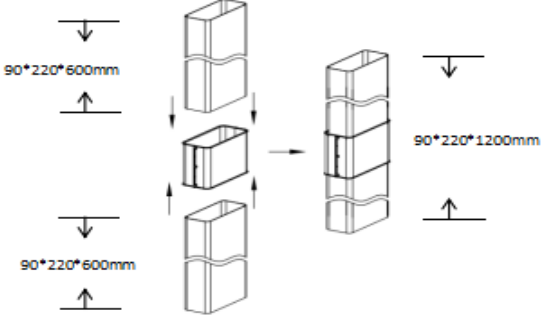
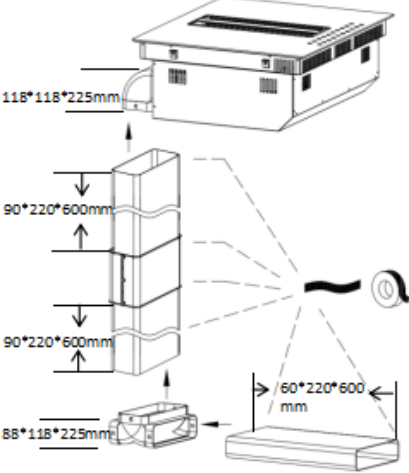
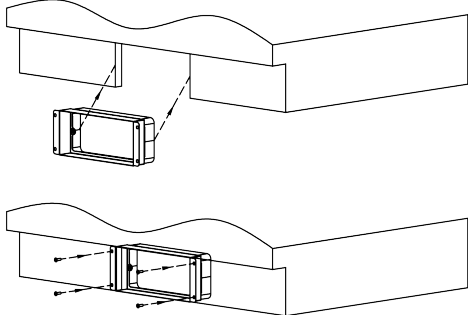
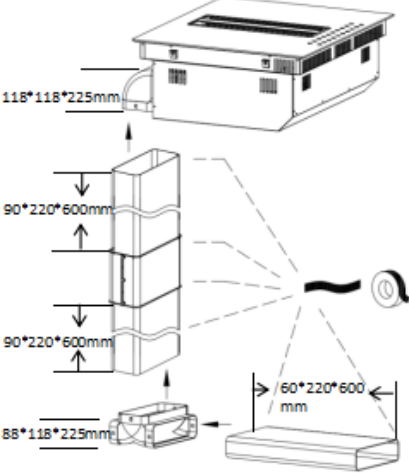
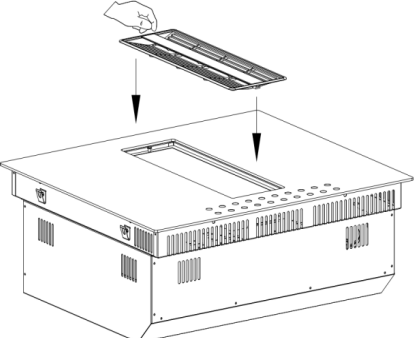
LISTE OVER TILBEHØR

Nr.	Navn	Diagram	Antal
1	ST 4x5 skrue		4 stk.
2	ST 4x14 skrue		4 stk.
3	Monteringsbeslag		4 stk.
4	Tætningsbånd		1 stk.
5	Luftindtagsgitter		1 stk.
6	9 cm firkantet rør		2 stk.
7	6 cm firkantet rør		1 stk. (kun til filtreringsversion)
8	Tilslutningsrør		1 stk.
9	Bøjet rør		2 stk. til filtreringsversion 1 stk. til udsugningsversion
10	Luftudtagssamling		1 stk. (kun til filtreringsversion)

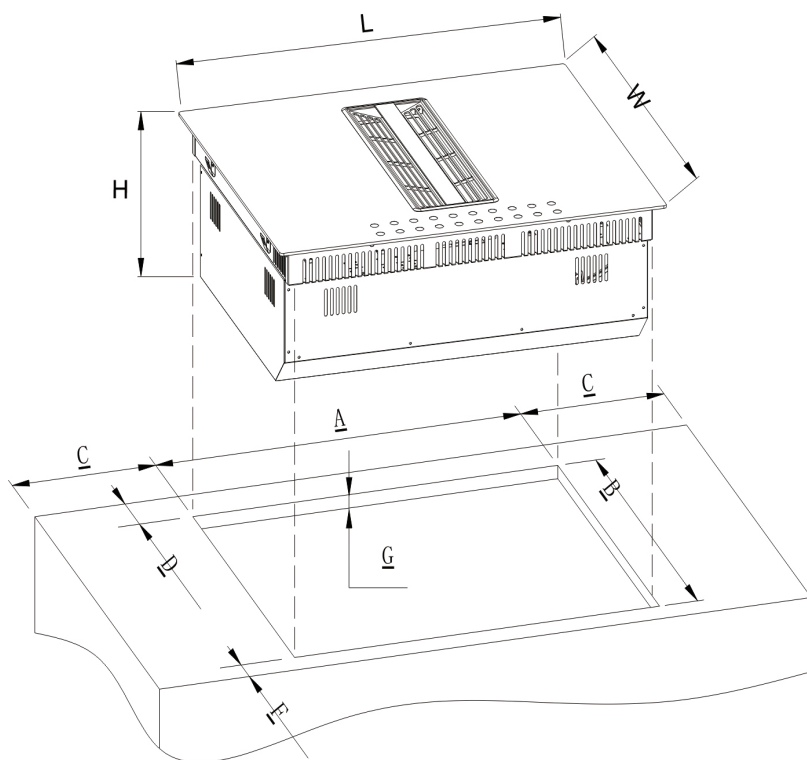
11	Klistermærke i aluminium		7 stk.
----	--------------------------	--	--------

PRODUKTINSTALLATION

<p>Trin 1: Skru monteringsbeslagene på bundkabinettet.</p>	<p>Trin 2: Sæt tætningsbåndet rundt om det keramiske glas.</p>
	
<p>Trin 3: Fastgør det bøjede rør.</p>	<p>Trin 4: Installer produktet i kabinettet (fra trin a til trin b)</p>
	

<p>Trin 5: Hvis kabinethøjden er mindre end 80 cm, kan røret skæres til den ønskede længde.</p> 	<p>Trin 6: Hvis kabinethøjden er over 80 cm, kan der bruges to rør med et forbindelselement.</p> 
<p>Trin 7: Monter røret, og sæt det fast med tætningsliste.</p> 	<p>Trin 8: Monter luftudtagssamlingen i bunden af kabinettet, og fastgør skruen.</p> 
<p>Trin 9: Monter kulfilteret i luftudtagssamlingen. (*kulfilteret er kun til filtreringsversionen)</p> 	<p>Trin 10: Installer gitteret.</p> 

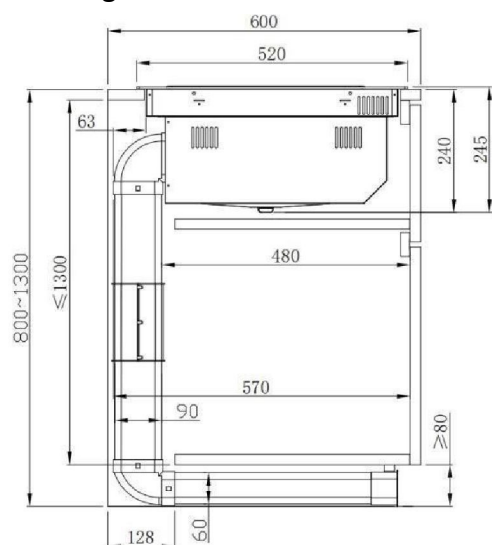
INSTALLATIONENS MÅL



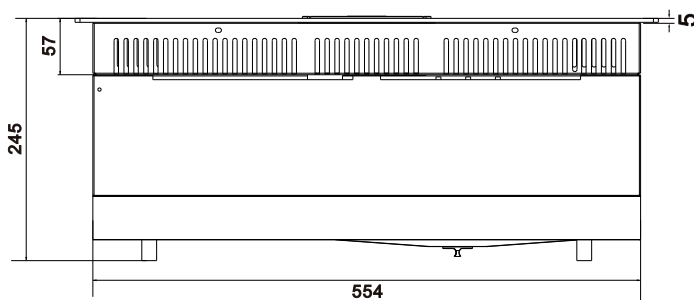
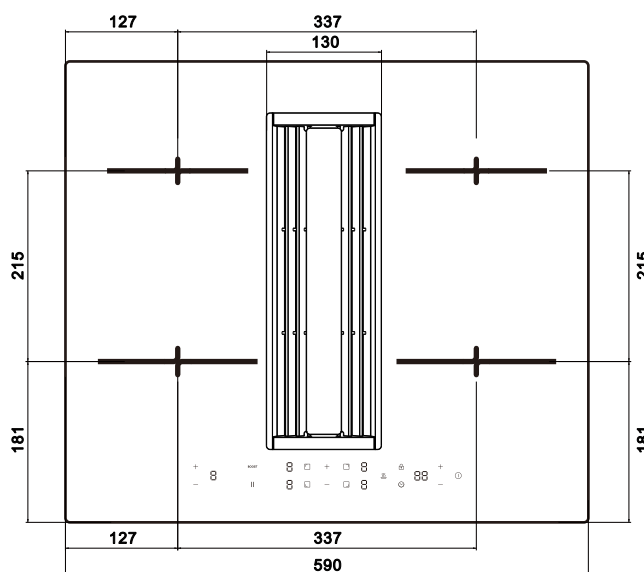
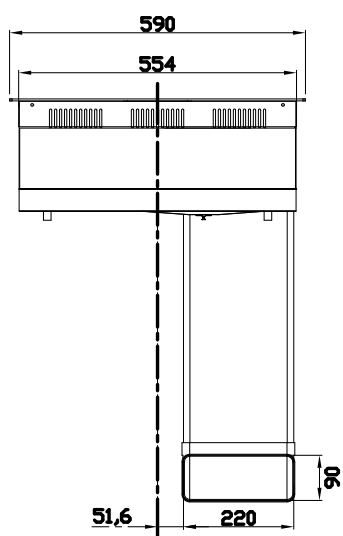
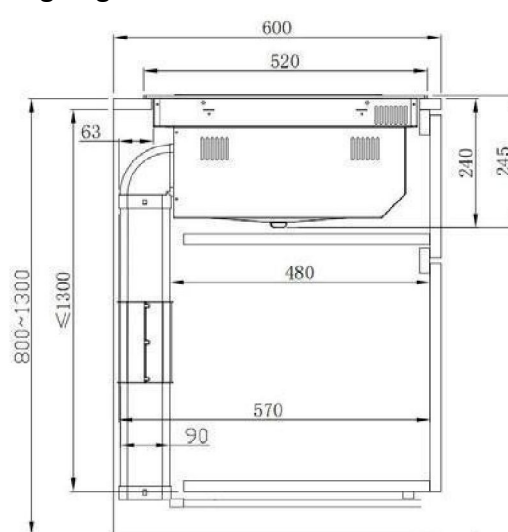
Model	L (mm)	B (mm)	H (mm)	A (mm)	B (mm)	C (mm)	D (mm)	F (mm)	G (mm)
CIH614CF	590	520	245	560	490	≥ 40	≥ 70	≥ 40	20-40
CIH614CE									

Størrelse på kabinet og aftræksrør

Filtreringsversion



Udsugningsversion



Denne kogeplade må kun tilsluttes elforsyningen af en kvalificeret person.

Før du tilslutter kogepladen til elforsyningen, skal du kontrollere, at:

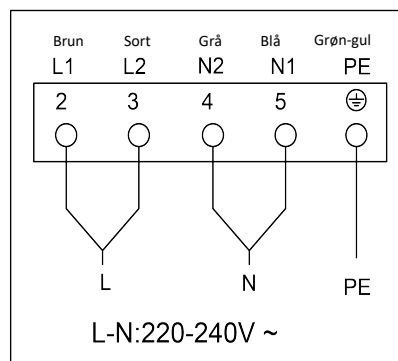
1. ledningsføring til boliger er velegnet til den strømeffekt, som kogepladen trækker.
2. spændingen svarer til den værdi, der er angivet på typeskiltet
3. strømforsyningens kabelsektioner kan modstå den belastning, der er angivet på typeskiltet.

For at slutte kogepladen til elforsyningen må du ikke bruge adaptere, reduktionsenheder eller forgreningsanordninger, da de kan forårsage overophedning og brand.

Strømforsyningskablet må ikke berøre varme dele og skal placeres således, at dets temperatur ikke overstiger 75°C på noget tidspunkt.

Spørg en elektriker, om hjemmets ledningsføring er egnet uden ændringer. Alle ændringer må kun foretages af en autoriseret elektriker.

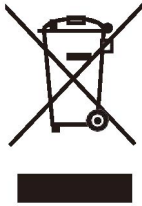
Strømforsyningen skal tilsluttes i overensstemmelse med den relevante standard. Tilslutningsmetoden er vist nedenfor.



- Hvis kablet er beskadiget eller skal udskiftes, skal opgaven udføres af eftersalgshandleren med specialværktøj for at undgå ulykker.
- Hvis apparatet sluttes direkte til elforsyningen, skal der installeres en omnipolær strømafbryder med en åbning på mindst 3 mm mellem kontakterne.
- Installatøren skal sikre, at den elektriske forbindelse er foretaget korrekt, og at den er i overensstemmelse med sikkerhedsforskrifterne.
- Kablet må ikke bøjes eller trykkes sammen.
- Kablet skal kontrolleres regelmæssigt og må kun udskiftes af autoriserede teknikere.

Særlig erklæring

Indholdet af denne vejledning er omhyggeligt kontrolleret. Virksomheden kan dog ikke holdes ansvarlig for eventuelle trykfejl eller udeladelser. Desuden kan eventuelle tekniske ændringer inkluderes i en revideret version af manualen uden varsel. Apparatets udseende og farve i denne vejledning kan afvige fra den faktiske.



Dette apparat er mærket i overensstemmelse med EU-direktiv 2012/19/EU vedrørende elektrisk og elektronisk udstyr (WEEE).

WEEE indeholder både forurenende stoffer (som kan have en negativ indvirkning på miljøet) og grundelementer (som kan genbruges). Det er vigtigt, at WEEE-udstyret gennemgår specifikke behandlinger for at fjerne og bortskaffe de forurenende stoffer korrekt og genvinde alle materialerne. Enkeltpersoner kan spille en vigtig rolle for at sikre, at WEEE-udstyr ikke bliver et miljøproblem. Det er vigtigt at følge nogle få grundlæggende regler:

- WEEE-udstyr bør ikke behandles som husholdningsaffald;
- WEEE-udstyr skal overdrages til dedikerede indsamlingsområder, der forvaltes af kommunen eller en registreret virksomhed.

I mange lande kan der være indsamling af storskrald til stort WEEE-udstyr. Når du køber et nyt apparat, kan det gamle returneres til leverandøren, som skal modtage det uden beregning, så længe apparatet er af samme type og har samme funktioner som det købte.



Kun gyldig for Cypern

SISÄLTÖ

KÄYTTÖOHJE	2
KEITTOTASON KÄYTTÖ ANTURIPAINIKKEILLA	19
Virranhallinta	26
PUHDISTUS JA HOITO	28
MITÄ TEHDÄ, JOS ONGELMIA ILMENEE	30
VIRHENÄYTTÖ JA TARKASTUS.....	31
LUETTELO LISÄVARUSTEISTA	32
TUOTTEEN ASENNUS	33
SÄHKÖLIITÄNTÄ	36

KÄYTTÖOHJE

Noudata tarkasti tämän käyttöohjeen ohjeita. Kaikki vastuut kaikista ongelmista, vahingoista tai tulipaloista, jotka johtuvat tämän käyttöohjeen ohjeiden noudattamatta jättämisestä, hylätään. Laite on tarkoitettu vain kotitalouskäyttöön ruoanlaittoon ja ruoanlaitossa syntyvien höyryjen poistamiseen. Mitään muuta käyttöä ei sallita (esim. huoneiden lämmitys). Valmistaja ei ole vastuussa epäasianmukaisesta käytöstä tai virheellisistä ohjausasetuksista.

Lue ohjeet huolellisesti: ne sisältävät tärkeitä tietoja asennuksesta, käytöstä ja turvallisuudesta. Älä tee sähköön liittyviä muutoksia laitteeseen. Varmista ennen laitteen asentamista, että mikään komponenteista ei ole vaurioitunut. Muussa tapauksessa ota yhteyttä jälleenmyyjään äläkä jatka asennusta.

Tarkista, että laite on ehjä, ennen asennuksen jatkamista. Muussa tapauksessa ota yhteyttä jälleenmyyjään äläkä jatka asennusta.

1. Varoitukset

Huomaa! Noudata tarkasti seuraavia ohjeita:

- Laite on irrotettava virtalähteestä ennen asennustöiden suorittamista.
 - Asennuksen tai huollon saa suorittaa vain pätevä teknikko valmistajan ohjeiden ja paikallisten turvallisuusmääräysten mukaisesti.
- Älä korjaa tai vaihda mitään laitteen osaa, ellei sitä ole erikseen mainittu käyttöoppaassa.
- Laki määrää, että tämä laite on maadoitettava.
 - Virtajohdon on oltava riittävän pitkä, jotta sisäänrakennettu laite voidaan liittää virtalähteeseen.
 - Jotta asennus olisi voimassa olevien turvallisuusmääräysten mukainen, tarvitaan hyväksytty omnipolaarinen katkaisija, joka takaa verkkovirran täydellisen katkaisun ylijänniteluokassa III asennussääntöjen mukaisesti.
 - Älä käytä virtaliuskoja tai jatkojohtoja.
 - Kun asennus on valmis, sähkökomponentit eivät saa enää olla käyttäjän saatavilla.
 - Laite ja sen esteettömät osat kuumenevat käytön aikana. Varo koskettamasta lämmityselementtejä.
 - Varmista, että lapset eivät leiki laitteella. Pidä lapset poissa laitteen läheisyydestä ja valvo

heitä, koska esteettömät osat voivat kuumentua käytön aikana.

- Sydämentahdistimia ja aktiivisia implantteja käyttävien henkilöiden on tärkeää tarkistaa ennen induktiokeittotason käyttöä, että heidän sydämentahdistimensa on yhteensopiva laitteen kanssa.
- Älä koske laitteen lämmityselementteihin käytön aikana ja sen jälkeen.
- Vältä kontaktia kankaiden tai muiden syttyvien materiaalien kanssa, kunnes kaikki keittotason komponentit ovat jäähtyneet riittävästi, sillä muutoin on olemassa tulipalon vaara.
- Älä aseta syttyvää materiaalia laitteen päälle tai lähelle.
- Ylikuumentuneet rasvat ja öljyt syttyvät helposti tuleen. Valvo rasvaisen tai öljyisen ruoan kypsentämistä.
- Jos laitteen pinta on haljennut, sammuta laite välittömästi, sillä muutoin on olemassa sähköiskun vaara.
- Laitetta ei ole tarkoitettu käytettäväksi ulkoisella ajastimella tai erillisellä kauko-ohjausjärjestelmällä.

- Valvomaton ruoanlaitto laitteella, kun ruoanlaitossa käytetään öljyä tai rasvaa, voi olla vaarallista ja aiheuttaa tulipalon.
- Ruoanvalmistusprosessia on valvottava. Lyhyttä kypsennysprosessia on valvottava jatkuvasti.
- ÄLÄ KOSKAAN yritä sammuttaa tulipaloja vedellä. Sammuta sen sijaan laite ja tukahduta liekit esimerkiksi kannella tai palopeitolla. Palovaara: älä aseta esineitä ruoanlaittopinnoille.
- Älä käytä höyrypuhdistusaineita, sillä tästä aiheutuu sähköiskun vaara.
- Älä aseta laitteen päälle metalliesineitä, kuten veitsiä, haarukoita, lusikoita tai kansia, koska ne voivat kuumentua.
- Ennen laitteen liittämistä sähköverkkoon: tarkista arvokilpi (laitteen pohjassa) sen varmistamiseksi, että jännite ja teho vastaavat verkkovirtaa ja että pistorasia on sopiva. Jos olet epävarma, ota yhteyttä pätevään sähköasentajaan.

Tärkeää

- Sammuta keittotasoa käytön jälkeen kytkimestä äläkä luota astiantunnistimeen.

- Estä nesteiden kiehuminen yli keittoastian, joten käännä lämpöä pienemmälle, kun keität tai kuumennat nesteitä.
- Älä jätä lämmityselementtejä päälle, kun keittotasolla on tyhjiä kattiloita, tai silloin, jos keittotaso on tyhjä.
- Sammuta asiaankuuluva keittolevy, kun olet lopettanut ruoanlaiton.
- Älä koskaan käytä alumiinifoliota ruoanlaittoon äläkä koskaan aseta alumiiniin pakattuja tuotteita keittotasolle. Alumiini sulaa ja vahingoittaa laitettasi, josta tulee korjauskelvoton.
- Älä koskaan kuumenna elintarvikkeita sisältäviä säilykepurkkeja avaamatta purkkeja ensin, sillä avaamattomat säilykepurkit voivat räjähtää.
- Tämä varoitus koskee myös kaikkia muita keittotasotyyppejä.
- Suuria tehotasoja, kuten tehostustoimintoa, ei saa käyttää tiettyjen nesteiden, kuten paistoöljyn, lämmittämiseen. Liiallinen kuumennus voi olla vaarallista. Suosittelemme tällaisissa tapauksissa alhaisemman tehotason käyttöä.

- Astiat on sijoitettava suoraan keittotasolle ja keskelle. Kattilan ja keittotason väliin ei saa missään tapauksessa asettaa muita esineitä.
- Jos lämpötila nousee liian korkeaksi, laite pienentää automaattisesti keittoalueiden tehotasoa.
- Ennen kuin teet mitään puhdistus- tai huoltotöitä, irrota laite verkkovirrasta irrottamalla pistoke tai sammuttamalla verkkovirtakytkin. Käytä suojakäsineitä kaikissa asennus- ja huoltotoimenpiteissä. Laitetta voivat käyttää yli kahdeksanvuotiaat lapset ja henkilöt, joiden fyysiset, aistilliset tai henkiset kyvyt ovat heikentyneet tai joilla ei ole kokemusta tai tarvittavaa tietoa, edellyttäen, että heitä valvotaan, tai sen jälkeen, kun he ovat saaneet ohjeet laitteen turvallisesta käytöstä ja he ymmärtävät laitteen käyttöön liittyvät luontaiset vaarat. Lapsia on valvottava sen varmistamiseksi, että he eivät leiki laitteella. Lapset eivät saa koskaan suorittaa laitteen puhdistusta ja huoltoa, ellei heitä valvota asianmukaisesti.


Huoneen on oltava asianmukaisesti tuuletettu, kun laitetta käytetään samanaikaisesti muiden kaasukäyttöisten laitteiden kanssa tai sellaisten laitteiden kanssa, jotka saavat virtansa jostakin muusta polttoaineesta. Laite on puhdistettava huolellisesti ja säännöllisesti sekä sisäisesti että ulkoisesti (VÄHINTÄÄN KERRAN KUUKAUDESSA) huolto-ohjeiden mukaisesti. Laitteen puhdistusta ja suodattimen vaihtoa ja puhdistusta koskevien sääntöjen noudattamatta jättäminen voi johtaa tulipalovaaraan. Ruokaa ei saa koskaan keittää liekittäen. Liekkien käyttö voi vahingoittaa suodattimia ja aiheuttaa tulipalovaaran, joten sitä on vältettävä kaikissa olosuhteissa. Paistettaessa on oltava erityisen varovainen, jotta öljy ei ylikuumene ja syty tuleen.

HUOMAA

- Laitteen esteettömät osat voivat kuumentua, kun keittotasoa kytetään päälle.
- **Huomaa!** Älä kytke laitetta virtalähteeseen ennen kuin asennus on täysin valmis. Paikallisten viranomaisten asettamia määräyksiä on noudatettava tiukasti savunpoiston teknisten ja turvallisuustoimenpiteiden osalta.

- Poistettua ilmaa ei saa kuljettaa samojen iltakanavien kautta, joita käytetään kaasunpolton tai muuntyyppisten palamislaitteiden synnyttämien savujen ja kaasujen poistamiseen. Älä koskaan käytä laitetta ilman, että säleikkö on oikein asennettu! Käytä asennukseen vain laitteen mukana toimitettuja kiinnitysruuveja, tai jos niitä ei ole toimitettu, osta oikeantyyppisiä ruuveja.
- Kun laitetta käytetään yhdessä muiden muulla kuin sähköenergialla toimivien laitteiden kanssa, huoneen alipaine ei saa ylittää 4 Pa (4×10^{-5} baaria). Tämä käyttöopas on säilytettävä tulevaa käyttötarvetta varten. Jos laite myydään tai siirretään, käyttöoppaan on pysyttävä laitteen mukana.

Tämä laite on merkitty sähkö- ja elektroniikkalaiteromua koskevan direktiivin 2012/19/EY (UK SI 2013 No3113) mukaisesti. Varmistamalla, että tämä laite hävitetään oikein, käyttäjä auttaa estämään mahdolliset kielteiset vaikutukset ympäristöön ja ihmisten terveyteen.

Laitteessa tai toimitetuissa asiakirjoissa oleva symboli  osoittaa, että tätä laitetta ei saa käsitellä kotitalousjätteenä, vaan se on vietävä sopivaan jätteenkeräyspaikkaan sähkö- ja elektroniikkalaitteiden kierrätystä varten. Hävitä se paikallisten jätteiden hävittämistä koskevien määräysten mukaisesti. Lisätietoja tämän laitteen käsittelystä, hyödyntämisestä ja kierrätyksestä saat ottamalla yhteyttä paikalliseen viranomaiseen, kotitalousjätteen keräyspalveluun tai myymälään, josta laite on ostettu. Laite on suunniteltu, testattu ja kehitetty seuraavien säädösten mukaisesti:

- Turvallisuus: EN/IEC 60335-1; EN/IEC 60335-2-6, EN/IEC 60335-2-31, EN/IEC 62233.
- Suorituskyky: EN/IEC 61591; ISO 5167-1; ISO 5167-3; ISO 5168; EN/IEC 60704-1; EN/IEC 60704-2-13; EN/IEC 60704-3; ISO 3741; EN 50564; IEC 62301. EN 60350-2;

- EMC: EN 55014-1; CISPR 14-1; EN 55014-2; CISPR 14-2; EN/IEC 61000-3-3; EN/IEC 61000-3-12.

Oikeaa käyttöä koskevat suositukset ympäristövaikutusten vähentämiseksi: Kun aloitat ruoanlaiton, kytke laite päälle vähimmäisnopeudella ja jätä se päälle muutamaksi minuutiksi, kun olet lopettanut ruoanlaiton. Lisää nopeutta vain, jos höyryjä ja käryä on paljon, käyttämällä tehostustoimintoa (vain äärimmäisissä tapauksissa). Jotta hajunpoistojärjestelmä toimisi tehokkaasti, vaihda hiilisuodatin/-suodattimet tarvittaessa. Rasvasuodattimen korkean suorituskyvyn varmistamiseksi se kannattaa puhdistaa tarvittaessa. Tehokkuuden parantamiseksi ja melun minimoimiseksi käytä tässä käyttöoppaassa ilmoitettua kanavan enimmäishalkaisijaa.

2. Käyttö

Keittotason käyttö

Induktioruoanvalmistusjärjestelmä siirtää energiaa suoraan generaattorista kattilaan käyttämällä magneettista induktiota.

Edut:

Sähköliesiin verrattuna induktiokeittotaso on:

- **Turvallisempi:** matalampi lämpötila lasipinnalla.
- **Nopeampi:** lyhyemmät ruoanlämmitysajat.
- **Tarkempi:** keittotaso reagoi välittömästi komentoihisi.
- **Tehokkaampi:** 90 % absorboituneesta energiasta muuttuu lämmöksi.

Lisäksi, kun keittoastia on poistettu keittotasolta, lämmönsiirto keskeytyy välittömästi, jolloin vältetään tarpeettomat lämpöhäviöt.

2.1 Ruoanlaittoastiat

Käytä vain astioita, jotka on merkitty symbolilla :

naarmuuntumisen estämiseksi älä käytä:

- astioita, joiden pohja ei ole täysin tasainen
- metalliastioita, joissa on emaloitu pohja
- astioita, joissa on karkea/rosoinen pohja, jotta keittotason pinta ei naarmuuntuisi
- älä aseta kuumia kattiloita ja keittoastioita ohjauspaneelin pinnalle.

2.1.1 Vanhat keittoastiat

Induktioruoanlaitto tuottaa lämpöä magnetismin avulla.

Keittoastioiden on tämän vuoksi oltava valmistettu magneettisesta materiaalista, kuten raudasta. Jos haluat selvittää, sopiiko keittoastia käytettäväksi induktiokeittotason kanssa, testaa sen materiaali magneetilla. Jos keittoastia ei reagoi magneettiin, se ei sovellu induktioruoanvalmistukseen.

2.1.2 Suositellut keittoastian pohjan halkaisijat

TÄRKEÄÄ: Jos keittoastian koko on väärä, keittoalueet eivät aktivoitu.

Lisätietoja kullakin alueella käytettävän keittoastian vähimmäishalkaisijasta on tämän käyttöoppaan kuvitetussa osassa.

2.2 Energiansäästö

Suosituksia parhaisiin tuloksiin:

- Käytä kattiloita ja astioita, joiden pohjan halkaisija on yhtä suuri kuin keittoalueen.
- Käytä vain kattiloita ja astioita, joissa on tasaiset pohjat.
- Peitä kattila kannella kypsennyksen aikana aina, kun se on mahdollista.
- Lyhennä kypsennysaikaa keittämällä kasviksia, perunoita jne. mahdollisimman vähäisessä vesimäärässä.

- Käytä painekattilaa, koska se vähentää energiankulutusta ja kypsennysaikaa entisestään.
- Sijoita kattila keittotason keittoalueen keskelle.

OIKEAN KEITTOASTIAN VALITSEMINEN

Induktiokeittotasojen keittoastiat

Induktiokeittoalueiden ruoanlaittovälineiden on oltava metallia ja niillä on oltava magneettisia ominaisuuksia. Pohjan on oltava riittävän suuri.

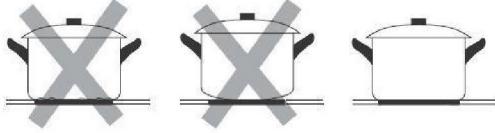
Käytä vain keittoastioita, joiden pohja soveltuu induktiokäyttöön.

Näin voit selvittää astian soveltuvuuden:

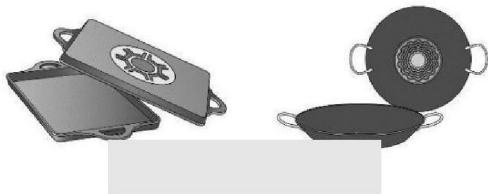
Sopivat ruoanlaittovälineet	Sopimattomat ruoanlaittovälineet
Emaloidut teräsastiat, joissa on paksu pohja	Kuparista, ruostumattomasta teräksestä, alumiinista, uuninkestävästä lasista, puusta, keramiikasta ja terrakotasta valmistetut keittoastiat
Valurautapadat, joissa on emaloitu pohja	
Keittoastiat, jotka on valmistettu monikerroksisesta ruostumattomasta teräksestä, ruostumattomasta ferriittiteräksestä tai alumiinista, jossa on erikoispohja	

Suorita alla kuvattu magneettitesti tai varmista, että keittoastiassa on symboli, joka osoittaa sen soveltuvan ruoanlaittoon induktiovirralla.

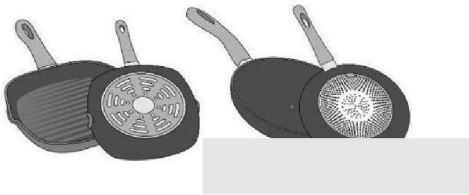
Älä koskaan käytä keittoastioita, joiden pohja on epätasainen. Kupera tai kovera pohja voi häiritä ylikuumenemissuojan toimintaa, jolloin keittotasoa voi ylikuumentua. Tämä voi johtaa lasitason halkeiluun ja keittoastian pohjan sulamiseen. Takuu ei kata vaurioita, jotka aiheutuvat sopimattomien keittoastioiden käytöstä tai siitä, mitä tapahtuu, kun kattila jää kuumalle keittotasolle sen sisältämän nesteen kiehattua pois.



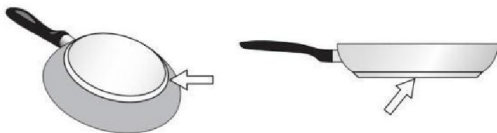
Jos ruoanlaittovälineiden pohja on vain osittain ferromagneettinen, vain ferromagneettinen alue lämpenee. Tämä voi tarkoittaa, että lämpö ei jakaudu tasaisesti. Ei-ferromagneettinen alue ei ehkä lämpene tarpeeksi kypsennyksen varten.



Ferromagneettinen alue pienenee myös, jos materiaali, josta ruoanlaittovälineiden pohja on valmistettu, sisältää esimerkiksi alumiinia. Tämä voi tarkoittaa, että ruoanlaittovälineet eivät kuumene riittävästi tai että niitä ei edes havaita.



Ruoanvalmistusastioiden pohjan valmistusmateriaalit voivat vaikuttaa kypsennystulokseen. Kattilat ja padat, joiden materiaalit jakavat lämmön tasaisesti niiden läpi, säästävät aikaa ja energiaa. Tällaisia astioita ovat esimerkiksi ruostumattomasta teräksestä valmistetut kattilat ja padat, joissa on kolminkertainen pohja. Käytä tasapohjaisia ruoanvalmistusastioita. Epätasainen pohja voi heikentää lämmönsyöttöä.



Magneettitesti:

Siirrä magneettia ruoanlaittovälineiden pohjaa kohti. Jos pohja vetää magneettia puoleensa, voit käyttää astiaa induktiokeittotasolla.



Huomaa:

Tiettyjen valmistajien induktiokeittotasolle sopivia keittoastioita käytettäessä voi kuulua erilaisia ääniä, jotka johtuvat astioiden ominaisuuksista. Ole varovainen, kun käytät haudutusastioita. Haudutusvesi voi kuivua huomaamatta, mikä voi vahingoittaa kattilaa ja keittotasoa ja mistä keittotason valmistaja ei ota vastuuta.

Ruoanvalmistusvälineiden mitat

Hyvän kypsennystuloksen saavuttamiseksi pannun pohjan ferromagneettisen alueen tulisi vastata keittolevyn kokoa. Jos keittolevy ei havaitse keittoastiaa, kokeile asettaa astia toiselle keittolevylle, jonka halkaisija on pienempi.

Keittoalue	Astian vähimmäishalkaisija
Ø 160 mm	Ø 120 mm
Ø 180 mm	Ø 140 mm

Tuulettimen käyttö

Tuuletinjärjestelmää voidaan käyttää kahdella tavalla: se voi joko poistaa ilmaa pois järjestelmästä tai se voi suodattaa ilman ja kierrättää sitä tuuletinjärjestelmässä. Ulos puhaltava järjestelmä poistaa savun, höyryn ja hajut ulos, kun taas sisäinen suodatusjärjestelmä suodattaa nämä tekijät pois ilmasta ja palauttaa ilman takaisin huoneeseen.



Ilman poisto ulos

Höyryt poistetaan keittiöstä ulkoilmaan erikseen myytävien poistoputkien kautta, jotka on liitetty mukana toimitettuun yhdysputkeen. Ilmanpoistoputkien tai adapterin halkaisijan on vastattava mukana tulevan yhdysputken halkaisijaa 222 x 89 mm.

Lisätietoja ilmanpoistotuulettimen käytöstä on oppaan kuvitetun osan asiaankuuluvalla sivulla. Kun liität tuotteen seinään asennettuihin poistoputkiin ja reikiin, varmista, että halkaisija vastaa ilmanpoistoaukkoa (liitoslaippa). Halkaisijaltaan pienempien putkien ja reikien käyttö voi heikentää ilmanpoistolaitteen tehokkuutta ja lisätä melutasoa. Parhaan

tuloksen saavuttamiseksi pidä kanava mahdollisimman lyhyenä ja mahdollisimman suorana (enimmäiskulma: 90°) ja vältä kanavan halkaisijan äkillisiä koon muutoksia.

- Pidä kanava mahdollisimman lyhyenä.
- Pidä kanava mahdollisimman suorana (enimmäiskulma: 90 °).
- Vältä suuria muutoksia kanavan halkaisijassa.



Ilman suodattaminen

Sisäinen suodatusjärjestelmä suodattaa ilmasta ruuanvalmistuksen höyryt ja hajut ja vapauttaa puhdasta ilmaa takaisin keittiöön. Tämä järjestelmä ei puhalla ilmaa ulos, vaan kierrättää ilmaa suodattimien kautta takaisin sisäilmaan. Tämä on kätevä ilman puhdistustapa, kun ulos puhaltavaa järjestelmää ei voida käyttää. Erikoissuodattimet, kuten aktiivihiihliisuodattimet (sisältyvät lisävarusteeseen), keräävät tehokkaasti rasvaa ja hajuja. Säännöllinen huolto, mukaan lukien suodattimen vaihto, on välttämätöntä optimaalisen suorituskyvyn kannalta. Tämä menetelmä auttaa ylläpitämään puhdasta sisäilmaa ja on energiatehokas, mutta se ei poista kotoa kaikkia epäpuhtauksia. Asennustapa ja mitoitusvaatimus löytyvät käyttöoppaasta.

3. Asennus

- Sekä sähkö- että mekaanisen asennuksen saa suorittaa vain pätevä ammattilainen. Tämä sähkölaite on suunniteltu asennettavaksi työtasoon, jonka paksuus on 2–6 cm yläasennuksessa tai 2,5–6 cm uppoasennuksessa. Kun asennat keittotason, pidä vähintään 5 cm:n väli edessä, 4 cm:n etäisyys sivuilla ja 50 cm:n etäisyys yläpuolisista seinäkaapeista. Huomaa: Suositellut etäisyydet annetaan vain esimerkkeinä. Kun suunnittelet keittiötäsi, noudata keittiön valmistajan antamia ohjeita.

3.1 Kytkeminen virtalähteeseen

Liitä keittotaso virtalähteeseen seuraavasti:

- Poista keittotaso pakkauksestaan ja aseta se tasaiselle alustalle.
 - Kiinnitä keittotasoon virtajohto.
 - Kytke virtajohdon toinen pää virtalähteeseen.
 - Varmista, että sähköliitäntä on turvallinen ja täyttää paikalliset sähkömääräykset.
- Irrota laite virtalähteestä.
 - Asennuksen saa suorittaa vain ammattitaitoinen henkilökunta, joka tuntee voimassa olevat asennus- ja turvallisuusmääräykset.
 - Valmistaja ei ota mitään vastuuta ihmisiin, eläimiin tai omaisuuteen liittyen, jos tässä luvussa annettuja ohjeita ei noudateta.
 - Virtajohdon on oltava riittävän pitkä, jotta keittotason voi irrottaa työtasolta.
 - Varmista, että sähköliitäntä on turvallinen ja täyttää paikalliset sähkömääräykset.
 - Älä käytä jatkojohtoja.
 - Maasähkökaapelin on oltava 2 cm pidempi kuin muiden kaapeleiden.

- Jos sähkölaitteen mukana ei toimiteta virtajohtoa, käytä sellaista, jonka johtimen halkaisija on vähintään 2,5 mm² enintään 7200 watin teholla; suuremmilla tehotasoilla halkaisijan on oltava 4 mm².
 - Lämpötila ei saa missään kaapelin osassa nousta 50 astetta huoneenlämpötilaa korkeammaksi.
 - Laite on tarkoitettu pysyvään liitäntään virtalähteeseen.
 - **Huomaa!** Ennen kuin kytket piirin takaisin verkkovirtaan, varmista, että se toimii oikein. Tarkista aina, että virtajohto on asennettu oikein.
 - **Huomaa!** Yhdyskaapeli on vaihdettava valtuutetun teknisen tukipalvelun tai vastaavan pätevyyden omaavan henkilön toimesta.
- Huomaa:** tuote on varustettu tehonrajoitustoiminnolla, jonka avulla voidaan asettaa enimmäistehon raja. Raja on asetettava, kun tuote kytketään sähköverkkoon tai kun itse sähköverkko kytketään uudelleen (seuraavien 2 minuutin kuluessa).

3.2 Asennus

Ennen asennuksen aloittamista:

- **Kun olet purkanut tuotteen pakkauksesta, tarkista, ettei se ole vaurioitunut kuljetuksen aikana, ja jos ilmenee ongelmia, ota yhteyttä jälleenmyyjään tai asiakastukeen ennen tuotteen asentamista.**
- Tarkista, että tuote on oikean kokoinen asennusalueelle.
- Tarkista, onko pakkauksessa lisävarusteita (esim. ruuveja sisältäviä pusseja, takuutodistuksia jne.) (sijoitettu sinne kuljetussyistä). Poista ne ja pidä ne tallessa, jos niitä on.
- Tarkista myös, että asennusalueen lähellä on pistorasia.

Kaapin valmistelu asennusta varten:

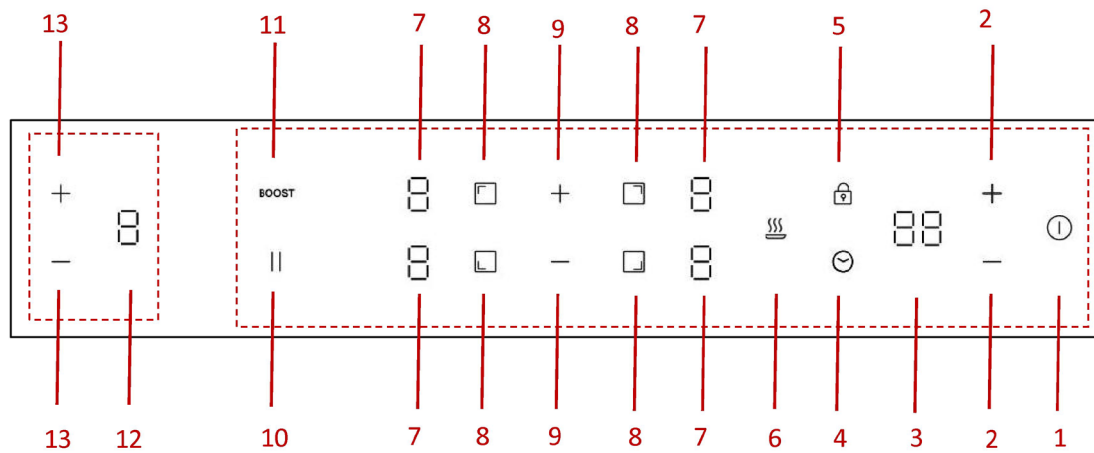
- Tuotetta ei voi asentaa jäähdytyslaitteiden, astianpesukoneiden, lämmittimien, uunien, pesukoneiden ja kuivaimien yläpuolelle.
- Leikkaa aukot kaappiin ennen keittotason asettamista paikalleen ja poista varovasti kaikki lastut tai sahanpurut.
- **Suodattimen asennuksen optimoimiseksi on suositeltavaa leikata sokkeliin aukko säleikön (ostettavissa) asettamiseksi paikalleen TÄRKEÄÄ:** käytä yksikomponenttista liimatiivistettä (**S**), joka kestää jopa 250 asteen lämpötiloja. Puhdista pinnat ennen asennusta huolellisesti tarttuviksi ja poista kaikki aineet, jotka voivat vaarantaa tarttuvuuden (esim. voiteluaineet, säilöntäaineet, rasvat, öljy, pöly, vanhojen liimojen jäämät). Liiman tulee olla tasaisesti levitettynä kaikkialle rungon ulkopuolelle. Jätä liimaamisen jälkeen liima kuivumaan noin 24 tunniksi.

Huomio! Ruuvien ja kiinnityslaitteiden asentamatta jättäminen näiden ohjeiden mukaan voi johtaa sähkövaaroihin.

Huomaa: tuotteen oikean asennuksen varmistamiseksi on suositeltavaa teipata putket liimalla, jolla on seuraavat ominaisuudet:

- pehmeä elastinen PVC-kalvo, jossa on akryylipohjainen liima-aine
- DIN EN 60454 -määräysten mukainen
- paloa hidastava
- erinomainen kulutuskestävyys
- kestää lämpötilan vaihteluita
- voidaan käyttää alhaisissa lämpötiloissa.

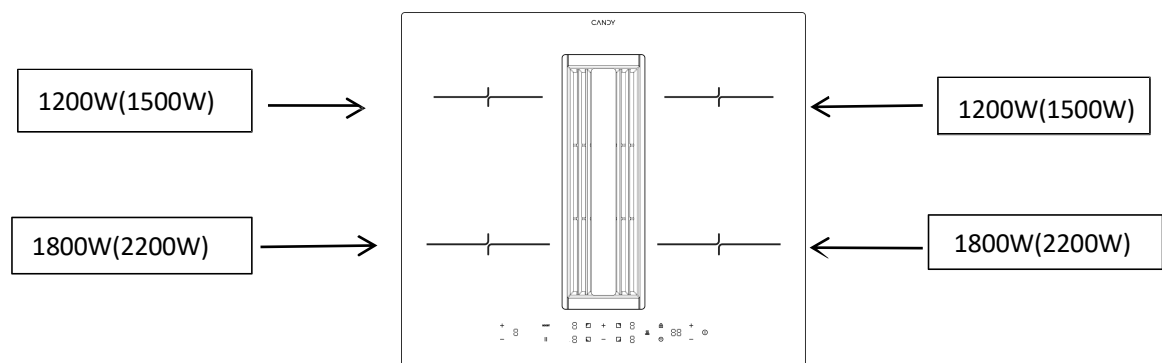
KEITTOTASON KÄYTTÖ ANTURIPAINIKKEILLA



- | | |
|---------------------------------------|--------------------------------------|
| 1 VIRTAPAINIKE | 2 Ajastimen asetus |
| 3 Ajastimen näyttö | 4 Ajastimen valinta |
| 5 Lapsilukko | 6 Pidä lämpimänä |
| 7 KEITTOTASON tehotason näyttö | 8 Keittoalueen valinta |
| 9 KEITTOTASON tehotason valinta | 10 Keskeytä |
| 11 Tehostus | 12 LIESITUULETTIMEN tehotason näyttö |
| 13 LIESITUULETTIMEN tehotason valinta | |

TUOTETIEDOT

CIH6I4CF/CIH6I4CE



Liesituulettimen käyttö

1. VALMIUSTILA:

Kun virta on kytketty päälle, kuuluu yksi merkkiäänä, kaikissa näytöissä näkyy " 0 ", ja liesituuletin siirtyy valmiustilaan.

Jos mitään toimintoa ei suoriteta 60 sekunnin kuluessa, kaikki näytöt sammuvat kokonaan, ja liesituuletin kytkeytyy automaattisesti pois päältä. Voit aktivoida liesituulettimen uudelleen milloin tahansa koskettamalla mitä tahansa ohjauspaneelia.

2. TEHOTASON ASETUS:

Liesituulettimessa on neljä tehotasoa (tasot 1–4), joiden avulla käyttäjät voivat säätää imutehoa tarpeidensa mukaan.

Aktivoi liesituuletin pitämällä tehonvalintanäppäintä **+** painettuna 1 sekunnin ajan. Toiminta alkaa oletusarvoisesti tasolta 1. Voit valita tehotason painamalla näppäintä **+** ja **—**.

3. TEHOSTUSTILA:

Tehostustila, joka aktivoidaan valitsemalla korkein tehotaso ("P"), tarjoaa tehostetun imutehon ruoanvalmistuskäryjen nopeaan poistamiseen. Se kestää liiallisen energiankulutuksen estämiseksi vain 10 minuuttia, ja se on suunniteltu poistamaan tehokkaasti ruoan hajut ja rasvan intensiivisen ruoanvalmistuksen aikana.

Paina ja pidä painettuna näppäintä **+** yhden sekunnin ajan tehotason asettamisen jälkeen. Liesituuletin siirtyy suoraan TEHOSTUSTILAAN (P). Huomaa, että TEHOSTUSTILA voi kestää vain 10 minuuttia, minkä jälkeen tehotaso siirtyy automaattisesti tasolle 4.

a) VIIVÄSTETTY SAMMUTUS -TILA:

Kun keittotaso lopettaa toiminnan, liesituuletin jatkaa jäännösöljyhöyryjen poistamista.

Se toimii jopa 5 minuuttia perusteellisen ilmanvaihdon varmistamiseksi myös kypsennyksen päättymisen jälkeen. Se sammuu automaattisesti 5 minuutin kuluttua.

Auttaa pitämään keittiön ilman puhtaana ja hajuttomana poistamalla kaikki loputkin ruoan hajut ja rasvahiukkaset.

Kytke liesituuletin pois päältä painamalla näppäintä **—** (P→4→3→2→1→d→pois päältä). Voit myös painaa ja pitää painettuna **—**-näppäintä yhden sekunnin ajan, kun haluat siirtyä suoraan viivästetyn sammutuksen tilaan (d).

Viivästetty sammutus -tilan aikana voit painaa **—**, kun haluat kytkeä liesituulettimen suoraan pois päältä, tai painaa **+**, kun haluat kytkeä liesituulettimen päälle tasolle 1. Ja voit valita tehotason painamalla näppäintä **+** ja **—**.

4. AUTOMAATTITILA:

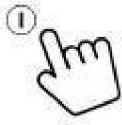
Liesituuletin säätää toimintaansa induktiokeittotason aktiivisuuden perusteella. Kun keittotaso on päällä, liesituuletin aktivoituu tasolle 1. Kun keittotaso sammuu, liesituuletin siirtyy automaattisesti viivästetty sammutus -tilaan. Se poistaa tehokkaasti jäljelle jääneet hajut ja rasvan keittiöympäristöstä ja takaa jatkuvan ilmanvaihdon myös ruoanvalmistuksen jälkeen.

Keittotason käyttö

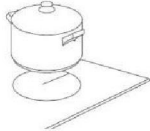
Ruoanlaiton aloittaminen

- Kun virta on kytketty päälle, kuuluu yksi äänimerkki ja kaikki KEITTOTASON merkkivalot syttyvät 1 sekunnin ajaksi ja sammuvat sen jälkeen. Tämä osoittaa, että keittotaso on siirtynyt valmiustilaan.

1. Kosketa virtapainiketta ①. Kaikki merkkivalot näyttävät "-"



2. Aseta sopiva keittoastia haluamallesi ruoanvalmistusalueelle. Varmista, että astian pohja ja ruoanvalmistusalueen pinta ovat puhtaat ja kuivat.



3. Kun lämmitysalueen valintasäädintä kosketetaan, sen vieressä oleva merkkivalo välähtää.



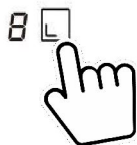
4. Valitse lämpöasetus koskettamalla tehotason säädintä.



- Jos et valitse lämpöasetusta 1 minuutin kuluessa, induktiokeittotaso kytkeytyy automaattisesti pois päältä.
- Sinun on aloitettava alusta vaiheesta 1.
- Voit muuttaa lämpöasetusta milloin tahansa ruoanvalmistuksen aikana.

Kun olet valmis

- Kosketa sen lämmitysalueen valintasäädintä, jonka haluat sammuttaa.



- Sammuta keittoalue koskettamalla tehotason säädintä. Varmista, että näytössä näkyy 0.



- Sammuta koko keittotasos koskettamalla virtapainiketta.



- Varo kuumia pintoja.

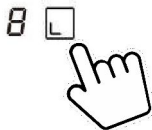
H tarkoittaa, että ruoanvalmistusalue on liian kuuma kosketettavaksi. Se häviää, kun pinta on jäähtynyt turvalliseen lämpötilaan. Sitä voidaan käyttää myös energiansäästötoimintona. Jos haluat lämmittää jotakin toista keittoastiaa, aseta alueelle, joka on vielä lämmin.

H

Tehostustoiminnon käyttö

Aktivoi tehostustoiminto

1. Valitse alue, jossa on tehostustoiminto.

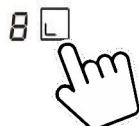


2. Kun kosketat BOOST-tehostuspainiketta, tehotason ilmaisimessa näkyy P.

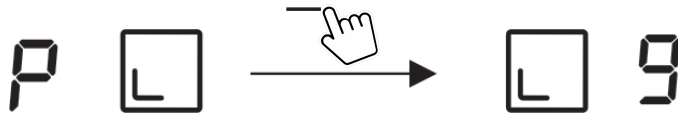


Peruuta tehostustoiminto

1. Valitse alue, jossa on tehostustoiminto.



2. Ota tehostustoiminto pois päältä koskettamalla tehotasoa ja valitse haluamasi taso.



• Tehostustoiminto voi kestää vain 5 minuuttia, minkä jälkeen alue siirtyy automaattisesti tasolle 9.

Säätimien lukitseminen

- Voit lukita säätimet tahattoman käytön estämiseksi (esimerkiksi lapset voivat vahingossa kääntää ruoanvalmistusalueet päälle).
- Kun säätimet on lukittu, kaikki säätimet ovat pois käytöstä, lukuun ottamatta virtapainiketta.

Säätimien lukitseminen

Kosketa lapsilukon painiketta . Ajastimen ilmaisimessa näkyy Lo.

Säätimien lukituksen poistaminen

- Varmista, että keittotaso on päällä.
- Kosketa lapsilukon painiketta ja pidä sitä painettuna 3 sekunnin ajan.
- Voit nyt alkaa käyttää keittotasiasi.

Kun keittotaso on lukitustilassa, kaikki säätimet ovat pois käytöstä virtapainiketta lukuun ottamatta. Voit aina kytkeä induktiokeittotason pois päältä hätätilanteessa virtapainikkeesta, mutta keittotason lukitus on poistettava ensin seuraavalla käyttökerralla.

Jäännöslämpövaroitus

Kun keittotaso on ollut toiminnassa jonkin aikaa, se pysyy lämpimänä käytön lopetuksen jälkeen. Kirjain H varoittaa, että keittotaso on yhä lämmin.

Automaattinen sammutus

Keittotasossa on turvaominaisuus, joka sammuttaa sen automaattisesti. Tämä tapahtuu aina, kun unohdat sammuttaa ruoanvalmistusalueen. Oletussammutusajat on esitetty alla olevassa taulukossa:

Tehotaso	1	2	3	4	5	6	7	8	9
Oletusarvoinen toiminta-ajastin (tuntia)	8	8	8	4	4	4	2	2	2

Ajastimen käyttö

Ajastinta voi käyttää kahdella eri tavalla:

- Voit käyttää sitä minuuttimuistuttajana. Tällöin ajastin ei kytke ruoanvalmistusalueita pois päältä, kun asetettu aika on kulunut.
- Voit käyttää sitä katkaisuajastimena, kun haluat kytkeä yhden tai useamman ruoanvalmistusalueen pois päältä, kun aika on kulunut.
- Voit asettaa ajastimen enintään 99 minuuttiin.

Ajastimen käyttäminen minuuttimuistuttajana

- Varmista, että keittotaso on kytketty päälle. Varmista myös, että alueen valintapainike ei ole aktivoitu (alueen merkkivalo "--" ei vilku).

Huomaa: voit asettaa minuuttimuistutuksen päälle ennen ruoanvalmistusalueen tehoasetuksen asettamista tai sen jälkeen.



- Kosketa ajastinnäppäintä. Ajastimen näytössä vilkkuu "30". Oletusasetus on 30 minuuttia.
- Aseta aika koskettamalla "--" - tai "+" -säädintä (esimerkiksi 5).

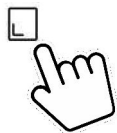
Lyhyt kosketus lisää 1 minuutin ja pitkä kosketus 10 minuuttia.



- Kun aika on asetettu, se alkaa vähentyä välittömästi. Näytössä näkyy jäljellä oleva aika.
- Merkkiäänäni soi 20 sekunnin ajan, ja ajastimen merkkivalossa näkyy "--", kun asetettu aika on kulunut loppuun.

Ajastimen käyttö yhden tai useamman ruoanvalmistusalueen sammuttamiseen

- Kosketa sen lämmitysalueen valintasäädintä, jonka ajastimen haluat asettaa.



- Kosketa ajastinnäppäintä. Ajastimen näytössä vilkkuu "30". Oletusasetus on 30 minuuttia.

- Aseta aika koskettamalla "-" tai "+"-säädintä (esimerkiksi 5).

Lyhyt kosketus lisää 1 minuutin ja pitkä kosketus 10 minuuttia.



- Kun aika on asetettu, se alkaa vähentyä välittömästi. Näytössä näkyy jäljellä oleva aika.

HUOMAA: Tehotason ilmaisimen oikeassa alakulmassa on punainen piste, joka osoittaa, että alue on valittu.

- Kun ruoanlaiton ajastin kuluu loppuun, vastaava ruoanvalmistusalue sammuu automaattisesti.

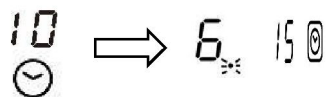
Huomaa: Muut ruoanvalmistusalueet pysyvät käynnissä, jos ne on kytketty päälle aiemmin.

Jos ajastin on asetettu useammalle kuin yhdelle alueelle:

- Kun asetat ajastimen useille keittoalueille, niiden kaikkien kohdalla näkyy punainen piste. Ajastimen näytössä näkyy minuuttiajastin. Vastaavan alueen piste vilkkuu.



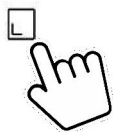
- Kun ajastimen aika loppuu, vastaava alue kytkeytyy pois päältä. Näkyviin tulee uusi minuuttiajastin ja vastaavan alueen piste vilkkuu.



Huomaa: Kun kosketat lämmitysalueen valintasäädintä, vastaava ajastin näkyy ajastinmerkkivalossa.

Peruuta ajastin

- Kosketa sen lämmitysalueen valintasäädintä, jonka ajastimen haluat peruuttaa.



- Merkkivalo vilkkuu, kun ajastimen säädintä kosketetaan.
- Kosketa "-" ja aseta ajastimen arvoksi "00", jolloin ajastin peruuntuu.



Tehoasetukset

Keittoalueiden lämmitysteho voidaan asettaa eri tehotasolle. Kaaviosta löydät esimerkkejä kunkin asetuksen käytöstä.

Tehotaso:	Sopii käytettäväksi:
1	Ruoan pitäminen lämpimänä. Pienen määrän haudutus/kiehuminen hiljalleen (pienin tehoasetus).
2	Haudutus/kiehuminen hiljalleen.
3–4	Suuremman määrän haudutus/kiehuminen hiljalleen tai suurempien lihapaloja paahtaminen, kunnes ne ovat kypsiä.
5–6	Pannuun jääneen paistoliemen kerääminen.
7–8	Paahtaminen, pannuun jääneen paistoliemen kerääminen.
9	Paahtaminen.
P	Paahtaminen (suurin teho).

Virranhallinta

Tämä keittotaso voidaan liittää 13, 20, 25, 32 ampeerin virtalähteeseen ja määrittää toimimaan millä tahansa näistä tehoasetuksista.

Keittotaso on esiasetettu kytkettäväksi 32 ampeerin virtalähteeseen. Kun neljä vyöhykettä valitaan samanaikaisesti, keittotaso rajoittaa maksimitehoa niin, että 7,0 kW:n virransyöttöä ei voida ylittää. Kun keittotaso kytketty ja määritetty 13/20/25 ampeerin virtalähteeseen, keittotaso rajoittaa maksimitehoa 2,5/3,5/4,5/7,0 kW:ssa.

Jos keittotaso on kuitenkin kytketty ja määritetty 32 ampeerin virtalähteeseen, kaikkia neljää vyöhykettä voidaan käyttää samanaikaisesti enimmäisasetuksella ja tehoasetuksella.

Virranhallinta-asetuksen muuttaminen

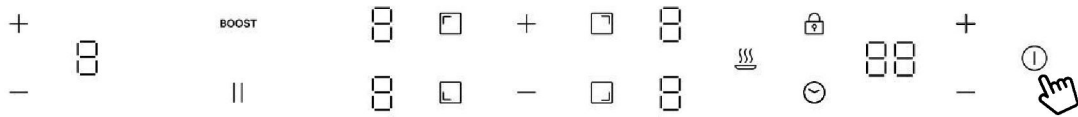
1. Katkaise keittotason virransyöttö.
2. Anna virransyötön olla katkaistuna yhden minuutin ajan.
3. Kytke virransyöttö uudelleen päälle.
4. Noudata kohdassa Keittotason määrittäminen ECO-tilaan annettuja ohjeita vaiheesta 1 eteenpäin.

HUOMAA: ECO-tilan määrittäminen voidaan syöttää vain kerran, jos keittotason virtalähdettä ei ole katkaistu.

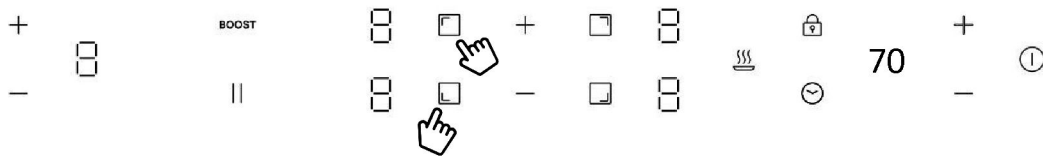
(Huomaa: ECO-tila on asetettava minuutin kuluessa virran kytkemisestä päälle. ECO-tila-asetukseen ei voi siirtyä yli minuutin kuluttua.)

Keittotason määrittäminen virranhallintaan

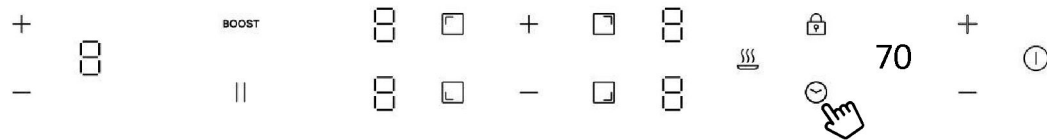
1. Kytke virransyöttö päälle koskettamalla virtapainiketta. Kuuluu 1 merkkiäänä, ja kaikissa näytöissä näkyy "-" ja "-".



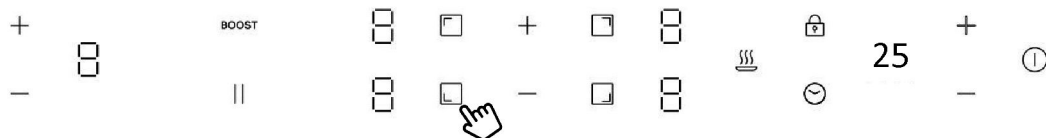
2. Kosketa samanaikaisesti etuosan vasemman vyöhykkeen painiketta ja takaosan vasemman vyöhykkeen näppäintä 3 sekunnin ajan. Kuuluu merkkiäänä sen merkiksi, että induktiokeittotaso siirtyy ECO-tilaan. (Näytöllä näkyy esiasetettu teho 7,0 kW)



3. Kosketa ajastinpainiketta, jolloin ajastimen näyttö vilkkuu. Voit nyt valita tehoasetuksen.

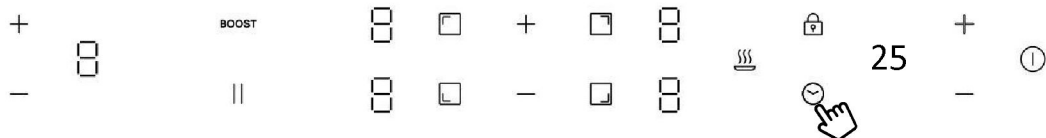


4. Jos haluat muuttaa kokonaistehoasetusta, paina etuosan vasemman alueen painiketta uuden kokonaistehoasetuksen valitsemiseksi. Voit selata vaihtoehtoja painamalla etuosan vasemmanpuoleisen alueen painikkeita uudelleen. Ajastimen näytössä näkyy neljä vaihtoehtoa: 25, 35, 45 ja 70. Kun ajastimen näytössä näkyy esimerkiksi numero 25, se tarkoittaa, että kokonaistehoksi on asetettu 2 500 W. Jatka vasemmalla edessä olevan painikkeen painamista, kunnes löydät haluamasi tehoasetuksen.

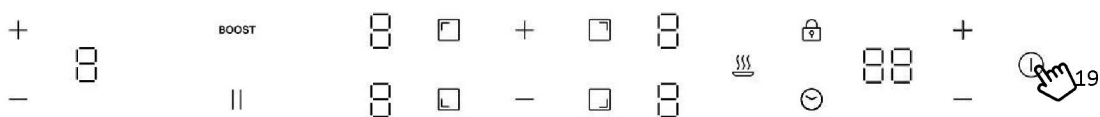


*Tehoasetuksen oletusasetus on tehdasasetus 7,0 kW.

5. Kosketa ajastinpainiketta uudelleen. Ajastimen näyttö lakkaa vilkkumasta ja aiemmin valitussa vyöhykepainikkeessa näkyy "o", mikä osoittaa, että asetukset on vahvistettu.



6. Kytke pois päältä painamalla virtapainiketta. Kytke sitten virta päälle. Keittotaso on nyt valmis käytettäväksi valitsemassasi ECO-tilassa.



7. Kytke päälle koskettamalla virtapainiketta. Voit nyt käyttää uutta tehoasetusta.

PUHDISTUS JA HOITO

- Ennen puhdistusta sammuta keittotaso ja anna sen jäähtyä.
- Älä käytä höyrypuhdistusaineita tai korkeapainepuhdistusaineita keittotason puhdistamiseen, koska se voi aiheuttaa sähköiskun.
- Muista pyyhkiä vain kevyesti virtapainikkeen päältä. Keittotaso voi muutoin kytkeytyä vahingossa päälle!

Lasikeraaminen keittotaso

Tärkeää! Älä koskaan käytä liian tehokkaita puhdistusaineita, kuten karkeita puhdistusaineita, hankaavia kattilanpuhdistusaineita, ruosteen- ja tahrannoistoaaineita jne.

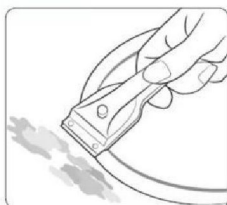
Puhdistus käytön jälkeen

Puhdista aina koko keittotaso, kun se on likaantunut. Keittotaso on suositeltavaa puhdistaa aina käytön jälkeen. Käytä puhdistamiseen kosteaa liinaa ja hieman nestemäistä astianpesuainetta. Kuivaa sitten keittotaso puhtaalla kuivalla liinalla ja varmista, ettei keittotason pinnalle jää pesuainetta.

Viikoittainen puhdistus

Puhdista koko keittotaso huolellisesti kerran viikossa kaupallisilla lasikeraamisille pinnoille tarkoitetuilla puhdistusaineilla. Noudata valmistajan ohjeita huolellisesti. Puhdistusaine peittää keittotason suojakalvolla, joka kestää vettä ja likaa. Kaikki lika jää kalvolle, josta se voidaan poistaa helposti. Pyyhi keittotaso sitten kuivaksi puhtaalla liinalla. Varmista, että keittotason pinnalle ei jää puhdistusainetta, koska puhdistusaine reagoi voimakkaasti keittotason lämmitessä ja muuttaa sen pintaa.

Eriyinen lika Vaikeat tahrat ja lika (kalkkipitoiset ja kiiltävät tahrat) voidaan parhaiten poistaa, kun keittotaso on vielä hieman lämmin. Käytä keittotason puhdistamiseen kaupallisia puhdistusaineita. Toimi kohdan 2 mukaisesti. Liota ensin yli kiehunut ruoka märällä liinalla, ja poista sitten jäljelle jäänyt lika erityisellä lasikeraamisille keittotasaille tarkoitettulla lasikaapimella. Puhdista keittotaso sitten uudelleen kohdassa 2 kuvatulla tavalla.



Ritilä ja rasvasuodatin

Puhdista kerran viikossa käsin tai astianpesukoneessa. Käytä puhdistukseen hieman astianpesuaineita.

Hiilisuodatin

Hiilisuodatin suositellaan vaihdettavaksi 2–4 kuukauden välein.

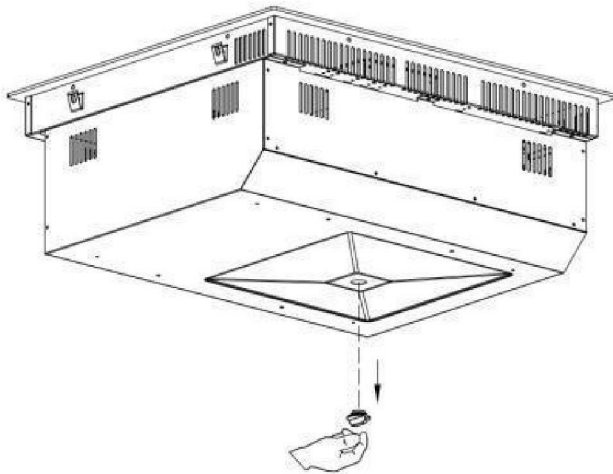
Palanut sokeri ja sulanut muovi on poistettava lasikaapimella heti, kun ne ovat vielä kuumia. Puhdista keittotasot sitten uudelleen kohdassa 2 kuvatulla tavalla.

Hiekanjyvät, jotka voivat joutua keittotasolle esimerkiksi perunoita kuorittaessa tai vihanneksia puhdistettaessa, voivat naarmuttaa keittotason pintaa, kun siirrät kattiloita. Varmista, että keittotasolle ei jää hiekanjyviä.

Keittotason värin muutokset eivät vaikuta lasikeraamisen materiaalin toimintaan ja vakauteen. Nämä värimuutokset eivät ole materiaalimuutoksia vaan ruokajäämiä, joita ei ole poistettu ja jotka ovat palaneet kiinni pintaan.

Kiiltäviä täpliä syntyy, kun ruoanlaittovälineiden pohja hankaa keittotason pintaa. Näin voi käydä erityisesti silloin, kun käytetään ruoanlaittovälineitä, joissa on alumiinipohja, tai sopimattomia puhdistusaineita. Tällaisia jälkiä on vaikea poistaa tavallisilla puhdistusaineilla. Sinun on ehkä toistettava puhdistusprosessi useita kertoja. Ajan myötä kuvio kuluu pois ja pintaan ilmestyy tummia tahroja, jotka aiheutuvat liian tehokkaista ja vääränlaisista puhdistusaineista ja keittoastioiden vääränlaisista ja viallisista pohjista.

Jos keittotasolle kaadetaan vahingossa suuria määriä nesteitä, poista neste irrottamalla pohjakotelon silikonitulppa.



MITÄ TEHDÄ, JOS ONGELMIA ILMENEEE

Jos käytön aikana ilmenee virheitä, tarkista seuraava taulukko, ennen kuin soitat huoltoon. Alla on joitakin yleisiä virheitä ja ohjeet siihen, miten voit tarkistaa ongelman.

Ongelma	Mahdolliset syyt	Toimintaohje
Keittotasoa ei voi kytkeä päälle.	Ei virtaa.	Varmista, että keittotasoa on kytketty virtalähteeseen ja että sen virta on kytketty päälle. Tarkista, onko kotonasi tai alueellasi sähkökatko. Jos olet tarkistanut kaiken ja ongelma jatkuu, ota yhteys pätevään asentajaan.
Kosketusohjaimet eivät vastaa.	Säätimet on lukittu.	Poista säädinten lukitus. Katso ohjeet kohdasta KEITTOTASON KÄYTTÖ ANTURIPAINIKKEILLA.
Kosketussäädinten käyttö on vaikeaa.	Säädinten päällä voi olla ohut vesikalvo tai käytät sormesi kärkeä säädinten käyttöön.	Varmista, että kosketussäädinten alue on kuiva ja käytä sormenpään pehmeää osaa, kun kosketat säätimiä.
Lasi naarmuuntuu.	Karkeareunaiset keittoastiat. Käytössä on sopimaton hankaava pesusieni tai puhdistusaine.	Käytä keittoastiaa, jonka pohja on tasainen ja sileä. Katso kohta "Oikean keittoastian valitseminen". Katso kohta "Hoito ja puhdistus".
Joistakin pannuista kuuluu poksahdavia tai napsahdavia ääniä.	Tämä voi johtua keittoastian rakenteesta (eri metallikerrokset värähtelevät eri tavoilla).	Tämä on normaalia keittoastioille eikä ole osoitus viasta.
Induktiokeittotasosta kuuluu matalaa humisevaa ääntä, kun sitä käytetään korkealla lämpöasetuksella.	Tämä johtuu induktiivisen ruoanlaiton tekniikasta.	Tämä on normaalia, mutta äänen pitäisi laantua tai hävitä kokonaan, kun lämpöasetusta lasketaan alas.
Induktiokeittotasosta kuuluu tuuletinääntä.	Induktiokeittotason sisäänrakennettu jäähdytystuuletin estää laitteen elektroniikkaa ylikuumenemasta. Se voi jatkaa pyörimistä myös sen jälkeen, kun induktiokeittotaso on kytketty pois päältä.	Tämä on normaalia eikä vaadi toimenpiteitä. Älä kytke induktiokeittotason virtaa irti seinästä, kun puhallin on käynnissä.
Keittoastiat eivät kuumene eivätkä näy näytössä.	Induktiokeittotaso ei tunnista keittoastiaa, koska se ei sovellu induktioruoanvalmistukseen. Induktiokeittotaso ei tunnista astiaa, koska se on liian pieni ruoanvalmistusalueelle tai se ei ole kunnolla sen keskellä.	Käytä induktioruoanlaittoon sopivia keittoastioita. Katso kohta Oikean keittoastian valitseminen. Keskitä astia ja varmista, että sen pohja vastaa ruoanvalmistusalueen kokoa.
Induktiokeittotaso tai ruoanvalmistusalue on sammuttanut itsensä odottamatta, kuuluu äänimerkki ja näytössä näkyy virhekoodi (tyypillisesti vaihtuva yksi tai kaksi numeroa keittoajastimen näytössä).	Tekninen vika.	Ota ylös virhekirjaimet ja -numerot, kytke induktiokeittotaso irti seinästä ja ota yhteys pätevään asentajaan.


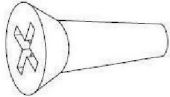






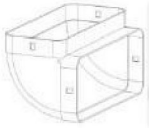
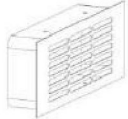
Virta on kytketty päälle ja virtapainiketta on painettu, mutta mitään ei tapahdu.	Onko syynä sähkökatkos?	Odota, että sähkökatkos päättyy.
	Onko sulake palanut tai katkaisija lauennut?	Tarkista perussyyt huolellisesti. Jos ongelmaa ei voida korjata, ota yhteyttä huoltokeskukseemme tarkastusta ja korjausta varten.
	Onko pistoke kytketty tiukasti pistorasiaan?	
Kuumennus keskeytyy normaalin käytön aikana ja kuuluu merkkiääni.	Ovatko keittoastia yhteensopimaton tai eikö keittotasolla ole keittoastiaa?	Vaihda keittoastia tai käytä induktiokeittotasolle sopivia keittoastioita.
	Keittoastiaa ei ole sijoitettu lämmitysalueen keskelle.	Aseta keittoastia asianmukaisen lämmitysalueen keskelle.
	Nostatko jatkuvasti keittoastian pois lämmitysalueelta kesken ruoanvalmistuksen?	Aseta keittoastia lämmitysalueen sisäpuolelle.
Ei toimintaa kuumennuksen ollessa käytössä.	Onko keittoastia tyhjä tai onko lämpötila liian korkea?	Tarkista, käytetäänkö laitetta väärin.
	Onko ilmanottoaukko/-poistoaukko tukossa tai onko siihen kertynyt likaa?	Poista tukos ilmanotto/-poistoaukosta. Odota, että laite jäähtyy, ja kytke se sitten uudelleen päälle.
	Toimiiko keittotaso yli 2 tuntia ilman käyttäjän vuorovaikutusta?	Nollaa kypsennystilat tai käytä ajastintoimintoa.


Jos edellä mainitut korjaustoimenpiteet/hallintatoimenpiteet eivät korjaa ongelmaa, irrota laite välittömästi pistorasiasta ja ota yhteyttä huoltokeskukseen tarkastusta ja korjausta varten. Merkitse virhekoodi muistiin ja ilmoita siitä huoltokeskukseen. Vaaratilanteiden ja laitteen vahingoittumisen välttämiseksi älä yritä korjata ja purkaa laitetta itse.

VIRHENÄYTTÖ JA TARKASTUS

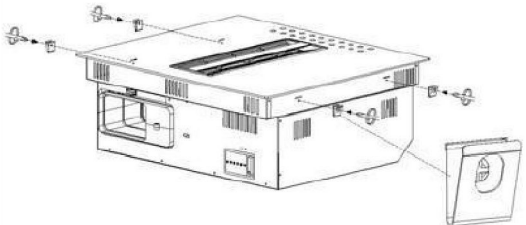
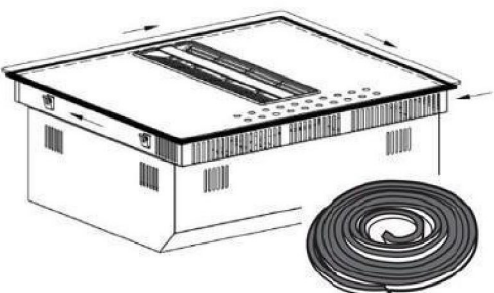
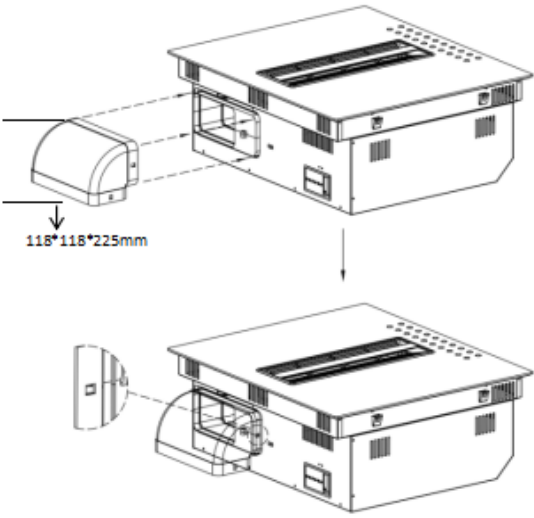
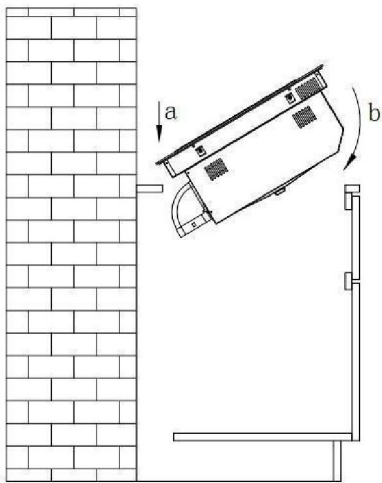
Virhekoodi	Mahdollinen syy	Toimintaohje
U	Ei keittoastiaa	Aseta lämmitysalueelle sopiva keittoastia. Jos keittotaso ei vielä toimi, ota yhteyttä huoltokeskukseen.
E1	Epänormaali syöttöjännite (alle 160 V).	Tarkista, onko virtalähde normaali. Kytke virta päälle, kun virtalähde on normaali.
E2	Epänormaali syöttöjännite (yli 280 V).	Tarkista, onko virtalähde normaali. Kytke virta päälle, kun virtalähde on normaali.
E3/E5/E7	Induktiokämin lämpötila-anturin vika	Ota yhteyttä huoltokeskukseen.
E4/E6	IGBT-lämpötila-anturin vika	Ota yhteyttä huoltokeskukseen.
Er	Viestintävika emolevyn ja näyttökortin välillä	Ota yhteyttä huoltokeskukseen.
Et	Ylivuotosuojaus	Puhdista vesi ohjauspaneelista ja käynnistä keittotaso uudelleen.

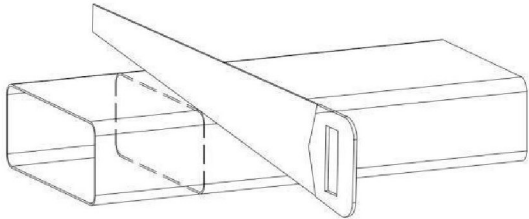
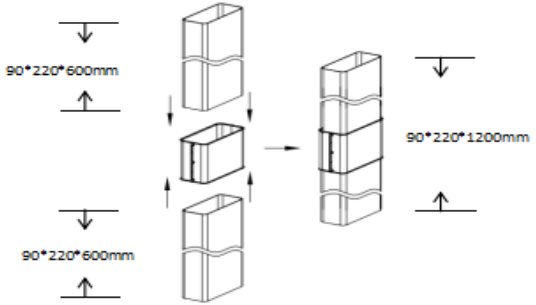
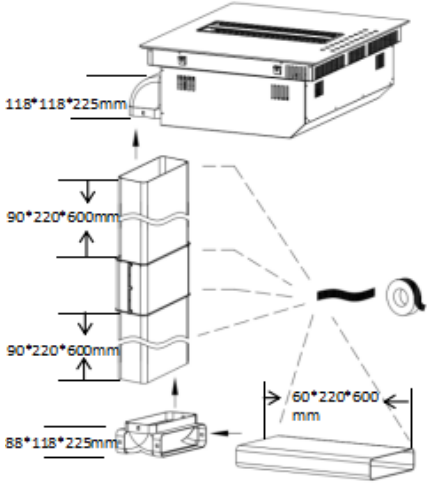
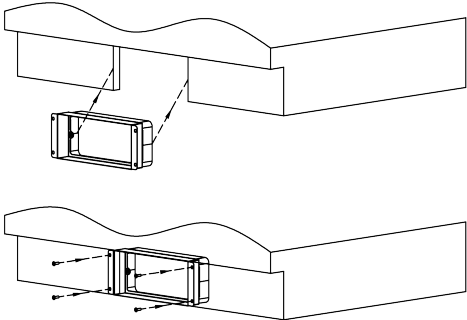
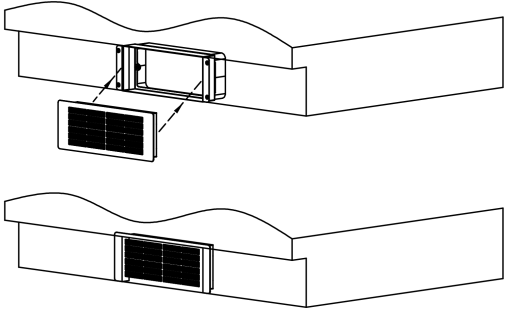
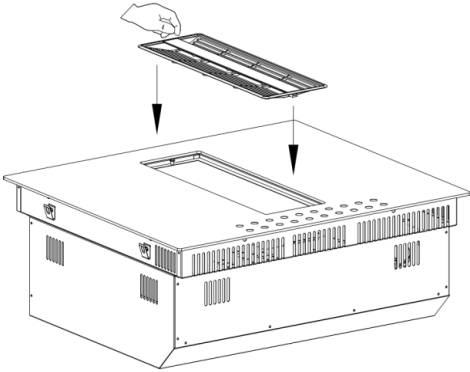
LUETTELO LISÄVARUSTEISTA

Nro	Nimi	Kuva	Määrä
1	ST 4x5 ruuvi		4 kpl
2	ST 4x14 ruuvi		4 kpl
3	Asennuskiinnike		4 kpl
4	Pehmeä palkki		1 kpl
5	Ilmanottorilä		1 kpl
6	9 cm:n neliöputki		2 kpl
7	6 cm:n neliöputki		1 kpl (vain malliin, jossa käytetään suodatinta)
8	Liitäntäputki		1 kpl
9	Taivutettu putki		2 kpl, malliin, jossa käytetään suodatinta 1 kpl, malliin, jossa ilma poistetaan ulos
10	Ilmanpoistoryhmä		1 kpl (vain malliin, jossa käytetään suodatinta)

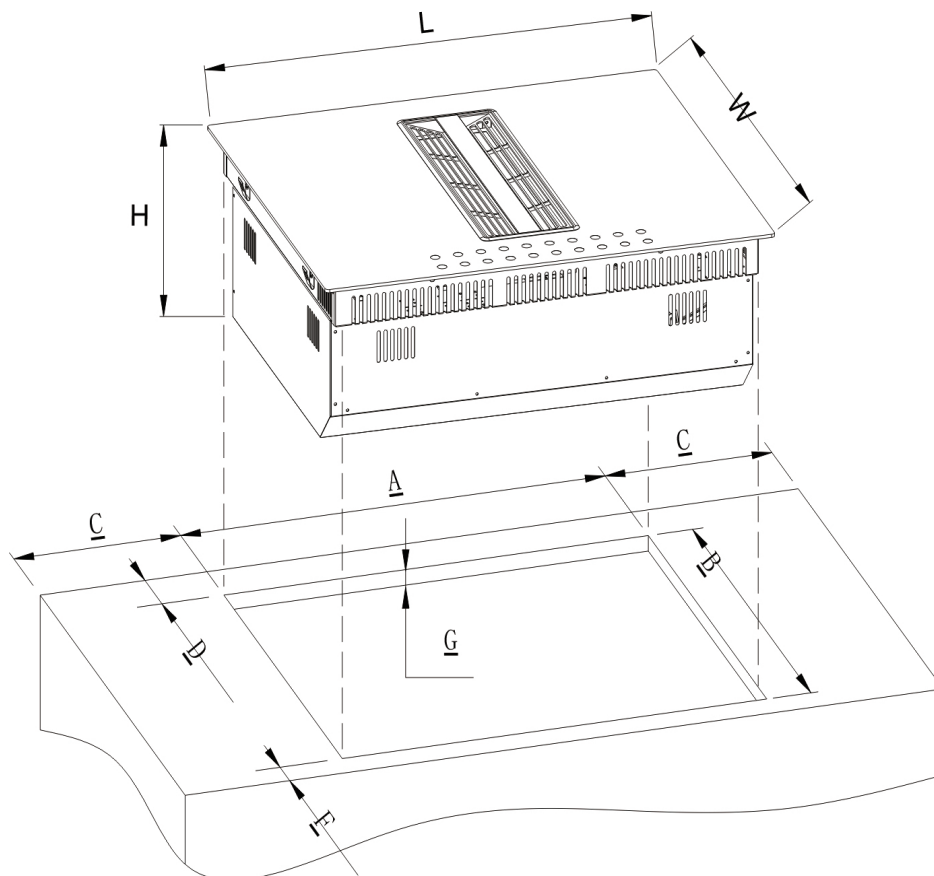
11	Alumiinitarra		7 kpl
----	---------------	--	-------

TUOTTEEN ASENNUS

<p>Vaihe 1: Ruuvaa asennuskiinnikkeet alakoteloon.</p>	<p>Vaihe 2: Kiinnitä pehmeä palkki keraamisen lasin ympärille.</p>
	
<p>Vaihe 3: Kiinnitä taivutettu putki.</p>	<p>Vaihe 4: Asenna tuote kaappiin (vaiheesta a vaiheeseen b)</p>
 <p>118*118*225mm</p>	

<p>Vaihe 5: Jos kaapin korkeus on alle 80 cm, voimme leikata putken haluttuun pituuteen.</p> 	<p>Vaihe 6: Jos kaapin korkeus on yli 80 cm, voimme käyttää kahta putkea liitännällä.</p> 
<p>Vaihe 7: Asenna putki ja kiinnitä se tiivistysnauhalla.</p> 	<p>Vaihe 8: Asenna ilmanpoistoryhmä kaapin alaosaan, kiinnitä ruuvi.</p> 
<p>Vaihe 9: Asenna hiilisuodatin ilmanpoistoryhmään. (*hiilisuodatin kuuluu vain malliin, jossa käytetään suodatinta)</p> 	<p>Vaihe 10: Asenna ritilä.</p> 

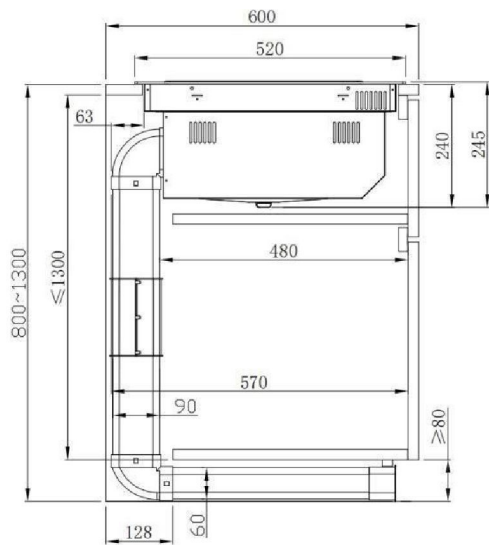
ASENNUSMITAT



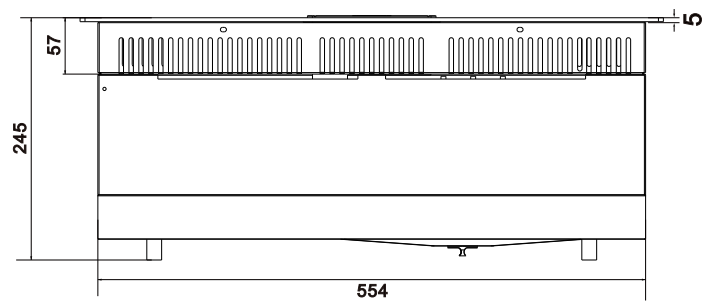
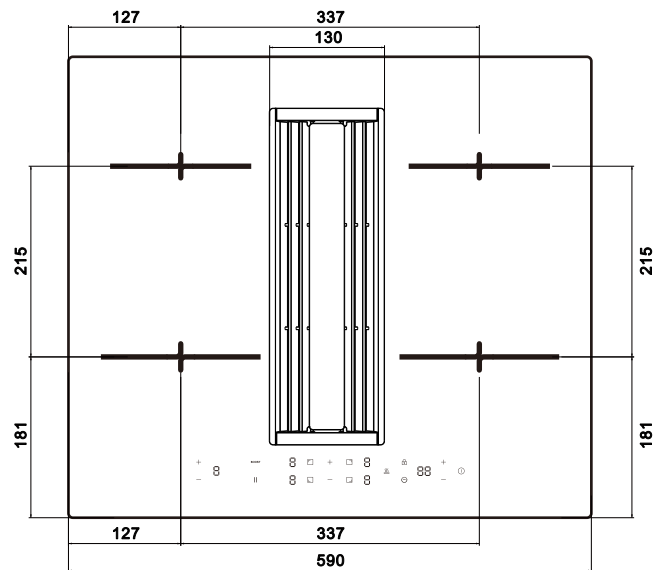
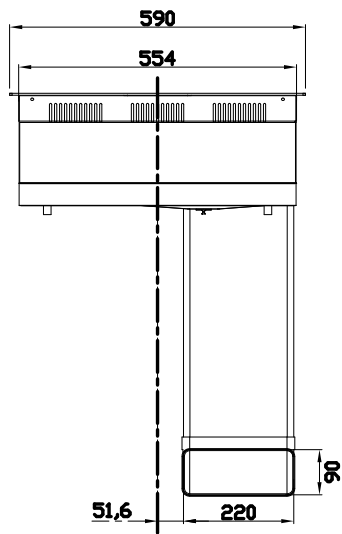
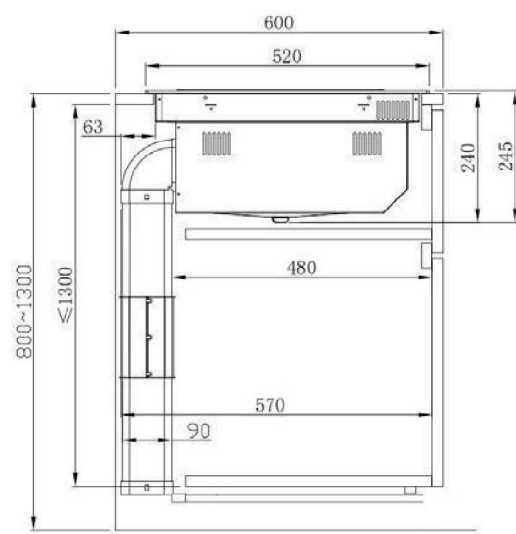
Malli	L (mm)	B (mm)	H (mm)	A (mm)	B (mm)	C (mm)	D (mm)	F (mm)	G (mm)
CIH614CF	590	520	245	560	490	≥ 40	≥ 70	≥ 40	20-40
CIH614CE									

Kaapin ja savuhormin koko

Malli, jossa käytetään suodatinta



Malli, jossa ilma poistetaan ulos



⚠ Tämä keittotaso on kytkettävä verkkovirtaan vain asianmukaisesti pätevän henkilön toimesta.

Tarkista ennen keittotason kytkemistä verkkovirtaan, että:

1. kotikäyttöön tarkoitettu johdotusjärjestelmä sopii keittotason ottamalle virralle
2. jännite vastaa tyyppikilvessä ilmoitettua arvoa
3. virtalähteen kaapeliosat kestävät arvokilvessä ilmoitetun kuormituksen.

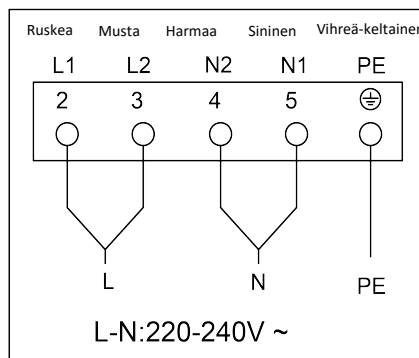
Älä käytä adaptereita, alentajia tai haaroituslaitteita keittotason kytkentään, sillä ne voivat aiheuttaa ylikuumenemista ja tulipalon.

Virtajohto ei saa koskettaa kuumia osia ja se on sijoitettava siten, että sen lämpötila ei missään vaiheessa ylitä 75 °C lämpötilaa.

⚠ Tarkista sähköasentajalta, soveltuuko kotitalouden sähköjohtojärjestelmä käytettäväksi ilman muutoksia. Muutokset saa tehdä vain pätevä sähköasentaja.

Virtalähde on kytkettävä asiaankuuluvan standardin mukaisesti.

Liitântätapa on esitetty alla.



- Jos kaapeli on vaurioitunut tai pitää vaihtaa, vaihto on onnettomuuksien välttämiseksi tehtävä palveluedustajan toimesta tehtävään tarkoitetuilla työkaluilla.
- Jos laite kytketään suoraan verkkovirtaan, on asennettava kaikkinaipainen katkaisin 3 mm minimiaukolla liittimien välillä.
- Asentajan on varmistettava, että sähköliitântä on oikea ja että se on turvallisuusmääräysten mukainen.
- Kaapeli ei saa olla taipunut tai puristunut.
- Kaapeli on tarkistettava säännöllisesti ja vaihdettava vain valtuutettujen asentajien toimesta.

Erityisilmoitus

Tämän käyttöohjeen sisältö on tarkistettu huolellisesti. Yhtiötä ei kuitenkaan voida pitää vastuullisena mahdollisista virheistä tai laiminlyönneistä. Myös kaikki tekniset muutokset voidaan sisällyttää ohjekirjan tarkistettuun versioon ilman erillistä ilmoitusta. Laitteen ulkonäkö ja väri tässä käyttöoppaassa voivat poiketa todellisesta.



Tämä laite on merkitty Euroopan unionin sähkö- ja elektroniikkalaitteita koskevan direktiivin 2012/19/EY (WEEE) mukaisesti.

Sähkö- ja elektroniikkaromussa on sekä pilaantuvia aineita, jotka voivat vaikuttaa ympäristöön haitallisesti, että perusaineita (joita voidaan käyttää uudelleen). On tärkeää, että sähkö- ja elektroniikkaromu käsitellään oikein, jotta epäpuhtaudet voidaan poistaa ja hävittää ja kaikki materiaalit ottaa talteen. Yksilöillä voi olla tärkeä rooli sen varmistamisessa, että sähkö- ja elektroniikkaromusta ei tule ympäristöongelmaa. Sen vuoksi on tärkeää noudattaa muutamaa perussääntöä:

- Sähkö- ja elektroniikkaromua ei tule käsitellä kotitalousjätteenä.
- Sähkö- ja elektroniikkaromu on vietävä kunnan tai rekisteröidyn yrityksen hallinnoimille omille keräysalueille.

Monissa maissa voi olla saatavilla keräyspisteitä kotitalouksien suurikokoista sähkö- ja elektroniikkaromua varten. Kun ostat uuden laitteen, vanha laite voidaan palauttaa kauppiaille, jonka on otettava se vastaan ilmaiseksi kertaluonteisesti, kunhan laite on samantyyppinen ja toimii samalla tavalla kuin hankittu laite.



Kelvollinen vain: Kypros

SOMMAIRE

MANUEL D'INSTRUCTIONS	2
UTILISATION DE LA PLAQUE DE CUISSON À L'AIDE DES COMMANDES TACTILES	19
Gestion de la puissance	26
NETTOYAGE ET ENTRETIEN.....	28
EN CAS DE PROBLÈME	30
AFFICHAGE DES PANNES ET INSPECTION.....	31
LISTE DES ACCESSOIRES	32
INSTALLATION DU PRODUIT	33
BRANCHEMENT ÉLECTRIQUE.....	36

MANUEL D'INSTRUCTIONS

Veillez respecter scrupuleusement les instructions de ce manuel. Nous déclinons toute responsabilité en cas de problèmes, de dommages ou d'incendies causés par le non-respect des instructions contenues dans ce manuel. L'appareil est exclusivement destiné à un usage domestique, pour la cuisson des aliments et l'extraction des fumées générées par la cuisson. Aucune autre utilisation n'est autorisée (par exemple pour chauffer des pièces de la maison). Le fabricant décline toute responsabilité en cas d'utilisation inappropriée ou de réglages incorrects des commandes.

Lisez attentivement les instructions : elles contiennent des informations importantes sur l'installation, l'utilisation et la sécurité. N'apportez aucune modification électrique sur l'appareil. Avant d'installer l'appareil, assurez-vous qu'aucun des composants n'est endommagé. Dans le cas contraire, contactez le revendeur et ne poursuivez pas l'installation. Vérifiez que l'appareil est intact avant de poursuivre l'installation. Dans le cas contraire, contactez le revendeur et ne poursuivez pas l'installation.

1. Avertissement

Attention ! Il convient de respecter scrupuleusement les instructions suivantes :

- L'appareil doit être déconnecté de l'alimentation électrique avant de procéder à l'installation.
- L'installation ou l'entretien doit être effectué(e) par un technicien qualifié, conformément aux instructions du fabricant et aux règles de sécurité locales.

Ne réparez ou ne remplacez aucune partie de l'appareil, sauf indication contraire dans le manuel d'utilisation.

- Selon la loi, l'appareil doit être mis à la terre.
- Le câble d'alimentation doit être suffisamment long pour permettre au dispositif intégré dans l'appareil d'être connecté à l'alimentation électrique.
- Pour que l'installation soit conforme aux normes de sécurité en vigueur, un disjoncteur omnipolaire homologué garantissant la déconnexion complète de l'alimentation dans la catégorie de surtension III est nécessaire, conformément aux règles d'installation.
- N'utilisez pas de multiprises ou de rallonges.

- Une fois l'installation terminée, les composants électriques ne doivent plus être accessibles à l'utilisateur.
- L'appareil et ses parties accessibles deviennent brûlants pendant l'utilisation. Veillez à ne pas toucher les éléments chauffants.
- Veillez à ce que les enfants ne jouent pas avec l'appareil ; tenez-les à l'écart et surveillez-les car les parties accessibles peuvent devenir brûlantes pendant l'utilisation.
- Pour les personnes porteuses d'un stimulateur cardiaque (pacemaker) ou d'un implant actif, il est important de vérifier, avant d'utiliser la plaque à induction, que le stimulateur cardiaque est compatible avec l'utilisation de l'appareil.
- Ne touchez pas les éléments chauffants de l'appareil pendant et après l'utilisation.
- Évitez tout contact avec des chiffons ou tout autre matériau inflammable jusqu'à ce que tous les éléments de la plaque de cuisson aient suffisamment refroidi, car il existe un risque d'incendie.
- Ne placez pas de matériaux inflammables sur ou à proximité de l'appareil.

- Les graisses et les huiles surchauffées s'enflamment facilement. Surveillez la cuisson des aliments gras ou huileux.
- Si la surface est fissurée, éteignez immédiatement l'appareil pour éviter tout risque d'électrocution.
- L'appareil n'est pas prévu pour être utilisé au moyen d'une minuterie externe ou d'un système de commande à distance séparé.
- La cuisson sans surveillance d'aliments dans l'huile ou la graisse peut être dangereuse et provoquer un incendie.
- ATTENTION : la cuisson doit se faire sous surveillance. Même courte, la cuisson doit se faire sous surveillance permanente.
- N'essayez JAMAIS d'éteindre un incendie avec de l'eau. Au lieu de cela, éteignez l'appareil et étouffez les flammes, par exemple à l'aide d'un couvercle ou d'une couverture anti-feu. Risque d'incendie : ne placez pas d'objets sur les surfaces de cuisson.
- N'utilisez pas de nettoyeur vapeur, cela présente un risque d'électrocution.
- Ne placez pas d'objets métalliques, tels que des couteaux, des fourchettes, des cuillères ou des couvercles sur l'appareil, car ils pourraient devenir chauds.

- Avant de raccorder l'appareil au réseau électrique : vérifiez sur la plaque signalétique (sur le fond de l'appareil) que la tension et la puissance correspondent à l'alimentation électrique et que la prise de courant est adaptée. En cas de doute, consultez un électricien qualifié.

Important

- Après utilisation, éteignez la plaque de cuisson à l'aide de l'interrupteur et ne vous fiez pas au détecteur de casseroles.
- Pour éviter que les liquides en ébullition ne débordent, baissez le feu lorsque vous faites bouillir ou chauffer des liquides.
- Ne laissez pas les éléments chauffants allumés lorsque les casseroles sont vides ou en l'absence de casserole sur les éléments chauffants.
- Éteignez la plaque chauffante que vous avez utilisée lorsque vous avez terminé la cuisson.
- N'utilisez jamais de papier aluminium pour la cuisson et ne placez jamais de produits emballés dans de l'aluminium sur la plaque de cuisson. L'aluminium fondrait et endommagerait irrémédiablement votre appareil.
- Ne faites jamais chauffer une boîte de conserve ou une canette contenant des aliments sans l'ouvrir au préalable : elle pourrait exploser !

- Cet avertissement s'applique également à tous les autres types de plaques de cuisson.
- Les niveaux de puissance élevés, notamment la puissance de la fonction Boost, ne doivent pas être utilisés pour chauffer certains liquides, tels que l'huile de friture. Une chaleur excessive peut être dangereuse dans ces situations. Nous recommandons plutôt d'utiliser une puissance de niveau inférieur.
- Les récipients doivent être placés directement sur la plaque de cuisson et au centre de chaque élément chauffant. Il ne faut en aucun cas placer d'autres objets entre la casserole et la plaque de cuisson.
- Si la température devient élevée, l'appareil diminue automatiquement la puissance des zones de cuisson.
- Avant toute opération de nettoyage ou d'entretien, déconnectez l'appareil du réseau électrique en débranchant la fiche ou en coupant l'interrupteur général. Portez systématiquement des gants de protection lors des opérations d'installation et d'entretien. L'appareil peut être utilisé par des enfants de plus de huit ans et par des personnes dont les capacités physiques, sensorielles ou mentales sont réduites ou qui manquent d'expérience

ou de connaissances, à condition qu'elles soient supervisées ou qu'elles aient reçu des instructions sur la manière d'utiliser l'appareil en toute sécurité et qu'elles comprennent les dangers qu'implique l'utilisation de l'appareil. Vous devez surveiller les enfants pour éviter qu'ils ne jouent avec l'appareil. Le nettoyage et l'entretien ne doivent jamais être effectués par des enfants, sauf s'ils sont correctement surveillés.

La pièce doit être correctement ventilée lorsque l'appareil est utilisé en même temps que d'autres appareils à gaz ou alimentés par un autre combustible. L'appareil doit être nettoyé régulièrement à l'intérieur et à l'extérieur (AU MOINS UNE FOIS PAR MOIS), en respectant scrupuleusement les instructions d'entretien. Le non-respect des règles de nettoyage de l'appareil et de remplacement et de nettoyage du filtre peut entraîner un risque d'incendie. Les aliments ne doivent jamais être cuits à la flamme (flambés). L'utilisation d'une flamme nue peut endommager les filtres et provoquer un risque d'incendie ; la cuisson à la flamme doit donc être évitée en toutes circonstances. Des précautions supplémentaires doivent être


prises lors de la friture pour éviter que l'huile ne surchauffe et ne s'enflamme.

ATTENTION

- Les parties accessibles de l'appareil peuvent devenir chaudes lorsque la plaque de cuisson est allumée.
- **Attention !** Ne raccordez jamais l'appareil à l'alimentation électrique tant que l'installation n'est pas complètement terminée. Les réglementations établies par les autorités locales doivent être strictement respectées en ce qui concerne les mesures techniques et de sécurité à adopter pour l'extraction des fumées.
- L'air extrait ne doit pas passer par les mêmes conduits que ceux utilisés pour l'extraction des fumées générées par la combustion de gaz ou d'autres types d'appareils de combustion. N'utilisez jamais l'appareil si la grille n'est pas correctement installée ! Pour l'installation, utilisez uniquement les vis de fixation fournies avec l'appareil ou, si elles ne sont pas fournies, achetez le type de vis approprié.
- Lorsque l'appareil est utilisé avec d'autres appareils alimentés par de l'énergie non électrique, la pression négative de la pièce ne doit pas dépasser 4 Pa (4×10^{-5} bar). Ce manuel

doit être conservé pour pouvoir être consulté à tout moment. En cas de vente, de transfert ou de déménagement, il doit rester avec l'appareil.

Cet appareil est marqué conformément à la directive européenne 2012/19/CE – UK SI 2013 No3113, relative aux déchets d'équipements électriques et électroniques (DEEE). En veillant à ce que cet appareil soit éliminé correctement, l'utilisateur contribue à prévenir les effets négatifs potentiels sur l'environnement et la santé humaine.

Le symbole  figurant sur l'appareil ou les documents qui l'accompagnent indique que cet appareil ne doit pas être jeté avec les ordures ménagères, mais doit être apporté à un centre de tri des déchets adapté au recyclage des appareils électriques et électroniques. Éliminez cet appareil conformément aux réglementations locales en matière d'élimination des déchets. Pour plus d'informations sur le traitement, la remise en état et le recyclage de cet appareil, veuillez contacter les autorités locales, le service de collecte des déchets ménagers ou le magasin où vous avez effectué votre achat. Dispositif

conçu, testé et développé en conformité avec les réglementations portant sur :

- La sécurité : EN/IEC 60335-1 ; EN/IEC 60335-2-6, EN/IEC 60335-2-31, EN/IEC 62233.
- La performance : EN/IEC 61591 ; ISO 5167-1 ; ISO 5167-3 ; ISO 5168 ; EN/IEC 60704-1 ; EN/IEC 60704-2-13 ; EN/IEC 60704-3 ; ISO 3741 ; EN 50564 ; IEC 62301. EN 60350-2 ;
- CEM : EN 55014-1 ; CISPR 14-1 ; EN 55014-2 ; CISPR 14-2 ; EN/IEC 61000-3-3 ; EN/IEC 61000-3-12.

Recommandations en vue d'une utilisation correcte visant à réduire l'impact sur l'environnement : lorsque vous commencez à cuisiner, mettez l'appareil en marche à la vitesse minimale et faites de même pendant quelques minutes après avoir fini la cuisson. N'augmentez la vitesse que si les fumées et la vapeur générées sont importantes, et n'utilisez la fonction Boost que dans les cas extrêmes. Pour un fonctionnement optimal du système de réduction des odeurs, remplacez le(s) filtre(s) à charbon lorsque cela s'avère nécessaire. Pour garantir des performances optimales du filtre à graisse, nettoyez-le lorsque cela s'avère nécessaire. Pour améliorer l'efficacité et minimiser le bruit, utilisez le diamètre maximal de conduit indiqué dans ce manuel.

2. Utilisation

Utilisation de la plaque de cuisson

Le système de cuisson par induction repose sur le principe physique de l'induction magnétique qui permet de transférer directement l'énergie du générateur à la casserole.

Avantages :

Par rapport aux plaques de cuisson électriques, votre plaque à induction est :

- **Plus sûre** : température moins élevée sur la surface du verre.
- **Plus rapide** : temps de chauffe des aliments réduits.
- **Plus précis** : la plaque de cuisson réagit immédiatement à vos commandes.
- **Plus efficace** : 90 % de l'énergie absorbée est convertie en chaleur. De plus, lorsque la casserole est retirée de la plaque de cuisson, la transmission de la chaleur s'interrompt immédiatement, évitant ainsi les pertes de chaleur inutiles.

2.1 Récipients de cuisson

N'utilisez que des récipients de cuisson sur lesquels figure le symbole  :

pour éviter les rayures, ne pas utiliser :

- les récipients dont le fond n'est pas parfaitement plat.
- les récipients métalliques à fond émaillé.
- les récipients dont le fond est irrégulier, afin d'éviter de rayer la surface de la plaque de cuisson.
- ne pas poser de récipients chauds sur la surface du panneau de commande.

2.1.1 Récipients que vous possédez déjà

La cuisson par induction génère de la chaleur grâce au magnétisme.

Les récipients doivent donc être composés d'un matériau magnétique, tel que le fer. Pour déterminer si un récipient est compatible avec la cuisson par induction, testez le matériau avec un aimant. Si le récipient ne réagit pas à l'aimant, il n'est pas adapté à la cuisson par induction.

2.1.2 Diamètres de fond recommandés

IMPORTANT : si la taille d'un récipient n'est pas correcte, les zones de cuisson ne s'activeront pas.

Pour plus de détails sur le diamètre minimum de récipient à utiliser pour chaque zone, consultez la partie illustrée de ce manuel.

2.2 Économies d'énergie

Recommandations pour de meilleurs résultats :

- Utilisez des casseroles et des poêles dont le diamètre du fond est égal à celui de la zone de cuisson.
- N'utilisez que des casseroles et des poêles à fond plat.
- Gardez le couvercle sur le récipient autant que possible pendant la cuisson.

- Faites cuire les légumes, les pommes de terre, etc. avec un minimum d'eau pour réduire le temps de cuisson.
- Utilisez un autocuiseur pour réduire la consommation d'énergie et le temps de cuisson.
- Centrez le récipient sur la zone de cuisson indiquée sur la plaque de cuisson.

SÉLECTION DU BON RÉCIPIENT DE CUISSON

Récipients de cuisson pour plaques à induction

Les récipients de cuisson pour les zones de cuisson à induction doivent être composés de métal et avoir des propriétés magnétiques. Le fond doit être suffisamment grand.

N'utilisez que des casseroles dont le fond est adapté à l'induction.

Pour déterminer la compatibilité d'un récipient :

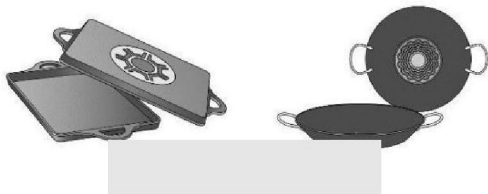
Récipients de cuisson adaptés	Récipients de cuisson inadaptés
Marmites en acier émaillé à fond épais	Récipient en cuivre, en acier inoxydable, en aluminium, en verre résistant au four, en bois, en céramique et en terre cuite.
Marmites en fonte avec base émaillée	
Récipients en acier inoxydable multicouche, en acier inoxydable ferritique ou en aluminium avec un fond spécial.	

Effectuez le test de l'aimant décrit ci-dessous ou assurez-vous que le récipient porte le symbole indiquant la compatibilité avec la cuisson à induction.

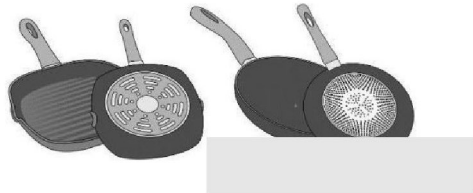
N'utilisez jamais de récipients dont le fond est déformé. Un fond creux ou arrondi peut perturber le fonctionnement de la protection contre la surchauffe, de sorte que l'appareil deviendra trop chaud. Le plateau en verre risque alors de se fissurer et le fond du récipient de fondre. Les dommages résultant de l'utilisation de récipients inadaptés ou de la cuisson à sec sont exclus de la garantie.



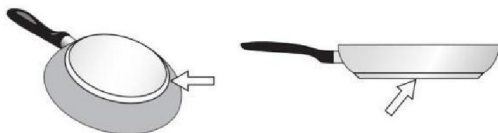
Si le fond du récipient de cuisson n'est que partiellement ferromagnétique, seule la zone ferromagnétique chauffera. Cela peut signifier que la chaleur ne sera pas distribuée de manière uniforme. La zone non ferromagnétique peut ne pas atteindre une température suffisante pour la cuisson.



La zone ferromagnétique sera également réduite si le matériau constituant le fond du récipient de cuisson contient de l'aluminium, par exemple. Le récipient de cuisson ne deviendra pas suffisamment chaud ou ne sera pas détecté.



Le(s) matériau(x) dont est constitué le fond du récipient de cuisson peut(vent) affecter le résultat de la cuisson. L'utilisation de casseroles et de poêles fabriquées dans des matériaux qui répartissent uniformément la chaleur, comme les poêles en acier inoxydable à trois couches, permet d'économiser du temps et de l'énergie. Utilisez de récipient de cuisson à fond plat ; si le fond du récipient est irrégulier, cela peut nuire à l'apport de chaleur.



Test de l'aimant :

Déplacez un aimant vers le fond de votre récipient de cuisson. S'il est attiré par le récipient, vous pouvez l'utiliser sur la plaque à induction.



Remarque :

En cas d'utilisation de récipients adaptés à la cuisson par induction de certains fabricants, des bruits peuvent se produire, qui sont liés à la conception de ces récipients. Soyez prudent lorsque vous utilisez des récipients à mijoter, car l'eau frémissante peut s'évaporer sans que vous ne vous en aperceviez, ce qui pourrait endommager le récipient et la plaque de cuisson ; et nous ne pourrions en être tenus responsables.

Dimensions des récipients de cuisson

Pour obtenir des résultats optimums, la surface ferromagnétique du fond du récipient doit correspondre à la taille de la zone de cuisson. Si une zone chauffante ne détecte pas un récipient de cuisson, essayez de le placer sur une autre zone chauffante de diamètre inférieur.

Zone de cuisson	Diamètre minimal de récipient
Ø 160 mm	Ø 120 mm
Ø 180 mm	Ø 140 mm

Utilisation de l'extracteur

Le système d'extraction peut être utilisé de deux manières : en mode extraction externe ou en mode filtration avec recirculation interne. La version à évacuation externe permet d'évacuer la fumée, la vapeur et les odeurs de cuisson vers l'extérieur, tandis que la version à recirculation interne filtre ces éléments et fait circuler l'air purifié dans la pièce.



Extraction

Les fumées sont évacuées vers l'extérieur à l'aide de conduits (vendus séparément) fixés au conduit de raccordement inclus. Le diamètre des conduits d'extraction ou de l'adaptateur doit correspondre à la dimension du conduit de raccordement inclus, à savoir 222 x 89 mm.

Pour obtenir plus d'informations sur l'utilisation du système d'extraction, reportez-vous à la page correspondante de la section illustrée du manuel. Lorsque le produit est raccordé à des conduits d'extraction et ouvertures dans un mur, veillez à ce que le diamètre corresponde à la sortie d'air (bride de raccordement). L'utilisation de conduits et ouvertures d'un diamètre inférieur peut réduire l'efficacité de l'extracteur et augmenter le niveau de bruit. Pour de meilleurs résultats, le conduit doit être aussi court que possible et comporter un nombre minimal de courbures (angle maximal : 90°) ; il convient par ailleurs d'éviter les changements brusques de diamètre au sein du conduit.

- Le conduit doit être aussi court que possible.
- Utilisez des conduits avec le moins de courbures possible (angle maximum : 90°).
- Évitez de modifier radicalement le diamètre des conduits.



Version filtrante

La version à filtration et à recirculation interne permet de filtrer les fumées de cuisson et de renvoyer de l'air propre dans la cuisine. Au lieu d'évacuer l'air à l'extérieur, ce système recycle l'air à l'intérieur après l'avoir fait passer à travers des filtres. Ce mode de fonctionnement est pratique lorsqu'il n'est pas possible d'évacuer les fumées vers l'extérieur. Des filtres spécifiques, comme les filtres à charbon actif (inclus avec les accessoires), retiennent efficacement les graisses et les odeurs. Un entretien régulier, en ce compris le remplacement des filtres, est nécessaire pour obtenir des performances optimales. Cette méthode permet de maintenir l'air à l'intérieur propre et est économe en énergie, mais elle n'élimine pas entièrement les polluants de la maison. Le mode d'installation et les dimensions requises peuvent être indiqués dans le manuel de l'utilisateur.

3. Installation

- L'installation électrique et mécanique doit être réalisée par des professionnels qualifiés. Cet appareil électrique est conçu pour être installé dans un plan de travail d'une épaisseur comprise entre 2 et 6 cm pour une installation par le dessus, ou entre 2,5 et 6 cm pour une installation encastrée. Lors de l'installation de la plaque de cuisson, respectez un dégagement minimal de 5 cm devant, 4 cm sur les côtés et 50 cm par rapport aux meubles situés au-dessus. Remarque : les distances recommandées ne sont données qu'à titre d'exemple. Lors de la conception de votre cuisine, suivez les recommandations fournies par le fabricant de la cuisine.

3.1 Raccordement à l'alimentation électrique

Pour raccorder la plaque de cuisson à l'alimentation électrique, procédez comme suit :

- Sortez la plaque de cuisson de son emballage et placez-la sur une surface plane.
- Branchez le câble d'alimentation sur la plaque de cuisson.
- Branchez l'autre extrémité du câble d'alimentation sur le réseau électrique.
- Assurez-vous que le branchement est sûr et conforme aux réglementations électriques locales.

- Débranchez l'appareil de l'alimentation électrique.
 - L'installation doit être effectuée par du personnel professionnellement qualifié connaissant les réglementations en vigueur en matière d'installation et de sécurité.
 - Le fabricant décline toute responsabilité à l'égard des personnes, des animaux ou des biens en cas de non-respect des lignes directrices énoncées dans le présent chapitre.
 - Le câble d'alimentation doit être suffisamment long pour permettre de retirer la plaque de cuisson du plan de travail.
 - Assurez-vous que le branchement est sûr et conforme aux réglementations électriques locales.
 - N'utilisez jamais de rallonges.
 - Le câble de mise à la terre doit être plus long de 2 cm que les autres câbles.
 - Si l'appareil électrique n'est pas fourni avec un câble d'alimentation, utilisez un câble ayant un diamètre de conducteur de 2,5 mm² minimum pour une puissance allant jusqu'à 7 200 Watts ; pour des puissances supérieures, le diamètre doit être de 4 mm².
 - La température ne doit pas atteindre 50 °C au-dessus de la température ambiante à n'importe quel endroit du câble.
 - L'appareil est destiné à être raccordé de manière permanente à l'alimentation électrique.
- **Attention !** Avant de reconnecter le circuit au réseau électrique, assurez-vous qu'il fonctionne correctement, vérifiez toujours que le câble d'alimentation est correctement installé.
 - **Attention !** Le câble d'interconnexion doit être remplacé par le service d'assistance technique agréé ou par une personne disposant de qualifications similaires.
- Remarque :** le produit est équipé d'une fonction de limitation de la puissance, qui permet de fixer une limite de puissance maximale. La limite doit être fixée au moment du branchement du produit au réseau électrique ou lors de la reconnexion du réseau électrique lui-même (dans les 2 minutes qui suivent).

3.2 Montage

Avant de commencer l'installation :

- **Après avoir déballé le produit, vérifiez qu'il n'a pas été endommagé pendant le transport et, en cas de problème, contactez le revendeur ou le service d'assistance à la clientèle avant de l'installer.**
- Vérifiez que la taille du produit est adaptée à la zone d'installation.
- Vérifiez les accessoires (p. ex. sachets contenant des vis, certificats de garantie, etc.) présents à l'intérieur de l'emballage (placés à cet endroit pour des raisons de transport). Sortez-les et placez-les en lieu sûr, le cas échéant.
- Vérifiez également qu'une prise de courant se trouve à proximité de la zone d'installation.

Préparation du meuble en vue de l'installation :

- Le produit ne peut pas être installé au-dessus d'appareils de refroidissement, d'un lave-vaisselle, d'un radiateur, d'un four, d'un lave-linge ou d'un sèche-linge.

- Réalisez les découpes dans le meuble avant d'insérer la plaque de cuisson et retirez soigneusement les copeaux ou la sciure de bois.

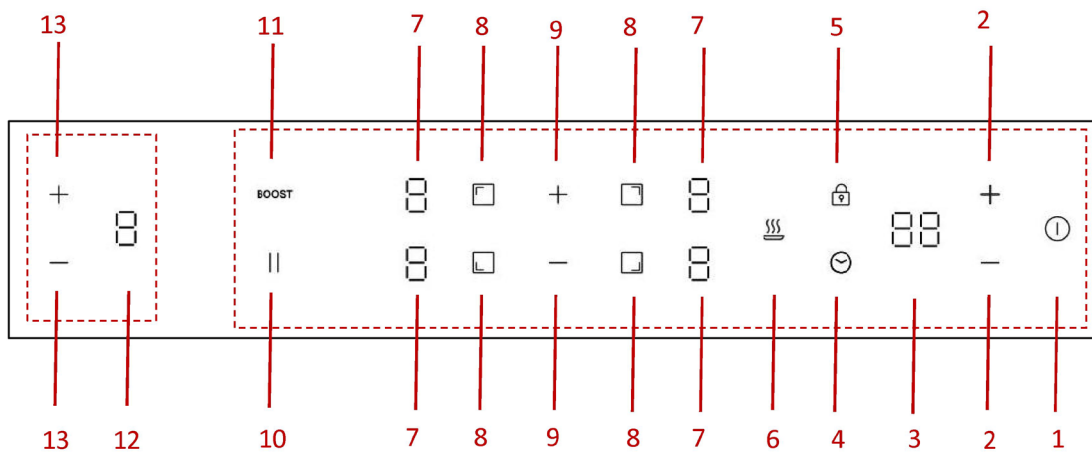
- **Pour une installation optimale du filtre, il est conseillé de découper une fente dans la plinthe pour y insérer une grille (disponible sur le marché). IMPORTANT :** utiliser un adhésif monocomposant (**S**), qui résiste à des températures allant jusqu'à 250° C ; avant l'installation, nettoyer soigneusement les surfaces à coller et éliminer toute substance susceptible de compromettre l'adhérence (par exemple, agents de démoulage, conservateurs, graisses, huiles, poussières, traces d'anciens adhésifs, etc.) ; l'adhésif doit être étalé uniformément sur tout le pourtour du cadre ; après le collage, laisser sécher l'adhésif pendant environ 24 heures.

Attention ! Si les vis ou les dispositifs de fixation ne sont pas installés conformément à ces instructions, cela peut provoquer des dangers électriques.

Remarque : pour garantir une installation correcte du produit, il est recommandé de coller les conduits à l'aide d'un adhésif présentant les caractéristiques suivantes :

- film PVC souple et élastique, avec un adhésif à base d'acrylique.
- conforme à la norme DIN EN 60454.
- ignifuge.
- présentant une excellente résistance à l'usure.
- résistant aux fluctuations de température.
- utilisable à basse température.

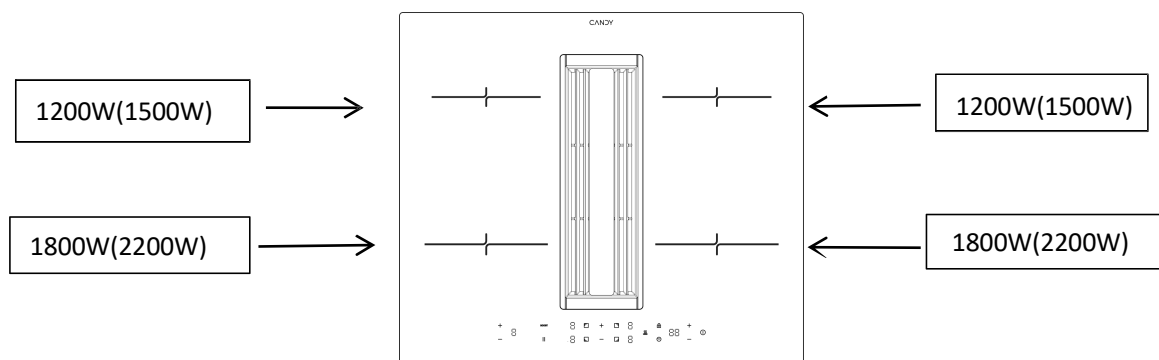
UTILISATION DE LA PLAQUE DE CUISSON À L'AIDE DES COMMANDES TACTILES



- | | | | |
|----|--|---|--|
| 1 | MARCHE/ARRÊT | 2 | Réglage de la minuterie |
| 3 | Affichage de la minuterie | 4 | Sélection de la minuterie |
| 5 | Sécurité enfants | 6 | Fonction de maintien au chaud |
| 10 | Affichage du niveau de puissance de la zone de cuisson | 7 | Sélection de la zone de cuisson |
| 11 | Sélection du niveau de puissance de la zone de cuisson | 8 | Pause |
| 12 | Fonction Boost | 9 | Affichage du niveau de puissance de la hotte |
| 13 | Sélection du niveau de puissance de la hotte | | |

CARACTÉRISTIQUES DU PRODUIT

CIH6I4CF/CIH6I4CE



Utilisation de la hotte

1. MODE VEILLE :

Lorsque la plaque est allumée, un bip sonore est émis, tous les afficheurs indiquent « 0 » et la hotte entre en mode veille.

Si, dans les 60 secondes, aucune commande n'est activée, tous les afficheurs s'éteignent complètement et la hotte s'éteint automatiquement. Vous pouvez réactiver la hotte à tout moment en touchant n'importe quelle touche du panneau de commande.

2. RÉGLAGE DU NIVEAU DE PUISSANCE :

La hotte offre quatre niveaux de puissance (niveau 1 à niveau 4), ce qui permet aux utilisateurs de régler l'intensité de l'aspiration en fonction de leurs besoins.

Appuyez sur la touche de sélection de puissance **+** et maintenez-la enfoncée pendant 1 seconde pour activer la hotte. Par défaut, la hotte démarre au niveau 1. Vous pouvez sélectionner le niveau de puissance en appuyant sur les touches **+** et **-**.

3. MODE BOOST :

Le mode Boost, qui s'active en sélectionnant le niveau de puissance le plus élevé (« P »), permet d'intensifier l'aspiration pour éliminer rapidement les fumées de cuisson. Cette fonction ne dure que 10 minutes pour éviter une consommation excessive d'énergie et est prévue pour éliminer efficacement les odeurs de cuisson et les graisses lors d'une utilisation intensive.

Appuyez sur la touche **+** et maintenez-la enfoncée pendant une seconde après le réglage du niveau de puissance, la hotte passera directement en MODE BOOST (P). Veuillez noter que le MODE BOOST ne peut durer que 10 minutes, après quoi il passera automatiquement au niveau 4.

a) MODE ARRÊT DIFFÉRÉ :

Après l'arrêt de la plaque de cuisson, la hotte continue d'aspirer les vapeurs d'huile résiduelles.

Fonctionne jusqu'à 5 minutes après l'arrêt de la plaque pour assurer une ventilation complète, même après la fin de la cuisson. Au bout de 5 minutes, l'arrêt s'effectue automatiquement.

Contribue à un environnement de cuisine propre et sans odeur en éliminant les odeurs de cuisson persistantes et les particules de graisse.

Appuyez sur la touche **-** pour éteindre la hotte (P→4→3→2→1→d→arrêt). Vous pouvez également appuyer sur la touche **-** et la maintenir enfoncée pendant une seconde pour passer directement en mode d'arrêt différé (d).

En mode d'arrêt différé, vous pouvez appuyer sur **-** pour éteindre directement la hotte, ou sur **+** pour allumer la hotte au niveau 1. Vous pouvez sélectionner le niveau de puissance en appuyant sur les touches **+** et **-**.

4. MODE AUTOMATIQUE :

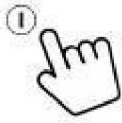
La hotte ajuste son fonctionnement en fonction de l'activité de la plaque de cuisson à induction. Lorsque la plaque de cuisson est allumée, la hotte s'active au niveau 1. Lorsque la plaque de cuisson s'éteint, la hotte passe automatiquement en mode d'arrêt différé. Cela garantit une ventilation continue même après la fin de la cuisson, éliminant efficacement les odeurs résiduelles et les graisses de l'environnement de la cuisine.

Utilisation de la plaque de cuisson

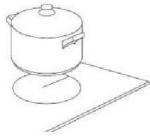
Commencer la cuisson

- Après la mise sous tension, le bip sonore retentit une fois, tous les voyants des zones de cuisson s'allument pendant 1 seconde puis s'éteignent, indiquant que la plaque est passée en mode veille.

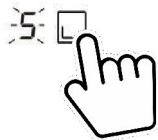
1. Appuyez sur la commande Marche/Arrêt ①. Tous les voyants indiquent « - ».



2. Placez une casserole adaptée sur la zone de cuisson que vous souhaitez utiliser. Assurez-vous que le fond de la casserole et la surface de la zone de cuisson sont propres et secs.



3. En touchant la commande de sélection de la zone de cuisson, un voyant à côté de la touche se mettra à clignoter.



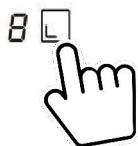
4. Sélectionnez un réglage de chaleur en touchant la commande de niveau de puissance.



- Si vous ne choisissez aucun réglage de chaleur dans la minute qui suit, la plaque à induction s'éteindra automatiquement.
- Vous devrez recommencer à partir de l'étape n° 1.
- Vous pouvez modifier le réglage de la chaleur à tout moment durant la cuisson.

En fin de cuisson

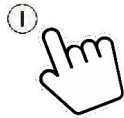
- Appuyez sur la commande de sélection de la zone de cuisson que vous souhaitez éteindre.



- Éteignez la zone de cuisson en touchant la commande de réglage de la puissance. Assurez-vous que « 0 » s'affiche.



- Éteignez toute la plaque en touchant la commande Marche/Arrêt.



- Faites attention aux surfaces chaudes

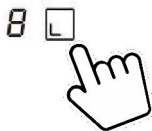
La lettre « H » indique que la zone de cuisson est trop chaude pour que vous la touchiez. Elle disparaîtra quand la surface aura refroidi pour atteindre une température ne présentant aucun risque. Vous pouvez également l'utiliser comme une fonction d'économie d'énergie si vous souhaitez réchauffer d'autres casseroles, utilisez la plaque qui est encore chaude.

H

Utilisation de la fonction Boost

Activer la fonction Boost

1. Sélectionnez la zone concernée par la fonction Boost.

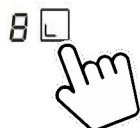


2. Appuyez sur la touche « BOOST », l'indicateur du niveau de puissance affiche « P ».

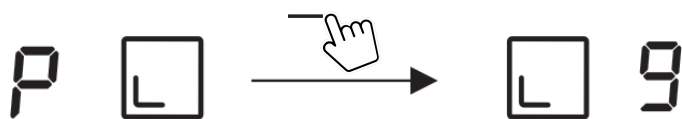


Désactiver la fonction Boost

1. Sélectionnez la zone concernée par la fonction Boost.



2. Touchez le niveau de puissance pour annuler la fonction Boost et sélectionnez le niveau souhaité.




- La fonction Boost est limitée à 5 minutes, ensuite la zone passe automatiquement au niveau 9.


Verrouillage des commandes


- Vous pouvez verrouiller les commandes pour éviter une utilisation indésirable (par exemple, des enfants allumant par inadvertance les zones de cuisson).
- Quand les commandes sont verrouillées, toutes les commandes sont désactivées à l'exception de la commande Marche/Arrêt.

Pour verrouiller les commandes

Appuyez sur la commande de sécurité enfants . Le voyant de la minuterie affichera « Lo ».

Pour déverrouiller les commandes

- Assurez-vous que la plaque est allumée.
- Appuyez sur la commande de sécurité enfants  et maintenez-la enfoncée pendant 3 secondes.
- Vous pouvez maintenant commencer à utiliser votre plaque de cuisson.

Quand la plaque est en mode verrouillage, toutes les commandes sont désactivées à l'exception de Marche/Arrêt, vous pouvez  toujours éteindre la plaque avec la commande Marche/Arrêt en cas d'urgence, mais vous devrez d'abord déverrouiller la plaque lors de l'utilisation suivante.

Avertissement de chaleur résiduelle

Lorsque la plaque de cuisson fonctionne pendant un certain temps, il y aura de la chaleur résiduelle. La lettre « H » s'affiche pour vous avertir de vous tenir à l'écart.

Coupe automatique

La fonction de sécurité permet un arrêt automatique de la plaque de cuisson. Cela se produit chaque fois que vous oubliez d'éteindre une zone de cuisson. Les délais de coupure par défaut sont indiqués dans le tableau ci-dessous :

Niveau de puissance	1	2	3	4	5	6	7	8	9
Temps de fonctionnement par défaut (en heures)	8	8	8	4	4	4	2	2	2

Utilisation de la minuterie

Vous pouvez utiliser la minuterie de deux manières différentes :

- Vous pouvez l'utiliser comme alarme. Dans ce cas-là, la minuterie n'éteindra pas la zone de cuisson quand le temps réglé se sera écoulé.
- Vous pouvez l'utiliser comme compte à rebours avant l'extinction d'une ou plusieurs zones de cuisson.
- Vous pouvez régler la minuterie jusqu'à un maximum de 99 minutes.

Utilisation de la minuterie comme alarme

- Assurez-vous que la plaque est allumée. Et que la touche de sélection de la zone n'est pas activée (le voyant de la zone « - » ne clignote pas).

Remarque : vous pouvez régler la minuterie de fin de cuisson avant ou après la fin du réglage de la puissance de la zone de cuisson.



- Appuyez sur la touche de la minuterie, « 30 » s'affiche pour la minuterie et clignote. Le réglage par défaut est de 30 minutes.

- Réglez le temps en touchant les commandes « + » ou « - » (par ex. 5).

Un appui bref permet de régler la valeur par incrément d'une minute et un appui long permet de régler la valeur par incrément de 10 minutes.

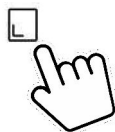


- Quand le temps est réglé, le compte à rebours démarre immédiatement. L'écran affiche le temps restant.

- Un bip sonore retentit pendant 20 secondes et le voyant de la minuterie indique « - - » quand le temps réglé est terminé.

Utilisation de la minuterie pour éteindre une ou plusieurs zones de cuisson

- Appuyez sur la commande de sélection de la zone de cuisson pour laquelle vous voulez régler la minuterie.



- Appuyez sur la touche de la minuterie, « 30 » s'affiche pour la minuterie et clignote. Le réglage par défaut est de 30 minutes.

- Réglez le temps en touchant les commandes « + » ou « - » (par ex. 5).

Un appui bref permet de régler la valeur par incrément d'une minute et un appui long permet de régler la valeur par incrément de 10 minutes.



- Quand le temps est réglé, le compte à rebours démarre immédiatement. L'écran affiche le temps restant.

REMARQUE : un point rouge dans le coin inférieur droit de la zone d'indication du niveau de puissance indique que cette zone est sélectionnée.

- Quand le temps de cuisson est terminé, la zone de cuisson correspondante s'éteint automatiquement.

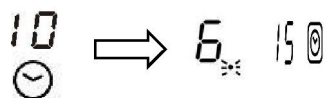
Remarque : les autres zones de cuisson continueront à fonctionner si vous les avez allumées auparavant.

Si la minuterie est réglée sur plusieurs zones :

- Lorsque vous réglez la minuterie pour plusieurs zones de cuisson, les points rouges des zones de cuisson correspondantes sont affichés. L'affichage de la minuterie indique les minutes. Le point de la zone correspondante clignote.



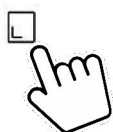
- Quand le compte à rebours de la minuterie sera terminé, la zone correspondante s'éteindra. Puis la nouvelle minuterie s'affichera et le point de la zone correspondante clignotera.



Remarque : appuyez sur la commande de sélection de la zone de cuisson, la minuterie correspondante s'affichera dans le voyant de la minuterie.

Annuler la minuterie

- Appuyez sur la commande de sélection de la zone de cuisson pour laquelle vous voulez annuler la minuterie.



- Appuyez sur la commande de la minuterie, le voyant clignote
- Appuyez sur la commande « - » pour régler la minuterie sur « 00 », la minuterie est annulée.



Réglage de la puissance

La puissance de chauffe des zones de cuisson peut être réglée sur différents niveaux de puissance. Dans le tableau ci-dessous, vous trouverez des exemples d'utilisation de chaque niveau.

Puissance de cuisson :	Adapté pour :
1	Maintenir au chaud les aliments. Faire mijoter une petite quantité (réglage de puissance le plus bas).
2	Faire mijoter.
3-4	Faire mijoter de plus grandes quantités ou faire rôtir de plus gros morceaux de viande jusqu'à ce qu'ils soient bien cuits.
5-6	Recueillir du jus.
7-8	Faire rôtir, recueillir du jus.
9	Faire rôtir.
P	Faire rôtir (puissance maximale).

Gestion de la puissance

Cette plaque de cuisson peut être connectée à une alimentation de 13, 20, 25 ou 32 ampères et configurée pour fonctionner avec n'importe laquelle de ces puissances. La plaque de cuisson est pré-réglée pour être connectée à une alimentation de 32 ampères. Lorsque quatre zones sont sélectionnées simultanément, la plaque de cuisson limite la puissance maximale consommée afin de ne pas dépasser 7,0 kW. De la même manière, lorsque la plaque de cuisson est connectée et configurée en mode d'alimentation 13/20/25 ampères, la plaque de cuisson limite la puissance maximale à 2,5/3,5/4,5/7,0 kW.

Toutefois, si la plaque de cuisson est connectée et configurée pour une alimentation de 32 ampères, les quatre zones peuvent être utilisées en même temps avec le réglage maximum et la fonction Boost.

Pour modifier les paramètres de gestion de l'énergie

1. Mettez l'appareil hors tension.
2. Laissez l'appareil hors tension pendant une minute.
3. Remettez l'appareil sous tension.
4. Suivez les instructions de la section « Configurer la plaque de cuisson en mode ECO » à partir de l'étape 1.

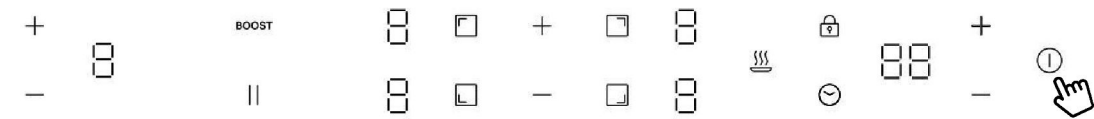
REMARQUE : la configuration du mode ECO n'est accessible qu'une seule fois si l'alimentation électrique de la plaque de cuisson n'est pas coupée.

(Remarque : Le mode ECO doit être réglé dans la minute qui suit la mise sous tension, sinon le réglage du mode ECO ne pourra pas être effectué une fois la minute écoulée.)

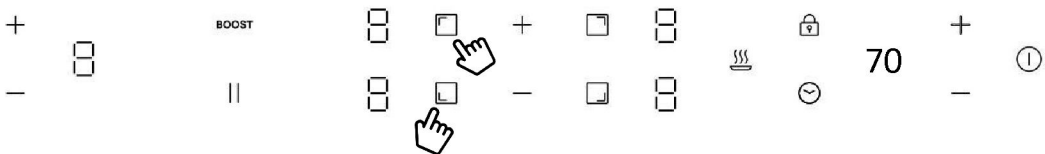
Configurer la plaque de cuisson en mode de gestion de l'énergie

1. Appuyez sur la touche Marche/Arrêt pour mettre l'appareil sous tension.

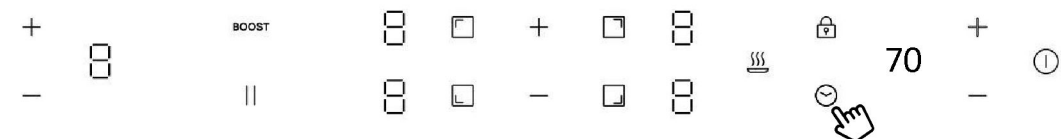
Un bip sonore retentit une fois, tous les affichages indiquent « - » et « - - ».



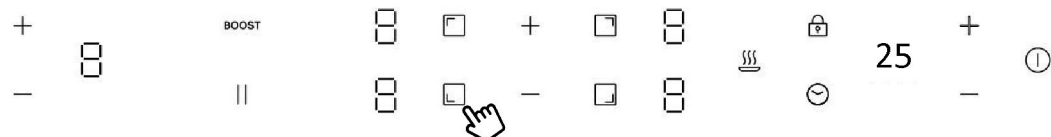
2. Appuyez brièvement sur la touche correspondant à la zone avant gauche et sur la touche correspondant à la zone arrière gauche simultanément pendant 3 secondes. Un bip sonore indique que la plaque de cuisson à induction passe en mode ECO. (L'écran affiche la puissance pré-réglée de 7,0 kW)



3. Appuyez sur la touche de minuterie, l'affichage de la minuterie clignote. Vous pouvez maintenant sélectionner le réglage de la puissance.

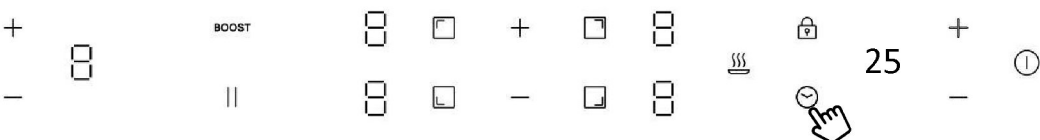


4. Pour modifier le réglage de la puissance totale, appuyez sur la touche de la zone avant gauche pour sélectionner un nouveau réglage de puissance totale. Appuyez à nouveau sur la touche de la zone avant gauche pour passer d'une option à l'autre. L'écran de la minuterie affiche quatre options : 25, 35, 45 et 70. Par exemple, lorsque l'écran de la minuterie affiche le chiffre « 25 », cela signifie que la puissance totale est réglée sur 2 500 W. Continuez à appuyer sur la touche de la zone avant gauche jusqu'à ce que vous ayez atteint le réglage de puissance souhaité.

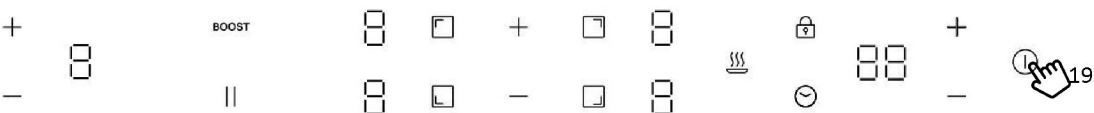


*Par défaut, la puissance est réglée en usine sur 7,0 kW.

5. Appuyez à nouveau sur la touche de minuterie, l'affichage de la minuterie arrête de clignoter et la touche de la zone sélectionnée précédemment affiche « 0 », ce qui indique que le réglage est confirmé.



6. Appuyez sur le bouton Marche/Arrêt pour éteindre l'appareil. Ensuite, allumez la plaque de cuisson et elle est configurée pour être prête à être utilisée dans le mode ECO que vous avez choisi.



7. Appuyez sur le bouton Marche/Arrêt pour allumer l'appareil, vous pouvez maintenant utiliser le nouveau réglage de puissance.

NETTOYAGE ET ENTRETIEN

- Avant de procéder au nettoyage, éteignez la plaque de cuisson et laissez-la refroidir.
- N'utilisez pas de nettoyeur à vapeur ou de nettoyeur à haute pression pour nettoyer la plaque de cuisson, car vous risqueriez de vous électrocuter.
- Lors du nettoyage, veillez à n'essuyer que légèrement le capteur marche/arrêt. Dans le cas contraire, vous pourriez mettre en marche par inadvertance la plaque de cuisson !

Plateau vitrocéramique

Important ! N'utilisez jamais de produits de nettoyage agressifs tels que des produits à récurer, des nettoyeurs abrasifs pour casseroles, des produits antirouille et anti-taches, etc.

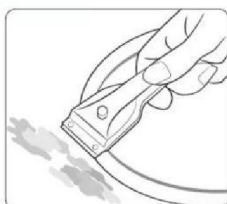
Nettoyage après utilisation

Nettoyez toujours l'ensemble de la plaque de cuisson lorsqu'elle est sale. Il est recommandé de le faire à chaque utilisation. Utilisez un chiffon humide et un peu de liquide vaisselle pour le nettoyage. Séchez ensuite la plaque de cuisson avec un chiffon propre et sec pour vous assurer qu'il ne reste pas de détergent en surface.

Nettoyage hebdomadaire

Nettoyez soigneusement la plaque de cuisson dans son intégralité une fois par semaine à l'aide de produits de nettoyage pour vitrocéramique vendus dans le commerce. Veuillez suivre attentivement les instructions du fabricant. Une fois appliqué, le produit de nettoyage recouvre la plaque de cuisson d'un film protecteur résistant à l'eau et à la saleté. Toutes les saletés restent sur le film et peuvent être enlevées facilement. Frottez ensuite la plaque de cuisson avec un chiffon propre pour la sécher. Veillez à ce qu'aucun produit de nettoyage ne reste sur la surface de la plaque de cuisson, car il réagit de manière agressive lorsque la plaque de cuisson est chauffée et peut modifier la surface.

Salissures spécifiques. Les salissures importantes et les taches (calcaire et taches brillantes de type nacré) peuvent être éliminées de préférence lorsque la plaque de cuisson est encore légèrement chaude. Utilisez des produits nettoyants disponibles dans le commerce pour nettoyer la plaque de cuisson. Procédez comme indiqué au point 2. Il convient tout d'abord d'imbiber les résidus d'aliments avec un chiffon humide, puis d'éliminer les salissures restantes avec un grattoir spécial pour plaques de cuisson en vitrocéramique. Nettoyez ensuite à nouveau la plaque de cuisson comme indiqué au point 2.



Grille et filtre à graisse

À nettoyer une fois par semaine à la main ou au lave-vaisselle. Utilisez un peu de liquide vaisselle pour le nettoyage.

Filtre à charbon

Il est recommandé de remplacer le filtre à charbon dans les 2 à 4 mois.

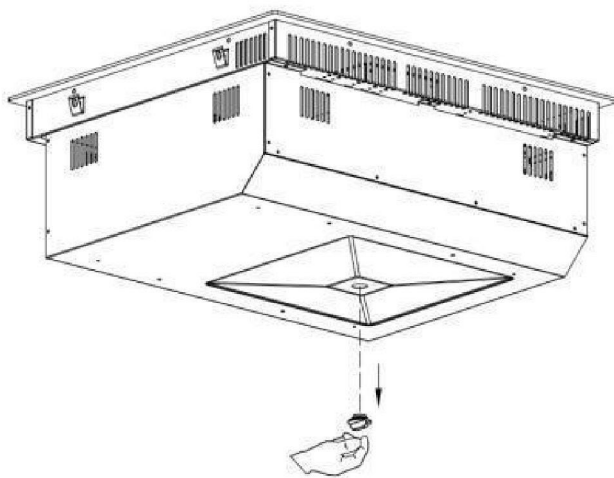
Le sucre brûlé et le plastique fondu doivent être enlevés immédiatement, lorsqu'ils sont encore chauds, à l'aide d'un grattoir pour surfaces en verre. Nettoyez ensuite à nouveau la plaque de cuisson comme indiqué au point 2.

Les grains de sable qui peuvent se déposer sur la plaque de cuisson lorsque vous épluchez des pommes de terre ou nettoyez de la laitue peuvent rayer la surface de la plaque de cuisson lorsque vous déplacez des récipients. Veillez à ce qu'aucun grain de sable ne reste sur la plaque de cuisson.

Les changements de couleur de la plaque de cuisson n'affectent pas le fonctionnement et la stabilité du matériau vitrocéramique. Ces changements de couleur ne sont pas des changements dans le matériau mais des résidus alimentaires qui n'ont pas été enlevés et qui ont brûlé en surface.

Des taches brillantes apparaissent lorsque le fond du récipient de cuisson frotte sur la surface de la plaque de cuisson, en particulier lorsque le récipient de cuisson a un fond en aluminium ou que des produits de nettoyage inadaptés ont été utilisés. Ces taches sont difficiles à éliminer avec les produits de nettoyage habituels. Il se peut que vous deviez répéter le processus de nettoyage plusieurs fois. Avec le temps, la décoration s'estompe et des taches sombres apparaissent à la suite de l'utilisation de produits de nettoyage agressifs et de fonds de casseroles défectueux.

Si une grande quantité de liquide est accidentellement renversée au sein de l'appareil, retirez le bouchon en silicone situé au fond de l'appareil pour libérer le liquide.



EN CAS DE PROBLÈME

En cas de défaillance pendant le fonctionnement de l'appareil, veuillez consulter le tableau suivant avant de faire appel au service après-vente. Vous trouverez ci-dessous quelques erreurs courantes et les vérifications à effectuer.

Problème	Causes possibles	Que faire
Il est impossible d'allumer la plaque de cuisson.	Pas de courant.	Assurez-vous que la plaque de cuisson est branchée sur le secteur et qu'elle est sous tension. Vérifiez s'il y a une coupure de courant chez vous ou dans votre quartier. Si vous avez tout contrôlé et que le problème persiste, appelez un technicien qualifié.
Les commandes tactiles ne répondent pas.	Les commandes sont verrouillées.	Déverrouillez les commandes. Consultez la section « UTILISATION DE LA PLAQUE DE CUISSON À L'AIDE DES COMMANDES TACTILES » pour connaître les instructions.
Les commandes tactiles sont difficiles à utiliser.	Il se peut qu'il y ait une mince pellicule d'eau sur les commandes ou vous avez peut-être utilisé l'extrémité de votre doigt pour toucher les commandes.	Assurez-vous que la zone des commandes tactiles est sèche et utilisez la partie charnue de votre doigt quand vous touchez les commandes.
Le verre est rayé.	Ustensiles de cuisson avec bord rugueux. Utilisation d'un tampon abrasif ou de produits de nettoyage inadaptés.	Utilisez des récipients de cuisson avec des fonds plats et lisses. Consultez « Sélection du bon récipient de cuisson ». Voir « Entretien et nettoyage ».
Certaines casseroles émettent des craquements ou des cliquetements.	Cela peut être dû à la construction de votre ustensile de cuisson (des couches de métaux différents qui vibrent différemment).	Cela est normal pour les ustensiles de cuisson et cela n'indique pas un défaut.
La plaque à induction émet un ronronnement bas quand elle est utilisée avec un réglage sur haute chaleur.	Ceci est dû à la technologie de la cuisson à induction.	Cela est normal, mais le bruit devrait diminuer voire disparaître complètement quand vous diminuez la chaleur.
Bruit de ventilateur provenant de la plaque à induction.	Un ventilateur de refroidissement intégré dans votre plaque à induction sert à prévenir la surchauffe des parties électroniques. Il peut continuer à fonctionner après que vous ayez éteint la plaque à induction.	Cela est normal et ne requiert aucune intervention. N'éteignez pas la plaque à induction au niveau du mur quand le ventilateur fonctionne.
Les casseroles ne deviennent pas chaudes et apparaissent sur l'afficheur.	La plaque à induction ne peut pas détecter la casserole car elle n'est pas adaptée pour la cuisson à induction. La plaque à induction ne peut pas détecter la casserole car elle est trop petite pour la zone de cuisson ou n'est pas centrée correctement dessus.	Utilisez des ustensiles de cuisson adaptés à la cuisson à induction. Consultez le paragraphe « Sélection du bon récipient de cuisson ». Centrez la casserole et assurez-vous que sa base correspond bien à la taille de la zone de cuisson.
La plaque à induction ou une zone de cuisson s'est coupée à l'improviste, un son résonne et un code d'erreur s'affiche (en alternant habituellement un ou deux chiffres sur l'afficheur de la minuterie de cuisson).	Défaut technique.	Veuillez noter les lettres et les numéros d'erreur, éteignez la plaque à induction au niveau du mur et contactez un technicien qualifié.


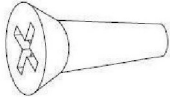






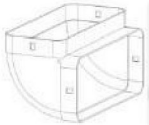
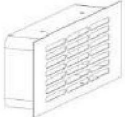
Après avoir connecté l'appareil à l'alimentation et appuyé sur la touche de marche/arrêt, l'appareil ne réagit pas.	L'alimentation électrique est-elle défectueuse ?	Attendez que l'alimentation électrique se réactive
	Le fusible est-il grillé ou le disjoncteur s'est-il déclenché ?	Vérifiez attentivement l'état de votre installation. Si le problème ne peut être résolu, veuillez contacter notre centre de service pour qu'il réalise une inspection et une réparation.
	La fiche est-elle bien branchée ?	
Dans le cadre d'une utilisation normale, l'appareil arrête de chauffer et un « bip » retentit.	Des récipients de cuisson incompatibles ont-ils été utilisés ? Un récipient est-il bien présent ?	Remplacez les récipients de cuisson ; utilisez des récipients de cuisson compatibles avec la plaque à induction.
	Le récipient de cuisson n'est pas placé au centre de la zone de chauffe.	Placez le récipient de cuisson au centre de la zone de chauffe indiquée.
	Le récipient de cuisson est-il chauffé mais continuellement retiré de la zone ?	Placez le récipient de cuisson à l'intérieur de la zone de chauffe.
La chauffe est activée mais l'appareil ne fonctionne pas.	Le récipient de cuisson est-il vide ou la température est-elle trop élevée ?	Veillez vous assurer que l'appareil est utilisé conformément aux instructions.
	L'ouverture d'entrée/de sortie d'air est-elle obstruée ou des saletés s'y sont-elles accumulées ?	Débouchez l'ouverture d'entrée/de sortie d'air. Attendez que l'appareil refroidisse, puis remettez-le en marche.
	L'appareil fonctionne-t-il depuis plus de 2 heures sans intervention de votre part ?	Réinitialisez les modes de cuisson ou utilisez la fonction de minuterie


Si les solutions/vérifications ci-dessus ne permettent pas de résoudre le problème, débranchez immédiatement l'appareil et contactez le centre de service pour qu'il l'examine et le répare. Notez le code d'erreur et mentionnez-le au centre de service. Pour éviter tout danger et tout dommage à l'appareil, ne le démontez pas et ne le réparez pas vous-même.

AFFICHAGE DES PANNES ET INSPECTION

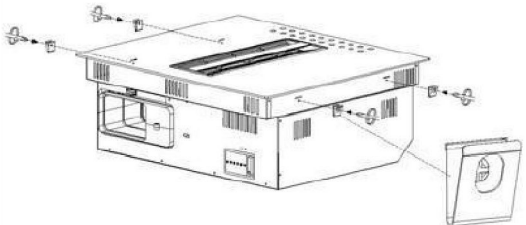
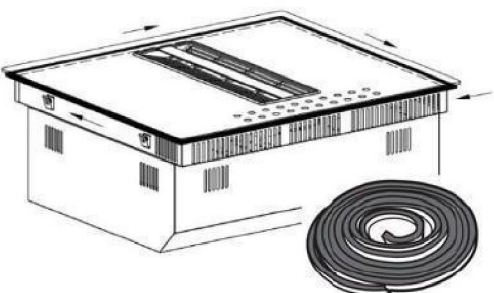
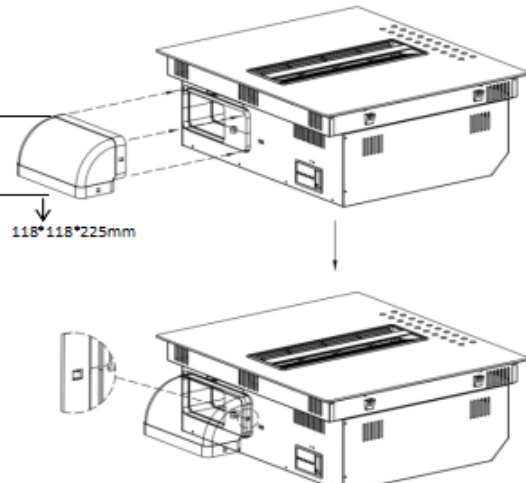
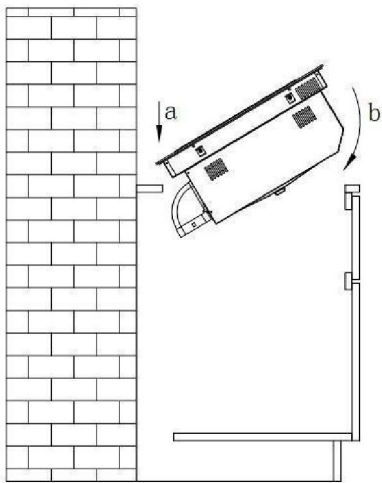
Code d'erreur	Cause possible	Que faire
U	Pas de récipient de cuisson	Veillez placer un récipient adéquat sur la zone de chauffe. Si l'appareil ne fonctionne toujours pas, veuillez contacter le centre de service.
E1	Tension d'alimentation anormale (inférieure à 160 V).	Veillez contrôler que la tension d'alimentation est normale. Remettez sous tension quand l'alimentation est normale.
E2	Tension d'alimentation anormale (supérieure à 280 V).	Veillez contrôler que la tension d'alimentation est normale. Remettez sous tension quand l'alimentation est normale.
E3/E5/E7	Défaillance du capteur de température de la bobine d'induction	Veillez contacter l'assistance.
E4/E6	Panne du capteur de température IGBT	Veillez contacter l'assistance.
Er	Défaut de communication entre le tableau principal et le tableau d'affichage	Veillez contacter l'assistance.
Et	Protection contre les débordements	Veillez nettoyer l'eau sur le panneau de commande et rallumer la plaque de cuisson.

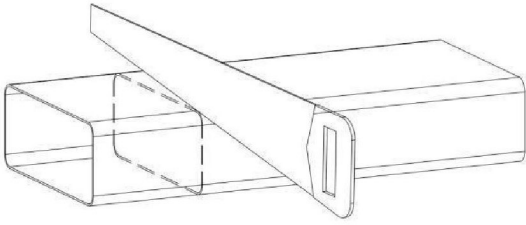
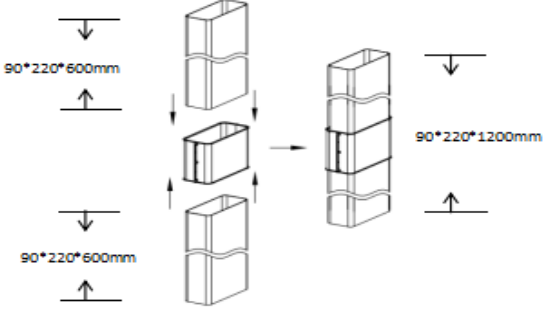
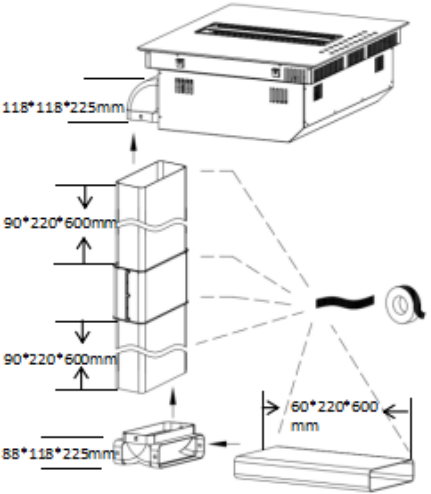
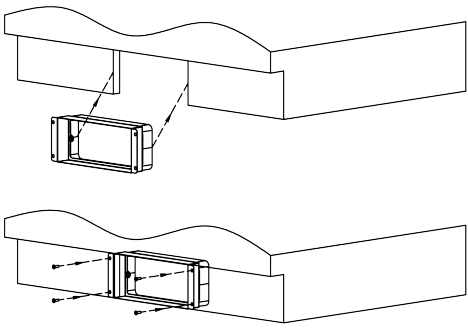
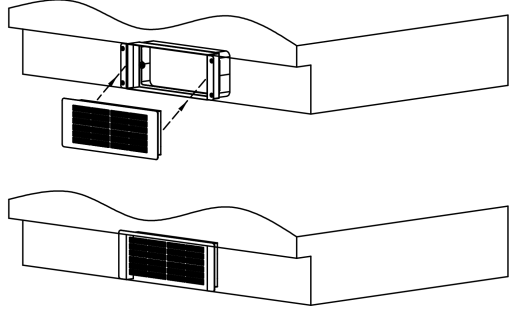
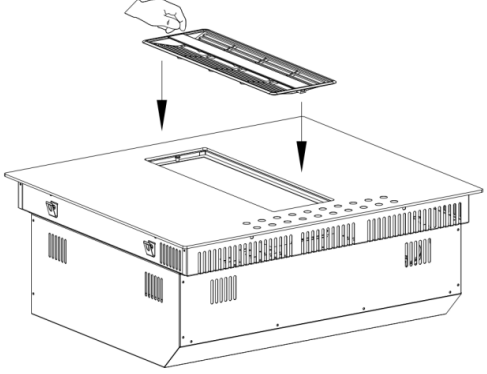
LISTE DES ACCESSOIRES

N°	Nom	Schéma	Qté
1	Vis standard 4x5		x 4
2	Vis standard 4x14		x 4
3	Support d'installation		x 4
4	Bande de mousse		x 1
5	Grille d'entrée d'air		x 1
6	Tube carré de 9 cm		x 2
7	Tube carré de 6 cm		x 1 (uniquement pour la version filtrante)
8	Tuyau de raccordement		x 1
9	Tuyau coudé		x 2 pour la version filtrante x 1 pour la version à extraction
10	Ensemble sortie d'air		x 1 (uniquement pour la version filtrante)

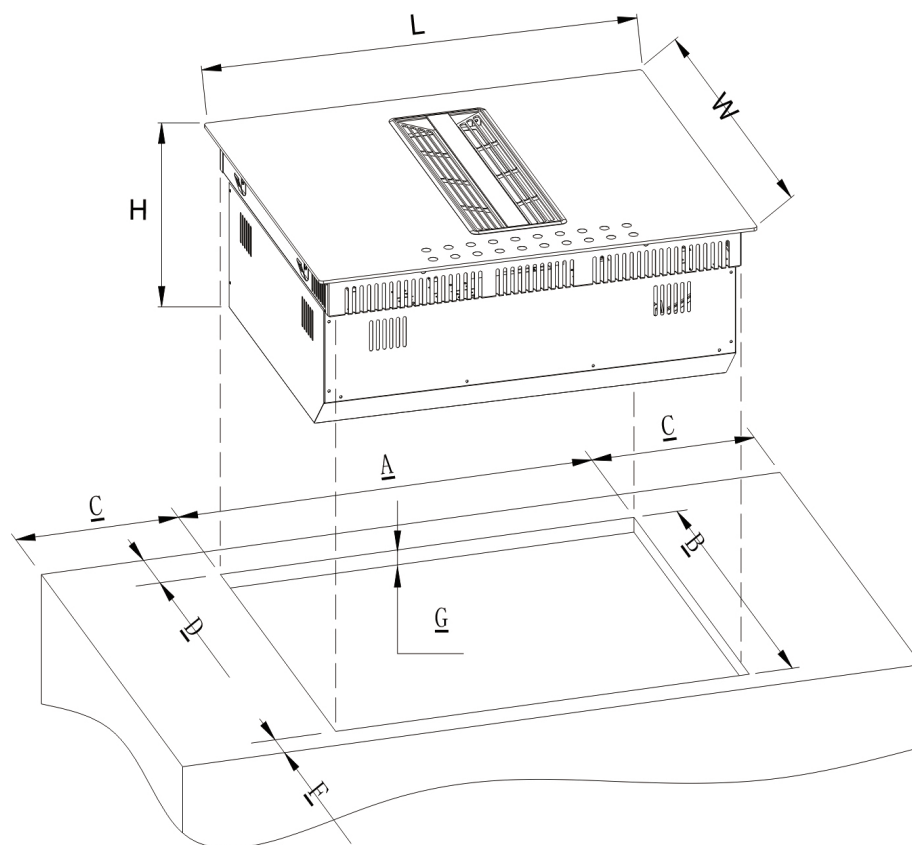
11	Autocollant en aluminium		x 7
----	--------------------------	--	-----

INSTALLATION DU PRODUIT

<p>Étape 1 : Vissez les supports d'installation sur le boîtier inférieur.</p>	<p>Étape 2 : Collez la bande en mousse autour de la plaque en vitrocéramique.</p>
	
<p>Étape 3 : Fixez le tuyau coudé.</p>	<p>Étape 4 : Installez le produit dans le meuble (étape a, puis étape b).</p>
 <p>118*118*225mm</p>	

<p>Étape 5 : Si la hauteur du meuble est inférieure à 80 cm, il est possible de couper le tube à la longueur souhaitée.</p>	<p>Étape 6 : Si la hauteur du meuble est supérieure à 80 cm, il est possible d'utiliser deux tubes avec un raccord.</p>
	
<p>Étape 7 : Installez le tube et collez avec une bande d'étanchéité.</p>	<p>Étape 8 : Installez l'ensemble sortie d'air au bas du meuble, fixez à l'aide des vis.</p>
	
<p>Étape 9: Installez le filtre à charbon dans la sortie d'air (*filtre à charbon pour la version filtrante uniquement).</p>	<p>Étape 10: Installez la grille.</p>
	

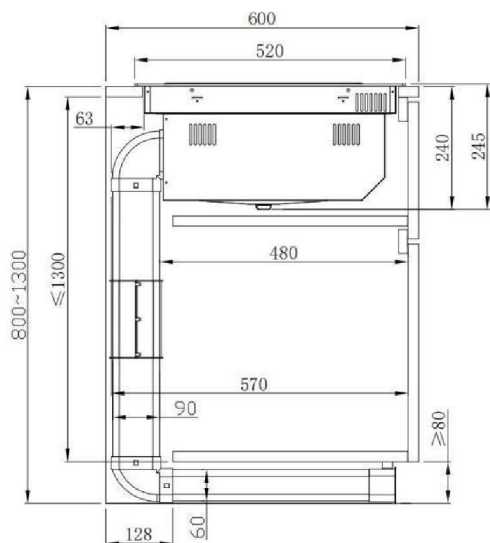
DIMENSIONS DE L'INSTALLATION



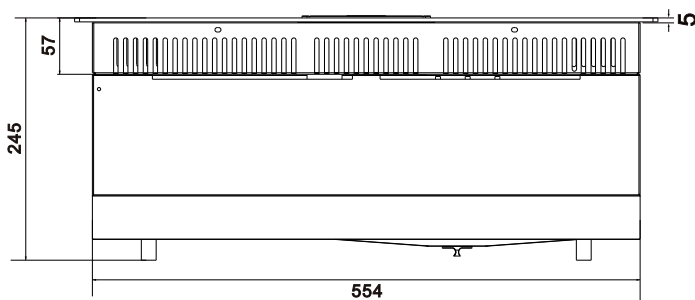
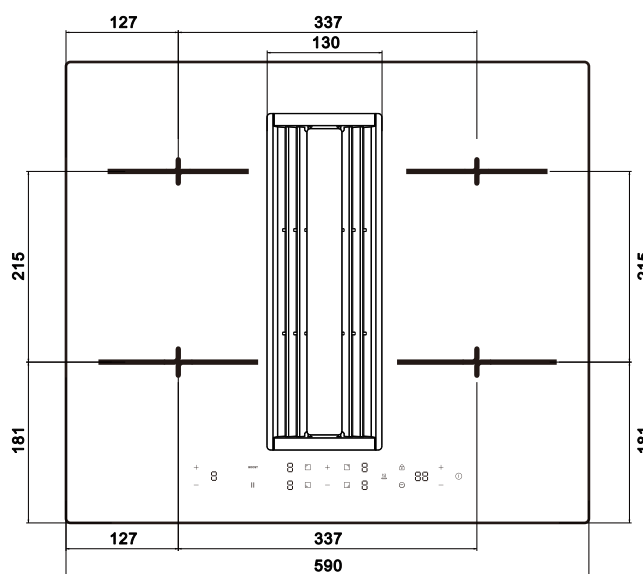
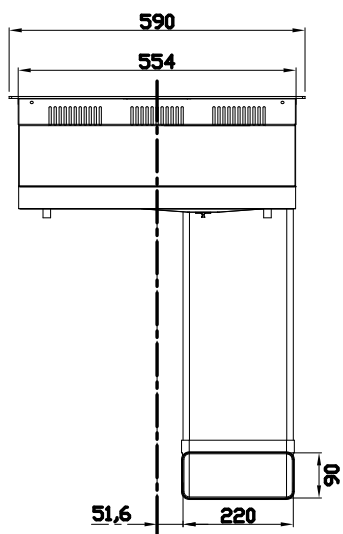
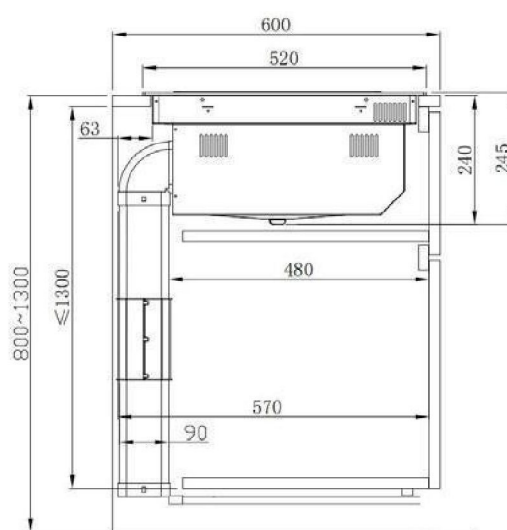
Modèle	L (mm)	B (mm)	H (mm)	A (mm)	B (mm)	C (mm)	D (mm)	F (mm)	G (mm)
CIH614CF	590	520	245	560	490	≥ 40	≥ 70	≥ 40	20-40
CIH614CE									

Dimensions du meuble et du conduit


Version filtrante



Version à extraction




BRANCHEMENT ÉLECTRIQUE

 Cette plaque de cuisson ne doit être branchée sur le secteur que par une personne qualifiée pour cela.

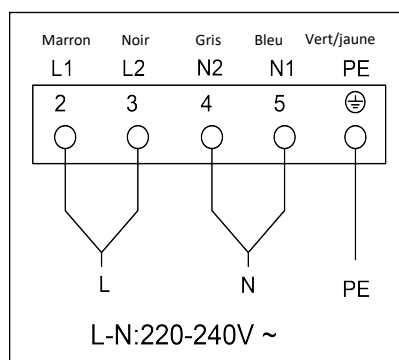
Avant de brancher la plaque sur le secteur, contrôlez que :

1. le système de câblage de l'habitation est adapté à la puissance de la plaque de cuisson.
2. la tension correspond à la valeur indiquée sur la plaque signalétique.
3. les sections des câbles électriques peuvent supporter la charge spécifiée sur la plaque signalétique.

Pour brancher la plaque sur le secteur, n'utilisez pas d'adaptateurs, de réducteurs ou de dispositifs de branchement, car ils peuvent provoquer une surchauffe et un incendie.

 Faites effectuer un contrôle par un électricien pour savoir si le système de câblage de l'habitation est adapté sans avoir à apporter de modifications. Les modifications ne doivent être effectuées que par un électricien qualifié.

L'alimentation doit être raccordée conformément à la norme applicable. La méthode de raccordement est illustrée ci-dessous.



- Si le câble est abîmé ou doit être remplacé, cette opération doit être effectuée par un agent du service après-vente qui utilise des outils spéciaux pour éviter tout accident.
- Si l'appareil est branché directement sur le secteur, un disjoncteur omnipolaire doit être installé avec une ouverture minimum de 3 mm entre les contacts.
- L'installateur doit s'assurer que le branchement électrique a été effectué correctement et qu'il est conforme aux réglementations de sécurité.
- Le câble ne doit pas être plié ni comprimé.
- Le câble doit être contrôlé régulièrement et il ne doit être remplacé que par des techniciens agréés.

Déclaration spéciale

Le contenu de ce manuel a été soigneusement vérifié. Toutefois, l'entreprise ne peut être tenue pour responsable d'aucune erreur d'impression ou omission. En outre, toute modification technique peut être incluse dans une version révisée du manuel sans préavis. L'apparence et la couleur de l'appareil dans ce manuel peuvent différer de celles de votre appareil.



Cet appareil est étiqueté conformément à la Directive européenne 2012/19/UE relative aux déchets d'équipements électriques et électroniques (DEEE).

Les DEEE contiennent à la fois des substances polluantes (pouvant avoir un effet négatif sur l'environnement) et des éléments de base (pouvant être réutilisés). Il est important que les DEEE fassent l'objet de traitements spécifiques pour enlever et mettre au rebut les polluants et récupérer tous les matériaux. Chaque personne peut jouer un rôle important en s'assurant que les DEEE ne deviennent pas un problème environnemental ; il est essentiel de suivre quelques règles de base :

- les DEEE ne doivent pas être traités comme des déchets ménagers ;
- les DEEE doivent être amenés sur des sites de collecte spéciaux (déchetteries) gérés par votre collectivité ou une entreprise agréée.

Dans de nombreux pays, les collectes chez les particuliers peuvent être disponibles pour les grands DEEE. Lors de l'achat d'un nouvel appareil, l'ancien peut être retourné au vendeur qui doit l'accepter gratuitement sous forme d'échange, à condition que l'appareil soit d'un type équivalent et qu'il possède les mêmes fonctions que l'appareil acheté.



Valable uniquement pour Chypre



INNHOOLD

BRUKERHÅNDBOK.....	2
BETJENING AV KOKETOPPEN MED SENSORKNAPPENE.....	18
Strømstyring.....	25
RENGJØRING OG STELL.....	27
HVA SKAL GJØRES DERSOM DET OPPSTÅR PROBLEMER	29
FEILVISNING OG INSPEKSJON	30
LISTE OVER TILBEHØR	31
PRODUKTINSTALLASJON.....	32
ELEKTRISK TILKOBLING	35

BRUKERHÅNDBOK

Følg nøye instruksjonene i denne håndboken. Alt ansvar fraskrives for eventuelle problemer, skader eller branner forårsaket av manglende overholdelse av instruksjonene i denne håndboken. Enheten er kun beregnet for husholdningsbruk, for å lage mat og trekke ut røyken som genereres ved matlaging. Ingen annen bruk er tillatt (f.eks. oppvarming av rom). Produsenten fraskriver seg ethvert ansvar for upassende bruk eller feilaktige kontrollinnstillinger.

Les instruksjonene nøye: de inneholder viktig informasjon om installasjon, bruk og sikkerhet. Ikke foreta elektriske endringer på enheten. Før du installerer enheten, sørg for at ingen av komponentene er skadet. Ellers kontakt forhandleren og ikke fortsett med installasjonen. Sjekk at enheten er intakt før du fortsetter med installasjonen. Ellers kontakt forhandleren og ikke fortsett med installasjonen.

1. Advarsler

OBS! Vær nøye med følgende instruksjoner:

- Enheten må kobles fra strømforsyningen før installasjonsarbeid utføres.
- Installasjon eller vedlikehold må utføres av en kvalifisert tekniker, i samsvar med produsentens instruksjoner og lokale sikkerhetsforskrifter.
Ikke reparerer eller skift ut noen del av enheten med mindre det er spesifikt angitt i bruksanvisningen.
- Dette apparatet må jordes iht. til gjeldende lov.
- Strømkabelen må være lang nok til at enheten som er innebygd i enheten kan kobles til strømforsyningen.
- For at installasjonen skal være i samsvar med gjeldende sikkerhetsforskrifter, kreves det en godkjent flerpolet effektbryter som garanterer fullstendig utkobling av nett i overspenningskategori III, i henhold til installasjonsreglene.
- Ikke bruk grenuttak eller skjøteledninger.
- Når installasjonen er fullført, skal de elektriske komponentene ikke lenger være tilgjengelige for brukeren.

- Enheten og dens tilgjengelige deler blir varme under bruk. Vær forsiktig så du ikke berører varmeelementene.
 - Sørg for at barn ikke leker med enheten; hold barn unna og overvåk dem fordi de tilgjengelige delene kan bli svært varme under bruk.
 - For personer med pacemakere og aktive implantater er det viktig å kontrollere, før du bruker induksjonstoppen, at deres pacemaker er kompatibel med enheten.
 - Ikke berør varmeelementene til enheten under og etter bruk.
 - Unngå kontakt med kluter eller annet brennbart materiale inntil alle komfyrkomponentene er tilstrekkelig avkjølt, fare for brann.
 - Ikke plasser brennbart materiale på eller i nærheten av enheten.
 - Overopphetet fett og olje tar lett fyr.
- Overvåk tilberedning av fet eller fet mat.
- Hvis overflaten er sprukket, slå av enheten umiddelbart for å unngå fare for elektrisk støt.
 - Enheten er ikke ment å brukes med en ekstern timer eller et separat fjernkontrollsystem.

- Matlaging uten tilsyn på en enhet med olje eller fett kan være farlig og kan forårsake brann.
- Bearbeidingsprosessen må overvåkes. En kort kokeprosess må overvåkes konstant.
- Forsøk ALDRI å slukke branner med vann. Slå i stedet av enheten og kvel flammene, for eksempel med et lokk eller et brannteppe. Brannfare: ikke plasser gjenstander på kokeoverflatene.
- Ikke bruk damprensere, fare for elektrisk støt.
- Ikke plasser metallgjenstander, som kniver, gafler, skjær eller lokk på enheten fordi de kan bli varme.
- Før du kobler enheten til det elektriske nettverket: sjekk dataplatten (på bunnen av enheten) for å sikre at spenningen og strømmen samsvarer med strømnettet og at stikkontakten er egnet. Hvis du er i tvil, kontakt en kvalifisert elektriker.

Viktig

- Etter bruk, slå av koketoppen med bryteren og ikke stol på pannedektoren.
- Unngå at væsker koker over, så skru ned varmen når du koker eller varmer opp væsker.

- Ikke la varmeelementene stå på med tomme gryter og panner eller uten panner.
- Slå av den aktuelle kokeplaten når du er ferdig tilberedt.
- Bruk aldri aluminiumsfolie til matlaging og legg aldri produkter pakket i aluminium på koketoppen. Aluminiumet vil smelte og uopprettelig skade enheten din.
- Varm aldri opp en boks eller boks som inneholder mat uten å åpne den først: den kan eksplodere!
- Denne advarselen gjelder også for alle andre typer kokeplater.
- Høye effektnivåer som Booster-funksjonen bør ikke brukes til å varme opp visse væsker, for eksempel olje til steking. Overdreven varme kan være farlig. I disse tilfellene anbefaler vi bruk av et lavere effektnivå.

- Beholdere skal plasseres direkte på platetoppen og i midten. Under ingen omstendigheter må andre gjenstander plasseres mellom pannen og koketoppen.
- Hvis temperaturen blir høy, reduserer enheten automatisk effektnivået til kokesonene.
- Før du utfører rengjørings- eller vedlikeholdsarbeid, koble enheten fra strømmettet ved å trekke ut støpselet eller slå av hovedbryteren. Bruk vernehansker for alle installasjons- og vedlikeholdsoperasjoner. Enheten kan brukes av barn over åtte år og av personer med svekkede fysiske, sensoriske eller mentale evner eller som mangler erfaring eller nødvendig kunnskap forutsatt at de er under oppsyn eller etter at de har fått instruksjoner om hvordan man trygt kan bruke enheten og forstå de iboende farene. Barn må være under tilsyn for å sikre at de ikke leker med enheten. Rengjøring og vedlikehold må aldri utføres av barn med mindre de er under skikkelig oppsyn.

Rommet skal være forsvarlig ventilert når apparatet brukes samtidig med andre gassdrevne apparater, eller drives av annet drivstoff. Enheten må rengjøres regelmessig både innvendig og utvendig (MINST ÉN GANG I MÅNEDEN), i henhold til vedlikeholdsinstruksjonene. Unnlattelse av å følge reglene for enhetsrengjøring og filterbytte og rengjøring kan føre til brannfare. Mat må aldri kokes flambe. Bruk av åpen ild kan skade filtrene og forårsake brannfare; det må derfor unngås under alle omstendigheter. Det må utvises ekstra forsiktighet ved steking for å unngå at oljen overopphetes og tar fyr.

OBS!

- De tilgjengelige delene av enheten kan bli varme når koketoppen er slått på.
- **OBS!** Ikke koble enheten til strømforsyningen før installasjonen er fullstendig fullført. Forskriftene fastsatt av lokale myndigheter må følges strengt med hensyn til tekniske og sikkerhetsmessige tiltak for røykavsug.

- Avtrekksluften må ikke ledes gjennom de samme kanalene som brukes til å trekke ut røyken som genereres ved gassforbrenning eller andre typer forbrenningsinnretninger. Bruk aldri enheten uten at gitteret er riktig installert! Bruk kun festeskruene som følger med enheten for installasjon, eller hvis de ikke følger med, kjøp riktig type skruer.
- Når enheten brukes sammen med andre enheter som drives med ikke-elektrisk energi, må undertrykket i rommet ikke overstige 4 Pa (4×10^{-5} bar). Denne håndboken må oppbevares for fremtidig konsultasjon når som helst. Hvis den selges, overføres eller flyttes, må den forbli med enheten.

Denne enheten er merket i samsvar med det europeiske direktivet 2012/19/EC - UK SI 2013 No3113, Waste Electrical and Electronic Equipment (WEEE). Ved å sikre at denne enheten kasseres på riktig måte, vil brukeren bidra til å forhindre potensielle negative påvirkninger på miljøet og menneskers helse.



-symbolet på enheten eller dokumentasjonen som følger med indikerer at denne enheten ikke må behandles som husholdningsavfall, men må bringes til et egnet innsamlingssted for resirkulering av elektriske og elektroniske apparater. Kast den i henhold til lokale forskrifter for avfallshåndtering. For ytterligere informasjon om behandling, gjenvinning og resirkulering av denne enheten, kontakt din lokale myndighet, innsamlingstjenesten for husholdningsavfall eller butikken der enheten ble kjøpt. Enhet designet, testet og utviklet i samsvar med forskrifter om:

- Sikkerhet: EN/IEC 60335-1; EN/IEC 60335-2-6, EN/IEC 60335-2-31, EN/IEC 62233.
- Ytelse: EN/IEC 61591; ISO 5167-1; ISO 5167-3; ISO 5168; EN/IEC 60704-1; EN/IEC 60704-2-13; EN/IEC 60704-3; ISO 3741; EN 50564; IEC 62301. EN 60350-2;

- EMC: EN 55014-1; CISPR 14-1; EN 55014-2; CISPR 14-2; EN/IEC 61000-3-3; EN/IEC 61000-3-12.

Anbefalinger for riktig bruk for å redusere påvirkningen på miljøet: Når du begynner å lage mat, slår du på enheten på minimumshastighet, og lar den stå på i noen minutter når du er ferdig med å lage mat. Øk hastigheten bare hvis det er store mengder røyk og damp, bruk Booster-funksjonen kun i ekstreme tilfeller. For å holde luktreduksjonssystemet i gang effektivt, skift ut kullfilteret/-ene når det er nødvendig. For å sikre høy ytelse til fettfilteret, rengjør det når det er nødvendig. For å forbedre effektiviteten og minimere støy, bruk den maksimale kanaldiameteren som er angitt i denne håndboken.

2. Bruk

Bruk av koketoppen

Induksjonskokesystemet bruker det fysiske prinsippet for magnetisk induksjon for å overføre energi direkte fra generatoren til gryten.

Fordeler:

Sammenlignet med elektriske kokeplater er induksjonstoppen din:

- **Sikker:** lavere temperatur på glassoverflaten.
- **Raskere:** kortere oppvarmingstider for mat.
- **Mer nøyaktig:** koketoppen reagerer umiddelbart på kommandoene dine.
- **Mer effektiv:** 90 % av den absorberte energien omdannes til varme. Når gryten er fjernet fra platetoppen, avbrytes dessuten varmeoverføringen umiddelbart, noe som unngår unødvendig varmetap.

2.1 Kokebeholdere

Bruk kun gryter merket med symbolet :

for å unngå riper, ikke bruk:

- beholdere med mindre enn perfekt flat bunn.
- metallbeholdere med emaljert bunn.
- beholdere med grov bunn, for å unngå riper på platetoppen.
- ikke plasser varme gryter og panner på kontrollpanelets overflate.

2.1.1 Eksisterende beholdere

Induksjonskoking genererer varme ved bruk av magnetisme.

Derfor må beholdere være laget av et magnetisk materiale, for eksempel jern. For å finne ut om en gryte er egnet, test materialet med en magnet. Hvis en gryte ikke reagerer på en magnet, er den ikke egnet for induksjonstilberedning.

2.1.2 Anbefalte diametere på pannebunnen

VIKTIG: Hvis grytestørrelsen er feil, vil ikke kokesonene aktiveres.

For detaljer om minimum pottediameter som må brukes på hver sone, se den illustrerte delen av denne håndboken.

2.2 Energisparing

Anbefalinger for best resultat:

- Bruk gryter og panner med en bunndiameter som tilsvarer kokesonen.
- Bruk kun gryter og panner med flat bunn.
- Ha lokket på gryten når det er mulig under tilberedningen.
- Kok grønnsaker, poteter osv. med minimalt med vann for å redusere koketiden.
- Bruk en trykkoker, da det reduserer energiforbruket og tilberedningstiden ytterligere.
- Sentrer gryten innenfor kokesonen som er angitt på koketoppen.

VELG RIKTIG KOKEKAR

Kokekar for induksjonstopper

Kokekar for induksjonskokesoner må være laget av metall og ha magnetiske egenskaper. Basen må være tilstrekkelig stor.

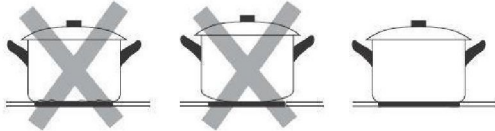
Bruk kun gryter med underlag som er egnet for induksjon.

Slik fastslår du egnetheten til en gryte:

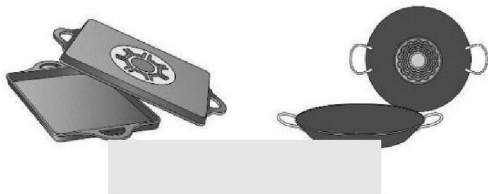
Egnet kokekar	Uegnet kokekar
Emaljerte stålgrøter med tykk bunn	Gryter laget av kobber, rustfritt stål, aluminium, ovnsfast glass, tre, keramikk og terrakotta
Støpejernsgryter med emaljert bunn	
Gryter laget av flerlags rustfritt stål, rustfritt fermitstål eller aluminium med spesialunderstell	

Utfør magnettesten som er beskrevet nedenfor, eller sørg for at gryten har symbolet for egnethet for matlaging med induksjonsstrøm.

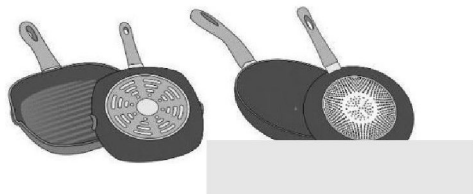
Bruk aldri panner med misformet bunn. En hul eller avrundet bunn kan forstyrre betjeningen av overopphetingsvernet, slik at apparatet blir for varmt. Dette kan føre til at glassplaten sprekker og pannebunnen smelter. Skader som oppstår ved bruk av uegnede panner eller tørrkoking er ikke omfattet av garantien.



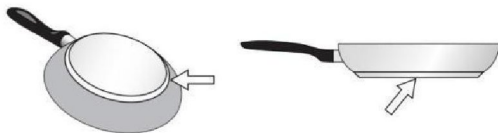
Hvis bunnen av kokekaret bare er delvis ferromagnetisk, vil bare området som er ferromagnetisk varmes opp. Dette kan bety at varmen ikke blir jevnt fordelt. Det ikke-ferromagnetiske området varmes kanskje ikke opp til en tilstrekkelig temperatur for matlaging.



Det ferromagnetiske området vil også reduseres hvis materialet som bunnen av kokekaret er laget av inneholder for eksempel aluminium. Dette kan bety at kokekaret ikke blir tilstrekkelig varmt eller til og med at det ikke blir oppdaget.



Materialet/materialene som bunnen av kokekaret er laget av kan påvirke tilberedningsresultatet. Å bruke gryter og panner laget av materialer som fordeler varmen jevnt gjennom dem, for eksempel kjeler i rustfritt stål med trelags bunn, sparer tid og energi. Bruk kokekar med flat bunn; hvis bunnen av kokekaret er ujevn, kan dette svekke varmetilførselen.



Magnettest:

Flytt en magnet mot bunnen av kokekaret. Hvis det tiltrekkes, kan du bruke kokekaret på induksjonstoppen.



Merk:

Ved bruk av panner egnet for induksjon fra visse produsenter, kan det oppstå lyder som kan tilskrives utformingen av disse pannene. Vær forsiktig når du bruker kokeplater, siden kokende vann kan tørke opp ubemerket, noe som kan føre til skade på gryten og koketoppen som ikke kan påtas noe ansvar for.

Dimensjon på kokekar

For å oppnå et godt stekeresultat bør det ferromagnetiske området på bunnen av kjelen passe til kokeplatens størrelse. Hvis en kokeplate ikke oppdager et kokekar, kan du prøve å plassere den på en annen kokeplate med mindre diameter.

Matlagingszone	Minimum pannediameter
Ø 160 mm	Ø 120 mm
Ø 180 mm	Ø 140 mm

Bruke avtrekksviften

Avtrekksviftesystemet kan brukes på to måter: som ekstern avtrekksversjon eller som filtreringsversjon med intern resirkulering. Den eksterne utmattende versjonen fjerner røyk, damp og matlukt til utsiden, mens den interne filtreringsresirkuleringsversjonen filtrerer disse elementene og sirkulerer rensert luft tilbake i rommet.



Avtrekksversjon

Røykene drives ut til utsiden ved hjelp av en serie rør (selges separat) festet til det medfølgende koblingsrøret. Diameteren på eksosrørene eller adapteren må samsvare med dimensjonen på det medfølgende koblingsrøret 222 x 89 mm.

For mer informasjon om bruk av den utmattende versjonen, se den relevante siden i den illustrerte delen av håndboken. Når du kobler produktet til veggmonterte eksosrør og hull, sørg for at diameteren samsvarer med luftutløpet (tilkoblingsflensen). Bruk av rør og hull med mindre diameter kan redusere avtrekkerens effektivitet og øke støynivået. For best resultat, hold kanalen så kort som mulig med et minimum antall kurver (maksimal vinkel: 90°) og unngå plutselige endringer i kanaldiameter.

- Hold kanalen så kort som mulig.
- Bruk kanaler med minst mulig antall kurver (maksimal vinkel: 90°).
- Unngå drastiske endringer i kanaldiameteren.



Filtrerende versjon

Intern filtrering resirkulering versjon er for å filtrere matlaging røyk og slippe ren luft tilbake til kjøkkenet. I stedet for å ventilere ute, resirkulerer dette systemet luft innendørs etter å ha passert den gjennom filtre. Det er praktisk når utendørs ventilasjon ikke er mulig. Spesialfiltre, som aktivert kullfiltre (inkludert i tilbehøret), fanger fett og lukt effektivt. Regelmessig vedlikehold, inkludert filterbytte, er nødvendig for optimal ytelse. Denne metoden bidrar til å opprettholde ren inneluft og er energieffektiv, men den fjerner ikke helt forurensninger fra hjemmet. Installasjonsmåte og dimensjonskrav kan referere til brukermanualen.

3. Installasjon

- Både den elektriske og mekaniske installasjonen må utføres av kvalifiserte fagfolk. Dette elektriske apparatet er utformet for å installeres i en benkeplate med en tykkelse mellom 2 til 6 cm for en toppinstallasjon, eller 2,5 til 6 cm for en plan installasjon. Når du installerer platetoppen, hold en minimumsavstand på 5 cm foran, 4 cm på sidene og 50 cm fra overliggende veggheiter. Merk: De anbefalte avstandene er kun gitt som eksempler. Når du planlegger kjøkkenet ditt, følg retningslinjene gitt av kjøkkenprodusenten.

3.1 Koble til strømforsyningen

For å koble koketoppen til strømforsyningen, fortsett som følger

- Ta koketoppen ut av emballasjen og plasser den på en flat overflate.
 - Koble strømkabelen til koketoppen.
 - Koble den andre enden av strømkabelen til strømforsyningen.
 - Sørg for at den elektriske tilkoblingen er sikker og oppfyller lokale elektriske forskrifter.
- Koble enheten fra strømforsyningen.
 - Installasjon skal utføres av faglig kvalifisert personell med kunnskap om gjeldende forskrifter for installasjon og sikkerhet.
 - Produsenten fraskriver seg alt ansvar overfor personer, dyr eller eiendom dersom retningslinjene gitt i dette kapittelet ikke følges.
 - Strømkabelen må være lang nok til at platetoppen kan fjernes fra benkeplaten.
 - Sørg for at den elektriske tilkoblingen er sikker og oppfyller lokale elektriske forskrifter.
 - Ikke bruk skjøteledninger.
 - Jordkabelen må være 2 cm lengre enn de andre kablene.
 - Hvis det elektriske apparatet ikke leveres med en strømkabel, bruk en med en minimumsledningsdiameter på 2,5 mm² for effekt opp til 7200 watt; for høyere effektnivåer må diameteren være 4 mm².
 - Temperaturen må ikke nå 50 °C over romtemperatur noe sted langs kabelen.
 - Apparatet er beregnet for permanent tilkobling til strømforsyningen.

- **OBS!** Før du kobler kretsen til strømnettet igjen, sørg for at den fungerer som den skal, sjekk alltid at strømkabelen er riktig installert.
- **OBS!** Sammenkoblingskabelen må byttes ut av den autoriserte tekniske støttetjenesten eller av en person med lignende kvalifikasjoner.

Merk: produktet er utstyrt med en Power Limitator-funksjon, som gjør det mulig å angi en maksimal effektgrense. Grensen må settes på tidspunktet for produktets tilkobling til det elektriske nettverket eller når selve det elektriske nettverket er koblet til igjen (innen de neste 2 minuttene).

3.2 Montering

Før du starter installasjonen:

- **Etter å ha pakket ut produktet, sjekk at det ikke har blitt skadet under transport, og i tilfelle problemer, vennligst kontakt forhandleren eller kundestøtte før du installerer det.**
- Sjekk at produktet har riktig størrelse for installasjonsområdet.
- Se etter tilbehør (f.eks. poser som inneholder skruer, garantisertifikater osv.) inne i emballasjen (plassert der av transporthensyn). Fjern og oppbevar dem trygt, hvis de finnes.
- Sjekk også at det er en stikkontakt i nærheten av installasjonsområdet.

Klargjøring av skapet for installasjon:

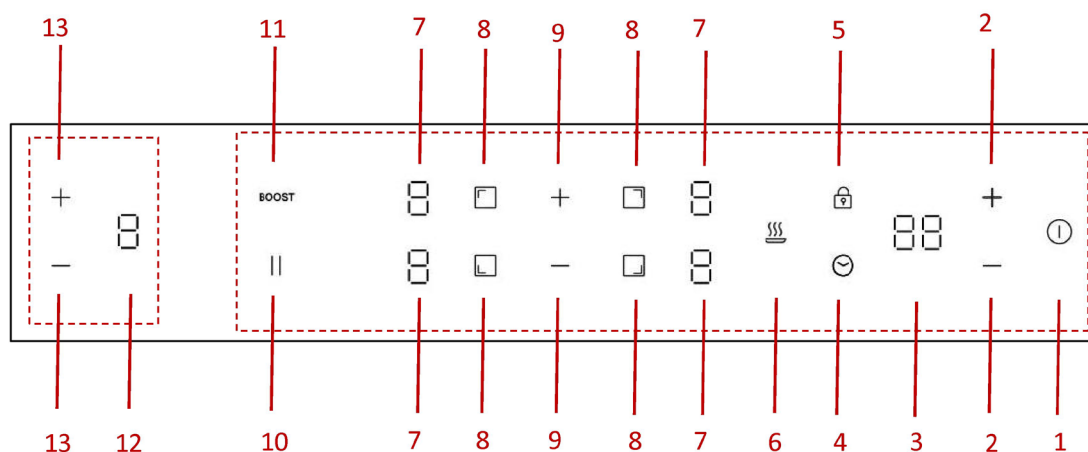
- Produktet kan ikke installeres over kjøleapparater, oppvaskmaskiner, varmeovner, ovner, vaskemaskiner og tørketromler.
- Lag utskjæringene i skapet før du setter inn platetoppen og fjern forsiktig spon eller sagflis.
- **for å optimalisere filterinstallasjonen, er det tilrådelig å kutte et spor i sokkelen for å sette inn et gitter (tilgjengelig på markedet) VIKTIG:** bruk en enkomponents selvklebende tetningsmasse (**S**), som tåler temperaturer opp til 250°; før installasjon, rengjør overflatene grundig for å feste seg og eliminere alle stoffer som kan kompromittere vedheft, (f.eks. slippmidler, konserveringsmidler, fett, olje, støv, spor av gammelt lim, etc.); limet skal være jevnt fordelt rundt hele utsiden av rammen; etter liming, la limet tørke i ca. 24 timer.

Forsiktig! Hvis du ikke installerer skruene eller festene i henhold til disse instruksjonene, kan det føre til elektriske farer.

Merk: for å sikre riktig installasjon av produktet, anbefales det å teipe rørene med et lim med følgende egenskaper:

- myk elastisk PVC-film, med et akrylbasert lim.
- i samsvar med DIN EN 60454-forskrifter.
- flammehemmende.
- utmerket motstand mot slitasje.
- motstandsdyktig mot temperatursvingninger.
- kan brukes ved lave temperaturer.

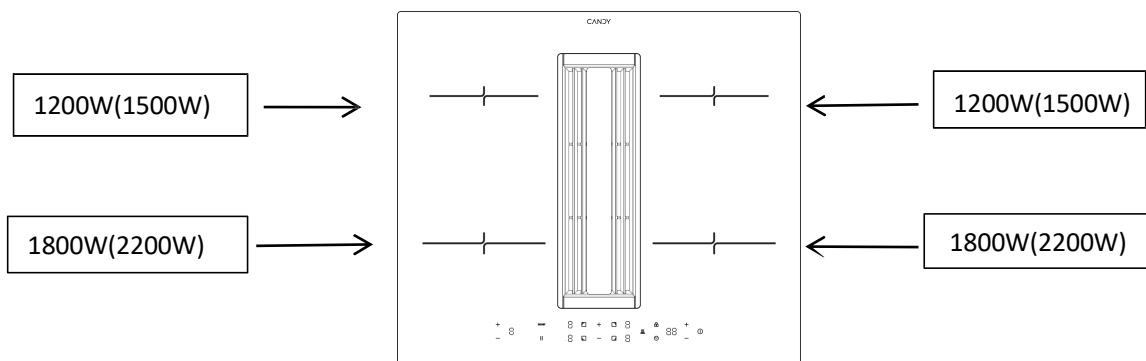
BETJENING AV KOKETOPPEN MED SENSORKNAPPENE



- | | | | |
|----|--------------------------------------|----|-------------------------------------|
| 1 | PÅ/AV | 2 | Tidsinnstilling |
| 3 | Timervisning | 4 | Valg av timer |
| 5 | Barnesikring | 6 | Hold varm-funksjon |
| 7 | Visning av effektnivå for kokeplate | 8 | Valg av kokesone |
| 9 | Valg av effektnivå for kokeplate | 10 | Pause |
| 11 | Boost | 12 | Effektnivåvisning for AVTREKKSIVFTE |
| 13 | Valg av effektnivå for AVTREKKSIVFTE | | |

PRODUKTSPESIFIKASJON

CIH6I4CF/CIH6I4CE



Bruke avtrekksviften

1. STANDBY-MODUS:

Etter strømmen piper summeren én gang, alle displayene viser "0" og avtrekksviften går inn i standby-modus. Hvis det ikke er noen operasjon innen 60 sekunder, vil alt display slå seg helt av og avtrekksviften slås av automatisk. Du kan aktivere avtrekksviften på nytt når som helst ved å berøre et hvilket som helst kontrollpanel.

2. INNSTILLING AV STRØMNIVÅ:

Avtrekksviften tilbyr fire effektnivåer (nivå 1 til nivå 4), slik at brukerne kan justere sugeintensiteten i henhold til deres behov.

Trykk og hold inne strømvalgtasten **+** i 1 sekund for å aktivere panseret. Som standard starter den på nivå 1. Du kan velge strømnivå ved å trykke på tasten **+** og **-**.

3. BOOST-MODUS:

Boost-modus, aktivert ved å velge høyeste effektnivå ("P"), gir intensivert sug for rask fjerning av matlagingsdamp. Den varer i bare ti minutter for å forhindre overdreven energiforbruk og er designet for å effektivt fjerne matlagingslukt og fett under intense matlagingsøkter.

Trykk og hold tasten **+** i ett sekund etter innstilling av effektnivå, panseret vil gå direkte inn i BOOST-MODUS (P). Vær oppmerksom på at BOOST-MODUS bare kan vare i ti minutter, etter det går den automatisk til nivå 4.

a) FORSINKET AVSTENGNING-MODUS:

Etter at koketoppen slutter å fungere, fortsetter avtrekksviften å trekke ut gjenværende oljedamp.

Virker i opptil fem minutter for å sikre god ventilasjon selv etter at tilberedningen er avsluttet.

Etter fem minutter slås den av automatisk.

Bidrar til å opprettholde et rent og luktfritt kjøkkenmiljø ved å fjerne dvelende matlukt og fettpartikler.

Trykk på tasten **-** for å slå av panseret (Panseret → 4 → 3 → 2 → 1 → d → slå av). Du kan også trykke og holde nede tasten **-** i ett sekund for å komme direkte inn i forsinket avslutningsmodus (d).

Under forsinket avstengning-modus kan du trykke på **-** for å slå av panseret direkte, eller trykke på **+** for å slå på avtrekksviften til nivå 1. Du kan også velge strømnivå ved å trykke på tasten **+** og **-**.

4. AUTOMATISK-MODUS:

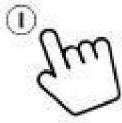
Hetten justerer sin funksjon basert på induksjonstoppens aktivitet. Når koketoppen er på, aktiveres hetten til nivå 1. Etter at koketoppen slås av, bytter ventilatoren automatisk til forsinket avstengingsmodus. Dette sikrer kontinuerlig ventilasjon selv etter at matlagingen er fullført, og eliminerer effektivt gjenværende lukt og fett fra kjøkkenmiljøet.

Bruk av koketoppen

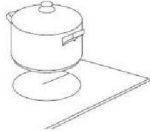
Slik starter du matlagingen

- Etter at den er slått på, piper summeren én gang, alle indikatorene for KOKETOPPEN lyser i 1 sekund og slukker deretter, noe som indikerer at koketoppen har gått inn i standby-modus.

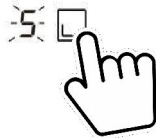
1. Trykk på PÅ/AV ⓘ-bryteren, alle indikatorene viser "-"



2. Plasser en egnet panne på matlagingssonen du ønsker å bruke. Pass på at bunnen av pannen, og overflaten på matlagingssonen er rene og tørre.



3. Berøring av kontrollen for valg av varmesone, og en indikator ved siden av tasten vil blinke.



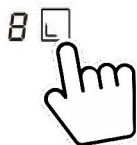
4. Velg en varmeinnstilling ved å trykke på effektnivåkontrollen.



- Hvis du ikke velger en varmeinnstilling innen 1 minutt, vil induksjonstoppen automatisk slå seg av.
- Du må starte på nytt ved trinn 1.
- Du kan når som helst endre oppvarmingsinnstillingen under matlaging.

Når du er ferdig med matlagingen

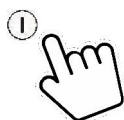
- Berør valget av varmesone som du ønsker å slå av.



- Slå av kokesonen ved å berøre effektnivåkontrollen. Sørg for at displayet viser "0".



- Slå av hele koketoppen ved å berøre PÅ/AV-kontrollen.



- Vær oppmerksom på varme overflater

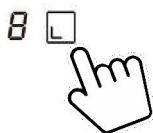
"H" vil vise som betyr at kokesonen er for varm til å berøre. Den forsvinner når overflaten er avkjølt til en sikker temperatur. Den kan også brukes som en energibesparende funksjon hvis du ønsker å varme opp ytterligere panner. Bruk den varmeplaten som fremdeles er varm.

H

Bruker Boost-funksjonen

Aktiver boost-funksjonen

1. Velg sonen med boost-funksjon.

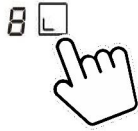


2. Ved å trykke på booster-tasten "BOOST", viser effektnivåindikatoren "P".

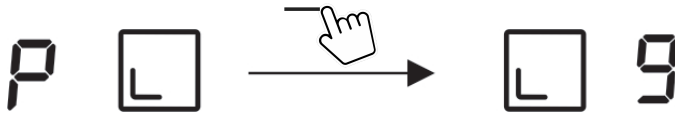


Avbryt Boost-funksjonen

1. Velg sonen med boost-funksjon.



2. Trykk på effektnivået for å avbryte Boost-funksjonen, og velg nivået du vil stille inn.



- Boost-funksjonen kan bare vare i 5 minutter, deretter går sonen automatisk til nivå 9.


Låsing av kontroller


- Du kan låse kontrollene for å hindre utilsiktet bruk (for eksempel at barna slår på matlagingssonenen utilsiktet).
- Når kontrollene er låst, er alle kontrollene, unntatt på/av-kontrollen, deaktivert.

Slik låser du kontrollene

Trykk på barnelåskontrollen . Tidtakerindikatoren vil vise "Lo".

Slik låser du opp kontrollene

- Sørg for at koketoppen er slått på.
- Berør og hold barnesikringskontrollen  i tre sekunder.
- Du kan nå begynne å bruke koketoppen.

Når koketoppen er i låst modus, er alle kontrollene deaktivert bortsett fra PÅ/AV,  du kan alltid slå av koketoppen med PÅ/AV-kontrollen i en nødssituasjon, men du skal låse opp platetoppen først ved neste operasjon.

Varsel om restvarme

Når koketoppen har vært i bruk en stund vil det være litt restvarme. Bokstaven "H" ser ut til å advare deg om å holde deg unna den.

Automatisk avslåing

Sikkerhetsfunksjonen til koketoppen er automatisk avstengning. Dette skjer når du glemmer å slå av en kokesone. Standard nedleggelsestider er vist i tabellen nedenfor:

Strømnivå	1	2	3	4	5	6	7	8	9
Standard arbeidstid (timer)	8	8	8	4	4	4	2	2	2

Bruke tidtakeren

Du kan bruke tidtakeren på to forskjellige måter:

- Du kan bruke det som en minuttpåminnelse. I så fall vil ikke tidtakeren slå av noen matlagingsone når den innstilte tiden er utløpt.
- Du kan bruke den som avskjæringstimer for å slå av en eller flere kokesoner etter at tiden er ute.
- Du kan stille inn tidtakeren til 99 minutter.

Bruke tidtakeren som en minuttpåminnelse

- Kontroller at kokeplaten er slått på. Sonevalgtasten er heller ikke aktivert (soneindikator '-' blinker ikke).

Merk: Du kan stille inn klokkeren før eller etter at kokeseinnstillingen er ferdig.



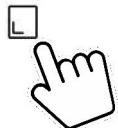
- Trykk på timer-tasten, "30" vil vises i timer-displayet vil blinke. Standardinnstillingen er 30 min.
- Still inn klokkeslettet ved å trykke på "-" eller "+"-kontrollen (f.eks. 5)
Kort berøring for justering 1 min og lang berøring for justering 10 min.



- Når tidtakeren er angitt, begynner den å telle umiddelbart. Displayet vil vise gjenværende tid.
- Summeren vil pipe i 20 sekunder og timerindikatoren viser "-" når innstillingstiden er ferdig.

Bruk av timeren til å slå av en eller flere kokesoner

- Berør oppvarmingssone-valgkontrollen du ønsker å angi tidtakeren for.



- Trykk på timer-tasten, "30" vil vises i timer-displayet vil blinke. Standardinnstillingen er 30 min.

- Still inn klokkeslettet ved å trykke på "-"- eller "+"-kontrollen (f.eks. 5)
Kort berøring for justering 1 min og lang berøring for justering 10 min.



- Når tidtakeren er angitt, begynner den å telle umiddelbart. Displayet vil vise gjenværende tid.

MERK: Det vil være en rød prikk i nedre høyre hjørne av effektnivåindikasjonen som indikerer at sonen er valgt.

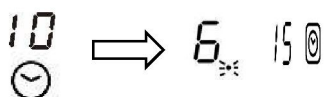
- Når koketimeren utløper, vil den tilsvarende kokesonen slå seg av automatisk.
Merk: Andre kokesoner vil fortsette å fungere hvis de er slått på tidligere.

Hvis timeren er stilt inn på mer enn én sone:

- Når du stiller inn timer for flere kokesoner, vises røde prikker på de aktuelle kokesonene. Timerdisplayet viser min. tidtaker. Prikken til den tilsvarende sonen blinker.



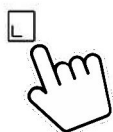
- Når nedtellingstidtakeren utløper, vil den tilsvarende sonen slå seg av. Da vil den vise den nye min. timeren og prikken til den tilsvarende sonen vil blinke.



Merk: Trykk på kontrollen for valg av varmesone, den tilsvarende timeren vises i timer-indikatoren.

Avbryt tidtakeren

- Berør oppvarmingszone-valgkontrollen du ønsker å kansellere tidtakeren for.



- Når du berører timerkontrollen, blinker indikatoren.
- Ved å trykke på "-"-kontrollen for å sette tidtakeren til "00", avbrytes tidtakeren.



Strøminnstillinger

Varmeeffekten til kokesonene kan stilles inn på ulike effektnivåer. I diagrammet finner du eksempler på hvordan du bruker hver innstilling.

Matlagingsnivå:	Egnet for:
1	Holder maten varm. Småkoking av liten mengde (laveste effektinnstilling).
2	Småkoking.
3-4	La småkoke større mengder eller stek større kjøttstykker til de er gjennomstekt.
5-6	samle juice.
7-8	Steking, samle juice.
9	Steking.
P	Steking (høyest effekt).

Strømstyring

Denne koketoppen kan kobles til en 13, 20, 25, 32 amp forsyning og konfigureres til å fungere på alle disse strøminnstillingene.

Koketoppen er forhåndsinnstilt til å kobles til en 32 A forsyning; Når fire soner velges samtidig, vil koketoppen begrense maksimalt strømforbruk slik at strømforsyningen på 7,0 kW ikke kan overskrides. På lignende måte, når koketoppen er tilkoblet og konfigurert til en 13/20/25 amp forsyningsmodus, vil koketoppen begrense den maksimale effekten til 2,5 / 3,5 / 4,5 / 7,0 kW.

Hvis koketoppen derimot er tilkoblet og konfigurert til en 32 amp strømforsyning, kan alle fire sonene brukes på maksimal innstilling med boost samtidig.

For å endre innstillingen for strømstyring

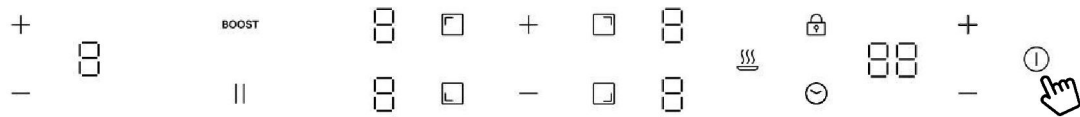
1. Slå av strømtilførselen til koketoppen.
2. La strømforsyningen være avslått i ett minutt.
3. Slå på strømforsyningen igjen.
4. Følg instruksjonene under "Slik konfigurerer du koketoppen til ECO-modus" fra trinn "1" og fremover.

MERK: ECO-moduskonfigurasjonen kan bare angis én gang hvis strømforsyningen til koketoppen ikke er avbrutt.

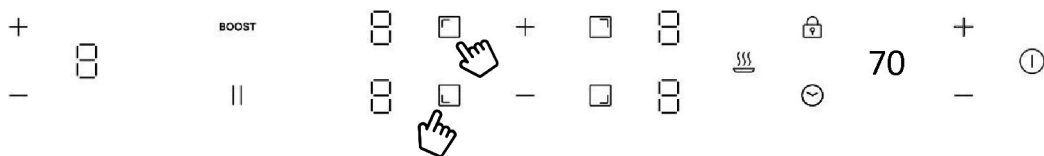
(OBS: ECO-modus bør stilles inn innen ett minutt etter at strømmen er slått på, ellers kan ikke innstillingen for ECO-modus angis etter mer enn ett minutt)

For å konfigurere koketoppen til strømstyring

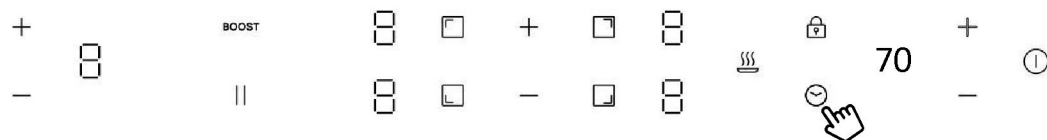
1. Berør PÅ/AV-tasten for å slå på strømforsyningen. Summeren piper én gang, alle displayene viser "-" og "--".



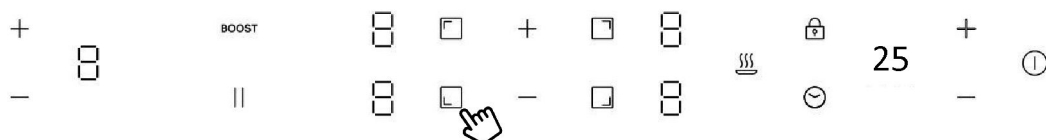
2. Berør fremre venstre sonetast og bakre venstre sonetast samtidig i tre sekunder. Summeren piper, noe som indikerer at induksjonstoppen går inn i valg av ECO-modus. (Displayet viser den forhåndsinnstilte effekten 7,0 kW)



3. Trykk på timer-tasten, så vil timer-displayet blinke. Du kan velge strøminnstilling nå.

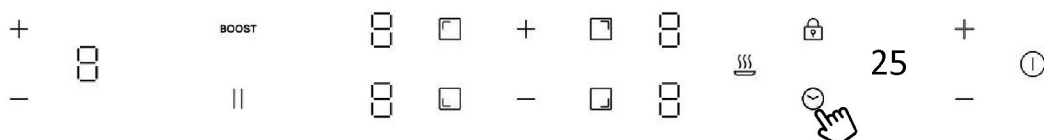


4. For å endre totaleffektinnstillingen, trykk på fremre venstre områdetast for å velge en ny totaleffektinnstilling. Hvis du trykker på den fremre venstre områdetasten igjen, går du gjennom alternativene. Tidtakerdisplayet vil vise fire alternativer: 25, 35, 45 og 70. For eksempel, når timerdisplayet viser tallet "25", indikerer det at den totale effekten er satt til 2500 W. Fortsett å trykke på den fremre venstre områdetasten til du finner ønsket effektinnstilling.

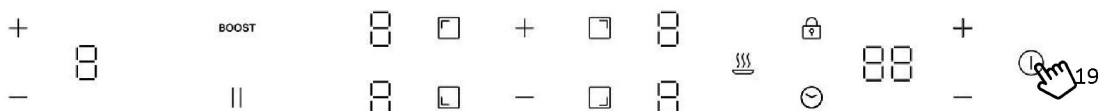


*Som standard er strøminnstillingen fabrikkinnstilt til 7,0 kW.

5. Berør timertasten igjen, timerdisplayet slutter å blinke og den tidligere valgte sonetasten vil vise "o" som indikerer at innstillingen er bekreftet.



6. Trykk på PÅ/AV for å slå av. Slå deretter på og komfyrtoppen er konfigurert klar til bruk i ECO-modusen du stiller inn for.



7. Trykk på PÅ/AV for å slå på, nå kan du bruke den nye strøminnstillingen.

RENGJØRING OG STELL

- Før rengjøring, slå av koketoppen og la den avkjøles.
- Ikke bruk damprensere eller høytrykksvaskere til å rengjøre koketoppen, da dette kan føre til elektrisk støt.
- Når du rengjør, pass på at du bare tørker lett over av/på-sensoren. Koketoppen kan ellers slås på ved et uhell!

Glasskeramisk koketopp

Viktig! Bruk aldri aggressive rengjøringsmidler som grove skuremidler, skurende gryterensere, rust- og flekkfjernere osv.

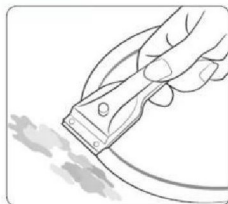
Rengjøring etter bruk

Rengjør alltid hele koketoppen når den har blitt skitten. Det anbefales at du gjør det hver gang koketoppen brukes. Bruk en fuktig klut og litt oppvaskmiddel til rengjøring. Tørk deretter koketoppen med en ren, tørr klut for å sikre at det ikke er noe vaskemiddel igjen på overflaten av koketoppen.

Ukentlig rengjøring

Rengjør hele koketoppen grundig en gang i uken med kommersielle glasskeramiske rengjøringsmidler. Følg produsentens instruksjoner nøye. Når det påføres, vil rengjøringsmidlet belegge koketoppen i en beskyttende film som er motstandsdyktig mot vann og smuss. Alt smuss forblir på filmen og kan enkelt fjernes. Gni deretter koketoppen tørr med en ren klut. Pass på at det ikke er noe rengjøringsmiddel igjen på overflaten av koketoppen siden dette vil reagere aggressivt når koketoppen varmes opp og vil endre overflaten.

Spesifikt smuss, kraftig smuss og flekker (kalk og skinnende flekker av perlemor) kan best fjernes når koketoppen fortsatt er litt varm. Bruk kommersielle rengjøringsmidler for å rengjøre koketoppen. Fortsett som beskrevet under punkt 2. Bløtlegg først mat som har kokt over med en våt klut og fjern deretter gjenværende smuss med en spesiell glassskrape for glasskeramiske koketopper. Rengjør deretter koketoppen igjen som beskrevet under punkt 2.



Gitter og fettfilter

Rengjør en gang i uken manuelt eller i oppvaskmaskin. Bruk litt oppvaskmiddel til rengjøring.

Kullfilter

Det anbefales å skifte kullfilteret etter rundt 2-4 måneder.

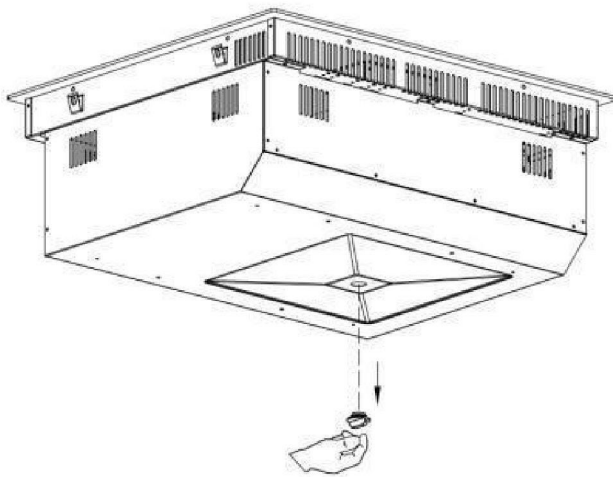
Brent sukker og smeltet plast må fjernes umiddelbart, når de fortsatt er varme, med en glasskrape. Rengjør deretter koketoppen igjen som beskrevet under punkt 2.

Sandkorn som kan komme inn på koketoppen når du skreller poteter eller ren salat kan skrape opp overflaten på koketoppen når du flytter rundt på gryter. Pass på at det ikke er igjen sandkorn på koketoppen.

Endringer i fargen på koketoppen vil ikke påvirke funksjonen og stabiliteten til det glasskeramiske materialet. Disse fargeendringene er ikke endringer i materialet, men matrester som ikke ble fjernet og som har brent seg fast i overflaten.

Skinnende flekker oppstår når bunnen av kokekaret gnis mot overflaten av koketoppen, spesielt når kokekar med aluminiumsbunn eller uegnede rengjøringsmidler brukes. De er vanskelige å fjerne med vanlige rengjøringsmidler. Du må kanskje gjenta rengjøringsprosessen flere ganger. Med tiden vil dekorasjonen slites av og mørke flekker vil oppstå som følge av bruk av aggressive rengjøringsmidler og defekt pannebunn.

I tilfelle store mengder væske ved et uhell helles inn i maskinen, ta av silikonpluggen på bunndekselet for å frigjøre væsken.



HVA SKAL GJØRES DERSOM DET OPPSTÅR PROBLEMER

I tilfelle feil under drift, sjekk følgende tabell før du ringer etter service. Nedenfor er noen vanlige feil og kontrollene som skal utføres.

Problem	Mulige årsaker	Hva du skal gjøre
Koketoppen kan ikke slås på.	Ingen strøm.	Sørg for at koketoppen er koblet til strømforsyningen og at den er slått på. Kontroller om det er strømbrudd i hjemmet eller området. Hvis du har kontrollert alt og problemet vedvarer, ringer du en kvalifisert tekniker.
Berøringskontrollene er upålitelige.	Kontrollene er låst.	Lås opp kontrollene. Se avsnittet 'BETJENING AV KOKETOPPEN MED SENSORKNAPPENE' for instruksjoner.
Berøringskontrollene er vanskelige å bruke.	Det kan være en liten vannfilm over kontrollene, eller du bruker kanskje tuppen av fingeren når du berører kontrollene.	Kontroller at berøringskontrollområdet er tørt og bruk fingertuppen når du berører kontrollene.
Glasset blir skrapet opp.	Kjøkkenutstyr med skarpe kanter. Uegnete, slipende skure- eller rengjøringsprodukter som brukes.	Bruk kjøkkenutstyr med flate og jevne baser. Se 'Velge korrekt kjøkkenutstyr'. Se 'Pleie og rengjøring'.
Noen panner avgir sprekke- eller knekkelyder.	Dette kan skyldes konstruksjonen av kjøkkenutstyret ditt (lag med forskjellige metaller vibrerer annerledes).	Dette er normalt for kjøkkenutstyr og indikerer ikke en feil.
Induksjonskokeplaten avgir lite støy når den brukes i en høy varme-innstilling.	Dette skyldes teknologien til induksjonsmatlaging.	Dette er normalt, men støyen skal være stille eller forsvinne helt når du senker varmeinnstillingen.
Viftestøy som kommer fra induksjonskokeplaten.	En kjølevifte innebygd i induksjonskokeplaten har slått seg på for å hindre at elektronikken overopphetes. Den kan fortsette å gå selv etter at du har slått av induksjonskokeplaten.	Dette er normalt og du trenger ikke å gjøre noe. Ikke slå av strømmen til induksjonskokeplaten ved veggen mens viften går.
Panner blir ikke varme og vises på skjermen.	Induksjonskokeplaten kan ikke oppdage pannen fordi den er ikke egnet for induksjonsmatlaging. Induksjonstoppen kan ikke oppdage pannen fordi den er for liten for kokesonen eller ikke riktig sentrert på den.	Bruk kjøkkenutstyr som passer til induksjonsmatlaging. Se avsnittet 'Velge korrekt kjøkkenutstyr'. Sentrer pannen og pass på at den passer til størrelsen på matlagingssonen.


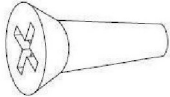






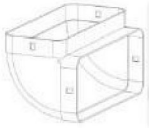
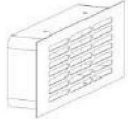
Induksjonskokeplaten eller en matlagingssonen har slått seg av uventet, en tone høres og en feilkode vises (vanligvis vekslende med ett eller to sifre på skjermen i matlagingstidakerdisplayet).	Teknisk feil.	Noter deg feilbokstavene og -numrene, slå av strømmen til induksjonskokeplaten på veggen, og kontakt en kvalifisert tekniker.
Etter å ha koblet til strømmen og trykket på "strøm"-tasten, er det ingen respons fra apparatet.	Er det strømbrydd?	Vent til strømforsyningen gjenopptas
	Er sikringen gått eller kretsbyteren utløst?	Sjekk de grunnleggende årsakene nøye. Hvis problemet ikke kan løses, vennligst vårt servicesenter for inspeksjon og reparasjon.
	Er støpselet godt tilkoblet?	
Oppvarmingen avbrytes ved normal bruk og et "pip" høres.	Inkompatible kokekar eller ingen kokekar brukt?	Bytt ut kokekar; bruk kokekar som passer til induksjonskomfyren.
	Kokekaret er ikke plassert på midten av varmesonen.	Plasser kokekaret på midten av den angitte varmesonen.
	Varmes kokekaret opp, men det fjernes kontinuerlig?	Plasser kokekaret inne i varmesonen.
Ingen drift mens oppvarmingen er i bruk	Er kokekaret tomt eller temperaturen er for høy?	Sjekk om apparatet blir misbrukt
	Er luftinntaket/avtrekksventilen tett eller har det samlet seg skitt på den?	Åpne tilstoppingen av luftinntaket/avtrekksventilen. Vent til apparatet har kjølt seg ned, og slå det så på igjen.
	Fungerer komfyren i over to timer uten interaksjon?	Tilbakestill tilberedningsmoduser eller bruk timerfunksjonen


Hvis de ovennevnte rettsmidler/kontroller ikke kan løse problemet, koble fra apparatet umiddelbart og kontakt servicesenteret for inspeksjon og reparasjon. Merk deg feilkoden og rapporter den til Service Center Ltd. For å unngå fare og skade på apparatet, må du ikke demontere eller reparere det selv.

FEILVISNING OG INSPEKSJON

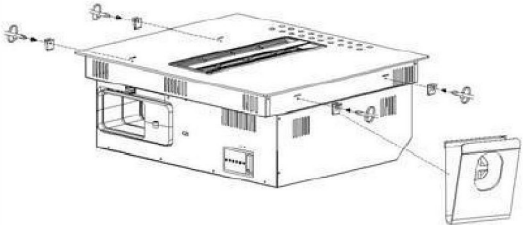
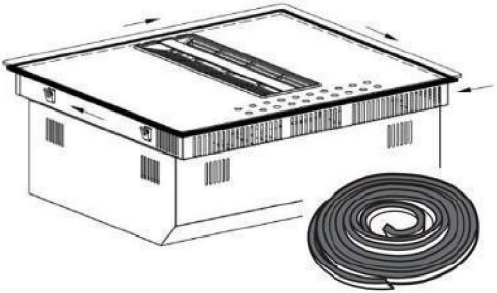
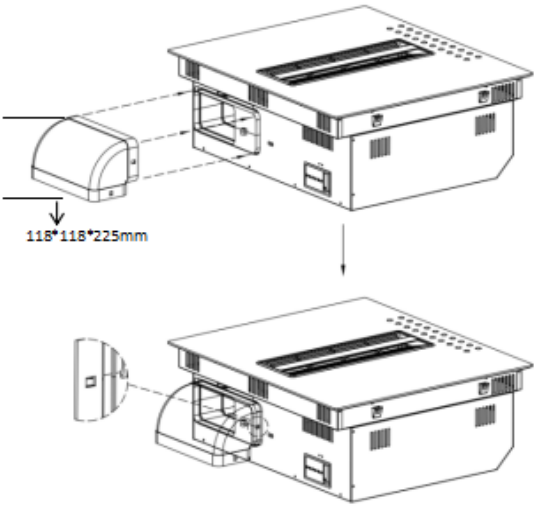
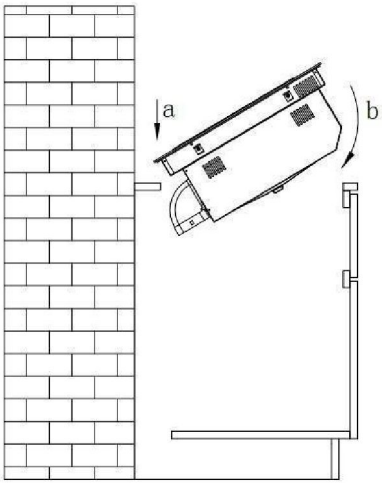
Feilkode	Mulig årsak	Hva du skal gjøre
U	Ingen panne	Sett egnet gryte på varmesonen. Hvis det fortsatt ikke fungerer, kontakt servicesenteret.
E1	Unormal forsyningsspenning (lavere enn 160 V).	Kontroller om strømtilførselen er normal. Slå på etter at strømforsyningen er normal.
E2	Unormal forsyningsspenning (høyere enn 280 V).	Kontroller om strømtilførselen er normal. Slå på etter at strømforsyningen er normal.
E3/E5/E7	Feil på induksjonsspolens temperatursensor	Ta kontakt med servicesenteret.
E4/E6	Feil på IGBT-temperatursensor	Ta kontakt med servicesenteret.
Er	Kommunikasjon mellom hovedkort og skjermkortfeil	Ta kontakt med servicesenteret.
Et	Overløpsbeskyttelse	Rengjør vannet på kontrollpanelet og slå på koketoppen igjen.

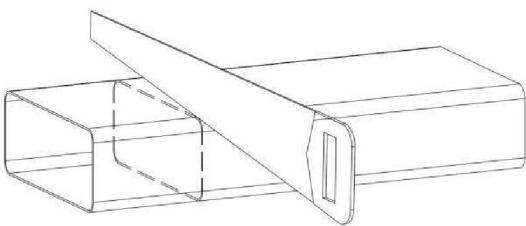
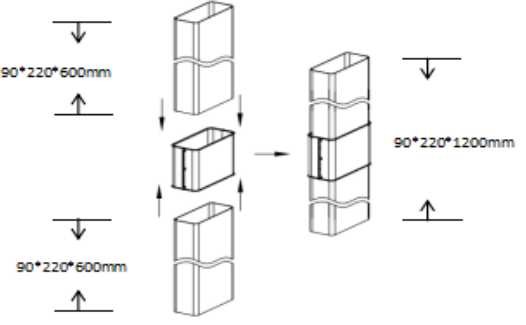
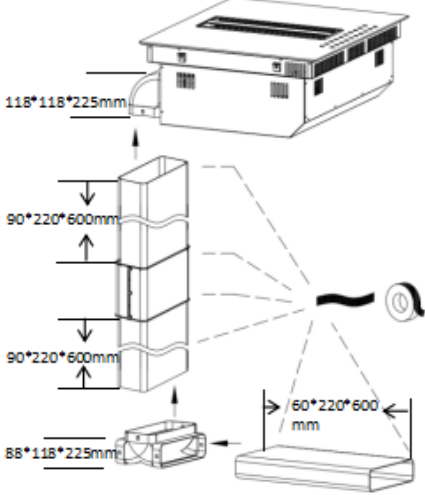
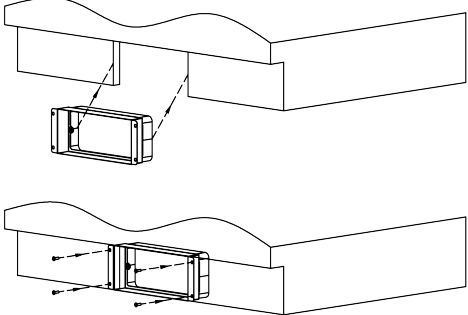
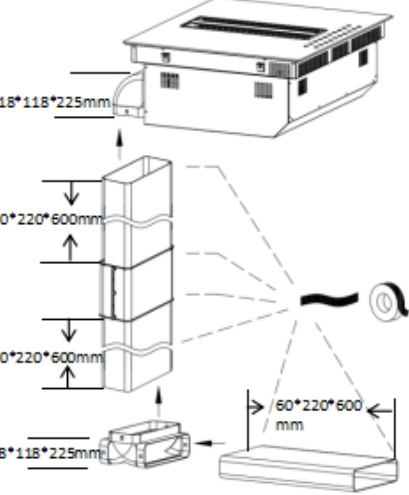
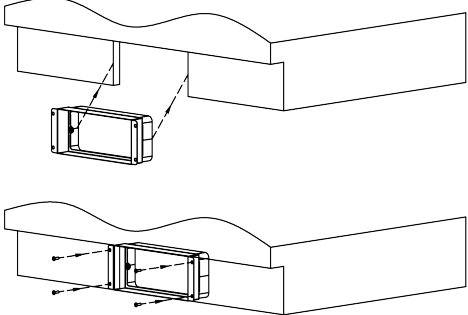
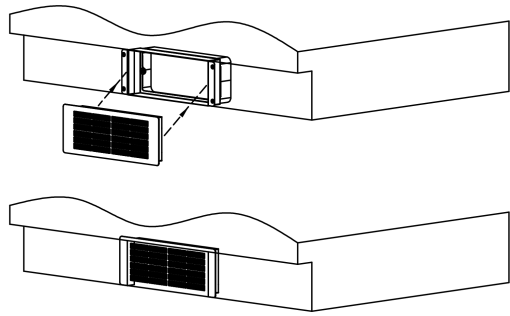
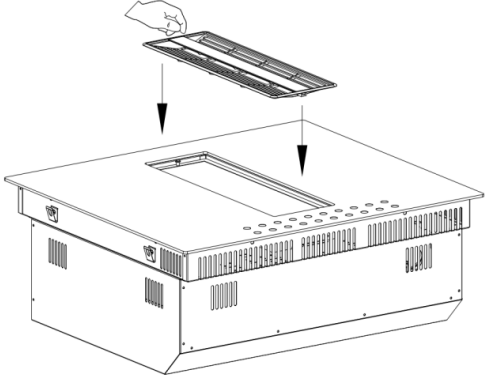
LISTE OVER TILBEHØR

Nr.	Navn	Diagram	Antall
1	ST 4x5 skrue		4 stk
2	ST 4x14 Skrue		4 stk
3	Installasjonsbrakett		4 stk
4	Svampstang		1 stk
5	Luftinntaksgitter		1 stk
6	9 cm firkantrør		2 stk
7	6 cm firkantrør		1 stk (kun for filtrerende versjon)
8	Tilkoblingsrør		1 stk
9	Bøyd rør		2 stk for filtrerende versjon 1 stk for avtrekksversjon
10	Luftuttak-ASSY		1 stk (kun for filtrerende versjon)

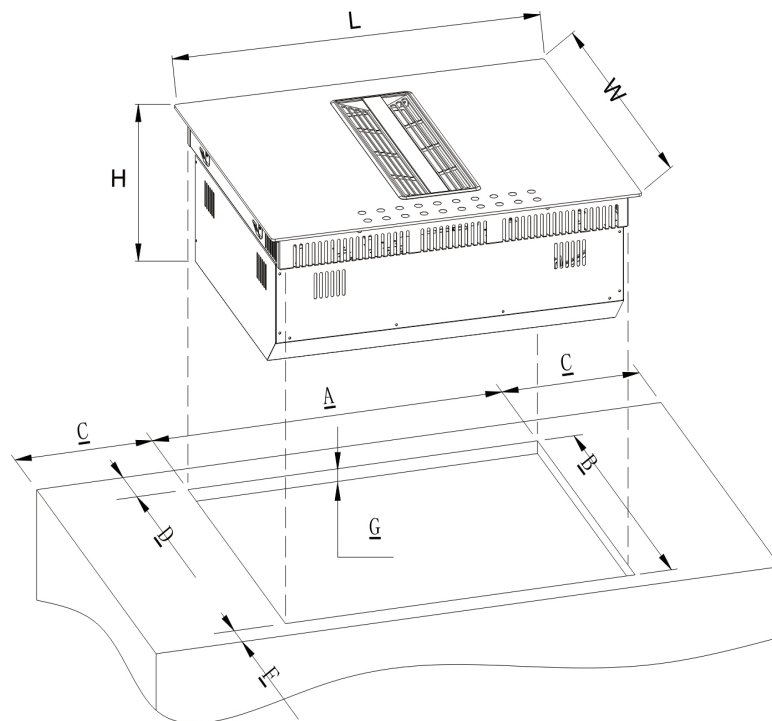
11	Aluminiumsklistremerke		7 stk
----	------------------------	--	-------

PRODUKTINSTALLASJON

<p>Trinn 1: Skrue monteringsbrakettene på bunnhuset.</p>	<p>Trinn 2: Fest svampstangen rundt det keramiske glasset.</p>
	
<p>Trinn 3: Fest det bøydde røret.</p>	<p>Trinn 4: Installer produktet i skapet, (fra trinn a til trinn b)</p>
	

<p>Trinn 5: Dersom skaphøyden er mindre enn 80 cm, kan vi kutte røret til ønsket lengde.</p> 	<p>Trinn 6: Dersom skaphøyden er over 80 cm kan vi bruke to rør med tilkobling.</p> 
<p>Trinn 7: Monter røret og fest med tetningslist.</p> 	<p>Trinn 8: Monter luftuttak-ASSY nederst på skapet, fest skruingen.</p> 
<p>Trinn 9: Installer kartongfilteret i luftuttak-ASSY. (*kullfilter kun for filtreringsversjon)</p> 	<p>Trinn 10: Installer strømnettet.</p> 
<p>Trinn 9: Installer kartongfilteret i luftuttak-ASSY. (*kullfilter kun for filtreringsversjon)</p> 	<p>Trinn 10: Installer strømnettet.</p> 

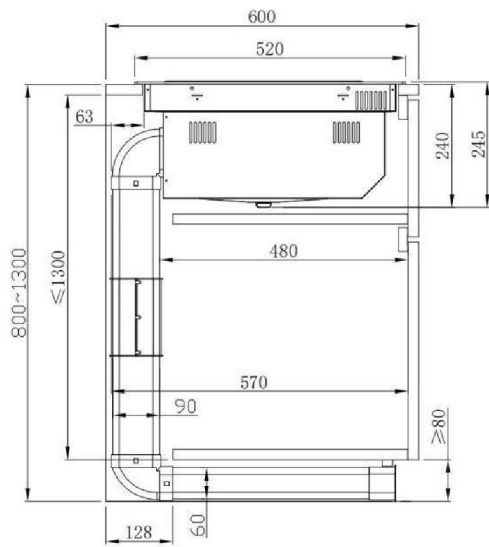
DIMENSJON PÅ INSTALLASJON



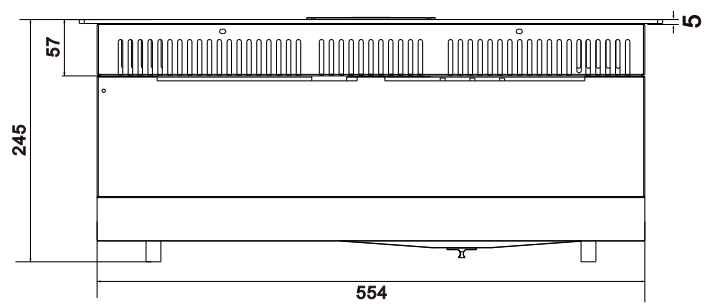
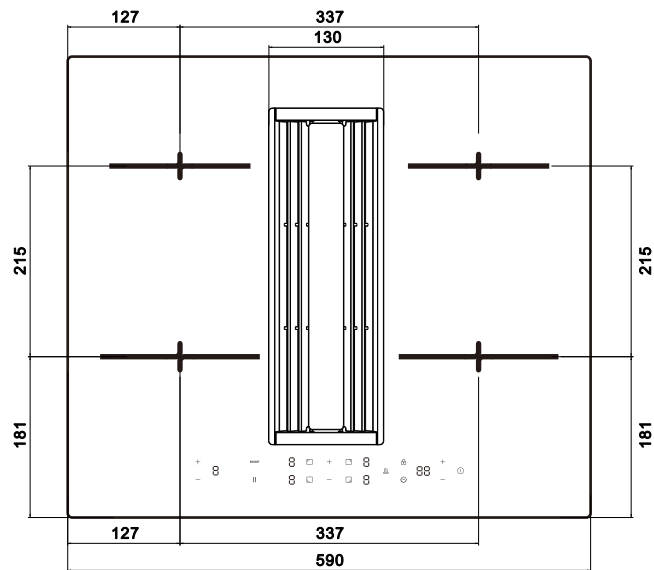
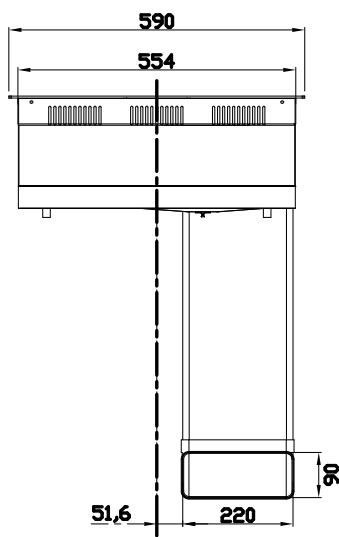
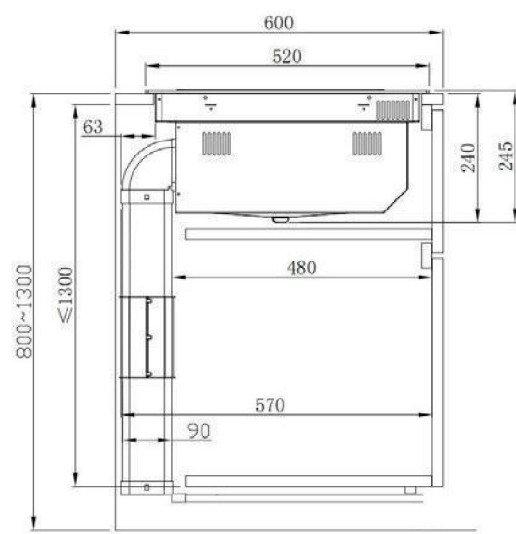
Modell	L (mm)	B (mm)	H (mm)	A (mm)	B (mm)	C (mm)	D (mm)	F (mm)	G (mm)
CIH614CF CIH614CE	590	520	245	560	490	≥ 40	≥ 70	≥ 40	20-40

Skap- og røykrørstørrelse


Filtreringsversjon



Avtrekkversjon



ELEKTRISK TILKOBLING


 Denne kokeplaten må kobles til strømforsyningen kun av en kvalifisert person.

Før du kobler kokeplaten til strømforsyningen, må du kontrollere at:

1. hjemmeledningssystemet egner seg for strømmen som trekkes av kokeplaten.
2. spenningen korresponderer til verdien som er angitt på typeskiltet
3. kabeldelene for strømforsyningen kan motstå belastningen som er angitt på typeskiltet.

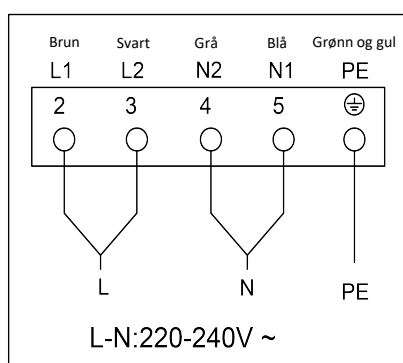
For å koble kokeplaten til strømforsyningen må du ikke bruke adaptere, redusere eller grenapparater, siden slike kan forårsake overoppheting og brann.

Strømkabelen må ikke berøre varme deler, og må plasseres slik at temperaturen ikke overstiger 75 °C på noe tidspunkt.

 Kontroller med en elektriker om utstyr for boligkabler er i god stand, uten endringer. Eventuelle endringer må kun foretas av kvalifiserte elektrikere.

Strømforsyningen skal kobles til i samsvar med den relevante standarden.

Tilkoblingsmetoden er vist nedenfor.



- Hvis kabelen er skadet eller skal skiftes ut, må driften utføres av en ettersalgsagent med spesialverktøy for å unngå ulykker.
- Hvis apparatet kobles direkte til strømmettet, må en omnipolar krets Bryter installeres med en minste åpning på tre mm mellom kontaktene.
- Installatøren må sørge for at riktig strømforsyning er utført og at den er i samsvar med sikkerhetsforskriftene.
- Kabelen må ikke være bøyd eller komprimert.
- Kabelen må kontrolleres regelmessig og skiftes ut av autoriserte teknikere.

Spesiell erklæring

Innholdet i denne håndboken er nøye kontrollert. Selskapet kan imidlertid ikke holdes ansvarlig for eventuelle trykkfeil eller utelatelser. Eventuelle tekniske modifikasjoner kan også inkluderes i en revidert versjon av håndboken uten varsel. Utseendet og fargen på apparatet i denne håndboken kan avvike fra den faktiske.



Dette apparatet er merket i henhold til EU-direktiv 2012/19/EU for elektriske og elektroniske apparater (WEEE).

WEEE inneholder både forurensende stoffer (som kan ha en negativ effekt på miljøet) og basiselementer (som kan gjenbrukes). Det er viktig at WEEE-behandlingen tar hånd om spesifikke behandlinger for å fjerne og kassere forurensningene korrekt og gjenvinne alt materialet. Enkeltpersoner kan spille en viktig rolle i å sikre at WEEE ikke blir et miljøproblem. Det er avgjørende å følge noen få grunnleggende regler:

- WEEE skal ikke behandles som husholdningsavfall.
- WEEE skal bringes til dedikerte innsamlingsområder som administreres av byrådet eller et registrert selskap.

I mange land kan boligsinnsamlinger være tilgjengelige for store WEEE-produkter. Når du kjøper et nytt apparat, kan det gamle returneres til forhandleren som må ta imot det gratis. Så lenge apparatet er av en tilsvarende type og har samme funksjoner som den kjøpte enheten.



Gyldig bare for Kypros

ÍNDICE

MANUAL DE INSTRUÇÕES.....	2
OPERAR A PLACA COM OS BOTÕES DE SENSOR	19
Gestão de energia	26
LIMPEZA E CUIDADOS	28
O QUE FAZER SE OCORREREM PROBLEMAS	30
EXIBIÇÃO E INSPEÇÃO DE FALHAS	31
LISTA DE ACESSÓRIOS	32
INSTALAÇÃO DO PRODUTO	33
CONEXÃO ELÉTRICA.....	36

MANUAL DE INSTRUÇÕES

Respeite rigorosamente as instruções do presente manual. Não é assumida qualquer responsabilidade por quaisquer problemas, danos ou incêndios causados pelo incumprimento das instruções contidas neste manual. O aparelho destina-se exclusivamente a uso doméstico, para cozinhar alimentos e extrair os fumos gerados pela cozedura. Não é permitida qualquer outra utilização (por exemplo, aquecimento de divisões). O fabricante declina qualquer responsabilidade por uma utilização inadequada ou por definições de controlo incorretas.

Leia atentamente as instruções: incluem informações importantes sobre a instalação, a utilização e a segurança.

Não efetue alterações elétricas no aparelho. Antes de instalar o aparelho, certifique-se de que nenhum dos componentes está danificado. Caso contrário, contacte o revendedor e não prossiga com a instalação.

Verifique se o aparelho está intacto antes de prosseguir com a instalação. Caso contrário, contacte o revendedor e não prossiga com a instalação.

1. Avisos

Tenha em atenção! Preste especial atenção às instruções seguintes:

- O aparelho deve ser desligado da rede elétrica antes de se proceder a qualquer trabalho de instalação.

- A instalação ou manutenção deve ser efetuada por um técnico qualificado, em conformidade com as instruções do fabricante e com os regulamentos de segurança locais.

Não repare nem substitua qualquer peça do aparelho, exceto se tal estiver expressamente indicado no manual de operação.

- Este aparelho deve ser ligado à terra.

- O cabo de alimentação deve ser suficientemente longo para permitir a ligação do dispositivo incorporado na unidade à rede elétrica.

- Para que a instalação esteja em conformidade com as normas de segurança em vigor, é necessário um disjuntor omnipolar homologado que garanta a desconexão completa da rede elétrica na categoria de sobretensão III, de acordo com as regras de instalação.

- Não utilize extensões elétricas ou cabos de extensão.

- Uma vez concluída a instalação, os componentes elétricos não devem estar acessíveis ao utilizador.
- O aparelho e as suas peças acessíveis aquecem durante a utilização. Ter cuidado para não tocar nas resistências.
- Certifique-se de que as crianças não brincam com o aparelho; mantenha as crianças afastadas e supervisione-as, pois as peças acessíveis podem ficar muito quentes durante a utilização.
- Para as pessoas com pacemakers e implantes ativos, é importante verificar, antes de utilizar a placa de indução, se o seu pacemaker é compatível com o dispositivo.
- Não toque nas resistências do aparelho durante e após a utilização.
- Evite o contacto com panos ou qualquer outro material inflamável até que todos os componentes da placa tenham arrefecido o suficiente, risco de incêndio.
- Não coloque material inflamável em cima ou perto do aparelho.
- As gorduras e os óleos sobreaquecidos incendeiam-se facilmente. Vigie a cozedura de alimentos gordos ou oleosos.

- Se a superfície estiver rachada, desligue imediatamente o aparelho para evitar o risco de choque elétrico.
- O aparelho não se destina a ser operado com um temporizador externo ou um sistema de controlo remoto separado.
- Cozinhar sem supervisão num aparelho com óleo ou gordura pode ser perigoso e provocar um incêndio.
- O processo de cozedura deve ser supervisionado. Um processo de cozedura curto deve ser constantemente monitorizado.
- NUNCA tente apagar o fogo com água. Em vez disso, desligue o aparelho e abafe as chamas, por exemplo, com uma tampa ou um cobertor de fogo. Perigo de incêndio: não coloque objetos sobre as superfícies de cozedura.
- Não utilize máquinas de limpeza a vapor, pois existe o risco de choque elétrico.
- Não coloque objetos metálicos, como facas, garfos, colheres ou tampas, sobre o aparelho, pois podem ficar quentes.
- Antes de ligar o aparelho à rede elétrica: verifique a placa de características (na parte inferior do aparelho) para se certificar de que a tensão e a potência correspondem à rede

elétrica e de que a tomada é adequada. Em caso de dúvida, consulte um eletricista qualificado.

Importante

- Após a utilização, desligue a placa no interruptor e não confie no detetor de panelas.
- Evite que os líquidos transbordem, por isso baixe o lume quando ferver ou aquecer líquidos.
- Não deixe as resistências ligadas com os tachos e panelas vazios ou sem panelas.
- Desligue o respetivo disco quando terminar de cozinhar.
- Nunca utilize papel de alumínio para cozinhar e nunca coloque produtos embalados em alumínio sobre a placa. O alumínio derreteria e danificaria irremediavelmente o seu dispositivo.
- Nunca aqueça uma lata ou um recipiente que contenha alimentos sem o abrir primeiro: pode explodir!
- Esta advertência aplica-se igualmente a todos os outros tipos de placas.
- Os níveis de potência elevados, como a função Booster, não devem ser utilizados para aquecer determinados líquidos, como óleo para fritar. O calor excessivo pode ser perigoso. Nestes casos, recomendamos a utilização de um nível de potência inferior.

- Os recipientes devem ser colocados diretamente sobre a placa e no centro. Em caso algum podem ser colocados outros objetos entre a panela e a placa de cozedura.
- Se a temperatura se tornar elevada, o aparelho diminui automaticamente o nível de potência das zonas de cozedura.
- Antes de efetuar qualquer trabalho de limpeza ou manutenção, desligue o aparelho da rede elétrica, retirando a ficha ou desligando o interruptor de rede. Use luvas de proteção em todas as operações de instalação e manutenção. O dispositivo pode ser utilizado por crianças com mais de oito anos e por pessoas com capacidades físicas, sensoriais ou mentais reduzidas ou com falta de experiência ou dos conhecimentos necessários, desde que sejam supervisionadas ou após terem recebido instruções sobre como utilizar o dispositivo em segurança e compreenderem os perigos inerentes. As crianças devem ser supervisionadas para garantir que não brincam com o aparelho. A limpeza e a manutenção nunca devem ser efetuadas por crianças, a não ser que estas estejam devidamente vigiadas.


A sala deve ser adequadamente ventilada quando o aparelho é utilizado em simultâneo com outros aparelhos a gás ou alimentados por outro combustível. O aparelho deve ser limpo regularmente, tanto interna como externamente (PELO MENOS UMA VEZ POR MÊS), em estrita conformidade com as instruções de manutenção. O não cumprimento das regras de limpeza do aparelho e de substituição e limpeza do filtro pode resultar em perigo de incêndio. Não se deve cozinhar em modo flambé. A utilização de uma chama aberta pode danificar os filtros e provocar um risco de incêndio, pelo que deve ser evitada em todas as circunstâncias. É necessário ter um cuidado especial ao fritar para evitar que o óleo sobreaqueça e se incendeie.

TENHA EM ATENÇÃO

- As peças acessíveis do aparelho podem ficar quentes quando a placa de cozedura é ligada.
- **Tenha em atenção!** Não ligue o aparelho à rede elétrica até a instalação estar completamente concluída. Os regulamentos estabelecidos pelas autoridades locais devem ser rigorosamente respeitados no que diz respeito a medidas técnicas e de segurança a adotar para a extração de fumos.

- O ar extraído não deve ser conduzido através das mesmas condutas utilizadas para a extração dos fumos gerados pela combustão de gases ou por outros tipos de dispositivos de combustão. Nunca utilize o aparelho sem a grelha corretamente instalada! Para a instalação, utilize apenas os parafusos de fixação fornecidos com o aparelho ou, se não forem fornecidos, adquirir o tipo de parafusos correto.
- Quando o dispositivo é utilizado juntamente com outros dispositivos alimentados com energia não elétrica, a pressão negativa da sala não deve exceder 4 Pa (4×10^{-5} bar). Este manual deve ser guardado para consulta futura em qualquer altura. Se for vendido, transferido ou deslocado, deve permanecer junto do dispositivo.

Este dispositivo está marcado em conformidade com a Diretiva Europeia 2012/19/CE – UK SI 2013 No3113, Resíduos de equipamentos elétricos e eletrónicos (REEE). Ao assegurar que este dispositivo é eliminado corretamente, o utilizador ajudará a evitar potenciais impactos negativos no ambiente e na saúde humana.

O símbolo  no aparelho ou na documentação fornecida indica que este aparelho não deve ser tratado como lixo doméstico, mas deve ser levado para um local de recolha de resíduos adequado para a reciclagem de aparelhos elétricos e eletrónicos. Elimine de acordo com os regulamentos locais relativos à eliminação de resíduos. Para mais informações sobre o tratamento, a recuperação e a reciclagem deste aparelho, contacte as autoridades locais, o serviço de recolha de resíduos domésticos ou a loja onde o aparelho foi comprado. Dispositivo concebido, testado e desenvolvido em conformidade com os regulamentos sobre:

- Segurança: EN/IEC 60335-1; EN/IEC 60335-2-6, EN/IEC 60335-2-31, EN/IEC 62233.
- Desempenho: EN/IEC 61591; ISO 5167-1; ISO 5167-3; ISO 5168; EN/IEC 60704-1; EN/IEC 60704-2-13; EN/IEC 60704-3; ISO 3741; EN 50564; IEC 62301. EN 60350-2;

- EMC: EN 55014-1; CISPR 14-1; EN 55014-2; CISPR 14-2; EN/IEC 61000-3-3; EN/IEC 61000-3-12.

Recomendações para uma utilização correta, de modo a reduzir o impacto no ambiente: Quando começar a cozinhar, ligue o aparelho na velocidade mínima, deixando-o ligado durante alguns minutos quando terminar de cozinhar. Aumentar a velocidade apenas se houver uma grande quantidade de fumos e vapor, utilizando a função Booster apenas em casos extremos. Para manter o sistema de redução de odores a funcionar eficientemente, substitua o(s) filtro(s) de carvão quando necessário. Para garantir o elevado desempenho do filtro de gorduras, limpe-o sempre que necessário. Para melhorar a eficiência e minimizar o ruído, utilize o diâmetro máximo da conduta indicado neste manual.

2. Utilização

Utilizar a placa

O sistema de cozinha por indução utiliza o princípio físico da indução magnética para transferir diretamente a energia do gerador para a panela.

Vantagens:

Quando comparada com os fogões elétricos, a sua placa de indução é:

- **Mais segura:** temperatura mais baixa na superfície do vidro.
- **Mais rápida:** tempos de aquecimento dos alimentos mais curtos.
- **Mais precisa:** a placa reage imediatamente aos seus comandos.
- **Mais eficiente:** 90% da energia absorvida é convertida em calor. Além disso, quando a panela é retirada da placa, a transmissão de calor é imediatamente interrompida, evitando perdas de calor desnecessárias.

2.1 Recipientes para cozinhar

Utilizar apenas recipientes marcados com o símbolo  :

para evitar riscos, não utilize:

- recipientes com fundos que não sejam perfeitamente planos.
- recipientes metálicos com fundo esmaltado.
- recipientes com uma base rugosa, para evitar riscar a superfície da placa.
- não coloque tachos e panelas quentes na superfície do painel de controlo.

2.1.1 Recipientes pré-existent

A cozedura por indução gera calor através da utilização do magnetismo.

Por conseguinte, os recipientes devem ser feitos de um material magnético, como o ferro. Para determinar se uma panela é adequada, teste o seu material com um íman. Se uma panela não reagir a um íman, não é adequada para cozinhar por indução.

2.1.2 Diâmetros recomendados para o fundo da panela

IMPORTANTE: Se o tamanho da panela for incorreto, as zonas de cozedura não serão ativadas.

Para mais pormenores sobre o diâmetro mínimo do recipiente que deve ser utilizado em cada zona, consulte a parte ilustrada deste manual.

2.2 Economia de energia

Recomendações para obter melhores resultados:

- Utilize tachos e panelas com um diâmetro de fundo igual ao do disco.
- Utilize apenas tachos e panelas com fundo plano.
- Mantenha a tampa na panela sempre que possível durante a cozedura.
- Cozinhe legumes, batatas, etc. com uma quantidade mínima de água para reduzir o tempo de cozedura.

- Utilize uma panela de pressão, pois reduz ainda mais o consumo de energia e o tempo de cozedura.
- Centre a panela na zona de cozedura indicada na placa.

ESCOLHER OS UTENSÍLIOS DE COZINHA ADEQUADOS

Utensílios de cozinha para placas de indução

Os utensílios de cozinha para zonas de cozedura por indução devem ser de metal e ter propriedades magnéticas. A base deve ser suficientemente grande.

Utilize apenas tachos com uma base adequada à indução.

É assim que se determina a adequação de uma panela:

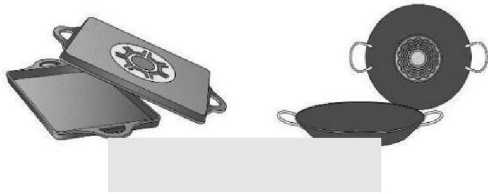
Utensílios de cozinha adequados	Utensílios de cozinha inadequados
Tachos de aço esmaltado com uma base espessa	Potes de cobre, aço inoxidável, alumínio, vidro à prova de forno, madeira, cerâmica e terracota
Tachos de ferro fundido com base esmaltada	
Tachos em aço inoxidável multicamadas, aço fermete anti-ferrugem ou alumínio com uma base especial	

Efetue o teste magnético descrito abaixo ou certifique-se de que a panela tem o símbolo de adequabilidade para cozinhar com corrente de indução.

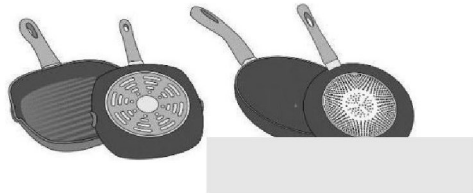
Nunca utilize panelas com uma base deformada. Uma base oca ou arredondada pode interferir com o funcionamento da proteção contra sobreaquecimento, fazendo com que o aparelho fique demasiado quente. Isto pode levar a que o tampo de vidro se parta e o fundo da panela derreta. Os danos resultantes da utilização de panelas inadequadas ou da cozedura a seco estão excluídos da garantia.



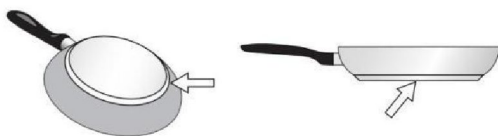
Se a base do utensílio de cozinha for apenas parcialmente ferromagnética, apenas a área que é ferromagnética aquecerá. Isto pode significar que o calor não será distribuído uniformemente. A zona não ferromagnética pode não aquecer a uma temperatura suficiente para cozinhar.



A área ferromagnética também será reduzida se o material de que é feita a base do utensílio de cozinha contiver alumínio, por exemplo. Isto pode significar que o utensílio de cozinha não ficará suficientemente quente ou mesmo que não será detetado.



Os materiais de que é feita a base do utensílio de cozinha podem afetar o resultado da cozedura. Utilize tachos e panelas feitos de materiais que distribuem o calor uniformemente através deles, tais como panelas de aço inoxidável com uma base de três camadas, poupa tempo e energia. Utilize utensílios de cozinha com uma base plana; se a base do utensílio de cozinha for irregular, pode prejudicar o fornecimento de calor.



Teste do íman:

Mova um íman em direção à base do seu utensílio de cozinha. Se for atraído, pode utilizar os utensílios de cozinha na placa de indução.



Nota:

Quando se utilizam painéis adequadas para indução de certos fabricantes, podem ocorrer ruídos que são atribuíveis à concepção dessas painéis. É preciso ter cuidado quando se utilizam painéis de cozedura em lume brando, pois a água em lume brando pode secar sem ser notada, provocando danos na panela e na placa de cozedura, pelos quais não se assume qualquer responsabilidade.

Dimensão dos utensílios de cozinha

Para obter um bom resultado de cozedura, a área ferromagnética na base da panela deve corresponder ao tamanho do disco elétrico. Se um disco elétrico não detetar um utensílio de cozinha, tente colocá-lo noutra placa de aquecimento com um diâmetro mais pequeno.

Zona de cozedura	Diâmetro mínimo da panela
Ø 160mm	Ø 120mm
Ø 180mm	Ø 140mm

Utilizar a ventoinha do extrator

O sistema de ventilador com exaustor pode ser utilizado de duas formas: como versão de exaustão externa ou como versão de filtragem com recirculação interna. A versão de exaustão externa remove o fumo, o vapor e os odores de cozinha para o exterior, enquanto a versão de recirculação de filtragem interna filtra estes elementos e faz circular o ar limpo de volta para a sala.



Versão com exaustor

Os fumos são expelidos para o exterior através de uma série de tubos (vendidos separadamente) ligados ao tubo de conexão incluído. O diâmetro dos tubos de escape ou do adaptador deve corresponder à dimensão do tubo de conexão incluído 222 x 89 mm.

Para mais informações sobre a utilização da versão com exaustor, consulte a página relevante na secção ilustrada do manual. Ao ligar o produto a tubos de escape e orifícios montados na parede, certifique-se de que o diâmetro corresponde ao da saída de ar (flange de ligação). A utilização de tubos e orifícios com um diâmetro inferior pode diminuir a eficiência do extrator e aumentar os níveis de ruído. Para obter os melhores resultados, a conduta deve ser tão curta quanto possível, com um número mínimo de curvas (ângulo máximo): 90°) e evite mudanças bruscas no diâmetro da conduta.

- Mantenha a conduta tão curta quanto possível.
- Utilize condutas com o menor número possível de curvas (ângulo máximo: 90°).
- Evite alterações drásticas no diâmetro da conduta.



Versão com filtração

A versão de recirculação com filtração interna destina-se a filtrar os fumos de cozedura e a libertar ar limpo para a cozinha. Em vez de ventilar para o exterior, este sistema recircula o ar dentro de casa depois de o passar por filtros. É útil quando a ventilação exterior não é possível. Os filtros especializados, como os filtros de carvão ativado (incluídos no acessório), retêm eficazmente a gordura e os odores. A manutenção regular, incluindo a substituição do filtro, é necessária para um desempenho ótimo. Este método ajuda a manter o ar interior limpo e é eficiente em termos energéticos, mas não elimina totalmente os poluentes da casa. A forma de instalação e os requisitos de dimensão podem ser consultados no manual do utilizador.

3. Instalação

• Tanto a instalação elétrica como mecânica devem ser efetuadas por profissionais qualificados. Este aparelho elétrico foi concebido para ser instalado numa bancada com uma espessura entre 2 a 6 cm para uma instalação de topo, ou 2,5 a 6 cm para uma instalação à face. Para instalar a placa de cozedura, mantenha uma distância mínima de 5 cm à frente, 4 cm nos lados e 50 cm dos armários superiores. Nota: As distâncias recomendadas são fornecidas apenas a título de exemplo. Ao planear a sua cozinha, siga as orientações fornecidas pelo fabricante da cozinha.

3.1 Ligação à alimentação elétrica

Para ligar a placa à alimentação elétrica, proceda da seguinte forma

- Retire a placa de fogão da embalagem e coloque-a numa superfície plana.
- Ligue o cabo de alimentação à placa.
- Ligue a outra extremidade do cabo de alimentação à alimentação elétrica.
- Certifique-se de que a ligação elétrica é segura e cumpre os regulamentos elétricos locais.

- Desligue o aparelho da alimentação elétrica.
- A instalação deve ser efetuada por pessoal profissionalmente qualificado, com conhecimento dos regulamentos em vigor para a instalação e segurança.

- O fabricante declina qualquer responsabilidade por pessoas, animais ou bens se as linhas de orientação fornecidas neste capítulo não forem seguidas.
 - O cabo de alimentação deve ser suficientemente longo para permitir retirar a placa da bancada.
 - Certifique-se de que a ligação elétrica é segura e cumpre os regulamentos elétricos locais.
 - Não utilize cabos de extensão.
 - O cabo de alimentação de terra deve ser 2 cm mais comprido do que os outros cabos.
 - Se o aparelho elétrico não for fornecido com um cabo de alimentação, utilize um cabo com um diâmetro mínimo de condutor de 2,5 mm² para potências até 7200 Watt; para potências superiores, o diâmetro deve ser de 4 mm².
 - A temperatura não deve atingir 50°C acima da temperatura ambiente em qualquer ponto do cabo.
 - O aparelho destina-se a ser ligado de forma permanente à rede elétrica.
- **Tenha em atenção!** Antes de voltar a ligar o circuito à rede elétrica, certifique-se de que está a funcionar corretamente e verifique sempre se o cabo de alimentação está corretamente instalado.
 - **Tenha em atenção!** O cabo de ligação deve ser substituído pelo serviço de assistência técnica autorizado ou por uma pessoa com qualificações semelhantes.
- Nota:** o produto está equipado com uma função de limitador de potência, que permite definir um limite máximo de potência. O limite deve ser definido no momento da ligação do produto à rede elétrica ou quando a própria rede elétrica é ligada novamente (nos 2 minutos seguintes).

3.2 Montagem

Antes de iniciar a instalação:

- **Depois de desembalar o produto, verifique se não foi danificado durante o transporte e, em caso de problemas, contacte o revendedor ou o serviço de apoio ao cliente antes de o instalar.**
- Verifique se o produto tem o tamanho correto para a área de instalação.
- Verifique se existem acessórios (por exemplo, sacos com parafusos, certificados de garantia, etc.) no interior da embalagem (colocados por razões de transporte). Remova-os e guarde-os em segurança, se existirem.
- Verifique também se existe uma tomada elétrica perto da área de instalação.

Preparação do armário para a instalação:

- O produto não pode ser instalado por cima de aparelhos de refrigeração, máquinas de lavar loiça, aquecedores, fornos, máquinas de lavar e secar roupa.
- Faça os cortes no armário antes de colocar a placa e retire cuidadosamente as aparas e a serradura.
- **Para otimizar a instalação do filtro, é aconselhável cortar uma ranhura no rodapé para inserir uma grelha (disponível no mercado) IMPORTANTE:** utilize um vedante adesivo monocomponente (**S**), que resiste a temperaturas até 250°; antes da instalação, limpe cuidadosamente as superfícies a colar e elimine qualquer substância que possa

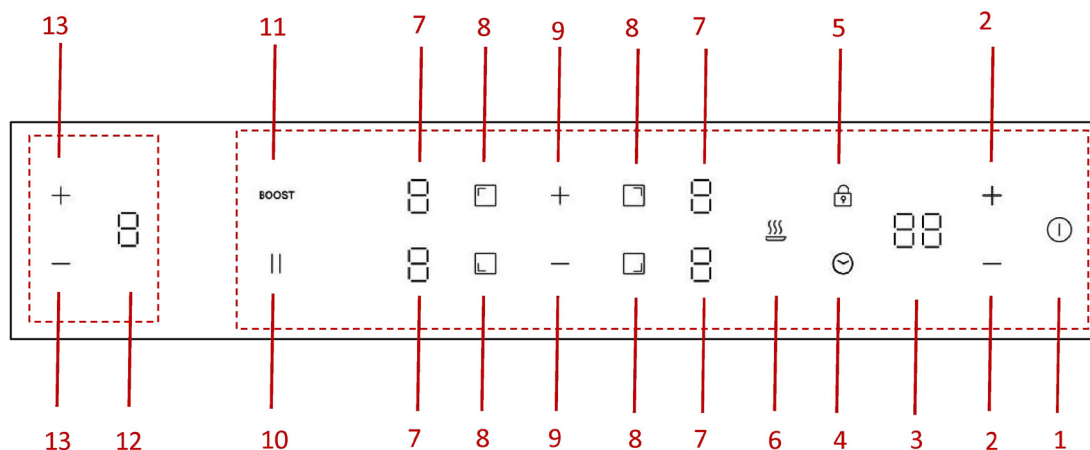
comprometer a adesão (por exemplo, solventes, conservantes, gorduras, óleo pós, vestígios de adesivos antigos, etc.); a cola deve ser espalhada uniformemente em todo o exterior da estrutura; após a colagem, deixe secar a cola durante cerca de 24 horas.

Cuidado! Se os parafusos ou o dispositivo de fixação não forem montados de acordo com estas instruções, podem ocorrer riscos elétricos.

Nota: Para garantir a instalação correta do produto, recomenda-se a aplicação de fita adesiva nos tubos utilizando uma cola com as seguintes características:

- película de PVC macia e elástica, com um adesivo de base acrílica.
- em conformidade com a norma DIN EN 60454.
- retardador de chama.
- excelente resistência ao desgaste.
- resistente a variações de temperatura.
- pode ser utilizado a baixas temperaturas.

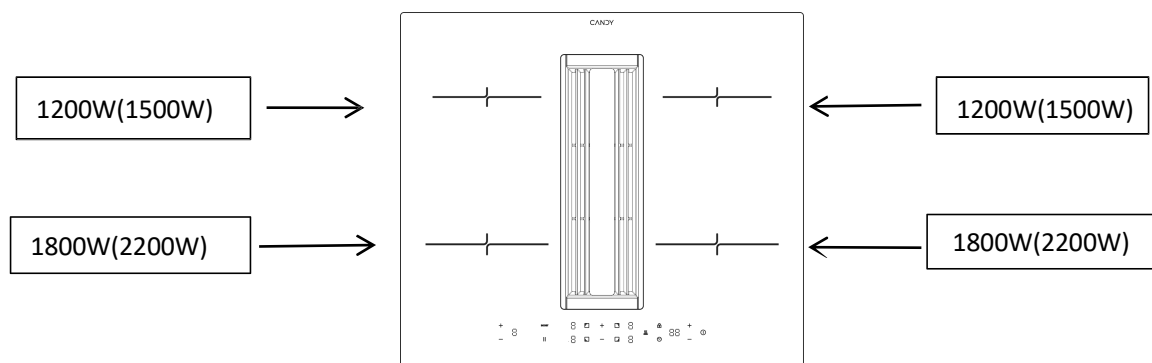
OPERAR A PLACA COM OS BOTÕES DE SENSOR



- | | | | |
|----|--|----|--|
| 1 | LIGAR/DESLIGAR | 2 | Definição do temporizador |
| 3 | Ecrã do temporizador | 4 | Seleção do temporizador |
| 5 | Trinco para crianças | 6 | Função Manter quente |
| 7 | Visor do nível de potência para PLACA | 8 | Seleção da zona de cozedura |
| 11 | Seleção do nível de potência para PLACA | 9 | Pausa |
| 12 | Boost | 10 | Visor do nível de potência para EXAUSTOR |
| 13 | Seleção do nível de potência para EXAUSTOR | | |

ESPECIFICAÇÃO DO PRODUTO

CIH6I4CF/CIH6I4CE



Utilizar o exaustor

1. MODO STANDBY:

Após a ligação, o sinal sonoro toca uma vez, todos os ecrãs apresentam "0" e o exaustor entra no estado de espera.

Se não houver qualquer operação no espaço de 60 segundos, todos os ecrãs se apagam completamente e o exaustor desliga-se automaticamente. Pode reativar o exaustor a qualquer momento, tocando em qualquer painel de controlo.

2. DEFINIÇÃO DO NÍVEL DE POTÊNCIA:

O exaustor oferece quatro níveis de potência (nível 1 a nível 4), permitindo aos utilizadores ajustar a intensidade de sucção de acordo com as suas necessidades.

Prima e mantenha premida a tecla de seleção de potência **+** durante 1 segundo para ativar o exaustor. Por defeito, inicia-se no nível 1. Pode selecionar o nível de potência premindo as teclas **+** e **-**.

3. MODO BOOST:

O modo Boost, ativado ao selecionar o nível de potência mais elevado ("P"), proporciona uma sucção intensificada para eliminar rapidamente os fumos de cozedura. Tem uma duração de apenas 10 minutos para evitar um consumo excessivo de energia e foi concebido para eliminar eficazmente os odores e a gordura dos cozinhados durante sessões de culinária intensas.

Prima e mantenha premida a tecla **+** durante um segundo após a definição do nível de potência, o exaustor entrará diretamente no MODO BOOST (P). Tenha em atenção que o MODO BOOST só pode durar 10 minutos, após o que passará automaticamente para o nível 4.

a) MODO DE PARAGEM RETARDADA:

Quando a placa de cozedura deixa de funcionar, o exaustor continua a aspirar fumos de óleo residuais. Funciona até 5 minutos para garantir uma ventilação completa, mesmo depois de terminada a cozedura. Após 5 minutos, desliga-se automaticamente.

Ajuda a manter um ambiente de cozinha limpo e sem odores, removendo os odores persistentes dos cozinhados e as partículas de gordura.

Prima a tecla **-** para desligar o exaustor (P→4→3→2→1→d→desligar). Também pode premir e manter premida a tecla **-** durante um segundo para entrar diretamente no modo de encerramento adiado (d).

Durante o modo de encerramento adiado, pode premir **-** para desligar diretamente o exaustor, ou premir **+** para ligar o exaustor ao nível 1. E pode selecionar o nível de potência premindo a tecla **+** e **-**.

4. MODO AUTOMÁTICO:

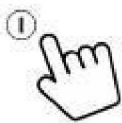
O exaustor ajusta o seu funcionamento em função da atividade da placa de indução. Quando a placa está ligada, o exaustor ativa-se no nível 1. Quando a placa de cozedura se desliga, o exaustor passa automaticamente para o modo de encerramento adiado. Isto assegura uma ventilação contínua mesmo depois de terminada a cozedura, eliminando eficazmente os odores residuais e a gordura do ambiente da cozinha.

Utilizar a Placa

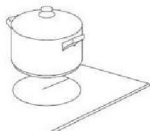
Para começar a cozinhar

- Depois de ligar, ouve o sinal sonoro uma vez, todos os indicadores acendem-se durante 1 segundo e depois apagam, indicando que a placa entrou em estado de espera.

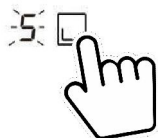
1. Toque no interruptor LIGAR/DESLIGAR ①, todos os indicadores mostram"-"



2. Coloque uma panela adequada na zona de cozedura que pretende utilizar. Certifique-se de que o fundo da panela e a superfície da zona de cozedura estão limpos e secos.



3. Ao tocar no controlo de seleção da zona de aquecimento, irá piscar um indicador ao lado do botão.



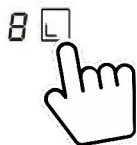
4. Selecione uma regulação de calor tocando no controlo do nível de potência.



- Se não selecionar uma definição de calor no período de 1 minuto, a placa de indução desliga-se automaticamente.
- Terá de recomeçar no passo 1.
- É possível modificar a regulação do calor a qualquer altura durante a cozedura.

Quando terminar de cozinhar

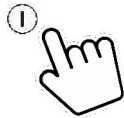
- Toque na seleção da zona de aquecimento que pretende desligar.



- Desligue a zona de cozedura tocando no regulador do nível de potência. Certifique-se de que o visor mostra "0".



- Desligue completamente a placa tocando no comando LIGAR/DESLIGAR.



- Cuidado com as superfícies quentes

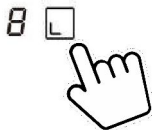
"H" indica que a zona de cozedura está demasiado quente para tocar. Desaparecerá quando a superfície tiver arrefecido a uma temperatura segura. Utilizar o disco elétrico enquanto ainda está quente pode também ser uma forma de poupança de energia, se pretender aquecer mais panelas.

H

Usar a função Boost

Ativar a função Boost

1. Selecione a zona com a função boost.

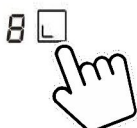


2. Ao tocar na tecla de reforço "BOOST", a indicação do nível de potência mostra "P".

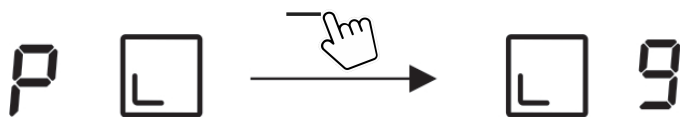


Cancelar a função Boost

1. Selecione a zona com a função boost.



2. Prima o nível de potência para cancelar a função Boost, e selecione o nível que deseja definir.



- A função boost de reforço só pode durar por 5 minutos. Após esse tempo, a zona retorna ao nível 9 automaticamente.

Bloquear os comandos

- Pode bloquear os comandos para evitar uma utilização involuntária (por exemplo, crianças que acidentalmente ligam as zonas de cozedura).
- Quando os comandos são bloqueados, todos os comandos exceto o LIGAR/DESLIGAR são desativados.

Para bloquear os comandos

Toque no controlo do trinco para crianças . O indicador do temporizador irá mostrar "Lo".

Para desbloquear os comandos

- Certifique-se de que a placa está ligada.
- Toque e mantenha premido o trinco para crianças durante 3 segundos.
- Agora pode começar a utilizar a placa.

Quando a placa está no modo de bloqueio, todos os comandos são desativados, exceto o LIGAR/DESLIGAR; pode sempre desligar a placa de indução com o comando LIGAR/DESLIGAR em caso de emergência, mas deverá desbloquear a placa primeiro na operação seguinte.

Aviso de calor residual

Quando a placa estiver a funcionar há algum tempo, haverá algum calor residual. A letra "H" aparece para o avisar para se manter afastado.

Encerramento automático

A função de segurança da placa é desligar automaticamente. Isto ocorre sempre que se esquecer de desligar uma zona de cozedura. Os tempos de paragem padrão são exibidos na tabela abaixo:

Nível de potência	1	2	3	4	5	6	7	8	9
Temporizador de funcionamento predefinido (hora)	8	8	8	4	4	4	2	2	2

Utilizar o temporizador

Pode utilizar o temporizador de duas formas diferentes:

- Pode utilizá-lo como um lembrete de minutos. Neste caso, o temporizador não desliga nenhuma zona de cozedura quando a hora definida estiver ativada.
- Pode utilizá-lo como temporizador de corte para desligar uma ou mais zonas de cozedura após o tempo se esgotar.
- Pode configurar o temporizador até 99 minutos.

Utilizar o temporizador como um lembrete de minutos

- Certifique-se de que a placa está ligada. E a tecla de seleção de zona não está ativada (indicação de zona '-' não está a piscar).

Nota: Pode definir o lembrete de minutos antes ou depois de definir a potência da cozedura.



- Toque na tecla do temporizador. "30" é apresentado no visor do temporizador e pisca. A configuração padrão é de 30 min.

- Defina o tempo tocando no comando "-" ou "+". (por ex. 5)

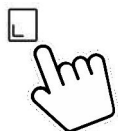
Toque curto para ajustar 1 minuto e toque longo para ajustar 10 minutos.



- Quando o tempo estiver definido, a contagem decrescente será iniciada imediatamente. O visor mostrará o tempo restante.
- O sinal sonoro irá soar durante 20 segundos e o indicador do temporizador mostra "- -" quando o tempo definido tiver terminado.

Usando o temporizador para desligar uma ou mais zonas de cozedura

- Tocando no controlo de seleção da zona de aquecimento para a qual pretende definir o temporizador.



- Toque na tecla do temporizador. "30" é apresentado no visor do temporizador e pisca. A configuração padrão é de 30 min.

- Defina o tempo tocando no comando "-" ou "+". (por ex. 5)

Toque curto para ajustar 1 minuto e toque longo para ajustar 10 minutos.



- Quando o tempo estiver definido, a contagem decrescente será iniciada imediatamente. O visor mostrará o tempo restante.

NOTA: No canto inferior direito da indicação do nível de potência encontra-se um ponto vermelho a indicar a zona selecionada.

- Quando o temporizador de cozedura chegar a zero, a zona de cozedura correspondente será desligada automaticamente.

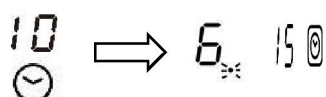
Nota: Outra zona de cozedura continuará a funcionar se tiver sido ligada anteriormente.

Se o temporizador estiver regulado em mais de uma zona:

- Ao definir o temporizador para várias zonas de cozedura, são indicados pontos vermelhos das zonas de cozedura relevantes. O visor do temporizador mostra o temporizador min.. O ponto da zona correspondente pisca.



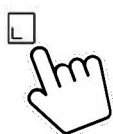
- Logo que o temporizador de contagem regressiva expirar, a zona correspondente desliga-se. Depois irá exibir o novo temporizador min. e o ponto da zona correspondente piscará.



Nota: Toque no controlo de seleção da zona de aquecimento, o temporizador correspondente é exibido no indicador do temporizador.

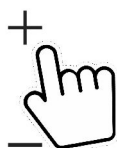
Cancelar o temporizador

- Tocando no controlo de seleção da zona de aquecimento para a qual pretende definir o temporizador.



- Tocando no controlo do temporizador, o indicador pisca.

- Toque no controlo "-" para definir o temporizador para "00", o temporizador é cancelado.



Definições de potência

A potência de aquecimento das zonas de cozedura pode ser regulada em vários níveis de potência. No quadro, encontrará exemplos de como utilizar cada definição.

Nível de cozedura:	Adequado para:
1	Manter os alimentos quentes. Cozinhar em lume brando uma pequena quantidade (potência mais baixa).
2	Cozinhar lentamente.
3-4	Cozinhar lentamente quantidades maiores ou assar pedaços maiores de carne até estarem cozinhados.
5-6	Obter sucos.
7-8	Assar, obter sucos.
9	Assar.
P	Assar (potência máxima).

Gestão de energia

Esta placa pode ser ligada a uma fonte de alimentação de 13, 20, 25, 32 amperes e configurada para funcionar com qualquer uma destas potências.

A placa está pré-programada para ser ligada a uma alimentação de 32Amp; quando quatro zonas são selecionadas ao mesmo tempo, a placa limita a potência máxima consumida para que a alimentação de 7,0kW não seja ultrapassada. Da mesma forma, quando a placa está ligada e configurada para um modo de alimentação 13/20/25Amp, a placa limita a potência máxima a 2,5/3,5/4,5/7,0kW.

Se, no entanto, a placa de cozedura estiver ligada e configurada para uma alimentação de 32Amp, as quatro zonas podem ser utilizadas ao mesmo tempo na regulação máxima com reforço.

Para alterar a definição de Gestão de energia

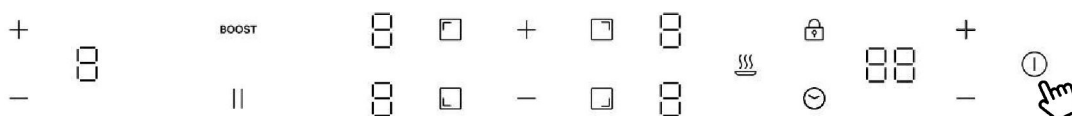
1. Corte a alimentação elétrica da placa.
2. Deixe a alimentação elétrica desligada durante um minuto.
3. Ligue novamente a fonte de alimentação.
4. Siga as instruções do ponto "Configurar a placa de cozedura no modo ECO" a partir do passo "1".

NOTA: A configuração do modo ECO só pode ser acedida uma vez se a alimentação elétrica da placa não for cortada.

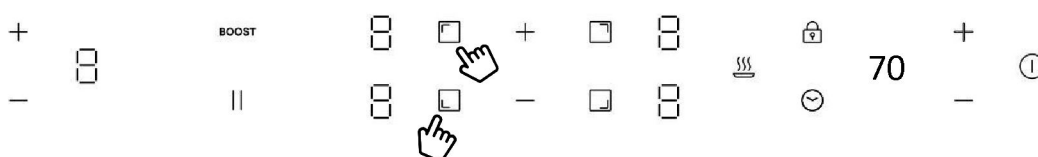
(Nota: O modo ECO deve ser definido no prazo de um minuto após a alimentação ser ligada; caso contrário, a definição do modo ECO não pode ser introduzida após mais de um minuto)

Para configurar a placa na Gestão de energia

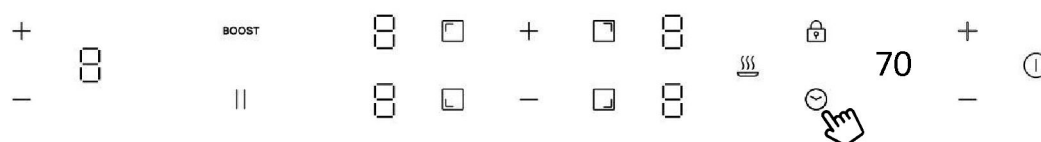
1. Toque na tecla LIGAR/DESLIGAR para ligar a rede elétrica. O sinal sonoro toca uma vez e todos os ecrãs apresentam "-" e "- -".



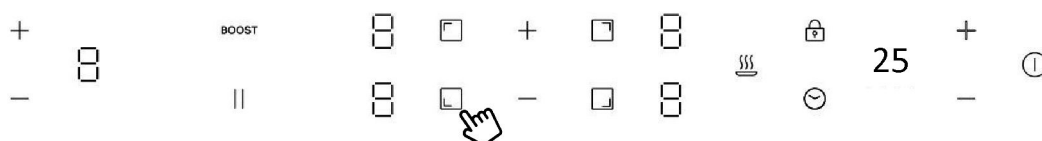
2. Toque simultaneamente na tecla da zona frontal esquerda e na tecla da zona traseira esquerda durante 3 segundos. O sinal sonoro indica que a placa de indução entra na seleção do modo ECO. (O ecrã mostra a potência predefinida de 7,0 kW)



3. Toque na tecla do temporizador e o ecrã do temporizador fica intermitente. Pode seleccionar a definição de potência agora.

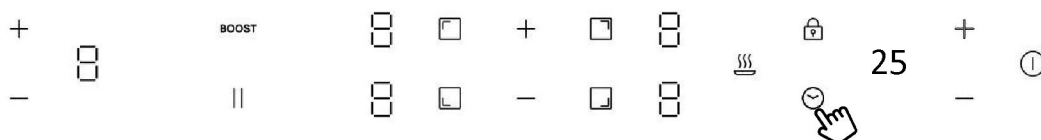


4. Para alterar a definição de potência total, prima a tecla da área dianteira esquerda para seleccionar uma nova definição de potência total. Premir novamente a tecla da área dianteira esquerda permite percorrer as opções. O ecrã do temporizador apresenta quatro opções: 25, 35, 45 e 70. Por exemplo, quando o visor do temporizador apresenta o número "25", isso indica que a potência total está definida para 2500W. Continue a premir a tecla da área dianteira esquerda até encontrar a definição de potência pretendida.

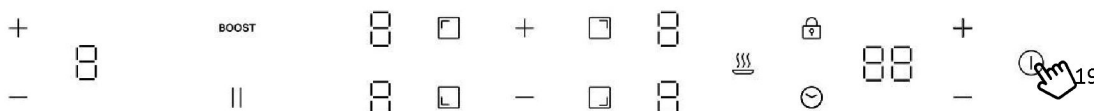


*Por predefinição, a definição de potência é definida de fábrica para 7,0 kW.

5. Toque novamente na tecla do temporizador, o visor do temporizador deixa de piscar e a tecla da zona anteriormente seleccionada apresenta "o", indicando que a definição está confirmada.



6. Toque no botão LIGAR/DESLIGAR para desligar. Depois é só ligar e a placa está configurada e pronta a ser utilizada no modo ECO que definiu.



7. Toque em LIGAR/DESLIGAR para ligar, agora pode utilizar a nova definição de potência.

LIMPEZA E CUIDADOS

- Antes de proceder à limpeza, desligue a placa e deixe-a arrefecer.
- Não utilizar aparelhos de limpeza a vapor ou de alta pressão para limpar a placa, pois pode provocar um choque elétrico.
- Ao limpar, certifique-se de que passa apenas um pano ligeiro sobre o sensor on/off. Caso contrário, a placa pode ser ligada acidentalmente!

Placa de vitrocerâmica

Importante! Nunca utilize produtos de limpeza agressivos, tais como esfregões ásperos, produtos de limpeza de painéis abrasivos, tira-nódoas e removedores de ferrugem, etc.

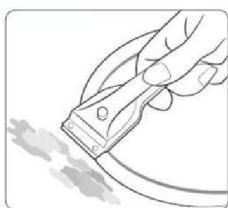
Limpeza após a utilização

Limpe sempre toda a placa quando esta estiver suja. Recomenda-se que o faça sempre que a placa for utilizada. Utilize um pano húmido e um pouco de detergente líquido para limpar. Em seguida, seque a placa com um pano limpo e seco para garantir que não fica qualquer resíduo de detergente na superfície da placa.

Limpeza semanal

Limpar bem toda a placa uma vez por semana com produtos comerciais de limpeza de vitrocerâmica. Siga cuidadosamente as instruções do fabricante. Quando aplicado, o agente de limpeza reveste a placa de cozinha com uma película protetora resistente à água e à sujidade. Toda a sujidade permanece na película e pode ser facilmente removida. Em seguida, seque a placa com um pano limpo. Certifique-se de que não fica nenhum produto de limpeza na superfície da placa, pois este reagirá de forma agressiva quando a placa for aquecida e alterará a superfície.

Sujidade específica As sujidades e manchas pesadas (calcário e manchas brilhantes tipo madrepérola) podem ser removidas com a placa ainda ligeiramente quente. Utilize produtos de limpeza comerciais para limpar a placa de fogão. Proceda como indicado no ponto 2. Em primeiro lugar, molhe os alimentos que tenham transbordado com um pano húmido e, em seguida, remova a sujidade restante com um raspador de vidro especial para placas de vitrocerâmica. Em seguida, limpe novamente a placa como descrito no ponto 2.



Grelha e filtro de gorduras

Limpe uma vez por semana à mão ou na máquina de lavar loiça. Utilize um pouco de detergente líquido para limpar.

Filtro de carvão

Recomenda-se a substituição do filtro de carvão dentro de 2-4 meses.

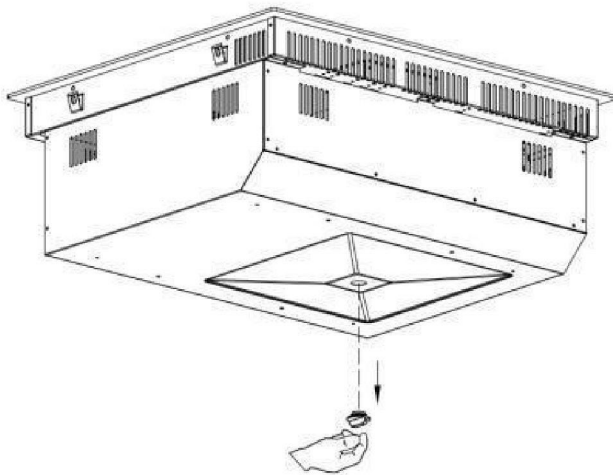
O açúcar queimado e o plástico derretido devem ser retirados imediatamente, ainda quentes, com um raspador de vidro. Em seguida, limpe novamente a placa como descrito no ponto 2.

Os grãos de areia que podem entrar na placa de cozedura quando descasca batatas ou limpa alfaces podem riscar a superfície da placa de cozedura quando move as panelas. Certifique-se de que não ficam grãos de areia na placa.

As alterações da cor da placa não afetam o funcionamento e a estabilidade do material vitrocerâmico. Estas alterações de cor não são alterações do material, mas sim resíduos alimentares que não foram removidos e que queimaram na superfície.

As manchas brilhantes resultam da fricção da base dos utensílios de cozinha com a superfície da placa de cozedura, nomeadamente quando se utilizam utensílios de cozinha com base de alumínio ou produtos de limpeza inadequados. São difíceis de remover com produtos de limpeza normais. Poderá ser necessário repetir o processo de limpeza várias vezes. Com o tempo, a decoração vai-se desgastando e aparecem manchas escuras resultantes da utilização de produtos de limpeza agressivos e de fundos de tachos defeituosos.

No caso de ser derramada acidentalmente uma grande quantidade de líquido na máquina, retire o tampão de silicone da caixa inferior para libertar o líquido.



O QUE FAZER SE OCORREREM PROBLEMAS

Em caso de erros durante o funcionamento, verifique a tabela seguinte antes de contactar o serviço de assistência. Seguem-se alguns erros comuns e as verificações a efetuar.

Problema	Causas possíveis	O que fazer
A placa não liga.	Sem alimentação.	Certifique-se de que a placa está ligada à fonte de alimentação e que está ligada. Verifique se há uma falha de energia na sua casa ou área. Se tiver verificado tudo e o problema persistir, contacte um técnico qualificado.
Os comandos táteis não respondem.	Os comandos estão bloqueados.	Desbloqueie os comandos. Consulte a secção "FUNCIONAMENTO DA CAIXA COM OS BOTÕES DOS SENSORES" para obter instruções.
Os comandos táteis são difíceis de operar.	Pode existir uma ligeira película de água sobre os comandos ou pode estar a utilizar a ponta do dedo ao tocar nos comandos.	Certifique-se de que a área dos comandos táteis está seca e utilize a parte da impressão digital do seu dedo ao tocar nos comandos.
O vidro está a ficar arranhado.	Utensílios de cozinha com arestas irregulares. Estão a ser utilizados produtos de limpeza ou esfregão inadequados e abrasivos.	Utilize utensílios de cozinha com bases planas e lisas. Consulte "Escolher os utensílios de cozinha adequados". Consulte "Cuidados e limpeza".
São ouvidos estalidos ou cliques provenientes de algumas painelas.	Isto pode ser causado pela construção dos seus utensílios de cozinha (camadas de diferentes metais que vibram de forma diferente).	Isto é normal em utensílios de cozinha e não indica uma avaria.
A placa de indução produz um ruído baixo de zumbido quando utilizada numa definição de calor elevado.	Isto é provocado pela tecnologia de cozedura por indução.	Isto é normal, mas o ruído deve acalmar ou desaparecer completamente quando se diminui a definição do calor.
Ruído do ventilador proveniente da placa de indução.	Foi acionada uma ventoinha de refrigeração incorporada na sua placa de indução, para evitar o sobreaquecimento da eletrónica. Pode continuar a funcionar mesmo depois de ter desligado a placa de indução.	Isto é normal e não necessita de qualquer ação. Não desligue a alimentação da placa de indução da parede enquanto a ventoinha estiver em funcionamento.
As painelas não ficam quentes e aparecem no visor.	A placa de indução não consegue detetar a panela porque não é adequada para cozinhar por indução. A placa de indução não consegue detetar a panela porque é demasiado pequena para a zona de cozedura ou não está devidamente centrada nesta.	Utilize utensílios de cozinha adequada para cozinhar por indução. Consulte a secção "Escolher os utensílios de cozinha adequados". Centre a panela e certifique-se de que a respetiva base corresponde ao tamanho da zona de cozedura.
A placa de indução ou uma zona de cozedura desligou-se inesperadamente, um sinal sonoro e um código de erro é exibido (normalmente alternando com um ou dois dígitos no visor do temporizador de cozedura).	Falha técnica.	Anote as letras e números de erro, desligue a alimentação da placa de indução na parede e contacte um técnico qualificado.


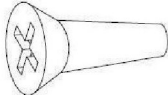






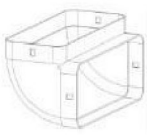

Depois de ligar a alimentação e premir a tecla "power", o aparelho não responde.	Há uma falha na rede elétrica?	Aguarde que a alimentação elétrica seja retomada
	O fusível está queimado ou o disjuntor disparou?	Verifique cuidadosamente as causas primárias. Se o problema não puder ser resolvido, contacte o nosso Centro de Assistência para inspeção e reparação.
	A ficha está bem ligada?	
O aquecimento é interrompido durante a utilização normal e ouve-se um "Bip".	Foram utilizados utensílios de cozinha incompatíveis ou não se utilizaram de todo?	Troque os utensílios de cozinha; utilize utensílios de cozinha adequados para fogão de indução.
	O utensílio de cozinha não está colocado no centro da zona de aquecimento.	Coloque o utensílio de cozinha no centro da zona de aquecimento indicada.
	O utensílio de cozinha está a ser aquecido mas está a ser continuamente retirado?	Coloque os utensílios de cozinha na zona de aquecimento.
Sem funcionamento durante a utilização do aquecimento	O recipiente está vazio ou a temperatura é demasiado elevada?	Verifique se o aparelho está a ser mal utilizado
	A entrada de ar/ventilação de escape está obstruída ou tem sujidade acumulada?	Desobstrua a entrada de ar/saída de ar. Aguarde que o aparelho arrefeça e volte a ligá-lo.
	O fogão está a funcionar durante 2 horas sem qualquer interação?	Reponha os modos de cozedura ou utilize a função de temporizador


Se as soluções/controlos acima referidos não resolverem o problema, desligue imediatamente o aparelho da tomada e contacte o Centro de Assistência para inspeção e reparação. Anotar o código de erro e comunicá-lo ao Centro de Assistência Técnica Ltd. Para evitar qualquer perigo e danos no aparelho, não o desmonte ou repare por si próprio.

EXIBIÇÃO E INSPEÇÃO DE FALHAS

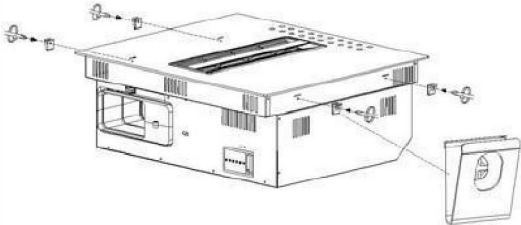
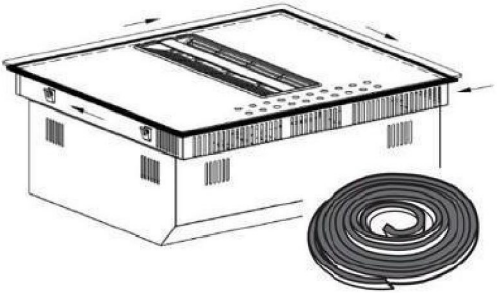
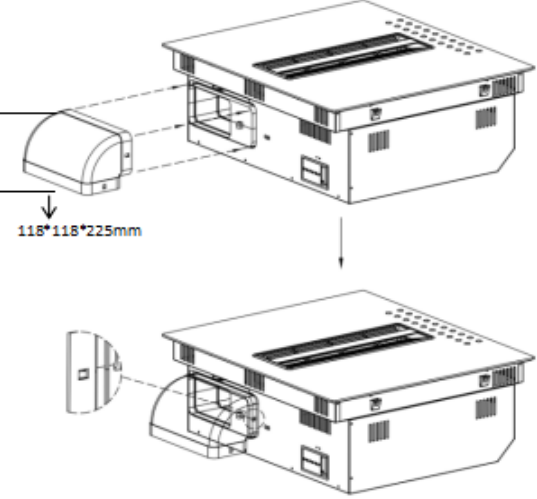
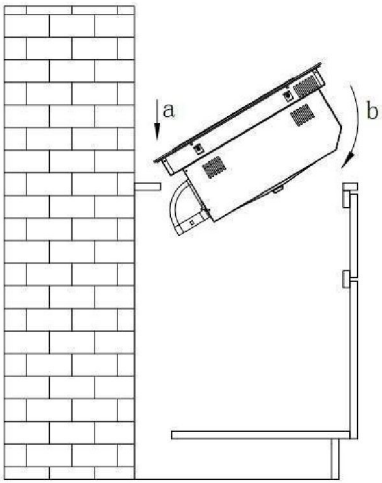
Código de erro	Causa possível	O que fazer
U	Nenhuma panela	Coloque a panela adequada na zona de aquecimento. Se continuar a não funcionar, contacte o centro de assistência técnica.
E1	Tensão de alimentação anómala (inferior a 160V).	Verifique se a rede elétrica está normal. Ligue após o fornecimento de energia estar normal.
E2	Tensão de alimentação anormal (superior a 280V).	Verifique se a rede elétrica está normal. Ligue após o fornecimento de energia estar normal.
E3/E5/E7	Falha do sensor de temperatura da bobina de indução	Contacte o centro de serviço.
E4/E6	Falha do sensor de temperatura IGBT	Contacte o centro de serviço.
Er	Falha na comunicação entre a placa principal e a placa do ecrã	Contacte o centro de serviço.
Et	Proteção contra transbordo	Limpe a água do painel de controlo e volte a ligar a placa.

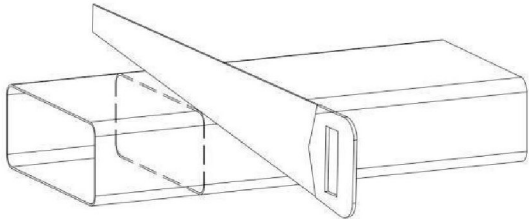
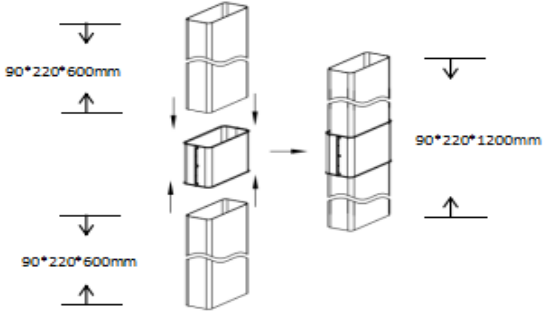
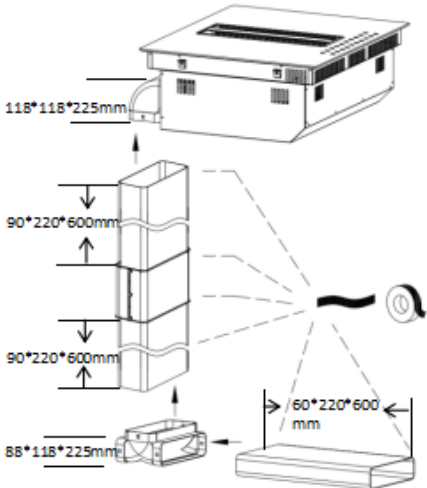
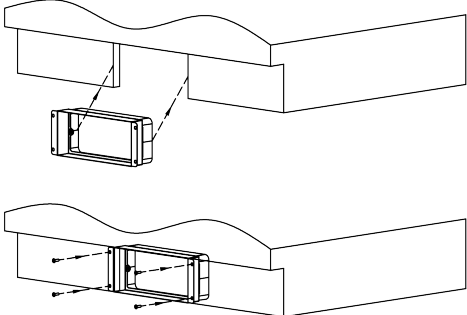
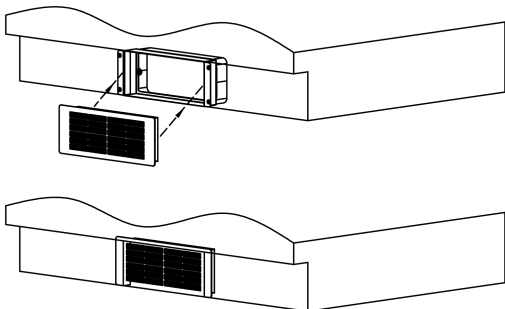
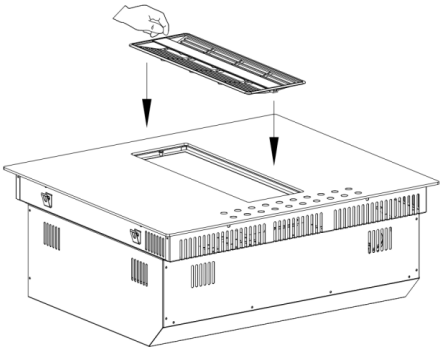
LISTA DE ACESSÓRIOS

N.º	Nome	Diagrama	Qtde
1	Parafuso ST 4x5		4 pçs
2	Parafuso ST 4x14		4 pç
3	Suporte de instalação		4 pçs
4	Tira de esponja		1 pç
5	Grelha de entrada de ar		1 pç
6	Tubo quadrado de 9 cm		2 pç
7	Tubo quadrado de 6 cm		1 unid. (apenas para a versão com filtração)
8	Tubo de conexão		1 pç
9	Tubo em curva		2 peças para a versão com filtração 1 peça para a versão com exaustor
10	Conjunto da saída de ar		1 unid. (apenas para a versão com filtração)

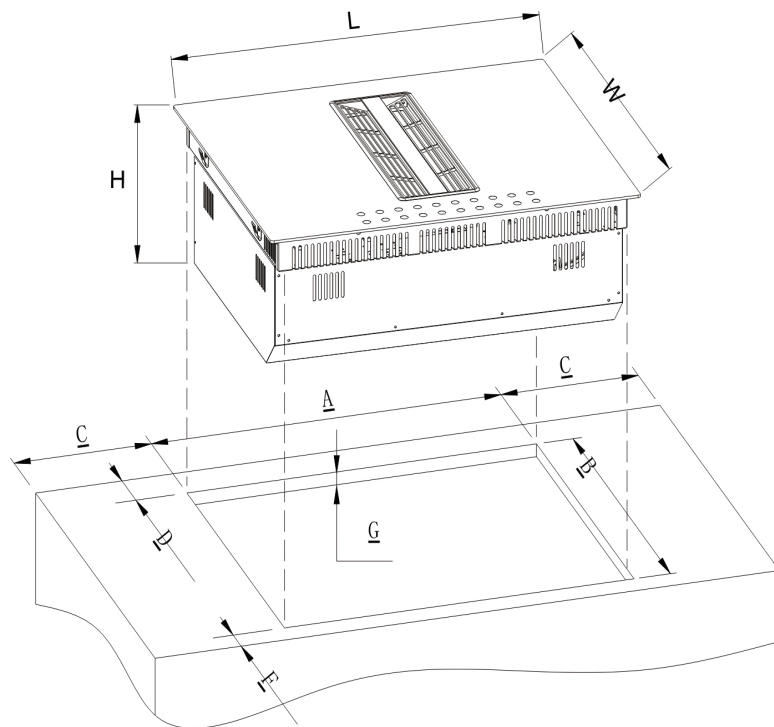
11	Autocolante de alumínio		7 pçs
----	-------------------------	--	-------

INSTALAÇÃO DO PRODUTO

<p>Passo 1: Aparafusar os suportes de instalação na caixa inferior.</p>	<p>Passo 2: Cole a tira de esponja à volta da vitrocerâmica.</p>
	
<p>Passo 3: Reparar o tubo torto.</p>	<p>Passo 4: Instalar o produto no armário, (do passo a ao passo b)</p>
	

<p>Passo 5: Se a altura do armário for inferior a 80 cm, podemos cortar o tubo para o comprimento pretendido.</p>	<p>Passo 6: Se a altura do armário for superior a 80 cm, podemos utilizar dois tubos com uma conexão.</p>
	
<p>Passo 7: Instalar o tubo e colar com a fita de vedação.</p>	<p>Passo 8: Instalar o conjunto da saída de ar na parte inferior do armário, fixar os parafusos.</p>
	
<p>Passo 9: Instalar o filtro de cartão no conjunto de saída de ar. (*filtro de carbono apenas para a versão com filtração)</p>	<p>Passo 10: Instalar a grelha.</p>
	

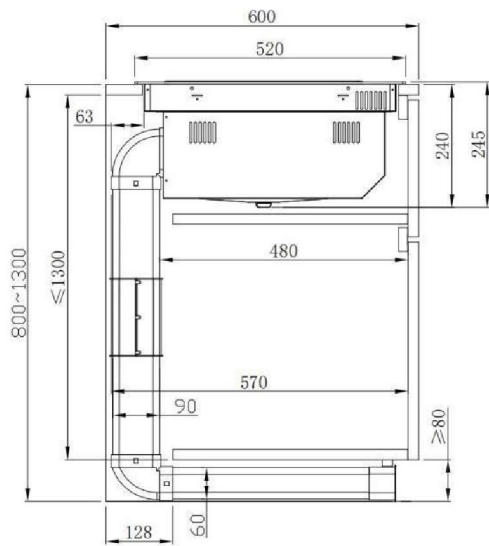
DIMENSÃO DA INSTALAÇÃO



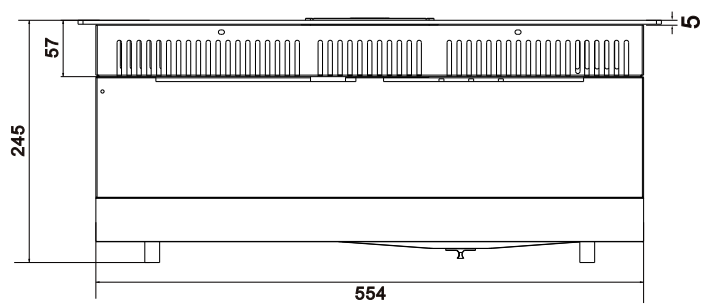
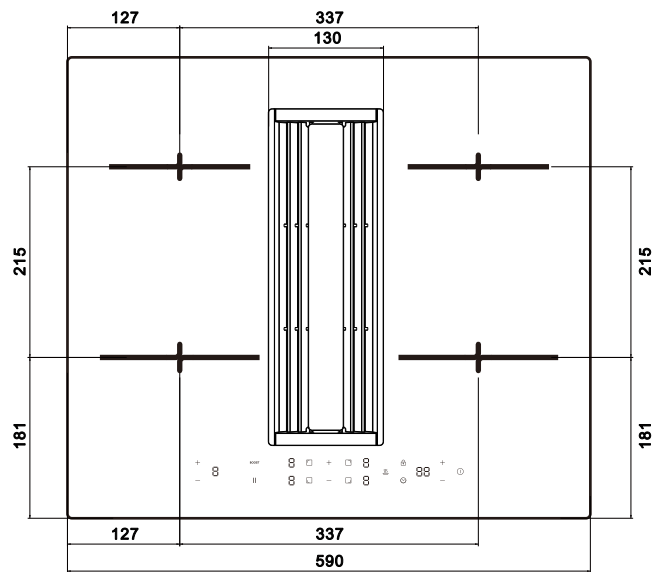
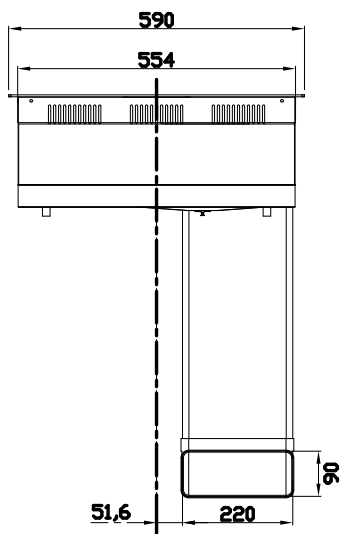
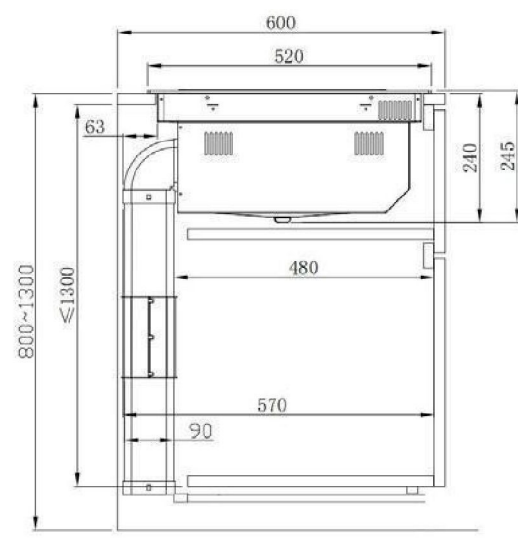
Modelo	L (mm)	B (mm)	H (mm)	A (mm)	B (mm)	C (mm)	D (mm)	F (mm)	G (mm)
CIH614CF	590	520	245	560	490	≥ 40	≥ 70	≥ 40	20-40
CIH614CE									

Tamanho do armário e do tubo de exaustão

Versão com filtração



Versão com exaustor



CONEXÃO ELÉTRICA



Esta placa deve ser ligada à rede elétrica apenas por uma pessoa devidamente qualificada.

Antes de ligar a placa à rede elétrica, verifique se:

1. o sistema de cablagem doméstica é adequado para a energia utilizada pela placa.
2. a tensão corresponde ao valor indicado na placa de classificação
3. as secções dos cabos de alimentação podem suportar a carga especificada na placa de classificação.

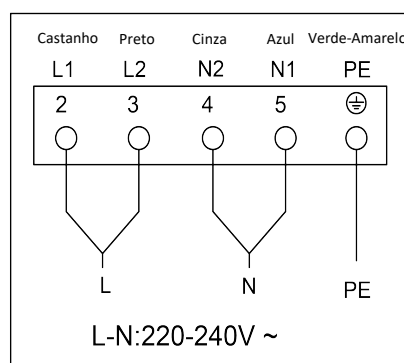
Para ligar a placa à rede elétrica, não utilize adaptadores, redutores, ou dispositivos de ramificação, pois podem causar sobreaquecimento e incêndio.

O cabo de alimentação não deve tocar em nenhuma peça quente e deve ser posicionado de modo a que a sua temperatura não exceda 75 °C em nenhum ponto.



Verifique com um electricista se o sistema de cablagem doméstica é adequado sem necessidade de efetuar alterações. Quaisquer alterações devem ser efetuadas apenas por um electricista qualificado.

A fonte de alimentação deve ser ligada em conformidade com as normas relevantes. O método de ligação é mostrado abaixo.



- Se o cabo estiver danificado ou caso deva ser substituído, a operação deve ser efetuada pelo agente pós-venda com ferramentas dedicadas para evitar quaisquer acidentes.
- Se o aparelho estiver a ser ligado diretamente à rede elétrica, deve ser instalado um disjuntor de um polo com uma abertura mínima de 3 mm entre contactos.
- O instalador deve certificar-se de que foi efetuada a ligação elétrica correta e que está em conformidade com os regulamentos de segurança.
- O cabo não deve ficar dobrado ou comprimido.
- O cabo deve ser verificado regularmente e substituído apenas por técnicos autorizados.

Declaração especial

O conteúdo deste manual foi cuidadosamente verificado. No entanto, a empresa não pode ser considerada responsável por quaisquer falhas de impressão ou omissões. Além disso, quaisquer modificações técnicas podem ser incluídas numa versão revista do manual sem aviso prévio. A aparência e a cor do aparelho neste manual podem diferir do real.



Este aparelho está rotulado de acordo com a Diretiva Europeia 2012/19/EU relativamente a aparelhos elétricos e eletrónicos (REEE).

Os REEE contêm substâncias poluentes (que podem ter um efeito nocivo no ambiente) e elementos base (que podem ser reutilizados). É importante que os REEE sejam submetidos a tratamentos específicos para remover e eliminar corretamente os poluentes e recuperar todos os materiais. Os indivíduos têm um papel importante em assegurar que os REEE não se tornam num problema ambiental; é essencial seguir algumas regras básicas;

- Os REEE não devem ser tratados como resíduos domésticos;
- Os REEE devem ser entregues em áreas de recolha dedicadas geridas pela câmara ou uma empresa registada.

Em muitos países, recolhas domésticas podem estar disponíveis para REEE grandes. Ao comprar um novo aparelho, o antigo pode ser devolvido ao fornecedor que tem de o recolher sem qualquer custo, pontualmente, desde que o equipamento seja de um tipo equivalente e tenha as mesmas funções que o eletrodoméstico comprado.



Válido apenas para Chipre

INNEHÅLL

BRUKSANVISNING	2
ANVÄNDA HÄLLEN MED SENSORKNAPPARNA.....	18
Energihantering	25
RENGÖRING OCH SKÖTSEL	27
ATT GÖRA VID PROBLEM/FEL.....	29
FELDISPLAY OCH INSPEKTION.....	30
LISTA ÖVER TILLBEHÖR	31
PRODUKTINSTALLATION	32
ELANSLUTNING	35

BRUKSANVISNING

Följ noga anvisningarna i denna bruksanvisning. Vi fransäger oss allt ansvar för eventuella problem, skador eller bränder som orsakas av att instruktionerna i denna bruksanvisning inte har följts. Enheten är endast avsedd för hushållsbruk, för att laga mat och för att avlägsna ångorna som genereras vid matlagning. Ingen annan användning är tillåten (t.ex. uppvärmning av rum). Tillverkaren fransäger sig allt ansvar för olämplig användning eller felaktiga reglageinställningar.

Läs instruktionerna noggrant: de innehåller viktig information om installation, användning och säkerhet.

Gör inga elektriska ändringar på enheten. Innan du installerar enheten, se till att ingen av komponenterna är skadade. Kontakta annars återförsäljaren och fortsätt inte med installationen.

Kontrollera att enheten är intakt innan du fortsätter med installationen. Kontakta annars återförsäljaren och fortsätt inte med installationen.

1. Varningar

Obs! Var noga med att följa följande instruktioner:

- Apparaten måste kopplas bort från elnätet innan något installationsarbete utförs.
- Installation eller underhåll måste utföras av en kvalificerad tekniker, i enlighet med tillverkarens instruktioner och lokala säkerhetsföreskrifter. Reparera eller byt inte ut någon del av enheten om det inte specifikt anges i bruksanvisningen.
- Enligt lag måste apparaten vara jordad.
- Strömkabeln måste vara tillräckligt lång för att den inbyggda enheten ska kunna anslutas till elnätet.
- För att installationen ska uppfylla gällande säkerhetsföreskrifter krävs en godkänd flerpolig kretsbrytare som garanterar fullständig frånkoppling av elnätet i överspänningskategori III, i enlighet med installationsreglerna.
- Använd inte grenuttag eller förlängningssladdar.
- När installationen är klar får de elektriska komponenterna inte längre vara tillgängliga för användaren.

- Enheten och dess tillgängliga delar blir heta under användning. Var försiktig så att du inte rör vid värmeelementen.
 - Se till att barn inte leker med enheten; håll barn på avstånd och ha dem under uppsikt eftersom de åtkomliga delarna kan bli mycket varma under användning.
 - För personer med pacemaker och aktiva implantat är det viktigt att kontrollera att pacemakern är kompatibel med enheten innan induktionshällen används.
 - Rör inte enhetens värmeelement under och efter användning.
 - Undvik att använda trasor eller annat brandfarligt material på hällen tills alla komponenter har svalnat tillräckligt.
- Risk för brand.
- Placera inte brännbart material på eller nära enheten.
 - Överhettade fetter och oljor tar lätt eld. Övervaka tillagningen av fet eller oljig mat.
 - Om ytan har sprickor ska du omedelbart stänga av apparaten för att undvika risken för elektriska stötar.

- Enheten är inte avsedd att användas med en extern timer eller ett separat fjärrstyrningssystem.
- Matlagning utan tillsyn på en enhet med olja eller fett kan vara farligt och kan orsaka brand.
- Matlagningsprocessen måste övervakas. En kort tillagningsprocess måste ständigt övervakas.
- Försök ALDRIG släcka bränder med vatten. Stäng istället av enheten och kväv lågorna, till exempel med ett lock eller en brandfilt. Brandrisk: Placera inga föremål på matlagningsytorna.
- Använd inte ångtvätt, risk för elektriska stötar.
- Placera inte metallföremål som knivar, gafflar, skedar eller lock på enheten eftersom de kan bli varma.
- Innan du ansluter enheten till det elektriska nätverket: kontrollera skylten (på enhetens undersida) för att säkerställa att spänningen och strömmen motsvarar elnätet och att eluttaget är lämpligt. Kontakta en kvalificerad elektriker om du är osäker.

Viktigt

- Stäng av hällen med strömbrytaren efter användning och lita inte på kokkärlsavkänningen.

- Förhindra att vätskor kokar över. Sänk värmen när du kokar eller värmer vätskor.
- Låt inte värmeelementen vara påslagna med tomma kastruller eller stekpannor.
- Stäng av den aktuella värmeplattan när du är klar med tillagningen.
- Använd aldrig aluminiumfolie för matlagning och placera aldrig produkter förpackade i aluminium på hällen. Aluminiumet skulle smälta och orsaka bestående skador på din enhet.
- Värm aldrig en konservburk med livsmedel utan att först öppna den: den kan explodera!
- Denna varning gäller även alla andra typer av hällar.
- Höga effektnivåer, t.ex. Booster-funktionen, bör inte användas för att värma upp vissa vätskor, t.ex. olja för stekning. För hög värme kan vara farligt. I dessa fall rekommenderar vi att du använder en lägre effektnivå.

- Kokkärl ska placeras direkt på hällen och i mitten. Under inga omständigheter får andra föremål placeras mellan kastrullen och hällen.
- Om temperaturen blir för hög sänker apparaten automatiskt effektnivån för kokzonerna.
- Innan du utför rengörings- eller underhållsarbeten ska du koppla bort apparaten från elnätet genom att dra ut stickkontakten eller slå av huvudströmbrytaren. Använd skyddshandskar vid alla installations- och underhållsarbeten. Denna enhet kan användas av barn från åtta år och personer med nedsatt fysisk eller mental förmåga eller med otillräcklig erfarenhet och kunskap, förutsatt att de övervakas eller instrueras om hur man på ett säkert sätt använder utrustningen och de risker detta medför. Barn måste övervakas för att säkerställa att de inte leker med enheten. Rengöring och underhåll som utförs av användaren kan även utföras av minst på minst åtta år, under övervakning.


Rummet måste vara ordentligt ventilerat när apparaten används samtidigt som andra gasdrivna apparater, eller som drivs med annat bränsle. Enheten måste rengöras regelbundet både invändigt och utvändigt (MINST EN GÅNG I MÅNADEN), i strikt enlighet med underhållsinstruktionerna. Underlåtenhet att följa reglerna för rengöring av enheten och filterbyte samt filterrengöring kan leda till brandrisk. Mat får aldrig flamberas. Användning av öppen låga kan skada filtren och orsaka brandrisk; detta måste därför undvikas under alla omständigheter. Vid stekning måste man vara extra försiktig för att undvika att oljan överhettas och fattar eld.

OBSERVERA

- De tillgängliga delarna av enheten kan bli varma när hällen slås på.
- **Obs!** Anslut inte enheten till elnätet förrän installationen är helt slutförd. De lokala myndigheternas föreskrifter måste följas strikt när det gäller tekniska och säkerhetsmässiga åtgärder för rökutsug.

- Den utsugna luften får inte ledas genom samma kanaler som används för utsugning av rökgaser från gasförbränning eller andra typer av förbränningsanordningar. Använd aldrig apparaten utan att gallret är korrekt monterat! Använd endast de fästskruvar som medföljer enheten för installation, eller köp rätt typ av skruvar om de inte medföljer.
- När enheten används tillsammans med andra enheter som drivs med icke-elektrisk energi, får rummets undertryck inte överstiga 4 Pa (4×10^{-5} bar). Denna bruksanvisning måste sparas för framtida bruk. Om enheten säljs, överläts eller flyttas måste bruksanvisningen följa med.

Denna enhet är märkt i enlighet med WEEE-direktivet 2012/19/EG - UK SI 2013 No3113, om avfall som utförs av eller innehåller elektriska eller elektroniska produkter. Genom att säkerställa att denna enhet kasseras på rätt sätt, kommer användaren att bidra till att förhindra potentiella negativa effekter på miljön och människors hälsa.

Symbolen  på enheten eller den medföljande dokumentationen indikerar att denna enhet inte får behandlas som hushållsavfall, utan måste lämnas till en lämplig avfallsinsamlingsplats för återvinning av elektriska och elektroniska apparater. Kassera enheten i enlighet med lokala bestämmelser för avfallshantering. För ytterligare information om behandling och återvinning av denna enhet kan du kontakta din lokala myndighet, insamlingstjänsten för hushållsavfall eller den butik där enheten köptes. Enhet designad, testad och utvecklad i enlighet med bestämmelser om:

- Säkerhet: SS-EN/IEC 60335-1;
SS-EN/IEC 60335-2-6, SS-EN/IEC 60335-2-31,
SS-EN/IEC 62233.
- Prestanda: SS-EN/IEC 61591; ISO 5167-1;
ISO 5167-3; ISO 5168; SS-EN/IEC 60704-1;
SS-EN/IEC 60704-2-13; SS-EN/IEC 60704-3;
ISO 3741; SS-EN 50564; IEC 62301. SS-EN 60350-2;

- EMC: SS-EN 55014-1; CISPR 14-1; SS-EN 55014-2; CISPR 14-2; SS-EN/IEC 61000-3-3; SS-EN/IEC 61000-3-12. Rekommendationer för korrekt användning i syfte att minska påverkan på miljön: När du börjar laga mat, sätt på enheten på lägsta hastighet och låt den stå på i några minuter när du är klar med tillagningen. Öka hastigheten endast om det finns stora mängder rök och ånga, använd Boosterfunktionen endast i extrema fall. För att luktreduceringssystemet ska fungera effektivt ska kolfiltret/kolfiltren bytas ut vid behov. För att säkerställa fettfiltrets höga prestanda ska det rengöras vid behov. För att förbättra effektiviteten och minimera buller, använd den maximala kanaldiameter som anges i denna bruksanvisning.

2. Användning

Använda hällen

Induktionssystemet använder den fysiska principen för magnetisk induktion för att direkt överföra energi från generatoren till kokkärlet.

Fördelar:

Jämfört med elektriska spisar är din induktionshäll:

- **Säkrare:** lägre temperatur på glasytan.
- **Snabbare:** kortare uppvärmningstider.
- **Mer exakt:** hällen reagerar omedelbart på dina kommandon.
- **Mer effektiv:** 90 % av den absorberade energin omvandlas till värme. Dessutom avbryts värmeöverföringen omedelbart när kokkärlet tas bort från hällen, vilket förhindrar onödiga värmeförluster.

2.1 Kokkärl för matlagning

Använd endast kokkärl märkta med symbolen .

För att förhindra repor, använd inte:

- kokkärl som inte har en helt platt botten;
- metallkastruller med emaljerad botten;
- kokkärl med grov botten. Hällytan kan repas;
- placera inte heta kastruller och stekpannor på kontrollpanelens yta.

2.1.1 Redan existerande kokkärl

Induktionsmatlagning genererar värme genom användning av magnetism.

Därför måste kokkärlen vara gjorda av ett ferromagnetiskt material, såsom järn. För att avgöra om ett kokkärl är lämpligt, testa dess material med en magnet. Om ett kokkärl inte reagerar på en magnet är den inte lämplig att användas på induktionshällen.

2.1.2 Rekommenderade bottendiametrar för kokkärl

VIKTIGT! Om bottendiametern är felaktig kommer inte kokzonerna att aktiveras.

För information om minsta diameter på kokkärl för varje zon, se den illustrerade delen i denna bruksanvisning.

2.2 Spara energi

Rekommendationer för bästa resultat:

- Använd kokkärl med en bottendiameter som motsvarar kokzonens.
- Använd endast kokkärl med platt botten.
- Behåll locket på kokkärlet (när det är möjligt) under tillagningen.
- Koka grönsaker, potatis etc. med en minimal mängd vatten för att minska tillagningstiden.

- Använd en tryckkokare, eftersom det ytterligare minskar energiförbrukningen och tillagningstiden.
- Centrera kokkärlet på den kokzon som anges på hällen.

VÄLJA RÄTT KOKKÄRL

Kokkärlet för induktionshällar

Kokkärlet för induktionshällar måste vara tillverkade av metall och ha magnetiska egenskaper. Botten måste vara tillräckligt stor.

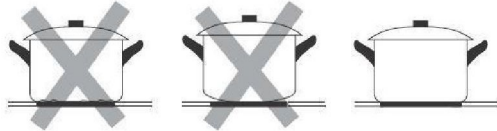
Använd endast kokkärlet med en botten som lämpar sig för induktion.

Så här avgör du om ett kokkärlet är lämpligt:

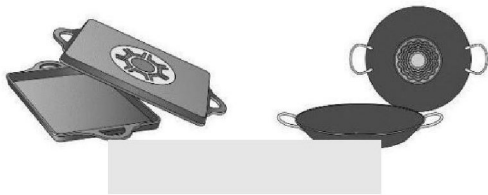
Lämpliga kokkärlet	Inte lämpliga kokkärlet
Emaljerade kokkärlet i stål med tjock botten	Kokkärlet gjorda av koppar, rostfritt stål, aluminium, ugnsfast glas, trä, keramik och terrakotta
Gjutjärnsgrytor med emaljerad botten	
Kokkärlet av rostfritt stål i flera skikt, rostfritt ferritstål eller aluminium med specialbotten	

Genomför magnetprovet som beskrivs nedan eller kontrollera att kokkärlet är märkt med symbolen för induktionsmatlagning.

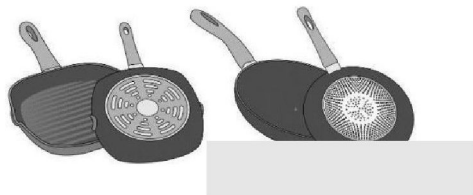
Använd aldrig kastruller med en missformad botten. En ihålig eller rundad botten kan störa funktionen av överhettningsskyddet, så att apparaten blir för varm. Detta kan leda till att glasskivan spricker och att kokkärlets botten smälter. Skador som uppstår vid användning av olämpliga kokkärl eller vid torrkokning omfattas inte av garantin.



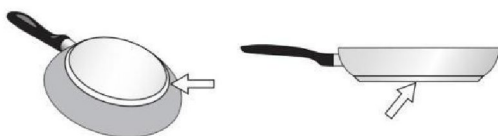
Vissa kokkärl har inte en helt ferromagnetisk botten. Då värms bara den magnetiska delen upp, medan resten av botten förblir sval. Det icke-ferromagnetiska området kanske inte värms upp till en tillräcklig temperatur för matlagning.



Det ferromagnetiska området minskar också om det material som kokkärlets botten är tillverkad av innehåller t.ex. aluminium. Detta kan innebära att kokkärl inte blir tillräckligt varmt eller att det inte känns av.



De material som kokkärlets botten är tillverkad av kan påverka tillagningsresultatet. Att använda kokkärl som är tillverkade av material som fördelar värmen jämnt, t.ex. rostfria kastruller med en botten i tre lager, sparar tid och energi. Använd kokkärl med platt botten; om kokkärls botten är ojämn kan detta försämrade värmeförloppet.



Magnettest:

Håll magneten mot kokkärls botten. Om magneten fastnar i botten av kokkärl, är det lämpligt för en induktionshäll.



Obs!

Vid användning av kokkärl som är lämpliga för induktion från vissa tillverkare kan ljud uppstå som kan bero på konstruktionen av dessa kokkärl. Var försiktig när du använder kokkärl eftersom kokande vatten kan torka ut utan att du märker det. Detta kan leda till skador på kokkärlet och hällen som vi inte kan ansvara för.

Dimension av kokkärl

För att uppnå ett bra tillagningsresultat bör det ferromagnetiska området på kokkärlets botten matcha värmeplattans storlek. Om en kokplatta inte känner av ett kokkärl, försök att placera kokkärlet på en annan kokplatta med mindre diameter.

Kokzon	Minsta diameter på kokkärl
Ø 160 mm	Ø 120 mm
Ø 180 mm	Ø 140 mm

Använda utsugsfläkten

Fläktsystemet kan användas på två sätt: som en extern utsugningsversion eller som en filtreringsversion med intern återcirkulation. Versionen med extern utsugning avlägsnar rök, ånga och matos till utsidan, medan versionen med intern filtrering och återcirkulation filtrerar dessa element och cirkulerar renad luft tillbaka in i rummet.



Utsugningsversion

Ångorna leds ut i det fria med hjälp av en serie rör (säljs separat) som är anslutna till det medföljande anslutningsröret. Diametern på utsugsrören eller adaptern måste matcha dimensionen på det medföljande anslutningsröret 222 x 89 mm.

För mer information om hur du använder utsugningsversionen, se den relevanta sidan i det illustrerade avsnittet i bruksanvisningen. När du ansluter produkten till väggmonterade utsugsrör och hål, se till att diametern matchar luftutloppet (anslutningsflänsen). Användning av rör och hål med mindre diameter kan minska utsugningsförmågan och öka ljudnivån. För bästa resultat, håll kanalen så kort som möjligt med ett minimum antal kurvor (maximal vinkel: 90°) och undvik drastiska förändringar i kanaldiametern.

- Håll kanalen så kort som möjligt.
- Använd kanaler med minsta möjliga antal kurvor (maximal vinkel: 90°).
- Undvik drastiska förändringar i kanaldiametern.



Filtrerande version

Version med intern filtrering och återcirkulation filtrerar matos och släpper ut ren luft tillbaka i köket. Istället för att ventilerat utomhus återcirkulerar detta system luft inomhus efter att ha passerat den genom filter. Det är praktiskt när utomhusventilation inte är möjlig. Specialfilter, som aktivt kolfilter (ingår i tillbehöret), fångar upp fett och lukt effektivt. Regelbundet underhåll, inklusive filterbyte, är nödvändigt för optimal funktion. Denna metod bidrar till att hålla inomhusluften ren och är energieffektiv, men den tar inte helt bort föroreningarna från bostaden. För installationssätt och dimensionskrav se bruksanvisningen.

3. Installation

- Både den elektriska och den mekaniska installationen måste utföras av kvalificerad personal. Denna elektriska apparat är avsedd att installeras i en bänkskiva med en tjocklek mellan 2 och 6 cm för toppinstallation, eller 2,5 till 6 cm för infälld installation. När du installerar hällen ska du hålla ett avstånd på minst 5 cm framför, 4 cm på sidorna och 50 cm från överliggande väggelement. Obs! De rekommenderade avstånden är endast exempel. När du planerar ditt kök, följ riktlinjerna från kökstillverkaren.

3.1 Anslutning till elnätet

Gör så här för att ansluta hällen till elnätet

- Ta ut hällen ur förpackningen och placera den på en plan yta.
 - Anslut strömkabeln till hällen.
 - Anslut den andra änden av strömkabeln till elnätet.
 - Kontrollera att elanslutningen är säker och uppfyller de lokala elföreskrifterna.
- Koppla bort enheten från elnätet.
 - Installationen måste utföras av kvalificerad personal med kunskap om gällande bestämmelser för installation och säkerhet.
 - Tillverkaren fransäger sig allt ansvar för skador på personer, djur eller egendom om anvisningarna i detta kapitel inte följs.
 - Strömkabeln måste vara tillräckligt lång för att hällen ska kunna tas bort från bänkskivan.
 - Kontrollera att elanslutningen är säker och uppfyller de lokala elföreskrifterna.
 - Använd inte förlängningsladdar.
 - Jordkabeln måste vara 2 cm längre än de andra kablarna.
 - Om elapparaten inte levereras med strömkabel, använd en kabel med en minsta ledararea på 2,5 mm² för effekter upp till 7200 Watt; för högre effektnivåer måste diametern vara 4 mm².
 - Temperaturen får inte överstiga 50 °C över rumstemperatur någonstans längs kabeln.

- Apparaten är avsedd för fast anslutning till elnätet.
 - **Obs!** Innan du återansluter kretsen till elnätet, kontrollera att den fungerar korrekt, kontrollera alltid att strömkabeln är korrekt installerad.
 - **Obs!** Anslutningskabeln måste bytas ut av den auktoriserade tekniska supporten eller av en person med liknande kvalifikationer.
- Obs:** Produkten är utrustad med en Power Limitator-funktion som gör det möjligt att ställa in en maximal effektgräns. Gränsen måste ställas in när produkten ansluts till elnätet eller när själva elnätet återansluts (inom de följande 2 minuterna).

3.2 Montering

Innan installationen påbörjas:

- **Efter att ha packat upp produkten, kontrollera att den inte har skadats under transporten och i händelse av problem, kontakta återförsäljaren eller kundtjänst innan du installerar den.**
- Kontrollera att produkten har rätt storlek för installationsområdet.
- Kontrollera om det finns tillbehör (t.ex. påsar med skruvar, garantibevis etc.) i förpackningen (placerade där av transportskäl). Ta bort och förvara dem säkert (om de finns).
- Kontrollera även att det finns ett eluttag nära installationsområdet.

Förbereda skåpet för installation:

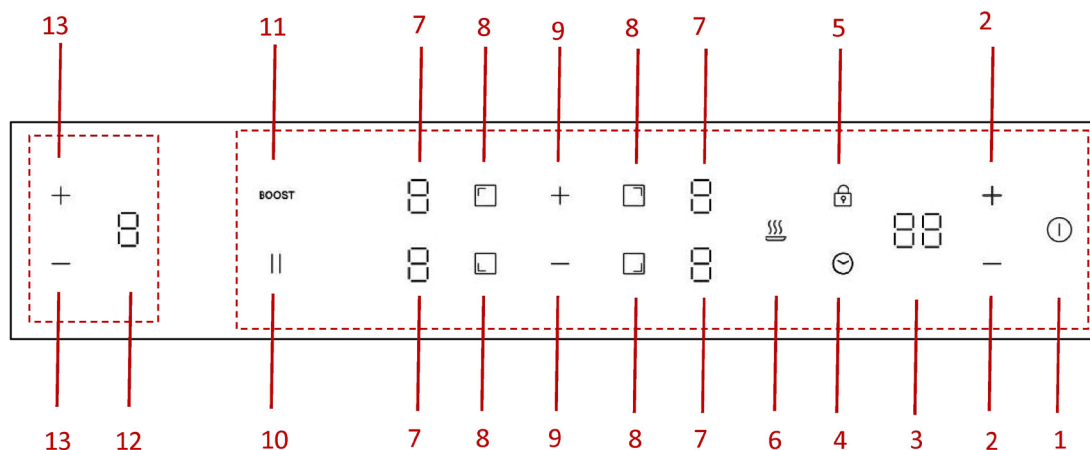
- Produkten kan inte installeras ovanför kylapparater, diskmaskiner, värmare, ugnar, tvättmaskiner och torktumlare.
- Gör utskärningarna i skåpet innan du sätter in hällen och ta försiktigt bort eventuell spån eller sågspån.
- **För att optimera filterinstallationen är det lämpligt att skära ett spår i sockeln för att sätta in ett galler (finns på marknaden) VIKTIGT:** Använd ett självhäftande tätningsmedel (engångsbruk) (**S**), som tål temperaturer upp till 250 °. Före installationen, rengör ytorna som ska fästas noggrant och avlägsna alla ämnen som kan försämra vidhäftningen, (t. ex. släppmedel, konserveringsmedel, fetter, olja, damm, spår av gamla lim, etc.); limmet ska spridas jämnt runt hela utsidan av ramen; efter klistring, låt limmet torka i cirka 24 timmar.

Försiktighet! Om skruvar och fästelement inte monteras i enlighet med dessa anvisningar kan det leda till elektriska risker.

Obs: För att säkerställa korrekt installation av produkten råder vi att tejpa rören med ett lim med följande egenskaper:

- mjuk elastisk PVC-film, med ett akrylbaserat lim som
- överensstämmer med DIN EN 60454 föreskrifter.
- är brandsäkert;
- har en utmärkt slitstyrka;
- är motståndskraftigt mot temperaturfluktuationer;
- kan användas vid låga temperaturer.

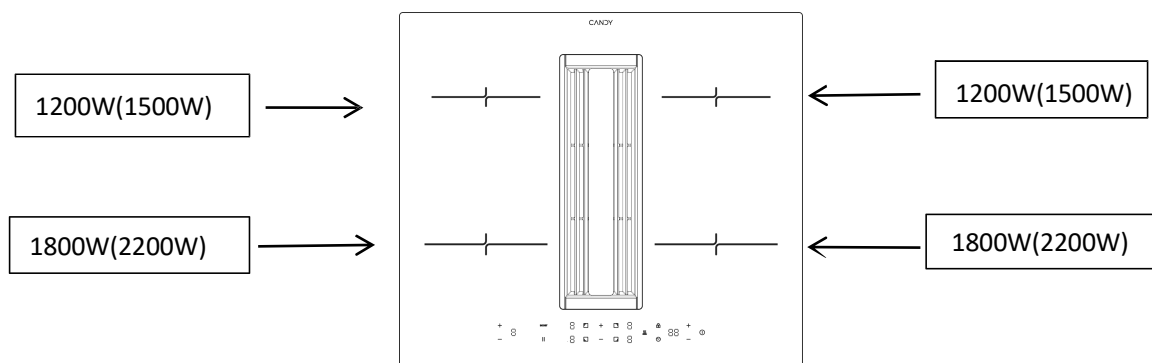
ANVÄNDA HÄLLEN MED SENSORKNAPPARNA



- | | | | |
|----|--------------------------------|----|------------------------------------|
| 1 | PÅ/AV | 2 | Timerinställning |
| 3 | Timerdisplay | 4 | Val av timer |
| 5 | Barnlås | 6 | Varmhållningsfunktion |
| 7 | Display av effektnivå för HÄLL | 8 | Val av kokzon |
| 9 | Val av effektnivå för HÄLL | 10 | Paus |
| 11 | Boost | 12 | Display av effektnivå för SPISKÅPA |
| 13 | Val av effektnivå för SPISKÅPA | | |

PRODUKTSPECIFIKATION

CIH6I4CF/CIH6I4CE



Använda spiskåpan

1. STANDBYLÄGE:

Efter påslagning låter summern en gång, alla displayer visar " 0 " och spiskåpan går in i standbyläge. Om ingen manövrering sker inom 60 sekunder släcks alla displayer helt och spiskåpan stängs av automatiskt. Du kan när som helst återaktivera spiskåpan genom att trycka på någon av kontrollpanelerna.

2. INSTÄLLNING AV EFFEKTNIVÅ:

Spiskåpan har fyra effektnivåer (nivå 1 till nivå 4), så att användaren kan anpassa sugstyrkan efter sina behov.

Tryck och håll ned knappen för effektval \oplus i 1 sekund för att aktivera spiskåpan. Som standard startar den på nivå 1. Du kan välja effektnivå genom att trycka på knappen \oplus och \ominus .

3. BOOST-LÄGE:

Boost-läget, som aktiveras genom att välja den högsta effektnivån ("P"), ger intensifierad sugning för snabb rening av matos. Den varar bara i 10 minuter för att förhindra överdriven energiförbrukning och är utformad för att effektivt avlägsna matos och fett under intensiva matlagningsspass.

Tryck och håll ned knappen \oplus i en sekund efter inställningen av effektnivån, spiskåpan går direkt in i BOOST-LÄGE (P). Observera att BOOST-läget endast kan pågå i 10 minuter, därefter övergår det automatiskt till nivå 4.

a) FÖRDRÖJD AVSTÄNGNING:

Efter att hällen slutat vara i drift fortsätter spiskåpan att suga ut resterande oljeångor.

Funktionen varar i upp till 5 minuter för att säkerställa god ventilation även efter matlagningen.

Fläkten stängs automatiskt av efter 5 minuter.

Detta hjälper till att hålla köksmiljön ren och luktfri genom att avlägsna kvardröjande matos och fettpartiklar.

Tryck på knappen \ominus för att stänga av spiskåpan (P \rightarrow 4 \rightarrow 3 \rightarrow 2 \rightarrow 1 \rightarrow d \rightarrow avstängning). Du kan också trycka och hålla ned knappen \ominus i en sekund för att komma direkt till fördröjd avstängning (d).

I läget för fördröjd avstängning kan du trycka på \ominus för att stänga av spiskåpan direkt. Eller tryck på \oplus för att slå på fläkten till nivå 1. Och du kan välja effektnivå genom att trycka på knapparna \oplus och \ominus .

4. AUTOMATISKT LÄGE:

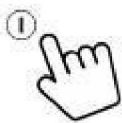
Spiskåpan justerar sin funktion baserat på induktionshällens aktivitet. När hällen är på aktiveras spiskåpan till nivå 1. När hällen stängs av växlar spiskåpan automatiskt till fördröjd avstängning. Detta säkerställer kontinuerlig ventilation även efter att matlagningen är klar, så att kvarvarande lukt och fett effektivt elimineras från köksmiljön.

Använda hällen

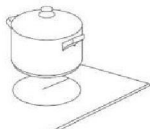
Börja laga mat

- Efter att du har slagit på strömmen låter summern en gång, alla indikatorer för HÄLLEN lyser upp i 1 sekund och slocknar sedan, vilket betyder att spishällen har gått in i standbyläge.

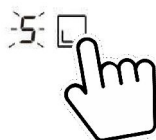
1. Tryck på strömbrytaren PÅ/AV ①, alla indikatorer visar "-"



2. Placera ett lämpligt kärl på den kokzon du vill använda. Se till att kärlets botten och hällens kokzoner är rena och torra.



3. Om du rör vid reglaget för val av värmezoon blinkar indikatorn bredvid knappen.



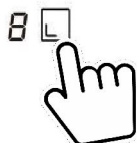
4. Välj en värmeinställning genom att trycka på reglaget för värmenivå.



- Om du inte väljer en värmeinställning inom 1 minut stängs induktionshällen av automatiskt.
- För att starta den igen börjar du om från steg 1.
- Du kan när som helst under matlagningen ändra värmeinställningen.

När du är klar med matlagningen

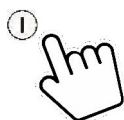
- Tryck på knappen för den värmezoon du vill stänga av.



- Stäng av kokzonen genom att trycka på reglaget för effektnivå. Se till att displayen visar "0".



- Stäng av hela hällen genom att trycka på PÅ/AV-knappen.



- Var försiktig med heta ytor

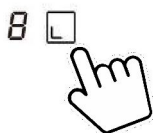
"H" visas vilket betyder att kokzonen är för varm att röra vid. Indikationen kommer att försvinna när ytan har svalnat till en säker temperatur. Den kan också användas i energisparande syfte – använd zonen som fortfarande är varm om du vill värma upp fler kärl.

H

Använda Boost-funktionen

Aktivera Boost-funktionen

1. Välj zonen med Boost-funktion.

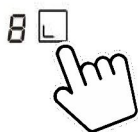


2. Genom att trycka på knappen "BOOST", visar indikeringen för effektnivå "P".

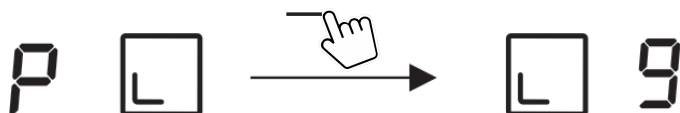


Avbryta Boost-funktionen

1. Välj zonen med Boost-funktion.



2. Tryck på effektnivån för att avbryta Boost-funktionen och välj den nivå som du vill ställa in.



• Boost-funktionen kan bara pågå i 5 minuter, därefter går zonen automatiskt över till nivå 9.


Låsa reglagen


- Du kan låsa kontrollerna för att förhindra oavsiktlig användning (till exempel av barn som sätter på kokzonerna av misstag).
- När reglagen är låsta är alla reglage utom PÅ/AV-knappen inaktiverade.

För att låsa reglagen

Tryck på knappen  för barnlås. Timerindikatorn visar "Lo".

För att låsa upp reglagen

- Kontrollera att hällen är påslagen.
- Tryck och håll inne knappen  för barnlås i 3 sekunder.
- Nu kan du använda hällen.

När hällen är i låst läge är alla reglage inaktiva förutom PÅ/AV-knappen. Du kan alltid stänga  av hällen med På/AV-knappen i en nödsituation, men då måste du låsa upp hällen först vid nästa användningstillfälle.

Varning för restvärme

När hällen har varit igång under en tid kommer det att finnas restvärme. Bokstaven H indikerar att hällen är varm och att du inte ska röra den.

Automatisk avstängning

Hällens säkerhetsfunktion är automatisk avstängning. Detta inträffar när du glömmer att stänga av en kokzon. Standardtiderna för avstängning visas i tabellen nedan:

Effektnivå	1	2	3	4	5	6	7	8	9
Standardiserade arbetstid (timmar)	8	8	8	4	4	4	2	2	2

Använda timern

Du kan använda timern på två olika sätt:

- Du kan ställa in den för att ge en påminnelse. Med denna inställning kommer timern inte att stänga av någon kokzon när tiden löpt ut.
- Du kan använda den som timer för att stänga av en eller flera kokzoner när tiden är slut.
- Du kan ställa in timern på upp till 99 minuter.

Använda timern som minutpåminnelse

- Se till att hällen är påslagen. Knappen för val av zon är inte aktiverad (zonindikering '-' blinkar inte).

Obs! Du kan ställa in minutvisaren innan eller efter att kokzonens effektinställning är klar.



- Tryck på timerknappen, "30" visas i timerdisplayen och blinkar. Standardinställningen är 30 min.

- Ställ in tiden genom att trycka på "+" eller "-"-reglagen. (t.ex. 5)

Tryck kort för att justera 1 min och tryck länge för att justera 10 min.

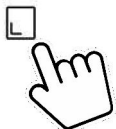


- När tiden är inställd kommer nedräkningen att börja omedelbart. På displayen visas den återstående tiden.

- Summern hörs i 20 sekunder och timerindikatorn visar "- -" när den inställda tiden löpt ut.

Använda timern för att stänga av en eller flera kokzoner

- Tryck på knappen för den värmezonen du vill ställa in timern för.



- Tryck på timerknappen, "30" visas i timerdisplayen och blinkar. Standardinställningen är 30 min.

- Ställ in tiden genom att trycka på "+" eller "-"-reglagen. (t.ex. 5)

Tryck kort för att justera 1 min och tryck länge för att justera 10 min.



- När tiden är inställd kommer nedräkningen att börja omedelbart. På displayen visas den återstående tiden.

OBS! Det kommer att finnas en röd prick i det nedre högra hörnet av effektnivåindikatorn som visar att zonen är vald.

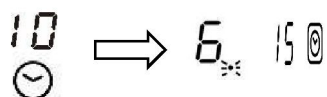
- När matlagningstidern löper ut stängs motsvarande kokzon av automatiskt.
- Obs! Andra kokzoner fortsätter att fungera om de har varit påslagna tidigare.

Om timern är inställd på mer än en zon:

- När du ställer in timern för flera kokzoner visas röda punkter för de aktuella kokzonerna. Timerdisplayen visar den minsta timern. Punkten för motsvarande zon blinkar.



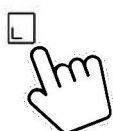
- När nedräkningstidern löper ut stängs motsvarande zon av. Därefter visas den nya minitimern och punkten för motsvarande zon blinkar.



Obs! Tryck på reglaget för val av värmezona, motsvarande timer visas i timerindikatorn.

Avbryta timern

- Tryck på knappen för den värmezona du vill avbryta timern för.



- När du trycker på timerknappen kommer indikatorn att blinka.
- Tryck på knappen "-" för att ställa in timern på "00", timern är avbruten.



Effektinställningar

Kokzonernas värmeeffekt kan ställas in på olika effektnivåer. I diagrammet hittar du exempel på hur du använder varje inställning.

Matlagningsnivå:	Passar för:
1	Hålla maten varm. Sjuda små mängder (lägsta effektinställning).
2	Sjuda.
3-4	Sjuda större mängder eller steka större köttbitar tills de är genomstekta.
5-6	Att få ut juice.
7-8	Steka, få ut juice.
9	Steka.
P	Steka (högsta effekt).

Energihantering

Denna häll kan anslutas till en 13, 20, 25, 32 Amp och konfigureras för att fungera med någon av dessa ströminställningar.

Hällen är förinställd för att anslutas till en 32A-källa. När fyra zoner väljs samtidigt kommer hällen att begränsa den maximala effekt som förbrukas så att strömförsörjningen på 7,0 kW inte kan överskridas. På liknande sätt, när hällen är ansluten och konfigurerad till ett 13/20/25 Amp matningsläge, kommer hällen att begränsa den maximala effekten till 2,5/3,5/4,5/7,0 kW.

Om hällen däremot är ansluten och konfigurerad till en 32A strömförsörjning, kan alla fyra zonerna användas på maxinställning med boost samtidigt.

Ändra inställningen för Energihantering

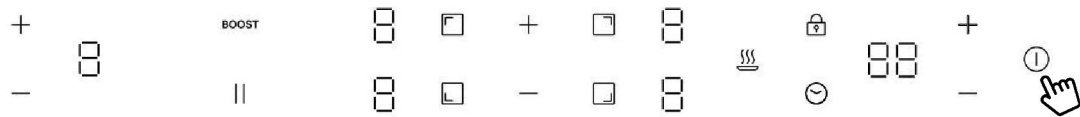
1. Bryt strömförsörjningen till hällen.
2. Låt strömförsörjningen vara avstängd i en minut.
3. Slå på strömförsörjningen igen.
4. Följ instruktionerna under "För att konfigurera hällen i ECO-läge" från steg "1" och framåt.

OBS! ECO-lägeskonfigurationen kan endast anges en gång om hällens strömförsörjning inte är bruten.

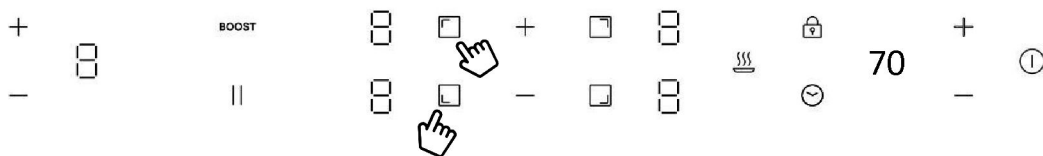
(Obs! ECO-läget bör ställas in inom en minut efter att strömmen slagits på, annars kan ECO-läget inte ställas in efter mer än en minut)

För att ställa in hällen i Energihantering

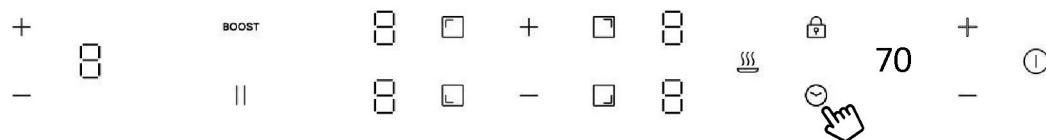
1. Tryck på PÅ/AV-knappen för att slå på strömförsörjningen. Summern avger en ljudsignal (en gång), alla displayer visar "-" och "--".



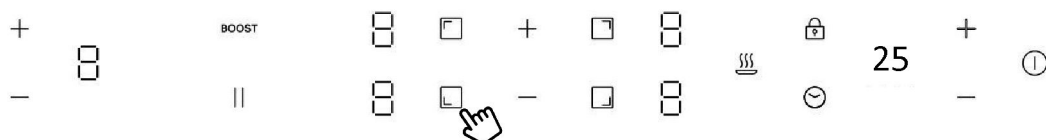
2. Tryck samtidigt på den främre vänstra zonknappen och den bakre vänstra zonknappen i 3 sekunder. Summern avger en ljudsignal som indikerar att induktionshällen går in i ECO-läge. (Display visar den förinställda effekten 7,0 kW)



3. Tryck på timerknappen och timerdisplayen blinkar. Du kan välja effektinställningen nu.

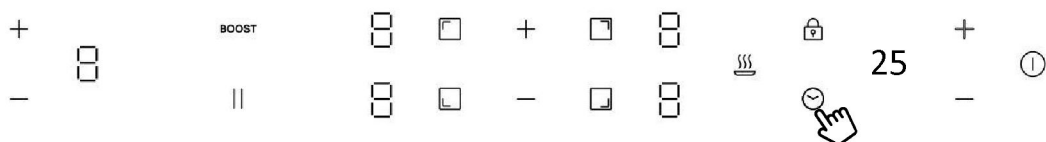


4. För att ändra inställningen för total effekt, tryck på den knappen för den främre vänstra zonen för att välja en ny inställning för total effekt. Tryck på knappen för främre vänstra området igen för att gå igenom alternativen. Timerdisplayen visar fyra alternativ: 25, 35, 45 och 70. Om t.ex. siffran "25" visas på timerdisplayen betyder det att den totala effekten är inställd på 2 500 W. Fortsätt att trycka knappen för det främre vänstra området tills du hittar önskad effektinställning.

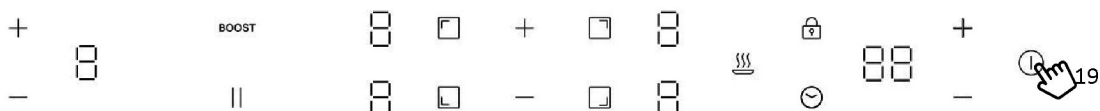


*Som standard är effektinställningen fabriksinställd på 7,0 kW.

5. Tryck på timerknappen igen, timerdisplayen slutar blinka och den tidigare valda zonknappen visar "o" vilket indikerar att inställningen är bekräftad.



6. Tryck på PÅ/AV för att stänga av. Slå sedan på hällen och den är konfigurerad för användning i det ECO-läge som du har ställt in.



7. Tryck på PÅ/AV för att slå på, du kan nu använda den nya effektinställningen.

RENGÖRING OCH SKÖTSEL

- Stäng av hällen och låt den svalna innan rengöring.
- Använd inte ångtvätt eller högtryckstvätt för att rengöra hällen, eftersom det kan leda till elektriska stötar.
- Vid rengöring ska du se till att du bara torkar lätt över på/av-sensorn. Hällen kan annars slås på av misstag!

Glaskeramikhäll

Viktigt! Använd aldrig aggressiva rengöringsmedel som starka rengöringsmedel, slipande diskmedel, rost- och fläckborttagningsmedel etc.

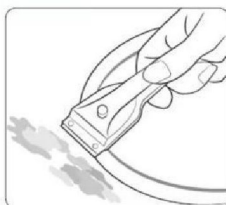
Rengöring efter användning

Rengör alltid hela hällen när den blivit smutsig. Vi rekommenderar att du gör detta varje gång hällen används. Använd en fuktig trasa och lite diskmedel för rengöring. Torka sedan hällen med en ren torr trasa för att säkerställa att det inte finns något rengöringsmedel kvar på hällens yta.

Rengöring varje vecka

Rengör hela hällen noggrant en gång i veckan med rengöringsmedel för glaskeramikhäll. Följ tillverkarens instruktioner noggrant. När det appliceras kommer rengöringsmedlet att täcka hällen i en skyddande film som är resistent mot vatten och smuts. All smuts finns kvar på filmen och kan enkelt tas bort. Gnugga sedan hällen torr med en ren trasa. Se till att inget rengöringsmedel finns kvar på hällen eftersom det reagerar aggressivt när hällen värms upp och förändrar ytan.

Kraftig nedsmutsning och fläckar (kalkavlagringar och blanka pärlemorliknande fläckar) avlägsnas bäst när hällen fortfarande är något varm. Använd kommersiella rengöringsmedel för att rengöra hällen. Fortsätt enligt beskrivningen under punkt 2. Blöt först upp mat som kokat över med en våt trasa och ta sedan bort resterande smuts med en speciell glasskrapa för glaskeramikhällar. Rengör sedan hällen igen enligt beskrivningen under punkt 2.



Galler och fettfilter

Rengör en gång i veckan för hand eller i diskmaskin. Använd lite diskmedel vid rengöring.

Kolfilter

Kolfilter rekommenderas att bytas ut inom 2-4 månader.

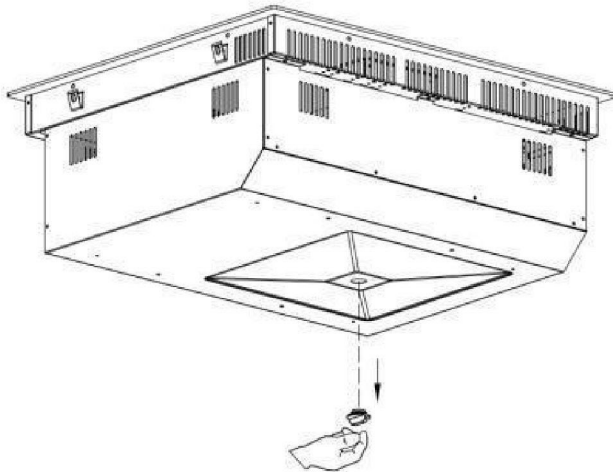
Bränt socker och smält plast måste omedelbart avlägsnas med en glasskrapa medan det fortfarande är varmt. Rengör sedan hällen igen enligt beskrivningen under punkt 2.

Sandkorn som kan ha hamnat på hällen när du skalar potatis eller rensar sallad kan repa hällen när du flyttar runt kastruller. Se till att inga sandkorn finns på hällen.

Ändringar i hällens färg påverkar inte det glaskeramiska materialets funktion och stabilitet. Dessa färgförändringar är inte förändringar i materialet utan matrester som inte tagits bort och som har bränts in i ytan.

Blanka fläckar uppstår när kokkärls botten gnider mot hällens yta, särskilt vid användning av kokkärl med aluminiumbotten eller olämpliga rengöringsmedel. De är svåra att ta bort med vanliga rengöringsmedel. Du kan behöva upprepa rengöringsprocessen flera gånger. Med tiden försvinner finishen och mörka fläckar uppstår som en följd av användning av aggressiva rengöringsmedel och felaktiga kokkärl.

Om en stor mängd vätska av misstag hälls i maskinen, ta bort silikonpluggen på undersidan för att släppa ut vätskan.



ATT GÖRA VID PROBLEM/FEL

Om något fel uppstår under drift, kontrollera följande tabell innan du kontaktar service. Nedan följer några vanliga fel och de kontroller som ska utföras.

Problem	Möjliga orsaker	Gör så här
Hällen går inte att starta.	Ingen strömförsörjning.	Se till att hällen är ansluten till strömförsörjningen och att spänningen är tillslagen. Kontrollera om det är strömavbrott i huset eller i området. Ring en behörig tekniker om du kontrollerat allt och problemet kvarstår.
Touch-reglagen svarar inte.	Reglagen är låsta.	Lås upp reglagen. För instruktioner, se avsnittet "MANÖVRERA HÄLLEN MED SENSORKNAPPARNA".
Touch-reglagen är svåra att använda.	Orsaken kan vara att det finns en tunn vattenfilm över reglagen eller så använder du fingertoppen för att trycka.	Försäkra dig om att touch-reglagen är torra och att du trycker med fingerdynan på kontrollerna.
Glaset är repigt.	Kokkärl med skrovlig botten. Olämplig och nötande utrustning och rengöringsmedel används.	Använd kokkärl med plan och slät botten. Se "Välja rätt kärl". Se "Skötsel och rengöring".
Vissa kokkärl ger ifrån sig klickande eller knastrande ljud.	Detta kan bero på kokkärls konstruktion (lager av olika metaller som vibrerar på olika vis).	Detta är normalt för kokkärl och är inte en indikation på ett fel.
Induktionshällen ger ifrån sig ett lågt surrande ljud när den används med höga effektinställningar.	Detta beror på induktionstekniken.	Detta är normalt, men ljudet ska bli tystare eller försvinna helt när du sänker effektinställningen.
Fläktljud från induktionshällen.	En kylfläkt som är inbyggd i din induktionshäll förhindrar att elektroniken blir överhettad. Den kan fortsätta att vara igång också efter att du stängt av induktionshällen.	Detta är normalt och kräver inga åtgärder. Stäng inte av strömmen till induktionshällen på väggen när fläkten är igång.
Kokkärlen blir inte varma och syns inte på displayen.	Induktionshällen kan inte detektera kokkärl eftersom det inte är lämpligt för induktion. Induktionshällen kan inte detektera kokkärl eftersom det är för litet för kokzonen eller inte är centrerat på rätt sätt.	Använd bara kärl som är lämpliga för en induktionshäll. Se avsnittet "Välja rätt kärl". Centrera kärlet och se till att dess botten matchar kokzonens storlek.
Induktionshällen eller en kokzon har stängts av på ett oväntat sätt, ett ljud hörs och en felkod visas (vanligtvis med en eller två siffror som alternerar i timerdisplayen).	Tekniskt fel.	Anteckna felkodens bokstäver och siffror, stäng av strömmen till induktionshällen på väggen och kontakta en behörig tekniker.


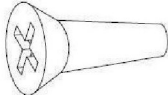


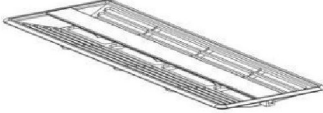



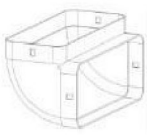
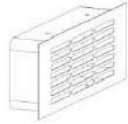
Efter att ha anslutit strömmen och tryckt på strömknappen kommer inget gensvar från apparaten.	Är det ett strömavbrott?	Vänta tills strömförsörjningen återupptas
	Har säkringen gått eller har strömbrytaren löst ut?	Kontrollera grundorsakerna noggrant. Om problemet inte kan åtgärdas, kontakta vårt servicecenter för inspektion och reparation.
	Är kontakten ordentligt ansluten?	
Uppvärmningen avbryts vid normal användning och ett "pipljud" hörs.	Är kokkärlen inkompatibla eller finns det inga kokkärl på hällen?	Byt ut köksredskap; använd köksredskap som är lämpliga för induktionsspis.
	Kokkärlet är inte placerat i mitten av värmezonen.	Placera kokkärlet i mitten av den angivna värmezonen.
	Värms kokkärlet men det flyttas hela tiden bort från värmezonen?	Placera kokkärlet inuti värmezonen.
Ingen funktion när uppvärmningen används	Är kokkärlet tomt eller är temperaturen för hög?	Kontrollera att apparaten inte används på fel sätt
	Är luftintaget/utloppsventilen igensatt eller har det samlats smuts i den?	Rensa luftintaget/utloppsventilen. Vänta tills apparaten har svalnat och sätt sedan på den igen.
	Fungerar spisen i mer än 2 timmar utan någon interaktion?	Återställ tillagningslägen eller använd timerfunktionen


Om ovanstående åtgärder/kontroller inte löser problemet, koppla omedelbart ur apparaten och kontakta servicecentret för inspektion och reparation. Notera felkoden och rapportera den till Service Center Ltd. För att undvika fara och skador på apparaten får du inte själv ta isär eller reparera den.

FELDISPLAY OCH INSPEKTION

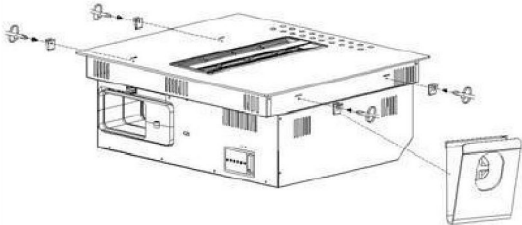
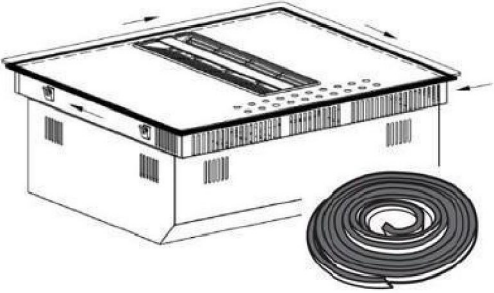
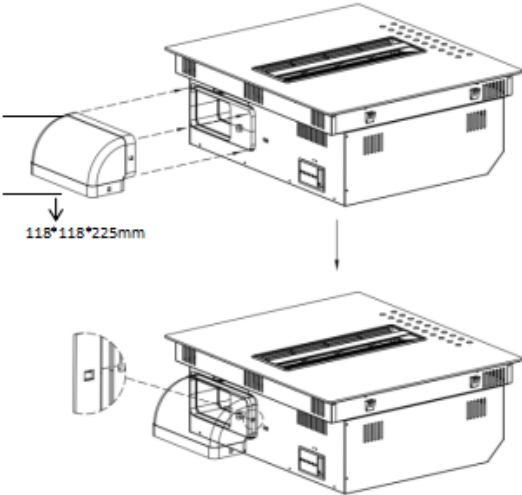
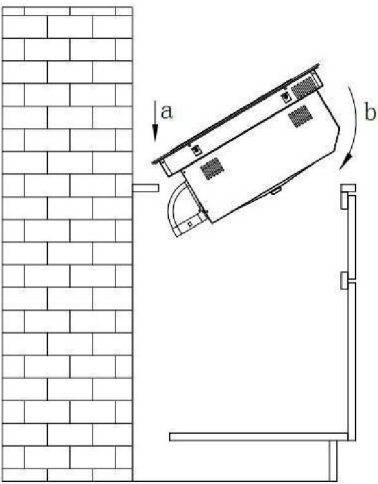
Felkod	Möjlig orsak	Gör så här
U	Inget kokkärl	Placera lämpligt kokkärl på värmezonen. Om det fortfarande inte fungerar kan du kontakta servicecentret.
E1	Onormal matningsspänning (lägre än 160 V).	Inspektera om strömförsörjningen ser normal ut. Sätt på om strömförsörjningen ser normal ut.
E2	Onormal matningsspänning (högre än 280 V).	Inspektera om strömförsörjningen ser normal ut. Sätt på om strömförsörjningen ser normal ut.
E3/E5/E7	Fel på temperaturgivaren för induktionsspolen	Kontakta servicecentret.
E4/E6	Fel på temperaturgivaren i IGBT	Kontakta servicecentret.
Er	Fel i kommunikationen mellan huvudkortet och displaykortet	Kontakta servicecentret.
Et	Översvämningsskydd	Rengör kontrollpanelen från vatten och sätt på hällen igen.

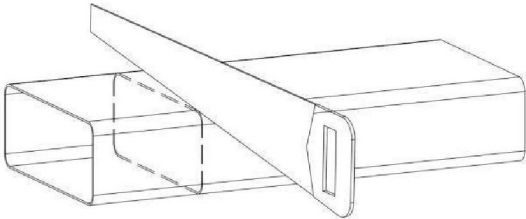
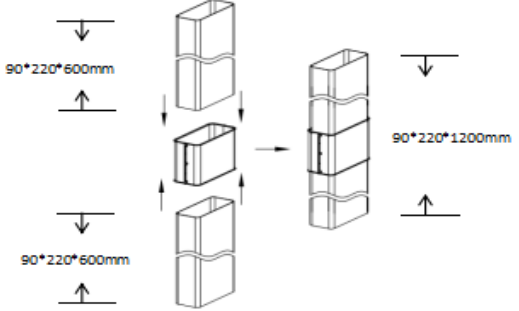
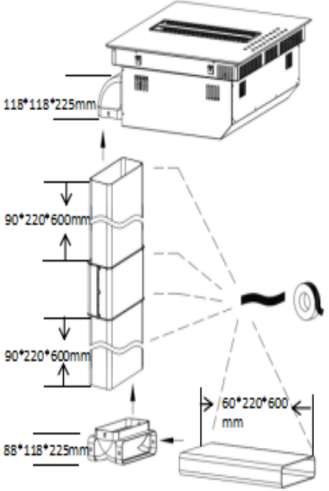
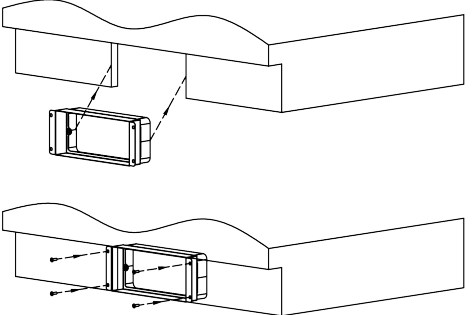
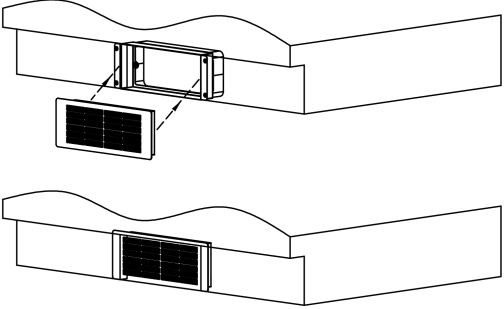
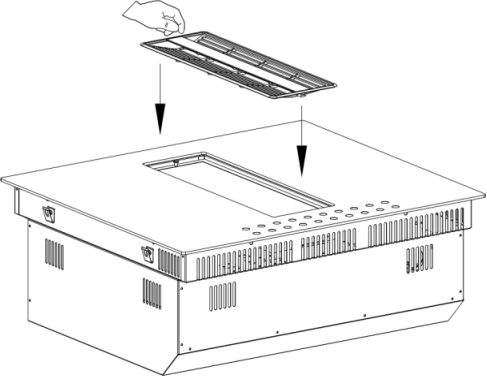
LISTA ÖVER TILLBEHÖR

Nr.	Namn	Diagram	Antal
1	ST 4x5-skruv		4 st
2	ST 4x14-skruv		4 st
3	Monteringsfäste		4 st
4	Skumlist		1 st
5	Luftintagsgaller		1 st
6	9 cm fyrkantigt rör		2 st
7	6 cm fyrkantigt rör		1 st (endast för filtrerande version)
8	Anslutningsrör		1 st
9	Böjt rör		2 st för filtrerande version 1 st för utsugningsversion
10	Luftuttag ASSY		1 st (endast för filtrerande version)

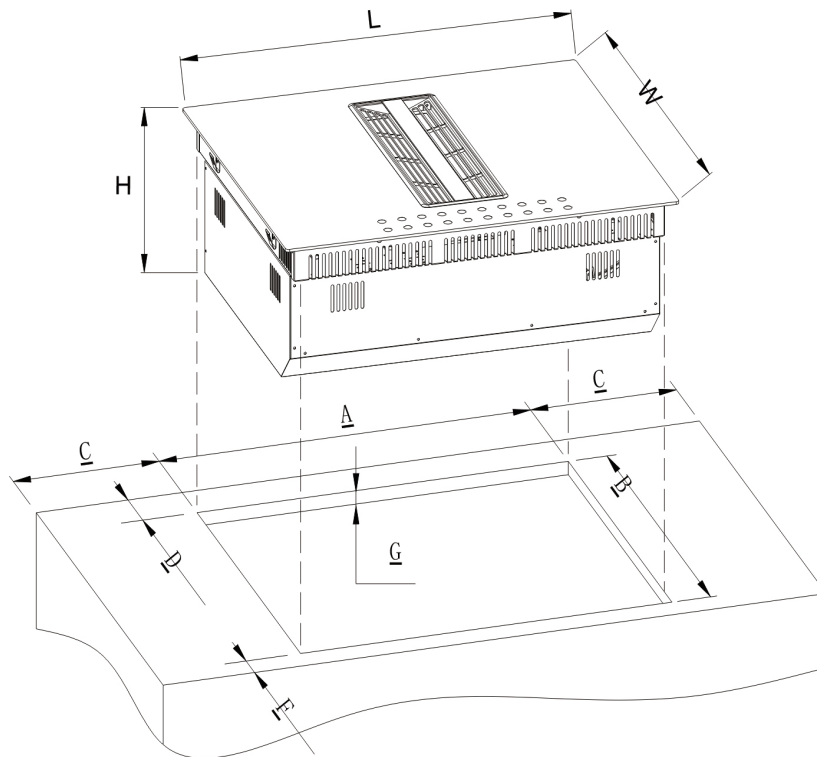
11	Klistermärke i aluminium		7 st
----	--------------------------	--	------

PRODUKTINSTALLATION

<p>Steg 1: Skruva fast monteringsfästena på bottenlådan.</p> 	<p>Steg 2: Sätt fast skumlisten runt keramikglaset.</p> 
<p>Steg 3: Fixera det böjda röret.</p>  <p>118*118*225mm</p>	<p>Steg 4: Installera produkten i skåpet, (från steg a till steg b)</p> 

<p>Steg 5: Om skåpets höjd är mindre än 80 cm kan du kapa röret till önskad längd.</p>	<p>Steg 6: Om skåpets höjd är mer än 80 cm kan du använda två rör med en anslutning.</p>
	
<p>Steg 7: Montera röret och fäst med tätningslist.</p>	<p>Steg 8: Montera luftuttaget ASSY i botten av skåpet och skruva fast det.</p>
	
<p>Steg 9: Installera kartongfiltret i luftuttaget ASSY. (*kolfilter endast för filtrerande version)</p>	<p>Steg 10: Instalar a grelha.</p>
	

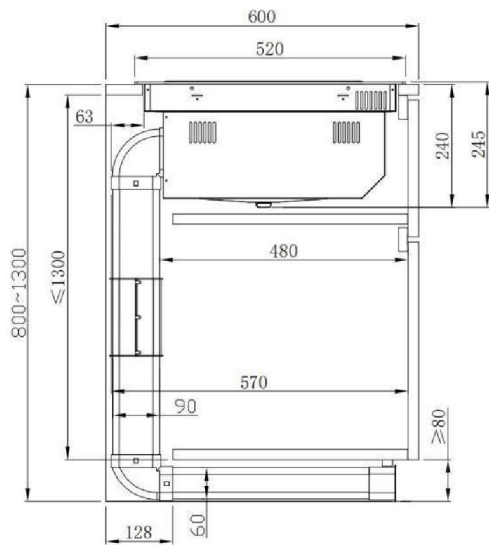
INSTALLATIONENS DIMENSION



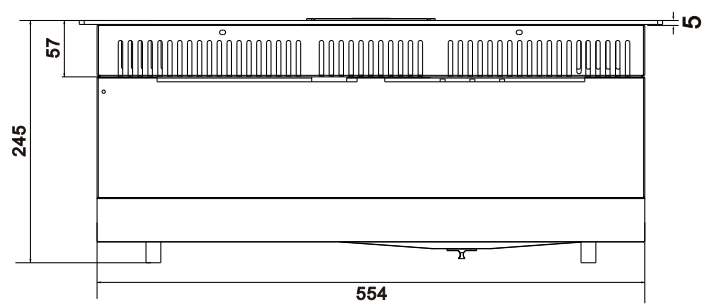
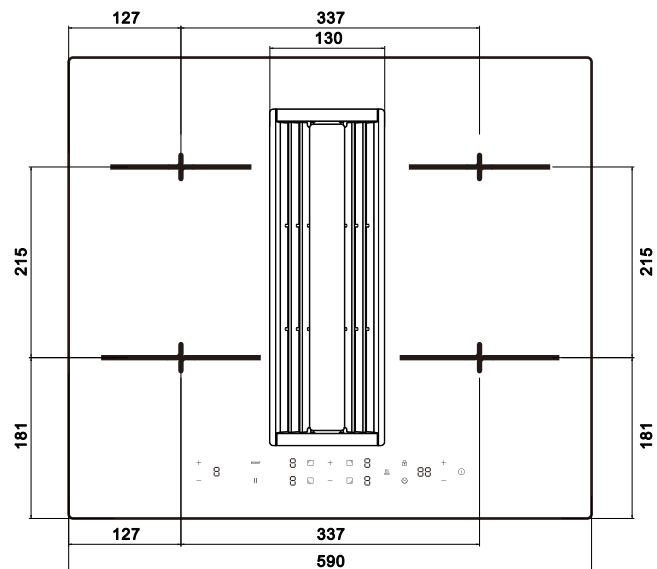
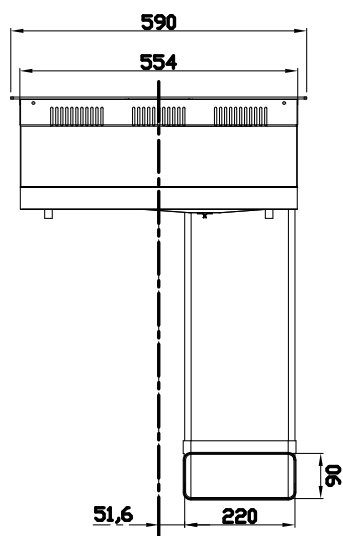
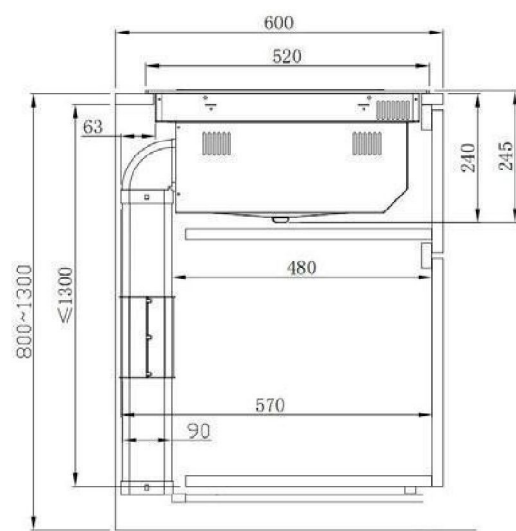
Modell	L (mm)	B (mm)	H (mm)	A (mm)	B (mm)	C (mm)	D (mm)	F (mm)	G (mm)
CIH614CF	590	520	245	560	490	≥ 40	≥ 70	≥ 40	20-40
CIH614CE									

Storlek på skåp och rökkanaler

Filtrerande version



Utsugningsversion



ELANSLUTNING

Denna häll får bara anslutas till huvudströmmen av behörig person.

Innan hällen ansluts till huvudströmmen, se till att:

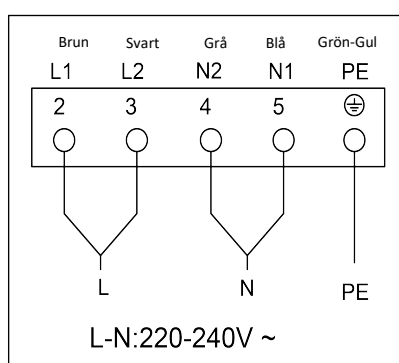
1. husets elsystem är lämpligt för den effekt som hällen använder.
2. spänningen motsvara det värde som visas på typskylten.
3. strömförsörjningens kablage klarar den last som specificeras på typskylten.

Använd inga adaptrar, reducerare eller grenuttag för när hällen ansluts till huvudströmmen eftersom dessa kan överhettas och börja brinna.

Strömförsörjningskabeln får inte vidröra några heta delar och måste positioneras så att dess temperatur inte i något skede överstiger 75 °C.

Konsultera en elektriker för att bedöma om husets elsystem utan modifieringar är lämpligt. Eventuella förändringar i husets elsystem får bara göras av en behörig elektriker.

Strömförsörjningen ska anslutas i enlighet med relevant standard. Inkopplingsmetoden visas nedan.



- Om kabeln är skadad eller ska bytas måste detta genomföras av en efterförsäljningsrepresentant med särskilda verktyg så att olyckor kan undvikas.
- Om apparaten ska anslutas direkt till huvudströmmen måste en flerpoleg krets brytare installeras med en minimiöppning på 3 mm mellan kontakterna.
- Installatören måste säkerställa att korrekta elektriska anslutningar har gjorts och att dessa efterlever tillämpliga säkerhetsföreskrifter.
- Kabeln får inte böjas eller klämmas.
- Kabeln måste kontrolleras regelbundet och får bara bytas av en behörig tekniker.

Särskild förklaring

Innehållet i denna bruksanvisning har kontrollerats noggrant. Företaget kan dock inte hållas ansvarigt för eventuella tryckfel eller utelämnanden. Eventuella tekniska ändringar kan också komma att inkluderas i en reviderad version av bruksanvisningen utan föregående meddelande. Apparaten utseende och färg i denna bruksanvisning kan skilja sig från den verkliga apparaten.



Apparaten är märkt i enlighet med EU-direktiv 2012/19/EU gällande elektriska och elektroniska apparater (WEEE).

WEEE innehåller både miljöförstörande substanser och baselement (som kan återanvändas). Det är viktigt att WEEE genomgår specifik bearbetning så att miljöförstörande ämnen avlägsnas och hanteras på rätt sätt, och andra material kan återvinnas. Individerna kan spela en viktig roll i att säkerställa att WEEE inte blir ett miljöproblem. Det är viktigt att följa några grundläggande regler:

- WEEE ska inte betraktas som hushållsavfall.
- WEEE ska tas till en särskild återvinningsstation som drivs kommunalt eller av ett privat företag.

I många länder kan stora WEEE-produkter hämtas i hemmen. När du köper en ny apparat kan den gamla lämnas till leverantören som måste acceptera den kostnadsfritt som en engångslösning, så länge den gamla apparaten är av liknande typ och har samma funktioner som den nyinköpta apparaten.



Gäller endast för Cypern

OBSAH

NÁVOD K OBSLUZE	2
OVLÁDÁNÍ VARNÉ DESKY DOTYKOVÝMI TLAČÍTKY	19
Řízení výkonu	26
ČIŠTĚNÍ A PÉČE	28
CO DĚLAT V PŘÍPADĚ PROBLÉMŮ	30
ZOBRAZOVÁNÍ ZÁVAD A KONTROLA	31
SEZNAM PŘÍSLUŠENSTVÍ	32
INSTALACE SPOTŘEBIČE	33
ELEKTRICKÉ ZAPOJENÍ	36

NÁVOD K OBSLUZE

Pokyny uvedené v této příručce striktně dodržujte. Odmítáme veškerou odpovědnost za problémy, škody nebo požáry způsobené nedodržením pokynů uvedených v této příručce. Spotřebič je určen pouze k domácímu použití, k tepelné úpravě potravin a k odvádění výparů vznikajících při vaření. Jiné použití není povoleno (např. vytápění místností). Výrobce odmítá jakoukoli odpovědnost za nevhodné použití nebo nesprávné nastavení ovládání.

Návod si prostudujte pozorně: jsou v něm důležité informace o instalaci, použití a bezpečnosti.

Na spotřebiči neprovádějte žádné úpravy elektroinstalace. Před instalací spotřebiče se ujistěte, že žádná ze součástí není poškozena. V opačném případě kontaktujte prodejce a v instalaci nepokračujte.

Než budete pokračovat v instalaci, zkontrolujte, zda je spotřebič neporušený. V opačném případě kontaktujte prodejce a v instalaci nepokračujte.

1. Varování

Upozornění! Věnujte zvláštní pozornost následujícím pokynům:

- Před prováděním jakékoli instalační práce musí být spotřebič odpojen od elektrického napájení.
- Instalaci nebo údržbu musí provádět kvalifikovaný technik v souladu s pokyny výrobce a místními bezpečnostními předpisy. Neopravujte ani nevyměňujte žádnou část spotřebiče, pokud to není výslovně uvedeno v návodu k obsluze.
- Podle zákona musí být spotřebič uzemněný.
- Napájecí kabel musí být dostatečně dlouhý, aby umožňoval připojit vestavěný spotřebič k napájení.
- Aby byla instalace v souladu s platnými bezpečnostními předpisy, je nutný schválený vícepólový jistič, který zaručuje úplné odpojení od elektrické sítě v případě přepětí kategorie III podle instalačních předpisů.
- Nepoužívejte rozdvojky ani prodlužovací kabely.

- Jakmile je instalace dokončena, elektrické součásti již nesmí být přístupné uživateli.
- Spotřebič a jeho přístupné součásti se během používání ohřívají. Dávejte pozor, abyste se nedotkli topných prvků.
- Zajistěte, aby si děti nemohly hrát se spotřebičem; držte je stranou a dohlížejte na ně, protože přístupné části mohou být během používání velmi horké.
- Osoby s kardiostimulátory a aktivními implantáty musí před používáním indukční varné desky ověřit, zda je kompatibilní s jejich implantovaným zařízením.
- Během používání a po použití se nedotýkejte topných prvků.
- Vyhněte se kontaktu varné desky s oděvy nebo jiným hořlavým materiálem, dokud všechny její součásti dostatečně nevychladnou, hrozí nebezpečí požáru.
- Neumisťujte hořlavý materiál na spotřebič nebo do jeho blízkosti.
- Přehřáté tuky a oleje snadno vzplanou. Dohlížejte na vaření tučných nebo mastných pokrmů.

- Pokud je povrch prasklý, ihned vypněte spotřebič, aby se předešlo úrazu elektrickým proudem.
- Tento spotřebič není určen k ovládní externím časovým spínačem ani samostatným systémem dálkového ovládní.
- Příprava pokrmů na tuku nebo oleji na spotřebiči bez dozoru může být nebezpečná a způsobit požár.
- Je nutné dohlížet na vaření. Krátké vaření vyžaduje nepřetržité sledování.
- NIKDY se nepokoušejte uhasit plameny vodou. Místo toho spotřebič vypněte a plameny uduste, například pokličkou nebo hasicí rouškou. Nebezpečí požáru: nepokládejte předměty na varný povrch.
- Nepoužívejte parní čističe, hrozí nebezpečí úrazu elektrickým proudem.
- Nepokládejte na spotřebič kovové předměty, například nože, vidličky, lžíce nebo pokličky, protože by se mohly velmi ohřát.
- Před připojením spotřebiče k elektrické síti: zkontrolujte typový štítek (na spodní straně spotřebiče), abyste ověřili, zda napětí a příkon

odpovídají parametrům síťového napájení a zda máte vhodnou zásuvku. V případě pochybností se poraďte s kvalifikovaným elektrikářem.

Důležité

- Po použití vypněte varnou desku vypínačem, nespolehejte na detektor nádob.
- Při vaření nebo ohřívání tekutin snižte výkon ohřevu, aby nedošlo k překypění.
- Nenechávejte topné prvky zapnuté s prázdnými hrnci a pánvemi nebo bez nich.
- Až dokončíte vaření, vypněte příslušnou varnou plotýnku.
- K vaření nikdy nepoužívejte hliníkovou fólii a nikdy nepokládejte na varnou desku potraviny zabalené v alobalu. Hliník by se mohl roztavit a způsobit neopravitelné poškození spotřebiče.
- Nikdy neohřívejte potraviny v plechovkách, aniž je předem otevřete; mohly by vybuchnout!
- Toto varování platí také pro všechny ostatní typy varných desek.
- K ohřívání určitých tekutin, například oleje pro smažení, by se neměly používat vysoké

stupně výkonu, jako je funkce Zesílení výkonu. Nadměrné teplo může být nebezpečné. V takových případech doporučujeme použít nižší stupeň výkonu.

- Nádoby se musí umísťovat doprostřed přímo na varnou desku. Mezi nádobu a varnou desku se za žádných okolností nesmí vkládat jiné předměty.
- Jestliže vzroste teplota na vysokou hodnotu, spotřebič automaticky sníží stupeň výkonu varných zón.
- Před každým čištěním nebo údržbou odpojte spotřebič od síťového napájení vytažením zástrčky nebo vypnutím síťového vypínače. Při všech úkonech instalace a údržby vždy používejte pracovní rukavice. Děti starší osmi let a osoby s narušenými fyzickými, smyslovými nebo duševními schopnostmi nebo osoby nezkušené či neznalé smějí používat spotřebič pouze za předpokladu, že jsou pod dohledem nebo byly poučeny o bezpečném používání spotřebiče a chápou související rizika. Na děti je třeba dohlížet, aby si se spotřebičem

nehrály. Čištění a údržbu mohou provádět děti, pouze když jsou pod řádným dohledem. Je-li spotřebič používán současně s jinými zařízeními na plyn nebo na jiná paliva, musí být místnost řádně větrána. Spotřebič musí být pravidelně čištěn zevnitř i zvenčí (**NEJMÉNĚ JEDNOU ZA MĚSÍC**) v přísném souladu s pokyny pro údržbu. Nedodržování pravidel pro čištění spotřebiče a vyměňování a čištění filtrů může mít za následek nebezpečí požáru. Pokrmy se nikdy nesmí flambovat. Použití otevřeného plamene může poškodit filtry a způsobit nebezpečí požáru, proto je třeba se mu za všech okolností vyhnout. Při smažení je třeba dbát zvýšené opatrnosti, aby se olej nepřehřál a nevzplanul.

UPOZORNĚNÍ

- Přístupné části spotřebiče se mohou po zapnutí varné desky zahřívat.
- **Upozornění!** Nepřipojujte spotřebič k elektrické síti, dokud nebude instalace zcela dokončena. Je nutné přísně dodržovat předpisy

stanovené místními úřady ohledně technických a bezpečnostních opatření pro odsávání kouře.

- Odsávaný vzduch nesmí být veden stejnými kanály, které slouží k odvádění kouře vytvářeného spalováním plynu nebo jinými typy spalovacích zařízení. Nikdy nepoužívejte spotřebič bez správně nainstalované mřížky! K instalaci používejte pouze upevňovací šrouby dodané se spotřebičem, pokud nejsou dodány, kupte správný typ šroubů.

- Když se spotřebič používá společně s jinými zařízeními napájenými jinou než elektrickou energií, nesmí podtlak v místnosti překročit 4 Pa (4×10^{-5} bar). Tuto příručku je třeba uložit pro případné budoucí potřeby. Pokud dojde k prodeji, převodu nebo přestěhování spotřebiče, musí příručka zůstat se spotřebičem.


Tento spotřebič je označen v souladu s

evropskou směrnicí 2012/19/ES – UK SI 2013

č. 3113 o odpadních elektrických a

**elektronických zařízeních (OEEZ). Zajištěním
správné likvidace tohoto spotřebiče pomůže
uživatel zabránit možným negativním
dopadům na životní prostředí a lidské zdraví.**



Symbol  na spotřebiči nebo dodaná dokumentace udává, že tento spotřebič nesmí být považován za domácí odpad, ale musí být odvezen na vhodné sběrné místo pro účely recyklace elektrických a elektronických spotřebičů. Zlikvidujte spotřebič v souladu s místními předpisy pro likvidaci odpadu. Chcete-li získat další informace o zpracování, využití a recyklaci tohoto spotřebiče, obraťte se na místní úřad, sběrné místo pro odpady z domácností nebo na prodejnu, kde byl spotřebič zakoupen. Zařízení navržené, testované a vyvinuté v souladu s předpisy týkajícími se těchto témat:

- Bezpečnost: EN/IEC 60335-1; EN/IEC 60335-2-6, EN/IEC 60335- 2-31, EN/IEC 62233.
- Výkonnost: EN/IEC 61591; ISO 5167-1; ISO 5167-3; ISO 5168; EN/IEC 60704-1; EN/IEC 60704-2-13; EN/IEC 60704-3; ISO 3741; EN 50564; IEC 62301. EN 60350-2.
- Elektromagnetická kompatibilita: EN 55014-1; CISPR 14-1; EN 55014-2; CISPR 14-2; EN/IEC 61000-3-3; EN/IEC 61000-3-12.

Doporučení pro správné použití za účelem snížení dopadu na životní prostředí: Když začnete vařit, zapněte spotřebič na minimální rychlost, po dokončení vaření ho nechte několik minut zapnutý. Rychlost zvyšujte pouze v případě velkého množství výparů a páry, funkci Zesílení výkonu používejte pouze v extrémních případech. V případě potřeby vyměňte uhlíkový filtr (filtry). Zajistíte tak účinné fungování systému pro eliminaci zápachu. V zájmu maximalizace výkonu tukového filtru je vhodné filtr v případě potřeby vyčistit. Chcete-li zvýšit účinnost a minimalizovat hluk, použijte maximální průměr potrubí uvedený v této příručce.

2. Používání

Používání varné desky


Indukční varný systém využívá fyzikální princip magnetické indukce k přímému přenosu energie z generátoru do nádoby.

Výhody:

Ve srovnání s elektrickými varnými deskami je indukční varná deska:

- **Bezpečnější:** skleněný povrch má nižší teplotu.
- **Rychlejší:** tepelné zpracování potravin trvá kratší dobu.
- **Přesnější:** varná deska okamžitě reaguje na vaše příkazy.
- **Účinnější:** 90 % absorbované energie se přeměňuje na teplo. Když navíc sejmete hrnec z varné desky, přenos tepla se okamžitě přerušuje, takže nedochází ke zbytečným tepelným ztrátám.

2.1 Nádoby na vaření

Používejte pouze nádoby označené symbolem  :

aby se předešlo poškrábání, nepoužívejte:

- nádoby, které nemají dokonale ploché dno,
- kovové nádoby se smaltovaným dnem,
- nádoby s hrubým povrchem zespodu, protože by mohly způsobit poškrábání povrchu varné desky,
- nepokládejte horké hrnce a pánve na povrch ovládacího panelu.

2.1.1 Nádoby, které již máte

Při indukčním ohřevu je generováno teplo prostřednictvím magnetismu.

Proto musí být nádoby z magnetického materiálu, například litiny. Chcete-li určit, zda je nádoba vhodná, vyzkoušejte materiál magnetem. Jestliže nádoba nereaguje na magnet, není vhodná pro indukční ohřev.

2.1.2 Doporučené průměry dna hrnce/pánve

DŮLEŽITÉ: Jestliže má nádoba nesprávnou velikost, varné zóny se neaktivují.

Podrobnosti o minimálním průměru hrnců/pánví, který je třeba k použití v jednotlivých zónách, najdete v ilustrované části této příručky.

2.2 Úspora energie

Doporučení pro nejlepší výsledky:

- Používejte hrnce a pánve s průměrem dna rovnajícím se průměru příslušné varné zóny.
- Používejte pouze hrnce a pánve s plochým dnem.
- Během vaření zakrývejte nádobu pokličkou, kdykoli to bude možné.
- Zeleninu, brambory atd. vařte v minimálním množství vody. Tím zkrátíte dobu vaření.
- Používejte tlakový hrnec, protože tím dále snížíte spotřebu energie a zkrátíte vaření.
- Umístěte nádobu na střed varné zóny vyznačený na varné desce.

VÝBĚR VHODNÉHO NÁDOBÍ

Nádobí pro indukční varné desky

Nádobí pro indukční varné zóny musí být vyrobeno z kovu a mít magnetické vlastnosti. Dno musí být dostatečně velké.

Používejte pouze nádobí s dnem vhodným pro indukční ohřev.

Vhodnost nádoby lze stanovit tímto způsobem:

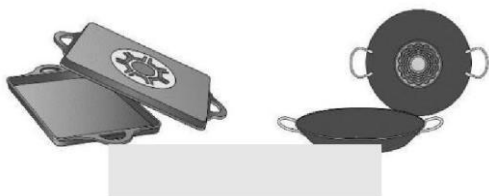
Vhodné nádobí	Nevhodné nádobí
Nádoby ze smaltované oceli se silným dnem	Nádoby z mědi, nerezové oceli, hliníku, žáruvzdorného skla, dřeva, keramiky a terakoty
Litínové nádoby se smaltovaným dnem	
Nádoby z vícevrstvé nerezové oceli, nerezové feritové oceli nebo hliníku se speciálním dnem	

Proveďte níže popsanou zkoušku s magnetem, abyste se ujistili, že nádoba má symbol vhodnosti pro ohřev indukčním proudem.

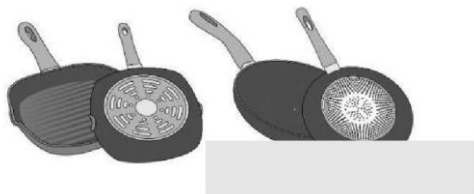
Nikdy nepoužívejte nádobí se zdeformovaným dnem. Vyduté nebo vypouklé dno může narušovat činnost ochrany proti přehřátí, takže spotřebič bude příliš horký. Mohlo by to vést k prasknutí skleněného povrchu a roztavení dna nádoby. Záruka se nevztahuje na škody vzniklé v důsledku použití nevhodných nádob nebo vyvaření vody.



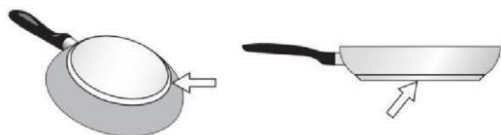
Jestliže je dno nádoby feromagnetické pouze zčásti, bude se ohřívat pouze ta část, která je feromagnetická. Mohlo by to znamenat, že teplo se nebude rovnoměrně rozvádět. Neferomagnetická část se nemusí ohřát natolik, aby měla dostatečnou teplotu pro vaření.



Feromagnetická část bude omezena také v případě, že materiál, z něhož je dno nádoby vyrobeno, obsahuje například hliník. Mohlo by to znamenat, že nádoba se nebude dostatečně ohřívat, nebo dokonce nebude vůbec zjištěna.



Materiál, z něhož je vyrobeno dno nádoby, může ovlivňovat výsledek vaření. Používání hrnců a pánví z materiálů, které rovnoměrně rozvádějí teplo, například pánví z nerezové oceli s trojvrstevným dnem, šetří čas a energii. Používejte nádobí s plochým dnem; pokud je dno nádobí nerovné, mohlo by to ovlivnit přivádění tepla.



Zkouška s magnetem:

Přiložte magnet ke dnu nádoby. Jestliže je přitahován, můžete používat nádobu na indukční varné desce.



Poznámka:

Při používání nádob vhodných pro indukční ohřev od určitých výrobců se mohou ozývat zvuky, které lze připsat konstrukci těchto nádob. Při používání nádob k mírnému vaření dávejte pozor, protože voda blízko bodu varu se může nepozorovaně vyvařit, což povede k poškození nádoby a varné desky, za které nelze nést odpovědnost.

Rozměry nádobí

Aby se dosáhlo dobrého výsledku vaření, feromagnetická plocha dna nádoby by měla odpovídat velikosti plotýnky. Jestliže plotýnka nezjistí přítomnost nádoby, zkuste ji umístit na jinou plotýnku s menším průměrem.

Varná zóna	Minimální průměr nádoby
Ø 160 mm	Ø 120 mm
Ø 180 mm	Ø 140 mm

Používání ventilátoru odsávače

Odsávací systém s ventilátorem lze používat dvěma způsoby: jako variantu s vnějším odvodem, nebo jako filtrační variantu s vnitřní recirkulací. Varianta s vnějším odvodem odvádí kouř, páru a zápach z vaření do vnějšího prostředí, zatímco recirkulační varianta s vnitřní filtrací filtruje tyto složky a vrací vyčištěný vzduch zpět do místnosti.



Odváděcí varianta

Výpary jsou vyháněny ven pomocí řady trubek (prodáváných samostatně) připevněných k dodané spojovací trubce. Průměr odváděcích trubek nebo adaptéru musí odpovídat rozměru dodané spojovací trubky 222 x 89 mm.

Více informací o používání odváděcí varianty najdete na příslušné straně v ilustrované části příručky. Při připojování spotřebiče k nástěnným odváděcím trubkám a otvorům se ujistěte, že průměr se shoduje se vzduchovým výstupem (připojovací přírubou). Při použití trubek a otvorů s menším průměrem by se mohla snížit účinnost odsávače a zvýšit hlučnost. Nejlepších výsledků dosáhnete s co nejkratším potrubím a minimálním počtem ohybů (maximální úhel: 90°); také se vyhněte náhlým změnám průměru potrubí.

- Udržujte vedení co nejkratší.
- Použijte potrubí s co nejmenším počtem ohybů (maximální úhel: 90°).
- Vyhněte se prudkým změnám průměru potrubí.



Filtrační varianta

Recirkulační varianta s vnitřní filtrací filtruje výpary z vaření a vypouští čistý vzduch zpět do kuchyně. Tento systém namísto odvádění ven recirkuluje vzduch dovnitř poté, co projde filtry. To je praktické v případě, že odvětrávání ven není možné. Speciální filtry, například filtry s aktivním uhlím (jsou součástí příslušenství), účinně zachytávají mastnotu a zápach. Pro optimální výkon je zapotřebí pravidelná údržba včetně výměny filtru. Tento způsob pomáhá udržovat čistý vzduch v místnosti a je energeticky účinný, ale zcela neodstraní znečišťující látky z domácnosti.

Popis instalace a požadavky na rozměry najdete v uživatelské příručce.

3. Instalace

- Elektrickou i mechanickou instalaci musí provádět kvalifikovaní odborníci. Tento elektrický spotřebič je určen k montáži do pracovní desky s tloušťkou 2 až 6 cm pro povrchovou instalaci nebo 2,5 až 6 cm pro zapuštěnou instalaci. Při instalaci varné desky zachovejte minimální vzdálenost 5 cm na přední straně, 4 cm na bočních stranách a 50 cm od horních nástěnných jednotek. Poznámka: Uvedené doporučené vzdálenosti jsou pouze příklady. Při plánování kuchyně se řiďte pokyny dodanými výrobcem kuchyně.

3.1 Připojení k elektrickému napájení

Při připojování varné desky k elektrickému napájení postupujte takto:

- Vyjměte varnou desku z obalu a položte ji na rovný povrch.
- Připojte napájecí kabel k varné desce.
- Druhý konec napájecího kabelu připojte k elektrickému napájení.
- Ujistěte se, že elektrické připojení je bezpečné a splňuje místní elektroinstalační předpisy.
- Odpojte spotřebič od elektrického napájení.
- Instalaci musí provádět kvalifikovaný odborník se znalostí platných montážních a bezpečnostních předpisů.
- Výrobce odmítá veškerou odpovědnost za škody na zdraví osob či zvířat nebo majetku v případě nedodržení pokynů v této kapitole.
- Napájecí kabel musí být dostatečně dlouhý, aby umožňoval sejmutí varné desky z pracovní desky.
- Ujistěte se, že elektrické připojení je bezpečné a splňuje místní elektroinstalační předpisy.
- Nepoužívejte prodlužovací kabely.
- Zemnicí vodič musí být o 2 cm delší než ostatní vodiče.

- Pokud není elektrický spotřebič vybaven napájecím kabelem, použijte kabel s minimálním průřezem vodičů 2,5 mm² pro výkon až 7200 W; vyšší hodnoty výkonu vyžadují průřez 4 mm².
- Teplota v jakémkoli místě kabelu nesmí překračovat pokojovou teplotu o více než 50 °C.
- Spotřebič je určen k trvalému připojení k napájení.

• **Upozornění!** Před opětovným připojením obvodu k síťovému napájení se ujistěte, že funguje správně. Vždy se ujistěte, že je napájecí kabel správně nainstalován.

• **Upozornění!** Propojovací kabel smí vyměnit pouze autorizovaný poskytovatel technických služeb nebo osoba s obdobnou kvalifikací.

Poznámka: spotřebič je vybaven funkcí Omezovač výkonu, která umožňuje nastavit maximální limit výkonu. Limit je nutné nastavit v okamžiku připojování spotřebiče k elektrické síti nebo při novém připojení vlastní elektrické sítě (během následujících dvou minut).

3.2 Montáž

Před zahájením instalace:

- Po vybalení výrobku zkontrolujte, zda během přepravy nedošlo k jeho poškození.

V případě jakéhokoli problému před instalací kontaktujte prodejce nebo zákaznickou podporu.

- Zkontrolujte, zda má výrobek správnou velikost pro oblast, v níž má být instalován.
- Zkontrolujte příslušenství (např. sáčky se šrouby, záručními listy atd.) uvnitř obalu (jsou tam umístěny z přepravních důvodů). Pokud tam jsou, vyjměte je a bezpečně uložte.
- Zkontrolujte také, zda je v blízkosti instalačního prostoru zásuvka.

Příprava skříňky k instalaci:

- Výrobek nelze instalovat nad chladicí spotřebiče, myčky nádobí, ohříváče, trouby, pračky a sušičky.
- Před vložením varné desky vytvořte ve skříňce výřezy a pečlivě odstraňte veškeré hobliny či piliny.
- **V zájmu optimalizace instalace filtru je vhodné vyříznout v podstavci štěrbinu pro vložení mřížky (k dispozici na trhu). DŮLEŽITÉ:** použijte jednosložkový lepicí tmel (S), který snáší teploty až do 250°; před instalací důkladně očistěte povrchy, aby k nim tmel přilnul, a odstraňte všechny látky, které by mohly narušit přilnavost (např. uvolňovací činidla, konzervační látky, tuky, olej, prach, stopy starých lepidel atd.); lepidlo by mělo být rovnoměrně rozetřeno po celé vnější straně rámu; po přilepení nechte lepidlo asi 24 hodin schnout.

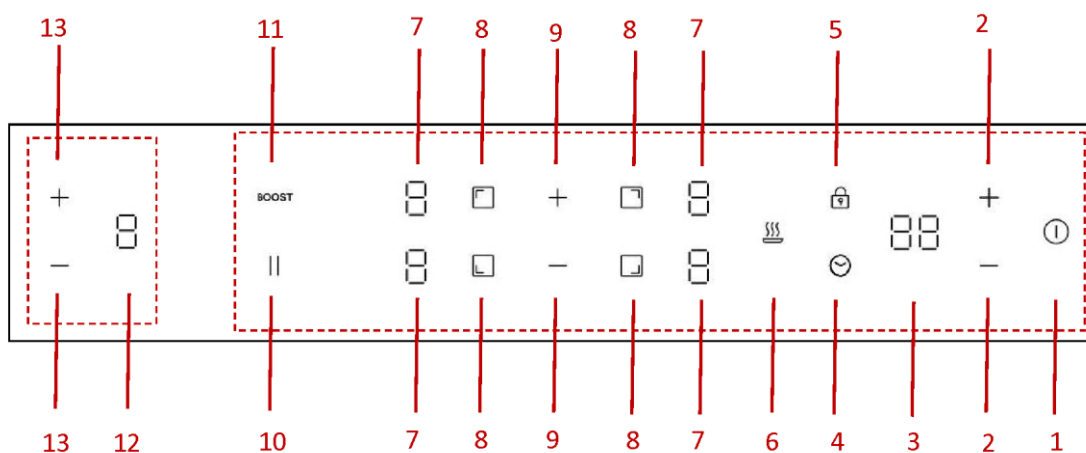
Pozor! Nebudou-li šrouby nebo upevňovací prvky namontovány v souladu s těmito pokyny, mohlo by dojít k úrazu elektrickým proudem.

Poznámka: pro zajištění správné instalace výrobku se doporučuje upevnit trubky lepidlem s následujícími vlastnostmi:

- měkká elastická PVC fólie s lepidlem na akrylové bázi

- odpovídající normě DIN EN 60454
- zpomalující hoření
- vynikající odolnost proti opotřebení
- odolnost vůči teplotním výkyvům
- umožňuje použití při nízkých teplotách

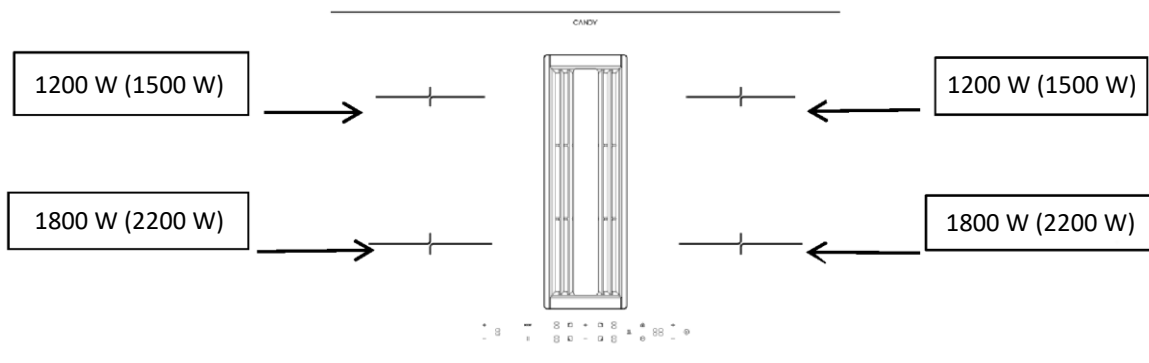
OVLÁDÁNÍ VARNÉ DESKY DOTYKOVÝMI TLAČÍTKY



- | | | | |
|----|-----------------------------------|----|---------------------------------|
| 1 | Vypínač | 2 | Nastavení časovače |
| 3 | Displej časovače | 4 | Výběr časovače |
| 5 | Dětský zámek | 6 | Funkce udržování teplého pokrmu |
| 7 | Displej stupně výkonu VARNÉ DESKY | 8 | Výběr varné zóny |
| 9 | Výběr stupně výkonu VARNÉ DESKY | 10 | Pauza |
| 11 | Zesílení výkonu | 12 | Displej stupně výkonu DIGESTOŘE |
| 13 | Výběr stupně výkonu DIGESTOŘE | | |

SPECIFIKACE VÝROBKU

CIH814CF/CIH814CE



Používání digestoře

1. POHOTOVOSTNÍ REŽIM:

Po zapnutí se ozve jedno pípnutí, všechny displeje budou ukazovat znaky „0“ a digestoř přejde do pohotovostního režimu.

Pokud během 30 s není proveden žádný úkon, všechny displeje úplně zhasnou a digestoř se automaticky vypne. Digestoř můžete kdykoli znovu aktivovat klepnutím na jakékoli tlačítko na ovládacím panelu.

2. NASTAVENÍ STUPNĚ VÝKONU:

Digestoř nabízí čtyři stupně výkonu (1 až 4) umožňující uživatelům nastavovat intenzitu odsávání podle svých potřeb.

Chcete-li spustit digestoř, stiskněte a jednu sekundu podržte tlačítko volby výkonu \oplus . Standardně se spouští se stupněm 1. Stupeň výkonu můžete vybírat tlačítky \oplus a \ominus .

3. REŽIM ZESÍLENÍ VÝKONU:

Režim zesílení výkonu se aktivuje volbou nejvyššího stupně výkonu („P“) a nabízí intenzivnější odsávání, aby se rychle odstranily výpary z vaření. Běží pouze 10 minut, aby se předešlo nadměrné spotřebě energie, a je určen k účinnému odstraňování zápachu z vaření a mastnoty během intenzivní přípravy pokrmů.

Když po nastavení stupně výkonu stisknete a jednu sekundu podržíte tlačítko \oplus , digestoř přejde přímo do REŽIMU ZESÍLENÍ VÝKONU (P). Upozorňujeme, že REŽIM ZESÍLENÍ VÝKONU může běžet pouze 10 min, potom se výkon automaticky vrátí na stupeň 4.

a) REŽIM VYPNUTÍ PO PRODLEVĚ:

Po vypnutí varné desky pokračuje digestoř v chodu, aby odstranila zbytkové olejové výpary. Běží po dobu až 5 minut, což zajišťuje důkladné vyvětrání po skončení vaření. Po 5 minutách se automaticky vypne.

Odstraňuje přetrvávající zápach z vaření a částičky mastnoty, čímž pomáhá udržovat čisté kuchyňské prostředí bez zápachu.

Chcete-li digestoř vypnout, stiskněte tlačítko \ominus (P→4→3→2→1→d→vypnout). Stisknutím a podržením tlačítka \ominus na jednu sekundu můžete také přejít přímo do režimu vypnutí po prodlevě (d).

V režimu vypnutí po prodlevě můžete stisknutím tlačítka \ominus ihned vypnout digestoř, nebo ji stisknutím tlačítka \oplus přepnout na stupeň 1. A tlačítky \oplus a \ominus můžete zvolit stupeň výkonu.

4. AUTOMATICKÝ REŽIM:

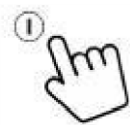
Digestoř přizpůsobuje svůj provoz na základě aktivit varné desky. Po zapnutí varné desky se spustí digestoř na stupeň 1. Po vypnutí varné desky se digestoř automaticky přepne do režimu vypnutí po prodlevě. Tím je zajištěno nepřetržité větrání i po skončení vaření, které z kuchyňského prostředí účinně odstraní zbytkový zápach a mastnotu.

Používání varné desky

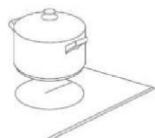
Začátek vaření

• Po zapnutí se ozve jedno pípnutí a všechny indikátory varné desky se na jednu sekundu rozsvítí a potom zhasnou, což signalizuje, že varná deska přešla do pohotovostního režimu.

1. Stiskněte tlačítko vypínače ①. Všechny indikátory budou ukazovat symbol „-“.



2. Položte vhodný hrnec do varné zóny, kterou chcete použít. Ujistěte se, že dno hrnce a povrch varné zóny jsou čisté a suché.



3. Dotkněte se voliče varné zóny a indikátor vedle něj bude blikat.



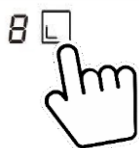
4. Na ovládacím prvku stupně výkonu vyberte dotykem nastavení výkonu.



- Pokud během jedné minuty nezvolíte nastavení výkonu, indukční varná deska se automaticky vypne.
- Budete muset začít krokem 1.
- Nastavení výkonu můžete změnit kdykoli během vaření.

Po dokončení vaření

- Dotkněte se voliče varné zóny, kterou chcete vypnout.



- klepnutím na ovládací prvek stupně výkonu vypnete varnou zónu. Ujistěte se, že na displeji se zobrazuje „0“.



- celou varnou desku vypnete tak, že klepnete na ovládací prvek VYPÍNAČE.



- Pozor na horké povrchy

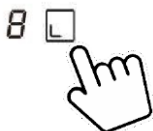
Písmeno H ukazuje, která varná zóna je příliš horká na dotek. Zmizí, až se povrch ochladí na bezpečnou teplotu. Může posloužit také jako funkce pro úsporu energie; jestliže chcete ohřát další hrnce, použijte varnou zónu, která je dosud horká.

H

Používání funkce zesílení výkonu

Aktivace funkce zesílení výkonu

1. Zvolte zónu s funkcí zesílení výkonu.

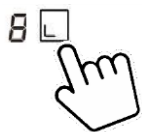


2. Po klepnutí na tlačítko „BOOST“ bude indikátor stupně výkonu ukazovat znak „P“.



Zrušení funkce zesílení výkonu

1. Zvolte zónu s funkcí zesílení výkonu.



2. Klepnutím na tlačítko „BOOST“ nebo stisknutím stupně výkonu zrušíte funkci zesílení výkonu a vyberte stupeň, který chcete nastavit.




- Funkce zesílení výkonu může běžet pouze 5 minut, potom se zóna automaticky přepne na stupeň 9.


Zamykání ovládacích prvků


- Ovládací prvky lze zamknout, aby se zabránilo jejich neúmyslnému použití (například dětmi, které náhodou zapnou varné zóny).
- Po zamknutí jsou deaktivovány všechny ovládací prvky kromě vypínače.

Zamknutí ovládacích prvků

Klepněte na ovládací prvek dětského zámku . Na indikátoru časovače se zobrazí „Lo“.

Odemknutí ovládacích prvků

- Ujistěte se, že je varná deska zapnutá.
- Stiskněte a 3 sekundy podržte tlačítko dětského zámku .
- Nyní můžete začít používat varnou desku.

 Když je varná deska v zamknutém režimu a jsou deaktivovány všechny ovládací prvky kromě vypínače, v nouzi můžete varnou desku vždy zapnout vypínačem, ale hned dalším úkonem musí být odemknutí.

Varování před zbytkovým teplem

Když je varná deska nějakou dobu v provozu, zůstává v ní určité zbytkové teplo. Zobrazí se písmeno „H“, které vás upozorňuje, abyste se od ní drželi dále.

Automatické vypínání

Bezpečnostním prvkem varné desky je automatické vypnutí. Aktivuje se vždy, když zapomenete vypnout některou varnou zónu. Výchozí doby vypnutí jsou uvedeny v následující tabulce:

Stupeň výkonu	1	2	3	4	5	6	7	8	9
Výchozí doba chodu (v hodinách)	8	8	8	4	4	4	2	2	2

Používání časovače

Časovač lze používat dvěma způsoby:

- Můžete ho používat jako minutku: v tomto případě časovač po uplynutí nastaveného času nevypne žádnou varnou zónu.
 - Můžete ho nastavit tak, aby po uplynutí nastaveného času vypnul jednu nebo více varných zón.
- Časovač můžete nastavit až na 99 minut.

Používání časovače jako minutky

- Ujistěte se, že varná deska je zapnutá a není aktivováno tlačítko voliče zóny (indikátor zóny „-“ nebliká).

Poznámka: Minutku můžete nastavit před nebo po dokončení nastavení výkonu varné zóny.



- Klepněte na tlačítko časovače, na displeji časovače se zobrazí hodnota „30“ a bude blikat. Výchozí nastavení je 30 min.
- Nastavte čas ovládacími prvky „+“ a „-“ (např. 5).
Krátkým klepnutím se nastavuje po 1 min a dlouhým po 10 min.



- Odpočítávání se spustí ihned po nastavení času. Na displeji se bude zobrazovat zbývající čas.
- Po uplynutí nastaveného času se bude 20 sekund ozývat pípání a displej časovače bude ukazovat znaky „--“.

Používání časovače k vypnutí jedné nebo více varných zón

- Dotkněte se ovladače výběru varné zóny, pro kterou chcete nastavit časovač.



- Klepněte na tlačítko časovače, na displeji časovače se zobrazí hodnota „30“ a bude blikat. Výchozí nastavení je 30 min.

- Nastavte čas ovládacími prvky „+“ a „-“ (např. 5).
Krátkým klepnutím se nastavuje po 1 min a dlouhým po 10 min.



- Odpočítávání se spustí ihned po nastavení času. Na displeji se zobrazí zbývající čas.

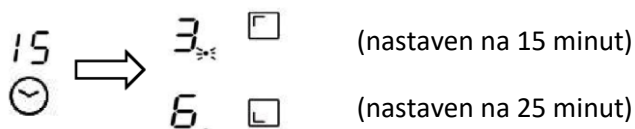
POZNÁMKA: V pravém dolním rohu ukazatele úrovně výkonu se objeví červená tečka, která označuje vybranou zónu.

- Po uplynutí nastaveného času se automaticky vypne odpovídající varná zóna.

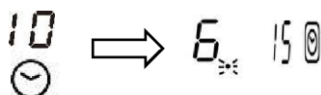
Poznámka: Ostatní varné zóny budou nadále v provozu, pokud byly dříve zapnuty.

Pokud je časovač nastaven pro více zón:

- když nastavíte čas pro několik varných zón, budou svítit červené tečky příslušných varných zón. Na displeji časovače se údaj zobrazuje v minutách. Tečka odpovídající zóny bliká.



- Jakmile se dokončí odpočet časovače, odpovídající zóna se vypne. Potom se bude zobrazovat nový čas v minutách a bude blikat tečka odpovídající zóny.



Poznámka: Dotkněte se ovládacího prvku pro výběr varné zóny a na ukazateli časovače se zobrazí odpovídající čas.

Zrušení časovače

- chcete-li zrušit časovač, dotkněte se voliče příslušné varné zóny.



- klepněte na ovládací prvek časovače, indikátor bude blikat.
- klepnutím na ovládací prvek „-“ nastavte časovač na hodnotu „00“, časovač se zruší.



Nastavení výkonu

Tepelný výkon varných zón lze nastavovat na různé stupně výkonu. V tabulce najdete příklady použití jednotlivých nastavení.

Stupeň přípravy:	Vhodný pro:
1	Udržování teplého pokrmu. Mírné vaření malého množství jídla (nejnižší nastavení výkonu).
2	Mírné vaření.
3–4	Mírné vaření většího množství jídla nebo opékání větších kusů masa, dokud nebudou propečené.
5–6	Pražení šťáv.
7–8	Opékání, pražení šťáv.
9	Opékání.
P	Opékání (nejvyšší výkon).

Řízení výkonu

Tuto varnou desku lze připojit k napájení s proudem 13, 20, 25 a 32 A a nakonfigurovat tak, aby pracovala s kterýmkoli z těchto nastavení příkonu.

Varná deska je přednastavena na připojení k 32A napájení. Když jsou současně vybrány čtyři zóny, varná deska omezí maximální příkon tak, aby nebylo možné překročit hodnotu 7,0 kW. Podobně platí, že když je varná deska připojena k 13/20/25A napájení a náležitě nakonfigurována, omezí maximální příkon na 2,5/3,5/4,5/7,0 kW.

Pokud je však varná deska připojena k 32A napájení a náležitě nakonfigurována, všechny čtyři zóny lze současně používat na maximální nastavení se zesílením výkonu.

Změna nastavení řízení výkonu

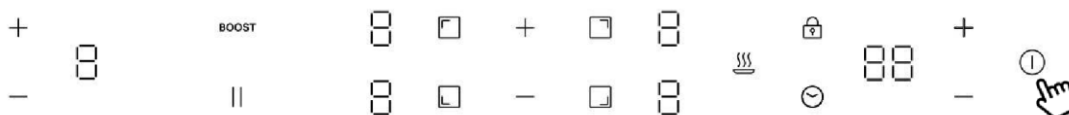
1. Odpojte napájení varné desky.
2. Nechte napájení několik minut odpojené.
3. Opět zapněte napájení.
4. Postupujte podle pokynů v části „Konfigurace režimu ECO varné desky“ od kroku „1“ dále.

POZNÁMKA: Do konfigurace režimu ECO lze vstoupit pouze jednou, pokud není odpojeno napájení varné desky.

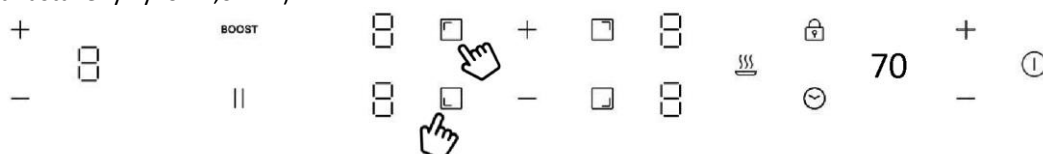
(Poznámka: Režim ECO by se měl nastavit do jedné minuty od zapnutí napájení, po uplynutí této doby již nebude možné vstoupit do nastavení režimu ECO.)

Konfigurace řízení spotřeby varné desky

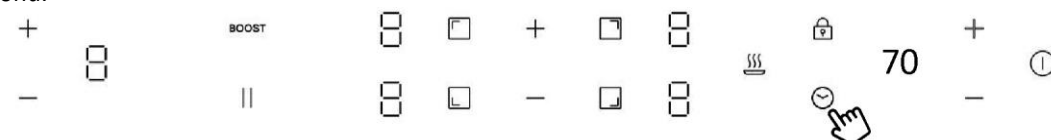
1. Zapněte napájení klepnutím na tlačítko vypínače. Ozve se jedno pípnutí a displeje budou ukazovat znaky „—“ a „—“.



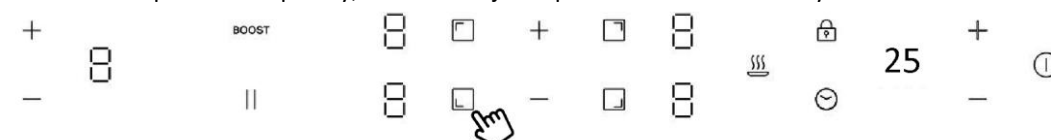
2. Současně na 3 sekundy stiskněte tlačítka přední levé zóny a zadní levé zóny. Ozve se jedno pípnutí, které signalizuje, že indukční varná deska vstupuje do výběru režimu ECO. (Na displeji se zobrazuje přednastavený výkon 7,0 kW.)



3. Klepněte na tlačítko časovače, potom bude displej časovače blikat. Nyní můžete zvolit nastavení výkonu.



4. Chcete-li změnit nastavení celkového výkonu, stisknutím tlačítka přední levé plochy vyberte nové nastavení celkového výkonu. Opětovným stisknutím tlačítka přední levé plochy můžete cyklicky procházet možnostmi. Na displeji časovače se budou zobrazovat čtyři možnosti: 25, 35, 45 a 70. Když displej ukazuje například číslo „25“, znamená to, že celkový výkon je nastaven na 2500 W. Držte stisknuté tlačítko přední levé plochy, dokud nenajdete požadované nastavení výkonu.

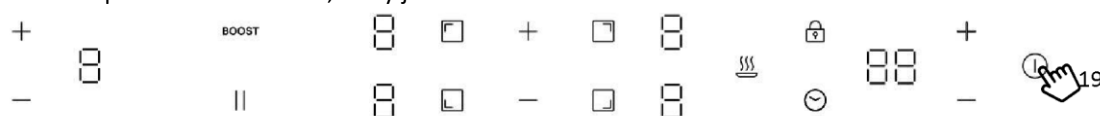


* Výchozí nastavení výkonu z výroby je 7,0 kW.

5. Znovu klepněte na tlačítko časovače, displej časovače přestane blikat a dříve vybrané tlačítko zóny bude ukazovat „o“, což znamená, že nastavení je potvrzeno.



6. Klepnutím na vypínač vypněte napájení. Potom ho zapněte a varná deska bude nakonfigurována a připravena k použití v režimu ECO, který jste nastavili.



7. Klepnutím na vypínač zapněte napájení a nyní můžete používat nové nastavení výkonu.

ČIŠTĚNÍ A PÉČE

- Před čištěním vypněte varnou desku a nechte ji vychladnout.
- K čištění varné desky nepoužívejte parní ani vysokotlaké čističe, protože by mohlo dojít k úrazu elektrickým proudem.
- Při čištění dbejte na to, abyste tlačítko vypínače pouze lehce otřeli. Jinak by se mohla varná deska neúmyslně zapnout!

Sklokeramická varná deska

Důležité! Nikdy nepoužívejte agresivní čisticí prostředky, například drsné čisticí pasty, abrazivní prostředky na nádobí, odrezovače, odstraňovače skvrn atd.

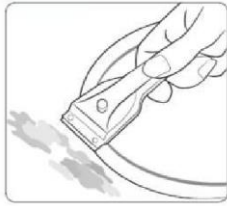
Čištění po použití

Vždy vyčistěte celou varnou desku, když se znečistí. Doporučuje se to provádět po každém použití varné desky. K čištění používejte vlhkou látku a trochu mycího prostředku na nádobí. Potom vysušte varnou desku čistou, suchou látkou, aby na jejím povrchu nezůstal žádný čisticí prostředek.

Týdenní čištění

Jednou týdně důkladně vyčistěte celou varnou desku komerčním čisticím prostředkem na sklo a keramiku. Pečlivě dodržujte pokyny výrobce. Po nanesení potáhne čisticí prostředek varnou desku ochrannou vrstvou odolnou proti vodě a nečistotám. Všechny nečistoty zůstanou na této vrstvě a lze je snadno odstranit. Potom vydrhněte varnou desku do sucha čistou látkou. Dbejte na to, aby na povrchu varné desky nezůstaly žádné zbytky čisticího prostředku, protože po zahřátí desky by agresivně reagovaly a způsobily změny na povrchu.

Určité typy znečištění, těžké znečištění a skvrny (vodní kámen a lesklé, perleťové skvrny) je nejhodnější odstraňovat, dokud je varná deska stále trochu teplá. K čištění varné desky používejte komerční čisticí prostředky. Postupujte podle popisu v části 2. Nejprve namočte překypěné jídlo mokrou látkou a potom odstraňte zbývající znečištění speciální škrabkou na sklo pro sklokeramické varné desky. Potom znovu vyčistěte varnou desku podle popisu v části 2.

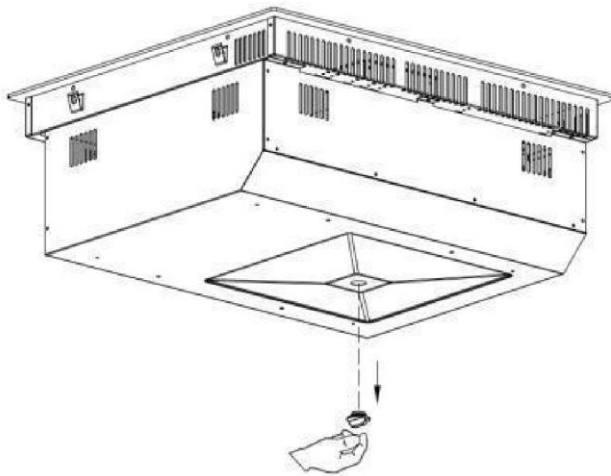


Spálený cukr a roztavené plasty je nutné odstranit okamžitě, dokud jsou stále horké. Použijte škrabku na sklo. Potom znovu vyčistěte varnou desku podle popisu v části 2.

Zrnka písku, která se mohou dostat na varnou desku při loupání brambor nebo čištění hlávkového salátu, mohou při posouvání nádob poškrábat povrch. Ujistěte se, že na varné desce nezůstala žádná zrnka písku.

Změny barvy varné desky neovlivní funkčnost ani stabilitu sklokeramického materiálu. Tyto změny barvy nejsou změny v materiálu, ale zbytky pokrmů, které nebyly odstraněny a vpálily se do povrchu. Leské skvrny vznikají v důsledku drhnutí nádob o povrch varné desky, zejména když má nádobí hliníkové dno nebo se používají nevhodné čisticí prostředky. Těžko se odstraňují standardními čisticími prostředky. Možná budete muset několikrát zopakovat čištění. V důsledku používání agresivních čisticích prostředků a nádob s nevhodným dnem se dekorace časem odře a objeví se tmavé skvrny.

V případě neúmyslného vniknutí velkého množství tekutiny do spotřebiče vytáhněte silikonovou zátku na spodní straně skříně varné desky, aby tekutina vytekla.



CO DĚLAT V PŘÍPADĚ PROBLÉMŮ

V případě jakýchkoli závad během provozu zkontrolujte následující tabulku, než zavoláte servis. Níže je popsáno několik běžných závad a kontrol, které je třeba provést.

Problém	Možná příčina	Co dělat
Varná deska se nezapíná.	Není proud.	Ujistěte se, že je varná deska připojena k napájení a že je zapnutá. Zkontrolujte, zda u vás doma nebo v okolí nedochází k výpadku proudu. Pokud jste vše zkontrolovali a problém přetrvává, zavolejte kvalifikovaného technika.
Dotykové ovladače nereagují.	Ovládání je zamčené.	Odemkněte ovládání. Viz pokyny v části „OVLÁDÁNÍ VARNÉ DESKY DOTYKOVÝMI TLAČÍTKY“.
Ovládání dotykových ovladačů je obtížné.	Na ovládacích prvcích se může nacházet lehká vrstva vody nebo při dotyku ovládacích prvků používáte špičku prstu.	Ujistěte se, že je oblast dotykového ovládání suchá, a že při dotyku s ovládacími prvky používáte bříško prstu.
Sklo je poškrábané.	Hrubě opracované nádobí. Používáte nevhodné abrazivní drátěnky nebo čisticí prostředky.	Používejte nádobí s rovnými a hladkými dny. Viz „Výběr vhodného nádobí“. Viz „Čištění a údržba“.
Některé pánve vydávají praskavé nebo cvakavé zvuky.	To může být způsobeno konstrukcí vašeho nádobí (vrstvy různých kovů vibrují různě).	To je u kuchyňského nádobí normální a neznamena to závadu.
Indukční varná deska vydává tlumený hučivý zvuk při použití s vysokým nastavením teploty.	To je způsobeno technologií indukčního vaření.	To je normální, ale hluk by se měl ztišit nebo zcela zmizet, když snížíte nastavení tepla.
Z ventilátoru indukční varné desky vychází hluk.	V indukční varné desce je zabudován chladič ventilátor, který zabírá přehřátí elektroniky. Ten může pokračovat v chodu i po vypnutí indukční varné desky.	To je normální a nevyžaduje to žádnou akci. Nevypínejte napájení indukční varné desky na stěně, když je ventilátor v chodu.
Nádoby se neohřívají a neobjevují se na displeji.	Indukční varná deska nemůže detekovat pánve, protože není vhodná pro indukční vaření. Indukční varná deska nemůže pánve detekovat, protože je příliš malá pro varnou zónu nebo na ní není správně vycentrovaná.	Používejte nádobí vhodné pro indukční vaření. Viz oddíl „Výběr správného nádobí“. Vycentrujte nádobu a ujistěte se, že její základna odpovídá velikosti varné zóny.
Indukční varná deska nebo varná zóna se neočekávaně vypnuly, ozve se tón a zobrazí se chybový kód (obvykle střídavě s jednou nebo dvěma číslicemi na displeji časovače vaření).	Technická závada.	Poznamenejte si písmena a čísla chyby, vypněte napájení indukční varné desky u zdi a kontaktujte kvalifikovaného technika.


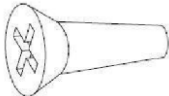






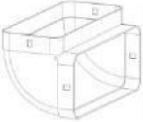
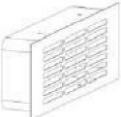
Po připojení napájení a stisknutí tlačítka vypínače spotřebič nijak nereaguje.	Nedošlo k výpadku napájení?	Počkejte, než bude obnoveno napájení.
	Není spálená pojistka nebo vypnutý jistič?	Pozorně prozkoumejte hlavní příčiny. Nelze-li problém odstranit, obraťte se na naše servisní středisko se žádostí o prohlídku a opravu.
	Je zástrčka pevně zapojená?	
Během normálního používání se přeruší ohřev a ozývá se pípání.	Používá se nekompatibilní nádobí, nebo se nepoužívá žádné nádobí?	Vyměňte nádobí; používejte nádobí vhodné pro indukční varnou desku.
	Nádobí není umístěno uprostřed varné zóny.	Umístěte nádobí doprostřed označené varné zóny.
	Nádobí se ohřívá, ale neustále se přemísťuje?	Položte nádobí do varné zóny.
Žádná činnost během používání ohřevu	Není nádoba prázdná nebo teplota příliš vysoká?	Zkontrolujte, zda se spotřebič nepoužívá nesprávně.
	Není ucpané přívodní/odváděcí vzduchové potrubí, nenahromadily se v něm nečistoty?	Uvolněte přívodní/odváděcí vzduchové potrubí. Počkejte, než spotřebič vychladne, potom ho znovu zapněte.
	Není varná deska v chodu déle než dvě hodiny bez jakékoli interakce?	Resetujte režimy vaření nebo použijte funkci časovače.

Jestliže výše uvedená nápravná opatření/kontroly neodstraní problém, ihned odpojte spotřebič od napájení a obraťte se na servisní středisko se žádostí o prohlídku a opravu. Poznamenejte si chybový kód a oznamte ho servisnímu středisku. Nerozebírejte ani neopravujte spotřebič vlastními silami, abyste se vyhnuli nebezpečí a poškození.

ZOBRAZOVÁNÍ ZÁVAD A KONTROLA

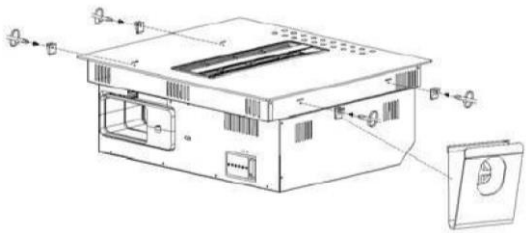
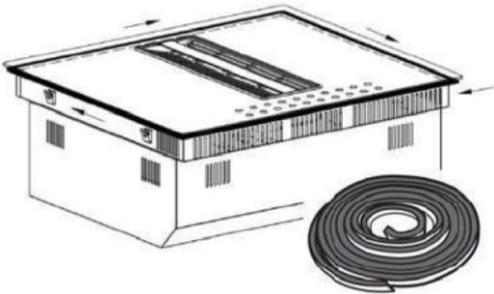
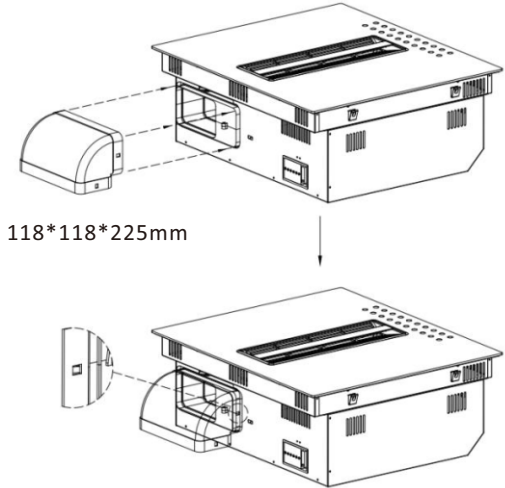
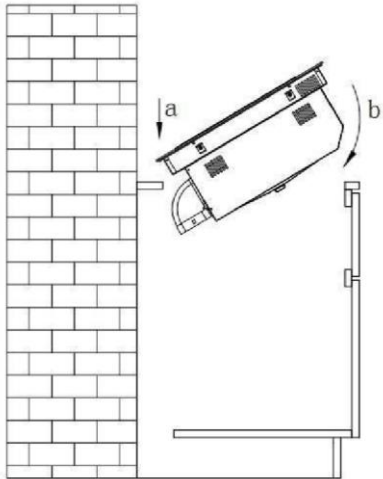
Chybový kód	Možná příčina	Co dělat
U	Žádná nádoba	Položte do varné zóny vhodnou nádobu. Jestliže je spotřebič stále nefunkční, obraťte se na servisní středisko.
E1	Abnormální napájecí napětí (nižší než 160 V).	Zkontrolujte, zda má napájení normální parametry. Zapněte spotřebič, až bude napájení opět normální.
E2	Abnormální napájecí napětí (vyšší než 280 V).	Zkontrolujte, zda má napájení normální parametry. Zapněte spotřebič, až bude napájení opět normální.
E3/E5/E7	Závada snímače teploty indukční cívky	Obraťte se na servisní středisko.
E4/E6	Závada snímače teploty IGBT	Obraťte se na servisní středisko.
Er	Chyba komunikace mezi hlavní deskou a deskou displeje	Obraťte se na servisní středisko.
Et	Ochrana proti přetečení	Očistěte ovládací panel od vody a znovu zapněte varnou desku.

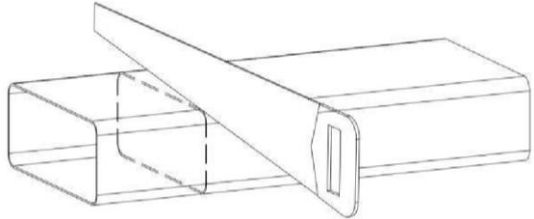
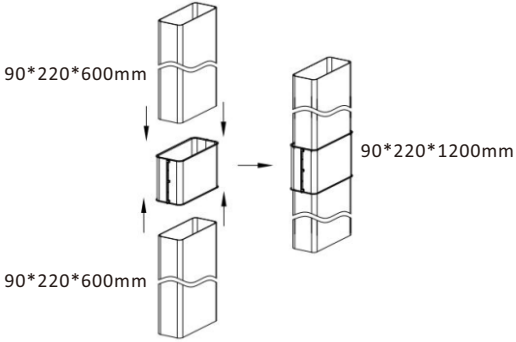
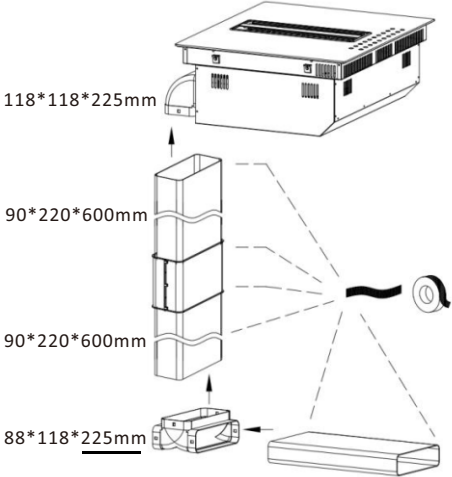
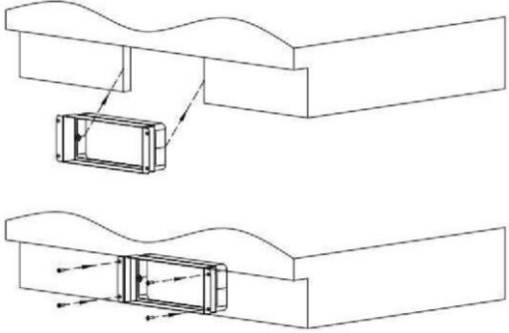
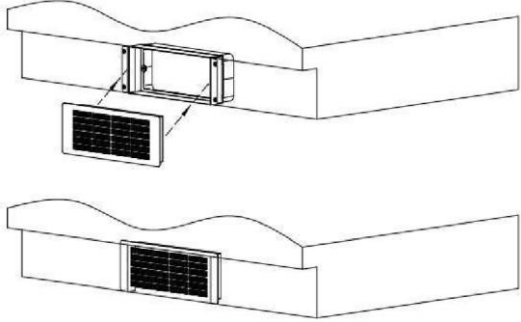
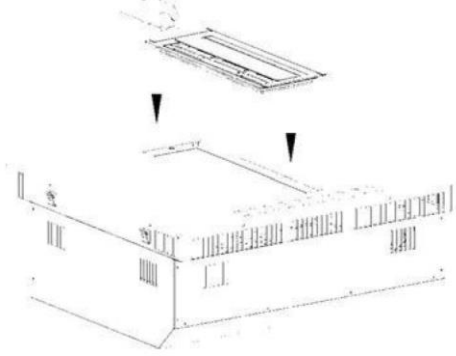
SEZNAM PŘÍSLUŠENSTVÍ

Č.	Název	Nákres	Počet
1	Šroub ST 4x5		4 ks
2	Šroub ST 4x14		4 ks
3	Montážní držák		4 ks
4	Houbovitě těsnění		1 ks
5	Mřížka přívodu vzduchu		1 ks
6	9cm čtvercová trubka		2 ks
7	6cm čtvercová trubka		1 ks (pouze pro filtrační variantu)
8	Spojovací trubka		1 ks
9	Potrubní koleno		2 ks pro filtrační variantu 1 ks pro odváděcí variantu
10	Sestava vzduchového výstupu		1 ks (pouze pro filtrační variantu)

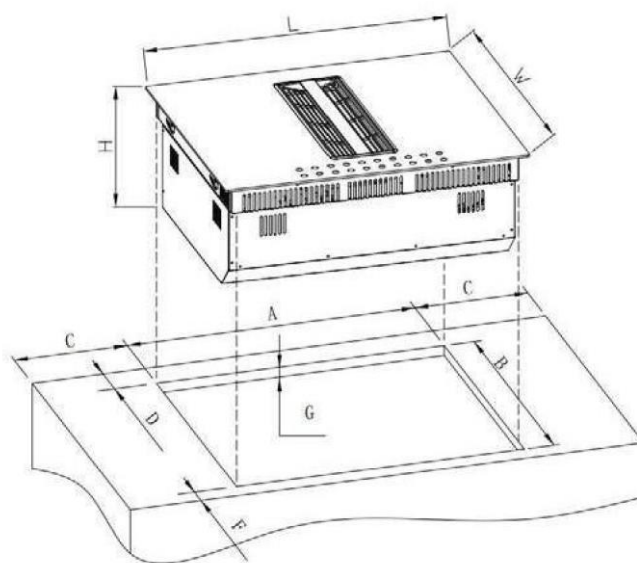
11	Hliníková nálepka		7 ks
----	-------------------	--	------

INSTALACE SPOTŘEBIČE

<p>Krok 1: Přišroubujte montážní držáky ke spodní skříni.</p>	<p>Krok 2: Nalepte houbovitě těsnění kolem keramického skla.</p>
	
<p>Krok 3: Připevněte potrubní koleno.</p>	<p>Krok 4: Nainstalujte spotřebič do skříně (od kroku a do kroku b).</p>
 <p>118*118*225mm</p>	


<p>Krok 5: Pokud je výška skříně menší než 80 cm, můžeme oříznout trubku na požadovanou délku.</p> 	<p>Krok 6: Pokud je výška skříně větší než 80 cm, můžeme použít dvě trubky se spojkou.</p> 
<p>Krok 7: Nainstalujte trubku a nalepte těsnicí pásku.</p> 	<p>Krok 8: Nainstalujte sestavu vzduchového výstupu na spodní stranu skříně a přišroubujte ji.</p> 
<p>Krok 9: Nainstalujte uhlíkový filtr do sestavy vzduchového výstupu (*uhlíkový filtr pouze pro filtrační variantu).</p> 	<p>Krok 10: Nainstalujte mřížku.</p> 

INSTALAČNÍ ROZMĚRY



Modell	L (mm)	B (mm)	H (mm)	A (mm)	B (mm)	C (mm)	D (mm)	F (mm)	G (mm)
CIH614CF	590	520	245	560	490	≥ 40	≥ 70	≥ 40	20-40
CIH614CE									

ELEKTRICKÉ ZAPOJENÍ


 Tuto varnou desku smí připojit k síťovému napájení pouze vhodně kvalifikovaná osoba.

Před připojením varné desky k síťovému napájení zkontrolujte, zda:

1. Domácí elektroinstalace je vhodná pro napájení z varné desky.
2. Napětí odpovídá hodnotě uvedené na typovém štítku.
3. Průřezy napájecího kabelu vydrží zatížení uvedené na typovém štítku.

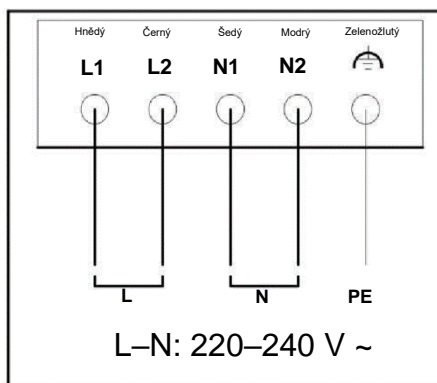
Chcete-li varnou desku připojit k síťovému napájení, nepoužívejte adaptéry, reduktory ani rozdvojky, protože mohou způsobit přehřátí a požár.

Napájecí kabel se nesmí dotýkat žádných horkých částí a musí být umístěn tak, aby jeho teplota v žádném bodě nepřekročila 75 °C.

 Ověřte si u elektrikáře, zda je domácí elektroinstalace vhodná beze změn. Jakékoli změny smí provádět pouze kvalifikovaný elektrikář.

Napájení musí být připojeno v souladu s příslušnou normou.

Způsob připojení je znázorněn na obrázku níže.



- Pokud je kabel poškozený nebo je nutné ho vyměnit, opravu musí provést prodejní zástupce s použitím určených nástrojů, aby se předešlo jakékoli nehodě.
- Pokud se spotřebič připojuje přímo k síťovému napájení, je nutné nainstalovat vícepólový jistič s minimální vzdáleností kontaktů 3 mm.
- Instalační technik musí zajistit vytvoření správného elektrického spojení, které bude vyhovovat bezpečnostním předpisům.
- Kabel nesmí být ohnutý ani stlačený.
- Kabel musí pravidelně kontrolovat a vyměňovat pouze autorizovaný technik.

Zvláštní prohlášení

Obsah této příručky byl pečlivě zkontrolován. Společnost však nemůže nést odpovědnost za žádné tiskové chyby ani opomenutí. Také je možné, že do revidované verze příručky byly bez předchozího oznámení začleněny nějaké technické úpravy. Spotřebič a jeho barva v této příručce se mohou lišit od skutečného spotřebiče.



Tento spotřebič je označen v souladu s evropskou směrnicí 2012/19/EU o odpadních elektrických a elektronických zařízeních (OEEZ). OEEZ obsahují jak znečišťující látky (které mohou mít negativní vliv na životní prostředí), tak i základní prvky (které mohou být znovu použity). Je důležité, aby OEEZ podstoupily zvláštní zpracování, aby bylo možné správně odstranit a zlikvidovat znečišťující látky a znovu využít všechny materiály. Jednotlivci mohou hrát významnou roli při ochraně životního prostředí před OEEZ; je nezbytné dodržovat několik základních pravidel:

- S OEEZ se nesmí nakládat jako s domovním odpadem.
- OEEZ by měla být odvezena do speciálních sběrných dvorů spravovaných místním úřadem nebo registrovanou společností.

V mnoha zemích může být k dispozici vyzvednutí velkých OEEZ u zákazníka. Když koupíte nový spotřebič, můžete starý odevzdat obchodníkovi, který musí bezplatně přijmout jeden starý spotřebič za jeden nový prodaný spotřebič, pokud se jedná o ekvivalentní typ se stejnými funkcemi, jaké má nový zakoupený spotřebič.



Platí pouze pro Kypr

OBSAH

NÁVOD NA OBSLUHU	2
OVLÁDANIE VARNEJ DOSKY POMOCOU TLAČIDIEL SNÍMAČA	19
Správa výkonu	26
ČISTENIE A STAROSTLIVOSŤ	28
ČO ROBIŤ V PRÍPADE PROBLÉMOV	30
ZOBRAZENIE PORUCHY A KONTROLA	31
ZOZNAM PRÍSLUŠENSTVA	32
INŠTALÁCIA VÝROBKU	33
ELEKTRICKÉ ZAPOJENIE	36

NÁVOD NA OBSLUHU

Dôsledne dodržiavajte pokyny uvedené v tejto príručke. Odmieta sa každá zodpovednosť za akékoľvek problémy, škody alebo požiare spôsobené nedodržaním pokynov v tejto príručke. Spotrebič je určený len na domáce použitie, na varenie jedál a extrakciu výparov vznikajúcich pri varení. Nie je povolené žiadne iné použitie (napr. vykurovanie miestností). Výrobca odmieta akúkoľvek zodpovednosť za nevhodné používanie alebo nesprávne nastavenie ovládania.

Pozorne si prečítajte pokyny: obsahujú dôležité informácie o inštalácii, používaní a bezpečnosti. Na spotrebiči nerobte žiadne elektrické zmeny. Pred inštaláciou spotrebiča sa uistite, že žiadny z komponentov nie je poškodený. V opačnom prípade kontaktujte predajcu a nepokračujte v inštalácii.

Pred pokračovaním v inštalácii skontrolujte, či spotrebič nie je poškodený. V opačnom prípade kontaktujte predajcu a nepokračujte v inštalácii.

1. Varovania

Upozornenie! Venujte dôslednú pozornosť nasledujúcim pokynom:

- Pred vykonaním akýchkoľvek inštalačných prác musí byť spotrebič odpojený od elektrickej siete.
- Inštaláciu alebo údržbu musí vykonávať kvalifikovaný technik v súlade s pokynmi výrobcu a miestnymi bezpečnostnými predpismi. Neopravujte ani nevymieňajte žiadnu časť zariadenia, pokiaľ to nie je výslovne uvedené v návode na obsluhu.
- Podľa predpisov musí byť spotrebič uzemnený.
- Napájací kábel musí byť dostatočne dlhý, aby umožnil pripojenie spotrebiča zabudovaného do jednotky k zdroju napájania.
- Aby inštalácia spĺňala požiadavky súčasných bezpečnostných predpisov, je potrebný schválený omnipolárny istič, ktorý zaručuje úplné odpojenie siete v kategórii prepätia III v súlade s pravidlami inštalácie.
- Nepoužívajte rozdvojky ani predlžovacie káble.
- Po dokončení inštalácie používateľ už nesmie mať prístup k elektrickým komponentom.

- Počas používania sú spotrebič a jeho prístupné diely horúce. Dávajte pozor, aby ste sa nedotkli ohrevných článkov.
- Zabezpečte, aby sa deti so spotrebičom nehrali. Deti nechávajte mimo dosahu a dohliadajte na ne, pretože prístupné časti sa môžu počas používania veľmi zohriať.
- Pre ľudí s kardiosťimulátorom a aktívnymi implantátmi je dôležité pred použitím indukčnej varnej dosky skontrolovať, či je ich kardiosťimulátor kompatibilný so spotrebičom.
- Počas používania a po ňom sa nedotýkajte ohrevných článkov spotrebiča.
- Zabráňte kontaktu s utierkami alebo akýmkoľvek iným horľavým materiálom, kým všetky diely varnej dosky dostatočne nevychladnú, ináč hrozí nebezpečenstvo požiaru.
- Na spotrebič ani do jeho blízkosti nekladte horľavý materiál.
- Prehriate tuky a oleje sa ľahko vznietia. Dohliadajte na prípravu jedál s tukom alebo olejom.
- Ak je povrch prasknutý, spotrebič ihneď vypnite, aby ste predišli riziku úrazu elektrickým prúdom.

- Spotřebič nie je určený na prevádzku s externým časovačom alebo samostatným systémom diaľkového ovládania.
- Príprava jedla na spotrebiči bez dozoru, s olejom alebo tukom môže byť nebezpečné a môže spôsobiť požiar.
- Na prípravu jedla vždy dohliadajte. Krátky proces prípravy jedla musí byť neustále monitorovaný.
- NIKDY sa nepokúšajte uhasiť požiar vodou. Namiesto toho spotrebič vypnite a plamene zaduste pokrievkou alebo protipožiarnou prikrývkou. Nebezpečenstvo požiaru: na varné plochy nekladte žiadne predmety.
- Nepoužívajte parné čističe, hrozí nebezpečenstvo úrazu elektrickým prúdom.
- Na spotrebič nekladte kovové predmety, ako sú nože, vidličky, lyžice alebo pokrievky, pretože by sa mohli zohriať.
- Pred pripojením spotrebiča k elektrickej sieti: skontrolujte štítok s údajmi (na spodnej strane spotrebiča), aby ste sa uistili, že napätie a výkon zodpovedajú hodnotám elektrickej siete v domácnosti, a či je zásuvka vhodná. V prípade pochybností sa obráťte na kvalifikovaného elektrikára.

Dôležité

- Po použití varnú dosku vypnite vypínačom a nespoliehajte sa na detektor panvice.
- Zabráňte vykypeniu tekutín, preto pri varení alebo ohrievaní tekutín znížte teplotu.
- Nenechávajte ohrievacie články zapnuté s prázdnyimi hrncami a panvicami alebo bez panvíc.
- Po dokončení varenia príslušnú platňu vypnite.
- Na varenie nikdy nepoužívajte alobal a na varnú dosku nikdy nekladte výrobky zabalené v alobale. Hliník by sa roztopil a nenávratne poškodil spotrebič.
- Nikdy neohrievajte plechovku ani plechovku s potravinami bez toho, že by ste ju predtým otvorili: mohla by vybuchnúť!
- Toto upozornenie platí aj pre všetky ostatné typy varných dosák.
- Vysoké úrovne výkonu, ako je funkcia Booster, by sa nemali používať na ohrievanie určitých tekutín, ako je olej na vyprážanie. Nadmerné teplo môže byť nebezpečné. V týchto prípadoch odporúčame použiť nižšiu úroveň výkonu.

- Nádoby musia byť umiestnené priamo na varnej doske, a v strede. Za žiadnych okolností nesmú byť medzi panvicou a varnou doskou umiestnené žiadne iné predmety.
- Ak sa teplota zvýši, spotrebič automaticky zníži úroveň výkonu varných zón.
- Pred akýmkoľvek čistením alebo údržbou odpojte spotrebič od elektrickej siete vytiahnutím zástrčky alebo vypnutím sieťového vypínača. Pri všetkých inštalačných a údržbárskych prácach vždy používajte ochranné rukavice. Spotrebič môžu používať deti vo veku nad osem rokov a osoby so zníženými fyzickými, zmyslovými alebo duševnými schopnosťami alebo osoby bez skúseností či potrebných znalostí za predpokladu, že sú pod dohľadom alebo pokiaľ boli poučené o bezpečnom používaní spotrebiča a pochopili nebezpečenstvá súvisiace s používaním spotrebiča. Deti musia byť pod dozorom, aby ste sa ubezpečili, že sa so spotrebičom nebudú hrať. Deti nesmú nikdy vykonávať čistenie ani údržbu, pokiaľ nie sú pod riadnym dohľadom.

Miestnosť musí byť riadne vetraná, ak sa spotrebič používa súčasne s inými spotrebičmi spaľujúcimi plyn alebo iné palivá. Spotrebič sa musí pravidelne čistiť, vnútri aj zvonku (ASPOŇ RAZ MESAČNE), v súlade s pokynmi na údržbu. Nedodržanie pokynov na čistenie spotrebiča, výmenu filtra a čistenie môže mať za následok nebezpečenstvo požiaru. Jedlo sa nikdy nesmie flambovať. Použitie otvoreného plameňa môže poškodiť filtre a spôsobiť nebezpečenstvo požiaru, preto sa mu treba v každom prípade vyhnúť. Pri vyprážaní treba zvýšiť pozornosť, aby sa olej neprehrial a nevznikol požiar.

UPOZORNENIE

- Prístupné časti spotrebiča sa môžu pri zapnutí varnej dosky zahriať.
- **Upozornenie!** Spotrebič nezapájajte do elektrickej siete, kým nebude úplne dokončená inštalácia. Je potrebné dôsledne dodržiavať predpisy stanovené miestnymi úradmi, pokiaľ ide o technické a bezpečnostné opatrenia na odsávanie výparov.

- Odsávaný vzduch sa nesmie odvádzať rovnakým potrubím, ktoré sa používa na odsávanie výparov vznikajúcich pri spaľovaní plynu alebo pri iných typoch spaľovacích zariadení. Spotrebič nikdy nepoužívajte bez správne nainštalovanej mriežky! Na inštaláciu používajte len upevňovacie skrutky dodané so spotrebičom. Ak by neboli dodané, zakúpte správny typ skrutiek.
- Ak sa spotrebič používa spolu s inými zariadeniami napájanými inou než elektrickou energiou, negatívny tlak v miestnosti nesmie prekročiť 4 Pa (4×10^{-5} bar). Túto príručku si odložte, aby ste si ju mohli prečítať aj v budúcnosti. Ak spotrebič predáte, odovzdáte inej osobe alebo premiestnite, musí ostať so spotrebičom.

Tento spotrebič je označený v súlade


s európskou smernicou 2012/19/ES – UK SI

2013 No3113, Odpad z elektrických

a elektronických zariadení (OEEZ).

Zabezpečením správnej likvidácie tohto spotrebiča pomôže používateľ predchádzať potenciálnym negatívnym dopadom na životné prostredie a ľudské zdravie.



Symbol  na spotrebiči alebo v poskytnutej dokumentácii indikuje, že s týmto spotrebičom sa nesmie zaobchádzať ako s komunálnym odpadom, ale musí sa odovzdať vo vhodnom zbernom stredisku odpadu na recykláciu elektrických a elektronických zariadení. Zlikvidujte ho v súlade s miestnymi predpismi na likvidáciu odpadu. Ďalšie informácie o manipulácii, obnove a recyklácii tohto zariadenia vám poskytne miestny úrad, služba zberu komunálneho odpadu alebo obchod, v ktorom ste spotrebič kúpili. Spotrebič je navrhnutý, testovaný a vyvinutý v súlade s predpismi pre:

- Bezpečnosť: EN/IEC 60335-1; EN/IEC 60335-2-6, EN/IEC 60335- 2-31, EN/IEC 62233.
- Výkon: EN/IEC 61591; ISO 5167-1; ISO 5167-3; ISO 5168; EN/IEC 60704-1; EN/IEC 60704-2-13; EN/IEC 60704-3; ISO 3741; EN 50564; IEC 62301. EN 60350-2;
- EMC: EN 55014-1; CISPR 14-1; EN 55014-2; CISPR 14-2; EN/IEC 61000-3-3; EN/IEC 61000-3-12. Odporúčania pre správne používanie s cieľom znížiť vplyv na životné prostredie: Keď začnete variť, zapnite spotrebič pri minimálnej rýchlosti a nechajte ho zapnutý niekoľko minút aj dokončení varenia. Rýchlosť zvýšte len v prítomnosti veľkého množstva výparov a pary pomocou funkcie Booster len v extrémnych prípadoch. V prípade potreby vymeňte uhlíkový filter/uhlíkové filtre, aby systém na znižovanie zápachu fungoval efektívne. Aby ste zaistili vysoký výkon filtra na zachytávanie tukov, v prípade potreby ho vyčistite. Ak chcete zvýšiť účinnosť a minimalizovať hluk, použite maximálny priemer kanála uvedený v tejto príručke.

1. Použitie

Používanie varnej dosky

Systém indukčného varenia využíva fyzikálny princíp magnetickej indukcie na priamy prenos energie z generátora na hrniec.

Výhody:

V porovnaní s elektrickými varnými doskami je indukčná varná doska:

- **Bezpečnejšia:** nižšia teplota skleneného povrchu.
- **Rýchlejšia:** skrátenie doby varenia jedla.
- **Presnejšia:** varná doska okamžite reaguje na vaše príkazy.
- **Efektívnejšia:** 90 % absorbovanej energie sa premení na teplo. Okrem toho, po zložení varnej nádoby z varnej dosky sa prenos tepla okamžite preruší, čím sa zabráni zbytočným tepelným stratám.

1.1 Nádoby na varenie

Používajte iba hrnce označené symbolom :

aby ste predišli poškriabaniu, nepoužívajte:

- nádoby iba s dokonale plochým dnom.
- kovové nádoby so smaltovanými dnami.
- nádoby s drsným dnom, aby sa zabránilo poškriabaniu povrchu varnej dosky.
- nekladte horúce hrnce a panvice na povrch ovládacieho panela.

1.1.1 Nádoby na varenie, ktoré už máte doma

Indukčné varenie vytvára teplo pomocou magnetizmu.

Preto musia byť nádoby vyrobené z magnetickeho materiálu, ako je železo. Ak chcete zistiť, či je hrniec vhodný, otestujte materiál použitím magnetu. Ak hrniec nereaguje na magnet, nie je vhodný na indukčné varenie.

1.1.2 Odporúčané priemery dna nádob na varenie

DÔLEŽITÉ: Ak je veľkosť hrnca nesprávna, varné zóny sa neaktivujú.

Podrobnosti o minimálnom priemere nádoby na varenie, ktorá sa musí použiť na každej zóne, nájdete v ilustrovanej časti tejto príručky.

1.2 Úspora energie

Odporúčania pre čo najlepšie výsledky:

- Použite hrnce a panvice s priemerom dna rovnajúcim sa priemeru varnej zóny.
- Používajte len hrnce a panvice s plochým dnom.
- Vždy, keď je to možné, počas varenia majte na hrnci pokrievku.
- Varte zeleninu, zemiaky atď. s minimálnym množstvom vody, aby sa skrátila doba varenia.
- Používajte tlakový hrniec, pretože to ešte viac znižuje spotrebu energie a skracuje dobu prípravy jedla.
- Vycentrujte hrniec na varnej zóne označenej na varnej doske.

VÝBER SPRÁVNEHO RIADU NA VARENIE

Riad pre indukčné varné dosky

Riad pre indukčné varné zóny musí byť vyrobený z kovu, a musí mať magnetické vlastnosti. Základňa musí byť dostatočne veľká.

Používajte iba hrnce s dnom vhodným pre indukčné dosky.

Takto zistíte vhodnosť hrnca:

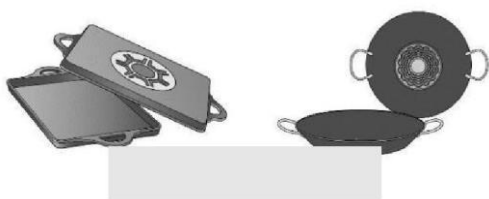
Vhodný riad	Nevhodný riad
Oceľové smaltované hrnce s hrubým dnom	Hrnce z medi, nehrdzavejúcej ocele, hliníka, ohňovzdorného skla, dreva, keramiky a terakoty
Liatinové hrnce so smaltovaným dnom	
Hrnce vyrobené z viacvrstvovej nehrdzavejúcej ocele, nehrdzavejúcej fermitovej ocele alebo hliníka so špeciálnou základňou	

Urobte nižšie opísaný test použitím magnetu alebo sa uistite, že na hrnci je symbol vhodnosti na varenie s indukčným prúdom.

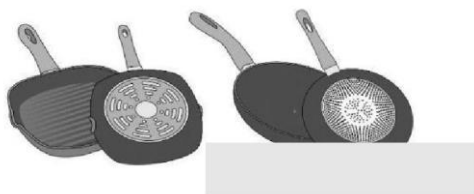
Nikdy nepoužívajte nádoby s deformovaným dnom. Dutá alebo zaoblená základňa môže brániť funkcii ochrany proti prehriatiu, takže spotrebič bude príliš horúci. To môže spôsobiť prasknutie sklenenej dosky a roztavenie dna panvice. Poškodenie spôsobené použitím nevhodných panvíc alebo varom nasucho je zo záruky vylúčené.



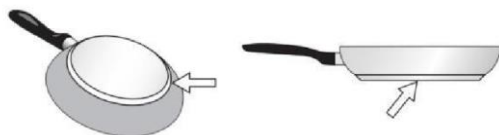
Ak je dno riadu feromagnetické len čiastočne, zahrieva sa len oblasť, ktorá je feromagnetická. To môže znamenať, že teplo sa nebude distribuovať rovnomerne. Neferomagnetická oblasť sa nemusí zohriať na dostatočnú teplotu na varenie.



Feromagnetická plocha sa zmenší aj vtedy, ak materiál, z ktorého je vyrobené dno riadu, obsahuje, napríklad, hliník. To môže znamenať, že riad nebude dostatočne horúci, alebo ho spotrebič ani nedeteguje.



Materiál (materiály), z ktorých je vyrobená základňa riadu, môže ovplyvniť výsledok varenia. Používanie hrncov a panvíc vyrobených z materiálov, ktoré rovnomerne rozvádzajú teplo, ako sú napríklad antikorové panvice s trojvrstvom dnom, šetrí čas a energiu. Používajte riad s plochým dnom. Ak je dno riadu nerovnomerné, môže to zhoršiť prívod tepla.



Test magnetom:

Posuňte magnet smerom k spodnej časti nádoby. Ak dno priťahuje magnet, môžete nádobu použiť na indukčnej varnej doske.



Poznámka:

Pri používaní panvíc vhodných pre indukčné dosky od určitých výrobcov sa môžu vyskytnúť zvuky, ktoré sú spôsobené konštrukciou takýchto nádob. Pri používaní kastrólov na dusenie dávajte pozor, pretože voda sa môže pri dusení nepozorovane odpariť, čo môže mať za následok poškodenie hrnca a varnej dosky, za ktoré výrobca nepreberá žiadnu zodpovednosť.

Rozmery riadu

Aby ste dosiahli dobrý výsledok varenia, feromagnetická oblasť na dne nádoby by mala zodpovedať veľkosti varnej platne. Ak varná doska nedeteguje nejaký riad, skúste ho umiestniť na inú varnú dosku s menším priemerom.

Varná zóna	Minimálny priemer nádoby
Ø 160 mm	Ø 120 mm
Ø 180 mm	Ø 140 mm

Použitie odsávacieho ventilátora

Systém odsávacieho ventilátora je možné použiť dvoma spôsobmi: vo verzii s odsávaním von alebo vo verzii s filtrovaním a vnútornou recirkuláciou. Verzia s odsávaním von odvádza dym, paru a pachy z varenia smerom von, zatiaľ čo verzia s filtrovaním a recirkuláciou vzduch s výparmi filtruje a vracia vyčistený vzduch späť do miestnosti.



Verzia s odsávaním

Výpary sa odvádzajú von pomocou série rúrok (predávajú sa samostatne) pripojených k priloženému spojovaciemu potrubiu. Priemer odsávacieho potrubia alebo adaptéra musí zodpovedať rozmeru priloženého pripojovacieho potrubia 222 x 89 mm.

Viac informácií o použití verzie s odsávaním nájdete na príslušnej strane v ilustrovanej časti návodu. Pri pripojení spotrebiča k odvodným potrubiam namontovaným na stene sa uistite, že priemer zodpovedá výstupu vzduchu (spojovacia príruha). Použitie rúr a otvorov s menším priemerom môže znížiť účinnosť odsávača a zvýšiť hladinu hluku. Na

dosiahnutie najlepších výsledkov udržiajte potrubie čo najkratšie s minimálnym počtom kriviek (maximálny uhol: 90°) a vyhnite sa náhlym zmenám priemeru potrubia.

- Udržujte kanál čo najkratší.
- Použite potrubie s čo najmenším počtom oblúkov (maximálny uhol: 90°).
- Vyhnite sa drastickým zmenám v priemere potrubia.



Verzia s filtrovaním

Verzia s vnútorným filtrovaním a recirkuláciou slúži na filtrovanie výparov z varenia a vrátenie čistého vzduchu späť do kuchyne. Namiesto odvodu vonku tento systém vráti vzduch po prechode cez filtre do miestnosti. Je to praktické, keď nie je možný odvod von z budovy. Špecializované filtre, ako sú filtre s aktívnym uhlím (sú súčasťou príslušenstva), účinne zachytávajú masť a pachy. Optimálny výkon spotrebiča je zaručený pravidelnou údržbou vrátane výmeny filtra. Táto metóda pomáha udržiavať čistý vzduch v interiéri a je energeticky účinná, ale neodstraňuje znečisťujúce látky z domu úplne.

Spôsob inštalácie a požiadavky na rozmery nájdete v príručke používateľa.

2. Inštalácia

- Elektrickú aj mechanickú inštaláciu musia vykonávať kvalifikovaní odborníci. Tento elektrický spotrebič je určený na inštaláciu do pracovnej dosky s hrúbkou 2 až 6 cm pri inštalácii zhora alebo 2,5 až 6 cm pri inštalácii so zarovnaním. Pri inštalácii varnej dosky dodržujte minimálnu vzdialenosť 5 cm vpredu, 4 cm po bokoch a 50 cm od zavesených skriniek. Poznámka: Odporúčané vzdialenosti sú uvedené len ako príklady. Pri plánovaní kuchyne postupujte podľa pokynov výrobcu kuchyne.

2.1 Pripojenie k elektrickej sieti

Pri pripájaní varnej dosky k elektrickej sieti postupujte nasledovne

- Vyberte varnú dosku z obalu a položte ju na rovný povrch.
- Pripojte elektrický napájací kábel k varnej doske.
- Pripojte druhý koniec elektrického napájacieho kábla k elektrickej sieti.
- Uistite sa, že elektrické pripojenie je bezpečné, a spĺňa miestne elektrické predpisy.
- Odpojte zariadenie od elektrického napájania.
- Inštaláciu musí vykonať odborne kvalifikovaný personál so znalosťou platných predpisov pre inštaláciu a bezpečnosť.
- Výrobca odmieta akúkoľvek zodpovednosť za osoby, zvieratá alebo majetok, ak sa nedodržiavajú pokyny uvedené v tejto kapitole.
- Elektrický napájací kábel musí byť dostatočne dlhý, aby bolo možné varnú dosku vybrať z pracovnej dosky.
- Uistite sa, že elektrické pripojenie je bezpečné, a spĺňa miestne elektrické predpisy.
- Nepoužívajte predĺžovacie káble.
- Uzemňovací vodič musí byť o 2 cm dlhší ako ostatné vodiče.

- Ak sa elektrický spotrebič nedodáva s elektrickým napájacím káblom, použite kábel s minimálnym priemerom vodiča 2,5 mm² pre napájanie do 7200 W; pre vyššie úrovne výkonu musí byť priemer 4 mm².
- Teplota pozdĺž kábla nesmie nikdy presiahnuť teplotu okolia o 50°C.
- Spotrebič je určený na trvalé pripojenie k elektrickej sieti.

• **Upozornenie!** Pred opätovným zapojením obvodu do elektrickej siete sa uistite, že funguje správne, vždy skontrolujte, či je elektrický napájací kábel správne nainštalovaný.

• **Upozornenie!** Prepojovací kábel musí vymeniť technik autorizovaného servisu alebo osoba s podobnou kvalifikáciou.

Poznámka: výrobok je vybavený funkciou Power Limitator, ktorá umožňuje nastavenie maximálneho limitu výkonu. Limit sa musí nastaviť pri zapojení spotrebiča do elektrickej siete alebo pri opätovnom zapojení napájania zo samotnej elektrickej siete (v priebehu nasledujúcich 2 minút).

2.2 Montáž

Pred začatím inštalácie:

• **Po vybalení výrobku skontrolujte, či sa počas prepravy nepoškodil a v prípade problému požiadajte pred jeho inštaláciou o pomoc predajcu alebo podporu zákazníkov.**

• Skontrolujte, či je výrobok správnej veľkosti pre miesto inštalácie.

• Skontrolujte príslušenstvo (napr. vrecká so skrutkami, záručné listy atď.) vnútri obalu (vložené do obalu z prepravných dôvodov). Ak sú prítomné, vyberte ich a bezpečne odložte.

• Okrem toho skontrolujte, či je v blízkosti miesta inštalácie elektrická zásuvka.

Príprava skrinky na inštaláciu:

- Výrobok sa nesmie nainštalovať nad chladiace spotrebiče, umývačky riadu, ohrievače, rúry na pečenie, práčky a sušičky.

- Pred vložením varnej dosky urobte v skrinke otvory a opatrne odstráňte všetky hobliny alebo piliny.

- **pre optimálnu inštaláciu filtra je vhodné vyrezať štrbinu v sokle na vloženie mriežky (dostupná na trhu) DÔLEŽITÉ:** použite jednozložkový lepiaci tmel (S), ktorý odoláva teplotám do 250°; pred inštaláciou dôkladne očistite povrchy, aby sa prilepili, a odstráňte všetky látky, ktoré môžu ohroziť príľnavosť (napr. separačné prostriedky, konzervačné látky, tuky, olej, prach, stopy starých lepidiel atď.); lepidlo by malo byť rovnomerne rozložené po celej vonkajšej strane rámu; po nalepení nechajte lepidlo zaschnúť asi 24 hodín.

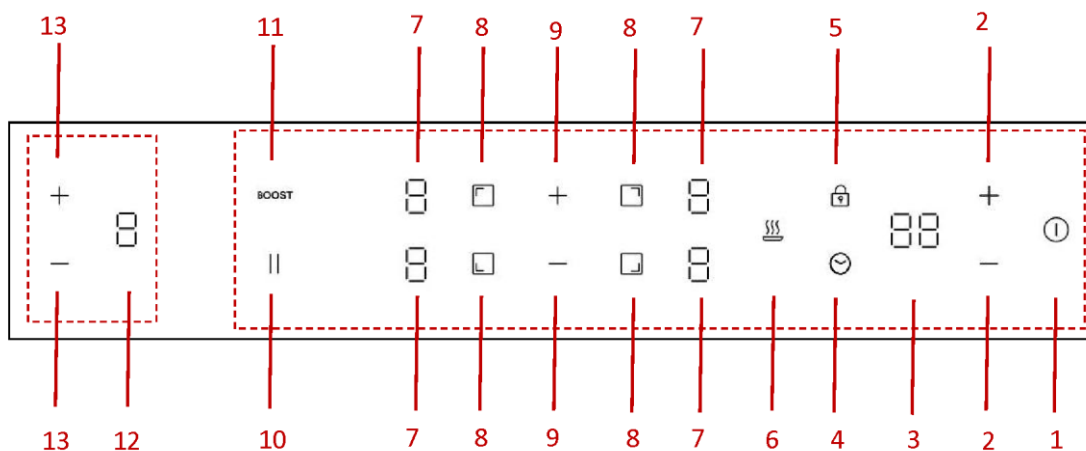
Upozornenie! Zanedbanie inštalácie skrutiek alebo upínačov podľa pokynov môžu hroziť elektrické riziká.

Poznámka: na zabezpečenie správnej inštalácie výrobku sa odporúča prilepiť rúrky lepidlom s nasledujúcimi vlastnosťami:

- mäkká elastická PVC fólia s lepidlom na akrylovej báze.
- v súlade s normami DIN EN 60454.
- spomaľuje horenie.

- vynikajúca odolnosť proti opotrebovaniu.
- odolné voči výkyvom teploty.
- môže sa používať pri nízkych teplotách.

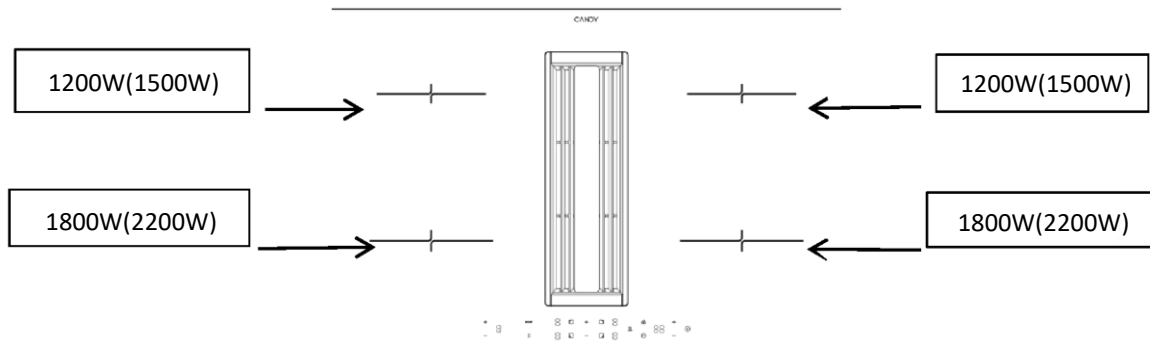
OVLÁDANIE VARNEJ DOSKY POMOCOU TLAČIDIEL SNÍMAČA



- | | | | |
|----|--|----|--|
| 1 | ZAP./VYP. | 2 | Nastavenie časovača |
| 3 | Displej časovača | 4 | Výber časovača |
| 5 | Detská poistka | 6 | Funkcia udržiavania v teple |
| 7 | Zobrazenie úrovne výkonu pre varnú dosku | 8 | Výber varnej zóny |
| 9 | Voľba výkonu varnej dosky | 10 | Pauza |
| 11 | Boost (Intenzívny) | 12 | Zobrazenie úrovne výkonu pre odsávač pár |
| 13 | Výber úrovne výkonu pre odsávač pár | | |

ŠPECIFIKÁCIA PRODUKTU

CIH814CF/CIH814CE



Používanie odsávača pár

1. POHOTOVOSTNÝ REŽIM:

Po zapnutí raz pípne bzučiak, na všetkých displejoch sa zobrazí „0“ a odsávač pár sa prepne do pohotovostného režimu.

Ak do 30 sekúnd neurobíte žiadny úkon, všetky displeje sa úplne vypnú a odsávač pár sa automaticky vypne. Odsávač pár môžete kedykoľvek znova aktivovať dotykom ktoréhokoľvek ovládacieho panela.

2. NASTAVENIE ÚROVNE VÝKONU:

Odsávač ponúka štyri úrovne výkonu (úroveň 1 až úroveň 4), vďaka čomu si používatelia môžu nastaviť intenzitu odsávania podľa svojich potrieb.

Stlačte a podržte tlačidlo výberu napájania \oplus 1 sekundu, aby sa odsávač pár aktivoval. V predvolenom nastavení sa spustí na úrovni 1. Úroveň výkonu môžete zvoliť stlačením tlačidla \oplus a \ominus .

3. INTENZÍVNY REŽIM BOOST:

Režim Boost, ktorý sa aktivuje výberom najvyššej úrovne výkonu („P“), poskytuje intenzívnejšie odsávanie, čo umožní rýchle odstránenie výparov z varenia. Trvá len 10 minút, aby sa zabránilo nadmernej spotrebe energie, a je navrhnutý tak, aby účinne odstraňoval pachy a masť z varenia počas intenzívneho varenia.

Stlačte a podržte tlačidlo \oplus jednu sekundu po nastavení úrovne, odsávač pár sa takto dostane priamo do REŽIMU BOOST (P). Upozorňujeme, že REŽIM BOOST môže trvať len 10 minút, potom sa automaticky prepne na úroveň 4.

a) REŽIM ONESKORENÉHO VYPNUTIA:

Po vypnutí varnej dosky bude odsávač pár pokračovať v odsávaní výparov a masť. Funguje až 5 minút, aby sa zabezpečilo dôkladné vetranie aj po ukončení varenia. Po 5 minútach sa automaticky vypne.

Pomáha udržiavať kuchynské prostredie čisté, bez zápachu odstránením pretrvávajúcich pachov z varenia a čiastočiek masť.

Stlačte tlačidlo \ominus na vypnutie odsávača pár (P→4→3→2→1→d→vypnúť). Alternatívne môžete stlačiť a podržať tlačidlo \ominus jednu sekundu, aby ste sa dostali priamo do režimu oneskoreného vypnutia (d).

Počas režimu oneskoreného vypnutia môžete stlačiť \ominus na priame vypnutie odsávača pár alebo stlačiť \oplus , aby ste zapli odsávač na úrovni 1. Úroveň výkonu môžete vybrať stlačením tlačidla \oplus a \ominus .

4. AUTOMATICKÝ REŽIM:

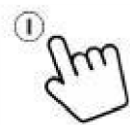
Odsávač prispôsobuje svoju činnosť na základe aktivity indukčnej varnej dosky. Keď je varná doska zapnutá, odsávač pár je zapnutý na úrovni 1. Po vypnutí varnej dosky sa odsávač pár automaticky prepne do režimu oneskoreného vypnutia. To zaisťuje nepretržité vetranie aj po dokončení varenia a účinne eliminuje zvyškové pachy a masť z kuchynského prostredia.

Používanie varnej dosky

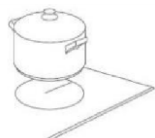
Začíname variť

• Po zapnutí bzučiak pípne raz, všetky indikátory varnej dosky sa rozsvietia na 1 sekundu a potom zhasnú, čo znamená, že varná doska vstúpila do stavu pohotovostného režimu.

1. Dotknite sa tlačidla ZAP./VYP. ①, všetky indikátory ukazujú „-“



2. Na vybranú varnú zónu položte vhodný riad na varenie. Uistite sa, že dno riadu a povrch varnej dosky sú čisté a suché.



3. Dotknite sa voliča varnej platne, indikátor vedľa tlačidla začne blikať.



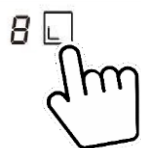
4. Dotykom ovládača výkonu vyberte nastavenie ohrevu.



- Ak nastavenie ohrevu nevyberiete do 1 minúty, indukčná varná doska sa automaticky vypne.
- Budete musieť znovu začať od kroku 1.
- Nastavenie ohrevu môžete upraviť kedykoľvek počas varenia.

Po dokončení varenia

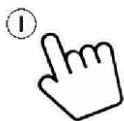
- Dotknite sa ovládača varnej zóny, ktorú chcete vypnúť



- vypnite varnú zónu dotykom ovládača výkonu. Uistite sa, že sa na displeji zobrazuje „0“.



- vypnite celú varnú dosku dotykom tlačidla ZAPNÚŤ/VYPNÚŤ.



- Dávajte pozor na horúce povrchy

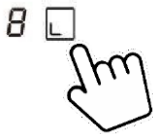
Zobrazí sa písmeno „H“, čo znamená, že varná zóna je príliš horúca na dotyk. Zmizne, keď teplota povrchu klesne na bezpečnú teplotu. Zvyškové teplo môžete využiť aj na úsporu energie, ak teplo využijete na ohrev ďalšieho riadu, kým je varná zóna ešte stále horúca.

H

Používanie funkcie Boost (Intenzívny)

Aktivácia funkcie intenzívneho ohrevu

1. Vyberte zónu s intenzívnou funkciou boost.

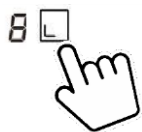


2. Dotykom tlačidla zosilňovača „BOOST“ sa na indikátore výkonu zobrazí „P“.



Zrušenie funkcie Boost (Intenzívny)

1. Vyberte zónu s intenzívnou funkciou boost.



2. Dotykom tlačidla zosilňovača „BOOST“ alebo ovládača úrovne výkonu zrušte funkciu Boost a vyberte úroveň, ktorú chcete nastaviť.



- Funkcia Boost (Intenzívny) môže trvať len 5 minút, potom sa zóna automaticky prepne na úroveň 9.


Uzamknutie ovládacích prvkov


- Ovládače môžete uzamknúť pred nežiaducim použitím (napríklad nechcené zapnutie varných zón deťmi).
- Keď sú ovládacie prvky uzamknuté, všetky ovládače okrem tlačidla zap/vyp sú zablokované.

Uzamknutie ovládacích prvkov

Dotknite sa ovládača detskej poistky . Indikátor časovača zobrazí „Lo“.

Odomknutie ovládačov

- Uistite sa, že je varná doska zapnutá.
- Dotknite sa a podržte ovládač detskej poistky  3 sekundy.
- Teraz môžete začať používať svoju varnú dosku.

 Keď je varná doska v režime uzamknutia, všetky ovládače sú deaktivované, okrem tlačidla zapnutia/vypnutia. V prípade núdze môžete varnú dosku vždy vypnúť tlačidlom zapnutia/vypnutia, ale pre ďalšiu obsluhu musíte varnú dosku odomknúť.

Upozornenie na zvyškové teplo

Po určitej dobe prevádzky varnej dosky sa nahromadí určité zvyškové teplo. Rozsvietené písmeno „H“ varuje, aby ste sa varnej dosky nedotýkali.

Automatické vypnutie

Bezpečnostnou funkciou varnej dosky je automatické vypnutie. Doska sa vypne vždy, keď varnú zónu zabudnete vypnúť. Predvolené doby vypnutia sú uvedené v nasledujúcej tabuľke:

Úroveň výkonu	1	2	3	4	5	6	7	8	9
Východiskový časovač (hodiny)	8	8	8	4	4	4	2	2	2

Používanie časovača

Časovač môžete používať dvomi rôznymi spôsobmi:

- Môžete ho použiť ako kuchynské minútky. V takom prípade časovač po uplynutí nastaveného času nevypne žiadnu varnú zónu.
- Môžete ho použiť ako časovač na vypnutie jednej alebo viacerých varných zón po uplynutí času.
- Časovač môžete nastaviť na 99 minút.

Používanie časovača ako kuchynskej minútky

- Uistite sa, že je varná doska zapnutá, a tlačidlo výberu zóny nie je aktivované (indikátor zóny „-“ nebliká).

Poznámka: Odpočítavanie času môžete nastaviť pred alebo po dokončení nastavenia výkonu varnej zóny.



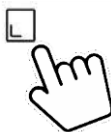
- Dotknite sa tlačidla časovača, na displeji časovača sa zobrazí „30“ a bude blikať. Predvolené nastavenie je 30 min.
- Nastavte čas dotykcom ovládača „+“ alebo „-“. (napr. 5)
Krátkym dotykcom nastavíte 1 min, dlhým 10 min.



- Po nastavení sa čas začne odpočítavať ihneď. Na displeji sa bude zobrazovať zostávajúci čas.
- Po uplynutí nastaveného času bude bzučiak znieť 20 sekúnd, a indikátor časovača bude zobrazovať „-“.

Použitie časovača na vypnutie jednej alebo viacerých varných zón

- Dotknite sa voliča varnej zóny, pre ktorú chcete nastaviť časovač.



- Dotknite sa tlačidla časovača, na displeji časovača sa zobrazí „30“ a bude blikať. Predvolené nastavenie je 30 min.

- Nastavte čas dotykom ovládača „+“ alebo „-“. (napr. 5)
Krátkym dotykom nastavíte 1 min, dlhým 10 min.



- Čas sa začne odpočítavať ihneď po nastavení. Na displeji sa zobrazí zostávajúci čas.

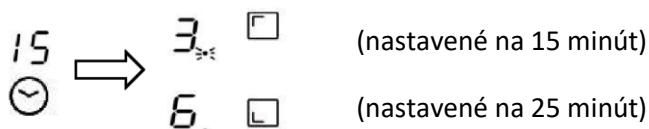
POZNÁMKA: V pravom dolnom rohu indikácie úrovne napájania sa zobrazí červená bodka, ktorá označuje, ktorá zóna je vybratá.

- Po uplynutí času nastaveného na časovači sa príslušná varná zóna automaticky vypne.

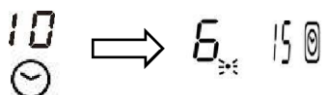
Poznámka: Ak bola zapnutá aj iné varné zóny, budú pokračovať v prevádzke.

Ak je nastavený časovač pre viac ako jednu varnú zónu:

- keď nastavíte časovač pre niekoľko varných zón, zobrazia sa červené bodky príslušných varných zón. Na displeji časovača sa zobrazuje min. časovač. Bodka príslušnej zóny bliká.



- Po uplynutí odpočítavania časovača sa príslušná zóna vypne. potom sa zobrazí nový min. časovač a bodka príslušnej zóny bude blikáť.



Poznámka: Dotknite sa ovládača výberu ohrievacej varnej zóny, príslušný časovač sa zobrazí v indikátore časovača.

Zrušenie časovača

- Dotknite sa voliča varnej zóny, pre ktorú chcete zrušiť časovač.



- Dotknite sa ovládača časovača, indikátor bude blikáť.
- Dotykom ovládača „-“ nastavte časovač na „00“, časovač sa vypne



Nastavenia napájania

Výkon ohrevu varných zón je možné nastaviť na rôzne stupne. V tabuľke nájdete príklady použitia jednotlivých nastavení.

Úroveň výkonu:	Vhodné pre:
1	Udržiavanie jedla v teple. Dusenie malého množstva (najnižší výkon).
2	Dusenie.
3-4	Dusenie väčšieho množstva alebo opekanie väčších kusov mäsa, kým nebudú prepečené.
5-6	získanie šťavy.
7-8	Opekanie, získavanie šťavy.
9	Opekanie.
P	Opekanie (najvyšší výkon).

Správa výkonu

Táto varná doska môže byť pripojená k napájaniu 13, 20, 25, 32 A a nakonfigurovaná tak, aby pracovala s ktorýmkoľvek z týchto nastavení výkonu.

Varná doska je prednastavená na pripojenie k napájaniu 32 A. Ak sú súčasne zvolené štyri zóny, varná doska obmedzí maximálny spotrebovaný výkon tak, aby nebolo možné prekročiť 7,0 kW zdroja napájania. Podobným spôsobom, keď je varná doska pripojená a nakonfigurovaná na režim napájania 13/20/25 A, varná doska obmedzí maximálny výkon na 2,5/3,5/4,5/7,0 kW.

Ak je však varná doska pripojená a nakonfigurovaná na 32 A zdroj napájania, bude možné použiť všetky štyri zóny na maximálny výkon s intenzívnou funkciou booster súčasne.

Ak chcete zmeniť nastavenie správy napájania

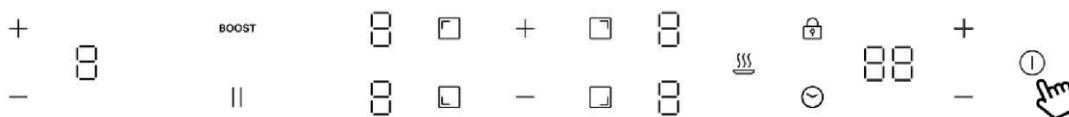
1. Prerušite napájanie varnej dosky.
2. Nechajte zdroj napájania odpojený na jednu minútu.
3. Znova zapnite napájanie.
4. Postupujte podľa pokynov v časti „Konfigurácia varnej dosky v režime ECO“ od kroku „1“.

POZNÁMKA: Konfiguráciu režimu ECO je možné zadať iba raz, ak nie je prerušené napájanie varnej dosky.

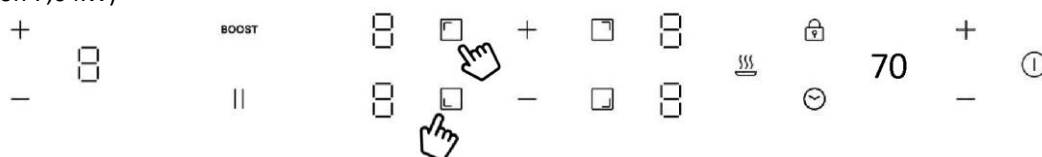
(Poznámka: Režim ECO by sa mal nastaviť do jednej minúty po zapnutí napájania, nastavenie režimu ECO sa po uplynutí jednej minúty nebude dať zadať)

Ak chcete nakonfigurovať varnú dosku do správy napájania

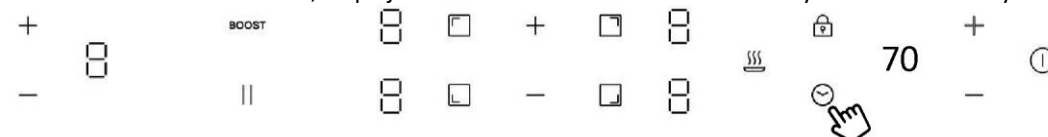
1. Dotykom tlačidla ZAP./VYP. zapnete napájanie. Bzučiak raz pípne, na všetkých displejoch sa zobrazí „—“ a „—“.



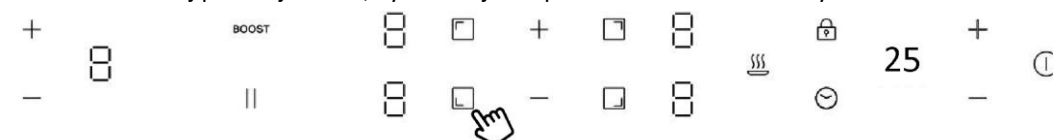
2. Stlačte súčasne tlačidlo prednej ľavej zóny a tlačidlo ľavej zadnej zóny na 3 sekundy. Bzučiak pípne, čo znamená, že indukčná varná doska sa prepla do výberu režimu ECO. (Displej zobrazuje prednastavený výkon 7,0 kW)



3. Dotknite sa tlačidla časovača, displej časovača bude blikať. Teraz môžete vybrať nastavenie výkonu.



4. Ak chcete zmeniť nastavenie celkového výkonu, stlačte tlačidlo prednej ľavej oblasti a vyberte nové nastavenie celkového výkonu. Opätovným stlačením klávesu prednej ľavej oblasti sa môžete posúvať po možnostiach. Na displeji časovača sa zobrazia štyri možnosti: 25, 35, 45 a 70. Napríklad, keď sa na displeji časovača zobrazí číslo „25“, znamená to, že celkový výkon je nastavený na 2500 W. Držte stlačené tlačidlo ľavej prednej oblasti, kým nenájdete požadované nastavenie výkonu.

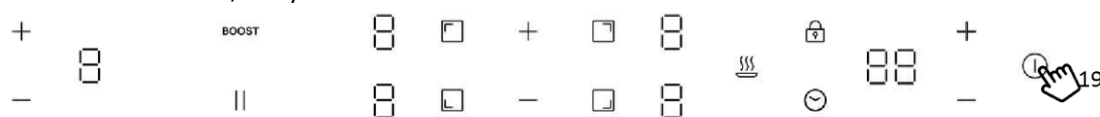


* Predvolene je výkon z výroby nastavený na 7,0 kW.

5. Znova stlačte tlačidlo časovača, displej časovača prestane blikať, a tlačidlo predtým zvolenej zóny zobrazí „o“, čo znamená, že nastavenie je potvrdené.



6. Dotykom Zapnúť/Vypnúť vypnite. Potom zapnite a varná doska bude nakonfigurovaná a pripravená na použitie v režime ECO, ktorý ste nastavili.



7. Zapnúť/Vypnúť zapnite, teraz môžete použiť nové nastavenie výkonu.

ČISTENIE A STAROSTLIVOSŤ

- Pred čistením varnú dosku vypnite a nechajte ju vychladnúť.
- Na čistenie varnej dosky nepoužívajte parné čističe ani vysokotlakové čističe, pretože to môže viesť k úrazu elektrickým prúdom.
- Pri čistení dbajte na to, aby ste snímač zapnutia/vypnutia iba jemne pretreli. V opačnom prípade by ste mohli varnú dosku nechtiac zapnúť.

Sklokeramická varná doska

Dôležité! Nikdy nepoužívajte agresívne čistiace prostriedky, ako sú drsné abrazívne prostriedky na čistenie hrncov, odstraňovače hrdze a škvŕn atď.

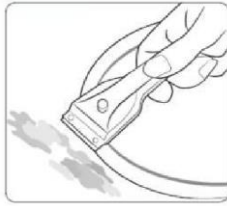
Čistenie po použití

Po zašpinení vyčistíte vždy celú varnú dosku. Odporúča sa urobiť to po každom použití varnej dosky. Na čistenie použite vlhkú handričku a trochu saponátu. Potom varnú dosku osušte čistou suchou utierkou, aby ste sa uistili, že na povrchu varnej dosky nezostali žiadne saponáty.

Týždenné čistenie

Raz týždenne dôkladne vyčistíte celú varnú dosku bežnými čistiacimi prostriedkami na sklokeramiku. Dôsledne dodržiavajte pokyny výrobcu. Čistiaci prostriedok po nanosení zaistí na varnej doske ochranný film, ktorý je odolný voči vode a nečistotám. Všetky nečistoty zostávajú na ochrannom filme a dajú sa ľahko odstrániť. Potom varnú dosku utrite dosucha čistou utierkou. Uistite sa, že na povrchu varnej dosky nezostali žiadne čistiace prostriedky, pretože pri zahriatí varnej dosky budú reagovať agresívne a môžu ovplyvniť jej povrch.

Špecifické znečistenie Silné znečistenie a škvŕny (vodný kameň a škvŕny s perleťovým vzhľadom) možno najlepšie odstrániť, keď je varná doska ešte mierne teplá. Na čistenie varnej dosky používajte komerčne dostupné čistiace prostriedky. Postupujte podľa bodu 2. Vykypené jedlo najskôr namočte vlhkou handričkou a potom odstráňte zvyšné nečistoty špeciálnou škrabkou na sklokeramické varné dosky. Potom varnú dosku znova vyčistíte podľa opisu v bode 2.

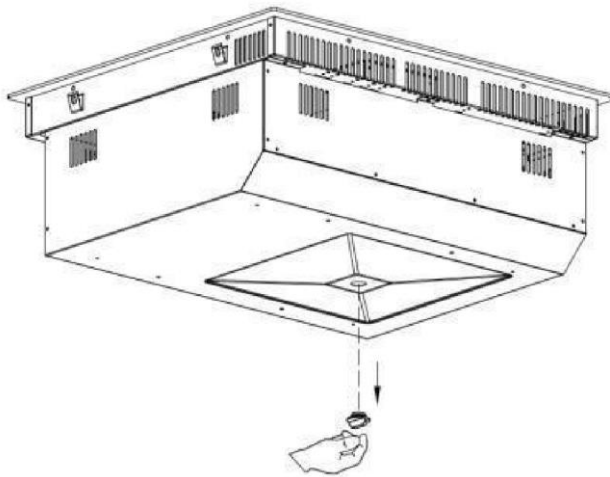


Pripálený cukor a roztavený plast treba ihneď, ešte horúce, odstrániť škrabkou na sklo. Potom varnú dosku znova vyčistíte podľa opisu v bode 2.

Zrnká piesku, ktoré sa môžu dostať na varnú dosku pri šúpaní zemiakov alebo čistenia šalátu, môžu pri presúvaní nádob poškriabať povrch varnej dosky. Uistite sa, že na varnej doske nezostali žiadne zrnká piesku.

Zmeny farby varnej dosky neovplyvnia funkciu a stabilitu sklokeramického materiálu. Tieto farebné zmeny nie sú zmenami materiálu, ale sú spôsobené zvyškami jedla, ktoré neboli odstránené dôkladne, a ktoré sa pripálili na povrchu. Lesklé škvrny vznikajú, keď sa dno riadu odiera o povrch varnej dosky, najmä pri použití riadu s hliníkovým dnom alebo po použití nevhodných čistiacich prostriedkov. Bežnými čistiacimi prostriedkami sa odstraňujú ťažko. Možno budete musieť proces čistenia zopakovať niekoľkokrát. V dôsledku používania agresívnych čistiacich prostriedkov a nevhodného dna nádob sa dekorácia časom opotrebuje a objavia sa tmavé škvrny.

V prípade, že sa do spotrebiča náhodou naleje veľké množstvo kvapaliny, odstráňte silikónovú zátku na spodnom puzdre, aby sa kvapalina uvoľnila.



ČO ROBIŤ V PRÍPADE PROBLÉMOV

V prípade akýchkoľvek chýb počas prevádzky pred kontaktovaním servisu skontrolujte nasledujúcu tabuľku. Nižšie sú uvedené niektoré bežné chyby a kontroly, ktoré treba vykonať.

Problém	Možné príčiny	Čo robiť
Sklokeramická varná doska sa nedá zapnúť.	Žiadne elektrické napájanie.	Skontrolujte, či je varná doska pripojená k elektrickej sieti a či je zapnutá. Skontrolujte, či nenastal výpadok elektrickej energie v domácnosti. Ak ste všetko skontrolovali a problém pretrváva, kontaktujte kvalifikovaného technika.
Dotykové ovládače nereagujú.	Ovládacie prvky sú uzamknuté.	Ovládacie prvky odomknite. Pokyny nájdete v časti „OVLÁDANIE VARNEJ DOSKY POMOCOOU TLAČIDIEL SNÍMAČA“
Ťažké ovládanie dotykových ovládačov.	Na dotykových ovládačoch môže byť tenká vrstva vody, alebo ste na ovládanie použili špičku prsta.	Uistite sa, či je dotyková oblasť suchá a na ovládanie použite bruško prsta.
Sklo je poškrábané.	Drsný riad na varenie. Použili ste nevhodné drsné škrabky alebo čistiace prostriedky.	Používajte riad s hladkým a rovným dnom. Pozrite si časť „Výber správneho riadu na varenie“. Pozrite si časť „Starostlivosť a čistenie“.
Niektorý riad vydáva praskavý zvuk.	Môže to byť z dôvodu konštrukcie riadu (vrstvy rôznych kovov rôzne vibrujú).	Je to normálny jav a nepredstavuje poruchu.
Indukčná doska pri použití nastavenia vysokého ohrevu hučí.	Je to spôsobené technológiou indukčného varenia.	Je to normálne a hučanie sa môže stíšiť alebo úplne zmiznúť po znížení nastavenia ohrevu.
Šum ventilátora z indukčnej varnej dosky.	Chladiaci ventilátor v indukčnej varnej doske zabraňuje prehriatiu elektroniky. Môže pokračovať v prevádzke aj po vypnutí varnej dosky.	Je to normálne a nie je potrebné konať. Počas chodu ventilátora neodpájajte napájanie varnej dosky od hlavného zdroja napájania.
Riad sa nezahrieva a zobrazuje sa na displeji.	Indukčná varná doska nedokáže detegovať riad, pretože nie je vhodný na indukčné varenie. Indukčná varná doska nedokáže detegovať riad, pretože je príliš malý alebo nie je správne vycentrovaný na varnej zóne.	Použite riad vhodný na indukčné varenie. Pozrite časť „Výber správneho riadu na varenie“. Vycentrujte riad a uistite sa, že základňa zodpovedá veľkosti varnej zóny.
Indukčná varná doska alebo varná zóna sa nečakane sama vypne, zaznie akustický signál a zobrazí sa chybový kód (zvyčajne sa strieda s jednou alebo dvomi číslicami na displeji časovača).	Technická porucha.	Zapište si písmená a čísla poruchy, vypnite napájanie varnej dosky a kontaktujte kvalifikovaného technika.


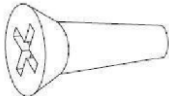






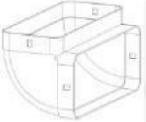
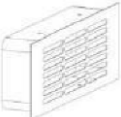
Po pripojení napájania a stlačení tlačidla „napájanie“ spotrebič nereaguje.	Nedošlo k výpadku elektrického napájania?	Počkajte na obnovenie dodávky elektriny.
	Nie je vypálená poistka alebo vypnutý istič?	Starostlivo skontrolujte hlavné príčiny. Ak sa problém nedá odstrániť, kontaktujte naše servisné stredisko a požiadajte o kontrolu a opravu.
	Je zástrčka pevne zapojená do zásuvky elektrickej siete?	
Ohrievanie sa počas normálneho používania preruší a zaznie „pípnutie“.	Nevhodný riad alebo ostala varná zóna prázdna?	Vymeňte riad, používajte riad vhodný pre indukčnú varnú dosku.
	Riad nie je umiestnený v strede varnej zóny.	Položte nádobu do stredu označenej varnej zóny.
	Riad sa zahrieva, ale neustále sa posúva?	Nádobu umiestnite do označenej varnej zóny.
Žiadna prevádzka počas ohrievania	Je nádoba prázdna alebo je teplota príliš vysoká?	Skontrolujte, či sa spotrebič nepoužíva nesprávne
	Je vetrací otvor na prívod/odvod vzduchu zanesený alebo sa na ňom nahromadili nečistoty?	Uvoľnite otvor na prívod/odvod vzduchu. Počkajte, kým spotrebič nevychladne, a potom ho znova zapnite.
	Je varná doska v prevádzke dlhšie než 2 hodiny bez akejkoľvek interakcie?	Zresetujte režimy prípravy jedla alebo použite funkciu časovača


Ak vyššie uvedené nápravné opatrenia/ovládacie prvky nedokážu problém vyriešiť, okamžite odpojte spotrebič a kontaktujte servisné stredisko, požiadajte o kontrolu a opravu. Poznamenajte si kód chyby a nahláste ho do Service Centre Ltd. Aby ste predišli akémukoľvek nebezpečenstvu a poškodeniu spotrebiča, nerozoberajte ani neopravujte ho sami.

ZOBRAZENIE PORUCHY A KONTROLA

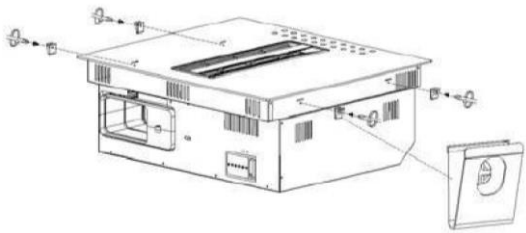
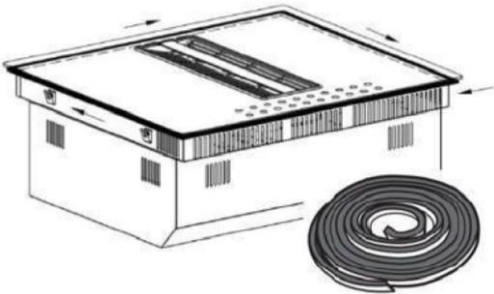
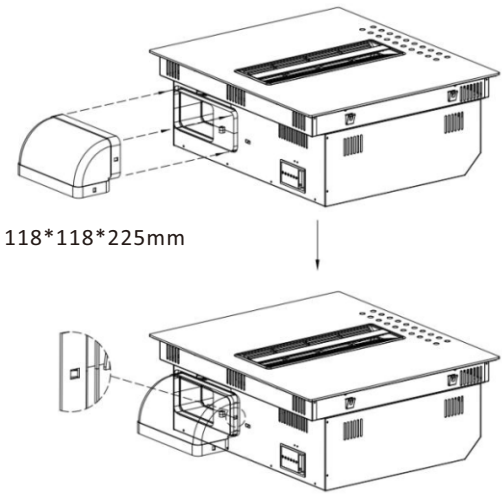
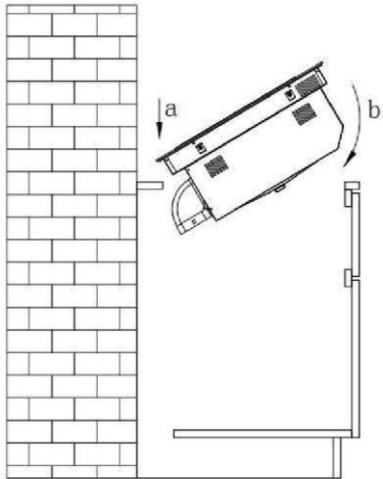
Kód chyby	Možná príčina	Čo robiť
U	Žiadna nádoba na varenie	Na ohrevnú zónu položte vhodnú nádobu. Ak porucha pretrváva, kontaktujte servisné stredisko.
E1	Abnormálne napájacie napätie (nižšie ako 160 V).	Skontrolujte, či je elektrické napájanie správne. Po obnovení normálneho napájania varnú dosku zapnite.
E2	Abnormálne napájacie napätie (vyššie ako 280 V).	Skontrolujte, či je elektrické napájanie správne. Po obnovení normálneho napájania varnú dosku zapnite.
E3/E5/E7	Porucha snímača teploty indukčnej cievky	Kontaktujte servisné stredisko.
E4/E6	Porucha snímača teploty IGBT	Kontaktujte servisné stredisko.
Er	Porucha komunikácie medzi hlavnou doskou a doskou displeja	Kontaktujte servisné stredisko.
Et	Ochrana proti pretečeniu	Odstráňte vodu z ovládacieho panela a varnú dosku znova zapnite.

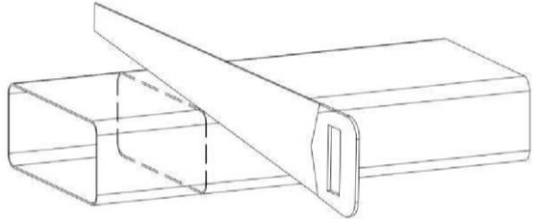
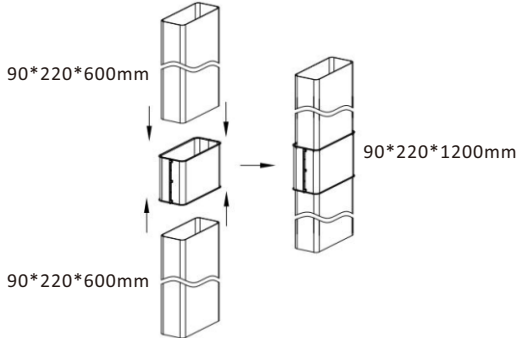
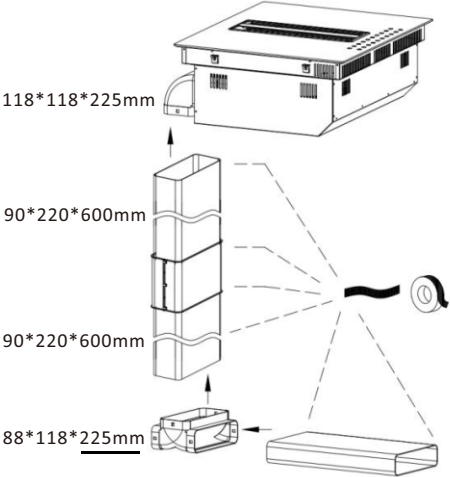
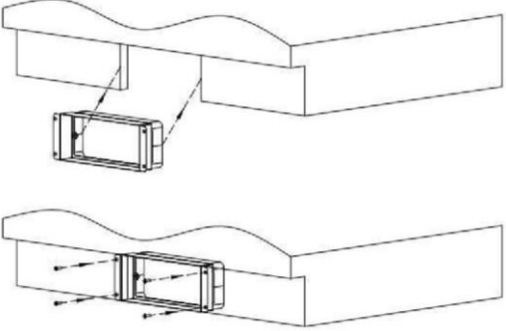
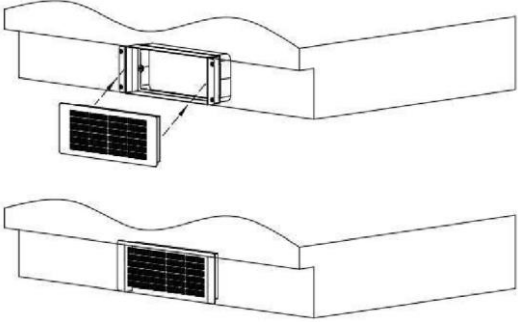
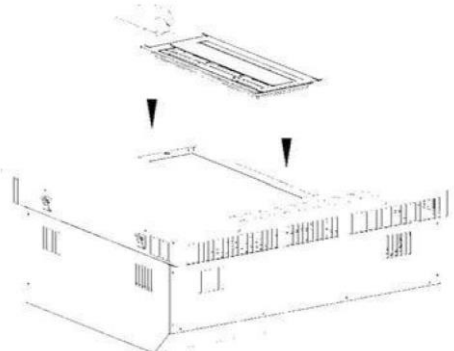
ZOZNAM PRÍSLUŠENSTVA

Č.	Názov	Schéma	Množstvo
1	Skrutka ST 4x5		4 ks
2	Skrutka ST 4x14		4 ks
3	Inštaláčna konzola		4 ks
4	Špongiový pás		1 ks
5	Mriežka na prívod vzduchu		1 ks
6	Rúrka s hranatým prierezom 9 cm		2 ks
7	Rúrka s hranatým prierezom 6 cm		1 ks (iba pre verziu s filtrovaním)
8	Spojovacie potrubie		1 ks
9	Ohnuté potrubie		2 ks pre verziu s filtrovaním 1 ks pre verziu s odsávaním
10	Výstup vzduchu ASSY		1 ks (iba pre verziu s filtrovaním)

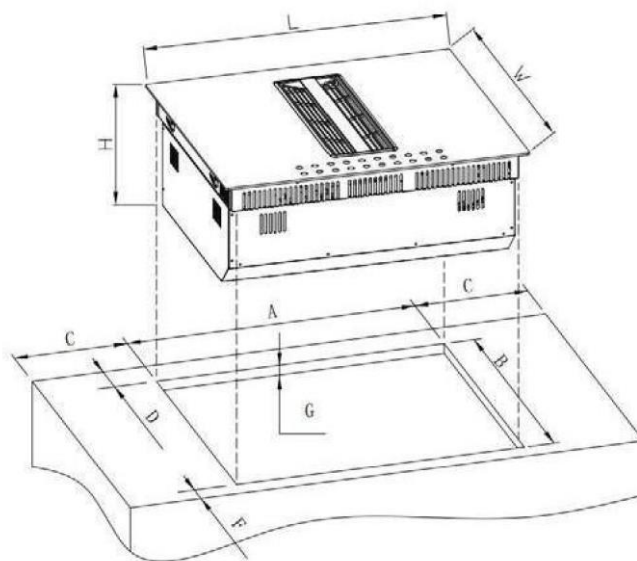
11	Hliníkový štítok		7 ks
----	------------------	--	------

INŠTALÁCIA VÝROBKU

<p>Krok 1: Inštalčné konzoly naskrutkujte na spodný kryt.</p>	<p>Krok 2: Prilepte šponiový pás okolo keramického skla.</p>
	
<p>Krok 3: Pripevnite ohnuté potrubie.</p>	<p>Krok 4: Nainštalujte výrobok do skrinky. (od kroku a po krok b)</p>
 <p>118*118*225mm</p>	

<p>Krok 5: Ak je výška skrinky menšia ako 80 cm, môžete potrubie odrezať na požadovanú dĺžku.</p>	<p>Krok 6: Ak je výška skrinky väčšia ako 80 cm, môžete spojiť dve rúry.</p>
	
<p>Krok 7: Nainštalujte potrubie a prilepte ho tesniacou páskou.</p>	<p>Krok 8: Nainštalujte výstup vzduchu ASSY na spodok skrinky, upevnite skrutkami.</p>
	
<p>Krok 9: Nainštalujte uhlíkový filter do výstupu vzduchu ASSY. (*uhlíkový filter len pre verziu s filtrovaním)</p>	<p>Krok 10: Nainštalujte mriežku.</p>
	

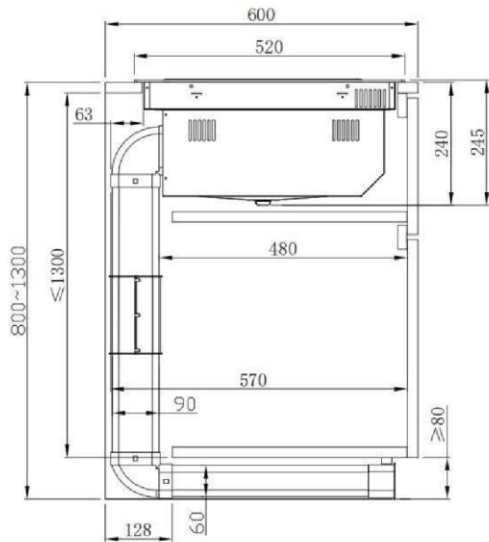
ROZMERY PRI INŠTALÁCII



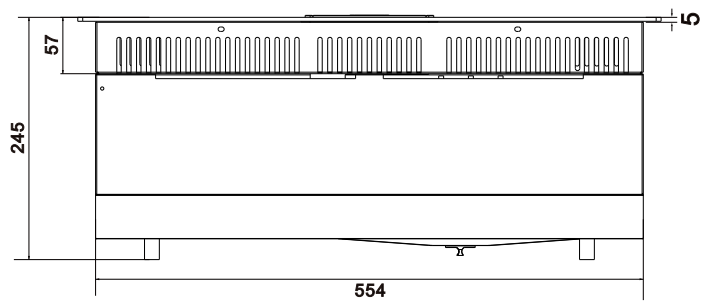
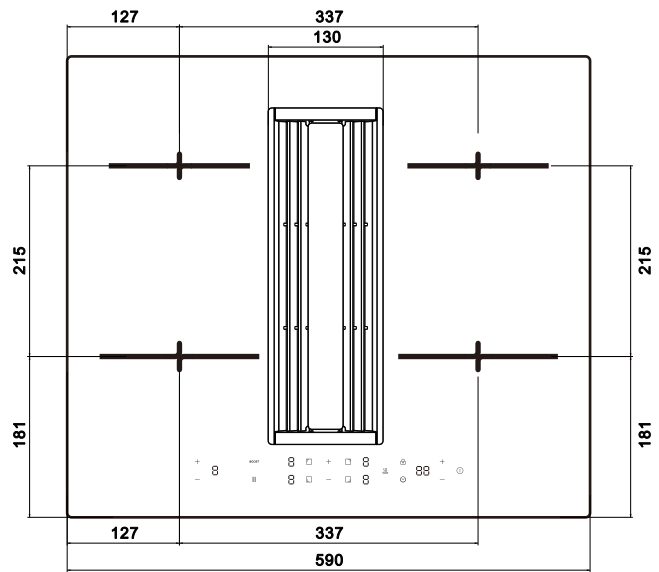
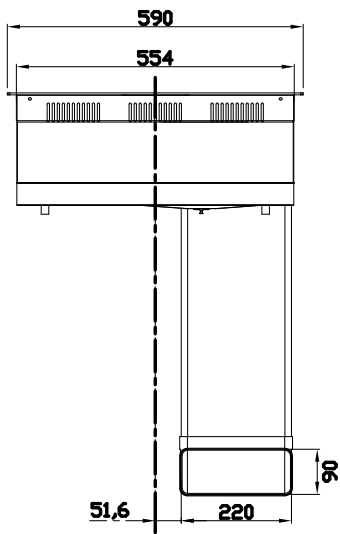
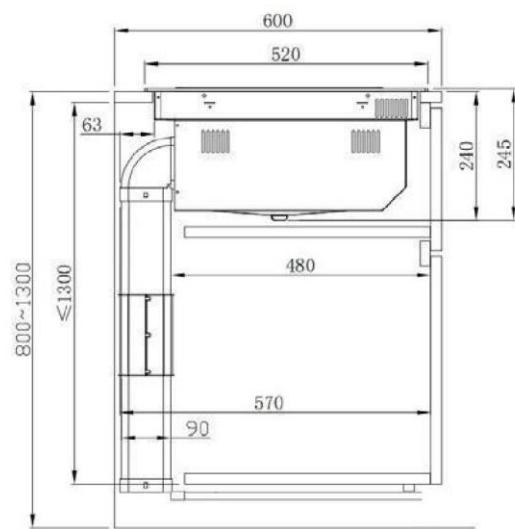
Modell	L (mm)	B (mm)	H (mm)	A (mm)	B (mm)	C (mm)	D (mm)	F (mm)	G (mm)
CIH614CF	590	520	245	560	490	≥ 40	≥ 70	≥ 40	20-40
CIH614CE									

Veľkosť skrinky a odvodnej rúrky


Verzia s filtrovaním



Verzia s odvodom vzduchu



ELEKTRICKÉ ZAPOJENIE


 Varnú dosku môže pripájať k elektrickej sieti iba vhodne kvalifikovaná osoba.

Pred pripojením k elektrickej sieti skontrolujte, že:

1. elektrický systém v domácnosti je vhodný na príkon varnej dosky.
2. napätie zodpovedá hodnote na typovom štítku
3. napájací kábel znesie zaťaženie uvedené na typovom štítku

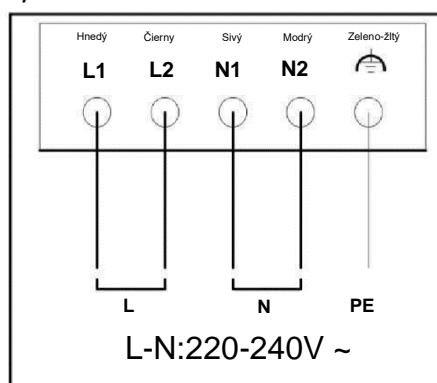
Na pripojenie varnej dosky k elektrickej sieti nepoužívajte adaptéry, redukcie ani rozdvojky, pretože to môže spôsobiť prehriatie a požiar.

Napájací kábel nesmie prísť do kontaktu s horúcimi povrchmi a musí byť umiestnený tak, aby jeho teplota nepresiahla v žiadnom bode 75 °C.

 Požiadajte elektrikára o kontrolu, či je elektrický systém v domácnosti vhodný bez akýchkoľvek zmien. Akékoľvek zmeny môže vykonať iba kvalifikovaný elektrikár.

Elektrické napájanie spotrebiča musí byť v súlade s príslušnou normou.

Spôsob pripojenia je zobrazený nižšie.



- Ak je kábel poškodený, alebo ak sa musí vymeniť, výmenu musí vykonať zástupca predajcu použitím špeciálnych nástrojov, aby sa vylúčilo riziko akejkoľvek nehody.
- Ak je spotrebič zapojený priamo do elektrickej siete, musí byť nainštalovaný omnipolárny istič s minimálnym odstupom medzi kontaktmi 3 mm.
- Inštalatér musí zabezpečiť vykonanie správneho elektrického pripojenia v súlade s bezpečnostnými predpismi.
- Kábel nesmie byť zalomený ani stlačený.
- Kábel pravidelne kontrolujte, jeho výmenu smie urobiť iba kvalifikovaný servisný technik.

Osobitné vyhlásenie

Obsah tejto príručky bol starostlivo skontrolovaný. Spoločnosť však nemôže niesť zodpovednosť za akékoľvek chyby tlače alebo opomenutia. Akékoľvek technické úpravy môžu byť tiež zahrnuté v revidovanej verzii príručky bez predchádzajúceho upozornenia. Vzhľad a farba spotrebiča v tejto príručke sa môžu líšiť od skutočného.



Tento spotrebič je označený v súlade s európskou smernicou 2012/19/EÚ o elektrických a elektronických zariadeniach (OEEZ - odpad z elektrických a elektronických zariadení). OEEZ obsahuje znečisťujúce látky (ktoré môžu mať negatívny vplyv na životné prostredie) a základné prvky (ktoré sa dajú opätovne použiť). Je dôležité, aby sa OEEZ likvidoval správne použitím špecifických postupov s cieľom zaistiť správne odstránenie a likvidáciu všetkých znečisťujúcich látok, ako aj obnovenie ostatných materiálov. Jednotlivci prispievajú výraznou mierou k minimalizácii vplyvov OEEZ na životné prostredie. Bezpodmienečne treba dodržiavať určité základné pravidlá;

- OEEZ sa nesmie spracovávať ako bežný domáci odpad;
- OEEZ treba odovzdávať na príslušných zberných miestach, ktoré sú riadené príslušnou samosprávnou obcou alebo registrovanými spoločnosťami.

V mnohých krajinách je k dispozícii domáci zber veľkých spotrebičov spadajúcich do kategórie OEEZ. V prípade zakúpenia nového spotrebiča môžete vrátiť starý spotrebič maloobchodnému predajcovi, ktorý musí zabezpečiť jeho bezplatný odvoz, pokiaľ ide o spotrebič rovnakého typu s rovnakými funkciami ako zakúpený spotrebič.



Platí len pre Cyprus

SOMMARIO

MANUALE DI ISTRUZIONI -----	2
FUNZIONAMENTO -----	19
GESTIONE DELLA POTENZA -----	26
PULIZIA E MANUTENZIONE -----	28
COME PROCEDERE IN CASO DI PROBLEMI -----	30
VISUALIZZAZIONE E ISPEZIONE DEI GUASTI -----	31
ELENCO DEGLI ACCESSORI -----	32
INSTALLAZIONE DEL PRODOTTO -----	33
COLLEGAMENTO ELETTRICO -----	37

MANUALE DI ISTRUZIONI

Osservare scrupolosamente le istruzioni contenute in questo manuale. Si declina ogni responsabilità per eventuali problemi, danni o incendi causati dalla mancata osservanza delle istruzioni contenute in questo manuale. Il dispositivo è destinato esclusivamente all'uso domestico, per la cottura degli alimenti e l'aspirazione dei fumi generati dalla stessa. Non è consentito alcun altro impiego (ad esempio il riscaldamento degli ambienti). Il produttore declina ogni responsabilità per qualunque uso improprio o impostazione di controllo errata.

Leggere attentamente le istruzioni, poiché contengono informazioni importanti sull'installazione, l'uso e la sicurezza. Non apportare modifiche elettriche al dispositivo. Prima di installare il dispositivo, assicurarsi che nessuno dei componenti sia danneggiato. In caso contrario contattare il rivenditore e non proseguire con l'installazione. Verificare che il dispositivo sia integro prima di proseguire con l'installazione. In caso contrario contattare il rivenditore e non proseguire con l'installazione.

1. Avvertenze

Nota Prestare la massima attenzione alle seguenti istruzioni:

- Scollegare il dispositivo dall'alimentazione elettrica prima di effettuare qualunque attività di installazione.
- L'installazione o la manutenzione devono essere eseguite da un tecnico qualificato, nel rispetto delle istruzioni del produttore e delle norme di sicurezza locali. Salvo diversa indicazione esplicita nel manuale d'uso, non riparare o sostituire alcun componente del dispositivo.
- Per legge, l'elettrodomestico deve essere collegato a terra.
- La lunghezza del cavo di alimentazione deve essere sufficiente per consentire il collegamento del dispositivo integrato nell'unità alla rete elettrica.
- Affinché l'installazione sia conforme alle norme di sicurezza in vigore è richiesto un interruttore automatico onnipolare omologato che garantisca la completa disconnessione dalla rete in categoria di sovratensione III, nel rispetto delle norme di installazione.
- Non utilizzare prese multiple o prolunghhe.

- Una volta completata l'installazione, i componenti elettrici non devono più essere accessibili da parte dell'utente.
- Il dispositivo e i suoi componenti accessibili diventano molto caldi durante l'uso. Prestare attenzione a non toccare gli elementi riscaldanti.
- Assicurarsi che i bambini non giochino con il dispositivo; tenere lontani i bambini e sorvegliarli, in quanto i componenti accessibili possono diventare molto caldi durante l'uso.
- Per i portatori di pacemaker e impianti attivi è importante verificare, prima di utilizzare il piano cottura a induzione, che il loro pacemaker sia compatibile con il dispositivo.
- Non toccare gli elementi riscaldanti del dispositivo durante e dopo l'uso.
- Evitare il contatto con indumenti o qualunque altro materiale infiammabile fino a quando tutti i componenti del piano cottura non si sono raffreddati in misura sufficiente; rischio di incendio.
- Non collocare alcun materiale infiammabile sul o vicino al dispositivo.
- I grassi e gli oli surriscaldati prendono facilmente fuoco. Supervisionare la cottura degli alimenti grassi od oleosi.

- Se la superficie è incrinata, spegnere immediatamente il dispositivo per evitare il rischio di scosse elettriche.
- Il dispositivo non è destinato all'uso con un timer esterno o un sistema separato di controllo da remoto.
- La cottura sul dispositivo senza sorveglianza con olio o grasso può essere pericolosa e causare un incendio.
- Il processo di cottura deve avvenire sotto supervisione. I processi di cottura brevi devono essere oggetto di monitoraggio continuo.
- Non tentare MAI di spegnere gli incendi utilizzando acqua. Spegnere invece il dispositivo e soffocare le fiamme, ad esempio con un coperchio o una coperta antincendio. Pericolo di incendio: non appoggiare oggetti sulle superfici di cottura.
- Non utilizzare pulitori a vapore; rischio di scossa elettrica.
- Non appoggiare sul dispositivo oggetti metallici come coltelli, forchette, cucchiari o coperchi, poiché possono surriscaldarsi.
- Prima di collegare il dispositivo alla rete elettrica, verificare la targhetta dei dati (sul lato inferiore del dispositivo) per accertarsi che tensione e potenza corrispondano a quelle della

rete e che la presa di corrente sia adatta. In caso di dubbi, consultare un elettricista qualificato.

Importante

- Dopo l'uso, spegnere il piano cottura tramite l'interruttore e non fare affidamento sul rilevatore di pentole.
- Evitare che i liquidi in ebollizione trabocchino; ridurre quindi il calore quando si fanno bollire o si riscaldano i liquidi.
- Non lasciare attivi gli elementi riscaldanti con pentole e padelle vuote o senza pentole.
- Al termine della cottura spegnere la relativa piastra scaldante.
- Non utilizzare mai fogli di alluminio per cucinare e non posizionare mai sul piano cottura prodotti avvolti in alluminio. In caso contrario l'alluminio fonde, danneggiando in modo irreparabile il dispositivo.
- Non riscaldare mai lattine o barattoli contenenti alimenti senza averli prima aperti, poiché possono esplodere.
- Questa avvertenza vale anche per tutte le altre tipologie di piani cottura.
- Non utilizzare livelli di potenza elevati, come la funzione Booster, per riscaldare alcuni liquidi, come gli oli per frittura. Il calore eccessivo può

essere pericoloso. In questi casi si consiglia l'uso di un livello di potenza inferiore.

- I contenitori devono essere posizionati direttamente sul piano cottura e al centro. Non è in alcun caso consentito interporre altri oggetti fra le pentole e il piano cottura.

- Se la temperatura diventa elevata, il dispositivo riduce automaticamente il livello di potenza delle zone di cottura.

- Prima di effettuare qualunque intervento di pulizia o manutenzione, scollegare il dispositivo dalla rete elettrica estraendo la spina o spegnendo l'interruttore generale. Indossare guanti di protezione per tutte le attività di installazione e manutenzione. Il dispositivo può essere utilizzato da bambini di età superiore a otto anni e da persone con ridotte capacità fisiche, sensoriali o mentali, oppure prive di esperienza o delle conoscenze necessarie, purché sotto supervisione o dopo aver ricevuto istruzioni su come utilizzare il dispositivo in condizioni di sicurezza e comprendendone i pericoli. Sorvegliare i bambini, per garantire che non giochino con il dispositivo. La pulizia e la manutenzione non devono mai essere effettuate da bambini, a meno che non siano adeguatamente sorvegliati.


Quando si utilizza il dispositivo contemporaneamente ad altri dispositivi alimentati a gas o con altri combustibili, il locale deve essere adeguatamente ventilato. Pulire sia l'interno, sia l'esterno del dispositivo con regolarità (ALMENO UNA VOLTA AL MESE), osservando rigorosamente le istruzioni di manutenzione. La mancata osservanza delle regole per la pulizia del dispositivo e per la sostituzione e la pulizia del filtro può comportare un pericolo di incendio. Non effettuare mai cotture flambè degli alimenti. L'uso di una fiamma libera può danneggiare i filtri e causare un pericolo di incendio; evitarlo pertanto in ogni circostanza. Quando si effettuano frittture, prestare particolare attenzione a evitare che l'olio si surriscaldi e prenda fuoco.

NOTA

- Quando il piano cottura è acceso, i suoi componenti accessibili possono diventare molto caldi.
- **Nota** Non collegare il dispositivo alla rete elettrica fino a quando l'installazione non è stata completata. Per quanto riguarda le misure tecniche e di sicurezza da adottare per l'aspirazione dei fumi, seguire rigorosamente le normative previste dalle autorità locali.

- L'aria aspirata non deve essere convogliata nei condotti utilizzati per l'estrazione dei fumi generati da dispositivi di combustione a gas o di altro tipo. Non utilizzare mai il dispositivo quando la griglia non è installata correttamente! Per l'installazione, utilizzare esclusivamente le viti di fissaggio fornite con il dispositivo oppure, in mancanza di queste ultime, acquistare il tipo corretto di viti.
- Quando il dispositivo viene utilizzato insieme ad altri dispositivi alimentati con energia non elettrica, la pressione negativa dell'ambiente non deve essere superiore a 4 Pa (4×10^{-5} bar). Conservare questo manuale per poterlo consultare in futuro in qualunque momento. In caso di vendita, trasferimento o spostamento, il manuale deve rimanere con il dispositivo.

Sul dispositivo è presente il simbolo di conformità alla direttiva europea 2012/19/CE - UK SI 2013 N. 3113 sui rifiuti di apparecchiature elettriche ed elettroniche (RAEE). Assicurandosi che questo dispositivo venga smaltito correttamente, l'utente contribuisce a prevenire i potenziali impatti negativi sull'ambiente e sulla salute umana.

Il simbolo  presente sul dispositivo o nella documentazione fornita indica che il dispositivo stesso non deve essere trattato come rifiuto domestico, ma conferito in un centro di raccolta dei rifiuti idoneo per il riciclaggio delle apparecchiature elettriche ed elettroniche. Smaltire il dispositivo in modo conforme alle normative in vigore localmente per lo smaltimento dei rifiuti. Per ulteriori informazioni sul trattamento, il recupero e il riciclaggio di questo dispositivo, rivolgersi alle autorità locali, al servizio di raccolta dei rifiuti domestici o al punto vendita presso il quale il dispositivo è stato acquistato. Dispositivo progettato, collaudato e sviluppato in conformità alle normative in materia di:

- Sicurezza: EN/IEC 60335-1; EN/IEC 60335-2-6, EN/IEC 60335-2-31 ed EN/IEC 62233.
- Prestazioni: EN/IEC 61591; ISO 5167-1; ISO 5167-3; ISO 5168; EN/IEC 60704-1; EN/IEC 60704-2-13; EN/IEC 60704-3; ISO 3741; EN 50564; IEC 62301. EN 60350-2;

- EMC: EN 55014-1; CISPR 14-1; EN 55014-2; CISPR 14-2; EN/IEC 61000-3-3 ed EN/IEC 61000-3-12. Raccomandazioni per un uso corretto al fine di ridurre l'impatto sull'ambiente: Quando si inizia a cucinare, accendere l'apparecchio alla velocità minima; lasciarlo inoltre acceso per qualche minuto una volta terminata la cottura. Aumentare la velocità esclusivamente in caso di presenza di grandi quantità di fumi e vapore, utilizzando la funzione Booster solo in casi estremi. Per mantenere efficiente il sistema di riduzione degli odori, sostituire i filtri a carbone secondo necessità. Per garantire l'elevata prestazione del filtro antigrasso, pulirlo quando necessario. Per migliorare l'efficienza e ridurre al minimo il rumore, utilizzare condotti del diametro massimo indicato in questo manuale.

2. Uso

Uso del piano cottura

Il sistema di cottura a induzione sfrutta il principio fisico dell'induzione magnetica per trasferire direttamente l'energia dal generatore alle pentole.

Vantaggi:

Rispetto ai piani cottura elettrici, il piano cottura a induzione è:

- **Più sicuro:** minore temperatura della superficie in vetro.
- **Più veloce:** tempi più brevi di riscaldamento degli alimenti.
- **Più preciso:** il piano cottura reagisce immediatamente ai comandi.
- **Più efficiente:** viene convertito in calore il 90% dell'energia assorbita. Una volta rimossa la pentola dal piano cottura, la trasmissione del calore viene inoltre interrotta immediatamente, evitando dispersioni di calore superflue.

2.1 Recipienti per cucinare

Usare unicamente pentole con il simbolo  :

per evitare graffi, non utilizzare:

- recipienti con fondo non perfettamente piatto.
- recipienti in metallo con fondo smaltato.
- recipienti con base ruvida, per evitare di graffiare la superficie del piano cottura.
- non appoggiare pentole e padelle calde sulla superficie del pannello di controllo.

2.1.1 Recipienti preesistenti

La cottura a induzione genera calore utilizzando il magnetismo.

I recipienti devono pertanto essere realizzati in un materiale magnetico, come il ferro. Per determinare se una pentola è adatta, provarne il materiale con un magnete. Se non reagisce a un magnete, una pentola non è adatta alla cottura a induzione.

2.1.2 Diametri consigliati del fondo delle pentole

IMPORTANTE: Se le dimensioni delle pentole sono errate, le zone di cottura non si attivano.

Per informazioni dettagliate sul diametro minimo della pentola da utilizzare su ciascuna zona, vedere la parte illustrata di questo manuale.

2.2 Risparmio energetico

Consigli per risultati ottimali:

- Usare pentole e padelle con diametro del fondo pari a quello della zona di cottura.
- Utilizzare unicamente pentole e padelle con fondo piatto.
- Durante la cottura, lasciare il coperchio sulla pentola ogni qualvolta ciò sia possibile.
- Cuocere verdure, patate e così via con una quantità minima di acqua, per ridurre i tempi di cottura.
- Usare una pentola a pressione, poiché riduce ulteriormente il consumo energetico e i tempi di cottura.
- Centrare la pentola all'interno della zona di cottura indicata sul piano cottura.

SCelta DELLE PENTOLE GIUSTE

Pentole per piani cottura a induzione

Le pentole per le zone di cottura a induzione devono essere di metallo e avere proprietà magnetiche. La base deve essere sufficientemente grande.

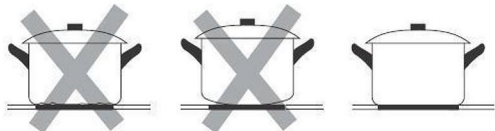
Utilizzare esclusivamente pentole con una base adatta all'induzione.

Ecco come stabilire l'idoneità di una pentola:

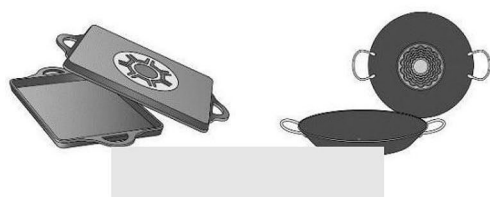
Pentole adatte	Pentole non adatte
Pentole in acciaio smaltato con base spessa	Pentole in rame, acciaio inox, alluminio, vetro da forno, legno, ceramica e terracotta
Pentole in ghisa con base smaltata	
Pentole in acciaio inossidabile multistrato, acciaio ferritico antiruggine o alluminio con base speciale	

Effettuare la prova del magnete descritta di seguito o accertarsi che la pentola rechi il simbolo di idoneità alla cottura con corrente ad induzione.

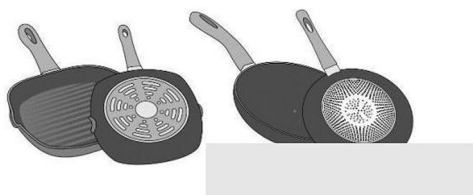
Non utilizzare mai pentole la cui base è deformata. Una base concava o convessa può interferire con il funzionamento della protezione dal surriscaldamento, facendo sì che l'apparecchio diventi troppo caldo. Ciò può causare la rottura del piano in vetro e la fusione della base della pentola. Sono esclusi dalla garanzia i danni derivanti dall'uso di pentole non idonee o dalla bollitura a secco.



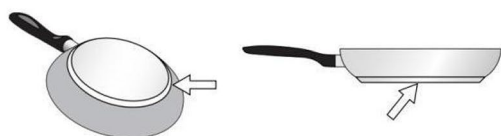
Se il fondo della pentola è solo parzialmente ferromagnetico, si riscalda solo la zona ferromagnetica. Ciò può fare sì che il calore non si distribuisca in modo uniforme. È possibile che la zona non ferromagnetica non si riscaldi fino a una temperatura sufficiente per la cottura.



La zona ferromagnetica si riduce inoltre anche se il materiale della base della pentola contiene ad esempio alluminio. Ciò può significare che la pentola non si scalda a sufficienza o non viene neppure rilevata.



Il/i materiale/i con cui è realizzata la base della pentola può influire sul risultato della cottura. L'uso di pentole e padelle realizzate con materiali che distribuiscono uniformemente il calore al loro interno, come quelle in acciaio inossidabile con base a tre strati, consente di risparmiare tempo ed energia. Utilizzare pentole con un base piatta; se la base della pentola non è piana, l'apporto di calore può essere compromesso.



Test della calamita:

Spostare un magnete verso la base delle pentole. Se il magnete viene attratto, è possibile utilizzare le pentole sul piano cottura a induzione.



Nota:

Quando si usano pentole adatte per la cottura a induzione realizzate da alcuni produttori, possono verificarsi rumori imputabili alla struttura di tali pentole. Prestare attenzione quando si utilizzano pentole per la cottura a fuoco lento, perché l'acqua in ebollizione può asciugarsi senza che nessuno se ne accorga, causando danni alla pentola e al piano cottura per i quali si declina ogni responsabilità.

Dimensione delle pentole

Per ottenere un buon risultato di cottura, la zona ferromagnetica presente nella base della pentola deve corrispondere alle dimensioni e della piastra scaldante. Se una piastra scaldante non rileva una pentola, provare a posizionare quest'ultima su un'altra piastra scaldante di diametro inferiore.

Zona di cottura	Diametro minimo della padella
Ø 160 mm	Ø 120 mm
Ø 180 mm	Ø 140 mm

Uso della ventola di aspirazione

È possibile utilizzare in due modi il sistema della ventola di aspirazione: come versione con scarico esterno o come versione con filtrazione e ricircolo interno. La versione con scarico esterno invia all'esterno fumo, vapore e odori di cucina, mentre la versione con ricircolo e filtrazione interna filtra tali elementi e reimmette nel locale l'aria pulita.



Versione con scarico

L'espulsione dei fumi verso l'esterno avviene tramite una serie di tubi (venduti separatamente) collegati al tubo di collegamento in dotazione. Il diametro dei tubi di scarico o dell'adattatore deve corrispondere a quello del tubo di collegamento da 222 x 89 mm in dotazione.

Per ulteriori informazioni sull'uso della versione con scarico, fare riferimento alla pagina pertinente nella sezione illustrata del manuale. Quando si collega il prodotto a tubi e fori di scarico a parete, accertarsi che il diametro corrisponda all'uscita dell'aria (flangia di collegamento). L'uso di tubi e fori di diametro inferiore può ridurre l'efficienza

dell'aspiratore ed aumentare i livelli di rumore. Per ottenere i migliori risultati, mantenere il condotto il più corto possibile, con un numero minimo di curve (angolo massimo: 90°) ed evitare variazioni improvvise del diametro del condotto.

- Mantenere il condotto il più corto possibile.
- Utilizzare condotti con il minor numero possibile di curve (angolo massimo: 90°).
- Evitare variazioni drastiche del diametro dei condotti.



Versione con filtrazione

La versione con ricircolo e filtrazione interni serve a filtrare i fumi di cottura e reimmettere nella cucina aria pulita. Invece di evacuarla all'esterno, questo sistema fa ricircolare l'aria all'interno dopo averla fatta passare attraverso i filtri. Esso è utile quando l'evacuazione all'esterno non è possibile. Filtri specializzati, come i filtri a carbone attivo (inclusi nell'accessorio), intrappolano efficacemente grasso e odori. Per ottenere prestazioni ottimali è necessaria una manutenzione regolare, inclusa la sostituzione del filtro. Questo metodo aiuta a mantenere pulita l'aria interna ed è efficiente dal punto di vista energetico, ma non rimuove completamente le sostanze inquinanti dalle abitazioni. Per i requisiti relativi alla modalità e alle dimensioni di installazione è possibile fare riferimento al manuale d'uso.

3. Installazione

• Sia l'installazione elettrica, sia quella meccanica devono essere eseguite da professionisti qualificati. Questo elettrodomestico è progettato per essere installato su un piano di lavoro con uno spessore compreso tra 2 e 6 cm per un'installazione su piano, o tra 2,5 e 6 cm per un'installazione a filo. Quando si installa il piano cottura, mantenere una distanza minima di 5 cm sul lato anteriore, 4 cm sui fianchi e 50 cm dai pensili sospesi. Nota: Le distanze consigliate sono fornite unicamente a titolo esemplificativo. Nel progettare la cucina, attenersi alle linee guida fornite dal suo produttore.

3.1 Collegamento alla rete elettrica

Per collegare il piano cottura alla rete elettrica procedere come segue

- Estrarre il piano cottura dal suo imballaggio e collocarlo su una superficie piana.
- Collegare al piano cottura il cavo di alimentazione.
- Collegare l'altra estremità del cavo di alimentazione alla rete elettrica.
- Assicurarsi che il collegamento elettrico sia sicuro e soddisfi le normative elettriche locali.

- Scollegare il dispositivo dalla rete elettrica.
- L'installazione deve essere eseguita da personale professionalmente qualificato e che conosca le norme vigenti in materia di installazione e sicurezza.
- Il produttore declina ogni responsabilità nei confronti di persone, animali o beni materiali qualora non vengano seguite le linee guida fornite in questo capitolo.
- La lunghezza del cavo di alimentazione deve essere sufficiente per consentire la rimozione del piano cottura dal piano di lavoro.
- Assicurarsi che il collegamento elettrico sia sicuro e soddisfi le normative elettriche locali.
- Non utilizzare prolunghie.
- Il cavo della terra dell'alimentazione deve essere più lungo di 2 cm rispetto agli altri cavi.

- Se l'elettrodomestico è privo del cavo di alimentazione, per potenze fino a 7200 W utilizzarne uno con conduttori del diametro minimo di 2,5 mm²; per potenze superiori il diametro deve essere pari a 4 mm².
 - La temperatura non deve raggiungere in alcun punto del cavo un valore superiore di 50 °C rispetto alla temperatura ambiente.
 - L'elettrodomestico è destinato al collegamento permanente alla rete elettrica.
 - **Nota** Prima di ricollegare il circuito alla rete elettrica accertarsi che funzioni correttamente; verificare sempre che il cavo di alimentazione sia installato in modo appropriato.
 - **Nota** Il cavo di interconnessione deve essere sostituito dal servizio di assistenza tecnica autorizzato o da una persona con qualifica simile.
- Nota:** il prodotto è dotato di una funzione di limitazione della potenza che consente di impostare un limite massimo della potenza. Il limite deve essere impostato al momento del collegamento del prodotto alla rete elettrica o quando la rete elettrica stessa viene ricollegata (entro i 2 minuti successivi).

3.3 Montaggio

Prima di iniziare l'installazione:

- **Dopo aver disimballato il prodotto, verificare che non abbia subito danni durante il trasporto; in caso di problemi, rivolgersi al rivenditore o al servizio di assistenza clienti prima di installarlo.**
- Verificare che il prodotto abbia le dimensioni giuste per il punto di installazione.
- Verificare la presenza di accessori (ad esempio sacchetti contenenti viti, certificati di garanzia e così via) all'interno dell'imballaggio (dove sono stati introdotti per ragioni di trasporto). Se presenti, rimuoverli e conservarli in un luogo sicuro.
- Verificare inoltre che vicino al punto di installazione sia presente una presa di corrente.

Preparazione del mobile per l'installazione:

- Il prodotto non può essere installato sopra apparecchi di raffreddamento, lavastoviglie, stufe, forni, lavatrici e asciugatrici.
- Prima di inserire il piano cottura nel mobile, praticarvi delle sfinestrature e rimuovere con cura eventuali trucioli o segatura.
- **per ottimizzare l'installazione del filtro, è consigliabile praticare un'asola nello zoccolo per inserire una griglia (disponibile in commercio) IMPORTANTE:** utilizzare un adesivo sigillante monocomponente (**S**), che resista a temperature fino a 250°; prima dell'installazione, pulire accuratamente le superfici da incollare ed eliminare qualunque sostanza che possa compromettere l'adesione (ad esempio distaccanti, conservanti, grassi, olio, polvere, tracce di vecchi adesivi e così via); l'adesivo deve essere distribuito uniformemente su tutto il perimetro esterno del telaio; dopo l'incollaggio lasciare asciugare l'adesivo per circa 24 ore.

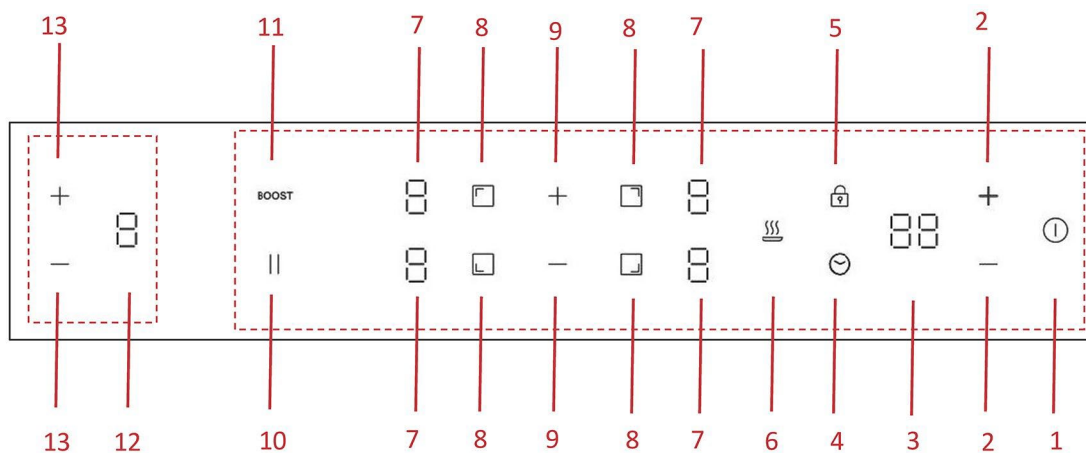
Attenzione! Se viti e fissaggi non vengono installati come indicato in queste istruzioni, possono crearsi pericoli elettrici.

Nota: per garantire l'installazione corretta del prodotto, si consiglia di nastrare i tubi utilizzando un adesivo con le seguenti caratteristiche:

- pellicola elastica morbida in PVC con adesivo a base acrilica.
- conformità alle normative DIN EN 60454.
- ritardante di fiamma.

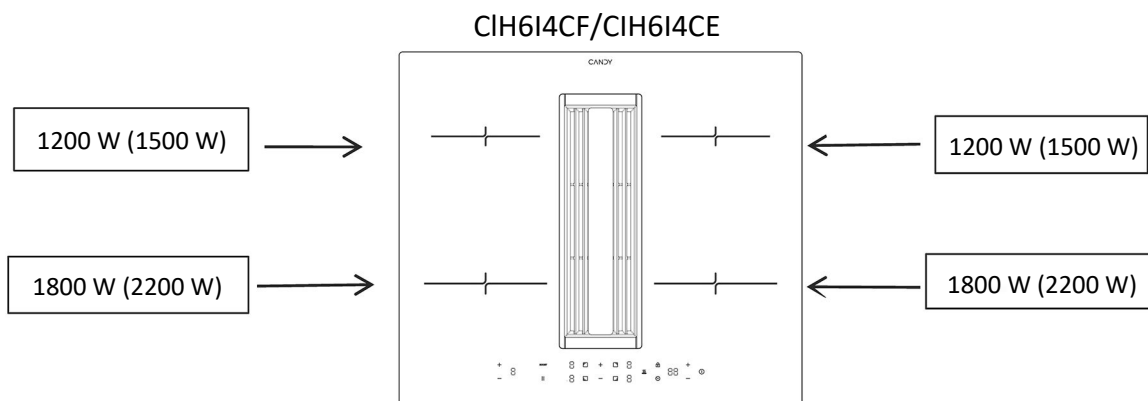
- eccellente resistenza all'usura.
- resistenza alle fluttuazioni della temperatura.
- possibilità di utilizzo a basse temperature.

AZIONAMENTO DEL PIANO COTTURA CON I PULSANTI A SFIORAMENTO



- | | | | |
|----|--|----|--|
| 1 | ON/OFF | 2 | Impostazione del timer |
| 3 | Display del timer | 4 | Selezione del timer |
| 5 | Blocco bambini | 6 | Funzione di mantenimento in caldo |
| 7 | Visualizzazione del livello di potenza del PIANO COTTURA | 8 | Selezione della zona di cottura |
| 9 | Selezione del livello di potenza del PIANO COTTURA | 10 | Pausa |
| 11 | Boost | 12 | Visualizzazione del livello di potenza della CAPPA |
| 13 | Selezione del livello di potenza della CAPPA | | |

SPECIFICA DEL PRODOTTO



Uso della cappa

1. MODALITÀ STANDBY:

Dopo l'accensione, il cicalino emette un segnale acustico, tutti i display mostrano "0" e la cappa entra nella modalità standby.

Se non viene eseguita alcuna operazione entro 60 secondi, tutti i display si spengono completamente e la cappa si spegne automaticamente. È possibile riattivare la cappa in qualunque momento toccando un qualsiasi pannello di controllo.

2. IMPOSTAZIONE DEL LIVELLO DI POTENZA:

La cappa offre quattro livelli di potenza (da 1 a 4), consentendo agli utenti di regolare la forza di aspirazione in base alle loro esigenze.

Per attivare la cappa, tenere premuto per 1 secondo il tasto \oplus di selezione della potenza. Per impostazione predefinita, la cappa si avvia al livello 1. È possibile selezionare il livello di potenza premendo i tasti \oplus e \ominus .

3. MODALITÀ BOOST:

La modalità Boost, attivata selezionando il livello massimo di potenza ("P"), fornisce un'aspirazione più intensa per eliminare rapidamente i fumi di cottura. Tale modalità ha una durata di soli 5 minuti per evitare un consumo energetico eccessivo, ed è progettata per rimuovere in modo efficiente odori e grasso di cottura durante le sessioni di cottura gravose.

Tenendo premuto per un secondo il tasto \oplus dopo l'impostazione del livello di potenza, la cappa passa direttamente alla MODALITÀ BOOST (P). Tenere presente che la MODALITÀ BOOST può rimanere attiva soltanto per 10 minuti, dopodiché la cappa passa automaticamente al livello 4.

a) MODALITÀ DI SPEGNIMENTO RITARDATO:

Una volta terminato l'uso del piano cottura, la cappa continua ad aspirare i fumi oleosi residui.

Essa continua a funzionare per un massimo di 5 minuti per garantire una ventilazione completa anche dopo che la cottura è terminata. Dopo 5 minuti la cappa si spegne automaticamente.

Ciò aiuta a mantenere in cucina un ambiente pulito e privo di odori rimuovendo gli odori di cottura e le particelle di grasso persistenti.

Per disattivare la cappa, premere il tasto (P→4→3→2→1→d→ spegnimento). È inoltre possibile tenere premuto per un secondo il tasto \ominus per accedere direttamente alla modalità di spegnimento ritardato (d).

Mentre è attiva la modalità di spegnimento ritardato, è possibile premere \ominus per spegnere direttamente la cappa oppure \oplus per accendere la cappa al livello 1. È inoltre possibile selezionare il livello di potenza premendo i tasti \oplus e \ominus .

4. MODALITÀ AUTOMATICA:

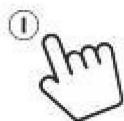
La cappa regola il proprio funzionamento in base all'attività del piano cottura a induzione. Quando il piano cottura è acceso, la cappa si attiva al livello 1. Dopo lo spegnimento del piano cottura, la cappa passa automaticamente alla modalità di spegnimento ritardato. Ciò garantisce una ventilazione continua anche a cottura ultimata, eliminando efficacemente odori e grassi residui dall'ambiente della cucina.

Uso del piano cottura

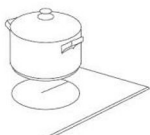
Per avviare la cottura

- Dopo l'accensione, viene emesso un segnale acustico, tutti gli indicatori del piano cottura si accendono per 1 secondo per poi spegnersi, indicando che il piano cottura è in modalità standby.

1. Toccare il comando ON/OFF ⓘ. Tutti gli indicatori mostrano "-"



2. Collocare una pentola idonea sulla zona di cottura da utilizzare. Accertarsi che il fondo della padella e la superficie della zona di cottura siano puliti e asciutti.



3. Toccando il comando di selezione della zona scaldante, un indicatore vicino al tasto lampeggia.



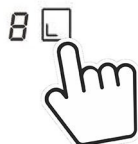
4. Selezionare un'impostazione della temperatura toccando il comando del livello di potenza.



- Se non si sceglie un'impostazione della temperatura entro 1 minuto, il piano cottura a induzione si spegne automaticamente.
- In tal caso, occorre ricominciare dal punto 1.
- È possibile modificare l'impostazione della temperatura in qualunque momento durante la cottura.

Al termine della cottura

- Toccare la selezione della zona scaldante che si desidera spegnere.



- Spegnere la zona di cottura toccando il comando del livello di potenza. Accertarsi che il display indichi "0".



- Spegnere l'intero piano toccando il comando ON/OFF.



- Prestare attenzione alle superfici calde

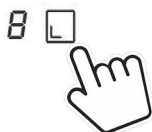
L'indicazione "H" segnala che la zona di cottura è troppo calda per toccarla. L'indicazione scompare quando la superficie si è raffreddata a una temperatura sicura. Se occorre scaldare altre pentole, per risparmiare energia è possibile utilizzare il piano cottura ancora caldo.

H

Uso della funzione Boost

Attivazione della funzione Boost

1. Selezionare la zona con funzione Boost.

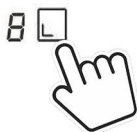


2. Toccando il tasto booster "BOOST", l'indicazione del livello di potenza mostra "P".

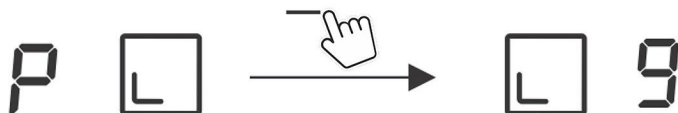


Annullamento della funzione Boost

1. Selezionare la zona con funzione Boost.



2. Premere il livello di potenza per annullare la funzione Boost e selezionare il livello che si desidera impostare.



- La funzione Boost può rimanere attiva solo per 5 minuti, dopodiché la zona passa automaticamente al livello 9.


Blocco dei comandi


- I comandi possono essere bloccati per impedire utilizzi indesiderati (ad es. i bambini potrebbero accendere accidentalmente le zone di cottura).
- Quando sono bloccati, sono disabilitati tutti i comandi tranne ON/OFF.

Per bloccare i comandi

Toccare il comando  del blocco bambini. L'indicatore del timer visualizza "Lo".

Per sbloccare i comandi

- Accertarsi che il piano cottura sia acceso.
- Tenere premuto per 3 secondi il comando  del blocco bambini.
- A questo punto, è possibile iniziare a utilizzare il piano cottura.

 Quando il piano cottura si trova nella modalità di blocco tutti i comandi sono disabilitati, tranne ON/OFF. In caso di emergenza, è sempre possibile spegnere il piano cottura con il comando ON/OFF, ma si deve prima sbloccare il piano cottura nell'operazione successiva.

Avvertenza sul calore residuo

Quando il piano cottura è rimasto in funzione per qualche tempo, è presente un certo calore residuo. La lettera "H" viene visualizzata per indicare di tenersi a distanza dal piano cottura.

Spegnimento automatico

La funzione di sicurezza del piano di cottura è lo spegnimento automatico. Esso ha luogo ogni qualvolta si dimentica di spegnere una zona di cottura. I tempi di spegnimento preimpostati sono indicati nella tabella seguente:

Livello di potenza	1	2	3	4	5	6	7	8	9
Timer di funzionamento predefinito (ore)	8	8	8	4	4	4	2	2	2

Utilizzo del timer

Il timer può essere adoperato in due modi diversi:

- Può essere utilizzato come promemoria minuti. In questo caso, il timer non spegne la zona di cottura quando il tempo è impostato.
- È possibile utilizzarlo come timer di interruzione in modo che vengano spente una o più zone di cottura dopo il tempo impostato.
- È possibile impostare il timer fino a 99 minuti.

Utilizzo del timer come promemoria minuti

- Accertarsi che il piano cottura sia acceso. Il tasto di selezione della zona non deve inoltre essere attivato (l'indicazione della zona "-" non lampeggia).

Nota: È possibile impostare il promemoria minuti prima o dopo il termine dell'impostazione della potenza della zona di cottura.



- Toccando il tasto del timer, sul display del timer viene visualizzata l'indicazione lampeggiante "30". L'impostazione predefinita è 30 min.

- Impostare il tempo toccando il comando "+" o "-" del timer (ad esempio 5)

Utilizzare un tocco breve per la regolazione a passi di 1 min e un tocco lungo per passi di 10 minuti.

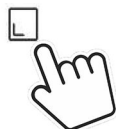


- Quando il tempo è impostato, il conto alla rovescia inizia immediatamente. Il display visualizza il tempo residuo.

- Il cicalino emette un segnale acustico per 20 secondi; una volta trascorso il tempo impostato, l'indicatore del timer visualizza "--".

Uso del timer per lo spegnimento di una o più zone di cottura

- Toccare il comando di selezione della zona scaldante per cui si desidera impostare il timer.



- Toccando il tasto del timer, sul display del timer viene visualizzata l'indicazione lampeggiante "30". L'impostazione predefinita è 30 min.

- Impostare il tempo toccando il comando “+” o “-” del timer (ad esempio 5)

Utilizzare un tocco breve per la regolazione a passi di 1 min e un tocco lungo per passi di 10 minuti.



- Quando il tempo è impostato, il conto alla rovescia inizia immediatamente. Il display visualizza il tempo residuo.

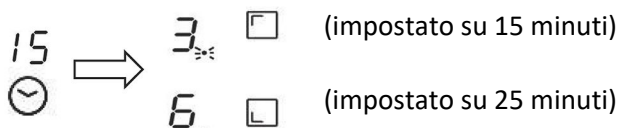
NOTA: nell'angolo inferiore destro dell'indicazione del livello di potenza è presente un punto rosso che indica che la zona è selezionata.

- Una volta scaduto il timer della cottura, la zona di cottura corrispondente si spegne automaticamente.

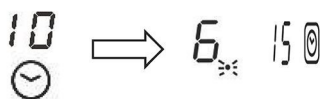
Nota: altre zone di cottura rimangono in funzione se sono state accese precedentemente.

Se il timer è impostato su più di una zona:

- Quando si imposta il timer per più zone di cottura, vengono indicati i punti rossi delle zone di cottura interessate. Il display del timer visualizza il timer dei minuti. Il punto della zona corrispondente lampeggia.



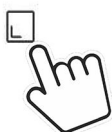
- Una volta scaduto il timer del conto alla rovescia, la zona corrispondente si spegne. Viene poi visualizzato nuovamente il nuovo timer dei minuti e il punto della zona corrispondente lampeggia.



Nota: Toccando il comando di selezione della zona scaldante riscaldamento, il timer corrispondente viene visualizzato nell'indicatore del timer.

Disattivazione del timer

- Toccare il comando di selezione della zona scaldante per cui si desidera annullare il timer.



- Quando si tocca il comando del timer, l'indicatore lampeggia.

- Toccando il comando "-" per impostare il timer su "00", il timer viene annullato.



Impostazioni della potenza

La potenza di riscaldamento delle zone di cottura può essere impostata su vari livelli. La tabella fornisce alcuni esempi del modo di utilizzare ciascuna impostazione.

Livello di cottura:	Adatto per:
1	Mantenere caldi gli alimenti. Cuocere a fuoco lento piccole quantità (impostazione di minima potenza).
2	Cuocere a fuoco lento.
3 - 4	Cuocere a fuoco lento quantità maggiori o arrostitire tagli di carne più grandi fino a quando non sono cotti.
5 - 6	Ottenere succhi.
7 - 8	Arrostitire e ottenere succhi.
9	Arrostitire.
P	Arrostitire (massima potenza).

Gestione della potenza

Questo piano cottura può essere collegato a un'alimentazione da 13, 20, 25 e 32 A e configurato per funzionare con qualsiasi di tali impostazioni di potenza.

Il piano cottura è predisposto per essere collegato a una alimentazione da 32 A. Quando vengono selezionate contemporaneamente quattro zone, il piano cottura limita la potenza massima assorbita in modo da non superare la potenza di 7,0 kW. Analogamente, quando è collegato e configurato su una modalità di alimentazione da 13/20/25 A, il piano cottura limita la potenza massima a 2,5/ 3,5/ 4,5/ 7,0 kW.

Se il piano cottura è collegato a un alimentatore da 32 A e configurato per esso, è possibile utilizzare tutte e quattro le zone contemporaneamente all'impostazione massima con la funzione Boost.

Modifica dell'impostazione di gestione della potenza

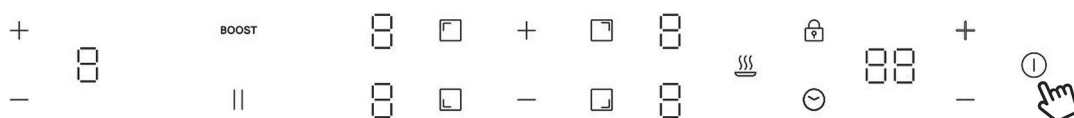
1. Disinserire l'alimentazione elettrica del piano cottura.
2. Lasciare disinserita l'alimentazione elettrica per un minuto.
3. Inserire nuovamente l'alimentazione elettrica.
4. Seguire dal passo "1" in poi le istruzioni fornite alla voce "Configurazione del piano cottura in modalità ECO".

NOTA: Se l'alimentazione elettrica del piano cottura non viene disinserita, è possibile accedere alla configurazione della modalità ECO una sola volta.

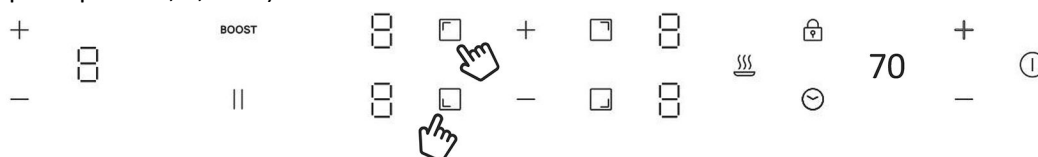
(Nota: la modalità ECO deve essere impostata entro un minuto dall'inserimento dell'alimentazione, altrimenti non è possibile accedere all'impostazione della modalità ECO dopo più di un minuto)

Configurazione della gestione della potenza del piano cottura

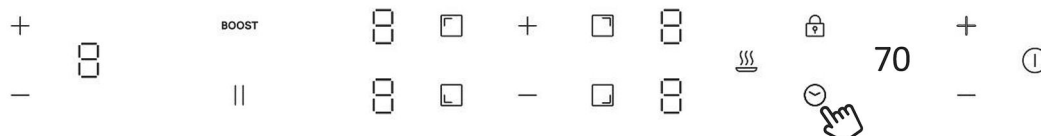
1. Toccare il tasto ON/OFF per inserire l'alimentazione elettrica. Il cicalino emette un singolo segnale acustico e tutti i display visualizzano "- " e "--".



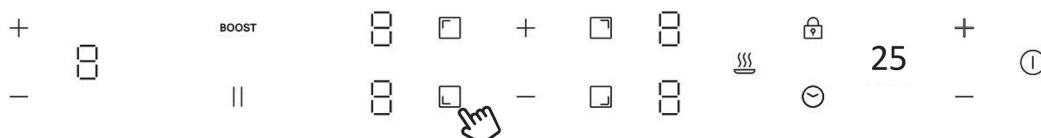
2. Tenere premuti contemporaneamente per 3 secondi il tasto della zona anteriore sinistra e quello della zona posteriore sinistra. Il cicalino emette un segnale acustico che indica che il piano cottura a induzione entra nella selezione della modalità ECO. (Il display mostra la potenza preimpostata, 7,0 kW)



3. Toccare il tasto del timer; a questo punto il display del timer lampeggia. A questo punto è possibile selezionare l'impostazione della potenza.

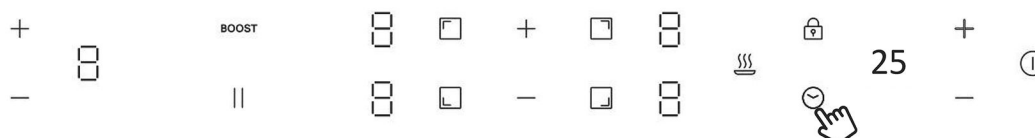


4. Per modificare l'impostazione della potenza totale, premere il tasto della zona anteriore sinistra per selezionare una nuova impostazione della potenza totale. Premendo nuovamente il tasto della zona anteriore sinistra si scorrono ciclicamente le opzioni: 25, 35, 45 e 70. Ad esempio, quando il display del timer mostra il numero "25", la potenza totale è impostata su 2500 W. Tenere premuto il tasto dell'area anteriore sinistra fino a trovare l'impostazione della potenza desiderata.

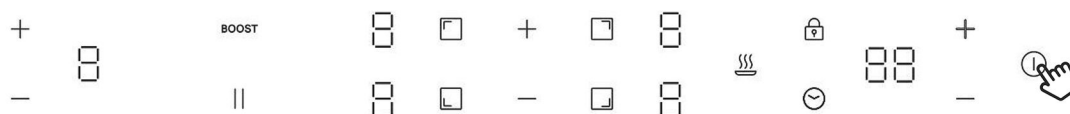


* Per impostazione predefinita, la potenza è impostata in fabbrica su 7,0 kW.

5. Toccando nuovamente il tasto del timer, il display del timer smette di lampeggiare e il tasto della zona precedentemente selezionata mostra l'indicazione "0", segnalando che l'impostazione è confermata.



6. Toccare il tasto ON/OFF per disinserire l'alimentazione elettrica. Reinserire quindi l'alimentazione elettrica; a questo punto il piano cottura è configurato e pronto per l'uso nella modalità ECO impostata.



7. Toccare il tasto ON/OFF per inserire l'alimentazione elettrica; a questo punto è possibile utilizzare la nuova impostazione di potenza.

PULIZIA E MANUTENZIONE

- Prima della pulizia, spegnere il piano cottura e lasciarlo raffreddare.
- Non pulire il piano cottura utilizzando pulitori a vapore o idropulitrici ad alta pressione, poiché ciò può causare una scossa elettrica.
- Durante la pulizia, avere cura di strofinare solo leggermente il sensore di accensione/spegnimento. In caso contrario il piano cottura può accendersi accidentalmente!

Piano cottura in vetroceramica

Importante! Non utilizzare mai detersivi aggressivi come prodotti abrasivi, detersivi abrasivi per pentole, prodotti per la rimozione di ruggine e macchie, e così via.

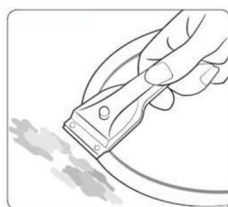
Pulizia dopo l'uso

Pulire sempre l'intero piano cottura quando è sporco. Si consiglia di effettuare tale operazione ogni volta che si utilizza il piano cottura. Per la pulizia usare un panno umido e una piccola quantità di detersivo per piatti. Asciugare quindi il piano cottura con un panno pulito e asciutto per garantire che sulla sua superficie non rimanga alcuna traccia di detersivo.

Pulizia settimanale

Pulire accuratamente l'intero piano cottura una volta alla settimana con detersivi per vetroceramica disponibili in commercio. Seguire attentamente le istruzioni del produttore. Una volta applicato, il detersivo ricopre il piano cottura con una pellicola protettiva resistente all'acqua e alla sporcizia. Tutta la sporcizia rimane sulla pellicola e può essere rimossa facilmente. Asciugare quindi il piano cottura strofinandolo con un panno pulito. Assicurarsi che sulla superficie del piano cottura non rimanga alcuna traccia di detersivo, poiché questo reagisce in modo aggressivo quando il piano cottura viene riscaldato, alterando la superficie.

Il modo migliore per rimuovere sporco ostinato e macchie (ad esempio calcaree e del tipo lucido, madreperlaceo) consiste nell'effettuare la pulizia quando il piano cottura è ancora leggermente caldo. Pulire il piano cottura utilizzando detersivi commerciali. Procedere come indicato al punto 2. Imbibire anzitutto con un panno umido gli alimenti fuoriusciti durante la bollitura, quindi rimuovere i residui di sporco con l'apposito raschietto per piani cottura in vetroceramica. Pulire quindi nuovamente il piano cottura come descritto al punto 2.



Griglia e filtro antigrasso

Pulire una volta alla settimana a mano o in lavastoviglie. Per la pulizia usare una piccola quantità di detersivo per piatti.

Filtro al carbone attivo

Si consiglia di sostituire il filtro a carbone entro 2-4 mesi.

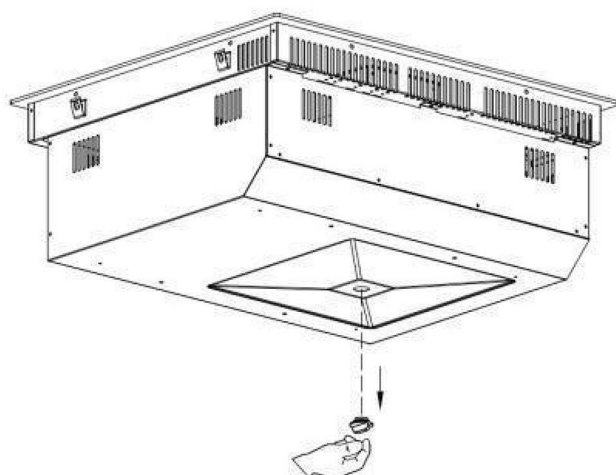
Lo zucchero bruciato e la plastica fusa devono essere rimossi immediatamente, quando sono ancora caldi, con un raschietto per vetro. Pulire quindi nuovamente il piano cottura come descritto al punto 2.

Gli eventuali granelli di sabbia depositatisi sul piano cottura quando si sbucciano le patate o si pulisce l'insalata possono graffiare la superficie del piano cottura quando si spostano le pentole. Assicurarsi che sul piano cottura non siano rimasti granelli di sabbia.

Le eventuali variazioni del colore del piano cottura non influiscono sul funzionamento e sulla stabilità del materiale in vetroceramica. Tali variazioni del colore non sono cambiamenti del materiale ma residui di alimenti non rimossi che sono bruciati, penetrando nella superficie.

Quando la base delle pentole sfrega sulla superficie del piano cottura si formano delle macchie lucide; ciò si verifica in particolare quando si usano pentole con base in alluminio o detergenti inadatti. Tali macchie sono difficili da rimuovere con i normali detergenti. È possibile che occorra ripetere più volte il processo di pulizia. La decorazione si consuma nel tempo e compaiono macchie scure dovute all'uso di detergenti aggressivi e pentole dalla base inadatta.

Se nella macchina penetra accidentalmente una grande quantità di liquido, farlo fuoriuscire rimuovendo il tappo in silicone presente sulla parte inferiore.



COME PROCEDERE IN CASO DI PROBLEMI

In caso di errori durante il funzionamento, consultare la tabella riportata di seguito prima di richiedere un intervento di assistenza. Si riportano di seguito alcuni errori comuni e le verifiche da eseguire.

Problema	Possibili cause	Rimedi
È impossibile accendere il piano cottura.	Assenza di corrente elettrica.	Controllare se il piano cottura è collegato a una fonte di alimentazione funzionante. Controllare se si è verificato un blackout in casa o in zona. Se il problema non si risolve dopo tutti questi controlli, chiamare un tecnico qualificato.
I comandi touch non rispondono.	I comandi sono bloccati.	Sbloccare i comandi. Per istruzioni, vedere la sezione "AZIONAMENTO DEL PIANO COTTURA CON I PULSANTI A SFIORAMENTO".
I comandi touch sono difficili da azionare.	È possibile che sia presente un velo d'acqua sui comandi o che si utilizzi la punta del dito per toccarli.	Accertarsi che l'area dei comandi touch sia asciutta e utilizzare il polpastrello quando si toccano i comandi.
Il vetro è graffiato.	Utensili da cucina con bordi irregolari. Uso di pagliette abrasive o prodotti di pulizia inadeguati.	Adoperare utensili da cucina con basi piatte e lisce. Vedere "Scelta degli utensili da cucina". Vedere "Cura e pulizia".
Alcune pentole producono crepitii e ticchettii.	Questi rumori possono essere dovuti ai materiali con cui sono realizzati gli utensili da cucina (strati di metalli differenti che vibrano in maniera diversa).	Questo fenomeno è normale per gli utensili da cucina e non indica un problema.
Il piano cottura a induzione emette un lieve ronzio quando è impostata una temperatura elevata.	Questo rumore è dovuto alla tecnologia della cottura a induzione.	Il rumore è normale ma dovrebbe diminuire o scomparire quando si riduce l'impostazione della temperatura.
Rumore della ventola proveniente dal piano cottura a induzione.	La ventola di raffreddamento interna del piano cottura a induzione si accende per evitare il surriscaldamento dei componenti elettronici. Può rimanere in funzione anche dopo aver spento il piano cottura a induzione.	Questo funzionamento è normale e non richiede alcun intervento. Non staccare la spina del piano cottura a induzione quando è in funzione la ventola.
Le pentole non si riscaldano e il display lo indica.	Il piano cottura a induzione non rileva la pentola perché non è adatta alla cottura a induzione. Il piano cottura a induzione non rileva la pentola perché è troppo piccola per la zona di cottura o non è centrata correttamente sulla zona di cottura.	Adoperare utensili di cucina idonei per la cottura a induzione. Vedere la sezione "Scelta degli utensili da cucina". Centrare la pentola e accertarsi che la base sia adatta alle dimensioni della zona di cottura.

Il piano cottura a induzione o una zona di cottura si spegne all'improvviso, viene emesso un segnale acustico e viene visualizzato un codice di errore (che generalmente alterna una o due cifre sul display del timer della cottura).	Guasto tecnico.	Prendere nota delle lettere e dei numeri dell'errore, staccare la spina del piano cottura a induzione e rivolgersi a un tecnico qualificato.
Dopo aver collegato l'alimentazione elettrica e premuto il tasto di accensione, non si riceve alcuna risposta dall'apparecchio.	È presente un'interruzione dell'alimentazione elettrica?	Attendere il ripristino dell'alimentazione elettrica
	È bruciato il fusibile o è scattato il salvavita?	Verificare con cura le cause prime. Se non si riesce a risolvere il problema, rivolgersi al centro assistenza per l'ispezione e la riparazione.
	La spina è collegata saldamente?	
Durante l'uso normale, il riscaldamento si interrompe e si sente un segnale acustico.	Sono in uso pentole incompatibili o non è presente alcuna pentola?	Sostituire le pentole; utilizzare pentole adatte al piano cottura a induzione.
	La pentola non è posizionata al centro della zona scaldante.	Posizionare la pentola al centro della zona scaldante indicata.
	La pentola viene riscaldata ma viene continuamente rimossa?	Posizionare la pentola all'interno della zona riscaldata.
Mancato funzionamento mentre il riscaldamento è attivo	La pentola è vuota o la temperatura è troppo alta?	Verificare se l'apparecchio viene utilizzato in modo improprio
	La bocchetta di aspirazione/scarico dell'aria è ostruita o vi si è accumulata della sporcizia?	Liberare la bocchetta di aspirazione/scarico dell'aria. Attendere che l'apparecchio si raffreddi, quindi riaccenderlo.
	Il piano cottura è rimasto in funzione per più di 2 ore senza alcuna interazione?	Resettare le modalità di cottura o utilizzare la funzione timer


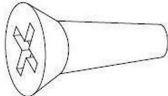





Se i rimedi / le verifiche indicati non permettono di risolvere il problema, scollegare immediatamente l'apparecchio e rivolgersi al centro assistenza per l'ispezione e la riparazione. Prendere nota del codice di errore e fornirlo al centro assistenza. Per evitare qualunque pericolo e danno all'apparecchio, non smontarlo o ripararlo personalmente.


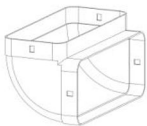


VISUALIZZAZIONE E ISPEZIONE DEI GUASTI

Codice di errore	Causa possibile	Rimedi
U	Padella assente	Posizionare una pentola adatta sulla zona scaldante. Se il problema persiste, rivolgersi al centro assistenza.
E1	Tensione di alimentazione anomala (inferiore a 160 V).	Controllare se la fonte di alimentazione è normale. Controllare se la fonte di alimentazione è normale prima di accendere il piano cottura a induzione.
E2	Tensione di alimentazione anomala (superiore a 280 V).	Controllare se la fonte di alimentazione è normale. Controllare se la fonte di alimentazione è normale prima di accendere il piano cottura a induzione.

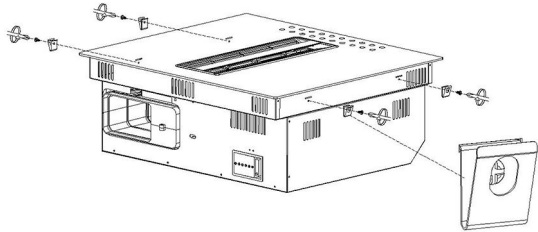
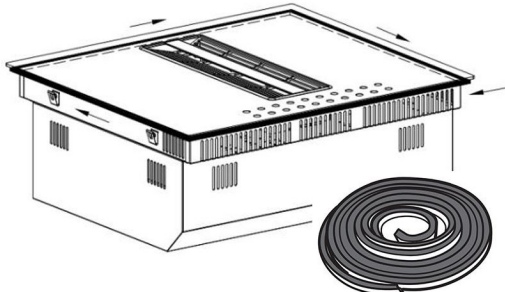
E3/E5/E7	Guasto del sensore di temperatura della bobina a induzione	Rivolgersi al centro assistenza.
E4/E6	Guasto del sensore della temperatura IGBT	Rivolgersi al centro assistenza.
Er	Errore di comunicazione tra scheda principale e scheda del display	Rivolgersi al centro assistenza.
Et	Protezione antitrabocco	Rimuovere l'acqua presente sul pannello di controllo e riaccendere il piano cottura.

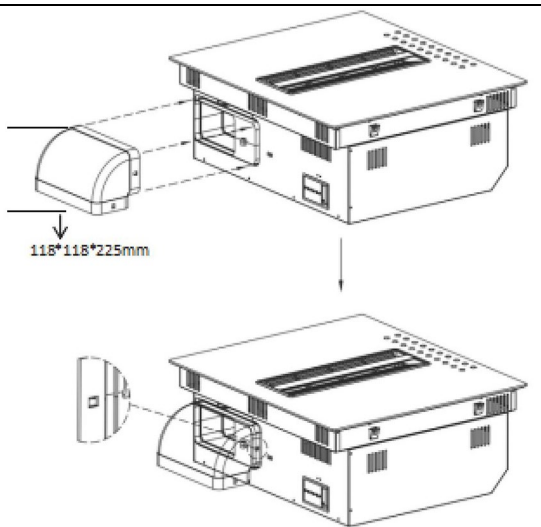
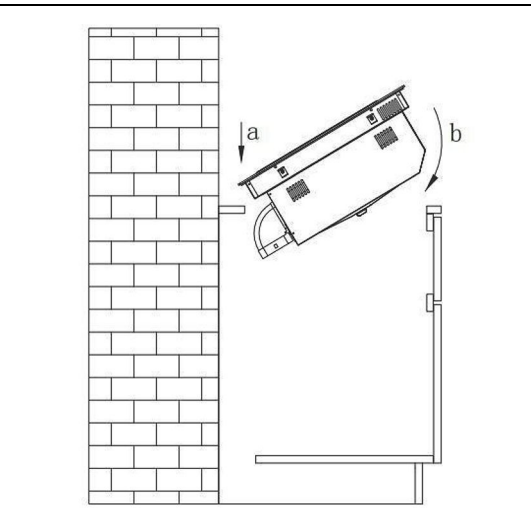
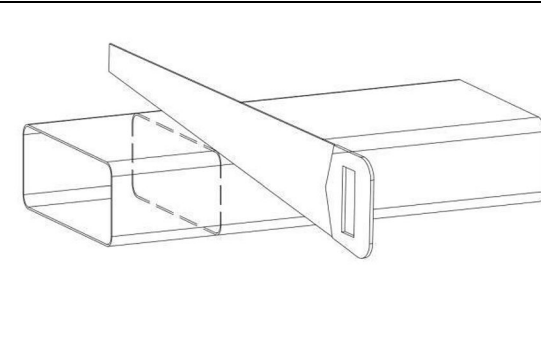
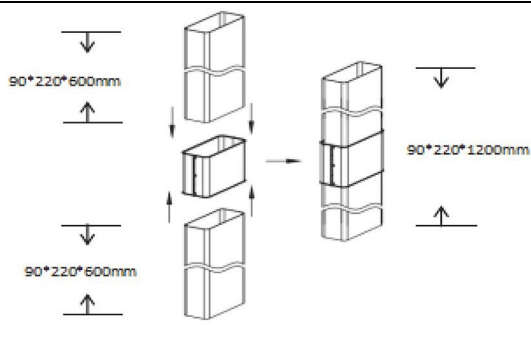
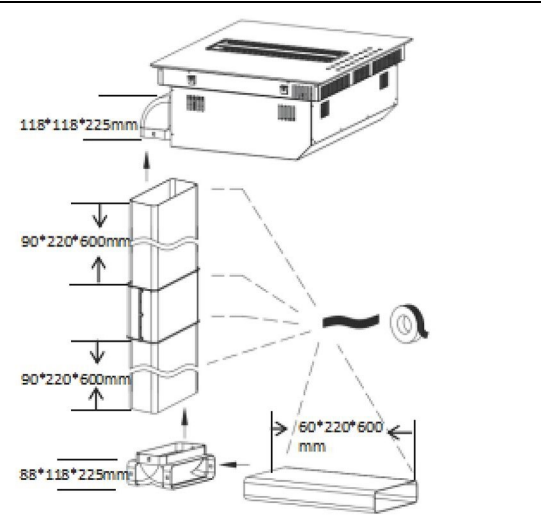
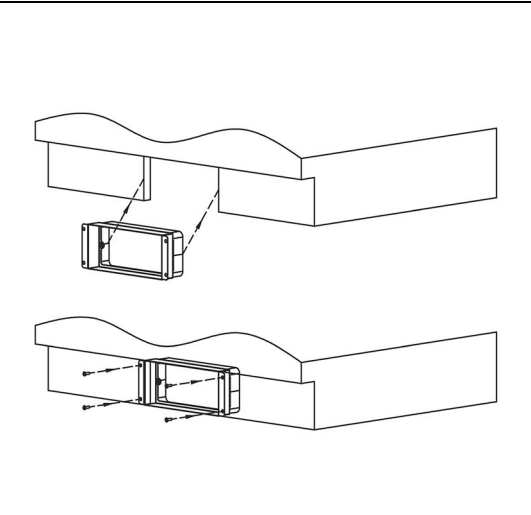
ELENCO DEGLI ACCESSORI

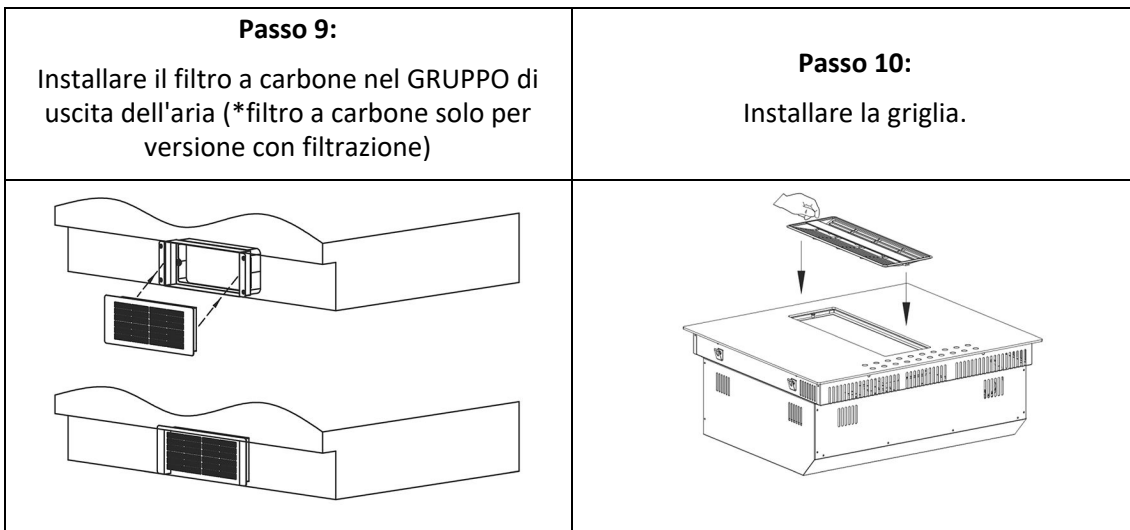
N.	Nome	Schema	Q.tà
1	Vite ST 4x5		4 pz
2	Vite ST 4x14		4 pz
3	Staffa di installazione		4 pz
4	Barra di spugna		1 pz
5	Griglia di ingresso dell'aria		1 pz
6	Tubo quadrato da 9 cm		2 pz
7	Tubo quadrato da 6 cm		1 pz (solo per la versione con filtrazione)

8	Tubo di collegamento		1 pz
9	Tubo piegato		2 pz per la versione con filtrazione 1 pz per la versione con scarico
10	GRUPPO uscita aria		1 pz (solo per la versione con filtrazione)
11	Adesivo in alluminio		7 pz

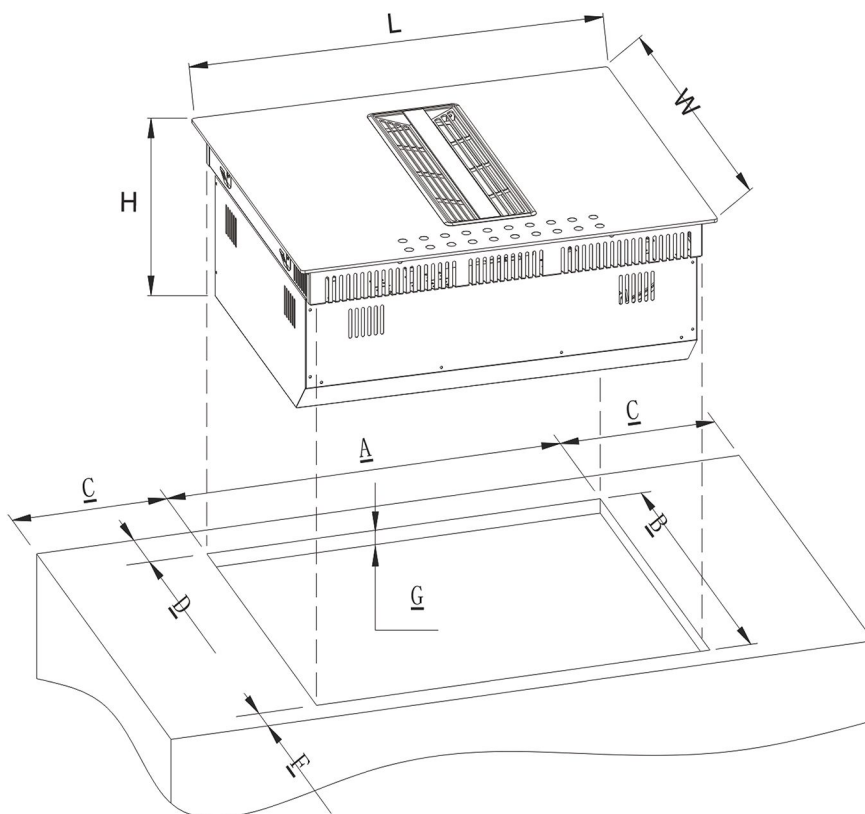
INSTALLAZIONE DEL PRODOTTO

<p>Passo 1: Avvitare le staffe di installazione sulla parte inferiore.</p>	<p>Passo 2: Incollare la barra di spugna intorno al vetro ceramico.</p>
	

<p>Passo 3: Fissare il tubo piegato.</p>	<p>Passo 4: Installare il prodotto nel mobile (dal passo a al passo b)</p>
	
<p>Passo 5: Se l'altezza del mobile è inferiore a 80 cm, è possibile tagliare il tubo alla lunghezza desiderata.</p>	<p>Passo 6: Se l'altezza del mobile è superiore a 80 cm, è possibile utilizzare due tubi con un raccordo.</p>
	
<p>Passo 7: Installare il tubo e incollarlo con la striscia di tenuta.</p>	<p>Passo 8: Installare il GRUPPO uscita aria sul fondo dell'armadio e fissare le viti.</p>
	



DIMENSIONI DI INSTALLAZIONE

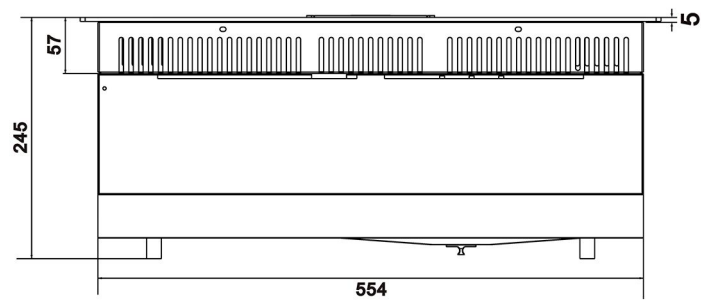
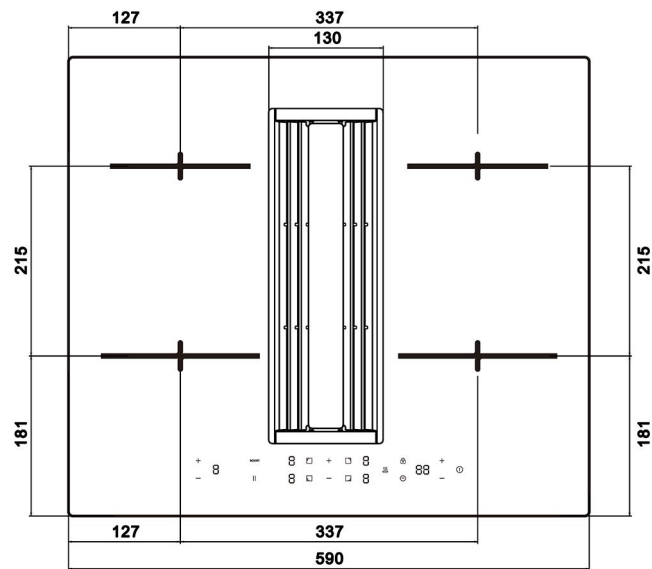
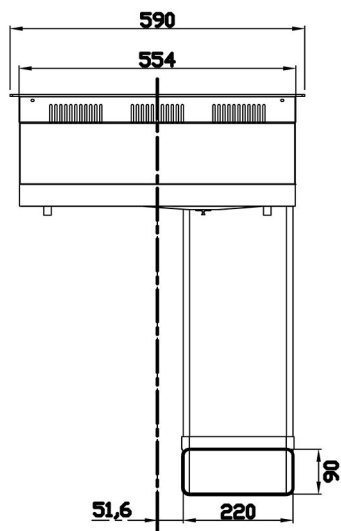
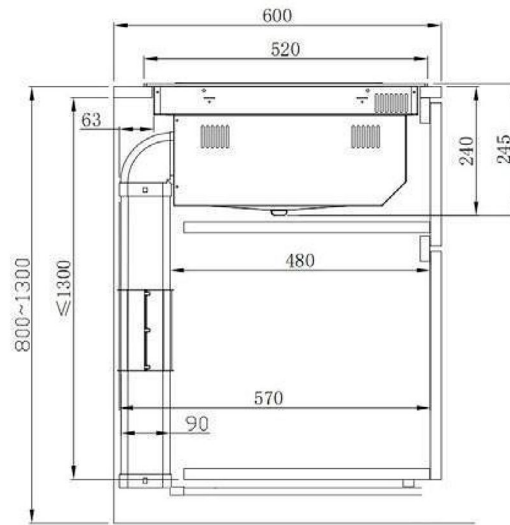
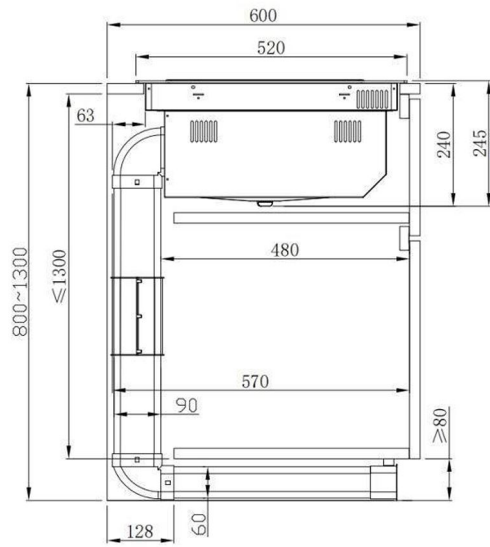


Modello	L (mm)	B (mm)	H (mm)	A (mm)	B (mm)	C (mm)	D (mm)	F (mm)	G (mm)
CIH6I4CF CIH6I4CE	590	520	245	560	490	≥ 40	≥ 70	≥ 40	20 - 40

Dimensioni del mobile e della canna fumaria

Versione con filtrazione

Versione con scarico



COLLEGAMENTO ELETTRICO



Questo piano cottura deve essere collegato alla rete elettrica solo da una persona qualificata.

Controlli da effettuare prima del collegamento del piano cottura alla rete elettrica:

1. L'impianto elettrico deve essere in grado di sostenere la potenza assorbita dal piano cottura.
2. La tensione deve corrispondere a quella specificata sulla targhetta.
3. Le sezioni dei cavi di alimentazione devono resistere al carico specificato sulla targhetta.

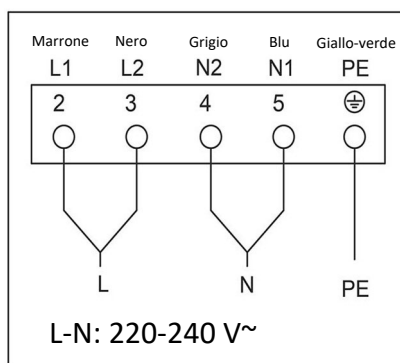
Per collegare il piano cottura alla rete elettrica, non adoperare adattatori, riduttori o dispositivi di derivazione, in quanto possono causare surriscaldamenti e incendi.

Il cavo di alimentazione non deve entrare a contatto con parti calde e deve essere collocato in modo che la temperatura non sia mai superiore a 75 °C in ogni punto.



Chiedere a un elettricista se l'impianto elettrico è idoneo senza modifiche. Eventuali modifiche devono essere effettuate solo da un elettricista qualificato.

Il collegamento dell'alimentazione elettrica deve essere conforme allo standard pertinente. Il metodo di collegamento è illustrato di seguito.



- Se il cavo è danneggiato o deve essere sostituito, per evitare incidenti l'operazione deve essere effettuata da un rappresentante post-vendita con appositi utensili.
- Se l'elettrodomestico viene collegato direttamente alla rete dell'alimentazione elettrica, occorre installare un interruttore onnipolare con un'apertura minima di 3 mm tra i contatti.
- L'installatore deve accertarsi che il collegamento elettrico sia corretto e conforme alle normative in materia di sicurezza.
- Il cavo non deve essere piegato o compresso.
- Il cavo deve essere controllato con regolarità ed eventualmente sostituito solo da tecnici autorizzati.

Dichiarazione speciale

Il contenuto di questo manuale è stato controllato attentamente. Il produttore declina tuttavia ogni responsabilità per eventuali omissioni o errori di stampa. È inoltre possibile che in una versione riveduta del manuale possano venire incluse senza preavviso eventuali modifiche tecniche. L'aspetto e il colore dell'elettrodomestico mostrato in questo manuale possono differire da quelli reali.



Sull'elettrodomestico è riportato il simbolo di conformità alla direttiva europea 2012/19/UE relativa allo smaltimento di rifiuti di apparecchiature elettriche ed elettroniche (RAEE).

I rifiuti RAEE contengono sia sostanze inquinanti (in grado di influire negativamente sull'ambiente), sia elementi base (che è possibile riutilizzare). È importante che i rifiuti RAEE siano sottoposti a trattamenti specifici per rimuovere e smaltire correttamente i materiali inquinanti e recuperare tutti quelli riciclabili. Le persone possono svolgere un ruolo importante nel garantire che i rifiuti RAEE non diventino un problema per l'ambiente. A tale scopo è essenziale osservare alcune regole di base;

- I rifiuti di apparecchiature elettriche ed elettroniche non devono essere gestiti come rifiuti domestici;
- I rifiuti di apparecchiature elettriche ed elettroniche devono essere conferiti in aree di raccolta dedicate gestite a livello municipale o da una società registrata.

In molti paesi può essere disponibile il prelievo a domicilio dei rifiuti RAEE di grandi dimensioni. Quando si acquista un elettrodomestico nuovo, è possibile restituire quello vecchio al rivenditore, che è tenuto a ritirarlo gratuitamente, purché sia di un tipo equivalente e abbia le stesse funzioni di quello acquistato.



Valido solo per Cipro

