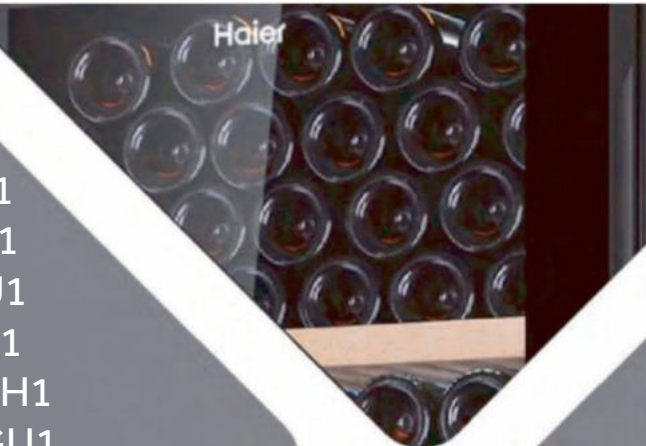


Haier

HWS247FAH1
HWS247FDU1
HWS247GGU1
HWS247GEH1
HWS236GDEH1
HWS236GDGU1



Wine Cellar
User Guide
Weinkühler
Bedienungsanleitung
Cave à vin
Manuel d'Utilisation
Cantina per vini
Manuale utente
Bodega de vinos
Manual del Usuario
Chłodziarka do wina
Podręcznik użytkownika
Caveado Vinho
Manual do Utilizador
Wijnkelder
Handleiding
Hladilnik za vino
Navodila za uporabo
Vinný sklep
Užívateľská príručka
Vinna pivnica
Používateľská príručka
Borhűtő
Felhasználói útmutató
Vinkældur
Brugervejledning
Viinikaappi
Käyttöopas
Vinkjeller
Brukerhåndboken
Vinskåp
Handbok
Veinkelder
Kasutusjuhend
Vyno šaldytuvas
Naudotojo vadovas
Vina skapis
Lietotāja rokasgrāmata
Nevera de vins
Manual d'ús

EN
DE
FR
IT
ES
PL
PT
NL
SL
CS
SK
HU
DA
FI
NO
SV
ET
LT
LV
CA



EN WARNING: Risk of fire/flammable material.

The symbol indicates there is a risk of fire since flammable materials are used. Take care to avoid causing a fire by ingiting flammable material.

DE WARNUNG: Brandgefahr/ entzündliches Material.

Das Symbol zeigt an, dass Brandgefahr besteht, da brennbare Materialien verwendet werden. Achten Sie darauf, dass kein Feuer entstehen kann, indem brennbares Material sich entzündet.

FR AVERTISSEMENT : Risque d'incendie/matière inflammable.

Le symbole indique qu'il y a un risque d'incendie, car des matériaux inflammables sont utilisés. Évitez de provoquer un incendie en brûlant des matières inflammables.

IT AVVERTENZA: Rischio di incendio / Materiale infiammabile.

Il simbolo indica che esiste il rischio di incendio poiché sono utilizzati materiali infiammabili. Prestare particolare attenzione per evitare incendi causati dall'accensione di materiali infiammabili.

ES ADVERTENCIA: Riesgo de incendio/material inflamable.

El símbolo indica que existe riesgo de incendio dado que se utilizan materiales inflamables. Se debe procurar evitar incendios mediante la combustión de materiales inflamables.

PL OSTRZEŻENIE: Ryzyko pożaru/materiału łatwopalnego.

Ten symbol wskazuje na ryzyko pożaru, ponieważ urządzenie zawiera materiały łatwopalne. Uważaj, aby nie spowodować pożaru przez podpalenie łatwopalnego materiału.

PT AVISO: Risco de incêndio/material inflamável.

O símbolo indica que existe um risco de incêndio, uma vez que são utilizados materiais inflamáveis. Tenha cuidado para evitar provocar um incêndio acendendo material inflamável

NL WAARSCHUWING: Risico op brand/ ontvlambaar materiaal.

Het symbool geeft aan dat er brandgevaar bestaat doordat brandbare materialen worden gebruikt. Let op dat u geen brand veroorzaakt door brandbare materialen te ontsteken.

SL OPOZORILO: Nevarnost požara/vnetljiv material.

Simbol označuje nevarnost požara, saj se uporabljajo vnetljivi materiali. Pazite, da ne povzročite požara z vžigom vnetljivega materiala.

CS VAROVANÍ: Nebezpečí požáru/hořlavý materiál.

Tento symbol signalizuje, že hrozí nebezpečí požáru kvůli použití hořlavých materiálů. Dejte pozor, abyste zamezili způsobení požáru zapálením hořlavého materiálu.

SK VAROVANIE: Nebezpečenstvo požiaru/ horľavý materiál.

Symbol označuje nebezpečenstvo požiaru, pretože sa používajú horľavé materiály. Dávajte pozor, aby ste zabránili vzniku požiaru vznietením horľavého materiálu.

HU FIGYELMEZTETÉS: Tűzveszély/gyúlékony anyag.

A szimbólum tűzveszélyt jelez, mivel gyúlékony anyagokat használnak. Ügyeljen arra, hogy ne okozzon tüzet gyúlékony anyagok megégetésével.

DA ADVARSEL: Risiko for brand/brandbart materiale.

Symbolet angiver, at der er risiko for brand, da der anvendes brændbare materialer. Vær omhyggelig med at undgå at forårsage brand ved indtrængning af brændbart materiale.

FI VAROITUS: Tulipalon vaara/syttyvä materiaali.

Symboli osoittaa tulipalon vaaran, koska käytetään palavia materiaaleja. Varo syttymällä syttyvää materiaalia, ettet aiheuta tulipaloa.

NO ADVARSEL: Fare for brann/brennbart materiale.

Symbolet indikerer at det er fare for brann siden det brukes brennbare materialer. Vær forsiktig så du unngår å forårsake brann ved å få i seg brennbart materiale.

SV VARNING: Risk för brand/antändbart material.

Symbolen indikerar att det finns risk för brand eftersom brandfarliga material används. Var försiktig så att du inte orsakar brand genom att antända brandfarligt material.

ET HOIATUS: Tuleoht/süttiv materjal.

Sümbol näitab tuleohtu, kuna kasutatakse tuleohtlikke materjale. Olge ettevaatlik, et vältige süttivate materjalide sissesüütamisega tulekahju.

LT ĮSPĖJIMAS: Gaisro/degios medžiagos pavojus.

Simbolis rodo, kad yra gaisro pavojus, nes naudojami degios medžiagos. Būkite atsargūs, kad nesukeltumėte gaisro, sukeldami degias medžiagas.

LV BRĪDINĀJUMS: Ugunsgrēka/uzliesmojošu materiālu risks.

Simbols norāda uz ugunsgrēka risku, jo tiek izmantoti viegli uzliesmojoši materiāli. Uzmanieties, lai neizraisītu ugunsgrēku, aizdedzinot uzliesmojošu materiālu.

CA ADVERTÈNCIA: Risc d'incendi o material inflamable.

Aquest símbol indica que hi ha risc d'incendi, perquè es fan servir materials inflamables. No enceneu materials inflamables perquè poden provocar un incendi.



Haier

User Manual

Wine Cellar

HWS247FAH1

HWS247FDU1

HWS247GGU1

HWS247GEH1

HWS236GDEH1

HWS236GDGU1

EN

Haier

Thank you for purchasing a Haier Product.

Please read these instructions carefully before using this appliance. The instructions contain important information which will help you get the best out of the appliance and ensure safe and proper installation, use and maintenance.

Keep this manual in a convenient place so you can always refer to it for the safe and proper use of the appliance.

If you sell the appliance, give it away, or leave it behind when you move house, make sure you also pass this manual so that the new owner can become familiar with the appliance and safety warnings.



Legend

Warning – Important Safety information



General information and tips



Environmental information



Disposal

Help protect the environment and human health. Put the packaging in applicable containers to recycle it. Help to recycle waste of electrical and electronic appliances. Do not dispose appliances marked with this symbol with the household waste. Return the product to your local recycling facility or contact your municipal office.



WARNING!

Risk of injury or suffocation!

Refrigerants and gases must be disposed of professionally. Ensure that the tubing of the refrigerant circuit is not damaged before being properly disposed of. Disconnect the appliance from the mains supply. Cut off the mains cable and dispose of it. Remove the trays and drawers as well as the door catch and seals, to prevent children and pets to get closed in the appliance.

Old appliances still have some residual value. An environmentally friendly method of disposal will ensure that valuable raw materials can be recovered and used again.

Cyclopentane, a flammable substance not harmful to ozone, is used as an expander for the insulating foam.

By ensuring this product is disposed of correctly, you will help prevent potential negative consequences for the environment and human health, which could otherwise be caused.

For more detailed information about recycling of this product, please contact your local council, your household waste disposal service or the shop where you purchased the product, handled by the professionals.

1- Safety information.....	4
2- Safety tips.....	7
3- Maintenance	11
4-Accessories.....	13
5- Product description	14
6- Installation	15
7- Use.....	19
8- Energy saving tips	24
9 - Equipment	25
10- Care and cleaning.....	26
11- Troubleshooting	27
12- Technical data	30
13- Customer Service	31
14- Wine bottle stacking.....	32

This appliance is intended to be used exclusively for the storage of wine. Before switching on the appliance for the first time read the following safety hints:



WARNING!

Before first use

- ▶ Make sure there is no transport damage.
- ▶ Remove all packaging and keep out of children's reach and dispose them in an environmentally friendly manner.
- ▶ Wait at least 0.5 hours before installing the appliance in order to ensure the refrigerant circuit is fully efficient.
- ▶ Handle the appliance always with at least two persons because it is heavy.

Installation

- ▶ The appliance should be placed in a well-ventilated place. Ensure a space of at least 50mm above and around the appliance.
- ▶ **WARNING:** Keep ventilation openings, in the appliance enclosure or in the built-in structure, clear of obstruction.
- ▶ Never place the appliance in a damp area or location where it might be splashed with water. Clean and dry water splashes and stains with a soft clean cloth.
- ▶ Do not install your wine cellar in any location not properly insulated or heated e.g. garage etc. Your wine cellar was not designed to operate in ambient temperature below 10 °C.
- ▶ Do not install the appliance in direct sunlight or in the near of heat sources (e.g. stoves, heaters).
- ▶ Install and level the appliance in an area suitable for its size and use.
- ▶ Make sure that the electrical information on the rating plate agrees with the power supply. If it does not, contact an electrician.
- ▶ The appliance is operated by a 220-240 VAC/50 Hz power supply. Abnormal voltage fluctuation may cause the appliance to fail to start, or damage to the temperature control or compressor, or there may be an abnormal noise when operating. In such case, an automatic regulator shall be mounted.
- ▶ Do not use multi-plug adapters and extension cables.

**WARNING!**

- ▶ **WARNING:** Do not locate multiple portable socket outlets or portable power supplies at the rear of the appliance.
- ▶ **WARNING:** When positioning the appliance, ensure the supply cord is not trapped or damaged.
- ▶ Do not step on the power cable.
- ▶ Use a separate earthed socket for the power supply which is easy accessible. The appliance must be earthed.
- ▶ **Only for UK:** The appliance's power cable is fitted with 3-cord (grounding) plug that fits a standard 3-cord (grounded) socket. Never cut off or dismount the third pin (grounding). After the appliance is installed, the plug should be accessible.
- ▶ **WARNING:** Do not damage the refrigerant circuit.

Daily use

- ▶ This appliance can be used by children aged from 8 years and above and persons with reduced physical, sensory or mental capabilities or lack of experience and knowledge if they have been given supervision or instruction concerning use of the appliance in a safe way and understand the hazards involved.
- ▶ Children shall not play with the appliance.
- ▶ Children aged from 3 to 8 years are allowed to load and unload refrigerating appliances, but not allowed to clean and install the refrigerating appliances.
- ▶ Keep away children under 3 years of age from the appliance unless they are constantly supervised.
- ▶ Cleaning and user maintenance shall not be made by children without supervision.
- ▶ The appliance must be positioned so that the plug is accessible.
- ▶ If coal gas or other inflammable gas is leaking into vicinity of the appliance, turn off the valve of the leaking gas, open the doors and windows and do not unplug the power cable of the appliance.
- ▶ Wait at least 7 minutes to reconnect the power after the power has been disconnected.
- ▶ Do not lift the appliance by its door handles.
- ▶ The keys must be kept out of the reach of children and not in the vicinity of the appliance to prevent children from being locked inside the appliance.



WARNING!

- ▶ Notice that the appliance is set for operation at the specific ambient range between 10 and 38°C. The appliance may not work properly if it is left for a long period at a temperature above or below the indicated range.
- ▶ Do not place unstable articles (heavy objects, containers filled with water) on top of the appliance, to avoid personal injury caused by falling or electric shock caused by contact with water.
- ▶ Open and close the door only with the handles. The gap between the door and the cabinet is very narrow. Do not put your hands in these areas to avoid pinching your fingers. Open or close the appliance doors only when there are no children standing within the range of door movement.
- ▶ Do not store or use inflammable, explosive or corrosive materials in the appliance or in the vicinity.
- ▶ Do not store explosive substances such as aerosol cans with a flammable propellant in this appliance.
- ▶ Do not store medicines, bacteria or chemical agents in the appliance. This appliance is a household appliance. It is not recommended to store materials that require strict temperatures.
- ▶ Do not set unnecessarily low temperature in the wine cabinet compartment. Minus temperatures may occur at high settings. Attention: Bottles can burst
- ▶ Do not touch the inside surface of the appliance compartment when in operation, especially with wet hands, as your hands may freeze onto the surface.
- ▶ For proper wine cooling, do not overload the appliance.
- ▶ Unplug the appliance in the event of a power interruption or before cleaning. Allow at least 7 minutes before restarting the appliance, as frequent starting may damage the compressor.
- ▶ **WARNING:** Do not use electrical devices inside the appliance, unless they are of the type recommended by the manufacturer. To avoid risks a damaged power cord must be replaced by the customer service (see warranty card).
- ▶ To prolong the service life of the appliance, avoid turning it off.
- ▶ Never place the appliance horizontally on the ground. After tilting the appliance more than 45°, wait for 24 hours before plugging it in.

**WARNING!****Maintenance / cleaning**

- ▶ Make sure children are supervised if they carry out cleaning and maintenance.
- ▶ Disconnect the appliance from the electrical supply before undertaking any routine maintenance. Allow at least 7 minutes before restarting the appliance, as frequent starting may damage the compressor.
- ▶ Hold the plug, not the cable, when unplugging the appliance.
- ▶ Do not clean the appliance with hard brushes, wire brushes, detergent powder, petrol, amyl acetate, acetone and similar organic solutions, acid or alkaline solutions. Please clean with special refrigerator/freezer detergent to avoid damage. Eventually use warm water and baking soda solution - about a tablespoon of baking soda to a litre/quart of water. Rinse thoroughly with water and wipe dry. Do not use cleaning powders or other abrasive cleaners. Do not wash removable parts in a dishwasher.
- ▶ **WARNING:** Do not use mechanical devices or other means to accelerate the defrosting process, other than those recommended by the manufacturer.
- ▶ If the supply cord is damaged, it must be replaced by the manufacturer, its service agent or similarly qualified persons in order to avoid a hazard.
- ▶ Do not try to repair, disassemble or modify the appliance by yourself. In case of repair please contact our customer service.
- ▶ If the illuminating lamps are damaged, it must be replaced by the manufacturer, its service agent or similarly qualified persons in order to avoid a hazard.
- ▶ Eliminate the dust on the back of the unit at least once in the year to avoid hazard by fire, as well as increased energy consumption.

- ▶ Do not spray or flush the appliance during cleaning.
- ▶ Do not use water spray or steam to clean the appliance.
- ▶ Do not clean the cold glass door with hot water. Sudden temperature change may cause the glass to break.
- ▶ If you leave your appliance out of use for an extended period, leave it open to prevent odour and unpleasant smells building up inside.

Refrigerant gass information



WARNING!

The appliance contains the flammable refrigerant ISOBUTANE (R600a). Make sure the refrigerant circuit is not damaged during transportation or installation. Leaking refrigerant may cause eye injuries or ignite. If a damage has occurred, keep away open fire sources, thoroughly ventilate the room, do not plug or unplug the power cords of the appliance or any other appliance. Inform the customer service.

In case of eyes get into contact with the refrigerant, rinse it immediately under running water and call immediately the eye specialist.

WARNING: The refrigeration system is under high pressure. Do not tamper with it. Since the flammable refrigerants are used, please, install, handle and service the appliance strictly according to the instruction and contact the professional agent or our after-sales service to dispose of the appliance.

Intended use


This appliance is intended to be used in household and similar applications such as

- staff kitchen areas in shops, offices and other working environments;
 - farm houses and by clients in hotels, motels and other residential type environments;
 - bed and breakfast type environments;
 - catering and similar non-retail applications.
- ▶ To ensure the safe preservation of wine, please comply with this instruction for use.
- ▶ The details on the most appropriate part in the compartment of the appliance where specific types of food shall be stored, considering the distribution of temperature that can be present in the different compartments of the appliance are in the other part of the manual.

Changes or modifications to the device are not allowed. Unintended use may cause hazards and loss of warranty claims.

Disposal



The  symbol on the product or on its packaging indicates that this product may not be treated as household waste. Instead it shall be handed over to the applicable collection point for the recycling of electrical and electronic equipment. By ensuring this product is disposed of correctly, you will help prevent potential negative consequences for the environment and human health, which could otherwise be caused by inappropriate waste handling of this product. For more detailed information about recycling of this product, please contact your local city office, your household waste disposal service or the shop where you purchased the product.

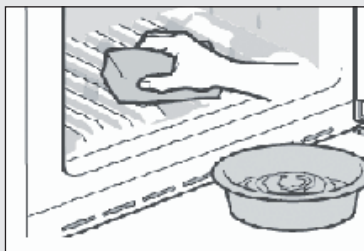
Since the flammable insulation blowing gases are used, please contact the professional agent or our after-sale service to dispose of the appliance.

WARNING!

Risk of injury of suffocation!

Refrigerants and gases must be disposed of professionally. Ensure that the tubing of the refrigerant circuit is not damaged before being properly disposed of. Disconnect the appliance from the mains supply. Cut off the mains cable and dispose of it. Remove the trays and drawers as well as the door catch and seals to prevent children and pets to get closed in the appliance.

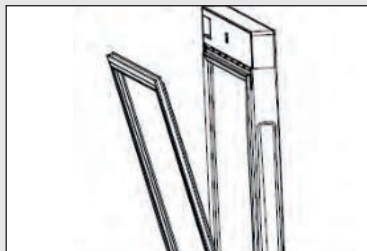
- ▶ **WARNING:** Disconnect the appliance from the power supply before cleaning.
- ▶ Do not clean the appliance with hard brushes, wire brushes, detergent powder, petrol, amyl acetate, acetone and similar organic solutions, acid or alkaline solutions. Please clean with special refrigerator detergent to avoid damage.
- ▶ Clean the appliance when only little or no wine is stored. It is only necessary to clean it when it is dirty.
- ▶ Clean the inside and housing of the appliance with a sponge damped in warm water and neutral detergent
- ▶ Rinse with clean warm water and dry with soft cloth.
- ▶ Do not clean any of the parts of the appliance in a dishwasher.
- ▶ Allow at least 7 minutes before re-starting the appliance as frequent starting may damage the compressor.



Clean the door gasket:

- ▶ The door gaskets should be cleaned every 3 months to assure a proper seal. As below : Remove: Grasp the door gasket and pull it out according to the direction of arrow to remove the whole door gasket in order.

Dip the brush with water or food grade alcohol, clean up the door gasket groove firstly by pulling back and forth the brush. Then wipe door gasket surface with a towel dipped with water or food grade alcohol. Finally, wash the door gasket clean and wipe it dry with a clean towel.



Installation door gasket after cleaning:

Before installation, make sure that there is no water on the door gasket. Insert the door gasket into the groove, and press the door gasket tightly from the top to the bottom by hand until the whole door gasket is inserted into the groove.

Cleaning the shelves:

- ▶ All shelves can be taken out for cleaning.
- ▶ Take out all bottles.
- ▶ Lift each shelf a little and take it out.
- ▶ Clean the shelf with a soft towel.
- ▶ Wait until the shelves are dry before putting them back in.

WARNING:

Wait at least 7 minutes to reconnect the power after the power has been disconnected.

Check the accessories and literature in accordance with this list:
without isolation.

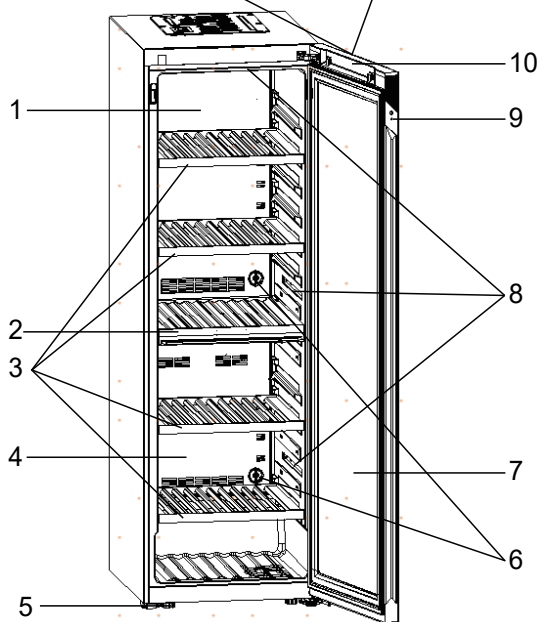
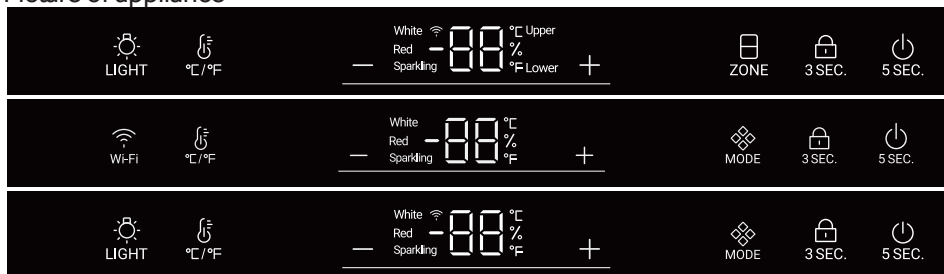
Name	User Manual	Service Card	Shelf	Hinge-Cover	Energy Label	Key	Handle	Screw	Screw cap	Cover	Display shelf
HWS247FAH1	1	1	5	1	1	2	1	4	2	1	1
HWS247GGU1	1	1	5	1	1	2	/	/	/	/	/
HWS236GDGU1	1	1	4	1	1	2	/	/	/	/	/
HWS247FDU1	1	1	5	1	1	2	1	4	2	1	/
HWS247GEH1	1	1	5	1	1	2	/	/	/	/	/
HWS236GDEH1	1	1	4	1	1	2	/	/	/	/	/



Notice

Due to technical changes and different models, some of the illustrations in this manual may differ from your model.

Picture of appliance



(HWS236GDGU1)

- | | |
|---|---|
| 1. Upper air duct baffle | 6. Activated carbon filter
(except HWS247FAH1) |
| 2. partition(for HWS236GDGU1/HWS236GDEH1) | 7. Door |
| 3. Shelf | 8. LED lamp |
| 4. Lower air duct baffle | 9. Lock |
| 5. Adjustable feet | 10. Display |

1. Unpacking

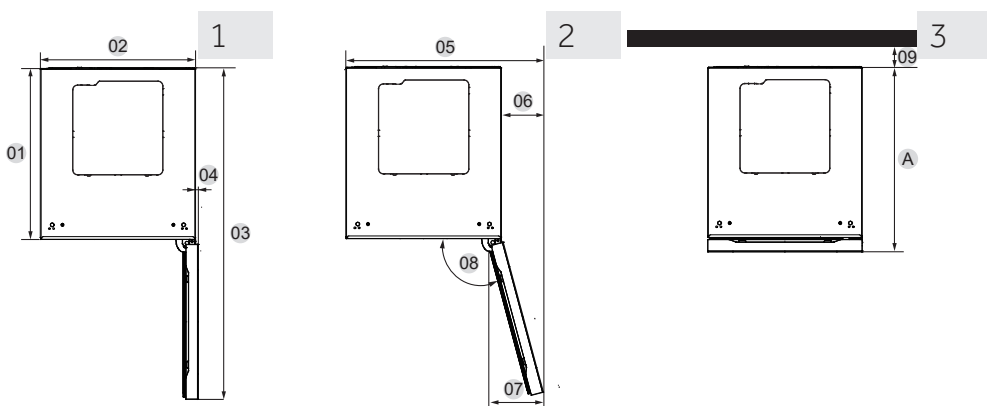
- ▶ Take the appliance out of the packaging.
- ▶ Remove all packaging materials including the foam base and all adhesive tape holding the accessories.

2. Environmental conditions

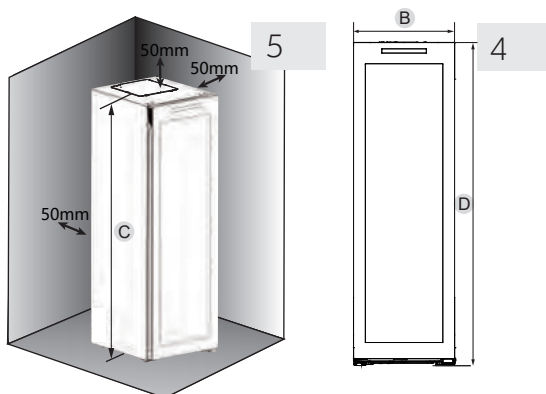
The room temperature should always be between 10 °C and 38 °C, since it can influence the temperature inside the appliance and its energy consumption. Do not install the appliance near other heat-emitting appliances (ovens, refrigerators) without isolation.

3. Space requirements

Required space to open the door (Fig. 1,2,3,4); For safety and energy reasons, the required ventilation distance of 50 mm in all directions must be observed (Fig.5).



Measurement: mm	HWS247GGU1 HWS247GEH1	HWS236GDGU1 HWS236GDEH1	HWS247FDU1 HWS247FAH1
Depth A	714	714	769
Width B	597	597	603
Height C	1905	1905	1905
Overall Height D	1900	1900	1900
01	654	654	654
02	595	595	595/600
03	1273	1273	1280
04	11	11	16
05	756	756	805
06	161	161	210
07	200	200	200
08	105°	105°	105°
09	50	50	50





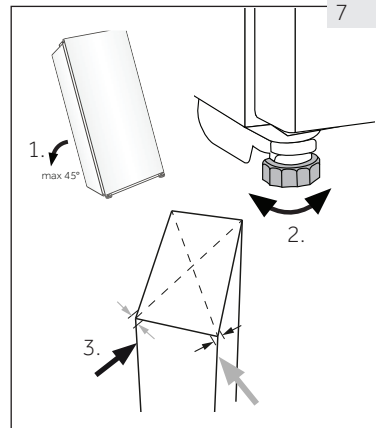
WARNING!

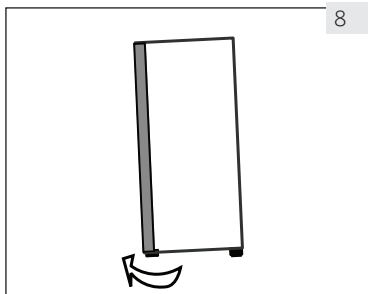
- ▶ Keep ventilation openings in the appliance or in the in-built structure clear of obstruction. This refrigerating appliance is not intended to be used as a built-in appliance

5. Aligning the appliance

The appliance should be placed on a flat and solid surface.

1. Tilt the appliance slightly backwards (Fig. 7).
2. Set the adjustable front feet to the desired level by turning them.
3. The stability can be checked by alternately bumping on the diagonals. The slight swaying should be the same in both directions. Otherwise the frame can warp; possible leaking door seals are the result. A low tendency to the rear facilitates the closing of the door.





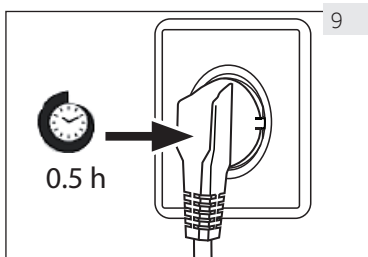
8

6. Fine tuning of the door

The appliance closes more easily if the levelling feet on the front are used:

Rotate the adjustable feet (Fig. 8) to turn them up or down:

- ▶ Turning the feet clockwise raises the appliance.
- ▶ Turning the feet counterclockwise lower the appliance.



9

7. Waiting time

The maintenance-free lubrication oil is located in the capsule of the compressor. This oil can get through the closed pipe system during transport if the appliance is tilted. Before connecting the appliance to the power supply, wait 0.5 hours (Fig. 9) so that the oil runs back into the capsule.

8. Electrical connection

Before each connection check if:

- ▶ power supply, socket and fusing are appropriate to the rating plate.
- ▶ the power socket is earthed and no multi-plug or extension.
- ▶ the power plug and socket are fit properly.

Connect the plug to a properly installed household socket.



WARNING!

To avoid risks a damaged power cord must be replaced by the customer service (see warranty card).

9. Door Reversibility

Before connecting the appliance to the power supply you should check, whether the door swing must changed from right (as delivered) to left, if this is required by the installation location and the usability



WARNING!

- ▶ The appliance is heavy. You need two persons to carry out the door reversibility.
- ▶ Before any operation, first unplug the appliance from the mains.
- ▶ Do not tilt the appliance more than 45 ° to prevent damage of the cooling system.

Assembly steps

1. Provide necessary tool.
2. Unplug the appliance.
3. Remove the upper beam cover and small cover, Left and right transposition installation of small cover.
4. Remove the cable tray cover and trim cover, Left and right transposition installation of decorative cover. Remove the black rubber plug from the left Keyhole on the inside of the door body and install it on the right keyhole.
5. Remove hinge cover, Use the tool to remove 3 screws and remove the portal body .
6. Remove the 3 screws under the portal body with the tool, portal body cam and door stop, the left and right transposition is installed on the other side of the portal body .
7. Remove the box hinge assembly with the tool, first remove the hinge cam in the lower hinge assembly, replace the hinge shaft to the right screw hole, assembly. Transposition installation with the caster support assembly on the right side of the box.
8. The portal body is installed vertically downward on the hinge shaft.
9. The upper hinge is inserted into the shaft hole of the portal body, fix the box with screws, install the wire box cover and the upper beam trim cover.



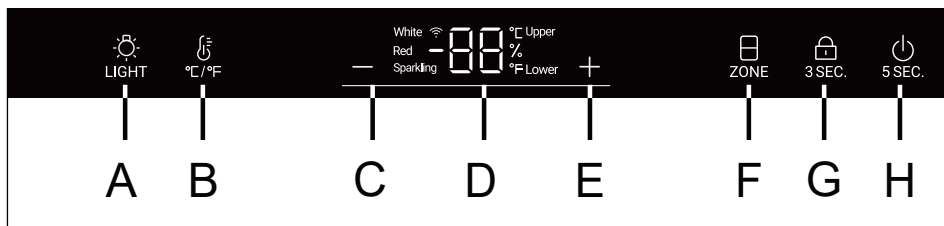
1. Before first use

- ▶ Remove all packaging materials. This includes the foam base and all adhesive tape holding the wine cellar accessories inside and outside. Keep them out of children's reach and dispose them in an environmentally friendly manner.
- ▶ Clean the inside and outside of the appliance with water and a mild detergent before putting any wine in it.
- ▶ After the appliance has been levelled and cleaned, wait for at least 2 hours before connecting it to the power supply. If your wine cellar has been tilted for any reason, wait 24 hours before plugging it in. See section INSTALLATION.
- ▶ Once you have plugged the unit into an electrical outlet, let the unit run for at least 30 minutes to acclimatize itself before making any adjustments.
- ▶ The temperature is automatically set to 12 °C. If desired, you can change the temperature manually. Please see TEMPERATURE.

2. Touch keys

The buttons on the control panel are touch keys, which respond when lightly touched with the finger.

3. Description for control panel



- | | |
|----------------------------------|-------------------------------------|
| A Interior light button | E Temperature adjust button:up |
| B °C /°F conversion button | F Temperature zone selection button |
| C Temperature adjust button:down | G Lock button |
| D Display | H Power button |

4. Automatically locking function

In the lock screen state, long press the lock key for 3S, the display screen displays 3, 2 and 1, the display screen is unlocked, and the lock icon is half lit; If there is no operation, the screen will be locked automatically after 30s. In the lock screen state, all the lock key icons are on, and the keys on the display screen cannot be operated (except the lighting key);

5. Power button function

When the screen is off, touch any key and the display will light up; Long press the power key, the display screen displays 5, 4, 3, 2 and 1, and the power of the whole machine is turned off. When the power is off, long press the power key to display 5, 4, 3, 2, 1. The power is on.





6. Temperature setting

Notice


Presettings



- ▶ Once you have plugged the unit into an electrical outlet, let the unit for at least 30 minutes to acclimatize itself before making any adjustments.
- ▶ When the appliance is switched on after disconnection from the main power supply, it may take several hours for the correct temperatures to be reached. The exact time varies depending on the environment and the temperature setting.



Press the  or  button, the display will start to flash. Press the  or  button to set the desired temperature. The temperature setting range :5-20°C(41-68°F). Stop pressing the key for 3second, the temperature is confirmed.

7. Mode or Zone function

Press the  button, The temperature switch from sparkling (8°C or 47°F) to white (12°C or 54°F) and red (16°C or 61°F). (for HWS247GGU1/HWS247GEH1/HWS247FDU1/HWS247FAH1)

In the unlocking state, the  icon is fully on. If the current display is in the upper temperature zone, the upper icon will turn on and the lower icon is off. At this time, press the  key, the lower icon will be on and the upper icon will be off.

(for HWS236GDGU1/HWS236GDEH1)

Recommended temperature settings

The following drinking temperatures are recommended for the different types of wine.

Red wine	+13°C to +20°C (+55°F to +68°F)	Sparkling wine Prosecco	+5°C to +8°C (+41°F to 47°F)
White wine	+9°C to +12°C (+48°F to +54°F)		

If you store wine for long periods of time, it should be stored at a temperature between +10 °C and +12 °C (50°F and +54°F).

8. Standby-mode

The display screen is dimmed automatically 30 seconds.

It lights up automatically when any key is touched or the door is opened.



Notice Influences on temperatures



The temperature inside the appliance is influenced by the following factors:

- ▶ Ambient temperature
- ▶ Frequency of door opening
- ▶ Amount of stored bottles
- ▶ The location of the appliance

The default setting is 12°C

When display stops flashing, it goes back to showing the current temperature inside the wine cellar. It will take some time to reach the set temperature.

9. Lighting mode setting

Press the  button. When the lights in the cabinet are on, the lights will be lighted up gradually. When pressed the  button once again the lights will be off gradually.

(except HWS247FDU1/HWS247FAH1)

10. °C/°F function

Press the  button, switch between Fahrenheit and Celsius.

11. Wi-Fi function

Press the Wi-Fi button for 3 seconds, the Wi-Fi button starts to flash quickly and auto-matically enters the configuration mode (for HWS247FDU1/HWS247FAH1).

12. Power-Off Memory function

If a power outage, the cellar will automatically save the set temperature. After power recovery, it will run based on the temperature set before the power outage.

13. Low temperature compensation function

The wine cellar has a low temperature compensation function to ensure the stability of the temperature: When the ambient temperature is lower than the set temperature, the wine cellar automatically starts the low temperature compensation function, heating the application. When the temperature in the application reaches the set temperature, the low temperature compensation function is automatically turned off.

14. Door opening alarm

If the door is kept open for over 1 min, buzzer will be beeping to give an alarm till the door is closed or any key on display panel can be operated and then the buzzer will stop beeping.

15. Wi-Fi mode setting

CONNECTIVITY WIRELESS PARAMETERS

Technology	Wi-Fi	Bluetooth
Standard	IEEE 802.11 b/g/n	Bluetooth v4.2, BR/EDR, BLE
Frequency Band(s) [MHz]	2401÷2483	2402÷2480
Maximum power [mW]Band(s) [MHz]	100	10

PRODUCT INFORMATION

How to activate Wi-Fi module:

- Press the light button for 3 seconds to activate the Wi-Fi(except HWS247FDU1/HWS247FAH1)
- Press the Wi-Fi button for 3 seconds to activate the Wi-Fi(for HWS247FDU1/HWS247FAH1)
- The Wi-Fi module is switched on the Wi-Fi icon starts to blink
- If the wine cellar is enrolled but the Wi-Fi is off the icon will blink
- If the wine cellar is enrolled and connected the Wi-Fi icon is always on
- To reset the Wi-Fi press the light for 3 seconds(except HWS247FDU1/HWS247FAH1)
- To reset the Wi-Fi press the Wi-Fi for 3 seconds(for HWS247FDU1/HWS247FAH1)

IN APP PAIRING PROCEDURE

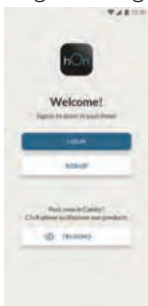
Step 1

- Download the hOn app on the stores



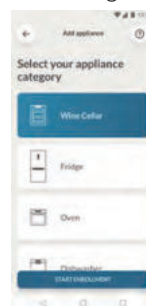
Step 2

- Log in or sign up



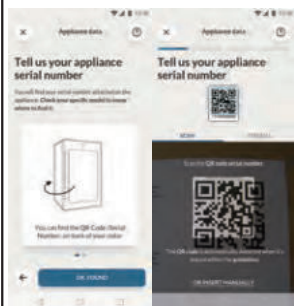
Step 3

- Add a new appliance selecting the wine cellar from the list



Step 4

- Scan the QR or insert manually the serial number



Step 5

- Press the light button on the product for 3s to activate the Wi-Fi (except HWS247FDU1/HWS247FAH1)

Press the Wi-Fi button on the product for 3s to activate the Wi-Fi (for HWS247FDU1/HWS247FAH1)



Step 6

- The wi-Fi icon will blink, the pairing process is in progress
 - You will have 5 minutes to complete the pairing process
 - When the process is completed the Wi-Fi icon will stop blinking and it will remain always on
- NOTE





Energy saving tips

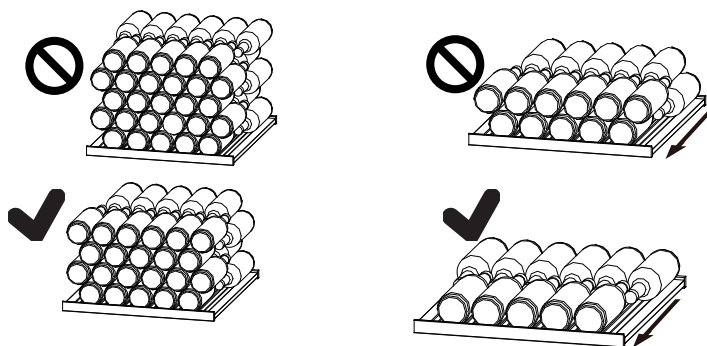
- ▶ Make sure the appliance is properly ventilated (see INSTALLATION).
- ▶ Do not install the appliance in direct sunlight or in the near of heat sources (e.g. stoves, heaters).
- ▶ Avoid unnecessarily low temperature in the appliance. The energy consumption increases the lower the temperature in the appliance is set.
- ▶ Open the appliance door as little and as briefly as possible.
- ▶ Do not exceed the designed amount of bottles to avoid obstructing the air flow.
- ▶ Keep door seals clean so that the door always closes correctly.
- ▶ The most energy-saving configuration requires drawer, food box and shelves to be positioned in the appliance on factory-fresh condition, and food to be placed without blocking the air outlet of the duct.

1. Shelf


1. The shelves are designed for easy storage and easy removal of the wine. They can be cleaned with a soft towel.
2. Regular bottles with diameter of 76mm can be stacked.
3. Magnum bottles can be stacked on the bottom shelf.
4. The quantity can vary from the depicted number or bottles if they are stacked in a different way.

Advice for the layout of your wine cellar

We recommend that the number of wine bottles should not exceed four layers on each shelf, and the bearing capacity of the wine shelves should not exceed 60 kg. Before placing the bottles inside the wine cellar, confirm whether or not the wine shelves are completely stable. In addition, confirm whether or not any bottle protrudes from the shelves in order to prevent bottles hitting the glass door upon closing.



2. The light

The LED interior light comes on when the door is opened. To turn on the light while the door is closed, touch the  button. To turn the lights off, touch the button again. To increase the energy efficiency, the lights should be turned off when the wine cellar is not being viewed. (except HWS247FDU1/HWS247FAH1)

3. The lock

To lock the wine cellar, close the door and put the key in the lock:

- ▶ Lock the door by turning the key clockwise;
- ▶ Unlock the door by turning the key counterclockwise.

1. Defrosting

The defrosting of the wine cellar is done automatically; no manual operation is needed.

2. Replacing the LED lamp

The lamp uses LED as its light source, featuring low energy consumption and long service life. If there is any abnormality, please contact the customer service. See CUSTOMER SERVICE.



WARNING!

Do not replace the LED lamp yourself. It must only be replaced by either the manufacturer or the authorised service agent.

Parameters of LED lamp:

Voltage: 12V

Max power: 18W

3. Non-use for a longer period

Unplug the power cord.

Clean the appliance and door gaskets as described above.

Keep the door open to prevent the creation of bad odours inside.

4. Moving the appliance

1. Remove all bottles and unplug the appliance.
2. Secure shelves and other moveable parts in the wine cellar with adhesive tape.
3. Do not tilt the wine cellar more than 45° to avoid damaging the refrigerating system.

5. Air exchange with activated carbon filter (except HWS247FAH1)

The way in which wines continue to mature depends on the ambient conditions. The quality of the air is therefore decisive for preserving the wine. An activated carbon filter has been fitted in the lower area of the rear wall of the appliance to through put remains at an optimum quality.



Notice

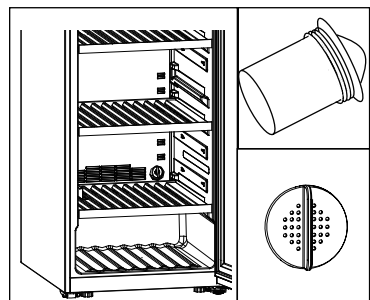
We recommend that you replace the filter once a year. Filters can be obtained from your dealer. (except HWS247FAH1)

Changing the filter:

Take the filter by the handle. Turn it to the left and remove.

Inserting the filter:

Insert with the handle in a vertical position. Turn it to the right and insert.



Many occurring problems could be solved by yourself without specific expertise. In case of a problem please check all shown possibilities and follow below instructions before you contact an after sales service. See CUSTOMER SERVICE.

WARNING!

- ▶ Before maintenance, deactivate the appliance and disconnect the mains plug from the mains socket.
- ▶ Electrical equipment should be serviced only by qualified electrical experts, because improper repairs can cause considerable consequential damages.
- ▶ A damaged supply should only be replaced by the manufacturer, its service agent or similarly qualified persons in order to avoid a hazard.

Error Code	Cause	Solution
L2	Low temperature alarm when the temperature of the control sensor is too low;	<ol style="list-style-type: none"> 1.Check the ambient temperature . 2.Check the Compressor connector. 3.Check the resistance of the temperature control sensor.
H1	When the temperature of the control sensor is too high, the high temperature alarm will be displayed on the display screen;	<ol style="list-style-type: none"> 1.Check the connector of the control board or the display panel. 2.Check the resistance and the voltage of the fan. 3.Check the fan and the compressor connector.

Problem	Possible Cause	Possible Solution
The compressor does not work.	<ul style="list-style-type: none"> • Mains plug is not connected in the mains socket. 	<ul style="list-style-type: none"> • Connect the mains plug.
The appliance runs frequently or runs for a too long period of time.	<ul style="list-style-type: none"> • The outdoor temperature is too high. • The appliance has been off power for a period of time. • A door of the appliance is not tightly closed. • The door has been opened too frequently or for too long. • The door gaskets are dirty, worn, cracked or mismatched. • The required air circulation is not guaranteed. • The temperature is set too low. 	<ul style="list-style-type: none"> • In this case, it is normal for the appliance to run longer. • Normally, it takes a while for the appliance to cool down completely. • Close the door and ensure the appliance is located on a level ground and there is no food or container jarring the door. • Do not open the door too frequently. • Clean the door gasket or replace them by the customer service. • Ensure adequate ventilation. • The problem will resolved itself when the desired temperature has been reached.
The inside of the wine cellar is dirty and/or smells..	<ul style="list-style-type: none"> • The inside of the wine cellar needs cleaning. 	<ul style="list-style-type: none"> • Clean the inside of the wine cellar.
It is not cold enough inside the appliance.	<ul style="list-style-type: none"> • The temperature is set too high. • Bottles have been added recently. • A door of the appliance is not tightly closed. • The door has been opened too frequently or for too long. • The door gaskets are dirty, worn, cracked or mismatched. 	<ul style="list-style-type: none"> • Reset the temperature. • Allow time for recently added bottles to reach desired temperature. • Close the door. • Do not open the door too frequently. • Clean the doorgasket or replace them by the customer service..
It is too cold inside the appliance.	<ul style="list-style-type: none"> • The temperature is set too low. 	<ul style="list-style-type: none"> • Reset the temperature.
Moisture formation on the inside of the refrigerator compartment.	<ul style="list-style-type: none"> • The climate is too warm and too-damp. • A door of the appliance is not tightly closed. • The door has been opened too frequently or for too long.. 	<ul style="list-style-type: none"> • Increase the temperature. • Close the door. • Do not open the door/drawer too frequently.

Problem	Possible Cause	Possible Solution
Moisture accumulates on the wine cellar's outside surface.	<ul style="list-style-type: none"> The climate is too warm and too damp The door is not closed tightly. The cold air in the appliance and the warm air outside it condensates. 	<ul style="list-style-type: none"> This is normal in damp climate and will change when the humidity decreases. Ensure that the door is shut tightly and that the gaskets seal properly.
The appliance makes abnormal sounds	<ul style="list-style-type: none"> The appliance is not located on level ground. The appliance touches some object around it. 	<ul style="list-style-type: none"> Adjust the feet to level the appliance. Remove objects around the appliance.
A slight sound can be heard, similar to that of running water.	<ul style="list-style-type: none"> This is normal 	<ul style="list-style-type: none"> -
The interior lighting or cooling system does not work.	<ul style="list-style-type: none"> Mains plug is not connected to the mains socket. The power supply is not intact. The LED-lamp is out of order. 	<ul style="list-style-type: none"> Connect the mains plug. Check the electrical supply to the room. Call the local electricity company. Please call the service for changing
The sides of the cooler and door strip get warm	<ul style="list-style-type: none"> This is normal. 	<ul style="list-style-type: none"> -
The door does not shut properly	<ul style="list-style-type: none"> The appliance is not level. The door is blocked. 	<ul style="list-style-type: none"> Level the appliance with the leveling feet. Check for blockages like bottles or shelves.

To contact the technical assistance, visit our website:

<https://corporate.haier-europe.com/en/>

Under the section "website", choose the brand of your product and your country. You will be redirected to the specific website where you can find the telephone number and form to contact the technical assistance.

Product fiche according to regulation EU No. 2019/2016

Brand	Haier	Haier	Haier
Model name / identifier	HWS247GGU1/ HWS247GEH1	HWS236GDGU1/ HWS236GDEH1	HWS247FDU1/ HWS247FAH1
Category	Wine Cellar	Wine Cellar	Wine Cellar
Energy efficiency class	G/E	G/E	D/A
Annual energy consumption (kWh/annum) ¹⁾	184/107	184/107	85/44
Storage volume (L)	450	448	450
Climate class: This appliance is intended to be used at an ambient temperature between 10 °C and 38 °C.	SN N ST	SN N ST	SN N ST
Airborne acoustical noise emissions (db(A) re 1pW)	C(37)/B(35)	C(37)/B(35)	C(37)/B(35)
Type of appliance	Freestanding	Freestanding	Freestanding
This appliance is intended to be used exclusively for the storage of wine.	Yes	Yes	Yes
Dimensions (W/D/H in mm)	597/714/1900	597/714/1900	603/769/1900

Explanations:

1) based on standard test results for 24 hours. The actual power consumption depends on the actual environment, the amount of bottling, the set temperature, the door opening and closing, etc.

2) The nominal power consumption is the value obtained according to the standard test when the wine cabinet does not turn on the internal light.

- extended temperate: 'this refrigerating appliance is intended to be used at ambient temperatures ranging from 10 °C to 32 °C';

- temperate: 'this refrigerating appliance is intended to be used at ambient temperatures ranging from 16 °C to 32 °C';

- subtropical: 'this refrigerating appliance is intended to be used at ambient temperatures ranging from 16 °C to 38 °C';

- tropical: 'this refrigerating appliance is intended to be used at ambient temperatures ranging from 16 °C to 43 °C';

Standards and directives

This product meets the requirements of all applicable EC directives with the corresponding harmonised standards, which provide for CE marking.

We recommend our Haier Customer Service and the use of original spare parts.
If you have a problem with your appliance, please first check section TROUBLESHOOTING.
If you cannot find a solution there, please contact

- ▶ your local dealer or
- ▶ the Service & Support area at www.haier.com where you can find telephone numbers and FAQs and where you can activate the service claim.

To contact our Service, ensure that you have the following data available.

The information can be found on the rating plate.

Model _____ Serial No. _____

Also check the Warranty Card supplied with the product in case of warranty.

For general business enquiries please find our addresses in Europe below:

European Haier addresses

Country*	Postal address	Country	Postal address
Italy	Haier Europe Trading SRL Via De Cristoforis, 12 21100 Verese ITALY	France	Haier Europe Trading SRL Via De Cristoforis, 12 21100 Verese ITALY
Spain	Haier Iberia SL Pg. Garcia Faria, 49-51 08019 Barcelona SPAIN	Belgium-FR	Haier Benelux SA Anderlecht Route de Lennik 451 BELGIUM
Portugal		Belgium-NL	
		Netherlands	
Germany	Haier Deutschland GmbH Hewlett-Packard-Str. 4 D-61352 Bad Homburg GERMANY	Luxembourg	
Austria		Poland	Haier Poland Sp. zo.o. Al. Jerozolimskie 181B 02-222 Warszawa POLAND
		Czechia	
		Hungary	
		Greece	
United Kingdom	Haier Appliances UK Co. Ltd. One Crown Square Church Street East Woking, Surrey, GU21 6HR UK	Romania	
		Russia	

AVAILABILITY OF SPARE PARTS: Thermostats, temperature sensors, printed circuit boards and light sources are available for a minimum period of seven years after placing the last unit of the model on the market. Door handles, door hinges, trays and baskets for a minimum period of seven years and door gaskets for a minimum period of 10 year, after placing the last unit of the model on the market

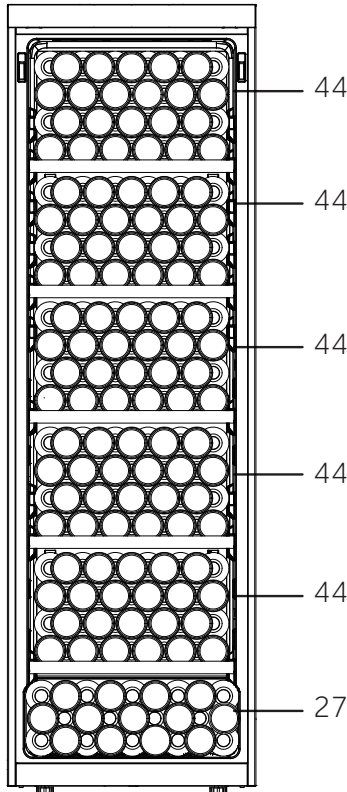
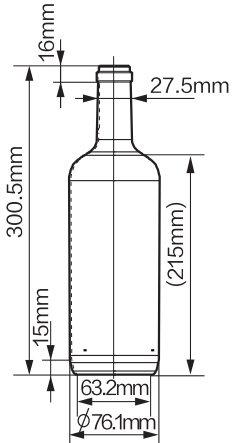
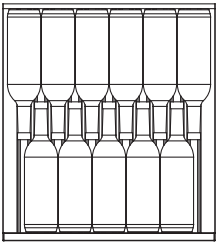
Minimum guarantee is: 2 years for EU Countries, 3 years for Turkey, 1 year for UK, 1 year for Russia, 3 years for Sweden, 2 years for Serbia, 5 years for Norway, 1 year for Morocco, 6 months for Algeria, Tunisia no legal warranty required.

For further information about the product, please consult <https://eprel.ec.europa.eu/> or scan the QR on the energy label supplied with the appliance.

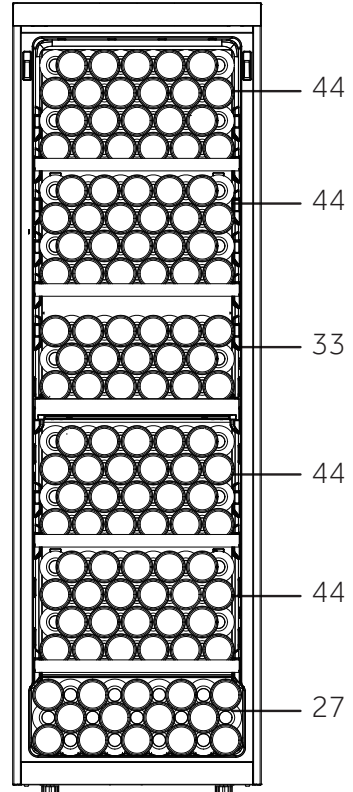
Wine bottle stacking

EN

The bottle arrangement is based on a graphic representation of a standard Bordeaux bottle (0.75 l). Due to the different bottle specifications, the actual bottle loading quantity could be different.



HWS247GGU1
HWS247FDU1
HWS247GEH1
HWS247FAH1



HWS236GDGU1
HWS236GDEH1

HWS-247FDU1-247GGU1-236GGDU1-247GEH1-236GDEH1-HWS247FAH1 - EN

Haier



Haier

Benutzerhandbuch

Weinklimaschrank

HWS247FAH1

HWS247FDU1

HWS247GGU1

HWS247GEH1

HWS236GDEH1

HWS236GDGU1

DE

Haier

Vielen Dank für den Kauf eines Haier-Produkts.

Bitte lesen Sie diese Anweisungen sorgfältig durch, bevor Sie dieses Gerät benutzen. Die Anleitung enthält wichtige Informationen, die Ihnen helfen, das Gerät optimal zu nutzen und eine sichere und ordnungsgemäße Installation, Verwendung und Wartung zu gewährleisten.

Bewahren Sie diese Anleitung an einem geeigneten Ort auf, damit Sie jederzeit für die sichere und ordnungsgemäße Verwendung des Geräts darauf zurückgreifen können.

Wenn Sie das Gerät verkaufen, weggeben oder bei einem Umzug zurücklassen, vergewissern Sie sich, dass diese Anleitung auch beigelegt wird, damit sich der neue Besitzer mit dem Gerät und den Sicherheitshinweisen vertraut machen kann.



Legende

Warnung - Wichtige Sicherheitsinformationen



Allgemeine Informationen und Tipps



Umweltinformationen

Entsorgung



Tragen Sie zum Schutz der Umwelt und der menschlichen Gesundheit bei. Die Verpackung zum Recyceln in die entsprechenden Behälter entsorgen. Unterstützen Sie das Recycling von Elektro- und Elektronik-Altgeräten. Entsorgen Sie Geräte, die mit diesem Symbol gekennzeichnet sind, nicht mit dem Hausmüll. Geben Sie das Produkt an Ihre lokale Recyclinganlage zurück oder wenden Sie sich an Ihre Stadtverwaltung.



WARNUNG!

Verletzungs- oder Erstickungsgefahr!

Kältemittel und Gase müssen fachgerecht entsorgt werden. Überprüfen Sie, dass der Schlauch des Kühlkreislaufs nicht beschädigt wird, bevor er ordnungsgemäß entsorgt wird. Trennen Sie das Gerät von der Stromversorgung. Trennen Sie das Netzkabel und entsorgen Sie es. Entfernen Sie die Bleche und Schubladen sowie die Türöffnung und Dichtungen, um zu verhindern, dass Kinder und Haustiere im Gerät eingeschlossen werden.

Altgeräte haben noch einen gewissen Restwert. Eine umweltfreundliche Entsorgungsmethode gewährleistet, dass wertvolle Rohstoffe wieder verwertet und wiederverwendet werden können.

Cyclopentan ist eine entzündliche für Ozon nicht schädliche Substanz, die als Treibmittel im Isolierschaum verwendet wird.

Indem Sie sicherstellen, dass dieses Produkt ordnungsgemäß entsorgt wird, tragen Sie dazu bei, mögliche negative Folgen für die Umwelt und die menschliche Gesundheit zu vermeiden, die andernfalls verursacht werden könnten.

Für weitere Informationen über das Recycling dieses Produkts wenden Sie sich bitte an Ihre örtlich zuständige Behörde, Ihr Müllabfuhrunternehmen oder an das Geschäft, in dem Sie das Produkt erworben haben und das von Fachleuten geführt wird.

1 - Sicherheitsinformationen	4
2 - Sicherheitstipps	7
3 - Wartung.....	11
4 - Zubehör.....	13
5 - Produktbeschreibung.....	14
6 - Installation	15
7 - Nutzung.....	19
8 - Engergiespartipps	24
9 - Ausrüstung.....	25
10 - Pflege und Reinigung	26
11 - Fehlerbehebung	27
12 - Technische Daten.....	30
13 - Kundenservice	31
14 - Stapeln von Weinflaschen	32

**Dieses Gerät ist ausschließlich für die Weinlagerung bestimmt.
Lesen Sie vor dem ersten Einschalten des Geräts folgende
Sicherheitshinweise:**



WARNUNG!

Vor der ersten Inbetriebnahme

- ▶ Vergewissern Sie sich, dass keine Transportschäden vorliegen.
- ▶ Entfernen Sie sämtliches Verpackungsmaterial und bewahren Sie es außerhalb der Reichweite von Kindern auf und entsorgen Sie es umweltfreundlich.
- ▶ Warten Sie vor dem Einschalten des Geräts mindestens eine halbe Stunde, damit der Kühlkreislauf auch sicher und effektiv arbeitet.
- ▶ Das Gerät immer mit mindestens zwei Personen transportieren, da es schwer ist.

Installation

- ▶ Das Gerät sollte an einem gut belüfteten Ort aufgestellt werden. Idealerweise müssen mindestens 50 mm rund um das Gerät frei bleiben.
- ▶ **WARNUNG:** Lüftungsschlitze am Gehäuse des Geräts oder in der Einbauöffnung freihalten.
- ▶ Stellen Sie das Gerät niemals in einem feuchten Bereich oder an einem Ort auf, wo es mit Wasser nassgespritzt werden könnte. Reinigen Sie Wasserspritzer und Flecken mit einem weichen, sauberen Tuch.
- ▶ Stellen Sie Ihren Weintemperierschrank nicht an einem Ort auf, der nicht ordnungsgemäß isoliert oder beheizt ist, z. B. in einer Garage usw. Ihr Weintemperierschrank ist nicht für den Betrieb bei einer Umgebungstemperatur unter 10°C ausgelegt.
- ▶ Stellen Sie das Gerät nicht in direktem Sonnenlicht oder in der Nähe von Hitzequellen (z. B. Herden, Heizungen) auf.
- ▶ Installieren und richten Sie das Gerät in einem Bereich ein, der für seine Größe und Verwendung geeignet ist.
- ▶ Stellen Sie sicher, dass die elektrischen Informationen auf dem Typenschild der Stromversorgung entsprechen. Ist dies nicht der Fall, wenden Sie sich an einen Elektriker.
- ▶ Das Gerät wird über eine 220-240 V Wechselspannung/50 Hz betrieben. Unnormale Spannungsschwankungen könnten dazu führen, dass das Gerät nicht angeht, der Temperaturregler oder Kompressor beschädigt wird, oder dass während des Betriebs ein unnormales Geräusch auftritt. In einem solchen Fall ist ein automatischer Regler anzubringen.

**WARNUNG!**

- ▶ Verwenden Sie keine Mehrfachsteckadapter und Verlängerungskabel.
- ▶ **WARNUNG:** Keine Mehrfachsteckdosen oder Verlängerungen hinter dem Gerät platzieren.
- ▶ **WARNUNG:** Beim Aufstellen des Geräts darauf achten, dass das Stromkabel nicht eingeklemmt oder beschädigt wird.
- ▶ Nicht auf das Netzkabel treten.
- ▶ Verwenden Sie eine separate, geerdete Steckdose für eine leicht zugängliche Stromversorgung. Das Gerät muss geerdet werden.
- ▶ **Nur für Großbritannien:** Das Gerätenetzkabel ist mit einem 3-adrigen Stecker (Erdungsstecker) ausgestattet, der in eine 3-adrige Norm-Buchse (geerdet) passt. Den dritten Stift (Erdung) auf keinen Fall kappen oder entfernen. Das Gerät muss so installiert werden, dass der Stecker erreichbar ist.
- ▶ **WARNUNG:** Den Kühlkreislauf nicht beschädigen.

Täglicher Gebrauch

- ▶ Dieses Gerät kann von Kindern ab 8 Jahren und Personen mit eingeschränkten körperlichen, sensorischen oder geistigen Fähigkeiten oder mangelnder Erfahrung und mangelndem Wissen benutzt werden, wenn diese in die sichere Bedienung des Geräts eingewiesen wurden oder beaufsichtigt werden und die damit verbundenen Gefahren verstanden haben.
- ▶ Kinder dürfen nicht mit dem Gerät spielen.
- ▶ Kinder im Alter von 3 bis 8 Jahren dürfen Kühlgeräte be- und entladen, aber die Kühlgeräte nicht reinigen und installieren.
- ▶ Kinder unter 3 Jahren vom Gerät fernhalten, es sei denn, sie werden ständig beaufsichtigt.
- ▶ Reinigung und Pflege darf nicht von Kindern ohne Aufsicht erfolgen.
- ▶ Das Gerät sollte so positioniert sein, dass der Stecker frei zugänglich ist.
- ▶ Wenn Kohlegas oder ein anderes brennbares Gas in die Nähe des Geräts gelangt, schalten Sie das Ventil des austretenden Gases ab, öffnen Sie die Türen und Fenster und ziehen Sie nicht den Gerätenetzstecker.
- ▶ Warten Sie nach dem Ausschalten mindestens 7 Minuten, bevor Sie den Netzstecker wieder einstecken.
- ▶ Heben Sie das Gerät nicht an seinen Türgriffen an.
- ▶ Die Schlüssel müssen außerhalb der Reichweite von Kindern und nicht in der Nähe des Geräts aufbewahrt werden, um zu verhindern, dass Kinder im Inneren des Geräts verriegelt werden.
- ▶ Beachten Sie, dass das Gerät für den Betrieb bei einer bestimmten Umgebungstemperatur zwischen 10 und 38°C eingestellt ist.



WARNUNG!

Das Gerät funktioniert möglicherweise nicht ordnungsgemäß, wenn es über einen längeren Zeitraum bei einer Temperatur oberhalb oder unterhalb des angegebenen Bereichs betrieben wird.

- ▶ Stellen Sie keine instabilen Gegenstände (schwere Gegenstände, mit Wasser gefüllte Behälter) auf das Gerät, um Verletzungen durch Herunterfallen oder elektrische Schläge durch Kontakt mit Wasser zu vermeiden.
- ▶ Die Tür nur mit den Griffen öffnen und schließen. Der Spalt zwischen Tür und Schrank ist sehr schmal. Stecken Sie nicht Ihre Hände in diese Bereiche, um zu vermeiden, dass Sie Ihre Finger eingeklemmt werden. Die Gerätetüren nur dann öffnen oder schließen, wenn keine Kinder im Bewegungsbereich der Tür stehen.
- ▶ Keine brennbaren, explosionsfähigen oder korrosiven Substanzen im Gerät oder in der Nähe verwenden.
- ▶ Keine explosiven Substanzen mit entzündlichen Treibgasen, wie Sprühdosen, in diesem Gerät lagern.
- ▶ Keine Arzneimittel, Bakterien oder Chemikalien im Gerät lagern. Dieses Gerät ist ein Haushaltsgerät. Es wird davon abgeraten, Materialien zu lagern, die extreme Temperaturen erfordern.
- ▶ Keine unnötig niedrigen Temperaturen im Weinklimaschrank einstellen. Bei hohen Einstellungen kann es zu Mindertemperaturen kommen. Achtung: Flaschen können platzen
- ▶ Berühren Sie nicht die Innenfläche des Geräteraums, insbesondere nicht mit nassen Händen, da die Finger an der Oberfläche festfrieren könnten.
- ▶ Um eine ordnungsgemäße Weinkühlung zu gewährleisten, darf das Gerät nicht überladen werden.
- ▶ Ziehen Sie den Gerätestecker aus der Steckdose, falls die Stromversorgung unterbrochen wird oder bevor Sie das Gerät reinigen. Warten Sie vor dem Neustart mindestens 7 Minuten, da durch häufiges Einschalten der Kompressor beschädigt werden kann.
- ▶ **WARNUNG:** Verwenden Sie keine elektrischen Geräte im Innern des Geräts, es sei denn, der Typ wurde vom Hersteller empfohlen. Um Gefahren zu vermeiden, muss ein beschädigtes Netzkabel vom Kundenservice ausgetauscht werden (siehe Garantiekarte).
- ▶ Um die Lebensdauer des Geräts zu verlängern, sollten Sie es nicht ausschalten.
- ▶ Stellen Sie das Gerät niemals waagrecht auf den Boden. Wenn das Gerät um mehr als 45° gekippt wurde, warten Sie 24 Stunden, bevor Sie es anschließen.

**WARNUNG!****Wartung / Reinigung**

- ▶ Kinder müssen beaufsichtigt werden, wenn sie das Gerät reinigen und warten.
- ▶ Trennen Sie das Gerät von der Stromversorgung, bevor Sie eine routinemäßige Wartung durchführen. Warten Sie vor dem Neustart mindestens 7 Minuten, da durch häufiges Einschalten der Kompressor beschädigt werden kann.
- ▶ Fassen Sie beim Herausziehen des Gerätesteckers aus der Steckdose, den Stecker und nicht das Kabel an.
- ▶ Reinigen Sie das Gerät nicht mit harten Bürsten, Drahtbürsten, Reinigungspulver, Benzin, Amylacetat, Aceton und ähnlichen organischen Lösungen, Säure oder Alkalilösungen. Bitte reinigen Sie das Gerät mit einem speziellen Reinigungsmittel für Kühl-/ Gefriergeräte, um Beschädigungen zu vermeiden. Verwenden Sie ggf. warmes Wasser und eine Natronlösung - etwa einen Esslöffel Backnatron auf einen Liter/Winkel Wasser. Gründlich mit Wasser abspülen und trocken reiben. Verwenden Sie keine Reinigungspulver oder anderen Scheuermittel. Waschen Sie herausnehmbare Teile nicht in der Geschirrspülmaschine.
- ▶ **WARNUNG:** Keine mechanischen oder sonstigen Hilfsmittel verwenden, um den Abtauvorgang zu beschleunigen, es sei denn, dies ist vom Hersteller so empfohlen.
- ▶ Wenn das Stromkabel beschädigt ist, muss es vom Hersteller oder von seinem Service-Mitarbeiter, oder einer gleichwertig qualifizierten Person ausgetauscht werden, um jegliches Risiko zu vermeiden.
- ▶ Versuchen Sie nicht, das Gerät selbst zu reparieren, zu zerlegen oder zu verändern. Bei Reparaturen wenden Sie sich bitte an unseren Kundenservice.
- ▶ Wenn die Lampen beschädigt sind, müssen sie vom Hersteller, von seinem Service-Mitarbeiter, oder einer gleichwertig qualifizierten Person ausgetauscht werden, um jegliches Risiko zu vermeiden.
- ▶ Entfernen Sie den Staub auf der Geräterückseite mindestens einmal im Jahr, um Brandgefahr und einen erhöhten Energieverbrauch zu vermeiden.

- ▶ Das Gerät während der Reinigung nicht besprühen oder mit Wasser beschütten.
- ▶ Das Gerät nicht mit Wasser besprühen oder mit Dampf reinigen.
- ▶ Die kalte Glastür nicht mit heißem Wasser reinigen. Plötzliche Temperaturschwankungen können dazu führen, dass das Glas zerspringt.
- ▶ Wenn Sie das Gerät längere Zeit nicht benutzen, lassen Sie es offen, um zu verhindern, dass sich unangenehme Gerüche im Inneren bilden.

Angaben zu Kältemittelgasen



WARNUNG!

Das Gerät enthält das entzündliche Kältemittel ISOBUTAN (R600a). Stellen Sie sicher, dass der Kühlkreislauf während des Transports oder der Installation nicht beschädigt wird. Auslaufendes Kältemittel kann Augenverletzungen verursachen oder sich entzünden. Falls Schäden aufgetreten sind, halten Sie sich von offenen Brandquellen fern, lüften Sie den Raum gründlich, stecken Sie die Netzkabel des Geräts oder eines anderen Geräts nicht ein oder aus. Informieren Sie den Kundendienst.

Falls die Augen mit dem Kältemittel in Kontakt kommen, sofort unter fließendem Wasser ausspülen und den Augenarzt verständigen.

WARNUNG: Das Kühlsystem steht unter hohem Druck. Nicht daran manipulieren. Da entzündliche Kältemittel verwendet werden, bitte das Gerät entsprechend der Anweisung installieren, handhaben und warten. Wenden Sie sich an den Fachtechniker oder unseren Kundenservice, um das Gerät zu entsorgen.

Bestimmungsgemäße Verwendung


Dieses Gerät ist ausschließlich für den Hausgebrauch und vergleichbare Verwendungen bestimmt.

- Personalküchen in Geschäften, Büros und anderen Arbeitsumgebungen,
 - in landwirtschaftlichen Betrieben, für die Nutzung durch Gäste von Hotels, Pensionen und ähnlichen Unterkünften,
 - Bed & Breakfast (B&B),
 - Catering-Dienste und ähnliche, nicht kommerzielle Zwecke.
- ▶ Um eine sichere Konservierung des Weins zu gewährleisten, halten Sie sich bitte an diese Gebrauchsanweisung.
- ▶ Einzelheiten über die Gerätebereiche, die je nach Temperaturverteilung in den verschiedenen Fächern am besten für die Lagerung bestimmter Lebensmittel geeignet sind, finden Sie im anderen Teil der Anleitung.

Änderungen oder Anpassungen am Gerät sind nicht erlaubt. Eine unsachgemäße Verwendung kann zu Gefahren und zum Verlust von Garantieansprüchen führen.

Entsorgung



Das  Symbol auf dem Produkt oder auf der Verpackung weist darauf hin, dass es nicht als Hausmüll behandelt werden darf. Stattdessen sollte es an die zuständige Sammelstelle für das Recycling von Elektro- und Elektronik-Altgeräten übergeben werden. Bitte stellen Sie sicher, dass das Produkt nach seiner Außerbetriebnahme ordnungsgemäß entsorgt wird. Damit tragen Sie dazu bei, gesundheits- und umweltschädigende Auswirkungen zu verhindern, die eine nicht korrekte Entsorgung am Ende der Nutzungsdauer zur Folge haben könnte. Für weitere Informationen über das Recycling dieses Produkts wenden Sie sich bitte an Ihre örtlich zuständige Behörde, Ihr Müllabfuhrunternehmen oder an das Geschäft, in dem Sie das Produkt erworben haben.

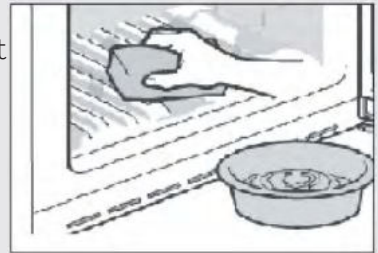
Da brennbare Isolationsblasgase verwendet werden, wenden Sie sich bitte an den Fachtechniker oder unseren Kundendienst, um das Gerät zu entsorgen.

WARNUNG!

Erstickengefahr!

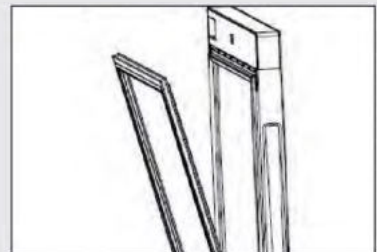
Kältemittel und Gase müssen fachgerecht entsorgt werden. Überprüfen Sie, dass der Schlauch des Kühlkreislaufs nicht beschädigt wird, bevor er ordnungsgemäß entsorgt wird. Trennen Sie das Gerät von der Stromversorgung. Trennen Sie das Netzkabel und entsorgen Sie es. Entfernen Sie die Bleche und Schubladen sowie die Türöffnung und Dichtungen, um zu verhindern, dass Kinder und Haustiere im Gerät eingeschlossen werden.

- ▶ **WARNUNG:** Trennen Sie das Gerät vor der Reinigung von der Stromversorgung.
- ▶ Reinigen Sie das Gerät nicht mit harten Bürsten, Drahtbürsten, Reinigungspulver, Benzin, Amylacetat, Aceton und ähnlichen organischen Lösungen, Säure oder Alkalilösungen. Reinigen Sie das Gerät mit einem speziellen Reinigungsmittel für Kühlgeräte, um Beschädigungen zu vermeiden.
- ▶ Reinigen Sie das Gerät, wenn nur wenig oder kein Wein gelagert wird. Es muss nur gereinigt werden, wenn es verschmutzt ist.
- ▶ Reinigen Sie das Innere und das Gehäuse des Gerätes mit einem Schwamm, der mit warmem Wasser und einem neutralen Reinigungsmittel angefeuchtet wurde.
- ▶ Mit sauberem, warmen Wasser abspülen und mit einem weichen Tuch trocknen.
- ▶ Reinigen Sie Geräteteile nicht in einer Geschirrspülmaschine.
- ▶ Warten Sie vor dem Neustart mindestens 7 Minuten, da durch häufiges Einschalten der Kompressor beschädigt werden kann.



Reinigen Sie die Türdichtung:

- ▶ Die Türdichtungen sollten alle 3 Monate gereinigt werden, um eine ordnungsgemäße Abdichtung zu gewährleisten. Wie unten: Entfernen: Fassen Sie die Türdichtung und ziehen Sie sie entsprechend der Pfeilrichtung heraus, um die gesamte Türdichtung der Reihe nach zu entfernen. Tauchen Sie die Bürste in Wasser oder lebensmittelechtem Alkohol ein und reinigen Sie zuerst die Türdichtungsnut, indem Sie die Bürste hin- und herziehen. Wischen Sie dann die Türdichtung mit einem Tuch ab, das mit Wasser oder Alkohol in Lebensmittelqualität getränkt wurde. Reinigen Sie die Türdichtung und reiben Sie sie mit einem sauberen Tuch trocken.



Montage der Türdichtung nach der Reinigung:

Vergewissern Sie sich, dass sich vor der Installation kein Wasser auf der Türdichtung befindet. Setzen Sie die Türdichtung in die Nut ein und drücken Sie die Türdichtung von oben nach unten fest an, bis die gesamte Türdichtung in die Nut eingeführt ist.

Reinigen der Einlegeböden:

- ▶ Alle Einlegeböden können zur Reinigung herausgenommen werden.
- ▶ Alle Flaschen herausnehmen.
- ▶ Heben Sie jeden Einlegeboden ein wenig an und nehmen Sie ihn heraus.
- ▶ Reinigen Sie den Einlegeboden mit einem weichen Tuch.
- ▶ Warten Sie, bis die Einlegeböden trocken sind, bevor Sie sie wieder einsetzen.

WARNUNG:

Warten Sie nach dem Ausschalten mindestens 7 Minuten, bevor Sie den Netzstecker wieder einstecken.

Überprüfen Sie Zubehör und Dokumentation gemäß dieser Liste:
ohne Isolation.

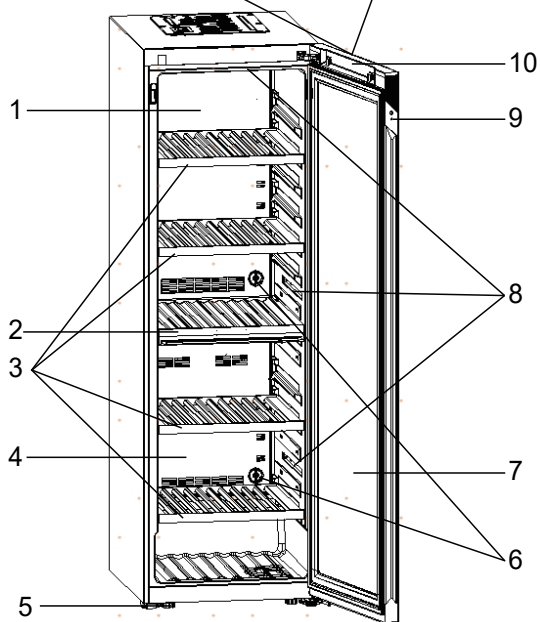
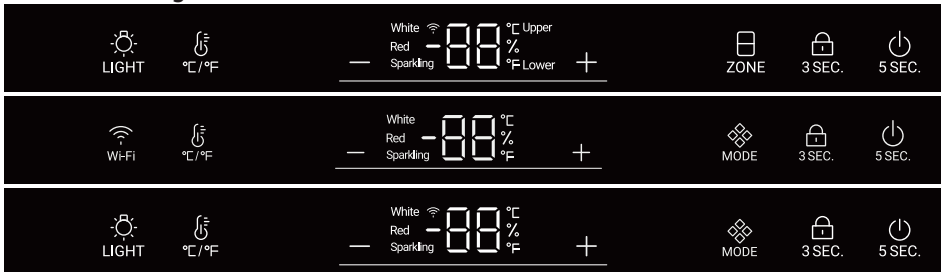
Name	Benutzer handbuch	Service - karte	Einlege -boden	Scharnierab- - deckung	Energie Kennzeich- - nung	Taste	Handgriff	Schraube	Schrauben abdeckung	Deckung	Regal
HWS247FAH1	1	1	5	1	1	2	1	4	2	1	1
HWS247GGU1	1	1	5	1	1	2	/	/	/	/	/
HWS236GDGU1	1	1	4	1	1	2	/	/	/	/	/
HWS247FDU1	1	1	5	1	1	2	1	4	2	1	/
HWS247GEH1	1	1	5	1	1	2	/	/	/	/	/
HWS236GDEH1	1	1	4	1	1	2	/	/	/	/	/



Hinweis

Aufgrund vontechnischen Änderungen und unterschiedlichen Modellen können einige der Abbildungen in dieser Anleitung von Ihrem Modell abweichen.

Geräteabbildung



(HWS236GDGU1)

- | | |
|--|---|
| <ul style="list-style-type: none"> 1. Obere Luftkanalblende 2. Trennwand (für HWS236GDGU1/HWS236GDEH1) 3. Einlegeboden 4. Untere Luftkanalblende 5. Verstellbare FüÙe | <ul style="list-style-type: none"> 6. Aktivkohlefilter
(auÙer HWS247FAH1) 7. TÙr 8. LED - Lampe 9. Sperren 10. Anzeige |
|--|---|

1. Auspacken

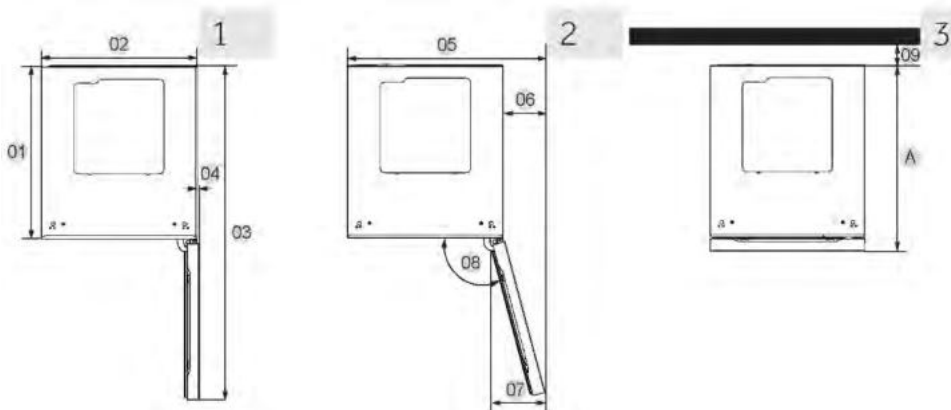
- ▶ Nehmen Sie das Gerät aus der Verpackung.
- ▶ Entfernen Sie alle Verpackungsmaterialien, einschließlich des Schaumstoffbodens und des Klebbandes, auf dem das Zubehör befestigt ist.

2. Umgebungsbedingungen

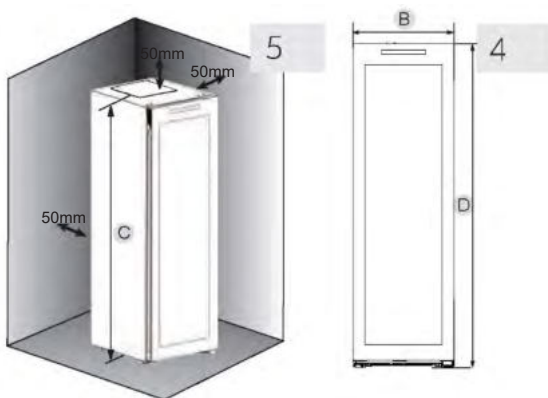
Die Raumtemperatur sollte immer zwischen 10°C und 38°C liegen, da sie die Temperatur im Inneren des Geräts und dessen Energieverbrauch beeinflussen kann. Das Gerät nicht in der Nähe anderer wärmeemittierender Geräte (Ofen, Kühlschränke) installieren.

3. Platzbedarf

Erforderlicher Platz zum Öffnen der Tür (Abb. 1,2,3,4). Aus Sicherheits- und Energiegründen ist der erforderliche Lüftungsabstand von 50 mm in alle Richtungen einzuhalten (Abb. 5).



Maßangabe: mm	HWS247GGU1 HWS247GEH1	HWS236GDGU1 HWS236GDEH1	HWS247FDU1 HWS247FAH1
Tiefe A	714	714	769
Breite B	597	597	603
Höhe C	1905	1905	1905
Gesamthöhe D	1900	1900	1900
01	654	654	654
02	595	595	595/600
03	1273	1273	1280
04	11	11	16
05	756	756	805
06	161	161	210
07	200	200	200
08	105°	105°	105°
09	50	50	50





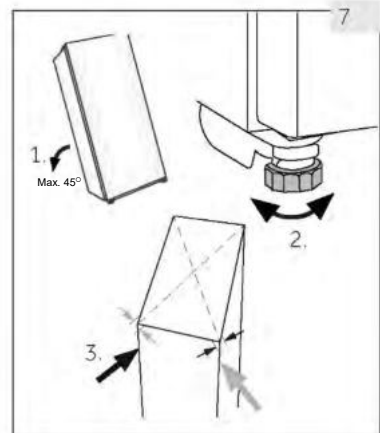
WARNUNG!

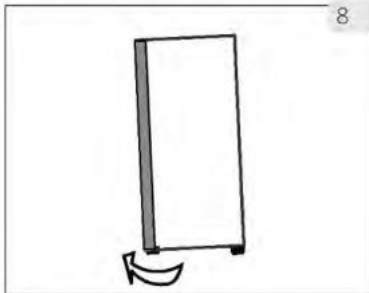
- Lüftungsschlitze am Gerät oder in der Einbaustruktur freihalten. Dieses Kühlgerät ist nicht zur Verwendung als Einbaugerät bestimmt

5. Geräteausrichtung

Das Gerät sollte auf einer flachen und festen Oberfläche aufgestellt werden.

1. Das Gerät leicht nach hinten neigen (Abb. 7).
2. Stellen Sie die verstellbaren Vorderfüße durch Drehen auf die gewünschte Höhe ein.
3. Die Stabilität kann durch abwechselndes Anschlagen gegen die Diagonalen überprüft werden. Das leichte Schwanken sollte in beide Richtungen gleich sein. Andernfalls kann sich der Rahmen verziehen; mögliche undichte Türdichtungen sind die Folge. Eine geringe Neigung nach hinten erleichtert das Schließen der Tür.





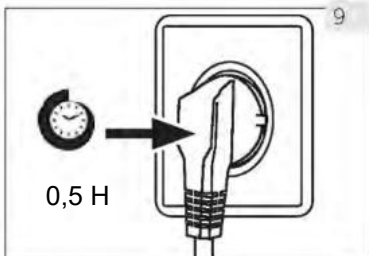
8

6. Justieren der Tür

Das Gerät schließt sich leichter, wenn die Nivellierfüße an der Vorderseite verwendet werden:

Drehen Sie die verstellbaren Füße (Abb. 8), um sie nach oben oder unten zu verstellen:

- ▶ Durch Drehen der Füße im Uhrzeigersinn wird das Gerät angehoben.
- ▶ Durch Drehen der Füße gegen den Uhrzeigersinn, wird das Gerät abgesenkt.



9

7. Wartezeit

Das wartungsfreie Schmieröl befindet sich in der Kapsel des Kompressors. Dieses Öl kann beim Transport durch das geschlossene Rohrsystem gelangen, wenn das Gerät gekippt wird. Warten Sie eine halbe Stunde, bevor Sie das Gerät an die Stromversorgung anschließen (Abb. 9), damit das Öl wieder in die Kapsel zurückfließen kann.

8. Elektrischer Anschluss

Überprüfen Sie vor jeder Verbindung, dass:

- ▶ die Stromversorgung, Steckdose und Sicherung den Angaben auf dem Typenschild entsprechen.
- ▶ die Steckdose geerdet ist und kein Mehrfachstecker oder Verlängerungskabel vorhanden ist.
- ▶ Netzstecker und Steckdose richtig zusammenpassen.

Schließen Sie den Stecker an eine ordnungsgemäß installierte Haushaltssteckdose an.



WARNUNG!

Um Gefahren zu vermeiden, muss ein beschädigtes Netzkabel vom Kundenservice ausgetauscht werden (siehe Garantiekarte).

9. Reversibilität der Tür

Bevor Sie das Gerät an die Stromversorgung anschließen, sollten Sie prüfen, ob der Türanschlag von rechts (nach der Lieferung) nach links gewechselt werden muss, wenn der Installationsort und die Nutzbarkeit dies erfordern.



WARNUNG!

- ▶ Das Gerät ist schwer. Sie benötigen zwei Personen, um die Reversibilität der Tür auszuführen.
- ▶ Vor dem Eingriff müssen Sie zuerst den Gerätestecker aus der Steckdose ziehen.
- ▶ Das Gerät nicht um mehr als 45 ° kippen, um Schäden am Kühlsystem zu vermeiden.

Montageschritte

1. Das notwendige Werkzeug bereitstellen.
2. Ziehen Sie den Netzstecker des Gerätes.
3. Entfernen Sie die obere Abdeckungsleiste und die kleine Abdeckung, und versetzen Sie die kleine Abdeckung auf die andere Türseite.
4. Entfernen Sie Abdeckung der Verkabelung und die Blende, und versetzen Sie die Zierblende auf die andere Türseite. Entfernen Sie die schwarze Gummiabdeckung vom Schlüsselloch auf der Innenseite des Türgehäuses und setzen Sie sie auf das rechte Schlüsselloch auf.
5. Entfernen Sie die Scharnierabdeckung und drehen Sie mit dem Werkzeug die 3 Schrauben heraus, sodass Sie die Türe abnehmen können.
6. Drehen Sie die 3 Schrauben unter der Tür heraus, entfernen Sie Türzylinder und Türanschlag und montieren Sie alles auf der anderen Türseite.
7. Schrauben Sie die Scharnierbaugruppe vom Gehäuse ab, entfernen Sie dabei zuerst den Scharnierzylinder in der unteren Scharnierbaugruppe. Setzen Sie den Scharnierzylinder wieder in das rechte Schraubenloch ein und montieren Sie ihn. Versetzen Sie jetzt die Türe mit der Scharnierbaugruppe auf die andere Seite des Gehäuses.
8. Die Türe wird senkrecht nach unten ausgerichtet auf dem Scharnierzylinder montiert.
9. Das obere Scharnier wird in das Schachtloch der Türe eingesetzt und am Gehäuse festgeschraubt. Zum Schluss die Abdeckung der Verkabelung und die obere Abdeckungsleiste wieder anbringen.



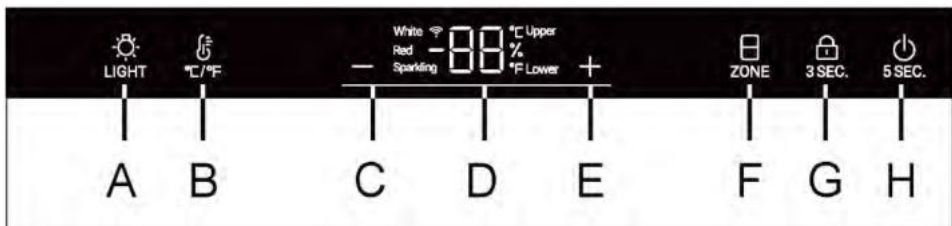
1. Vor der ersten Inbetriebnahme

- ▶ Entfernen Sie alle Verpackungsmaterialien. Dazu gehören der Schaumstoffboden und das gesamte Klebeband, mit dem die Zubehörteile des Weinklimaschranks innen und außen befestigt werden. Bewahren Sie sie außerhalb der Reichweite von Kindern auf und entsorgen Sie sie auf umweltfreundliche Weise.
- ▶ Reinigen Sie das Gerät innen und außen mit Wasser und einem milden Reinigungsmittel, bevor Sie Wein hineinlegen.
- ▶ Warten Sie nach dem Nivellieren und Reinigen mindestens 2 Stunden, bevor Sie das Gerät an die Stromversorgung anschließen. Wenn Ihr Weinklimaschrank aus irgendeinem Grund gekippt wurde, warten Sie 24 Stunden, bevor Sie ihn an die Stromversorgung anschließen. Siehe Abschnitt INSTALLATION.
- ▶ Sobald Sie das Gerät an eine Steckdose angeschlossen haben, lassen Sie es mindestens 30 Minuten laufen, um sich zu akklimatisieren, bevor Sie Anpassungen vornehmen.
- ▶ Die Temperatur wird automatisch auf 12°C eingestellt. Falls gewünscht, können Sie die Temperatur manuell ändern. Siehe Abschnitt TEMPERATUR.

2. Berührungstasten

Die Tasten auf dem Bedienfeld sind Berührungstasten, die bei leichter Berührung mit dem Finger ansprechen.

3. Beschreibung des Bedienfelds



- | | | | |
|---|--------------------------------------|---|----------------------------------|
| A | Innenbeleuchtung-Taste | E | Temperaturanpassungstaste: höher |
| B | °C/°F Konvertierungstaste | F | Taste Auswahl der Temperaturzone |
| C | Temperaturanpassungstaste: niedriger | G | Taste Displaysperre |
| D | Anzeige | H | Einschalt-Taste |

4. Automatische Verriegelungsfunktion

Drücken Sie bei gesperrtem Display die Sperrtaste 3 Sekunden lang; auf dem Display werden 3, 2 und 1 angezeigt, der Bildschirm ist entsperrt und das Sperrsymbol leuchtet halb auf; wenn keine Bedienung erfolgt, wird der Bildschirm nach 30 Sekunden automatisch wieder gesperrt. Wenn das Display gesperrt ist, leuchten die Sperrtasensymbole und sie können nicht bedient werden (außer der Beleuchtungs-Taste).

5. Einschalttasten-Funktion

Wenn das Display ausgeschaltet ist, berühren Sie eine beliebige Taste, und das Display leuchtet auf; drücken Sie die Einschalttaste lange, und auf dem Display werden 5, 4, 3, 2 und 1 angezeigt, und das gesamte Gerät wird ausgeschaltet. Wenn das Gerät ausgeschaltet ist, drücken Sie lange auf die Ein/Aus-Taste, um 5, 4, 3, 2, 1 anzuzeigen. Der Strom ist eingeschaltet.

6. Temperatureinstellung



Hinweis

Voreinstellungen

- ▶ Sobald Sie das Gerät an eine Steckdose angeschlossen haben, lassen Sie das Gerät mindestens 30 Minuten laufen, um sich zu akklimatisieren, bevor Sie Anpassungen vornehmen.
- ▶ Wenn das Gerät, nachdem es von der Hauptstromversorgung getrennt wurde, eingeschaltet wird, kann es mehrere Stunden dauern, bis die richtigen Temperaturen erreicht sind. Die genaue Zeit variiert je nach Umgebung und Temperatureinstellung.



Drücken Sie die Taste oder und die Anzeige beginnt zu blinken. Durch Drücken der Taste oder kann die Kühlschranktemperatur eingestellt werden. Der Temperatureinstellbereich: 5-20°C (41-68°F).

Halten Sie die Taste 3 Sekunden lang gedrückt, wird die Temperatur bestätigt.

7. Modus oder Zonenfunktion

Drücken Sie die Taste. Der Temperaturschalter schaltet von Schaumwein (8°C oder 47°F) auf Weißweine (12°C oder 54°F) und Rotweine (16°C oder 61°F). (für WS247GGU1/HWS247GEH1/HWS247FDU1/HWS247FAH1)

Ist das Gerät entriegelt, leuchtet das Symbol "B" ^{ZONE} dauerhaft. Befindet sich die aktuelle Anzeige im oberen Temperaturbereich, wird das Oben-Symbol eingeschaltet "B" ^{ZONE} und das Unten-Symbol wird ausgeschaltet. Drücken Sie an dieser Stelle die Taste,

das Unten-Symbol wird eingeschaltet und das Oben-Symbol wird ausgeschaltet.
(für HWS236GGDU1/HWS236GDEH1)

Rotwein	+13°C bis +20°C (+55°F bis +68°F)	Schaumwein Prosecco	+5°C bis +8°C (+41°F bis 47°F)	en.
Weißwein	+9°C bis +12°C (+48°F bis +54°F)			

Wenn Sie Wein über einen längeren Zeitraum lagern, sollte er bei einer Temperatur zwischen +10°C und +12°C (50°F und +54°F) gelagert werden.

8. Standby-Modus

Der Bildschirm wird automatisch 30 Sekunden gedimmt.

Er leuchtet automatisch auf, wenn eine Taste berührt oder die Tür geöffnet wird.



Hinweis Auswirkungen auf die Temperaturen



Die Temperatur im Geräteinnenraum wird durch folgende Faktoren beeinflusst:

- ▶ Umgebungstemperatur
- ▶ Häufigkeit der Türöffnung
- ▶ Menge der gelagerten Flaschen
- ▶ Standort des Geräts

Die Standardeinstellung beträgt 12 °C

Wenn die Anzeige das Blinken einstellt, zeigt sie wieder die aktuelle Temperatur im Inneren des Weinklimaschranks an. Es dauert einige Zeit, bis die eingestellte Temperatur erreicht ist.

9. Einstellung der Beleuchtungsart

Drücken Sie die  Taste. Wenn die Lampen im Schrank eingeschaltet sind, leuchten sie nach und nach auf. Sobald die  Taste erneut gedrückt wird, werden die Lichter nach und nach ausgeschaltet. (außer HWS247FDU1/HWS247FAH1)

10. °C/°F-Funktion

Drücken Sie die  Taste, um zwischen Fahrenheit und Celsius zu wechseln.

11. WLAN-Funktion

Drücken Sie die WLAN-Taste 3 Sekunden lang. Die WLAN-Taste beginnt schnell zu blinken und wechselt automatisch in den Konfigurationsmodus (für HWS247FDU1/HWS247FAH1).

12. Ausschalt Speicher-Funktion

Bei einem Stromausfall speichert das Gerät automatisch die eingestellte Temperatur. Nach Wiederherstellung der Stromversorgung wird diese auf Basis der vor dem Stromausfall eingestellten Temperatur ausgeführt.

13. Niedrigtemperatur-Kompensationsfunktion

Der Weinklimaschrank hat eine Niedrigtemperatur-Kompensationsfunktion, um die Stabilität der Temperatur zu gewährleisten: Liegt die Umgebungstemperatur unter der Soll-Temperatur, startet der Weinklimaschrank bei niedriger Temperatur automatisch die Kompensationsfunktion, um die Anwendung zu erwärmen. Erreicht die Temperatur in der Anwendung die Soll-Temperatur, wird die Niedrigtemperatur-Kompensationsfunktion automatisch ausgeschaltet.

14. Türöffnungsalarm

Wenn die Tür länger als eine Minute geöffnet bleibt, ertönt ein akustisches Signal, um einen Alarm auszulösen, bis die Tür geschlossen wird oder eine Taste auf dem Display betätigt wird, damit das akustische Signal verstummt.

15. WLAN-Moduseinstellung

KONNEKTIVITÄT WLAN-PARAMETER

Technologie	WLAN	Bluetooth
Standard	IEE 802.11 b/g/n	Bluetooth v4.2, BR/EDR, BLE
Frequenzbandbereich(e) [MHz]	2401÷2483	2402÷2480
Maximale Leistung [mW] Bandbereich(e) [MHz]	100	10

PRODUKTINFORMATIONEN

So aktivieren Sie das WLAN-Modul:

Drücken Sie die Lichttaste 3 Sekunden lang, um das WLAN zu aktivieren (außer HWS247FDU1/HWS247FAH1)

Drücken Sie die WLAN-Taste 3 Sekunden lang, um das WLAN zu aktivieren (für HWS247FDU1/HWS247FAH1).

Das WLAN-Modul wird eingeschaltet und das WLAN-Symbol beginnt zu blinken.

. Wenn der Weinklimaschrank angemeldet ist, aber das WLAN ausgeschaltet ist, blinkt das Symbol. . Wenn der Weinklimaschrank angemeldet und angeschlossen ist, leuchtet das WLAN-Symbol dauerhaft.

. Zum Zurücksetzen des WLAN drücken Sie die Leuchte 3 Sekunden lang (außer HWS247FDU1/HWS247FAH1).

. Um das WLAN zurückzusetzen, drücken Sie die WLAN-Taste 3 Sekunden lang (für HWS247FDU1/HWS247FAH1).

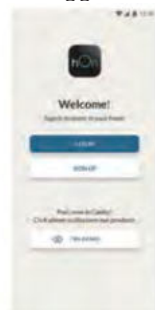
Schritt 1

- Laden Sie die hOn-App aus den Stores herunter.



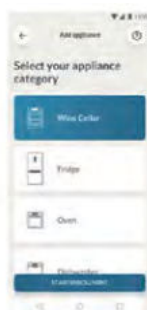
Schritt 2

- Einloggen oder Anmelden



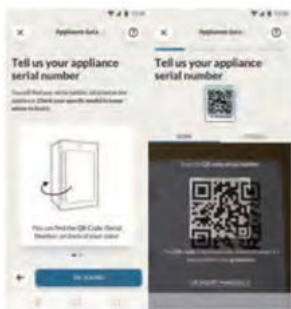
Schritt 3

- Fügen Sie ein neues Gerät hinzu, indem Sie den Weinklimaschrank aus der Liste auswählen.



Schritt 4

- Scannen Sie den QR-Code oder fügen Sie manuell die Seriennummer ein.



Schritt 5

- Drücken Sie die Lichttaste am Produkt 3 Sekunden lang, um das WLAN zu aktivieren (außer HWS247FDU1/ HWS247FAH1). Drücken Sie die WLAN-Taste am Produkt 3 Sekunden lang, um das WLAN zu aktivieren (für HWS247FDU1/ HWS247FAH1).



Schritt 6

- Das WLAN-Symbol blinkt, der Kopplungsprozess ist im Gange. Sie haben fünf Minuten Zeit, um den Kopplungsprozess abzuschließen. Wenn der Prozess abgeschlossen ist, hört das WLAN-Symbol auf zu blinken und leuchtet dauerhaft. HINWEIS





Energiespartipps

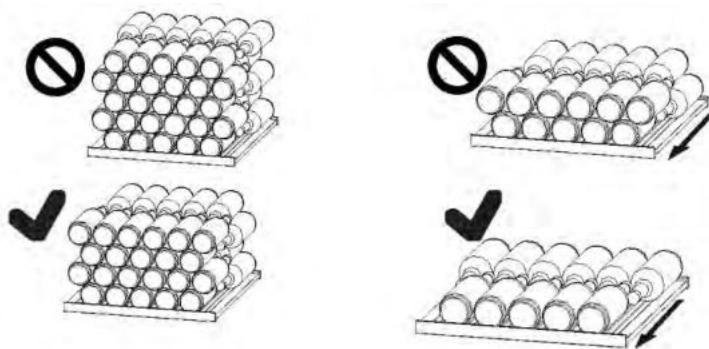
- ▶ Stellen Sie sicher, dass das Gerät ordnungsgemäß belüftet ist (siehe INSTALLATION).
- ▶ Stellen Sie das Gerät nicht in direktem Sonnenlicht oder in der Nähe von Hitzequellen (z. B. Herden, Heizungen) auf.
- ▶ Vermeiden Sie unnötig niedrige Temperaturen im Gerät. Je niedriger die im Gerät eingestellte Temperatur, umso höher der Energieverbrauch.
- ▶ Öffnen Sie die Gerätetür so wenig und so kurz wie möglich.
- ▶ Überschreiten Sie nicht die festgelegte Anzahl an Flaschen, um den Luftstrom nicht zu behindern. Halten Sie Türdichtungen sauber, damit die Tür immer richtig schließt.
- ▶ Die energiesparendste Konfiguration erfordert, dass Schublade, Lebensmittelbox und Einlegeböden im Gerät so wie geliefert eingesetzt sind und die Lebensmittel so platziert werden, dass sie den Luftauslass des Kanals nicht blockieren.

1. Einlegeboden

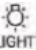
1. Die Einlegeböden sind für eine einfache Aufbewahrung und ein einfaches Herausnehmen des Weins ausgelegt. Sie können mit einem weichen Tuch gereinigt werden.
2. Reguläre Flaschen mit einem Durchmesser von 76 mm können gestapelt werden.
3. Magnum-Flaschen können im unteren Einlegeboden gestapelt werden.
4. Die Menge kann von der angegebenen Anzahl bzw. den Flaschen abweichen, wenn diese auf eine andere Weise gestapelt wurden.

Ratschläge zum Einräumen Ihres Weinklimaschranks

Wir empfehlen, dass die Anzahl der Weinflaschen nicht mehr als vier Lagen pro Regal beträgt und die Tragfähigkeit der Weinregale 60 Flaschen im Weintemperierschrank nicht übersteigt. Sehen Sie nach, ob die Einlegeböden dem Gewicht gut standhalten. Vergewissern Sie sich außerdem, dass keine Flasche aus den Einlegeböden herausragt, um zu vermeiden, dass Flaschen beim Schließen gegen die Glastür schlagen.



2. Das Licht

Die LED-Innenbeleuchtung leuchtet, wenn die Tür geöffnet wird. Um das Licht beim Schließen der Tür einzuschalten, drücken Sie die  Taste. Zum Ausschalten der Lichter drücken Sie die Taste erneut. Um die Energieeffizienz zu erhöhen, sollten die Lichter ausgeschaltet werden, wenn Sie nicht in den Weinklimaschrank sehen. (außer HWS247FDU1/HWS247FAH1)

3. Die Sperre

Zum Verriegeln des Weinklimaschranks schließen Sie die Tür und stecken Sie den Schlüssel in das Schloss:

- ▶ Sperren Sie die Tür, indem Sie den Schlüssel im Uhrzeigersinn drehen.
- ▶ Entriegeln Sie die Tür, indem Sie den Schlüssel gegen den Uhrzeigersinn drehen.

1. Abtauen

Das Abtauen des Weinklimaschranks erfolgt automatisch, es ist keine manuelle Tätigkeit erforderlich.

2. Austausch der LED-Leuchte

Die Leuchte nutzt als Lichtquelle eine LED mit geringem Energieverbrauch und langer Lebensdauer. Bei Anomalien wenden Sie sich bitte an den Kundenservice. Siehe KUNDENSERVICE.



WARNUNG!

Ersetzen Sie die LED-Leuchte nicht selbst. Sie darf nur vom Hersteller oder von einem autorisierten Service-Mitarbeiter ausgetauscht werden.

Parameter der LED-Leuchte:

Spannung 12 V

Maximale Leistung: 18W

3. Nichtverwendung für einen längeren Zeitraum

Das Netzkabel abziehen.

Reinigen Sie das Gerät und die Türdichtungen wie oben beschrieben.

Halten Sie die Tür offen, um zu verhindern, dass sich schlechte Gerüche bilden.

4. Verstellen des Gerätes

1. Nehmen Sie alle Flaschen heraus und ziehen Sie den Gerätestecker.
2. Fixieren Sie die Einlegeböden und andere bewegliche Teile im Weinklimaschrank mit Klebeband.
3. Den Weinklimaschrank um maximal 45° kippen, um eine Beschädigung des Kühlsystems zu vermeiden.

5. Luftaustausch mit Aktivkohlefilter (außer HWS247FAH1)

Die Art und Weise, wie die Weine weiterhin reifen, hängt von den Umgebungsbedingungen ab. Daher ist die Luftqualität entscheidend für die Konservierung des Weins. Im unteren Bereich der Geräterückwand wurde ein Aktivkohlefilter eingebaut, um Rückstände optimal filtern zu können.



Hinweis

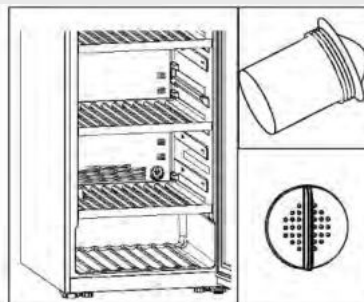
Wir empfehlen, den Filter einmal pro Jahr austauschen. Filter erhalten Sie bei Ihrem Händler. (außer HWS247FAH1)

Filterwechsel:

Den Filter am Griff anfassen. Den Filter nach links drehen und entfernen.

Filter einsetzen:

Mit dem Griff senkrecht einsetzen. Den Filter nach rechts und einfügen.



Viele auftretende Probleme können von Ihnen selbst ohne spezifische Fachkenntnisse gelöst werden. Bei Problemen prüfen Sie bitte alle angezeigten Möglichkeiten und befolgen Sie die nachstehenden Anweisungen, bevor Sie einen Kundenservice kontaktieren. Siehe KUNDENSERVICE.

WARNUNG!

- ▶ Das Gerät vor der Wartung deaktivieren und den Netzstecker aus der Steckdose ziehen.
- ▶ Elektrische Geräte sollten nur von qualifizierten Fachelektrikern repariert werden, da unsachgemäße Reparaturen erhebliche Folgeschäden verursachen können.
- ▶ Eine beschädigte Lieferung sollte nur vom Hersteller, von seinem Service-Mitarbeiter oder einer gleichwertig qualifizierten Person ausgetauscht werden, um jegliches Risiko zu vermeiden.

Fehlercode	Ursache	Lösung
L2	Niedrigtemperaturalarm, wenn die Temperatur des Kontrollfühlers zu niedrig ist.	<ol style="list-style-type: none"> 1. Überprüfen Sie die Umgebungstemperatur. 2. Überprüfen Sie die Verbindung des Kompressors. 3. Prüfen Sie den Widerstand des Temperatursensors.
H1	Wenn die Temperatur des Kontrollensors zu hoch ist, wird auf dem Display ein Hochtemperaturalarm angezeigt.	<ol style="list-style-type: none"> 1. Überprüfen Sie die Verbindung der Steuerplatine oder des Anzeigefeldes. 2. Prüfen Sie den Widerstand und die Stromversorgung des Lüfters. 3. Prüfen Sie das Gebläse und die Verbindung des Kompressors.

Problem	Mögliche Ursache	Mögliche Behebung
Der Kompressor funktioniert nicht.	<ul style="list-style-type: none"> • Der Netzstecker ist nicht an die Steckdose angeschlossen. 	<ul style="list-style-type: none"> • Netzstecker anschließen.
Das Gerät läuft häufig oder zu lange.	<ul style="list-style-type: none"> • Die Außentemperatur ist zu hoch. • Das Gerät wurde über einen längeren Zeitraum ausgeschaltet. • Eine Gerätetür wurde nicht richtig geschlossen. • Die Tür wurde zu häufig oder zu lange geöffnet. • Die Türdichtungen sind verschmutzt, verschlissen, gerissen oder verrutscht. • Die erforderliche Luftzirkulation ist nicht gewährleistet. • Temperatur zu niedrig eingestellt. 	<ul style="list-style-type: none"> • In diesem Fall ist es normal, dass das Gerät länger läuft. • Normalerweise dauert es eine Weile, bis das Gerät vollständig abgekühlt ist. • Tür schließen und sicherstellen, dass das Gerät auf einem ebenem Untergrund steht und dass keine Lebensmittel oder Behälter gegen die Tür stoßen. • Tür nicht zu häufig öffnen. • Die Türdichtung reinigen oder vom Kundenservice ersetzen lassen. • Für ausreichende Belüftung sorgen. • Das Problem löst sich von selbst, sobald die gewünschte Temperatur erreicht ist.
Das Innere des Weinklimaschranks ist schmutzig und/oder übelriechend.	<ul style="list-style-type: none"> • Das Innere des Weinklimaschranks muss gereinigt werden. 	<ul style="list-style-type: none"> • Das Innere des Weinklimaschranks reinigen.
Das Innere des Geräts ist nicht kalt genug.	<ul style="list-style-type: none"> • Temperatur zu hoch eingestellt. • Flaschen wurden erst kürzlich hinzugefügt. • Eine Gerätetür wurde nicht richtig geschlossen. • Die Tür wurde zu häufig oder zu lange geöffnet. • Die Türdichtungen sind verschmutzt, verschlissen, gerissen oder verrutscht. 	<ul style="list-style-type: none"> • Temperatur zurücksetzen. • Lassen Sie den kürzlich hinzugefügten Flaschen Zeit, die gewünschte Temperatur zu erreichen. • Tür schließen. • Tür nicht zu häufig öffnen. • Die Türdichtung reinigen oder vom Kundenservice ersetzen lassen.
Das Innere des Geräts ist zu kalt.	<ul style="list-style-type: none"> • Temperatur zu niedrig eingestellt. 	<ul style="list-style-type: none"> • Temperatur zurücksetzen.

Problem	Mögliche Ursache	Mögliche Behebung
Feuchtigkeitsbildung im Innern des Kühlfachs.	<ul style="list-style-type: none"> • Das Klima ist zu warm und zu feucht. • Eine Gerätetür wurde nicht richtig geschlossen. • Die Tür wurde zu häufig oder zu lange geöffnet. 	<ul style="list-style-type: none"> • Temperatur erhöhen. • Tür schließen. • Tür/Schublade nicht zu häufig öffnen.
An der Außenfläche des Weinklimaschranks sammelt sich Feuchtigkeit an.	<ul style="list-style-type: none"> • Das Klima ist zu warm und zu feucht. • Tür nicht richtig geschlossen. Die kalte Luft im Gerät und die warme Außenluft kondensieren. 	<ul style="list-style-type: none"> • Das ist bei feuchtem Klima normal und ändert sich, wenn die Feuchtigkeit abnimmt. • Achten Sie darauf, dass die Tür dicht verschlossen ist und die Dichtungen richtig abdichten.
Das Gerät macht anormale Geräusche	<ul style="list-style-type: none"> • Das Gerät befindet sich nicht auf einem ebenen Untergrund. • Das Gerät berührt einige Gegenstände um es herum. 	<ul style="list-style-type: none"> • Füße einstellen, um das Gerät in die Waage zu bringen. • Die Gegenstände um das Gerät herum entfernen.
Es ist ein leichtes Geräusch zu hören, ähnlich wie dem von fließendem Wasser.	<ul style="list-style-type: none"> • Das ist normal 	<ul style="list-style-type: none"> • -
Die Innenbeleuchtung oder das Kühlsystem funktioniert nicht.	<ul style="list-style-type: none"> • Der Netzstecker ist nicht an die Steckdose angeschlossen. • Die Stromversorgung ist nicht intakt. • Die LED-Leuchte ist defekt. 	<ul style="list-style-type: none"> • Netzstecker anschließen. • Die Stromversorgung des Raums überprüfen. Den örtlichen Stromversorger anrufen. • Rufen Sie den Kundenservice an, um sie auszutauschen.
Die Seitenwände des Kühlgeräts und die Türleiste werden warm	<ul style="list-style-type: none"> • Das ist normal. 	<ul style="list-style-type: none"> • -
Die Tür schließt nicht richtig.	<ul style="list-style-type: none"> • Das Gerät steht nicht gerade. • Tür blockiert. 	<ul style="list-style-type: none"> • Das Gerät mit den Nivellierfüßen ausrichten. • Auf Blockierungen wie Flaschen oder Einlegeböden prüfen.

Um den technischen Kundendienst zu kontaktieren, besuchen Sie unsere Website:

<https://corporate.haier-europe.com/en/>

Wählen Sie im Abschnitt „Website“ die Marke Ihres Produkts und Ihr Land aus. Sie werden auf die entsprechende Website weitergeleitet, auf der Sie die Telefonnummer und das Formular zur Kontaktaufnahme mit dem technischen Kundendienst finden.

Produktdatenblatt gemäß EU-Nr. 2019/2016

Marke	Haier	Haier	Haier
Modellname / Kennung	HWS247GGU1 HWS247GEH1	HWS236GDGU1 HWS236GDEH1	HWS247FDU1/ HWS247FAH1
Kategorie	Weinklimaschrank	Weinklimaschrank	Weinklimaschrank
Energieeffizienzklasse	G/E	G/E	D/A
Jährlicher Energieverbrauch (kWh/Jahr) ¹⁾	184/107	184/107	85/44
Speichervolumen (L)	450	448	450
Klimaklasse: Dieses Gerät ist für die Verwendung bei einer Umgebungstemperatur zwischen 10 °C und 38 °C ausgelegt.	SN N ST	SN N ST	SN N ST
Luftschall-Lärmemissionen (db (A) re 1pW)	C(37)/B(35)	C(37)/B(35)	C(37)/B(35)
Gerätetyp	Freistehend	Freistehend	Freistehend
Dieses Gerät ist ausschließlich für die Weinlagerung bestimmt.	Ja	Ja	Ja
Abmessungen (B/T/H in mm)	597/714/1900	597/714/1900	603/769/1900

Erläuterungen:

1) basierend auf Standard-Testergebnissen für 24 Stunden. Der tatsächliche Energieverbrauch hängt von der aktuellen Umgebung, der Anzahl an Flaschen, der eingestellten Temperatur, dem Öffnen und Schließen der Tür, usw. ab

2) Die Nennleistungsaufnahme ist der Wert, der gemäß der Standardprüfung ermittelt wird, wenn das Innenlicht des Weinklimaschranks nicht eingeschaltet ist.

- Subnormal: „Dieses Kühlgerät ist für die Verwendung bei einer Umgebungstemperatur zwischen 10°C und 32°C ausgelegt“.

- Normal: „Dieses Kühlgerät ist für die Verwendung bei einer Umgebungstemperatur zwischen 16°C und 32°C ausgelegt“.

- Subtropisch: „Dieses Kühlgerät ist für die Verwendung bei einer Umgebungstemperatur zwischen 16°C und 38°C ausgelegt“.

- Tropisch: „Dieses Kühlgerät ist für die Verwendung bei einer Umgebungstemperatur zwischen 16°C und 43°C ausgelegt“.

Normen und Richtlinien

Dieses Produkt erfüllt die Anforderungen aller geltenden EG-Richtlinien mit den entsprechenden harmonisierten Normen, die eine CE-Kennzeichnung vorsehen.

Wir empfehlen unseren Haier Kundenservice und die Verwendung von Original-Ersatzteilen. Wenn Sie Probleme mit dem Gerät haben, lesen Sie bitte zuerst den Abschnitt „FEHLERBEHEBUNG“. Wenn Sie dort keine Lösung finden, wenden Sie sich bitte an

- ▶ Ihren Händler vor Ort oder
- ▶ den Abschnitt Service & Support unter www.haier.com, wo Sie Telefonnummern und FAQs finden und wo Sie den Service-Anspruch aktivieren können.

Um unseren Service zu kontaktieren, stellen Sie sicher, dass Sie die folgenden Daten zur Hand haben.

Die Informationen finden Sie auf dem Typenschild.

Modell _____ Seriennummer _____

Prüfen Sie im Garantiefall auch die mit dem Produkt mitgelieferte Garantiekarte.

Für allgemeine Geschäftsanfragen finden Sie unten unsere Adressen in Europa:

Haier-Standorte in Europa

Land*	Postanschrift	Land	Postanschrift
Italien	Haier Europe Trading SRL Via De Cristoforis, 12 21100 Varese ITALIEN		Haier Europe Trading SRL Via De Cristoforis, 12 21100 Varese ITALIEN
Spanien Portugal	Haier Iberia SL Pg. Garcia Faria, 49-51 08019 Barcelona SPANIEN	Belgien-FR Belgien-NL Niederlande Luxemburg	Haier Benelux SA Anderlecht Route de Lennik 451 BELGIEN
Deutschland Österreich	Haier Deutschland GmbH Hewlett-Packard-Str. 4 D-61352 Bad Homburg DEUTSCHLAND		Haier Poland Sp. zo.o. Al. Jerozolimskie 181B 02-222 Warszawa POLEN
Vereinigtes Königreich	Haier Appliances UK Co. Ltd. One Crown Square Church Street East Woking, Surrey, GU21 6HR UK	Polen Tschechien Ungarn Griechenland Rumänien Russland	

VERFÜGBARKEIT VON ERSATZTEILEN: Thermostate, Temperatursensoren, Leiterplatten und Leuchtmittel sind für einen Zeitraum von mindestens sieben Jahren nach Inverkehrbringen des letzten Gerätes des Modells erhältlich. Türgriffe, Türscharniere, Auszüge und Schubladen für eine Mindestdauer von sieben Jahren und Türdichtungen für eine Mindestdauer von 10 Jahren, nachdem das letzte Gerät des Modells in Verkehr gebracht wurde.

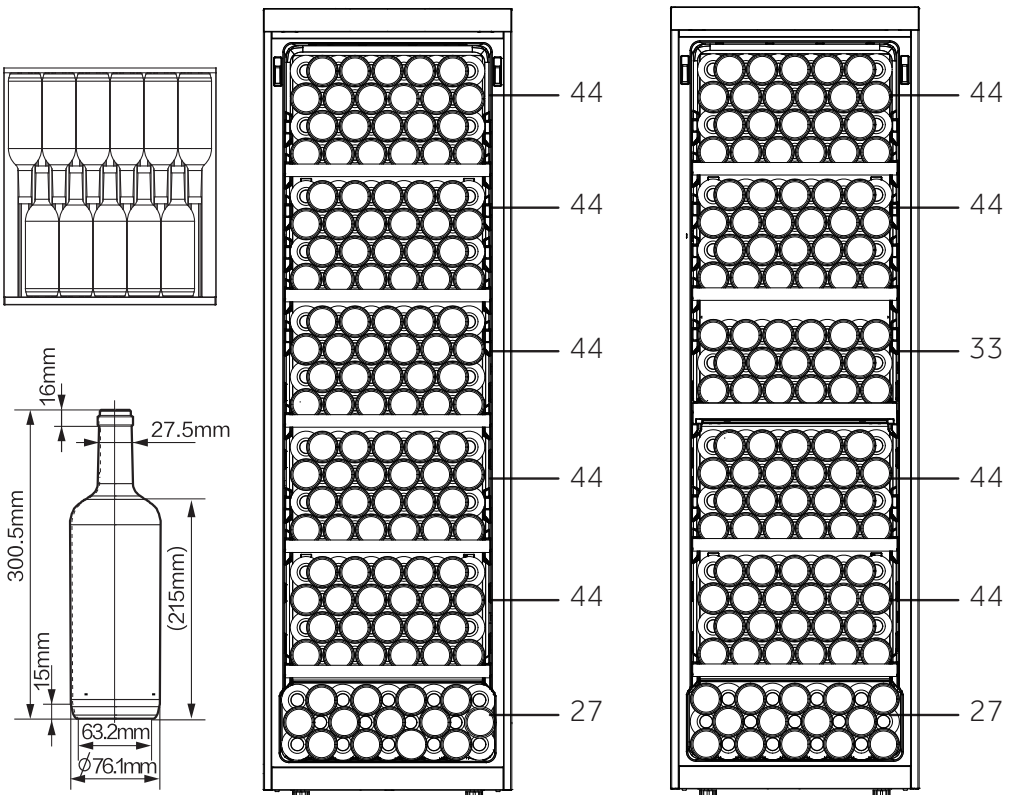
Die Mindestgarantie beträgt: 2 Jahre für EU-Länder, 3 Jahre für die Türkei, 1 Jahr für Großbritannien, 1 Jahr für Russland, 3 Jahre für Schweden, 2 Jahre für Serbien, 5 Jahre für Norwegen, 1 Jahr für Marokko, 6 Monate für Algerien, Tunesien keine gesetzliche Gewährleistung erforderlich.

Weitere Informationen zum Produkt finden Sie unter <https://eprel.ec.europa.eu/> oder scannen Sie den QR-Code auf dem Energielabel, das dem Gerät beiliegt.

Stapeln von Weinflaschen

DE

Die Flaschenanordnung basiert auf der grafischen Darstellung einer Standard-Bordeauxflasche (0,75 l). Aufgrund der unterschiedlichen Flaschenspezifikationen kann die tatsächliche Flaschenlademenge unterschiedlich sein.



HWS247GGU1
HWS247FDU1
HWS247GEH1
HWS247FAH1

HWS236GDGU1
HWS236GDEH1

HWS-247FDU1-247GGU1-236GGDU1-247GEH1-236GDEH1- HWS247FAH1 - DE

Haier



Haier

Manuel d'utilisation

Cave à vin

HWS247FAH1
HWS247FDU1
HWS247GGU1
HWS247GEH1
HWS236GDEH1
HWS236GDGU1

FR

Haier

Merci d'avoir acheté un produit Haier.

Veuillez lire attentivement ces instructions avant d'utiliser cet appareil. Les instructions contiennent des informations importantes qui vous aideront à tirer le meilleur parti de l'appareil et à assurer l'installation, l'utilisation et l'entretien sûrs et appropriés de celui-ci.

Conservez ce manuel dans un endroit pratique afin que vous puissiez toujours vous référer à celui-ci pour une utilisation sûre et appropriée de l'appareil.

Si vous vendez l'appareil, si vous le donnez ou si vous le laissez derrière vous lorsque vous déménagez, assurez-vous que vous transmettez également ce manuel pour que le nouveau propriétaire puisse se familiariser avec l'appareil et les consignes de sécurité.



Légende

Avertissement - Informations importantes sur la sécurité



Informations générales et conseils



Informations environnementales



Mise au rebut

Contribuez à protéger l'environnement et la santé humaine. Jetez l'emballage dans les bacs correspondants pour le recycler. Aidez à recycler les déchets d'appareils électriques et électroniques. Ne jetez pas les appareils marqués de ce symbole avec les déchets ménagers. Ramenez le produit à votre déchetterie locale ou contactez votre bureau municipal.



AVERTISSEMENT !

Risque de blessure ou de suffocation !

Les frigorigènes et les gaz doivent être éliminés professionnellement. Assurez-vous que le tube du circuit réfrigérant n'est pas endommagé avant d'être correctement éliminé. Débranchez l'appareil du secteur. Coupez le câble d'alimentation et jetez-le. Retirez les clayettes et les tiroirs ainsi que le verrou et les joints de la porte, afin d'éviter que les enfants et les animaux domestiques ne se retrouvent enfermés dans l'appareil.

Les anciens appareils ont encore une valeur résiduelle. Une méthode de mise au rebut respectueuse de l'environnement permettra de récupérer et de réutiliser les matières premières de valeur.

Le cyclopentane, une substance inflammable non toxique pour l'ozone, est utilisé pour former la mousse isolante.

En veillant à ce que ce produit soit éliminé correctement, vous éviterez les effets négatifs potentiels sur l'environnement et la santé humaine, qui pourraient sinon être causés.

Pour plus d'informations sur le recyclage de ce produit, veuillez contacter votre conseil local, votre service d'élimination des déchets ménagers ou le magasin où vous avez acheté le produit, manipulé par les professionnels.

1 - Informations sur la sécurité	4
2 - Conseils de sécurité.....	7
3 - Entretien	11
4 - Accessoires.....	13
5 - Description du produit	14
6 - Installation	15
7 - Utilisation	19
8 - Conseils d'économie d'énergie	24
9 - Matériel.....	25
10 - Entretien et nettoyage	26
11 - Dépannage	27
12 - Données techniques.....	30
13 - Service clientèle.....	31
14 - Empilage des bouteilles de vin.....	32

Cet appareil est destiné à être utilisé exclusivement pour le stockage du vin. Avant d'allumer l'appareil pour la première fois, lisez les conseils de sécurité suivants :



AVERTISSEMENT !

Avant la première utilisation

- ▶ Assurez-vous qu'il n'a pas été endommagé pendant le transport.
- ▶ Retirez tous les emballages et gardez-les hors de la portée des enfants, puis jetez-les d'une manière respectueuse de l'environnement.
- ▶ Attendez au moins une demi-heure avant d'installer l'appareil afin de vous assurer que le circuit réfrigérant fonctionne parfaitement.
- ▶ Manipulez toujours l'appareil avec au moins deux personnes parce qu'il est lourd.

Installation

- ▶ L'appareil doit être placé dans un endroit bien ventilé. Garantisiez un espace d'au moins 50 mm au-dessus et autour de l'appareil.
- ▶ **AVERTISSEMENT :** Gardez les ouvertures de ventilation, dans le bâti de l'appareil ou dans la structure intégrée, exemptes d'obstruction.
- ▶ Ne placez jamais l'appareil dans un endroit humide ou un endroit où il pourrait être éclaboussé d'eau. Nettoyez et séchez les éclaboussures d'eau et les taches avec un chiffon doux et propre.
- ▶ N'installez pas votre cave à vin dans un endroit non isolé ou chauffé (p. ex. garage, etc.). Votre cave à vin n'a pas été conçue pour fonctionner à une température ambiante inférieure à 10 °C.
- ▶ N'installez pas l'appareil en plein soleil ou à proximité de sources de chaleur (par ex. cuisinières, chauffages).
- ▶ Installez et mettez à niveau l'appareil dans une zone adaptée à sa taille et à son utilisation.
- ▶ Assurez-vous que les informations électriques figurant sur la plaque signalétique sont conformes à l'alimentation électrique. Si ce n'est pas le cas, contactez un électricien.
- ▶ L'appareil est alimenté par une alimentation de 220-240 VCA/50 Hz. Les variations anormales de tension peuvent provoquer l'arrêt de l'appareil ou endommager le régulateur de température ou le compresseur, ou il peut y avoir un bruit anormal lors du fonctionnement. Dans ce cas, un régulateur automatique doit être monté.
- ▶ N'utilisez pas d'adaptateurs multiprises ni de rallonges.

**AVERTISSEMENT !**

- ▶ **AVERTISSEMENT :** Ne placez pas plusieurs prises portatives ou alimentations portatives à l'arrière de l'appareil.
- ▶ **AVERTISSEMENT :** Lors du positionnement de l'appareil, vérifiez que le cordon d'alimentation n'est pas coincé ou abîmé.
- ▶ Ne marchez pas sur le câble d'alimentation.
- ▶ Utilisez une prise de terre séparée pour l'alimentation électrique qui est facile d'accès. L'appareil doit être mis à la terre.
- ▶ **Uniquement pour le Royaume-Uni :** Le câble d'alimentation de l'appareil est équipé d'une fiche 3 pôles (de mise à la terre) qui s'adapte à une prise standard 3 pôles (de mise à la terre). Ne coupez jamais ou ne démontez jamais la troisième broche (mise à la terre). Une fois l'appareil installé, la fiche doit être accessible.
- ▶ **AVERTISSEMENT :** N'endommagez pas le circuit réfrigérant.

Utilisation quotidienne

- ▶ Cet appareil peut être utilisé par des enfants à partir de 8 ans et par des personnes ayant des capacités physiques, sensorielles ou mentales réduites ou un manque d'expérience et de connaissances, s'ils sont sous surveillance ou si on leur a appris à utiliser l'appareil en toute sécurité et s'ils comprennent les risques courus.
- ▶ Les enfants ne doivent pas jouer avec l'appareil.
- ▶ Les enfants âgés de 3 à 8 ans sont autorisés à remplir et vider les appareils de réfrigération, mais ne sont pas autorisés à nettoyer et à installer les appareils de réfrigération.
- ▶ Gardez les enfants âgés de moins de 3 ans à l'écart de l'appareil à moins qu'ils ne soient constamment surveillés.
- ▶ Le nettoyage et l'entretien ne doivent pas être effectués par des enfants sans surveillance.
- ▶ L'appareil doit être positionné de manière à ce que la fiche soit accessible.
- ▶ Si du gaz de ville ou tout autre gaz inflammable fuit à proximité de l'appareil, fermez la vanne du gaz qui fuit, ouvrez les portes et les fenêtres et ne débranchez pas le câble d'alimentation de l'appareil.
- ▶ Attendez au moins 7 minutes pour remettre le courant après l'avoir coupé.
- ▶ Ne soulevez pas l'appareil par ses poignées de porte.
- ▶ Les clés doivent être gardées hors de la portée des enfants et pas à proximité de l'appareil pour empêcher que les enfants s'enferment à l'intérieur de l'appareil.



AVERTISSEMENT !

- ▶ Notez que l'appareil est conçu pour fonctionner dans une plage de température ambiante spécifique comprise entre 10 °C et 38 °C. L'appareil peut ne pas fonctionner correctement s'il est laissé pendant une longue période à une température inférieure ou supérieure à la plage indiquée.
- ▶ Ne placez pas d'objets instables (objets lourds, récipients remplis d'eau) sur le dessus de l'appareil, pour éviter les blessures corporelles causées par une chute ou un choc électrique causé par le contact avec de l'eau.
- ▶ Ouvrez et fermez la porte uniquement avec les poignées. L'écart entre la porte et la cave est très étroit. Ne mettez pas vos mains dans ces zones pour éviter de vous pincer les doigts. Ouvrez ou fermez les portes de l'appareil uniquement lorsqu'il n'y a pas d'enfants dans le rayon de mouvement de la porte.
- ▶ Ne conservez pas et n'utilisez pas de matières corrosives, explosives ou inflammables dans l'appareil ou à proximité.
- ▶ Ne rangez pas des substances explosives comme des bombes d'aérosol contenant un combustible inflammable dans cet appareil.
- ▶ Ne conservez pas de médicaments, de bactéries ou d'agents chimiques dans l'appareil. Cet appareil est un appareil électroménager. Il n'est pas recommandé pour stocker des produits qui nécessitent des températures strictes.
- ▶ Ne réglez pas une température inutilement basse dans le compartiment de la cave à vin. Des températures inférieures peuvent se produire à des réglages élevés. Attention : Les bouteilles peuvent éclater
- ▶ Ne touchez pas la surface intérieure du compartiment de l'appareil lorsqu'il est en fonctionnement, en particulier avec les mains mouillées, car vos mains peuvent geler sur la surface.
- ▶ Pour un refroidissement correct du vin, ne surchargez pas l'appareil.
- ▶ Débranchez l'appareil en cas de coupure de courant ou avant de le nettoyer. Attendez au moins 7 minutes avant de redémarrer l'appareil, car le démarrage fréquent risque d'endommager le compresseur.
- ▶ **AVERTISSEMENT :** N'utilisez pas d'appareils électriques à l'intérieur de l'électroménager, à moins qu'ils ne soient du type recommandé par le fabricant. Pour éviter tout risque, un câble d'alimentation endommagé doit être remplacé par le service à la clientèle (voir carte de garantie).
- ▶ Pour prolonger la durée de vie de l'appareil, évitez de l'éteindre.
- ▶ Ne placez jamais l'appareil à l'horizontale sur le sol. Après avoir incliné l'appareil de plus de 45°, attendez 24 heures avant de le brancher.

**AVERTISSEMENT !****Entretien/nettoyage**

- ▶ Veillez à superviser les enfants s'ils effectuent le nettoyage et l'entretien.
- ▶ Débranchez l'appareil du secteur avant d'effectuer tout entretien courant. Attendez au moins 7 minutes avant de redémarrer l'appareil, car le démarrage fréquent risque d'endommager le compresseur.
- ▶ Tenez la fiche, pas le câble, lorsque vous débranchez l'appareil.
- ▶ Ne nettoyez pas l'appareil à l'aide de brosses dures, de brosses métalliques, de détergents en poudre, d'essence, d'acétate d'amyle, d'acétone et de solutions organiques similaires, d'acides ou de solutions alcalines. Nettoyez-le avec un détergent spécial pour réfrigérateur/congélateur afin d'éviter de l'endommager. Enfin, utilisez de l'eau tiède et une solution de bicarbonate de soude : environ une cuillère à soupe de bicarbonate de soude pour un litre/quart d'eau. Rincez abondamment à l'eau et essuyez. N'utilisez pas de poudres de nettoyage ou d'autres nettoyeurs abrasifs. Ne lavez pas les pièces amovibles au lave-vaisselle.
- ▶ **AVERTISSEMENT :** N'utilisez pas de dispositifs mécaniques ou d'autres moyens pour accélérer le processus de dégivrage, hormis ceux recommandés par le fabricant.
- ▶ Si le cordon d'alimentation est endommagé, faites-le remplacer par le fabricant, le service après-vente ou un électricien qualifié pour éviter tout risque d'accident.
- ▶ N'essayez pas de réparer, démonter ou modifier l'appareil vous-même. En cas de réparation, veuillez contacter notre service clientèle.
- ▶ Si les lampes d'éclairage sont endommagées, elles doivent être remplacées par le fabricant, son service de maintenance ou des personnes de qualification similaire afin d'éviter tout danger.
- ▶ Éliminez la poussière à l'arrière de l'appareil au moins une fois par an pour éviter tout risque d'incendie, ainsi que l'augmentation de la consommation d'énergie.

- ▶ Ne pulvérisez pas et ne rincez pas l'appareil pendant le nettoyage.
- ▶ N'utilisez pas de jet d'eau ou de vapeur pour nettoyer l'appareil.
- ▶ Ne nettoyez pas la porte froide en verre à l'eau chaude.
Un changement soudain de température peut casser le verre.
- ▶ Si vous laissez votre appareil hors d'usage pendant une période prolongée, laissez-le ouvert pour éviter que des odeurs désagréables se forment à l'intérieur.

Informations sur les gaz réfrigérants



AVERTISSEMENT !

L'appareil contient de l'ISOBUTANE, un réfrigérant inflammable (R600a). Assurez-vous que le circuit du réfrigérant n'est pas endommagé pendant le transport ou l'installation. Les fuites de frigorigène peuvent provoquer des blessures oculaires ou s'enflammer. Si un dommage s'est produit, gardez les sources de feu ouvert à l'écart, aérez complètement la pièce, ne branchez pas ou ne débranchez pas les cordons d'alimentation de l'appareil ou de tout autre appareil. Informez le service à la clientèle.

En cas de contact du réfrigérant avec les yeux, rincez-les immédiatement à l'eau courante et appelez immédiatement un oculiste.

AVERTISSEMENT : Le système de réfrigération est sous haute pression. Ne le modifiez pas. Étant donné que des réfrigérants inflammables sont utilisés, veuillez installer, manipuler et entretenir l'appareil en suivant strictement les instructions et contactez l'agent professionnel ou notre service après-vente pour mettre l'appareil au rebut.

Utilisation prévue


Cet appareil est conçu pour être utilisé dans une habitation et pour des applications similaires telles que

- coins-cuisine du personnel dans des magasins, bureaux et autres environnements de travail ;
 - habitations rurales et par des clients dans des hôtels, motels et autres environnements de type résidentiel ;
 - environnements de type chambres d'hôtes ou B&B ;
 - restauration et applications similaires non dédiées à la vente au détail.
- Pour assurer une conservation sûre du vin, veuillez respecter cette notice d'utilisation.
- Les détails de la partie la plus appropriée dans le compartiment de l'appareil où des types spécifiques d'aliments doivent être stockés, compte tenu de la répartition de la température pouvant être présente dans les différents compartiments de l'appareil, se trouvent dans l'autre partie du manuel.

Les changements ou modifications apportés à l'appareil ne sont pas autorisés. Une utilisation non prévue peut entraîner des risques et la perte de garantie.

Mise au rebut



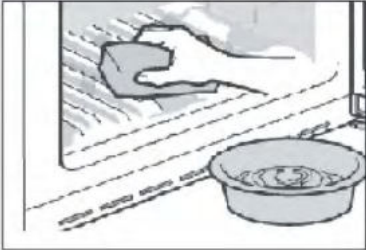
Le symbole  figurant sur le produit ou sur son emballage indique qu'il ne doit pas être traité comme des ordures ménagères. Vous devez l'apporter à un centre de tri pour le recyclage des produits électriques et électroniques. En éliminant correctement cet appareil, vous évitez toutes les conséquences négatives pour l'environnement et la santé humaine, susceptibles de se présenter si cet appareil n'est pas éliminé correctement. Pour plus d'informations sur le recyclage de ce produit, veuillez contacter votre mairie, votre service de collecte des ordures ménagères ou le magasin où vous avez acheté le produit.

Étant donné que des gaz de soufflage d'isolation inflammables sont utilisés, veuillez contacter l'agent professionnel ou notre service après-vente pour la mise au rebut de l'appareil.

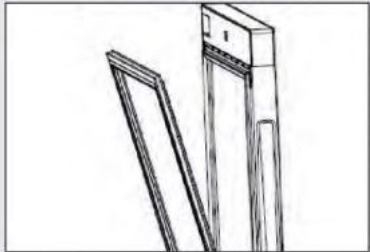
AVERTISSEMENT !

Risque de blessures ou de suffocation !

Les frigorigènes et les gaz doivent être éliminés professionnellement. Assurez-vous que le tube du circuit réfrigérant n'est pas endommagé avant d'être correctement éliminé. Débranchez l'appareil du secteur. Coupez le câble d'alimentation et jetez-le. Retirez les clayettes et les tiroirs ainsi que le verrou et les joints de la porte afin d'éviter que les enfants et les animaux domestiques ne se retrouvent enfermés dans l'appareil.

- ▶ **AVERTISSEMENT :** Débranchez l'appareil de l'alimentation électrique avant de le nettoyer.
 - ▶ Ne nettoyez pas l'appareil à l'aide de brosses dures, de brosses métalliques, de détergents en poudre, d'essence, d'acétate d'amyle, d'acétone et de solutions organiques similaires, d'acides ou de solutions alcalines. Nettoyez-le avec un détergent spécial pour réfrigérateur afin d'éviter de l'endommager.
 - ▶ Nettoyez l'appareil lorsqu'il ne contient que quelques bouteilles de vin ou qu'il est vide et seulement lorsqu'il est sale.
 - ▶ Nettoyez l'intérieur et le bâti de l'appareil à l'aide d'une éponge imbibée d'eau tiède et de détergent neutre.
 - ▶ Rincez à l'eau tiède propre et séchez à l'aide d'un chiffon doux.
 - ▶ Ne nettoyez aucune des parties de l'appareil au lave-vaisselle.
- 
- ▶ Attendez au moins 7 minutes avant de redémarrer l'appareil, car un démarrage fréquent risque d'endommager le compresseur.

Nettoyez le joint de la porte :

- ▶ Les joints de porte doivent être nettoyés tous les 3 mois pour assurer une bonne étanchéité. Comme suit : Retirez-le : Saisissez le joint de la porte et tirez-le selon le sens de la flèche pour enlever tout le joint de la porte dans l'ordre.
Trempez la brosse dans de l'eau ou de l'alcool alimentaire, nettoyez d'abord la rainure du joint de la porte en tirant vers passant la brosse de l'arrière vers l'avant. Essuyez ensuite la surface du joint de la porte avec un torchon imbibé d'eau ou d'alcool alimentaire. Enfin, lavez le joint de la porte et essuyez-le avec un torchon propre.
- 

Montage du joint de porte après nettoyage :

Avant de le monter, assurez-vous qu'il n'y a pas d'eau sur le joint de la porte. Insérez le joint de la porte dans la rainure et appuyez fermement sur le joint de la porte de haut en bas à la main jusqu'à ce que tout le joint de la porte soit inséré dans la rainure.

Nettoyage des clayettes :

- ▶ Toutes les clayettes peuvent être retirées pour le nettoyage.
- ▶ Sortez toutes les bouteilles.
- ▶ Soulevez chaque clayette un peu et retirez-la.
- ▶ Nettoyez la clayette à l'aide d'un torchon doux.
- ▶ Attendez que les clayettes soient sèches avant de les remettre en place.

AVERTISSEMENT :

Attendez au moins 7 minutes pour remettre le courant après l'avoir coupé.

Vérifiez les accessoires et la littérature conformément à cette liste :
sans isolation.

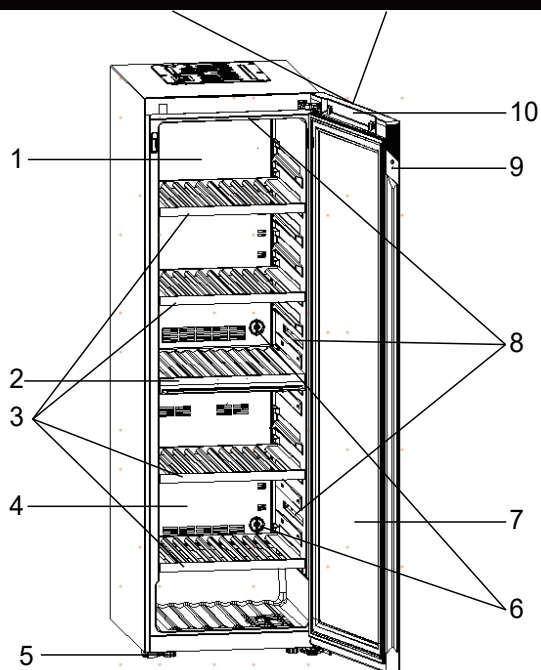
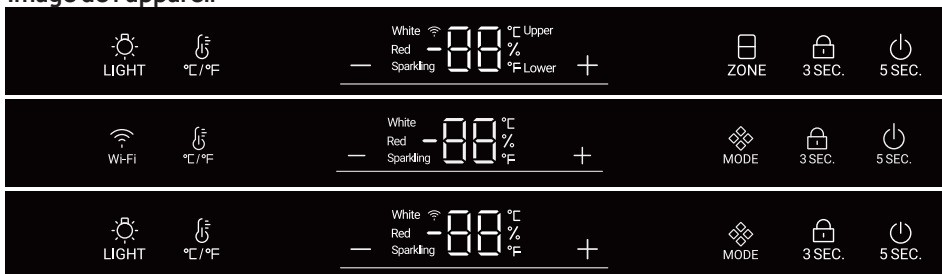
Nom	Manuel d'utilisation	Carte de service	Clayette	Cache de la charnière	Étiquette énergétique	Touches	Poignée	Vis	Bouchon à visser	Cache	Etagère d'exposition
HWS247FAH1	1	1	5	1	1	2	4	2	1	1	1
HWS247GGU1	1	1	5	1	1	2	/	/	/	/	/
HWS236GDGU1	1	1	4	1	1	2	/	/	/	/	/
HWS247FDU1	1	1	5	1	1	2	1	4	2	1	/
HWS247GEH1	1	1	5	1	1	2	/	/	/	/	/
HWS236GDEH1	1	1	4	1	1	2	/	/	/	/	/



Remarque

En raison des changements techniques et de différents modèles, certaines des illustrations de ce manuel peuvent différer de votre modèle.

Image de l'appareil



(HWS236GDGU1)

- | | |
|---|--|
| 1. Déflecteur du conduit d'air supérieur | 6. Filtre à charbon actif
(except HWS247FAH1) |
| 2. Cloison (pour HWS236GDGU1/HWS236GDEH1) | 7. Porte |
| 3. Clayette | 8. Lampe LED |
| 4. Déflecteur du conduit d'air inférieur | 9. Verrouillage |
| 5. Pieds réglables | 10. Affichage |

1. Déballage

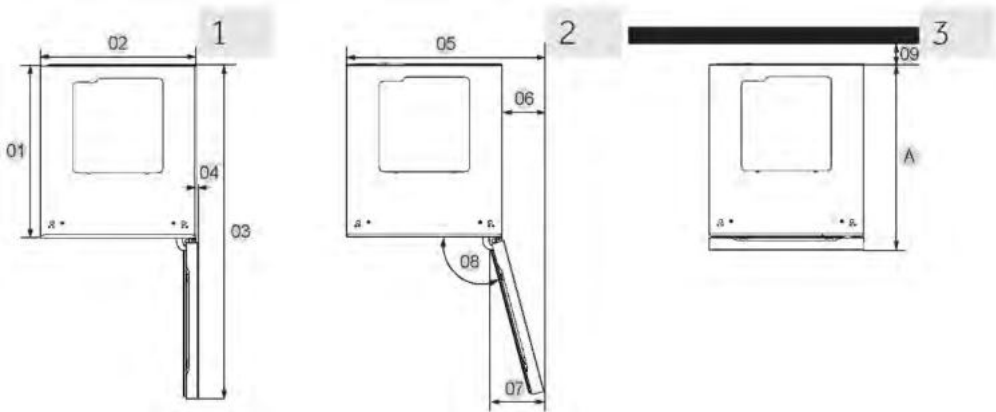
- ▶ Sortez l'appareil de l'emballage.
- ▶ Retirez tous les matériaux d'emballage, y compris la base en mousse et tout le ruban adhésif qui retient les accessoires.

2. Conditions environnementales

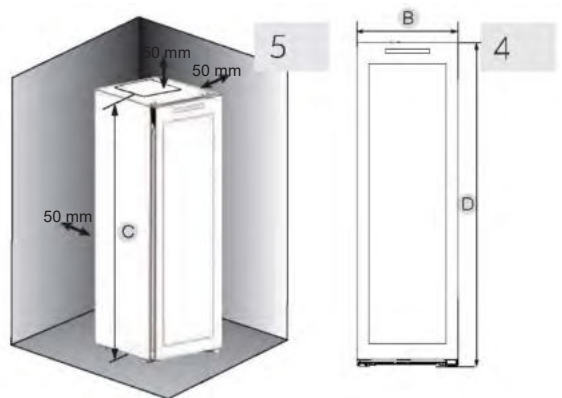
La température ambiante doit toujours être comprise entre 10 °C et 38 °C, car elle peut influencer la température à l'intérieur de l'appareil et sa consommation d'énergie. N'installez pas l'appareil à proximité d'autres appareils générant de la chaleur (fours, réfrigérateurs) sans isolation.

3. Espace requis

Espace nécessaire pour ouvrir la porte (fig. 1,2,3,4). Pour des raisons énergétiques et de sécurité, il faut respecter la distance de ventilation requise de 50 mm dans toutes les directions (fig. 5).



Mesures : mm	HWS247GGU1 HWS247GEH1	HWS236GDGU1 HWS236GEH1	HWS247FDU1 HWS247FAH1
Profondeur A	714	714	769
Largeur B	597	597	603
Hauteur C	1 905	1 905	1 905
Hauteur totale D	1 900	1 900	1 900
01	654	654	654
02	595	595	595/600
03	1 273	1 273	1 280
04	11	11	16
05	756	756	805
06	161	161	210
07	200	200	200
08	105°	105°	105°
09	50	50	50





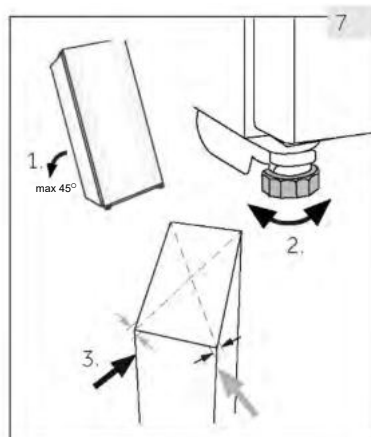
AVERTISSEMENT !

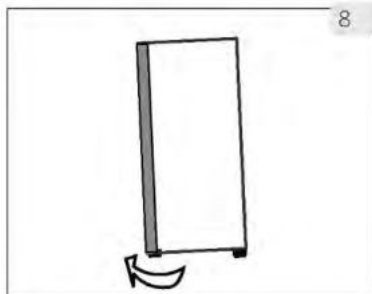
- Maintenez les ouvertures de ventilation situées dans l'appareil ou dans la structure encastrée libres de toute obstruction. Cet appareil de réfrigération n'est pas destiné à être utilisé comme un appareil encastré.

5. Alignement de l'appareil

L'appareil doit être placé sur une surface plane et solide.

1. Inclinez légèrement l'appareil vers l'arrière (Fig. 7).
2. Réglez les pieds avant réglables au niveau souhaité en les tournant.
3. La stabilité peut être vérifiée en alternant les diagonales. Le léger flottement doit être le même dans les deux directions. Dans le cas contraire, le cadre peut se déformer ; cela se traduit par des fuites au niveau des joints de la porte. Une faible tendance vers l'arrière facilite la fermeture de la porte.



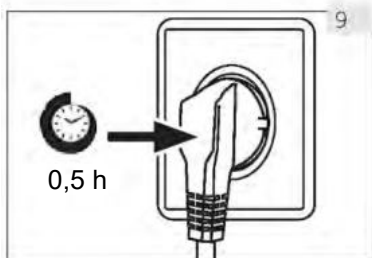


6. Réglage fin de la porte

L'appareil se ferme plus facilement si les pieds de nivellement sur le devant sont utilisés :

Tournez les pieds réglables (Fig. 8) pour les monter ou les baisser :

- ▶ La rotation des pieds dans le sens des aiguilles d'une montre soulève l'appareil.
- ▶ Tournez les pieds dans le sens contraire des aiguilles d'une montre pour baisser l'appareil.



7. Temps d'attente

L'huile de lubrification sans entretien se trouve dans la capsule du compresseur. Cette huile peut passer par le système fermé de tuyauterie pendant le transport si l'appareil est incliné. Avant de brancher l'appareil sur l'alimentation électrique, attendez 0,5 heure (Fig. 9) afin que l'huile revienne dans la capsule.

8. Branchement électrique

Avant chaque branchement, vérifiez si :

- ▶ l'alimentation, la prise et le fusible sont adaptés à la plaque signalétique.
- ▶ la prise de courant est mise à la terre et sans multiprise ni rallonge.
- ▶ la fiche d'alimentation et la prise sont adaptées l'une à l'autre.

Branchez la fiche sur une prise domestique correctement installée.



AVERTISSEMENT !

Pour éviter tout risque, un câble d'alimentation endommagé doit être remplacé par le service à la clientèle (voir carte de garantie).

9. Réversibilité de la porte

Avant de brancher l'appareil sur l'alimentation électrique, vérifiez si le battant de porte doit passer de droite (tel qu'il est livré) à gauche, si cela est requis par l'emplacement d'installation et l'utilisation



AVERTISSEMENT !

- ▶ L'appareil est lourd. Vous avez besoin de deux personnes pour changer la porte de côté.
- ▶ Avant toute opération, débranchez tout d'abord l'appareil du secteur.
- ▶ N'inclinez pas l'appareil à plus de 45° pour éviter d'endommager le système de refroidissement.

Étapes du montage

1. Munissez-vous de l'outil nécessaire.
2. Débranchez l'appareil.
3. Retirez le cache du faisceau supérieur et le petit couvercle. Installation et transposition à gauche et à droite du petit couvercle.
4. Retirez le couvercle du chemin de câbles et le couvercle de la garniture. Installation et transposition à gauche et à droite du couvercle décoratif. Retirez le bouchon en caoutchouc de la serrure gauche, située du côté intérieur de la porte et placez-le dans la serrure droite.
5. Retirez le cache de la charnière. Utilisez l'outil pour retirer 3 vis et enlever le corps du portail.
6. Retirez les 3 vis sous le corps du portail avec l'outil, la came du corps de portail et la butée de la porte, la transposition gauche et droite est installée de l'autre côté du corps du portail.
7. Retirez la charnière à l'aide de l'outil, retirez d'abord la came de charnière de l'ensemble de la charnière inférieure, remettez l'axe de charnière dans le trou de la vis de droite. Installation et transposition avec e support de roulettes sur le côté droit du boîtier.
8. Le corps de portail est installé verticalement vers le bas sur l'axe de la charnière.
9. La charnière supérieure est insérée dans le trou de l'arbre du corps du portail, fixez le boîtier à l'aide des vis, installez le couvercle du boîtier métallique et le couvercle supérieur de la garniture.



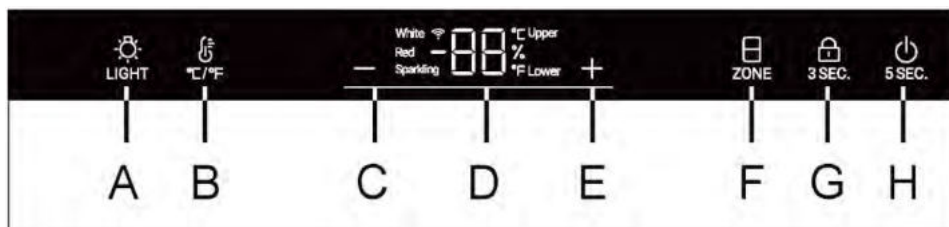
1. Avant la première utilisation

- ▶ Retirez tous les matériaux d'emballage. Cela inclut la base en mousse et tout le ruban adhésif tenant les accessoires de la cave à vin à l'intérieur et à l'extérieur. Gardez-les hors de portée des enfants et jetez-les d'une manière respectueuse de l'environnement.
- ▶ Nettoyez l'intérieur et l'extérieur de l'appareil avec de l'eau et un détergent doux avant d'y mettre du vin.
- ▶ Une fois l'appareil à plat et nettoyé, attendez au moins 2 heures avant de le brancher à l'alimentation électrique. Si votre cave à vin a été inclinée pour quelque raison que ce soit, attendez 24 heures avant de la brancher. Reportez-vous au paragraphe INSTALLATION.
- ▶ Une fois que vous avez branché l'appareil sur une prise électrique, laissez l'appareil fonctionner pendant au moins 30 minutes pour s'acclimater avant de procéder à des réglages.
- ▶ La température est automatiquement réglée sur 12 °C. Si vous le souhaitez, vous pouvez modifier la température manuellement. Reportez-vous au paragraphe TEMPÉRATURE.

2. Touches tactiles

Les boutons du panneau de commande sont des touches tactiles qui réagissent lorsque le doigt les touche légèrement.

3. Description du panneau de commande



A Bouton d'éclairage intérieur

B Bouton de conversion °C /°F

C Bouton de réglage de la température :
vers le bas

D Affichage

E Bouton de réglage de la température : vers le haut

F Bouton de sélection de la zone de température

G Bouton de verrouillage

H Bouton d'alimentation

4. Fonction de verrouillage automatique

Dans l'état de verrouillage de l'écran, appuyez longuement sur la touche de verrouillage pendant 3 s, l'écran affiche 3, 2 et 1, l'écran est déverrouillé et l'icône de verrouillage est à moitié allumée. En l'absence d'opération, l'écran sera verrouillé automatiquement au bout de 30 s, dans l'état de verrouillage de l'écran, toutes les icônes de verrouillage sont allumées et les touches sur l'écran d'affichage ne peuvent pas être actionnées (sauf la touche d'éclairage) :

5. Fonction bouton d'alimentation

Lorsque l'écran est éteint, appuyez sur n'importe quelle touche et l'écran s'allume. Appuyez longuement sur la touche d'alimentation, l'écran affiche 5, 4, 3, 2 et 1, et tout la machine est mise hors tension. Lorsque l'alimentation est coupée, appuyez longuement sur la touche d'alimentation pour afficher 5, 4, 3, 2, 1. L'appareil est sous tension.

6. Réglage de la température



Remarque

Préréglages

- ▶ Une fois que vous avez branché l'appareil sur une prise électrique, laissez à l'appareil au moins 30 minutes pour s'acclimater avant de procéder à des réglages.
- ▶ Lorsque l'appareil est allumé après avoir été débranché de l'alimentation secteur, il peut falloir plusieurs heures pour que les températures correctes soient atteintes. Le temps exact varie en fonction de l'environnement et du réglage de la température.



Appuyez sur le bouton ou , l'affichage commence à clignoter. Appuyez sur le bouton ou pour régler la température souhaitée. La plage de réglage de la température : 5-20 °C (41-68 °F). Cessez d'appuyer sur la touche pendant 3 secondes, la température est validée.

7. Mode ou fonction Zone

Appuyez sur le bouton . La température passe de Mousseux (8 °C ou 47 °F) à Blanc (12 °C ou 54 °F) puis Rouge (16 °C ou 61 °F). (pour HWS247GGU1/HWS247GEH1/HWS247FDU1/HWS247FAH1)

Dans l'état de déverrouillage, l'icône "Z" est complètement allumée. Si l'affichage actuel se trouve dans la zone de température supérieure, l'icône supérieure est allumée et l'icône inférieure est éteinte. À ce moment-là, appuyez sur la touche "Z", l'icône inférieure s'allume et l'icône supérieure s'éteint.
(pour HWS236GDGU1/HWS236GDEH1)

Paramètres de température recommandés

Les températures de dégustation suivantes sont recommandées pour les différents types de vin.

Vin rouge	+13 °C à +20 °C (+55 °F à +68 °C)	Vin mousseux Prosecco	+5 °C à +8 °C (+41 °F à +47 °F)
Vin blanc	+9 °C à +12 °C (+48 °F à +54 °F)		

Si vous conservez du vin pendant de longues périodes, il doit être conservé à une température comprise entre +10 °C et +12 °C (50 °F et +54 °F).

8. Mode veille

La lumière de l'écran s'atténue automatiquement pendant 30 secondes.

L'écran s'allume automatiquement lorsque n'importe quelle touche est touchée ou lorsque vous ouvrez la porte.



Remarque Influence sur les températures



La température à l'intérieur de l'appareil est influencée par les facteurs suivants :

- ▶ Température ambiante
- ▶ Quantité de bouteilles stockées
- ▶ Fréquence d'ouverture de la porte
- ▶ L'emplacement de l'appareil

Le réglage par défaut est de 12 °C

Lorsque l'écran cesse de clignoter, il revient à l'indication de la température actuelle à l'intérieur de la cave à vin. Il faudra un certain temps pour atteindre la température définie.

9. Réglage du mode d'éclairage

Appuyez sur le bouton . Lorsque les lumières de l'armoire sont allumées, les lumières s'allument progressivement. Lorsque vous appuyez une fois de plus sur le bouton , les voyants s'éteignent progressivement. (sauf HWS247FDU1/HWS247FAH1)

10. Fonction °C/°F

Appuyez sur le bouton  pour basculer entre Fahrenheit et Celsius.

11. Fonction Wi-Fi

Appuyez sur le bouton Wi-Fi pendant 3 secondes. Le bouton Wi-Fi commence à clignoter rapidement et passe automatiquement en mode configuration (pour HWS247FDU1/HWS247FAH1).

12. Fonction de mémoire en cas de coupure

En cas de coupure de courant, la cave enregistre automatiquement la température réglée. Lorsque le courant reviendra, elle fonctionnera à la température réglée avant la coupure de courant.

13. Fonction de compensation basse température

La cave à vin a une fonction de compensation basse température pour assurer la stabilité de la température : Lorsque la température ambiante est inférieure à la température définie, la cave à vin démarre automatiquement la fonction de compensation basse température, en chauffant l'application. Lorsque la température dans l'application atteint la température définie, la fonction de compensation basse température est automatiquement désactivée.

14. Alarme d'ouverture de porte

Si la porte reste ouverte pendant plus d'1 minute, un signal sonore retentit pour avertir jusqu'à ce que la porte soit fermée ou que toute touche du panneau d'affichage soit appuyée, puis le signal sonore s'interrompt.

15. Réglage du mode Wi-Fi

CONNECTIVITÉ PARAMÈTRES SANS FIL

Technologie	Wi-Fi	Bluetooth
Standard	IEE 802.11 b/g/n	Bluetooth v4.2, BR/EDR, BLE
Bande(s) de fréquence [MHz]	2 401÷2 483	2 402÷2 480
Puissance maximale [mW] Bande(s) [MHz]	100	10

INFORMATIONS SUR LE PRODUIT

Comment activer le module Wi-Fi :

Appuyez sur le bouton d'éclairage pendant 3 secondes pour activer le Wi-Fi (sauf HWS247FDU1/HWS247FAH1)

Appuyez sur le bouton Wi-Fi pendant 3 secondes pour activer le Wi-Fi (pour HWS247FDU1/HWS247FAH1)

. Le module Wi-Fi est activé et l'icône Wi-Fi commence à clignoter.

. Si la cave à vin est enregistrée, mais que le Wi-Fi est désactivé, l'icône clignote.

. Si la cave à vin est enregistrée et connectée, l'icône Wi-Fi reste allumée.

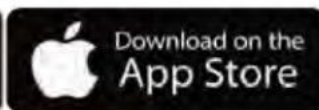
. Pour réinitialiser le Wi-Fi, appuyez sur le bouton d'éclairage pendant 3 secondes (sauf HWS247FDU1/HWS247FAH1)

. Pour réinitialiser le Wi-Fi, appuyez sur le bouton Wi-Fi pendant 3 secondes (pour HWS247FDU1/HWS247FAH1)

PROCÉDURE D'APPAIRAGE DANS L'APPLICATION

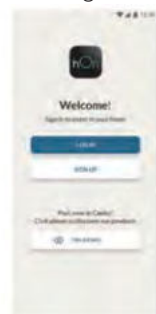
Étape 1

- Téléchargez l'application hOn dans les stores



Étape 2

- Connectez-vous ou enregistrez-vous



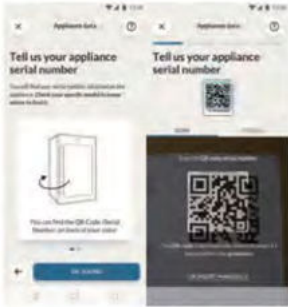
Étape 3

- Ajoutez un nouvel appareil en sélectionnant la cave à vin dans la liste



Étape 4

- Scannez le code QR ou saisissez manuellement le numéro de série



Étape 5

- Appuyez sur le bouton d'éclairage du produit pendant 3 secondes pour activer le Wi-Fi (sauf HWS247FDU1/ HWS247FAH1)
Appuyez sur le bouton Wi-Fi du produit pendant 3 secondes pour activer le Wi-Fi (pour HWS247FDU1/ HWS247FAH1)



Étape 6

- L'icône Wi-Fi clignote, le processus d'appairage est en cours. Vous aurez 5 minutes pour terminer le processus d'appairage. Une fois le processus terminé, l'icône Wi-Fi cesse de clignoter et restera toujours sur NOTE





Conseils d'économie d'énergie

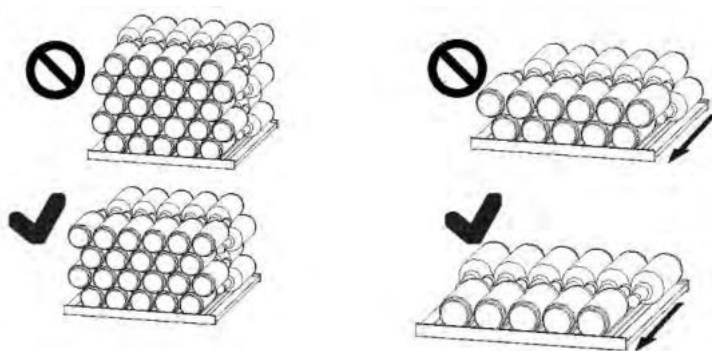
- ▶ Assurez-vous que l'appareil est bien ventilé (voir INSTALLATION).
- ▶ N'installez pas l'appareil en plein soleil ou à proximité de sources de chaleur (par ex. cuisinières, chauffages).
- ▶ Évitez une température inutilement basse dans l'appareil. Plus vous réglez bas la température de l'appareil, plus la consommation d'énergie augmente.
- ▶ Ouvrez la porte de l'appareil le moins souvent et le plus rapidement possible.
- ▶ Ne dépassez pas la quantité prévue de bouteilles pour éviter de bloquer la circulation de l'air. Gardez les joints de la porte propres afin que la porte se ferme toujours correctement.
- ▶ La configuration la plus économe en énergie nécessite que le tiroir, la boîte de rangement et les clayettes soient positionnés dans l'appareil dans les conditions d'usine, et que les aliments soient placés sans bloquer la sortie d'air du conduit.

1. Clayette


1. Les clayettes sont conçues pour faciliter le stockage et faciliter le retrait du vin. Elles peuvent être nettoyées avec un torchon doux.
2. Les bouteilles normales d'un diamètre de 76 mm peuvent être empilées.
3. Les bouteilles Magnum peuvent être empilées sur la clayette du bas.
4. La quantité de bouteilles peut varier du nombre de bouteilles représentées si elles sont empilées d'une manière différente.

Conseils pour le rangement de votre cave à vin

Nous recommandons de ne pas dépasser quatre couches de bouteilles de vin sur chaque clayette, et la capacité des clayettes à vin ne doit pas dépasser 60 bouteilles dans l'ensemble de la cave à vin. Vérifiez que les clayettes de vin sont parfaitement stables. En outre, vérifiez si une bouteille dépasse ou non des clayettes afin d'éviter que des bouteilles ne cognent contre la porte vitrée lors de la fermeture.



2. La lumière

La lumière LED à l'intérieur s'allume lorsque la porte est ouverte. Pour allumer la lumière lorsque la porte est fermée, appuyez sur le bouton . Pour éteindre la lumière, appuyez à nouveau sur le bouton. Pour augmenter l'efficacité énergétique, il faut éteindre la lumière lorsqu'on ne regarde pas la cave à vin. (sauf HWS247FDU1/HWS247FAH1)

3. Le verrou

Pour verrouiller la cave à vin, fermez la porte et mettez la clé dans la serrure :

- ▶ Verrouillez la porte en tournant la clé dans le sens des aiguilles d'une montre ;
- ▶ Déverrouillez la porte en tournant la clé dans le sens inverse des aiguilles d'une montre.

1. Dégivrage

Le dégivrage de la cave à vin se fait automatiquement ; aucune opération manuelle n'est nécessaire.

2. Remplacement de la lampe LED

La lampe utilise la LED comme source de lumière, avec une faible consommation d'énergie et une longue durée de vie. En cas d'anomalie, veuillez contacter le service clientèle. Reportez-vous au paragraphe SERVICE CLIENTÈLE.



AVERTISSEMENT !

Ne remplacez pas la lampe LED vous-même. Elle ne doit être remplacée que par le fabricant ou l'agent de maintenance agréé.

Paramètres de la lampe LED :

Tension 12 V

Puissance max. : 18 W

3. Non-utilisation pendant une période plus longue

Débranchez le cordon d'alimentation.

Nettoyez l'appareil et les joints de la porte comme cela est décrit ci-dessus.

Gardez la porte ouverte pour éviter la formation de mauvaises odeurs à l'intérieur.

4. Déplacement de l'appareil

1. Retirez toutes les bouteilles et débranchez l'appareil.
2. Fixez les clayettes et les autres parties mobiles dans la cave à vin avec du ruban adhésif.
3. N'inclinez pas la cave à vin à plus de 45° pour éviter d'endommager le système de réfrigération.

5. Échange d'air avec filtre à charbon actif (sauf HWS247FAH1)

La manière dont les vins continuent de vieillir dépend des conditions ambiantes. La qualité de l'air est donc décisive pour préserver le vin. Un filtre à charbon actif a été installé dans la partie inférieure de la paroi arrière de l'appareil pour assainir l'air ambiant.



Remarque

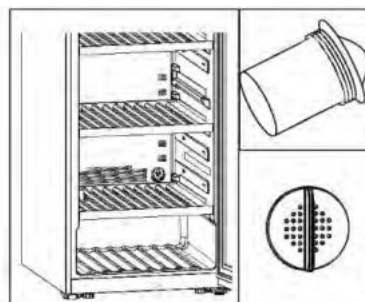
Nous vous recommandons de remplacer le filtre une fois par an. Les filtres peuvent être obtenus auprès de votre revendeur. (sauf HWS247FAH1)

Changement du filtre :

Prenez le filtre par la poignée. Tournez-le vers la gauche et retirez-le.

Introduction du filtre :

Insérez-le avec la poignée à la verticale. Tournez-le vers la droite et insérez-le.



Vous pouvez résoudre de nombreux problèmes vous-même sans expertise spécifique. En cas de problème, veuillez vérifier toutes les possibilités indiquées et suivre les instructions ci-dessous avant de contacter un service après-vente. Reportez-vous au paragraphe SERVICE CLIENTÈLE.

AVERTISSEMENT !

- ▶ Avant l'entretien, désactivez l'appareil et débranchez la fiche secteur de la prise secteur.
- ▶ L'équipement électrique ne doit être entretenu que par des experts électriques qualifiés, car des réparations inappropriées peuvent causer des dommages consécutifs considérables.
- ▶ Une alimentation endommagée ne devrait être remplacée que par le fabricant, son agent de maintenance ou des personnes avec une qualification similaire de manière à éviter tout danger.

Code d'erreur	Cause	Solution
L2	Alarme de température basse lorsque la température du capteur de contrôle est trop basse ;	<ol style="list-style-type: none"> 1. Vérifiez la température ambiante. 2. Vérifiez le connecteur du compresseur. 3. Vérifier la résistance du capteur de contrôle de la température.
H1	Lorsque la température du capteur de contrôle est trop élevée, l'alarme de température élevée s'affiche à l'écran ;	<ol style="list-style-type: none"> 1. Vérifiez le connecteur du panneau de commande ou du panneau d'affichage. 2. Vérifiez la résistance et la tension du ventilateur. 3. Vérifiez le ventilateur et le connecteur du compresseur.

Problème	Cause possible	Solution possible
Le compresseur ne fonctionne pas.	<ul style="list-style-type: none"> • La fiche secteur n'est pas branchée dans la prise secteur. 	<ul style="list-style-type: none"> • Branchez la fiche secteur.
L'appareil fonctionne fréquemment ou fonctionne trop longtemps.	<ul style="list-style-type: none"> • La température extérieure est trop élevée. • L'appareil a été hors tension pendant un certain temps. • Une porte de l'appareil n'est pas bien fermée. • La porte a été ouverte trop fréquemment ou trop longtemps. • Les joints de la porte sont sales, usés, fissurés ou ne correspondent pas. • La circulation de l'air requise n'est pas garantie. • La température réglée est trop basse. 	<ul style="list-style-type: none"> • Dans ce cas, il est normal que l'appareil fonctionne plus longtemps. • Normalement, il faut un moment pour que l'appareil refroidisse complètement. • Fermez la porte et assurez-vous que l'appareil est situé sur un sol à niveau et qu'il n'y a pas d'aliment ou de récipient bloquant la porte. • N'ouvrez pas trop souvent la porte. • Nettoyez le joint de la porte ou faites-le remplacer par le service clientèle. • Assurez une ventilation adéquate. • Le problème se résoudra tout seul lorsque la température souhaitée sera atteinte.
L'intérieur de la cave à vin est sale et/ou sent mauvais.	<ul style="list-style-type: none"> • L'intérieur de la cave a besoin de nettoyage. 	<ul style="list-style-type: none"> • Nettoyez l'intérieur de la cave à vin.
Il ne fait pas suffisamment froid à l'intérieur de l'appareil.	<ul style="list-style-type: none"> • La température réglée est trop élevée. • Des bouteilles ont été ajoutées récemment. • Une porte de l'appareil n'est pas bien fermée. • La porte a été ouverte trop fréquemment ou trop longtemps. • Les joints de la porte sont sales, usés, fissurés ou ne correspondent pas. 	<ul style="list-style-type: none"> • Réinitialisez la température. • Attendez que les bouteilles récemment ajoutées atteignent la température souhaitée. • Fermez la porte. • N'ouvrez pas trop souvent la porte. • Nettoyez le joint de la porte ou faites-le remplacer par le service clientèle.
Il fait trop froid à l'intérieur de l'appareil.	<ul style="list-style-type: none"> • La température réglée est trop basse. 	<ul style="list-style-type: none"> • Réinitialisez la température.

Problème	Cause possible	Solution possible
Formation d'humidité à l'intérieur du compartiment du réfrigérateur.	<ul style="list-style-type: none"> Le climat est trop chaud et trop humide. Une porte de l'appareil n'est pas bien fermée. La porte a été ouverte trop fréquemment ou trop longtemps. 	<ul style="list-style-type: none"> Augmentez la température. Fermez la porte. N'ouvrez pas trop souvent la porte/le tiroir.
L'humidité s'accumule sur la surface extérieure de la cave à vin.	<ul style="list-style-type: none"> Le climat est trop chaud et trop humide La porte n'est pas fermée hermétiquement. L'air froid de l'appareil et l'air chaud à l'extérieur de celui-ci se condense. 	<ul style="list-style-type: none"> C'est normal dans un climat humide et cela va changer lorsque l'humidité diminuera. Assurez-vous que la porte est bien fermée et que les joints d'étanchéité sont bien hermétiques.
L'appareil émet des sons anormaux	<ul style="list-style-type: none"> L'appareil n'est pas situé sur un sol plan. L'appareil touche un objet situé à proximité. 	<ul style="list-style-type: none"> Réglez le pied pour mettre l'appareil à niveau. Retirez les objets autour de l'appareil.
Un léger son similaire à celui de l'eau doit être entendu.	<ul style="list-style-type: none"> Cela est normal 	<ul style="list-style-type: none"> -
Le système d'éclairage ou de refroidissement à l'intérieur ne fonctionne pas.	<ul style="list-style-type: none"> La fiche secteur n'est pas branchée sur la prise secteur. L'alimentation n'est pas intacte. La lampe LED est hors service. 	<ul style="list-style-type: none"> Branchez la fiche secteur. Vérifiez l'alimentation électrique de la pièce. Appelez la société d'électricité locale. Veillez appeler le service pour le changement
Les côtés du réfrigérateur et de la bande de la porte se réchauffent	<ul style="list-style-type: none"> Cela est normal. 	<ul style="list-style-type: none"> -
La porte ne se ferme pas correctement	<ul style="list-style-type: none"> L'appareil n'est pas à niveau. La porte est bloquée. 	<ul style="list-style-type: none"> Mettez l'appareil à niveau avec les pieds de nivellement. Vérifiez s'il y a des choses qui la bloquent, comme des bouteilles ou des clayettes.

Pour contacter l'assistance technique, rendez-vous sur notre site :

<https://corporate.haier-europe.com/en/>

Dans la rubrique « site web », choisissez la marque de votre produit et votre pays. Vous serez redirigé vers le site web spécifique où vous trouverez le numéro de téléphone et le formulaire pour contacter l'assistance technique.

Fiche du produit selon la réglementation UE n° 2019/2016

Marque	Haier	Haier	Haier
Nom du modèle / identifiant	HWS247GGU1 HWS247GEH1	HWS236GDGU1 HWS236GDEH1	HWS247FDU1/ HWS247FAH1
Catégorie	Cave à vin	Cave à vin	Cave à vin
Classe d'efficacité énergétique	G/E	G/E	D/A
Consommation d'énergie annuelle (kWh/an) ¹⁾	184/107	184/107	85/44
Volume de stockage (L)	450	448	450
Classe climatique : Cet appareil est destiné à être utilisé à une température ambiante comprise entre 10 °C et 38 °C.	SN N ST	SN N ST	SN N ST
Émissions acoustiques dans l'air (db(A) re 1pW)	C(37)/B(35)	C(37)/B(35)	C(37)/B(35)
Type d'appareil	Autonome	Autonome	Autonome
Cet appareil est destiné à être utilisé exclusivement pour le stockage du vin.	Oui	Oui	Oui
Dimensions (L/P/H en mm)	597/714/1900	597/714/1900	603/769/1900

Explications :

1) D'après les résultats des tests standard pendant 24 heures. La consommation réelle dépend de l'environnement réel, de la quantité de bouteilles, de la température réglée, de l'ouverture et de la fermeture de la porte, etc.

2) La consommation d'énergie nominale est la valeur obtenue en fonction de l'essai standard lorsque l'armoire à vin n'allume pas la lumière à l'intérieur.

- tempéré étendu : « cet appareil de réfrigération est destiné à être utilisé à des températures ambiantes allant de 10 °C à 32 °C » ;

- tempéré : « cet appareil de réfrigération est destiné à être utilisé à des températures ambiantes allant de 16 °C à 32 °C » ;

- subtropical : « cet appareil de réfrigération est destiné à être utilisé à des températures ambiantes allant de 16 °C à 38 °C » ;

- tropical : « cet appareil de réfrigération est destiné à être utilisé à des températures ambiantes allant de 16 °C à 43 °C ».

Normes et directives

Ce produit satisfait aux exigences de toutes les directives CE applicables avec les normes harmonisées correspondantes, qui prévoient le marquage CE.

Nous recommandons notre Service Clientèle Haier et l'utilisation de pièces détachées d'origine. Si vous rencontrez un problème avec votre appareil, veuillez d'abord consulter le paragraphe DÉPANNAGE.

Si vous ne trouvez pas de solution, veuillez contacter

- ▶ votre revendeur local ou
- ▶ l'espace Service & Assistance sur le site www.haier.com où vous pouvez trouver les numéros de téléphone et les FAQ et où vous pouvez activer la demande de service.

Pour contacter notre Service, assurez-vous que vous disposez des données suivantes.

Les informations se trouvent sur la plaque signalétique.

Modèle _____ N° de série _____

Vérifiez également la carte de garantie fournie avec le produit en cas de garantie.

Pour toute question commerciale générale, veuillez trouver nos adresses en Europe ci-dessous :

Adresses de Haier en Europe			
Pays*	Adresse postale	Pays	Adresse postale
Italie	Haier Europe Trading SRL Via De Cristoforis, 12 21100 Varese ITALIE	France	Haier Europe Trading SRL Via De Cristoforis, 12 21100 Varese ITALIE
Espagne Portugal	Haier Iberia SL Pg. Garcia Faria, 49-51 08019 Barcelone ESPAGNE	Belgique-FR Belgique-NL Pays-Bas Luxembourg	Haier Benelux SA Anderlecht Route de Lennik 451 BELGIQUE
Allemagne Autriche	Haier Deutschland GmbH Hewlett-Packard-Str. 4 D-61352 Bad Homburg ALLEMAGNE	Pologne Tchéquie Hongrie Grèce Roumanie Russie	Haier Pologne Sp. zo.o. Al. Jerozolimskie 181B 02-222 Warszawa POLOGNE
Royaume-Uni	Haier Appliances UK Co. Ltd. One Crown Square Church Street East Woking, Surrey, GU21 6HR ROYAUME-UNI		

DISPONIBILITÉ DES PIÈCES DÉTACHÉES : Les thermostats, les capteurs de température, les circuits imprimés et les sources de lumière sont disponibles pendant une période minimale de sept ans après la mise sur le marché de la dernière unité du modèle. Poignées de porte, charnières de porte, bacs et paniers pendant une période minimale de sept ans et joints de porte pendant une période minimale de 10 ans, après la mise sur le marché de la dernière unité du modèle.

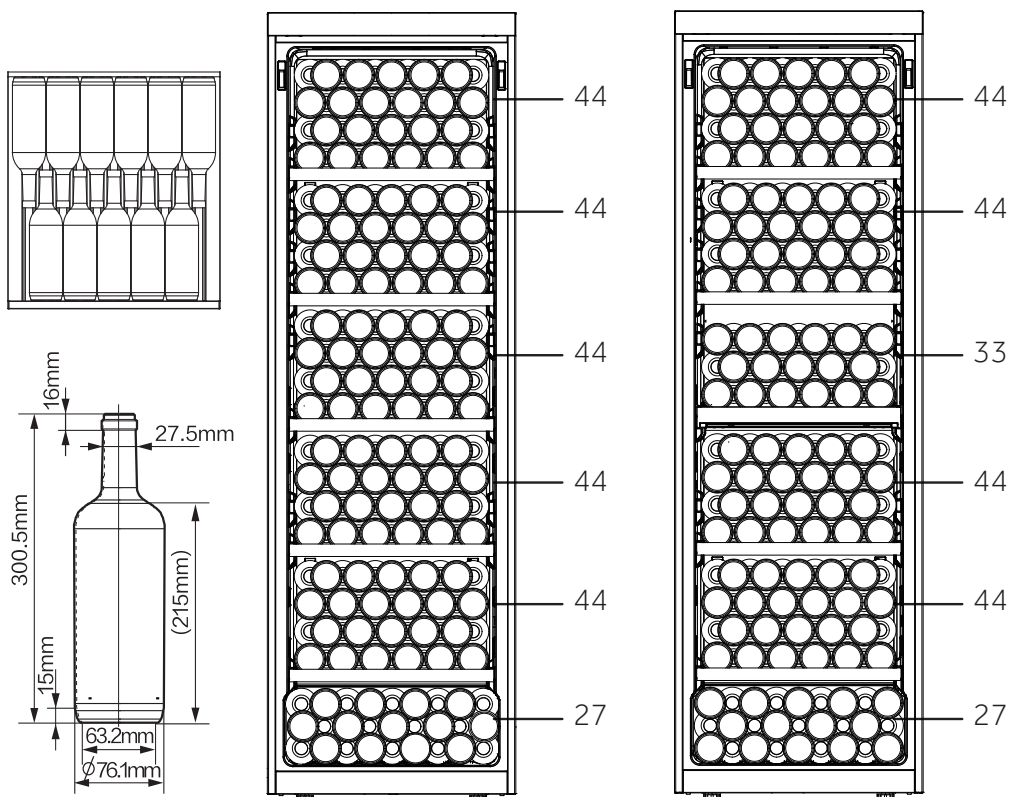
La garantie minimale est : 2 ans pour les pays de l'UE, 3 ans pour la Turquie, 1 an pour le Royaume-Uni, 1 an pour la Russie, 3 ans pour la Suède, 2 ans pour la Serbie, 5 ans pour la Norvège, 1 an pour le Maroc, 6 mois pour l'Algérie, aucune garantie légale pour la Tunisie.

Pour plus d'informations sur le produit, consultez <https://eprel.ec.europa.eu/> ou scannez le code QR sur l'étiquette énergétique fournie avec l'appareil.

Empilage des bouteilles de vin

FR

La disposition des bouteilles est basée sur une représentation graphique d'une bouteille bordelaise standard (0,75 l). En raison des différentes spécifications des bouteilles, la quantité réelle de chargement des bouteilles peut être différente.



HWS247GGU1
HWS247FDU1
HWS247GEH1
HWS247FAH1

HWS236GDU1
HWS236GDEH1

HWS-247FDU1-247GGU1-236GGDU1-247GEH1-236GDEH1-HWS247FAH1 - FR

Haier



Haier

Manuale dell'utente

Cantina

HWS247FAH1
HWS247FDU1
HWS247GGU1
HWS247GEH1
HWS236GDEH1
HWS236GDGU1

IT

Haier

Grazie per aver acquistato un prodotto Haier.

Leggere attentamente queste istruzioni prima di utilizzare l'elettrodomestico. Le istruzioni contengono informazioni importanti per ottimizzare l'uso dell'elettrodomestico e garantire l'installazione, l'uso e la manutenzione sicuri e corretti.

Conservare il presente manuale in un luogo comodo, in modo da poterlo sempre consultare per un uso sicuro e corretto dell'elettrodomestico.

Se l'elettrodomestico viene venduto, ceduto o abbandonato in caso di trasloco, trasferire anche il presente manuale in modo che il nuovo proprietario possa comprendere l'uso dell'elettrodomestico e delle avvertenze di sicurezza.



Legenda

Avvertenza - Informazioni importanti per la sicurezza



Informazioni generali e consigli



Informazioni ambientali



Smaltimento

Contribuire a proteggere l'ambiente e la salute umana. Collocare l'imballo in appositi contenitori affinché venga riciclato. Contribuire al riciclo dei rifiuti delle apparecchiature elettriche ed elettroniche. Non smaltire gli elettrodomestici contrassegnati con questo simbolo assieme ai rifiuti domestici. Conferire il prodotto presso la struttura di riciclo locale o rivolgersi all'ufficio comunale preposto.



AVVERTENZA!

Pericolo di lesioni o soffocamento!

I refrigeranti e i gas devono essere smaltiti in maniera professionale. Accertarsi che la tubazione del circuito del refrigerante non sia danneggiata prima di smaltirla correttamente. Scollegare l'elettrodomestico dalla rete elettrica. Tagliare il cavo di alimentazione e smaltirlo. Rimuovere vassoi e cassette, fermaporte e guarnizioni, per evitare che bambini e animali domestici rimangano chiusi nell'elettrodomestico.

Gli elettrodomestici vecchi possono avere ancora un valore residuo. Un metodo ecologico per lo smaltimento garantisce il recupero e il riutilizzo delle materie prime utili.

Il ciclopentano, una sostanza infiammabile che non danneggia l'ozono, viene utilizzato come espansore per la schiuma isolante.

Garantendo il corretto smaltimento del prodotto, si contribuisce a prevenire conseguenze negative per l'ambiente e per la salute umana.

Per informazioni più dettagliate sul riciclo di questo prodotto, rivolgersi alla municipalità locale, all'azienda addetta allo smaltimento dei rifiuti domestici o al punto vendita dov'è stato acquistato.

1 - Informazioni per la sicurezza.....	4
2 - Consigli per la sicurezza.....	7
3 - Manutenzione.....	11
4 - Accessori	13
5 - Descrizione del prodotto	14
6 - Installazione	15
7 - Utilizzo	19
8 - Suggerimenti per il risparmio energetico.....	24
9 - Dotazioni.....	25
10 - Cura e pulizia.....	26
11 - Soluzione dei problemi	27
12 - Dati tecnici	30
13 - Assistenza clienti.....	31
14 - Impilaggio delle bottiglie di vino.....	32

Questo elettrodomestico deve essere utilizzato solo per la conservazione del vino. Prima di accendere l'elettrodomestico per la prima volta, leggere i seguenti consigli sulla sicurezza:



AVVERTENZA!

Operazioni preliminari al primo utilizzo

- ▶ Accertarsi dell'assenza di danni dovuti al trasporto.
- ▶ Rimuovere tutti gli imballi, tenerli fuori dalla portata dei bambini e smaltirli nel rispetto dell'ambiente.
- ▶ Per garantire la totale efficienza del circuito del refrigerante, attendere almeno mezz'ora prima di installare l'elettrodomestico.
- ▶ L'elettrodomestico deve essere maneggiato sempre da almeno due persone perché è pesante.

Installazione

- ▶ Installare l'elettrodomestico in un luogo asciutto e ben ventilato. Lasciare uno spazio libero di almeno 50 mm sopra e attorno all'elettrodomestico.
- ▶ **AVVERTENZA:** le aperture di ventilazione nell'involucro dell'elettrodomestico o nella struttura a incasso devono rimanere sempre libere.
- ▶ Non collocare mai l'elettrodomestico in zone umide o soggette a schizzi d'acqua. Pulire e asciugare schizzi e macchie d'acqua con un panno morbido e pulito.
- ▶ Non installare la cantinetta in ambienti non adeguatamente isolati o riscaldati (ad es. in garage). La cantinetta non è stata progettata per funzionare a temperature ambiente inferiori a 10 °C.
- ▶ Non installare l'elettrodomestico esposto alla luce diretta del sole o in prossimità di fonti di calore (ad es. stufe o radiatori).
- ▶ Installare l'elettrodomestico a livello in un'area adatta alle dimensioni e all'uso.
- ▶ Accertarsi che i dati elettrici sulla targhetta siano conformi all'alimentazione elettrica. In caso contrario, rivolgersi a un elettricista.
- ▶ L'elettrodomestico funziona con corrente elettrica 220-240 Vca / 50 Hz. Oscillazioni anomale della tensione possono causare il mancato avvio dell'elettrodomestico, danni al controllo della temperatura o al compressore oppure rumori anomali durante il funzionamento. In tal caso, è opportuno montare un regolatore automatico.
- ▶ Non adoperare prese multiple o cavi di prolunga.
- ▶ **AVVERTENZA:** Non applicare prese multiple o alimentatori portatili sulla parte posteriore dell'elettrodomestico.



AVVERTENZA!

- ▶ **AVVERTENZA:** quando l'elettrodomestico viene collocato nella sede prescelta, accertarsi che il cavo di alimentazione non sia incastrato o danneggiato.
- ▶ Non calpestare il cavo di alimentazione.
- ▶ Per l'alimentazione elettrica utilizzare una presa separata collegata a terra e facilmente accessibile. L'elettrodomestico deve essere collegato a terra.
- ▶ **Solo per il Regno Unito:** il cavo di alimentazione dell'elettrodomestico è dotato di una spina a 3 conduttori (collegata a terra) adatta a una presa standard a 3 conduttori (collegata a terra). Non tagliare né smontare mai il terzo conduttore (collegamento a terra). Dopo l'installazione dell'elettrodomestico, la spina deve essere accessibile.
- ▶ **AVVERTENZA:** non danneggiare il circuito di refrigerazione.

Utilizzo quotidiano

- ▶ Questo elettrodomestico può essere utilizzato da bambini di almeno 8 anni, da persone con ridotte capacità fisiche, sensoriali o mentali e da persone inesperte solo sotto stretta sorveglianza o se hanno appreso le modalità di utilizzo sicuro dell'elettrodomestico e sono consapevoli dei relativi pericoli.
- ▶ Impedire ai bambini di giocare con l'elettrodomestico.
- ▶ I bambini di età da 3 a 8 anni possono riempire e svuotare gli elettrodomestici refrigeranti, ma non devono pulirli o installarli.
- ▶ Tenere lontano dall'elettrodomestico i bambini di età inferiore a 3 anni, a meno che non siano costantemente sorvegliati.
- ▶ La pulizia e la manutenzione non devono essere effettuate da bambini non sorvegliati.
- ▶ l'elettrodomestico deve essere posizionato in modo che la spina sia accessibile.
- ▶ In caso di perdite di gas illuminante o altri gas infiammabili in prossimità dell'elettrodomestico, spegnere la valvola del gas che fuoriesce, aprire porte e finestre e non staccare la spina del cavo di alimentazione dell'elettrodomestico.
- ▶ Attendere almeno 7 minuti per ricollegare l'alimentazione dopo averla scollegata.
- ▶ Non sollevare l'elettrodomestico mantenendolo per le maniglie della porta.
- ▶ Le chiavi devono essere conservate fuori dalla portata dei bambini e non vicine all'elettrodomestico, per evitare che i bambini restino chiusi all'interno dell'elettrodomestico.



AVVERTENZA!

- ▶ Si noti che l'elettrodomestico è impostato per il funzionamento nell'intervallo ambiente specifico compreso tra 10 e 38°C. L'elettrodomestico potrebbe non funzionare correttamente se lasciato per un lungo periodo a una temperatura superiore o inferiore all'intervallo indicato.
- ▶ Non collocare articoli instabili (oggetti pesanti, contenitori pieni d'acqua) sopra l'elettrodomestico, per evitare lesioni personali dovute a cadute o scosse elettriche causate dal contatto con l'acqua.
- ▶ Aprire e chiudere lo sportello solo adoperando le maniglie. La distanza tra lo sportello e il vano è molto limitata. Non collocare le mani in queste zone per evitare che le dita rimangano intrappolate. Aprire o chiudere gli sportelli dell'elettrodomestico solo quando non ci sono bambini nel raggio di movimento degli sportelli.
- ▶ Non conservare né utilizzare materiali esplosivi o corrosivi nell'elettrodomestico o nelle vicinanze.
- ▶ Non collocare sostanze esplosive (ad es. lattine di aerosol con propellente infiammabile) all'interno di questo elettrodomestico.
- ▶ Non conservare medicinali, batteri o sostanze chimiche nell'elettrodomestico. Questo apparecchio è un elettrodomestico. Si sconsiglia di conservare materiali che richiedono temperature rigide.
- ▶ Non impostare una temperatura inutilmente bassa nel vano cantinetta. Con impostazioni elevate possono crearsi temperature sotto zero. Attenzione: le bottiglie possono scoppiare
- ▶ Non toccare la superficie interna dello scomparto dell'elettrodomestico durante il funzionamento, soprattutto con le mani bagnate, poiché le mani potrebbero congelare sulla superficie.
- ▶ Per un corretto raffreddamento del vino, non sovraccaricare l'elettrodomestico.
- ▶ In caso di blackout o prima della pulizia, scollegare l'elettrodomestico. Attendere almeno 7 minuti prima di riavviare l'elettrodomestico, poiché un avvio frequente può danneggiare il compressore.
- ▶ **AVVERTENZA:** Non adoperare apparecchiature elettriche all'interno degli scomparti per la conservazione degli alimenti, a meno che non siano del tipo consigliato dal produttore. Per evitare rischi, un cavo di alimentazione danneggiato deve essere sostituito dall'assistenza clienti (v. scheda di garanzia).
- ▶ Per prolungare la durata dell'elettrodomestico, evitare di spegnerlo.
- ▶ Non collocare mai l'elettrodomestico orizzontalmente a terra. Se l'elettrodomestico è stato inclinato di oltre 45°, attendere 24 ore prima di collegarlo.



AVVERTENZA!

Manutenzione / pulizia

- ▶ Accertarsi che i bambini siano sorvegliati se effettuano la pulizia e la manutenzione.
- ▶ Scollegare l'elettrodomestico dalla rete elettrica prima di effettuare operazioni di manutenzione ordinaria. Attendere almeno 7 minuti prima di riavviare l'elettrodomestico, poiché un avvio frequente può danneggiare il compressore.
- ▶ Quando si scollega l'elettrodomestico, mantenere la spina e non il cavo.
- ▶ Non pulire l'elettrodomestico con spazzole rigide, spazzole metalliche, detersivi in polvere, benzina, acetato di pentile, acetone e soluzioni organiche simili, soluzioni acide o alcaline. Per la pulizia adoperare un detersivo speciale per frigoriferi/congelatori per evitare danni. Alla fine utilizzare acqua calda e una soluzione di bicarbonato di sodio (un cucchiaino di bicarbonato di sodio per litro d'acqua). Sciacquare abbondantemente con acqua e asciugare con un panno. Non adoperare detersivi in polvere o altri detersivi abrasivi. Non lavare le parti rimovibili in lavastoviglie.
- ▶ **AVVERTENZA:** non usare oggetti meccanici o utensili diversi da quelli consigliati dal produttore per accelerare lo sbrinamento.
- ▶ Se il cavo di alimentazione è danneggiato, deve essere sostituito dal produttore, da un tecnico dell'assistenza o da una persona con analogo qualifica per evitare rischi.
- ▶ Non cercare di riparare, smontare o modificare personalmente l'elettrodomestico. Per le riparazioni rivolgersi all'assistenza clienti.
- ▶ Se le lampadine sono danneggiate, devono essere sostituite dal produttore, da un tecnico dell'assistenza o da una persona con analogo qualifica per evitare rischi.
- ▶ Eliminare la polvere sul retro dell'unità almeno una volta all'anno per scongiurare il rischio di incendio e limitare i consumi energetici.

- ▶ Non spruzzare o schizzare liquidi sull'elettrodomestico durante la pulizia.
- ▶ Per pulire questo elettrodomestico non utilizzare apparecchi a vapore.
- ▶ Non pulire lo sportello di vetro freddo con acqua calda. Un'improvvisa variazione della temperatura può causare la rottura del vetro.
- ▶ Se l'elettrodomestico deve rimanere inutilizzato per lungo tempo, lasciarlo aperto per evitare che all'interno si generino odori sgradevoli.

Informazioni sul gas refrigerante



AVVERTENZA!

L'elettrodomestico contiene il refrigerante infiammabile ISOBUTANO (R600a). Accertarsi che il circuito del refrigerante non abbia subito danni durante il trasporto o l'installazione. Eventuali perdite di refrigerante possono causare lesioni oculari o incendi. In caso di danni, tenere lontane fonti di fiamme libere, ventilare perfettamente l'ambiente, non collegare o scollegare i cavi di alimentazione dell'elettrodomestico o di altri elettrodomestici. Informare l'assistenza clienti.

In caso di contatto con gli occhi, sciacquare immediatamente con acqua corrente e rivolgersi immediatamente a un oculista.

AVVERTENZA: l'impianto di refrigerazione è ad alta pressione. Non manometterlo. Poiché sono utilizzati refrigeranti infiammabili, l'installazione, la movimentazione e la manutenzione dell'elettrodomestico devono essere effettuate attenendosi scrupolosamente alle istruzioni; per lo smaltimento dell'elettrodomestico, rivolgersi a un professionista o all'assistenza post-vendita.

Uso previsto


Questo elettrodomestico è destinato all'uso domestico e a utilizzi simili a quelli di seguito indicati:

- Zone cucina per il personale di negozi, uffici e altri ambienti lavorativi.
 - Aziende agricole e clienti di hotel, motel e altri ambienti residenziali.
 - Bed & breakfast.
 - Catering e servizi simili non al dettaglio.
- Per garantire la conservazione sicura del vino, attenersi a queste istruzioni per l'uso.
- L'altra parte del manuale contiene informazioni dettagliate sulla zona più appropriata nel vano dell'elettrodomestico dove conservare determinati tipi di alimenti, considerando la distribuzione della temperatura nei diversi vani dell'elettrodomestico.

Non sono consentiti cambiamenti o modifiche all'elettrodomestico. Utilizzi errati possono causare pericoli e annullare la garanzia.

Smaltimento



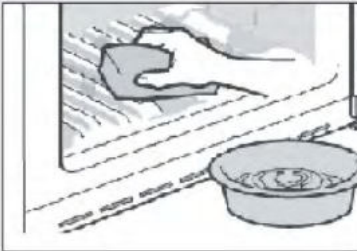
Il simbolo  sul prodotto o sull'imballo indica che non può essere gestito come rifiuto domestico. Il prodotto deve essere conferito in un punto di raccolta per il riciclo delle apparecchiature elettriche ed elettroniche. Garantendo il corretto smaltimento del prodotto, è possibile evitare conseguenze negative per l'ambiente e per la salute umana dovute dalla gestione impropria dei rifiuti. Per informazioni più dettagliate sul riciclo di questo prodotto, rivolgersi all'ente locale competente, all'azienda addetta allo smaltimento dei rifiuti domestici o al punto vendita dov'è stato acquistato.

Poiché sono utilizzati gas infiammabili per l'isolamento, per lo smaltimento dell'elettrodomestico rivolgersi a un professionista o all'assistenza post-vendita.

AVVERTENZA!

Rischio di lesioni da soffocamento!

I refrigeranti e i gas devono essere smaltiti in maniera professionale. Accertarsi che la tubazione del circuito del refrigerante non sia danneggiata prima di smaltirla correttamente. Scollegare l'elettrodomestico dalla rete elettrica. Tagliare il cavo di alimentazione e smaltirlo. Rimuovere vassoi e cassette, fermaporta e guarnizioni, per evitare che bambini e animali domestici rimangano chiusi nell'elettrodomestico.

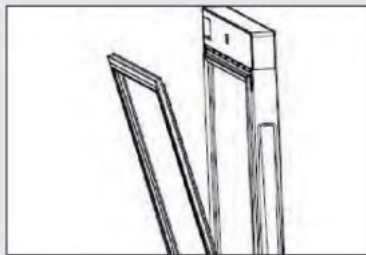
- ▶ **AVVERTENZA:** Prima di effettuare la pulizia, staccare la spina di alimentazione dell'elettrodomestico.
 - ▶ Non pulire l'elettrodomestico con spazzole rigide, spazzole metalliche, detersivi in polvere, benzina, acetato di pentile, acetone e soluzioni organiche simili, soluzioni acide o alcaline. Per la pulizia adoperare un detergente speciale per frigoriferi per evitare danni.
 - ▶ Pulire l'elettrodomestico quando è vuoto o quando contiene poco vino. È necessario pulirlo solo quando è sporco.
 - ▶ Pulire l'interno e l'alloggiamento dell'elettrodomestico con una spugna inumidita in acqua calda e detergente neutro.
 - ▶ Sciacquare con acqua calda e pulita e asciugare con un panno morbido.
 - ▶ Non lavare i componenti dell'elettrodomestico in lavastoviglie.
- 
- ▶ Attendere almeno 7 minuti prima di riavviare l'elettrodomestico, poiché un avvio frequente può danneggiare il compressore.

Pulire la guarnizione dello sportello:

- ▶ Le guarnizioni dello sportello devono essere pulite ogni tre mesi per garantire una tenuta adeguata. Effettuare le seguenti operazioni: rimozione: afferrare la guarnizione dello sportello ed estrarla seguendo la direzione della freccia per rimuovere l'intera guarnizione dello sportello nell'ordine.

Immergere la spazzola in acqua o alcool alimentare, pulire la scanalatura della guarnizione dello sportello tirando avanti e indietro la spazzola.

Pulire, quindi, la superficie della guarnizione dello sportello con un asciugamano imbevuto di acqua o alcool alimentare. Lavare, infine, la guarnizione dello sportello e asciugarla con un asciugamano pulito.



Installazione della guarnizione dello sportello dopo la pulizia:

Prima dell'installazione, accertarsi che non vi sia acqua sulla guarnizione dello sportello. Inserire la guarnizione dello sportello nella scanalatura e premerla a mano dall'alto verso il basso fino a inserire l'intera guarnizione dello sportello nella scanalatura.

Pulizia dei ripiani:

- ▶ Tutti i ripiani per gli alimenti possono essere estratti per la pulizia.
- ▶ Togliere tutte le bottiglie.
- ▶ Sollevare lievemente ogni ripiano ed estrarlo.
- ▶ Pulire il ripiano con un panno morbido.
- ▶ Attendere che i ripiani siano asciutti prima di rimontarli.

AVVERTENZA:

Attendere almeno 7 minuti per ricollegare l'alimentazione dopo averla scollegata.

Controllare gli accessori e la documentazione indicati nel seguente elenco:
senza isolamento.

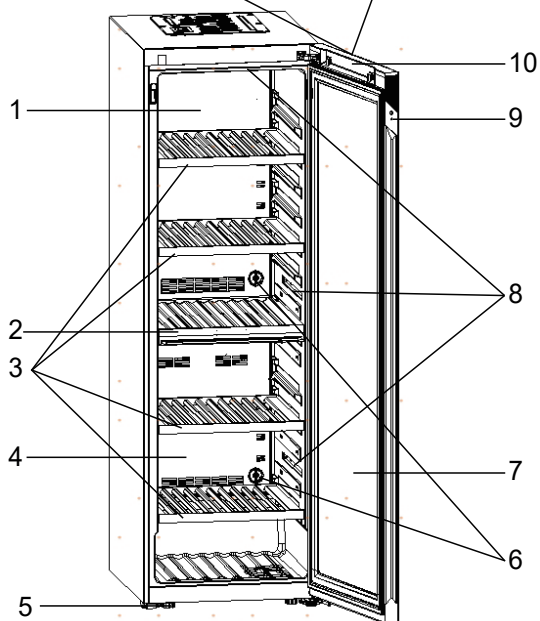
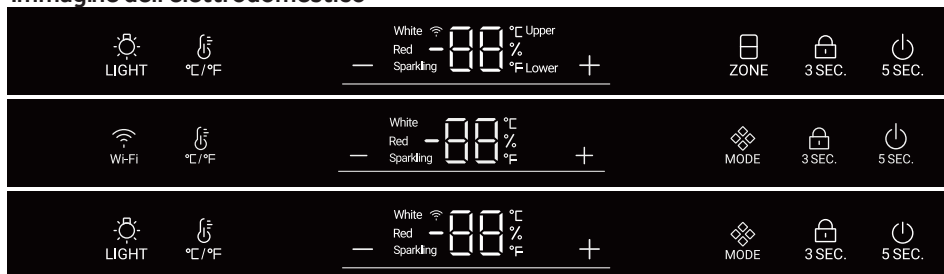
Nome	Manuale dell'utente	Scheda di servizio	Ripiano	Coperchio della cerniera	Etichetta energetica	Chiave	Maniglia	Vite	Cappuccio della vite	Coperchio	Scaffale espositivo
HWS247FAH1	1	1	5	1	1	2	1	4	2	1	1
HWS247GGU1	1	1	5	1	1	2	/	/	/	/	/
HWS236GDGU1	1	1	4	1	1	2	/	/	/	/	/
HWS247FDU1	1	1	5	1	1	2	1	4	2	1	/
HWS247GEH1	1	1	5	1	1	2	/	/	/	/	/
HWS236GDEH1	1	1	4	1	1	2	/	/	/	/	/



Avviso

A causa di **modifiche tecniche** e della **varietà dei modelli**, alcune illustrazioni riportate nel presente manuale possono essere diverse dall'aspetto reale del modello acquistato.

Immagine dell'elettrodomestico



(HWS236GDGU1)

- | | |
|---|--|
| <ol style="list-style-type: none"> 1. Deflettore del condotto dell'aria superiore 2. Divisorio (per HWS236GDGU1/HWS236GDEH1) 3. Ripiano 4. Deflettore del condotto dell'aria inferiore 5. Piedini regolabili | <ol style="list-style-type: none"> 6. Filtro a carboni attivi (tranne HWS247FAH1) 7. Sportello 8. Lampada a LED 9. Blocco 10. Display |
|---|--|

1. Disimballo

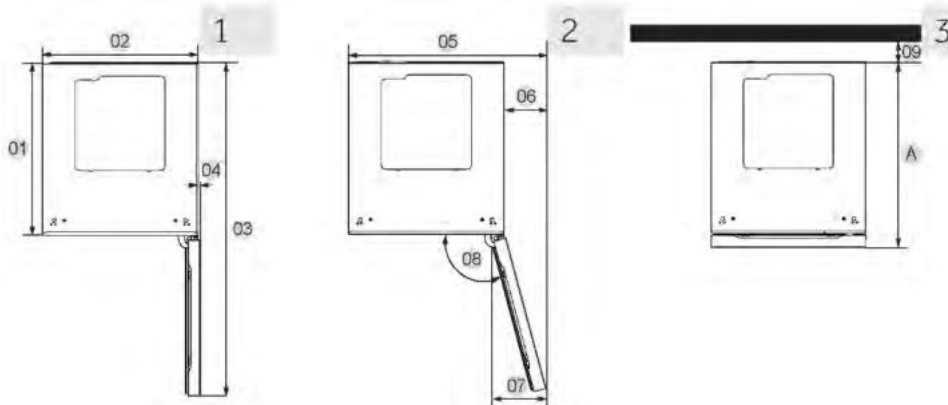
- ▶ Estrarre l'elettrodomestico dall'imballo.
- ▶ Rimuovere tutti i materiali dell'imballo, compresa la base in schiuma e tutto il nastro adesivo che fissa gli accessori.

2. Condizioni ambientali

La temperatura ambiente deve essere sempre compresa tra 10 e 38 °C, poiché può influire sulla temperatura interna dell'elettrodomestico e sui consumi energetici. Non installare l'elettrodomestico vicino ad altri elettrodomestici che emettono calore (forni, frigoriferi) senza isolamento.

3. Requisiti di spazio

Spazio necessario per l'apertura dello sportello (Figure 1, 2, 3 e 4): per la sicurezza e il risparmio energetico, rispettare la distanza di ventilazione richiesta di 50 mm in tutte le direzioni (Fig. 5).



Misure in mm	HWS247GGU1 HWS247GEH1	HWS236GDGU1 HWS236GEH1	HWS247FDU1 HWS247FAH1
Profondità A	714	714	769
Larghezza B	597	597	603
Altezza C	1905	1905	1905
Altezza totale D	1900	1900	1900
O1	654	654	654
O2	595	595	595/600
O3	1273	1273	1280
O4	11	11	16
O5	756	756	805
O6	161	161	210
O7	200	200	200
O8	105°	105°	105°
O9	50	50	50





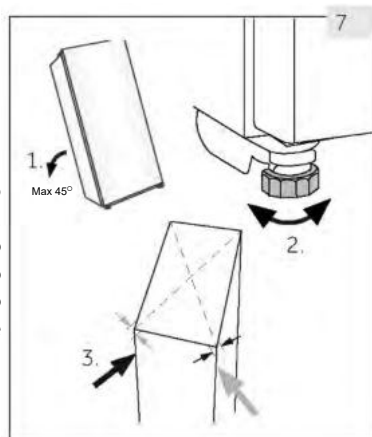
AVVERTENZA!

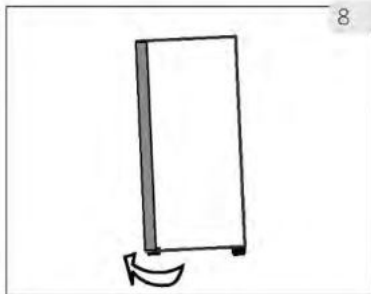
- Le aperture di ventilazione nell'elettrodomestico o nella struttura a incasso devono rimanere sempre libere. Questo elettrodomestico refrigerante non è progettato per l'installazione a incasso.

5. Allineamento dell'elettrodomestico

Installare l'elettrodomestico su una superficie solida e piana.

1. Inclinare lievemente all'indietro l'elettrodomestico (Fig. 7).
2. Regolare i piedini anteriori regolabili sul livello desiderato ruotandoli.
3. La stabilità può essere verificata spingendo diagonalmente l'elettrodomestico a destra e a sinistra. Il lieve ondeggiamento deve essere identico in entrambe le direzioni. In caso contrario, il telaio potrebbe deformarsi e le guarnizioni dello sportello potrebbero perdere. Una lieve inclinazione posteriore facilita la chiusura dello sportello.



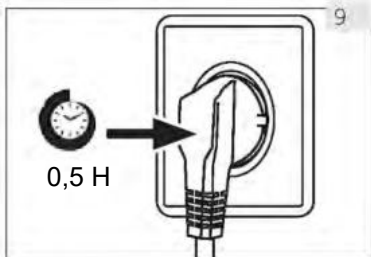


8. Regolazione precisa dello sportello

L'elettrodomestico si chiude più facilmente agendo sui i piedini di livellamento anteriori:

Ruotare i piedini regolabili (Fig. 8) per sollevarli o abbassarli:

- ▶ Ruotando i piedini in senso orario, l'elettrodomestico si solleva.
- ▶ Ruotando i piedini in senso antiorario, l'elettrodomestico si abbassa.



7. Tempo di attesa

L'olio di lubrificazione esente da manutenzione si trova nella capsula del compressore. Se l'elettrodomestico è inclinato, questo olio può percorrere il sistema di tubazioni chiuse durante il trasporto. Prima di collegare l'elettrodomestico all'alimentazione elettrica, attendere 0,5 ore (Fig. 9) in modo che l'olio torni nella capsula.

8. Collegamento elettrico

Prima di ogni collegamento, effettuare i seguenti controlli:

- ▶ La fonte di alimentazione, la presa e i fusibili sono conformi ai dati indicati nella targhetta.
- ▶ La presa di corrente è collegata a terra e non sono utilizzate prese multiple o prolunghe.
- ▶ La spina e la presa di corrente sono inserite correttamente.

Collegare la spina a una presa domestica installata correttamente.



AVVERTENZA!

Per evitare rischi, un cavo di alimentazione danneggiato deve essere sostituito dall'assistenza clienti (v. scheda di garanzia).

9. Reversibilità dello sportello

Prima di collegare l'elettrodomestico all'alimentazione elettrica, controllare se l'apertura dello sportello deve essere invertita da destra (come consegnato) verso sinistra per facilitare l'uso.



AVVERTENZA!

- ▶ L'elettrodomestico è pesante. Per invertire lo sportello occorrono due persone.
- ▶ Prima di qualunque operazione, scollegare l'elettrodomestico dalla rete elettrica.
- ▶ Non inclinare l'elettrodomestico oltre 45° per evitare danni al sistema di raffreddamento.

Fasi di montaggio

1. Procurarsi gli utensili necessari.
2. Staccare la spina dell'elettrodomestico.
3. Rimuovere la copertura superiore e il coperchietto, quindi procedere con l'installazione dell'inversione del coperchietto a sinistra e a destra.
4. Rimuovere il coperchio del vano cavi e il coperchio di rivestimento, quindi procedere con l'installazione dell'inversione del coperchio decorativo a sinistra e a destra. Rimuovere il tappo di gomma nero dal buco della serratura sinistro all'interno del corpo della porta e installarlo nel buco della serratura destro.
5. Togliere il coperchio della cerniera svitando le 3 viti e staccando lo sportello.
6. Svitare le 3 viti sotto lo sportello con l'utensile, rimuovere il meccanismo di rotazione dello sportello e l'arresto dello sportello. L'inversione a sinistra e a destra va installata sull'altro lato dello sportello.
7. Togliere il gruppo cerniera con l'utensile; rimuovere prima la camma della cerniera nel gruppo cerniera inferiore, quindi ricollocare l'asta della cerniera sul foro destro della vite e rimontare. Procedere con l'installazione dell'inversione con il gruppo di supporto della ruota girevole sul lato destro dell'elettrodomestico.
8. Lo sportello va installato verticalmente sull'asta della cerniera.
9. La cerniera inferiore va inserita nel foro dell'asta dello sportello; fissare con le viti e installare il coperchio del vano cavi e il coperchio di rivestimento superiore.



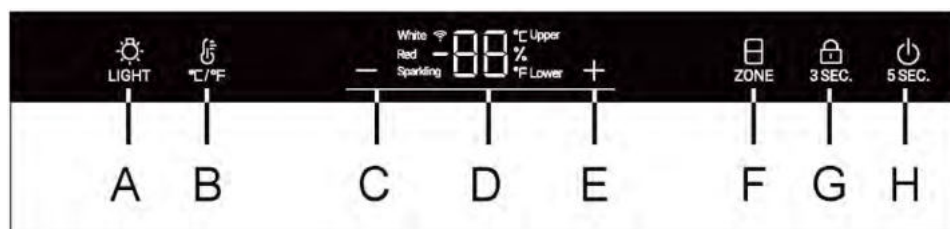
1. Operazioni preliminari al primo utilizzo

- ▶ Togliere tutti i materiali di imballo, compresa la base in schiuma e tutto il nastro adesivo che fissa gli accessori della cantinetta all'interno e all'esterno. Tenerli fuori dalla portata dei bambini e smaltirli nel rispetto dell'ambiente.
- ▶ Pulire l'interno e l'esterno dell'elettrodomestico con acqua e un detergente delicato prima di inserire il vino.
- ▶ Dopo l'installazione a livello e la pulizia dell'elettrodomestico, attendere almeno 2 ore prima di collegarlo all'alimentazione elettrica. Se la cantinetta è stata inclinata per un motivo qualunque, attendere 24 ore prima di collegarla. Vedere la sezione INSTALLAZIONE.
- ▶ Una volta collegata l'unità a una presa di corrente, prima di effettuare qualsiasi regolazione lasciarla in funzione per almeno 30 minuti per l'acclimatamento.
- ▶ La temperatura viene impostata automaticamente a 12 °C. È possibile, tuttavia, cambiare manualmente queste temperature. V. TEMPERATURA.

2. Tasti a sfioramento

I pulsanti del pannello di controllo sono tasti a sfioramento che si attivano quando vengono sfiorati lievemente con un dito.

3. Descrizione per il pannello di controllo



- | | |
|--|---|
| A Pulsante luce interna | E Pulsante di regolazione della temperatura: su |
| B Pulsante di conversione °C / °F | F Pulsante di selezione della zona di temperatura |
| C Pulsante di regolazione della temperatura: giù | G Pulsante di blocco |
| D Display | H Pulsante di accensione |

4. Funzione di blocco automatico

Nello stato di blocco del display, tenere premuto per 3 secondi il tasto di blocco; il display indica 3, 2, 1, quindi si sblocca e l'icona di blocco si accende. Se non viene eseguita alcuna operazione, lo schermo si blocca automaticamente dopo 30 secondi. In stato di blocco dello schermo, tutte le icone dei tasti bloccati sono accese e i tasti sul display non funzionano, ad eccezione del tasto di illuminazione.

5. Funzione del pulsante di accensione

A schermo spento toccare un tasto qualunque per accendere il display. Tenendo premuto il tasto di accensione, il display indica 5, 4, 3, 2, 1, quindi l'elettrodomestico si spegne. Quando l'alimentazione è spenta, premere a lungo il tasto di accensione per visualizzare 5, 4, 3, 2, 1. L'alimentazione è attivata.





6. Impostazione della temperatura

Avviso

Preimpostazioni


- ▶ Dopo aver collegato l'unità a una presa elettrica, attendere l'acclimatamento dell'unità per almeno 30 minuti prima di effettuare qualunque regolazione.
- ▶ Quando l'elettrodomestico viene acceso dopo averlo staccato dall'alimentazione elettrica, il raggiungimento delle temperature corrette potrebbe richiedere diverse ore. Il tempo esatto varia a seconda dell'ambiente e dell'impostazione della temperatura.



Premendo il tasto  o  pulsante, il display comincia a lampeggiare. Premere il tasto  o  per impostare la temperatura desiderata. Intervallo di impostazione della temperatura: 5-20 °C (41-68 °F).

Tre secondi dopo la pressione del tasto, la temperatura viene confermata.

7. Funzione Modalità o Zona

Premere il pulsante . La temperatura passa da vino frizzante (8 °C o 47 °F) a bianco (12 °C o 54 °F) e rosso (16 °C o 61 °F). (per HWS247GGU1/HWS247GEH1/HWS247FDU1/HWS247FAH1)

In stato di sblocco, l'icona "B" è accesa. Se la visualizzazione attuale è inclusa nella zona di temperatura superiore, l'icona superiore è accesa e l'icona inferiore è spenta. A questo punto, premere il tasto "B" per accendere l'icona inferiore e spegnere quella superiore. (per HWS236GDGU1/HWS236GDEH1)

Impostazioni della temperatura consigliate

Si consiglia di impostare le seguenti temperature in base alle varie tipologie di vino.

Vino rosso	Da 13 a 20 °C (55-68 °F)	Vino frizzante prosecco	Da 5 a 8 °C (41-47 °F)
Vino bianco	Da 9 a 12 °C (48-54 °F)		

Se si conserva il vino per lunghi periodi di tempo, si consiglia una temperatura compresa tra 10 e 12 °C (50-54 °F).

8. Modalità standby

Lo schermo del display si attenua automaticamente dopo 30 secondi.

Si accende automaticamente quando si tocca un tasto qualsiasi o si apre lo sportello.



Avviso Effetti sulle temperature



La temperatura nell'elettrodomestico dipende dai seguenti fattori:

- ▶ Temperatura ambiente
- ▶ Frequenza di apertura dello sportello
- ▶ Quantità di bottiglie immagazzinate
- ▶ Posizione dell'elettrodomestico

L'impostazione predefinita è 12 °C

Quando il display smette di lampeggiare, torna a indicare la temperatura corrente nella cantinetta. Per raggiungere la temperatura impostata occorrerà un po' di tempo.

9. Impostazione della modalità di illuminazione

Premere il pulsante . Quando le luci nel vano vengono accese, si accendono gradualmente. Premendo nuovamente il pulsante , le luci si spengono gradualmente. (tranne HWS247FDU1/HWS247FAH1)

10. Funzione °C/°F

Premere il pulsante  per commutare gradi Fahrenheit e Celsius.

11. Funzione Wi-Fi

Premere il pulsante Wi-Fi per 3 secondi, il pulsante Wi-Fi inizia a lampeggiare velocemente ed entra automaticamente nella modalità di configurazione (per HWS247FDU1/HWS247FAH1).

12. Funzione di memoria di spegnimento

In caso di blackout, la cantinetta memorizza automaticamente la temperatura impostata. Al ripristino dell'alimentazione, verrà ripristinata la temperatura impostata prima del blackout.

13. Funzione di compensazione bassa temperatura

Per garantire una temperatura stabile, la cantinetta include una funzione di compensazione bassa temperatura: Quando la temperatura ambiente è inferiore a quella impostata, la cantinetta attiva automaticamente la funzione di compensazione bassa temperatura, riscaldando l'elettrodomestico. Al raggiungimento della temperatura impostata dell'elettrodomestico, la funzione di compensazione bassa temperatura si disattiva automaticamente.

14. Allarme sportello aperto

Se lo sportello viene tenuto aperto per più di 1 minuto, viene emesso un segnale acustico di allarme che si disattiva quando lo sportello viene chiuso o quando si preme un tasto qualunque sul pannello del display.

15. Impostazione della modalità Wi-Fi

CONNECTIVITY PARAMETRI WIRELESS

Tecnologia	Wi-Fi	Bluetooth
Standard	IEEE 802.11 b/g/n	Bluetooth v4.2, BR/EDR, BLE
Bande di frequenza (MHz)	2401÷2483	2402÷2480
Potenza massima (mW) bande (MHZ)	100	10

INFORMAZIONI SUL PRODOTTO

Modalità di attivazione del modulo Wi-Fi:

Premere il pulsante luminoso per 3 secondi per attivare il Wi-Fi (tranne HWS247FDU1/HWS247FAH1)

Premere il pulsante Wi-Fi per 3 secondi per attivare il Wi-Fi (per HWS247FDU1/HWS247FAH1)

- Il modulo Wi-Fi si accende e l'icona Wi-Fi inizia a lampeggiare.
- Se la cantinetta è attiva ma la funzionalità Wi-Fi è spenta, l'icona lampeggia.
- Se la cantinetta è attiva e collegata, l'icona Wi-Fi rimane sempre accesa.

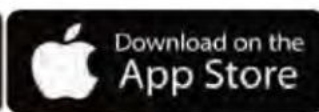
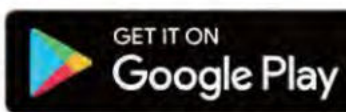
• Per effettuare il reset del Wi-Fi, premere il pulsante luminoso per 3 secondi (tranne HWS247FDU1/HWS247FAH1)

• Per effettuare il reset del Wi-Fi, premere il pulsante Wi-Fi per 3 secondi (per HWS247FDU1/HWS247FAH1)

PROCEDURA DI ACCOPPIAMENTO DELL'APP

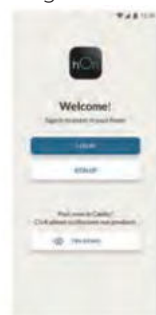
Passo 1

- Scaricare l'applicazione hOn



Passo 2

- Accedere o effettuare la registrazione



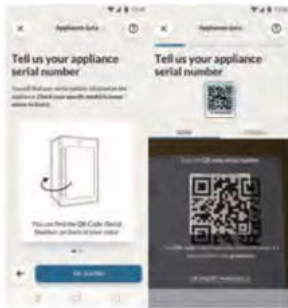
Passo 3

- Aggiungere un nuovo elettrodomestico selezionando la cantinetta dall'elenco



Passo 4

- Effettuare una scansione del QR o inserire manualmente il numero di serie



Passo 5

- Premere il pulsante luminoso sul prodotto per 3 secondi per attivare il Wi-Fi (tranne HWS247FDU1/ HWS247FAH1)
Premere il pulsante Wi-Fi sul prodotto per 3 secondi per attivare il Wi-Fi (per HWS247FDU1/ HWS247FAH1)



Passo 6

- L'icona Wi-Fi lampeggia, il processo di accoppiamento è in corso. Per completare il processo di accoppiamento, occorrono 5 minuti. Al termine del processo, l'icona Wi-Fi smette di lampeggiare e rimane sempre accesa. **NOTA**





Suggerimenti per il risparmio energetico

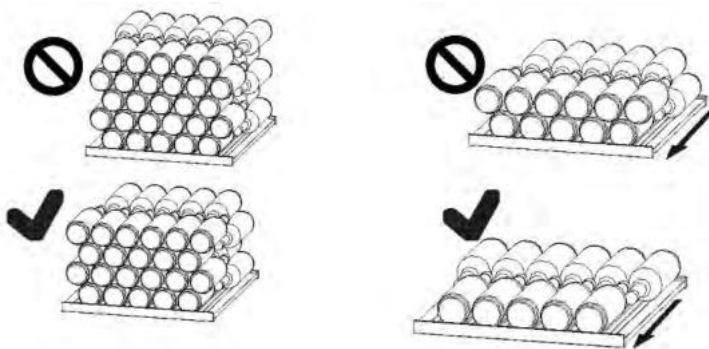
- ▶ Accertarsi che l'elettrodomestico sia adeguatamente ventilato (v. INSTALLAZIONE).
- ▶ Non installare l'elettrodomestico esposto alla luce diretta del sole o in prossimità di fonti di calore (ad es. stufe o radiatori).
- ▶ Evitare che la temperatura dell'elettrodomestico sia inutilmente bassa. Riducendo la temperatura impostata nell'elettrodomestico, il consumo energetico aumenta.
- ▶ Aprire lo sportello dell'elettrodomestico senza spalancarlo e per il più breve tempo possibile.
- ▶ Per evitare ostruzioni del flusso d'aria, non superare la quantità di bottiglie indicata. Mantenere pulite le guarnizioni dello sportello in modo che si chiuda sempre perfettamente.
- ▶ Per ottimizzare il risparmio energetico, collocare nell'elettrodomestico i cassetti, i contenitori degli alimenti e i ripiani, e riporre gli alimenti senza ostruire l'uscita dell'aria del condotto.

1. Ripiano


1. I ripiani sono progettati per facilitare la conservazione e la rimozione del vino. Possono essere puliti con un asciugamano morbido.
2. Le bottiglie normali con diametro di 76 mm possono essere impilate.
3. Le bottiglie magnum possono essere impilate sul ripiano inferiore.
4. La quantità può variare rispetto al numero o alle bottiglie raffigurate, se impilate in modo diverso.

Consigli per organizzare la cantinetta

È preferibile non conservare più di quattro strati di bottiglie di vino su ogni ripiano; il carico sui ripiani del vino nella cantinetta non deve essere superiore a 60 bottiglie. Accertarsi che i ripiani del vino siano perfettamente stabili. Accertarsi, inoltre, che le bottiglie non sporgano dai ripiani per evitare che urtino lo sportello di vetro quando viene chiuso.



2. Luce

La luce interna a LED si accende quando si apre lo sportello. Per accendere la luce con lo sportello chiuso, toccare il pulsante  LIGHT. Per spegnere le luci, toccare nuovamente il pulsante. Per incrementare l'efficienza energetica, spegnere le luci quando la cantinetta non è a vista. (tranne HWS247FDU1/HWS247FAH1)

3. Serratura

Per chiudere a chiave la cantinetta, chiudere lo sportello e inserire la chiave nella serratura:

- ▶ Bloccare lo sportello ruotando la chiave in senso orario.
- ▶ Sbloccare lo sportello ruotando la chiave in senso antiorario.

1. Sbrinamento

Lo sbrinamento della cantinetta avviene in modo automatico e non richiede alcuna operazione manuale.

2. Sostituzione della lampada a LED

La lampada utilizza una sorgente luminosa a LED, che riduce i consumi energetici e garantisce una lunga durata. In caso di anomalie, rivolgersi all'assistenza clienti. V. ASSISTENZA CLIENTI.



AVVERTENZA!

Non sostituire personalmente la lampada a LED. La lampada a LED deve essere sostituita solo dal produttore o da un tecnico dell'assistenza autorizzato.

Parametri della lampada a LED:

Tensione 12 V

Potenza massima: 18 W

3. Inutilizzo per lunghi periodi

Scollegare il cavo di alimentazione.

Pulire l'elettrodomestico e le guarnizioni dello sportello come descritto precedentemente.

Lasciare lo sportello aperto per evitare la produzione di cattivi odori all'interno.

4. Spostamento dell'elettrodomestico

1. Togliere tutte le bottiglie e scollegare l'elettrodomestico.
2. Fissare con nastro adesivo i ripiani e le altre parti mobili nella cantinetta.
3. Non inclinare la cantinetta oltre 45° per evitare di danneggiare il sistema di refrigerazione.

5. Ricambio dell'aria con filtro ai carboni attivi (tranne HWS247FAH1)

La modalità con cui i vini continuano a maturare dipende dalle condizioni ambientali. La qualità dell'aria, quindi, è determinante per la conservazione del vino. Nella parte inferiore della parete posteriore dell'elettrodomestico è applicato un filtro ai carboni attivi per garantire sempre una qualità ottimale.



Avviso

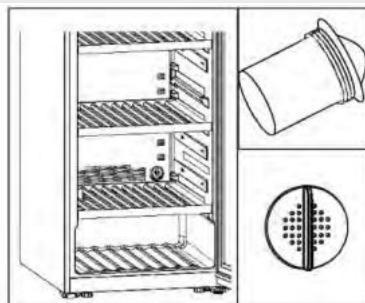
Si consiglia di sostituire il filtro una volta all'anno. I filtri sono disponibili presso il rivenditore.
(tranne HWS247FAH1)

Sostituzione del filtro:

Afferrare il filtro per il manico. Ruotarlo a sinistra e rimuoverlo.

Inserimento del filtro:

Inserirlo con la maniglia in posizione verticale.
Ruotarlo a destra e inserirlo.



Molti problemi possono essere risolti personalmente senza particolari competenze. In caso di problemi, consultare tutte le soluzioni possibili indicate e attenersi alle seguenti istruzioni prima di contattare l'assistenza post-vendita. V. ASSISTENZA CLIENTI.

AVVERTENZA!

- ▶ Prima di effettuare la manutenzione dell'elettrodomestico, spegnerlo e staccare la spina dalla presa di corrente.
- ▶ La manutenzione delle apparecchiature elettriche deve essere effettuata solo da elettricisti qualificati, dal momento che eventuali riparazioni improprie possono causare danni notevoli.
- ▶ Se il cavo di alimentazione è danneggiato, deve essere sostituito unicamente dal produttore, da un tecnico dell'assistenza o da una persona con analogha qualifica per evitare rischi.

Codice di errore	Causa	Soluzione
L2	Allarme di temperatura bassa quando la temperatura del sensore di controllo è troppo bassa.	<ol style="list-style-type: none"> 1. Controllare la temperatura ambiente. 2. Controllare il connettore del compressore. 3. Controllare la resistenza del sensore di controllo della temperatura.
H1	Quando la temperatura del sensore di controllo è troppo alta, il display visualizza l'allarme di temperatura alta.	<ol style="list-style-type: none"> 1. Controllare il connettore della scheda di controllo o il pannello del display. 2. Controllare la resistenza e la tensione della ventola. 3. Controllare la ventola e il connettore del compressore.

Problema	Causa possibile	Soluzione possibile
Il compressore non funziona.	<ul style="list-style-type: none"> • La spina non è collegata alla presa di corrente. 	<ul style="list-style-type: none"> • Collegare la spina alla presa di corrente.
L'elettrodomestico si aziona frequentemente o per un periodo di tempo troppo lungo.	<ul style="list-style-type: none"> • La temperatura esterna è troppo elevata. • L'elettrodomestico è rimasto spento per un certo periodo di tempo. • Uno sportello dell'elettrodomestico non è chiuso ermeticamente. • Lo sportello è stato aperto troppo spesso o troppo a lungo. • Le guarnizioni dello sportello sono sporche, usurate, danneggiate o inadeguate. • Non è garantita la circolazione dell'aria necessaria. • La temperatura impostata è troppo bassa. 	<ul style="list-style-type: none"> • In questo caso è normale che l'elettrodomestico rimanga in funzione più a lungo. • Normalmente occorre un po' di tempo prima che l'elettrodomestico si raffreddi completamente. • Chiudere lo sportello e accertarsi che l'elettrodomestico sia a livello e che non vi siano alimenti o contenitori che possano urtare lo sportello. • Non aprire lo sportello troppo spesso. • Pulire la guarnizione dello sportello o farla sostituire dall'assistenza clienti. • Garantire un'adeguata ventilazione. • Una volta raggiunta la temperatura desiderata, il problema si risolverà automaticamente.
L'interno della cantinetta è sporco e/o sono presenti cattivi odori.	<ul style="list-style-type: none"> • L'interno della cantinetta deve essere pulito. 	<ul style="list-style-type: none"> • Pulire l'interno della cantinetta.
La temperatura nell'elettrodomestico non è sufficientemente bassa.	<ul style="list-style-type: none"> • La temperatura impostata è troppo alta. • Sono state aggiunte bottiglie recentemente. • Uno sportello dell'elettrodomestico non è chiuso ermeticamente. • Lo sportello è stato aperto troppo spesso o troppo a lungo. • Le guarnizioni dello sportello sono sporche, usurate, danneggiate o inadeguate. 	<ul style="list-style-type: none"> • Reimpostare la temperatura. • Attendere che le bottiglie aggiunte recentemente raggiungano la temperatura desiderata. • Chiudere lo sportello. • Non aprire lo sportello troppo spesso. • Pulire la guarnizione dello sportello o farla sostituire dall'assistenza clienti.
La temperatura nell'elettrodomestico è troppo bassa.	<ul style="list-style-type: none"> • La temperatura impostata è troppo bassa. 	<ul style="list-style-type: none"> • Reimpostare la temperatura.

Problema	Causa possibile	Soluzione possibile
Formazione di umidità all'interno del vano frigorifero.	<ul style="list-style-type: none"> • Il clima è troppo caldo e troppo umido. • Uno sportello dell'elettrodomestico non è chiuso ermeticamente. • Lo sportello è stato aperto troppo spesso o troppo a lungo. 	<ul style="list-style-type: none"> • Aumentare la temperatura. • Chiudere lo sportello. • Non aprire lo sportello o il cassetto troppo spesso.
Si accumula umidità sulla superficie esterna della cantinetta.	<ul style="list-style-type: none"> • Il clima è troppo caldo e troppo umido • Lo sportello non è chiuso ermeticamente. L'aria fredda all'interno dell'elettrodomestico e l'aria calda all'esterno formano condensa. 	<ul style="list-style-type: none"> • Ciò è normale in un clima umido; la situazione cambia quando l'umidità diminuisce. • Accertarsi che lo sportello sia chiuso ermeticamente e controllare la tenuta delle guarnizioni.
L'elettrodomestico emette suoni anomali.	<ul style="list-style-type: none"> • L'elettrodomestico non è a livello. • L'elettrodomestico urta qualche oggetto vicino. 	<ul style="list-style-type: none"> • Regolare i piedini per collocare l'elettrodomestico a livello. • Rimuovere gli oggetti attorno all'elettrodomestico.
Si sente un lieve rumore, simile a quello dell'acqua che scorre.	<ul style="list-style-type: none"> • È normale 	<ul style="list-style-type: none"> • -
L'illuminazione interna o il sistema di raffreddamento non funziona.	<ul style="list-style-type: none"> • La spina non è collegata alla presa di corrente. • Problema della fonte di alimentazione. • La lampada a LED è fuori uso. 	<ul style="list-style-type: none"> • Collegare la spina alla presa di corrente. • Controllare l'alimentazione elettrica. Chiamare l'azienda elettrica locale. • Chiamare l'assistenza per la sostituzione.
I lati del refrigeratore e la striscia dello sportello si riscaldano	<ul style="list-style-type: none"> • È normale. 	<ul style="list-style-type: none"> • -
Lo sportello non si chiude correttamente.	<ul style="list-style-type: none"> • L'elettrodomestico non è a livello. • Lo sportello è bloccato. 	<ul style="list-style-type: none"> • Mettere a livello l'elettrodomestico agendo sui piedini di livellamento. • Accertarsi dell'assenza di ostruzioni (ad es. bottiglie o ripiani).

Per contattare l'assistenza tecnica, visitare il nostro sito web:

<https://corporate.haier-europe.com/en/>

Nella sezione "sito web", scegliere la marca del proprio prodotto e il proprio paese. Si aprirà il sito web specifico contenente il numero di telefono e il modulo per contattare l'assistenza tecnica.

Specifiche del prodotto secondo il regolamento UE n. 2019/2016

Marchio	Haier	Haier	Haier
Nome / identificativo del modello	HWS247GGU1 HWS247GEH1	HWS236GDGU1 HWS236GDEH1	HWS247FDU1/ HWS247FAH1
Categoria	Cantinetta	Cantinetta	Cantinetta
Classe di efficienza energetica	G/E	G/E	D/A
Consumo energetico annuo (kWh/anno) ¹⁾	184/107	184/107	85/44
Volume di stoccaggio (litri)	450	448	450
Classe climatica: Questo elettrodomestico è destinato all'uso con temperature ambiente comprese tra 10 e 38 °C.	SN N ST	SN N ST	SN N ST
Emissioni acustiche (db(A) re 1pW)	C(37)/B(35)	C(37)/B(35)	C(37)/B(35)
Tipo di elettrodomestico	Indipendente	Indipendente	Indipendente
Questo elettrodomestico deve essere utilizzato solo per la conservazione del vino.	Sì	Sì	Sì
Dimensioni (L/P/A in mm)	597/714/1900	597/714/1900	603/769/1900

Descrizioni:

1) Sulla base dei risultati di test standard per 24 ore. Il consumo energetico effettivo dipende dall'ambiente reale, dalla quantità di bottiglie conservate, dalla temperatura impostata, dall'apertura e chiusura dello sportello ecc.

2) Il consumo energetico nominale è il valore ottenuto secondo la prova standard con la luce interna della cantinetta spenta.

- temperata estesa: "questo elettrodomestico è destinato all'uso con temperature ambiente comprese tra 10 °C e 32 °C"

- temperata: "questo elettrodomestico è destinato all'uso con temperature ambiente comprese tra 16 °C e 32 °C"

- subtropicale: "questo elettrodomestico è destinato all'uso con temperature ambiente comprese tra 16 °C e 38 °C"

- tropicale: "questo elettrodomestico è destinato all'uso con temperature ambiente comprese tra 16 °C e 43 °C"

Norme e direttive

Questo prodotto è conforme ai requisiti di tutte le direttive CE vigenti con le corrispondenti norme armonizzate che prevedono il marchio CE.

Si consiglia di rivolgersi all'Assistenza Clienti Haier e di utilizzare ricambi originali. In caso di problemi con l'elettrodomestico, consultare prima la sezione SOLUZIONE DEI PROBLEMI.

Se non si riesce a trovare una soluzione, contattare

- ▶ il rivenditore locale o
- ▶ l'area Service & Support su www.haier.com, che riporta numeri di telefono e domande frequenti e dove è possibile rivendicare la garanzia.

Per contattare l'assistenza, procurarsi i dati seguenti.

Le informazioni si trovano sulla targhetta.

Modello _____ N. di serie _____

Controllare anche la scheda di garanzia fornita con il prodotto.

Per richieste di carattere generico, di seguito sono riportati i nostri indirizzi in Europa:

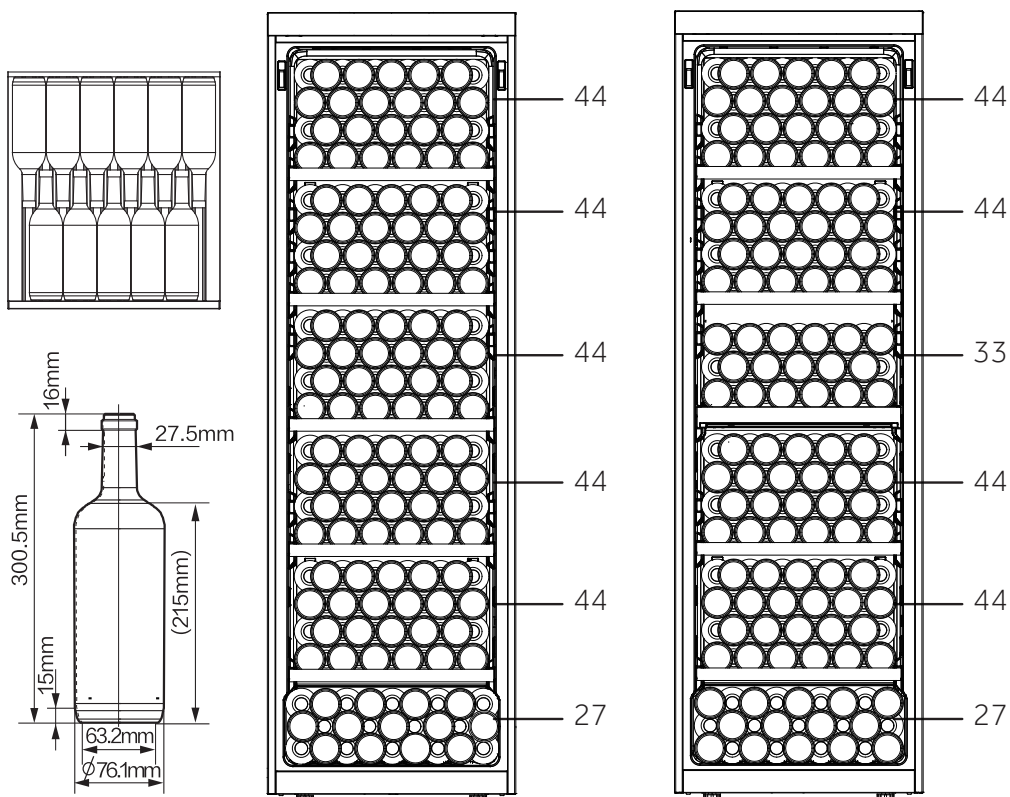
Indirizzi Haier europei			
Paese*	Indirizzo postale	Paese	Indirizzo postale
Italia	Haier Europe Trading SRL Via De Cristoforis, 12 21100 Varese ITALIA	Francia	Haier Europe Trading SRL Via De Cristoforis, 12 21100 Varese ITALIA
Spagna Portogallo	Haier Iberia SL Pg. Garcia Faria, 49-51 08019 Barcellona SPAGNA	Belgio (FR) Belgio (NL) Paesi Bassi Lussemburgo	Haier Benelux SA Anderlecht Route de Lennik 451 BELGIO
Germania Austria	Haier Deutschland GmbH Hewlett-Packard-Str. 4 D-61352 Bad Homburg GERMANIA	Polonia Repubblica Ceca Ungheria Grecia Romania Russia	Haier Poland Sp. zo.o. Al. Jerozolimskie 181B 02-222 Varsavia POLONIA
Regno Unito	Haier Appliances UK Co. Ltd. One Crown Square Church Street East Woking, Surrey, GU21 6HR UK		

DISPONIBILITÀ DEI RICAMBI: Termostati, sensori di temperatura, circuiti stampati e lampade rimangono disponibili per almeno sette anni dopo l'immissione sul mercato dell'ultima unità del modello. Maniglie e cerniere degli sportelli, vassoi e cestelli rimangono disponibili per almeno di sette anni e le guarnizioni degli sportelli per almeno dieci anni dopo l'immissione sul mercato dell'ultima unità del modello.

Garanzia minima: 2 anni per i paesi UE, 3 anni per la Turchia, 1 anno per il Regno Unito, 1 anno per la Russia, 3 anni per la Svezia, 2 anni per la Serbia, 5 anni per la Norvegia, 1 anno per il Marocco, 6 mesi per l'Algeria; per la Tunisia non è obbligatoria alcuna garanzia legale.

***Per ulteriori informazioni sul prodotto, consultare <https://eprel.ec.europa.eu/> o effettuare una scansione del codice QR apposto sull'etichetta fornita con l'elettrodomestico.**

La disposizione delle bottiglie si basa su una rappresentazione grafica di una bottiglia bordolese standard (0,75 l). A causa delle diverse specifiche della bottiglia, la quantità effettiva di caricamento della bottiglia potrebbe essere diversa.



HWS247GGU1
HWS247FDU1
HWS247GEH1
HWS247FAH1

HWS236GDU1
HWS236GDEH1

HWS-247FDU1-247GGU1-236GGDU1-247GEH1-236GDEH1-HWS247FAH1 - IT

Haier



Haier

Manual de usuario

Bodega de vinos

HWS247FAH1
HWS247FDU1
HWS247GGU1
HWS247GEH1
HWS236GDEH1
HWS236GDGU1

ES

Haier

Gracias por comprar un producto Haier.

Lea atentamente estas instrucciones antes de utilizar este electrodoméstico. Las instrucciones contienen información importante que le ayudará a sacar el máximo provecho del electrodoméstico y a garantizar una instalación, uso y mantenimiento seguros y adecuados.

Guarde este manual en un lugar accesible para que siempre pueda consultarlo para el uso seguro y adecuado del electrodoméstico.

Si usted vende el electrodoméstico, lo dona o lo deja atrás al mudarse, asegúrese de dejar también este manual para que el nuevo propietario pueda familiarizarse con el electrodoméstico y las advertencias de seguridad.



Leyenda

Advertencia: Información de seguridad importante



Información general y consejos



Información medioambiental



Eliminación

Ayude a proteger el medio ambiente y la salud humana. Tire el embalaje en los contenedores correspondientes para reciclarlo. Ayude a reciclar los residuos de aparatos eléctricos y electrónicos. No deseche los aparatos marcados con este símbolo con los residuos domésticos. Lleve el producto a su planta de reciclaje local o póngase en contacto con su oficina municipal.



ADVERTENCIA

¡Peligro de lesiones o asfixia!

Los refrigerantes y los gases deben desecharse de forma profesional. Asegúrese de que la tubería del circuito refrigerante no está dañada antes de desecharla adecuadamente. Desconecte el electrodoméstico de la red eléctrica. Corte el cable de red y deséchelo. Retire las bandejas y los cajones, así como el pestillo de la puerta y las juntas, para evitar que los niños y las mascotas se queden encerrados en el electrodoméstico.

Los electrodomésticos viejos todavía tienen algún valor residual. Un método de eliminación respetuoso con el medio ambiente garantizará que las valiosas materias primas puedan recuperarse y volver a utilizarse.

El ciclopentano, una sustancia inflamable que no daña el ozono, se utiliza como expansor para la espuma aislante.

Al garantizar que este producto se desecha correctamente, ayudará a prevenir posibles consecuencias negativas para el medio ambiente y la salud humana.

Para obtener información más detallada sobre el reciclaje de este producto, póngase en contacto con los profesionales de su ayuntamiento, su servicio de eliminación de residuos domésticos o la tienda donde compró el producto.

1 - Información de seguridad	4
2 - Consejos de seguridad.....	7
3 - Mantenimiento.....	11
4 - Accesorios.....	13
5 - Descripción del producto	14
6 - Instalación.....	15
7 - Uso.....	19
8 - Consejos para ahorrar energía	24
9 - Equipo	25
10 - Cuidado y limpieza	26
11 - Solución de problemas	27
12 - Datos técnicos.....	30
13 - Atención al cliente.....	31
14 - Apilamiento de las botellas de vino	32

Este electrodoméstico está destinado a ser utilizado exclusivamente para el almacenamiento de vino. Antes de encender el electrodoméstico por primera vez, lea las siguientes directrices de seguridad:



ADVERTENCIA

Antes del primer uso

- ▶ Asegúrese de que no haya daños causados por el transporte.
- ▶ Retire todo el embalaje, manténgalo fuera del alcance de los niños y deséchelo de forma respetuosa con el medio ambiente.
- ▶ Espere al menos media hora antes de instalar el electrodoméstico para garantizar que el circuito refrigerante es totalmente eficiente.
- ▶ Este electrodoméstico es pesado: manipúlelo con la ayuda de otra persona.

Instalación

- ▶ Este electrodoméstico debe colocarse en un lugar bien ventilado. Asegúrese de dejar un espacio libre de al menos 50 mm por encima y alrededor del electrodoméstico.
- ▶ **ADVERTENCIA:** No obstruya las aberturas de ventilación del armazón del electrodoméstico o de la estructura integrada.
- ▶ No coloque el electrodoméstico en un área húmeda o en un lugar donde pueda recibir salpicaduras de agua. Limpie y seque las salpicaduras y manchas con un paño suave y limpio.
- ▶ No instale su bodega en ningún lugar que no esté debidamente aislado o calentado, por ejemplo, un garaje, etc. Su bodega de vinos no ha sido concebida para funcionar a una temperatura ambiente inferior a 10 °C.
- ▶ No instale el electrodoméstico bajo la luz directa del sol o cerca de fuentes de calor (p. ej.: fogones, estufas...).
- ▶ Instale y nivele el electrodoméstico en un lugar adecuado para su tamaño y uso.
- ▶ Asegúrese de que la información eléctrica de la placa de características técnicas coincida con la fuente de alimentación. Si no es así, póngase en contacto con un electricista.
- ▶ Este electrodoméstico funciona mediante una fuente de alimentación de 220-240 V CA/50 Hz. Una fluctuación anormal del voltaje puede provocar que el electrodoméstico no se ponga en marcha, o que se dañe el control de temperatura o el compresor, o que se oiga un ruido anormal durante el funcionamiento. En tal caso, se deberá instalar un regulador automático.
- ▶ No utilice adaptadores de múltiples contactos ni cables de extensión.



ADVERTENCIA

- ▶ **ADVERTENCIA:** No coloque múltiples tomas de corriente portátiles ni fuentes de alimentación portátiles en la parte trasera del electrodoméstico.
- ▶ **ADVERTENCIA:** Al posicionar el electrodoméstico, asegúrese de que el cable de alimentación no está atrapado o dañado.
- ▶ No oprima el cable de alimentación.
- ▶ Utilice una toma de corriente a tierra separada para la fuente de alimentación a la que se pueda acceder fácilmente. Este electrodoméstico debe conectarse a tierra.
- ▶ **Solo para el Reino Unido:** El cable de alimentación de este electrodoméstico está equipado con un enchufe de 3 cables (a tierra) que se ajusta a una toma de corriente estándar de 3 cables (a tierra). No corte ni desmonte la tercera patilla (toma de tierra). Una vez instalado el electrodoméstico, el enchufe debe ser accesible.
- ▶ **ADVERTENCIA:** No dañe el circuito del refrigerante.

Uso diario

- ▶ Este electrodoméstico puede ser utilizado por niños a partir de 8 años y por personas con capacidades físicas, sensoriales o mentales reducidas, o sin experiencia o conocimientos previos, siempre y cuando lo hagan bajo supervisión, hayan recibido las instrucciones necesarias para un uso seguro y comprendan los riesgos que esto implica.
- ▶ Los niños no deben jugar con este electrodoméstico.
- ▶ Se permite que los niños de 3 a 8 años llenen y vacíen aparatos de refrigeración, pero no están autorizados a limpiarlos e instalarlos.
- ▶ Mantenga alejados del electrodoméstico a los niños menores de 3 años a menos que estén constantemente supervisados.
- ▶ Las operaciones de limpieza y mantenimiento no deben ser realizadas por niños sin supervisión.
- ▶ El electrodoméstico debe colocarse de forma que el enchufe sea accesible.
- ▶ Si se filtra gas de hulla u otro gas inflamable en las proximidades del electrodoméstico, apague la válvula del gas filtrado, abra las puertas y ventanas y no desconecte el cable de alimentación del electrodoméstico.
- ▶ Espere al menos 7 minutos antes de volver conectar la alimentación después de desconectarla.
- ▶ No levante el electrodoméstico por las asas de la puerta.
- ▶ Las llaves deben mantenerse fuera del alcance de los niños y lejos del electrodoméstico para evitar que los niños se queden encerrados dentro.
- ▶ Tenga en cuenta que el electrodoméstico está configurado para funcionar en un intervalo de temperatura ambiente específico de entre 10 y 38 °C. El electrodoméstico no puede funcionar correctamente



ADVERTENCIA

si se deja durante mucho tiempo a una temperatura superior o inferior al intervalo indicado.

- ▶ No coloque artículos inestables (objetos pesados, recipientes llenos de agua) en la parte superior del electrodoméstico, a fin de evitar lesiones personales causadas por caídas o descargas eléctricas causadas por el contacto con el agua.
- ▶ Abra y cierre la puerta solamente usando las asas. El espacio entre la puerta y el armario es muy estrecho. No ponga las manos en estas áreas para evitar pillarse los dedos. Abra o cierre las puertas del electrodoméstico solo cuando no haya niños dentro del área de movimiento de la puerta.
- ▶ No almacene ni utilice elementos inflamables, explosivos o corrosivos en el electrodoméstico ni cerca de él.
- ▶ No almacene en este electrodoméstico sustancias explosivas, como botes de aerosol con propelente inflamable.
- ▶ No guarde medicamentos, bacterias ni agentes químicos en el electrodoméstico. Este aparato es un electrodoméstico. No se recomienda almacenar materiales que requieran temperaturas extremas.
- ▶ No ajuste una temperatura innecesariamente baja en el compartimento de la cámara de vino. En los ajustes altos pueden darse temperaturas bajo cero. Atención: Las botellas pueden reventar.
- ▶ No toque la superficie interior del compartimento del electrodoméstico cuando esté en funcionamiento, especialmente con las manos mojadas, ya que las manos pueden congelarse en la superficie.
- ▶ Para una refrigeración adecuada del vino, no sobrecargue el electrodoméstico.
- ▶ Desenchufe el electrodoméstico en caso de interrupción del suministro eléctrico o antes de limpiarlo. Deje pasar al menos 7 minutos antes de reiniciar el electrodoméstico, ya que el arranque frecuente puede dañar el compresor.
- ▶ **ADVERTENCIA:** No utilice dispositivos eléctricos dentro del electrodoméstico, a menos que sean del tipo recomendado por el fabricante. Para evitar riesgos, solo el servicio de atención al cliente debe reemplazar un cable de alimentación dañado (ver tarjeta de garantía).
- ▶ Para prolongar la vida útil del electrodoméstico, evite apagarlo.
- ▶ No coloque el electrodoméstico horizontalmente sobre el suelo. Después de inclinar el electrodoméstico más de 45°, espere 24 horas antes de enchufarlo.



ADVERTENCIA

Mantenimiento / limpieza

- ▶ Asegúrese de que los niños están bajo supervisión si realizan tareas de limpieza y mantenimiento.
- ▶ Desconecte el electrodoméstico de la red eléctrica antes de realizar cualquier mantenimiento rutinario. Deje pasar al menos 7 minutos antes de reiniciar el electrodoméstico, ya que el arranque frecuente puede dañar el compresor.
- ▶ Cuando desenchufe el electrodoméstico, hágalo agarrando la clavija, no el cable.
- ▶ No limpie el electrodoméstico con cepillos duros, cepillos de alambre, detergente en polvo, gasolina, acetato de amilo, acetona y soluciones orgánicas similares, soluciones ácidas o alcalinas. Limpie con un detergente especial para frigoríficos/congeladores para evitar daños. Finalmente, use una solución de agua tibia y bicarbonato (aproximadamente una cucharada de bicarbonato en un litro/cuarto de agua). Enjuague abundantemente con agua y seque con un trapo. No utilice limpiadores en polvo u otros limpiadores abrasivos. No lave las piezas extraíbles en el lavavajillas.
- ▶ **ADVERTENCIA:** No utilice dispositivos mecánicos ni otros equipos para acelerar el proceso de descongelación, salvo aquellos recomendados por el fabricante.
- ▶ Si el cable de alimentación está dañado, debe ser sustituido por el fabricante, por su servicio técnico o por cualquier profesional cualificado similar para evitar riesgos.
- ▶ No intente reparar, desmontar o modificar este electrodoméstico por su cuenta. En caso de reparación, póngase en contacto con nuestro servicio de atención al cliente.
- ▶ Si las luces están dañadas, deben ser sustituidas por el fabricante, por su servicio técnico o por cualquier profesional cualificado similar para evitar riesgos.
- ▶ Saque el polvo de la parte posterior de la unidad al menos una vez al año para evitar el riesgo de incendio, así como un mayor consumo de energía.

- ▶ No rocíe ni enjuague el electrodoméstico durante la limpieza.
- ▶ No use agua pulverizada o vapor para limpiar el electrodoméstico.
- ▶ No limpie la puerta de cristal fría con agua caliente. Un cambio repentino de temperatura puede causar que el cristal se rompa.
- ▶ Si deja el electrodoméstico fuera de uso durante un periodo prolongado, déjelo abierto para evitar que se acumulen malos olores en el interior.

Información sobre gases refrigerantes



ADVERTENCIA

Este electrodoméstico contiene el refrigerante inflamable ISOBUTANO (R600a). Asegúrese de no dañar el circuito refrigerante durante el transporte o la instalación. La fuga de refrigerante puede causar lesiones oculares o incendios. Si se produce algún daño, mantenga alejadas fuentes de fuego abiertas, ventile a fondo la habitación y no conecte o desconecte los cables de alimentación de este o cualquier otro electrodoméstico. Informe al servicio de atención al cliente.

En caso de que los ojos entren en contacto con el refrigerante, enjuáguelos inmediatamente con agua corriente y llame inmediatamente a un oftalmólogo.

ADVERTENCIA: El sistema de refrigeración está bajo alta presión. No lo fuerce. Dado que se utilizan refrigerantes inflamables, siga estrictamente las instrucciones de instalación, manipulación y mantenimiento del electrodoméstico y póngase en contacto con un técnico profesional o con nuestro servicio posventa para desecharlo.

Uso previsto


Este electrodoméstico está diseñado para uso doméstico y aplicaciones similares, tales como:

- Cocinas para personal en tiendas, oficinas y otros entornos de trabajo.
 - Granjas y el uso por clientes en hoteles, moteles y otros entornos de tipo residencial.
 - Entornos tipo pensión.
 - Catering y aplicaciones similares no minoristas.
- Para garantizar la conservación segura del vino, siga las instrucciones de uso.
- Los detalles sobre la zona de almacenamiento más apropiada para determinados tipos de alimentos, teniendo en cuenta la distribución de la temperatura en los distintos compartimentos del electrodoméstico, se encuentran en la otra parte del manual.

No se permite realizar cambios o modificaciones en el electrodoméstico. Un uso no previsto puede causar riesgos y la pérdida de reclamaciones de garantía.

Eliminación



El símbolo  presente en el producto o en su embalaje indica que este producto no puede ser tratado como residuo doméstico. Por el contrario, debe llevarse al punto de recogida pertinente para el reciclado de equipos eléctricos y electrónicos. Asegurándose de que este producto se elimina correctamente, ayudará a evitar posibles consecuencias negativas para el medio ambiente y la salud humana, provocadas por una eliminación inadecuada de este producto. Para obtener información más detallada sobre el reciclaje de este producto, póngase en contacto con los profesionales de su ayuntamiento, su servicio de eliminación de residuos domésticos o la tienda donde compró el producto.

Dado que se utilizan gases expansivos de aislamiento inflamables, póngase en contacto con un técnico profesional o con nuestro servicio posventa para desecharlo.

ADVERTENCIA

¡Peligro de lesiones o asfixia!

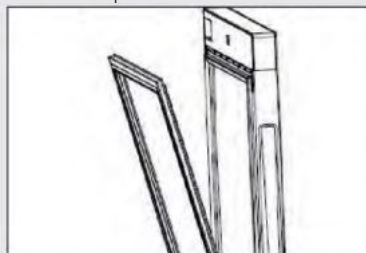
Los refrigerantes y los gases deben desecharse de forma profesional. Asegúrese de que la tubería del circuito refrigerante no está dañada antes de desecharla adecuadamente. Desconecte el electrodoméstico de la red eléctrica. Corte el cable de red y deséchelo. Retire las bandejas y los cajones, así como el pestillo de la puerta y las juntas, para evitar que los niños y las mascotas se queden encerrados en el electrodoméstico.

- ▶ **ADVERTENCIA:** Desconecte el electrodoméstico de la fuente de alimentación antes de limpiarlo.
- ▶ No limpie el electrodoméstico con cepillos duros, cepillos de alambre, detergente en polvo, gasolina, acetato de amilo, acetona y soluciones orgánicas similares, soluciones ácidas o alcalinas. Limpie con un detergente especial para frigoríficos para evitar daños.
- ▶ Limpie el electrodoméstico solo cuando haya poco o ningún vino guardado. Únicamente es necesario limpiarlo cuando esté sucio.
- ▶ Limpie el interior y el armazón del electrodoméstico con una esponja humedecida en agua tibia y detergente neutro.
- ▶ Enjuague con agua tibia limpia y seque con un paño suave.
- ▶ No limpie ninguna de las piezas o partes de este electrodoméstico en un lavavajillas.
- ▶ Deje pasar al menos 7 minutos antes de reiniciar el electrodoméstico, ya que el arranque frecuente puede dañar el compresor.



Limpieza de la junta de la puerta:

- ▶ Las juntas de la puerta deben limpiarse cada 3 meses para garantizar un sellado adecuado. Según se indica a continuación: Extracción: Agarre la junta de la puerta y tire de ella de acuerdo con la dirección que indica la flecha para sacar toda la junta de la puerta. Sumerja el cepillo con agua o alcohol de grado alimenticio y limpie la junta de la puerta primero moviendo el cepillo hacia atrás y hacia fuera. Luego limpie la superficie de la junta de la puerta con un trapo empapado en agua o alcohol de grado alimenticio. Finalmente, lave la junta de la puerta y séquela con un trapo limpio.



Instalación de la junta de la puerta después de la limpieza:

Antes de la instalación, asegúrese de que no haya agua en la junta. Introduzca la junta de la puerta en la ranura y presione firmemente con la mano de la parte superior a la parte inferior hasta que toda la junta se inserte en la ranura.

Limpieza de los estantes:

- ▶ Todos los estantes se pueden sacar para su limpieza.
- ▶ Saque todas las botellas.
- ▶ Levante un poco cada estante y extráigalo.
- ▶ Limpie el estante con un trapo suave.
- ▶ Espere a que los estantes estén secos antes de volver a colocarlos.

ADVERTENCIA:

Espere al menos 7 minutos antes de volver conectar la alimentación después de desconectarla.

Compruebe los accesorios y guías de acuerdo con esta lista:
sin aislamiento.

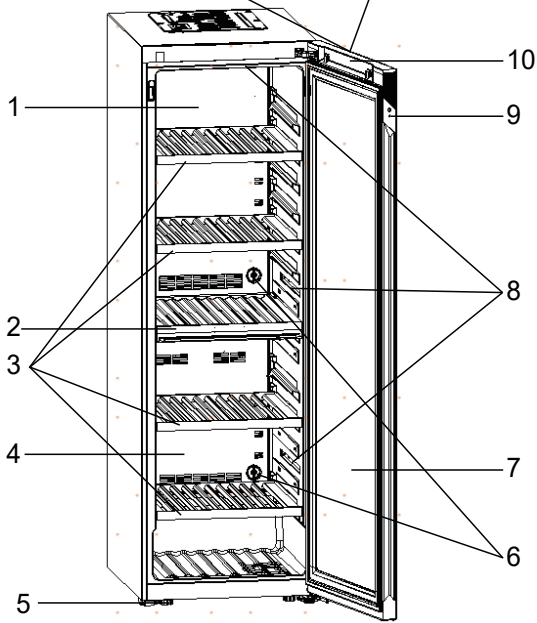
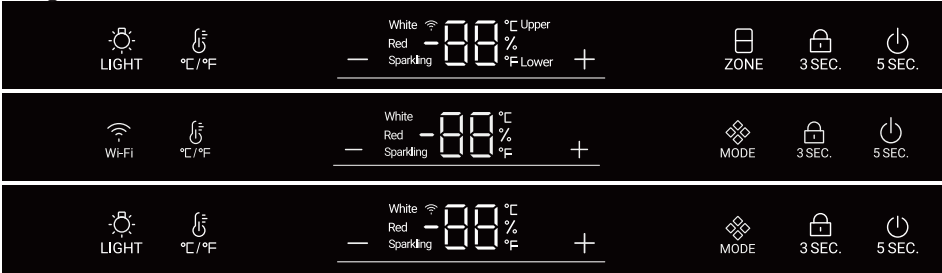
Nombre	Manual de usuario	Tarjeta de servicio	Estante	Tapa de la bisagra	Etiqueta energética	Llave	Tirador	Tornillo	Tapón de rosca	Tapa	Estante de exhibición
HWS247FAH1	1	1	5	1	1	2	1	4	2	1	1
HWS247GGU1	1	1	5	1	1	2	/	/	/	/	/
HWS236GDGU1	1	1	4	1	1	2	/	/	/	/	/
HWS247FDU1	1	1	5	1	1	2	1	4	2	1	/
HWS247GEH1	1	1	5	1	1	2	/	/	/	/	/
HWS236GDEH1	1	1	4	1	1	2	/	/	/	/	/



Aviso

Debido a cambios técnicos y a las diferencias entre modelos, algunas de las ilustraciones de estemanual p ueden diferir de su modelo.

Imagen del electrodoméstico



(HWS236GDU1)

- | | |
|--|---|
| 1. Tabique deflector del conducto de aire superior | 6. Filtro de carbón activado (excepto HWS247FAH1) |
| 2. (para HWS236GDU1/HWS236GDEH1) | 7. Puerta |
| 3. Estante | 8. Lámpara LED |
| 4. Deflector del conducto de aire inferior | 9. Boqueo |
| 5. Patasajustables | 10. Pantalla |

1. Desempaquetado

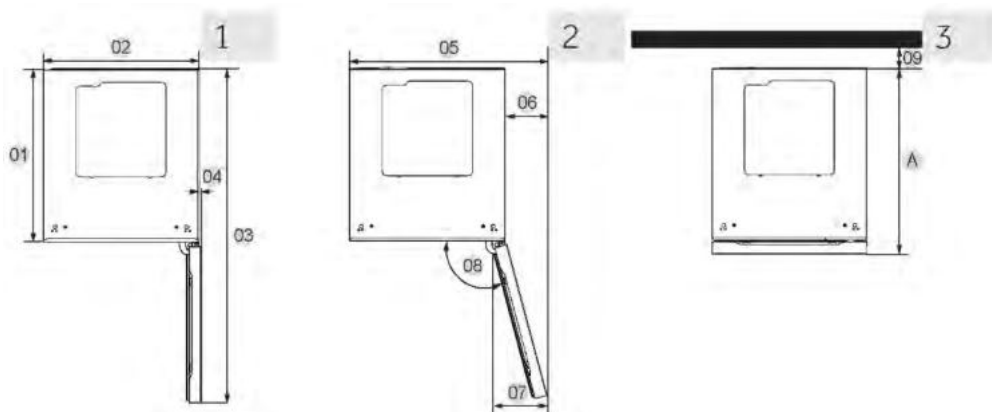
- Saque el electrodoméstico de su embalaje.
- Retire todos los materiales de embalaje, incluyendo la base de espuma y toda la cinta adhesiva que sujeta los accesorios.

2. Condiciones ambientales

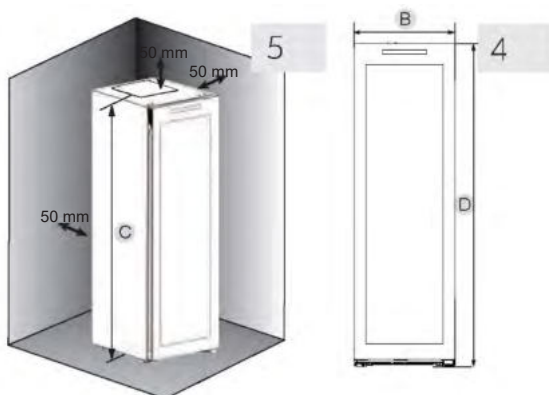
La temperatura ambiente debería encontrarse siempre entre 10 °C y 38 °C, ya que puede influir en la temperatura del interior del electrodoméstico y en su consumo energético. No instale el electrodoméstico cerca de otros electrodomésticos emisores de calor (hornos, neveras) sin aislamiento.

3. Requisitos de espacio

Espacio necesario para abrir la puerta (Fig. 1, 2, 3, 4); por razones de seguridad y aprovechamiento de la energía, debe respetarse una distancia de ventilación de 50 mm en todas las direcciones (Fig.5).



Medidas: en mm	HWS247GGU1 HWS247GEH1	HMS236GDU1 HWS236GDEH1	HWS247FDU1 HWS247FAH1
Fondo A	714	714	769
Ancho B	597	597	603
Alto C	1905	1905	1905
Altura total D	1900	1900	1900
01	654	654	654
02	595	595	595/600
03	1273	1273	1280
04	11	11	16
05	756	756	805
06	161	161	210
07	200	200	200
08	105°	105°	105°
09	50	50	50





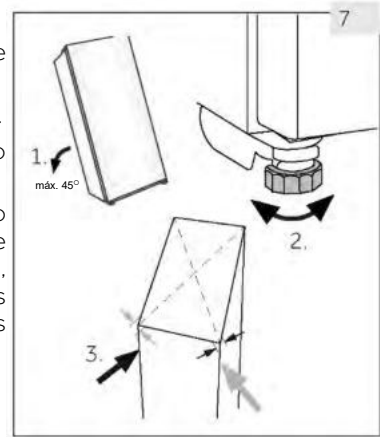
ADVERTENCIA

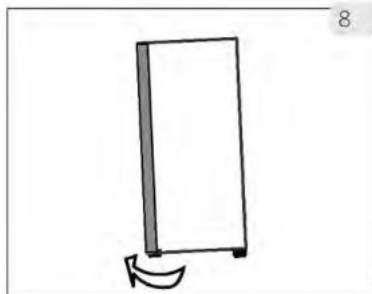
- ▶ No obstruya las aberturas de ventilación del armazón del electrodoméstico o de la estructura integrada. Este aparato de refrigeración no está diseñado para ser utilizado como un electrodoméstico integrado

5. Nivelación del electrodoméstico

Este electrodoméstico debe colocarse sobre una superficie plana y sólida.

1. Incline el electrodoméstico ligeramente hacia atrás (Fig. 7).
2. Ajuste las patas delanteras ajustables al nivel deseado haciéndolas girar.
3. Puede comprobarse la estabilidad golpeando alternativamente las diagonales. El ligero bamboleo debe ser el mismo en ambas direcciones. De lo contrario, el marco puede deformarse y resultar en fugas en las juntas de la puerta. Una ligerísima inclinación hacia atrás facilita el cierre de la puerta.



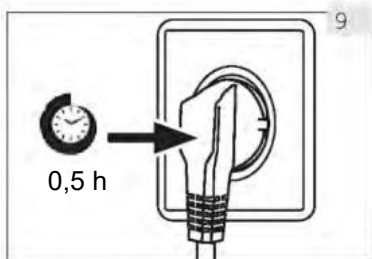


6. Ajuste de precisión de la puerta

El electrodoméstico se cierra más fácilmente si se utilizan las patas ajustables situadas en la parte delantera:

Gire las patas ajustables (Fig. 8) para elevarlas o bajarlas:

- ▶ Girar las patas en sentido horario eleva el electrodoméstico.
- ▶ Girar las patas en sentido antihorario baja el electrodoméstico.



7. Tiempo de espera

El aceite de lubricación sin mantenimiento se encuentra en la cápsula del compresor. Este aceite puede pasar por el sistema de tuberías cerradas durante el transporte si el electrodoméstico está inclinado. Antes de conectar el electrodoméstico a la fuente de alimentación, espere media hora (Fig. 9) para que el aceite vuelva a entrar en la cápsula.

8. Conexión eléctrica

Antes de cada conexión, compruebe si:

- ▶ La fuente de alimentación, la toma de corriente y el fusible son adecuados para la placa de clasificación.
- ▶ La toma de corriente tiene conexión a tierra y no tiene múltiples contactos ni extensiones.
- ▶ El enchufe y la toma de corriente están bien ajustados.

Conecte el enchufe a una toma de corriente doméstica correctamente instalada.



ADVERTENCIA

Para evitar riesgos, solo el servicio de atención al cliente debe reemplazar un cable de alimentación dañado (ver tarjeta de garantía).

9. Reversibilidad de la puerta

Antes de conectar el electrodoméstico a la fuente de alimentación, debe comprobar si la apertura de la puerta debe cambiar de derecha (por defecto) a izquierda por la ubicación de instalación y la facilidad de uso.



ADVERTENCIA

- ▶ Este es un electrodoméstico pesado. Se necesitan dos personas para cambiar la reversibilidad de la puerta.
- ▶ Antes de realizar cualquier operación, desenchufe el electrodoméstico de la red eléctrica.
- ▶ No incline el electrodoméstico más de 45° para evitar daños en el sistema de refrigeración.

Pasos de montaje

1. Consiga las herramientas necesarias.
2. Desenchufe el electrodoméstico.
3. Retire la cubierta de la viga superior y la cubierta pequeña. Instalación de cambio de posición derecha e izquierda de la cubierta pequeña.
4. Retire la cubierta de la bandeja de cables y la moldura decorativa. Instalación de cambio de posición derecha e izquierda de la moldura decorativa. Retire el tapón de goma negro del ojo de la cerradura izquierdo en el interior del cuerpo de la puerta e instálelo en el ojo derecho de la cerradura.
5. Retire la cubierta de las bisagras. Utilice la herramienta para retirar los 3 tornillos y retire el cuerpo de la puerta.
6. Retire los 3 tornillos de debajo del cuerpo de la puerta con la herramienta, la leva del cuerpo de la puerta y el tope de la puerta. Para el cambio de posición derecha e izquierda estos elementos se instalan en el lado correspondiente del cuerpo de la puerta.
7. Retire el conjunto de la bisagra del armazón con la herramienta. En primer lugar, retire la leva de la bisagra en el conjunto de la bisagra inferior y seguidamente vuelva a colocar el eje de la bisagra en el orificio del tornillo derecho Instalación de cambio de posición con el soporte de las ruedas en el lado derecho del armazón.
8. El cuerpo de la puerta se instala verticalmente hacia abajo en el eje de la bisagra.
9. La bisagra superior se introduce en el orificio del eje del cuerpo de la puerta. Fije el armazón con tornillos, monte la tapa de la caja de cables y la tapa del embellecedor de la viga superior.



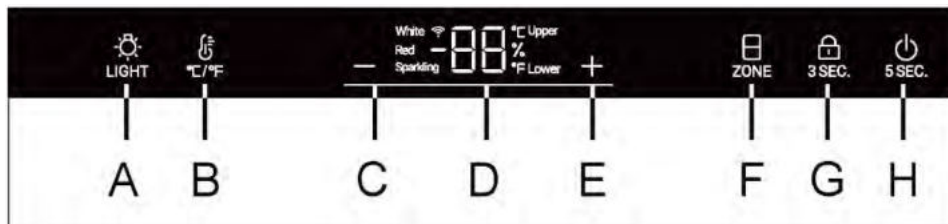
1. Antes del primer uso

- ▶ Retire todos los materiales de embalaje. Esto incluye la base de espuma y toda la cinta adhesiva que sujeta los accesorios de la bodega por dentro y por fuera. Manténgalos fuera del alcance de los niños y deséchelos de forma respetuosa con el medio ambiente.
- ▶ Limpie el interior y el exterior del electrodoméstico con agua y un detergente suave antes de introducir cualquier vino en él.
- ▶ Después de nivelar y limpiar el electrodoméstico, espere al menos 2 horas antes de conectarlo a la fuente de alimentación. Si su bodega se ha inclinado por cualquier razón, espere 24 horas antes de enchufarla. Consulte la sección Instalación.
- ▶ Una vez que haya enchufado la unidad a una toma de corriente eléctrica, déjela en funcionamiento durante al menos 30 minutos para que se aclimate antes de realizar cualquier ajuste.
- ▶ La temperatura se ajusta automáticamente a 12 °C. Si lo desea, puede cambiar la temperatura manualmente. Consulte la sección Temperatura.

2. Botones táctiles

Los botones del panel de control son teclas táctiles, que responden cuando las toca ligeramente con el dedo.

3. Descripción del panel de control



A Botón de la luz interior

B Botón de conversión °C/°F

C Botón de ajuste de la temperatura: bajar

D Pantalla

E Botón de ajuste de la temperatura: subir

F Botón de selección de la zona de temperatura

G Botón de bloqueo

H Botón de encendido

4. Función de bloqueo automático

En el estado de pantalla de bloqueo, mantenga pulsado el botón de bloqueo durante 3 segundos, hasta que en la pantalla se muestre 3, 2 y 1 y se desbloquee la pantalla y el icono de bloqueo quede iluminado parcialmente; si no se realiza ninguna operación, la pantalla volverá a bloquearse automáticamente después de 30 segundos. En el estado de pantalla de bloqueo, todos los iconos de los botones de bloqueo están encendidos, y los botones de la pantalla de visualización están inactivos (excepto el botón de iluminación).

5. Función del botón de encendido

Cuando la pantalla está apagada, toque cualquier botón para encender la pantalla. Mantenga pulsado el botón de encendido para que se muestre en la pantalla 5, 4, 3, 2 y 1, y se desconecte la alimentación de todo el aparato. Cuando el aparato está apagado, mantenga pulsado el botón de encendido para que aparezca 5, 4, 3, 2, 1. Se ha encendido la alimentación.

6. Ajuste de la temperatura



Aviso

Ajustes preestablecidos

- ▶ Una vez que haya enchufado la unidad a una toma de corriente eléctrica, déjala en funcionamiento durante al menos 30 minutos para que se aclimate antes de realizar cualquier ajuste.
- ▶ Cuando se enciende el electrodoméstico después de desconectarlo de la fuente de alimentación principal, alcanzar las temperaturas correctas puede tomar varias horas. El tiempo exacto variará dependiendo del entorno y del ajuste de temperatura.



Pulse el botón o , la pantalla comenzará a parpadear. Pulse el botón o para ajustar la temperatura deseada. El rango de ajuste de la temperatura es: 5-20 °C (41-68 °F). Suelte el botón durante 3 segundos, y la temperatura se confirmará.

7. Modo o función de zona

Pulse el botón . La temperatura cambia de espumoso (8 °C o 47 °F) a blanco (12 °C o 54 °F) y tinto (16 °C o 61 °F). (para HWS247GGU1/HWS247GEH1/HWS247FDU1/HWS247FAH1)

En el estado de desbloqueo, el icono "B" está completamente encendido. Si la pantalla actual está en la zona de temperatura superior, el icono superior estará encendido y el icono inferior estará apagado. En este momento, pulse la tecla "B" el icono inferior se encenderá y el icono superior se apagará. (para HWS236GDGU1/HWS236GDEH1)

Ajustes de temperatura recomendados

Estas son las temperaturas de degustación para los distintos tipos de vino.

Vino tinto	De +13 °C a +20 °C (de +55 °F a +68 °F)	Vino espumoso, Prosecco	De +5 °C a +8 °C (de +41 °F a +47 °F)
Vino blanco	De +9 °C a +12 °C (de +48 °F a +54 °F)		

Si almacena vino durante largos períodos de tiempo, debe guardarlos a una temperatura comprendida entre +10 °C y +12 °C (50 °F y +54 °F).

8. Modo de espera

La pantalla de visualización se atenúa automáticamente 30 segundos.

Se enciende automáticamente cuando se toca cualquier tecla o se abre la puerta.



Aviso Influencias en las temperaturas



La temperatura del interior del electrodoméstico se ve afectada por los siguientes factores:

- ▶ Temperatura ambiente
- ▶ Cantidad de botellas almacenadas
- ▶ Frecuencia de apertura de la puerta
- ▶ Ubicación del electrodoméstico

La configuración predeterminada es de 12 °C.

Cuando la pantalla deja de parpadear, vuelve a mostrar la temperatura actual dentro de la bodega. Alcanzar la temperatura establecida tomará algún tiempo.

9. Configuración del modo de iluminación

Pulse el botón . Cuando las luces del armario se encienden, las luces se iluminan gradualmente. Cuando se vuelve a pulsar el botón , las luces se apagan gradualmente. (excepto HWS247FDU1/HWS247FAH1)

10. Función °C/°F

Pulse el botón  para cambiar entre Fahrenheit y Celsius.

11. Función Wi-Fi

Pulse el botón de Wi-Fi durante 3 segundos; el botón empezará a parpadear rápidamente y entrará automáticamente en modo de configuración (para HWS247FDU1/HWS247FAH1).

12. Función de memoria de apagado

Si se produce un corte de energía, la bodega guardará automáticamente la temperatura ajustada. Cuando vuelva la luz, volverá a funcionar según la temperatura establecida antes del corte de energía.

13. Función de compensación de baja temperatura

La bodega tiene una función de compensación de baja temperatura para garantizar la estabilidad de la temperatura: Cuando la temperatura ambiente es inferior a la temperatura ajustada, la bodega inicia automáticamente la función de compensación de baja temperatura calentando el electrodoméstico. Cuando la temperatura del electrodoméstico alcanza la temperatura ajustada, la función de compensación de baja temperatura se apaga automáticamente.

14. Alarma de apertura de la puerta

Si la puerta se mantiene abierta durante más de 1 minuto, la alarma emitirá un pitido hasta que la puerta esté cerrada o se toque cualquier tecla en el panel de visualización.

15. Configuración del modo Wi-Fi

CONECTIVIDAD PARÁMETROS DE CONEXIÓN INALÁMBRICA

Tecnología	Wi-Fi	Bluetooth
Estándar	IEE 802.11 b/g/n	Bluetooth v4.2, BR/EDR, BLE
Bandas de frecuencia [MHz]	2401÷2483	2402÷2480
Banda(s) [MHz] de potencia máxima [mW]	100	10

INFORMACIÓN DEL PRODUCTO

Cómo activar el módulo Wi-Fi:

Pulse el botón de la luz durante 3 segundos para activar el Wi-Fi (excepto HWS247FDU1/HWS247FAH1).

Pulse el botón de Wi-Fi durante 3 segundos para activar el Wi-Fi (para HWS247FDU1/HWS247FAH1).

. Cuando se enciende el módulo Wi-Fi, el icono de Wi-Fi empieza a parpadear.

. Si la bodega está registrada pero el Wi-Fi está apagado, el icono parpadeará.

. Si la bodega está registrada y conectada, el icono de Wi-Fi permanece con una iluminación fija. . Para restablecer la conexión Wi-Fi, pulse el botón de la luz durante 3 segundos (excepto HWS247FDU1/HWS247FAH1).

. Para restablecer la conexión Wi-Fi, pulse el botón de Wi-Fi durante 3 segundos (para HWS247FDU1/HWS247FAH1).

PROCEDIMIENTO DE EMPAREJAMIENTO EN LA APLICACIÓN

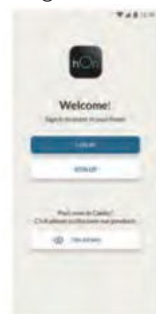
Paso 1

- Descargue la aplicación hOn de la tienda de aplicaciones.



Paso 2

- Regístrese o inicie sesión.



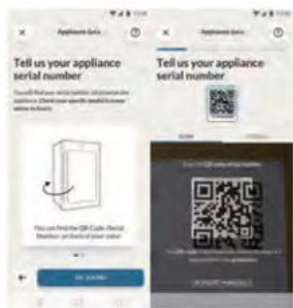
Paso 3

- Añada un nuevo electrodoméstico seleccionando la bodega de la lista.



Paso 4

- Escanee el código QR o introduzca manualmente el número de serie.



Paso 5

- Pulse el botón de la luz durante 3 segundos para activar el Wi-Fi (excepto HWS247FDU1/HWS247FAH1)
- Pulse el botón de Wi-Fi durante 3 segundos para activar el Wi-Fi (para HWS247FDU1/HWS247FAH1).



Paso 6

- El icono de Wi-Fi parpadeará, el proceso de emparejamiento está en curso. Tendrá 5 minutos para completar el proceso de emparejamiento. Cuando se complete el proceso, el icono de Wi-Fi dejará de parpadear y permanecerá siempre encendido. **NOTA**





Consejos de ahorro de energía

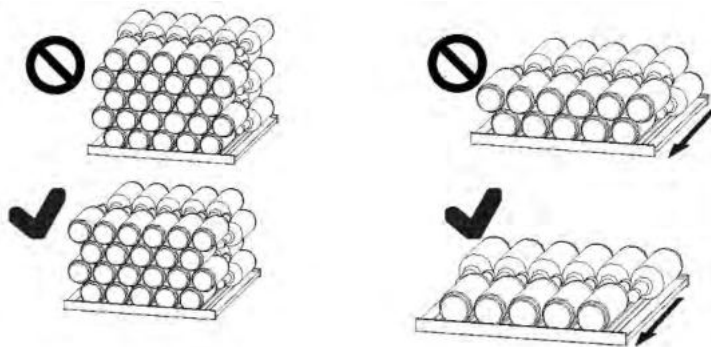
- ▶ Asegúrese de que el electrodoméstico esté bien ventilado (vea INSTALACIÓN).
- ▶ No instale el electrodoméstico bajo la luz directa del sol o cerca de fuentes de calor (p. ej.: fogones, estufas...).
- ▶ Evite una temperatura innecesariamente baja en el electrodoméstico. El consumo de energía aumenta la temperatura del electrodoméstico.
- ▶ Abra la puerta del electrodoméstico lo menos y lo más brevemente posible.
- ▶ No supere la cantidad de botellas para la que está diseñado este electrodoméstico para evitar obstruir el flujo de aire. Mantenga las juntas de la puerta limpias para que la puerta se cierre siempre correctamente.
- ▶ La configuración que ahorra más energía requiere que el cajón, las fiambreras y los estantes se coloquen en el electrodoméstico según el estado de fábrica, y que los alimentos se coloquen de modo que no bloqueen la salida de aire del conducto.

1. Estante


1. Los estantes están diseñados para almacenar y extraer fácilmente el vino. Se pueden limpiar con un trapo suave.
2. Se pueden apilar botellas normales de 76 mm de diámetro.
3. Las botellas mágnium se pueden apilar en el estante inferior.
4. La cantidad puede variar del número indicado o de las botellas si se apilan de forma diferente.

Consejos para la distribución de su bodega

Recomendamos que el número de botellas de vino no exceda de cuatro filas en cada estante y que la capacidad de carga de los estantes de vino no exceda de 60 las botellas dentro de la bodega; asegúrese de que los estantes de vino sean completamente estables. Además, compruebe que ninguna botella sobresalga de los estantes para evitar que las botellas golpeen la puerta de cristal al cerrarse.



2. La luz

La luz interior LED se enciende al abrir la puerta. Para encender la luz mientras la puerta está cerrada, toque el botón . Para apagar las luces, vuelva a pulsar el botón. Para aumentar la eficiencia energética, las luces deben apagarse cuando no se esté mirando la bodega. (excepto HWS247FDU1/HWS247FAH1)

3. El cierre

Para cerrar la bodega, cierre la puerta y ponga la llave en la cerradura:

- ▶ Bloquee la puerta girando la llave hacia la derecha.
- ▶ Desbloquee la puerta girando la llave hacia la izquierda.

1. Descongelación

La descongelación de la bodega se realiza automáticamente; no se requiere ninguna operación manual.

2. Sustitución de la lámpara LED

La lámpara utiliza LED como fuente de luz, con bajo consumo energético y larga vida útil. Si detecta alguna anomalía, póngase en contacto con el servicio de atención al cliente. Vea ATENCIÓN AL CLIENTE.



ADVERTENCIA

No cambie la lámpara LED usted mismo. Solo debe cambiarla el fabricante o un técnico autorizado.

Parámetros de la lámpara LED:

Voltaje 12V

Potencia máxima: 18 W

3. Si no se utiliza durante un período más largo

Desenchufe el cable de la toma de corriente.

Limpie el electrodoméstico y las juntas de la puerta como se ha descrito anteriormente.

Mantenga las puertas abiertas para evitar que se generen malos olores en el interior.

4. Desplazar el electrodoméstico

1. Retire todas las botellas y desenchufe el electrodoméstico.
2. Fije los estantes y otras partes móviles a la bodega con cinta adhesiva.
3. No incline la bodega más de 45° para evitar dañar el sistema de refrigeración.

5. Renovación del aire con filtro de carbón activo. (excepto HWS247FAH1)

La forma en que los vinos siguen envejeciendo depende de las condiciones ambientales. Por lo tanto, la calidad del aire es decisiva para preservar el vino. Se ha instalado un filtro de carbón activo en la parte inferior de la pared trasera del electrodoméstico para mantener la calidad del aire de la vinoteca a un nivel óptimo.



Aviso

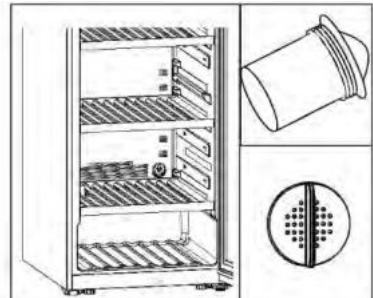
Recomendamos cambiar el filtro una vez al año. Puede obtener los filtros a través de su distribuidor. (excepto HWS247FAH1)

Sustitución del filtro:

Coja el filtro por el mango. Gírelo hacia la izquierda y extráigalo.

Introducción del filtro:

Introdúzcalo con el mango en posición vertical. Gírelo hacia la derecha e insértelo.



Usted mismo puede resolver muchos de los problemas que puedan presentarse sin tener conocimientos específicos. En caso de que se produzca algún problema, compruebe todas las posibilidades ilustradas y siga las instrucciones pertinentes antes de ponerse en contacto con un servicio posventa. Vea ATENCIÓN AL CLIENTE.

ADVERTENCIA

- ▶ Antes de realizar tareas de mantenimiento, desactive el electrodoméstico y desconecte el enchufe de la toma de corriente.
- ▶ Los equipos eléctricos solo deben ser revisados y manejados por electricistas expertos cualificados, ya que las reparaciones incorrectas pueden causar daños considerables en consecuencia.
- ▶ Si el sistema de alimentación está dañado, debe ser sustituido por el fabricante, por su servicio técnico o por cualquier profesional cualificado similar para evitar riesgos.

Código de error	Causa	Solución
L2	Alarma de baja temperatura cuando la temperatura del sensor de control es demasiado baja;	<ol style="list-style-type: none"> 1. Compruebe la temperatura ambiente. 2. Compruebe el conector del compresor. 3. Compruebe la resistencia del sensor de control de temperatura.
H1	Si la temperatura del sensor de control es demasiado alta, se mostrará la alarma de alta temperatura en la pantalla.	<ol style="list-style-type: none"> 1. Compruebe el conector del panel de control o el panel de la pantalla. 2. Compruebe la resistencia y el voltaje del ventilador. 3. Compruebe el ventilador y el conector del compresor.

Problema	Causa posible	Solución posible
El compresor no funciona.	<ul style="list-style-type: none"> • El enchufe no está conectado a la toma de corriente. 	<ul style="list-style-type: none"> • Conecte el enchufe.
El electrodoméstico funciona con frecuencia o funciona durante un período de tiempo demasiado largo.	<ul style="list-style-type: none"> • La temperatura exterior es demasiado alta. • El electrodoméstico ha estado apagado durante cierto de tiempo. • Una puerta del electrodoméstico no está bien cerrada. • La puerta se ha abierto con demasiada frecuencia o durante mucho tiempo. • Las juntas de la puerta están sucias, desgastadas, agrietadas o desparejadas. • La circulación de aire requerida no está garantizada. • La temperatura establecida es demasiado baja. 	<ul style="list-style-type: none"> • En este caso, es normal que el electrodoméstico funcione más tiempo. • Normalmente, lleva un tiempo que el electrodoméstico se enfríe completamente. • Cierre la puerta y asegúrese de que el electrodoméstico esté ubicado sobre una superficie plana y que no haya alimentos o recipientes que impidan que la puerta se cierre bien. • No abra la puerta con demasiada frecuencia. • Limpie la junta de la puerta o pídale al servicio de atención al cliente que la cambie. • Garantice una ventilación adecuada. • El problema se resolverá cuando se haya alcanzado la temperatura deseada.
El interior de la bodega está sucio y/o huele mal.	<ul style="list-style-type: none"> • El interior de la bodega necesita limpieza. 	<ul style="list-style-type: none"> • Limpie el interior de la bodega.
La temperatura del interior del electrodoméstico no es lo suficientemente fría.	<ul style="list-style-type: none"> • La temperatura establecida es demasiado alta. • Se han añadido botellas recientemente. • Una puerta del electrodoméstico no está bien cerrada. • La puerta se ha abierto con demasiada frecuencia o durante mucho tiempo. • Las juntas de la puerta están sucias, desgastadas, agrietadas o desparejadas. 	<ul style="list-style-type: none"> • Restablezca la temperatura. • Dé tiempo a que las botellas añadidas recientemente alcancen la temperatura deseada. • Cierre la puerta. • No abra la puerta con demasiada frecuencia. • Limpie la junta de la puerta o pídale al servicio de atención al cliente que la cambie.
La temperatura del interior del electrodoméstico es demasiado fría.	<ul style="list-style-type: none"> • La temperatura establecida es demasiado baja. 	<ul style="list-style-type: none"> • Restablezca la temperatura.

Problema	Causa posible	Solución posible
Formación de humedad en el interior del compartimento frigorífico.	<ul style="list-style-type: none"> • El ambiente es demasiado cálido y demasiado húmedo. • Una puerta del electrodoméstico no está bien cerrada. • La puerta se ha abierto con demasiada frecuencia o durante mucho tiempo. 	<ul style="list-style-type: none"> • Aumente la temperatura. • Cierre la puerta. • No abra la puerta/cajón con demasiada frecuencia.
La humedad se acumula en la superficie exterior de la bodega.	<ul style="list-style-type: none"> • El ambiente es demasiado cálido y demasiado húmedo. • La puerta no está bien cerrada. Hay aire frío dentro del electrodoméstico y aire caliente en el exterior, y se produce condensación. 	<ul style="list-style-type: none"> • Esto es normal en un ambiente húmedo y cambiará cuando la humedad disminuya. • Asegúrese de que la puerta esté bien cerrada y de que las juntas sellen correctamente.
El electrodoméstico hace sonidos anormales.	<ul style="list-style-type: none"> • El electrodoméstico no está ubicado sobre una superficie plana. • El electrodoméstico toca algún objeto a su alrededor. 	<ul style="list-style-type: none"> • Ajuste las patas para nivelar el electrodoméstico. • Retire los objetos que haya alrededor del electrodoméstico.
Se oye un ligero sonido similar al del flujo de agua.	<ul style="list-style-type: none"> • Es normal. 	<ul style="list-style-type: none"> • -
El sistema de iluminación o refrigeración interior no funciona.	<ul style="list-style-type: none"> • El enchufe no está conectado a la toma de corriente. • La fuente de alimentación presenta alguna alteración. • La lámpara LED no funciona. 	<ul style="list-style-type: none"> • Conecte el enchufe. • Compruebe el suministro eléctrico a la habitación. Llame a la compañía eléctrica local. • Llame al servicio técnico para reemplazarla.
Los lados del enfriador y la tira de la puerta se calientan.	<ul style="list-style-type: none"> • Esto es normal. 	<ul style="list-style-type: none"> • -
La puerta no se cierra correctamente.	<ul style="list-style-type: none"> • El electrodoméstico no está nivelado. • La puerta está bloqueada. 	<ul style="list-style-type: none"> • Nivele el electrodoméstico con las patas ajustables. • Compruebe si hay obstrucciones como botellas o estantes.

Para contactar con el servicio de asistencia técnica, visite nuestro sitio web:

<https://corporate.haier-europe.com/en/>

En la sección "website", elija la marca de su producto y su país. Se le redirigirá a la página web específica donde podrá encontrar el número de teléfono y el formulario para ponerse en contacto con el servicio de asistencia técnica.

Ficha del producto conforme al Reglamento UE n.º 2019/2016

Marca	Haier	Haier	Haier
Nombre del modelo / identificador	HWS247GGU1 HWS247GEH1	HWS236GDGU1 HWS236GDEH1	HWS247FDU1/ HWS247FAH1
Categoría	Bodega de vinos	Bodega de vinos	Bodega de vinos
Clase de eficiencia energética	G/E	G/E	D/A
Consumo anual de energía (kWh/año) ¹⁾	184/107	184/107	85/44
Volumen de almacenamiento (L)	450	448	450
Clase climática: Este electrodoméstico está destinado a ser utilizado a una temperatura ambiente de entre 10 °C y 38 °C.	SN N ST	SN N ST	SN N ST
Emisiones acústicas transmitidas por aire (db(A) re 1pW)	C(37)/B(35)	C(37)/B(35)	C(37)/B(35)
Tipo de electrodoméstico	Independiente	Independiente	Independiente
Este electrodoméstico está destinado a ser utilizado exclusivamente para el almacenamiento de vino.	Sí	Sí	Sí
Dimensiones (A/P/A en mm)	597/714/1900	597/714/1900	603/769/1900

Explicaciones:

1) Basado en los resultados de la prueba estándar de 24 horas. El consumo de energía real depende del entorno real, la cantidad de botellas, la temperatura establecida, la apertura y cierre de la puerta, etc.

2) El consumo energético nominal es el valor obtenido de acuerdo con el ensayo estándar cuando el compartimento del vino no enciende la luz interna.

- templada extendida: «este aparato de refrigeración está destinado a ser utilizado a una temperatura ambiente comprendida entre 10 °C y 32 °C»;
- templada: «este electrodoméstico de refrigeración está destinado a ser utilizado a una temperatura ambiente comprendida entre 16 °C y 32 °C»;
- subtropical: «este aparato de refrigeración está destinado a ser utilizado a una temperatura ambiente comprendida entre 16 °C y 38 °C»;
- tropical: «este aparato de refrigeración está destinado a ser utilizado a una temperatura ambiente comprendida entre 16 °C y 43 °C»;

Normas y directivas

Este producto cumple los requisitos de todas las directivas CE aplicables con las correspondientes normas acordadas, que establecen el mercado CE.

Recomendamos nuestro Servicio de atención al cliente Haier y el uso de repuestos originales. Si tiene algún problema con su electrodoméstico, compruebe primero la sección SOLUCIÓN DE PROBLEMAS.

Si no encuentra una solución allí, póngase en contacto con

- ▶ su distribuidor local o
- ▶ con el área de servicio y asistencia en www.haier.com, donde puede encontrar números de teléfono y preguntas frecuentes y activar la solicitud de servicio.

Para ponerse en contacto con nuestro Servicio, asegúrese de tener los siguientes datos disponibles. Puede encontrar la información en la placa de datos.

Modelo _____ N.º de serie _____

Compruebe también la tarjeta de garantía suministrada con el producto en caso de garantía.

Para consultas comerciales generales, estas son nuestras direcciones en Europa:

Direcciones de Haier en Europa			
País*	Dirección postal	País	Dirección postal
Italia	Haier Europe Trading SRL Via De Cristoforis, 12 21100 Varese ITALIA	Francia	Haier Europe Trading SRL Via De Cristoforis, 12 21100 Varese ITALIA
España Portugal	Haier Iberia SL Pg. Garcia Faria, 49-51 08019 Barcelona ESPAÑA	Bélgica-FR Bélgica-NL Países Bajos Luxemburgo	Haier Benelux SA Anderlecht Route de Lennik 451 BÉLGICA
Alemania Austria	Haier Deutschland GmbH Hewlett-Packard-Str. 4 D-61352 Bad Homburg ALEMANIA	Polonia República Checa Hungría Grecia Rumanía Rusia	Haier Poland Sp. zo.o. Al. Jerozolimskie 181B 02-222 Warszawa POLONIA
Reino Unido	Haier Appliances UK Co. Ltd. One Crown Square Church Street East Woking, Surrey, GU21 6HR REINO UNIDO		

DISPONIBILIDAD DE PIEZAS DE REPUESTO: Los termostatos, los sensores de temperatura, las placas de circuito impresas y las fuentes de luz están disponibles durante un período mínimo de 7 años después de la comercialización de la última unidad del modelo. Las asas, bisagras, bandejas y cestas lo están durante un período mínimo de 7 años, y las juntas durante un período mínimo de 10 años después de la comercialización de la última unidad del modelo.

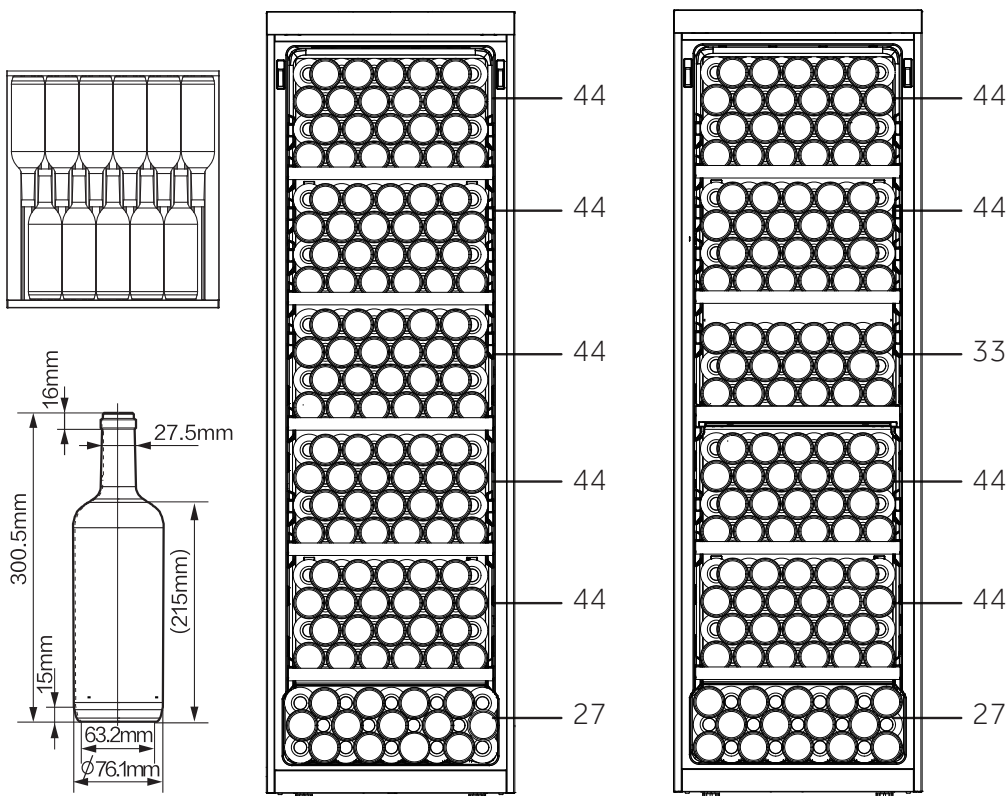
La garantía mínima es de: 2 años para los países de la UE, 3 años para Turquía, 1 año para el Reino Unido, 1 año para Rusia, 3 años para Suecia, 2 años para Serbia, 5 años para Noruega, 1 año para Marruecos, 6 meses para Argelia, Túnez sin garantía legal, al no requerirse.

Para más información sobre el producto, consulte <https://eprel.ec.europa.eu/> o escanee el código QR en la etiqueta energética suministrada con el electrodoméstico.

Apilamiento de las botellas de vino

ES

La disposición de las botellas se basa en una representación gráfica de una botella bordelesa estándar (0,75 l). Debido a las diferentes especificaciones de las botellas, la cantidad real de carga de botellas podría ser diferente.



HWS247GGU1
HWS247FDU1
HWS247GEH1
HWS247FAH1

HWS236GDGU1
HWS236GDEH1

HWS-247FDU1-247GGU1-236GGDU1-247GEH1-236GDEH1-HWS247FAH1 - ES

Haier



Haier

Instrukcja obsługi

Chłodziarka do wina

HWS247FDU1
HWS247GGU1
HWS247GEH1
HWS236GDEH1
HWS236GDGU1

PL

Haier

Dziękujemy za zakup produktu firmy Haier.

Przed użyciem urządzenia należy dokładnie przeczytać niniejsze instrukcje. Instrukcje zawierają ważne informacje, które pomogą możliwie najlepiej wykorzystać funkcje urządzenia, bezpiecznie i prawidłowo je zainstalować, eksploatować oraz konserwować.

Niniejszą instrukcję obsługi należy przechowywać w dostępnym miejscu, aby móc z niej zawsze skorzystać w celu bezpiecznego i właściwego użytkowania urządzenia.

Przy sprzedaży urządzenia należy do niego dołączyć niniejszą instrukcję obsługi, a w przypadku przeprowadzki przekazać ją nowemu właścicielowi, aby mógł się zapoznać z urządzeniem i ostrzeżeniami dotyczącymi bezpieczeństwa.



Legenda

Ostrzeżenie – ważne informacje dotyczące bezpieczeństwa



Ogólne informacje i wskazówki



Informacje dotyczące ochrony środowiska



Utylizacja

Pomóż chronić środowisko i ludzkie zdrowie. Wyrzuć opakowanie do odpowiednich pojemników do recyklingu. Pomóż w recyklingu odpadów z urządzeń elektrycznych i elektronicznych. Nie wyrzucaj urządzeń oznaczonych tym symbolem razem z odpadami domowymi. Oddaj produkt do miejscowego zakładu recyklingu lub skontaktuj się z urzędem miejskim.



OSTRZEŻENIE!

Ryzyko obrażeń lub uduszenia!

Czynniki chłodnicze i gazy muszą być utylizowane w profesjonalny sposób. Przed utylizacją upewnij się, że przewody układu chłodniczego nie są uszkodzone. Odłącz urządzenie od zasilania sieciowego. Odetnij przewód zasilający i zutylizuj go. Usuń tace i szuflady oraz zamek drzwi i uszczelki, aby zapobiec zamknięciu się dzieci i zwierząt w urządzeniu.

Stare urządzenia nadal mają pewną wartość rezydualną. Dzięki przyjaznej dla środowiska metodzie utylizacji cenne surowce mogą być odzyskane i ponownie wykorzystane.

Cyklopentan, substancja palna nieszkodliwa dla ozonu, jest stosowany jako środek porotwórczy do wytwarzania pianki izolacyjnej.

Zapewniając prawidłową utylizację urządzenia, pomagasz zapobiegać ewentualnym negatywnym konsekwencjom dla środowiska i zdrowia ludzkiego.

Więcej informacji na temat recyklingu tego produktu można uzyskać, kontaktując się z samorządem lokalnym, służbami zajmującymi się utylizacją odpadów lub prowadzonym przez specjalistów sklepem, z którego pochodzi produkt.

1 - Informacje dotyczące bezpieczeństwa	4
2 - Wskazówki dotyczące bezpieczeństwa	7
3 - Konserwacja	11
4 - Akcesoria	13
5 - Opis produktu	14
6 - Instalacja	15
7 - Użytkowanie	19
8 - Wskazówki dotyczące oszczędzania energii	24
9 - Wyposażenie	25
10 - Pielęgnacja i czyszczenie	26
11 - Usuwanie usterek	27
12 - Dane techniczne	30
13 - Obsługa klienta	31
14 - Układanie butelek wina w stos	32

To urządzenie jest przeznaczone wyłącznie do przechowywania wina. Przed włączeniem urządzenia po raz pierwszy, przeczytaj poniższe wskazówki dotyczące bezpieczeństwa:



OSTRZEŻENIE!

Przed pierwszym użyciem

- ▶ Upewnić się, że nie ma uszkodzeń powstałych podczas transportu.
- ▶ Usuń wszelkie opakowania, trzymaj je w miejscu niedostępnym dla dzieci i zutylizuj w sposób przyjazny dla środowiska.
- ▶ Odczekaj co najmniej pół godziny przed zainstalowaniem urządzenia, aby upewnić się, że obieg chłodniczy jest w pełni efektywny.
- ▶ Zawsze przenosić urządzenie z pomocą co najmniej dwóch osób, ponieważ jest ono ciężkie.

Instalacja

- ▶ Urządzenie powinno być umieszczone w dobrze wentylowanym miejscu. Zapewnij przestrzeń co najmniej 50 mm nad urządzeniem i wokół niego.
- ▶ **OSTRZEŻENIE:** Należy dbać o drożność otworów wentylacyjnych w obudowie urządzenia wolnostojącego lub w konstrukcji do zabudowy.
- ▶ Nigdy nie umieszczaj urządzenia w wilgotnym miejscu lub w takim, w którym może być ochlapane wodą. Zetrzyj plamy i zachlapania do sucha miękką i czystą ściereczką.
- ▶ Nie instaluj piwniczki na wino w miejscu, które nie jest odpowiednio izolowane lub ogrzewane np. garaż itp. Twoja piwniczka na wino nie została zaprojektowana do pracy w temperaturze otoczenia poniżej 10°C.
- ▶ Nie należy instalować urządzenia w bezpośrednim świetle słonecznym lub w pobliżu źródeł ciepła (np. pieców, grzejników).
- ▶ Zainstaluj i wypoziomuj urządzenie w miejscu odpowiednim dla jego wielkości i przeznaczenia.
- ▶ Upewnij się, że informacje dotyczące elektryki na tabliczce znamionowej są zgodne z parametrami zasilania. Jeśli tak nie jest, skontaktuj się z elektrykiem.
- ▶ Urządzenie jest zasilane prądem 220–240 V/50 Hz. Odbiegające od normy wahania napięcia mogą spowodować niewłączenie się urządzenia albo uszkodzenie regulatora temperatury lub sprężarki. Mogą też być przyczyną nietypowego hałasu podczas pracy. W takim przypadku powinien zostać zamontowany automatyczny regulator.
- ▶ Nie używaj adapterów wtyczek i przedłużaczy.



OSTRZEŻENIE!

- ▶ **OSTRZEŻENIE:** Za urządzeniem nie powinna się znajdować większa liczba listew zasilających ani przenośnych zasilaczy.
- ▶ **OSTRZEŻENIE:** Podczas ustawiania urządzenia należy się upewnić, że kabel zasilający nie został przygnieciony ani uszkodzony.
- ▶ Nie stawaj na przewodzie zasilającym.
- ▶ Używaj oddzielnego, łatwo dostępnego i uziemionego gniazdka. Urządzenie musi być uziemione.
- ▶ **Dotyczy tylko Wielkiej Brytanii:** Kabel zasilający urządzenie jest wyposażony we wtyczkę z 3 bolcami (z uziemieniem), która pasuje do standardowego gniazda z 3 przewodami (z uziemieniem). Nigdy nie odcinaj ani nie demontuj trzeciego bolca (z uziemieniem). Po zainstalowaniu urządzenia wtyczka powinna być łatwo dostępna.
- ▶ **OSTRZEŻENIE:** Uważaj, aby nie uszkodzić obwodu chłodniczego.

Codzienne użytkowanie

- ▶ Urządzenie może być obsługiwane przez dzieci powyżej 8 roku życia i przez osoby o ograniczonych możliwościach fizycznych, sensorycznych lub umysłowych lub osoby nieposiadające doświadczenia ani wiedzy pod warunkiem, że są one pod odpowiednim nadzorem lub zostały poinstruowane, jak bezpiecznie obsługiwać urządzenie i rozumieją związane z nim zagrożenia.
- ▶ Dzieci nie powinny bawić się urządzeniem.
- ▶ Dzieciom w wieku od 3 do 8 lat zezwala się na załadunek i rozładunek urządzeń chłodniczych, ale nie wolno im ich czyścić i instalować.
- ▶ Trzymaj z dala od urządzenia dzieci poniżej 3 roku życia, chyba że są pod stałym nadzorem.
- ▶ Czyszczenie i konserwacja nie mogą być wykonywane przez dzieci bez dozoru.
- ▶ Urządzenie musi być ustawione tak, aby wtyczka była łatwo dostępna.
- ▶ Jeśli gaz węglowy lub inny łatwopalny gaz wycieka w pobliżu urządzenia, zamknij zawór wyciekającego gazu, otwórz drzwi oraz okna i nie odłączaj ani nie podłączaj kabla zasilającego urządzenia.
- ▶ Odczekaj co najmniej 7 minut, aby ponownie podłączyć zasilanie po jego odłączeniu.
- ▶ Nie podnoś urządzenia za klamki drzwi.
- ▶ Klucze muszą być przechowywane w miejscu niedostępnym dla dzieci, a nie w pobliżu urządzenia, aby uniemożliwić zatrzaśnięcie się dzieci w jego wnętrzu.



OSTRZEŻENIE!

- ▶ Zwróć uwagę, że urządzenie jest ustawione do pracy w określonym zakresie temperatur (10–38°C). Lodówka może nie pracować prawidłowo, jeśli pozostanie na długi czas w temperaturze powyżej lub poniżej podanego zakresu.
- ▶ Na urządzeniu nie należy umieszczać niestabilnych przedmiotów (ciężkich przedmiotów, pojemników wypełnionych wodą), aby uniknąć obrażeń ciała spowodowanych upadkiem lub porażeniem prądem elektrycznym w wyniku kontaktu z wodą.
- ▶ Otwieraj i zamykaj drzwi tylko za pomocą klamek. Szczelina między drzwiami a komorą jest bardzo wąska. Nie trzymaj rąk w tych obszarach, aby uniknąć przycięcia palców. Otwieraj i zamykaj drzwi urządzenia tylko wtedy, gdy nie ma dzieci stojących w obrębie ruchu drzwi.
- ▶ Nie przechowuj ani nie używaj materiałów łatwopalnych, wybuchowych lub żrących w urządzeniu lub w jego sąsiedztwie.
- ▶ Nie przechowuj w urządzeniu substancji wybuchowych takich jak aerozole w puszcze z łatwopalnymi gazami nośnymi.
- ▶ Nie należy przechowywać w urządzeniu leków, bakterii lub substancji chemicznych. To urządzenie jest urządzeniem gospodarstwa domowego. Nie zaleca się przechowywania materiałów, które wymagają ściśle określonej temperatury.
- ▶ Nie ustawiaj niepotrzebnie niskiej temperatury w komorze na wino. Ujemne temperatury mogą wystąpić przy wysokich ustawieniach. Uwaga: Butelki mogą wybuchnąć
- ▶ Nie dotykaj wnętrza komory podczas pracy, zwłaszcza mokrymi rękami, ponieważ mogą one przymarznąć do jej powierzchni.
- ▶ W celu zapewnienia prawidłowego chłodzenia wina nie należy przeładowywać urządzenia.
- ▶ Odłącz urządzenie w przypadku przerwy w zasilaniu lub przed czyszczeniem. Nie uruchamiaj ponownie urządzenia przez co najmniej 7 minut, ponieważ szybkie włączenie może doprowadzić do uszkodzenia sprężarki.
- ▶ **OSTRZEŻENIE:** Nie używaj urządzeń elektrycznych w komorze urządzenia, chyba, że są rekomendowane przez producenta. Aby uniknąć ryzyka, uszkodzony przewód zasilający musi być wymieniony przez serwis (zob. karta gwarancyjna).
- ▶ Aby przedłużyć żywotność urządzenia, należy unikać jego wyłączenia.
- ▶ Nigdy nie należy ustawiać urządzenia poziomo na ziemi. Po przechyleniu urządzenia o więcej niż 45° należy odczekać 24 godziny przed jego podłączeniem.



OSTRZEŻENIE!

Konserwacja / czyszczenie

- ▶ Upewnij się, że dzieci są nadzorowane podczas czyszczenia i konserwacji urządzenia.
- ▶ Przed przystąpieniem do rutynowej konserwacji należy odłączyć urządzenie od zasilania elektrycznego. Nie uruchamiaj ponownie urządzenia przez co najmniej 7 minut, ponieważ szybkie włączenie może doprowadzić do uszkodzenia sprężarki.
- ▶ Podczas odłączania urządzenia trzymaj za wtyczkę, a nie za przewód.
- ▶ Nie czyść urządzenia za pomocą twardych szczotek, szczotek drucianych, detergentów proszkowych, benzyny, octanu amylu, acetonu i podobnych roztworów organicznych, kwasu lub roztworów alkalicznych. Do czyszczenia należy używać specjalnego detergentu do lodówek/zamrażarek, aby uniknąć uszkodzenia. Można użyć ciepłej wody i roztworu sody oczyszczonej – około jedna łyżka stołowa sody oczyszczonej na litr/kwartę wody. Dokładnie spłucz wodą i wytrzyj do sucha. Nie używaj proszków czyszczących ani innych środków czyszczących o właściwościach ściernych. Nie myj wyjmowanych części urządzenia w zmywarce.
- ▶ **OSTRZEŻENIE:** Nie używaj urządzeń mechanicznych ani innych środków do przyspieszania procesu rozmrażania, chyba że są one zalecane przez producenta.
- ▶ Jeśli kabel zasilający ulegnie uszkodzeniu, dla bezpieczeństwa należy zlecić jego wymianę producentowi, autoryzowanemu serwisowi lub osobom o podobnych kwalifikacjach.
- ▶ Nie należy próbować samodzielnie naprawiać, demontować ani modyfikować urządzenia. W przypadku konieczności naprawy prosimy o kontakt z naszym działem obsługi klienta.
- ▶ Jeśli lampy oświetleniowe ulegną uszkodzeniu, dla bezpieczeństwa należy zlecić ich wymianę producentowi, autoryzowanemu serwisowi lub osobom o podobnych kwalifikacjach.
- ▶ Usuń kurz z tyłu urządzenia co najmniej raz w roku, aby uniknąć zagrożenia ogniem, a także zwiększonego zużycia energii.

- ▶ Nie używaj aerozolu ani nie przepłukuj urządzenia podczas czyszczenia.
- ▶ Nie używaj wody lub pary do czyszczenia urządzenia.
- ▶ Nie czyść zimnych szklanych drzwi gorącą wodą. Nagła zmiana temperatury może spowodować pęknięcie szkła.
- ▶ Jeśli urządzenie nie będzie używane przez dłuższy czas, należy pozostawić je otwarte, aby zapobiec powstawaniu nieprzyjemnych zapachów w jego wnętrzu.

Informacje o gazie chłodzącym



OSTRZEŻENIE!

Urządzenie zawiera łatwopalny czynnik chłodniczy IZOBUTAN (R600a). Upewnij się, że układ chłodniczy nie został uszkodzony podczas transportu lub instalacji. Wyciek czynnika może spowodować uszkodzenie wzroku lub zapalenie. Jeśli wystąpiło uszkodzenie, trzymaj urządzenie z dala od otwartych źródeł ognia, dokładnie przewietrz pomieszczenie, nie podłączaj ani nie odłączaj kabli zasilających tego lub innego urządzenia. Poinformuj obsługę klienta. W przypadku kontaktu czynnika chłodniczego z oczami natychmiast przepłucz je pod bieżącą wodą i natychmiast skontaktuj się z okulistą.

OSTRZEŻENIE: W układzie chłodniczym panuje wysokie ciśnienie. Nie manipuluj nim. Ponieważ stosowane są palne czynniki chłodnicze, urządzenie należy zainstalować, obsługiwać i serwisować ściśle według instrukcji obsługi i skontaktować się z profesjonalnym przedstawicielem lub naszym serwisem posprzedażowym w celu utylizacji urządzenia.

Przeznaczenie


Urządzenie jest przeznaczone do użytku domowego oraz do innych podobnych zastosowań, takich jak

- użytkowanie w pomieszczeniach kuchennych przeznaczonych dla personelu sklepów, w biurach i innych miejscach pracy;
 - użytkowanie w gospodarstwach rolnych i przez klientów hoteli, moteli oraz w innych środowiskach mieszkalnych;
 - użytkowanie w pensjonatach;
 - użytkowanie w środowisku cateringowym i przy innych zastosowaniach niehandlowych.
- Aby zapewnić bezpieczne przechowywanie wina, należy postępować zgodnie z niniejszą instrukcją obsługi.
- Szczegółowe informacje na temat najbardziej odpowiedniej części komory urządzenia do przechowywania określonych rodzajów żywności, z uwzględnieniem rozkładu temperatury w poszczególnych przedziałach urządzenia, znajdują się w drugiej części instrukcji.

Zmiany lub modyfikacje urządzenia są niedozwolone. Użycie niezgodne z przeznaczeniem może spowodować zagrożenie i utratę roszczeń gwarancyjnych.

Utylizacja



Symbol  na produkcie lub jego opakowaniu wskazuje, że produkt nie może być traktowany jak odpady gospodarstwa domowego. Należy go oddać do odpowiedniego punktu zbiórki zużytego sprzętu elektrycznego i elektronicznego do recyklingu. Zapewniając prawidłową utylizację urządzenia, pomagasz zapobiegać ewentualnym negatywnym konsekwencjom dla środowiska i zdrowia ludzkiego, które mogą wystąpić na skutek nieprawidłowego przetwarzania odpadów z niniejszego urządzenia. W celu uzyskania bardziej szczegółowych informacji na temat recyklingu tego produktu należy skontaktować się z lokalnym urzędem miasta, służbą utylizacji odpadów domowych lub sklepem, w którym produkt został zakupiony.

W związku z tym, że stosowane są palne gazy izolacyjne, w celu utylizacji urządzenia prosimy o kontakt z profesjonalnym przedstawicielem lub naszym serwisem posprzedażowym.

OSTRZEŻENIE!

Ryzyko obrażeń lub uduszenia!

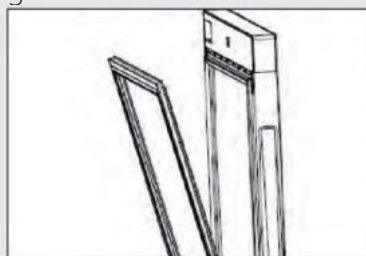
Czynniki chłodnicze i gazy muszą być utylizowane w profesjonalny sposób. Przed utylizacją upewnij się, że przewody układu chłodniczego nie są uszkodzone. Odłącz urządzenie od zasilania sieciowego. Odetnij przewód zasilający i zutylizuj go. Usuń tace i szuflady oraz zamek drzwi i uszczelki, aby zapobiec zamknięciu się dzieci i zwierząt w urządzeniu.

- ▶ **OSTRZEŻENIE:** Przed czyszczeniem odłącz urządzenie od zasilania sieciowego.
- ▶ Nie czyść urządzenia za pomocą twardych szczotek, szczotek drucianych, detergentów proszkowych, benzyny, octanu amylu, acetonu i podobnych roztworów organicznych, kwasu lub roztworów alkalicznych. Do czyszczenia należy używać specjalnego detergentu do lodówek, aby uniknąć uszkodzenia.
- ▶ Urządzenie należy czyścić, gdy przechowywana jest niewielka ilość wina lub gdy nie jest ono w ogóle przechowywane.
- ▶ Czyść wnętrze i obudowę urządzenia gąbką zwilżoną ciepłą wodą i neutralnym detergentem
- ▶ Splucz czystą, ciepłą wodą i osusz miękką ściereczką.
- ▶ Nie należy myć żadnych części urządzenia w zmywarce do naczyń.
- ▶ Odczekaj co najmniej 7 minut przed ponownym uruchomieniem urządzenia, ponieważ częste uruchamianie może uszkodzić sprężarkę.



Czyszczenie uszczelek drzwi:

- ▶ Uszczelki drzwi powinny być czyszczone co 3 miesiące, aby zapewnić właściwą szczelność. Postępuj w niżej opisany sposób: Zdejmowanie: Chwyć za uszczelkę drzwi i wyciągnij ją zgodnie z kierunkiem strzałki. Zanurz szczotkę w wodzie lub alkoholu spożywczym i przesuwając ją w przód i w tył, wyczyść rowek uszczelki drzwi. Następnie przetrzyj powierzchnię uszczelki drzwi ręcznikiem zamoczone w wodzie lub alkoholu spożywczym. Na koniec umyj uszczelkę drzwi i wytrzyj ją do sucha czystym ręcznikiem.



Zakładanie uszczelki drzwi po czyszczeniu:

Przed założeniem upewnij się, czy uszczelka drzwi jest sucha. Wsuń uszczelkę drzwi w rowek i dociskaj ją ręcznie od góry do dołu, aż do momentu, gdy cała uszczelka zostanie w nim umieszczona.

Czyszczenie półek:

- ▶ Wszystkie półki można wyjąć w celu ich wyczyszczenia.
- ▶ Wyjmij wszystkie butelki.
- ▶ Unieś lekko każdą półkę i ją wyjmij.
- ▶ Wyczyść półkę miękkim ręcznikiem.
- ▶ Poczekaj, aż półki wyschną zanim włożysz je ponownie do środka.

OSTRZEŻENIE:

Odczekaj co najmniej 7 minut, aby ponownie podłączyć zasilanie po jego odłączeniu.

Sprawdź akcesoria i literaturę zgodnie z tą listą: bez izolacji.

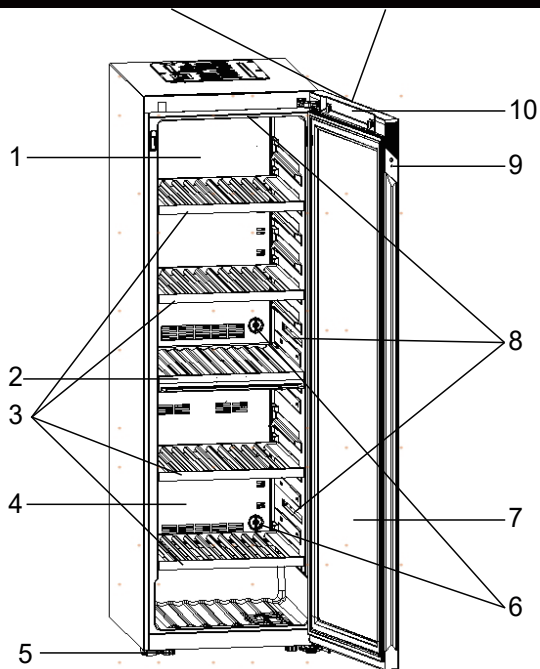
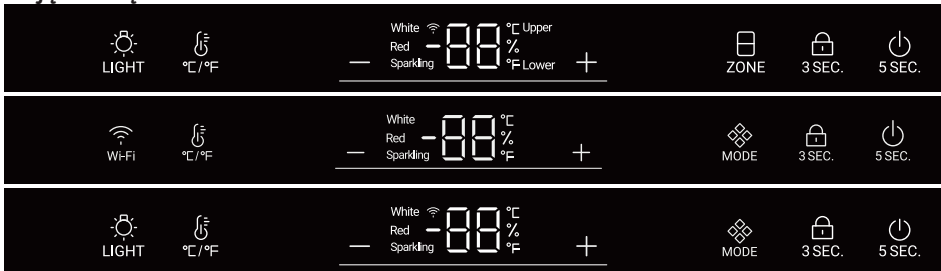
Nazwa	Instrukcja obsługi	Karta serwisowa	Półka	Oslona-zawiasu	Etykieta wydajności energetycznej	Klucz	Uchwyt	Śruba	Nakrętka	Oslona	Półka wystawowa
HWS247FAH1	1	1	5	1	1	2	1	4	2	1	1
HWS247GGU1	1	1	5	1	1	2	/	/	/	/	/
HWS236GDGU1	1	1	4	1	1	2	/	/	/	/	/
HWS247FDU1	1	1	5	1	1	2	1	4	2	1	/
HWS247GEH1	1	1	5	1	1	2	/	/	/	/	/
HWS236GDEH1	1	1	4	1	1	2	/	/	/	/	/



Uwaga

Z powodu zmian technicznych i różnych modeli, niektóre ilustracje w tej instrukcji mogą się różnić od Twojego modelu.

Zdjęcie urządzenia



(HWS236GDGU1)

- | | |
|---|--|
| 1. Przegroda górnego kanału powietrza | 6. Aktywowany filtr węglowy (z wyjątkiem HWS247FAH1) |
| 2. partycja (dla HWS236GDGU1/HWS236GDEH1) | 7. Drzwiczki |
| 3. Półka | 8. Lampa LED |
| 4. Przegroda dolnego kanału powietrznego | 9. Blokada |
| 5. Regulowane nóżki | 10. Wyświetlacz |

1. Rozpakowanie

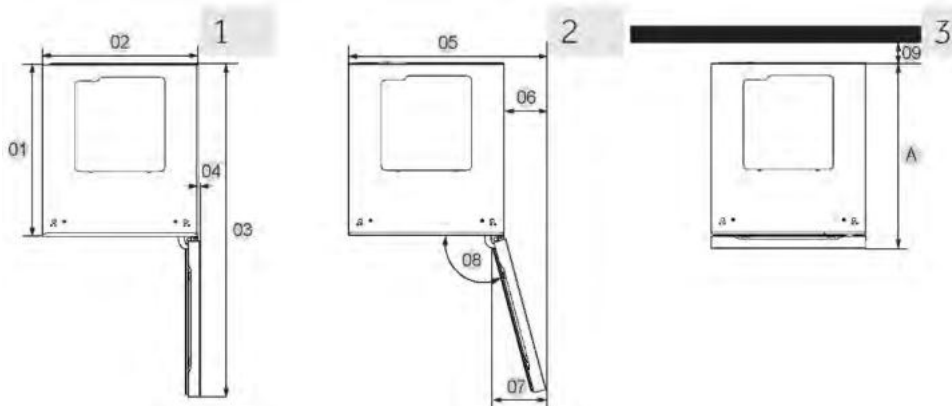
- ▶ Wyjmij urządzenie z opakowania.
- ▶ Usuń wszystkie materiały opakowaniowe, łącznie z podłożem z pianki i taśmą samoprzylepną przytrzymującą akcesoria.

2. Warunki środowiskowe

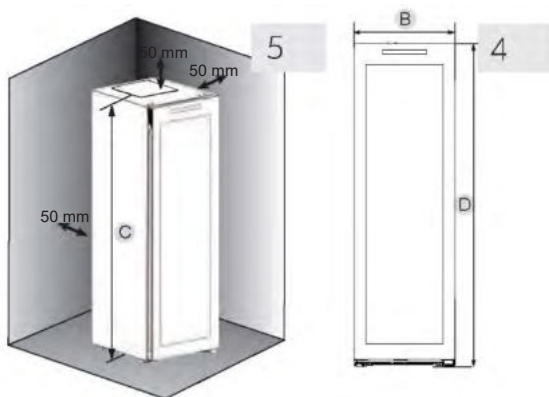
Temperatura w pomieszczeniu powinna zawsze wynosić od 10°C do 38°C, ponieważ może wpływać na temperaturę wewnątrz urządzenia i zużycie energii. Nie ustawiaj urządzenia w pobliżu innych urządzeń bez izolacji emitujących ciepło (piekarniki, lodówki).

3. Wymagana przestrzeń

Wymagana przestrzeń do otwarcia drzwi (rys. 1, 2, 3, 4); Ze względu na bezpieczeństwo i wydajność energetyczną należy zachować wymagany odstęp wentylacyjny wynoszący 50 cm z każdej strony (rys. 5).



Pomiar: mm	HWS247GGU1 HWS247GEH1	HWS236GDU1 HWS236GDEH1	HWS247FDU1 HWS247FAH1
Głębokość A	714	714	769
Szerokość B	597	597	603
Wysokość C	1905	1905	1905
Całkowita wysokość D	1900	1900	1900
01	654	654	654
02	595	595	595/600
03	1273	1273	1280
04	11	11	16
05	756	756	805
06	161	161	210
07	200	200	200
08	105°	105°	105°
09	50	50	50



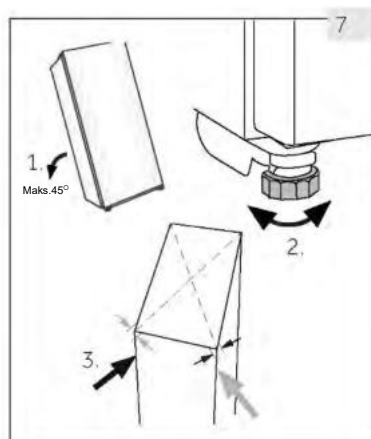
**OSTRZEŻENIE!**

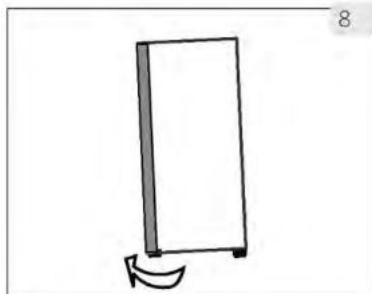
- Należy dbać o drożność otworów wentylacyjnych w obudowie urządzenia wolnostojącego lub w konstrukcji do zabudowy. To urządzenie chłodnicze nie jest przeznaczone do zabudowy

5. Ustawianie urządzenia

Urządzenie powinno być umieszczone na płaskiej i stabilnej powierzchni.

1. Przechylił urządzenie lekko do tyłu (rys. 7).
2. Ustaw nóżki na odpowiednim poziomie, obracając je.
3. Stabilność można sprawdzić, popychając urządzenie naprzemiennie w linii przekątnych. Lekkie kołysanie powinno być takie same w obu kierunkach. W przeciwnym razie rama może się wykrzywić; w rezultacie może dojść do rozszczelnienia drzwi. Niewielki przechył do tyłu pomaga przy zamykaniu drzwi.



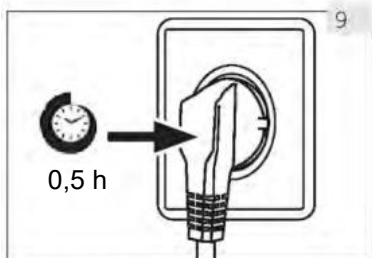


6. Regulowanie drzwi

Urządzenie zamyka się łatwiej, gdy używane są nóżki poziomujące z przodu:

Obracaj regulowane nóżki (rys. 8), aby je podwyższyć lub obniżyć:

- ▶ Obracanie nóżek zgodnie z ruchem wskazówek zegara podnosi urządzenie.
- ▶ Obracanie nóżek w kierunku przeciwnym do ruchu wskazówek zegara obniża urządzenie.



7. Czas oczekiwania

W zbiorniku sprężarki znajduje się olej bezobsługowy. Olej ten może przedostać się poprzez zamknięty system rur podczas transportu przechylonego urządzenia. Przed podłączeniem urządzenia do zasilania trzeba odczekać 0,5 godziny (rys. 9), aby olej spłynął z powrotem do zbiornika.

8. Podłączenie do prądu

Przed każdym podłączeniem sprawdź, czy:

- ▶ zasilacz, gniazdo i bezpieczniki odpowiadają parametrom podanym na tabliczce znamionowej.
- ▶ gniazdko jest uziemione i nie zastosowano rozgałęźnika lub przedłużacza.
- ▶ wtyczka i gniazdko są odpowiednio dopasowane.

Podłącz wtyczkę do prawidłowo zainstalowanego gniazdka domowego.



OSTRZEŻENIE!

Aby uniknąć ryzyka, uszkodzony przewód zasilający musi zostać wymieniony przez serwis (zob. karta gwarancyjna).

9. Zmiana kierunku otwierania drzwi

Przed podłączeniem urządzenia do zasilania należy sprawdzić, czy nie trzeba zmienić kierunku otwierania drzwi z prawego (ustawienie przy odbiorze) na lewy, jeśli jest to konieczne ze względu na miejsce instalacji i użytkowania



OSTRZEŻENIE!

- ▶ Urządzenie jest ciężkie. Potrzebne są dwie osoby do zmiany kierunku otwierania drzwi.
- ▶ Przed rozpoczęciem jakichkolwiek czynności należy najpierw odłączyć urządzenie od sieci.
- ▶ Nie przechylaj lodówki bardziej niż 45°, aby uniknąć uszkodzenia układu chłodniczego.

Etapy montażu

1. Używaj odpowiednich narzędzi.
2. Odłącz urządzenie od prądu.
3. Zdejmij osłonę górnej belki i małą osłonę. Lewy i prawy montaż transpozycyjny małej osłony.
4. Zdejmij osłonę korytka kablowego i osłonę wykończeniową. Lewy i prawy montaż transpozycyjny osłony dekoracyjnej. Wyjmij czarną gumową zatyczkę z lewej dziurki od klucza po wewnętrznej stronie korpusu drzwi i zamontuj ją w prawej dziurce od klucza.
5. Zdejmij osłonę zawiasu. Użyj narzędzia, aby odkręcić 3 śruby i zdejmij obudowę portalu.
6. Odkręć 3 śruby pod obudową portalu za pomocą narzędzia, krzywkę obudowy portalu i ogranicznika drzwi, lewa i prawa transpozycja jest zainstalowana po drugiej stronie obudowy portalu.
7. Wyjmij zawias skrzyniowy za pomocą narzędzia, najpierw wyjmij krzywkę zawiasu w dolnym zawiasie, włóż trzpień zawiasu do prawego otworu na śrubę, zamontuj. Instalacja transpozycyjna z zespołem wspornika kółka po prawej stronie pudełka.
8. Obudowa portalu jest zainstalowana pionowo w dół na trzpieniu zawiasu.
9. Zawias górny wkłada się w otwór trzpienia obudowy portalu, przykręć skrzynkę śrubami, zainstaluj osłonę skrzynki drucianej i osłonę belki górnej.



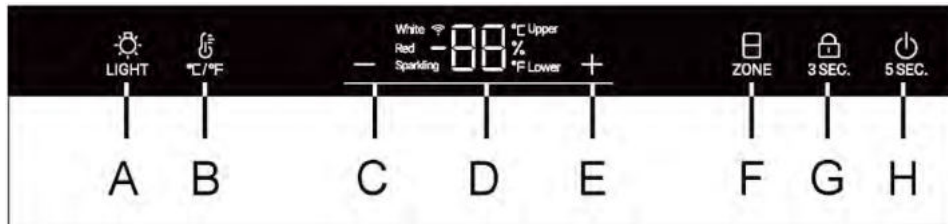
1. Przed pierwszym użyciem

- ▶ Usuń całe opakowanie. Należą do niego podłoże z pianki oraz taśma samoprzylepna przytrzymująca akcesoria chłodziarki do wina wewnątrz i na zewnątrz. Trzymaj opakowanie w miejscu niedostępnym dla dzieci i usuń je w sposób przyjazny dla środowiska.
- ▶ Przed włożeniem wina wyczyść wnętrze i obudowę urządzenia wodą z dodatkiem łagodnego detergentu.
- ▶ Po wypoziomowaniu i wyczyszczeniu urządzenia odczekaj co najmniej 2 godzin przed podłączeniem go do zasilania. Jeżeli chłodziarka na wino została przechylona z jakiegokolwiek powodu, odczekaj 24 godziny przed jej podłączeniem. Zob. rozdział INSTALACJA.
- ▶ Po podłączeniu urządzenia do gniazdka elektrycznego należy pozostawić je na co najmniej 30 minut w celu aklimatyzacji przed dokonaniem jakichkolwiek regulacji.
- ▶ Temperatura jest automatycznie ustawiana na 12°C. W razie potrzeby można ręcznie zmienić ustawioną temperaturę. Zob. rozdział TEMPERATURA.

2. Przyciski dotykowe

Przyciski na panelu sterowania są klawiszami czujników, które reagują przy delikatnym dotknięciu palcem.

3. Opis panelu sterowania



- | | |
|---|--|
| A Przycisk oświetlenia wnętrza | E Przycisk regulacji temperatury: w górę |
| B Przycisk zmiany °C/°F | F Przycisk wyboru strefy temperatury |
| C Przycisk regulacji temperatury: w dół | G Przycisk blokady |
| D Wyświetlacz | H Przycisk zasilania |

4. Funkcja automatycznego blokowania

W przypadku blokady ekranu naciśnij i przytrzymaj klawisz blokady przez 3 sekundy, ekran wyświetlacza wyświetla 3, 2 i 1, ekran wyświetlacza zostaje odblokowany, a ikona blokady jest w połowie podświetlona; W przypadku braku operacji ekran zostanie automatycznie zablokowany po 30 sekundach. W przypadku blokady ekranu wszystkie ikony klawiszy blokady są włączone, a klawisze na ekranie wyświetlacza nie mogą być obsługiwane (z wyjątkiem klawisza podświetlenia);

5. Działanie przycisku zasilania

Gdy ekran jest wyłączony, dotknij dowolnego klawisza, a wyświetlacz się zaświeci; Przytrzymaj klawisz zasilania, na ekranie wyświetlacza pojawi się 5, 4, 3, 2 i 1, a zasilanie całego urządzenia zostanie wyłączone. Gdy zasilanie jest wyłączone, przytrzymaj klawisz zasilania, aby wyświetlić 5, 4, 3, 2, 1. Zasilanie jest włączone.

6. Ustawianie temperatury



Uwaga

Ustawienia wstępne

- ▶ Po podłączeniu urządzenia do gniazdka elektrycznego należy pozostawić je na co najmniej 30 minut w celu aklimatyzacji przed dokonaniem jakichkolwiek regulacji.
- ▶ Gdy urządzenie zostanie włączone po uprzednim odłączeniu od głównego źródła zasilania, osiągnięcie prawidłowej temperatury może potrwać kilka godzin. Dokładny czas zmienia się w zależności od otoczenia i ustawienia temperatury.



Naciśnij przycisk lub , wyświetlacz zacznie migać. Naciśnij przycisk lub , aby ustawić żądaną temperaturę. Zakres ustawień temperatury: 5-20°C (41-68°F).

Nie naciskaj przycisku przez 3 sekundy, temperatura zostanie potwierdzona.

7. Funkcja trybu lub strefy

Naciśnij przycisk . Przelączenie temperatury z iskrzącej (8°C lub 47°F) na białą (12°C lub 54°F) i czerwoną (16°C lub 61°F). (dla HWS247GGU1/HWS247GEH1/HWS247FDU1/HWS247FAH1)

W stanie odblokowania włączona jest cała ikona "B". Jeśli aktualne wskazanie na wyświetlaczu jest w górnej strefie temperatury, górna ikona włączy się, a dolna jest wyłączona. Po naciśnięciu przycisku "B" dolna ikona będzie włączona, a górna wyłączona.

(dla HWS236GDGU1/HWS236GDEH1)

Zalecane ustawienia temperatury

Czerwone wino	od +13°C do +20°C (od +55°F do +68°C)	Wino musujące Prosecco	od +5°C do +8°C (od +41°F do +47°F)
Białe wino	od +9°C do +12°C (od +48°F do +54°F)		

Aby przechowywać wino przez dłuższy czas, należy ustawić temperaturę w zakresie od +10°C do +12°C (50°F i +54°F).

8. Tryb czuwania

Ekran wyświetlacza jest automatycznie przyciemniany przez 30 sekund.

Włącza się on automatycznie, gdy naciśnie się którykolwiek przycisk lub otworzy się drzwi.



Uwaga Wpływ na temperaturę



Następujące czynniki mają wpływ na temperaturę wewnątrz urządzenia:

- ▶ Temperatura otoczenia
- ▶ Liczba przechowywanych butelek
- ▶ Częstotliwość otwierania drzwi
- ▶ Miejsce zamontowania urządzenia

Domyślnie ustawiona jest temperatura 12°C

Gdy wyświetlacz przestaje migać, ponownie wskazuje aktualną temperaturę w chłodziarce do wina. Osiągnięcie ustawionej temperatury zajmie trochę czasu.

9. Ustawienie trybu oświetlenia

Naciśnij przycisk . Jeżeli światła w komorze są włączone, będą się one zapalać stopniowo. Po ponownym naciśnięciu przycisku  światła będą się stopniowo wyłączać. (oprócz HWS247FDU1/HWS247FAH1)

10. Funkcja °C/°F

Naciśnij przycisk  w celu przełączania między stopniami Fahrenheita i Celsjusa.

11. Funkcja Wi-Fi

Naciśnij przycisk Wi-Fi przez 3 sekundy, przycisk Wi-Fi zacznie szybko migać i automatycznie przejdzie w tryb konfiguracji (dla HWS247FDU1/HWS247FAH1).

12. Pamięć funkcji podczas awarii zasilania

W przypadku przerwy w zasilaniu chłodziarka do wina automatycznie zapisuje ustawioną temperaturę. Po przywróceniu zasilania urządzenie będzie pracowało z temperaturą ustawioną przed utratą zasilania.

13. Funkcja kompensacji niskiej temperatury

Chłodziarka do wina posiada funkcję kompensacji niskiej temperatury w celu zapewnienia stabilności temperatury: Gdy temperatura otoczenia jest niższa od ustawionej temperatury, chłodziarka do wina automatycznie uruchamia funkcję kompensacji niskiej temperatury, ogrzewając urządzenie. Gdy temperatura w urządzeniu osiągnie ustawioną wartość, funkcja kompensacji niskiej temperatury zostanie automatycznie wyłączona.

14. Alarm otwarcia drzwi

Jeśli drzwi będą otwarte przez ponad 1 minutę, brzęczyk będzie wydawał sygnał alarmowy do czasu zamknięcia drzwi lub użycia dowolnego przycisku na panelu wyświetlacza.

15. Ustawienia trybu Wi-Fi

ŁĄCZNOŚĆ PARAMETRY SIECI BEZPRZEWODOWEJ

Technologia	Wi-Fi	Bluetooth
Standard	IEEE 802.11 b/g/n	Bluetooth v4.2, BR/EDR, BLE
Pasmo(-a) częstotliwości [MHz]	2401÷2483	2402÷2480
Maksymalna moc [mW], pasmo(-a) [MHz]	100	10

INFORMACJE O PRODUKCIE

Jak aktywować moduł Wi-Fi:

Naciśnij przycisk światła przez 3 sekundy, aby aktywować Wi-Fi (z wyjątkiem HWS247FDU1/HWS247FAH1) Naciśnij przycisk Wi-Fi przez 3 sekundy, aby aktywować Wi-Fi (dla HWS247FDU1/HWS247FAH1)

- Moduł Wi-Fi jest włączony. Ikona Wi-Fi zaczyna migać.
- Jeśli chłodziarka do wina jest aktywna, ale Wi-Fi jest wyłączone, ikona będzie migać.
- Jeżeli chłodziarka do wina jest aktywna i połączona z siecią, ikona Wi-Fi jest stale włączona.
- Aby zresetować Wi-Fi, naciśnij lampkę przez 3 sekundy (z wyjątkiem HWS247FDU1/HWS247FAH1)
- Aby zresetować Wi-Fi, naciśnij Wi-Fi przez 3 sekundy (dla HWS247FDU1/HWS247FAH1)

PROCEDURA PAROWANIA APLIKACJI

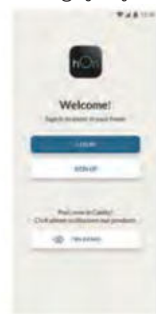
Krok 1

- Pobierz aplikację hOn w sklepie



Krok 2

- Zaloguj się lub zarejestruj



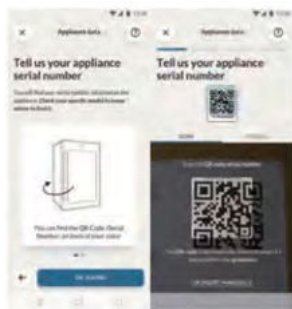
Krok 3

- Dodaj nowe urządzenie, wybierając z listy chłodziarkę do wina



Krok 4

- Zeskanuj kod QR lub ręcznie wprowadź numer seryjny



Krok 5

- Naciśnij przycisk światła na produkcie przez 3s, aby aktywować Wi-Fi (z wyjątkiem HWS247FDU1/ HWS247FAH1)

Naciśnij przycisk Wi-Fi na produkcie przez 3s, aby aktywować Wi-Fi (dla HWS247FDU1/ HWS247FAH1)



Krok 6

- Ikona Wi-Fi będzie migać, proces parowania jest w toku. Będziesz mieć 5 minut na zakończenie procesu parowania. Po zakończeniu procesu ikona Wi-Fi przestanie migać i pozostanie zawsze włączona. UWAGA





Wskazówki dotyczące oszczędzania energii

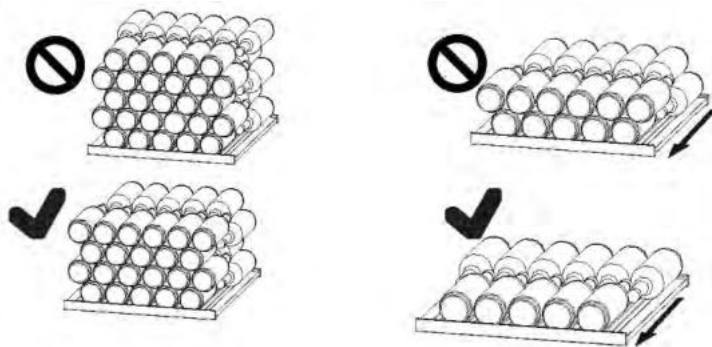
- ▶ Upewnij się, że urządzenie jest właściwie wentylowane (patrz MONTAŻ).
- ▶ Nie należy instalować urządzenia w bezpośrednim świetle słonecznym lub w pobliżu źródeł ciepła (np. pieców, grzejników).
- ▶ Unikaj niepotrzebnie niskiej temperatury w urządzeniu. Zużycie energii zwiększa się wraz z ustawieniem niższej temperatury w urządzeniu.
- ▶ Otwieraj drzwi możliwie rzadko i na krótko.
- ▶ Nie należy przekraczać dozwolonej liczby butelek, aby nie utrudniać przepływu powietrza. Utrzymuj w czystości uszczelki drzwi, aby zapewnić prawidłowe ich zamykanie.
- ▶ Najbardziej energooszczędna konfiguracja wymaga, aby szuflada, pojemnik na żywność i półki były umieszczone w urządzeniu jak w stanie fabrycznym, a żywność nie blokowała wylotu powietrza z kanału.

1. Półka


1. Półki są zaprojektowane w sposób ułatwiający przechowywanie i wyjmowanie wina. Można je czyścić miękkim ręcznikiem.
2. Standardowe butelki o średnicy 76 mm mogą być układane w stosy.
3. Butelki magnum można układać w stosy na dolnej półce.
4. Liczba butelek może się różnić się od przedstawionej na ilustracji, jeśli są one ułożone w inny sposób.

Porady dotyczące rozmieszczenia butelek w chłodziarce do wina

Zalecamy, aby liczba butelek wina nie przekraczała czterech warstw na każdej półce, a nośność półek na wino nie powinna przekraczać 60 butelek wewnątrz chłodziarki na wino, sprawdź, czy półki na wino są całkowicie stabilne. Ponadto należy sprawdzić, czy żadna z butelek nie wystaje poza półkę, aby uniknąć jej uderzenia o szklane drzwi podczas zamykania.



2. Oświetlenie

Po otwarciu drzwi zapala się wewnętrzne oświetlenie LED. Aby wyłączyć światło, gdy drzwi są zamknięte, naciśnij przycisk . Aby wyłączyć światło, ponownie naciśnij przycisk. W celu zwiększenia wydajności energetycznej oświetlenie chłodziarki do wina powinno być wyłączone, gdy się do niej nie zagląda. (oprócz HWS247FDU1/HWS247FAH1)

3. Zamek

Aby zamknąć chłodziarkę do wina, należy zamknąć drzwi i włożyć klucz do zamka:

- ▶ Zamknij drzwi, przekręcając klucz w kierunku zgodnym z ruchem wskazówek zegara; ▶
- Odblokuj drzwi, przekręcając klucz w kierunku przeciwnym do ruchu wskazówek zegara.

1. Rozmrażanie

Rozmrażanie chłodziarki do wina przebiega automatycznie; nie jest wymagana ręczna obsługa.

2. Wymiana lamp LED

Jako źródło światła lampy wykorzystują diody LED, charakteryzujące się niskim zużyciem energii i długą żywotnością. W przypadku wystąpienia jakichkolwiek nieprawidłowości prosimy o kontakt z działem obsługi klienta. Zob. OBSŁUGA KLIENTA.



OSTRZEŻENIE!

Nie wymieniaj samodzielnie lampy LED. Musi ona zostać wymieniona przez producenta albo przez autoryzowanego serwisanta.

Parametry lampy LED:

Napięcie 12V

Maksymalna moc: 18 W

3. Dłuższa przerwa w użytkowaniu

Odłącz przewód zasilający.

Wyczyść urządzenie i uszczelki drzwi jak opisano powyżej.

Zostaw drzwi otwarte, aby zapobiec tworzeniu się wewnątrz nieprzyjemnych zapachów.

4. Przenoszenie urządzenia

1. Wyjmij wszystkie butelki i odłącz urządzenie od zasilania.
2. Zabezpiecz taśmą klejącą półki i inne części ruchome w chłodziarce do wina.
3. Nie przechylaj chłodziarki do wina bardziej niż 45°, aby uniknąć uszkodzenia układu chłodniczego.

5. Wymiana powietrza z zastosowaniem filtra z węglem aktywnym (oprócz HWS247FAH1)

Sposób, w jaki wina nadal dojrzewają, zależy od warunków otoczenia. Dlatego jakość powietrza jest decydująca dla trwałości wina. W dolnej części tylnej ściany urządzenia zamontowano filtr z węglem aktywnym, aby zapewnić optymalną przepustowość.



Uwaga

Zalecamy wymianę filtra raz w roku. Filtry można nabyć u dystrybutora.

(oprócz HWS247FAH1)

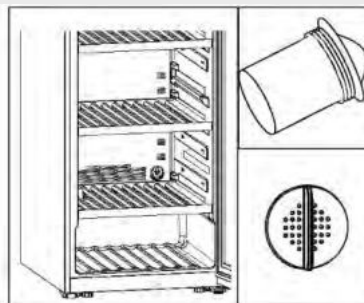
Wymiana filtra:

Chwyć filtr za uchwyt. Obróć w lewo i wyjmij.

Zakładanie filtra:

Włóż za pomocą uchwytu w pionowej pozycji.

Obróć w prawo i włóż.



Wiele problemów można rozwiązać samodzielnie, bez specjalistycznej wiedzy. W przypadku problemów prosimy sprawdzić wszystkie pokazane możliwości i postępować zgodnie z poniższymi instrukcjami przed skontaktowaniem się z obsługą posprzedażową. Zob. OBSŁUGA KLIENTA.

OSTRZEŻENIE!

- ▶ Przed przystąpieniem do konserwacji wyłącz urządzenie i wyjmij wtyczkę z gniazdka sieciowego.
- ▶ Urządzenie elektryczne powinno być serwisowane tylko przez wykwalifikowanych ekspertów, ponieważ niewłaściwe naprawy mogą spowodować znaczne szkody.
- ▶ Jeśli kabel zasilania jest uszkodzony, musi on zostać wymieniony przez producenta, serwisanta lub inną wykwalifikowaną osobę w celu uniknięcia niebezpieczeństwa.

Kod usterki	Przyczyna	Rozwiązanie
L2	Alarm niskiej temperatury, gdy temperatura czujnika kontrolnego jest zbyt niska;	<ol style="list-style-type: none"> 1. Sprawdź temperaturę otoczenia. 2. Sprawdź złącze sprężarki. 3. Sprawdź rezystancję czujnika kontrolnego temperatury.
H1	Gdy temperatura czujnika kontrolnego jest zbyt wysoka, alarm wysokiej temperatury zostanie wyświetlony na ekranie wyświetlacza;	<ol style="list-style-type: none"> 1. Sprawdź złącze tablicy sterowania lub panelu wyświetlacza. 2. Sprawdź rezystancję i napięcie wentylatora. 3. Sprawdź wentylator i złącze sprężarki.

Problem	Potencjalna przyczyna	Możliwe rozwiązanie
Sprężarka nie działa.	<ul style="list-style-type: none"> • Wtyczka sieciowa nie jest podłączona do gniazdka. 	<ul style="list-style-type: none"> • Włącz wtyczkę sieciową.
Urządzenie działa często lub przez zbyt długi okres czasu.	<ul style="list-style-type: none"> • Temperatura otoczenia jest za wysoka. • Urządzenie było odłączone od zasilania przez jakiś okres czasu. • Drzwi urządzenia nie są szczelnie zamknięte. • Drzwi były za często otwierane lub pozostawały długo otwarte. • Uszczelki drzwi są brudne, zużyte, pęknięte lub niedopasowane. • Wymagany przepływ powietrza nie jest gwarantowany. • Temperatura jest za niska. 	<ul style="list-style-type: none"> • W tym przypadku to normalne, że urządzenie będzie pracować dłużej. • Zwykle potrzeba trochę czasu, aby urządzenie całkowicie ostygło. • Zamknij drzwi i upewnij się, że urządzenie znajduje się na płaskiej powierzchni, ani że jedzenie lub szuflady nie blokują drzwi. • Nie otwieraj drzwi zbyt często. • Wyczyść uszczelki drzwi lub wymień je z pomocą serwisu obsługi klienta. • Zapewnij odpowiednią wentylację. • Problem rozwiąże się sam po osiągnięciu żądanej temperatury.
Wnętrze chłodziarki do wina jest brudne i/lub nieprzyjemnie pachnie.	<ul style="list-style-type: none"> • Wnętrze chłodziarki do wina wymaga czyszczenia. 	<ul style="list-style-type: none"> • Wyczyść wnętrze chłodziarki do wina.
Wewnątrz urządzenia nie jest wystarczająco zimno.	<ul style="list-style-type: none"> • Ustawiona temperatura jest za wysoka. • Niedawno dołożono butelki. • Drzwi urządzenia nie są szczelnie zamknięte. • Drzwi były za często otwierane lub pozostawały długo otwarte. • Uszczelki drzwi są brudne, zużyte, pęknięte lub niedopasowane. 	<ul style="list-style-type: none"> • Ponownie ustaw temperaturę. • Poczekaj, aż ostatnio włożone butelki osiągną pożądaną temperaturę. • Zamknij drzwi. • Nie otwieraj drzwi zbyt często. • Wyczyść uszczelki drzwi lub wymień je z pomocą serwisu obsługi klienta.
Wewnątrz urządzenia jest za zimne.	<ul style="list-style-type: none"> • Temperatura jest za niska. 	<ul style="list-style-type: none"> • Ponownie ustaw temperaturę.

Problem	Potencjalna przyczyna	Możliwe rozwiązanie
Powstawanie wilgoci na wewnętrznych ściankach komory.	<ul style="list-style-type: none"> Klimat jest zbyt ciepły i wilgotny. Drzwi urządzenia nie są szczelnie zamknięte. Drzwi były za często otwierane lub pozostawały długo otwarte. 	<ul style="list-style-type: none"> Zwiększ temperaturę. Zamknij drzwi. Nie otwieraj drzwi/szuflad zbyt często.
Wilgoć gromadzi się na powierzchni zewnętrznej chłodziarki do wina.	<ul style="list-style-type: none"> Klimat jest zbyt ciepły i wilgotny Drzwi nie są szczelnie zamknięte. Zimne powietrze skrapla się wewnątrz urządzenia, a ciepłe powietrze na zewnątrz. 	<ul style="list-style-type: none"> Jest to normalne zjawisko w wilgotnym klimacie i zmieni się, gdy wilgotność spadnie. Upewnij się, że drzwi są szczelnie zamknięte, a uszczelki prawidłowo uszczelniają.
Urządzenie wydaje niestandardowe dźwięki	<ul style="list-style-type: none"> Urządzenie nie znajduje się na wypoziomowanym podłożu. Urządzenie dotyka jakiegoś obiektu. 	<ul style="list-style-type: none"> Wyreguluj nóżki, aby wypoziomować urządzenie. Usuń obiekty znajdujące się w pobliżu urządzenia.
Słyszeć delikatny szum podobny do wody.	<ul style="list-style-type: none"> To jest normalne 	<ul style="list-style-type: none"> -
Oświetlenie wnętrza lub układ chłodzenia nie działa.	<ul style="list-style-type: none"> Wtyczka sieciowa nie jest podłączona do gniazdka. Zasilanie nie jest w dobrym stanie. Lampa LED nie działa. 	<ul style="list-style-type: none"> Włącz wtyczkę sieciową. Sprawdź zasilanie elektryczne w pomieszczeniu. Skontaktuj się z lokalnym dostawcą energii elektrycznej. Proszę wezwać serwis do wymiany lampy
Boki obudowy i listwa drzwiowa nagrzewają się	<ul style="list-style-type: none"> To jest normalne. 	<ul style="list-style-type: none"> -
Drzwi nie zamykają się prawidłowo	<ul style="list-style-type: none"> Urządzenie nie zostało wypoziomowane. Drzwi są zablokowane. 	<ul style="list-style-type: none"> Wypoziomuj urządzenie za pomocą nóżek poziomujących. Sprawdź, czy butelki lub półki nie stanowią blokady.

Aby skontaktować się z pomocą techniczną, odwiedź naszą stronę internetową:

<https://corporate.haier-europe.com/en/>

W sekcji „Strona internetowa” wybierz markę swojego produktu i kraj. Zostaniesz przekierowany/a na konkretną stronę internetową, na której znajdziesz numer telefonu i formularz do kontaktu z pomocą techniczną.

Karta produktu zgodnie z rozporządzeniem UE nr 2019/2016

Marka	Haier	Haier	Haier
Nazwa modelu / identyfikator	HWS247GGU1 HWS247GEH1	HWS236GDGU1 HWS236GDEH1	HWS247FDU1/ HWS247FAH1
Kategoria	Chłodziarka do wina	Chłodziarka do wina	Chłodziarka do wina
Klasa efektywności energetycznej	G/E	G/E	D/A
Roczne zużycie energii (kWh/rok) ¹⁾	184/107	184/106	85/44
Objętość komory (l)	450	448	450
Klasa klimatyczna: To urządzenie jest przeznaczone do użytkowania w temperaturze otoczenia od 10°C do 38°C.	SN N ST	SN N ST	SN N ST
Poziom emitowanego hałasu (db(A) re 1pW)	C (37)/B(35)	C (37)/B(35)	C (37)/B(35)
Rodzaj konstrukcji	Wolnostojąca	Wolnostojąca	Wolnostojąca
To urządzenie jest przeznaczone wyłącznie do przechowywania wina.	Tak	Tak	Tak
Wymiary (szer./głęb./ wys. W mm)	597/714/1900	597/714/1900	603/769/1900

Objaśnienie:

1) na podstawie standardowych wyników testów dla okresu 24 godzin. Rzeczywisty pobór mocy zależy od rzeczywistego otoczenia, ilości rozlewu, ustawionej temperatury, otwierania i zamykania drzwi itp.

2) Nominalny pobór mocy jest wartością ustaloną na podstawie standardowego testu, gdy w komorze na wino nie włącza się wewnętrzne światło.

- rozszerzony zakres temperatur: „To urządzenie chłodnicze przeznaczone jest do użytkowania w temperaturze otoczenia od 10°C do 32°C”;
- strefa umiarkowana: „To urządzenie chłodnicze przeznaczone jest do użytkowania w temperaturze otoczenia od 16°C do 32°C”;
- strefa subtropikalna: „To urządzenie chłodnicze przeznaczone jest do użytkowania w temperaturze otoczenia od 16°C do 38°C”;
- strefa tropikalna: „To urządzenie chłodnicze przeznaczone jest do użytkowania w temperaturze otoczenia od 16°C do 43°C”;

Normy i dyrektywy

Ten produkt spełnia wymagania wszystkich obowiązujących dyrektyw UE i odpowiednich norm zharmonizowanych określających oznakowanie CE.

Polecamy nasz system Obsługi Klienta Haier i stosowanie oryginalnych części zamiennych. Jeśli masz problem z urządzeniem, najpierw sprawdź sekcję ROZWIĄZYWANIE PROBLEMÓW. Jeżeli nie możesz znaleźć rozwiązania, prosimy o

- ▶ kontakt z lokalnym sprzedawcą lub
- ▶ serwisem poprzez stronę internetową www.haier.com, na której można znaleźć numery telefonów i FAQ oraz aktywować roszczenia serwisowe.

Zanim skontaktujesz się z naszym działem obsługi, upewnij się, że masz następujące dane. Informacje można znaleźć na tabliczce znamionowej.

Model _____ Nr seryjny _____

Sprawdź także kartę gwarancyjną dostarczoną z produktem.

Dla ogólnych zapytań biznesowych znajdziesz poniżej nasze adresy w Europie:

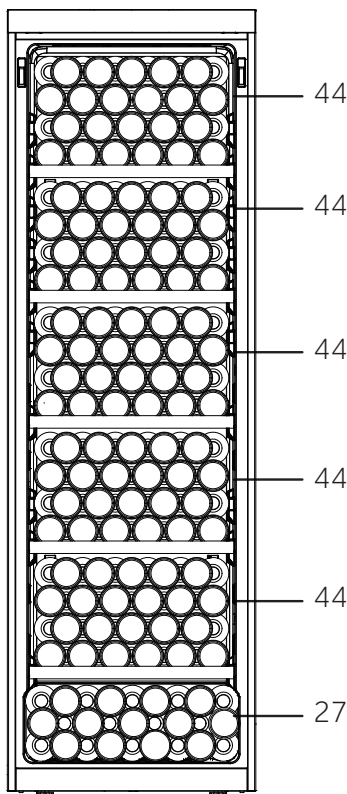
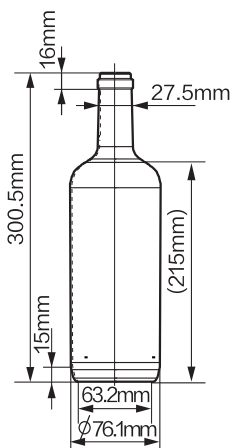
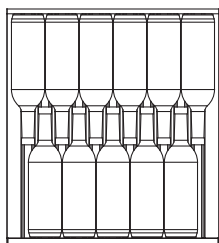
Europejskie adresy Haier			
Kraj*	Adres pocztowy	Kraj	Adres pocztowy
Włochy	Haier Europe Trading SRL Via De Cristoforis, 12 21100 Varese WŁOCHY		Haier Europe Trading SRL Via De Cristoforis, 12 21100 Varese WŁOCHY
Hiszpania	Haier Iberia SL Pg. Garcia Faria, 49-51 08019 Barcelona HISPANIA	Francja	
Portugalia		Belgia FR	Haier Benelux SA Anderlecht
		Belgia NL	Route de Lennik 451
		Holandia	BELGIUM
		Luksemburg	
Niemcy	Haier Deutschland GmbH Hewlett-Packard-Str. 4 D-61352 Bad Homburg NIEMCY		Haier Poland Sp. zo.o. Al. Jerozolimskie 181B 02-222 Warszawa POLSKA
Austria		Polska	
	Haier Appliances UK Co. Ltd. One Crown Square Church Street East Woking, Surrey, GU21 6HR UK	Czechy	
Wielka Brytania		Węgry	
		Grecja	
		Rumunia	
		Rosja	

DOSTĘPNOŚĆ CZĘŚCI ZAMIENNYCH: Termostaty, czujniki temperatury, płytki drukowane i źródła światła są dostępne przez okres co najmniej siedem lat od wprowadzenia na rynek ostatniego egzemplarza modelu. Klamki, zawiasy drzwi, tace i kosze przez okres co najmniej siedem lat, a uszczelki drzwi przez okres co najmniej 10 lat od wprowadzenia na rynek ostatniego egzemplarza modelu

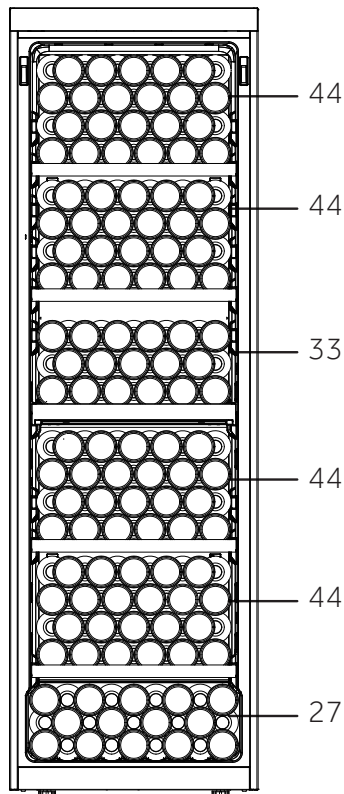
Minimalna gwarancja wynosi: 2 lata dla krajów UE, 3 lata dla Turcji, 1 rok dla Wielkiej Brytanii, 1 rok dla Rosji, 3 lata dla Szwecji, 2 lata dla Serbii, 5 lat dla Norwegii, 1 rok dla Maroka, 6 miesięcy dla Algierii, w Tunezji nie jest wymagana gwarancja prawna.

Aby uzyskać więcej informacji o produkcie, odwiedź stronę internetową <https://eprel.ec.europa.eu/> lub zeskanuj kod QR na etykiecie wydajności energetycznej dołączonej do urządzenia.

Układ butelek oparty jest na graficznym przedstawieniu standardowej butelki Bordeaux (0,75 l). Ze względu na różne specyfikacje butelek rzeczywista ilość załadunku butelek może być inna.



HWS247GGU1
HWS247FDU1
HWS247GEH1
HWS247FAH1



HWS236GDU1
HWS236GDEH1

HWS-247FDU1-247GGU1-236GGDU1-247GEH1-236GDEH1-HWS247FAH1 - PL

Haier



Haier

Manual do Utilizador

Garrafeira

HWS247FAH1
HWS247FDU1
HWS247GGU1
HWS247GEH1
HWS236GDEH1
HWS236GDGU1

PT

Haier

Obrigado por comprar um produto Haier.

Leia atentamente estas instruções antes de utilizar este aparelho. As instruções contêm informações importantes que irão ajudá-lo a obter o melhor proveito do aparelho e garantir a instalação, o uso e a manutenção seguros e adequados.

Mantenha este manual num local conveniente para que o possa sempre consultar para uma utilização segura e adequada do aparelho.

Se vender, oferecer ou deixar o aparelho para trás, caso mude de casa, certifique-se de que passa também este manual para que o novo proprietário se possa familiarizar com o aparelho e avisos de segurança.



Legenda

Aviso - Informação de Segurança Importante



Informações gerais e dicas



Informação ambiental

Eliminação



Ajude a proteger o ambiente e a saúde humana. Coloque a embalagem em recipientes adequados para reciclar. Ajude a reciclar resíduos de aparelhos elétricos e eletrónicos. Não elimine os aparelhos marcados com este símbolo em conjunto com o lixo doméstico. Entregue o produto na sua instalação de reciclagem local ou entre em contato com seu escritório municipal.



AVISO!

Risco de lesão ou sufocação!

Os fluidos refrigerantes e os gases devem ser eliminados de forma profissional. Certifique-se de que os tubos do circuito refrigerante não estão danificados antes de serem devidamente eliminados. Desligue o aparelho da alimentação elétrica. Corte o cabo de alimentação de rede e elimine-o. Remova as bandejas e gavetas, bem como a pega e vedantes da porta, para evitar que crianças e animais de estimação se fechem no aparelho.

Os aparelhos antigos ainda têm algum valor residual. Um método de eliminação ecológico assegura que matérias-primas valiosas podem ser novamente recuperadas e utilizadas.

O ciclopentano, uma substância inflamável não prejudicial ao ozono, é utilizado como expansor para a espuma de isolamento.

Ao assegurar que este produto é eliminado devidamente, irá ajudar a prevenir consequências potencialmente negativas para o ambiente e a saúde humana, que de outra forma poderiam ser causadas.

Para informações mais detalhadas sobre reciclagem deste produto, contacte a sua autarquia, o seu serviço de eliminação de resíduos domésticos ou a loja onde adquiriu o produto, manuseado pelos profissionais.

1 - Informações de segurança	4
2 - Dicas de segurança	7
3 - Manutenção	11
4 - Acessórios	13
5 - Descrição do produto	14
6 - Instalação	15
7 - Utilização	19
8 - Dicas de poupança de energia	24
9 - Equipamento	25
10 - Cuidados e limpeza	26
11 - Resolução de problemas	27
12 - Dados técnicos	30
13 - Assistência ao cliente	31
14 - Empilhamento de garrafas de vinho	32

Este aparelho destina-se exclusivamente ao armazenamento de vinho. Antes de ligar o aparelho pela primeira vez, leia as seguintes dicas de segurança:



AVISO!

Antes da primeira utilização

- ▶ Certifique-se de que não há danos provocados pelo transporte.
- ▶ Remova todas as embalagens e mantenha fora do alcance das crianças e elimine-as de forma ecológica.
- ▶ Aguarde, no mínimo, meia hora antes de instalar o aparelho, de forma a garantir que o circuito refrigerante está com eficiência total.
- ▶ Manuseie o aparelho sempre com pelo menos duas pessoas porque é pesado.

Instalação

- ▶ O aparelho deve ser colocado num local bem ventilado. Certifique-se de que existe um espaço de pelo menos 50 mm por cima e ao redor do aparelho.
- ▶ **AVISO:** Mantenha as aberturas de ventilação, no revestimento do aparelho ou na estrutura integrada, livres de obstruções.
- ▶ Nunca coloque o aparelho numa área húmida ou num local onde possa ser salpicado com água. Limpe e seque as salpicos de água e manchas com um pano macio limpo.
- ▶ Não instale a sua garrafeira em qualquer local não devidamente isolado ou aquecido como, por .ex. uma garagem, etc. A sua garrafeira não foi projetada para funcionar a uma temperatura ambiente abaixo de 10 °C.
- ▶ Não instale o aparelho sob luz solar direta ou na proximidade de fontes de calor (por exemplo, fogões, aquecedores).
- ▶ Instale e nivele o aparelho numa área adequada para o seu tamanho e utilização.
- ▶ Certifique-se de que as informações elétricas na placa de classificação correspondem à fonte de alimentação. Se não, entre em contato com um electricista.
- ▶ O aparelho é operado por uma fonte de alimentação de 220-240 VAC/50 Hz. Uma flutuação da tensão anormal pode fazer com que o aparelho não ligue ou danifique o controlo da temperatura ou o compressor, ou pode haver um ruído anormal durante o funcionamento. Nesse caso, deve ser montado um regulador automático.
- ▶ Não use adaptadores de fichas múltiplas nem cabos de extensão.

**AVISO!**

- ▶ **AVISO:** Não coloque tomadas triplas múltiplas portáteis ou fontes de alimentação portáteis na parte traseira do aparelho.
- ▶ **AVISO:** Ao posicionar o aparelho, certifique-se de que o cabo de alimentação não se encontra preso nem danificado.
- ▶ Não pise o cabo de alimentação.
- ▶ Use uma tomada de terra separada para a fonte de alimentação que seja fácil de aceder. Este aparelho deve ser ligado à terra.
- ▶ **Apenas para o Reino Unido:** O cabo de alimentação do aparelho está equipado com uma ficha de 3 cabos (terra) que se encaixa numa tomada standard de 3 cabos (ligada à terra). Nunca corte ou desmonte o terceiro pino (terra). Após a instalação do aparelho, a tomada deve ficar acessível.
- ▶ **AVISO:** Não danifique o circuito refrigerante.

Utilização diária

- ▶ Este aparelho pode ser utilizado por crianças de idade igual ou superior a 8 anos e por pessoas com capacidades físicas, sensoriais ou mentais reduzidas ou falta de experiência e conhecimento, caso lhes tenha sido fornecida supervisão ou instruções relativas à utilização do aparelho de forma segura e desde que compreendam os perigos envolvidos.
- ▶ As crianças não devem brincar com o aparelho.
- ▶ As crianças de 3 a 8 anos são autorizadas a carregar e descarregar aparelhos de refrigeração, mas não podem limpar e instalar os aparelhos de refrigeração.
- ▶ Mantenha as crianças com menos de 3 anos de idade afastadas do aparelho, a menos que estejam constantemente sob supervisão.
- ▶ A limpeza e manutenção pelo utilizador não deve ser realizada por crianças sem supervisão.
- ▶ O aparelho deve ser posicionado de modo a que a ficha fique acessível.
- ▶ Se o gás de carvão ou outro gás inflamável verter para a proximidade do aparelho, desligue a válvula do gás de fuga, abra as portas e janelas e não desligue o cabo de alimentação do eletrodoméstico.
- ▶ Aguarde pelo menos 7 minutos para reconectar a energia depois de ter sido desconectada.
- ▶ Não levante o aparelho pelas pegas das portas.
- ▶ As chaves devem ser mantidas fora do alcance das crianças e não nas proximidades do aparelho, para evitar que as crianças fiquem presas no interior do aparelho.



AVISO!

- ▶ Notar que o aparelho está definido para funcionar num intervalo de temperatura ambiente específico entre 10 °C e 38 °C. O aparelho não pode funcionar corretamente se for deixado por um longo período a uma temperatura acima ou abaixo do intervalo indicado.
- ▶ Não coloque artigos instáveis (objetos pesados, recipientes cheios de água) em cima do aparelho, para evitar lesões pessoais causadas por queda ou choque elétrico causado pelo contato com a água.
- ▶ Abra e feche a porta apenas pelas pegas. O espaço entre a porta e o armário é muito estreito. Não coloque as mãos nessas áreas para evitar entalar os dedos. Abra ou feche as portas do aparelho apenas quando não houver crianças que se encontrem dentro do alcance do movimento das portas.
- ▶ Não guarde nem use materiais inflamáveis, explosivos ou corrosivos no aparelho ou nas proximidades.
- ▶ Não guarde substâncias explosivas como, por exemplo, latas de aerossóis, com um carburante inflamável, no interior deste aparelho.
- ▶ Não guarde medicamentos, bactérias ou agentes químicos no aparelho. Este aparelho é um eletrodoméstico. Não é recomendado armazenar materiais que necessitem de temperaturas rigorosas.
- ▶ Não ajuste uma temperatura desnecessariamente baixa na garrafeira. Podem ocorrer temperaturas negativas nas definições altas. Atenção: As garrafas podem rebentar
- ▶ Não toque na superfície interna do compartimento do aparelho, quando em funcionamento, especialmente com as mãos molhadas, pois as mãos podem congelar na superfície.
- ▶ Para uma refrigeração adequada do vinho, não sobrecarregue o aparelho.
- ▶ Desligue o aparelho em caso de interrupção da energia ou antes da limpeza. Deixe passar pelo menos 7 minutos antes de reiniciar o aparelho, pois o arranque frequente pode danificar o compressor.
- ▶ **AVISO:** Não utilize dispositivos elétricos no interior do aparelho, a menos que sejam do tipo recomendado pelo fabricante. Para evitar riscos, um cabo de alimentação danificado deve ser substituído pelo serviço ao cliente (ver cartão de garantia).
- ▶ Para prolongar a vida útil do aparelho, evite desligá-lo.
- ▶ Nunca coloque o aparelho na horizontal no chão. Depois de inclinar o aparelho mais de 45°, aguarde 24 horas antes de o ligar.

**AVISO!****Manutenção/limpeza**

- ▶ Certifique-se de que as crianças estão vigiadas caso estejam a realizar a limpeza e manutenção.
- ▶ Desligue o aparelho da alimentação elétrica antes de realizar qualquer manutenção de rotina. Deixe passar pelo menos 7 minutos antes de reiniciar o aparelho, pois o arranque frequente pode danificar o compressor.
- ▶ Segure a ficha, não o cabo, ao desligar o aparelho.
- ▶ Não limpe o aparelho com escovas duras, escovas de arame, detergente em pó, gasolina, acetato de amilo, acetona e soluções orgânicas semelhantes, soluções ácidas ou alcalinas. Limpe com detergente especial para frigorífico/congelador para evitar danos. No final use água morna e solução de bicarbonato de sódio – cerca de uma colher de sopa de bicarbonato de sódio para um litro de água. Enxaguar abundantemente com água e secar. Não utilize pós de limpeza ou outros produtos de limpeza abrasivos. Não lave as peças removíveis na máquina de lavar loiça.
- ▶ **AVISO:** Não utilize dispositivos mecânicos ou outros meios para acelerar o processo de descongelação, que não os recomendados pelo fabricante.
- ▶ Se o cabo de alimentação estiver danificado, tem de ser substituído pelo fabricante, pelo agente de serviço ou por pessoas igualmente qualificadas de forma a evitar o perigo.
- ▶ Não tente reparar, desmontar ou modificar o aparelho sozinho. Em caso de reparação, entre em contato com a nossa assistência ao cliente.
- ▶ Se as luzes de iluminação estiverem danificadas, devem ser substituídas pelo fabricante, pelo seu agente de serviço ou por pessoas qualificadas similares, a fim de evitar riscos.
- ▶ Elimine o pó na parte de trás da unidade pelo menos uma vez no ano para evitar perigo de incêndio, bem como o aumento do consumo de energia.

- ▶ Não pulverize ou lave o aparelho durante a limpeza.
- ▶ Não use spray de água ou vapor para limpar o aparelho.
- ▶ Não limpe a porta de vidro fria com água quente. A mudança súbita de temperatura pode fazer com que o vidro se quebre.
- ▶ Se deixar de utilizar o seu aparelho durante um período prolongado, deixe-o aberto para evitar odores e cheiros desagradáveis dentro.

Informações sobre gases refrigerantes



AVISO!

O aparelho contém o refrigerante inflamável ISOBUTANO (R600a). Certifique-se de que o circuito refrigerante não fica danificado durante o transporte ou instalação. A fuga de refrigerante pode causar lesões oculares ou inflamações. Se ocorrer um dano, mantenha afastadas fontes de chama aberta, ventile completamente a sala, não ligue ou desligue os cabos de alimentação do eletrodoméstico ou de qualquer outro aparelho. Informe a assistência ao cliente.

No caso de os olhos entrarem em contacto com o fluido refrigerante, lave-os imediatamente sob água corrente e contacte imediatamente um oftalmologista.

AVISO: O sistema de refrigeração está sob alta pressão. Não o viole. Uma vez que os refrigerantes inflamáveis são usados, por favor, instale, manuseie e carregue o aparelho estritamente de acordo com as instruções e contacte o agente profissional ou o nosso serviço pós-venda para eliminar o aparelho.

Utilização prevista


Este aparelho destina-se a ser utilizado em meio doméstico e aplicações similares tais como

- áreas de cozinha para o pessoal em lojas, escritórios e outros ambientes de trabalho;
 - quintas e por clientes em hotéis, motéis e outros ambientes de tipo residencial;
 - ambientes de tipo alojamento e pequeno-almoço;
 - aplicações de catering e idênticas não comerciais.
- ▶ Para garantir a preservação segura do vinho, por favor, siga estas instruções de uso.
- ▶ Os dados relativos à parte mais adequada no compartimento do eletrodoméstico em que devem ser armazenados tipos específicos de alimentos, tendo em conta a distribuição da temperatura que pode estar presente nos diferentes compartimentos do aparelho, encontram-se na outra parte do manual.

Não são permitidas alterações ou modificações no dispositivo. Uma utilização indevida pode causar riscos e perda de reivindicações de garantia.

Eliminação



O símbolo  do produto ou da sua embalagem indica que este produto não pode ser tratado como lixo doméstico. Em vez disso, deve ser entregue no ponto de recolha aplicável para reciclagem de equipamentos elétricos e eletrônicos. Ao assegurar que este produto é eliminado devidamente, irá ajudar a evitar consequências potencialmente negativas para o ambiente e a saúde humana, que de outra forma poderiam ser causadas pelo manuseamento inadequado de resíduos deste produto. Para informações mais detalhadas sobre reciclagem deste produto, entre em contato com departamento da sua cidade, o seu serviço de eliminação de resíduos domésticos ou a loja onde comprou o produto.

Uma vez que são utilizados gases de sopro do isolamento inflamáveis, entre em contato com um agente profissional ou nosso serviço pós-venda para eliminar o aparelho.

AVISO!

Risco de lesão de sufocação!

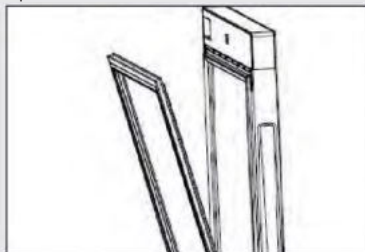
Os fluidos refrigerantes e os gases devem ser eliminados de forma profissional. Certifique-se de que os tubos do circuito refrigerante não estão danificados antes de serem devidamente eliminados. Desligue o aparelho da alimentação elétrica. Corte o cabo de alimentação de rede e elimine-o. Remova as bandejas e gavetas, bem como a pega e vedantes da porta, para evitar que crianças e animais de estimação fiquem fechados dentro do aparelho.

- ▶ **AVISO:** Desligue o aparelho da fonte de alimentação antes de limpar.
- ▶ Não limpe o aparelho com escovas duras, escovas de arame, detergente em pó, gasolina, acetato de amilo, acetona e soluções orgânicas semelhantes, soluções ácidas ou alcalinas. Limpe com detergente especial do frigorífico para evitar danos.
- ▶ Limpe o aparelho quando apenas pouco ou nenhum vinho é armazenado. É necessário limpá-lo quando estiver sujo.
- ▶ Limpe o interior e a caixa do aparelho com uma esponja molhada em água morna e detergente neutro
- ▶ Enxague com água morna limpa e seque com um pano macio.
- ▶ Não limpe nenhuma das peças do aparelho numa máquina de lavar loiça.
- ▶ Deixe passar pelo menos 7 minutos antes de voltar a ligar o aparelho pois o arranque frequente pode danificar o compressor.



Limpe a junta de vedação da porta:

- ▶ Os vedantes da porta devem ser limpos a cada 3 meses para garantir uma vedação adequada. Como indicado em baixo: Remover: Segure a vedação da porta e puxe-a de acordo com a direção da seta para remover toda a vedação da porta em ordem. Mergulhe a escova com água ou álcool de classe alimentar, limpe o sulco da vedação da porta primeiro puxando a escova para trás e para a frente. Em seguida, limpe a superfície da vedação da porta com uma toalha embebida com água ou álcool de grau alimentar. Finalmente, lave a junta da porta para limpar e limpe-a com uma toalha limpa.



Vedação da porta de instalação após a limpeza:

Antes da instalação, certifique-se de que não há água na vedação da porta. Insira a vedação da porta na ranhura e pressione firmemente a vedação da porta desde a parte superior à parte inferior manualmente até que toda a vedação da porta seja inserida na ranhura.

Limpeza das prateleiras:

- ▶ Todas as prateleiras podem ser retiradas para limpeza.
- ▶ Retire todas as garrafas.
- ▶ Levante cada prateleira um pouco e retire para fora.
- ▶ Limpe a prateleira com uma toalha macia.
- ▶ Aguarde até que as prateleiras estejam secas antes de as voltar a colocar.

AVISO:

Aguarde pelo menos 7 minutos para reconectar a energia depois de ter sido desconectada.

Verifique os acessórios e a literatura de acordo com esta lista:
sem isolamento.

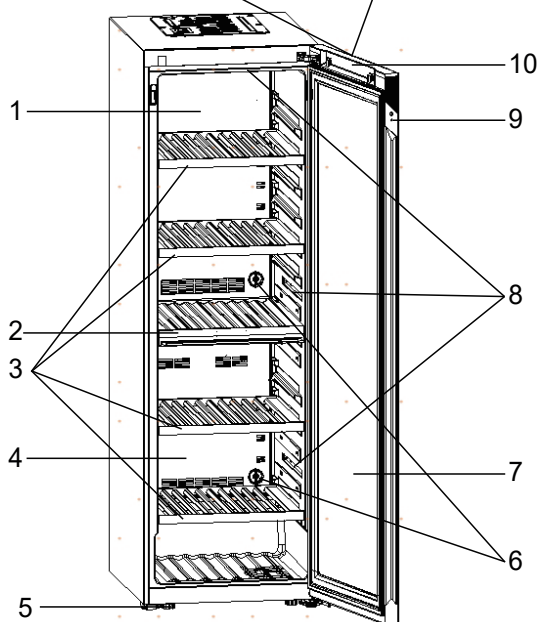
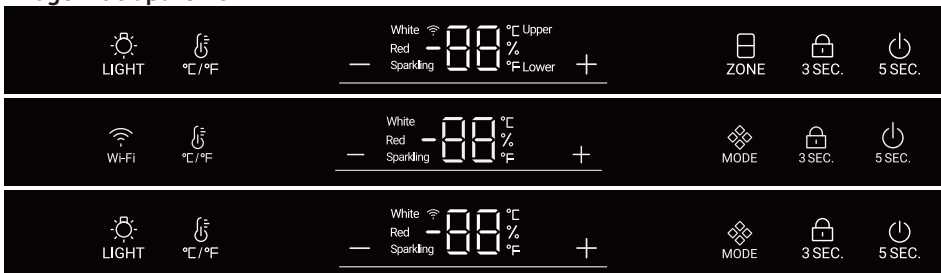
Nome	Manual do Utilizador	Cartão de serviço	Prateleira	Tampa articulada	Rótulo energético	Tecla	Pega	Parafuso	Tampa de rosca	Tampa	Prateleira de exposição
HWS247FAH1	1	1	5	1	1	2	1	4	2	1	1
HWS247GGU1	1	1	5	1	1	2	/	/	/	/	/
HWS236GDBGU1	1	1	4	1	1	2	/	/	/	/	/
HWS247FDU1	1	1	5	1	1	2	1	4	2	1	/
HWS247GEH1	1	1	5	1	1	2	/	/	/	/	/
HWS236GDEH1	1	1	4	1	1	2	/	/	/	/	/



Aviso

Devido a alterações técnicas e a modelos diferentes, algumas das ilustrações neste manual podem ser diferentes do seu modelo.

Imagem do aparelho



(HWS236GDGU1)

1. Defletor da conduta de ar superior
2. partição (para HWS236GDGU1/HWS236GDEH1)
3. Prateleira
4. Defletor da conduta de ar inferior
5. Pés ajustáveis
6. Filtro de carvão ativado (exceto HWS247FAH1)
7. Porta
8. Lâmpada LED
9. Fechadura
10. Visor

1. Desembalar

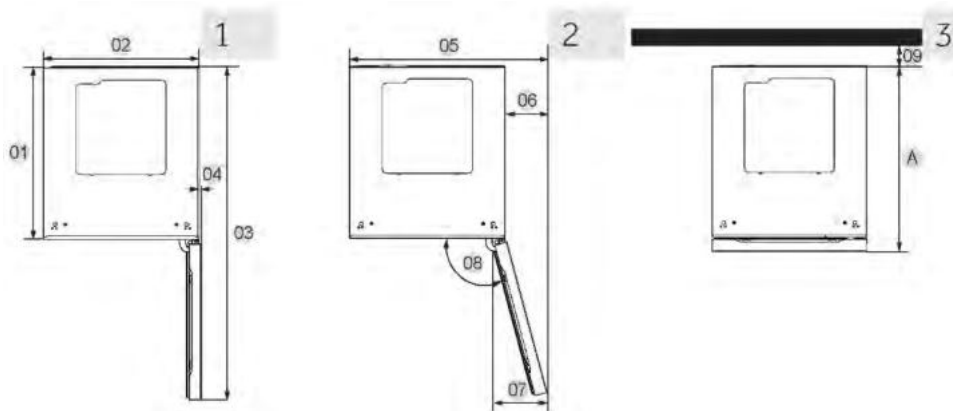
- ▶ Retire o aparelho da embalagem.
- ▶ Remova todos os materiais de embalagem, incluindo a base de espuma e toda fita adesiva com os acessórios.

2. Condições ambientes

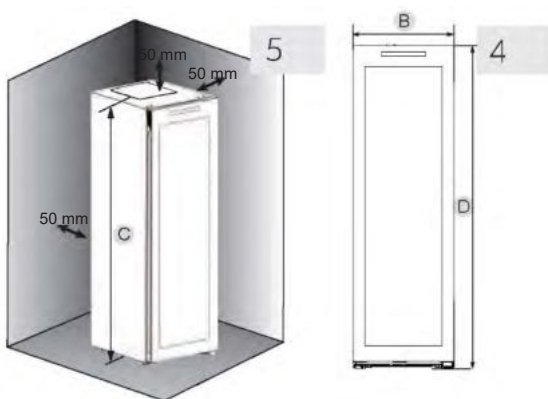
A temperatura ambiente deve estar sempre entre 10 °C e 38 °C, uma vez que pode influenciar a temperatura no interior do aparelho e o seu consumo de energia. Não instale o aparelho perto de outros aparelhos emissores de calor (fornos, frigoríficos) sem isolamento.

3. Requisitos de espaço

Espaço necessário para abrir a porta (Fig. 1, 2, 3, 4); por razões de segurança e energia, deve ser observada a distância de ventilação necessária de 50 mm em todas as direções (Fig. 5).



Medição: mm	HWS247GGU1 HWS247GEH1	HWS236GDGU1 HWS236GDEH1	HWS247FDU1 HWS247FAH1
Profundidade A	714	714	769
Largura B	597	597	603
Altura C	1905	1905	1905
Altura total D	1900	1900	1900
01	654	654	654
02	595	595	595/600
03	1273	1273	1280
04	11	11	16
05	756	756	805
06	161	161	210
07	200	200	200
08	105°	105°	105°
09	50	50	50





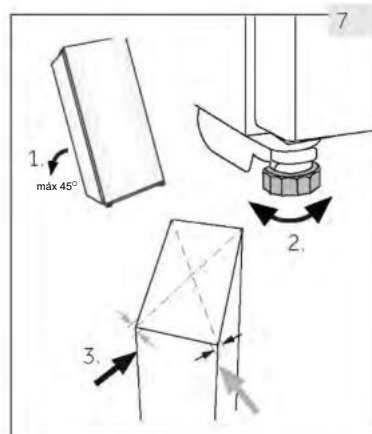
AVISO!

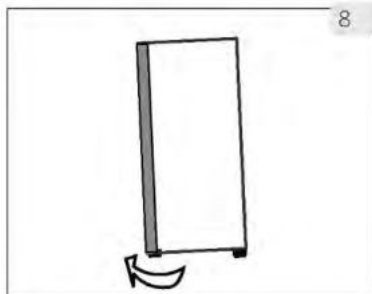
- ▶ Mantenha as aberturas de ventilação no aparelho ou na estrutura embutida livres de obstruções. Este frigorífico não se destina a ser utilizado como um aparelho de encastrar

5. Alinhar o aparelho

O aparelho deve ser colocado sobre uma superfície plana e sólida.

1. Incline o aparelho ligeiramente para trás (Fig. 7) .
2. Ajuste os pés dianteiros ajustáveis para o nível desejado, rodando-os.
3. A estabilidade pode ser verificada por empurrando alternadamente as diagonais. Uma ligeira oscilação deve ser a mesma em ambas as direções. Caso contrário, a estrutura pode empenar; a consequência pode ser fugas dos vedantes da porta. Uma leve inclinação para a traseira facilita o fecho da porta.



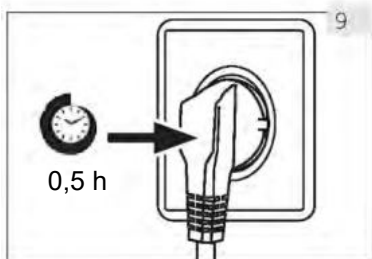


8. Ajuste fino da porta

O aparelho fecha mais facilmente se forem utilizados os pés de nivelamento na frente:

Rode os pés ajustáveis (Fig. 8) para os subir ou descer:

- ▶ Rodar os pés no sentido horário levanta o aparelho.
- ▶ Rodar os pés no sentido anti-horário baixa o aparelho.



7. Tempo de espera

O óleo de lubrificação sem manutenção está localizado na cápsula do compressor. Este óleo pode passar pelo sistema fechado do tubo durante o transporte se o aparelho estiver inclinado. Antes de ligar o aparelho à fonte de alimentação, aguarde 0.5 horas (Fig. 9) para que o óleo volte à cápsula.

8. Ligação elétrica

Antes de cada conexão verificar se:

- ▶ a fonte de alimentação, tomada e fusíveis são adequados à placa de classificação.
- ▶ a tomada de alimentação está ligada à terra sem fichas múltiplas nem extensão.
- ▶ a ficha de alimentação e a tomada estão corretamente ajustadas.

Ligue a ficha a uma tomada doméstica instalada corretamente.



AVISO!

Para evitar riscos, um cabo de alimentação danificado deve ser substituído pela assistência ao cliente (ver cartão de garantia).

9. Reversibilidade da porta

Antes de ligar o aparelho à fonte de alimentação, deve verificar se a rotação da porta deve ser mudada da direita (como fornecida) para a esquerda, se tal for exigido pelo local de instalação e pela usabilidade



AVISO!

- ▶ O aparelho é pesado. Precisa de duas pessoas para reverter o sentido de abertura da porta.
- ▶ Antes de qualquer operação, desligue primeiro o aparelho da rede elétrica.
- ▶ Não incline o aparelho mais de 45° para evitar danos ao sistema de arrefecimento.

Etapas de montagem

1. Arranje a ferramenta necessária.
2. Desligue o aparelho.
3. Retire a tampa da trave superior e a tampa pequena, instalação de transposição esquerda e direita da tampa pequena.
4. Retire a tampa da prateleira do cabo e a tampa do friso, instalação de transposição esquerda e direita da tampa decorativa. Remova o tampão de borracha da fechadura esquerda no interior do corpo da porta e instale-o na fechadura direita.
5. Retire a tampa da dobradiça. Utilize a ferramenta para remover 3 parafusos e remover o corpo do portal.
6. Retire os 3 parafusos sob o corpo do portal com a ferramenta, o came do corpo do portal e o batente da porta, a transposição esquerda e direita é instalada no outro lado do corpo do portal.
7. Retire o conjunto de dobradiças da caixa com a ferramenta; retire primeiro o came da dobradiça no conjunto inferior da dobradiça, substitua o eixo da dobradiça para o orifício do parafuso direito, conjunto. Instalação de transposição com o conjunto de suporte do rodízio no lado direito da caixa.
8. O corpo do portal é instalado verticalmente para baixo no eixo da dobradiça.
9. A dobradiça superior é inserida no orifício do eixo do corpo do portal, fixe a caixa com parafusos, instale a tampa da caixa de fios e a tampa do friso da trave superior.



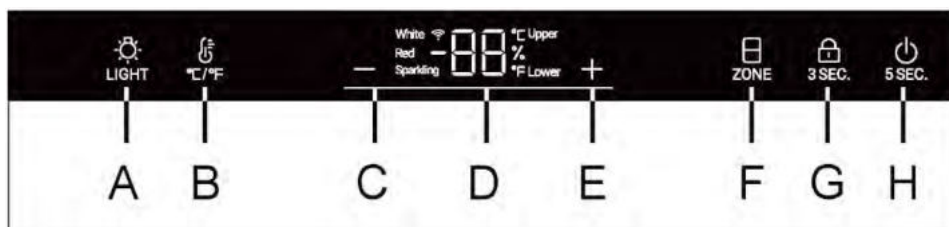
1. Antes da primeira utilização

- ▶ Remova todos os materiais de embalagem. Isso inclui a base de espuma e toda fita adesiva que segura os acessórios da garrafeira de vinho dentro e fora. Mantenha-os fora do alcance das crianças e elimine-os de forma ecológica.
- ▶ Limpe o interior e o exterior do aparelho com água e um detergente suave antes de colocar qualquer vinho no seu interior.
- ▶ Após o aparelho ter sido nivelado e limpo, aguarde pelo menos 2 horas antes de o ligar à fonte de alimentação. Se a sua garrafeira tiver sido inclinada por qualquer motivo, aguarde 24 horas antes de a ligar. Consulte a secção INSTALAÇÃO.
- ▶ Após ligar a unidade a uma tomada elétrica, deixe a unidade funcionar durante pelo menos 30 minutos para aclimatizar-se antes de efetuar quaisquer ajustes.
- ▶ A temperatura é ajustada automaticamente para 12 °C. Se desejar, pode alterar as temperaturas manualmente. Por favor, consulte TEMPERATURA.

2. Teclas de toque

Os botões no painel de controlo são teclas de toque, que respondem quando tocadas levemente com o dedo.

3. Descrição do painel de controlo



A Botão da luz interior

B Botão de conversão °C /°F

C Botão de ajuste de temperatura:
para baixo

D Visor

E Botão de ajuste de temperatura: para cima

F Botão de seleção da zona de temperatura

G Botão de bloqueio

H Botão para ligar/desligar

4. Função de bloqueio automático

No estado do ecrã de bloqueio, pressione de forma prolongada a tecla de bloqueio para 3S, o ecrã do visor exibe 3, 2 e 1, o ecrã do visor é desbloqueado e o ícone de bloqueio está meio aceso. Se não houver operação, o ecrã será bloqueado automaticamente após 30 segundos; no estado do ecrã de bloqueio, todos os ícones das teclas de bloqueio estão ativados e as teclas no ecrã de exibição não podem ser operadas (exceto a tecla de iluminação);

5. Função do botão de alimentação

Quando o ecrã estiver desligado, toque em qualquer tecla e o ecrã acende; ao premir de forma prolongada a tecla de alimentação, o ecrã de visualização exibe 5, 4, 3, 2 e 1, e a energia de toda a máquina é desligada. Quando a energia estiver desligada, prima de forma prolongada a tecla de alimentação para exibir 5, 4, 3, 2, 1. A energia é ligada.

6. Regulação da temperatura



Aviso

Predefinições

- ▶ Depois de ter conectado a unidade a uma tomada elétrica, deixe a unidade funcionar durante pelo menos 30 minutos para aclimatizar-se antes de fazer quaisquer ajustes.
- ▶ Quando o aparelho é ligado após a desconexão da fonte de alimentação principal, pode levar várias horas para que as temperaturas corretas sejam alcançadas. O tempo exato varia dependendo do ambiente e da temperatura.



Prima o botão ou , o visor começa a piscar. Prima o botão ou para definir a temperatura desejada. Intervalo de ajuste da temperatura: 5-20 °C (41-68 °F). Pare de premir a tecla durante 3 segundos, a temperatura é confirmada.

7. Função do modo ou zona

Prima o botão . A temperatura muda do espumante (8°C ou 47°F) para branco (12°C ou 54°F) e vermelho (16°C ou 61°F). (para HWS247GGU1/HWS247GEH1/HWS247FDU1/HWS247FAH1))

No estado de desbloqueio, o ícone "B" está totalmente ligado. Se o visor atual estiver na zona de temperatura superior, o ícone superior está ligado e o ícone inferior está desligado. Neste momento, prima a tecla "B", o ícone inferior acende-se e o ícone superior apaga-se.

(para HWS236GDBGU1/HWS236GDEH1)

Ajustes de temperatura recomendados

Vinho tinto	+13°C a +20°C (+55°F a + 68°C)	Vinho espumante Prosecco	+5°C a +8°C (+41°F a +47°F)	vinho.
Vinho branco	+9°C a +12°C (+48°F a +54°F)			

Se armazenar vinho durante longos períodos de tempo, este deve ser armazenado a uma temperatura entre +10 °C e +12 °C (50 °F e +54 °F).

8. Modo Standby

O ecrã é automaticamente obscurecido em 30 segundos.

Acende automaticamente quando qualquer tecla é tocada ou a porta é aberta.



Aviso **Influencias nas temperaturas**



A temperatura no interior do aparelho é influenciada pelos seguintes fatores:

- ▶ Temperatura ambiente
- ▶ Quantidade de garrafas armazenadas
- ▶ Frequência de abertura da porta
- ▶ A localização do aparelho

A configuração padrão é de 12°C

Quando o visor para de piscar, volta a mostrar a temperatura atual dentro da garrafeira. Vai demorar algum tempo para alcançar a temperatura definida.

9. Ajuste do modo de iluminação

Prima o botão . Quando as luzes no armário estão ligadas, as luzes acendem-se gradualmente. Quando pressionar o botão  mais uma vez as luzes serão desligadas gradualmente.

(exceto HWS247FDU1/HWS247FAH1)

10. Função °C/°F

Prima o botão  para alternar entre Fahrenheit e Celsius.

11. Função Wi-Fi

Prima o botão Wi-Fi durante 3 segundos, o botão Wi-Fi começa a piscar rapidamente e entra automaticamente no modo de configuração (para HWS247FDU1/HWS247FAH1).

12. Desligar a função de memória

Em caso de falha de energia, a adega irá guardar automaticamente a temperatura ajustada. Após a recuperação de energia, será posto a funcionar com base na temperatura definida antes da falha de energia.

13. Função de compensação a baixa temperatura

A garrafeira tem uma função de compensação de baixa temperatura para garantir a estabilidade da temperatura: Quando a temperatura ambiente é inferior à temperatura definida, a garrafeira inicia automaticamente a função de compensação de baixa temperatura, aquecendo o aparelho. Quando a temperatura no aparelho atinge a temperatura definida, a função de compensação de baixa temperatura é desligada automaticamente.

14. Alarme de abertura da porta

Se a porta for mantida aberta durante mais de 1 min, ouve-se um sinal sonoro que indica que a porta está fechada ou qualquer tecla no painel de visualização pode ser operada e, em seguida, o sinal sonoro deixa de se ouvir.

15. Configuração do modo Wi-Fi

CONECTIVIDADE PARÂMETROS WIRELESS

Tecnologia	Wi-Fi	Bluetooth
Standard	IEE 802.11 b/g/n	Bluetooth v4.2, BR/EDR, BLE
Banda(s) de frequência [MHz]	2401÷2483	2402÷2480
Potência máxima [mW] Banda(s) [MHZ]	100	10

INFORMAÇÕES SOBRE O PRODUTO

Como ativar o módulo Wi-Fi:

Pressione o botão de luz durante 3 segundos para ativar o Wi-Fi (exceto HWS247FDU1)

Pressione o botão Wi-Fi durante 3 segundos para ativar o Wi-Fi (para HWS247FDU1)

- . O módulo Wi-Fi liga-se e o ícone Wi-Fi começa a piscar.
- . Se a garrafeira estiver registada, mas o Wi-Fi estiver desligado, o ícone pisca.
- . Se a garrafeira estiver registada e conectada o ícone Wi-Fi está sempre aceso.
- . Para redefinir o Wi-Fi pressione a luz durante 3 segundos (exceto HWS247FDU1)
- . Para reiniciar o Wi-Fi, prima o Wi-Fi durante 3 segundos (para HWS247FDU1)

PROCEDIMENTO DE EMPARELHAMENTO NA APLICAÇÃO

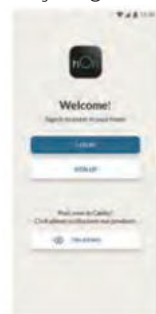
Passo 1

- Faça download da aplicação hOn nas lojas



Passo 2

- Faça login ou registre-se



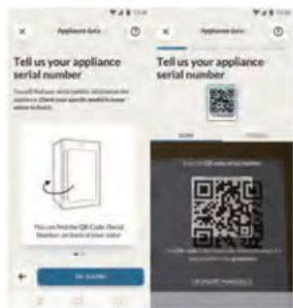
Passo 3

- Adicione um novo aparelho seleccionando a garrafeira da lista



Passo 4

- Digitalize o QR ou insira manualmente o número de série

**Passo 5**

- Prima o botão de luz do produto durante 3 s ativar o Wi-Fi (exceto HWS247FDU1/ HWS247FAH1)
Prima o botão Wi-Fi no produto durante 3 s ativar o Wi-Fi (para HWS247FDU1/ HWS247FAH1)

**Passo 6**

- O ícone wi-Fi piscará, o processo de emparelhamento está em curso. Tem 5 minutos para completar o processo de emparelhamento. Quando o processo estiver concluído o ícone Wi-Fi irá para de piscar e fica permanentemente aceso. **NOTA**





Dicas de poupança de energia

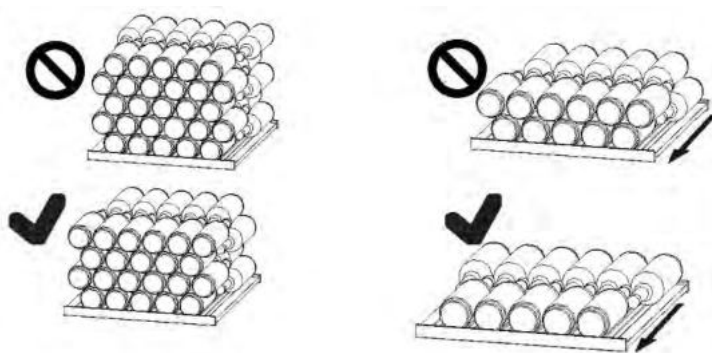
- ▶ Certifique-se de que o aparelho está devidamente ventilado (ver INSTALAÇÃO).
- ▶ Não instale o aparelho sob luz solar direta ou na proximidade de fontes de calor (por exemplo, fogões, aquecedores).
- ▶ Evite temperaturas desnecessariamente baixas no aparelho. O consumo de energia aumenta quanto menor for a temperatura do aparelho.
- ▶ Abra a porta do aparelho o mínimo e tão brevemente quanto possível.
- ▶ Não exceda a quantidade de garrafas prevista para evitar obstruir o fluxo de ar. Mantenha os vedantes da porta limpos para que a porta feche sempre corretamente.
- ▶ A configuração mais economizadora de energia implica que a gaveta, caixa de alimentos e prateleiras estejam posicionadas no aparelho tal como vêm de fábrica, e que os alimentos sejam colocados sem bloquear a saída de ar das condutas.

1. Prateleira


1. As prateleiras são projetadas para um armazenamento e remoção fáceis do vinho. Podem ser limpas com uma toalha macia.
2. Garrafas normais com diâmetro de 76 mm podem ser empilhadas.
3. Garrafas maiores podem ser empilhadas na prateleira inferior.
4. A quantidade variar do número ou garrafas ilustradas se forem empilhadas de forma diferente.

Conselhos sobre a disposição da sua garrafeira

Recomendamos que o número de garrafas de vinho não seja superior a quatro camadas em cada prateleira, e a capacidade das prateleiras do vinho não deve exceder 60 as garrafas dentro da garrafeira, confirmar se as prateleiras de vinho são completamente estáveis. Além disso, confirme se existe alguma garrafa saliente das prateleiras, a fim de evitar que as garrafas batam na porta de vidro ao fechar.



2. A luz

A luz interior LED acende-se quando a porta é aberta. Para acender a luz enquanto a porta está fechada, toque no botão  LIGHT. Para apagar as luzes, toque no botão novamente. Para aumentar a eficiência energética, as luzes devem ser desligadas quando a garrafeira não estiver a ser visualizada. (exceto HWS247FDU1/HWS247FAH1)

3. A fechadura

Para trancar a garrafeira, feche a porta e coloque a chave na fechadura:

- ▶ Tranque a porta rodando a chave no sentido dos ponteiros do relógio;
- ▶ Destranque a porta rodando a chave no sentido contrário ao dos ponteiros do relógio.

1. Descongelamento

O descongelamento da garrafeira é feito automaticamente; nenhuma operação manual é necessária.

2. Substituir a lâmpada LED

A lâmpada usa LED como sua fonte de luz, com baixo consumo de energia e longa vida útil. Se houver alguma anomalia, entre em contato com a assistência ao cliente. Consulte ASSISTÊNCIA AO CLIENTE.



AVISO!

Não substitua a lâmpada LED você mesmo. Só pode ser substituída pelo fabricante ou pelo agente de serviço autorizado.

Parâmetros da lâmpada LED:

Tensão de 12 V

Potência máxima: 18W

3. Não utilizar durante um período maior

Desligue o cabo de alimentação.

Limpe o aparelho e as juntas da porta conforme descrito acima.

Mantenha a porta aberta para evitar a criação de maus odores no interior.

4. Mover o aparelho

1. Remova todas as garrafas e desligue o aparelho.
2. Fixe prateleiras e outras peças móveis na garrafeira com fita adesiva.
3. Não incline a garrafeira mais de 45° para evitar danificar o sistema de refrigeração.

5. Troca de ar com filtro de carvão ativado (exceto HWS247FAH1)

A forma como os vinhos continuam a amadurecer depende das condições ambientais. A qualidade do ar é, portanto, decisiva para a preservação do vinho. Um filtro de carvão ativado foi instalado na área inferior da parede traseira do aparelho para eliminar resíduos de forma ótima.



Aviso

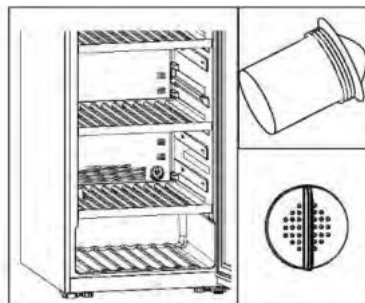
Recomendamos que substitua o filtro uma vez por ano. Pode obter os filtros do seu revendedor. (exceto HWS247FAH1)

Substituir o filtro:

Retire o filtro pela pega. Vire-o para a esquerda e remova.

Inserir o filtro:

Insira com a pega em posição vertical. Vire-o para a direita e insira.



Muitos problemas que ocorrem podem ser resolvidos por si mesmo sem experiência específica. Em caso de problema, por favor verifique todas as possibilidades apresentadas e siga as instruções abaixo antes de contactar um serviço pós-venda. Consulte ASSISTÊNCIA AO CLIENTE.

AVISO!

- ▶ Antes da manutenção, desative o aparelho e desligue a ficha da tomada.
- ▶ Os equipamentos elétricos devem ser reparados apenas por electricistas qualificados, uma vez que reparações inadequadas podem causar danos consequenciais consideráveis.
- ▶ Se o cabo de alimentação estiver danificado, este apenas pode ser substituído pelo fabricante, pelo agente de serviço ou por pessoas igualmente qualificadas de forma a evitar o perigo.

Código de erro	Causa	Solução
L2	Alarme de temperatura baixa quando a temperatura do sensor de controlo é demasiado baixa;	<ol style="list-style-type: none"> 1. Verifique a temperatura ambiente. 2. Verifique a ficha do compressor. 3. Verifique a resistência do sensor de controlo da temperatura.
H1	Quando a temperatura do sensor de controlo for demasiado elevada, o alarme de temperatura elevada será exibido no ecrã do visor;	<ol style="list-style-type: none"> 1. Verifique a ficha da placa de controlo ou do painel do visor. 2. Verifique a resistência e a tensão da ventoinha. 3. Verifique a ventoinha e a ficha do compressor.

Problema	Causa possível	Possível solução
O compressor não funciona.	<ul style="list-style-type: none"> A ficha de alimentação não está ligada na tomada de alimentação. 	<ul style="list-style-type: none"> Ligue a ficha de corrente.
O aparelho funciona frequentemente ou funciona por um período de tempo demasiado longo.	<ul style="list-style-type: none"> A temperatura exterior é muito alta. O aparelho foi desligado da alimentação por um período de tempo. Uma porta do aparelho não está bem fechada. A porta foi aberta com muita frequência ou por muito tempo. As juntas da porta estão sujas, desgastadas, rachadas ou não correspondem. A circulação de ar necessária não é garantida. A temperatura é demasiado baixa. 	<ul style="list-style-type: none"> Neste caso, é normal que o aparelho funcione mais tempo. Normalmente, demora algum tempo para o aparelho arrefecer completamente. Feche a porta e certifique-se de que o aparelho está localizado num piso e de que não há comida ou recipiente a obstruir a porta. Não abra a porta com demasiada frequência. Limpe a vedação da porta ou peça à assistência ao cliente que a substitua. Assegure uma ventilação adequada. O problema resolve-se quando a temperatura desejada tiver sido atingida.
O interior da garrafeira está sujo e/ou com cheiros.	<ul style="list-style-type: none"> O interior da garrafeira necessita de limpeza. 	<ul style="list-style-type: none"> Limpe o interior da garrafeira.
Não está frio o suficiente dentro do aparelho.	<ul style="list-style-type: none"> A temperatura está definida para demasiado alta. As garrafas foram adicionadas recentemente. Uma porta do aparelho não está bem fechada. A porta foi aberta com muita frequência ou por muito tempo. As juntas da porta estão sujas, desgastadas, rachadas ou não correspondem. 	<ul style="list-style-type: none"> Repór a temperatura. Deixe tempo para garrafas adicionadas recentemente atingirem a temperatura desejada. Feche a porta. Não abra a porta com demasiada frequência. Limpe a vedação da porta ou peça à assistência ao cliente que a substitua.
Está demasiado frio no interior do aparelho.	<ul style="list-style-type: none"> A temperatura é demasiado baixa. 	<ul style="list-style-type: none"> Repór a temperatura.

Problema	Causa possível	Possível solução
Formação de humidade no interior do compartimento do frigorífico.	<ul style="list-style-type: none"> • O clima é demasiado quente e demasiado húmido. • Uma porta do aparelho não está bem fechada. • A porta foi aberta com muita frequência ou por muito tempo. 	<ul style="list-style-type: none"> • Aumente a temperatura. • Feche a porta. • Não abra a porta/gaveta com muita frequência.
A humidade acumula-se na superfície externa da garrafeira.	<ul style="list-style-type: none"> • O clima é demasiado quente e demasiado húmido • A porta não está totalmente fechada. O ar frio no aparelho e o ar quente no exterior condensam. 	<ul style="list-style-type: none"> • Isso é normal num clima húmido e mudará quando a humidade diminuir. • Certifique-se de que a porta está bem fechada e que os vedantes selam corretamente.
O aparelho faz sons anormais	<ul style="list-style-type: none"> • O aparelho não está colocado sobre um piso nivelado. • O aparelho toca em algum objeto ao seu redor. 	<ul style="list-style-type: none"> • Ajuste os pés para nivelar o aparelho. • Remova objetos em redor do aparelho.
Deve ouvir-se um som leve semelhante ao de água a correr.	<ul style="list-style-type: none"> • Isto é normal 	<ul style="list-style-type: none"> • -
O sistema de iluminação interior ou de arrefecimento não funciona.	<ul style="list-style-type: none"> • A ficha de alimentação não está ligada à tomada de alimentação. • A fonte de alimentação não está intacta. • A lâmpada LED está avariada. 	<ul style="list-style-type: none"> • Ligue a ficha de corrente. • Verifique a alimentação elétrica da divisão. Ligue para a companhia de eletricidade local. • Por favor, ligue para a assistência para substituir
Os lados do refrigerador e a tira da porta ficam quentes	<ul style="list-style-type: none"> • Isto é normal. 	<ul style="list-style-type: none"> • -
A porta não fecha corretamente	<ul style="list-style-type: none"> • O aparelho não está nivelado. • A porta está bloqueada. 	<ul style="list-style-type: none"> • Nivele o aparelho com os pés de nivelamento. • Verifique se há obstruções como garrafas ou prateleiras.

Para contactar a assistência técnica, consulte o nosso website:

<https://corporate.haier-europe.com/en/>

Na seção "website", escolha a marca do seu produto e o seu país. Será redirecionado para o website específico onde pode encontrar o número de telefone e o formulário para contatar a assistência técnica.

Ficha de produto de acordo com o Regulamento UE N.º 2019/2016

Marca	Haier	Haier	Haier
Nome do modelo / identificador	HWS247GGU1 HWS247GEH1	HWS236GDGU1 HWS236GDEH1	HWS247FDU1/ HWS247FAH1
Categoria	Garrafeira	Garrafeira	Garrafeira
Classe de eficiência energética	G/E	G/E	D/A
Consumo anual de energia (kWh/ano) ¹⁾	184/107	184/107	85/44
Volume de armazenamento (L)	450	448	450
Classe climática: Este aparelho destina-se a ser utilizado a uma temperatura ambiente entre 10 °C e 38 °C.	SN N ST	SN N ST	SN N ST
Emissões de ruído aéreo (db(A) re 1pW)	C(37)/B(35)	C(37)/B(35)	C(37)/B(35)
Tipo de aparelho	Instalação independente	Instalação independente	Instalação independente
Este aparelho destina-se exclusivamente ao armazenamento de vinho.	Sim	Sim	Sim
Dimensões (L/D/A em mm)	597/714/1900	597/714/1900	603/769/1900

Explicações:

1) com base nos resultados do teste padrão durante 24 horas. O consumo real de energia depende do ambiente real, da quantidade de garrafas, da temperatura ajustada, da abertura e fecho da porta, etc.

2) O consumo nominal de energia é o valor obtido de acordo com o ensaio normal quando o armário de vinhos não acende a luz interna.

- temperado alargado: 'este aparelho de refrigeração destina-se a ser utilizado a uma temperatura ambiente entre 10 °C e 32 °C';
- temperado: 'este aparelho de refrigeração destina-se a ser utilizado a uma temperatura ambiente entre 16 °C e 32 °C';
- subtropical: 'este aparelho de refrigeração destina-se a ser utilizado a uma temperatura ambiente entre 16 °C e 38 °C';
- tropical: 'este aparelho de refrigeração destina-se a ser utilizado a uma temperatura ambiente entre 16 °C e 43 °C';

Normas e diretivas

Este produto cumpre os requisitos de todas as diretivas CE aplicáveis com as normas harmonizadas correspondentes, que permitem a marcação CE.

Recomendamos o nosso Serviço de Assistência ao Cliente da Haier e a utilização de peças de reposição originais.

Se tiver algum problema com o seu aparelho, verifique primeiro a secção RESOLUÇÃO DE PROBLEMAS.

Se não conseguir encontrar uma solução nesta secção, entre em contato

- ▶ com o seu revendedor local ou
- ▶ a área de Serviço e Suporte em www.haier.com onde pode encontrar números de telefone e perguntas frequentes e onde pode ativar um pedido de assistência.

Para contactar a nossa Assistência, certifique-se de que tem os seguintes dados disponíveis.

As informações podem ser encontradas na placa de classificação.

Modelo _____ N.º de série _____

Verifique também o cartão de garantia fornecido com o produto em caso de garantia.

Para consultas gerais, por favor encontre os nossos endereços na Europa abaixo:

Endereços da Haier na Europa			
País*	Endereço postal	País	Endereço postal
Itália	Haier Europe Trading SRL Via De Cristoforis, 12 21100 Varese ITÁLIA	França	Haier Europe Trading SRL Via De Cristoforis, 12 21100 Varese ITÁLIA
Espanha Portugal	Haier Iberia SL Pg. Garcia Faria, 49-51 08019 Barcelona ESPAÑA	Bélgica-FR Bélgica-NL Países Baixos Luxemburgo	Haier Benelux SA Anderlecht Route de Lennik 451 BÉLGICA
Alemanha Áustria	Haier Deutschland GmbH Hewlett-Packard-Str. 4 D-61352 Bad Homburg ALEMANHA	Polónia República Checa Hungria Grécia Roménia Rússia	Haier Poland Sp. zo.o. Al. Jerozolimskie 181B 02-222 Warszawa POLÓNIA
Reino Unido	Haier Appliances UK Co. Ltd. One Crown Square Church Street East Woking, Surrey, GU21 6HR REINO UNIDO		

DISPONIBILIDADE DE PEÇAS SOBRESSELENTES: Termostatos, sensores de temperatura, placas de circuitos impressos e fontes de luz estão disponíveis durante um período mínimo de sete anos após a colocação da última unidade do modelo no mercado. Puxadores da porta, dobradiças da porta, bandejas e cestos durante um período mínimo de sete anos e juntas da porta durante um período mínimo de 10 anos, depois de colocada a última unidade do modelo no mercado

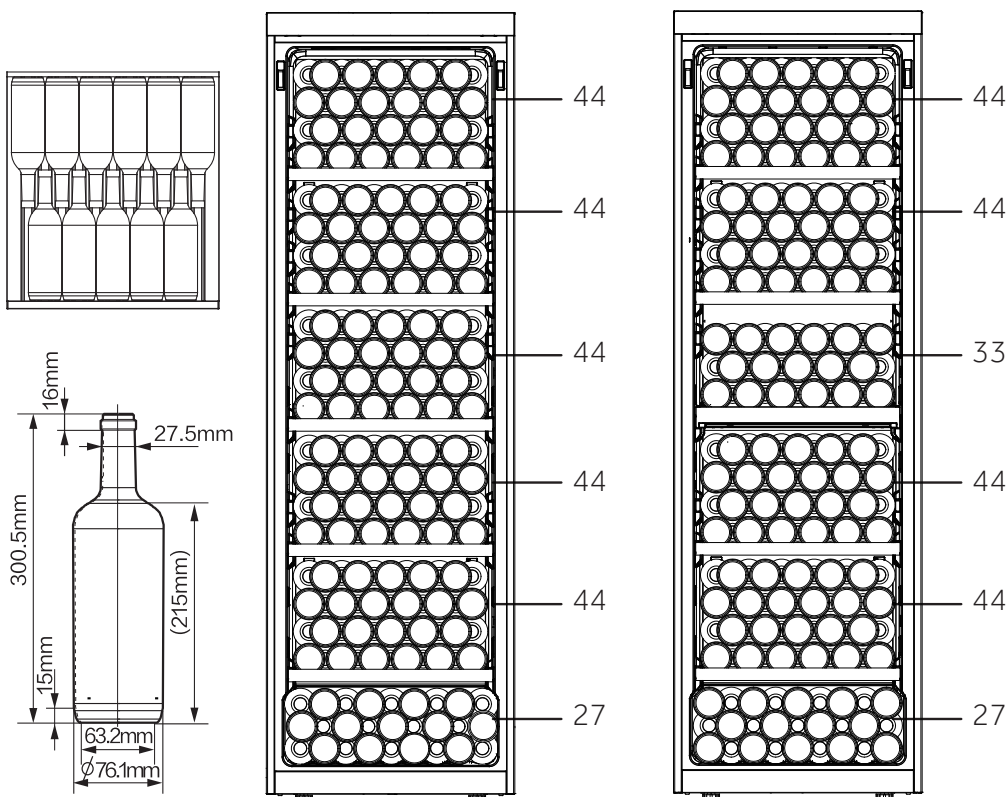
A garantia mínima é: 2 anos para os países da UE, 3 anos para a Turquia, 1 ano para o Reino Unido, 1 ano para a Rússia, 3 anos para a Suécia, 2 anos para a Sérvia, 5 anos para a Noruega, 1 ano para Marrocos, 6 meses para a Argélia, Tunísia nenhuma garantia legal necessária.

***Para mais informações sobre o produto, consulte <https://eprel.ec.europa.eu/> ou digitalize o código QR na etiqueta energética fornecida com o aparelho.**

Empilhamento de garrafas de vinho

PT

A disposição das garrafas é baseada na representação gráfica de uma garrafa Bordeaux padrão (0,75 l). Devido às diferentes especificações da garrafa, a quantidade real de carregamento da garrafa pode ser diferente.



HWS247GGU1
HWS247FDU1
HWS247GEH1
HWS247FAH1

HWS236GDU1
HWS236GDEH1

HWS-247FDU1-247GGU1-236GGDU1-247GEH1-236GDEH1-HWS247FAH1 - PT

Haier



Haier

Gebruikershandleiding

Wijnkast

HWS247FAH1
HWS247FDU1
HWS247GGU1
HWS247GEH1
HWS236GDEH1
HWS236GDGU1

NL

Haier

Bedankt voor de aankoop van dit Haier-product.

Lees deze instructies zorgvuldig door voordat u dit apparaat gebruikt. De instructies bevatten belangrijke informatie die u helpt het beste uit het apparaat te halen en veilige en correcte installatie, gebruik en onderhoud te waarborgen.

Bewaar deze handleiding op een handige plaats zodat u hem altijd kunt raadplegen voor een veilig en correct gebruik van het apparaat.

Als u het apparaat verkoopt, weggeeft of achterlaat wanneer u verhuist, zorg er dan voor dat u deze handleiding ook overdraagt, zodat de nieuwe eigenaar het apparaat en de veiligheidswaarschuwingen kan leren kennen.



Legenda



Waarschuwing – Belangrijke veiligheidsinformatie

Algemene informatie en tips



Milieu-informatie



Verwijdering

Help het milieu en de menselijke gezondheid te beschermen. Doe de verpakking in de daarvoor bestemde containers om deze te recyclen. Help het afval van elektrische en elektronische apparaten te recyclen. Gooi apparaten met dit symbool niet weg bij het huisvuil. Lever het product in bij uw plaatselijke recyclingfaciliteit of neem contact op met uw gemeentekantoor.



WAARSCHUWING!

Gevaar voor letsel of verstikking!

Koelmiddelen en gassen moeten professioneel worden verwijderd. Controleer of de leidingen van het koelmiddelcircuit niet zijn beschadigd voordat ze op de juiste manier worden afgevoerd. Haal de stekker van het apparaat uit het stopcontact. Knip het netsnoer af en gooi het weg. Verwijder de bakken en laden en de deurvergrendeling en -afdichtingen, om te voorkomen dat kinderen en huisdieren in het apparaat worden opgesloten.

Oude apparaten hebben nog enige restwaarde. Een milieuvriendelijke verwijderingsmethode zorgt ervoor dat waardevolle grondstoffen kunnen worden teruggewonnen en opnieuw kunnen worden gebruikt.

Cyclopentaan, een brandbare stof die niet schadelijk is voor de ozonlaag, wordt gebruikt als expansiemiddel voor het isolatieschuim

Door dit product op de juiste manier af te voeren, helpt u mogelijke negatieve gevolgen voor het milieu en de menselijke gezondheid te voorkomen, die anders zouden kunnen worden veroorzaakt.

Voor meer gedetailleerde informatie over het recyclen van dit product kunt u contact opnemen met uw gemeente, uw huisvuilverwijderingsdienst of de winkel waar u het product hebt gekocht, om het door professionals te laten afvoeren.

1 - Veiligheidsinformatie.....	4
2 - Veiligheidstips.....	7
3 - Onderhoud.....	11
4 - Accessoires.....	13
5 - Productbeschrijving.....	14
6 - Installatie.....	15
7 - Gebruik.....	19
8 - Energiebesparingenstips.....	24
9 - Apparatuur.....	25
10 - Onderhoud en reiniging.....	26
11 - Problemen oplossen.....	27
12 - Technische gegevens.....	30
13 - Klantenservice.....	31
14 - Wijnflessen stapelen.....	32

Dit apparaat is uitsluitend bedoeld voor het bewaren van wijn. Lees voordat u het apparaat voor het eerst inschakelt de volgende veiligheidstips:



WAARSCHUWING!

Vóór het eerste gebruik

- ▶ Controleer of er geen transportschade is.
- ▶ Verwijder alle verpakkingen, houd ze buiten bereik van kinderen en gooi ze op een milieuvriendelijke manier weg.
- ▶ Wacht ten minste een half uur voordat u het apparaat installeert, om er zeker van te zijn dat het koelmiddelcircuit volledig werkt.
- ▶ Verplaats het apparaat altijd met ten minste twee personen, het is namelijk zwaar.

Installatie

- ▶ Het apparaat moet op een goed geventileerde plaats worden geplaatst. Zorg voor een ruimte van ten minste 50 mm boven en rond het apparaat.
- ▶ **WAARSCHUWING:** Zorg ervoor dat de ventilatieopeningen in de behuizing van het apparaat of in de ingebouwde constructie open blijven.
- ▶ Plaats het apparaat nooit in een vochtige ruimte of op een plaats waar het met water kan worden bespat. Reinig en droog waterspatten en vlekken met een zachte, schone doek.
- ▶ Plaats uw wijnkast niet op een niet goed geïsoleerde of verwarmde plek, bijv. de garage, enz. Uw wijnkast is niet ontworpen om te werken bij een omgevingstemperatuur lager dan 10 °C.
- ▶ Installeer het apparaat niet in direct zonlicht of in de buurt van warmtebronnen (bijv. kachels, verwarmingstoestellen).
- ▶ Installeer het apparaat waterpas op een plaats die geschikt is voor de grootte en het gebruik ervan.
- ▶ Controleer of de elektrische informatie op het typeplaatje overeenkomt met de stroomvoorziening. Als dat niet het geval is, neem dan contact op met een elektricien.
- ▶ Het apparaat wordt gebruikt met een voeding van 220–240 VAC/50 Hz. Abnormale spanningsschommelingen kunnen ertoe leiden dat het apparaat niet start of dat de temperatuurregeling of de compressor beschadigd raakt of dat er tijdens het gebruik een abnormaal geluid optreedt. In dat geval moet er een automatische regelaar worden gemonteerd.
- ▶ Gebruik geen stekkerdozen en verlengkabels.

**WAARSCHUWING!**

- ▶ **WAARSCHUWING:** Plaats niet meerdere draagbare stopcontacten of draagbare voedingen op de achterkant van het apparaat.
- ▶ **WAARSCHUWING:** Zorg er bij het neerzetten van het apparaat voor dat het netsnoer niet bekneld of beschadigd raakt.
- ▶ Ga niet op de stroomkabel staan.
- ▶ Gebruik een apart geaard stopcontact voor de stroomvoorziening, dat gemakkelijk toegankelijk is. Het apparaat moet geaard zijn.
- ▶ **Alleen voor Groot-Brittannië:** Het netsnoer van het apparaat is voorzien van een 3-aderige (geaarde) stekker die past op een standaard 3-aderig (geaard) stopcontact. De derde pin (aarding) mag nooit worden afgesneden of gedemonteerd. Nadat het apparaat is geïnstalleerd, moet de stekker bereikbaar zijn.
- ▶ **WAARSCHUWING:** Beschadig het koelcircuit niet.

Dagelijks gebruik

- ▶ Dit apparaat mag worden gebruikt door kinderen vanaf 8 jaar en door personen met verminderde lichamelijke, zintuiglijke of geestelijke vermogens of met een gebrek aan kennis en ervaring, mits zij onder toezicht worden gehouden of instructies hebben gekregen om het apparaat veilig te kunnen gebruiken en de gevaren begrijpen die ermee gepaard gaan.
- ▶ Kinderen mogen niet met het apparaat spelen.
- ▶ Kinderen van 3 tot 8 jaar mogen wel koelapparatuur inladen en uitladen, maar niet reinigen en installeren.
- ▶ Houd kinderen onder de 3 jaar uit de buurt van het apparaat, tenzij ze voortdurend onder toezicht staan.
- ▶ Het schoonmaken en het onderhoud mag niet door kinderen worden uitgevoerd als er geen toezicht is.
- ▶ Het apparaat moet zo worden geplaatst dat de stekker bereikbaar is.
- ▶ Als er koolgas of ander brandbaar gas in de buurt van het apparaat lekt, moet u het ventiel van het lekkende gas sluiten, de deuren en ramen openen en mag u de stekker niet uit het stopcontact halen.
- ▶ Wacht minstens 7 minuten met het opnieuw aansluiten van de stroom nadat de stekker uit het stopcontact is gehaald.
- ▶ Til het apparaat niet op aan de deurgrepen.
- ▶ De sleutels moeten buiten het bereik van kinderen worden gehouden en mogen niet in de buurt van het apparaat worden bewaard, om te voorkomen dat kinderen in het apparaat worden opgesloten.



WAARSCHUWING!

- ▶ Let op, het apparaat is ingesteld om te werken bij het specifieke omgevingstemperatuurbereik van 10 tot 38°C. Het apparaat kan gedurende lange tijd bij een temperatuur boven of onder het aangegeven bereik niet goed werken.
- ▶ Plaats geen onstabiele voorwerpen (zware voorwerpen, containers gevuld met water) op het apparaat, om persoonlijk letsel door vallen of elektrische schokken door contact met water te voorkomen.
- ▶ Open en sluit de deur alleen met de handgrepen. De ruimte tussen de deur en de kast is zeer smal. Steek uw handen niet in deze ruimtes, om te voorkomen dat uw vingers bekneld raken. Open of sluit de deuren van het apparaat alleen als er geen kinderen zijn die zich binnen het bewegingsbereik van de deur bevinden.
- ▶ Bewaar of gebruik in het apparaat of in de omgeving geen brandbare, explosieve of corrosieve materialen.
- ▶ Sla geen explosieve stoffen, zoals spuitbussen met een brandbaar drijfgas, op in dit apparaat.
- ▶ Bewaar geen geneesmiddelen, bacteriën of chemische middelen in het apparaat. Dit is een huishoudelijk apparaat. Het wordt niet aanbevolen om materialen op te slaan die strikte temperaturen vereisen.
- ▶ Stel de temperatuur in de wijnkast niet onnodig laag in. Bij een hoge instelling kunnen temperaturen onder nul optreden. Let op: Flessen kunnen barsten
- ▶ Raak het binnenoppervlak van het apparaat niet aan wanneer het in werking is, vooral niet met natte handen, omdat uw handen aan het oppervlak vast kunnen vriezen.
- ▶ Voor een goede koeling van de wijn mag u het apparaat niet te vol laden.
- ▶ Haal de stekker van het apparaat uit het stopcontact wanneer er een stroomonderbreking optreedt of voordat u het schoonmaakt. Laat het apparaat minstens 7 minuten rusten voordat u het opnieuw opstart, omdat vaak starten de compressor kan beschadigen.
- ▶ **WAARSCHUWING:** Gebruik geen elektrische apparaten in het apparaat, tenzij deze van het type zijn dat door de fabrikant wordt aanbevolen. Om risico's te vermijden moet een beschadigd netsnoer worden vervangen door de klantenservice (zie garantiekaart).
- ▶ Om de levensduur van het apparaat te verlengen, moet u het niet uitschakelen.
- ▶ Plaats het apparaat nooit horizontaal op de grond. Nadat u het apparaat meer dan 45° heeft gekanteld, wacht u 24 uur voordat u het aansluit.



WAARSCHUWING!

Onderhoud/reiniging

- ▶ Zorg ervoor dat kinderen onder toezicht staan als ze schoonmaak en onderhoud uitvoeren.
- ▶ Haal de stekker van het apparaat uit het stopcontact voordat u routineonderhoud uitvoert. Laat het apparaat minstens 7 minuten rusten voordat u het opnieuw opstart, omdat vaak starten de compressor kan beschadigen.
- ▶ Houd de stekker vast, niet het snoer, wanneer u de stekker uit het stopcontact haalt.
- ▶ Reinig het apparaat niet met harde borstels, draadborstels, waspoeder, benzine, amylacetaat, aceton en soortgelijke organische oplossingen, zure of alkalische oplossingen. Reinig het apparaat met een speciaal reinigingsmiddel voor koelkasten/vriezers om schade te voorkomen. U kunt eventueel ook een oplossing van warm water en zuiveringszout gebruiken – ongeveer een eetlepel zuiveringszout per liter water. Spoel grondig af met water en veeg droog. Gebruik geen schoonmaakpoeder of andere schurende middelen. Was verwijderbare onderdelen niet in een vaatwasser.
- ▶ **WAARSCHUWING:** Gebruik geen mechanische apparaten of andere middelen om het ontdooien te versnellen, behalve als deze door de fabrikant worden aanbevolen.
- ▶ Als het netsnoer beschadigd is, moet het worden vervangen door de fabrikant, diens servicevertegenwoordiger of vergelijkbaar gekwalificeerde personen om gevaar te voorkomen.
- ▶ Probeer het apparaat niet zelf te repareren, te demonteren of te wijzigen. In geval van reparatie kunt u contact opnemen met onze klantenservice.
- ▶ Als de lampen zijn beschadigd, moeten deze worden vervangen door de fabrikant, diens servicevertegenwoordiger of vergelijkbaar gekwalificeerde personen om gevaar te voorkomen.
- ▶ Verwijder het stof aan de achterkant van het toestel ten minste eenmaal per jaar om brandgevaar en een verhoogd energieverbruik te voorkomen.

- ▶ Spuit niet op het apparaat en spoel het niet af tijdens het reinigen.
- ▶ Gebruik geen waterstraal of stoom om het apparaat schoon te maken.
- ▶ Reinig de koude glazen deur niet met warm water. Door plotselinge temperatuurveranderingen kan het glas breken.
- ▶ Als u het apparaat voor langere tijd buiten gebruik laat, laat het dan open staan om te voorkomen dat er binnenin onaangename geuren ontstaan.

Informatie over koelgas



WAARSCHUWING!

Het apparaat bevat het brandbare koelmiddel ISOBUTAAN (R600a). Controleer of het koelcircuit tijdens transport of installatie niet is beschadigd. Lekkend koelmiddel kan oogletsel veroorzaken of ontbranden. Als er schade is opgetreden, weghouden van open vuurbronnen, de kamer grondig ventileren, de stekker van het apparaat of enig ander apparaat niet in het stopcontact steken of eruit halen. Informeer de klantenservice.

Als de ogen in contact komen met het koelmiddel, spoel het dan onmiddellijk onder stromend water af en bel onmiddellijk de oogspecialist.

WAARSCHUWING: Het koelsysteem staat onder hoge druk. Wijzig er niets aan. Aangezien er brandbare koelmiddelen worden gebruikt, moet u het apparaat volgens de aanwijzingen installeren, verplaatsen en onderhouden en moet u contact opnemen met de professionele vertegenwoordiger of onze klantenservice om het apparaat te verwijderen.

Bedoeld gebruik

Dit apparaat is bedoeld voor huishoudelijk gebruik of voor soortgelijke toepassingen, zoals:

- personeelskeukens in winkels, kantoren en andere werkomgevingen;
 - op boerderijen en door gasten van hotels, motels en andere woonomgevingen;
 - in bed-and-breakfast-omgevingen;
 - voor catering en dergelijke toepassingen die niet voor de kleinhandel zijn.
- Neem deze gebruiksinstructies in acht om een veilige bewaring van de wijn te garanderen.
- De gegevens over het meest geschikte gedeelte in de koelruimte van het toestel waar specifieke soorten levensmiddelen moeten worden opgeslagen, rekening houdend met de verdeling van de temperatuur die in de verschillende ruimten van het apparaat aanwezig kan zijn, staan in het andere deel van de handleiding.

Wijzigingen of aanpassingen aan het apparaat zijn niet toegestaan. Onbedoeld gebruik kan risico's en verlies van garantieclaims veroorzaken.

Verwijdering



Het symbool  op het product of op de verpakking geeft aan dat dit product niet als huishoudelijk afval mag worden behandeld. In plaats daarvan moet het worden ingeleverd bij het toepasselijke inzamelpunt voor de recycling van elektrische en elektronische apparatuur. Door dit product correct te verwijderen, helpt u potentiële negatieve gevolgen voor het milieu en de menselijke gezondheid te voorkomen, die anders door de verkeerde behandeling van dit product als afval zouden kunnen worden veroorzaakt. Voor meer gedetailleerde informatie over de recycling van dit product neemt u contact op met het gemeentekantoor in uw woonplaats, de dienst voor verwijdering van huishoudelijk afval of de winkel waar u het apparaat hebt gekocht.

Aangezien er brandbare isolatiegassen worden gebruikt, moet u contact opnemen met de professionele vertegenwoordiger of onze klantenservice om het apparaat te verwijderen.

WAARSCHUWING!

Gevaar voor verstikking!

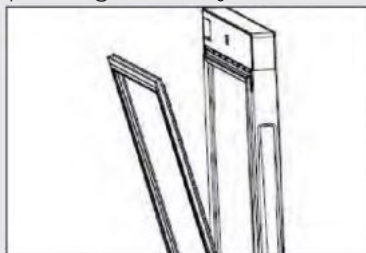
Koelmiddelen en gassen moeten professioneel worden verwijderd. Controleer of de leidingen van het koelmiddelcircuit niet zijn beschadigd voordat ze op de juiste manier worden afgevoerd. Haal de stekker van het apparaat uit het stopcontact. Knip het netsnoer af en gooi het weg. Verwijder de bakken en laden en de deurvergrendeling en -afdichtingen, om te voorkomen dat kinderen en huisdieren in het apparaat worden opgesloten.

- ▶ **WAARSCHUWING:** Haal de stekker van het apparaat uit het stopcontact voordat u het reinigt.
- ▶ Reinig het apparaat niet met harde borstels, draadborstels, waspoeder, benzine, amylacetaat, aceton en soortgelijke organische oplossingen, zure of alkalische oplossingen. Reinig het apparaat met een speciaal reinigingsmiddel voor koelkasten om schade te voorkomen.
- ▶ Reinig het apparaat wanneer u er maar weinig of geen wijn in bewaart. Reinigen is alleen nodig indien het apparaat vuil is.
- ▶ Reinig de binnenkant en behuizing van het apparaat met een spons die is bevochtigd in warm water en een neutraal reinigingsmiddel.
- ▶ Spoel af met schoon warm water en droog het af met een zachte doek.
- ▶ Reinig de onderdelen van het apparaat niet in een vaatwasser.
- ▶ Laat het apparaat minstens 7 minuten rusten voordat u het opnieuw opstart, omdat vaak opstarten de compressor kan beschadigen.



De deurpakking reinigen:

- ▶ De deurpakkingen moeten om de 3 maanden worden gereinigd om een goede afdichting te verzekeren. Zoals hieronder:
 Verwijderen: Pak de deurpakking vast en trek hem naar buiten in de richting van de pijl om de hele deurpakking te verwijderen. Doop de borstel in water of voedselkwaliteit alcohol, reinig eerst de groef van de deurpakking door de borstel heen en weer te trekken. Veeg vervolgens het oppervlak van de deurpakking af met een handdoek die gedrenkt is in water of alcohol van voedselkwaliteit. Was tot slot de deurpakking schoon en veeg deze droog met een schone handdoek.



De deurpakking installeren na het reinigen:

Zorg er voor de installatie voor dat er geen water op de deurpakking staat. Steek de pakking van de deur in de groef en duw de deurpakking van boven naar beneden met de hand stevig aan totdat de hele deurpakking in de groef zit.

De schappen schoonmaken:

- ▶ Alle schappen kunnen worden verwijderd voor reiniging.
- ▶ Haal alle flessen uit het apparaat.
- ▶ Til elk schap een beetje op en verwijder.
- ▶ Reinig het schap met een zachte handdoek.
- ▶ Wacht totdat de schappen droog zijn voordat u ze terugplaatst.

WAARSCHUWING:

Wacht minstens 7 minuten met het opnieuw aansluiten van de stroom nadat de stekker uit het stopcontact is gehaald.

Controleer de accessoires en literatuur volgens deze lijst: zonder isolatie.

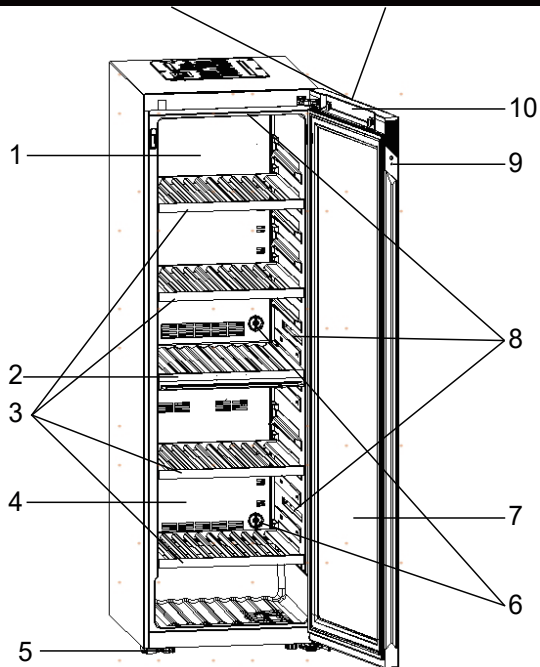
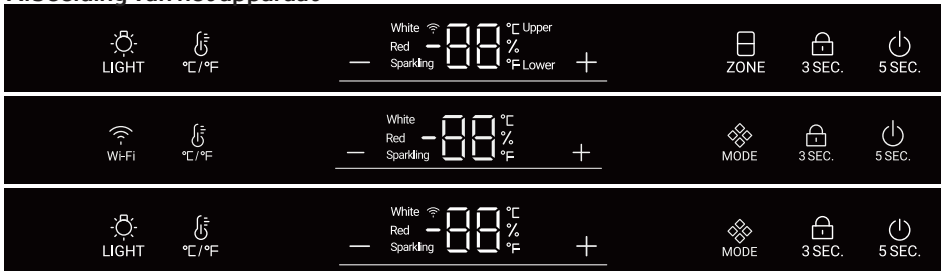
Naam	Gebruikers-handleiding	Servicekaart	Schap	Scharnier-afdekking	Energie-label	Sleutel	Handgreep	Schroef	Schroefdop	Afdekking	Displayplank
HWS247FAH1	1	1	5	1	1	2	1	4	2	1	1
HWS247GGU1	1	1	5	1	1	2	/	/	/	/	/
HWS236GDGU1	1	1	4	1	1	2	/	/	/	/	/
HWS247FDU1	1	1	5	1	1	2	1	4	2	1	/
HWS247GEH1	1	1	5	1	1	2	/	/	/	/	/
HWS236GDEH1	1	1	4	1	1	2	/	/	/	/	/



Let op

Door technische wijzigingen en verschillende modellen kunnen sommige afbeeldingen in deze handleiding afwijken van uw model.

Afbeelding van het apparaat



(HWS236GDGU1)

- | | |
|---|---|
| 1. Bovenste luchtkanaalverdeler | 6. Geactiveerde koolstoffilter (behalve HWS247FAH1) |
| 2. tussenschot (voor HWS236GDGU1/HWS236GDEH1) | 7. Deur |
| 3. Schap | 8. Ledlamp |
| 4. Onderste luchtkanaalverdeler | 9. Vergrendelen |
| 5. Verstelbare pootjes | 10. Display |

1. Uitpakken

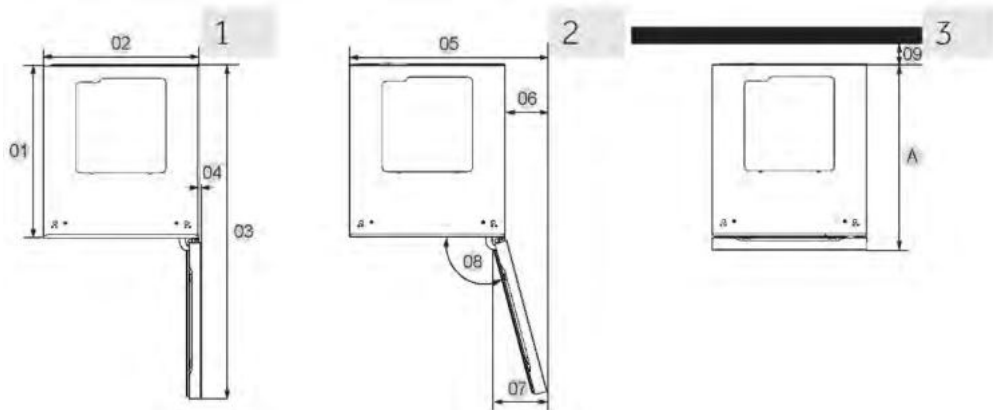
- ▶ Haal het apparaat uit de verpakking.
- ▶ Verwijder al het verpakkingsmateriaal, inclusief de schuimbodem en al het plakband waarmee de accessoires vastzitten.

2. Omgevingsomstandigheden

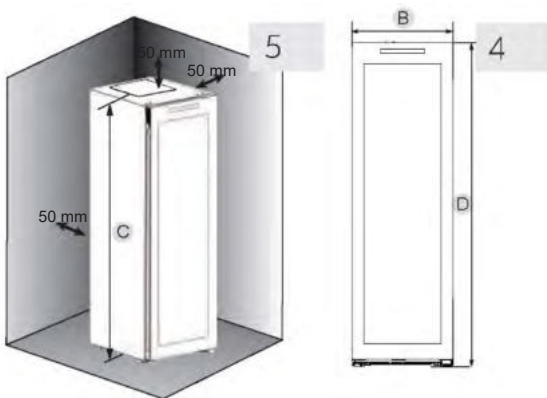
De kamertemperatuur moet altijd tussen 10°C en 38°C liggen, aangezien het de temperatuur in het apparaat en het energieverbruik kan beïnvloeden. Installeer het apparaat niet in de buurt van andere warmtebronnen (ovens, koelkasten) zonder isolatie.

3. Benodigde ruimte

De vereiste ruimte om de deur te openen (afb. 1, 2, 3, 4). Voor veiligheid en vanwege energie moet de vereiste ventilatieafstand van 50 mm in alle richtingen in acht worden genomen (afb. 5).



Meting: mm	HWS247GGU1 HWS247GEH1	HWS236GDU1 HWS236GEH1	HWS247FDU1 HWS247FAH1
Diepte A	714	714	769
Breedte B	597	597	603
Hoogte C	1905	1905	1905
Totale hoogte D	1900	1900	1900
01	654	654	654
02	595	595	595/600
03	1273	1273	1280
04	11	11	16
05	756	756	805
06	161	161	210
07	200	200	200
08	105°	105°	105°
09	50	50	50





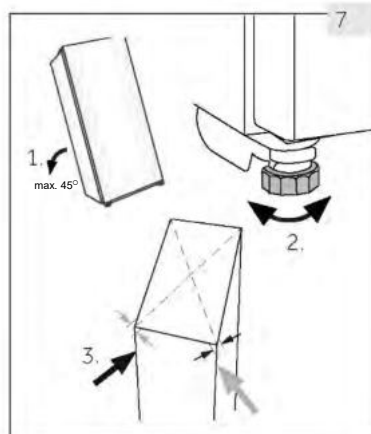
WAARSCHUWING!

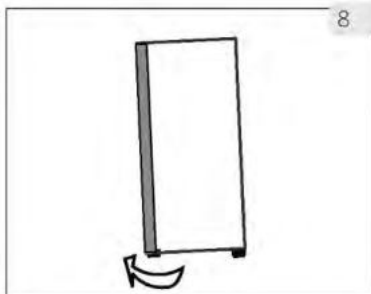
- Zorg ervoor dat de ventilatieopeningen in het apparaat of in de ingebouwde constructie open blijven. Dit koelapparaat is niet bedoeld voor gebruik als inbouwapparaat

5. Het apparaat uitlijnen

Plaats het apparaat op een vlakke en vaste ondergrond.

1. Kantel het apparaat iets naar achteren (afb. 7) .
2. Stel de verstelbare voorste pootjes in op het gewenste niveau door ze te draaien.
3. De stabiliteit kan worden gecontroleerd door afwisselend op de diagonalen te duwen. De lichte slingering moet in beide richtingen hetzelfde zijn. Anders kan het frame kromtrekken; mogelijk lekkende deurafdichtingen zijn het resultaat. Een kleine helling naar achteren vergemakkelijkt het sluiten van de deur.



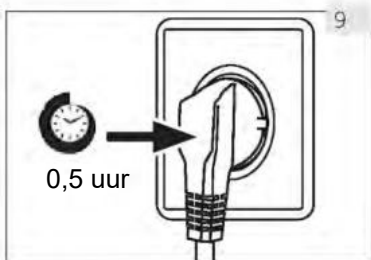


6. Fijnafstelling van de deur

Het apparaat sluit gemakkelijker af als de stelvoetjes aan de voorkant worden gebruikt:

Draai aan de verstelbare voetjes (afb. 8) om ze omhoog of omlaag te draaien:

- ▶ Door de voetjes rechtsom te draaien, gaat het apparaat omhoog.
- ▶ Door de voetjes linksom te draaien, gaat het apparaat omlaag



7. Wachtijd

De onderhoudsvrije smeerolie bevindt zich in de behuizing van de compressor. Deze olie kan tijdens het vervoer door het gesloten leidingsysteem komen als het apparaat wordt gekanteld. Voordat u het apparaat op de voeding aansluit, wacht u 0,5 uur (afb. 9) zodat de olie weer in de behuizing loopt.

8. Elektrische aansluiting

Controleer vóór elke aansluiting of:

- ▶ voeding, stopcontact en zekering geschikt zijn volgens het typeplaatje;
- ▶ het stopcontact is geaard en er geen stekkerdoos of verlengsnoer is;
- ▶ de stekker en het stopcontact goed passen.

Sluit de stekker aan op een correct geïnstalleerd huishoudelijk stopcontact.



WAARSCHUWING!

Om risico's te vermijden moet een beschadigd netsnoer worden vervangen door de klantenservice (zie garantietaal).

9. Omkeerbaarheid van de deur

Voordat u het apparaat aansluit op de voeding, moet u controleren of de zwaai van de deur moet veranderen van rechts (zoals geleverd) naar links, als dat nodig is voor de installatieplaats en de bruikbaarheid.



WAARSCHUWING!

- ▶ Het apparaat is zwaar. Er zijn twee personen nodig om de deur om te keren.
- ▶ Haal de stekker van het apparaat uit het stopcontact voordat u eraan gaat werken.
- ▶ Kantel het apparaat niet meer dan 45° om schade aan het koelsysteem te voorkomen.

Montagestappen

1. Zorg voor het nodige gereedschap.
2. Haal de stekker van het apparaat uit het stopcontact.
3. Verwijder het bovenste balkdeksel en het kleine deksel. Installeer de links/rechts-omzetting van het kleine deksel.
4. Verwijder het deksel van de kabelgoot en het trimdeksel. Installeer de links/rechts-omzetting van de decoratieve afdekking. Verwijder de zwarte rubberen stop uit het linker sleutelgat aan de binnenkant van de deur en installeer deze op het rechter sleutelgat.
5. Verwijder de scharnierafdekking. Gebruik het gereedschap om de 3 schroeven te verwijderen en de portaalbehuizing te verwijderen.
6. Verwijder de 3 schroeven onder de portaalbehuizing met het gereedschap, het portaalbehuizingsnokje en de deurstop. Installeer de links/rechts-omzetting aan de andere kant van de portaalbehuizing.
7. Verwijder het busscharnier met het gereedschap. Verwijder eerst het scharniernokje in de onderste scharnierset, verplaats de scharnieras naar het rechter schroefgat, monteer. Plaats de installatie met de wielondersteuningseenheid aan de rechterzijde van de bus.
8. De portaalbehuizing wordt verticaal neerwaarts op de scharnieras geplaatst.
9. Het bovenste scharnier wordt in het schachtgat van de portaalbehuizing geplaatst. Zet de box vast met schroeven, plaats de afdekking van de draadbus en de afdekking van de bovenste balk.



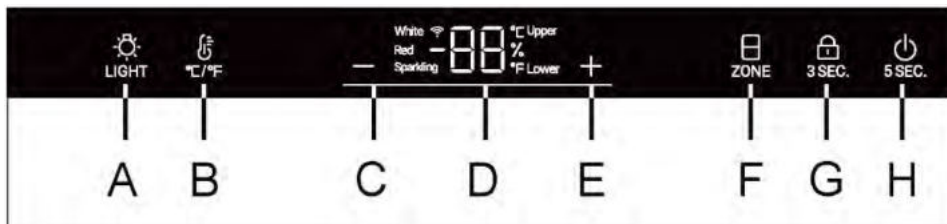
1. Vóór het eerste gebruik

- ▶ Verwijder al het verpakkingsmateriaal. Dit geldt zowel voor de schuimbasis als voor al het plakband waarmee de accessoires van de wijnkast zowel binnen als buiten vastzitten. Houd het buiten het bereik van kinderen en gooi het weg op een milieuvriendelijke manier.
- ▶ Reinig de binnen- en de buitenkant van het apparaat met water en een mild reinigingsmiddel voordat u er wijn in plaatst.
- ▶ Nadat het apparaat waterpas is gezet en is schoongemaakt, moet u minstens 2 uur wachten voordat u het aansluit op het elektriciteitsnet. Als uw wijnkast om welke reden dan ook is gekanteld, wacht dan 24 uur voordat u het apparaat aansluit. Raadpleeg hoofdstuk INSTALLATIE.
- ▶ Nadat u het apparaat hebt aangesloten op een stopcontact, laat u het minstens 30 minuten werken om te acclimatiseren voordat u eventuele aanpassingen aanbrengt.
- ▶ De temperatuur wordt automatisch ingesteld op 12 °C. Als u wilt, kunt u de temperatuur handmatig veranderen. Zie TEMPERATUUR.

2. Aanraaktoetsen

De toetsen op het bedieningspaneel zijn aanraaktoetsen, die reageren als ze licht met de vinger worden aangeraakt.

3. Beschrijving van het bedieningspaneel



- | | |
|--------------------------------|--------------------------------------|
| A Binnenverlichtingstoets | E Temperatuurregeltoets: hoger |
| B °C/°F-omzettingstoets | F Knop voor selectie temperatuurzone |
| C Temperatuurregeltoets: lager | G Vergrendelingstoets |
| D Display | H Aan/uit-toets |

4. Automatische vergrendelfunctie

Houd in de vergrendelingsstatus de vergrendelingstoets 3 seconden ingedrukt. Het display toont 3, 2 en 1, het display wordt ontgrendeld en het slotpictogram is half verlicht. Als er geen actie wordt uitgevoerd, dan wordt het scherm na 30 seconden automatisch vergrendeld. In de vergrendelingsstatus branden de pictogrammen van alle vergrendelde toetsen op het display en kunnen de toetsen op het display niet worden bediend (behalve de lichttoets).

5. Functie aan/uit-toets

Wanneer het scherm is uitgeschakeld, raakt u een willekeurige toets aan en dan licht het scherm op. Houd de aan/uit-toets ingedrukt en het display toont 5, 4, 3, 2 en 1, en de stroom in het gehele apparaat wordt uitgeschakeld. Wanneer het apparaat uit is, houdt u de aan/uit-toets ingedrukt en 5, 4, 3, 2, 1 wordt weergegeven. De stroom is ingeschakeld.

6. Temperatuurinstelling

Let op


Voorinstellingen

- ▶ Nadat u het apparaat hebt aangesloten op een stopcontact, laat u het minstens 30 minuten werken om te acclimatiseren voordat u eventuele aanpassingen aanbrengt.
- ▶ Wanneer het apparaat wordt ingeschakeld nadat de stekker uit het stopcontact is gehaald, kan het enkele uren duren voordat de juiste temperaturen zijn bereikt. De exacte tijd verschilt afhankelijk van de omgeving en de temperatuurinstelling.



Druk op de toets  of . Het display begint te knipperen. Druk op de toets  of  om de gewenste temperatuur in te stellen. Het temperatuurbereik: 5–20°C (41–68°F). Stop 3 seconden met het indrukken van de toets en de temperatuur wordt bevestigd.

7. Modus of Zone-functie

Druk op de toets . De temperatuur wisselt van Sparkling (mousserend, 8 °C of 47° F) naar White (wit, 47 °C of 12 °F) en Red (rood, 54 °C of 61° F). voor HWS247GGU1/HWS247GEH1/HWS247FDU1/HWS247FAH1)

In de ontgrendelde toestand staat het pictogram  volledig aan. Als de huidige weergave zich in de bovenste temperatuurzone bevindt, gaat het bovenste pictogram aan en het onderste pictogram uit. Druk nu op de toets ; het onderste pictogram gaat aan en het bovenste pictogram gaat uit.

(voor HWS236GDGU1/HWS236GDEH1)

Aanbevolen temperatuurinstellingen

Rode wijn	+13 °C tot +20 °C (+55°F tot +68°F)	Mousserende wijn Prosecco	+5°C tot +8°C (+41 °F tot +47 °F)
Witte wijn	+9 °C tot +12 °C (+48 °F tot +54 °F)		

Als u wijn voor langere tijd opslaat, moet deze worden bewaard bij een temperatuur tussen +10 °C en +12 °C (50 °F en +54 °F).

8. Stand-bymodus

Het display wordt automatisch 30 seconden gedimd.

Het licht automatisch op wanneer er een toets wordt aangeraakt of de deur wordt geopend.



Let op Invloeden op de temperatuur



De temperatuur in het apparaat wordt beïnvloed door de volgende factoren:

- ▶ Omgevingstemperatuur
- ▶ Frequentie van het openen van de deur
- ▶ Aantal opgeslagen flessen
- ▶ De plaats van het apparaat

De standaardinstelling is 12 °C

Wanneer het display stopt met knipperen, gaat het terug naar het weergeven van de huidige temperatuur in de wijnkast. Het zal enige tijd duren om de ingestelde temperatuur te bereiken.

9. De verlichtingsmodus instellen

Druk op de toets . Wanneer de verlichting in de kast aan is, gaan de lichten geleidelijk branden. Wanneer u nogmaals op de toets  drukt, gaan de lichten geleidelijk uit.
(okuggyako HWS247FDU1/HWS247FAH1)

10. °C/°F-functie

Druk op de toets  om af te wisselen tussen Fahrenheit en Celsius.

11. Wifi-functie

Druk 3 seconden op de wifiknop. De wifiknop begint snel te knipperen en de configuratiemodus (voor HWS247FDU1/HWS247FAH1) start automatisch.

12. Aan/uit-geheugenfunctie

Bij een stroomstoring slaat de wijnkast automatisch de ingestelde temperatuur op. Nadat de stroom terug is, werkt het apparaat op basis van de ingestelde temperatuur voor de stroomuitval.

13. Lage-temperatuurcompensatiefunctie

De wijnkast heeft een lage-temperatuurcompensatiefunctie om de stabiliteit van de temperatuur te waarborgen: Wanneer de omgevingstemperatuur lager is dan de ingestelde temperatuur, start de wijnkast automatisch de lage-temperatuurcompensatiefunctie, waardoor het apparaat wordt verwarmd. Wanneer de temperatuur in de toepassing de ingestelde temperatuur bereikt, wordt de lage-temperatuurcompensatiefunctie automatisch uitgeschakeld.

14. Alarm deur open

Als de deur meer dan 1 minuut open blijft, piept de zoemer om een alarm te geven totdat de deur gesloten is; er kan ook een willekeurige toets op het displaypaneel worden gebruikt om de zoemer te laten stoppen met piepen.

15. Wifi-modus instellen

CONNECTIVITEIT DRAADLOZE PARAMETERS

Technologie	Wifi	Bluetooth
Standaard	IEE 802.11 b/g/n	Bluetooth v4.2, BR/EDR, BLE
Frequentieband(en) [MHz]	2401÷2483	2402÷2480
Maximaal vermogen [mW] band(en) [MHz]	100	10

PRODUCTINFORMATIE

De wifimodule inschakelen:

Houd de lichtknop 3 seconden ingedrukt om de wifi-module te activeren (behalve HWS247FDU1/HWS247FAH1)

Houd de wifiknop 3 seconden ingedrukt om de wifi-module te activeren (voor HWS247FDU1/HWS247FAH1). De wifimodule is ingeschakeld en het wifipictogram begint te knipperen.

. Als de wijnkast is geregistreerd, maar de wifi uit is, knippert het pictogram.

. Als de wijnkast is geregistreerd en is verbonden, is het wifi-pictogram altijd aan.

. Om de wifi te resetten, houdt u het lampje 3 seconden ingedrukt (behalve HWS247FDU1/HWS247FAH1). Om de wifi te resetten, houdt u wifi 3 seconden ingedrukt (voor HWS247FDU1/HWS247FAH1)

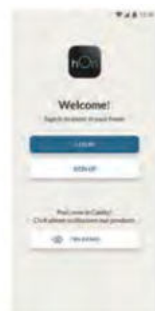
KOPPELINGSPROCEDURE IN DE APP

- Step 1
- Download de hOn-app in de stores



Step 2

- Inloggen of aanmelden



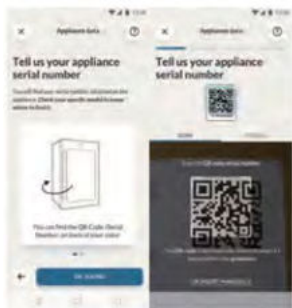
Step 3

- Voeg een nieuw apparaat toe door de wijnkast te selecteren van de lijst



Stap 4

- Scan de QR-code of voer het serienummer handmatig in.



Stap 5

- Houd de lichtknop op het product 3 seconden ingedrukt om de wifi in te schakelen (behalve HWS247FDU1/ HWS247FAH1)
- Houd de wifknop op het product 3 seconden ingedrukt om de wifi in te schakelen (voor HWS247FDU1/ HWS247FAH1)



Stap 6

- Het wifipictogram knippert, het koppelingsproces is bezig. U heeft 5 minuten de tijd om het koppelingsproces te voltooien. Wanneer het proces is voltooid, stopt het wifipictogram met knipperen en blijft het altijd branden.





Tips voor energiebesparing

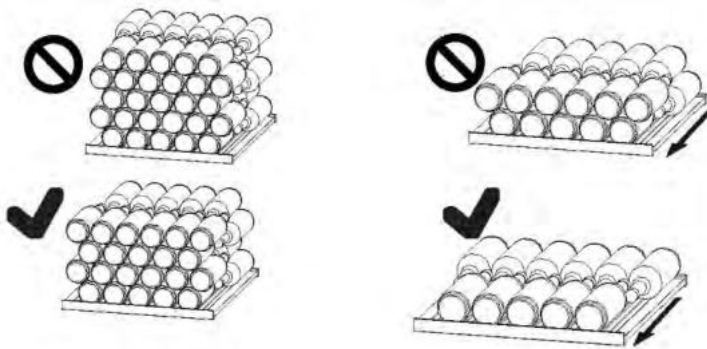
- ▶ Zorg ervoor dat het apparaat goed wordt geventileerd (raadpleeg INSTALLATIE).
- ▶ Installeer het apparaat niet in direct zonlicht of in de buurt van warmtebronnen (bijv. kachels, verwarmingstoestellen).
- ▶ Vermijd onnodig lage temperaturen in het apparaat. Het energieverbruik neemt toe naarmate de temperatuur in het apparaat lager is ingesteld.
- ▶ Open de deur van het apparaat zo weinig en zo kort mogelijk.
- ▶ Overschrijd de voorgeschreven hoeveelheid flessen niet, om te voorkomen dat de luchtstroom wordt belemmerd. Houd de deuropakking schoon, zodat de deur altijd goed sluit.
- ▶ De meest energiebesparende configuratie vereist dat de lade, de bak en de planken als nieuw in het apparaat worden geplaatst en dat voedsel zo wordt geplaatst dat het de luchtuitlaat van het luchtkanaal niet blokkeert.

1. Schap


1. De schappen zijn zo ontworpen dat de wijn gemakkelijk kan worden opgeslagen en verwijderd. Ze kunnen met een zachte handdoek worden gereinigd.
2. Regelmatige gevormde flessen met een diameter van 76 mm kunnen worden opgestapeld.
3. Magnumflessen kunnen op de onderste plank worden gestapeld.
4. De hoeveelheid kan variëren van het aangegeven aantal flessen als ze op een andere manier worden opgestapeld.

Advies voor de indeling van uw wijnkast

Wij raden aan niet meer dan vier lagen wijnflessen per schap te plaatsen en de belasting van de wijnschappen mag niet hoger zijn dan 60 flessen in de wijnkast. Bevestig of de wijnschappen volledig stabiel zijn. Bovendien moet u controleren of er geen flessen uitsteken voorbij de schappen, om te voorkomen dat flessen de glazen deur raken bij het sluiten.



2. De verlichting

De led-binnenverlichting gaat branden als de deur wordt geopend. Om het licht aan te zetten terwijl de deur gesloten is, drukt u op de toets . Om de verlichting uit te schakelen, drukt u nogmaals op de toets. Om de energiezuinigheid te verhogen, moet de verlichting worden uitgeschakeld als de wijnkast niet wordt bekeken. (behalve HWS247FDU1/ HWS247FAH1)

3. Het slot

Om de wijnkast te vergrendelen, sluit u de deur en steekt u de sleutel in het slot:

- ▶ Vergrendel de deur door de sleutel rechtsom te draaien;
- ▶ Ontgrendel de deur door de sleutel linksom te draaien.

1. Ontdooien

Het ontdooien van de wijnkast gebeurt automatisch; er is geen handmatige actie nodig.

2. De ledlamp vervangen

De lamp gebruikt een led als lichtbron, met een laag energieverbruik en een lange levensduur. Als er sprake is van een afwijking, neem dan contact op met de klantenservice. Zie KLANTENSERVICE.



WAARSCHUWING!

Vervang de ledlamp niet zelf. Deze mag alleen worden vervangen door de fabrikant of de erkende servicevertegenwoordiger.

Parameters van de ledlamp:

Spanning 12 V

Max. vermogen: 18 W

3. Niet gebruiken voor een langere periode

Haal de stekker van het netsnoer uit het stopcontact.

Reinig het apparaat en de deurpakkingen zoals hierboven beschreven.

Houd de deur open om de vorming van nare geuren binnenin te voorkomen.

4. Het apparaat verplaatsen

1. Verwijder alle flessen en haal de stekker van het apparaat uit het stopcontact.
2. Zet schappen en andere beweegbare delen in de wijnkast vast met plakband.
3. Kantel de wijnkast niet meer dan 45° om schade aan het koelsysteem te voorkomen.

5. Luchtuitwisseling met actief koolfilter (behalve HWS247FAH1)

De wijze waarop de wijnen verder rijpen hangt af van de omgevingsomstandigheden.

De kwaliteit van de lucht is daarom bepalend voor het behoud van de wijn. In het onderste gedeelte van de achterwand van het apparaat is een actief koolstoffilter aangebracht om restanten optimaal te kunnen doorlaten.



Let op

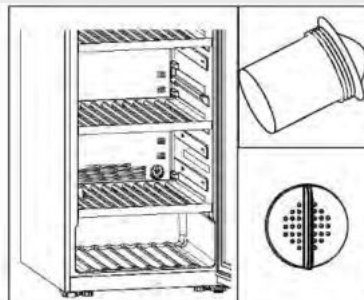
We raden u aan het filter één keer per jaar te vervangen. Filters zijn te verkrijgen bij uw dealer. (behalve HWS247FAH1)

Het filter vervangen:

Pak het filter vast bij het handvat. Draai het naar links en verwijder het.

Het filter aanbrengen:

Breng het aan met de handgreep in verticale positie. Draai het naar rechts en breng het aan.



Veel problemen kunnen door uzelf worden opgelost zonder specifieke expertise. Raadpleeg in geval van een probleem alle getoonde mogelijkheden en volg de onderstaande instructies voordat u contact opneemt met de klantenservice. Zie KLANTENSERVICE.

WAARSCHUWING!

- ▶ Schakel het apparaat uit voordat u onderhoud uitvoert en haal de stekker uit het stopcontact.
- ▶ Elektrische apparatuur mag alleen worden onderhouden door gekwalificeerde elektrische experts, omdat onjuiste reparaties aanzienlijke gevolgschade kunnen veroorzaken.
- ▶ Als de voeding beschadigd is, mag deze alleen worden vervangen door de fabrikant, diens servicevertegenwoordiger of vergelijkbaar gekwalificeerde personen om gevaar te voorkomen.

Foutcode	Oorzaak	Oplossing
L2	Alarm voor lage temperatuur wanneer de temperatuur van de regelsensor te laag is.	<ol style="list-style-type: none"> 1. Controleer de omgevingstemperatuur. 2. Controleer de compressorconnector. 3. Controleer de weerstand van de temperatuurregelsensor.
H1	Wanneer de temperatuur van de regelsensor te hoog is, wordt het alarm voor hoge temperatuur weergegeven op het display.	<ol style="list-style-type: none"> 1. Controleer de connector van het bedieningspaneel of het displaypaneel. 2. Controleer de weerstand en de spanning van de ventilator. 3. Controleer de ventilator en de compressorconnector.

Probleem	Mogelijke oorzaak	Mogelijke oplossing
De compressor werkt niet.	<ul style="list-style-type: none"> • De netstekker is niet aangesloten op het stopcontact. 	<ul style="list-style-type: none"> • Steek de stekker in het stopcontact.
Het apparaat loopt vaak of te lang.	<ul style="list-style-type: none"> • De buitentemperatuur is te hoog. • Het apparaat is een tijd lang niet ingeschakeld geweest. • Een deur van het apparaat is niet goed gesloten. • De deur is te vaak of te lang geopend. • De deuropakkingen zijn vuil, versleten, gebarsten of niet goed op elkaar afgestemd. • De vereiste luchtcirculatie is niet gegarandeerd. • De temperatuur is te laag ingesteld. 	<ul style="list-style-type: none"> • In dit geval is het normaal dat het apparaat langer werkt. • Normaal gesproken duurt het even voordat het apparaat volledig is afgekoeld. • Sluit de deur en zorg ervoor dat het apparaat op een vlakke ondergrond staat en dat er geen etenswaren of containers de deur blokkeren. • Open de deur niet te vaak. • Reinig de deuropakkingen of laat ze vervangen door de klantenservice. • Zorg voor voldoende ventilatie. • Het probleem lost zichzelf op wanneer de gewenste temperatuur is bereikt.
De binnenkant van de wijnkast is vuil en/of stinkt.	<ul style="list-style-type: none"> • De binnenkant van de wijnkast moet worden schoongemaakt. 	<ul style="list-style-type: none"> • Maak de binnenkant van de wijnkast schoon.
Het is niet koud genoeg in het apparaat.	<ul style="list-style-type: none"> • De temperatuur is te hoog ingesteld. • Er zijn recentelijk flessen toegevoegd. • Een deur van het apparaat is niet goed gesloten. • De deur is te vaak of te lang geopend. • De deuropakkingen zijn vuil, versleten, gebarsten of niet goed op elkaar afgestemd. 	<ul style="list-style-type: none"> • Stel de temperatuur opnieuw in. • Houd rekening met de tijd die nodig is voor de recent toegevoegde flessen om de gewenste temperatuur te bereiken. • Sluit de deur. • Open de deur niet te vaak. • Reinig de deuropakkingen of laat ze vervangen door de klantenservice.
Het is te koud in het apparaat.	<ul style="list-style-type: none"> • De temperatuur is te laag ingesteld. 	<ul style="list-style-type: none"> • Stel de temperatuur opnieuw in.

Probleem	Mogelijke oorzaak	Mogelijke oplossing
Vochtvorming aan de binnenkant van het koelkastgedeelte.	<ul style="list-style-type: none"> • Het klimaat is te warm en te vochtig. • Een deur van het apparaat is niet goed gesloten. • De deur is te vaak of te lang geopend. 	<ul style="list-style-type: none"> • Verhoog de temperatuur. • Sluit de deur. • Open de deur/lade niet te vaak.
Vocht hoopt zich op het buitenoppervlak van de wijnkast op.	<ul style="list-style-type: none"> • Het klimaat is te warm en te vochtig • De deur is niet goed gesloten. De koude lucht in het apparaat en de warme lucht buiten condenseert. 	<ul style="list-style-type: none"> • Dit is normaal in een vochtig klimaat en zal veranderen wanneer de luchtvochtigheid daalt. • Controleer of de deur goed gesloten is en of de pakkingen goed afdichten.
Het apparaat maakt afwijkende geluiden	<ul style="list-style-type: none"> • Het apparaat staat niet op een vlakke ondergrond. • Het apparaat raakt voorwerpen rondom. 	<ul style="list-style-type: none"> • Stel de pootjes af om het apparaat waterpas te zetten. • Verwijder voorwerpen rondom het apparaat.
Er is een licht geluid te horen dat lijkt op water.	<ul style="list-style-type: none"> • Dit is normaal 	<ul style="list-style-type: none"> • -
De binnenverlichting of het koelsysteem werkt niet.	<ul style="list-style-type: none"> • De stekker is niet aangesloten op het stopcontact. • De voeding is niet intact. • Het ledlampje is buiten werking. 	<ul style="list-style-type: none"> • Steek de stekker in het stopcontact. • Controleer de elektrische voeding naar de kamer. Bel het plaatselijke elektriciteitsbedrijf. • Bel de klantenservice voor het vervangen
De zijkanten van de koeler en de deurstrip worden warm	<ul style="list-style-type: none"> • Dit is normaal. 	<ul style="list-style-type: none"> • -
De deur sluit niet goed	<ul style="list-style-type: none"> • Het apparaat staat niet waterpas. • De deur is geblokkeerd. 	<ul style="list-style-type: none"> • Stel het apparaat waterpas met de stelvoetjes. • Controleer op blokkeringen zoals flessen of planken.

Ga naar onze website om contact op te nemen met de technische dienst:

<https://corporate.haier-europe.com/en/>

Kies onder de kop 'websites' het merk van uw product en uw land. U wordt doorgestuurd naar de specifieke website waar u het telefoonnummer kunt vinden en contact kunt opnemen met de technische dienst.

Productkaart volgens de verordening EU nr. 2019/2016

Merk	Haier	Haier	Haier
Modelnaam/identificatie	HWS247GGU1 HWS247GEH1	HWS236GDGU1 HWS236GDEH1	HWS247FDU1/ HWS247FAH1
Categorie	Wijnkast	Wijnkast	Wijnkast
Energie-efficiëntieklasse	G/E	G/E	D/A
Jaarlijks energieverbruik (kWh/jaar) ¹⁾	184/107	184/107	85
Opslagvolume (L)	450	448	450
Klimaatklasse: Dit apparaat is bedoeld voor gebruik bij een omgevingstemperatuur tussen 10 °C en 38 °C.	SN N ST	SN N ST	SN N ST
Geluidsemissies via de lucht (db(A) re 1pW)	C(37)/B(35)	C(37)/B(35)	C(37)/B(35)
Type apparaat	Vrijstaand	Vrijstaand	Vrijstaand
Dit apparaat is uitsluitend bedoeld voor het bewaren van wijn.	Ja	Ja	Ja
Afmetingen (B/D/H in mm)	597/714/1900	597/714/1900	603/769/1900

Uitleg:

1) gebaseerd op de resultaten van de standaardtest gedurende 24 uur. Het werkelijke energieverbruik is afhankelijk van de werkelijke omgeving, het aantal flessen, de ingestelde temperatuur, het openen en sluiten van de deur, enz.

2) Het nominale energieverbruik is de waarde die volgens de standaardtest wordt verkregen wanneer de binnenverlichting van de wijnkast niet wordt ingeschakeld.

- subnormaal: 'dit koelapparaat is bedoeld voor gebruik bij een omgevingstemperatuur van 10°C tot 32°C';
- normaal: 'dit koelapparaat is bedoeld voor gebruik bij een omgevingstemperatuur van 16°C tot 32°C';
- subtropisch: 'dit koelapparaat is bedoeld voor gebruik bij een omgevingstemperatuur van 16°C tot 38°C';
- tropisch: 'dit koelapparaat is bedoeld voor gebruik bij een omgevingstemperatuur van 16°C tot 43°C'.

Normen en richtlijnen

Dit product voldoet aan de eisen van alle toepasselijke EG-richtlijnen met de bijbehorende geharmoniseerde normen die voorzien in een CE-markering.

Wij adviseren onze Haier klantenservice en het gebruik van originele onderdelen. Als u een probleem hebt met uw apparaat, controleer dan eerst het hoofdstuk **PROBLEMEN OPLOSSEN**.

Als u daar geen oplossing kunt vinden, neem dan contact op met

- ▶ uw plaatselijke dealer; of
- ▶ het gedeelte Service & Support op www.haier.com waar u telefoonnummers en FAQs kunt vinden en waar u de serviceclaim kunt activeren.

Om contact op te nemen met onze klantenservice, moet u ervoor zorgen dat u over de volgende gegevens beschikt.

De informatie is te vinden op het typeplaatje.

Model _____ Serienummer _____

Controleer ook de garantiekaart die met het product is meegeleverd in geval van garantie.

Voor algemene zakelijke vragen vindt u hieronder onze adressen in Europa:

Europese Haier-adressen			
Land*	Postadres	Land	Postadres
Italië	Haier Europe Trading SRL Via de Cristoforis, 12 21100 Varese ITALIË	Frankrijk	Haier Europe Trading SRL Via de Cristoforis, 12 21100 Varese ITALIË
Spanje Portugal	Haier Iberia SL Pg. Garcia Faria, 49-51 08019 Barcelona SPANJE	België-FR België-NL Nederland Luxemburg	Haier Benelux SA Anderlecht Route de Lennik 451 BELGIË
Duitsland Oostenrijk	Haier Deutschland GmbH Hewlett-Packard-Str. 4 D-61352 Bad Homburg DUITSLAND	Polen Tsjechië Hongarije Griekenland Roemenië Rusland	Haier Poland Sp. zo.o. Al. Jerozolimskie 181B 02-222 Warszawa (Warschau) POLEN
Verenigd Koninkrijk	Haier Appliances UK Co. Ltd. One Crown Square Church Street East Woking, Surrey, GU21 6HR UK		

BESCHIKBAARHEID VAN RESERVEONDERDELEN: Thermostaten, temperatuursensoren, printplaten en lichtbronnen zijn gedurende minimaal zeven jaar na het op de markt brengen van de laatste eenheid van het model beschikbaar. Deurgrepen, deurscharnieren, bakken en manden voor een minimale periode van zeven jaar en deurpakkingen ten minste 10 jaar na het op de markt brengen van de laatste eenheid van het model.

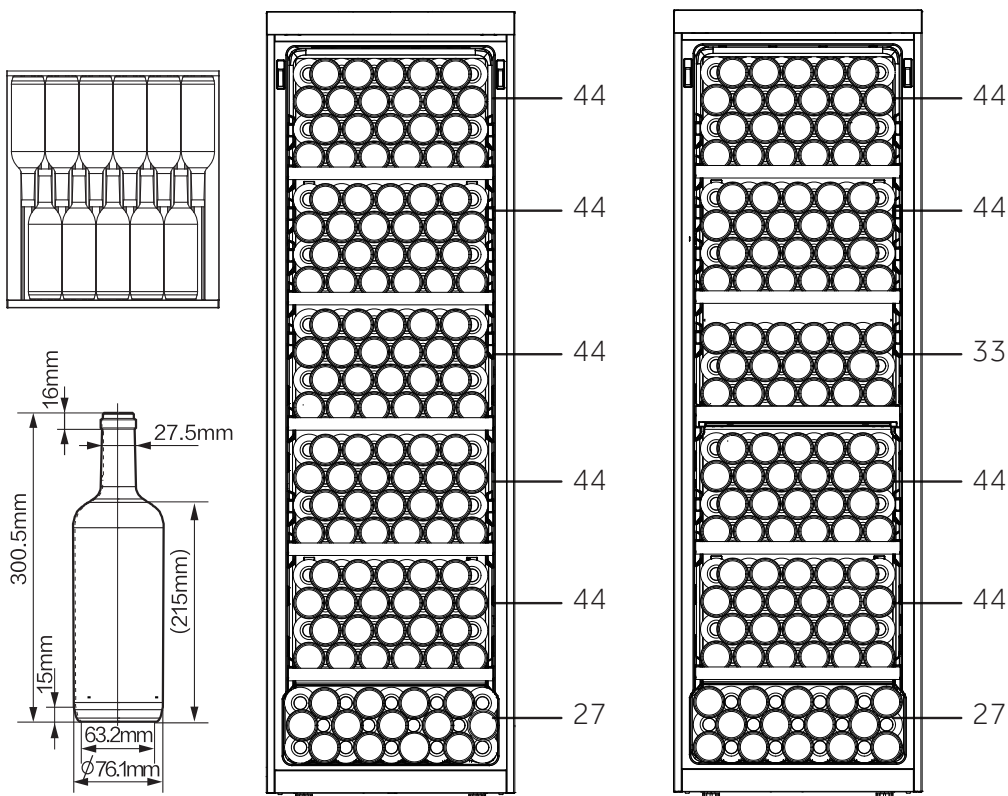
De minimumgarantie is: 2 jaar voor EU-landen, 3 jaar voor Turkije, 1 jaar voor het Verenigd Koninkrijk, 1 jaar voor Rusland, 3 jaar voor Zweden, 2 jaar voor Servië, 5 jaar voor Noorwegen, 1 jaar voor Marokko, 6 maanden voor Algerije, Tunesië geen wettelijke garantie vereist.

Raadpleeg voor meer informatie over het product <https://eprel.ec.europa.eu/>
of scan de QR-code op het energielabel dat met het apparaat wordt meegeleverd.

Wijnflessen stapelen

NL

De indeling van de flessen is gebaseerd op een grafische weergave van een standaard bordeauxfles (0,75 l). Vanwege de verschillende flesspecificaties kan de werkelijke laadhoeveelheid van de fles verschillen.



HWS247GGU1
HWS247FDU1
HWS247GEH1
HWS247FAH1

HWS236GDGU1
HWS236GDEH1

HWS-247FDU1-247GGU1-236GGDU1-247GEH1-236GDEH1-HWS247FAH1 - NL

Haier



Haier

Priročnik za uporabo

Hladilnik za vino

HWS247FAH1
HWS247FDU1
HWS247GGU1
HWS247GEH1
HWS236GDEH1
HWS236GDGU1

SL

Haier

Zahvaljujemo se vam za nakup izdelka Haier.

Pred uporabo aparata skrbno preberite ta navodila. Navodila vsebujejo pomembne informacije, ki vam bodo pomagale čim boljše izkoristiti aparat ter zagotoviti varno in pravilno namestitev, uporabo in vzdrževanje.

Ta priročnik hranite na priročnem mestu, da je vedno na doseg roke za varno in pravilno uporabo aparata.

Če aparat prodate, ga podarite ali pustite za sabo, ko se selite, poskrbite, da boste ta priročnik predali novemu lastniku, da se bo lahko seznanil z aparatom in varnostnimi opozorili.



Legenda

Opozorilo – Pomembne varnostne informacije



Splošne informacije in nasveti



Okoljske informacije

Odstranjevanje



Pomagajte varovati okolje in zdravje ljudi. Embalažo odložite v ustrezne zbiralnike za recikliranje. Pomagajte pri recikliranju električnih in elektronskih odpadnih naprav.

Aparatov, označenih s tem simbolom, ne odlagajte med gospodinjne odpadke. Vrnite izdelek vašemu lokalnemu obratu za recikliranje ali se obrnite na občinski urad.



OPOZORILO!

Nevarnost telesnih poškodb ali zadužitve!

Hladilna sredstva in pline je treba odstraniti profesionalno. Prepričajte se, da cevi hladilnega tokokroga niso poškodovane, preden jih ustrezno zavržete. Aparat pred čiščenjem odklopite z napajanja. Odsluženemu aparatu odrežite električni kabel in ga zavržite. Odstranite pladnje in predale ter zatič in tesnila vrat, da preprečite zapiranje otrok in hišnih ljubljencev v aparat.

Stari aparati imajo še vedno nekaj preostale vrednosti. Okolju prijazen način odstranjevanja bo zagotovil, da se dragocene surovine lahko predelajo in ponovno uporabijo.

Ciklopentan, vnetljiva snov, ki ni škodljiva za ozon, se uporablja kot ekspander izolacijske pene.

Če izdelek pravilno zavržete, prispevate k preprečevanju morebitnih negativnih posledic za okolje in človekovo zdravje, ki jih lahko povzročijo.

Za natančnejše informacije o recikliranju tega izdelka se obrnite na svoj lokalni urad, podjetje za gospodinjne odpadke ali na trgovino, kjer ste aparat kupili in jo vodijo strokovnjaki.

1 - Varnostne informacije.....	4
2 - Varnostni nasveti.....	7
3 - Vzdrževanje	11
4 - Dodatki	13
5 - Opis izdelka	14
6 - Namestitvev.....	15
7 - Uporaba.....	19
8 - Namigi za varčevanje z električno energijo.....	24
9 - Oprema	25
10 - Vzdrževanje in čiščenje	26
11 - Odpravljanje težav	27
12 - Tehnični podatki	30
13 - Služba za pomoč strankam	31
14 - Zlaganje vinskih steklenic.....	32

Ta aparat je namenjen izključno hrambi vina. Pred prvim vklopom aparata preberite naslednje varnostne nasvete:



OPOZORILO!

Pred prvo uporabo

- ▶ Prepričajte se, da med prevozom ni prišlo do poškodb.
- ▶ Odstranite vso embalažo in jo hranite izven dosega otrok ter jo zavržite na okolju prijazen način.
- ▶ Pred namestitvijo aparata počakajte vsaj 0,5 ure, da zagotovite polno učinkovitost hladilnega krogotoka.
- ▶ Aparat naj prenašata vsaj dve osebi, ker je težek.

Namestitev

- ▶ Aparat naj bo postavljen v dobro prezračen prostor. Poskrbite, da bo nad aparatom in okoli njega vsaj 50 mm prostora.
- ▶ **OPOZORILO:** Poskrbite, da bodo prezračevalne odprtine na ohišju aparata ali na vgradnih elementih proste in neovirane.
- ▶ Aparata nikoli ne postavljajte na vlažno mesto ali mesto, kjer bi lahko po njem brizgala voda. Očistite in pobrišite vodne kapljice in madeže z mehko čisto krpo.
- ▶ Hladilnika za vino ne nameščajte na mestih, ki niso ustrezno izolirana ali ogrevana (npr. garaža itd.). Vaš hladilnik za vino ni bil zasnovan tako, da bi deloval pri sobni temperaturi pod 10 °C.
- ▶ Aparata ne postavljajte neposredno na sonce ali blizu virov toplote (npr. štedilnikov, grelcev).
- ▶ Aparat namestite in naravnajte na mestu, ki je primerno njegovi velikosti in namenu.
- ▶ Prepričajte se, da se podatki o električnem toku na ploščici s tehničnimi navedbami ujemajo z napajanjem. V nasprotnem primeru se obrnite na električarja.
- ▶ Aparat deluje z izmeničnim napajanjem 220–240 VAC/50 Hz. Nenormalno nihanje napetosti lahko povzroči, da se aparat ne zažene, poškoduje regulator temperature ali kompresor ali pa se med delovanjem pojavi nenavaden hrup. V tem primeru se namesti samodejni regulator.
- ▶ Ne uporabljajte adapterjev z več vtiči in podaljškov.

**OPOZORILO!**

- ▶ **OPOZORILO:** Prenosnih vtičnic ali prenosnega električnega napajanja ne postavljajte za aparat.
- ▶ **OPOZORILO:** Ko nameščate aparat, poskrbite, da električni kabel ne bo zataknjen ali poškodovan.
- ▶ Ne stopajte na napajalni kabel.
- ▶ Uporabite ločeno ozemljeno vtičnico za napajanje, ki je lahko dostopna. Aparat mora biti ustrezno ozemljen.
- ▶ **Samo za Združeno kraljestvo:** Napajalni kabel aparata je opremljen s 3-žilnim (ozemljitvenim) vtičem, ki ustreza standardni 3-žilni (ozemljeni) vtičnici. Nikoli ne odrežite in ne odstranjujte tretjega zatiča (ozemljitev). Po namestitvi aparata mora biti vtič dostopen.
- ▶ **OPOZORILO:** Ne poškodujte hladilne napeljave.

Vsakodnevna uporaba

- ▶ Ta aparat lahko uporabljajo otroci, starejši od 8 let, in osebe z zmanjšanimi fizičnimi, senzoričnimi ali umskimi zmožnostmi ali s pomanjkanjem izkušenj ter znanja, če so pod ustreznim nadzorom ali so prejeli navodila za varno uporabo aparata in razumejo s tem povezana tveganja.
- ▶ Otroci se z aparatom ne smejo igrati.
- ▶ Otrokom, starim od 3 do 8 let, je dovoljeno polnjenje in praznjenje hladilnih aparatov, vendar jim ni dovoljeno njihovo čiščenje in nameščanje.
- ▶ Otroci, mlajši od 3 let, naj se zadržujejo stran od aparata, razen če so pod stalnim nadzorom.
- ▶ Otroci ne smejo čistiti aparata in na njem ne smejo izvajati vzdrževalnih del brez ustreznega nadzora.
- ▶ Aparat mora biti nameščen tako, da je vtič dostopen.
- ▶ Če v bližini aparata pušča plin iz premoga ali drug vnetljiv plin, izklopite ventil uhajajočega plina, odprite vrata in okna ter ne odklopite napajalnega kabla aparata.
- ▶ Ko je bilo napajanje izklopljeno, počakajte vsaj 7 minut, da ga znova priključite.
- ▶ Aparata ne dvigujte za ročaje vrat.
- ▶ Ključke hranite izven dosega otrok in ne v bližini aparata, da preprečite zaklepanje otrok v aparat.

**OPOZORILO!**

- ▶ Upoštevajte, da je naprava nastavljena za delovanje v določenem območju temperature okolja med 10 in 38 °C. Aparat morebiti ne deluje kar se da učinkovito, če je dlje časa izpostavljen temperaturi, ki je višja ali nižja od navedene.
- ▶ Na aparat ne postavljajte nestabilnih predmetov (težkih predmetov, posod, napolnjenih z vodo), da se izognete poškodbam zaradi padca ali električnega udara zaradi stika z vodo.
- ▶ Odprite in zaprite vrata samo z ročaji. Razmik med vrati in omaro je zelo ozek. Ne segajte z rokami v ta mesta, da se izognete priprtju prstov. Vrata aparata odprite ali zaprite le, če v območju premikanja vrat ni otrok.
- ▶ Ne shranjujte ali uporabljajte vnetljivih, eksplozivnih ali jedkih snovi v aparatu ali njegovi bližini.
- ▶ V aparatu ne shranjujte eksplozivnih substanc, kot so na primer razpršilci pod tlakom z vnetljivim potisnim plinom.
- ▶ V aparatu ne shranjujte zdravil, bakterij ali kemičnih snovi. Ta aparat je gospodinjiski aparat, zato ni priporočljivo hraniti materialov, ki zahtevajo strogo določene temperature.
- ▶ Ne nastavite nepotrebno nizke temperature v predelku hladilnika za vino. Pri visokih nastavitvah lahko pride do temperatur pod ničlo. Pozor: Steklenice lahko počijo
- ▶ Med delovanjem se ne dotikajte notranjosti aparata, zlasti z mokrimi rokami, saj lahko vaše roke primrznejo na površino.
- ▶ Za pravilno hlajenje vina aparata ne napolnite preveč.
- ▶ V primeru prekinitve napajanja ali pred čiščenjem aparat izklopite. Pred ponovnim zagonom aparata počakajte vsaj 7 minut, saj lahko pogosto zaganjanje poškoduje kompresor.
- ▶ **OPOZORILO:** V notranjosti aparata ne uporabljajte električnih naprav, razen če so take vrste, ki jih priporoča proizvajalec. Da bi se izognili tveganju, mora servis zamenjati poškodovan napajalni kabel (glejte garancijski list).
- ▶ Če želite podaljšati življenjsko dobo aparata, ga ne izklaplajte.
- ▶ Aparata nikoli ne postavljajte vodoravno na tla. Ko aparat nagnete za več kot 45°, počakajte 24 ur, preden ga priključite.



OPOZORILO!

Vzdrževanje/čiščenje

- ▶ Poskrbite, da bodo otroci pod nadzorom, če bodo opravljali čiščenje in vzdrževanje.
- ▶ Pred vsakim rednim vzdrževanjem aparat odklopite iz električnega napajanja. Pred ponovnim zagonom aparata počakajte vsaj 7 minut, saj lahko pogosto zaganjanje poškoduje kompresor.
- ▶ Pri izklopu aparata primite vtič kabla, ne vlecite kabla.
- ▶ Aparata ne čistite s trdimi ščetkami, žičnimi krtačami, detergentom v prahu, bencinom, amil acetatom, acetonom in podobnimi organskimi raztopinami, kislimi ali alkalnimi raztopinami. Čistite ga s posebnim detergentom za hladilnik/zamrzovalnik, da se izognete poškodbam. Nato uporabite raztopino tople vode in sode bikarbone – približno eno žlico sode bikarbone na liter vode. Temeljito sperite z vodo in obrišite do suhega. Ne uporabljajte čistilnih praškov ali drugih abrazivnih čistil. Odstranljivih delov ne perite v pomivalnem stroju.
- ▶ **OPOZORILO:** Ne uporabljajte mehanskih sredstev za pospešitev odmrzovanja oziroma sredstev, ki jih ne priporoča proizvajalec.
- ▶ Če je priključni kabel poškodovan, morate preprečiti morebitna tveganja, zato ga sme nadomestiti samo proizvajalec, njegov servisni agent ali drug kvalificiran serviser.
- ▶ Aparata ne poskušajte popravljati, razstavljati ali spreminjati sami. V primeru popravila se obrnite na našo službo za stranke.
- ▶ Če so luči za osvetlitev poškodovane, jih sme zamenjati samo proizvajalec, njegov servisni zastopnik ali drug kvalificiran serviser, da preprečite morebitna tveganja.
- ▶ Vsaj enkrat letno odstranite prah na hrbtni strani enote, da se izognete nevarnosti požara in povečani porabi energije.

- ▶ Med čiščenjem aparata ne škropite ali spirajte.
- ▶ Aparata ne čistite s pršenjem vode ali paro.
- ▶ Hladnih steklenih vrat ne čistite z vročo vodo. Zaradi nenadne spremembe temperature se lahko steklo zlomi.
- ▶ Če aparata dlje časa ne uporabljate, ga pustite odprtega, da preprečite nastanek neprijetnih vonjav v notranjosti.

Informacije o hladilnih plinih



OPOZORILO!

Aparat vsebuje vnetljivo hladilno sredstvo IZOBUTAN (R600a). Prepričajte se, da hladilni tokokrog med transportom ali namestitvijo ni poškodovan. Puščanje hladilnega sredstva lahko povzroči poškodbe oči ali pa se sredstvo vname. Če je prišlo do poškodbe, aparatu ne približujte odprtih virov ognja, temeljito prezračite prostor, ne priključujte ali odklapljajte napajalnih kablov aparata ali katere koli druge naprave. Obvestite službo za pomoč strankam. Če oči pridejo v stik s hladilnim sredstvom, jih takoj sperite pod tekočo vodo in pokličite očesnega specialista.

OPOZORILO: Hladilni sistem je pod visokim pritiskom. Ne spreminjajte ga. Ker se uporabljajo vnetljiva hladilna sredstva, namestite, upravljajte in servisirajte aparat strogo v skladu z navodili in se za odstranitev aparata obrnite na strokovnega zastopnika ali našo poprodajno službo.

Predvidena uporaba


Aparat je namenjen uporabi v gospodinjstvu in v podobne namene, npr.

- v čajnih kuhinjah v trgovinah, pisarnah in drugih delovnih okoljih,
 - na kmetijah ter v hotelskih, motelskih sobah in drugih nastanitvah za goste,
 - v nastanitvah tipa B&B,
 - v gostinskih storitvah in podobnih primerih, vendar ne v maloprodaji.
- Za zagotovitev varnega shranjevanja vina upoštevajte ta navodila za uporabo.
- Podrobnosti o najprimernejšem predelu v notranjosti aparata, kjer se hranijo posebne vrste živil ob upoštevanju porazdelitve temperature, ki je lahko prisotna v različnih predelih aparata, so navedene v drugem delu priročnika.

Spreminjanje aparata je prepovedano. Nenamenska uporaba lahko povzroči nevarnosti in izgubo garancijskih zahtevkov.

Odstranjevanje



Simbol  na izdelku ali njegovi embalaži pomeni, da izdelek ne sodi med gospodinjske odpadke. Oddajte ga na ustreznem zbiralnem mestu za recikliranje električne in elektronske opreme. Če izdelek pravilno zavržete, prispevate k preprečevanju morebitnih negativnih posledic za okolje in človekovo zdravje, ki jih lahko povzroči neprimerno odstranjevanje tega izdelka. Za natančnejše informacije o recikliranju tega izdelka se obrnite na svoj lokalni urad, podjetje za gospodinjske odpadke ali na trgovino, kjer ste aparat kupili.

Ker se uporabljajo vnetljivi izolacijski pihalni plini, se za odstranitev aparata obrnite na profesionalnega zastopnika ali našo poprodajno službo.

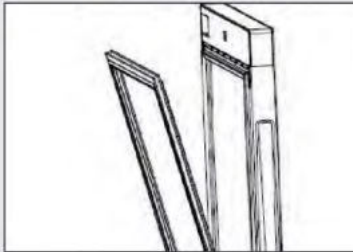
OPOZORILO!

Nevarnost telesne poškodbe zaradi zadužitve!

Hladilna sredstva in pline je treba odstraniti profesionalno. Prepričajte se, da cevi hladilnega tokokroga niso poškodovane, preden jih ustrezno zavržete. Aparat pred čiščenjem odklopite z napajanja. Odsluženemu aparatu odrežite električni kabel in ga zavržite. Odstranite pladnje in predale ter zatič in tesnila vrat, da preprečite zapiranje otrok in hišnih ljubljencev v aparat.

- ▶ **OPOZORILO:** Aparat pred čiščenjem izključite iz napajanja.
 - ▶ Aparata ne čistite s trdimi ščetkami, žičnimi krtačami, detergentom v prahu, bencinom, amil acetatom, acetonom in podobnimi organskimi raztopinami, kislimi ali alkalnimi raztopinami. Čistite ga s posebnim detergentom za hladilnik, da se izognete poškodbam.
 - ▶ Napravo čistite, kadar shranjujete le malo ali nič vina. Očistiti jo morate le, če je umazana.
 - ▶ Očistite notranjost in ohišje aparata z gobo, navlaženo v topli vodi in nevtralnem detergentu
 - ▶ Sperite s čisto toplo vodo in obrišite do suhega z mehko krpo.
 - ▶ Nobenega dela aparata ne čistite v pomivalnem stroju.
- 
- ▶ Pred ponovnim zagonom aparata počakajte vsaj 7 minut, saj lahko pogosto zaganjanje poškoduje kompresor.

Očistite tesnilo vrat:

- ▶ Tesnila vrat je treba čistiti vsake 3 mesece, da se zagotovi pravilno tesnjenje. Kot je navedeno v nadaljevanju: Odstranjevanje: Primite tesnilo vrat in ga izvlecite v skladu s smerjo puščice, da ustrezno odstranite celotno tesnilo vrat. Ščetko namočite v vodo ali alkohol, primeren za živila, in najprej očistite utor tesnila vrat tako, da ščetko povlečete naprej in nazaj. Nato obrišite površino tesnila vrat z brisačo, namočeno v vodo ali alkohol, primeren za živila. Na koncu očistite tesnilo vrat in ga obrišite s čisto brisačo.
- 

Namestitev tesnila vrat po čiščenju:

Pred namestitvijo se prepričajte, da tesnilo vrat ni mokro. Vstavite tesnilo vrat v utor in tesnilo vrat ročno pritisnite od vrha do dna, da je v celoti vstavljeno v utor.

Čiščenje polic:

- ▶ Vse police lahko odstranite za čiščenje.
- ▶ Odstranite vse steklenice.
- ▶ Nekoliko dvignite vsako polico in jo vzemite ven.
- ▶ Polico očistite z mehko brisačo.
- ▶ Počakajte, da se police posušijo, preden jih znova vstavite.

OPOZORILO:

Ko je bilo napajanje izklopljeno, počakajte vsaj 7 minut, da ga znova priključite.

Preverite dodatke in literaturo v skladu s tem seznamom: brez izolacije.

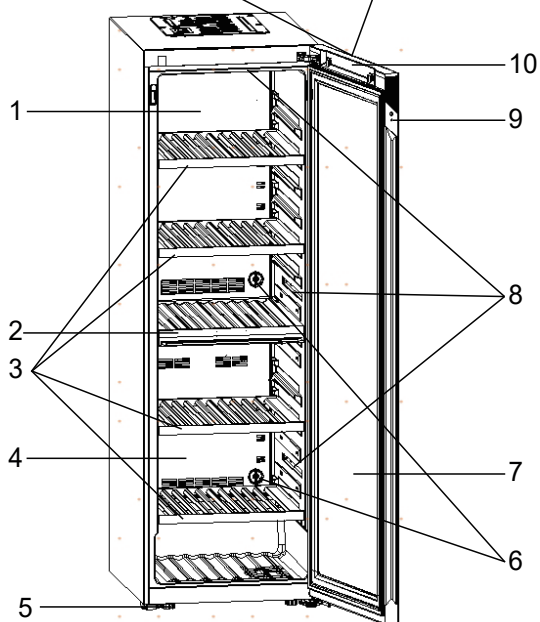
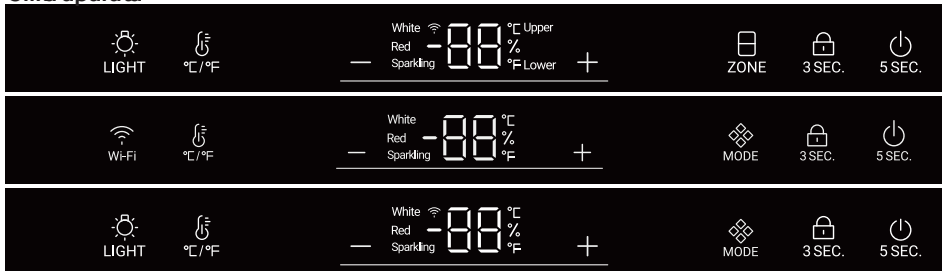
Ime	Priročnik za uporabo	Servisna kartica	Polica	Pokrov obroča	Energijska nalepka	Ključ	Ročaj	Vijak	Pokrov vijaka	Pok	Razstavna police
HWS247FAH1	1	1	5	1	1	2	1	4	2	1	1
HWS247GGU1	1	1	5	1	1	2	/	/	/	/	/
HWS236GDGU1	1	1	4	1	1	2	/	/	/	/	/
HWS247FDU1	1	1	5	1	1	2	1	4	2	1	/
HWS247GEH1	1	1	5	1	1	2	/	/	/	/	/
HWS236GDEH1	1	1	4	1	1	2	/	/	/	/	/



Obvestilo

Zaradi tehničnih sprememb in različnih modelov se lahko nekatere ilustracije v tem priročniku razlikujejo od vašega modela.

Slika aparata



(HWS236GDU1)

- | | |
|---|--|
| <ul style="list-style-type: none"> 1. Zgornja blažilna pregrada zračnega voda 2. predelna stena (za HWS236GDU1/HWS236GDEH1) 3. Polica 4. Spodnja blažilna pregrada zračnega voda 5. Nastavljive nogice | <ul style="list-style-type: none"> 6. Filter z aktivnim ogljem (razen HWS247FAH1) 7. Vrata 8. Lučka LED 9. Zaklep 10. Prikazovalnik |
|---|--|

1. Razpakiranje

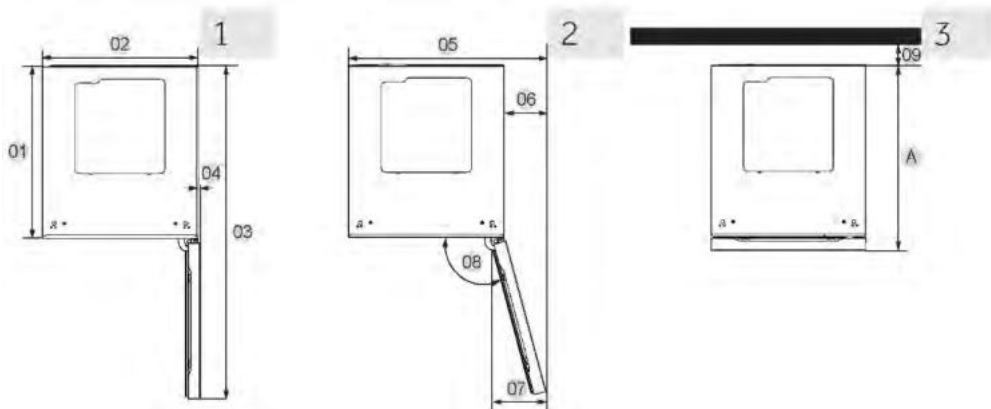
- ▶ Vzemite aparat iz embalaže.
- ▶ Odstranite vse embalažne materiale, vključno s podlago iz pene in lepilnim trakom, ki drži dodatke.

2. Okoljski pogoji

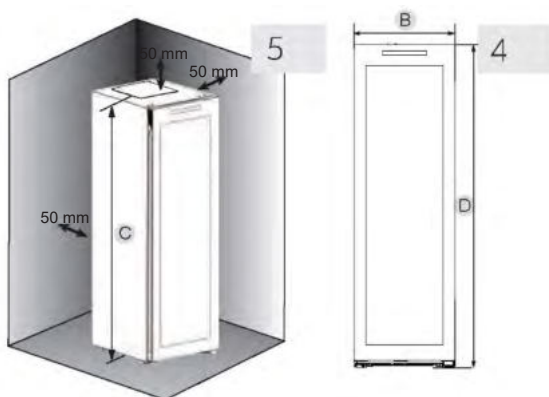
Sobna temperatura mora biti vedno med 10 °C in 38 °C, saj lahko to vpliva na temperaturo v aparatu in njegovo porabo energije. Aparata ne nameščajte brez izolacije v bližini drugih naprav, ki oddajajo toploto (pečice, hladilniki).

3. Prostorske zahteve

Potreben prostor za odpiranje vrat (sl. 1, 2, 3, 4); iz varnostnih in energetskih razlogov je treba upoštevati zahtevano prezračevalno razdaljo 50 mm v vseh smereh (sl. 5).



Mera: mm	HWS247GGU1 HWS247GEH1	HWS236GDU1 HWS236GEH1	HWS247FDU1 HWS247FAH1
Globina A	714	714	769
Širina B	597	597	603
Višina C	1905	1905	1905
Skupna višina D	1900	1900	1900
01	654	654	654
02	595	595	595/600
03	1273	1273	1280
04	11	11	16
05	756	756	805
06	161	161	210
07	200	200	200
08	105°	105°	105°
09	50	50	50



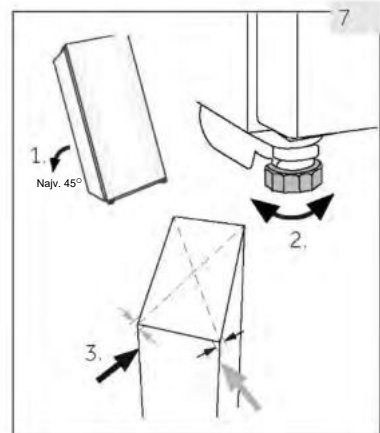
**OPOZORILO!**

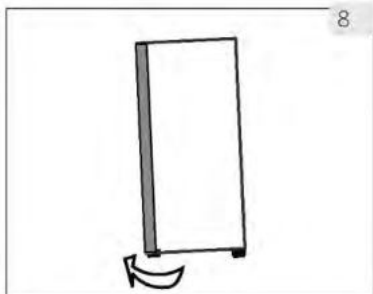
- Poskrbite, da bodo prezračevalne odprtine aparata ali vgradnih elementov proste in neovirane. Ta hladilnik ni namenjen uporabi kot vgradni hladilnik

5. Poravnava aparata

Aparat naj bo postavljen na ravno in trdno površino.

1. Aparat nekoliko nagnite nazaj (sl. 7) .
2. Nastavite nastavljive sprednje noge na željeno višino tako, da jih obračate.
3. Stabilnost lahko preverite z izmeničnim pomikanjem po diagonalah. Rahlo zibanje mora biti enako v obeh smereh. V nasprotnem primeru se okvir lahko deformira; rezultat je morebitno puščanje tesnil vrat. Majhna nagnjenost nazaj olajša zapiranje vrat.





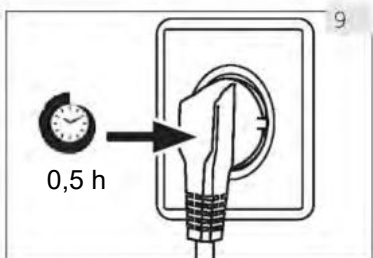
8

6. Natančna nastavitve vrat

Aparat se lažje zapre, če uporabljate izravnalne noge na sprednji strani:

Zavrtite nastavljive noge (sl. 8), da jih obrnete navzgor ali navzdol:

- ▶ Z obračanjem nog v smeri urnega kazalca boste dvignili aparat.
- ▶ Z obračanjem nog v nasprotni smeri urnega kazalca boste aparat spustili.



9

7. Čas čakanja

Mazalno olje, ki ga ni treba vzdrževati, je v kapsuli kompresorja. Če je aparat nagnjen, lahko to olje med transportom steče skozi zaprt cevni sistem. Preden aparat priključite na napajanje, počakajte 0,5 ure (sl. 9), da olje priteče nazaj v kapsulo.

8. Priključitev v električno omrežje

Pred vsako priključitvijo preverite, ali:

- ▶ so napajanje, vtičnica in varovalke skladni s tipsko tablico,
- ▶ je vtičnica ozemljena in da v bližini ni podaljška z več vtičnicami ali kableskega podaljška,
- ▶ sta vtič in vtičnica pravilno nameščena.

Vtič priključite v pravilno nameščeno gospodinjsko vtičnico.



OPOZORILO!

Da bi se izognili tveganju, mora servis zamenjati poškodovan napajalni kabel (glejte garancijski list).

9. Sprememba smeri odpiranja vrat

Pred priključitvijo naprave na napajanje preverite, ali je treba nihanje vrat zamenjati z desne (stanje ob dobavi) na levo, če je to potrebno zaradi mesta namestitve in uporabnosti



OPOZORILO!

- ▶ Aparat je težak. Za spremembo smeri odpiranja vrat sta potrebni dve osebi.
- ▶ Pred kakršnim koli delom najprej izklopite napravo iz električnega omrežja.
- ▶ Naprave ne nagibajte za več kot 45 °, da preprečite poškodbe hladilnega sistema.

Koraki sestavljanja

1. Zagotovite potrebno orodje.
2. Izklopite napravo.
3. Odstranite pokrov zgornjega nosilca in majhen pokrov, namestitev majhnega pokrova pri zamenjavi levo in desno.
4. Odstranite pokrov kablskega pladnja in pokrov obloge, zamenjajte levo in desno namestitev okrasnega pokrova. Odstranite črn gumijast vtič iz leve ključavnice na notranji strani ohišja vrat in ga namestite na desno ključavnico.
5. Odstranite pokrov tečaja, z orodjem odstranite 3 vijake in odstranite ohišje portala.
6. Odstranite 3 vijake pod ohišjem portala z orodjem, odmikalo portala in zaustavljalo vrat, levo in desno zamenjavo namestite na drugi strani ohišja portala.
7. Z orodjem odstranite sklop tečaja škatle, najprej odstranite odmikalo tečaja v sklopu spodnjega tečaja, gred tečaja namestite v desno vijačno luknjo, sestavite. Zamenjava namestitve s podporo za kolesce, sestavite na desni strani škatle.
8. Ohišje portala je nameščeno navpično navzdol na gred tečaja.
9. Zgornji tečaj je vstavljen v odprtino gredi portala, škatlo pritrdite z vijaki, namestite žičnat pokrov omarice in pokrov obloge zgornjega nosilca.



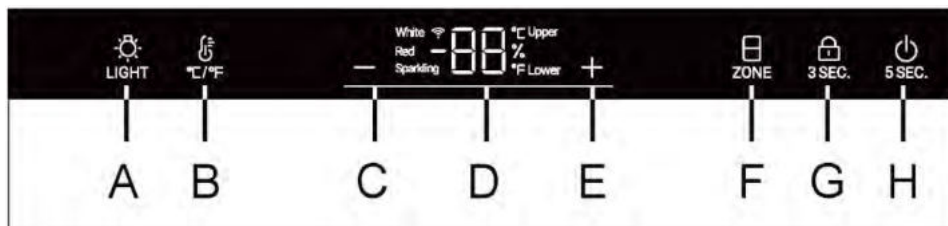
1. Pred prvo uporabo

- ▶ Odstranite vso embalažo. To vključuje penasto podlago in ves lepilni trak, ki drži dodatno opremo hladilnika za vino v notranjosti in zunaj. Hranite jih izven dosega otrok in jih odložite na okolju prijazen način.
- ▶ Očistite notranjost in zunanost aparata z vodo in blagim detergentom, preden vanj položite vino.
- ▶ Ko je aparat poravnan in očiščen, počakajte vsaj 2 uri, preden ga priključite na napajanje. Če je bil vaš hladilnik za vino iz kakršnega koli razloga nagnjen, počakajte 24 ur, preden ga priključite. Glejte poglavje NAMESTITEV.
- ▶ Ko enoto priključite v električno vtičnico, pustite enoto delovati vsaj 30 minut, da se prilagodi, preden opravite kakršne koli spremembe nastavitvev.
- ▶ Temperatura se samodejno nastavi na 12 °C. Če želite, lahko to temperaturo ročno spremenite. Glejte razdelek TEMPERATURA.

2. Tipke na dotik

Gumbi na nadzorni plošči so tipke na dotik, ki se odzovejo, ko se jih rahlo dotaknete s prstom.

3. Opis za nadzorno ploščo



- | | |
|---|---|
| A Gumb za notranjo osvetlitev | E Gumb za nastavev temperature: navzgor |
| B Gumb za pretvorbo °C /°F | F Gumb za izbiro temperaturnega območja |
| C Gumb za nastavev temperature: navzdol | G Gumb za zaklepanje |
| D Prikazovalnik | H Gumb za vklop |

4. Funkcija samodejnega zaklepanja

V stanju zaklenjenega zaslona pritisnite in zadržite tipko za zaklepanje za 3 s, na zaslonu prikazovalnika je prikazano 3, 2 in 1, zaslon prikazovalnika se odklene in ikona za zaklepanje je polovično osvetljena; če ni nobene aktivnosti, se bo zaslon po 30 s samodejno zaklenil, v stanju zaklenjenega zaslona so vse ikone tipke za zaklepanje vklopljene in ne morete uporabljati tipk na zaslonu prikazovalnika (razen tipke za osvetlitev);

5. Funkcija gumba za vklop

Ko je zaslon izklopljen, se dotaknite katere koli tipke in zaslon bo zasvetil; pritisnite in zadržite tipko za vklop, na zaslonu prikazovalnika se prikaže 5, 4, 3, 2 in 1 in napajanje celotnega stroja se izklopi. Ko je napajanje izklopljeno, pritisnite in zadržite tipko za vklop, da se prikaže 5, 4, 3, 2, 1. Električna napeljava bo vklopljena.

6. Nastavitev temperature



Obvestilo

Prednastavitve

- ▶ Ko enoto priključite v električno vtičnico, pustite enoto vsaj 30 minut, da se prilagodi, preden opravite kakršne koli spremembe nastavitvev.
- ▶ Ko aparat vklopite potem, ko ste ga odklopili iz glavnega napajanja, lahko traja več ur, da doseže pravilno temperaturo. Natančno trajanje je odvisno od okolja in nastavitve temperature.



Pritisnite gumb ali , zaslon bo začel utripati. Pritisnite gumb ali , da nastavite zeleno temperaturo. Območje nastavitve temperature: 5-20 °C (41-68 °F).

Prenehajte pritisniti tipko za 3 sekunde, temperatura je potrjena.

7. Funkcija Mode ali Zone

Pritisnite gumb . Temperatura se preklopi iz penečega (8 °C ali 47 °F) na belo (12 °C ali 54 °F) in rdeče vino (16 °C ali 61 °F). (za HWS247GGU1/HWS247GEH1/HWS247FDU1/HWS247FAH1)

V stanju odklepanja ikona "B" povsem sveti. Če je trenutni prikaz v zgornjem temperaturnem območju, bo zasvetila zgornja ikona, spodnja ikona pa ne sveti. V tem trenutku pritisnite tipko "B", zasvetila bo spodnja ikona, zgornja ikona pa ne bo svetila.

(za HWS236GDGU1/HWS236GDEH1)

Priporočene nastavitve temperature

Rdeče vino	+13 °C do +20 °C (+ 55 °F do + 68 °F)	Peneče vino Prosecco	+5 °C do +8 °C (+41 °F do 47 °F)
Belo vino	+9 °C do +12 °C (+48 °F do +54 °F)		

Če vino hranite dlje časa, ga shranjujte pri temperaturi med +10 °C in +12 °C (50 °F in +54 °F).

8. Stanje pripravljenosti

Zaslon se samodejno zatemni po 30 sekundah.

Samodejno zasveti, ko se dotaknete katere koli tipke ali odprete vrata.



Obvestilo Vplivi na temperature

Na temperaturo znotraj naprave vplivajo naslednji dejavniki:

- ▶ Temperatura prostora
- ▶ Količina shranjenih steklenic
- ▶ Pogostost odpiranja vrat
- ▶ Lokacija naprave

Privzeta nastavitvev je 12 °C

Ko zaslon preneha utripati, se vrne na prikaz trenutne temperature v hladilniku za vino.

Potrebovali boste nekaj časa, da dosežete nastavljeno temperaturo.

9. Nastavitev načina osvetlitve

Pritisnite gumb . Ko bodo luči v omarici prižgane, se bodo luči prižigale postopoma.

Ko znova pritisnete gumb , se bodo luči postopoma ugašale.

(razen HWS247FDU1/HWS247FAH1)

10. Funkcija °C/°F

Pritisnite gumb  za preklop med stopinjami Fahrenheita in Celzija.

11. Funkcija Wi-Fi

Pritisnite gumb Wi-Fi za 3 sekunde; gumb Wi-Fi začne hitro utripati in samodejno vstopi v način konfiguracije (za HWS247FDU1/HWS247FAH1).

12. Funkcija pomnilnika ob izpadu energije

V primeru izpada električne energije bo hladilnik samodejno shranil nastavljeno temperaturo. Po obnovitvi napajanja bo deloval na podlagi temperature, nastavljene pred izpadom električne energije.

13. Funkcija kompenzacije nizke temperature

Hladilnik za vino ima funkcijo kompenzacije nizke temperature za zagotovitev stabilnosti temperature: Ko je temperatura okolice nižja od nastavljene temperature, hladilnik za vino samodejno zažene funkcijo kompenzacije nizke temperature in segreje napravo.

Ko temperatura v napravi doseže nastavljeno temperaturo, se funkcija za kompenzacijo nizke temperature samodejno izklopi.

14. Alarm odprtih vrat

Če so vrata odprta več kot 1 minuto, bo piskal zvočni signal, ki bo pomenil alarm; dokler se vrata ne zaprejo ali dokler ne bo mogoče pritisniti katere koli tipke na zaslonu, nato pa bo zvočni signal prenehal piskati.

15. Nastavitev načina Wi-Fi

POVEZLJIVOST PARAMETRI BREZŽIČNE POVEZAVE

Tehnologija	Wi-Fi	Bluetooth
Standard	IEEE 802.11 b/g/n	Bluetooth v4.2, BR/EDR, BLE
Frekvenčni pas(ovi) [MHz]	2401÷2483	2402÷2480
Največja moč [mW] pas(ovi) [MHz]	100	10

INFORMACIJE O IZDELKU

Kako aktivirati modul Wi-Fi:

Pritisnite gumb za osvetlitev za 3 sekunde, da aktivirate Wi-Fi (razen HWS247FDU1/HWS247FAH1)

Pritisnite gumb Wi-Fi za 3 sekunde, da aktivirate Wi-Fi (za HWS247FDU1/HWS247FAH1)

• Modul Wi-Fi je vklopljen, ikona Wi-Fi začne utripati.

• Če je hladilnik za vino vpisan, vendar je Wi-Fi izklopljen, bo ikona utripala.

• Če je hladilnik za vino vpisan in povezan, ikona Wi-Fi stalno sveti.

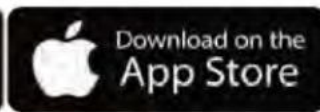
• Za ponastavitev Wi-Fi pritisnite gumb za osvetlitev za 3 sekunde (razen HWS247FDU1/HWS247FAH1).

Za ponastavitev Wi-Fi pritisnite gumb Wi-Fi za 3 sekunde (za HWS247FDU1/HWS247FAH1)

POSTOPEK SEZNANITVE V APLIKACIJI

1. korak

- Prenesite aplikacijo hOn s spletnih trgovin z aplikacijami



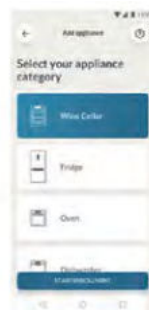
2. korak

- Vpišite se oz. se registrirajte



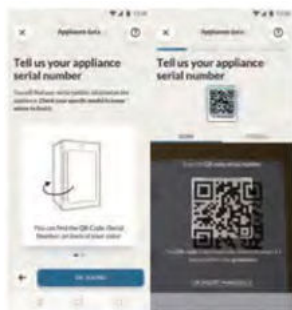
3. korak

- Dodajte novo napravo tako, da s seznama izberete hladilnik za vino



4. korak

- Skenirajte kodo QR ali ročno vstavite serijsko številko



5. korak

- Pritisnite gumb za osvetlitev na izdelku za 3 s, da aktivirate Wi-Fi (razen HWS247FDU1/ HWS247FAH1). Pritisnite gumb Wi-Fi na zdelku za 3 s, da aktivirate Wi-Fi (za HWS247FDU1/ HWS247FAH1)



6. korak

- Ikona Wi-Fi bo utripala, postopek seznanjanja je v teku. Za dokončanje postopka seznanjanja imate na voljo 5 minut. Ko je postopek končan, bo ikona Wi-Fi prenehala utripati in bo neprekinjeno svetila. OPOMBA





Namigi za varčevanje z električno energijo

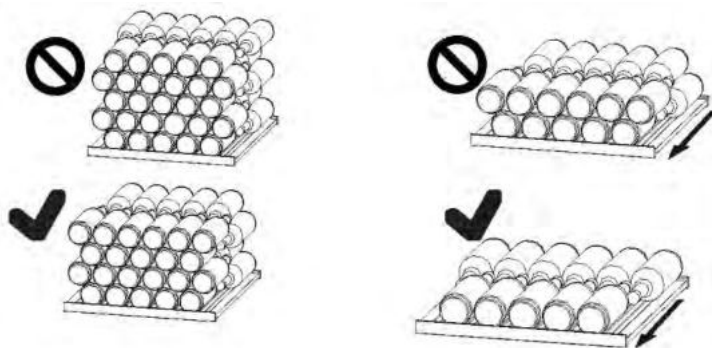
- ▶ Prepričajte se, da je aparat pravilno prezračen (glejte NAMESTITEV).
- ▶ Aparata ne postavljajte neposredno na sonce ali blizu virov toplote (npr. štedilnikov, grelcev).
- ▶ Izogibajte se nepotrebno nizki temperaturi v aparatu. Poraba energije se poveča, ko je v aparatu nastavljena nižja temperatura.
- ▶ Vrata aparata odprite čim manjkrat in za čim krajše obdobje.
- ▶ Ne prekoračite zasnovane količine steklenic, da se izognete oviranju pretoka zraka. Tesnila vrat naj bodo čista, da se bodo vrata vedno pravilno zaprla.
- ▶ Pri konfiguraciji, ki najbolj varčuje z energijo, morajo biti predali in police v aparatu nameščeni v tovarniškem stanju, hrano pa je treba položiti tako, da ne ovira odvoda zraka iz kanala.

1. Polica


1. Police so namenjene enostavnemu vstavljanju in enostavnemu odstranjevanju steklenic vina. Lahko jih očistite z mehko krpo.
2. Odlagate lahko običajne steklenice premera 76 mm.
3. Steklenice Magnum lahko odložite na dno.
4. Količina se lahko razlikuje od prikazanega števila ali steklenic, če so odložene na drugačen način.

Nasvet za postavitve hladilnika za vino

Priporočamo, da število vinskih steklenic ne presega štirih plasti na vsaki polici, obremenitev vinskih polic pa ne sme presegati 60 steklenic v hladilniku za vino; prepričajte se, da so vinske police povsem stabilne. Poleg tega preverite, ali iz polic štrli katere steklenica, da preprečite, da bi ta ob zapiranju udarila v steklena vrata.



2. Luč

Notranja lučka LED se prižge, ko so odprta vrata. Če želite prižgati luč, ko so vrata zaprta, se dotaknite gumba  Če želite ugasniti luči, se znova dotaknite gumba. Da bi povečali energetske učinkovitost, je treba luči ugasniti, ko si ne ogledujete vsebine hladilnika za vino. (razen HWS247FDU1/HWS247FAH1)

3. Ključavnica

Če želite zakleniti hladilnik za vino, zaprite vrata in vstavite ključ v ključavnico:

- ▶ zaklenite vrata z obračanjem ključa v smeri urnega kazalca;
- ▶ odklenite vrata tako, da ključ obrnete v nasprotni smeri urnega kazalca.

1. Odmrzovanje

Odmrzovanje hladilnika za vino se izvede samodejno; ročno upravljanje ni potrebno.

2. Menjava lučke LED

Luč kot vir svetlobe uporablja lučko LED, ki ima nizko porabo energije in dolgo življenjsko dobo. Če pride do kakršnih koli nepravilnosti, se obrnite na službo za pomoč strankam. Glejte SLUŽBA ZA POMOČ STRANKAM.



OPOZORILO!

Lučke LED ne menjajte sami. Zamenjati jo sme le proizvajalec ali pooblaščen servisier.

Parametri lučke LED:

Napetost 12 V

Največja moč: 18 W

3. Dolgotrajna neuporaba

Izklopite napajalni kabel.

Očistite aparat in tesnila vrat, kot je opisano zgoraj.

Vrata naj ostanejo odprta, da preprečite nastanek neprijetnega vonja.

4. Premikanje aparata

1. Odstranite vse steklenice in izključite aparat.
2. Police in druge premične dele v hladilniku za vino pritrdite z lepilnim trakom.
3. Hladilnika za vino ne nagibajte za več kot 45°, da ne poškodujete hladilnega sistema.

5. Izmenjava zraka s filtrom z aktivnim ogljem (razen HWS247FAH1)

Način, kako vina še naprej zorijo, je odvisen od okoljskih pogojev. Kakovost zraka je zato odločilna za ohranjanje vina. V spodnjem delu zadnje stene aparata je nameščen filter z aktivnim ogljem, ki zagotavlja optimalno kakovost ostankov že odprtih vin.



Obvestilo

Priporočamo, da filter zamenjate enkrat letno. Filtre lahko dobite pri svojem prodajalcu.

(razen HWS247FAH1)

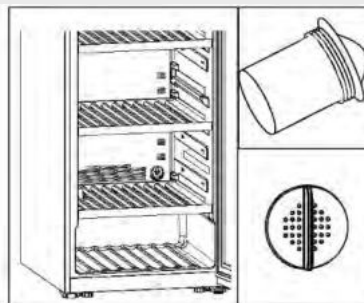
Zamenjava filtra:

Primito filter za ročaj. Obrnite ga v levo in odstranite.

Vstavljanje filtra:

Vstavite ga z ročajem v navpičnem položaju.

Obrnite ga v desno in vstavite.



Številne težave, do katerih prihaja, bi lahko rešili sami brez posebnega strokovnega znanja. V primeru težav preverite vse prikazane možnosti in sledite spodnjim navodilom, preden se obrnete na servisno službo. Glejte SLUŽBA ZA POMOČ STRANKAM.

OPOZORILO!

- ▶ Pred vzdrževanjem izklopite aparat in odklopite vtič iz vtičnice.
- ▶ Električno opremo lahko servisirajo samo usposobljeni električarji, saj lahko nepravilna popravila povzročijo znatno posledično škodo.
- ▶ Če je napajalni kabel poškodovan, ga sme zamenjati samo proizvajalec, njegov servisni agent ali drug kvalificiran serviser, da preprečite morebitne nevarnosti.

Koda napake	Vzrok	Rešitev
L2	Alarm nizke temperature, kadar je temperatura kontrolnega senzorja prenizka;	<ol style="list-style-type: none"> 1. Preverite temperaturo okolice. 2. Preverite priključek kompresorja. 3. Preverite upor senzorja za uravnavanje temperature.
H1	Ko je temperatura kontrolnega senzorja previsoka, se na zaslonu prikaže alarm za visoko temperaturo;	<ol style="list-style-type: none"> 1. Preverite priključek nadzorne plošče ali zaslonske plošče. 2. Preverite upor in napetost ventilatorja. 3. Preverite ventilator in priključek kompresorja.

Težava	Možen vzrok	Možna rešitev
Kompresor ne deluje.	<ul style="list-style-type: none"> Omrežni vtič ni priključen v omrežno vtičnico. 	<ul style="list-style-type: none"> Priključite omrežni vtič.
Aparat deluje prepogosto ali deluje predolgo.	<ul style="list-style-type: none"> Zunanja temperatura je previsoka. Aparat že nekaj časa ni vklopljen. Vrata aparata niso tesno zaprta. Vrata so bila odprta prepogosto ali predolgo. Tesnila vrat so umazana, obrabljena, razpokana ali neustrezna. Zahtevano kroženje zraka ni zagotovljeno. Temperatura je nastavljena prenizko. 	<ul style="list-style-type: none"> V tem primeru je običajno, da aparat deluje dlje. Običajno traja nekaj časa, da se aparat popolnoma ohladi. Zaprte vrata in se prepričajte, da je aparat nameščen na ravni podlagi in da na vratih ni ovirajoče hrane ali posode. Vrat ne odpirajte prepogosto. Očistite tesnilo vrat ali prosite službo za pomoč strankam, da vam ga zamenja. Zagotovite ustrezno prezračevanje. Težava se bo rešila sama, ko bo dosežena zelena temperatura.
Notranjost hladilnika za vino je umazana in/ali ima neprijeten vonj.	<ul style="list-style-type: none"> Notranjost hladilnika za vino je potrebno očistiti. 	<ul style="list-style-type: none"> Očistite notranjost hladilnika za vino.
Znotraj naprave ni dovolj hladno.	<ul style="list-style-type: none"> Temperatura je nastavljena previsoko. Steklenice so bile pred kratkim dodane. Vrata aparata niso tesno zaprta. Vrata so bila odprta prepogosto ali predolgo. Tesnila vrat so umazana, obrabljena, razpokana ali neustrezna. 	<ul style="list-style-type: none"> Ponastavite temperaturo. Počakajte, da nedavno dodane steklenice dosežejo zeleno temperaturo. Zaprte vrata. Vrat ne odpirajte prepogosto. Očistite tesnilo vrat ali prosite službo za pomoč strankam, da vam ga zamenja.
Znotraj aparata je prehladno.	<ul style="list-style-type: none"> Temperatura je nastavljena prenizko. 	<ul style="list-style-type: none"> Ponastavite temperaturo.
Nastajanje vlage na notranji strani hladilnega prostora.	<ul style="list-style-type: none"> Zunanje okolje je pretoplo in prevlažno. Vrata aparata niso tesno zaprta. 	<ul style="list-style-type: none"> Povečajte temperaturo. Zaprte vrata.

Težava	Možen vzrok	Možna rešitev
	<ul style="list-style-type: none"> Vrata so bila odprta prepogosto ali predolgo. 	<ul style="list-style-type: none"> Vrat/predala ne odpirajte prepogosto.
Na zunanji površini hladilnika za vino se nabira vlaga.	<ul style="list-style-type: none"> Klima je pretopla in prevlažna. Vrata niso tesno zaprta. Hladen zrak v napravi in topel zunanji zrak kondenzirata. 	<ul style="list-style-type: none"> To je normalno v vlažni klimi in se bo spremenilo, ko se vlažnost zmanjša. Prepričajte se, da so vrata tesno zaprta in da tesnila pravilno tesnijo.
Naprava proizvaja nenormalne zvoke	<ul style="list-style-type: none"> Naprava ni nameščena na ravno podlago. Naprava se dotika predmeta v njeni bližini. 	<ul style="list-style-type: none"> Nastavite noge, da poravnate napravo. Odstranite predmete okoli naprave.
Slišati je mogoče rahel zvok, podoben zvoku vode.	<ul style="list-style-type: none"> To je običajno 	<ul style="list-style-type: none"> -
Notranja razsvetljava ali hladilni sistem ne deluje.	<ul style="list-style-type: none"> Omrežni vtič ni priključen v omrežno vtičnico. Napajanje ne deluje pravilno. LED-luč ne deluje. 	<ul style="list-style-type: none"> Priključite omrežni vtič. Preverite električno napajanje prostora. Pokličite lokalno elektro podjetje. Za zamenjavo pokličite servis
Strani hladilnika in trak vrat se segrejejo	<ul style="list-style-type: none"> To je običajno. 	<ul style="list-style-type: none"> -
Vrata se ne zapirajo dobro	<ul style="list-style-type: none"> Aparat ni v vodoravnem položaju. Vrata so blokirana. 	<ul style="list-style-type: none"> Poravnajte aparat z izravnalnimi nogami. Preverite zamašitve, kot npr. steklenice ali police.

Če želite stopiti v stik s tehnično pomočjo, obiščite naše spletno mesto:

<https://corporate.haier-europe.com/en/>

V razdelku »spletno mesto« izberite blagovno znamko izdelka in državo. Preusmerjeni boste na določeno spletno mesto, kjer boste našli telefonsko številko in obrazec za stik s tehnično pomočjo.

List izdelka v skladu z Uredbo EU št. 2019/2016

Blagovna znamka	Haier	Haier	Haier
Ime/identifikator modela	HWS247GGU1 HWS247GEH1	HWS236GDGU1 HWS236GDEH1	HWS247FDU1/ HWS247FAH1
Kategorija	Hladilnik za vino	Hladilnik za vino	Hladilnik za vino
Razred energijske učinkovitosti	G/E	G/E	D/A
Letna poraba energije (kWh/leto) ¹⁾	184/107	184/107	85/44
Prostornina za shranjevanje (L)	450	448	450
Klimatski razred: Ta aparat je namenjen uporabi pri sobni temperaturi med 10 in 38 °C.	SN N ST	SN N ST	SN N ST
Emisije akustičnega hrupa v zraku (db(A) re 1pW)	C (37)/B(35)	C (37)/B(35)	C (37)/B(35)
Vrsta aparata	Prostostoječi	Prostostoječi	Prostostoječi
Ta aparat je namenjen izključno hrambi vina.	Da	Da	Da
Mere (Š/D/V v mm)	597/714/1900	597/714/1900	603/769/1900

Pojasnila:

1) na podlagi 24-urnih standardnih testnih rezultatov. Dejanska poraba energije je odvisna od dejanskega okolja, količine polnjenja, nastavljenih temperature, odpiranja in zapiranja vrat itd.

2) Nazivna poraba energije je vrednost, dobljena v skladu s standardnim testom, ko hladilnik za vino ne vklopi notranje luči.

- razširjeno zmerno: »ta hladilni aparat je namenjen uporabi pri sobni temperaturi od 10 do 32 °C«;
- zmerno: »ta hladilni aparat je namenjen uporabi pri sobni temperaturi od 16 do 32 °C«;
- subtropsko: »ta hladilni aparat je namenjen uporabi pri sobni temperaturi od 16 do 38 °C«;
- tropsko: »ta hladilni aparat je namenjen za uporabo pri sobni temperaturi od 16 °C do 43 °C«.

Standardi in direktive

Ta izdelek izpolnjuje zahteve vseh veljavnih direktiv ES z ustreznimi usklajenimi standardi, ki določajo oznako CE.

Priporočamo našo službo za pomoč strankam Haier in uporabo originalnih nadomestnih delov. Če imate težave z aparatom, najprej preverite poglavje ODPRAVLJANJE TEŽAV.

Če tam ne najdete rešitve, se obrnite na

- ▶ lokalnega prodajalca ali
- ▶ področje Servis in podpora na spletni strani www.haier.com, kjer najdete telefonske številke in pogosta vprašanja ter kjer oddate zahtevek za servis.

Če se želite obrniti na naš servis, se prepričajte, da imate na voljo naslednje podatke.

Podatke najdete na tipski tablici.

Model _____ Serijska št. _____

V primeru uveljavljanja garancije preverite tudi garancijsko kartico, ki je priložena izdelku.

Za splošne poslovne poizvedbe so v nadaljevanju navedeni naslovi naših podružnic v Evropi:

Evropski naslovi podružnic Haier

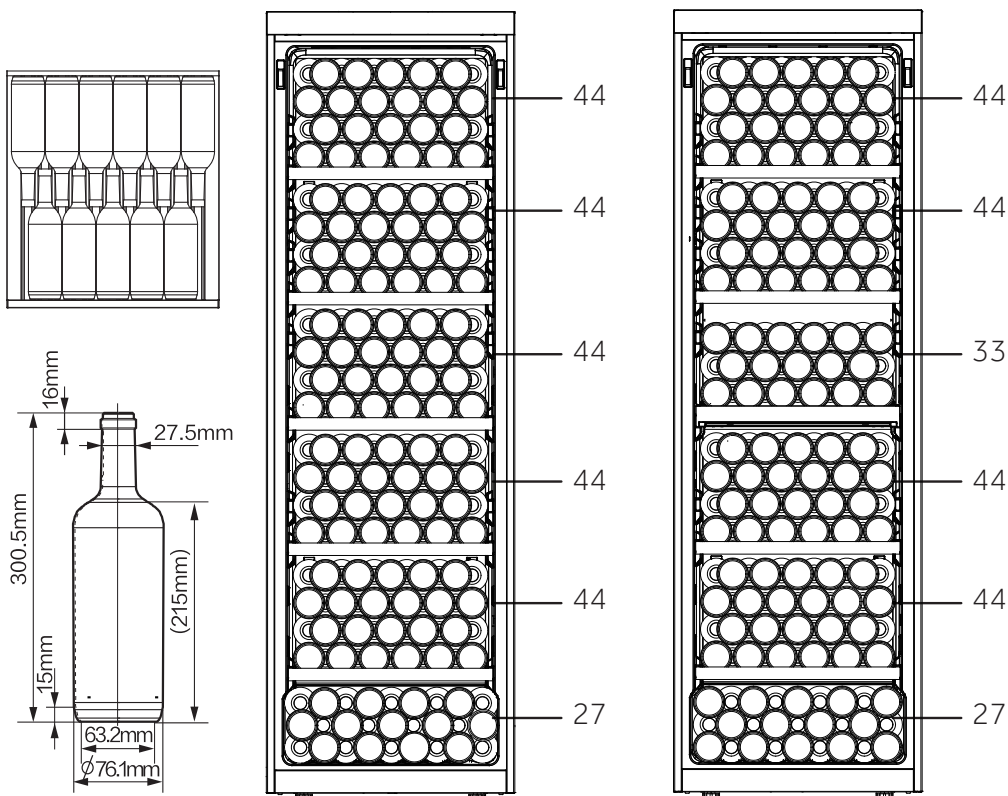
Država*	Poštni naslov	Država	Poštni naslov
Italija	Haier Europe Trading SRL Via De Cristoforis, 12 21100 Varese ITALIJA		Haier Europe Trading SRL Via De Cristoforis, 12 21100 Varese ITALIJA
Španija	Haier Iberia SL Pg. Garcia Faria, 49-51 08019 Barcelona ŠPANIJA	Francija	
Portugalska		Belgija-FR	Haier Benelux SA Anderlecht
		Belgija-NL	Route de Lennik 451
		Nizozemska	BELGIJA
		Luksemburg	
Nemčija	Haier Deutschland GmbH Hewlett-Packard-Str. 4 D-61352 Bad Homburg NEMČIJA		Haier Poland Sp. zo.o. Al. Jerozolimskie 181B 02-222 Varšava POLJSKA
Avstrija		Poljska	
	Haier Appliances UK Co. Ltd. One Crown Square Church Street East Woking, Surrey, GU21 6HR ZK	Češka	
Združeno kraljestvo		Madžarska	
		Grčija	
		Romunija	
		Rusija	

RAZPOLOŽLJIVOST NADOMESTNIH DELOV: Termostati, temperaturni senzorji, tiskana vezja in svetlobni viri so na voljo najmanj sedem let po tem, ko je bila na trg dostavljena zadnja enota modela. Ključavnice, tečaji vrat, pladnji in košare najmanj sedem let, tesnila vrat pa najmanj 10 let po tem, ko je bila na trg dostavljena zadnja enota modela.

Minimalno garancijsko obdobje je: 2 leti za države EU, 3 leta za Turčijo, 1 leto za Združeno kraljestvo, 1 leto za Rusijo, 3 leta za Švedsko, 2 leti za Srbijo, 5 let za Norveško, 1 leto za Maroko, 6 mesecev za Alžirijo, za Tunizijo pravna garancija ni potrebna.

Za dodatne informacije o izdelku obiščite spletno mesto <https://eprel.ec.europa.eu/> ali skenirajte kodo QR na energijski nalepki, priloženi aparatu.

Razporeditev steklenic temelji na grafičnem prikazu standardne bordojske steklenice (0,75 l). Zaradi različnih specifikacij steklenic je lahko dejanska količina naložene steklenice drugačna.



HWS247GGU1
HWS247FDU1
HWS247GEH1
HWS247FAH1

HWS236GDGU1
HWS236GDEH1

HWS-247FDU1-247GGU1-236GGDU1-247GEH1-236GDEH1-HWS247FAH1 - SL

Haier



Haier

Uživatelská příručka

Vinný sklípek

HWS247FAH1
HWS247FDU1
HWS247GGU1
HWS247GEH1
HWS236GDEH1
HWS236GDGU1

CS

Haier

Děkujeme vám, že jste si koupili výrobek značky Haier.

Před použitím spotřebiče si pozorně přečtete tyto pokyny. Obsahují důležité informace, které vám pomohou co nejlépe využít spotřebič a zajistit jeho bezpečnou a správnou instalaci, používání a údržbu.

Uschovejte tuto příručku na praktickém místě, abyste do ní mohli kdykoli nahlédnout ohledně bezpečného a správného používání spotřebiče.

Pokud spotřebič prodáváte, věnujete nebo necháváte ve starém domě, předejte společně s ním také tuto příručku, aby se mohl nový vlastník seznámit se spotřebičem a přečíst si bezpečnostní varování.



Legenda



Varování – důležité bezpečnostní informace

Všeobecné informace a tipy



Informace týkající se životního prostředí



Likvidace

Pomáhejte chránit životní prostředí a lidské zdraví. Vložte obalový materiál do vhodných kontejnerů pro recyklaci. Pomáhejte recyklovat odpadní elektrické a elektronické spotřebiče. Spotřebiče označené tímto symbolem nevyhazujte do domovního odpadu. Zašlete výrobek do místního recyklačního závodu, nebo se obraťte na váš obecní úřad.



VAROVÁNÍ!

Nebezpečí poranění nebo udušení!

Chladiva a plyny vyžadují profesionální likvidaci. Zajistěte, aby se potrubí chladicího okruhu nepoškodilo, než bude náležitě zlikvidováno. Odpojte spotřebič od síťového napájení. Odstříhnete síťový kabel a zlikvidujte ho. Odstraňte police a přihrádky, stejně jako západku a těsnění dvířek, aby se zamezilo uzavření dětí a domácích zvířat uvnitř spotřebiče.

Staré spotřebiče mají stále určitou zbytkovou hodnotu. Způsob likvidace šetrný k životnímu prostředí zaručí, že bude možné znovu získat a využít cenné suroviny.

Jako nadouvadlo pro pěnovou izolaci se používá cyklopentan, což je hořlavá látka, která nepoškozuje ozónovou vrstvu.

Zajištěním správné likvidace tohoto výrobku pomůžete předcházet případným negativním důsledkům pro životní prostředí a lidské zdraví, k nimž by jinak mohlo docházet.

Podrobnější informace o profesionální recyklaci tohoto výrobku získáte na místním obecním úřadě, u společnosti zajišťující odvoz domovního odpadu nebo v prodejně, kde jste výrobek zakoupili.

1 - Bezpečnostní informace	4
2 - Tipy týkající se bezpečnosti	7
3 - Údržba	11
4 - Příslušenství	13
5 - Popis výrobku.....	14
6 - Instalace	15
7 - Používání.....	19
8 - Tipy pro úsporu energie.....	24
9 - Vybavení.....	25
10 - Čištění a údržba	26
11 - Řešení problémů	27
12 - Technické údaje.....	30
13 - Zákaznický servis	31
14 - Skládání láhví vína	32

Tento spotřebič je určen výhradně k ukládání vína. Před prvním zapnutím spotřebiče si přečtěte následující rady týkající se bezpečnosti:



VAROVÁNÍ!

Před prvním použitím

- ▶ Ujistěte se, že při přepravě nedošlo k žádnému poškození.
- ▶ Odstraňte veškerý obalový materiál, uschovejte ho mimo dosah dětí a zlikvidujte ho způsobem šetrným k životnímu prostředí.
- ▶ Před instalací spotřebiče počkejte alespoň půl hodiny, aby byla zaručena plná účinnost okruhu chladiwa.
- ▶ Se spotřebičem vždy manipulujte alespoň ve dvou osobách, protože je těžký.

Instalace

- ▶ Spotřebič by se měl umístit do dobře větrané místnosti. Nad spotřebičem a kolem něj zajistěte volný prostor alespoň 50 mm.
- ▶ **VAROVÁNÍ:** Zajistěte, aby ve skříni spotřebiče nebo v konstrukci pro vestavění nic nezakrývalo větrací otvory.
- ▶ Nikdy neumísťujte spotřebič do vlhkého prostoru nebo na místo, kde by na něj mohla stříkat voda. Vodu a skvrny odstraňte a vysušte měkkou, čistou látkou.
- ▶ Neinstalujte vinný sklípek na místě, které není řádně izolováno nebo vytápěno, např. v garáži apod. Váš vinný sklípek nebyl navržena pro provoz při okolní teplotě nižší než 10 °C.
- ▶ Neinstalujte spotřebič na přímé sluneční světlo nebo do blízkosti zdrojů tepla (např. sporáků nebo ohřivačů).
- ▶ Nainstalujte spotřebič na místo odpovídající jeho velikosti a používání a vyrovnejte ho.
- ▶ Ujistěte se, že parametry elektrického napájení se shodují s údaji na typovém štítku. V opačném případě kontaktujte elektrikáře.
- ▶ Spotřebič pracuje s napájením 220–240 VAC/50 Hz. Nenormální kolísání napětí může způsobit, že spotřebič se nespustí, nebo se poškodí regulátor teploty či kompresor, případně se může za chodu ozývat neobvyklý hluk. V takovém případě by se měl nainstalovat automatický regulátor.
- ▶ Nepoužívejte rozbočovací adaptéry ani prodlužovací kabely.

**VAROVÁNÍ!**

- ▶ **VAROVÁNÍ:** Neumísťujte za spotřebič přenosné rozbočovací zásuvky ani prodlužovací kabely.
- ▶ **VAROVÁNÍ:** Při umísťování spotřebiče se ujistěte, že napájecí kabel není zachycený nebo poškozený.
- ▶ Nešlapejte na napájecí kabel.
- ▶ K napájení použijte samostatnou, snadno přístupnou uzemněnou zásuvku. Tento spotřebič musí být uzemněný.
- ▶ **Pouze pro Spojené království:** Napájecí kabel spotřebiče je vybaven trojpólovou zástrčkou (s uzemněním), která se zapojuje do standardní trojpólové zásuvky (s uzemněním). Nikdy neodřezávejte ani nedemontujte třetí kolík (uzemnění). Zástrčka by měla být přístupná i po instalaci spotřebiče.
- ▶ **VAROVÁNÍ:** Nepoškodte okruh chladiva.

Denní používání

- ▶ Tento spotřebič mohou používat děti starší osmi let a osoby s omezenými fyzickými, smyslovými nebo duševními schopnostmi nebo osoby nezkušené a neznalé za předpokladu, že mají zajištěný dohled nebo byly poučeny o bezpečném používání spotřebiče a chápou související rizika.
- ▶ Děti si se spotřebičem nesmějí hrát.
- ▶ Děti ve věku od 3 do 8 let mohou chladničky plnit a vyprazdňovat, ale nesmějí je čistit ani instalovat.
- ▶ Zabraňte dětem mladším 3 let v přístupu ke spotřebiči, pokud nejsou pod nepřetržitým dozorem.
- ▶ Děti nesmějí provádět čištění a uživatelskou údržbu bez dozoru.
- ▶ Spotřebič musí být umístěn tak, aby byla zástrčka přístupná.
- ▶ Jestliže v blízkosti spotřebiče uniká svítíplyn nebo jiný hořlavý plyn, vypněte ventil unikajícího plynu, otevřete dveře a okna a neodpojujte napájecí kabel spotřebiče od zásuvky.
- ▶ Po odpojení napájení počkejte nejméně 7 minut, než opět připojíte napájení.
- ▶ Nezdvihejte spotřebič za madla jeho dvířek.
- ▶ Klíče musí být uloženy mimo dosah dětí a dále od spotřebiče, aby se předešlo uzamčení dětí uvnitř spotřebiče.



VAROVÁNÍ!

- ▶ Upozorňujeme, že spotřebič je nastaven na provoz při určitém rozsahu teplot mezi 10 a 38 °C. Spotřebič nemusí řádně fungovat, pokud je po dlouhou dobu vystaven teplotám nad nebo pod indikovaným rozsahem.
- ▶ Nepokládejte na horní stranu spotřebiče nestabilní předměty (těžké předměty, nádoby naplněné vodou), aby se předešlo zranění způsobenému pádem nebo elektrickým proudem v důsledku styku s vodou.
- ▶ Otvírejte a zavírejte dvířka pouze pomocí madel. Mezera mezi dvířky a skříní je velmi úzká. Nevkládejte do těchto míst ruce, abyste si nepřiskřípli prsty. Dvířka spotřebiče otvírejte nebo zavírejte pouze v případě, že v dosahu jejich pohybu nestojí žádné děti.
- ▶ Ve spotřebiči nebo v jeho blízkosti neskladujte ani nepoužívejte hořlavé, výbušné nebo korozivní látky.
- ▶ V tomto spotřebiči neskladujte výbušné látky, jako jsou nádoby s aerosolem, v nichž se používá hořlavý hnací plyn.
- ▶ Ve spotřebiči neskladujte léky, bakterie ani chemické látky. Tento spotřebič je určen k použití v domácnosti. Nedoporučuje se skladovat materiály, které vyžadují přesně stanovené teploty.
- ▶ Nenastavujte zbytečně nízkou teplotu ve vnitřním prostoru pro víno. Při vysokém nastavení může teplota klesnout do záporných hodnot. Pozor: Láhve mohou prasknout
- ▶ Za provozu se nedotýkejte vnitřního povrchu prostoru spotřebiče, zejména ne mokřýma rukama, protože by mohly přimrznout k povrchu.
- ▶ Správné chlazení vína vyžaduje, aby se spotřebič nepřehřival.
- ▶ V případě výpadku napájení nebo před čištěním odpojte spotřebič od napájení. Před opětovným spuštěním spotřebiče počkejte alespoň 7 minut, protože časté spouštění by mohlo poškodit kompresor.
- ▶ **VAROVÁNÍ:** Uvnitř spotřebiče nepoužívejte elektrická zařízení, pokud nejsou takového typu, který doporučil výrobce. Aby se zamezilo rizikům, výměnu poškozeného napájecího kabelu musí provést zákaznický servis (viz záruční list).
- ▶ Nevypínejte spotřebič, abyste prodloužili jeho provozní životnost.
- ▶ Nikdy nepokládejte spotřebič vodorovně na zem. Po naklonění spotřebiče v úhlu větším než 45° počkejte 24 hodin, než ho připojíte k napájení.

**VAROVÁNÍ!****Údržba/čištění**

- ▶ Jestliže jsou čištění a údržba prováděny dětmi, je nutné na ně dohlížet.
- ▶ Před zahájením jakékoli pravidelné údržby odpojte spotřebič od elektrického napájení. Před opětovným spuštěním spotřebiče počkejte alespoň 7 minut, protože časté spouštění by mohlo poškodit kompresor.
- ▶ Při odpojování spotřebiče od napájení držte zástrčku, nikoli kabel.
- ▶ Nečistěte spotřebič tvrdými kartáči, drátěnými kartáči, práškovým mycím prostředkem, benzínem, amylacetátem, acetonem, podobnými organickými roztoky a kyselými nebo zásaditými roztoky. K čištění použijte speciální čisticí prostředek na chladničky/mrazničky, aby se zamezilo poškození. Nakonec použijte roztok jedlé sody v teplé vodě – asi jednu polévkovou lžici jedlé sody na litr vody. Důkladně opláchněte povrch vodou a otřete ho do sucha. Nepoužívejte práškové ani jiné abrazivní čisticí prostředky. Nemyjte odnímatelné součásti v myčce.
- ▶ **VAROVÁNÍ:** Nepoužívejte mechanické nástroje ani jinak neurychlujte proces rozmrazování. Používejte pouze prostředky doporučené výrobcem.
- ▶ Pokud se poškodí napájecí kabel, výměnu musí provést výrobce, jeho servisní zástupce nebo osoba s podobnou kvalifikací, aby se vyloučilo riziko.
- ▶ Nepokoušejte se opravovat, rozebírat nebo upravovat spotřebič vlastními silami. Je-li nutná oprava, obraťte se na náš zákaznický servis.
- ▶ Pokud se poškodí osvětlovací žárovky, výměnu musí provést výrobce, jeho servisní zástupce nebo osoby s podobnou kvalifikací, aby se vyloučilo riziko.
- ▶ Alespoň jednou za rok odstraňte prach ze zadní strany spotřebiče, aby se předešlo nebezpečí požáru a snížila se spotřeba energie.

- ▶ Během čištění na spotřebič nestříkejte ani nelijte vodu.
- ▶ K čištění spotřebiče nepoužívejte vodní postřik ani proud vody.
- ▶ Nečistěte chladná skleněná dvířka horkou vodou. Náhlá změna teploty by mohla způsobit, že sklo praskne.
- ▶ Pokud spotřebič delší dobu nepoužíváte, nechte ho otevřený, aby uvnitř nevznikl nepříjemný zápach.

Informace o plynném chladivu



VAROVÁNÍ!

Spotřebič obsahuje hořlavé chladivo ISOBUTAN (R600a). Ujistěte se, že během přepravy nebo instalace nedošlo k poškození okruhu chladiva. Unikající chladivo by mohlo způsobit zranění očí, nebo by se mohlo vznítit. Pokud dojde k poškození, nepřibližujte se s otevřeným plamenem, důkladně vyvětrejte místnost a nezapojujte ani neodpojujte napájecí kabely tohoto či jiných spotřebičů. Informujte zákaznický servis. V případě zasažení očí chladivem důkladně vypláchněte oči pod tekoucí vodou a ihned zavolejte očnímu lékaři.

VAROVÁNÍ: Systém chlazení je pod vysokým tlakem. Nemanipulujte s ním. Vzhledem k používání hořlavých chladiv je nutné přísně dodržovat pokyny pro instalaci, manipulaci a údržbu spotřebiče a pokud chcete spotřebič zlikvidovat, obraťte se na odborníka nebo náš poprodejní servis.

Určené použití

Tento spotřebič je určen k používání v domácnostech a podobných oblastech, jako jsou:


- kuchyňky pro personál v obchodech, kancelářích a na dalších pracovištích;
 - chalupy a hotely, motely a další obytné objekty, kde je používají zákazníci;
 - ubytovací zařízení typu penzionu se snídaní;
 - cateringové služby a podobné aplikace, ve kterých se nejedná o maloobchodní prodej.
- Dodržujte tento návod k použití, zajistíte tím bezpečné uchovávání vína.
- Podrobné informace o nejvhodnějších částech prostoru spotřebiče pro uchovávání určitých typů potravin s ohledem na rozložení teplot, které se mohou vyskytovat v různých prostorech spotřebiče, jsou uvedeny v jiné části příručky.

Na spotřebiči neprovádějte žádné změny nebo úpravy.

Používání k jinému než určenému účelu může představovat nebezpečí a vést ke ztrátě platnosti záruky.

Likvidace



Symbol  na výrobku nebo jeho obalu znamená, že s tímto výrobkem nelze nakládat jako s domovním odpadem. Místo toho musí být dopraven do příslušného sběrného místa pro recyklaci elektrických a elektronických zařízení. Zajištěním správné likvidace tohoto výrobku pomůžete předcházet případným negativním důsledkům pro životní prostředí a lidské zdraví, k nimž by jinak mohlo docházet při nesprávné manipulaci s tímto výrobkem. Podrobnější informace o recyklaci tohoto výrobku získáte na místním obecním úřadě, u společnosti zajišťující odvoz domovního odpadu nebo v prodejně, kde jste výrobek zakoupili.

Vzhledem k použití hořlavých nadouvadel pro izolaci svěřte likvidaci spotřebiče odborníkům nebo našemu poprodejnímu servisu.

VAROVÁNÍ!

Nebezpečí udušení!

Chladiva a plyny vyžadují profesionální likvidaci. Zajistěte, aby se potrubí chladicího okruhu nepoškodilo, než bude náležitě zlikvidováno.

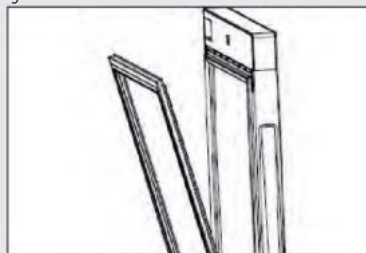
Odpojte spotřebič od síťového napájení. Odstříhnete síťový kabel a zlikvidujte ho. Odstraňte police a přihrádky, stejně jako západku a těsnění dvířek, aby se zamezilo uzavření dětí a domácích zvířat uvnitř spotřebiče.

- ▶ **VAROVÁNÍ:** Před čištěním odpojte spotřebič od napájení.
- ▶ Nečistěte spotřebič tvrdými kartáči, drátěnými kartáči, práškovým mycím prostředkem, benzínem, amylacetátem, acetonem, podobnými organickými roztoky a kyselými nebo zásaditými roztoky. K čištění použijte speciální čisticí prostředek na chladničky, aby se zamezilo poškození.
- ▶ Spotřebič čistěte, když je v něm uloženo jen málo vína nebo žádné víno. Je nutné jej čistit pouze tehdy, když je znečištěný.
- ▶ Očistěte vnitřek a skříň spotřebiče houbou navlhčenou v teplé vodě s neutrálním čisticím prostředkem
- ▶ Opláchněte ho čistou teplou vodou a vysušte ho měkkou látkou.
- ▶ Nemyjte žádné součásti spotřebiče v myčce.
- ▶ Před opětovným spuštěním spotřebiče počkejte alespoň 7 minut, protože časté spouštění by mohlo poškodit kompresor.



Čištění těsnění dvířek:

- ▶ Těsnění dvířek by se mělo čistit každé 3 měsíce, aby bylo zaručeno správné přilnutí. Jak je znázorněno níže: Odstranění: Uchopte těsnění dvířek a vytáhněte ho ve směru šipky, aby se vcelku oddělilo od dvířek. Namočte kartáč do vody nebo alkoholu vhodného pro potravinářství a nejprve vykartáčujte drážku těsnění dvířek. Potom otřete povrch těsnění dvířek utěrkou namočenou ve vodě nebo potravinářském lihu. Nakonec omyjte těsnění dvířek čistou vodou a vysušte ho čistou utěrkou.



Instalace těsnění dvířek po vyčištění:

Před instalací se ujistěte, že na těsnění dvířek není žádná voda. Vložte těsnění dvířek do drážky a pevně ho zatlačte rukou odshora dolů tak, aby bylo celé uvnitř drážky.

Čištění polic:

- ▶ Všechny police lze vyjmout za účelem čištění.
- ▶ Vyndejte všechny láhve.
- ▶ Každou polici nadzdvihněte a vytáhněte ven.
- ▶ Vyčistěte polici měkkou utěrkou.
- ▶ Počkejte, až police uschnou, než je vložíte zpět do spotřebiče.

VAROVÁNÍ:

Po odpojení napájení počkejte nejméně 7 minut, než opět připojíte napájení.

Zkontrolujte příslušenství a literaturu podle tohoto seznamu: bez izolace.

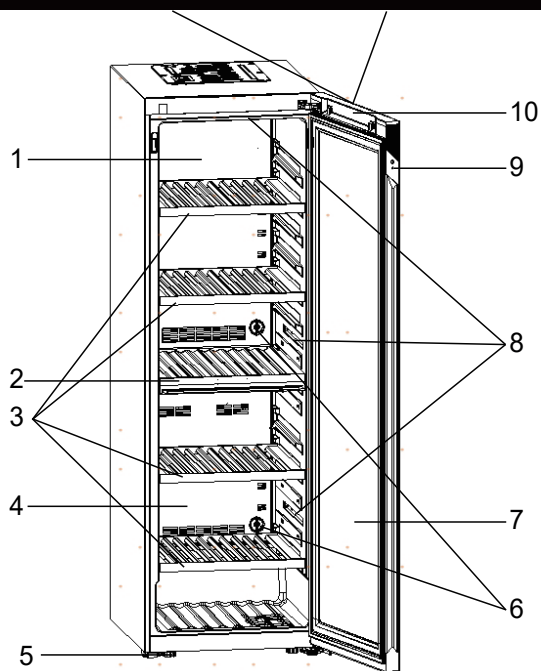
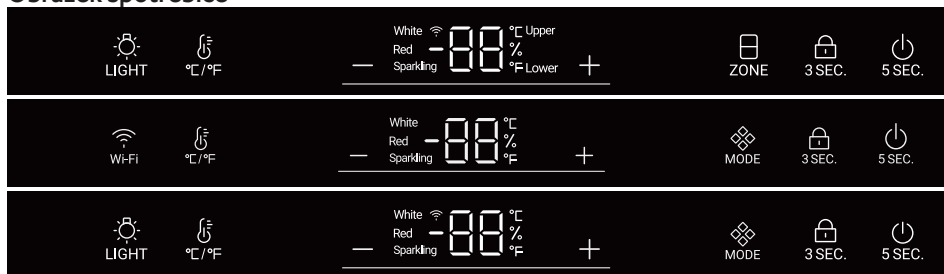
Název	Uživatelská příručka	Servisní karta	Police	Kryt závěsu	Energetický štítek	Klíč	Klika	Šroubovací uzávěr	Kryt	Výstavní police	
HWS247FAH1	1	1	5	1	1	2	1	4	2	1	1
HWS247GGU1	1	1	5	1	1	2	/	/	/	/	/
HWS236GDGU1	1	1	4	1	1	2	/	/	/	/	/
HWS247FDU1	1	1	5	1	1	2	1	4	2	1	/
HWS247GEH1	1	1	5	1	1	2	/	/	/	/	/
HWS236GDEH1	1	1	4	1	1	2	/	/	/	/	/



Upozornění

Vzhledem k technickým změnám a různým modelům nemusí některé obrázky v této příručce přesně zobrazovat váš model.

Obrázek spotřebiče



(HWS236GDGU1)

- | | |
|---|--|
| 1. Horní přepážka vzduchovodu | 6. Filtr s aktivním uhlím (kromě HWS247FAH1) |
| 2. přepážka (pro HWS236GDGU1/HWS236GDEH1) | 7. Dveře |
| 3. Police | 8. Žárovka LED |
| 4. Spodní přepážka vzduchovodu | 9. Zamknout |
| 5. Nastavitelné nohy | 10. Displej |

1. Vybalení

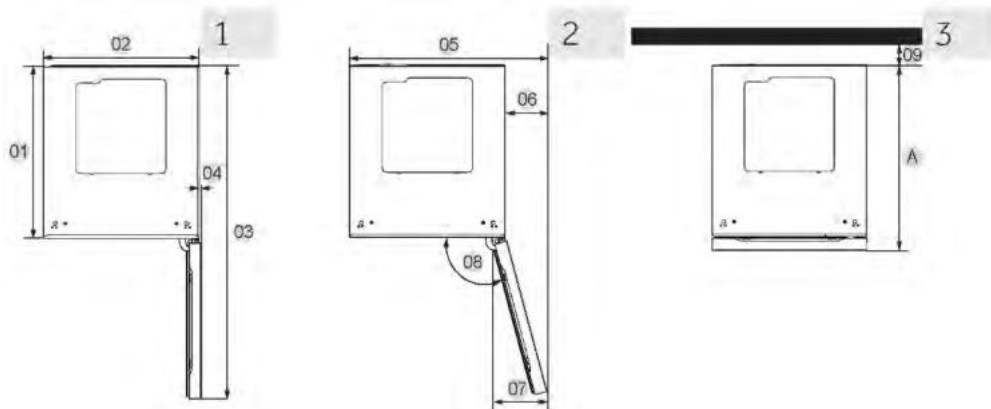
- ▶ Vyměňte spotřebič z obalu.
- ▶ Odstraňte veškerý obalový materiál včetně pěnové základny a všech lepicích pásek, které přidrží příslušenství.

2. Podmínky prostředí

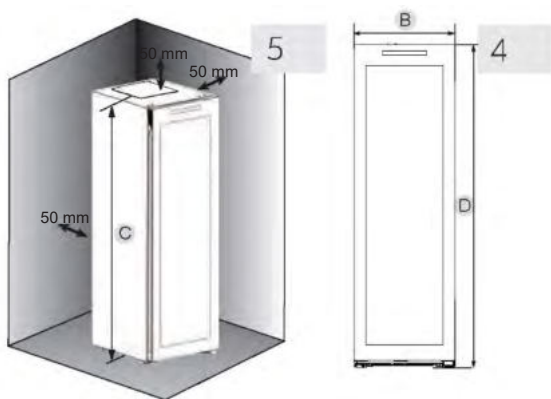
Pokojevá teplota by měla být vždy mezi 10 °C a 38 °C, protože může ovlivňovat teplotu uvnitř spotřebiče a jeho spotřebu energie. Bez náležité izolace neinstalujte spotřebič do blízkosti jiných spotřebičů vytvářejících teplo (trub, chladniček).

3. Požadavky na místo

Potřebný prostor pro otevření dveří (obr. 1,2,3,4); Z bezpečnostních a energetických důvodů je nutné dodržet požadovanou větrací vzdálenost 50 mm ve všech směrech (obr. 5).



Měrná jednotka: mm	HWS247GGU1 HWS247GEH1	HWS236GGU1 HWS236GDEH1	HWS247FDU1 HWS247FAH1
Hloubka A	714	714	769
Šířka B	597	597	603
Výška C	1905	1905	1905
Celková výška D	654	654	654
O1	595	595	595/600
O2	1273	1273	1280
O3	11	11	16
O4	756	756	805
O5	161	161	210
O6	200	200	200
O7	105°	105°	105°
O8	50	50	50





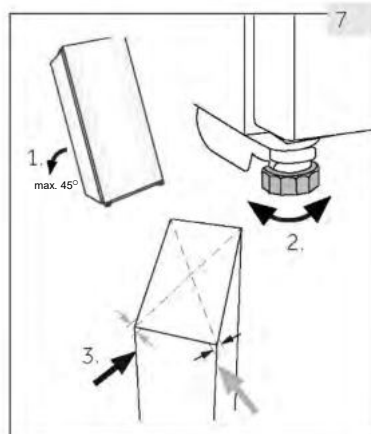
VAROVÁNÍ!

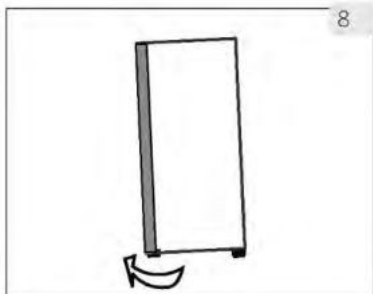
- Zajistěte, aby nic nezakrývalo větrací otvory ve spotřebiči nebo v konstrukci pro vestavění. Tento chladicí spotřebič není určen k používání jako vestavný spotřebič

5. Vyrovnání spotřebiče

Spotřebič by se měl postavit na rovný a pevný povrch.

1. Mírně nakloňte spotřebič dozadu (obr. 7) .
2. Otáčením nastavte nastavitelné přední nohy na požadovanou výšku.
3. Stabilitu lze zkontrolovat střídavým kýváním po úhlopříčkách. Mírné kymácení v obou směrech by mělo být stejné. Jinak by se mohl rám deformovat, což by mohlo mít za následek, že těsnění dvírek nebude přiléhat. Mírný náklon dozadu usnadňuje zavírání dvírek.



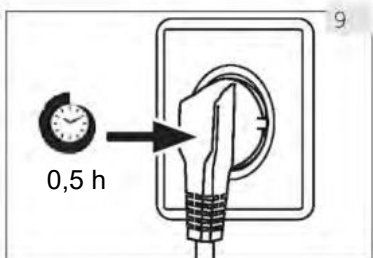


6. Jemné nastavení dvířek

Pokud se použijí vyrovnávací nohy na přední straně, spotřebič se bude snáze zavírat:

Otáčením nastavitelných noh (obr. 8) zvyšujte nebo snižujte výšku:

- ▶ Otáčením noh doprava se zvyšuje výška spotřebiče.
- ▶ Otáčením noh doleva se snižuje výška spotřebiče.



7. Doba čekání

V kapsli kompresoru se nachází bezúdržbový mazací olej. Pokud se spotřebič během přepravy nakloní, olej se může dostat do uzavřeného potrubního systému.

Před připojením spotřebiče k napájení počkejte půl hodiny (obr. 9), aby všechno olej natekl zpět do kapsle.

8. Připojení k elektrickému napájení

Před každým připojením zkontrolujte:

- ▶ zda napájení, zásuvka a jištění odpovídají údajům na typovém štítku.
- ▶ zda je síťová zásuvka uzemněná a nepoužívá se rozbočovací adaptér ani prodlužovací kabel.
- ▶ zda zástrčka správně zapadne do zásuvky.

Zapojte zástrčku do náležitě nainstalované domácí zásuvky.



VAROVÁNÍ!

Aby se zamezilo rizikům, výměnu poškozeného napájecího kabelu musí provést zákaznický servis (viz záruční list).

9. Změna směru otáčení dveří

Před připojením spotřebiče k napájení byste měli zkontrolovat, zda není nutné změnit směr otáčení dveří zprava (po dodání) doleva, jestliže to vyžaduje místo instalace a použitelnost.



VAROVÁNÍ!

- ▶ Spotřebič je těžký. Ke změně směru otáčení dveří jsou zapotřebí dvě osoby.
- ▶ Před jakýmkoli úkonem nejprve odpojte spotřebič od sítě.
- ▶ Nenaklánejte spotřebič v úhlu větším než 45°, aby se předešlo poškození chladicího systému.

Kroky montáže

1. Připravte si potřebné nástroje.
2. Odpojte spotřebič od napájení.
3. Odstraňte kryt horního nosníku a malý kryt, levá a pravá transpozice instalace malého krytu.
4. Odstraňte kryt kabelového žlabu a kryt obložení, levá a pravá transpozice instalace ozdobného krytu. Vyměňte černou gumovou zástrčku z levé dírky na vnitřní straně těla dveří a nainstalujte ji na pravou díрку.
5. Odstraňte kryt závěsu, pomocí nástroje odstraňte 3 šrouby a vyjměte tělo portálu.
6. Pomocí nástroje odstraňte 3 šrouby pod tělem portálu, vačku těla portálu a zarážku dveří, levá a pravá transpozice je instalována na druhé straně těla portálu.
7. Vyjměte sestavu závěsu skříně pomocí nástroje, nejprve vyjměte vačku závěsu v sestavě spodního závěsu, vyměňte hřídel závěsu do pravého otvoru pro šroub, sestavte. Transpozici instalace se sestavou podpěrných koleček na pravé straně skříně.
8. Tělo portálu se instaluje svisle dolů na hřídel závěsu.
9. Horní závěs se vloží do otvoru pro hřídel těla portálu, skříně se upevní šrouby, namontuje se drátěný kryt skříně a kryt horní lišty nosníku.



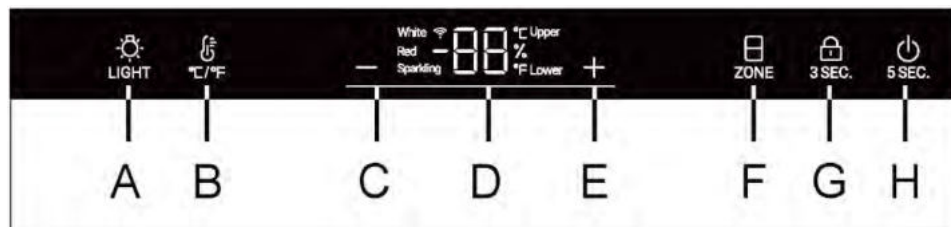
1. Před prvním použitím

- ▶ Odstraňte všechny obalové materiály. Patří mezi ně pěnová základna a všechny lepicí pásy, které drží příslušenství uvnitř a na vnější straně vinného sklípku. Uschovejte je mimo dosah dětí a zlikvidujte ho způsobem šetrným k životnímu prostředí.
- ▶ Než do spotřebiče vložíte nějaké víno, vyčistěte jeho vnitřní i vnější povrchy vodou a slabým saponátem.
- ▶ Po vyrovnání a vyčištění počkejte alespoň 2 hodiny, než spotřebič připojíte k napájení. Pokud je nutné z jakéhokoli důvodu naklonit vinný sklípek, počkejte 24 hodin, než ho připojíte k napájení. Viz část INSTALACE.
- ▶ Jakmile připojíte spotřebič k elektrické zásuvce, nechte ho běžet alespoň 30 minut, aby se aklimatizoval, než začnete cokoli nastavovat.
- ▶ Teplota se automaticky nastaví na 12 °C. V případě potřeby můžete tyto teploty změnit ručně. Viz TEPLOTA.

2. Dotyková tlačítka

Na ovládacím panelu jsou dotyková tlačítka, která reagují na lehký dotyk prstem.

3. Popis ovládacího panelu



- | | |
|--------------------------------------|--|
| A Tlačítko osvětlení interiéru | E Tlačítko nastavování teploty: nahoru |
| B Tlačítko přepínání °C /°F | F Tlačítko výběru teplotní zóny |
| C Tlačítko nastavování teploty: dolů | G Tlačítko zámku |
| D Displej | H Tlačítko napájení |

4. Funkce automatického zamykání

Ve stavu uzamčené obrazovky dlouze stiskněte klávesu zámku po dobu 3 s, na obrazovce displeje se zobrazí 3, 2 a 1, obrazovka displeje se odemkne a ikona zámku svítí do poloviny; pokud není provedena žádná akce, obrazovka se po 30 s automaticky uzamkne. Ve stavu uzamčené obrazovky svítí všechny ikony kláves zámku a klávesy na obrazovce displeje nelze ovládat (kromě klávesy osvětlení);

5. Funkce tlačítka napájení

Když je obrazovka vypnutá, dotkněte se libovolného tlačítka a displej se rozsvítí; dlouze stiskněte tlačítko napájení, na displeji se zobrazí 5, 4, 3, 2 a 1 a vypne se napájení celého přístroje. Když je napájení vypnuté, dlouhým stisknutím tlačítka napájení zobrazíte 5, 4, 3, 2, 1. Napájení je zapnuto.

6. Nastavování teploty



Upozornění

Výchozí nastavení

- ▶ Jakmile připojíte spotřebič k elektrické zásuvce, nechte ho běžet alespoň 30 minut, aby se aklimatizoval, než začnete cokoli nastavovat.
- ▶ Když se spotřebič zapne poté, co byl odpojen od napájení, může trvat několik hodin, než dosáhne správné teploty. Přesná doba se liší v závislosti na prostředí a nastavení teploty.



Stiskněte tlačítko nebo , displej začne blikat. Stisknutím tlačítka nebo nastavte požadovanou teplotu. Rozsah nastavení teploty: 5–20 °C (41–68 °F).

Přestaňte mačkat tlačítko na 3 sekundy, teplota se potvrdí.

7. Funkce Mode nebo Zone



Teplota se přepne z šumivého (8 °C nebo 47 °F) na bílé (12 °C nebo 54 °F)

Stiskněte tlačítko a červené (16 °C nebo 61 °F). (pro HWS247GGU1/HWS247GEH1/HWS247FDU1/HWS247FAH1)

V odemknutém stavu nepřetržitě svítí ikona „“. Pokud se aktuální zobrazení nachází v horní teplotní zóně, horní ikona se rozsvítí a dolní ikona nesvítí.

V tomto okamžiku stiskněte tlačítko „“, dolní ikona se rozsvítí a horní ikona zhasne. (pro HWS236GDGU1/HWS236GDEH1)

Doporučené nastavení teplot

Pro různé typy vína se doporučují následující konzumační teploty.

Červené víno	+13 °C až +20 °C (+55 °F až +68 °C)	Šumivé víno Prosecco	+5 °C až +8 °C (+41 °F až +47 °F)
Bílé víno	+9 °C až +12 °C (+48 °F až +54 °F)		

Pokud skladujete víno delší dobu, mělo by se ukládat při teplotě mezi +10 °C a +12 °C (50 °F a +54 °F).

8. Pohotovostní režim

Po 30 sekundách obrazovka displeje automaticky zhasne.

Po stisknutí jakéhokoli tlačítka nebo otevření dveří se automaticky rozsvítí.



Upozornění Faktory ovlivňující teplotu

Teplota uvnitř spotřebiče je ovlivňována následujícími faktory:

- ▶ Okolní teplota
- ▶ Frekvence otevírání dveří
- ▶ Množství uložených láhví
- ▶ Umístění spotřebiče

Výchozí nastavení je 12 °C.

Až přestane blikat displej, vrátí se k zobrazování aktuální teploty uvnitř vinného skřípku. Bude chvíli trvat, než se dosáhne nastavené teploty.

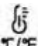
9. Nastavení režimu osvětlení

Stiskněte tlačítko . Když jsou zapnutá světla ve skříni, pozvolna se rozsvítí.

Po dalším stisknutí tlačítka  světla pozvolna zhasnou.

(kromě HWS247FDU1/HWS247FAH1)

10. Funkce °C/°F

Stisknutím tlačítka  lze přepínat mezi stupni Fahrenheita a Celsia.

11. Funkce Wi-Fi

Stiskněte tlačítko Wi-Fi na 3 sekundy, tlačítko Wi-Fi začne rychle blikat a automaticky přejde do konfiguračního režimu (pro HWS247FDU1/HWS247FAH1).

12. Funkce paměti při vypnutí

Pokud dojde k výpadku napájení, sklípek automaticky uloží nastavenou teplotu. Až se obnoví dodávka energie, sklípek poběží s teplotou nastavenou před výpadkem napájení.

13. Funkce kompenzace nízké teploty

Vinný sklípek má funkci kompenzace nízké teploty, která zajišťuje stabilní teplotu: Když je okolní teplota nižší než nastavená teplota, vinný sklípek automaticky spustí funkci kompenzace nízké teploty a spotřebič se začne vytápět. Až teplota ve spotřebiči dosáhne nastavené teploty, funkce kompenzace nízké teploty se automaticky vypne.

14. Alarm otevřených dveří

Jestliže zůstanou dvířka otevřená déle než 1 minutu, spustí se akustický alarm a bude se ozývat pípání, dokud nezavřete dvířka nebo nestisknete nějaké tlačítko na panelu displeje.

15. Nastavení režimu Wi-Fi

PŘIPOJENÍ PARAMETRY BEZDRÁTOVÉHO PŘENOSU

Technologie	Wi-Fi	Bluetooth
Standard	IEEE 802.11 b/g/n	Bluetooth v4.2, BR/EDR, BLE
Frekvenční pásmo [MHz]	2401÷2483	2402÷2480
Maximální výkon [mW] Pásmo (pásma) [MHz]	100	10

INFORMACE O VÝROBKU

Jak aktivovat modul Wi-Fi:

Stisknutím světelného tlačítka na 3 sekundy aktivujete Wi-Fi (kromě HWS247FDU1/HWS247FAH1).

Stisknutím tlačítka Wi-Fi na 3 sekundy aktivujete Wi-Fi (pro HWS247FDU1/HWS247FAH1).

· Zapne se modul Wi-Fi a začne blikat ikona Wi-Fi.

· Pokud je vinný sklípek registrován, ale Wi-Fi je vypnuté, ikona bude blikat.

· Pokud je vinný sklípek registrován a připojen, ikona Wi-Fi bude nepřetržitě svítit.

· Chcete-li resetovat Wi-Fi, na 3 sekundy stiskněte světelné tlačítko

(kromě HWS247FDU1/HWS247FAH1)

· Pro resetování Wi-Fi stiskněte tlačítko Wi-Fi na 3 sekundy (pro HWS247FDU1/HWS247FAH1).

POSTUP PÁROVÁNÍ S APLIKACÍ

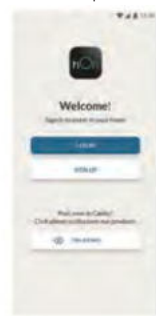
Krok 1

· Stáhněte si aplikaci hOn z obchodu s aplikacemi



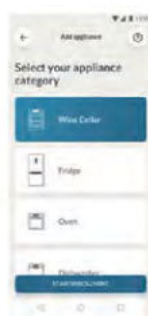
Krok 2

· Zaregistrujte se, nebo se přihlaste



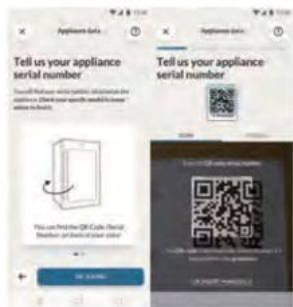
Krok 3

· Přidejte nový spotřebič tak, že ze seznamu vyberete vinný sklípek



Krok 4

- Naskenujte kód QR, nebo ručně zadejte sériové číslo



Krok 5

- Stisknutím světelného tlačítka na výrobku po dobu 3 s aktivujete Wi-Fi (kromě HWS247FDU1/ HWS247FAH1)
- Stisknutím tlačítka Wi-Fi na výrobku po dobu 3 s aktivujete Wi-Fi (pro HWS247FDU1/ HWS247FAH1).



Krok 6

- Ikona wi-Fi bude blikat, probíhá proces párování
 - Na dokončení procesu párování budete mít 5 minut
 - Po dokončení procesu přestane ikona Wi-Fi blikat a zůstane svítit.
- POZNÁMKA





Tipy pro úsporu energie

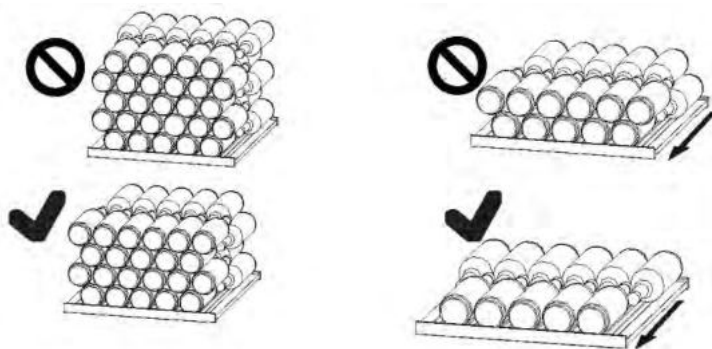
- ▶ Zajistěte, aby měl spotřebič náležitě větrání (viz INSTALACE).
- ▶ Neinstalujte spotřebič na přímé sluneční světlo nebo do blízkosti zdrojů tepla (např. sporáků nebo ohřívačů).
- ▶ Vyhýbejte se zbytečně nízké teplotě uvnitř spotřebiče. Čím nižší je nastavená teplota ve spotřebiči, tím vyšší je spotřeba energie.
- ▶ Otvírejte dvířka spotřebiče co nejméně a na co nejkratší dobu.
- ▶ Nepřekračujte stanovené množství láhví, aby se nenarušilo proudění vzduchu. Udržujte těsnění dvířek v čistém stavu, aby se dvířka vždy správně zavírala.
- ▶ Energeticky nejúspornější konfigurace vyžaduje, aby byly ve spotřebiči nainstalovány přihrádky, schránka na potraviny a police ve stavu jako z výroby a aby uložené potraviny nezakrývaly výstup vzduchového kanálu.

1. Police


1. Police jsou navrženy tak, aby umožňovaly snadné ukládání a vyndávání vína. Lze je čistit měkkou utěrkou.
2. Běžné láhve o průměru 76 mm lze skládat na sebe.
3. Láhve Magnum lze skládat na sebe ve spodní polici.
4. Pokud se láhve skládají jinak, množství se může lišit od vyobrazeného počtu.

Rada k uspořádání vašeho vinného sklípku

Doporučujeme, aby počet lahví vína nepřesáhl čtyři vrstvy na každé polici a nosnost polic na víno uvnitř vinného sklípku nepřesáhla 60 lahví. Ověřte si, zda jsou police na víno zcela stabilní. Navíc ověřte, zda nějaké láhve nevyčnívají z polic, aby při zavírání nenarazily do skleněných dvířek.



2. Světlo

Po otevření dvířek se rozsvítí světlo LED osvětlující interiér. Chcete-li rozsvítit světlo, když jsou dvířka zavřená, stiskněte tlačítko . Dalším stisknutím tohoto tlačítka zhasnete světla. Když se do vinného sklípku nedíváte, světla by měla být zhasnutá, aby se zvýšila energetická účinnost. (kromě HWS247FDU1/HWS247FAH1)

3. Zámek

Chcete-li zamknout vinný sklípek, zavřete dvířka a vložte klíč do zámku:

- ▶ Zamkněte dvířka otočením klíče doprava;
- ▶ Odemkněte dvířka otočením klíče doleva.

1. Odmrazování

Vinný sklípek se odmrazuje automaticky; není nutný žádný ruční zásah.

2. Výměna žárovky LED

Jako zdroj světla v žárovce se používají diody LED, které se vyznačují nízkou spotřebou energie a dlouhou životností. Pokud se vyskytne nějaký neobvyklý stav, kontaktujte zákaznický servis. Viz ZÁKAZNICKÝ SERVIS.



VAROVÁNÍ!

Nevyměňujte žárovku LED vlastními silami. Její výměnu musí provést buď výrobce, nebo autorizovaný servisní zástupce.

Parametry žárovky LED:

Napětí 12 V

Max. výkon: 18 W

3. Když se spotřebič delší dobu nepoužívá

Vytáhněte napájecí kabel ze zásuvky.

Vyčistěte spotřebič a těsnění dvířek podle výše uvedeného popisu.

Nechte dvířka otevřená, aby se uvnitř nevytvořil zápach.

4. Přemísťování spotřebiče

1. Vyjměte všechny láhve a odpojte spotřebič od napájení.

2. Připevněte police a ostatní pohyblivé součásti ve vinném sklípku lepicí páskou.

3. Nenaklánejte vinný sklípek v úhlu větším než 45°, aby se předešlo poškození chladicího systému.

5. Výměna vzduchu skrz filtr s aktivním uhlím (kromě HWS247FAH1)

Způsob zrání vína závisí na podmínkách prostředí. Proto má kvalita vzduchu rozhodující význam pro uchovávání vína. Ve spodní části zadní stěny spotřebiče je nainstalován filtr s aktivním uhlím, aby byla udržována optimální kvalita procházejícího vzduchu.



Upozornění

Doporučujeme měnit filtr jednou ročně. Filtry získáte od svého prodejce.
(kromě HWS247FAH1)

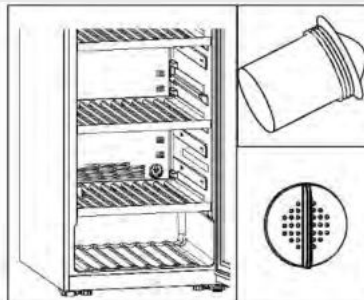
Výměna filtru:

Uchopte filtr za držadlo. Otočte ho doleva a vyjměte ho.

Vkládání filtru:

Vložte filtr s držadlem ve svislé poloze.

Otočte ho doprava a zasuňte ho dovnitř.



Mnoho problémů můžete vyřešit sami bez konkrétních odborných znalostí. V případě nějakého problému zkontrolujte všechny možnosti a řiďte se níže uvedenými pokyny, než se obrátíte na prodejní servis. Viz ZÁKAZNICKÝ SERVIS.

VAROVÁNÍ!

- ▶ Před zahájením údržby vypněte spotřebič a vytáhněte zástrčku napájecího kabelu ze síťové zásuvky.
- ▶ Servis elektrického zařízení by měli provádět pouze kvalifikovaní elektrikáři, protože nepatřičné opravy by mohly vést k vážným následným škodám.
- ▶ Poškozený napájecí kabel by měl vyměnit pouze výrobce, jeho servisní zástupce nebo osoby s podobnou kvalifikací, aby se vyloučilo riziko.

Chybový kód	Příčina	Řešení
L2	Alarm nízké teploty, když je teplota řídicího čidla příliš nízká;	<ol style="list-style-type: none"> 1. Zkontrolujte okolní teplotu. 2. Zkontrolujte konektor kompresoru. 3. Zkontrolujte odpor čidla regulace teploty.
H1	Pokud je teplota kontrolního čidla příliš vysoká, zobrazí se na displeji alarm vysoké teploty;	<ol style="list-style-type: none"> 1. Zkontrolujte konektor řídicí desky nebo panelu displeje. 2. Zkontrolujte odpor a napětí ventilátoru. 3. Zkontrolujte ventilátor a konektor kompresoru.

Problém	Možná příčina	Možné řešení
Kompresor nepracuje.	<ul style="list-style-type: none"> • Síťová zástrčka není zapojena do síťové zásuvky. 	<ul style="list-style-type: none"> • Zapojte síťovou zástrčku.
Spotřebič se spouští často, nebo běží příliš dlouho.	<ul style="list-style-type: none"> • Venkovní teplota je příliš vysoká. • Spotřebič byl určitou dobu vypnutý. • Dvířka spotřebiče nejsou těsně zavřená. • Dvířka se otvírala příliš často, nebo byla příliš dlouho otevřená. • Těsnění dvířek je znečištěné, opotřebené, popraskané nebo nesprávně nainstalované. • Není zaručena požadovaná cirkulace vzduchu. • Je nastavena příliš nízká teplota. 	<ul style="list-style-type: none"> • V tomto případě je normální, že spotřebič běží déle. • Normálně chvíli trvá, než se spotřebič úplně ochladí. • Zavřete dvířka a ujistěte se, že spotřebič je umístěn na rovné zemi a dvířkům nepřekáží žádné potraviny nebo nádoby. • Neotvírejte dvířka příliš často. • Vyčistěte těsnění dvířek, nebo ho nechte vyměnit zákaznickým servisem. • Zajistěte odpovídající větrání. • Problém se vyřeší sám, až bude dosaženo požadované teploty.
Vnitřek vinného sklípku je znečištěný a/nebo zapáchá.	<ul style="list-style-type: none"> • Je třeba vyčistit vnitřek vinného sklípku. 	<ul style="list-style-type: none"> • Vyčistěte vnitřek vinného sklípku.
Uvnitř spotřebiče není dostatečně chladno.	<ul style="list-style-type: none"> • Je nastavena příliš vysoká teplota. • Nedávno byly přidány nějaké láhve. • Dvířka spotřebiče nejsou těsně zavřená. • Dvířka se otvírala příliš často, nebo byla příliš dlouho otevřená. • Těsnění dvířek je znečištěné, opotřebené, popraskané nebo nesprávně nainstalované. 	<ul style="list-style-type: none"> • Znovu nastavte teplotu. • Vyčkejte, než nedávno přidané láhve dosáhnou požadované teploty. • Zavřete dvířka. • Neotvírejte dvířka příliš často. • Vyčistěte těsnění dvířek, nebo ho nechte vyměnit zákaznickým servisem.
Uvnitř spotřebiče je příliš chladno.	<ul style="list-style-type: none"> • Je nastavena příliš nízká teplota. 	<ul style="list-style-type: none"> • Znovu nastavte teplotu.
Tvoření vlhkosti na vnitřním povrchu chladicího prostoru.	<ul style="list-style-type: none"> • Prostředí je příliš teplé a vlhké. • Dvířka spotřebiče nejsou těsně zavřená. • Dvířka se otvírala příliš často, nebo byla příliš dlouho otevřená. 	<ul style="list-style-type: none"> • Zvyšte teplotu. • Zavřete dvířka. • Neotvírejte dvířka/zásuvku příliš často.

Problém	Možná příčina	Možné řešení
Na vnějším povrchu vinného sklípku se hromadí vlhkost.	<ul style="list-style-type: none"> • Prostředí je příliš teplé a vlhké • Dvířka nejsou těsně zavřená. Chladný vzduch ve spotřebiči a teplý vnější vzduch, dochází ke kondenzaci. 	<ul style="list-style-type: none"> • Jedná se o normální jev ve vlhkém prostředí; až se sníží vlhkost, situace se změní. • Ujistěte se, že dvířka jsou těsně zavřená a těsnění správně přiléhá.
Spotřebič vydává neobvyklé zvuky.	<ul style="list-style-type: none"> • Spotřebič nestojí na rovné zemi. • Spotřebič se dotýká nějakého předmětu v jeho okolí. 	<ul style="list-style-type: none"> • Seřídte nohy, aby stál spotřebič rovně. • Odstraňte předměty z okolí spotřebiče.
Ozývá se slabý zvuk podobný vodě.	<ul style="list-style-type: none"> • Jedná se o normální jev. 	<ul style="list-style-type: none"> • -
Nefunguje osvětlení interiéru nebo chladicí systém.	<ul style="list-style-type: none"> • Síťová zástrčka není zapojena do síťové zásuvky. • Napájení nemá správné parametry. • Žárovka LED je vadná. 	<ul style="list-style-type: none"> • Zapojte síťovou zástrčku. • Zkontrolujte přívod elektrického napájení do místnosti. Zavolejte místnímu dodavateli elektřiny. • Zavolejte servis se žádostí o výměnu.
Boční strany chladiče a lišta na dvířkách jsou teplé.	<ul style="list-style-type: none"> • Jedná se o normální jev. 	<ul style="list-style-type: none"> • -
Dvířka se správně nezavírají.	<ul style="list-style-type: none"> • Spotřebič nestojí rovně. • Dvířka jsou blokována. 	<ul style="list-style-type: none"> • Vyrovnejte spotřebič pomocí vyrovnávacích noh. • Zkontrolujte, zda láhve nebo police neblokují dvířka.

Chcete-li kontaktovat technickou pomoc, navštivte naše webové stránky:

<https://corporate.haier-europe.com/en/>

V části „Website“ zvolte značku vašeho výrobku a vaši zemi. Budete přesměrováni na konkrétní webovou stránku, kde najdete telefonní číslo a kontaktní formulář technické pomoci.

Informační list výrobku podle nařízení EU č. 2019/2016

Značka	Haier	Haier	Haier
Název/označení modelu	HWS247GGU1 HWS247GEH1	HWS236GDGU1 HWS236GDEH1	HWS247FDU1/ HWS247FAH1
Kategorie	Vinný sklípek	Vinný sklípek	Vinný sklípek
Třída energetické účinnosti	G/E	G/E	D/A
Roční spotřeba energie (kWh/rok) ¹⁾	184/107	184/107	85/44
Užitný objem (l)	450	448	450
Klimatická třída: Tento spotřebič je určen k používání při teplotě okolí mezi 10 °C a 38 °C.	SN N ST	SN N ST	SN N ST
Emise hluku šířeného vzduchem (db(A) re 1 pW)	C(37)/B(35)	C(37)/B(35)	C(37)/B(35)
Typ spotřebiče	Volně stojící	Volně stojící	Volně stojící
Tento spotřebič je určen výhradně k ukládání vína.	Ano	Ano	Ano
Rozměry (Š/H/V v mm)	597/714/1900	597/714/1900	603/769/1900

Vysvětlení:

1) Na základě výsledků standardní zkoušky za 24 hodin. Skutečná spotřeba energie závisí na aktuálním prostředí, množství láhvi, nastavené teplotě, otevírání a zavírání dvířek atd.

2) Jmenovitá spotřeba energie je hodnota získaná podle standardní zkoušky, když není zapnuto osvětlení interiéru vinného sklípku.

- subnormální: „tento chladicí spotřebič je určen k používání při teplotách okolí v rozsahu od 10 °C do 32 °C“.

- normální: „tento chladicí spotřebič je určen k používání při teplotách okolí v rozsahu od 16 °C do 32 °C“.

- subtropická: „tento chladicí spotřebič je určen k používání při teplotách okolí v rozsahu od 16 °C do 38 °C“.

- tropická: „tento chladicí spotřebič je určen k používání při teplotách okolí v rozsahu od 16 °C do 43 °C“.

Normy a směrnice

Tento výrobek splňuje požadavky všech platných směrnic ES s odpovídajícími harmonizovanými normami, které stanoví používání označení CE.

Doporučujeme využívat zákaznický servis společnosti Haier a používat originální náhradní díly. V případě nějakého problému se spotřebičem si nejprve přečtete část ŘEŠENÍ PROBLÉMU.

Pokud v ní nenajdete řešení, kontaktujte

- ▶ místního prodejce nebo
- ▶ navštivte část Servis a podpora na stránkách www.haier.com, kde najdete telefonní čísla a časté otázky týkající se aktivace požadavku na servis.

Chcete-li kontaktovat náš servis, ujistěte se, že máte k dispozici následující údaje.

Tyto údaje lze najít na typovém štítku.

Model _____ Sériové č. _____

V případě záruky se také podívejte do záručního listu dodaného s výrobkem.

Se všeobecnými dotazy obchodní povahy se v Evropě obračejte na následující adresy:

Evropské adresy společnosti Haier

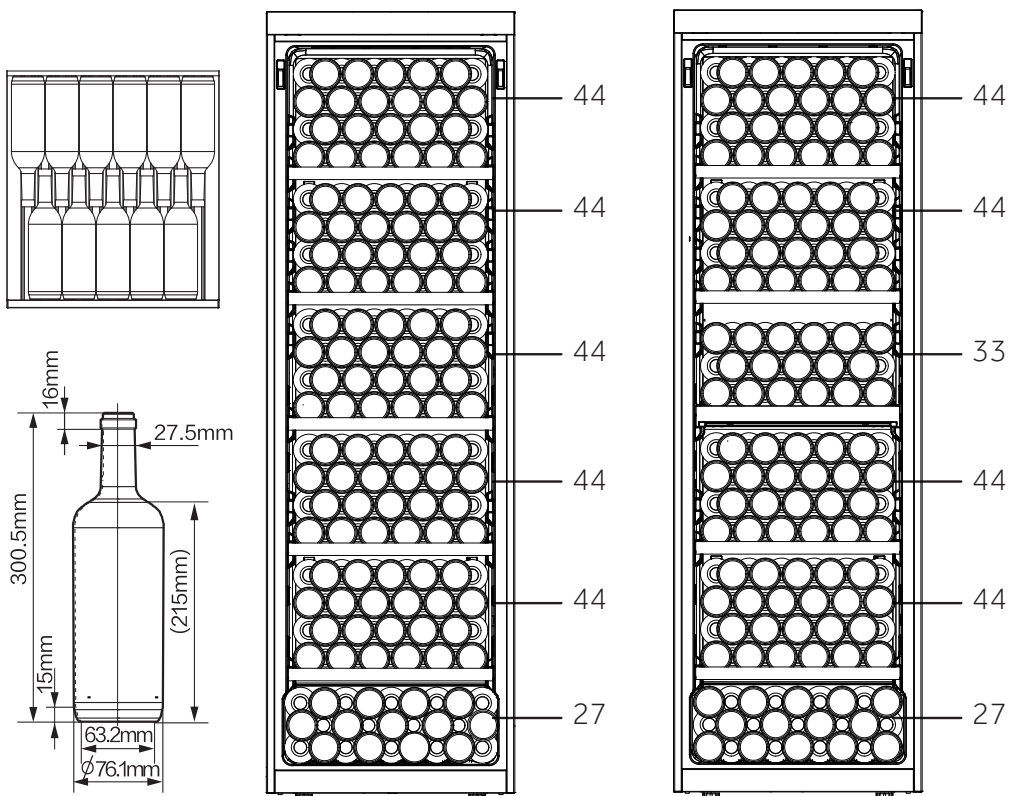
Země*	Poštovní adresa	Země	Poštovní adresa
Itálie	Haier Europe Trading SRL Via De Cristoforis, 12 21100 Varese ITÁLIE		Haier Europe Trading SRL Via De Cristoforis, 12 21100 Varese ITÁLIE
Španělsko	Haier Iberia SL Pg. Pg. Garcia Faria, 49-51 08019 Barcelona ŠPANĚLSKO	Francie	
Portugalsko		Belgie-FR	Haier Benelux SA Anderlecht
		Belgie-NL	Route de Lennik 451
		Nizozemsko	BELGIE
		Lucembursko	
Německo	Haier Deutschland GmbH Hewlett-Packard-Str. 4 D-61352 Bad Homburg NĚMECKO		Haier Poland Sp. zo.o. Al. Jerozolimskie 181B 02-222 Warszawa POLSKO
Rakousko		Polsko	
	Haier Appliances UK Co. Ltd. One Crown Square Church Street East Woking, Surrey, GU21 6HR UK	Česká republika	
Spojené království		Maďarsko	
		Řecko	
		Rumunsko	
		Rusko	

DOSTUPNOST NÁHRADNÍCH DÍLŮ Termostaty, snimače teploty, desky s plošnými spoji a světelné zdroje budou k dispozici po dobu nejméně sedmi let od uvedení posledního modelu spotřebiče na trh. Madla dvířek, závěsy dvířek, přihrádky a koše budou k dispozici po dobu nejméně sedmi let a těsnění dvířek po dobu nejméně deseti let od uvedení posledního modelu spotřebiče na trh

Minimální záruka: 2 roky pro země EU, 3 roky pro Turecko, 1 rok pro Spojené království, 1 rok pro Rusko, 3 roky pro Švédsko, 2 roky pro Srbsko, 5 let pro Norsko, 1 rok pro Maroko, 6 měsíců pro Alžírsko, Tunisko nevyžaduje žádnou zákonnou záruku.

Chcete-li další informace o výrobku, navštivte stránky <https://eprel.ec.europa.eu/> nebo naskenujte kód QR na energetickém štítku dodaném se spotřebičem.

Uspořádání láhví vychází z grafického znázornění standardní lahve Bordeaux (0,75 l).
Vzhledem k různým specifikacím láhví se skutečné množství naložené láhve může lišit.



HWS247GGU1
HWS247FDU1
HWS247GEH1
HWS247FAH1

HWS236GDGU1
HWS236GDEH1

HWS-247FDU1-247GGU1-236GGDU1-247GEH1-236GDEH1-HWS247FAH1 - CS

Haier



Haier

Príručka používateľa

Vinotéka

HWS247FAH1
HWS247FDU1
HWS247GGU1
HWS247GEH1
HWS236GDEH1
HWS236GDGU1

SK

Haier

Ďakujeme za zakúpenie produktu Haier.

Pred použitím tohto spotrebiča si pozorne prečítajte tieto pokyny. Pokyny obsahujú dôležité informácie, ktoré vám pomôžu vyťažiť zo spotrebiča maximum a zaisťujú bezpečnú a správnu inštaláciu, používanie a údržbu.

Túto príručku uschovajte na vhodnom mieste, aby ste si mohli kedykoľvek prečítať pokyny na bezpečné a správne používanie spotrebiča.

Ak spotrebič predávate, darujete alebo ho nechávate v domácnosti po odstáhaní, nezabudnite s ním novému vlastníkovi odovzdať aj túto príručku, aby sa mohol oboznámiť so spotrebičom a bezpečnostnými upozoreniami.



Vysvetlivky



Varovanie – Dôležité bezpečnostné informácie

Všeobecné informácie a tipy



Informácie o životnom prostredí



Likvidácia

Pomáhajte chrániť životné prostredie a zdravie ľudí. Obal vyhodte do vhodných nádob na recykláciu. Pomáhajte recyklovať odpad z elektrických a elektronických prístrojov. Zariadenia označené týmto symbolom nelikvidujte s domácim odpadom. Výrobok odneste do miestneho recyklačného strediska alebo kontaktujte mestský úrad.



VAROVANIE!

Nebezpečenstvo poranenia alebo zadusenia!

Chladivá a plyny sa musia likvidovať profesionálnym spôsobom. Pred správnu likvidáciu sa uistite, že nie je poškodená hadica okruhu chladiwa. Spotrebič odpojte od elektrickej siete. Odrežte a zlikvidujte napájací kábel. Vyberte podnosy a zásuvky, ako aj západku a tesnenie dverí, aby ste zabránili zatvoreniu detí a domácich zvierat vnútri spotrebiča.

Staré spotrebiče majú ešte stále určitú zostatkovú hodnotu. Ekologický spôsob likvidácie zabezpečí opätovné zhodnotenie cenných surovín a ich opätovné použitie.

Ako expandér izolačnej peny sa používa cyklopentán. Je to horľavá látka, ktorá nie je škodlivá pre ozón.

Zabezpečením správnej likvidácie tohto výrobku pomôžete zabrániť možným negatívnym vplyvom na životné prostredie a ľudské zdravie, ku ktorým by v opačnom prípade mohlo dôjsť.

Podrobnejšie informácie o recyklácii tohto výrobku získate na príslušnom miestnom úrade, v zberných surovinách alebo v predajni, kde ste si výrobok zakúpili.

1 - Bezpečnostné informácie.....	4
2 - Bezpečnostné rady.....	7
3 - Údržba	11
4 - Príslušenstvo	13
5 - Opis produktu.....	14
6 - Inštalácia	15
7 - Použitie.....	19
8 - Tipy na úsporu energie.....	24
9 - Vybavenie	25
10 - Starostlivosť a čistenie	26
11 - Riešenie problémov.....	27
12 - Technické údaje.....	30
13 - Zákaznícky servis	31
14 - Nakladanie vínnych fliaš.....	32

Tento spotrebič je určený výhradne na uskladnenie vína. Pred prvým zapnutím spotrebiča si prečítajte nasledujúce bezpečnostné pokyny:



VAROVANIE!

Pred prvým použitím

- ▶ Uistite sa, že sa spotrebič pri preprave nepoškodil.
- ▶ Odstráňte všetky obaly a odložte ich mimo dosahu detí. Zneškodnite ich ekologicky.
- ▶ Pred inštaláciou spotrebiča počkajte najmenej 0,5 hodiny, aby sa zabezpečila plná účinnosť chladiaceho okruhu.
- ▶ Spotrebič musia prenášať minimálne dve osoby, pretože je ťažký.

Inštalácia

- ▶ Spotrebič musí byť umiestnený na dobre vetranom mieste. Nad spotrebičom a v jeho okolí musíte zabezpečiť minimálne 50 mm priestor.
- ▶ **VAROVANIE:** Dávajte pozor, aby nedošlo k blokovaniu vetracích otvorov v kryte zariadenia alebo v zabudovanej konštrukcii.
- ▶ Spotrebič nikdy neumiestňujte na vlhké miesto ani na miesto, kde by mohla striekať voda. Postriekania vodou a škvŕny vyčistite a osušte mäkkou čistou handričkou.
- ▶ Vinotéku neinštalujte na žiadnom mieste, ktoré nie je riadne izolované alebo vykurované, napr. v garáži a pod. Vaša vinotéka nebola navrhnutá, aby fungovala pri teplote okolia nižšej ako 10 °C.
- ▶ Spotrebič neinštalujte na priame slnečné svetlo ani do blízkosti zdrojov tepla (napr. kachle, ohrievače).
- ▶ Spotrebič nainštalujte a vyrovnajte na mieste, ktoré je vhodné svojou veľkosťou a využitím.
- ▶ Uistite sa, že elektrické údaje na typovom štítku sa zhodujú s údajmi pre vašu sieť. V opačnom prípade kontaktujte elektrikára.
- ▶ Spotrebič funguje pri 220 – 240 VAC/50 Hz napájaní. Abnormálne kolísanie napätia môže spôsobiť, že sa spotrebič nezapne, poškodí sa regulátor teploty alebo kompresor alebo sa môže pri prevádzke vyskytnúť neobvyklý hluk. V takom prípade musíte namontovať automatický regulátor.
- ▶ Nepoužívajte adaptéry s viacerými zásuvkami ani predlžovacie káble.

**VAROVANIE!**

- ▶ **VAROVANIE:** Na zadnú stranu spotrebiča neumiestňujte rozvodky zásuvky ani prenosné napájacie káble.
- ▶ **VAROVANIE:** Pri umiestnení spotrebiča zabezpečte, aby sa napájací kábel nezachytil ani nepoškodil.
- ▶ Na napájací kábel nestúpajte.
- ▶ Použite samostatnú uzemnenú zásuvku, aby k nej bol zabezpečený jednoduchý prístup. Spotrebič musí byť uzemnený.
- ▶ **Len pre Spojené kráľovstvo:** Napájací kábel spotrebiča je vybavený 3-vodičovou (uzemňovacou) zástrčkou, ktorá sa vsúva do štandardnej 3-vodičovej (uzemnenej) zásuvky. Tretí kolík (uzemnenie) nikdy neodrezávajte ani neodstraňujte. Po inštalácii spotrebiča musí byť zástrčka prístupná.
- ▶ **VAROVANIE:** Nepoškodte chladiaci okruh.

Každodenné použitie

- ▶ Deti staršie ako 8 rokov a osoby s obmedzenými fyzickými, zmyslovými alebo duševnými schopnosťami alebo nedostatkom skúseností či vedomostí môžu tento spotrebič používať pod dohľadom, resp. po poučení a oboznámení sa s bezpečným spôsobom používania a porozumení možným nebezpečenstvám.
- ▶ Deti sa so spotrebičom nesmú hrať.
- ▶ Deti vo veku od 3 do 8 rokov môžu do chladiacich spotrebičov nakladať a vykladať potraviny, nesmú ich však čistiť ani inštalovať.
- ▶ Deťom do 3 rokov nedovoľte, aby sa priblížili ku spotrebiču, pokiaľ nie sú pod neustálym dohľadom.
- ▶ Čistenie a údržbu deti bez dozoru nesmú vykonávať.
- ▶ Zariadenie musí byť umiestnené tak, aby bola zástrčka prístupná.
- ▶ Ak v blízkosti spotrebiča uniká uhoľný plyn alebo iný horľavý plyn, vypnite ventil unikajúceho plynu, otvorte dvere a okná a neodpájajte napájací kábel spotrebiča.
- ▶ Po odpojení napájania počkajte najmenej 7 minút, kým ho znova pripojíte.
- ▶ Zariadenie nezdvíhajte za rukoväť dverí.
- ▶ Kľúče musíte uchovávať mimo dosahu detí a nie v blízkosti zariadenia, aby sa zabránilo uzamknutiu detí vo vnútri zariadenia.



VAROVANIE!

- ▶ Všimnite si, že spotrebič je nastavený na prevádzku v špecifickom klimatickom pásme 10 až 38 °C. Spotrebič možno nebude fungovať správne, ak sa ponechá dlho v prostredí s teplotou, ktorá je vyššia alebo nižšia než uvedený rozsah.
- ▶ Na spotrebič nekladte žiadne nestabilné predmety (ťažké predmety, nádoby naplnené vodou), aby nedošlo k zraneniu osôb pádom alebo úrazu elektrickým prúdom po kontakte s vodou.
- ▶ Dvere otvárajte a zatvárajte iba pomocou rúkaví. Medzera medzi dverami a skrinkou je veľmi úzka. Do týchto priestorov nekladajte ruky, aby nedošlo k pricviknutiu prstov. Dvere spotrebiča otvárajte alebo zatvárajte iba vtedy, ak v rozsahu pohybu dverí nestoja žiadne deti.
- ▶ V spotrebiči ani v jeho blízkosti neskladujte a nepoužívajte horľavé, výbušné alebo korozívne materiály.
- ▶ V tomto spotrebiči neskladujte výbušné látky ako sú plechovky s aerosólmi, ktoré podporujú horenie.
- ▶ V spotrebiči neskladujte lieky, baktérie ani chemické látky. Toto zariadenie je spotrebič pre domácnosť. Neodporúča sa skladovať materiály, ktoré vyžadujú presné teploty.
- ▶ V priehradke na víno nenastavujte zbytočne nízku teplotu. Pri vysokých nastaveniach sa môžu vyskytnúť mínusové teploty. Pozor: Fľaše môžu prasknúť
- ▶ Počas prevádzky sa nedotýkajte vnútorného povrchu priestoru spotrebiča, najmä nie mokkými rukami, pretože by vám mohli ruky primrznúť k povrchu.
- ▶ Správne ochladenie vína dosiahnete, ak nebudete spotrebič preťažovať.
- ▶ V prípade prerušenia napájania alebo pred čistením odpojte spotrebič zo zásuvky. Pred opätovným zapnutím spotrebiča počkajte najmenej 7 minút, pretože časté štartovanie môže poškodiť kompresor.
- ▶ **VAROVANIE:** Vo vnútri zariadenia nepoužívajte elektrické spotrebiče, pokiaľ ich používanie neschválil výrobca. Poškodený napájací kábel musia vymeniť v zákazníckom servise, aby sa zabránilo nebezpečenstvu (pozrite záručný list).
- ▶ Ak chcete predĺžiť životnosť spotrebiča, nevypínajte ho.
- ▶ Spotrebič nikdy nekladajte na podlahu v horizontálnej polohe. Po naklonení spotrebiča o viac ako 45° počkajte pred jeho pripojením 24 hodín.

**VAROVANIE!****Údržba/čistenie**

- ▶ Keď čistenie a údržbu vykonávajú deti, nenechávajte ich bez dozoru.
- ▶ Pred vykonávaním akejkoľvek bežnej údržby odpojte spotrebič od elektrickej siete. Pred opätovným zapnutím spotrebiča počkajte najmenej 7 minút, pretože časté štartovanie môže poškodiť kompresor.
- ▶ Pri odpájaní spotrebiča chyťte zástrčku, nie kábel.
- ▶ Spotrebič nečistite tvrdými kefami, drôtenými kefami, čistiacim práškom, benzínom, amylacetátom, acetónom ani podobnými organickými roztokmi, kyselinami ani zásadami. Čistite pomocou špeciálneho čistiaceho prostriedku na chladničky/mrazničky, aby ste zabránili poškodeniu. Prípadne použite teplú vodu a roztok sódy bikarbóny – približne lyžicu sódy bikarbóny na liter vody. Dôkladne opláchnite vodou a utrite dosucha. Nepoužívajte čistiace prášky ani iné abrazívne čistiace prostriedky. Odnímateľné časti neumývajte v umývačke riadu.
- ▶ **VAROVANIE:** Na urýchlenie odmrazovania nepoužívajte mechanické nástroje ani iné prostriedky s výnimkou tých, ktoré odporúča výrobca.
- ▶ Ak je poškodený vonkajší napájací kábel, v záujme eliminácie akéhokoľvek rizika ho musí vymeniť výrobca, jeho servisný zástupca alebo rovnako kvalifikovaná osoba.
- ▶ Spotrebič sa nepokúšajte sami opravovať, rozoberať alebo upravovať. V prípade opravy kontaktujte náš zákaznícky servis.
- ▶ Ak sú poškodené žiarovky, v záujme eliminácie akéhokoľvek rizika ich musí vymeniť výrobca, jeho servisný zástupca alebo rovnako kvalifikovaná osoba.
- ▶ Aspoň raz za rok odstráňte prach zo zadnej strany jednotky, aby ste predišli nebezpečenstvu požiaru a zvýšenej spotrebe energie.

- ▶ Počas čistenia na spotrebič nestriekajte ani ho nepreplachujte.
- ▶ Na čistenie spotrebiča nepoužívajte prúd vody ani paru.
- ▶ Chladné sklenené dvere nečistite horúcou vodou. Náhla zmena teploty môže spôsobiť rozbitie skla.
- ▶ Ak spotrebič nebudete dlhšiu dobu používať, nechajte ho otvorený, aby sa vo vnútri nehromadil zápach a nepríjemné pachy.

Informácie o plyne chladiva



VAROVANIE!

Spotrebič obsahuje horľavé chladivo IZOBUTÁN (R600a).

Uistite sa, že sa počas prepravy alebo inštalácie nepoškodil chladiaci okruh. Unikajúce chladivo môže spôsobiť poranenie očí alebo vznietenie. Ak došlo k poškodeniu, udržujte zdroje otvoreného ohňa mimo, dôkladne vyvetrajte miestnosť a nepripájajte ani neodpájajte napájacie káble spotrebiča alebo akéhokoľvek iného zariadenia.

Informujte zákaznícky servis.

V prípade kontaktu očí s chladivom, okamžite vypláchnite oči pod tečúcou vodou a okamžite kontaktujte očného lekára.

VAROVANIE: Chladiaci systém je pod vysokým tlakom. Nemanipulujte s ním. Vzhľadom na použitie horľavých chladív spotrebič nainštalujte, manipulujte s ním a opravujte ho výhradne podľa pokynov. Informácie o likvidácii spotrebiča vám poskytne profesionálny zástupca alebo náš popredajný servis.

Určené použitie


Tento spotrebič je určený na používanie v domácnostiach a podobných aplikáciách, ako

- kuchynské priestory pre personál v obchodoch, úradoch a iných pracovných prostrediach;
 - farmy a pre zákazníkov v hoteloch, motelloch a ďalších prostrediach rezidenčného typu,
 - prostredie typu prenocovania s raňajkami,
 - stravovacie služby a podobné, iné ako maloobchodné, priestory.
- S cieľom zaistiť bezpečné uchovávanie vína dodržujte tento návod na použitie.
- Podrobnosti o najvhodnejšej časti v priehradke spotrebiča, kde sa majú skladovať určité druhy potravín, s ohľadom na rozloženie teploty, ktorá môže byť prítomná v rôznych priehradkách spotrebiča, sú uvedené v druhej časti príručky.

Zmeny alebo úpravy spotrebiča nie sú povolené. Neúmyselné použitie môže spôsobiť nebezpečenstvo a stratu nárokov na záruku.

Likvidácia




Symbol  na výrobku alebo jeho balení označuje, že sa s ním nesmie zaobchádzať ako s komunálnym odpadom. Namiesto toho treba spotrebič odovzdať na príslušnom zbernom mieste na recykláciu elektrických a elektronických zariadení. Zabezpečením správnej likvidácie tohto výrobku pomôžete zabrániť možným negatívnym vplyvom na životné prostredie a ľudské zdravie, ktoré by inak mohli byť spôsobené nevhodným postupom pri jeho likvidácii. Podrobnejšie informácie o recyklácii tohto výrobku získate na príslušnom miestnom úrade, v zberných surovinách alebo v predajni, kde ste si výrobok zakúpili.. Vzhľadom na použitie horľavých plynov dajte spotrebič zlikvidovať profesionálnemu zástupcovi alebo v našom popredajnom servise.

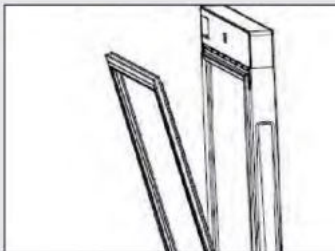
VAROVANIE!

Nebezpečenstvo zadusenía!

Chladivá a plyny sa musia likvidovať profesionálnym spôsobom. Pred správnu likvidáciou sa uistite, že nie je poškodená hadica okruhu chladiva. Spotrebič odpojte od elektrickej siete. Odrežte a zlikvidujte napájací kábel. Vyberte podnosy a zásuvky, ako aj západku a tesnenie dverí, aby ste zabránili zatvoreniu detí a domácich miláčikov vo vnútri zariadenia.

- ▶ **VAROVANIE:** Spotrebič pred čistením odpojte od elektrickej siete.
 - ▶ Spotrebič nečistite tvrdými kefami, drôtenými kefami, čistiacim práškom, benzínom, amylacetátom, acetónom ani podobnými organickými roztokmi, kyselinami ani zásadami. Čistite pomocou špeciálneho čistiaceho prostriedku na chladničky, aby ste zabránili poškodeniu.
 - ▶ Spotrebič čistite len v prípade, že je uskladnené malé množstvo vína alebo žiadne víno. Čistenie sa vyžaduje, len ak je spotrebič znečistený.
 - ▶ Vnútro a skrinku spotrebiča čistite špongiou navlhčenou v teplej vode s prídavkom neutrálneho čistiaceho prostriedku
 - ▶ Opláchnite čistou teplou vodou a osušte mäkkou handričkou.
 - ▶ Žiadne časti spotrebiča neumývajte v umývačke riadu.
- 
- ▶ Pred opätovným zapnutím spotrebiča počkajte najmenej 7 minút, pretože časté spúšťanie môže poškodiť kompresor.

Čistenie tesnenia dverí:

- ▶ Tesnenia dverí musíte čistiť každé 3 mesiace, aby sa zabezpečilo ich správne utesnenie. Ako je uvedené nižšie: Odstráňte: Uchopte tesnenie dverí a vytiahnite ho v smere šípky, aby ste postupne vybrali celé tesnenie dverí. Kefu namočte do vody alebo do liehu. Najskôr vyčistite drážku tesnenia dverí potáhaním kefy tam a späť. Potom utrite povrch tesnenia dverí utierkou namočenou vo vode alebo v bežnom alkohole. Nakoniec umyte tesnenie dverí a utrite ho dosucha čistou utierkou.
- 

Inštalácia tesnenia dverí po vyčistení:

Pred inštaláciou sa uistite, či na tesnení dverí nie je voda. Vložte tesnenie dverí do drážky a rukou ho pevne utláčajte zhora nadol, kým celé tesnenie dverí nezasuniete do drážky.

Čistenie poličiek:

- ▶ Všetky poličky sa dajú vybrať a vyčistiť.
- ▶ Vyberte všetky fľaše.
- ▶ Každú poličku trochu nadvihnite a vyberte.
- ▶ Poličku vyčistite mäkkou handričkou.
- ▶ Pred opätovným vložením počkajte, kým poličky neuschnú.

VAROVANIE:

Po odpojení napájania počkajte najmenej 7 minút, kým ho znova pripojíte.

Skontrolujte príslušenstvo a literatúru v súlade s týmto zoznamom:
bez izolácie.

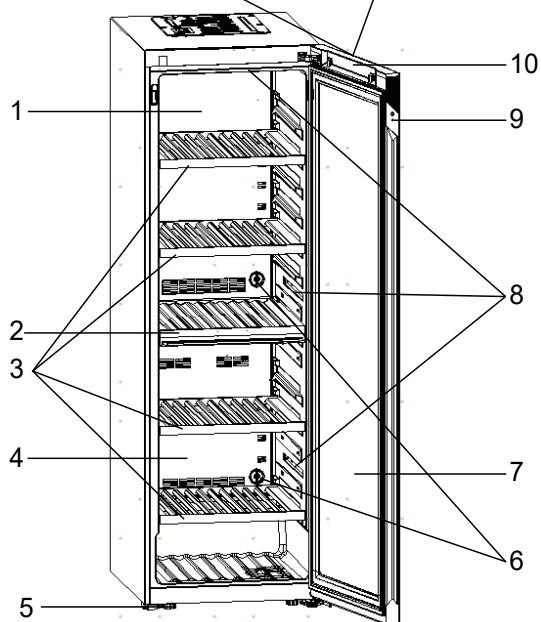
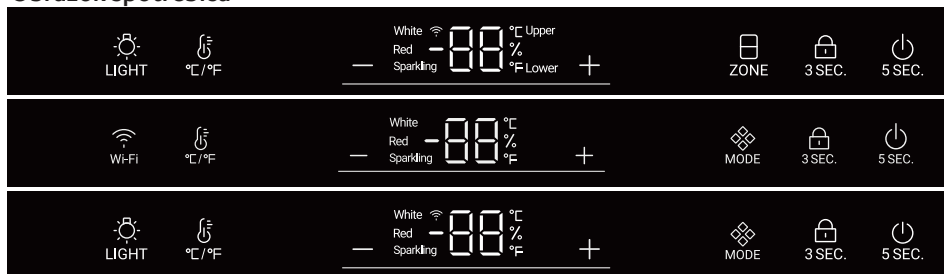
Názov	Príručka používateľa	Servisná karta	Polica	Kryt závesu	Energetický štítok	Kľúč	Rukoväť	Skrutka	uzáver	Kryt	Výstavná polica
HWS247FAH1	1	1	5	1	1	2	1	4	2	1	1
HWS247GGU1	1	1	5	1	1	2	/	/	/	/	/
HWS236GDGU1	1	1	4	1	1	2	/	/	/	/	/
HWS247FDU1	1	1	5	1	1	2	1	4	2	1	/
HWS247GEH1	1	1	5	1	1	2	/	/	/	/	/
HWS236GDEH1	1	1	4	1	1	2	/	/	/	/	/



Poznámka

Z dôvodu technických zmien a rôznych modelov sa môžu niektoré ilustrácie v tejto príručke líšiť od vášho modelu.

Obrázok spotrebiča



(HWS236GDGU1)

- | | |
|--|---|
| <ol style="list-style-type: none"> 1. Horná prepážka vzduchovodu 2. priečka (pre HWS236GDGU1/HWS236GDEH1) 3. Polica 4. Dolná prepážka vzduchovodu 5. Nastaviteľné nožičky | <ol style="list-style-type: none"> 6. Filter s aktívnym uhlím (okrem HWS247FAH1) 7. Dvere 8. LED žiarovka 9. Zámka 10. Displej |
|--|---|

1. Vybavenie

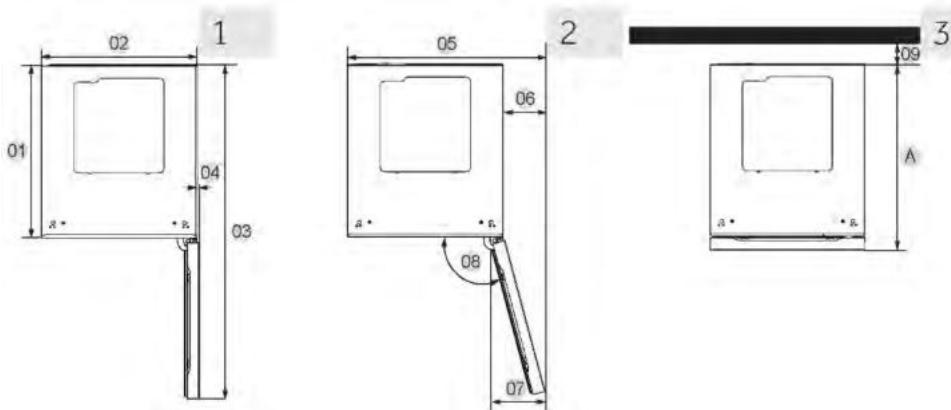
- Vyberte spotrebič z obalu.
- Odstráňte všetok obalový materiál vrátane penovej základne a všetkej lepiacej pásky, ktorá drží príslušenstvo.

2. Podmienky prostredia

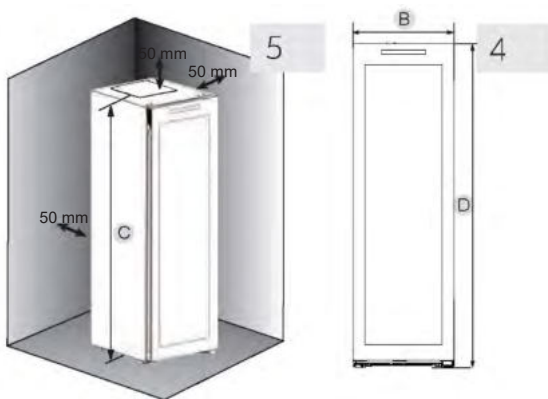
Teplota v miestnosti musí byť vždy medzi 10 °C až 38 °C, pretože môže mať vplyv na teplotu vnútri spotrebiča a na jeho spotrebu energie. Spotrebič neinštalujte v blízkosti iných spotrebičov vyžarujúcich teplo (rúry, chladničky) bez izolácie.

3. Požiadavky na priestor

Potrebný priestor na otvorenie dverí (obr. 1,2,3,4); Z bezpečnostných a energetických dôvodov musí byť dodržaná požadovaná vetracia vzdialenosť 50 mm vo všetkých smeroch (obr. 5).



Rozmery, mm	HWS247GGU1 HWS247GEH1	HWS236GDU1 HWS236GEH1	HWS247FDU1 HWS247FAH1
Hĺbka A	714	714	769
Šírka B	597	597	603
Výška C	1905	1905	1905
Celková výška D	1900	1900	1900
O1	654	654	654
O2	595	595	595/600
O3	1273	1273	1280
O4	11	11	16
O5	756	756	805
O6	161	161	210
O7	200	200	200
O8	105°	105°	105°
O9	50	50	50





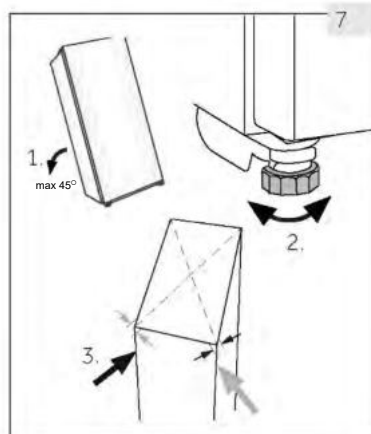
VAROVANIE!

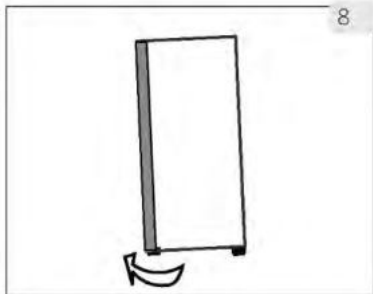
- ▶ Vetracie otvory v spotrebiči alebo v zabudovanej konštrukcii udržiajte bez prekážok. Tento chladiaci spotrebič nie je určený na použitie ako zabudovaný spotrebič

5. Vyrovnanie spotrebiča

Zariadenie musí byť umiestnené na rovnom a pevnom povrchu.

1. Spotrebič nakloňte mierne dozadu (obr. 7) .
2. Nastaviteľné predné nožičky nastavte na požadovanú úroveň otáčaním.
3. Stabilitu môžete skontrolovať úderom striedavo po uhlopriečkach. Mierne hojdanie by malo byť rovnaké v oboch smeroch. V opačnom prípade môže dôjsť k zdeformovaniu rámu; výsledkom je aj možné nedostatočné tesnenie dverí. Mierna tendencia naklonenia dozadu uľahčuje zatváranie dverí.



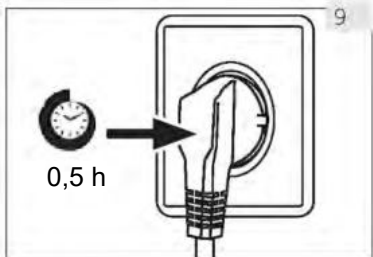


6. Jemné doladenie dverí

Spotrebič sa zatvára ľahšie, ak použijete vyrovnávacie nožičky vpredu:

Nastaviteľné nožičky (obr. 8) otáčaním nastavte nahor alebo nadol:

- ▶ Otáčaním nožičiek v smere hodinových ručičiek sa spotrebič zdvihne.
- ▶ Otáčaním nožičiek proti smeru hodinových ručičiek sa zariadenie zníži.



7. Doba čakania

Bezúdržbový mazací olej sa nachádza v puzdre kompresora. Ak je spotrebič naklonený, tento olej sa môže počas prepravy dostať do uzatvoreného systému rúrok. Pred pripojením spotrebiča ku zdroju napájania počkajte 0.5 hodín (obr. 9), aby olej stiekol späť do puzdra.

8. Elektrické zapojenie

Pred každým pripojením skontrolujte, či:

- ▶ napájanie, zásuvka a istenie zodpovedajú typovému štítku.
- ▶ je sieťová zásuvka uzemnená a nie je pripojený žiadny adaptér s viacerými zásuvkami ani predlžovací kábel.
- ▶ sú zástrčka a zásuvka správne zapojené.

Zástrčku pripojte k správne nainštalovanej domácej zásuvke.



VAROVANIE!

Poškodený napájací kábel musia vymeniť v zákazníckom servise, aby sa zabránilo nebezpečenstvu (pozrite záručný list).

9. Zmena smeru otvárania dverí

Pred pripojením spotrebiča ku zdroju napájania musíte skontrolovať, či nemusíte zmeniť smer otvárania dverí sprava (pri dodaní) doľava, ak to vyžaduje miesto inštalácie a využiteľnosť spotrebiča.



VAROVANIE!

- ▶ Spotrebič je ťažký. Zmenu smeru zatvárania dverí musia vykonávať dve osoby.
- ▶ Pred akoukoľvek činnosťou najskôr odpojte spotrebič od elektrickej siete.
- ▶ Spotrebič nenakláňajte o viac než 45°, aby ste predišli poškodeniu chladiaceho systému.

Montážne kroky

1. Zabezpečte si potrebné náradie.
2. Spotrebič odpojte od elektrického napájania.
3. Odstráňte horný kryt lišty a malý kryt. Inštalácia malého krytu z jednej strany na druhú.
4. Odstráňte kryt káblov a kryt lišty. Zameňte polohu dekoratívneho krytu. Odstráňte čiernu gumovú zátku z kľúčovej dierky na vnútornej strane dverí a nainštalujte ju na správnu kľúčovú dierku.
5. Odstráňte kryt závesu. Nástrojom odstráňte 3 skrutky a odstráňte rám dverí.
6. Nástrojom odstráňte 3 skrutky pod telom rámu dverí, vačku tela dverí a zarážky dverí, ľavý a pravý diel umožňujúci zmenu otvárania dverí je nainštalovaný na druhej strane tela rámu dverí.
7. Nástrojom odmontujte zostavu závesu, najprv odmontujte vačku závesu v zostave spodného závesu, vložte hriadeľ závesu do otvoru na pravú skrutku, namontujte. Pokračujte montážou dielu umožňujúceho zmenu smeru otvárania dverí s podpernou jednotkou otočného kolieska na pravej strane spotrebiča.
8. Delo dverí treba namontovať vertikálne nadol na hriadeľ závesu.
9. Horný záves je vložený do otvoru hriadeľa tela rámu dverí, upevnite skrutkami a nainštalujte skrinku s káblami a kryt horného nosníka.



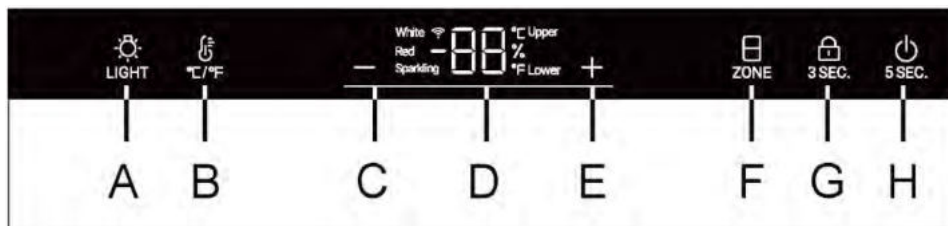
1. Pred prvým použitím

- ▶ Odstráňte všetok obalový materiál. Patrí sem penová základňa a všetka lepiaca páska, ktorá drží príslušenstvo vinotéky zvnútra aj zvonku. Odložte ich mimo dosahu detí a zneškodnite ich ekologicky.
- ▶ Pred vložením vína spotrebič umyte vodou a jemným čistiacim prostriedkom zvnútra aj zvonka.
- ▶ Po vyrovnaní spotrebiča do vodorovnej polohy a jeho vyčistení počkajte pred pripojením k elektrickej sieti minimálne 2 hodiny. Ak bola vaša vinotéka z nejakého dôvodu naklonená, počkajte 24 hodín a až potom ju zapojte. Pozrite časť INŠTALÁCIA.
- ▶ Po pripojení jednotky k elektrickej zásuvke ju pred vykonaním akýchkoľvek nastavení nechajte aspoň 30 minút bežať, aby sa aklimatizovala.
- ▶ Teplota sa automaticky nastaví na 12 °C. Ak je to potrebné, môžete tieto teploty zmeniť manuálne. Pozrite si časť TEPLOTA.

2. Dotykové tlačidlá

Tlačidlá na ovládacom paneli sú dotykové tlačidlá, ktoré reagujú na ľahký dotyk prsta.

3. Opis ovládacieho panela



- | | |
|-------------------------------------|----------------------------------|
| A Tlačidlo vnútorného osvetlenia | E Tlačidlo úpravy teploty: nahor |
| B Tlačidlo zmeny °C/°F | F Tlačidlo výberu teplotnej zóny |
| C Tlačidlo nastavenia teploty: dole | G Tlačidlo uzamknutia |
| D Displej | H Vypínač |

4. Funkcia automatického uzamknutia

V stave uzamknutia obrazovky dlhým stlačením tlačidla uzamknutia na 3 s sa na obrazovke zobrazí 3, 2 a 1, obrazovka sa odomkne a ikona uzamknutia je napoly rozsvietená. Ak neurobíte žiadny úkon, obrazovka sa uzamkne automaticky po 30 s. V stave uzamknutia obrazovky sa rozsvietia všetky ikony uzamknutia a tlačidlá na obrazovke displeja budú nefunkčné (okrem tlačidla osvetlenia);

5. Funkcia vypínača

Keď je obrazovka vypnutá, displej sa rozsvieti dotykom ľubovoľného tlačidla. Podržte stlačený vypínač, na obrazovke displeja sa zobrazí 5, 4, 3, 2 a 1 a napájanie celého spotrebiča sa vypne. Keď je elektrické napájanie vypnuté, dlhým stlačením vypínača sa zobrazí 5, 4, 3, 2, 1. Elektrické napájanie sa zapne.

6. Nastavenie teploty



Poznámka

Prednastavenia

- Po pripojení jednotky do elektrickej zásuvky ju pred vykonaním akýchkoľvek nastavení nechajte aspoň 30 minút v prevádzke, aby sa aklimatizovala.
- Keď sa spotrebič po odpojení od elektrického napájania znovu zapne, môže trvať niekoľko hodín, kým sa dosiahne správna teplota. Presný čas sa líši v závislosti od prostredia a nastavenia teploty.



Stlačením tlačidla alebo začne blikať displej. Stlačením tlačidla alebo nastavte požadovanú teplotu. Rozsah nastavenia teploty: 5-20°C (41-68°F).

Po 3 sekundách od stlačenia sa teplota potvrdí.

7. Funkcia Mode (Režim) alebo Zone (Zóna)

Stlačte tlačidlo . Prepínač teploty z nastavenia pre šumivé víno (8 °C alebo 47 °F) na nastavenie pre biele (12 °C alebo 54 °F) a červené víno (16 °C alebo 61 °F). (pre HWS247GGU1/HWS247GEH1/HWS247FDU1/HWS247FAH1)

V odomknutom stave svieti celá ikona "B". Ak je aktuálny displej v hornej teplotnej zóne, rozsvieti sa horná ikona a dolná ikona bude vypnutá. Ak v danom čase stlačíte tlačidlo "B", rozsvieti sa dolná ikona a horná zhasne.

(pre HWS236GDBGU1/HWS236GDEH1)

Odporúčané nastavenia teploty

Červené víno	+ 13 °C až +20 °C (+55 °F až + 68 °C)	Šumivé víno Prosecco	+ 5 °C až +8 °C (+41 °F až +47 °F)
Biele víno	+ 9 °C až +12 °C (+48 °F až +54 °F)		

Ak víno skladujete dlhší čas, mali by ste ho skladovať pri teplote +10 °C až +12 °C (50 °F až + 54 °F).

8. Pohotovostný režim

Obrazovka displeja sa po 30 sekundách automaticky stlmí.

Rozsvieti sa automaticky po stlačení akéhokoľvek tlačidla alebo po otvorení dverí.



Poznámka Vplyvy na teploty

Teplota vnútri spotrebiča je ovplyvnená nasledujúcimi faktormi:

- ▶ Teplota prostredia
- ▶ Frekvencia otvárania dverí
- ▶ Množstvo skladovaných fliaš
- ▶ Umiestnenie spotrebiča

Východiskové nastavenie je 12 °C

Keď displej prestane blikať, vráti sa späť k zobrazovaniu aktuálnej teploty vo vinotéke.

Dosiahnutie nastavenej teploty bude nejaký čas trvať.

9. Nastavenie režimu osvetlenia

Stlačte tlačidlo . Po zapnutí osvetlenia sa svetlá v skrinke rozsvietia postupne.

Po opätovnom stlačení tlačidla  postupne zhasnú. (okrem HWS247FDU1/HWS247FAH1)

10. Funkcia °C/°F

Stlačením tlačidla  prepínate medzi stupňami Fahrenheita a Celzia.

11. Funkcia Wi-Fi

Stlačte tlačidlo Wi-Fi na 3 sekundy, tlačidlo Wi-Fi začne rýchlo blikať a automaticky prejde do režimu konfigurácie (pre HWS247FDU1/HWS247FAH1).

12. Funkcia pamäte po vypnutí

Ak dôjde k výpadku elektrického napájania, vinotéka automaticky uloží nastavenú teplotu. Po obnovení napájania bude pracovať na základe teploty nastavenej pred výpadkom napájania.

13. Funkcia kompenzácie nízkej teploty

Vinotéka má funkciu kompenzácie nízkej teploty, ktorá zaisťuje stabilitu teploty:

Keď je okolitá teplota nižšia ako nastavená teplota, vinotéka automaticky aktivuje funkciu kompenzácie nízkej teploty a zohreje spotrebič. Keď teplota v spotrebiči dosiahne nastavenú teplotu, funkcia kompenzácie nízkej teploty sa automaticky vypne.

14. Alarm otvorenia dverí

Ak necháte dvere otvorené dlhšie ako 1 minútu, začne pípať bzučiak a bude zapnutý dovtedy, kým dvere nezatvoríte alebo nestlačíte ktorékoľvek tlačidlo na paneli displeja. Následne bzučiak prestane pípať.

15. Nastavenie režimu Wi-Fi

KONEKTIVITA PARAMETRE BEZDRÔTOVEJ SIETE

Technológia	Wi-Fi	Bluetooth
Norma	IEE 802.11 b/g/n	Bluetooth v4.2, BR/EDR, BLE
Frekvenčné pásmo (pásma) [MHz]	2401÷2483	2402÷2480
Maximálny výkon [mW] Pásmo [MHz]	100	10

INFORMÁCIE O PRODUKTE

Ako aktivovať modul Wi-Fi:

Stlačením tlačidla osvetlenia na 3 sekundy sa aktivuje Wi-Fi (okrem HWS247FDU1/HWS247FAH1)

Stlačením tlačidla Wi-Fi na 3 sekundy sa aktivuje Wi-Fi (pre HWS247FDU1/HWS247FAH1)

. Modul Wi-Fi sa zapne a začne blikať ikona Wi-Fi.

. Ikona bude blikať, ak je vinotéka zaregistrovaná, ale Wi-Fi je vypnutá.

. Ak je vinotéka zaregistrovaná a pripojená, ikona Wi-Fi ostane svietiť.

. Wi-Fi sa resetuje stlačením tlačidla osvetlenia na 3 sekundy (okrem HWS247FDU1/HWS247FAH1).

Ak chcete obnoviť Wi-Fi, stlačte Wi-Fi na 3 sekundy (pre HWS247FDU1/HWS247FAH1)

V REŽIME PÁROVANIA APLIKÁCIE

Krok 1

- Stiahnite si aplikáciu hOn z obchodov



Krok 2

- Prihláste sa alebo sa zaregistrujte



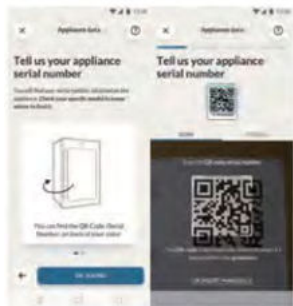
Krok 3

- Pridajte nový spotrebič a zo zoznamu vyberte vinotéku



Krok 4

- Naskenujte QR kód alebo manuálne zadajte sériové číslo



Krok 5

- Stlačením tlačidla osvetlenia na produkte a jeho podržaním 3 s sa aktivuje Wi-Fi (okrem HWS247FDU1/HWS247FAH1)
- Stlačením tlačidla Wi-Fi na produkte a jeho podržaním 3 s sa aktivuje Wi-Fi (pre HWS247FDU1/HWS247FAH1)



Krok 6

- Ikona Wi-Fi bude blikať, prebieha párovanie
- Na dokončenie párovania budete mať 5 minút
- Po dokončení procesu ikona Wi-Fi prestane blikať a zostane nepretržite svietiť. POZNÁMKA





Tipy na úsporu energie

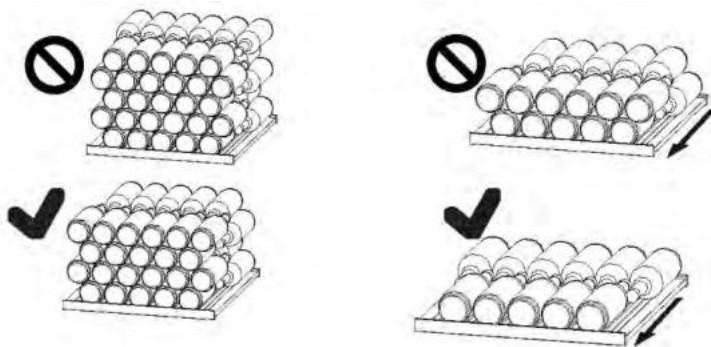
- ▶ Uistite sa, že je spotrebič správne vetraný (pozrite časť INŠTALÁCIA).
- ▶ Spotrebič neinštalujte na priame slnečné svetlo ani do blízkosti zdrojov tepla (napr. kachle, ohrievače).
- ▶ Zabráňte zbytočne nízkej teplote v spotrebiči. Čím je nižšia nastavená teplota v spotrebiči, tým vyššia bude spotreba energie.
- ▶ Dvere spotrebiča otvárajte čo najmenej a na čo najkratšie.
- ▶ Neprekračujte určené množstvo fliaš, aby ste nebránili prúdeniu vzduchu. Tesnenia dverí udržiavajte čisté, aby boli dvere vždy správne zatvorené.
- ▶ Konfigurácia s najvyššou úsporou energie vyžaduje, aby bola zásuvka, box na potraviny a police umiestnené v spotrebiči na mieste, v akom boli dodané z výroby a aby boli potraviny umiestnené bez blokovania výstupu vzduchu z potrubia.

1. Polica


1. Poličky sú navrhnuté pre jednoduché skladovanie a vyberanie vína zo spotrebiča. Môžete ich čistiť mäkkou handričkou.
2. Bežné fľaše s priemerom 76 mm sa dajú stohovať.
3. Fľaše s objemom jeden a pol litra môžete naukladať na dolnú policu.
4. Množstvo sa môže líšiť od zobrazeného počtu alebo fliaš, ak sú fľaše naukladané iným spôsobom.

Rada na usporiadanie vašej vinotéky

Odporúčame, aby počet fliaš vína neprekročil štyri vrstvy na každej polici, a nosnosť políc na víno by nemala prekročiť 60 fliaš vnútri vinotéky. Skontrolujte, či sú police na víno úplne stabilné. Okrem toho sa uistite, že z políc nevyčnieva žiadna fľaša, aby ste zabránili nárazu fliaš do sklenených dverí pri zatváraní.



2. Osvetlenie

Interiérové LED osvetlenie sa rozsvieti po otvorení dverí. Ak chcete zapnúť osvetlenie, keď sú dvere zatvorené, dotknite sa tlačidla . Opätovným dotykom tlačidla osvetlenie zhasnete. V záujme zvýšenia energetickej účinnosti by sa mali svetlá vypnúť, pokiaľ si vinotéku práve neprezeráte. (okrem HWS247FDU1/HWS247FAH1)

3. Uzamknutie

Ak chcete vinotéku uzamknúť, zatvorte dvere a vsuňte kľúč do zámky:

- ▶ Dvere uzamknete otočením kľúča v smere hodinových ručičiek.
- ▶ Dvere odomknete otočením kľúča proti smeru hodinových ručičiek.

1. Odmrazovanie

Odmrazovanie vinotéky sa vykonáva automaticky; nie je potrebná žiadna manuálna činnosť.

2. Výmena LED žiarovky

Osvetlenie využíva ako zdroj svetla LED, ktoré sa vyznačujú nízkou spotrebou energie a dlhou životnosťou. Ak sa vyskytnú nejaké abnormality, kontaktujte zákaznícky servis. Pozrite časť ZÁKAZNÍCKY SERVIS.



VAROVANIE!

LED žiarovku nevymieňajte sami. Výmenu musí vykonať iba výrobca alebo autorizovaný servisný zástupca.

Parametre LED žiarovky:

Napätie 12 V

Maximálny výkon: 18 W

3. Dlhodobé nepoužívanie

Odpojte napájací kábel.

Vyčistite spotrebič a tesnenie dverí podľa vyššie uvedeného popisu.

Dvere nechajte otvorené, aby sa vo vnútri nevytvárali nepríjemné pachy.

4. Premiestňovanie spotrebiča

1. Vyberte všetky fľaše a odpojte spotrebič zo zásuvky elektrickej siete.
2. Police a ďalšie pohyblivé diely vo vinotéke zaistite lepiacou páskou.
3. Vinotéku nenakláňajte o viac ako 45°, aby ste predišli poškodeniu chladiaceho systému.

5. Výmena vzduchu s filtrom s aktívnym uhlím (okrem HWS247FAH1)

Spôsob, akým vína naďalej zrejú, závisí od okolitých podmienok. Pre zachovanie vína je preto rozhodujúca kvalita vzduchu. V spodnej časti zadnej steny spotrebiča je namontovaný filter s aktívnym uhlím, aby zostal prechádzajúci vzduch v optimálnej kvalite.



Poznámka

Odporúčame vám, aby ste filter menili raz ročne. Filtre môžete zakúpiť u svojho predajcu.

(okrem HWS247FAH1)

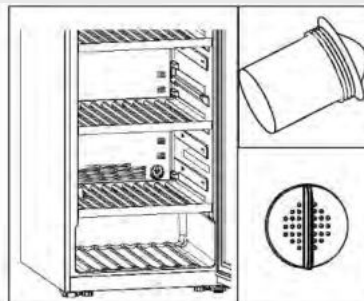
Výmena filtra:

Uchopte filter za rukoväť. Otočte ho doľava a vyberte.

Vkladanie filtra:

Vložte ho s rukoväťou vo vertikálnej polohe.

Otočte ho doprava a vložte.



Mnoho vyskytujúcich sa problémov môžete vyriešiť sami bez osobitných odborných znalostí. V prípade problému skontrolujte všetky zobrazené možnosti a pred kontaktovaním popredajného servisu postupujte podľa nasledujúcich pokynov. Pozrite časť ZÁKAZNICKY SERVIS.

VAROVANIE!

- ▶ Pred údržbou spotrebič vypnite a vytiahnite zástrčku zo zásuvky.
- ▶ Údržbu elektrického zariadenia môže vykonávať iba kvalifikovaný elektrikár, pretože neodborné opravy môžu spôsobiť značné následné škody.
- ▶ Poškodený prívod môže v záujme eliminácie akéhokoľvek rizika vymeniť len výrobca, jeho servisný zástupca alebo rovnako kvalifikovaná osoba.

Kód chyby	Príčina	Riešenie
L2	Alarm nízkej teploty, keď je teplota ovládacieho snímača príliš nízka;	<ol style="list-style-type: none"> 1. Skontrolujte teplotu okolia. 2. Skontrolujte konektor kompresora. 3. Skontrolujte odpor snímača regulácie teploty.
H1	Keď je teplota ovládacieho snímača príliš vysoká, na displeji sa zobrazí alarm vysokej teploty;	<ol style="list-style-type: none"> 1. Skontrolujte konektor ovládacej dosky alebo panela displeja. 2. Skontrolujte odpor a napätie ventilátora. 3. Skontrolujte ventilátor a konektor kompresora.

Problém	Možná príčina	Možné riešenie
Kompresor nefunguje.	<ul style="list-style-type: none"> • Zástrčka nie je vsunutá do zásuvky. 	<ul style="list-style-type: none"> • Vsuňte zástrčku do sieťovej zásuvky.
Spotrebič sa zapína často alebo ostáva zapnutý príliš dlho.	<ul style="list-style-type: none"> • Príliš vysoká vonkajšia teplota. • Spotrebič bol dlhšie vypnutý. • Zatvorené dvere spotrebiča netesnia dobre. • Dvere boli otvorené príliš často alebo príliš dlho. • Tesnenia dverí sú špinavé, opotrebované, popraskané alebo nezarovnané. • Nie je zabezpečené požadované prúdenie vzduchu. • Nastavená teplota je príliš nízka. 	<ul style="list-style-type: none"> • V takom prípade je normálne, že spotrebič beží dlhšie. • Zvyčajne chvíľu trvá, kým spotrebič úplne vychladne. • Zatvorte dvere a uistite sa, že je spotrebič umiestnený na rovnom povrchu a že sa v ňom nenachádzajú potraviny alebo nádoba, ktoré by blokovali dvere. • Neotvárajte dvere príliš často. • Vyčistite tesnenie dverí alebo ho dajte vymeniť v zákazníckom servise. • Zaistite dostatočnú ventiláciu. • Problém sa vyrieši sám, keď sa dosiahne požadovaná teplota.
Vnútro vinotéky je špinavé a/alebo zapácha.	<ul style="list-style-type: none"> • Vnútro vinotéky je potrebné vyčistiť. 	<ul style="list-style-type: none"> • Vyčistite vnútro vinotéky.
V spotrebiči nie je dostatočne nízka teplota.	<ul style="list-style-type: none"> • Nastavená teplota je príliš vysoká. • Nedávno ste vložili ďalšie fľaše. • Zatvorené dvere spotrebiča netesnia dobre. • Dvere boli otvorené príliš často alebo príliš dlho. • Tesnenia dverí sú špinavé, opotrebované, popraskané alebo nezarovnané. 	<ul style="list-style-type: none"> • Resetujte teplotu. • Nechajte uplynúť určitú dobu, aby nedávno pridané fľaše dosiahli požadovanú teplotu. • Zatvorte dvere. • Neotvárajte dvere príliš často. • Vyčistite tesnenie dverí alebo ho dajte vymeniť v zákazníckom servise.
V spotrebiči je príliš nízka teplota.	<ul style="list-style-type: none"> • Nastavená teplota je príliš nízka. 	<ul style="list-style-type: none"> • Resetujte teplotu.

Problém	Možná príčina	Možné riešenie
Vytváranie kondenzátu na vnútornej strane chladiaceho priestoru.	<ul style="list-style-type: none"> • Ovzdušie je príliš teplé a príliš vlhké. • Zatvorené dvere spotrebiča netesnia dobre. • Dvere boli otvorené príliš často alebo príliš dlho. 	<ul style="list-style-type: none"> • Zvýšte teplotu. • Zatvorte dvere. • Neotvárajte dvere/zásuvku príliš často.
Na vonkajšom povrchu vinotéky sa vytvára kondenzát.	<ul style="list-style-type: none"> • Príliš teplé a príliš vlhké prostredie. • Dvere nie sú tesne zatvorené. Dochádza ku kondenzácii chladného vzduchu v spotrebiči a teplého vzduchu mimo neho. 	<ul style="list-style-type: none"> • Vo vlhkom podnebí je to normálne a zmení sa to po poklese vlhkosti. • Dbajte na to, aby boli dvere zavreté tesne a aby tesnenie správne tesnilo.
Spotrebič vydáva neobvyklé zvuky	<ul style="list-style-type: none"> • Spotrebič nie je umiestnený na rovnom povrchu. • Spotrebič sa dotýka nejakého predmetu v jeho okolí. 	<ul style="list-style-type: none"> • Nastavte nožičky a vyrovajte spotrebič do vodorovnej polohy. • Odstráňte predmety v okolí spotrebiča.
Počuť slabý zvuk podobný prúdeniu vody.	<ul style="list-style-type: none"> • Je to normálne 	<ul style="list-style-type: none"> • -
Nefunguje osvetlenie interiéru alebo chladiaci systém.	<ul style="list-style-type: none"> • Zástrčka nie je vsunutá do zásuvky elektrickej siete. • Porucha zdroja napájania. • LED žiarovka nie je v poriadku. 	<ul style="list-style-type: none"> • Vsuňte zástrčku do sieťovej zásuvky. • Skontrolujte elektrické napájanie v miestnosti. Zavolajte miestnu elektrárenskú spoločnosť. • Kontaktujte servis kvôli výmene.
Boky chladiča a lišty dverí sa zahrievajú	<ul style="list-style-type: none"> • Je to normálne. 	<ul style="list-style-type: none"> • -
Dvere sa nezatvárajú správne	<ul style="list-style-type: none"> • Spotrebič nie je vyrovnaný. • Dvere sú zablokované. 	<ul style="list-style-type: none"> • Vyrovajte spotrebič pomocou vyrovnávacích nožičiek. • Skontrolujte blokovania, ako sú napríklad flaše alebo poličky.

Ak chcete kontaktovať technickú pomoc, navštívte našu webovú stránku:

<https://corporate.haier-europe.com/en/>

V sekcii „webová stránka“ vyberte značku svojho produktu a svoju krajinu.

Stránka vás presmeruje na konkrétnu webovú stránku, kde nájdete telefónne číslo a formulár na kontaktovanie technickej pomoci.

Špecifikácie výrobku podľa nariadenia EÚ č. 2019/2016

Značka	Haier	Haier	Haier
Názov/identifikačný kód modelu	HWS247GGU1 HWS247GEH1	HWS236GDGU1 HWS236GDEH1	HWS247FDU1/ HWS247FAH1
Kategória	Vinotéka	Vinotéka	Vinotéka
Trieda energetickej účinnosti	G/E	G/E	D
Ročná spotreba energie (kWh/rok) ¹⁾	184/107	184/106	85/44
Skladovací objem (l)	450	448	450
Klimatická trieda: Tento spotrebič je určený na použitie pri teplote okolitého prostredia v rozsahu 10 °C až 38 °C.	SN N ST	SN N ST	SN N ST
Emisie akustického hluku prenášaného vzduchom (db(A) re 1pW)	C(37)/B(35)	C(37)/B(35)	C(37)/B(35)
Typ spotrebiča	Voľne stojaci	Voľne stojaci	Voľne stojaci
Tento spotrebič je určený výhradne na uskladnenie vína.	Áno	Áno	Áno
Rozmery (Š/H/V v mm)	597/714/1900	597/714/1900	603/769/1900

Vysvetlenie:

1) na základe výsledkov štandardného testovania po dobu 24 hodín. Skutočná spotreba energie závisí od skutočného prostredia, množstva naložených fliaš, nastavenej teploty, otvárania a zatvárania dverí atď.

2) Menovitá spotreba energie je hodnota získaná podľa štandardného testovania, keď vinotéka nezapne vnútorné svetlo.

- rozšírené mierne pásmo: „tento chladiaci spotrebič je určený na použitie pri teplotách okolia od 10 °C do 32 °C“;

- mierne pásmo: „tento chladiaci spotrebič je určený na použitie pri teplotách okolia od 16 °C do 32 °C“;

- subtropické pásmo: „tento chladiaci spotrebič je určený na použitie pri teplotách okolia od 16 °C do 38 °C“;

- tropické pásmo: „tento chladiaci spotrebič je určený na použitie pri teplotách okolia od 16 °C do 43 °C“;

Normy a smernice

Tento výrobok spĺňa požiadavky všetkých príslušných smerníc ES s príslušnými harmonizovanými normami, ktoré ustanovujú požiadavky na označenie CE.

Odporúčame vám náš zákaznícky servis Haier a použitie originálnych náhradných dielov. Ak máte problém so svojím spotrebičom, najskôr si pozrite časť RIEŠENIE PROBLÉMOV.

Ak tam nenájdete riešenie, kontaktujte

- ▶ svojho miestneho predajcu alebo
- ▶ Servis a podporu na www.haier.com, kde nájdete telefónne čísla a najčastejšie otázky a kde môžete aktivovať uplatnenie servisu.

Ak chcete kontaktovať náš servis, uistite sa, že máte k dispozícii nasledujúce údaje.

Informácie nájdete na typovom štítku.

Model _____ Sériové č. _____

V prípade záruky skontrolujte aj záručný list dodaný s výrobkom.

Ak máte všeobecné obchodné otázky, obráťte sa na naše nasledovné adresy v Európe:

Európske adresy Haier

Krajina*	Poštová adresa	Krajina	Poštová adresa
Taliansko	Haier Europe Trading SRL Via De Cristoforis, 12 21100 Varese TALIANSKO	Francúzsko	Haier Europe Trading SRL Via De Cristoforis, 12 21100 Varese TALIANSKO
Španielsko Portugalsko	Haier Iberia SL Pg. Garcia Faria, 49-51 08019 Barcelona ŠPANIELSKO	Belgicko-FR Belgicko-NL Holandsko Luxembursko	Haier Benelux SA Anderlecht Route de Lennik 451 BELGICKO
Nemecko Rakúsko	Haier Deutschland GmbH Hewlett-Packard-Str. 4 D-61352 Bad Homburg NEMECKO	Poľsko Česko Maďarsko Grécko Rumunsko Rusko	Haier Poland Sp. zo.o. Al. Jerozolimskie 181B 02-222 Warszawa POLSKO
Spojené kráľovstvo	Haier Appliances UK Co. Ltd. One Crown Square Church Street East Woking, Surrey, GU21 6HR UK		

DOSTUPNOSŤ NÁHRADNÝCH DIELOV: Termostaty, snímače teploty, dosky plošných spojov a svetelné zdroje sú k dispozícii minimálne sedem rokov po uvedení poslednej jednotky modelu na trh. Kľučky, závesy dverí, podnosy a koše minimálne na obdobie siedmich rokov a tesnenia dverí na minimálne 10 rokov po uvedení poslednej jednotky modelu na trh

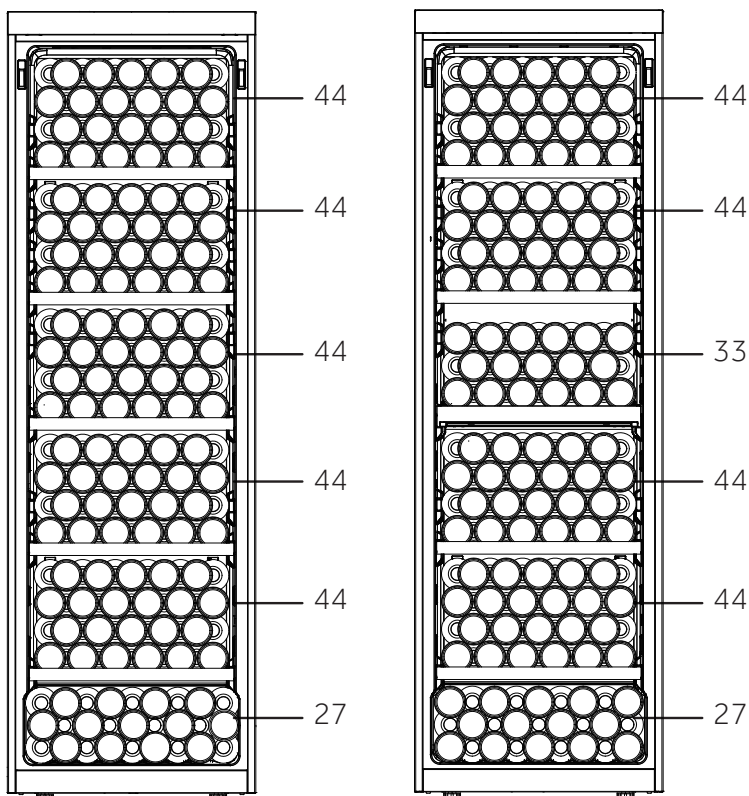
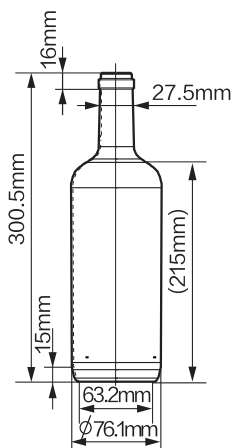
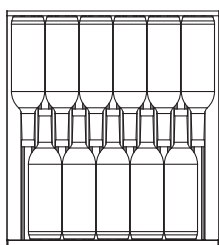
Minimálna záruka je: 2 roky pre krajiny EÚ, 3 roky pre Turecko, 1 rok pre Spojené kráľovstvo, 1 rok pre Rusko, 3 roky pre Švédsko, 2 roky pre Srbsko, 5 rokov pre Nórsko, 1 rok pre Maroko, 6 mesiacov pre Alžírsko, Tunisko nevyžaduje žiadnu zákonnú záruku.

Ďalšie informácie o produkte nájdete na stránkach <https://eprel.ec.europa.eu/> alebo si oskenujte QR kód na štítku s údajmi o elektrickej spotrebe spotrebiča

Nakladanie vínných fliaš

SK

Usporiadanie fliaše vychádza z grafického znázornenia štandardnej fliaše Bordeaux (0,75 l). V dôsledku rôznych špecifikácií fliaš sa môže skutočné množstvo naplnenia fliaše líšiť.



HWS247GGU1
HWS247FDU1
HWS247GEH1
HWS247FAH1

HWS236GDGU1
HWS236GDEH1

HWS-247FDU1-247GGU1-236GGDU1-247GEH1-236GDEH1-HWS247FAH1 - SK

Haier



Haier

Felhasználói kézikönyv

Borhűtő

HWS247FAH1
HWS247FDU1
HWS247GGU1
HWS247GEH1
HWS236GDEH1
HWS236GDGU1

HU

Haier

Köszönjük, hogy Haier terméket vásárolt.

A készülék használata előtt olvassa el figyelmesen ezeket az utasításokat. Az utasítások fontos információkat tartalmaznak, amelyek segítenek abban, hogy a lehető legtöbbet hozza ki a készülékből, és szavatolják a biztonságos és megfelelő telepítést, használatot és karbantartást.

Tartsa ezt a kézikönyvet könnyen elérhető helyen, hogy bármikor fellapozhassa a készülék biztonságot és megfelelő használatához.

Ha eladja a készüléket, elajándékozza, vagy a lakásban hagyja költözéskor, győződjön meg arról, hogy ezt a kézikönyvet is átadja, hogy az új tulajdonos megismerhesse a készüléket és a biztonsági figyelmeztetéseket.



Jelmagyarázat

Figyelmeztetés - Fontos biztonsági információk



Általános információk és tippek



Környezetvédelmi információk

Ártalmatlanítás



Járuljon hozzá a környezet és az emberi egészség védelméhez. Az újrahasznosítás érdekében a csomagolást a megfelelő hulladéktárolóba selejtezze ki. Járuljon hozzá az elektromos és elektronikus berendezések hulladékainak az újrahasznosításához. Ne a háztartási hulladékkal együtt dobja ki az ezzel a szimbólummal jelölt készülékeket. Vigye vissza a terméket a helyi újrahasznosító létesítménybe, vagy vegye fel a kapcsolatot a helyi hivatallal.



FIGYELMEZTETÉS:

Sérülés vagy fulladás veszélye!

A hűtőközegeket és a gázokat szakszerűen kell ártalmatlanítani. Győződjön meg a hűtőkör csövének a sértetlenségéről, mielőtt megfelelően ártalmatlanítaná. Válassza le a készüléket a hálózati tápellátásról. Vágja el a hálózati kábelt és selejtezze ki. Távolítsa el a tálcákat és fiókokat, valamint az ajtóreteszt és a tömítéseket, hogy megakadályozza a gyermekek és háziállatok bezáródását a készülékbe.

A régi készülékek még mindig rendelkeznek némi maradványértékkel. A környezetbarát ártalmatlanítási módszer biztosítani fogja, hogy az értékes nyersanyagokat vissza lehessen nyerni és újra fel lehessen használni.

A ciklopentánt, az ózonra nem ártalmas gyúlékony anyagot a szigetelőhab tágitójaként használják.

Azártal, hogy biztosítja a termék megfelelő ártalmatlanítását, segít megelőzni a környezetre és az emberi egészségre gyakorolt esetleges negatív következményeket, amelyek egyébként előfordulhatnak.

A termék újrahasznosítására vonatkozó részletesebb tájékoztatás ügyében tájékozódjon a helyi önkormányzatnál, a háztartási hulladékot kezelő szolgáltatónál vagy az üzletben, ahol a terméket vásárolta, ahol szakemberek állnak rendelkezésére.

1 - Biztonsági információk.....	4
2 - Biztonsági tippek	7
3 - Karbantartás	11
4 - Tartozékok.....	13
5 - Termékleírás.....	14
6 - Telepítés.....	15
7 - Használat.....	19
8 - Energiatakarékossági tippek.....	24
9 - Berendezés.....	25
10 - Ápolás és tisztítás	26
11 - Hibaelhárítás	27
12 - Műszaki adatok.....	30
13 - Ügyfélszolgálat	31
14 - Borosüvegek egymásra helyezése.....	32

A készüléket kizárólag bor tárolására használja. A készülék első bekapcsolása előtt olvassa el a következő biztonsági tanácsokat:



FIGYELMEZTETÉS:

Első használat előtt

- ▶ Győződjön meg arról, hogy szállítás során a termék nem sérült.
- ▶ Távolítsa el az összes csomagolóanyagot, és ezeket tartsa gyermekektől elzárva, kiselejtezésüket pedig környezetbarát módon végezze.
- ▶ A készülék telepítése előtt várjon legalább két órát a hűtőkör teljes hatékonyságának biztosítása érdekében.
- ▶ Mivel a készülék nehéz, mindig legalább két személy szükséges a kezeléséhez vagy mozgatásához.

Telepítés

- ▶ A készüléket jól szellőző helyre telepítse. Biztosítson legalább 10 cm-es helyet a készülék felett és körül.
- ▶ **FIGYELMEZTETÉS:** A berendezés tokozásában vagy a beépített szerkezetben a ventilációs nyílásokat hagyja akadálymentesen.
- ▶ Soha ne helyezze a készüléket nedves területre vagy olyan helyre, ahol víz fröccsenhet rá. A vízfröccsenéseket és a foltokat törölje le és szárazra puha, tiszta törülközővel.
- ▶ Ne telepítse a borhűtőt nem megfelelően szigetelt vagy fűtött helyre, pl. garázsba stb. A borhűtőt nem arra tervezték, hogy 10 °C alatti környezeti hőmérsékleten működjön.
- ▶ Ne szerelje be a készüléket közvetlen napsugárzásnak kitett helyre vagy hőforrások (pl. kályhák, fűtőberendezések) közelébe.
- ▶ A méretének és felhasználásnak megfelelő helyre szerelje be és állítsa szintbe a készüléket.
- ▶ Bizonyosodjon meg arról, hogy az adattáblán olvasható elektromos jellemzők megfelelnek az elérhető tápellátás jellemzőinek. Ellenkező esetben forduljon villanszerelőhöz.
- ▶ A készülék 220–240 V váltóáramú, 50 Hz-es tápellátást igényel. A rendellenes feszültség-ingadozás nyomán előfordulhat, hogy a készülék nem indul be, károsodhat a hőmérséklet-vezérlő vagy a kompresszor, illetve működés során rendellenes zaj jelentkezhet. Hasonló esetben szereljen fel automatikus feszültség szabályozót.
- ▶ Ne használjon többdugós adaptereket és hosszabbító kábeleket.

**FIGYELMEZTETÉS:**

- ▶ **FIGYELMEZTETÉS:** Ne helyezzen több hordozható csatlakozót vagy hordozható tápegységet a berendezés mögé.
- ▶ **FIGYELMEZTETÉS:** A berendezés elhelyezésekor ellenőrizze, hogy a tápkábel nincs-e beszorulva vagy nem sérült-e.
- ▶ Ne lépjen a tápkábelre.
- ▶ A tápegységhez külön földelt aljzatot használjon, amely könnyen hozzáférhető. A készülék mindenképpen földelésre szorul.
- ▶ **Csak az Egyesült Királyság esetén:** A készülék tápkábele 3 érintkezős (földeléses) dugasszal rendelkezik, amelyik szabványos 3 érintkezős (földeléses) aljzathoz illeszkedik. Soha ne vágja le vagy távolítsa el a harmadik érintkezőt (földelést). A készülék beszerelését követően a dugasznak hozzáférhetőnek kell maradnia.
- ▶ **FIGYELMEZTETÉS:** Ne okozza a hűtőközeg kör sérülését.

Napi használat

- ▶ A berendezést 8 évnél idősebb gyermekek vagy csökkent fizikai, érzékszervi vagy mentális képességű, vagy tapasztalattal és ismerettel nem rendelkező személyek akkor használhatják, ha felügyelet alatt állnak vagy ha megfelelő utasításokkal látták el őket a berendezés biztonságos használatát illetően, és megértették a használatból eredő veszélyeket.
- ▶ Gyermekek nem játszhatnak a berendezéssel.
- ▶ A 3 és 8 év közötti gyermekek be- és kirakodhatják a hűtőkészülékeket, de tisztításukat és szerelésüket nem végezhetik.
- ▶ Tartsa távol a 3 évesnél fiatalabb gyermekeket a készüléktől, kivéve, ha biztosítja a folyamatos felügyeletet.
- ▶ A berendezés tisztítását és karbantartását gyermekek csak felügyelet mellett végezhetik.
- ▶ A készüléket úgy kell elhelyezni, hogy a csatlakozó hozzáférhető legyen.
- ▶ Ha városi gáz vagy más gyúlékony gáz szivárog a készülék közelében, zárja el a szivárgó gáz szelepét, nyissa ki az ajtókat és ablakokat, és ne húzza ki a készülék tápkábelét.
- ▶ Az áramellátás visszakapcsolása előtt várjon legalább 7 percet az áramellátás kikapcsolásától számítva.
- ▶ Ne emelje a készüléket az ajtófogantyúktól.
- ▶ A kulcsokat gyermekek elől elzárva kell tartani, és tilos a készülék közelében tartani, ezzel megelőzve gyermekek készülékbe záródását.



FIGYELMEZTETÉS:

- ▶ Vegye figyelembe, hogy a készülék 10 °C és 38 °C közötti környezeti hőmérsékleten való működésre készült. Előfordulhat, hogy a készülék nem működik megfelelően, ha hosszabb ideig a jelzett tartomány feletti vagy alatti hőmérsékleten üzemel.
- ▶ Ne helyezzen instabil cikkeket (nehéz tárgyakat, vízzel teli edényeket) a készülék tetejére, elkerülve így a személyi sérüléseket, amiket ezen tárgyak leesése vagy a vízzel való érintkezés nyomán bekövetkező áramütés okozhat.
- ▶ Az ajtó nyitását vagy becsukását kizárólag a fogantyúkkal végezze. Az ajtó és a szekrény közötti rés nagyon szűk. Ne tegye a kezét ezekre a területekre, mivel az ujjai becsípődhetnek. Csak akkor nyissa ki vagy csukja be a készülék ajtaját, ha nem állnak gyermekek az ajtó mozgási tartományán belül.
- ▶ Ne tároljon, ill. használjon gyúlékony, robbanásveszélyes vagy maró hatású anyagokat a készülékben vagy a közelében.
- ▶ Ne tároljon robbanásveszélyes anyagokat, például gyúlékony hajtóanyagot tartalmazó aeroszolos palackot a berendezésben.
- ▶ A készülékben ne tároljon gyógyszereket, baktériumokat vagy vegyszereket. Ez a készülék háztartási készülék. Nem javasoljuk olyan anyagok tárolását, amelyek szűk hőmérséklet-tartományban tárolhatók.
- ▶ Ne állítson be szükségtelenül alacsony hőmérsékletet a borszekrény rekeszben. Magas teljesítménybeállítások esetén mínusz fokok alakulhatnak ki. Figyelem: A palackok szétrobbanhatnak
- ▶ Működés közben ne érintse meg a készülék belső felületét, különösen nedves kézzel, mert a keze a felülethez fagyhat.
- ▶ A megfelelő borhűtés érdekében ne terhelje túl a készüléket.
- ▶ Áramszünet esetén vagy tisztítás előtt húzza ki a készüléket az aljzatból. A készülék újraindítása előtt várjon legalább 7 percet, mivel a készülék gyakori indítása során károsodhat a kompresszor.
- ▶ **FIGYELMEZTETÉS:** Ne használjon elektromos készülékeket a készüléken belül, kivéve a gyártó által jóváhagyott típust. A kockázatok elkerülése érdekében a sérült tápkábelt kötelezően ki kell cserélni, ezt pedig csak az ügyfélszolgálat munkatársa végezheti el (lásd a jótállási jegyet).
- ▶ A készülék élettartamának meghosszabbítása érdekében kerülje a kikapcsolását.
- ▶ Soha ne fektesse a készüléket vízszintesen a földre. Ha 45°-nál nagyobb mértékben megdőntötte a készüléket, várjon 24 órát, mielőtt csatlakoztatná.

**FIGYELMEZTETÉS:****Karbantartás / tisztítás**

- ▶ Gondoskodjon a gyermekek felügyeletéről, ha tisztítást vagy karbantartást végeznek.
- ▶ A rutinszerű karbantartás megkezdése előtt húzza ki a készüléket a villanyhálózatból. A készülék újraindítása előtt várjon legalább 7 percet, mivel a készülék gyakori indítása során károsodhat a kompresszor.
- ▶ A készülék aljzatból való leválasztásakor ne a kábelt, hanem a csatlakozódugót húzza.
- ▶ Ne tisztítsa a készüléket keménysörtés kefékkel, drótkefékkel, mosóporral, benzinnel, amil-acetáttal, acetonnal és hasonló szerves oldatokkal, valamint savas vagy lúgos oldatokkal. A károsodások elkerülése érdekében a hűtőszekrény/fagyasztó tisztítását speciális, adott célra kialakított tisztítószerrel végezze. Esetleg használjon meleg vizet és szódabikarbóna oldatot: körülbelül egy evőkanál szódabikarbónát adagoljon egy liter vízhez. Öblítse át alaposan vízzel, majd törölje szárazra. Ne használjon poralapú tisztítószert vagy egyéb súrolószert. Az eltávolítható alkatrészeket ne mossa mosogatógépből.
- ▶ **FIGYELMEZTETÉS:** A kiolvasztási folyamat felgyorsításához csak a gyártó által javasolt mechanikai berendezéseket vagy egyéb eszközöket használja.
- ▶ Ha a tápkábel megsérül, a veszély elkerülése érdekében cseréltesse ki a gyártóval, a gyártó szervizközpontjával vagy más szakemberrel.
- ▶ Ne tegyen kísérletet a készülék saját kezű javítására, szétszerelésére vagy módosítására. Javítás szükségessége esetén vegye fel a kapcsolatot az ügyfélszolgálatunkkal.
- ▶ Ha a világítószervelékek megsérülnek, a veszély elkerülése érdekében cseréltesse ki azokat a gyártóval, a gyártó szervizközpontjával vagy hasonlóan képzett szakemberrel.
- ▶ Évente legalább egyszer távolítsa el a port a készülék hátoldaláról, így elkerülve a tűzveszélyt, valamint a megnövekedett energiafogyasztást.

- ▶ Tisztítás közben ne permetezze vagy öblítse le a készüléket.
- ▶ Ne használjon vízpermetet vagy gózt a készülék tisztításához.
- ▶ A hideg üvegajtót ne tisztítsa forró vízzel. A hirtelen hőmérséklet-változás nyomán az üveg megrepedhet.
- ▶ Ha hosszabb ideig nem használja a készüléket, hagyja nyitva, hogy megakadályozza az állott és kellemetlen szagok kialakulását.

Gázalapú hűtőközegre vonatkozó információk



FIGYELMEZTETÉS:

A készülék gyúlékony IZOBUTÁN (R600a) hűtőközeget tartalmaz. Győződjön meg arról, hogy a hűtőközeg köre nem sérült meg szállítás vagy beszerelés közben. A szivárgó hűtőközeg szemsérülést okozhat, vagy belobbanhat. Sérülés esetén tartsa távol a tűzforrásokat, szellőztesse ki alaposan a helyiséget, **ne** csatlakoztassa, vagy húzza ki a készülék vagy egyéb készülék tápkábelét. Tájékoztassa az ügyfélszolgálatot.

Ha a hűtőközeg szembe kerül, azonnal öblítse ki folyó víz alatt, és azonnal forduljon szemész szakorvoshoz.

FIGYELMEZTETÉS: A hűtőrendszerben nagy nyomás uralkodik. Ne tegyen kísérletet semmilyen beavatkozásra. Mivel a készülék gyúlékony hűtőközeget használ, kérjük, a készüléket szigorúan az utasításoknak megfelelően telepítse, kezelje és szervizelje, a készülék kiselejtezése tekintetében pedig vegye fel a kapcsolatot és lépjen kapcsolatba szakemberrel vagy a vevőszolgálat munkatársaival.

Rendeltetésszerű használat


A berendezések kizárólag háztartási célra vagy hasonló alkalmazásokban használhatók, pl.:

- üzletek, irodák és egyéb gazdasági munkakörnyezetek személyzeti konyhája;
 - falusi vendéglátás és ügyfelek szállodákban, motelekben és egyéb szállást adó helyeken;
 - szállást és reggelit biztosító szállások;
 - vendéglátás, és hasonló nem kiskereskedelmi alkalmazások.
- ▶ A bor biztonságos megőrzése érdekében, kérjük, tartsa be ezt a használati utasítást.
- ▶ A készülék rekeszének azon legmegfelelőbb részére vonatkozó részletek, ahol meghatározott típusú élelmiszerek tárolhatók, figyelembe véve a készülék különböző rekeszeiben esetlegesen előforduló hőmérséklet eloszlását, a kézikönyv másik részében található.

A készüléken változtatások vagy módosítások végrehajtása nem megengedett. A nem rendeltetésszerű használat veszélyeket eredményezhet, illetve a szavatossági igények érvénytelenítésével járhat.

Ártalmatlanítás



A terméken vagy a csomagolásán található  szimbólum azt jelzi, hogy a termék nem kezelhető háztartási hulladékként. A készüléket ehelyett adja le elektromos és elektronikus berendezések újrahasznosítására létesített megfelelő gyűjtőpontban. Azáltal, hogy biztosítja a termék megfelelő ártalmatlanítását, segít megelőzni a környezetre és az emberi egészségre gyakorolt esetleges negatív következményeket, amelyek egyébként előfordulhatnak a termék nem megfelelő hulladékkezelése esetén. A termék újrahasznosítására vonatkozó részletesebb tájékoztatás ügyében tájékozódjon a helyi önkormányzatnál, a háztartási hulladékot kezelő szolgáltatónál vagy az üzletben, ahol a terméket vásárolta.

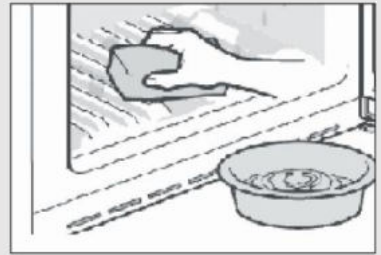
Mivel a készülék gyártása során gyúlékony szigetelésfűvő-gázokat használtunk, kérjük, a készülék ártalmatlanítása érdekében vegye fel a kapcsolatot szakemberrel vagy a vevőszolgálat munkatársaival.

FIGYELMEZTETÉS!

Sérülés vagy fulladás veszélye!

A hűtőközegeket és a gázokat szakszerűen kell ártalmatlanítani. Győződjön meg a hűtőkör csövének a sértetlenségéről, mielőtt megfelelően ártalmatlanítaná. Válassza le a készüléket a hálózati tápellátásról. Vágja el a hálózati kábelt és selejtezze ki. Távolítsa el a tálcákat és fiókokat, valamint az ajtóreteszt és a tömítéseket, hogy megakadályozza a gyermekek és háziállatok bezáródását a készülékbe.

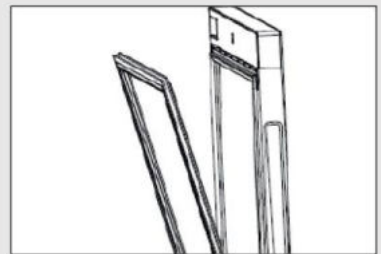
- ▶ **FIGYELMEZTETÉS:** Tisztítás előtt válassza le a hálózatról a készüléket.
- ▶ Ne tisztítsa a készüléket keménysörtés kefékkel, drótkefékkel, mosóporral, benzinnel, amil-acetáttal, acetonnal és hasonló szerves oldatokkal, valamint savas vagy lúgos oldatokkal. A károsodások elkerülése érdekében a hűtőszekrény tisztítását speciális, adott célra kialakított tisztítószerrel végezze.
- ▶ Akkor tisztítsa meg a készüléket, amikor kevés vagy semmilyen bor nem található benne. A készülék csak akkor igényel tisztítást, ha beszennyeződik.
- ▶ Tisztítsa meg a készülék belsejét és burkolatát meleg vízzel és semleges tisztítószerrel átnedvesített szivaccsal.
- ▶ Öblítse le tiszta, meleg vízzel, és puha törülközővel törölje szárazra.
- ▶ A készülék egyetlen részét vagy tartozékát se tisztítsa mosogatógépben.
- ▶ A készülék újraindítása előtt várjon legalább 7 percet, mivel a készülék gyakori indítása során károsodhat a kompresszor.



Tisztítsa meg az ajtó tömítést:

- ▶ A megfelelő tömítés biztosítása érdekében, javasoljuk, 3 havonta tisztítsa meg az ajtó tömítéseket. Az alábbiak szerint: **Eltávolítás:** Fogja meg az ajtó tömítést, és húzza ki a nyíl irányának megfelelően, hogy sértetlenül eltávolítsa a teljes ajtó tömítést.

Merítse a kefért vízbe vagy élelmiszeripari minőségű alkoholba, először tisztítsa meg az ajtó tömítés hornyát a kefe előre-hátra húzásával. Ezután törölje le az ajtó tömítés felületét vízbe vagy élelmiszeripari minőségű alkoholba mártott törülközővel. Végül öblítse tisztára az ajtó tömítést, és törölje szárazra egy tiszta törülközővel.



Az ajtó tömítés felszerelése tisztítás után:

A telepítés előtt győződjön meg az ajtó tömítés vízmentességéről. Helyezze be az ajtó tömítést a horonyba, és kézzel nyomja szorosan az ajtó tömítést felülről lefelé, amíg az egész ajtó tömítés a horonyba nem kerül.

A polcok tisztítása:

- ▶ Mindegyik polc eltávolítható tisztítás céljából.
- ▶ Vegye ki az összes palackot.
- ▶ Az egyes polcokat emelje meg egy kicsit, majd vegye ki.
- ▶ Tisztítsa meg a polcot egy puha törülközővel.
- ▶ Mielőtt visszahelyezné a polcokat, várja meg, amíg azok megszáradnak.

FIGYELMEZTETÉS:

Az áramellátás visszakapcsolása előtt várjon legalább 7 percet az áramellátás kikapcsolásától számítva.

Ellenőrizze a tartozékokat és a szakirodalmat ennek a listának megfelelően: szigetelés nélkül.

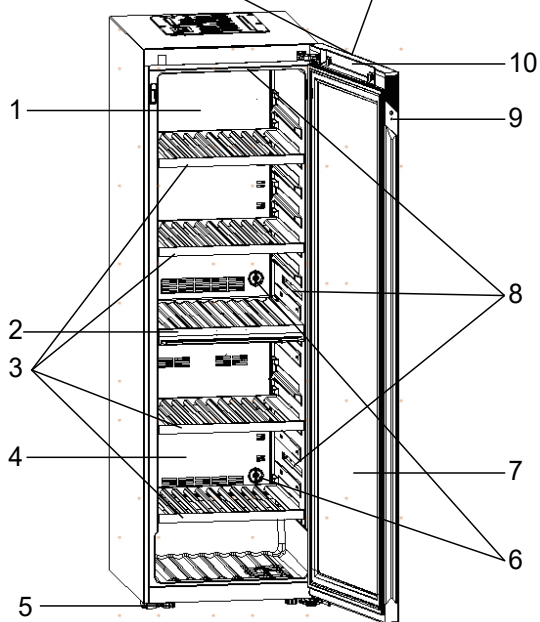
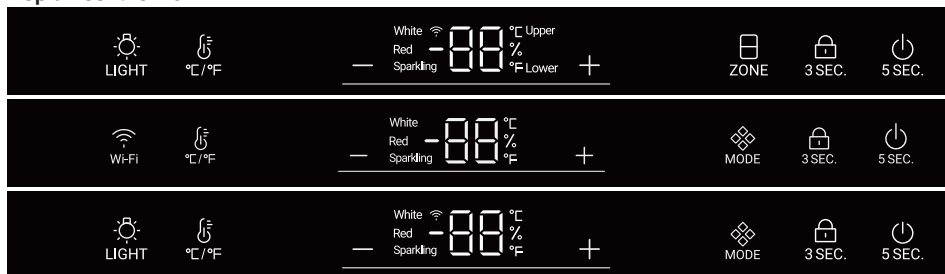
Name	Felhasználói kézikönyv	Szervízlap	Polc	Zsanérfedél	Energiacímke	Kulcs	Fogantyú	Csavar	Csavar borító	Borító	Kijelző polc
HWS247FAH1	1	1	5	1	1	2	1	4	2	1	1
HWS247GGU1	1	1	5	1	1	2	/	/	/	/	/
HWS236GDBGU1	1	1	4	1	1	2	/	/	/	/	/
HWS247FDU1	1	1	5	1	1	2	1	4	2	1	/
HWS247GEH1	1	1	5	1	1	2	/	/	/	/	/
HWS236GDEH1	1	1	4	1	1	2	/	/	/	/	/



Megjegyzés

A műszaki módosítások és különböző modellek miatt előfordulhat, hogy a kézikönyvben látható egyes ábrák eltérőek az Ön modelljéhez képest.

Kép a készülékről



(HWS236GDGU1)

- | | |
|--|--|
| <ol style="list-style-type: none"> 1. Felső légcsatorna terelőlapja 2. Elválasztóelem (HWS247GGU1/HWS236GDEH1 kivételével) 3. Polc 4. Alsó légcsatorna terelőlapja 5. Állítható lábak | <ol style="list-style-type: none"> 6. Aktivszén szűrő (kivéve HWS247FAH1) 7. Ajtó 8. LED-lámpa 9. Zár 10. Kijelző |
|--|--|

1. Kicsomagolás

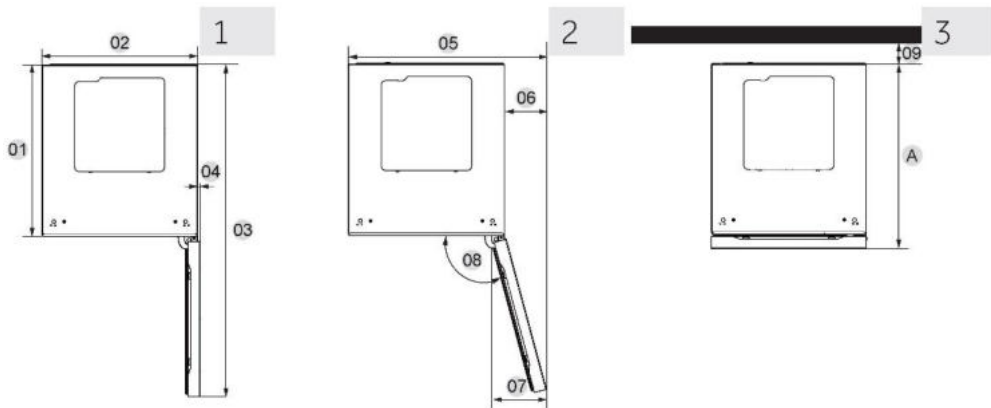
- ▶ Vegye ki a készüléket a csomagolásból.
- ▶ Távolítsa el az összes csomagolóanyagot, beleértve a hab alapi részt és a tartozékokat rögzítő összes ragasztószalagot.

2. Környezeti körülmények

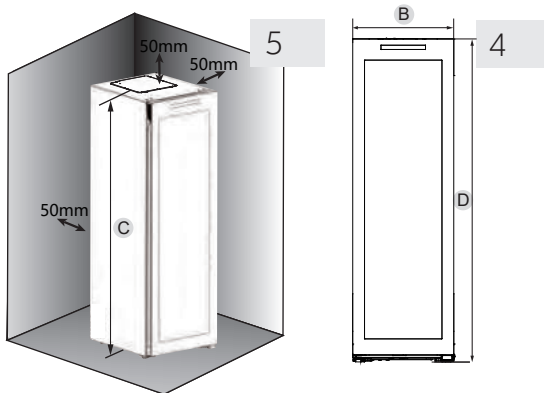
A szobahőmérsékletnek mindig 10 °C és 38 °C között kell lennie, mivel befolyásolhatja a készülék belsejének hőmérsékletét és energiafogyasztását. Szigetelés nélkül ne telepítse a készüléket egyéb hőhibocsátó készülékek (sütők, hűtőgépek) közelébe.

3. Helyigény

Az ajtó kinyitásához szükséges hely (1., 2., 3., 4. ábra); Biztonsági és energetikai okokból minden irányban tartsa be az előírt 50 mm-es szellőzési távolságot (5. ábra).



Mértékegység: mm	HWS247GGU1 HWS247GEH1	HWS236GDGU1 HWS236GDEH1	HWS247FDU1 HWS247FAH1
Mélység A	714	714	714
Szélesség B	597	597	597
Magasság C	1905	1905	1905
Teljes magasság D	1900	1900	1900
01	654	654	654
02	595	595	595/600
03	1273	1273	1273
04	11	11	11
05	756	756	756
06	161	161	161
07	200	200	200
08	105°	105°	105°
09	50	50	50





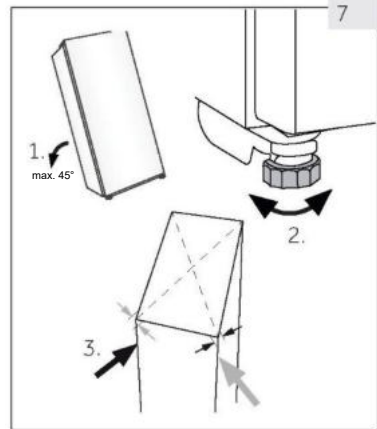
FIGYELMEZTETÉS:

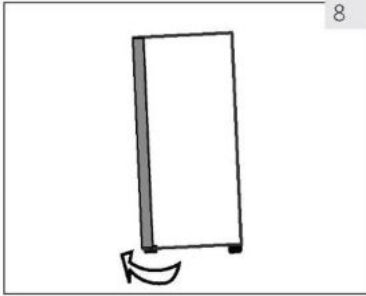
- ▶ A berendezésen vagy a beépített szerkezetben a szellőzőnyílásokat ne takarja el. Ez a hűtőberendezés kialakításából adódóan nem arra készült, hogy beépíthető készülékként üzemeljen

5. A készülék elhelyezése

A készüléket sík és szilárd felületre telepítse.

1. Enyhén döntse meg hátrafelé a készüléket (7. ábra).
2. Forgatással állítsa be az állítható elülső lábakat a kívánt magasságra.
3. A stabilitást ellenőrizheti, ha az átlók mentén nyomást helyez a készülékre. Az enyhe lengésnek mindkét irányban azonosnak kell lennie. Ellenkező esetben a keret görbülhet; ez pedig esetleg szivárgó ajtótmítéseket eredményezhet. Az enyhe hátradőlés elősegíti az ajtó bezáródását.



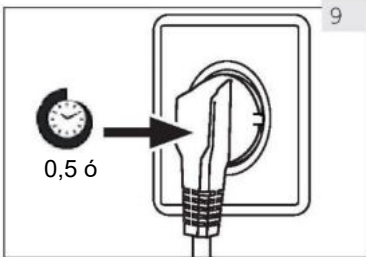


6. Az ajtó finomhangolása

A készülék könnyebben záródik, ha megfelelően beállítja az elülső szintező lábakat:

Forgassa el az állítható lábakat (8. ábra) felfelé vagy lefelé állításához:

- ▶ A lábak óramutató járásával megegyező irányba történő elforgatásával megemeli a készüléket.
- ▶ A lábak az óramutató járásával ellentétes irányba történő elforgatásával leengedi a készüléket.



7. Várakozási idő

A kompresszorban kialakított gyűjtőedényben karbantartásmentes kenőolaj található. A készülék megdöntése esetén ez az olaj átjuthat a zárt csőrendszeren szállítás közben. Mielőtt tápellátáshoz csatlakoztatná a készüléket, várjon 0,5 órát (9. ábra), hogy az olaj visszajusson a gyűjtőedénybe.

8. Elektromos csatlakoztatás

Minden egyes csatlakoztatás előtt ellenőrizze az alábbiakat:

- ▶ tápellátás, aljzat és biztosíték megfelelőisége az adattáblán szereplő adatoknak;
- ▶ a tápaljzat földeléssel rendelkezik, és nem használ többcsatlakozós hosszabítót a tápellátáshoz;
- ▶ a tápdugasz és az aljzat megfelelően illeszkedik egymáshoz.

Csatlakoztassa a csatlakozódugót egy megfelelően beépített háztartási aljzathoz.



FIGYELMEZTETÉS:

A kockázatok elkerülése érdekében a sérült tápkábelt kötelezően ki kell cserélni, ezt pedig csak az ügyfélszolgálat munkatársa végezheti el (lásd a jótállási jegyet).

9. Ajtó nyitásának váltása

Mielőtt csatlakoztatná a készüléket az áramforráshoz, ellenőrizze, hogy az ajtó nyitását jobbról (leszállított állapot) balra kell-e fordítani, ha ezt a telepítési hely és a használhatóság megköveteli

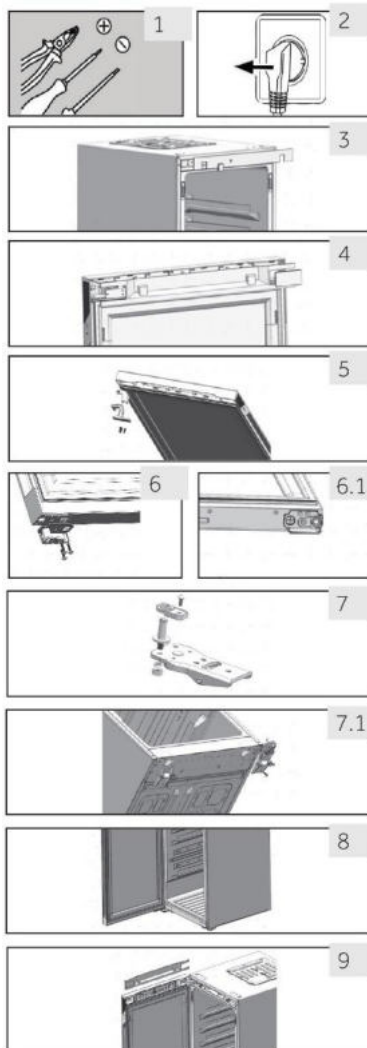


FIGYELMEZTETÉS:

- ▶ A készülék nehéz. Az ajtó megfordítása két embert igényel.
- ▶ Bármilyen művelet előtt először húzza ki a készüléket a hálózati aljzathoz.
- ▶ A hűtőrendszer károsodásának megelőzése érdekében ne döntse meg a készüléket 45°-ot meghaladó mértékben.

Összeszerelési lépések

1. Biztosítsa a szükséges szerszámot.
2. Húzza ki a készüléket a hálózati aljzatból.
3. Távolítsa el a felső tartószelvény fedelét és az apró burkolatot gerenda fedelét, helyezze át az apró burkolatot bal és jobb oldalon.
4. Távolítsa el a kábeltálca fedelét és a díszburkolatot, helyezze át a dekoratív burkolatot a bal és jobb oldalon. Távolítsa el a fekete gumidugót az ajtótest belsejében lévő bal oldali kulcslyukból, és szerelje be a jobb oldali kulcslyukba.
5. Távolítsa el a zsanér fedelét, szerszám segítségével távolítsa el a 3 csavart, és távolítsa el a portátestet.
6. Szerszámmal távolítsa el a portátest alatti 3 csavart, a portátest bütykét és az ajtóütközőt, a bal és jobb oldali átszerelés a portátest másik oldalán hajtható végre.
7. Szerszámmal távolítsa el a szekrény zsanér szerelvényét, először távolítsa el a zsanércsapot az alsó zsanér szerelvényben, majd szerelje fel a zsanércsapot a jobb oldali csavarnyílásba és szerelvénybe. Átszereléses átalakítás a szekrény jobb oldalán lévő görgős tartószerkezettel.
8. A portátestet függőlegesen lefelé szerelje fel a zsanércsapra.
9. A felső zsanér be van helyezve a portátest tengelynyílásába, rögzítse a szekrényt csavarokkal, szerelje fel a huzaldoboz fedelét és a felső tartószerelvény díszburkolatát.



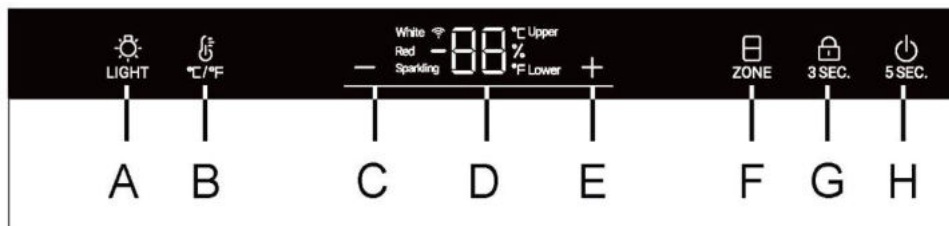
1. Első használat előtt

- ▶ Távolítsa el az összes csomagolóanyagot. Ez magában foglalja a habalapot és az összes ragasztószalagot, amely a borhűtő tartozékait rögzíti belül és kívül. Ezeket tartsa gyermekektől elzárva, ártalmatlanításukat pedig környezetbarát módon végezze.
- ▶ Tisztítsa meg a készülék belsejét és külsejét vízzel és kíméletes tisztítószerrel, mielőtt bármilyen bort tenne bele.
- ▶ A készülék szintbeállítását és tisztítását követően várjon legalább 2 órát, mielőtt csatlakoztatná a tápellátáshoz. Ha a borhűtőt bármilyen okból megdöntötték, várjon 24 órát, mielőtt tápellátáshoz csatlakoztatja. Lásd a TELEPÍTÉS részt.
- ▶ Miután csatlakoztatta a készüléket egy elektromos aljzathoz, hagyja, hogy a készülék legalább 30 percig működjön, alkalmazkodjon a környezethez, mielőtt bármilyen beállítást végezne.
- ▶ A hőmérséklet gyári alapbeállítása 12 °C. Ha kívánja, ezt a hőmérsékletet módosíthatja manuálisan. Lásd HŐMÉRSÉKLET.

2. Érintőgombok

A vezérlőpulton érintőgombok találhatók, és az ujjával való enyhe megérintés elég a működtetésükhöz.

3. A vezérlőpult leírása



- | | |
|---------------------------------------|------------------------------------|
| A Belső világítás gomb | E Hőmérséklet állító gomb: növelés |
| B °C /°F váltás gomb | F Hőmérsékleti zóna választógomb |
| C Hőmérséklet állító gomb: csökkentés | G Zárolás gomb |
| D Kijelző | H Bekapcsolás gomb |

4. Automatikus zárolás funkció

Zárolt képernyő állapotban tartsa lenyomva 3 másodpercig a zárolás gombot, a kijelzőn megjelenik a 3, 2 és 1, és a kijelző zárolása felold, a zárolt ikon pedig csak félig világít; További művelet híján a készülék ismét zárolja a képernyőt 30 másodperc után. Zárolt képernyő állapotban az összes zárolás gomb ikon világít, és a kijelzőképernyő gombjai nem használhatók (kivéve a világítás gombot);

5. Bekapcsolás gomb funkció

Kikapcsolt képernyő esetén nyomjon meg bármilyen gombot, és a képernyő világítása bekapcsol; Tartsa hosszan lenyomva a bekapcsológombot, a kijelzőn megjelenik az 5, 4, 3, 2 és 1, és az egész gép kikapcsol. Amikor a készülék ki van kapcsolva, tartsa nyomva meg a bekapcsológombot az 5, 4, 3, 2, 1 üzenet kijelzéséhez. A tápellátás bekapcsol.

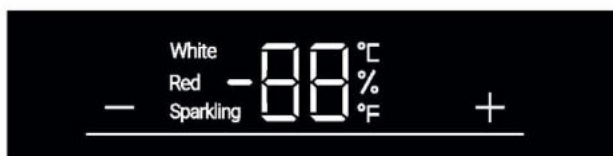
6. Hőmérséklet beállítása



Megjegyzés

Előzetes beállítások

- ▶ Miután csatlakoztatta a készüléket egy elektromos aljzathoz, hagyja, hogy a készülék legalább 30 percig működjön, és alkalmazkodjon a környezethez, mielőtt bármilyen beállítást végezne.
- ▶ Amikor a készüléket visszakapcsolja a hálózati tápellátásról való leválasztás után, akár több órát is igénybe vehet a megfelelő hőmérséklet elérése. A pontos idő a környezettől és a hőmérséklet beállítástól függően változik.



Nyomja meg a **+** vagy **-** gombot, és a kijelző villogásba kezd. Nyomja meg a **+** vagy **-** gombot a kívánt hőmérséklet beállításához. Beállítható hőmérséklet tartománya: 5–20 °C (41–68 °F). Ne nyomjon meg semmilyen gombot 3 másodpercig, így megerősíti az adott hőmérsékletet.

7. Üzem mód vagy zóna funkció

Nyomja meg a **MODE** gombot. A hőmérséklet átvált pezsgőnek (8 °C vagy 47 °F) fehérbornak (12 °C vagy 54 °F) vagy vörösbornak (16 °C vagy 61 °F) megfelelő között. (HWS247GGU1/HWS247GEH1/HWS247FDU1/HWS247FAH1)

Feloldott állapotban a **TEMP** ikon teljesen világít. Ha az aktuális kijelző a felső hőmérsékleti zónában található, a felső ikon bekapcsol, az alsó ikon pedig ki lesz kapcsolva. Ekkor nyomja meg a **TEMP** gombot, az alsó ikon világítani fog, és a felső ikon ki lesz kapcsolva. (HWS236GDGU1/HWS236GDEH1 esetén)

Javasolt hőmérséklet beállítások

A különböző típusú borok fogyasztásához az alábbi hőmérsékleti értékek ajánlottak.

Vörösbor	+13 °C és +20 °C között (+55 °F és +68 °F között)	Prosecco pezsgő	+5 °C és +8 °C között (+41 °F és 47 °F között)
Fehérbor	+9 °C és +12 °C között (+48 °F és +54 °F között)		

Ha hosszú ideig tárolja a bort, akkor a tároláshoz a +10 °C és +12 °C (50 °F és +54 °F) közötti hőmérsékletet javasoljuk.

8. Készenléti üzemmód

A kijelző 30 másodperc után automatikusan elhalványul.

A kijelző automatikusan bekapcsol bármelyik gomb megérintésekor vagy az ajtó kinyitásakor.



Megjegyzés

Hőmérséklet befolyásolása



A készülék belsejében a hőmérsékletet az alábbi tényezők befolyásolják:

- ▶ Környezeti hőmérséklet
- ▶ Az ajtónyitás gyakorisága
- ▶ A tárolt palackok mennyisége
- ▶ A készülék helye

Az alapértelmezett beállítás 12 °C

Amikor a kijelző nem villog, ismét megjelenik a borhűtőben lévő aktuális hőmérséklet. A beállított hőmérséklet elérése időbe telik.

9. Világítási mód beállítása

Nyomja meg a  gombot. Amikor a szekrény lámpái világítanak, a lámpák fokozatosan bekapcsolnak. A  gomb ismételt megnyomására a lámpák fokozatosan kialszanak.

(kivéve HWS247FDU1/HWS247FAH1)

10. °C/°F funkció

A Fahrenheit és Celsius közötti váltáshoz nyomja meg a  gombot.

11. Wi-Fi funkció

Nyomja meg a Wi-Fi gombot 3 másodpercig, a Wi-Fi gomb gyorsan villogni kezd, és automatikusan belép a konfigurációs módba (HWS247FDU1/HWS247FAH1 esetén).

12. Kikapcsolási memória funkció

Áramszünet esetén a pince automatikusan elmenti a beállított hőmérsékletet. Az áramellátás helyreállítása után az áramszünet előtt beállított hőmérséklet alapján fog működni.

13. Alacsony hőmérséklet kompenzáció funkció

A borhűtő alacsony hőmérséklet kompenzáció funkcióval rendelkezik a hőmérséklet stabilitásának biztosítása érdekében: Ha a környezeti hőmérséklet a beállítottnál alacsonyabb, a borhűtő automatikusan elindítja az alacsony hőmérséklet kompenzáció funkció, és a készülék melegíteni kezd. Amikor a készülékben a hőmérséklet eléri a beállított hőmérsékletet, az alacsony hőmérséklet kompenzáció funkció automatikusan kikapcsol.

14. Nyitott ajtó riasztás

Ha az ajtót 1 percnél tovább nyitva tartja, hangjelzés hallható, amíg az ajtó be nem záródik, vagy megnyomja a kijelzőpanel valamelyik gombját, aminek a hatására a hangjelzés kikapcsol.

14. WiFi mód beállítás

KAPCSOLAT VEZETÉK NÉLKÜLI KAPCSOLAT PARAMÉTEREK

Technológia	WiFi	Bluetooth
Standard	IEEE 802.11 b/g/n	Bluetooth v4.2, BR/EDR, BLE
Frekvenciasáv(ok) [MHz]	2401÷2483	2402÷2480
Maximális teljesítmény [mW] Sáv(ok) [MHz]	100	10

TERMÉKINFORMÁCIÓ

A WiFi modul aktiválása:

Tartsa lenyomva a világítás gombot 3 másodpercig a WiFi bekapcsolásához

- A WiFi modul bekapcsol, és a WiFi ikon villogásba kezd
- Ha a borhűtőt regisztrálta, de a WiFi nincs bekapcsolva, az ikon villog
- Ha a borhűtőt regisztrálta és az csatlakozott a hálózathoz, a WiFi ikon folyamatosan világít
- A WiFi alaphelyzetbe állításához tartsa lenyomva a világítás gombot 3 másodpercig (kivéve a HWS247FDU1/HWS247FAH1)
- A WiFi alaphelyzetbe állításához tartsa lenyomva a világítás gombot 3 másodpercig (for HWS247FDU1/HWS247FAH1)

PÁROSÍTÁSI ELJÁRÁS AZ ALKALMAZÁSBAN

1. lépés

- Töltse le a hOn alkalmazást a megfelelő áruházból



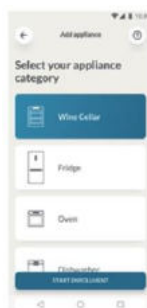
2. lépés

- Jelentkezzen be, vagy hozzon létre fiókot



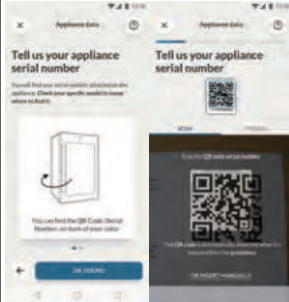
3. lépés

- Adjon hozzá egy új készüléket kiválasztva a listáról a borhűtőt.



4. lépés

- Olvassa be a QR-kódot, vagy kézzel adja meg a sorozatszámot



5. lépés

A Wi-Fi aktiválásához (kivéve a HWS247FDU1/HWS247FAH1) tartsa lenyomva a termék világítógombját 3 másodpercig.

Nyomja meg a Wi-Fi gombot a terméken 3 másodpercig a Wi-Fi aktiválásához (HWS247FDU1/HWS247FAH1 esetén)



6. lépés

- A WiFi ikon villogásba kezd, és zajlik a párosítási eljárás
- 5 perc áll rendelkezésére a párosítási eljárás befejezéséhez
- Amikor az eljárás befejeződött, a Wi-Fi ikon villogása abbamarad, és folyamatos világításba kezd

MEGJEGYZÉS



Energiatakarékossági tippek

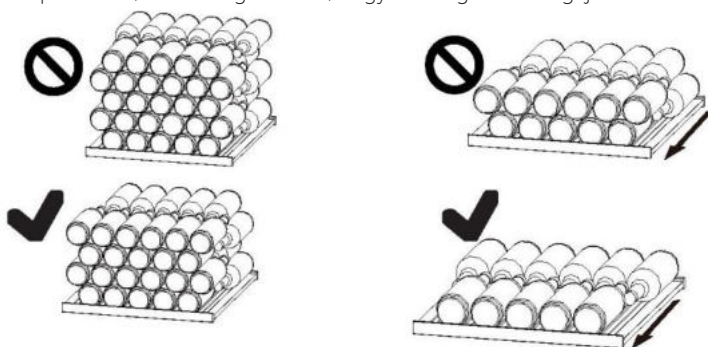
- ▶ Bizonyosodjon meg arról, hogy a készülék megfelelő szellőzéssel rendelkezik (lásd BESZERELÉS).
- ▶ Ne szerelje be a készüléket közvetlen napsugárzásnak kitett helyre vagy hőforrások (pl. kályhák, fűtőberendezések) közelébe.
- ▶ Kerülje a szükségtelenül alacsony hőmérsékletet a készülékben. Minél alacsonyabb hőmérsékletet állít be, annál jobban növekszik az energiafogyasztás.
- ▶ Minél kevésbé és minél rövidebb ideig nyissa ki a készülék ajtaját.
- ▶ Ne lépje túl a palackok ajánlott mennyiségét, mivel ezzel gátolhatja a megfelelő légáramlást.
- ▶ Az ajtótömítéseket tartsa tisztán, hogy az ajtó mindig megfelelően becsukódhasson.
- ▶ A leginkább energiatakarékos működéshez a fióknak, élelmiszerrekesznek és polcoknak a készülékben kell lenniük olyan állapotban, ahogyan a gyárat elhagyta a készülék, az élelmiszert pedig úgy kell elhelyezni, hogy a légcsatorna kimenetét ne akadályozza.

1. Polc

1. A polcok kialakítása elősegíti a bor könnyű tárolását és eltávolítását. Ezek puha törülközővel tisztíthatók.
2. A 76 mm átmérőjű normál palackok egymásra helyezhetők.
3. A magnum méretű palackok az alsó polcon rakhatók egymásra.
4. A mennyiség eltérhet az ábrázolt számtól vagy palackoktól, ha ezeket eltérő módon helyezi egymásra.


Tanácsok a borhűtő belső elrendezéséhez

Javasoljuk, hogy az egyes polcokon a borosüvegek száma ne haladja meg a négy réteget, valamint a polcok terhelése ne haladja meg a 60 palackot a borhűtőben, és bizonyosodjon meg arról, hogy a borospolcok teljesen stabilak. Ezenkívül bizonyosodjon meg arról, hogy semmilyen palack nem nyúlik túl a polcokon, ezzel megelőzheti, hogy az üvegek az üvegajtónak ütközzenek.



2. A világítás

A LED-es belső világítás bekapcsol az ajtó nyitásakor. Becsukott ajtó mellett a lámpa

bekapcsolásához érintse meg a  LIGHT gombot. A világítás kikapcsolásához érintse meg ismét a gombot. Az energiahatékonyság növelése érdekében kapcsolja ki a világítást, amikor a borhűtőre nem vetülnek tekintetek. (kivéve HWS247FDU1/HWS247FAH1)

3. A zár

A borhűtő bezárásához csukja be az ajtót, majd tegye a kulcsot a zárba:

- ▶ Az ajtó zárásához forgassa el a kulcsot az óramutató járásával megegyező irányba.
- ▶ Az ajtó nyitásához forgassa el a kulcsot az óramutató járásával ellentétes irányba.

1. Leolvasztás

A borhűtő kiolvasztása automatikusan történik: nincs szükség felhasználói beavatkozásra.

2. A LED-es lámpa cseréje

A lámpa fényforrásként LED-es technológiát használ, amely alacsony fogyasztást és hosszú élettartamot szavatol. Bármilyen rendellenesség esetén vegye fel a kapcsolatot az ügyfélszolgálatl. Lásd az ÜGYFÉLSZOLGÁLAT részt.



FIGYELMEZTETÉS:

Ne tegyen kísérletet a LED-es lámpa saját kezű cseréjére. Az alkatrészt csak a gyártó vagy a meghatalmazott szervizmunkatárs cserélheti ki.

A LED-es lámpa paramétereit:

Feszültség 12 V Max. teljesítmény: 18 W

3. Hosszabb használaton kívüli időszak

Húzza ki a tápkábelt.

Tisztítsa meg a készüléket és az ajtó tömítéseket a fenti leírás szerint.

A kellemetlen szagok készülékben belüli megjelenésének elkerülése érdekében hagyja nyitva az ajtót.

4. A készülék mozgatása

1. Távolítsa el az összes palackot, és húzza ki a készülék csatlakozódugóját.

2. Rögzítse a polcokat és az egyéb mozgatható alkatrészeket a borhűtőben szigetelőszalaggal.

3. A hűtőrendszer károsodásának az elkerülése érdekében ne döntse meg a borhűtőt 45°-ot meghaladó szögben.

5. Levegőcsere aktívszén szűrővel (kivéve HWS247FAH1)

A borok érlelésének módja függ a környezeti feltételektől. A bor tartósítása tekintetében tehát döntő fontosságú a levegő minősége. A készülék hátfalának alsó részén egy aktívszén szűrőt található, amely gondoskodik az optimális levegőminőségről.



Megjegyzés

Javasoljuk, hogy évente cserélje a szűrőt. A szűrők beszerezhetők kereskedésekből.

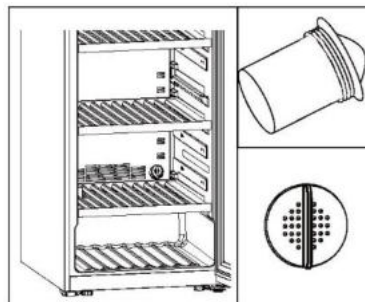
(kivéve HWS247FAH1)

A szűrő cseréje:

Fogja meg a szűrőt a fogantyútól. Fordítsa el balra, majd távolítsa el.

A szűrő behelyezése:

Helyezze be úgy, hogy a fogantyú függőleges helyzetben legyen. Fordítsa jobbra, majd nyomja be.



Sok felmerülő problémát saját maga is megoldhat speciális szakértelem nélkül. Probléma felmerülése esetén ellenőrizze az összes felsorolt lehetőséget, és kövesse az alábbi utasításokat, mielőtt felvenné a kapcsolatot egy ügyfélszolgálatral. Lásd az ÜGYFÉLSZOLGÁLAT részt.



FIGYELMEZTETÉS:

- ▶ Karbantartás előtt kapcsolja ki a készüléket, és húzza ki a hálózati dugaszt a hálózati aljzataból.
- ▶ Az elektromos berendezéseket csak szakképzett villamosági szakemberek szervizelhetik, mert a nem megfelelő javítások jelentős károkat okozhatnak.
- ▶ Sérült tápkábel esetén a veszély elkerülése érdekében cseréltesse ki azt a gyártóval, a gyártó szervizközpontjával vagy más szakemberrel.

Hibakód	Ok	Megoldás
L2	Alacsony hőmérséklet miatti riasztás, amikor az ellenőrző érzékelő hőmérséklete túl alacsony;	<ol style="list-style-type: none"> 1. Ellenőrizze a környezeti hőmérsékletet. 2. Ellenőrizze a kompresszor csatlakozóját. 3. Ellenőrizze a hőmérséklet ellenőrző érzékelő ellenállását.
H1	Ha az ellenőrző érzékelő hőmérséklete túl magas, a magas hőmérsékletre vonatkozó riasztás jelenik meg a kijelzőképernyőn;	<ol style="list-style-type: none"> 1. Ellenőrizze a vezérlőpanel vagy a kijelzőpanel csatlakozóját. 2. Ellenőrizze a ventilátor ellenállását és feszültségét. 3. Ellenőrizze a ventilátort és a kompresszor csatlakozóját.

Probléma	Lehetséges ok	Lehetséges megoldás
A kompresszor nem működik.	<ul style="list-style-type: none"> A hálózati dugasz nem csatlakozik a hálózati aljzathoz. 	<ul style="list-style-type: none"> Csatlakoztassa a hálózati csatlakozódugót.
A készülék gyakran bekapcsol vagy túlságosan hosszú ideig üzemel.	<ul style="list-style-type: none"> A külső hőmérséklet túl magas. A készülék hosszabb ideig kikapcsolt állapotban volt. Egy ajtó a készülékben nem záródik megfelelően. Az ajtót túlságosan gyakran nyitotta ki, vagy túlságosan sokáig tartotta nyitva. Az ajtó tömítések szennyezettek, kopottak, repedtek vagy nem megfelelők. A szükséges szellőzés nem biztosított. A beállított hőmérséklet túl alacsony. 	<ul style="list-style-type: none"> Ebben az esetben természetes, hogy a készülék üzemideje megnövekedett. A készülék teljes lehelése általában eltart egy ideig. Csukja be az ajtót, és bizonyosodjon meg arról, hogy a készülék egyenes felületen található, és hogy élelmiszer vagy tárolóedény nem akadályozza az ajtó záródását. Ne nyissa ki az ajtót túl gyakran. Tisztítsa meg az ajtó tömítését, vagy cserélje ki ezt az ügyfélszolgálat bevonásával. Bizonyosodjon meg arról, hogy megfelelő a szellőzés. A probléma a kívánt hőmérséklet elérésekor magától elhárul.
A borhűtő belső része szennyezett és/vagy kellemetlen szagú.	<ul style="list-style-type: none"> A borhűtő belső része tisztítást igényel. 	<ul style="list-style-type: none"> Tisztítsa meg a borhűtő belső részét.
Nincs elég hideg a készülék belsejében.	<ul style="list-style-type: none"> A beállított hőmérséklet túl magas. Nemrégiben palackokat helyezett a készülékbe. Egy ajtó a készülékben nem záródik megfelelően. Az ajtót túlságosan gyakran nyitotta ki, vagy túlságosan sokáig tartotta nyitva. Az ajtó tömítések szennyezettek, kopottak, repedtek vagy nem megfelelők. 	<ul style="list-style-type: none"> Állítsa vissza a hőmérsékletet. Várjon, hogy a nemrég hozzáadott palackok elérjék a kívánt hőmérsékletet. Csukja be az ajtót. Ne nyissa ki az ajtót túl gyakran. Tisztítsa meg az ajtó tömítését, vagy cserélje ki ezt az ügyfélszolgálat bevonásával.
Túl hideg van a készülék belsejében.	<ul style="list-style-type: none"> A beállított hőmérséklet túl alacsony. 	<ul style="list-style-type: none"> Állítsa vissza a hőmérsékletet.
Pára csapódik le a hűtőrekesz belső	<ul style="list-style-type: none"> Az éghajlat túl meleg vagy túl nedves. 	<ul style="list-style-type: none"> Növelje a hőmérsékletet.

Probléma	Lehetséges ok	Lehetséges megoldás
részén.	<ul style="list-style-type: none"> Egy ajtó a készülékben nem záródik megfelelően. Az ajtót túlságosan gyakran nyitotta ki, vagy túlságosan sokáig tartotta nyitva. 	<ul style="list-style-type: none"> Csukja be az ajtót. Ne nyissa ki az ajtót/fiókot túl gyakran.
Nedvesség jelentkezik a borhűtő külső felületén.	<ul style="list-style-type: none"> Az éghajlat túl meleg vagy túl nedves Az ajtó nincs megfelelően becsukva. A készülékben lévő hideg levegő és az azon kívüli meleg levegő páralecsapódást eredményez. 	<ul style="list-style-type: none"> Ez természetes jelenség nedves éghajlati viszonyok között, és megszűnik, amint csökken a páratartalom. Bizonyosodjon meg arról, hogy az ajtó szorosan zárul, és a tömítések megfelelően felfeksznek.
A készülék rendellenes hangokat ad ki.	<ul style="list-style-type: none"> A készülék nem vízszintes talajon helyezkedik el. A készülék hozzáér valamilyen körülötte lévő tárgyhoz. 	<ul style="list-style-type: none"> A lábak beállításával állítsa szintbe a készüléket. Távolítsa el a készülék mellett lévő tárgyakat.
Vízáramláshoz hasonló halk hang hallható.	<ul style="list-style-type: none"> Ez természetes jelenség. 	<ul style="list-style-type: none"> -
A belső világítás vagy hűtőrendszer nem működik.	<ul style="list-style-type: none"> Nem dugta be a hálózati csatlakozódugót a hálózati aljzatba. Az áramellátás nem megfelelő. A LED-es lámpa meghibásodott. 	<ul style="list-style-type: none"> Csatlakoztassa a hálózati csatlakozódugót. Ellenőrizze a helyiség áramellátását. Vegye fel a kapcsolatot a helyi áramszolgáltatóval. A csere ügyében vegye fel a kapcsolatot a szervizzel.
A hűtő oldalai és az ajtószalag felmelegedik	<ul style="list-style-type: none"> Ez természetes jelenség. 	<ul style="list-style-type: none"> -
Az ajtó nem záródik megfelelően	<ul style="list-style-type: none"> A készülék nem áll vízszintben. Az ajtó mozgását valami hátráltatja. 	<ul style="list-style-type: none"> Gondoskodjon a készülék vízszintes helyzetéről a szintező lábak beállításával. Keressen ütközést okozó tárgyakat, például palackokat vagy polcokat.

A műszaki támogatással való kapcsolatfelvételhez látogassa meg a következő oldalt:
<https://corporate.haier-europe.com/en/>

A „webhely” (website) rész alatt válassza ki a termék márkáját és országát. Az oldal átirányítja az adott webhelyre, ahol megtalálható a műszaki támogatás eléréséhez szükséges telefonszám és űrlap.

Az (EU) 2019/2016 előírásnak megfelelő termékadatlap

Márka	Haier	Haier	Haier
Modellnév/azonosító	HWS247GGU1 HWS247GEH1	HWS236GDGU1 HWS236GDEH1	HWS247FDU1/ HWS247FAH1
Kategória	Borhűtő	Borhűtő	Borhűtő
Energiahatékonysági osztály	G/E	G/E	D/A
Éves energiafogyasztás (kWh/év) ¹⁾	184/107	184/107	85/44
Befogadóképesség (l)	450	448	450
Klímaosztály: A készülék 10 °C és 38 °C közötti környezeti hőmérsékleten való működéshez készült.	SN N ST	SN N ST	SN N ST
Levegőben terjedő akusztikus zajkibocsátás (dB(A) re 1pW)	C(37)/B(35)	C(37)/B(35)	C(37)
A berendezés típusa	Önálló	Önálló	Önálló
A készüléket kizárólag bor tárolására használja.	Igen	Igen	Igen
Méretetek (Sz/Mé/Ma mm-ben)	597/714/1900	597/714/1900	603/769/1900

Magyarázatok:

1) 24 órás szabványos teszteredmények alapján. A tényleges energiafogyasztás függ a tényleges környezettől, a palackok számától, a beállított hőmérséklettől, az ajtó nyitási és zárási idejétől és gyakoriságától stb.

2) A névleges energiafogyasztást a standard teszt során jelentkezik, a borhűtő belső világának bekapcsolása nélkül.

- kiterjesztett mérsékelt osztály: „a hűtőberendezés 10 - 32 °C közötti környezeti hőmérsékleten való használatra készült”;

- mérsékelt osztály: „a hűtőberendezés 16 °C közötti 32 °C környezeti hőmérsékleten való felhasználásra készült”;

- szubtrópusi osztály: „a hűtőberendezés 16 - 38 °C közötti környezeti hőmérsékleten való használatra készült”;

- trópusi osztály: „a hűtőberendezés 16 - 43 °C közötti környezeti hőmérsékleten való felhasználásra készült”;

Szabványok és irányelvek

A termék megfelel az összes vonatkozó EK irányelvben meghatározott követelményeknek, illetve a vonatkozó harmonizált szabványoknak, amelyek alapján megilleti a CE-jelölés.

Figyelmébe ajánljuk a Haier ügyfélszolgálat és az eredeti pótalkatrészek igénybe vételét.

Ha probléma merül fel a készülékkel, először tekintse át a HIBAELHÁRÍTÁS részt.

Ha ebben nem talál megoldást, lépjen kapcsolatba

- ▶ a helyi márkakereskedővel vagy
- ▶ keresse meg a Service & Support (Szerviz és támogatás) területet a www.haier.com címen, ahol megtalálhatók a szükséges telefonszámok és a gyakran ismételt kérdések, valamint ahol szervizkérelmet aktiválhat.

A szerviz szolgáltatásunkkal való kapcsolatfelvétel előtt bizonyosodjon meg arról, hogy elérhetők az alábbi adatok.

Az információ az adattáblán található.

Modell _____ Sorozatszám _____

Jótállási igény felmerülése esetén ellenőrizze a termékhez mellékelt jótállási kártyát is.

Általános üzleti kérdések esetén kérjük, alábbi európai címeinken vegye fel velünk a kapcsolatot:

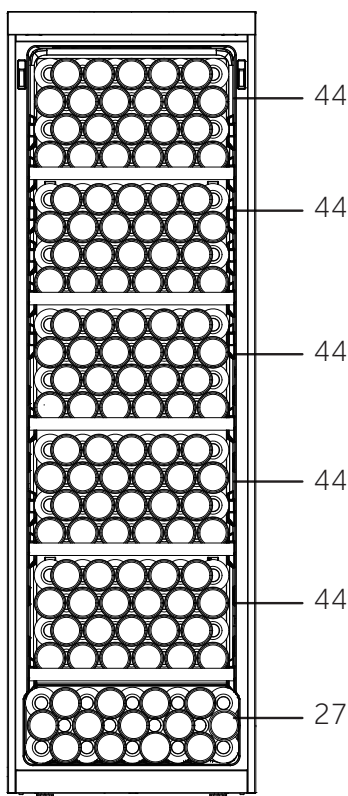
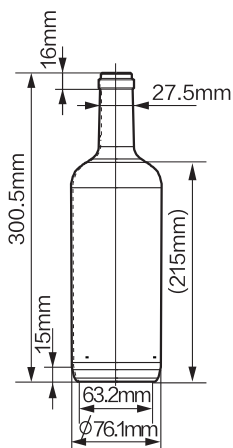
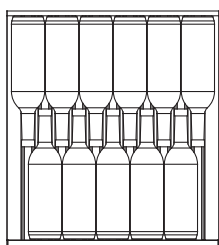
Európai Haier címek			
Ország*	Postacím	Ország	Postacím
Olaszország	Haier Europe Trading SRL Via De Cristoforis, 12 21100 Verese OLASZORSZÁG	Franciaország	Haier Europe Trading SRL Via De Cristoforis, 12 21100 Verese OLASZORSZÁG
Spanyolország Portugália	Haier Iberia SL Pg. Garcia Faria, 49-51 08019 Barcelona SPANYOLORSZÁG	Belgium-FR Belgium-NL Hollandia Luxemburg	Haier Benelux SA Anderlecht Route de Lennik 451 BELGIUM
Németország Ausztria	Haier Deutschland GmbH Hewlett-Packard-Str. 4 D-61352 Bad Homburg NÉMETORSZÁG	Lengyelország Cseh Köztársaság Magyarország Görögország Románia Oroszország	Haier Poland Sp. zo.o. Al. Jerozolimskie 181B 02-222 Warszawa LENGYELORSZÁG
Egyesült Királyság	Haier Appliances UK Co. Ltd. One Crown Square Church Street East Woking, Surrey, GU21 6HR EGYESÜLT KIRÁLYSÁG		

PÓTALKATRÉSZEK ELÉRHETŐSÉGE: Termosztátok, hőmérséklet érzékelők, nyomtatott áramköri lapok és fényforrások legalább hét évig elérhetők a piacra bocsátott utolsó modelltől számítva. Ajtófogantyúk, ajtópántok, tálcák és kosarak legalább hét évig, míg ajtótomítések legalább 10 évig elérhetők a piacra bocsátott utolsó modelltől számítva

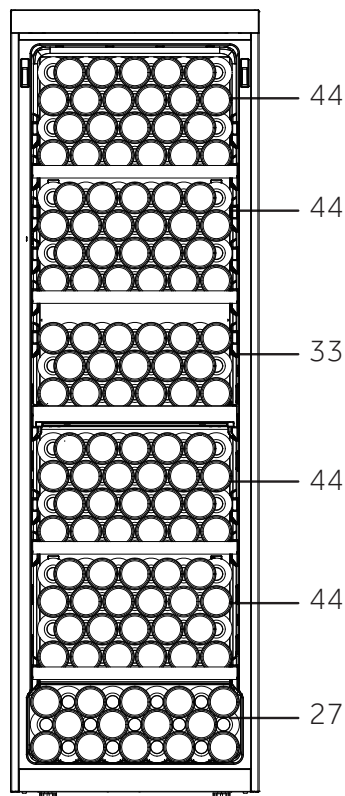
Minimális jótállás: 2 év az uniós tagállamokban, 3 év Törökországban, 1 év az Egyesült Királyságban, 1 év Oroszországban, 3 év Svédországban, 2 év Szerbiában, 5 év Norvégiában, 1 év Marokkóban, 6 hónap Algériában, Tunézia nincs kötelező jogi jótállás.

A termékre vonatkozó további tájékoztatás ügyében tekintse meg az <https://eprel.ec.europa.eu/> oldalt, vagy olvassa be a készüléken elhelyezett, energiafogyasztást jelölő címkén található QR-kódot.

A palack elrendezése egy szabványos bordeaux-i palack (0,75 l) grafikus ábrázolásán alapul. Az eltérő palack specifikációk miatt a palack tényleges betöltési mennyisége eltérő lehet.



HWS247GGU1
HWS247FDU1
HWS247GEH1
HWS247FAH1



HWS236DGU1
HWS236GDEH1

HWS-247FDU1-247GGU1-236GGDU1-247GEH1-236GDEH1-HWS247FAH1 - HU

Haier



Haier

Brugervejledning

Vinkælder

HWS247FAH1
HWS247FDU1
HWS247GGU1
HWS247GEH1
HWS236GDEH1
HWS236GDGU1

DA

Haier

Tak, fordi du har købt et Haier-produkt.

Læs disse anvisninger nøje, før dette apparat anvendes. Instruktionerne indeholder vigtig information, som vil hjælpe dig med at få det bedste ud af apparatet og sikre sikker og korrekt installation, brug og vedligeholdelse.

Opbevar denne vejledning et bekvemt sted, så du altid kan se den for sikker og korrekt brug af apparatet.

Hvis du sælger apparatet, giver det væk eller efterlader det, når du flytter, skal du sørge for også at videregive denne manual, så den nye ejer kan blive fortrolig med apparatet og sikkerhedsadvarsler.



Symboler

Advarsel - Vigtige sikkerhedsoplysninger



Generel information og tips



Miljøoplysninger



Bortskaffelse

Hjælp med at beskytte miljøet og menneskers sundhed. Læg emballagen i passende beholdere for at genbruge den. Hjælp med at genbruge affald fra elektriske og elektroniske apparater. Bortskaf ikke apparater mærket med dette symbol sammen med husholdningsaffaldet. Returner produktet til din lokale genbrugsstation eller kontakt dit kommunale kontor.



ADVARSEL!

Risiko for personskade eller kvælning!

Kølemidler og gasser skal bortskaffes professionelt. Sørg for, at kølemiddelkredsens rør ikke er beskadiget, før apparatet bortskaffes korrekt. Afbryd apparatet fra lysnettet. Skær lysnetkablet af og bortskaf det. Fjern bakker og skuffer samt dørlås og tætninger for at forhindre børn og kæledyr i at blive lukket i apparatet.

Gamle apparater har stadig en vis restværdi. En miljøvenlig bortskaffelsesmetode vil sikre, at værdifulde råvarer kan genvindes og bruges igen.

Cyclopentan, et brændbart stof, der ikke er skadeligt for ozonlaget, bruges som ekspander til isoleringsskummet.

Ved at sikre, at dette produkt bortskaffes korrekt, hjælper du med at forhindre potentielle negative konsekvenser for miljøet og menneskers sundhed, som ellers kunne være forårsaget.

For mere detaljerede oplysninger om genanvendelse af dette produkt, bedes du kontakte den lokale myndighed, din genbrugsstation eller butikken, hvor du købte produktet, og som behandler produktet professionelt.

1- Sikkerhedsoplysninger	4
2- Sikkerhedstips	7
3- Vedligeholdelse.....	11
4- Tilbehør	13
5- Produktbeskrivelse	14
6- Installation	15
7- Brug.....	19
8- Energisparetips.....	24
9- Udstyr.....	25
10- Pleje og rengøring	26
11- Fejlfinding	27
12- Tekniske data	30
13- Kundeservice.....	31
14- Vinflaske stabling.....	32

Dette apparat er udelukkende beregnet til opbevaring af vin eller drikkevarer. Inden du tænder for apparatet første gang, skal du læse følgende sikkerhedsanvisninger:



ADVARSEL!

Før første brug

- ▶ Kontrollér, at der ikke er transportskader.
- ▶ Fjern alle emballagematerialer, hold dem uden for børns rækkevidde og bortskaf dem miljøvenligt.
- ▶ Vent mindst en halv time, før du installerer apparatet for at sikre, at kølemiddelkredsløbet er fuldt effektivt.
- ▶ Vær altid to personer om at håndtere apparatet, da det er tungt.

Installation

- ▶ Apparatet skal placeres på et godt ventileret sted. Sørg for en afstand på mindst 50 mm over og omkring apparatet.
- ▶ **ADVARSEL:** Hold ventilationsåbninger i apparatets kabinet eller de indbyggede komponenter fri for blokeringer.
- ▶ Anbring aldrig apparatet i et fugtigt område eller et sted, hvor det kan blive sprøjtet til med vand. Rens og aftør vandsprøjt og pletter med en blød ren klud.
- ▶ Installer ikke din vinkælder på et sted, der ikke er korrekt isoleret eller opvarmet, f.eks. garage ol. Din vinkælder er ikke konstrueret til at fungere i omgivelsestemperaturer under 10°C.
- ▶ Installer ikke apparatet i direkte sollys eller i nærheden af varmekilder (f.eks. komfurer eller varmeapparater).
- ▶ Installer og niveller apparatet på et område, der er egnet til dets størrelse og brug.
- ▶ Sørg for, at de elektriske oplysninger på mærkepladen stemmer overens med strømforsyningen. kontakt en elektriker, hvis de ikke gør stemmer.
- ▶ Apparatet drives fra et lysnet på 220-240 VAC/50 Hz. Unormale spændingsafvigelser kan gøre, at apparatet ikke starter, eller det tager skade på temperaturstyringen eller kompressoren eller afgiver unormale lyde under drift. I sådanne tilfælde skal der monteres en automatisk regulator.
- ▶ Brug ikke forgrenere og forlængerkabler.

**ADVARSEL!**

- ▶ **ADVARSEL:** Placér ikke flere løse forgrenerledninger eller bærbare strømforsyninger bag ved apparatet.
- ▶ **ADVARSEL:** Når apparatet placeres, skal det sikres, at lysnetledningen ikke er fastklemmt eller beskadiget.
- ▶ Træd ikke på strømkablet.
- ▶ Brug en separat jordet stikkontakt til strømforsyningen, som er let tilgængelig. Apparatet skal være jordet.
- ▶ **Kun til Storbritannien:** Apparatets lysnetledning er monteret med et stik til 3 ledninger (med jord), der passer til et standard 3-ledet stik (med jord). Det tredje ben (jordforbindelsen) må aldrig klippes af. Når apparatet er installeret, skal stikket være let at komme til.
- ▶ **ADVARSEL:** Kølemiddelkredsen må ikke beskadiges.

Daglig brug

- ▶ Dette apparat kan anvendes af børn over 8 år og af personer med nedsatte fysiske, sensoriske eller mentale evner eller med en manglende erfaring og viden, forudsat at de er under opsyn eller har modtaget vejledning i sikker brug af apparatet, samt at de forstår de farer, der er forbundet dermed.
- ▶ Børn må ikke lege med apparatet.
- ▶ Børn i alderen fra 3 til 8 år har lov til at sætte mad ind og tage det ud, men må ikke rengøre eller installere køleapparaterne.
- ▶ Hold børn under 3 år væk fra apparatet, medmindre de er under konstant opsyn.
- ▶ Rengøring og vedligeholdelse må ikke udføres af børn uden opsyn.
- ▶ Apparatet skal placeres, så stikket er tilgængeligt.
- ▶ Hvis kølegas eller anden brændbar gas siver ud i nærheden af apparatet, skal du slukke for ventilen til den utætte gas, åbne døre og vinduer og ikke tage stikket ud af stikkontakten til apparat.
- ▶ Vent mindst 7 minutter med at tilslutte strømmen igen, efter at strømmen er blevet afbrudt.
- ▶ Løft ikke apparatet i dørhåndtagene.
- ▶ Nøglerne skal opbevares utilgængeligt for børn og ikke i nærheden af apparatet for at forhindre børn i at blive låst inde i apparatet.



ADVARSEL!

- ▶ Bemærk, at apparatet er indstillet til drift ved et specifikt temperaturområde i omgivelserne mellem 10 og 38°C. Apparatet fungerer muligvis ikke korrekt, hvis det efterlades i længere tid ved en temperatur over eller under det angivne område.
- ▶ Undlad at placere ustabile varer (tunge genstande, beholdere med vand) oven på køleskabet for at undgå personskader som følge af fald eller elektrisk stød, som skyldes kontakt med vand.
- ▶ Åbn og luk kun døren med håndtagene. Mellemrummet mellem døren og skabet er meget smalt. Undlad at stikke hænderne ind i disse områder, så du undgår at klemme fingrene. Åbn eller luk kun apparatets døre, når der ikke er børn inden for dørens bevægelsesområde.
- ▶ Opbevar eller brug ikke brændbare, eksplosive eller ætsende materialer i apparatet eller i nærheden.
- ▶ Opbevar ikke eksplosive stoffer som f.eks. aerosoldåser med brændbare drivmidler i dette apparat.
- ▶ Undlad at opbevare medicin, bakterier eller kemikalier i apparatet. Dette apparat er et husholdningsapparat. Det anbefales ikke til opbevaring af materialer, der kræver nøjagtige temperaturer.
- ▶ Indstil ikke til unødigt lav temperatur i køleafdelingen. Minustemperaturer kan forekomme ved høje indstillinger. OBS: Flasker kan sprænges
- ▶ Rør ikke ved den indvendige overflade af fryserens opbevaringsrum, når den er i brug, især med våde hænder, da dine hænder kan fryse fast på overfladen.
- ▶ For korrekt vinafkøling må du ikke overbelaste apparatet.
- ▶ Tag stikket ud af stikkontakten i tilfælde af strømafbrydelse eller før rengøring. Lad der gå mindst 7 minutter, før køleskabet/fryseren startes igen, da hyppige starter kan beskadige kompressoren.
- ▶ **ADVARSEL:** Brug ikke elektriske apparater inde i apparatet, medmindre de er af en type, som producenten anbefaler. For at undgå risici skal en beskadiget strømledning udskiftes af kundeservice (se garantibevis).
- ▶ Forlæng apparatets levetid ved at undgå at slukke for det.
- ▶ Læg aldrig apparatet vandret ned på jorden. Hvis du har vippet apparatet mere end 45°, skal du vente i 24 timer, før du tilslutter det.

**ADVARSEL!****Vedligeholdelse/rengøring**

- ▶ Sørg for, at børn er under opsyn, hvis de udfører rengøring og vedligeholdelse.
- ▶ Afbryd apparatet fra strømforsyningen, før der udføres rutinemæssig vedligeholdelse. Lad der gå mindst 7 minutter, før køleskabet/fryseren startes igen, da hyppige starter kan beskadige kompressoren.
- ▶ Hold i stikket, ikke i kablet, når det trækkes ud af stikket.
- ▶ Rengør ikke apparatet med hårde børster, stålbørster, vaskepulver, benzin, amyacetat, acetone og lignende organiske opløsninger, sure eller alkaliske opløsninger. Rengør venligst med specielt køleskabs/fryserens rengøringsmiddel for at undgå skader. Brug varmt vand og tvekulsurt natron - ca. en spiseskefuld til en liter vand. Skyl grundigt med vand og tør af. Brug ikke skurepulver eller andre slibende rengøringsmidler. Vask ikke aftagelige dele i opvaskemaskine.
- ▶ **ADVARSEL:** Brug ikke andre mekaniske enheder eller andre metoder til at fremme afrimningsprocessen end de af producenten anbefalede.
- ▶ Hvis lysnetledningen er beskadiget, skal den udskiftes af producenten, dennes serviceagent eller en lignende kvalificeret fagperson for at undgå fare.
- ▶ Prøv ikke selv at reparere, adskille eller ændre apparatet. Kontakt vores kundeservice ved behov for reparation.
- ▶ Hvis belysningslampen er beskadiget, skal den udskiftes af producenten, dennes servicetekniker eller en lignende kvalificeret fagperson for at undgå fare.
- ▶ Fjern støvet på bagsiden af enheden mindst én gang om året for at undgå brandfare samt øget energiforbrug.

- ▶ Undlad at sprøjte eller skylle apparatet under rengøring.
- ▶ Brug ikke vandspray eller damp til at rengøre apparatet.
- ▶ Undlad at rense den kolde glasdør i varmt vand. Pludselige temperaturændringer kan få glasset til at knække.
- ▶ Hvis du lader dit apparat stå ude af brug i længere tid, skal du lade det stå åbent for at forhindre ubehagelige lugte, der opstår inde i enheden.

Information om kølemiddelgas



ADVARSEL!

Apparatet indeholder det brændbare kølemiddel ISOBUTAN (R600a). Sørg for, at kølemiddelkredsen ikke er beskadiget under transport eller installation. Lækkende kølemiddel kan forårsage øjenskader eller antænde. Hvis der er opstået en skade, skal du holde åbne brandkilder væk, ventilere rummet grundigt, ikke tilslutte eller frakoble apparatets eller andre apparaters netledninger. Informer kundeservice.

Hvis øjnene kommer i kontakt med kølemidlet, skal de straks skylles under rindende vand, og øjenlægen skal straks kontaktes.

ADVARSEL: Køleanlægget er under højt tryk. Du må ikke pille ved det. Da der anvendes brændbare kølemidler, bedes du installere, håndtere og servicere apparatet strengt i henhold til instruktionerne og kontakte den professionelle agent eller vores eftersalgsservice for at bortskaffe apparatet.

Anvendelsesformål


Dette apparat er beregnet til brug i husholdninger og lignende miljøer såsom

- medarbejderkøkkener i butikker, på kontorer og andre arbejdsområder,
 - gårde og af kunder på hoteller og moteller og andre overnattingssteder:
 - bed & breakfast og lignende,
 - catering og andre ikke-detailhandelsformål.
- For at sikre bevaring af vinen skal du følge denne brugsanvisning.
- Oplysninger om den bedst egnede del i apparatets rum, hvor specifikke typer fødevarer skal opbevares, i af hensyn til den temperaturfordeling, der kan være til stede i de forskellige rum i apparatet, findes i den anden del af manualen.

Ændringer eller modifikationer af enheden er ikke tilladt. Utilsigtet brug kan forårsage farer og tab af garantikrav.

Bortskaffelse



Symbolet  på produktet eller dets emballage angiver, at dette produkt ikke må behandles som husholdningsaffald. I stedet skal det afleveres til det relevante indsamlingssted for genanvendelse af elektrisk og elektronisk udstyr. Ved at sikre, at dette produkt bortskaffes korrekt, hjælper du med at forhindre potentielle negative konsekvenser for miljøet og menneskers sundhed, som ellers kunne være forårsaget af u hensigtsmæssig affaldshåndtering af dette produkt. Få flere detaljerede oplysninger om genanvendelse af dette produkt ved at kontakte den lokale myndighed, din genbrugsstation eller butikken, hvor du købte produktet.

Da der bruges brændbare isoleringsgasser, bedes du kontakte den professionelle agent eller vores eftersalgsservice for at bortskaffe apparatet.

ADVARSEL!

Risiko for personskade eller kvælning!

Kølemidler og gasser skal bortskaffes professionelt. Sørg for, at kølemiddelkredsens rør ikke er beskadiget, før apparatet bortskaffes korrekt. Afbryd apparatet fra lysnettet. Skær lysnetkablet af og bortskaf det. Fjern bakker og skuffer samt dørlås og tætninger for at forhindre børn og kæledyr i at blive lukket i apparatet.

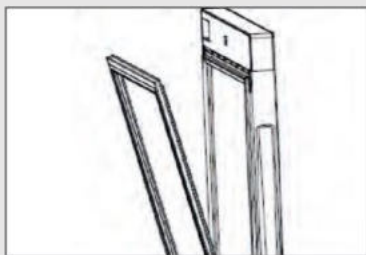
- ▶ **ADVARSEL:** Afbryd køleskabet/fryseren fra stikkontakten før rengøring.
- ▶ Rengør ikke apparatet med hårde børster, stålbørster, vaskepulver, benzin, amylacetat, acetone og lignende organiske opløsninger, sure eller basiske opløsninger. Rengør med specielt køleskabsrengøringsmiddel for at undgå skader.
- ▶ Rengør apparatet, når der kun opbevares lidt eller ingen vin. Det er kun nødvendigt at rengøre det, når det er snavset.
- ▶ Rengør apparatets inderside og hus med en svamp fugtet i varmt vand og et neutralt rengøringsmiddel
- ▶ Skyl med rent varmt vand, og tør med en blød klud.
- ▶ Undlad at vaske nogen af de løse dele i en opvaskemaskine.
- ▶ Lad der gå mindst 7 minutter, før apparatet startes igen, da hyppige starter kan beskadige kompressoren.



Rengør dørpakningen:

- ▶ Dørpakningerne bør rengøres hver 3. måned for at sikre en ordentlig tætning. Som nedenfor: Fjern: Tag fat i dørpakningen og træk den ud i pilens retning for at fjerne hele dørpakningen så den er intakt.

Dyp børsten i vand eller fødevaregodkendt alkohol, rengør først dørpakningsrillen ved at trække frem og tilbage i børsten. Tør derefter dørpakningens overflade af med et håndklæde duppet med vand eller fødevaregodkendt alkohol. Til sidst vaskes dørpakningen ren og tørres af med et rent håndklæde.



Montering af dørpakning efter rengøring:

Inden montering skal du sikre dig, at der ikke er vand på lågens pakning. Sæt lågens pakning ind i rillen, og tryk tæt på dørpakningen fra toppen til bunden med hånden, indtil hele dørpakningen er sat ind i rillen.

Rengøring af hylder:

- ▶ Alle hylder kan tages ud til rengøring.
- ▶ Tag alle flasker ud.
- ▶ Løft hver hylde lidt og tag den ud.
- ▶ Rengør hylden med et blødt håndklæde.
- ▶ Vent til hylderne er tørre, før du sætter dem i igen.

ADVARSEL:

Vent mindst 7 minutter med at tilslutte strømmen igen, efter at strømmen er blevet afbrudt.

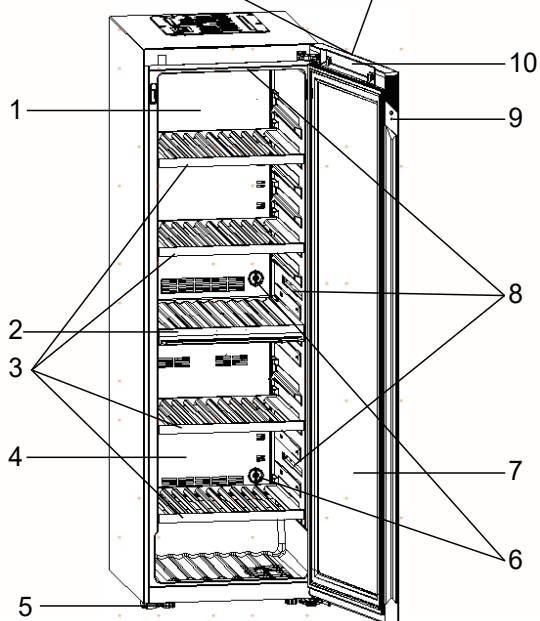
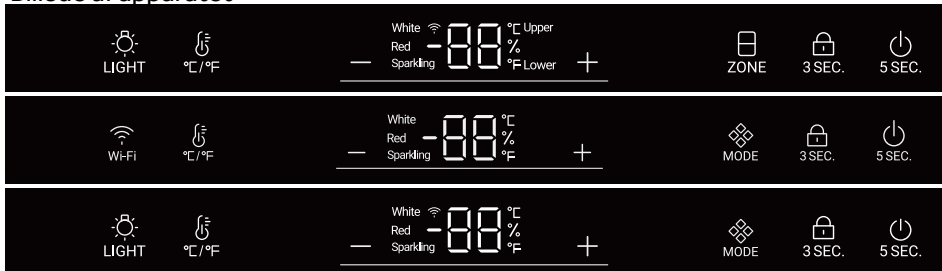
Tjek tilbehøret og dokumentationen i overensstemmelse med denne liste:
Uden isolering.

Navn	Bruger- vejledning	Service- kort	Hængsels- hylde		Energi- mærke	Nøgle	Håndtag	Skrue	Skruelåg	Dække over	Display hylde
HWS247FAH1	1	1	5	1	1	2	1	4	2	1	1
HWS247GGU1	1	1	5	1	1	2	/	/	/	/	/
HWS236GDGU1	1	1	4	1	1	2	/	/	/	/	/
HWS247FDU1	1	1	5	1	1	2	1	4	2	1	/
HWS247GEH1	1	1	5	1	1	2	/	/	/	/	/
HWS236GDEH1	1	1	4	1	1	2	/	/	/	/	/

Bemærk

På grund af tekniske ændringer og forskellige modeller kan nogle af illustrationerne i denne vejledning afvige fra din model.

Billede af apparatet



(HWS236GDGU1)

- | | |
|--|---|
| <ul style="list-style-type: none"> 1. Øvre luftkanalskærm 2. opdeling (til HWS236GDGU1/HWS236GDEH1) 3. Hylde 4. Nedre luftkanalskærm 5. Justerbare fødder | <ul style="list-style-type: none"> 6. Aktivt kulfilter
(undtagen HWS247FAH1) 7. Låge 8. LED lampe 9. Lås 10. Display |
|--|---|

1. Udpakning

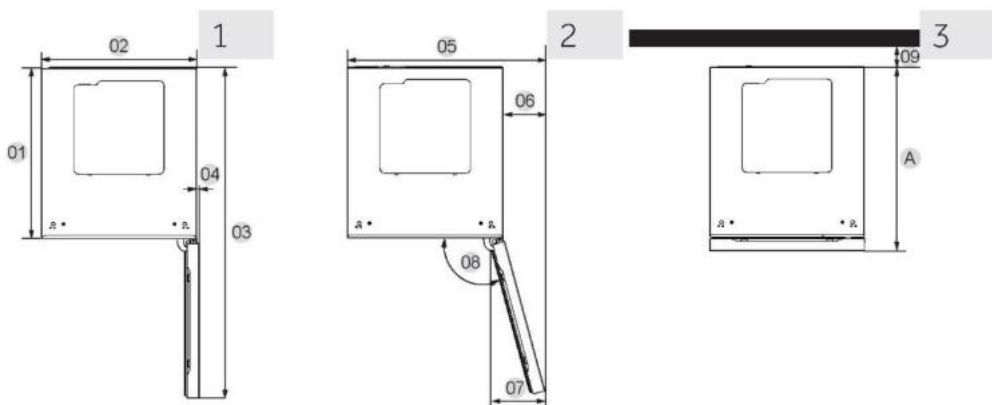
- Tag apparatet ud af emballagen.
- Fjern alt emballagemateriale inklusive skumbasen og al klæbende tape, der holder tilbehøret.

2. Miljøforhold

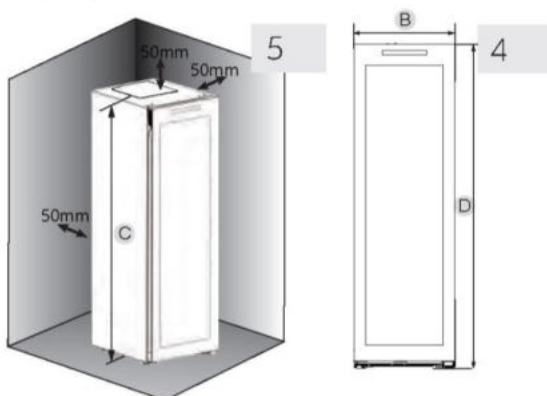
Stuetemperaturen bør altid være mellem 10 og 38°C, da det kan påvirke temperaturen inde i apparatet og dets energiforbrug. Installer ikke apparatet i nærheden af andre varmeafgivende apparater (ovne, køleskabe) uden isolering.

3. Pladskrav

Nødvendig plads til at åbne døren (fig. 1,2,3,4); Af sikkerheds- og energimæssige årsager skal den nødvendige ventilationsafstand på 50 mm i alle retninger overholdes (fig.5).



Mål: mm	HWS247GGU1 HWS247GEH1	HWS236GGU1 HWS236GDEH1	HWS247FDU1 HWS247FAH1
Dybde A	714	714	714
Bredde B	597	597	597
Højde C	1905	1905	1905
Samlet højde D	1900	1900	1900
O1	654	654	654
O2	595	595	595/600
O3	1273	1273	1273
O4	11	11	11
O5	756	756	756
O6	161	161	161
O7	200	200	200
O8	105°	105°	105°
O9	50	50	50





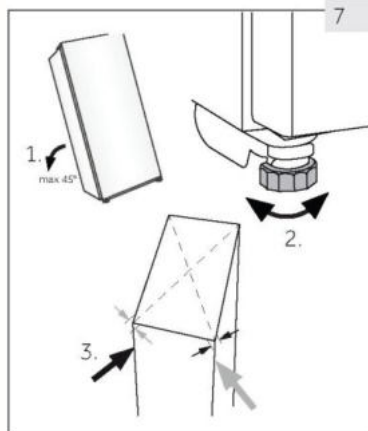
ADVARSEL!

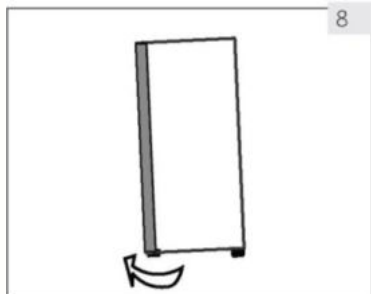
- ▶ Hold ventilationsåbninger i apparatets kabinet eller de indbyggede komponenter fri for blokeringer. Dette køleskab er ikke beregnet til indbygning

5. Tilretning af apparatet

Køleskabet/fryseren skal anbringes på et jævnt og fast underlag.

1. Vip apparatet lidt bagover (fig. 7).
2. Indstil de justerbare forfødder til den ønskede højde ved at dreje dem.
3. Stabiliteten kan kontrolleres ved at skubbe skiftevis på de diagonalt modsatte hjørner. Den lette svajen skal være den samme i begge retninger. Ellers kan rammen blive skæv, og mulige utætte dørtætninger er resultatet. En let tendens til at hælde bagud letter lukningen af dørene.





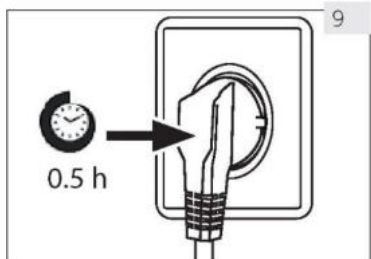
8

6. Finjustering af døren

Apparatet lukker lettere, hvis nivelleringsfødderne på forsiden bruges:

Drej de justerbare fødder (fig. 8) for at dreje dem op eller ned:

- ▶ Drejning af fødderne med uret hæver apparatet.
- ▶ Drej fødderne mod uret sænker apparatet.



9

7. Ventetid

Olien til vedligeholdelsesfri smøring er i det lukkede kompressorhus. Denne olie kan trænge gennem det lukkede rørsystem under transport, hvis apparatet vippes. Før du tilslutter apparatet til strømforsyningen, skal du vente mindst 0,5 timer (fig. 9), så olien løber tilbage i huset.

8. Elektrisk tilslutning

Før hver tilslutning skal du kontrollere, om:

- ▶ strømforsyning, stik og sikringer passer til mærkepladen.
- ▶ stikkontakten er jordet og ikke en forgrener eller forlænger.
- ▶ strømstikket og stikkontakten sidder korrekt.

Tilslut stikket til en korrekt installeret stikkontakt.



ADVARSEL!

For at undgå risici skal en beskadiget strømledning udskiftes af kundeservice (se garantibevis).

9. Skift af dørens hængselsside

Før du tilslutter apparatet til strømforsyningen, bør du kontrollere, om dørens hængselsside skal ændres fra højre (som leveret) til venstre, hvis dette er påkrævet af installationsstedet og anvendeligheden



ADVARSEL!

- ▶ Køleskabet/fryseren er tungt. Du skal bruge to personer til at skifte dørens hængselsside.
- ▶ Før enhver betjening skal apparatet tages ud af stikkontakten.
- ▶ Vip ikke apparatet mere end 45° for at forhindre beskadigelse af kølesystemet.

Monteringstrin

1. Find det nødvendige værktøj.
2. Tag stikket ud af stikkontakten.
3. Fjern det øverste bjælkedæksel og lille dæksel, flytning af venstre og højre lille dæksel
4. Fjern kabelbakkedækslet og trimdæksel, flytning af venstre og højre pyntedæksel. Fjern den sorte gummiprop fra venstre nøglehul på indersiden af døren, og installer den på højre nøglehul.
5. Fjern hængseldækslet. Brug værktøjet til at fjerne 3 skruer og fjerne lågen.
6. Fjern de 3 skruer under portalhuset med værktøjet, portalhusets knast og dørstop, venstre og højre transposition er installeret på den anden side af lågen.
7. Fjern kassehængseldelen med værktøjet, fjern først hængselakslen i den nederste hængseldorne, sæt hængselakslen i det højre skruenhul. Flytning af installation med rullehjulet på højre side af kassen.
8. Lågen monteres lodret nedad på hængselakslen.
9. Det øverste hængsel indsættes i skafthullet på lågen, fastgør boksen med skruer, påsæt ledningssamleboksens låg og det øverste bjælkebeklædningsdæksel



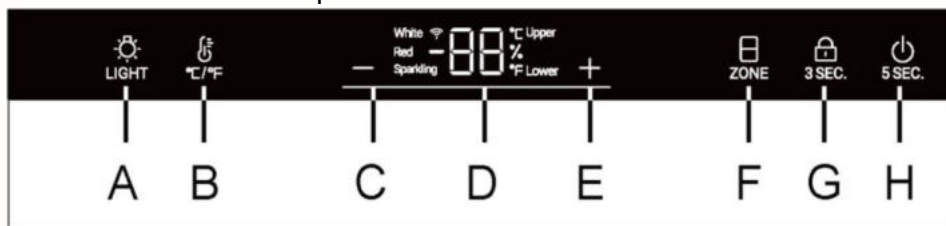
1. Før første brug

- ▶ Fjern alt emballagemateriale. Dette omfatter skumbasen og al klæbende tape, der holder vinkældertilbehøret inde og ude. Opbevar dem uden for børns rækkevidde og bortskaf dem miljøvenligt.
- ▶ Rengør indersiden og ydersiden af apparatet med vand og et mildt rengøringsmiddel, før du sætter vin i det.
- ▶ Når apparatet er blevet nivelleret og rengjort, skal du vente i mindst 2 timer, før du tilslutter det til strømforsyningen. Hvis din vinkælder er blevet vippet af en eller anden grund, skal du vente 24 timer, før du tilslutter den. Se afsnittet INSTALLATION.
- ▶ Når du har tilsluttet enheden til en stikkontakt, skal du lade enheden køre i mindst 30 minutter for at akklimatisere sig selv, før du foretager nogen justeringer.
- ▶ Temperaturen indstilles automatisk til 12°C. Hvis det ønskes, kan disse temperaturer ændres manuelt. Se TEMPERATUR.

2. Berøringstaster

Knapperne på betjeningspanelet er sensortaster, som reagerer ved let berøring med fingeren.

3. Beskrivelse af kontrolpanel



- | | |
|----------------------------------|------------------------------------|
| A. Knap til indvendigt lys | E. Temperaturjusteringsknap: op |
| B. °C /°F skifteknop | F. Knap til valg af temperaturzone |
| C. Temperaturjusteringsknap: ned | G. Låseknop |
| D. Display | H. Afbryderknop |

4. Automatisk låsefunktion

I låst display-tilstand skal du trykke længe på låsetasten for 3S, displayet viser 3, 2 og 1, displayet låses op, og låseikonet er halvt tændt; Hvis der ikke er nogen betjening, låses displayet automatisk efter 30s. I låst display-tilstand er alle låsetastikoner tændt, og tasterne på displayet kan ikke betjenes (undtagen lystasten);

5. Tænd/Sluk-knap funktion

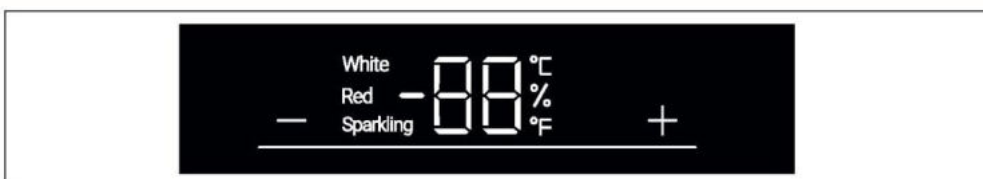
Når displayet er slukket, skal du trykke på en vilkårlig tast, og displayet vil lyse. Tryk længe på tænd/sluk-tasten, displayet viser 5, 4, 3, 2 og 1, og strømmen til hele maskinen er slukket. Når strømmen er slukket, skal du trykke længe på tænd/sluk-tasten for at få vist 5, 4, 3, 2, 1. Strømmen er tændt.





6. Temperaturindstilling

Bemærk


Forudindstillinger



- ▶ Når du har tilsluttet enheden til en stikkontakt, skal du lade enheden akklimatisere sig i mindst 30 minutter, før du foretager nogen justeringer.
- ▶ Når apparatet tændes efter afbrydelse af strømforsyningen, kan det tage op til flere timer, før de korrekte temperaturer er nået. Den nøjagtige tid varierer afhængigt af miljøet og temperaturindstillingen.



Tryk på knappen  eller , displayet begynder at blinke. Tryk på knappen  eller  for at indstille den ønskede temperatur. Temperaturindstillingsområdet: 5-20°C (41-68°F). Stop med at trykke på tasten i 3 sekunder, temperaturen bekræftes.

7. Tilstands- eller Zone funktion

Tryk på knappen . Temperaturen skifter fra funklende (8°C eller 47°F) til hvid (12°C eller 54°F) og rød (16°C eller 61°F). (til HWS247GGU1/HWS247GEH1/HWS247FDU1/HWS247FAH1)

I oplåsningstilstanden er -ikonet helt tændt. Hvis det aktuelle display er i den øvre temperaturzone, tændes det øverste ikon, og det nederste ikon er slukket. På dette tidspunkt skal du trykke på tasten , det nederste ikon vil være tændt, og det øverste ikon vil være slukket.

(til HWS236GDGU1/HWS236GDEH1)

Anbefalede temperaturindstillinger

Rødvin	+13°C til +20°C (+55°F til +68°C)	Mousserende vin Prosecco	+5°C til +8°C (+41°F til 47°F)
Hvidvin	+9°C til +12°C (+48°F til +54°F)		

Hvis du opbevarer vin i længere tid, skal den opbevares ved en temperatur mellem +10°C og +12°C (50°F og +54°F).

8. Standby-tilstand

Displayet dæmpes automatisk i 30 sekunder.

Det lyser automatisk, når en tast berøres, eller døren åbnes.



Bemærk

Påvirkning af temperaturer



Temperaturen inde i apparatet påvirkes af følgende faktorer:

- ▶ Omgivelsestemperatur
- ▶ Antal opbevarede flasker
- ▶ Hyppighed for døråbning
- ▶ Apparatets placering

Standardindstillingen er 12°C

Når displayet holder op med at blinke, går det tilbage til at vise den aktuelle temperatur inde i vinkælderen. Det vil tage noget tid at nå den indstillede temperatur.

9. Indstilling af lystilstand

Tryk på knappen . Når lysene i skabet er tændt, tændes lysene gradvist. Når du trykker på knappen  igen, slukkes lyset gradvist.
(undtagen HWS247FDU1/HWS247FAH1)

10. °C/°F funktion

Tryk på knappen  for at skifte mellem Fahrenheit og Celsius.

11. Wi-Fi-funktion

Tryk på Wi-Fi-knappen i 3 sekunder, Wi-Fi-knappen begynder at blinke hurtigt og går automatisk i konfigurationstilstand (for HWS247FDU1/HWS247FAH1).

12. Sluk hukommelse-funktion

Ved strømafbrydelse gemmer kælderen automatisk den indstillede temperatur. Efter når strømmen er tilbage, vil den køre baseret på den temperatur, der var indstillet før strømafbrydelsen.

13. Kompensationsfunktion for lav temperatur

Vinkælderen har en kompensationsfunktion for lav temperatur for at sikre, at temperaturen er stabil: Når omgivelsestemperaturen er lavere end den indstillede temperatur, starter vinkælderen automatisk kompensationsfunktionen for lav temperatur og opvarmer apparatet. Når temperaturen i apparatet når den indstillede temperatur, deaktiveres kompensationsfunktionen for lav temperatur automatisk.

14. Alarm for åben låge

Hvis døren er åben i mere end 1 min., vil summeren bippe som alarm, indtil døren lukkes, eller en vilkårlig tast på displaypanelet betjenes, derefter stopper summeren med at bippe.

15. Indstilling af Wi-Fi-tilstand

FORBINDELSE

TRÅDLØS-PARAMETRE

Teknologi	Wi-Fi	Bluetooth
Standard	IEEE 802.11 b/g/n	Bluetooth v4.2, BR/EDR, BLE
Frekvensbånd [MHz]	2401 ÷ 2483	2402 ÷ 2480
Maksimal effekt [mW] Bånd [MHz]	100	10

PRODUKTINFORMATION

Sådan aktiverer du Wi-Fi-modulet:

Tryk på lysknappen i 3 sekunder for at aktivere Wi-Fi (undtagen HWS247FDU1/HWS247FAH1)

Tryk på Wi-Fi-knappen i 3 sekunder for at aktivere Wi-Fi (for HWS247FDU1/HWS247FAH1)

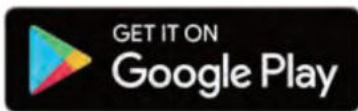
- Wi-Fi-modulet er tændt, Wi-Fi-ikonet begynder at blinke.
- Hvis vinkælderen er registreret, men Wi-Fi er slukket, blinker ikonet.
- Hvis vinkælderen er tilmeldt og tilsluttet, er Wi-Fi-ikonet altid tændt.
- For at nulstille Wi-Fi skal du trykke på lyset i 3 sekunder (undtagen HWS247FDU1/HWS247FAH1)
- For at nulstille Wi-Fi skal du trykke på Wi-Fi i 3 sekunder (for HWS247FDU1/HWS247FAH1)

HWS247FDU1/HWS247FAH1)

FREM GANGSMÅDE VED PARRING I APP

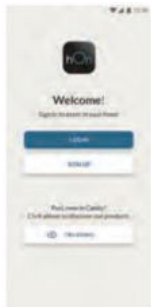
Trin 1

- Download hOn-appen i App-store eller Google Play



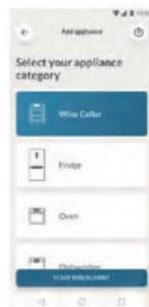
Trin 2

- Log på eller tilmeld dig



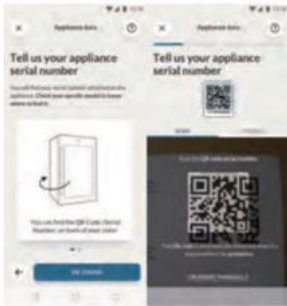
Trin 3

- Tilføj et nyt apparat ved at vælge vinkælderen på listen



Trin 4

- Scan QR-koden eller indsæt serienummeret manuelt



Trin 5

- Tryk på lysknappen på produktet i 3 sekunder for at aktivere Wi-Fi (undtagen HWS247F DU1/HWS247FAH1)
- Tryk på Wi-Fi-knappen på produktet i 3 sekunder for at aktivere Wi-Fi (for HWS247FDU1/HWS247FAH1)



Trin 6

- Wi-Fi-ikonet blinker, parringsprocessen er i gang
 - Du har 5 minutter til at fuldføre parringsprocessen
 - Når processen er afsluttet, vil Wi-Fi-ikonet holde op med at blinke, og det forbliver altid tændt
- BEMÆRK





Energisparetips

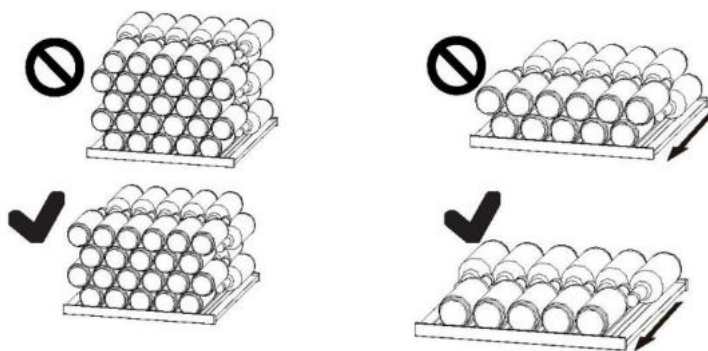
- ▶ Sørg for, at apparatet er korrekt ventileret (se INSTALLATION).
- ▶ Installer ikke apparatet i direkte sollys eller i nærheden af varmekilder (f.eks. komfurer eller varmeapparater).
- ▶ Undgå unødigt lav temperatur i apparatet. Energiforbruget stiger, jo lavere temperaturen i apparatet er indstillet.
- ▶ Åbn apparatdøren så lidt og kortvarigt som muligt.
- ▶ Overskrid ikke den beregnede mængde af flasker for at undgå at blokere luftstrømmen.
- ▶ Hold dørtætninger rene, så døren altid lukker korrekt.
- ▶ Den mest energibesparende konfiguration kræver, at skuffe, madkasse og hylde placeres i apparatet i en fabriksny tilstand, og at mad skal placeres uden at blokere luftudtaget fra kanalen.

1. Hylde


1. Hyldeerne er designet til nem opbevaring og nem udtagning af vinen. De kan rengøres med et blødt håndklæde.
2. Almindelige flasker med en diameter på 76 mm kan stables.
3. Magnumflasker kan stables på nederste hylde.
4. Mængden kan variere fra det afbildede antal eller flasker, hvis de er stablet på en anden måde.

Råd til indretning af din vinkælder

Vi anbefaler, at antallet af vinflasker ikke overstiger fire lag på hver hylde, og vinhyldernes bæreevne bør ikke overstige 60 flaskerne inde i vinkælderen, kontroller, om vinhylderne er helt stabile. Bekræft desuden, om en flaske stikker ud fra hylderne for at forhindre, at flasker rammer glasdøren ved lukning.



2. Lyset

Indvendigt LED lys tændes, når døren er åben. For at tænde lyset, mens døren er lukket, skal du trykke på knappen  LIGHT. Sluk lyset for at trykke på knappen igen. For at øge energieffektiviteten bør lyset slukkes, når vinkælderen ikke ses. (undtagen HWS247FDU1/HWS247FAH1)

3. Låsen

For at låse vinkælderen skal du lukke døren og sætte nøglen i låsen:

- ▶ Lås døren ved at dreje nøglen med uret.
- ▶ Lås døren op ved at dreje nøglen mod uret.

1. Afrimning

Afrimningen af vinkælderen sker automatisk, ingen manuel betjening er nødvendig.

2. Udskiftning af LED-lamper

Lamperne anvender LED som lyskilde med lavt energiforbrug og lang levetid. Hvis der er noget unormalt, bedes du kontakte kundeservice. Se KUNDESERVICE.



ADVARSEL!

Udskift ikke LED-lampen selv. Den må kun udskiftes af enten producenten eller den autoriserede servicetekniker.

Specifikationer for LED-lampe:

Spænding 12V

Maks effekt: 18W

3. Ude af brug i længere tid

Tag stikket ud.

Rengør apparatet og dørens pakninger som beskrevet ovenfor.

Hold lågen åben for at forhindre dannelse af dårlige lugte i apparatet.

4. Flytning af apparatet

1. Fjern alle flasker og tag stikket ud af apparatet.

2. Fastgør hylder og andre løse dele i vinkælderen med tape.

3. Undlad at vippe vinkælderen mere end 45° for at undgå at beskadige kølesystemet.

5. Luftskifte med aktivt kulfilter (undtagen HWS247FAH1)

Den måde, hvorpå vine bliver ved med at modnes, afhænger af forholdene i omgivelserne. Luftens kvalitet er derfor afgørende for at bevare vinen. Et aktivt kulfilter er monteret i det nederste område af apparatets bagvæg for at rense resterne for en optimal kvalitet.



Bemærk

Vi anbefaler, at du udskifter filteret en gang om året. Filtre kan fås hos din forhandler.

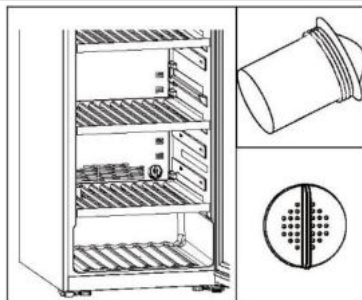
(undtagen HWS247FAH1)

Udskiftning af filter:

Tag filteret i håndtaget. Drej det til venstre og tag det ud.

Isættelse af filter:

Isæt med håndtaget i lodret position. Drej den til højre og isæt.



Mange problemer, der kunne opstå, kan du selv løse uden særlig ekspertise. Prøv alle muligheder i tilfælde af problemer, og følg nedenstående vejledning, før du kontakter et serviceværksted. Se KUNDESERVICE.



ADVARSEL!

- ▶ Før vedligeholdelse skal du slukke for apparatet og tage stikket ud af stikkontakten.
- ▶ Elektrisk udstyr bør kun serviceres af kvalificerede elektrikere, da forkerte reparationer kan forårsage betydelige følgeskader.
- ▶ En beskadiget netledning må kun udskiftes af producenten, dennes serviceagent eller en lignende kvalificeret fagperson for at undgå fare.

Fejlkode	Årsag	Løsning
L2	Lav temperaturalarm, når temperaturen på kontrolsensoren er for lav;	<ol style="list-style-type: none"> 1. Tjek omgivelsestemperaturen. 2. Kontroller kompressorstikket. 3. Kontroller modstanden af temperaturstyringssensoren.
H1	Når temperaturen på kontrolsensoren er for høj, vises alarmer for højtemperatur på displayet.	<ol style="list-style-type: none"> 1. Kontroller stikket på kontrolkortet eller skærmpanelet. 2. Kontroller blæserens modstand og spænding. 3. Kontroller ventilatoren og kompressorstikket.

Problem	Mulig årsag	Mulig løsning
Kompressoren virker ikke.	<ul style="list-style-type: none"> Lysnetledningen er ikke sat i stikkontakten. 	<ul style="list-style-type: none"> Sæt stikket i stikkontakten.
Køleskabet kører ofte eller i for lang tid ad gangen.	<ul style="list-style-type: none"> Udetemperaturen er for høj. Apparatet har været uden strøm i nogen tid. En låge i køleskabet/fryseren er ikke lukket tæt. Døren har været åbnet for ofte eller for længe. Dørpakningerne er snavset, slidt, revnet eller forkert tilpasset. Den nødvendige luftcirkulation er ikke garanteret. Temperaturen er indstillet for lavt. 	<ul style="list-style-type: none"> I sådanne tilfælde er det normalt, at apparatet kører længere. Normalt tager det nogen tid, før apparatet er kølet helt ned. Luk lågen og kontroller, at apparat er sat på et vandret underlag, og at der ikke er mad eller emballage, der blokerer døren. Åbn ikke lågen for ofte. Rengør lågens pakning eller lad kundeservice udskifte dem. Sørg for tilstrækkelig ventilation. Problemet løser sig selv, når den ønskede temperatur er nået.
Vinkælderen er snavset og/eller lugter indvendigt.	<ul style="list-style-type: none"> Vinkældere trænges til indvendig rengøring. 	<ul style="list-style-type: none"> Rengør vinkælderen indvendigt.
Der er ikke koldt nok inde i apparatet.	<ul style="list-style-type: none"> Temperaturen er stillet for højt. Flasker er blevet lagt ind for nylig. En låge i køleskabet/fryseren er ikke lukket tæt. Døren har været åbnet for ofte eller for længe. Dørpakningerne er snavset, slidt, revnet eller forkert tilpasset. 	<ul style="list-style-type: none"> Nulstil temperaturen. Giv de nyligt tilføjede flasker tid til at nå den ønskede temperatur. Luk døren. Åbn ikke lågen for ofte. Rengør lågens pakninger, eller lad kundeservice udskifte dem.
Der er for koldt inde i apparatet.	<ul style="list-style-type: none"> Temperaturen er indstillet for lavt. 	<ul style="list-style-type: none"> Nulstil temperaturen.
Fugdannelse i køleskabsrummet.	<ul style="list-style-type: none"> Klimaet er for varmt og for fugtigt. En låge i køleskabet/fryseren er ikke lukket tæt. Døren har været åbnet for ofte eller for længe. 	<ul style="list-style-type: none"> Stil temperaturen højere. Luk døren. Åbn ikke lågen/skuffen for ofte.
Fugt samler sig på vinkældrenes udvendige overflade.	<ul style="list-style-type: none"> Klimaet er for varmt og fugtigt Døren er ikke lukket tæt. Den kolde luft i apparatet og den varme luft udenfor kondenserer. 	<ul style="list-style-type: none"> Dette er normalt i fugtigt vejr og ændrer sig, når luftfugtigheden falder. Sørg for, at døren er tæt lukket, og at pakningerne tætnes korrekt.

Apparatet afgiver unormale lyde	<ul style="list-style-type: none"> • Apparatet er ikke placeret på et plant underlag. • Apparatet rører ved en genstand tæt på det. 	<ul style="list-style-type: none"> • Juster fødderne for at nivellere apparatet. • Fjern genstande omkring apparatet.
En let lyd som løbende vand kan høres.	<ul style="list-style-type: none"> • Dette er normalt 	<ul style="list-style-type: none"> • -
Den indvendige belysning eller køleanlægget virker ikke.	<ul style="list-style-type: none"> • Lysnetledningen er ikke sat i stikkontakten. • El-installationen er defekt. • LED-lampen virker ikke. 	<ul style="list-style-type: none"> • Sæt stikket i stikkontakten. • Tjek el-installationen til rummet. Ring til det lokale elselskab. • Tilkald teknisk assistance til udskiftning af lampen
Siderne af skabet og dørlisten bliver varme	<ul style="list-style-type: none"> • Dette er normalt. 	<ul style="list-style-type: none"> • -
Døren lukker ikke korrekt	<ul style="list-style-type: none"> • Apparatet står ikke lodret. • Døren er spærret. 	<ul style="list-style-type: none"> • Juster apparatet med nivelleringsfødderne. • Tjek for blokeringer som for eksempel flasker eller hylder.

Kontakt den tekniske assistance ved at besøge vores hjemmeside:

<https://corporate.haier-europe.com/en/>

I afsnittet "Websted" vælger du dit produktmærke og dit land. Du føres til lige netop det websted, hvor du finder telefonnummeret og formularen til at kontakte den tekniske assistance.

Produktblad i henhold til EU Regulativ nr. 2019/2016

Mærke	Haier	Haier	Haier
Modelnavn/identifikator	HWS247GGU1 HWS247GEH1	HWS236GDGU1 HWS236GDEH1	HWS247FDU1/ HWS247FAH1
Kategori	Vinkælder	Vinkælder	Vinkælder
Energiklasse	G/E	G/E	D
Årligt energiforbrug (kWh/år) ¹⁾	184/107	184/107	85/44
Lagervolumen (L)	450	448	450
Klimaklasse: Dette apparat er beregnet til at blive brugt ved en omgivelsestemperatur mellem 10°C og 38°C.	SNNST	SNNST	SNTST
Luftbåren akustisk støjemission (db(A) re 1pW)	C(37)/B(35)	C(37)/B(35)	C(37)/B(35)
Apparattype	Frit stående	Frit stående	Frit stående
Dette apparat er udelukkende beregnet til opbevaring af vin eller drikkevarer.	Ja	Ja	Ja
Dimensioner (B/D/H i mm)	597/714/1900	597/714/1900	603/769/1900

Forklaringer:

1) Baseret på standard testresultater i 24 timer. Det faktiske strømforbrug afhænger af det faktiske miljø, antallet af flasker, den indstillede temperatur, dørens åbning og lukning osv.

2) Det nominelle strømforbrug er den værdi, der opnås ifølge standardtesten, når vinskabet ikke tænder det indvendige lys.

- udvidet tempereret: 'dette køleskab er beregnet til brug ved omgivelsestemperaturer i området fra 10°C til 32°C'.

- tempereret: 'dette køleskab er beregnet til brug ved omgivelsestemperaturer i området fra 16°C til 32°C'.

- subtropisk: 'dette køleskab er beregnet til brug ved omgivelsestemperaturer i området fra 16°C til 38°C'.

- tropisk: 'dette køleskab er beregnet til brug ved omgivelsestemperaturer i området fra 16°C til 43°C'.

Standarder og direktiver

Dette produkt opfylder kravene i alle gældende EU-direktiver med de tilsvarende harmoniserede standarder, som sørger for CE-mærkning.

Vi anbefaler vores Haier kundeservice og brug af originale reservedele.

Hvis du har et problem med dit apparat, skal du først tjekke afsnittet FEJLFINDING. Hvis du ikke kan finde en løsning der, så kontakt

- ▶ din lokale forhandler eller
- ▶ Service- og supportområdet på www.haier.com, hvor du kan finde telefonnumre og ofte stillede spørgsmål, og hvor du kan aktivere servicekravet.

For at kontakte vores serviceafdeling skal du sikre dig, at du har følgende data til rådighed.

Oplysningerne kan findes på typeskiltet.

Model _____ Serienr. _____

Tjek også det garantikort, der fulgte med produktet i tilfælde af garantikrav.

For generelle forretningsforespørgsler kan du finde vores adresser i Europa nedenfor:

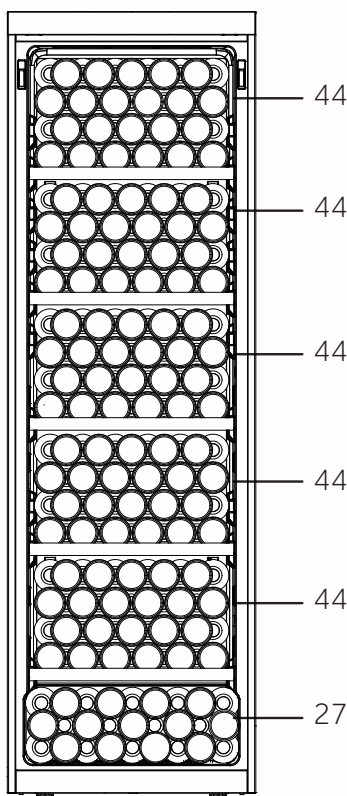
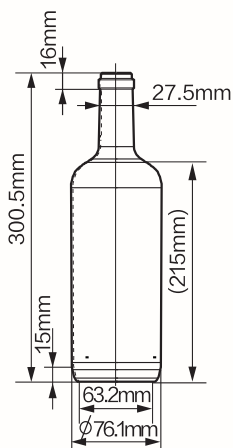
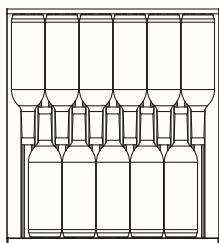
Europæiske Haier-adresser			
Land*	Postadresse	Land	Postadresse
Italien	Haier Europe Trading SRL Via De Cristoforis, 12 21100 Varese ITALIEN	Frankrig	Haier Europe Trading SRL Via De Cristoforis, 12 21100 Varese ITALY
Spanien Portugal	Haier Iberia SL Pg. Garcia Faria, 49-51 08019 Barcelona SPAIN	Belgien-FR Belgien-NL Holland Luxembourg	Haier Benelux SA Anderlecht Route de Lennik 451 BELGIEN
Tyskland Østrig	Haier Deutschland GmbH Hewlett-Packard-Str. 4 D-61352 Bad Homburg GERMANY	Polen Tjekkiet Ungarn Grækenland Rumænien Rusland	Haier Polen Sp. zo.o. Al. Jerozolimskie 181B 02-222 Warszawa POLAND
Stor- britannien	Haier Appliances UK Co. Ltd. One Crown Square Church Street East Woking, Surrey, GU21 6HR UK		

LAGERFØRING AF RESERVEDELE: Termostater, temperaturfølere, printkort og lyskilder lagerføres i mindst syv år efter, at sidste enhed af modellen er bragt på markedet. Dørhåndtag, dørhængsler, bakker og kurve i mindst syv år og tætningslister til låger i mindst 10 år efter at sidste enhed af modellen er bragt på markedet

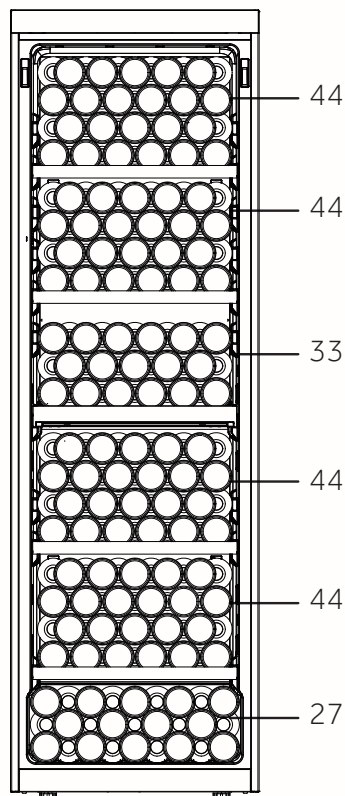
Minimumsgarantien er: 2 år for EU-lande, 3 år for Tyrkiet, 1 år for Storbritannien, 1 år for Rusland, 3 år for Sverige, 2 år for Serbien, 5 år for Norge, 1 år for Marokko, 6 måneder for Algeriet, Tunesien kræver ingen juridisk garanti.

Du finder flere oplysninger om produktet på <https://eprel.ec.europa.eu/> eller ved at scanne QR-koden på det energimærke, der leveres med apparatet.

Flaskearrangementet er baseret på en grafisk gengivelse af en standard Bordeaux-flaske (0,75 l). På grund af de forskellige flaskespecifikationer kan den faktiske flaskefyldningsmængde være anderledes.



HWS247GGU1
HWS247FDU1
HWS247GEH1
HWS247FAH1



HWS236GDU1
HWS236GDEH1

HWS-247FDU1-247GGU1-236GGDU1-247GEH1-236GDEH1-HWS247FAH1 - DA

Haier



Haier

Käyttöopas

Viinikaappi

HWS247FAH1
HWS247FDU1
HWS247GGU1
HWS247GEH1
HWS236GDEH1
HWS236GDGU1

FI

Haier

Kiitos, että ostit Haier-tuotteen.

Lue nämä ohjeet huolellisesti ennen laitteen käyttöä. Ohjeet sisältävät tärkeitä tietoja, jotka auttavat sinua saamaan parhaan hyödyn laitteesta ja varmistamaan turvallisen ja asianmukaisen asennuksen, käytön ja huollon.

Säilytä tätä ohjekirjaa kätevässä paikassa, jotta voit aina tutustua siihen laitteen turvallisen ja asianmukaisen käytön varmistamiseksi.

Jos myyt laitteen, annat sen pois tai et ota sitä mukaan, kun muutat, varmista, että tämä käyttöopas pysyy aina laitteen mukana, jotta uusi omistaja voi tutustua laitteeseen ja turvallisuusvaroituksiin.



Selite

Varoitus – Tärkeää turvallisuustietoa



Yleistä tietoa ja vinkkejä



Ympäristötiedot



Hävittäminen

Auta suojelemaan ympäristöä ja ihmisten terveyttä. Laita pakkausmateriaalit asianmukaisiin astioihin niiden kierrättämiseksi. Auta kierrättämään sähkö- ja elektroniikkalaiteromua. Älä hävitä tällä symbolilla merkittyjä laitteita talousjätteen mukana. Palauta tuote paikalliseen kierrätyslaitokseen tai ota yhteyttä paikalliseen viranomaiseen.



VAROITUS!

Loukkaantumis- tai tukehtumisvaara!

Kylmäaineet ja kaasut on hävitettävä ammattimaisesti. Varmista ennen oikeanlaista hävittämistä, että kylmäainepiirin letku ei ole vaurioitunut. Irrota laite verkkovirrasta. Katkaise verkkokaapeli ja hävitä se. Irrota telineet ja laatikot sekä oven salpa ja tiivisteet, jotta lapset ja lemmikit eivät voijäädä loukkuun laitteen sisään.

Vanhoilla laitteilla on vielä jonkin verran jäännösarvoa. Ympäristöystävällisellä hävittämismenetelmällä varmistetaan, että arvokkaat raaka-aineet voidaan hyödyntää ja käyttää uudelleen.

Eristysvaahdon vaahdotusaineena käytetään syklopentaania, syttyvää ainetta, joka ei ole haitallinen otsonille.

Kun varmistat, että tämä laite hävitetään asianmukaisesti, autat ehkäisemään ympäristölle ja ihmisten terveydelle koituvia mahdollisia haittavaikutuksia, joita tämän laitteen epäasianmukainen hävittäminen voisi aiheuttaa.

Lisätietoa tämän laitteen kierrätyksestä voi saada tarvittaessa paikallisilta viranomaisilta, kotitalouksien jätehuollosta tai liikkeestä, josta laite on ostettu.

1- Turvallisuusohjeet.....	4
2- Turvallisuusvinkkejä	7
3- Huolto.....	11
4- Lisävarusteet.....	13
5- Tuotteen kuvaus	14
6- Asennus.....	15
7- Käyttö.....	19
8- Energiansäästövinkejä	24
9- Varusteet.....	25
10- Hoito ja puhdistus.....	26
11- Vianetsintä.....	27
12- Tekniset tiedot.....	30
13- Asiakaspalvelu	31
14- Viinipullojen pinoaminen.....	32

Tämä laite on tarkoitettu yksinomaan viinin säilyttämiseen. Lue seuraavat turvallisuusohjeet, ennen kuin kytket laitteen päälle ensimmäistä kertaa:



VAROITUS!

Ennen ensimmäistä käyttöä

- ▶ Varmista, ettei kuljetusvaurioita ole.
- ▶ Poista kaikki pakkausmateriaalit ja pidä ne poissa lasten ulottuvilta. Hävitä ne ympäristöstävällisesti.
- ▶ Odota vähintään 30 minuuttia ennen laitteen asentamista varmistaaksesi, että kylmäainepiiri on täysin toimintavalmis.
- ▶ Laite on painava ja sen vuoksi sen käsittelemiseen tarvitaan aina vähintään kaksi henkilöä.

Asennus

- ▶ Laite on sijoitettava hyvin ilmastoituun paikkaan. Varmista, että laitteen yläpuolella ja ympärillä on tilaa vähintään 50 mm.
- ▶ **VAROITUS:** Pidä laitteen kotelossa tai rungossa olevat tuuletusaukot vapaina esteistä.
- ▶ Älä koskaan aseta laitetta kosteaan paikkaan tai paikkaan, jossa sen päälle voi roiskua vettä. Puhdista ja kuivaa vesiroiskeet ja tahrat pehmeällä puhtaalla liinalla.
- ▶ Älä asenna viinikaappia paikkaan, joka ei ole kunnolla eristetty tai lämmitetty, esim. autotalli jne. Viinikaappisi ei ole suunniteltu toimimaan alle 10 °C:n ympäristön lämpötilassa.
- ▶ Älä asenna laitetta suoraan auringonvaloon tai lämmönlähteiden läheisyyteen (esim. uunit, lämmittimet).
- ▶ Asenna laitteen jalat ja säädä niitä tarpeen mukaan niin, että laite on tasapainossa ja tasaisesti. Asennuspaikan on oltava sopivan kokoinen ja sovelluttava laitteen käyttötarkoitukseen.
- ▶ Varmista, että laitteen arvokilvessä ilmoitetut sähkö tiedot vastaavat käytettävissä olevaa virransyöttöä. Jos näin ei ole, ota yhteyttä sähköasentajaan.
- ▶ Verkkoliitäntä: 220–240 V, 50 Hz. Epänormaali jännitevaihtelu voi estää laitteen käynnistymisen tai vaurioittaa lämpötilan säätöä tai kompressoria tai aiheuttaa epänormaalia käyntiääntä. Tässä tapauksessa laitteeseen on asennettava automaattinen jännitteensäädin.
- ▶ Älä käytä monipistokesovittimia ja jatkokapeleita.



VAROITUS!

- ▶ **VAROITUS:** Älä jätä monipistokkeisia jatkojohtoja äläkä siirrettäviä virtalähteitä laitteen taakse.
- ▶ **VAROITUS:** Varmista laitetta sijoittaessa, ettei virtajohto jää jumiin eikä vaurioidu.
- ▶ Älä astu virtajohdon päälle.
- ▶ Käytä erillistä maadoitettua pistorasiaa, joka on helposti saatavilla. Laitte on maadoitettava.
- ▶ **Vain Iso-Britannia:** Laitteen virtajohtoon on liitetty 3-haarainen (maadoitettu) pistoke, joka sopii 3-haaraiseen (maadoitettuun) pistorasiaan. Kolmatta tappia (maadoitus) ei koskaan saa leikata pois tai poistaa jollakin muulla tavalla. Pistoke tulisi olla käytettävissä laitteen asennuksen jälkeen.
- ▶ **VAROITUS:** Älä vaurioita kylmäainepiiriä.

Päivittäinen käyttö

- ▶ Vähintään 8-vuotiaat lapset ja henkilöt, joiden fyysiset, aisteihin liittyvät tai henkiset kyvyt ovat alentuneet tai joilla ei ole aiheeseen liittyvää kokemusta ja tietoa, voivat käyttää laitetta edellyttäen, että heitä valvotaan tai heille annetaan ohjeet laitteen käyttöön turvallisella tavalla ja he ymmärtävät vaaratekijät.
- ▶ Lapset eivät saa leikkiä laitteella.
- ▶ 3–8-vuotiaat lapset saavat täyttää ja tyhjentää kylmälaitteita, mutta he eivät saa puhdistaa ja asentaa niitä.
- ▶ Pidä alle 3-vuotiaat lapset poissa laitteen lähetyiltä, ellei heitä valvota jatkuvasti.
- ▶ Lapset eivät saa puhdistaa laitetta tai suorittaa käyttäjän ylläpitotoimia ilman valvontaa.
- ▶ Laitte tulee sijoittaa siten, että pistokkeeseen pääsee käsiksi.
- ▶ Jos jäähdytettyä kaasua tai jotakin muuta syttyvää kaasua vuotaa laitteen läheisyydessä, sammuta vuotavan kaasun venttiili, avaa ovet ja ikkunat äläkä irrota laitteen virtajohtoa.
- ▶ Odota vähintään 7 minuuttia, ennen kuin kytket virran uudelleen laitteeseen, jos virta on ollut katkaistuna.
- ▶ Älä nosta laitetta oven kahvoista.
- ▶ Avaimet on pidettävä poissa lasten ulottuvilta eikä laitteen läheisyydestä, jotta lapset eivät vahingossa jää laitteen sisään, kun ovi lukitaan.



VAROITUS!

- ▶ Huomaa, että laite on asetettu toimimaan tietyllä ympäristön lämpötila-alueella (10–38 °C). Laite ei välttämättä toimi oikein, jos se on pidemmän aikaa lämpötilassa, joka ylittää tai alittaa ilmoitetun vaihteluvälin.
- ▶ Älä laita laitteen päälle epävakaita esineitä (esimerkiksi raskaita esineitä tai vedellä täytettyjä astioita). Näin voit välttää onnettomuudet, jotka voisivat aiheutua esineiden tippumisesta käyttäjän päälle, tai sähköiskusta kosketuksesta veteen.
- ▶ Avaa ja sulje ovi vain käyttämällä kahvoja. Oven ja kaapin välinen väli on hyvin kapea. Älä laita käsiäsi tällaisiin paikkoihin, jotta sormesi eivät joudu puristuksiin. Avaa tai sulje laitteen ovet vain silloin, kun oven liikkumisalueella ei ole lapsia.
- ▶ Älä säilytä tai käytä syttyviä, räjähtäviä tai syövyttäviä aineita laitteessa tai sen läheisyydessä.
- ▶ Älä säilytä laitteessa räjähtäviä aineita, kuten syttyvää ponnekaasua sisältäviä aerosolipulloja.
- ▶ Älä säilytä laitteessa lääkkeitä, bakteereita tai kemiallisia aineita. Laite on kotitalouslaite eikä sitä ole tarkoitettu sellaisten tuotteiden säilytykseen, jotka vaativat tarkkoja säilytyslämpötiloja.
- ▶ Älä aseta viinikaapin osaston lämpötilaa tarpeettoman alhaiseksi. Miinuslämpötiloja voi esiintyä erittäin kylmillä asetuksilla. Huomio: Pullot voivat rikkoutua.
- ▶ Älä koske laitteen säilytysosaston sisäpintaa, kun laite on käynnissä. Tätä ei tulisi tehdä etenkin märin käsin, koska kädet saattavat jäätyä pintaan kiinni.
- ▶ Jotta viini jäähtyisi kunnolla, älä ylikuormita laitetta.
- ▶ Irrota laite pistorasiasta sähkökatkoksen sattuessa tai ennen puhdistusta. Odota vähintään 7 minuuttia ennen kuin käynnistät laitteen uudelleen, sillä usein tapahtuvat uudelleenkäynnistykset voivat vahingoittaa kompressoria.
- ▶ **VAROITUS:** Älä käytä sähkölaitteita laitteen säilytystiloissa mikäli ne eivät ole valmistajan suosittelemia. Vaarojen välttämiseksi asiakaspalvelun on vaihdettava vaurioitunut virtajohto (katso takuukortti).
- ▶ Voit pidentää laitteen käyttöikää välttämällä sen sammuttamista.
- ▶ Älä koskaan aseta laitetta vaakasuoraan maahan. Kun olet kallistanut laitetta yli 45°, odota 24 tuntia ennen sen kytkemistä verkkovirtaan.

**VAROITUS!****Huolto / puhdistus**

- ▶ Varmista, että lapsia valvotaan, jos he suorittavat puhdistuksen ja huollon.
- ▶ Irrota laite virtalähteestä ennen rutiinihuoltoa. Odota vähintään 7 minuuttia ennen kuin käynnistät laitteen uudelleen, sillä usein tapahtuvat uudelleenkäynnistykset voivat vahingoittaa kompressoria.
- ▶ Pidä kiinni pistokkeesta, ei kaapelista, kun irrotat laitteen pistorasiasasta.
- ▶ Älä puhdistu laitetta käyttämällä kovia harjoja, teräsharjoja, pesuainejauhetta, bensiiniä, amyliasettaattia, asetonia ja vastaavia orgaanisia liuoksia tai happamia tai emäksisiä liuoksia. Vältä vauriot puhdistamalla erityisellä jääkaapin/pakastimen pesuaineella. Voit myös käyttää lämmintä vettä ja ruokasoodaa – sekoita noin ruokalusikallinen ruokasoodaa litraan vettä. Huuhtelee huolellisesti vedellä ja pyyhi kuivaksi. Älä käytä puhdistusjauheita tai muita hankaavia puhdistusaineita. Älä pese irrotettavia osia astianpesukoneessa.
- ▶ **VAROITUS:** Älä yritä nopeuttaa sulatusta käyttämällä mekaanisia laitteita tai muita keinoja, lukuun ottamatta laitteen valmistajan suosittelemia menetelmiä.
- ▶ Jos virtajohto on vaurioitunut, sen saa vaaran välttämiseksi vaihtaa valmistaja, valmistajan huoltoedustaja tai vastaava ammattitaitoinen.
- ▶ Älä yritä korjata, purkaa tai muokata laitetta itse. Jos laite on korjattava, ota yhteyttä asiakaspalveluumme.
- ▶ Jos lamppu on vaurioitunut, valmistajan, sen huoltoedustajan tai vastaavan ammattitaitoisen henkilön on vaihdettava se vaaratilanteen välttämiseksi.
- ▶ Poista laitteen takana oleva pöly vähintään kerran vuodessa välttääksesi palovaaran ja lisääntyneen energiankulutuksen.

- ▶ Älä suihkuta tai huuhtele laitetta puhdistuksen aikana.
- ▶ Älä käytä vesisuihkua tai höyryä laitteen puhdistamiseen.
- ▶ Älä puhdistaa kylmää lasiovea kuumalla vedellä. Nopeat lämpötilanmuutokset voivat aiheuttaa lasin rikkoutumisen.
- ▶ Jos laite poistetaan käytöstä pitkäksi aikaa, jätä se auki epämiellyttävien hajujen välttämiseksi.

Tietoa kylmäaineesta



VAROITUS!

Laite sisältää syttyvää kylmäainetta, jonka nimi on isobutaani (R600a). Varmista, että kylmäainepiiri ei ole vaurioitunut kuljetuksen tai asennuksen aikana. Vuotava kylmäaine voi aiheuttaa silmävammoja tai syttyä. Jos vaurioita on tapahtunut, pidä poissa avoimet palonlähteet, tuuleta huone huolellisesti, älä kytke tai irrota laitteen tai minkään muun laitteen virtajohtoja. Ilmoita asiasta asiakaspalveluun.

Jos silmät joutuvat kosketuksiin kylmäaineen kanssa, huuhtele ne välittömästi juoksevan veden alla ja ota välittömästi yhteyttä silmälääkäriin.

VAROITUS: Jäähdytysjärjestelmässä on korkea paine. Älä peukaloi sitä. Koska laitteessa on käytetty syttyviä kylmäaineita, asenna, käsittele ja huolla laitetta tarkasti ohjeiden mukaisesti ja ota yhteyttä alan ammattilaiseen tai huoltopalveluumme laitteen hävittämiseksi.

Käyttötarkoitus

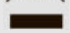
Tämä laite on tarkoitettu käytettäväksi kotitalouksissa ja vastaavissa olosuhteissa, kuten:

- henkilökunnan keittiötiloissa myymälöissä, toimistoissa ja muilla työpaikoilla
 - maatiloilla sekä asiakaskäytössä hotelleissa, motelleissa ja muissa asuintilojen kaltaisissa ympäristöissä
 - aamiaismajoituksen (B & B) tyyppisissä ympäristöissä
 - ateriapalvelu- ja muissa kuin vähittäismyyntiin liittyvissä käyttökohteissa.
- Noudata näitä käyttöohjeita viinin turvallisen säilyvyyden varmistamiseksi.
- Käyttöoppaan muussa osassa annetaan ohjeet eri tyyppisten elintarvikkeiden suositelluille säilytyspaikoille, kun otetaan huomioon laitteen eri osastojen eri lämpötilat.

Laitteen muuttaminen tai muokkaaminen ei ole sallittua. Käyttöohjeiden vastaisella tavalla voi aiheuttaa vaaroja. Voit myös menettää oikeuden takuuseen perustuvien korvausvaatimusten tekemiseen.

Hävittäminen



Tässä  laitteessa tai sen pakkauksessa oleva symboli osoittaa, ettei laitetta saa hävittää kotitalousjätteenä. Se tulee viedä asianmukaiseen sähkö- ja elektroniikkalaitteiden keräyspisteeseen kierrätystä varten. Kun varmistat, että tämä laite hävitetään asianmukaisesti, autat ehkäisemään ympäristölle ja ihmisten terveydelle koituvia mahdollisia haittavaikutuksia, joita tämän laitteen epäasianmukainen hävittäminen voisi aiheuttaa. Lisätietoa tämän laitteen kierrätyksestä voi saada tarvittaessa paikallisilta viranomaisilta, kotitalouksien jätehuollosta tai liikkeestä, josta laite on ostettu.

Koska laitteessa käytetään syttyviä eristeen puhalluskaasuja, laitteen hävittämiseksi on otettava yhteyttä ammattitaitoiseen edustajaan tai myynnin jälkeiseen huoltoon.

VAROITUS!

Loukkaantumis- tai tukehtumisvaara!

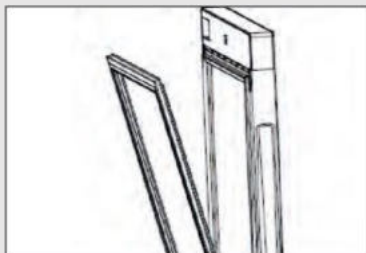
Kylmäaineet ja kaasut on hävitettävä ammattimaisesti. Varmista ennen oikeanlaista hävittämistä, että kylmäainepiirin letku ei ole vaurioitunut. Irrota laite verkkovirrasta. Katkaise verkkokaapeli ja hävitä se. Irrota telineet ja laatikot sekä oven salpa ja tiivisteet, jotta lapset ja lemmikit eivät voi jäädä loukkuun laitteen sisään.

- ▶ **VAROITUS:** Irrota laite pistorasiasta tai virtalähteestä ennen puhdistusta.
- ▶ Älä puhdista laitetta käyttämällä kovia harjoja, teräsharjoja, pesuainejauhetta, bensiiniä, amyyliaasettaattia, asetonia ja vastaavia orgaanisia liuoksia tai happamia tai emäksisiä liuoksia. Vältä vauriot puhdistamalla erityisellä jääkaapin pesuaineella.
- ▶ Laite kannattaa puhdistaa, kun siihen on varastoitu vain vähän viinipulloja. Puhdistus on tarpeen vain, kun viinikaappi on likainen.
- ▶ Puhdista laitteen sisäpinnat ja kotelo haalealla vedellä ja neutraalilla pesuaineella kostutetulla sienellä.
- ▶ Huuhtele puhtaalla lämpimällä vedellä ja kuivaa pehmeällä liinalla.
- ▶ Älä pese laitteen mitään osia astianpesukoneessa.
- ▶ Odota vähintään 7 minuuttia ennen kuin käynnistät laitteen uudelleen, sillä usein tapahtuvat uudelleenkäynnistykset voivat vahingoittaa kompressoria.



Oven tiivisteiden puhdistaminen:

- ▶ Asianmukaisen tiiviyden varmistamiseksi oven tiivisteet on puhdistettava 3 kuukauden välein. Noudata seuraavia ohjeita: Poista: Tartu oven tiivisteeseen ja vedä se ulos nuolen suunnan mukaisesti poistaaksesi koko oven tiivisteet. Kostuta harja vedellä tai elintarvikelaatuisella alkoholilla ja puhdista oven tiivisteiden ura ensin kuljettamalla harjaa edestakaisin. Pyyhi sitten oven tiivisteiden pinta vedellä tai elintarvikelaatuisella alkoholilla kostutetulla pyyhkeellä. Pesu lopuksi oven tiiviste puhtaaksi ja pyyhi se kuivaksi puhtaalla pyyhkeellä.



Oven tiivisten asennus puhdistuksen jälkeen:

Varmista ennen asennusta, ettei oven tiivisteessä ole vettä. Työnnä oven tiiviste uraan ja paina oven tiivistettä tiukasti ylhäältä alas päin käsin, kunnes koko oven tiiviste on työnnetty uraan.

Hyllyjen puhdistus:

- ▶ Kaikki hyllyt voidaan ottaa pois puhdistusta varten.
- ▶ Poista kaikki pullot.
- ▶ Nosta jokaista hyllyä hieman ja ota se pois.
- ▶ Puhdista hylly pehmeällä pyyhkeellä.
- ▶ Odota, kunnes hyllyt ovat kuivia, ennen kuin laitat ne takaisin.

VAROITUS:

Odota vähintään 7 minuuttia, ennen kuin kytket virran uudelleen laitteeseen, jos virta on ollut katkaistuna.

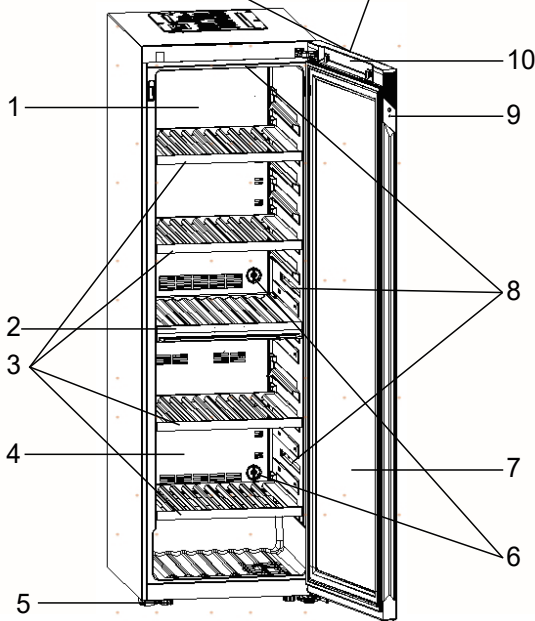
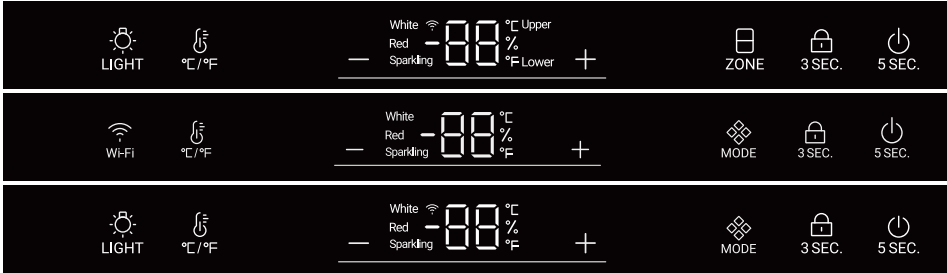
Tarkista lisävarusteet ja kirjallisuus tämän luettelon mukaisesti: ei eristystä.

Nimi	Käyttö- opas	Huolto- kortti	Hylly	Saranan suojaus	Energia- merkintä	Avain	Kahva	Ruuvi	Kierre- korkki	Peite	Näytö n hylly
HWS247FAH1	1	1	5	1	1	2	1	4	2	1	1
HWS247GGU1	1	1	5	1	1	2	/	/	/	/	/
HWS236GDGU1	1	1	4	1	1	2	/	/	/	/	/
HWS247FDU1	1	1	5	1	1	2	1	4	2	1	/
HWS247GEH1	1	1	5	1	1	2	/	/	/	/	/
HWS236GDEH1	1	1	4	1	1	2	/	/	/	/	/

Huomautus

Teknisten muutosten ja erilaisten mallien vuoksi jotkin tämän käyttöohjeen kuvista saattavat poiketa mallistasi.

Kuva laitteesta



(HWS236GDGU1)

- | | |
|--|--|
| 1. Yläilmakanavan levy | 6. Aktiivihiilisuodatin
(paitsi HWS247FAH1) |
| 2. Väliseinä (HWS236GDGU1/HWS236GDEH1) | 7. Ovi |
| 3. Hylly | 8. LED-lamppu |
| 4. Alailmakanavan levy | 9. Lukko |
| 5. Säädettävät jalat | 10. Näyttö |

1. Purkaminen pakkauksesta

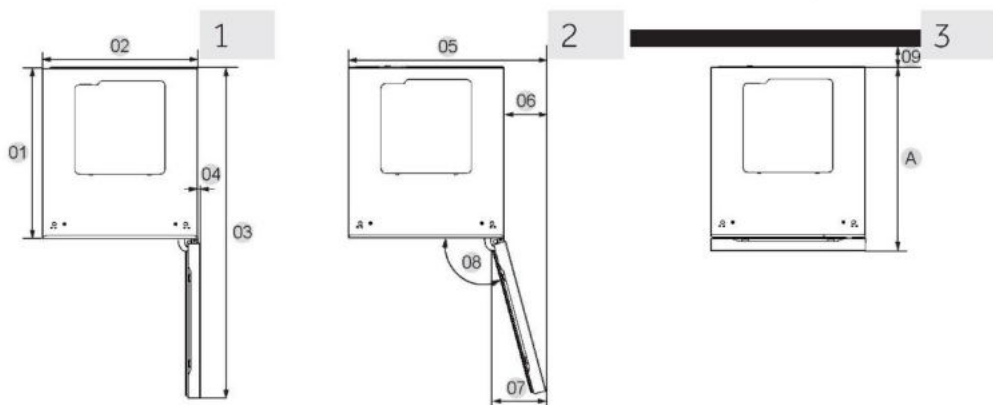
- ▶ Ota laite pois pakkauksesta.
- ▶ Poista kaikki pakkausmateriaalit, mukaan lukien vaahdonmuovialusta ja kaikki lisävarusteita sitova teippi.

2. Ympäristön olosuhteet

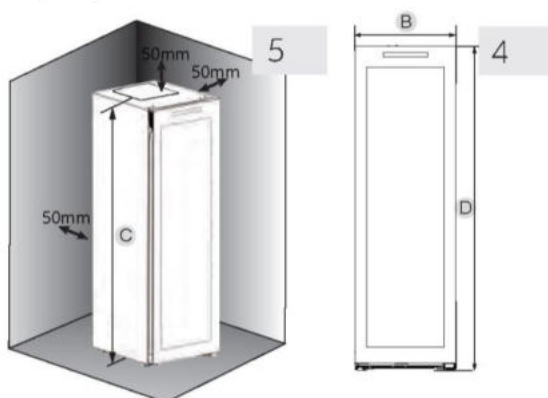
Huoneen lämpötilan tulisi aina olla 10–38 °C, koska huoneen lämpötila voi vaikuttaa laitteen sisälämpötilaan ja sen energiankulutukseen. Älä asenna laitetta lähelle muita lämpöä tuottavia laitteita (uunit, jääkaapit) ilman asianmukaista lämmöneristystä.

3. Tilantarve

Tarvittava tila oven avaamiseen (kuva 1,2,3,4): vaadittua 50 mm:n tuuletusetäisyyttä on turvallisuus- ja energiasyistä noudatettava kaikkiin suuntiin (kuva 5).



Mittausyksikkö: mm	HWS247GGU1 HWS247GEH1	HWS236GDU1 HWS236GDEH1	HWS247FDU1 HWS247FAH1
Syvyys A	714	714	714
Leveys B	597	597	597
Korkeus C	1 905	1 905	1 905
Kokonaiskorkeus D	1 900	1 900	1 900
01	654	654	654
02	595	595	595/600
03	1 273	1 273	1 273
04	11	11	11
05	756	756	756
06	161	161	161
07	200	200	200
08	105°	105°	105°
09	50	50	50





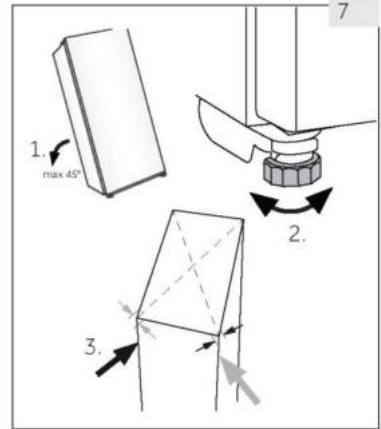
VAROITUS!

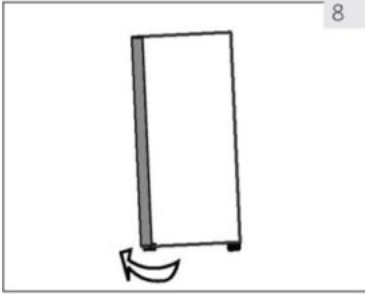
- Pidä laitteen koteloinnin tai rakenteelliset tuuletusaukot vapaina esteistä. Tätä kylmälaitetta ei ole tarkoitettu käytettäväksi sisänrakennetun mallin tavoin.

5. Laitteen sijoittaminen

Laitte tulee sijoittaa tasaiselle ja tukevalle alustalle.

1. Kallista laitetta hieman taaksepäin (kuva 7).
2. Aseta säädettävät etujalat halutulle tasolle kääntämällä niitä.
3. Voit tarkistaa, miten tukevasti laite seisoo, heiluttamalla sitä kulmista. Kodinkoneen tulisi heilahdella lievästi ja samalla tavalla kumpaakin suuntaan. Muussa tapauksessa runko voi vääntyä ja tämä voi johtaa ovitiivisteiden vuotamiseen. Erittäin pieni takanoja helpottaa oven sulkeutumista.





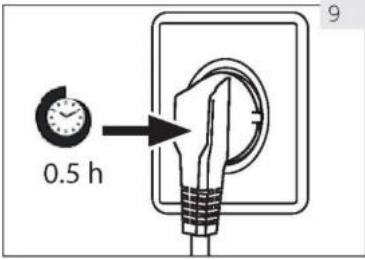
8

6. Oven hienosäätö

Laitteen ovi sulkeutuu helpommin, jos käytetään etuosan tasausjalkoja:

Käännä säädettäviä jalkoja (kuva 8) ylös tai alas päin:

- ▶ Jalkojen kääntäminen myötäpäivään nostaa laitetta.
- ▶ Jalkojen kääntäminen vastapäivään laskee sitä.



9

7. Odotusaika

Huoltovapaa voiteluöljy sijaitsee kompressorin kapselissa. Tämä öljy voi päästä suljetun putkijärjestelmän läpi kuljetuksen aikana, jos laite on kaltevassa asennossa. Ennen kuin kytket laitteen virtalähteeseen, odota 30 minuuttia (kuva 9), jotta öljy kulkeutuu takaisin kapseliin.

8. Sähköliitäntä

Tarkista ennen jokaista liitäntää seuraavat seikat:

- ▶ sähkövirta, pistorasia ja sulakkeet ovat laitteen arvokilven mukaiset
- ▶ pistorasia on maadoitettu eikä monipistoketta tai jatkojohtoja käytetä
- ▶ pistoke ja pistorasia on asennettu oikein.

Liitä pistoke oikein asennettuun kotitalouskäyttöön tarkoitettuun pistorasiaan.



VAROITUS!

Vaarojen välttämiseksi asiakaspalvelun on vaihdettava vaurioitunut virtajohto (katso takuukortti).

9. Oven kääntäminen

Ennen kuin kytket laitteen virtalähteeseen, tarkista, onko oven avautuminen vaihdettava oikealta (toimitettuna) vasemmalle, jos asennuspaikka ja käytettävyys sitä edellyttävät.



VAROITUS!

- ▶ Laite on painava. Oven kääntämiseen tarvitaan kaksi henkilöä.
- ▶ Irrota laite pistorasiasta ennen kääntämistä.
- ▶ Estä jäähdytysjärjestelmän vaurioituminen kallistamalla laitetta korkeintaan 45°.

Kokoonpanovaiheet

1. Varaa käyttöön tarvittavat työkalut.
2. Irrota laite pistorasiasta.
3. Irrota yläpalkin suojus ja pieni suojus sekä pienen suojuksen vasen ja oikea vuorotteluasennus.
4. Irrota kaapelitelineen suojus ja somisteen suojus sekä somistesuojuksen vasen ja oikea vuorotteluasennus. Irrota musta kumitulppa oven rungon sisäpuolella olevasta vasemmasta avaimenreiästä ja asenna se oikeaan avaimenreikään.
5. Irrota saranan kansi, käytä työkalua 3 ruuvien irrottamiseen ja poista portaalin runko.
6. Irrota 3 ruuvia portaalin rungon alta työkalulla. Asenna portaalin rungon pala, oven rajoitin ja vasen ja oikea vuorottelu portaalin rungon toiselle sivulle.
7. Irrota kotelon saranakokoonpano työkalulla, irrota ensin saranan pala alemmasta saranakokoonpanosta, vaihda saranan akseli oikeaan ruuvireikään ja kokoa. Vuorotteluasennus rullatukikokoonpanolla rungon oikealle puolelle.
8. Portaalin runko asennetaan pystysuoraan alaspäin sarana-akselille.
9. Ylempi sarana työnnetään portaalin rungon akselin reikään, laatikko kiinnitetään ruuveilla, johdinlaatikon kansi ja ylempi somistepalkkikansi asennetaan.



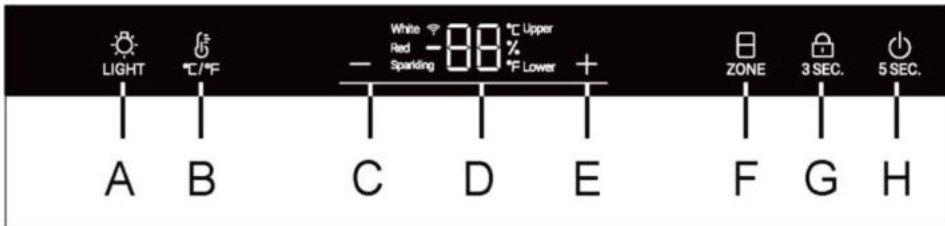
1. Ennen ensimmäistä käyttöä

- ▶ Poista kaikki pakkausmateriaalit. Tähän sisältyy vaahtomuovialusta ja kaikki teipit, joilla viinikaapin lisävarusteet on kiinnitetty viinikaapin sisä- ja ulkopuolella. Pidä ne poissa lasten ulottuvilta ja hävitä ne ympäristöystävällisesti.
- ▶ Puhdista laitteen sisä- ja ulkopuoli vedellä ja miedolla pesuaineella ennen sen täyttämistä viinipulloilla.
- ▶ Kun laite on vaakasuorassa ja puhdistettu, odota vähintään 2 tuntia ennen kuin kytket sen virtalähteeseen. Jos viinikaappi on jostain syystä kallistunut, odota 24 tuntia ennen sen kytkemistä verkkovirtaan. Katso kohta ASENNUK.
- ▶ Kun olet kytkenyt laitteen pistorasiaan, anna sen olla käynnissä vähintään 30 minuuttia, jotta laite ehtii viilentyä, ja tee muutoksia asetuksiin vasta tämän jälkeen.
- ▶ Viinikaapin lämpötilaksi asetetaan automaattisesti -12 °C. Voit halutessasi muuttaa lämpötilaa manuaalisesti. Katso kohta LÄMPÖTILA.

2. Kosketusnäppäimet

Ohjauspaneelin painikkeet ovat kosketuspainikkeita, jotka reagoivat kevyesti sormella kosketettaessa.

3. Ohjauspaneelin kuvaus



- | | |
|----------------------------------|------------------------------------|
| A. Sisävalon painike | E. Lämpötilan säätöpainike: ylös |
| B. °C/°F-muuntopainike | F. Lämpötila-alueen valintapainike |
| C. Lämpötilan säätöpainike: alas | G. Lukituspainike |
| D. Näyttö | H. Virtapainike |

4. Automaattinen lukitustoiminto

Kun näyttö on lukittu, paina lukitusnäppäintä 3S. Näytössä näkyy 3, 2 ja 1, näyttöruutu ei ole lukossa, ja lukituksen kuvake palaa puoliksi. Jos mitään toimintoa ei tehdä, näyttö lukittuu automaattisesti 30 sekunnin kuluttua. Kun näyttö on lukittu, kaikki lukitusnäppäimet ovat päällä, eikä näyttöruudun näppäimiä voida käyttää (paitsi valaistusnäppäintä);

5. Virtapainikkeen toiminto

Kun näyttö on pois päältä, kosketa mitä tahansa näppäintä ja näyttöön syttyy valo. Paina pitkään virtapainiketta, näyttöruudulla näkyy 5, 4, 3, 2 ja 1, ja koko laitteen virta katkeaa. Kun virta on katkaistu, paina pitkään virtapainiketta näyttääksesi 5, 4, 3, 2, 1. Virta on päällä.

6. Lämpötilan asettaminen



Huomautus

Esiasetukset


- ▶ Kun olet kytkenyt laitteen pistorasiaan, anna sen olla käynnissä vähintään 30 minuuttia, jotta laite ehtii viilentyä, ja tee muutoksia asetuksiin vasta tämän jälkeen.
- ▶ Kun laite kytketään päälle sen jälkeen, kun se on ollut irrotettuna virtalähteestä, oikean lämpötilan saavuttaminen voi kestää jopa useita tunteja. Tarkka aika vaihtelee ympäristöstä ja lämpötila-asetuksesta riippuen.





Paina **+** tai **-**, jolloin näyttö alkaa vilkkua. Paina **+** tai **-**, kun haluat asettaa halutun lämpötilan. Lämpötilan asetusalue: 5–20 °C (41–68°F).

Lopeta painikkeen painaminen 3 sekunnin ajaksi, niin laite vahvistaa lämpötilan.

7. Toimintatila tai vyöhyketoiminto

Paina painiketta . Lämpötila vaihtuu kuohuviinistä (8 °C tai 47 °F) valkoviiniin (12 °C tai 54 °F) ja punaviiniin (16 °C tai 61 °F). (HWS247GGU1/HWS247GEH1/HWS247FDU1/HWS247FAH1))

Kun lukitus ei ole käytössä, kuvake  on täysin päällä. Jos nykyinen näyttö näyttää ylempää lämpötila-aluetta, ylempi kuvake kytkeytyy päälle ja alempi kuvake on pois päältä. Paina painiketta , jolloin alempi kuvake palaa ja ylempi kuvake on pois päältä. (HWS236GDGU1/HWS236GDEH1))

Suosittelut lämpötila-asetukset

Punaviini	+13 – +20 °C (+55 F – +68 °F)	Kuohuviini, Prosecco	+5 – +8 °C (+41 – 47 °F)
Valkoviini	+9 – +12 °C (+48 – +54 °F)		

Jos säilytät viiniä pitkiä aikoja, se tulisi säilyttää seuraavassa lämpötilassa: +10 – +12 °C (50 – +54 °F).

8. Valmiustila

Näyttöruutu himmenee automaattisesti 30 sekunnin kuluttua.

Se syytyy automaattisesti, kun jotakin painiketta painetaan tai ovi avataan.



Huomautus

Vaikutukset lämpötiloihin



Laitteen sisälämpötilaan vaikuttavat seuraavat tekijät:

- ▶ Ympäristön lämpötila
- ▶ Varastoitujen pullojen määrä
- ▶ Oven avaustiheys
- ▶ Laitteen sijainti

Oletusasetus on 12°C.

Kun näyttö lakkaa vilkkumasta, se palaa näyttämään viinikaapin nykyisen sisälämpötilan. Kestää jonkin aikaa saavuttaa asetettu lämpötila.

9. Valaistustilan asetetus

Paina  -painiketta. Kun kaapin valot ovat päällä, ne kirkastuvat vähitellen. Kun painiketta  painetaan uudelleen, valot sammuvat vähitellen.

(paitsi HWS247FDU1/HWS247FAH1)

10. °C/°F-toiminto

Painamalla  voit vaihtaa Fahrenheitin ja Celsiuksen välillä.

11. Wi-Fi-toiminto

Kun painat Wi-Fi-painiketta 3 sekunnin ajan, Wi-Fi-painike alkaa vilkkua nopeasti ja siirtyy automaattisesti asetustilaan (HWS247FDU1/HWS247FAH1).

12. Muisti ja virrankatkaisu

Sähkökatkoksen sattuessa viinikaappi tallentaa automaattisesti asetetun lämpötilan. Virran palautumisen jälkeen se palaa käyttämään ennen sähkökatkoa asetettua lämpötilaa.

13. Alhaisen lämpötilan kompensointitoiminto

Viinikaapissa on tasaisen lämpötilan varmistamiseksi matalan lämpötilan kompensointitoiminto: Kun ympäristön lämpötila on asetettua lämpötilaa alhaisempi, viinikaappi käynnistää automaattisesti alhaisen lämpötilan kompensointitoiminnon ja lämmittää laitetta. Kun sovelluksen lämpötila saavuttaa asetetun lämpötilan, alhaisen lämpötilan kompensointitoiminto kytkeytyy automaattisesti pois päältä.

14. Oven avaushälytys

Jos ovea pidetään auki yli 1 minuutin ajan, kuuluu merkkiääni. Merkkiääni kuuluu niin kauan, kunnes ovi suljetaan tai jotakin näyttöruudun painiketta painetaan.

15. Wi-Fi-tilan asetus

YHDISTETTÄVYYS

LANGATTOMAN TOIMINNON PARAMETRIT

Tekniikka	Wi-Fi	Bluetooth
Standardi	IEE 802.11 b/g/n	Bluetooth v4.2, BR/EDR, BLE
Taajuuskaista(t) [MHz]	2401 ÷ 2483	2402 ÷ 2480
Suurin teho [mW] Kaista(t) [MHz]	100	10

TUOTETIEDOT

Wi-Fi-moduulin aktivointi:

Aktivoi Wi-Fi painamalla valopainiketta 3 sekunnin ajan (paitsi HWS247FDU1/HWS247FAH1)

Aktivoi Wi-Fi painamalla Wi-Fi-painiketta 3 sekunnin ajan (HWS247FDU1/HWS247FAH1)

- Wi-Fi-moduuli on kytketty päälle ja Wi-Fi-kuvake alkaa vilkkua.
- Kuvake vilkkuu, jos viinikaappi on rekisteröity, mutta Wi-Fi on pois päältä.
- Wi-Fi-kuvake palaa tasaisesti, jos viinikaappi on rekisteröity ja yhdistetty.
- Voit nollata Wi-Fi-yhteyden painamalla valoa 3 sekunnin ajan. (paitsi HWS247FDU1/HWS247FAH1)
- Voit nollata Wi-Fi-yhteyden painamalla Wi-Fi-painiketta 3 sekunnin ajan (HWS247FDU1/HWS247FAH1)

SOVELLUKSEN SISÄINEN LAITEPARINMUODOSTUS

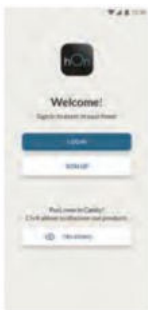
Vaihe 1

- Lataa hOn-sovellus seuraavista



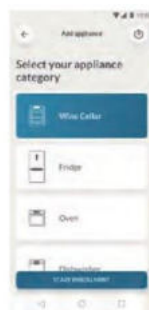
Vaihe 2

- Kirjautu sisään tai rekisteröidy



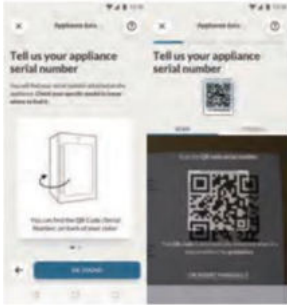
Vaihe 3

- Lisää uusi laite valitsemalla viinikellari luettelosta



Vaihe 4

- Skannaa QR tai lisää sarjanumero manuaalisesti



Vaihe 5

- Aktivoi Wi-Fi painamalla laitteen valopainiketta 3 sekunnin ajan (paitsi HWS247FDU1/HWS247FAH1)
- Aktivoi Wi-Fi painamalla laitteen Wi-Fi-painiketta 3 sekunnin ajan (HWS247FDU1/HWS247FAH1)



Vaihe 6

- Wi-Fi-kuvake vilkkuu, parinmuodostusprosessi on käynnissä.
- Sinulla on 5 minuuttia aikaa suorittaa parinmuodostusprosessi loppuun.
- Kun prosessi on valmis, Wi-Fi-kuvake lakkaa vilkkumasta ja se pysyy aina päällä.
HUOMAA





Energiansäästövinkejä

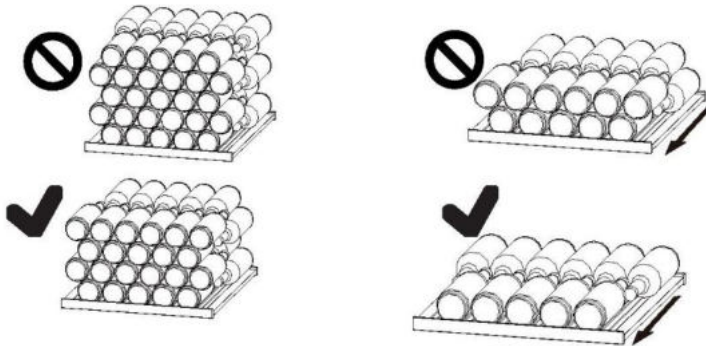
- ▶ Varmista, että laite on tuuletettu kunnolla (katso ASENNUK).
- ▶ Älä asenna laitetta suoraan auringonvaloon tai lämmönlähteiden läheisyyteen (esim. uunit, lämmittimet).
- ▶ Älä laske laitteen lämpötilaa tarpeettoman alhaiseksi. Energiankulutus kasvaa, mitä alhaisempi lämpötila laitteessa on.
- ▶ Avaa laitteen ovi mahdollisimman vähän ja pidä sitä auki mahdollisimman lyhyesti.
- ▶ Älä ylitä viinikaapin suunniteltua pullojen enimmäismäärää, jotta ilmavirtaus ei tukkeudu.
- ▶ Pidä oven tiivisteet puhtaina, jotta ovi sulkeutuu aina oikein.
- ▶ Energiaa säästävin kokoonpano edellyttää, että laitteen laatikko, ruokalaatikko ja hyllyt pidetään tehdasasetuksissa, ja että elintarvikkeet sijoitetaan siten, että ne eivät tuki ilmakehän aukkoa.

1. Hylly


1. Hyllyt on suunniteltu helpottamaan viinin säilytystä ja poistamista. Ne voidaan puhdistaa pehmeällä pyyhkeellä.
2. Normaali pullot, joiden halkaisija on 76 mm, voidaan pinota.
3. Magnum-pullot voidaan pinota alahyllyyn.
4. Pullojen määrä voi vaihdella kuvan mukaisesta määrästä, jos ne on pinottu eri tavalla.

Neuvoja viinikaapin pullojen asetteluun

Suosittellemme, että viinipullojen määrä ei ylitä neljää kerrosta kummallakin hyllyllä, eikä viinihyllyjen kuorma ei saa ylittää 60 pulloa. Varmista, että hyllyt ovat täysin tukevat ja stabiilit. Varmista myös, että mikään pullo ei ulkone hyllystä siten, että se saattaisi osua lasioveen ja estää ovea sulkeutumasta kunnolla.



2. Valo

LED-sisävalo syttyy, kun ovi avataan. Jos haluat sytyttää valon oven ollessa suljettuna, kosketa  -painiketta. Sammuta valot koskettamalla painiketta uudelleen. Energia-
tehokkuuden lisäämiseksi valot tulisi olla sammutettuina, kun viinikaappia ei katsella.
(paitsi HWS247FDU1/HWS247FAH1)

3. Lukko

Viinikaapin lukitsemiseksi sulje ovi ja laita avain lukkoon:

- ▶ Lukitse ovi kääntämällä avainta myötäpäivään.
- ▶ Avaa oven lukitus kääntämällä avainta vastapäivään.

1. Sulatus

Viinikaapin sulatus tapahtuu automaattisesti; manuaalista sulatusta ei tarvita.

2. LED-lampun vaihtaminen

Lampussa on LED-valonlähde, jolla on alhainen energiankulutus ja pitkä käyttöikä. Jos havaitset poikkeavuuksia, ota yhteyttä asiakaspalveluun. Katso ASIAKASPALVELU.



VAROITUS!

Älä vaihda LED-lamppua itse. Sen saa vaihtaa vain valmistaja tai valtuutettu huoltoedustaja.

LED-lampun tekniset tiedot:

Jännite 12 V

Maksimiteho: 18 W

3. Jos laitetta ei käytetä pitkähköön aikaan

Irrota virtapistoke.

Puhdista laite ja oven tiivisteet edellä kuvatulla tavalla.

Pidä ovi auki estääksesi epämiellyttävien hajujen muodostumisen.

4. Laitteen siirtäminen

1. Poista kaikki pullot ja irrota virtajohto seinäpistorasiasta.

2. Kiinnitä hyllyt ja muut liikkuvat osat viinikaappiin teipillä.

3. Älä kallista viinikaappia yli 45° kulmaan jäähdytysjärjestelmän vahingoittumisen välttämiseksi.

5. Ilmanvaihto aktiivihiihisuodattimella (paitsi HWS247FAH1)

Tapa, jolla viinit kypsyvät edelleen, riippuu ympäristön olosuhteista. Ilmanlaadulla on ratkaiseva merkitys viinin säilymisen kannalta. Laitteen takaseinän alaosaan on asennettu aktiivihiihisuodatin ilman optimaaliseksi suodattamiseksi.



Huomautus

Suosittelemme, että vaihdat suodattimen kerran vuodessa. Suodattimia saa jälleenmyyjältä.

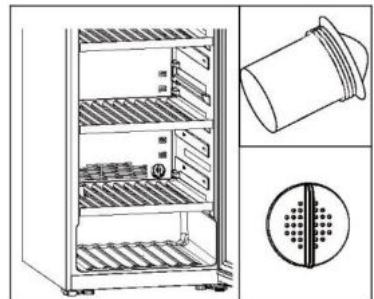
(paitsi HWS247FAH1)

Suodattimen vaihtaminen:

Tartu suodattimeen kahvasta. Käännä vasemmalle ja poista.

Suodattimen asettaminen paikalleen:

Aseta kahva pystyasentoon. Käännä sitä oikealle ja työnnä.



Monet ongelmat voidaan ratkaista itse ilman erityistä asiantuntemusta. Tarkista ongelmatilanteessa ensin kaikki mahdolliset ratkaisut ja noudata alla olevia ohjeita, ennen kuin otat yhteyttä myyntipalveluumme. Katso ASIAKASPALVELU.



VAROITUS!

- ▶ Kytke laite pois päältä ja irrota verkkopistoke verkkopistorasiasta ennen huoltotoimia.
- ▶ Sähkölaitteita saavat huoltaa vain pätevät sähköasiantuntijat, koska virheelliset korjaukset voivat aiheuttaa huomattavia välillisiä vaurioita.
- ▶ Jos virtajohto on vaurioitunut, valmistajan, sen huoltoedustajan tai vastaavan ammattitaitoisen henkilön on vaihdettava se vaaran välttämiseksi.

Virhekoodi	Syy	Ratkaisu
L2	Alhaisen lämpötilan hälytys, kun ohjausanturin lämpötila on liian alhainen.	1. Tarkista ympäristön lämpötila. 2. Tarkista kompressorin liitin. 3. Tarkista lämpötilansäätöanturin vastus.
H1	Kun ohjaustunnistimen lämpötila on liian korkea, korkean lämpötilan hälytys tulee näkyviin näyttörudulle.	1. Tarkista ohjauspaneelin tai näyttöpaneelin liitin. 2. Tarkista tuulettimen vastus ja jännite. 3. Tarkista tuuletin ja kompressorin liitin.

Ongelma	Mahdollinen syy	Mahdollinen ratkaisu
Kompressor ei toimi.	<ul style="list-style-type: none"> Pistoke ei ole liitetty seinäpistorasiaan. 	<ul style="list-style-type: none"> Liitä pistoke seinäpistorasiaan.
Laite käy huomattavan usein tai pitkiä aikoja kerrallaan.	<ul style="list-style-type: none"> Ulkolämpötila on liian korkea. Laitteen virta on ollut jokin aikaa pois kytkettynä. Laitteen ovi ei ole tiiviisti kiinni. Ovi on avattu liian usein tai liian pitkään. Oven tiivisteet ovat likaiset, kuluneet, haljenneet tai yhteensopimattomat. Vaadittua ilmankiertoa ei voida taata. Lämpötila on asetettu liian alhaiseksi. 	<ul style="list-style-type: none"> Tässä tilanteessa on normaalia, että laite käy tavallista pidempään. Laitteen täydellinen jäähtyminen kestää yleensä jonkin aikaa. Sulje ovi ja varmista, että laite on sijoitettu tasaiselle alustalle ja etteivät elintarvikkeet tai astia estä oven sulkeutumista. Älä avaa ovea liian usein. Puhdista oven tiiviste tai pyydä asiakaspalvelusta apua sen vaihtamiseksi. Varmista riittävä ilmanvaihto. Ongelma ratkeaa itsestään, kun haluttu lämpötila on saavutettu.
Viinikaapin sisäpuoli on likainen ja/tai haisee.	<ul style="list-style-type: none"> Viinikaapin sisätilat on puhdistettava. 	<ul style="list-style-type: none"> Puhdista viinikaapin sisäpuoli.
Laitteen sisällä ei ole tarpeeksi kylmää.	<ul style="list-style-type: none"> Lämpötila on asetettu liian korkeaksi. Pulloja on lisätty viime aikoina. Laitteen ovi ei ole tiiviisti kiinni. Ovi on avattu liian usein tai liian pitkään. Oven tiivisteet ovat likaiset, kuluneet, haljenneet tai yhteensopimattomat. 	<ul style="list-style-type: none"> Aseta uusi lämpötila. Anna äskettäin lisätyille pulloille aikaa saavuttaa haluttu lämpötila. Sulje ovi. Älä avaa ovea liian usein. Puhdista oven tiiviste tai pyydä asiakaspalvelusta apua sen vaihtamiseksi.
Laitteen sisällä on liian kylmä.	<ul style="list-style-type: none"> Lämpötila on asetettu liian alhaiseksi. 	<ul style="list-style-type: none"> Aseta uusi lämpötila.
Jääkaappiosaston sisäpuolelle muodostuu kosteutta.	<ul style="list-style-type: none"> Ilmasto on liian lämmin ja kostea. Laitteen ovi ei ole tiiviisti kiinni. Ovi on avattu liian usein tai liian pitkään. 	<ul style="list-style-type: none"> Säädä lämpötilaa kylmemmälle. Sulje ovi. Älä avaa ovea/laatikkoa liian usein.

Kosteus kerääntyy viinikaapin ulkopinnalle.	<ul style="list-style-type: none"> • Ilmasto on liian lämmin ja liian kostea • Ovi ei ole tiukasti kiinni. Laitteen kylmä ilma ja sen ulkopuolella oleva lämmin ilma tiivistyvät. 	<ul style="list-style-type: none"> • Tämä on normaalia kosteissa ilmastoissa ja tilanne muuttuu, kun kosteusprosentti laskee. • Varmista, että ovi on tiukasti kiinni ja että tiivisteet sulkeutuvat kunnolla.
Laite pitää epänormaalia ääntä.	<ul style="list-style-type: none"> • Laite ei sijaitse tasaisella lattialla. • Laite koskettaa jotain sen ympärillä olevaa esinettä. 	<ul style="list-style-type: none"> • Säädä jalat jotta laite on vaakatasossa. • Poista esineet laitteen ympäriltä.
Kuuluu hiljaista ääntä, joka muistuttaa virtaavaa vettä.	<ul style="list-style-type: none"> • Tämä on normaalia. 	<ul style="list-style-type: none"> • -
Sisävalaistus tai jäähdytysjärjestelmä ei toimi.	<ul style="list-style-type: none"> • Pistoke ei ole liitetty seinäpistorasiaan. • Virtalähde ei ole ehjä. • LED-lamppu on rikki. 	<ul style="list-style-type: none"> • Liitä pistoke seinäpistorasiaan. • Tarkista huoneen sähkönsyöttö. Soita paikalliseen sähköyhtiöön. • Ota yhteyttä huoltoon lampun vaihtamiseksi.
Kaapin sivut ja oviliuska lämpenevät.	<ul style="list-style-type: none"> • Tämä on normaalia. 	<ul style="list-style-type: none"> • -
Ovi ei sulkeudu kunnolla	<ul style="list-style-type: none"> • Laite ei ole vaakatasossa. • Ovi on jumissa. 	<ul style="list-style-type: none"> • Säädä laite vaakatasoon säädettävien jalkojen avulla. • Tarkista mahdolliset aiheuttajat, kuten pullot tai hyllyt.

Jos haluat ottaa yhteyttä tekniseen tukeen, käy verkkosivustollamme:

<https://corporate.haier-europe.com/en/>

Valitse websites-kohdassa tuotemerkki ja maasi. Siirryt sivulle, josta löydät puhelinnumeron ja lomakkeen, jonka täyttämällä voit pyytää teknistä tukea.

Tuoteseloste asetuksen EU N:o 2019/2016 mukaisesti


Tuotemerkki	Haier	Haier	Haier
Mallin nimi / tunniste	HWS247GGU1 HWS247GEH1	HWS236GDGU1 HWS236GDEH1	HWS247FDU1/ HWS247FAH1
Luokka	Viinikaappi	Viinikaappi	Viinikaappi
Energiatehokkuusluokka	G/E	G/E	D/A
Vuotuinen energiankulutus (kWh/vuosi) ¹⁾	184/107	184/107	85/44
Säilytystilavuus (l)	450	448	450
Ilmastoluokka: Tämä laite on tarkoitettu käytettäväksi ympäristön lämpötilassa 10–38 °C.	SN NST	SN NST	SN T ST
Äänitaso ilmassa (db(A) re 1pW)	C(37)/B(35)	C(37)/B(35)	C(37)/B(35)
Laitetyyppi	Vapaasti seisova	Vapaasti seisova	Vapaasti seisova
Tämä laite on tarkoitettu yksinomaan viinin säilyttämiseen.	Kyllä	Kyllä	Kyllä
Mitat (L/S/K mm)	597/714/1900	597/714/1900	603/769/1900

Selitykset:

1) Vakiotestitulosten perusteella 24 tunnin ajalta. Todellinen virrankulutus riippuu todellisesta ympäristöstä, pullojen määrästä, asetetusta lämpötilasta, oven avaamisesta ja sulkemisesta jne.

2) Nimellinen virrankulutus on vakiotestin mukaisesti saatu arvo, kun viinikaappi ei sytytä sisävaloa.

- Laajennettu lauhkea: kylmälaite toimii suunnitellusti, kun ympäristön lämpötila on 10–32 °C.
- Lauhkea: kylmälaite toimii suunnitellusti, kun ympäristön lämpötila on 16–32 °C.
- Subtrooppinen: kylmälaite toimii suunnitellusti, kun ympäristön lämpötila on 16–38 °C.
- Trooppinen: kylmälaite toimii suunnitellusti, kun ympäristön lämpötila on 16–43 °C.

Standardit ja direktiivit 

Tämä tuote täyttää kaikkien sovellettavien EY-direktiivien vaatimukset vastaavilla yhdenmukaistetuilla standardeilla, joissa säädetään CE-merkinnästä.

Suosittelemme Haierin asiakaspalvelua ja alkuperäisten varaosien käyttöä.

Jos sinulla on ongelmia laitteen kanssa, tarkista ensin osio VIANMÄÄRITYS. Jos et löydä ratkaisua, ota yhteyttä

- ▶ paikalliseen jälleenmyyjän tai
- ▶ siirry Internet-osoitteen www.haier.com Service & Support -kohtaan. Täältä löydät tuen puhelinnumerot sekä usein kysytyjä kysymyksiä ja täällä voit myös aktivoida huoltopyynnön.

Jos haluat ottaa yhteyttä palveluumme, varmista, että sinulla on seuraavat tiedot saatavilla. Tiedot löytyvät arvokilvestä.

Malli _____ Sarjanumero _____

Tarkista myös tuotteen mukana toimitettu takuukortti takuun varalta.

Alla on osoitetietomme Euroopassa, jos sinulla on yleisluontoisia kysymyksiä yrityksestämme.

Euroopan Haier-osoitteet			
Maa*	Postiosoite	Maa	Postiosoite
Italia	Haier Europe Trading SRL Via De Cristoforis, 12 21100 Verese ITALY	Ranska	Haier Europe Trading SRL Via De Cristoforis, 12 21100 Verese ITALY
Espanja Portugali	Haier Iberia SL Pg. Garcia Faria, 49-51 08019 Barcelona SPAIN	Belgia-FR Belgia-NL Alankomaat Luxemburg	Haier Benelux SA Anderlecht Route de Lennik 451 BELGIUM
Saksa Itävalta	Haier Deutschland GmbH Hewlett-Packard-Str. 4 D-61352 Bad Homburg GERMANY	Puola Tšekki Unkari Kreikka Romania Venäjä	Haier Poland Sp. zo.o. Al. Jerozolimskie 181B 02-222 Warszawa POLAND
Yhdistynyt kuningaskunta	Haier Appliances UK Co. Ltd. One Crown Square Church Street East Woking, Surrey, GU21 6HR UK		

VARAOSIEN SAATAVUUS: Termostaatteja, lämpötilan tunnistimia, painettuja piirilevyjä ja valonlähteitä on saatavilla varaosina vähintään 7 vuoden ajan sen jälkeen, kun kyseisen mallin viimeinen kappale on tullut myyntiin. Ovien kädensijat, ovien saranat, alustat ja korit ovat saatavina varaosina vähintään 7 vuoden ajan ja ovitiivisteet vähintään 10 vuoden ajan sen jälkeen, kun kyseisen mallin viimeinen kappale on tullut myyntiin.

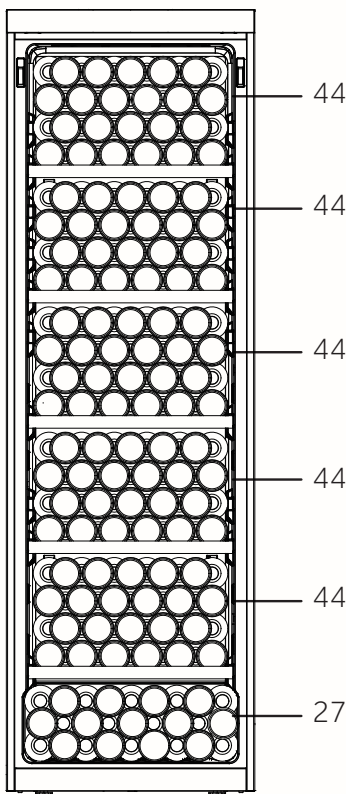
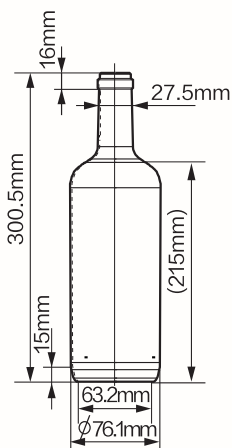
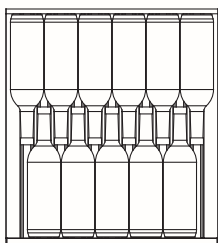
Vähimmäistakuu on: 2 vuotta EU-maissa, 3 vuotta Turkissa, 1 vuosi Isossa-Britanniassa, 1 vuosi Venäjällä, 3 vuotta Ruotsissa, 2 vuotta Serbiassa, 5 vuotta Norjassa, 1 vuosi Marokossa, 6 kuukautta Algeriassa, Tunisia ei vaadi lakisääteistä takuuta.

Lisätietoa tuotteesta saa osoitteesta <https://eprel.ec.europa.eu/> tai skannaamalla laitteen energiamerkissä olevan QR-koodin.

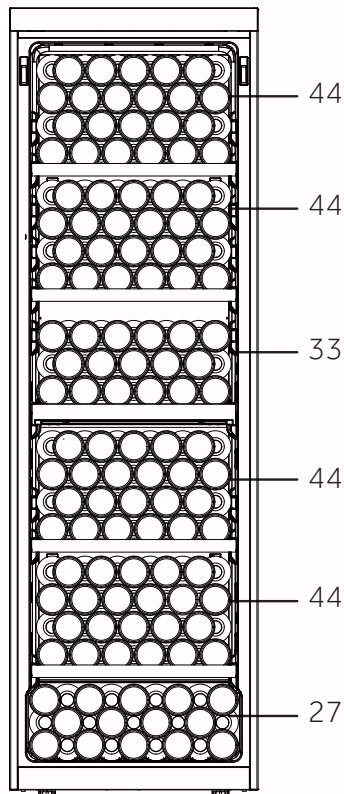
Viinipullojen pinoaminen

FI

Pullojärjestely perustuu tavallisen Bordeaux-pullon (0,75 l) graafiseen esitykseen. Erilaisten pullojen eritelmien vuoksi todellinen pullon latausmäärä voi olla erilainen.



HWS247GGU1
HWS247FDU1
HWS247GEH1
HWS247FAH1



HWS236GDU1
HWS236GDEH1

HWS-247FDU1-247GGU1-236GGDU1-247GEH1-236GDEH1-HWS247FAH1 - FI

Haier



Haier

Brukerhåndbok

Vinkjeller

HWS247FAH1
HWS247FDU1
HWS247GGU1
HWS247GEH1
HWS236GDEH1
HWS236GDGU1

NO

Haier

Takk for at du kjøpte et Haier-produkt.

Les disse instruksjonene nøye før du bruker dette apparatet. Instruksjonene inneholder viktig informasjon som vil hjelpe deg å få det beste ut av apparatet og sikre sikker og riktig installasjon, bruk og vedlikehold.

Oppbevar denne håndboken på et praktisk sted slik at du alltid kan se den for sikker og riktig bruk av apparatet.

Hvis du selger apparatet, gir det bort eller lar det ligge igjen når du flytter, sørg for at du også passerer denne håndboken slik at den nye eieren kan bli kjent med apparatet og sikkerhetsadvarslene.



Brosjyre



Advarsel - Viktig sikkerhetsinformasjon

Generell informasjon og tips



Miljøinformasjon



Kassering

Bidra til å beskytte miljøet og menneskers helse. Legg emballasjen i aktuelle beholdere for å resirkulere den. Bidra til å resirkulere avfall fra elektriske og elektroniske apparater. Ikke kast apparater merket med dette symbolet sammen med husholdningsavfallet. Returner produktet til ditt lokale resirkuleringsanlegg eller kontakt kommunekontoret.



ADVARSEL!

Fare for skade eller kvelning!

Kjølemedier og gasser må kasseres på en profesjonell måte. Forsikre deg om at slangen til kjølemiddelkretsen ikke er skadet før den kastes på riktig måte. Koble apparatet fra strømmettet. Kutt av nettkabelen og kast den. Fjern skuffene og skuffene samt dørlåsen og pakningene, for å forhindre at barn og kjæledyr blir lukket i apparatet.

Gamle hvitevarer har fortsatt en viss restverdi. En miljøvennlig deponeringsmetode vil sikre at verdifulle råvarer kan gjenvinnes og brukes på nytt.

Cyclopentan, et brennbart stoff som ikke er skadelig for ozon, brukes som ekspander for isolasjonsskummet.

Ved å sikre at dette produktet kasseres på riktig måte, vil du bidra til å forhindre potensielle negative konsekvenser for miljøet og menneskers helse, som ellers kan forårsakes.

For mer detaljert informasjon om resirkulering av dette produktet, vennligst kontakt ditt lokale råd, din husholdningsavfallstjeneste eller butikken der du kjøpte produktet, håndtert av fagfolk.

1- Sikkerhetsinformasjon	4
2- Sikkerhetstips	7
3- Vedlikehold	11
4- Tilbehør	13
5- Produktbeskrivelse	14
6- Installasjon	15
7- Bruk	19
8- Energisparetips	24
9- Utstyr	25
10- Stell og rengjøring	26
11- Feilsøking	27
12- Tekniske data	30
13- Kundeservice	31
14- Vinflaskestabling	32

Dette apparatet skal utelukkende brukes til oppbevaring av vin. Les følgende sikkerhetstips før du slår på apparatet for første gang!:



ADVARSEL!

Før første gangs bruk

- ▶ Kontroller at det ikke er noen transportskade.
- ▶ Fjern all emballasje og oppbevar utenfor barns rekkevidde og kast dem på en miljøvennlig måte.
- ▶ Vent minst en halv time før du installerer apparatet for å sikre at kjølemiddelkretsen er fullt effektiv.
- ▶ Håndter alltid apparatet med minst to personer fordi det er tungt.

Installasjon

- ▶ Apparatet bør plasseres på et godt ventilert sted. Sørg for en plass på minst 50 mm over og rundt apparatet.
- ▶ **ADVARSEL:** Ventilasjonsåpninger i apparatets kabinett eller i den innebygde konstruksjonen må ikke tildekkes.
- ▶ Plasser aldri apparatet på et fuktig sted eller et sted hvor det kan sprutes med vann. Rengjør og tørk vannsprut og flekker med en myk ren klut.
- ▶ Ikke installer vinkjelleren på et sted som ikke er skikkelig isolert eller oppvarmet, f.eks. garasje osv. Vinkjelleren din er ikke designet for å fungere i omgivelsestemperaturer under 10 °C.
- ▶ Ikke installer apparatet i direkte sollys eller i nærheten av varmekilder (f.eks. komfyrer, varmeovner).
- ▶ Installer og juster apparatet i et område som passer for størrelse og bruk.
- ▶ Pass på at den elektriske informasjonen på typeskiltet stemmer overens med strømforsyningen. Hvis den ikke gjør det, kontakt en elektriker.
- ▶ Apparatet drives av en 220-240 VAC / 50 Hz strømforsyning. Unormal spenningssvingning kan føre til at apparatet ikke starter, eller at temperaturreguleringen eller kompressoren blir skadet, eller det kan være unormal støy under bruk. I slike tilfeller skal det monteres en automatisk regulator.
- ▶ Ikke bruk multipluggadaptore og skjøteledninger.

**ADVARSEL!**

- ▶ **ADVARSEL:** Ikke plasser flere bærbare stikkontakter eller bærbare strømforsyninger på baksiden av apparatet.
- ▶ **ADVARSEL:** Når du plasserer apparatet, må du sørge for at strømledningen ikke er fanget eller skadet.
- ▶ Ikke trakk på strømkabelen.
- ▶ Bruk en separat jordet stikkontakt for strømforsyningen som er lett tilgjengelig. Dette apparatet må jordes.
- ▶ **Bare for Storbritannia:** Apparatets strømkabel er utstyrt med 3-ledningskontakt (jording) som passer til en standard 3-ledningskontakt (jordet). Aldri kutt av eller demonter den tredje pinnen (jording). Etter at apparatet er installert, skal støpselet være tilgjengelig.
- ▶ **ADVARSEL:** Ikke skad kjølevæskesystemet.

Daglig bruk

- ▶ Dette apparatet kan brukes av barn i alderen fra åtte år og eldre og personer med nedsatt fysisk, sensorisk eller mental evne eller med mangel på erfaring og kunnskap, forutsatt at de blir veiledet eller gitt instruksjoner om bruk av apparatet på en trygg måte, og de forstår de involverte farene.
- ▶ Barn skal ikke leke med apparatet.
- ▶ Barn i alderen 3 til 8 år har lov til å laste og losse kjøleapparater, men ikke til å rengjøre og installere kjøleapparater.
- ▶ Hold barn under 3 år unna apparatet med mindre de er under konstant tilsyn.
- ▶ Rengjøring og vedlikehold skal ikke utføres av barn uten tilsyn.
- ▶ Apparatet må plasseres slik at støpselet er tilgjengelig.
- ▶ Hvis kullgass eller annen brennbar gass lekker inn i nærheten av apparatet, slå av ventilen til den lekkende gassen, åpne dørene og vinduene og ikke koble fra strømkabelen til apparatet.
- ▶ Vent i minst 7 minutter for å koble til strømmen igjen etter at strømmen er koblet fra.
- ▶ Ikke løft apparatet i dørhåndtakene.
- ▶ Nøklene må oppbevares utilgjengelig for barn og ikke i nærheten av apparatet for å hindre at barn blir låst inne i apparatet.



ADVARSEL!

- ▶ Legg merke til at apparatet er innstilt for bruk ved det spesifikke omgivelsesområdet mellom 10 og 38 °C. Apparatet fungerer kanskje ikke som det skal hvis det blir stående i en lengre periode ved en temperatur over eller under det angitte området.
- ▶ Ikke plasser ustabile gjenstander (tunge gjenstander, beholdere fylt med vann) oppå apparatet for å unngå personskader forårsaket av fall eller elektrisk støt forårsaket av kontakt med vann.
- ▶ Åpne og lukk døren kun med håndtakene. Avstanden mellom døren og skapet er veldig smal. Ikke legg hendene i disse områdene for å unngå å klemme fingrene. Åpne eller lukk apparatdørene kun når det ikke er barn som står innenfor dørens bevegelsesområde.
- ▶ Ikke oppbevar eller bruk brennbare, eksplosive eller etsende materialer i apparatet eller i nærheten.
- ▶ Ikke oppbevar eksplosive stoffer som aerosolbeholdere med brennbar drivgass i dette apparatet.
- ▶ Oppbevar ikke medisiner, bakterier eller kjemiske midler i apparatet. Dette apparatet er et husholdningsapparat, det anbefales ikke å lagre materialer som krever strenge temperaturer.
- ▶ Ikke still inn unødvendig lav temperatur i vinkabinettseksjonen. Minustemperaturer kan forekomme ved høye innstillinger. Obs: Flasker kan sprekke
- ▶ Ikke berør innsiden av apparatboksen når den er i bruk, spesielt med våte hender, da hendene dine kan fryse fast på overflaten.
- ▶ For riktig vinkjøling, ikke overbelast apparatet.
- ▶ Koble fra apparatet i tilfelle strømbrudd eller før rengjøring. Vent minst 7 minutter før du starter apparatet på nytt, siden hyppig start kan skade kompressoren.
- ▶ **ADVARSEL:** Ikke bruk elektriske enheter inne i apparatet, med mindre de er av typen anbefalt av produsenten. For å unngå risiko må en skadet strømledning skiftes ut av kundeservice (se garantikortet).
- ▶ For å forlenge levetiden til apparatet, unngå å slå det av.
- ▶ Plasser aldri apparatet horisontalt på bakken. Etter å ha vippet apparatet mer enn 45°, vent i 24 timer før du kobler det til.

**ADVARSEL!****Vedlikehold/rengjøring**

- ▶ Sørg for at barn er under oppsyn hvis de utfører rengjøring og vedlikehold.
- ▶ Koble apparatet fra strømforsyningen før du utfører rutinemessig vedlikehold. Vent minst 7 minutter før du starter apparatet på nytt, siden hyppig start kan skade kompressoren.
- ▶ Hold støpselet, ikke kabelen, når du kobler fra apparatet.
- ▶ Ikke rengjør apparatet med harde børster, stålbørster, vaske-middelpulver, bensin, amyloacetat, aceton og lignende organiske løsninger, sure eller alkaliske løsninger. Rengjør med spesialvaskemiddel for kjøleskap/fryser for å unngå skade. Bruk til slutt varmt vann og natronløsning - ca en spiseskje natron til en liter/liter vann. Skyll grundig med vann, og tørk av. Ikke bruk rengjøringspulver eller andre slipende rengjøringsmidler. Ikke vask avtakbare deler i oppvaskmaskin.
- ▶ **ADVARSEL:** Ikke bruk mekaniske enheter eller andre metoder for å akselerere avrimingsprosessen, bortsett fra de som anbefales av produsenten.
- ▶ Hvis strømledningen er skadet, må den byttes ut av produsenten, serviceagenten eller tilsvarende kvalifiserte personer for å unngå fare.
- ▶ Ikke prøv å reparere, demontere eller modifisere apparatet på egen hånd. Ved reparasjon, kontakt vår kundeservice.
- ▶ Hvis lyslampene er skadet, må de skiftes ut av produsenten, dennes servicerepresentant eller tilsvarende kvalifiserte personer for å unngå fare.
- ▶ Fjern støvet på baksiden av enheten minst én gang i året for å unngå fare ved brann, samt økt energiforbruk.

- ▶ Ikke spray eller skyll apparatet under rengjøring.
- ▶ Ikke bruk vannspray eller damp for å rengjøre apparatet.
- ▶ Ikke rengjør de kalde glassdørene med varmt vann. Plutselige temperaturendringer kan føre til at glasset knuses.
- ▶ Hvis du lar apparatet stå ute av bruk i en lengre periode, la det stå åpent for å forhindre at det bygges opp lukt og ubehagelig lukt inne.

Informasjon om kjølemiddelgass



ADVARSEL!

Apparatet inneholder det brennbare kjølemediet ISOBUTANE (R600a). Sørg for at kjølemiddelkretsen ikke er skadet under transport eller installasjon. Kjølemiddel som lekker kan forårsake øyeskader eller antennes. Hvis det har oppstått en skade, hold åpne ildkilder unna, ventiler rommet grundig, ikke plugg eller koble fra strømledningene til apparatet eller andre apparater. Informer kundeservice.

Hvis øynene kommer i kontakt med kjølemediet, skyll det umiddelbart under rennende vann og kontakt øyespesialisten umiddelbart.

ADVARSEL: Kjølesystemet er under høyt trykk. Ikke tukle med den. Siden de brennbare kjølemediene brukes, vennligst installer, håndter og vedlikehold apparatet i henhold til instruksjonene og kontakt en profesjonell agent eller vår ettersalgsservice for å avhende apparatet.


Tiltenkt bruk

Dette apparatet er beregnet for bruk i husholdninger og lignende bruksområder som f.eks

- Personalets kjøkkenområder i butikker, kontorer og andre arbeidsmiljøer;
 - gårds hus og av gjester på hoteller, moteller og andre typer boligmiljøer;
 - bed and breakfast type miljøer;
 - catering og lignende ikke-detaljhandel applikasjoner.
- For å sikre sikker oppbevaring av vin, vennligst følg denne bruksanvisningen.
- Detaljene om den mest hensiktsmessige delen i rommet til apparatet der spesifikke typer mat skal oppbevares, med tanke på fordelingen av temperatur som kan være tilstede i de forskjellige rommene i apparatet, er i den andre delen av håndboken.
- Endringer eller modifikasjoner på enheten er ikke tillatt. Utilsiktet bruk kan forårsake farer og tap av garantikrav.

Kassering



De  symbolet på produktet eller på emballasjen indikerer at dette produktet ikke kan behandles som husholdningsavfall. Det skal i stedet overleveres til gjeldende oppsamlingssted for resirkulering av elektrisk og elektronisk utstyr. Ved å sikre at dette produktet kasseres på riktig måte, vil du bidra til å forhindre potensielle negative konsekvenser for miljø og menneskers helse, noe som ellers kan forårsakes av upassende avfallshåndtering av dette produktet. Hvis du vil ha mer detaljert informasjon om resirkulering av dette produktet, kan du kontakte den lokale kommuneadministrasjonen, den lokale avfallstjenesten for husholdningsavfall eller butikken der du kjøpte produktet. Siden de brennbare isolasjonsblåsende gassene brukes, vennligst kontakt en profesjonell agent eller vår ettersalgsservice for å avhende apparatet.

ADVARSEL!

Fare for skade ved kvelning!

Kjølemedier og gasser må kasseres på en profesjonell måte. Forsikre deg om at slangen til kjølemiddelkretsen ikke er skadet før den kastes på riktig måte. Koble apparatet fra strømmettet. Kutt av nettkabelen og kast den. Fjern skuffene og skuffene samt dørlåsen og tetningene for å forhindre at barn og kjæledyr blir lukket i apparatet.

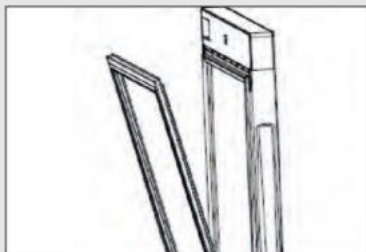
- ▶ **ADVARSEL:** Koble apparatet fra strømforsyningen før rengjøring.
- ▶ Ikke rengjør apparatet med harde børster, stålbørster, vaske-middelpulver, bensin, amyloacetat, aceton og lignende organiske løsninger, sure eller alkaliske løsninger. Rengjør med spesielt kjøleskapsvaskemiddel for å unngå skade.
- ▶ Rengjør apparatet når bare lite eller ingen vin er lagret. Det er bare nødvendig å rengjøre det når det er skittent.
- ▶ Rengjør innsiden og huset til apparatet med en svamp fuktet i varmt vann og nøytralt rengjøringsmiddel.
- ▶ Skyll med rent varmt vann og tørk med en myk klut.
- ▶ Ikke rengjør deler av apparatet i oppvask-maskin.
- ▶ La det gå minst sju minutter før du starter apparatet på nytt, ettersom hyppig start kan skade kompressoren.



Rengjør dørpakningen:

- ▶ Dørpakningene bør rengjøres hver 3. måned for å sikre en skikkelig tetning. Som Nedenfor: Fjern: Ta tak i dørpakningen og trekk den ut i henhold til pilens retning for å fjerne hele dørpakningen i rekkefølge.

Dypp børsten med vann eller alkohol av næringsmiddelkvalitet, rens først opp dørpakningssporet ved å trekke frem og tilbake børsten. Tørk deretter av dørpakningens overflate med et håndkle dyppet med vann eller alkohol av matkvalitet. Til slutt, vask dørpakningen ren og tørk den tørr med et rent håndkle.



Montering av dørpakning etter rengjøring:

Før montering, sørg for at det ikke er vann på dørpakningen. Sett dørpakningen inn i sporet, og trykk dørpakningen tett fra topp til bunn for hånd til hele dørpakningen er satt inn i sporet.

Rengjøring av hyller:

- ▶ Alle hyller kan tas ut for rengjøring.
- ▶ Ta ut alle flaskene.
- ▶ Løft hver hylle litt og ta den ut.
- ▶ Rengjør hyllen med et mykt håndkle.
- ▶ Vent til hyllene er tørre før du setter dem inn igjen.

ADVARSEL:

Vent minst 7 minutter for å koble til strømmen igjen etter at strømmen er koblet fra.

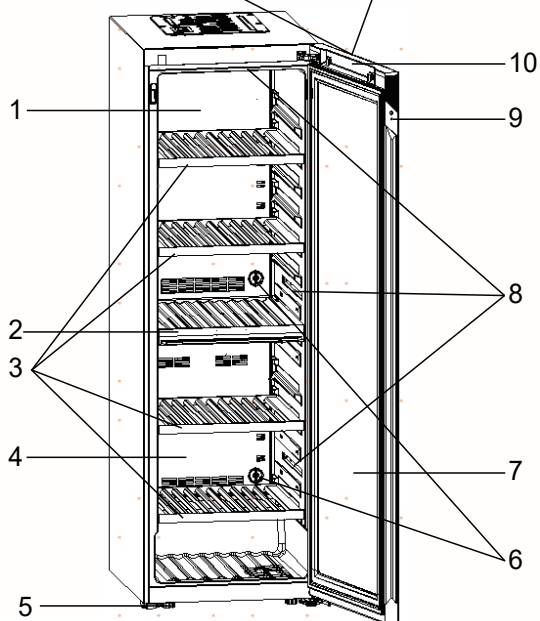
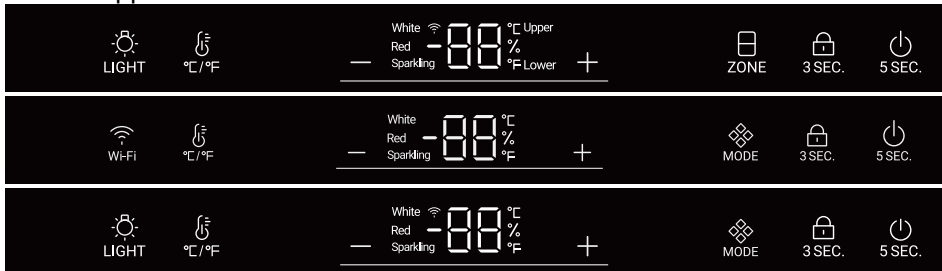
Sjekk tilbehøret og litteraturen i henhold til denne listen: uten isolasjon.

Navn	Bruker- håndbok	Service- kort	Hylle	Hinger- Cover	Energi- merke	Nøkkel	Håndtak	Skrue	Skrukork	Dekke	Utstillin- gshylle
HWS247FAH1	1	1	5	1	1	2	1	4	2	1	1
HWS247GGU1	1	1	5	1	1	2	/	/	/	/	/
HWS236GDGU1	1	1	4	1	1	2	/	/	/	/	/
HWS247FDU1	1	1	5	1	1	2	1	4	2	1	/
HWS247GEH1	1	1	5	1	1	2	/	/	/	/	/
HWS236GDEH1	1	1	4	1	1	2	/	/	/	/	/

i Obs

På grunn av tekniske endringer og forskjellige modeller kan noen av illustrasjonene i denne håndboken avvike fra din modell.

Bilde av apparatet



(HWS236GDGU1)

- | | |
|--|----------------------|
| 1. Øvre luftkanalskjerm | 6. Aktivt kullfilter |
| 2. partisjon (for HWS236GDGU1/HWS236GDEH1) | (unntatt HWS247FAH1) |
| 3. Hylle | 7. Dør |
| 4. Nedre luftkanalskjerm | 8. LED-lampe |
| 5. Justerbare føtter | 9. Lås |
| | 10. Display |

1. Pakke ut

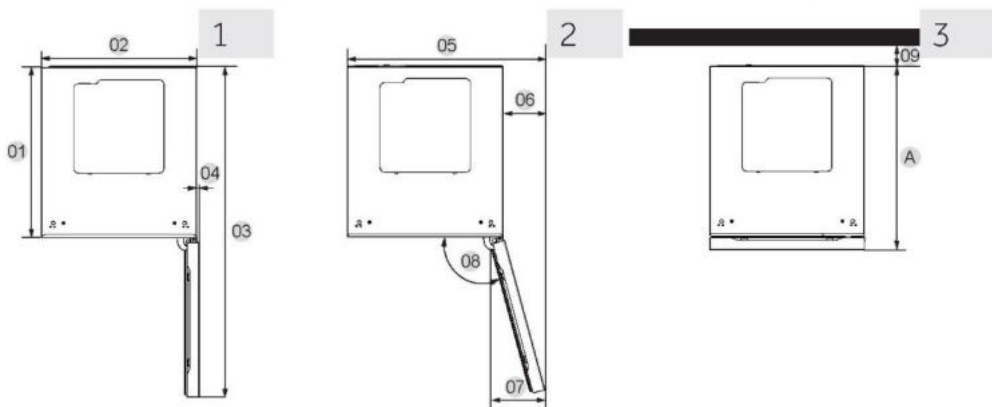
- Ta apparatet ut av emballasjen.
- Fjern alt emballasjemateriale inkludert skumbasen og all teip som holder tilbehøret.

2. Miljøforhold

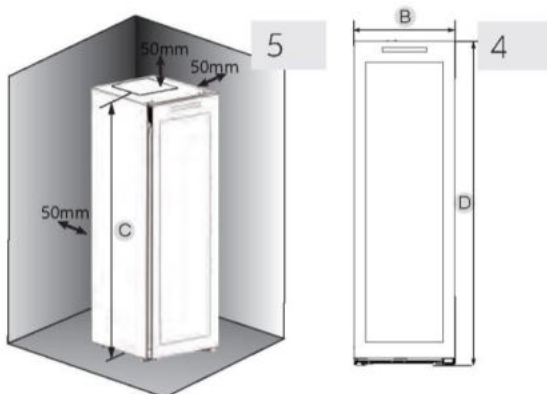
Romtemperaturen bør alltid være mellom 10 °C og 38 °C, siden det kan påvirke temperaturen inne i apparatet og energiforbruket. Ikke installer apparatet i nærheten av andre varmeavgi- vende apparater (ovner, kjøleskap) uten isolasjon.

3. Plassbehov

Nødvendig plass for å åpne døren (fig. 1,2,3,4); Av sikkerhetsmessige og energimessige årsaker må nødvendig ventilasjonsavstand på 50 mm i alle retninger overholdes (fig.5).



Mål: mm	HWS247GGU1 HWS247GEH1	HWS236GGDU1 HWS236GDEH1	HWS247FDU1 HWS247FAH1
Dybde A	714	714	714
Bredde B	597	597	597
Høyde C	1905	1905	1905
Total høyde D	1900	1900	1900
O1	654	654	654
O2	595	595	595/600
O3	1273	1273	1273
O4	11	11	11
O5	756	756	756
O6	161	161	161
O7	200	200	200
O8	105°	105°	105°
O9	50	50	50





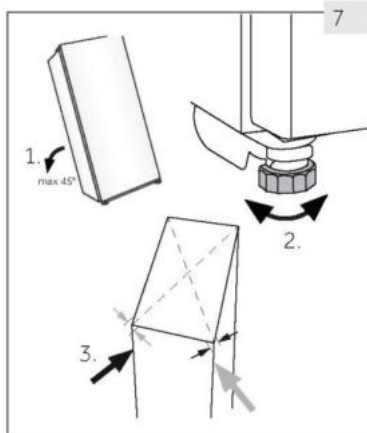
ADVARSEL!

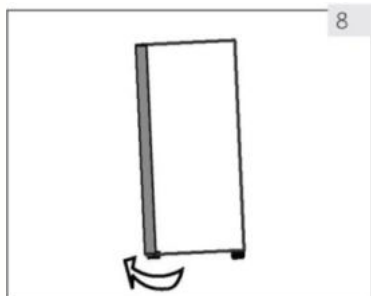
- ▶ Hold ventilasjonsåpningene i apparatet eller i den innebygde strukturen fri for hindringer. Dette kjøleutstyret er ikke ment å brukes som et innebygd apparat

5. Justering av apparatet

Apparatet skal plasseres på en flat og solid overflate.

1. Vipp apparatet litt bakover (fig. 7).
2. Still inn de justerbare fremre føttene til ønsket nivå ved å dreie dem.
3. Stabiliteten kan kontrolleres ved vekselvis å støte på diagonalene. Den litt svaiende skal være den samme i begge retninger. Ellers kan rammen deformeres; mulig lekkasje dørpakninger er resultatet. En lav tendens bakover letter lukkingen av døren.





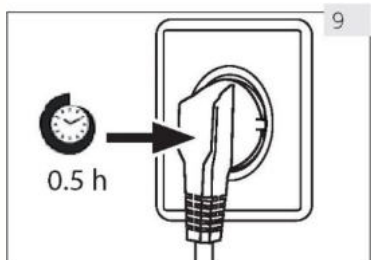
8

6. Finjustering av døren

Apparatet lukkes lettere hvis nivelleringsføttene på forsiden brukes:

Roter de justerbare føttene (fig. 8) for å skru dem opp eller ned:

- ▶ Ved å dreie føttene med klokken heves apparatet.
- ▶ Senk apparatet ved å dreie føttene mot klokken.



9

7. Ventetid

Til den vedlikeholdsfrie smøreoljen er det plassert i kapselen til kompressoren. Denne oljen kan komme gjennom det lukkede rørsystemet under transport hvis apparatet vippes. Før du kobler apparatet til strømforsyningen må du vente 0,5 timer (fig. 9) slik at oljen renner tilbake i kapselen.

8. Elektrisk tilkobling

Kontroller før hver tilkobling om:

- ▶ strømforsyning, stikkontakt og sikring passer til typeskiltet.
- ▶ strømuttaket er jordet og ingen multiplugg eller forlenger.
- ▶ støpselet og stikkontakten sitter riktig.

Koble støpselet til en riktig installert stikkontakt.



ADVARSEL!

For å unngå risiko må en skadet strømledning skiftes ut av kundeservice (se garantikortet).

9. Dør-reversibilitet

Før du kobler apparatet til strømforsyningen, bør du sjekke om dørsvingen må endres fra høyre (som levert) til venstre, hvis dette er nødvendig av installasjonsstedet og brukervennligheten



ADVARSEL!

- ▶ Apparatet er tungt. Du trenger to personer for å utføre dørens vendbarhet.
- ▶ Koble apparatet fra strømmettet før enhver operasjon.
- ▶ Ikke vipp apparatet mer enn 45° for å unngå skade på kjølesystemet.

Monteringstrinn

1. Gi nødvendig verktøy.
2. Koble fra apparatet.
3. Fjern det øvre bjelkedekselet og det lille dekselet, Venstre og høyre transponeringsinstallasjon av lite deksel
4. Fjern kabelskuffdekselet og trimdekselet, Venstre og høyre transponeringsmontering av dekorativt deksel. Fjern den svarte gummipluggen fra venstre nøkkelhull på innsiden av dørkroppen og installer den på høyre nøkkelhull.
5. Fjern hengseldekselet. Bruk verktøyet til å fjerne 3 skruer og fjerne portalkroppen.
6. Fjern de 3 skruene under portalkroppen med verktøyet, portalkroppskammen og dørstopperen, venstre og høyre transposisjon er installert på den andre siden av portalkroppen.
7. Fjern bokshengselheten med verktøyet, fjern først hengselkammen i den nedre hengselheten, sett inn hengselakselen til høyre skruenhull, montering. Transponeringsinstallasjon med hjulstøtteenheten på høyre side av boksen.
8. Portkroppen er installert vertikalt nedover på hengselakselen.
9. Det øvre hengslet settes inn i skafthullet på portalkroppen, fest boksen med skruer, installer trådboksdakselet og det øvre bjelkedekselet



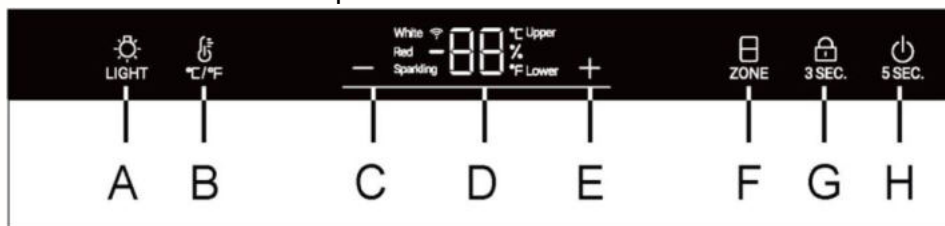
1. Før første gangs bruk

- ▶ Fjern alt emballasjemateriale. Dette inkluderer skumbasen og all selvklebende tape som holder vinkjellertilbehøret innvendig og utvendig. Hold dem utenfor barns rekkevidde og kast dem på en miljøvennlig måte.
- ▶ Rengjør innsiden og utsiden av apparatet med vann og et mildt rengjøringsmiddel før du legger vin i det.
- ▶ Etter at apparatet er nivellert og rengjort, vent i minst 2 timer før du kobler det til strømforsyningen. Hvis vinkjelleren din har blitt vippet av en eller annen grunn, vent 24 timer før du kobler den til. Se avsnitt INSTALLASJON.
- ▶ Når du har koblet enheten til en stikkontakt, la enheten gå i minst 30 minutter for å akklimatisere seg før du gjør noen justeringer.
- ▶ Temperaturen settes automatisk til 12 °C. Hvis du ønsker det, kan du endre temperaturen manuelt. Se TEMPERATUR.

2. Berøringstaster

Knappene på kontrollpanelet er berøringstaster, som reagerer ved lett berøring med fingeren.

3. Beskrivelse for kontrollpanel



- | | |
|-----------------------------------|-------------------------------------|
| A. Innvendig lysknapp | E. Temperaturjusteringsknapp: opp |
| B. °C /°F konverteringsknapp | F. Knapp for valg av temperatursone |
| C. Temperaturjusteringsknapp: ned | G. Låseknapp |
| D. Display | H. På-knapp |

4. Automatisk låsefunksjon

I låseskjermtilstanden, trykk lenge på låsetasten for 3S, skjermen viser 3, 2 og 1, skjermen er låst opp og låseikonet er halvt tent; Hvis det ikke er noen operasjon, vil skjermen låses automatisk etter 30s. I låseskjermtilstanden er alle låsetastikonene på, og tastene på skjermen kan ikke betjenes (bortsett fra lystasten);

5. Strømknappfunksjon

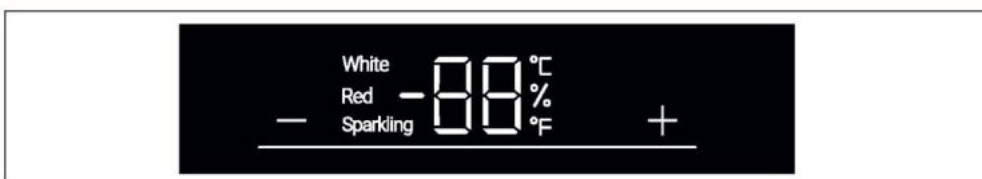
Når skjermen er av, trykk på en hvilken som helst tast, og displayet vil lyse opp. Trykk lenge på av/på-tasten, skjermen viser 5, 4, 3, 2 og 1, og strømmen til hele maskinen er slått av. Når strømmen er av, trykk lenge på av/på-tasten for å vise 5, 4, 3, 2, 1. Strømmen er på.





6. Temperaturinnstilling

Obs


Forhåndsinnstillinger



- ▶ Når du har koblet enheten til en stikkontakt, la enheten i minst 30 minutter for å akklimatisere seg før du gjør noen justeringer.
- ▶ Når apparatet slås på etter at det er koblet fra hovedstrømforsyningen, kan det ta opptil flere timer før riktig temperatur oppnås. Den nøyaktige tiden varierer avhengig av miljøet og temperaturinnstillingen.



Trykk på  - eller  -knappen, displayet begynner å blinke. Trykk på  - eller  -knappen for å stille inn ønsket temperatur. Temperaturinnstillingsområdet: 5-20 °C (41-68 °F). Slutt å trykke på tasten i 3 sekunder, temperaturen bekreftes.

7. Modus eller sonefunksjon

Trykk på  -knappen. Temperaturbryteren fra glitrende (8° Cor 47 °F) til hvit (12° Cor 54 °F) og rød (16° Cor 61 °F). (HWS247GGU1/HWS247GEH1/HWS247FDU1/HWS247FAH1))

I opplåsingstilstanden er  -ikonet helt på. Hvis gjeldende display er i den øvre temperatursonen, vil det øvre ikonet slå seg på og det nedre ikonet er av. På dette tidspunktet trykker du på  -tasten, det nedre ikonet vil være på og det øvre ikonet vil være av.

(for HWS236GDGU1/HWS236GDEH1)

Rødvín	+13 °C til +20 °C (+55 °F til + 68 °C)	Musserende vin Prosecco	+5 °C til +8 °C (+41 °F til 47 °F)
Hvitvin	+9 °C til +12 °C (+48 °F til +54 °F)		

Hvis du lagrer vin over lengre tid, bør den lagres ved en temperatur mellom +10 °C og +12 °C (50 °F og +54 °F).

8. Standby-modus

Skjermen dimmes automatisk i 30 sekunder.

Den lyser automatisk når en tast berøres eller døren åpnes.

**Obs****Påvirkning på temperaturer**



Temperaturen inne i apparatet påvirkes av følgende faktorer:

- ▶ Omgivelsestemperatur
- ▶ Mengde lagrede flasker
- ▶ Hyppighet av døråpning
- ▶ Plasseringen av apparatet

Standardinnstillingen er 12 °C

Når displayet slutter å blinke, går det tilbake til å vise gjeldende temperatur inne i vinkjelleren. Det vil ta litt tid å nå den innstilte temperaturen.

9. Innstilling av lysmodus

Trykk på -knappen. Når lysene i skapet er på, vil lysene tennes gradvis. Når du trykker på -knappen en gang til, vil lysene slukkes gradvis.

(unntatt HWS247FDU1/HWS247FAH1)

10. °C/°F-funksjon

Trykk på -knappen, bytt mellom Fahrenheit og Celsius.

11. Wi-Fi-funksjon

Trykk på Wi-Fi-knappen i 3 sekunder, Wi-Fi-knappen begynner å blinke raskt og går automatisk inn i konfigurasjonsmodus (for HWS247FDU1/HWS247FAH1).

12. Slå av minnefunksjon

Ved strømbrytning vil kjelleren automatisk lagre den innstilte temperaturen. Etter strøm-gjenoppretting vil den kjøre basert på temperaturen som ble stilt inn før strømbrytningen.

13. Lav temperatur kompensasjonsfunksjon

Vinkjelleren har en lav temperatur kompensasjonsfunksjon for å sikre stabiliteten til temperaturen: Når omgivelsestemperaturen er lavere enn den innstilte temperaturen, starter vinkjelleren automatisk lavtemperaturkompensasjonsfunksjonen, og varmer opp applikasjonen. Når temperaturen i applikasjonen når den innstilte temperaturen, slås lavtemperaturkompensasjonsfunksjonen automatisk av.

14. Døråpningsalarm

Hvis døren holdes åpen i mer enn 1 min, vil summeren pipe for å gi en alarm til døren lukkes eller en hvilken som helst tast på displaypanelet kan betjenes, og deretter vil summeren slutte å pipe.

15. Wi-Fi-modusinnstilling

TILKOBLINGSMULIGHETER

TRÅDLØSE PARAMETERE

Teknologi	Wi-Fi	Bluetooth
Standard	IEEE 802.11 b/g/n	Bluetooth v4.2, BR/EDR, BLE
Frekvensbånd [·]	2401 ÷ 2483	2402 ÷ 2480
Maksimal effekt [mW] Bånd [MHz]	100	10

PRODUKTINFORMASJON

Slik aktiverer du Wi-Fi-modulen:

Trykk på lysknappen i 3 sekunder for å aktivere Wi-Fi (unntatt HWS247FDU1/HWS247FAH1)

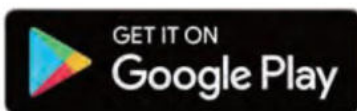
Trykk på Wi-Fi-knappen i 3 sekunder for å aktivere Wi-Fi (for HWS247FDU1/HWS247FAH1)

- Wi-Fi-modulen er slått på, Wi-Fi-ikonet begynner å blinke.
- Hvis vinkabinettet er registrert, men Wi-Fi er av, vil ikonet blinke.
- Hvis vinkabinettet er registrert og tilkoblet, er Wi-Fi-ikonet alltid på.
- For å tilbakestille Wi-Fi, trykk på lyset i 3 sekunder (unntatt HWS247FDU1/HWS247FAH1)
- For å tilbakestille Wi-Fi, trykk på Wi-Fi i 3 sekunder (for HWS247FDU1/HWS247FAH1)

I APP-PARINGSPROSEDYREN

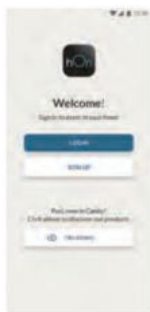
Trinn 1

- Last ned hOn-appen fra butikkene



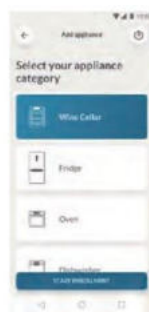
Trinn 2

- Logg på eller registrer deg.



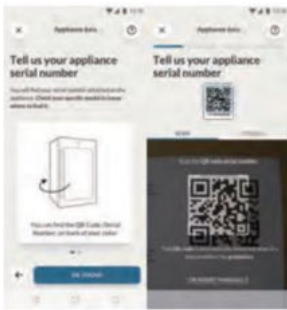
Trinn 3

- Legg til et nytt apparat ved å velge vinkjelleren fra listen



Trinn 4

- Skann QR-en eller sett inn serienummeret manuelt



Trinn 5

- Trykk på lysknappen på produktet i 3 sekunder for å aktivere Wi-Fi (unntatt HWS247FD U1/HWS247FAH1)
- Trykk på Wi-Fi-knappen på produktet i 3 sekunder for å aktivere Wi-Fi (for HWS247FDU1/HWS247FAH1)



Trinn 6

- Wi-Fi-ikonet vil blinke, sammenkoblingsprosessen pågår
- Du vil ha 5 minutter på deg til å fullføre sammenkoblingsprosessen
- Når prosessen er fullført, vil Wi-Fi-ikonet slutte å blinke, og det forblir alltid på MERK





Energisparetips

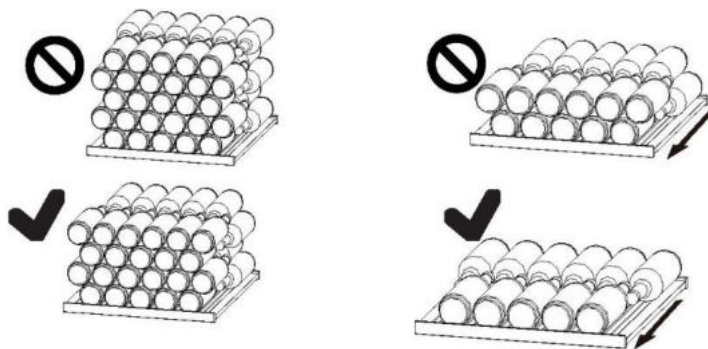
- ▶ Sørg for at apparatet er skikkelig ventilert (se INSTALLASJON).
- ▶ Ikke installer apparatet i direkte sollys eller i nærheten av varmekilder (f.eks. komfyrer, varmeovner).
- ▶ Unngå unødvendig lav temperatur i apparatet. Energiforbruket øker jo lavere temperaturen i apparatet stilles inn.
- ▶ Åpne apparatdøren så lite og så kort som mulig.
- ▶ Ikke overskrid den beregnede mengden flasker for å unngå å hindre luftstrømmen.
- ▶ Hold dørpakninger rene slik at døren alltid lukkes riktig.
- ▶ Den mest energibesparende konfigurasjonen krever at skuff, matboks og hyller plasseres i apparatet i fabrikkfri tilstand, og at mat plasseres uten å blokkere luftutløpet til kanalen.

1. Hylle



1. Hyllene er designet for enkel oppbevaring og enkel fjerning av vinen. De kan rengjøres med et mykt håndkle.
2. Vanlige flasker med en diameter på 76 mm kan stables.
3. Magnumflasker kan stables på nederste hylle.
4. Mengden kan variere fra det avbildede antallet eller flaskene hvis de er stablet på en annen måte.

Råd for utformingen av din vinkjeller.

Vi anbefaler at antall vinflasker ikke bør overstige firelags på hver hylle, og bæreevnen til vinhyllene bør ikke overstige 60 flaskene inne i vinkjelleren, bekrefte om vinhyllene er helt stabile eller ikke. Bekreft i tillegg om noen flaske stikker ut fra hyllene for å forhindre at flasker treffer glassdøren ved lukking.



2. Lyset

LED-innvendig lys tennes når døren åpnes. For å slå på lyset mens døren er lukket, tryk  på  -knappen. For å slå av lysene, trykk på knappen igjen. For å øke energieffektiviteten bør lysene slås av når vinkjelleren ikke vises. (unntatt HWS247FDU1/HWS247FAH1)

3. Låsen

For å låse vinkjelleren, lukk døren og sett nøkkelen i låsen:

- ▶ Lås døren ved å vri nøkkelen med klokken;
- ▶ Lås opp døren ved å vri nøkkelen mot klokken.

1. Avriming

Tiningen av vinkjelleren gjøres automatisk; ingen manuell betjening er nødvendig.

2. Skifte ut LED-lampene

Lampene bruker LED som lyskilde, med lavt energiforbruk og lang levetid. Hvis det er noe unormalt, vennligst kontakt kundeservice. Se KUNDESERVICE.



ADVARSEL!

Ikke skift ut LED-lampen selv. Den må kun skiftes ut av enten produsenten eller en autorisert serviceagent.

Parametre for LED-lampe:

Spenning 12 V

Maks effekt: 18 W

3. Ikke brukt over lengre tid

Trekk ut strømledningen.

Rengjør apparatet og dørpakningene som beskrevet ovenfor.

Hold dørene åpne for å forhindre dannelse av vond lukt inne.

4. Flytte apparatet

1. Fjern alle flasker og koble fra apparatet.

2. Fest hyller og andre bevegelige deler i vinkjelleren med tape.

3. Ikke vipp vinkabinettet mer enn 45° for å unngå å skade kjølesystemet.

5. Luftskifte med aktivert kullfilter (unntatt HWS247FAH1)

Måten vinene fortsetter å modnes på avhenger av omgivelsesforholdene. Luftkvaliteten er derfor avgjørende for å bevare vinen. Et aktivt kullfilter er montert i den nedre delen av apparatets bakvegg for å gjennomsette rester med optimal kvalitet.



Obs

Vi anbefaler at du skifter filteret en gang i året. Montører kan fås hos din forhandler.

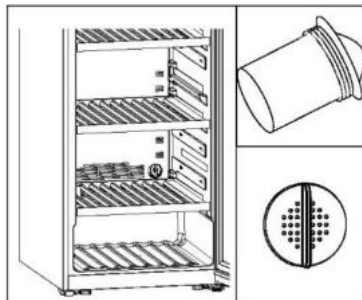
(unntatt HWS247FAH1)

Bytte filter:

Ta montøren i håndtaket. Vri den til venstre og fjern.

Sette inn filteret:

Sett inn med håndtaket i vertikal stilling. Vri den til høyre og sett inn.



Mange oppståtte problemer kan løses av deg selv uten spesifikk ekspertise. I tilfelle et problem, sjekk alle viste muligheter og følg instruksjonene nedenfor før du kontakter en ettersalgsservice. Se KUNDESERVICE.



ADVARSEL!

- ▶ Før vedlikehold, deaktiver apparatet og trekk støpselet ut av stikkkontakten.
- ▶ Elektrisk utstyr skal kun vedlikeholdes av kvalifiserte elektroeksperter, fordi feilaktige reparasjoner kan forårsake betydelige følgeskader.
- ▶ En skadet forsyning bør kun erstattes av produsenten, dennes serviceagent eller lignende kvalifiserte personer for å unngå fare.

Feilkode	Årsak	Løsning
L2	Lav temperaturalarm når temperaturen på kontrollsensoren er for lav;	<ol style="list-style-type: none"> 1. Sjekk omgivelsestemperaturen. 2. Sjekk kompressorkontakten. 3. Kontroller motstanden til temperaturkontrollsensoren.
H1	Når temperaturen på kontrollsensoren er for høy, vil høytemperaturalarmen vises på skjermen;	<ol style="list-style-type: none"> 1. Kontroller kontakten til kontrollkortet eller skjermpanelet. 2. Sjekk motstanden og spenningen til viften. 3. Sjekk viften og kompressorkontakten.

Problem	Mulig årsak	Mulig løsning
Kompressoren fungerer ikke.	<ul style="list-style-type: none"> Støpselet er ikke koblet til stikkkontakten. 	<ul style="list-style-type: none"> Koble til støpselet.
Apparatet går ofte eller går i for lang tid.	<ul style="list-style-type: none"> Utetemperaturen er for høy. Apparatet har vært avslått i en periode. En dør på apparatet er ikke tett lukket. Døren har vært åpnet for ofte eller for lenge. Dørpakningene er skitne, slitt, sprukket eller feilaktig. Den nødvendige luftsirkulasjonen er ikke garantert. Temperaturen er satt for lavt. 	<ul style="list-style-type: none"> I dette tilfellet er det normalt at apparatet går lenger. Normalt tar det en stund før apparatet har kjølt seg helt ned. Lukk døren og sørg for at apparatet er plassert på et jevnt underlag og at det ikke er mat eller beholdere som skurrer i døren. Ikke åpne døren for ofte. Rengjør dørpakningen eller bytt den av kundeservice. Sørg for tilstrekkelig ventilasjon. Problemet vil løse seg når ønsket temperatur er nådd.
Innsiden av vinkjelleren er skitten og/eller lukter..	<ul style="list-style-type: none"> Innsiden av vinkjelleren trenger rengjøring. 	<ul style="list-style-type: none"> Rengjør innsiden av vinkjelleren.
Det er ikke kaldt nok inne i apparatet.	<ul style="list-style-type: none"> Temperaturen er satt for høyt. Flasker har nylig blitt lagt til. En dør på apparatet er ikke tett lukket. Døren har vært åpnet for ofte eller for lenge. Dørpakningene er skitne, slitt, sprukket eller feilaktig. 	<ul style="list-style-type: none"> Tilbakestill temperaturen. Gi tid til at nylig tilsatte flasker når ønsket temperatur. Lukk døren. Ikke åpne døren for ofte. Rengjør dørpakningen eller bytt den av kundeservice.
Det er for kaldt inne i apparatet.	<ul style="list-style-type: none"> Temperaturen er satt for lavt. 	<ul style="list-style-type: none"> Tilbakestill temperaturen.
Fuktighetsdannelse på innsiden av kjøleseksjonen.	<ul style="list-style-type: none"> Klimaet er for varmt og for fuktig. En dør på apparatet er ikke tett lukket. Døren har vært åpnet for ofte eller for lenge. 	<ul style="list-style-type: none"> Øk temperaturen. Lukk døren. Ikke åpne døren/skuffen for ofte.
Fuktighet samler seg på vinkjellernes ytre overflate.	<ul style="list-style-type: none"> Klimaet er for varmt og for fuktig Døren er ikke tett lukket. Den kalde luften i apparatet og den varme luften utenfor kondenserer. 	<ul style="list-style-type: none"> Dette er normalt i fuktig klima og vil endre seg når luftfuktigheten synker. Sørg for at døren er tett lukket og at pakningene tetter ordentlig.

Apparatet lager unormale lyder.	<ul style="list-style-type: none"> • Apparatet er ikke plassert på jevnt underlag. • Apparatet berører en gjenstand rundt seg. 	<ul style="list-style-type: none"> • Juster føttene for å nivellere apparatet. • Fjern gjenstander rundt apparatet.
En svak lyd er å høre lignende vann.	<ul style="list-style-type: none"> • Dette er normalt. 	<ul style="list-style-type: none"> • -
Innvendig belysning eller kjølesystem fungerer ikke.	<ul style="list-style-type: none"> • Støpselet er ikke koblet til stikkkontakten. • Strømforsyningen er ikke intakt. • LED-lampen er ute av drift. 	<ul style="list-style-type: none"> • Koble til støpselet. • Kontroller strømforsyningen til rommet. Ring det lokale strømselskapet! • Ring service for å skifte
Sidene på kjøleren og dørlisten blir varme	<ul style="list-style-type: none"> • Dette er normalt. 	<ul style="list-style-type: none"> • -
Døren lukkes ikke ordentlig	<ul style="list-style-type: none"> • Apparatet er ikke nivellert. • Døren er blokkert. 	<ul style="list-style-type: none"> • Planer apparatet med nivelleringsføttene. • Se etter blokkeringer som flasker eller hyller.

For å kontakte teknisk assistanse, besøk vår nettside:

<https://corporate.haier-europe.com/en/>

Under avsnittet "nettsted" velger du merket til produktet og landet ditt. Du vil bli omdirigert til det spesifikke nettstedet der du finner telefonnummeret og skjemaet for å kontakte teknisk assistanse.

Produktblad i henhold til forordning EU nr. 2019/2016

Merke	Haier	Haier	Haier
Modellnavn/-identifikator	HWS247GGU1 HWS247GEH1	HWS236GDGU1 HWS236GDEH1	HWS247FDU1/ HWS247FAH1
Kategori	Vinkjeller	Vinkjeller	Vinkjeller
Energieffektivitetsklasse	G/E	G/E	D/A
Årlig energiforbruk (kWh/år) ¹⁾	184/107	184/107	85/44
Lagringsvolum (L)	450	448	450
Klimaklasse: Dette apparatet er beregnet for bruk ved en omgivelses-temperatur mellom 10 °C og 38 °C.	SN N ST	SN N ST	SN T ST
Luftbåren akustisk støyutslipp (db(A) re 1pW)	C(37)/B(35)	C(37)/B(35)	C(37)/B(35)
Type apparat	Frittstående	Frittstående	Frittstående
Dette apparatet skal utelukkende brukes til oppbevaring av vin.	Ja	Ja	Ja
Dimensjoner (B/D/H i mm)	597/714/1900	597/714/1900	603/769/1900

Forklaringer:

1) Basert på standard testresultater i 24 timer. Det faktiske strømforbruket avhenger av det faktiske miljøet, mengden tapping, innstilt temperatur, døråpning og lukking, etc.

2) Det nominelle strømforbruket er verdien som oppnås i henhold til standardtesten når vinskabet ikke slår på det interne lyset.

- utvidet temperert: 'dette kjøleapparatet er beregnet på å brukes ved omgivelsestemperaturer fra 10 °C til 32 °C';

- temperatur: 'dette kjøleapparatet er ment å brukes ved omgivelsestemperaturer fra 16 °C til 32 °C';

- subtropisk: 'dette kjøleapparatet er beregnet på å brukes ved omgivelsestemperaturer fra 16 °C til 38 °C';

- tropisk: 'dette kjøleapparatet er beregnet på å brukes ved omgivelsestemperaturer fra 16 °C til 43 °C'.

Standarder og direktiver

Dette produktet oppfyller kravene i alle gjeldende EU-direktiver med de tilsvarende harmoniserte standardene, som sørger for CE-merking.

Vi anbefaler vår Haier-kundeservice og bruk av originale reservedeler.

Hvis du har et problem med apparatet, sjekk først avsnittet FEILSØKING. Hvis du ikke finner en løsning der, ta kontakt

► din lokale forhandler eller

► Service & Support-området på www.haier.com hvor du kan finne telefonnumre og vanlige spørsmål og hvor du kan aktivere servicekravet.

For å kontakte vår tjeneste, sørg for at du har følgende data tilgjengelig.

Informasjonen finner du på typeskiltet.

Modell _____

Serienr. _____

Sjekk også garantikortet som følger med produktet i tilfelle garanti.

For generelle forretningsforespørsler, finn adressene våre i Europa nedenfor:

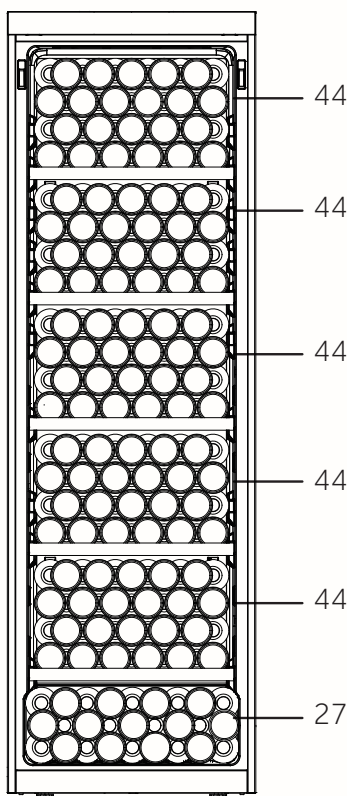
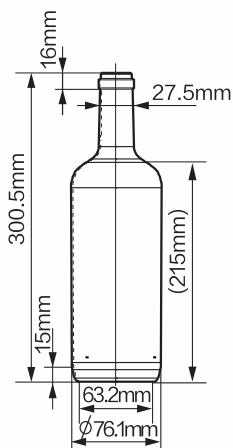
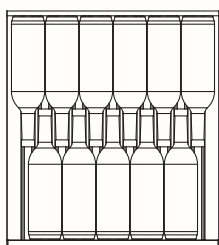
European Haier-adresser			
Land*	Postadresse	Land	Postadresse
Italia	Haier Europe Trading SRL Via De Cristoforis, 12 21100 Varese ITALIA	Frankrike	Haier Europe Trading SRL Via De Cristoforis, 12 21100 Varese ITALIA
Spania Portugal	Haier Iberia SL Pg. Garcia Faria, 49-51 08019 Barcelona SPANIA	Belgia-FR Belgia-NL Nederland Luxembourg	Haier Benelux SA Anderlecht Route de Lennik 451 BELGIUM
Tyskland Østerrike	Haier Deutschland GmbH Hewlett-Packard-Str. 4 D-61352 Bad Homburg TYSKLAND	Polen Tsjekkia Ungarn Hellas Romania Russland	Haier Poland Sp. zo.o. Al. Jerozolimskie 181B 02-222 Warszawa POLEN
Stor- britannia	Haier Appliances UK Co. Ltd. One Crown Square Church Street East Woking, Surrey, GU21 6HR Storbritannia		

TILGJENGELIGHET AV RESERVEDELER: Termostater, temperatursensorer, kretskort og lyskilder er tilgjengelige i minst sju år etter at den siste enheten av modellen er markedsført. Dørhåndtak, dørhengsler, skuffer og kurver i en minimumsperiode på syv år og dørpakninger i en minimumsperiode på 10 år, etter å ha plassert den siste enheten av modellen på markedet.

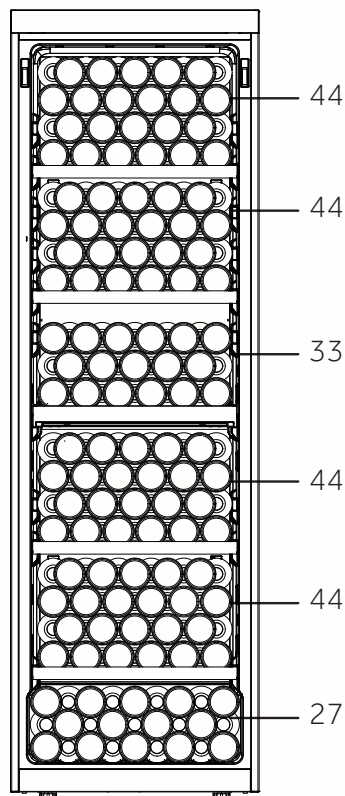
Minimumsgarantien er: 2 år for EU-land, 3 år for Tyrkia, 1 år for Storbritannia, 1 år for Russland, 3 år for Sverige, 2 år for Serbia, 5 år for Norge, 1 år for Marokko, 6 måneder for Algeria, Tunisia ingen juridisk garanti.

*For ytterligere informasjon om produktet, se <https://eprel.ec.europa.eu/> eller skann QR-koden på energimerket som fulgte med apparatet.

Flaskearrangementet er basert på en grafisk fremstilling av en standard Bordeaux-flaske (0,75 l). På grunn av de forskjellige flaskespesifikasjonene kan den faktiske flaskelastningsmengden være forskjellig.



HWS247GGU1
HWS247FDU1
HWS247GEH1
HWS247FAH1



HWS236GDU1
HWS236GDEH1

HWS-247FDU1-247GGU1-236GGDU1-247GEH1-236GDEH1-HWS247FAH1 - NO

Haier



Haier

Bruksanvisning

Vinskåp

HWS247FAH1
HWS247FDU1
HWS247GGU1
HWS247GEH1
HWS236GDEH1
HWS236GDGU1

SV

Haier

Tack för att du har köpt en Haier-produkt.

Läs igenom dessa anvisningar noggrant innan du använder apparaten. Instruktionerna innehåller viktig information som hjälper dig att få ut det bästa av apparaten och garanterar en säker och korrekt installation, användning och underhåll.

Förvara den här bruksanvisningen på en lämplig plats så att du alltid kan läsa den för att använda apparaten på ett säkert och korrekt sätt.

Om du säljer apparaten, ger bort den eller lämnar den kvar när du flyttar, se till att du också lämnar över den här bruksanvisningen så att den nya ägaren kan bekanta sig med apparaten och säkerhetsföreskrifterna.



Förteckning

Varning - Viktig säkerhetsinformation



Allmän information och tips



Miljöinformation



Bortskaffande

Bidra till att skydda miljön och människors hälsa. Lägg förpackningen i lämpliga behållare för att återvinna den. Hjälp till att återvinna avfall från elektriska och elektroniska apparater. Släng inte apparater märkta med denna symbol med hushållsavfallet. Lämnna in produkten till den lokala återvinningsanläggningen eller kontakta ditt kommunala kontor.



WARNING!

Risk för skada eller kvävning!

Köldmedier och gaser måste bortskaffas professionellt. Se till att kylmediekretsens slangar inte är skadade innan de kasseras. Koppla bort apparaten från elnätet. Klipp av nätkabeln och kassera den. Ta bort brickor och lådor samt dörrspärrar och tätningar för att förhindra att barn och husdjur stängs in i apparaten.

Gamla vitvaror har fortfarande ett visst restvärde. En miljövänlig metod för bortskaffande säkerställer att värdefulla råvaror kan återvinnas och användas igen.

Cyklopentan, ett brännbart ämne som inte är skadligt för ozonskiftet, används som expanderingsmedel för isoleringsskummet.

Genom att se till att denna produkt kasseras på rätt sätt bidrar du till att förhindra eventuella negativa konsekvenser för miljön och människors hälsa som annars skulle kunna uppstå.

För mer detaljerad information om återvinning av denna produkt, kontakta din kommunfullmäktige, den myndighet som ansvarar för hanteringen av ditt hushållsavfall eller butiken där du köpte produkten, som hanteras av experter.

1- Säkerhetsinformation	4
2- Säkerhetstips	7
3- Underhåll.....	11
4- Tillbehör	13
5- Produktbeskrivning	14
6- Installation	15
7- Användning	19
8- Tips för att spara energi.....	24
9- Utrustning	25
10- Skötsel och rengöring	26
11- Felsökning	27
12- Teknisk data.....	30
13- Kundtjänst.....	31
14- Stapling av vinflaskor	32

Den här apparaten är endast avsedd att användas för förvaring av vin. Innan du slår på apparaten för första gången, läs följande säkerhetsråd:



WARNING!

Innan apparaten används första gången

- ▶ Se till att det inte finns några transportskador.
- ▶ Ta bort alla förpackningar, håll dem utom räckhåll för barn och släng dem på ett miljövänligt sätt.
- ▶ Vänta minst 0,5 timmar innan du installerar apparaten för att säkerställa att köldmediekretsen är fullt effektiv.
- ▶ Apparaten är tung och ska hanteras av minst två personer.

Installation

- ▶ Apparaten ska placeras på en väl ventilerad plats. Se till att det finns ett utrymme på minst 50 mm över och runt apparaten.
- ▶ **WARNING:** Täck inte över ventilationsöppningar i produktens hölje eller i den inbyggda strukturen.
- ▶ Placera aldrig apparaten i ett fuktigt utrymme eller på en plats där vatten kan stänka på apparaten. Rengör och torka vattenstänk och fläckar med en mjuk, ren trasa.
- ▶ Installera inte vinskåpet på en plats som inte är ordentligt isolerad eller uppvärmd, t.ex. i ett garage. Ditt vinskåp är inte konstruerat för att fungera i en omgivningstemperatur under 10 °C.
- ▶ Installera inte apparaten i direkt solljus eller i närheten av värmekällor (t.ex. spisar, värmare).
- ▶ Installera och nivellera apparaten på en lämplig plats med hänsyn till användning och storlek.
- ▶ Kontrollera att den elektriska informationen på typskylten överensstämmer med strömförsörjningen. Om den inte gör det ska du kontakta en elektriker.
- ▶ Apparaten drivs av en strömförsörjning på 220-240 VAC/50 Hz. Onormala spänningsvariationer kan göra att apparaten inte startar, skada temperaturkontrollen eller kompressorn eller låta konstigt under drift. Om det är så, ska en automatisk regulator installeras.
- ▶ Använd inte adaptrar och förlängningskablar med flera kontakter.

**VARNING!**

- ▶ **VARNING:** Lägg inte flera bärbara uttag eller bärbara strömförsörjningsaggregat bakom apparaten.
- ▶ **VARNING:** Se till att sladden inte fastnar eller skadas när produkten placeras.
- ▶ Trampa inte på strömkabeln.
- ▶ Använd ett separat jordat uttag för strömförsörjningen som är lätt att komma åt. Apparaten måste jordas.
- ▶ **Endast för UK:** Apparatsens strömkabel är försedd med en 3-polig jordad kontakt som passar ett standarduttag med 3 poler (jordad). Klipp aldrig av eller demontera den tredje polen (jordad). Kontakten ska vara tillgänglig när apparaten är installerad.
- ▶ **VARNING:** Skada inte köldmediekretsen.

Daglig användning

- ▶ Den här apparaten kan användas av barn från 8 års ålder och av personer med nedsatt fysisk, sensorisk eller mental förmåga om de har fått handledning eller instruktioner för säker användning och förstår de faror som är inblandade.
- ▶ Barn ska inte leka med apparaten.
- ▶ Barn i åldern 3-8 år får använda kylskåpet för att ta ut och sätta i mat. De får inte rengöra eller installera kylskåpet.
- ▶ Håll barn under 3 år borta från apparaten om de inte är under ständig uppsikt.
- ▶ Rengöring och skötsel ska inte utföras av barn utan uppsikt.
- ▶ Apparaten måste placeras så att kontakten är åtkomlig.
- ▶ Om kolgas eller annan brandfarlig gas läcker ut i närheten av apparaten, stäng av ventilen för den läckande gasen, öppna dörrar och fönster och dra inte ur strömkabeln till apparaten.
- ▶ Vänta minst 7 minuter innan du kopplar in strömmen igen efter att strömmen har kopplats bort.
- ▶ Lyft inte apparaten i dörrhandtagen.
- ▶ Nycklarna måste förvaras utom räckhåll för barn och inte i närheten av apparaten för att förhindra att barn blir inlåsta i apparaten.



VARNING!

- ▶ Observera att apparaten är inställd för drift vid ett specifikt temperaturintervall mellan 10 och 38 °C. Det kan hända att apparaten inte fungerar som den ska om den lämnas under en längre tid vid en temperatur över eller under det angivna intervallet.
- ▶ För att förhindra personskada orsakad av fall eller elchock orsakad av kontakt med vatten, ska instabila föremål (tunga objekt, behållare med vatten) inte placeras ovanpå apparaten.
- ▶ Öppna och stäng dörren endast med handtagen. Mellanrummet mellan dörren och skåpet är mycket smalt. Placera inte händerna i dessa områden. Fingrarna kan klämmas. Öppna eller stäng apparatens dörrar endast när inga barn befinner sig inom dörrens rörelseområde.
- ▶ Förvara eller använd inte brännbara, explosiva eller frätande material i apparaten eller i dess närhet.
- ▶ Förvara inte explosiva ämnen, t.ex. aerosolburkar med brandfarligt drivmedel, i den här apparaten.
- ▶ Förvara inte mediciner, medel med bakterier eller kemikalier i apparaten. Detta är en hushållsapparat. Vi råder att inte förvara material som kräver strikta temperaturer i apparaten.
- ▶ Ställ inte in onödigt låg temperatur i vinskåpet. Minustemperaturer kan förekomma vid höga inställningar. Varning: Flaskor kan spricka
- ▶ Rör inte insidan av apparaten när den är i drift, särskilt inte med våta händer, eftersom dina händer kan frysa fast på ytan.
- ▶ För att få en korrekt kylning av vinet får du inte överbelasta apparaten.
- ▶ Koppla ur apparaten i händelse av strömavbrott eller före rengöring. Vänta i minst 7 minuter innan du startar apparaten igen. Frekventa startar kan ska kompressorn.
- ▶ **VARNING:** Använd inte elektriska apparater inuti apparaten om de inte är av en typ som rekommenderas av tillverkaren. För att undvika risker måste en skadad nätsladd bytas ut av kundtjänst (se garanti-kortet).
- ▶ För att förlänga apparatens livslängd bör du undvika att stänga av den.
- ▶ Placera aldrig apparaten horisontellt på marken. Vänta i 24 timmar innan du kopplar in apparaten efter att ha lutat den mer än 45°.

**VARNING!****Underhåll / rengöring**

- ▶ Barn som utför rengöring och underhåll ska hållas under uppsikt.
- ▶ Koppla bort apparaten från elnätet innan du utför rutinunderhåll. Vänta i minst 7 minuter innan du startar apparaten igen. Frekventa startar kan skada kompressorn.
- ▶ Håll i kontakten, inte kabeln, när du kopplar ur apparaten.
- ▶ Rengör inte apparaten med hårda borstar, stålborstar, rengöringsmedelspulver, bensin, amylacetat, aceton och liknande organiska lösningar, sura eller alkaliska lösningar. Rengör med ett speciellt rengöringsmedel för kyl-/frysåp för att undvika skador. Använd varmt vatten och bikarbonatlösning - cirka en matsked bikarbonat per liter/quart vatten. Skölj noggrant med vatten och torka torrt. Använd inte rengöringspulver eller andra slipande rengöringsmedel. Diska inte avtagbara delar i diskmaskin.
- ▶ **VARNING:** Använd inte mekaniska hjälpmedel för att skynda på avfrostningen, annat än de som rekommenderas av tillverkaren.
- ▶ Om elsladden skadas måste den bytas av tillverkaren, dennes serviceombud eller liknande kvalificerad person för att undvika faror.
- ▶ Försök inte att reparera, demontera eller modifiera apparaten själv. Kontakta vår kundtjänst angående reparationer.
- ▶ Om lamporna skadas måste de bytas av tillverkaren, dennes serviceombud eller liknande kvalificerad person för att undvika faror.
- ▶ Ta bort dammet på baksidan av enheten minst en gång om året för att undvika brandrisk och ökad energiförbrukning.

- ▶ Spruta eller spola inte i eller på apparaten under rengöringen.
- ▶ Använd inte vattenspray eller ånga för att rengöra apparaten.
- ▶ Rengör inte den kalla glasdörren med hett vatten. Plötsliga temperaturförändringar kan göra att glaset spricker.
- ▶ Låt dörren vara öppen om apparaten inte ska användas under en längre tid, för att förhindra att det börja lukta illa i apparaten.

Information om köldmediegas



WARNING!

Apparaten innehåller det brandfarliga köldmediet ISOBUTANE (R600a). Se till att köldmediekretsen inte skadas under transport eller installation. Läckande köldmedium kan orsaka ögonskador eller antändas. Om en skada har uppstått: håll borta från öppna eldkällor, ventiler rummet ordentligt, koppla inte in eller dra ut nätsladdarna till apparaten eller någon annan apparat. Informera kundtjänsten.

Om ögonen kommer i kontakt med köldmediet, skölj omedelbart under rinnande vatten och kontakta omedelbart en ögonspecialist.

WARNING: Kylsystemet är under högt tryck. Manipulera det inte. Eftersom brandfarliga köldmedier används, ska apparaten installeras, hanteras och servas strikt enligt instruktionerna. Kontakta en professionell agent eller vår kundtjänst för att kassera apparaten.

Avsedd användning

Denna produkt är avsedd att användas i hushåll och liknande användningsområden, som till exempel:

- personalkök i butiker, kontor och andra arbetsmiljöer;
- mangårdsbyggnader och av gäster på hotell, motell och andra miljöer av bostadstyp;
- B&B-miljöer;
- catering och liknande användningsområden för slatkunder.

► För att säkerställa en säker lagring av vinet är det viktigt att följa denna bruksanvisning.

► Närmare uppgifter om vilken del av apparaten som är lämpligast för förvaring av vissa typer av livsmedel, med hänsyn till den temperaturfördelning som kan förekomma i apparatens olika utrymmen, finns i den andra delen av bruksanvisningen.

Det är inte tillåtet att ändra eller modifiera anordningen. Oavsiktlig användning kan orsaka faror och förlust av garantin.

Bortskaffande



■ Symbolen på produkten eller på förpackningen anger att denna produkt inte får behandlas som hushållsavfall. Den ska i stället lämnas in på lämplig central för återvinning av elektrisk och elektronisk utrustning. Genom att se till att denna produkt kasseras på rätt sätt hjälper du till att förhindra potentiella negativa konsekvenser för miljön och människors hälsa, vilket annars kan orsakas av olämplig avfallshantering av denna produkt. För mer detaljerad information om återvinning av denna produkt, kontakta din kommunfullmäktige, den myndighet som ansvarar för hanteringen av ditt hushållsavfall eller butiken där du köpte produkten.

Eftersom brandfarliga isoleringsgaser används ska du kontakta den professionella agenten eller vår kundtjänst när du ska göra dig av med apparaten.

VARNING!

Kvävningsrisk!

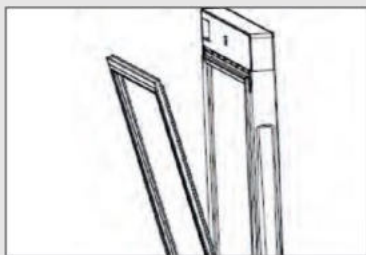
Köldmedier och gaser måste bortskaffas professionellt. Se till att kylmediekretsens slangar inte är skadade innan de kasseras. Koppla bort apparaten från elnätet. Klipp av nätkabeln och kassera den. Ta bort brickor och lådor samt dörrspärrar och tätningar för att förhindra att barn och husdjur stängs in i apparaten.

- ▶ **VARNING:** Innan rengöring ska apparaten kopplas bort från strömförsörjningen.
- ▶ Rengör inte apparaten med hårda borstar, stålborstar, rengöringsmedelspulver, bensen, amyloacetat, aceton och liknande organiska lösningar, sura eller alkaliska lösningar. Rengör med ett speciellt rengöringsmedel för kylskåp för att undvika skador.
- ▶ Rengör apparaten när det lagras lite eller inget vin. Den behöver bara rengöras när den är smutsig.
- ▶ Rengör apparatens insida och hölje med en svamp fuktad med varmt vatten och neutralt rengöringsmedel.
- ▶ Skölj med rent varmt vatten och torka med en mjuk trasa.
- ▶ Inga delar av apparaten får köras i diskmaskin.
- ▶ Vänta i minst 7 minuter innan du startar apparaten igen. Frekventa startar kan skada kompressorn.



Rengör dörrpackningen:

- ▶ Dörrpackningarna bör rengöras var tredje månad för att säkerställa en korrekt tätning. Gör så här: Ta bort: Ta tag i dörrpackningen och dra ut den i pilens riktning så att den lossar från spåret. Doppa borsten i vatten eller livsmedelsklassat alkohol (godkänt för livsmedel) och rengör först dörrpackningens spår genom att dra borsten fram och tillbaka. Torka sedan av dörrpackningens yta med en handduk doppad i vatten eller livsmedelsklassat alkohol. Tvätta sedan dörrpackningen och torka den torr med en ren handduk.



Montering av dörrpackning efter rengöring:

Kontrollera att det inte finns något vatten kvar på dörrpackningen innan du sätter tillbaka den. Sätt in dörrpackningen i spåret, tryck ordentligt, börja från toppen och tryck in packningen i spåret tills den sitter på plats.

Rengöring av hyllor:

- ▶ Alla hyllor kan tas ut för rengöring.
- ▶ Ta ut alla flaskor.
- ▶ Lyft upp hyllan och ta ut den.
- ▶ Rengör hyllan med en mjuk handduk.
- ▶ Vänta tills hyllorna är torra innan du sätter in dem igen.

VARNING:

Vänta minst 7 minuter innan du återansluter strömmen efter att strömmen har kopplats bort.

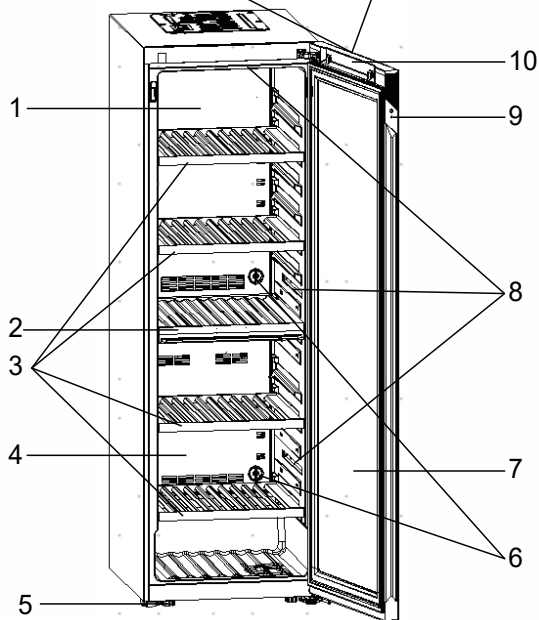
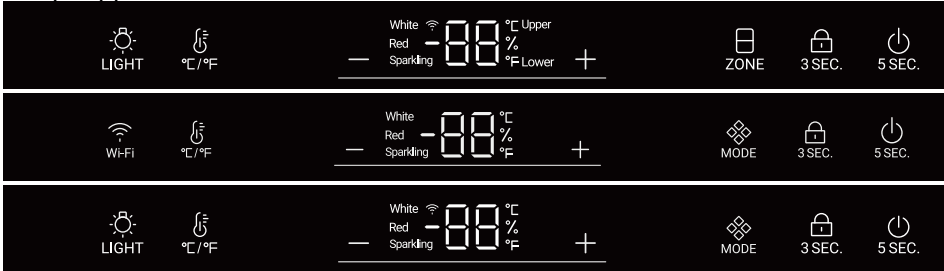
Kontrollera tillbehör och litteratur i enlighet med denna lista: utan isolering.

Namn	Bruksanvisning	Servicekort	Gångjärns-		Energi-	Nyckel	Handtag	Skruvkork		Omslag	Display hylla
			Hylla	skydd				märkning	Skruv		
HWS247FAH1	1	1	5	1	1	2	1	4	2	1	1
HWS247GGU1	1	1	5	1	1	2	/	/	/	/	/
HWS236GDGU1	1	1	4	1	1	2	/	/	/	/	/
HWS247FDU1	1	1	5	1	1	2	1	4	2	1	/
HWS247GEH1	1	1	5	1	1	2	/	/	/	/	/
HWS236GDEH1	1	1	4	1	1	2	/	/	/	/	/

Uppmärksamma

På grund av tekniska förändringar och olika modeller kan vissa illustrationer i den här bruksanvisningen skilja sig från din modell.

Bild på apparaten



(HWS236GDGU1)

- | | |
|--|---|
| 1. Övre luftkanal | 6. Aktiverat kolfilter
(utom HWS247FAH1) |
| 2. avskiljningsdel (för HWS236GDGU1/HWS236GDEH1) | 7. Dörr |
| 3. Hylla | 8. LED-lampa |
| 4. Nedre luftkanal | 9. Lås |
| 5. Justerbara fötter | 10. Display |

1. Uppackning

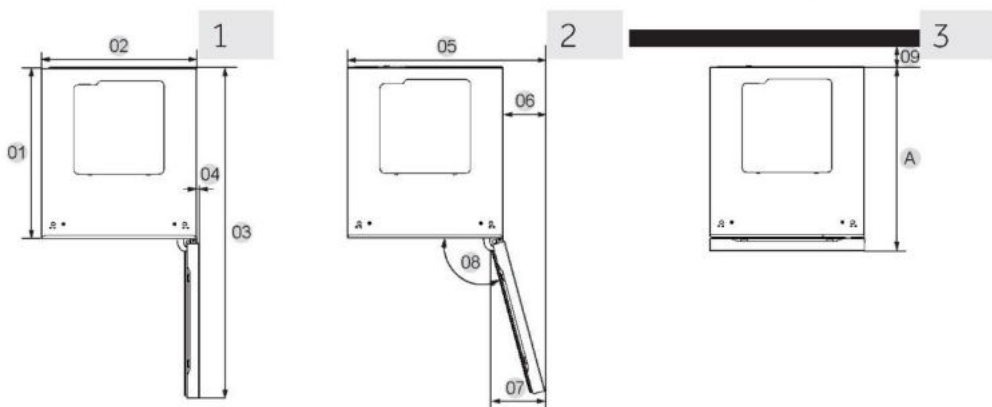
- Ta ut apparaten ur förpackningen.
- Ta bort allt förpackningsmaterial, inklusive skumunderlaget och all tejp som håller fast tillbehören.

2. Miljöförhållanden

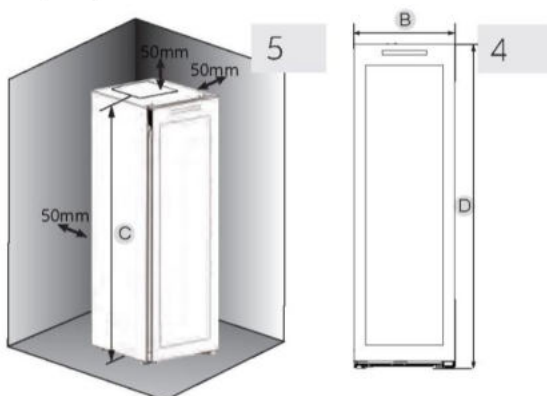
Rumstemperaturen bör alltid ligga mellan 10 °C och 38 °C, eftersom den kan påverka temperaturen i apparaten och dess energiförbrukning. Apparaten ska inte installeras nära andra värmeavgivande apparater (ugnar, kylskåp) utan isolering.

3. Utrymme som krävs

Nödvändigt utrymme för att öppna dörren (fig. 1,2,3,4); Av säkerhets- och energimässiga skäl måste det nödvändiga ventilationsavståndet på 50 cm i alla riktningar iakttas (fig.5).



Mått: mm	HWS247GGU1 HWS247GEH1	HWS236GGU1 HWS236GDEH1	HWS247FDU1 HWS247FAH1
Djup A	714	714	714
Bredd B	597	597	597
Höjd C	1 905	1 905	1 905
Total höjd D	1 900	1 900	1 900
O1	654	654	654
O2	595	595	595/600
O3	1 273	1 273	1 273
O4	11	11	11
O5	756	756	756
O6	161	161	161
O7	200	200	200
O8	105°	105°	105°
O9	50	50	50





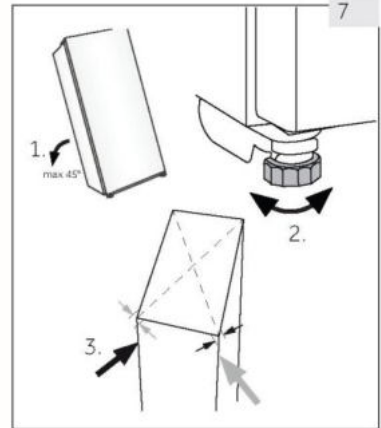
VARNING!

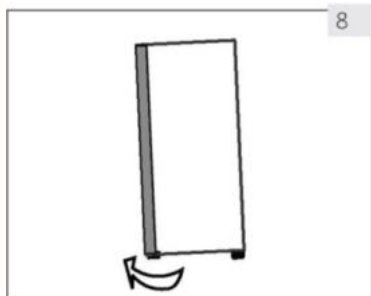
- ▶ Håll ventilationsöppningarna i apparaten eller i den inbyggda konstruktionen fria från hinder. Denna kylanordning är inte avsedd att användas som inbyggd apparat.

5. Nivellering av apparaten

Apparaten ska placeras på en plan och fast yta.

1. Luta apparaten lätt bakåt (fig. 7).
2. Ställ in de justerbara framfötterna till önskad nivå genom att vrida dem.
3. Stabiliteten kan kontrolleras genom att växelvis stöta på diagonalerna. Den svaga svängningen ska vara lika stor i båda riktningarna. Annars kan ramen skeva, vilket kan leda till läckande dörrtätningar. En låg tendens bakåt underlättar stängningen av dörren.





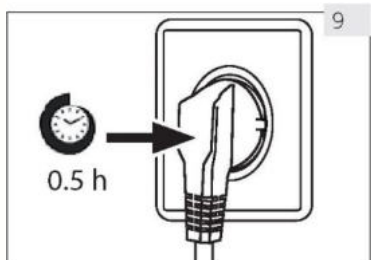
8

6. Finjustering av dörren

Det är lättare att stänga apparaten om du använder de främre nivelleringsfötterna:

Vrid de justerbara fötterna (fig. 8) för att vrida dem uppåt eller nedåt:

- ▶ Om du vrider fötterna medurs höjs apparaten.
- ▶ Om du vrider fötterna moturs sänks apparaten.



9

7. Väntetid

Den underhållsfria smörjoljan finns i kompressorns kapsel. Denna olja kan tränga igenom det slutna rörsystemet under transporten om apparaten lutar. Innan du ansluter apparaten till elnätet ska du vänta i 0.5 timmar (fig. 9) så att oljan rinner tillbaka till kapseln.

8. Elanslutning

Kontrollera före varje anslutning att:

- ▶ Strömförsörjning, uttag och säkringar överensstämmer med typskylten.
- ▶ Eluttaget är jordat och att det inte finns någon flervägskontakt eller förlängningar.
- ▶ Nätkontakten och uttaget sitter ordentligt.

Anslut kontakten till ett korrekt installerat hushållsuttag.



WARNING!

För att undvika risker måste en skadad nätsladd bytas ut av kundtjänst (se garantikortet).

9. Öppningsriktningar för dörren

Innan du ansluter apparaten till strömförsörjningen bör du kontrollera om dörrsvängningen måste ändras från höger (vid leverans) till vänster, om detta krävs av installationsplatsen och användbarheten.



WARNING!

- ▶ Apparaten är tung. Det behövs två personer för att vända dörren.
- ▶ Innan du börjar använda apparaten ska du först dra ur kontakten från elnätet.
- ▶ Luta inte apparaten mer än 45° för att undvika att kylsystemet skadas.

Monteringssteg

1. Använd/tillhandahåll nödvändigt verktyg.
2. Koppla ur apparaten.
3. Ta bort den övre skyddet och täckplattan. Förflytta installationen av täckplattan till vänster och höger sida
4. Ta bort kabelfackets lock och dess skydd. Förflytta installationen av den dekorativa luckan till vänster och höger sida. Ta bort den svarta gummiproppen från det vänstra nyckelhålet på dörrkroppens insida och montera den på det högra nyckelhålet.
5. Ta bort gångjärnsskyddet, använd verktyget för att ta bort 3 skruvar och ta bort portaldelen.
6. Ta bort de 3 skruvarna under portaldelen med verktyget, portaldelens kam och dörrstopp. Installera på vänster och höger sidan på portaldelen.
7. Ta bort lådans gångjärn med verktyget, ta först bort gångjärnsskammen i det nedre gångjärnet, byt ut gångjärnsaxeln mot det högra skruvhålet, montera. Förflytta installationen med hjulstödet på lådans högra sida.
8. Portaldelen monteras vertikalt nedåt på gångjärnsaxeln.
9. Det övre gångjärnet sätts in i axelhålet på portaldelen, fäst lådan med skruvar, installera locket på kabellådan och det övre trimskyddet



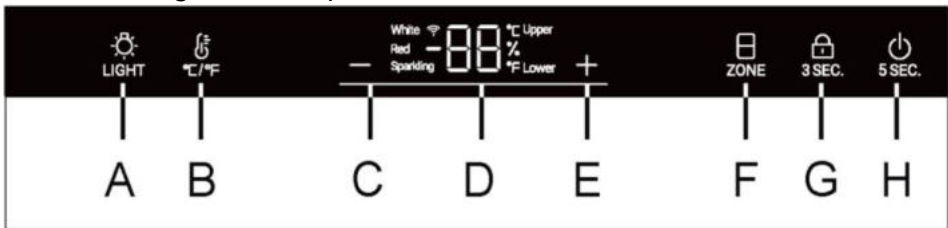
1. Innan apparaten används första gången

- ▶ Avlägsna allt förpackningsmaterial. Detta inkluderar skumbasen och all tejp som håller fast vinskåpets tillbehör, invändigt och utvändigt. Förvara dem utom räckhåll för barn och släng dem på ett miljövänligt sätt.
- ▶ Rengör apparatens in- och utsida med vatten och ett mildt rengöringsmedel innan du lägger in vin i den.
- ▶ Vänta minst 2 timmar innan du ansluter apparaten till strömförsörjningen efter att den har installerats och rengjorts. Om vinskåpet av någon anledning har varit i snedställt läge ska du vänta 24 timmar innan du kopplar in den. Se avsnittet INSTALLATION.
- ▶ När du har anslutit enheten till ett eluttag ska du låta enheten vara på i minst 30 minuter för att aklimatisera sig innan du gör några justeringar.
- ▶ Temperaturen ställs automatiskt in på 12 °C. Om man önskar går det att manuellt ändra temperaturen. Se avsnittet TEMPERATUR.

2. Touchknappar

Knapparna på kontrollpanelen är touchknappar som reagerar när du rör dem lätt med fingret.

3. Beskrivning av kontrollpanelen



- | | |
|--------------------------------------|-----------------------------------|
| A. Knapp för invändig belysning | E. Temperaturjusteringsknapp: upp |
| B. Knapp för att växla mellan °C /°F | F. Knapp för val av temperaturzon |
| C. Temperaturjusteringsknapp: ner | G. Låsknapp |
| D. Display | H. Strömknapp |

4. Automatisk låsfunktion

Med displayen i låst läget trycker du på låsknappen i 3S, displayen visar 3, 2 och 1, displayen är upplåst och låsikonen är halvt tänd; Om ingen åtgärd vidtas låses displayen automatiskt efter 30s. I läget med låst display är alla låsindikatorerna tända och knapparna på displayen kan inte användas (utom lampknappen).

5. Knapp för strömfunktion

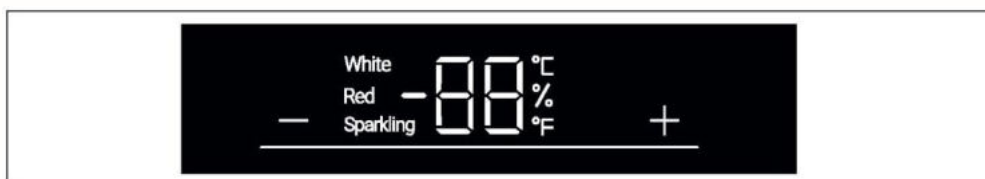
När displayen är avstängd kan du trycka på en valfri knapp och displayen tänds; tryck länge på strömbrytaren, displayen visar 5, 4, 3, 2 och 1, och strömmen till hela apparaten ström är avstängd. När strömmen är avstängd trycker du länge på strömbrytaren för att visa 5, 4, 3, 2, 1. Strömmen är på.




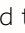
6. Temperaturinställning

Uppmärksamma

Förinställningar


- ▶ När du har kopplat in enheten i ett eluttag ska du låta enheten acklimatisera sig i minst 30 minuter innan du gör några justeringar.
- ▶ När apparaten sätts på efter att ha kopplats bort från elnätet kan det ta flera timmar innan den uppnår rätt temperatur. Den exakta tiden varierar beroende på miljön och temperaturinställningen.





Tryck på knappen  eller knappen  och displayen börjar blinka. Tryck på knappen  eller knappen  för att ställa in önskad temperatur. Temperaturinställningsområdet: 5-20 °C (41-68 °F).

Om du slutar trycka på knappen i 3 sekunder bekräftas temperaturen.

7. Läge eller Zone-funktion

Tryck på knappen . Temperaturen växlar från sparkling (8° C eller 47 °F) till white (12° C eller 54 °F) och red (16° C eller 61 °F). (för HWS247GGU1/HWS247GEH1/HWS247FDU1/HWS247FAH1)

I upplåst läge är ikonen  tänd. Om den aktuella displayen befinner sig i den övre temperaturzonen är den övre ikonen tänd och den nedre ikonen avstängd. Tryck på knappen  i det här läget och den nedre ikonen tänds och den övre ikonen släcks.

(för HWS236GDGU1/HWS236GDEH1)

Rekommenderade temperaturinställningar

Följande dricktemperaturer rekommenderas för olika typer av vin.

Rött vin	+13 °C till +20 °C (+55 °F till +68 °F)	Prosecco - mousserande vin	+5 °C till +8 °C (+41 °F till +47 °F)
Vitt vin	+9 °C till +12 °C (+48 °F till +54 °F)		

Om du förvarar vin under lång tid bör det förvaras vid en temperatur mellan +10 °C och +12 °C (50 °F och +54 °F).

8. Standbyläge

Skärmen dämpas automatiskt i 30 sekunder.

Den tänds automatiskt när någon knapp vidrörs eller när dörren öppnas.



Uppmärksamma Påverkan på temperaturen

Temperaturen i apparaten påverkas av följande faktorer:

- ▶ Omgivningstemperatur
- ▶ Antal lagrade flaskor
- ▶ Frekvens av dörröppning
- ▶ Placering av apparaten

Standardinställningen är 12 °C


När displayen slutar blinka återgår den till att visa den aktuella temperaturen i vinskåpet. Det kommer att ta lite tid att nå den inställda temperaturen.

9. Inställning av Belysning

Tryck på knappen . När lamporna i skåpet är tända lyser lamporna gradvis upp. När du trycker på knappen  en gång till släcks lamporna gradvis.

(förutom HWS247FDU1/HWS247FAH1)

10. °C/°F-funktion

Tryck på knappen  för att växla mellan Fahrenheit och Celsius.

11. Wi-Fi-funktion

Tryck på Wi-Fi-knappen i 3 sekunder, Wi-Fi-knappen börjar blinka snabbt och går automatiskt in i konfigurationsläget (för HWS247FDU1/HWS247FAH1).

12. Minnesfunktion för avstängning

Vid strömavbrott sparar skåpet automatiskt den inställda temperaturen. När strömmen återställs kommer den att köras utifrån den temperatur som ställdes in före strömavbrottet.

13. Funktion för kompensation av låg temperatur

Vinskåpet har en funktion för kompensation av låg temperatur för att säkerställa en stabil temperatur: När omgivningstemperaturen är lägre än den inställda temperaturen startar vinskåpet automatiskt kompensationsfunktionen för låg temperatur och värmer upp programmet. När temperaturen i applikationen når den inställda temperaturen stängs kompensationsfunktionen för låg temperatur automatiskt av.

14. Larm för öppen dörr

Om dörren hålls öppen i mer än en minut kommer summern att larma tills dörren stängs. Eller stäng av summern genom att röra vid valfri knapp på displaypanelen.

15. Wi-Fi-lägesinställning

ANSLUTBARHET

TRÅDLÖSA PARAMETRAR

Teknik	Wi-Fi	Bluetooth
Standard	IEEE 802.11 b/g/n	Bluetooth v4.2, BR/EDR, BLE
Frekvensband (n) [MHz]	2401 ÷ 2483	2402 ÷ 2480
Maximal effekt [mW] band (n) [MHz]	100	10

PRODUKTINFORMATION

Så här aktiverar du Wi-Fi-modulen:

Tryck på lampan i 3 sekunder för att aktivera Wi-Fi (förutom HWS247FDU1/HWS247FAH1)

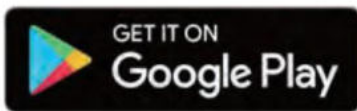
Tryck på Wi-Fi-knappen i 3 sekunder för att aktivera Wi-Fi (för HWS247FDU1/HWS247FAH1)

- Wi-Fi-modulen är påslagen och Wi-Fi-ikonen börjar blinka.
- Om vinskåpet är registrerat men Wi-Fi är avstängt blinkar ikonen.
- Om vinskåpet är registrerat och anslutet är Wi-Fi-ikonen alltid på.
- Om du vill återställa Wi-Fi trycker du på lampan i 3 sekunder (förutom HWS247FDU1/HWS247FAH1)
- Om du vill återställa Wi-Fi trycker du på Wi-Fi i 3 sekunder (för HWS247FDU1/HWS247FAH1)

I APP-HOPKOPPLINGSLÄGE

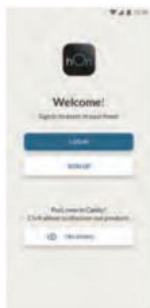
Steg 1

- Ladda ner hOn-appen i butikerna



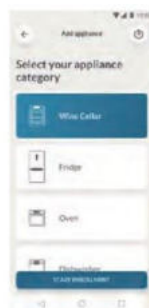
Steg 2

- Logga in eller registrera dig



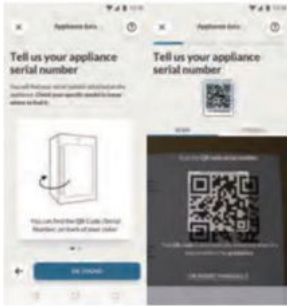
Steg 3

- Lägg till en ny apparat genom att välja vinskåpet i listan



Steg 4

- Skanna QR-koden eller ange serienumret manuellt



Steg 5

- Tryck på lampan på produkten i 3 sekunder för att aktivera Wi-Fi (förutom HWS247FDU1/HWS247FAH1)
- Tryck på Wi-Fi på produkten i 3 sekunder för att aktivera Wi-Fi (för HWS247FDU1/HWS247FAH1)



Steg 6

- Wi-fi-ikonen blinkar, kopplingsprocessen pågår.
- Du har 5 minuter på dig att slutföra kopplingsprocessen.
- När processen är klar slutar Wi-Fi-ikonen att blinka och den kommer alltid att vara på. OBS!





Tips för att spara energi

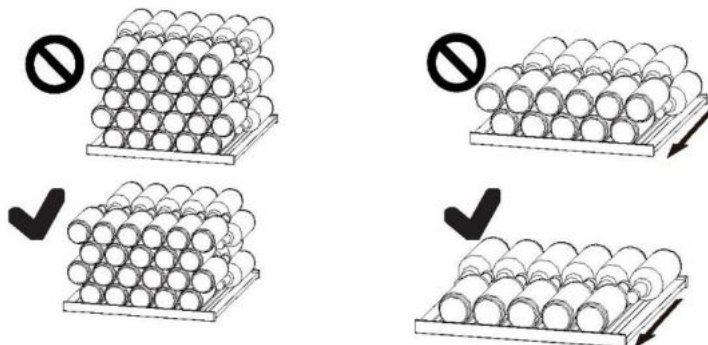
- ▶ Se till att apparaten är ordentligt ventilerad (se avsnittet INSTALLATION).
- ▶ Installera inte apparaten i direkt solljus eller i närheten av värmekällor (t.ex. spisar, värmare).
- ▶ Undvik onödigt låga temperaturer i apparaten. Energiförbrukningen ökar ju lägre temperaturen i apparaten är inställd.
- ▶ Öppna apparatens dörr så lite och så kort tid som möjligt.
- ▶ Överskrid inte den avsedda mängden flaskor för att undvika att blockera luftflödet.
- ▶ Håll dörrtätningarna rena så att dörren alltid stängs korrekt.
- ▶ Den mest energibesparande konfigurationen kräver att lådor, matlådor och hyllorna placeras i ett fabriksfräscht skick i apparaten och att maten placeras utan att blockera kanalens luftutsläpp.

1. Hylla


1. Hyllorna är konstruerade för att göra det enkelt att förvara och ta ut vinet ur skåpet. De kan rengöras med en mjuk handduk.
2. Flaskor med en diameter på 76 mm kan staplas på varandra.
3. Magnumflaskor kan staplas på bottenhyllan.
4. Mängden kan variera från det som visas på bilden om flaskorna staplas på ett annat sätt.

Tips och råd om hur du kan organisera ditt vinskåp.

Antalet vinflaskor per hylla bör inte överstiga fyra lager. Man bör inte placera mer än 60 flaskor per hylla i skåpet. Kontrollera att vinhyllorna är helt stabila innan användning. Se även till att det inte sticker ut några flaskor från hyllorna som kan stöta i glasdörren när den stängs.



2. Belysning

Lysdioderna i apparaten tänds när dörren öppnas. Om du vill tända ljuset när dörren är stängd trycker du på knappen  LIGHT. För att släcka belysningen, tryck på knappen igen. När du inte behöver se innehållet i skåpet bör belysningen stängas av (för att öka energi-effektiviteten). (förutom HWS247FDU1/HWS247FAH1)

3. Låset

För att låsa vinskåpet stänger du dörren och använder nyckel.

- ▶ Lås dörren genom att vrida nyckeln medurs;
- ▶ Lås upp dörren genom att vrida nyckeln moturs.

1. Avfrostning

Avfrostningen av vinskåpet sker automatiskt, ingen manuell åtgärd behövs.

2. Byte av LED-lampa

Lampan använder LED som ljuskälla, vilket ger låg energiförbrukning och lång livslängd. Om det finns någonting avvikelse, kontakta kundtjänsten. Se avsnittet KUNDTJÄNST.



VARNING!

Byt inte ut LED-lampan själv. Den får endast bytas ut av tillverkaren eller en auktoriserad serviceagent.

Parametrar för LED-lampa:

Spänning 12V

Maxeffekt: 18W

3. Icke i bruk under längre tid

Dra ut kontakten.

Rengör apparaten och dörrrens packningar enligt beskrivningen ovan.

Håll dörren öppen för att förhindra att dålig lukt bildas i skåpet.

4. Flytta apparaten

1. Ta bort alla flaskor och koppla ur apparaten.

2. Säkra hyllor och andra rörliga delar i vinskåpet med tejp.

3. För att undvika att fryssystemet skadas ska vinskåpet inte lutas mer än 45°.

5. Luftväxling med aktivt kolfilter. (förutom HWS247FAH1)

Hur vinet fortsätter att mogna beror på de omgivande förhållandena. Luftens kvalitet är avgörande för hur väl vinet bevaras. Ett aktivt kolfilter har monterats i den nedre delen av apparatens bakre vägg för att absorbera lukt och förbättra luftkvaliteten.



Uppmärksamma

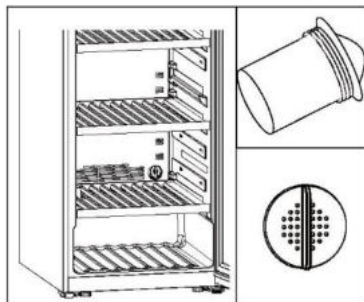
Vi rekommenderar att byta ut kolfiltret en gång per år. Kontakta din återförsäljare för nytt filter. (förutom HWS247FAH1)

Byte av filter:

Ta filtret i handtaget. Vrid det åt vänster och ta bort det.

Sätta i filtret:

Sätt in det med handtaget i vertikalt läge. Vrid det till höger och sätt in det.



Många problem som uppstår kan du lösa själv utan särskild expertis. Vid problem, kontrollera listade möjligheter och följ instruktionerna nedan innan du kontaktar en kundtjänst. Se avsnittet KUNDTJÄNST.



VARNING!

- ▶ Före underhåll ska du stänga av apparaten och dra ut nätkontakten ur eluttaget.
- ▶ Elektrisk utrustning bör endast underhållas av kvalificerade eltekniker, eftersom felaktiga reparationer kan orsaka betydande följdskador.
- ▶ En skadad nätkontakt får endast bytas ut av tillverkaren dess serviceagent eller liknande kvalificerade personer för att undvika fara.

Felkod	Orsak	Lösning
L2	Lågtemperaturlarm när temperaturen på styrsensorn är för låg;	<ol style="list-style-type: none"> 1. Kontrollera den omgivande temperaturen. 2. Kontrollera kompressoranslutningen. 3. Kontrollera motståndet hos temperaturkontrollsensorn.
H1	När temperaturen i styrsensorn är för hög visas larm om hög temperatur på displayen;	<ol style="list-style-type: none"> 1. Kontrollera kontakten på styrkortet eller displayen. 2. Kontrollera fläktens motstånd och spänning. 3. Kontrollera fläkten och kompressoranslutningen.

Problem	Möjlig orsak	Möjlig lösning
Kompressorn fungerar inte.	<ul style="list-style-type: none"> Nätkontakten är inte ansluten till eluttaget. 	<ul style="list-style-type: none"> Anslut nätkontakten.
Apparatens körs ofta eller körs för länge.	<ul style="list-style-type: none"> Utetemperaturen är för hög. Apparaten har varit utan ström under en tid. En dörr i apparaten är inte helt stängd. Dörren har öppnats för ofta eller för länge. Dörrpackningen är smutsig, sliten, sprucken eller felanpassad. Den nödvändiga luftcirkulationen är inte garanterad. Temperaturen är inställd för lågt. 	<ul style="list-style-type: none"> I detta fall är det normalt att apparaten kör längre. Normalt tar det ett tag för apparaten att svalna helt och hållet. Stäng dörren och säkerställ att apparaten är placerad på en plan mark och att det inte finns någon mat eller behållare som förhindrar att dörren stängs. Öppna inte dörren för ofta. Rengör dörrpackningen eller byt ut den av kundtjänsten. Säkerställ tillräcklig ventilation. Problemet löser sig självt när den önskade temperaturen har uppnåtts.
Det är smutsigt och/eller luktar inuti vinskåpet.	<ul style="list-style-type: none"> Vinskåpet behöver rengöras. 	<ul style="list-style-type: none"> Rengör insidan av vinskåpet.
Det är inte tillräckligt kallt inuti apparaten.	<ul style="list-style-type: none"> Temperaturen är inställd för högt. Flaskor har nyligen lagts till. En dörr i apparaten är inte helt stängd. Dörren har öppnats för ofta eller för länge. Dörrpackningen är smutsig, sliten, sprucken eller felanpassad. 	<ul style="list-style-type: none"> Återställ temperaturen. Låt de nyligen inlagda flaskorna få tid på sig att nå önskad temperatur. Stäng dörren. Öppna inte dörren för ofta. Rengör dörrpackningen eller byt ut den av kundtjänsten.
Det är för kallt inuti apparaten.	<ul style="list-style-type: none"> Temperaturen är inställd för lågt. 	<ul style="list-style-type: none"> Återställ temperaturen.
Det finns fuktbildningar i vinskåpet.	<ul style="list-style-type: none"> Klimatet är för varmt och för fuktigt. En dörr i apparaten är inte helt stängd. Dörren har öppnats för ofta eller för länge. 	<ul style="list-style-type: none"> Öka temperaturen. Stäng dörren. Öppna inte dörren/lådan för ofta.

Den ansamlas fukt på vinskåpets utsida.	<ul style="list-style-type: none"> • Klimatet är för varmt och för fuktigt • Dörren är inte ordentligt stängd. Den kalla luften i apparaten och den varma luften utanför kondenserar. 	<ul style="list-style-type: none"> • Detta är normalt i fuktigt klimat och kommer att ändras när luftfuktigheten minskar. • Se till att dörren är ordentligt stängd och att packningarna sluter ordentligt.
Apparaten låter konstigt	<ul style="list-style-type: none"> • Apparaten är inte placerad på en plan yta. • Apparaten rör vid något föremål runt omkring den. 	<ul style="list-style-type: none"> • Justera fötterna för att nivellera apparaten. • Ta bort föremål runt apparaten.
Ett svagt ljud hörs som liknar det från vatten.	<ul style="list-style-type: none"> • Det är normalt 	<ul style="list-style-type: none"> • -
Invändig belysning eller kylsystem fungerar inte.	<ul style="list-style-type: none"> • Nätkontakten är inte ansluten till eluttaget. • Strömförsörjningen är inte intakt. • LED-lampan är sönder. 	<ul style="list-style-type: none"> • Anslut nätkontakten. • Kontrollera elförsörjningen i rummet. Ring det lokala elbolaget! • Kontakta kundtjänsten för byte av lampa
Vinskåpets sidor och dörrlister blir varma	<ul style="list-style-type: none"> • Det är normalt. 	<ul style="list-style-type: none"> • -
Dörren stängs inte ordentligt	<ul style="list-style-type: none"> • Apparaten står ojämnt. • Dörren är blockerad. 	<ul style="list-style-type: none"> • Nivellera apparaten med hjälp av justeringsfötterna. • Kontrollera om det finns blockeringar som flaskor eller hyllor.

För att kontakta teknisk assistans, besök vår webbplats:

<https://corporate.haier-europe.com/en/>

Under stycket "Webbplats", välj märket på din produkt och ditt land. Du kommer att omdirigeras till den specifika webbplatsen där du hittar telefonnummer och formulär för att kontakta teknisk assistans.

Produktblad enligt förordning EU nr 2019/2016

Varumärke	Haier	Haier	Haier
Modellnamn/identifierare	HWS247GGU1 HWS247GEH1	HWS236GDGU1 HWS236GDEH1	HWS247FDU1/ HWS247FAH1
Kategori	Vinskåp	Vinskåp	Vinskåp
Energieffektivitetsklass	G/E	G/E	D/A
Årlig energiförbrukning (kWh/år) ¹⁾	184/107	184/107	85/44
Förvaringsvolym (l)	450	448	450
Klimatklass: Apparaten är avsedd att användas vid en omgivningstemperatur mellan 10 °C och 38 °C.	SNNST	SNNST	SNTST
Luftburet akustiskt buller (db(A) re 1pW)	C(37)/B(35)	C(37)/B(35)	C(37)/B(35)
Typ av apparat	Fristående	Fristående	Fristående
Den här apparaten är endast avsedd att användas för förvaring av vin.	Ja	Ja	Ja
Mått (B/D/H i mm)	597/714/1 900	597/714/1 900	603/769/1900

Förklaringar:

1) Baserat på standardtestresultat för 24 timmar. Den faktiska energiförbrukningen beror på den faktiska miljön, antalet flaskor, den inställda temperaturen, öppning och stängning av dörren osv.

2) Den nominella energiförbrukningen är det värde som erhålls enligt standardtestet när vinskåpet inte tänder den interna belysningen.

- Utökad tempererad: "denna kylapparat är avsedd att användas vid omgivningstemperaturer från 10 °C till 32 °C".

- Tempererad: "denna kylapparat är avsedd att användas vid omgivningstemperaturer från 16 °C till 32 °C".

- Subtropisk: "denna kylapparat är avsedd att användas vid omgivningstemperaturer från 16 °C till 38 °C".

- Tropisk: "denna kylapparat är avsedd att användas vid omgivningstemperaturer från 16 °C till 43 °C".

Standarder och direktiv 

Den här produkten uppfyller kraven i alla tillämpliga EG-direktiv med motsvarande harmoniserade standarder som tillhandahåller CE-märkning.

Vi rekommenderar vår Haier-kundtjänst och användning av originalreservdelar.

Om du har problem med din apparat, kontrollera först avsnittet FELSÖKNING. Om du inte hittar en lösning där kontakta

- ▶ din lokala återförsäljare eller
- ▶ Service & Support-området på www.haier.com där du kan hitta telefonnummer och FAQ (vanliga frågor) och där göra ett serviceanspråk.

Om du vill kontakta vår tjänst ska du se till att du har följande uppgifter tillgängliga.

Informationen finns på typskylten.

Modell _____ Serienummer. _____

Kontrollera även det garantikort som medföljer produkten i händelse av garanti.

För allmänna affärsförfrågningar hittar du våra adresser i Europa nedan:

Europeiska adresser för Haier			
Land*	Postadress	Land	Postadress
Italien	Haier Europe Trading SRL Via De Cristoforis, 12 21100 Varese ITALIEN	Frankrike	Haier Europe Trading SRL Via De Cristoforis, 12 21100 Varese ITALIEN
Spanien Portugal	Haier Iberia SL Pg. Garcia Faria, 49-51 08019 Barcelona SPANIEN	Belgien-FR Belgien-NL Nederländer na Luxemburg	Haier Benelux SA Anderlecht Route de Lennik 451 BELGIEN
Tyskland Österrike	Haier Deutschland GmbH Hewlett-Packard-Str. 4 D-61352 Bad Homburg TYSKLAND	Polen Tjeckien Ungern Grekland Rumänien Ryssland	Haier Polen Sp. Zoo. Al. Jerozolimskie 181B 02-222 Warszawa POLIEN
UK	Haier Appliances UK Co. Ltd. One Crown Square Church Street East Woking, Surrey, GU21 6HR UK		

TILLGÄNGLIGHET AV RESERVDALAR: Termostater, temperaturgivare, kretskort och ljuskällor finns tillgängliga under minst sju år efter det att den sista enheten av samma modell har släppts på marknaden. Dörrhandtag, dörrgångjärn, brickor och korgar under minst sju år och dörrpackningar under minst tio år efter att den sista enheten av samma modell har släppts på marknaden

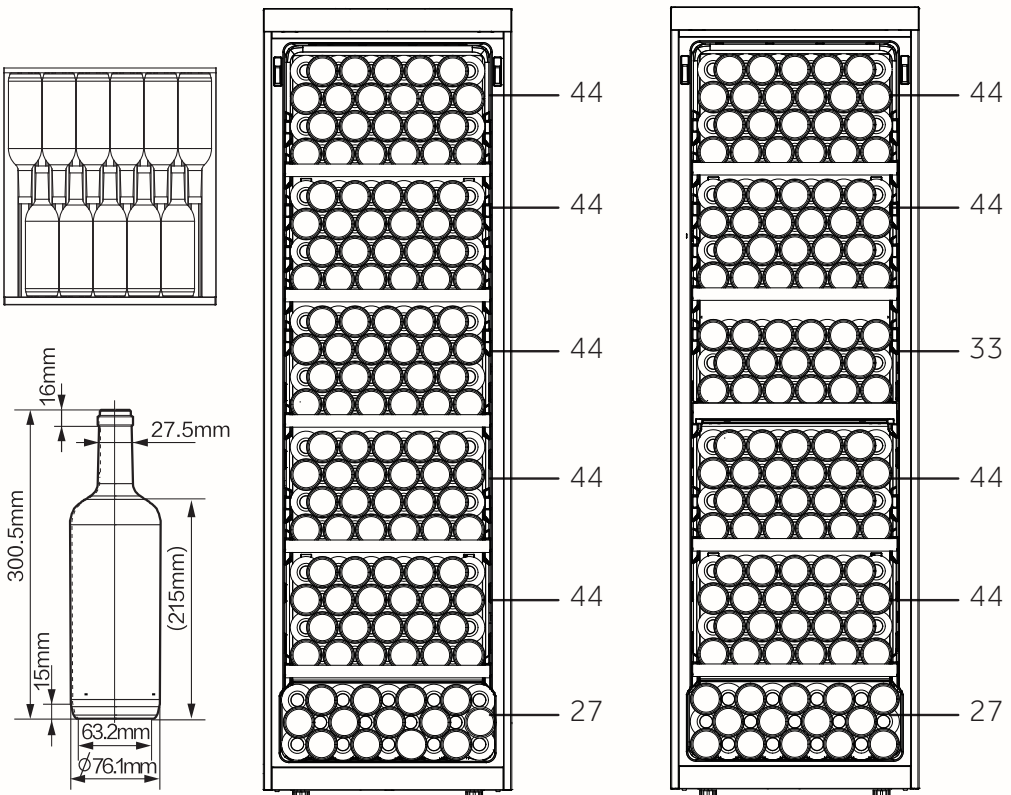
Minsta garantiperiod är: 2 år för EU-länder, 3 år för Turkiet, 1 år för Storbritannien, 1 år för Ryssland, 3 år för Sverige, 2 år för Serbien, 5 år för Norge, 1 år för Marocko, 6 månader för Algeriet, ingen juridisk garanti krävs i Tunisien.

För mer information om produkten, se <https://eprel.ec.europa.eu/> eller skanna QR-koden på energimärkningen bifogad med apparaten.

Stapling av vinflaskor

SV

Flaskarrangemanget är baserat på en grafisk representation av en standard Bordeaux-flaska (0,75 l). På grund av de olika flaskspecifikationerna kan den faktiska flaskladdningsmängden vara annorlunda.



HWS247GGU1
HWS247FDU1
HWS247GEH1
HWS247FAH1

HWS236GDGU1
HWS236GDEH1

HWS-247FDU1-247GGU1-236GGDU1-247GEH1-236GDEH1-HWS247FAH1 - SV

Haier



Haier

Kasutusjuhend

Veinikelder

HWS247FAH1
HWS247FDU1
HWS247GGU1
HWS247GEH1
HWS236GDEH1
HWS236GDGU1

ET

Haier

Aitäh, et ostsite Haieri toote.

Enne seadme kasutuselevõttu lugege see juhend hoolikalt läbi. Juhend sisaldab olulist teavet, mis aitab tagada seadme optimaalset funktsioonivõimet ning selle paigaldamise, kasutamise ja hoolduse ohutust ja nõuetekohasust.

Hoidke kasutusjuhendit käepärases kohas, et saaksite seda seadme ohutut ja nõuetekohast kasutamist puudutavate suuniste kontrollimiseks vaadata.

Kui peaksite seadme maha müüma, selle ära andma või kolimise korral endisesse elukohta jätma, andke uuele omanikule kindlasti ka kasutusjuhend, et ta saaks seadme ja ohutuslaste hoiatustega tutvuda.



Sümbolite selgitus

Hoiatus! Oluline ohutusteave



Üldine teave ja nõuanded



Keskkonnateave

Utiliseerimine

Andke keskkonna ja inimeste tervise kaitsmisel oma panus. Pange pakendi komponendid ringlussevõtuks ette nähtud konteineritesse. Järgige elektri- ja elektroonikaseadmete romude ringlussevõtu kohalduvaid nõudeid. Osutatud sümboliga tähistatud seadmeid ei tohi olmejäätmete hulka visata. Viige toode piirkondlikku ringlussevõtujaama või võtke ühendust kohaliku omavalitsuse asjaomase allüksusega.



HOIATUS!

Vigastuste või lämbumise oht!

Kõrvaldamisel tuleb järgida külmutusagensitele ja jahutusgaasidele kohalduvaid spetsiifilisi nõudeid. Enne nõuetekohast kõrvaldamist veenduge, et külmutusagensi kontuuri torustik ei ole kahjustunud. Ühendage seade vooluvõrgust lahti. Lahutage toitekaabel ja kõrvaldage see. Eemaldage alused, sahtlid, ukse sulgur ja tihendid, et vältida laste ning lemmikloomade seadmesse kinnijäämist.

Vanadel seadmetel on mõningane jääkväärtus. Keskkonnahoidlik kõrvaldamisviis aitab tagada väärtusliku toormaterjali ringlussevõttu ja taaskasutamist.

Isolatsioonivahu laiendajana kasutatakse tsüklopentaani, tuleohtlikku ainet, mis ei ole osoonile kahjulik.

Seadme nõuetekohane kõrvaldamine aitab vältida potentsiaalset kahju keskkonnale ja inimeste tervisele, mis võiks kaasneda seadme nõuetele mittevastava utiliseerimisega.

Seadme ringlussevõttu puudutava üksikasjalikuma teabe saamiseks võtke ühendust kohaliku omavalitsusega, jäätmejaamaga või kauplusega, kust toote ostsite, ning laske seade utiliseerida spetsialistidel.

1- Ohutusteave	4
2- Ohutusnõuanded.....	7
3- Hooldus.....	11
4- Tarvikud	13
5- Toote ülevaade	14
6- Paigaldamine	15
7- Kasutamine.....	19
8- Nõuanded energiatarbe vähendamiseks.....	24
9- Seadme tutvustus	25
10- Hooldus ja puhastamine	26
11- Veaotsing	27
12- Tehnilised andmed	30
13- Klienditeenindus.....	31
14- Veinipudelite virnastamine.....	32

Seade on mõeldud kasutamiseks ainult veini hoidmiseks. Enne seadme esmakordset sisselülitamist tutvuge alljärgnevate ohutuslaste nõuannetega.



HOIATUS!

Enne esimest kasutamist tehke järgmist.

- ▶ Kontrollige toodet transpordikahjustuste suhtes.
- ▶ Eemaldage kõik pakendi komponendid, hoidke neid lastele kättesaamatus kohas ning kõrvaldage need keskkonnahoidlikult.
- ▶ Enne seadme paigaldamist oodake vähemalt 0,5 tundi, et külmutusagensi kontuur oleks seadme sisselülitamiseks valmis.
- ▶ Seadet peab teisaldama vähemalt kaks inimest, sest see on raske.

Paigaldamine

- ▶ Seade tuleb paigutada korraliku ventilatsiooniga kohta. Seadme kohale ja külgedele peab jääma vähemalt 50 mm vaba ruumi.
- ▶ **HOIATUS!** Hoidke ventilatsiooniavad seadme korpuses või sisseehitatud konstruktsioonis takistusteta.
- ▶ Seadet ei tohi paigutada niiskesse kohta ega nii, et sellele võiksid sattuda veepritsmed. Kasutage veepritsmete ja plekkide eemaldamiseks ning seadme kuivatamiseks puhast pehmet riidelappi.
- ▶ Ärge paigaldage veinikülmikut kohta, mis ei ole korralikult isoleeritud või soojustatud (näiteks garaaži). Veinikülmik ei ole mõeldud kasutamiseks ümbritseva õhu temperatuuril, mis on madalam kui 10 °C.
- ▶ Ärge paigutage seadet otsese päikesevalguse kätte ega soojusallikate (näiteks ahju või kütteseadme) lähedusse.
- ▶ Seade tuleb paigaldada ja nivelleerida kohas, mis on seadme mõõtmetele vastav ning seadme kasutamiseks sobiv.
- ▶ Veenduge, et andmesildil välja toodud elektrilised parameetrid on toiteallikaga vastavuses. Lahknevuste korral võtke ühendust elektrikuga.
- ▶ Seadme toiteallikas peab vastama järgmistele parameetritele: 220–240 VAC / 50 Hz. Pinge anomaalse kõikumisega võib kaasned a seadme mittekäivitumine, temperatuuriregulaatori või kompressori kahjustumine või seadme käitamisaegne tavatu müra. Sellisel juhul tuleb paigaldada automaatregulaator.
- ▶ Ärge kasutage mitme pistikuga adaptereid ega pikendusjuhtmeid.

**HOIATUS!**

- ▶ **HOIATUS!** Jälgige, et seadme taha ei jääks portatiivseid mitmikpistikupesaid ega teisaldatavaid toiteallikaid.
- ▶ **HOIATUS!** Seadme paigutamisel veenduge, et toitekaabel poleks kuhugi kinni jäänud ega kahjustunud.
- ▶ Ärge astuge toitekaablile.
- ▶ Toitevarustuse tagamiseks tuleb kasutada eraldiseisvat maandatud pistikupesast, mis on hõlpsalt ligipääsetav. Seade peab olema maandatud.
- ▶ **Ainult Ühendkuningriigis:** seadme toitekaablil on kolmejuhtmeline (maandusega) pistik, mis on ette nähtud ühendamiseks standardse kolmejuhtmelise (maandusega) pistikupesaga. Kolmandat kontakti (maandust) ei tohi ära lõigata ega demonteerida. Pärast seadme paigaldamist peab pistik olema ligipääsetav.
- ▶ **HOIATUS!** Jälgige, et külmutusagensi kontuur ei saaks kahjustada.

Igapäevane kasutus

- ▶ Lapsed alates 8. eluaastast ning piiratud füüsiliste, sensoorsete või vaimsete võimetega või väheste kogemuste ja teadmistega isikud võivad seadet kasutada üksnes järelevalvel või kui neid on juhendatud seadme ohutu kasutamise osas ning nad mõistavad seadme kasutamisega seotud ohte.
- ▶ Lapsed ei tohi seadmega mängida.
- ▶ 3–8-aastased lapsed võivad külmutusseadmetesse sööke-jooke panna ja neid sealt võtta, kuid neil ei ole lubatud külmutusseadmeid puhastada ega paigaldada.
- ▶ Hoidke alla 3-aastased lapsed seadmest eemal, välja arvatud juhul, kui neid pidevalt jälgitakse.
- ▶ Kui puhastus- ja hooldustoiminguid teevad lapsed, tuleb neid kindlasti jälgida.
- ▶ Seade tuleb paigutada nii, et pistik oleks ligipääsetav.
- ▶ Kui koksigaas või muu tuleohtlik gaas lekib seadme lähedusse, lülitage lekkiva gaasi klapp välja, avage ukсед ja aknad ning ärge eemaldage seadme toitekaablit.
- ▶ Pärast toite väljalülitamist oodake vähemalt 7 minutit, et toide uuesti sisse lülitada.
- ▶ Ärge tõstke seadet selle ukse käepidemetest.
- ▶ Seadme võtmeid tuleb hoida lastele kättesaamatus kohas ja seadmest eemal, et minimeerida mängivate laste seadmesse kinni jäämise ohtu.

**HOIATUS!**

- ▶ Seade on mõeldud kasutamiseks ümbritseva õhu temperatuuri vahemikus 10–38 °C. Seade ei pruugi nõuetekohaselt töötada, kui see on pikemat aega temperatuuril, mis on osutatud vahemikust kõrgem või madalam.
- ▶ Ärge asetage seadmele ebastabiilseid esemeid (näiteks raskeid esemeid või veega täidetud anumaid), et vältida eseme kukkumisega kaasnevaid kehavigastusi või veega kokkupuutest tingitud elektrilööki.
- ▶ Kasutage ukse avamiseks ja sulgemiseks käepidemeid. Ukse ja kapi vaheline vahe on väga kitsas. Sõrmede pitsumise vältimiseks ärge pange käsi mainitud kohtadesse. Külmiiku ust võib avada ja sulgeda vaid siis, kui ukse liikumistrajektoril ei ole lapsi.
- ▶ Ärge hoidke ega kasutage seadmes ega selle läheduses kergsüttivaid, plahvatusohtlikke või söövitavaid aineid.
- ▶ Ärge hoidke seadmes plahvatusohtlikke aineid, näiteks tuleohtliku propellendiga aerosoolpurke.
- ▶ Ärge hoidke seadmes ravimeid, baktereid ega keemilisi aineid. Seade on kodumasin. Selles ei ole soovitatav hoida aineid, mille säilitamisele kohalduvad ranged temperatuurinõuded.
- ▶ Ärge seadistage veinikülmiiku kambri temperatuuri tarbetult madalaks. Kõrgete sätete korral võib esineda miinustemperatuure. Tähelepanu! Pudelid võivad lõhkeda.
- ▶ Ärge puudutage töötava seadme kambri sisepinda, sest käed võivad kambri sisepinna külge jääda. Eriti suur on see oht siis, kui käed on märjad.
- ▶ Veini õigeks jahutamiseks ärge koormake seadet üle.
- ▶ Voolukatkestuse korral või enne puhastamist lahutage seade vooluvõrgust. Enne seadme taaskäivitamist oodake vähemalt 7 minutit, kuna sagedane käivitamine võib kompressorit kahjustada.
- ▶ **HOIATUS!** Ärge kasutage seadme sees elektriseadmeid, kui nende tüüp ei ole vastavuses tootjapoolsete soovitustega. Ohtude minimeerimiseks võib kahjustunud toitekaabli asendada vaid klienditeenindus (vaadake garantiikaarti).
- ▶ Seadme tööea pikendamiseks vältige selle väljalülitamist.
- ▶ Ärge asetage seadet horisontaalselt põrandapinnale. Pärast seadme kallutamist üle 45° oodake enne selle vooluvõrku ühendamist 24 tundi.

**HOIATUS!****Hooldus/puhastamine**

- ▶ Kui külmkapi puhastus- ja hooldustoiminguid teevad lapsed, tuleb neid kindlasti jälgida.
- ▶ Enne korralist hooldust lahutage seade vooluvõrgust. Enne seadme taaskäivitamist oodake vähemalt 7 minutit, kuna sagedane käivitamine võib kompressorit kahjustada.
- ▶ Seadme vooluvõrgust lahutamisel hoidke pistikust, mitte kaablist.
- ▶ Seadme puhastamisel ei tohi kasutada abrasiivset harja, traatkäsna, pesuvahendi pulbrit, bensiini, amüülatsetaati, atsetooni, sarnaseid orgaanilisi lahuseid ega happelisi või leeliselisi lahuseid. Kahjustuste vältimiseks puhastage spetsiaalse külmkapi/sügavkülmiku pesuvahendiga. Lõpuks kasutage sooja vee ja söögisooda lahust – umbes supilusikatäis söögisoodat liitri vee kohta. Loputage hoolikalt veega ja pühkige kuivaks. Ärge kasutage pesupulbrit ega muid abrasiivseid puhastusvahendeid. Ärge peske eemaldatavaid osi nõudepesumasinas.
- ▶ **HOIATUS!** Ärge kasutage sulamisprotsessi kiirendamiseks mehaanilisi vahendeid ega seadmeid, kui tootja ei ole neid selleks otstarbeks soovitanud.
- ▶ Kui toitekaabel on kahjustunud, peab ohtude minimeerimiseks selle välja vahetama tootja, tootja volitatud hooldustehnik või sarnase kvalifikatsiooniga spetsialist.
- ▶ Ärge proovige seadet ise parandada, lahti võtta ega modifitseerida. Remondi korral võtke palun ühendust meie klienditeenindusega.
- ▶ Kui lambid ei põle, peab ohu vältimiseks need välja vahetama tootja, hooldusettevõtte töötaja või sarnase kvalifikatsiooniga isikud.
- ▶ Eemaldage seadme tagaküljelt tolm vähemalt kord aastas, et vältida tuleohtu ja energiatarbimise suurenemist.

- ▶ Ärge pihustage ega loputage seadet puhastamise ajal.
- ▶ Ärge kasutage seadme puhastamiseks veepihustit ega auru.
- ▶ Ärge puhastage külma klaasust kuuma veega. Järsk temperatuuri-muutus võib põhjustada klaasi purunemise.
- ▶ Kui te ei kasuta seadet pikemat aega, jätke see avatuks, et vältida ebameeldivate lõhnade kogunemist seadme sisse.

Külmutusagensit puudutav teave



HOIATUS!

Seadmes on tuleohtlik külmutusagens isobutaan (R600a). Veenduge, et külmutusagensi kontuur ei oleks transpordi või paigaldamise ajal kahjustunud. Lekkiv külmutusagens võib põhjustada silmavigastusi või süttida. Kahjustuse korral hoidke tuleallikad eemal, ventileerige ruum põhjalikult, ärge ühendage ega lahutage seadme või ühegi muu seadme toitejuhtmeid. Teavitage juhtunust klienditeenindust.

Kui silmad puutuvad kokku külmutusagensiga, loputage neid kohe voolava veega ja võtke kohe ühendust silmaarstiga.

HOIATUS! Jahutussüsteem on kõrge rõhu all. Ärge muutke seda. Kuna kasutatakse tuleohtlikke külmutusagensse, paigaldage seade ja käsitsege ning hooldage seda rangelt vastavalt juhistele ning seadme kõrvaldamiseks võtke ühendust professionaalse esindajaga või meie müügijärgse teenindusega.

Kasutusotstarve


Seade on ette nähtud kasutamiseks kodumajapidamistes ja muudes sarnastes kohtades, näiteks:

- töötajate köögid kauplustes, kontorites ja muus töökeskkonnas;
 - talumajapidamised, hotelli- ja motellitoad ning muud majutusasutused;
 - kodumajutuse tüüpi keskkonnas;
 - toitlustus- ja sarnases mittejaemüügikohas.
- Järgige veini säilitamisel ohutuse tagamiseks külmiku kasutusjuhendit.
- Leiate juhendi asjaomasest osast üksikasjalikku teavet selle kohta, millised seadme sektsioonid on seadmesisese temperatuuri kambritevahelisest jaotumisest lähtuvalt konkreetsete toiduainete säilitamiseks kõige sobivamad.

Seadme muutmine või modifitseerimine ei ole lubatud. Kavandatust erinev kasutamine võib endas ohte kätkeada ja garantii tühistada.

Utiliseerimine



Seadmel või selle pakendil olev sümbol  viitab sellele, et seda ei tohi olmejäätmete hulka visata. Kasutuselt kõrvaldatav seade tuleb viia elektri- ja elektroonikaseadmete ringlussevõtuga tegelevasse kogumispunkti. Seadme nõuetekohane kõrvaldamine aitab vältida potentsiaalset kahju keskkonnale ja inimeste tervisele, mis võiks kaasneda seadme nõuetele mittevastava utiliseerimisega. Seadme ringlussevõttu puudutava üksikasjalikuma teabe saamiseks võtke ühendust kohaliku omavalitsusega, jäätmejaamaga või kauplusega, kust toote ostsite. Kuna kasutatakse tuleohtlikke isolatsioonipuhumisgaase, võtke seadme kasutuselt kõrvaldamiseks ühendust professionaalse esindaja või meie müügijärgse teenindusega.

HOIATUS!

Vigastuste või lämbumise oht!

Kõrvaldamisel tuleb järgida külmutusagensitele ja jahutusgaasidele kohalduvaid spetsiifilisi nõudeid. Enne nõuetekohast kõrvaldamist veenduge, et külmutusagensi kontuuri torustik ei ole kahjustunud. Ühendage seade vooluvõrgust lahti. Lahutage toitekaabel ja kõrvaldage see. Eemaldage alused, sahtlid, ukseulgur ja tihendid, et vältida laste ning lemmikloomade seadmesse kinnijäämist.

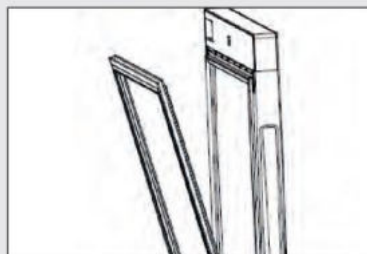
- ▶ **HOIATUS!** Enne puhastamist lahutage seade vooluvõrgust.
- ▶ Seadme puhastamisel ei tohi kasutada abrasiivset harja, traatkäsna, pesuvahendi pulbrit, bensiini, amüülatsetaati, atsetooni, sarnaseid orgaanilisi lahuseid ega happelisi või leeliselisi lahuseid. Kahjustuste vältimiseks kasutage spetsiaalset külmkapi puhastusvahendit.
- ▶ Puhastage seadet, kui selles on vähe veini või kui see on tühi. Puhastage seadet ainult siis, kui see on määrdunud.
- ▶ Puhastage seadme sisemust ja korpust soojas vees ning neutraalses puhastusvahendis niisutatud svammiga.
- ▶ Loputage puhta sooja veega ja kuivatage pehme riidelapiga.
- ▶ Ärge puhastage seadme osi nõudepesumasinas.
- ▶ Enne seadme taaskäivitamist oodake vähemalt 7 minutit, kuna sagedane käivitamine võib kompressorit kahjustada.



Uksetihendi puhastamine:

- ▶ Uksetihendit tuleb nõuetekohase hermeetilisuse tagamiseks iga kolme kuu järel puhastada. Toimige selleks järgmiselt: võtke uksetihendist kinni ja tõmmake see uksetihendi tervikuna eemaldamiseks noolega osutatud suunas välja.

Niisutage harja vee või alkoholiga ning puhastage harja edasi-tagasi liigutades kõigepealt uksetihendi soon. Seejärel pühkige uksetihendi pinda rätikuga, mida on niisutatud vee või alkoholiga. Pärast seda peske uksetihend puhtaks ja kuivatage see puhta rätikuga.



Uksetihendi puhastamise järgne paigaldamine:

Kontrollige enne paigaldamist, kas uksetihend on kuiv ja sellele ei ole jäänud vett. Paigutage uksetihend soonde ja suruge seda ülevalt alla liikudes käsitsi tihkelt oma kohale, kuni kogu uksetihend on soonde kinnitatud.

Riiulite puhastamine:

- ▶ Kõiki riiuleid saab puhastamiseks eemaldada.
- ▶ Võtke seadmest välja kõik pudelid.
- ▶ Tõstke riiulit veidi ja võtke see seadmest välja.
- ▶ Puhastage riiulit pehme rätikuga.
- ▶ Veenduge enne riiulite tagasi paigutamist, et need on kuivad.

HOIATUS!

Pärast toite väljalülitamist oodake enne toitevarustuse taastamist vähemalt seitse minutit.

Kontrollige alljärgneva loendi alusel tarvikuid ja dokumentatsiooni.

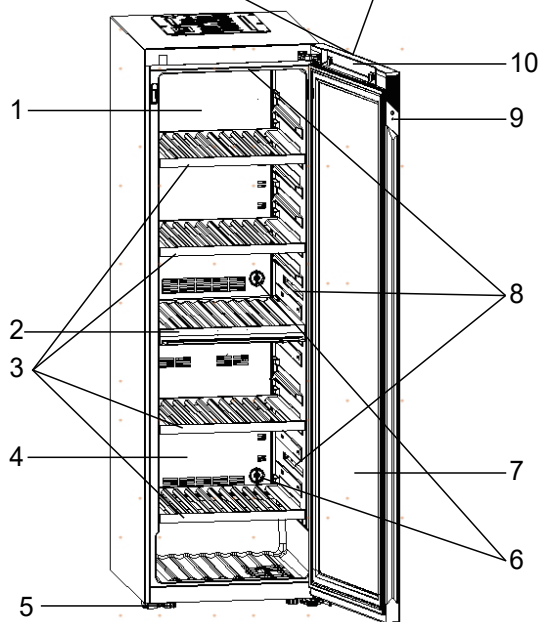
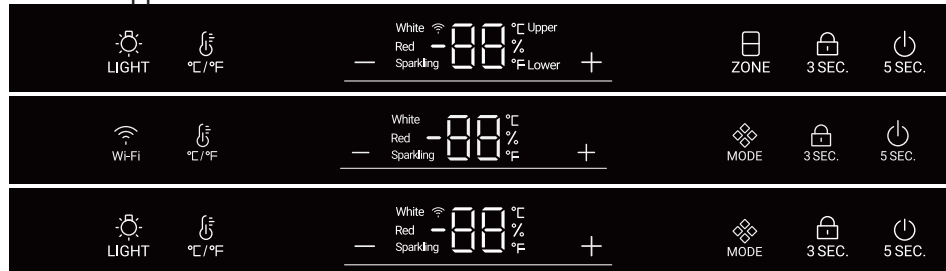
Nimi	Kasutus-juhend	Hooldus-kaart	Riiul	Hinge-kate	Energia-märgis	Vöti	Käepide	Kruvi	Kruvi-kork	Kaas	Kuvariil
HWS247FAH1	1	1	5	1	1	2	1	4	2	1	1
HWS247GGU1	1	1	5	1	1	2	/	/	/	/	/
HWS236GDGU1	1	1	4	1	1	2	/	/	/	/	/
HWS247FDU1	1	1	5	1	1	2	1	4	2	1	/
HWS247GEH1	1	1	5	1	1	2	/	/	/	/	/
HWS236GDEH1	1	1	4	1	1	2	/	/	/	/	/



Märkus

Tehniliste muudatuste ja mudelite varieeruvuse tõttu võivad mõned juhendis sisalduvad illustratsioonid konkreetsest mudelist erineda.

Picture of appliance



(HWS236GDGU1)

- | | |
|------------------------------------|----------------------------|
| 1. Ülemise õhukanali vahesein | 6. Aktiivsöefilter |
| 2. vahesein (mudelile HWS236GDGU1) | (välja arvatud HWS247FAH1) |
| 3. Riitul | 7. Uks |
| 4. Alumise õhukanali tõkesti | 8. LED-lamp |
| 5. Reguleeritavad jalad | 9. Lukk |
| | 10. Kuva |

1. Lahtipakkimine

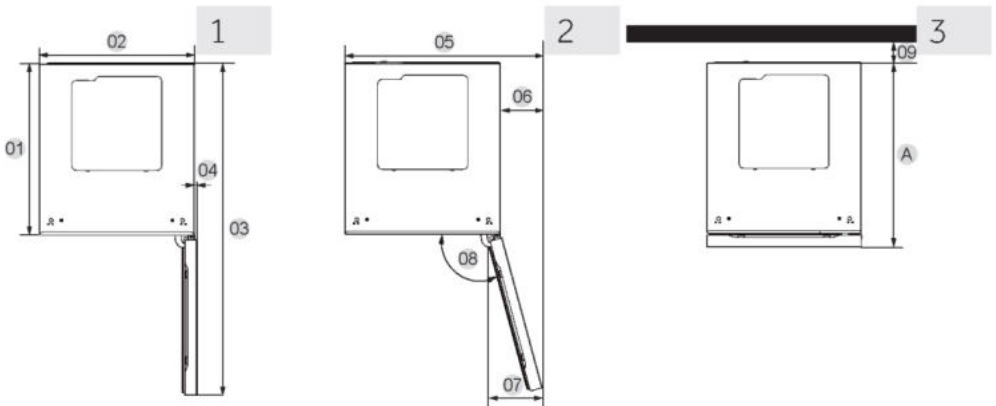
- ▶ Võtke seade pakendist välja.
- ▶ Eemaldage kõik pakendi komponendid, vahtmaterjal ja tarvikuid fikseeriv kleeplint.

2. Keskkonnatingimused

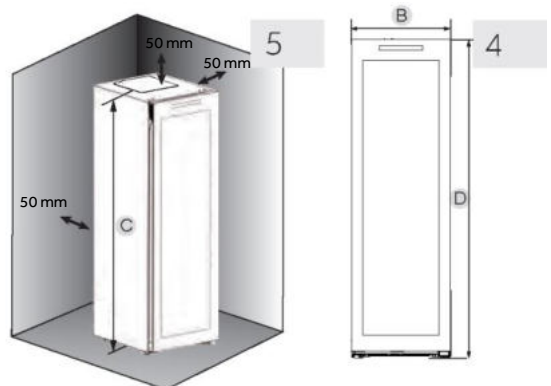
Toatemperatuur peaks alati jääma vahemikku 10–38 °C, sest toatemperatuur võib mõjutada seadmesisest temperatuuri ja külmiku energiatarvet. Ärge paigaldage seadet ilma isolatsioonita muude soojust kiirgavate seadmete (näiteks ahju või teise külmiku) lähedusse.

3. Ruuminõuded

Ukse avamiseks vajalik ruum (joonis 1,2,3,4); Ohutuse ja energiatarbega seotud kaalutlustel tuleb järgida, et vahekaugus seadme kõigist külgedest oleks nõutekohase ventilatsiooni tagamiseks vähemalt 50 mm (joonis 5).



Mõõtmed: mm	HWS247GGU1 HWS247GEH1	HWS236GDU1 HWS236GDEH1	HWS247FDU1 HWS247FAH1
Sügavus A	714	714	769
Laius B	597	597	603
Kõrgus C	1905	1905	1905
Üldkõrgus D	1900	1900	1900
01	654	654	654
02	595	595	595/600
03	1273	1273	1280
04	11	11	16
05	756	756	805
06	161	161	210
07	200	200	200
08	105°	105°	105°
09	50	50	50



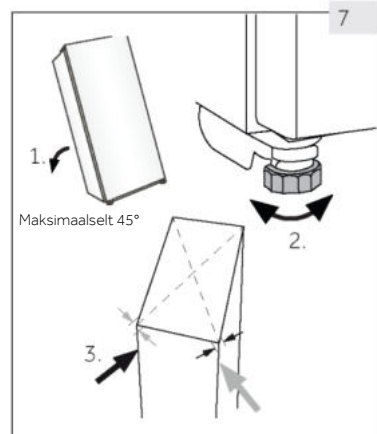
**HOIATUS!**

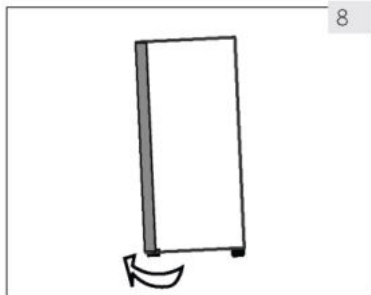
- Jälgige, et seadme või integreeritud konstruktsiooni ventilatsioonivad ei oleks blokeeritud. See külmutusseade ei ole mõeldud kasutamiseks integreeritava seadmena.

5. Seadme tsentreerimine ja nivelleerimine

Seade tuleb paigutada ühetasasele ja stabiilsele pinnale.

1. Kallutage seadet veidi tahapoolle (joonis 7).
2. Keerake esiküljel olevad reguleeritavad jalad soovitud kõrgusele.
3. Kontrollige seadme stabiilsuse hindamiseks selle diagonaaltelgi. Mõningane kalle kummaski suunas peaks olema ühesugune. Vastasel juhul võib karkass deformeeruda, millega võiks kaasneda uksetihendite leke. Kerge kaldenurk tagakülje suunas hõlbustab ukse sulgemist.



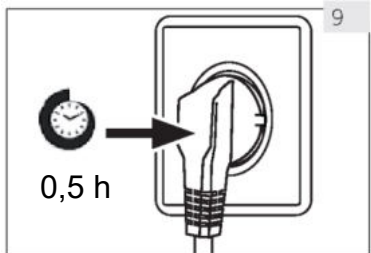


8 6. Ukse täppisreguleerimine

Kohandage seadme ukse hõlpsamaks sulgemiseks esiküljel olevaid reguleeritavaid jalgu.

Reguleeritavaid jalgu saab üles või alla keerata (joonis 8).

- ▶ Jalgade päripäeva keeramine tõstab seadet.
- ▶ Jalgade vastupäeva keeramine langetab seadet.



9 7. Ooteaeg

Kasutajapoolset sekkumist mittevajav määrideõli asub kompressoris olevas kapslis. Õli võib transportimisega kaasneva seadme kaldumise tõttu suletud torustikku voolata. Oodake enne seadme vooluvõrku ühendamist 0,5 tundi (joonis 9), et õli saaks tagasi kapslisse valguda.

8. Seadme vooluvõrku ühendamine

Enne seadme vooluvõrku ühendamist kontrollige, kas:

- ▶ toiteallikas, pistikupesaja ja kaitsmed vastavad andmesildil välja toodud parameetritele;
- ▶ pistikupesaja on maandatud ning kasutusel pole mitme pistikuga adaptoreid ega pikendusjuhtmeid;
- ▶ toitepistik ja pistikupesaja vastavad nõuetele.

Ühendage pistik nõuetekohaselt paigaldatud pistikupesaga.



HOIATUS!

Ohtude minimeerimiseks võib kahjustunud toitekaabli asendada vaid klienditeenindus (vaadake garantiikaarti).

9. Ukse poolsuse muutmine

Kontrollige enne seadme vooluvõrku ühendamist, kas paigalduskohast ja kasutusmugavusest lähtuvalt oleks vajalik ukse poolsuse muutmine (seade tarnitakse paremale avaneva uksega, kuid seda saab muuta).



HOIATUS!

- ▶ Seade on raske. Ukse poolsuse muutmiseks on vaja kahte inimest.
- ▶ Enne edasiste toimingute tegemist lahutage seade vooluvõrgust.
- ▶ Seadet ei tohi jahutussüsteemi kahjustuste vältimiseks kallutada rohkem kui 45 kraadi.

Monteerimisetapid

1. Pange valmis vajalik tööriist.
2. Lahutage seade vooluvõrgust.
3. Eemaldage ülemise liistu kate ja väike kate, Väikese katte paigaldamine vasakule ja paremale.
4. Eemaldage juhtmealuse kate ja väike kate, Dekoratiivkatte paigaldamine vasakule ja paremale. Eemaldage ukse siseküljel olevast vasakust lukuaukust must kummikork ja paigaldage see parempoolsesse lukuauku.
5. Eemaldage hingekate, eemaldage tööriistaga 3 kruvi ja eemaldage portaali korpus.
6. Eemaldage 3 kruvi portaali korpuse alt tööriistaga, portaali korpuse nukk ja ukseulgur, vasak ja parem üleviimine paigaldatakse portaali korpuse teisele küljele.
7. Eemaldage kasti hingeseade tööriistaga, eemaldage kõigepealt alumise hingeseadme nukk, asetage hingeseadme võll parempoolsesse kruviauku, paigaldage. Üleviimise paigaldus koos ratta tugikomplektiga kasti paremal küljel.
8. Portaali korpus paigaldatakse vertikaalselt allapoole hingevõllile.
9. Ülemine hing sisestatakse portaali korpuse võlli avasse, kinnitage karp kruvidega, paigaldage juhtmekarbi kate ja ülemise liistu kate.



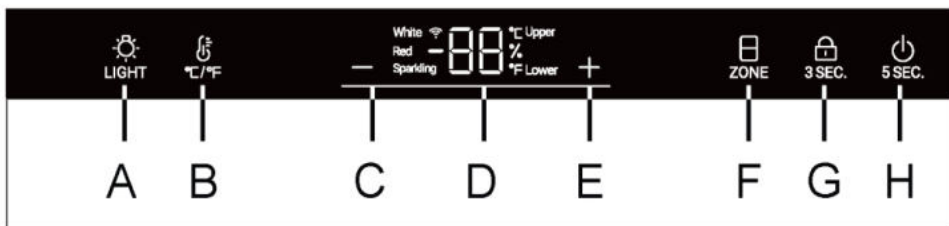
1. Enne esimest kasutamist tehke järgmist.

- ▶ Eemaldage kõik pakendi komponendid. See hõlmab ka vahtmaterjali ning veinikülmiku tarvikute fikseerimiseks seadme sisemuses ja välispinnal kasutatud kleeplinti. Hoidke kõiki pakendi komponente lastele kättesaamatus kohas ja kõrvaldage need keskkonnasäästlikult.
- ▶ Puhastage enne veinipudelite külmikusse panemist seda seest ja väljast vee ning õrnatoimelise puhastusvahendiga.
- ▶ Pärast nivelleerimist ja puhastamist oodake vähemalt kaks tundi, enne kui ühendate seadme vooluvõrku. Kui veinikülmik on mingil põhjusel kaldnurga all olnud, oodake enne selle vooluvõrku ühendamist 24 tundi. Vaadake osa „PAIGALDAMINE“.
- ▶ Pärast külmiku vooluvõrku ühendamist laske seadmel stabiliseerumiseks enne mis tahes sätete seadistamist vähemalt 30 minutit töötada.
- ▶ Külmiku temperatuuri sätteks määratakse automaatselt 12 °C. Soovi korral saate temperatuuri käsitsi muuta. Vaadake temperatuuri reguleerimist käsitlevat osa.

2. Puutenupud

Juhtpaneelil on puutenupud, mis reageerivad juba kergel sõrmepuudutusel.

3. Juhtpaneeli kirjeldus



- | | |
|---|--|
| A Sisevalgustuse nupp | E Temperatuuri reguleerimise nupp: kõrgemaks |
| B °C /°F valimise nupp | F Temperatuuritsooni valimise nupp |
| C Temperatuuri reguleerimise nupp: madalamaks | G Lukustusnupp |
| D Kuva | H Toitenupp |

4. Automaatse lukustumise funktsioon

Lukustuskuva olekus vajutage pikalt 3S lukustusnuppu, ekraanile kuvatakse 3, 2 ja 1, ekraan on lukustamata ja lukustusikoon põleb pooleldi. Kui toimingut ei toimu, lukustub ekraan automaatselt 30 sekundi pärast. Lukustuskuva olekus on kõik lukustusnupu ikoonid sisse lülitatud ja ekraanil olevaid klahve ei saa kasutada (välja arvatud valgustusnupp);

5. Toitenupu funktsioon

Kui ekraan on välja lülitatud, puudutage mis tahes klahvi ja ekraan süttib; vajutage pikalt toitenuppu, ekraanil kuvatakse 5, 4, 3, 2 ja 1 ning kogu masina toide lülitatakse välja. Kui toide on välja lülitatud, vajutage pikalt toitenuppu, et kuvada 5, 4, 3, 2, 1. Vool on sisse lülitatud.





6. Temperatuuri seadistamine

Märkus

Eelmääratud sätted


- ▶ Pärast külmiku voluvõrku ühendamist laske seadmel stabiliseerumiseks enne mis tahes sätete seadistamist vähemalt 30 minutit töötada.
- ▶ Kui seade on olnud voluvõrgust lahutatud, võib pärast külmiku sisselülitamist ette nähtud temperatuuri saavutamiseks mitu tundi kuluda. Täpne aeg sõltub keskkonnast ja temperatuuriseadistusest.





Vajutage nuppu  või , ekraan hakkab vilkuma. soovitud temperatuuri seadistamiseks vajutage nuppu  või . Temperatuuri seadistusvahemik: 5–20 °C (41–68 °F).

Vabastage klahv kolmeks sekundiks, temperatuur kinnitatakse.

7. Režiimi või tsooni funktsioon

Vajutage  nuppu, et vahetada temperatuuri vahuveinilt (8 °C või 47 °F) valgele (12 °C või 54 °F) ja punasele veinile (16 °C või 61 °F). (HWS247GGU1/HWS247GEH1/HWS247FDU1/HWS247FAH1)

Avamisolekus on ikoon „“ täielikult sisse lülitatud. Kui praegune kuva on ülemises temperatuuritsoonis, lülitub ülemine ikoon sisse ja alumine välja. Kui vajutate nüüd nuppu , lülitub alumine ikoon sisse ja ülemine ikoon lülitub välja.

(mudelil HWS236GDGU1/HWS236GDEH1)

Soovituslikud temperatuuri sätted

Erinevat tüüpi veinidele kohalduvad alljärgnevad soovituslikud serverimistemperatuurid.

Punane vein	+13 °C kuni +20 °C (+55 °F kuni +68 °F)	Vahuvein Prosecco	+5 °C kuni +8 °C (+41 °F kuni 47 °F)
Valge vein	+9 °C kuni +12 °C (+48 °F kuni +54 °F)		

Kui hoiustate veini pikka aega, tuleb seda hoida temperatuuril +10 °C kuni +12 °C (50 °F kuni +54 °F).

8. Ooterežiim

Kui 30 sekundi jooksul pole tehtud ühtegi toimingut, hämardub näidik automaatselt.

See süttib automaatselt, kui mis tahes klahvi puudutatakse või uks avatakse.



Märkus Temperatuure mõjutavad tegurid



Seadme sisetemperatuuri mõjutavad alljärgnevad tegurid.

- ▶ Ümbritseva õhu temperatuur
- ▶ Seadmesse paigutatud pudelite hulk
- ▶ Ukse avamise sagedus
- ▶ Seadme asukoht

Vaikesäte on 12 °C


Kui näidiku vilkumine lõpeb, kuvatakse sellele veinikülmiku praegune sisetemperatuur. Seadistatud temperatuuri saavutamiseks kulub veidi aega.

9. Valgustusrežiimi seadistamine

Vajutage nuppu . Korpuse sisevalgusti tuled lülituvad astmeliselt sisse.  nupu uuesti vajutamisel kustuvad tuled järk-järgult.

(v.a HWS247FDU1/HWS247FAH1)

10. Temperatuuriühiku (°C/°F) valimine

Vajutage temperatuuriühiku (°C/°F) valimiseks nuppu .

11. Wi-Fi-funktsioon

Vajutage Wi-Fi nuppu 3 sekundit, Wi-Fi nupp hakkab kiiresti vilkuma ja lülitub automaatselt konfiguratsioonirežiimi (HWS247FDU1/HWS247FAH1).

12. Voolukatkestuse aegne sätete talletamine

Voolukatkestuse korral salvestab veinikülmik seadistatud temperatuuri automaatselt. Pärast toitevarustuse taastumist ennistatakse enne voolukatkestust seadistatud temperatuuri säte.

13. Ümbritseva õhu madala temperatuuri kompenseerimise funktsioon

Veinikülmikusse on integreeritud ümbritseva õhu madala temperatuuri kompenseerimise funktsioon, mis tagab seadme temperatuuri stabiilsuse. Kui ümbritseva õhu temperatuur on seadistatud temperatuurist madalam, rakendub automaatselt ümbritseva õhu madala temperatuuri kompenseerimise funktsioon, mis hakkab seadet soojendama. Kui temperatuur jõuab seadistatud tasemeni, lülitub ümbritseva õhu madala temperatuuri kompenseerimise funktsioon automaatselt välja.

14. Avatud ukse helisignaali

Kui seadme uks on kauem kui ühe minuti vältel lahti, aktiveeritakse helisignaali, mis kostab kuni ukse sulgemise või näidiku paneelil mõne nupu vajutamiseni.

15. Wi-Fi režiimi seadistamine

ÜHENDUVUS

TRAADITA ÜHENDUSE PARAMEETRID

Tehnoloogia	Wi-Fi	Bluetooth
Standard	IEEE 802.11 b/g/n	Bluetooth v4.2, BR/EDR, BLE
Sagedusala(d) [MHz]	2401–2483	2402÷2480
Sagedusalale kohalduv maksimumvõimsus (mW)	100	10

TOOTEINFO

Järgige Wi-Fi-mooduli sisse lülitamiseks alljärgnevat suuniseid.

Vajutage Wi-Fi-režiimi aktiveerimiseks kolm sekundit valgusti nuppu (mudelid HWS247GGU1, HWS247FAH1)

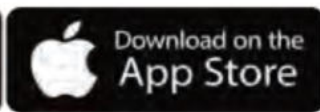
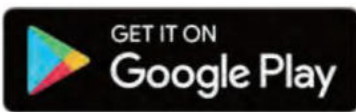
Wi-Fi aktiveerimiseks vajutage Wi-Fi nuppu 3 sekundit (HWS247FDU1/HWS247FAH1)

- Wi-Fi-mooduli sisse lülitumisel hakkab vilkuma Wi-Fi-ühenduse ikoon.
- Ikoon vilgub, kui veinikülmik on registreeritud, kuid Wi-Fi-ühendus on loomata.
- Wi-Fi-ühenduse ikoon on valgustunud, kui veinikülmik on registreeritud ja Wi-Fi-ühendus on loodud.
- Wi-Fi-ühenduse lähtestamiseks vajutage kolm sekundit valgusti nuppu (HWS247GGU1/HWS247FAH1)
- Wi-Fi-ühenduse lähtestamiseks vajutage kolm sekundit Wi-Fi nuppu (HWS247FDU1/HWS247FAH1)

RAKENDUSES SEADME SIDUMINE

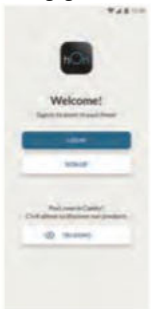
1. toiming

- Laadige poest alla rakendus hOn App.



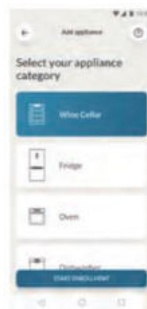
2. toiming

- Logige sisse või registreeruge.



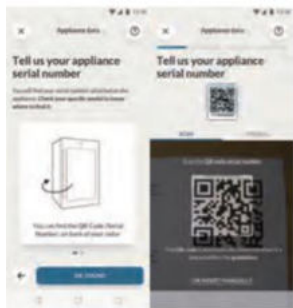
3. toiming

- Valige uue seadme lisamiseks loendist veinikülmik



4. toiming

- Skannige QR-kood või sisestage seerianumber käsitsi



5. toiming

6. Vajutage WiFi-režiimi aktiveerimiseks kolm sekundit valgusti nuppu (mudelid HWS247GGU1/ HWS247FAH1)

7. Vajutage WiFi-režiimi aktiveerimiseks kolm sekundit Wi-Fi nuppu (mudelid HWS247FDU1/ HWS247FAH1)



6. toiming

- Wifi ikoon vilgub, sidumisprotsess on pooleli.
- Teil on sidumisprotsessi lõpuleviimiseks aega viis minutit
- Protsessi lõpetamisel lõpetab WiFi-ühenduse ikoon vilkumise ja jääb valikule NOTE





Nõuanded energiatarbe vähendamiseks

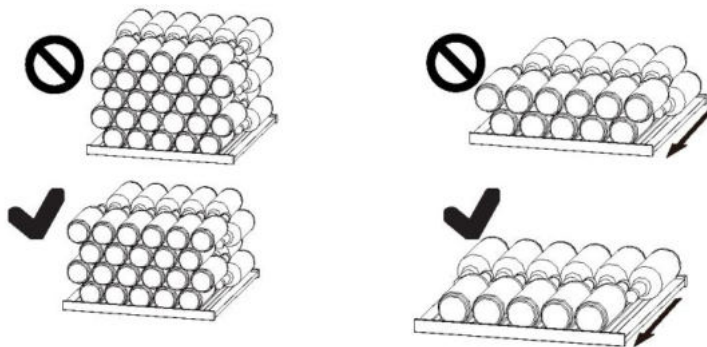
- ▶ Veenduge, et seadme ventilatsioon vastab nõuetele (vaadake osa „PAIGALDAMINE“).
- ▶ Ärge paigutage seadet otsese päikesevalguse kätte ega soojusallikate (näiteks ahju või kütteseadme) lähedusse.
- ▶ Hoiduge tarbetult madalate temperatuuride seadistamisest. Mida madalam on temperatuuri säte, seda suurem on seadme energiatarve.
- ▶ Hoidke seadme ust võimalikult vähest aega avatuna.
- ▶ Õhuvoolu takistamise vältimiseks ärge ületage ettenähtud pudelite arvu.
- ▶ Uksetihendid peavad olema puhtad, et uks alati korralikult sulguks.
- ▶ Kõige energiasäästlikuma lahenduse saavutamiseks peavad sahtel, toidukast ja riiulid olema tehaseväärises seisundis ning toit tuleb seadmesse paigutada õhu väljalaskeava blokeerimata.

1. Riiul


1. Riiulid võimaldavad veinipudeleid hõlpsalt hoiundada ja külmikust välja võtta. Riiuleid võib puhastada pehme rätikuga.
2. Riiulitele saab paigutada tavapärase kujuga pudelid, mille läbimõõt on 76 mm.
3. Erimõõdulisi pudelid saab hoida alumisel riiulil.
4. Külmikus hoitavate pudelite hulk võib osutatust erineda ja oleneb nende paigutusest.

Pudelite veinikülmikusse paigutamisele kohalduvad järgmised soovitused.

Soovitav on jälgida, et veinipudeleid poleks ühelgi riiulil rohkem kui nelja kihina. Ületada ei tohi külmiku veiniriiulite kandevõimet, mis on 60 kg. Enne pudelite veinikülmikusse paigutamist kontrollige, kas veiniriiul on stabiilne. Lisaks tuleb veenduda selles, et ükski pudel ei eenduks riiulilt välja, et vältida külmiku sulgemisel pudeli klaasukse vastu minemist.



2. Valgusti

Ukse avamisel süttib valgusdioodiga sisevalgusti. Ukse sulgemise ajal tule sisselülitamiseks puudutage  nuppu. Tulede väljalülitamiseks puudutage nuppu uuesti. Energiatõhususe suurendamiseks tuleb tuled välja lülitada ajaks, kui veinikeldrisse ei vaadata. (v.a HWS247FDU1/HWS247FAH1)

3. Lukk

Veinikeldri lukustamiseks sulgege uks ja pange võti lukuauku:

- ▶ Ukse avamiseks keerake võtit päripäeva;
- ▶ Avage uks, keerates võtit vastupäeva.

1. Sulatamine

Veinikülmiku sulatamine on automaatne, selle käsitsi sulatamine ei ole vajalik.

2. Valgusdioodi vahetamine

Valgusallikaks on valgusdiood, millel on väike energiatarve ja pikk kasutusiga. Valgustiga seotud probleemide korral võtke ühendust klienditeenindusega. Vaadake osa „KLIENDITEENINDUS“.



HOIATUS!

Ärge vahetage valgusdioodi ise. Selle võib välja vahetada vaid tootja või volitatud hooldustehnik.

LED-lambi parameetrid:

Pinge 12 V

Maksimumvõimsus: 18 W

3. Pikaajaline mittekasutamine

Lahutage toitekaabel.

Puhastage seadet ja uksetihendit eespool välja toodud suuniste kohaselt.

Jätke uks lahti, et vältida seadmesises ebaseameeldiva lõhna teket.

4. Seadme teiseldamine

1. Võtke kõik pudelid välja ja lahutage seade vooluvõrgust.
2. Fikseerige riiulid ja veinikülmiku muud liikuvad osad kleepplindiga.
3. Veinikülmikut ei tohi külmutussüsteemi kahjustuste vältimiseks kallutada rohkem kui 45 kraadi.

5. Aktiivsöefiltril põhinev õhuvahetus (välja arvatud HWS247FAH1)

Veini järelkäärimist mõjutavad ümbritseva keskkonna tingimused. Õhu kvaliteet on seetõttu veini säilitamisel otsustava tähtsusega. Külmiku tagaseina alumisse sektsiooni on paigaldatud optimaalset õhu kvaliteeti tagav aktiivsöefilter.



Märkus

Soovitame filtrit vahetada kord aastas. Sobivaid tooteid saab edasimüüjalt.

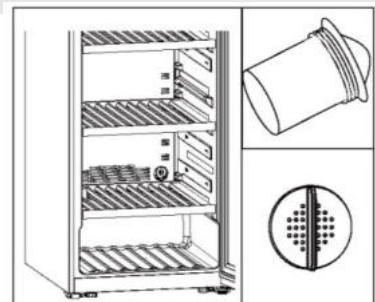
(välja arvatud HWS247FAH1)

Filtri vahetamine:

Võtke filtri eemaldamiseks selle pidemest kinni. Keerake seda vasakule ja võtke filter seadmest välja.

Filtri paigaldamine:

Sisestage filter, jälgides, et selle pide oleks vertikaalselt. Keerake seda paremale ja fikseerige filter.



Paljusid tekkida võivaid probleeme saab kõrvaldada ilma mingite eriteadmisteta. Probleemide korral järgige allpool välja toodud suuniseid, enne kui võtate ühendust müügijärgse teenindusega. Vaadake osa „KLIENDITEENINDUS“.

HOIATUS!

- ▶ Enne hooldustoiminguid lahutage seadme väljalülitamiseks toitepistik pistikupesast.
- ▶ Elektriseadmete remonditöid võivad teha vaid kvalifitseeritud elektrikud, sest ebaõige remondiga võivad kaasned märkimisväärsed kahjustused.
- ▶ Kahjustunud toitekaabli võib ohtude minimeerimiseks välja vahetada üksnes tootja, tootja volitatud hooldustehnik või sarnase kvalifikatsiooniga spetsialist.

Tõrkekood	Põhjus	Lahendus
L2	Madala temperatuuri alarm, kui juhtanduri temperatuur on liiga madal;	<ol style="list-style-type: none"> 1. Kontrollige ümbritseva õhu temperatuuri 2. Kontrollige kompressori liitmikku. 3. Kontrollige temperatuurianduri takistust.
H1	Kui juhtanduri temperatuur on liiga kõrge, kuvatakse ekraanil kõrge temperatuuri häire;	<ol style="list-style-type: none"> 1. Kontrollige juhtpaneeli või ekraanipaneeli pistikut. 2. Kontrollige ventilaatori takistust ja pinget. 3. Kontrollige ventilaatorit ja kompressori pistikut.

Probleem	Võimalik põhjus	Võimalik lahendus
Kompressor ei tööta. Seade käivitub sageli või on selle käitustusükel liiga pikk.	<ul style="list-style-type: none"> • Toitepistik ei ole voluvõrku ühendatud. • Välistemperatuur on liiga kõrge. • Seade on olnud pikemat aega välja lülitatud. • Seadme uks ei ole korralikult suletud. • Ust avatakse liiga sageli või hoitakse seda liiga kaua lahti. • Uksetihendid on määrdunud, kulunud, pragunenud või ei sobi seadmele. • Õhuringlus ei vasta nõuetele. • Temperatuur on seadistatud liiga madalale sättele. 	<ul style="list-style-type: none"> • Ühendage toitepistik. • Sellisel juhul on normaalne, kui käitustusükel on tavalisest pikem. • Seadme täielik jahutamine võtab üldjuhul veidi aega. • Sulgege uks, kontrollige, kas seade paikneb ühetasasel pinnal, ning veenduge, et mõni toiduaine või anum ei takista ukse sulgemist. • Hoiduge ukse liiga sagedasest avamisest. • Puhastage uksetihend või laske klienditeenindusel see asendada. • Tagage küllaldane ventilatsioon. • Probleem laheneb ise, kui soovitud temperatuur on saavutatud.
Veinikülmiku sisemus on määrdunud ja/või lõhnab ebameeldivalt.	<ul style="list-style-type: none"> • Vajalik on veinikülmiku sisemuse puhastamine. 	<ul style="list-style-type: none"> • Puhastage veinikülmiku sisemus.
Seadme sisetemperatuur ei ole piisavalt madal.	<ul style="list-style-type: none"> • Temperatuur on seadistatud liiga kõrgele sättele. • Külmikusse on hiljuti veinipudeleid pandud. • Seadme uks ei ole korralikult suletud. • Ust avatakse liiga sageli või hoitakse seda liiga kaua lahti. • Uksetihendid on määrdunud, kulunud, pragunenud või ei sobi seadmele. 	<ul style="list-style-type: none"> • Lähtestage temperatuuri säte. • Oodake, kuni külmikusse pandud veinipudelid saavutavad vajaliku temperatuuri. • Sulgege uks. • Hoiduge ukse liiga sagedasest avamisest. • Puhastage uksetihend või laske klienditeenindusel see asendada.
Seadme sisetemperatuur on liiga madal.	<ul style="list-style-type: none"> • Temperatuur on seadistatud liiga madalale sättele. 	<ul style="list-style-type: none"> • Lähtestage temperatuuri säte.
Külmiku kambris tekib kondensaat.	<ul style="list-style-type: none"> • Ümbritsev keskkond on liiga soe ja liiga niiske. • Seadme uks ei ole korralikult suletud. • Ust avatakse liiga sageli või hoitakse seda liiga kaua lahti. 	<ul style="list-style-type: none"> • Tõstke temperatuuri sätet. • Sulgege uks. • Hoiduge ukse/sahtli liiga sagedasest avamisest.

Probleem	Võimalik põhjus	Võimalik lahendus
Veinikeldri välispinnale koguneb niiskus.	<ul style="list-style-type: none"> • Ümbritsev keskkond on liiga soe ja liiga niiske. • Uks ei ole nõuetekohaselt suletud. Seadmesisese külma õhu ja ümbritseva keskkonna sooja õhu kokkupuutel tekib kondensaat. 	<ul style="list-style-type: none"> • See on niisketes ilmastikuoludes normaalne ja muutub niiskustaseme langedes. • Jälgige, et uks oleks korralikult suletud ja uksetihend hermeetiline.
Seadmest kostab ebatavalisi helisid.	<ul style="list-style-type: none"> • Seade ei paikne ühetasasel pinnal. • Seade on mõne läheduses paikneva eseme vastas. 	<ul style="list-style-type: none"> • Reguleerige seadme nivelleerimiseks jalgu. • Eemaldage seadme vahetust ümbrusest esemed.
Seadmest kostab vee voolamisega sarnane vaikne heli.	<ul style="list-style-type: none"> • See on normaalne 	<ul style="list-style-type: none"> • -
Seadme sisevalgusti või jahutussüsteem ei tööta.	<ul style="list-style-type: none"> • Toitepistik ei ole vooluvõrku ühendatud. • Seadme toitevarustus puudub. • Valgusdiodiga valgusti on kahjustunud. 	<ul style="list-style-type: none"> • Ühendage toitepistik. • Kontrollige ruumi elektrivarustust. Helistage elektriettevõttesse. • Helistage valgusti asendamiseks teenindusse.
Külmiku küljed ja ukseleist soojenevad.	<ul style="list-style-type: none"> • See on normaalne. 	<ul style="list-style-type: none"> • -
Uks ei sulgu korralikult	<ul style="list-style-type: none"> • Seade ei ole loodis. • Miski takistab ukse sulgemist. 	<ul style="list-style-type: none"> • Kohandage seadme nivelleerimiseks reguleeritavaid jalgu. • Kontrollige, mis võib ukse sulgemist takstada, nt pudelid või riulid.

Tehnilise toega ühendust võtmiseks avage veebileht <https://corporate.haier-europe.com/en/>.

Valige jaotisest „veebileht” asjaomane tootemark ja riik. Teid suunatakse konkreetsele veebilehele, kust leiate telefoninumbri ja vormi tehnilise toega ühendust võtmiseks.

Määrusele (EL) nr 2019/2016 vastavad toote spetsifikatsioonid

Tootemark	Haier	Haier	Haier
Mudeli nimi / identifikaator	HWS247GGU1 HWS247GEH1	HWS236GDGU1 HWS236GDEH1	HWS247FDU1 HWS247FAH1
Liik	Veinikelder	Veinikelder	Veinikelder
Energiatõhususe klass	G/E	G/E	D/A
Aastane energiatarbimine (kWh aasta kohta) ¹⁾	184/107	184/107	85/44
Mahutavus (l)	450	448	450
Kliimaklass: seade on ette nähtud kasutamiseks kohas, kus ümbritseva õhu temperatuur on vahemikus 10 °C ja 38 °C.	SN N ST	SN N ST	SN N ST
Õhus leviva müra tase (dB(A) re 1pW)	C(37)/B(35)	C(37)/B(35)	C(37)/B(35)
Seadme tüüp	Autonoomne	Autonoomne	Autonoomne
Seade on mõeldud kasutamiseks ainult veini hoidmiseks.	Jah	Jah	Jah
Mõõtmed (L/S/K mm)	597/714/1900	597/714/1900	603/769/1900

Selgitused:

¹⁾ Põhineb standardtingimustes mõõdetud 24 tunni tulemustel. Tegelik energiatarbimine oleneb seadme kasutuskeskkonnast, külmikuisse paigutatud pudelite hulgast, seadistatud temperatuurist, ukse avamisest ja sulgemisest jne.


²⁾ Nominaalse energiatarbimise tase määrati kindlaks standardtsel testimisel, kus veinikülmiku sisevalgusti ei olnud pidevalt sisse lülitatud.

- laiendatud vahemik: „külmutusseade on ette nähtud kasutamiseks ümbritseva õhu temperatuuril vahemikus 10 °C kuni 32 °C“;

- mõõdukas: „külmutusseade on ette nähtud kasutamiseks ümbritseva õhu temperatuuril vahemikus 16 °C kuni 32 °C“;

- subtroopiline: „külmutusseade on ette nähtud kasutamiseks ümbritseva õhu temperatuuril vahemikus 16 °C kuni 38 °C“;

- troopiline: „külmutusseade on mõeldud kasutamiseks ümbritseva õhu temperatuuril vahemikus 16 °C kuni 43 °C“;

Standardid ja direktiivid 

Seade vastab kõigi kohaldatavate Euroopa Ühenduse direktiivide ja asjaomaste ühtlustatud standardite nõuetele, mille alusel omistatakse tootele CE-vastavusmärgis.

Küsimuste korral pöörduge ettevõtte Haier klienditeeninduse poole. Tungivalt soovitatav on kasutada originaalvaruosi.

Seadmega seotud probleemide puhul vaadake esmalt osa „Veaotsing“.

Kui seal täpsustatud meetmed ei kõrvalda probleemi:

- ▶ võtke ühendust kohalikuga edasimüüjaga või
- ▶ avage veebileht www.haier.com ning minge teeninduse ja klienditoe sektsiooni, kus on välja toodud telefoninumbrid ja korduma kippuvad küsimused ning kus saab esitada garantiinõudeid.

Teenindusega ühendust võttes peavad teil käepärast olema alljärgnevad andmed.

Vastav teave on välja toodud andmesildil.

Mudel _____ Seerianumber _____

Garantiinõuete korral kontrollige ka tootega kaasasolevat garantiikaarti. Üldiste äriküsimuste korral kasutage alljärgnevat ettevõtte Euroopa esinduste aadresse.

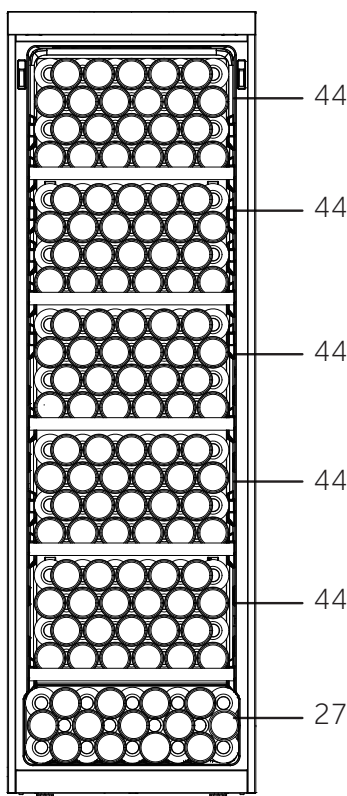
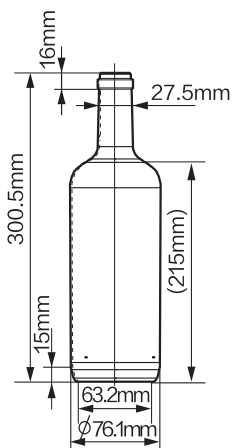
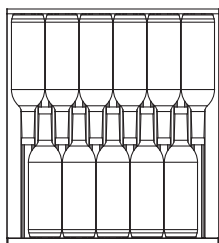
Ettevõtte Haier esindused Euroopas			
Riik*	Postiaadress	Riik	Postiaadress
Itaalia	Haier Europe Trading SRL Via De Cristoforis 12 21100 Varese ITALY		Haier Europe Trading SRL Via De Cristoforis 12 21100 Varese ITALY
Hispaania Portugal	Haier Iberia SL Pg. Garcia Faria, 49-51 08019 Barcelona SPAIN	Prantsusmaa Belgia (FR) Belgia (NL) Holland Luksemburg	Haier Benelux SA Anderlecht Route de Lennik 451 BELGIUM
Saksamaa Austria	Haier Deutschland GmbH Hewlett-Packard-Str. 4 D-61352 Bad Homburg GERMANY		Haier Poland Sp. zo.o. Al. Jerozolimskie 181B 02-222 Warszawa POLAND
Ühendkuningriik	Haier Appliances UK Co. Ltd. One Crown Square Church Street East Woking, Surrey, GU21 6HR UK	Poola Tšehhi Ungari Kreeka Rumeenia Venemaa	

VARUOSADE SAADAVUS: Termostaadid, temperatuuriandurid, trükkplaadid ja valgusallikad on saadaval vähemalt seitse aastat pärast mudeli viimase seadme turustamist. Ukse käepidemed, uksehinged, alused ja sahtlid on saadaval vähemalt seitse aastat ning uksetihendid vähemalt kümme aastat pärast mudeli viimase seadme turustamist.

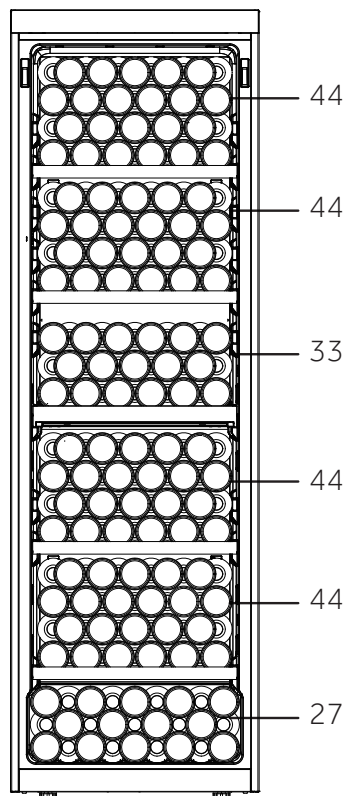
Minimaalne garantii on: 2 aastat ELi riikides, 3 aastat Türgis, 1 aasta Ühendkuningriigis, 1 aasta Venemaal, 3 aastat Rootsis, 2 aastat Serbias, 5 aastat Norras, 1 aasta Marokos, 6 kuud Alžeerias, Tuneesias seaduslikku garantiid ei nõuta.

Toodet puudutava lisateabe saamiseks avage veebileht <https://eprel.ec.europa.eu/> või skannige toote energiamärgisel olev QR-kood.

Pudeli paigutus põhineb tavalise Bordeaux pudeli (0,75 l) graafilisel kujutisel. Erinevate pudelite spetsifikatsioonide tõttu võib tegelik pudeli laadimiskogus olla erinev.



HWS247GGU1
 HWS247FDU1
 HWS247GEH1
 HWS247FAH1



HWS236GDU1
 HWS236GDEH1

HWS-247FDU1-247GGU1-236GGDU1-247GEH1-236GDEH1- HWS247FAH1 - ET

Haier



Haier

Naudotojo vadovas

Vyno šaldytuvas

HWS247FAH1

HWS247FDU1

HWS247GGU1

HWS247GEH1

HWS236GDEH1

HWS236GDGU1

LT

Haier

Dėkojame, kad įsigijote „Haier“ gaminį.

Prieš naudodami šį prietaisą, atidžiai perskaitykite šias instrukcijas. Instrukcijose yra svarbios informacijos, kuri padės geriausiai naudotis prietaisu ir užtikrinti saugų ir tinkamą jo įrengimą, eksploatavimą ir priežiūrą.

Laikykite šį vadovą patogioje vietoje, kad visada galėtumėte juo vadovautis ir saugiai bei tinkamai naudoti prietaisą.

Jei prietaisą parduodate, atiduodate arba paliekate persikeldami į kitą būstą, taip pat turite perduoti šį vadovą, kad naujasis savininkas galėtų susipažinti su prietaisu ir saugos įspėjimais.



Simbolių paaiškinimas

Įspėjimas – svarbi saugos informacija



Bendroji informacija ir patarimai



Aplinkosaugos informacija

Utilizavimas



Padėkite apsaugoti aplinką ir žmonių sveikatą. Išmeskite pakuotę į atitinkamus konteinerius skirtus perdirbimui. Padėkite perdirbti elektros ir elektronikos prietaisų atliekas. Neišmeskite šiuo simboliu pažymėtų prietaisų su buitineis atliekomis. Grąžinkite gaminį į vietos perdirbimo įmonę arba kreipkitės į savivaldybės biurą.



ĮSPĖJIMAS!

Traumos arba uždusimo pavojus!

Šaldalai ir dujos turi būti utilizuojami profesionaliai. Prieš tinkamai utilizuodami įsitinkite, kad šaldalo kontūro vamzdeliai nepažeisti. Atjunkite prietaisą nuo maitinimo šaltinio. Nupjaukite maitinimo laidą ir jį išmeskite. Išimkite padėklus ir stalčius, taip pat durelių fiksatorių ir tarpiklius, kad vaikai ir naminiai gyvūnai neužsidarytų prietaise.

Seni prietaisai vis dar turi tam tikrą išliekamąją vertę. Ekologiškas utilizavimo būdas užtikrins vertingų žaliavų atkūrimą ir pakartotinį panaudojimą.

Ciklopentanas, degi medžiaga, nekenkianti ozonui, naudojamas kaip izoliacinio putplasčio plėstuvas.

Užtikrindami tinkamą šio gaminio utilizavimą, padėsite išvengti galimų neigiamų pasekmių aplinkai ir žmonių sveikatai, kurių galėtų sukelti netinkamas šio gaminio utilizavimas.

Norėdami gauti išsamesnės informacijos apie šio gaminio perdirbimą, kreipkitės į vietos valdžios instituciją, buitinių atliekų utilizavimo tarnybą ar specialistų valdomą parduotuvę, kurioje įsigijote gaminį.

1- Saugos informacija	4
2- Saugos patarimai.....	7
3- Priežiūra	11
4- Priedai	13
5- Gaminio aprašymas	14
6- Įrengimas	15
7- Naudojimas	19
8- Energijos taupymo patarimai.....	24
9- Įranga	25
10- Priežiūra ir valymas.....	26
11- Trikčių šalinimas.....	27
12- Techniniai duomenys	30
13- Klientų aptarnavimas.....	31
14- Vyno butelių sudėjimas.....	32

Šis prietaisas skirtas tik vynui laikyti. Prieš pirmą kartą įjungdami prietaisą, perskaitykite toliau pateiktus saugos patarimus.



ĮSPĖJIMAS!

Prieš naudodami pirmą kartą

- ▶ Įsitinkite, kad prietaisas nebuvo pažeistas transportuojant.
- ▶ Laikykite visas pakavimo medžiagas vaikams nepasiekiamoje vietoje ir išmeskite aplinkai nekenksmingu būdu.
- ▶ Prieš įrengdami prietaisą palaukite bent pusvalandį, kad įsitikintumėte, jog šaldalo kontūras veikia visiškai tinkamai.
- ▶ Prietaisą perkelti į kitą vietą turi bent du asmenys, nes jis sunkus.

Įrengimas

- ▶ Prietaisą reikia pastatyti gerai vėdinamoje vietoje. Užtikrinkite, kad virš prietaiso ir aplink jį būtų bent 50 mm tarpas.
- ▶ **ĮSPĖJIMAS.** Ventilacijos angos, esančios prietaiso korpuse arba įmontuotoje konstrukcijoje, turi likti neuždengtos.
- ▶ Niekada nestatykite prietaiso drėgnoje vietoje ar ten, kur jis galėtų būti aptaškytas vandeniu. Minkšta švaria šluoste nuvalykite ir nusausinkite vandens pusrus ir dėmes.
- ▶ Neįrenkite vyno šaldytuvo tinkamai neizoliuotoje ar nešildomoje vietoje, pvz., garaže ir pan. Jūsų vyno šaldytuvą nepritaikytas veikti aplinkoje, kurioje temperatūra yra žemesnė nei 10 °C.
- ▶ Neįrenkite prietaiso tiesioginiuose saulės spinduliuose arba šalia šilumos šaltinių (pvz., viryklių, šildytuvų).
- ▶ Įtaisykite prietaisą jo dydžiui ir naudojimui tinkamoje vietoje.
- ▶ Įsitinkite, kad techninių duomenų lentelėje pateikta elektros informacija sutampa su maitinimo šaltinio informacija. Jei ne, kreipkitės į elektriką.
- ▶ Prietaisas maitinamas 220–240 V kintamosios srovės, 50 Hz maitinimo šaltiniu. Dėl neįprastų įtampos svyravimų prietaisas gali neįsijungti, taip pat gali sugesti temperatūros reguliatorius ar kompresorius arba veikdamas gali skleisti neįprastą triukšmą. Tokiu atveju reikia įrengti automatinį reguliatorių.
- ▶ Nenaudokite kelių kištukų adapterių ir ilginamųjų kabelių.

**ĮSPĖJIMAS!**

- ▶ **ĮSPĖJIMAS.** Už prietaiso nelaikykite kelių nešiojamųjų kištukinių lizdų arba nešiojamųjų maitinimo šaltinių.
- ▶ **ĮSPĖJIMAS.** Pastatydami prietaisą įsitikinkite, kad maitinimo laidas nejstrigęs ir nepažeistas.
- ▶ Neužlipkite ant maitinimo kabelio.
- ▶ Energijos tiekimui naudokite atskirą įžemintą lizdą, kuris būtų lengvai pasiekiamas. Prietaisas turi būti įžemintas.
- ▶ **Taikoma tik JK.** Prietaiso maitinimo kabelis turi 3 laidų (įžeminimo) kištuką, kuris tinka standartiniam 3 laidų (įžemintam) lizdui. Nenujunkite ir neišmontuokite trečiojo kaiščio (įžeminimo). Įrengus prietaisą, kištukas turi būti pasiekiamas.
- ▶ **ĮSPĖJIMAS.** Nepažeiskite šaldalo kontūro.

Kasdienis naudojimas

- ▶ Šį prietaisą gali naudoti vaikai nuo 8 metų ir asmenys, kurių fiziniai, jutiminiai ar protiniai gebėjimai yra riboti arba kurie neturi patirties ir žinių, jei jie prižiūrimi arba jiems duoti nurodymai, kaip saugiai naudoti prietaisą, ir jie supranta su tuo susijusius pavojus.
- ▶ Vaikai negali žaisti su prietaisu.
- ▶ Vaikams nuo 3 iki 8 metų leidžiama sudėti ir išimti maisto produktus į / iš šaldymo prietaisų, bet neleidžiama jų valyti ir įrengti.
- ▶ Neleiskite prie prietaiso artintis vaikams iki 3 metų, jei jie nebus nuolat prižiūrimi.
- ▶ Vaikai be priežiūros negali valyti ir tvarkyti šio prietaiso.
- ▶ Prietaisas turi būti pastatytas taip, kad kištukas būtų pasiekiamas.
- ▶ Jei prie prietaiso nuteka akmens anglių dujų ar kitų degių dujų, užsukite čiaupą, iš kurio teka dujos, atidarykite duris, langus, ir neatjunkite prietaiso maitinimo kabelio.
- ▶ Atjungę maitinimą palaukite bent 7 minutes prieš jį vėl įjungdami.
- ▶ Nekelkite prietaiso už durelių rankenų.
- ▶ Raktelius laikykite vaikams nepasiekiamoje vietoje ir atokiau nuo prietaiso, kad vaikai neužsidarytų prietaiso viduje.

**ĮSPĖJIMAS!**

- ▶ Atminkite, kad prietaisas nustatytas veikti konkrečioje temperatūroje nuo 10 °C iki 38 °C. Prietaisas gali veikti netinkamai, jei ilgą laiką paliekamas aukštesnėje arba žemesnėje nei nurodyta temperatūroje.
- ▶ Nedėkite nestabilių daiktų (sunkių daiktų, vandeniu pripildytų talpyklų) ant prietaiso viršaus, kad nesusižeistumėte jiems nukritus ar nepatirtumėte elektros smūgio, kurį sukelia sąlytis su vandeniu.
- ▶ Atidarykite ir uždarykite dureles tik rankenomis. Tarpas tarp durelių ir spintelės labai mažas. Nekiškite rankų į šias vietas, kad neprispaustų pirštų. Atidarykite arba uždarykite prietaiso dureles tik tada, kai jų judėjimo zonoje nėra vaikų.
- ▶ Nelaikykite ir nenaudokite degių, sprogių ar esdinančių medžiagų prietaise ar šalia jo.
- ▶ Šiame prietaise nelaikykite sprogstamųjų medžiagų, pvz., aerozolių skardinių su skystais degalais.
- ▶ Taip pat prietaise nelaikykite vaistų, bakterijų ar cheminių medžiagų. Šis prietaisas yra buitinis. Nerekomenduojama jame laikyti medžiagų, kurioms reikia tikslaus temperatūros valdymo.
- ▶ Vyno šaldytuvo skyriuje be reikalo nenustatykite itin žemos temperatūros. Nustačius dideles vertes, temperatūra gali nukristi žemiau nulio. Dėmesio: buteliai gali sprogti.
- ▶ Prietaisui veikiant nelieskite jo vidinio paviršiaus, ypač šlapiomis rankomis, nes rankos gali prišalti prie paviršiaus.
- ▶ Norėdami, kad vynas tinkamai atvėstų, neperpildykite prietaiso.
- ▶ Nutrūkus elektros tiekimui arba prieš valydami atjunkite prietaisą nuo elektros tinklo. Prieš įjungdami prietaisą palaukite bent 7 minutes, nes dažnai įjungiant gali sugesti kompresorius.
- ▶ **ĮSPĖJIMAS.** Nedėkite elektros įrenginių į šį prietaisą, nebent jie atitinka gamintojo rekomendaciją. Siekiant išvengti rizikos, pažeistą maitinimo laidą turi pakeisti klientų aptarnavimo skyrius (žr. garantinę kortelę).
- ▶ Norėdami prailginti prietaiso eksploataavimo trukmę, stenkitės jo neišjungti.
- ▶ Niekada nedėkite prietaiso horizontaliai ant žemės. Pakreipę prietaisą didesniu nei 45° kampu, palaukite 24 valandas prieš įjungdami jį į elektros tinklą.

**ĮSPĖJIMAS!****Priežiūra / valymas**

- ▶ Vaikai, atliekantys prietaiso valymą ir priežiūrą, turi būti prižiūrimi.
- ▶ Prieš atlikdami bet kokius įprastus priežiūros darbus atjunkite prietaisą nuo elektros tinklo. Prieš įjungdami prietaisą palaukite bent 7 minutes, nes dažnai įjungiant gali sugesti kompresorius.
- ▶ Atjungdami prietaisą suimkite kištuką, o ne kabelį.
- ▶ Prietaiso nevalykite kietais šepetiais, vieliniais šepetiais, skalbimo milteliais, benzinu, amilacetatu, acetonu ir panašiais organiniais tirpalais, taip pat rūgštiniais arba šarminiais tirpalais. Kad išvengtumėte pažeidimų, valykite specialiu šaldytuvo / šaldiklio plovikliu. Galų gale naudokite šiltą vandenį ir valgomosios sodos tirpalą – maždaug šaukštas valgomosios sodos litrai / kvortai vandens. Kruopščiai išplaukite vandeniu ir sausai iššluostykite. Nenaudokite valymo miltelių ar kitų abrazyvinių valiklių. Išimamų dalių neplaukite indaplovėje.
- ▶ **ĮSPĖJIMAS.** Nenaudokite mechaninių įtaisų ar kitų priemonių atitirpinimo procesui greitinti, išskyrus gamintojo rekomenduojamas priemones.
- ▶ Jei maitinimo laidas pažeistas, jį turi pakeisti gamintojas, jo techninės priežiūros atstovas arba panašios kvalifikacijos asmenys, kad būtų išvengta pavojaus.
- ▶ Nebandykite remontuoti, ardyti ar modifikuoti prietaiso patys. Prireikus remonto, susisiekite su mūsų klientų aptarnavimo skyriumi.
- ▶ Jei apšvietimo lemputės perdegė, jas turi pakeisti gamintojas, jo techninės priežiūros atstovas arba panašios kvalifikacijos asmenys, kad būtų išvengta pavojaus.
- ▶ Pašalinkite dulkes nuo įrenginio galinės dalies bent kartą per metus, kad išvengtumėte gaisro pavojaus ir būtų našiau vartojama energija.

- ▶ Valydami ant prietaiso nepurkškite ir nepilkite skysčių.
- ▶ Prietaisui valyti nenaudokite vandens purkštuvu ar garų.
- ▶ Nevalykite šaltų stiklinių lentynų karštu vandeniu. Dėl staigaus temperatūros pokyčio stiklas gali suskilti.
- ▶ Jei ketinate palikti prietaisą nenaudojamą ilgesnį laiką, laikykite jį atidarytą, kad viduje nesikaupytų nemalonių kvapų.

Informacija apie šaldalo dujas



ĮSPĖJIMAS!

Prietaise yra degiojo šaldalo IZOBUTANO (R600a). Patikrinkite, ar šaldalo kontūras nebuvo pažeistas prietaisą transportuojant ar įrengiant. Nutekėjęs šaldalas gali sužaloti akis arba užsidegti. Jei prietaisas buvo pažeistas, laikykite jį toliau nuo atviros ugnies šaltinių, kruopščiai vėdinkite patalpą, neprijunkite ir neatjunkite šio ar bet kokio kito prietaiso maitinimo laidų. Praneškite klientų aptarnavimo skyriui.

Šaldalo patekus į akis, tuoj pat plaukite tekančiu vandeniu ir nedelsdami kreipkitės į akių gydytoją.

ĮSPĖJIMAS. Šaldymo sistemą veikia aukštas slėgis. Saugokite ją nuo pažeidimų. Kadangi naudojami degūs šaldalai, įrenkite ir prižiūrėkite prietaisą griežtai laikydamiesi instrukcijų, o dėl jo utilizavimo kreipkitės į profesionalų atstovą arba į mūsų garantinio aptarnavimo skyrių.

Numatytoji paskirtis


Šis prietaisas skirtas naudoti buityje ir panašiais tikslais, pvz.:

- darbuotojų virtuvės zonose parduotuvėse, biuruose ir kitoje darbo aplinkoje;
 - ūkių pastatuose ir klientams viešbučiuose, moteliuose ir kitose gyvenamojo tipo aplinkose;
 - nakvynės su pusryčiais tipo apgyvendinimo įstaigose;
 - maitinimo ir panašioms ne mažmeninės prekybos paslaugoms.
- Norėdami užtikrinti saugų vyno laikymą, laikykitės šių naudojimo instrukcijų nurodymų.
- Išsami informacija apie tai, kuriuose skyriuose geriausia laikyti tam tikrus maisto produktus atsižvelgiant į temperatūros pasiskirstymą šaldytuvo skyriuose, pateikta kitoje vadovo dalyje.

Įrenginį keisti ar modifikuoti draudžiama. Naudojant ne pagal paskirtį, įrenginys gali kelti pavojų ir garantija nebegalios.

Utilizavimas



Šis simbolis  ant gaminio arba jo pakuotės rodo, kad gaminio negalima utilizuoti kartu su buitiniemis atliekomis. Jį reikia pristatyti į atitinkamą surinkimo punktą elektros ir elektroninės įrangos perdirbimui. Užtikrindami tinkamą šio gaminio utilizavimą, padėsite išvengti galimų neigiamų pasekmių aplinkai ir žmonių sveikatai, kurių priešingu atveju galėtų sukelti netinkamas šio gaminio utilizavimas. Norėdami gauti išsamesnės informacijos apie šio gaminio perdirbimą, kreipkitės į vietos miesto savivaldybę, buitinių atliekų šalinimo tarnybą ar parduotuvę, kurioje įsigijote gaminį.

Kadangi naudojamos degios izoliacinio sluoksnio plėtimo dujos, dėl prietaiso utilizavimo kreipkitės į profesionalų atstovą arba mūsų garantinio aptarnavimo skyrių.

ĮSPĖJIMAS!

Traumos arba uždusimo pavojus!

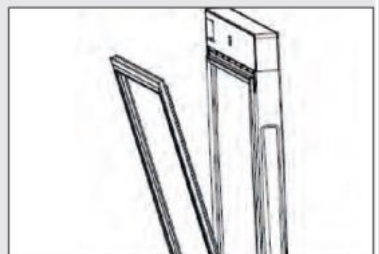
Šaldalai ir dujos turi būti utilizuojami profesionaliai. Prieš tinkamai utilizuodami įsitikinkite, kad šaldalo kontūro vamzdeliai nepažeisti. Atjunkite prietaisą nuo maitinimo šaltinio. Nupjaukite maitinimo laidą ir jį išmeskite. Išimkite padėklus ir stalčius, taip pat durelių fiksatorių ir tarpiklius, kad vaikai ir naminiai gyvūnai neužsidarytų prietaise.

- ▶ **ĮSPĖJIMAS.** Prieš valydami, atjunkite prietaisą nuo maitinimo šaltinio.
- ▶ Prietaiso nevalykite kietais šepėčiais, vieliniais šepėčiais, skalbimo milteliais, benzinu, amilacetatu, acetonu ir panašiais organiniais tirpalais, taip pat rūgštiniais arba šarminiais tirpalais. Kad išvengtumėte pažeidimų, valykite specialiu šaldytuvo plovikliu.
- ▶ Valykite prietaisą tada, kai jame laikote tik nedidelį kiekį vyno. Valyti reikia tik tada, kai jis yra nešvarus.
- ▶ Prietaiso vidų ir korpusą valykite šiltu vandeniu ir neutraliu plovikliu sudrėkinta kempine.
- ▶ Nuskalaukite švariu šiltu vandeniu ir nusausinkite minkšta šluoste.
- ▶ Neplaukite jokių prietaiso dalių indaplovėje.
- ▶ Prieš vėl įjungdami prietaisą palaukite bent 7 minutes, nes dažnai įjungiant gali sugesti kompresorius.



Durelių tarpiklio valymas

- ▶ Durelių tarpiklius reikia valyti kas 3 mėnesius tinkamam sandarumui užtikrinti. Valymo metodas: išimkite durelių tarpiklį suimdami ir ištraukdami rodyklės kryptimi, kad išimtumėte jį visą. Pamirkykite šepetėlį vandenyje arba maistiniame alkoholyje. Pirmiausia išvalykite durelių tarpiklio griovelį šepetėliu braukdami pirmyn ir atgal. Tada nuvalykite durelių tarpiklio paviršių rankšluosčiu, pamirkytu vandenyje arba maistiniame alkoholyje. Galiausiai švariai nuplaukite durelių tarpiklį ir nušluostykite jį švariu rankšluosčiu.



Durelių tarpiklio įrengimas po valymo

Prieš įrengdami įsitikinkite, kad ant durelių tarpiklio nėra vandens. Įstatykite durelių tarpiklį į griovelį ir ranka stipriai paspauskite durelių tarpiklį iš viršaus į apačią, kol visas durelių tarpiklis įsistatys į griovelį.

Lentynų valymas

- ▶ Visas lentynas galima išimti ir išvalyti.
- ▶ Išimkite visus butelius.
- ▶ Šiek tiek kilstelėkite kiekvieną lentyną ir išimkite.
- ▶ Nuvalykite lentyną minkštu rankšluosčiu.
- ▶ Prieš dėdami lentynas atgal, palaukite, kol jos išdžius.

ĮSPĖJIMAS.

Atjungę maitinimą, palaukite bent 7 minutes prieš jį vėl įjungdami.

Patikrinkite priedus ir literatūrą pagal šį sąrašą: be izoliacijos.

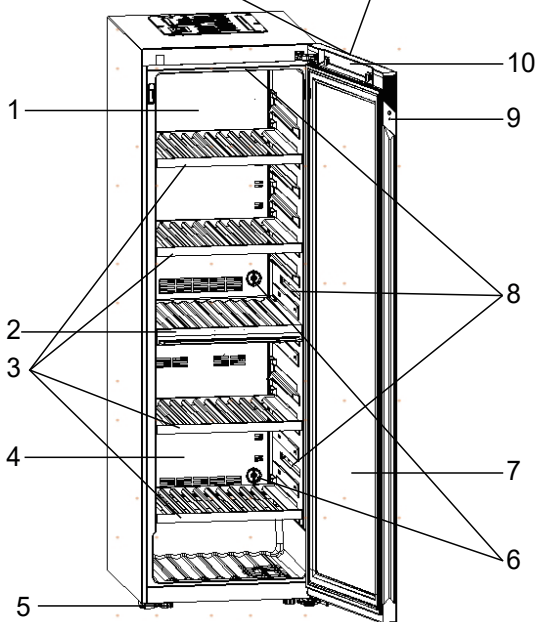
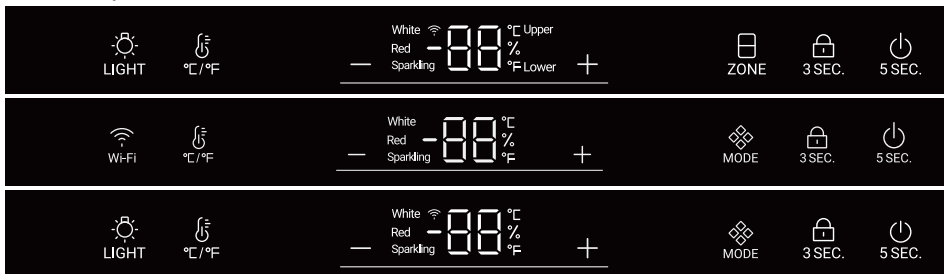
Pavadinimas	Naudo- tojo vadovas	priežiū- nės Techni- ros kortelė	Lentyna	Vyrių dangtelis	Energijos efektyvumo etiketė	Raktelis	Rankena	Priverž- kite	Užsukamas dangtelis	Viršelis	Ekrano lentyna
HWS247FAH1	1	1	5	1	1	2	1	4	2	1	1
HWS247GGU1	1	1	5	1	1	2	/	/	/	/	/
HWS236GDBGU1	1	1	4	1	1	2	/	/	/	/	/
HWS247FDU1	1	1	5	1	1	2	1	4	2	1	/
HWS247GEH1	1	1	5	1	1	2	/	/	/	/	/
HWS236GDEH1	1	1	4	1	1	2	/	/	/	/	/



Pastaba

Dėl techninių pakeitimų ir skirtingų modelių kai kurios šio vadovo iliustracijos gali skirtis nuo jūsų modelio.

Prietaiso paveikslėlis



(HWS236GDGU1)

- | | |
|--|--|
| <ul style="list-style-type: none"> 1. Viršutinio ortakio pertvara 2. Pertvara (modelyje HWS236GDGU1) 3. Lentyna 4. Apatinio ortakio pertvara 5. Reguliuojamos kojelės | <ul style="list-style-type: none"> 6. Aktyviosios anglies filtras (išskyrus HWS247FAH1) 7. Durelės 8. Šviesos diodo lemputė 9. Užraktas 10. Ekranas |
|--|--|

1. Išpakavimas

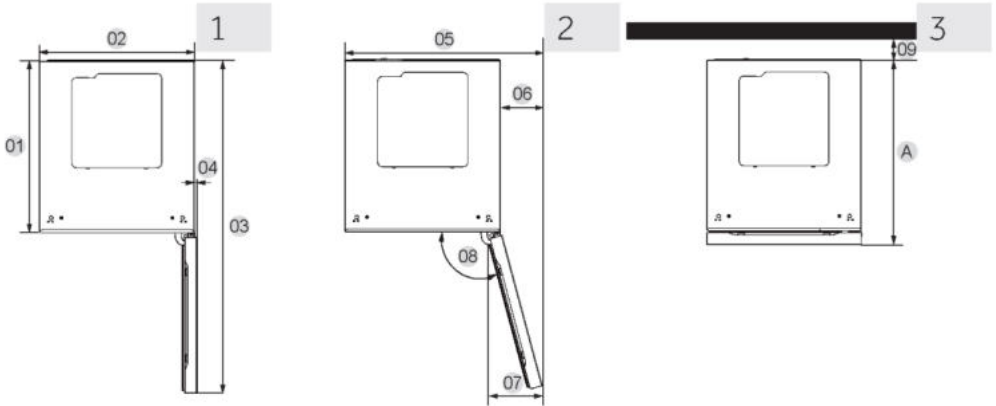
- ▶ Išimkite prietaisą iš pakuotės.
- ▶ Nuimkite visas pakavimo medžiagas, įskaitant putplasčio pagrindą ir visą lipnią juostą, kuria pritvirtinti priedai.

2. Aplinkos sąlygos

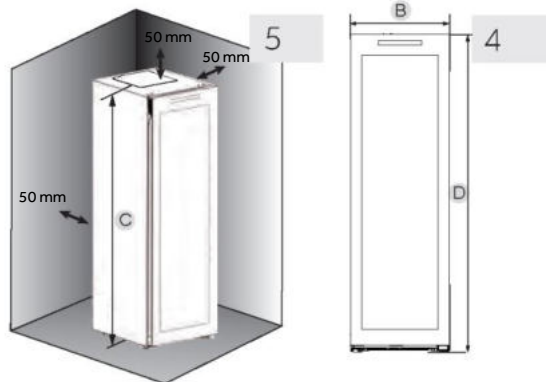
Patalpos temperatūra visada turėtų būti nuo 10 °C iki 38 °C, nes ji gali turėti įtakos temperatūrai prietaiso viduje ir jo suvartojamos energijos kiekiui. Neįrenkite prietaiso šalia kitų neizoliuotų šilumą skleidžiančių prietaisų (orkaičių, šaldytuvų).

3. Erdvės reikalavimai

Reikalinga erdvė durelėms atidaryti (1,2,3,4 pav.). Saugos ir energijos tausojimo sumetimais, ventiliacijai užtikrinti reikalingas 50 mm tarpas visomis kryptimis aplink prietaisą (5 pav.).



Matmenys: mm	HWS247GGU1 HWS247GEH1	HWS236GGDU1 HWS236GDEH1	HWS247FDU1 HWS247FAH1
Gylis A	714	714	769
Plotis B	597	597	603
Aukštis C	1905	1905	1905
Bendras aukštis D	1900	1900	1900
01	654	654	654
02	595	595	595/600
03	1273	1273	1280
04	11	11	16
05	756	756	805
06	161	161	210
07	200	200	200
08	105°	105°	105°
09	50	50	50





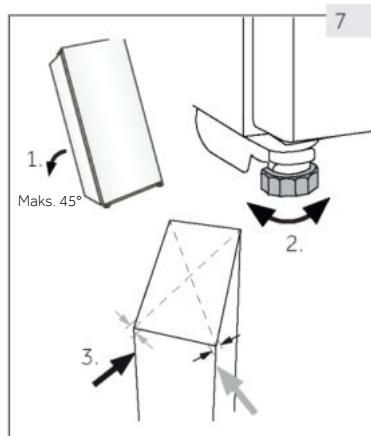
ĮSPĖJIMAS!

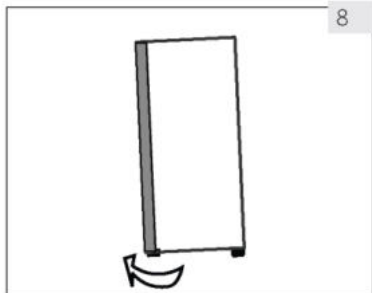
- ▶ Ventiliacijos angos, esančios prietaise arba įmontuotoje konstrukcijoje, turi likti neuždengtos. Šis šaldymo įrenginys nėra pritaikytas įmontuoti.

5. Prietaiso sulygiavimas

Prietaisą reikia statyti ant lygaus ir vientiso paviršiaus.

1. Šiek tiek pakreipkite prietaisą atgal (7 pav.).
2. Nustatykite pageidaujamą reguliuojamų priekinių kojelių aukštį jas pasukdami.
3. Stabilumą galima patikrinti pakaitomis patrankant įstrižaines dalis. Nežymus susvyravimas turi būti vienodas abiejose pusėse. Priešingu atveju rėmas gali deformuotis, o dėl to durelių sandarikliai gali tapti nesandarūs. Nedidelis pasvyrimas atgal palengvina durelių uždarymą.



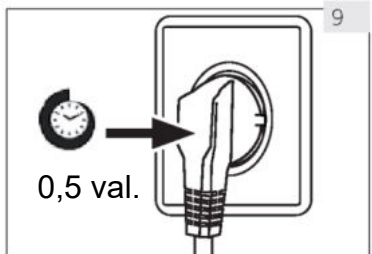


8 6. Tikslus durelių sureguliojimas

Prietaisą lengviau uždaryti, jei priekinėje dalyje naudojamos lygiavimo kojelės.

Pasukite reguliuojamas kojeles (8 pav.) aukštyn arba žemyn:

- ▶ sukant kojeles pagal laikrodžio rodyklę, prietaisas pakeliamas;
- ▶ sukant kojeles prieš laikrodžio rodyklę, prietaisas nuleidžiamas.



9 7. Laukimo laikas

Kompresoriaus kapsulėje yra priežiūros nereikalaujančios tepalinės alyvos. Transportuojant prietaisą nuožulniai, ši alyva gali pratekėti per uždarą vamzdžių sistemą. Prieš prijungdami prietaisą prie maitinimo šaltinio, palaukite pusvalandį (9 pav.), kol alyva sutekės atgal į kapsulę.

8. Elektros jungtis

Prieš kiekvieną prijungimą patikrinkite, ar:

- ▶ maitinimo šaltinis, lizdas ir saugiklis yra tinkami pagal techninių duomenų lentelę;
- ▶ maitinimo lizdas yra įžemintas ir nenaudojami kelių kištukų įtaisai ar ilgintuvai;
- ▶ maitinimo kištukas tinkamai įsistato ir lizdą.

Prijunkite kištuką prie tinkamai įrengto buitinio lizdo.



ĮSPĖJIMAS!

Siekiant išvengti rizikos, pažeistą maitinimo laidą turi pakeisti klientų aptarnavimo skyrius (žr. garantinę kortelę).

9. Durelių atidarymo krypties keitimas

Prieš prijungdami prietaisą prie maitinimo šaltinio patikrinkite, ar durelių varstymo nereikėtų pakeisti iš dešiniojo (kaip nustatyta pristatant prietaisą) į kairįjį dėl įrengimo vietos ir naudojimo patogumo.



ĮSPĖJIMAS!

- ▶ Prietaisas yra sunkus. Durelėms apsukti prireiks dviejų asmenų.
- ▶ Prieš atlikdami bet kokius veiksmus, pirmiausia atjunkite prietaisą nuo elektros tinklo.
- ▶ Nepakreipkite prietaiso daugiau nei 45° kampu, kad nepažeistumėte aušinimo sistemos.

Surinkimo veiksmai

1. Pasirūpinkite reikiamais įrankiais.
2. Atjunkite prietaisą.
3. Nuimkite viršutinį sijos dangtelį ir mažą dangtelį. Kairėje ir dešinėje perkeltkite ir sumontuokite mažą dangtelį.
4. Nuimkite kabelių dėklo dangtelį ir apdailos dangtelį. Kairėje ir dešinėje perkeltkite ir sumontuokite apdailos dangtelį. Išimkite juodą guminį kaištį iš kairiosios raktų skylutės durelių korpuso viduje ir įstatykite jį į dešiniąją raktų skylutę.
5. Nuimkite vyrių dangtelį. Atsuktuvu išsukite 3 varžtus ir nuimkite durų korpusą.
6. Atsuktuvu išsukite 3 varžtus po durų korpusu, durų korpuso stabdiklio įtaisą ir stabdiklį. Kairės ir dešinės pusės įtaisai perkeliami ir sumontuojami kitoje durų korpuso pusėje.
7. Naudodamiesi įrankiais nuimkite dėžės vyrių bloką. Visų pirma nuimkite vyrių stabdiklio įtaisą apatiniame vyrių bloke, perkeltkite vyrių kaištį į dešinę varžto angą bloke. Perkeltkite ir sumontuokite ratuko atramos agregatą dešinėje dėžės pusėje.
8. Durų korpusas sumontuotas vertikaliai žemyn ant vyrių kaiščio.
9. Viršutinis vyras įstatomas į durų korpuso veleno angą. Pritvirtinkite dėžę varžtais, sumontuokite dėžės laidų dangtelį ir viršutinės sijos apdailos dangtelį.



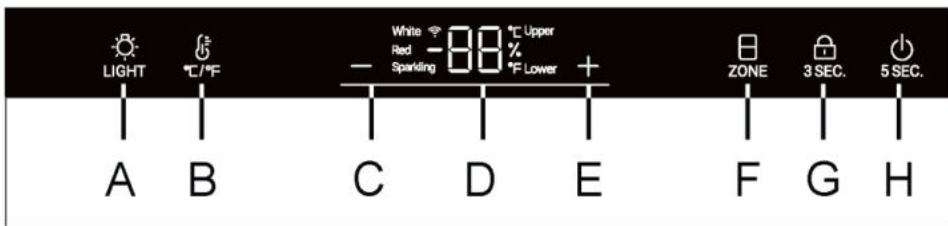
1. Prieš naudodami pirmą kartą

- ▶ Nuimkite visas pakavimo medžiagas. putplasčio pagrindą ir visą lipnią juostą, kuria pritvirtinti vyno šaldytuvo vidiniai ir išoriniai priedai. Laikykite visas pakavimo medžiagas vaikams nepasiekiamoje vietoje ir išmeskite aplinkai nekenksmingu būdu.
- ▶ Prieš dėdami vyną į prietaisą, išvalykite jo vidų ir išorę vandeniu ir švelniu plovikliu.
- ▶ Lygiai pastatę ir išvalę prietaisą, palaukite bent 2 valandas ir tik tada prijunkite jį prie maitinimo šaltinio. Jei dėl kokios nors priežasties vyno šaldytuvas buvo pakreiptas, palaukite 24 valandas prieš prijungdami jį prie elektros tinklo. Žr. skyrių ĮRENGIMAS.
- ▶ Įjungę prietaisą į elektros lizdą, palikite jį veikti bent 30 minučių, kad aklimatizuotųsi, ir tik po to koreguokite pagal savo poreikius.
- ▶ Šaldytuve automatiškai nustatoma 12 °C temperatūra. Jei norite, galite pakeisti šią temperatūrą rankiniu būdu. Žr. skyrių TEMPERATŪRA.

2. Jutikliniai klavišai

Valdymo skydelio mygtukai yra jutikliniai klavišai, kurie sureaguoja lengvai prilietus pirštu.

3. Valdymo skydelio aprašas



- | | |
|--|--|
| A Vidaus apšvietimo mygtukas | E Temperatūros reguliavimo mygtukas: aukštyn |
| B °C / °F konvertavimo mygtukas | F Temperatūros srities pasirinkimo mygtukas |
| C Temperatūros reguliavimo mygtukas: žemyn | G Užrakto mygtukas |
| D Ekranas | H Įjungimo / išjungimo mygtukas |

4. Automatinio užrakinimo funkcija

Kai ekranas užrakintas, nuspauskite užrakto klavišą 3 sekundes, ekrane pasirodys 3, 2 ir 1, ekranas bus atrakintas, o užrakto piktograma bus pusiau apšviesta. Jei neatliekama jokių veiksmų, ekranas automatiškai užsirakins po 30 s. Kai ekranas užrakintas, visos užrakto klavišų piktogramos šviečia, o ekrano klavišų negalima valdyti (išskyrus apšvietimo klavišą).

5. Įjungimo / išjungimo mygtuko funkcija

Kai ekranas išjungtas, palieskite bet kurį klavišą ir ekranas įsizišiebs. Ilgai nuspauskite įjungimo / išjungimo mygtuką, ekrane pasirodys 5, 4, 3, 2 ir 1, ir visas prietaiso maitinimas bus išjungtas. Kai maitinimas išjungtas, palaikykite paspaudę įjungimo / išjungimo mygtuką, ekrane pasirodys 5, 4, 3, 2, 1. Maitinimas įjungiamas.





6. Temperatūros nustatymas

Pastaba

Išankstiniai nustatymai


- ▶ Įjungę prietaisą į elektros lizdą, palikite jį veikti bent 30 minučių, kad aklimatizuotųsi, ir tik po to koreguokite pagal savo poreikius.
- ▶ Kai prietaisas įjungiamas po atjungimo nuo pagrindinio maitinimo šaltinio, gali prireikti kelių valandų, kol bus pasiekta tinkama temperatūra. Tikslus laikas priklauso nuo aplinkos ir temperatūros nustatymo.





Paspaudus mygtuką  arba  ekranas pradės mirksėti. Norėdami nustatyti pageidaujamą temperatūrą, paspauskite mygtuką  arba . Temperatūros nustatymo diapazonas: 5–20 °C (41–68 °F).

Paspaudus klavišą 3 sekundes, temperatūra patvirtinama.

7. Funkcijos režimas arba sritis

Paspauskite mygtuką  norėdami perjungti temperatūros nustatymą – putojantis vynas (8 °C arba 47 °F), baltas vynas (12 °C arba 54 °F) ir raudonas vynas (16 °C arba 61 °F). (HWS247GGU1/HWS247GEH1/HWS247FDU1/HWS247FAH1)

Kai prietaisas atrakintas, šviečia visa piktograma „“. Jei tuo metu ekrane rodoma viršutinė srities temperatūra, šviečia viršutinė piktograma, o apatinė piktograma yra išjungta. Paspaudus klavišą „“, apatinė piktograma įsijungia, o viršutinė piktograma – išsijungia.

(modelyje HWS236GDGU1/HWS236GDEH1)

Rekomenduojami temperatūros nustatymai

Skirtingos rūšies vyną rekomenduojama vartoti skirtingos temperatūros, kaip nurodyta toliau.

Raudonasis vynas	Nuo +13 °C iki +20 °C (nuo +55 °F iki +68 °F)	Putojantis vynas „Prosecco“	Nuo +5 °C iki +8 °C (nuo +41 °F iki +47 °F)
Baltasis vynas	Nuo +9 °C iki +12 °C (nuo +48 °F iki +54 °F)		

Jei laikote vyną ilgą laiką, jį reikia laikyti temperatūroje nuo +10 °C iki +12 °C (nuo 50 °F iki +54 °F).

8. Budėjimo režimas

Ekranas automatiškai pritemdomas po 30 sekundžių.

Jis automatiškai įsižiebia palietus bet kurį klavišą arba atidarius dureles.



Pastaba Poveikis temperatūrai



Temperatūrai prietaiso viduje įtakos turi šie veiksniai:

- ▶ aplinkos temperatūra;
- ▶ laikomų butelių kiekis;
- ▶ durelių atidarymo dažnis;
- ▶ prietaiso įrengimas.

Numatytasis nustatymas yra 12 °C.

Ekranui nustojus mirksėti, vėl rodoma dabartinė temperatūra vyno šaldytuve. Prireiks šiek tiek laiko, kol bus pasiekta nustatyta temperatūra.

9. Apšvietimo režimo nustatymas

Paspauskite mygtuką . Šaldytuve palaipsniui įsijungia apšvietimas. Dar kartą paspaudus mygtuką , apšvietimas palaipsniui išsijungia.

(išskyrus HWS247FDU1 / HWS247FAH1)

10. Funkcija „°C/°F“

Paspaudę mygtuką , galite perjungti Farenheito laipsnius į Celsijaus ir atvirkščiai.

11. „Wi-Fi“ funkcija

Paspauskite ir 3 sekundes palaikykite „Wi-Fi“ mygtuką, „Wi-Fi“ mygtukas pradeda greitai mirksėti ir automatiškai pereina į konfigūracijos režimą (HWS247FDU1/ HWS247FAH1).

12. Atminties funkcija prietaisui išsijungus

Nutrūkus elektros energijos tiekimui, šaldytuve automatiškai išsaugoma nustatytoji temperatūra. Atkūrus elektros energijos tiekimą, šaldytuvus veiks temperatūra, nustatyta prieš nutrūkstant elektros energijos tiekimui.

13. Žemos temperatūros kompensavimo funkcija

Vyno šaldytuvus turi žemos temperatūros kompensavimo funkciją, kuri užtikrina temperatūros stabilumą. Kai aplinkos temperatūra yra žemesnė už nustatytą temperatūrą, vyno šaldytuve automatiškai įsijungia žemos temperatūros kompensavimo funkcija, kuri kaitina prietaisą. Kai temperatūra prietaise pasiekia nustatytą temperatūrą, žemos temperatūros kompensavimo funkcija automatiškai išsijungia.

14. Atidarytų durelių signalas

Jei durelės laikomos atidarytos ilgiau nei 1 min., garsinis signalas skambės tol, kol durelės bus uždarytos arba kol bus paspaustas bet kuris ekrano skydelio klavišas.

15. „Wi-Fi“ režimo nustatymas

JUNGTYS

BELAUDŽIO RYŠIO PARAMETRAI

Technologija	„Wi-Fi“	„Bluetooth“
Standartinė	IEE 802.11 b/g/n	4.2 versijos „Bluetooth“, BR / EDR, BLE
Dažnių juosta (-os) [MHz]	2401–2483	2402÷2480
Didžiausia galia [mW] Dažnių juosta (-os) [MHz]	100	10

GAMINIO INFORMACIJA

„Wi-Fi“ modulio aktyvinimas

Norėdami aktyvinti „Wi-Fi“, nuspauskite lemputės mygtuką 3 sekundes (modeliuose HWS247GGU1/HWS247FAH1).

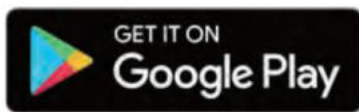
Norėdami aktyvinti „Wi-Fi“, nuspauskite „Wi-Fi“ mygtuką 3 sekundes (modeliuose HWS247FDU1/HWS247FAH1).

- Įsijungia „Wi-Fi“ modulis ir pradeda mirksėti „Wi-Fi“ piktograma.
- Jei vyno šaldytuvas užregistruotas, bet „Wi-Fi“ išjungtas, piktograma mirksi.
- Jei vyno šaldytuvas užregistruotas ir prisijungęs, „Wi-Fi“ piktograma šviečia nuolat.
- Norėdami iš naujo nustatyti „Wi-Fi“, nuspauskite lemputės mygtuką 3 sekundes (modeliuose HWS247GGU1/HWS247FAH1).
- Norėdami iš naujo nustatyti „Wi-Fi“, paspauskite „Wi-Fi“ mygtuką 3 sekundes (modelyje HWS247FDU1/HWS247FAH1).

PROGRAMĖLIŲ SUSIEJIMO PROCEDŪRA

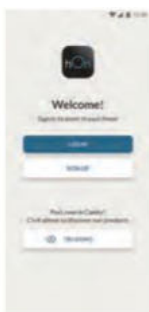
1 veiksmas

- Atsisiųskite „hOn“ programėlę parduotuvėse



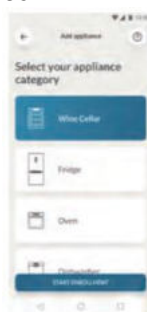
2 veiksmas

- Prisijunkite arba užsiregistruokite.



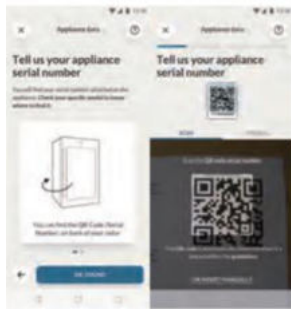
3 veiksmas

- Pridėkite naują prietaisą, pasirinkdami vyno šaldytuvą iš sąrašo.



4 veiksmas

- Nuskaitykite QR kodą arba patys įveskite serijos numerį.



5 veiksmas

- Norėdami aktyvinti „Wi-Fi“, nuspauskite gaminio lemputės mygtuką 3 sekundes (modeliuose HWS247GGU1/ HWS247FAH1).
- Norėdami aktyvinti „Wi-Fi“, nuspauskite gaminio „Wi-Fi“ mygtuką 3 sekundes (modelyje HWS247FDU1/ HWS247FAH1).



6 veiksmas

- Mirksi „Wi-Fi“ piktograma, vyksta susiejimo procesas.
- Susiejimo procesui atlikti turite 5 minutes.
- Procesui pasibaigus „Wi-Fi“ piktograma nustoja mirksėti ir šviečia nuolat. PASTABA.





Energijos taupymo patarimai

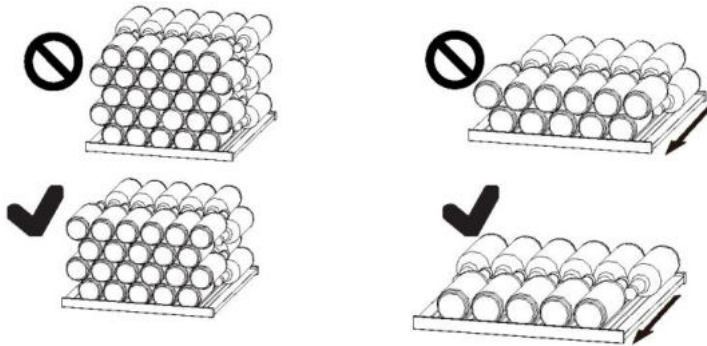
- ▶ Įsitikinkite, kad prietaiso ventiliacija yra tinkama (žr. ĮRENGIMAS).
- ▶ Neįrenkite prietaiso tiesioginiuose saulės spinduliuose arba šalia šilumos šaltinių (pvz., viryklių, šildytuvų).
- ▶ Stenkitės be reikalo nenustatyti žemos temperatūros prietaise. Kuo žemesnė temperatūra nustatoma prietaise, tuo daugiau energijos suvartojama.
- ▶ Laikykite prietaiso dureles atidarytas kuo trumpiau.
- ▶ Šaldytuve nelaikykite daugiau butelių, nei skirta, kad buteliai neužstotų oro srauto.
- ▶ Pasirūpinkite, kad durelių sandarikliai būtų švarūs ir durėlės visada tinkamai užsidarytų.
- ▶ Siekiant sutaupyti kuo daugiau energijos, prietaiso stalčius, maisto produktų dėžė ir lentynos turi būti švarios, kaip gamykloje, o maisto produktai turi būti dedami neuždengiant ortakių oro išleidimo angos.

1. Lentyna


1. Lentynos sukurtos taip, kad vyną būtų galima lengvai įdėti ir išimti. Jas galima valyti minkštu rankšluosčiu.
2. Ant lentynų galima dėti įprastus 76 mm skersmens butelius.
3. „Magnum“ tipo butelius galima sudėti ant apatinės lentynos.
4. Kiekis gali skirtis nuo pavaizduoto butelių skaičiaus, jei jie sudėti kitaip.

Patarimai dėl vyno butelių išdėstymo šaldytuve

Rekomenduojame vyno butelių nedėti daugiau nei dviem eilėmis kiekvienoje lentynoje, taip pat neviršykite vyno lentynų laikomosios galios – 60 kg. Prieš sudėdami butelius į vyno šaldytuvą, patikrinkite, ar vyno lentynos yra visiškai stabilios. Taip pat patikrinkite, ar buteliai neišsikiša iš lentynų, kad į juos neatsitrenktų uždarnos stiklinės durelės.



2. Apšvietimas

Atidarius dureles užsidega salono šviesos diodo lemputė. Norėdami įjungti šviesą, kai durelės uždarytos, palieskite mygtuką . Norėdami išjungti šviesas, palieskite mygtuką dar kartą. Norėdami sutaupyti energijos, apšvietimą išjunkite, kai į vyno šaldytuvą nežiūrima. (išskyrus HWS247FDU1 / HWS247FAH1)

3. Užrakinimas

Norėdami užrakinti vyno šaldytuvą, uždarykite dureles ir įkiškite raktelį į spyną:

- ▶ užrakinkite dureles pasukdami raktelį pagal laikrodžio rodyklę;
- ▶ atrakinkite dureles pasukdami raktelį prieš laikrodžio rodyklę.

1. Atitirpinimas

Vyno šaldytuvo atšildymas vyksta automatiškai, nereikia nieko daryti rankomis.

2. Šviesos diodo lemputės keitimas

Šviesos šaltinis yra šviesos diodas, kuris sunaudoja mažai energijos ir veikia ilgą laiką. Jei lemputė veikia neįprastai, susisiekiite su klientų aptarnavimo skyriumi. Žr. skyrių KLIENTŲ APTARNAVIMAS.



ĮSPĖJIMAS!

Nekeiskite šviesos diodo lemputės patys. Ją gali pakeisti tik gamintojas arba įgaliotasis techninės priežiūros atstovas.

Šviesos diodo lemputės parametrai:

Įtampa 12 V

Maks. galia 18 W

3. Ilgalaikis nenaudojimas

Atjunkite maitinimo laidą.

Išvalykite prietaisą ir durų tarpiklius, kaip aprašyta pirmiau.

Palikite dureles atidarytas, kad viduje neatsirastų nemalonių kvapų.

4. Prietaiso gabenimas

1. Išimkite visus butelius ir atjunkite prietaisą.

2. Vyno šaldytuvo lentynas ir kitas judančias dalis pritvirtinkite lipnia juosta.

3. Nepakreipkite vyno šaldytuvo didesniu nei 45° kampu, kad nepažeistumėte šaldymo sistemos.

5. Oro apykaita su aktyviosios anglies filtru (išskyrus HWS247FAH1)

Tolesnis vyno brandinimas priklauso nuo aplinkos sąlygų. Todėl oro kokybė turi lemiamą reikšmę norint išsaugoti vyną. Siekiant užtikrinti, kad vynas išliktų optimalios kokybės, apatinėje prietaiso galinės sienelės dalyje įrengtas aktyviosios anglies filtras.



Pastaba

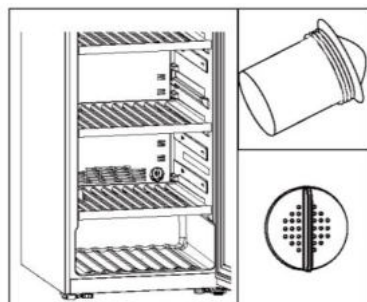
Filtrą rekomenduojame keisti kartą per metus. Filtrų galima įsigyti iš pardavėjo. (išskyrus HWS247FAH1)

Filtro keitimas

Suimkite filtrą už rankenėlės. Pasukite jį į kairę ir išimkite.

Filtro įdėjimas

Įdėkite filtrą taip, kad rankenėlė būtų vertikaloje padėtyje. Pasukite jį į dešinę ir įdėkite.



Daugelį iškilusių problemų galite išspręsti patys, neturėdami specialių žinių. Kilus problemai, prieš kreipdamiesi į garantinio aptarnavimo skyrių, patikrinkite visas nurodytas galimybes ir vadovaukitės toliau pateiktais nurodymais. Žr. skyrių KLIENTŲ APTARNAVIMAS.

ĮSPĖJIMAS!

- ▶ Prieš atlikdami techninę priežiūrą, išjunkite prietaisą ir ištraukite maitinimo kištuką iš elektros lizdo.
- ▶ Elektros įrangos techninę priežiūrą turėtų atlikti tik kvalifikuoti elektros specialistai, nes netinkamai atliktas remontas gali sukelti didelę žalą.
- ▶ Pažeistą maitinimo laidą turi pakeisti tik gamintojas, jo techninės priežiūros atstovas arba panašios kvalifikacijos asmenys, kad būtų išvengta pavojaus.

Klaidos kodas	Priežastis	Sprendimas
L2	Žemos temperatūros signalas, kai valdymo jutiklio temperatūra yra per žema.	<ol style="list-style-type: none"> 1. Patikrinkite aplinkos temperatūrą. 2. Patikrinkite kompresoriaus jungtį. 3. Patikrinkite temperatūros valdymo jutiklio varžą.
H1	Kai valdymo jutiklio temperatūra yra per aukšta, ekrane bus rodomas aukštos temperatūros signalas.	<ol style="list-style-type: none"> 1. Patikrinkite valdymo plokštės arba ekrano skydelio jungtį. 2. Patikrinkite ventiliatoriaus varžą ir įtampą. 3. Patikrinkite ventiliatoriaus ir kompresoriaus jungtį.

Problema	Galima priežastis	Galimas sprendimas
Kompresorius neveikia. Prietaiso aktyvus veikimas yra per dažnas arba per ilgai trunka.	<ul style="list-style-type: none"> Maitinimo kištukas neįjungtas į elektros lizdą. Išorinė temperatūra yra per aukšta. Prietaisas kurį laiką buvo išjungtas. Nesandariai uždarytos prietaiso durelės. Durelės buvo atidaromos per dažnai arba per ilgai. Durelių tarpiklis yra nešvarus, susidėvėjęs, įtrūkęs arba nesutampa jo priglundimas. Neužtikrinama reikiama oro cirkuliacija. Nustatyta per žema temperatūra. 	<ul style="list-style-type: none"> Prijunkite maitinimo kištuką. Šiuo atveju normalu, kad prietaisas aktyviai veikia ilgiau. Paprastai prietaisui atvesti prireikia šiek tiek laiko. Uždarykite dureles ir įsitikinkite, kad prietaisas stovi ant lygaus pagrindo, o durelėms uždaryti nekliudo maisto produktai ar indai. Neatidarinėkite durelių per dažnai. Išvalykite durelių tarpiklį arba kreipkitės į klientų aptarnavimo tarnybą, kad jį pakeistų. Užtikrinkite pakankamą ventilaciją. Problema išsprendžiasi savaime, kai bus pasiekta pageidaujama temperatūra.
Vyno šaldytuvo vidus yra nešvarus ir (arba) iš jo sklinda nemalonūs kvapas.	<ul style="list-style-type: none"> Vyno šaldytuvo vidų reikia išvalyti. 	<ul style="list-style-type: none"> Išvalykite vyno šaldytuvo vidų.
Prietaiso viduje nėra pakankamai šalta.	<ul style="list-style-type: none"> Nustatyta per aukšta temperatūra. Buteliai buvo įdėti neseniai. Nesandariai uždarytos prietaiso durelės. Durelės buvo atidaromos per dažnai arba per ilgai. Durelių tarpiklis yra nešvarus, susidėvėjęs, įtrūkęs arba nesutampa jo priglundimas. 	<ul style="list-style-type: none"> Nustatykite temperatūrą iš naujo. Palaukite, kol neseniai įdėti buteliai pasieks pageidaujama temperatūrą. Uždarykite dureles. Neatidarinėkite durelių per dažnai. Išvalykite durelių tarpiklį arba kreipkitės į klientų aptarnavimo tarnybą, kad jį pakeistų.
Prietaiso viduje per šalta.	<ul style="list-style-type: none"> Nustatyta per žema temperatūra. 	<ul style="list-style-type: none"> Nustatykite temperatūrą iš naujo.
Šaldytuvo skyriaus viduje susidaro drėgmė.	<ul style="list-style-type: none"> Klimatas pernelyg šiltas ir drėgnas. Nesandariai uždarytos prietaiso durelės. Durelės buvo atidaromos per dažnai arba per ilgai. 	<ul style="list-style-type: none"> Padidinkite temperatūrą. Uždarykite dureles. Neatidarinėkite durelių ir (arba) stalčiaus per dažnai.

Problema	Galima priežastis	Galimas sprendimas
Drėgmė kaupiasi ant vyno šaldytuvo išorinio paviršiaus.	<ul style="list-style-type: none"> Klimatas pernelyg šiltas ir per drėgnas. Durėlės nėra sandariai uždarytos. Susidaro šalto oro prietaiso viduje ir šilto oro jo išorėje kondensacija. 	<ul style="list-style-type: none"> Tai normalu drėgname klimate. Situacija pasikeis sumažėjus drėgmei. Įsitikinkite, kad durėlės sandariai uždarytos ir kad tarpkliai tinkamai sandarinti.
Prietaisas skleidžia nejprastus garsus.	<ul style="list-style-type: none"> Prietaisas pastatytas ant nelygaus paviršiaus. Prietaisas liečia šalia jo esantį objektą. 	<ul style="list-style-type: none"> Sureguliuokite kojeles, kad sulygiuotumėte prietaisą. Pašalinkite aplink prietaisą esančius objektus.
Girdimas nežymus garsas, primenantis tekančio vandens garsą.	<ul style="list-style-type: none"> Tai normalu. 	<ul style="list-style-type: none"> -
Vidaus apšvietimo ar aušinimo sistema neveikia.	<ul style="list-style-type: none"> Maitinimo kištukas neįjungtas į elektros lizdą. Netinkamai tiekiamas maitinimas. Neveikia šviesos diodo lemputė. 	<ul style="list-style-type: none"> Prijunkite maitinimo kištuką. Patikrinkite, ar į patalpą tiekiamą elektros energija. Skambinkite vietos elektros energijos tiekimo įmonei. Norėdami ją pakeisti, kreipkitės į techninės priežiūros tarnybą.
Šaldytuvo šonai ir durėlių juosta sušyla.	<ul style="list-style-type: none"> Tai normalu. 	<ul style="list-style-type: none"> -
Durėlės tinkamai neužsidaro.	<ul style="list-style-type: none"> Prietaisas nesulygiuotas. Durėlės užblokuotos. 	<ul style="list-style-type: none"> Sulygiuokite prietaisą reguliuodami lygiavimo kojeles. Patikrinkite, ar jų neblokuoja buteliai arba lentynos.

Norėdami susisiekti su techninės pagalbos tarnyba, apsilankykite mūsų svetainėje: <https://corporate.haier-europe.com/en/>

Skiltyje „svetainė“ pasirinkite savo gaminio prekės ženklą ir šalį. Būsime nukreipti į konkrečią svetainę, kurioje rasite telefono numerį ir formą, skirtą susisiekti su technine pagalba.

Gaminio aprašas pagal ES reglamentą nr. 2019/2016

Prekės ženklas	„Haier“	„Haier“	„Haier“
Modelio pavadinimas / identifikatorius	HWS247GGU1	HWS236GDGU1	HWS247FDU1
Kategorija	Vyno šaldytuvas	Vyno šaldytuvas	Vyno šaldytuvas
Energijos efektyvumo klasė	G	G	D
Metinis energijos suvartojimas (kWh per metus) 1)	184	184	85
Šaldytuvo talpa (L)	450	448	450
Klimato klasė: šis prietaisas skirtas naudoti aplinkos temperatūrai esant nuo 10 °C iki 38 °C.	SN N ST	SN N ST	SN N ST
Skleidžiamas akustinis triukšmas (dB(A) re 1pW)	C (37)	C (37)	C (37)
Prietaiso tipas	Laisvai pastatomas	Laisvai pastatomas	Laisvai pastatomas
Šis prietaisas skirtas tik vynui laikyti.	Taip	Taip	Taip
Matmenys (P/G/A milimetrais)	597/714/1900	597/714/1900	597/714/1900

Paaiškinimai:

¹⁾ Remiantis standartiniais 24 valandų bandymų rezultatais. Faktinis energijos suvartojimas priklauso nuo realių aplinkos sąlygų, butelių kiekio, nustatytos temperatūros, durų atidarymo ir uždarymo dažnumo ir t. t.

²⁾ Nominalus elektros energijos suvartojimas yra vertė, gauta atlikus standartinį bandymą, kai nejungtas vyno šaldytuvo vidinis apšvietimas.

- Išplėstinė vidutinių platumų: šis prietaisas skirtas naudoti aplinkos temperatūroje nuo 10 iki 32 °C.

- Vidutinių platumų: šis prietaisas skirtas naudoti aplinkos temperatūroje nuo 16 iki 32 °C.

- Subtropinė: šis prietaisas skirtas naudoti aplinkos temperatūroje nuo 16 iki 38 °C.

- Tropinė: šis prietaisas skirtas naudoti aplinkos temperatūroje nuo 16 iki 43 °C.

Standartai ir direktyvos

Šis gaminys atitinka visų taikomų EB direktyvų ir atitinkamų darnųjų standartų, skirtų CE ženklinimui, reikalavimus.

Rekomenduojame naudotis „Haier“ klientų aptarnavimo paslaugomis ir naudoti originalias atsargines dalis.

Jei kilo problemų su prietaisu, pirmiausia peržiūrėkite skyrių TRIKČIŲ ŠALINIMAS.

Jei nerandate sprendimo, kreipkitės į

- ▶ vietos prekybos atstovą arba
- ▶ apsilankykite techninės priežiūros ir pagalbos skyriuje adresu www.haier.com, kur rasite telefono numerius ir DUK bei galėsite pateikti techninės priežiūros paraišką.

Norėdami susisiekti su mūsų techninės priežiūros skyriumi, įsitikinkite, kad turite toliau nurodytus duomenis.

Informaciją galima rasti techninių duomenų lentelėje.

Modelis _____ Serijos nr. _____

Garantijos klausimais taip pat peržiūrėkite su gaminiu pateiktą garantijos kortelę. Toliau pateikti mūsų adresai Europoje, kuriais galite kreiptis bendraisiais verslo klausimais.

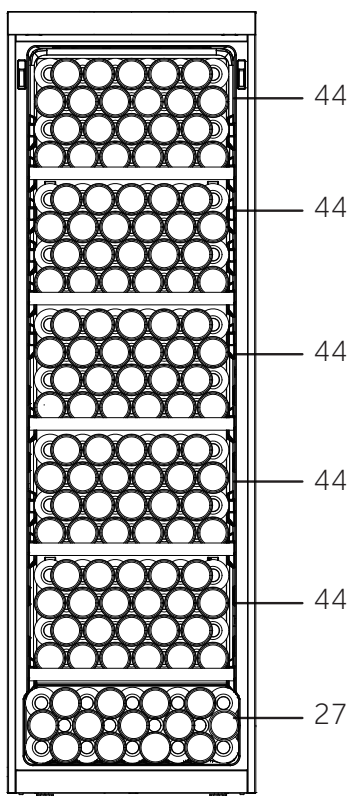
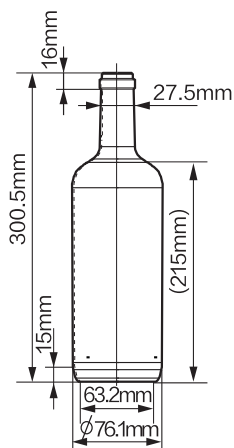
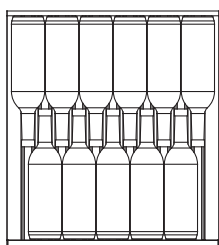
„Haier“ adresai Europoje			
Šalis*	Pašto adresas	Šalis	Pašto adresas
Italija	„Haier Europe Trading S.R.L.“ Via De Cristoforis, 12 21100 Verese ITALIJA	Prancūzija	„Haier Europe Trading S.R.L.“ Via De Cristoforis, 12 21100 Verese ITALIJA
Ispanija Portugalija	„Haier Iberia SL“ Pg. Garcia Faria, 49-51 08019 Barcelona ISPANIJA	Belgija (prancūzų) Belgija (olandų) Nyderlandai Liuksemburgas	„Haier Benelux S.A.“ Anderlecht Route de Lennik 451 BELGIJA
Vokietija Austrija	„Haier Deutschland GmbH“ Hewlett-Packard-Str. 4 D-61352 Bad Homburg VOKIETIJA	Lenkija	„Haier Poland Sp. zo.o“ Al. Jerozolimskie 181B 02-222 Warszawa LENKIJA
Jungtinė Karalystė	„Haier Appliances UK Co. Ltd.“ One Crown Square Church Street East Woking, Surrey, GU21 6HR JK	Čekija Vengrija Graikija Rumunija Rusija	

GALIMYBĖS ĮSIGYTI ATSARGINIŲ DALIŲ. Termostatus, temperatūros jutiklius, spausdintines plokštes ir šviesos šaltinius galima įsigyti ne trumpiau kaip septynerius metus nuo paskutinio modelio įrenginio pateikimo į rinką. Durelių rankenos, durelių vyriai, padėklai ir krepšiai – ne trumpiau kaip septynerius metus, o durelių tarpikliai – ne trumpiau kaip 10 metų nuo paskutinio modelio įrenginio pateikimo į rinką.

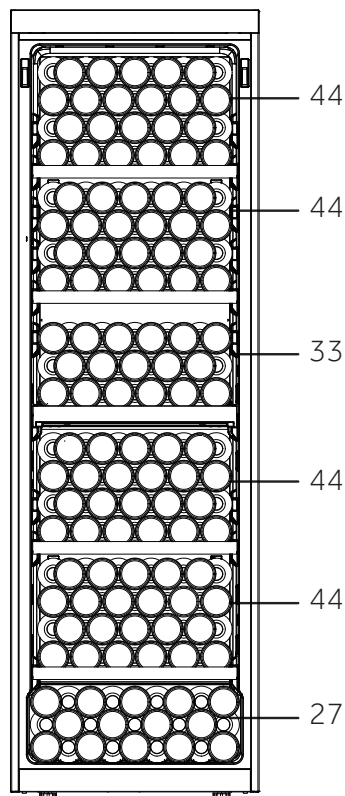
Minimali garantijos trukmė yra: 2 metai ES šalyse, 3 metai Turkijoje, 1 metai JK, 1 metai Rusijoje, 3 metai Švedijoje, 2 metai Serbijoje, 5 metai Norvegijoje, 1 metai Maroke, 6 mėnesiai Alžyre, Tunise teisinės garantijos nereikia.

Norėdami gauti daugiau informacijos apie gaminį, apsilankykite <https://eprel.ec.europa.eu/> arba nuskaitykite QR, esantį su prietaisu pateiktoje energijos efektyvumo etiketėje.

Butelio išdėstymas pagrįstas standartinio Bordo butelio (0,75 l) grafiniu vaizdu. Dėl skirtingų butelių specifikacijų tikrasis butelio pakrovimo kiekis gali skirtis.



HWS247GGU1
HWS247FDU1
HWS247GEH1
HWS247FAH1



HWS236GDGU1
HWS236GDEH1

HWS-247FDU1-247GGU1-236GGDU1-247GEH1-236GDEH1- HWS247FAH1 - LT

Haier



Haier

Lietotāja rokasgrāmata

Vīna skapis

HWS247FAH1
HWS247FDU1
HWS247GGU1
HWS247GEH1
HWS236GDEH1
HWS236GDGU1

LV

Haier

Paldies, ka iegādājāties Haier produktu.

Pirms šīs ierīces lietošanas, lūdzu, uzmanīgi izlasiet šos norādījumus. Norādījumi satur svarīgu informāciju, kas jums palīdzēs ierīci izmantot visefektīvākajā veidā un garantēs drošu un pareizu uzstādīšanu, lietošanu un apkopi.

Glabājiet šo rokasgrāmatu ērti pieejamā vietā, lai jūs vienmēr varētu to izmantot kā atsauci drošai un pareizai ierīces lietošanai.

Ja ierīci pārdodat, atdodat vai atstājat iepriekšējā dzīvesvietā, neaizmirstiet jaunajam īpašniekam nodot arī šo rokasgrāmatu, lai viņš varētu iepazīties ar ierīci un izlasīt drošības brīdinājumus.



Apzīmējumi



Brīdinājums — svarīga drošības informācija

Vispārīga informācija un padomi



Vides informācija

Utilizācija

Palīdziet aizsargāt vidi un cilvēku veselību. Ievietojiet iepakojumu atbilstošajos konteineros, lai nodrošinātu tā pārstrādi. Palīdziet pārstrādāt elektrisko un elektronisko ierīču atkritumus. Neizmetiet ar šo simbolu apzīmētās ierīces kopā ar sadzīves atkritumiem. Nododiet produktu atpakaļ vietējā pārstrādes uzņēmumā vai sazinieties ar pašvaldības biroju.



BRĪDINĀJUMS!

Traumu vai nosmakšanas risks!

Aukstumaģentu un gāzu utilizācija ir jāveic profesionāļiem. Pārliecinieties, vai aukstumaģenta kontūra caurules nav bojātas, pirms tās tiek pareizi utilizētas. Atvienojiet ierīci no elektrotīkla. Atvienojiet elektrotīkla kabeli un atbrīvojieties no tā. Izņemiet paplātes un atvilktnes, kā arī durvju aizbīdņi un blīves, lai nepieļautu bērnu un mājdzīvnieku ieslēgšanu ierīcē.

Vecām ierīcēm joprojām ir noteikta atlikusī vērtība. Videi draudzīga likvidēšanas metode nodrošinās, ka vērtīgās izejvielas var atjaunot un atkal izmantot.

Ciklopentānu, viegli uzliesmojošu vielu, kas nav kaitīga ozonam, izmanto kā izolācijas putu paplašinātāju.

Gādājot, ka šis produkts tiek pareizi iznīcināts, jūs palīdzēsiet novērst iespējamās negatīvās sekas videi un cilvēku veselībai, ko citādi tās varētu izraisīt.

Lai iegūtu sīkāku informāciju par šī produkta pārstrādi, lūdzu, sazinieties ar vietējo pašvaldību, sadzīves atkritumu utilizācijas dienestu vai veikalu, kurā iegādājāties produktu ar profesionāļu palīdzību.

1- Drošības informācija	4
2- Drošības padomi	7
3- Apkope	11
4- Piederumi	13
5- Produkta apraksts	14
6- Uzstādīšana	15
7- Lietošana	19
8- Enerģijas taupīšanas padomi	24
9- Aprīkojums	25
10- Kopšana un tīrīšana	26
11- Problēmu novēršana	27
12- Tehniskie dati	30
13- Klientu apkalpošanas dienests	31
14- Vīna pudeļu sakraušana	32

Šī ierīce ir paredzēta tikai vīna uzglabāšanai. Pirms pirmo reizi ieslēdzat ierīci, izlasiet turpmāk minētos drošības ieteikumus!



BRĪDINĀJUMS!

Pirms pirmās lietošanas reizes

- ▶ Pārlicinieties, vai nav nekādu bojājumu, kas radušies transportēšanas laikā.
- ▶ Noņemiet visus iepakojuma materiālus, glabājiet tos bērniem nepieejamā vietā un utilizējiet videi draudzīgā veidā.
- ▶ Pirms ierīces uzstādīšanas nogaidiet vismaz 0,5 stundas, lai aukstumagēnta kontūrs būtu pilnībā efektīvs.
- ▶ Ierīce jānes un jāpārviesto vismaz diviem cilvēkiem, jo tā ir smaga.

Uzstādīšana

- ▶ Ierīce jānovieto labi vēdināmā vietā. Virs ierīces un ap to ir jābūt vismaz 50 mm atstarpei.
- ▶ **BRĪDINĀJUMS.** Ventilācijas atveres ierīces korpusā vai iebūvētajā konstrukcijā nedrīkst būt aizsprostotas.
- ▶ Nekādā gadījumā nenovietojiet ierīci mitrā vietā vai vietā, kur to varētu apšļakstīt ūdens. Ūdens šļakatas noslaukiet un traipus notīriet ar mīkstu, tīru drānu.
- ▶ Neuzstādiet savu vīna skapi nevienā vietā, kas nav atbilstošu izolēta vai apsildīta, piemēram, garāžā utt. Jūsu vīna pagrabs nav paredzēts darbībai apkārtējās vides temperatūrā, kas zemāka par 10 °C.
- ▶ Neuzstādiet ierīci tiešā saules gaismā vai siltuma avotu (piemēram, krāsns, sildītāja) tuvumā.
- ▶ Uzstādiet un nolīmeņojiet ierīci tās izmēram un lietošanas mērķim piemērotā vietā.
- ▶ Pārlicinieties, vai informācija par elektrību uz datu plāksnītes atbilst barošanas avotam. Ja tā neatbilst, sazinieties ar elektrotehniķi.
- ▶ Ierīces barošanu nodrošina 220–240 V maiņstrāva ar 50 Hz frekvenci. Anormālu sprieguma svārstību gadījumā ierīce var neieslēgties, var tikt radīti temperatūras regulatora vai kompresora bojājumi vai ierīces darbības laikā var būt dzirdami neparasti trokšņi. Šādā gadījumā ir jāuzstāda automātiskais regulators.
- ▶ Neizmantojiet vairāku kontaktdakšu adapterus un pagarinātājkabeļus.

**BRĪDINĀJUMS!**

- ▶ **BRĪDINĀJUMS.** Ierīces aizmugurē nenovietojiet vairākas pārnēsājamās kontaktligzdas vai pārnēsājamās barošanas blokus.
- ▶ **BRĪDINĀJUMS.** Novietojot ierīci, pārlicinieties, vai barošanas vads nav iesprostots vai bojāts.
- ▶ Nekāpiet uz barošanas kabeļa.
- ▶ Barošanai izmantojiet atsevišķu zemētu kontaktligzdu, kas ir viegli pieejama. Ierīcei jābūt zemētai.
- ▶ **Tikai Apvienotajai Karalistei:** Ierīces barošanas kabelis ir aprīkots ar 3 vadu (zemējuma) kontaktdakšu, kas atbilst standarta 3 vadu (zemētai) kontaktligzdai. Nekad neatvienojiet un nenoņemiet trešo tapīņu (zemējumu). Pēc ierīces uzstādīšanas kontaktdakšai ir jābūt pieejamai.
- ▶ **BRĪDINĀJUMS.** Nesabojājiet aukstumagēnta kontūru.

Ikdienas lietošana

- ▶ Šo ierīci drīkst lietot personas no 8 gadu vecuma un personas ar ierobežotām fiziskām, sensorām vai garīgām spējām vai bez pieredzes un zināšanām, ja vien tās tiek uzraudzītas vai tām ir sniegti norādījumi par ierīces lietošanu drošā veidā un tās saprot ar to saistītos riskus.
- ▶ Bērni nedrīkst spēlēties ar ierīci.
- ▶ Bērni vecumā no 3 līdz 8 gadiem drīkst ledusskapī ievietot un no tā izņemt produktus, bet nedrīkst ierīci tīrīt un uzstādīt aukstumierīces.
- ▶ Bērni, kas jaunāki par 3 gadiem, ierīci drīkst izmantot tikai pastāvīgā pieaugušo uzraudzībā.
- ▶ Bērni nedrīkst veikt ierīces tīrīšanu un apkopi bez uzraudzības.
- ▶ Ierīcei jābūt novietotai tā, lai kontaktdakša būtu pieejama.
- ▶ Ja ierīces tuvumā ir notikusi akmeņogļu gāzes vai citas viegli uzliesmojošas gāzes noplūde, izslēdziet izplūstošās gāzes vārstu, atveriet durvis un logus un neatvienojiet no elektrotīkla ierīces barošanas kabeli.
- ▶ Pēc strāvas atvienošanas nogaidiet vismaz 7 minūtes, lai atkārtoti pievienotu strāvu.
- ▶ Neceliet ierīci aiz durvju rokturiem.
- ▶ Atslēgas jāglabā bērniem nepieejamā vietā, nevis ierīces tuvumā, lai nepieļautu bērnu ieslēgšanu ierīcē.

**BRĪDINĀJUMS!**

- ▶ Nemiet vērā, ka ierīce ir iestatīta darbam noteiktā apkārtējās vides temperatūras diapazonā no 10 °C līdz 38 °C. Ierīce var nedarboties pareizi, ja tā tiek ilgstoši atstāta temperatūrā, kas pārsniedz norādīto diapazonu vai ir zemāka par to.
- ▶ Nenovietojiet nestabilus priekšmetus (smagus priekšmetus, ar ūdeni piepildītus traukus) uz ledusskapja virsmas, lai izvairītos no traumām, ko var izraisīt priekšmetu nokrišana, vai elektriskās strāvas trieciena, saskaroties ar ūdeni.
- ▶ Durvis atveriet un aizveriet tikai aiz rokturiem. Atstarpe starp durvīm un skapi ir ļoti šaura. Nelieciet šajās vietās rokas, lai nespieestu pirkstus. Atveriet vai aizveriet ierīces durvis tikai tad, ja durvju kustības zonā neatrodas bērni.
- ▶ Neuzglabājiet un nelietojiet uzliesmojošus, sprādzienbīstamus vai kodīgus materiālus ierīcē vai tās tuvumā.
- ▶ Šajā ierīcē neglabājiet sprādzienbīstamas vielas, piemēram, aerosola baloniņus ar uzliesmojošu sprāgstvielu.
- ▶ Ierīcē neglabājiet zāles, baktērijas vai ķīmiskos līdzekļus. Šī ierīce ir mājsaimniecības ierīce. Nav ieteicams uzglabāt materiālus, kuriem nepieciešama stingra temperatūras kontrole.
- ▶ Neiestatiet nevajadzīgi zemu temperatūru vīna skapja nodalījumā. Augstākajos plauktos temperatūra var būt zem nulles. Uzmanību! Pudeles var plīst.
- ▶ Nepieskarieties ieslēgtas ierīces iekšējai virsmai, jo īpaši ar mitrām rokām, jo rokas var piesalt pie virsmas.
- ▶ Lai nodrošinātu pareizu vīna dzesēšanu, nepārslogojiet ierīci.
- ▶ Strāvas padeves pārtraukuma gadījumā vai pirms tīrīšanas atvienojiet ierīci no elektrotīkla. Pirms ierīces atkārtotas ieslēgšanas nogaidiet vismaz 7 minūtes, jo bieža iedarbināšana var sabojāt kompresoru.
- ▶ **BRĪDINĀJUMS.** Ierīces nodalījumos neizmantojiet nekādas elektroierīces, izņemot tās, kuras ieteicis ražotājs. Lai izvairītos no riskiem, bojāts strāvas vads ir jānomaina klientu apkalpošanas dienestam (skatiet garantijas karti).
- ▶ Lai pagarinātu ierīces darbmūžu, izvairieties no tās izslēgšanas.
- ▶ Nekad novietojiet ierīci horizontāli uz zemes. Pēc ierīces sasvēršanas par vairāk nekā 45° nogaidiet 24 stundas, pirms to pieslēdzat elektrotīklam.

**BRĪDINĀJUMS!****Apkope/tīrīšana**

- ▶ Ja tīrīšanu un apkopi veic bērni, pārliecinieties, vai viņi tiek uzraudzīti.
- ▶ Pirms kārtējās apkopes veikšanas atvienojiet ierīci no elektrotīkla. Pirms ierīces atkārtotas ieslēgšanas nogaidiet vismaz 7 minūtes, jo bieža iedarbināšana var sabojāt kompresoru.
- ▶ Atvienojot ierīci, velciet aiz kontaktdakšas, nevis kabeļa.
- ▶ Netīriet ierīci ar cietām sukām, stieplu sukām, mazgāšanas pulveri, benzīnu, amilacetātu, acetonu un līdzīgiem organiskiem šķīdumiem, skābes vai sārma šķīdumiem. Tīriet ar īpašu ledusskapja/saldētavas mazgāšanas līdzekli, lai izvairītos no bojājumiem. Beigās izmantojiet silta ūdens un cepamā pulvera šķīdumu — aptuveni ēdamkaroti cepamā pulvera uz litru/kvartu ūdens. Rūpīgi noskalojiet ar ūdeni un noslaukiet. Neizmantojiet tīrīšanas pulverus vai citus abrazīvus tīrīšanas līdzekļus. Izņemamās daļas nemazgājiet trauku mazgājamajā mašīnā.
- ▶ **BRĪDINĀJUMS.** Neizmantojiet nekādas mehāniskas ierīces vai citus atkausēšanas procesa paātrināšanas līdzekļus, izņemot tos, kurus ieteicis ražotājs.
- ▶ Ja barošanas vads ir bojāts, tas jānomaina ražotājam, tā klientu apkalpošanas dienesta pārstāvim vai līdzīgi kvalificētai personai, lai izvairītos no riska.
- ▶ Nemēģiniet patstāvīgi labot, izjaukt vai pārveidot ierīci. Lai veiktu remontu, sazinieties ar mūsu klientu apkalpošanas dienestu.
- ▶ Ja gaismas indikatori ir bojāti, tie jānomaina ražotājam, tā klientu apkalpošanas dienesta pārstāvim vai līdzīgi kvalificētai personai, lai izvairītos no riska.
- ▶ Vismaz reizi gadā notīriet putekļus no iekārtas aizmugures, lai izvairītos no ugunsbīstamības, kā arī lielāka enerģijas patēriņa.

- ▶ Tīršanas laikā ierīci nedrīkst apsmidzināt vai skalot.
- ▶ Ierīces tīršanai neizmantojiet ūdens strūklu vai tvaiku.
- ▶ Nemazgājiet aukstās stikla durvis ar karstu ūdeni. Krasas temperatūras izmaiņas var izraisīt stikla saplīšanu.
- ▶ Ja neplānojat ierīci izmantot ilgāku laiku, atstājiet to atvērtu, lai novērstu smaku un nepatīkamu aromātu veidošanos iekšpusē.

Informācija par aukstumaģenta gāzi



BRĪDINĀJUMS!

Ierīce satur uzliesmojošu aukstumaģentu IZOBUTĀNU (R600a). Pārliecinieties, vai aukstumaģenta kontūrs transportēšanas vai uzstādīšanas laikā nav bojāts. Aukstumaģenta noplūde var izraisīt aizdegšanos vai acu ievainojumus. Ja ir radies bojājums, turiet ierīci drošā attālumā no atklātiem uguns avotiem, kārtīgi izvēdiniet telpu, nepievienojiet elektrotīklam vai neatvienojiet no tā ierīces vai jebkuras citas ierīces strāvas vadus. Informējiet klientu apkalpošanas dienestu.

Ja aukstumaģents ir iekļuvis acīs, tās nekavējoties izskalojiet zem tekoša ūdens un sazinieties ar oftalmologu.

BRĪDINĀJUMS. Saldēšanas sistēmā ir augsts spiediens. Neaiztieciet to. Tā kā tiek izmantoti uzliesmojoši aukstumaģenti, ierīci uzstādiet, ar to apejieties un veiciet tās apkopi, stingri ievērojot norādījumus, un sazinieties ar speciālistu vai mūsu klientu apkalpošanas dienestu, lai ierīci utilizētu.

Paredzētā lietošana


Šī ierīce ir paredzēta mājsaimniecības un līdzīgiem lietojumiem, piemēram:

- personāla virtuves zonām veikalos, birojos un citās darba vidēs;
 - lauku mājām un klientu vajadzībām viesnīcās, moteļos un citās dzīvošanai paredzētās vidēs;
 - lietošanai vidēs, kur tiek piedāvāta naktsmītne un brokastis;
 - ēdināšanas un līdzīgiem ar mazumtirdzniecību nesaistītiem lietojumiem.
- Lai nodrošinātu vīna drošu uzglabāšanu, lūdzu, ievērojiet šo lietošanas instrukciju.
- Sīkāka informācija par piemērotāko ierīces nodaļuma daļu, kurā glabājami konkrētu veidu pārtikas produkti, ņemot vērā temperatūru, kāda var būt dažādos ierīces nodaļumos, ir sniegta rokasgrāmatas otrajā daļā.

Nav atļauts veikt ierīces izmaiņas vai modifikācijas. Neatbilstoša lietošana var radīt apdraudējumu un anulēt garantiju.

Utilizācija



Simbols  uz izstrādājuma vai tā iepakojuma norāda, ka šo izstrādājumu nedrīkst izmest kā sadzīves atkritumus. Tā vietā tas jānodod attiecīgajā savākšanas punktā elektrisko un elektronisko iekārtu pārstrādei. Pārliecinoties, ka šis produkts tiek pareizi iznīcināts, jūs palīdzēsiet novērst iespējamās negatīvās sekas videi un cilvēku veselībai, ko citādi varētu izraisīt nepareiza rīcība ar šo produktu. Lai iegūtu sīkāku informāciju par šī produkta pārstrādi, lūdzu, sazinieties ar vietējo pašvaldību, sadzīves atkritumu utilizācijas dienestu vai veikalu, kurā iegādājāties produktu.

Tā kā tiek izmantotas viegli uzliesmojošas izolācijas gāzes, lūdzu, sazinieties ar profesionālu aģentu vai mūsu pēc pārdošanas servisu, lai atbrīvotos no ierīces.

BRĪDINĀJUMS!

Traumu vai nosmakšanas risks!

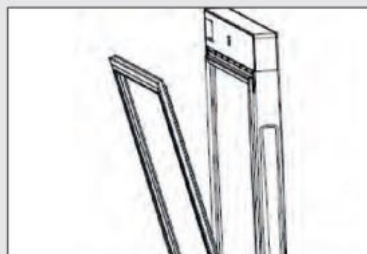
Aukstumaģentu un gāzu utilizācija ir jāveic profesionāļiem. Pārliecinieties, vai aukstumaģenta kontūra caurules nav bojātas, pirms tās tiek pareizi utilizētas. Atvienojiet ierīci no elektrotīkla. Atvienojiet elektrotīkla kabeli un atbrīvojieties no tā. Izņemiet paplātes un atvilktnes, kā arī durvju aizbīdņi un blīves, lai nepieļautu bērnu un mājdzīvnieku ieslēgšanu ierīcē.

- ▶ **BRĪDINĀJUMS.** Pirms tīrīšanas atvienojiet ierīci no barošanas avota.
- ▶ Netīriet ierīci ar cietām sukām, stieplu sukām, mazgāšanas pulveri, benzīnu, amilacetātu, acetonu un līdzīgiem organiskiem šķīdumiem, skābes vai sārma šķīdumiem. Tīriet ar īpašu ledusskapja mazgāšanas līdzekli, lai izvairītos no bojājumiem.
- ▶ Notīriet ierīci, kad vīns tiek uzglabāts tikai nedaudz vai nemaz. Tas ir jātīra tikai tad, kad tas ir netīrs.
- ▶ Notīriet ierīces iekšpusi un korpusu ar sūkli, kas samitrināts siltā ūdenī un neitrālā mazgāšanas līdzeklī.
- ▶ Noskalojiet ar tīru siltu ūdeni un nosusiniet ar mīkstu drānu.
- ▶ Nevienu ierīces daļu nemazgājiet trauku mazgājamā mašīnā.
- ▶ Pirms ierīces atkārtotas ieslēgšanas nogaidiet vismaz 7 minūtes, jo bieža iedarbināšana var sabojāt kompresoru.



Notīriet durvju blīvi:

- ▶ Durvju blīves jātīra ik pēc 3 mēnešiem, lai nodrošinātu pienācīgu blīvējumu. Kā redzams tālāk. Noņemšana: satveriet durvju blīvi un izvelciet to atbilstoši bultiņas virzienam, lai izņemtu visu durvju blīvi. Iemērciet birstīti ūdenī vai pārtikas spirtā, vispirms notīriet durvju blīves rievu, pavelkot birstīti uz priekšu un atpakaļ. Pēc tam noslaukiet durvju blīves virsmu ar dvieli, kas iemērķts ūdenī vai pārtikas spirtā. Pēc tam nomazgājiet durvju blīvi un noslaukiet to ar tīru dvieli.



Durvju blīves uzstādīšana pēc tīrīšanas:

pirms uzstādīšanas pārlicinieties, ka uz durvju blīves nav ūdens. Ievietojiet durvju blīvi gropē un ar roku cieši piespiediet durvju blīvi no augšas līdz apakšai, līdz visa durvju blīve ir ievietota gropē.

Plauktu tīrīšana:

- ▶ visus plauktus var izņemt tīrīšanai.
- ▶ Izņemiet visas pudeles.
- ▶ Nedaudz paceliet katru plauktu un izņemiet to.
- ▶ Notīriet plauktu ar mīkstu dvieli.
- ▶ Pirms plauktu ievietošanas atpakaļ pagaidiet, līdz tie ir sausi.

BRĪDINĀJUMS.

Pēc strāvas atvienošanas nogaidiet vismaz 7 minūtes, lai atjaunotu strāvas padevi.

Pārbaudiet piederumus un literatūru saskaņā ar šo sarakstu: bez izolācijas.

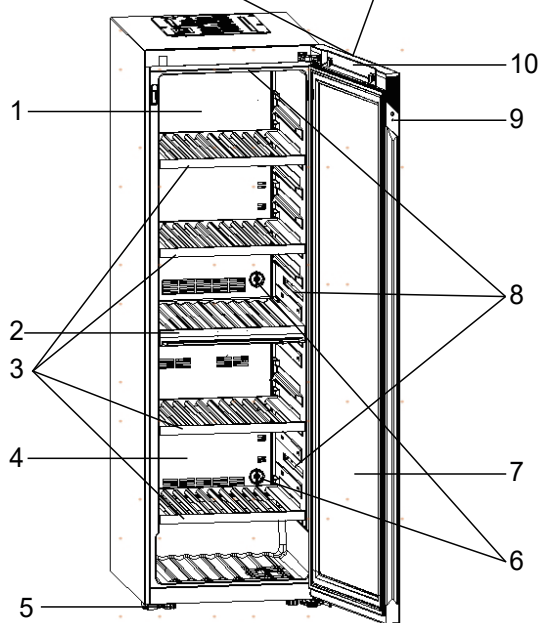
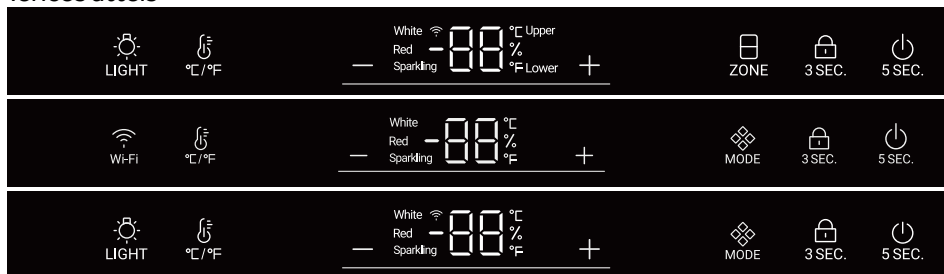
Nosaukums	Lietotāja rokasgrāmata	Servisa karte	Plaukts	Enģes pārsegs	Energoefektivitātes uzlīme	Atslēga	Rokturis	Skrūve	Uzskrūvējams vāciņš	Piesegt	Displeja plaukts
HWS247FAH1	1	1	5	1	1	2	1	4	2	1	1
HWS247GGU1	1	1	5	1	1	2	/	/	/	/	/
HWS236GDGU1	1	1	4	1	1	2	/	/	/	/	/
HWS247FDU1	1	1	5	1	1	2	1	4	2	1	/
HWS247GEH1	1	1	5	1	1	2	/	/	/	/	/
HWS236GDEH1	1	1	4	1	1	2	/	/	/	/	/



Piezīme

Tehnisku izmaiņu un dažādu modeļu dēļ dažas no ilustrācijām šajā rokasgrāmatā var atšķirties no jūsu modeļa.

Ierīces attēls



(HWS236GDGU1)

1. Augšējā ventilācijas kanāla deflektors
2. starpsiena (modelim HWS236GDGU1)
3. Plaukts
4. Apakšējā ventilācijas kanāla deflektors
5. Regulējamas kājiņas

6. Aktivās ogles filtrs (izņemot HWS247FAH1)
7. Durvis
8. LED lampa
9. BLOĶĒŠANA
10. Displejs

1. Izpakošana

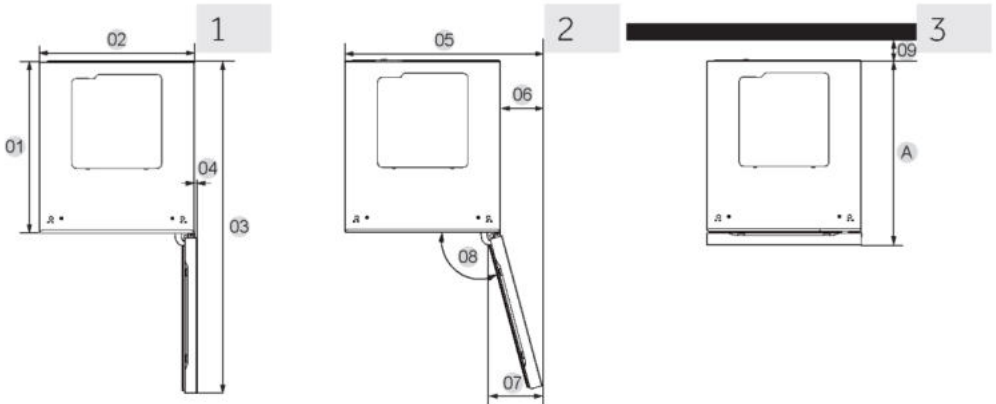
- ▶ Izņemiet ierīci no iepakojuma.
- ▶ Noņemiet visus iepakojuma materiālus, tostarp putuplasta pamatni un līmlenti, kas satur piederumus.

2. Vides apstākļi

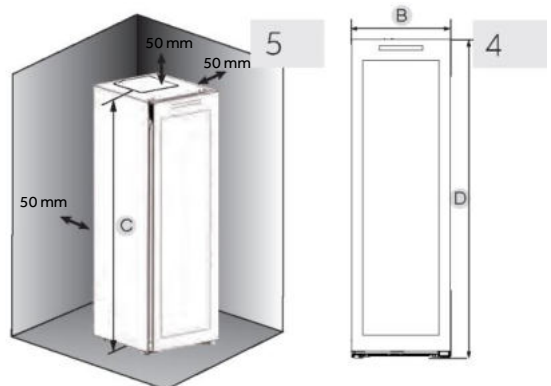
Telpas temperatūrai vienmēr jābūt no 10 °C līdz 38 °C, jo tas var ietekmēt temperatūru ierīces iekšpusē un tās enerģijas patēriņu. Neuzstādiet ierīci citu siltumu izstarojošu ierīču (cepeškrāšņu, ledusskapju) tuvumā bez izolācijas.

3. Nepieciešamā vieta

Nepieciešamā vieta durvju atvēršanai (1.,2.,3.,4. att.); drošības un enerģijas apsvērumu dēļ jāievēro nepieciešamais 50 mm ventilācijas attālums visos virzienos (5. att.).



Mērijums: mm	HWS247GGU1 HWS247GEH1	HWS236GDGU1 HWS236GDEH1	HWS247FDU1 HWS247FAH1
Dzīlums A	714	714	769
Platums B	597	597	603
Augstums C	1905	1905	1905
Kopējais augstums D	1900	1900	1900
01	654	654	654
02	595	595	595/600
03	1273	1273	1280
04	11	11	16
05	756	756	805
06	161	161	210
07	200	200	200
08	105°	105°	105°
09	50	50	50





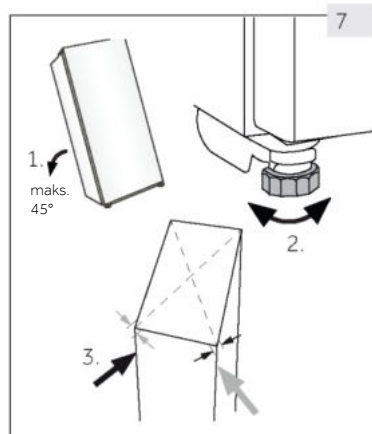
BRĪDINĀJUMS!

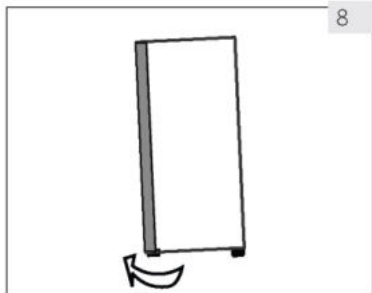
- ▶ Ventilācijas atveres ierīces korpusā vai iebūvētajā konstrukcijā nedrīkst būt aizsprostotas. Šo aukstumiekārtu nav paredzēts izmantot kā iebūvētu ierīci.

5. Ierīces centrēšana

Ierīce jānovieto uz līdzenas un cietas virsmas.

1. Sagāziet ierīci nedaudz uz aizmuguri (7. att.).
2. Noregulējiet priekšējās kājiņas vēlamajā līmenī, pagriežot tās.
3. Stabilitāti var pārbaudīt, pamīšus uzsitot pa diagonālēm. Abos virzienos jābūt vienāgai vieglai šūpošanās kustībai. Pretējā gadījumā rāmis var deformēties, un rezultātā var rasties noplūde pie durvju blīvēm. Neliels slīpums uz aizmuguri atvieglo durvju aizvēršanu.



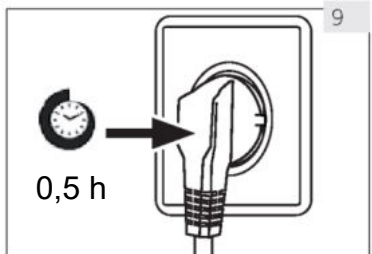


8 6. Durvju precīza noregulēšana

Ierīce vieglāk aizveras, ja tiek izmantotas priekšpusē esošās līmeņošanas pamatnes.

Grieziet regulējamās kājiņas (8. att.), lai tās pagrieztu uz augšu vai uz leju:

- ▶ Pagriežot kājiņas pulksteņrādītāju kustības virzienā, ierīce tiek pacelta.
- ▶ Pagriežot kājiņas pretēji pulksteņrādītāju kustības virzienam, ierīce tiek nolaista.



9 7. Gaidīšanas laiks

Kompresora kapsulā ir bezapkopes smēreļļa. Ja ierīce ir sagāzta, šī eļļa transportēšanas laikā var izkļūt caur slēgto cauruļu sistēmu. Pirms ierīces pievienošanas barošanas avotam nogaidiet 0,5 stundas (9. att.), lai eļļa saplūstu atpakaļ kapsulā.

8. Elektriskais savienojums

Pirms katras savienošanas reizes pārbaudiet, vai:

- ▶ barošanas avots, kontaktligzda un drošinātājs atbilst tehnisko datu plāksnītei;
- ▶ strāvas kontaktligzda ir zemēta un tai nav vairāku kontaktligzdu vai pagarinātāju;
- ▶ strāvas kontaktdakša un kontaktligzda ir pilnīgi atbilstoša.

Pievienojiet kontaktdakšu pareizi uzstādītai mājaisaimniecības kontaktligzdai.



BRĪDINĀJUMS!

Lai izvairītos no riskiem, bojāts strāvas vads ir jānomaina klientu apkalpošanas dienestam (skatiet garantijas karti).

9. Durvju apvēršana

Pirms ierīces pievienošanas barošanas avotam pārbaudiet, vai durvju eņģes ir jāmaina no labās puses (kur tās ir piegādes brīdī) uz kreiso, ja tas nepieciešams atbilstoši uzstādīšanas vietai un lietojamībai.



BRĪDINĀJUMS!

- ▶ Šī ierīce ir smaga. Lai veiktu durvju apvēršanu, ir nepieciešami divi cilvēki.
- ▶ Pirms jebkuras darbības veikšanas atvienojiet ierīci no elektrotīkla.
- ▶ Nesasveriet ierīci vairāk par 45°, lai neradītu dzesēšanas sistēmas bojājumus.

Montāžas darbības

1. Nodrošiniet nepieciešamo instrumentu.
2. Atvienojiet ierīci no elektrotīkla.
3. Noņemiet augšējo sijas pārsegu un mazo pārsegu. Mazā pārsega transpozīcija pa kreisi un pa labi.
4. Noņemiet kabeļu paliktņa pārsegu un apdares pārsegu. Dekoratīvā pārsega transpozīcija kreisajā un labajā pusē. Izņemiet melno gumijas aizbāzni no kreisās puses atslēgas cauruma durvju korpusa iekšpusē un uzstādiet to uz labās puses atslēgas cauruma.
5. Noņemiet eņģu pārsegu. Izmantojiet instrumentu, lai izņemtu 3 skrūves un noņemtu durvju korpusu.
6. Izskrūvējiet 3 skrūves zem portāla korpusa ar instrumentu, durvju korpusa kloķi un durvju aizmuri, kreisās un labās puses transpozīcija ir uzstādīta portāla korpusa otrā pusē.
7. Noņemiet kastes eņģu bloku ar instrumentu, vispirms noņemiet eņģu izcilni apakšējā eņģu blokā, nomainiet eņģu vārpstu uz labās puses skrūves atveri, salieciet. Transpozīcijas uzstādīšana ar ritenīša atbalsta bloku kastes labajā pusē.
8. Durvju korpusi ir uzstādīti vertikāli uz leju uz eņģu vārpstas.
9. Augšējā eņģe ir ievietota durvju korpusa vārpstas atverē, nostipriniet kasti ar skrūvēm, uzstādiet vadu kastes pārsegu un augšējo sijas apdares pārsegu.



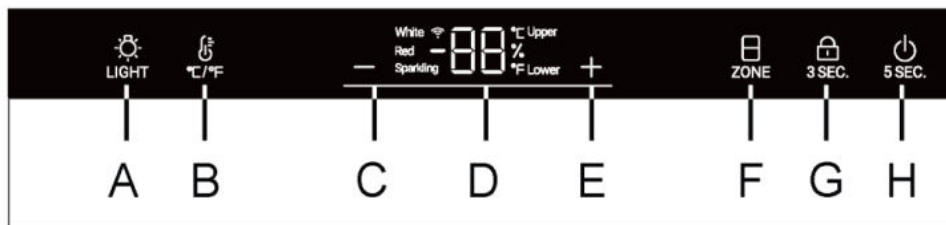
1. Pirms pirmās lietošanas reizes

- ▶ Noņemiet visus iepakojuma materiālus. Tas ietver putu pamatni un visu līmlenti, kas notur vīna skapja piederumus gan iekšpusē, gan ārpusē. Glabājiet tos bērniem nepieejamā vietā un utilizējiet videi draudzīgā veidā.
- ▶ Pirms vīna ievietošanas nomazgājiet ierīces iekšpusi un ārpusi, izmantojot ūdeni un maigu mazgāšanas līdzekli.
- ▶ Pēc tam, kad ierīce ir nolīmeņota un izmazgāta, uzgaidiet vismaz 2 stundas, pirms to pieslēdzat barošanas avotam. Ja kāda iemesla dēļ jūsu vīna skapis ir ticis sasvērts, pagaidiet 24 stundas pirms tā pievienošanas. Skatiet sadaļu UZSTĀDĪŠANA.
- ▶ Kad ierīce ir pievienota elektrības kontaktligzdai, ļaujiet tai darboties vismaz 30 minūtes, lai tā aklimatizētos, pirms veicat jebkādus pielāgojumus.
- ▶ Temperatūra tiek automātiski iestatīta uz 12 °C. Ja vēlaties, varat mainīt temperatūru manuāli. Lūdzu, skatiet sadaļu TEMPERATŪRA.

2. Skārientaustiņi

Vadības paneļa pogas ir skārientaustiņi, kas reaģē, tiem viegli pieskaroties ar pirkstu.

3. Vadības paneļa apraksts



- | | |
|--|---|
| A Iekšpuses apgaismojuma poga | E Temperatūras regulēšanas poga: uz augšu |
| B °C /°F pārveidošanas poga | F Temperatūras zonas izvēles poga |
| C Temperatūras regulēšanas poga: uz leju | G Bloķēšanas poga |
| D Displejs | H Ieslēgšanas poga |

4. Automātiskās bloķēšanas funkcija

Bloķēšanas ekrāna stāvoklī 3 sekundes turiet nospiestu bloķēšanas taustiņu, displeja ekrānā parādās 3, 2 un 1, displeja ekrāns ir atbloķēts, un bloķēšanas ikona ir līdz pusei izgaismota; ja darbība nenotiek, ekrāns tiks automātiski bloķēts pēc 30 s. Bloķēšanas ekrāna stāvoklī visas bloķēšanas taustiņu ikonas ir ieslēgtas, un taustiņus displeja ekrānā nevar darbināt (izņemot apgaismojuma taustiņu).

5. Ieslēgšanas/izslēgšanas pogas funkcija

Kad ekrāns ir izslēgts, pieskarieties jebkuram taustiņam, un displejs iedegsies; turiet nospiestu ieslēgšanas taustiņu, displeja ekrānā tiek parādīta atskaite 5, 4, 3, 2 un 1, un visas mašīnas barošanas padeve tiek izslēgta. Kad strāvas padeve ir izslēgta, turiet nospiestu ieslēgšanas taustiņu, lai parādītu 5, 4, 3, 2, 1. Strāvas padeve ir ieslēgta.





6. Temperatūras iestatīšana

Piezīme

Sākotnējie iestatījumi


- ▶ Kad ierīce ir pievienota elektrības kontaktligzdai, ļaujiet tai darboties vismaz 30 minūtes, lai tā aklimatizētos, pirms veicat jebkādus pielāgojumus.
- ▶ Ja ierīce tiek ieslēgta pēc atvienošanas no strāvas padeves avota, var pāriet vairākas stundas, līdz tiek sasniegtas pareizās temperatūras. Precīzs laiks mainās atkarībā no vides un temperatūras iestatījuma.




Nospiediet  vai  pogu, displejs sāks mirgot. Nospiediet  vai  pogu, lai iestatītu vēlamo temperatūru. Temperatūras iestatījumu diapazons: 5-20 °C (41-68 °F).

Pārtrauciet spiest taustiņu 3 sekundes, temperatūra tiek apstiprināta.

7. Režīma vai zonas funkcija

Nospiediet  pogu, temperatūras slēdzis no dzirkstoša (8°C vai 47°F) uz baltu (12°C vai 54°F) un sarkanu (16°C vai 61°F). (HWS247GGU1/HWS247GEH1/HWS247FDU1/HWS247FAH1)

Atbloķēšanas stāvoklī ikona "

(modelim HWS236GDGU1/HWS236GDEH1)

Ieteicamie temperatūras iestatījumi

Dažādiem vīna veidiem ir ieteicama šāda dzeršanas temperatūra.

Sarkanvīns	no +13 °C līdz +20 °C (no +55 °F līdz +68 °C)	Dzirkstošais vīns Prosecco	no +5 °C līdz +8 °C (no +41 °F līdz 47 °F)
Baltvīns	no +9 °C līdz +12 °C (no +48 °F līdz +54 °F)		

Ja uzglabājat vīnu ilgu laiku, tas jāuzglabā temperatūrā no +10 °C līdz +12 °C (50 °F līdz +54 °F).

8. Gaidstāves režīms

Pēc 30 sekundēm displeja ekrāns tiek automātiski aptumšots.

Tas automātiski iedegas, pieskaroties jebkurai atslēgai vai atverot durvis.



Piezīme **Ietekme uz temperatūrām**

Temperatūru ierīces iekšpusē ietekmē šādi faktori:


- ▶ apkārtējās vides temperatūra; ▶ uzglabāto pudeļu daudzums;
- ▶ durvju atvēršanas biežums; ▶ ierīces atrašanās vieta.

Noklusējuma iestatījums ir 12 °C.

Kad displejs pārstāj mirgot, tas atgriežas pie pašreizējās vīna skapja temperatūras rādīšanas. Lai sasniegtu iestatīto temperatūru, būs nepieciešams zināms laiks.

9. Apgaismojuma režīma iestatījums

Nospiediet  pogu. Ja skapja apgaismojums ir ieslēgts, lampas iedegas pakāpeniski.

Nospiežot  pogu vēlreiz, lampiņas pakāpeniski nodzīsīs.

(izņemot HWS247FDU1/HWS247FAH1)

10. °C/°F funkcija

Nospiediet  pogu, lai pārslēgtos no Fārenheita uz Celsija grādiem un otrādi.

11. Wi-Fi funkcija

Nospiediet Wi-Fi pogu un turiet to nospiestu 3 sekundes, Wi-Fi poga sāk ātri mirgot un automātiski pāriet konfigurācijas režīmā (modelim HWS247FDU1/HWS247FAH1).

12. Izslēgšanas atmiņas funkcija

Strāvas padeves pārtraukuma gadījumā skapis automātiski saglabās iestatīto temperatūru. Pēc strāvas atjaunošanas tas darbosies, pamatojoties uz temperatūru, kāda bija iestatīta pirms strāvas padeves pārtraukuma.

13. Zemas temperatūras kompensācijas funkcija

Vīna skapim ir zemas temperatūras kompensācijas funkcija, lai nodrošinātu temperatūras stabilitāti: kad apkārtējā temperatūra ir zemāka par iestatīto temperatūru, vīna skapis automātiski iedarbina zemas temperatūras kompensācijas funkciju, uzsildot ierīci. Kad temperatūra ierīcē sasniedz iestatīto temperatūru, zemas temperatūras kompensācijas funkcija tiek automātiski izslēgta.

14. Durvju atvēršanas brīdinājuma signāls

Ja durvis tiek turētas atvērtas ilgāk par 1 minūti, skaņas signāls pīkst, lai brīdinātu, līdz durvis tiek aizvērtas vai tiek nospiests jebkurš displeja paneļa taustiņš — šādā gadījumā signāls tiek izslēgts.

15. Wi-Fi režīma iestatījums

SAVIENOJAMĪBA

BEZVADU FUNKCIJAS PARAMETRI

Tehnoloģija	Wi-Fi	Bluetooth
Standarta	IEE 802.11 b/g/n	Bluetooth v4.2, BR/EDR, BLE
Frekvences josla(-as) [MHz]	2401–2483	2402÷2480
Maksimālā jauda [mW] Josla(-as) [MHz]	100	10

INFORMĀCIJA PAR PRODUKTU

Kā aktivizēt Wi-Fi moduli:

Paturiet apgaismojuma pogu nospiestu 3 sekundes, lai aktivizētu Wi-Fi (modelim HWS247GGU1./HWS247FAH1)

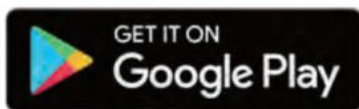
Paturiet Wi-Fi pogu nospiestu 3 sekundes, lai aktivizētu Wi-Fi (HWS247FDU1/HWS247FAH1)

- Wi-Fi modulis tiek ieslēgts, un Wi-Fi ikona sāk mirgot.
- Ja vīna skapis ir reģistrēts, bet Wi-Fi ir izslēgts, ikona mirgos.
- Ja vīna skapis ir reģistrēts un savienots, Wi-Fi ikona degs nemirgojot.
- Lai atiestatītu Wi-Fi, 3 sekundes paturiet nospiestu apgaismojumu (modelim HWS247GGU1/HWS247FAH1)
- Lai atiestatītu Wi-Fi, nospiediet Wi-Fi uz 3 sekundēm (HWS247FDU1/HWS247FAH1)

PROCEDŪRA SAVIENOŠANAI PĀRĪ LIETOTNĒ

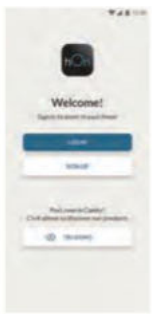
1. darbība

- Lejupielādējiet hOn lietotni no lietotņu veikaliem



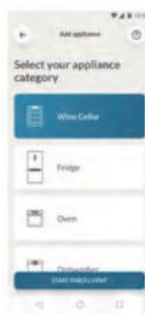
2. darbība

- Piesakieties vai reģistrējieties.



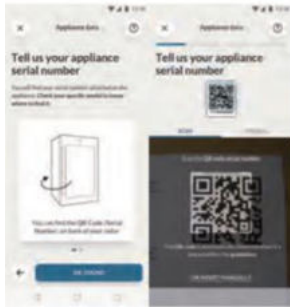
3. darbība

- Pievienojiet jaunu ierīci, sarakstā izvēloties vīna skapi.



4. darbība

- Skenējiet QR kodu vai manuāli ievadiet sērijas numuru.



5. darbība

- 6. Paturiet apgaismojuma pogu uz ierīces nospiestu 3 sekundes, lai aktivizētu Wi-Fi (modelim HWS247GGU1,/ HWS247FAH1)
- 7. Nospiediet Wi-Fi pogu uz produkta 3s, lai aktivizētu Wi-Fi (HWS247FDU1/HWS247FAH1)



6. darbība

- Wi-Fi ikona mirgos, notiek savienošana pārī.
- Jums būs 5 minūtes, lai pabeigtu savienošānu pārī.
- Kad process ir pabeigts, Wi-Fi ikona vairs nemirgo, bet paliek degam. PIEZĪME





Enerģijas taupīšanas padomi

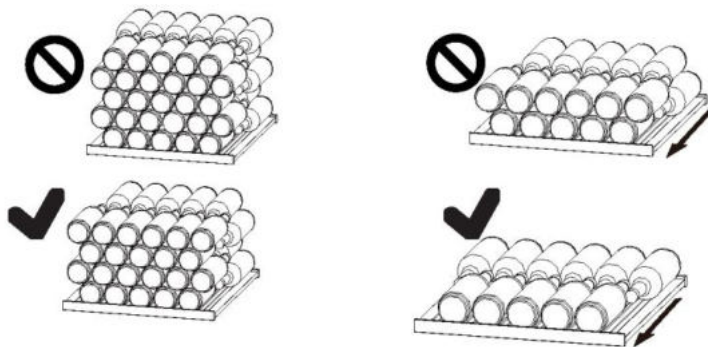
- ▶ Pārļecinieties, vai ierīcē tiek veikta pienācīga ventilēšana (skatiet sadaļu UZSTĀDĪŠANA).
- ▶ Neuzstādiet ierīci tiešā saules gaismā vai siltuma avotu (piemēram, krāsns, sildītāja) tuvumā.
- ▶ Neiestatiet ierīcē nevajadzīgi zemu temperatūru. Jo zemāka temperatūra ierīcē ir iestatīta, jo augstāks ir enerģijas patēriņš.
- ▶ Atveriet ierīces durvis pēc iespējas mazāk un uz īsāku brīdi.
- ▶ Nepārsniedziet paredzēto pudeļu skaitu, lai netraucētu gaisa plūsmu.
- ▶ Uzturiet durvju blīves tīras, lai durvis vienmēr pareizi aizvērtos.
- ▶ Visvairāk enerģiju taupošajai konfigurācijai ir nepieciešams, lai atvilktne, pārtikas kaste un plaukti tiktu novietoti ierīcē rūpnīcā iestatītā svaiguma stāvoklī un pārtika tiktu novietota, nebloķējot gaisa izplūdi kanālā.

1. Plaukts


1. Plaukti ir paredzēti ērtai uzglabāšanai un vieglai vīna izņemšanai. Tos var tīrīt ar mīkstu dvieli.
2. Parastās pudeles ar 76 mm diametru var sakraut vienu uz otras.
3. Magnum izmēra pudeles var novietot uz apakšējā plaukta.
4. Daudzums var atšķirties no attēlotā skaita vai pudelēm, ja tās ir sakrautas citā veidā.

Ieteikumi jūsu vīna skapja izkārtojumam

Vīna pudeļu skaitam ieteicams nepārsniegt četrus slāņus katrā plauktā un vīna plauktu nestspējai nepārsniegt 60 kg. Pirms pudeļu ievietošanas vīna skapī pārbaudiet, vai vīna plaukti ir pilnīgi stabili. Turklāt pārbaudiet, vai kāda pudele neizvirzās no plauktiem, lai novērstu pudeļu pieskaršanos stikla durvīm aizvēršanas laikā.



2. Apgaismojums

LED iekšējais apgaismojums ieslēdzas, kad tiek atvērtas durvis. Lai ieslēgtu apgaismojumu, kamēr durvis ir aizvērtas, pieskarieties  pogai. Lai izslēgtu apgaismojumu, vēlreiz pieskarieties pogai. Lai palielinātu energoefektivitāti, apgaismojums ir jāizslēdz, kad vīna skapis netiek aplūkots. (izņemot HWS247FDU1/HWS247FAH1)

3. Slēdzene

Lai aizslēgtu vīna pagrabu, aizveriet durvis un ielieciet atslēgu slēdzenē:

- ▶ Aizslēdziet durvis, pagriežot atslēgu pulksteņrādītāja kustības virzienā;
- ▶ Atslēdziet durvis, pagriežot atslēgu pretēji pulksteņrādītāja kustības virzienam.

1. Atkausēšana

Vīna pagraba atkausēšana tiek veikta automātiski; manuāla darbība nav jāveic.

2. LED lampas nomaiņa

Lampa izmanto LED kā gaismas avotu, nodrošinot zemu enerģijas patēriņu un ilgu kalpošanas laiku. Ja novērojat neparastu darbību, lūdzu, sazinieties ar klientu apkalpošanas dienestu. Skatiet sadaļu KLIENTU APKALPOŠANAS DIENESTS.



BRĪDINĀJUMS!

Neveiciet LED lampas nomaiņu saviem spēkiem. To drīkst nomainīt tikai ražotājs vai pilnvarots servisa pārstāvis.

LED lampas parametri:

Spriegums 12 V

Maks. jauda: 18 W

3. Nelietošana ilgāku laiku

Atvienojiet strāvas vadu no elektrotīkla.

Notīriet ierīci un durvju blīves, kā aprakstīts iepriekš.

Turiet durvis atvērtas, lai novērstu nepatīkamu smaku veidošanos iekšpusē.

4. Ierīces pārvietošana

1. Izņemiet visas pudeles un atvienojiet ierīci no kontaktligzdas.

2. Nostipriniet plauktus un citas kustīgās vīna skapja daļas ar līmlenti.

3. Nesasveriet vīna skapi vairāk par 45°, lai nesabojātu dzesēšanas sistēmu.

5. Gaisa apmaiņa ar aktīvās ogles filtru (izņemot HWS247FAH1)

Veids, kādā vīni turpina nogatavoties, ir atkarīgs no apkārtējās vides apstākļiem. Tāpēc gaisa kvalitātei ir izšķiroša nozīme vīna saglabāšanā. Ierīces aizmugurējās sienas apakšējā daļā ir uzstādīts optimālas kvalitātes aktīvās ogles filtrs.



Piezīme

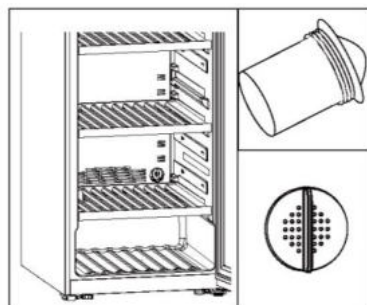
Iesakām nomainīt filtru reizi gadā. Filtrus var iegādāties pie jūsu izplatītāja. (izņemot HWS247FAH1)

Filtra maiņa:

Satveriet filtru aiz roktura. Pagrieziet to pa kreisi un izņemiet.

Filtra ievietošana:

Ievietojiet ar rokturi vertikālā pozīcijā. Pagrieziet to pa labi un ievietojiet.



Daudzas radušās problēmas varat novērst paši, jo nav nepieciešamas speciālas prasmes. Ja rodas problēma, pirms sazināšanās ar pēcpārdošanas servisu, lūdzu, pārskatiet visus tālāk minētos iemeslus un izpildiet tālāk sniegtos norādījumus. Skatiet sadaļu KLIENTU APKALPOŠANAS DIENESTS.

BRĪDINĀJUMS!

- ▶ Pirms apkopes izslēdziet ierīci un atvienojiet strāvas kontaktdakšu no kontaktligzdas.
- ▶ Elektroiekārtu apkopi drīkst veikt tikai kvalificēti elektrotehnikas speciālisti, jo nepareizi veikts remonts var radīt ievērojamus izrietošus bojājumus.
- ▶ Bojāts barošanas vads ir jānomaina tikai ražotājam, tā klientu apkalpošanas dienesta pārstāvim vai līdzīgi kvalificētai personai, lai izvairītos no riska.

Kļūdas kods	Cēlonis	Risinājums
L2	Zemas temperatūras trauksme, ja vadības sensora temperatūra ir pārāk zema;	<ol style="list-style-type: none"> 1. Pārbaudiet apkārtējās vides temperatūru 2. Pārbaudiet kompresora savienotāju. 3. Pārbaudiet temperatūras kontroles sensora pretestību.
H1	Ja vadības sensora temperatūra ir pārāk augsta, displeja ekrānā tiks parādīta augstas temperatūras trauksme;	<ol style="list-style-type: none"> 1. Pārbaudiet vadības paneļa vai displeja paneļa savienotāju. 2. Pārbaudiet ventilatora pretestību un spriegumu. 3. Pārbaudiet ventilatoru un kompresora savienotāju.

Problēma	Iespējamais cēlonis	Iespējamais risinājums
Kompresors nedarbojas. Ierīce darbojas bieži vai pārāk ilgu laika periodu.	<ul style="list-style-type: none"> • Elektrotikla kontaktdakša nav pievienota strāvas kontaktligzdai. • Āra temperatūra ir pārāk augsta. • Ierīce kādu laiku ir bijusi izslēgta. • Ierīces durvis nav cieši aizvērtas. • Durvis ir tikušas atvērtas pārāk bieži vai uz pārāk ilgu laiku. • Durvju blīves ir netīras, nodilušas, ieplaisājušas vai neatbilstošas. • Netiek garantēta nepieciešamā gaisa cirkulācija. • Ir iestatīta pārāk zema temperatūra. 	<ul style="list-style-type: none"> • Pievienojiet strāvas kontaktdakšu. • Šajā gadījumā ir normāli, ka ierīce darbojas ilgāk. • Parasti paiet zināms laiks, līdz ierīce pilnībā atdziest. • Aizveriet durvis un pārlicinieties, vai ierīce atrodas uz līdzenas virsmas un vai kāds produkts vai trauks netraucē durvju aizvēršanu. • Neatveriet durvis pārāk bieži. • Notīriet durvju blīvi vai lūdziet klientu apkalpošanas dienestam to nomainīt. • Nodrošiniet atbilstošu ventilāciju. • Problēma atrisināsies pati no sevis, kad būs sasniegta vēlamā temperatūra.
Vīna pagraba iekšpuse ir netīra un/vai ož.	<ul style="list-style-type: none"> • Vīna pagraba iekšpuse ir jāiztīra. 	<ul style="list-style-type: none"> • Iztīriet vīna pagraba iekšpusi.
Ierīces iekšpusē nav pietiekami auksts.	<ul style="list-style-type: none"> • Ir iestatīta pārāk augsta temperatūra. • Nesen tika pievienotas pudeles. • Ierīces durvis nav cieši aizvērtas. • Durvis ir tikušas atvērtas pārāk bieži vai uz pārāk ilgu laiku. • Durvju blīves ir netīras, nodilušas, ieplaisājušas vai neatbilstošas. 	<ul style="list-style-type: none"> • Atiestatiet temperatūru. • Nogaidiet, līdz nesēn pievienotās pudeles sasniedz vēlamu temperatūru. • Aizveriet durvis. • Neatveriet durvis pārāk bieži. • Notīriet durvju blīvi vai lūdziet klientu apkalpošanas dienestam to nomainīt.
Ierīces iekšpusē ir pārāk auksts.	<ul style="list-style-type: none"> • Ir iestatīta pārāk zema temperatūra. 	<ul style="list-style-type: none"> • Atiestatiet temperatūru.
Ledusskapja nodalījuma iekšpusē veidojas mitrums.	<ul style="list-style-type: none"> • Klimats ir pārāk silts un pārāk mitrs. • Ierīces durvis nav cieši aizvērtas. • Durvis tiek atvērtas pārāk bieži vai uz pārāk ilgu laiku. 	<ul style="list-style-type: none"> • Palieliniet temperatūru. • Aizveriet durvis. • Neatveriet durvis/atvilktņi pārāk bieži.

Problēma	Iespējamais cēlonis	Iespējamais risinājums
Uz vīna skapja ārējās virsmas uzkrājas mitrums.	<ul style="list-style-type: none"> Klimats ir pārāk silts un pārāk mitrs Durvis nav cieši aizvērtas. Aukstais gaiss ierīcē un siltais gaiss ārpus tās kondensējas. 	<ul style="list-style-type: none"> Tas ir normāli mitrā klimatā un mainīsies, kad mitrums samazināsies. Pārļiecinieties, ka durvis ir cieši aizvērtas un blīves ir pareizi noslēgtas.
Ierīce rada neparastas skaņas.	<ul style="list-style-type: none"> Ierīce nav uzstādīta uz līdzenas virsmas. Ierīce pieskaras kādam priekšmetam pie tās. 	<ul style="list-style-type: none"> Noregulējiet kājiņas tā, lai ierīce būtu vienā līmenī. Noņemiet ap ierīci esošos priekšmetus.
Ir dzirdama ūdenim līdzīga, viegla skaņa.	<ul style="list-style-type: none"> Tas ir normāli. 	<ul style="list-style-type: none"> -
Iekšējais apgaismojums vai dzesēšanas sistēma nedarbojas.	<ul style="list-style-type: none"> Elektrotīkla kontaktdakša nav pievienota strāvas kontaktligzdai. Barošanas avots ir bojāts. LED lampa nedarbojas. 	<ul style="list-style-type: none"> Pievienojiet strāvas kontaktdakšu. Pārbaudiet telpas elektroapgādi. Sazinieties ar vietējo elektroapgādes uzņēmumu. Lūdzu, sazinieties ar servisu, lai nomainītu lampu.
Dzesētāja un durvju sloksnes malas kļūst siltas.	<ul style="list-style-type: none"> Tas ir normāli. 	<ul style="list-style-type: none"> -
Durvis netiek pareizi aizvērtas.	<ul style="list-style-type: none"> Ierīce nav nolīmeņota. Durvis ir bloķētas. 	<ul style="list-style-type: none"> Noregulējiet kājiņas tā, lai ierīce būtu vienā līmenī. Pārbaudiet, vai nekas tās nenosprosto, piemēram, pudeles vai plaukti.

Lai sazinātos ar tehnisko palīdzību, apmeklējiet mūsu vietni: <https://corporate.haier-europe.com/en/>

Sadaļā "Website" (Vietne) izvēlieties savu produkta zīmolu un savu valsti. Jūs tiksiet novirzīts uz konkrēto vietni, kur varēsiet atrast tālruņa numuru un veidlapu, lai sazinātos ar tehnisko palīdzību.

Produkta datu lapa saskaņā ar Regulu (ES) Nr. 2019/2016

Zīmols	Haier	Haier	Haier
Modeļa nosaukums / identifikators	HWS247GGU1 HWS247GEH1	HWS236GDGU1 HWS236GDEH1	HWS247FDU1 HWS247FAH1
Kategorija	Vīna skapis	Vīna skapis	Vīna skapis
Energoefektivitātes klase	G/E	G/E	D/A
Enerģijas patēriņš gadā (kWh/gadā) 1)	184/107	184/107	85/44
Uzglabāšanas tilpums (l)	450	448	450
Klimata klase: Šī ierīce ir paredzēta lietošanai apkārtējās vides temperatūrā no 10 °C līdz 38 °C.	SN-N-ST	SN-N-ST	SN-N-ST
Gaisa vadītā akustiskā trokšņa emisija (dB(A) re 1 pW)	C(37)/B(35)	C(37)/B(35)	C(37)/B(35)
Ierīces veids	Brīvi stāvošs	Brīvi stāvošs	Brīvi stāvošs
Šī ierīce ir paredzēta tikai vīna uzglabāšanai.	Jā	Jā	Jā
Izmēri (P/D/A milimetros)	597/714/1900	597/714/1900	603/769/1900

Paskaidrojumi:

¹⁾ Pamatojoties uz standarta testa rezultātiem 24 stundu periodā. Faktiskais enerģijas patēriņš ir atkarīgs no faktiskās vides, pudeļu daudzuma, iestatītās temperatūras, durvju atvēršanas un aizvēršanas utt.

²⁾ Nominālais enerģijas patēriņš ir vērtība, kas iegūta saskaņā ar standarta testu, kad vīna skapis neieslēdz iekšējo apgaismojumu.

- Paplašināti mērens: šo aukstumiekārtu ir paredzēts izmantot apkārtējās vides temperatūrā no 10 °C līdz 32 °C.

- Mērens: šo aukstumiekārtu ir paredzēts izmantot apkārtējās vides temperatūrā no 16 °C līdz 32 °C.

- Subtropu: šo aukstumiekārtu ir paredzēts izmantot apkārtējās vides temperatūrā no 16 °C līdz 38 °C.

- Tropu: šo aukstumiekārtu ir paredzēts izmantot apkārtējās vides temperatūrā no 16 °C līdz 43 °C.

Standarti un direktīvas 

Šis produkts atbilst visu piemērojamo EK direktīvu prasībām ar atbilstošiem saskaņotajiem standartiem, kas paredz CE marķējumu.

Mēs iesakām izmantot mūsu Haier klientu apkalpošanas dienestu un oriģinālās rezerves daļas.

Ja rodas problēmas ar ierīci, lūdzu, vispirms skatiet sadaļu PROBLĒMU NOVĒRŠANA.

Ja tajā neatrodāt risinājumu, lūdzu, sazinieties ar

- ▶ vietējo izplatītāju vai
- ▶ skatiet pakalpojumu un atbalsta sadaļu (Service & Support) vietnē www.haier.com, kur varat atrast tālruna numurus un bieži uzdotos jautājumus, kā arī aktivizēt apkopes pieprasījumu.

Lai sazinātos ar mūsu apkalpošanas dienestu, pārliecinieties, vai jums ir pieejami tālāk minētie dati.

Informācija ir atrodamā uz tehnisko datu plāksnītes.

Modelis _____ Sērijas nr. _____

Garantijas pakalpojuma gadījumā pārbaudiet arī ierīcei pievienoto garantijas karti. Lai sazinātos par vispārējiem uzņēmējdarbības jautājumiem, lūdzu, skatiet tālāk mūsu adreses Eiropā:

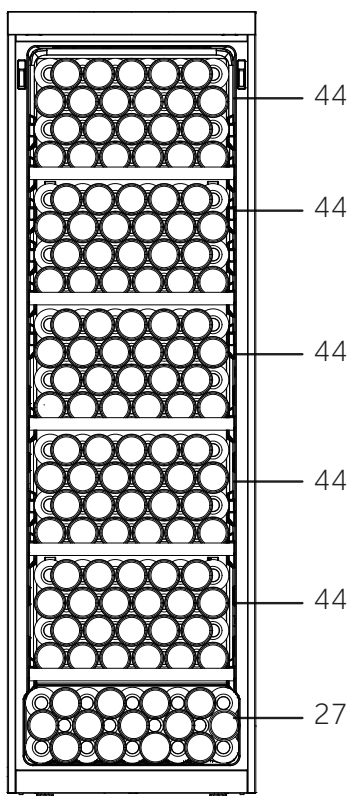
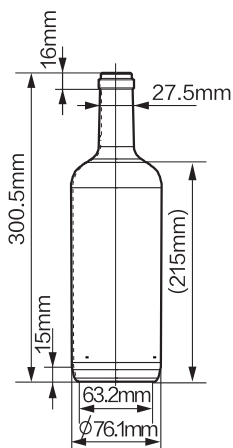
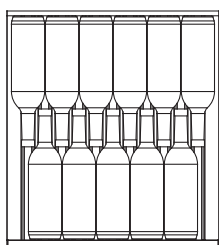
Eiropas Haier adreses			
Valsts*	Pasta adrese	Valsts	Pasta adrese
Itālija	Haier Europe Trading SRL Via De Cristoforis, 12 21100 Verese ITALY	Francija	Haier Europe Trading SRL Via De Cristoforis, 12 21100 Verese ITALY
Spānija Portugāle	Haier Iberia SL Pg. Garcia Faria, 49-51 08019 Barcelona SPAIN	Beļģija (FR), Beļģija (NL), Nīderlande, Luksemburga	Haier Benelux SA Anderlecht Route de Lennik 451 BELGIUM
Vācija, Austrija	Haier Deutschland GmbH Hewlett-Packard-Str. 4 D-61352 Bad Homburg GERMANY	Polija, Čehija, Ungārija, Grieķija, Rumānija, Krievija	Haier Poland Sp. zo.o. Al. Jerozolimskie 181B 02-222 Warszawa POLAND
Apvienotā Karaliste	Haier Appliances UK Co. Ltd. One Crown Square Church Street East Woking, Surrey, GU21 6HR UK		

REZERVES DAĻU PIEEJAMĪBA Termostati, temperatūras sensori, iespiedshēmas plātes un gaismas avoti ir pieejami vismaz septiņus gadus pēc modeļa pēdējās ierīces laišanas tirgū. Durvju rokturi, durvju eņģes, paplātes un grozi — vismaz septiņus gadus, un durvju blīves — vismaz 10 gadus pēc modeļa pēdējās vienības laišanas tirgū.

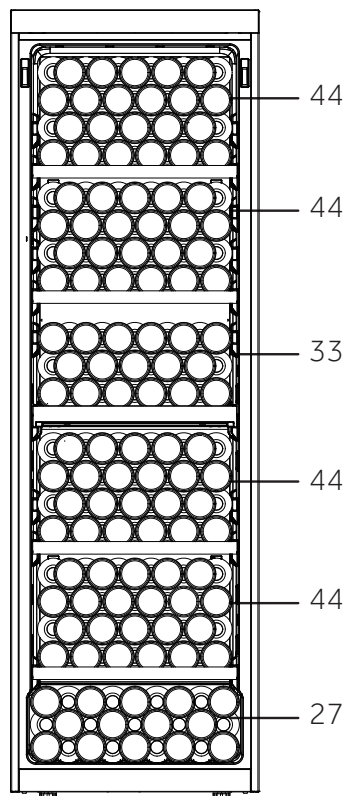
Minimālais garantijas periods ir šāds: 2 gadi ES valstīs, 3 gadi Turcijā, 1 gads Apvienotajā Karalistē, 1 gads Krievijā, 3 gadi Zviedrijā, 2 gadi Serbijā, 5 gadi Norvēģijā, 1 gads Marokā, 6 mēneši Alžīrijā, Tunisijā nav nepieciešama juridiska garantija.

Lai iegūtu plašāku informāciju par produktu, lūdzu, apmeklējiet vietni <https://eprel.ec.europa.eu/> vai skenējiet uz ierīces redzamo energoefektivitātes uzlīmes QR kodu.

Pudeļu izkārtojuma pamatā ir standarta Bordo pudeles (0,75 l) grafiskais attēlojums. Atšķirīgo pudeļu specifikāciju dēļ faktiskais pudeles iekraušanas daudzums var atšķirties.



HWS247GGU1
HWS247FDU1
HWS247GEH1
HWS247FAH1



HWS236GDU1
HWS236GDEH1

HWS-247FDU1-247GGU1-236GGDU1-247GEH1-236GDEH1- HWS247FAH1 - LV

Haier



Haier

Manual d'ús

Nevera de vins

HWS247FAH1
HWS247FDU1
HWS247GGU1
HWS247GEH1
HWS236GDEH1
HWS236GDGU1

CA

Haier

Gràcies per comprar un producte Haier.

Llegiu atentament aquestes instruccions abans de fer servir aquest electrodomèstic. Aquestes instruccions contenen informació important que us ajudarà a treure el màxim profit de l'electrodomèstic i a garantir una instal·lació, un ús i un manteniment segurs i adequats.

Guardeu aquest manual en un lloc accessible per poder-lo consultar sempre que vulgueu i garantir un ús segur i adequat de l'electrodomèstic.

Si veneu l'electrodomèstic, el doneu o el deixeu al lloc on està instal·lat quan canvieu de casa, assegureu-vos també de lliurar aquest manual perquè el nou propietari es pugui familiaritzar amb l'electrodomèstic i les advertències de seguretat.

Llegenda



Advertència - informació de seguretat important



Informació general i consells



Informació mediambiental



Eliminació

Ajudeu a protegir el medi ambient i la salut humana. Dipositeu els embalatges als contenidors corresponents per reciclar-los. Ajudeu a reciclar els residus d'aparells elèctrics i electrònics. No llenceu els electrodomèstics marcats amb aquest símbol a la brossa domèstica. Porteu el producte al punt verd o poseu-vos en contacte amb l'oficina municipal.



ADVERTÈNCIA!

Perill de lesions o asfíxia.

Els refrigerants i els gasos s'han d'eliminar de manera professional. Assegureu-vos que els tubs del circuit de refrigerant no estiguin danyats abans de ser eliminats adequadament. Desconecteu l'aparell de la xarxa elèctrica. Talleu el cable d'alimentació i porteu-lo a un punt de recollida. Traieu les safates i els calaixos, així com el tancament i les juntes de la porta, per evitar que els nens i els animals de companyia puguin quedar tancats a l'interior de l'electrodomèstic.

Els electrodomèstics vells encara tenen cert valor residual. Un mètode d'eliminació respectuós amb el medi ambient garanteix que les matèries primeres valuoses es puguin recuperar i reutilitzar.

El ciclopentà, una substància inflamable no perjudicial per a l'ozó, es fa servir com a expansor per a l'escuma aïllant.

Si us assegureu que aquest producte s'elimina correctament, ajudareu a prevenir possibles conseqüències negatives per al medi ambient i la salut de les persones, que es podrien derivar d'una mala eliminació de l'electrodomèstic.

Si voleu informació més detallada sobre el reciclatge d'aquest producte, poseu-vos en contacte amb el vostre ajuntament, amb el servei de recollida de residus domèstics o la botiga on vau comprar el producte, que ho gestionarà de manera professional.

1- Informació de seguretat.....	4
2- Consells de seguretat.....	7
3- Manteniment.....	11
4- Accessoris.....	13
5- Descripció del producte.....	14
6- Instal·lació.....	15
7- Ús.....	19
8- Consells per estalviar energia.....	24
9- Equipament.....	25
10- Neteja i manteniment.....	26
11- Resolució de problemes.....	27
12- Dades tècniques.....	30
13- Servei d'atenció al client.....	31
14- Apilament d'ampolles de vi.....	32

Aquest aparell està pensat per fer-se servir exclusivament per a l'emmagatzematge de vins. Abans d'encendre l'electrodomèstic per primera vegada, llegiu les advertències de seguretat següents:



ADVERTÈNCIA!

Abans del primer ús

- ▶ Assegureu-vos que l'aparell no hagi patit danys durant el transport.
- ▶ Traieu tot l'embalatge, manteniu-lo fora de l'abast dels infants i elimineu-lo de manera respectuosa amb el medi ambient.
- ▶ Espereu almenys 0,5 hores abans d'instal·lar l'electrodomèstic per assegurar-vos que el circuit de refrigerant funcioni completament.
- ▶ Aquest electrodomèstic pesa molt: manipuleu-lo amb l'ajuda d'una altra persona.

Instal·lació

- ▶ Aquest electrodomèstic s'ha d'instal·lar en un lloc ben ventilat. Assegureu-vos que hi hagi un espai de 50 mm com a mínim per sobre i al voltant de l'electrodomèstic.
- ▶ **ADVERTÈNCIA:** No obstruiu les obertures de ventilació de l'aparell o de l'estructura encastada.
- ▶ No col·loqueu mai l'electrodomèstic en una zona humida ni en un lloc on arribin esquitxades d'aigua. Netegeu i eixugueu les esquitxades d'aigua i les taques amb un drap suau i net.
- ▶ No instal·leu la nevera de vins en un lloc que no estigui correctament aïllat o escalfat, com ara un garatge, etc. La vostra nevera de vins no ha estat dissenyada per funcionar a una temperatura ambient inferior a 10 °C.
- ▶ No instal·leu l'electrodomèstic sota la llum solar directa ni a prop de fonts de calor (per exemple, estufes, calefactors).
- ▶ Instal·leu i anivelleu l'electrodomèstic en una zona adequada a la seva mida i al seu ús.
- ▶ Assegureu-vos que la informació elèctrica de la placa de característiques coincideixi amb la font d'alimentació. Si no és així, poseu-vos en contacte amb un electricista.
- ▶ Aquest electrodomèstic funciona amb corrent elèctric de 220-240 V CA/ 50 Hz. Una fluctuació anormal del voltatge pot fer que l'electrodomèstic no s'enguegui, que es facin malbé el control de temperatura o el compressor, o que faci un soroll anormal durant el funcionament. En aquest cas, s'ha de muntar un regulador automàtic.
- ▶ No feu servir adaptadors de múltiples endolls ni cables allargadors.

**ADVERTÈNCIA!**

- ▶ **ADVERTÈNCIA:** No poseu diversos endolls portàtils ni fonts d'alimentació portàtils a la part posterior de l'electrodomèstic.
- ▶ **ADVERTÈNCIA:** Quan instal·leu l'electrodomèstic, assegureu-vos que el cable d'alimentació no quedi atrapat ni danyat.
- ▶ No trepitgeu el cable d'alimentació.
- ▶ Feu servir una presa amb connexió a terra separada per a la font d'alimentació a la qual es pugui accedir fàcilment. Aquest electrodomèstic ha d'estar connectat a terra.
- ▶ **Només per al Regne Unit:** El cable d'alimentació d'aquest electrodomèstic està equipat amb un endoll de 3 fils (amb connexió a terra) que encaixa en un endoll estàndard de 3 fils (amb connexió a terra). No talleu ni desmunteu mai el tercer pin (connexió a terra). Després d'instalar l'electrodomèstic, heu de poder accedir a l'endoll.
- ▶ **ADVERTÈNCIA:** No feu malbé el circuit de refrigerant.

Ús diari

- ▶ Aquest aparell el poden fer servir nens de 8 anys o més i persones amb capacitats físiques, sensorials o mentals reduïdes o amb manca d'experiència i coneixements si han rebut supervisió o instruccions sobre l'ús de l'aparell de manera segura i entenen els perills que implica.
- ▶ Els infants no han de jugar amb l'electrodomèstic.
- ▶ Els infants de 3 a 8 anys poden omplir i buidar els frigorífics, però no poden netejar-los ni instal·lar-los.
- ▶ Mantingueu allunyats els infants menors de 3 anys de l'electrodomèstic, llevat que tinguin supervisió constant.
- ▶ Els infants no poden fer sense supervisió la neteja i el manteniment que ha de fer l'usuari.
- ▶ L'electrodomèstic ha d'estar col·locat de manera que es pugui accedir a l'endoll.
- ▶ Si es filtra gas refrigerant o altres gasos inflamables a prop de l'electrodomèstic, tanqueu la vàlvula del gas, obriu les portes i les finestres i no desendol·leu el cable d'alimentació de l'electrodomèstic.
- ▶ Espereu almenys 7 minuts abans de tornar a connectar el corrent.
- ▶ No aixequiu l'electrodomèstic pels tiradors de la porta.
- ▶ Les claus s'han de mantenir fora de l'abast dels nens i lluny de l'aparell per evitar que els nens quedin tancats a l'interior de l'aparell.



ADVERTÈNCIA!

- ▶ Tingueu en compte que l'electrodomèstic està configurat per funcionar a una temperatura ambient específica de 10 a 38 °C. És possible que l'electrodomèstic no funcioni correctament si es deixa durant un període prolongat a una temperatura superior o inferior a l'interval indicat.
- ▶ No poseu articles inestables (objectes pesants, recipients plens d'aigua) a sobre de l'aparell per evitar danys personals per caigudes o descàrregues elèctriques causades pel contacte amb l'aigua.
- ▶ Obriu i tanqueu les portes només fent servir els tiradors. L'espai entre la porta i l'armari és molt estret. No poseu les mans en aquestes zones per evitar pessigar-vos els dits. Obriu i tanqueu les portes de l'aparell només quan no hi hagi infants a prop del seu rang de moviment.
- ▶ No emmagatzemeu ni feu servir materials inflamables, explosius o corrosius dins de l'electrodomèstic ni al seu voltant.
- ▶ No emmagatzemeu substàncies explosives com ara aerosols amb un gas propellant inflamable a l'aparell.
- ▶ No emmagatzemeu medicaments, bacteris ni agents químics dins de l'electrodomèstic. Aquest aparell és un electrodomèstic. No us recomanem que hi emmagatzemeu materials que hagin d'estar a una temperatura controlada.
- ▶ No configureu una temperatura innecessàriament baixa al compartiment de la nevera de vins. Es poden assolir temperatures sota zero si els valors de configuració són alts. Atenció: Les ampolles poden esclatar.
- ▶ No toqueu la superfície interior del compartiment de l'aparell quan estigui en funcionament, sobretot amb les mans humides, ja que les mans es poden congelar en entrar en contacte amb la superfície.
- ▶ Per refredar el vi correctament, no sobrecarregueu l'aparell.
- ▶ Desendolceu l'electrodomèstic en cas de fallada de corrent o abans de netejar-lo. Espereu almenys 7 minuts abans de tornar a engegar l'electrodomèstic, ja que, si s'engega sovint, es pot fer malbé el compressor.
- ▶ **ADVERTÈNCIA:** No feu servir aparells elèctrics dins de l'electrodomèstic, llevat que siguin del tipus recomanat pel fabricant. Per evitar riscos, si hi ha un cable d'alimentació malmès, l'ha de substituir el servei d'atenció al client (vegeu la targeta de garantia).
- ▶ Per allargar la vida útil de l'aparell, eviteu apagar-lo.
- ▶ No poseu mai l'electrodomèstic horitzontalment a terra. Després d'inclinar l'aparell més de 45°, espereu 24 hores abans d'endollar-lo.

**ADVERTÈNCIA!****Manteniment / neteja**

- ▶ Assegureu-vos que els infants estiguin supervisats si en fan la neteja i el manteniment.
- ▶ Desconnecteu l'electrodomèstic de la xarxa elèctrica abans de fer-hi qualsevol manteniment rutinari. Espereu almenys 7 minuts abans de tornar a engegar l'electrodomèstic, ja que, si s'engega sovint, es pot fer malbé el compressor.
- ▶ Quan desendolleu l'electrodomèstic, estireu l'endoll i no el cable.
- ▶ No netegeu l'electrodomèstic amb raspalls durs, raspalls de filferro, detergent en pols, gasolina, acetat d'amil, acetona ni solucions orgàniques similars, àcides o alcalines. Netegeu-lo amb un detergent especial per a frigorífics/ congeladors per evitar-hi danys. Finalment, feu servir una solució d'aigua tèbia i bicarbonat sòdic (aproximadament una cullerada de bicarbonat per quart de litre d'aigua). Esbandiu-lo bé amb aigua i eixugueu-lo. No feu servir netejadors en pols ni altres productes de neteja abrasius. No renteu les peces extraïbles al rentaplats.
- ▶ **ADVERTÈNCIA:** Llevat dels recomanats pel fabricant, no feu servir aparells mecànics ni altres mitjans per accelerar el procés de descongelació.
- ▶ Per evitar qualsevol perill, si el cable d'alimentació està malmès, l'ha de substituir el fabricant, el seu responsable de servei o persones amb una qualificació similar.
- ▶ No proveu d'arreglar, desmuntar o modificar l'electrodomèstic pel vostre compte. En cas de reparació, poseu-vos en contacte amb el nostre servei d'atenció al client.
- ▶ Per evitar qualsevol perill, si els llums estan malmesos, els ha de substituir el fabricant, el seu servei tècnic o qualsevol professional qualificat similar.
- ▶ Traieu la pols de la part posterior de la unitat com a mínim un cop l'any per evitar riscos d'incendi i l'augment del consum d'energia.

- ▶ No ruixeu ni renteu amb un raig d'aigua l'aparell durant la neteja.
- ▶ No feu servir ruixadors d'aigua ni vapor per netejar l'electrodomèstic.
- ▶ No netegeu els prestatges de vidre freds amb aigua calenta. Un canvi sobtat de temperatura pot fer que el vidre es trenqui.
- ▶ Si deixeu l'electrodomèstic fora de servei durant un període prolongat, deixeu-lo obert per evitar que s'acumulin males olors a l'interior.

Informació sobre el gas refrigerant



ADVERTÈNCIA!

L'electrodomèstic conté el refrigerant inflamable ISOBUTÀ (R600a). Assegureu-vos que el circuit de refrigerant no pateixi danys durant el transport o la instal·lació. Una fuga de refrigerant pot causar lesions oculars o provocar un incendi. Si s'ha produït un dany, mantingueu-vos allunyats de fonts de flames obertes, ventileu bé l'habitació i no connecteu ni desconnecteu els cables d'alimentació de l'electrodomèstic ni de cap altre electrodomèstic. Informeu-ne el servei d'atenció al client.

En cas de contacte als ulls amb el refrigerant, esbandiu-vos-els immediatament amb aigua corrent i consulteu immediatament un oftalmòleg.

ADVERTÈNCIA: El sistema de refrigeració està sota alta pressió. No el manipuleu. Com que es fan servir refrigerants inflamables, installeu, manipuleu i seguiu estrictament les instruccions d'instal·lació, manipulació i manteniment de l'electrodomèstic i poseu-vos en contacte amb un tècnic professional o amb el nostre servei postvenda per eliminar-los.

Ús previst

Aquest electrodomèstic està pensat per a l'ús domèstic i per a aplicacions similars, com ara:

- cuines per al personal a botigues, oficines i altres entorns de treball;
 - ús per clients d'hotels, motels i altres entorns de tipus residencial;
 - allotjaments del tipus "bed and breakfast";
 - càtering i aplicacions similars que no siguin de venda al detall.
- Per garantir la conservació segura del vi, seguiu aquestes instruccions d'ús.
- Els detalls sobre la part més adequada del compartiment de l'aparell per emmagatzemar tipus específics d'aliments, tenint en compte la distribució de la temperatura als diferents compartiments de l'aparell, són a l'altra part del manual.

No es poden fer canvis o modificacions a l'aparell. L'ús no previst pot causar perills i la pèrdua del dret de la garantia.

Eliminació



El símbol al producte o al seu embalatge indica que aquest producte no es pot tractar com a residu domèstic. Per tant, l'aparell, s'ha de lliurar al punt de recollida corresponent per al reciclatge d'aparells elèctrics i electrònics. Si elimineu correctament aquest producte, ajudareu a prevenir possibles conseqüències negatives per al medi ambient i la salut de les persones, que es podrien derivar de la mala eliminació de l'electrodomèstic. Per a més informació sobre el reciclatge d'aquest producte, poseu-vos en contacte amb el vostre ajuntament, el servei de punt verd o la botiga on vaau comprar el producte. Com que es fan servir gasos aïllants inflamables, poseu-vos en contacte amb un agent professional o el nostre servei postvenda per eliminar l'aparell.

ADVERTÈNCIA!

Perill de lesions o asfíxia

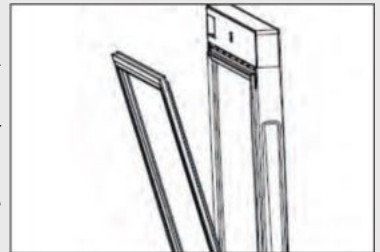
Els refrigerants i els gasos han de ser eliminats per professionals. Assegureu-vos que els tubs del circuit de refrigerant no estiguin danyats abans de ser eliminats adequadament. Desconnecteu l'aparell de la xarxa elèctrica. Talleu el cable d'alimentació i porteu-lo a un punt de recollida. Traieu les safates i els calaixos, així com el tancament i les juntes de la porta per evitar que els nens i els animals de companyia quedin tancats a l'interior de l'electrodomèstic.

- ▶ **ADVERTÈNCIA:** Desconnecteu l'electrodomèstic de la xarxa elèctrica abans de netejar-lo.
- ▶ No netegeu l'electrodomèstic amb raspalls durs, raspalls de filferro, detergent en pols, gasolina, acetat d'amil, acetona ni solucions orgàniques similars, àcides o alcalines. Netegeu-lo amb un detergent especial per a frigorífics per evitar danys.
- ▶ Netegeu l'aparell quan només hi hagi poc o gens de vi guardat. Només cal netejar-lo quan estigui brut.
- ▶ Netegeu l'interior i la carcassa de l'electrodomèstic amb una esponja humitejada amb aigua tèbia i detergent neutre.
- ▶ Esbandiu-lo amb aigua neta i tèbia i eixugueu-lo amb un drap suau.
- ▶ No netegeu cap de les peces de l'electrodomèstic al rentaplats.
- ▶ Espereu almenys 7 minuts abans de tornar a engegar l'electrodomèstic, ja que, si s'engega sovint, es pot fer malbé el compressor.



Netegeu la junta de la porta:

- ▶ Les juntes de la porta s'han de netejar cada 3 mesos per garantir un segellament correcte. Instruccions: Retirada: Agafeu la junta de la porta i estireu-la en la direcció de la fletxa per retirar-la completament. Submergiu el raspall amb aigua o alcohol apte per a ús alimentari i netegeu primer la ranura de la junta de la porta movent el raspall endavant i enrere. A continuació, netegeu la superfície de la junta de la porta amb un drap mullat amb aigua o amb alcohol d'ús alimentari. Finalment, renteu la junta de la porta i eixugueu-la amb un drap net.



Instal·lació de la junta de la porta després de la neteja:

Abans de la instal·lació, assegureu-vos que no hi hagi aigua a la junta de la porta. Introduïu la junta de la porta a la ranura i premeu-la fermament de dalt a baix amb la mà fins que estigui completament inserida a la ranura.

Neteja de les prestatgeries:

- ▶ Tots els prestatges es poden treure per netejar-los.
- ▶ Traieu totes les ampolles.
- ▶ Aixequeu una mica cada prestatge i traieu-lo.
- ▶ Netegeu el prestatge amb un drap suau.
- ▶ Espereu fins que els prestatges estiguin secs abans de tornar-los a posar.

ADVERTÈNCIA:

Espereu almenys 7 minuts per tornar a connectar l'alimentació després que s'hagi desconnectat.

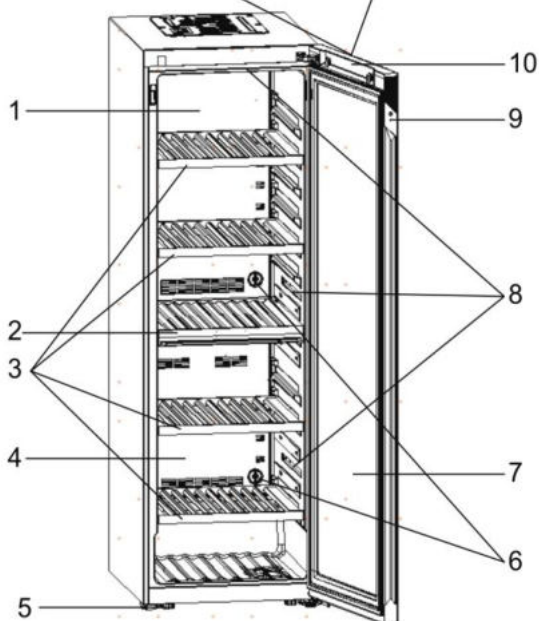
Comproveu els accessoris i la documentació d'acord amb aquesta llista : sense aïllament.

Nom	Manual d'ús	Targeta de servei	Pres-tatge	Tapa de la frontissa	Etiquet a ener-gètica	Clau	Tirador	Cargol	Tap de rosca	Tapa	Prestat-geria d'expo-sició
HWS247FAH1	1	1	5	1	1	2	1	4	2	1	1
HWS247GGU1	1	1	5	1	1	2	/	/	/	/	/
HWS236GDGU1	1	1	4	1	1	2	/	/	/	/	/
HWS247FDU1	1	1	5	1	1	2	1	4	2	1	/
HWS247GEH1	1	1	5	1	1	2	/	/	/	/	/
HWS236GDEH1	1	1	4	1	1	2	/	/	/	/	/

i Avis

Algunes de les il·lustracions d'aquest manual poden ser diferents del vostre model a causa de canvis tècnics i de les diferències entre models.

Imatge de l'electrodomèstic



(HWS236GDBGU1)

- | | |
|--|---|
| 1. Deflector del conducte d'aire superior | 6. Filtre de carbó activat (excepte HWS247FAH1) |
| 2. Partició (per a HWS236GDBGU1/HWS236GDEH1) | 7. Porta |
| 3. Prestatge | 8. Llum led |
| 4. Deflector del conducte d'aire inferior | 9. Bloqueig |
| 5. Potes ajustables | 10. Pantalla |

1. Desembalatge

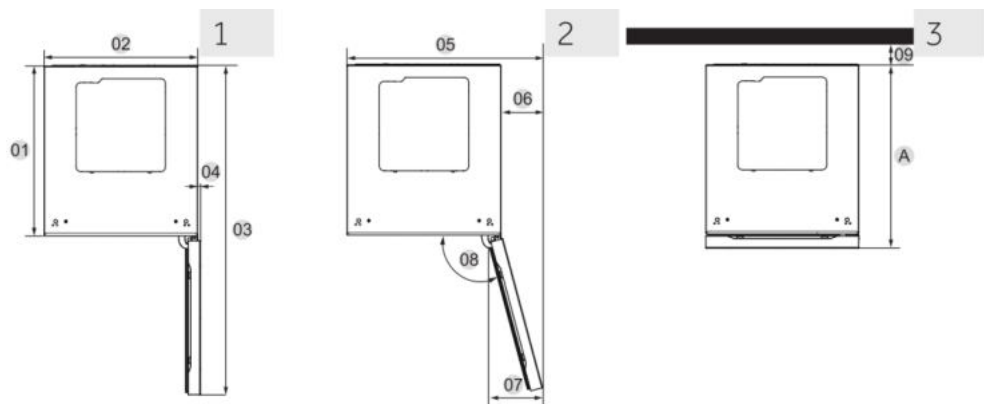
- ▶ Traieu l'electrodomèstic de l'embalatge.
- ▶ Traieu tots els materials d'embalatge, incloses la base d'escuma i tota la cinta adhesiva que subjecta els accessoris.

2. Condicions ambientals

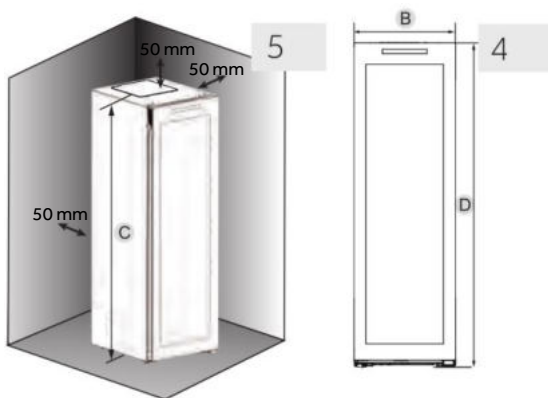
La temperatura ambient sempre ha d'estar entre 10 °C i 38 °C, ja que pot influir en la temperatura interior de l'aparell i en el consum d'energia. No installeu l'electrodomèstic a prop d'altres electrodomèstics que emetin calor (forns, neveres) sense aïllament.

3. Espai necessari

Espai necessari per obrir la porta (Fig. 1, 2, 3, 4); per motius de seguretat i energia, s'ha de respectar la distància de ventilació necessària de 50 mm en totes direccions (Fig. 5).



Unitat: mm	HWS247GGU1 HWS247GEH1	HWS236GDGU1 HWS236GDEH1	HWS247FDU1 HWS247FAH1
Profunditat A	714	714	769
Amplada B	597	597	603
Alçària C	1905	1905	1905
Alçària total D	1900	1900	1900
01	654	654	654
02	595	595	595/600
03	1273	1273	1280
04	11	11	16
05	756	756	805
06	161	161	210
07	200	200	200
08	105°	105°	105°
09	50	50	50





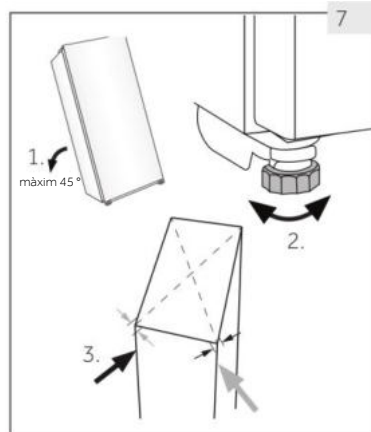
ADVERTÈNCIA!

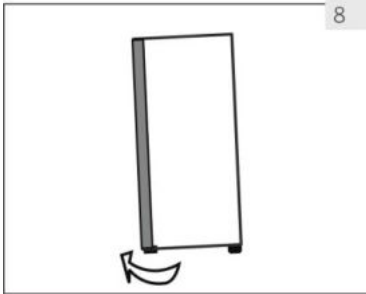
- ▶ No obstruïu les obertures de ventilació de l'electrodomèstic o de l'estructura integrada. Aquest electrodomèstic de refrigeració no està pensat per fer-se servir com a electrodomèstic integrat

4. Anivellament de l'electrodomèstic

L'electrodomèstic s'ha de col·locar sobre una superfície plana i sòlida.

1. Inclineu l'electrodomèstic lleugerament cap enrere (Fig. 7).
2. Ajusteu les potes del davant ajustables al nivell desitjat girant-les.
3. Podeu comprovar l'estabilitat de l'electrodomèstic colpejant lleugerament les diagonals de manera alterna. El lleuger balanceig hauria de ser igual a totes dues direccions. Si no és així, l'estructura es podria deformar; això pot provocar fuites a les juntes de la porta. Una lleugera inclinació cap enrere facilita el tancament de la porta.



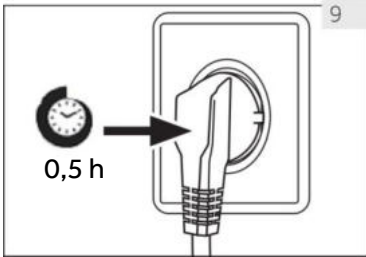


6. Ajust precís de la porta

L'aparell es tanca més fàcilment si es fan servir les potes anivelladores del davant:

Gireu les potes ajustables (Fig. 8) per girar-les cap amunt o cap avall:

- ▶ En girar les potes en sentit horari, l'aparell s'eleva.
- ▶ Girant les potes en sentit antihorari, abaixeu l'aparell.



7. Temps d'espera

L'oli de lubricació sense manteniment està situat a la càpsula del compressor. Aquest oli pot travessar el sistema de tub tancat durant el transport si s'inclina l'aparell. Abans de connectar l'electrodomèstic a la xarxa elèctrica, espereu 0,5 hores (Fig. 9) perquè l'oli torni a fluir cap a la càpsula.

8. Connexió elèctrica

Abans de cada connexió, comproveu si:

- ▶ La font d'alimentació, la presa de corrent i els fusibles es corresponen amb els indicats a la placa de característiques.
- ▶ l'endoll està connectat a una presa de terra i que no es fan servir adaptadors múltiples ni allargadors.
- ▶ l'endoll i la presa de corrent estan encaixats correctament.

Connecteu l'endoll a una presa de corrent domèstica correctament instal·lada.



ADVERTÈNCIA!

Per evitar riscos, si hi ha un cable d'alimentació malmès, l'ha de substituir el servei d'atenció al client (vegeu la targeta de garantia).

9. Canvi de sentit d'obertura de la porta

Abans de connectar l'aparell a la xarxa elèctrica, comproveu si cal canviar l'orientació de la porta de dreta (tal com es lliura) a esquerra en funció del lloc on s'installa i el seu ús.



ADVERTÈNCIA!

- ▶ Aquest electrodomèstic pesa. El canvi de sentit d'obertura de la porta s'ha de fer entre dues persones.
- ▶ Abans de fer qualsevol operació, desendol·leu primer l'aparell de la xarxa elèctrica.
- ▶ No inclineu l'aparell més de 45 ° per evitar danys al sistema de refrigeració.

Passos del muntatge

1. Prepareu les eines necessàries.
2. Desendol·leu l'electrodomèstic.
3. Traieu la tapa superior de la travessa i la tapa petita, Instal·leu la tapa petita intercanviant els costats esquerre i dret.
4. Retireu la tapa de la safata de cables i la tapa d'acabat. Intercanvieu la instal·lació de la tapa decorativa esquerra i dreta. Retireu el tap de goma negra de l'orifici esquerre a l'interior de la porta i instal·leu-lo a l'orifici dret.
5. Retireu la tapa de la frontissa. Amb l'eina, traieu els 3 cargols i retireu la porta.
6. Amb l'eina, traieu els 3 cargols situats sota la porta, així com la lleva de la porta i el topall de la porta. Intercanvieu-los esquerra-dreta i instal·leu-los a l'altra costat de la porta.
7. Amb l'eina, retireu el conjunt de la frontissa del cos de l'aparell. Primer retireu la lleva de la frontissa del conjunt de la frontissa inferior, substituïu l'eix de la frontissa al forat de cargol dret i torneu a muntar el conjunt. Instal·leu-lo al costat dret del cos de l'aparell juntament amb el conjunt de suport del rodet.
- 7.1
8. Col·loqueu la porta verticalment cap avall sobre l'eix de la frontissa.
9. Introduïu la frontissa superior al forat de l'eix de la porta, fixe'u-la al cos de l'aparell amb els cargols i instal·leu la tapa de la caixa de cables i la tapa d'acabat de la travessa superior.



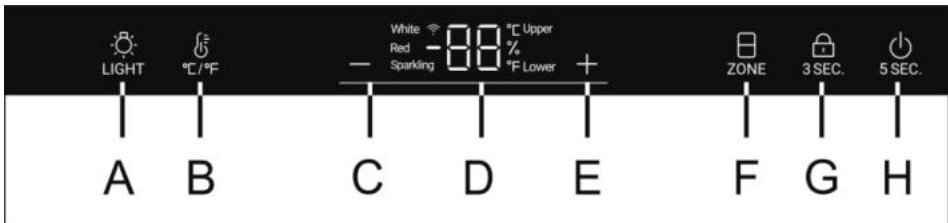
1. Abans del primer ús

- ▶ Retireu tots els materials d'emalatge. Això inclou la base d'escuma i tota la cinta adhesiva que subjecta els accessoris de la nevera de vins per dins i per fora. Mantingueu-los fora de l'abast dels infants i elimineu-los de manera respectuosa amb el medi ambient.
- ▶ Abans de posar les ampolles de vi a l'aparell, netegeu-ne l'interior i l'exterior amb aigua i un detergent suau.
- ▶ Després d'anivellar i netejar l'aparell, espereu com a mínim 2 hores abans de connectar-lo a la xarxa elèctrica. Si la nevera de vins s'ha inclinat per qualsevol motiu, espereu 24 hores abans d'endollar-lo. Vegeu l'apartat **INSTAL·LACIÓ**.
- ▶ Un cop hàgiu connectat la unitat a una presa de corrent, deixeu-la funcionar durant almenys 30 minuts perquè s'aclimati abans de fer cap ajust.
- ▶ La temperatura s'ajusta automàticament a 12 °C. Si ho desitgeu, podeu canviar la temperatura manualment. Consulteu **TEMPERATURA**.

2. Botons tàctils

Els botons del panell de control són botons tàctils que responen quan es toquen lleugerament amb el dit.

3. Descripció del panell de control



- | | |
|--------------------------------------|---|
| A Botó de llum interior | E Botó d'ajust de temperatura: amunt |
| B Botó de conversió °C/°F | F Botó de selecció de zona de temperatura |
| C Botó d'ajust de temperatura: avall | G Botó de bloqueig |
| D Pantalla | H Botó d'encesa |

4. Funció de bloqueig automàtic

En estat de pantalla bloquejada, manteniu pitjat el botó de bloqueig durant 3 s; la pantalla mostrarà 3, 2 i 1. La pantalla es desbloquejarà i la icona de bloqueig quedarà mig il·luminada. Si no es fa cap operació, la pantalla es bloquejarà automàticament al cap de 30 s. En estat de pantalla bloquejada, totes les icones de bloqueig estan enceses i els botons de la pantalla no es poden fer servir (excepte el botó d'il·luminació).

5. Funció del botó d'encesa

Quan la pantalla està apagada, toqueu un botó qualsevol perquè la pantalla s'il·lumini; manteniu pitjat el botó d'engegada fins que la pantalla mostri 5, 4, 3, 2 i 1, i tota la màquina s'apagarà. Quan l'aparell estigui apagat, toqueu llargament el botó d'engegada perquè mostri 5, 4, 3, 2, 1. Hi ha corrent.




6. Ajust de la temperatura

Avis

Preconfiguració


- ▶ Un cop hàgiu connectat la unitat a una presa de corrent, deixeu-la reposar durant almenys 30 minuts per aclimatar-se abans de fer cap ajust.
- ▶ Quan s'encén l'aparell després d'haver-lo desconnectat de la font d'alimentació, poden passar fins a diverses hores fins que s'arriba a les temperatures correctes. El temps exacte varia segons l'entorn i la temperatura configurada.





Toqueu el botó  o , la pantalla començarà a parpellejar. Toqueu el botó  o  per ajustar la temperatura desitjada. Interval d'ajust de temperatura: 5-20 °C (41-68 °F).

Pitgeu el botó durant 3 segons i la temperatura queda confirmada.

7. Funció de Mode o Zone

Pitgeu el botó  la temperatura canvia de brillant (8 °C o 47 °F) a blanc (12 °C o 54 °F) i vermell (16 °C o 61 °F). (per a HWS247GGU1/HWS247GEH1/HWS247FDU1/HWS247FAH1)

En l'estat de desbloqueig, la icona  roman completament encesa. Si la pantalla actual correspon a la zona de temperatura superior, la icona superior s'encendrà i la icona «lower» romandrà apagada. En aquest moment, en tocar el botó , la icona «lower» s'encendrà i la icona superior s'apagarà.

(per a HWS236GDGU1/HWS236GDEH1)

Ajust de la temperatura recomanada

Es recomanen les temperatures de consum següents per als diferents tipus de vi.

Vi negre	+13 °C a +20 °C (+55 °F a 68 °C)	Vi escumós, prosecco	+5 °C a +8 °C (+41 °F a 47°F)
Vi blanc	+9 °C a +12 °C (+48 °F a 54 °F)		

Si emmagatzemeu vi durant llargs períodes de temps, s'ha de conservar a una temperatura entre +10 °C i +12 °C (50 °F i 54 °F).

8. Mode d'espera

La pantalla s'atenua automàticament al cap de 30 segons.

S'encén automàticament quan es toca qualsevol tecla o s'obre la porta.



Avis

Factors que incideixen en les temperatures



Els factors següents tenen influència en la temperatura dins de l'aparell:

- ▶ Temperatura ambient
- ▶ Quantitat d'ampolles emmagatzemades
- ▶ Freqüència d'obertura de la porta
- ▶ La ubicació de l'aparell


La configuració per defecte és de 12 °C

Quan la pantalla deixa de parpellejar, torna a mostrar la temperatura actual dins la nevera de vins. Trigarà una mica a assolir la temperatura establerta.

9. Configuració del mode d'il·luminació

Toqueu el botó . Quan els llums de la nevera de vins estan encesos, s'encendran gradualment. Quan es toca el botó  una altra vegada, les llums s'apagaran gradualment. **(excepte HWS247FDU1/HWS247FAH1)**

10. Funció °C/°F

Toqueu el botó  per canviar entre Fahrenheit i Celsius.

11. Funció wifi

Toqueu el botó wifi durant 3 segons; el botó de wifi comença a parpellejar ràpidament i entra automàticament en el mode de configuració (per a HWS247FDU1/HWS247FAH1).

12. Funció de memòria d'apagada

Si hi ha un tall de corrent, la nevera de vins guarda automàticament la temperatura configurada. Després del restabliment del corrent, funcionarà segons la temperatura establerta abans del tall de corrent.

13. Funció de compensació de baixa temperatura

La nevera de vins té una funció de compensació de baixa temperatura per garantir l'estabilitat de la temperatura: Quan la temperatura ambient és inferior a la temperatura configurada, la nevera de vins comença automàticament la funció de compensació de baixa temperatura i escalfa l'aparell. Quan la temperatura de l'aplicació arriba a la temperatura configurada, la funció de compensació de baixa temperatura es desactiva automàticament.

14. Alarma de porta oberta

Si la porta es manté oberta durant més d'1 min, el bronzidor sonarà per donar l'alarma fins que la porta es tanqui o s'accioni qualsevol tecla del panell de visualització, i aleshores el bronzidor deixarà de sonar.

15. Configuració del mode wifi

CONNECTIVITAT PARÀMETRES SENSE FIL

Tecnologia	Wifi	Bluetooth
Estàndard	IEEE802.11 b/g/n	Bluetooth v4.2, BR/EDR, BLE
Banda(es) de freqüència [MHz]	2401÷2483	2402÷2480
Potència màxima [mW]Banda(es)[MHz]	100	10

INFORMACIÓ DEL PRODUCTE

Com activar el mòdul wifi:

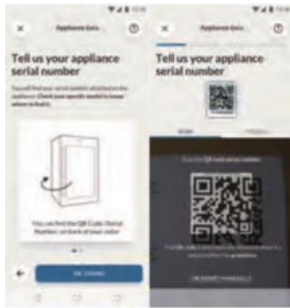
- Toqueu el botó «Light» durant 3 segons per activar el wifi (excepte HWS247FDU1/HWS247FAH1)
- Toqueu el botó de wifi durant 3 segons per activar el wifi (per a HWS247FDU1/HWS247FAH1)
- El mòdul wifi està activat; la icona de la connexió wifi comença a parpellejar.
- Si la nevera de vins està registrada, però el senyal wifi està desactivat, la icona parpelleja.
- Si nevera de vins està registrada i connectada, la icona del senyal wifi sempre està encesa.
- Per reiniciar el wifi, toqueu el botó de la llum durant 3 segons (excepte HWS247FDU1/HWS247FAH1)
- Per restablir el wifi toqueu el botó wifi durant 3 segons (per a HWS247FDU1/HWS247FAH1)

PROCEDIMENT D'APARELLAMENT A L'APP

<p>Pas 1</p> <ul style="list-style-type: none"> · Descarregueu l'aplicació hOn de la botiga d'aplicacions <div style="display: flex; align-items: center;">  <div style="margin-left: 20px;">   </div> </div>	
<p>Pas 2</p> <ul style="list-style-type: none"> · Inicieu la sessió o registreu-vos 	<p>Pas 3</p> <ul style="list-style-type: none"> · Afegiu un electrodomèstic nou seleccionant la nevera de vins de la llista 

Pas 4

- Escanegeu el codi QR o introduïu manualment el número de sèrie



Pas 5

- Toqueu el botó «Light» del producte durant 3 s per activar el wifi (llevat de HWS247FDU1/ HWS247FAH1)
- Toqueu el botó de wifi del producte durant 3 segons per activar el wifi (per a HWS247FDU1/ HWS247FAH1)



Pas 6

- La icona del wifi parpellejarà; el procés d'emparellament està en curs
- Teniu 5 minuts per completar el procés d'emparellament
- Quan el procés s'hagi completat, la icona del wifi deixarà de parpellejar i romandrà sempre activada. NOTA





Consells per estalviar energia

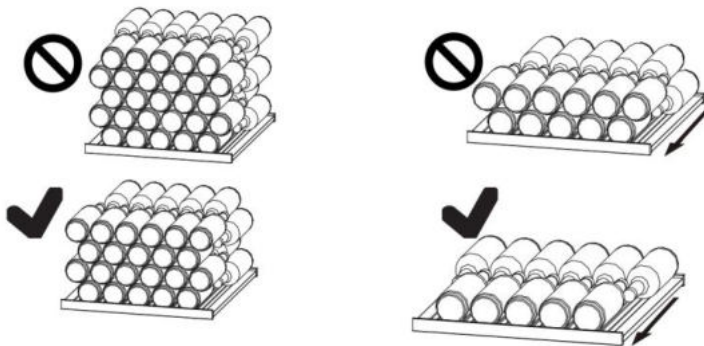
- ▶ Assegureu-vos que l'electrodomèstic tingui una bona ventilació (vegeu INSTAL·LACIÓ).
- ▶ No installeu l'electrodomèstic sota la llum solar directa ni a prop de fonts de calor (per exemple, estufes, calefactores).
- ▶ Eviteu temperatures innecessàriament baixes a l'electrodomèstic. El consum d'energia augmenta com més baixa estigui configurada la temperatura a l'electrodomèstic.
- ▶ Obriu la porta de l'electrodomèstic tan poques vegades i tan poca estona com sigui possible.
- ▶ No supereu la quantitat d'ampolles indicada per tal de no obstruir el flux d'aire.
- ▶ Mantingueu netes les juntes de les portes perquè les portes sempre tanquin correctament.
- ▶ La configuració més eficient energèticament requereix que el calaix, el calaix d'aliments i els prestatges estiguin col·locats a l'aparell en la posició de fàbrica i que els aliments es disposin sense bloquejar la sortida d'aire del conducte.

1. Prestatge

1. Els prestatges estan dissenyats per facilitar l'emmagatzematge i l'extracció del vi. Es poden netejar amb un drap suau.
2. Es poden apilar ampolles normals amb un diàmetre de 76 mm.
3. Les ampolles Magnum es poden apilar al prestatge inferior.
4. La quantitat pot variar respecte al nombre d'ampolles representat si s'apilen d'una altra manera.

Consells per a la distribució de la nevera de vins

Recomanem que el nombre d'ampolles de vi no superi les quatre capes a cada prestatge i que la capacitat de càrrega dels prestatges de vi no superi els 60 kg. Abans de col·locar les ampolles dins la nevera de vins, comproveu si els prestatges de vi són completament estables. A més, comproveu si alguna ampolla sobresurt dels prestatges per evitar que colpegi la porta de vidre quan es tanca.



2. Llum

El llum led interior s'encén quan s'obre la porta. Per encendre el llum mentre la porta és tancada, toqueu el botó . Per apagar els llums, toneu a tocar el botó. Per augmentar l'eficiència energètica, cal apagar els llums quan ningú faci servir la nevera de vins. **(excepte HWS247FDU1/HWS247FAH1)**

3. Bloqueig

Per bloquejar la nevera de vins, tanqueu la porta i poseu la clau al pany:

- ▶ Bloquegeu la porta girant la clau en sentit horari.
- ▶ Desbloquegeu la porta girant la clau en sentit antihorari.

1. Descongelació

La descongelació de la nevera de vins es fa automàticament; no cal cap operació manual.

2. Substitució de la bombeta led

L'electrodomèstic fa servir llums led com a font de llum, que tenen un baix consum d'energia i una vida útil llarga. Si detecteu alguna anomalia, poseu-vos en contacte amb el servei d'atenció al client. Vegeu SERVEI D'ATENCIÓ AL CLIENT.



ADVERTÈNCIA!

No substituïu la bombeta led vosaltres mateixos. Només l'ha de substituir el fabricant o l'agent de servei autoritzat.

Paràmetres de la bombeta led:

Tensió 12 V

Potència màx. 18 W

3. Sense ús durant un període prolongat

Desendolieu el cable d'alimentació.

Netegeu l'aparell i les juntes de la porta tal com s'ha descrit anteriorment.

Mantingueu les portes obertes per evitar la creació de males olors a l'interior.

4. Desplaçament de l'electrodomèstic

1. Traieu totes les ampolles i desendolieu l'aparell.

2. Assegureu els prestatges i altres parts mòbils de la nevera amb cinta adhesiva.

3. No inclineu la nevera de vins més de 45° per evitar danys al sistema de refrigeració.

5. Intercanvi d'aire amb filtre de carbó activat (excepte HWS247FAH1)

La manera en què els vins continuen madurant depèn de les condicions ambientals. La qualitat de l'aire és, per tant, decisiva per a la conservació del vi. S'ha instal·lat un filtre de carbó actiu a la part inferior de la paret posterior de l'aparell per mantenir la qualitat de l'aire en un nivell òptim.



Avis

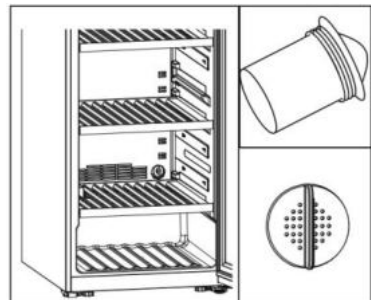
Us recomanem substituir el filtre un cop l'any. Podeu obtenir filtres del vostre distribuïdor. (excepte HWS247FAH1)

Canvi de filtre:

Agafeu el filtre pel mànec. Gireu-lo cap a l'esquerra i retireu-lo.

Inserció del filtre:

Inseriu-lo amb la nansa en posició vertical. Gireu-lo cap a la dreta i introduïu-lo.



Molts problemes que sorgeixen es poden resoldre sense tenir coneixements específics. En cas de problemes, comproveu totes les opcions que es mostren i seguiu les instruccions següents abans de posar-vos en contacte amb el servei d'atenció al client. Vegeu SERVEI D'ATENCIÓ AL CLIENT.

ADVERTÈNCIA!

- ▶ Abans de fer-hi el manteniment, apagueu l'electrodomèstic i desconnecteu l'endoll de la presa de corrent.
- ▶ El manteniment dels electrodomèstics elèctrics només l'han de fer electricistes qualificats, ja que les reparacions incorrectes poden causar danys importants.
- ▶ Per evitar tot perill, si un cable d'alimentació està malmès, l'ha de substituir el fabricant, el seu responsable de servei o persones amb una qualificació similar.

Codi d'error	Causa	Solució
L2	Alarma de baixa temperatura quan la temperatura del sensor de control és massa baixa;	<ol style="list-style-type: none"> 1. Comproveu la temperatura ambient. 2. Comproveu el connector del compressor. 3. Comproveu la resistència del sensor de control de temperatura.
H1	Quan la temperatura del sensor de control és massa alta, l'alarma de temperatura alta es mostrarà a la pantalla;	<ol style="list-style-type: none"> 1. Comproveu el connector de la placa de control o del panell de visualització. 2. Comproveu la resistència i la tensió del ventilador. 3. Comproveu el ventilador i el connector del compressor.

Problema	Causa possible	Solució possible
El compressor no funciona.	<ul style="list-style-type: none"> L'endoll no està connectat a la presa de corrent. 	<ul style="list-style-type: none"> Connecteu l'endoll a la xarxa elèctrica.
L'electrodomèstic funciona sovint o durant un període de temps massa llarg.	<ul style="list-style-type: none"> La temperatura exterior és massa alta. L'electrodomèstic ha estat apagat durant un període de temps. Hi ha una porta de l'electrodomèstic que no està ben tancada. La porta s'ha obert massa sovint o ha estat oberta durant massa estona. La junta de la porta està bruta, desgastada, esquerdada o no encaixa. La circulació d'aire necessària no està garantida. La temperatura configurada és massa baixa. 	<ul style="list-style-type: none"> En aquest cas, és normal que l'electrodomèstic funcioni durant més temps. Normalment, l'electrodomèstic triga una mica a refredar-se del tot. Tanqueu la porta i assegureu-vos que l'aparell estigui situat en una superfície anivellada i que no hi hagi cap aliment o recipient que n'impedeixi el tancament. No obriu la porta massa sovint. Netegeu la junta de la porta o feu-la substituir pel servei d'atenció al client. Assegureu-vos que la ventilació és adequada. El problema se solucionarà per si sol quan s'arribi a la temperatura desitjada.
L'interior de la nevera de vins està brut i/o fa mala olor.	<ul style="list-style-type: none"> L'interior de la nevera de vins s'ha de netejar. 	<ul style="list-style-type: none"> Netegeu l'interior de la nevera de vins.
No fa prou fred dins de l'electrodomèstic.	<ul style="list-style-type: none"> La temperatura està configurada massa alta. Recentment s'hi han afegit ampolles. Hi ha una porta de l'electrodomèstic que no està ben tancada. La porta s'ha obert massa sovint o ha estat oberta durant massa estona. La junta de la porta està bruta, desgastada, esquerdada o no encaixa. 	<ul style="list-style-type: none"> Restabliu la temperatura. Deixeu temps perquè les ampolles afegides recentment arribin a la temperatura desitjada. Tanqueu la porta. No obriu la porta massa sovint. Netegeu la junta de la porta o feu-la substituir pel servei d'atenció al client.
A dins de l'electrodomèstic hi fa massa fred.	<ul style="list-style-type: none"> La temperatura configurada és massa baixa. 	<ul style="list-style-type: none"> Restabliu la temperatura.
Formació d'humitat a l'interior del compartiment frigorífic.	<ul style="list-style-type: none"> El clima és massa càlid i massa humit. Hi ha una porta de l'electrodomèstic que no està ben tancada. La porta s'ha obert massa sovint o ha estat oberta durant massa estona. 	<ul style="list-style-type: none"> Augmenteu la temperatura. Tanqueu la porta. No obriu la porta o el calaix massa sovint.

Problema	Causa possible	Solució possible
La humitat s'acumula a la superfície exterior de la nevera de vins.	<ul style="list-style-type: none"> El clima és massa càlid i massa humit. La porta no està ben tancada. El contacte entre l'aire fred de dins de l'electrodomèstic i l'aire calent de fora genera condensació. 	<ul style="list-style-type: none"> Això és normal en climes humits i canviarà quan la humitat baixi. Assegureu-vos que la porta estigui ben tancada i que les juntes segellin correctament.
L'electrodomèstic fa sons anormals.	<ul style="list-style-type: none"> L'electrodomèstic no està instal·lat sobre una superfície anivellada. L'electrodomèstic toca algun objecte que té al voltant. 	<ul style="list-style-type: none"> Ajusteu les potes per anivellar l'electrodomèstic. Traieu els objectes que hi ha al voltant de l'electrodomèstic.
Es pot sentir un so lleuger, semblant al de l'aigua corrent.	<ul style="list-style-type: none"> Això és normal. 	<ul style="list-style-type: none"> -
El sistema d'il·luminació o de refrigeració interior no funciona.	<ul style="list-style-type: none"> L'endoll no està connectat a la presa de corrent. La font d'alimentació no està intacta. La bombeta led no funciona. 	<ul style="list-style-type: none"> Connecteu l'endoll a la xarxa elèctrica. Comproveu el subministrament elèctric de l'estança. Poseu-vos en contacte amb la companyia de la llum local. Truqueu al servei tècnic perquè canviïn
Els laterals del frigorífic i la junta de la porta s'escalfen	<ul style="list-style-type: none"> Això és normal. 	<ul style="list-style-type: none"> -
La porta no tanca correctament.	<ul style="list-style-type: none"> L'aparell no està anivellat. La porta està bloquejada. 	<ul style="list-style-type: none"> Anivelleu l'aparell amb les potes anivelladores. Comproveu si hi ha ampolles o prestatges que bloquegen.

Per posar-vos en contacte amb el servei d'assistència tècnica, visiteu el nostre lloc web:
<https://corporate.haier-europe.com/en/>

A l'apartat "lloc web", trieu la marca del vostre producte i el vostre país. Se us redirigirà al lloc web específic on trobareu el número de telèfon i el formulari per posar-vos en contacte amb l'assistència tècnica.

Fitxa del producte segons el Reglament UE núm. 2019/2016

Marca	Haier	Haier	Haier
Nom / identificador del model	HWS247GGU1/	HWS236GDGU1/	HWS247FDU1/
	HWS247GEH1	HWS236GDEH1	HWS247FAH1
Categoria	Nevera de vins	Nevera de vins	Nevera de vins
Classe d'eficiència energètica	G/E	G/E	D/A
Consum anual d'energia (kWh/any) ¹⁾	184/107	184/107	85/44
Volum d'emmagatzematge (L)	450	448	450
Classe climàtica: Aquest electrodomèstic està dissenyat per fer-se servir a una temperatura ambient de 10 °C a 38 °C.	SNNST	SNNST	SNNST
Emissions de soroll acústic aeri (db(A) re 1pW)	C(37)/B(35)	C(37)/B(35)	C(37)/B(35)
Tipus d'electrodomèstic	Independent	Independent	Independent
Aquest aparell està pensat per fer-se servir exclusivament per a l'emmagatzematge de vins.	Sí	Sí	Sí
Dimensions (Am/Pr/Al en mm)	597/714/1900	597/714/1900	603/769/1900

Explicacions:

1) basat en els resultats de la prova estàndard de 24 hores. El consum d'energia depèn de l'entorn, la quantitat d'ampolles embotellades, la temperatura configurada, si s'obre i es tanca la porta, etc.

2) El consum nominal d'energia és el valor obtingut segons la prova estàndard quan la llum interior de la nevera de vins no s'encén.

- temperada ampliada: "aquest aparell de refrigeració està pensat per fer-se servir a temperatures ambients entre 10 °C i 32 °C";

- temperat: aquest aparell de refrigeració està destinat per fer-se servir a una temperatura ambient de 16 °C a 32 °C;

- subtropical: aquest aparell de refrigeració està destinat per fer-se servir a una temperatura ambient de 16 °C a 38 °C;

- tropical: aquest aparell de refrigeració està pensat per fer-se servir a una temperatura ambient de 16 °C a 43 °C";

Normes i directives

Aquest producte compleix els requisits de totes les directives CE aplicables, juntament amb les normes harmonitzades corresponents, que permeten el marcatge CE.

Recomanem el nostre Servei d'atenció al client de Haier i l'ús de recanvis originals.

Si teniu cap problema amb el vostre electrodomèstic, consulteu primer l'apartat RESOLUCIÓ DE PROBLEMES.

Si no hi trobeu cap solució, poseu-vos en contacte amb

- ▶ el vostre distribuïdor local o
- ▶ el departament d'Atenció al Client a www.haier.com, on podreu trobar números de telèfon i preguntes freqüents, i on podeu activar la sollicitud de servei.

Per posar-vos en contacte amb el nostre servei, assegureu-vos que disposeu de les dades següents.

Podeu trobar la informació a la placa de característiques.

Model _____ Número de sèrie _____

Si necessiteu dades per a la garantia, consulteu també la targeta de garantia que s'inclou amb el producte. A continuació, hi ha les nostres adreces a Europa per a consultes comercials generals:

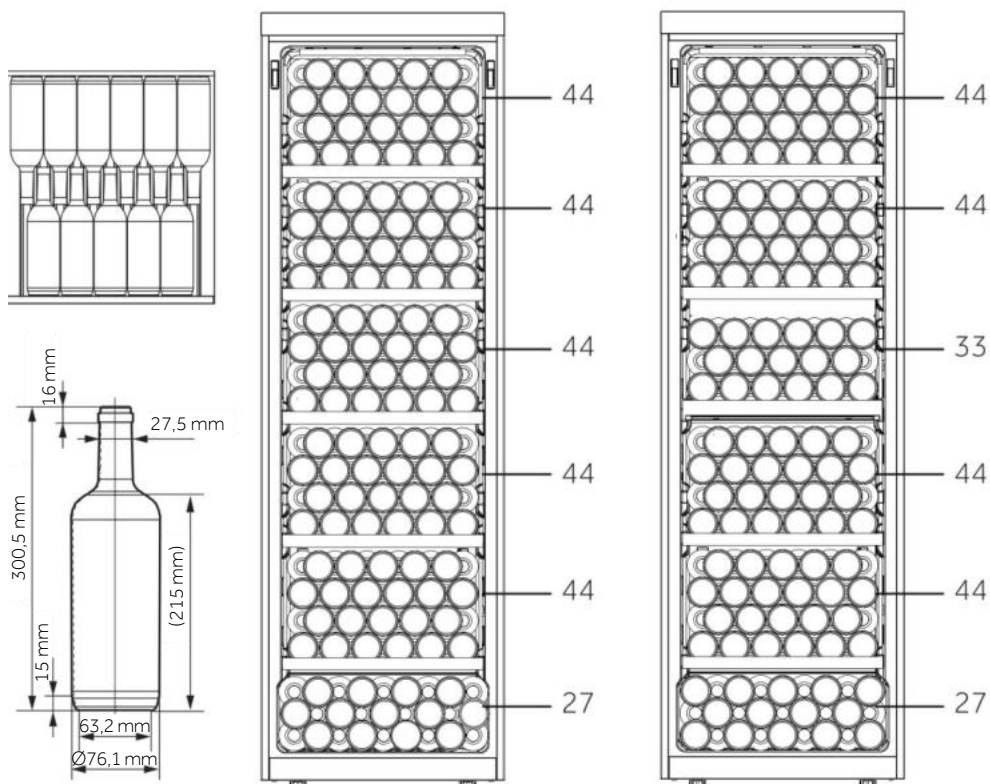
Adreces de Haier a Europa			
País*	Adreça postal	País	Adreça postal
Itàlia	Haier Europe Trading SRL Via De Cristoforis, 12 21100 Verese ITÀLIA	França	Haier Europe Trading SRL Via De Cristoforis, 12 21100 Verese ITALY
Espanya Portugal	Haier Iberia SL Pg. Garcia Faria, 49-51 08019 Barcelona ESPANYA	Bèlgica-FR Bèlgica-NL Països Baixos Luxemburg	Haier Benelux SA Anderlecht Route de Lennik 451 BÈLGICA
Alemanya Àustria	Haier Deutschland GmbH Hewlett-Packard-Str. 4 D-61352 Bad Homburg ALEMANYA	Polònia Txèquia Hongria Grècia	Haier Poland Sp. zo.o. Al. Jerozolimskie 181B 02-222 Varsòvia POLÒNIA
Regne Unit	Haier Appliances UK Co. Ltd. One Crown Square Church Street East Woking, Surrey, GU21 6HR Regne Unit	Romania Rússia	

DISPONIBILITAT DE RECANVIS: Els termòstats, els sensors de temperatura, les plaques de circuit impreses i les fonts de llum estan disponibles durant un període mínim de set anys després de la comercialització de l'última unitat del model. Els tiradors de la porta, les frontisses, les safates i les cistelles estan disponibles durant un període mínim de set anys, i les juntes de la porta durant un període mínim de 10 anys, després de la comercialització de l'última unitat del model.

La garantia mínima és de: 2 anys per als països de la UE; 3 anys per a Turquia; 1 any per al Regne Unit; 1 any per a Rússia; 3 anys per a Suècia; 2 anys per a Sèrbia; 5 anys per a Noruega; 1 any per al Marroc; 6 mesos per a Algèria; Tunísia, sense garantia legal.

Per a més informació sobre el producte, consulteu <https://eprel.ec.europa.eu/> o escanegeu el codi QR de l'etiqueta energètica que s'inclou amb l'aparell.

La disposició de les ampolles es basa en una representació gràfica d'una ampolla estàndard de Bordeus (0,75 L). A causa de les diferents especificacions de les ampolles, la quantitat real de càrrega de les ampolles podria ser diferent.



HWS247GGU1
HWS247FDU1
HWS247GEH1
HWS247FAH1

HWS236GDBGU1
HWS236GDEH1

HWS-247FDU1-247GGU1-236GGDU1-247GEH1-236GDEH1-HWS247FAH1 - EN

Haier