

# Haier

## User Manual

### Refrigerator-Freezer

EHBQW5518E

HBQW5518E

HBQW5518EK

HQE1855BCMW

EHQE1855BCMW

HBQW5519E

HBQW5519EK

EHBQW5519E

EHBQW5519ECM

HBQW5719E

EN

<b><u>4 Safety information</u></b>	<u>Before first use</u>	5
	<u>Installation</u>	5
	<u>Daily use</u>	6
<b><u>9 Intended use</u></b>	<u>Refrigerant gas information</u>	8
<b><u>10 Product description</u></b>		
<b><u>12 Control panel</u></b>		
<b><u>13 Use</u></b>	<u>Lock/unlock panel</u>	13
	<u>Adjust the temperature for fridge</u>	13
	<u>Adjust the temperature for freezer</u>	14
	<u>Wi-Fi function</u>	15
	<u>Holiday function</u>	15
	<u>Super Cool function</u>	16
	<u>Super Freeze function</u>	16
<b><u>18 Equipment</u></b>		
<b><u>20 Energy saving tips</u></b>		
<b><u>21 Care and cleaning</u></b>		
<b><u>23 Troubleshooting</u></b>		
<b><u>27 Installation</u></b>		
<b><u>34 Technical data</u></b>		
<b><u>36 Customer service</u></b>		

## Thank you for purchasing a Haier Product.

Please read these instructions carefully before using this appliance. The instructions contain important information which will help you get the best out of the appliance and ensure safe and proper installation, use and maintenance.

Keep this manual in a convenient place so you can always refer to it for the safe and proper use of the appliance.

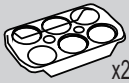
If you sell the appliance, give it away, or leave it behind when you move house, make sure you also pass this manual so that the new owner can become familiar with the appliance and safety warnings.

### Accessories

Check the accessories and literature in accordance with this list:



Ice cube tray



x2

Egg tray



Energy label



Warranty card



Safety Warning Manual



x4

Screw



x2

Cover



x2

Sponge block



x4

Slide guide

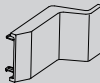


x4

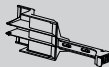
Slide asm.



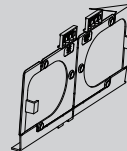
Fixed plate



Hinge cover



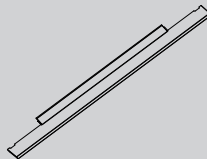
Fixed plate II



Bottom fixed plate



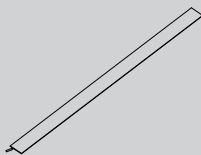
Top fixed plate



Bottom cover



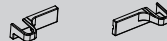
Bottom side cover



Seal strip



Seal sponge



Bottom hinge cover



## WARNING – Important Safety information

---



## NOTICE-General information and tips

---



## Environmental information

---



### Disposal

Help protect the environment and human health. Put the packaging in applicable containers to recycle it. Help to recycle waste of electrical and electronic appliances. Do not dispose appliances marked with this symbol with the household waste. Return the product to your local recycling facility or contact your municipal office.



## WARNING!

Risk of injury or suffocation!

Refrigerants and gases must be disposed of professionally. Ensure that the tubing of the refrigerant circuit is not damaged before being properly disposed of. Disconnect the appliance from the mains supply. Cut off the mains cable and dispose of it. Remove the trays and drawers as well as the door catch and seals, to prevent children and pets to get closed in the appliance.

**Before switching on the appliance for the first time read the following safety hints!:**



## **WARNING!**

### **Before first use**

- ▶ Make sure there is no transport damage.
- ▶ Wait at least two hours before installing the appliance in order to ensure the refrigerant circuit is fully efficient.
- ▶ Handle the appliance always with at least two persons because it is heavy.
- ▶ Remove all packaging materials, keep them out of children`s reach and dispose them in an environmentally friendly manner.
- ▶ Clean the inside and outside of the appliance with water and a mild detergent before putting any food in it.
- ▶ After the appliance has been levelled and cleaned, wait for at least 2-5 hours before connecting it to the power supply. See Section INSTALLATION.
- ▶ Precool the compartments at high settings before loading with food. The function Power- Freeze helps to cool down the compartments quickly.
- ▶ The refrigerator temperature and freezer temperature are automatically set to 5°C and -18° C respectively. These are the recommended settings. If desired, you can change these temperatures manually. Please see ADJUST THE TEMPERATURE.

### **Installation**

- ▶ The appliance should be placed in a well-ventilated place. Ensure a space of at least 10 cm above and around the appliance.
- ▶ Never place the appliance in a damp area or location where it might be splashed with water. Clean and dry water splashes and stains with a soft clean cloth.
- ▶ Do not install the appliance in direct sunlight or in the near of heat sources(e.g. stoves, heaters).
- ▶ Install and level the appliance in an area suitable for its size and use.
- ▶ Keep ventilation openings in the appliance or in the in-built structure clear of obstruction.
- ▶ Make sure that the electrical information on the rating plate agrees with the power supply. If it does not, contact an electrician.
- ▶ The appliance is operated by a 220-240 VAC/50 Hz power supply. Abnormal voltage fluctuation may cause the appliance to fail to start, or damage to the temperature control or compressor, or there may be an abnormal noise when operating. In such case, an automatic regulator shall be mounted.
- ▶ Do not use multi-plug adapters and extension cables.
- ▶ Do not locate multiple portable socket-outlets or portable power supplies at the rear of the appliance.
- ▶ Ensure that the power cable is not trapped by the refrigerator. Do not step on the power cable.



## WARNING!

- ▶ Use a separate earthed socket for the power supply which is easily accessible. The appliance must be earthed.  
Only for UK: The appliance's power cable is fitted with 3-cord (grounding) plug that fits a standard 3-cord (grounded) socket. Never cut off or dismantle the third pin (grounding). After the appliance is installed, the plug should be accessible.
- ▶ Do not damage the refrigerant circuit.

### Daily use

- ▶ This appliance can be used by children aged from 8 years and above and persons with reduced physical, sensory or mental capabilities or lack of experience and knowledge if they have been given supervision or instruction concerning use of the appliance in a safe way and understand the hazards involved.
- ▶ Children aged from 3 to 8 years are allowed to load and unload, but not allowed to clean or install the refrigerating appliances.
- ▶ Keep away children under 3 years of age from the appliance unless they are constantly supervised.
- ▶ Children shall not play with the appliance.
- ▶ If cool gas or other inflammable gas is leaking in the vicinity of the appliance, turn off the valve of the leaking gas, open the doors and windows and do not unplug a plug in the power cable of the refrigerator or any other appliance.
- ▶ Notice that the appliance is set for operation at a specific ambient range between 10 and 43°C. The appliance may not work properly if it is left for a long period at a temperature above or below the indicated range.
- ▶ Do not place unstable articles (heavy objects, containers filled with water) on top of the refrigerator, to avoid personal injury caused by falling or electric shock caused by contact with water.
- ▶ Do not pull on the door shelves. The door may be pulled slant, the bottle rack, may be pulled away, or the appliance may topple.
- ▶ Open and close the doors only with the handles. The gap between the doors and between the doors and the cabinet is very narrow. Do not extend your hands in these areas to avoid pinching your fingers. Open or close the refrigerator doors only when there are no children standing within the range of door movement.



## WARNING!

- ▶ Do not store or use inflammable, explosive or corrosive materials in the appliance or in the vicinity.
- ▶ Do not store medicines, bacteria or chemical agents in the appliance. This appliance is a household appliance. It is not recommended to store materials that require strict temperatures.
- ▶ Never store liquids in bottles or cans (besides high percentage spirits) especially carbonated beverages in the freezer, as these will burst during freezing.
- ▶ Check the condition of food if a warming in the freezer has taken place.
- ▶ Do not set unnecessarily low temperature in the refrigerator compartment. Minus temperatures may occur at high settings. Attention: Bottles can burst
- ▶ Do not touch frozen goods with wet hands (wear gloves). Especially do not eat ice lollies immediately after removal from the freezer compartment. There is the risk to freeze or the formation of frost blisters. FIRST aid: keep immediately under running cold water. Do not pull away!
- ▶ Do not touch the inside surface of the freezer storage compartment when in operation, especially with wet hands, as your hands may freeze onto the surface.
- ▶ Unplug the appliance in the event of a power interruption or before cleaning. Allow at least 7 minutes before restarting the appliance, as frequent starting may damage the compressor.
- ▶ Do not use electrical devices inside the food storage compartments of the appliance, unless they are of the type recommended by the manufacturer.  
Maintenance / cleaning
- ▶ Make sure children are supervised if they carry out cleaning and maintenance.
- ▶ Disconnect the appliance from the electrical supply before undertaking any routine maintenance. Allow at least 5 minutes before restarting the appliance, as frequent starting may damage the compressor.

**WARNING!**

- ▶ Hold the plug, not the cable, when unplugging the appliance.
- ▶ Do not clean the appliance with hard brushes, wire brushes, detergent powder, petrol, amyl acetate, acetone and similar organic solutions, acid or alkaline solutions. Please clean with special refrigerator detergent to avoid damage.
- ▶ Do not scrape off frost and ice with sharp objects. Do not use sprays, electric heaters like heater, hair dryer, steam cleaners or other sources of heat in order to avoid damage to the plastic parts.
- ▶ Do not use mechanical devices or other means to accelerate the defrosting process, other than those recommended by the manufacturer.
- ▶ If the supply cord is damaged, it must be replaced by the manufacturer, its service agent or similarly qualified persons in order to avoid a hazard.
- ▶ Do not try to repair, disassemble or modify the appliance by yourself. In case of repair please contact our customer service.
- ▶ Eliminate the dust on the back of the unit at least once in the year to avoid hazard by fire, as well as increased energy consumption.
- ▶ Do not spray or flush the appliance during cleaning.
- ▶ Do not use water spray or steam to clean the appliance.
- ▶ Do not clean the cold glass shelves with hot water. Sudden temperature change may cause the glass to break.

**Refrigerant gas information****WARNING!**

The appliance contains the flammable refrigerant ISOBUTANE (R600a). Make sure the refrigerant circuit is not damaged during transportation or installation. Leaking refrigerant may cause eye injuries or ignite. If a damage has occurred, keep away open fire sources, thoroughly ventilate the room, do not plug or unplug the power cords of the appliance or any other appliance. Inform the customer service.

In case of eyes get into contact with the refrigerant, rinse immediately it under running water and call immediately the eye specialist.

## Intended use

This appliance is intended for cooling and freezing food. It has been designed exclusively for use in household and similar applications such as staff kitchen areas in shops, offices and other working environments; farm houses and by clients in hotels, motels and other residential type environments as well as in bed-and-breakfast and catering business. It is not intended for commercial or industrial use.

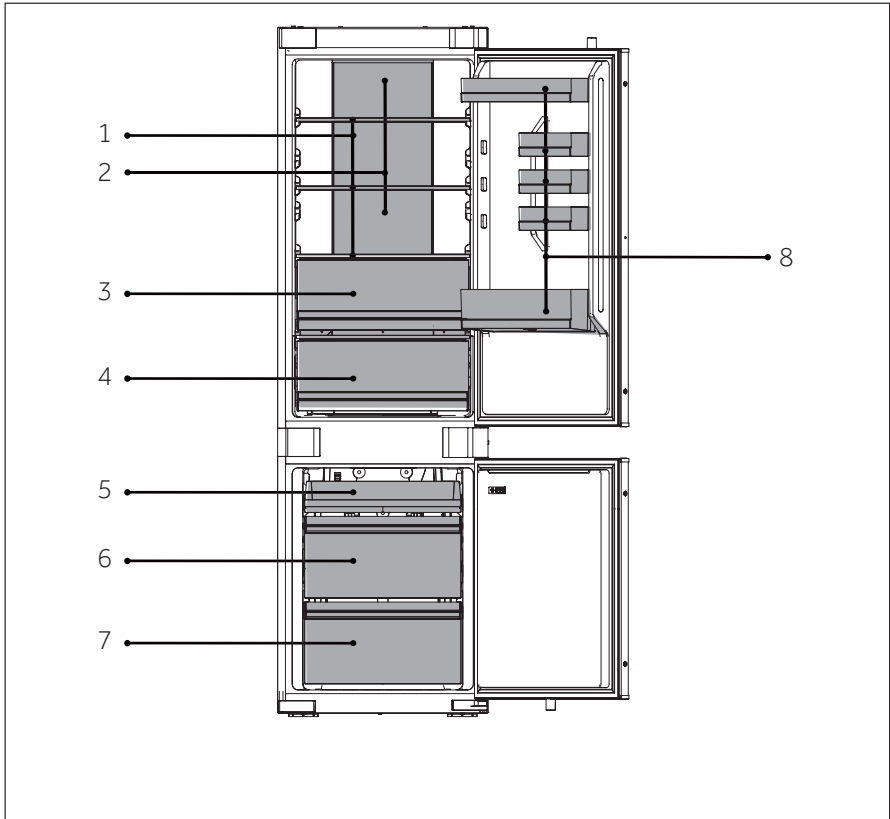
Changes or modifications to the device are not allowed. Unintended use may cause hazards and loss of warranty claims.

## Standards and directives

This product meets the requirements of all applicable EC directives with the corresponding harmonised standards and UK standards, which provide for CE or UKCA marking.

**i NOTICE**

Due to technical changes and different models, some of the illustrations in this manual may differ from your model.



EHBQW5518E/HBQW5518E/HBQW5518EK/HQE1855BCMW/EHQE1855BCMW

**A: Refrigerating chamber**

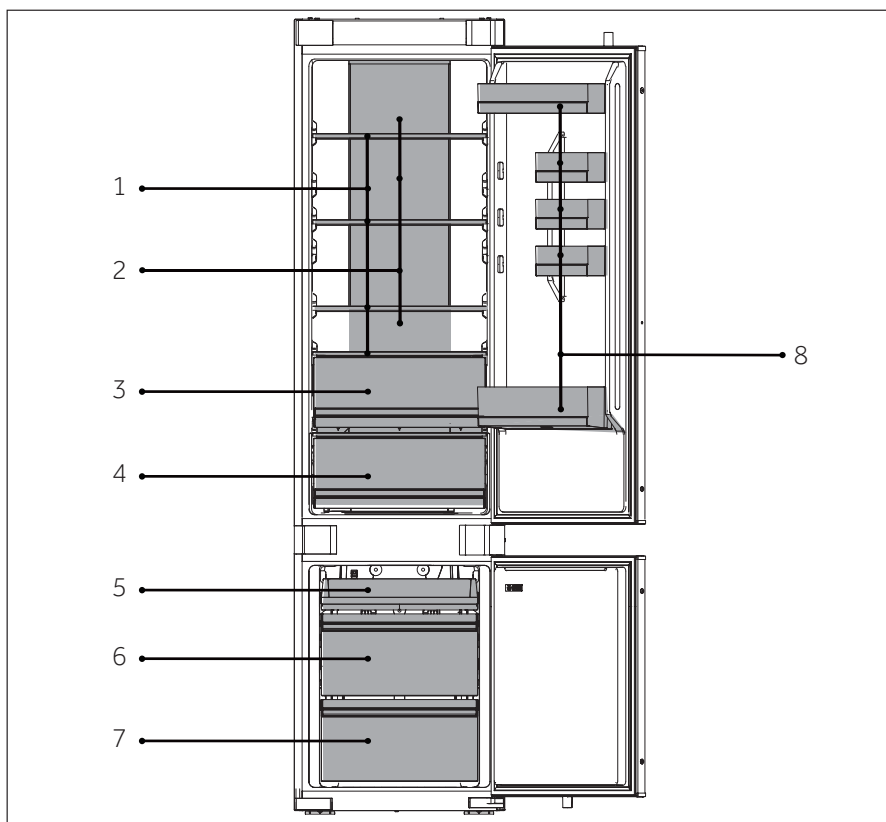
- 1 Ordinary shelves
- 2 Refrigerated air duct
- 3 Humidity Zone drawer
- 4 Fresh Box drawer
- 8 Bottle holder

**B: Freezing chamber**

- 5 Upper freezer tray
- 6 Middle freezer drawer
- 7 Lower freezer drawer

## **i** NOTICE

Due to technical changes and different models, some of the illustrations in this manual may differ from your model.



HBQW5519E/HBQW5519EK/EHBQW5519E/EHBQW5519ECM/HBQW5719E

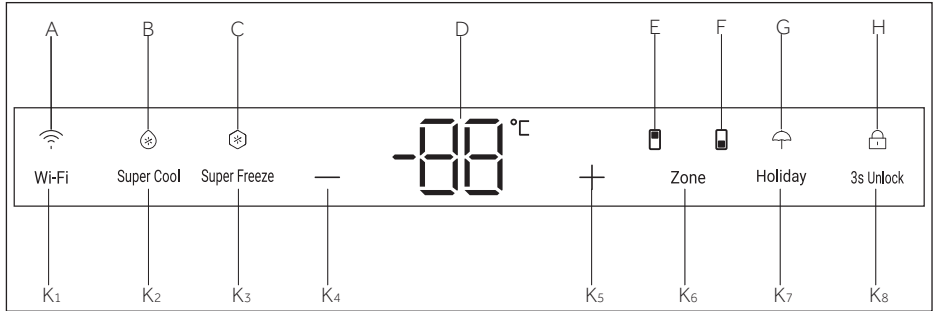
### A: Refrigerating chamber

- 1 Ordinary shelves
- 2 Refrigerated air duct
- 3 Humidity Zone drawer
- 4 Fresh Box drawer
- 8 Bottle holder

### B: Freezing chamber

- 5 Upper freezer tray
- 6 Middle freezer drawer
- 7 Lower freezer drawer

## Control panel



### Indicators:

- A Wi-Fi function
- B Super Cool function
- C Super Freeze function
- D Temperature display
- E Fridge indicator
- F Freezer indicator
- G Holiday function
- H Lock and Unlock

### Buttons:

- K1 Wi-Fi setting button
- K2 Super Cool select button
- K3 Super Freeze select button
- K4 Temperature adjustment button "-"
- K5 Temperature adjustment button "+"
- K6 Zone select button
- K7 Holiday function button
- K8 Lock and Unlock button

## Sensor keys

The buttons on the control panel are sensor keys, which already respond when lightly touched with the finger.

## Switch on /off the appliance

The appliance is in operation as soon as it is connected to the power supply.

When the refrigerator is first powered on, the indicator "D" (Temperature display) illuminates. The fridge temperature and freezer temperature are automatically set to 5°C and -18°C respectively.



## NOTICE

When the appliance is switched on after disconnection from the main power supply, it may take up to 12 hours for the correct temperatures to be reached.

Empty the appliance before switching off. To switch off the appliance, pull the power cord out of the power socket.

### Lock/unlock panel

**Automatic lock:** When the fridge door and freezer door are closed and there is no key operation within 30 seconds, the display screen will be automatically extinguished and locked.

**Manual lock:** When the display screen is unlocked, press the button "K8" (3S Unlock) and hold for 3 seconds, the buzzer rings once, the indicator "H" (Panel lock) illuminates, and the display is locked.

**Unlock:** When the display screen is locked, press the button "K8" (3S Unlock) and hold for 3 seconds, the buzzer rings once, the indicator "H" (Panel lock) goes off, and the display is unlocked.

### Adjust the temperature

The indoor temperatures are influenced by the following factors:

Ambient temperature, Frequency of door opening, Amount of stored foods installation of the appliance.

### Adjust the temperature for fridge

When the display screen is unlocked, press the button "K6" (Zone selector). The buzzer rings once, the indicator "E" (Fridge indicator) illuminates, and then here comes the temperature setting mode of the fridge.

Press the button "K4" (Temperature adjustment button "-") every time, the buzzer rings once, the set temperature of the fridge will be reduced by 1. The fridge temperature will display in the sequence of "9°C -> 8°C -> 7°C -> 6°C -> 5°C -> 4°C -> 3°C -> 2°C -> 1°C".

Press the button "K5" (Temperature adjustment button "+") every time, the buzzer rings once, the set temperature of the fridge will be increased by 1. The fridge temperature will display in the sequence of "1°C -> 2°C -> 3°C -> 4°C -> 5°C -> 6°C -> 7°C -> 8°C -> 9°C".



## NOTICE

After setting the temperature, if there is no operation within 5 seconds, the system will be automatically determined and save the set temperature.

## Adjust the temperature for freezer

When the display screen is unlocked, press the button "K<sub>6</sub>" (Zone selector). The buzzer rings once, the indicator "F" (Freezer indicator) illuminates, and then here comes the temperature setting mode of the freezer.

Press the button "K<sub>4</sub>" (Temperature adjustment button "-") every time, the buzzer rings once, the set temperature of the freezer will be reduced by 1. The freezer temperature will display in the sequence of "-14°C->-15°C->-16°C->-17°C->-18°C->-19°C->-20°C->-21°C->-22°C->-23°C->-24°C".

Press the button "K<sub>5</sub>" (Temperature adjustment button "+") every time, the buzzer rings once, the set temperature of the freezer will be increased by 1. The freezer temperature will display in the sequence of "-24°C->-23°C->-22°C->-21°C->-20°C->-19°C->-18°C->-17°C->-16°C->-15°C->-14°C".



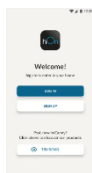
## NOTICE

After setting the temperature, if there is no operation within 5 seconds, the system will be automatically determined and save the set temperature.

Step 1 Download the hOn-App from the stores.



Step 2 Create your account in the hOn-App or log in if you already have an account.



Step 3 Follow pairing instructions in the hOn-App.



## Wi-Fi function

1. Follow in App instructions to configure the Wi-Fi.
2. Once the Wi-Fi is configured and the connection established, the Wi-Fi icon "A" is bright and fixed.
3. If the Wi-Fi has already been configured, it will automatically reconnect according to the configuration information if turns on the Wi-Fi.
4. To turn off the Wi-Fi, press Wi-Fi button "K1" and the Wi-Fi icon "A" turns off.
5. To turn on the Wi-Fi and start the configuration, press Wi-Fi button "K1" and the Wi-Fi icon "A" starts flashing slowly. If want to configure Wi-Fi function, press the button "K1" for 3 sec, the Wi-Fi icon flashes quickly and enters the configuration mode. If want to turn off the Wi-Fi function, press button "K1" once. The above steps are repeated.
6. If the product has been configured and the Wi-Fi function was turn off, the refrigerator will not enter the configuration mode after reconnecting the power.

## Holiday function

1. When the display screen is unlocked, press the button "K7" (Holiday function button), the buzzer rings once, the indicator "G" (Holiday function) illuminates, and then the Holiday function will be turned on.
2. When the display screen is unlocked, press the button "K7" (Holiday function button), the buzzer rings once, the indicator "G" (Holiday function) goes off, and then the Holiday function will be turned off.

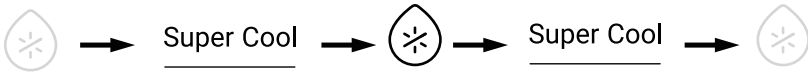


### NOTICE

1. The Holiday function is mainly used for short-term travel and other life scenes, and the fridge room must be emptied when use the holiday function.
2. In the Holiday function, the temperature of the fridge room will be higher (about 17 °C), please pay attention to empty the food in the fridge room to avoid food deterioration.

## Super Cool function

1. When the display screen is unlocked, press the button "K<sub>2</sub>" (Super Cool selector), the buzzer rings once, the indicator "B" (Super Cool function) illuminates, and then the Super Cool function will be turned on.
2. When the indicator "B" (Super Cool function) illuminates, press the button "K<sub>2</sub>" (Super Cool selector), the buzzer rings once, the indicator "O" (Super Cool function) goes off, and then the Super Cool function will be turned off.
3. After the Super Cool function is turned on, the refrigerator will automatically turn off the function when it reaches the set temperature. If you want to exit manually, you can press the button "K<sub>2</sub>" (Super Cool selector) to turn it off.



### **i** NOTICE

1. Under Super cool state, the fridge temperature cannot be adjusted. If either button "K<sub>4</sub>" (Temperature adjustment button "-") or button "K<sub>5</sub>" (Temperature adjustment button "+") is pressed to adjust the temperature of fridge, the indicator "B" (Super Cool indicator) will flash with a prompt sound to indicate that this operation cannot be carried out.
2. In the state of Super cool function, the Auto-set function cannot be turned on at the same time due to different control modes. When you choose one function that conflicts with another function, the original function will automatically exit.
3. This function will be automatically disabled after 6 hours.

## Super Freeze function

1. When the display screen is unlocked, press the button "K<sub>3</sub>" (Super Freeze selector), the buzzer rings once, the indicator "C" (Super Freeze function) illuminates, and then the Super Freeze function will be turned on.
2. When the indicator "C" (Super Freeze function) illuminates, press the button "K<sub>3</sub>" (Super Freeze selector), the buzzer rings once, the indicator "C" (Super Freeze function) goes off, and then the Super Freeze function will be turned off.
3. After the Super Freeze function is turned on, the refrigerator will automatically turn off the function when it reaches the set temperature. If you want to exit manually, you can press the button "K<sub>3</sub>" (Super Freeze selector) to turn it off.





## NOTICE

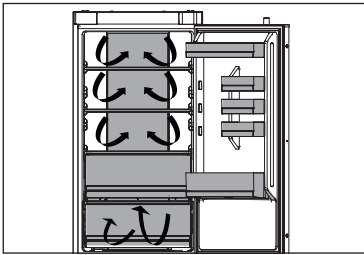
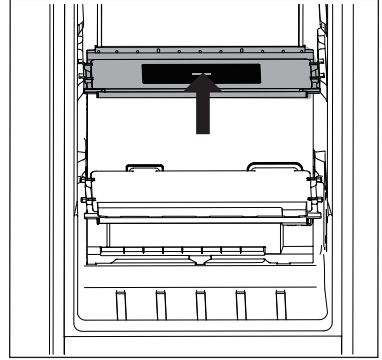
1. Under Super Freeze state, the freezer temperature cannot be adjusted. If either button "K<sub>4</sub>" (Temperature adjustment button "-") or button "K<sub>5</sub>" (Temperature adjustment button "+") is pressed to adjust the temperature of freezer, the indicator "C" (Super Freeze indicator) will flash with a prompt sound to indicate that this operation cannot be carried out.
2. Super Freeze function is designed to keep nutrition value of frozen food, it will be freeze food in the shortest time. If large quantities of frozen food are to be frozen at one time. Meanwhile, Super Freeze function should be set 24h in advance to make the freezer own relatively low temperature and put food in. At this time, the freezing speed of the freezer is improved, food can be frozen quickly, the nutrition of food is effectively kept, and the storage becomes quite convenient.
3. The Super Freeze function will automatically seitch off after 50 hours, The appli-  
ance is then operated at the previously set temperature.

## Humidity Zone drawer

In this compartment the humidity level is higher than fridge compartment. It is controlled automatically by the system and is suitable to store fruits, vegetable, salads, etc.

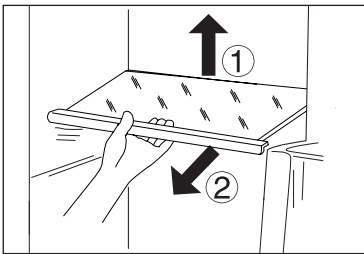
### **i** NOTICE

1. Do not remove the plastic cover inside the zone.
2. They maintain the humidity.
3. Clod-sensitive fruits like pineapple, avocado, bananas, grapefruits are not recommended to be stored in the drawer.



### Multi-air-flow

1. The refrigerator is equipped with a multi-air-flow system, with which cool air flows are located on every shelf level. This helps to maintain a uniform temperature to ensure that your food is kept fresher for longer.



### Adjustable shelves

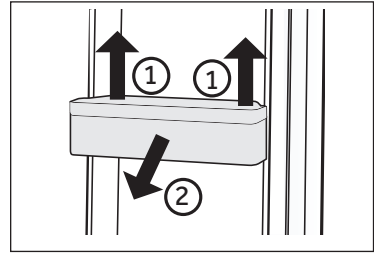
1. The height of the shelves can be adjusted to fit your storage needs.
2. To relocate a shelf, remove it first by uplifting its hind edge ① and pulling it out ②.
3. To reinstall it, put it on the lugs on both sides and push it to the most rearward position until the rear of the shelf is fixed inside the slots in the sides.

### **i** NOTICE

Ensure that all ends of a shelf are level.

### Removable door racks/bottle holder

1. The door racks can be removed for cleaning:
2. Place hands on each side of the rack, lift it upwards ① and pull it out ②.
3. In order to insert the door rack, the above steps are carried out in reverse order.



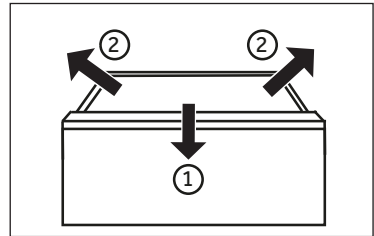
### NOTICE

When the appliance is switched on, it may take up to 12 hours for the correct temperatures to be reached.

### Removable drawer

To remove the drawer out, pull out to the maximum extent ①, lift and remove ②.

In order to insert the drawer, the above steps are carried out in reverse order.



### The Light

The LED interior light comes on when the door is opened. The performance of the lights is not affected by any of the appliances other settings.



## Energy saving tips

- ▶ Make sure the appliance is properly ventilated (see INSTALLATION).
- ▶ Do not install the appliance in direct sunlight or in the near of heat sources (e.g. stoves, heaters).
- ▶ Avoid unnecessarily low temperature in the appliance. The energy consumption increases the lower the temperature in the appliance is set.
- ▶ Functions like super Freeze consume more energy.
- ▶ Allow warm food to cool down before placing it in the appliance.
- ▶ Open the appliance door as little and as briefly as possible.
- ▶ Do not overfill the appliance to avoid obstructing the air flow.
- ▶ Avoid air within the food packaging.
- ▶ Keep door seals clean so that the door always closes correctly.
- ▶ Defreeze frozen food in the fridge storage compartment.
- ▶ The most energy-saving configuration requires the appliance keep drawers, food box and shelves on factory-fresh condition, and food should be placed as far as possible without blocking the air outlet of the duct.



## WARNING!

Disconnect the appliance from the power supply before cleaning.

### Cleaning

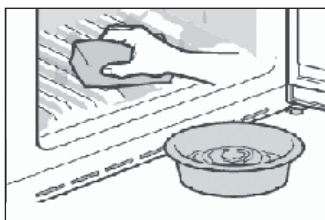
Clean the appliance when only little or no food is stored.

The appliance should be cleaned every four weeks for good maintenance and to prevent bad stored food odors.



## WARNING!

- ▶ Do not clean the appliance with hard brushes, wire brushes, detergent powder, petrol, amyl acetate, acetone and similar organic solutions, acid or alkaline solutions. Please clean with special refrigerator detergent to avoid damage.
- ▶ Do not spray or flush the appliance during cleaning.
- ▶ Do not use water spray or steam to clean the appliance.
- ▶ Do not clean the cold glass shelves with hot water. Sudden temperature change may cause the glass to break.
- ▶ Do not touch the inside surface of the freezer storage compartment, especially with wet hands, as your hands may freeze onto the surface.
- ▶ In case of heating check the condition of frozen goods.



- ▶ Always keep the door gasket clean.
- ▶ Clean the inside and housing of the appliance with a sponge dampened in warm water and neutral detergent.
  1. Please scrub the interior and exterior of the refrigerator, including door sealing, door rack, glass shelves, boxes and so on, with a soft towel or sponge dipped in warm water (you may add neutral detergent into the warm water).
  2. If there is liquid spilled, remove all the contaminated parts, directly rinse with the flow water, dry and place it back into the fridge.
  3. If there is spilled cream (such as the cream, melting ice cream), please remove all the contaminated parts, put into the warm water with about 40 °C for some time, then rinse with the flow water, dry and place it back into the fridge.
  4. In case some small part or component gets stuck inside of the fridge (between shelves or drawers), use small soft brush to release it. If you could not reach the part, please contact Haier service
- ▶ Rinse and dry with soft cloth.
- ▶ Do not clean any of the parts of the appliance in a dishwasher.
- ▶ Allow at least 5 minutes before restarting the appliance as frequent starting may damage the compressor.

### Defrosting

The defrosting of the refrigerator and the freezer compartment are done automatically; no manual operation is needed.

## Replacing the LED-lamps



### WARNING!

Do not replace the LED lamp yourself, it must only be replaced by either the manufacturer or the authorised service agent.

The lamps adopts LED as its light source, featuring low energy consumption and long service life. If there is any abnormality, please contact the customer service. See CUSTOMER SERVICE.

Parameters of the lamps:

Refrigerator compartment: 12 V max 2W

Freezer compartment: 12 V max 2 W

### Non-use for a longer period

If you do not use the appliance for a long time, AND you do not want to use the Holiday-function:

Take out the food.

Unplug the power cord.

Clean the appliance as described above.

Keep the doors open to prevent the creation of bad odours inside.



### NOTICE

Turn the appliance off only if strictly necessary.

### Moving the appliance

1. Remove all food and unplug the appliance.
2. Secure shelves and other moveable parts in the fridge and the freezer with adhesive tape.
3. Do not tilt the refrigerator more than 45° to avoid damaging the refrigerating system.



### WARNING!

- ▶ Do not lift the appliance by its handles.
- ▶ Never place the appliance horizontally on the ground.

Many occurring problems could be solved by yourself without specific expertise. In case of a problem please check all shown possibilities and follow below instructions before you contact an after sales service. See CUSTOMER SERVICE.



**WARNING!**

- ▶ Before maintenance, deactivate the appliance and disconnect the mains plug from the mains socket.
- ▶ Electrical equipment should be serviced only by qualified electrical experts, because improper repairs can cause considerable consequential damages.
- ▶ A damaged supply should only be replaced by the manufacturer, its service agent or similarly qualified persons in order to avoid a hazard.

Problem	Possible Cause	Possible Solution
The compressor does not work.	<ul style="list-style-type: none"> <li>• Mains plug is not connected in the mains socket.</li> <li>• The appliance is in the defrosting cycle</li> </ul>	<ul style="list-style-type: none"> <li>• Connect the mains plug.</li> <li>• This is normal for an automatic defrosting</li> </ul>
The appliance runs frequently or runs for a too long period of time.	<ul style="list-style-type: none"> <li>• The indoor or outdoor temperature is too high.</li> <li>• The appliance has been off power for a period of time.</li> <li>• A door of the appliance is not tightly closed.</li> <li>• The door has been opened too frequently or for too long.</li> <li>• The temperature setting for the freezer compartment is too low.</li> <li>• The door gasket is dirty, worn, cracked or mismatched.</li> <li>• The required air circulation is not guaranteed.</li> </ul>	<ul style="list-style-type: none"> <li>• In this case, it is normal for the appliance to run longer.</li> <li>• Normally, it takes 8 to 12 hours for the appliance to cool down completely.</li> <li>• Close the door/drawer and ensure the appliance is located on a level ground and there is no food or container jarring the door.</li> <li>• Do not open the door/drawer too frequently.</li> <li>• Set the temperature higher until a satisfactory refrigerator temperature is obtained. It takes 24 hours for the refrigerator temperature to become stable.</li> <li>• Clean the door/drawer gasket or replace them by the customer service.</li> <li>• Ensure adequate ventilation.</li> </ul>
The inside of the refrigerator is dirty and/or smells.	<ul style="list-style-type: none"> <li>• The inside of the refrigerator needs cleaning.</li> <li>• Food of strong odour is stored in the refrigerator.</li> </ul>	<ul style="list-style-type: none"> <li>• Clean the inside of the refrigerator.</li> <li>• Wrap the food thoroughly..</li> </ul>

Problem	Possible Cause	Possible Solution
It is not cold enough inside the appliance.	<ul style="list-style-type: none"> <li>The temperature is set too high.</li> <li>Too warm goods has been stored.</li> <li>Too much food has been stored at one time.</li> <li>The goods are too close to each other.</li> <li>A door/drawer of the appliance is not tightly closed.</li> <li>The door/drawer has been opened too frequently or for too long.</li> </ul>	<ul style="list-style-type: none"> <li>Reset the temperature.</li> <li>Always cool down goods before storing them.</li> <li>Always store small quantities of food.</li> <li>Leave a gap between several foods allowing air flowing.</li> <li>Close the door/drawer.</li> <li>Do not open the door/drawer too frequently.</li> </ul>
It is too cold inside the appliance.	<ul style="list-style-type: none"> <li>The temperature is set too low.</li> <li>The Super Freeze/Super Cool function is activated or is running too long.</li> </ul>	<ul style="list-style-type: none"> <li>Reset the temperature.</li> <li>Switch off the Super Freeze/Super Cool function</li> </ul>
Moisture formation on the inside of the refrigerator compartment.	<ul style="list-style-type: none"> <li>The climate is too warm and toodamp.</li> <li>A door/drawer of the appliance is not tightly closed.</li> <li>The door/drawer has been opened too frequently or for too long.</li> <li>Food containers or liquids are left open.</li> </ul>	<ul style="list-style-type: none"> <li>Increase the temperature.</li> <li>Close the door/drawer.</li> <li>Do not open the door/drawer too frequently.</li> <li>Let hot foods cool to room temperature and cover foods and liquids.</li> </ul>
Moisture accumulates on the refrigerators outside surface or between the doors/door and drawer.	<ul style="list-style-type: none"> <li>The climate is too warm and too damp.</li> <li>The door is not closed tightly. The cold air in the appliance and the warm air outside it condensates.</li> </ul>	<ul style="list-style-type: none"> <li>This is normal in damp climate and will change when the humidity decreases.</li> <li>Ensure that he door/drawer is tightly shut.</li> </ul>
Display light work, but do not feel cool.	<ul style="list-style-type: none"> <li>It is in the demo mode.</li> </ul>	<ul style="list-style-type: none"> <li>Please note what condition it is in,if it is in Demo mode, exit it. Exit:Open the refrigerator door, in the locked state, press the second button on the right for 8S within 12 hours of power-on.</li> </ul>

Problem	Possible Cause	Possible Solution
Strong ice and frost in the freezer compartment.	<ul style="list-style-type: none"> <li>• The goods were not adequately packaged .</li> <li>• A door/drawer of the appliance is not tightly closed.</li> <li>• The door/drawer has been opened too frequently or for too long.</li> <li>• The door/drawer gasket is dirty, worn, cracked or mismatched.</li> <li>• Something on the inside prevents the door/drawer to close properly.</li> </ul>	<ul style="list-style-type: none"> <li>• Always pack the goods well.</li> <li>• Close the door/drawer.</li> <li>• Do not open the door/drawer too frequently.</li> <li>• Clean the door/drawer gasket or replace them by new ones.</li> <li>• Reposition the shelves, door racks, or internal containers to allow the door/drawer to close.</li> </ul>
The sides of the cabinet and door strip get warm.	<ul style="list-style-type: none"> <li>• -</li> </ul>	<ul style="list-style-type: none"> <li>• This is normal.</li> </ul>
The appliance makes abnormal sounds.	<ul style="list-style-type: none"> <li>• The appliance is not located on level ground.</li> <li>• The appliance touches some object around it.</li> </ul>	<ul style="list-style-type: none"> <li>• Adjust the feet to level the appliance.</li> <li>• Remove objects around the appliance.</li> </ul>
A slight sound is to be heard similar to that of flowing water.	<ul style="list-style-type: none"> <li>• -</li> </ul>	<ul style="list-style-type: none"> <li>• This is normal.</li> </ul>
You will hear an alarm beep.	<ul style="list-style-type: none"> <li>• The fridge storage compartment door is open.</li> </ul>	<ul style="list-style-type: none"> <li>• Close the door.</li> </ul>
You will hear a faint hum.	<ul style="list-style-type: none"> <li>• The anti-condensation system is working</li> </ul>	<ul style="list-style-type: none"> <li>• This prevents condensation and is normal</li> </ul>
The interior lighting or cooling system does not work.	<ul style="list-style-type: none"> <li>• Mains plug is not connected in the mains socket.</li> <li>• The power supply is not intact.</li> <li>• The LED-lamp is out of order.</li> </ul>	<ul style="list-style-type: none"> <li>• Connect the mains plug.</li> <li>• Check the electrical supply to the room. Call the local electricity company!</li> <li>• Please call the service for changing the lamp.</li> </ul>

To contact the technical assistance, visit our website: <https://corporate.haier-europe.com/en/>

Under the section "website", choose the brand of your product and your country. You will be redirected to the specific website where you can find the telephone number and form to contact the technical assistance.

### Power interruption

In the event of a power cut, food should remain safely cold for about 5 hours. Follow these tips during a prolonged power interruption, especially in summer:

- ▶ Open the door/drawer as few times as possible.
- ▶ Do not put additional food into the appliance during a power interruption.
- ▶ If prior notice of a power interruption is given and the interruption duration is longer than 5 hours, make some ice and put it in a container in the top of the refrigerator compartment.
- ▶ An inspection of the goods is required immediately after the interruption.
- ▶ As temperature in the refrigerator will rise during a power interruption or other failure, the storage period and edible quality of food will be reduced. Any food that defrosts should be either consumed, or cooked and refrozen (where suitable) soon afterwards in order to prevent health risks.

### Memory function during power interruption

After restoration of power the appliance continues with the settings that were set before the power failure.

## Unpacking



### WARNING!

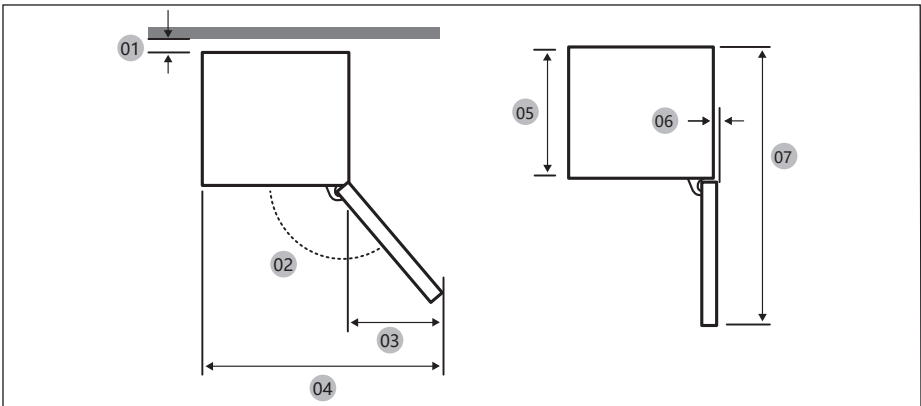
- ▶ The appliance is heavy. Always handle with at least two persons.
- ▶ Keep all packaging materials out of children's reach and dispose them in an environmentally friendly manner.
- ▶ Take the appliance out of the packaging.
- ▶ Remove all packaging materials.

## Environmental conditions

The room temperature should always be between 10° C and 43° C, since it can influence the temperature inside the appliance and its energy consumption. Do not install the appliance near other heat-emitting appliances (ovens, refrigerators) without isolation.

## Space requirement

Required space when door is opened (Without cabinet door panel)

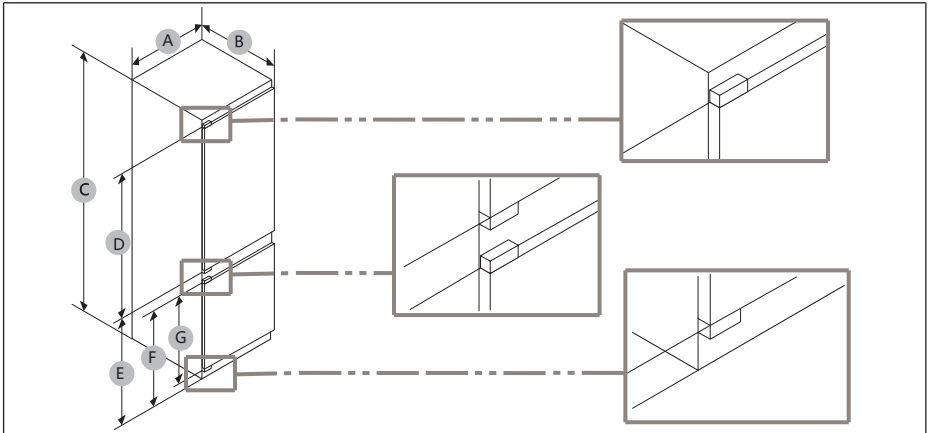


Model	EBQW5518E HBQW5518E HBQW5518EK HQE1855BCMW EHQE1855BCMW	HBQW5519E HBQW5519EK EBQW5519E EBQW5519ECM	HBQW5719E
01 *	10 (Min.) / 30 (Recommended)	10 (Min.) / 30 (Recommended)	10 (Min.) / 30 (Recommended)
02	95° (Recommended)	95° (Recommended)	95° (Recommended)
03	43	43	55
04	583	583	745
05	515	515	515
06	-3	-3	-3
07	1060	1060	1210

\* 01: From cabinet to rear of product.

(unit : mm)

## Product dimension



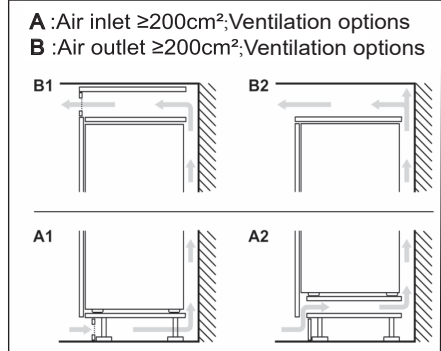
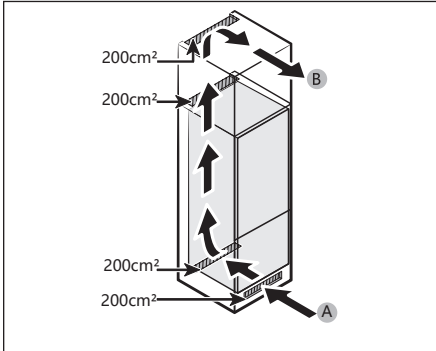
Model	A(mm)	B(mm)	C(mm)	D(mm)	E(mm)	F(mm)	G(mm)
EHBQW5518E HBQW5518E HBQW5518EK HQE1855BCMW EHQE1855BCMW	540±2	550±2	1772±2	970	745	662	618
HBQW5519E HBQW5519EK EHBQW5519E EHBQW5519ECM	540±2	550±2	1935±2	1133	745	662	618
HBQW5719E	690±2	550±2	1935±2	1133	745	662	618

**i** NOTICE

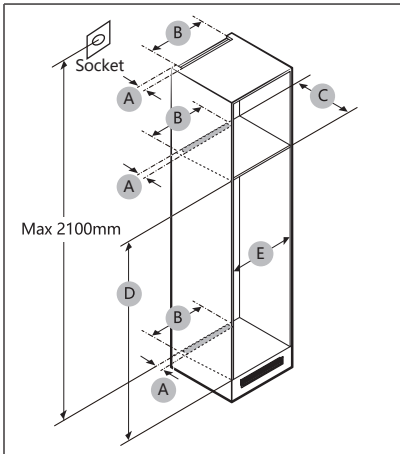
- The specified energy consumption is based on the condition of a 10 mm gap from cabinet to rear of product. The product will work properly even with a gap which is less than 10 mm, however it consumes slightly more energy.
- We recommend using a cabinet that is 18mm thick with hinges less than 20mm thick.
- The measurements in the above table may differ, depending on the measuring method.
- For built-in installation, see the Installation Guide.

## Ventilation cross-section

To achieve sufficient ventilation of the appliance for safety reasons, the information of the required ventilation cross sections must be observed.



## Cabinet dimension



## ⚠ CAUTION!

Any product failure due to the following is not covered by the Warranty.

1. Improper site conditions or incorrect cabinet sizes.
2. Defective cabinet.
3. Mistakes by the installer or the user.

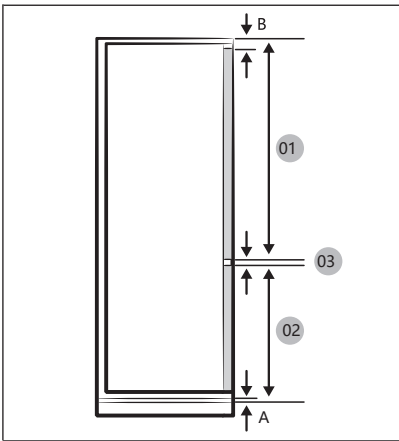
## Clearance

See the pictures and tables below for space requirements for installation.

Model		A (mm)	B (mm)	C (mm)	D (mm)	E (mm)	Remark
EHBQW5518E HBQW5518E HBQW5518EK HQE1855BCMW EHQE1855BCMW	Min.	50	400	560	1778	560	Hinge : 17mm
	Recommend			580	1780	562	
	Max.			-	1782	568	
HBQW5519E HBQW5519EK EHBQW5519E EHBQW5519ECM	Min.	50	400	560	1940	560	Hinge : 17mm
	Recommend			580	1943	562	
	Max.			-	1945	568	
HBQW5719E	Min.	50	400	560	1941	710	Hinge : 17mm
	Recommend			580	1943	714	
	Max.			-	1945	718	

**i** NOTICE

- If the width of a cabinet is larger than 568mm, the gasket (between the refrigerator and the cabinet) can become loose.
- If the cabinet is higher than the maximum dimension (1782 mm), you must use other finishing materials to fill the gap.(for EHBQW5518E/HBQW5518E/EK/EHQE/HQE1855BCMW)
- If the cabinet is higher than the maximum dimension (1945 mm), you must use other finishing materials to fill the gap.(for HBQW5519E/EK/EHBQW5519E/ECM)



**i** NOTICE

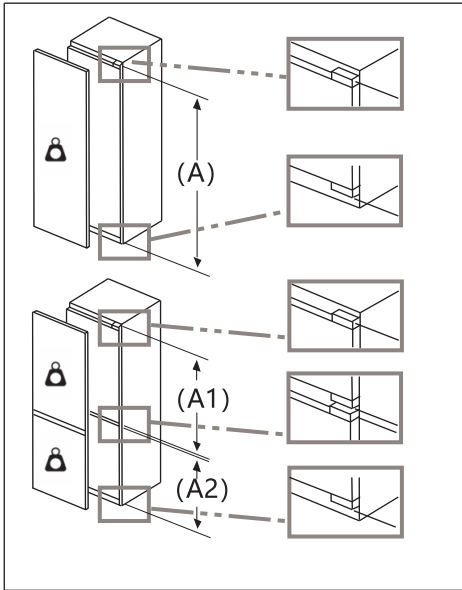
To install a cabinet requiring a 4 mm gap (03), see the cabinet reference table below.

- A. Lower edge of the front panel above the air ventilation
- B. Front panel overhang


(unit : mm)

Model	EHBQW5518E HBQW5518E HBQW5518EK HQE1855BCMW EHQE1855BCMW	HBQW5519E HBQW5519EK EHBQW5519E EHBQW5519ECM HBQW5719E
01	Min. 1028+B Max. 1106+B	Min. 1191+B Max. 1269+B
02	Min. 662+A Max. 740+A	Min. 662+A Max. 740+A
03	4 mm (fridge and freezer cabinet door panel gap)	

## Maximal permissible weight of the unit fronts

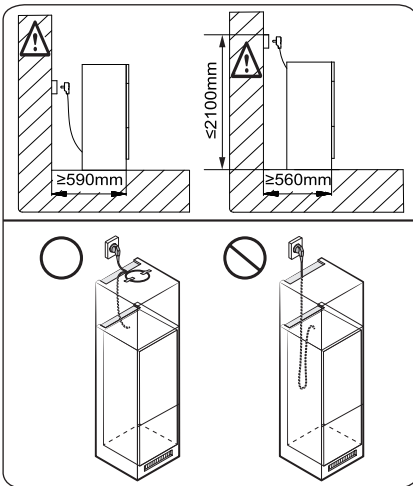


Fitted unit fronts that exceed the permissible weight may cause damage and result in functional impairment of the hinges.

 **Weight**  
(kg)

1500-1750 mm	22
720-1400 mm	19
A1	15
A2	15

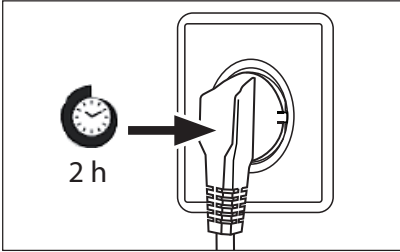
## Consideration for socket outlet location and required space



### NOTICE

If you install the refrigerator in a cabinet with a 560 mm depth, make sure the power cord is arranged on a side of the refrigerator before plugging into a power socket. If the power cord is in the rear of the refrigerator, it could decrease the energy efficiency.

## Waiting time



To the maintenance-free lubrication oil is located in the capsule of the compressor. This oil can get through the closed pipe system during slanting transport. Before connecting the appliance to the power supply you have to wait at least 2 hours so that the oil runs back into the capsule.

## Electrical connection

Before each connection check if:

- ▶ power supply, socket and fusing are appropriate to the rating plate.
- ▶ the power socket is earthed and no multi-plug or extension.
- ▶ the power plug and socket are strictly according.

Connect the plug to a properly installed household socket.



## WARNING!

To avoid risks a damaged power cord must be replaced by the customer service (see warranty card).

Product fiche according to regulation EU No. 2019/2016

Brand	Haier		
Model name/identifier	EHBQW5518E HBQW5518E HBQW5518EK HQE1855BCMW EHQE1855BCMW	HBQW5519E HBQW5519EK EHBQW5519E EHBQW5519ECM	HBQW5719E
Category of the model	Refrigerator freezer	Refrigerator freezer	Refrigerator freezer
Energy efficiency class	E	E	E
Annual energy consumption(kWh/year)(1)	229	229	259
Total volume(L)	268	285	382
Volume refrigerator(L)	194	211	281
Volume freezer(L)	74	74	101
Volume chiller section(L)	/	/	/
Volume auto ice maker(L)	/	/	/
Star rating	4	4	4
Temperature of other compartments>14°C	Non applicable	Non applicable	Non applicable
Frost-free system	Yes	Yes	Yes
Freezing capacity(kg/24h)			
Climate rating(2)	SN/N/ST/T	SN/N/ST/T	SN/N/ST/T
Noise emission class and airborne acoustical noise emissions(db(A)re1pW)	B(35)	B(35)	B(33)
Temperature rise time(h)	12	12	9
Ice making capacity	/	/	/
Type of appliance	Built-in	Built-in	Built-in

Model name	Energy efficiency class
EHBQW5518E HBQW5518E HBQW5518EK HQE1855BCMW EHQE1855BCMW	E
HBQW5519E HBQW5519EK EHBQW5519E EHBQW5519ECM HBQW5719E	E

Explanations:

- Yes, featured

- (1) Based on the results of the standards conformance test over 24 hours. The actual consumption depends on the use and the location of the appliance.
- (2) Climate rating SN: This appliance is intended for use in an ambient temperature of between + 10°C and +32°C

Climate rating N: This appliance is intended for use in an ambient temperature of between + 16°C and +32°C

Climate rating ST: This appliance is intended for use in an ambient temperature of between + 16°C and +38°C

Climate rating T: This appliance is intended for use in an ambient temperature of between + 16°C and +43°C

Additional technical data

Voltage / Frequency	220-240V ~/ 50Hz
Input current (A)	1.2/1.6
Main fuse (A)	16
Coolant	R600a
Dimensions (H/W/D in mm)	EHBQW5518E/HBQW5518E/EK EHQE/HQE1855BCMW: 1773/540/555
	HBQW5519E/EK/ EHBQW5519E/ECM: 1935/540/555
	EHBQW5719E : 1935/690/550

We recommend our Haier Customer Service and the use of original spare parts. If you have a problem with your appliance, please first check section TROUBLE-SHOOTING.

If you cannot find a solution there, please contact

- ▶ your local dealer or
- ▶ our European Call Service-Center (see listed phone numbers below) or
- ▶ the Service & Support area at [www.haier.com](http://www.haier.com) where you can activate the service claim and also find FAQs.

To contact our Service, ensure that you have the following data available. The information can be found on the rating plate.

Model \_\_\_\_\_

Serial No. \_\_\_\_\_

Also check the Warranty Card supplied with the product in case of warranty.

European Call Service-Center		
Country*	Phone number	Costs
Haier Italy (IT)	199 100 912	
Haier Spain (ES)	902 509 123	
Haier Germany (DE)	0180 5 39 39 99	<ul style="list-style-type: none"> <li>• 14 Ct/Min Landline</li> <li>• max 42 Ct/Min Mobile</li> </ul>
Haier Austria (AT)	0820 001 205	<ul style="list-style-type: none"> <li>• 14,53 Ct/Min Landline</li> <li>• max 20 Ct/Min all others</li> </ul>
Haier United Kingdom (UK)	0333 003 8122	
Haier France (FR)	0980 406 409	

\* For other countries please refer to [www.haier.com](http://www.haier.com)

Haier Europe Trading S.r.l

Branch UK

Westgate House, Westgate, Ealing

London, W5 1YY

\*Duration of the guarantee of the refrigerating appliance:

Minimum guarantee is: 2 years for EU Countries, 3 years for Turkey, 1 year for UK, 1 year for Russia, 3 years for Sweden, 2 years for Serbia, 5 years for Norway, 1 year for Morocco, 6 months for Algeria, Tunisia no legal warranty required.

\*The period of spare parts for the repair of the appliance:

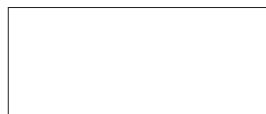
Thermostats, temperature sensors, printed circuit boards and light sources are available for a minimum period of seven years after placing the last unit of the model on the market.

Door handles, door hinges, trays and baskets for a minimum period of seven years and door gaskets for a minimum period of 10 year, after placing the last unit of the model on the market.

\*For further information about the product, please consult <https://eprel.ec.europa.eu/> or scan the QR on the energy label supplied with the appliance.



**Haier**



2024 Version A

# Haier



كتيب المستخدم

الثلاجة - الفريزر

EHBQW5518E

HBQW5518E

HBQW5518EK

HQE1855BCMW

EHQE1855BCMW

HBQW5519E

HBQW5519EK

EHBQW5519E

EHBQW5519ECM

HBCN7190U1

AR

5	<u>قبل الاستخدام الأول</u>	4 <u>معلومات السلامة</u>
5	<u>التركيب</u>	
6	<u>الاستخدام اليومي</u>	9 <u>الاستخدام المقصود</u>
8	<u>معلومات حول غاز التبريد</u>	10 <u>وصف المنتج</u>
		12 <u>لوحة التحكم</u>
13	<u>قفل،/إلغاء قفل، اللوحة</u>	13 <u>الاستخدام</u>
13	<u>تعديل درجة حرارة الفلاحة</u>	
14	<u>تعديل درجة حرارة الفريزر</u>	
15	<u>وظيفة Wi-Fi</u>	18 <u>المعدات</u>
15	<u>وظيفة Holiday</u>	20 <u>نصائح لتوفير الطاقة</u>
16	<u>وظيفة Super Cool</u>	21 <u>العناية والتنظيف</u>
16	<u>وظيفة Super Freeze</u>	23 <u>استكشاف الأعطال وإصلاحها</u>
		27 <u>التركيب</u>
		34 <u>البيانات الفنية</u>
		36 <u>خدمة العملاء</u>

## شكرًا لك على شراء منتج Haier.

اقرأ هذه التعليمات بعناية قبل استخدام هذا الجهاز. تحتوي التعليمات على معلومات مهمة ستساعدك على الحصول على أفضل النتائج من الجهاز وضمان التركيب والاستخدام والصيانة الآمنة والسليمة. احتفظ بهذا الدليل في مكان مناسب حتى تتمكن دائمًا من الرجوع إليه من أجل الاستخدام الآمن والسليم للجهاز. إذا كنت تباع الجهاز، أو تتخلى عنه، أو تتركه خلفك عندما تنتقل إلى منزل جديد، فتأكد أيضًا من تمرير هذا الكتيب إلى المالك الجديد حتى يتمكن من التعرف على الجهاز وتحذيرات السلامة.

## الملحقات

تحقق من الملحقات والنشرات الفنية وفقًا لهذه القائمة:



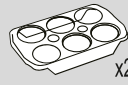
دليل تحذير السلامة



بطاقة الضمان

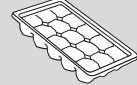


ملصق الطاقة

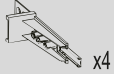


x2

صينية البيض



صينية مكعبات الثلج



x4

مجموعة الانزلاق



x4

مُوجه الانزلاق



x2

كتلة إسفنجية



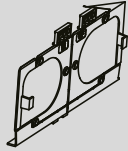
x2

غطاء

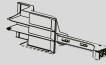


x4

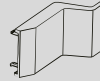
برغي



لوحة ثابتة سفلية



اللوحة الثابتة الثانية



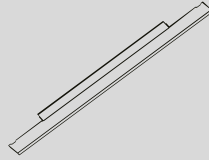
غطاء المفصلة



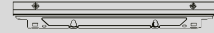
لوحة ثابتة



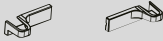
الغطاء الجانبي السفلي



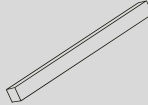
الغطاء السفلي



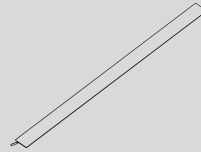
لوحة ثابتة علوية



غطاء المفصلة السفلية



إسفنجة الغلق



شريط الغلق

## تحذير - معلومات السلامة المهمة



## ملاحظة - معلومات ونصائح عامة



## المعلومات البيئية



## التخلص من المنتج

ساعد في حماية البيئة وصحة الإنسان. ضع العبوة في حاويات مناسبة لإعادة تدويرها. ساعد على إعادة تدوير مخلفات الأجهزة الكهربائية والإلكترونية. لا تتخلص من الأجهزة التي تحمل هذا الرمز مع النفايات المنزلية. أعد المنتج إلى مرفق إعادة التدوير المحلي أو اتصل بمكتب البلدية.



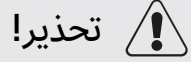
## تحذير!



خطر الإصابة أو الاختناق!

يجب التخلص من المبردات والغازات بطريقة احترافية. تأكد من عدم تلف أنابيب دائرة التبريد قبل التخلص منها بشكل صحيح. افصل الجهاز عن مصدر التيار الكهربائي. اقطع كابل التيار الكهربائي وتخلص منه. أزل الصواني والأدراج بالإضافة إلى ماسك الباب وموانع التسرب لمنع الأطفال والحيوانات الأليفة من الانجbas داخل الجهاز.

## قبل تشغيل الجهاز للمرة الأولى، اقرأ إرشادات الأمان التالية!:



تحذير!

### قبل الاستخدام الأول

- ◀ تأكد من عدم تعرضه للتلف أثناء النقل.
- ◀ انتظر ساعتين على الأقل قبل تركيب الجهاز للتأكد من أن دائرة التبريد فعالة تمامًا.
- ◀ احمل الجهاز دائمًا بالاستعانة بشخصين على الأقل لأنه ثقيل.
- ◀ أزل جميع مواد التغليف، واحتفظ بها بعيدًا عن متناول الأطفال وتخلص منها بطريقة صديقة للبيئة.
- ◀ نظّف الجهاز من الداخل والخارج بالماء وبمنظف معتدل قبل وضع أى طعام فيه.
- ◀ بعد ضبط مستوى الجهاز مع الأرضية وتنظيفه، انتظر لمدة 2-5 ساعات على الأقل قبل توصيله بمصدر الطاقة. انظر قسم "التركيب".
- ◀ قم بتبريد الأجزاء بشكل مسبق وبإعدادات عالية قبل تحميل الطعام. تساعد وظيفة Power-Freeze على تبريد الحجيرات بسرعة.
- ◀ يتم تعيين درجة حرارة الثلجة ودرجة حرارة الفريزر تلقائيًا على 5 درجات مئوية و-18 درجة مئوية على التوالي. يرد فيما يلي الإعدادات الموصى بها. يمكنك تغيير درجات الحرارة هذه يدويًا إذا رغبت في ذلك. يرجى الاطلاع على "تعديل درجة الحرارة".

### التركيب

- ◀ يجب وضع الجهاز في مكان جيد التهوية. تأكد من وجود مساحة لا تقل عن 10 سم فوق الجهاز وحوله.
- ◀ لا تضع الجهاز أبدًا في منطقة رطبة أو مكان قد يتناثر فيه الماء. نظف بقع الماء وجففها بقطعة قماش ناعمة ونظيفة.
- ◀ لا تقم بتركيب الجهاز في ضوء الشمس المباشر أو بالقرب من مصادر الحرارة (مثل المواقد والسخانات).
- ◀ قم بتثبيت الجهاز وتسويته في منطقة مناسبة لحجمه واستخدامه.
- ◀ احرص على عدم انسداد فتحات التهوية في الجهاز أو البنية المضمنة.
- ◀ تحقق من توافق البيانات الكهربائية الموجودة على لوحة القياس مع مصدر الطاقة. إذالم يحدث ذلك، فاتصل بفني كهربائي.
- ◀ يشغّل الجهاز بواسطة مصدر طاقة 220-240 فولت تيار متردد/50 هرتز. قد يؤدي التقلب غير الطبيعي في الجهد إلى فشل تشغيل الجهاز، أو تلف التحكم في درجة الحرارة أو الضاغط، أو قد تكون هناك ضوضاء غير طبيعية عند التشغيل. في هذه الحالات، يجب تركيب منظم أوتوماتيكي.
- ◀ تجنب استخدام المحولات وكابلات التمديد متعددة القوابس.
- ◀ تجنب وضع مقابس محمولة أو مصادر طاقة محمولة متعددة للتيار خلف الجهاز.
- ◀ تأكد من أن كابل الطاقة غير عالق بالثلجة. تجنب الخطو على كابل الطاقة.
- ◀ استخدم مقبسًا أرضيًا منفصلًا لمصدر الطاقة يسهل الوصول إليه. يجب تأريض الجهاز.
- ◀ فقط للمملكة المتحدة: كابل الطاقة الخاص بالجهاز مزود بقابس مكون من 3 أسلاك (تأريض) يناسب مقبسًا قياسيًا مكونًا من 3 أسلاك (مؤرض). لا تقم أبدًا بقطع الدبوس الثالث (التأريض) أو فكه. بعد تركيب الجهاز، يجب أن يسهل الوصول إلى القابس.
- ◀ تجنب إتلاف دائرة التبريد الكهربائية.

## تحذير!




## الاستخدام اليومي

- ◀ يُمكن أن يستخدم هذا الجهاز الأطفال البالغ أعمارهم 8 سنوات أو أكثر والأشخاص الذين يعانون نقصًا في القدرات البدنية، أو الحسية، أو العقلية، أو الأشخاص الذين لديهم نقص في الخبرة أو المعرفة إذا خضعوا للإشراف أو قُدمت لهم تعليمات بشأن استخدام الجهاز بطريقة آمنة وكان لديهم فهم للمخاطر التي ينطوي عليها.
- ◀ يُسمح للأطفال الذين تتراوح أعمارهم من 3 إلى 8 سنوات بالتحميل والتفريغ، لكن لا يُسمح لهم بتنظيف أجهزة التبريد أو تركيبها.
- ◀ أبق الأطفال دون سن 3 سنوات بعيدًا عن الجهاز ما لم يتم الإشراف عليهم باستمرار.
- ◀ يجب ألا يعبت الأطفال بالجهاز.
- ◀ إذا تسرب غاز بارد أو غاز آخر قابل للاشتعال بالقرب من الجهاز، فاغلق صمام الغاز المتسرب، وافتح الأبواب والنوافذ، وتجنب فصل قابس كابل الطاقة بالثلاجة أو أي جهاز آخر.
- ◀ لاحظ أنه تم ضبط الجهاز للتشغيل في نطاق محيط معين بين 10 و43 درجة مئوية. قد لا يعمل الجهاز بشكل صحيح إذا تُرك لفترة طويلة عند درجة حرارة أعلى من النطاق المحدد أو أقل منه.
- ◀ تجنب وضع أشياء غير مستقرة (أشياء ثقيلة، أوعية مملوءة بالماء) على الجزء العلوي من الثلاجة، لتجنب إصابة الأشخاص الناجمة عن السقوط أو الصدمة الكهربائية الناتجة عن ملامسة الماء.
- ◀ تجنب سحب رفوف الباب للخارج. قد يُسحب الباب بشكل مائل، أو قد يخرج رف الزجاجات من مكانه، أو قد يسقط الجهاز.
- ◀ افتح الأبواب وأغلقها بالمقابض فقط. الفجوة بين الأبواب والخزانة ضيقة للغاية. تجنب مد يديك في هذه المناطق لتجنب القرص على أصابعك. افتح أبواب الثلاجة أو أغلقها عندما لا يكون هناك أطفال واقفين ضمن نطاق حركة الباب فقط.
- ◀ تجنب تخزين أو استخدام مواد قابلة للاشتعال أو متفجرة أو مسببة للتآكل في الجهاز أو في المنطقة المجاورة.
- ◀ تجنب تخزين الأدوية أو البكتيريا أو العوامل الكيميائية في الجهاز. هذا الجهاز مخصص للاستخدام المنزلي فقط. لا يوصى بتخزين المواد التي تتطلب درجات حرارة دقيقة.
- ◀ لا تقم أبدًا بتخزين السوائل في الزجاجات أو العلب (بالإضافة إلى المشروبات الروحية عالية التركيز) خاصةً المشروبات الغازية في الفريزر، حيث أنها ستنفجر أثناء التجميد.
- ◀ تحقق من حالة الطعام في حالة حدوث تدفئة في الفريزر.
- ◀ تجنب تعيين درجة حرارة منخفضة بلا ضرورة في حجرة الثلاجة. قد تحدث درجات حرارة دون الصفر في الإعدادات العالية. تنبيه: يمكن أن تنفجر الزجاجات.
- ◀ تجنب لمس السلع المجمدة إذا كانت يداك مبتلتين (قم بارتداء القفازات). لا تأكل المصاصات الثلجة فورًا بعد إزالتها من حجرة الفريزر. هناك خطر حدوث تجمد أو تكون بثور بسبب الثلج. الإسعافات الأولية: اترك مكان التعرض مباشرة تحت الماء البارد الجاري. لا تسحبه!
- ◀ تجنب لمس السطح الداخلي لحجرة تخزين الفريزر أثناء التشغيل، خاصةً باستخدام الديدن المبللتين، حيث قد تتجمد يديك، وتلتصق بالسطح.
- ◀ افصل الجهاز في حالة انقطاع التيار الكهربائي أو قبل التنظيف. انتظر 7 دقائق على الأقل قبل إعادة تشغيل الجهاز، حيث أن التشغيل المتكرر قد يؤدي إلى تلف الضاغط.
- ◀ تجنب استخدام أجهزة كهربائية داخل حجيرات تخزين الطعام بالجهاز، إلا إذا كانت من النوع الذي أوصت به جهة التصنيع.

**تحذير!****الصيانة/التنظيف**

- ◀ تأكد من أن الأطفال يخضعون للإشراف إذا قاموا بالتنظيف والصيانة.
- ◀ افصل الجهاز عن التيار الكهربائي قبل إجراء أي صيانة روتينية. انتظر 5 دقائق على الأقل قبل إعادة تشغيل الجهاز حيث أن التشغيل المتكرر قد يؤدي إلى تلف الضاغط.
- ◀ امسك القابس، وليس الكابل، عند فصل الجهاز.
- ◀ تجنب تنظيف الجهاز باستخدام الفرش الصلبة، والفرش السلكية، ومسحوق التنظيف، والبيزرين، وأميلات الأسيتات، والأسيتون والمحاليل العضوية المائلة، أو المحاليل الحمضية أو القلوية. يرجى التنظيف باستخدام منظف الثلجة الخاص لتجنب حدوث ضرر.
- ◀ تجنب كشط الجليد والثلج بأشياء حادة. تجنب استخدام البخاخات أو أجهزة التسخين الكهربائية مثل السخان أو مجفف الشعر أو أجهزة التنظيف بالبخار أو مصادر الحرارة الأخرى لتجنب تلف الأجزاء البلاستيكية.
- ◀ تجنب استخدام أجهزة ميكانيكية أو وسائل أخرى لتسريع عملية إذابة الثلج بخلاف تلك الموصى بها من جانب الشركة المصنعة.
- ◀ في حال تلف كابل التغذية، يجب استبداله بواسطة الشركة المصنعة، أو وكيل الخدمة الخاص بها أو الأشخاص المؤهلين بالدرجة نفسها لتفادي التعرض للخطر.
- ◀ تجنب محاولة إصلاح الجهاز أو فكه أو تعديله بنفسك. في حالة الحاجة للإصلاح، يرجى الاتصال بالدعم الخاص بنا مباشرة.
- ◀ تخلص من الغبار الموجود بالجزء الخلفي من الوحدة مرة واحدة على الأقل في السنة لتجنب خطر نشوب الحريق وزيادة استهلاك الطاقة أيضًا.
- ◀ تجنب رش الجهاز أو غسله أثناء التنظيف.
- ◀ تجنب استخدام رشاش الماء أو البخار لتنظيف الجهاز.
- ◀ تجنب تنظيف الأرفف الزجاجية الباردة بالماء الساخن. قد يؤدي تغير درجة الحرارة المفاجئ إلى انكسار الزجاج.

## معلومات حول غاز التبريد

**تحذير!** 

يحتوي الجهاز على غاز التبريد أيزوبيوتان (R600a) القابل للاشتعال. تأكد من عدم تلف دائرة التبريد أثناء النقل أو التركيب. قد يتسبب تسرب سائل التبريد في حدوث إصابات بالعينين أو تهيجهما. في حالة حدوث ضرر، ابق بعيدًا عن مصادر النار المفتوحة، وقم بتهوية الغرفة جيدًا، وتجنب توصيل أو فصل أسلاك الطاقة الخاصة بالجهاز أو أي جهاز آخر. ابلغ خدمة العملاء.

في حالة ملامسة سائل التبريد للعينين، اشطفهما على الفور تحت المياه الجارية واتصل بأخصائي العيون على الفور.

## الاستخدام المقصود

هذا الجهاز مخصص لتبريد الطعام وتجميده. تم تصميمه حصريًا للاستخدام في المنزل والتطبيقات المماثلة مثل مناطق مطبخ الموظفين في المتاجر والمكاتب وبيئات العمل الأخرى؛ منازل المزرعة والعملاء في الفنادق والموتيلات وغيرها من البيئات السكنية وكذلك في أماكن البيت والإفطار والأعمال التجارية. غير مخصص للاستخدام التجاري أو الصناعي.

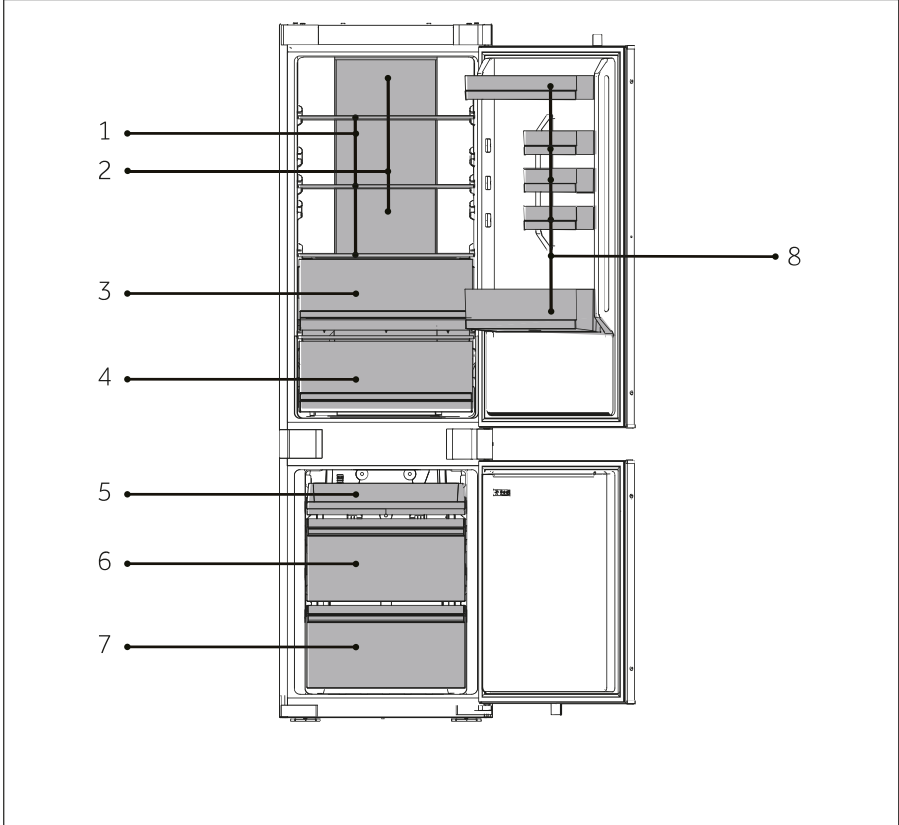
التغييرات أو التعديلات على الجهاز غير مسموح بها. قد يتسبب الاستخدام غير المقصود في وقوع مخاطر وفقدان مطالبات الضمان.

## المعايير والتوجيهات UK أو CE

يفي هذا المنتج بمتطلبات جميع توجيهات المفوضية الأوروبية المعمول بها مع المعايير المنسقة المقابلة ومعايير المملكة المتحدة، والتي تنص على وضع علامة CE أو UKCA.

إخطار 

بسبب التغييرات الفنية والطرز المختلفة، قد تختلف بعض الرسوم التوضيحية في هذا الكتيب عن الطراز الخاص بك.




EHBQW5518E/ HBQW5518E/ HBQW5518EK/ HQE1855BCMW/ EHQE1855BCMW

B: غرفة التجميد

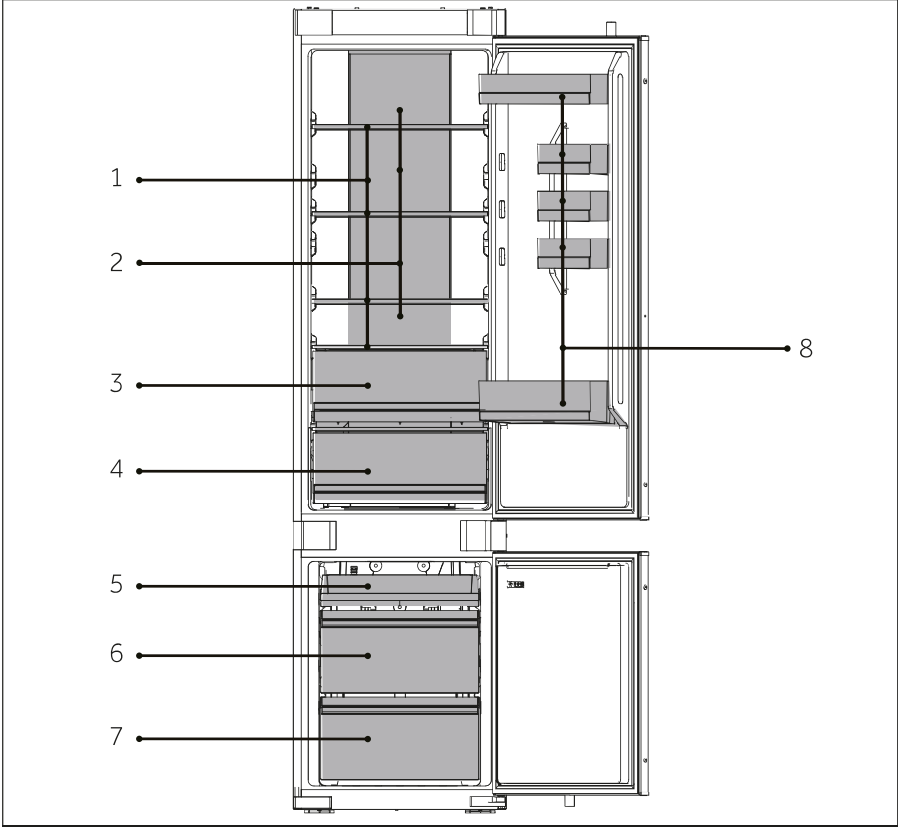
- 5 صينية الفريزر العلوية
- 6 درج الفريزر الأوسط
- 7 درج الفريزر السفلي

A: غرفة التبريد

- 1 رفوف عادية
- 2 مجرى الهواء المبرد
- 3 درج Humidity Zone
- 4 درج Fresh Box
- 8 حامل الزجاجات

إخطار 

بسبب التغييرات الفنية والطرز المختلفة، قد تختلف بعض الرسوم التوضيحية في هذا الكتيب عن الطراز الخاص بك.

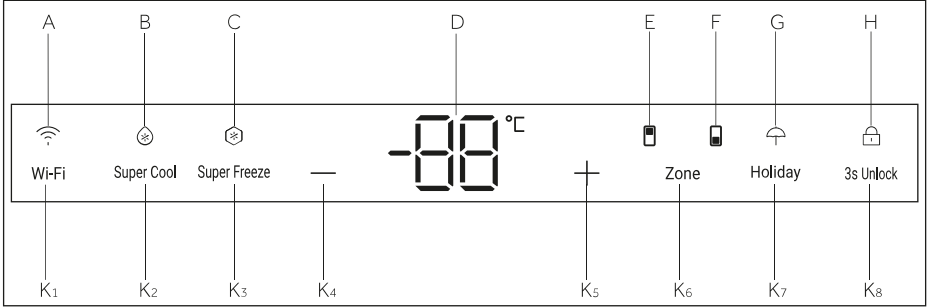


HBQW5519E/ HBQW5519EK/ EHBQW5519E/ EHBQW5519ECM/ HBQW5719E

B: غرفة التجميد  
5 صينية الفريزر العلوية  
6 درج الفريزر الأوسط  
7 درج الفريزر السفلي

A: غرفة التبريد  
1 رفوف عادية  
2 مجرى الهواء المررد  
3 درج Humidity Zone  
4 درج Fresh Box  
8 حامل الزجاجات

## لوحة التحكم



الأزرار:

- K<sub>1</sub> زر إعداد Wi-Fi
- K<sub>2</sub> زر تحديد Super Cool
- K<sub>3</sub> زر تحديد Super Freeze
- K<sub>4</sub> زر تعديل درجة الحرارة "-"
- K<sub>5</sub> زر تعديل درجة الحرارة "+"
- K<sub>6</sub> زر تحديد المنطقة
- K<sub>7</sub> زر وظيفة Holiday
- K<sub>8</sub> زر القفل وإلغاء القفل

المؤشرات:

- A وظيفة Wi-Fi
- B وظيفة Super Cool
- C وظيفة Super Freeze
- D شاشة درجة الحرارة
- E مؤشر التلاجة
- F مؤشر الفريزر
- G وظيفة Holiday
- H القفل وإلغاء القفل

## مفاتيح المستشعر

الأزرار الموجودة على لوحة التحكم هي مفاتيح المستشعر، التي تستجيب بالفعل عند لمسها بالإصبع بخفة.

## تشغيل/إيقاف تشغيل الجهاز

يعمل الجهاز بمجرد توصيله بمصدر الطاقة.

عند تشغيل التلاجة لأول مرة، يضيء المؤشر "D" (شاشة درجة الحرارة). يتم تعيين درجة حرارة التلاجة ودرجة حرارة الفريزر تلقائيًا على 5 درجات مئوية و-18 درجة مئوية على التوالي.

## إخطار

عند تشغيل الجهاز بعد انقطاع مصدر الطاقة الرئيسي، قد يستغرق الوصول إلى درجات الحرارة الصحيحة ما يصل إلى 12 ساعة.

فَرِّغ الجهاز قبل إيقاف التشغيل. لإيقاف تشغيل الجهاز، اسحب كابل الطاقة خارج مقبس الطاقة.

## قفل/إلغاء قفل اللوحة

القفل التلقائي: عندما يتم إغلاق باب التلاجة وباب الفريزر، ولا توجد عملية تشغيل مفتاح في غضون 30 ثانية، سيتم إطفاء شاشة العرض وإغلاقها تلقائيًا.

قفل يدوي: عندما تكون شاشة العرض غير مقفلة، اضغط على الزر "K8" (3S Unlock) مع الاستمرار لمدة 3 ثوانٍ، فيصدر صوت الجرس مرة واحدة، ويضيء المؤشر "H" (قفل اللوحة)، ويتم قفل الشاشة.

إلغاء القفل: عندما تكون شاشة العرض مقفلة، اضغط على الزر "K8" (3S Unlock) مع الاستمرار في الضغط لمدة 3 ثوانٍ، فيصدر صوت الجرس مرة واحدة، وينطفئ المؤشر "H" (قفل اللوحة)، ويتم فتح قفل الشاشة.

## تعديل درجة الحرارة

تتأثر درجات الحرارة الداخلية بالعوامل التالية:  
درجة الحرارة المحيطة، وتيرة فتح الباب، وكمية الأطعمة المخزنة وتركيب الجهاز.

## تعديل درجة حرارة التلاجة

عندما تكون شاشة العرض غير مقفلة، اضغط على الزر "K6" (محدد المنطقة). يصدر صوت الجرس مرة واحدة، ويومض المؤشر "E" (مؤشر التلاجة)، ثم يأتي بعد ذلك وضع ضبط درجة حرارة التلاجة.

اضغط على الزر "K4" (زر تعديل درجة الحرارة "-") وفي كل مرة يصدر فيها صوت الجرس مرة واحدة، سيتم تقليل درجة الحرارة المحددة للتلاجة بمقدار 1. سيتم عرض درجة حرارة التلاجة بالتسلسل "1°C -> 2°C -> 3°C -> 4°C -> 5°C -> 6°C -> 7°C -> 8°C -> 9°C".

اضغط على الزر "K5" (زر ضبط درجة الحرارة "+") في كل مرة، يرن الجرس مرة واحدة، ستزداد درجة الحرارة المحددة للتلاجة بمقدار درجة واحدة. سيتم عرض درجة حرارة التلاجة "9°C -> 8°C -> 7°C -> 6°C -> 5°C -> 4°C -> 3°C -> 2°C -> 1°C".

## إخطار

بعد ضبط درجة الحرارة، إذا لم يكن هناك تشغيل في غضون 5 ثوانٍ، فسيتم اختيار النظام تلقائيًا وحفظ درجة الحرارة المحددة.

## تعديل درجة حرارة الفريزر

عندما تكون شاشة العرض غير مغلقة، اضغط على الزر "K6" (محدد المنطقة). يصدر صوت الجرس مرة واحدة، ويومض المؤشر "F" (مؤشر الفريزر)، ثم يأتي هنا وضع ضبط درجة حرارة الفريزر.

اضغط على الزر "K4" (زر تعديل درجة الحرارة "-") وفي كل مرة، يرن الجرس مرة واحدة، وسيتم تقليل درجة الحرارة المحددة للمجمد بمقدار درجة واحدة. سيتم عرض درجة حرارة الفريزر بالتسلسل  
 -> -21°C -> -20°C -> -19°C -> -18°C -> -17°C -> -16°C -> -15°C -> -14°C."  
 -> -24°C -> -23°C -> -22°C

اضغط على الزر "K5" (زر ضبط درجة الحرارة "+") في كل مرة، يرن الجرس مرة واحدة، ستزداد درجة الحرارة المحددة للمجمد بمقدار درجة واحدة. سيتم عرض درجة حرارة الفريزر بالتسلسل  
 -> -17°C -> -18°C -> -19°C -> -20°C -> -21°C -> -22°C -> -23°C -> -24°C."  
 -> -14°C -> -15°C -> -16°C

## إخطار

بعد ضبط درجة الحرارة، إذا لم يكن هناك تشغيل في غضون 5 ثوانٍ، فسيتم اختيار النظام تلقائيًا وحفظ درجة الحرارة المحددة.

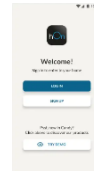
الخطوة 1 قم بتنزيل تطبيق hOn من المتاجر.



الخطوة 3 اتبع تعليمات الإقران في تطبيق hOn.



الخطوة 2 قم بإنشاء حسابك على تطبيق hOn أو بتسجيل الدخول إذا كان لديك حساب بالفعل



## وظيفة Wi-Fi

1. اتباع التعليمات الموجودة في التطبيق لهيئة شبكة Wi-Fi.
2. بمجرد تكوين Wi-Fi وإنشاء الاتصال، يصبح رمز Wi-Fi "A" ساطعًا وثابتًا.
3. إذا تم تكوين شبكة Wi-Fi بالفعل، فستتم إعادة الاتصال تلقائيًا وفقًا لمعلومات التكوين إذا تم تشغيل شبكة Wi-Fi.
4. لإيقاف تشغيل Wi-Fi، اضغط على زر Wi-Fi "K1" وسيتم إيقاف تشغيل رمز Wi-Fi "A".
5. لتشغيل Wi-Fi وبدء التكوين، اضغط على زر Wi-Fi "K1" وسيبدأ رمز Wi-Fi "A" في الوميض ببطء. إذا كنت تريد تكوين وظيفة Wi-Fi، اضغط على الزر "K1" لمدة 3 ثوانٍ، وسيومض رمز Wi-Fi بسرعة وسيدخل وضع التكوين. إذا كنت تريد إيقاف تشغيل وظيفة Wi-Fi، فاضغط على الزر "K1" مرة واحدة. يتم تكرار الخطوات المذكورة أعلاه.
6. إذا تم تكوين المنتج وتم إيقاف تشغيل وظيفة Wi-Fi، فلن تدخل التلاجة في وضع التكوين بعد إعادة توصيل الطاقة.

## وظيفة Holiday

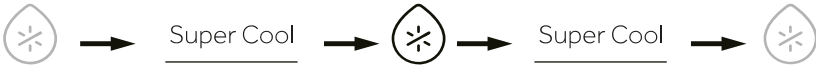
1. عندما تكون شاشة العرض غير مقفلة، اضغط على الزر "K7" (زر وظيفة Holiday)، فيصدر صوت الجرس مرة واحدة، ويضيء المؤشر "G" (وظيفة Holiday)، ثم سيتم تشغيل وظيفة Holiday.
2. عندما تكون شاشة العرض غير مقفلة، اضغط على الزر "K7" (زر وظيفة Holiday)، يصدر صوت الجرس مرة واحدة، وينطفئ المؤشر "G" (وظيفة Holiday)، ثم يتم إيقاف تشغيل وظيفة Holiday.

## إخطار

1. تُستخدم وظيفة Holiday بشكل أساسي للسفر قصير المدى ومشاهد الحياة الأخرى، ويجب إفراغ غرفة التلاجة عند استخدام وظيفة Holiday.
2. خلال وظيفة Holiday، ستكون درجة حرارة غرفة التلاجة أعلى (حوالي 17 درجة مئوية)، يرجى الانتباه إلى إفراغ الطعام الموجود في غرفة التلاجة لتجنب تدهور حالة الطعام.

## وظيفة Super Cool

1. عندما تكون شاشة العرض غير مغلقة، اضغط على الزر "K<sub>2</sub>" (محدد Super Cool)، يصدر صوت الجرس مرة واحدة، ويضيء المؤشر "B" (وظيفة Super Cool)، ثم يتم تشغيل وظيفة Super Cool.
2. عندما يضيء المؤشر "B" (وظيفة Super Cool)، اضغط على الزر "K<sub>2</sub>" (محدد Super Cool)، يصدر صوت الجرس مرة واحدة، وينطفئ المؤشر "O" (وظيفة Super Cool)، ثم يتم إيقاف وظيفة Super Cool.
3. بعد تشغيل وظيفة Super Cool، ستقوم الثلاجة تلقائيًا بإيقاف تشغيل الوظيفة عندما تصل إلى درجة الحرارة المحددة. إذا كنت ترغب في الخروج يدويًا، يمكنك الضغط على الزر "K<sub>2</sub>" (محدد Super Cool) لإيقاف تشغيله.



## إخطار

1. في حالة Super Cool، لا يمكن ضبط درجة حرارة الثلاجة. إذا تم الضغط على الزر "K<sub>4</sub>" (زر ضبط درجة الحرارة "-" أو الزر "K<sub>5</sub>" (زر تعديل درجة الحرارة "+") لضبط درجة حرارة الثلاجة، فسيومض المؤشر "B" (مؤشر Super Cool) مع صوت مطالبية يشير إلى أنه لا يمكن تنفيذ هذه العملية.
2. في حالة وظيفة Super Cool، لا يمكن تشغيل وظيفة Auto-Set في نفس الوقت بسبب أوضاع التحكم المختلفة. عند اختيار وظيفة تتعارض مع وظيفة أخرى، سيتم إنهاء الوظيفة الأصلية تلقائيًا.
3. ستتعتل هذه الوظيفة تلقائيًا بعد مرور 6 ساعات.

## وظيفة Super Freeze

1. عند إلغاء قفل شاشة العرض، اضغط على الزر "K<sub>3</sub>" (محدد Super-Freeze)، يرن الجرس مرة واحدة، ويضيء المؤشر "C" (وظيفة Super Freeze)، ثم سيتم تشغيل وظيفة Super Freeze.
2. عندما يضيء المؤشر "C" (وظيفة Super Freeze)، اضغط على الزر "K<sub>3</sub>" (محدد Super Freeze)، يرن الجرس مرة واحدة، وينطفئ المؤشر "C" (وظيفة Super Freeze)، ثم سيتم إيقاف تشغيل وظيفة التجميد.
3. بعد تشغيل وظيفة Super Freeze، ستقوم الثلاجة تلقائيًا بإيقاف تشغيل الوظيفة عندما تصل إلى درجة الحرارة المحددة. إذا كنت تريد الخروج يدويًا، يمكنك الضغط على الزر "K<sub>3</sub>" (محدد Super Freeze) لإيقاف تشغيله.

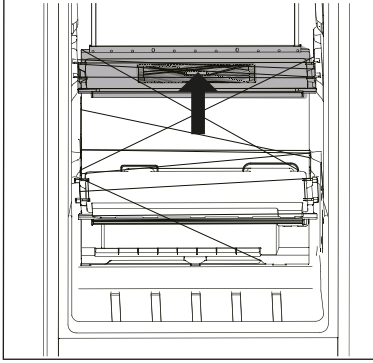


## إخطار

1. في حالة Super Freeze، لا يمكن ضبط درجة حرارة الفريزر. إذا تم الضغط على الزر "K4" (زر ضبط درجة الحرارة "-") أو الزر "K5" (زر تعديل درجة الحرارة "+") لضبط درجة حرارة المجمد، فسيومض المؤشر "C" (مؤشر Super Freeze) مع صوت مطالبة يشير إلى أنه لا يمكن تنفيذ هذه العملية.
2. تم تصميم وظيفة Super Freeze للحفاظ على القيمة الغذائية للأطعمة المجمدة، وسوف يتم تجميد الطعام في أقصر وقت. إذا كان من المقرر تجميد كميات كبيرة من الأطعمة المجمدة في وقت واحد. وفي الوقت نفسه، يجب ضبط وظيفة Super Freeze قبل 24 ساعة، لجعل درجة حرارة الفريزر منخفضة نسبيًا ويتم وضع الطعام فيه. في هذا الوقت، تم تحسين سرعة التجميد للفريزر، ويمكن تجميد الطعام بسرعة، والحفاظ على مستوى تغذية الطعام بشكل فعال، ويصبح التخزين مناسبًا تمامًا.
3. سيتم إيقاف وظيفة Super Freeze تلقائيًا بعد 50 ساعة، ثم يتم تشغيل الجهاز عند درجة الحرارة المحددة مسبقًا.

## درج Humidity Zone

في هذه الحجرة، يكون مستوى الرطوبة أعلى من حجرة التلاجة. يتم التحكم فيه تلقائيًا من خلال النظام وهو مناسب لتخزين الفواكه والخضروات والسلطات وما إلى ذلك.

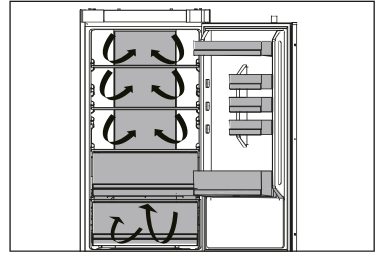


### إخطار

1. لا تقم بإزالة الغطاء البلاستيكي داخل المنطقة.
2. حيث إنه يحافظ على الرطوبة.
3. لا ينصح بتخزين الفواكه الحساسة للبرد مثل الأناناس والأفوكادو والموز والجريب فروت في الدرج.

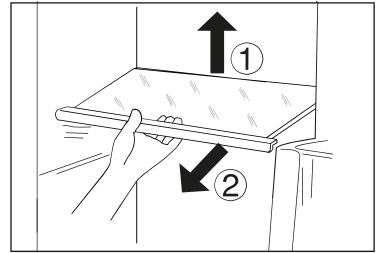
### تدفق الهواء المتعدد

1. تم تجهيز التلاجة بنظام تدفق هواء متعدد، حيث يوجد تدفق هواء بارد على كل مستوى من الرفوف. يساعد هذا في الحفاظ على درجة حرارة موحدة لضمان الحفاظ على طعامك طازجًا لفترة أطول.



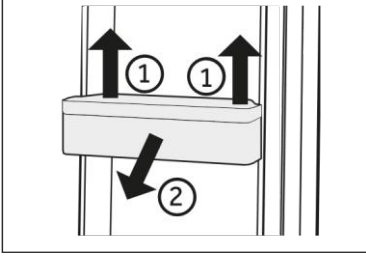
### رفوف قابلة للتعديل

1. يمكن تعديل ارتفاع الأرفف ليناسب احتياجات التخزين الخاصة بك.
2. لنقل الرف، أزله أولاً عن طريق رفع الحافة الخلفية ① وسحبها للخارج ②.
3. لإعادة تثبيته، ضعه على العروات على كلا الجانبين، وادفعه إلى أقصى موضع للخلف حتى يستقر الجزء الخلفي من الرف داخل الفتحات في الجانبين.



### إخطار

تأكد من أن جميع أطراف الرف مستوية.

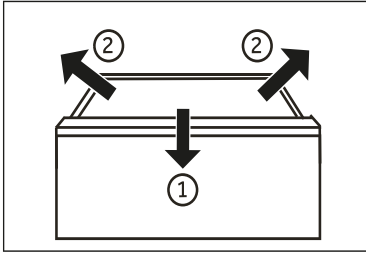


### أرفف باب قابلة للإزالة/حامل زجاجات

1. يمكن إزالة أرفف الباب للتنظيف:
2. ضع يديك على كلا جانبي الرف، وارفعه لأعلى ① واسحبه للخارج ②.
3. لإدخال رف الباب، يتم تنفيذ الخطوات المذكورة أعلاه بترتيب عكسي.

### إخطار ⓘ

عند تشغيل الجهاز، قد يستغرق الوصول إلى درجات الحرارة الصحيحة ما يصل إلى 12 ساعة.



### درج قابل للإزالة

1. إزالة الدرج للخارج، اسحبه للخارج إلى أقصى حد ①، ثم قم برفعه وإزالته ②.
2. من أجل إدخال الدرج، يتم تنفيذ الخطوات المذكورة أعلاه بترتيب عكسي.

### المصباح

يضيء مصباح الـ LED الداخلي عندما يُفتح باب التلاجة. لا يتأثر أداء المصابيح بأي من الإعدادات الأخرى للجهاز.

## نصائح لتوفير الطاقة



- ◀ تأكد من تهوية الجهاز بشكل صحيح (انظر فقرة "التركيب").
- ◀ لا تقم بتركيب الجهاز في ضوء الشمس المباشر أو بالقرب من مصادر الحرارة (مثل المواقد والسخانات).
- ◀ تجنب درجات الحرارة المنخفضة غير الضرورية في الجهاز. يزيد استهلاك الطاقة مع انخفاض درجة حرارة الجهاز.
- ◀ تستهلك وظائف مثل Super Freeze مزيدًا من الطاقة.
- ◀ دع الأغذية الدافئة تبرد قبل وضعها في الجهاز.
- ◀ افتح باب الجهاز بدرجة قليلة ولفترة قصيرة قدر الإمكان.
- ◀ تجنب الإفراط في تعبئة الجهاز لتجنب إعاقة تدفق الهواء.
- ◀ تجنب وجود هواء داخل عبوة الطعام.
- ◀ حافظ على نظافة موانع التسرب الخاصة بالباب بحيث يغلق الباب بشكل صحيح دائمًا.
- ◀ قم بإزالة تجميد الأطعمة المجمدة في حجرة تخزين الثلجة.
- ◀ يتطلب التكوين الأكثر توفيرًا للطاقة أن يحتفظ الجهاز بالأدراج وعلبة الطعام والأرفف في حالة المصنع الطازجة، ويجب أن يكون الطعام في أماكن بعيدة قدر الإمكان دون سد مخرج الهواء في مجرى الهواء.

## تحذير!



افصل الجهاز من مصدر الطاقة قبل التنظيف.

## التنظيف

نظّف الجهاز عند تخزين القليل من الطعام أو عدم وجود طعام مُخزن. يجب تنظيف الجهاز كل أربعة أسابيع لصيانة جيدة ولتجنب رائحة الطعام المخزن السيئة.

## تحذير!



- ◀ تجنب تنظيف الجهاز باستخدام الفرش الصلبة، والفرش السليكية، ومسحوق التنظيف، والبززين، وأميلات الأسيئات، والأنيتون والمحاليل العضوية المماثلة، أو المحاليل الحمضية أو القلوية. يرجى التنظيف باستخدام منظف الثلجة الخاص لتجنب حدوث ضرر.
- ◀ تجنب رش الجهاز أو غسله أثناء التنظيف.
- ◀ تجنب استخدام رشاش الماء أو البخار لتنظيف الجهاز.
- ◀ تجنب تنظيف الأرفف الزجاجية الباردة بالماء الساخن. قد يؤدي تغيير درجة الحرارة المفاجئ إلى انكسار الزجاج.
- ◀ تجنب لمس السطح الداخلي لحجيرة تخزين الفريزر، خاصةً باستخدام اليدين المبللتين، حيث قد تتجمد يديك وتلتصق بالسطح.
- ◀ في حالة حدوث تدفئة، تحقق من حالة السلع المجمدة.

- ◀ حافظ دائماً على خشوة الباب نظيفة.
- ◀ نظّف داخل الجهاز والمبيت باستخدام إسفنجة مبللة بالمياه الدافئة والمنظفات المحايدة.
- ◀ 1. يرجى فرك الجزء الداخلي والخارجي للثلجة، بما في ذلك مواضع التسرب الخاصة بالباب، ورف الباب، والأرفف الزجاجية، والصناديق وما إلى ذلك باستخدام منشفة أو إسفنجة مغموسة في المياه الدافئة (يمكنك إضافة منظف محايد إلى المياه الدافئة).
- ◀ 2. إذا كان هناك سائل مسكوب، قم بإزالة جميع الأجزاء الملوثة، ثم اشطفها بالماء المتدفق، وجففها وضعها في الثلجة مرة أخرى.
- ◀ 3. إذا كان هناك كريم مسكوب (مثل الكريمة، آيس كريم ذائب)، يرجى إزالة جميع الأجزاء الملوثة، ووضعها في المياه الدافئة عند حوالي 40 درجة مئوية لبعض الوقت، ثم شطفها بالمياه الحار، وتجفيفها وإعادة وضعها في الثلجة.
- ◀ 4. في حالة انحشار جزء أو مكون صغير داخل الثلجة (بين الرفوف أو الأدراج)، استخدم فُرشة ناعمة صغيرة لإزالته. إذا لم تتمكن من الوصول إلى ذلك الجزء، يرجى الاتصال بخدمة Haier.
- ◀ اشطف وجفف بقطعة قماش ناعمة.
- ◀ تجنب تنظيف أي جزء من أجزاء الجهاز في غسالة الصحون.
- ◀ انتظر 5 دقائق على الأقل قبل إعادة تشغيل الجهاز، حيث أن التشغيل المتكرر قد يؤدي إلى تلف الضاغط.

## إذابة الثلج

تم إذابة التجمد من الثلجة وحجيرة الفريزر تلقائياً؛ لا حاجة للقيام بالعملية يدوياً.

## استبدال مصابيح LED

**تحذير!**

تجنب استبدال مصباح LED بنفسك، يجب استبداله فقط من جانب الشركة المصنعة أو وكيل الخدمة المعتمد. تقوم المصابيح بتكثيف أضواء الـ LED كمصدر للضوء، حيث تتميز باستهلاك منخفض للطاقة وعمر خدمة طويل. في حال وجود خلل، فاتصل بخدمة العملاء. راجع "خدمة العملاء".

معلومات المصابيح:

حجيرة التلاجة: 12 فولت كحد أقصى 2 واط

حجيرة الفريزر: 12 فولت كحد أقصى 2 واط

## عدم الاستخدام لفترة طويلة

إذا كنت لا تستخدم الجهاز لفترة طويلة، ولا تريد استخدام وظيفة Holiday:  
أخرج الطعام.

افصل سلك الطاقة.

نظّف الجهاز كما هو موضح أعلاه.

أبقِ الأبواب مفتوحةً لمنع انبعاث الروائح الكريهة بالداخل.

**إخطار**

أوقف تشغيل الجهاز عند الضرورة القصوى فقط.

## تحريك الجهاز

1. أزل كل الطعام، وافصل الجهاز عن القابس.
2. أمّن الأرفف والأجزاء المتحركة الأخرى في التلاجة والفريزر بشريط لاصق.
3. تجنب إمالة التلاجة أكثر من 45 درجة لتجنب إتلاف نظام التبريد.

**تحذير!**

- ◀ تجنب رفع الجهاز من المقابض.
- ◀ لا تضع الجهاز أفقيًا أبدًا على الأرض.

يمكن حل العديد من المشاكل التي تحدث بنفسك دون خبرة محددة. في حالة وجود مشكلة، يرجى التحقق من جميع الاحتمالات الموضحة واتباع التعليمات أدناه قبل الاتصال بخدمة ما بعد البيع. راجع "خدمة العملاء".

## تحذير!

- ◀ أوقف تشغيل الجهاز، وافصل قابس التيار الرئيسي عن مقبس التيار الرئيسي قبل الصيانة.
- ◀ يجب صيانة المعدات الكهربائية من قبل خبراء كهربائيين مؤهلين فقط، لأن الإصلاحات غير الصحيحة يمكن أن تتسبب في أضرار لاحقة كبيرة.
- ◀ يجب استبدال كابل الإمداد من قبل الشركة المصنعة أو وكيل الخدمة الخاص بها أو الأشخاص المؤهلين بالدرجة نفسها فقط لتفادي التعرض للخطر.

المشكلة	السبب المحتمل	الحل المحتمل
الضاغط لا يعمل.	<ul style="list-style-type: none"> <li>• قابس التيار الرئيسي غير متصل بالمقبس الرئيسي.</li> <li>• الجهاز في دورة إذابة الثلج</li> </ul>	<ul style="list-style-type: none"> <li>• وصل قابس التيار الرئيسي.</li> <li>• يعد هذا أمرًا طبيعيًا لإذابة الثلج تلقائيًا</li> </ul>
يعمل الجهاز بشكل متكرر أو يعمل لفترة طويلة من الزمن.	<ul style="list-style-type: none"> <li>• درجة الحرارة الخارجية أو الداخلية مرتفعة للغاية.</li> <li>• تم إيقاف تشغيل الجهاز لفترة من الوقت.</li> <li>• باب الجهاز غير مغلق بإحكام.</li> </ul>	<ul style="list-style-type: none"> <li>• في هذه الحالة، من الطبيعي أن يعمل الجهاز لفترة أطول.</li> <li>• عادةً ما يستغرق الجهاز من 8 إلى 12 ساعة حتى يقوم بالتبريد بشكل كامل.</li> <li>• أغلق الباب/الدرج وتأكد من أن الجهاز موضوع على أرض مستوية وأنه لا يوجد طعام أو وعاء يحتك بالباب.</li> <li>• لا تفتح الباب/الدرج بشكل متكرر.</li> </ul>
داخل الثلاجة متسخ و/أو تصدر منه روائح.	<ul style="list-style-type: none"> <li>• درجة الحرارة المعينة في حجرة الفريزر منخفضة جدًا.</li> <li>• حشوة الباب متسخة أو متشققة أو ليست في موضعها السليم.</li> <li>• دوران الهواء غير سليم.</li> </ul>	<ul style="list-style-type: none"> <li>• عيّن درجة الحرارة على أعلى حتى الحصول على درجة حرارة مقبولة للثلاجة. يستغرق الأمر 24 ساعة حتى تصبح درجة حرارة الثلاجة مستقرة.</li> <li>• نظّف حشية الباب/الدرج أو استبدالها من خلال التواصل مع خدمة العملاء.</li> <li>• تأكد من وجود تهوية كافية.</li> </ul>
داخل الثلاجة متسخ و/أو تصدر منه روائح.	<ul style="list-style-type: none"> <li>• يحتاج الجزء الداخلي من الثلاجة إلى التنظيف.</li> <li>• يُخزّن الطعام ذا الروائح القوية في الثلاجة.</li> </ul>	<ul style="list-style-type: none"> <li>• نظّف الثلاجة من الداخل.</li> <li>• لف الطعام بشكل كامل..</li> </ul>

المشكلة	السبب المحتمل	الحل المحتمل
الجزء الداخلي من الجهاز ليس باردًا بالشكل الكافي.	<ul style="list-style-type: none"> <li>درجة الحرارة المعينة عالية جدًا.</li> <li>حُرِّت سلع ساخنة للغاية.</li> <li>حُرِّن الكثير من الطعام في وقت واحد.</li> <li>السلع قريبة جدًا من بعضها.</li> <li>لم يُغلق باب/درج الجهاز بإحكام.</li> <li>فُتِح الباب/الدرج بشكل متكرر أو لمدة أطول من اللازم.</li> </ul>	<ul style="list-style-type: none"> <li>أعد تعيين درجة الحرارة.</li> <li>برِّد دائمًا السلع قبل تخزينها.</li> <li>حُرِّن دائمًا كميات صغيرة من الطعام.</li> <li>اترك فراغ بين عدة أطعمة لكي تسمح بتدفق الهواء.</li> <li>أغلق الباب/الدرج.</li> <li>لا تفتح الباب/الدرج بشكل متكرر.</li> </ul>
داخل الجهاز باردًا للغاية.	<ul style="list-style-type: none"> <li>درجة الحرارة المعينة منخفضة للغاية.</li> <li>تم تنشيط وظيفة Super Freeze/Super Cool أو أنها تعمل لفترة طويلة.</li> </ul>	<ul style="list-style-type: none"> <li>أعد تعيين درجة الحرارة.</li> <li>قم بإيقاف تشغيل وظيفة Super Freeze/Super Cool</li> </ul>
تتكون رطوبة داخل حجرة التلاجة.	<ul style="list-style-type: none"> <li>الجو دافئ ورطب للغاية.</li> <li>لم يُغلق باب/درج الجهاز بإحكام.</li> <li>فُتِح الباب/الدرج بشكل متكرر أو لمدة أطول من اللازم.</li> <li>تُركت حاويات الطعام أو السوائل مفتوحة.</li> </ul>	<ul style="list-style-type: none"> <li>ارفع درجة الحرارة.</li> <li>أغلق الباب/الدرج.</li> <li>لا تفتح الباب/الدرج بشكل متكرر.</li> <li>دع الأطعمة الساخنة تبرد حتى درجة حرارة الغرفة وقم بتغطية الأطعمة والسوائل.</li> </ul>
تتراكم الرطوبة على سطح التلاجة الخارجي أو بين الأبواب/الباب والدرج.	<ul style="list-style-type: none"> <li>الجو دافئ ورطب للغاية.</li> <li>الباب غير مغلق بإحكام. يسبب الهواء البارد في الجهاز والهواء الدافئ الخارجي حدوث تكثف.</li> </ul>	<ul style="list-style-type: none"> <li>هذا طبيعي في المناخ الرطب، وسيتغير عند انخفاض الرطوبة.</li> <li>تأكد من إغلاق الباب/الدرج بإحكام.</li> </ul>
عرض العمل الخفيف، ولكن لا تشعر بالبرودة.	<ul style="list-style-type: none"> <li>إنه في وضع العرض التوضيحي.</li> </ul>	<ul style="list-style-type: none"> <li>يرجى ملاحظة الحالة التي يكون عليها، إذا كان في وضع تجريبي، فاخرج منه. الخروج، افتح باب التلاجة، في حالة القفل، اضغط على الزر الثاني على اليمين لمدة 8 ثوانٍ خلال 12 ساعة من تشغيل الطاقة.</li> </ul>

المشكلة	السبب المحتمل	الحل المحتمل
يوجد ثلج وجليد كثيران في حجرة الفريزر.	<ul style="list-style-type: none"> <li>لم تكن السلع معبأة بشكل مناسب.</li> <li>لم يُغلق باب/درج الجهاز بإحكام.</li> <li>فُتح الباب/الدرج بشكل متكرر أو لمدة أطول من اللازم.</li> <li>حشوة الباب/الدرج متسخة أو مهترئة أو متشققة أو ليست في موضعها السليم.</li> <li>يوجد شيء في الداخل يمنع إغلاق الباب/الدرج بشكل صحيح.</li> </ul>	<ul style="list-style-type: none"> <li>احزم السلع دائماً.</li> <li>أغلق الباب/الدرج.</li> <li>لا تفتح الباب/الدرج بشكل متكرر.</li> <li>قم بتنظيف حشية الباب/الدرج أو استبدالها بأخرى جديدة.</li> <li>أعد وضع الأرفف أو أرفف الباب أو الحاويات الداخلية للسماح بإغلاق الباب/الدرج.</li> </ul>
تصح جوانب الكابينة وشريط الباب دافئين.	-	هذا أمر طبيعي.
يصدر الجهاز أصواتاً غير طبيعية.	<ul style="list-style-type: none"> <li>الجهاز غير موضوع على أرض مستوية.</li> <li>يلمس الجهاز بعض الأشياء حوله.</li> </ul>	<ul style="list-style-type: none"> <li>اضبط الأقدام لمساواة الجهاز.</li> <li>أزل الأشياء حول الجهاز.</li> </ul>
يُسمع صوت طفيف مشابه لصوت المياه المتدفقة.	-	هذا أمر طبيعي.
ستسمع صوت صفارة تنبيه.	باب حجرة تخزين الثلجة مفتوح.	أغلق الباب.
سوف تسمع صوت طنين.	يعمل نظام مكافحة التكتيف	<ul style="list-style-type: none"> <li>يقوم هذا بمنع التكتيف، وهو أمر طبيعي</li> </ul>
الإضاءة الداخلية أو نظام التبريد لا يعمل.	<ul style="list-style-type: none"> <li>قابس التيار الرئيسي غير متصل بالمقبس الرئيسي.</li> <li>إمداد التيار الكهربائي غير متصل.</li> <li>مصباح LED معطل.</li> </ul>	<ul style="list-style-type: none"> <li>وصل قابس التيار الرئيسي.</li> <li>تحقق من التيار الكهربائي للغرفة.</li> <li>تواصل مع شركة الكهرباء المحلية!</li> <li>يرجى الاتصال بخدمة العملاء لتغيير المصباح.</li> </ul>

للتواصل مع المساعدة التقنية، يُرجى زيارة موقعنا الإلكتروني:  
<https://corporate.haier-eu-ropo.com/en/>

أسفل قسم "الموقع الإلكتروني"، اختر العلامة التجارية لمنتجك وبلدك. ستم إعادة توجيهك إلى موقع الويب المحدد حيث يمكنك العثور على رقم الهاتف والاستشارة للاتصال بالمساعدة الفنية.

## انقطاع التيار الكهربائي

في حالة انقطاع التيار الكهربائي، يظل الطعام باردًا بأمان لمدة 5 ساعات تقريبًا. اتبع هذه النصائح أثناء انقطاع التيار لفترة طويلة، خاصة في فصل الصيف:

- ◀ قلل مرات فتح الباب/الدرج قدر الإمكان.
- ◀ لا تضع طعامًا إضافيًا في الجهاز أثناء انقطاع التيار الكهربائي.
- ◀ إذا تم إعطاء إشعار مسبق بانقطاع التيار الكهربائي وكانت مدة الانقطاع أطول من 5 ساعات، اصنع بعض الثلج وضعه في حاوية في الجزء العلوي من حجرة التلاجة.
- ◀ يجب فحص السلع فورًا بعد الانقطاع.
- ◀ نظرًا لأن درجة الحرارة في التلاجة ترتفع أثناء انقطاع التيار الكهربائي أو نتيجة عطل آخر، تُقلل فترة التخزين وجودة الطعام الصالح للأكل. يجب استهلاك أو طهي وإعادة تجميد أي طعام تمت إدايته (عند الاقتضاء) بعد الانقطاع بقليل من أجل منع المخاطر الصحية.

## وظيفة الذاكرة أثناء انقطاع التيار الكهربائي

بعد رجوع الطاقة، يستمر الجهاز بالإعدادات التي تم تعيينها قبل انقطاع التيار الكهربائي.

## إزالة التعبئة والتغليف والتعليق

## تحذير!



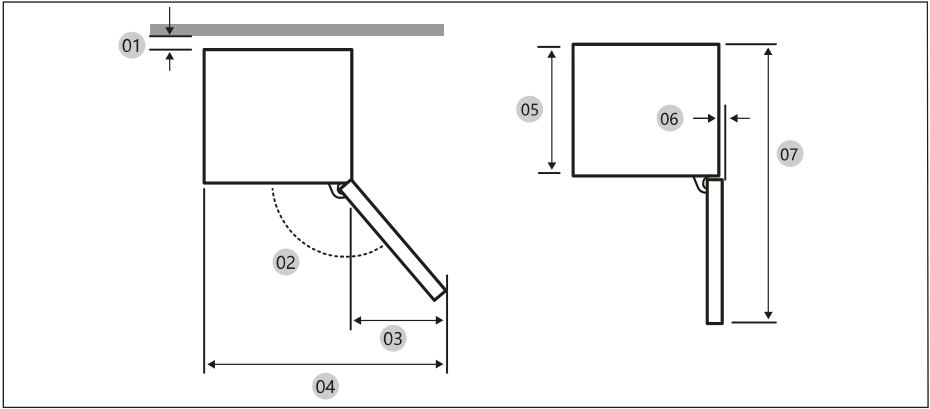
- ◀ هذا الجهاز ثقيل الوزن. يجب أن تتم المناولة من جانب شخصين على الأقل دائماً.
- ◀ احتفظ بجميع مواد التغليف بعيداً عن متناول الأطفال، وتخلص منها بطريقة صديقة للبيئة.
- ◀ أخرج الجهاز من العبوة.
- ◀ أزل جميع مواد التغليف من على الجهاز.

## الظروف البيئية

يجب أن تكون درجة حرارة الغرفة دائماً بين 10 درجات مئوية و43 درجة مئوية، لأنها يمكن أن تؤثر على درجة الحرارة داخل الجهاز واستهلاكه للطاقة. لا تقم بتركيب الجهاز بالقرب من الأجهزة الأخرى التي تنبعث منها الحرارة (الأفران والثلاجات) دون عزل.

## متطلبات المساحة

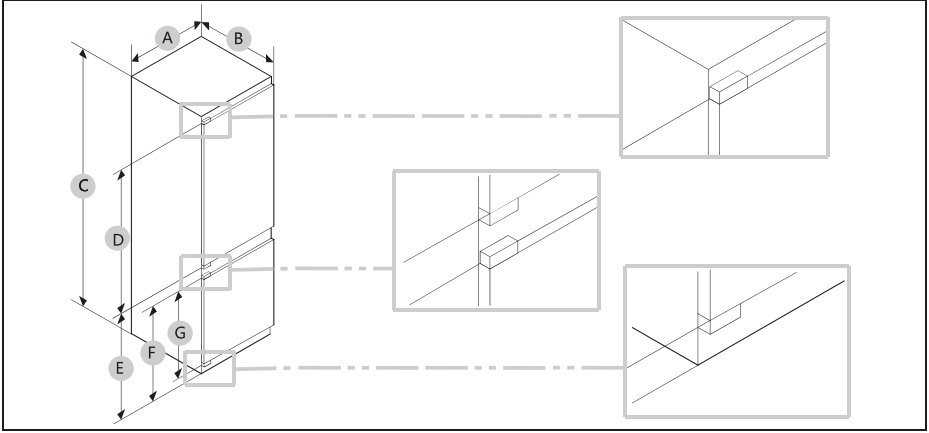
المساحة المطلوبة عند فتح الباب (دون لوحة باب الخزانة)



HBQW5719E	HBQW5519E HBQW5519EK EHBQW5519E EHBQW5519ECM	EHBQW5518E HBQW5518E HBQW5518EK HQE1855BCMW EHQE1855BCMW	الطرز
10 (حد أدنى) / 30 (موصى به)	10 (حد أدنى) / 30 (موصى به)	10 (حد أدنى) / 30 (موصى به)	* 01
95 درجة (مستحسن)	95 درجة (مستحسن)	95 درجة (مستحسن)	02
55	43	43	03
745	583	583	04
515	515	515	05
3-	3-	3-	06
1210	1060	1060	07

( الوحدة: ملم )

\* 01: من الخزانة إلى الجزء الخلفي من المنتج.



( ملم ) G	( ملم ) F	( ملم ) E	( ملم ) D	( ملم ) C	( ملم ) B	( ملم ) A	الطرز
618	662	745	970	2±1772	2±550	2±540	EHBQW5518E HBQW5518E HBQW5518EK HQE1855BCMW EHQE1855BCMW
618	662	745	1133	2±1935	2±550	2±540	HBQW5519E HBQW5519EK EHBQW5519E EHBQW5519ECM
618	662	745	1133	2±1935	2±550	2±690	HBQW5719E

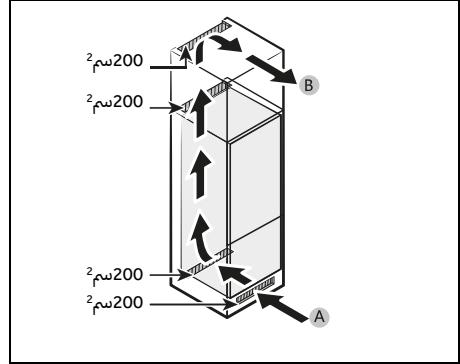
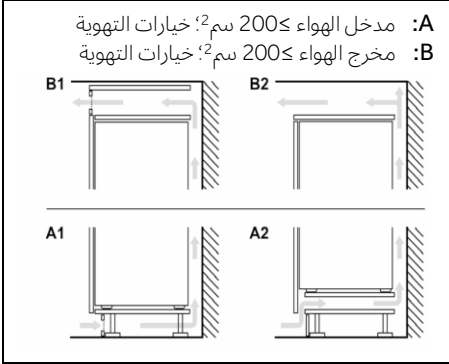
## إخطار



- يعتمد استهلاك الطاقة المحدد على حالة الفجوة التي تبلغ 10 ملم من الخزانة إلى الجزء الخلفي من المنتج. سيعمل المنتج بشكل صحيح حتى مع وجود فجوة أقل من 10 ملم، ومع ذلك فإنه يستهلك طاقة أكبر قليلاً.
- نوصي باستخدام خزانة يبلغ سمكها 18 مم مع مفصلات يقل سمكها عن 20 مم.
- قد تختلف القياسات الموضحة في الجدول أعلاه، اعتماداً على طريقة القياس.
- بالنسبة إلى التركيب المدمج، راجع دليل التركيب.

## تهوية المقطع العرضي

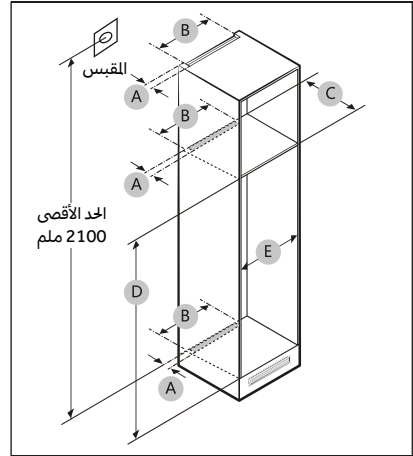
لتحقيق تهوية كافية للجهاز لأسباب تتعلق بالسلامة، يجب مراعاة المعلومات المتعلقة بمقاطع التهوية العرضية المطلوبة.



## أبعاد الخزانة

## تنبيه!

- لا يشمل الضمان أي عطل في المنتج بسبب ما يلي.
1. ظروف الموقع غير المناسبة أو أحجام الخزانة غير الصحيحة.
  2. خزانة معيبة.
  3. أخطاء من جانب القائم بالتركيب أو المستخدم.



## الخلوص

راجع الصور والجداول أدناه لمعرفة متطلبات المساحة للتركيب.

ملاحظة	E (مم)	D (مم)	C (مم)	B (مم)	A (مم)	الطرز	
المفصلة: 17 ملم	560	1778	560	400	50	الحد الأدنى	EHBQW5518E HBQW5518E HBQW5518EK HQE1855BCMW EHQE1855BCMW
	562	1780	580			مُستحسن	
	568	1782	-			الحد الأقصى	
المفصلة: 17 ملم	560	1940	560	400	50	الحد الأدنى	HBQW5519E HBQW5519EK EHBQW5519E EHBQW5519ECM
	562	1943	580			مُستحسن	
	568	1945	-			الحد الأقصى	
المفصلة: 17 ملم	710	1941	560	400	50	الحد الأدنى	HBQW5719E
	714	1943	580			مُستحسن	
	718	1945	-			الحد الأقصى	

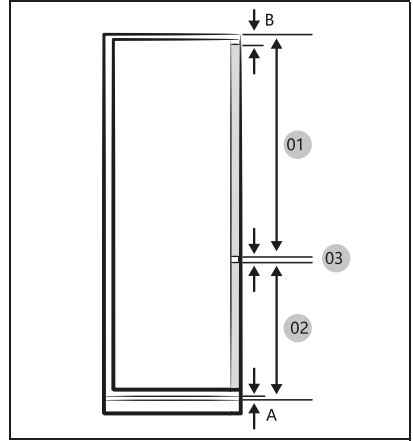
## إخطار

- إذا كان عرض الخزانة أكبر من 568 ملم، فقد تصبح الحشية (بين الثلاجة والخزانة) سائبة.
- إذا كانت ارتفاع الخزانة أعلى من الحد الأقصى للأبعاد (1782 مم)، يجب عليك استخدام مواد تشطيب أخرى للماء الفجوة. (بالنسبة إلى EHBQW5518E/ HBQW5518E/ EK/ EHQE/ HQE1855BCMW)
- إذا كان ارتفاع الخزانة أعلى من الحد الأقصى للأبعاد (1945 مم)، يجب عليك استخدام مواد تشطيب أخرى للماء الفجوة. (بالنسبة إلى HBQW5519E/ EK/ EHBQW5519E/ ECM)

## إخطار

لتثبيت خزانة تتطلب فجوة بمقدار 4 ملم (03)، راجع الجدول المرجعي للخزانة أدناه.

A الحافة السفلية للوحة الأمامية فوق فتحة التهوية  
B بروز اللوحة الأمامية



(الوحدة: ملم)

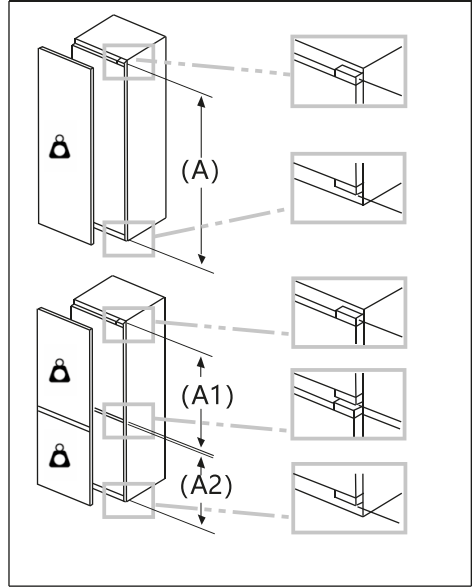
HBQW5519E HBQW5519EK EHBQW5519E EHBQW5519ECM HBQW5719E	EHBQW5518E HBQW5518E HBQW5518EK HQE1855BCMW EHQE1855BCMW	الطرز
الحد الأدنى B+1191 الحد الأقصى B+1269	الحد الأدنى B+1028 الحد الأقصى B+1106	01
الحد الأدنى A+662 الحد الأقصى A+740	الحد الأدنى A+662 الحد الأقصى A+740	02
4 مم (فجوة لوحة باب خزانة الثلاجة والفريزر)		03

## الحد الأقصى المسموح به لوزن واجهات الوحدة

إن تركيب واجهات الوحدات التي تتجاوز الوزن المسموح به قد يسبب أضرارًا ويؤدي إلى اختلال وظيفي في المفصلات.

22	1750-1500 ملم
19	1400-720 ملم
15	1A
15	2A

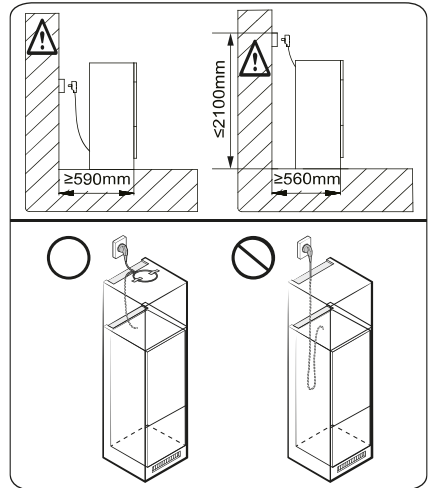
الوزن  
(كجم)



## الاعتبارات الخاصة بموقع مخرج المقبس والمساحة المطلوبة

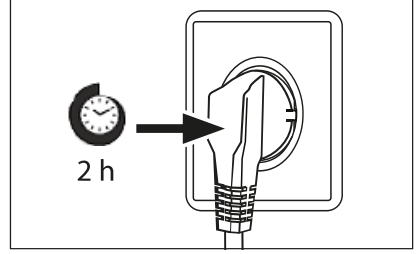
إخطار 

إذا قمت بتركيب التلاجة في خزانة بعمق 560 ملم، فتأكد من وضع سلك الطاقة على أحد جانبي التلاجة قبل توصيله بمقبس الطاقة. إذا كان سلك الطاقة موجودًا في الجزء الخلفي من التلاجة، فقد يؤدي ذلك إلى تقليل كفاءة الطاقة.



## وقت الانتظار

يوجد زيت التشحيم الذي لا يحتاج إلى صيانة في كبسولة الضاغط. يمكن لهذا الزيت أن يمر عبر نظام الأنابيب المغلقة أثناء النقل المائل. قبل توصيل الجهاز بمصدر الطاقة، عليك الانتظار لمدة ساعتين على الأقل حتى يعود الزيت مرة أخرى إلى الكبسولة.



## التوصيل الكهربائي

قبل كل توصيل، تحقق أن:

- ◀ إمدادات الطاقة والمآخذ والمنصهرات مناسبة للوحة التصنيف.
- ◀ مقبس الطاقة مؤرض، ولا يوجد قابس متعدد أو وصلة تمديد.
- ◀ قابس الطاقة والمقبس كما هو مطلوب بدقة.

قم بتوصيل القابس بمقبس مثبت في المنزل بشكل صحيح.

## تحذير!



لتجنب المخاطر، يجب استبدال كابل الطاقة التالف من خلال التواصل مع خدمة العملاء (انظر بطاقة الضمان).

بطاقة للمنتج وفقاً للأدلة التنظيمية (EC) رقم 2019 2016

Haier			الاسم التجاري
HBQW5719E	HBQW5519E HBQW5519EK EHBQW5519E EHBQW5519ECM	EHBQW5518E HBQW5518E HBQW5518EK HQE1855BCMW EHQE1855BCMW	اسم الطراز/ للمعرّف
ثلاجة فريزر	ثلاجة فريزر	ثلاجة فريزر	فئة الطراز
E	E	E	فئة كفاءة الطاقة
259	229	229	استهلاك الطاقة السنوي (كيلوواط في الساعة/ سنة) (1)
382	285	268	الحجم الكلي (لتر)
281	211	194	حجم الثلاجة (لتر)
101	74	74	حجم الفريزر (لتر)
/	/	/	حجم قسم التبريد (لتر)
/	/	/	حجم صناعة الثلج التلقائية (لتر)
4	4	4	تصنيف النجوم
غير قابلة للتطبيق	غير قابلة للتطبيق	غير قابلة للتطبيق	درجة حرارة الحجيرات الأخرى < 14 درجة مئوية
نعم	نعم	نعم	نظام خال من الجليد
			قدرة التجميد (كجم/ 24 ساعة)
SN/N/ST/T	SN/N/ST/T	SN/N/ST/T	تقييم المناخ (2)
B(33)	B(35)	B(35)	فئة انبعاث الضوء وانبعاثات الضوء الصوتية للحمولة جواً dB(A)re1pW)
	12	12	وقت ارتفاع درجة الحرارة (بالساعة)
/	/	/	سعة صنع الثلج
مدمج	مدمج	مدمج	نوع الجهاز

فئة كفاءة الطاقة	اسم الطراز
E	EHBQW5518E HBQW5518E HBQW5518EK HQE1855BCMW EHQE1855BCMW
E	HBQW5519E HBQW5519EK EHBQW5519E EHBQW5519ECM HBQW5719E

التوضيحات:

- نعم، مقدمة
- (1) بناءً على نتائج اختبار مطابقة المعايير على مدار 24 ساعة. يعتمد الاستهلاك الفعلي على استخدام وموقع الجهاز.
- (2) تقييم المناخ SN: هذا الجهاز مخصص للاستخدام في درجة حرارة محيطية تتراوح بين + 10 درجات مئوية و+32 درجة مئوية
- تقييم المناخ N: هذا الجهاز مخصص للاستخدام في درجة حرارة محيطية تتراوح بين +16 درجات مئوية و+32 درجة مئوية
- تقييم المناخ ST: هذا الجهاز مخصص للاستخدام في درجة حرارة محيطية تتراوح بين + 16 درجات مئوية و+38 درجة مئوية
- تقييم المناخ T: هذا الجهاز مخصص للاستخدام في درجة حرارة محيطية تتراوح بين + 16 درجات مئوية و+43 درجة مئوية

### بيانات فنية إضافية

220-240 فولت ~ /50 هرتز	الجهد الكهربائي/التردد
1.2/1.6	التيار المدخل (أمبير)
16	القدرة الأمبيرية للمنصهر الرئيسي (أمبير)
R600a	سائل التبريد
EHBQW5518E/ HBQW5518E/ EK EHQE/ HQE1855BCMW: 1773/540/555	الأبعاد (الارتفاع × العرض × القطر بوحدة قياس المليمتر)
HBQW5519E/ EK/ EHBQW5519E/ ECM: 1935/540/555	
EHBQW5719E : 1935/690/550	

نوصي بالاستعانة بخدمة عملاء Haier واستخدام قطع الغيار الأصلية. إذا كانت لديك مشكلة في جهازك، يرجى التحقق أولاً من قسم استكشاف الأعطال وإصلاحها.

إذا لم تجد حلاً، يرجى التواصل مع

- ◀ التاجر المحلي الخاص بك أو
- ◀ مركز خدمة العملاء الأوروبي الخاص بنا (راجع أرقام الهواتف المدرجة أدناه) أو
- ◀ منطقة الخدمة والدعم في [www.haier.com](http://www.haier.com) حيث يمكنك تنشيط مطالبة الخدمة
- ◀ والعثور على الأسئلة الشائعة.

عند الاتصال بمركز الخدمة الخاص بنا، تأكد من توفر المعلومات التالية لديك. توجد هذه البيانات على لوحة التصنيف.

الطراز

\_\_\_\_\_

الرقم التسلسلي

\_\_\_\_\_

تحقق أيضاً من بطاقة الضمان المرفقة مع المنتج في حالة كان الجهاز داخل الضمان.

مركز خدمة العملاء الأوروبي		
الدولة*	رقم الهاتف	التكاليف
Haier Italy (IT)	100912 199	
Haier Spain (ES)	902 509 123	
Haier Germany (DE)	0180 5 39 39 99	• 14 سنت/دقيقة الخط الأرضي • 42 سنت/دقيقة موبايل بحد أقصى
Haier Austria (AT)	001205 0820	• 14,53 سنت/دقيقة الخط الأرضي • أقصى 20 سنت/دقيقة أي شيء آخر
Haier United Kingdom (UK)	0333 003 8122	
Haier France (FR)	0980 406 409	

\*بالنسبة إلى الدول الأخرى، يُرجى الرجوع إلى [www.haier.com](http://www.haier.com)

Haier Europe Trading S.r.l

فرع المملكة المتحدة

Westgate House, Westgate, Ealing

London, W5 1YY

\*مدة ضمان جهاز التبريد:

الحد الأدنى من الضمان هو: سنتان (2) لدول الاتحاد الأوروبي، 3 سنوات لتركيا، سنة واحدة للمملكة المتحدة، سنة واحدة لروسيا، 3 سنوات للسويد، سنتان (2) لصربيا، 5 سنوات للترويج، سنة واحدة للمغرب، 6 أشهر للجزائر، تونس بدون ضمان قانوني مطلوب.

\*فترة قطع الغيار لإصلاح الجهاز:

تتوفر قطع الترموستات وأجهزة استشعار درجة الحرارة ولوحات الدوائر المطبوعة ومصادر الإضاءة لمدة سبع سنوات على الأقل بعد طرح آخر وحدة من الطراز في السوق.

تتوفر مقابض الأبواب ومفصلات الأبواب والأدراج والسلال لمدة لا تقل عن سبع سنوات وحشيات الأبواب لمدة لا تقل عن 10 سنوات، بعد طرح آخر وحدة من الموديل في السوق.

\*لمزيد من المعلومات حول المنتج، يُرجى الرجوع إلى <https://eprel.ec.europa.eu> أو إجراء المسح الضوئي لرمز الاستجابة السريعة (QR) الموجود على ملصق الطاقة المرفق مع الجهاز.



# Haier



2024 الإصدار أ

# Haier

Ръководство  
за потребителя

Хладилник с фризер

ЕНВQW5518Е

НВQW5518Е

НВQW5518ЕК

НQE1855BCMВ

ЕНQE1855BCMВ

НВQW5519Е

НВQW5519ЕК

ЕНВQW5519Е

ЕНВQW5519ЕСM

НBCN7190U1

BG

<u>4</u>	<u>Информация за безопасност</u>	<u>Преди първоначална употреба</u>	<u>5</u>
		<u>Монтаж</u>	<u>5</u>
		<u>Ежедневна употреба</u>	<u>6</u>
		<u>Информация за хладилния газ</u>	<u>8</u>
<u>9</u>	<u>Предназначение</u>		
<u>10</u>	<u>Описание на продукта</u>		
<u>12</u>	<u>Панел за управление</u>		
<u>13</u>	<u>Употреба</u>	<u>Заклучване/Отключване на панела</u>	<u>13</u>
		<u>Регулиране на температурата на хладилника</u>	<u>13</u>
		<u>Регулиране на температурата на фризера</u>	<u>14</u>
		<u>Функция Wi-Fi</u>	<u>15</u>
		<u>Функция „Holiday“</u>	<u>15</u>
		<u>Функция „Super Cool“</u>	<u>16</u>
		<u>Функция „Super Freeze“</u>	<u>16</u>
<u>18</u>	<u>Оборудване</u>		
<u>20</u>	<u>Съвети за пестене на енергия</u>		
<u>21</u>	<u>Грижа и почистване</u>		
<u>23</u>	<u>Отстраняване на неизправности</u>		
<u>27</u>	<u>Монтаж</u>		
<u>34</u>	<u>Технически данни</u>		
<u>36</u>	<u>Обслужване на клиенти</u>		

## Благодарим Ви, че закупихте продукт на Haier.

Моля, прочетете внимателно тези инструкции, преди да използвате този уред. Инструкциите съдържат важна информация, която ще ви помогне да използвате уреда по възможно най-пълноценен начин и да се уверите, че той ще бъде монтиран, използван, и поддържан правилно и безопасно.

Съхранявайте това ръководство на удобно място, за да можете по всяко време да направите справка относно безопасното и правилно използване на уреда.

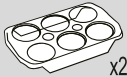
Ако продадете, подарите или оставите уреда в старото си жилище, когато се преместите, моля, предайте и това ръководство на новия собственик, за да може той да се запознае с уреда и с предупрежденията за безопасност.

## Принадлежности

Проверете дали принадлежностите и книжните материали са в съответствие с този списък:



Форма за лед



x2

Поставка за яйца



Енергиен етикет



Гаранционна карта



Ръководство за Предупреждение за безопасност



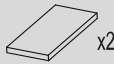
x4

Винт



x2

Капак



x2

Абсорбиращ панел



x4

Плъзгач



x4

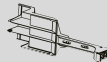
Плъзгач обков



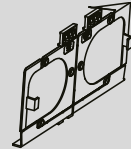
Фиксирана платка



Капак на панти



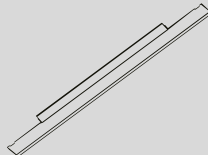
Фиксирана платка II



Долна фиксирана платка



Горна фиксирана платка



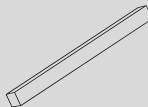
Долен капак



Долен страничен капак



Уплътнителна лента



Уплътнителна гъба



Капак на долна панта

**ПРЕДУПРЕЖДЕНИЕ –****Важна информация за безопасност****ЗАБЕЛЕЖКА – Обща информация и съвети****Информация за околната среда****Обезвреждане**

Помогнете за опазването на околната среда и човешкото здраве. Поставете опаковъчните материали в подходящите контейнери, за да бъдат рециклирани. Помогнете за рециклирането на отпадъци от електрически и електронни уреди. Уреди, обозначени с този символ, не бива да бъдат изхвърляни заедно с битовите отпадъци. Върнете продукта в местното съоръжение за рециклиране или се свържете с общинската служба.

**ПРЕДУПРЕЖДЕНИЕ!**

Опасност от нараняване или задушаване!

Хладилните агенти и газовете трябва да се обезвреждат по професионален начин. Уверете, че тръбите на охладителната верига не са повредени, преди да ги изхвърлите по подходящ начин. Изключете уреда от захранването. Отрежете захранващия кабел и го изхвърлете. Отстранете тавите и чекмеджетата, както и уплътненията на вратата и механизма за затварянето ѝ, за да предотвратите затварянето на деца и домашни любимци в уреда.

**Преди да включите уреда за първи път, прочетете следните съвети за безопасност!:**



## **ПРЕДУПРЕЖДЕНИЕ!**

### **Преди първоначална употреба**

- ▶ Уверете се, че няма транспортни повреди.
- ▶ Изчакайте поне два часа, преди да монтирате уреда, за да сте сигурни, че охладителната верига е напълно ефективна.
- ▶ За преместването на уреда са нужни поне двама души, защото е тежък.
- ▶ Отстранете всички опаковъчни материали, дръжте ги далеч от деца, и ги изхвърлете по природосъобразен начин.
- ▶ Почистете вътрешните и външните повърхности на уреда с вода и мек почистващ препарат, преди да поставите храна в него.
- ▶ След като уредът е бил подравнен и почистен, изчакайте поне 2 – 5 часа, преди да го свържете към захранването. Вижте раздел „МОНТИРАНЕ“.
- ▶ Преди да заредите с храна, предварително охладете отделенията при високи настройки. Функцията „Power-Freeze“ помага за бързото охлаждане на отделенията.
- ▶ Температурата на хладилника и на фризера се задава автоматично съответно на 5°C и на -18°C. Това са препоръчителните настройки. По желание може да промените тези температури ръчно. Моля вижте раздел „РЕГУЛИРАНЕ НА ТЕМПЕРАТУРАТА“.

### **Монтаж**

- ▶ Уредът трябва да бъде поставен на място с добра вентилация. Осигурете пространство от най-малко 10 см над уреда и около уреда.
- ▶ Никога не поставяйте уреда на влажно място или на място, където има опасност да бъде напръскан с вода. Петна и пръски вода трябва да се почистват и подсушават с чиста мека кърпа.
- ▶ Не монтирайте уреда така, че да е изложен на пряка слънчева светлина или да е в близост до източници на топлина (напр. готварски печки, нагреватели).
- ▶ Поставете и нивелирайте уреда в зона, подходяща за неговия размер и употреба.
- ▶ Поддържайте вентилационните отвори на уреда или на вградената конструкция свободни от препятствия.
- ▶ Уверете се, че електрическата информация на табелката с данни съответства на захранването. Ако не съответства, обърнете се към електротехник.
- ▶ Уредът работи при захранване 220 – 240 VAC/50 Hz. Необичайни колебания в електрическото напрежение могат да доведат до неуспешно стартиране на уреда, да повредят системата за управление на температурата или компресора или да причинят необичаен шум при работа. В такъв случай трябва да се монтира автоматичен регулатор.



## ПРЕДУПРЕЖДЕНИЕ!

- ▶ Не използвайте разклонители и удължители.
- ▶ Не разполагайте преносими разклонители или преносими източници на хранване в задната част на уреда.
- ▶ Уверете се, че хранващият кабел не е заклепен под хладилника. Не стъпвайте върху хранващия кабел.
- ▶ Използвайте отделен заземен контакт за хранването, който е лесно-достъпен. Уредът трябва да бъде заземен.  
Само за Обединеното кралство: Хранващият кабел на уреда е снабден с троен (заземяващ) щепсел, който отговаря на стандартен троен (заземен) контакт. В никакъв случай не режете и не демонтирайте третия (заземяващ) щифт. След монтирането на уреда до щепсела трябва да има достъп.
- ▶ Не причинявайте повреди на охладителната верига.

### Ежедневна употреба

- ▶ Този уред може да се използва от деца над 8-годишна възраст и от лица с намалени физически, сетивни или умствени способности или липса на опит и познания, ако се наблюдават или са инструктирани за използването на уреда по безопасен начин и разбират свързаните с това опасности.
- ▶ Деца на възраст от 3 до 8 години могат да товарят и разтоварват, но не могат да почистват или монтират хладилни уреди.
- ▶ Деца под 3-годишна възраст трябва да се пазят далеч от уреда, с изключение на случаите, когато са под постоянен надзор.
- ▶ Децата не бива да използват уреда за игра.
- ▶ Ако в близост до уреда изтича охладителен газ или друг запалим газ, изключете вентила на изтичащия газ, отворете вратите и прозорците и не включвайте и не изключвайте хранващите кабели на хладилника или на друг уред.
- ▶ Обърнете внимание, че уредът е настроен за работа в определен диапазон на температурата на околната среда между 10 и 43°C. Уредът може да не работи правилно, ако е оставен за дълъг период при температура над или под посочения диапазон.
- ▶ Не поставяйте нестабилни предмети (тежки предмети, съдове, пълни с вода) върху хладилника, за да избегнете нараняване, причинено от падане или токов удар при контакт с вода.
- ▶ Не дърпайте рафтовете на вратата. Вратата може да бъде издърпана под наклон, поставката за бутилка може да бъде изтеглена или уредът може да се събори.
- ▶ Отваряйте и затваряйте вратите само посредством дръжките. Пролуката между вратите и между вратите и шкафа е много тясна. Не поставяйте ръцете си в тези зони, за да избегнете прищипване на пръстите. Отваряйте или затваряйте вратите на хладилника само когато в обсега на движението на вратата няма деца.



## ПРЕДУПРЕЖДЕНИЕ!

- ▶ Не съхранявайте и не използвайте запалими, експлозивни или корозивни материали в уреда или в близост до него.
- ▶ Не съхранявайте лекарства, бактерии или химически агенти в уреда. Това е домакински уред. Не се препоръчва да съхранявате материали, които изискват строги температури.
- ▶ Никога във фризера не съхранявайте течности в бутилки или консерви (освен високоалкохолни спиртни напитки), особено газирани напитки, тъй като те ще се спукат по време на замразяването.
- ▶ Проверете състоянието на храната, ако във фризера е настъпило затопляне.
- ▶ Не задавайте излишно ниска температура в хладилното отделение. Привисоки настройки могат да възникнат минусови температури. Внимание: Бутилките могат да се пръснат
- ▶ Не докосвайте замразени продукти с мокри ръце (носете ръкавици). В никакъв случай не яжте ледени близалки веднага след изваждането им от фризерното отделение. Съществува риск от измръзване или образуване на мехури. ПЪРВА помощ: незабавно поставете под течаща студена вода. Не дърпайте!
- ▶ Не докосвайте вътрешната повърхност на отделението за съхранение на фризера, когато уредът работи, особено с мокри ръце, тъй като ръцете ви могат да замръзнат върху повърхността.
- ▶ Изключете уреда от електрическата мрежа в случай на прекъсване на захранването или преди почистване. Изчакайте поне 7 минути, преди да включите отново уреда, тъй като честото стартиране може да повреди компресора.
- ▶ Не използвайте електрически уреди в отделенията за съхранение на храна на уреда, освен ако не са от вид, препоръчан от производителя.

## Поддръжка/почистване

- ▶ Ако почистване и поддръжка се извършва от деца, уверете се, че те са под надзор.
- ▶ Изключете уреда от електрическото захранване, преди да предприемете каквато и да е рутинна поддръжка. Изчакайте поне 5 минути, преди да включите отново уреда, тъй като честото стартиране може да повреди компресора.
- ▶ При изключване на уреда хващайте щепсела, а не кабела.
- ▶ Не почиствайте уреда с твърди четки, телени четки, прахообразни препарати, бензин, амилацетат, ацетон или подобни органични разтвори, киселинни или алкални разтвори. Моля, почиствайте със специален препарат за хладилник, за да избегнете повреди.
- ▶ Не стържете скреж и лед с остри предмети. Не използвайте спрейове, електрически нагреватели като сешоари, парочистачки или други източници на топлина, за да се избегне повреда на пластмасовите части.



## ПРЕДУПРЕЖДЕНИЕ!

- ▶ Не използвайте механични устройства или други средства за ускоряване процеса на размразяване, различни от препоръчаните от производителя.
- ▶ Ако хранващият кабел се повреди, той трябва да бъде заменен от производителя, негов обслужващ представител или лице с подобна квалификация, за да се избегне потенциална опасност.
- ▶ Не се опитвайте сами да ремонтирате, разглобявате или модифицирате уреда. При необходимост от ремонт се свържете с нашия отдел за обслужване на клиенти.
- ▶ Отстранявайте прахта по гърба на уреда поне веднъж годишно, за да се избегне пожар, както и повишен разход на енергия.
- ▶ Не пръскайте и не плискайте уреда по време на почистване.
- ▶ Не използвайте водна струя или пара за почистване на уреда.
- ▶ Не почиствайте студените стъклени рафтове с гореща вода. Рязката промяна в температурата може да причини напукване на стъклото.

## Информация за хладилния газ



### ПРЕДУПРЕЖДЕНИЕ!

Уредът съдържа запалимия хладилен агент ИЗОБУТАН (R600a). Уверете се, че охладителната верига не е била повредена по време на транспортирането или монтажа. Течът на хладилен агент може да причини нараняване на очите или възпламеняване. При възникване на повреда се пазете от открити източниците на огън, проветрете добре помещението, не включвайте и не изключвайте хранващите кабели на уреда или на друг уред. Информирайте центъра за обслужване на клиенти.

В случай че в очите Ви попадне хладилен агент, изплакнете веднага с течаща вода и незабавно се свържете с офталмолог.

## Предназначение

Този уред е предназначен за охлаждане и замразяване на храни. Този уред е предназначен единствено за употреба в домакинството и в други подобни пространства, като кухненски помещения за персонал в магазини, офиси и други работни пространства, земеделски стопанства и за клиенти в хотели, мотели и други помещения за настаняване, като полупансионни и фирми за кетъринг. Не е предназначен за търговска или промишлена употреба.

Не е разрешено извършването на промени или модификации на устройството. Използването не по предназначение може да доведе до опасности и до загуба на гаранционно покритие.

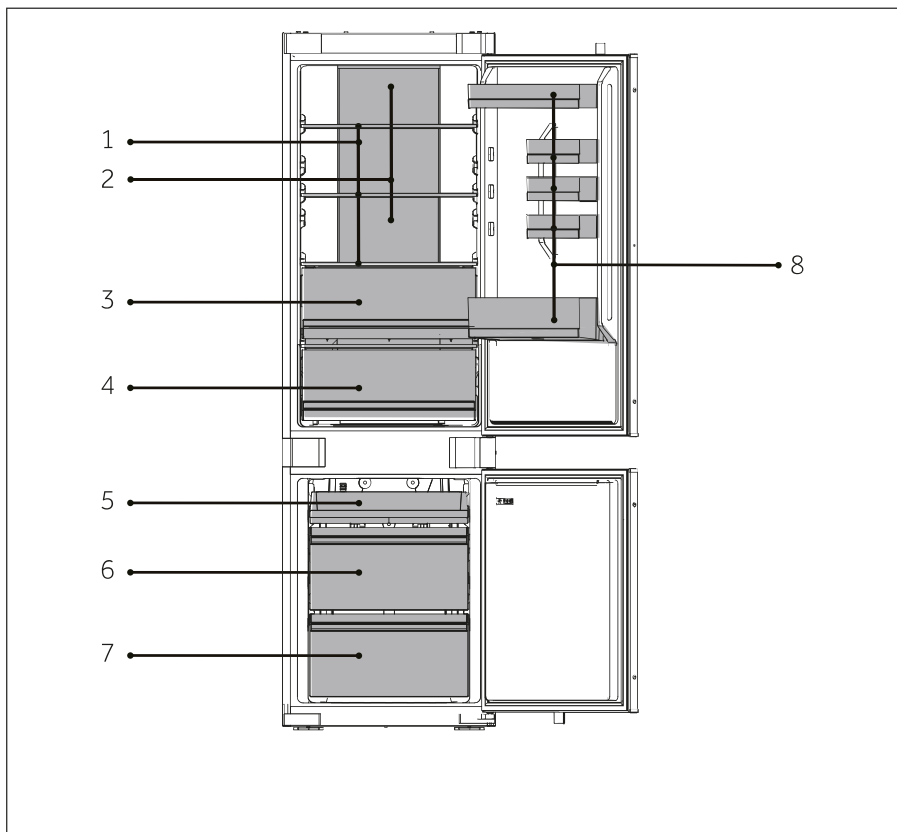
## Стандарти и директиви или

Този продукт отговаря на изискванията на всички приложими директиви на ЕО със съответстващите хармонизирани стандарти и стандарти на Обединеното кралство, които предвиждат маркировка CE или UKCA.



## ЗАБЕЛЕЖКА

Поради технически промени и наличие на различни модели някои от илюстрациите в това ръководство може да се различават от вашия модел.



ЕНВQW5518Е/НВQW5518Е/НВQW5518ЕК/НQE1855BCMW/ЕНQE1855BCMW

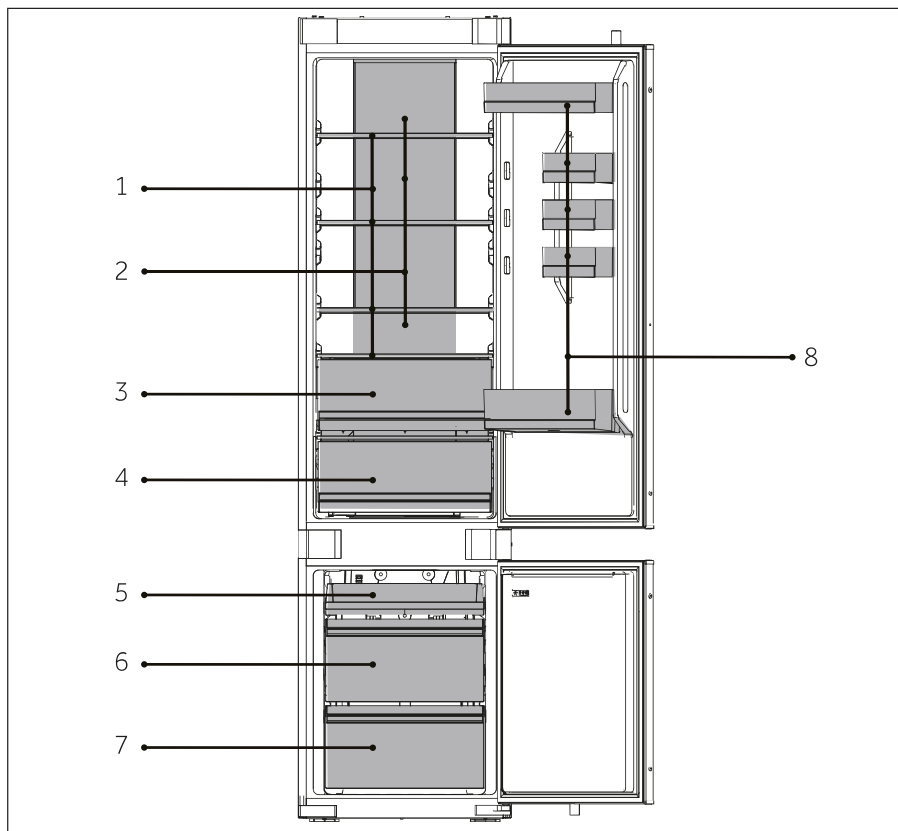
A: Охладителна част

B: Фризерна част

- |                            |                              |
|----------------------------|------------------------------|
| 1 Обикновени рафтове       | 5 Горна тава на фризера      |
| 2 Хладилен въздухопровод   | 6 Средно чекмедже на фризера |
| 3 Чекмедже „Humidity Zone“ | 7 Долно чекмедже на фризера  |
| 4 Чекмедже „Fresh Box“     |                              |
| 8 Поставка за бутилки      |                              |

## **i** ЗАБЕЛЕЖКА

Поради технически промени и наличие на различни модели някои от илюстрациите в това ръководство може да се различават от вашия модел.



HBQW5519E/HBQW5519EK/EHBQW5519E/EHBQW5519ECM/HBQW5719E

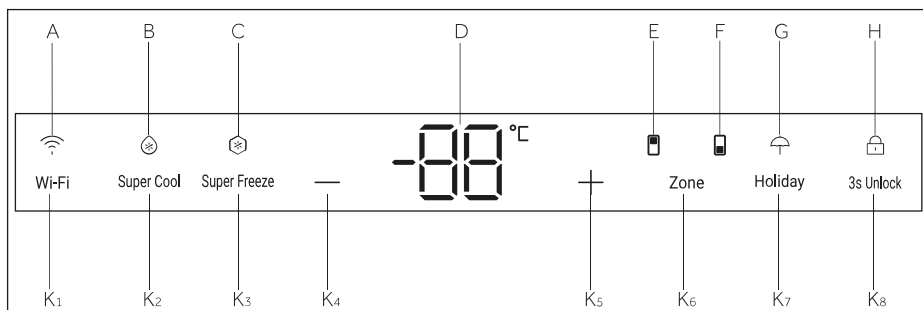
**A:** Охладителна част

- 1 Обикновени рафтове
- 2 Хладилен въздухопровод
- 3 Чекмедже „Humidity Zone“
- 4 Чекмедже „Fresh Box“
- 8 Поставка за бутилки

**B:** Фризерна част

- 5 Горна тава на фризера
- 6 Средно чекмедже на фризера
- 7 Долно чекмедже на фризера

## Панел за управление



### Индикатори:

- A Функция Wi-Fi
- B Функция „Super Cool“
- C Функция „Super Freeze“
- D Дисплей за температурата
- E Индикатор за хладилника
- F Индикатор за фризера
- G Функция „Holiday“
- H Заклучване и отключване

### Бутони:

- K<sub>1</sub> Бутон за настройка на Wi-Fi
- K<sub>2</sub> Бутон за избор на „Super Cool“
- K<sub>3</sub> Бутон за избор на „Super Freeze“
- K<sub>4</sub> Бутон за регулиране на температурата „-“
- K<sub>5</sub> Бутон за регулиране на температурата „+“
- K<sub>6</sub> Бутон за избор на зона
- K<sub>7</sub> Функционален бутон „Holiday“
- K<sub>8</sub> Бутон за заклучване и отключване

## Сензорни бутони

Бутоните на панела за управление са сензорни и реагират при леко докосване с пръст.

## Включване/изключване на уреда

Уредът започва да работи, веднага щом бъде свързан към захранването.

Когато хладилникът бъде включен за първи път, индикаторът „D“ (Дисплей за температурата) светва. Температурата на хладилника и на фризера се задава автоматично съответно на 5°C и на -18°C.



## ЗАБЕЛЕЖКА

Когато уредът бъде включен след прекъсване на захранването, може да са необходими до 12 часа, за да бъдат достигнати правилните температури.

Изпразнете уреда, преди да го изключите. За да изключите уреда, извадете захранващия кабел от контакта.

### Заклучване/Отключване на панела

Автоматично заключване: След като вратата на хладилника и вратата на фризера са били затворени и бутоните не са били използвани в продължение на 30 секунди, екранът на дисплея автоматично се изключва и заключва.

Ръчно заключване: Когато екранът на дисплея е отключен, натиснете бутона „K8“ (3S Unlock) и задръжте за 3 секунди. Ще прозвучи сигнал, индикаторът „H“ (Заклучване на панела) ще светне и дисплеят ще бъде заключен.

Отключване: Когато екранът на дисплея е заключен, натиснете бутона „K8“ (3S Unlock) и задръжте за 3 секунди. Ще прозвучи сигнал, индикаторът „H“ (Заклучване на панела) ще угасне и дисплеят ще бъде отключен.

### Регулиране на температурата

Температурите в уреда се влияят от следните фактори:

Температура на околната среда, Честота на отваряне на вратата, Количество съхраняваните храни Инсталация на уреда.

### Регулиране на температурата на хладилника

Когато екранът на дисплея е отключен, натиснете бутона „K6“ (Селектор за отделение). Ще прозвучи сигнал, индикаторът „E“ (Индикатор за хладилника) ще светне и след това ще можете да зададете температурата на хладилника.

При всяко натискане на бутона „K4“ (Бутон за регулиране на температурата „-“) ще прозвучи сигнал и зададената температура на хладилника ще бъде намалена с 1. Температурата на хладилника се променя в следната последователност: „9°C -> 8°C -> 7°C -> 6°C -> 5°C -> 4°C -> 3°C -> 2°C -> 1°C“.

При всяко натискане на бутона „K5“ (Бутон за регулиране на температурата „+“) ще прозвучи сигнал и зададената температура на хладилника ще бъде увеличена с 1. Температурата на хладилника се променя в следната последователност: „1°C -> 2°C -> 3°C -> 4°C -> 5°C -> 6°C -> 7°C -> 8°C -> 9°C“.



## ЗАБЕЛЕЖКА

Ако не се извърши никаква манипулация в рамките на 5 секунди след задаване на температурата, системата автоматично ще запази зададената температура.

## Регулиране на температурата на фризера

Когато екранът на дисплея е отключен, натиснете бутона „K<sub>6</sub>“ (Селектор за отделение). Ще прозвучи сигнал, индикаторът „F“ (Индикатор за фризера) ще светне и след това ще можете да зададете температурата на фризера.

При всяко натискане на бутона „K<sub>4</sub>“ (Бутон за регулиране на температурата „-“) ще прозвучи сигнал и зададената температура на фризера ще бъде намалена с 1. Температурата на фризера се променя в следната последователност: „-14°C -> -15°C -> -16°C -> -17°C -> -18°C -> -19°C -> -20°C -> -21°C -> -22°C -> -23°C -> -24°C“.

При всяко натискане на бутона „K<sub>5</sub>“ (Бутон за регулиране на температурата „+“) ще прозвучи сигнал и зададената температура на фризера ще бъде увеличена с 1. Температурата на фризера се променя в следната последователност: „-24°C -> -23°C -> -22°C -> -21°C -> -20°C -> -19°C -> -18°C -> -17°C -> -16°C -> -15°C -> -14°C“.



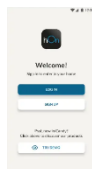
### ЗАБЕЛЕЖКА

Ако не се извърши никаква манипулация в рамките на 5 секунди след задаване на температурата, системата автоматично ще запази зададената температура.

Стъпка 1 Изтеглете приложението hOn от магазините.



Стъпка 2 Създайте свой профил в приложението hOn или влезте, ако вече имате такъв



Стъпка 3 Следвайте инструкциите за сдвояване в приложението hOn.



## Функция Wi-Fi

1. Следвайте инструкциите в приложението, за да конфигурирате Wi-Fi.
2. След като Wi-Fi е конфигурирано и връзката е установена, иконата за Wi-Fi „А“ е ярка и фиксирана.
3. Ако Wi-Fi вече е конфигурирано, при включване на Wi-Fi автоматично ще се свърже, използвайки информацията за конфигурацията.
4. За да изключите Wi-Fi, натиснете бутона за Wi-Fi „К<sub>1</sub>“, иконата за Wi-Fi „А“ се изключва.
5. За да включите Wi-Fi и да започнете конфигурацията, натиснете Wi-Fi бутона „К<sub>1</sub>“ и Wi-Fi иконата „А“ започва бавно да мига. Ако искате да конфигурирате функцията Wi-Fi, натиснете бутона „К<sub>1</sub>“ за 3 секунди, иконата за Wi-Fi мига бързо и влиза в режим на конфигуриране. Ако искате да изключите функцията Wi-Fi, натиснете веднъж бутон „К<sub>1</sub>“. Повторете горните стъпки.
6. Ако продуктът е бил конфигуриран и функцията Wi-Fi е била изключена, хладилникът няма да влезе в режим на конфигурация след повторно включване на захранването.

## Функция „Holiday“

1. Когато екранът на дисплея е отключен, натиснете бутона „К<sub>7</sub>“ (Бутон за функция „Holiday“). Ще прозвучи сигнал, индикаторът „G“ (Функция „Holiday“) ще светне и функцията „Holiday“ ще бъде включена.
2. Когато екранът на дисплея е отключен, натиснете бутона „К<sub>7</sub>“ (Бутон за функция „Holiday“). Ще прозвучи сигнал, индикаторът „G“ (Функция „Holiday“) ще изгасне и функцията „Holiday“ ще бъде изключена.



## ЗАБЕЛЕЖКА

1. Функцията „Holiday“ се използва главно за краткосрочни отсъствия. Когато използвате функцията „Holiday“, хладилникът трябва да се изпразни.
2. При функцията „Holiday“ температурата в хладилното помещение ще бъде по-висока (около 17°C). Моля, не забравяйте да изпразните хладилника, за да избегнете разваляне на храна.

### Функция „Super Cool“

1. Когато екранът на дисплея е отключен, натиснете бутона „K<sub>2</sub>“ (Селектор за функция „Super Cool“). Ще прозвучи сигнал, индикаторът „B“ (Функция „Super Cool“) ще светне и функцията „Super Cool“ ще бъде включена.
2. Когато индикаторът „B“ (Функция „Super Cool“) светне, натиснете бутона „K<sub>2</sub>“ (Селектор за функция „Super Cool“). Ще прозвучи сигнал, индикаторът „O“ (Функция „Super Cool“) ще изгасне и функцията „Super Cool“ ще бъде изключена.
3. След като функцията „Super Cool“ бъде включена, хладилникът автоматично ще я изключи, когато зададената температура бъде достигната. Ако искате да я изключите ръчно, можете да го направите, като натиснете бутона „K<sub>2</sub>“ (Селектор за функция „Super Cool“).



### ЗАБЕЛЕЖКА

1. Докато функцията „Super Cool“ е включена, температурата на хладилника не може да бъде регулирана. Ако натиснете бутона „K<sub>4</sub>“ (Бутон за регулиране на температурата „-“) или бутона „K<sub>5</sub>“ (Бутон за регулиране на температурата „+“), за да промените температурата на хладилника, индикаторът „B“ (Индикатор за функцията „Super Cool“) ще замига и ще прозвучи сигнал, което означава, че тази операция не може да бъде извършена.
2. Докато функцията „Super-Cool“ е включена, режимът „Auto-Set“ не може да бъде активиран, тъй като става въпрос за различни режими на управление. Когато изберете функция, която е в конфликт с друга функция, първоначалната функция ще бъде изключена автоматично.
3. Тази функция автоматично ще се деактивира след 6 часа.

### Функция „Super Freeze“

1. Когато екранът на дисплея е отключен, натиснете бутона „K<sub>3</sub>“ (Селектор за функция „Super Freeze“). Ще прозвучи сигнал, индикаторът „C“ (Функция „Super Freeze“) ще светне и функцията „Super Freeze“ ще бъде включена.
2. Когато индикаторът „C“ (Функция „Super Freeze“) светне, натиснете бутона „K<sub>3</sub>“ (Селектор за функция „Super Freeze“). Ще прозвучи сигнал, индикаторът „C“ (Функция „Super Freeze“) ще изгасне и функцията „Super Freeze“ ще бъде изключена.
3. След като функцията „Super Freeze“ бъде включена, хладилникът автоматично ще я изключи, когато зададената температура бъде достигната. Ако искате да я изключите ръчно, можете да го направите, като натиснете бутона „K<sub>3</sub>“ (Селектор за режима „Super Freeze“).





## ЗАБЕЛЕЖКА

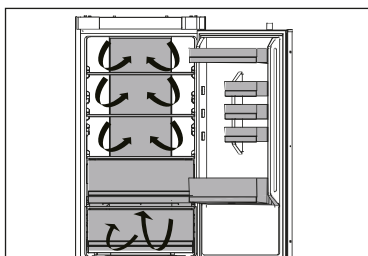
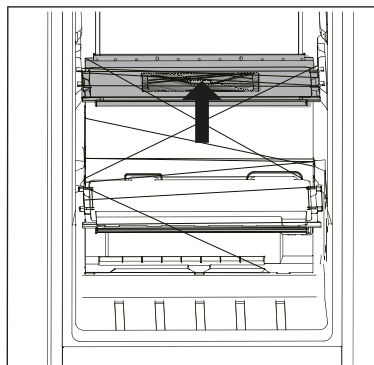
1. Докато функцията „Super Freeze“ е включена, температурата на фризера не може да бъде регулирана. Ако натиснете бутона „K<sub>4</sub>“ (Бутон за регулиране на температурата „-“) или бутона „K<sub>5</sub>“ (Бутон за регулиране на температурата „+“), за да промените температурата на фризера, индикаторът „C“ (Индикатор за функцията „Super Freeze“) ще замига и ще прозвучи сигнал, което означава, че тази операция не може да бъде извършена.
2. Функцията „Super Freeze“ е предназначена за замразяване на храни във възможно най-кратък период от време, с цел да се запази хранителната им стойност. Ако трябва да замразите големи количества храна наведнъж. Междувременно функцията „Super Freeze“ трябва да бъде включена 24 ч предварително, за да се понижат температурите във фризера и храната да се постави вътре. По този начин се съкращава времето, необходимо за замразяване във фризера, храната може да бъде замразена бързо, нейната хранителна стойност се запазва и съхранението ѝ става много удобно.
3. Функцията „Super Freeze“ автоматично ще се изключи след 50 часа, след което уредът ще започне да работи на предварително зададената температура.

## Чекмедже „Humidity Zone“

В това отделение нивото на влажност е по-високо от това в отделението на хладилника. Управлява се автоматично от системата и е подходящо за съхранение на плодове, зеленчуци, салати и др.

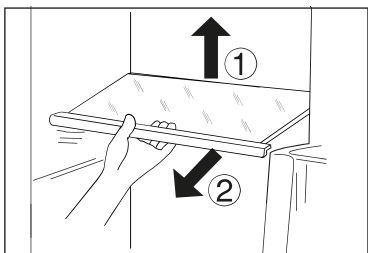
### **i** ЗАБЕЛЕЖКА

1. Не отстранявайте пластмасовия капак, който се намира вътре в зоната.
2. Той поддържа влажността.
3. Плодове, чувствителни към студени температури, като ананас, авокадо, банан, грейпфрут, не бива да се съхраняват в това чекмедже.



### Многоточков въздушен поток

1. Хладилникът е оборудван със система за многоточков въздушен поток, което позволява студени въздушни струи да текат през всеки рафт. Това помага за поддържането на постоянна температура, за да може храната Ви да остане свежа за по-дълго.



### Регулируеми рафтове

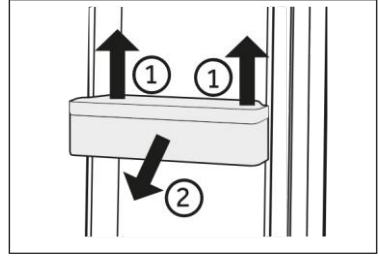
1. Височината на рафтовете може да се регулира според Вашите нужди за съхранение.
2. За да преместите рафт, първо го извадете, като повдигнете задния му ръб ① и го издърпате навън ②.
3. За да го поставите обратно, го сложете на релсите от двете страни и го избутайте до най-задното положение, докато задната част на рафта не се застопори в страничните отвори.

### **i** ЗАБЕЛЕЖКА

Уверете се, че всички страни на рафта са подравнени.

### Подвижни рафтове на вратата/ Поставки за бутилки

1. Рафтовете на вратата могат да се свалят за почистване:
2. Хванете рафта с ръце от двете страни, повдигнете го нагоре ① и го извадете ②.
3. За да поставите рафта на вратата, следвайте горните стъпки в обратен ред.



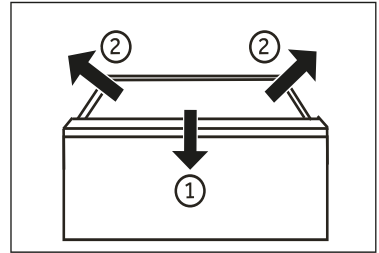
### ЗАБЕЛЕЖКА

След като уредът бъде включен, може да са необходими до 12 часа, за да бъдат достигнати правилните температури.

### Вадещо се чекмедже

За да извадите чекмеджето, го издърпайте максимално назад ①, повдигнете го и го извадете ②.

За да поставите чекмеджето обратно, следвайте горните стъпки в обратен ред.



### Осветление

При отваряне на вратата се включва вътрешното LED осветление. Работата на лампите не се влияе от никоя друга настройка на уреда.



## Съвети за пестене на енергия

- ▶ Уверете се, че уредът е монтиран така, че да е осигурена добра вентилация (вижте раздел „МОНТАЖ“).
- ▶ Не монтирайте уреда така, че да е изложен на пряка слънчева светлина или да е в близост до източници на топлина (напр. готварски печки, нагреватели).
- ▶ Избягвайте ненужно ниска температура в уреда. Потреблението на енергия се увеличава, колкото по-ниска е температурата в уреда.
- ▶ Функции като „Super Freeze“ консумират повече енергия.
- ▶ Оставете топлата храна да се охлади, преди да я поставите в уреда.
- ▶ Отваряйте вратата на уреда възможно най-малко и за възможно най-кратко време.
- ▶ Не препълвайте уреда, за да не се нарушава циркулацията на въздуха.
- ▶ Избягвайте поставянето на хранителни опаковки, в които има въздух.
- ▶ Поддържайте уплътненията на вратата чисти, така че вратата винаги да се затваря добре.
- ▶ Размразявайте замразените храни в отделението за съхранение на хладилника.
- ▶ Най-енергоспестяващата конфигурация изисква чекмеджетата, кутиите за храна и рафтовете в уреда да се поддържат в състояние възможно най-близко до фабричното, а храната да се поставя възможно най-далеч от въздухопроводите, за да не пречи на циркулацията на въздуха.



## ПРЕДУПРЕЖДЕНИЕ!

Изключвайте уреда от захранването преди почистване.

### Почистване

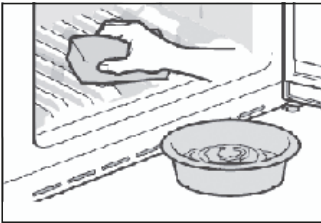
Почиствайте уреда, когато в него се съхранява малко или никаква храна.

Уредът трябва да бъде почистван на всеки четири седмици за добра поддръжка и за предотвратяване на лоши миризми от съхраняваните храни.



## ПРЕДУПРЕЖДЕНИЕ!

- ▶ Не почиствайте уреда с твърди четки, телени четки, прахообразни препарати, бензин, амилацетат, ацетон или подобни органични разтвори, киселинни или алкални разтвори. Моля, почиствайте със специален препарат за хладилник, за да избегнете повреди.
- ▶ Не пръскайте и не плискайте уреда по време на почистване.
- ▶ Не използвайте водна струя или пара за почистване на уреда.
- ▶ Не почиствайте студените стъклени рафтове с гореща вода. Рязката промяна в температурата може да причини напукване на стъклото.
- ▶ Не докосвайте вътрешната повърхност на фризерното отделение за съхранение, особено с мокри ръце, тъй като ръцете ви може да замръзнат върху повърхността.
- ▶ В случай на повишаване на температурата проверете състоянието на замразените храни.



- ▶ Винаги поддържайте уплътнението на вратата чисто.
- ▶ Почиствайте вътрешността и корпуса на уреда с гъба, навлажнена с топла, вода и неутрален препарат.
- ▶ 1. Моля, търкайте вътрешната и външната част на хладилника, включително уплътненията на вратата, рафтовете за врата, стъклените рафтове, кутиите и т.н., с мека кърпа или гъба, натопена в топла вода (може да добавите неутрален препарат към топлата вода).
- ▶ 2. Ако има разлята течност, отстранете всички замърсени части, изплакнете директно с течащата вода, подсушете и ги поставете обратно в хладилника.
- ▶ 3. Ако има разлята гъста течност (като сметана или разтопен сладолед), моля, отстранете всички замърсени части, поставете ги за известно време в топла вода с температура около 40°C, след това изплакнете с течаща вода, подсушете и ги поставете обратно в хладилника.
- ▶ 4. В случай че малка част или компонент заседне вътре в хладилника (между рафтовете или чекмеджетата), използвайте малка мека четка, за да го отстраните. Ако не можете да достигнете частта, моля, свържете се с отдела за обслужване на клиенти на Haier.

- ▶ Изплакнете и подсушете с мека кърпа.
- ▶ Не почиствайте никоя от частите на уреда в съдомиялна машина.
- ▶ Изчакайте поне 5 минути, преди да включите отново уреда, тъй като честото стартиране може да повреди компресора.

### Размразяване

Размразяването на хладилното и фризерното отделение се извършва автоматично: не е необходимо ръчно управление.

### Смяна на LED лампите



## ПРЕДУПРЕЖДЕНИЕ!

Не заменяйте LED лампите сами. Те трябва да бъдат заменяни единствено от производителя или от упълномощен сервизен представител.

Лампите използват LED технология, отличаваща се с ниско потребление на енергия и дълъг експлоатационен живот. В случай на аномалии, моля, свържете се с отдела за обслужване на клиенти. Вижте раздел „ОБСЛУЖВАНЕ НА КЛИЕНТИ“.

Параметри на лампите:

Хладилно отделение: 12 V макс. 2 W

Фризерно отделение: 12 V; макс. 2 W

### При липса на употреба за дълъг период от време

Ако дълго време не употребявате уреда и не желаете да използвате функцията „Holiday“:

Извадете храната.

Изключете захранващия кабел от контакта.

Почистете уреда, както е описано по-горе.

Оставете вратите отворени, за да се предотврати появата на неприятни миризми вътре.



## ЗАБЕЛЕЖКА

Изключете уреда само ако е абсолютно необходимо.

### Преместване на уреда

1. Извадете всичката храна и изключете уреда от контакта.
2. Закрепете всички рафтове и други подвижни част в хладилник и фризера с тиксо.
3. Не наклоняйте хладилника повече от 45°, за да избегнете повреда на охлаждащата система.



## ПРЕДУПРЕЖДЕНИЕ!

- ▶ Не хващайте уреда за дръжките при повдигане.
- ▶ Никога не поставяйте уреда в хоризонтално положение на земята.

Много от възникналите проблеми могат да бъдат решени от вас самите без нужда от специфични умения. В случай на проблем, моля, проверете всички показани възможности и последвайте инструкциите по-долу, преди да се свържете с отдела за следпродажбено обслужване. Вижте раздел „ОБСЛУЖВАНЕ НА КЛИЕНТИ“.



## ПРЕДУПРЕЖДЕНИЕ!

- ▶ Преди извършване на поддръжка изключете уреда и извадете щепсела от контакта.
- ▶ Електрическото оборудване трябва да се обслужва само от квалифицирани експерти, тъй като неправилният ремонт може да причини значителни последващи щети.
- ▶ Повреда в захранващия кабел може да бъде отстранена единствено от производителя, негов обслужващ представител или лице с подобна квалификация, за да се избегне потенциална опасност.

Проблем	Възможна причина	Възможно решение
Компресорът не работи.	<ul style="list-style-type: none"> <li>• Щепселът не е включен в контакта.</li> <li>• Уредът е в цикъл на размразяване.</li> </ul>	<ul style="list-style-type: none"> <li>• Включете щепсела.</li> <li>• Това е нормално при автоматично размразяване.</li> </ul>
Уредът се включва често или работи за прекалено дълги периоди от време.	<ul style="list-style-type: none"> <li>• Вътрешната или външната температура е твърде висока.</li> <li>• Уредът е бил изключен за известно време.</li> <li>• Една от вратите на уреда не е затворена плътно.</li> <li>• Вратата е била отваряна твърде често или за прекалено дълго време.</li> <li>• Температурата, зададена за фризерното отделение, е твърде ниска.</li> <li>• Уплътнението на вратата е замърсено, износено, напукано или разместено.</li> <li>• Необходимата циркулация на въздуха е възпрепятствана.</li> </ul>	<ul style="list-style-type: none"> <li>• В такъв случай е нормално уредът да работи по-дълго.</li> <li>• Обикновено са необходими от 8 до 12 часа за пълното охлаждане на уреда.</li> <li>• Затворете вратата/чекмеджето и се уверете, че уредът се намира върху равна повърхност, както и че затварянето на вратата не е възпрепятствано от храна или контейнер.</li> <li>• Не отваряйте вратата/чекмеджето твърде често.</li> <li>• Задайте по-висока температура, докато температурата в хладилника стане задоволителна. Необходими са 24 часа за достигане на стабилна температура в хладилника.</li> <li>• Почистете уплътненията на вратата/чекмеджето или ги сменете с помощта на отдела за обслужване на клиенти.</li> <li>• Осигурете подходяща вентилация.</li> </ul>

Проблем	Възможна причина	Възможно решение
Във вътрешната част на хладилника има замърсяване или лоша миризма.	<ul style="list-style-type: none"> <li>Вътрешността на хладилника трябва да бъде почистена.</li> <li>В хладилника се съхранява храна със силен мирис.</li> </ul>	<ul style="list-style-type: none"> <li>Почистете вътрешността на хладилника.</li> <li>Опаковайте добре храната.</li> </ul>
В уреда не е достатъчно студено.	<ul style="list-style-type: none"> <li>Зададена е прекалено висока температура.</li> <li>Съхранявани са твърде топли храни.</li> <li>Съхранява се прекалено голямо количество храна наведнъж.</li> <li>Артикулите са поставени прекалено близо един до друг.</li> <li>Врата/чекмедже на уреда не е затворена/о плтно.</li> <li>Вратите/чекмеджетата са били отворени твърде често или за прекалено дълго време.</li> </ul>	<ul style="list-style-type: none"> <li>Върнете първоначалната настройка на температурата.</li> <li>Винаги оставяйте храните да изстинат, преди да ги приберете.</li> <li>Винаги съхранявайте малки количества храна.</li> <li>Оставяйте празно място между артикулите, за може въздухът да циркулира свободно.</li> <li>Затворете вратата/чекмеджето.</li> <li>Не отваряйте вратата/чекмеджето твърде често.</li> </ul>
В уреда е твърде студено.	<ul style="list-style-type: none"> <li>Зададена е прекалено ниска температура.</li> <li>Функцията „Super Freeze“/„Super Cool“ е активирана или работи прекалено дълго време.</li> </ul>	<ul style="list-style-type: none"> <li>Върнете първоначалната настройка на температурата.</li> <li>Изключете функцията „Super Freeze“/„Super Cool“.</li> </ul>
По вътрешността на хладилното отделение се образува кондензация.	<ul style="list-style-type: none"> <li>Климатът е твърде топъл и твърде влажен.</li> <li>Врата/чекмедже на уреда не е затворена/о плтно.</li> <li>Вратите/чекмеджетата са били отворени твърде често или за прекалено дълго време.</li> <li>Контейнери, съдържащи течности или харни, са оставени отворени.</li> </ul>	<ul style="list-style-type: none"> <li>Увеличете температурата.</li> <li>Затворете вратата/чекмеджето.</li> <li>Не отваряйте вратата/чекмеджето твърде често.</li> <li>Оставете горещите храни да изстинат до стайна температура и покривайте храните и течностите.</li> </ul>
По външната повърхност на хладилника или между вратите/вратата и чекмеджето се образува кондензация.	<ul style="list-style-type: none"> <li>Климатът е твърде топъл и твърде влажен.</li> <li>Вратата не е затворена плтно. Студеният въздух в уреда и топлият въздух извън него образуват кондензация.</li> </ul>	<ul style="list-style-type: none"> <li>Това е нормално при влажен климат и ще се промени, когато влажността намалее.</li> <li>Уверете се, че вратите/чекмеджетата са затворени плтно.</li> </ul>

Проблем	Възможна причина	Възможно решение
Дисплеят свети, но не се усеща изстудяване.	<ul style="list-style-type: none"> <li>Това е демо режим.</li> </ul>	<ul style="list-style-type: none"> <li>Моля, обърнете внимание на режима, ако е демо, излезте от него. За изход отворете вратата на хладилника, в заключено състояние натиснете втория бутон вдясно за 8 секунди до 12 часа след включване.</li> </ul>
Много лед и скреж във фризерното отделение.	<ul style="list-style-type: none"> <li>Храните не са опаковани добре.</li> <li>Врата/чекмедже на уреда не е затворена/о плтно.</li> <li>Вратите/чекмеджетата са били отворяни твърде често или за прекалено дълго време.</li> <li>Уплътнението на вратата/чекмеджетото е замърсено, износено, напукано или разместено.</li> <li>Нещо от вътрешната страна пречи на вратата/чекмеджетото да се затвори добре.</li> </ul>	<ul style="list-style-type: none"> <li>Винаги опаковайте храните добре.</li> <li>Затворете вратата/чекмеджетото.</li> <li>Не отваряйте вратата/чекмеджетото твърде често.</li> <li>Почистете уплътненията на вратата/чекмеджетото или ги сменете с нови.</li> <li>Разместете рафтовете, рафтовете за вратите или вътрешните контейнери, така, че да може вратата/чекмеджетото да се затвори.</li> </ul>
Страните на корпуса и лентата на вратата се затоплят.	<ul style="list-style-type: none"> <li>-</li> </ul>	<ul style="list-style-type: none"> <li>Това е нормално.</li> </ul>
Уредът издава необичайни звуци.	<ul style="list-style-type: none"> <li>Уредът не е разположен върху равна повърхност.</li> <li>Уредът се допира до близкостоящ предмет.</li> </ul>	<ul style="list-style-type: none"> <li>Регулирайте крачетата, за да подравните уреда.</li> <li>Отстранете близкостоящите предмети.</li> </ul>
Чува се слаб звук, наподобяващ звука от течаща вода.	<ul style="list-style-type: none"> <li>-</li> </ul>	<ul style="list-style-type: none"> <li>Това е нормално.</li> </ul>
Чува се звуков сигнал.	<ul style="list-style-type: none"> <li>Вратата на хладилника е отворена.</li> </ul>	<ul style="list-style-type: none"> <li>Затворете вратата.</li> </ul>
Чува се слабо бръмчене.	<ul style="list-style-type: none"> <li>Системата против кондензация работи.</li> </ul>	<ul style="list-style-type: none"> <li>Това предотвратява кондензацията и е нормално.</li> </ul>
Вътрешната осветителна система или охладителната система не работи.	<ul style="list-style-type: none"> <li>Щепселът не е включен в контакта.</li> <li>Има проблем с електрозахранването.</li> <li>LED лампата е повредена.</li> </ul>	<ul style="list-style-type: none"> <li>Включете щепсела.</li> <li>Проверете електрическото захранване на помещението. Свържете се с местната електрическа компания!</li> <li>Моля, свържете се с центъра за обслужване на клиенти за смяна на лампата.</li> </ul>

За да се свържете с отдела за техническа помощ, посетете уебсайта ни: <https://corporate.haier-europe.com/en/>

В раздела „Уебсайт“ изберете марката на своя продукт и Вашата държава. Ще бъдете пренасочени към конкретния уебсайт, където може да намерите телефонния номер и формуляра за връзка с отдела за техническа помощ.

### Прекъсване на електрозахранването

При прекъсване на електрозахранването храната би трябвало да остане студена в продължение на около 5 часа. Следвайте следните съвети по време на продължително прекъсване на електрозахранването, особено през лятото:

- ▶ Отваряйте вратата/чекмеджето възможно най-рядко.
- ▶ Не поставяйте друга храна в уреда по време на прекъсването на електрозахранването.
- ▶ Ако е дадено предварително известие за прекъсване на електрозахранването и продължителността на прекъсването надвишава 5 часа, направете малко лед и го поставете в съд в горната част на хладилното отделение.
- ▶ Необходима е проверка на храните веднага след прекъсването.
- ▶ Тъй като температурата в хладилника ще се повиши по време на прекъсване на захранването или при друга повреда, срокът на годност на храната ще бъде съкратен. Всички храни, които се размразят, трябва или да бъдат изконсумирани, или сготвени и замразени отново в най-кратък срок (ако това е възможно), за да се предотвратят възможни рискове за здравето.

### Функция за запаметяване при прекъсване на електрозахранването

След възстановяване на захранването уредът продължава да работи с настройките, зададени преди спиране на тока.

## Разопаковане

**ПРЕДУПРЕЖДЕНИЕ!**

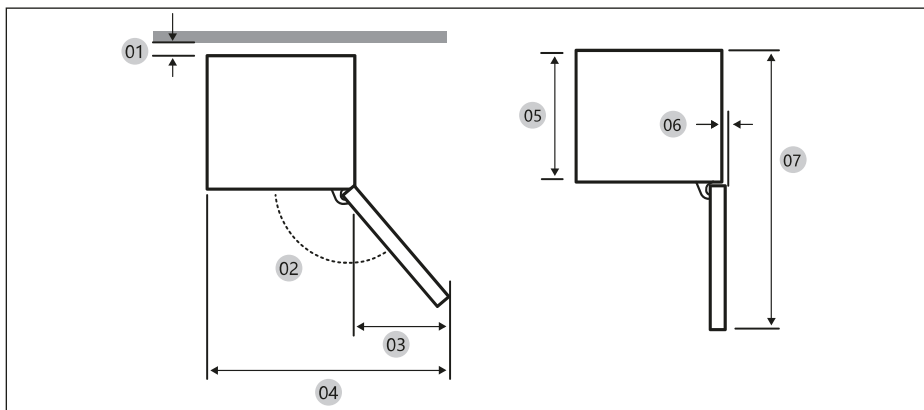
- ▶ Уредът е тежък. При преместването му винаги трябва да участват поне двама души.
- ▶ Пазете всички опаковъчни материали на място, недостъпно за деца, и ги изхвърлете по природосъобразен начин.
- ▶ Разопакувайте уреда.
- ▶ Отстранете всички опаковъчни материали.

## Условия на обкръжаващата среда

Температурата в помещението винаги трябва да бъде между 10°C и 43°C, тъй като това може да повлияе на температурата вътре в уреда и консумацията на енергия. Не поставяйте уреда близо до други излъчващи топлина уреди (фурни, хладилници) без изолация.

## Изискване за пространство

Необходимо пространство при отворена врата (Без панела на вратата на шкафа)

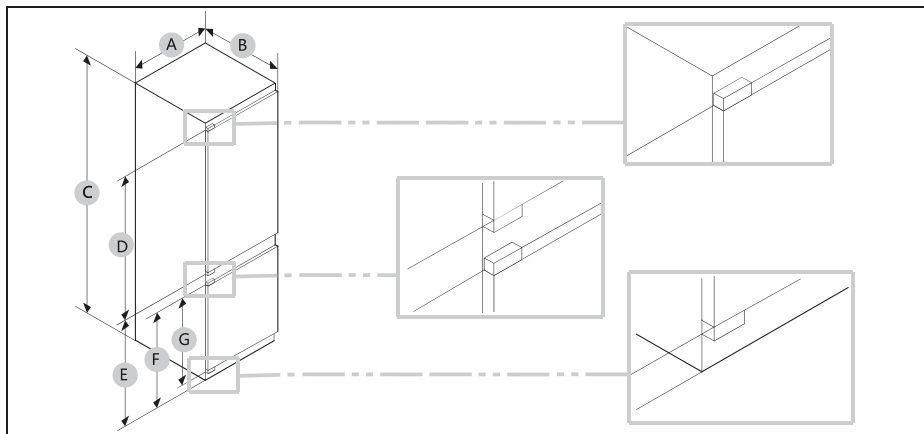


Модел	ЕНВQW5518Е НВQW5518Е НВQW5518ЕК НQE1855BCMW ЕНQE1855BCMW	НВQW5519Е НВQW5519ЕК ЕНВQW5519Е ЕНВQW5519ЕСМ	НВQW5719Е
01 *	10 (мин./)30 (препоръчително)	10 (мин./)30 (препоръчително)	10 (мин./)30 (препоръчително)
02	95° (препоръчително)	95° (препоръчително)	95° (препоръчително)
03	43	43	55
04	583	583	745
05	515	515	515
06	-3	-3	-3
07	1060	1060	1210

\* 01: От шкафа до задната част на продукта.

(единица: мм)

## Размер на продукта



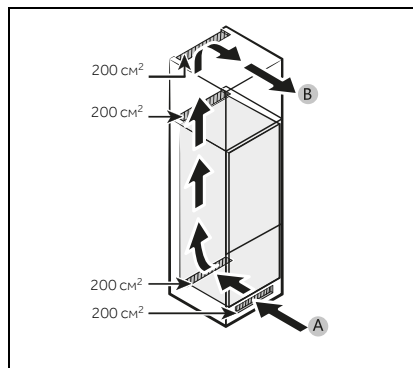
Модел	A (мм)	B (мм)	C (мм)	D (мм)	E (мм)	F (мм)	G (мм)
ЕНВQW5518Е НВQW5518Е НВQW5518ЕК НQE1855BCMW ЕНQE1855BCMW	540±2	550±2	1772±2	970	745	662	618
НВQW5519Е НВQW5519ЕК ЕНВQW5519Е ЕНВQW5519ЕСМ	540±2	550±2	1935±2	1133	745	662	618
НВQW5719Е	690±2	550±2	1935±2	1133	745	662	618

**i** ЗАБЕЛЕЖКА

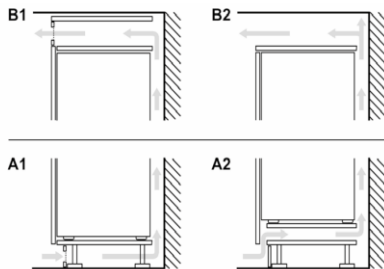
- Посочената консумация на енергия важи при условие на разстояние от 10 мм между шкафа и задната част на продукта. Продуктът ще работи изрядно и при разстояние по-малко от 10 мм, но ще консумира повече енергия.
- Препоръчваме да използвате шкаф с дебелина 18 мм с дебелина на пантите под 20 мм.
- Размерите в горната таблица може да се различават в зависимост от метода на измерване.
- За вградена инсталация разгледайте ръководството за инсталиране.

## Вентилационно сечение

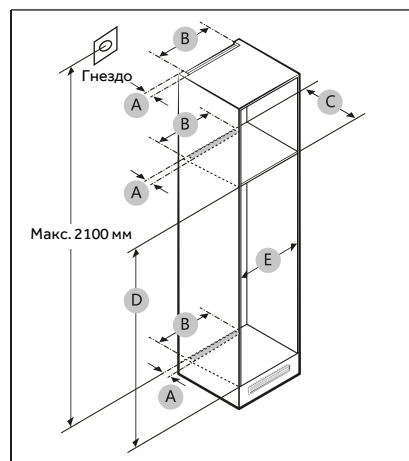
За да се осигури на уреда достатъчно добро ниво на вентилация от съображения за безопасност, трябва да се спазват изискванията, показани във вентилационното напречно сечение.



- A: Вход за въздух  $\geq 200 \text{ cm}^2$ ; Опции за вентилация  
 B: Изход за въздух  $\geq 200 \text{ cm}^2$ ; Опции за вентилация



## Размер на шкафа



## ВНИМАНИЕ!

Всяка повреда на продукта по следните причини не се покрива от гаранцията.

1. Неподходящи условия на локацията или неправилни размери на шкафа.
2. Дефектен шкаф.
3. Грешки на монтажиста или на потребителя.

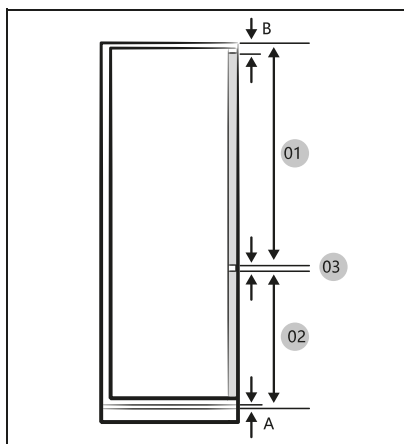
## Пространство

**Вижте изискванията за пространство за монтаж в изображенията и таблиците по-долу.**

Модел		A (мм)	B (мм)	C (мм)	D (мм)	E (мм)	Забележка
ЕНВQW5518Е НВQW5518Е НВQW5518ЕК НQE1855BCMW ЕНQE1855BCMW	Мин.	50	400	560	1778	560	Панта: 17 мм
	Препоръчани			580	1780	562	
	Макс.			-	1782	568	
НВQW5519Е НВQW5519ЕК ЕНВQW5519Е ЕНВQW5519ЕСМ	Мин.	50	400	560	1940	560	Панта: 17 мм
	Препоръчани			580	1943	562	
	Макс.			-	1945	568	
НВQW5719Е	Мин.	50	400	560	1941	710	Панта: 17 мм
	Препоръчани			580	1943	714	
	Макс.			-	1945	718	

## **i** ЗАБЕЛЕЖКА

- Ако ширината на шкафа е по-голяма от 568 мм, уплътнението (между хладилника и шкафа) може да се разхлаби.
- Ако шкафът е по-висок от максималния размер (1782 мм), трябва да използвате други материали, за запълване на празнината. (за ЕНВQW5518Е/НВQW5518Е/ЕК/ЕНQE/НQE1855BCMW)
- Ако шкафът е по-висок от максималния размер (1945 мм), трябва да използвате други материали, за запълване на празнината. (за НВQW5519Е/ЕК/ЕНВQW5519Е/ЕСМ)



## **i** ЗАБЕЛЕЖКА

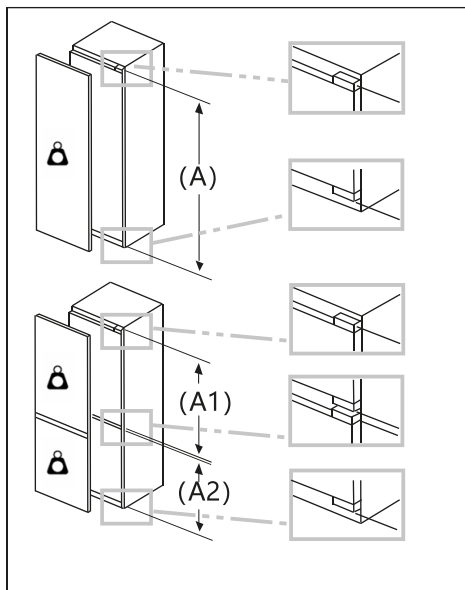
За да инсталирате шкаф, изискващ разстояние от 4 мм (03), вижте референтната таблица на шкафа по-долу.

- A** Долен ръб на предния панел над вентилацията  
**B** Надвес на предния панел

(единица: мм)

Модел	ЕНВQW5518Е НВQW5518Е НВQW5518ЕК НQE1855BCMW ЕНQE1855BCMW	НВQW5519Е НВQW5519ЕК ЕНВQW5519Е ЕНВQW5519ЕСМ НВQW5719Е
01	Мин. 1028+B Макс. 1106+B	Мин. 1191+B Макс. 1269+B
02	Мин. 662+A Макс. 740+A	Мин. 662+A Макс. 740+A
03	4 мм (разстояние между панела на вратата на хладилника и фризера)	

## Максимално допустимо тегло на предните части на уреда

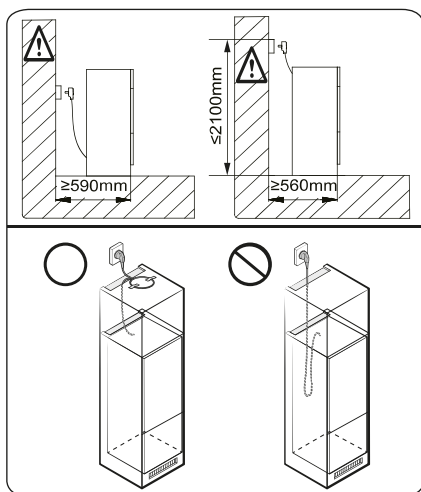


Монтирани предни части, които надвишават допустимото тегло, могат да причинят повреда и да доведат до увреждане на пантите.

 Тегло  
(кг)

1500 – 1750 мм	22
720 – 1400 мм	19
A1	15
A2	15

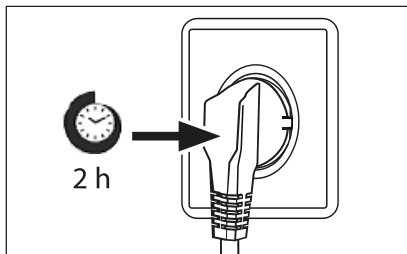
## Съображение за местоположението на контакта и необходимото пространство



## ЗАБЕЛЕЖКА

Ако монтирате хладилника в шкаф с дълбочина 560 мм, уверете се, че захранващият кабел е разположен отстрани на хладилника, преди да го включите в електрически контакт. Ако захранващият кабел е в задната част на хладилника, това може да намали енергийната ефективност.

## Време на изчакване



Смазочното масло, което не се нуждае от поддръжка, се намира в капсулата на компресора. Това масло може да се разнесе из затворената система от тръби, докато уредът се пренася в наклонено положение. Преди да свържете уреда към захранването, трябва да изчакате поне 2 часа, за да може маслото да се върне обратно в капсулата.

## Свързване към електрозахранването

Преди всяко свързване проверявайте дали:

- ▶ захранването, контактът и предпазителите са подходящи според табелката с данни.
- ▶ електрическият контакт е заземен и няма включен разклонител или удължител.
- ▶ щепселът и контактът са в пълно съответствие.

Свържете щепсела към правилно инсталиран контакт за битова употреба.



## ПРЕДУПРЕЖДЕНИЕ!

За да се избегнат рискове, при повреда на захранващия кабел той трябва да бъде заменен от отдела за обслужване на клиенти (вижте гаранционната карта).

Функции на продукта съгласно регламент (ЕС) № 2019/2016

Марка	Haier		
Наименование на модела/идентификатор	ЕНВQW5518Е НВQW55 18Е НВQW5518ЕК НQE1855В CMW ЕНQE1855ВCMW	НВQW5519Е НВQW55 19ЕК ЕНВQW5 519Е ЕНВQW5519ЕСМ	НВQW5719Е
Категория на модела	Хладилник с фризер		
Клас на енергийна ефективност	Е	Е	Е
Годишно потребление на енергия (kWh/година) (1)	229	229	259
Общ обем (л)	268	285	382
Обем на хладилника (л)	194	211	281
Обем на фризера (л)	74	74	101
Обем на отделението за охлаждане (л)	/	/	/
Обемен автоматичен ледогенератор (л)	/	/	/
Оценка със звезди	4	4	4
Температура на другите отделения >14°C	Не е приложимо		
Система против заскрежаване	Да	Да	Да
Капацитет на замразяване (кг/24 ч)			
Клас на климатизация (2)	SN/N/ST/T	SN/N/ST/T	SN/N/ST/T
Клас на шумовите емисии и излъчваните във въздуха шумови емисии (db(A)re1pW)	В(35)	В(35)	В(33)
Време на покачване на температурата (ч)	12	12	9
Капацитет за генериране на лед	/	/	/
Вид на уреда	Вграден	Вграден	Вграден

Наименование на модел	Клас на енергийна ефективност
ЕНВQW5518E НВQW5518E НВQW5518EK НQE1855BCMW ЕНQE1855BCMW	E
НВQW5519E НВQW5519EK ЕНВQW5519E ЕНВQW5519ECM НВQW5719E	E

Обяснения:

- Да, включен

(1) Въз основа на резултатите от теста за съответствие на стандартите за 24 часа. Действителното потребление зависи от употребата и местоположението на уреда.

(2) Клас на климатизация SN: Уредът е предназначен за използване при температура на околната среда между +10°C и +32°C

Клас на климатизация N: Уредът е предназначен за използване при температура на околната среда между +16°C и +32°C

Клас на климатизация ST: Уредът е предназначен за използване при температура на околната среда между +16°C и +38°C

Клас на климатизация T: Уредът е предназначен за използване при температура на околната среда между +16°C и +43°C

### Допълнителни технически данни

Напрежение/Честота	220 – 240 V ~/50 Hz
Входящ ток (A)	1.2/1.6
Главен предпазител (A)	16
Хладилен агент	R600a
Размери (В/Ш/Д в мм)	ЕНВQW5518E/НВQW5518E/EK ЕНQE/НQE1855BCMW: 1773/540/555
	НВQW5519E/EK/ ЕНВQW5519E/ECM: 1935/540/555
	ЕНВQW5719E : 1935/690/550

Препоръчваме да се консултирате с отдела по обслужване на клиенти на Haier и да използвате оригинални резервни части.

Ако имате проблем с Вашия уред, първо проверете раздела „ОТСТРАНЯВАНЕ НА НЕИЗПРАВНОСТИ“.

Ако не успеете да намерите решение там, моля, обърнете се към

- ▶ Вашия местен търговец или
- ▶ нашия Европейски център за обслужване на клиенти по телефона (вижте телефонните номера по-долу) или
- ▶ раздела „Обслужване и поддръжката“ на адрес [www.haier.com](http://www.haier.com), където можете да направите
- ▶ заявка за обслужване, както и да намерите често задавани въпроси.

За да се свържете с нашия отдел за обслужване на клиенти, се уверете, че разполагате със следните данни.

Информацията може да бъде намерена на табелката с данни.

Модел \_\_\_\_\_

Сериен № \_\_\_\_\_

Също така проверете предоставената с продукта гаранционна карта, в случай, че е предоставена гаранция.

Европейски център за обслужване на клиенти по телефона		
Държава*	Телефонен номер	Цена
Haier Italy (IT)	199 100912	
Haier Spain (ES)	902 509 123	
Haier Germany (DE)	0180 5 39 39 99	<ul style="list-style-type: none"> <li>• 14 цента/мин стационарен</li> <li>• макс. 42 цента/мин мобилен</li> </ul>
Haier Austria (AT)	0820 001205	<ul style="list-style-type: none"> <li>• 14,53 цента/мин стационарен</li> <li>• макс. 20 цента/мин всички останали</li> </ul>
Haier United Kingdom (UK)	0333 003 8122	
Haier France (FR)	0980 406 409	

\* За други държави, моля, проверете на [www.haier.com](http://www.haier.com)

Haier Europe Trading S.r.l

Branch UK

Westgate House, Westgate, Ealing

London, W5 1YY

\*Продължителност на гаранцията на хладилния уред:

Минималната гаранция е: 2 години за държавите от ЕС, 3 години за Турция, 1 година за Великобритания, 1 година за Русия, 3 години за Швеция, 2 години за Сърбия, 5 години за Норвегия, 1 година за Мароко, 6 месеца за Алжир, за Тунис не се изисква правна гаранция.

\*Период на наличие на резервни части за ремонт на уреда:

Термостати, температурни сензори, платки и светлинни източници се предлагат за минимален период от седем години след излизане на последния уред от модела на пазара.

Дръжки за врати, панци за врати, тави и кошници се предлагат за минимален период от седем години, а уплътнения за врати за минимален период от 10 години след излизане на последния уред от модела на пазара.

\*За допълнителна информация относно продукта, моля, вижте <https://eprel.ec.europa.eu/> или сканирайте QR кода на енергийния етикет, предоставен с уреда.



**Haier**



2024 г. Версия А

# Haier

## Uživatelská příručka

### Chladnička mraznička

EHBQW5518E

HBQW5518E

HBQW5518EK

HQE1855BCM W

EHQE1855BCM W

HBQW5519E

HBQW5519EK

EHBQW5519E

EHBQW5519ECM

HBCN7190U1

CS

<u>4 Bezpečnostní informace</u>	•	<u>Před prvním použitím</u>	5
		<u>Instalace</u>	5
		<u>Každodenní používání</u>	6
		<u>Informace o plyném chladiivu</u>	8
<u>9 Určené použití</u>	•		
<u>10 Popis výrobku</u>	•		
<u>12 Ovládací panel</u>	•		
<u>13 Používání</u>	•	<u>Zamknutí/odemknutí panelu</u>	13
		<u>Nastavení teploty v chladničce</u>	13
	•	<u>Nastavení teploty v mrazničce</u>	14
		<u>Funkce Wi-Fi</u>	15
		<u>Funkce Holiday</u>	15
		<u>Funkce Super Cool</u>	16
		<u>Funkce Super Freeze</u>	16
<u>18 Vybavení</u>	•		
<u>20 Tipy pro úsporu energie</u>	•		
<u>21 Čištění a údržba</u>	•		
<u>23 Řešení problémů</u>	•		
<u>27 Instalace</u>	•		
<u>34 Technické údaje</u>	•		
<u>36 Zákaznický servis</u>	•		

## Děkujeme vám, že jste si koupili výrobek značky Haier.

Před použitím spotřebiče si pozorně přečtěte tyto pokyny. Obsahují důležité informace, které vám pomohou co nejlépe využít spotřebič a zajistit jeho bezpečnou a správnou instalaci, používání a údržbu.

Uchovejte tuto příručku na praktickém místě, abyste do ní mohli kdykoli nahlédnout ohledně bezpečného a správného používání spotřebiče.

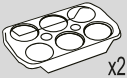
Pokud spotřebič prodáváte, věnujete nebo necháváte ve starém domě, předejte společně s ním také tuto příručku, aby se mohl nový vlastník seznámit se spotřebičem a přečíst si bezpečnostní varování.

## Příslušenství

Zkontrolujte příslušenství a literaturu podle tohoto seznamu:



Forma  
na kostky  
ledu



Zásobník  
na vejce



Energetický  
štítek



Záruční list



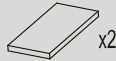
Příručka –  
bezpečnostní  
varování



Šroub



Kryt



Houbovitá podložka



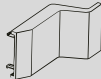
Vodící lišta



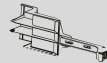
Sestava kolejniček



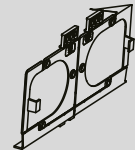
Pevná deska



Kryt závěsu



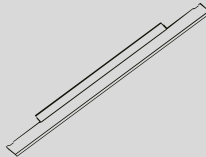
Pevná deska II



Dolní pevná deska



Horní pevná deska



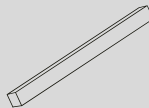
Dolní kryt



Dolní boční kryt



Těsnicí pás



Houbovitě těsnění



Dolní kryt závěsu

**VAROVÁNÍ – Důležité bezpečnostní informace****UPOZORNĚNÍ – Všeobecné informace a tipy****Informace týkající se životního prostředí****Likvidace**

Pomáhejte chránit životní prostředí a lidské zdraví. Vložte obalový materiál do vhodných kontejnerů pro recyklaci. Pomáhejte recyklovat odpadní elektrické a elektronické spotřebiče. Spotřebiče označené tímto symbolem nevyhazujte do domovního odpadu. Zašlete výrobek do místního recyklačního závodu, nebo se obraťte na váš obecní úřad.

**VAROVÁNÍ!**

Nebezpečí poranění nebo udušení!

Chladiva a plyny vyžadují profesionální likvidaci. Zajistěte, aby se potrubí chladicího okruhu nepoškodilo, než bude náležitě zlikvidováno. Odpojte spotřebič od síťového napájení. Odstříhnete síťový kabel a zlikvidujte ho. Odstraňte police a přihrádky, stejně jako západku a těsnění dvířek, aby nedošlo k uzavření dětí a domácích zvířat uvnitř spotřebiče.

**Před prvním zapnutím spotřebiče si přečtěte následující rady týkající se bezpečnosti!**



## **VAROVÁNÍ!**

### **Před prvním použitím**

- ▶ Ujistěte se, že při přepravě nedošlo k žádnému poškození.
- ▶ Před instalací spotřebiče počkejte alespoň dvě hodiny, aby byla zaručena plná účinnost okruhu chladiva.
- ▶ Se spotřebičem vždy manipulujte alespoň ve dvou osobách, protože je těžký.
- ▶ Odstraňte veškerý obalový materiál, uschovejte ho mimo dosah dětí a zlikvidujte ho způsobem šetrným k životnímu prostředí.
- ▶ Než do spotřebiče vložíte jakékoli potraviny, vyčistěte jeho vnitřní i vnější povrchy vodou a slabým saponátem.
- ▶ Po vyrovnání a vyčištění počkejte alespoň 2–5 hodin, než spotřebič připojíte k napájení. Viz část **INSTALACE**.
- ▶ Než naplníte prostory potravinami, nejprve je nechte ochladit na vysoké nastavení. Funkce Power-Freeze pomůže rychle ochladit prostory.
- ▶ Teploty chladničky a mrazničky jsou automaticky nastaveny na 5 °C a -18 °C. Jedná se o doporučené nastavení. V případě potřeby můžete tyto teploty změnit ručně. Viz **NASTAVENÍ TEPLoty**.

### **Instalace**

- ▶ Spotřebič by se měl umístit do dobře větrané místnosti. Nad spotřebičem a kolem něj zajistěte volný prostor alespoň 10 cm.
- ▶ Nikdy neumísťujte spotřebič do vlhkého prostoru nebo na místo, kde by na něj mohla stříkat voda. Vodu a skvrny odstraňte a vysušte měkkou, čistou látkou.
- ▶ Neinstalujte spotřebič na přímé sluneční světlo nebo do blízkosti zdrojů tepla (např. sporáků nebo ohřivačů).
- ▶ Nainstalujte spotřebič na místo odpovídající jeho velikost a používání a vyrovnejte ho.
- ▶ Zajistěte, aby nic nezakrývalo větrací otvory ve spotřebiči nebo v konstrukci pro vestavění.
- ▶ Ujistěte se, že parametry elektrického napájení se shodují s údaji na výrobním štítku. V opačném případě kontaktujte elektrikáře.
- ▶ Spotřebič pracuje s napájením 220–240 VAC/50 Hz. Nenormální kolísání napětí může způsobit, že spotřebič se nespustí, nebo se poškodí regulátor teploty či kompresor, případně se může za chodu ozývat neobvyklý hluk. V takovém případě by se měl nainstalovat automatický regulátor.
- ▶ Nepoužívejte rozbočovací adaptéry ani prodlužovací kabely.
- ▶ Neumísťujte za spotřebič přenosné rozbočovací zásuvky ani prodlužovací kabely.
- ▶ Ujistěte se, že napájecí kabel není zachycen chladničkou. Nešlapejte na napájecí kabel.



## VAROVÁNÍ!

- ▶ K napájení použijte samostatnou, snadno přístupnou uzemněnou zásuvku. Tento spotřebič musí být uzemněný.  
Pouze pro Spojené království: Napájecí kabel spotřebiče je vybaven trojpólovou zástrčkou (s uzemněním), která se zapojuje do standardní trojpólové zásuvky (s uzemněním). Nikdy neodřezávejte ani nedemontujte třetí kolík (uzemnění). Zástrčka by měla být přístupná i po instalaci spotřebiče.
- ▶ Nepoškodte okruh chladiva.

### Každodenní používání

- ▶ Tento spotřebič mohou používat děti starší osmi let a osoby s omezenými fyzickými, smyslovými nebo duševními schopnostmi nebo osoby nezkušené a neznalé za předpokladu, že mají zajištěný dohled nebo byly poučeny o bezpečném používání spotřebiče a chápou související rizika.
- ▶ Děti ve věku od 3 do 8 let mohou spotřebič plnit a vyprazdňovat, ale nesmějí jej čistit ani instalovat.
- ▶ Zabraňte dětem mladším 3 let v přístupu ke spotřebiči, pokud nejsou pod nepřetržitým dozorem.
- ▶ Děti si se spotřebičem nesmějí hrát.
- ▶ Jestliže v blízkosti spotřebiče uniká chladný plyn nebo jiný hořlavý plyn, vypněte ventil unikajícího plynu, otevřete dveře a okna a neodpojujte zástrčku napájecího kabelu chladničky nebo jakéhokoliv jiného spotřebiče od zásuvky.
- ▶ Upozorňujeme, že spotřebič je nastaven na provoz při určitém rozsahu teplot mezi 10 a 43 °C. Spotřebič nemusí řádně fungovat, pokud je po dlouhou dobu vystaven teplotám nad nebo pod indikovaným rozsahem.
- ▶ Nepokládejte na horní stranu chladničky nestabilní předměty (těžké předměty, nádoby naplněné vodou), aby se předešlo zranění způsobenému pádem nebo elektrickým proudem v důsledku styku s vodou.
- ▶ Netahejte za police ve dvířkách. Dvířka by se mohla vychýlit, mohla by se vytáhnout police na láhve nebo by se spotřebič mohl převrhnout.
- ▶ Otvírejte a zavírejte dvířka pouze pomocí madel. Mezera mezi dvířky a mezi dvířky a skříní je velmi úzká. Nedávejte do těchto míst ruce, abyste si nepřiskřípli prsty. Dvířka chladničky otvírejte nebo zavírejte pouze v případě, že v dosahu jejich pohybu nestojí žádné děti.
- ▶ Ve spotřebiči nebo v jeho blízkosti neskladujte ani nepoužívejte hořlavé, výbušné nebo korozivní látky.
- ▶ Ve spotřebiči neskladujte léky, bakterie ani chemické látky. Tento spotřebič je určen k použití v domácnosti. Nedoporučuje se skladovat materiály, které vyžadují přesně stanovené teploty.
- ▶ Do mrazničky nikdy neukládejte tekutiny v láhvích nebo plechovkách (kromě vysokoprocentních lihovin), a zejména nápoje syčené oxidem uhličitým, protože by během mrazení praskly.
- ▶ Pokud se v mrazničce zvýší teplota, zkontrolujte stav potravin.



## VAROVÁNÍ!

- ▶ Nenastavujte zbytečně nízkou teplotu ve vnitřním prostoru chladničky. Při vysokém nastavení může teplota klesnout do záporných hodnot. Pozor: Láhve mohou prasknout
- ▶ Nedotýkejte se mražených potravin mokřma rukama (noste rukavice). Zejména nejezte nanuky bezprostředně po vyjmutí z prostoru mrazničky. Hrozí nebezpečí přimrznutí nebo vzniku omrzlin. PRVNÍ POMOC: ihned umístěte zasažené místo pod tekoucí studenou vodu. Neodtrhujte!
- ▶ Za provozu se nedotýkejte vnitřního povrchu úložného prostoru mrazničky, zejména ne mokřma rukama, protože by mohly přimrznout k povrchu.
- ▶ V případě výpadku napájení nebo před čištěním odpojte spotřebič od napájení. Před opětovným spuštěním spotřebiče počkejte alespoň 7 minut, protože časté spouštění by mohlo poškodit kompresor.
- ▶ Uvnitř prostoru pro skladování potravin ve spotřebiči nepoužívejte elektrická zařízení, pokud se nejedná o zařízení doporučené výrobcem.

## Údržba/čištění

- ▶ Jestliže jsou čištění a údržba prováděny dětmi, je nutné na ně dohlížet.
- ▶ Před zahájením jakékoli pravidelné údržby odpojte spotřebič od elektrického napájení. Před opětovným spuštěním spotřebiče počkejte alespoň 5 minut, protože časté spouštění by mohlo poškodit kompresor.
- ▶ Při odpojování spotřebiče od napájení držte zástrčku, nikoli kabel.
- ▶ Nečistěte spotřebič tvrdými kartáči, drátěnými kartáči, práškovými čisticími prostředky, benzínem, amylacetátem, acetonem a podobnými organickými roztoky a kyselými nebo zásaditými roztoky. K čištění použijte speciální čisticí prostředek na chladničky, aby se zamezilo poškození.
- ▶ Neseškrabávejte námrazu a led ostrými předměty. Nepoužívejte spreje, elektrické ohříváče jako fén na vlasy, parní čističe ani jiné zdroje tepla, aby nedošlo k poškození plastových součástí.
- ▶ K rozmrazování nepoužívejte mechanické nástroje ani jiné prostředky. Používejte pouze prostředky doporučené výrobcem.
- ▶ Pokud se poškodí napájecí kabel, výměnu musí provést výrobce, jeho servisní zástupce nebo osoba s podobnou kvalifikací, aby se vyloučilo riziko.
- ▶ Nepokoušejte se opravovat, rozebírat nebo upravovat spotřebič vlastními silami. Je-li nutná oprava, obraťte se na náš zákaznický servis.
- ▶ Alespoň jednou za rok odstraňte prach ze zadní strany spotřebiče, aby se předešlo nebezpečí požáru a nezvyšovala se spotřeba energie.
- ▶ Během čištění na spotřebič nestríkejte ani jej neoplachujte.
- ▶ K čištění spotřebiče nepoužívejte vodní postřik ani proud vody.
- ▶ Nečistěte chladné skleněné police horkou vodou. Náhlá změna teploty by mohla způsobit, že sklo praskne.

## Informace o plyném chladivu



### **VAROVÁNÍ!**

Spotřebič obsahuje hořlavé chladivo ISOBUTAN (R600a). Ujistěte se, že během přepravy nebo instalace nedošlo k poškození okruhu chladiva. Unikající chladivo by mohlo způsobit zranění očí, nebo by se mohlo vznítit. Pokud dojde k poškození, nepřibližujte se s otevřeným plamenem, důkladně vyvětrejte místnost a nezapojujte ani neodpojujte napájecí kabely tohoto či jiných spotřebičů. Informujte zákaznický servis.

V případě zasažení očí chladivem důkladně vypláchněte oči pod tekoucí vodou a ihned zavolejte očnímu lékaři.

## Určené použití

Tento spotřebič je určen k chlazení a mrazení potravin. Je určen výhradně k používání v domácnostech a podobných oblastech, jako jsou kuchyňky pro personál v obchodech, kancelářích a na dalších pracovištích, chalupy a hotely, motely a další obytné objekty, kde je používají zákazníci, stejně jako ubytovací zařízení typu penzionu se snídaní a cateringové služby. Není určen k používání v komerčním nebo průmyslovém prostředí.

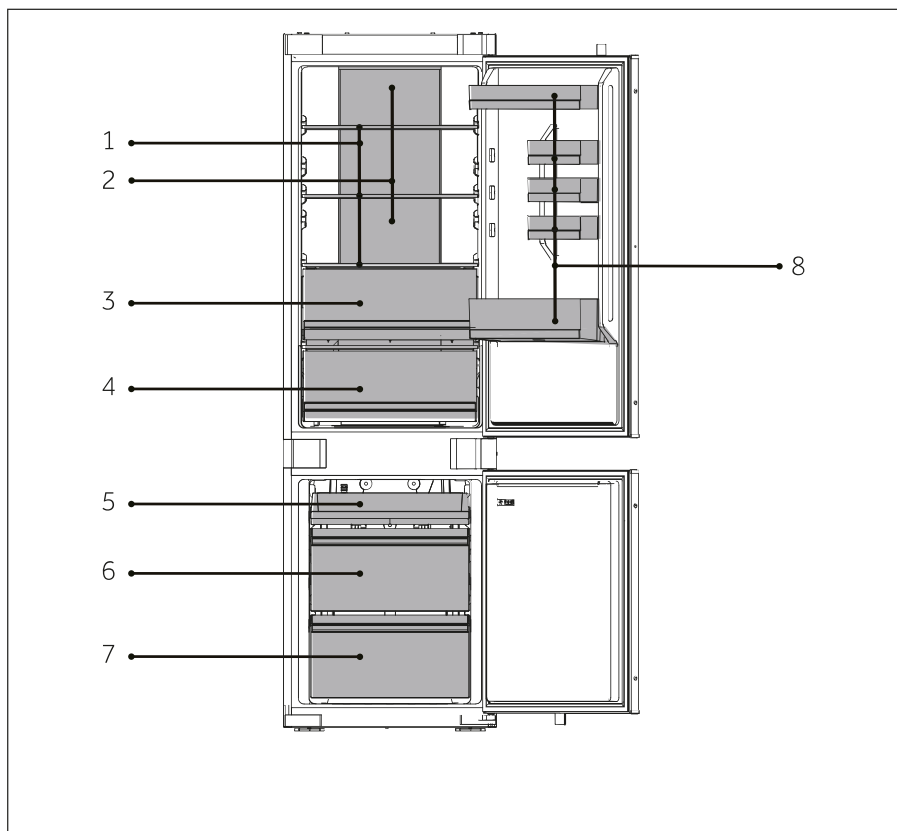
Na spotřebiči neprovádějte žádné změny nebo úpravy. Používání k jinému než určenému účelu může představovat nebezpečí a vést ke ztrátě platnosti záruky.

## Normy a směrnice nebo

Tento výrobek splňuje požadavky všech platných směrnic ES s odpovídajícími harmonizovanými normami a normami platnými ve Spojeném Království, které stanoví používání označení CE nebo UKCA.

## **i** UPOZORNĚNÍ

Vzhledem k technickým změnám a různým modelům nemusí některé obrázky v této příručce přesně zobrazovat váš model.



EHBQW5518E/ HBQW5518E/ HBQW5518EK/ HQE1855BCMW/ EHQE1855BCMW

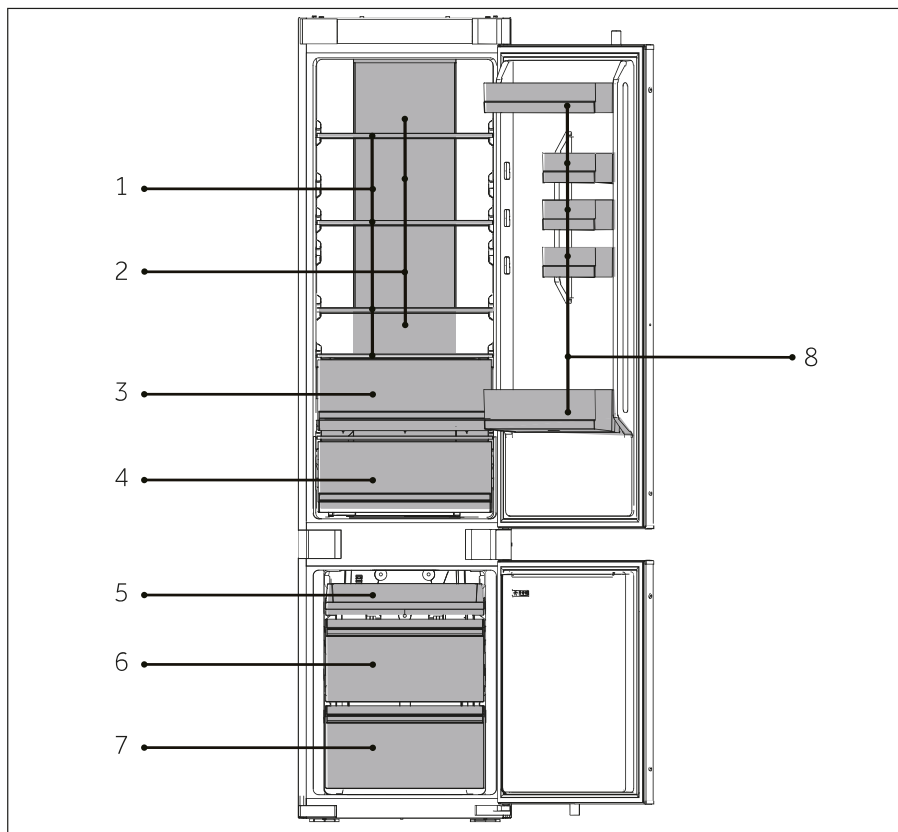
A: Prostor chladničky

B: Prostor mrazničky

- |                            |                                |
|----------------------------|--------------------------------|
| 1 Běžné police             | 5 Horní přihrádka mrazničky    |
| 2 Kanál chlazeného vzduchu | 6 Prostřední zásuvka mrazničky |
| 3 Zásuvka Humidity Zone    | 7 Spodní zásuvka mrazničky     |
| 4 Zásuvka Fresh Box        |                                |
| 8 Držák lahví              |                                |

## **i** UPOZORNĚNÍ

Vzhledem k technickým změnám a různým modelům nemusí některé obrázky v této příručce přesně zobrazovat váš model.



HBQW5519E/ HBQW5519EK/ EHBQW5519E/ EHBQW5519ECM/ HBQW5719E

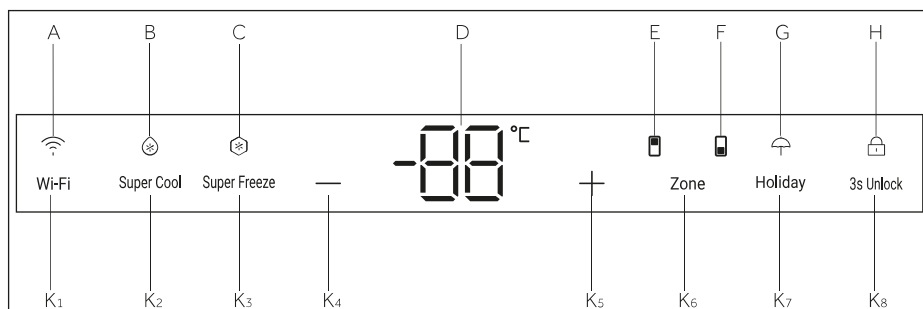
A: Prostor chladničky

- 1 Běžné police
- 2 Kanál chlazeného vzduchu
- 3 Zásuvka Humidity Zone
- 4 Zásuvka Fresh Box
- 8 Držák lahví

B: Prostor mrazničky

- 5 Horní přihrádka mrazničky
- 6 Prostřední zásuvka mrazničky
- 7 Spodní zásuvka mrazničky

## Ovládací panel



### Indikátory:

- A Funkce Wi-Fi
- B Funkce Super Cool
- C Funkce Super Freeze
- D Zobrazení teploty
- E Indikátor chladničky
- F Indikátor mrazničky
- G Funkce Holiday
- H Zamknutí a odemknutí

### Tlačítka:

- K<sub>1</sub> Tlačítko nastavení Wi-Fi
- K<sub>2</sub> Tlačítko výběru Super Cool
- K<sub>3</sub> Tlačítko výběru Super Freeze
- K<sub>4</sub> Tlačítko Nastavení teploty „-“
- K<sub>5</sub> Tlačítko Nastavení teploty „+“
- K<sub>6</sub> Tlačítko výběru zóny
- K<sub>7</sub> Tlačítko funkce Holiday
- K<sub>8</sub> Tlačítko zamknutí a odemknutí

## Dotyková tlačítka

Na ovládacím panelu jsou dotyková tlačítka, která reagují již na lehký dotyk prstem.

## Zapínání/vypínání spotřebiče

Spotřebič se spustí ihned po připojení k napájení.

Při prvním zapnutí chladničky se rozsvítí indikátor „D“ (ukazatel teploty). Teploty chladničky a mrazničky jsou automaticky nastaveny na 5 °C a -18 °C.

## UPOZORNĚNÍ

Když se spotřebič zapne poté, co byl odpojen od napájení, může trvat až 12 hodin, než dosáhne správné teploty.

Před vypnutím vyprázdněte spotřebič. Chcete-li spotřebič vypnout, vytáhněte napájecí kabel ze síťové zásuvky.

### Zamknutí/odemknutí panelu

Automatický zámek: Pokud budou dvířka chladničky a mrazničky zavřená, a během 30 sekund nedojde k žádné manipulaci s klíčem, displej automaticky zhasne a zamkne se.

Ruční zamykání: Když je obrazovka displeje odemčená, stiskněte tlačítko „K<sub>8</sub>“ (3S Unlock) a podržte ho 3 sekundy, ozve se jeden zvukový signál, rozsvítí se indikátor „H“ (Zámek panelu) a displej se zamkne.

Odemknutí: Když je obrazovka displeje zamčená, stiskněte tlačítko „K<sub>8</sub>“ (3S Unlock) a podržte ho 3 sekundy, ozve se jeden zvukový signál, indikátor „H“ (Zámek panelu) zhasne a displej se odemkne.

### Nastavení teploty

Vnitřní teploty jsou ovlivňovány následujícími faktory:

Okolní teplota, četnost otvírání dvířek, množství uložených potravin a instalace spotřebiče.

### Nastavení teploty v chladničce

Když je obrazovka displeje odemčená, stiskněte tlačítko „K<sub>6</sub>“ (Volič zóny). Ozve se jeden zvukový signál, rozsvítí se indikátor „E“ (Indikátor chladničky) a potom se spustí režim nastavení teploty chladničky.

Při každém stisknutí tlačítka „K<sub>4</sub>“ (Tlačítko nastavení teploty „-“) se ozve jeden zvukový signál a nastavená teplota chladničky se sníží o 1 stupeň. Teplota chladničky se bude zobrazovat v pořadí „9 °C -> 8 °C -> 7 °C -> 6 °C -> 5 °C -> 4 °C -> 3 °C -> 2 °C -> 1 °C“.

Při každém stisknutí tlačítka „K<sub>5</sub>“ (Tlačítko nastavení teploty „+“) se ozve jeden zvukový signál a nastavená teplota chladničky se zvýší o 1 stupeň. Teplota chladničky se bude zobrazovat v pořadí „1 °C -> 2 °C -> 3 °C -> 4 °C -> 5 °C -> 6 °C -> 7 °C -> 8 °C -> 9 °C“.

## UPOZORNĚNÍ

Pokud po nastavení teploty neproběhne do 5 sekund žádná akce, systém automaticky určí a uloží nastavenou teplotu.

## Nastavení teploty v mrazničce

Když je obrazovka displeje odemčená, stiskněte tlačítko „K<sub>6</sub>“ (Volič zóny). Ozve se jeden zvukový signál, rozsvítí se indikátor „F“ (Indikátor mrazničky) a potom se spustí režim nastavení teploty mrazničky.

Při každém stisknutí tlačítka „K<sub>4</sub>“ (Tlačítko nastavení teploty „-“) se ozve jeden zvukový signál a nastavená teplota mrazničky se sníží o 1 stupeň. Teplota mrazničky se bude zobrazovat v pořadí „-14 °C -> -15 °C -> -16 °C -> -17 °C -> -18 °C -> -19 °C -> -20 °C -> -21 °C -> -22 °C -> -23 °C -> -24 °C“.

Při každém stisknutí tlačítka „K<sub>5</sub>“ (Tlačítko nastavení teploty „+“) se ozve jeden zvukový signál a nastavená teplota mrazničky se zvýší o 1 stupeň. Teplota mrazničky se bude zobrazovat v pořadí „-24 °C -> -23 °C -> -22 °C -> -21 °C -> -20 °C -> -19 °C -> -18 °C -> -17 °C -> -16 °C -> -15 °C -> -14 °C“.



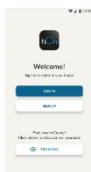
## UPOZORNĚNÍ

Pokud po nastavení teploty neproběhne do 5 sekund žádná akce, systém automaticky určí a uloží nastavenou teplotu.

**Krok 1** Stáhněte si aplikaci hOn z obchodu s aplikacemi.



**Krok 2** Vytvořte si účet v aplikaci hOn nebo se přihlaste, pokud již máte účet.



**Krok 3** Postupujte podle pokynů pro párování v aplikaci hOn.



## Funkce Wi-Fi

1. Nakonfigurujte síť Wi-Fi podle pokynů v aplikaci.
2. Jakmile je síť Wi-Fi nakonfigurována a naváže se spojení, rozsvítí se ikona „A“ a bude nepřerušovaně svítit.
3. Pokud je již síť Wi-Fi nakonfigurována, po jejím zapnutí se spojení naváže automaticky podle konfiguračních informací.
4. Chcete-li vypnout Wi-Fi, stiskněte tlačítko Wi-Fi „K<sub>1</sub>“ a ikona Wi-Fi „A“ zhasne.
5. Chcete-li zapnout Wi-Fi a zahájit konfiguraci, stiskněte tlačítko Wi-Fi „K<sub>1</sub>“ a ikona Wi-Fi „A“ začne pomalu blikat. Pokud chcete konfigurovat funkci Wi-Fi, stiskněte na 3 sekundy tlačítko „K<sub>1</sub>“, ikona Wi-Fi rychle zabliká a přejde do konfiguračního režimu. Pokud chcete funkci Wi-Fi vypnout, stiskněte jednou tlačítko „K<sub>1</sub>“. Výše uvedené kroky se opakují.
6. Pokud byl spotřebič nakonfigurován a funkce Wi-Fi byla vypnuta, chladnička po opětovném připojení k napájení do režimu konfigurace nevstoupí.

## Funkce Holiday

1. Když je obrazovka displeje odemčená, stiskněte tlačítko „K<sub>7</sub>“ (Tlačítko funkce Holiday), ozve se jeden zvukový signál, rozsvítí se indikátor „G“ (Funkce Holiday) a potom se zapne funkce Holiday.
2. Když je obrazovka displeje odemčená, stiskněte tlačítko „K<sub>7</sub>“ (Tlačítko funkce Holiday), ozve se jeden zvukový signál, indikátor „G“ (Funkce Holiday) zhasne a potom se funkce Holiday vypne.



## UPOZORNĚNÍ

1. Funkce Holiday se používá hlavně pro krátkodobé cestování a jiné životní situace. Při použití funkce Holiday je nutné vyprázdnit prostor chladničky.
2. Při zapnutí funkce Holiday bude teplota v prostoru chladničky vyšší (kolem 17 °C); pamatujte na to, že je nutné vyndat potraviny z prostoru chladničky, aby se nezkažily.

## Funkce Super Cool

1. Když je obrazovka displeje odemčená, stiskněte tlačítko „K<sub>2</sub>“ (Volič Super Cool), ozve se jeden zvukový signál, rozsvítí se indikátor „B“ (Funkce Super Cool) a potom se zapne funkce Super Cool.
2. Když svítí indikátor „B“ (Funkce Super Cool), stiskněte tlačítko „K<sub>2</sub>“ (Volič Super Cool), ozve se jeden zvukový signál, indikátor „O“ (Funkce Super Cool) zhasne a potom se funkce Super Cool vypne.
3. Po zapnutí funkce Super Cool a dosažení nastavené teploty chladnička funkci automaticky vypne. Pokud chcete funkci ukončit ručně, můžete ji vypnout stisknutím tlačítka „K<sub>2</sub>“ (Volič Super Cool).



## UPOZORNĚNÍ

1. Ve stavu Super Cool nelze nastavovat teplotu chladničky. Pokud stisknete tlačítko „K<sub>4</sub>“ (Tlačítko nastavení teploty „-“) nebo tlačítko „K<sub>5</sub>“ (Tlačítko nastavení teploty „+“) pro nastavení teploty chladničky, indikátor „B“ (Indikátor Super Cool) začne blikat a ozve se zvukový signál, což signalizuje, že tento úkon nelze provést.
2. Ve stavu funkce Super Cool nelze současně zapnout funkci Auto-set z důvodu různých režimů řízení. Pokud zvolíte funkci, kterou nelze spustit souběžně s jinou funkcí, původní funkce se automaticky ukončí.
3. Tato funkce se automaticky vypne po 6 hodinách.

## Funkce Super Freeze

1. Když je obrazovka displeje odemčená, stiskněte tlačítko „K<sub>3</sub>“ (Volič Super Freeze), ozve se jeden zvukový signál, rozsvítí se indikátor „C“ (Funkce Super Freeze) a potom se zapne funkce Super Freeze.
2. Když svítí indikátor „C“ (Funkce Super Freeze), stiskněte tlačítko „K<sub>3</sub>“ (Volič Super Freeze), ozve se jeden zvukový signál, indikátor „C“ (Funkce Super Freeze) zhasne a potom se funkce Super Freeze vypne.
3. Po zapnutí funkce Super Freeze a dosažení nastavené teploty chladnička funkci automaticky vypne. Pokud chcete funkci ukončit ručně, můžete ji vypnout stisknutím tlačítka „K<sub>3</sub>“ (Volič Super Freeze).





## UPOZORNĚNÍ

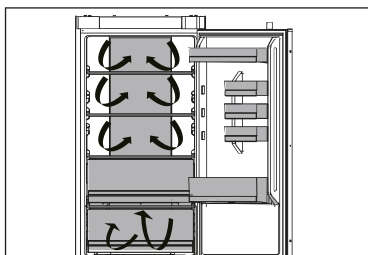
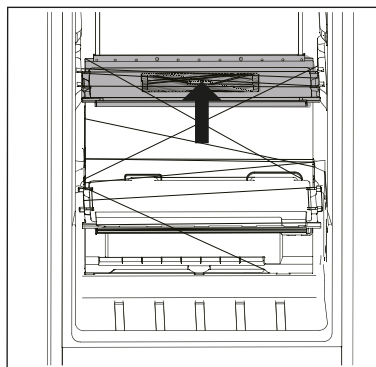
1. Ve stavu Super Freeze nelze nastavovat teplotu chladničky. Pokud stisknete tlačítko „K4“ (Tlačítko nastavení teploty „-“) nebo tlačítko „K5“ (Tlačítko nastavení teploty „+“) pro nastavení teploty mrazničky, indikátor „C“ (Indikátor Super Freeze) začne blikat a ozve se zvukový signál, což signalizuje, že tento úkon nelze provést.
2. Funkce Super Freeze je navržena tak, aby zachovala nutriční hodnotu zmrazených potravin, a umožňuje zmrazit potraviny v co nejkratší době. Pokud je nutné najednou zmrazit velké množství potravin, funkce Super Freeze by se měla zapnout 24 h předem, aby měla mraznička poměrně nízkou teplotu pro vložení potravin. Rychlost zmrazování mrazničky se zvýší, potraviny lze rychle zmrazit, účinně se zachová jejich výživná hodnota a budou vhodně uskladněny.
3. Funkce Super Freeze se automaticky vypne po 50 hodinách. Potom bude spotřebič pracovat s dříve nastavenou teplotou.

## Zásuvka Humidity Zone

V tomto prostoru je hladina vlhkosti vyšší než v prostoru chladničky. Je regulována automaticky systémem a vhodná k ukládání ovoce, zeleniny, salátů atd.

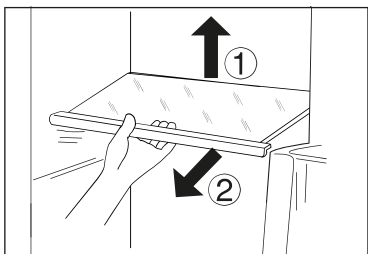
### **i** UPOZORNĚNÍ

1. Neodstraňujte plastový kryt uvnitř zóny.
2. Udržuje vlhkost.
3. V této zásuvce se nedoporučuje skladovat ovoce citlivé na chlad, jako jsou ananas, avokádo, banány a grapefruity.



### Vícecestný průtok vzduchu

1. Chladnička je vybavena systémem vícecestného průtoku vzduchu, který zajišťuje proudění chladného vzduchu v každé úrovni polic. Pomáhá to udržovat jednotnou teplotu, která zaručí, že potraviny vydrží déle v čerstvém stavu.



### Nastavitelné police

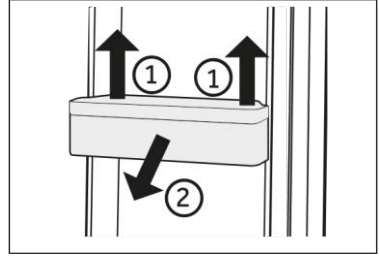
1. Výšku polic lze upravovat tak, aby vyhovovala vašim požadavkům na ukládání.
2. Chcete-li přemístit nějakou polici, vyjměte ji tak, že nejprve nadzdvihnete zadní okraj ① a potom ji vytáhnete ven ②.
3. Při instalaci ji položte na výstupky na obou stranách a zatlačte ji až dozadu tak, aby se zadní strana police usadila uvnitř drážek v bočních stranách.

### **i** UPOZORNĚNÍ

Ujistěte se, že všechny konce police jsou v rovině.

### Odnímatelné policičky / držák na láhve umístěné ve dvířkách

1. Police ve dvířkách lze vyjmát za účelem čištění:
2. Uchopte rukama obě strany police, zdvihněte ji nahoru ① a vytáhněte ji ven ②.
3. Při vkládání dveřní police proveďte výše popsané kroky v opačném pořadí.



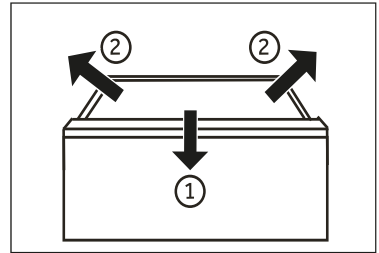
### UPOZORNĚNÍ

Když se spotřebič zapne, může trvat až 12 hodin, než dosáhne správné teploty.

### Vyjímatelná zásuvka

Chcete-li vyndat zásuvku, vytáhněte ji, jak nejdále to půjde ①, zdvihněte ji a vyjměte ②.

Při vkládání zásuvky proveďte výše popsané kroky v opačném pořadí.



### Světlo

Po otevření dvířek se rozsvítí světlo LED osvětlující interiér. Fungování světel není ovlivňováno žádným z nastavení spotřebiče.



## Tipy pro úsporu energie

- ▶ Zajistěte, aby měl spotřebič náležité větrání (viz INSTALACE).
- ▶ Neinstalujte spotřebič na přímé sluneční světlo nebo do blízkosti zdrojů tepla (např. sporáků nebo ohřívačů).
- ▶ Vyhýbejte se zbytečně nízké teplotě uvnitř spotřebiče. Čím nižší je nastavená teplota ve spotřebiči, tím vyšší je spotřeba energie.
- ▶ Funkce jako Super Freeze spotřebovávají více energie.
- ▶ Teplé jídlo nechte před vložením do spotřebiče vychladnout.
- ▶ Otvírejte dvířka spotřebiče co nejméně a na co nejkratší dobu.
- ▶ Nepřepněte spotřebič, aby se nenarušilo proudění vzduchu.
- ▶ Zamezte přítomnosti vzduchu v obalech potravin.
- ▶ Udržujte těsnění dvířek v čistém stavu, aby se dvířka vždy správně zavírala.
- ▶ Rozmrazujte zmrazené potraviny v úložném prostoru chladničky.
- ▶ Energeticky nejspornější konfigurace vyžaduje, aby byly ve spotřebiči nainstalovány přihrádky, schránka na potraviny a police ve stavu jako z výroby a aby potraviny byly uloženy co nejvíce vzadu, aniž by zakrývaly výstup vzduchového kanálu.



## VAROVÁNÍ!

Před čištěním odpojte spotřebič od napájení.

### Čištění

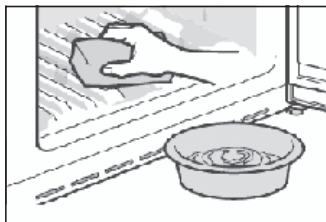
Spotřebič čistěte pouze tehdy, když je v něm uloženo jen málo potravin, nebo je prázdný.

Spotřebič by se měl čistit každé čtyři týdny, aby byl dobře udržovaný a zamezilo se zápachu z uložených potravin.



## VAROVÁNÍ!

- ▶ Nečistěte spotřebič tvrdými kartáči, drátěnými kartáči, práškovými čisticími prostředky, benzínem, amylacetátem, acetonem a podobnými organickými roztoky a kyselými nebo zásaditými roztoky. K čištění použijte speciální čisticí prostředek na chladničky, aby se zamezilo poškození.
- ▶ Během čištění na spotřebič nestříkejte ani jej neoplachujte.
- ▶ K čištění spotřebiče nepoužívejte vodní postřik ani proud vody.
- ▶ Nečistěte chladné skleněné police horkou vodou. Náhlá změna teploty by mohla způsobit, že sklo praskne.
- ▶ Nedotýkejte se vnitřního povrchu úložného prostoru mrazničky, zejména ne mokřma rukama, protože by mohly přimrznout k povrchu.
- ▶ V případě ohřátí zkontrolujte stav mražených potravin.



- ▶ Vždy udržujte těsnění dvířek v čistém stavu.
- ▶ Očistěte vnitřek a skříň spotřebiče houbou navlhčenou v teplé vodě s neutrálním čisticím prostředkem.
- ▶ 1. Vydrhněte vnitřní a vnější povrchy chladničky včetně těsnění dvířek, polic ve dvířkách, skleněných polic, přihrádek apod. měkkou utěrkou nebo houbou namočenou v teplé vodě (do teplé vody můžete přidat neutrální saponát).
- ▶ 2. Pokud se rozlije nějaká tekutina, vyjměte všechny zasažené součásti, opláchněte je přímo pod tekoucí vodou, osušte a vraťte zpět do chladničky.
- ▶ 3. Pokud se rozlije smetana (například šlehačka nebo roztátá zmrzlina), vyjměte všechny zasažené součásti, na nějakou dobu je vložte do teplé vody o teplotě asi 40 °C, potom je opláchněte pod tekoucí vodou, osušte a vraťte zpět do chladničky.
- ▶ 4. V případě, že uvnitř chladničky uvíznou nějaké malé díly nebo součásti (mezi policemi nebo zásuvkami), uvolněte je měkkým kartáčkem. Pokud na nějakou součást nedosáhnete, obraťte se na servis společnosti Haier
- ▶ Opláchněte povrch a vysušte ho měkkou látkou.
- ▶ Nemyjte žádné součásti spotřebiče v myčce.
- ▶ Před opětovným spuštěním spotřebiče počkejte alespoň 5 minut, protože časté spuštění by mohlo poškodit kompresor.

## Odmrazování

Prostory chladničky a mrazničky se odmrazují automaticky; není nutný žádný ruční zásah.

## Výměna žárovek LED



### VAROVÁNÍ!

Nevyměňujte žárovku LED vlastními silami, její výměnu musí provést buď výrobce, nebo autorizovaný servisní zástupce.

Jako zdroj světla v žárovce se využívají diody LED, které se vyznačují nízkou spotřebou energie a dlouhou životností. Pokud se vyskytne nějaký neobvyklý stav, kontaktujte zákaznický servis. Viz ZÁKAZNICKÝ SERVIS.

Parametry žárovek:

Prostor chladničky: 12 V, max. 2 W

Prostor mrazničky: 12 V, max. 2 W

## Když se spotřebič delší dobu nepoužívá

Pokud spotřebič delší dobu nepoužíváte A nechcete použít funkci Holiday:

Vyjměte potraviny.

Vytáhněte napájecí kabel ze zásuvky.

Vyčistěte spotřebič podle výše uvedeného popisu.

Nechte dvířka otevřená, aby se uvnitř nevytvořil zápach.



### UPOZORNĚNÍ

Spotřebič vypínejte pouze v nezbytně nutných případech.

## Přemísťování spotřebiče

1. Vyjměte všechny potraviny a odpojte spotřebič od napájení.
2. Připevněte police a ostatní pohyblivé součásti v chladničce a mrazničce lepicí páskou.
3. Nenaklánějte chladničku v úhlu větším než 45°, aby se předešlo poškození chladicího systému.



### VAROVÁNÍ!

- ▶ Nezdvihejte spotřebič za madla.
- ▶ Nikdy nepokládejte spotřebič vodorovně na zem.

Mnoho problémů můžete vyřešit sami bez konkrétních odborných znalostí. V případě problému zkontrolujte všechny možnosti a řiďte se níže uvedenými pokyny, než se obrátíte na poprodejní servis. Viz ZÁKAZNICKÝ SERVIS.



## VAROVÁNÍ!

- ▶ Před zahájením údržby vypněte spotřebič a vytáhněte zástrčku napájecího kabelu ze zásuvky.
- ▶ Servis elektrického zařízení by měli provádět pouze kvalifikovaní elektrikáři, protože nepatřičné opravy mohou vést k vážným následným škodám.
- ▶ Poškozený napájecí kabel by měl vyměnit pouze výrobce, jeho servisní zástupce nebo osoby s podobnou kvalifikací, aby se vyloučilo riziko.

Problém	Možná příčina	Možné řešení
Kompresor nepracuje.	<ul style="list-style-type: none"> <li>• Síťová zástrčka není zapojena do síťové zásuvky.</li> <li>• Spotřebič provádí cyklus odmrazování</li> </ul>	<ul style="list-style-type: none"> <li>• Zapojte síťovou zástrčku.</li> <li>• Jedná se o normální jev při automatickém odmrazování</li> </ul>
Spotřebič se spouští často nebo běží příliš dlouho.	<ul style="list-style-type: none"> <li>• Vnitřní nebo venkovní teplota je příliš vysoká.</li> <li>• Spotřebič byl určitou dobu vypnutý.</li> <li>• Dvířka spotřebiče nejsou těsně zavřená.</li> <li>• Dvířka se otvírala příliš často, nebo byla příliš dlouho otevřená.</li> <li>• Nastavená teplota pro prostor mrazničky je příliš nízká.</li> <li>• Těsnění dvířek je znečištěné, opotřebené, popraskané nebo nesprávně nainstalované.</li> <li>• Není zaručena požadovaná cirkulace vzduchu.</li> </ul>	<ul style="list-style-type: none"> <li>• V tomto případě je normální, že spotřebič běží déle.</li> <li>• Normálně trvá 8 až 12 hodin, než se spotřebič úplně ochladí.</li> <li>• Zavřete dvířka/zásuvku a ujistěte se, že spotřebič je umístěn na rovné zemi a dvířkům nepřekáží žádné potraviny nebo nádoby.</li> <li>• Neotvírejte dvířka/zásuvku příliš často.</li> <li>• Nastavte vyšší teplotu tak, abyste dosáhli uspokojivé teploty chladničky. Trvá 24 hodin, než se teplota chladničky ustálí.</li> <li>• Vyčistěte těsnění dvířek/zásuvky, nebo ho nechte vyměnit zákaznickým servisem.</li> <li>• Zajistěte odpovídající větrání.</li> </ul>
Vnitřek chladničky je znečištěný a/nebo zapáchá.	<ul style="list-style-type: none"> <li>• Je třeba vyčistit vnitřek chladničky.</li> <li>• V chladničce je uloženo nějaké silně aromatické jídlo.</li> </ul>	<ul style="list-style-type: none"> <li>• Vyčistěte vnitřek chladničky.</li> <li>• Jídlo důkladně zabaňte.</li> </ul>

Problém	Možná příčina	Možné řešení
Uvnitř spotřebiče není dostatečně chladno.	<ul style="list-style-type: none"> <li>• Je nastavena příliš vysoká teplota.</li> <li>• Bylo uloženo příliš teplé jídlo.</li> <li>• Bylo uloženo příliš mnoho potravin najednou.</li> <li>• Potraviny jsou příliš blízko sebe.</li> <li>• Dvířka/zásuvka spotřebiče nejsou těsně zavřené.</li> <li>• Dvířka/zásuvka se otvírala příliš často, nebo byla příliš dlouho otevřená.</li> </ul>	<ul style="list-style-type: none"> <li>• Znovu nastavte teplotu.</li> <li>• Před uložením vždy nechte jídlo vychladnout.</li> <li>• Vždy ukládejte menší množství potravin.</li> <li>• Nechte mezi potravinami mezery umožňující proudění vzduchu.</li> <li>• Zavřete dvířka/zásuvku.</li> <li>• Neotvírejte dvířka/zásuvku příliš často.</li> </ul>
Uvnitř spotřebiče je příliš chladno.	<ul style="list-style-type: none"> <li>• Je nastavena příliš nízká teplota.</li> <li>• Je aktivována funkce Super Freeze/Super Cool, nebo běží příliš dlouho.</li> </ul>	<ul style="list-style-type: none"> <li>• Znovu nastavte teplotu.</li> <li>• Vypněte funkci Super Freeze/Super Cool</li> </ul>
Tvoření vlhkosti na vnitřním povrchu chladicího prostoru.	<ul style="list-style-type: none"> <li>• Prostředí je příliš teplé a vlhké.</li> <li>• Dvířka/zásuvka spotřebiče nejsou těsně zavřené.</li> <li>• Dvířka/zásuvka se otvírala příliš často, nebo byla příliš dlouho otevřená.</li> <li>• Nádoby na potraviny nebo tekutiny zůstaly otevřené.</li> </ul>	<ul style="list-style-type: none"> <li>• Zvyšte teplotu.</li> <li>• Zavřete dvířka/zásuvku.</li> <li>• Neotvírejte dvířka/zásuvku příliš často.</li> <li>• Nechte horké potraviny vychladnout na pokojovou teplotu a potraviny a tekutiny zakryjte.</li> </ul>
Na vnějším povrchu chladničky nebo mezi dvířky / dvířky a zásuvkou se hromadí vlhkost.	<ul style="list-style-type: none"> <li>• Prostředí je příliš teplé a vlhké.</li> <li>• Dvířka nejsou těsně zavřená. Chladný vzduch ve spotřebiči a teplý vnější vzduch, dochází ke kondenzaci.</li> </ul>	<ul style="list-style-type: none"> <li>• Jedná se o normální jev ve vlhkém prostředí; až se sníží vlhkost, situace se změní.</li> <li>• Ujistěte se, že dvířka/zásuvka jsou těsně zavřené.</li> </ul>
Světlo displeje funguje, ale není cítit chlad.	<ul style="list-style-type: none"> <li>• Jedná se o režim Demo.</li> </ul>	<ul style="list-style-type: none"> <li>• Zjistěte, o jaký stav se jedná; pokud je to režim Demo, ukončete jej. Ukončení: Do 12 hodin od zapnutí otevřete dvířka chladničky a v uzamčeném stavu na 8 s stiskněte druhé tlačítko vpravo.</li> </ul>

Problém	Možná příčina	Možné řešení
V prostoru mrazničky je silná vrstva ledu a námrazy.	<ul style="list-style-type: none"> <li>• Potraviny nebyly náležitě zabalené.</li> <li>• Dvířka/zásuvka spotřebiče nejsou těsně zavřené.</li> <li>• Dvířka/zásuvka se otvírala příliš často, nebo byla příliš dlouho otevřená.</li> <li>• Těsnění dvířek/zásuvky je znečištěné, opotřebované, popraskané nebo nesprávně nainstalované.</li> <li>• Něco uvnitř brání správnému zavření dvířek/zásuvky.</li> </ul>	<ul style="list-style-type: none"> <li>• Vždy dobře zabalte potraviny.</li> <li>• Zavřete dvířka/zásuvku.</li> <li>• Neotvírejte dvířka/zásuvku příliš často.</li> <li>• Vyčistěte těsnění dvířek/zásuvky nebo ho vyměňte za nové.</li> <li>• Přemístěte vnitřní police, police na dvířkách nebo vnitřní nádoby, aby se mohla dvířka/zásuvka zavřít.</li> </ul>
Boční strany skříně a lišta na dvířkách jsou teplé.	<ul style="list-style-type: none"> <li>• -</li> </ul>	<ul style="list-style-type: none"> <li>• Jedná se o normální jev.</li> </ul>
Spotřebič vydává neobvyklé zvuky.	<ul style="list-style-type: none"> <li>• Spotřebič nestojí na rovné zemi.</li> <li>• Spotřebič se dotýká nějakého předmětu ve svém okolí.</li> </ul>	<ul style="list-style-type: none"> <li>• Seřídte nožky, aby stál spotřebič rovně.</li> <li>• Odstraňte předměty z okolí spotřebiče.</li> </ul>
Ozývá se slabý zvuk podobný proudění vody.	<ul style="list-style-type: none"> <li>• -</li> </ul>	<ul style="list-style-type: none"> <li>• Jedná se o normální jev.</li> </ul>
Ozývá se pípání alarmu.	<ul style="list-style-type: none"> <li>• Dvířka úložného prostoru chladničky jsou otevřená.</li> </ul>	<ul style="list-style-type: none"> <li>• Zavřete dvířka.</li> </ul>
Ozývá se slabé hučení.	<ul style="list-style-type: none"> <li>• Protikondenzační systém je v chodu</li> </ul>	<ul style="list-style-type: none"> <li>• Zabraňuje kondenzaci, jedná se o normální jev</li> </ul>
Nefunguje osvětlení interiéru nebo chladicí systém.	<ul style="list-style-type: none"> <li>• Síťová zástrčka není zapojena do síťové zásuvky.</li> <li>• Napájení nemá správné parametry.</li> <li>• Žárovka LED je vadná.</li> </ul>	<ul style="list-style-type: none"> <li>• Zapojte síťovou zástrčku.</li> <li>• Zkontrolujte přívod elektrického napájení do místnosti. Zavolejte místnímu dodavateli elektřiny!</li> <li>• Zavolejte do servisu a požádejte o výměnu žárovky.</li> </ul>

Chcete-li kontaktovat technickou pomoc, navštivte naše webové stránky: <https://corporate.haier-europe.com/en/>

V části „Website“ zvolte značku svého výrobku a svou zemi. Budete přesměrováni na konkrétní webovou stránku, kde najdete telefonní číslo a kontaktní formulář technické pomoci.

### Výpadek napájení

V případě výpadku napájení by měly potraviny zůstat bezpečně v chladu po dobu asi 5 hodin. Během delšího výpadku napájení se řiďte těmito tipy, zejména v létě:

- ▶ Otvírejte dvířka/zásuvku co nejméně často.
- ▶ Během výpadku napájení nevkládejte do spotřebiče další potraviny.
- ▶ Pokud je výpadek napájení oznámen předem a jeho délka překračuje 5 hodin, vyrobte trochu ledu a umístěte ho do nádoby v horní části prostoru chladničky.
- ▶ Ihned po výpadku napájení je nutné zkontrolovat potraviny.
- ▶ Vzhledem k tomu, že během výpadku napájení nebo jiné závady vzroste teplota v chladničce, doba skladování a požitelnost potravin se zkrátí. Jakékoli potraviny, které se rozmrazí, by se měly buď zkonsumovat, nebo tepelně upravit a znovu zmrazit (je-li to vhodné), aby se předešlo zdravotním rizikům.

### Funkce paměti během výpadku napájení

Po obnovení napájení bude spotřebič pokračovat v činnosti s parametry, které byly nastaveny před výpadkem.

## Vybalení

**VAROVÁNÍ!**

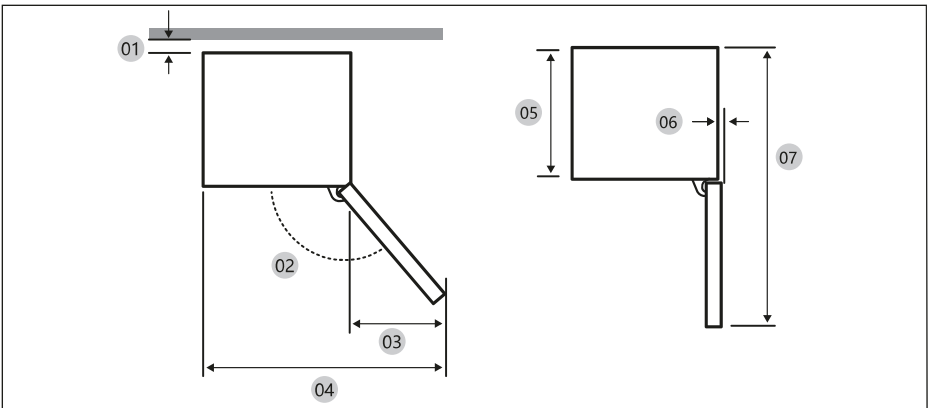
- ▶ Spotřebič je těžký. Vždy s ním manipulujte alespoň ve dvou osobách.
- ▶ Uchovávejte všechny obalové materiály mimo dosah dětí a zlikvidujte je způsobem šetrným k životnímu prostředí.
- ▶ Vyměňte spotřebič z obalu.
- ▶ Odstraňte všechny obalové materiály.

## Podmínky prostředí

Pokojevá teplota by měla být vždy mezi 10 °C a 43 °C, protože může ovlivňovat teplotu uvnitř spotřebiče a jeho spotřebu energie. Bez náležité izolace neinstalujte spotřebič do blízkosti jiných spotřebičů vytvářejících teplo (troubu, chladničky).

## Požadavky na prostor

Potřebný prostor s otevřenými dvířky (bez dveřního panelu skříně)

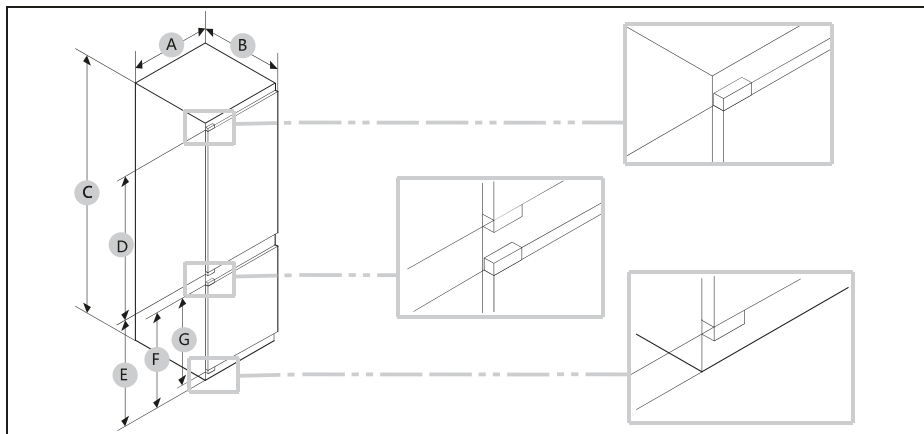


Model	EHBQW5518E HBQW5518E HBQW5518EK HQE1855BCMW EHQE1855BCMW	HBQW5519E HBQW5519EK EBQW5519E EBQW5519ECM	HBQW5719E
01 *	10 (min.) / 30 (doporučeno)	10 (min.) / 30 (doporučeno)	10 (min.) / 30 (doporučeno)
02	95° (doporučeno)	95° (doporučeno)	95° (doporučeno)
03	43	43	55
04	583	583	745
05	515	515	515
06	-3	-3	-3
07	1060	1060	1210

\* 01: Od skříně k zadní straně výrobku.

(jednotky: mm)

## Rozměry výrobku



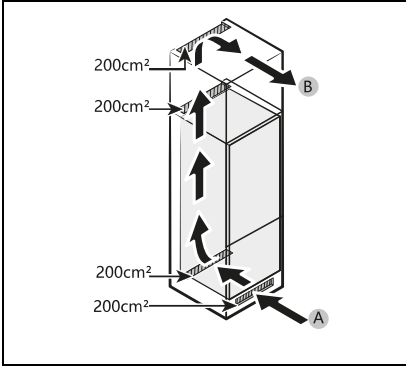
Model	A(mm)	B(mm)	C(mm)	D(mm)	E(mm)	F(mm)	G(mm)
EHBQW5518E HBQW5518E HBQW5518EK HQE1855BCMW EHQE1855BCMW	540±2	550±2	1772±2	970	745	662	618
HBQW5519E HBQW5519EK EHBQW5519E EHBQW5519ECM	540±2	550±2	1935±2	1133	745	662	618
HBQW5719E	690±2	550±2	1935±2	1133	745	662	618

## **i** UPOZORNĚNÍ

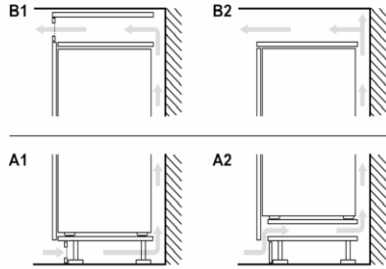
- Uvedená spotřeba energie vychází z podmínky 10mm mezery mezi skříní a zadní stranou výrobku. Výrobek bude správně fungovat, i když je mezera menší než **10 mm**, avšak bude mít poněkud vyšší spotřebu energie.
- Doporučujeme použít skříní s tloušťkou 18 mm a závěsy s tloušťkou menší než **20 mm**.
- Rozměry v tabulce výše se mohou lišit v závislosti na způsobu měření.
- V případě vestavné instalace viz Návod k instalaci.

## Prostor pro větrání

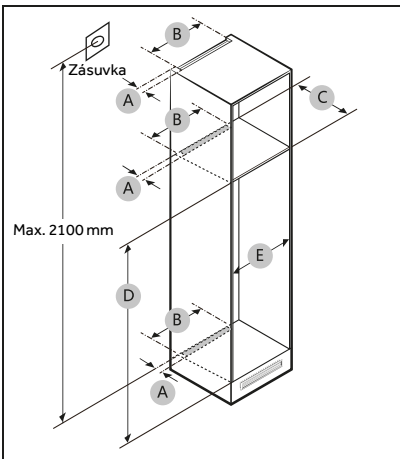
Z bezpečnostních důvodů je nutné dodržet informace o požadovaném prostoru pro větrání, aby byl spotřebič dostatečně větraný.



**A:** Vstup vzduchu  $\geq 200 \text{ cm}^2$ ; možnosti větrání  
**B:** Výstup vzduchu  $\geq 200 \text{ cm}^2$ ; možnosti větrání



## Rozměry skříně



## POZOR!

Záruka se nevztahuje na žádné závady výrobku vzniklé z následujících důvodů:

1. Nesprávné podmínky na místě nebo nesprávné velikosti skříně.
2. Vadná skříň.
3. Chyby instalačního technika nebo uživatele.

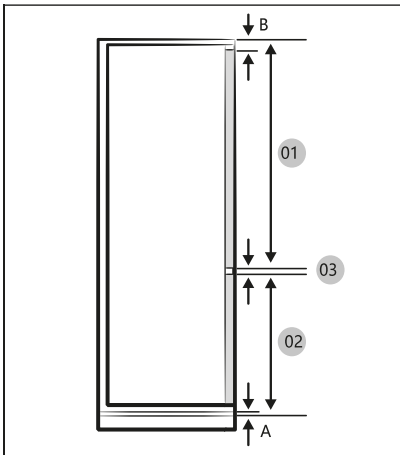
## Volný prostor

Požadavky na místo pro instalaci najdete na obrázcích a v tabulkách níže.

Model		A (mm)	B (mm)	C (mm)	D (mm)	E (mm)	Poznámka
EHBQW5518E HBQW5518E HBQW5518EK HQE1855BCMW EHQE1855BCMW	Min.	50	400	560	1778	560	Závěs: 17 mm
	Doporučeno			580	1780	562	
	Max.			-	1782	568	
HBQW5519E HBQW5519EK EHBQW5519E EHBQW5519ECM	Min.	50	400	560	1940	560	Závěs: 17 mm
	Doporučeno			580	1943	562	
	Max.			-	1945	568	
HBQW5719E	Min.	50	400	560	1941	710	Závěs: 17 mm
	Doporučeno			580	1943	714	
	Max.			-	1945	718	

## **i** UPOZORNĚNÍ

- Pokud je šířka skříně větší než 568 mm, může se uvolnit těsnění (mezi chladničkou a skříní).
- Pokud je skříň vyšší než maximální rozměr (1782 mm), musíte k vyplnění mezery použít jiné dokončovací materiály (pro EHBQW5518E/ HBQW5518E/ EK/ EHQE/ HQE1855BCMW).
- Pokud je skříň vyšší než maximální rozměr (1945 mm), musíte k vyplnění mezery použít jiné dokončovací materiály (pro HBQW5519E/ EK/ EHBQW5519E/ ECM).



## **i** UPOZORNĚNÍ

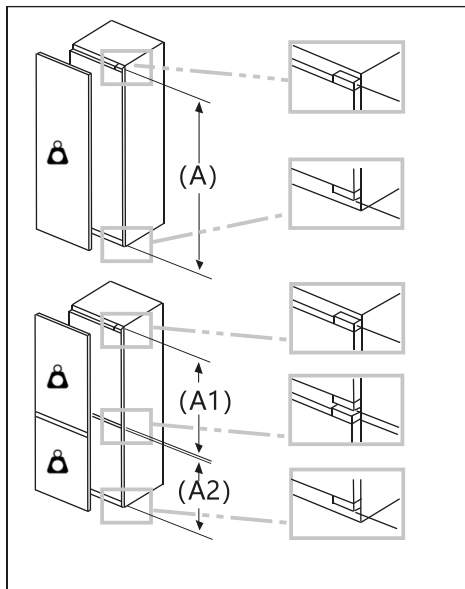
K instalaci skříně je nutná 4mm mezera (03), viz referenční tabulka níže.

- A Dolní okraj předního panelu nad vzduchovým větráním
- B Přesah předního panelu


(jednotky: mm)

Model	EHBQW5518E HBQW5518E HBQW5518EK HQE1855BCMW EHQE1855BCMW	HBQW5519E HBQW5519EK EHBQW5519E EHBQW5519ECM HBQW5719E
01	Min. 1028+B Max. 1106+B	Min. 1191+B Max. 1269+B
02	Min. 662+A Max. 740+A	Min. 662+A Max. 740+A
03	4 mm (mezera dveřního panelu skříně chladničky a mrazničky)	

## Maximální přípustná hmotnost předních částí jednotky

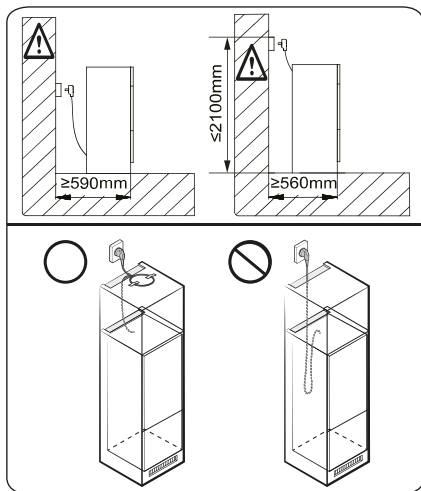


Namontované přední části jednotky, které překračují přípustnou hmotnost, by mohly způsobit poškození a vést k narušení funkčnosti závěsů.

 Hmotnost (kg)

1500-1750 mm	22
720-1400 mm	19
A1	15
A2	15

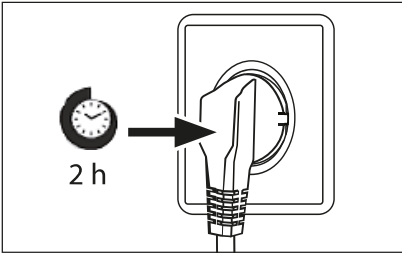
## Factory týkající se umístění zásuvky a požadovaného prostoru



## UPOZORNĚNÍ

Jestliže instalujete chladničku do skříně o hloubce 560 mm, před zapojením napájecího kabelu do elektrické zásuvky se ujistěte, že je veden po straně chladničky. Kdyby byl napájecí kabel na zadní straně chladničky, mohlo by to snížit energetickou účinnost.

## Doba čekání



V kapsli kompresoru se nachází bezúdržbový mazací olej. V případě naklonění během přepravy se olej může dostat do uzavřeného hadicového systému. Před připojením spotřebiče k napájení musíte počkat 2 hodiny, aby všechen olej natekl zpět do kapsle.

## Připojení k elektrickému napájení

Před každým připojením zkontrolujte:

- ▶ zda napájení, zásuvka a jištění odpovídají údajům na výrobním štítku.
- ▶ zda je síťová zásuvka uzemněná a nepoužívá se rozbočovací adaptér ani prodlužovací kabel.
- ▶ zda zástrčka přesně pasuje do zásuvky.

Zapojte zástrčku do náležitě nainstalované domácí zásuvky.



## VAROVÁNÍ!

Aby se zamezilo rizikům, výměnu poškozeného napájecího kabelu musí provést zákaznický servis (viz záruční list).

## Informační list výrobku podle nařízení EU 2019/2016

Značka	Haier		
Název/označení modelu	EHBQW5518E HBQW55 18E HBQW5518EK HQE1855B CMW EHQE1855BCMW	HBQW5519E HBQW55 19EK EHBQW5 519E EHBQW5519ECM	HBQW5719E
Kategorie modelu	Chladnička - mraznička		
Třída energetické účinnosti	E	E	E
Roční spotřeba energie (kWh/rok) (1)	229	229	259
Celkový objem (l)	268	285	382
Objem chladničky (l)	194	211	281
Objem mrazicího prostoru (l)	74	74	101
Objem mrazicího boxu (l)	/	/	/
Objem aut. výrobku ledu (l)	/	/	/
Hodnocení hvězdičkami	4	4	4
Teplota ostatních prostorů > 14 °C	Neuvádí se		
Beznámrazový systém	Ano	Ano	Ano
Mrazicí výkon (kg/24 h)			
Klimatická třída (2)	SN/N/ST/T	SN/N/ST/T	SN/N/ST/T
Třída emisí hluku a emise hluku šířeného vzduchem (db(A) re 1 pW)	B(35)	B(35)	B(33)
Doba náběhu teploty (h)	12	12	9
Kapacita výroby ledu	/	/	/
Typ spotřebiče	Vestavný	Vestavný	Vestavný

Název modelu	Třída energetické účinnosti
EHBQW5518E HBQW5518E HBQW5518EK HQE1855BCMW EHQE1855BCMW	E
HBQW5519E HBQW5519EK EHBQW5519E EHBQW5519ECM HBQW5719E	E

Vysvětlení:

- Ano, ve výbavě

(1) Na základě výsledků zkoušky shody s normami v průběhu 24 hodin. Skutečná spotřeba je závislá na způsobu používání a umístění spotřebiče.

(2) Klimatická třída SN: Tento spotřebič je určen k používání při teplotě okolí mezi +10 °C a +32 °C

Klimatická třída N: Tento spotřebič je určen k používání při teplotě okolí mezi +16 °C a +32 °C

Klimatická třída ST: Tento spotřebič je určen k používání při teplotě okolí mezi +16 °C a +38 °C

Klimatická třída T: Tento spotřebič je určen k používání při teplotě okolí mezi +16 °C a +43 °C

#### Další technické údaje

Napětí/frekvence	220–240 V~/50 Hz
Vstupní proud (A)	1.2/1.6
Hlavní pojistka (A)	16
Chladivo	R600a
Rozměry (V/Š/H v mm)	EHBQW5518E/ HBQW5518E/ EK EHQE/ HQE1855BCMW: 1773/540/555
	HBQW5519E/ EK/ EHBQW5519E/ ECM: 1935/540/555
	EHBQW5719E : 1935/690/550

Doporučujeme využívat zákaznický servis společnosti Haier a používat originální náhradní díly.

V případě problému se spotřebičem si nejprve přečtete část ŘEŠENÍ PROBLÉMŮ.

Pokud v ní nenajdete řešení, kontaktujte

- ▶ místního prodejce nebo
- ▶ naše Evropské středisko telefonické podpory (viz telefonní čísla uvedená níže) nebo
- ▶ část Servis a podpora na adrese [www.haier.com](http://www.haier.com), kde můžete aktivovat požadavek na servis
- ▶ a kde najdete také časté dotazy.

Chcete-li kontaktovat náš servis, ujistěte se, že máte k dispozici následující údaje. Tyto údaje lze najít na výrobním štítku.

Model \_\_\_\_\_

Výrobní číslo \_\_\_\_\_

V případě záruky se také podívejte do záručního listu dodaného s výrobkem.

Evropské středisko telefonické podpory		
Země*	Telefonní číslo	Ceny
Haier Italy (IT)	199 100912	
Haier Spain (ES)	902 509 123	
Haier Germany (DE)	0180 5 39 39 99	<ul style="list-style-type: none"> <li>• 14 ct/min pevná linka</li> <li>• max. 42 ct/min mobil</li> </ul>
Haier Austria (AT)	0820 001205	<ul style="list-style-type: none"> <li>• 14,53 ct/min pevná linka</li> <li>• max. 20 ct/min vše ostatní</li> </ul>
Haier United Kingdom (UK)	0333 003 8122	
Haier France (FR)	0980 406 409	

\*Údaje o ostatních zemích najdete na adrese [www.haier.com](http://www.haier.com)

Haier Europe Trading S.r.l

Branch UK

Westgate House, Westgate, Ealing

London, W5 1YY

\*Doba záruky chladničky:

Minimální záruka: 2 roky pro země EU, 3 roky pro Turecko, 1 rok pro Spojené království, 1 rok pro Rusko, 3 roky pro Švédsko, 2 roky pro Srbsko, 5 let pro Norsko, 1 rok pro Maroko, 6 měsíců pro Alžírsko, Tunisko nevyžaduje žádnou zákonnou záruku.

\*Doba dostupnosti náhradních dílů pro opravu spotřebiče:

Termostaty, snímače teploty, desky s plošnými spoji a světelné zdroje budou k dispozici po dobu nejméně sedmi let od uvedení posledního modelu spotřebiče na trh.

Madla dvířek, závěsy dvířek, přihrádky a koše budou k dispozici po dobu nejméně sedmi let a těsnění dvířek po dobu nejméně deseti let od uvedení posledního modelu spotřebiče na trh.

\*Chcete-li další informace o výrobku, navštivte stránky <https://eprel.ec.europa.eu/> nebo naskenujte kód QR na energetickém štítku dodaném se spotřebičem.



**Haier**



Verze A 2024

# Haier



## Brugervejledning

Køle-fryseskab

EHBQW5518E

HBQW5518E

HBQW5518EK

HQE1855BCMW

EHQE1855BCMW

HBQW5519E

HBQW5519EK

EHBQW5519E

EHBQW5519ECM

HBCN7190U1

DA

<u>4 Sikkerhedsoplysninger</u>	•	<u>Før første brug</u>	5
		<u>Installation</u>	5
		<u>Daglig brug</u>	6
		<u>Information om kølemiddelgas</u>	8
<u>9 Anvendelsesformål</u>	•		
<u>10 Produktbeskrivelse</u>	•		
<u>12 Betjeningspanel</u>	•		
<u>13 Brug</u>	•	<u>Lås/oplås panel</u>	13
		<u>Juster temperaturen for køleskabet</u>	13
		<u>Juster temperaturen på fryseren</u>	14
		<u>Wi-Fi-funktion</u>	15
		<u>Holiday-funktion</u>	15
		<u>Super Cool-funktion</u>	16
		<u>Super Freeze-funktion</u>	16
<u>18 Udstyr</u>	•		
<u>20 Energisparetips</u>	•		
<u>21 Pleje og rengøring</u>	•		
<u>23 Fejlfinding</u>	•		
<u>27 Installation</u>	•		
<u>34 Tekniske data</u>	•		
<u>36 Kundeservice</u>	•		

## Tak, fordi du har købt et Haier-produkt.

Læs disse anvisninger nøje, før dette apparat anvendes. Instruktionerne indeholder vigtig information, som vil hjælpe dig med at få det bedste ud af apparatet og sikre sikker og korrekt installation, brug og vedligeholdelse.

Opbevar denne vejledning et bekvemt sted, så du altid kan se den for sikker og korrekt brug af apparatet.

Hvis du sælger apparatet, giver det væk eller efterlader det, når du flytter, skal du sørge for også at videregive denne manual, så den nye ejer kan blive fortrolig med apparatet og sikkerhedsadvarsler.

## Tilbehør

Tjek tilbehøret og dokumentationen i henhold til denne liste:



**ADVARSEL - Vigtige sikkerhedsoplysninger**

---

**BEMÆRK - Generel information og tip**

---

**Miljøoplysninger**

---

**Bortskaffelse**

Hjælp med at beskytte miljøet og menneskers sundhed. Læg emballagen i passende beholdere for at genbruge den. Hjælp med at genbruge affald fra elektriske og elektroniske apparater. Bortskaf ikke apparater mærket med dette symbol sammen med husholdningsaffaldet. Returner produktet til din lokale genbrugsstation eller kontakt dit kommunale kontor.

**ADVARSEL!**

Risiko for personskade eller kvælning!

Kølemidler og gasser skal bortskaffes professionelt. Sørg for, at kølemiddelkredsens rør ikke er beskadiget, før apparatet bortskaffes korrekt. Afbryd apparatet fra lysnettet. Skær lysnetkablet af og bortskaf det. Fjern bakker og skuffer samt dørlås og tætninger for at forhindre børn og kæledyr i at blive lukket i apparatet.

Inden du tænder for apparatet første gang, skal du læse følgende sikkerhedsanvisninger!:



## ADVARSEL!

### Før første brug

- ▶ Kontrollér, at der ikke er transportskader.
- ▶ Vent mindst to timer, før du installerer apparatet for at sikre, at kølemiddelkredsløbet er fuldt effektivt.
- ▶ Vær altid to personer om at håndtere apparatet, da det er tungt.
- ▶ Fjern alle emballagematerialer, opbevar dem uden for børns rækkevidde, og bortskaf dem miljøvenligt.
- ▶ Rengør indersiden og ydersiden af apparatet med vand og et mildt rengøringsmiddel, før du sætter mad i det.
- ▶ Når apparatet er blevet nivelleret og rengjort, skal du vente i mindst 2-5 timer, før du tilslutter det til strømforsyningen. Se afsnittet INSTALLATION.
- ▶ Forafkøl rummene ved høje indstillinger, før de fyldes med mad. Funktionen Power-Freeze hjælper med at køle rummene hurtigt ned.
- ▶ Køleskabstemperaturen og frysertemperaturen indstilles automatisk til henholdsvis 5 °C og -18 °C. Dette er de anbefalede indstillinger. Hvis det ønskes, kan disse temperaturer ændres manuelt. Se JUSTER TEMPERATUREN.

### Installation

- ▶ Apparatet skal placeres på et godt ventileret sted. Sørg for en afstand på mindst 10 cm over og omkring apparatet.
- ▶ Anbring aldrig apparatet i et fugtigt område eller et sted, hvor det kan blive sprøjtet til med vand. Rens og aftør vandsprøjt og pletter med en blød ren klud.
- ▶ Installer ikke apparatet i direkte sollys eller i nærheden af varmekilder (f.eks. komfurer eller varmeapparater).
- ▶ Installer og niveller apparatet på et område, der er egnet til dets størrelse og brug.
- ▶ Hold ventilationsåbninger i apparatets kabinet eller de indbyggede komponenter fri for blokeringer.
- ▶ Kontroller, at de elektriske oplysninger på mærkepladen passer til strømforsyningen. Hvis ikke skal du kontakte en elektriker.
- ▶ Apparatet drives fra et lysnet på 220-240 VAC/50 Hz. Unormale spændingsafvigelser kan gøre, at apparatet ikke starter, eller det tager skade på temperaturstyringen eller kompressoren eller afgiver unormale lyde under drift. I sådanne tilfælde skal der monteres en automatisk regulator.
- ▶ Brug ikke forgrenere og forlængerkabler.
- ▶ Placér ikke flere løse forgrenerledninger eller bærbare strømforsyninger bag ved apparatet.
- ▶ Sørg for, at strømkablet ikke er fanget af køleskabet. Træd ikke på strømkablet.



## ADVARSEL!

- ▶ Brug en separat jordet stikkontakt til strømforsyningen, som er let tilgængelig. Apparatet skal være jordet.  
Kun til Storbritannien: Apparatets lysnetledning er monteret med et stik til 3 ledninger (med jord), der passer til et standard 3-ledet stik (med jord). Det tredje ben (jordforbindelsen) må aldrig klippes af. Når apparatet er installeret, skal stikket være let at komme til.
- ▶ Kølemiddelkredsen må ikke beskadiges.

### Daglig brug

- ▶ Dette apparat kan anvendes af børn fra en alder på 8 år og af personer med nedsatte fysiske, sensoriske eller mentale evner eller med en manglende erfaring og viden, forudsat at de er under opsyn eller har modtaget vejledning i sikker brug af apparatet, samt at de forstår de farer, der er forbundet dermed.
- ▶ Børn i alderen fra 3 til 8 år har lov til at læsse og losse, men må ikke rengøre eller installere køleapparaterne.
- ▶ Hold børn under 3 år væk fra apparatet, medmindre de er under konstant opsyn.
- ▶ Børn må ikke lege med apparatet.
- ▶ Hvis kølegas eller anden brændbar gas siver ud i nærheden af apparatet, skal du slukke for ventilen til den utætte gas, åbne døre og vinduer og ikke tage stikket ud af strømkablet til køleskabet eller noget andet apparat.
- ▶ Bemærk, at apparatet er indstillet til drift ved et specifikt omgivelsesområde mellem 10 og 43°C. Apparatet fungerer muligvis ikke korrekt, hvis det efterlades i længere tid ved en temperatur over eller under det angivne område.
- ▶ Undlad at placere ustabile varer (tunge genstande, beholdere med vand) oven på køleskabet for at undgå personskader som følge af fald eller elektrisk stød, som skyldes kontakt med vand.
- ▶ Træk ikke i dørhulderne. Døren kan trækkes skæv, flaskeholderen kan trækkes væk, eller apparatet kan vælte.
- ▶ Åbn og luk kun dørene med håndtagene. Mellemrummet mellem dørene og mellem dørene og skabet er meget snævert. Ræk ikke hænderne i disse områder for at undgå at klemme fingrene. Åbn eller luk kun køleskabsdørene, når der ikke er børn inden for dørens bevægelsesområde.
- ▶ Opbevar eller brug ikke brændbare, eksplosive eller ætsende materialer i apparatet eller i nærheden.
- ▶ Undlad at opbevare medicin, bakterier eller kemikalier i apparatet. Dette apparat er et husholdningsapparat. Det frarådes at opbevare materialer, der kræver nøjagtige temperaturer.
- ▶ Opbevar aldrig væsker i flasker eller dåser (bortset fra høj procent spiritus), især kulsyreholdige drikkevarer i fryseren, da disse vil sprænges under frysning.
- ▶ Kontroller madens tilstand, hvis der har fundet en temperaturstigning sted i fryseren.
- ▶ Indstil ikke til unødigt lav temperatur i kølerummet. Minustemperaturer kan forekomme ved høje indstillinger. OBS: Flasker kan sprænges.



## ADVARSEL!

- ▶ Rør ikke ved frostvarer med våde hænder (brug handsker). Spis især ikke ispinde umiddelbart efter at de er taget ud af fryseren. Der er risiko for forfrysning eller dannelse af frostblærer. FØRSTEHJÆLP: Hold straks skaden under rindende koldt vand. Træk den ikke væk!
- ▶ Rør ikke ved den indvendige overflade af fryserens opbevaringsrum, når den er i brug, især med våde hænder, da dine hænder kan fryse fast på overfladen.
- ▶ Tag stikket ud af stikkontakten i tilfælde af strømafbrydelse eller før rengøring. Lad der gå mindst 7 minutter, før køleskabet/fryseren startes igen, da hyppige starter kan beskadige kompressoren.
- ▶ Brug ikke elektriske apparater inde i madopbevaringsrummet, medmindre de er af en type, som producenten anbefaler.

## Vedligeholdelse/rengøring

- ▶ Sørg for, at børn er under opsyn, hvis de udfører rengøring og vedligeholdelse.
- ▶ Afbryd apparatet fra strømforsyningen, før der udføres rutinemæssig vedligeholdelse. Lad der gå mindst 5 minutter, før køleskabet/fryseren startes igen, da hyppige starter kan beskadige kompressoren.
- ▶ Hold i stikket, ikke i kablet, når apparatet trækkes ud.
- ▶ Rengør ikke apparatet med hårde børster, stålbørster, vaskepulver, benzin, amylacetat, acetone og lignende organiske opløsninger, sure eller alkaliske opløsninger. Rengør med specielt køleskabsrengøringsmiddel for at undgå skader.
- ▶ Skrab ikke frost og is af med skarpe genstande. Brug ikke spray, elektriske varmeapparater som varmelegeme, hårtørrer, damprensere eller andre varmekilder for at undgå beskadigelse af plastikdelene.
- ▶ Brug ikke andre mekaniske enheder eller andre metoder til at fremme afrimningsprocessen end de af producenten anbefalede.
- ▶ Hvis lysnetledningen er beskadiget, skal den udskiftes af producenten, dennes serviceagent eller en lignende kvalificeret fagperson for at undgå fare.
- ▶ Prøv ikke selv at reparere, adskille eller ændre apparatet. Kontakt vores kundeservice ved behov for reparation.
- ▶ Fjern støvet på bagsiden af enheden mindst én gang om året for at undgå brandfare samt øget energiforbrug.
- ▶ Undlad at sprøjte eller skylle apparatet under rengøring.
- ▶ Brug ikke vandspray eller damp til at rengøre apparatet.
- ▶ Undlad at rense de kolde glashylder i varmt vand. Pludselige temperaturændringer kan få glasset til at knække.

## Information om kølemiddelgas



### ADVARSEL!

Apparatet indeholder det brændbare kølemiddel ISOBUTAN (R600a). Sørg for, at kølemiddelkredsen ikke er beskadiget under transport eller installation. Lækkende kølemiddel kan forårsage øjenskader eller antænde. Hvis der er opstået en skade, skal du holde åbne brandkilder væk, ventilere rummet grundigt, ikke tilslutte eller frakoble apparatets eller andre apparaters netledninger. Informer kundeservice.

Hvis øjnene kommer i kontakt med kølemedlet, skylles de straks under rindende vand, og øjenlægen skal straks kontaktes.

## Anvendelsesformål

Dette apparat er beregnet til køling og frysning af fødevarer. Det er udelukkende beregnet til brug i husholdninger og lignende formål såsom personale-køkkenområder i butikker, kontorer og andre arbejdsmiljøer: gårdhuse og af kunder på hoteller, moteller og andre boligmiljøer samt i bed-and-breakfast og cateringvirksomhed. Det er ikke beregnet til kommerciel eller industriel brug.

Ændringer eller modifikationer af enheden er ikke tilladt. Utilsigtet brug kan forårsage farer og tab af garantikrav.

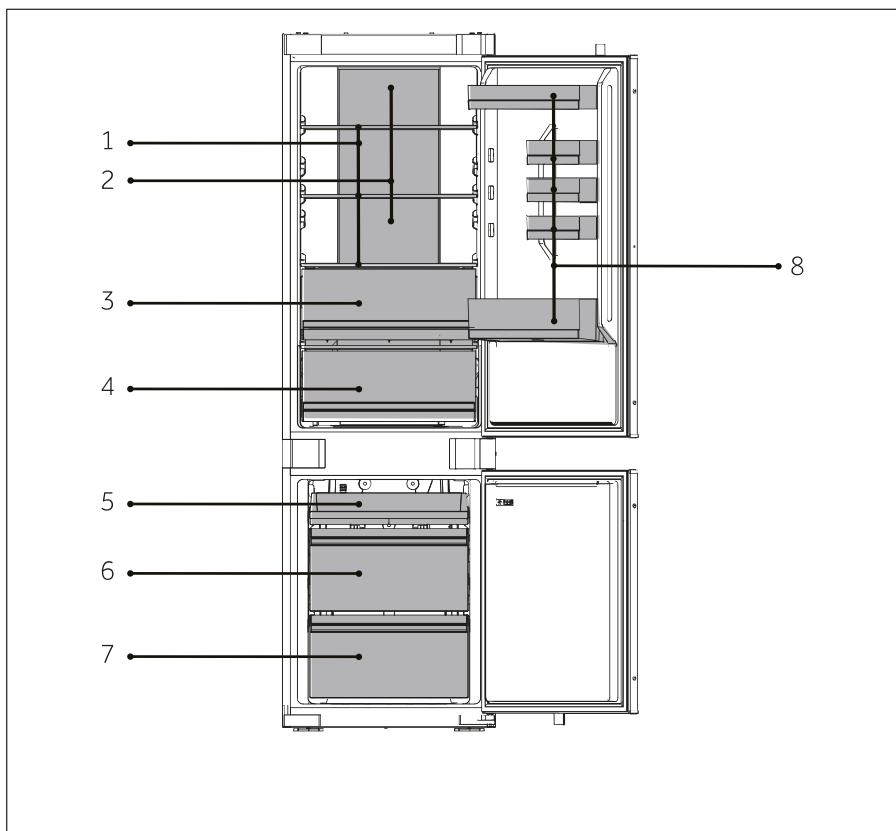
## Standarder og direktiver eller

Dette produkt opfylder kravene i alle gældende EU-direktiver med de tilsvarende harmoniserede standarder og UK-standarder, som gælder for CE- og UKCA-mærkning.



## BEMÆRK

På grund af tekniske ændringer og forskellige modeller kan nogle af illustrationerne i denne vejledning afvige fra din model.



EHBQW5518E/ HBQW5518E/ HBQW5518EK/ HQE1855BCMW/ EHQE1855BCMW

### A: Kølerum

- 1 Almindelige hylder
- 2 Luftkanal til afkølet luft
- 3 Humidity Zone-skuffe
- 4 Fresh Box-skuffe
- 8 Flaskeholder

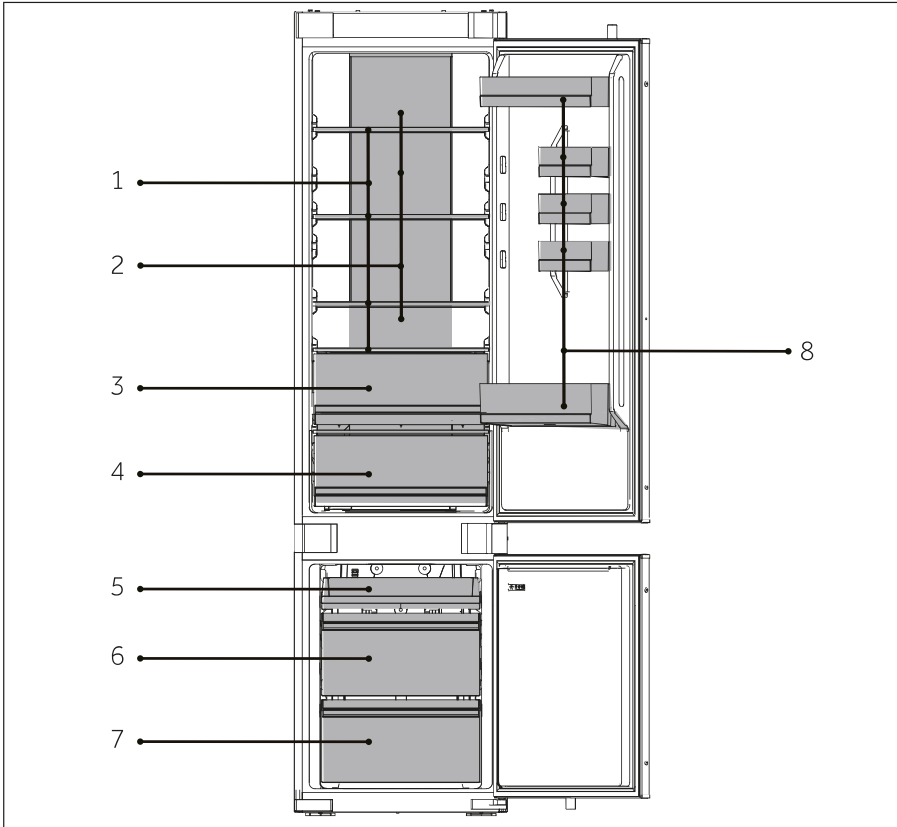
### B: Fryserum

- 5 Øverste fryserbakke
- 6 Mellemste fryserkuffe
- 7 Nederste fryserkuffe



**BEMÆRK**

På grund af tekniske ændringer og forskellige modeller kan nogle af illustrationerne i denne vejledning afvige fra din model.



HBQW5519E/ HBQW5519EK/ EHBQW5519E/ EHBQW5519ECM/ HBQW5719E

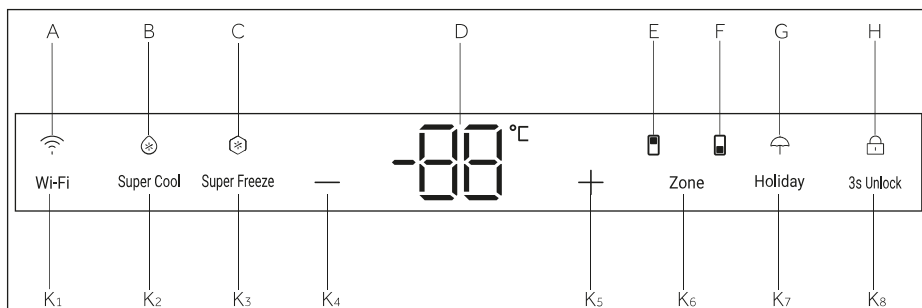
**A: Kølerum**

- 1 Almindelige hylder
- 2 Luftkanal til afkølet luft
- 3 Humidity Zone-skuffe
- 4 Fresh Box-skuffe
- 8 Flaskeholder

**B: Fryserum**

- 5 Øverste fryserbakke
- 6 Mellemste fryserbakke
- 7 Nederste fryserbakke

## Betjeningspanel



### Indikatorer:

- A Wi-Fi-funktion
- B Super Cool-funktion
- C Super Freeze-funktion
- D Temperaturdisplay
- E Køleskabsindikator
- F Fryser indikator
- G Holiday-funktion
- H Lås og lås op

### Knapper:

- K1 Wi-Fi-indstillingsknap
- K2 Super Cool-knap
- K3 Super Freeze-knap
- K4 Temperaturjusteringsknap «-"
- K5 Temperaturjusteringsknap "+"
- K6 Knap til zonevalg
- K7 Holiday-funktionsknap
- K8 Lås- og lås op-knap

## Sensortaster

Knapperne på betjeningspanelet er sensortaster, som allerede reagerer ved let berøring med fingeren.

## Tænd/sluk apparatet

Apparatet er i drift, så snart det er tilsluttet strømforsyningen.

Første gang der tændes for køleskabet, lyser indikatoren "D" (temperaturdisplay). Køleskabstemperaturen og frysertemperaturen indstilles automatisk til henholdsvis 5 °C og -18 °C.



## BEMÆRK

Når apparatet tændes efter afbrydelse af strømforsyningen, kan det tage op til 12 timer, før de korrekte temperaturer er nået.

Tøm apparatet, før det slukkes. For at slukke for apparatet skal du trække netledningen ud af stikkontakten.

### Lås/oplås panel

Automatisk lås: Når køleskabsdøren og fryserdøren er lukket, og der ikke er nogen tastbetjening inden for 30 sekunder, slukkes og låses skærmen automatisk.

Manuel lås: Tryk på knappen "K<sub>8</sub>", (3S Unlock), når displayet er låst op, og hold den nede i 3 sekunder. Summeren lyder én gang, indikatoren "H" (panellås) lyser, og displayet låses.

Lås op: Tryk på knappen "K<sub>8</sub>", (3S Unlock), når displayet er låst, og hold den nede i 3 sekunder. Summeren lyder én gang, indikatoren "H" (panellås) lyser, og displayet låses op.

### Juster temperaturen

Temperaturerne i apparatet påvirkes af følgende faktorer:

Omgivelsestemperatur, hyppighed af døråbning, mængde af opbevarede fødevarer, apparatets installation.

### Juster temperaturen for køleskabet

Når displayet er låst op, skal du trykke på knappen "K<sub>6</sub>" (Zonevælger). Summeren ringer én gang, indikatoren "E" (køleskabsindikator) lyser, og der skiftes til køleskabets temperaturindstillingstilstand.

Tryk på knappen "K<sub>4</sub>" (Temperaturjusteringsknop "-"). Hver gang, summeren ringer én gang, reduceres den indstillede temperatur i køleskabet med 1. Køleskabets temperatur vises i sekvensen "9 °C -> 8 °C -> 7 °C -> 6 °C -> 5 °C -> 4 °C -> 3 °C -> 2 °C -> 1 °C".

Tryk på knappen "K<sub>5</sub>" (temperaturjusteringsknop "+"). Hver gang, summeren ringer én gang, øges den indstillede temperatur i køleskabet med 1. Køleskabets temperatur vises i sekvensen "1 °C -> 2 °C -> 3 °C -> 4 °C -> 5 °C -> 6 °C -> 7 °C -> 8 °C -> 9 °C".



## BEMÆRK

Hvis apparatet ikke betjenes inden for 5 sekunder efter indstilling af temperaturen, bestemmes systemet automatisk og gemmer den indstillede temperatur.

## Juster temperaturen på fryseren

Når displayet er låst op, skal du trykke på knappen "K<sub>6</sub>" (Zonevælger). Summeren ringer én gang, indikatoren "F" (fryserindikator) lyser, og der skiftes til fryserens temperaturindstillingstilstand.

Tryk på knappen "K<sub>4</sub>" (temperaturjusteringsknop "-"). Hver gang, summeren ringer én gang, sænkes fryserens indstillede temperatur med 1. Fryserens temperatur vises i sekvensen "-14 °C -> -15 °C -> -16 °C -> -17 °C -> -18 °C -> -19 °C -> -20 °C -> -21 °C -> -22 °C -> -23 °C -> -24 °C".




Tryk på knappen "K<sub>5</sub>" (Temperaturjusteringsknop "+"). Hver gang, summeren ringer én gang, øges fryserens indstillede temperatur med 1. Fryserens temperatur vises i sekvensen "-24 °C -> -23 °C -> -22 °C -> -21 °C -> -20 °C -> -19 °C -> -18 °C -> -17 °C -> -16 °C -> -15 °C -> -14 °C".



### BEMÆRK

Hvis apparatet ikke betjenes inden for 5 sekunder efter indstilling af temperaturen, bestemmes systemet automatisk og gemmer den indstillede temperatur.

### Trin 1 Download hOn-appen i butikkerne.

   	
<p>Trin 2 Opret din konto i hOn-appen eller log ind, hvis du allerede har en konto.</p>	<p>Trin 3 Følg parringsvejledningen i hOn-appen.</p>
	

## Wi-Fi-funktion

1. Følg instruktionerne i appen for at konfigurere Wi-Fi.
2. Når Wi-Fi er konfigureret og forbindelsen etableret, er Wi-Fi-ikonet "A" tændt og rettet.
3. Hvis Wi-Fi allerede er konfigureret, vil det automatisk genoprette forbindelse igen i henhold til konfigurationsoplysningerne, hvis Wi-Fi aktiveres.
4. For at slukke for Wi-Fi skal du trykke på Wi-Fi-tasten "K<sub>1</sub>", og Wi-Fi-ikonet "A" slukkes.
5. For at tænde for Wi-Fi og starte konfigurationen skal du trykke på Wi-Fi-tasten "K<sub>1</sub>", og Wi-Fi-ikonet "A" begynder at blinke langsomt. Hvis du vil konfigurere Wi-Fi-funktionen, skal du trykke på tasten "K<sub>1</sub>" i 3 sekunder. Wi-Fi-ikonet blinker hurtigt og går i konfigurationstilstand. Hvis du vil slå Wi-Fi-funktionen fra, skal du trykke på tasten "K<sub>1</sub>" én gang. Ovenstående trin gentages.
6. Hvis produktet er blevet konfigureret, og Wi-Fi-funktionen var slået fra, vil køleskabet ikke gå i konfigurationstilstand, når det er tilsluttet igen.

## Holiday-funktion

1. Tryk på knappen "K<sub>7</sub>" (Holiday-funktionsknop), når displayskærmen er låst op. Summeren ringer én gang, indikatoren "G" (Holiday-funktion) lyser, hvorefter Holiday-funktionen aktiveres.
2. Tryk på knappen "K<sub>7</sub>" (Holiday-funktionsknop), når displayskærmen er låst op. Summeren ringer én gang, indikatoren "G" (Holiday-funktion) slukker, hvorefter Holiday-funktionen deaktiveres.



### BEMÆRK

1. Holiday-funktionen bruges hovedsageligt til kortvarige rejser og andre lignende situationer, og kølerummet skal tømmes ved brug af Holiday-funktionen.
2. I Holiday-funktion vil temperaturen i køleskabet være højere (ca. 17°C). Vær opmærksom på at tømme køleskabet for mad for at undgå, at maden bliver dårlig.

## Super Cool-funktion

1. Når displayet er låst op, skal du trykke på knappen "K<sub>2</sub>" (Super Cool-vælger). Summeren ringer én gang, indikatoren "B" (Super Cool-funktion) lyser, og derefter aktiveres Super Cool-funktionen.
2. Når indikatoren "B" (Super Cool-funktion) lyser, skal du trykke på knappen "K<sub>2</sub>" (Super Cool-funktion) lyser. Summeren ringer én gang, indikatoren "O" (Super Cool-funktion) slukker, og derefter bliver Super Cool-funktionen slået fra.
3. Når Super Cool-funktionen er tændt, slukker køleskabet automatisk for funktionen, når det når den indstillede temperatur. Hvis du vil afslutte manuelt, kan du trykke på knappen "K<sub>2</sub>" (Super Cool-vælger) for at slukke.



## BEMÆRK

1. Under Super Cool tilstand kan køleskabets temperatur ikke justeres. Hvis der trykkes på enten knappen "K<sub>4</sub>" (temperaturjusteringsknop "-") eller knappen "K<sub>5</sub>" (temperaturjusteringsknop "+") ved justering af køleskabets temperatur, blinker indikatoren "B" (Super Cool-indikator) med en varselslyd om, at denne handling ikke kan udføres.
2. I tilstanden Super Cool-funktionen kan Auto-set-funktionen ikke aktiveres på samme tid på grund af forskellige kontroltilstande. Når du vælger en funktion, der er i konflikt med en anden funktion, afsluttes den oprindelige funktion automatisk.
3. Denne funktion deaktiveres automatisk efter 6 timer.

## Super Freeze-funktion

1. Når displayet er låst op, skal du trykke på knappen "K<sub>3</sub>" (Super Freeze-vælger). Summeren ringer én gang, indikatoren "C" (Super Freeze-funktion) lyser, hvorefter Super Freeze-funktionen aktiveres.
2. Når indikatoren "C" (Super Freeze-funktion) lyser, tryk på knappen "K<sub>3</sub>" (Super Freeze-funktion). Summeren ringer én gang, indikatoren "C" (Super Freeze-funktion) slukker, hvorefter Super Freeze-funktionen deaktiveres.
3. Når Super Freeze-funktionen er slået til, slukker køleskabet automatisk for funktionen, når det når den indstillede temperatur. Hvis du vil afslutte manuelt, kan du trykke på knappen "K<sub>3</sub>" (Super Freeze-vælgeren) for at slukke.





## BEMÆRK

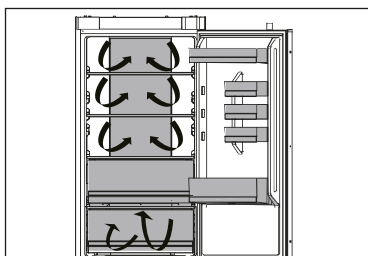
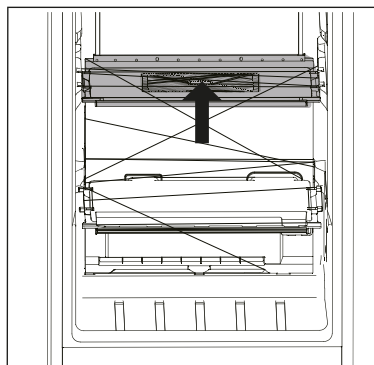
1. Under Super Freeze-tilstand kan frysertemperaturen ikke justeres. Hvis der trykkes på enten knappen "K<sub>4</sub>" (temperaturjusteringsknap "-") eller knappen "K<sub>5</sub>" (temperaturjusteringsknap "+") ved justering af fryserens temperatur, blinker indikatoren "C" (Super Freeze-indikator) med en varselslyd om, at denne handling ikke kan udføres.
2. Super Freeze-funktionen er designet til at bevare næringsværdien i frosset mad. Den vil fryse maden på kortest tid. Hvis store mængder frosne madvarer skal fryses ned på samme tid. I mellemtiden bør Super Freeze-funktionen indstilles 24 timer i forvejen, så fryseren når til en relativt lav temperatur at lægge maden i. På dette tidspunkt forbedres fryserens frysehastighed, maden kan indfryses hurtigt, fødevarernes næring bevares effektivt, og opbevaringen bliver ret praktisk.
3. Super Freeze-funktionen slukker automatisk efter 50 timer. Apparatet betjenes derefter ved den tidligere indstillede temperatur.

## Humidity Zone-skuffe

I dette rum er luftfugtigheden højere end i køleskabet. Den styres automatisk af systemet og er velegnet til opbevaring af frugter, grøntsager, salater osv.

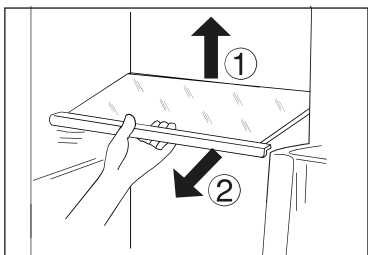
### **i** BEMÆRK

1. Fjern ikke plastdækslet i zonen.
2. De opretholder fugtigheden.
3. Det anbefales ikke at opbevare kuldefølsomme frugter som ananas, avocado, bananer og grapefrugter anbefales i skuffen.



### Multi-luftstrømning

1. Køleskabet er udstyret med et multi-air-flow system, hvor der er kølige luftstrømme på hvert hyldeniveau. Dette er med til at holde en ensartet temperatur for at sikre, at din mad holdes friskere i længere tid.



### Justerbare hylder

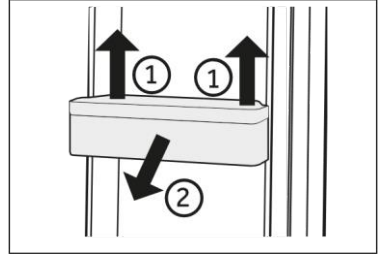
1. Højden på hylderne kan justeres, så de passer til dine opbevaringsbehov.
2. Hvis du vil flytte en hylde, skal du først fjerne den ved at løfte dens bagkant ① og trække den ud ②.
3. For at geninstallere den skal du sætte den på tappene på begge sider og skubbe den til den bageste position, indtil den bagerste del af hyliden er fastgjort inde i hullerne i siderne

### **i** BEMÆRK

Sørg for, at alle ender af hylderne er i vater.

### Aftagelige dørstativer/flaskeholder

1. Dørstativerne kan tages af for rengøring:
2. Placer hænderne på hver side af stativet, løft det opad (1), og træk det ud (2).
3. Indsæt dørstativet ved at udføre ovenstående trin i omvendt rækkefølge.



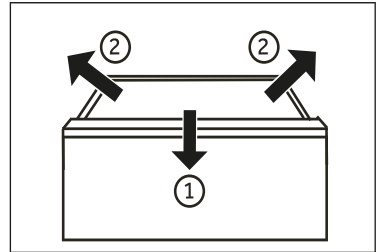
### BEMÆRK

Når apparatet er tændt, kan det tage op til 12 timer, før de korrekte temperaturer er nået.

### Aftagelig skuffe

Hvis du vil tage skuffen ud, skal du trække den så langt ud som muligt (1), løfte skuffen og tage den ud (2).

For at indsætte skuffen udføres ovenstående trin i omvendt rækkefølge.



### Lyset

Indvendigt LED lys tændes, når døren er åbnet. Lysets funktion påvirkes ikke af andre apparatindstillinger.



## Energisparetips

- ▶ Sørg for, at apparatet er korrekt ventileret (se INSTALLATION).
- ▶ Installer ikke apparatet i direkte sollys eller i nærheden af varmekilder (f.eks. komfurer eller varmeapparater).
- ▶ Undgå unødigt lav temperatur i apparatet. Energiforbruget stiger, jo lavere temperaturen i apparatet er indstillet.
- ▶ Funktioner som Super Freeze bruger mere energi.
- ▶ Lad varm mad køle af, før den sættes i apparatet.
- ▶ Åbn apparatdøren så lidt og kortvarigt som muligt.
- ▶ Overfyld ikke apparatet for at undgå at blokere luftstrømmen.
- ▶ Undgå luft i fødevareremballagen.
- ▶ Hold dørtætninger rene, så døren altid lukker korrekt.
- ▶ Optø frosne madvarer i køleskabsrummet.
- ▶ Den mest energibesparende konfiguration kræver, at apparatet holder skuffer, madkasse og hylder i fabriksny tilstand, og maden skal så vidt muligt placeres uden at blokere kanalens luftudgang.



## ADVARSEL!

Afbryd køleskabet/fryseren fra stikkontakten før rengøring.

### Rengøring

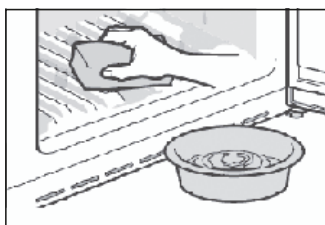
Rengør apparatet, når der kun opbevares få eller ingen madvarer.

Køleskabet/fryseren skal rengøres hver fjerde uge for god vedligeholdelse og for at forhindre dårlig madlugt.



## ADVARSEL!

- ▶ Rengør ikke apparatet med hårde børster, stålbørster, vaskepulver, benzin, amylacetat, acetone og lignende organiske opløsninger, sure eller alkaliske opløsninger. Rengør med specielt køleskabsrengøringsmiddel for at undgå skader.
- ▶ Undlad at sprøjte eller skylle apparatet under rengøring.
- ▶ Brug ikke vandspray eller damp til at rengøre apparatet.
- ▶ Undlad at rense de kolde glashylder i varmt vand. Pludselige temperaturændringer kan få glasset til at knække.
- ▶ Rør ikke ved den indvendige overflade af fryserens opbevaringsrum, især ikke med våde hænder, da dine hænder kan fryse fast på overfladen.
- ▶ I tilfælde af temperaturstigning kontrolleres frostvarernes tilstand.



- ▶ Hold altid dørpakningen ren.
- ▶ Rengør apparatets inderside og hus med en svamp fugtet i varmt vand og et neutralt rengøringsmiddel.
- ▶ 1. Skrub køleskabet indvendigt og udvendigt, inklusive dørforsegling, dørreol, glashylder, kasser og andet med et blødt håndklæde eller en svamp dyppet i varmt vand (du kan tilsætte et neutralt rengøringsmiddel i det varme vand).
- ▶ 2. Hvis der er spildt væske, skal du fjerne alle de forurenede dele, skylle direkte med rindende vand, tørre og stille det tilbage i køleskabet.
- ▶ 3. Hvis der er spildt fløde (såsom fløde, smeltende is), skal du fjerne alle de forurenede dele, komme i det varme vand med ca. 40 °C i nogen tid, derefter skylle med rindende vand, tørre og lægge det tilbage i køleskabet.
- ▶ 4. Hvis en lille del eller komponent sætter sig fast inde i køleskabet (mellem hylder eller skuffer), skal du bruge en lille blød børste til at frigøre den. Hvis du ikke kunne nå delen, bedes du kontakte Haier service
- ▶ Skyl og tør efter med en blød klud.
- ▶ Undlad at vaske nogen af de løse dele i en opvaskemaskine.
- ▶ Lad der gå mindst 5 minutter, før køleskabet/fryseren startes igen, da hyppige starter kan beskadige kompressoren.

## Afrimning

Optøning af køleskab og fryserum sker automatisk: Ingen manuel betjening er påkrævet.

## Udskiftning af LED-lamper



### ADVARSEL!

Udskift ikke LED-lampen selv, den må kun udskiftes af enten producenten eller den autoriserede servicetekniker.

Lamperne anvender LED som lyskilde, med lavt energiforbrug og lang levetid. Hvis der er noget unormalt, bedes du kontakte kundeservice. Se KUNDESERVICE.

Specifikationer for lamperne:

Køleskabsrum: 12 V maks. 2 W

Fryserum: 12 V maks. 2 W

## Ikke i brug i længere tid

Hvis du ikke bruger apparatet i længere tid, OG du ikke ønsker at bruge Holiday-funktionen:

Tag maden ud.

Tag stikket ud.

Rengør apparatet som beskrevet ovenfor.

Hold dørene åbne for at forhindre dannelsen af dårlig lugt indvendig.



### BEMÆRK

Sluk kun for apparatet, hvis det er strengt nødvendigt.

## Flytning af apparatet

1. Fjern alle madvarer og tag køleskabet/fryseren fra stikkontakten.
2. Fastgør hylder og andre bevægelige dele i køleskabet og fryseren med tape.
3. Undlad at vippe køleskabet mere end 45° for at undgå at beskadige kølesystemet.



### ADVARSEL!

- ▶ Løft ikke apparatet i håndtagene.
- ▶ Læg aldrig apparatet vandret ned på jorden.

Mange problemer, der kunne opstå, kan du selv løse uden særlig ekspertise. Prøv alle muligheder i tilfælde af problemer, og følg nedenstående vejledning, før du kontakter et serviceværksted. Se KUNDESERVICE.



## ADVARSEL!

- ▶ Før vedligeholdelse skal du slukke for apparatet og tage stikket ud af stikkontakten.
- ▶ Elektrisk udstyr bør kun serviceres af kvalificerede elektrikere, da forkerte reparationer kan forårsage betydelige følgeskader.
- ▶ En beskadiget lysnetledning skal udskiftes af producenten, dennes serviceagent eller en lignende kvalificeret fagperson for at undgå fare.

Problem	Mulig årsag	Mulig løsning
Kompressoren virker ikke.	<ul style="list-style-type: none"> <li>• Lysnetledningen er ikke sat i stikkontakten.</li> <li>• Apparatet er i afrimningscyklus</li> </ul>	<ul style="list-style-type: none"> <li>• Sæt stikket i stikkontakten.</li> <li>• Dette er normalt for en automatisk afrimning</li> </ul>
Køleskabet kører ofte eller i for lang tid ad gangen.	<ul style="list-style-type: none"> <li>• Inde- eller udetemperaturen er for høj.</li> <li>• Apparatet har været uden strøm i nogen tid.</li> <li>• En låge i køleskabet/fryseren er ikke lukket tæt.</li> <li>• Døren har været åbnet for ofte eller for længe.</li> <li>• Temperaturindstillingen for fryseafdelingen er for lav.</li> <li>• Dørpakningen er snavset, slidt, revnet eller forkert.</li> <li>• Den nødvendige luftcirkulation er ikke garanteret.</li> </ul>	<ul style="list-style-type: none"> <li>• I sådanne tilfælde er det normalt, at apparatet kører længere.</li> <li>• Normalt tager det 8 til 12 timer, før apparatet er kølet helt ned til køle/frysetemperatur.</li> <li>• Luk lågen/skuffen og kontroller, at apparat er sat på et vandret underlag, og at der ikke er mad eller emballage, der spærrer for døren.</li> <li>• Åbn ikke lågen/skuffen for ofte.</li> <li>• Indstil temperaturen højere, indtil der opnås en tilfredsstillende køleskabstemperatur. Det tager 24 timer for køleskabstemperaturen at blive stabil.</li> <li>• Rengør lågen/skuffepakningen eller lad kundeservice udskifte dem.</li> <li>• Sørg for tilstrækkelig ventilation.</li> </ul>
Køleskabsrummet er snavset og/eller lugter.	<ul style="list-style-type: none"> <li>• Køleskabsrummet skal rengøres.</li> <li>• Der opbevares stærkt lugtende mad i køleskabet.</li> </ul>	<ul style="list-style-type: none"> <li>• Rengør køleskabsrummet indvendigt.</li> <li>• Pak maden omhyggeligt ind.</li> </ul>

Problem	Mulig årsag	Mulig løsning
Det er ikke koldt nok inde i apparatet.	<ul style="list-style-type: none"> <li>• Temperaturen er stillet for højt.</li> <li>• Der opbevares for varme varer.</li> <li>• Der er blevet lagt for meget mad ind på én gang.</li> <li>• Varerne er for tæt på hinanden.</li> <li>• En låge/skuffe i køleskabet/fryseren er ikke lukket tæt.</li> <li>• Lågen/skuffen har været åbnet for ofte eller for længe.</li> </ul>	<ul style="list-style-type: none"> <li>• Nulstil temperaturen.</li> <li>• Køl altid varer ned, før de opbevares.</li> <li>• Opbevar altid små mængder mad.</li> <li>• Efterlad et mellemrum mellem flere fødevarer, så luften kan cirkulere.</li> <li>• Luk lågen/skuffen.</li> <li>• Åbn ikke lågen/skuffen for ofte.</li> </ul>
Det er for koldt inde i apparatet.	<ul style="list-style-type: none"> <li>• Temperaturen er indstillet for lavt.</li> <li>• Super Freeze-/Super Cool-funktionen er aktiveret eller kører for længe.</li> </ul>	<ul style="list-style-type: none"> <li>• Nulstil temperaturen.</li> <li>• Sluk for Super Freeze-/Super Cool-funktionen.</li> </ul>
Fugtdannelse i køleskabsrummet.	<ul style="list-style-type: none"> <li>• Klimaet er for varmt og fugtigt.</li> <li>• En låge/skuffe i køleskabet/fryseren er ikke lukket tæt.</li> <li>• Lågen/skuffen har været åbnet for ofte eller for længe.</li> <li>• Madbøtter eller flasker står åbne.</li> </ul>	<ul style="list-style-type: none"> <li>• Forhøj temperaturen.</li> <li>• Luk lågen/skuffen.</li> <li>• Åbn ikke lågen/skuffen for ofte.</li> <li>• Lad varm mad køle ned til stuetemperatur, og tildæk madvarer og væsker.</li> </ul>
Der samler sig fugt på køleskabets yderside eller mellem lågen/lågerne og skufferne.	<ul style="list-style-type: none"> <li>• Klimaet er for varmt og fugtigt.</li> <li>• Døren er ikke lukket tæt. Den kolde luft i apparatet og den varme luft udenfor kondenserer.</li> </ul>	<ul style="list-style-type: none"> <li>• Dette er normalt i fugtigt vejr og ændrer sig, når luftfugtigheden falder.</li> <li>• Kontroller, at lågen/skuffen er lukket tæt til.</li> </ul>
Displaylyset virker, men rummet føles ikke køligt.	<ul style="list-style-type: none"> <li>• Det er i demotilstand.</li> </ul>	<ul style="list-style-type: none"> <li>• Læg mærke til, hvilken tilstand apparatet er i. Hvis det er i Demotilstand, skal du afslutte den. Afslut, og åbn køleskabsdøren i låst tilstand. Tryk på den anden knap til højre i 8 sekunder inden for 12 timer efter tænding.</li> </ul>

Problem	Mulig årsag	Mulig løsning
Kraftig is- og rimdannelse i fryserummet.	<ul style="list-style-type: none"> <li>• Madvarerne er ikke tilstrækkeligt indpakket.</li> <li>• En låge/skuffe i køleskabet/ fryseren er ikke lukket tæt.</li> <li>• Lågen/skuffen har været åbnet for ofte eller for længe.</li> <li>• Dør-/skuffepakningen er snavset, slidt, revnet eller forkert.</li> <li>• Noget på indersiden forhindrer lågen/skuffen i at lukke ordentligt.</li> </ul>	<ul style="list-style-type: none"> <li>• Pak altid madvarerne omhyggeligt ind.</li> <li>• Luk lågen/skuffen.</li> <li>• Åbn ikke lågen/skuffen for ofte.</li> <li>• Rengør lågen/skuffepakningen eller udskift dem med nye.</li> <li>• Flyt hyldeerne, dørstativerne eller de indvendige beholdere, så døren/skuffen kan lukke.</li> </ul>
Siderne af skabet og dørlisten bliver varme.	<ul style="list-style-type: none"> <li>• -</li> </ul>	<ul style="list-style-type: none"> <li>• Dette er normalt.</li> </ul>
Apparatet afgiver unormale lyde.	<ul style="list-style-type: none"> <li>• Apparatet er ikke placeret på et plant underlag.</li> <li>• Apparatet rører ved en genstand i nærheden.</li> </ul>	<ul style="list-style-type: none"> <li>• Juster fødderne for at nivellere apparatet.</li> <li>• Fjern genstande omkring apparatet.</li> </ul>
Der høres en let lyd svarende til strømmende vand.	<ul style="list-style-type: none"> <li>• -</li> </ul>	<ul style="list-style-type: none"> <li>• Dette er normalt.</li> </ul>
Du vil høre et alarmbip.	<ul style="list-style-type: none"> <li>• Køleskabslågen står åben.</li> </ul>	<ul style="list-style-type: none"> <li>• Luk døren.</li> </ul>
Du vil høre en svag brummen.	<ul style="list-style-type: none"> <li>• Anti-kondenssystemet virker</li> </ul>	<ul style="list-style-type: none"> <li>• Dette forhindrer kondens og er normalt</li> </ul>
Den indvendige belysning eller køleanlægget virker ikke.	<ul style="list-style-type: none"> <li>• Lysnetledningen er ikke sat i stikkontakten.</li> <li>• El-installationen er defekt.</li> <li>• LED-lampen virker ikke.</li> </ul>	<ul style="list-style-type: none"> <li>• Sæt stikket i stikkontakten.</li> <li>• Tjek el-installationen til rummet. Ring til det lokale elselskab!</li> <li>• Tilkald teknisk assistance til udskiftning af lampen.</li> </ul>

Teknisk assistance kan kontaktes på vores websted: <https://corporate.haier-europe.com/en/>

I afsnittet "Websted" vælger du dit produktmærke og dit land. Du føres til lige netop det websted, hvor du finder telefonnummeret og formularen til at kontakte den tekniske assistance.

## Strømafbrydelse

I tilfælde af strømafbrydelse vil maden forblive forsvarligt kold i ca. 5 timer. Følg disse tips ved længere tids strømafbrydelse, især om sommeren:

- ▶ Åbn lågen/skufferne så få gange som muligt.
- ▶ Læg ikke flere madvarer i apparatet under strømafbrydelsen.
- ▶ Hvis der på forhånd er givet besked om en strømafbrydelse, og afbrydelsens varighed er længere end 5 timer, skal du lave noget is og lægge det i en beholder i toppen af køleskabet.
- ▶ Et eftersyn af varerne er påkrævet umiddelbart efter strømafbrydelsen.
- ▶ Da temperaturen i køleskabet vil stige under en strømafbrydelse eller anden fejl, vil opbevaringsperioden og madens spisekvalitet blive forringet. Al mad, der optøs, skal enten spises eller tilberedes og fryses ned igen (hvor det er muligt) for at forhindre skader på helbredet.

## Hukommelsesfunktion under strømafbrydelse

Når strømmen er tilbage, fortsætter apparatet med de indstillinger, der blev indstillet før strømafbrydelsen.

## Udpakning



### ADVARSEL!

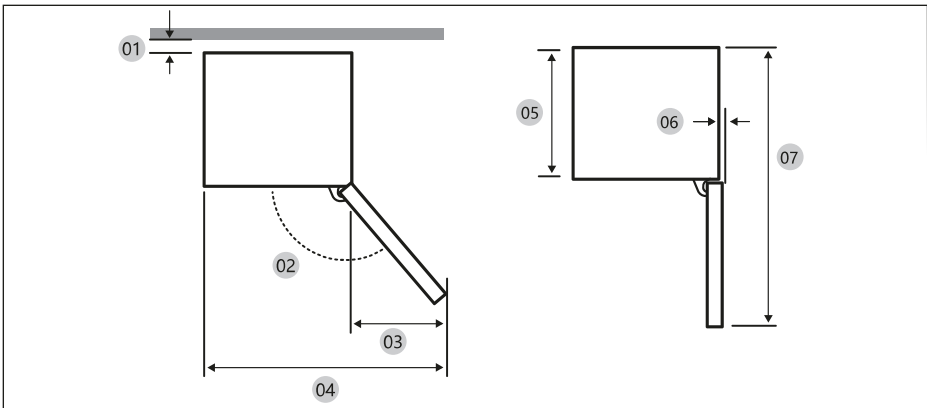
- ▶ Køleskabet/fryseren er tungt. Vær altid to personer om at håndtere det.
- ▶ Hold alle emballagematerialer uden for børns rækkevidde og bortskaf dem miljøvenligt.
- ▶ **Tag apparatet ud af emballagen.**
- ▶ **Fjern alt emballagemateriale.**

## Miljøforhold

Stuetemperaturen bør altid være mellem 10°C og 43°C, da det kan påvirke **temperaturen inde i apparatet og dets energiforbrug. Installer ikke apparatet i nærheden af andre varmeafgivende apparater (ovne, køleskabe) uden isolering.**

## Pladskrav

Nødvendig plads, når døren åbnes (uden skabsdørpanel)

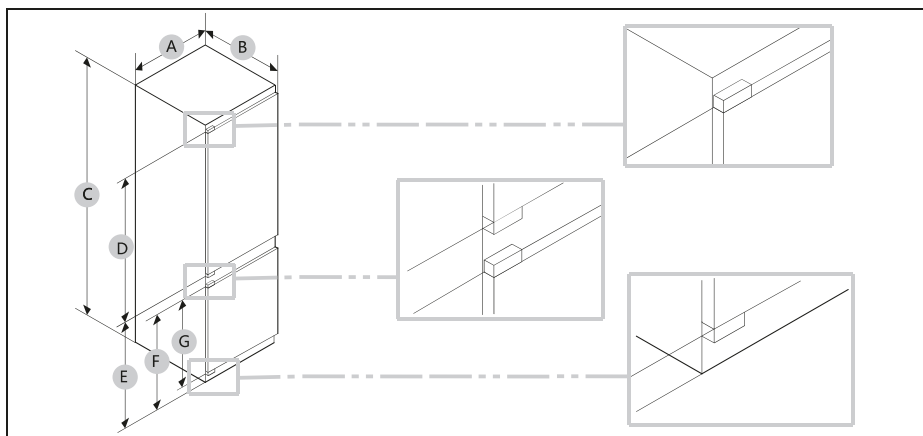


Model	EHBQW5518E HBQW5518E HBQW5518EK HQE1855BCMW EHQE1855BCMW	HBQW5519E HBQW5519EK EHBQW5519E EHBQW5519ECM	HBQW5719E
01 *	10 (minimum)/30 (anbefalet)	10 (minimum)/30 (anbefalet)	10 (minimum)/30 (anbefalet)
02	95° (Anbefalet)	95° (Anbefalet)	95° (Anbefalet)
03	43	43	55
04	583	583	745
05	515	515	515
06	-3	-3	-3
07	1060	1060	1210

\* 01: Fra skabet til bagsiden af produktet.

(enhed: mm)

## Produktmål



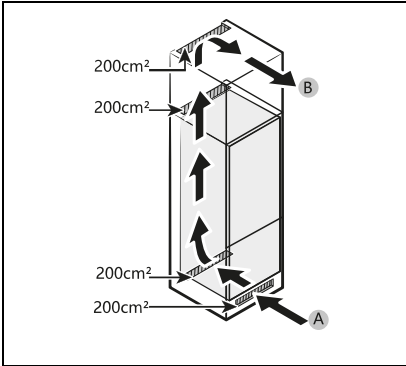
Model	A(mm)	B(mm)	C(mm)	D(mm)	E(mm)	F(mm)	G(mm)
EHBQW5518E HBQW5518E HBQW5518EK HQE1855BCMW EHQE1855BCMW	540±2	550±2	1772±2	970	745	662	618
HBQW5519E HBQW5519EK EHBQW5519E EHBQW5519ECM	540±2	550±2	1935±2	1133	745	662	618
HBQW5719E	690±2	550±2	1935±2	1133	745	662	618

**i BEMÆRK**

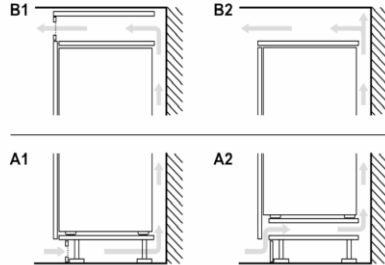
- Det angivne energiforbrug er baseret på, at der er 10 mm afstand fra skabet til bagsiden af produktet. Produktet vil fungere korrekt selv med et mellemrum, der er mindre end 10 mm, men det bruger lidt mere strøm.
- Vi anbefaler at bruge et skab, der har 18 mm plader, med hængsler, der er mindre end 20 mm tykke.
- Målene i ovenstående tabel kan variere afhængigt af målemetoden.
- Ved indbygning se installationsvejledningen.

### Ventilationstværsnit

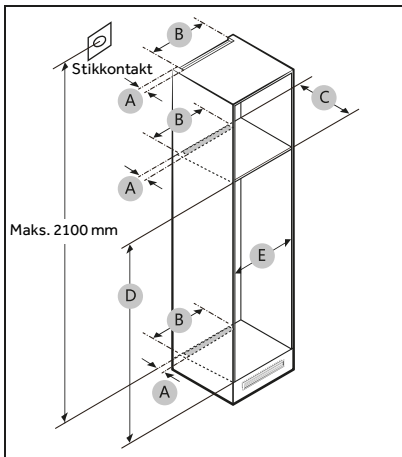
Af sikkerhedsmæssige årsager og for at opnå tilstrækkelig ventilation af apparatet skal målene på de nødvendige ventilationstværsnit overholdes.



**A:** Luftindtag  $\geq 200 \text{ cm}^2$ ; Ventilationsmuligheder  
**B:** Luftudtag  $\geq 200 \text{ cm}^2$ ; Ventilationsmuligheder



### Skabsmål



### FORSIGTIG!

Enhver form for produktdefekt, der skyldes nedenstående, er ikke dækket af garantien.

1. Fejlagtige forhold på stedet eller forkerte størrelser skabe.
2. Defekt skab.
3. Fejl fra installatøren eller brugerens side.

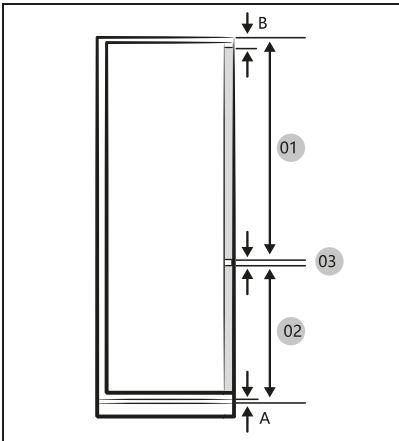
## Frirum

Se billederne og tabellerne nedenfor for oplysninger om pladskrav ved installation.

Model		A (mm)	B (mm)	C (mm)	D (mm)	E (mm)	Bemærkning
EHBQW5518E HBQW5518E HBQW5518EK HQE1855BCMW EHQE1855BCMW	Min.	50	400	560	1778	560	Hængsel: 17 mm
	Anbefales			580	1780	562	
	Maks.			-	1782	568	
HBQW5519E HBQW5519EK EHBQW5519E EHBQW5519ECM	Min.	50	400	560	1940	560	Hængsel: 17 mm
	Anbefales			580	1943	562	
	Maks.			-	1945	568	
HBQW5719E	Min.	50	400	560	1941	710	Hængsel: 17 mm
	Anbefales			580	1943	714	
	Maks.			-	1945	718	

**i BEMÆRK**

- Hvis bredden på et skab er mere end 568 mm, kan gummipakningen (mellem køleskabet og skabet) blive løs.
- Hvis skabet er højere end det maksimale mål (1782 mm), skal du bruge andre materialer til at udfylde hullet. (Til EHBQW5518E/HBQW5518E/EK/EHQE/HQE1855BCMW)
- Hvis skabet er højere end det maksimale mål (1945 mm), skal du bruge andre materialer til at udfylde hullet. (Til HBQW5519E/EK/EHBQW5519E/ECM)



**i BEMÆRK**

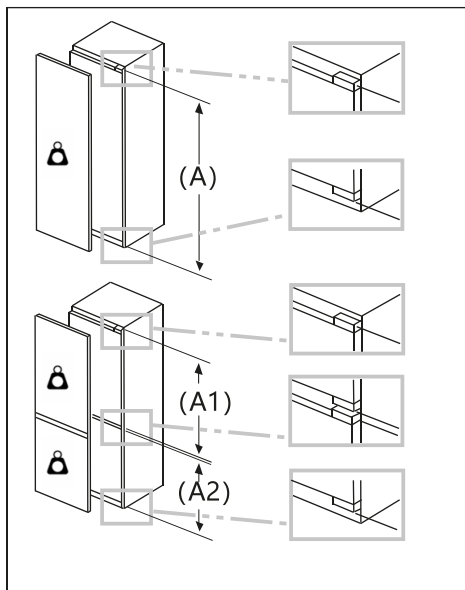
Hvis du skal installere et skab, hvor der kræves 4 mm frirum (03), skal du se referencetabellen for skabe nedenfor.

- A Nederste kant af frontpanelet over luftventilationen
- B Frontpanelets udhæng

(enhed: mm)

Model	EHBQW5518E HBQW5518E HBQW5518EK HQE1855BCMW EHQE1855BCMW	HBQW5519E HBQW5519EK EHBQW5519E EHBQW5519ECM HBQW5719E
01	Min. 1028+B Maks. 1106+B	Min. 1191+B Maks. 1269+B
02	Min. 662+A Maks. 740+A	Min. 662+A Maks. 740+A
03	4 mm (frirum til køle- og fryseskabsdørpanel)	

## Maksimalt tilladt vægt for enhedsfronterne

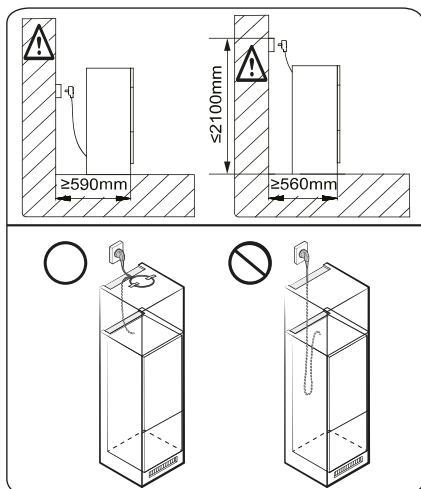


Hvis der monteres enhedsfronter, der overstiger den tilladte vægt, kan de medføre skader og resultere i forringet funktion af hængslerne.

 Vægt  
(kg)

1500-1750 mm	22
720-1400 mm	19
A1	15
A2	15

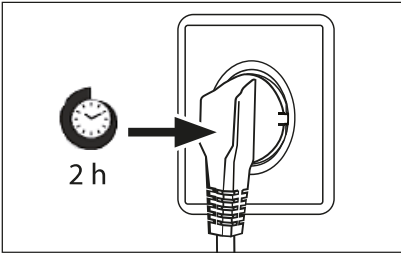
## Tag hensyn til stikkontaktens placering og den nødvendige plads



### BEMÆRK

Hvis du installerer køleskabet i et skab med en dybde på 560 mm, skal du sørge for, at netledningen er placeret på den ene side af køleskabet, før du slutter den til en stikkontakt. Hvis netledningen er placeret bag på køleskabet, kan det mindske energieffektiviteten.

## Ventetid



Til vedligeholdelsesfri smøring er der smøreolie i det lukkede kompressorhus. Denne olie kan trænge gennem det lukkede rørsystem under skrå transport. Før du tilslutter apparatet til strømforsyningen, skal du vente mindst 2 timer, så olien løber tilbage i huset.

## Elektrisk tilslutning

Før hver tilslutning skal du kontrollere, om:

- ▶ strømforsyning, stik og sikringer passer til mærkepladen.
- ▶ stikkontakten er jordet og ikke en forgrener eller forlænger.
- ▶ strømstik og stikkontakt er strengt efter reglerne.

Tilslut stikket til en korrekt installeret stikkontakt.



## ADVARSEL!

For at undgå risici skal en beskadiget strømledning udskiftes af kundeservice (se garantibevis).

Produktblad i henhold til EU Regulativ nr. 2019/2016

Mærke	Haier		
Modelnavn/identifikator	EHBQW5518E HBQW55 18E HBQW5518EK HQE1855B CMW EHQE1855BCMW	HBQW5519E HBQW55 19EK EHBQW5 519E EHBQW5519ECM	HBQW5719E
Modelkategori	Køle- fryseskab		
Energiklasse	E	E	E
Årligt energiforbrug (kWh/år) (1)	229	229	259
Samlet volumen (L)	268	285	382
Volumen køleskab (L)	194	211	281
Volumen fryser (L)	74	74	101
Volumen af kølesektion (liter)	/	/	/
Volumen af automatisk ismaskine (liter)	/	/	/
Stjernebedømmelse Temperatur i andre rum >14°C	Ikke relevant		
Frostfrit system	Ja	Ja	Ja
Frysekapacitet (kg/24 timer)			
Klimavurdering (2)	SN/N/ST/T	SN/N/ST/T	SN/N/ST/T
Støjemissionsklasse og luftbårne akustiske støjemissioner (db(A)re1pW)	B(35)	B(35)	B(33)
Temperaturstigningstid (t)	12	12	9
Ismaskinekapacitet	/	/	/
Apparattype	Indbygget	Indbygget	Indbygget

Modelnavn	Energiklasse
EHBQW5518E HBQW5518E HBQW5518EK HQE1855BCMW EHQE1855BCMW	E
HBQW5519E HBQW5519EK EHBQW5519E EHBQW5519ECM HBQW5719E	E

Forklaringer:

- Ja, funktionen er med

(1) Baseret på resultaterne af standardernes overensstemmelsestest over 24 timer. Det faktiske forbrug afhænger af apparatets brug og placering.

(2) Klimanormering SN: Dette apparat er beregnet til brug i en omgivelsestemperatur på mellem +10°C og +32°C

Klimanormering N: Dette apparat er beregnet til brug i en omgivelsestemperatur på mellem +16°C og +32°C

Klimanormering ST: Dette apparat er beregnet til brug i en omgivelsestemperatur på mellem +16°C og +38°C

Klimanormering T: Dette apparat er beregnet til brug i en omgivelsestemperatur på mellem +16°C og +43°C

#### Yderligere tekniske data

Spænding / Frekvens	220-240 V~/50 Hz
Indgangsstrøm (A)	1.2/1.6
Hovedsikring (A)	16
Kølevæske	R600a
Mål (H/B/D i mm)	EHBQW5518E/HBQW5518E/EK EHQE/HQE1855BCMW: 1773/540/555
	HBQW5519E/EK/ EHBQW5519E/ECM: 1935/540/555
	EHBQW5719E : 1935/690/550

Vi anbefaler vores Haier kundeservice og brug af originale reservedele.  
Hvis du har et problem med dit apparat, skal du først tjekke afsnittet FEJLFINDING.

Hvis du ikke kan finde en løsning der, så kontakt

- ▶ din lokale forhandler eller
- ▶ vores europæiske Call Service-Center (se anførte telefonnumre nedenfor) eller
- ▶ Service & Support-området på [www.haier.com](http://www.haier.com), hvor du kan aktivere servicekrav, og find også ofte stillede spørgsmål.

For at kontakte vores serviceafdeling skal du sikre dig, at du har følgende data til rådighed.

Oplysningerne kan findes på mærkepladen.

Model \_\_\_\_\_  
Serienr. \_\_\_\_\_

Tjek også det garantikort, der fulgte med produktet i tilfælde af garantikrav.

European Call Service-Center		
Land*	Telefonnummer	Priser
Haier Italy (IT)	199 100912	
Haier Spain (ES)	902 509 123	
Haier Germany (DE)	0180 5 39 39 99	<ul style="list-style-type: none"> <li>• 14 Ct/min fastnet</li> <li>• maks. 42 Ct/min Mobil</li> </ul>
Haier Austria (AT)	0820 001205	<ul style="list-style-type: none"> <li>• 14,53 Ct/min fastnet</li> <li>• max 20 Ct/min alle andre</li> </ul>
Haier United Kingdom (UK)	0333 003 8122	
Haier France (FR)	0980 406 409	

\*For andre lande henvises til [www.haier.com](http://www.haier.com)

---

Haier Europe Trading S.r.l  
Filial UK  
Westgate House, Westgate, Ealing  
London, W5 1YY

\*Garantiperiode for køleapparatet:

Minimumsgarantien er: 2 år for EU-lande, 3 år for Tyrkiet, 1 år for Storbritannien, 1 år for Rusland, 3 år for Sverige, 2 år for Serbien, 5 år for Norge, 1 år for Marokko, 6 måneder for Algeriet, Tunesien kræver ingen juridisk garanti.

\*Perioden for reservedele til reparation af apparatet:

Termostater, temperaturfølere, printkort og lyskilder lagerføres i mindst syv år efter, at sidste enhed af modellen er bragt på markedet.

Dørhåndtag, dørhængsler, bakker og kurve i mindst syv år og tætningslister til låger i mindst 10 år efter, at sidste enhed af modellen er bragt på markedet.

\*Du finder flere oplysninger om produktet på <https://eprel.ec.europa.eu/> eller ved at scanne QR-koden på det energimærke, der leveres med apparatet.



**Haier**



2024 version A

# Haier

## Benutzerhandbuch

Kühl-Gefrierkombination

EHBQW5518E

HBQW5518E

HBQW5518EK

HQE1855BCM

EHQE1855BCM

HBQW5519E

HBQW5519EK

EHBQW5519E

EHBQW5519EC

HBCN7190U1

DE

<u>4</u>	<u>Sicherheitsinformationen</u>	
		<u>Vor der ersten Inbetriebnahme</u> 5
		<u>Installation</u> 5
		<u>Täglicher Gebrauch</u> 6
		<u>Informationen zum Kältemittelgas</u> 8
<u>9</u>	<u>Bestimmungsgemäße Verwendung</u>	
<u>10</u>	<u>Produktbeschreibung</u>	
<u>12</u>	<u>Bedienfeld</u>	
<u>13</u>	<u>Verwendung</u>	<u>Bedienfeld sperren/entsperren</u> 13
		<u>Einstellen der Temperatur für den Kühlschrank</u> 13
		<u>Einstellen der Temperatur für den Gefrierschrank</u> 14
		<u>Wi-Fi-Funktion</u> 15
		<u>Holiday-Funktion</u> 15
		<u>Super Cool-Funktion</u> 16
		<u>Super Freeze-Funktion</u> 16
<u>18</u>	<u>Ausstattung</u>	
<u>20</u>	<u>Energiespartipps</u>	
<u>21</u>	<u>Pflege und Reinigung</u>	
<u>23</u>	<u>Fehlerbehebung</u>	
<u>27</u>	<u>Installation</u>	
<u>34</u>	<u>Technische Daten</u>	
<u>36</u>	<u>Kundendienst</u>	

## Vielen Dank für den Kauf eines Haier-Produkts.

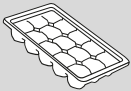
Bitte lesen Sie diese Anweisungen sorgfältig durch, bevor Sie dieses Gerät benutzen. Die Anleitung enthält wichtige Informationen, die Ihnen dabei helfen, das Gerät optimal zu nutzen und eine sichere und ordnungsgemäße Installation, Verwendung und Wartung zu gewährleisten.

Bewahren Sie diese Anleitung an einem geeigneten Ort auf, damit Sie jederzeit für die sichere und ordnungsgemäße Verwendung des Geräts darauf zurückgreifen können.

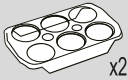
Wenn Sie das Gerät verkaufen, weggeben oder bei einem Umzug zurücklassen, vergewissern Sie sich, dass diese Anleitung auch beigelegt wird, damit sich der neue Besitzer bzw. die neue Besitzerin mit dem Gerät und den Sicherheitshinweisen vertraut machen kann.

## Zubehör

Überprüfen Sie Zubehör und Dokumentation gemäß dieser Liste:



Eiswürfel-  
chale



Eierablage



Energie-  
Kennzeichnung



Garantiekarte



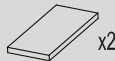
Sicherheitswarnung  
Handbuch



Festschrauben



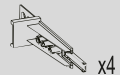
Abdeckung



Schwammblock



Gleitschienen-  
führung



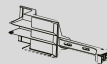
Gleitschienen-  
baugruppe



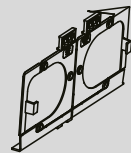
Feste Platte



Scharnierabdeckung



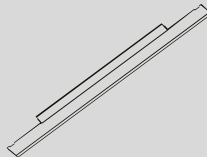
Feste Platte II



Untere feste Platte



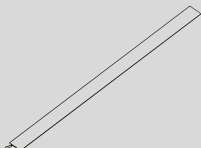
Obere feste Platte



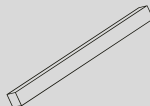
Untere Abdeckung



Untere Seitenabdeckung



Dichtungsstreifen



Dichtungsschwamm



Untere Scharnierabdeckung



## WARNUNG - Wichtige Sicherheitsinformationen

---



## HINWEIS - Allgemeine Informationen und Tipps

---



## Umweltinformationen

---



### Entsorgung

Tragen Sie zum Schutz der Umwelt und der menschlichen Gesundheit bei. Entsorgen Sie die Verpackung zum Recyceln in die entsprechenden Behälter. Unterstützen Sie das Recycling von Elektro- und Elektronik-Altgeräten. Entsorgen Sie Geräte, die mit diesem Symbol gekennzeichnet sind, nicht mit dem Hausmüll. Geben Sie das Produkt an Ihre lokale Recyclinganlage zurück oder wenden Sie sich an Ihre Stadtverwaltung.

---



## WARNUNG!

Verletzungs- oder Erstickungsgefahr!

Kältemittel und Gase müssen fachgerecht entsorgt werden. Stellen Sie sicher, dass der Schlauch des Kühlkreislaufs nicht beschädigt ist, bevor er ordnungsgemäß entsorgt wird. Trennen Sie das Gerät von der Stromversorgung. Trennen Sie das Netzkabel und entsorgen Sie es. Entfernen Sie die Fächer und Schublade sowie die Türöffnung und die Dichtungen, um zu verhindern, dass Kinder und Haustiere im Gerät eingeschlossen werden.

## Lesen Sie vor dem ersten Einschalten des Geräts folgende Sicherheitshinweise:



### WARNUNG!

#### Vor der ersten Inbetriebnahme

- ▶ Vergewissern Sie sich, dass keine Transportschäden vorliegen.
- ▶ Warten Sie vor dem Einschalten des Geräts mindestens zwei Stunden, damit der Kühlkreislauf auch sicher und effektiv arbeitet.
- ▶ Transportieren Sie das Gerät immer mit mindestens zwei Personen, da es schwer ist.
- ▶ Entfernen Sie sämtliches Verpackungsmaterial, bewahren Sie es außerhalb der Reichweite von Kindern auf und entsorgen Sie es umweltfreundlich.
- ▶ Reinigen Sie das Gerät innen und außen mit Wasser und einem milden Reinigungsmittel, bevor Sie Lebensmittel hineinlegen.
- ▶ Warten Sie nach dem Nivellieren und Reinigen mindestens 2-5 Stunden, bevor Sie das Gerät an die Stromversorgung anschließen. Siehe Abschnitt INSTALLATION.
- ▶ Kühlen Sie die Fächer auf hoher Stufe vor, bevor Sie die Lebensmittel einlegen. Die Power Freeze-Funktion sorgt für eine schnelle Abkühlung des Gefrierfachs.
- ▶ Die Kühlschranktemperatur und die Gefrierschranktemperatur werden automatisch auf 5°C bzw. -18° C eingestellt. Dies sind die empfohlenen Einstellungen. Falls gewünscht, können Sie diese Temperatur manuell ändern. Siehe EINSTELLEN DER TEMPERATUR.

#### Installation

- ▶ Das Gerät sollte an einem gut belüfteten Ort aufgestellt werden. Idealerweise müssen mindestens 10 cm rund um das Gerät frei bleiben.
- ▶ Stellen Sie das Gerät niemals in einem feuchten Bereich oder an einem Ort auf, wo es mit Wasser nassgespritzt werden könnte. Reinigen Sie Wasserspritzer und Flecken mit einem weichen, sauberen Tuch.
- ▶ Stellen Sie das Gerät nicht in direktem Sonnenlicht oder in der Nähe von Hitzequellen (z. B. Herden, Heizungen) auf.
- ▶ Installieren und richten Sie das Gerät in einem Bereich ein, der für seine Größe und Verwendung geeignet ist.
- ▶ Halten Sie die Lüftungsschlitze am Gerät oder in der Einbaustruktur frei.
- ▶ Stellen Sie sicher, dass die elektrischen Informationen auf dem Typenschild der Stromversorgung entsprechen. Ist dies nicht der Fall, wenden Sie sich an einen Elektriker.
- ▶ Das Gerät wird über eine 220-240 V Wechselspannung/50 Hz betrieben. Abnormale Spannungsschwankungen könnten dazu führen, dass sich das Gerät nicht einschaltet, der Temperaturregler oder Kompressor beschädigt wird, oder dass während des Betriebs ein abnormales Geräusch auftritt. In einem solchen Fall ist ein automatischer Regler anzubringen.



## WARNUNG!

- ▶ Verwenden Sie keine Mehrfachsteckadapter und Verlängerungskabel.
- ▶ Positionieren Sie keine Mehrfachsteckdosen oder Verlängerungen hinter dem Gerät.
- ▶ Stellen Sie sicher, dass das Netzkabel nicht durch den Kühlschrank eingeklemmt wird. Treten Sie nicht auf das Netzkabel.
- ▶ Verwenden Sie eine separate, geerdete Steckdose für eine leicht zugängliche Stromversorgung. Das Gerät muss geerdet werden.  
Nur für Großbritannien: Das Gerätenetzkabel ist mit einem 3-adrigen Stecker (Erdungsstecker) ausgestattet, der in eine 3-adrige Norm-Buchse (geerdet) passt. Der dritte Stift (Erdung) darf auf keinen Fall gekappt oder entfernt werden. Das Gerät muss so installiert werden, dass der Stecker erreichbar ist.
- ▶ Den Kühlkreislauf nicht beschädigen.

## Täglicher Gebrauch

- ▶ Dieses Gerät kann von Kindern ab 8 Jahren und Personen mit eingeschränkten körperlichen, sensorischen oder geistigen Fähigkeiten oder mangelnder Erfahrung und mangelndem Wissen benutzt werden, wenn diese in die sichere Bedienung des Geräts eingewiesen wurden oder beaufsichtigt werden und die damit verbundenen Gefahren verstanden haben.
- ▶ Kinder im Alter von 3 bis 8 Jahren dürfen Kühlschränke be- und entladen, aber nicht reinigen und installieren.
- ▶ Kinder unter 3 Jahren vom Gerät fernhalten, es sei denn, sie werden ständig beaufsichtigt.
- ▶ Kinder dürfen nicht mit dem Gerät spielen.
- ▶ Wenn Kühlgas oder ein anderes brennbares Gas in der Nähe des Geräts austritt, drehen Sie das Ventil des austretenden Gases ab. Öffnen Sie die Türen und Fenster, und ziehen Sie nicht den Netzstecker des Kühlschranks oder eines anderen Haushaltsgeräts.
- ▶ Beachten Sie, dass das Gerät für den Betrieb bei einer bestimmten Umgebungstemperatur zwischen 10 und 43 °C eingestellt ist. Das Gerät funktioniert möglicherweise nicht ordnungsgemäß, wenn es über einen längeren Zeitraum bei einer Temperatur oberhalb oder unterhalb des angegebenen Bereichs betrieben wird.
- ▶ Stellen Sie keine instabilen Gegenstände (schwere Gegenstände, mit Wasser gefüllte Behälter) auf den Kühlschrank, um Verletzungen durch Herunterfallen oder elektrische Schläge durch Kontakt mit Wasser zu vermeiden.
- ▶ Ziehen Sie nicht an den Türfächern. Die Tür kann schief verzogen werden, das Flaschenregal kann herausgezogen werden, oder das Gerät kann umkippen.
- ▶ Schließen und öffnen Sie die Tür nur mit den Griffen. Der Spalt zwischen den Türen sowie zwischen den Türen und dem Schrank ist sehr schmal. Stecken Sie nicht Ihre Hände in diese Bereiche, um zu vermeiden, dass Sie Ihre Finger eingeklemmt werden. Öffnen oder schließen Sie die Kühlschranktüren nur dann, wenn keine Kinder im Bewegungsbereich der Tür stehen.



## WARNUNG!

- ▶ Verwenden Sie keine brennbaren, explosionsfähigen oder korrosiven Substanzen im Gerät oder in der Nähe.
- ▶ Lagern Sie keine Arzneimittel, Bakterien oder Chemikalien im Gerät. Dieses Gerät ist ein Haushaltsgerät. Es wird davon abgeraten, Materialien zu lagern, die extreme Temperaturen erfordern.
- ▶ Lagern Sie niemals Flüssigkeiten in Flaschen oder Dosen (außer hochprozentige Spirituosen), insbesondere kohlenensäurehaltige Getränke, im Gefrierschrank, da diese beim Einfrieren platzen können.
- ▶ Überprüfen Sie den Zustand der Lebensmittel, wenn die Temperatur im Gefrierschrank angestiegen ist.
- ▶ Stellen Sie keine unnötig niedrigen Temperaturen im Kühlschrank ein. Bei hohen Einstellungen kann es zu Minustemperaturen kommen. Achtung: Flaschen können platzen.
- ▶ Berühren Sie Gefriergut nicht mit nassen Händen (Handschuhe tragen). Verzehren Sie insbesondere Eis am Stiel nicht sofort nach der Entnahme aus dem Gefrierfach. Es besteht die Gefahr des Erfrierens oder der Bildung von Frostblasen an Mund und Zunge. ERSTE HILFE: Sofort unter fließend kaltes Wasser halten. Nicht mit Gewalt abziehen!
- ▶ Berühren Sie nicht die Innenfläche des Gefrierfachs, insbesondere nicht mit nassen Händen, da Ihre Hände an der Oberfläche festfrieren könnten.
- ▶ Ziehen Sie den Gerätestecker aus der Steckdose, falls die Stromversorgung unterbrochen wird oder bevor Sie das Gerät reinigen. Warten Sie vor dem Neustart mindestens 7 Minuten, da durch häufiges Einschalten der Kompressor beschädigt werden kann.
- ▶ Verwenden Sie im Inneren des Haushaltsgeräts keine elektrischen Geräte, es sei denn, sie werden vom Hersteller empfohlen.

## Wartung / Reinigung

- ▶ Kinder müssen beaufsichtigt werden, wenn sie das Gerät reinigen und warten.
- ▶ Trennen Sie das Gerät von der Stromversorgung, bevor Sie eine routinemäßige Wartung durchführen. Warten Sie vor dem Neustart mindestens 5 Minuten, da durch häufiges Einschalten der Kompressor beschädigt werden kann.
- ▶ Fassen Sie beim Herausziehen des Gerätesteckers aus der Steckdose, den Stecker und nicht das Kabel an.
- ▶ Reinigen Sie das Gerät nicht mit harten Bürsten, Drahtbürsten, Reinigungspulver, Benzin, Amylacetat, Aceton und ähnlichen organischen Lösungen, Säure oder Alkalilösungen. Reinigen Sie das Gerät mit einem speziellen Reinigungsmittel für Kühlgeräte, um Beschädigungen zu vermeiden.
- ▶ Kratzen Sie Frost und Eis nicht mit scharfkantigen Gegenständen ab. Verwenden Sie keine Sprays, elektrischen Heizgeräte, Haartrockner zum Abtauen oder Dampfreiniger im Gerät, um Beschädigungen der Kunststoffteile zu vermeiden.



## WARNUNG!

- ▶ Verwenden Sie keine mechanischen oder sonstigen Hilfsmittel, um den Abtauvorgang zu beschleunigen, es sei denn, dies wird vom Hersteller so empfohlen.
- ▶ Wenn das Stromkabel beschädigt ist, muss es vom Hersteller, von seinem Service-Mitarbeiter oder einer gleichwertig qualifizierten Person ausgetauscht werden, um jegliches Risiko zu vermeiden.
- ▶ Versuchen Sie nicht, das Gerät selbst zu reparieren, zu zerlegen oder zu verändern. Bei Reparaturen wenden Sie sich bitte an unseren Kundenservice.
- ▶ Entfernen Sie den Staub auf der Geräterückseite mindestens einmal im Jahr, um Brandgefahr und einen erhöhten Energieverbrauch zu vermeiden.
- ▶ Das Gerät darf während der Reinigung nicht besprüht oder mit Wasser beschüttet werden.
- ▶ Das Gerät darf nicht mit Wasser besprüht oder mit Dampf gereinigt werden.
- ▶ Reinigen Sie die kalten Einlegeböden aus Glas nicht mit heißem Wasser. Plötzliche Temperaturschwankungen können dazu führen, dass das Glas zerspringt.

## Informationen zum Kältemittelgas



### WARNUNG!

Das Gerät enthält das entzündliche Kältemittel ISOBUTAN (R600a). Stellen Sie sicher, dass der Kühlkreislauf während des Transports oder der Installation nicht beschädigt wird. Auslaufendes Kältemittel kann Augenverletzungen verursachen oder sich entzünden. Falls Schäden aufgetreten sind, halten Sie sich von offenen Brandquellen fern, lüften Sie den Raum gründlich, stecken Sie die Netzkabel des Geräts oder eines anderen Geräts nicht ein oder aus. Informieren Sie den Kundenservice.

Falls die Augen mit dem Kältemittel in Kontakt kommen, spülen Sie sofort unter fließendem Wasser aus und verständigen Sie den Augenarzt.

## Bestimmungsgemäße Verwendung

Dieses Gerät ist zum Kühlen und Gefrieren von Lebensmitteln bestimmt. Es ist ausschließlich für den Einsatz in Haushalten und ähnlichen Bereichen konzipiert, wie z. B. in Personalküchen in Geschäften, Büros und anderen Arbeitsumgebungen, auf Bauernhöfen und in Hotels, Motels und anderen wohnähnlichen Umgebungen sowie in Bed-and-Breakfasts und für Catering-Zwecke. Das Gerät ist nicht für die kommerzielle oder industrielle Nutzung bestimmt.

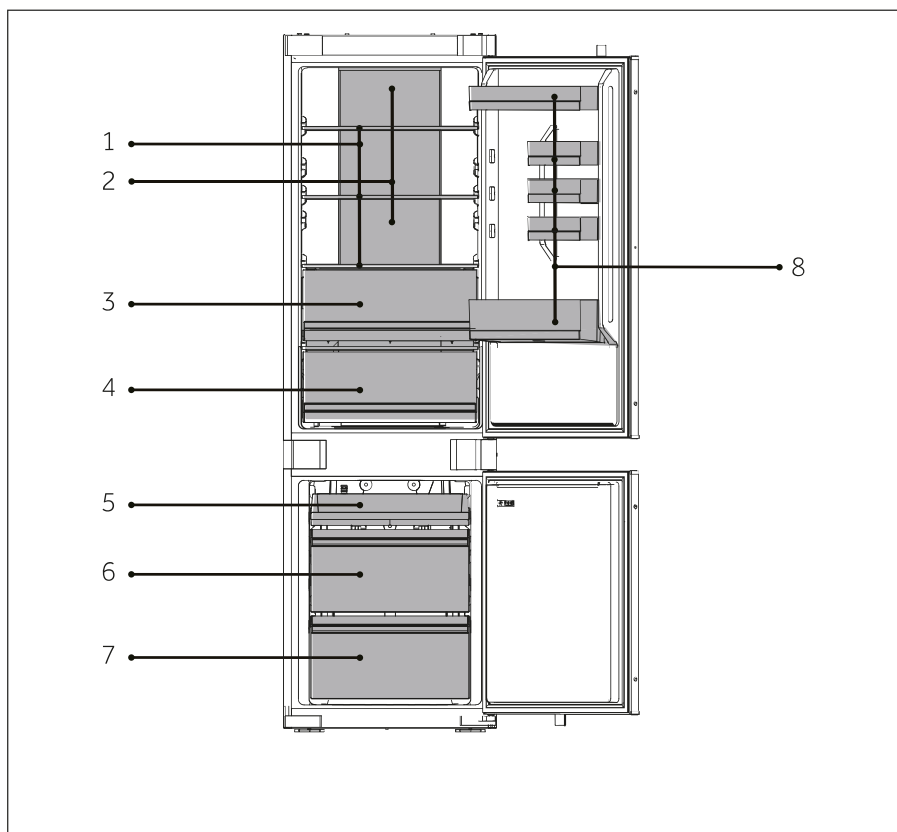
Änderungen oder Anpassungen am Gerät sind nicht erlaubt. Eine unsachgemäße Verwendung kann zu Gefahren und zum Verlust von Garantieansprüchen führen.

## Normen und Richtlinien oder

Dieses Produkt erfüllt die Anforderungen aller geltenden EG-Richtlinien mit den entsprechenden harmonisierten Normen und Standards Großbritanniens, die eine CE- oder UKCA-Kennzeichnung vorsehen.

## **i** HINWEIS

Aufgrund von technischen Änderungen und unterschiedlichen Modellen können einige der Abbildungen in dieser Anleitung von Ihrem Modell abweichen.



EHBQW5518E/HBQW5518E/ HBQW5518EK/ HQE1855BCMW/ EHQE1855BCMW

### A: Kühlkammer

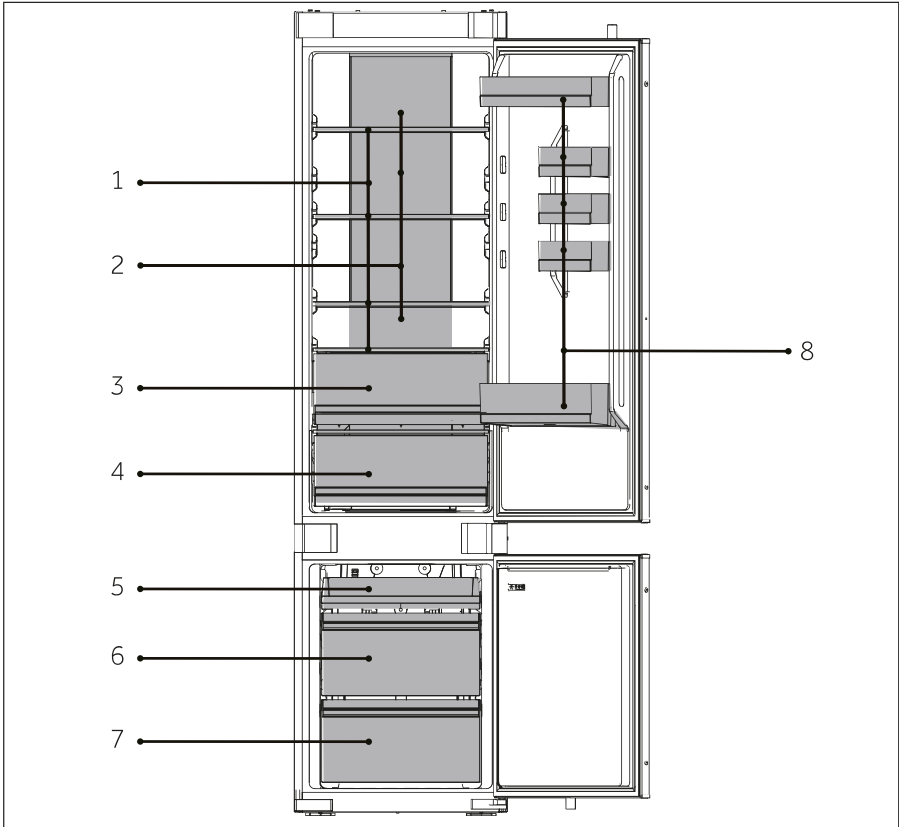
- 1 Normale Einlegeböden
- 2 Kanal für gekühlte Luft
- 3 Humidity Zone-Schublade
- 4 Schublade für die Fresh Box
- 8 Flaschenhalter

### B: Gefrierschrank

- 5 Oberes Gefrierfach
- 6 Mittlere Gefrierschublade
- 7 Untere Gefrierschublade

## HINWEIS

Aufgrund von technischen Änderungen und unterschiedlichen Modellen können einige der Abbildungen in dieser Anleitung von Ihrem Modell abweichen.



HBQW5519E/ HBQW5519EK/ EHBQW5519E/ EHBQW5519ECM/ HBQW5719E

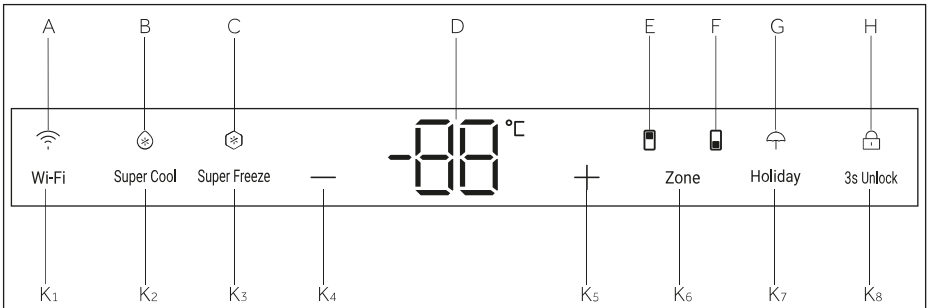
A: Kühlkammer

- 1 Normale Einlegeböden
- 2 Kanal für gekühlte Luft
- 3 Humidity Zone-Schublade
- 4 Schublade für die Fresh Box
- 8 Flaschenhalter

B: Gefrierschrank

- 5 Oberes Gefrierfach
- 6 Mittlere Gefrierschublade
- 7 Untere Gefrierschublade

## Bedienfeld



### Anzeigen:

- A Wi-Fi-Funktion
- B Super Cool-Funktion
- C Super Freeze-Funktion
- D Temperaturanzeige
- E Kühlschranksanzeige
- F Gefrierschranksanzeige
- G Holiday-Funktion
- H Sperren und Entsperren

### Tasten:

- K<sub>1</sub> Taste für WLAN-Einstellungen
- K<sub>2</sub> Taste Super Cool auswählen
- K<sub>3</sub> Taste Super Freeze auswählen
- K<sub>4</sub> Taste Temperatureinstellung „-“
- K<sub>5</sub> Taste Temperatureinstellung „+“
- K<sub>6</sub> Taste zur Zonenauswahl
- K<sub>7</sub> Taste Holiday-Funktion
- K<sub>8</sub> Taste zum Sperren und Entsperren

## Sensortasten

Die Tasten auf dem Bedienfeld sind Sensortasten, die schon bei leichter Berührung mit dem Finger ansprechen.

## Gerät ein-/ausschalten

Das Gerät ist sofort in Betrieb, wenn es an die Stromversorgung angeschlossen wird. Wenn der Kühlschrank zum ersten Mal eingeschaltet wird, leuchtet die Anzeige „d“ (Temperaturanzeige) auf. Die Kühlschranktemperatur und die Gefrierschranks-temperatur werden automatisch auf 5°C bzw. -18°C eingestellt.



## HINWEIS

Wenn das Gerät, nachdem es von der Hauptstromversorgung getrennt wurde, eingeschaltet wird, kann es bis zu 12 Stunden dauern, bis die richtigen Temperaturen erreicht sind.

Räumen Sie das Gerät vor dem Ausschalten aus. Schalten Sie das Gerät aus, indem Sie den Netzstecker aus der Steckdose ziehen.

### Bedienfeld sperren/entsperren

**Automatische Sperre:** Wenn die Kühlschrantür und die Gefrierschrantür geschlossen sind und innerhalb von 30 Sekunden keine Tastenbetätigung erfolgt, wird der Bildschirm automatisch gelöscht und gesperrt.

**Manuelle Sperre:** Wenn der Bildschirm entsperrt ist, drücken Sie die Taste „K<sub>8</sub>“ (3S Unlock) und halten Sie sie 3 Sekunden lang gedrückt; der Summer ertönt einmal, die Anzeige „H“ (Bedienfeldsperre) leuchtet auf und das Display ist gesperrt.

**Entsperren:** Wenn der Bildschirm gesperrt ist, drücken Sie die Taste „K<sub>8</sub>“ (3S Unlock) und halten Sie sie 3 Sekunden lang gedrückt; der Summer ertönt einmal, die Anzeige „H“ (Bedienfeldsperre) erlischt und der Bildschirm wird entsperrt.

### Temperatur einstellen

Die Temperaturen im Inneren werden durch folgende Faktoren beeinflusst:

Umgebungstemperatur, Häufigkeit der Türöffnung, Menge der gelagerten Lebensmittel, Installation des Geräts.

### Einstellen der Temperatur für den Kühlschrank

Wenn der Bildschirm entsperrt ist, drücken Sie die Taste „K<sub>6</sub>“ (Zonenauswahl). Der Summer ertönt einmal, die Anzeige „E“ (Kühlschranksanzeige) leuchtet, und dann wird der Temperatureinstellungsmodus des Kühlschranks aktiviert.

Drücken Sie die Taste „K<sub>4</sub>“ (Temperatureinstellungstaste „-“); der Summer ertönt einmal, die eingestellte Temperatur des Kühlschranks wird um 1 reduziert. Die Temperatur des Kühlschranks wird in der Reihenfolge „9°C -> 8°C -> 7°C -> 6°C -> 5°C -> 4°C -> 3°C -> 2°C -> 1°C“ angezeigt.

Drücken Sie die Taste „K<sub>5</sub>“ (Temperatureinstellungstaste „+“); der Summer ertönt einmal, die eingestellte Temperatur des Kühlschranks wird um 1 erhöht. Die Temperatur des Kühlschranks wird in der Reihenfolge „1°C -> 2°C -> 3°C -> 4°C -> 5°C -> 6°C -> 7°C -> 8°C -> 9°C“ angezeigt.



## HINWEIS

Wenn nach dem Einstellen der Temperatur innerhalb von 5 Sekunden kein Betätigungsvorgang erfolgt, ermittelt und speichert das System automatisch die eingestellte Temperatur.

## Einstellen der Temperatur für den Gefrierschrank

Wenn der Bildschirm entsperrt ist, drücken Sie die Taste „K<sub>6</sub>“ (Zonenauswahl). Der Summer ertönt einmal, die Anzeige „F“ (Gefrierschrankanzeige) leuchtet, und dann wird der Temperatureinstellungsmodus des Gefrierschranks aktiviert.

Drücken Sie die Taste „K<sub>4</sub>“ (Temperatureinstellungstaste „-“); der Summer ertönt einmal, die eingestellte Temperatur des Gefrierschranks wird um 1 reduziert. Die Temperatur des Gefrierschranks wird in der Reihenfolge „-14°C -> -15°C -> -16°C -> -17°C -> -18°C -> -19°C -> -20°C -> -21°C -> -22°C -> -23°C -> -24°C“ angezeigt.

Drücken Sie die Taste „K<sub>5</sub>“ (Temperatureinstellungstaste „+“); der Summer ertönt einmal, die eingestellte Temperatur des Gefrierschranks wird um 1 erhöht. Die Temperatur des Gefrierschranks wird in der Reihenfolge „-24°C -> -23°C -> -22°C -> -21°C -> -20°C -> -19°C -> -18°C -> -17°C -> -16°C -> -15°C -> -14°C“ angezeigt.



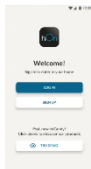
### HINWEIS

Wenn nach dem Einstellen der Temperatur innerhalb von 5 Sekunden kein Betätigungsvorgang erfolgt, ermittelt und speichert das System automatisch die eingestellte Temperatur.

**Schritt 1** Laden Sie die hOn-App aus den Stores herunter.



**Schritt 2** Erstellen Sie Ihr Konto in der hOn-App oder melden Sie sich an, wenn Sie bereits ein Konto haben.



**Schritt 3** Folgen Sie den Kopplungsanweisungen in der hOn-App.



## Wi-Fi-Funktion

1. Folgen Sie den Anweisungen in der App, um die Wi-Fi-Funktion zu konfigurieren.
2. Sobald das WLAN konfiguriert und die Verbindung hergestellt ist, leuchtet das Wi-Fi-Symbol „A“ permanent.
3. Wenn die Wi-Fi-Funktion bereits konfiguriert wurde, wird die Verbindung automatisch entsprechend der Konfigurationsinformationen wiederhergestellt, sobald die Wi-Fi-Funktion aktiviert wird.
4. Um das Wi-Fi auszuschalten, drücken Sie die Wi-Fi-Taste „K<sub>1</sub>“ und das Wi-Fi-Symbol „A“ wird ausgeschaltet.
5. Um die Wi-Fi-Funktion einzuschalten und die Konfiguration zu starten, drücken Sie die Wi-Fi-Taste „K<sub>1</sub>“ und das Wi-Fi-Symbol „A“ beginnt langsam zu blinken. Wenn Sie die Wi-Fi-Funktion konfigurieren möchten, drücken Sie 3 Sekunden lang die Taste „K<sub>1</sub>“. Das Wi-Fi-Symbol blinkt schnell und der Konfigurationsmodus wird aktiviert. Wenn Sie die Wi-Fi-Funktion ausschalten möchten, drücken Sie einmal die Taste „K<sub>1</sub>“. Die oben genannten Schritte werden wiederholt.
6. Wenn das Gerät konfiguriert und die Wi-Fi-Funktion ausgeschaltet wurde, geht der Kühlschrank nicht in den Konfigurationsmodus über, nachdem er wieder an die Stromversorgung angeschlossen wird.

## Holiday-Funktion

1. Wenn der Bildschirm entsperrt ist, drücken Sie die Taste „K<sub>7</sub>“ (Taste Holiday-Funktion), der Summer ertönt einmal, die Anzeige „G“ (Holiday-Funktion) leuchtet auf und die Holiday-Funktion wird eingeschaltet.
2. Wenn der Bildschirm entsperrt ist, drücken Sie die Taste „K<sub>7</sub>“ (Taste Holiday-Funktion), der Summer ertönt einmal, die Anzeige „G“ (Holiday-Funktion) erlischt und die Holiday-Funktion wird ausgeschaltet.

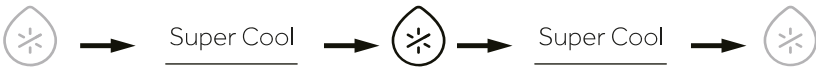


## HINWEIS

1. Die Holiday-Funktion wird hauptsächlich für kurzfristige Reisen und andere Lebenssituationen verwendet. Der Kühlraum muss bei Verwendung der Holiday-Funktion geleert werden.
2. In der Holiday-Funktion ist die Temperatur im Kühlraum höher (ca. 17°C). Bitte achten Sie darauf, die Lebensmittel aus dem Kühlraum zu entfernen, damit sie nicht verderben.

## Super Cool-Funktion

1. Wenn der Bildschirm entsperrt ist, drücken Sie die Taste „K<sub>2</sub>“ (Super Cool-Auswahl), der Summer ertönt einmal, die Anzeige „B“ (Super Cool-Funktion) leuchtet auf und die Super Cool-Funktion wird eingeschaltet.
2. Wenn die Anzeige „B“ (Super Cool-Funktion) aufleuchtet, drücken Sie die Taste „K<sub>2</sub>“ (Super Cool-Auswahl), der Summer ertönt einmal, die Anzeige „O“ (Super Cool-Funktion) erlischt und die Super Cool-Funktion wird ausgeschaltet.
3. Nach dem Einschalten der Super Cool-Funktion schaltet der Kühlschrank die Funktion automatisch aus, wenn die gewählte Temperatur erreicht ist. Wenn Sie die Funktion manuell verlassen möchten, können Sie die Taste „K<sub>2</sub>“ (Super Cool-Auswahl) drücken, um sie auszuschalten.



## HINWEIS

1. Im Super Cool-Status kann die Kühlschranktemperatur nicht eingestellt werden. Wenn entweder die Taste „K<sub>4</sub>“ (Temperatureinstellungstaste „-“) oder die Taste „K<sub>5</sub>“ (Temperatureinstellungstaste „+“) gedrückt wird, um die Temperatur des Kühlschranks einzustellen, blinkt die Anzeige „B“ (Super Cool-Anzeige) und es ertönt ein Signalton, der darauf hinweist, dass dieser Vorgang nicht durchgeführt werden kann.
2. Im Status der Super Cool-Funktion kann die Auto-Set-Funktion aufgrund der unterschiedlichen Steuerungsmodi nicht gleichzeitig eingeschaltet werden. Wenn Sie eine Funktion wählen, die mit einer anderen Funktion in Konflikt steht, wird die ursprüngliche Funktion automatisch beendet.
3. Diese Funktion wird nach 6 Stunden automatisch deaktiviert.

## Super Freeze-Funktion

1. Wenn der Bildschirm entsperrt ist, drücken Sie die Taste „K<sub>3</sub>“ (Super Freeze-Auswahl), der Summer ertönt einmal, die Anzeige „C“ (Super Freeze-Funktion) leuchtet auf, und die Super Freeze-Funktion wird eingeschaltet.
2. Wenn die Anzeige „C“ (Super Freeze-Funktion) aufleuchtet, drücken Sie die Taste „K<sub>3</sub>“ (Super Freeze-Auswahl), der Summer ertönt einmal, die Anzeige „C“ (Super Freeze-Funktion) erlischt, und die Super Freeze-Funktion wird ausgeschaltet.
3. Nach dem Einschalten der Super Freeze-Funktion schaltet der Kühlschrank die Funktion automatisch ab, wenn die ausgewählte Temperatur erreicht ist. Wenn Sie die Funktion manuell verlassen möchten, können Sie die Taste „K<sub>3</sub>“ (Super Freeze-Auswahl) drücken, um sie auszuschalten.





## HINWEIS

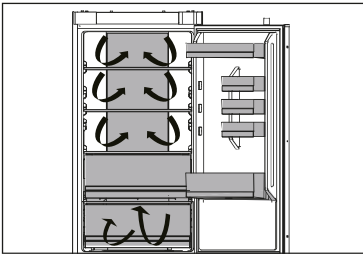
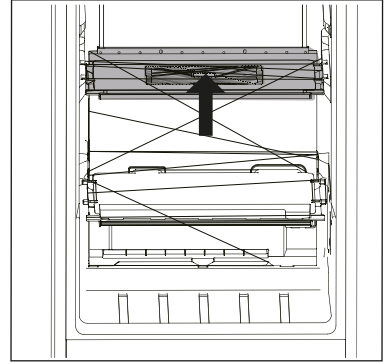
1. Im Super Freeze-Status kann die Gefriertemperatur nicht eingestellt werden. Wenn entweder die Taste „K<sub>4</sub>“ (Temperatureinstellungstaste „-“) oder die Taste „K<sub>5</sub>“ (Temperatureinstellungstaste „+“) gedrückt wird, um die Temperatur des Gefrierschranks einzustellen, blinkt die Anzeige „C“ (Super Freeze-Anzeige) und es ertönt ein Signalton, der darauf hinweist, dass dieser Vorgang nicht durchgeführt werden kann.
2. Die Super Freeze-Funktion ist so konzipiert, dass der Nährwert der gefrorenen Lebensmittel erhalten bleibt und die Lebensmittel in kürzester Zeit eingefroren werden. Wenn große Mengen an Tiefkühlkost auf einmal eingefroren werden sollen. In der Zwischenzeit sollte die Super Freeze-Funktion 24 Stunden im Voraus eingestellt werden, damit der Gefrierschrank eine relativ niedrige Temperatur hat und die Lebensmittel eingelegt werden können. In diesem Fall wird die Gefriergeschwindigkeit des Gefrierschranks beschleunigt, die Lebensmittel können schnell eingefroren werden, der Nährwert von Lebensmitteln bleibt erhalten, und die Lagerung wird optimiert.
3. Die Super Freeze-Funktion schaltet sich nach 50 Stunden automatisch ab. Das Gerät wird dann mit der zuvor eingestellten Temperatur betrieben.

## Humidity Zone-Schublade

In diesem Fach ist der Feuchtigkeitsgehalt höher als im Kühlfach. Er wird automatisch durch das System gesteuert und eignet sich zur Lagerung von Obst, Gemüse, Salaten usw.

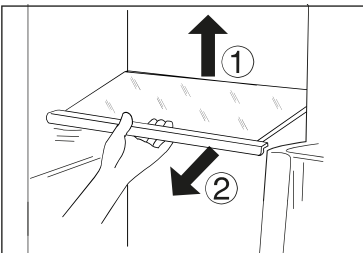
### **i** HINWEIS

1. Entfernen Sie nicht die Kunststoffabdeckung in der Zone.
2. Sie halten die Feuchtigkeit aufrecht.
3. Kälteempfindliche Früchte wie Ananas, Avocado, Bananen und Grapefruits sollten nicht in diesem Fach gelagert werden.



### Mehrfach-Luftstrom

1. Der Kühlschrank ist mit einem Mehrfach-Luftstrom-System ausgestattet, bei dem auf jeder Einlegebodenebene kühle Luftströme zirkulieren. Dadurch wird eine gleichmäßige Temperatur aufrechterhalten, um sicherzustellen, dass Ihre Lebensmittel länger frisch bleiben.



### Verstellbare Einlegeböden

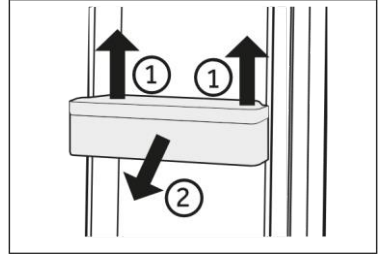
1. Die Höhe der Einlegeböden kann an Ihren Lagerbedarf angepasst werden.
2. Um einen Einlegeboden zu versetzen, heben Sie ihn an der Hinterkante an ① und ziehen Sie ihn heraus ②.
3. Um ihn wieder einzubauen, setzen Sie ihn auf die Träger an beiden Seiten und schieben sie ihn ganz nach hinten, bis die Rückseite des Einlegebodens in den Schlitzen an den Seiten steckt.

### **i** HINWEIS

Prüfen Sie, ob alle Seiten des Einlegebodens waagrecht sind.

### Abnehmbare Türfächer/Flaschenhalter

1. Die Türablagen können zur Reinigung herausgenommen werden:
2. Halten Sie dazu die Ablage mit beiden Händen fest, heben Sie sie nach oben ① und ziehen Sie sie heraus ②.
3. Um die Ablage wieder einzusetzen, werden die oben genannten Schritte in umgekehrter Reihenfolge durchgeführt.



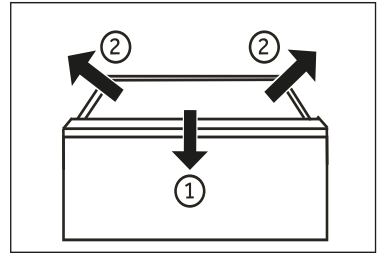
### HINWEIS

Wenn das Gerät eingeschaltet wird, kann es bis zu 12 Stunden dauern, bis die richtigen Temperaturen erreicht sind.

### Herausnehmbare Schublade

Um die Schublade herauszunehmen, diese bis zum Anschlag herausziehen ①, anheben und herausnehmen ②.

Um die Schublade wieder einzusetzen, werden die oben genannten Schritte in umgekehrter Reihenfolge durchgeführt.



### Beleuchtung

Die LED-Innenbeleuchtung leuchtet, wenn die Tür geöffnet wird. Die Leistung der LEDs wird durch keine der anderen Geräteeinstellungen beeinflusst.



## Energiespartipps

- ▶ Stellen Sie sicher, dass das Gerät ordnungsgemäß belüftet ist (siehe INSTALLATION).
- ▶ Stellen Sie das Gerät nicht in direktem Sonnenlicht oder in der Nähe von Hitzequellen (z. B. Herden, Heizungen) auf.
- ▶ Vermeiden Sie unnötig niedrige Temperaturen im Gerät. Je niedriger die im Gerät eingestellte Temperatur ist, desto höher ist der Energieverbrauch.
- ▶ Funktionen wie die Super Freeze-Funktion verbrauchen mehr Energie.
- ▶ Lassen Sie warme Mahlzeiten erst abkühlen, bevor Sie diese in den Kühlschrank stellen.
- ▶ Öffnen Sie die Gerätetür so wenig und so kurz wie möglich.
- ▶ Achten Sie darauf, das Gerät nicht zu überladen, um den Luftstrom nicht zu behindern.
- ▶ Vermeiden Sie Luft innerhalb der Lebensmittelverpackung.
- ▶ Halten Sie die Türdichtungen sauber, damit die Tür immer richtig schließt.
- ▶ Tauen Sie gefrorene Lebensmittel im Vorratsfach des Kühlschranks auf.
- ▶ Die energiesparendste Konfiguration erfordert, dass das Gerät Schubladen, Lebensmittelboxen und Einlegeböden in fabriksauberem Zustand enthält, und die Lebensmittel sollten so weit wie möglich von den Auslässen des Luftkanals eingeräumt werden und diesen nicht blockieren.



## WARNUNG!

Trennen Sie das Gerät vor der Reinigung von der Stromversorgung.

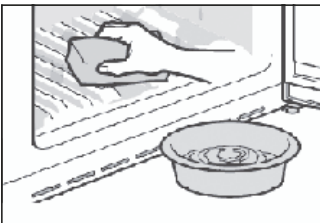
### Reinigung

Reinigen Sie das Gerät, wenn nur wenig oder keine Lebensmittel gelagert werden. Das Gerät sollte alle vier Wochen gereinigt werden, um eine gute Wartung zu gewährleisten und um schlechte Gerüche von gelagerten Lebensmitteln zu vermeiden.



## WARNUNG!

- ▶ Reinigen Sie das Gerät nicht mit harten Bürsten, Drahtbürsten, Reinigungspulver, Benzin, Amylacetat, Aceton und ähnlichen organischen Lösungen, Säure oder Alkalilösungen. Reinigen Sie das Gerät mit einem speziellen Reinigungsmittel für Kühlgeräte, um Beschädigungen zu vermeiden.
- ▶ Das Gerät darf während der Reinigung nicht besprüht oder mit Wasser beschüttet werden.
- ▶ Das Gerät darf nicht mit Wasser besprüht oder mit Dampf gereinigt werden.
- ▶ Reinigen Sie die kalten Einlegeböden aus Glas nicht mit heißem Wasser. Plötzliche Temperaturschwankungen können dazu führen, dass das Glas zerspringt.
- ▶ Berühren Sie nicht die Innenfläche des Gefrierschranks, insbesondere nicht mit nassen Händen, da Ihre Hände an der Oberfläche festfrieren könnten.
- ▶ Überprüfen Sie bei einem eventuellen Temperaturanstieg den Zustand des Gefrierzugs.



- ▶ Halten Sie die Türdichtung immer sauber.
- ▶ Reinigen Sie das Innere und das Gehäuse des Geräts mit einem Schwamm, der mit warmem Wasser und einem neutralen Reinigungsmittel angefeuchtet wurde.

- ▶ 1. Säubern Sie den Kühlschrank innen und außen, einschließlich Türdichtungen, Türablage, Einlegeböden aus Glas, Schubladen usw., gründlich mit einem weichen Geschirrtuch oder einem Schwamm, der in warmes Wasser eingetaucht wurde (eventuell mit etwas neutralem Reinigungsmittel im Wasser).
- ▶ 2. Wenn Flüssigkeit verschüttet wurde, nehmen Sie alle verschmutzten Teile heraus, spülen Sie sie unter fließendem Wasser ab, trocknen Sie sie ab und setzen Sie sie wieder in den Kühlschrank ein.
- ▶ 3. Bei verschütteten Milchprodukten (z. B. Sahne, schmelzendes Eis) entfernen Sie die verunreinigten Teile, legen Sie sie für eine Weile in ca. 40 °C warmes Wasser, spülen Sie sie dann unter fließendem Wasser ab, trocknen Sie sie ab und setzen Sie sie wieder in den Kühlschrank ein.
- ▶ 4. Falls ein kleines Teil oder Krümel im Inneren des Kühlschranks (zwischen die Ablagen oder Schubladen) festsitzen, lösen Sie die Verunreinigung mit einer

weichen Zahnbürste. Wenn Sie die Verunreinigung nicht entfernen konnten, wenden Sie sich bitte an den Haier-Kundendienst.

- ▶ Wischen Sie den Kühlschrank mit einem feuchten Tuch gründlich aus und trocknen Sie ihn mit einem weichen Tuch ab.
- ▶ Reinigen Sie Geräteteile nicht in einer Geschirrspülmaschine.
- ▶ Warten Sie vor dem Neustart des Geräts mindestens 5 Minuten, da ein häufiger Neustart den Kompressor beschädigen kann.

### Abtauen

Das Abtauen des Kühl- und Gefrierschranks erfolgt automatisch, es ist keine manuelle Tätigkeit erforderlich.

### Austausch der LED-Leuchten



## WARNUNG!

Wechseln Sie die LED nicht selbst. Sie darf nur vom Hersteller oder von einem autorisierten Service-Mitarbeiter ausgetauscht werden.

Die Leuchte nutzt als Lichtquelle eine LED mit geringem Energieverbrauch und langer Lebensdauer. Bei Anomalien wenden Sie sich bitte an den Kundenservice. Siehe KUNDENSERVICE.

Parameter der Leuchte:

Kühlfach des Kühlschranks: 12V max. 2W

Tiefkühlfach: 12 V; max 2 W

### Nichtverwendung für einen längeren Zeitraum

Wenn Sie das Gerät über einen längeren Zeitraum nicht benutzen UND die Holiday-Funktion nicht benutzen wollen:

Nehmen Sie die Lebensmittel heraus.

Ziehen Sie das Netzkabel ab.

Reinigen Sie das Gerät wie oben beschrieben.

Lassen Sie die Türen auf, um die Bildung von schlechten Gerüchen zu verhindern.



## HINWEIS

Schalten Sie das Gerät nur aus, wenn es unbedingt nötig ist.

### Verstellen des Geräts

1. Nehmen Sie alle Lebensmittel heraus und ziehen Sie den Gerätestecker aus der Steckdose.
2. Fixieren Sie die Einlegeböden und andere bewegliche Teile im Kühlschrank und im Gefrierschrank mit Klebeband.
3. Den Kühlschrank um maximal 45° kippen, um eine Beschädigung des Kühlsystems zu vermeiden.



## WARNUNG!

- ▶ Heben Sie das Gerät nicht an seinen Griffen an.
- ▶ Stellen Sie das Gerät niemals waagrecht auf den Boden.

Viele auftretende Probleme können von Ihnen selbst ohne spezifische Fachkenntnisse gelöst werden. Bei Problemen prüfen Sie bitte alle angezeigten Möglichkeiten und befolgen Sie die nachstehenden Anweisungen, bevor Sie einen Kundendienst kontaktieren. Siehe KUNDENSERVICE.



## WARNUNG!

- ▶ Schalten Sie das Gerät vor der Wartung aus und ziehen Sie den Netzstecker aus der Steckdose.
- ▶ Elektrische Geräte sollten nur von qualifizierten Fachelektrikern repariert werden, da unsachgemäße Reparaturen erhebliche Folgeschäden verursachen können.
- ▶ Eine beschädigte Lieferung sollte nur vom Hersteller, von seinem Service-Mitarbeiter oder einer gleichwertig qualifizierten Person ausgetauscht werden, um jegliches Risiko zu vermeiden.

Problem	Mögliche Ursache	Mögliche Behebung
Der Kompressor funktioniert nicht.	<ul style="list-style-type: none"> <li>• Der Netzstecker ist nicht an die Steckdose angeschlossen.</li> <li>• Das Gerät befindet sich im Abtauvorgang.</li> </ul>	<ul style="list-style-type: none"> <li>• Den Netzstecker anschließen.</li> <li>• Dies ist normal für eine automatische Abtaung.</li> </ul>
Das Gerät läuft häufig oder zu lange.	<ul style="list-style-type: none"> <li>• Die Innen- oder Außentemperatur ist zu hoch.</li> <li>• Das Gerät wurde über einen längeren Zeitraum ausgeschaltet.</li> <li>• Eine Gerätetür wurde nicht richtig geschlossen.</li> <li>• Die Tür wurde zu häufig oder zu lange geöffnet.</li> <li>• Die Temperatur für den Gefrierschrank ist zu niedrig.</li> <li>• Die Türdichtungen sind verschmutzt, verschlissen, gerissen oder verrutscht.</li> <li>• Die erforderliche Luftzirkulation ist nicht gewährleistet.</li> </ul>	<ul style="list-style-type: none"> <li>• In diesem Fall ist es normal, dass das Gerät länger läuft.</li> <li>• Normalerweise dauert es 8 bis 12 Stunden, bis das Gerät vollständig abgekühlt ist.</li> <li>• Die Tür/Schublade schließen und sicherstellen, dass das Gerät auf einem ebenem Untergrund steht und dass keine Lebensmittel oder Behälter gegen die Tür stoßen.</li> <li>• Die Tür/Schublade nicht zu häufig öffnen.</li> <li>• Die Temperatur höher einstellen, bis eine zufriedenstellende Kühlschranktemperatur erreicht ist. Es dauert 24 Stunden, bis sich die Kühlschranktemperatur stabilisiert hat.</li> <li>• Die Tür-/Schubladendichtungen reinigen oder vom Kundendienst ersetzen lassen.</li> <li>• Für eine ausreichende Belüftung sorgen.</li> </ul>

Problem	Mögliche Ursache	Mögliche Behebung
Das Innere des Kühlschranks ist schmutzig und/oder übelriechend.	<ul style="list-style-type: none"> <li>• Das Innere des Kühlschranks muss gereinigt werden.</li> <li>• Lebensmittel mit starkem Geruch werden im Kühlschrank gelagert.</li> </ul>	<ul style="list-style-type: none"> <li>• Das Innere des Kühlschranks reinigen.</li> <li>• Packen Sie diese Lebensmittel sorgfältig ein.</li> </ul>
Das Innere des Geräts ist nicht kalt genug.	<ul style="list-style-type: none"> <li>• Die Temperatur ist zu hoch eingestellt.</li> <li>• Es wurden zu warme Lebensmittel eingelagert.</li> <li>• Es wurden zu viele Lebensmittel auf einmal hineingelegt.</li> <li>• Die Lebensmittel liegen zu dicht beieinander.</li> <li>• Eine Tür/Schublade wurde nicht richtig geschlossen.</li> <li>• Die Tür/Schublade wurde zu häufig oder zu lange geöffnet.</li> </ul>	<ul style="list-style-type: none"> <li>• Die Temperatur zurücksetzen.</li> <li>• Die Lebensmittel immer erst abkühlen lassen, bevor Sie sie hineinlegen.</li> <li>• Nur kleinere Mengen an Lebensmitteln hineinlegen.</li> <li>• Zwischen mehreren Lebensmitteln einen Abstand lassen, damit die Luft zirkulieren kann.</li> <li>• Die Tür/Schublade schließen.</li> <li>• Die Tür/Schublade nicht zu häufig öffnen.</li> </ul>
Das Innere des Geräts ist zu kalt.	<ul style="list-style-type: none"> <li>• Die Temperatur ist zu niedrig eingestellt.</li> <li>• Die Super Freeze-/Super Cool-Funktion ist aktiviert oder läuft zu lange.</li> </ul>	<ul style="list-style-type: none"> <li>• Die Temperatur zurücksetzen.</li> <li>• Die Super Freeze-/Super Cool-Funktion ausschalten.</li> </ul>
Feuchtigkeitsbildung im Innern des Kühlfachs.	<ul style="list-style-type: none"> <li>• Das Klima ist zu warm und zu feucht.</li> <li>• Eine Tür/Schublade wurde nicht richtig geschlossen.</li> <li>• Die Tür/Schublade wurde zu häufig oder zu lange geöffnet.</li> <li>• Lebensmittelbehälter oder Flüssigkeiten werden offen gelassen.</li> </ul>	<ul style="list-style-type: none"> <li>• Die Temperatur erhöhen.</li> <li>• Die Tür/Schublade schließen.</li> <li>• Die Tür/Schublade nicht zu häufig öffnen.</li> <li>• Heiße Speisen auf Raumtemperatur abkühlen lassen und Speisen und Flüssigkeiten abdecken.</li> </ul>
Feuchtigkeit sammelt sich außen am Kühlschrank oder zwischen der Tür oder den Türen und der Schublade.	<ul style="list-style-type: none"> <li>• Das Klima ist zu warm und zu feucht.</li> <li>• Die Tür ist nicht richtig geschlossen. Die kalte Luft im Gerät und die warme Außenluft kondensieren.</li> </ul>	<ul style="list-style-type: none"> <li>• Das ist bei feuchtem Klima normal und ändert sich, wenn die Feuchtigkeit abnimmt.</li> <li>• Prüfen Sie, ob die Tür/Schublade fest geschlossen ist.</li> </ul>

Problem	Mögliche Ursache	Mögliche Behebung
Die Display-Leuchten funktionieren, aber es ist keine Kühlung zu spüren.	<ul style="list-style-type: none"> <li>• Der Demo-Modus ist aktiviert.</li> </ul>	<ul style="list-style-type: none"> <li>• Den Status überprüfen. Wenn der Demo-Modus aktiviert ist, den Modus beenden. Beenden Öffnen Sie die Kühlschranktür im verriegelten Zustand und drücken Sie innerhalb von 12 Stunden nach dem Einschalten 8 Sekunden lang die zweite Taste auf der rechten Seite.</li> </ul>
Starke Eisbildung und Frost im Gefrierfach.	<ul style="list-style-type: none"> <li>• Die Lebensmittel sind nicht angemessen verpackt.</li> <li>• Eine Tür/Schublade wurde nicht richtig geschlossen.</li> <li>• Die Tür/Schublade wurde zu häufig oder zu lange geöffnet.</li> <li>• Die Tür-/Schubladendichtungen sind verschmutzt, verschlissen, gerissen oder verrutscht.</li> <li>• Etwas im Inneren verhindert, dass die Tür/Schublade richtig schließt.</li> </ul>	<ul style="list-style-type: none"> <li>• Die Lebensmittel immer gut verpacken.</li> <li>• Die Tür/Schublade schließen.</li> <li>• Die Tür/Schublade nicht zu häufig öffnen.</li> <li>• Die Tür-/Schubladendichtungen reinigen oder austauschen.</li> <li>• Die Einlegeböden, Türfächer oder Behälter so versetzen, dass die Tür/Schublade richtig schließt.</li> </ul>
Die Seitenwände des Schanks und die Türleiste werden warm.	<ul style="list-style-type: none"> <li>• -</li> </ul>	<ul style="list-style-type: none"> <li>• Das ist normal.</li> </ul>
Das Gerät macht ungewöhnliche Geräusche.	<ul style="list-style-type: none"> <li>• Das Gerät befindet sich nicht auf einem ebenen Untergrund.</li> <li>• Das Gerät berührt einige Gegenstände um es herum.</li> </ul>	<ul style="list-style-type: none"> <li>• Die Füße entsprechend einstellen, um das Gerät zu nivellieren.</li> <li>• Die Gegenstände um das Gerät herum entfernen.</li> </ul>
Es ist ein leichtes Geräusch zu hören, ähnlich wie dem von fließendem Wasser.	<ul style="list-style-type: none"> <li>• -</li> </ul>	<ul style="list-style-type: none"> <li>• Das ist normal.</li> </ul>
Sie hören einen Signalton.	<ul style="list-style-type: none"> <li>• Die Kühlschranktür ist offen.</li> </ul>	<ul style="list-style-type: none"> <li>• Die Tür schließen.</li> </ul>
Sie hören ein schwaches Brummen.	<ul style="list-style-type: none"> <li>• Das Antikondensations-system arbeitet.</li> </ul>	<ul style="list-style-type: none"> <li>• Dies verhindert Kondensation und ist normal.</li> </ul>

Problem	Mögliche Ursache	Mögliche Behebung
Die Innenbeleuchtung oder das Kühlsystem funktioniert nicht.	<ul style="list-style-type: none"> <li>• Der Netzstecker ist nicht an die Steckdose angeschlossen.</li> <li>• Die Stromversorgung ist nicht intakt.</li> <li>• Die LED-Leuchte ist defekt.</li> </ul>	<ul style="list-style-type: none"> <li>• Den Netzstecker anschließen.</li> <li>• Die Stromversorgung des Raums überprüfen. Den örtlichen Stromversorger anrufen!</li> <li>• Für den Austausch der Leuchte rufen Sie bitte den Kundendienst an.</li> </ul>

Um den technischen Kundendienst zu kontaktieren, besuchen Sie unsere Website: <https://corporate.haier-europe.com/en/>

Wählen Sie im Abschnitt „Website“ die Marke Ihres Produkts und Ihr Land aus. Sie werden auf die entsprechende Website weitergeleitet, auf der Sie die Telefonnummer und das Formular zur Kontaktaufnahme mit dem technischen Kundendienst finden.

## Stromunterbrechung

Bei Stromausfall sollten die gelagerten Lebensmittel noch 5 Stunden lang frisch gekühlt bleiben. Beachten Sie diese Tipps bei einer längeren Stromunterbrechung, insbesondere im Sommer:

- ▶ Öffnen Sie die Tür/Schublade so selten wie möglich.
- ▶ Legen Sie während eines Stromausfalls keine weiteren Lebensmittel in das Gerät.
- ▶ Wenn der Stromausfall vorher angekündigt wurde und die Unterbrechungsdauer länger als 5 Stunden ist, frieren Sie im Voraus ein paar Eiswürfel oder Kühlakkus ein, und legen Sie diese beim Stromausfall oben in das Kühlfach.
- ▶ Prüfen Sie nach dem Stromausfall sofort, ob die Lebensmittel verdorben sind.
- ▶ Da die Temperatur im Kühlschrank während einer Stromunterbrechung oder eines anderen Fehlers ansteigt, werden die Haltbarkeit und die Qualität der Lebensmittel reduziert. Aufgetaute Lebensmittel sollten entweder verzehrt oder gekocht und (sofern geeignet) gleich danach wieder eingefroren werden, um Gesundheitsrisiken zu vermeiden.

## Speicherfunktion bei Stromunterbrechung

Nach Wiederherstellung der Stromversorgung fährt das Gerät mit den Einstellungen fort, die vor dem Stromausfall eingestellt waren.

Auspacken



**WARNUNG!**

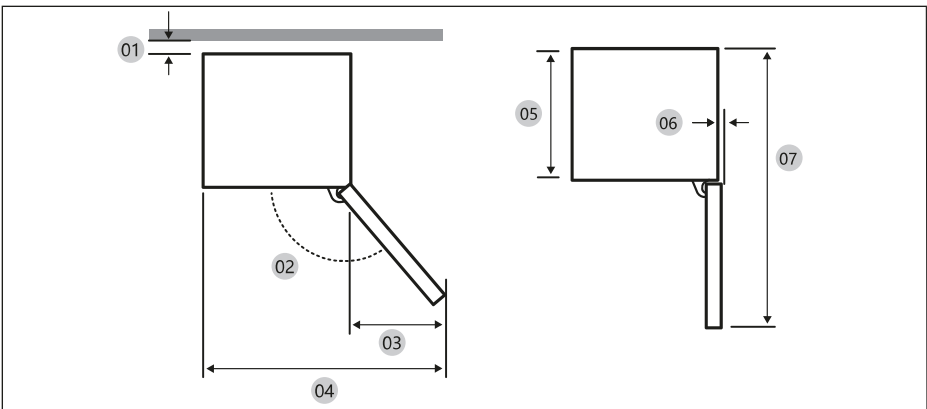
- ▶ Das Gerät ist schwer. Transportieren oder bewegen Sie es immer mit mindestens **zwei Personen**.
- ▶ Bewahren Sie sämtliche Verpackungsmaterialien außerhalb der Reichweite **von Kindern auf und entsorgen Sie sie umweltfreundlich**.
- ▶ Nehmen Sie das Gerät aus der Verpackung.
- ▶ **Entfernen Sie alle Verpackungsmaterialien.**

Umgebungsbedingungen

Die Raumtemperatur sollte immer zwischen 10 °C und 43 °C liegen, da sie die Temperatur im Inneren des Geräts und dessen Energieverbrauch beeinflussen kann. Installieren Sie das Gerät nicht in der Nähe anderer wärmeemittierender Geräte (Ofen, Kühlschränke).

Platzbedarf

Platzbedarf bei geöffneter Tür (ohne Schranktürblatt)

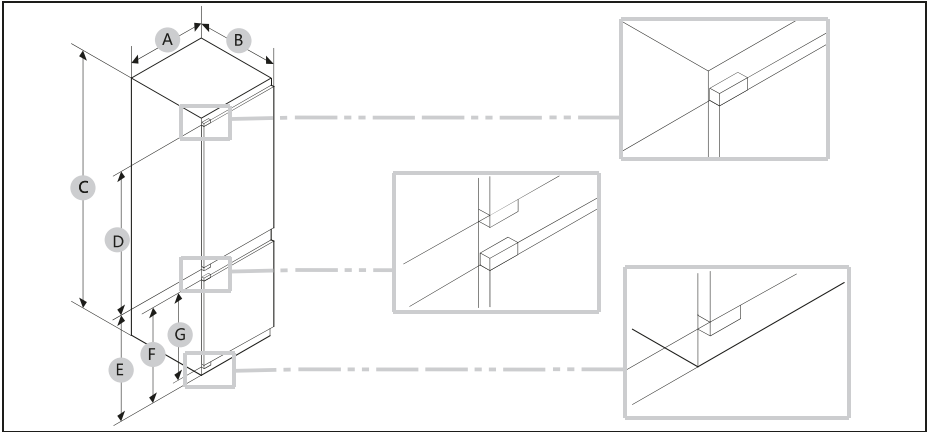


Modell	EHBQW5518E HBQW5518E HBQW5518EK HQE1855BCM HQE1855BCM EHQBQ5519E EHQBQ5519E	HBQW5519E HBQW5519EK EHBQW5519E EHBQW5519ECM	HBQW5719E
01 *	10 (min.) / 30 (empfohlen)	10 (min.) / 30 (empfohlen)	10 (min.) / 30 (empfohlen)
02	95° (empfohlen)	95° (empfohlen)	95° (empfohlen)
03	43	43	55
04	583	583	745
05	515	515	515
06	-3	-3	-3
07	1060	1060	1210

\* 01: Vom Schrank zur Rückseite des Produkts.

(Einheit: mm)

## Produktabmessungen



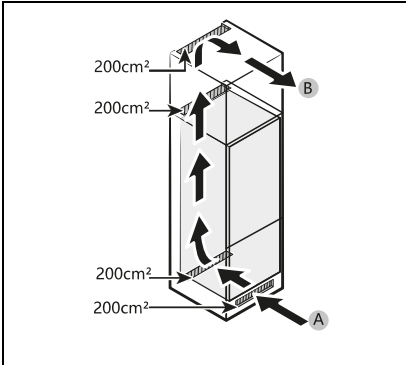
Model	A(mm)	B(mm)	C(mm)	D(mm)	E(mm)	F(mm)	G(mm)
EHBQW5518E HBQW5518E HBQW5518EK HQE1855BCM EHQE1855BCM	540±2	550±2	1772±2	970	745	662	618
HBQW5519E HBQW5519EK EHBQW5519E EHBQW5519ECM	540±2	550±2	1935±2	1133	745	662	618
HBQW5719E	690±2	550±2	1935±2	1133	745	662	618

## **i** HINWEIS

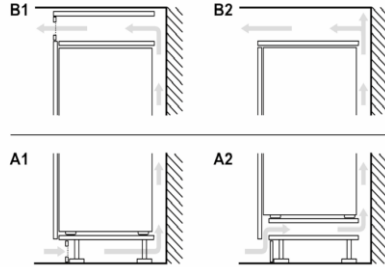
- Der angegebene Energieverbrauch basiert auf der Annahme eines 10-mm-Abstands zwischen Schrank und Rückseite des Produkts. Das Produkt funktioniert auch bei einem Abstand von weniger als 10 mm einwandfrei, verbraucht jedoch etwas mehr Energie.
- Wir empfehlen die Verwendung eines Schranks mit einer Stärke von 18 mm und Scharnieren mit einer Stärke von weniger als 20 mm.
- Die Messwerte in der obigen Tabelle können je nach Messmethode abweichen.
- **Informationen zum Einbau finden Sie in der Installationsanleitung.**

### Platzbedarf für eine ausreichende Belüftung

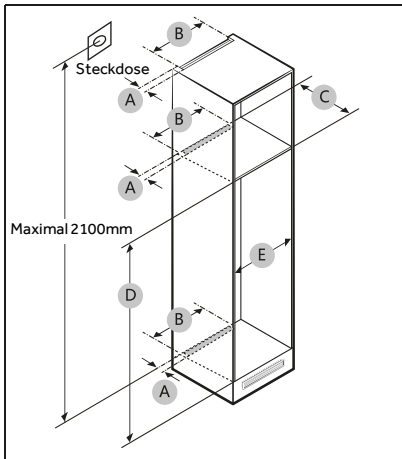
Damit eine ausreichende Belüftung des Geräts gewährleistet wird, dürfen die Hinweise zum ausreichenden Platzbedarf aus Sicherheitsgründen nicht missachtet werden.



A: Lufteinlass  $\geq 200\text{cm}^2$ ; Belüftungsmöglichkeiten  
 B: Luftauslass  $\geq 200\text{cm}^2$ ; Belüftungsmöglichkeiten



### Abmessungen des Schrank



### VORSICHT!

Jeder Produktfehler, der auf die folgenden Ursachen zurückzuführen ist, wird von der Garantie nicht abgedeckt.

1. Ungünstige Standortbedingungen oder falsche Schrankgrößen.
2. Defekter Schrank.
3. Fehler durch den Installateur oder den Benutzer.

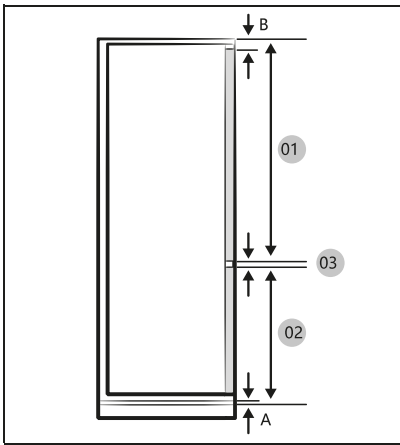
## Platz

Der Platzbedarf für die Installation ist in den nachstehenden Abbildungen und Tabellen angegeben.

Modell		A (mm)	B (mm)	C (mm)	D (mm)	E (mm)	Anmerkung
EHBQW5518E HBQW5518E HBQW5518EK HQE1855BCMW EHQE1855BCMW	Min.	50	400	560	1778	560	Scharnier: 17mm
	Empfohlen			580	1780	562	
	Max.			-	1782	568	
HBQW5519E HBQW5519EK EHBQW5519E EHBQW5519ECM	Min.	50	400	560	1940	560	Scharnier: 17mm
	Empfohlen			580	1943	562	
	Max.			-	1945	568	
HBQW5719E	Min.	50	400	560	1941	710	Scharnier: 17mm
	Empfohlen			580	1943	714	
	Max.			-	1945	718	

**i HINWEIS**

- Wenn die Breite eines Schrankes größer als 568 mm ist, kann sich die Dichtung (zwischen Kühlschrank und Schrank) lösen.
- Wenn der Schrank höher ist als die maximale Abmessung (1782 mm), müssen Sie andere Materialien verwenden, um die Lücke zu schließen. (Für EHBQW5518E/ HBQW5518E/ EK/ EHQE/ HQE1855BCMW)
- Wenn der Schrank höher als das Höchstmaß (1945 mm) ist, müssen Sie andere Materialien verwenden, um die Lücke zu schließen. (Für HBQW5519E/ EK/ EHBQW5519E/ ECM)



**i HINWEIS**

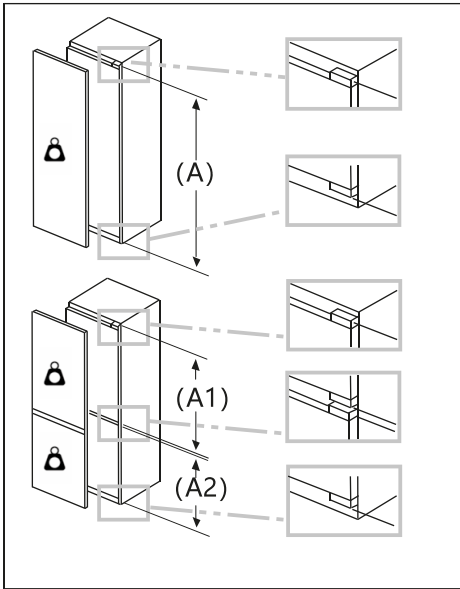
Für den Einbau eines Schrankes, der einen Abstand von 4 mm erfordert (03), siehe die nachstehende Tabelle mit den Schrankreferenzen.

- A Untere Kante der Frontplatte über der Belüftung
- B Überhang der Frontplatte


(Einheit: mm)

Modell	EHBQW5518E HBQW5518E HBQW5518EK HQE1855BCMW EHQE1855BCMW	HBQW5519E HBQW5519EK EHBQW5519E EHBQW5519ECM HBQW5719E
01	Min. 1028+B Max. 1106+B	Min. 1191+B Max. 1269+B
02	Min. 662+A Max. 740+A	Min. 662+A Max. 740+A
03	4 mm (Spalt zwischen Kühl- und Gefrierschrantüren)	

## Maximal zulässiges Gewicht der Fronten des Geräts

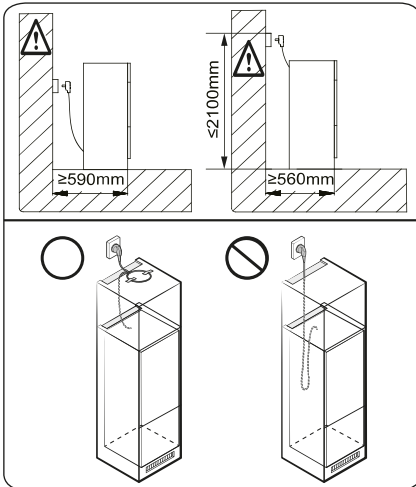


Montierte Möbelfronten, die das zulässige Gewicht überschreiten, können zu Schäden und Funktionsbeeinträchtigungen an den Scharnieren führen.

 Gewicht  
(kg)

1500-1750 mm	22
720-1400 mm	19
A1	15
A2	15

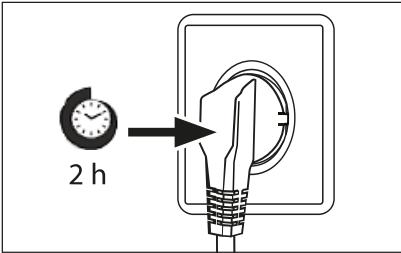
## Berücksichtigung der Lage der Steckdose und des Platzbedarfs



### HINWEIS

Wenn Sie den Kühlschrank in einen Schrank mit einer Tiefe von 560 mm einbauen, vergewissern Sie sich, dass das Netzkabel an einer Seite des Kühlschranks angeordnet ist, bevor Sie den Stecker in die Steckdose stecken. Wenn sich das Netzkabel auf der Rückseite des Kühlschranks befindet, kann dies die Energieeffizienz beeinträchtigen.

## Wartezeit



Das wartungsfreie Schmieröl befindet sich in der Kapsel des Kompressors. Dieses Öl kann beim Transport durch das geschlossene Rohrsystem gelangen, wenn das Gerät gekippt wird. Warten Sie mindestens 2 Stunden, bevor Sie das Gerät an die Stromversorgung anschließen, damit das Öl wieder in die Kapsel zurückfließt.

## Elektrischer Anschluss

Stellen Sie vor jedem Anschluss sicher, dass:

- ▶ die Stromversorgung, Steckdose und Sicherung den Angaben auf dem Typenschild entsprechen.
- ▶ die Steckdose geerdet ist und kein Mehrfachstecker oder Verlängerungskabel vorhanden ist.
- ▶ der Netzstecker und die Steckdose richtig zusammenpassen.

Schließen Sie den Stecker an eine ordnungsgemäß installierte Haushaltssteckdose an.



## WARNUNG!

Um Gefahren zu vermeiden, muss ein beschädigtes Netzkabel vom Kundenservice ausgetauscht werden (siehe Garantiekarte).

Produktdatenblatt gemäß der EU -Verordnung Nr. 2019/2016

Marke	Haier		
Modellname/Kennzeichnung	EHBQW5518E HBQW55 18E HBQW5518EK HQE1855B CMW EHQE1855BCMWW	HBQW5519E HBQW55 19EK EHBQW5 519E EHBQW5519ECM	HBQW5719E
Kategorie des Modells	Kühl - Gefrierkombination		
Energieeffizienzklasse	E	E	E
Jährlicher Energieverbrauch (kWh/Jahr) (1)	229	229	259
Gesamtvolumen (L)	268	285	382
Volumen Kühlschrank (L)	194	211	281
Volumen Gefrierschrank (L)	74	74	101
Volumen Kühlfach (L)	/	/	/
Volumen des automatischen Eiswürfelbereiters (L)	/	/	/
Sterne - Bewertung	4	4	4
Temperatur der anderen Fächer > 14 °C	Nicht anwendbar		
Frostfreies System	Ja	Ja	Ja
Gefrierleistung (kg/24h)			
Klima- Bewertung (2)	SN/N/ST/T	SN/N/ST/T	SN/N/ST/T
Geräuschemissionsklasse und Luftschallemissionen (db(A)re1pW)	B(35)	B(35)	B(33)
Temperaturanstiegszeit (h)	12	12	9
Leistung des Eiswürfelbereiters	/	/	/
Gerätetyp	Einbau	Einbau	Einbau

Modellname	Energieeffizienzklasse
EHBQW5518E HBQW5518E HBQW5518EK HQE1855BCMW EHQE1855BCMW	E
HBQW5519E HBQW5519EK EHBQW5519E EHBQW5519ECM HBQW5719E	E

Erläuterungen:

- Ja, vorhanden

- (1) Basierend auf den Ergebnissen des Normenkonformitätstests über 24 Stunden. Der tatsächliche Verbrauch hängt von der Verwendung und dem Standort des Geräts ab.
- (2) Klima-Bewertung SN: Dieses Gerät ist für die Verwendung bei einer Umgebungstemperatur zwischen +10 °C und +32 °C ausgelegt.  
 Klima-Bewertung N: Dieses Gerät ist für die Verwendung bei einer Umgebungstemperatur zwischen +16 °C und +32 °C ausgelegt.  
 Klima-Bewertung ST: Dieses Gerät ist für die Verwendung bei einer Umgebungstemperatur zwischen +16 °C und +38 °C ausgelegt.  
 Klimaklasse T: Dieses Gerät ist für die Verwendung bei einer Umgebungstemperatur zwischen +16 °C und +43 °C ausgelegt.

**Zusätzliche technische Daten**

Spannung / Frequenz	220-240V ~/50Hz
Eingangsstrom (A)	1.2/1.6
Hauptsicherung (A)	16
Kühlmittel	R600a
Abmessungen (H/B/T in mm)	EHBQW5518E/ HBQW5518E/ EK EHQE/ HQE1855BCMW: 1773/540/555
	HBQW5519E/ EK/ EHBQW5519E/ ECM: 1935/540/555
	EHBQW5719E : 1935/690/550

Wir empfehlen unseren Haier Kundendienst und die Verwendung von Original-Ersatzteilen.

Wenn Sie Probleme mit dem Gerät haben, lesen Sie bitte zuerst den Abschnitt „FEHLERBEHEBUNG“.

Wenn Sie dort keine Lösung finden, wenden Sie sich bitte an

- ▶ Ihren Händler vor Ort oder
- ▶ an unser Europäisches Call-Service-Center (siehe unten aufgeführte Telefonnummern) oder
- ▶ an den Kundendienst und Support unter [www.haier.com](http://www.haier.com), wo Sie den Serviceanspruch aktivieren können.
- ▶ Hier finden Sie auch die FAQ.

Um unseren Kundendienst zu kontaktieren, stellen Sie sicher, dass Sie die nachfolgend aufgeführten Daten zur Hand haben.

Die Informationen finden Sie auf dem Typenschild.

Modell \_\_\_\_\_

Seriennummer \_\_\_\_\_

Prüfen Sie im Garantiefall auch die mit dem Produkt mitgelieferte Garantiekarte.

Europäisches Call-Service-Center		
Land*	Telefonnummer	Kosten
Haier Italy (IT)	199 100912	
Haier Spain (ES)	902 509 123	
Haier Germany (DE)	0180 5 39 39 99	<ul style="list-style-type: none"> <li>• 14 Ct/min Festnetz</li> <li>• max. 42 Ct/min Mobil</li> </ul>
Haier Austria (AT)	0820 001205	<ul style="list-style-type: none"> <li>• 14,53 Ct/min Festnetz</li> <li>• max. 20 Ct/min alle anderen</li> </ul>
Haier United Kingdom (UK)	0333 003 8122	
Haier France (FR)	0980 406 409	

\*Für andere Länder siehe [www.haier.com](http://www.haier.com)

Haier Europe Trading S.r.l

Niederlassung UK

Westgate House, Westgate, Ealing

London, W5 1YY

\*Gewährleistungsdauer des Kühlgeräts:

Die Mindestgarantie beträgt: 2 Jahre für EU-Länder, 3 Jahre für die Türkei, 1 Jahr für Großbritannien, 1 Jahr für Russland, 3 Jahre für Schweden, 2 Jahre für Serbien, 5 Jahre für Norwegen, 1 Jahr für Marokko, 6 Monate für Algerien, Tunesien keine gesetzliche Gewährleistung erforderlich.

\*Der Zeitraum für die Beschaffung von Ersatzteilen für die Reparatur des Geräts:

Thermostate, Temperatursensoren, Leiterplatten und Leuchtmittel sind für einen Zeitraum von mindestens sieben Jahren nach Inverkehrbringen des letzten Gerätes des Modells erhältlich.

Türgriffe, Türscharniere, Auszüge und Schubladen für eine Mindestdauer von sieben Jahren und Türdichtungen für eine Mindestdauer von 10 Jahren, nachdem das letzte Gerät des Modells in Verkehr gebracht wurde.

\*Weitere Informationen zum Produkt finden Sie entweder unter <https://eprel.ec.europa.eu/> oder Sie scannen den QR-Code auf dem Energielabel, das dem Gerät beiliegt.



**Haier**



2024 Version A

# Haier

## Εγχειρίδιο χρήσης

Ψυγείοκαταψύκτης

EHBQW5518E

HBQW5518E

HBQW5518EK

HQE1855BCM W

EHQE1855BCM W

HBQW5519E

HBQW5519EK

EHBQW5519E

EHBQW5519ECM

HBCN7190U1

EL

<u>4 Πληροφορίες ασφάλειας</u>	<u>Πριν από την πρώτη χρήση</u>	5
	<u>Εγκατάσταση</u>	5
	<u>Καθημερινή χρήση</u>	6
	<u>Πληροφορίες για τα ψυκτικά αέρια</u>	8
<u>9 Προβλεπόμενη χρήση</u>		
<u>10 Περιγραφή προϊόντος</u>		
<u>12 Πίνακας ελέγχου</u>		
<u>13 Χρήση</u>	<u>Κλείδωμα/Ξεκλείδωμα πίνακα</u>	13
	<u>Ρύθμιση θερμοκρασίας του ψυγείου</u>	13
	<u>Ρύθμιση θερμοκρασίας του καταψύκτη</u>	14
	<u>Λειτουργία Wi-Fi</u>	15
	<u>Λειτουργία Holiday</u>	15
	<u>Λειτουργία Super Cool</u>	16
	<u>Λειτουργία Super Freeze</u>	16
<u>18 Εξοπλισμός</u>		
<u>20 Συμβουλές εξοικονόμησης ενέργειας</u>		
<u>21 Φροντίδα και καθαρισμός</u>		
<u>23 Αντιμετώπιση προβλημάτων</u>		
<u>27 Εγκατάσταση</u>		
<u>34 Τεχνικά δεδομένα</u>		
<u>36 Εξυπηρέτηση πελατών</u>		

## Ευχαριστούμε που αγοράσατε ένα προϊόν Haier.

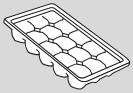
Παρακαλούμε διαβάστε προσεκτικά αυτές τις οδηγίες πριν από την χρήση αυτής της συσκευής. Οι οδηγίες περιέχουν σημαντικές πληροφορίες που θα σας βοηθήσουν να αξιοποιήσετε στο έπακρο τη συσκευή και να εξασφαλίσετε την ασφαλή και σωστή εγκατάσταση, χρήση και συντήρηση.

Φυλάξτε αυτό το εγχειρίδιο σε μια προσβάσιμη θέση, ώστε να μπορείτε πάντα να ανατρέξετε σε αυτό για την ασφαλή και σωστή χρήση της συσκευής.

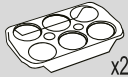
Εάν πουλήσετε τη συσκευή, την χαρίσετε ή την αφήσετε πίσω όταν μετακομίσετε από το σπίτι, βεβαιωθείτε ότι έχετε αφήσει επίσης και αυτό το εγχειρίδιο, ώστε ο νέος ιδιοκτήτης να εξοικειωθεί με τη συσκευή και τις προειδοποιήσεις ασφαλείας.

## Εξαρτήματα

Ελέγξτε τα εξαρτήματα και τη βιβλιογραφία σύμφωνα με αυτόν τον κατάλογο:



Δίσκος για παγάκια



Αυγοθήκη x2



Ενεργειακή ετικέτα



Κάρτα εγγύησης



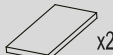
Προειδοποίηση Ασφαλείας Εγχειριδίου



Βίδα x4



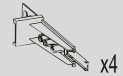
Κάλυμμα x2



Μπλοκ σφουγγαριού x2



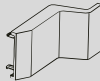
Οδηγός ολίσθησης x4



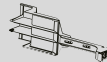
Συγκρότημα ολίσθησης x4



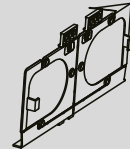
Σταθερή πλάκα



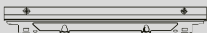
Κάλυμμα μεντεσέ



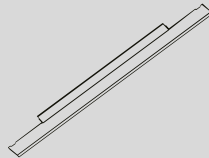
Σταθερή πλάκα II



Κάτω σταθερή πλάκα



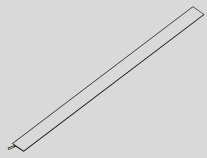
Πάνω σταθερή πλάκα



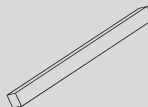
Κάτω κάλυμμα



Κάτω πλευρικό κάλυμμα



Λωρίδα σφράγισης



Σφουγγάρι σφράγισης



Κάλυμμα κάτω μεντεσέ

**ΠΡΟΕΙΔΟΠΟΙΗΣΗ -****Σημαντικές πληροφορίες ασφάλειας****ΣΗΜΕΙΩΣΗ -****Γενικές πληροφορίες και συμβουλές****Περιβαλλοντικές πληροφορίες****Απόρριψη**

Βοήθεια και συμβολή στην προστασία του περιβάλλοντος και της ανθρώπινης υγείας. Τοποθετήστε τη συσκευασία σε κατάλληλα δοχεία για την ανακύκλωση της. Συμβολή στην ανακύκλωση των αποβλήτων ηλεκτρικών και ηλεκτρονικών συσκευών. Συσκευές που φέρουν αυτό το σύμβολο μην τις απορρίψετε μαζί με τα οικιακά απορρίμματα. Επιστρέψτε το προϊόν στην τοπική μονάδα ανακύκλωσης ή επικοινωνήστε με το αρμόδιο δημοτικό γραφείο του Δήμου σας.

**ΠΡΟΕΙΔΟΠΟΙΗΣΗ!**

Κίνδυνος τραυματισμού ή ασφυξίας!

Τα ψυκτικά μέσα και τα αέρια πρέπει να απορρίπτονται επαγγελματικά. Βεβαιωθείτε ότι η σωλήνωση του κυκλώματος ψυκτικού δεν έχει υποστεί ζημιά πριν απορριφθεί σωστά. Αποσυνδέστε τη συσκευή από την πρίζα παροχής ρεύματος. Κόψτε το καλώδιο τροφοδοσίας και απορρίψτε το. Αφαιρέστε τους δίσκους και τα συρτάρια, καθώς και τα αλιεύματα και τις σφραγίδες της πόρτας, για να αποτρέψετε τα παιδιά και τα κατοικίδια ζώα να κλείσουν στη συσκευή.

## Διαβάστε τις παρακάτω υποδείξεις ασφαλείας πριν ενεργοποιήσετε τη συσκευή για πρώτη φορά:



### ΠΡΟΕΙΔΟΠΟΙΗΣΗ!

#### Πριν από την πρώτη χρήση

- ▶ Βεβαιωθείτε ότι δεν υπάρχει ζημιά εξαιτίας της μεταφοράς.
- ▶ Περιμένετε τουλάχιστον δύο ώρες πριν τοποθετήσετε τη συσκευή για να βεβαιωθείτε ότι το κύκλωμα του ψυκτικού είναι πλήρως αποτελεσματικό.
- ▶ Χειριστείτε τη συσκευή πάντοτε με δύο άτομα τουλάχιστον, διότι είναι βαριά.
- ▶ Αφαιρέστε όλα τα υλικά συσκευασίας, κρατήστε τα μακριά από τα παιδιά και απορρίψτε τα με φιλικό προς το περιβάλλον τρόπο.
- ▶ Καθαρίστε το εσωτερικό και το εξωτερικό της συσκευής με νερό και ένα ήπιο απορρυπαντικό πριν βάλετε οποιοδήποτε φαγητό σε αυτό.
- ▶ Αφού η συσκευή τοποθετηθεί απολύτως ίσια στο δάπεδο και καθαριστεί, περιμένετε τουλάχιστον 2-5 ώρες πριν τη συνδέσετε στην παροχή ρεύματος. Ανατρέξτε στην ενότητα ΕΓΚΑΤΑΣΤΑΣΗ.
- ▶ Προψύξτε τους θαλάμους σε υψηλές ρυθμίσεις πριν τοποθετήσετε τρόφιμα. Η λειτουργία Power-Freeze βοηθά στην γρήγορη ψύξη των θαλάμων.
- ▶ Η θερμοκρασία ψυγείου και η θερμοκρασία καταψύκτη ρυθμίζονται αυτόματα στους 5°C και -18°C αντίστοιχα. Αυτές είναι οι προτεινόμενες ρυθμίσεις. Εάν θέλετε, μπορείτε να αλλάξετε αυτές τις θερμοκρασίες χειροκίνητα. Ανατρέξτε στην ενότητα ΡΥΘΜΙΣΗ ΘΕΡΜΟΚΡΑΣΙΑΣ.

#### Εγκατάσταση

- ▶ Η συσκευή πρέπει να τοποθετηθεί σε καλά αεριζόμενο μέρος. Βεβαιωθείτε ότι υπάρχει χώρος τουλάχιστον 10 εκατοστών πάνω και γύρω από τη συσκευή.
- ▶ Μην τοποθετείτε ποτέ τη συσκευή σε υγρή περιοχή ή θέση όπου μπορεί να πιτσιλιστεί ή βραχεί με νερό. Καθαρίστε και ξύστε τις ξεραμένες πιτσιλιές νερού και λεκέδες με ένα μαλακό καθαρό πανί.
- ▶ Μην εγκαθιστάτε τη συσκευή σε σημείο με άμεσο ηλιακό φως ή κοντά σε πηγές θερμότητας (π.χ. σόμπες, θερμαντήρες).
- ▶ Εγκαταστήστε και τοποθετήστε τη συσκευή σε μια περιοχή κατάλληλη για το μέγεθος και τη χρήση της.
- ▶ Διατηρείτε τα ανοίγματα εξαερισμού στη συσκευή ή την ενσωματωμένη δομή ελεύθερα εμποδίων.
- ▶ Βεβαιωθείτε ότι οι ηλεκτρολογικές πληροφορίες στην πινακίδα τύπου συμφωνούν με την αντίστοιχη παροχή ρεύματος. Εάν όχι, επικοινωνήστε με έναν ηλεκτρολόγο.
- ▶ Η συσκευή λειτουργεί με τροφοδοσία 220-240 VAC / 50 Hz. Η μη φυσιολογική διακύμανση της τάσης μπορεί να προκαλέσει την αποτυχία εκκίνησης της συσκευής ή ζημιά στον έλεγχο θερμοκρασίας ή τον συμπιεστή ή μπορεί να υπάρχει ανώμαλος θόρυβος κατά τη λειτουργία. Στην περίπτωση αυτή, πρέπει να τοποθετηθεί ένας αυτόματος ρυθμιστής.



## ΠΡΟΕΙΔΟΠΟΙΗΣΗ!

- ▶ Μη χρησιμοποιείτε προσαρμογείς πολλαπλών θέσεων (πολύπριζα) και καλώδια επέκτασης / προέκτασης.
- ▶ Μην τοποθετείτε πολλαπλές φορητές πρίζες ή φορητά τροφοδοτικά στο πίσω μέρος της συσκευής.
- ▶ Βεβαιωθείτε ότι το καλώδιο τροφοδοσίας δεν έχει παγιδευτεί από το ψυγείο. Μην πατάτε το καλώδιο τροφοδοσίας.
- ▶ Χρησιμοποιήστε μια ξεχωριστή γειωμένη πρίζα για την παροχή ηλεκτρικού ρεύματος, η οποία να είναι εύκολα προσβάσιμη. Αυτή η συσκευή πρέπει να είναι γειωμένη.  
Μόνο για το Ηνωμένο Βασίλειο: Το καλώδιο τροφοδοσίας της συσκευής είναι εξοπλισμένο με βύσμα 3-καλωδίων (με γείωση) που ταιριάζει σε μια τυπική πρίζα 3-καλωδίων (πρίζα με γείωση). Ποτέ μην κόβετε ή αποσυναρμολογείτε τον τρίτο πείρο (γείωση). Μετά την εγκατάσταση της συσκευής, το βύσμα πρέπει να είναι άμεσα προσβάσιμο.
- ▶ Αποφύγετε την πρόκληση ζημιών στο κύκλωμα ψύξης.

### Καθημερινή χρήση

- ▶ Η συσκευή αυτή μπορεί να χρησιμοποιηθεί από παιδιά ηλικίας 8 ετών και άνω και από άτομα με μειωμένες σωματικές, αισθητηριακές ή διανοητικές ικανότητες ή έλλειψη εμπειρίας και γνώσης, εφόσον βρίσκονται υπό εποπτεία ή εάν τους έχουν δοθεί σαφείς οδηγίες σχετικά με τη χρήση της συσκευής με ασφαλή τρόπο και έχουν κατανοήσει επακριβώς τους σχετικούς κινδύνους.
- ▶ Τα παιδιά ηλικίας 3 έως 8 ετών επιτρέπεται να τοποθετούν και να βγάζουν (αντικείμενα) από τις ψυκτικές συσκευές, αλλά δεν επιτρέπεται να τις καθαρίζουν ή να τις εγκαθιστούν.
- ▶ Κρατήστε μακριά τα παιδιά κάτω των 3 ετών από τη συσκευή, εκτός εάν επιβλέπονται συνεχώς.
- ▶ Τα παιδιά δεν επιτρέπεται να παίζουν με τη συσκευή.
- ▶ Εάν υπάρχει διαρροή ψυκτικού αερίου ή άλλου εύφλεκτου αερίου κοντά στη συσκευή, κλείστε τη βαλβίδα του αερίου που διαρρέει, ανοίξτε τις πόρτες και τα παράθυρα και μην αποσυνδέσετε ή συνδέσετε το καλώδιο τροφοδοσίας του ψυγείου ή οποιασδήποτε άλλης συσκευής.
- ▶ Σημειώστε ότι η συσκευή έχει ρυθμιστεί για λειτουργία σε συγκεκριμένο εύρος θερμοκρασίας περιβάλλοντος μεταξύ 10 και 43°C. Η συσκευή ενδέχεται να μη λειτουργεί σωστά εάν αφηθεί για μεγάλο χρονικό διάστημα σε θερμοκρασία υψηλότερη ή χαμηλότερη από το υποδεικνυόμενο εύρος τιμών.
- ▶ Μην τοποθετείτε ασταθή αντικείμενα (βαριά αντικείμενα, δοχεία γεμάτα με νερό) στο πάνω μέρος του ψυγείου, για να αποφύγετε τραυματισμούς από πτώση ή ηλεκτροπληξία από επαφή με νερό.
- ▶ Μην τραβάτε τα ράφια των θυρών της πόρτας. Η πόρτα μπορεί να βγει από τη θέση της, η σχάρα για τα μπουκάλια μπορεί να τραβηχτεί μακριά ή η συσκευή μπορεί να ανατραπεί.



## ΠΡΟΕΙΔΟΠΟΙΗΣΗ!

- ▶ Ανοίγετε και κλείνετε την πόρτα μόνο από τις λαβές. Το κενό ανάμεσα στις πόρτες και ανάμεσα στις πόρτες και το ντουλάπι είναι πολύ στενό. Μην βάζετε τα χέρια σας σε αυτές τις περιοχές για να αποφύγετε να πιαστούν (μαγκωθούν) τα δάκτυλά σας. Ανοίξτε ή κλείστε τις πόρτες ψυγείου μόνο όταν δεν υπάρχουν παιδιά που να στέκονται εντός του εύρους κίνησης της πόρτας.
- ▶ Μην αποθηκεύετε και μην χρησιμοποιείτε εύφλεκτα, εκρηκτικά ή διαβρωτικά υλικά εντός ή εγγύς της συσκευής.
- ▶ Μην αποθηκεύετε φάρμακα, βακτήρια ή χημικούς παράγοντες στη συσκευή. Αυτή η συσκευή είναι μια οικιακή συσκευή. Δεν συνιστάται η αποθήκευση υλικών που απαιτούν αυστηρές θερμοκρασίες.
- ▶ Ποτέ μην αποθηκεύετε υγρά σε φιάλες ή δοχεία (πέραν των αλκοολούχων υψηλού βαθμού) και ιδιαίτερα ανθρακούχα αναψυκτικά στον καταψύκτη καθώς θα διαρραγούν κατά την ψύξη.
- ▶ Ελέγξτε την κατάσταση των τροφίμων εάν έχουν προηγηθεί συνθήκες θέρμανσης στον καταψύκτη.
- ▶ Αποσυνδέστε άσκοπα χαμηλή θερμοκρασία στον θάλαμο του ψυγείου. Οικονομικές θερμοκρασίες μπορεί να εμφανιστούν σε υψηλές ρυθμίσεις. Προσοχή: Τα μπουκάλια μπορούν να σκάσουν
- ▶ Μην αγγίζετε κατεψυγμένα προϊόντα με βρεγμένα χέρια (φοράτε γάντια). Ειδικά μην πιείτε (τρώτε) γρανίτες αμέσως μετά την αφαίρεση από τον θάλαμο κατάψυξης. Υπάρχει ο κίνδυνος κατάψυξης ή σχηματισμός φουσκάλων παγετού. ΠΡΩΤΕΣ βοήθειες: κρατήστε αμέσως κάτω από τρεχούμενο κρύο νερό. Μην τις τραβάτε μακριά!
- ▶ Μην αγγίζετε την εσωτερική επιφάνεια του χώρου αποθήκευσης του καταψύκτη όταν λειτουργείτε, ειδικά με βρεγμένα χέρια, καθώς τα χέρια σας μπορεί να παγώσουν στην επιφάνεια.
- ▶ Αποσυνδέστε τη συσκευή από την πρίζα σε περίπτωση διακοπής ρεύματος ή πριν από τον καθαρισμό. Αφήστε τουλάχιστον 7 λεπτά πριν από την επανεκκίνηση της συσκευής, καθώς η συχνή εκκίνηση μπορεί να προκαλέσει ζημιά στον συμπιεστή.
- ▶ Μη χρησιμοποιείτε ηλεκτρικές συσκευές στο εσωτερικό των θαλάμων αποθήκευσης τροφίμων της συσκευής, εκτός αν είναι συσκευές που συνιστά ο κατασκευαστής.

## Συντήρηση / καθαρισμός

- ▶ Βεβαιωθείτε ότι τα παιδιά επιβλέπονται εάν πραγματοποιούν καθαρισμό και συντήρηση.
- ▶ Αποσυνδέστε τη συσκευή από την ηλεκτρική τροφοδοσία πριν πραγματοποιήσετε οποιαδήποτε συντήρηση ρουτίνας. Αφήστε τουλάχιστον 5 λεπτά πριν από την επανεκκίνηση της συσκευής, καθώς η συχνή εκκίνηση μπορεί να προκαλέσει ζημιά στον συμπιεστή.
- ▶ Κρατήστε το φιλτράρισμα, όχι το καλώδιο, όταν αποσυνδέετε τη συσκευή.



## ΠΡΟΕΙΔΟΠΟΙΗΣΗ!

- ▶ Μην καθαρίζετε τη συσκευή με σκληρές βούρτσες, συρμάτινες βούρτσες, σκόνη απορρυπαντικού, βενζίνη, οξικό αμύλιο, ακετόνη και παρόμοια οργανικά διαλύματα, όξινα ή αλκαλικά διαλύματα. Καθαρίστε με ειδικό απορρυπαντικό ψυγείου για να αποφύγετε ζημιές.
- ▶ Μην ξύσετε τον δροσοπάγο και τον πάγο με αιχμηρά αντικείμενα. Μην χρησιμοποιείτε σπρέι, ηλεκτρικούς θερμαντήρες όπως θερμαντήρα, στεγνωτήρα μαλλιών, ατμοκαθαριστές ή άλλες πηγές θερμότητας για να αποφύγετε ζημιές στα πλαστικά μέρη.
- ▶ Μην χρησιμοποιείτε μηχανικές συσκευές ή άλλα μέσα για να επιταχύνετε τη διαδικασία απόψυξης, παρά μόνο όσα συνιστώνται από τον κατασκευαστή.
- ▶ Αν το καλώδιο παροχής ρεύματος έχει φθαρεί πρέπει να αντικατασταθεί από τον κατασκευαστή ή τον αντιπρόσωπο του σέρβις ή παρόμοια εξουσιοδοτημένα πρόσωπα, προς αποφυγή του κινδύνου.
- ▶ Μην προσπαθήσετε να επισκευάσετε, να αποσυναρμολογήσετε ή να τροποποιήσετε τη συσκευή μόνοι σας. Σε περίπτωση επισκευής επικοινωνήστε με την εξυπηρέτηση πελατών μας.
- ▶ Εξαλείψτε τη σκόνη στο πίσω μέρος της μονάδας τουλάχιστον μία φορά τον χρόνο για να αποφύγετε τον κίνδυνο από πυρκαγιά, καθώς και την αυξημένη κατανάλωση ενέργειας.
- ▶ Μην ψεκάσετε ή ξεπλένετε τη συσκευή κατά τον καθαρισμό.
- ▶ Μην χρησιμοποιείτε σπρέι νερού ή ατμό για να καθαρίσετε τη συσκευή.
- ▶ Μην καθαρίζετε τα κρύα γυάλινα ράφια με ζεστό νερό. Η απότομη αλλαγή θερμοκρασίας μπορεί να προκαλέσει το σπάσιμο του γυαλιού.

## Πληροφορίες για τα ψυκτικά αέρια



## ΠΡΟΕΙΔΟΠΟΙΗΣΗ!

Η συσκευή περιέχει το εύφλεκτο ψυκτικό μέσο ΙΣΟΒΟΥΤΑΝΙΟ (R600a). Βεβαιωθείτε ότι το κύκλωμα ψυκτικού δεν έχει υποστεί ζημιά κατά τη μεταφορά ή την εγκατάσταση. Η διαρροή ψυκτικού μπορεί να προκαλέσει τραυματισμούς στα μάτια ή ανάφλεξη. Εάν έχει προκληθεί ζημιά, κρατήστε το μακριά από ακάλυπτες πηγές φωτιάς, αερίστε καλά το δωμάτιο, μην συνδέσετε ή αποσυνδέσετε τα καλώδια τροφοδοσίας της συσκευής ή οποιασδήποτε άλλης συσκευής. Ενημερώστε την εξυπηρέτηση πελατών.

Σε περίπτωση που τα μάτια έρθουν σε επαφή με το ψυκτικό μέσο, ξεπλένετε τα αμέσως κάτω από τρεχούμενο νερό και καλέστε αμέσως τον οφθαλμίατρο.

## Προβλεπόμενη χρήση

Αυτή η συσκευή προορίζεται για ψύξη και κατάψυξη τροφίμων. Έχει σχεδιαστεί αποκλειστικά για χρήση σε οικιακές και παρόμοιες εφαρμογές, όπως χώρους κουζίνας προσωπικού σε καταστήματα, γραφεία και άλλα εργασιακά περιβάλλοντα· αγροικίες και από πελάτες σε ξενοδοχεία, μοτέλ και άλλα περιβάλλοντα οικιστικού τύπου, καθώς και σε ξενοδοχειακές επιχειρήσεις bed-and-breakfast και catering. Δεν προορίζεται για εμπορική ή βιομηχανική χρήση.

Δεν επιτρέπονται αλλαγές ή τροποποιήσεις στη συσκευή. Η μη προβλεπόμενη χρήση μπορεί να προκαλέσει κινδύνους και απώλεια αξιώσεων εγγύησης.

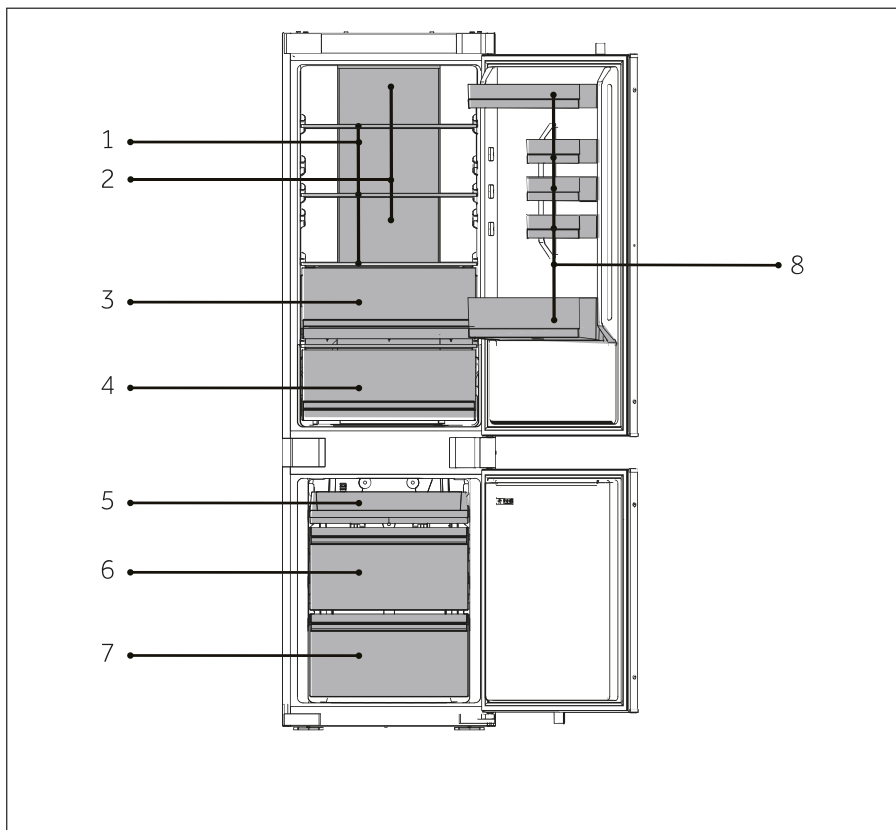
## Πρότυπα και οδηγίες ή

Αυτό το προϊόν πληροί τις απαιτήσεις όλων των εφαρμοστέων κοινοτικών οδηγιών με τα αντίστοιχα εναρμονισμένα πρότυπα και τα πρότυπα του Ηνωμένου Βασιλείου, τα οποία προβλέπουν τις σημάνσεις CE ή UKCA.



## ΕΙΔΟΠΟΙΗΣΗ

Λόγω τεχνικών αλλαγών και διαφορετικών μοντέλων, ορισμένες από τις εικόνες σε αυτό το εγχειρίδιο ενδέχεται να διαφέρουν από το μοντέλο σας.



ΕΗΒQW5518E/ ΗΒQW5518E/ ΗΒQW5518EK/ ΗQΕ1855BCMW/ ΕΗQΕ1855BCMW

### A: Θάλαμος ψύξης

- 1 Κανονικά ράφια
- 2 Αεραγωγός ψύξης
- 3 Συρτάρι Humidity Zone
- 4 Συρτάρι Fresh Box
- 8 Μπουκαλοθήκη

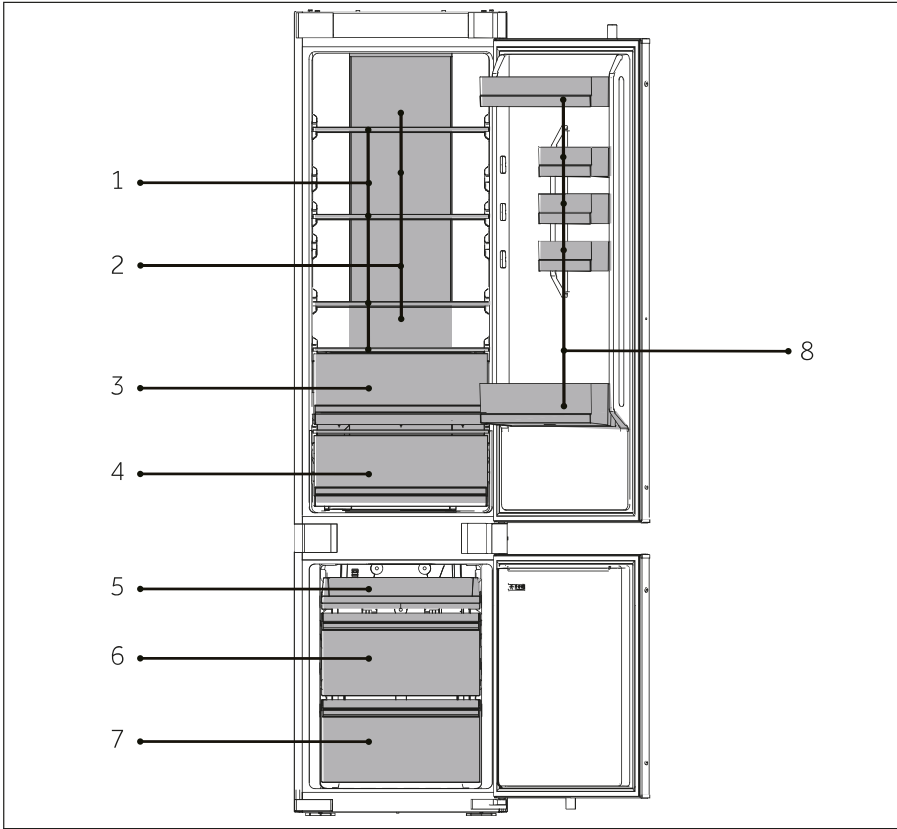
### B: Θάλαμος κατάψυξης

- 5 Επάνω συρτάρι καταψύκτη
- 6 Μεσαίο συρτάρι καταψύκτη
- 7 Κάτω συρτάρι καταψύκτη



## ΕΙΔΟΠΟΙΗΣΗ

Λόγω τεχνικών αλλαγών και διαφορετικών μοντέλων, ορισμένες από τις εικόνες σε αυτό το εγχειρίδιο ενδέχεται να διαφέρουν από το μοντέλο σας.



HBQW5519E/ HBQW5519EK/ EHBQW5519E/ EHBQW5519ECM/ HBQW5719E

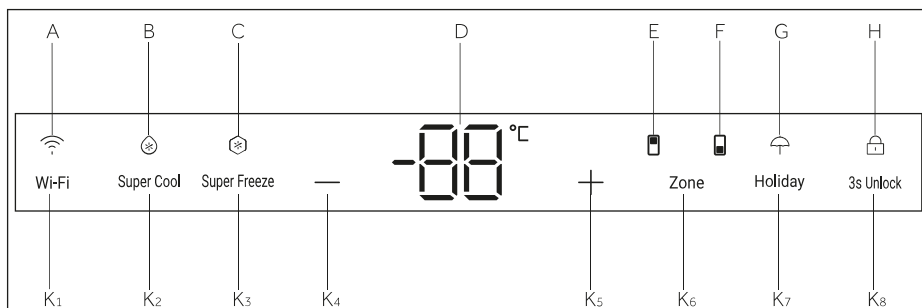
A: Θάλαμος ψύξης

- 1 Κανονικά ράφια
- 2 Αεραγωγός ψύξης
- 3 Συρτάρι Humidity Zone
- 4 Συρτάρι Fresh Box
- 8 Μπουκαλοθήκη

B: Θάλαμος κατάψυξης

- 5 Επάνω συρτάρι καταψύκτη
- 6 Μεσαίο συρτάρι καταψύκτη
- 7 Κάτω συρτάρι καταψύκτη

## Πίνακας ελέγχου



## Ενδείξεις:

- A Λειτουργία Wi-Fi
- B Λειτουργία Super Cool
- C Λειτουργία Super Freeze
- D Οθόνη θερμοκρασίας
- E Ένδειξη ψυγείου
- F Ένδειξη καταψύκτη
- G Λειτουργία Holiday
- H Κλείδωμα και ξεκλείδωμα

## Κουμπιά:

- K<sub>1</sub> Κουμπί ρύθμισης Wi-Fi
- K<sub>2</sub> Κουμπί επιλογής Super Cool
- K<sub>3</sub> Κουμπί επιλογής Super Freeze
- K<sub>4</sub> Κουμπί ρύθμισης θερμοκρασίας "-"
- K<sub>5</sub> Κουμπί ρύθμισης θερμοκρασίας "+"
- K<sub>6</sub> Κουμπί επιλογής ζώνης
- K<sub>7</sub> Κουμπί λειτουργίας Holiday
- K<sub>8</sub> Κουμπί κλειδώματος και ξεκλειδώματος

## Πλήκτρα αισθητήρων

Τα κουμπιά στον πίνακα ελέγχου είναι πλήκτρα αισθητήρων, τα οποία ανταποκρίνονται ήδη όταν αγγίζονται ελαφρά με το δάχτυλο.

## Ενεργοποίηση /απενεργοποίηση της συσκευής

Η συσκευή λειτουργεί μόλις συνδεθεί με την παροχή ρεύματος.

Όταν ενεργοποιηθεί για πρώτη φορά το ψυγείο, ανάβει η ένδειξη "D" (Ένδειξη θερμοκρασίας). Η θερμοκρασία ψυγείου και η θερμοκρασία καταψύκτη ρυθμίζονται αυτόματα στους 5°C και -18°C αντίστοιχα.



## ΕΙΔΟΠΟΙΗΣΗ

Όταν η συσκευή είναι ενεργοποιημένη μετά την αποσύνδεση από την κύρια παροχή ρεύματος, μπορεί να χρειαστούν έως και 12 ώρες για να επιτευχθούν οι σωστές θερμοκρασίες.

Αδειάστε τη συσκευή πριν τη σβήσετε. Για να απενεργοποιήσετε τη συσκευή, τραβήξτε το καλώδιο τροφοδοσίας από την πρίζα.

### Κλειδωμα/ξεκλειδωμα πίνακα

Αυτόματο κλειδωμα: Όταν η πόρτα του ψυγείου και η πόρτα του καταψύκτη είναι κλειστές και δεν εκτελεστεί καμία βασική λειτουργία εντός 30 δευτερολέπτων, η οθόνη θα σβήσει αυτόματα και θα κλειδώσει.

Χειροκίνητο κλειδωμα: Όταν η οθόνη είναι ξεκλειδωτή, πατήστε το κουμπί "K<sub>8</sub>" (3S Unlock) και κρατήστε το πατημένο για 3 δευτερόλεπτα. Ακούγεται ο βομβητής μία φορά, φωτίζεται η ένδειξη "H" (Κλειδωμα πίνακα) και η οθόνη κλειδώνει.

Ξεκλειδωμα: Όταν η οθόνη είναι κλειδωμένη, πατήστε το κουμπί "K<sub>8</sub>" (3S Unlock) και κρατήστε το πατημένο για 3 δευτερόλεπτα. Ακούγεται ο βομβητής μία φορά, η ένδειξη "H" (Κλειδωμα πίνακα) σβήνει και η οθόνη ξεκλειδώνει.

### Ρύθμιση θερμοκρασίας

Οι εσωτερικές θερμοκρασίες επηρεάζονται από τους ακόλουθους παράγοντες:

Θερμοκρασία περιβάλλοντος, Συχνότητα ανοίγματος της πόρτας, Ποσότητα αποθηκευμένων τροφίμων, ενέργεια εγκατάσταση της συσκευής.

### Ρύθμιση θερμοκρασίας του ψυγείου

Όταν η οθόνη είναι ξεκλειδωτή, πατήστε το κουμπί "K<sub>6</sub>" (Επιλογέας ζώνης). Ο βομβητής ακούγεται μία φορά, φωτίζεται η ένδειξη "E" (ένδειξη ψυγείου) και στη συνέχεια εμφανίζεται η λειτουργία ρύθμισης θερμοκρασίας του ψυγείου.

Πατήστε το κουμπί "K<sub>4</sub>" (κουμπί ρύθμισης θερμοκρασίας "-") κάθε φορά, ο βομβητής ακούγεται μία φορά, η ρυθμισμένη θερμοκρασία του ψυγείου θα μειωθεί κατά 1. Η θερμοκρασία του ψυγείου θα εμφανίζεται με τη διαδοχή "9°C -> 8°C -> 7°C -> 6°C -> 5°C -> 4°C -> 3°C -> 2°C -> 1°C".

Πατήστε το κουμπί "K<sub>5</sub>" (κουμπί ρύθμισης θερμοκρασίας "+") κάθε φορά που ο βομβητής ακούγεται μία φορά η ρυθμισμένη θερμοκρασία του ψυγείου θα αυξηθεί κατά 1. Η θερμοκρασία του ψυγείου θα εμφανίζεται με τη διαδοχή "1°C -> 2°C -> 3°C -> 4°C -> 5°C -> 6°C -> 7°C -> 8°C -> 9°C".



## ΕΙΔΟΠΟΙΗΣΗ

Μετά τη ρύθμιση της θερμοκρασίας, εάν δεν εκτελεστεί κάποια λειτουργία εντός 5 δευτερολέπτων, το σύστημα θα προσδιοριστεί αυτόματα και θα αποθηκεύσει τη ρυθμισμένη θερμοκρασία.

## Ρύθμιση θερμοκρασίας του καταψύκτη

Όταν η οθόνη είναι ξεκλειδωτή, πατήστε το κουμπί "Κ<sub>6</sub>" (Επιλογέας ζώνης). Ο βομβητής ακούγεται μία φορά, φωτίζεται η ένδειξη "F" (ένδειξη καταψύκτη) και στη συνέχεια εμφανίζεται η λειτουργία ρύθμισης θερμοκρασίας του καταψύκτη.

Πατήστε το κουμπί "Κ<sub>4</sub>" (κουμπί ρύθμισης θερμοκρασίας "-") κάθε φορά που ο βομβητής ακούγεται μία φορά η ρυθμισμένη θερμοκρασία του καταψύκτη θα μειωθεί κατά 1. Η θερμοκρασία του καταψύκτη θα εμφανίζεται με τη διαδοχή "-14°C -> -15°C -> -16°C -> -17°C -> -18°C -> -19°C -> -20°C -> -21°C -> -22°C -> -23°C -> -24°C".

Πατήστε το κουμπί "Κ<sub>5</sub>" (Κουμπί ρύθμισης θερμοκρασίας "+") κάθε φορά που ο βομβητής ακούγεται μία φορά η ρυθμισμένη θερμοκρασία του καταψύκτη θα αυξηθεί κατά 1. Η θερμοκρασία του καταψύκτη θα εμφανίζεται με τη διαδοχή "-24°C -> -23°C -> -22°C -> -21°C -> -20°C -> -19°C -> -18°C -> -17°C -> -16°C -> -15°C -> -14°C".



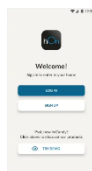
## ΕΙΔΟΠΟΙΗΣΗ

Μετά τη ρύθμιση της θερμοκρασίας, εάν δεν εκτελεστεί κάποια λειτουργία εντός 5 δευτερολέπτων, το σύστημα θα προσδιοριστεί αυτόματα και θα αποθηκεύσει τη ρυθμισμένη θερμοκρασία.

**Βήμα 1 Κατεβάστε την εφαρμογή hOn από τα καταστήματα.**



**Βήμα 2** Δημιουργήστε τον λογαριασμό σας στην εφαρμογή hOn ή συνδεθείτε εάν έχετε ήδη λογαριασμό



**Βήμα 3** Ακολουθήστε τις οδηγίες αντιστοίχισης στην εφαρμογή hOn.



## Λειτουργία Wi-Fi

1. Ακολουθήστε τις οδηγίες στην εφαρμογή για να ρυθμίσετε το Wi-Fi.
2. Μόλις ρυθμιστεί το Wi-Fi και δημιουργηθεί η σύνδεση, το εικονίδιο Wi-Fi "A" θα είναι φωτεινό και σταθερό.
3. Εάν το Wi-Fi έχει ήδη ρυθμιστεί, θα επανασυνδεθεί αυτόματα σύμφωνα με τα στοιχεία ρύθμισης παραμέτρων, αν ενεργοποιείται το Wi-Fi.
4. Για να απενεργοποιήσετε το Wi-Fi, πατήστε το κουμπί Wi-Fi "K<sub>1</sub>" και το εικονίδιο Wi-Fi "A" απενεργοποιείται.
5. Για να ενεργοποιήσετε το Wi-Fi και να ξεκινήσετε τη ρύθμιση, πατήστε το κουμπί Wi-Fi "K<sub>1</sub>" και το εικονίδιο Wi-Fi "A" αρχίζει να αναβοσβήνει αργά. Εάν θέλετε να ρυθμίσετε τη λειτουργία Wi-Fi, πατήστε το κουμπί "K<sub>1</sub>" για 3 δευτερόλεπτα, το εικονίδιο Wi-Fi αναβοσβήνει γρήγορα και εισέρχεται στη λειτουργία ρύθμισης παραμέτρων. Εάν θέλετε να απενεργοποιήσετε τη λειτουργία Wi-Fi, πατήστε το κουμπί "K<sub>1</sub>" μία φορά. Τα παραπάνω βήματα επαναλαμβάνονται.
6. Εάν το προϊόν έχει ρυθμιστεί και η λειτουργία Wi-Fi ήταν απενεργοποιημένη, το ψυγείο δεν θα εισέλθει στη λειτουργία ρύθμισης παραμέτρων μετά την επανασύνδεση στο ρεύμα.

## Λειτουργία Holiday

1. Όταν η οθόνη παρουσίασης είναι ξεκλείδωτη, πατήστε το κουμπί "K<sub>7</sub>" (κουμπί λειτουργίας Holiday), ο βομβητής χτυπάει μία φορά, η ένδειξη "G" (λειτουργία Holiday) φωτίζεται και στη συνέχεια θα ενεργοποιηθεί η λειτουργία Holiday.
2. Όταν η οθόνη παρουσίασης είναι ξεκλείδωτη, πατήστε το κουμπί "K<sub>7</sub>" (κουμπί λειτουργίας Holiday), ο βομβητής χτυπάει μία φορά, η ένδειξη "G" (λειτουργία Holiday) σβήνει και στη συνέχεια θα σβήσει η λειτουργία Holiday.

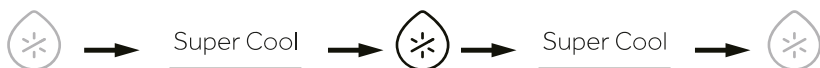


## ΕΙΔΟΠΟΙΗΣΗ

1. Η λειτουργία Holiday χρησιμοποιείται κυρίως για βραχυπρόθεσμα ταξίδια και άλλες τακτικές απουσίες και ο χώρος του ψυγείου πρέπει να αδειάζει όταν χρησιμοποιείτε τη λειτουργία Holiday.
2. Κατά τη λειτουργία Holiday, η θερμοκρασία του χώρου του ψυγείου θα είναι υψηλότερη (περίπου 17°C), δώστε προσοχή στο άδειασμα των τροφίμων από τον χώρο του ψυγείου για να αποτραπεί η αλλοίωση των τροφίμων.

## Λειτουργία Super Cool

1. Όταν η οθόνη είναι ξεκλειδωτή, πατήστε το κουμπί "K<sub>2</sub>" (επιλογέας Super Cool), ο βομβητής ακούγεται μία φορά, η ένδειξη "B" (λειτουργία Super Cool) φωτίζεται και στη συνέχεια θα ενεργοποιηθεί η λειτουργία Super Cool.
2. Όταν φωτίζεται η ένδειξη "B" (λειτουργία Super Cool), πατήστε το κουμπί "K<sub>2</sub>" (επιλογέας Super Cool), ο βομβητής ακούγεται μία φορά, η ένδειξη "O" (λειτουργία Super Cool) σβήνει και στη συνέχεια θα σβήσει η λειτουργία Super Cool.
3. Αφού ενεργοποιηθεί η λειτουργία Super Cool, το ψυγείο θα την απενεργοποιήσει αυτόματα όταν φτάσει στην καθορισμένη θερμοκρασία. Εάν θέλετε να βγείτε από τη λειτουργία χειροκίνητα, μπορείτε να πατήσετε το κουμπί "K<sub>2</sub>" (επιλογέας Super Cool) για να την απενεργοποιήσετε.



## ΕΙΔΟΠΟΙΗΣΗ

1. Όταν η λειτουργία Super Cool είναι ενεργοποιημένη, η θερμοκρασία του ψυγείου δεν μπορεί να προσαρμοστεί. Εάν πατήσετε το κουμπί "K<sub>4</sub>" (κουμπί ρύθμισης θερμοκρασίας "-") ή το κουμπί "K<sub>5</sub>" (κουμπί ρύθμισης θερμοκρασίας "+") για να ρυθμίσετε τη θερμοκρασία του ψυγείου, η ένδειξη "B" (ένδειξη Super Cool) θα αναβοσβήσει με έναν προειδοποιητικό ήχο για να υποδείξει ότι αυτή η λειτουργία δεν μπορεί να εκτελεστεί.
2. Όταν η λειτουργία Super Cool είναι ενεργοποιημένη, δεν μπορεί να ενεργοποιηθεί ταυτόχρονα η λειτουργία Auto-set λόγω διαφορετικών λειτουργιών ελέγχου. Όταν επιλέγετε μια λειτουργία που έρχεται σε διένεξη με μια άλλη λειτουργία, η αρχική λειτουργία θα τερματίζεται αυτόματα.
3. Αυτή η λειτουργία θα απενεργοποιηθεί αυτόματα μετά από 6 ώρες.

## Λειτουργία Super Freeze

1. Όταν η οθόνη παρουσίασης είναι ξεκλειδωτή, πατήστε το κουμπί "K<sub>3</sub>" (επιλογέας Super Freeze), ο βομβητής ακούγεται μία φορά, η ένδειξη "C" (λειτουργία Super Freeze) φωτίζεται και στη συνέχεια η λειτουργία Super Freeze θα ενεργοποιηθεί.
2. Όταν φωτίζεται η ένδειξη "C" (λειτουργία Super Freeze), πατήστε το κουμπί "K<sub>3</sub>" (επιλογέας Super Freeze), ο βομβητής ακούγεται μία φορά, η ένδειξη "C" (λειτουργία Super Freeze) σβήνει και στη συνέχεια η λειτουργία Super Freeze θα απενεργοποιηθεί.
3. Αφού ενεργοποιηθεί η λειτουργία Super Freeze, το ψυγείο θα την απενεργοποιήσει αυτόματα όταν φτάσει στην καθορισμένη θερμοκρασία. Εάν θέλετε να εξέλθετε από τη λειτουργία χειροκίνητα, μπορείτε να πατήσετε το κουμπί "K<sub>3</sub>" (επιλογέας Super Freeze) για να την απενεργοποιήσετε.





## ΕΙΔΟΠΟΙΗΣΗ

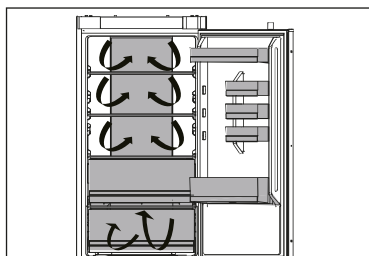
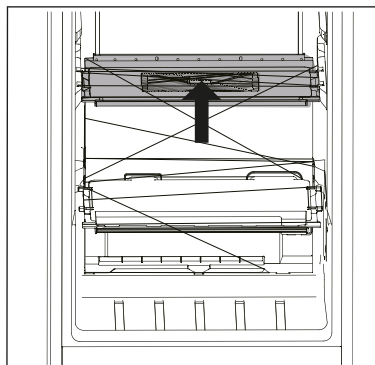
1. Όταν η λειτουργία Super Freeze είναι ενεργοποιημένη, η θερμοκρασία του καταψύκτη δεν μπορεί να προσαρμοστεί. Εάν πατήσετε το κουμπί "K<sub>4</sub>" (κουμπί ρύθμισης θερμοκρασίας "-") ή το κουμπί "K<sub>5</sub>" (κουμπί ρύθμισης θερμοκρασίας "+") για να ρυθμίσετε τη θερμοκρασία του καταψύκτη, η ένδειξη "C" (ένδειξη Super Freeze) θα αναβοσβήσει με έναν προειδοποιητικό ήχο για να υποδείξει ότι αυτή η λειτουργία δεν μπορεί να εκτελεστεί.
2. Η λειτουργία Super Freeze έχει σχεδιαστεί για να διατηρεί τη θρεπτική αξία των κατεψυγμένων τροφίμων, καταψύχει τα τρόφιμα σε σύντομο χρονικό διάστημα. Εάν πρόκειται να καταψύξετε μεγάλες ποσότητες κατεψυγμένων τροφίμων ταυτόχρονα. Εν τω μεταξύ, η λειτουργία Super Freeze θα πρέπει να ρυθμιστεί 24 ώρες νωρίτερα, ώστε ο καταψύκτης να έχει σχετικά χαμηλή θερμοκρασία για να τοποθετηθούν τα τρόφιμα. Σε αυτό το χρονικό διάστημα, η ταχύτητα κατάψυξης του καταψύκτη έχει βελτιωθεί, τα τρόφιμα μπορούν να καταψυχθούν γρήγορα, τα θρεπτικά συστατικά των τροφίμων διατηρούνται αποτελεσματικά και η αποθήκευση είναι βολική.
3. Η λειτουργία Super Freeze θα απενεργοποιηθεί αυτόματα μετά από 50 ώρες. Η συσκευή λειτουργεί στη συνέχεια με την προηγούμενη ρυθμισμένη θερμοκρασία.

## Συρτάρι Humidity Zone

Σε αυτό το τμήμα, το επίπεδο υγρασίας είναι υψηλότερο από ότι στο θάλαμο ψυγείου. Ελέγχεται αυτόματα από το σύστημα και είναι κατάλληλο για την αποθήκευση φρούτων, λαχανικών, σαλάτας κ.λπ.

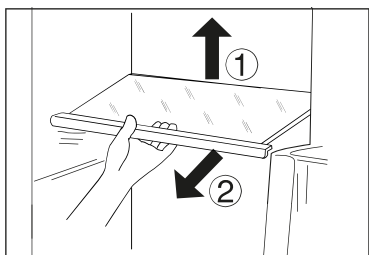
### **i** ΕΙΔΟΠΟΙΗΣΗ

1. Μην αφαιρείτε το πλαστικό κάλυμμα μέσα στη ζώνη.
2. Διατηρούν την υγρασία.
3. Φρούτα ευαίσθητα στο κρύο όπως ο ανανάς, το αβοκάντο, οι μπανάνες και τα γκρέιπφρουτ δεν συνιστάται να αποθηκεύονται στο συρτάρι.



### Πολλαπλή ροή αέρα

1. Το ψυγείο είναι εξοπλισμένο με σύστημα πολλαπλών ροών αέρα, το οποίο παρέχει ροή κρύου αέρα σε κάθε επίπεδο στα ράφια. Αυτό βοηθά στη διατήρηση μιας ομοιόμορφης θερμοκρασίας για να διασφαλιστεί ότι τα τρόφιμά σας διατηρούνται πιο φρέσκα για μεγαλύτερο χρονικό διάστημα.



### Ρυθμιζόμενα ράφια

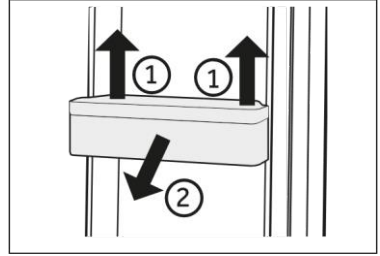
1. Το ύψος των ραφιών μπορεί να ρυθμιστεί ώστε να ταιριάζει στις ανάγκες αποθήκευσης.
2. Για να μετακινήσετε ένα ράφι, αφαιρέστε το πρώτα ανυψώνοντας την οπίσθια άκρη του ① και τραβώντας το έξω ②.
3. Για να το επανατοποθετήσετε, τοποθετήστε το στις υποδοχές και στις δύο πλευρές και σπρώξτε το στην πίσω θέση μέχρι το πίσω μέρος του ραφιού να στερεωθεί στις πλαϊνές σχισμές.

### **i** ΕΙΔΟΠΟΙΗΣΗ

Βεβαιωθείτε ότι όλα τα άκρα ενός ραφιού είναι επίπεδα.

### Αφαιρούμενες σχάρες πόρτας/αφαιρούμενη μπουκαλοθήκη

1. Τα ράφια των πορτών μπορούν να αφαιρεθούν για καθαρισμό:
2. Τοποθετήστε τα χέρια σε κάθε πλευρά της σχάρας, σηκώστε την προς τα πάνω ① και τραβήξτε την προς τα έξω ②.
3. Για την εισαγωγή της σχάρας της πόρτας, τα παραπάνω βήματα πραγματοποιούνται με αντίστροφη σειρά.



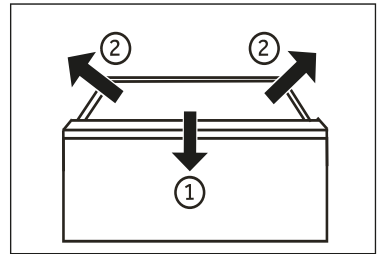
### ΕΙΔΟΠΟΙΗΣΗ

Όταν η συσκευή είναι ενεργοποιημένη, μπορεί να χρειαστούν έως και 12 ώρες για να επιτευχθούν οι σωστές θερμοκρασίες.

### Αφαιρούμενο συρτάρι

Για να αφαιρέσετε το συρτάρι προς τα έξω, τραβήξτε προς τα έξω στο μέγιστο βαθμό ①, σηκώστε και αφαιρέστε ②.

Για την τοποθέτηση του συρταριού, τα παραπάνω βήματα γίνονται με αντίστροφη σειρά.



### Το φως

Το εσωτερικό φως LED ανάβει όταν ανοίγει η πόρτα. Η απόδοση των φώτων δεν επηρεάζεται από καμία από τις άλλες ρυθμίσεις της συσκευής.



## Συμβουλές εξοικονόμησης ενέργειας

- ▶ Βεβαιωθείτε ότι η συσκευή αερίζεται σωστά (δείτε ΕΓΚΑΤΑΣΤΑΣΗ).
- ▶ Μην εγκαθιστάτε τη συσκευή σε σημείο με άμεσο ηλιακό φως ή κοντά σε πηγές θερμότητας (π.χ. σόμπες, θερμαντήρες).
- ▶ Αποφύγετε την άσκοπα χαμηλή θερμοκρασία στη συσκευή. Η κατανάλωση ενέργειας αυξάνεται όσο χαμηλότερη είναι η θερμοκρασία στη συσκευή.
- ▶ Λειτουργίες όπως η Super Freeze καταναλώνουν περισσότερη ενέργεια.
- ▶ Αφήστε το ζεστό φαγητό να κρυώσει πριν το τοποθετήσετε μέσα στη συσκευή.
- ▶ Να ανοίγετε την πόρτα της συσκευής όσο το δυνατόν λιγότερες φορές και για όσο πιο σύντομα γίνεται.
- ▶ Μην γεμίζετε και φορτώνετε υπερβολικά τη συσκευή για να αποφύγετε τη φραγή του αέρα χαμηλά.
- ▶ Αποφύγετε το να υπάρχει αέρας μέσα στη συσκευασία των τροφίμων.
- ▶ Διατηρείτε τα λάστιχα της πόρτας καθαρά, ώστε η πόρτα να κλείνει πάντα σωστά.
- ▶ Να αποψύχετε τα κατεψυγμένα τρόφιμα στο χώρο αποθήκευσης του ψυγείου.
- ▶ Η διαμόρφωση εξοικονόμησης ενέργειας απαιτεί τη διατήρηση του συρταριού, του κουτιού τροφίμων και των ραφιών όπως ακριβώς είναι, δηλαδή στην εργοστασιακή τους κατάσταση, και την τοποθέτηση των τροφίμων με τέτοιο τρόπο, ώστε να μην εμποδίζεται η έξοδος αεραγωγού.



## ΠΡΟΕΙΔΟΠΟΙΗΣΗ!

Αποσυνδέστε τη συσκευή από την τροφοδοσία πριν από τον καθαρισμό.

### Καθαρισμός

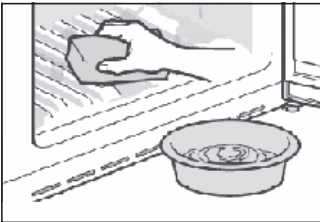
Καθαρίστε τη συσκευή μόνο όταν υπάρχουν αποθηκευμένα λίγα ή καθόλου τρόφιμα.

Η συσκευή πρέπει να καθαρίζεται κάθε τέσσερις εβδομάδες για καλή συντήρηση και για την αποφυγή αποθηκευμένων τροφίμων με δυσάρεστες οσμές.



## ΠΡΟΕΙΔΟΠΟΙΗΣΗ!

- ▶ Μην καθαρίζετε τη συσκευή με σκληρές βούρτσες, συρμάτινες βούρτσες, σκόνη απορρυπαντικού, βενζίνη, οξικό αμύλιο, ακετόνη και παρόμοια οργανικά διαλύματα, όξινα ή αλκαλικά διαλύματα. Καθαρίστε με ειδικό απορρυπαντικό ψυγείου για να αποφύγετε ζημιές.
- ▶ Μην ψεκάζετε ή ξεπλένετε τη συσκευή κατά τον καθαρισμό.
- ▶ Μην χρησιμοποιείτε σπρέι νερού ή ατμό για να καθαρίσετε τη συσκευή.
- ▶ Μην καθαρίζετε τα κρύα γυάλινα ράφια με ζεστό νερό. Η απότομη αλλαγή θερμοκρασίας μπορεί να προκαλέσει το σπάσιμο του γυαλιού.
- ▶ Μην αγγίζετε την εσωτερική επιφάνεια του χώρου αποθήκευσης του καταψύκτη, ειδικά με βρεγμένα χέρια, καθώς τα χέρια σας μπορεί να παγώσουν στην επιφάνεια.
- ▶ Σε περίπτωση θέρμανσης ελέγξτε την κατάσταση των κατεψυγμένων αγαθών.



- ▶ Διατηρείτε πάντα το λάστιχο της πόρτας καθαρό.
- ▶ Καθαρίστε το εσωτερικό και το περίβλημα της συσκευής με ένα σφουγγάρι βρεγμένο σε ζεστό νερό και ουδέτερο απορρυπαντικό.
- ▶ 1. Τρίψτε το εσωτερικό και το εξωτερικό του ψυγείου, συμπεριλαμβανομένων των λάστιχων της πόρτας, της σχάρας της πόρτας, των γυάλινων ραφιών, των κουτιών και ούτω καθεξής, με μια μαλακή πετσέτα ή ένα σφουγγάρι βουτηγμένο σε ζεστό νερό (μπορείτε να προσθέσετε ουδέτερο απορρυπαντικό στο ζεστό νερό).
- ▶ 2. Εάν χυθεί υγρό, αφαιρέστε όλα τα μολυσμένα μέρη, ξεπλύνετε απευθείας με το νερό ροής, στεγνώστε και τοποθετήστε το πίσω στο ψυγείο.
- ▶ 3. Εάν υπάρχει χυμένη κρέμα (όπως η κρέμα γάλακτος, το παγωτό που λιώνει), αφαιρέστε όλα τα μολυσμένα μέρη, βάλτε στο ζεστό νερό με περίπου 40 °C για κάποιο χρονικό διάστημα, στη συνέχεια ξεπλύνετε με το νερό ροής, στεγνώστε και τοποθετήστε το ξανά στο ψυγείο.
- ▶ 4. Σε περίπτωση που κάποιο μικρό μέρος ή εξάρτημα κολλήσει μέσα στο ψυγείο (ανάμεσα σε ράφια ή συρτάρια), χρησιμοποιήστε μια μικρή μαλακή βούρτσα

για να το απελευθερώσετε. Εάν δεν μπορέσετε να φτάσετε το εξάρτημα, επικοινωνήστε με την υπηρεσία Haier

- ▶ Ξεπλύνετε και στεγνώστε με μαλακό πανί.
- ▶ Μην καθαρίζετε κανένα από τα μέρη της συσκευής σε πλυντήριο πιάτων.
- ▶ Αφήστε τουλάχιστον 5 λεπτά πριν από την επανεκκίνηση της συσκευής, καθώς η συχνή εκκίνηση μπορεί να προκαλέσει ζημιά στον συμπιεστή.

### Απόψυξη

Η απόψυξη των θαλάμων του ψυγείου και της κατάψυξης γίνεται αυτόματα, δεν απαιτείται χειροκίνητη λειτουργία.

### Αντικατάσταση των λυχνιών LED



#### ΠΡΟΕΙΔΟΠΟΙΗΣΗ!

Μην αντικαθιστάτε μόνοι σας τον λαμπτήρα LED, πρέπει να αντικατασταθεί μόνον από τον κατασκευαστή ή από τον εξουσιοδοτημένο αντιπρόσωπο σέρβις.

Ο λαμπτήρας υιοθετεί το LED ως πηγή φωτός του, που χαρακτηρίζεται για τη χαμηλή κατανάλωση ενέργειας και τη μακριά διάρκεια ζωής. Εάν υπάρχει κάποια ανωμαλία, επικοινωνήστε με την εξυπηρέτηση πελατών. Δείτε την ενότητα ΕΞΥΠΗΡΕΤΗΣΗ ΠΕΛΑΤΩΝ.

Παράμετροι του λαμπτήρα:

Θάλαμος ψυγείου: 12 V μέγ. 2 W

Θάλαμος καταψύκτη: 12 V μέγ. 2 W

### Μη χρήση για παρατεταμένο χρονικό διάστημα

Εάν δεν χρησιμοποιείτε τη συσκευή για μεγάλο χρονικό διάστημα ΚΑΙ δεν θέλετε να χρησιμοποιήσετε τη λειτουργία Holiday:

Αφαιρέσετε τα τρόφιμα.

Αποσυνδέστε το καλώδιο τροφοδοσίας.

Καθαρίστε τη συσκευή, όπως περιγράφεται παραπάνω.

Διατηρήστε τις πόρτες ανοικτές για να αποτρέψετε τη δημιουργία δυσοσμίας στο εσωτερικό.



#### ΕΙΔΟΠΟΙΗΣΗ

Απενεργοποιήστε τη συσκευή μόνο εάν είναι απολύτως απαραίτητο.

### Μετακίνηση της συσκευής

1. Αφαιρέστε όλα τα τρόφιμα και αποσυνδέστε τη συσκευή.
2. Ασφαλίστε τα ράφια και τα άλλα κινητά μέρη στο ψυγείο και στον καταψύκτη με κολλητική ταινία.
3. Μην γέρνετε το ψυγείο περισσότερο από 45° ώστε να αποφύγετε ζημιά στο ψυκτικό σύστημα.



#### ΠΡΟΕΙΔΟΠΟΙΗΣΗ!

- ▶ Μην σηκώνετε τη συσκευή από τις λαβές της.
- ▶ Μην τοποθετείτε ποτέ τη συσκευή οριζόντια στο έδαφος.

Πολλά προβλήματα που παρουσιάζονται θα μπορούσαν να επιλυθούν από τον εαυτό σας χωρίς ειδική εμπειρογνώμοσύνη. Σε περίπτωση προβλήματος, ελέγξτε όλες τις εμφανιζόμενες δυνατότητες και ακολουθήστε τις παρακάτω οδηγίες προτού επικοινωνήσετε με το τμήμα εξυπηρέτησης πελατών μετά την πώληση. Δείτε την ενότητα ΕΞΥΠΗΡΕΤΗΣΗ ΠΕΛΑΤΩΝ.



## ΠΡΟΕΙΔΟΠΟΙΗΣΗ!

- ▶ Πριν από τη συντήρηση, απενεργοποιήστε τη συσκευή και αποσυνδέστε το φις από την πρίζα.
- ▶ Ο ηλεκτρικός εξοπλισμός πρέπει να συντηρείται μόνο από εξειδικευμένους ηλεκτρολόγους, επειδή οι ακατάλληλες επισκευές μπορούν να προκαλέσουν σημαντικές επακόλουθες ζημιές.
- ▶ Μια κατεστραμμένη τροφοδοσία θα πρέπει να αντικατασταθεί από τον κατασκευαστή ή τον αντιπρόσωπο του σέρβις ή παρόμοια εξουσιοδοτημένα πρόσωπα, προς αποφυγή του κινδύνου.

Πρόβλημα	Πιθανή αιτία	Πιθανή λύση
Ο συμπίεστής δεν λειτουργεί.	<ul style="list-style-type: none"> <li>• Το βύσμα δικτύου δεν είναι συνδεδεμένο στην πρίζα.</li> <li>• Η συσκευή βρίσκεται στον κύκλο απόψυξης</li> </ul>	<ul style="list-style-type: none"> <li>• Συνδέστε την πρίζα.</li> <li>• Αυτό είναι φυσιολογικό για αυτόματη απόψυξη</li> </ul>
Η συσκευή λειτουργεί συχνά ή λειτουργεί για πολύ μεγάλο χρονικό διάστημα.	<ul style="list-style-type: none"> <li>• Η εσωτερική και η εξωτερική θερμοκρασία είναι πολύ υψηλή.</li> <li>• Η συσκευή απενεργοποιήθηκε για ένα χρονικό διάστημα.</li> <li>• Η πόρτα της συσκευής δεν είναι καλά κλειστή.</li> <li>• Η πόρτα ανοίγει πολύ συχνά ή για μεγάλα χρονικά διαστήματα.</li> <li>• Η ρύθμιση θερμοκρασίας για την κατάψυξη είναι πολύ χαμηλή.</li> <li>• Το λάστιχο της πόρτας είναι βρώμικο, έχει φθαρεί, έχει ρωγμές ή δεν ταιριάζει.</li> <li>• Η απαιτούμενη κυκλοφορία του αέρα δεν είναι εγγυημένη.</li> </ul>	<ul style="list-style-type: none"> <li>• Είναι φυσιολογικό η συσκευή να λειτουργεί περισσότερο.</li> <li>• Κανονικά, χρειάζονται 8 έως 12 ώρες για να κρυώσει εντελώς η συσκευή.</li> <li>• Κλείστε την πόρτα / συρτάρι και βεβαιωθείτε ότι η συσκευή βρίσκεται σε επίπεδη επιφάνεια και ότι δεν υπάρχει τροφή ή δοχείο που να «χτυπά» πάνω στην πόρτα.</li> <li>• Μην ανοίγετε την πόρτα / το συρτάρι πολύ συχνά.</li> <li>• Ρυθμίστε τη θερμοκρασία ψηλότερα μέχρι να ληφθεί ικανοποιητική θερμοκρασία ψυγείου. Χρειάζονται 24 ώρες για να σταθεροποιηθεί η θερμοκρασία του ψυγείου.</li> <li>• Καθαρίστε την πόρτα/το φλάουτο του συρταριού ή αντικαταστήστε τα από την εξυπηρέτηση πελατών.</li> <li>• Εξασφαλίστε επαρκή αερισμό.</li> </ul>

Πρόβλημα	Πιθανή αιτία	Πιθανή λύση
Το εσωτερικό του ψυγείου είναι βρώμικο ή/και μυρίζει άσχημα.	<ul style="list-style-type: none"> <li>• Το εσωτερικό του ψυγείου χρειάζεται καθαρισμό.</li> <li>• Τα τρόφιμα με έντονη οσμή αποθηκεύονται στο ψυγείο.</li> </ul>	<ul style="list-style-type: none"> <li>• Καθαρίστε το εσωτερικό του ψυγείου.</li> <li>• Τυλίξτε καλά το φαγητό.</li> </ul>
Δεν υπάρχει αρκετή ψύξη στο εσωτερικό της συσκευής.	<ul style="list-style-type: none"> <li>• Η θερμοκρασία είναι πολύ υψηλή.</li> <li>• Πολύ ζεστά αγαθά έχουν αποθηκευτεί.</li> <li>• Πάρα πολύ φαγητό έχει αποθηκευτεί ταυτόχρονα.</li> <li>• Τα αγαθά είναι πολύ κοντά το ένα στο άλλο.</li> <li>• Η πόρτα / συρτάρι της συσκευής δεν είναι κλειστά.</li> <li>• Η πόρτα/το συρτάρι ανοίγει πολύ συχνά ή για μεγάλα χρονικά διαστήματα.</li> </ul>	<ul style="list-style-type: none"> <li>• Επαναφέρετε τη θερμοκρασία.</li> <li>• Πάντα να ψύχετε τα αγαθά πριν τα αποθηκεύετε.</li> <li>• Να αποθηκεύετε πάντα μικρές ποσότητες τροφίμων.</li> <li>• Αφήστε ένα κενό μεταξύ πολλών τροφίμων που επιτρέπουν τη ροή του αέρα.</li> <li>• Κλείστε την πόρτα / τα συρτάρια.</li> <li>• Μην ανοίγετε την πόρτα / το συρτάρι πολύ συχνά.</li> </ul>
Υπάρχει αρκετή ψύξη στο εσωτερικό της συσκευής.	<ul style="list-style-type: none"> <li>• Η θερμοκρασία είναι πολύ χαμηλή.</li> <li>• Η λειτουργία Super Freeze/Super Cool είναι ενεργοποιημένη ή λειτουργεί για μεγάλο διάστημα.</li> </ul>	<ul style="list-style-type: none"> <li>• Επαναφέρετε τη θερμοκρασία.</li> <li>• Απενεργοποιήστε τη λειτουργία Super Freeze/Super Cool</li> </ul>
Σχηματισμός υγρασίας στο εσωτερικό του διαμερίσματος του ψυγείου.	<ul style="list-style-type: none"> <li>• Το κλίμα είναι πολύ ζεστό και πολύ υγρό.</li> <li>• Η πόρτα / συρτάρι της συσκευής δεν είναι κλειστά.</li> <li>• Η πόρτα/το συρτάρι ανοίγει πολύ συχνά ή για μεγάλα χρονικά διαστήματα.</li> <li>• Τα δοχεία τροφίμων ή τα υγρά παραμένουν ανοιχτά.</li> </ul>	<ul style="list-style-type: none"> <li>• Αυξήστε τη θερμοκρασία.</li> <li>• Κλείστε την πόρτα / τα συρτάρια.</li> <li>• Μην ανοίγετε την πόρτα / το συρτάρι πολύ συχνά.</li> <li>• Αφήστε τα ζεστά τρόφιμα να κρυσώσουν σε θερμοκρασία δωματίου και καλύψτε τα τρόφιμα και τα υγρά.</li> </ul>
Η υγρασία συσσωρεύεται στα ψυγεία έξω από την επιφάνεια ή ανάμεσα στις πόρτες / την πόρτα και τα συρτάρια.	<ul style="list-style-type: none"> <li>• Το κλίμα είναι πολύ ζεστό και πολύ υγρό.</li> <li>• Η πόρτα δεν είναι ερμητικά κλειστή. Ο κρύος αέρας στη συσκευή και ο ζεστός αέρας έξω από αυτήν συμπυκνώνονται.</li> </ul>	<ul style="list-style-type: none"> <li>• Αυτό είναι φυσιολογικό σε υγρό κλίμα και θα αλλάξει όταν μειώνεται η υγρασία.</li> <li>• Βεβαιωθείτε ότι η πόρτα/το συρτάρι είναι καλά κλειστά.</li> </ul>

Πρόβλημα	Πιθανή αιτία	Πιθανή λύση
Εμφάνιση ελαφριάς λειτουργίας, αλλά δεν γίνεται αισθητή η ψύξη.	<ul style="list-style-type: none"> <li>Είναι στη λειτουργία demo.</li> </ul>	<ul style="list-style-type: none"> <li>Σημειώστε σε ποια κατάσταση βρίσκεται, αν είναι σε κατάσταση Demo, να εξέλθετε από αυτήν. Έξοδος από το άνοιγμα πόρτας ψυγείου, σε κατάσταση κλειδώματος, πατήστε το δεύτερο κουμπί στα δεξιά για 8" εντός 12 ωρών από την ενεργοποίηση.</li> </ul>
Ισχυρός πάγος και παγετός στο διαμέρισμα του καταψύκτη.	<ul style="list-style-type: none"> <li>Τα εμπορεύματα δεν είχαν συσκευαστεί επαρκώς.</li> <li>Η πόρτα / συρτάρια της συσκευής δεν είναι κλειστά.</li> <li>Η πόρτα/το συρτάρι ανοίγει πολύ συχνά ή για μεγάλα χρονικά διαστήματα.</li> <li>Η φλάντζα πόρτας/συρταριού είναι βρώμικη, φθαρμένη, ραγισμένη ή αταίριαστη.</li> <li>Κάτι στο εσωτερικό εμποδίζει την πόρτα / συρτάρι να κλείσει σωστά.</li> </ul>	<ul style="list-style-type: none"> <li>Πάντα να συσκευάζετε καλά τα προϊόντα.</li> <li>Κλείστε την πόρτα / τα συρτάρια.</li> <li>Μην ανοίγετε την πόρτα / το συρτάρι πολύ συχνά.</li> <li>Καθαρίστε την τσιμούχα πόρτας/συρταριού ή αντικαταστήστε την με νέα.</li> <li>Επανατοποθετήστε τα ράφια, τα ράφια των θυρών ή τα εσωτερικά δοχεία για να επιτρέψετε στο κλείσιμο της πόρτας / συρταριού.</li> </ul>
Οι πλευρές του ντουλαπιού και της λωρίδας της πόρτας θερμαίνονται.	<ul style="list-style-type: none"> <li>-</li> </ul>	<ul style="list-style-type: none"> <li>Αυτό είναι φυσιολογικό.</li> </ul>
Η συσκευή κάνει αφύσικους ήχους.	<ul style="list-style-type: none"> <li>Η συσκευή δεν βρίσκεται σε επίπεδο έδαφος.</li> <li>Η συσκευή αγγίζει κάποιο αντικείμενο γύρω της.</li> </ul>	<ul style="list-style-type: none"> <li>Ρυθμίστε τα πόδια για να ισιώσετε τη συσκευή.</li> <li>Αφαιρέστε τα αντικείμενα γύρω από τη συσκευή.</li> </ul>
Ένας ελαφρύς ήχος πρέπει να ακούγεται παρόμοιος με αυτόν του ρέοντος νερού.	<ul style="list-style-type: none"> <li>-</li> </ul>	<ul style="list-style-type: none"> <li>Αυτό είναι φυσιολογικό.</li> </ul>
Θα ακούσετε ένα ηχητικό σήμα συναγερμού.	<ul style="list-style-type: none"> <li>Η πόρτα του χώρου αποθήκευσης ψυγείου είναι ανοιχτή.</li> </ul>	<ul style="list-style-type: none"> <li>Κλείστε την πόρτα.</li> </ul>
Θα ακούσετε ένα αχνό βουητό.	<ul style="list-style-type: none"> <li>Το σύστημα κατά της συμπίκνωσης λειτουργεί</li> </ul>	<ul style="list-style-type: none"> <li>Αυτό αποτρέπει τη συμπίκνωση και είναι φυσιολογικό</li> </ul>

Πρόβλημα	Πιθανή αιτία	Πιθανή λύση
Το σύστημα εσωτερικού φωτισμού ή ψύξης δεν λειτουργεί.	<ul style="list-style-type: none"> <li>• Το βύσμα δικτύου δεν είναι συνδεδεμένο στην πρίζα.</li> <li>• Η παροχή ρεύματος δεν είναι άθικτη.</li> <li>• Η λυχνία LED είναι εκτός λειτουργίας.</li> </ul>	<ul style="list-style-type: none"> <li>• Συνδέστε την πρίζα.</li> <li>• Ελέγξτε την παροχή ηλεκτρικού ρεύματος στο δωμάτιο. Καλέστε την τοπική εταιρεία ηλεκτρισμού!</li> <li>• Καλέστε την υπηρεσία για αλλαγή της λυχνίας.</li> </ul>

Για να επικοινωνήσετε με την τεχνική βοήθεια, επισκεφθείτε τον ιστότοπό μας: <https://corporate.haier-europe.com/en/>

Στην ενότητα "ιστότοπος", επιλέξτε τη μάρκα του προϊόντος σας και τη χώρα σας. Θα ανακατευθυνθείτε στον συγκεκριμένο ιστότοπο, όπου μπορείτε να βρείτε τον αριθμό τηλεφώνου και τη φόρμα για να επικοινωνήσετε με την τεχνική υποστήριξη.

### Διακοπή ρεύματος

Σε περίπτωση διακοπής ρεύματος, τα τρόφιμα πρέπει να παραμείνουν με ασφάλεια κρύα και σε συνθήκες ψύξης για περίπου 5 ώρες. Ακολουθήστε αυτές τις συμβουλές κατά τη διάρκεια παρατεταμένης διακοπής ρεύματος, ειδικά το καλοκαίρι:

- ▶ Ανοίγετε την πόρτα / συρτάρια όσο το δυνατόν λιγότερες φορές.
- ▶ Μη βάζετε επιπλέον τρόφιμα στη συσκευή κατά τη διάρκεια διακοπής ρεύματος.
- ▶ Εάν δοθεί προηγούμενη ειδοποίηση για διακοπή ρεύματος και η διάρκεια διακοπής είναι μεγαλύτερη από 5 ώρες, φτιάξτε λίγο πάγο και τοποθετήστε τον σε ένα δοχείο στο πάνω μέρος του ψυγείου.
- ▶ Ο έλεγχος των εμπορευμάτων απαιτείται αμέσως μετά τη διακοπή.
- ▶ Καθώς η θερμοκρασία στο ψυγείο θα αυξηθεί κατά τη διάρκεια διακοπής ρεύματος ή άλλης βλάβης, η περίοδος αποθήκευσης και η βρώσιμη ποιότητα των τροφίμων θα μειωθούν. Οποιοδήποτε φαγητό αποψύχεται πρέπει να καταναλώνεται ή να μαγειρεύεται και να καταψύχεται (όταν επιτρέπεται αυτή η διαδικασία) λίγο μετά για την αποφυγή κινδύνων για την υγεία.

### Λειτουργία μνήμης κατά τη διακοπή ρεύματος

Μετά την αποκατάσταση του ρεύματος, η συσκευή συνεχίζει με τις ρυθμίσεις που είχαν ρυθμιστεί πριν από την διακοπή ρεύματος.

## Αποσυσκευασία



## ΠΡΟΕΙΔΟΠΟΙΗΣΗ!

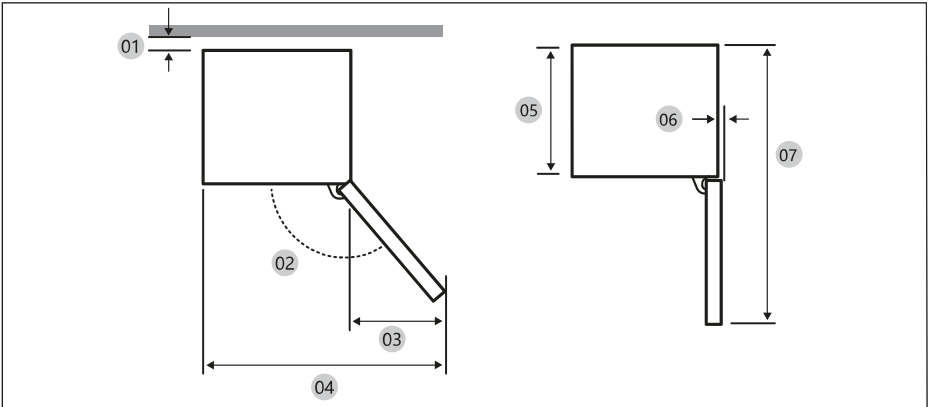
- ▶ Η συσκευή είναι βαριά. Πάντοτε θα πρέπει να χειρίζονται τη συσκευή δύο άτομα τουλάχιστον.
- ▶ Κρατήστε όλα τα υλικά συσκευασίας μακριά από τα παιδιά και απορρίψτε τα με φιλικό προς το περιβάλλον τρόπο.
- ▶ Βγάλε τη συσκευή από τη συσκευασία.
- ▶ Αφαιρέστε όλα τα υλικά συσκευασίας.

## Περιβαλλοντικές συνθήκες

Η θερμοκρασία δωματίου πρέπει να είναι πάντα μεταξύ 10°C και 43°C, καθώς μπορεί να επηρεαστεί η θερμοκρασία στο εσωτερικό της συσκευής και η κατανάλωση ενέργειάς της. Μην εγκαθιστάτε τη συσκευή κοντά σε άλλες συσκευές που εκπέμπουν θερμότητα (φούρνους, ψυγεία) χωρίς μόνωση.

## Απαιτήσεις χώρου

Απαιτούμενος χώρος όταν η πόρτα είναι ανοιχτή (χωρίς το πάνελ της πόρτας του επίπλου)

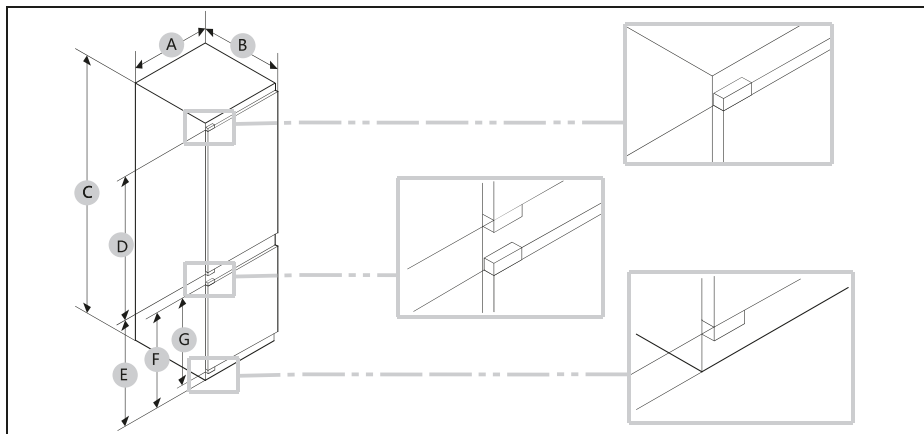


Μοντέλο	ΕΗΒQW5518E ΗΒQW5518E ΗΒQW5518EK ΗQΕ1855BCMW ΕΗQΕ1855BCMW	ΗΒQW5519E ΗΒQW5519EK ΕΗΒQW5519E ΕΗΒQW5519ECM	ΗΒQW5719E
01 *	10 (ελάχ.) / 30 (συνιστάται)	10 (ελάχ.) / 30 (συνιστάται)	10 (ελάχ.) / 30 (συνιστάται)
02	95° (Συνιστάται)	95° (Συνιστάται)	95° (Συνιστάται)
03	43	43	55
04	583	583	745
05	515	515	515
06	-3	-3	-3
07	1060	1060	1210

\* 01: Από το επίπλο μέχρι το πίσω μέρος του προϊόντος.

(μονάδα: mm)

## Διαστάσεις προϊόντος



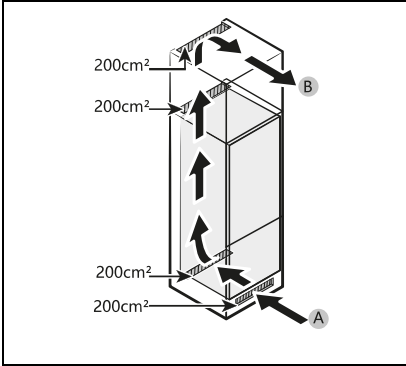
Μοντέλο	A(mm)	B(mm)	C(mm)	D(mm)	E(mm)	F(mm)	G(mm)
EHBQW5518E HBQW5518E HBQW5518EK HQE1855BCMW EHQE1855BCMW	540±2	550±2	1772±2	970	745	662	618
HBQW5519E HBQW5519EK EHBQW5519E EHBQW5519ECM	540±2	550±2	1935±2	1133	745	662	618
HBQW5719E	690±2	550±2	1935±2	1133	745	662	618

## **i** ΕΙΔΟΠΟΙΗΣΗ

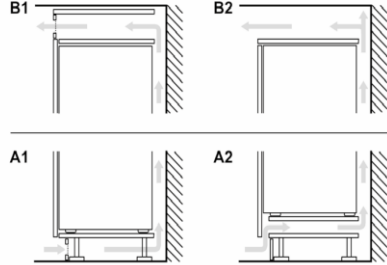
- Η καθορισμένη κατανάλωση ενέργειας βασίζεται στην προϋπόθεση ενός διάκενου 10 mm από το επίπλο έως το πίσω μέρος του προϊόντος. Το προϊόν **θα** λειτουργεί σωστά ακόμη και με διάκενο μικρότερο από 10 mm, ωστόσο **ca**
- Συνιστούμε τη χρήση επίπλου πάχους 18 mm με μεντεσέδες πάχους μικρότερου των 20 mm.
- Οι μετρήσεις στον παραπάνω πίνακα ενδέχεται να διαφέρουν, ανάλογα με τη μέθοδο μέτρησης.
- Για την εντοιχισμένη εγκατάσταση, ανατρέξτε στον Οδηγό εγκατάστασης.

## Διατομή εξαερισμού

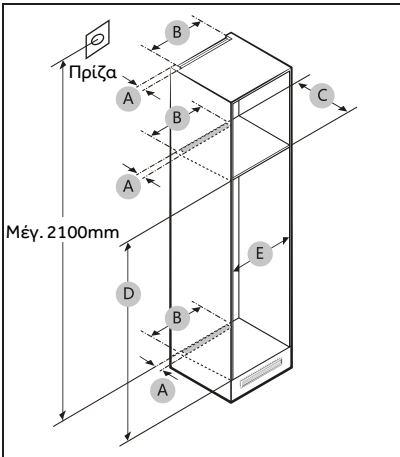
Για να επιτευχθεί επαρκής αερισμός της συσκευής για λόγους ασφαλείας, πρέπει να τηρούνται οι πληροφορίες των απαιτούμενων διατομών εξαερισμού.



**A:** Είσοδος αέρα  $\geq 200\text{cm}^2$ . Επιλογές εξαερισμού  
**B:** Έξοδος αέρα  $\geq 200\text{cm}^2$ . Επιλογές εξαερισμού



## Διαστάσεις επίπλου



## ΠΡΟΣΟΧΗ!

Οποιαδήποτε βλάβη του προϊόντος που οφείλεται στα ακόλουθα δεν καλύπτεται από την Εγγύηση.

1. Ακατάλληλες συνθήκες τοποθεσίας ή εσφαλμένα μεγέθη επίπλων.
2. Ελαττωματικό έπιπλο.
3. Λάθη του εγκαταστάτη ή του χρήστη.

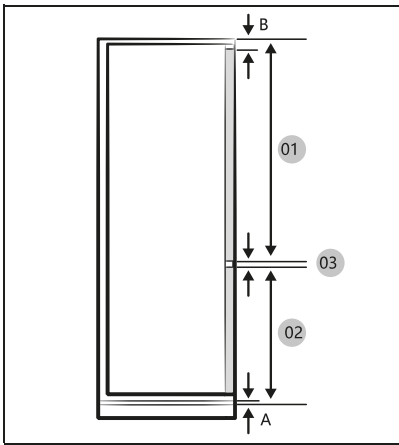
## Διάκενο

Δείτε τις εικόνες και τους πίνακες παρακάτω σχετικά με τις απαιτήσεις χώρου για την εγκατάσταση.

Μοντέλο		A (mm)	B (mm)	C (mm)	D (mm)	E (mm)	Παρατήρηση
EHBQW5518E HBQW5518E HBQW5518EK HQE1855BCMW EHQE1855BCMW	Ελάχ.	50	400	560	1778	560	Μεντεσές: 17mm
	Συνιστάται			580	1780	562	
	Μέγ.			-	1782	568	
HBQW5519E HBQW5519EK EHBQW5519E EHBQW5519ECM	Ελάχ.	50	400	560	1940	560	Μεντεσές: 17mm
	Συνιστάται			580	1943	562	
	Μέγ.			-	1945	568	
HBQW5719E	Ελάχ.	50	400	560	1941	710	Μεντεσές: 17mm
	Συνιστάται			580	1943	714	
	Μέγ.			-	1945	718	

## **i** ΕΙΔΟΠΟΙΗΣΗ

- Εάν το πλάτος ενός επίπλου είναι μεγαλύτερο από 568 mm, το λάστιχο (μεταξύ του ψυγείου και του ντουλαπιού) μπορεί να χαλαρώσει.
- Εάν το επίπλο είναι ψηλότερο από τις μέγιστες διαστάσεις (1782 mm), πρέπει να χρησιμοποιήσετε άλλα υλικά φινιρίσματος για να καλύψετε το κενό (για EHBQW5518E/ HBQW5518E/ EK/ EHQE/ HQE1855BCMW)
- Εάν το επίπλο είναι ψηλότερο από τις μέγιστες διαστάσεις (1945 mm), πρέπει να χρησιμοποιήσετε άλλα υλικά φινιρίσματος για να καλύψετε το κενό (για HBQW5519E/ EK/ EHBQW5519E/ ECM)



## **i** ΕΙΔΟΠΟΙΗΣΗ

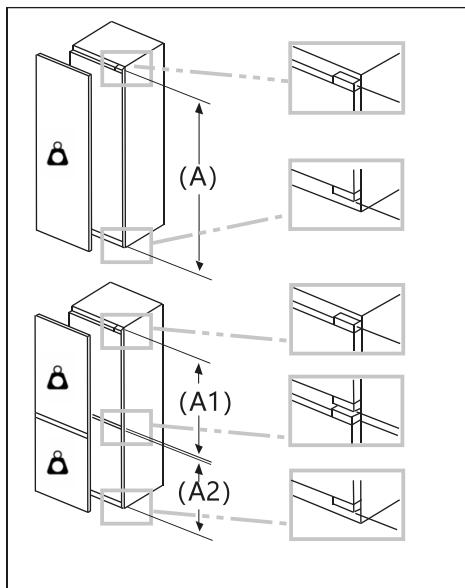
Για να εγκαταστήσετε ένα επίπλο που απαιτεί διάκενο 4 mm (03), ανατρέξτε στον παρακάτω πίνακα αναφοράς επίπλων.

- A Κάτω άκρο του μπροστινού πάνελ πάνω από τον εξαερισμό αέρα  
B Προεξοχή του μπροστινού πάνελ

(μονάδα: mm)

Μοντέλο	EHBQW5518E HBQW5518E HBQW5518EK HQE1855BCMW EHQE1855BCMW	HBQW5519E HBQW5519EK EHBQW5519E EHBQW5519ECM HBQW5719E
01	Ελάχ. 1028+B Μέγ. 1106+B	Ελάχ. 1191+B Μέγ. 1269+B
02	Ελάχ. 662+A Μέγ. 740+A	Ελάχ. 662+A Μέγ. 740+A
03	4 mm (διάκενο στην πόρτα επίπλου του ψυγείου και του καταψύκτη)	

## Μέγιστο επιτρεπόμενο βάρος των προσόψεων της μονάδας

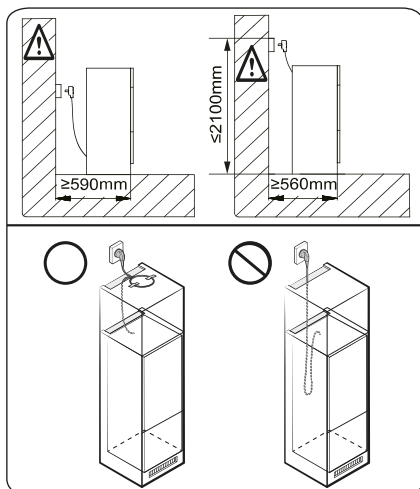


Οι τοποθετημένες προσόψεις μονάδων που υπερβαίνουν το επιτρεπόμενο βάρος μπορεί να προκαλέσουν ζημιά και να οδηγήσουν σε λειτουργική βλάβη των μεντεσέδων.

 Βάρος  
(kg)

1500-1750 mm	22
720-1400 mm	19
A1	15
A2	15

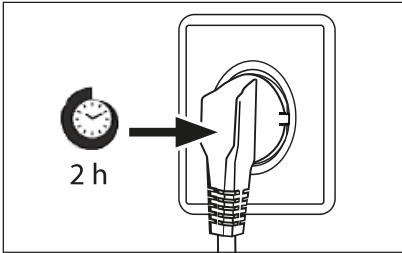
## Εκτίμηση για τη θέση της πρίζας και τον απαιτούμενο χώρο



### ΕΙΔΟΠΟΙΗΣΗ

Εάν εγκαταστήσετε το ψυγείο σε έπιπλο με βάθος 560 mm, βεβαιωθείτε ότι το καλώδιο τροφοδοσίας είναι τοποθετημένο σε μια πλευρά του ψυγείου πριν το συνδέσετε στην πρίζα. Εάν το καλώδιο τροφοδοσίας βρίσκεται στο πίσω μέρος του ψυγείου, μπορεί να μειωθεί η ενεργειακή απόδοση.

## Χρόνος αναμονής



Το λάδι λίπανσης χωρίς συντήρηση βρίσκεται στην κάψουλα του συμπιεστή. Αυτό το λάδι μπορεί να περάσει από το κλειστό σύστημα σωλήνων κατά τη διάρκεια της κεκλιμένης μεταφοράς. Πριν συνδέσετε τη συσκευή στην παροχή ρεύματος θα πρέπει να περιμένετε τουλάχιστον 2 ώρες, ώστε το λάδι να επιστρέψει στην κάψουλα.

## Ηλεκτρική σύνδεση

Πριν από κάθε σύνδεση ελέγξτε αν:

- ▶ η τροφοδοσία ρεύματος, η πρίζα και η ασφάλεια είναι κατάλληλα σύμφωνα με την πινακίδα ονομαστικών στοιχείων.
- ▶ η πρίζα είναι γειωμένη και δεν υπάρχει πολλαπλή πρίζα ή επέκταση.
- ▶ το βύσμα τροφοδοσίας και η πρίζα είναι σύμφωνα με.

Συνδέστε το βύσμα σε μια σωστά εγκατεστημένη οικιακή πρίζα.



## ΠΡΟΕΙΔΟΠΟΙΗΣΗ!

Για να αποφύγετε τους κινδύνους, ένα κατεστραμμένο καλώδιο τροφοδοσίας πρέπει να αντικατασταθεί από την εξυπηρέτηση πελατών (βλ. κάρτα εγγύησης).

Δελτίο προϊόντος σύμφωνα με τον κανονισμό ΕΕ υπ' αριθ. 2019/2016

Μάρκα	Haier		
Όνομα/αναγνωριστικό μοντέλου	EHBQW5518E HBQW55 18E HBQW5518EK HQE1855B CMW EHQE1855BCMW	HBQW5519E HBQW55 19EK EHBQW5 519E EHBQW5519ECM	HBQW5719E
Κατηγορία του μοντέλου	Ψυγειοκαταψύκτης		
Κατηγορία ενεργειακής απόδοσης	E	E	E
Ετήσια κατανάλωση ενέργειας (kWh/έτος) (1)	229	229	259
Συνολικός όγκος (L)	268	285	382
Όγκος ψυγείου (Λίτρα)	194	211	281
Όγκος καταψύκτη (L)	74	74	101
Όγκος τμήματος ψύκτη (L)	/	/	/
Όγκος αυτόματης παγομηχανής (L)	/	/	/
Αξιολόγηση με αστέρια	4	4	4
Θερμοκρασία άλλων διαμερισμάτων >14° C	Δεν υφίσταται		
Σύστημα χωρίς πάγο	Ναι	Ναι	Ναι
Χωρητικότητα κατάψυξης (κιλά/24 ώρες)			
Κλιματική κατάταξη (2)	SN/N/ST/T	SN/N/ST/T	SN/N/ST/T
Κατηγορία εκπομπών θορύβου και εκπομπών αερομεταφερόμενου ακουστικού θορύβου (db(A)re1pW)	B(35)	B(35)	B(33)
Χρόνος αύξησης θερμοκρασίας (ώρες)	12	12	9
Ικανότητα παρασκευής πάγου	/	/	/
Τύπος συσκευής	Εντοιχιζόμενη	Εντοιχιζόμενη	Εντοιχιζόμενη

Όνομα μοντέλου	Κατηγορία ενεργειακής απόδοσης
EHBQW5518E HBQW5518E HBQW5518EK HQE1855BCMW EHQE1855BCMW	E
HBQW5519E HBQW5519EK EHBQW5519E EHBQW5519ECM HBQW5719E	E

Επεξηγήσεις:

- Ναι, υπάρχει

(1) Με βάση τα αποτελέσματα της δοκιμής συμμόρφωσης προτύπων για 24 ώρες. Η πραγματική κατανάλωση εξαρτάται από τη χρήση και τη θέση της συσκευής.

(2) Κλιματική κατάσταση SN: Αυτή η συσκευή προορίζεται για χρήση σε θερμοκρασία περιβάλλοντος μεταξύ +10°C και +32°C

Κλιματική κατάσταση N: Αυτή η συσκευή προορίζεται για χρήση σε θερμοκρασία περιβάλλοντος μεταξύ +16°C και +32°C

Κλιματική κατάσταση ST: Αυτή η συσκευή προορίζεται για χρήση σε θερμοκρασία περιβάλλοντος μεταξύ +16°C και +38°C

Κλιματική κατάσταση T: Αυτή η συσκευή προορίζεται για χρήση σε θερμοκρασία περιβάλλοντος μεταξύ +16°C και +43°C

### Πρόσθετα τεχνικά δεδομένα

Τάση / Συχνότητα	220-240V ~/50Hz
Ρεύμα εισόδου (A)	1.2/1.6
Κύρια ασφάλεια (A)	16
Ψυκτικό	R600a
Διαστάσεις (Υ/Π/Β σε mm)	EHBQW5518E/ HBQW5518E/ EK EHQE/ HQE1855BCMW: 1773/540/555
	HBQW5519E/ EK/ EHBQW5519E/ ECM: 1935/540/555
	EHBQW5719E : 1935/690/550

Συνιστούμε την Εξυπηρέτηση Πελατών της Haier και τη χρήση γνήσιων ανταλλακτικών.

Εάν έχετε κάποιο πρόβλημα με τη συσκευή σας, ελέγξτε πρώτα την ενότητα ΑΝΤΙΜΕΤΩΠΙΣΗ ΠΡΟΒΛΗΜΑΤΩΝ.

Εάν δεν μπορείτε να βρείτε μια λύση εκεί, επικοινωνήστε

- ▶ με τον τοπικό σας αντιπρόσωπο ή
- ▶ το Ευρωπαϊκό τηλεφωνικό κέντρο εξυπηρέτησης (βλ. παρακάτω αριθμούς τηλεφώνου) ή
- ▶ πηγαίνετε στην ενότητα Εξυπηρέτηση και Υποστήριξη στη διεύθυνση [www.haier.com](http://www.haier.com) όπου μπορείτε να υποβάλετε αίτημα εξυπηρέτησης
- ▶ και επίσης να βρείτε τις συχνές ερωτήσεις.

Για να επικοινωνήσετε με την Υπηρεσία μας, βεβαιωθείτε ότι έχετε τα ακόλουθα δεδομένα διαθέσιμα.

Οι πληροφορίες μπορούν να βρεθούν στην πινακίδα ονομαστικών στοιχείων.

Μοντέλο \_\_\_\_\_

Σειριακός αριθμός. \_\_\_\_\_

Επίσης, ελέγξτε την Κάρτα Εγγύησης που παρέχεται με το προϊόν σε περίπτωση εγγύησης.

Ευρωπαϊκό Τηλεφωνικό Κέντρο		
Χώρα*	Αριθμός τηλεφώνου	Έξοδα
Haier Italy (IT)	199 100912	
Haier Spain (ES)	902 509 123	
Haier Germany (DE)	0180 5 39 39 99	<ul style="list-style-type: none"> <li>• 14 λεπτά/λεπτό από σταθερό</li> <li>• μέγιστο 42 λεπτά/λεπτό από κινητό</li> </ul>
Haier Austria (AT)	0820 001205	<ul style="list-style-type: none"> <li>• 14,53 λεπτά/λεπτό από σταθερό</li> <li>• μέγιστο 20 λεπτά/λεπτό όλα τα άλλα</li> </ul>
Haier United Kingdom (UK)	0333 003 8122	
Haier France (FR)	0980 406 409	

\*Για άλλες χώρες, ανατρέξτε στη διεύθυνση [www.haier.com](http://www.haier.com)

Haier Europe Trading S.r.l

Branch UK

Westgate House, Westgate, Ealing

Λονδίνο, W5 1YY

\*Διάρκεια εγγύησης της ψυκτικής συσκευής:

Η ελάχιστη εγγύηση είναι: 2 χρόνια για τις χώρες της ΕΕ, 3 χρόνια για την Τουρκία, 1 χρόνο για το Ηνωμένο Βασίλειο, 1 χρόνο για τη Ρωσία, 3 χρόνια για τη Σουηδία, 2 χρόνια για τη Σερβία, 5 χρόνια για τη Νορβηγία, 1 χρόνο για το Μαρόκο, 6 μήνες για την Αλγερία, για την Τунησία δεν απαιτείται νομική εγγύηση.

\*Περίοδος διάθεσης ανταλλακτικών για επισκευή της συσκευής:

Θερμοστάτες, αισθητήρες θερμοκρασίας, πλακέτες τυπωμένων κυκλωμάτων και πηγές φωτός διατίθενται για επτά τουλάχιστον χρόνια μετά τη διάθεση της τελευταίας μονάδας του μοντέλου στην αγορά.

Λαβές πόρτας, μεντεσέδες πόρτας, δίσκοι και καλάθια διατίθενται για περίοδο τουλάχιστον επτά ετών και λάστιχα πόρτας για περίοδο τουλάχιστον 10 ετών μετά τη διάθεση της τελευταίας μονάδας του μοντέλου στην αγορά.

\*Για περισσότερες πληροφορίες σχετικά με το προϊόν, συμβουλευτείτε τη διεύθυνση <https://eprel.ec.europa.eu/> ή σαρώστε τον κωδικό QR στην ενεργειακή ετικέτα που παρέχεται με τη συσκευή.



**Haier**



2024 Έκδοση Α

# Haier



## Manual de usuario

### Frigorífico-congelador

EHBQW5518E

HBQW5518E

HBQW5518EK

HQE1855BCMW

EHQE1855BCMW

HBQW5519E

HBQW5519EK

EHBQW5519E

EHBQW5519ECM

HBCN7190U1

ES

<u>4 Información de seguridad</u>	•	<u>Antes del primer uso</u>	5
		<u>Instalación</u>	5
		<u>Uso diario</u>	6
		<u>Información sobre gases refrigerantes</u>	8
<u>9 Uso previsto</u>	•		
<u>10 Descripción del producto</u>	•		
<u>12 Panel de control</u>	•		
<u>13 Uso</u>	•	<u>Panel de bloqueo/desbloqueo</u>	13
	•	<u>Ajuste de la temperatura del frigorífico</u>	13
		<u>Ajuste de la temperatura del congelador</u>	14
		<u>Función Wi-Fi</u>	15
		<u>Función Holiday</u>	15
		<u>Función Super Cool</u>	16
		<u>Función Super Freeze</u>	16
<u>18 Equipo</u>	•		
<u>20 Consejos de ahorro de energía</u>	•		
<u>21 Cuidado y limpieza</u>	•		
<u>23 Solución de problemas</u>	•		
<u>27 Instalación</u>	•		
<u>34 Datos técnicos</u>	•		
<u>36 Atención al cliente</u>	•		

## Gracias por comprar un producto Haier.

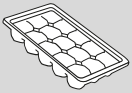
Lea atentamente estas instrucciones antes de utilizar este electrodoméstico. Estas instrucciones contienen información importante que le ayudará a sacar el máximo provecho del electrodoméstico y a garantizar una instalación, uso y mantenimiento seguros y adecuados.

Guarde este manual en un lugar seguro para poder consultarlo en cualquier momento y garantizar un uso seguro y adecuado del electrodoméstico.

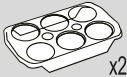
Si vende este electrodoméstico, lo dona o lo deja al mudarse, asegúrese de entregar también este manual para que el nuevo propietario pueda familiarizarse con el electrodoméstico y las advertencias de seguridad.

## Accesorios

Verifique los accesorios y la documentación según la siguiente lista:



Bandeja de cubitos de hielo



Huevera x2



Etiqueta energética



Tarjeta de garantía



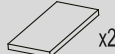
Manual de advertencia de seguridad



Tornillo



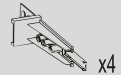
Cubierta x2



Bloque de esponja x2



Guía de deslizamiento x4



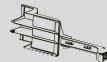
Conjunto de deslizamiento x4



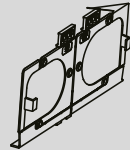
Placa fija



Tapa de la bisagra



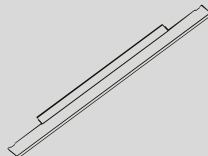
Placa fija II



Placa fija inferior



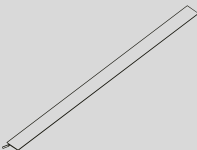
Placa fija superior



Tapa inferior



Tapa lateral inferior



Tira de sellado



Esponja de sellado



Tapa inferior de la bisagra

**ADVERTENCIA:****Información de seguridad importante**

---

**AVISO: Información general y consejos**

---

**Información medioambiental**

---

**Eliminación**

Ayude a proteger el medio ambiente y la salud humana. Tire el embalaje en los contenedores correspondientes para reciclarlo. Ayude a reciclar los residuos de aparatos eléctricos y electrónicos. No deseche los aparatos marcados con este símbolo en la basura doméstica. Lleve el producto a su centro de reciclaje local o póngase en contacto con su oficina municipal.

---

**¡ADVERTENCIA!**

¡Peligro de lesiones o asfixia!

Los refrigerantes y gases deben ser eliminados de forma profesional. Asegúrese de que la tubería del circuito refrigerante no está dañada antes de desecharla adecuadamente. Desconecte el electrodoméstico de la red eléctrica. Corte el cable de red y deséchelo. Quite las bandejas y los cajones, así como el asa de la puerta y las juntas, para evitar que los niños y las mascotas se queden encerrados en el electrodoméstico.

**Antes de encender el electrodoméstico por primera vez, lea las siguientes directrices de seguridad:**



## ¡ADVERTENCIA!

### Antes del primer uso

- ▶ Asegúrese de que no haya daños causados por el transporte.
- ▶ Espere al menos dos horas antes de instalar el electrodoméstico para asegurarse de que el circuito refrigerante sea totalmente eficiente.
- ▶ Este electrodoméstico pesa mucho: manipúlelo con la ayuda de otra persona.
- ▶ Retire todo el material de embalaje, manténgalo fuera del alcance de los niños y deséchelo de forma respetuosa con el medio ambiente.
- ▶ Limpie el interior y el exterior del electrodoméstico con agua y un detergente suave antes de introducir cualquier alimento en él.
- ▶ Después de nivelar y limpiar el electrodoméstico, espere al menos 2-5 horas antes de conectarlo a la fuente de alimentación. Ver sección INSTALACIÓN.
- ▶ Enfríe previamente los compartimentos a altas temperaturas antes de cargarlos con alimentos. La función Power-Freeze ayuda a enfriar rápidamente los compartimentos.
- ▶ La temperatura del frigorífico y la temperatura del congelador se ajustan automáticamente a 5 °C y -18 °C respectivamente. Estos son los ajustes recomendados. Si lo desea, puede cambiar estas temperaturas manualmente. Consulte la sección AJUSTE DE LA TEMPERATURA.

### Instalación

- ▶ Este electrodoméstico debe colocarse en un lugar bien ventilado. Asegúrese de dejar un espacio libre de al menos 10 cm por encima y alrededor del electrodoméstico.
- ▶ No coloque el electrodoméstico en un área húmeda o en un lugar donde pueda recibir salpicaduras de agua. Limpie y seque las salpicaduras y manchas con un paño suave y limpio.
- ▶ No instale el electrodoméstico bajo la luz directa del sol o cerca de fuentes de calor (p. ej.: fogones, estufas...).
- ▶ Instale y nivele el electrodoméstico en un lugar adecuado para su tamaño y uso.
- ▶ No obstruya las aberturas de ventilación del armazón del electrodoméstico o de la estructura integrada.
- ▶ Asegúrese de que la información eléctrica de la placa de características técnicas coincida con la fuente de alimentación. Si no es así, póngase en contacto con un electricista.
- ▶ Este electrodoméstico funciona mediante una fuente de alimentación de 220-240 V CA/50 Hz. Una fluctuación anormal del voltaje puede provocar que el electrodoméstico no se ponga en marcha o que se dañe el control de temperatura o el compresor, o que se oiga un ruido anormal durante el funcionamiento. En tal caso, se deberá instalar un regulador automático.



## ¡ADVERTENCIA!

- ▶ No utilice adaptadores de múltiples contactos ni cables de extensión.
- ▶ No ubique tomas de corriente múltiples portátiles ni fuentes de alimentación portátiles en la parte trasera del electrodoméstico.
- ▶ Asegúrese de que el cable de alimentación no quede aprisionado por el frigorífico. No oprima el cable de alimentación.
- ▶ Utilice una toma de corriente independiente puesta a tierra como fuente de alimentación, que sea de fácil acceso. Este electrodoméstico debe conectarse a tierra.

Solo para el Reino Unido: El cable de alimentación de este electrodoméstico está equipado con un enchufe de 3 cables (con puesta a tierra) que se ajusta a una toma de corriente estándar de 3 cables (puesta a tierra). No corte ni desmonte la tercera patilla (toma de tierra). Una vez instalado el electrodoméstico, el enchufe debe ser accesible.

- ▶ No dañe el circuito del refrigerante.

### Uso diario

- ▶ Este electrodoméstico puede ser utilizado por niños a partir de 8 años y por personas con capacidades físicas, sensoriales o mentales reducidas, o sin experiencia o conocimientos previos, siempre y cuando hayan recibido la supervisión y las instrucciones necesarias para utilizar el electrodoméstico de forma segura y comprendan los riesgos que implica.
- ▶ Se permite que los niños de 3 a 8 años llenen y vacíen electrodomésticos de refrigeración, pero no están autorizados a limpiarlos o instalarlos.
- ▶ Mantenga alejados del electrodoméstico a los niños menores de 3 años a menos que estén constantemente supervisados.
- ▶ Los niños no deben jugar con este electrodoméstico.
- ▶ Si se filtra gas refrigerante u otro gas inflamable en las proximidades del electrodoméstico, apague la válvula del gas filtrado, abra las puertas y ventanas y no desconecte un enchufe en el cable de alimentación del frigorífico/ congelador o cualquier otro electrodoméstico.
- ▶ Tenga en cuenta que el electrodoméstico está configurado para funcionar en un intervalo de temperatura ambiente específico de entre 10 y 43 °C. El electrodoméstico no puede funcionar correctamente si se deja durante mucho tiempo a una temperatura superior o inferior al intervalo indicado.
- ▶ No coloque artículos inestables (objetos pesados, recipientes llenos de agua) en la parte superior del frigorífico, a fin de evitar lesiones personales causadas por caídas o descargas eléctricas causadas por el contacto con el agua.
- ▶ No tire de los estantes de la puerta. Se puede tirar de la puerta de forma inclinada, el botellero puede retirarse o el electrodoméstico puede volcar.
- ▶ Abra y cierre las puertas solamente usando las asas. El hueco entre las puertas y entre las puertas y el armario es muy estrecho. No ponga las manos en estas áreas para evitar pillarse los dedos. Abra o cierre las puertas del frigorífico solo cuando no haya niños dentro del área de movimiento de la puerta.



## ¡ADVERTENCIA!

- ▶ No almacene ni utilice elementos inflamables, explosivos o corrosivos en el electrodoméstico ni cerca de él.
- ▶ No guarde medicamentos, bacterias ni agentes químicos en el electrodoméstico. Este aparato es un electrodoméstico. No se recomienda almacenar materiales que requieran temperaturas extremas.
- ▶ Nunca almacene líquidos en botellas o latas (aparte de bebidas de alto grado alcohólico), especialmente las bebidas carbonatadas, en el congelador, ya que se romperían durante la congelación.
- ▶ Compruebe el estado de los alimentos si se ha producido un calentamiento en el congelador.
- ▶ No ajuste una temperatura demasiado baja sin necesidad en el compartimento frigorífico. Los ajustes más altos pueden generar temperaturas bajo cero. Atención: Las botellas pueden reventar.
- ▶ No toque los productos congelados con las manos mojadas (use guantes). Sobre todo, no coma hielo inmediatamente después de haberlo sacado del congelador. Existe el riesgo de congelación o de formación de ampollas. **PRIMEROS AUXILIOS:** poner inmediatamente bajo el grifo de agua fría. ¡No tirar!
- ▶ No toque la superficie interior del compartimento de almacenamiento del congelador cuando esté en funcionamiento, especialmente con las manos mojadas, ya que las manos pueden congelarse por la superficie.
- ▶ Desenchufe el electrodoméstico en caso de interrupción del suministro eléctrico o antes de limpiarlo. Espere al menos 7 minutos antes de volver a poner en marcha el aparato, ya que un arranque frecuente puede dañar el compresor.
- ▶ No deben utilizarse dispositivos eléctricos dentro de los compartimentos para alimentos del electrodoméstico, salvo que sean del tipo recomendado por el fabricante.

## Mantenimiento / limpieza

- ▶ Asegúrese de que los niños están bajo supervisión si realizan tareas de limpieza y mantenimiento.
- ▶ Desconecte el electrodoméstico de la red eléctrica antes de realizar cualquier mantenimiento rutinario. Deje pasar al menos 5 minutos antes de reiniciar el electrodoméstico, ya que el arranque frecuente puede dañar el compresor.
- ▶ Cuando desenchufe el electrodoméstico, hágalo por la clavija, no por el cable.
- ▶ No limpie el electrodoméstico con cepillos duros, cepillos de alambre, detergente en polvo, gasolina, acetato de amilo, acetona y soluciones orgánicas similares, soluciones ácidas o alcalinas. Limpie con un detergente especial para frigoríficos para evitar daños.
- ▶ No raspe la escarcha y el hielo con objetos afilados. No utilice aerosoles, calentadores eléctricos como secadores de pelo, limpiadores a vapor u otras fuentes de calor para evitar dañar las piezas de plástico.
- ▶ No utilice dispositivos mecánicos ni otros equipos para acelerar el proceso de descongelación, salvo aquellos recomendados por el fabricante.



## ¡ADVERTENCIA!

- ▶ Si el cable de alimentación está dañado, debe ser sustituido por el fabricante, por su servicio técnico o por cualquier profesional cualificado similar para evitar riesgos.
- ▶ No intente reparar, desmontar o modificar este electrodoméstico por su cuenta. En caso de reparación, póngase en contacto con nuestro servicio de atención al cliente.
- ▶ Saque el polvo de la parte posterior de la unidad al menos una vez al año para evitar el riesgo de incendio, así como un mayor consumo de energía.
- ▶ No rocíe ni enjuague el electrodoméstico durante la limpieza.
- ▶ No use agua pulverizada o vapor para limpiar el electrodoméstico.
- ▶ No limpie los estantes de cristal fríos con agua caliente. Un cambio repentino de temperatura puede causar que el cristal se rompa.

## Información sobre gases refrigerantes



### ¡ADVERTENCIA!

Este electrodoméstico contiene el refrigerante inflamable ISOBUTANO (R600a). Asegúrese de no dañar el circuito refrigerante durante el transporte o la instalación. La fuga de refrigerante puede causar lesiones oculares o incendios. Si se produce algún daño, manténgase alejado de llamas abiertas, ventile bien la habitación y no conecte o desconecte los cables de alimentación de este ni de cualquier otro electrodoméstico. Informe al servicio de atención al cliente.

En caso de que los ojos entren en contacto con el refrigerante, enjuáguelos inmediatamente con agua corriente y llame inmediatamente a un oftalmólogo.

## Uso previsto

Este electrodoméstico está diseñado para enfriar y congelar alimentos. Ha sido diseñado exclusivamente para su uso en aplicaciones domésticas y similares, como áreas de cocina para personal de tiendas, oficinas y otros entornos de trabajo; granjas y el uso por clientes en hoteles, moteles y otros entornos de tipo residencial, así como en alojamientos y restauración. No está destinado a un uso comercial o industrial.

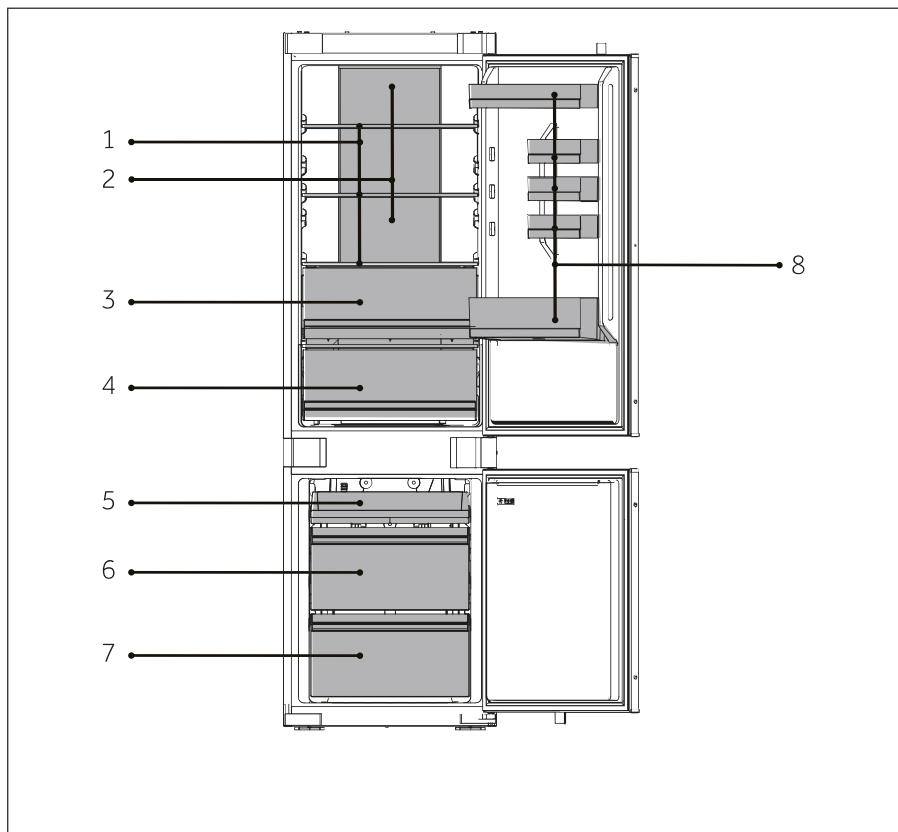
No se permite realizar cambios o modificaciones en el electrodoméstico. Un uso no previsto puede causar riesgos y la pérdida de los derechos de reclamación por garantía.

## Normas y directivas

Este producto cumple los requisitos de todas las directivas CE aplicables con las correspondientes normas acordadas y normas del RU que establecen el mercado CE o UKCA.

## AVISO

Debido a cambios técnicos y a las diferencias entre modelos, algunas de las ilustraciones de este manual pueden diferir de su modelo.



EHBQW5518E/HBQW5518E/ HBQW5518EK/ HQE1855BCMW/ EHQE1855BCMW

### A: Cámara frigorífica

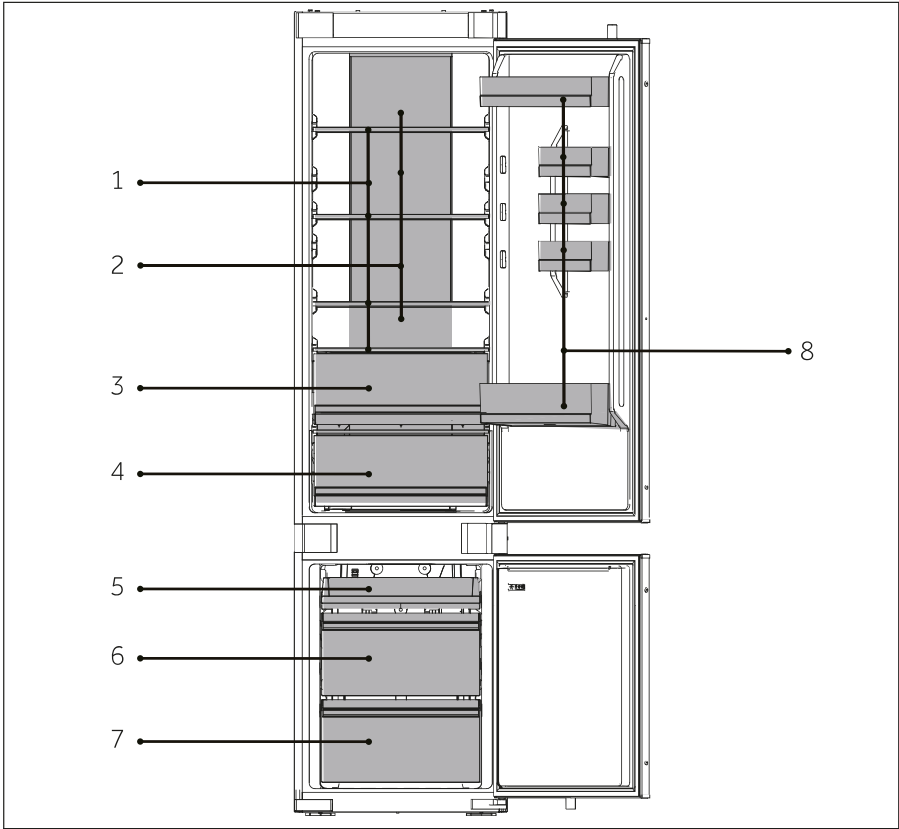
- 1 Estantes ordinarios
- 2 Conducto de aire refrigerado
- 3 Cajón Humidity Zone
- 4 Cajón Fresh Box
- 8 Soporte para botellas

### B: Compartimento del congelador

- 5 Bandeja superior del congelador
- 6 Cajón congelador central
- 7 Cajón inferior del congelador

**i** AVISO

Debido a cambios técnicos y a las diferencias entre modelos, algunas de las ilustraciones de este manual pueden diferir de su modelo.



HBQW5519E/ HBQW5519EK/ EHBQW5519E/ EHBQW5519ECM/ HBQW5719E

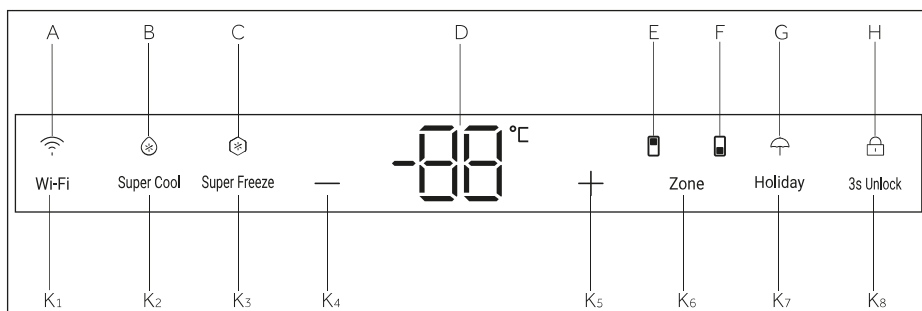
A: Cámara frigorífica

B: Compartimento del congelador

- 1 Estantes ordinarios
- 2 Conducto de aire refrigerado
- 3 Cajón Humidity Zone
- 4 Cajón Fresh Box
- 8 Soporte para botellas

- 5 Bandeja superior del congelador
- 6 Cajón congelador central
- 7 Cajón inferior del congelador

## Panel de control



### Indicadores:

- A Función Wi-Fi
- B Función Super Cool
- C Función Super Freeze
- D Indicador de temperatura
- E Indicador del frigorífico
- F Indicador del congelador
- G Función Holiday
- H Bloqueo y desbloqueo

### Botones:

- K<sub>1</sub> Botón de configuración Wi-Fi
- K<sub>2</sub> Botón de selección de Super Cool
- K<sub>3</sub> Botón de selección de Super Freeze
- K<sub>4</sub> Botón de ajuste de la temperatura "-"
- K<sub>5</sub> Botón de ajuste de la temperatura "+"
- K<sub>6</sub> Botón de selección de zona
- K<sub>7</sub> Botón de la función Holiday
- K<sub>8</sub> Botón de bloqueo y desbloqueo

## Teclas táctiles

Los botones del panel de control son teclas táctiles, que responden aun cuando las toca ligeramente con el dedo.

## Encender/apagar el electrodoméstico

El electrodoméstico se pondrá en marcha en cuanto se conecte a la fuente de alimentación.

Cuando el frigorífico se enciende por primera vez, se ilumina el indicador "D" (Indicador de temperatura). La temperatura del frigorífico y la temperatura del congelador se ajustan automáticamente entre 5 °C y -18 °C respectivamente.



## AVISO

Cuando se enciende el electrodoméstico después de desconectarlo de la fuente de alimentación principal, alcanzar las temperaturas correctas puede tomar hasta 12 horas.

Vacíe el electrodoméstico antes de apagarlo. Para apagar el electrodoméstico, retire el cable de alimentación de la toma de corriente.

### Panel de bloqueo/desbloqueo

**Bloqueo automático:** Cuando la puerta del frigorífico y la del congelador están cerradas y no se acciona ninguna tecla en 30 segundos, la pantalla se apaga y se bloquea automáticamente.

**Bloqueo manual:** Cuando la pantalla está desbloqueada, pulse el botón "K<sub>8</sub>" (3S Unlock) y manténgalo pulsado durante 3 segundos; el zumbador suena una vez, el indicador "H" (bloqueo del panel) se ilumina y la pantalla queda bloqueada.

**Desbloqueo:** Cuando la pantalla de visualización esté bloqueada, pulse el botón "K<sub>8</sub>" (3S Unlock) y manténgalo pulsado durante 3 segundos; el zumbador suena una vez, el indicador "H" (bloqueo del panel) se apaga y la pantalla se desbloquea.

### Ajuste de la temperatura

Las temperaturas interiores están influenciadas por los siguientes factores:

temperatura ambiente, frecuencia de apertura de la puerta, cantidad de alimentos almacenados, instalación del aparato.

### Ajuste de la temperatura del frigorífico

Cuando la pantalla esté desbloqueada, pulse el botón "K<sub>6</sub>" (selector de zona). El zumbador suena una vez, el indicador "E" (indicador del frigorífico) se ilumina y, a continuación, aparece el modo de ajuste de la temperatura del frigorífico.

Pulse el botón "K<sub>4</sub>" (botón de ajuste de la temperatura "-"); el zumbador sonará una vez y la temperatura establecida del frigorífico se reducirá en 1 grado. La temperatura del frigorífico se mostrará en la secuencia de "9°C -> 8°C -> 7°C -> 6°C -> 5°C -> 4°C -> 3°C -> 2°C -> 1°C".

Pulse el botón "K<sub>5</sub>" (botón de ajuste de la temperatura "+"); el zumbador suena una vez y la temperatura establecida del frigorífico aumentará en 1 grado. La temperatura del frigorífico se mostrará en la secuencia de "1°C -> 2°C -> 3°C -> 4°C -> 5°C -> 6°C -> 7°C -> 8°C -> 9°C".



## AVISO

Después de ajustar la temperatura, si no se realiza otra ninguna acción en 5 segundos, el sistema guardará automáticamente la temperatura seleccionada.

## Ajuste de la temperatura del congelador

Cuando la pantalla esté desbloqueada, pulse el botón "K<sub>6</sub>" (selector de zona). El zumbador suena una vez, el indicador "F" (indicador del congelador) se ilumina y se accede al modo de ajuste de la temperatura del congelador.

Pulse el botón "K<sub>4</sub>" (botón de ajuste de la temperatura "-"); el zumbador suena una vez y la temperatura establecida del congelador se reducirá en 1 grado. La temperatura del congelador se mostrará en la secuencia "-14°C -> -15°C -> -16°C -> -17°C -> -18°C -> -19°C -> -20°C -> -21°C -> -22°C -> -23°C -> -24°C".

Pulse el botón "K<sub>5</sub>" (botón de ajuste de la temperatura "+"); el zumbador suena una vez y la temperatura establecida del congelador aumentará en 1 grado. La temperatura del congelador se mostrará en la secuencia "-24°C -> -23°C -> -22°C -> -21°C -> -20°C -> -19°C -> -18°C -> -17°C -> -16°C -> -15°C -> -14°C".



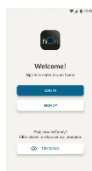
### AVISO

Después de ajustar la temperatura, si no se realiza otra ninguna acción en 5 segundos, el sistema guardará automáticamente la temperatura seleccionada.

**Paso 1** Descargue la aplicación hOn de la tienda de aplicaciones.



**Paso 2** Cree su cuenta en la aplicación hOn o inicie sesión si ya tiene una



**Paso 3** Siga las instrucciones de emparejamiento en la aplicación hOn.



## Función Wi-Fi

1. Siga las instrucciones de la aplicación para configurar el Wi-Fi.
2. Una vez que se haya configurado el Wi-Fi y se haya establecido la conexión, el icono de Wi-Fi "A" se iluminará de forma fija.
3. Si el Wi-Fi ya se ha configurado, se volverá a conectar automáticamente de acuerdo con la información de configuración si se enciende el Wi-Fi.
4. Para apagar el Wi-Fi, pulse el botón de Wi-Fi "K<sub>1</sub>" y el icono de Wi-Fi "A" se apagará.
5. Para encender el Wi-Fi e iniciar la configuración, pulse el botón de Wi-Fi "K<sub>1</sub>" y el icono de Wi-Fi "A" empezará a parpadear lentamente. Si desea configurar la función Wi-Fi, pulse el botón "K<sub>1</sub>" durante 3 segundos, el icono de Wi-Fi parpadea rápidamente y se accede al modo de configuración. Si desea desactivar la función Wi-Fi, pulse el botón "K<sub>1</sub>" una vez. Se repiten los pasos anteriores.
6. Si el producto se ha configurado y se apaga la función Wi-Fi, el frigorífico no entrará en el modo de configuración después de volver a conectar la alimentación.

## Función Holiday

1. Cuando la pantalla de visualización esté desbloqueada, pulse el botón "K<sub>7</sub>" (botón de la función Holiday); el zumbador sonará una vez, el indicador "G" (función Holiday) se iluminará y, a continuación, se activará la función Holiday.
2. Cuando la pantalla de visualización esté desbloqueada, pulse el botón "K<sub>7</sub>" (botón de la función Holiday), el zumbador sonará una vez, el indicador "G" (función Holiday) se apagará y, a continuación, la función Holiday se desactivará.



### AVISO

1. La función Holiday se utiliza principalmente para viajes de corta duración y otras situaciones de la vida; la cámara frigorífica debe vaciarse cuando se utiliza la función Holiday.
2. En la función Holiday, la temperatura de la cámara frigorífica será más alta (unos 17 °C); preste atención a vaciar los alimentos de la cámara frigorífica para evitar su deterioro.

## Función Super Cool

1. Cuando la pantalla esté desbloqueada, pulse el botón "K<sub>2</sub>" (selector de Super Cool); el zumbador suena una vez, se ilumina el indicador "B" (función Super Cool) y, a continuación, se activa la función Super Cool.
2. Cuando se ilumine el indicador "B" (función Super Cool), pulse el botón "K<sub>2</sub>" (selector de Super Cool); el zumbador suena una vez, el indicador "O" (función Super Cool) se apaga y la función Super Cool se desactiva.
3. Después de activar la función Super Cool, el frigorífico desactivará automáticamente la función cuando se alcance la temperatura establecida. Si desea salir manualmente, puede pulsar el botón "K<sub>2</sub>" (selector de Super Cool) para apagarla.



## AVISO

1. En estado Super Cool, la temperatura del frigorífico no se puede ajustar. Si se pulsa el botón "K<sub>4</sub>" (botón de ajuste de la temperatura "-") o "K<sub>5</sub>" (botón de ajuste de la temperatura "+") para ajustar la temperatura del frigorífico, el indicador "B" (indicador de Super Cool) parpadeará con un sonido de aviso para indicar que esta operación no se puede realizar.
2. Con la función Super Cool activa no se puede activar a la vez la función Auto-set debido a que son diferentes modos de control. Cuando elija una función que esté en conflicto con otra función, la función original se desactivará automáticamente.
3. Esta función se deshabilitará automáticamente después de 6 horas.

## Función Super Freeze

1. Cuando la pantalla esté desbloqueada, pulse el botón "K<sub>3</sub>" (selector de Super Freeze); el zumbador suena una vez, se ilumina el indicador "C" (función Super Freeze) y, a continuación, se activa la función Super Freeze.
2. Cuando se encienda el indicador "C" (función Super Freeze), pulse el botón "K<sub>3</sub>" (selector de Super Freeze); el zumbador suena una vez, se apaga el indicador "C" (función Super Freeze) y, a continuación, se desactiva la función Super Freeze.
3. Una vez activada la función Super Freeze, el frigorífico la desactivará automáticamente cuando alcance la temperatura establecida. Si desea salir manualmente, puede pulsar el botón "K<sub>3</sub>" (selector de Super Freeze) para apagarla.





## AVISO

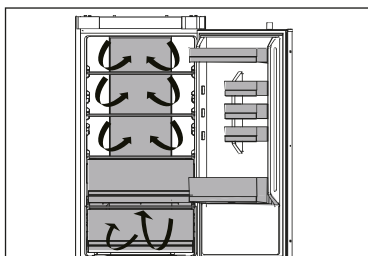
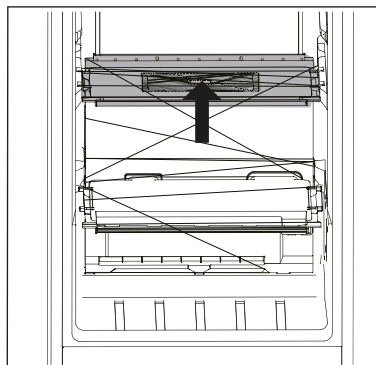
1. En estado Super Freeze, la temperatura del congelador no se puede ajustar. Si se pulsa el botón "K<sub>4</sub>" (botón de ajuste de la temperatura "-") o "K<sub>5</sub>" (botón de ajuste de la temperatura "+") para ajustar la temperatura del congelador, el indicador "C" (indicador de Super Freeze) parpadeará con un sonido de aviso para indicar que esta operación no se puede realizar.
2. La función Super Freeze está diseñada para mantener el valor nutricional de los alimentos congelados y congelar los alimentos en el menor tiempo posible. Si se van a congelar grandes cantidades de alimentos a la vez. Mientras tanto, la función Super Freeze debe configurarse con 24 horas de antelación para que el congelador tenga una temperatura relativamente baja e introducir los alimentos. En ese momento, la velocidad de congelación del congelador es mejor, los alimentos se congelan rápidamente, los alimentos mantienen sus propiedades nutritivas y su conservación es más buena.
3. La función Super Freeze se desconecta automáticamente al cabo de 50 horas. El aparato funciona entonces a la temperatura previamente ajustada.

## Cajón Humidity Zone

En este compartimento el nivel de humedad es superior al del compartimento del frigorífico. Se controla automáticamente mediante el sistema y es adecuado para almacenar frutas, verduras, ensaladas, etc.

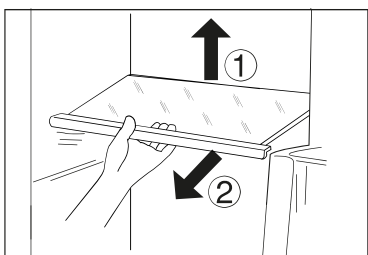
### **i** AVISO

1. No retire la cubierta de plástico del interior de la zona.
2. Mantienen la humedad.
3. No se recomienda guardar en este cajón frutas sensibles al frío como piña, aguacate, plátanos o pomelos.



### Flujo de aire múltiple

1. El frigorífico está equipado con un sistema de flujo de aire múltiple, con el que se aseguran corrientes de aire frío en cada nivel de estante. Esto ayuda a mantener una temperatura uniforme para asegurar que sus alimentos se mantienen frescos por más tiempo.



### Estantes ajustables

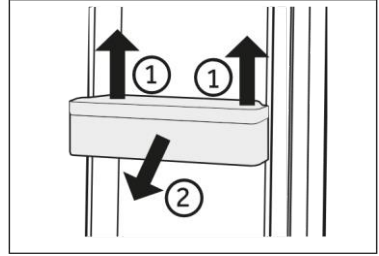
1. La altura de los estantes se puede ajustar para adaptarse a sus necesidades de almacenamiento.
2. Para reubicar un estante, retírelo primero levantando su borde posterior (1) y extráigalo (2).
3. Para volver a instalarlo, colóquelo en los rieles de ambos lados y empuje hasta que la parte trasera del estante se fije dentro de las ranuras laterales.

### **i** AVISO

Asegúrese de que todos los extremos del estante estén nivelados.

### Estantes de puerta/soportes para botellas desmontables

1. Los estantes de la puerta se pueden desmontar para limpiarlos:
2. Coloque las manos en cada lado del estante, levántelo hacia arriba ① y extráigalo ②.
3. Para insertar el estante de la puerta, realice los pasos anteriores en orden inverso.



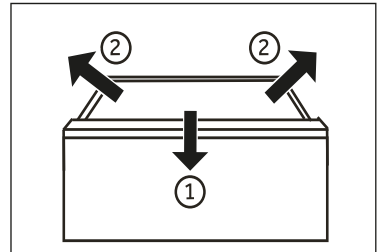
### AVISO

Cuando se enciende el aparato, pueden pasar hasta 12 horas hasta que se alcancen las temperaturas correctas.

### Cajón extraíble

Para sacar el cajón, tire al máximo ①, levante y retire ②.

Para insertar el cajón, realice los pasos anteriores en orden inverso.



### Luz

La luz interior LED se enciende al abrir la puerta. El rendimiento de las luces no se ve afectado por ninguna de las otras configuraciones del electrodoméstico.



## Consejos de ahorro de energía

- ▶ Asegúrese de que el electrodoméstico esté bien ventilado (vea INSTALACIÓN).
- ▶ No instale el electrodoméstico bajo la luz directa del sol o cerca de fuentes de calor (p. ej.: fogones, estufas...).
- ▶ Evite una temperatura innecesariamente baja en el electrodoméstico. El consumo de energía aumenta la temperatura del electrodoméstico.
- ▶ Las funciones como Super Freeze consumen más energía.
- ▶ Deje enfriar los alimentos calientes antes de introducirlos en el electrodoméstico.
- ▶ Abra la puerta del electrodoméstico lo menos y lo más brevemente posible.
- ▶ No llene en exceso el electrodoméstico para evitar obstruir la circulación de aire.
- ▶ Evite la presencia de aire dentro del embalaje de los alimentos.
- ▶ Mantenga las juntas de la puerta limpias para que la puerta se cierre siempre correctamente.
- ▶ Descongele los alimentos congelados en el compartimento frigorífico.
- ▶ La configuración de más ahorro energético requiere que el electrodoméstico mantenga los cajones, las cajas de alimentos y los estantes en condiciones de fábrica, y los alimentos deben colocarse lo más lejos posible sin bloquear la salida de aire del conducto.



## ¡ADVERTENCIA!

Desconecte el electrodoméstico de la fuente de alimentación antes de limpiarlo.

### Limpieza

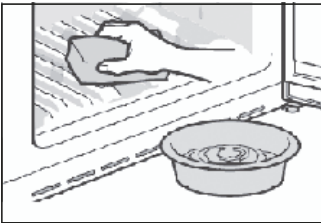
Limpie el electrodoméstico solo cuando haya pocos o ningún alimento guardado.

Este electrodoméstico debe limpiarse cada cuatro semanas para realizar un buen mantenimiento y evitar malos olores.



## ¡ADVERTENCIA!

- ▶ No limpie el electrodoméstico con cepillos duros, cepillos de alambre, detergente en polvo, gasolina, acetato de amilo, acetona y soluciones orgánicas similares, soluciones ácidas o alcalinas. Limpie con un detergente especial para frigoríficos para evitar daños.
- ▶ No rocíe ni enjuague el electrodoméstico durante la limpieza.
- ▶ No use agua pulverizada o vapor para limpiar el electrodoméstico.
- ▶ No limpie los estantes de cristal fríos con agua caliente. Un cambio repentino de temperatura puede causar que el cristal se rompa.
- ▶ No toque la superficie interior del compartimento del electrodoméstico, especialmente con las manos mojadas, ya que las manos pueden congelarse en la superficie.
- ▶ En caso de calentamiento, compruebe el estado de los productos congelados.



- ▶ Mantenga siempre limpia la junta de la puerta.
- ▶ Limpie el interior y el armazón del electrodoméstico con una esponja humedecida en agua tibia y detergente neutro.
- ▶ 1. Frote el interior y el exterior del frigorífico, incluyendo la junta de la puerta, los estantes de la puerta, los estantes de cristal, los cajones, etc., con una toalla suave o una esponja sumergida en agua caliente (se puede añadir detergente neutro).
- ▶ 2. Si hay líquido derramado, retire todas las piezas contaminadas, enjuague directamente con agua corriente, seque y coloque las piezas de nuevo en el frigorífico.
- ▶ 3. Si hay productos cremosos derramados (como nata, helado derretido...), retire todas las piezas contaminadas, póngalas en agua caliente a unos 40 °C durante un rato, enjuague con agua corriente, séquelas y colóquelas de nuevo en el frigorífico.
- ▶ 4. En caso de que alguna parte o componente pequeño quede atascada dentro del frigorífico (entre las estanterías o los cajones), utilice un cepillo suave pequeño para sacarlo. Si no la alcanza, póngase en contacto con el servicio de Haier.
- ▶ Aclare y seque con un paño suave.
- ▶ No limpie ninguna de las piezas o partes de este electrodoméstico en un lavavajillas.

- ▶ Deje pasar al menos 5 minutos antes de reiniciar el electrodoméstico, ya que el arranque frecuente puede dañar el compresor.

## Descongelación

La descongelación de los compartimentos frigorífico y congelador se realiza automáticamente: no se requiere ninguna operación manual.

## Sustitución de las lámparas LED



### ¡ADVERTENCIA!

No sustituya usted mismo la lámpara LED, solo debe cambiarla el fabricante o un técnico autorizado.

Las lámparas utilizan LED como fuente de luz, con bajo consumo energético y larga vida útil. Si detecta alguna anomalía, póngase en contacto con el servicio de atención al cliente. Vea ATENCIÓN AL CLIENTE.

Parámetros de las lámparas:

Compartimento frigorífico: 12 V máx. 2 W

Compartimento de congelador: 12 V máx. 2 W

## Si no se utiliza durante un periodo prolongado

Si no utiliza el electrodoméstico durante un periodo de tiempo prolongado Y no desea utilizar la función Holiday:

Saque la comida.

Desenchufe el cable de la toma de corriente.

Limpie el electrodoméstico como se ha descrito anteriormente.

Mantenga las puertas abiertas para evitar que se generen malos olores en el interior.



### AVISO

Apague el electrodoméstico solo si es estrictamente necesario.

## Desplazar el electrodoméstico

1. Retire toda la comida y desenchufe el electrodoméstico.
2. Fije los estantes y otras partes móviles en el frigorífico y el congelador con cinta adhesiva.
3. No incline el frigorífico más de 45° para evitar dañar el sistema de refrigeración.



### ¡ADVERTENCIA!

- ▶ No levante el electrodoméstico por las asas.
- ▶ No coloque el electrodoméstico horizontalmente sobre el suelo.

Usted mismo puede resolver muchos de los problemas que puedan presentarse sin tener conocimientos específicos. En caso de que se produzca algún problema, compruebe todas las posibilidades ilustradas y siga las instrucciones pertinentes antes de ponerse en contacto con un servicio posventa. Vea ATENCIÓN AL CLIENTE.



## ¡ADVERTENCIA!

- ▶ Antes de realizar tareas de mantenimiento, desactive el electrodoméstico y desconecte el enchufe de la toma de corriente.
- ▶ Los equipos eléctricos solo deben ser revisados y manejados por electricistas expertos cualificados, ya que las reparaciones incorrectas pueden causar daños considerables en consecuencia.
- ▶ Si el sistema de alimentación está dañado, debe ser sustituido por el fabricante, por su servicio técnico o por cualquier profesional cualificado similar para evitar riesgos.

Problema	Causa posible	Solución posible
El compresor no funciona.	<ul style="list-style-type: none"> <li>• El enchufe no está conectado a la toma de corriente.</li> <li>• El electrodoméstico está en el ciclo de descongelación</li> </ul>	<ul style="list-style-type: none"> <li>• Conecte el enchufe.</li> <li>• Esto es normal para una descongelación automática</li> </ul>
El electrodoméstico funciona con frecuencia o funciona durante un período de tiempo demasiado largo.	<ul style="list-style-type: none"> <li>• La temperatura interior o exterior es demasiado alta.</li> <li>• El electrodoméstico ha estado apagado durante cierto de tiempo.</li> <li>• Una puerta del electrodoméstico no está bien cerrada.</li> <li>• La puerta se ha abierto con demasiada frecuencia o durante mucho tiempo.</li> <li>• El ajuste de temperatura del compartimento congelador es demasiado bajo.</li> <li>• La junta de la puerta está sucia, desgastada, agrietada o desparejada.</li> </ul>	<ul style="list-style-type: none"> <li>• En este caso, es normal que el electrodoméstico funcione más tiempo.</li> <li>• Normalmente, lleva de 8 a 12 horas que el electrodoméstico se enfríe completamente.</li> <li>• Cierre la puerta/cajón y asegúrese de que el electrodoméstico esté ubicado sobre una superficie plana y que no haya alimentos o recipientes que impidan que la puerta se cierre bien.</li> <li>• No abra la puerta/cajón con demasiada frecuencia.</li> <li>• Ajuste una temperatura más alta hasta obtener una temperatura satisfactoria para el frigorífico. Se necesitan 24 horas para que la temperatura del frigorífico se mantenga estable.</li> <li>• Limpie la junta de la puerta/cajón o pídale al servicio de atención al cliente que la cambie.</li> </ul>

Problema	Causa posible	Solución posible
	<ul style="list-style-type: none"> <li>• La circulación de aire requerida no está garantizada.</li> </ul>	<ul style="list-style-type: none"> <li>• Garantice una ventilación adecuada.</li> </ul>
El interior del frigorífico está sucio y/o huele mal.	<ul style="list-style-type: none"> <li>• El interior del frigorífico necesita limpieza.</li> <li>• Hay alimentos de olor fuerte guardados en el frigorífico.</li> </ul>	<ul style="list-style-type: none"> <li>• Limpie el interior del frigorífico.</li> <li>• Envuelva bien los alimentos.</li> </ul>
La temperatura del interior del electrodoméstico no es lo suficientemente fría.	<ul style="list-style-type: none"> <li>• La temperatura establecida es demasiado alta.</li> <li>• Se han almacenado alimentos demasiado calientes.</li> <li>• Se ha almacenado demasiada comida a la vez.</li> <li>• Los alimentos están demasiado cerca entre sí.</li> <li>• Una puerta/cajón del electrodoméstico no está bien cerrada.</li> <li>• La puerta/cajón se ha abierto con demasiada frecuencia o durante mucho tiempo.</li> </ul>	<ul style="list-style-type: none"> <li>• Restablezca la temperatura.</li> <li>• Enfrie siempre los alimentos antes de guardarlos.</li> <li>• Guarde siempre pequeñas cantidades de alimentos.</li> <li>• Deje un espacio entre varios alimentos para permitir que el aire fluya.</li> <li>• Cierre la puerta/cajón.</li> <li>• No abra la puerta/cajón con demasiada frecuencia.</li> </ul>
La temperatura del interior del electrodoméstico es demasiado fría.	<ul style="list-style-type: none"> <li>• La temperatura establecida es demasiado baja.</li> <li>• La función Super Freeze/Super Cool está activada o ha estado funcionando demasiado tiempo.</li> </ul>	<ul style="list-style-type: none"> <li>• Restablezca la temperatura.</li> <li>• Apague la función Super Freeze/Super Cool.</li> </ul>
Formación de humedad en el interior del compartimento frigorífico.	<ul style="list-style-type: none"> <li>• El ambiente es demasiado cálido y demasiado húmedo.</li> <li>• Una puerta/cajón del electrodoméstico no está bien cerrada.</li> <li>• La puerta/cajón se ha abierto con demasiada frecuencia o durante mucho tiempo.</li> <li>• Hay recipientes de alimentos o líquidos abiertos.</li> </ul>	<ul style="list-style-type: none"> <li>• Aumente la temperatura.</li> <li>• Cierre la puerta/cajón.</li> <li>• No abra la puerta/cajón con demasiada frecuencia.</li> <li>• Deje que los alimentos calientes se enfrien a temperatura ambiente y cubra los alimentos y líquidos.</li> </ul>

Problema	Causa posible	Solución posible
Se acumula humedad fuera de la superficie externa de los frigoríficos o entre las puertas/puerta y cajón.	<ul style="list-style-type: none"> <li>• El ambiente es demasiado cálido y demasiado húmedo.</li> <li>• La puerta no está bien cerrada. Hay aire frío dentro del electrodoméstico y aire caliente en el exterior, y se produce condensación.</li> </ul>	<ul style="list-style-type: none"> <li>• Esto es normal en un ambiente húmedo y cambiará cuando la humedad disminuya.</li> <li>• Asegúrese de que la puerta/cajón está bien cerrada.</li> </ul>
Muestra un ligero funcionamiento, pero no se siente fresco.	<ul style="list-style-type: none"> <li>• Está en modo demo.</li> </ul>	<ul style="list-style-type: none"> <li>• Observe en qué estado se encuentra, si está en modo Demo, salga de él. Salir Abra la puerta del frigorífico, en estado bloqueado, pulse el segundo botón de la derecha para 8S en las 12 horas siguientes al encendido.</li> </ul>
Hay mucho hielo y escarcha en el compartimento congelador.	<ul style="list-style-type: none"> <li>• Los alimentos no están correctamente embalados.</li> <li>• Una puerta/cajón del electrodoméstico no está bien cerrada.</li> <li>• La puerta/cajón se ha abierto con demasiada frecuencia o durante mucho tiempo.</li> <li>• La junta de la puerta/cajón está sucia, desgastada, agrietada o desaparejada.</li> <li>• Algo en el interior impide que la puerta/cajón se cierren correctamente.</li> </ul>	<ul style="list-style-type: none"> <li>• Embale bien los alimentos.</li> <li>• Cierre la puerta/cajón.</li> <li>• No abra la puerta/cajón con demasiada frecuencia.</li> <li>• Limpie la junta de la puerta/cajón o cámbiela por una nueva.</li> <li>• Vuelva a colocar los estantes, estantes de la puerta o contenedores internos para permitir que la puerta/cajón se cierre.</li> </ul>
Los lados del frigorífico y la tira de la puerta se calientan.	<ul style="list-style-type: none"> <li>• -</li> </ul>	<ul style="list-style-type: none"> <li>• Esto es normal.</li> </ul>
El electrodoméstico hace sonidos anormales.	<ul style="list-style-type: none"> <li>• El electrodoméstico no está ubicado sobre una superficie plana.</li> <li>• El electrodoméstico toca algún objeto a su alrededor.</li> </ul>	<ul style="list-style-type: none"> <li>• Ajuste las patas para nivelar el electrodoméstico.</li> <li>• Retire los objetos que haya alrededor del electrodoméstico.</li> </ul>
Se oye un ligero sonido similar al del flujo de agua.	<ul style="list-style-type: none"> <li>• -</li> </ul>	<ul style="list-style-type: none"> <li>• Esto es normal.</li> </ul>
Oír un pitido de alarma.	<ul style="list-style-type: none"> <li>• La puerta del compartimento frigorífico está abierta.</li> </ul>	<ul style="list-style-type: none"> <li>• Cierre la puerta.</li> </ul>

Problema	Causa posible	Solución posible
Oirá un débil zumbido.	<ul style="list-style-type: none"> <li>• El sistema anticondensación está en marcha</li> </ul>	<ul style="list-style-type: none"> <li>• Esto evita la condensación y es normal</li> </ul>
El sistema de iluminación o refrigeración interior no funciona.	<ul style="list-style-type: none"> <li>• El enchufe no está conectado a la toma de corriente.</li> <li>• La fuente de alimentación presenta alguna alteración.</li> <li>• La lámpara LED no funciona.</li> </ul>	<ul style="list-style-type: none"> <li>• Conecte el enchufe.</li> <li>• Compruebe el suministro eléctrico a la habitación. Llame a la compañía eléctrica local.</li> <li>• Llame al servicio técnico para cambiar la lámpara.</li> </ul>

Para ponerse en contacto con el servicio de asistencia técnica, visite nuestro sitio web: <https://corporate.haier-europe.com/en/>

En la sección "website", elija la marca de su producto y su país. Se le redirigirá a la página web específica donde podrá encontrar el número de teléfono y el formulario para ponerse en contacto con el servicio de asistencia técnica.

### Interrupción del suministro

En caso de un corte de luz, los alimentos deberían permanecer frescos y a salvo durante 5 horas. Siga estos consejos durante una interrupción prolongada del suministro, especialmente en verano:

- ▶ Abra la puerta/cajón lo menos posible.
- ▶ No introduzca más alimentos en el electrodoméstico durante un corte de luz.
- ▶ Si se da el aviso previo de un corte de luz y la duración de la interrupción es superior a 5 horas, fabrique algo de hielo y póngalo en un recipiente en la parte superior del compartimento frigorífico.
- ▶ Inmediatamente después de la interrupción, es necesario llevar a cabo una inspección de los alimentos.
- ▶ Como la temperatura del frigorífico subirá durante una interrupción del suministro eléctrico u otro fallo, el período de conservación y la calidad comestible de los alimentos se reducirán. Cualquier alimento que se descongele debe consumirse, o bien cocinarse y volver a congelarse (cuando proceda) rápidamente para evitar riesgos para la salud.

### Función de memoria durante el corte de luz

En cuanto vuelva la luz, el electrodoméstico restablecerá los ajustes establecidos antes del corte de luz.

Desempaquetado



**¡ADVERTENCIA!**

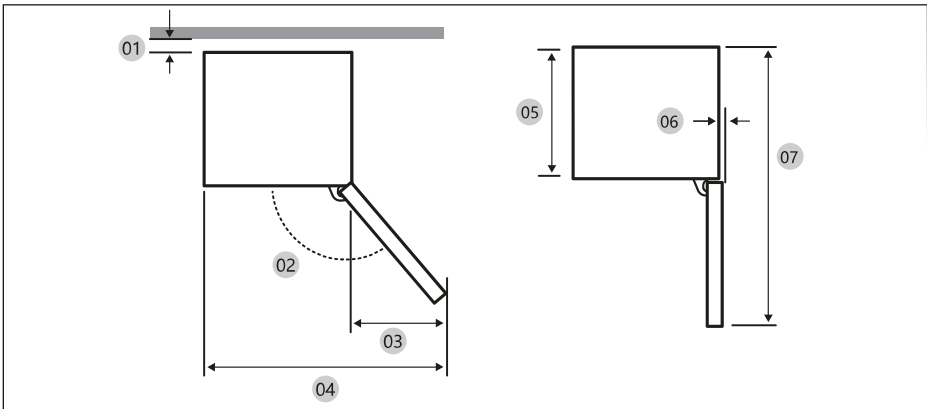
- ▶ Este es un electrodoméstico pesado. Manipúlelo con la ayuda de otra persona.
- ▶ Mantenga todo el material de embalaje fuera del alcance de los niños y deséchelo de forma respetuosa con el medio ambiente.
- ▶ Saque el electrodoméstico de su embalaje.
- ▶ Retire todos los materiales de embalaje.

Condiciones ambientales

La temperatura ambiente debería encontrarse siempre entre 10 °C y 43 °C, ya que puede influir en la temperatura del interior del electrodoméstico y en su consumo energético. No instale el electrodoméstico cerca de otros electrodomésticos emisores de calor (hornos, neveras) sin aislamiento.

Requisitos de espacio

Espacio necesario cuando la puerta está abierta (sin panel de puerta de armario)

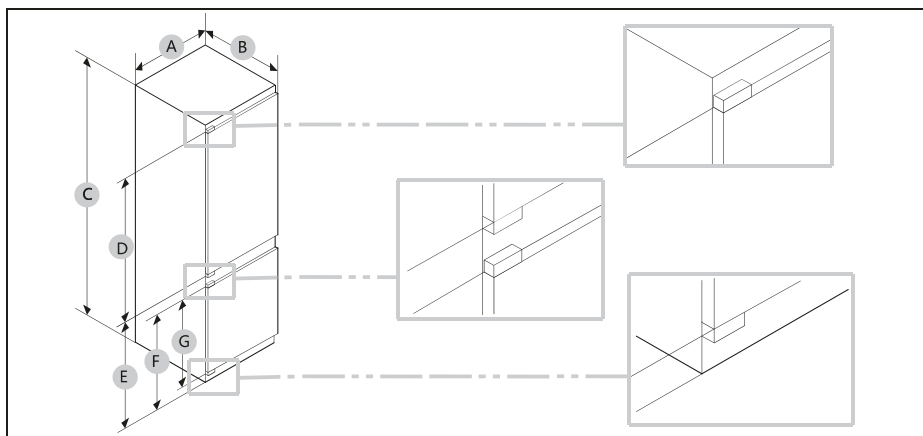


Modelo	EHBQW5518E HBQW5518E HBQW5518EK HQE1855BCMW EHQE1855BCMW	HBQW5519E HBQW5519EK EHBQW5519E EHBQW5519ECM	HBQW5719E
01 *	10 (Mín.) / 30 (Recomendado)	10 (Mín.) / 30 (Recomendado)	10 (Mín.) / 30 (Recomendado)
02	95° (Recomendado)	95° (Recomendado)	95° (Recomendado)
03	43	43	55
04	583	583	745
05	515	515	515
06	-3	-3	-3
07	1060	1060	1210

\* 01: Desde el armario hasta la parte trasera del producto.

(unidad: mm)

## Dimensiones del producto



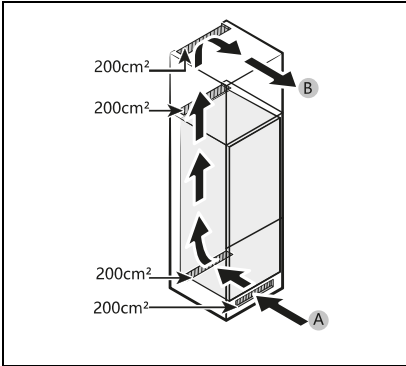
Model	A(mm)	B(mm)	C(mm)	D(mm)	E(mm)	F(mm)	G(mm)
EHBQW5518E HBQW5518E HBQW5518EK HQE1855BCMW EHQE1855BCMW	540±2	550±2	1772±2	970	745	662	618
HBQW5519E HBQW5519EK EHBQW5519E EHBQW5519ECM	540±2	550±2	1935±2	1133	745	662	618
HBQW5719E	690±2	550±2	1935±2	1133	745	662	618

**i** AVISO

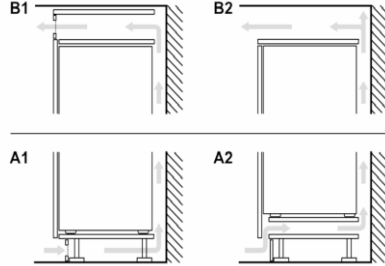
- El consumo de energía especificado se basa en la condición de una separación de 10 mm entre el armario y la parte trasera del producto. El producto funcionará correctamente incluso con una separación inferior a 10 mm, aunque consume algo más de energía.
- Recomendamos utilizar un armario de 18 mm de grosor con bisagras de menos de 20 mm.
- Las medidas de la tabla anterior pueden variar en función del método de medición.
- Para la instalación integrada, consulte la Guía de instalación.

### Sección cruzada de ventilación

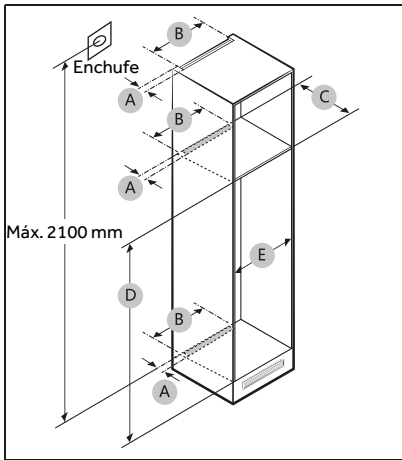
Para lograr una ventilación suficiente del electrodoméstico por razones de seguridad, debe observarse la información de las secciones cruzadas de ventilación requeridas.



**A:** Entrada de aire  $\geq 200 \text{ cm}^2$ ; Opciones de ventilación  
**B:** Salida de aire  $\geq 200 \text{ cm}^2$ ; Opciones de ventilación



### Dimensiones del mueble



### ¡PRECAUCIÓN!

Cualquier fallo del producto debido a lo siguiente no está cubierto por la Garantía.

1. Condiciones inadecuadas del emplazamiento o tamaños incorrectos de los armarios.
2. Armario defectuoso.
3. Errores del instalador o del usuario.

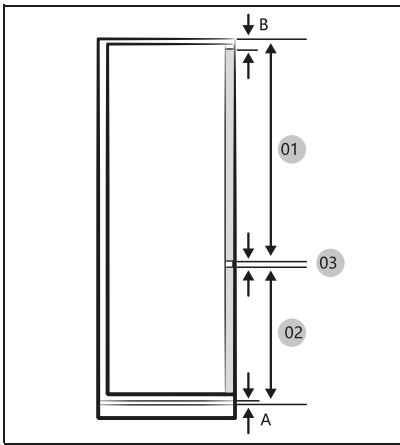
## Espacio libre

Consulte las imágenes y tablas siguientes para conocer los requisitos de espacio para la instalación.

Modelo		A (mm)	B (mm)	C (mm)	D (mm)	E (mm)	Observación
EHBQW5518E HBQW5518E HBQW5518EK HQE1855BCMW EHQE1855BCMW	Mín.	50	400	560	1778	560	Bisagra: 17 mm
	Recomendado			580	1780	562	
	Máx.			-	1782	568	
HBQW5519E HBQW5519EK EHBQW5519E EHBQW5519ECM	Mín.	50	400	560	1940	560	Bisagra: 17 mm
	Recomendado			580	1943	562	
	Máx.			-	1945	568	
HBQW5719E	Mín.	50	400	560	1941	710	Bisagra: 17 mm
	Recomendado			580	1943	714	
	Máx.			-	1945	718	

**i** AVISO

- Si la anchura de un armario es superior a 568 mm, la junta (entre el frigorífico y el armario) puede aflojarse.
- Si el armario es más alto que la dimensión máxima (1782 mm), deberá utilizar otros materiales de acabado para rellenar el hueco (para EHBQW5518E/ HBQW5518E/ EK/ EHQE/ HQE1855BCMW)
- Si el armario es más alto que la dimensión máxima (1945 mm), deberá utilizar otros materiales de acabado para rellenar el hueco (para HBQW5519E/ EK/ EHBQW5519E/ ECM)



**i** AVISO

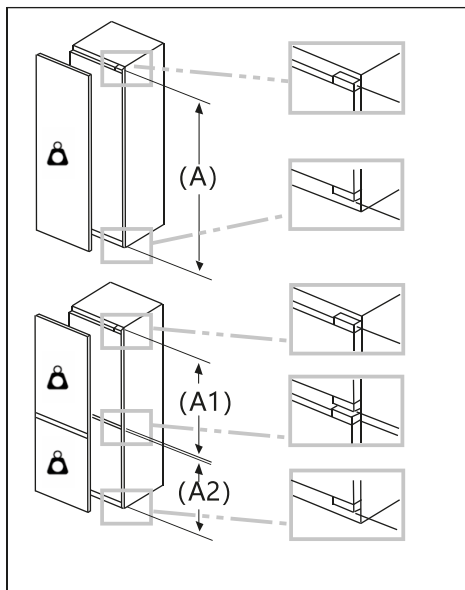
Para instalar un armario que requiera una separación de 4 mm (03), consulte la tabla de referencia de armarios que figura a continuación.

- A Borde inferior del panel frontal por encima de la ventilación de aire
- B Voladizo del panel frontal

(unidad: mm)

Modelo	EHBQW5518E HBQW5518E HBQW5518EK HQE1855BCMW EHQE1855BCMW	HBQW5519E HBQW5519EK EHBQW5519E EHBQW5519ECM HBQW5719E
01	Mín. 1028+B Máx. 1106+B	Mín. 1191+B Máx. 1269+B
02	Mín. 662+A Máx. 740+A	Mín. 662+A Máx. 740+A
03	4 mm (separación entre los paneles de las puertas del frigorífico y el congelador)	

## Peso máximo admisible de los frentes de los muebles

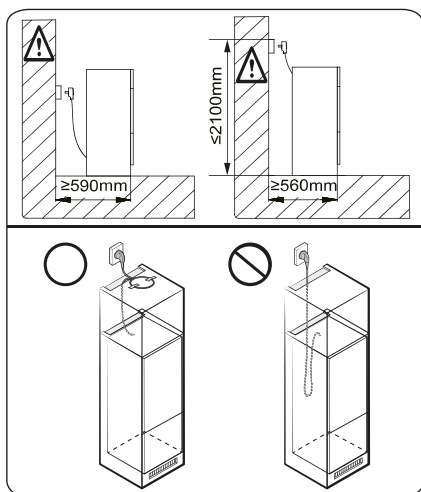


Los frentes de muebles montados que superen el peso admisible pueden provocar daños y afectar al funcionamiento de las bisagras.

 **Peso**  
(kg)

1500-1750 mm	22
720-1400 mm	19
A1	15
A2	15

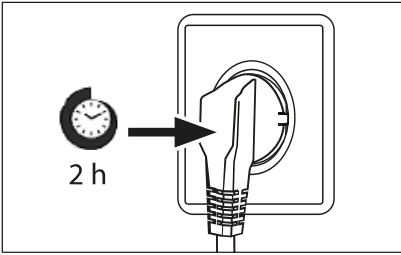
## Consideración de la ubicación de la toma de corriente y el espacio necesario



### AVISO

Si instala el frigorífico en un armario con una profundidad de 560 mm, asegúrese de que el cable de alimentación está dispuesto en un lateral del frigorífico antes de enchufarlo a una toma de corriente. Si el cable de alimentación está en la parte trasera del frigorífico, podría disminuir la eficiencia energética.

## Tiempo de espera



El aceite de lubricación sin mantenimiento se encuentra en la cápsula del compresor. Este aceite puede pasar por el sistema de tuberías cerradas durante el transporte si el electrodoméstico está inclinado. Antes de conectar el electrodoméstico a la fuente de alimentación, espere al menos 2 horas para que el aceite vuelva a entrar en la cápsula.

## Conexión eléctrica

Antes de cada conexión, compruebe si:

- ▶ La fuente de alimentación, la toma de corriente y el fusible son adecuados para la placa de clasificación.
- ▶ La toma de corriente tiene conexión a tierra y no tiene múltiples contactos ni extensiones.
- ▶ El enchufe y la toma de corriente encajan perfectamente.

Conecte el enchufe a una toma de corriente doméstica correctamente instalada.



## ¡ADVERTENCIA!

Para evitar riesgos, solo el servicio de atención al cliente debe reemplazar un cable de alimentación dañado (ver tarjeta de garantía).

Ficha del producto conforme al Reglamento UE n.º 2019/2016

Marca	Haier		
Nombre/identificador del modelo	EHBQW5518E HBQW55 18E HBQW5518EK HQE1855B CMW EHQE1855BCMW	HBQW5519E HBQW55 19EK EHBQW5 519E EHBQW5519ECM	HBQW5719E
Categoría del modelo	Frigorífico congelador		
Clase de eficiencia energética	E	E	E
Consumo anual de energía (kWh/año) (1)	229	229	259
Volumen total (L)	268	285	382
Volumen del frigorífico (L)	194	211	281
Volumen del congelador (L)	74	74	101
Volumen de la sección de refrigeración (L)	/	/	/
Volumen del fabricante de hielo automático (L)	/	/	/
Estrellas	4	4	4
Temperatura de otros compartimentos > 14° C	No aplicable		
Sistema Frost -free	Sí	Sí	Sí
Capacidad de congelación (kg/24 h)			
Clasificación climática (2)	SN/N/ST/T	SN/N/ST/T	SN/N/ST/T
	B(35)	B(35)	B(33)
Tiempo de aumento de la temperatura (h)	12	12	9
Capacidad de fabricación de hielo	/	/	/
Tipo de electrodoméstico	Encastre	Encastre	Encastre

Nombre del modelo	Clase de eficiencia energética
EHBQW5518E HBQW5518E HBQW5518EK HQE1855BCMW EHQE1855BCMW	E
HBQW5519E HBQW5519EK EHBQW5519E EHBQW5519ECM HBQW5719E	E

Explicaciones:

- Sí

(1) Basado en los resultados de la prueba de conformidad normativa durante 24 horas. El consumo real depende del uso y de la ubicación del electrodoméstico.

(2) Calificación climática SN: Este electrodoméstico está diseñado para ser utilizado a una temperatura ambiente comprendida entre +10 °C y +32 °C

Calificación climática N: Este electrodoméstico está diseñado para ser utilizado a una temperatura ambiente comprendida entre + 16 °C y +32 °C

Calificación climática ST: Este electrodoméstico está diseñado para ser utilizado a una temperatura ambiente comprendida entre +16 °C y +38 °C

Calificación climática T: Este electrodoméstico está diseñado para ser utilizado a una temperatura ambiente comprendida entre +16 °C y +43 °C

### Datos técnicos adicionales

Voltaje / Frecuencia	220-240V ~/50Hz
Corriente de entrada (A)	1.2/1.6
Fusible principal (A)	16
Refrigerante	R600a
Tamaño (Al/An/Pr en mm)	EHBQW5518E/ HBQW5518E/ EK EHQE/ HQE1855BCMW: 1773/540/555
	HBQW5519E/ EK/ EHBQW5519E/ ECM: 1935/540/555
	EHBQW5719E : 1935/690/550

Recomendamos nuestro Servicio de atención al cliente Haier y el uso de repuestos originales.

Si tiene algún problema con su electrodoméstico, compruebe primero la sección SOLUCIÓN DE PROBLEMAS.

Si no encuentra una solución allí, póngase en contacto con

- ▶ su distribuidor local o
- ▶ nuestro Centro europeo de atención al cliente (ver números de teléfono listados abajo) o
- ▶ el área de servicio y asistencia en [www.haier.com](http://www.haier.com), donde puede activar la solicitud de servicio y encontrar las Preguntas frecuentes.

Para ponerse en contacto con nuestro Servicio, asegúrese de tener los siguientes datos disponibles.

Puede encontrar la información en la placa de datos.

Modelo \_\_\_\_\_

N.º de serie \_\_\_\_\_

Compruebe también la tarjeta de garantía suministrada con el producto en caso de garantía.

Centro europeo de atención al cliente		
País*	Número de teléfono	Costes
Haier Italy (IT)	199 100912	
Haier Spain (ES)	902 509 123	
Haier Germany (DE)	0180 5 39 39 99	<ul style="list-style-type: none"> <li>• 14 ct/min teléfono fijo</li> <li>• máx. 42 ct/min móvil</li> </ul>
Haier Austria (AT)	0820 001205	<ul style="list-style-type: none"> <li>• 14,53 ct/min teléfono fijo</li> <li>• máx. 20 ct/min el resto</li> </ul>
Haier United Kingdom (UK)	0333 003 8122	
Haier France (FR)	0980 406 409	

\*Para otros países, consulte [www.haier.com](http://www.haier.com)

Haier Europe Trading S.r.l

Sucursal Reino Unido

Westgate House, Westgate, Ealing

Londres, W5 1YY

\*Duración de la garantía del electrodoméstico de refrigeración:

La garantía mínima es de: 2 años para los países de la UE, 3 años para Turquía, 1 año para el Reino Unido, 1 año para Rusia, 3 años para Suecia, 2 años para Serbia, 5 años para Noruega, 1 año para Marruecos, 6 meses para Argelia, Túnez sin garantía legal, al no requerirse.

\*El período de piezas de repuesto para la reparación del aparato:

Los termostatos, los sensores de temperatura, las placas de circuito impresas y las fuentes de luz están disponibles durante un período mínimo de 7 años después de la comercialización de la última unidad del modelo.

Las asas, bisagras, bandejas y cestas lo están durante un período mínimo de 7 años, y las juntas durante un período mínimo de 10 años después de la comercialización de la última unidad del modelo.

\*Para más información sobre el producto, consulte <https://eprel.ec.europa.eu/> o escanee el código QR en la etiqueta energética suministrada con el electrodoméstico.



**Haier**



2024 versión A

# Haier



## Kasutusjuhend

### Külmik sügavkülmik

EHBQW5518E

HBQW5518E

HBQW5518EK

HQE1855BCMW

EHQE1855BCMW

HBQW5519E

HBQW5519EK

EHBQW5519E

EHBQW5519ECM

HBCN7190U1

ET

<u>4 Ohutusteave</u>	<u>Enne esmakordset kasutamist</u>	5
	<u>Paigaldamine</u>	5
	<u>Igapäevane kasutamine</u>	6
	<u>Külmutusagensit puudutav teave</u>	8
<u>9 Kasutusotstarve</u>		
<u>10 Toote kirjeldus</u>		
<u>12 Juhtpaneel</u>		
<u>13 Kasutamine</u>	<u>Juhtpaneeli</u>	
	<u>lukustamine/lahtilukustamine</u>	13
	<u>Külmiku temperatuuri reguleerimine</u>	13
	<u>Sügavkülmiku temperatuuri</u>	
	<u>reguleerimine</u>	14
	<u>Wi-Fi-funktsioon</u>	15
	<u>Energiasäästufunktsioon Holiday</u>	15
	<u>Kiirjahutusfunktsioon Super Cool</u>	16
	<u>Kiirkülmutusfunktsioon Super Freeze</u>	16
<u>18 Seadme tutvustus</u>		
<u>20 Nõuanded energiatarbe vähendamiseks</u>		
<u>21 Hooldus ja puhastamine</u>		
<u>23 Veaotsing</u>		
<u>27 Paigaldamine</u>		
<u>34 Tehnilised andmed</u>		
<u>36 Klienditeenindus</u>		

## Aitäh, et ostsite Haieri toote.

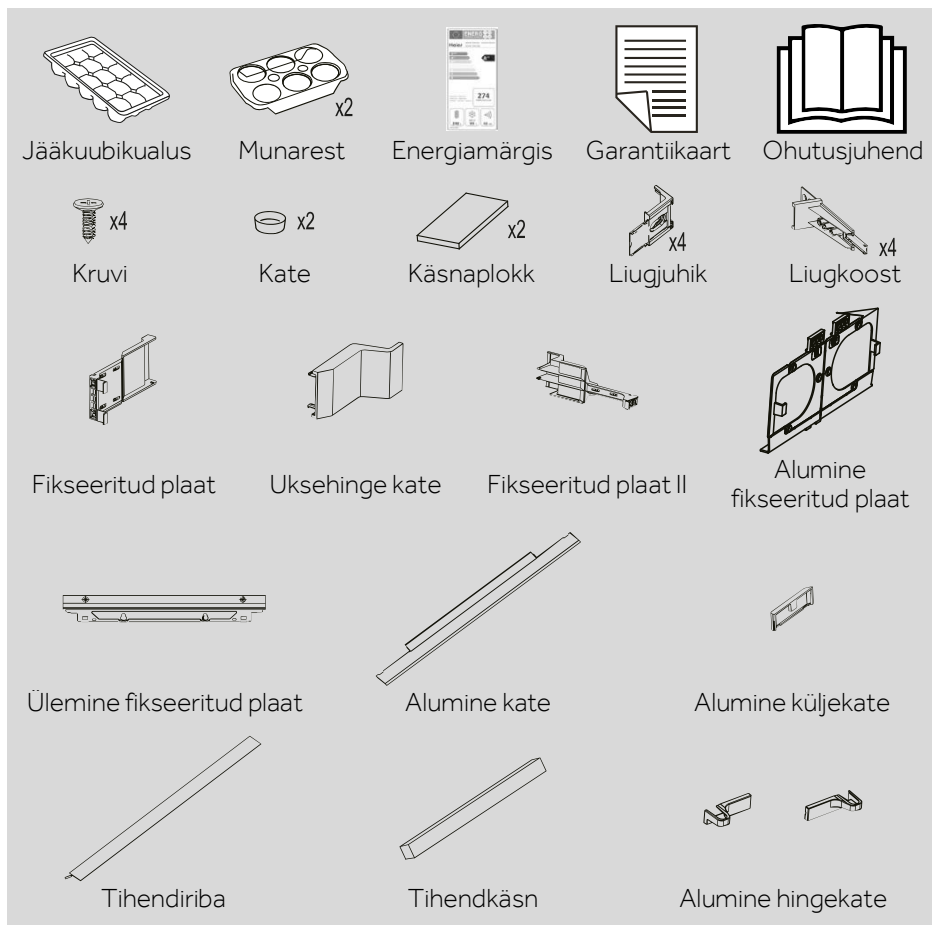
Enne seadme kasutuselevõttu lugege see juhend hoolikalt läbi. Juhend sisaldab olulist teavet, mis aitab tagada seadme optimaalset funktsioonivõimet ning selle paigaldamise, kasutamise ja hoolduse ohutust ja nõuetekohasust.

Hoidke kasutusjuhendit käepärases kohas, et saaksite seda seadme ohutut ja nõuetekohast kasutamist puudutavate suuniste kontrollimiseks vaadata.

Kui peaksite seadme maha müüma, selle ära andma või kolimise korral endisesse elukohta jätma, andke uuele omanikule kindlasti ka kasutusjuhend, et ta saaks seadme ja ohutuslaste hoiatustega tutvuda.

## Tarvikud

Kontrollige alljärgneva loendi alusel tarvikuid ja dokumentatsiooni.





**HOIATUS – oluline ohutusteave**

---



**MÄRKUS – üldine teave ja nõuanded**

---



**Keskkonnateave**

---



### Utiliseerimine

Andke keskkonna ja inimeste tervise kaitsmisel oma panus. Pange pakendi komponendid ringlussevõtuks ette nähtud konteineritesse. Järgige elektri- ja elektroonikaseadmete romude ringlussevõtule kohalduvaid nõudeid. Osutatud sümboliga tähistatud seadmeid ei tohi olmejäätmete hulka visata. Viige toode piirkondlikku ringlussevõtijaama või võtke ühendust kohaliku omavalitsuse asjaomase allüksusega.

---



**HOIATUS!**

Vigastuste või lämbumise oht!

Kõrvaldamisel tuleb järgida külmutusagensitele ja jahutusgaasidele kohalduvaid spetsiifilisi nõudeid. Enne nõuetekohast kõrvaldamist veenduge, et külmutusagensi kontuuri torustik ei ole kahjustunud. Ühendage seade vooluvõrgust lahti. Lahutage toitekaabel ja kõrvaldage see. Eemaldage alused, sahtlid, ukse sulgur ja tihendid, et vältida laste ning lemmikloomade seadmesse kinnijäämist.

## Enne seadme esmakordset sisselülitamist tutvuge alljärgnevate ohutuslaste nõuannetega.



### HOIATUS!

#### Enne esmakordset kasutamist

- ▶ Kontrollige toodet transpordikahjustuste suhtes.
- ▶ Enne seadme paigaldamist oodake vähemalt kaks tundi, et külmutusagensi kontuur oleks seadme sisselülitamiseks valmis.
- ▶ Seadet peab alati teisaldama vähemalt kaks inimest, sest see on raske.
- ▶ Eemaldage kõik pakendi komponendid, hoidke neid lastele kättesaamatus kohas ja kõrvaldage need keskkonnasäästlikult.
- ▶ Puhastage enne toiduainete külmkappi panemist seda seest ja väljast vee ning õrnatoimelise puhastusvahendiga.
- ▶ Pärast nivelleerimist ja puhastamist oodake vähemalt 2–5 tundi, enne kui ühendate seadme vooluvõrku. Vaadake osa „PAIGALDAMINE“.
- ▶ Enne toiduainete külmkappi panemist eeljahutage kambreid kõrgetel sätetel. Funktsioon Power-Freeze aitab kambreid kiiresti jahutada.
- ▶ Külmiiku temperatuuri sätteks määratakse automaatselt 5 °C ja sügavkülmiiku temperatuuriks –18 °C. Need on soovituslikud sätted. Soovi korral saate temperatuure käsitsi muuta. Vaadake osa „TEMPERATUURI KOHANDAMINE“.

#### Paigaldamine

- ▶ Seade tuleb paigutada korraliku ventilatsiooniga kohta. Seadme kohale ja külgedele peab jääma vähemalt 10 cm vaba ruumi.
- ▶ Seadet ei tohi paigutada niiskesse kohta ega nii, et sellele võiksid sattuda veepritsmed. Kasutage veepritsmete ja plekkide eemaldamiseks ning seadme kuivatamiseks puhast pehmet riidelappi.
- ▶ Ärge paigutage seadet otsese päikesevalguse kätte ega soojusallikate (näiteks ahju või kütteseadme) lähedusse.
- ▶ Seade tuleb paigaldada ja nivelleerida kohas, mis on seadme mõõtmetele vastav ning seadme kasutamiseks sobiv.
- ▶ Jälgige, et seadme või integreeritud konstruktsiooni ventilatsiooniavad ei oleks blokeeritud.
- ▶ Veenduge, et andmesildil välja toodud elektrilised parameetrid on toiteallikaga vastavuses. Lahknevuste korral võtke ühendust elektrikuga.
- ▶ Seadme toiteallikas peab vastama järgmistele parameetritele: 220–240 VAC / 50 Hz. Pinge anomaalse kõikumisega võib kaasneda seadme mittekäivitumine, temperatuuriregulaatori või kompressori kahjustumine või seadme käitamisaegne tavatu müra. Sellisel juhul tuleb paigaldada automaatregulaator.
- ▶ Ärge kasutage mitme pistikuga adaptoreid ega pikendusjuhtmeid.
- ▶ Jälgige, et seadme taha ei jääks portatiivseid mitmikpistikupesasid ega teisaldatavaid toiteallikaid.
- ▶ Jälgige, et toitekaabel ei saaks külmkappi takerduda. Ärge astuge toitekaabile.



## HOIATUS!

- ▶ Toitevarustuse tagamiseks tuleb kasutada eraldiseisvat maandatud pistikupesa, mis on hõlpsalt ligipääsetav. Seade peab olema maandatud. Ainult Ühendkuningriigis: seadme toitekaablil on kolmejuhtmeline (maandusega) pistik, mis on ette nähtud ühendamiseks standardse kolmejuhtmelise (maandusega) pistikupesaga. Kolmandat kontakti (maandust) ei tohi ära lõigata ega demonteerida. Pistik peab pärast seadme paigaldamist ligipääsetav olema.
- ▶ Jälgige, et külmutusagensi kontuur ei saaks kahjustada.

### Igapäevane kasutamine

- ▶ Lapsed alates 8. eluaastast ning piiratud füüsiliste, sensorsete või vaimsete võimetega või väheste kogemuste ja teadmistega isikud võivad seadet kasutada üksnes järelevalvel või kui neid on juhendatud seadme ohutu kasutamise osas ning nad mõistavad seadme kasutamiseiga seotud ohte.
- ▶ 3–8-aastased lapsed võivad seadmetesse sööke-jooke panna ja neid sealt võtta, kuid neil ei ole lubatud külmutusseadmeid puhastada ega paigaldada.
- ▶ Hoidke alla 3-aastased lapsed seadmest eemal, välja arvatud juhul, kui neid pidevalt jälgitakse.
- ▶ Lapsed ei tohi seadmega mängida.
- ▶ Kui seadme läheduses lekib jahutusgaasi või muud kergesti süttivat gaasi, lülitage lekkiva gaasi klapp välja, avage ukсед ja aknad ning ärge lahutage külmkapi ega ühegi muu seadme toitekaablilt.
- ▶ Seade on mõeldud kasutamiseks ümbritseva õhu temperatuuri vahemikus 10–43 °C. Seade ei pruugi nõuetekohaselt töötada, kui see on pikemat aega temperatuuril, mis on osutatud vahemikust kõrgem või madalam.
- ▶ Ärge asetage külmkapile ebastabiilseid esemeid (näiteks raskeid esemeid või veega täidetud anumaid), et vältida eseme kukkumisega kaasnevaid kehavigastusi või veega kokkupuutest tingitud elektrilööki.
- ▶ Ärge tõmmake ukseriilulitest. Uks võib viltu vajuda, pudeliriilul võib eemalduda või seade võib ümber kukkuda.
- ▶ Kasutage uste avamiseks ja sulgemiseks käepidemeid. Uste vahekaugus on väike ning uste ja külmiku kambrite vaheline pilu kitsas. Sõrmede pitsumise vältimiseks ärge pange käsi mainitud kohtadesse. Külmkapi uksi võib avada ja sulgeda vaid siis, kui ukse liikumistrajektoril ei ole lapsi.
- ▶ Ärge hoidke ega kasutage seadmes ega selle läheduses kergsüttivaid, plahvatusohtlikke või söövitavaid aineid.
- ▶ Ärge hoidke seadmes ravimeid, baktereid ega keemilisi aineid. Seade on mõeldud kasutamiseks kodukeskkonnas. Selles ei ole soovitatav hoida aineid, mille säilitamisele kohalduvad ranged temperatuurinõuded.
- ▶ Ärge hoidke sügavkülmisel gaseeritud karastusjooke, karboniseeritud nõrgalt alkohoolseid jooke ega vedelikega täidetud klaaspudeleid või plekkpurke, sest need lõhkevad külmudes (erandiks on kange alkohol).
- ▶ Kui sügavkülmik on mingil põhjusel soojenenud, kontrollige selles olnud toidu seisundit.



## HOIATUS!

- ▶ Ärge seadistage külmiku kambri temperatuuri tarbetult madalaks. Kõrgete sätete korral võib esineda miinustemperatuure. Tähelepanu! Pudelid võivad lõhkeda.
- ▶ Ärge puudutage külmutatud toiduaineid märgade kätega (kasutage kindaid). Pulgajäästist ei tohiks süüa kohe pärast selle sügavkülmikust välja võtmist. Kohaldub kinnikülmumise, külmakahjustuste ja külmavillide oht. ESMAABI: pange kinnikülmunud esemega piirkond kohe jooksva külma vee alla. Ärge tõmmake kinnikülmunud eset jõuga lahti.
- ▶ Ärge puudutage töötava sügavkülmiku kambri sisepinda, sest käed võivad kambri sisepinna külge jääda. Eriti suur on oht siis, kui käed on märjad.
- ▶ Voolukatkestuse korral või enne puhastamist lahutage seade vooluvõrgust. Enne seadme taaskäivitamist oodake vähemalt 7 minutit, kuna sagedane käivitamine võib kompressorit kahjustada.
- ▶ Ärge kasutage külmkapi toiduainete hoiualades elektriseadmeid, kui nende tüüp ei ole vastavuses tootjapoolsete soovitustega.

## Hooldus/puhastamine

- ▶ Kui külmkapi puhastus- ja hooldustoiminguid teevad lapsed, tuleb neid kindlasti jälgida.
- ▶ Enne korralist hooldust lahutage seade vooluvõrgust. Enne seadme taaskäivitamist oodake vähemalt viis minutit, sest sagedane käivitamine võib kompressorit kahjustada.
- ▶ Seadme vooluvõrgust lahutamisel hoidke pistikust, mitte kaablist.
- ▶ Seadme puhastamisel ei tohi kasutada abrasiivset harja, traatkäsna, pesuvahendi pulbrit, bensiini, amüülatsetaati, atsetooni, sarnaseid orgaanilisi lahuseid ega happelisi või leeliselisi lahuseid. Kahjustuste vältimiseks kasutage spetsiaalset külmkapi puhastusvahendit.
- ▶ Ärge kraapige härmatist ja jääd teravate esemetega. Plastosade kahjustuste vältimiseks ärge kasutage pihusteid või elektrilisi soojendusseadmeid, näiteks kuumutit, fööni, aurupuhastit ega muid soojusallikaid.
- ▶ Ärge kasutage sulamisprotsessi kiirendamiseks mehaanilisi vahendeid ega seadmeid, kui tootja ei ole neid selleks otstarbeks soovitanud.
- ▶ Kui toitekaabel on kahjustunud, peab ohtude minimeerimiseks selle välja vahetama tootja, tootja volitatud hooldustehnik või sarnase kvalifikatsiooniga spetsialist.
- ▶ Ärge proovige seadet ise parandada, lahti võtta ega modifitseerida. Remondi korral võtke palun ühendust meie klienditeenindusega.
- ▶ Eemaldage seadme tagaküljelt tolm vähemalt kord aastas, et vältida tuleohtu ja energiatarbimise suurenemist.
- ▶ Ärge pihustage ega loputage seadet puhastamise ajal.
- ▶ Ärge kasutage seadme puhastamiseks veepihustit ega auru.
- ▶ Ärge puhastage külmi klaasriiuleid kuumaga. Järsk temperatuurimuutus võib põhjustada klaasi purunemise.

## Külmutusagensit puudutav teave



### HOIATUS!

Seadmes on tuleohtlik külmutusagens isobutaan (R600a). Veenduge, et külmutusagensi kontuur ei oleks transpordi või paigaldamise ajal kahjustunud. Lekkiv külmutusagens võib põhjustada silmavigastusi või süttida. Kahjustuse korral hoidke tuleallikad eemal, ventileerige ruum põhjalikult, ärge ühendage ega lahutage seadme või ühegi muu seadme toitejuhtmeid. Teavitage juhtunust klienditeenindust.

Kui külmutusagens peaks sattuma silmadesse, loputage silmi viivitamatult voolava vee all ja võtke kohe ühendust silmaarstiga.

## Kasutusotstarve

Seade on mõeldud toiduainete jahutamiseks ja külmutamiseks. See on ette nähtud kasutamiseks kodumajapidamises ja sarnastes kasutuskeskkondades, näiteks kaupluste, kontorite ja tööruumide kööginurkades, talumajapidamistes, hotelli- ja motellitubades ning majutusasutustes, külalistemajades ja toitlustusettevõtetes. See ei ole mõeldud kaubanduslikuks ega tööstuslikuks kasutuseks.

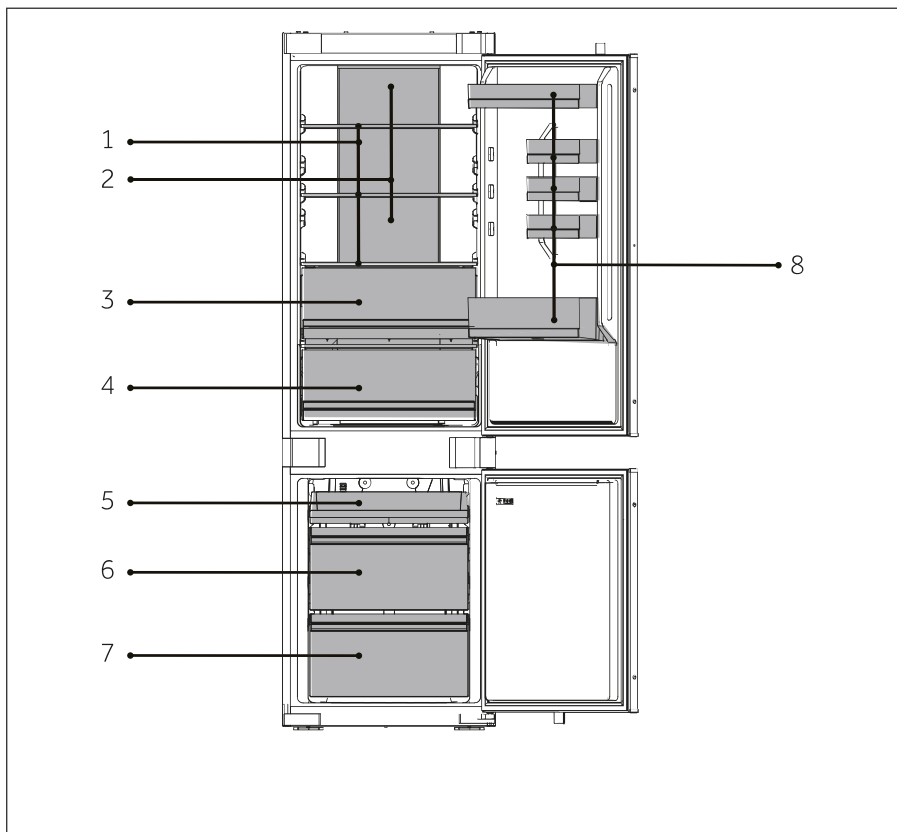
Seadme muutmine või modifitseerimine ei ole lubatud. Kavandatust erinev kasutamine võib endas ohte kätkeada ja garantii tühistada.

## Standardid ja direktiivid või

Seade vastab kõigi kohaldatavate Euroopa Ühenduse direktiivide ja asjaomaste ühtlustatud standardite ja Ühendkuningriigi standardite nõuetele, mille alusel omistatakse tootele CE- ja UKCA-vastavusmärgised.

## **i** MÄRKUS

Tehniliste muudatuste ja mudelite varieeruvuse tõttu võivad mõned juhendis sisalduvad illustratsioonid konkreetsest mudelist erineda.



EHBQW5518E/HBQW5518E/ HBQW5518EK/ HQE1855BCMW/ EHQE1855BCMW

### A: Jahekamber

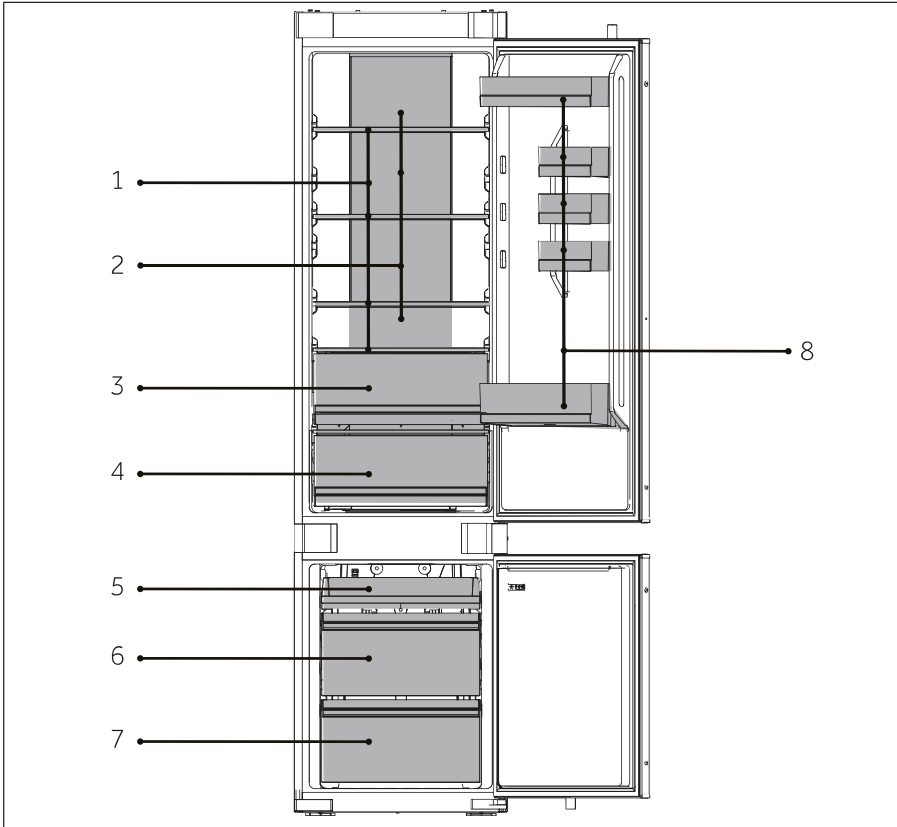
- 1 Tavariidid
- 2 Jahutatud õhu kanal
- 3 Humidity Zone sektsiooni sahtel
- 4 Sahtel Fresh Box
- 8 Pudelihoidik

### B: Sügavkülmkamber

- 5 Ülemine sügavkülmiku alus
- 6 Keskmine sügavkülmiku sahtel
- 7 Alumine sügavkülmiku sahtel

## **i** Märkus.

Tehniliste muudatuste ja mudelite varieeruvuse tõttu võivad mõned juhendis sisalduvad illustratsioonid konkreetsest mudelist erineda.



HBQW5519E/ HBQW5519EK/ EHBQW5519E/ EHBQW5519ECM/ HBQW5719E

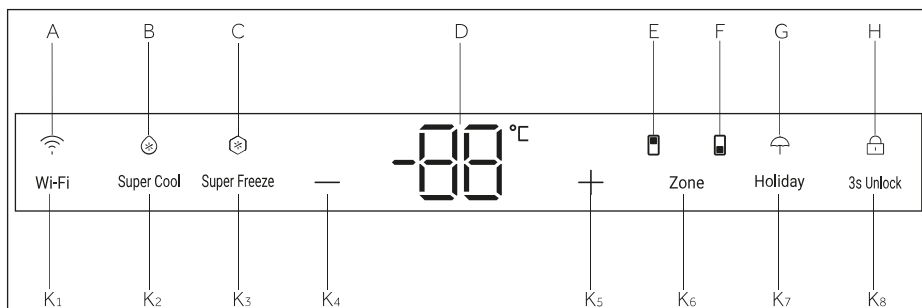
### A: Jahekamber

- 1 Tavariulid
- 2 Jahutatud õhu kanal
- 3 Humidity Zone sektsiooni sahtel
- 4 Sahtel Fresh Box
- 8 Pudelihoidik

### B: Sügavkülmikamber

- 5 Ülemine sügavkülmiku alus
- 6 Keskmise sügavkülmiku sahtel
- 7 Alumine sügavkülmiku sahtel

## Juhtpaneel



### Indikaatorid:

- A Wi-Fi-funktsioon
- B Kiirjahutusfunktsioon Super Cool
- C Kiirkülmutusfunktsioon Super Freeze
- D Temperatuurinäidik
- E Külmiku indikaator
- F Sügavkülmiku indikaator
- G Energiasäästufunktsioon Holiday
- H Lukustamine ja lukustuse avamine

### Nupud:

- K<sub>1</sub> Wi-Fi seadistusnupp
- K<sub>2</sub> Kiirjahutuse Super Cool valikunupp
- K<sub>3</sub> Kiirkülmutuse Super Freeze valikunupp
- K<sub>4</sub> Temperatuuri reguleerimise nupp „-“
- K<sub>5</sub> Temperatuuri reguleerimise nupp „+“
- K<sub>6</sub> Tsooni valimise nupp
- K<sub>7</sub> Energiasäästufunktsiooni Holiday nupp
- K<sub>8</sub> Lukustamise ja lukustuse avamise nupp

## Andurnupud

Juhtpaneelil on andurnupud, mis reageerivad juba kergel sõrmepeudutusel.

### Külmkapi sisse-/väljalülitamine

Seade lülitub vooluvõrku ühendamisel automaatselt sisse.

Külmiku esmakordsel sisselülitamisel süttib indikaator „D“ (temperatuurinäidik). Külmiku temperatuuri sätteks määratakse automaatselt  $5^{\circ}\text{C}$  ja sügavkülmiku temperatuuriks  $-18^{\circ}\text{C}$ .



## Märkus.

Kui seade on olnud vooluvõrgust lahutatud, võib pärast külmkapi sisselülitamist ette nähtud temperatuuride saavutamiseks kuni 12 tundi kuluda.

Tühjendage külmkapp enne selle väljalülitamist. Seadme väljalülitamiseks lahutage toitekaabel pistikupesast.

### Juhtpaneeli lukustamine/lahtilukustamine

Automaatne lukustus: Kui külmiku uks ja sügavkülmiku uks on suletud ja 30 sekundi jooksul ühtegi nuppu ei kasutata, lülitub ekraan automaatselt välja ja lukustub

Käsi lukustamine: kui ekraani lukustus on avatud, vajutage nuppu „K<sub>8</sub>” (3S Unlock) 3 sekundit. Kostab helisignaali, näidik „H” (paneelilukk) süttib ja ekraan lukustub.

Lukustuse avamine: kui ekraan on lukustatud, vajutage nuppu „K<sub>8</sub>” (3S Unlock) 3 sekundit. Kostab helisignaali, näidik „H” (paneelilukk) süttib ja ekraan on lukustatud.

### Kohanda temperatuuri

Külmkapi sisetemperatuuri mõjutavad alljärgnevad tegurid:

Ümbrustemperatuur, ukse avamise sagedus, hoiustatud toiduainete hulk seadme paigaldamisel.

### Külmiku temperatuuri reguleerimine

Kui ekraani lukustus on avatud, vajutage nuppu K<sub>6</sub> (tsooni valija). Kostab helisignaali, näidik „E” (külmiku näidik) põleb ning avaneb külmiku temperatuuri seadistamise režiim.

Vajutage nuppu „K<sub>4</sub>” (temperatuuri reguleerimise nupp „-”) iga kord, kostab üks helisignaali ning külmiku seadistatud temperatuuri alandatakse 1 astme võrra. Külmiku temperatuur kuvatakse järjestuses „9 °C -> 8 °C -> 7 °C -> 6 °C -> 5 °C -> 4 °C -> 3 °C -> 2 °C -> 1 °C”.

Vajutage nuppu K<sub>5</sub> (temperatuuri reguleerimise nupp „+”) iga kord, kostab üks helisignaali ning külmiku seadistatud temperatuuri tõstetakse 1 astme võrra. Külmiku temperatuur kuvatakse järjestuses „1 °C -> 2 °C -> 3 °C -> 4 °C -> 5 °C -> 6 °C -> 7 °C -> 8 °C -> 9 °C”.



## Märkus.

Kui pärast temperatuuri seadistamist 5 sekundi jooksul toiminguid ei tehta, määratakse süsteem automaatselt ja salvestatakse seadistatud temperatuur.

## Sügavkülmiku temperatuuri reguleerimine

Kui ekraani lukustus on avatud, vajutage nuppu  $K_6$  (tsooni valija). Kostab helisignaali, näidik „F“ (sügavkülmiku näidik) põleb ning avaneb sügavkülmiku temperatuuri seadistamise režiim.

Vajutage nuppu „ $K_4$ “ (temperatuuri reguleerimise nupp „-“) iga kord, kostab üks helisignaali ning sügavkülmiku seadistatud temperatuuri alandatakse 1 astme võrra. Sügavkülmiku temperatuur kuvatakse järjestuses „-14 °C -> -15 °C -> -16 °C -> -17 °C -> -18 °C -> -19 °C -> -20 °C -> -21 °C -> -22 °C -> -23 °C -> -24 °C“.

Vajutage nuppu „ $K_5$ “ (temperatuuri reguleerimise nupp „+“) iga kord, kostab üks helisignaali ning sügavkülmiku seadistatud temperatuuri tõstetakse 1 astme võrra. Sügavkülmiku temperatuur kuvatakse järjestuses „-24 °C -> -23 °C -> -22 °C -> -21 °C -> -20 °C -> -19 °C -> -18 °C -> -17 °C -> -16 °C -> -15 °C -> -14 °C“.



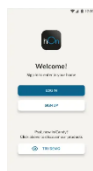
### Märkus.

Kui pärast temperatuuri seadistamist 5 sekundi jooksul toiminguid ei tehta, määratakse süsteem automaatselt ja salvestatakse seadistatud temperatuur.

### 1. toiming Laadige rakendus hOn rakendusepoest alla.



### 2. toiming Looge rakenduses hOn konto või logige sisse, kui teil on konto juba olemas



### 3. toiming Järgige rakenduses hOn kuvatavaid sidumisjuhiseid.



## Wi-Fi-funktsioon

1. Wi-Fi-ühenduse konfigureerimiseks järgige rakenduse juhiseid.
2. Pärast WiFi-ühenduse konfigureerimist ja ühenduse loomist jääb WiFi-ühenduse ikoon „A” sisse lülitatuks.
3. Kui Wi-Fi on juba konfigureeritud, ühendatakse see automaatselt vastavalt konfiguratsiooniteabele, kui Wi-Fi sisse lülitatakse.
4. Wi-Fi väljalülitamiseks vajutage Wi-Fi nuppu „K<sub>1</sub>” ja Wi-Fi ikoon „A” lülitub välja.
5. Wi-Fi sisselülitamiseks ja konfigureerimise alustamiseks vajutage Wi-Fi nuppu „K<sub>1</sub>” ja Wi-Fi ikoon „A” hakkab aeglaselt vilkuma. Kui soovite Wi-Fi-funktsiooni konfigureerida, vajutage 3 sekundi nuppu „K<sub>1</sub>”, Wi-Fi ikoon vilgub kiiresti ja lülitub konfigureerimisrežiimi. Kui soovite Wi-Fi-funktsiooni välja lülitada, vajutage üks kord nuppu „K<sub>1</sub>”. Ülaltoodud samme korratakse.
6. Kui toode on konfigureeritud ja Wi-Fi-funktsioon on välja lülitatud, ei lülitu külmkapp konfiguratsioonirežiimi, kui see on uuesti toiteallikaga ühendatud.

## Energiasäästufunktsioon Holiday

1. Kui ekraan on lukustusest avatud, vajutage nuppu „K<sub>7</sub>” (funktsiooni Holiday nupp), kostab üks helisignaal, näidik „G” (funktsioon Holiday) süttib ja lülitub sisse funktsioon Holiday.
2. Kui ekraan on lukustusest avatud, vajutage nuppu „K<sub>7</sub>” (funktsiooni Holiday nupp), kostab üks helisignaal, näidik „G” (funktsioon Holiday) kustub ja funktsioon Holiday lülitub välja.

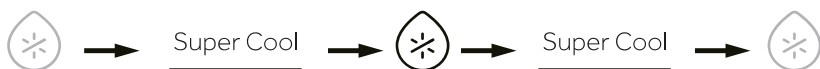


### Märkus.

1. Energiasäästufunktsiooni Holiday kasutatakse peamiselt lühiajaliste reiside ja muude olukordade puhul ning funktsiooni Holiday kasutamisel tuleb külmikuruum tühendada.
2. Funktsioonis Holiday on külmikuruumi temperatuur kõrgem (umbes 17°C), pöörake tähelepanu toidu eemaldamisele külmikuruumist, et vältida toidu riknemist.

### Kiirjahutusfunktsioon Super Cool

1. Kui ekraani lukustus on avatud, vajutage nuppu „K<sub>2</sub>” (funktsiooni Super Cool valija), kostab üks helisignaal, näidik „B” (funktsioon Super Cool) süttib ja seejärel lülitub funktsioon Super Cool sisse.
2. Kui näidik „B” (funktsioon Super Cool) süttib, vajutage nuppu „K<sub>2</sub>” (funktsiooni Super Cool valija), kostab üks helisignaal, näidik „O” kustub ja seejärel lülitub funktsioon Super Cool välja.
3. Pärast funktsiooni Super Cool sisselülitamist lülitab külmkapp funktsiooni automaatselt välja, kui see on seadistatud temperatuuri saavutanud. Kui soovite väljuda käsitsi, võite selle väljalülitamiseks vajutada nuppu „K<sub>2</sub>” (funktsiooni Super Cool valija).



### **i** Märkus.

1. Olekus Super Cool ei saa külmiku temperatuuri reguleerida. Kui vajutate külmiku temperatuuri reguleerimiseks nuppu „K<sub>4</sub>” (temperatuuri reguleerimise nupp „-“) või nuppu „K<sub>5</sub>” (temperatuuri reguleerimise nupp „+“), hakkab vilkuma näidik „B” (funktsiooni Super Cool näidik) ja kõlab heli, mis annab märku, et seda toimingut ei saa teha.
2. Funktsiooni Super Cool olekus ei saa automaatse seadistamise funktsiooni Auto-set erinevate juhtimisrežiimide tõttu korruga sisse lülitada. Kui valite ühe funktsiooni, mis on vastuolus teise funktsiooniga, väljub seade automaatselt algsest funktsioonist.
3. See funktsioon keelatakse automaatselt 6 tunni pärast.

### Kiirkülmutusfunktsioon Super Freeze

1. Kui ekraani lukustus on avatud, vajutage nuppu „K<sub>3</sub>” (funktsiooni Super Freeze valija), kostab üks helisignaal, näidik „C” (funktsioon Super Freeze) süttib ja seejärel lülitub funktsioon Super Freeze sisse.
2. Kui näidik „C” (funktsioon Super Freeze) süttib, vajutage nuppu „K<sub>3</sub>” (funktsiooni Super Freeze valija), kostab üks helisignaal, näidik „C” (funktsioon Super Freeze) kustub ja seejärel lülitub funktsioon Super Freeze välja.
3. Pärast funktsiooni Super Freeze sisselülitamist lülitab külmkapp funktsiooni automaatselt välja, kui see on seadistatud temperatuuri saavutanud. Kui soovite väljuda käsitsi, võite selle väljalülitamiseks vajutada nuppu „K<sub>3</sub>” (funktsiooni Super Freeze valija).





## Märkus.

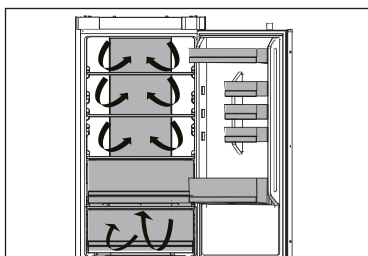
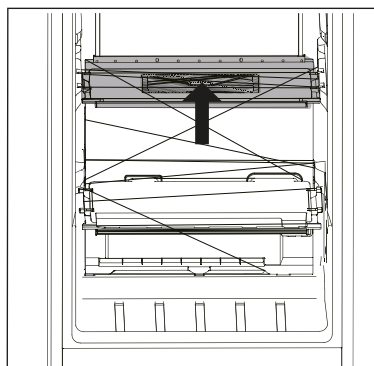
1. Super Freeze olekus ei saa sügavkülmiku temperatuuri reguleerida. Kui vajutate sügavkülmiku temperatuuri reguleerimiseks nuppu „K<sub>4</sub>“ (temperatuuri reguleerimise nupp „-“) või nuppu „K<sub>5</sub>“ (temperatuuri reguleerimise nupp „+“), hakkab vilkuma näidik „C“ (funktsiooni Super Freeze näidik) ja kõlab heli, mis annab märku, et seda toimingut ei saa teha.
2. Super Freeze funktsioon on mõeldud külmutatud toidu toiteväärtuse säilitamiseks, see külmutab toidu võimalikult lühikese aja jooksul. Kui korraga tuleb külmutada suures koguses külmutatud toitu. Vahepeal tuleks funktsioon Super Freeze seadistada 24 tundi ette, et sügavkülmik saavutaks suhteliselt madala temperatuuri, ja toit sisse panna. Sel ajal suureneb sügavkülmiku külmutuskiirus, toitu saab kiiresti külmutada, toidu toiteväärtus säilib tõhusalt ja ladustamine muutub mugavaks.
3. Funktsioon Super Freeze lülitub 50 tunni pärast automaatselt välja, seejärel kasutatakse seadet eelmääratud temperatuuril.

## Humidity Zone sektsiooni sahtel

Selles sektsioonis on niiskustase kõrgem kui külmikus. Süsteem reguleerib seda automaatselt ning see sahtel sobib puuviljade, köögiviljade, salati jms säilitamiseks.

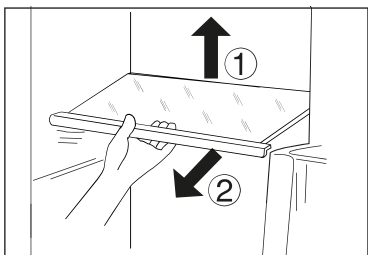
### **i** Märkus.

1. Ärge eemaldage tsoonist plastkatteid.
2. Need aitavad vajalikku niiskustaset alal hoida.
3. Selles sahtlis ei ole soovitatav hoida külmatundlikke puuvilju nagu ananass, avokaado, banaan, greip.



### Mitmesuunalise õhuvoo süsteem

1. Külmkappi on integreeritud mitmesuunalise õhuvoo süsteem, mis tagab igal riulitasandil külma õhu liikumise. See aitab säilitada ühtlast temperatuuri, et toit püsiks kauem värskena.



### Reguleeritavad riiulid

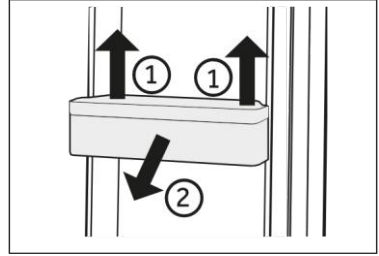
1. Riiulite kõrgust saab säilitusvajadustest lähtuvalt kohandada.
2. Riiuli ümberpaigutamiseks eemaldage see esmalt, tõstes selle tagaserva ① ja tõmmates selle välja ②.
3. Riiuli uuesti külmikusse paigutamiseks asetage see kummalgi küljel olevatele eenditele ja lükake riiulit tahapoole, kuni selle tagaserv on külgedel olevatesse süvenditesse fikseeritud.

### **i** Märkus.

Veenduge, et riiul on ühetasaselt paigutatud.

**Eemaldatavad ukseriulid/pudelihoidik**

1. Ukseriuleid saab puhastamiseks eemaldada.
2. Asetage käed riivi mõlemale küljele, tõstke seda ülespoole ① ja tõmmake välja ②.
3. Ukseriuli tagasi oma kohale panemiseks tehke ülaltoodud toimingud vastupidises järjekorras.

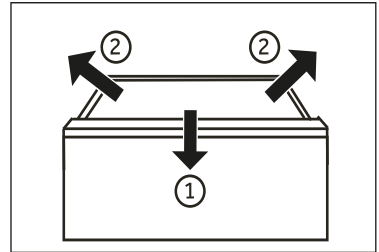
**Märkus.**

Külmkapi sisselülitamisel võib ette nähtud temperatuuride saavutamiseks kuni 12 tundi kuluda.

**Eemaldatav sahtel**

Sahtli väljavõtmiseks tõmmake see maksimaalselt välja ①, tõstke ja eemaldage ②.

Sahtli tagasi oma kohale panemiseks tehke ülaltoodud toimingud vastupidises järjekorras.

**Valgusti**

Ukse avamisel süttib valgusdiodiga sisevalgusti. Tulede intensiivsust ei mõjuta seadme ükski säte.



## Nõuanded energiatarbe vähendamiseks

- ▶ Veenduge, et seadme ventilatsioon vastab nõuetele (vaadake osa „PAIGALDAMINE“).
- ▶ Ärge paigutage seadet otsese päikesevalguse kätte ega soojusallikate (näiteks ahju või kütteseadme) lähedusse.
- ▶ Hoiduge tarbetult madalate temperatuuride seadistamisest. Mida madalam on temperatuuri säte, seda suurem on seadme energiatarve.
- ▶ Sellised funktsioonid nagu Super Freeze tarbivad rohkem energiat.
- ▶ Laske soojal toidul enne selle külmkappi panemist maha jahtuda.
- ▶ Hoidke seadme ust võimalikult vähest aega avatuna.
- ▶ Õhuvoolu takistuste välistamiseks ärge täitke külmkappi liigselt.
- ▶ Jälgige, et toiduainete pakendites oleks võimalikult vähe õhku.
- ▶ Uksetihendid peavad olema puhtad, et uks alati korralikult sulguks.
- ▶ Sulatage külmutatud toiduaineid külmiku kambris.
- ▶ Kõige energiasäästlikum konfiguratsioon nõuab, et seadme sahtlid, toidukast ja riiulid oleksid tehaseseisukorras ning toit tuleks paigutada nii kaugele kui võimalik ilma õhukanali väljalaskeavasid blokeerimata.



## HOIATUS!

Enne puhastamist lahutage külmkapp vooluvõrgust.

### Puhastamine

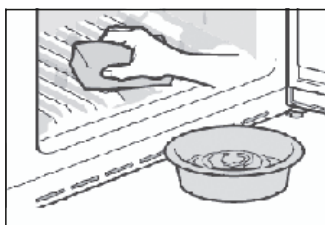
Puhastage külmkappi siis, kui selles on vähe toiduaineid või see on tühi.

Külmkappi tuleb puhastada iga nelja nädala järel – see tagab seadme nõuetekohase hoolduse ja aitab vältida ebameeldiva lõhna teket.



## HOIATUS!

- ▶ Seadme puhastamisel ei tohi kasutada abrasiivset harja, traatkäsna, pesuvahendi pulbrit, bensiini, amüülatsetaati, atsetooni, sarnaseid orgaanilisi lahuseid ega happelisi või leeliselisi lahuseid. Kahjustuste vältimiseks kasutage spetsiaalset külmkapi puhastusvahendit.
- ▶ Ärge pihustage ega loputage seadet puhastamise ajal.
- ▶ Ärge kasutage seadme puhastamiseks veepihustit ega auru.
- ▶ Ärge puhastage külmi klaasriiuleid kuuma veega. Järsk temperatuurimuutus võib põhjustada klaasi purunemise.
- ▶ Ärge puudutage sügavkülmiku kambri sisepinda, sest käed võivad kambri sisepinna külge jääda. Eriti kohaldub see siis, kui käed on märjad.
- ▶ Kütteperioodil kontrollige külmutatud toiduainete seisundit.



- ▶ Jälgige, et uksetihend oleks alati puhas.
- ▶ Puhastage külmkapi sisemust ja korpust soojas vees ning neutraalses puhastusvahendis niisutatud svammiga.
- ▶ 1. Puhastage külmiku sisemust ja välispinda, sealhulgas uksetihendit, ukseraami, klaasriiuleid, kaste jne, pehme rätiku või käsnaga, mis on kastetud sooja vette (millesse võib lisada neutraalset pesuvahendit).
- ▶ 2. Vedeliku mahavalgumise korral eemaldage kõik määrduvad osad, loputage otse voolava veega, kuivatage ja asetage tagasi külmkappi.
- ▶ 3. Mahavoolanud koore (nt koor, sulava jäätis) korral eemaldage kõik saastunud osad, asetage need mõneks ajaks sooja vette temperatuuril umbes 40 °C, seejärel loputage voolava veega, kuivatage ja asetage tagasi külmikusse.
- ▶ 4. Kui külmiku sisse (riiulite või sahtlite vahele) satub mõni väike osa või komponent, kasutage selle vabastamiseks väikest pehmet harja. Kui te ei ulatu osani, võtke ühendust Haieri teenindusega.
- ▶ Loputage ja kuivatage pehme riidelapiga.
- ▶ Ärge puhastage seadme osi nõudepesumasinas.
- ▶ Enne seadme taaskäivitamist oodake vähemalt viis minutit, sest sagedane käivitamine võib kompressorit kahjustada.

## Sulatamine

Külmiku ja sügavkülmiku kambrite sulatamine on automaatne, nende käsitsi sulatamine ei ole vajalik.

## Valgusdiodi vahetamine



### HOIATUS!

Ärge asendage valgusdiodiga valgustit ise, seda võib vahetada vaid tootja või volitatud hooldustehnik.

Valgusallikaks on valgusdiod, millel on väike energiatarve ja pikk kasutusiga. Valgustiga seotud probleemide korral võtke ühendust klienditeenindusega. Vaadake osa „KLIENDITEENINDUS“.

Valgusti parameetrid on alljärgnevad:

Külmiku kamber: 12 V max 2 W

Sügavkülmiku kamber: 12 V, maksimaalselt 2 W

## Pikaajaline mittekasutamine

Kui te ei kasuta seadet pikka aega JA te ei soovi kasutada energiasäästufunktsiooni Holiday, tehke järgmist.

Võtke toiduained külmkapist välja.

Lahutage toitekaabel.

Puhastage seadet eespool kirjeldatud viisil.

Hoidke ukсед lahti, et vältida halbade lõhnade teket seadme sees.



### Märkus.

Lülitage külmkapp välja vaid siis, kui see on vältimatult vajalik.

## Seadme teisaldamine

1. Võtke toiduained külmkapist välja ja lahutage seade vooluvõrgust.
2. Fikseerige riulid ning külmiku ja sügavkülmiku muud liikuvad osad kleeplindiga.
3. Külmkappi ei tohi külmutussüsteemi kahjustuste vältimiseks kallutada rohkem kui 45 kraadi.



### HOIATUS!

- ▶ Ärge tõstke külmkappi selle käepidemetest.
- ▶ Ärge asetage seadet horisontaalselt põrandapinnale.

Paljusid tekkida võivaid probleeme saab kõrvaldada ilma mingite eriteadmisteta. Probleemide korral järgige allpool välja toodud suuniseid, enne kui võtate ühendust müüjijärgse teenindusega. Vaadake osa „KLIENDITEENINDUS“.



## HOIATUS!

- ▶ Enne hooldustoiminguid lahutage seadme väljalülitamiseks toitepistik pistikupesast.
- ▶ Elektriseadmete remonditöid võivad teha vaid kvalifitseeritud elektrikud, sest ebaõige remondiga võivad kaasned märkimisväärsed kahjustused.
- ▶ Kahjustunud toitekaabli võib ohtude minimeerimiseks välja vahetada üksnes tootja, tootja volitatud hooldustehnik või sarnase kvalifikatsiooniga spetsialist.

Probleem	Võimalik põhjus	Võimalik lahendus
Kompressor ei tööta.	<ul style="list-style-type: none"> <li>• Toitepistik ei ole vooluvõrku ühendatud.</li> <li>• Aktiveeritud on seadme sulatustsükl</li> </ul>	<ul style="list-style-type: none"> <li>• Ühendage toitepistik.</li> <li>• See on automaatse sulatamise korral normaalne</li> </ul>
Seade käivitub sageli või on selle käitustsükl liiga pikk.	<ul style="list-style-type: none"> <li>• Sise- või välistemperatuur on liiga kõrge.</li> <li>• Seade on olnud pikemat aega välja lülitatud.</li> <li>• Seadme uks ei ole korralikult suletud.</li> <li>• Ust avatakse liiga sageli või hoitakse seda liiga kaua lahti.</li> <li>• Sügavkülmiku kambrile on valitud liiga madal temperatuuri säte.</li> <li>• Ukse tihend on määrdunud, kulunud, pragunenud või mitesobiv.</li> <li>• Õhuringlus ei vasta nõuetele.</li> </ul>	<ul style="list-style-type: none"> <li>• Sellisel juhul on normaalne, kui käitustsükl on tavalisest pikem.</li> <li>• Üldjuhul kulub seadmel ette nähtud temperatuuri saavutamiseks 8–12 tundi.</li> <li>• Sulgege uks/sahtel, kontrollige, kas seade paikneb ühetasasel pinnal, ning veenduge, et mõni toiduaine või anum ei takista ukse sulgemist.</li> <li>• Ärge avage ust/sahtlit liiga sageli.</li> <li>• Tõstke temperatuuri sätet, kuni saavutate rahuldava külmkapi temperatuuri. Külmkapi temperatuuri stabiliseerumiseks kulub 24 tundi.</li> <li>• Puhastage ukse/sahtli tihend või laske klienditeenindusel see asendada.</li> <li>• Tagage küllaldane ventilatsioon.</li> </ul>
Külmkapi sisemus on määrdunud ja/või lõhnab.	<ul style="list-style-type: none"> <li>• Vajalik on külmkapi sisemuse puhastamine.</li> <li>• Külmkapis hoitakse intensiivse lõhnaga toitu.</li> </ul>	<ul style="list-style-type: none"> <li>• Puhastage külmkapi sisemus.</li> <li>• Pakendage toit korralikult ja õhukindlalt.</li> </ul>

Probleem	Võimalik põhjus	Võimalik lahendus
Seadme sisetemperatuur ei ole piisavalt madal.	<ul style="list-style-type: none"> <li>• Temperatuur on seadistatud liiga kõrgele sättele.</li> <li>• Külmkappi on pandud liiga soe toit.</li> <li>• Külmkapis hoitakse liiga paljusid toiduaineid.</li> <li>• Toiduained on üksteisele liiga lähedale paigutatud.</li> <li>• Seadme uks/sahtel ei ole korralikult suletud.</li> <li>• Ust/sahtlit avatakse liiga sageli või hoitakse seda liiga kaua lahti.</li> </ul>	<ul style="list-style-type: none"> <li>• Lähtestage temperatuur.</li> <li>• Jahutage soe toit enne selle külmkappi panemist.</li> <li>• Jälgige, et säilitatavate toiduainete kogus poleks ülemäärane suur.</li> <li>• Jätke vajaliku õhuvoolu tagamiseks toiduainete vahele veidi ruumi.</li> <li>• Sulgege uks/sahtel.</li> <li>• Ärge avage ust/sahtlit liiga sageli.</li> </ul>
Seadme sisetemperatuur on liiga madal.	<ul style="list-style-type: none"> <li>• Temperatuur on seadistatud liiga madalale sättele.</li> <li>• Aktiveeritud on funktsioon Super Freeze / Super Cool või see on liiga kaua sisse lülitatud olnud.</li> </ul>	<ul style="list-style-type: none"> <li>• Lähtestage temperatuur.</li> <li>• Lülitage funktsioon Super Freeze / Super Cool välja.</li> </ul>
Külmiku kambris tekib kondensaat.	<ul style="list-style-type: none"> <li>• Ümbritsev keskkond on liiga soe ja liiga niiske.</li> <li>• Seadme uks/sahtel ei ole korralikult suletud.</li> <li>• Ust/sahtlit avatakse liiga sageli või hoitakse seda liiga kaua lahti.</li> <li>• Toiduanumad või vedelikke sisaldavad nõud on katmata.</li> </ul>	<ul style="list-style-type: none"> <li>• Tõstke temperatuuri sätet.</li> <li>• Sulgege uks/sahtel.</li> <li>• Ärge avage ust/sahtlit liiga sageli.</li> <li>• Laske kuumal toidul enne selle külmkappi panemist toatemperatuurile jahtuda ning katke toidud ja vedelikud.</li> </ul>
Külmkapi välispinnale, uste vahele või ukse ja sahtli vahele koguneb kondensaati.	<ul style="list-style-type: none"> <li>• Ümbritsev keskkond on liiga soe ja liiga niiske.</li> <li>• Uks ei ole nõuetekohaselt suletud. Seadmesisese külma õhu ja ümbritseva keskkonna sooja õhu kokkupuutel tekib kondensaat.</li> </ul>	<ul style="list-style-type: none"> <li>• See on niiskes kliimas normaalne ja muutub niiskustaseme langedes.</li> <li>• Jälgige, et uks/sahtel oleks korralikult suletud.</li> </ul>

Probleem	Võimalik põhjus	Võimalik lahendus
Ekraani valgustus töötab, kuid jahedust pole tunda.	<ul style="list-style-type: none"> <li>• See on demorežiimis.</li> </ul>	<ul style="list-style-type: none"> <li>• Pange tähele, millises seisukorras see on, kui see on demorežiimis, väljume Avage külmiku uks, lukustatud olekus vajutage teist parempoolset nuppu 8S 12 tunni jooksul pärast sisselülitamist.</li> </ul>
Sügavkülmiku kambri on liigselt jääd ja härrmatist.	<ul style="list-style-type: none"> <li>• Toiduained ei olnud nõuetekohaselt pakendatud.</li> <li>• Seadme uks/sahtel ei ole korralikult suletud.</li> <li>• Ust/sahtlit avatakse liiga sageli või hoitakse seda liiga kaua lahti.</li> <li>• Ukse/sahtli tihend on määrdunud, kulunud, pragunenud või mittesobiv.</li> <li>• Mõni ese või toiduainum ei võimalda ust/sahtlit korralikult sulgeda.</li> </ul>	<ul style="list-style-type: none"> <li>• Pakendage toiduained alati korralikult.</li> <li>• Sulgege uks/sahtel.</li> <li>• Ärge avage ust/sahtlit liiga sageli.</li> <li>• Puhastage ukse/sahtli tihend või laske see uuega asendada.</li> <li>• Paigutage ukse/sahtli nõuetekohaseks sulgemiseks riiulid, ukseriulid või külmkapis olevad toiduainumad ümber.</li> </ul>
Külmkapi küljed ja ukseleist soojenevad.	<ul style="list-style-type: none"> <li>• -</li> </ul>	<ul style="list-style-type: none"> <li>• See on normaalne.</li> </ul>
Seadmest kostab anomaalseid helisid.	<ul style="list-style-type: none"> <li>• Seade ei paikne ühetasasel pinnal.</li> <li>• Seade on mõne läheduses paikneva eseme vastas.</li> </ul>	<ul style="list-style-type: none"> <li>• Reguleerige seadme nivelleerimiseks jalgu.</li> <li>• Eemaldage seadme vahetust ümbrusest esemed.</li> </ul>
Seadmest kostab vee voolamisele sarnane tasane heli.	<ul style="list-style-type: none"> <li>• -</li> </ul>	<ul style="list-style-type: none"> <li>• See on normaalne.</li> </ul>
Seade genereerib helisignaali.	<ul style="list-style-type: none"> <li>• Külmiku kambri uks on lahti.</li> </ul>	<ul style="list-style-type: none"> <li>• Sulgege uks.</li> </ul>
Seadmest kostab vaikne surisev heli.	<ul style="list-style-type: none"> <li>• Kondensniiskust vähendav süsteem on sisse lülitunud</li> </ul>	<ul style="list-style-type: none"> <li>• See aitab vältida kondenseerumist ja on normaalne</li> </ul>
Seadme sisevalgusti või jahutussüsteem ei tööta.	<ul style="list-style-type: none"> <li>• Toitepistik ei ole vooluvõrku ühendatud.</li> <li>• Seadme toitevarustus puudub.</li> <li>• Valgusdiodiga valgusti on kahjustunud.</li> </ul>	<ul style="list-style-type: none"> <li>• Ühendage toitepistik.</li> <li>• Kontrollige ruumi elektrivarustust. Vajadusel helistage elektriettevõttesse.</li> <li>• Helistage valgusti asendamiseks teenindusse.</li> </ul>

Tehnilise toega ühenduse võtmiseks külasta meie veebisaiti:

<https://corporate.haier-eu-ropo.com/en/>

Seejärel valige asjaomane tootemark ja riik. Teid suunatakse konkreetsele veebilehele, kust leiate telefoninumbri ja vormi tehnilise toega ühendust võtmiseks.

## Voolukatkestus

Voolukatkestuse korral peaks toit umbes 5 tundi ohutult külmana püsima. Järgige pikaajalise voolukatkestuse korral alljärgnevat soovitusi, millest kinnipidamine on eriti oluline suvel.

- ▶ Avage ust/sahtlit nii harva kui võimalik.
- ▶ Voolukatkestuse korral ärge pange külmkappi uusi toiduaineid.
- ▶ Kui voolukatkestusest on ette teatatud ja katkestus kestab kauem kui 5 tundi, valmistage jääd, pange see sobivasse anumasse ja asetage külmiku kambri ülemisse sektsiooni.
- ▶ Kohe pärast toitevarustuse taastumist on vajalik toiduainete ülevaatus.
- ▶ Külmkapi sisetemperatuur tõuseb voolukatkestuse või muu rikke korral, mistõttu vähenevad nii toiduainete säilivusaeg kui ka nende kvaliteet ja söödavus. Terviseriskide minimeerimiseks tuleks kõik üles sulanud toiduained koheselt tarbida või küpsetada ja uuesti külmutada (kui see on asjakohane).

## Voolukatkestuse aegne sätete talletamine

Pärast toitevarustuse taastumist lülitub seade sisse toitekatkestusele eelnenud sätetega.

## Lahtipakkimine

**HOIATUS!**

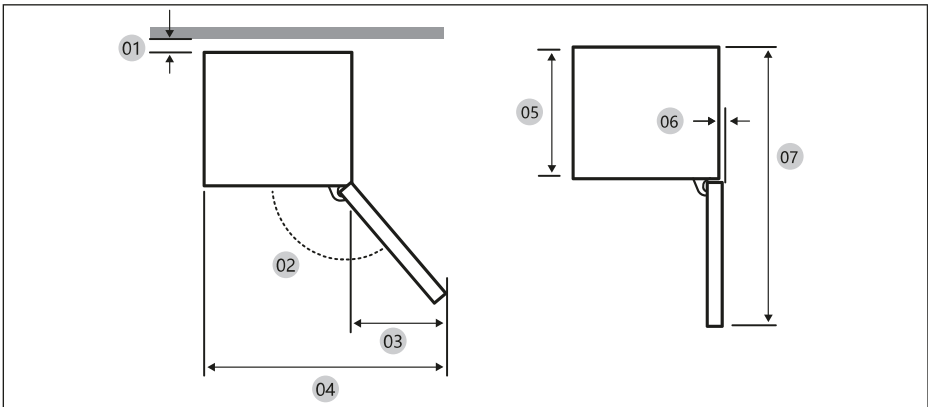
- ▶ Seade on raske. Seda peab teisaldama vähemalt kaks inimest.
- ▶ Hoidke kõiki pakendi komponente lastele kättesaamatus kohas ja kõrvaldage need keskkonnasäästlikult.
- ▶ Võtke seade pakendist välja.
- ▶ Eemaldage kõik pakendi komponendid.

## Keskkonnatingimused

Toatemperatuur peaks alati jääma **vahemikku 10–43 °C**, sest see võib mõjutada seadmesisest temperatuuri ja külmkapi energiatarvet. Ärge paigaldage seadet ilma isolatsioonita muude soojust kiirgavate seadmete (näiteks ahju või teise külmiku) lähedusse.

## Ruuminõuded

## Ükse avamiseks vajalik ruum (ilma kapiukse paneelita)

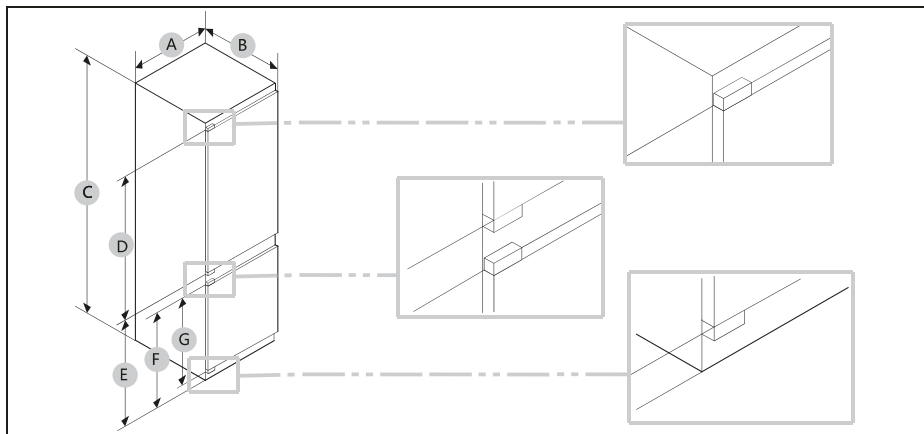


Mudel	EHBQW5518E HBQW5518E HBQW5518EK HQE1855BCMW EHQE1855BCMW	HBQW5519E HBQW5519EK EBQW5519E EBQW5519ECM	HBQW5719E
01 *	10 (min) / 30 (soovitav)	10 (min) / 30 (soovitav)	10 (min) / 30 (soovitav)
02	95° (soovitav)	95° (soovitav)	95° (soovitav)
03	43	43	55
04	583	583	745
05	515	515	515
06	-3	-3	-3
07	1060	1060	1210

\* 01: Alates kapist kuni toote tagaküljeni.

(ühik: mm)

## Toote mõõtmed



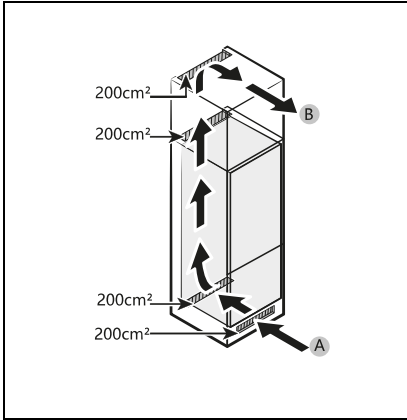
Model	A(mm)	B(mm)	C(mm)	D(mm)	E(mm)	F(mm)	G(mm)
EHBQW5518E HBQW5518E HBQW5518EK HQE1855BCM EHQE1855BCM	540±2	550±2	1772±2	970	745	662	618
HBQW5519E HBQW5519EK EHBQW5519E EHBQW5519ECM	540±2	550±2	1935±2	1133	745	662	618
HBQW5719E	690±2	550±2	1935±2	1133	745	662	618

**i** Märkus.

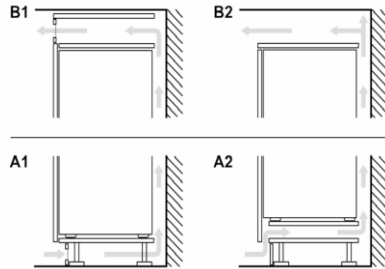
- Määratud energiatarbimine põhineb 10 mm vahega kapi ja toote tagaosa vahel. Toode töötab korralikult ka vahega, mis on väiksem kui 10 mm, kuid **tarbib veidi rohkem energiat.**
- Soovitame kasutada **18 mm paksust kappi, mille hinged on alla 20 mm paksused.**
- Üaltoodud tabelis toodud mõõtmised võivad olenevalt mõõtmismeetodist erineda.
- a

## Ventilatsiooni ristlõige

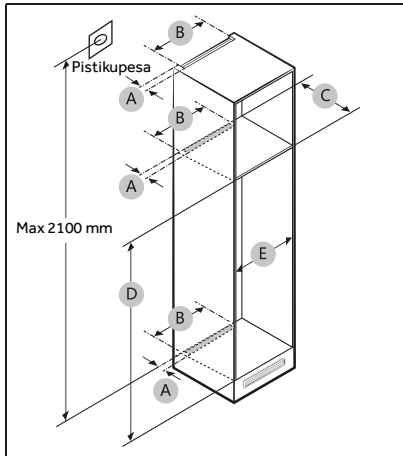
Ohutuskaalutlustel seadme küllaldase ventilatsiooni tagamiseks tuleb järgida välja toodud ventilatsiooni ristlõikega seonduvaid nõudeid.



- A:** Õhu sisselaskeava  $\geq 200 \text{ cm}^2$ ; ventilatsioonivõimalused  
**B:** Õhu väljalaskeava  $\geq 200 \text{ cm}^2$ ; ventilatsioonivõimalused



## Kapi mõõtmed



## ETTEVAATUST!

Garantii ei kata järgmistest põhjustest tingitud toote riket.

1. Asukoha valed tingimused või valed kapisuurused.
2. Defektne kapp.
3. Paigaldaja või kasutaja vead.

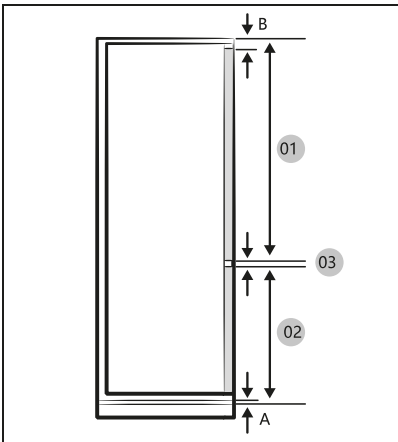
## Vahekaugus

Paigaldusruumi nõuded on toodud allolevatel piltidel ja tabelites.

Mudel		A (mm)	B (mm)	C (mm)	D (mm)	E (mm)	Märkus
EHBQW5518E HBQW5518E HBQW5518EK HQE1855BCMW EHQE1855BCMW	Min	50	400	560	1778	560	Hing: 17 mm
	Soovitatud			580	1780	562	
	Max			-	1782	568	
HBQW5519E HBQW5519EK EHBQW5519E EHBQW5519ECM	Min	50	400	560	1940	560	Hing: 17 mm
	Soovitatud			580	1943	562	
	Max			-	1945	568	
HBQW5719E	Min	50	400	560	1941	710	Hing: 17 mm
	Soovitatud			580	1943	714	
	Max			-	1945	718	

## **i** Märkus.

- Kui kapi laius on suurem kui 568 mm, võib tihend (külmiku ja kapi vahel) lahti tulla.
- Kui kapp on suurem kui maksimaalne mõõde (1782 mm), peate tühimiku täitmiseks kasutama muid viimistlusmaterjale. (EHBQW5518E/HBQW5518E/EK/ EHQE/HQE1855BCMW jaoks)
- Kui kapp on suurem kui maksimaalne mõõde (1945 mm), peate tühimiku täitmiseks kasutama muid viimistlusmaterjale. (HBQW5519E/ EK/ EHBQW5519E/ ECM jaoks)



## **i** Märkus.

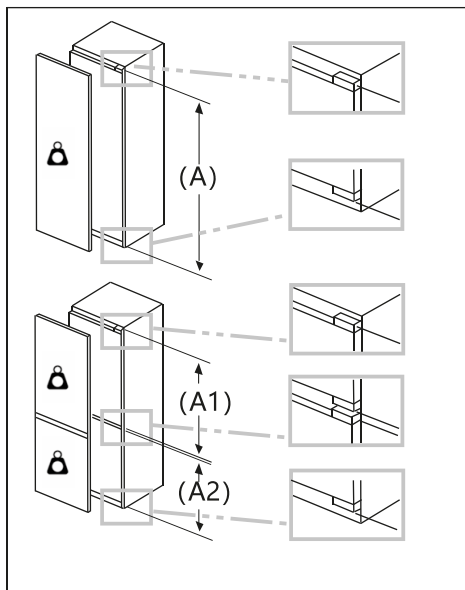
4 mm vahega kapi (03) paigaldamiseks vaadake allolevat kapi viitetabelit.

- A Esipaneeli alumine serv ventilatsiooniva kohal  
B Esipaneeli üleulatus

(ühik: mm)

Mudel	EHBQW5518E HBQW5518E HBQW5518EK HQE1855BCMW EHQE1855BCMW	HBQW5519E HBQW5519EK EHBQW5519E EHBQW5519ECM HBQW5719E
01	Min 1028+B Max 1106+B	Min 1191+B Max 1269+B
02	Min 662+A Max 740+A	Min 662+A Max 740+A
03	4 mm (külmiku ja sügavkülmiku kapi uksepaneeli vahe)	

## Seadme esikülgede maksimaalne lubatud kaal

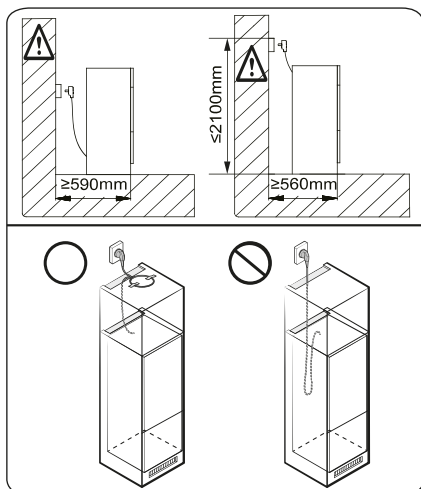


Paigaldatud seadme esiküljed, mis jäid lubatud massist välja, võivad põhjustada kahjustusi ja tekitada hingede funktsionaalseid kahjustusi.

 Kaal  
(kg)

1500–1750 mm	22
720–1400 mm	19
A1	15
A2	15

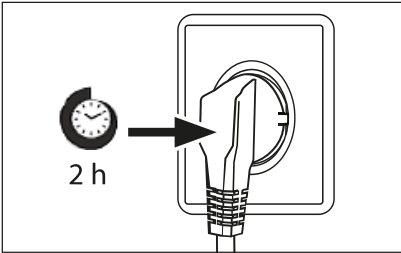
## Pistikupesa asukoha ja vajaliku ruumi arvestamine



 Märkus.

Kui paigaldate külmiku 560 mm sügavusse kappi, veenduge enne pistikupessa ühendamist, et toitejuhe oleks paigutatud külmiku küljele. Kui toitejuhe on külmiku tagaosas, võib see vähendada energiatõhusust.

## Ooteaeg



Kasutajapoolset sekkumist mittevajav määrdeõli asub kompressoris olevas kapslis. Õli võib transportimisega kaasneva seadme kaldumise tõttu suletud torustikku voolata. Oodake enne seadme vooluvõrku ühendamist vähemalt kaks tundi, et õli saaks tagasi kapslisse valguda.

## Seadme vooluvõrku ühendamine

Enne seadme vooluvõrku ühendamist kontrollige, kas:

- ▶ toiteallikas, pistikupesa ja kaitsmed vastavad andmesildil välja toodud parameetritele;
- ▶ pistikupesa on maandatud ning kasutusel pole mitme pistikuga adaptereid ega pikendusjuhtmeid;
- ▶ toitepistik ja pistikupesa vastavad nõuetele.

Ühendage pistik nõuetekohaselt paigaldatud pistikupesaga.



## HOIATUS!

Ohtude minimeerimiseks võib kahjustunud toitekaabli asendada vaid klienditeenindus (vaadake garantiikaarti).

Määrusele (EL) nr 2019/2016 vastavad toote spetsifikatsioonid

Tootemark	Haier		
Mudeli nimi / identifikaator	EHBQW5518E HBQW55 18E HBQW5518EK HQE1855B CMW EHQE1855BCMW	HBQW5519E HBQW55 19EK EHBQW5 519E EHBQW5519ECM	HBQW5719E
Mudeli kategooria	Külmik-sügavkülmik		
Energiatõhususe klass	E	E	E
Aastane energiatarbimine (kWh aasta kohta) (1)	229	229	259
Kogumaht (l)	268	285	382
Külmiku maht (l)	194	211	281
Sügavkülmiku maht (l)	74	74	101
Mahujahuti sektsioon (L)	/	/	/
Mahupõhine automaatne jäämasin (L)	/	/	/
Tärnides väljendatud hinnang	4	4	4
Töötemperatuuriga > 14°C muud sektsioonid	Ei kohaldu		
Kül mavaba süsteem	Jah	Jah	Jah
Külmutusvõimsus (kg 24 tunni kohta)			
Kliimaklass (2)	SN/N/ST/T	SN/N/ST/T	SN/N/ST/T
Müraklass ja õhus leviva müra tase (db(A) re1pW)	B(35)	B(35)	B(33)
Temperatuuri tõusu aeg (h)	12	12	9
Jäät egemisvõimekus	/	/	/
Seadme tüüp	Sisseehitatud	Sisseehitatud	Sisseehitatud

Mudeli nimi	Energiatõhususe klass
EHBQW5518E HBQW5518E HBQW5518EK HQE1855BCMW EHQE1855BCMW	E
HBQW5519E HBQW5519EK EHBQW5519E EHBQW5519ECM HBQW5719E	E

Selgitused:

- Jah, esiletõstetud

(1) Põhineb standarditele vastavuse 24-tunnise testi tulemustel. Tegelik tarbimine sõltub seadme kasutusala ja asukohast.

(2) Kliimaklass SN: Seade on ette nähtud kasutamiseks kohas, kus ümbritseva õhu temperatuur on vahemikus 10 °C ja 32 °C

Kliimaklass N: seade on ette nähtud kasutamiseks ümbritseva õhu temperatuuril 16 °C kuni 32 °C

Kliimaklass ST: seade on ette nähtud kasutamiseks ümbritseva õhu temperatuuril 16 °C kuni 38 °C

Kliimaklass T: Seade on ette nähtud kasutamiseks kohas, kus ümbritseva õhu temperatuur on vahemikus 16 °C ja 43 °C

### Täiendavad tehnilised andmed

Pinge/sagedus	220–240V ~/50Hz
Sisendvool (A)	1.2/1.6
Peakaitse (A)	16
Jahutusvedelik	R600a
Mõõtmed (K/L/S millimeetrites)	EHBQW5518E/ HBQW5518E/ EK EHQE/ HQE1855BCMW: 1773/540/555
	HBQW5519E/ EK/ EHBQW5519E/ ECM: 1935/540/555
	EHBQW5719E : 1935/690/550

Küsimuste korral pöörduge ettevõtte Haier klienditeeninduse poole. Tungivalt soovitatav on kasutada originaalvaruosi.

Seadmega seotud probleemide puhul vaadake esmalt osa „Veatsing“.

Kui seal täpsustatud meetmed ei kõrvalda probleemi:

- ▶ võtke ühendust kohalikuga edasimüüjaga või
- ▶ helistage ettevõtte Euroopa kõnekeskusesse (telefoninumbrid on välja toodud allpool) või
- ▶ teeninduse ja toe ala aadressil [www.haier.com](http://www.haier.com), kus saate teenuse aktiveerida
- ▶ nõuda ja leida ka KKK-sid.

Teenindusega ühendust võttes peavad teil käepärast olema alljärgnevad andmed. Vastav teave on välja toodud andmesildil.

Mudel \_\_\_\_\_

Seerianumber \_\_\_\_\_

Garantiinõuete korral kontrollige ka tootega kaasasolevat garantiikaarti.

Ettevõtte kõnekeskused Euroopas		
Riik*	Telefoninumber	Tariif
Haier Italy (IT)	19 910 0912	
Haier Spain (ES)	902 509 123	
Haier Germany (DE)	0180 5 39 39 99	<ul style="list-style-type: none"> <li>• Kõneminut 14 senti (lauatelefon)</li> <li>• Kõneminut maksimaalselt 42 senti (mobiiltelefon)</li> </ul>
Haier Austria (AT)	0820 001205	<ul style="list-style-type: none"> <li>• Kõneminut 14,53 senti (lauatelefon)</li> <li>• Kõneminut maksimaalselt 20 senti (muud liinid)</li> </ul>
Haier United Kingdom (UK)	0333 003 8122	
Haier France (FR)	0980 406 409	

\* Teisi riike vaadake aadressilt [www.haier.com](http://www.haier.com)

Haier Europe Trading S.r.l

Ühendkuningriigi filiaal

Westgate House, Westgate, Ealing

London, W5 1YY

\* Külmutusseadme garantii kestus:

Minimaalne garantii on: 2 aastat ELi riikides, 3 aastat Türgis, 1 aasta Ühendkuningriigis, 1 aasta Venemaal, 3 aastat Rootsis, 2 aastat Serbias, 5 aastat Norras, 1 aasta Marokos, 6 kuud Alžeerias, Tuneesias seaduslikku garantiid ei nõuta.

\*Seadme remondiks vajalike varuosade periood:

Termostaadid, temperatuuriandurid, trükkplaadid ja valgusallikad on saadaval vähemalt seitse aastat pärast mudeli viimase seadme turustamist.

Ukse käepidemed, uksehinged, alused ja sahtlid on saadaval vähemalt seitse aastat ning uksetihendid vähemalt kümme aastat pärast mudeli viimase seadme turustamist.

\*Lisateavet toote kohta leiate aadressilt <https://eprel.ec.europa.eu/> või skannides seadmega kaasasoleval energiamärgisel olevat QR-koodi.



**Haier**



2024. aasta versioon A

# Haier

## Käyttöopas

### Jääkaappipakastin

EHBQW5518E

HBQW5518E

HBQW5518EK

HQE1855BCMW

EHQE1855BCMW

HBQW5519E

HBQW5519EK

EHBQW5519E

EHBQW5519ECM

HBQW5719E

FI

<u>4 Turvallisuusohjeet</u>	•	<u>Ennen ensimmäistä käyttöä</u>	5
		<u>Asennus</u>	5
		<u>Päivittäinen käyttö</u>	6
		<u>Tietoa kylmäaineesta</u>	8
<u>9 Käyttötarkoitus</u>	•		
<u>10 Tuotteen kuvaus</u>	•		
<u>12 Ohjauspaneeli</u>	•		
<u>13 Käyttö</u>	•	<u>Paneelin lukituksen avaaminen/lukitseminen</u>	13
	•	<u>Jääkaapin lämpötilan säätäminen</u>	13
		<u>Pakastimen lämpötilan säätäminen</u>	14
		<u>Wi-Fi-toiminto</u>	15
		<u>Holiday-toiminto</u>	15
		<u>Super Cool -toiminto</u>	16
		<u>Super Freeze -toiminto</u>	16
<u>18 Varusteet</u>	•		
<u>20 Energiansäästövinkejä</u>	•		
<u>21 Hoito ja puhdistus</u>	•		
<u>23 Vianetsintä</u>	•		
<u>27 Asennus</u>	•		
<u>34 Tekniset tiedot</u>	•		
<u>36 Asiakaspalvelu</u>	•		

## Kiitos, että ostit Haier-tuotteen.

Lue nämä ohjeet huolellisesti ennen laitteen käyttöä. Ohjeet sisältävät tärkeitä tietoja, jotka auttavat sinua saamaan parhaan hyödyn laitteesta ja varmistamaan turvallisen ja asianmukaisen asennuksen, käytön ja huollon.

Säilytä tätä ohjekirjaa kätevässä paikassa, jotta voit aina tutustua siihen laitteen turvallisen ja asianmukaisen käytön varmistamiseksi.

Jos myyt laitteen, annat sen pois tai et ota sitä mukaan, kun muutat, varmista, että tämä käyttöopas pysyy aina laitteen mukana, jotta uusi omistaja voi tutustua laitteeseen ja turvallisuusvaroituksiin.

## Lisävarusteet

Tarkista lisävarusteet ja kirjallisuus tämän luettelon mukaisesti:



**VAROITUS – Tärkeää turvallisuustietoa****HUOMAUTUS – Yleistä tietoa ja vinkkejä****Ympäristötiedot****Hävittäminen**

Auta suojelemaan ympäristöä ja ihmisten terveyttä. Laita pakkausmateriaalit asianmukaisiin astioihin niiden kierrättämiseksi. Auta kierrättämään sähkö- ja elektroniikkalaiteromua. Älä hävitä tällä symbolilla merkittyjä laitteita talousjätteen mukana. Palauta tuote paikalliseen kierrätyslaitokseen tai ota yhteyttä paikalliseen viranomaiseen.

**VAROITUS!**

Loukkaantumis- tai tukehtumisvaara!

Kylmäaineet ja kaasut on hävitettävä ammattimaisesti. Varmista ennen oikeanlaista hävittämistä, että kylmäainepiirin letku ei ole vaurioitunut. Irrota laite verkkovirrasta. Katkaise verkkokaapeli ja hävitä se. Irrota telineet ja laatikot sekä oven salpa ja tiivisteet, jotta lapset ja lemmikit eivät voi jäädä loukkuun laitteen sisään.

Lue seuraavat turvallisuusohjeet, ennen kuin kytket laitteen päälle ensimmäistä kertaa:



## VAROITUS!

### Ennen ensimmäistä käyttöä

- ▶ Varmista, ettei kuljetusvaurioita ole.
- ▶ Odota vähintään kaksi tuntia ennen laitteen asentamista varmistaaksesi, että kylmäainepiiri on täysin toimintavalmis.
- ▶ Laite on painava ja sen vuoksi sen käsittelyyn tarvitaan aina vähintään kaksi henkilöä.
- ▶ Poista kaikki pakkausmateriaalit, pidä ne poissa lasten ulottuvilta ja hävitä ne ympäristöystävällisesti.
- ▶ Puhdista laitteen sisä- ja ulkopuoli vedellä ja miedolla pesuaineella ennen sen täyttämistä ruualla.
- ▶ Kun laite on vaakasuorassa ja puhdistettu, odota vähintään 2–5 tuntia ennen kuin kytket sen virtalähteeseen. Katso kohta AENNUS.
- ▶ Esijähdytä lokerot käyttämällä kylmiä asetuksia, ennen kuin täytät ne ruualla. Power-Freeze auttaa jäähdyttämään lokerot nopeasti.
- ▶ Jääkaapin ja pakastimen lämpötilaksi asetetaan automaattisesti 5 °C (jääkaappi) ja -18 °C (pakastin). Nämä ovat suositeltuja asetuksia. Voit halutessasi muuttaa näitä lämpötiloja manuaalisesti. Lisätietoja on kohdassa LÄMPÖTILAN SÄÄTÄMINEN.

### Asennus

- ▶ Laite on sijoitettava hyvin ilmastoituun paikkaan. Varmista, että laitteen yläpuolella ja ympärillä on tilaa vähintään 10 cm.
- ▶ Älä koskaan aseta laitetta kosteaan paikkaan tai paikkaan, jossa sen päälle voi roiskua vettä. Puhdista ja kuivaa vesiroiskeet ja tahrat pehmeällä puhtaalla liinalla.
- ▶ Älä asenna laitetta suoraan auringonvaloon tai lämmönlähteiden läheisyyteen (esim. uunit, lämmittimet).
- ▶ Asenna laitteen jalat ja säädä niitä tarpeen mukaan niin, että laite on tasapainossa ja tasaisesti. Asennuspaikan on oltava sopivan kokoinen ja sovellettava laitteen käyttötarkoitukseen.
- ▶ Pidä laitteen koteloinnin tai rakenteelliset tuuletusaukot vapaina esteistä.
- ▶ Varmista, että laitteen arvokilvessä ilmoitetut sähkötiedot vastaavat käytettävissä olevaa virransyöttöä. Jos näin ei ole, ota yhteyttä sähköasentajaan.
- ▶ Verkkoliitäntä: 220–240 V, 50 Hz. Epänormaali jännitevaihtelu voi estää laitteen käynnistymisen tai vaurioittaa lämpötilan säätöä tai kompressoria tai aiheuttaa epänormaalia käyntiääntä. Tässä tapauksessa laitteeseen on asennettava automaattinen jännitteensäädin.
- ▶ Älä käytä monipistokesovittimia ja jatkokaapeleita.
- ▶ Älä jätä monipistokkeisia jatkojohtoja äläkä siirrettäviä virtalähteitä laitteen taakse.
- ▶ Varmista, että virtajohto ei jää jääkaapin alle. Älä astu virtajohdon päälle.



## VAROITUS!

- ▶ Käytä erillistä maadoitettua pistorasiaa, joka on helposti saatavilla. Laite on maadoitettava.  
Vain Iso-Britannia: Laitteen virtajohtoon on liitetty 3-haarainen (maadoitettu) pistoke, joka sopii 3-haaraiseen (maadoitettuun) pistorasiaan. Kolmatta tappia (maadoitus) ei koskaan saa leikata pois tai poistaa jollakin muulla tavalla. Pistoke tulisi olla käytettävissä laitteen asennuksen jälkeen.
- ▶ Älä vaurioita kylmäainepeiriä.

### Päivittäinen käyttö

- ▶ Vähintään 8-vuotiaat lapset ja henkilöt, joiden fyysiset, aisteihin liittyvät tai henkiset kyvyt ovat alentuneet tai joilla ei ole aiheeseen liittyvää kokemusta ja tietoa, voivat käyttää laitetta edellyttäen, että heitä valvotaan tai heille annetaan ohjeet laitteen käyttöön turvallisella tavalla ja he ymmärtävät vaaratekijät.
- ▶ 3–8-vuotiaat lapset saavat täyttää ja tyhjentää laitteita, mutta he eivät saa puhdistaa tai asentaa niitä.
- ▶ Pidä alle 3-vuotiaat lapset poissa laitteen lähetyviltä, ellei heitä valvota jatkuvasti.
- ▶ Lapset eivät saa leikkiä laitteella.
- ▶ Jos jäähdytettyä kaasua tai jotakin muuta syttyvää kaasua vuotaa laitteen läheisyydessä, sammuta vuotavan kaasun venttiili, avaa ovet ja ikkunat äläkä irrota jääkaapin tai minkään muun laitteen virtajohtoa.
- ▶ Huomaa, että laite on asetettu toimimaan tietyllä ympäristön lämpötila-alueella (10–43 °C). Laite ei välttämättä toimi oikein, jos se on pidemmän aikaa lämpötilassa, joka ylittää tai alittaa ilmoitetun vaihteluvälin.
- ▶ Älä laita kylmälaitteen päälle epävakaita esineitä (esimerkiksi raskaita esineitä tai vedellä täytettyjä astioita). Näin voit välttää onnettomuudet, jotka voisivat aiheutua esineiden tippumisesta käyttäjän päälle, tai sähköiskusta kosketuksesta veteen.
- ▶ Älä vedä ovihyllyistä. Ovi voi mennä vinoon, pulloteline voi irrota tai kylmälaite voi kaatua.
- ▶ Avaa ja sulje ovet vain käyttämällä kahvoja. Väli ovien välillä sekä ovien ja kaapin välillä on hyvin kapea. Älä laita käsiäsi tällaisiin paikkoihin, jotta sormesi eivät joudu puristuksiin. Avaa tai sulje jääkaapin ovet vain silloin, kun oven liikkumisalueella ei ole lapsia.
- ▶ Älä säilytä tai käytä syttyviä, räjähtäviä tai syövyttäviä aineita laitteessa tai sen läheisyydessä.
- ▶ Älä säilytä laitteessa lääkkeitä, bakteereita tai kemiallisia aineita. Tämä laite on kodinkone. Laitteessa ei ole suositeltavaa säilyttää materiaaleja, jotka vaativat tarkkoja lämpötiloja.
- ▶ Älä koskaan säilytä nesteitä pulloissa tai tölkeissä (lukuun ottamatta väkeviä alkoholijuomia) ja erityisesti hiilihapotettuja juomia, koska ne rikkoutuvat pakastuksen aikana.



## VAROITUS!

- ▶ Tarkista ruoan kunto, jos pakastimessa on tapahtunut lämpenemistä.
- ▶ Älä aseta jääkaapin lämpötilaa tarpeettoman alhaiseksi. Miinuslämpötiloja voi esiintyä erittäin kylmillä asetuksilla. Huomio: Pullot voivat rikkoutua
- ▶ Älä koske jäätyneisiin tuotteisiin märin käsin (käytä käsineitä). Erityisesti mehujäätä ei tulisi syödä heti sen jälkeen, kun se on otettu ulos pakastinosastosta. On olemassa paleltumisen tai rakkuloiden muodostumisen riski. ENSIAPU: Huuhtelee kohtaa välittömästi juoksevalla kylmällä vedellä. Älä keskeytä huuhtelua!
- ▶ Älä koske pakastimen säilytyslokeroon sisäpintaa, kun pakastin on käynnissä. Tätä ei tulisi tehdä etenäkään märin käsin, koska kädet saattavat jäätyä pintaan kiinni.
- ▶ Irrota laite pistorasiasta sähkökatkoksen sattuessa tai ennen puhdistusta. Odota vähintään 7 minuuttia ennen kuin käynnistät laitteen uudelleen, sillä usein tapahtuvat uudelleenkäynnistykset voivat vahingoittaa kompressoria.
- ▶ Älä käytä sähkölaitteita laitteen ruoansäilytystiloissa mikäli ne eivät ole valmistajan suosittelemia.

## Huolto / puhdistus

- ▶ Varmista, että lapsia valvotaan, jos he suorittavat puhdistuksen ja huollon.
- ▶ Irrota laite virtalähteestä ennen rutiinihuoltoa. Odota vähintään 5 minuuttia ennen kuin käynnistät laitteen uudelleen, sillä usein tapahtuvat uudelleen-käynnistykset voivat vahingoittaa kompressoria.
- ▶ Pidä kiinni pistokkeesta, ei kaapelista, kun irrotat laitteen pistorasiasta.
- ▶ Älä puhdista laitetta käyttämällä kovia harjoja, teräsharjoja, pesuainejauhetta, bensiiniä, amyyliasetaattia, asetonia ja vastaavia orgaanisia liuoksia tai happamia tai emäksisiä liuoksia. Vältä vauriot puhdistamalla erityisellä jääkaapin pesuaineella.
- ▶ Älä raaputa huurretta ja jäätä pois terävillä esineillä. Älä käytä suihkeita, sähkölämmittimiä, kuten lämmitintä, hiustenkuivaajaa tai höyrypuhdistimia, tai muita lämmönlähteitä muovisten osien vaurioitumisen välttämiseksi.
- ▶ Älä yritä nopeuttaa sulatusta käyttämällä mekaanisia laitteita tai muita keinoja, lukuun ottamatta laitteen valmistajan suosittelemia menetelmiä.
- ▶ Jos virtajohto on vaurioitunut, sen saa vaaran välttämiseksi vaihtaa valmistaja, valmistajan huoltoedustaja tai vastaava ammattitaitoinen.
- ▶ Älä yritä korjata, purkaa tai muokata laitetta itse. Jos laite on korjattava, ota yhteyttä asiakaspalveluumme.
- ▶ Poista laitteen takana oleva pöly vähintään kerran vuodessa välttääksesi palovaaran ja lisääntyneen energiankulutuksen.
- ▶ Älä suihkuta tai huuhtelee laitetta puhdistuksen aikana.
- ▶ Älä käytä vesisuihkua tai höyryä laitteen puhdistamiseen.
- ▶ Älä puhdista kylmiä lasihyllyjä kuumalla vedellä. Nopeat lämpötilanmuutokset voivat aiheuttaa lasin rikkoutumisen.

## Tietoa kylmäaineesta



### **VAROITUS!**

Laite sisältää syttyvää kylmäainetta, jonka nimi on isobutaani (R600a). Varmista, että kylmäainepiiri ei ole vaurioitunut kuljetuksen tai asennuksen aikana. Vuotava kylmäaine voi aiheuttaa silmävammoja tai syttyä. Jos vaurioita on tapahtunut, pidä poissa avoimet palonlähteet, tuuleta huone huolellisesti, älä kytke tai irrota laitteen tai minkään muun laitteen virtajohtoja. Ilmoita asiasta asiakaspalveluun.

Jos silmät joutuvat kosketuksiin kylmäaineen kanssa, huuhtele ne välittömästi juoksevan veden alla ja ota välittömästi yhteyttä silmälääkəriin.

## Käyttötarkoitus

Tämä laite on tarkoitettu ruoan jäähdyttämiseen ja pakastamiseen. Se on tarkoitettu käytettäväksi yksinomaan kotitalouksissa ja vastaavissa olosuhteissa, kuten henkilökunnan keittiötiloissa myymälöissä, toimistoissa ja muissa vastaavissa, maataloissa sekä hotellien, motellien ja muiden vastaavien asuin ympäristöjen asiakkaiden käytössä ja aamiaismajoituksissa (Bed&Breakfast) sekä catering-liiketoiminnassa. Sitä ei ole tarkoitettu kaupalliseen tai teolliseen käyttöön.

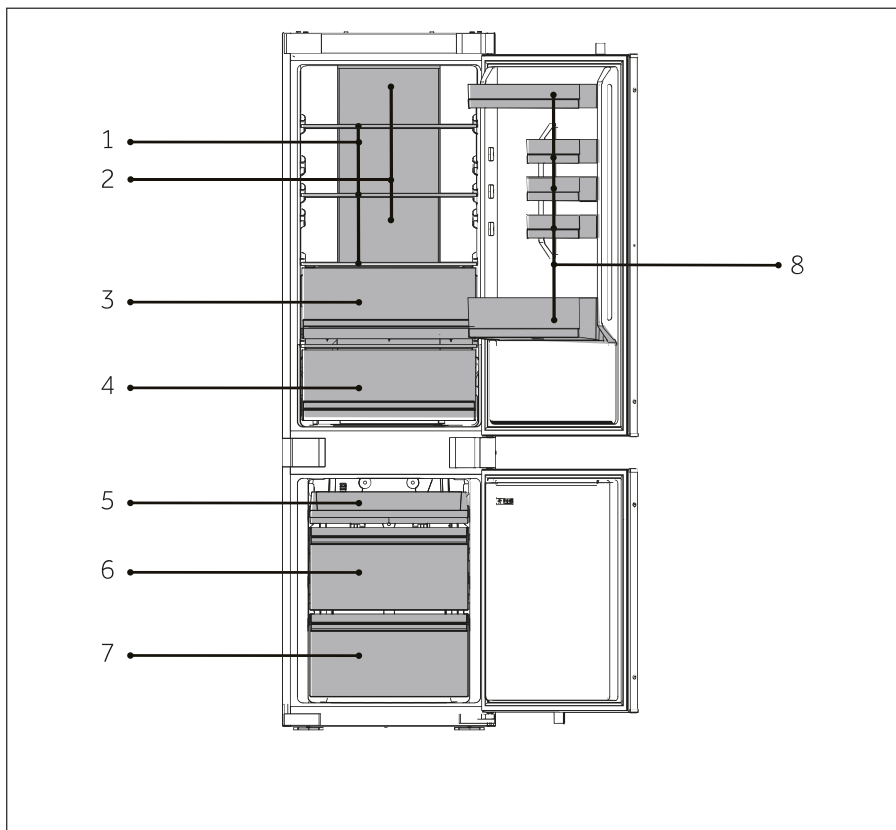
Laitteen muuttaminen tai muokkaaminen ei ole sallittua. Käyttö ohjeiden vastaisella tavalla voi aiheuttaa vaaroja. Voit myös menettää oikeuden takuuseen perustuvien korvausvaatimusten tekemiseen.

## Standardit ja direktiivit tai

Tämä tuote täyttää kaikkien sovellettavien EY-direktiivien vaatimukset vastaavilla yhdenmukaistetuilla standardeilla ja Yhdistyneen kuningaskunnan standardeilla, joissa säädetään CE- tai UKCA-merkinnästä.

## **i** HUOMAUTUS

Teknisten muutosten ja erilaisten mallien vuoksi jotkin tämän käyttöohjeen kuvista saattavat poiketa mallistasi.



EHBQW5518E/HBQW5518E/HBQW5518EK/HQE1855BCMW/EHQE1855BCMW

### A: Jäähdytysosasto

- 1 Tavalliset hyllyt
- 2 Jäähdytetty ilman kanava
- 3 Humidity Zone -laatikko
- 4 Fresh Box -laatikko
- 8 Pulloteline

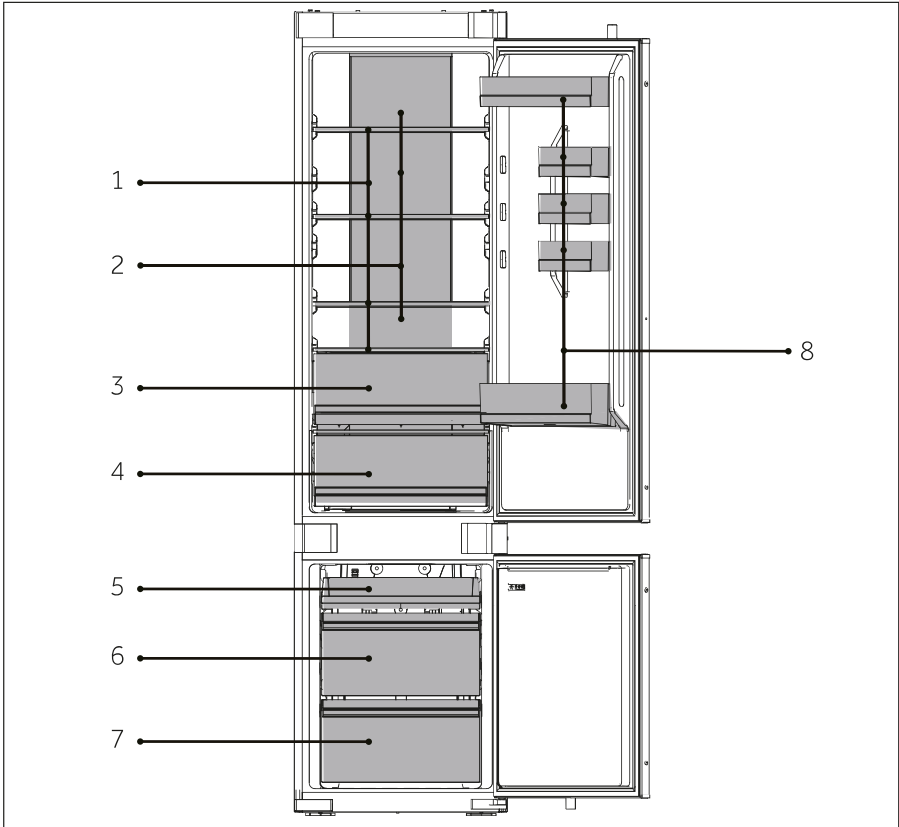
### B: Pakastusosasto

- 5 Ylempi pakastinhylly
- 6 Keskimäinen pakastinlaatikko
- 7 Pakastimen alalaatikko



## HUOMAUTUS

Teknisten muutosten ja erilaisten mallien vuoksi jotkin tämän käyttöohjeen kuvista saattavat poiketa mallistasi.



HBQW5519E/HBQW5519EK/ EHBQW5519E/ EHBQW5519ECM/HBQW5719E

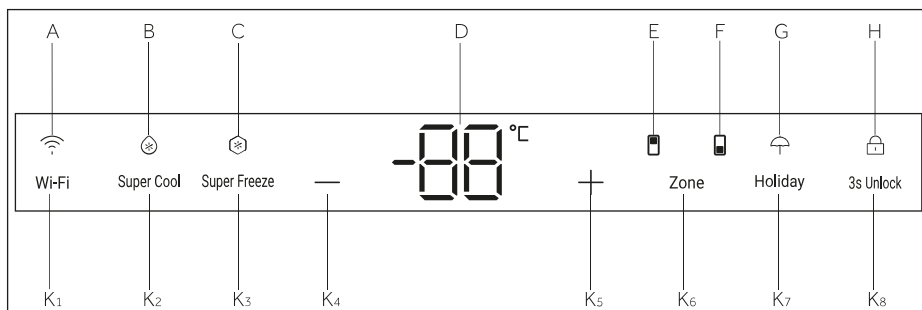
### A: Jäähdytysosasto

- 1 Tavalliset hyllyt
- 2 Jäähdytetty ilman kanava
- 3 Humidity Zone -laatikko
- 4 Fresh Box -laatikko
- 8 Pulloteline

### B: Pakastusosasto

- 5 Ylempi pakastinhylly
- 6 Kesimmäinen pakastinlaatikko
- 7 Pakastimen alalaatikko

## Ohjauspaneeli



## Merkkivalot:

- A Wi-Fi-toiminto
- B Super Cool -toiminto
- C Super Freeze -toiminto
- D Lämpötilänäyttö
- E Jääkaapin merkkivalo
- F Pakastimen merkkivalo
- G Holiday-toiminto
- H Lukitse ja avaa lukitus

## Painikkeet:

- K1 Wi-Fi-asetuspainike
- K2 Super Cool -valintapainike
- K3 Super Freeze -valintapainike
- K4 Lämpötilan säätöpainike "-"
- K5 Lämpötilan säätöpainike "+"
- K6 Vyöhykkeen valintapainike
- K7 Holiday-toimintopainike
- K8 Lukitus ja lukituksen avauspainike

## Anturipainikkeet

Ohjauspaneelin painikkeet ovat anturipainikkeita, jotka reagoivat jo kevyesti sormella kosketettaessa.

## Laitteen kytkeminen päälle / pois päältä

Laite on toiminnassa heti, kun se on kytketty virtalähteeseen.

Kun jääkaapin virta kytketään ensimmäisen kerran päälle, merkkivalo D (Lämpötilänäyttö) syttyy. Jääkaapin ja pakastimen lämpötilaksi asetetaan automaattisesti 5 °C (jääkaappi) ja -18 °C (pakastin).



## HUOMAUTUS

Kun laite kytketään päälle sen jälkeen, kun se on ollut irrotettuna virtalähteestä, oikean lämpötilan saavuttaminen voi kestää jopa 12 tuntia.

Tyhjennä laite ennen sammuttamista. Sammuta laite vetämällä virtajohto irti pistorasiasta.

### Paneelin lukituksen avaaminen/lukitseminen

Automaattinen lukitus: Kun jääkaapin ovi ja pakastimen ovi ovat kiinni eikä mitään näppäintä paineta 30 sekunnin kuluessa, näyttöruutu sammuu automaattisesti ja lukittuu.

Manuaalinen lukitus: Paina  $K_8$ -painiketta (3S Unlock), kun näyttöruutu ei ole lukittu, ja pidä sitä painettuna 3 sekunnin ajan. Summuri soi kerran, merkkivalo H (Paneelin lukitus) syttyy ja näyttö lukittuu.

Vapautus: Kun näyttö on lukittu, paina painiketta  $K_8$  (3S Unlock) ja pidä sitä painettuna 3 sekunnin ajan, jolloin summuri soi kerran, merkkivalo H (Paneelin lukitus) sammuu ja näytön lukitus poistuu.

### Lämpötilan säätäminen

Sisätilan lämpötilaan vaikuttavat seuraavat tekijät:

Ympäristön lämpötila, oven avaamisen tiheys, varastoitujen elintarvikkeiden määrä, laitteen asennus.

### Jääkaapin lämpötilan säätäminen

Paina  $K_6$ -painiketta (Vyöhykkeen valitsin), kun näyttöruutu ei ole lukittu. Summuri soi kerran, merkkivalo E (Jääkaapin merkkivalo) syttyy, ja esiin tulee jääkaapin lämpötila-asetustila.

Paina  $K_4$ -painiketta (Lämpötilan säätöpainike "-") useita kertoja, summuri soi kerran ja jääkaapin lämpötila-asetus laskee jokaisella painalluksella 1 yksikön. Jääkaapin lämpötila näkyy tässä järjestyksessä:  $9^{\circ}\text{C} \rightarrow 8^{\circ}\text{C} \rightarrow 7^{\circ}\text{C} \rightarrow 6^{\circ}\text{C} \rightarrow 5^{\circ}\text{C} \rightarrow 4^{\circ}\text{C} \rightarrow 3^{\circ}\text{C} \rightarrow 2^{\circ}\text{C} \rightarrow 1^{\circ}\text{C}$ .

Paina painiketta  $K_5$  (Lämpötilan säätöpainike "+") useita kertoja, summuri soi kerran, jääkaapin lämpötila-asetus nousee 1 yksiköllä. Jääkaapin lämpötila näkyy tässä järjestyksessä:  $1^{\circ}\text{C} \rightarrow 2^{\circ}\text{C} \rightarrow 3^{\circ}\text{C} \rightarrow 4^{\circ}\text{C} \rightarrow 5^{\circ}\text{C} \rightarrow 6^{\circ}\text{C} \rightarrow 7^{\circ}\text{C} \rightarrow 8^{\circ}\text{C} \rightarrow 9^{\circ}\text{C}$ .



## HUOMAUTUS

Jos lämpötilan asetuksen jälkeen ei tehdä mitään toimintoa 5 sekunnin kuluessa, järjestelmä tallentaa asetetun lämpötilan automaattisesti.

## Pakastimen lämpötilan säätäminen

Paina  $K_6$ -painiketta (Vyöhykkeen valitsin), kun näyttöruutu ei ole lukittu. Summeri soi kerran, merkkivalo F (Pakastimen merkkivalo) syttyy ja voit säätää pakastimen lämpötilaa.

Paina painiketta  $K_4$  (Lämpötilan säätöpainike "-") useita kertoja, summeri soi kerran ja pakastimen lämpötila-asetus laskee jokaisella painalluksella 1 yksiköllä. Pakastimen lämpötila näkyy tässä järjestyksessä:  $-14\text{ °C} \rightarrow -15\text{ °C} \rightarrow -16\text{ °C} \rightarrow -17\text{ °C} \rightarrow -18\text{ °C} \rightarrow -19\text{ °C} \rightarrow -20\text{ °C} \rightarrow -21\text{ °C} \rightarrow -22\text{ °C} \rightarrow -23\text{ °C} \rightarrow -24\text{ °C}$ .

Paina painiketta  $K_5$  (Lämpötilan säätöpainike "+") useita kertoja, summeri soi kerran, pakastimen lämpötila-asetus nousee 1 yksiköllä. Pakastimen lämpötila näkyy tässä järjestyksessä:  $-24\text{ °C} \rightarrow -23\text{ °C} \rightarrow -22\text{ °C} \rightarrow -21\text{ °C} \rightarrow -20\text{ °C} \rightarrow -19\text{ °C} \rightarrow -18\text{ °C} \rightarrow -17\text{ °C} \rightarrow -16\text{ °C} \rightarrow -15\text{ °C} \rightarrow -14\text{ °C}$ .



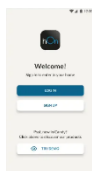
## HUOMAUTUS

Jos lämpötilan asetuksen jälkeen ei tehdä mitään toimintoa 5 sekunnin kuluessa, järjestelmä tallentaa asetetun lämpötilan automaattisesti.

Vaihe 1 Lataa hOn-sovellus jostakin seuraavista sovelluskaupoista.



Vaihe 2 Luo tili hOn-sovelluksessa tai kirjaudu sisään, jos sinulla on jo tili.



Vaihe 3 Nouda hOn-sovelluksen ohjeita laiteparin muodostamiseksi.



## Wi-Fi-toiminto

1. Määritä Wi-Fi noudattamalla sovelluksen ohjeita.
2. Kun Wi-Fi on määritetty ja yhteys muodostettu, Wi-Fi-kuvake A on palaa tasaisesti.
3. Jos Wi-Fi on jo määritetty, se yhdistyy automaattisesti uudelleen kokoonpanotietojen mukaisesti, jos Wi-Fi on käytössä.
4. Jos haluat kytkeä Wi-Fi-yhteyden pois päältä, paina Wi-Fi-painiketta K<sub>1</sub>. Wi-Fi-kuvake A sammuu.
5. Paina Wi-Fi-painiketta K<sub>1</sub>, kun haluat kytkeä Wi-Fi-yhteyden päälle ja aloittaa määrittämisen. Wi-Fi-kuvake A alkaa vilkkua hitaasti. Jos haluat määrittää Wi-Fi-toiminnon, paina K<sub>1</sub>-painiketta 3 sekunnin ajan. Wi-Fi-kuvake vilkkuu nopeasti ja laite siirtyy määrittystilaan. Jos haluat kytkeä Wi-Fi-toiminnon pois päältä, paina K<sub>1</sub>-näppäintä kerran. Toista edellä mainitut vaiheet.
6. Jos tuote on määritetty ja Wi-Fi-toiminto on kytketty pois päältä, jääkaappi ei siirry määrittystilaan, kun se kytketään uudelleen virtalähteeseen.

## Holiday-toiminto

1. Paina K<sub>7</sub>-painiketta (Holiday-toimintopainike), kun näyttö ei ole lukittu. Summeri soi kerran, merkkivalo G syttyy (Holiday-toiminto) ja Holiday-toiminto kytkeytyy päälle.
2. Kun näytön lukitus on avattu, paina painiketta K<sub>7</sub> (Holiday-toimintopainike), summeri soi kerran, merkkivalo G (Holiday-toiminto) sammuu ja sen jälkeen Holiday-toiminto kytkeytyy pois päältä.

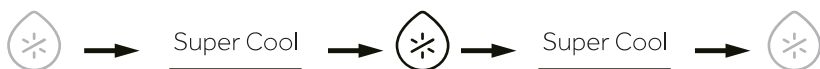


## HUOMAUTUS

1. Holiday-toimintoa käytetään pääasiassa lyhytaikaisissa matkoissa ja muissa elämäntilanteissa, ja jääkaappitila on tyhjennettävä, kun käytät Holiday-toimintoa.
2. Holiday-toiminnon aikana jääkaapin lämpötila on korkeampi (noin 17 °C), joten kiinnitä huomiota elintarvikkeiden tyhjentämiseen jääkaappista, jotta ne eivät pilaannu.

## Super Cool -toiminto

1. Paina painiketta K<sub>2</sub> (Super-Cool-valitsin), kun näyttö ei ole lukittu. Summeri soi kerran, merkkivalo B (Super-Cool-toiminto) syttyy ja Super-Cool-toiminto kytkeytyy päälle.
2. Kun merkkivalo B (Super-Cool-toiminto) palaa, paina painiketta K<sub>2</sub> (Super-Cool-valitsin), summeri soi kerran, merkkivalo O (Super-Cool-toiminto) sammuu ja Super-Cool-toiminto menee pois päältä.
3. Jääkaappi kytkee Super Cool-toiminnon automaattisesti pois päältä, kun asetettu lämpötila saavutetaan. Jos haluat lopettaa toiminnon käytön manuaalisesti, voit kytkeä sen pois päältä painamalla K<sub>2</sub>-painiketta (Super-Cool-valitsin).



## HUOMAUTUS

1. Jääkaapin lämpötilaa ei voi säätää Super Cool-tilassa. Jos painat joko K<sub>4</sub> (Lämpötilan säätöpainike "-") tai K<sub>5</sub>-painiketta (Lämpötilan säätöpainike "+") jääkaapin lämpötilan säätämiseksi, merkkivalo B (Super Cool-merkkivalo) vilkkuu ja kuuluu merkkiäänä sen merkiksi, että tätä toimintoa ei voida suorittaa.
2. Super Cool-toiminnon ollessa päällä Auto-set-toimintoa ei voi eri ohjaustilojen vuoksi kytkeä päälle. Kun valitset yhden toiminnon, joka on ristiriidassa toisen toiminnon kanssa, alkuperäinen toiminto päättyy automaattisesti.
3. Tämä toiminto kytkeytyy automaattisesti pois käytöstä 6 tunnin kuluttua.

## Super Freeze -toiminto

1. Paina K<sub>3</sub>-painiketta (Super Freeze -valitsin), kun näyttö ei ole lukittu. Summeri soi kerran, merkkivalo C syttyy (Super Freeze -toiminto) ja Super Freeze -toiminto kytkeytyy päälle.
2. Kun merkkivalo C (Super Freeze -toiminto) palaa, paina K<sub>3</sub>-painiketta (Super Freeze -valitsin), summeri soi kerran, merkkivalo C (Super Freeze -toiminto) sammuu ja Super Freeze -toiminto sammuu.
3. Jääkaappi kytkee Super Freeze -toiminnon automaattisesti pois päältä, kun asetettu lämpötila saavutetaan. Jos haluat lopettaa toiminnon käytön manuaalisesti, voit kytkeä sen pois päältä painamalla K<sub>3</sub>-painiketta (Super Freeze -valitsin).





## HUOMAUTUS

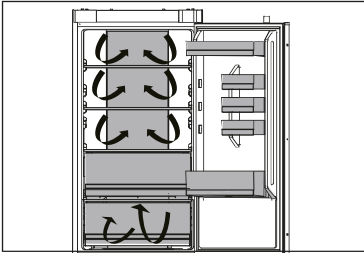
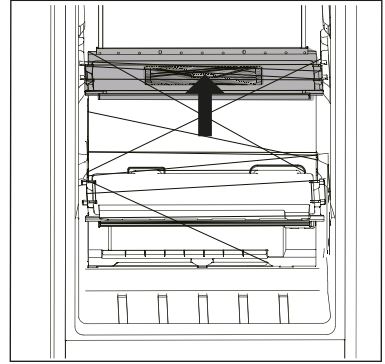
1. Pakastimen lämpötilaa ei voi säätää Super Freeze -tilassa. Jos painat joko K<sub>4</sub>-painiketta (Lämpötilan säätöpainike "-") tai K<sub>5</sub>-painiketta (Lämpötilan säätöpainike "+") pakastimen lämpötilan säätämiseksi, merkkivalo C (Super Freeze -merkkivalo) vilkkuu ja kuuluu merkkiäänäni sen merkiksi, että tätä toimintoa ei voida suorittaa.
2. Super Freeze -toiminto on suunniteltu säilyttämään pakastettujen elintarvikkeiden ravintoarvo ja se jäädyttää elintarvikkeet lyhyessä ajassa. Jos suuria määriä pakastettuja elintarvikkeita on tarkoitus pakastaa kerralla. Super Freeze -toiminto on asetettava toimimaan 24 tuntia etukäteen, jotta pakastimen lämpötila laskisi suhteellisen alhaiseksi ja jotta siihen voitaisiin lisätä ruokaa. Näin pakastimen pakastusnopeus paranee, ruoka voidaan pakastaa nopeasti, elintarvikkeiden ravintoarvot säilyvät hyvinä tehokkaasti ja ruuan varastointi on kätevää.
3. Super Freeze -toiminto kytkeytyy automaattisesti pois päältä 50 tunnin kuluttua, jolloin aiemmin käytössä ollut lämpötila-asetus palaa käyttöön.

## Humidity Zone -laatikko

Tässä osastossa kosteustaso on korkeampi kuin jääkaapissa. Järjestelmä ohjaa sitä automaattisesti, ja se soveltuu hedelmien, vihannesten, salaattien jne. varastointiin.

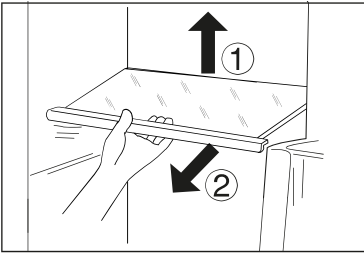
### **i** HUOMAUTUS

1. Älä poista muovisuojusta tämän alueen sisäpuolelta.
2. Ne säilyttävät kosteuden.
3. Kylmäherkkiä hedelmiä, kuten ananasta, avokadoa, banaaneja ja greippejä, ei suositella säilytettäväksi tässä laatikossa.



### Moni-ilmavirtaus

1. Jääkaappi on varustettu moni-ilmavirtausjärjestelmällä, jolla viileää ilmaa virtaa jokaisella hyllytasolla. Tämä auttaa säilyttämään tasaisen lämpötilan ja pitämään ruuan tuoreena pidempään.



### Säädettävät hyllyt

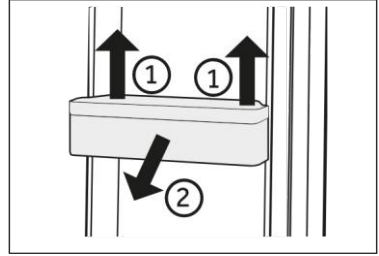
1. Hyllyjen korkeutta voidaan säätää varastointitarpeidesi mukaan.
2. Jos haluat siirtää hyllyä, poista se ensin nostamalla sen takareunaa ① ja vetämällä se ulos ②.
3. Asenna se uudelleen asettamalla se molemmin puolin oleviin korvakkeisiin ja työntämällä se takimmaiseen asentoon, kunnes hyllyn takaosa on kiinnitetty sivuilla oleviin aukkoihin

### **i** HUOMAUTUS

Varmista, että hyllyn kaikki kulmat ovat tasaisesti.

### Irrotettavat ovitelineet/pulloteline

1. Ovitelineet voidaan irrottaa puhdistusta varten:
2. Aseta kädet telineen kummallekin puolelle, nosta sitä ylöspäin ① ja vedä se ulos ②.
3. Voit asettaa ovitelineen takaisin paikalleen toistamalla edellä mainitut vaiheet päinvastaisessa järjestyksessä.



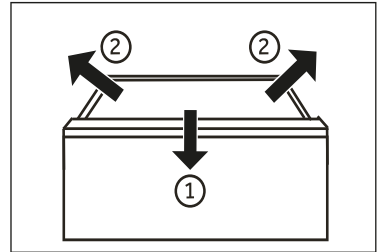
### HUOMAUTUS

Kun laite kytketään päälle, voi kestää jopa 12 tuntia, ennen kuin oikea lämpötila saavutetaan.

### Irrotettava laatikko

Irrota laatikko vetämällä ulos mahdollisimman paljon ①, nostamalla ja poistamalla ②.

Voit asettaa laatikon takaisin paikalleen toistamalla edellä mainitut vaiheet päinvastaisessa järjestyksessä.



### Valo

LED-sisävalo syttyy, kun ovi avataan. Laitteen mitkään asetukset eivät vaikuta valon toimintaan.



## Energiansäästövinkejä

- ▶ Varmista, että laite on tuuletettu kunnolla (katso ASENNUKSET).
- ▶ Älä asenna laitetta suoraan auringonvaloon tai lämmönlähteiden läheisyyteen (esim. uunit, lämmittimet).
- ▶ Älä laske laitteen lämpötilaa tarpeettoman alhaiseksi. Energiankulutus kasvaa, mitä alhaisempi lämpötila laitteessa on.
- ▶ Super Freeze -toiminnon kaltaiset toiminnot kuluttavat enemmän energiaa.
- ▶ Jäähdytä lämmin ruoka ennen kuin laitat sen laitteeseen.
- ▶ Avaa laitteen ovi mahdollisimman vähän ja pidä sitä auki mahdollisimman lyhyesti.
- ▶ Älä täytä laitetta liikaa, jotta ilman kiertäminen ei esty.
- ▶ Vältä ilmaa elintarvikepakkausten sisällä.
- ▶ Pidä oven tiivisteet puhtaina, jotta ovi sulkeutuu aina oikein.
- ▶ Sulata pakasteet jääkaapissa.
- ▶ Energiaa säästävin kokoonpano edellyttää, että laitteen laatikot, ruokalaatikot ja hyllyt pidetään samassa kunnossa kuin ne olivat uutena, ja elintarvikkeet tilisi sijoittaa mahdollisimman pitkälle laitteen takaosaan kuitenkin siten, että ne eivät tuki ilmakanavan aukkoja.



## VAROITUS!

Irrota laite pistorasiasta tai virtälähteestä ennen puhdistusta.

### Puhdistus

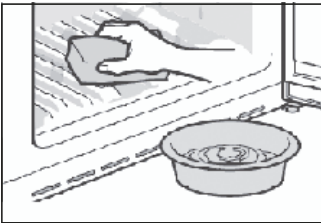
Puhdista laite, kun ruokaa on varastoituna vain vähän tai ei lainkaan.

Laite on puhdistettava joka neljän viikon välein. Tämä takaa hyvät ylläpitorutiinit ja ehkäisee ruokien pilaantumisen ja siitä johtuvat pahat hajut.



## VAROITUS!

- ▶ Älä puhdista laitetta käyttämällä kovia harjoja, teräsharjoja, pesuainejauhetta, bensiiniä, amyyliasetaattia, asetonia ja vastaavia orgaanisia liuoksia tai happamia tai emäksisiä liuoksia. Vältä vauriot puhdistamalla erityisellä jääkaapin pesuaineella.
- ▶ Älä suihkuta tai huuhtele laitetta puhdistuksen aikana.
- ▶ Älä käytä vesisuihkua tai höyryä laitteen puhdistamiseen.
- ▶ Älä puhdista kylmiä lasihyllyjä kuumalla vedellä. Nopeat lämpötilamuutokset voivat aiheuttaa lasin rikkoutumisen.
- ▶ Älä koske pakastimen säilytyslokeron sisäpintaa etenkin märin käsin, koska kädet saattavat jäätyä pintaan kiinni.
- ▶ Jos pakastin on päässyt lämpiämään, tarkista pakastettujen elintarvikkeiden kunto.



- ▶ Pidä oven tiiviste aina puhtaanä.
- ▶ Puhdista laitteen sisäpinnat ja kotelo haalealla vedellä ja neutraalilla pesuaineella kostutetulla sienellä.
- ▶ 1. Pese jääkaapin sisä- ja ulkopuoli, mukaan lukien oven tiiviste, oviteline, lasihyllyt, laatikot ja niin edelleen, pehmeällä pyyhkeellä tai sienellä, joka on kastettu lämpimään veteen (voit lisätä neutraalia pesuainetta lämpimään veteen).
- ▶ 2. Jos nestettä on vuotanut jääkaappiin, poista kaikki likaantuneet osat, huuhtele juoksevilla vedellä, kuivaa ja aseta takaisin jääkaappiin.
- ▶ 3. Jos jääkaappiin on valunut kermaa (tai esimerkiksi sulanutta jäätelöä), poista kaikki likaantuneet osat, laita lämpimään veteen (noin 40 °C) joksikin aikaa, huuhtele juoksevilla vedellä, kuivaa ja aseta takaisin jääkaappiin.
- ▶ 4. Jos jokin pieni osa tai komponentti juuttuu jääkaapin sisälle (hyllyjen tai laatikoiden väliin), poista se pienellä pehmeällä harjalla. Jos et saa poistettua osaa itse, ota yhteyttä Haierin huoltoon.
- ▶ Huuhtele ja kuivaa pehmeällä liinalla.
- ▶ Älä pese laitteen mitään osia astianpesukoneessa.
- ▶ Odota vähintään 5 minuuttia ennen kuin käynnistät laitteen uudelleen, sillä usein tapahtuvat käynnistykset voivat vahingoittaa kompressoria.

## Sulatus

Jääkaappi ja pakastinosasto sulatetaan automaattisesti, manuaalinen sulatus ei ole tarpeen.

## LED-lamppujen vaihtaminen



### VAROITUS!

Älä vaihda LED-lamppua itse, sen saa vaihtaa vain valmistaja tai valtuutettu huoltoedustaja.

Valaisimissa on LED-valonlähde, jolla on alhainen energiankulutus ja pitkä käyttöikä. Jos havaitset poikkeavuuksia, ota yhteyttä asiakaspalveluun. Katso ASIAKASPALVELU.

Lamppujen tekniset tiedot:

Jääkaappiosasto: 12 V; maksimi 2 W

Pakastinosasto: 12 V maks 2 W

## Jos laitetta ei käytetä pitkähköön aikaan

Jos et käytä laitetta pitkään aikaan, JA et halua käyttää Holiday-toimintoa:

Poista ruoka jääkaapista.

Irrota virtapistoke.

Puhdista laite edellä kuvatulla tavalla.

Pida ovet auki estääksesi epämiellyttävien hajujen muodostumisen.



### HUOMAUTUS

Sammuta laite vain, jos se on ehdottoman välttämätöntä.

## Laitteen siirtäminen

1. Poista kaikki elintarvikkeet ja irrota virtajohto seinäpistorasiasta.
2. Kiinnitä jääkaapin ja pakastimen hyllyt ja muut liikkuvat osat teipillä.
3. Älä kallista jääkaappia yli 45° kulmaan jäähdytysjärjestelmän vahingoittumisen välttämiseksi.



### VAROITUS!

- ▶ Älä nosta laitetta kahvoista.
- ▶ Älä koskaan aseta laitetta vaakasuoraan maahan.

Monet ongelmat voidaan ratkaista itse ilman erityistä asiantuntemusta. Tarkista ongelmatilanteessa ensin kaikki mahdolliset ratkaisut ja noudata alla olevia ohjeita, ennen kuin otat yhteyttä myyntipalveluumme. Katso ASIAKASPALVELU.



## VAROITUS!

- ▶ Kytke laite pois päältä ja irrota verkkopistoke verkkopistorasiasta ennen huoltotoimia.
- ▶ Sähkölaitteita saavat huoltaa vain pätevät sähköasiantuntijat, koska virheelliset korjaukset voivat aiheuttaa huomattavia välillisiä vaurioita.
- ▶ Jos virtajohto on vaurioitunut, valmistajan, sen huoltoedustajan tai vastaavan ammattitaitoisen henkilön on vaihdettava se vaaran välttämiseksi.

Ongelma	Mahdollinen syy	Mahdollinen ratkaisu
Kompressori ei toimi.	<ul style="list-style-type: none"> <li>• Pistoke ei ole liitetty seinäpistorasiaan.</li> <li>• Laite on huurteenpoistotilassa.</li> </ul>	<ul style="list-style-type: none"> <li>• Liitä pistoke seinäpistorasiaan.</li> <li>• Tämä on normaalia automaattisessa huurteenpoistossa.</li> </ul>
Laite käy huomattavan usein tai pitkiä aikoja kerrallaan.	<ul style="list-style-type: none"> <li>• Sisä- tai ulkolämpötila on liian korkea.</li> <li>• Laitteen virta on ollut jokin aikaa pois kytkettynä.</li> <li>• Laitteen ovi ei ole tiiviisti kiinni.</li> <li>• Ovi on avattu liian usein tai liian pitkään.</li> <li>• Pakastimen lämpötila-asetus on liian alhainen.</li> <li>• Oven tiiviste on likainen, kulunut, haljennut tai yhteensopimaton.</li> <li>• Vaadittua ilmankiertoa ei voida taata.</li> </ul>	<ul style="list-style-type: none"> <li>• Tässä tilanteessa on normaalia, että laite käy tavallista pidempään.</li> <li>• Laitteen täydellinen jäähtyminen kestää yleensä 8–12 tuntia.</li> <li>• Sulje ovi/laatikko ja varmista, että laite on sijoitettu tasaiselle alustalle ja etteivät elintarvikkeet tai astia estä oven sulkeutumista</li> <li>• Älä avaa ovea/laatikkoa liian usein.</li> <li>• Aseta lämpötila korkeammaksi, kunnes jääkaapin lämpötila on tyydyttävä. Jääkaapin lämpötilan vakiintuminen kestää 24 tuntia.</li> <li>• Puhdista oven/laatikon tiiviste tai pyydä asiakaspalvelusta apua sen vaihtamiseksi.</li> <li>• Varmista riittävä ilmanvaihto.</li> </ul>
Jääkaappi on sisältä likainen ja/tai haisee pahalle.	<ul style="list-style-type: none"> <li>• Jääkaapin sisätilat on puhdistettava.</li> <li>• Jääkaapissa säilytetään voimakkaan hajuista ruokaa.</li> </ul>	<ul style="list-style-type: none"> <li>• Puhdista jääkaappi sisältä.</li> <li>• Pakkaa ruoka tiiviisti.</li> </ul>

Ongelma	Mahdollinen syy	Mahdollinen ratkaisu
Laitteen sisällä ei ole tarpeeksi kylmää.	<ul style="list-style-type: none"> <li>Lämpötila on asetettu liian korkeaksi.</li> <li>Jääkaappiin on laitettu liian lämpimiä elintarvikkeita.</li> <li>Ruokaa on varastoitu kerralla liikaa.</li> <li>Elintarvikkeet ovat liian lähellä toisiaan.</li> <li>Laitteen laatikko tai ovi ei ole tiiviisti kiinni.</li> <li>Ovea/laatikkoa on avattu liian usein tai liian pitkään.</li> </ul>	<ul style="list-style-type: none"> <li>Aseta uusi lämpötila.</li> <li>Jäähdytä elintarvikkeet ja ruuat aina ennen niiden lisäämistä.</li> <li>Lisää aina pieniä määriä ruokaa.</li> <li>Jätä aukko useiden elintarvikkeiden välille, jolloin ilma pääsee virtaamaan.</li> <li>Sulje ovi/laatikko.</li> <li>Älä avaa ovea/laatikkoa liian usein.</li> </ul>
Laitteen sisällä on liian kylmä.	<ul style="list-style-type: none"> <li>Lämpötila on asetettu liian alhaiseksi.</li> <li>Super Freeze- tai Super Cool -toiminto on käynnistetty tai se on käynnissä liian pitkään.</li> </ul>	<ul style="list-style-type: none"> <li>Aseta uusi lämpötila.</li> <li>Kytke Super Freeze- tai Super Cool -toiminto pois päältä.</li> </ul>
Jääkaappiosaston sisäpuolelle muodostuu kosteutta.	<ul style="list-style-type: none"> <li>Ilmasto on liian lämmin ja liian kostea.</li> <li>Laitteen laatikko tai ovi ei ole tiiviisti kiinni.</li> <li>Ovea/laatikkoa on avattu liian usein tai liian pitkään.</li> <li>Elintarvikkeita tai nesteitä ei säilytetä suljetuissa astioissa.</li> </ul>	<ul style="list-style-type: none"> <li>Säädä lämpötilaa kylmemmälle.</li> <li>Sulje ovi/laatikko.</li> <li>Älä avaa ovea/laatikkoa liian usein.</li> <li>Anna kuumien ruokien jäähtyä huoneenlämmössä ja peitä ruoat ja nesteet.</li> </ul>
Jääkaapin kosteus kerääntyy pinnan ulkopuolelle tai ovien/oven ja laatikon väliin.	<ul style="list-style-type: none"> <li>Ilmasto on liian lämmin ja liian kostea.</li> <li>Ovi ei ole tiukasti kiinni. Laitteen kylmä ilma ja sen ulkopuolella oleva lämmin ilma tiivistyvät.</li> </ul>	<ul style="list-style-type: none"> <li>Tämä on normaalia kosteissa ilmastoissa ja tilanne muuttuu, kun kosteusprosentti laskee.</li> <li>Varmista, että ovi/laatikko on suljettu kunnolla.</li> </ul>
Näyttövalo toimii, mutta se ei tunnu viileältä.	<ul style="list-style-type: none"> <li>Se on esittelytilassa.</li> </ul>	<ul style="list-style-type: none"> <li>Tarkista, missä tilassa se on, jos se on esittelytilassa, poistu siitä. Poistuminen: Avaa jääkaapin ovi lukitussa tilassa painamalla toista oikealla olevaa painiketta 8 sekunnin ajan 12 tunnin kuluessa virran kytkemisestä.</li> </ul>

Ongelma	Mahdollinen syy	Mahdollinen ratkaisu
Pakastinosastossa on paljon jäätä ja huurretta.	<ul style="list-style-type: none"> <li>Tuotteita ei ole pakattu asianmukaisesti.</li> <li>Laitteen laatikko tai ovi ei ole tiiviisti kiinni.</li> <li>Ovea/laatikkoa on avattu liian usein tai liian pitkään.</li> <li>Oven/laatikon tiiviste on likainen, kulunut, haljennut tai yhteensopimaton.</li> <li>Jokin sisäpuolella estää ovea/laatikkoa sulkeutumasta kunnolla.</li> </ul>	<ul style="list-style-type: none"> <li>Pakkaa aina kaikki tuotteet huolellisesti.</li> <li>Sulje ovi/laatikko.</li> <li>Älä avaa ovea/laatikkoa liian usein.</li> <li>Puhdista oven/laatikon tiiviste tai vaihda se uuteen.</li> <li>Aseta hyllyt, ovitelineet tai sisäiset laatikot uudelleen, jotta ovi/laatikko sulkeutuu.</li> </ul>
Kaapin ja oviliuskan sivut lämpenevät.	<ul style="list-style-type: none"> <li>-</li> </ul>	<ul style="list-style-type: none"> <li>Tämä on normaalia.</li> </ul>
Laite pitää epänormaalia ääntä.	<ul style="list-style-type: none"> <li>Laite ei sijaitse tasaisella lattialla.</li> <li>Laite koskettaa jotain sen ympärillä olevaa esinettä.</li> </ul>	<ul style="list-style-type: none"> <li>Säädä jalat jotta laite on vaakatasossa.</li> <li>Poista esineet laitteen ympäriltä.</li> </ul>
Kuuluu hiljaista ääntä, joka muistuttaa virtaavaa vettä.	<ul style="list-style-type: none"> <li>-</li> </ul>	<ul style="list-style-type: none"> <li>Tämä on normaalia.</li> </ul>
Kuulet hälytysäänen.	<ul style="list-style-type: none"> <li>Jääkaapin säilytysosaston ovi on auki.</li> </ul>	<ul style="list-style-type: none"> <li>Sulje ovi.</li> </ul>
Kuulet heikkoa huminaa.	<ul style="list-style-type: none"> <li>Antikondensoiva järjestelmä on toiminnassa.</li> </ul>	<ul style="list-style-type: none"> <li>Tämä ehkäisee kondensoitumista ja on normaalia.</li> </ul>
Sisävalaistus tai jäähdytysjärjestelmä ei toimi.	<ul style="list-style-type: none"> <li>Pistoke ei ole liitetty seinäpistorasiaan.</li> <li>Virtalähde ei ole ehjä.</li> <li>LED-lamppu on rikki.</li> </ul>	<ul style="list-style-type: none"> <li>Liitä pistoke seinäpistorasiaan.</li> <li>Tarkista huoneen sähkönsyöttö. Soita paikalliseen sähköyhtiöön!</li> <li>Ota yhteyttä huoltoon lampun vaihtamiseksi.</li> </ul>

Voit ottaa yhteyttä tekniseen tukeen siirtymällä Internet-sivustoomme osoitteessa <https://corporate.haier-eu-ropo.com/en/>

Valitse websites-kohdassa tuotemerkkisi ja maasi. Siirryt sivulle, josta löydät puhelinnumeron ja lomakkeen, jonka täyttämällä voit pyytää teknistä tukea.

## Sähkökatkos

Sähkökatkoksen sattuessa ruoan pitäisi pysyä turvallisen kylmänä noin 5 tuntia. Noudata seuraavia ohjeita erityisesti kesäaikaan, mikäli sähkökatkos kestää kauan:

- ▶ Vältä oven/laatikon avaamista.
- ▶ Älä laita laitteeseen uusia elintarvikkeita sähkökatkoksen aikana.
- ▶ Jos sähkökatkoksesta ilmoitetaan etukäteen ja keskeytyksen kesto on yli 5 tuntia, tee jäätä ja laita se jääkaapin yläosassa olevaan astiaan.
- ▶ Elintarvikkeet on tarkastettava välittömästi sähkökatkoksen loputtua.
- ▶ Koska lämpötila jääkaapissa nousee sähkökatkoksen tai muun häiriön aikana, elintarvikkeiden säilytysaika pienenee ja laatu kärsii. Kaikki sulaneet elintarvikkeet tulisi terveystarkistuksen välttämiseksi joko syödä tai kypsentää kuumentamalla ja pakastaa uudelleen (mikäli mahdollista) pikaisesti.

## Muistitoiminto sähkökatkoksen aikana

Kun sähkövirta on palautunut, laite jatkaa ennen sähkökatkoa voimassa olleilla asetuksilla.

## Purkaminen pakkauksesta

**VAROITUS!**

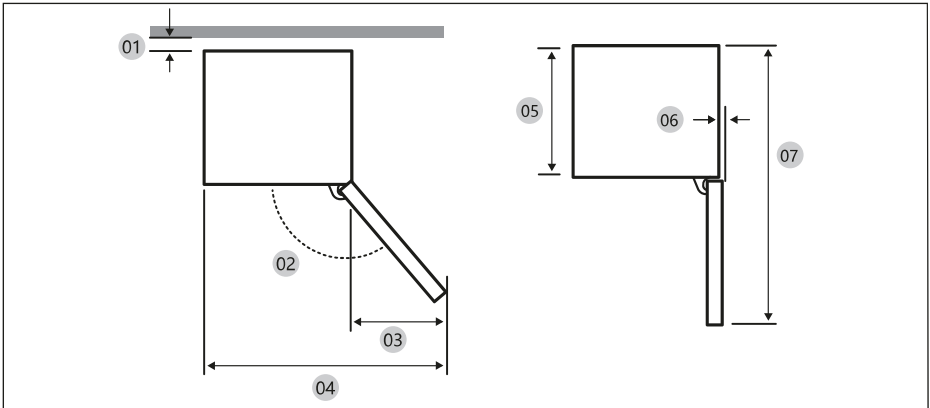
- ▶ **Laite on painava.** Sen käsittelyyn tarvitaan aina vähintään kaksi henkilöä.
- ▶ Pidä kaikki pakkausmateriaalit poissa lasten ulottuvilta ja hävitä ne ympäristöystävällisesti.
- ▶ **Ota laite pois pakkauksesta.**
- ▶ **Poista kaikki pakkausmateriaalit.**

## Ympäristön olosuhteet

Huoneen lämpötilan tulisi aina olla 10–43° C, koska huoneen lämpötila voi vaikuttaa laitteen sisälämpötilaan ja sen energiankulutukseen. Älä asenna laitetta lähelle muita lämpöä tuottavia laitteita (uunit, jääkaapit) ilman asianmukaista lämmöneristystä.

## Tilantarve

## Tarvittava tila, kun ovi on avattu (ilman kaapin ovipaneelia)

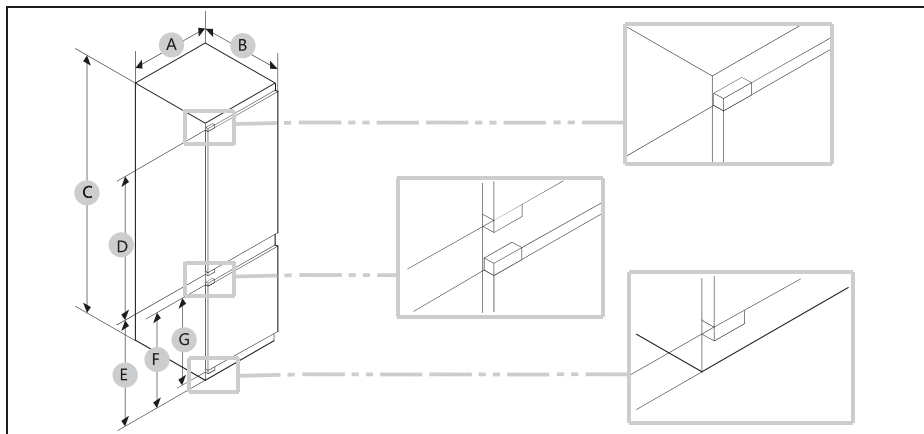


Malli	EBQW5518E HBQW5518E HBQW5518EK HQE1855BCM EHQE1855BCM	HBQW5519E HBQW5519EK EBQW5519E EBQW5519ECM	HBQW5719E
01 *	10 (vähintään) / 30 (suositellaan)	10 (vähintään) / 30 (suositellaan)	10 (vähintään) / 30 (suositellaan)
02	95° (suositellaan)	95° (suositellaan)	95° (suositellaan)
03	43	43	55
04	583	583	745
05	515	515	515
06	-3	-3	-3
07	1060	1060	1210

\* 01: Kaapista tuotteen takaosaan.

(yksikkö: mm)

## Tuotteen mitat



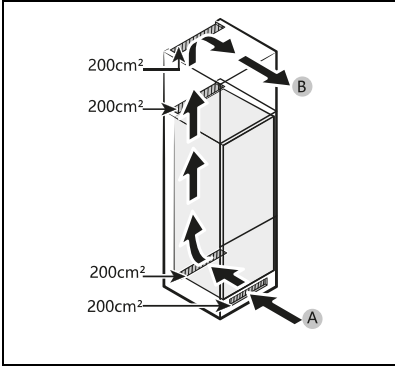
Malli	A(mm)	B(mm)	C(mm)	D(mm)	E(mm)	F(mm)	G(mm)
EHBQW5518E HBQW5518E HBQW5518EK HQE1855BCMW EHQE1855BCMW	540±2	550±2	1772±2	970	745	662	618
HBQW5519E HBQW5519EK EHBQW5519E EHBQW5519ECM	540±2	550±2	1935±2	1133	745	662	618
HBQW5719E	690±2	550±2	1935±2	1133	745	662	618

## **i** HUOMAUTUS

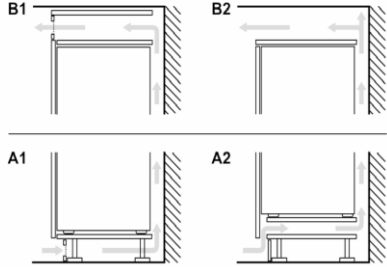
- Määritely energiankulutus perustuu siihen, että kaapin ja tuotteen takaosan välillä on 10 mm:n rako. Tuote toimii moitteettomasti myös, jos rako on alle **10 mm**, mutta se kuluttaa hieman enemmän energiaa.
- Suosittellemme käyttämään 18 mm paksua kaappia ja alle 20 mm paksuja **saranoita**.
- Edellä olevassa taulukossa esitetyt mittaustulokset voivat vaihdella mittausten menetelmästä riippuen.
- Sisäänrakennettu asennus on asennusoppaassa.

## Tuuletusaukon poikkileikkaus

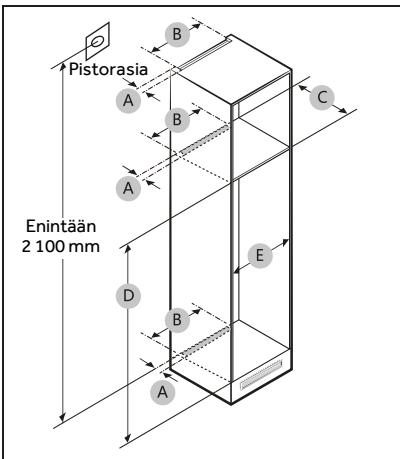
Laitteen turvallisuussyistä riittävän ilmanvaihdon aikaansaamiseksi on noudatettava vaadittujen ilmanvaihdon poikkileikkausten tietoja.



A: Ilmanottoaukko  $\geq 200 \text{ cm}^2$ ; Ilmanvaihtovaihtoehdot  
B: Ilman ulostulo  $\geq 200 \text{ cm}^2$ ; Ilmanvaihtovaihtoehdot



## Kaapin mitat



## HUOMIO!

Takuu ei kata seuraavista syistä johtuvia tuotevikoja.

1. Väärät olosuhteet tai väärät kaappikoot.
2. Viallinen kaappi.
3. Asentajan tai käyttäjän tekemät virheet.

## Vällys

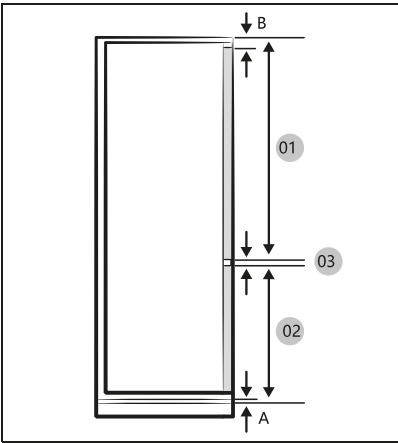
Katso alla olevista kuvista ja taulukoista asennuksen tilavaatimukset.

Malli		A (mm)	B (mm)	C (mm)	D (mm)	E (mm)	Huomaus
EHBQW5518E HBQW5518E HBQW5518EK HQE1855BCMW EHQE1855BCMW	Vähintään	50	400	560	1778	560	Sarana: 17 mm
	Suositteltu			580	1780	562	
	Enintään			-	1782	568	
HBQW5519E HBQW5519EK EHBQW5519E EHBQW5519ECM	Vähintään	50	400	560	1940	560	Sarana: 17 mm
	Suositteltu			580	1943	562	
	Enintään			-	1945	568	
HBQW5719E	Vähintään	50	400	560	1941	710	Sarana: 17 mm
	Suositteltu			580	1943	714	
	Enintään			-	1945	718	



## HUOMAUTUS

- Jos kaapin leveys on yli 568 mm, tiiviste (jääkaapin ja kaapin välissä) voi löystyä.
- Jos kaappi on korkeampi kuin enimmäismitta (1 782 mm), sinun on käytettävä muita viimeistelymateriaaleja raon täyttämiseen. (EHBQW5518E/ HBQW5518E/ EK/ EHQE/ HQE1855BCMW)
- Jos kaappi on korkeampi kuin enimmäismitta (1 945 mm), on käytettävä muita viimeistelymateriaaleja raon täyttämiseen. (HBQW5519E/ EK/ EHBQW5519E/ ECM)



## HUOMAUTUS

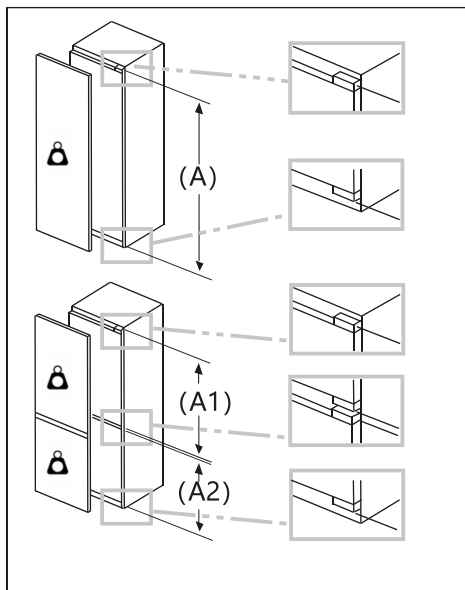
Jos haluat asentaa kaapin, joka vaatii 4 mm:n raon (03), katso alla olevaa kaappien vertailutaulukkoa.

- A Etupaneelin alareuna tuuletusaukon yläpuolella  
B Etupaneelin ulkonema

(yksikkö: mm)

Malli	EHBQW5518E HBQW5518E HBQW5518EK HQE1855BCMW EHQE1855BCMW	HBQW5519E HBQW5519EK EHBQW5519E EHBQW5519ECM HBQW5719E
01	Vähintään 1 028 + B Enintään 1 106 + B	Vähintään 1 191 + B Enintään 1 269 + B
02	Vähintään 662 + A Enintään 740 + A	Vähintään 662 + A Enintään 740 + A
03	4 mm (jääkaapin ja pakastimen kaapin ovipaneelin rako)	

## Yksikön etureunojen suurin sallittu paino

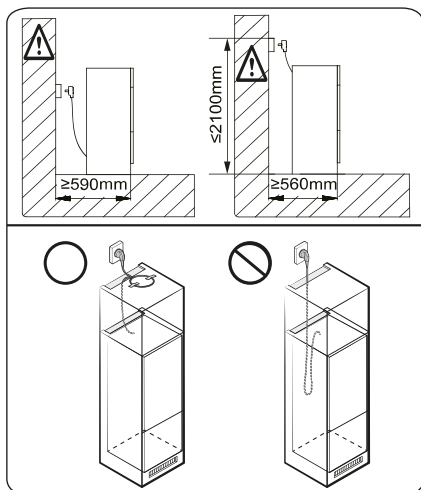


Sallitun painon ylittävät asennetut laitteen etulevyt voivat aiheuttaa vaurioita ja johtaa saranoiden toimintahäiriöihin.

**Paino**  
(kg)

1 500–1 750 mm	22
720–1 400 mm	19
A1	15
A2	15

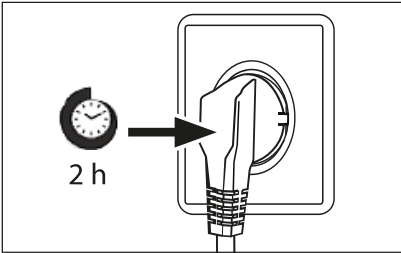
## Pistorasian sijainti ja tarvittava tila huomioon ottaen



### **i** HUOMAUTUS

Jos asennat jääkaapin kaappiin, jonka syvyys on 560 mm, varmista ennen pistorasiaan kytkemistä, että virtajohto on sijoitettu jääkaapin sivulle. Jos virtajohto on jääkaapin takaosassa, se voi heikentää energiatehokkuutta.

## Odotusaika



Huoltovapaa voiteluöljy sijaitsee kompressorin kapselissa. Tämä öljy voi päästä suljetun putkijärjestelmän läpi kuljetuksen aikana, jos laite on kaltevassa asennossa. Ennen kuin kytket laitteen virtalähteeseen, sinun on odotettava vähintään 2 tuntia, jotta öljy kulkeutuu takaisin kapseliin.

## Sähköliitäntä

Tarkista ennen jokaista liitintää seuraavat seikat:

- ▶ sähkövirta, pistorasia ja sulakkeet ovat laitteen arvokilven mukaiset
- ▶ pistorasia on maadoitettu eikä monipistoketta tai jatkojohtoja käytetä
- ▶ pistorasia ja pistorasia ovat tarkasti teknisten määräysten mukaiset.

Liitä pistoke oikein asennettuun kotitalouskäyttöön tarkoitettuun pistorasiaan.



## **VAROITUS!**

Vaarojen välttämiseksi asiakaspalvelun on vaihdettava vaurioitunut virtajohto (katso takuukortti).

Tuoteseloste asetuksen EU N:o 2019/2016 mukaisesti

Tuotemerkki	Haier		
Mallin nimi / tunniste	EHBQW5518E HBQW55 18E HBQW5518EK HQE1855B CMW EHQE1855BCMW	HBQW5519E HBQW55 19EK EHBQW5 519E EHBQW5519ECM	HBQW5719E
Mallin luokka	Jääkaappi - pakastin		
Energiatehokkuusluokka	E	E	E
(kWh/vuosi) (1)	229	229	259
Kokonaistilavuus (l)	268	285	382
Tilavuus, jääkaappi (l)	194	211	281
Tilavuus, pakastin (l)	74	74	101
Tilavuus, jäädytysosa (l)	/	/	/
Tilavuus, automaattinen jääpalakone (l)	/	/	/
Tähtiluokitus	4	4	4
Muiden osastojen lämpötila > 14 °C	Ei sovellettavissa		
Huurteeton järjestelmä	Kyllä	Kyllä	Kyllä
Pakastuskapasiteetti (kg / 24 h)			
Ilmastoluokitus (2)	SN/N/ST/T	SN/N/ST/T	SN/N/ST/T
Melupäästöluokka jäänitaso ilmassa (dB(A) re1pW)	B(35)	B(35)	B(33)
Lämpötilan nousuaika (h)	12	12	9
Jäänvalmistuskapasiteetti	/	/	/
Laitetyyppi	Sisäänrakennettu	Sisäänrakennettu	Sisäänrakennettu

Mallin nimi	Energiatehokkuusluokka
EHBQW5518E HBQW5518E HBQW5518EK HQE1855BCMW EHQE1855BCMW	E
HBQW5519E HBQW5519EK EHBQW5519E EHBQW5519ECM HBQW5719E	E

## Selitykset:

- Kyllä, mukana

- (1) Perustuu standardien mukaisuustestin tuloksiin 24 tunnin ajalta. Todellinen kulutus riippuu laitteen käytöstä ja sijainnista.
- (2) Ilmastoluokitus SN: Tämä laite on tarkoitettu käytettäväksi ympäristön lämpötilassa +10 °C – +32 °C  
Ilmastoluokitus N: Tämä laite on tarkoitettu käytettäväksi ympäristön lämpötilassa +16 °C – +32 °C  
Ilmastoluokitus ST: Tämä laite on tarkoitettu käytettäväksi ympäristön lämpötilassa +16 °C – +38 °C  
Ilmastoluokitus T: Tämä laite on tarkoitettu käytettäväksi ympäristön lämpötilassa +16 °C – +43 °C

## Tekniset lisätiedot

Jännite / taajuus	220–240 V ~ / 50 Hz
Tulovirta (A)	1.2/1.6
Pääsulake (A)	16
Jäähdytysneste	R600a
Mitat (K/L/S, mm)	EHBQW5518E/ HBQW5518E/ EK EHQE/ HQE1855BCMW: 1773/540/555
	HBQW5519E/ EK/ EHBQW5519E/ ECM: 1935/540/555
	EHBQW5719E : 1935/690/550

Suosittellemme Haierin asiakaspalvelua ja alkuperäisten varaosien käyttöä.  
Jos sinulla on ongelmia laitteen kanssa, tarkista ensin osio VIANMÄÄRITYS.

Jos et löydä ratkaisua, ota yhteyttä

- ▶ paikalliseen jälleenmyyjän tai
- ▶ eurooppalaiseen puhelinpalvelukeskukseen (katso alla olevat puhelinnumerot) tai
- ▶ Haieriin siirtymällä Internet-osoitteessa [www.haier.com](http://www.haier.com) kohtaan Service & Support,
- ▶ jossa voit aktivoida palvelupyynnön ja tutustua usein kysytyihin kysymyksiin.

Jos haluat ottaa yhteyttä palveluumme, varmista, että sinulla on seuraavat tiedot saatavilla.

Tiedot löytyvät arvokilvestä.

Malli \_\_\_\_\_

Sarjanumero \_\_\_\_\_

Tarkista myös tuotteen mukana toimitettu takuukortti takuun varalta.

Eurooppalainen puhelinpalvelukeskus		
Maa*	Puhelinnumero	Kustannukset
Haier Italy (IT)	199 100912	
Haier Spain (ES)	902 509 123	
Haier Germany (DE)	0180 5 39 39 99	<ul style="list-style-type: none"> <li>• 14 snt/min lankapuhelin</li> <li>• maks. 42 snt/min matkapuhelin</li> </ul>
Haier Austria (AT)	0820 001205	<ul style="list-style-type: none"> <li>• 14,53 snt/min lankapuhelin</li> <li>• maks. 20 snt/min kaikki muut</li> </ul>
Haier United Kingdom (UK)	0333 003 8122	
Haier France (FR)	0980 406 409	

\* Muiden maiden osalta katso [www.haier.com](http://www.haier.com)

Haier Europe Trading S.r.l

Branch UK

Westgate House, Westgate, Ealing

London, W5 1YY

\* Kylmälaitteen takuun kesto:

Vähimmäistakuu on: 2 vuotta EU-maissa, 3 vuotta Turkissa, 1 vuosi Isossa-Britanniassa, 1 vuosi Venäjällä, 3 vuotta Ruotsissa, 2 vuotta Serbiassa, 5 vuotta Norjassa, 1 vuosi Marokossa, 6 kuukautta Algeriassa, Tunisia ei vaadi lakisääteistä takuuta.

\* Varaosien saatavuus laitteen korjausta varten:

Termostaatteja, lämpötilan tunnistimia, painettuja piirilevyjä ja valonlähteitä on saatavilla varaosina vähintään 7 vuoden ajan sen jälkeen, kun kyseisen mallin viimeinen kappale on tullut myyntiin.

Ovien kädensijat, ovien saranat, hyllyt ja korit ovat saatavina varaosina vähintään 7 vuoden ajan ja ovitiivisteet vähintään 10 vuoden ajan sen jälkeen, kun kyseisen mallin viimeinen kappale on tullut myyntiin.

\*Lisätietoa tuotteesta saa osoitteesta <https://eprel.ec.europa.eu/> tai skannaamalla laitteen energiamerkissä olevan QR-koodin.



**Haier**



2024 Versio A

# Haier

## Manuel d'utilisation

### Réfrigérateur congélateur

EHBQW5518E

HBQW5518E

HBQW5518EK

HQE1855BCMW

EHQE1855BCMW

HBQW5519E

HBQW5519EK

EHBQW5519E

EHBQW5519ECM

HBQW5719E

FR

<u>4 Informations sur la sécurité</u>	<u>Avant la première utilisation</u>	5
	<u>Installation</u>	5
	<u>Utilisation quotidienne</u>	6
	<u>Informations sur les gaz réfrigérants</u>	8
<u>9 Utilisation prévue</u>		
<u>10 Description du produit</u>		
<u>12 Panneau de commande</u>		
<u>13 Utilisation</u>	<u>Verrouillage/Déverrouillage du panneau</u>	13
	<u>Régler la température du réfrigérateur</u>	13
	<u>Régler la température du congélateur</u>	14
	<u>Fonction Wi-Fi</u>	15
	<u>Fonction Holiday</u>	15
	<u>Fonction Super Cool</u>	16
	<u>Fonction Super Freeze</u>	16
<u>18 Matériel</u>		
<u>20 Conseils d'économie d'énergie</u>		
<u>21 Entretien et nettoyage</u>		
<u>23 Dépannage</u>		
<u>27 Installation</u>		
<u>34 Données techniques</u>		
<u>36 Service clientèle</u>		

## Merci d'avoir acheté un produit Haier.

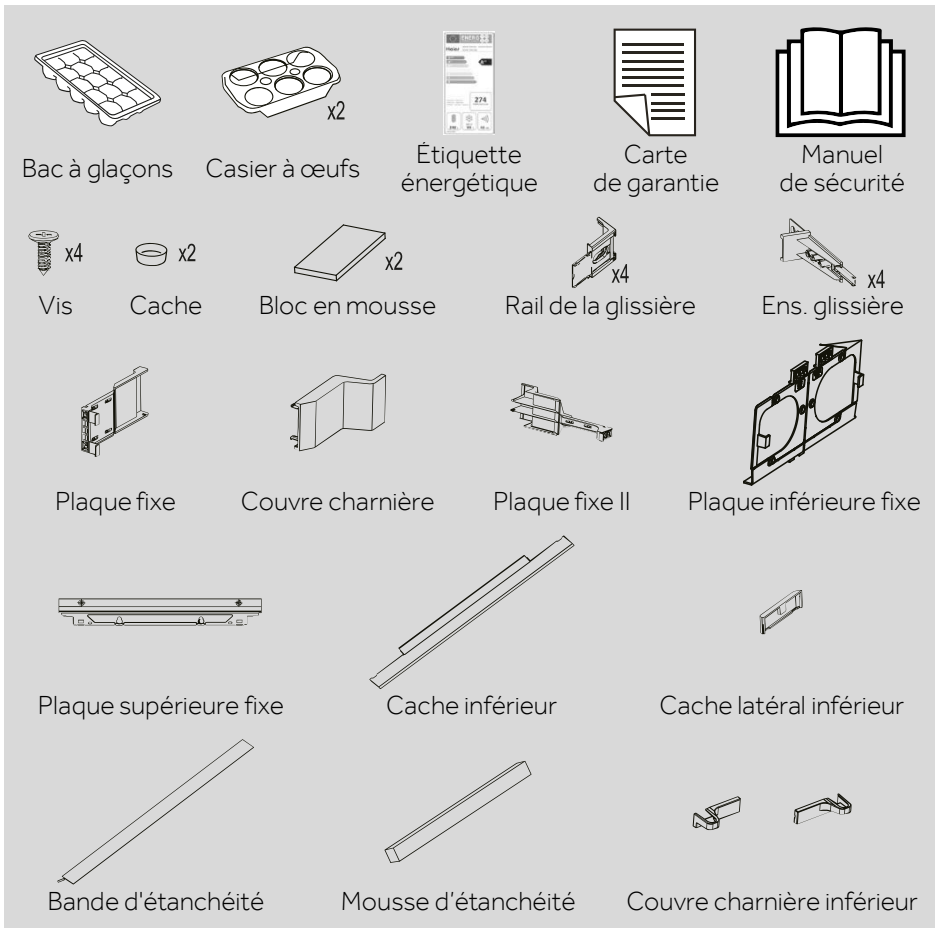
Veuillez lire attentivement ces instructions avant d'utiliser cet appareil. Les instructions contiennent des informations importantes qui vous aideront à tirer le meilleur parti de l'appareil et à assurer l'installation, l'utilisation et l'entretien sûrs et appropriés de celui-ci.

Conservez ce manuel dans un endroit facilement accessible afin que vous puissiez toujours vous y référer pour une utilisation sûre et appropriée de l'appareil.

Si vous vendez l'appareil, si vous le donnez ou si vous le laissez lorsque vous déménagez, assurez-vous que vous transmettez également ce manuel pour que le nouveau propriétaire puisse se familiariser avec l'appareil et les consignes de sécurité.

## Accessoires

Vérifiez les accessoires et la littérature conformément à cette liste:



**AVERTISSEMENT:****informations importantes sur la sécurité****REMARQUE: informations générales et conseils****Informations environnementales****Mise au rebut**

Contribuez à protéger l'environnement et la santé humaine. Jetez l'emballage dans les bacs correspondants pour le recycler. Participez au recyclage des déchets d'appareils électriques et électroniques. Ne jetez pas les appareils marqués de ce symbole avec les déchets ménagers. Ramenez le produit à votre déchetterie locale ou contactez votre bureau municipal.

**AVERTISSEMENT !**

Risque de blessure ou de suffocation !

Les frigorigènes et les gaz doivent être éliminés par un professionnel. Assurez-vous que le tube du circuit réfrigérant n'est pas endommagé avant d'être correctement éliminé. Débranchez l'appareil du secteur. Coupez le câble d'alimentation et jetez-le. Retirez les clayettes et les tiroirs ainsi que le verrou et les joints de la porte, afin d'éviter que les enfants et les animaux domestiques ne se retrouvent enfermés dans l'appareil.

**Avant d'allumer l'appareil pour la première fois, lisez les conseils de sécurité suivants:**



## AVERTISSEMENT !

### Avant la première utilisation

- ▶ Assurez-vous qu'il n'a pas été endommagé pendant le transport.
- ▶ Attendez au moins deux heures avant d'installer l'appareil afin de vous assurer que le circuit réfrigérant fonctionne parfaitement.
- ▶ Manipulez toujours l'appareil avec au moins deux personnes parce qu'il est lourd.
- ▶ Retirez tous les emballages, gardez-les hors de la portée des enfants, puis jetez-les d'une manière respectueuse de l'environnement.
- ▶ Nettoyez l'intérieur et l'extérieur de l'appareil avec de l'eau et un détergent doux avant d'y mettre des aliments.
- ▶ Une fois l'appareil à plat et nettoyé, attendez au moins 2 à 5 heures avant de le brancher à l'alimentation électrique. Voir la section INSTALLATION.
- ▶ Pré-réfrigérez les compartiments à des réglages élevés avant de les remplir d'aliments. La fonction Power-Freeze permet de refroidir rapidement les compartiments.
- ▶ La température du réfrigérateur et celle du congélateur sont réglées automatiquement sur 5 °C et -18 °C respectivement. Ce sont les paramètres recommandés. Si vous le souhaitez, vous pouvez modifier ces températures manuellement. Voir RÉGLAGE DE LA TEMPÉRATURE.

### Installation

- ▶ L'appareil doit être placé dans un endroit bien ventilé. Garantisiez un espace d'au moins 10 cm au-dessus et autour de l'appareil.
- ▶ Ne placez jamais l'appareil dans un endroit humide ou un endroit où il pourrait être éclaboussé d'eau. Nettoyez et séchez les éclaboussures d'eau et les taches avec un chiffon doux et propre.
- ▶ N'installez pas l'appareil en plein soleil ou à proximité de sources de chaleur (par ex. cuisinières, chauffages).
- ▶ Installez et mettez à niveau l'appareil dans une zone adaptée à sa taille et à son utilisation.
- ▶ Maintenez les ouvertures de ventilation situées dans l'appareil ou dans la structure encadrée libres de toute obstruction.
- ▶ Assurez-vous que les informations électriques figurant sur la plaque signalétique sont conformes à l'alimentation électrique. Si ce n'est pas le cas, contactez un électricien.
- ▶ L'appareil est alimenté par une alimentation de 220-240 VCA/50 Hz. Les variations anormales de tension peuvent provoquer l'arrêt de l'appareil ou endommager le régulateur de température ou le compresseur, ou il peut y avoir un bruit anormal lors du fonctionnement. Dans ce cas, un régulateur automatique doit être monté.
- ▶ N'utilisez pas d'adaptateurs multiprises ni de rallonges.



## AVERTISSEMENT !

- ▶ Ne placez pas de systèmes multiprises portatifs ou d'alimentations portatives à l'arrière de l'appareil.
- ▶ Assurez-vous que le câble d'alimentation n'est pas coincé par le réfrigérateur. Ne marchez pas sur le câble d'alimentation.
- ▶ Utilisez une prise de terre séparée pour l'alimentation électrique qui soit facile d'accès. L'appareil doit être mis à la terre.

Uniquement pour le Royaume-Uni: le câble d'alimentation de l'appareil est équipé d'une fiche 3 pôles (de mise à la terre) qui s'adapte à une prise standard 3 pôles (de mise à la terre). Ne coupez jamais ou ne démontez jamais la troisième broche (mise à la terre). Une fois l'appareil installé, la fiche doit être accessible.

- ▶ N'endommagez pas le circuit réfrigérant.

### Utilisation quotidienne

- ▶ Cet appareil peut être utilisé par des enfants à partir de 8 ans et par des personnes ayant des capacités physiques, sensorielles ou mentales réduites ou un manque d'expérience et de connaissances, s'ils sont sous surveillance ou si on leur a appris à utiliser l'appareil en toute sécurité et s'ils comprennent les risques courus.
- ▶ Les enfants âgés de 3 à 8 ans sont autorisés à remplir et vider les appareils de réfrigération, mais ne sont pas autorisés à les nettoyer ni à les installer.
- ▶ Gardez les enfants âgés de moins de 3 ans à l'écart de l'appareil à moins qu'ils ne soient constamment surveillés.
- ▶ Les enfants ne doivent pas jouer avec l'appareil.
- ▶ Si du gaz réfrigérant ou tout autre gaz inflammable fuit à proximité de l'appareil, fermez la vanne du gaz qui fuit, ouvrez les portes et les fenêtres et ne débranchez pas le câble d'alimentation du réfrigérateur ou de tout autre appareil.
- ▶ Notez que l'appareil est conçu pour fonctionner dans une plage de température ambiante spécifique comprise entre 10 °C et 43 °C. L'appareil peut ne pas fonctionner correctement s'il est laissé pendant une longue période à une température inférieure ou supérieure à la plage indiquée.
- ▶ Ne placez pas d'objets instables (objets lourds, récipients remplis d'eau) sur le dessus du réfrigérateur, pour éviter les blessures corporelles causées par une chute ou une électrocution causée par le contact avec de l'eau.
- ▶ Ne tirez pas sur les balconnets. La porte peut être tirée en biais, le porte-bouteilles peut être retiré ou l'appareil risque de basculer.
- ▶ Ouvrez et fermez les portes uniquement avec les poignées. L'écart entre les portes et entre les portes et le compartiment est très étroit. Ne mettez pas vos mains dans ces zones pour éviter de vous pincer les doigts. Ouvrez ou fermez les portes du réfrigérateur uniquement lorsqu'il n'y a pas d'enfants dans le rayon de mouvement de la porte.
- ▶ Ne conservez pas et n'utilisez pas de matières corrosives, explosives ou inflammables dans l'appareil ou à proximité.



## AVERTISSEMENT !

- ▶ Ne conservez pas de médicaments, de bactéries ou d'agents chimiques dans l'appareil. Cet appareil est un appareil électroménager. Il n'est pas recommandé pour stocker des produits qui nécessitent des températures strictes.
- ▶ Ne conservez jamais des liquides dans des bouteilles ou des canettes (en dehors des spiritueux avec un degré d'alcool très élevé), en particulier les boissons gazeuses, dans le congélateur car ceux-ci pourraient exploser durant la congélation.
- ▶ Vérifiez l'état des aliments si l'intérieur du congélateur s'est réchauffé.
- ▶ Ne réglez pas une température inutilement basse dans le compartiment du réfrigérateur. Des températures inférieures peuvent se produire à des réglages élevés. Attention: les bouteilles peuvent éclater
- ▶ Ne touchez pas les produits surgelés avec les mains mouillées (portez des gants). Ne mangez surtout pas les glaces à l'eau juste après les avoir sorties du compartiment congélateur. Vous risquez de vous blesser ou de vous brûler à cause du froid. Premiers secours: mettez immédiatement sous l'eau froide. Ne retirez pas !
- ▶ Ne touchez pas la surface intérieure du compartiment congélateur lorsqu'il est en fonctionnement, en particulier avec les mains mouillées, car vos mains peuvent geler sur la surface.
- ▶ Débranchez l'appareil en cas de coupure de courant ou avant de le nettoyer. Attendez au moins 7 minutes avant de redémarrer l'appareil, car des démarrages trop fréquents risqueraient d'endommager le compresseur.
- ▶ N'utilisez pas des appareils électriques à l'intérieur des compartiments de conservation des aliments de l'appareil, sauf s'ils correspondent aux modèles recommandés par le fabricant.

## Entretien/nettoyage

- ▶ Veillez à superviser les enfants s'ils effectuent le nettoyage et l'entretien.
- ▶ Débranchez l'appareil du secteur avant d'effectuer tout entretien courant. Attendez au moins 5 minutes avant de redémarrer l'appareil, car des démarrages trop fréquents risqueraient d'endommager le compresseur.
- ▶ Tenez la fiche, pas le câble, lorsque vous débranchez l'appareil.
- ▶ Ne nettoyez pas l'appareil à l'aide de brosses dures, de brosses métalliques, de détergents en poudre, d'essence, d'acétate d'amyle, d'acétone et de solutions organiques similaires, d'acides ou de solutions alcalines. Nettoyez-le avec un détergent spécial pour réfrigérateur afin d'éviter de l'endommager.
- ▶ Ne raclez pas le givre et la glace avec des objets tranchants. N'utilisez pas de pulvérisateurs ni de réchauffeurs électriques comme des nettoyeurs à vapeur, des sèche-cheveux ou d'autres sources de chaleur pour éviter d'endommager les pièces en plastique.
- ▶ N'utilisez pas de dispositifs mécaniques ou d'autres moyens pour accélérer le processus de dégivrage, hormis ceux recommandés par le fabricant.
- ▶ Si le cordon d'alimentation est endommagé, faites-le remplacer par le fabricant, le service clientèle ou un électricien qualifié pour éviter tout risque d'accident.



## AVERTISSEMENT !

- ▶ N'essayez pas de réparer, démonter ou modifier l'appareil vous-même. En cas de réparation, veuillez contacter notre service clientèle.
- ▶ Éliminez la poussière à l'arrière de l'appareil au moins une fois par an pour éviter tout risque d'incendie, ainsi que l'augmentation de la consommation d'énergie.
- ▶ Ne pulvérisiez pas et ne rincez pas l'appareil pendant le nettoyage.
- ▶ N'utilisez pas de jet d'eau ou de vapeur pour nettoyer l'appareil.
- ▶ Ne nettoyez pas les clayettes froides en verre à l'eau chaude. Un changement soudain de température peut casser le verre.

## Informations sur les gaz réfrigérants



### AVERTISSEMENT !

L'appareil contient de l'ISOBUTANE, un réfrigérant inflammable (R600a). Assurez-vous que le circuit du réfrigérant n'est pas endommagé pendant le transport ou l'installation. Les fuites de frigorigène peuvent provoquer des blessures oculaires ou s'enflammer. Si un dommage s'est produit, gardez les sources de feu ouvert à l'écart, aérez complètement la pièce, ne branchez pas ou ne débranchez pas les cordons d'alimentation de l'appareil ou de tout autre appareil. Informez le service clientèle.

En cas de contact du réfrigérant avec les yeux, rincez-les immédiatement à l'eau courante et appelez immédiatement un oculiste.

## Utilisation prévue

Cet appareil est destiné à réfrigérer et à congeler les aliments. Il a été conçu exclusivement pour une utilisation dans les habitations et des applications similaires telles que les espaces de cuisine dans les magasins, bureaux et autres environnements de travail; les habitations rurales et par les clients dans les hôtels, motels et autres environnements de type résidentiel, ainsi que dans les chambres d'hôtes ou B&B et activités de restauration. Il n'est pas destiné à un usage commercial ou industriel.

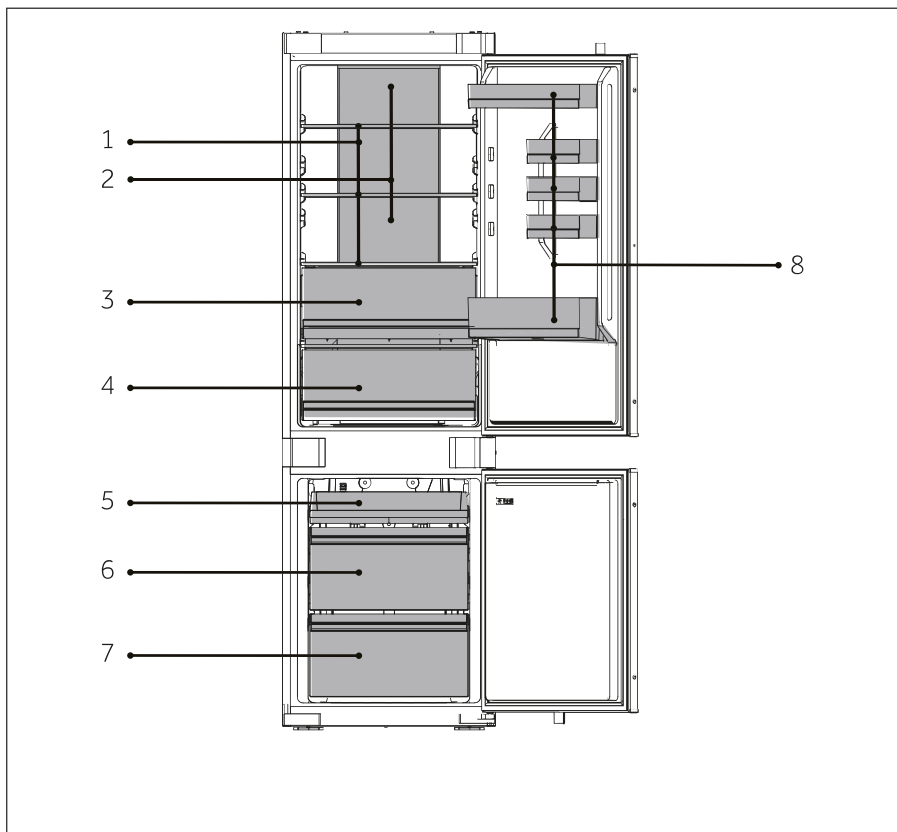
Les changements ou modifications apportés à l'appareil ne sont pas autorisés. Une utilisation non prévue peut entraîner des risques et la perte de garantie.

## Normes et directives ou

Ce produit satisfait aux exigences de toutes les directives CE applicables avec les normes harmonisées correspondantes et les normes du Royaume-Uni, qui prévoient le marquage CE ou UK.

## **i** INFORMATION

En raison des changements techniques et de différents modèles, certaines des illustrations de ce manuel peuvent différer de votre modèle.



EHBQW5518E/HBQW5518E/HBQW5518EK/HQE1855BCMW/EHQE1855BCMW

A: Chambre de réfrigération

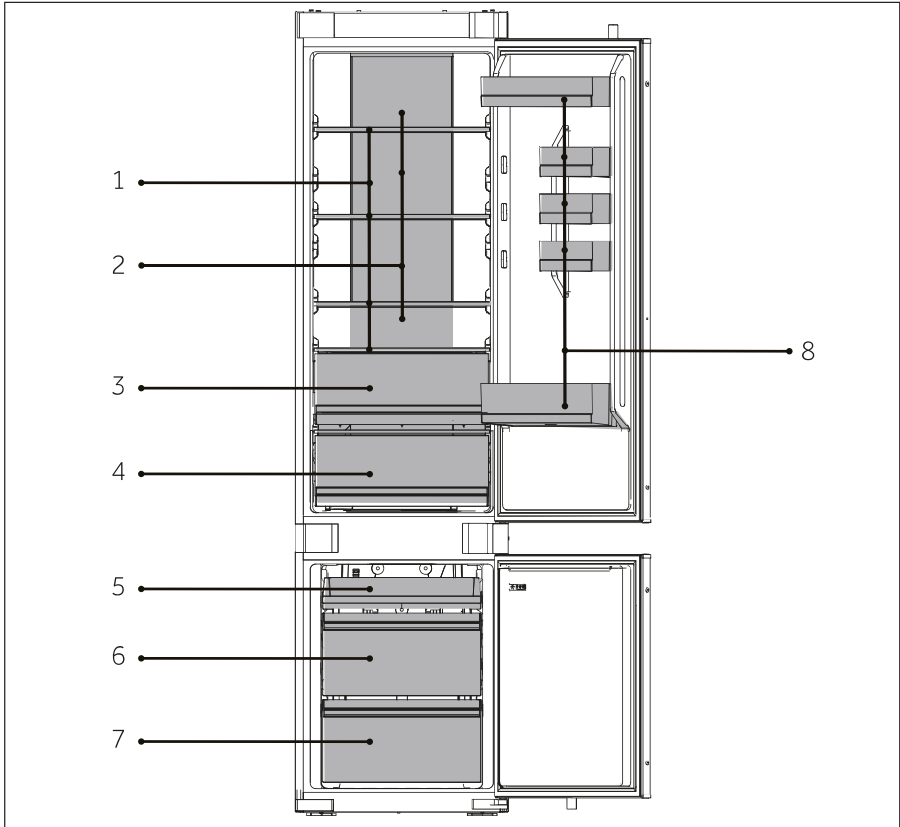
B: Chambre de congélation

- 1 Clayettes ordinaires
- 2 Conduit d'air réfrigéré
- 3 Tiroir Humidity Zone
- 4 Tiroir Fresh Box
- 8 Porte-bouteilles

- 5 Plateau supérieur du congélateur
- 6 Tiroir central du congélateur
- 7 Tiroir inférieur du congélateur

## **i** INFORMATION

En raison des changements techniques et de différents modèles, certaines des illustrations de ce manuel peuvent différer de votre modèle.



HBQW5519E/HBQW5519EK/ EHBQW5519E/ EHBQW5519ECM/HBQW5719E

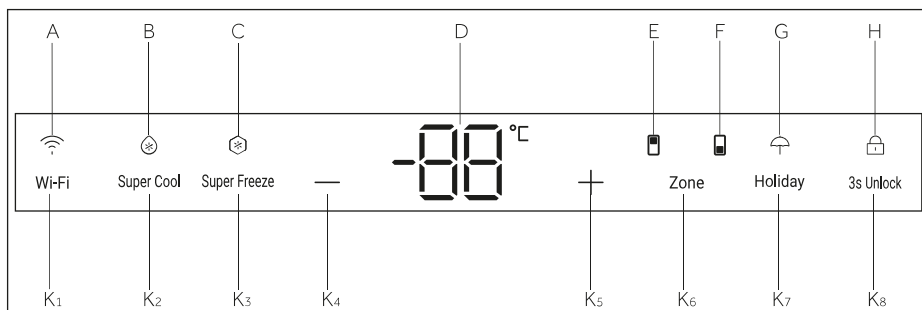
A: Chambre de réfrigération

- 1 Clayettes ordinaires
- 2 Conduit d'air réfrigéré
- 3 Tiroir Humidity Zone
- 4 Tiroir Fresh Box
- 8 Porte-bouteilles

B: Chambre de congélation

- 5 Plateau supérieur du congélateur
- 6 Tiroir central du congélateur
- 7 Tiroir inférieur du congélateur

## Panneau de commande



### Voyants:

- A Fonction Wi-Fi
- B Fonction Super Cool
- C Fonction Super Freeze
- D Affichage de la température
- E Voyant du réfrigérateur
- F Voyant du congélateur
- G Fonction Holiday
- H Verrouillage et déverrouillage

### Touches:

- K<sub>1</sub> Touche de réglage du Wi-Fi
- K<sub>2</sub> Touche de sélection Super Cool
- K<sub>3</sub> Touche de sélection Super Freeze
- K<sub>4</sub> Touche de réglage de la température « - »
- K<sub>5</sub> Touche de réglage de la température « + »
- K<sub>6</sub> Touche de sélection de la zone
- K<sub>7</sub> Touche de la fonction Holiday
- K<sub>8</sub> Touche de verrouillage et de déverrouillage

## Touches tactiles

Les touches du panneau de commande sont des touches tactiles qui réagissent dès que le doigt les touche légèrement.

## Allumer / éteindre l'appareil

L'appareil fonctionne dès qu'il est branché sur l'alimentation électrique.

Lors de la première mise sous tension du réfrigérateur, le voyant « D » (affichage de la température) s'allume. La température du réfrigérateur et celle du congélateur sont réglées automatiquement sur 5 °C et -18 °C respectivement.



## INFORMATION

Lorsque l'appareil est allumé après avoir été débranché de l'alimentation secteur, il peut falloir jusqu'à 12 heures pour que les températures correctes soient atteintes.

Videz l'appareil avant de l'éteindre. Pour éteindre l'appareil, tirez le cordon d'alimentation pour le sortir de la prise d'alimentation.

### Verrouillage/Déverrouillage du panneau

Verrouillage automatique: lorsque la porte du réfrigérateur et la porte du congélateur sont fermées et qu'aucune touche n'est actionnée dans les 30 secondes, l'écran s'éteint et se verrouille automatiquement.

Verrouillage manuel: lorsque l'écran d'affichage est déverrouillé, appuyez sur la touche « K<sub>8</sub> » (3S Unlock) et maintenez-la enfoncée pendant 3 secondes, le signal sonore retentit une fois, le voyant « H » (verrouillage du panneau) s'allume et l'afficheur est verrouillé.

Déverrouillage: lorsque l'écran d'affichage est verrouillé, appuyez sur la touche « K<sub>8</sub> » (3S Unlock) et maintenez-la enfoncée pendant 3 secondes, le signal sonore retentit une fois, le voyant « H » (verrouillage du panneau) s'éteint et l'écran est déverrouillé.

### Réglage de la température

Les températures intérieures sont influencées par les facteurs suivants:

Température ambiante, fréquence d'ouverture de la porte, quantité d'aliments conservés, installation de l'appareil.

### Régler la température du réfrigérateur

Lorsque l'écran d'affichage est déverrouillé, appuyez sur la touche « K<sub>6</sub> » (sélecteur de zone). Le signal sonore retentit une fois, le voyant « E » (voyant du réfrigérateur) s'allume, puis vient le mode de réglage de la température du réfrigérateur.

Appuyez sur la touche « K<sub>4</sub> » (touche de réglage de la température « - ») à chaque fois, le signal sonore retentit une fois, la température définie du réfrigérateur sera réduite de 1. La température du réfrigérateur s'affiche selon la séquence « 9 °C -> 8 °C -> 7 °C -> 6 °C -> 5 °C -> 4 °C -> 3 °C -> 2 °C -> 1 °C ».

Appuyez sur la touche « K<sub>5</sub> » (touche de réglage de la température « + ») à chaque fois, le signal sonore retentit une fois, la température définie du réfrigérateur sera augmentée de 1. La température du réfrigérateur s'affiche selon la séquence « 1 °C -> 2 °C -> 3 °C -> 4 °C -> 5 °C -> 6 °C -> 7 °C -> 8 °C -> 9 °C ».



## INFORMATION

Après avoir réglé la température, s'il n'y a pas d'opération dans les 5 secondes, le système enregistrera automatiquement la température définie.

## Régler la température du congélateur

Lorsque l'écran d'affichage est déverrouillé, appuyez sur la touche « K<sub>6</sub> » (sélecteur de zone). Le signal sonore retentit une fois, le voyant « F » (voyant du congélateur) s'allume, puis vient le mode de réglage de la température du congélateur.

Appuyez sur la touche « K<sub>4</sub> » (touche de réglage de la température « - ») à chaque fois, le signal sonore retentit une fois, la température définie du congélateur sera réduite de 1. La température du congélateur s'affiche selon la séquence « -14 °C -> -15 °C -> -16 °C -> -17 °C -> -18 °C -> -19 °C -> -20 °C -> -21 °C -> -22 °C -> -23 °C -> -24 °C ».

Appuyez sur la touche « K<sub>5</sub> » (touche de réglage de la température « + ») à chaque fois, le signal sonore retentit une fois, la température définie du congélateur sera augmentée de 1. La température du congélateur s'affiche selon la séquence « -24 °C -> -23 °C -> -22 °C -> -21 °C -> -20 °C -> -19 °C -> -18 °C -> -17 °C -> -16 °C -> -15 °C -> -14 °C ».



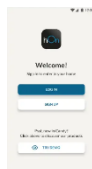
### INFORMATION

Après avoir réglé la température, s'il n'y a pas d'opération dans les 5 secondes, le système enregistrera automatiquement la température définie.

Étape 1 Téléchargez l'application hOn dans les stores.



Étape 2 Créez votre compte sur l'application hOn ou connectez-vous si vous possédez déjà un compte.



Étape 3 Suivez les instructions d'appairage dans l'application hOn.



## Fonction Wi-Fi

1. Suivez les instructions de l'application pour configurer le Wi-Fi.
2. Une fois le Wi-Fi configuré et la connexion établie, l'icône Wi-Fi « A » est allumée et fixe.
3. Si le Wi-Fi a déjà été configuré, il se reconnectera automatiquement en fonction des informations de configuration lorsque vous l'allumerez.
4. Pour désactiver le Wi-Fi, appuyez sur la touche Wi-Fi « K<sub>1</sub> » et l'icône Wi-Fi « A » s'éteint.
5. Pour activer le Wi-Fi et démarrer la configuration, appuyez sur la touche Wi-Fi « K<sub>1</sub> » et l'icône Wi-Fi « A » commence à clignoter lentement. Si vous souhaitez configurer la fonction Wi-Fi, appuyez sur la touche « K<sub>1</sub> » pendant 3 secondes. L'icône Wi-Fi clignote rapidement et passe en mode de configuration. Si vous souhaitez désactiver la fonction Wi-Fi, appuyez une fois sur la touche « K<sub>1</sub> ». Répétez les étapes ci-dessus.
6. Si le produit a été configuré et que la fonction Wi-Fi a été désactivée, le réfrigérateur n'entrera pas en mode de configuration une fois reconnecté à l'alimentation.

## Fonction Holiday

1. Lorsque l'écran d'affichage est déverrouillé, appuyez sur la touche « K<sub>7</sub> » (touche de la fonction Holiday), le signal sonore retentit une fois, le voyant « G » (fonction Holiday) s'allume, puis la fonction Holiday est activée.
2. Lorsque l'écran d'affichage est déverrouillé, appuyez sur la touche « K<sub>7</sub> » (touche de la fonction Holiday), le signal sonore retentit une fois, le voyant « G » (fonction Holiday) s'éteint, puis la fonction Holiday est désactivée.



## INFORMATION

1. La fonction Holiday est principalement utilisée pour les voyages de courte durée et d'autres moments de la vie, et il faut vider le réfrigérateur lors de l'utilisation de la fonction Holiday.
2. En fonction Holiday, la température de la chambre du réfrigérateur sera plus élevée (environ 17 °C). Veillez à vider le réfrigérateur afin d'éviter que les aliments qui s'y trouvent s'abîment.

## Fonction Super Cool

1. Lorsque l'écran d'affichage est déverrouillé, appuyez sur la touche « K<sub>2</sub> » (sélecteur de Super Cool), le signal sonore retentit une fois, le voyant « B » (fonction Super Cool) s'allume, puis la fonction Super Cool est activée.
2. Lorsque le voyant « B » (fonction Super Cool) s'allume, appuyez sur la touche « K<sub>2</sub> » (sélecteur de Super Cool), le signal sonore retentit une fois, le voyant « O » (fonction Super Cool) s'éteint, puis la fonction Super Cool est désactivée.
3. Une fois la fonction Super Cool activée, le réfrigérateur arrêtera automatiquement la fonction lorsqu'il atteindra la température réglée. Si vous souhaitez quitter manuellement, vous pouvez appuyer sur la touche « K<sub>2</sub> » (sélecteur de Super Cool) pour l'éteindre.



### **i** INFORMATION

1. En mode Super Cool, la température du réfrigérateur ne peut pas être réglée. Si vous appuyez sur la touche « K<sub>4</sub> » (touche de réglage de la température « - ») ou sur la touche « K<sub>5</sub> » (touche de réglage de la température « + ») pour régler la température du réfrigérateur, le voyant « B » (voyant de Super Cool) clignote avec un son rapide pour indiquer que cette opération ne peut pas être effectuée.
2. En mode Super Cool, la fonction Auto-Set ne peut pas être activée en même temps en raison des différents modes de contrôle. Lorsque vous choisissez une fonction qui entre en conflit avec une autre, la fonction d'origine est automatiquement désactivée.
3. Cette fonction est automatiquement désactivée au bout de 6 heures.

## Fonction Super Freeze

1. Lorsque l'écran d'affichage est déverrouillé, appuyez sur la touche « K<sub>3</sub> » (sélecteur de Super Freeze), le signal sonore retentit une fois, le voyant « C » (fonction Super Freeze) s'allume, puis la fonction Super Freeze est activée.
2. Lorsque le voyant « C » (fonction Super Freeze) s'allume, appuyez sur la touche « K<sub>3</sub> » (sélecteur de Super Freeze), le signal sonore retentit une fois, le voyant « C » (fonction Super Freeze) s'éteint, puis la fonction Super Freeze est désactivée.
3. Une fois la fonction Super Freeze activée, le réfrigérateur arrêtera automatiquement la fonction lorsqu'il atteindra la température réglée. Si vous souhaitez quitter manuellement, vous pouvez appuyer sur la touche « K<sub>3</sub> » (sélecteur de Super Freeze) pour l'éteindre.





## INFORMATION

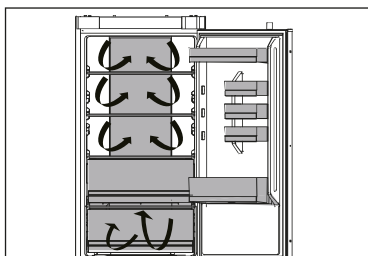
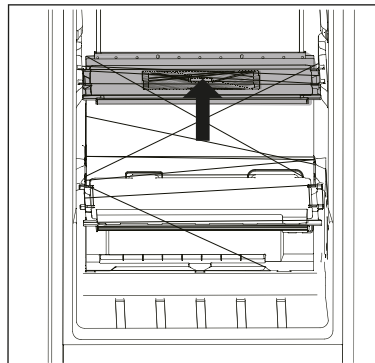
1. En mode Super Freeze, la température du congélateur ne peut pas être réglée. Si vous appuyez sur la touche « K<sub>4</sub> » (touche de réglage de la température « - ») ou sur la touche « K<sub>5</sub> » (touche de réglage de la température « + ») pour régler la température du congélateur, le voyant « C » (voyant de Super Freeze) clignote avec un son rapide pour indiquer que cette opération ne peut pas être effectuée.
2. La fonction Super Freeze est conçue pour conserver la valeur nutritive des aliments congelés, elle congèlera les aliments dans les plus brefs délais. Si de grandes quantités d'aliments surgelés doivent être congelés en même temps. Par ailleurs, la fonction Super Freeze doit être réglée 24 heures à l'avance pour que la température du congélateur soit relativement basse avant de mettre les aliments à l'intérieur. À ce moment-là, la vitesse de congélation du congélateur est améliorée, les aliments peuvent être congelés rapidement, la valeur nutritive des aliments est efficacement conservée et les conserver devient plus pratique.
3. La fonction Super Freeze s'arrête automatiquement au bout de 50 heures. L'appareil fonctionne alors à la température précédemment réglée.

## Tiroir Humidity Zone

Dans ce compartiment, le niveau d'humidité est supérieur à celui du compartiment du réfrigérateur. Il est contrôlé automatiquement par le système et convient au stockage des fruits, des légumes, des salades, etc.

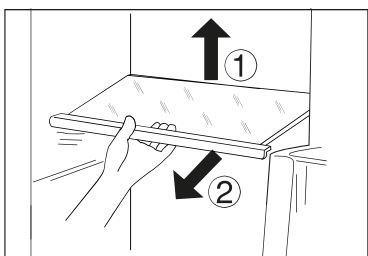
### **i** INFORMATION

1. Ne retirez pas les couvercles en plastique à l'intérieur de la zone.
2. Ils maintiennent l'humidité.
3. Il est déconseillé de ranger les fruits sensibles au froid comme l'ananas, l'avocat, les bananes et les pamplemousses dans le tiroir.



### Flux multi-air

1. Le réfrigérateur est équipé d'un système à flux multi-air, avec lequel des flux d'air froid se trouvent au niveau de chaque clayette. Cela permet de maintenir une température uniforme afin de garantir que vos aliments conservent leur fraîcheur pendant plus longtemps.



### Clayettes réglables

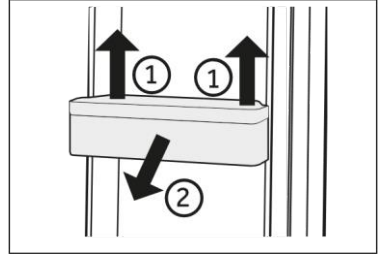
1. La hauteur des clayettes peut être réglée en fonction de vos besoins de rangement.
2. Pour déplacer une clayette, retirez-la d'abord en levant son bord arrière ① et en la tirant ②.
3. Pour la remettre en place, placez-la sur les ergots des deux côtés et poussez-la dans la position la plus reculée jusqu'à ce que l'arrière de la clayette soit fixé à l'intérieur des fentes sur les côtés.

### **i** INFORMATION

Assurez-vous que toutes les extrémités d'une clayette sont au même niveau.

### Balconnets de porte amovibles/ Porte-bouteilles

1. Les balconnets de porte peuvent être retirés pour le nettoyage:
2. Placez les mains de chaque côté du balconnet, soulevez-le ① et tirez-le ②.
3. Pour insérer le balconnet de porte, vous devez suivre les étapes ci-dessus dans l'ordre inverse.



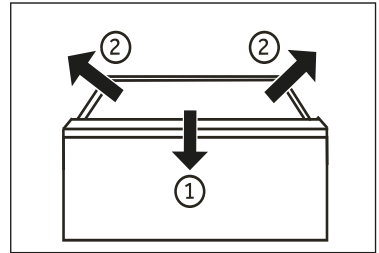
### INFORMATION

Lorsque vous allumez l'appareil, il peut falloir jusqu'à 12 heures pour que les températures appropriées soient atteintes.

### Tiroir amovible

Pour retirer le tiroir, sortez-le au maximum ①, soulevez-le et retirez-le ②.

Pour introduire le tiroir, vous devez effectuer les étapes ci-dessus dans l'ordre inverse.



### La lumière

La lumière LED à l'intérieur s'allume lorsque la porte est ouverte. Le fonctionnement des lampes n'est affecté par aucun des autres réglages de l'appareil.



## Conseils d'économie d'énergie

- ▶ Assurez-vous que l'appareil est bien ventilé (voir INSTALLATION).
- ▶ N'installez pas l'appareil en plein soleil ou à proximité de sources de chaleur (par ex. cuisinières, chauffages).
- ▶ Évitez une température inutilement basse dans l'appareil. Plus vous réglez une température basse dans l'appareil, plus la consommation d'énergie augmente.
- ▶ Des fonctions comme Super Freeze consomment plus d'énergie.
- ▶ Laissez les aliments chauds refroidir avant de les mettre dans l'appareil.
- ▶ Ouvrez la porte de l'appareil le moins souvent et le plus rapidement possible.
- ▶ Ne remplissez pas trop l'appareil pour éviter de bloquer la circulation de l'air.
- ▶ Évitez l'air dans l'emballage des aliments.
- ▶ Gardez les joints de la porte propres afin que la porte se ferme toujours correctement.
- ▶ Décongelez les aliments surgelés dans le compartiment de rangement du réfrigérateur.
- ▶ La configuration la plus économe en énergie exige que l'appareil conserve les tiroirs, la boîte de rangement et les clayettes en parfait état, et les aliments doivent être placés le plus loin possible des orifices de sortie de la conduite d'air.



## AVERTISSEMENT !

Débranchez l'appareil de l'alimentation électrique avant de le nettoyer.

### Nettoyage

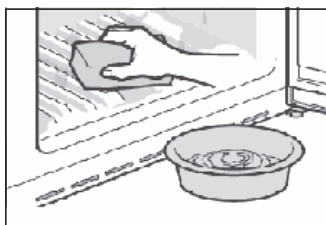
Nettoyez l'appareil lorsqu'il n'y a qu'un peu de nourriture ou qu'il n'y a pas de nourriture à l'intérieur.

L'appareil doit être nettoyé toutes les quatre semaines pour un bon entretien et pour éviter les mauvaises odeurs des aliments conservés à l'intérieur.



## AVERTISSEMENT !

- ▶ Ne nettoyez pas l'appareil à l'aide de brosses dures, de brosses métalliques, de détergents en poudre, d'essence, d'acétate d'amyle, d'acétone et de solutions organiques similaires, d'acides ou de solutions alcalines. Nettoyez-le avec un détergent spécial pour réfrigérateur afin d'éviter de l'endommager.
- ▶ Ne pulvérisez pas et ne rincez pas l'appareil pendant le nettoyage.
- ▶ N'utilisez pas de jet d'eau ou de vapeur pour nettoyer l'appareil.
- ▶ Ne nettoyez pas les clayettes froides en verre à l'eau chaude. Un changement soudain de température peut casser le verre.
- ▶ Ne touchez pas la surface intérieure du compartiment de l'appareil, en particulier avec les mains mouillées, car vos mains peuvent geler sur la surface.
- ▶ En cas de réchauffement, vérifiez l'état des produits surgelés.



- ▶ Gardez toujours le joint de la porte propre.
- ▶ Nettoyez l'intérieur et le bâti de l'appareil à l'aide d'une éponge imbibée d'eau tiède et de détergent neutre.
- ▶ 1. Veuillez frotter l'intérieur et l'extérieur du réfrigérateur, y compris le joint de porte, le porte-bouteille, les clayettes en verre, les boîtes, etc., avec un torchon doux ou une éponge imbibée d'eau chaude (vous pouvez ajouter un détergent neutre dans l'eau chaude).
- ▶ 2. S'il y a du liquide renversé, retirez toutes les parties contaminées, rincez-les directement sous l'eau du robinet, séchez-les et remettez-les dans le réfrigérateur.
- ▶ 3. S'il y a de la crème (par exemple de la crème, de la crème glacée qui fond), retirez toutes les parties contaminées, placez-les dans de l'eau chaude à 40 °C pendant un certain temps, puis rincez-les à l'eau courante, séchez-les et remettez-les dans le réfrigérateur.
- ▶ 4. Si une petite pièce ou un élément reste coincé à l'intérieur du réfrigérateur (entre les clayettes ou les tiroirs), utilisez une petite brosse souple pour l'éliminer. Si vous ne pouvez pas atteindre la pièce, veuillez contacter le service clientèle Haier
- ▶ Rincez et séchez avec un chiffon doux.
- ▶ Ne nettoyez aucune des parties de l'appareil au lave-vaisselle.

- ▶ Attendez au moins 5 minutes avant de redémarrer l'appareil, car le démarrage fréquent risque d'endommager le compresseur.

## Dégivrage

Le dégivrage des compartiments réfrigérateur et congélateur se fait automatiquement; aucune opération manuelle n'est nécessaire.

## Remplacement des lampes LED



### AVERTISSEMENT !

Ne remplacez pas la lampe LED vous-même, elle ne doit être remplacée que par le fabricant ou l'agent de maintenance agréé.

Les lampes utilisent des LED comme source lumineuse, avec une faible consommation d'énergie et une longue durée de vie. En cas d'anomalie, veuillez contacter le service clientèle. Reportez-vous au paragraphe SERVICE CLIENTÈLE.

Paramètres des lampes:

Compartiment réfrigérateur: 12 V max. 2 W

Compartiment congélateur: 12 V max. 2 W

## Non-utilisation pendant une période prolongée

Si vous n'utilisez pas l'appareil pendant une longue période ET ne souhaitez pas utiliser la fonction Holiday:

Sortez les aliments.

Débranchez le cordon d'alimentation.

Nettoyez l'appareil selon les instructions ci-dessus.

Gardez les portes ouvertes pour éviter la formation de mauvaises odeurs à l'intérieur.



### INFORMATION

N'éteignez l'appareil que si cela est strictement nécessaire.

## Déplacement de l'appareil

1. Retirez tous les aliments et débranchez l'appareil.
2. Fixez les clayettes et les autres parties mobiles dans le réfrigérateur et dans le congélateur avec du ruban adhésif.
3. N'inclinez pas le réfrigérateur à plus de 45° pour éviter d'endommager le système de réfrigération.



### AVERTISSEMENT !

- ▶ Ne soulevez pas l'appareil par ses poignées.
- ▶ Ne placez jamais l'appareil à l'horizontale sur le sol.

Vous pouvez résoudre de nombreux problèmes vous-même sans expertise spécifique. En cas de problème, veuillez vérifier toutes les possibilités indiquées et suivre les instructions ci-dessous avant de contacter un service clientèle. Reportez-vous au paragraphe SERVICE CLIENTÈLE.



## AVERTISSEMENT !

- ▶ Avant l'entretien, désactivez l'appareil et débranchez la fiche secteur de la prise secteur.
- ▶ L'équipement électrique ne doit être entretenu que par des experts en électricité qualifiés, car des réparations inappropriées peuvent causer des dommages consécutifs considérables.
- ▶ Une alimentation endommagée ne devrait être remplacée que par le fabricant, son agent de maintenance ou des personnes avec une qualification similaire de manière à éviter tout danger.

Problème	Cause possible	Solution possible
Le compresseur ne fonctionne pas.	<ul style="list-style-type: none"> <li>• La fiche secteur n'est pas branchée dans la prise secteur.</li> <li>• L'appareil est en cours de dégivrage</li> </ul>	<ul style="list-style-type: none"> <li>• Branchez la fiche secteur.</li> <li>• C'est normal pour un dégivrage automatique</li> </ul>
L'appareil fonctionne fréquemment ou fonctionne trop longtemps.	<ul style="list-style-type: none"> <li>• La température intérieure ou extérieure est trop élevée.</li> <li>• L'appareil a été hors tension pendant un certain temps.</li> <li>• Une porte de l'appareil n'est pas bien fermée.</li> <li>• La porte a été ouverte trop fréquemment ou trop longtemps.</li> <li>• Le réglage de la température du compartiment congélateur est trop bas.</li> <li>• Le joint de la porte est sale, usé, fissuré ou ne correspond pas.</li> <li>• La circulation de l'air requise n'est pas garantie.</li> </ul>	<ul style="list-style-type: none"> <li>• Dans ce cas, il est normal que l'appareil fonctionne plus longtemps.</li> <li>• Normalement, il faut 8 à 12 heures pour que l'appareil refroidisse complètement.</li> <li>• Fermez la porte/le tiroir et assurez-vous que l'appareil est situé sur un sol à niveau et qu'il n'y a pas d'aliment ou de récipient bloquant la porte.</li> <li>• N'ouvrez pas trop souvent la porte/le tiroir.</li> <li>• Réglez une température plus élevée jusqu'à l'obtention d'une température satisfaisante dans le réfrigérateur. Il faut 24 heures pour que la température du réfrigérateur devienne stable.</li> <li>• Nettoyez le joint de la porte/du tiroir ou faites-le remplacer par le service clientèle.</li> <li>• Assurez une ventilation adéquate.</li> </ul>

Problème	Cause possible	Solution possible
L'intérieur du réfrigérateur est sale et/ou sent.	<ul style="list-style-type: none"> <li>• L'intérieur du réfrigérateur a besoin d'être nettoyé.</li> <li>• Des aliments à forte odeur sont conservés au réfrigérateur.</li> </ul>	<ul style="list-style-type: none"> <li>• Nettoyez l'intérieur du réfrigérateur.</li> <li>• Enveloppez soigneusement les aliments.</li> </ul>
Il ne fait pas suffisamment froid à l'intérieur de l'appareil.	<ul style="list-style-type: none"> <li>• La température réglée est trop élevée.</li> <li>• Des produits trop chauds ont été stockés.</li> <li>• Trop d'aliments ont été mis à l'intérieur en même temps.</li> <li>• Les aliments sont trop proches les uns des autres.</li> <li>• Une porte/un tiroir de l'appareil n'est pas bien fermé(e).</li> <li>• La porte/le tiroir a été ouvert(e) trop fréquemment ou trop longtemps.</li> </ul>	<ul style="list-style-type: none"> <li>• Réinitialisez la température.</li> <li>• Laissez toujours refroidir les aliments avant de les mettre à l'intérieur.</li> <li>• Conservez toujours de petites quantités d'aliments.</li> <li>• Laissez de la place entre plusieurs aliments pour permettre la circulation de l'air.</li> <li>• Fermez la porte/le tiroir.</li> <li>• N'ouvrez pas trop souvent la porte/le tiroir.</li> </ul>
Il fait trop froid à l'intérieur de l'appareil.	<ul style="list-style-type: none"> <li>• La température réglée est trop basse.</li> <li>• La fonction Super Freeze/Super Cool est activée ou fonctionne depuis trop longtemps.</li> </ul>	<ul style="list-style-type: none"> <li>• Réinitialisez la température.</li> <li>• Éteignez la fonction Super Freeze/Super Cool.</li> </ul>
Formation d'humidité à l'intérieur du compartiment réfrigérateur.	<ul style="list-style-type: none"> <li>• Le climat est trop chaud et trop humide.</li> <li>• Une porte/un tiroir de l'appareil n'est pas bien fermé(e).</li> <li>• La porte/le tiroir a été ouvert(e) trop fréquemment ou trop longtemps.</li> <li>• Les récipients contenant des aliments ou des liquides sont laissés ouverts.</li> </ul>	<ul style="list-style-type: none"> <li>• Augmentez la température.</li> <li>• Fermez la porte/le tiroir.</li> <li>• N'ouvrez pas trop souvent la porte/le tiroir.</li> <li>• Laissez refroidir les aliments chauds à température ambiante et couvrez les aliments et les liquides.</li> </ul>
L'humidité s'accumule sur le réfrigérateur à l'extérieur de la surface ou entre les portes / la porte et le tiroir.	<ul style="list-style-type: none"> <li>• Le climat est trop chaud et trop humide.</li> <li>• La porte n'est pas fermée hermétiquement. L'air froid de l'appareil et l'air chaud à l'extérieur de celui-ci se condense.</li> </ul>	<ul style="list-style-type: none"> <li>• C'est normal dans un climat humide et cela va changer lorsque l'humidité diminuera.</li> <li>• Assurez-vous que la porte/le tiroir est bien fermé(e).</li> </ul>

Problème	Cause possible	Solution possible
La lumière d'affichage fonctionne, mais l'appareil n'est pas froid.	<ul style="list-style-type: none"> <li>• Il est en mode démo.</li> </ul>	<ul style="list-style-type: none"> <li>• Veuillez noter l'état dans lequel il se trouve. S'il est en mode démo, quittez-le. Pour quitter: ouvrez la porte du réfrigérateur, lorsqu'il est en mode verrouillé, appuyez sur la deuxième touche à droite pendant 8 secondes dans les 12 heures qui suivent la mise sous tension.</li> </ul>
Glace dure et givre dans le compartiment congélateur.	<ul style="list-style-type: none"> <li>• Les produits n'ont pas été correctement emballés.</li> <li>• Une porte/un tiroir de l'appareil n'est pas bien fermé(e).</li> <li>• La porte/le tiroir a été ouvert(e) trop fréquemment ou trop longtemps.</li> <li>• Le joint de la porte/du tiroir est sale, usé, fissuré ou ne correspond pas.</li> <li>• Quelque chose à l'intérieur empêche la porte / le tiroir de se fermer correctement.</li> </ul>	<ul style="list-style-type: none"> <li>• Emballez toujours bien les produits.</li> <li>• Fermez la porte/le tiroir.</li> <li>• N'ouvrez pas trop souvent la porte/le tiroir.</li> <li>• Nettoyez le joint de la porte / du tiroir ou remplacez-les par des joints neufs.</li> <li>• Repositionnez les clayettes, les balconnets de porte ou les récipients à l'intérieur pour permettre à la porte / au tiroir de se fermer.</li> </ul>
Les côtés de l'appareil et de la bande de la porte se réchauffent.	<ul style="list-style-type: none"> <li>• -</li> </ul>	<ul style="list-style-type: none"> <li>• Cela est normal.</li> </ul>
L'appareil émet des sons anormaux.	<ul style="list-style-type: none"> <li>• L'appareil n'est pas situé sur un sol plan.</li> <li>• L'appareil touche un objet situé à proximité.</li> </ul>	<ul style="list-style-type: none"> <li>• Réglez le pied pour mettre l'appareil à niveau.</li> <li>• Retirez les objets autour de l'appareil.</li> </ul>
Un léger son doit être entendu comme celui de l'eau courante.	<ul style="list-style-type: none"> <li>• -</li> </ul>	<ul style="list-style-type: none"> <li>• Cela est normal.</li> </ul>
Un bip d'alarme retentit.	<ul style="list-style-type: none"> <li>• La porte du compartiment de rangement du réfrigérateur est ouverte.</li> </ul>	<ul style="list-style-type: none"> <li>• Fermez la porte.</li> </ul>
Vous entendrez un petit hum.	<ul style="list-style-type: none"> <li>• Le système anti-condensation fonctionne.</li> </ul>	<ul style="list-style-type: none"> <li>• Cela empêche la condensation et c'est normal.</li> </ul>

Problème	Cause possible	Solution possible
Le système d'éclairage ou de refroidissement à l'intérieur ne fonctionne pas.	<ul style="list-style-type: none"> <li>• La fiche secteur n'est pas branchée dans la prise secteur.</li> <li>• L'alimentation n'est pas intacte.</li> <li>• La lampe LED est hors service.</li> </ul>	<ul style="list-style-type: none"> <li>• Branchez la fiche secteur.</li> <li>• Vérifiez l'alimentation électrique de la pièce. Appelez la société d'électricité locale !</li> <li>• Veuillez appeler le service technique pour faire changer la lampe.</li> </ul>

Pour contacter l'assistance technique, visitez notre site web:

<https://corporate.haier-europe.com/en/>

Dans la rubrique « site web », choisissez la marque de votre produit et votre pays. Vous serez redirigé vers le site web spécifique où vous trouverez le numéro de téléphone et le formulaire pour contacter l'assistance technique.

## Coupure de courant

En cas de coupure de courant, les aliments devraient rester froids en toute sécurité pendant 5 heures environ. Suivez ces conseils pendant une coupure de courant prolongée, en particulier en été:

- ▶ Ouvrez la porte/le tiroir le moins possible.
- ▶ Ne mettez pas d'aliments supplémentaires dans l'appareil pendant une coupure de courant.
- ▶ Si un préavis de coupure de courant est donné et que la durée de la coupure est supérieure à 5 heures, préparez des glaçons et placez-les dans un récipient en haut du compartiment réfrigérateur.
- ▶ Une inspection des produits est requise immédiatement après la coupure de courant.
- ▶ Étant donné que la température du réfrigérateur augmentera lors d'une coupure de courant ou d'une autre panne, la durée de conservation et la qualité alimentaire des aliments seront réduites. Tout aliment décongelé doit être consommé ou cuit et recongelé (le cas échéant) peu de temps après afin de prévenir les risques pour la santé.

## Fonction mémoire pendant la coupure de courant

Lorsque le courant revient, l'appareil continue à fonctionner avec les réglages réglés avant la panne de courant.

## Déballage



### AVERTISSEMENT !

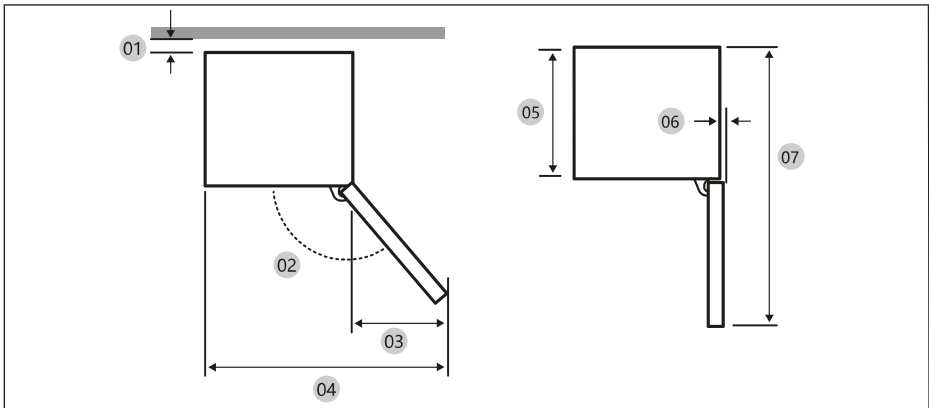
- ▶ L'appareil est lourd. Manipulez le toujours avec au moins deux personnes.
- ▶ Conservez tous les emballages hors de la portée des enfants, puis jetez -les d'une manière respectueuse de l'environnement.
- ▶ Sortez l'appareil de l'emballage.
- ▶ Retirez tous les matériaux d'emballage.

## Conditions environnementales

La température ambiante doit toujours être comprise entre 10 °C et 43 °C, car elle peut influencer la température à l'intérieur de l'appareil et sa consommation d'énergie. N'installez pas l'appareil à proximité d'autres appareils générant de la chaleur (fours, réfrigérateurs) sans isolation.

## Espace requis

Espace requis lorsque la porte est ouverte (sans panneau de porte)

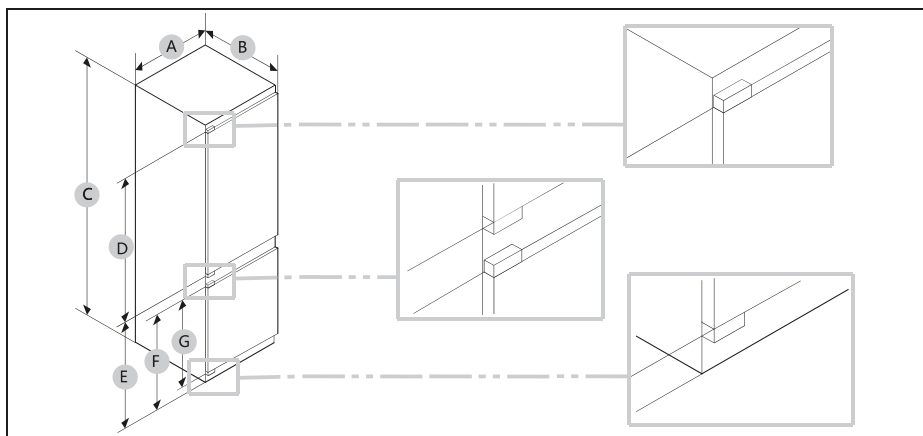


	EHBQW5518E HBQW5518E HBQW5518EK HQE1855BCMW EHQE1855BCMW	HBQW5519E HBQW5519EK EHBQW5519E EHBQW5519ECM	HBQW5719E
01 *	10 (Min.) / 30 (Recommandé)	10 (Min.) / 30 (Recommandé)	10 (Min.) / 30 (Recommandé)
02	95° (Recommandé)	95° (Recommandé)	95° (Recommandé)
03	43	43	55
04	583	583	745
05	515	515	515
06	-3	-3	-3
07	1060	1060	1210

\* 01: du meuble à l'arrière du produit.

(unité: mm)

## Dimensions du produit



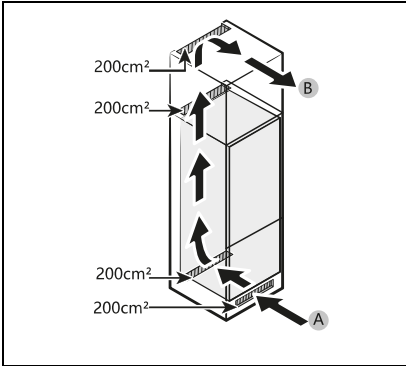
Modèle	A(mm)	B(mm)	C(mm)	D(mm)	E(mm)	F(mm)	G(mm)
EHBQW5518E HBQW5518E HBQW5518EK HQE1855BCMW EHQE1855BCMW	540±2	550±2	1772±2	970	745	662	618
HBQW5519E HBQW5519EK EHBQW5519E EHBQW5519ECM	540±2	550±2	1935±2	1133	745	662	618
HBQW5719E	690±2	550±2	1935±2	1133	745	662	618

## **i** INFORMATION

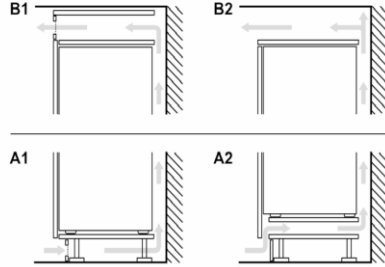
- La consommation d'énergie indiquée est basée sur l'existence d'un espace de 10 mm entre le meuble et l'arrière du produit. Le produit fonctionne correctement même si l'écart est inférieur à 10 mm, mais il consomme un peu plus d'énergie.
- Nous recommandons d'utiliser un meuble de 18 mm d'épaisseur avec des charnières de moins de 20 mm d'épaisseur.
- Les mesures figurant dans le tableau ci-dessus peuvent différer en fonction de la méthode de mesure utilisée.
- Pour l'installation encastrée, voir le Guide d'installation.

## Coupe transversale de ventilation

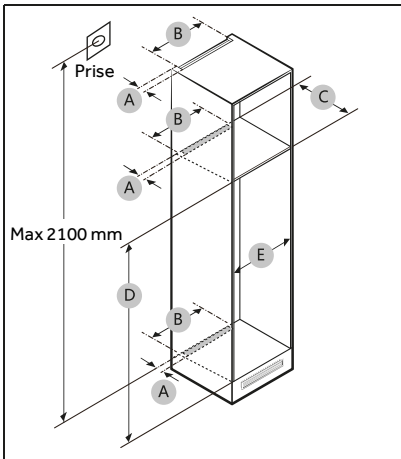
Pour obtenir une ventilation suffisante de l'appareil pour des raisons de sécurité, il convient de respecter les informations relatives aux coupes transversales de ventilation requises.



A: Entrée d'air  $\geq 200 \text{ cm}^2$ ; options de ventilation  
 B: Sortie d'air  $\geq 200 \text{ cm}^2$ ; options de ventilation



## Dimensions du meuble



## ATTENTION !

Toute panne du produit due aux éléments suivants n'est pas couverte par la garantie.

1. Conditions d'installation inadéquates ou dimensions incorrectes du meuble.
2. Meuble défectueux.
3. Erreurs de l'installateur ou de l'utilisateur.

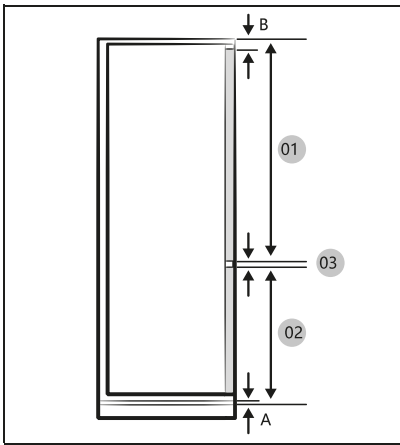
## Dégagement

Reportez-vous aux images et tableaux ci-dessous pour connaître l'espace nécessaire à l'installation.

Modèle		A (mm)	B (mm)	C (mm)	D (mm)	E (mm)	Remarque
EHBQW5518E HBQW5518E HBQW5518EK HQE1855BCMW EHQE1855BCMW	Min.	50	400	560	1778	560	Charnière: 17 mm
	Recommandé			580	1780	562	
	Max.			-	1782	568	
HBQW5519E HBQW5519EK EHBQW5519E EHBQW5519ECM	Min.	50	400	560	1940	560	Charnière: 17 mm
	Recommandé			580	1943	562	
	Max.			-	1945	568	
HBQW5719E	Min.	50	400	560	1941	710	Charnière: 17 mm
	Recommandé			580	1943	714	
	Max.			-	1945	718	

## **i** INFORMATION

- Si la largeur d'un meuble est supérieure à 568 mm, le joint (entre le réfrigérateur et le meuble) peut se détacher.
- Si le meuble est plus haut que la dimension maximale (1782 mm), vous devez utiliser d'autres matériaux de finition pour combler l'écart (pour les modèles EHBQW5518E/ HBQW5518E/ EK/ EHQE/ HQE1855BCMW).
- Si le meuble est plus haut que la dimension maximale (1945 mm), vous devez utiliser d'autres matériaux de finition pour combler l'écart (pour les modèles HBQW5519E/ EK/ EHBQW5519E/ ECM).



## **i** INFORMATION

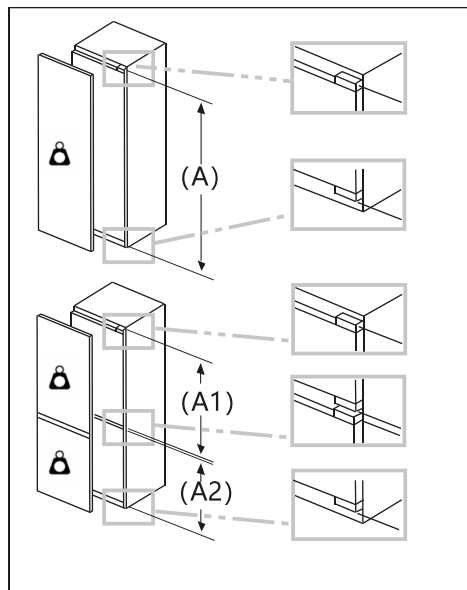
Pour installer un meuble nécessitant un espace de 4 mm (03), voir le tableau de référence des meubles ci-dessous.

- A Bord inférieur de la face avant au-dessus de la ventilation  
 B Dépassement de la face avant

(unité: mm)

Modèle	EHBQW5518E HBQW5518E HBQW5518EK HQE1855BCMW EHQE1855BCMW	HBQW5519E HBQW5519EK EHBQW5519E EHBQW5519ECM HBQW5719E
01	Min. 1028+B Max. 1106+B	Min. 1191+B Max. 1269+B
02	Min. 662+A Max. 740+A	Min. 662+A Max. 740+A
03	4 mm (espace entre le panneau de porte du réfrigérateur et du congélateur)	

## Poids maximal autorisé des façades de l'unité

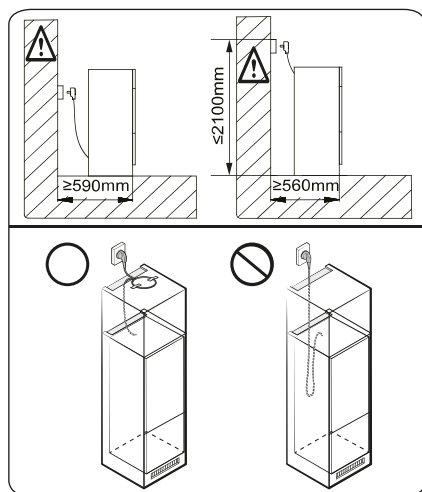


Les façades d'unité montées qui dépassent le poids autorisé peuvent endommager et entraîner un dysfonctionnement des charnières.

 Poids  
(kg)

1500-1750 mm	22
720-1400 mm	19
A1	15
A2	15

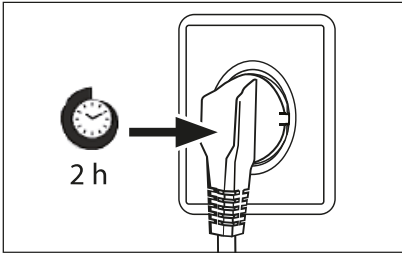
## Prise en compte de l'emplacement de la prise de courant et de l'espace nécessaire



### INFORMATION

Si vous installez le réfrigérateur dans un meuble d'une profondeur de 560 mm, assurez-vous que le cordon d'alimentation est disposé sur un côté du réfrigérateur avant de le brancher sur une prise de courant. Si le cordon d'alimentation se trouve à l'arrière du réfrigérateur, cela pourrait diminuer l'efficacité énergétique.

## Temps d'attente



L'huile de lubrification sans entretien se trouve dans la capsule du compresseur. Cette huile peut passer par le système fermé de tuyauterie pendant le transport incliné. Avant de brancher l'appareil sur l'alimentation électrique, attendez au moins 2 heures afin que l'huile revienne dans la capsule.

## Branchement électrique

Avant chaque branchement, vérifiez si:

- ▶ l'alimentation, la prise et le fusible sont adaptés à la plaque signalétique.
- ▶ la prise de courant est mise à la terre et sans multiprise ni rallonge.
- ▶ la fiche d'alimentation et la prise sont adaptées l'une à l'autre.

Branchez la fiche sur une prise domestique correctement installée.



## AVERTISSEMENT !

Pour éviter tout risque, un câble d'alimentation endommagé doit être remplacé par le service à la clientèle (voir carte de garantie).

Fiche du produit selon la réglementation UE n° 2019/2016

Marque	Haier		
Nom du modèle/identifiant	EHBQW5518E HBQW55 18E HBQW5518EK HQE1855B CMW EHQE1855BCMW	HBQW5519E HBQW55 19EK EHBQW5 519E EHBQW5519ECM	HBQW5719E
Catégorie du modèle	Réfrigérateur - congélateur		
Classe d'efficacité énergétique	E	E	E
Consommation d'énergie annuelle (kWh/an) (1)	229	229	259
Volume total (L)	268	285	382
Volume du réfrigérateur (L)	194	211	281
Volume du congélateur (L)	74	74	101
Volume section refroidisseur (L)	/	/	/
Volume de la machine à glaçons auto (L)	/	/	/
Nombre d'étoiles	4	4	4
Température des autres compartiments > 14°C	Non applicable		
Système sans givre	Oui	Oui	Oui
Capacité de congélation (kg/24h)			
Classe climatique (2)	SN/N/ST/T	SN/N/ST/T	SN/N/ST/T
Classe d'émission de bruit et émissions acoustiques dans l'air (dB(A) re1 pW)	B(35)	B(35)	B(33)
Temps de montée en température (h)	12	12	9
Capacité de fabrication de glaçons	/	/	/
Type d'appareil	Encastrable	Encastrable	Encastrable

Nom du modèle	Classe d'efficacité énergétique
EHBQW5518E HBQW5518E HBQW5518EK HQE1855BCMW EHQE1855BCMW	E
HBQW5519E HBQW5519EK EHBQW5519E EHBQW5519ECM HBQW5719E	E

Explications:

- Oui, fonction présente

(1) Sur la base des résultats de l'essai de conformité aux normes pendant plus de 24 heures. La consommation réelle dépend de l'utilisation et de l'emplacement de l'appareil.

(2) Classe climatique SN: cet appareil est destiné à être utilisé à une température ambiante comprise entre +10 °C et +32 °C

Classe climatique N: cet appareil est destiné à être utilisé à une température ambiante comprise entre +16 °C et +32 °C

Classe climatique ST: cet appareil est destiné à être utilisé à une température ambiante comprise entre +16 °C et +38 °C

Classe climatique T: cet appareil est destiné à être utilisé à une température ambiante comprise entre +16 °C et +43 °C

### Données techniques supplémentaires

Tension / Fréquence	220-240 V ~/50 Hz
Courant d'entrée (A)	1.2/1.6
Fusible principal (A)	16
Réfrigérant	R600a
Dimensions (H/L/P en mm)	EHBQW5518E/ HBQW5518E/ EK EHQE/ HQE1855BCMW: 1773/540/555
	HBQW5519E/ EK/ EHBQW5519E/ ECM: 1935/540/555
	EHBQW5719E : 1935/690/550

Nous recommandons notre Service clientèle Haier et l'utilisation de pièces détachées d'origine.

Si vous rencontrez un problème avec votre appareil, veuillez d'abord consulter le paragraphe DÉPANNAGE.

Si vous ne trouvez pas de solution, veuillez contacter

- ▶ votre revendeur local ou
- ▶ notre centre de service d'appel européen (voir les numéros de téléphone ci-dessous) ou
- ▶ l'espace Service & Assistance à l'adresse [www.haier.com](http://www.haier.com) où vous pouvez activer la demande
- ▶ de service et trouver également les FAQ.

Pour contacter notre Service, assurez-vous que vous disposez des données suivantes.

Les informations se trouvent sur la plaque signalétique.

Modèle \_\_\_\_\_

N° de série \_\_\_\_\_

Vérifiez également la carte de garantie fournie avec le produit en cas de garantie.

Centre de service d'appel européen		
Pays*	Numéro de téléphone	Coûts
Haier Italy (IT)	199 100912	
Haier Spain (ES)	902 509 123	
Haier Germany (DE)	0180 5 39 39 99	<ul style="list-style-type: none"> <li>• 14 centimes/min ligne fixe</li> <li>• max 42 centimes/min mobile</li> </ul>
Haier Austria (AT)	0820 001205	<ul style="list-style-type: none"> <li>• 14,53 centimes/min ligne fixe</li> <li>• max 20 centimes/min pour tous les autres</li> </ul>
Haier United Kingdom (UK)	0333 003 8122	
Haier France (FR)	0980 406 409	

\*Pour les autres pays, veuillez vous référer à [www.haier.com](http://www.haier.com)

Haier Europe Trading S.r.l  
Filiale Royaume-Uni  
Westgate House, Westgate, Ealing  
Londres, W5 1YY

\*Durée de la garantie de l'appareil de réfrigération:

La garantie minimale est: 2 ans pour les pays de l'UE, 3 ans pour la Turquie, 1 an pour le Royaume-Uni, 1 an pour la Russie, 3 ans pour la Suède, 2 ans pour la Serbie, 5 ans pour la Norvège, 1 an pour le Maroc, 6 mois pour l'Algérie, aucune garantie légale pour la Tunisie.

\*La période des pièces détachées pour la réparation de l'appareil:

Les thermostats, les capteurs de température, les circuits imprimés et les sources de lumière sont disponibles pendant une période minimale de sept ans après la mise sur le marché de la dernière unité du modèle.

Poignées de porte, charnières de porte, bacs et paniers pendant une période minimale de sept ans et joints de porte pendant une période minimale de 10 ans, après la mise sur le marché de la dernière unité du modèle.

\*Pour plus d'informations sur le produit, consultez <https://eprel.ec.europa.eu/> ou scannez le code QR sur l'étiquette énergétique fournie avec l'appareil.



**Haier**



2024 version A

# Haier



## Korisnički priručnik

### Hladnjak i zamrzivač

EHBQW5518E

HBQW5518E

HBQW5518EK

HQE1855BCMW

EHQE1855BCMW

HBQW5519E

HBQW5519EK

EHBQW5519E

EHBQW5519ECM

HBQW5719E

HR

<u>4</u>	<u>Informacije u vezi sigurnosti</u>	<u>Prije prve upotrebe</u>	<u>5</u>
		<u>Ugradnja</u>	<u>5</u>
		<u>Svakodnevna upotreba</u>	<u>6</u>
		<u>Podaci o rashladnom plinu</u>	<u>8</u>
<u>9</u>	<u>Namjena</u>		
<u>10</u>	<u>Opis proizvoda</u>		
<u>12</u>	<u>Upravljačka ploča</u>		
<u>13</u>	<u>Upotreba</u>	<u>Zaključavanje/otključavanje ploče</u>	<u>13</u>
		<u>Podешavanje temperature hladnjaka</u>	<u>13</u>
		<u>Podешavanje temperature zamrzivača</u>	<u>14</u>
		<u>Funkcija Wi-Fi</u>	<u>15</u>
		<u>Funkcija Holiday</u>	<u>15</u>
		<u>Funkcija Super Cool</u>	<u>16</u>
		<u>Funkcija Super Freeze</u>	<u>16</u>
<u>18</u>	<u>Oprema</u>		
<u>20</u>	<u>Savjeti za uštedu energije</u>		
<u>21</u>	<u>Njega i čišćenje</u>		
<u>23</u>	<u>Rješavanje problema</u>		
<u>27</u>	<u>Ugradnja</u>		
<u>34</u>	<u>Tehnički podaci</u>		
<u>36</u>	<u>Služba za korisnike</u>		

## Hvala što ste kupili proizvod Haier.

Pažljivo pročitajte ove upute prije upotrebe uređaja. Upute sadrže važne informacije koje će vam pomoći da najbolje iskoristite uređaj i osigurate sigurnu i pravilnu ugradnju, upotrebu i održavanje.

Držite ovaj priručnik na prikladnom mjestu kako biste ga uvijek mogli koristiti za sigurnu i pravilnu upotrebu uređaja.

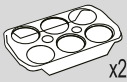
Ako prodate uređaj, poklonite ga ili ga ostavite prilikom selidbe, obavezno prosljedite i ovaj priručnik kako bi se novi vlasnik mogao upoznati s uređajem i sigurnosnim upozorenjima.

## Dodaci

Provjerite pribor i literaturu u skladu s ovim popisom:



Posuda  
za kocke leda



Posuda  
za jaja



Energetska  
oznaka



Jamstveni  
list



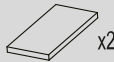
Priručnik  
s upozorenjima  
u vezi sigurnosti



Vijak



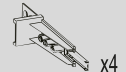
Poklopac



Spužvasti blok



Klizna vodilica



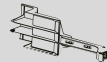
Klizni sklop.



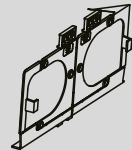
Fiksna ploča



Poklopac šarke



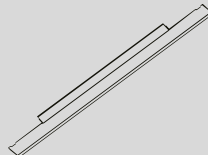
Fiksna ploča II



Donja fiksna ploča



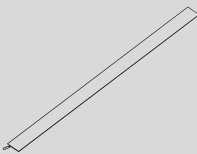
Gornja fiksna ploča



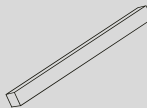
Donji poklopac



Donji bočni poklopac



Brtvena traka



Brtvena spužva



Poklopac donje šarke



## UPOZORENJE - važne informacije u vezi sigurnosti



## OBAVIJEST - opće informacije i savjeti



## Informacije o okolišu



### Zbrinjavanje

Pomaže u zaštiti okoliša i ljudskog zdravlja. Stavite ambalažu u odgovarajuće spremnike kako biste je reciklirali. Pomognite reciklirati otpad električnih i elektroničkih uređaja. Nemojte odlagati uređaje označene ovim simbolom zajedno s kućanskim otpadom. Vratite proizvod u lokalno postrojenje za recikliranje ili se obratite svom općinskom uredu.



## UPOZORENJE!

Opasnost od ozljeda ili gušenja!

Rashladna sredstva i plinovi moraju se stručno zbrinuti. Prije pravilnog zbrinjavanja provjerite je li cijev kruga rashladnog sredstva oštećena. Odspojite uređaj s mrežnog napajanja. Odspojite kabel napajanja i odložite ga. Uklonite plitice i ladice, bravu vrata i brtve kako biste spriječili da se djeca i kućni ljubimci zatvore u uređaju.

## Prije prvog uključivanja uređaja pročitajte sljedeće sigurnosne napomene!:



### UPOZORENJE!

#### Prije prve upotrebe

- ▶ Provjerite da nema oštećenja nastalih u transportu.
- ▶ Pričekajte najmanje dva sata prije postavljanja uređaja kako biste osigurali potpunu učinkovitost kruga rashladnog sredstva.
- ▶ Zbog njegove težine, uređajem rukujte uz pomoć najmanje dvije osobe.
- ▶ Uklonite sav ambalažni materijal, držite ga izvan dohvata djece i odložite na ekološki prihvatljiv način.
- ▶ Očistite unutrašnjost i vanjštinu uređaja vodom i blagim deterdžentom prije stavljanja hrane u njega.
- ▶ Nakon niveliranja i čišćenja uređaja, pričekajte najmanje 2 do 5 sati prije spajanja na napajanje. Pogledajte odjeljak UGRADNJA.
- ▶ Odjeljke prethodno ohladite koristeći visoke postavke, a tek tada ih napunite hranom. Funkcija Power-Freeze pomaže u brzom hlađenju odjeljaka.
- ▶ Temperatura hladnjaka i zamrzivača automatski se podešava na 5 °C odnosno -18 °C. To su preporučene postavke. Ako želite, te vrijednosti temperature možete ručno promijeniti. Pogledajte odjeljak PODEŠAVANJE TEMPERATURE.

#### Ugradnja

- ▶ Uređaj treba staviti na dovoljno prozračeno mjesto. Osigurajte prostor od najmanje 10 cm iznad i oko uređaja.
- ▶ Uređaj ne stavljajte na vlažno mjesto ili mjesto gdje bi mogao biti poprskan vodom. Očistite i posušite mrlje od vode i druge mrlje mekom čistom krpom.
- ▶ Nemojte postavljati uređaj na mjesto pod izravnim utjecajem sunčeve svjetlosti ili u blizini izvora topline (npr. štednjaka, grijača).
- ▶ Postavite i nivelirajte uređaj na mjesto prikladno za njegovu veličinu i upotrebu.
- ▶ Na ventilacijskim otvorima u uređaju ili ugrađenoj konstrukciji ne smije biti prepreka.
- ▶ Provjerite odgovara li električno napajanje podacima na natpisnoj pločici. Ako ne odgovara, obratite se električaru.
- ▶ Za rad uređaja potreban je izvor električnog napajanja 220 – 240 V AC / 50 Hz. Neobičajena kolebanja napona mogu dovesti do neuspješnog pokretanja uređaja, oštetiti mehanizam za regulaciju temperature ili kompresor, a mogu izazvati i neobičajenu buku pri radu uređaja. U tom je slučaju potrebno ugraditi uređaj za automatsku regulaciju napona.
- ▶ Nemojte koristiti adaptere s više utikača i produžne kabele.
- ▶ Ne postavljajte više prijenosnih utičnica ili prijenosnih napajanja na stražnju stranu uređaja.
- ▶ Pazite da kabel napajanja ne zaglavljen ostane u zamrzivaču. Nemojte stati na kabel napajanja.



## UPOZORENJE!

- ▶ Koristite zasebnu uzemljenu utičnicu za napajanje koja je lako dostupna. Ovaj se uređaj mora uzemljiti.  
Samo za Ujedinjeno Kraljevstvo: Na kabelu za napajanje uređaja postavljen je trolejni utikač (s uzemljenjem) kojem odgovara standardna trolejna (uzemljena) utičnica. Nemojte ukloniti ili demontirati treći kontakt (uzemljenje). Nakon postavljanja uređaja, utikač mora biti lako dostupan.
- ▶ Ne oštećujte zatvoreni sustav rashladnog sredstva.

### Svakodnevna upotreba

- ▶ Ovaj uređaj smiju upotrebljavati djeca starija od 8 godina i osobe sa smanjenim fizičkim, osjetilnim ili mentalnim sposobnostima ili nedostatkom iskustva i znanja ako su pod nadzorom ili su dobili upute u vezi sa sigurnom upotrebom uređaja te ako shvaćaju povezane opasnosti.
- ▶ Djeca u dobi od 3 do 8 godina smiju stavljati i vaditi namirnice iz rashladnih uređaja, ali ne smiju čistiti ili ugrađivati rashladne uređaje.
- ▶ Djecu mlađu od 3 godine držite podalje od uređaja, osim ako su pod stalnim nadzorom.
- ▶ Djeca se ne smiju igrati uređajem.
- ▶ Ako u blizini uređaja istječe hladan ili drugi zapaljivi plin, zatvorite ventil plina koji istječe, otvorite vrata i prozore i nemojte isključivati pa uključivati utikač kabela napajanja zamrzivača ili bilo kojeg drugog uređaja.
- ▶ Zapamtite da je uređaj podešen za rad u određenom rasponu temperature u okolini, između 10 i 43 °C. Uređaj možda neće ispravno raditi ako ga dulje vrijeme ostavite na temperaturi iznad ili ispod navedenog raspona.
- ▶ Da biste izbjegli tjelesne ozljede od pada ili strujni udar zbog doticaja s vodom, ne stavljajte nestabilne predmete (teške predmete, spremnike s vodom) na hladnjak.
- ▶ Nemojte povlačiti police na vratima. Vrata se mogu nagnuti, stalak za boce odgurnuti ili se uređaj može prevrnuti.
- ▶ Vrata otvarajte i zatvarajte samo ručkama. Razmak između vrata i između vrata i ormarića vrlo je malen. Nemojte ispružiti ruke u tim područjima kako ne biste prignječili prste. Vrata hladnjaka otvarajte i zatvarajte samo kada nema djece koja stoje unutar raspona vrata.
- ▶ Nemojte skladištiti ili koristiti zapaljive, eksplozivne ili korozivne materijale u uređaju ili njegovoj blizini.
- ▶ Ne čuvajte lijekove, bakterije ili kemijska sredstva u uređaju. Ovaj uređaj je kućanski uređaj. Nije preporučljivo skladištiti materijale koji zahtijevaju skladištenje na strogo propisanim temperaturama.
- ▶ U zamrzivaču ne pohranjujte tekućine u boce ili limenke (osim pića s visokim udjelom alkohola), osobito gazirana pića, jer će se tijekom zamrzavanja rasprsnuti.
- ▶ Provjerite stanje hrane ako je došlo do zagrijavanja u zamrzivaču.



## UPOZORENJE!

- ▶ Ne postavljajte nepotrebno nisku temperaturu u odjeljku hladnjaka. Moguća je negativna temperatura pri visokim postavkama. Pozor: Boce mogu puknuti
- ▶ Nemojte dirati smrznute proizvode mokrim rukama (nosite rukavice). Posebno nemojte jesti ledene lizalice odmah nakon vađenja iz odjeljka zamrzivača. Postoji opasnost od smrzavanja ili stvaranja mjehura od leda. PRVA pomoć: odmah stavite pod mlaz vode. Ne povlačite!
- ▶ Nemojte dodirivati unutarnju površinu odjeljka zamrzivača dok radi, osobito mokrim rukama, jer vam se ruke mogu zalijepiti za smrznutu površinu.
- ▶ Isključite uređaj u slučaju prekida napajanja ili prije čišćenja. Pustite da prođe najmanje sedam minuta prije ponovnog pokretanja uređaja jer bi često pokretanje moglo oštetiti kompresor.
- ▶ Ne upotrebljavajte električne uređaje u odjeljcima za čuvanje hrane unutar uređaja, osim ako je navedenu upotrebu preporučio proizvođač.

## Održavanje/čišćenje

- ▶ Pobrinite se da djeca budu pod nadzorom ako obavljaju čišćenje i održavanje.
- ▶ Prije rutinskog održavanja odspojite uređaj s napajanja. Pustite da prođe najmanje pet minuta prije ponovnog pokretanja uređaja jer bi često pokretanje moglo oštetiti kompresor.
- ▶ Pri odspajanju uređaja držite utikač, a ne kabel.
- ▶ Uređaj nemojte čistiti tvrdim četkama, žičanim četkama, deterdžentom u prahu, benzinom, amil-acetatom, acetonom i sličnim organskim otopinama, kiselim ili lužnatim otopinama. Očistite posebnim deterdžentom za hladnjak kako biste izbjegli oštećenja.
- ▶ Ne stružite mraz i led ostrim predmetima. Nemojte koristiti sprejeve, električne grijače poput grijalice, sušila za kosu, parnih čistača ili drugih izvora topline kako ne bi došlo do oštećenja plastičnih dijelova.
- ▶ Ne upotrebljavajte mehaničke uređaje ili bilo kakve druge alate kako biste ubrzali postupak odleđivanja, osim onih koje je preporučio proizvođač.
- ▶ Ako je kabel za napajanje oštećen, treba ga zamijeniti proizvođač, njegov serviser ili osobe sličnih kvalifikacija da bi se izbjegla opasnost.
- ▶ Ne pokušavajte sami popravljati ili rastavljati uređaj te činiti ikakve preinake na uređaju. Ako je potreban popravak, obratite se našoj korisničkoj službi.
- ▶ Najmanje jednom godišnje uklonite prašinu na stražnjoj strani uređaja kako biste umanjili opasnost od požara i potrošnju energije.
- ▶ Nemojte prskati ili ispirati uređaj tijekom čišćenja.
- ▶ Pri čišćenju uređaja nemojte koristiti vodeni sprej ili paru.
- ▶ Nemojte čistiti hladne staklene police vrućom vodom. Staklo može puknuti zbog nagle promjene temperature.

## Podaci o rashladnom plinu



### UPOZORENJE!

Uređaj sadrži zapaljivo rashladno sredstvo IZOBUTAN (R600a). Pazite da se rashladni krug ne ošteti tijekom transporta ili ugradnje. Rashladno sredstvo koje istječe može uzrokovati ozljede oka ili se zapaliti. Ako dođe do oštećenja, držite podalje od otvorenih izvora vatre, temeljito prozračite prostoriju, nemojte spajati ili odspajati kabele napajanja uređaja ili bilo kojeg drugog uređaja. Obavijestite službu za korisnike.

U slučaju dodira očiju s rashladnim sredstvom, odmah ga isperite pod tekućom vodom i odmah nazovite specijalista za oči.

## Namjena

Ovaj je uređaj namijenjen hlađenju i zamrzavanju hrane. Dizajniran je isključivo za upotrebu u kućanstvima i sličnim primjenama, kao što su kuhinjski prostori za osoblje u trgovinama, uredima i drugim radnim okruženjima; seoske kuće i od strane klijenata u hotelima, motelima i drugim stambenim okruženjima, kao i u pansionima i ugostiteljstvu. Nije namijenjen za komercijalnu ili industrijsku upotrebu.

Nije dozvoljeno mijenjanje i modificiranje uređaja. Nenamjerna upotreba može uzrokovati opasnosti i dovesti do gubitka prava na jamstvena potraživanja.

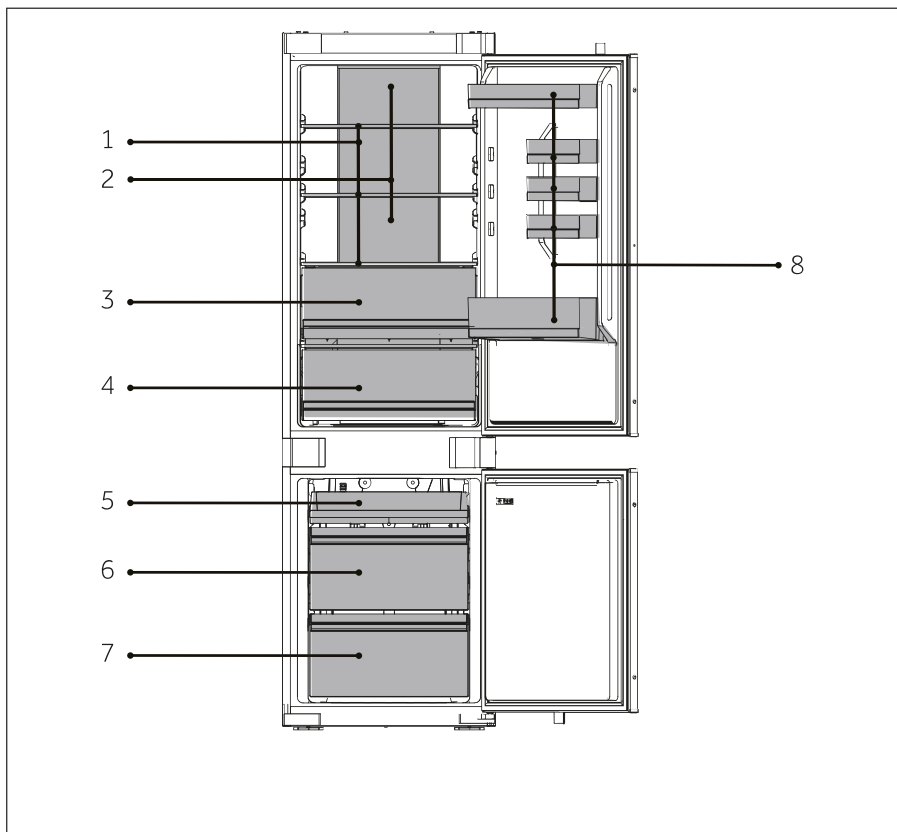
## Standardi i direktive ili

Proizvod udovoljava zahtjevima svih primjenjivih direktiva EZ-a s odgovarajućim usklađenim standardima i UK standardima na temelju kojih se dobivaju oznake CE ili UKCA.



## OBAVIJEST

Zbog tehničkih promjena i razlika u modelima, neke ilustracije u ovom priručniku mogu se razlikovati od vašeg modela.



EHBQW5518E/HBQW5518E/HBQW5518EK/HQE1855BCMW/EHQE1855BCMW

A: Rashladna komora

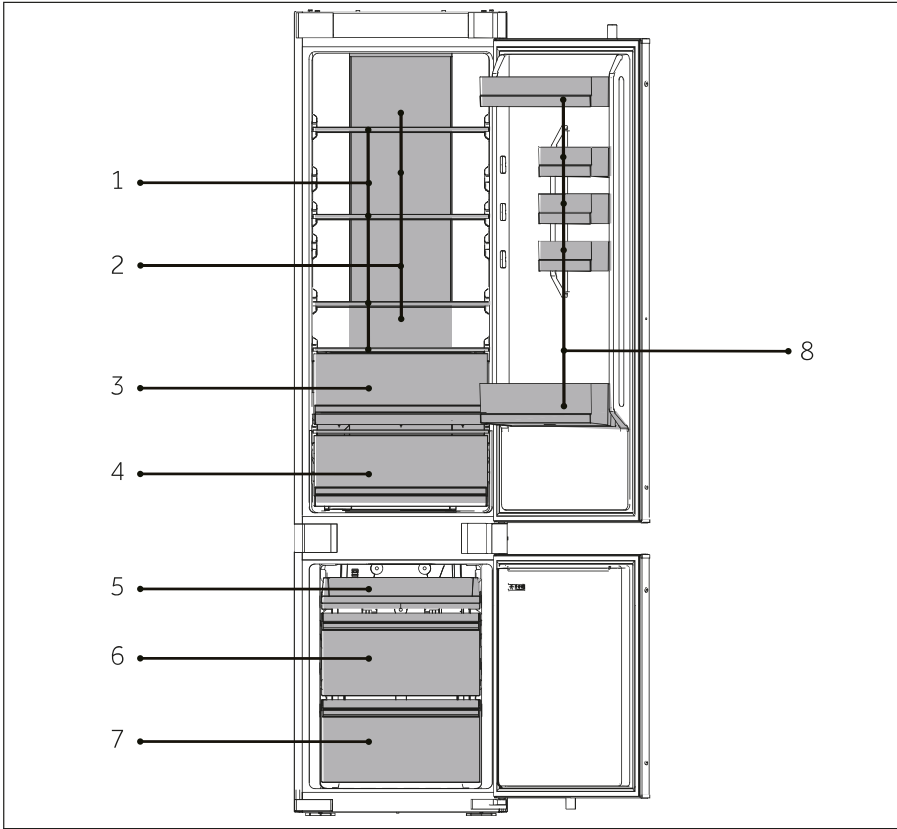
- 1 Obične police
- 2 Hlađeni zračni kanal
- 3 Ladica Humidity Zone
- 4 Ladica Fresh Box
- 8 Držac za boce

B: Komora za zamrzavanje

- 5 Gornja plitica zamrzivača
- 6 Srednja ladica zamrzivača
- 7 Donja ladica zamrzivača

## **i** OBAVIJEST

Zbog tehničkih promjena i razlika u modelima, neke ilustracije u ovom priručniku mogu se razlikovati od vašeg modela.



HBQW5519E/ HBQW5519EK/ EHBQW5519E/ EHBQW5519ECM/ HBQW5719E

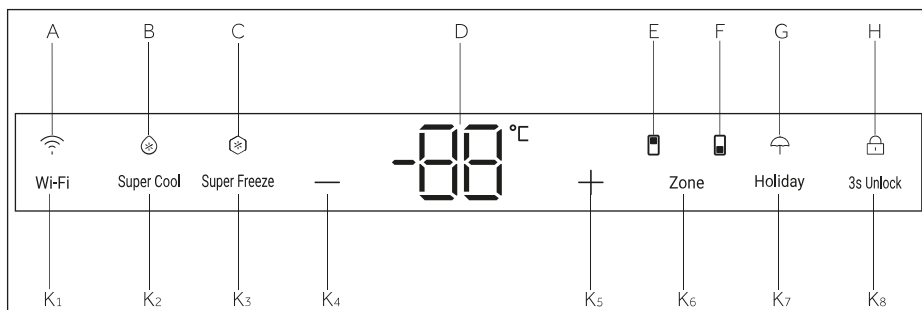
A: Rashladna komora

- 1 Obične police
- 2 Hlađeni zračni kanal
- 3 Ladica Humidity Zone
- 4 Ladica Fresh Box
- 8 Držać za boce

B: Komora za zamrzavanje

- 5 Gornja plitica zamrzivača
- 6 Srednja ladica zamrzivača
- 7 Donja ladica zamrzivača

## Upravljačka ploča



## Indikatori:

- A Funkcija Wi-Fi
- B Funkcija Super Cool
- C Funkcija Super Freeze
- D Pokazivač temperature
- E Indikator hladnjaka
- F Indikator zamrzivača
- G Funkcija Holiday
- H Zaključavanje i otključavanje

## Gumbi:

- K<sub>1</sub> Gumb za podešavanje Wi-Fi veze
- K<sub>2</sub> Gumb za odabir funkcije Super Cool
- K<sub>3</sub> Gumb za odabir funkcije Super Freeze
- K<sub>4</sub> Gumb za podešavanje temperature „-“
- K<sub>5</sub> Gumb za podešavanje temperature „+“
- K<sub>6</sub> Gumb za odabir zone
- K<sub>7</sub> Gumb funkcije Holiday
- K<sub>8</sub> Gumb za zaključavanje i otključavanje

## Tipke senzora

Gumbi na upravljačkoj ploči su tipke senzora, koje reagiraju već kada se lagano dodirnu prstom.

## Uključivanje/isključivanje uređaja

Uređaj radi odmah nakon priključivanja na izvor napajanja.

Prilikom prvog uključivanja hladnjaka, svijetli indikator „D“ (prikaz temperature). Temperatura hladnjaka i zamrzivača automatski se podešava na 5 °C odnosno -18 °C.



## OBAVIJEST

Kada je uređaj uključen nakon odvajanja od glavnog električnog napajanja, može proći i do 12 sati dok se ne postignu odgovarajuće temperature.

Ispraznite uređaj prije isključivanja. Izvucite kabel napajanja iz utičnice da biste isključili uređaj.

### Zaključavanje/otključavanje ploče

**Automatsko zaključavanje:** Kada su vrata hladnjaka i zamrzivača zatvorena i ne pritisne se nijedna tipka unutar 30 sekundi, zaslon će se automatski isključiti i zaključati.

**Ručno zaključavanje:** Kada je zaslon otključan, pritisnite gumb „K<sub>8</sub>” (3S Unlock) i zadržite ga 3 sekunde - zvučni signal oglasit će se jednom, zasvijetlit će indikator „H” (zaključavanje ploče) i zaključat će se zaslon.

**Otključavanje:** Kada je zaslon zaključan, pritisnite gumb „K<sub>8</sub>” (3S Unlock) i zadržite ga 3 sekunde - oglasit će se zvučni signal jednom, zasvijetlit će indikator „H” (zaključavanje ploče) i otključat će se zaslon.

### Podešavanje temperature

Na unutarnje temperature utječu sljedeći čimbenici:

Temperatura okoline, učestalost otvaranja vrata, količina pohranjene hrane, ugradnja uređaja.

### Podešavanje temperature hladnjaka

Kad je zaslon otključan, pritisnite gumb „K<sub>6</sub>” (birač zone). Zvučni signal će se oglasiti jednom, indikator „E” (indikator hladnjaka) će se uključiti, a zatim će se uključiti način rada za podešavanje temperature hladnjaka.

Pritisnite gumb „K<sub>4</sub>” (gumb za podešavanje temperature „-”) svaki put, zvučni signal će se oglasiti jednom, podešena temperatura hladnjaka smanjit će se za 1. Temperatura hladnjaka prikazuje se sljedećim redom „9°C -> 8°C -> 7°C -> 6°C -> 5°C -> 4°C -> 3°C -> 2°C -> 1°C”.

Pritisnite gumb „K<sub>5</sub>” (gumb za podešavanje temperature „+”) svaki put, zvučni signal oglasit će se jednom, podešena temperatura hladnjaka povećat će se za 1. Temperatura hladnjaka prikazuje se sljedećim redom „1°C -> 2°C -> 3°C -> 4°C -> 5°C -> 6°C -> 7°C -> 8°C -> 9°C”.



## OBAVIJEST

Ako ništa ne pritisnete u roku 5 sekundi nakon podešavanja temperature, sustav će se automatski odrediti i spremiti podešenu temperaturu.

## Podešavanje temperature zamrzivača

Kad je zaslon otklučan, pritisnite gumb „K<sub>6</sub>“ (birač zone). Zvučni signal jednom će se oglasiti, indikator „F“ (indikator zamrzivača) će treptati, a zatim će se uključiti način rada podešavanja temperature zamrzivača.

Pritisnite gumb „K<sub>4</sub>“ (gumb za podešavanje temperature „-“) svaki put, zvučni signal će se oglasiti jednom, podešena temperatura zamrzivača smanjit će se za 1. Temperatura zamrzivača prikazuje se redom „-14°C -> -15°C -> -16°C -> -17°C -> -18°C -> -19°C -> -20°C -> -21°C -> -22°C -> -23°C -> -24°C“.

Pritisnite gumb „K<sub>5</sub>“ (gumb za podešavanje temperature „+“) svaki put, zvučni signal će se oglasiti jednom, podešena temperatura zamrzivača povećat će se za 1. Temperatura zamrzivača prikazuje se redom „-24°C -> -23°C -> -22°C -> -21°C -> -20°C -> -19°C -> -18°C -> -17°C -> -16°C -> -15°C -> -14°C“.



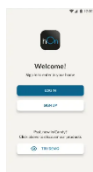
## OBAVIJEST

Ako ništa ne pritisnete u roku 5 sekundi nakon podešavanja temperature, sustav će se automatski odrediti i spremi podešenu temperaturu.

### 1. korak Preuzmite aplikaciju hOn u nekoj od trgovina.



**Korak 2** Izradite korisnički račun u aplikaciji hOn ili se prijavite ako već imate korisnički račun



**Korak 3** Slijedite upute za uparivanje u aplikaciji hOn.



## Funkcija Wi-Fi

1. Pridržavajte se uputa u aplikaciji za konfiguriranje Wi-Fi mreže.
2. Nakon što se konfigurira mreža Wi-Fi i uspostavi veza, ikona Wi-Fi „A” stalno će svijetliti.
3. Ako se mreža Wi-Fi već konfigurirala, automatski se ponovno povezuje u skladu s informacijama o konfiguriranju ako se uključi Wi-Fi.
4. Želite li isključiti funkciju Wi-Fi, pritisnite gumb Wi-Fi „K<sub>1</sub>” nakon čega će se isključiti ikona „A” funkcije Wi-Fi.
5. Želite li uključiti funkciju Wi-Fi i pokrenuti konfiguraciju, pritisnite gumb „K<sub>1</sub>” funkcije Wi-Fi nakon čega će ikona „A” funkcije Wi-Fi početi polako treptati. Za ponovno konfiguriranje funkcije Wi-Fi pritisnite gumb „K<sub>1</sub>” i zadržite ga 3 sekunde - ikona funkcije Wi-Fi počeo će brzo treptati i ući će u način rada konfiguracije. Želite li isključiti funkciju Wi-Fi, jednom pritisnite gumb „K<sub>1</sub>”. Gore navedeni koraci se ponavljaju.
6. Ako je uređaj konfiguriran, a funkcija Wi-Fi isključena, hladnjak neće ući u način rada konfiguracije nakon ponovnog spajanja na napajanje.

## Funkcija Holiday

1. Kad je zaslon otključan, pritisnite gumb „K<sub>7</sub>” (gumb funkcije Holiday), zvučni signal jednom će se oglasiti, zasvijetlit će indikator „G” (funkcija Holiday) i zatim će se uključiti funkcija Holiday.
2. Kad je zaslon otključan, pritisnite gumb „K<sub>7</sub>” (birač funkcije Holiday), zvučni signal jednom će se oglasiti, isključit će se indikator „G” (funkcija Holiday) i zatim će se isključiti funkcija Holiday.



## OBAVIJEST

1. Funkcija Holiday uglavnom se koristi za kratkotrajna putovanja i druge životne situacije - prije njena korištenja potrebno je isprazniti hladnjak.
2. Kada je aktivna funkcija Holiday, temperatura hladnjaka bit će viša (oko 17 °C) - ispraznite hranu iz hladnjaka kako biste izbjegli njeno propadanje.

## Funkcija Super Cool

1. Kad je zaslon otključan, pritisnite gumb „K<sub>2</sub>“ (birač funkcije Super Cool), zvučni signal jednom će se oglasiti, zasvijetlit će indikator „B“ (funkcija Super Cool) i zatim će se uključiti funkcija Super Cool.
2. Kad zasvijetli indikator „B“ (funkcija Super Cool), pritisnite gumb „K<sub>2</sub>“ (birač funkcije Super Cool), zvučni signal jednom će se oglasiti, indikator „O“ (funkcija Super Cool) će se isključiti, a zatim će se isključiti funkcija Super Cool.
3. Nakon uključivanja funkcije Super Cool, hladnjak će automatski isključiti funkciju kada dosegne podešenu temperaturu. Želite li izaći ručno, pritisnite gumb „K<sub>2</sub>“ (birač funkcije Super Cool) za isključivanje.



## OBAVIJEST

1. U načinu rada Super Cool ne možete namjestiti temperaturu hladnjaka. Ako pritisnete gumb „K<sub>4</sub>“ (gumb za podešavanje temperature „-“) ili gumb „K<sub>5</sub>“ (gumb za podešavanje temperature „+“) za podešavanje temperature hladnjaka, indikator „B“ (indikator funkcije Super Cool) treptat će uz pratnju brzog zvuka koji označava da se ovaj postupak ne može izvesti.
2. U stanju funkcije Super Cool funkcija Auto-Set ne može se uključiti istodobno zbog različitih načina upravljanja. Kada odaberete jednu funkciju koja je u sukobu s drugom funkcijom, izvorna funkcija automatski će se zatvoriti.
3. Ova će se funkcija automatski onemogućiti nakon 6 sati.

## Funkcija Super Freeze

1. Kad je zaslon otključan, pritisnite gumb „K<sub>3</sub>“ (birač funkcije Super Freeze), zvučni signal jednom će se oglasiti, zasvijetlit će indikator „C“ (funkcija Super Freeze) i zatim će se uključiti funkcija Super Freeze.
2. Kad zasvijetli indikator „C“ (funkcija Super Freeze), pritisnite gumb „K<sub>3</sub>“ (birač funkcije Super Freeze), zvučni signal oglasit će se jednom, indikator „C“ (funkcija Super Freeze) će se isključiti, a zatim će se isključiti funkcija Super Freeze.
3. Nakon uključivanja funkcije Super Freeze, hladnjak će se automatski isključiti kada dosegne podešenu temperaturu. Želite li izaći ručno, pritisnite gumb „K<sub>3</sub>“ (birač funkcije Super Freeze) za isključivanje.





## OBAVIJEST

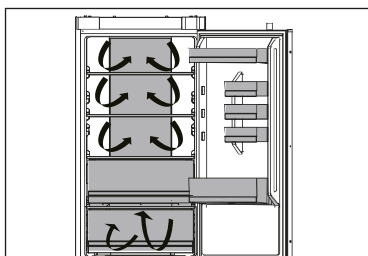
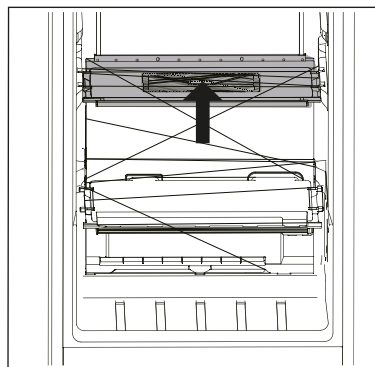
1. U načinu rada Super Freeze, temperatura zamrzivača ne može se podesiti. Ako pritisnete gumb „K4” (gumb za podešavanje temperature „-”) ili gumb „K5” (gumb za podešavanje temperature „+”) za podešavanje temperature zamrzivača, indikator „C” (indikator funkcije Super Freeze) treptat će uz pratnju brzog zvuka koji označava da se ovaj postupak ne može izvesti.
2. Funkcija Super Freeze dizajnirana je kako bi zadržala hranjivu vrijednost smrznute hrane - zamrznut će hranu u najkraćem vremenu. Ako trebati odjednom zamrznuti velike količine zamrznute hrane. U međuvremenu, funkciju Super Freeze treba postaviti 24 sata unaprijed kako bi u zamrzivaču bila relativno niska temperatura pa stavite hranu. U tom se trenutku poboljšava brzina zamrzavanja zamrzivača i hrana se može brzo zamrznuti, hranjiva svojstva se učinkovito čuvaju, a skladištenje postaje vrlo praktično.
3. Funkcija Super Freeze automatski će se isključiti nakon 50 sati. Uređaj se zatim pokreće na prethodno postavljenoj temperaturi.

## Ladica Humidity Zone

U ovom je odjeljku razina vlage viša nego u odjeljku hladnjaka. Sustav ga automatski kontrolira, a pogodan je za pohranu voća, povrća, salata itd.

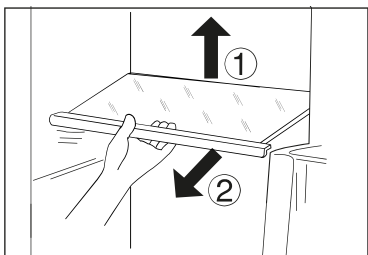
### **i** OBAVIJEST

1. Ne uklanjajte plastični poklopac unutar zone.
2. On održava vlažnost.
3. Voće osjetljivo na kiseljenje poput ananasa, avokada, banana, grejpfruta ne preporučuje se čuvati u ladici.



### Višestruki protok zraka

1. Hladnjak je opremljen sustavom s višestrukim protokom zraka zbog kojega na svakoj razini polica struji hladan zrak. To pomaže u održavanju ujednačene temperature i svježine hrane.



### Podesive police

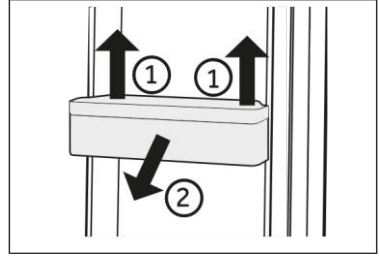
1. Visina polica može se prilagoditi vašim potrebama za skladištenjem.
2. Želite li premjestiti policu, prvo je uklonite podizanjem stražnjeg ruba ① pa je izvucite ②.
3. Da biste je ponovno postavili, stavite je na jezičice s obje strane i gurnite u krajnji stražnji položaj dok se stražnja strana police ne učvrsti unutar utora na bočnim stranama

### **i** OBAVIJEST

Provjerite jesu li svi krajevi police poravnati.

### Uklonjive police na vratima / držač za boce

1. Police na vratima mogu se ukloniti radi čišćenja:
2. Stavite ruke na obje strane police, podignite je prema gore ① i izvucite ②.
3. Prilikom ponovnog postavljanja police na vratima provedite opisane korake obrnutim redoslijedom.



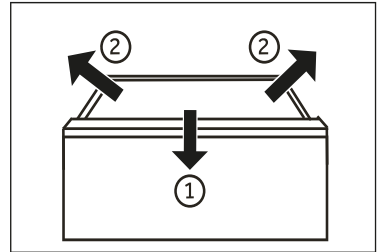
### OBAVIJEST

Kad je uređaj uključen, može proći i do 12 sati dok se ne postignu odgovarajuće temperature.

### Uklonjiva ladica

Prilikom uklanjanja ladice, izvucite je do samog kraja ①, podignite i izvadite ②.

Prilikom ponovnog postavljanja ladice provedite opisane korake obrnutim redoslijedom.



### Svjetlo

Unutrašnje LED svjetlo uključuje se kada otvorite vrata. Na rad svjetala ne utječe nijedna druga postavka uređaja.



## Savjeti za uštedu energije

- ▶ Provjerite je li uređaj pravilno prozračen (pogledajte odjeljak UGRADNJA).
- ▶ Nemojte postavljati uređaj na mjesto pod izravnim utjecajem sunčeve svjetlosti ili u blizini izvora topline (npr. štednjaka, grijača).
- ▶ Izbjegavajte nepotrebno nisku temperaturu u uređaju. Potrošnja energije se povećava što temperatura u uređaju niža.
- ▶ Funkcije kao što je Super Freeze troše više energije.
- ▶ Pričekajte da se hrana ohladi prije stavljanja u uređaj.
- ▶ Što manje i što kraće otvarajte vrata uređaja.
- ▶ Nemojte prepuniti uređaj kako ne biste otežali protok zraka.
- ▶ Pripazite da u pakiranju hrane nema zraka.
- ▶ Brtve vrata održavajte čistima tako da se vrata pravilno zatvaraju.
- ▶ Odmrznite smrznutu hranu u pretincu hladnjaka.
- ▶ Konfiguracija koja najviše štedi energiju podrazumijeva postavljanje ladice, kutije za hranu i policu u položaju kao u tvornici te postavljanje hrane u što dalji položaj, tako da nije zapriječen izlazni otvor kanala.



## UPOZORENJE!

Odvojite uređaj od izvora napajanja prije čišćenja.

### Čišćenje

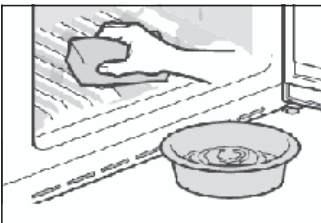
Očistite uređaj kad je spremljeno samo malo ili nimalo hrane.

Uređaj se treba očistiti svaka četiri tjedna radi dobrog održavanja i sprječavanja nastanka neugodnih mirisa skladištene hrane.



## UPOZORENJE!

- ▶ Uređaj nemojte čistiti tvrdim četkama, žičanim četkama, deterdžentom u prahu, benzinom, amil-acetatom, acetonom i sličnim organskim otopinama, kiselim ili lužnatim otopinama. Očistite posebnim deterdžentom za hladnjak kako biste izbjegli oštećenja.
- ▶ Nemojte prskati ili ispirati uređaj tijekom čišćenja.
- ▶ Pri čišćenju uređaja nemojte koristiti vodeni sprej ili paru.
- ▶ Nemojte čistiti hladne staklene police vrućom vodom. Staklo može puknuti zbog nagle promjene temperature.
- ▶ Ne dodirujte unutarnju površinu odjeljka zamrzivača, osobito mokrim rukama, jer se vaše ruke mogu zaljepiti na smrznutu površinu.
- ▶ U slučaju zagrijavanja provjerite stanje smrznutih namirnica.



- ▶ Brtva vrata uvijek mora biti čista.
- ▶ Očistite unutrašnjost i kućište uređaja spužvom navlaženom toplom vodom i neutralnim deterdžentom.
- ▶ 1. Očistite unutrašnjost i vanjske površine hladnjaka, uključujući brtve vrata, police na vratima, staklene police, kutije i tako dalje. Koristite mekani ručnik ili spužvu natopljenu toplom vodom (možete dodati neutralni deterdžent u toplu vodu).
- ▶ 2. Ako se prolije tekućina, uklonite sve onečišćene dijelove, izravno ih isperite tekućom vodom, osušite i vratite u hladnjak.
- ▶ 3. Ako se prolije kremasti sadržaj (kao što je vrhnje, sladoled koji se topi), uklonite sve onečišćene dijelove, stavite u toplu vodu temperature oko 40 °C na neko vrijeme, zatim isperite tekućom vodom, osušite i vratite u hladnjak.
- ▶ 4. U slučaju da se neki mali dio ili komponenta zaglavi unutar hladnjaka (između polica ili ladica), oslobodite ga malom mekom četkom. Ako ne možete doći do dijela, obratite se korisničkoj službi tvrtke Haier
- ▶ Isperite i osušite mekom krpom.
- ▶ Nijedan dio uređaja nemojte čistiti u perilici posuđa.
- ▶ Pustite da prođe najmanje pet minuta prije ponovnog pokretanja uređaja jer bi često pokretanje moglo oštetiti kompresor.

## Odmrzavanje

Odmrzavanje odjeljaka hladnjaka i zamrzivača obavlja se automatski, nije potreban ručni rad.

## Zamjena LED svjetla



### UPOZORENJE!

Nemojte sami mijenjati LED žarulju, smije je zamijeniti samo proizvođač ili ovlašteni serviser.

Žarulje usvajaju LED kao izvor svjetlosti, s niskom potrošnjom energije i dugim vijekom trajanja. Ako postoji bilo kakva nepravilnost, obratite se službi za korisnike. Pogledajte odjeljak SLUŽBA ZA KORISNIKE.

Parametri lampi:

Odjeljak hladnjaka: 12 V, najviše 2 W

Odjeljak zamrzivača: 12 V, najviše 2 W

## Dugotrajno nekorištenje

Ako uređaj nećete koristiti duže vrijeme i ne želite koristiti funkciju Holiday: Izvadite hranu.

Iskopčajte utikač za napajanje.

Očistite uređaj sukladno navedenim uputama.

Držite vrata otvorena kako biste spriječili stvaranje neugodnih mirisa.



### OBAVIJEST

Isključite uređaj samo ako je to zaista potrebno.

## Premještanje uređaja

1. Uklonite svu hranu i iskopčajte uređaj.
2. Učvrstite police i druge pomične dijelove u hladnjaku i zamrzivaču ljepljivom trakom.
3. Ne naginjite hladnjak za više od 45° kako ne biste oštetili rashladni sustav.



### UPOZORENJE!

- ▶ Nemojte podizati uređaj držeći ga za ručke.
- ▶ Uređaj ne postavljajte vodoravno na tlo.

Većinu problema koji se pojave možete riješiti sami bez pomoći stručnjaka. U slučaju nastanka problema, provjerite sve prikazane mogućnosti i slijedite upute u nastavku prije obraćanja postprodajnoj službi. Pogledajte odjeljak SLUŽBA ZA KORISNIKE.



## UPOZORENJE!

- ▶ Prije održavanja, deaktivirajte uređaj i odvojite mrežni utikač iz mrežne utičnice.
- ▶ Električnu opremu smiju servisirati samo kvalificirani električni stručnjaci, jer nepravilni popravci mogu uzrokovati znatna posljedična oštećenja.
- ▶ Oštećeni kabel za napajanje treba zamijeniti proizvođač, njegov serviser ili osobe sličnih kvalifikacija da bi se izbjegla opasnost.

Problem	Mogući uzrok	Moguće rješenje
Kompresor ne radi.	<ul style="list-style-type: none"> <li>• Utikač za električnu mrežu nije utaknut u utičnicu električne mreže.</li> <li>• Uređaj se nalazi u ciklusu odmrzavanja</li> </ul>	<ul style="list-style-type: none"> <li>• Priključite utikač za električnu mrežu.</li> <li>• To je normalno za automatsko odmrzavanje</li> </ul>
Uređaj se često pokreće ili radi predugo.	<ul style="list-style-type: none"> <li>• Unutarnja ili vanjska temperatura previsoka je.</li> <li>• Uređaj je bio bez napajanja neko vrijeme.</li> <li>• Vrata uređaja nisu dobro zatvorena.</li> <li>• Vrata su otvarana prečesto ili predugo.</li> <li>• Postavka temperature za odjeljak zamrzivača je preniska.</li> <li>• Brtva vrata je prljava, istrošena, napuknuta ili nepravilno postavljena.</li> <li>• Potrebna cirkulacija zraka nije osigurana.</li> </ul>	<ul style="list-style-type: none"> <li>• U tom je slučaju normalno da uređaj radi duže.</li> <li>• Obično je potrebno 8 do 12 sati da se uređaj u potpunosti ohladi.</li> <li>• Zatvorite vrata/ladicu i pobrinute se da se uređaj nalazi na ravnoj površini i da hrana ili spremnik ne blokiraju vrata.</li> <li>• Ne otvarajte vrata/ladicu prečesto.</li> <li>• Povećavajte temperaturu dok ne dosegnete zadovoljavajuću vrijednost. Potrebno je 24 sata da se temperatura u hladnjaku stabilizira.</li> <li>• Očistite brtvu vrata/ladice ili je zamijenite u službi za korisnike.</li> <li>• Osigurajte odgovarajuću ventilaciju.</li> </ul>
Unutrašnjost hladnjaka prljava je i/ili smrdi.	<ul style="list-style-type: none"> <li>• Potrebno je očistiti unutrašnjost hladnjaka.</li> <li>• Hrana snažnog mirisa čuva se u hladnjaku.</li> </ul>	<ul style="list-style-type: none"> <li>• Očistite unutrašnjost hladnjaka.</li> <li>• Temeljito omotajte hranu.</li> </ul>

Problem	Mogući uzrok	Moguće rješenje
U unutrašnjosti uređaja nije dovoljno hladno.	<ul style="list-style-type: none"> <li>• Temperatura je postavljena na previsoku vrijednost.</li> <li>• Skladište se pretople namirnice.</li> <li>• Istodobno je pohranjeno previše hrane.</li> <li>• Namirnice su preblizu jedna drugoj.</li> <li>• Ladica ili vrata uređaja nisu dobro zatvorena.</li> <li>• Vrata/ladica su/je otvarana prečesto ili predugo.</li> </ul>	<ul style="list-style-type: none"> <li>• Resetirajte temperaturu.</li> <li>• Ohladite namirnice prije nego ih pohranite.</li> <li>• Uvijek pohranite manju količinu hrane.</li> <li>• Ostavite razmak između nekoliko namirnica kako bi zrak mogao strujati.</li> <li>• Zatvorite vrata/ladicu.</li> <li>• Ne otvarajte vrata/ladicu prečesto.</li> </ul>
U unutrašnjosti uređaja je prehladno.	<ul style="list-style-type: none"> <li>• Temperatura je postavljena na prenisku vrijednost.</li> <li>• Funkcija Super Freeze / Super Cool je aktivirana ili radi predugo.</li> </ul>	<ul style="list-style-type: none"> <li>• Resetirajte temperaturu.</li> <li>• Isključite funkciju Super Freeze / Super Cool</li> </ul>
Stvaranje vlage na unutarnjoj strani odjeljka hladnjaka.	<ul style="list-style-type: none"> <li>• Klima je previše topla ili previše vlažna.</li> <li>• Ladica ili vrata uređaja nisu dobro zatvorena.</li> <li>• Vrata/ladica su/je otvarana prečesto ili predugo.</li> <li>• Otvoreni su spremnici hrane ili tekućine.</li> </ul>	<ul style="list-style-type: none"> <li>• Povećajte temperaturu.</li> <li>• Zatvorite vrata/ladicu.</li> <li>• Ne otvarajte vrata/ladicu prečesto.</li> <li>• Pričekajte da se vruća hrana ohladi na sobnu temperaturu i pokrijte hranu i tekućine.</li> </ul>
Vlaga se nakuplja na vanjskoj površini hladnjaka ili između vrata / vrata i ladice.	<ul style="list-style-type: none"> <li>• Klima je previše topla ili previše vlažna.</li> <li>• Vrata nisu čvrsto zatvorena. Kondenziraju se hladan zrak u uređaju i topao zrak vani.</li> </ul>	<ul style="list-style-type: none"> <li>• Ovo je uobičajeno u vlažnoj klimi i promijenit će se kada se vlažnost smanji.</li> <li>• Pobrinite se da su vrata ili ladica dobro zatvoreni/a.</li> </ul>
Zaslon svijetli, ali dojam je da hlađenje ne radi.	<ul style="list-style-type: none"> <li>• U demonstracijskom je načinu rada.</li> </ul>	<ul style="list-style-type: none"> <li>• Imajte na umu u kakvom je stanju, ako je u demonstracijskom načinu rada, izađite iz njega. Izađite iz Otvorite vrata hladnjaka, u zaključanom stanju, pritisnite drugi gumb s desne strane u trajanju od 8 s unutar 12 sati od uključivanja.</li> </ul>

Problem	Mogući uzrok	Moguće rješenje
Mnogo leda i mraz u odjeljku zamrzivača.	<ul style="list-style-type: none"> <li>Hrana nije primjereno zapakirana.</li> <li>Ladica ili vrata uređaja nisu dobro zatvorena.</li> <li>Vrata/ladica su/je otvarana prečesto ili predugo.</li> <li>Brtva vrata/ladice je prljava, istrošena, napuknuta ili nepravilno postavljena.</li> <li>Nešto u unutrašnjosti onemogućava pravilno zatvaranje vrata/ladice.</li> </ul>	<ul style="list-style-type: none"> <li>Dobro zapakirajte hranu.</li> <li>Zatvorite vrata/ladicu.</li> <li>Ne otvarajte vrata/ladicu prečesto.</li> <li>Očistite brtve vrata/ladice ili ih zamijenite novima.</li> <li>Premjestite police, police na vratima ili unutarnje spremnike kako bi se vrata/ladica mogla zatvoriti.</li> </ul>
Bočne strane ormarića i trake vrata zagrijavaju se.	<ul style="list-style-type: none"> <li>-</li> </ul>	<ul style="list-style-type: none"> <li>To je normalno.</li> </ul>
Uređaj proizvodi neobične zvukove.	<ul style="list-style-type: none"> <li>Uređaj se ne nalazi na ravnom tlu.</li> <li>Uređaj dodiruje neki predmet u svojoj okolini.</li> </ul>	<ul style="list-style-type: none"> <li>Podesite nožice za niveliranje uređaja.</li> <li>Uklonite predmete oko uređaja.</li> </ul>
Čuje se blagi zvuk, sličan tekućoj vodi.	<ul style="list-style-type: none"> <li>-</li> </ul>	<ul style="list-style-type: none"> <li>To je normalno.</li> </ul>
Čut ćete zvučni signal alarma.	<ul style="list-style-type: none"> <li>Otvorena su vrata odjeljka za skladištenje u hladnjaku.</li> </ul>	<ul style="list-style-type: none"> <li>Zatvorite vrata.</li> </ul>
Čut ćete slabo zujanje.	<ul style="list-style-type: none"> <li>Radi sustav za sprječavanje kondenzacije</li> </ul>	<ul style="list-style-type: none"> <li>Time se sprječava kondenzacija i to je normalna pojava</li> </ul>
Unutarnji sustav osvjetljenja ili rashlađivanja ne radi.	<ul style="list-style-type: none"> <li>Utikač za električnu mrežu nije utaknut u utičnicu električne mreže.</li> <li>Napajanje nije potpuno ispravno.</li> <li>LED žarulja neispravna je.</li> </ul>	<ul style="list-style-type: none"> <li>Priključite utikač za električnu mrežu.</li> <li>Provjerite dovod električne energije u prostoriju. Nazovite lokalnu tvrtku za električnu energiju!</li> <li>Nazovite službu radi promjene žarulje.</li> </ul>

Obratite se službi za tehničku pomoć putem našeg web-mjesta:

<https://corporate.haier-europe.com/en/>

Pod odjeljkom „mrežno mjesto” odaberite robnu marku svojeg proizvoda i svoju državu. Preusmjerit će vas se na konkretno mrežno mjesto na kojem možete pronaći telefonski broj i obrazac za obraćanje službi za tehničku pomoć.

## Prekid napajanja

U slučaju nestanka struje, hrana bi trebala ostati hladna oko 5 sati. Slijedite ove savjete tijekom dužeg prekida napajanja, posebice ljeti:

- ▶ Otvarajte vrata/ladicu što je rjeđe moguće.
- ▶ Ne stavljajte dodatnu hranu u uređaj tijekom prekida napajanja.
- ▶ Ako ste prethodno obaviješteni o prekidu napajanja, a prekid traje dulje od 5 sati, napravite malo leda i stavite ga u spremnik u gornjem dijelu odjeljka hladnjaka.
- ▶ Odmah nakon prekida napajanja potrebno je pregledati namirnice.
- ▶ Kako temperatura u hladnjaku raste tijekom prekida napajanja ili drugog kvara, smanjuje se razdoblje skladištenja i jestivost hrane. Hrana koja se odmrzne treba se konzumirati ili skuhati i ponovno zamrznuti (ako je primjereno) kako bi se spriječili rizici po zdravlje.

## Funkcija memorije tijekom prekida napajanja

Nakon povratka napajanja, uređaj nastavlja raditi na postavkama podešenima prije prekida napajanja.

## Raspakiranje



## UPOZORENJE!

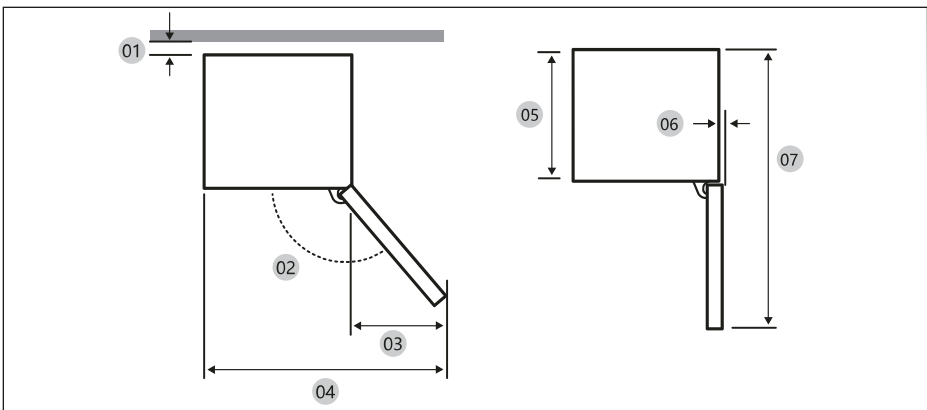
- ▶ Uređaj je težak. Njime moraju rukovati barem dvije osobe.
- ▶ Držite sav ambalažni materijal izvan dohvata djece i zbrinite ga na ekološki prihvatljiv način.
- ▶ Izvadite uređaj iz pakiranja.
- ▶ Uklonite sav ambalažni materijal.

## Uvjeti u okolini

Sobna temperatura mora biti stalno između 10 °C i 43 °C jer može utjecati na temperaturu unutar uređaja i njegovu potrošnju energije. Ne ugrađujte uređaj **blizu** drugih uređaja koji zrače toplinu (pećnice, **hladnjaci**) **bez izolacije**.

## Potreban prostor

Potreban prostor za otvaranje vrata (bez ploče vrata ormarića)

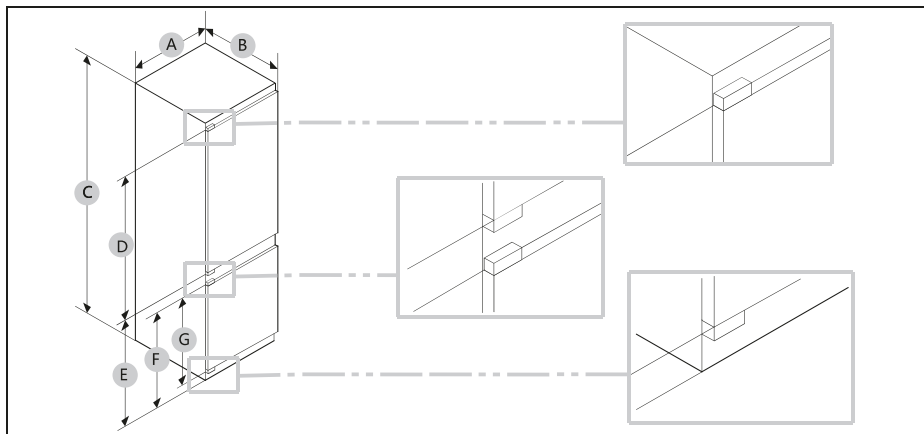


Model	EHBQW5518E HBQW5518E HBQW5518EK HQE1855BCMW EHQE1855BCMW	HBQW5519E HBQW5519EK EBQW5519E EBQW5519ECM	HBQW5719E
01 *	10 (min) / 30 (preporučeno)	10 (min) / 30 (preporučeno)	10 (min) / 30 (preporučeno)
02	95° (Preporučeno)	95° (Preporučeno)	95° (Preporučeno)
03	43	43	55
04	583	583	745
05	515	515	515
06	-3	-3	-3
07	1060	1060	1210

\* 01: Od ormarića do stražnje strane proizvoda.

(jedinica: mm)

## Mjere proizvoda



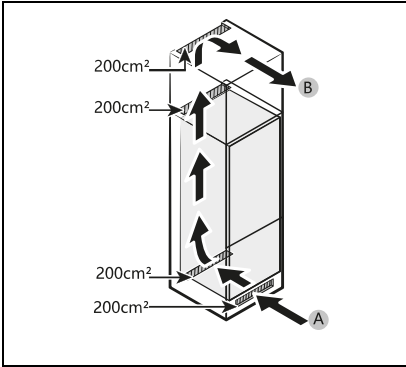
Model	A(mm)	B(mm)	C(mm)	D(mm)	E(mm)	F(mm)	G(mm)
EHBQW5518E HBQW5518E HBQW5518EK HQE1855BCMW EHQE1855BCMW	540±2	550±2	1772±2	970	745	662	618
HBQW5519E HBQW5519EK EHBQW5519E EHBQW5519ECM	540±2	550±2	1935±2	1133	745	662	618
HBQW5719E	690±2	550±2	1935±2	1133	745	662	618

## **i** OBAVIJEST

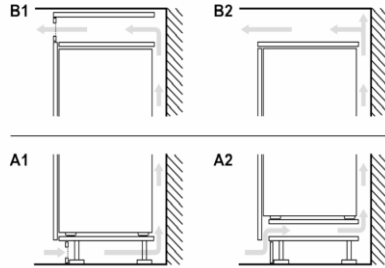
- Navedena potrošnja energije temelji se na razmaku od 10 mm između ormarića i stražnjeg dijela proizvoda. Proizvod će ispravno raditi čak i ako je razmak manji od 10 mm, ali trošit će nešto više energije.
- Preporučujemo da koristite ormarić debljine 18 mm sa šarkama debljine manje od 20 mm.
- **Mjerenja u gornjoj tablici mogu se razlikovati, ovisno o metodi.**
- Upute za ugradbenu verziju potražite u Vodič za ugradnju.

## Poprečni presjek ventilacijskog otvora

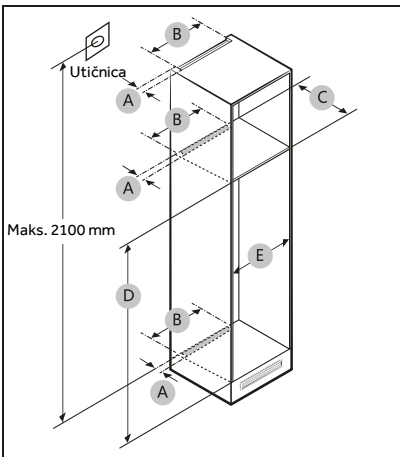
Kako bi se postigla dostatna ventilacija uređaja iz sigurnosnih razloga, moraju se poštivati informacije o potrebnom poprečnom presjeku ventilacijskih otvora.



- A: Ulaz zraka  $\geq 200 \text{ cm}^2$ ; mogućnosti ventilacije  
 B: Izlaz zraka  $\geq 200 \text{ cm}^2$ ; mogućnosti ventilacije



## Mjere ormarića



### OPREZI!

Svaki kvar proizvoda zbog sljedećih razloga nije obuhvaćen jamstvom.

1. Neproписni uvjeti na gradilištu ili nepropisne veličine ormara.
2. Neispravan ormar.
3. Pogreške instalatera ili korisnika.

## Razmak

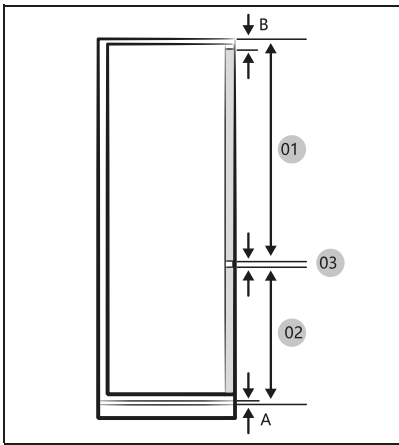
Predujete u vezi prostora za ugradnju pronaći ćete na **slikama i tablicama u nastavku.**

Model		A (mm)	B (mm)	C (mm)	D (mm)	E (mm)	Napomena
EHBQW5518E HBQW5518E HBQW5518EK HQE1855BCMW EHQE1855BCMW	Minimalno	50	400	560	1778	560	Šarka: 17 mm
	Preporučeno			580	1780	562	
	Maksimalno			-	1782	568	
HBQW5519E HBQW5519EK EHBQW5519E EHBQW5519ECM	Minimalno	50	400	560	1940	560	Šarka: 17 mm
	Preporučeno			580	1943	562	
	Maksimalno			-	1945	568	
HBQW5719E	Minimalno	50	400	560	1941	710	Šarka: 17 mm
	Preporučeno			580	1943	714	
	Maksimalno			-	1945	718	



## OBAVIJEST

- Ako je širina ormarića veća od 568 mm, možete otpustiti brtvu (između hladnjaka i ormarića).
- Ako je ormar veći od maksimalne dimenzije (1782 mm), morate koristiti druge materijale za završnu obradu kako biste popunili prazninu. (za EHBQW5518E/ HBQW5518E/ EK/ EHQE/ HQE1855BCMW)
- Ako je ormar veći od maksimalne dimenzije (1945 mm), morate koristiti druge materijale za završnu obradu kako biste popunili prazninu. (za HBQW5519E/ EK/ EHBQW5519E/ ECM)



## OBAVIJEST

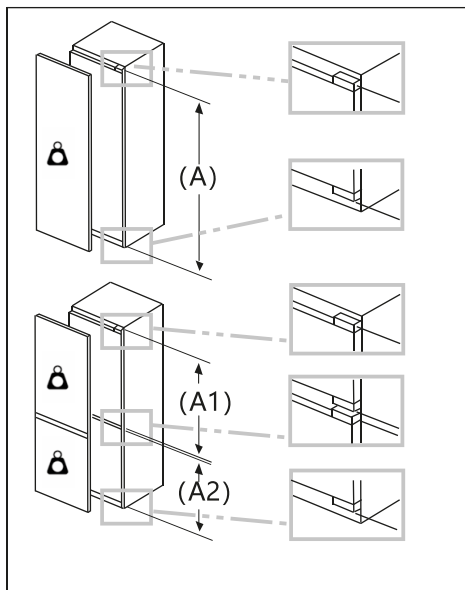
Trebate li ugraditi ormar za koji je propisan razmak od 4 mm (03), pogledajte referentnu tablicu ormara u nastavku.

- A Donji rub prednje ploče iznad ventilacijskog otvora  
B Prednja ploča prekomjerno visi

(jedinica: mm)

Model	EHBQW5518E HBQW5518E HBQW5518EK HQE1855BCMW EHQE1855BCMW	HBQW5519E HBQW5519EK EHBQW5519E EHBQW5519ECM HBQW5719E
01	Minimalno 1028 + B Maksimalno 1106 + B	Minimalno 1191+B Maksimalno 1269+B
02	Minimalno 662 + A Maksimalno 740 + A	Minimalno 662 + A Maksimalno 740 + A
03	4 mm (razmak između vrata hladnjaka i zamrzivača)	

## Maksimalna dopuštena težina prednjih elemenata uređaja

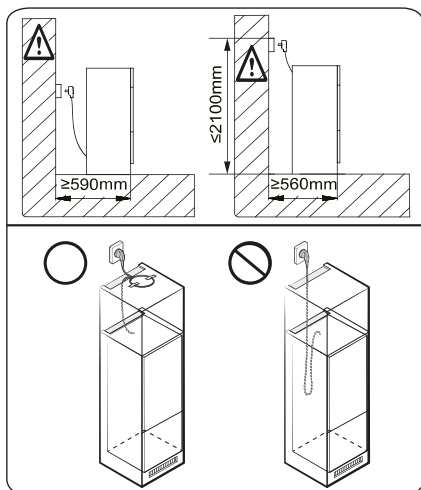


Prednji elementi postavljene jedinice koji premašuju dopuštenu težinu mogu uzrokovati oštećenje i rezultirati funkcionalnim oštećenjem šarke.

 **Težina**  
(kg)

1500 - 1750 mm	22
720 - 1400 mm	19
A1	15
A2	15

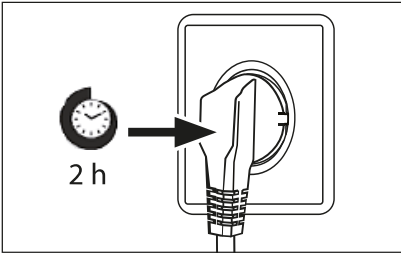
## Uzmemo li u obzir lokaciju utičnice i potrebni prostor



### **OBAVIJEST**

Ako ugradite hladnjak u ormarić dubine 560 mm, provjerite je li kabel napajanja postavljen na bočnu stranu hladnjaka prije nego ga priključite u električnu utičnicu. Ako je kabel napajanja priključen u stražnji dio hladnjaka, to može smanjiti energetska učinkovitost.

## Vrijeme čekanja



Ulje za podmazivanje bez održavanja nalazi se u kapsuli kompresora. Ovo ulje može proći kroz zatvoreni sustav cijevi tijekom transporta u nagnutom položaju. Prije spajanja uređaja na napajanje pričekajte najmanje 2 sati kako bi se ulje vratilo u kapsulu.

## Spajanje električnih priključaka

Prije svakog spajanja provjerite:

- ▶ Jesu li napajanje, utičnica i osigurač u skladu s natpisnom pločicom.
- ▶ Je li utičnica uzemljena i da nema produžnog kabela s više utikača.
- ▶ Jesu li utikač i utičnica strogo usklađeni.

Spojite utikač na propisno ugrađenu utičnicu za kućanstvo.



## UPOZORENJE!

Kako biste izbjegli opasnosti, oštećeni kabel napajanja mora zamijeniti služba za korisnike (pogledajte jamstveni list).

List s podacima o proizvodu prema uredbi EU br. 2019/2016

Marka	Haier		
Naziv / identifikator modela	EHBQW5518E HBQW55 18E HBQW5518EK HQE1855B CMW EHQE1855BCMW	HBQW5519E HBQW55 19EK EHBQW5 519E EHBQW5519ECM	HBQW5719E
Kategorija modela	Hladnjak i zamrzivač		
Razred energetske učinkovitosti	E	E	E
Godišnja potrošnja energije (kWh godišnje) (1)	229	229	259
Ukupna zapremina (L)	268	285	382
Zapremnina hladnjaka (L)	194	211	281
Zapremnina zamrzivača (L)	74	74	101
Zapremnina rashladnog odjeljka (L)	/	/	/
Zapremnina automatskog ledomata (L)	/	/	/
Ocjena u zvjezdicama	4	4	4
Temperatura drugih odjeljaka > 14 °C	Nije primjenjivo		
Sustav za sprječavanje zamrzavanja	Da	Da	Da
Kapacitet zamrzavanja (kg / 24 h)			
Klimatski razred (2)	SN/N/ST/T	SN/N/ST/T	SN/N/ST/T
akustične buke u zraku (dB(A)re 1 pW)	B(35)	B(35)	B(33)
Vrijeme porasta temperature (h)	12	12	9
Kapacitet izrade leda	/	/	/
Vrsta uređaja	Ugradbeni	Ugradbeni	Ugradbeni

Naziv modela	Razred energetske učinkovitosti
EHBQW5518E HBQW5518E HBQW5518EK HQE1855BCMW EHQE1855BCMW	E
HBQW5519E HBQW5519EK EHBQW5519E EHBQW5519ECM HBQW5719E	E

Objašnjenja:

- Da, postoji

(1) Na temelju rezultata ispitivanja usklađenosti sa standardima tijekom 24 sata. Stvarna potrošnja ovisi o upotrebi i lokaciji uređaja.

(2) Klimatski razred SN: Ovaj je uređaj namijenjen za upotrebu na sobnoj temperaturi između + 10 °C i +32 °C

Klimatski razred N: Ovaj je uređaj namijenjen za upotrebu na sobnoj temperaturi između + 16 °C i +32 °C

Klimatski razred ST: Ovaj je uređaj namijenjen za upotrebu na sobnoj temperaturi između + 16 °C i +38 °C

Klimatski razred T: Ovaj je uređaj namijenjen za upotrebu na sobnoj temperaturi između + 16 °C i +43 °C

#### Dodatni tehnički podaci

Napon / frekvencija	220 - 240 V ~ / 50 Hz
Ulazna struja (A)	1.2/1.6
Glavni osigurač (A)	16
Rashladno sredstvo	R600a
Mjere (V/Š/D u mm)	EHBQW5518E/ HBQW5518E/ EK EHQE/ HQE1855BCMW: 1773/540/555
	HBQW5519E/ EK/ EHBQW5519E/ ECM: 1935/540/555
	EHBQW5719E : 1935/690/550

Preporučujemo službu za korisnike tvrtke Haier i korištenje originalnih rezervnih dijelova.

Ako imate problema s uređajem, prvo pogledajte odjeljak RJEŠAVANJE PROBLEMA.

Ako tamo ne možete pronaći rješenje, obratite se

- ▶ vašem lokalnom distributeru ili
- ▶ našem Europskom pozivnom servisnom centru (pogledajte navedene telefonske brojeve u nastavku) ili
- ▶ idite na stranicu za servis i podršku na web-mjestu [www.haier.com](http://www.haier.com) gdje možete aktivirati zahtjev
- ▶ za servisom i pronaći odgovore na česta pitanja.

Da biste stupili u kontakt s našim servisom, provjerite jesu li vam dostupni sljedeći podaci.

Te ćete podatke pronaći na nazivnoj pločici.

Model \_\_\_\_\_

Serijski broj \_\_\_\_\_

Također provjerite jamstveni list isporučen s proizvodom u slučaju da imate jamstvo.

Europski pozivni servisni centar		
Država*	Telefonski broj	Troškovi
Haier Italy (IT)	199 100912	
Haier Spain (ES)	902 509 123	
Haier Germany (DE)	0180 5 39 39 99	<ul style="list-style-type: none"> <li>• 14 Ct/min za fiksni telefon</li> <li>• maks. 42 ct/min za mobilne uređaje</li> </ul>
Haier Austria (AT)	0820 001205	<ul style="list-style-type: none"> <li>• 14,53 ct/min za fiksni telefon</li> <li>• maks. 20 ct/min za sve ostale</li> </ul>
Haier United Kingdom (UK)	0333 003 8122	
Haier France (FR)	0980 406 409	

\*Za ostale države pogledajte web-mjesto [www.haier.com](http://www.haier.com)

Haier Europe Trading S.r.l

Podružnica UK

Westgate House, Westgate, Ealing

London, W5 1YY

\*Trajanje jamstva za rashladni uređaj:

Minimalno trajanje jamstva: 2 godine za države članice EU, 3 godine za Tursku, 1 godinu za Ujedinjeno Kraljevstvo, 1 godinu za Rusiju, 3 godine za Švedsku, 2 godine za Srbiju, 5 godina za Norvešku, 1 godinu za Maroko, 6 mjeseci za Alžir, dok za Tunis nema pravnog jamstva.

\*Razdoblje za rezervne dijelove za popravak uređaja:

„Termostati, senzori temperature, tiskane pločice i svjetlosni izvori dostupni su u razdoblju od barem sedam godina nakon plasiranja posljednje jedinice modela na tržište.

Ručke vrata, šarke, police i košare dostupne su barem sedam godina, a brtve vrata barem 10 godina nakon plasiranja posljednje jedinice modela na tržište.

\*Dodatne informacije o proizvodu možete pronaći na adresi <https://eprel.ec.europa.eu/> ili skeniranjem QR koda s energetske naljepnice isporučene s uređajem.



**Haier**



Verzija A za 2024

# Haier

## Felhasználói kézikönyv

### Hűtő-fagyasztó

EHBQW5518E

HBQW5518E

HBQW5518EK

HQE1855BCMW

EHQE1855BCMW

HBQW5519E

HBQW5519EK

EHBQW5519E

EHBQW5519ECM

HBQW5719E

HU

<u>4 Biztonsági információk</u>	<u>Első használat előtt</u>	<u>5</u>
	<u>Telepítés</u>	<u>5</u>
	<u>Napi használat</u>	<u>6</u>
	<u>Gázalapú hűtőközegre vonatkozó információk</u>	<u>8</u>
<u>9 Rendeltetésszerű használat</u>		
<u>10 Termékleírás</u>		
<u>12 Vezérlőpanel</u>		
<u>13 Használat</u>	<u>Panel zárolása/feloldása</u>	<u>13</u>
	<u>Hűtő hőmérsékletének a beállítása</u>	<u>13</u>
	<u>Fagyasztó hőmérsékletének a beállítása</u>	<u>14</u>
	<u>Wi-Fi funkció</u>	<u>15</u>
	<u>Holiday funkció</u>	<u>15</u>
	<u>Super Cool funkció</u>	<u>16</u>
	<u>Super Freeze funkció</u>	<u>16</u>
<u>18 Berendezés</u>		
<u>20 Energiatakarékosági tippek</u>		
<u>21 Ápolás és tisztítás</u>		
<u>23 Hibaelhárítás</u>		
<u>27 Telepítés</u>		
<u>34 Műszaki adatok</u>		
<u>36 Ügyfélszolgálat</u>		

## Köszönjük, hogy Haier terméket vásárolt.

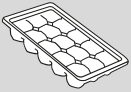
A készülék használata előtt olvassa el figyelmesen ezeket az utasításokat. Az utasítások fontos információkat tartalmaznak, amelyek segítenek abban, hogy a lehető legtöbbet hozza ki a készülékből, és szavatolják a biztonságos és megfelelő telepítést, használatot és karbantartást.

Tartsa ezt a kézikönyvet könnyen elérhető helyen, hogy bármikor fellapozhassa a készülék biztonságos és megfelelő használatához.

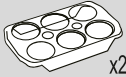
Ha eladja a készüléket, elajándékozza, vagy a lakásban hagyja költözéskor, győződjön meg arról, hogy ezt a kézikönyvet is átadja, hogy az új tulajdonos megismerhesse a készüléket és a biztonsági figyelmeztetéseket.

## Tartozékok

Ellenőrizze a tartozékokat és a szakirodalmat ennek a listának megfelelően:



Jégkocka  
tartó tálca



Tojástálca



Energiacímke



Jótállási jegy



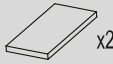
Biztonsági  
figyelmeztetések  
kézikönyv



Csavar



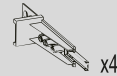
Burkolat



Szivacstömb



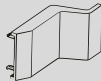
Csúszdavezető



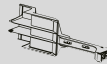
Csúszda szerelv.



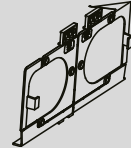
Rögzített lemez



Zsanérfedél



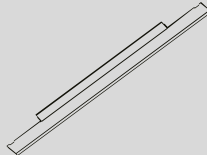
II. rögzített lemez



Alsó rögzített lemez



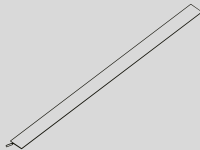
Felső rögzített lemez



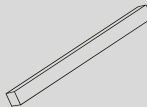
Alsó burkolat



Alsó oldalburkolat



Tömítőcsík



Tömítőszivacs



Alsó zsanérfedél



## FIGYELMEZTETÉS - Fontos biztonsági információk



## MEGJEGYZÉS - Általános információk és tippek



## Környezetvédelmi információk

### Ártalmatlanítás



Járuljon hozzá a környezet és az emberi egészség védelméhez. Az újrahasznosítás érdekében a csomagolást a megfelelő hulladéktárolóba selejtezze ki. Járuljon hozzá az elektromos és elektronikus berendezések hulladékainak az újrahasznosításához. Ne a háztartási hulladékkal együtt dobja ki az ezzel a szimbólummal jelölt készülékeket. Vigye vissza a terméket a helyi újrahasznosító létesítménybe, vagy vegye fel a kapcsolatot a helyi hivatallal.



## FIGYELMEZTETÉS!

Sérülés vagy fulladás veszélye!

A hűtőközegeket és a gázokat szakszerűen kell ártalmatlanítani. Győződjön meg a hűtőkör csövének a sértetlenségéről, mielőtt megfelelően ártalmatlanítaná. Válassza le a készüléket a hálózati tápellátásról. Vágja el a hálózati kábelt és selejtezze ki. Távolítsa el a tálcákat és fiókokat, valamint az ajtóreteszt és a tömitéseket, hogy megakadályozza a gyermekek és háziállatok bezáródását a készülékbe.

## A készülék első bekapcsolása előtt olvassa el a következő biztonsági tanácsokat:



### FIGYELMEZTETÉS!

#### Első használat előtt

- ▶ Győződjön meg arról, hogy szállítás során a termék nem sérült.
- ▶ A készülék telepítése előtt várjon legalább két órát a hűtőkör teljes hatékonyságának biztosítása érdekében.
- ▶ Mivel a készülék nehéz, mindig legalább két személy szükséges a kezeléséhez vagy mozgatásához.
- ▶ Távolítsa el minden csomagolóanyagot, tartsa azokat gyermekektől elzárva, kiselejtezésüket pedig környezetbarát módon végezze.
- ▶ Tisztítsa meg a készülék belsejét és külsejét vízzel és kíméletes tisztítószerrel, mielőtt bármilyen ételt tenne bele.
- ▶ A készülék szintbeállítását és tisztítását követően várjon legalább 2–5 órát, mielőtt csatlakoztatná a tápellátáshoz. Lásd a TELEPÍTÉS részt.
- ▶ Az étellel való feltöltés előtt hűtse le a rekeszeket magas beállítások alkalmazásával. A Power-Freeze funkció elősegíti a rekeszek gyors lehűtését.
- ▶ A hűtőrekesz, illetve a fagyasztó hőmérséklete gyári alapbeállítás szerint automatikusan 5 °C és -18 °C. Ezek a javasolt beállítások. Ha kívánja, ezeket a hőmérsékleteket módosíthatja manuálisan. Lásd a HŐMÉRSÉKLET BEÁLLÍTÁSA c. részt.

#### Telepítés

- ▶ A készüléket jól szellőző helyre telepítse. Biztosítson legalább 10 cm-es helyet a készülék felett és körül.
- ▶ Soha ne helyezze a készüléket nedves területre vagy olyan helyre, ahol víz fröccsenhet rá. A vízfröccsenéseket és a foltokat törölje le és szárazra puha, tiszta törülközővel.
- ▶ Ne szerelje be a készüléket közvetlen napsugárzásnak kitett helyre vagy hőforrások (pl. kályhák, fűtőberendezések) közelébe.
- ▶ A méretének és felhasználásnak megfelelő helyre szerelje be és állítsa szintbe a készüléket.
- ▶ A berendezésen vagy a beépített szerkezetben a szellőzőnyílásokat ne takarja el.
- ▶ Bizonyosodjon meg arról, hogy az adattáblán olvasható elektromos jellemzők megfelelnek az elérhető tápellátás jellemzőinek. Ellenkező esetben forduljon villanszerelőhöz.
- ▶ A készülék 220–240 V váltóáramú, 50 Hz-es tápellátást igényel. A rendellenes feszültségingadozás nyomán előfordulhat, hogy a készülék nem indul be, károsodhat a hőmérséklet-vezérlő vagy a kompresszor, illetve működés során rendellenes zaj jelentkezhet. Hasonló esetben szereljen fel automatikus feszültség szabályozót.
- ▶ Ne használjon többdugós adaptereket és hosszabbítókábeleket.



## FIGYELMEZTETÉS!

- ▶ Ne helyezzen több hordozható csatlakozót vagy hordozható tápegységet a berendezés mögé.
- ▶ Ügyeljen arra, hogy a tápkábel ne szoruljon a hűtőberendezés alá. Ne lépjen a tápkábelre.
- ▶ A tápegységhez külön földelt aljzatot használjon, amely könnyen hozzáférhető. A készülék mindenképpen földelésre szorul.  
Csak az Egyesült Királyság esetén: A készülék tápkábele 3 érintkezős (földeléses) dugasszal rendelkezik, amelyik szabványos 3 érintkezős (földeléses) aljzathoz illeszkedik. Soha ne vágja le vagy távolítsa el a harmadik érintkezőt (földelést). A készülék beszerelését követően a dugasznak hozzáférhetőnek kell maradnia.
- ▶ Ügyeljen a hűtőkör épségére!

### Napi használat

- ▶ A berendezést 8 évnél idősebb gyermekek vagy csökkent fizikai, érzékszervi vagy mentális képességű, vagy tapasztalattal és ismerettel nem rendelkező személyek akkor használhatják, ha felügyelet alatt állnak vagy ha megfelelő utasításokkal látták el őket a berendezés biztonságos használatát illetően, és megértették a használatból eredő veszélyeket.
- ▶ A 3 és 8 év közötti gyermekek be- és kirakodhatják a hűtőkészülékeket, de a hűtőkészülékek tisztítását és szerelését nem végezhetik.
- ▶ Tartsa távol a 3 évesnél fiatalabb gyermekeket a készüléktől, kivéve, ha biztosítja a folyamatos felügyeletet.
- ▶ Gyermekek nem játszhatnak a berendezéssel.
- ▶ Ha hűtőgáz vagy más gyúlékony gáz szivárog a készülék közelében, zárja el a szivárgó gáz szelepét, nyissa ki az ajtókat és ablakokat, és ne húzza ki a hűtőszekrény/fagyasztó vagy más készülék tápkábelének a dugaszát.
- ▶ Vegye figyelembe, hogy a készülék 10 és 43 °C közötti környezeti hőmérsékletben való működésre készült. Előfordulhat, hogy a készülék nem működik megfelelően, ha hosszabb ideig a jelzett tartomány feletti vagy alatti hőmérsékleten üzemel.
- ▶ Ne helyezzen instabil cikket (nehéz tárgyakat, vízzel teli edényeket) a hűtőberendezés tetejére, elkerülve így a személyi sérüléseket, amiket ezen tárgyak leesése vagy a vízzel való érintkezés nyomán bekövetkező áramütés okozhat.
- ▶ Ne húzza meg az ajtópolcokat. Az ajtó elferdülhet, kihúzhatja a helyéről a palacktartót, vagy a készülék felborulhat.
- ▶ Az ajtók nyitását vagy becsukását kizárólag a fogantyúkkal végezze. Az ajtók közötti, ill. az ajtó és a szekrény közötti rés nagyon szűk. Ne nyújtsa a kezét ezekre a területekre, mivel az ujjai becsípődhetnek. Csak akkor nyissa ki vagy csukja be a hűtőszekrény ajtaját, ha nem állnak gyermekek az ajtó mozgási tartományán belül.



## FIGYELMEZTETÉS!

- ▶ Ne tároljon, ill. használjon gyúlékony, robbanásveszélyes vagy maró hatású anyagokat a készülékben vagy a közelében.
- ▶ A készülékben ne tároljon gyógyszereket, baktériumokat vagy vegyszereket. Ez a készülék háztartási készülék. Nem javasoljuk olyan anyagok tárolását, amelyek szűk hőmérséklet-tartományban tárolhatók.
- ▶ Soha ne tároljon folyadékokat palackokban vagy kannákban (magas alkoholtartalmú italok kivételével), különösen szénsavas italokat a fagyasztóban, mert ezek szétrobbannak fagyasztás közben.
- ▶ Ellenőrizze az élelmiszer állapotát, ha a fagyasztóban felmelegedett a hőmérséklet.
- ▶ Ne állítson be szükségtelenül alacsony hőmérsékletet a hűtőrekeszben. Magas teljesítménybeállítások esetén mínusz fokok alakulhatnak ki. Figyelem: A palackok szétrobbanhatnak
- ▶ Ne nyúljon fagyott tárgyakhoz nedves kézzel (viseljen kesztyűt). Különösen ne egyen jeges nyalókát közvetlenül a fagyasztóból való kivétel után. Fennáll a fagszérülések vagy a hólyagok kialakulásának veszélye. ELSŐSEGÉLYNYÚJTÁS: tartsa a sérülést azonnal folyó hideg víz alá. Ne húzza el!
- ▶ Működés közben ne érintse meg a fagyasztórekesz belső felületét, különösen nedves kézzel, mert a keze a felülethez fagyhat.
- ▶ Áramszünet esetén vagy tisztítás előtt húzza ki a készüléket az aljzataból. A készülék újraindítása előtt várjon legalább 7 perct, mivel a készülék gyakori indítása során károsodhat a kompresszor.
- ▶ Ne használjon elektromos készülékeket a berendezés élelmiszer tároló rekeszében, kivéve a gyártó által jóváhagyott típust.

## Karbantartás / tisztítás

- ▶ Gondoskodjon a gyermekek felügyeletéről, ha tisztítást vagy karbantartást végeznek.
- ▶ A rutinszerű karbantartás megkezdése előtt húzza ki a készüléket a villanyhálózatból. A készülék újraindítása előtt várjon legalább 5 perct, mivel a készülék gyakori indítása során károsodhat a kompresszor.
- ▶ A készülék aljzataból való leválasztásakor ne a kábelt, hanem a csatlakozódugót húzza.
- ▶ Ne tisztítsa a készüléket keménysörtés kefékkel, drótkefékkel, mosóporral, benzinnel, amid-acetáttal, acetonnal és hasonló szerves oldatokkal, valamint savas vagy lúgos oldatokkal. A károsodások elkerülése érdekében a hűtőszekrény tisztítását speciális, adott célra kialakított tisztítószerrel végezze.
- ▶ Ne kaparja le a fagyot és a jeget éles tárgyakkal. A műanyag alkatrészek károsodásának elkerülése érdekében ne használjon spray-t, elektromos hevítő berendezést, például fűtőberendezést, hajszárítót, gőztisztítót vagy más hőforrást.
- ▶ A kiolvasztási folyamat felgyorsításához csak a gyártó által javasolt mechanikai berendezéseket vagy egyéb eszközöket használja.



## FIGYELMEZTETÉS!

- ▶ Ha a tápkábel megsérül, a veszély elkerülése érdekében cseréltesse ki a gyártóval, a gyártó szervizközpontjával vagy más szakemberrel.
- ▶ Ne tegyen kísérletet a készülék saját kezű javítására, szétszerelésére vagy módosítására. Javítás szükségessége esetén vegye fel a kapcsolatot az ügyfélszolgálatunkkal.
- ▶ Évente legalább egyszer távolítsa el a port a készülék hátoldaláról, így elkerülve a tűzveszélyt, valamint a megnövekedett energiafogyasztást.
- ▶ Tisztítás közben ne permetezze vagy öblítse le a készüléket.
- ▶ Ne használjon vízpermetet vagy gőzt a készülék tisztításához.
- ▶ A hideg üvegpalcokat ne tisztítsa forró vízzel. A hirtelen hőmérséklet-változás nyomán az üveg megrepedhet.

## Gázalapú hűtőközre vonatkozó információk



### FIGYELMEZTETÉS!

A készülék gyúlékony IZOBUTÁN (R600a) hűtőközeget tartalmaz. Győződjön meg arról, hogy a hűtőközeg köre nem sérült meg szállítás vagy beszerelés közben. A szivárgó hűtőközeg szemsérülést okozhat, vagy belobbanhat. Sérülés esetén tartsa távol a tűzforrásoktól, szellőztesse ki alaposan a helyiséget, ne csatlakoztassa, vagy húzza ki a készülék vagy egyéb készülék tápkábelét. Tájékoztassa az ügyfélszolgálatot.

Ha a hűtőközeg szembe kerül, akkor azonnal öblítse ki folyó víz alatt, és azonnal forduljon szemész szakorvoshoz.

## Rendeltetésszerű használat

Ez a készülék élelmiszerek hűtésére és fagyasztására szolgál. Kizárólag háztartási és hasonló alkalmazásokra tervezték, mint például az üzletek, irodák és egyéb munkakörnyezetek személyzeti konyháinak területei; tanyasi házakban és szállodák, motelek és egyéb lakókörnyezetben, valamint panziós és vendéglátóipari vállalkozásokban való használatra ügyfelek számára. Tervezéséből adódóan nem alkalmas kereskedelmi vagy ipari használatra.

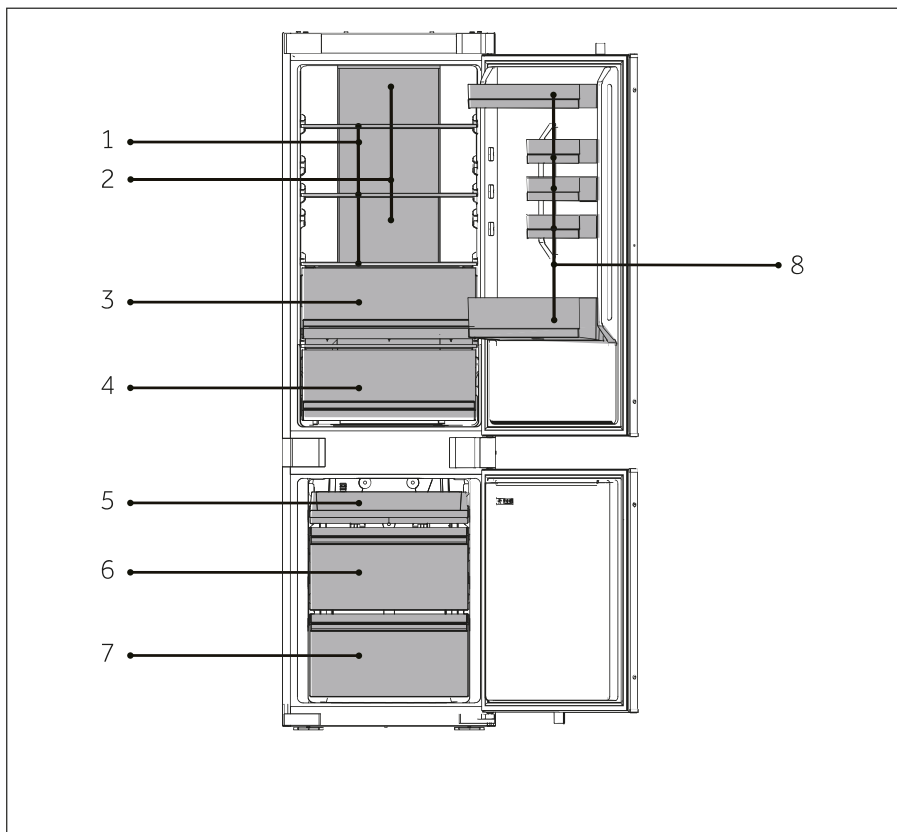
A készüléken változtatások vagy módosítások végrehajtása nem megengedett. A nem rendeltetésszerű használat veszélyeket eredményezhet, illetve a szavatossági igények érvénytelenítésével járhat.

## Szabványok és irányelvek vagy

A termék megfelel az összes vonatkozó EK irányelvben meghatározott követelménynek, illetve a vonatkozó harmonizált szabványoknak, amelyek alapján megilleti a CE- vagy az UKCA-jelölés.

## **i** MEGJEGYZÉS

A műszaki módosítások és különböző modellek miatt előfordulhat, hogy a kézikönyvben látható egyes ábrák eltérőek az Ön modelljéhez képest.



EHBQW5518E/HBQW5518E/HBQW5518EK/HQE1855BCMW/EHQE1855BCMW

### A: Hűtőrekesz

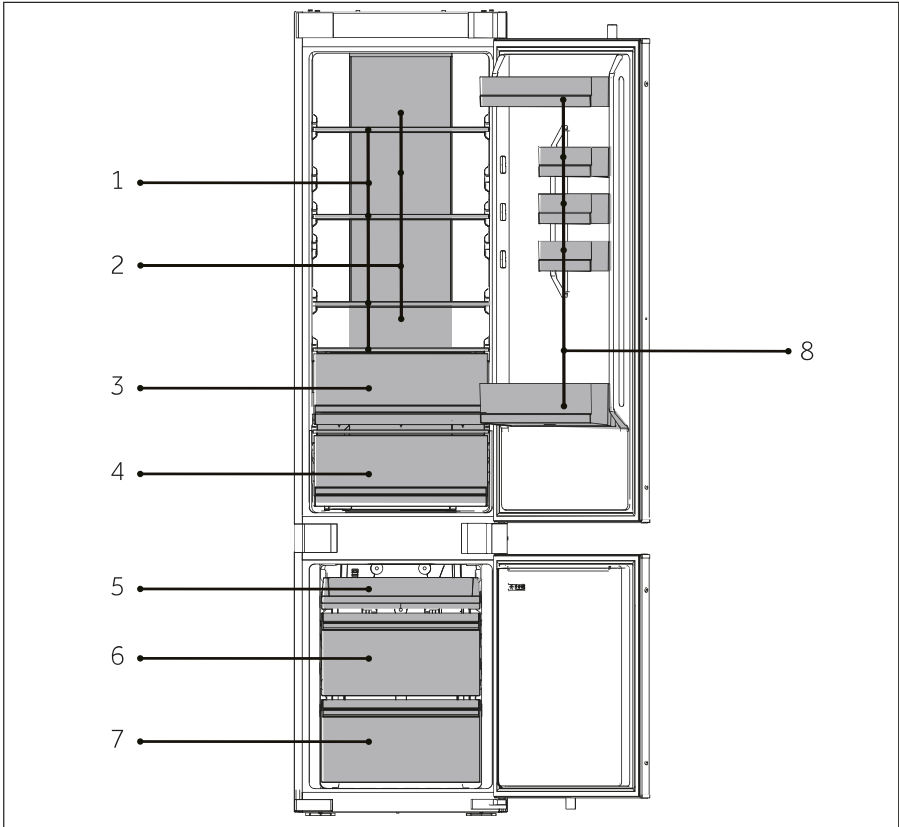
- 1 Szokványos polcok
- 2 Hűtött légcsatorna
- 3 Humidity Zone fiók
- 4 Fresh Box fiók
- 8 Palacktartó

### B: Fagyasztórekesz

- 5 Felső fagyasztótálca
- 6 Középső fagyasztófiók
- 7 Alsó fagyasztófiók

## **i** MEGJEGYZÉS

A műszaki módosítások és különböző modellek miatt előfordulhat, hogy a kézikönyvben látható egyes ábrák eltérőek az Ön modelljéhez képest.



HBQW5519E/HBQW5519EK/ EHBQW5519E/ EHBQW5519ECM/HBQW5719E

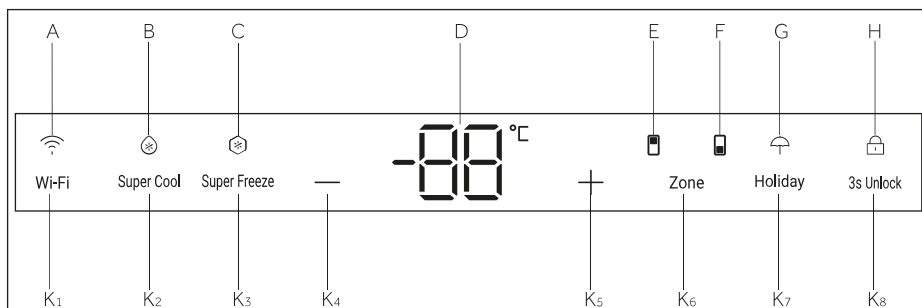
### A: Hűtőrekesz

- 1 Szokványos polcok
- 2 Hűtött légcsatorna
- 3 Humidity Zone fiók
- 4 Fresh Box fiók
- 8 Palacktartó

### B: Fagyasztórekesz

- 5 Felső fagyasztótálca
- 6 Középső fagyasztófiók
- 7 Alsó fagyasztófiók

## Vezérlőpanel



Jelzőfények:

- A Wi-Fi funkció
- B Super Cool funkció
- C Super Freeze funkció
- D Hőmérséklet kijelző
- E Hűtő jelzőfény
- F Fagyasztó jelzőfény
- G Holiday funkció
- H Zárolás és feloldás

Gombok:

- K<sub>1</sub> Wi-Fi beállítás gomb
- K<sub>2</sub> Super Cool funkcióválasztó gomb
- K<sub>3</sub> Super Freeze funkcióválasztó
- K<sub>4</sub> „-” hőmérséklet-beállító gomb
- K<sub>5</sub> „+” hőmérséklet-beállító gomb
- K<sub>6</sub> Zónaválasztó gomb
- K<sub>7</sub> Holiday funkciógomb
- K<sub>8</sub> Zárolás és feloldás gomb

### Érintésérzékeny gombok

A vezérlőpulton található gombok érintésérzékenyek, és már akkor reagálnak, ha enyhén megérinti az ujjával.

### A készülék be- és kikapcsolása

A készülék működésbe lép, amint csatlakoztatja tápellátáshoz.

A hűtőszekrény első bekapcsolásakor a „D” jelzés (hőmérséklet kijelző) világít. A hűtőrekesz, illetve a fagyasztó hőmérséklete gyári alapbeállítás szerint automatikusan 5 °C és -18 °C.



## MEGJEGYZÉS

Amikor a készüléket visszakapcsolja a hálózati tápellátásról való leválasztás után, akár 12 órát is igénybe vehet a megfelelő hőmérséklet elérése.

A kikapcsolás előtt üritse ki a készüléket. A készülék kikapcsolásához húzza ki a tápkábel dugaszát az aljzatból.

### Panel zárolása/feloldása

Automatikus zárolás: Amikor a hűtőszekrény ajtaja és a fagyasztó ajtaja becsukódik, és 30 másodpercen belül nem nyomnak meg semmilyen gombot, a kijelző automatikusan kialszik és lezáródik.

Kézi lezárás: A kijelző feloldása után nyomja meg a „K<sub>8</sub>” gombot (3S Unlock), és tartsa lenyomva 3 másodpercig, a hangjelzés egyszer megszólal, a „H” jelzőfény (Vezérlőpult zárolása) világításba kezd, ekkor a kijelző zárolva van.

Feloldás: A kijelző zárolása után nyomja meg a „K<sub>8</sub>” gombot (3S Unlock), és tartsa lenyomva 3 másodpercig, a csengő egyszer cseng, a „H” jelzőfény (Vezérlőpult zárolása) kikapcsol, ekkor a kijelző zárolását kikapcsolta.

### Hőmérséklet beállítása

A beltéri hőmérsékletet a következő tényezők befolyásolják:

környezeti hőmérséklet, ajtónyitás gyakorisága, a tárolt élelmiszerek mennyisége, a készülék helye.

### Hűtő hőmérsékletének a beállítása

Amikor a kijelző fel van oldva, nyomja meg a „K<sub>6</sub>” gombot (Zónaválasztó). A csengő egyszer cseng, az „E” jelzés (hűtő jelzőfény) világításba kezd, majd megjelenik a hűtő hőmérséklet-beállítási módja.

Nyomja meg a „K<sub>4</sub>” gombot („-” hőmérséklet-beállító gomb) minden alkalommal, a csengő egyszer cseng, a hűtő beállított hőmérséklete pedig 1-gyel csökken. A hűtőszekrény hőmérséklete a következő sorrendben jelenik meg: „9 °C -> 8 °C -> 7 °C -> 6 °C -> 5 °C -> 4 °C -> 3 °C -> 2 °C -> 1 °C”.

Nyomja meg a „K<sub>5</sub>” gombot („+” hőmérséklet-beállító gomb) minden alkalommal, a csengő egyszer cseng, a hűtő beállított hőmérséklete pedig 1-gyel emelkedik. A hűtőszekrény hőmérséklete a következő sorrendben jelenik meg: „1 °C -> 2 °C -> 3 °C -> 4 °C -> 5 °C -> 6 °C -> 7 °C -> 8 °C -> 9 °C”.



## MEGJEGYZÉS

A hőmérséklet beállítása után, ha 5 másodpercen belül nem végeznek semmilyen műveletet, a rendszer automatikusan meghatározza és menti a beállított hőmérsékletet.

## Fagyasztó hőmérsékletének a beállítása

Amikor a kijelző fel van oldva, nyomja meg a „K<sub>6</sub>” gombot (Zónaválasztó). A csengő egyszer cseng, az „F” jelzés (fagyasztó jelzőfény) világításba kezd, majd megjelenik a fagyasztó hőmérséklet-beállítási módja.

Nyomja meg a „K<sub>4</sub>” gombot („-” hőmérséklet-beállító gomb) minden alkalommal, a csengő egyszer cseng, a fagyasztó beállított hőmérséklete pedig 1-gyel csökken. A fagyasztó hőmérséklete a következő sorrendben jelenik meg: „-14 °C -> -15 °C -> -16 °C -> -17 °C -> -18 °C -> -19 °C -> -20 °C -> -21 °C -> -22 °C -> -23 °C -> -24 °C”.

Nyomja meg a „K<sub>5</sub>” gombot („+” hőmérséklet-beállító gomb) minden alkalommal, a csengő egyszer cseng, a fagyasztó beállított hőmérséklete pedig 1-gyel emelkedik. A fagyasztó hőmérséklete a következő sorrendben jelenik meg: „-24 °C -> -23 °C -> -22 °C -> -21 °C -> -20 °C -> -19 °C -> -18 °C -> -17 °C -> -16 °C -> -15 °C -> -14 °C”.



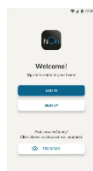
## MEGJEGYZÉS

A hőmérséklet beállítása után, ha 5 másodpercen belül nem végeznek semmilyen műveletet, a rendszer automatikusan meghatározza és menti a beállított hőmérsékletet.

1. lépés Töltse le a hOn-App alkalmazást a megfelelő áruházak egyikéből.



2. lépés Hozza létre fiókját a hOn alkalmazásban, vagy jelentkezzen be, ha már van fiókja



3. lépés Kövesse a hOn alkalmazás párosításra vonatkozó utasításait.



## Wi-Fi funkció

1. A Wi-Fi funkció konfigurálásához kövesse az alkalmazás utasításait.
2. A Wi-Fi konfigurálása és a kapcsolat létrehozása után az „A” Wi-Fi ikon bekapcsol, és folyamatosan világít.
3. Ha a Wi-Fi funkciót már konfigurálta, ez automatikusan újraszinkronizálódik a konfigurációs adatoknak megfelelően, amikor bekapcsolja a Wi-Fi funkciót.
4. A Wi-Fi kikapcsolásához nyomja meg a „K<sub>1</sub>” Wi-Fi gombot, és az „A” Wi-Fi ikon kikapcsol.
5. A Wi-Fi bekapcsolásához és a konfigurálás megkezdéséhez nyomja meg a „K<sub>1</sub>” Wi-Fi gombot, és az „A” Wi-Fi ikon lassú villogásba kezd. Ha konfigurálni szeretné a Wi-Fi funkciót, nyomja meg a „K<sub>1</sub>” gombot 3 másodpercig, a Wi-Fi ikon gyorsan villog, és megnyílik a konfigurációs üzemmód. A Wi-Fi funkció kikapcsolásához nyomja meg egyszer a „K<sub>1</sub>” gombot. A fenti lépéseket meg kell ismételni.
6. Ha a készülék konfigurálása megtörtént, és a Wi-Fi funkció ki van kapcsolva, a hűtőszekrény nem lép konfigurációs üzemmódba a tápellátás visszakapcsolása után.

## Holiday funkció

1. Feloldott kijelző mellett nyomja meg a „K<sub>7</sub>” gombot (Holiday funkciógomb), a csengő egyszer cseng, a „G” jelzőfény (Holiday funkció) pedig világításba kezd, majd a készülék bekapcsolja a Holiday funkciót.
2. Feloldott kijelző mellett nyomja meg a „K<sub>7</sub>” gombot (Holiday funkciógomb), a csengő egyszer cseng, a „G” jelzőfény (Holiday funkció) kikapcsol, majd a készülék letiltja a Holiday funkciót.

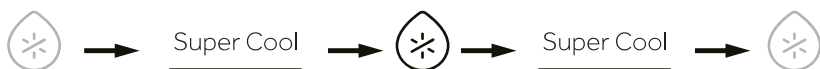


## MEGJEGYZÉS

1. A Holiday funkció elsősorban rövid távú utazásokhoz vagy egyéb életeseményekhez megfelelő, és a Holiday funkció használata megköveteli a hűtőszekrény kiürítését.
2. Bekapcsolt Holiday funkció mellett a hűtőrekesz hőmérséklete magasabb lesz (kb. 17 °C), ezért kérjük, figyeljen arra, hogy előzetesen ürítse ki a hűtőrekeszt az élelmiszerek megromlását megelőzendő.

## Super Cool funkció

1. Feloldott kijelző mellett nyomja meg a „K<sub>2</sub>” gombot (Super Cool funkcióválasztó), a csengő egyszer cseng, a „B” jelzőfény (Super Cool funkció) pedig világitásba kezd, majd bekapcsol a Super Cool funkció.
2. A „B” visszajelző (Super Cool funkció) világitása mellett nyomja meg a „K<sub>2</sub>” gombot (Super Cool funkcióválasztó), a csengő egyszer cseng, az „O” visszajelző (Super Cool funkció) kikapcsol, és kikapcsol a Super Cool funkció.
3. A Super Cool funkció bekapcsolása után a hűtőszekrény automatikusan kikapcsolja a funkciót, amint elérte a beállított hőmérsékletet. Ha manuálisan szeretné kikapcsolni a funkciót, nyomja meg a „K<sub>2</sub>” gombot (Super Cool módválasztó) a kikapcsoláshoz.



## MEGJEGYZÉS

1. Super Cool állapotban a hűtő hőmérséklete nem állítható be. Ha megnyomja a „K<sub>4</sub>” („-” hőmérséklet-beállító gomb) vagy a „K<sub>5</sub>” („+” hőmérséklet-beállító gomb) gombot a hűtőszekrény hőmérsékletének a beállításához, a „B” (Super Cool jelzőfény) villogni kezd hangjelzés kíséretében, jelezve, hogy ez a művelet nem hajtható végre.
2. Super Cool üzemmódban az Auto-set funkció nem kapcsolható be egyszerre a különböző vezérlési módok miatt. Ha kiválaszt egy olyan funkciót, amely ütközik egy másik funkcióval, az eredeti funkció automatikusan kikapcsol.
3. A funkció 6 óra elteltével automatikusan kikapcsol.

## Super Freeze funkció

1. Feloldott kijelző mellett nyomja meg a „K<sub>3</sub>” gombot (Super Freeze funkcióválasztó), a csengő egyszer cseng, a „C” jelzőfény (Super Freeze funkció) pedig világitásba kezd, majd bekapcsol a Super Freeze funkció.
2. A „C” jelzőfény (Super Freeze funkció) világitása mellett nyomja meg a „K<sub>3</sub>” gombot (Super Freeze funkcióválasztó), a csengő egyszer cseng, a „C” jelzőfény (Super Freeze funkció) kikapcsol, és kikapcsol a Super Freeze funkció.
3. A Super Freeze funkció bekapcsolása után a hűtőszekrény automatikusan kikapcsol, amikor eléri a beállított hőmérsékletet. Ha manuálisan szeretné kikapcsolni a funkciót, nyomja meg a „K<sub>3</sub>” gombot (Super Freeze módválasztó) a kikapcsoláshoz.





## MEGJEGYZÉS

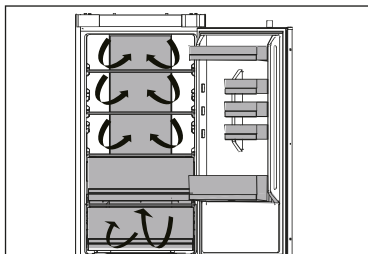
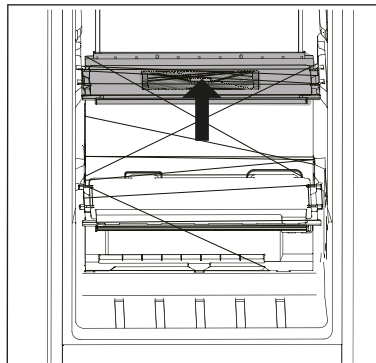
1. Super Freeze állapotban a fagyasztó hőmérséklete nem állítható be. Ha megnyomja a „K<sub>4</sub>” („-” hőmérséklet-beállító gomb) vagy a „K<sub>5</sub>” („+” hőmérséklet-beállító gomb) gombot a fagyasztó hőmérsékletének a beállításához, a „C” (Super Freeze jelzőfény) villogni kezd hangjelzés kíséretében, jelezve, hogy ez a művelet nem hajtható végre.
2. A Super Freeze funkció a fagyasztott élelmiszerek tápértékének megőrzésére szolgál, és a legrövidebb idő alatt lefagyasztja az ételt. Használhatja a funkciót, amikor egyszerre nagy mennyiségű fagyasztott élelmiszert kell lefagyasztani. Mindazonáltal a Super Freeze funkciót 24 órával előre be kell állítani, hogy a fagyasztó viszonylag alacsony hőmérsékletű legyen, amikor behelyezi az ételt. Ekkor a fagyasztó fagyasztási sebessége javul, az élelmiszerek gyorsan lefagyaszthatók, az élelmiszerek tápanyagtartalma hatékonyan megőrizhető, és a tárolás kényelmesebbé válik.
3. A Super Freeze funkció 50 óra elteltével automatikusan kikapcsol, és a készülék az előzőleg beállított hőmérsékleten működik tovább.

## Humidity Zone fiók

Ebben a rekeszben a páratartalom meghaladja a hűtőrekesz páratartalmát. Ezt a rendszer automatikusan vezérli, és a rekesz megfelelő gyümölcsök, zöldségek, saláták stb. tárolására.

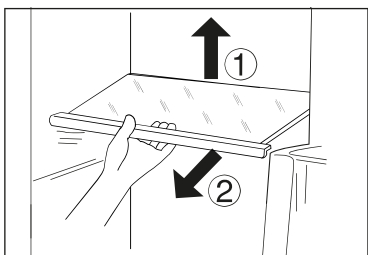
### **i** MEGJEGYZÉS

1. Ne távolítsa el a műanyag fedelet a zónán belül.
2. Ezek segítenek a páratartalom fenntartásában.
3. A hidegre érzékeny gyümölcsöket, például ananászt, avokádót, banánt, grapefruitot nem ajánlott ebben a fiókban tárolni.



### Többirányú légáramlás

1. A hűtőszekrény többirányú légáramlási rendszerrel van felszerelve, amely hűvös légárammal látja el az összes polcszintet. Ez segít az egységes hőmérséklet megőrzésében a készülékben, így az étel hosszabb ideig frissebb maradhat.



### Állítható polcok

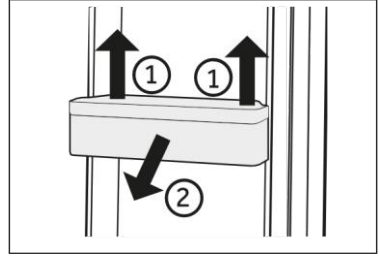
1. A polcok magasságát az Ön tárolási igényeihez igazíthatja.
2. Egy polc áthelyezéséhez először emelje fel a hátsó szélét **1**, majd húzza ki a polcot **2**.
3. A visszaszereléshez helyezze mindkét oldalon a fűlekre, és tolja a leghátsó helyzetbe, amíg a polc hátulja nem rögzül az oldalsó nyílásokban

### **i** MEGJEGYZÉS

Győződjön meg arról, hogy a polc mindegyik éle vízszintesen helyezkedik el.

### Levehető ajtópolcok/palacktartó

1. Az ajtó polcai tisztítás céljából eltávolíthatók:
2. Tegye a kezét az állvány két oldalára, emelje fel ①, majd húzza ki a polcot ②.
3. Az ajtópolc behelyezéséhez hajtsa végre a fenti lépéseket fordított sorrendben.

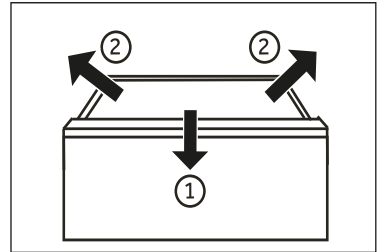


### MEGJEGYZÉS

Amikor a készüléket bekapcsolja, akár 12 órát is igénybe vehet a megfelelő hőmérséklet elérése.

### Eltávolítható fiók

- A fiók eltávolításához húzza ki azt a végpontig ①, majd emelje fel és vegye ki ②.
- A fiók behelyezéséhez hajtsa végre a fenti lépéseket fordított sorrendben.



### A világítás

A LED-es belső világítás bekapcsol az ajtó nyitásakor. A lámpák teljesítményét a készülék semmilyen egyéb beállítása nem befolyásolja.



## Energiatakarékossági tippek

- ▶ Bizonyosodjon meg arról, hogy a készülék megfelelő szellőzéssel rendelkezik (lásd BESZERELÉS).
- ▶ Ne szerelje be a készüléket közvetlen napsugárzásnak kitett helyre vagy hőforrások (pl. kályhák, fűtőberendezések) közelébe.
- ▶ Kerülje a szükségtelenül alacsony hőmérsékletet a készülékben. Minél alacsonyabb hőmérsékletet állít be, annál jobban növekszik az energiafogyasztás.
- ▶ Az olyan funkciók, mint a Super Freeze, magasabb energiafogyasztást eredményeznek.
- ▶ Mielőtt a készülékbe tenné, hagyja, hogy a meleg élelmiszer kihűljön.
- ▶ Minél kevésbé és minél rövidebb ideig nyissa ki a készülék ajtaját.
- ▶ Ne töltsé túlságosan meg a készüléket, mivel ez akadályozza a légáramlást.
- ▶ Kerülje, hogy levegő legyen az élelmiszerek csomagolásában.
- ▶ Az ajtótmítéseket tartsa tisztán, hogy az ajtó mindig megfelelően becsukódhasson.
- ▶ A fagyos élelmiszert a hűtőrekeszben olvassza ki.
- ▶ Az energiatakarékosság szempontjából leghatékonyabb konfiguráció biztosításához a készüléknek gyári állapotú és tisztaságú fiókokra, élelmiszerdobozokra, polcokra van szüksége, és az élelmiszert úgy kell elhelyezni, hogy az a legkevésbé korlátozza a levegőáramlást a légcsatorna levegőkimeneteinél.



## FIGYELMEZTETÉS!

Tisztítás előtt válassza le a hálózatról a készüléket.

### Tisztítás

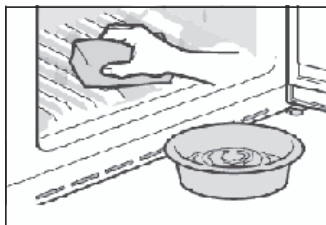
Akkor tisztítsa meg a készüléket, amikor kevés vagy semmilyen élelmiszer nem található benne.

A készüléket tisztítsa meg négyhetente a megfelelő karbantartás jegyében, illetve megelőzendő a kellemetlen élelmiszer illatok kialakulását.



## FIGYELMEZTETÉS!

- ▶ Ne tisztítsa a készüléket keménysörtés kefékkel, drótkefékkel, mosóporral, benzinnel, amid-acetáttal, acetonnal és hasonló szerves oldatokkal, valamint savas vagy lúgos oldatokkal. A károsodások elkerülése érdekében a hűtőszekrény tisztítását speciális, adott célra kialakított tisztítószerrel végezze.
- ▶ Tisztítás közben ne permetezze vagy öblítse le a készüléket.
- ▶ Ne használjon vízpermetet vagy gőzt a készülék tisztításához.
- ▶ A hideg üvegpolicokat ne tisztítsa forró vízzel. A hirtelen hőmérséklet-változás nyomán az üveg megrepedhet.
- ▶ Ne érintse meg a fagyasztórekesz belső felületét, különösen nedves kézzel, mert a keze a felülethez fagyhat.
- ▶ Felmelegítés esetén ellenőrizze a fagyasztott áruk állapotát.



- ▶ Mindig tartsa tisztán az ajtótomítést.
- ▶ Tisztítsa meg a készülék belsejét és burkolatát meleg vízzel és semleges tisztítószerrel átnedvesített szivaccsal.
- ▶ 1. Tisztítsa meg a hűtőszekrény belsejét és külsejét, beleértve az ajtótomítést, az ajtópolcot, az üvegpolicokat, a dobozokat és így tovább, puha törőlkendővel vagy meleg vízbe mártott szivaccsal (a művelethez a meleg vízbe elegyíthet semleges tisztítószer).
- ▶ 2. Ha folyadék ömlött ki, távolítsa el az összes szennyezett alkatrészt, öblítse át ezeket közvetlenül folyó víz alatt, majd szárítsa meg és tegye vissza az alkatrészeket a hűtőbe.
- ▶ 3. Krémszerű termékek (például tejszín, olvadó jégkrém) kiömlése esetén, kérjük, távolítsa el az összes szennyezett alkatrészt, helyezze adott időtartamra meleg, kb. 40 °C-os vízbe, majd öblítse át folyó vízzel, szárítsa meg, és tegye vissza a hűtőszekrénybe.
- ▶ 4. Abban az esetben, ha egy kisebb alkatrész vagy alkotóelem reked a hűtőszekrény belsejébe (a polcok vagy fiókok közé), az eltávolításához kis puha kefével használjon. Ha az alkatrész nem elérhető, kérjük, vegye fel a kapcsolatot a Haier szervizzel
- ▶ Öblítse le a felületeket, majd törölje szárazra egy puha törőlkendővel.
- ▶ A készülék egyetlen részét vagy tartozékát se tisztítsa mosogatógépből.

- ▶ A készülék újraindítása előtt várjon legalább 5 percet, mivel a készülék gyakori indítása során károsodhat a kompresszor.

### Leolvasztás

A hűtőszekrény és a fagyasztórekeszek kiolvasztása automatikusan történik: nincs szükség felhasználói beavatkozásra.

### A LED-es lámpák cseréje



## FIGYELMEZTETÉS!

Ne tegyen kísérletet a LED-es lámpák saját kezű cseréjére, ezeket csak a gyártó vagy a hivatalos szerviz munkatársa cserélheti ki.

A lámpa fényforrása LED alapú, amely alacsony fogyasztást és hosszú élettartamot szavatol. Bármilyen rendellenesség esetén vegye fel a kapcsolatot az ügyfélszolgálattal. Lásd az ÜGYFÉLSZOLGÁLAT részt.

A lámpák paraméterei:

A hűtőszekrény rekesze: 12 V max. 2 W

A fagyasztó rekeszei: 12 V max. 2 W

### Hosszabb használaton kívüli időszak

Ha hosszabb ideig nem használja a készüléket, ÉS nem szeretné használni a Holiday funkciót:

Vegye ki az ételt.

Húzza ki a tápkábelt.

Tisztítsa meg a készüléket a fent leírtak szerint.

A kellemetlen szagok készüléken belüli megjelenésének elkerülése érdekében hagyja nyitva az ajtókat.



## MEGJEGYZÉS

Csak akkor kapcsolja ki a készüléket, ha feltétlenül szükséges.

### A készülék mozgatása

1. Távolítsa el az összes élelmiszert, és húzza ki a készülék csatlakozódugóját.
2. Rögzítse a polcokat és az egyéb mozgatható alkatrészeket a hűtőben és a fagyasztóban szigetelőszalaggal.
3. A hűtőrendszer károsodásának az elkerülése érdekében ne döntse meg a hűtőberendezést 45°-nál nagyobb szögben.



## FIGYELMEZTETÉS!

- ▶ Ne emelje a készüléket a fogantyúitól.
- ▶ Soha ne fektesse a készüléket vízszintesen a földre.

Sok felmerülő problémát saját maga is megoldhat speciális szakértelem nélkül. Probléma felmerülése esetén ellenőrizze az összes felsorolt lehetőséget, és kövesse az alábbi utasításokat, mielőtt felvenné a kapcsolatot egy ügyfélszolgálatl. Lásd az ÜGYFÉLSZOLGÁLAT részt.



## FIGYELMEZTETÉS!

- ▶ Karbantartás előtt kapcsolja ki a készüléket, és húzza ki a hálózati dugaszt a hálózati aljzathoz.
- ▶ Az elektromos berendezéseket csak szakképzett villamossági szakemberek szervizelhetik, mert a nem megfelelő javítások jelentős károkat okozhatnak.
- ▶ Sérült tápkábel esetén a veszély elkerülése érdekében cseréltesse ki azt a gyártóval, a gyártó szervizközpontjával vagy más szakemberrel.

Probléma	Lehetséges ok	Lehetséges megoldás
A kompresszor nem működik.	<ul style="list-style-type: none"> <li>• A hálózati dugasz nem csatlakozik a hálózati aljzathoz.</li> <li>• A készülék leolvasztási ciklust végez</li> </ul>	<ul style="list-style-type: none"> <li>• Csatlakoztassa a hálózati csatlakozódugót.</li> <li>• Ez természetes jelenség automatikus leolvasztásnál</li> </ul>
A készülék gyakran bekapcsol vagy túlságosan hosszú ideig üzemel.	<ul style="list-style-type: none"> <li>• A beltéri vagy kültéri hőmérséklet túl magas.</li> <li>• A készülék hosszabb ideig kikapcsolt állapotban volt.</li> <li>• Egy ajtó a készülékben nem záródik megfelelően.</li> <li>• Az ajtót túlságosan gyakran nyitotta ki, vagy túlságosan sokáig tartotta nyitva.</li> <li>• A fagyasztórekesz hőmérsékletének a beállítása túl alacsony.</li> <li>• Az ajtó tömitése szennyezett, kopott, repedt vagy nem megfelelő.</li> <li>• A szükséges szellőzés nem biztosított.</li> </ul>	<ul style="list-style-type: none"> <li>• Ebben az esetben természetes, hogy a készülék üzemideje megnövekedett.</li> <li>• Normál esetben 8 és 12 óra közötti időtartam szükséges a készülék teljes lehüléséhez.</li> <li>• Csukja be az ajtót/fiókot, és bizonyosodjon meg arról, hogy a készülék egyenes felületen található, és hogy élelmiszer vagy tárolóedény nem akadályozza az ajtó záródását.</li> <li>• Ne nyissa ki az ajtót/fiókot túl gyakran.</li> <li>• Állítsa a hőmérsékletet magasabbra, amíg a hűtőszekrény hőmérséklete megfelelő nem lesz. A hűtőszekrény hőmérsékletének a stabilizálódása 24 órát vesz igénybe.</li> <li>• Tisztítsa meg az ajtó/fiók tömitését, vagy cserélje ki ezt az ügyfélszolgálat bevonásával.</li> <li>• Bizonyosodjon meg arról, hogy megfelelő a szellőzés.</li> </ul>

Probléma	Lehetséges ok	Lehetséges megoldás
A hűtőberendezés belső része szennyezett és/vagy kellemetlen szagú.	<ul style="list-style-type: none"> <li>A hűtőszekrény belső részét tisztítást igényel.</li> <li>Erős illatú élelmiszer tárol a hűtőberendezésben.</li> </ul>	<ul style="list-style-type: none"> <li>Tisztítsa meg a hűtőszekrény belső részét.</li> <li>Alaposan csomagolja be az élelmiszert.</li> </ul>
Nincs elég hideg a készülék belsejében.	<ul style="list-style-type: none"> <li>A beállított hőmérséklet túl magas.</li> <li>Túl meleg árukat helyezett a készülékbe.</li> <li>Túl sok ételt helyezett egyszerre a készülékbe.</li> <li>Az élelmiszert egymáshoz túl közel helyezte.</li> <li>Egy ajtó/fiók a készülékben nem záródik megfelelően.</li> <li>Az ajtót/fiókot túlságosan gyakran nyitotta ki, vagy túlságosan sokáig tartotta nyitva.</li> </ul>	<ul style="list-style-type: none"> <li>Állítsa vissza a hőmérsékletet.</li> <li>Tárolás előtt mindig hagyja lehűlni az élelmiszert.</li> <li>Az élelmiszereket mindig kis mennyiségben helyezze be.</li> <li>Hagyjon rést az élelmiszerek között, ami lehetővé teszi a levegő áramlását.</li> <li>Csukja be az ajtót/fiókot.</li> <li>Ne nyissa ki az ajtót/fiókot túl gyakran.</li> </ul>
Túl hideg van a készülék belsejében.	<ul style="list-style-type: none"> <li>A beállított hőmérséklet túl alacsony.</li> <li>A Super Freeze/Super Cool funkció aktív, vagy túl sokáig működik.</li> </ul>	<ul style="list-style-type: none"> <li>Állítsa vissza a hőmérsékletet.</li> <li>Kapcsolja ki a Super Freeze/Super Cool funkciót</li> </ul>
Pára csapódik le a hűtőrekesz belső részén.	<ul style="list-style-type: none"> <li>Az éghajlat túl meleg vagy túl nedves.</li> <li>Egy ajtó/fiók a készülékben nem záródik megfelelően.</li> <li>Az ajtót/fiókot túlságosan gyakran nyitotta ki, vagy túlságosan sokáig tartotta nyitva.</li> <li>Étel- vagy folyadéktárolók nyitott állapotban maradtak a hűtőben.</li> </ul>	<ul style="list-style-type: none"> <li>Növelje a hőmérsékletet.</li> <li>Csukja be az ajtót/fiókot.</li> <li>Ne nyissa ki az ajtót/fiókot túl gyakran.</li> <li>A forró élelmiszereket hagyja szobahőmérsékletre hűlni, illetve fedje le az élelmiszereket és folyadékokat.</li> </ul>
Nedvesség gyűlik fel a hűtőberendezés külső felületén vagy az ajtó/ajtók és a fiók között.	<ul style="list-style-type: none"> <li>Az éghajlat túl meleg vagy túl nedves.</li> <li>Az ajtó nincs megfelelően becsukva. A készülékben lévő hideg levegő és az azon kívüli meleg levegő páralecsapódást eredményez.</li> </ul>	<ul style="list-style-type: none"> <li>Ez természetes jelenség nedves éghajlati viszonyok között, és megszűnik, amint lecsökken a páratartalom.</li> <li>Bizonyosodjon meg arról, hogy megfelelően becsukta az ajtót/fiókot.</li> </ul>

Probléma	Lehetséges ok	Lehetséges megoldás
A kijelzőfény működik, de nincs hűtés.	<ul style="list-style-type: none"> <li>Demo módban van.</li> </ul>	<ul style="list-style-type: none"> <li>Kérjük, ellenőrizze, hogy milyen állapotban van, ha Demo módban van, lépjen ki belőle. Kilépés Nyissa ki a hűtőszekrény ajtaját, zárt állapotban, tartsa lenyomva 8 másodpercig a jobb oldalon lévő második gombot a bekapcsolást követő 12 órán belül.</li> </ul>
Vastagjég és zúzvara található a fagyasztó-rekeszben.	<ul style="list-style-type: none"> <li>Az élelmiszereket nem csomagolta be megfelelően.</li> <li>Egy ajtó/fiók a készülékben nem záródik megfelelően.</li> <li>Az ajtót/fiókot túlságosan gyakran nyitotta ki, vagy túlságosan sokáig tartotta nyitva.</li> <li>Az ajtó/fiók tömítése szennyezett, kopott, repedt vagy nem megfelelő.</li> <li>Valami belülről megakadályozza az ajtó/fiók megfelelő záródását.</li> </ul>	<ul style="list-style-type: none"> <li>Mindig csomagolja be alaposan az élelmiszereket.</li> <li>Csukja be az ajtót/fiókot.</li> <li>Ne nyissa ki az ajtót/fiókot túl gyakran.</li> <li>Tisztítsa meg az ajtó/fiók tömítését, vagy cserélje ki ezt újjal.</li> <li>Helyezze vissza a polcokat, az ajtópolcokat vagy belső tartályokat, hogy az ajtó/fiók becsukódhasson.</li> </ul>
A szekrény oldalai és az ajtó-tömítés felmelegedik.	<ul style="list-style-type: none"> <li>-</li> </ul>	<ul style="list-style-type: none"> <li>Ez természetes jelenség.</li> </ul>
A készülék rendellenes hangokat ad ki.	<ul style="list-style-type: none"> <li>A készülék nem vízszintes talajon helyezkedik el.</li> <li>A készülék hozzáér valamilyen körülötte lévő tárgyhöz.</li> </ul>	<ul style="list-style-type: none"> <li>Állítsa be a lábakat a készülék szintbe állításához.</li> <li>Távolítsa el a készülék mellett lévő tárgyakat.</li> </ul>
Az áramló vízhez hasonló halk hang hallható.	<ul style="list-style-type: none"> <li>-</li> </ul>	<ul style="list-style-type: none"> <li>Ez természetes jelenség.</li> </ul>
Riasztó hangjelzése hallható.	<ul style="list-style-type: none"> <li>A hűtőrekesz ajtója nyitva maradt.</li> </ul>	<ul style="list-style-type: none"> <li>Csukja be az ajtót.</li> </ul>
Halk zümmögés hallható.	<ul style="list-style-type: none"> <li>A kondenzációgátló rendszer működik</li> </ul>	<ul style="list-style-type: none"> <li>Ez megakadályozza a páralecsapódást és normális</li> </ul>

Probléma	Lehetséges ok	Lehetséges megoldás
A belső világítás vagy hűtőrendszer nem működik.	<ul style="list-style-type: none"> <li>• A hálózati dugasz nem csatlakozik a hálózati aljzathoz.</li> <li>• Az áramellátás nem megfelelő.</li> <li>• A LED-es lámpa meghibásodott.</li> </ul>	<ul style="list-style-type: none"> <li>• Csatlakoztassa a hálózati csatlakozódugót.</li> <li>• Ellenőrizze a helyiség áramellátását. Vegye fel a kapcsolatot a helyi áramszolgáltatóval!</li> <li>• Vegye fel a kapcsolatot a szervizzel a lámpa kicseréléséhez.</li> </ul>

A műszaki támogatással való kapcsolatfelvételhez látogasson el a következő webhelyre: <https://corporate.haier-europe.com/en/>

A „webhely” (website) rész alatt válassza ki a termék márkáját és országát. Az oldal átirányítja az adott webhelyre, ahol megtalálható a műszaki támogatás eléréséhez szükséges telefonszám és űrlap.

### Tápellátás megszakadása

Tápkimaradás esetén az élelmiszer biztonságos hidegben marad megközelítőleg 5 órán át. Hosszabb tápkimaradás esetén, különösen nyáron, kövesse az alábbi tippeket:

- ▶ Minél kevesebbszer nyissa ki az ajtót/fiókot.
- ▶ Tápkimaradás esetén ne tegyen további élelmiszereket a készülékbe.
- ▶ Ha a szolgáltató előzetesen tájékoztat a várható tápkimaradásról, és ha a tápkimaradás időtartama meghaladja az 5 órát, gyártson némi jeget, és helyezze a hűtőrekesz felső részébe.
- ▶ A megszakítást követően azonnal vizsgálja meg az élelmiszert.
- ▶ Mivel a hűtőszekrényben a hőmérséklet áramkimaradás vagy egyéb meghibásodás esetén emelkedni fog, a tárolási időtartam és az élelmiszer fogyaszthatósági időtartama lecsökken. Röviddel a kimaradást követően a kiolvadt élelmiszert fogyassza el, vagy főzze meg, és fagyassza le ismét (ha lehetséges) az egészségügyi kockázatok elkerülése érdekében.

### Memória funkció áramkimaradás esetén

Az áramellátás helyreállítása után a készülék az áramkimaradás előtt meghatározott beállításokkal folytatja a működést.

## Kicsomagolás

**FIGYELMEZTETÉS!**

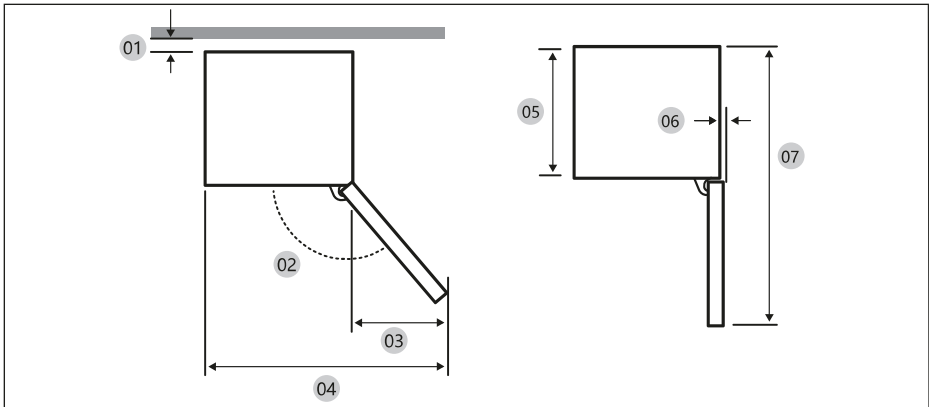
- ▶ A készülék nehéz. A készülék mozgatásához mindig legalább két személy szükséges.
- ▶ Tartson minden csomagolóanyagot gyermekektől elzárva, kiselejtezésüket pedig környezetbarát módon végezze.
- ▶ Vegye ki a készüléket a csomagolásból.
- ▶ Távolítsa el az összes csomagolóanyagot.

## Környezeti körülmények

A szobahőmérsékletnek mindig 10 °C és 43 °C között kell lennie, mivel befolyásolhatja a készülék belsejének hőmérsékletét és energiafogyasztását. Szigetelés nélkül ne telepítse a készüléket egyéb hőkibocsátó készülékek (sütők, hűtőgépek) közelébe.

## Helyigény

Szükséges hely nyitott ajtó mellett (szekrény ajtópanel nélkül)

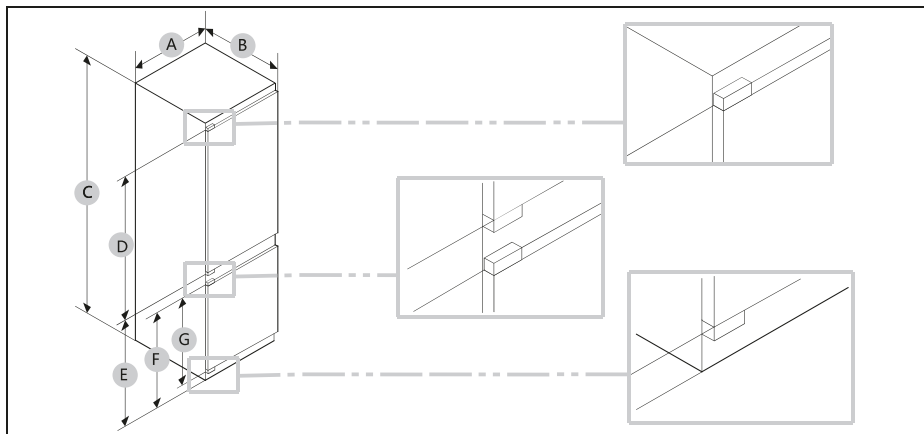


Modell	EHBQW5518E HBQW5518E HBQW5518EK HQE1855BCM EHQE1855BCM	HBQW5519E HBQW5519EK EBQW5519E EBQW5519ECM	HBQW5719E
01 *	10 (min.) / 30 (ajánlott)	10 (min.) / 30 (ajánlott)	10 (min.) / 30 (ajánlott)
02	95° (ajánlott)	95° (ajánlott)	95° (ajánlott)
03	43	43	55
04	583	583	745
05	515	515	515
06	-3	-3	-3
07	1060	1060	1210

\* 01: A szekrénytől a termék hátuljáig.

(mértékegység: mm)

## Termék méretei



Modell	A (mm)	B (mm)	C (mm)	D (mm)	E (mm)	F (mm)	G (mm)
EHBQW5518E HBQW5518E HBQW5518EK HQE1855BCMW EHQE1855BCMW	540±2	550±2	1772±2	970	745	662	618
HBQW5519E HBQW5519EK EHBQW5519E EHBQW5519ECM	540±2	550±2	1935±2	1133	745	662	618
HBQW5719E	690±2	550±2	1935±2	1133	745	662	618

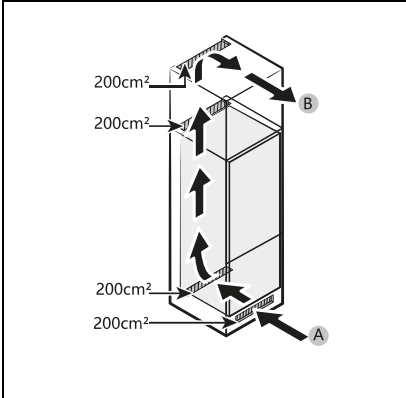


## MEGJEGYZÉS

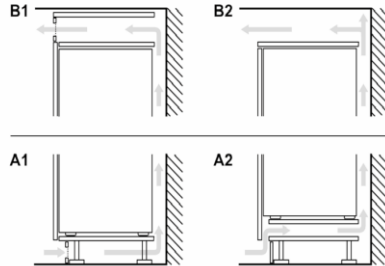
- A megadott energiafogyasztás a szekrény és a termék hátulja közötti 10 mm -es távolság meglétét feltételezi. A termék akkor is megfelelően működik, ha a távolság nem éri el a 10 mm -t, de ebben az esetben valamivel több energiát fogyaszt.
- Javasoljuk, hogy 18 mm -es vastagsággal rendelkező szekrényt használjon, amelynek zsanérjai 20 mm -nél vékonyabbak.
- A fenti táblázatban szereplő méretek a mérési módszertől függően eltérőek lehetnek.
- A beépített telepítés menetét illetően lásd a Telepítési útmutatót.

## Szellőzés keresztmetszet

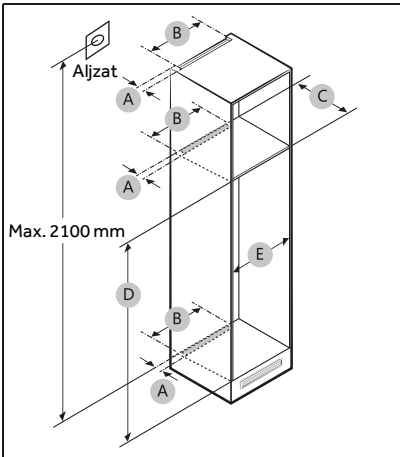
A készülék számára biztonsági okokból szükséges szellőzése érdekében kötelezően vegye figyelembe a szellőzés keresztmetszetére vonatkozó tájékoztatást.



- A:** Levegőbemenet  $\geq 200 \text{ cm}^2$ ; szellőzési lehetőségek  
**B:** Levegőkimenet  $\geq 200 \text{ cm}^2$ ; szellőzési lehetőségek



## Szekrény mérete



## VIGYÁZAT!

A jótállás nem terjed ki a termék alábbi okokból bekövetkező meghibásodására.

1. Nem megfelelő helyszíni feltételek vagy helytelen szekrényméret.
2. Hibás szekrény.
3. A beszerelést végző személy vagy a felhasználó által elkövetett hibák.

## Megfelelő távolság a berendezés körül

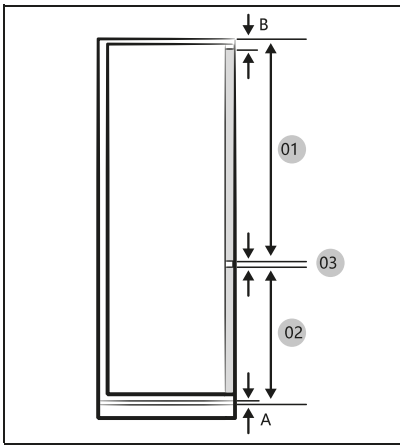
A telepítés helyigénye tekintetében lásd az alábbi ábrákat és táblázatokat.

Modell		A (mm)	B (mm)	C (mm)	D (mm)	E (mm)	Megjegyzés
EHBQW5518E HBQW5518E HBQW5518EK HQE1855BCMW EHQE1855BCMW	Min.	50	400	560	1778	560	Zsanér: 17 mm
	Ajánlott			580	1780	562	
	Max.			-	1782	568	
HBQW5519E HBQW5519EK EHBQW5519E EHBQW5519ECM	Min.	50	400	560	1940	560	Zsanér: 17 mm
	Ajánlott			580	1943	562	
	Max.			-	1945	568	
HBQW5719E	Min.	50	400	560	1941	710	Zsanér: 17 mm
	Ajánlott			580	1943	714	
	Max.			-	1945	718	



## MEGJEGYZÉS

- Ha a szekrény szélessége meghaladja az 568 mm-t, a tömítés (a hűtőszekrény és a szekrény között) meglazulhat.
- Ha a szekrény magassága meghaladja a maximális méretet (1782 mm), akkor más anyagokkal kell kitöltenie a rést. (EHBQW5518E / HBQW5518E / EK / EHQE / HQE1855BCMW esetén)
- Ha a szekrény magassága meghaladja a maximális méretet (1945 mm), akkor más anyagokkal kell kitöltenie a rést. (HBQW5519E / EK / EHBQW5519E / ECM esetén)



## MEGJEGYZÉS

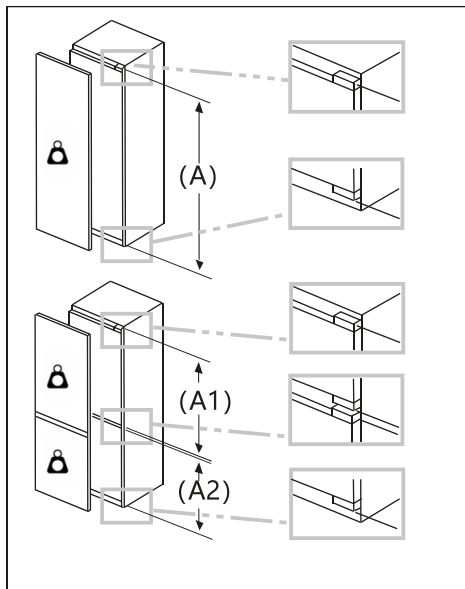
A 4 mm-es hézagot (03) igénylő szekrény beszereléséhez lásd az alábbi szekrény referenciatáblázatot.

- A Az előlap alsó széle a szellőzési légrés felett  
B Előlap túlnyúlása

(mértékegység: mm)

Modell	EHBQW5518E HBQW5518E HBQW5518EK HQE1855BCMW EHQE1855BCMW	HBQW5519E HBQW5519EK EHBQW5519E EHBQW5519ECM HBQW5719E
01	Min. 1028+B Max. 1106+B	Min. 1191+B Max. 1269+B
02	Min. 662+A Max. 740+A	Min. 662+A Max. 740+A
03	4 mm (hűtő- és fagyasztó szekrényajtó panel rése)	

## Az egység előlapjainak maximális megengedett tömege

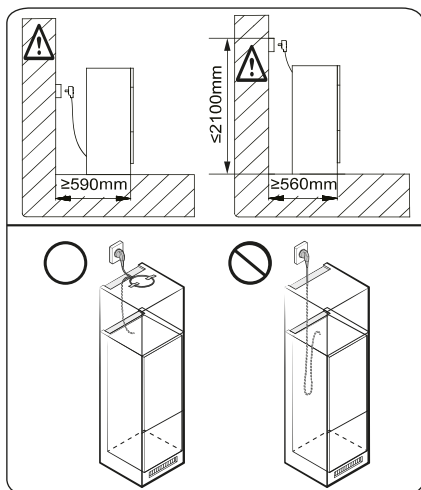


A megengedett tömeget meghaladó egység előlapok károsíthatják a zsanérokat, és funkcionális rendellenességet okozhatnak.

 Tömeg  
(kg)

1500-1750 mm	22
720-1400 mm	19
A1	15
A2	15

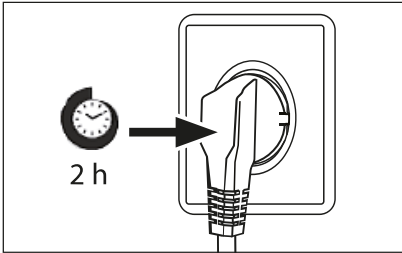
## Az aljzat helyét és a szükséges távolságot illető követelmények



### MEGJEGYZÉS

Ha a hűtőszekrényt 560 mm mély szekrénybe szereli, győződjön meg róla, hogy a tápkábel a hűtőszekrény oldalán van elhelyezve, mielőtt a terméket csatlakoztatná a hálózati aljzathoz. Ha a tápkábel a hűtőszekrény hátuljánál található, az csökkentheti az energiahatékonyságot.

## Várakozási idő



Karbantartásmentes kenőolaj található a kompresszorban kialakított gyűjtőedényben. Ferde szállítás esetén ez az olaj a zárt csőrendszerbe juthat. Mielőtt tápellátáshoz csatlakoztatná a készüléket, mindenképpen várjon legalább 2 órát, hogy az olaj visszajusson a gyűjtőedénybe.

## Elektromos csatlakoztatás

Minden egyes csatlakoztatás előtt ellenőrizze az alábbiakat:

- ▶ tápellátás, aljzat és biztosíték megfelelősége az adattáblán szereplő adatoknak;
- ▶ a tápaljzat földeléssel rendelkezik, és nem használ többcsatlakozós hosszabbítót a tápellátáshoz;
- ▶ a tápdugasz és az aljzat teljes mértékben illeszkedik egymáshoz.

Csatlakoztassa a csatlakozódugót egy megfelelően beépített háztartási aljzathoz.



## FIGYELMEZTETÉS!

A kockázatok elkerülése érdekében a sérült tápkábelt kötelezően ki kell cserélni, ezt pedig csak az ügyfélszolgálat munkatársa végezheti el (lásd a jótállási jegyet).

Az (EU) 2019/2016 előírásnak megfelelő termékadatlap

Márka	Haier		
Modellnév/azonosító	EHBQW5518E HBQW5518E HBQW5518EK HQE1855BCMW EHQE1855BCMW	HBQW5519E HBQW5519EK EHBQW5519E EHBQW5519ECM	HBQW5719E
Modellkategória	Hűtő- fagyasztó		
Energiahatékonysági osztály	E	E	E
Éves energiafogyasztás (kWh/év) (1)	229	229	259
Össztérfogat (l)	268	285	382
Hűtőszekrény térfogata (l)	194	211	281
Fagyasztó térfogata (l)	74	74	101
Hűtőrekesz térfogata (l)	/	/	/
Automatikus jégkészítő térfogata (l)	/	/	/
Csillaggal történő megjelölés	4	4	4
Egyéb rekeszek hőmérséklete > 14 °C	Nem vonatkozik		
Fagymentes rendszer	Igen		
Fagyasztási kapacitás (kg/24 ó)			
Éghajlati besorolás (2)	SN/N/ST/T	SN/N/ST/T	SN/N/ST/T
Zajkibocsátási osztály és levegőben terjedő akusztikus zajkibocsátás (db(A) <sub>re1pW</sub> )	B(35)	B(35)	B(33)
Hőmérséklet -emelkedési idő (ó)	12	12	9
Jégkészítési kapacitás	/	/	/
A berendezés típusa	Beépített		

Modellnév	Energiahatékonysági osztály
EHBQW5518E HBQW5518E HBQW5518EK HQE1855BCMW EHQE1855BCMW	E
HBQW5519E HBQW5519EK EHBQW5519E EHBQW5519ECM HBQW5719E	E

Magyarázatok:

- Igen, támogatott

(1) 24 órás szabványos megfelelőségi vizsgálat eredményei alapján. A tényleges fogyasztás függ a készülék használatától és helyétől.

(2) SN éghajlati besorolás: A készüléket +10 °C és +32 °C közötti környezeti hőmérsékleten való használatra tervezték

N éghajlati besorolás: A készüléket +16 °C és +32 °C közötti környezeti hőmérsékleten való használatra tervezték

ST éghajlati besorolás: A készüléket +16 °C és +38 °C közötti környezeti hőmérsékleten való használatra tervezték

T éghajlati besorolás: A készüléket +16 °C és +43 °C közötti környezeti hőmérsékleten való használatra tervezték

### Kiegészítő műszaki adatok

Feszültség / Frekvencia	220-240 V váltóáram / 50 Hz
Bemeneti áramerősség (A)	1.2/1.6
Fő biztosíték (A)	16
Hűtőfolyadék	R600a
Méretek (Ma/Sz/Mé mm-ben)	EHBQW5518E/ HBQW5518E/ EK EHQE/ HQE1855BCMW: 1773/540/555
	HBQW5519E/ EK/ EHBQW5519E/ ECM: 1935/540/555
	EHBQW5719E : 1935/690/550

Figyelmébe ajánljuk a Haier ügyfélszolgálat és az eredeti pótalkatrészek igénybe vételét.

Ha probléma merül fel a készülékkel, először tekintse át a HIBAELHÁRÍTÁS részt.

Ha ebben nem talál megoldást, lépjen kapcsolatba

- ▶ a helyi márkakereskedővel vagy
- ▶ európai telefonos ügyfélszolgálati központunkkal (lásd alább a felsorolt telefonszámokat) vagy
- ▶ a [www.haier.com](http://www.haier.com) oldalon található Szerviz és támogatás (Service & Support) területen, ahol aktiválhatja a szervizelési igényt, illetve megtalálhatja a GYIK oldalt.

A szerviz szolgáltatásunkkal való kapcsolatfelvétel előtt bizonyosodjon meg arról, hogy elérhetők az alábbi adatok.

Az információ az adattáblán található.

Modell \_\_\_\_\_

Sorozatszám \_\_\_\_\_

Jótállási igény felmerülése esetén ellenőrizze a termékhez mellékelt jótállási kártyát is.

Európai telefonos ügyfélszolgálati központ		
Ország*	Telefonszám	Költségek
Haier Italy (IT)	199 100912	
Haier Spain (ES)	902 509 123	
Haier Germany (DE)	0180 5 39 39 99	<ul style="list-style-type: none"> <li>• 14 cent/perc vezetékes</li> <li>• max. 42 cent/perc mobil</li> </ul>
Haier Austria (AT)	0820 001205	<ul style="list-style-type: none"> <li>• 14,53 cent/perc vezetékes</li> <li>• max. 20 cent/perc összes egyéb</li> </ul>
Haier United Kingdom (UK)	0333 003 8122	
Haier France (FR)	0980 406 409	

\* További országokért látogasson el a [www.haier.com](http://www.haier.com) oldalra

Haier Europe Trading S.r.l

Branch UK

Westgate House, Westgate, Ealing

London, W5 1YY

\*A hűtőszekrény jótállásának időtartama:

Minimális jótállás: 2 év az uniós tagállamokban, 3 év Törökországban, 1 év az Egyesült Királyságban, 1 év Oroszországban, 3 év Svédországban, 2 év Szerbiában, 5 év Norvégiában, 1 év Marokkóban, 6 hónap Algériában, Tunézia nincs kötelező jogi jótállás.

\*A készülék javításához szükséges pótalkatrészek rendelkezésre állásának időtartama:

Termosztátok, hőmérséklet érzékelők, nyomtatott áramköri lapok és fényforrások legalább hét évig elérhetők a piacra bocsátott utolsó modelltől számítva.

Ajtófogantyúk, ajtópántok, tálcák és kosarak legalább hét évig, míg ajtótmítések legalább 10 évig elérhetők a piacra bocsátott utolsó modelltől számítva.

\*A termékre vonatkozó további tájékoztatás ügyében tekintse meg a <https://eprel.ec.europa.eu/> oldalt, vagy olvassa be a készüléken elhelyezett, energiafogyasztást jelölő címkén lévő QR-kódot.



**Haier**



2024, A verzió

# Haier

## Manuale dell'utente

### Frigorifero - Congelatore

EHBQW5518E

HBQW5518E

HBQW5518EK

HQE1855BCMW

EHQE1855BCMW

HBQW5519E

HBQW5519EK

EHBQW5519E

EHBQW5519ECM

HBQW5719E

IT

<u>4</u>	<u>Informazioni per la sicurezza</u>	
		<u>Operazioni preliminari al primo utilizzo</u> 5
		<u>Installazione</u> 5
		<u>Utilizzo quotidiano</u> 6
		<u>Informazioni sul gas refrigerante</u> 8
<u>9</u>	<u>Us</u>	
<u>10</u>	<u>Descrizione del prodotto</u>	
<u>12</u>	<u>Pannello di controllo</u>	
<u>13</u>	<u>Utilizzo</u>	<u>Blocco e sblocco del pannello</u> 13
		<u>Regolazione della temperatura del frigorifero</u> 13
		<u>Regolazione della temperatura del congelatore</u> 14
		<u>Funzione Wi-Fi</u> 15
		<u>Funzione Holiday</u> 15
		<u>Funzione Super Cool</u> 16
		<u>Funzione Super Freeze</u> 16
<u>18</u>	<u>Dotazioni</u>	
<u>20</u>	<u>Suggerimenti per il risparmio energetico</u>	
<u>21</u>	<u>Cura e pulizia</u>	
<u>23</u>	<u>Soluzione dei problemi</u>	
<u>27</u>	<u>Installazione</u>	
<u>34</u>	<u>Dati tecnici</u>	
<u>36</u>	<u>Assistenza clienti</u>	

## Grazie per aver acquistato un prodotto Haier.

Leggere attentamente queste istruzioni prima di utilizzare l'elettrodomestico. Le istruzioni contengono informazioni importanti per ottimizzare l'uso dell'elettrodomestico e garantire l'installazione, l'uso e la manutenzione sicuri e corretti.

Conservare il presente manuale in un luogo comodo, in modo da poterlo sempre consultare per un uso sicuro e corretto dell'elettrodomestico.

Se l'elettrodomestico viene venduto, ceduto o abbandonato in caso di trasloco, trasferire anche il presente manuale in modo che il nuovo proprietario possa comprendere l'uso dell'elettrodomestico e delle avvertenze di sicurezza.

## Accessori

Controllare gli accessori e la documentazione in base al seguente elenco:



**AVVERTENZA -****Informazioni importanti per la sicurezza**

---

**AVVISO - Informazioni generali e consigli**

---

**Informazioni ambientali**

---

**Smaltimento**

Contribuire a proteggere l'ambiente e la salute umana. Collocare l'imballo in appositi contenitori affinché venga riciclato. Contribuire al riciclo dei rifiuti delle apparecchiature elettriche ed elettroniche. Non smaltire gli elettrodomestici contrassegnati con questo simbolo assieme ai rifiuti domestici. Conferire il prodotto presso la struttura di riciclo locale o rivolgersi all'ufficio comunale preposto.

---

**AVVERTENZA!**

Pericolo di lesioni o soffocamento!

I refrigeranti e i gas devono essere smaltiti in maniera professionale. Accertarsi che la tubazione del circuito del refrigerante non sia danneggiata prima di smaltirla correttamente. Scollegare l'elettrodomestico dalla rete elettrica. Tagliare il cavo di alimentazione e smaltirlo. Rimuovere vassoi e cassette, fermaporte e guarnizioni, per evitare che bambini e animali domestici rimangano chiusi nell'elettrodomestico.

**Prima di accendere l'elettrodomestico per la prima volta, leggere i seguenti consigli sulla sicurezza:**



## **AVVERTENZA!**

### **Operazioni preliminari al primo utilizzo**

- ▶ Accertarsi dell'assenza di danni dovuti al trasporto.
- ▶ Per garantire la totale efficienza del circuito del refrigerante, attendere almeno due ore prima di installare l'elettrodomestico.
- ▶ L'elettrodomestico deve essere maneggiato sempre da almeno due persone perché è pesante.
- ▶ Rimuovere tutti i materiali di imballo, tenerli fuori dalla portata dei bambini e smaltirli nel rispetto dell'ambiente.
- ▶ Pulire l'interno e l'esterno dell'elettrodomestico con acqua e un detersivo delicato prima di inserire gli alimenti.
- ▶ Dopo l'installazione a livello e la pulizia, attendere almeno 2-5 ore prima di collegare l'elettrodomestico all'alimentazione elettrica. Vedere la sezione **INSTALLAZIONE**.
- ▶ Prima di caricare gli alimenti, preraffreddare i compartimenti con impostazioni elevate. La funzione Power-Freeze serve a raffreddare rapidamente i compartimenti.
- ▶ La temperatura del frigorifero e del congelatore viene impostata automaticamente a 5 °C e -18 °C rispettivamente. Queste impostazioni sono quelle consigliate. È possibile, tuttavia, cambiare manualmente queste temperature. Vedere **REGOLAZIONE DELLA TEMPERATURA**.

### **Installazione**

- ▶ Installare l'elettrodomestico in un luogo asciutto e ben ventilato. Lasciare uno spazio libero di almeno 10 cm sopra e attorno all'elettrodomestico.
- ▶ Non collocare mai l'elettrodomestico in zone umide o soggette a schizzi d'acqua. Pulire e asciugare schizzi e macchie d'acqua con un panno morbido e pulito.
- ▶ Non installare l'elettrodomestico esposto alla luce diretta del sole o in prossimità di fonti di calore (ad es. stufe o radiatori).
- ▶ Installare l'elettrodomestico a livello in un'area adatta alle dimensioni e all'uso.
- ▶ Le aperture di ventilazione nell'elettrodomestico o nella struttura a incasso devono rimanere sempre libere.
- ▶ Accertarsi che i dati elettrici sulla targhetta siano conformi all'alimentazione elettrica. In caso contrario, rivolgersi a un elettricista.
- ▶ L'elettrodomestico funziona con corrente elettrica 220-240 Vca / 50 Hz. Oscillazioni anomale della tensione possono causare il mancato avvio dell'elettrodomestico, danni al controllo della temperatura o al compressore oppure rumori anomali durante il funzionamento. In tal caso, è opportuno montare un regolatore automatico.
- ▶ Non adoperare prese multiple o cavi di prolunga.
- ▶ Non collocare prese multiple o alimentatori portatili nella parte posteriore dell'elettrodomestico.



## AVVERTENZA!

- ▶ Accertarsi che il cavo di alimentazione non sia intrappolato dal frigorifero. Non calpestare il cavo di alimentazione.
- ▶ Per l'alimentazione elettrica utilizzare una presa separata collegata a terra e facilmente accessibile. L'elettrodomestico deve essere collegato a terra. Solo per il Regno Unito: il cavo di alimentazione dell'elettrodomestico è dotato di una spina a 3 conduttori (collegata a terra) adatta a una presa standard a 3 conduttori (collegata a terra). Non tagliare né smontare mai il terzo conduttore (collegamento a terra). Dopo l'installazione dell'elettrodomestico, la spina deve essere accessibile.
- ▶ Non danneggiare il circuito di refrigerazione.

### Utilizzo quotidiano

- ▶ Questo elettrodomestico può essere utilizzato da bambini di almeno 8 anni, da persone con ridotte capacità fisiche, sensoriali o mentali e da persone inesperte solo sotto stretta sorveglianza o se hanno appreso le modalità di utilizzo sicuro dell'elettrodomestico e sono consapevoli dei relativi pericoli.
- ▶ I bambini di età da 3 a 8 anni possono introdurre e prelevare alimenti dall'elettrodomestico, ma non devono pulirlo o installarlo.
- ▶ Tenere lontani dall'elettrodomestico i bambini di età inferiore a 3 anni, a meno che non siano costantemente sorvegliati.
- ▶ Impedire ai bambini di giocare con l'elettrodomestico.
- ▶ In caso di perdite di gas refrigerante o altri gas infiammabili in prossimità dell'elettrodomestico, chiudere la valvola del gas che fuoriesce, aprire porte e finestre e non staccare la spina del cavo di alimentazione del frigorifero o di altri elettrodomestici.
- ▶ Si noti che l'elettrodomestico è impostato per il funzionamento in un intervallo di temperatura ambiente specifico compreso tra 10 e 43 °C. L'elettrodomestico potrebbe non funzionare correttamente se lasciato per un lungo periodo a una temperatura superiore o inferiore all'intervallo indicato.
- ▶ Non collocare elementi instabili (oggetti pesanti, contenitori pieni d'acqua) sopra il frigorifero, per evitare lesioni personali dovute a cadute o scosse elettriche causate dal contatto con l'acqua.
- ▶ Non caricare eccessivamente i ripiani dello sportello. Lo sportello potrebbe deformarsi, il portabottiglie potrebbe fuoriuscire o l'elettrodomestico potrebbe rovesciarsi.
- ▶ Aprire e chiudere gli sportelli solo adoperando le maniglie. La distanza tra gli sportelli e tra gli sportelli e il mobile è molto limitata. Non allungare le mani in queste zone per evitare di schiacciarsi le dita. Aprire o chiudere gli sportelli del frigorifero solo quando non ci sono bambini nel raggio di movimento degli sportelli.
- ▶ Non conservare né utilizzare materiali esplosivi o corrosivi nell'elettrodomestico o nelle vicinanze.



## AVVERTENZA!

- ▶ Non conservare medicinali, batteri o sostanze chimiche nell'elettrodomestico. Questo apparecchio è un elettrodomestico. Si sconsiglia di conservare materiali che richiedono temperature rigide.
- ▶ Non riporre liquidi in bottiglie o lattine (né alcolici ad elevata gradazione), specialmente bevande gassate, nel congelatore, perché durante il congelamento potrebbero scoppiare.
- ▶ Se la temperatura del congelatore è aumentata, controllare lo stato degli alimenti.
- ▶ Non impostare una temperatura inutilmente bassa nel comparto frigorifero. Con impostazioni elevate possono crearsi temperature sotto zero. Attenzione: le bottiglie possono scoppiare.
- ▶ Non toccare i prodotti congelati con le mani bagnate (indossare i guanti). In particolare, non mangiare i ghiaccioli subito dopo averli tolti dal comparto congelatore. In caso contrario, potrebbe congelarsi la bocca e potrebbero formarsi vesciche da gelo. PRONTO SOCCORSO: collocare immediatamente la zona congelata sotto l'acqua fredda corrente. Non tirare via la zona congelata!
- ▶ Non toccare la superficie interna del comparto congelatore durante il funzionamento, soprattutto con le mani bagnate, poiché le mani potrebbero congelarsi sulla superficie.
- ▶ In caso di blackout o prima della pulizia, scollegare l'elettrodomestico. Attendere almeno 7 minuti prima di riavviare l'elettrodomestico, poiché un avvio frequente può danneggiare il compressore.
- ▶ Non adoperare dispositivi elettrici all'interno dei comparti dell'elettrodomestico destinati alla conservazione degli alimenti, a meno che non siano del tipo consigliato dal produttore.

### Manutenzione / pulizia

- ▶ Accertarsi che i bambini siano sorvegliati se effettuano la pulizia e la manutenzione.
- ▶ Scollegare l'elettrodomestico dalla rete elettrica prima di effettuare operazioni di manutenzione ordinaria. Attendere almeno 5 minuti prima di riavviare l'elettrodomestico, poiché un avvio frequente può danneggiare il compressore.
- ▶ Scollegare l'elettrodomestico tenendo la spina e non il cavo.
- ▶ Non pulire l'elettrodomestico con spazzole rigide, spazzole metalliche, detersivi in polvere, benzina, acetato di pentile, acetone e soluzioni organiche simili, soluzioni acide o alcaline. Per evitare danni, effettuare la pulizia con un detergente speciale per frigoriferi.
- ▶ Non raschiare via ghiaccio e brina con oggetti appuntiti. Non adoperare spray, riscaldatori elettrici (ad es. asciugacapelli) o altre fonti di calore per evitare danni ai componenti in plastica.



## AVVERTENZA!

- ▶ Non usare oggetti meccanici o utensili diversi da quelli consigliati dal produttore per accelerare lo sbrinamento.
- ▶ Se il cavo di alimentazione è danneggiato, deve essere sostituito dal produttore, da un tecnico dell'assistenza o da una persona con analogo qualifica per evitare rischi.
- ▶ Non cercare di riparare, smontare o modificare personalmente l'elettrodomestico. Per le riparazioni rivolgersi all'assistenza clienti.
- ▶ Eliminare la polvere sul retro dell'unità almeno una volta all'anno per scongiurare il rischio di incendio e limitare i consumi energetici.
- ▶ Non spruzzare o schizzare liquidi sull'elettrodomestico durante la pulizia.
- ▶ Per pulire questo elettrodomestico non utilizzare apparecchi a vapore.
- ▶ Non pulire i ripiani di vetro freddi con acqua calda. Un'improvvisa variazione della temperatura può causare la rottura del vetro.

## Informazioni sul gas refrigerante



### AVVERTENZA!

L'elettrodomestico contiene il refrigerante infiammabile ISOBUTANO (R600a). Accertarsi che il circuito del refrigerante non abbia subito danni durante il trasporto o l'installazione. Eventuali perdite di refrigerante possono causare lesioni oculari o incendi. In caso di danni, tenere lontane fonti di fiamme libere, ventilare perfettamente l'ambiente e non collegare o scollegare i cavi di alimentazione dell'elettrodomestico o di altri elettrodomestici. Informare l'assistenza clienti.

In caso di contatto con gli occhi, sciacquare immediatamente con acqua corrente e rivolgersi tempestivamente a un oculista.

## Uso previsto

Questo elettrodomestico è destinato al raffreddamento e al congelamento di alimenti. È stato progettato esclusivamente per l'uso in applicazioni domestiche e simili, ad es. zone cucina del personale in negozi, uffici e altri ambienti di lavoro; in fattorie, da clienti in hotel, motel e altri ambienti di tipo residenziale, nonché in bed-and-breakfast e attività di ristorazione. Non è destinato ad usi commerciali o industriali.

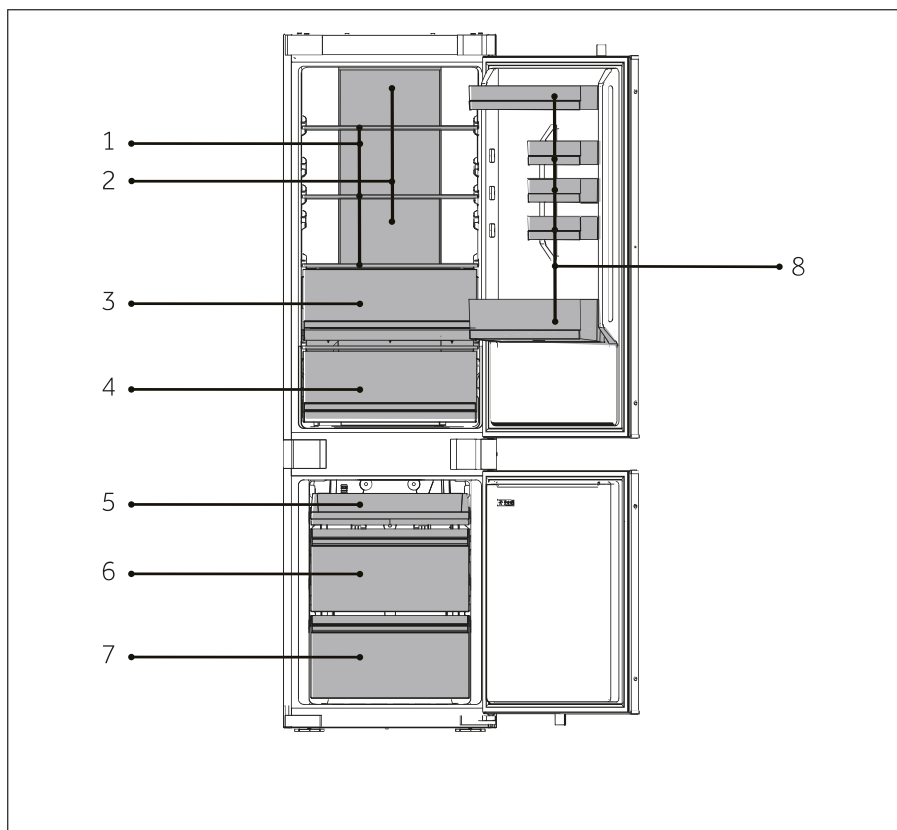
Non sono consentiti cambiamenti o modifiche all'elettrodomestico. Utilizzi errati possono causare pericoli e annullare la garanzia.

## Norme e direttive

Questo prodotto è conforme ai requisiti di tutte le direttive CE vigenti con le corrispondenti norme armonizzate e le norme del Regno Unito che prevedono il marchio CE o UKCA.

## **i** AVVISO

A causa di modifiche tecniche e della varietà dei modelli, alcune illustrazioni riportate nel presente manuale possono essere diverse dall'aspetto reale del modello acquistato.



EHBQW5518E/HBQW5518E/ HBQW5518EK/ HQE1855BCMW/ EHQE1855BCMW

### A: Vano frigorifero

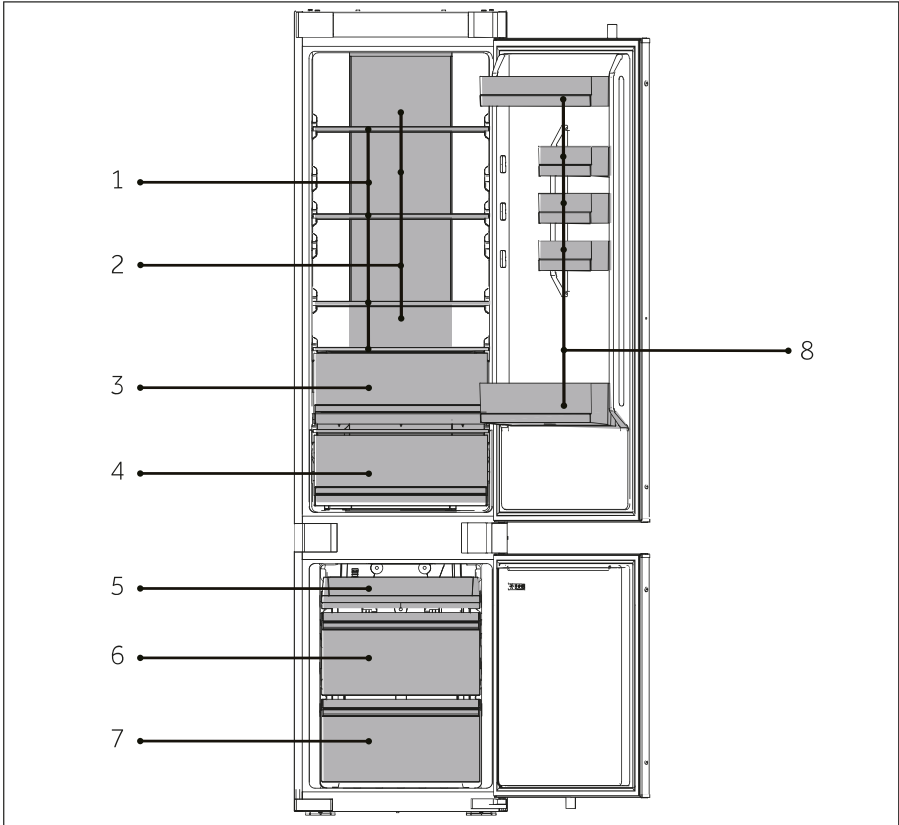
- 1 Ripiani normali
- 2 Condotto dell'aria di refrigerazione
- 3 Cassetto Humidity Zone
- 4 Cassetto del vano Fresh Box
- 8 Portabottiglie

### B: Vano congelatore

- 5 Vassoio superiore del congelatore
- 6 Cassetto centrale del congelatore
- 7 Cassetto inferiore del congelatore

## **i** AVVISO

A causa di modifiche tecniche e della varietà dei modelli, alcune illustrazioni riportate nel presente manuale possono essere diverse dall'aspetto reale del modello acquistato.



HBQW5519E/ HBQW5519EK/ EHBQW5519E/ EHBQW5519ECM/ HBQW5719E

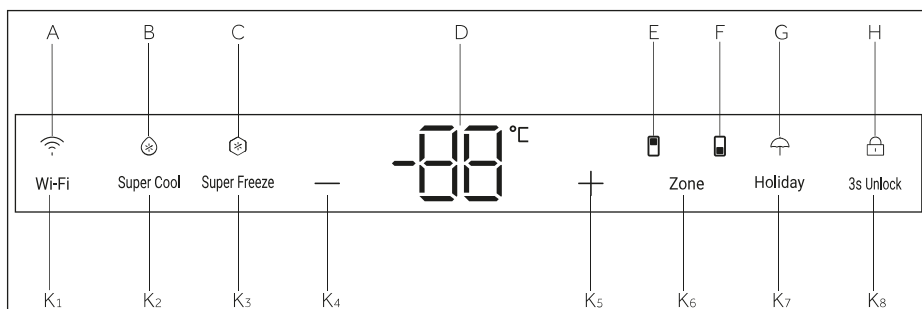
### A: Vano frigorifero

- 1 Ripiani normali
- 2 Condotto dell'aria di refrigerazione
- 3 Cassetto Humidity Zone
- 4 Cassetto del vano Fresh Box
- 8 Portabottiglie

### B: Vano congelatore

- 5 Vassoio superiore del congelatore
- 6 Cassetto centrale del congelatore
- 7 Cassetto inferiore del congelatore

## Pannello di controllo



### Indicatori:

- A Funzione Wi-Fi
- B Funzione Super Cool
- C Funzione Super Freeze
- D Visualizzazione della temperatura
- E Indicatore frigorifero
- F Indicatore congelatore
- G Funzione Holiday
- H Blocco e sblocco

### Tasti:

- K<sub>1</sub> Tasto di impostazione Wi-Fi
- K<sub>2</sub> Tasto di selezione Super Cool
- K<sub>3</sub> Tasto di selezione Super Freeze
- K<sub>4</sub> Tasto di regolazione della temperatura "-"
- K<sub>5</sub> Tasto di regolazione della temperatura "+"
- K<sub>6</sub> Tasto di selezione della zona
- K<sub>7</sub> Tasto funzione Holiday
- K<sub>8</sub> Tasto di blocco e sblocco

## Tasti a sensore

I tasti del pannello di controllo sono di tipo a sensore che rispondono toccandoli lievemente con un dito.

## Accensione e spegnimento dell'elettrodomestico

L'elettrodomestico entra in funzione non appena viene collegato all'alimentazione elettrica.

Alla prima accensione del frigorifero si accende l'indicatore "D" (Visualizzazione della temperatura). La temperatura del frigorifero e del congelatore viene impostata automaticamente a 5 °C e -18 °C rispettivamente.



## AVVISO

Quando l'elettrodomestico viene acceso dopo averlo staccato dall'alimentazione elettrica, il raggiungimento delle temperature corrette potrebbe richiedere fino a 12 ore.

Svuotare l'elettrodomestico prima di spegnerlo. Per spegnere l'elettrodomestico, staccare il cavo di alimentazione dalla presa di corrente.

### Blocco e sblocco del pannello

**Blocco automatico:** quando lo sportello del frigorifero e lo sportello del congelatore sono chiusi e non viene eseguita alcuna operazione con i tasti entro 30 secondi, il display si spegne e si blocca automaticamente.

**Blocco manuale:** quando lo schermo del display è sbloccato, premere il tasto "K<sub>8</sub>" (3S Unlock) e tenerlo premuto per 3 secondi; a questo punto viene emesso un singolo segnale acustico, l'indicatore "H" (Blocco pannello) si accende e il display si blocca.

**Sblocco:** quando lo schermo del display è bloccato, premere il pulsante "K<sub>8</sub>" (3S Unlock) e tenerlo premuto per 3 secondi, viene emesso un segnale acustico, l'indicatore "H" (Blocco pannello) si spegne e il display si sblocca.

### Regolazione della temperatura

Le temperature interne dipendono dai seguenti fattori:

temperatura ambiente, frequenza di apertura dello sportello, quantità di alimenti conservati, installazione dell'elettrodomestico.

### Regolazione della temperatura del frigorifero

Quando lo schermo del display è sbloccato, premere il tasto "K<sub>6</sub>" (selettore zona). Viene emesso un segnale acustico, l'indicatore "E" (indicatore frigorifero) si illumina, quindi si arriva alla modalità di impostazione della temperatura del frigorifero.

Premere ogni volta il tasto "K<sub>4</sub>" (tasto di regolazione della temperatura "-"), viene emesso un segnale acustico, la temperatura impostata del frigorifero si riduce di 1. La temperatura del frigorifero verrà visualizzata nella sequenza "9 °C -> 8 °C -> 7 °C -> 6 °C -> 5 °C -> 4 °C -> 3 °C -> 2 °C -> 1 °C".

Premere ogni volta il tasto "K<sub>5</sub>" (tasto di regolazione della temperatura "+"), viene emesso un segnale acustico, la temperatura impostata del frigorifero aumenta di 1. La temperatura del frigorifero verrà visualizzata nella sequenza "1 °C -> 2 °C -> 3 °C -> 4 °C -> 5 °C -> 6 °C -> 7 °C -> 8 °C -> 9 °C".



## AVVISO

Dopo avere impostato la temperatura, se non si esegue alcuna operazione entro 5 secondi il sistema viene determinato automaticamente e salva la temperatura impostata.

## Regolazione della temperatura del congelatore

Quando lo schermo del display è sbloccato, premere il tasto "K<sub>6</sub>" (selettore zona). Il segnalatore acustico suona una volta, l'indicatore "F" (indicatore congelatore) lampeggia, quindi si arriva alla modalità di impostazione della temperatura del congelatore.

Premere ogni volta il tasto "K<sub>4</sub>" (tasto di regolazione della temperatura "-"), viene emesso un segnale acustico, la temperatura impostata del congelatore si riduce di 1. La temperatura del congelatore verrà visualizzata nella sequenza "-14°C -> -15°C -> -16°C -> -17°C -> -18°C -> -19°C -> -20°C -> -21°C -> -22°C -> -23°C -> -24°C".

Premere ogni volta il tasto "K<sub>5</sub>" (tasto di regolazione della temperatura "+"), viene emesso un segnale acustico, la temperatura impostata del congelatore aumenta di 1. La temperatura del congelatore verrà visualizzata nella sequenza "-24°C -> -23°C -> -22°C -> -21°C -> -20°C -> -19°C -> -18°C -> -17°C -> -16°C -> -15°C -> -14°C".



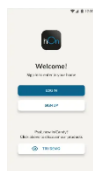
### AVVISO

Dopo avere impostato la temperatura, se non si esegue alcuna operazione entro 5 secondi il sistema viene determinato automaticamente e salva la temperatura impostata.

**Passo 1** Scaricare l'applicazione hOn dagli store.



**Passo 2** Creare un account nell'app hOn o accedere se esiste già un account



**Passo 3** Per l'accoppiamento, seguire le istruzioni dell'app hOn.



## Funzione Wi-Fi

1. Seguire le istruzioni dell'app per configurare la funzione Wi-Fi.
2. Una volta configurata la funzione Wi-Fi e stabilita la connessione, l'icona Wi-Fi "A" rimane sempre accesa.
3. Se il Wi-Fi è già stato configurato, una volta acceso si riconnette automaticamente in base ai dati di configurazione.
4. Per disattivare il Wi-Fi premere il tasto "K<sub>1</sub>"; in questo modo l'icona Wi-Fi "A" si spegne.
5. Per attivare il Wi-Fi e avviare la configurazione, premere il tasto "K<sub>1</sub>"; in questo modo l'icona Wi-Fi "A" inizia a lampeggiare lentamente. Se si desidera configurare la funzione Wi-Fi, tenere premuto il tasto "K<sub>1</sub>" per 3 secondi; in questo modo l'icona Wi-Fi lampeggia velocemente ed entra in modalità di configurazione. Se si desidera disattivare la funzione Wi-Fi, premere una volta il tasto "K<sub>1</sub>". I passaggi precedenti vengono ripetuti.
6. Se il prodotto è stato configurato e la funzione Wi-Fi è stata disattivata, il frigorifero non entra in modalità di configurazione dopo aver ricollegato l'alimentazione.

## Funzione Holiday

1. Quando lo schermo del display è sbloccato, premere il tasto "K<sub>7</sub> (tasto funzione Holiday); viene emesso un segnale acustico, l'indicatore "G" (funzione Holiday) si accende e la funzione Holiday viene attivata.
2. Quando lo schermo del display è sbloccato, premere il tasto "K<sub>7</sub> (tasto funzione Holiday), viene emesso un segnale acustico; l'indicatore "G" (funzione Holiday) si spegne, e la funzione Holiday viene disattivata.

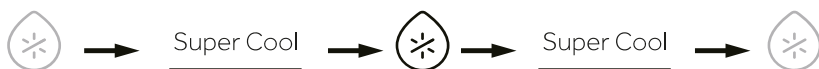


### AVVISO

1. La funzione Holiday viene utilizzata principalmente per viaggi di breve durata e altre situazioni di vita quotidiana; pertanto il vano frigorifero deve essere svuotato quando si utilizza questa modalità.
2. Nella funzione Holiday, la temperatura del vano frigorifero sarà più alta (circa 17°C); pertanto prestare attenzione a rimuovere il cibo dal vano frigorifero per evitare il deterioramento degli alimenti.

## Funzione Super Cool

1. Quando lo schermo del display è sbloccato, premere il tasto "K<sub>2</sub>" (selettore Super Cool); viene emesso un segnale acustico, l'indicatore "B" (funzione Super Cool) si accende e la funzione Super Cool viene attivata.
2. Quando l'indicatore "B" (funzione Super Cool) si accende, premere il tasto "K<sub>2</sub>" (selettore Super Cool); viene emesso un segnale acustico, l'indicatore "O" (funzione Super Cool) si spegne e la funzione Super Cool viene disattivata.
3. Dopo l'attivazione della funzione Super Cool, il frigorifero disattiva automaticamente la funzione quando raggiunge la temperatura impostata. Se si desidera uscire manualmente dalla funzione, è possibile premere il tasto "K<sub>2</sub>" (selettore Super Cool) per disattivarla.



## AVVISO

1. Nello stato Super Cool, la temperatura del frigorifero non può essere regolata. Se si preme il tasto "K<sub>4</sub>" (tasto di regolazione della temperatura "-") o il tasto "K<sub>5</sub>" (tasto di regolazione della temperatura "+") per regolare la temperatura del frigorifero, l'indicatore "B" (indicatore Super Cool) lampeggia con un segnale acustico per indicare che questa operazione non può essere eseguita.
2. Nello stato della funzione Super Cool, la funzione Auto-set non può essere attivata contemporaneamente a causa delle diverse modalità di controllo. Quando si sceglie una funzione in conflitto con un'altra funzione, la funzione originale si disattiva automaticamente.
3. Questa funzione viene disattivata automaticamente dopo 6 ore.

## Funzione Super Freeze

1. Quando lo schermo del display è sbloccato, premere il tasto "K<sub>3</sub>" (selettore Super Freeze); viene emesso un segnale acustico, l'indicatore "C" (funzione Super Freeze) si accende e la funzione Super Freeze viene attivata.
2. Quando l'indicatore "C" (funzione Super Freeze) si accende, premere il tasto "K<sub>3</sub>" (selettore Super Freeze); viene emesso un segnale acustico, l'indicatore "C" (funzione Super Freeze) si spegne e la funzione Super Freeze viene disattivata.
3. Dopo l'attivazione della funzione Super Freeze, il frigorifero disattiva automaticamente la funzione quando raggiunge la temperatura impostata. Se si desidera uscire manualmente, è possibile premere il tasto "K<sub>3</sub>" (selettore Super Freeze) per disattivare la funzione.





## AVVISO

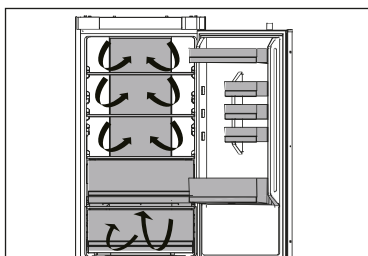
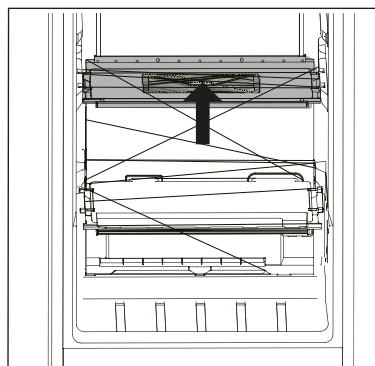
1. Nello stato Super Freeze, la temperatura del congelatore non può essere regolata. Se si preme il tasto "K<sub>4</sub>" (tasto di regolazione della temperatura "-") o il tasto "K<sub>5</sub>" (tasto di regolazione della temperatura "+") per regolare la temperatura del frigorifero, l'indicatore "C" (indicatore Super Freeze) lampeggia con un segnale acustico per indicare che questa operazione non può essere eseguita.
2. La funzione Super Freeze è progettata per mantenere il valore nutritivo del cibo congelato perché i tempi di congelamento sono brevissimi e per congelare grandi quantità di cibo congelato in un'unica volta. Nel frattempo, la funzione Super Freeze deve essere impostata con 24 ore di anticipo per far sì che il congelatore raggiunga una temperatura relativamente bassa e mantenga il cibo. In questo momento, la velocità di congelamento del congelatore è migliorata, il cibo può essere congelato rapidamente, il valore nutrizionale del cibo viene mantenuto in modo efficace e la conservazione diventa piuttosto pratica.
3. La funzione Super Freeze si disattiva automaticamente dopo 50 ore. L'elettrodomestico viene quindi utilizzato alla temperatura precedentemente impostata.

## Cassetto Humidity Zone

In questo comparto il livello di umidità è superiore al vano frigorifero. È controllato automaticamente dal sistema ed è adatto per conservare frutta, verdura, salse, ecc..

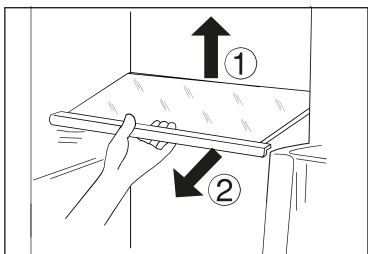
### **i** AVVISO

1. Non rimuovere il coperchio di plastica all'interno della zona.
2. poiché mantiene l'umidità.
3. Si sconsiglia di conservare nel cassetto frutta sensibile al freddo, come ananas, avocado, banane e pompelmi.



### Flusso d'aria multiple

1. Il frigorifero è dotato di un sistema con flusso d'aria multiple e i flussi di aria fresca investono tutti i ripiani. Ciò facilita il mantenimento di una temperatura uniforme per garantire la freschezza degli alimenti per un periodo maggiore.



### Ripiani regolabili

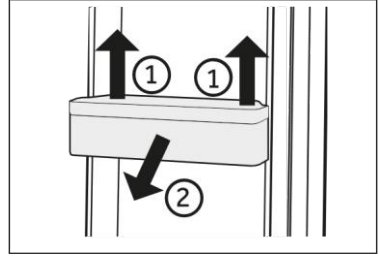
1. L'altezza dei ripiani può essere regolata in base alle esigenze.
2. Per spostare un ripiano, rimuoverlo sollevandone il bordo posteriore (1) ed estrarlo (2).
3. Per reinstallarlo, collocarlo sulle alette su entrambi i lati e spingerlo dentro fino in fondo in modo che la parte posteriore del ripiano sia fissata all'interno delle feritoie laterali.

### **i** AVVISO

Accertarsi che tutte le estremità del ripiano siano a livello.

### Portabottiglie/cassetti incassati nello sportello rimovibili

1. I cassetti incassati nello sportello possono essere rimossi per essere puliti:
2. Tenere con le mani entrambi i lati del cassetto incassato, sollevarlo ① ed estrarlo ②.
3. Per inserire il cassetto incassato nello sportello, seguire la procedura inversa.



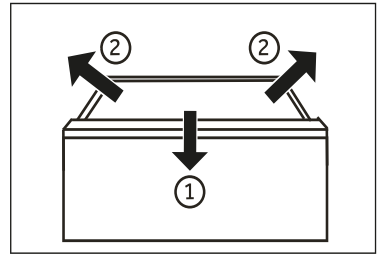
### AVVISO

Quando l'elettrodomestico viene acceso, il raggiungimento delle temperature corrette potrebbe richiedere fino a 12 ore.

### Cassetto rimovibile

Per rimuovere il cassetto, estrarlo al massimo ①, sollevarlo e toglierlo ②.

Per inserire il cassetto, seguire la procedura inversa.



### Illuminazione

La luce interna a LED si accende quando si apre lo sportello. Le prestazioni dell'illuminazione non dipendono da altre impostazioni degli elettrodomestici.



## Suggerimenti per il risparmio energetico

- ▶ Accertarsi che l'elettrodomestico sia adeguatamente ventilato (v. INSTALLAZIONE).
- ▶ Non installare l'elettrodomestico esposto alla luce diretta del sole o in prossimità di fonti di calore (ad es. stufe o radiatori).
- ▶ Evitare che la temperatura dell'elettrodomestico sia inutilmente bassa. Riducendo la temperatura impostata nell'elettrodomestico, il consumo energetico aumenta.
- ▶ Funzioni come Super Freeze consumano più energia.
- ▶ Attendere che gli alimenti caldi si raffreddino prima di collocarli nell'elettrodomestico.
- ▶ Aprire lo sportello dell'elettrodomestico senza spalancarlo e per il più breve tempo possibile.
- ▶ Per evitare ostruzioni del flusso d'aria, non riempire eccessivamente l'elettrodomestico.
- ▶ Evitare l'ingresso di aria nelle confezioni di alimenti.
- ▶ Mantenere pulite le guarnizioni dello sportello in modo che si chiuda sempre perfettamente.
- ▶ Scongela gli alimenti surgelati nel comparto frigorifero.
- ▶ Per ottimizzare il risparmio energetico, lasciare i cassetti, i contenitori per gli alimenti e i ripiani nelle posizioni di fabbrica e collocare gli alimenti il più possibile distanti tra loro senza ostruire l'uscita del condotto.



## AVVERTENZA!

Prima di effettuare la pulizia, staccare la spina di alimentazione dell'elettrodomestico.

### Pulizia

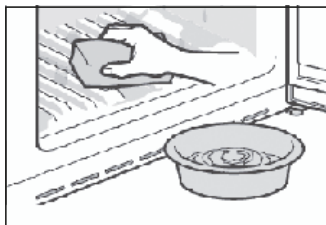
Pulire l'elettrodomestico quando è vuoto o contiene pochi alimenti.

Per una corretta manutenzione e per evitare cattivi odori degli alimenti conservati, pulire l'elettrodomestico ogni quattro settimane.



## AVVERTENZA!

- ▶ Non pulire l'elettrodomestico con spazzole rigide, spazzole metalliche, detersivi in polvere, benzina, acetato di pentile, acetone e soluzioni organiche simili, soluzioni acide o alcaline. Per evitare danni, effettuare la pulizia con un detergente speciale per frigoriferi.
- ▶ Non spruzzare o schizzare liquidi sull'elettrodomestico durante la pulizia.
- ▶ Per pulire questo elettrodomestico non utilizzare apparecchi a vapore.
- ▶ Non pulire i ripiani di vetro freddi con acqua calda. Un'improvvisa variazione della temperatura può causare la rottura del vetro.
- ▶ Non toccare la superficie interna del comparto congelatore, soprattutto con le mani bagnate, poiché le mani potrebbero congelarsi sulla superficie.
- ▶ Se la temperatura aumenta, controllare lo stato degli alimenti congelati.



- ▶ Tenere sempre pulita la guarnizione dello sportello.
- ▶ Pulire l'interno e l'alloggiamento dell'elettrodomestico con una spugna imbevuta di acqua calda e detergente neutro.
- ▶ 1. Strofinare l'interno e l'esterno del frigorifero (compresi la guarnizione dello sportello, il cassetto incassato nello sportello, i ripiani di vetro, i compartimenti ecc.) con un panno morbido o una spugna imbevuta di acqua calda (è possibile aggiungere un detergente neutro).
- ▶ 2. In presenza di liquidi versati, rimuovere tutte le parti contaminate, sciacquarle sotto l'acqua corrente, asciugarle e ricollocarle nel frigorifero.
- ▶ 3. In caso di versamenti di alimenti cremosi (ad es. panna o gelato sciolto), rimuovere tutte le parti contaminate, lasciarle un po' di tempo in acqua calda a circa 40 °C, poi sciacquarle sotto l'acqua corrente, asciugarle e ricollocarle nel frigorifero.
- ▶ 4. Nel caso in cui rimangano intrappolati piccoli oggetti all'interno del frigorifero (tra i ripiani o i cassetti), toglierli con una spazzolina morbida. Se non si riesce a raggiungere l'oggetto, rivolgersi all'assistenza Haier
- ▶ Sciacquare e asciugare con un panno morbido.
- ▶ Non lavare i componenti dell'elettrodomestico in lavastoviglie.

- ▶ Attendere almeno 5 minuti prima di riavviare l'elettrodomestico, poiché un avvio frequente può danneggiare il compressore.

### Sbrinamento

Lo sbrinamento dei comparti frigorifero e congelatore avviene automaticamente e non richiede operazioni manuali.

### Sostituzione delle lampade a LED



#### AVVERTENZA!

La lampada a LED deve essere sostituita solo dal produttore o da un tecnico dell'assistenza autorizzato.

La lampada utilizza una sorgente luminosa a LED che riduce i consumi energetici e garantisce una lunga durata. In caso di anomalie, rivolgersi all'assistenza clienti. V. ASSISTENZA CLIENTI.

Parametri delle lampade:

Comparto frigorifero: 12 V massimo 2 W

Vano congelatore: 12 V massimo 2 W

### Inutilizzo per lunghi periodi

Se non si utilizza l'apparecchio per un lungo periodo E non si desidera attivare la funzione Holiday:

Estrarre gli alimenti.

Scollegare il cavo di alimentazione.

Pulire l'elettrodomestico come descritto in precedenza.

Lasciare aperti gli sportelli per evitare la produzione di cattivi odori all'interno.



#### AVVISO

Spegnere l'elettrodomestico solo se è strettamente necessario.

### Spostamento dell'elettrodomestico

1. Togliere tutti gli alimenti e staccare la spina dell'elettrodomestico.
2. Fissare con nastro adesivo i ripiani e gli altri componenti mobili presenti nel frigorifero e nel congelatore.
3. Non inclinare il frigorifero oltre 45°, altrimenti il sistema di refrigerazione potrebbe danneggiarsi.



#### AVVERTENZA!

- ▶ Non sollevare l'elettrodomestico tenendolo per le maniglie dello sportello.
- ▶ Non collocare mai l'elettrodomestico orizzontalmente a terra.

Molti problemi possono essere risolti personalmente senza particolari competenze. In caso di problemi, consultare tutte le soluzioni possibili indicate e attenersi alle seguenti istruzioni prima di contattare l'assistenza post-vendita. V. ASSISTENZA CLIENTI.



## AVVERTENZA!

- ▶ Prima di effettuare la manutenzione, spegnere l'elettrodomestico e staccare la spina dalla presa di corrente.
- ▶ La manutenzione delle apparecchiature elettriche deve essere effettuata solo da elettricisti qualificati, dal momento che eventuali riparazioni improprie possono causare danni notevoli.
- ▶ Se il cavo di alimentazione è danneggiato, deve essere sostituito unicamente dal produttore, da un tecnico dell'assistenza o da una persona con analogo qualifica per evitare rischi.

Problema	Causa possibile	Soluzione possibile
Il compressore non funziona.	<ul style="list-style-type: none"> <li>• La spina non è collegata alla presa di corrente.</li> <li>• L'elettrodomestico sta effettuando il ciclo di sbrinamento</li> </ul>	<ul style="list-style-type: none"> <li>• Collegare la spina alla presa di corrente.</li> <li>• Ciò è normale per lo sbrinamento automatico</li> </ul>
L'elettrodomestico si aziona frequentemente o per un periodo di tempo troppo lungo.	<ul style="list-style-type: none"> <li>• La temperatura interna o esterna è troppo elevata.</li> <li>• L'elettrodomestico è rimasto spento per un certo periodo di tempo.</li> <li>• Uno sportello dell'elettrodomestico non è chiuso ermeticamente.</li> <li>• Lo sportello è stato aperto troppo spesso o troppo a lungo.</li> <li>• L'impostazione della temperatura del comparto congelatore è troppo bassa.</li> <li>• La guarnizione dello sportello è sporca, usurata, danneggiata o inadeguata.</li> </ul>	<ul style="list-style-type: none"> <li>• In questo caso è normale che l'elettrodomestico rimanga in funzione più a lungo.</li> <li>• Il raffreddamento completo dell'elettrodomestico normalmente richiede 8-12 ore.</li> <li>• Chiudere lo sportello o il cassetto e accertarsi che l'elettrodomestico sia a livello e che gli alimenti o i contenitori non urtino lo sportello.</li> <li>• Non aprire lo sportello o il cassetto troppo spesso.</li> <li>• Scegliere un'impostazione della temperatura più alta fino a quando la temperatura del frigorifero è soddisfacente. Per stabilizzare la temperatura del frigorifero occorrono 24 ore.</li> <li>• Pulire la guarnizione dello sportello o del cassetto o farla sostituire dall'assistenza clienti.</li> </ul>

Problema	Causa possibile	Soluzione possibile
	<ul style="list-style-type: none"> <li>• Non è garantita la circolazione dell'aria necessaria.</li> </ul>	<ul style="list-style-type: none"> <li>• Garantire un'adeguata ventilazione.</li> </ul>
L'interno del frigorifero è sporco e/o si sentono cattivi odori.	<ul style="list-style-type: none"> <li>• L'interno del frigorifero deve essere pulito.</li> <li>• In frigorifero vengono conservati alimenti che producono un odore intenso.</li> </ul>	<ul style="list-style-type: none"> <li>• Pulire la parte interna del frigorifero.</li> <li>• Avvolgere completamente gli alimenti.</li> </ul>
La temperatura nell'elettrodomestico non è sufficientemente bassa.	<ul style="list-style-type: none"> <li>• La temperatura impostata è troppo alta.</li> <li>• Sono stati collocati alimenti troppo caldi.</li> <li>• Sono stati collocati troppi alimenti contemporaneamente.</li> <li>• Gli alimenti sono troppo vicini tra loro.</li> <li>• Uno sportello o un cassetto dell'elettrodomestico non è chiuso bene.</li> <li>• Lo sportello o il cassetto è stato aperto troppo spesso o troppo a lungo.</li> </ul>	<ul style="list-style-type: none"> <li>• Reimpostare la temperatura.</li> <li>• Gli alimenti devono essere sempre raffreddati prima di conservarli.</li> <li>• Non conservare troppi alimenti.</li> <li>• Lasciare spazio tra i vari alimenti per consentire il passaggio del flusso d'aria.</li> <li>• Chiudere lo sportello o il cassetto.</li> <li>• Non aprire lo sportello o il cassetto troppo spesso.</li> </ul>
La temperatura nell'elettrodomestico è troppo bassa.	<ul style="list-style-type: none"> <li>• La temperatura impostata è troppo bassa.</li> <li>• La funzione Super Freeze/ Super Cool è attiva o rimane attiva troppo a lungo.</li> </ul>	<ul style="list-style-type: none"> <li>• Reimpostare la temperatura.</li> <li>• Disattivare la funzione Super Freeze/Super Cool</li> </ul>
Formazione di umidità all'interno del comparto frigorifero.	<ul style="list-style-type: none"> <li>• Il clima è troppo caldo e troppo umido.</li> <li>• Uno sportello o un cassetto dell'elettrodomestico non è chiuso bene.</li> <li>• Lo sportello o il cassetto è stato aperto troppo spesso o troppo a lungo.</li> <li>• Contenitori per alimenti o liquidi rimasti aperti.</li> </ul>	<ul style="list-style-type: none"> <li>• Aumentare la temperatura.</li> <li>• Chiudere lo sportello o il cassetto.</li> <li>• Non aprire lo sportello o il cassetto troppo spesso.</li> <li>• Lasciare raffreddare gli alimenti caldi a temperatura ambiente e coprire cibi e liquidi.</li> </ul>

Problema	Causa possibile	Soluzione possibile
Accumulo di umidità sulla superficie esterna del frigorifero o tra gli sportelli e il cassetto.	<ul style="list-style-type: none"> <li>• Il clima è troppo caldo e troppo umido.</li> <li>• Lo sportello non è chiuso ermeticamente. L'aria fredda all'interno dell'elettrodomestico e l'aria calda all'esterno formano condensa.</li> </ul>	<ul style="list-style-type: none"> <li>• Ciò è normale in un clima umido; la situazione cambia quando l'umidità diminuisce.</li> <li>• Accertarsi che lo sportello o il cassetto sia chiuso bene.</li> </ul>
Il display è acceso ma l'elettrodomestico non refrigera.	<ul style="list-style-type: none"> <li>• L'elettrodomestico è in modalità Demo.</li> </ul>	<ul style="list-style-type: none"> <li>• Verificare la modalità dell'elettrodomestico: se in modalità Demo, uscire dalla modalità. Uscita Aprire lo sportello del frigorifero; se in stato bloccato, premere il secondo pulsante sulla destra per 8 secondi entro 12 ore dall'accensione.</li> </ul>
Presenza di molto ghiaccio e brina nel comparto congelatore.	<ul style="list-style-type: none"> <li>• Gli alimenti non sono stati confezionati adeguatamente.</li> <li>• Uno sportello o un cassetto dell'elettrodomestico non è chiuso bene.</li> <li>• Lo sportello o il cassetto è stato aperto troppo spesso o troppo a lungo.</li> <li>• Le guarnizioni dello sportello o del cassetto sono sporche, usurate, danneggiate o inadeguate.</li> <li>• Qualcosa all'interno impedisce la chiusura corretta dello sportello o del cassetto.</li> </ul>	<ul style="list-style-type: none"> <li>• Confezionare sempre gli alimenti.</li> <li>• Chiudere lo sportello o il cassetto.</li> <li>• Non aprire lo sportello o il cassetto troppo spesso.</li> <li>• Pulire la guarnizione dello sportello o del cassetto oppure sostituirla.</li> <li>• Risistemare i ripiani, i cassetti incassati nello sportello o i contenitori interni per consentire la chiusura dello sportello o del cassetto.</li> </ul>
I lati del mobile e la striscia dello sportello si riscaldano.	<ul style="list-style-type: none"> <li>• -</li> </ul>	<ul style="list-style-type: none"> <li>• È normale.</li> </ul>
L'elettrodomestico emette suoni anomali.	<ul style="list-style-type: none"> <li>• L'elettrodomestico non è a livello.</li> <li>• L'elettrodomestico urta qualche oggetto vicino.</li> </ul>	<ul style="list-style-type: none"> <li>• Regolare i piedini per collocare l'elettrodomestico a livello.</li> <li>• Rimuovere gli oggetti attorno all'elettrodomestico.</li> </ul>
Si sente un lieve rumore, simile a quello dell'acqua che scorre.	<ul style="list-style-type: none"> <li>• -</li> </ul>	<ul style="list-style-type: none"> <li>• È normale.</li> </ul>
Viene emesso un allarme acustico.	<ul style="list-style-type: none"> <li>• Lo sportello del comparto frigorifero è aperto.</li> </ul>	<ul style="list-style-type: none"> <li>• Chiudere lo sportello.</li> </ul>

Problema	Causa possibile	Soluzione possibile
Viene emesso un lieve sibilo.	<ul style="list-style-type: none"> <li>• È in funzione il sistema anticondensa</li> </ul>	<ul style="list-style-type: none"> <li>• Ciò evita la formazione di condensa ed è normale</li> </ul>
L'illuminazione interna o il sistema di raffreddamento non funziona.	<ul style="list-style-type: none"> <li>• La spina non è collegata alla presa di corrente.</li> <li>• Problema della fonte di alimentazione.</li> <li>• La lampada a LED è fuori uso.</li> </ul>	<ul style="list-style-type: none"> <li>• Collegare la spina alla presa di corrente.</li> <li>• Controllare l'alimentazione elettrica. Chiamare l'azienda elettrica locale.</li> <li>• Chiamare l'assistenza per la sostituzione.</li> </ul>

Per rivolgersi all'assistenza tecnica, visitare il nostro sito web:

<https://corporate.haier-europe.com/en/>

Nella sezione "sito Web", scegliere la marca del proprio prodotto e il proprio paese. Si aprirà il sito Web specifico contenente il numero di telefono e il modulo per contattare l'assistenza tecnica.

### Interruzione della corrente

In caso di interruzione della corrente, gli alimenti dovrebbero rimanere freddi in maniera sicura per circa 5 ore. Durante un'interruzione prolungata della corrente, soprattutto in estate, attenersi ai suggerimenti seguenti:

- ▶ Limitare al massimo l'apertura dello sportello o del cassetto.
- ▶ In caso di interruzione della corrente, non collocare altri alimenti nell'elettrodomestico.
- ▶ Se viene fornito un preavviso di interruzione della corrente di durata superiore a 5 ore, produrre un po' di ghiaccio e collocarlo nella parte superiore del comparto frigorifero.
- ▶ Dopo l'interruzione della corrente, è indispensabile controllare immediatamente gli alimenti.
- ▶ Siccome la temperatura nel frigorifero aumenta durante un'interruzione della corrente o in caso di altri guasti, il periodo di conservazione e la commestibilità degli alimenti si riducono. Per evitare rischi per la salute, gli alimenti che si scongelano devono essere immediatamente consumati oppure cotti e ricongelati (se possibile).

### Funzione di memoria durante un'interruzione di corrente

Al ripristino della corrente, l'elettrodomestico riprende il funzionamento in base alle impostazioni precedenti.

Disimballo



**AVVERTENZA!**

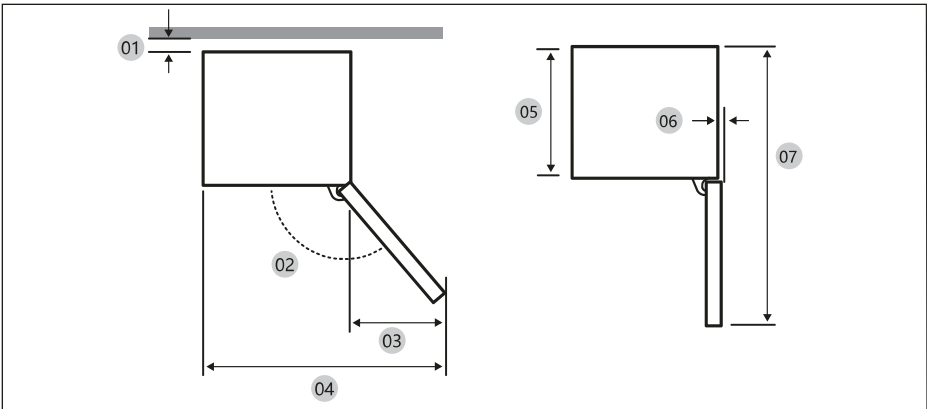
- ▶ L'elettrodomestico è pesante. Per spostarlo occorrono almeno due persone.
- ▶ Tenere fuori dalla portata dei bambini tutti i materiali di imballaggio e smaltirli nel rispetto dell'ambiente.
- ▶ Estrarre l'elettrodomestico dall'imballo.
- ▶ Togliere tutti i materiali di imballo.

Condizioni ambientali

La temperatura ambiente deve essere sempre compresa tra 10 e 43 °C, poiché può influire sulla temperatura interna dell'elettrodomestico e sui consumi energetici. Non installare l'elettrodomestico vicino ad altri elettrodomestici che emettono calore (forni, frigoriferi) senza isolamento.

Spazio necessario

Spazio richiesto quando lo sportello è aperto (senza pannello dello sportello del comparto)



Modello	EHBQW5518E HBQW5518E HBQW5518EK HQE1855BCMW EHQE1855BCMW	HBQW5519E HBQW5519EK EHBQW5519E EHBQW5519ECM	HBQW5719E
01 *	10 (min) / 30 (consigliato)	10 (min) / 30 (consigliato)	10 (min) / 30 (consigliato)
02	95° (Consigliato)	95° (Consigliato)	95° (Consigliato)
03	43	43	55
04	583	583	745
05	515	515	515
06	-3	-3	-3
07	1060	1060	1210

\*01: Dal mobile al retro del prodotto.

(unità: mm)

## Dimensione del prodotto



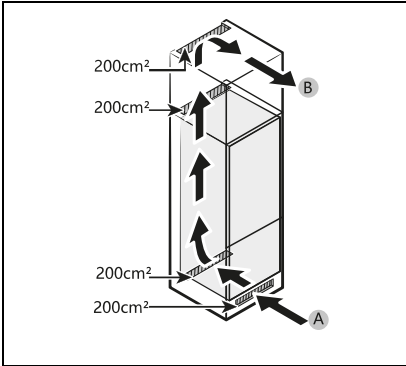
Modello	A (mm)	B (mm)	C (mm)	D (mm)	E (mm)	F (mm)	G (mm)
EHBQW5518E HBQW5518E HBQW5518EK HQE1855BCMW EHQE1855BCMW	540±2	550±2	1772±2	970	745	662	618
HBQW5519E HBQW5519EK EHBQW5519E EHBQW5519ECM	540±2	550±2	1935±2	1133	745	662	618
HBQW5719E	690±2	550±2	1935±2	1133	745	662	618

**i** AVVISO

- Il consumo energetico specificato si basa sulla condizione di uno spazio di 10 mm tra il mobile e il retro del prodotto. Il prodotto funziona correttamente anche con uno spazio inferiore a 10 mm, anche se andrà a consumare leggermente più di energia.
- Si consiglia di utilizzare un comparto di spessore 18 mm con cerniere di spessore inferiore a 20 mm.
- Le misurazioni nella tabella sopra possono differire in base al metodo di misurazione.
- Per l'installazione integrata, consultare la Guida all'installazione.

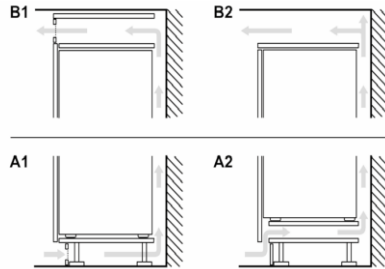
### Sezione di ventilazione

Per ottenere una ventilazione sufficiente dell'elettrodomestico per motivi di sicurezza, attenersi alle indicazioni sulle sezioni di ventilazione.

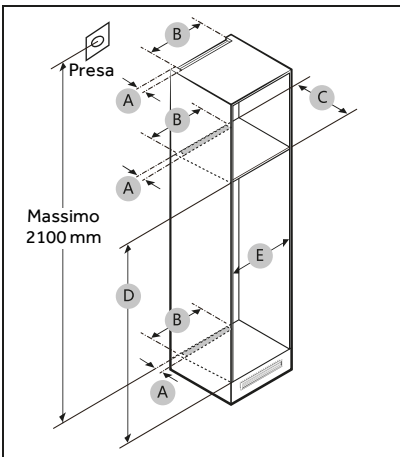


A: Ingresso aria  $\geq 200 \text{ cm}^2$ ; opzioni di ventilazione

B: Uscita aria  $\geq 200 \text{ cm}^2$ ; opzioni di ventilazione



### Dimensioni del mobile



### ATTENZIONE!

Qualsiasi guasto del prodotto dovuto a quanto segue non è coperto dalla garanzia.

1. Condizioni improprie del sito o dimensioni errate del mobile.
2. Mobile difettoso.
3. Errori dell'installatore o dell'utente.

## Spazio libero

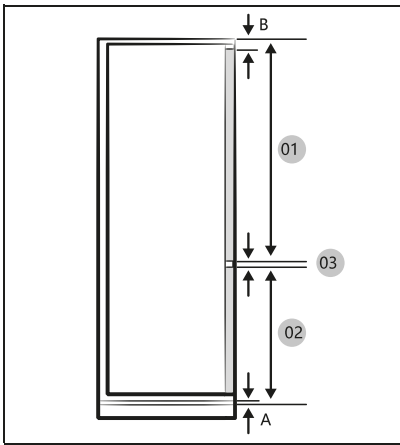
Vedere le immagini e le tabelle sottostanti per i requisiti di spazio per l'installazione.

Modello		A (mm)	B (mm)	C (mm)	D (mm)	E (mm)	Nota
EHBQW5518E HBQW5518E HBQW5518EK HQE1855BCMW EHQE1855BCMW	Min	50	400	560	1778	560	Cerniera: 17 mm
	Consigliato			580	1780	562	
	Max			-	1782	568	
HBQW5519E HBQW5519EK EHBQW5519E EHBQW5519ECM	Min	50	400	560	1940	560	Cerniera: 17 mm
	Consigliato			580	1943	562	
	Max			-	1945	568	
HBQW5719E	Min	50	400	560	1941	710	Cerniera: 17 mm
	Consigliato			580	1943	714	
	Max			-	1945	718	



## AVVISO

- Se la larghezza di un comparto è maggiore di 568 mm, la guarnizione (tra il frigorifero e il comparto) potrebbe allentarsi.
- Se il mobile è più alto della dimensione massima (1782 mm), è necessario utilizzare altri materiali di finitura per colmare lo spazio (per EHBQW5518E/ HBQW5518E/ EK/ EHQE/ HQE1855BCMW)
- Se il mobile è più alto della dimensione massima (1945 mm), è necessario utilizzare altri materiali di finitura per colmare lo spazio (per HBQW5519E/ EK/ EHBQW5519E/ ECM)



## AVVISO

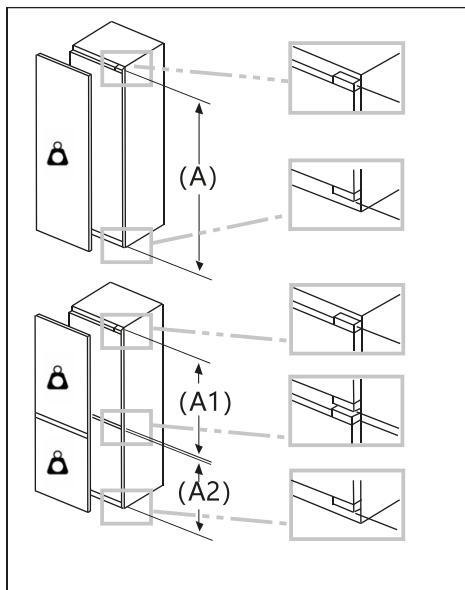
Per installare un mobile che richiede uno spazio di 4 mm (03), vedere la tabella di riferimento del mobile presentata di seguito.

- A Bordo inferiore del pannello frontale sopra la ventilazione dell'aria
- B Sporgenza del pannello frontale

(unità: mm)

Modello	EHBQW5518E HBQW5518E HBQW5518EK HQE1855BCMW EHQE1855BCMW	HBQW5519E HBQW5519EK EHBQW5519E EHBQW5519ECM HBQW5719E
01	Min 1028+B Max 1106+B	Min 1191+B Max 1269+B
02	Min 662+A Max 740+A	Min 662+A Max 740+A
03	4 mm (spazio tra il pannello dello sportello del comparto del frigorifero e del congelatore)	

## Peso massimo ammissibile dei frontali dell'unità

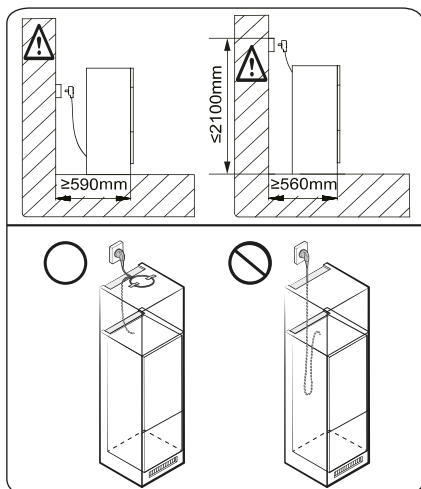


I frontali dei mobili montati che superano il peso consentito possono causare danni e compromettere la funzionalità delle cerniere.

 **Peso**  
(kg)

1500-1750 mm	22
720-1400 mm	19
A1	15
A2	15

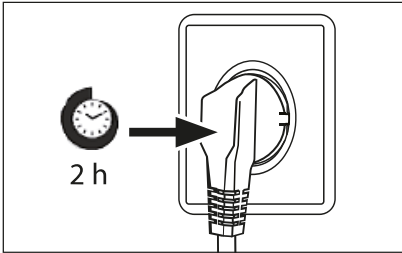
## Posizione della presa e dello spazio richiesto



### **AVVISO**

Se si installa il frigorifero in un mobile con profondità 560 mm, assicurarsi che il cavo di alimentazione sia disposto su un lato del frigorifero prima di collegarlo a una presa di corrente. Se il cavo di alimentazione si trova nella parte posteriore del frigorifero, potrebbe ridurne l'efficienza energetica.

## Tempo di attesa



L'olio di lubrificazione esente da manutenzione si trova nella capsula del compressore. Questo olio può penetrare nel sistema di tubazioni chiuse durante il trasporto. Prima di collegare l'elettrodomestico all'alimentazione elettrica, attendere almeno 2 ore in modo che l'olio torni nella capsula.

## Collegamento elettrico

Prima di ogni collegamento, effettuare i seguenti controlli:

- ▶ La fonte di alimentazione, la presa e i fusibili sono conformi ai dati indicati nella targhetta.
- ▶ La presa di corrente è collegata a terra e non sono utilizzate prese multiple o prolunghie.
- ▶ La spina e la presa di corrente sono compatibili.

Collegare la spina a una presa domestica installata correttamente.



## AVVERTENZA!

Per evitare rischi, i cavi di alimentazione danneggiati devono essere sostituiti dall'assistenza clienti (v. scheda di garanzia).

## Specifiche del prodotto secondo il regolamento UE n.2019/2016

Marchio	Haier		
Nome / identificativo del modello	EHBQW5518E HBQW5518E HBQW5518EK HQE1855BCMW EHQE1855BCMW	HBQW5519E HBQW5519EK EHBQW5519E EHBQW5519ECM	HBQW5719E
Categoria del modello	Frigorifero - Congelatore		
Classe di efficienza energetica	E	E	E
Consumo energetico annuo (kWh/anno) (1)	229	229	259
Volume totale (litri)	268	285	382
Volume frigorifero (litri)	194	211	281
Volume congelatore (litri)	74	74	101
Volume sezione chiller (litri)	/	/	/
Macchina automatica per il ghiaccio (litri)	/	/	/
Prestazioni (stelle)	4	4	4
Temperatura degli altri compartimenti > 14 °C	Non applicabile		
Sistema senza formazione di brina	Sì		
Capacità di congelamento (kg/24 h)			
Classe climatica (2)	SN/N/ST/T	SN/N/ST/T	SN/N/ST/T
Classe di emissione di rumore ed emissioni acustiche aeree (db(A)re1pW)	B(35)	B(35)	B(33)
Tempo di aumento della temperatura (h)	12	12	9
Capacità di produzione del ghiaccio	/	/	/
Tipo di elettrodomestico	da incasso		

Nome del modello	Classe di efficienza energetica
EHBQW5518E HBQW5518E HBQW5518EK HQE1855BCMWW EHQE1855BCMWW	E
HBQW5519E HBQW5519EK EHBQW5519E EHBQW5519ECM HBQW5719E	E

Descrizioni:

- Sì

(1) In base ai risultati del test di conformità agli standard per 24 ore. Il consumo effettivo dipende dall'uso e dalla posizione dell'elettrodomestico.

(2) Classe climatica SN: questo elettrodomestico è destinato all'uso con temperature ambiente comprese tra +10 °C e +32 °C

Classe climatica N: questo elettrodomestico è destinato all'uso con temperature ambiente comprese tra +16°C e +32°C

Classe climatica ST: questo elettrodomestico è destinato all'uso con temperature ambiente comprese tra +16°C e +38°C

Classe climatica T: questo elettrodomestico è destinato all'uso con temperature ambiente comprese tra +16 °C e +43 °C

### Dati tecnici supplementari

Tensione / Frequenza	220-240 V ~ / 50 Hz
Corrente di ingresso (A)	1.2/1.6
Fusibile principale (A)	16
Refrigerante	R600a
Dimensioni (A/L/P in mm)	EHBQW5518E/ HBQW5518E/ EK EHQE/ HQE1855BCMWW: 1773/540/555
	HBQW5519E/ EK/ EHBQW5519E/ ECM: 1935/540/555
	EHBQW5719E : 1935/690/550

Si consiglia di rivolgersi all'Assistenza Clienti Haier e di utilizzare ricambi originali. In caso di problemi con l'elettrodomestico, consultare prima la sezione SOLUZIONE DEI PROBLEMI.

Se non si riesce a trovare una soluzione, contattare

- ▶ il rivenditore locale o
- ▶ lo European Call Service-Center (vedere i numeri di telefono elencati di seguito) o
- ▶ l'area Service & Support su [www.haier.com](http://www.haier.com) dove è possibile chiedere assistenza
- ▶ e trovare risposte a domande frequenti.

Per contattare l'assistenza, procurarsi i dati seguenti.

Le informazioni si trovano sulla targhetta.

Modello \_\_\_\_\_

N. di serie \_\_\_\_\_

Controllare anche la scheda di garanzia fornita con il prodotto.

European Call Service-Center		
Paese*	Numero di telefono	Costi
Haier Italy (IT)	199 100912	
Haier Spain (ES)	902 509 123	
Haier Germany (DE)	0180 5 39 39 99	<ul style="list-style-type: none"> <li>• 14 cent/min su linea fissa</li> <li>• max 42 cent/min su linea mobile</li> </ul>
Haier Austria (AT)	0820 001205	<ul style="list-style-type: none"> <li>• 14,53 cent/min su linea fissa</li> <li>• max 20 cent/min su altre linee</li> </ul>
Haier United Kingdom (UK)	0333 003 8122	
Haier France (FR)	0980 406 409	

\*Per altri paesi. fare riferimento al sito [www.haier.com](http://www.haier.com)

Haier Europe Trading S.r.l

Filiale Regno Unito

Westgate House, Westgate, Ealing

London, W5 1YY

\*Durata della garanzia dell'elettrodomestico:

Garanzia minima: 2 anni per i paesi UE, 3 anni per la Turchia, 1 anno per il Regno Unito, 1 anno per la Russia, 3 anni per la Svezia, 2 anni per la Serbia, 5 anni per la Norvegia, 1 anno per il Marocco, 6 mesi per l'Algeria; per la Tunisia non è obbligatoria alcuna garanzia legale.

\*Periodo di disponibilità dei pezzi di ricambio per la riparazione dell'elettrodomestico:

termostati, sensori di temperatura, circuiti stampati e lampade rimangono disponibili per almeno sette anni dopo l'immissione sul mercato dell'ultima unità del modello.

Maniglie e cerniere degli sportelli, vassoi e cestelli rimangono disponibili per almeno di sette anni e le guarnizioni degli sportelli per almeno 10 anni dopo l'immissione sul mercato dell'ultima unità del modello.

\*Per ulteriori informazioni sul prodotto, consultare <https://eprel.ec.europa.eu/> o effettuare una scansione del codice QR apposto sull'etichetta fornita con l'elettrodomestico.



**Haier**



2024 Versione A

# Haier

## Naudotojo vadovas

### Šaldytuvas - šaldiklis

EHBQW5518E

HBQW5518E

HBQW5518EK

HQE1855BCMW

EHQE1855BCMW

HBQW5519E

HBQW5519EK

EHBQW5519E

EHBQW5519ECM

HBQW5719E

LT

<u>4 Saugos informacija</u>	<u>Prieš naudojant pirmą kartą</u>	5
	<u>Įrengimas</u>	5
	<u>Kasdienis naudojimas</u>	6
	<u>Informacija apie šaldalo dujas</u>	8
<u>9 Paskirtis</u>		
<u>10 Gaminio aprašymas</u>		
<u>12 Valdymo skydelis</u>		
<u>13 Naudojimas</u>	<u>Skydelio užrakinimas / atrakinimas</u>	13
	<u>Šaldytuvo temperatūros reguliavimas</u>	13
	<u>Šaldiklio temperatūros reguliavimas</u>	14
	<u>„Wi-Fi“ funkcija</u>	15
	<u>„Holiday“ funkcija</u>	15
	<u>Intensyvaus vėsinimo funkcija „Super Cool“</u>	16
	<u>Intensyvaus šaldymo funkcija „Super Freeze“</u>	16
<u>18 Įranga</u>		
<u>20 Energijos taupymo patarimai</u>		
<u>21 Priežiūra ir valymas</u>		
<u>23 Trikčių šalinimas</u>		
<u>27 Įrengimas</u>		
<u>34 Techniniai duomenys</u>		
<u>36 Klientų aptarnavimas</u>		

## Dėkojame, kad įsigijote „Haier“ gaminį.

Prieš naudodami šį prietaisą, atidžiai perskaitykite šias instrukcijas. Instrukcijose yra svarbios informacijos, kuri padės geriausiai naudotis prietaisu ir užtikrinti saugų ir tinkamą jo įrengimą, eksploatavimą ir priežiūrą.

Laikykite šį vadovą patogioje vietoje, kad visada galėtumėte juo vadovautis ir saugiai bei tinkamai naudoti prietaisą.

Jei prietaisą parduodate, atiduodate arba paliekate persikeldami į kitą būstą, taip pat turite perduoti šį vadovą, kad naujasis savininkas galėtų susipažinti su prietaisu ir saugos įspėjimais.

## Priedai

Patikrinkite priedus ir literatūrą pagal šį sąrašą:





**ĮSPĖJIMAS – svarbi saugos informacija**



**PRANEŠIMAS – bendroji informacija ir patarimai**



**Aplinkosaugos informacija**



### Utilizavimas

Padėkite apsaugoti aplinką ir žmonių sveikatą. Išmeskite pakuotę į atitinkamus kontenerius skirtus perdirbimui. Padėkite perdirbti elektros ir elektronikos prietaisų atliekas. Neišmeskite šiuo simboliu pažymėtų prietaisų su buitėmis atliekomis. Grąžinkite gaminį į vietos perdirbimo įmonę arba kreipkitės į savivaldybės biurą.



### ĮSPĖJIMAS!

Traumos arba uždusimo pavojus!

Šaldalai ir dujos turi būti utilizuojami profesionaliai. Prieš tinkamai utilizuodami įsitikinkite, kad šaldalo kontūro vamzdeliai nepažeisti. Atjunkite prietaisą nuo maitinimo šaltinio. Nupjunkite maitinimo laidą ir jį išmeskite. Išimkite padėklus ir stalčius, taip pat durelių fiksatorių ir tarpiklius, kad vaikai ir naminiai gyvūnai neužsidarytų prietaise.

## Prieš pirmą kartą įjungdami prietaisą, perskaitykite toliau pateiktus saugos patarimus!



### ĮSPĖJIMAS!

#### Prieš naudojant pirmą kartą

- ▶ Įsitinkite, kad prietaisas nebuvo pažeistas transportuojant.
- ▶ Prieš įrengdami prietaisą palaukite bent dvi valandas, kad įsitikintumėte, jog šaldalo kontūras veikia visiškai tinkamai.
- ▶ Prietaisą perkelti į kitą vietą turi bent du asmenys, nes jis sunkus.
- ▶ Nuimkite visas pakavimo medžiagas, laikykite jas vaikams nepasiekiamoje vietoje ir išmeskite aplinkai nekenksmingu būdu.
- ▶ Prieš dėdami bet kokius maisto produktus į prietaisą, išvalykite jo vidų ir išorę vandeniu ir švelniu plovikliu.
- ▶ Lygiai pastatę ir išvalę prietaisą, palaukite bent 2–5 valandas ir tik tada prijunkite jį prie maitinimo šaltinio. Žr. skyrių ĮRENGIMAS.
- ▶ Prieš sudėdami maisto produktus, iš anksto atvėsinkite šaldytuvo skyrius naudodami aukštus nustatymus. Intensyvaus šaldymo funkcija „Power-Freeze“ padeda greitai atvėsinti skyrius.
- ▶ Šaldytuvo ir šaldiklio skyrių temperatūra automatiškai nustatoma atitinkamai į 5 °C ir -18 °C. Tai yra rekomenduojami nustatymai. Jei norite, galite pakeisti šias temperatūras rankiniu būdu. Žr. skyrių TEMPERATŪROS REGULIAVIMAS.

#### Įrengimas

- ▶ Prietaisą reikia pastatyti gerai vėdinamoje vietoje. Užtikrinkite, kad virš prietaiso ir aplink jį būtų bent 10 cm tarpas.
- ▶ Niekada nestatykite prietaiso drėgnoje vietoje ar ten, kur jis galėtų būti aptaškytas vandeniu. Minkšta švaria šluoste nuvalykite ir nusausinkite vandens purslus ir dėmes.
- ▶ Neįrenkite prietaiso tiesioginiuose saulės spinduliuose arba šalia šilumos šaltinių (pvz., viryklių, šildytuvų).
- ▶ Įtaisykite prietaisą jo dydžiui ir naudojimui tinkamoje vietoje.
- ▶ Ventiliacijos angos, esančios prietaise arba įmontuotoje konstrukcijoje, turi likti neuždengtos.
- ▶ Įsitinkite, kad techninių duomenų lentelėje pateikta elektros informacija sutampa su maitinimo šaltinio informacija. Jei ne, kreipkitės į elektriką.
- ▶ Prietaisas maitinamas 220–240 V kintamosios srovės, 50 Hz maitinimo šaltiniu. Dėl neįprastų įtampos svyravimų prietaisas gali neįsijungti, taip pat gali sugesti temperatūros reguliatorius ar kompresorius arba veikdamas gali skleisti neįprastą triukšmą. Tokiu atveju reikia įrengti automatinį reguliatorių.
- ▶ Nenaudokite kelių kištukų adapterių ir ilginamųjų kabelių.
- ▶ Už prietaiso nelaikykite kelių nešiojamųjų kištukinių lizdų arba nešiojamųjų maitinimo šaltinių.



## ĮSPĖJIMAS!

- ▶ Įsitinkinkite, kad maitinimo kabelis nėra užspaustas šaldytuvo. Neužlipkite ant maitinimo kabelio.
- ▶ Energijos tiekimui naudokite atskirą įžemintą lizdą, kuris būtų lengvai pasiekiamas. Prietaisas turi būti įžemintas. Taikoma tik JK. Prietaiso maitinimo kabelis turi 3 laidų (įžeminimo) kištuką, kuris tinka standartiniam 3 laidų (įžemintam) lizdai. Nenujunkite ir neišmontuokite trečiojo kaiščio (įžeminimo). Įrengus prietaisą, kištukas turi būti pasiekiamas.
- ▶ Nepažeiskite šaldalo kontūro.

### Kasdienis naudojimas

- ▶ Šį prietaisą gali naudoti vaikai nuo 8 metų ir asmenys, kurių fiziniai, jutiminiai ar protiniai gebėjimai yra riboti arba kurie neturi patirties ir žinių, jei jie prižiūrimi arba jiems duoti nurodymai, kaip saugiai naudoti prietaisą, ir jie supranta su tuo susijusius pavojus.
- ▶ Vaikams nuo 3 iki 8 metų leidžiama sudėti ir išimti maisto produktus į / iš šaldymo prietaisų, bet neleidžiama jų valyti ir įrengti.
- ▶ Neleiskite prie prietaiso artintis vaikams iki 3 metų, jei jie nebus nuolat prižiūrimi.
- ▶ Vaikai negali žaisti su prietaisu.
- ▶ Jei prie prietaiso nuteka akmens anglių dujų ar kitų degių dujų, užsukite čiaupą, iš kurio teka dujos, atidarykite duris, langus, ir neatjunkite šaldytuvo ar kito prietaiso maitinimo kabelio kištuko.
- ▶ Atminkite, kad prietaisas nustatytas veikti esant tam tikram aplinkos temperatūros intervalui nuo 10 °C iki 43 °C. Prietaisas gali veikti netinkamai, jei ilgą laiką paliekamas aukštesnėje arba žemesnėje nei nurodyta temperatūroje.
- ▶ Nedėkite nestabilių daiktų (sunkių daiktų, talpyklų, pripildytų vandens) ant šaldytuvo viršaus, kad nesusižeistumėte jiems nukritus ar nepatirtumėte elektros smūgio, kurį sukelia sąlytis su vandeniu.
- ▶ Netraukite prietaiso paėmę už durelių lentynų. Durelės gali iškrypti, gali iškristi butelių laikiklis arba prietaisas gali apvirsti.
- ▶ Atidarykite ir uždarykite duris tik suėmę už rankenų. Tarpas tarp durelių ir tarp durelių bei korpuso yra labai siauras. Nekiškite rankų į šias vietas, kad neprispaustų pirštų. Atidarykite arba uždarykite šaldytuvo dureles tik tada, kai jų judėjimo zonoje nėra vaikų.
- ▶ Nelaikykite ir nenaudokite degių, sprogių ar esdinančių medžiagų prietaise ar šalia jo.
- ▶ Taip pat prietaise nelaikykite vaistų, bakterijų ar cheminių medžiagų. Šis prietaisas yra buitinis. Nerekomenduojama jame laikyti medžiagų, kurioms reikia tikslaus temperatūros valdymo.
- ▶ Šaldiklyje niekada nelaikykite skysčių buteliuose ar skardinėse (išskyrus stipriuosius alkoholinius gėrimus), ypač gazuotų gėrimų, nes užšalę jie gali sprogti.
- ▶ Patikrinkite maisto būklę, jei šaldiklis atšilo.



## ĮSPĖJIMAS!

- ▶ Šaldytuvo skyriuje be reikalo nenustatykite itin žemos temperatūros. Nustačius dideles vertes, temperatūra gali nukristi žemiau nulio. Dėmesio: buteliai gali sprogti.
- ▶ Nelieskite užšaldytų produktų drėgnomis rankomis (mūvėkite pirštines). Nevalgykite ką tik iš šaldiklio išimtų ledų. Galite nušalti odą arba gali atsirasti šalčio pūslelių. PIRMOJI pagalba: nedelsiant pakišti po šaltu vandeniu. Neplėšti!
- ▶ Prietaisui veikiant nelieskite šaldiklio kameros vidinio paviršiaus, ypač šlapiomis rankomis, nes rankos gali prisalti prie paviršiaus.
- ▶ Nutrūkusi elektros tiekimui arba prieš valydami atjunkite prietaisą nuo elektros tinklo. Prieš įjungdami prietaisą palaukite bent 7 minutes, nes dažnai įjungiant gali sugesti kompresorius.
- ▶ Nenaudokite elektros įrenginių šio prietaiso maisto skyriuose, nebent jie atitinka gamintojo rekomendaciją.

## Priežiūra / valymas

- ▶ Vaikai, atliekantys prietaiso valymą ir priežiūrą, turi būti prižiūrimi.
- ▶ Prieš atlikdami bet kokius įprastus priežiūros darbus atjunkite prietaisą nuo elektros tinklo. Prieš įjungdami prietaisą palaukite bent 5 minutes, nes dažnai įjungiant gali sugesti kompresorius.
- ▶ Atjungdami prietaisą suimkite kištuką, o ne kabelį.
- ▶ Prietaiso nevalykite kietais šepetiais, vieliniais šepetiais, skalbimo milteliais, benzinu, amilacetatu, acetonu ir panašiais organiniais tirpalais, taip pat rūgštiniais arba šarminiais tirpalais. Kad išvengtumėte pažeidimų, valykite specialiu šaldytuvo plovikliu.
- ▶ Negrandykite prišalusio ledo aštriais daiktais. Nenaudokite purškalo, elektrinių šildytuvų, pvz., šildytuvo, plaukų džiovintuvo, garinių valytuvų ar kitų šilumos šaltinių, kad nesugadintumėte plastikinių dalių.
- ▶ Nenaudokite mechaninių įtaisų ar kitų priemonių atitirpinimo procesui greitinti, išskyrus gamintojo rekomenduojamas priemones.
- ▶ Jei maitinimo laidas pažeistas, jį turi pakeisti gamintojas, jo techninės priežiūros atstovas arba panašios kvalifikacijos asmenys, kad būtų išvengta pavojaus.
- ▶ Nebandykite remontuoti, ardyti ar modifikuoti prietaiso patys. Prireikus remonto, susisiekite su mūsų klientų aptarnavimo skyriumi.
- ▶ Pašalinkite dulkes nuo įrenginio galinės dalies bent kartą per metus, kad išvengtumėte gaisro pavojaus ir būtų našiau vartojama energija.
- ▶ Valydami ant prietaiso nepurškite ir nepilkite skysčių.
- ▶ Prietaisui valyti nenaudokite vandens purkštuvo ar garų.
- ▶ Nevalykite šaltų stiklo lentynų karštu vandeniu. Dėl staigaus temperatūros pokyčio stiklas gali suskilti.

## Informacija apie šaldalo dujas



### ĮSPĖJIMAS!

Prietaise yra degiojo šaldalo IZOBUTANO (R600a). Patikrinkite, ar šaldalo kontūras nebuvo pažeistas prietaisą transportuojant ar įrengiant. Nutekėjęs šaldalas gali sužaloti akis arba užsidegti. Jei prietaisas buvo pažeistas, laikykite jį toliau nuo atviros ugnies šaltinių, kruopščiai vėdinkite patalpą, neprijunkite ir neatjunkite šio ar bet kokio kito prietaiso maitinimo laidų. Praneškite klientų aptarnavimo skyriui.

Šaldalo patekus į akis, tuoj pat plaukite jas tekančiu vandeniu ir nedelsdami kreipkitės į akių gydytoją.

## Numatytoji paskirtis

Šis prietaisas skirtas maisto produktams vėsinti ir užšaldyti. Jis skirtas naudoti tik buityje ir panašiose srityse, pavyzdžiui, parduotuvių, biurų ir kitų darbo vietų virtuvėse, ūkiuose, viešbučiuose, moteliuose ir kitose gyvenamosiose patalpose, taip pat nakvynės ir pusryčių bei maitinimo įstaigose. Jis nėra skirtas komerciniam ar pramoniniam naudojimui.

Įrenginį keisti ar modifikuoti draudžiama. Naudojant ne pagal paskirtį, įrenginys gali kelti pavojų ir garantija nebegalios.

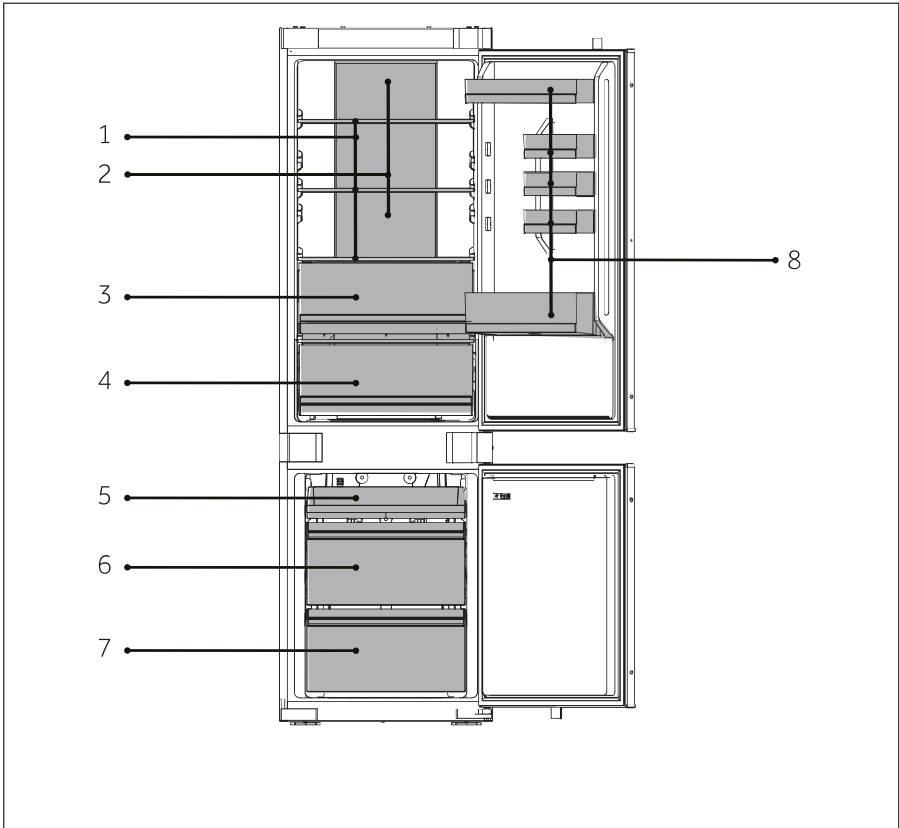
## Standartai ir direktyvos arba

Šis gaminys atitinka visų taikomų EB direktyvų ir atitinkamų darnųjų standartų bei JK standartų, skirtų CE arba UKCA ženklavimui, reikalavimus.



## PASTABA

Dėl techninių pakeitimų ir skirtingų modelių kai kurios šio vadovo iliustracijos gali skirtis nuo jūsų modelio.



EHBQW5518E / HBQW5518E / HBQW5518EK / HQE1855BCMW / EHQE1855BCMW

### A: Šaldytuvo kamera

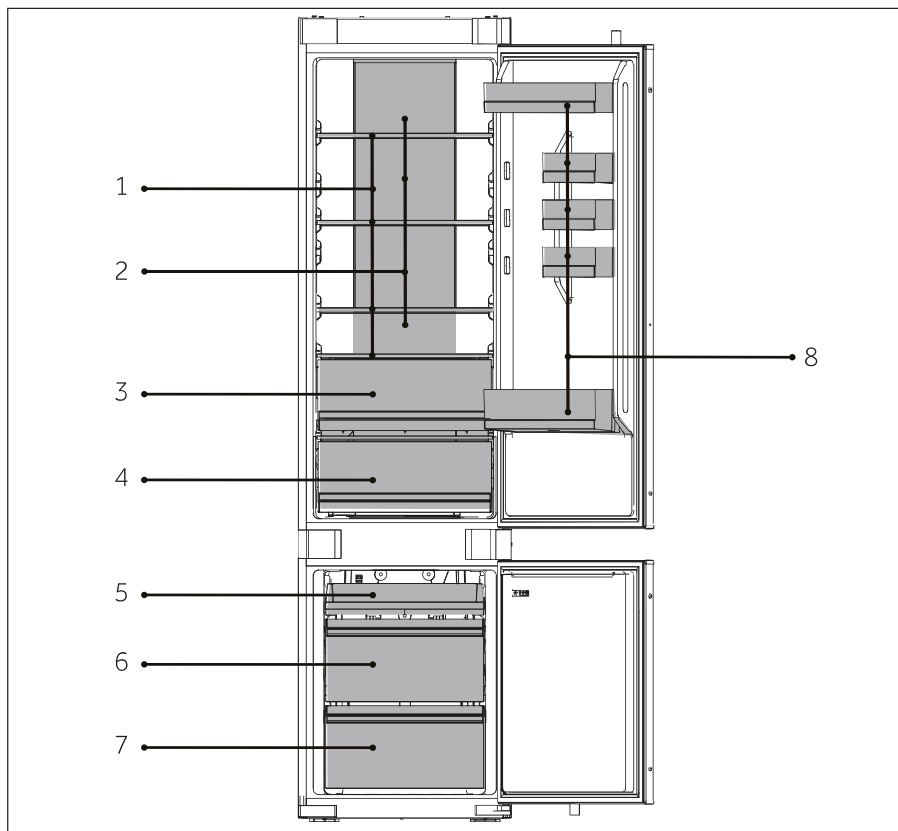
- 1 Įprastos lentynos
- 2 Šaldomojo oro kanalas
- 3 „Humidity Zone“ stalčius
- 4 „Fresh Box“ stalčius
- 8 Butelių laikiklis

### B: Šaldiklio kamera

- 5 Viršutinis šaldiklio padėklas
- 6 Vidurinis šaldiklio stalčius
- 7 Apatinis šaldiklio stalčius

## **i** PASTABA

Dėl techninių pakeitimų ir skirtingų modelių kai kurios šio vadovo iliustracijos gali skirtis nuo jūsų modelio.



HBQW5519E / HBQW5519EK / EHBQW5519E / EHBQW5519ECM / HBQW5719E

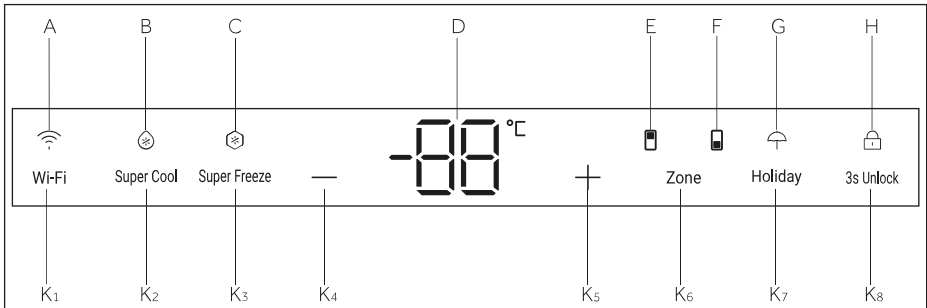
### A: Šaldytuvo kamera

- 1 Įprastos lentynos
- 2 Šaldomojo oro kanalas
- 3 „Humidity Zone“ stalčius
- 4 „Fresh Box“ stalčius
- 8 Butelių laikiklis

### B: Šaldiklio kamera

- 5 Viršutinis šaldiklio padėklas
- 6 Vidurinis šaldiklio stalčius
- 7 Apatinis šaldiklio stalčius

## Valdymo skydelis



### Indikatoriai:

- A „Wi-Fi“ funkcija
- B „Super Cool“ funkcija
- C „Super Freeze“ funkcija
- D Temperatūros rodyvis
- E Šaldytuvo indikatorius
- F Šaldiklio indikatorius
- G „Holiday“ funkcija
- H Užrakinimas ir atrakinimas

### Mygtukai:

- K<sub>1</sub> „Wi-Fi“ nustatymo mygtukas
- K<sub>2</sub> „Super Cool“ pasirinkimo mygtukas
- K<sub>3</sub> „Super Freeze“ pasirinkimo mygtukas
- K<sub>4</sub> Temperatūros reguliavimo mygtukas „-“
- K<sub>5</sub> Temperatūros reguliavimo mygtukas „+“
- K<sub>6</sub> Zonos pasirinkimo mygtukas
- K<sub>7</sub> „Holiday“ funkcijos mygtukas
- K<sub>8</sub> Užrakinimo ir atrakinimo mygtukas

### Jutikliniai klavišai

Valdymo skydelio mygtukai yra jutikliniai klavišai, kurie sureagoja lengvai prielietus pirštu.

### Prietaiso įjungimas / išjungimas

Prietaisas pradeda veikti iš karto, kai yra prijungiamas prie maitinimo šaltinio.

Įjungus šaldytuvą pirmą kartą, įsižiebia indikatorius „D“ (temperatūros rodyvis). Šaldytuvo ir šaldiklio temperatūra automatiškai nustatoma atitinkamai į 5 °C ir -18 °C.



## PASTABA

Kai prietaisas įjungiamas po atjungimo nuo pagrindinio maitinimo šaltinio, gali prireikti iki 12 valandų, kol bus pasiekta tinkama temperatūra.

Prieš išjungdami prietaisą jį ištuštinkite. Norėdami išjungti prietaisą, ištraukite maitinimo laidą iš elektros lizdo.

### Skydelio užrakinimas / atrakinimas

Automatinis užraktas: Kai šaldytuvo durelės bei šaldiklio durelės uždaromos ir per 30 sekundžių nepaspaudžiamas joks klavišas, ekranas automatiškai užgęsta ir užsirakina.

Rankinis užrakinimas: kai ekranas atrakintas, paspauskite mygtuką „K<sub>8</sub>“ („3S Unlock“) ir palaikykite 3 sekundes, vieną kartą suskambės skambutis, įsižiebs indikatorius „H“ (skydelio užraktas) ir ekranas bus užrakintas.

Atrakinimas: kai ekranas užrakintas, paspauskite mygtuką „K<sub>8</sub>“ („3S Unlock“) ir palaikykite 3 sekundes, vieną kartą suskambės skambutis, užges indikatorius „H“ (skydelio užraktas) ir ekranas bus atrakintas.

### Temperatūros reguliavimas

Prietaiso vidaus temperatūrai įtakos turi šie veiksniai:

Aplinkos temperatūra, durelių atidarymo dažnis, laikomų maisto produktų kiekis, prietaiso įrengimas.

### Šaldytuvo temperatūros reguliavimas

Kai ekranas atrakintas, paspauskite mygtuką „K<sub>6</sub>“ (zonos parinkiklis). Skambutis suskamba vieną kartą, indikatorius „E“ (šaldytuvo indikatorius) įsižiebia, o tada įsijungia šaldytuvo temperatūros nustatymo režimas.

Kiekvieną kartą paspaudus mygtuką „K<sub>4</sub>“ (temperatūros reguliavimo mygtukas „-“), skambutis suskamba vieną kartą ir nustatyta šaldytuvo temperatūra sumažinama 1 laipsniu. Šaldytuvo temperatūra bus rodoma tokia seka: „9°C -> 8°C -> 7°C -> 6°C -> 5°C -> 4°C -> 3°C -> 2°C -> 1°C“.

Kiekvieną kartą paspaudus mygtuką „K<sub>5</sub>“ (temperatūros reguliavimo mygtukas „+“), skambutis suskamba vieną kartą ir nustatyta šaldytuvo temperatūra padidinama 1 laipsniu. Šaldytuvo temperatūra bus rodoma tokia seka: „1°C -> 2°C -> 3°C -> 4°C -> 5°C -> 6°C -> 7°C -> 8°C -> 9°C“.



## PASTABA

Nustačius temperatūrą, jei per 5 sekundes neatliekamas joks veiksmas, sistema automatiškai patvirtina ir išsaugo temperatūros nustatymą.

## Šaldiklio temperatūros reguliavimas

Kai ekranas atrakintas, paspauskite mygtuką „K<sub>6</sub>“ (zonos parinkiklis). Skambutis suskamba vieną kartą, indikatorius „F“ (šaldiklio indikatorius) įsižiebia, o tada įsijungia šaldiklio temperatūros nustatymo režimas.

Kiekvieną kartą paspaudus mygtuką „K<sub>4</sub>“ (temperatūros reguliavimo mygtukas „-“), skambutis suskamba vieną kartą ir nustatyta šaldiklio temperatūra sumažinama 1 laipsniu. Šaldiklio temperatūra bus rodoma tokia seka: „-14°C -> -15°C -> -16°C -> -17°C -> -18°C -> -19°C -> -20°C -> -21°C -> -22°C -> -23°C -> -24°C“.

Kiekvieną kartą paspaudus mygtuką „K<sub>5</sub>“ (temperatūros reguliavimo mygtukas „+“), skambutis suskamba vieną kartą ir nustatyta šaldiklio temperatūra padidinama 1 laipsniu. Šaldiklio temperatūra bus rodoma tokia seka: „-24°C -> -23°C -> -22°C -> -21°C -> -20°C -> -19°C -> -18°C -> -17°C -> -16°C -> -15°C -> -14°C“.



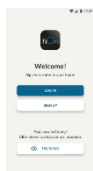
### PASTABA

Nustačius temperatūrą, jei per 5 sekundes neatliekamas joks veiksmas, sistema automatiškai patvirtina ir išsaugo temperatūros nustatymą.

1 veiksmas Atsisiųskite „hOn“ programėlę iš parduotuvių.



2 veiksmas Susikurkite paskyrą „hOn“ programėlėje arba prisijunkite, jei paskyrą jau turite



3 veiksmas Vadovaukitės susiejimo instrukcijomis „hOn“ programėlėje.



## „Wi-Fi“ funkcija

1. Norėdami sukonfigūruoti „Wi-Fi“, vadovaukitės programėlėje pateikiamomis instrukcijomis.
2. Sukonfigūravus „Wi-Fi“ ir užmezgus ryšį, „Wi-Fi“ piktograma „A“ įsijungia ir šviečia nepertraukiamai.
3. Jei „Wi-Fi“ jau sukonfigūruotas, įjungus „Wi-Fi“ jis automatiškai vėl prisijungs pagal konfigūracijos informaciją.
4. Norėdami išjungti „Wi-Fi“, paspauskite „Wi-Fi“ mygtuką „K<sub>1</sub>“ ir „Wi-Fi“ piktograma „A“ išsijungs.
5. Norėdami įjungti „Wi-Fi“ ir pradėti konfigūraciją, paspauskite „Wi-Fi“ mygtuką „K<sub>1</sub>“ ir „Wi-Fi“ piktograma „A“ pradės lėtai mirksėti. Jei norite sukonfigūruoti „Wi-Fi“ funkciją, paspauskite mygtuką „K<sub>1</sub>“ ir palaukite 3 sek., „Wi-Fi“ piktograma greitai mirksi ir pereina į konfigūravimo režimą. Jei norite išjungti „Wi-Fi“ funkciją, vieną kartą paspauskite mygtuką „K<sub>1</sub>“. Pirmiau minėti veiksmai kartojami.
6. Jei gaminys buvo sukonfigūruotas ir „Wi-Fi“ funkcija buvo išjungta, šaldytuvą nepereis į konfigūravimo režimą, kai jis vėl bus prijungtas prie maitinimo šaltinio.

## „Holiday“ funkcija

1. Kai ekranas atrakintas, paspauskite mygtuką „K<sub>7</sub>“ („Holiday“ funkcijos mygtuką), vieną kartą suskamba skambutis, įsižiebia indikatorius „G“ („Holiday“ funkcija), tada įjungiama „Holiday“ funkcija.
2. Kai ekranas atrakintas, paspauskite mygtuką „K<sub>7</sub>“ („Holiday“ funkcijos mygtuką), vieną kartą suskamba skambutis, įsižiebia indikatorius „G“ („Holiday“ funkcija), tada „Holiday“ funkcija išjungiama.

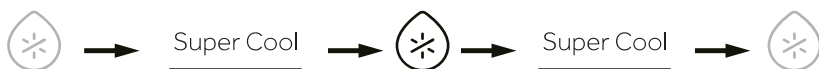


## PASTABA

1. „Holiday“ funkcija daugiausia naudojama trumpalaikėms kelionėms ir kitoms gyvenimo situacijoms. Kai naudojama „Holiday“ funkcija, šaldytuvo kamera turi būti ištuštinta.
2. Veikiant „Holiday“ funkcijai, šaldytuvo kameros temperatūra bus aukštesnė (apie 17 °C), nepamirškite išimti maistą iš šaldytuvo kameros, kad nesugestų.

## Intensyvaus vėsinimo funkcija „Super Cool“

1. Kai ekranas atrakintas, paspauskite mygtuką „K<sub>2</sub>“ („Super Cool“ funkcijos parinkiklis), vieną kartą suskamba skambutis, įsižiebia indikatorius „B“ („Super Cool“ funkcija), tada įjungiama intensyvaus vėsinimo funkcija „Super Cool“.
2. Įsižiebus indikatoriumi „B“ („Super Cool“ funkcija), paspauskite mygtuką „K<sub>2</sub>“ („Super Cool“ funkcijos parinkiklis), vieną kartą suskamba skambutis, užgesa indikatorius „O“ („Super Cool“ funkcija), tada intensyvaus vėsinimo funkcija „Super Cool“ išjungiama.
3. Įjungus „Super Cool“ funkciją, šaldytuvas automatiškai ją išjungs, kai bus pasiekta nustatyta temperatūra. Jei norite išjungti funkciją rankiniu būdu, galite paspausti mygtuką „K<sub>2</sub>“ („Super Cool“ funkcijos parinkiklis).



### **i** PASTABA

1. Veikiant „Super Cool“ funkcijai, šaldytuvo temperatūros reguliuoti negalima. Jei šaldytuvo temperatūrai reguliuoti paspaudžiamas mygtukas „K<sub>4</sub>“ (temperatūros reguliavimo mygtukas „-“) arba mygtukas „K<sub>5</sub>“ (temperatūros reguliavimo mygtukas „+“), indikatorius „B“ („Super Cool“ indikatorius) mirksės ir pasigirs trumpas garsinis signalas, nurodantis, kad šio veiksmo atlikti negalima.
2. Veikiant „Super cool“ funkcijai, tuo pačiu metu negalima įjungti automatinio nustatymo funkcijos „Auto-set“ dėl skirtingų valdymo režimų. Pasirinkus vieną funkciją, kuri prieštarauja kitai funkcijai, pradinė funkcija automatiškai išsijungia.
3. Ši funkcija bus automatiškai išjungta po 6 valandų.

## Intensyvaus šaldymo funkcija „Super Freeze“

1. Kai ekranas atrakintas, paspauskite mygtuką „K<sub>3</sub>“ („Super Freeze“ funkcijos parinkiklis), vieną kartą suskamba skambutis, įsižiebia indikatorius „C“ („Super Freeze“ funkcija), tada „Super Freeze“ funkcija įjungiama.
2. Įsižiebus indikatoriumi „C“ („Super Freeze“ funkcija), paspauskite mygtuką „K<sub>3</sub>“ („Super Freeze“ funkcijos parinkiklis), vieną kartą suskamba skambutis, užgesa indikatorius „C“ („Super Freeze“ funkcija), tada „Super Freeze“ funkcija išjungiama.
3. Įjungus „Super Freeze“ funkciją, šaldytuvas automatiškai ją išjungs, kai bus pasiekta nustatyta temperatūra. Jei norite išjungti funkciją rankiniu būdu, galite paspausti mygtuką „K<sub>3</sub>“ („Super Freeze“ funkcijos parinkiklis).





## PASTABA

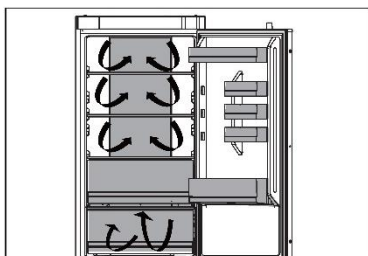
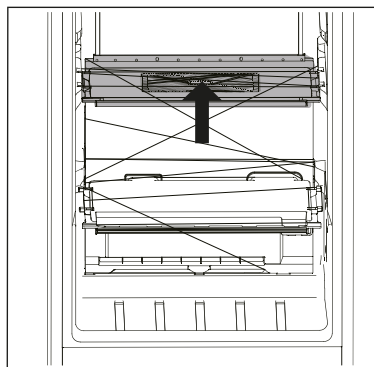
1. Veikiant intensyvaus šaldymo funkcijai „Super Freeze“, šaldiklio temperatūros reguliuoti negalima. Jei šaldiklio temperatūrai reguliuoti paspaudžiamas mygtukas „K<sub>4</sub>“ (temperatūros reguliavimo mygtukas „-“) arba mygtukas „K<sub>5</sub>“ (temperatūros reguliavimo mygtukas „+“), indikatorius „C“ („Super Freeze“ indikatorius) mirksės ir pasigirs trumpas garsinis signalas, nurodantis, kad šio veiksmo atlikti negalima.
2. Intensyvaus šaldymo funkcija „Super Freeze“ sukurta taip, kad būtų išsaugota maisto produktų maistinė vertė užšaldant juos per trumpiausią laiką. Ji naudojama, jei vienu metu reikia užšaldyti didelį šaldytų maisto produktų kiekį. Tuo tarpu „Super Freeze“ funkciją reikėtų nustatyti prieš 24 val., kad šaldiklyje būtų pasiekta santykinai žema temperatūra maisto produktams sudėti. Praėjus šiam laiko tarpui, šaldiklyje šaldymas vyksta greičiau, todėl maisto produktai greičiau užšąla, veiksmingai išsaugoma maisto produktų maistinė vertė ir juos patogu laikyti.
3. „Super Freeze“ funkcija automatiškai išsijungs po 50 valandų. Tada prietaisas veikia pagal anksčiau nustatytą temperatūrą.

## „Humidity Zone“ stalčius

Šiame skyriuje drėgmės lygis yra didesnis nei šaldytuvo kameroje. Jį automatiškai valdo sistema ir jis tinka vaisiams, daržovėms, salotoms ir kt.

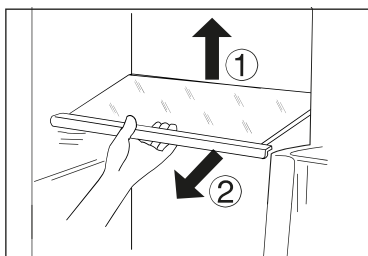
### **i** PASTABA

1. Nenuimkite zonos viduje esančio plastikinio dangtelio.
2. Jis palaiko drėgmę.
3. Stalčiuje nerekomenduojama laikyti šalčiui jautrių vaisių, pvz., ananasų, avokadų, bananų, greipfrutų.



### Kelių oro srautų sistema

1. Šaldytuve įrengta kelių oro srautų sistema – vėsaus oro srautai cirkuliuoja kiekvieno lygio lentynose. Tai padeda palaikyti vienodą temperatūrą, kad maistas ilgiau išliktų šviežias.



### Reguliuojamos lentynos

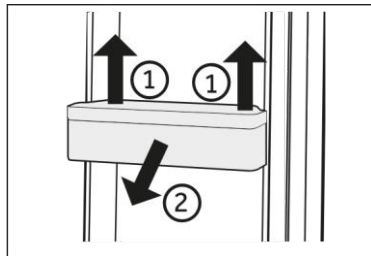
1. Lentynų aukštį galima reguliuoti pagal jūsų produktų laikymo poreikius.
2. Norėdami perkelti lentyną, pirmiausia ją nuimkite pakeldami galinį kraštą ① ir ištraukdami ②.
3. Norėdami ją įstatyti, uždėkite ant ąselių abiejose pusėse ir įstumkite iki galo, kol lentynos galinė dalis užsifiksuos šonuose esančiuose grioveliuose.

### **i** PASTABA

Įsitikinkite, kad visi lentynos kraštai yra viename lygmenyje.

### Išimamos durelių lentynėlės / butelių laikiklis

1. Durelių lentynėlės galima išimti norint jas išvalyti.
2. Padėkite rankas ant abiejų lentynėlės pusių, pakelkite aukštyn ① ir ištraukite ②.
3. Norėdami įstatyti durelių lentynėlę, pirmiau nurodytus veiksmus atlikite atvirkštine tvarka.

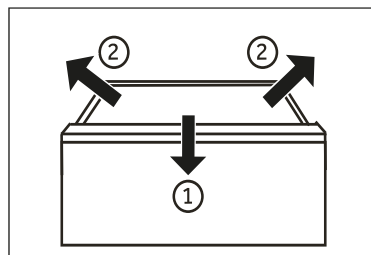


### PASTABA

Įjungus prietaisą gali prireikti iki 12 valandų, kol bus pasiekta tinkama temperatūra.

### Išimamas stalčius

Norėdami išimti stalčių, ištraukite maksimaliai ①, pakelkite ir išimkite ②.  
Norėdami įstatyti stalčių, pirmiau nurodytus veiksmus atlikite atvirkštine tvarka.



### Apšvietimas

Atidarius dureles užsidega salono šviesos diodo lemputė. Šviesų veikimui neturi įtakos jokie kiti prietaiso nustatymai.



## Energijos taupymo patarimai

- ▶ Įsitikinkite, kad prietaiso ventiliacija yra tinkama (žr. ĮRENGIMAS).
- ▶ Neįrenkite prietaiso tiesioginiuose saulės spinduliuose arba šalia šilumos šaltinių (pvz., viryklių, šildytuvų).
- ▶ Stenkitės be reikalo nenustatyti žemos temperatūros prietaise. Kuo žemesnė temperatūra nustatoma prietaise, tuo daugiau energijos suvartojama.
- ▶ Tokios funkcijos, kaip „Super Freeze“, suvartoja daugiau energijos.
- ▶ Prieš dedami šiltą maistą į prietaisą palaukite, kol jis atvės.
- ▶ Laikykite prietaiso duris atidarytas kuo trumpiau.
- ▶ Neperpildykite prietaiso, kad nesutriktų oro cirkuliacija.
- ▶ Stenkitės, kad maisto produktų pakuotėse nebūtų oro.
- ▶ Pasirūpinkite, kad durelių sandarikliai būtų švarūs ir durelės visada tinkamai užsidarytų.
- ▶ Šaldytą maistą atitirpinkite šaldytuvo skyriuje.
- ▶ Siekiant sutaupyti kuo daugiau energijos, prietaiso stalčiai, maisto produktų dėžė ir lentynos turi būti švarūs, kaip gamykloje, o maisto produktai turi būti dedami neuždengiant ortakių oro išleidimo angos.



## ĮSPĖJIMAS!

Prieš valydami atjunkite prietaisą nuo maitinimo šaltinio.

### Valymas

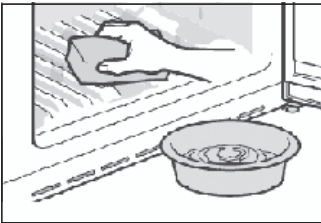
Valykite prietaisą tada, kai jame laikote tik nedidelį kiekį maisto produktų arba jis yra tuščias.

Prietaisą reikia valyti ne rečiau kaip kartą per keturias savaites, kad būtų užtikrinta tinkama priežiūra ir nebūtų nemalonių laikomo maisto kvapų.



## ĮSPĖJIMAS!

- ▶ Prietaiso nevalykite kietais šepetiais, vieliniais šepetiais, skalbimo milteliais, benzinu, amilacetatu, acetonu ir panašiais organiniais tirpalais, taip pat rūgštiniais arba šarminiais tirpalais. Kad išvengtumėte pažeidimų, valykite specialiu šaldytuvo plovikliu.
- ▶ Valydami ant prietaiso nepurkškite ir nepilkite skysčių.
- ▶ Prietaisui valyti nenaudokite vandens purkštuvo ar garų.
- ▶ Nevalykite šaltų stiklo lentynų karštu vandeniu. Dėl staigaus temperatūros pokyčio stiklas gali suskilti.
- ▶ Dirbdami nelieskite šaldiklio skyriaus vidinio paviršiaus, ypač šlapiomis rankomis, nes rankos gali prišalti prie paviršiaus.
- ▶ Pasklidus šilumai patikrinkite šaldytų produktų būklę.



- ▶ Durelių tarpiklis visada turi būti švarus.
- ▶ Prietaiso vidų ir korpusą valykite šiltu vandeniu ir neutraliu plovikliu sudrėkinta kempine.
- ▶ 1. Šaldytuvo vidų ir išorę, įskaitant durelių sandariklį, durelių lentyną, stiklines lentynas, dėžes ir pan., valykite šiltu vandeniu sudrėkintu minkštu rankšluosčiu arba kempine (į šiltą vandenį galima įpilti neutralaus ploviklio).
- ▶ 2. Išsiliejus skysčiui, išimkite visas užterštas dalis, nuskalaukite tekančiu vandeniu, nusausinkite ir vėl įdėkite į šaldytuvą.
- ▶ 3. Išsiliejus kremenės konsistencijos produktui (pvz., grietinėlė, ištirpę ledai), išimkite visas suteptas dalis ir pamirkykite šiltame apie 40 °C vandenyje, paskui nuskalaukite tekančiu vandeniu, nusausinkite ir vėl įdėkite į šaldytuvą.
- ▶ 4. Jei maža dalis ar detalė šaldytuve įstrigo (tarp lentynų ar stalčių), pabandykite ją išimti mažu švelniu šepetėliu. Jei nepavyksta, kreipkitės į „Haier“ techninės priežiūros skyrių.
- ▶ Nuskalaukite ir nusausinkite minkšta šluoste.
- ▶ Neplaukite jokių prietaiso dalių indaplovėje.
- ▶ Prieš įjungdami prietaisą palaukite bent 5 minutes, nes dažnai įjungiant gali sugesti kompresorius.

## Atitirpinimas

Šaldytuvo ir šaldiklio skyrių atitirpinimas atliekamas automatiškai – jo nereikia valdyti rankiniu būdu.

## Šviesos diodo lempučių keitimas



### ĮSPĖJIMAS!

Nekeiskite šviesos diodo lemputės patys, ją gali pakeisti tik gamintojas arba įgaliotasis techninės priežiūros atstovas.

Šviesos šaltinis yra šviesos diodas, kuris sunaudoja mažai energijos ir ilgai tarnauja. Jei lemputė veikia neįprastai, susisiekite su klientų aptarnavimo skyriumi. Žr. skyrių KLIENTŲ APTARNAVIMAS.

Lemputės parametrai:

Šaldytuvo skyrius: 12 V maks. 2 W

Šaldiklio skyrius: 12 V maks. 2 W

## Nenaudojimas ilgesnį laiką

Jei prietaiso nenaudojate ilgą laiką IR nenorite naudoti „Holiday“ funkcijos: išimkite maistą;

atjunkite maitinimo laidą;

išvalykite prietaisą, kaip aprašyta pirmiau;

palikite dureles atidarytas, kad viduje neatsirastų nemalonių kvapų.



### PASTABA

Išjunkite prietaisą tik tuo atveju, jei tai tikrai būtina.

## Prietaiso gabenimas

1. Išimkite visą maistą ir atjunkite prietaisą.
2. Šaldytuvo ir šaldiklio lentynas bei kitas judančias dalis pritvirtinkite lipnia juosta.
3. Nepakreipkite šaldytuvo didesniu nei 45° kampu, kad nepažeistumėte šaldymo sistemos.



### ĮSPĖJIMAS!

- ▶ Nekelkite prietaiso už rankenų.
- ▶ Niekada nedėkite prietaiso horizontaliai ant žemės.

Daugelį iškilusių problemų galite išspręsti patys, neturėdami specialių žinių. Kilus problemai, prieš kreipdamiesi į garantinio aptarnavimo skyrių, patikrinkite visas nurodytas galimybes ir vadovaukitės toliau pateiktais nurodymais. Žr. skyrių KLIENTŲ APTARNAVIMAS.



## ĮSPĖJIMAS!

- ▶ Prieš atlikdami techninę priežiūrą, išjunkite prietaisą ir ištraukite maitinimo kištuką iš elektros lizdo.
- ▶ Elektros įrangos techninę priežiūrą turėtų atlikti tik kvalifikuoti elektros specialistai, nes netinkamai atliktas remontas gali sukelti didelę žalą.
- ▶ Pažeistą maitinimo laidą turi pakeisti tik gamintojas, jo techninės priežiūros atstovas arba panašios kvalifikacijos asmuo, kad būtų išvengta pavojaus.

Problema	Galima priežastis	Galimas sprendimas
Kompresorius neveikia.	<ul style="list-style-type: none"> <li>• Maitinimo kištukas neįjungtas į elektros lizdą.</li> <li>• Įjungtas prietaiso atitirpinimo ciklas.</li> </ul>	<ul style="list-style-type: none"> <li>• Prijunkite maitinimo kištuką.</li> <li>• Tai normalu veikiant automatiniam atitirpinimui.</li> </ul>
Prietaiso aktyvus veikimas yra per dažnas arba per ilgai trunka.	<ul style="list-style-type: none"> <li>• Patalpų arba lauko temperatūra yra per aukšta.</li> <li>• Prietaisas kurį laiką buvo išjungtas.</li> <li>• Nesandariai uždarytos prietaiso durelės.</li> <li>• Durelės buvo atidaromos per dažnai arba per ilgai.</li> <li>• Nustatyta per žema šaldiklio skyriaus temperatūra.</li> <li>• Durelių tarpiklis yra nešvarus, susidėvėjęs, įtrūkęs arba nepriklunda.</li> <li>• Neužtikrinama reikiama oro cirkuliacija.</li> </ul>	<ul style="list-style-type: none"> <li>• Šiuo atveju normalu, kad prietaisas aktyviai veikia ilgiau.</li> <li>• Paprastai prietaisui visiškai atvėsti prireikia 8–12 valandų.</li> <li>• Uždarykite dureles ir (arba) stalčių ir įsitikinkite, kad prietaisas stovi ant lygaus pagrindo, o durelėms uždaryti nekliudo maisto produktai ar indai.</li> <li>• Neatidarinėkite durelių ir (arba) stalčiaus per dažnai.</li> <li>• Nustatykite aukštesnę temperatūrą, kol bus pasiekta patenkinama šaldytuvo temperatūra. Šaldytuvo temperatūra stabilizuojasi per 24 valandas.</li> <li>• Išvalykite durelių ir (arba) stalčiaus tarpiklį arba kreipkitės į klientų aptarnavimo tarnybą, kad jį pakeistų.</li> <li>• Užtikrinkite pakankamą ventiliaciją.</li> </ul>
Šaldytuvo vidus yra nešvarus ir (arba) iš jo sklinda nemalonus kvapas.	<ul style="list-style-type: none"> <li>• Šaldytuvo vidų reikia išvalyti.</li> <li>• Šaldytuve laikomi stipraus kvapo maisto produktai.</li> </ul>	<ul style="list-style-type: none"> <li>• Išvalykite šaldytuvo vidų.</li> <li>• Kruopščiai suvyniokite maistą.</li> </ul>

Problema	Galima priežastis	Galimas sprendimas
Prietaiso viduje nėra pakankamai šalta.	<ul style="list-style-type: none"> <li>Nustatyta per aukšta temperatūra.</li> <li>Šaldytuve laikomi pernelyg šilti maisto produktai.</li> <li>Vienu metu laikoma per daug maisto produktų.</li> <li>Produktai sudėti pernelyg arti vienas kito.</li> <li>Nesandariai uždarytos prietaiso durelės ir (arba) stalčius.</li> <li>Durelės ir (arba) stalčius buvo atidaromi per dažnai arba per ilgai.</li> </ul>	<ul style="list-style-type: none"> <li>Nustatykite temperatūrą iš naujo.</li> <li>Prieš sudėdami produktus į šaldytuvą, visada juos atvėsinkite.</li> <li>Visada laikykite nedidelį maisto produktų kiekį.</li> <li>Palikite tarpus tarp maisto produktų, kad cirkuliuotų oras.</li> <li>Uždarykite duris ir (arba) stalčių.</li> <li>Neatidarinėkite durelių ir (arba) stalčiaus per dažnai.</li> </ul>
Prietaiso viduje per šalta.	<ul style="list-style-type: none"> <li>Nustatyta per žema temperatūra.</li> <li>„Super Freeze“ / „Super Cool“ funkcija įjungta arba veikia per ilgai.</li> </ul>	<ul style="list-style-type: none"> <li>Nustatykite temperatūrą iš naujo.</li> <li>Išjunkite „Super Freeze“ / „Super Cool“ funkciją.</li> </ul>
Šaldytuvo skyriaus viduje susidaro drėgmė.	<ul style="list-style-type: none"> <li>Klimatas pernelyg šiltas ir per drėgnas.</li> <li>Nesandariai uždarytos prietaiso durelės ir (arba) stalčius.</li> <li>Durelės ir (arba) stalčius buvo atidaromi per dažnai arba per ilgai.</li> <li>Indai su maistu ar skysčiais palikti atidaryti.</li> </ul>	<ul style="list-style-type: none"> <li>Padidinkite temperatūrą.</li> <li>Uždarykite duris ir (arba) stalčių.</li> <li>Neatidarinėkite durelių ir (arba) stalčiaus per dažnai.</li> <li>Palaukite, kol karštas maistas atvės iki kambario temperatūros ir uždenkite maistą bei skysčius.</li> </ul>
Drėgmė kaupiasi ant šaldytuvo išorinio paviršiaus arba tarp durelių / durelių ir stalčiaus.	<ul style="list-style-type: none"> <li>Klimatas pernelyg šiltas ir per drėgnas.</li> <li>Durelės nėra sandariai uždarytos. Susidaro šalto oro prietaiso viduje ir šilto oro jo išorėje kondensacija.</li> </ul>	<ul style="list-style-type: none"> <li>Tai normalu drėgname klimate. Situacija pasikeis sumažėjus drėgmei.</li> <li>Įsitikinkite, kad durelės ir (arba) stalčius yra sandariai uždaryti.</li> </ul>
Ekranas šviečia, bet šalčio nesijaučia.	<ul style="list-style-type: none"> <li>Jis veikia demonstraciniu režimu.</li> </ul>	<ul style="list-style-type: none"> <li>Atkreipkite dėmesį, kokios būklės jis yra. Jei jis veikia demonstraciniu režimu, išeikite iš jo. Norėdami išeiti, atidarykite šaldytuvo dureles, kai prietaisas užrakintas, paspauskite antrą mygtuką dešinėje ir palaikykite 8 sek. per 12 valandų nuo įjungimo.</li> </ul>

Problema	Galima priežastis	Galimas sprendimas
Šaldiklio skyriuje susidarę daug ledo ir šerkšno.	<ul style="list-style-type: none"> <li>• Produktai nebuvo tinkamai supakuoti.</li> <li>• Nesandariai uždarytos prietaiso durelės ir (arba) stalčius.</li> <li>• Durelės ir (arba) stalčius buvo atidaromi per dažnai arba per ilgai.</li> <li>• Durelių ir (arba) stalčiaus tarpiklis yra nešvarus, susidėvėjęs, įtrūkęs arba nepriglunda.</li> <li>• Kažkas viduje trukdo tinkamai uždaryti dureles ir (arba) stalčių.</li> </ul>	<ul style="list-style-type: none"> <li>• Visada gerai supakuokite produktus.</li> <li>• Uždarykite duris ir (arba) stalčių.</li> <li>• Neatidarinėkite durelių ir (arba) stalčiaus per dažnai.</li> <li>• Išvalykite durelių ir (arba) stalčiaus tarpiklius arba pakeiskite juos naujais.</li> <li>• Pakeiskite lentynų, durelių lentynėlių ar vidinių talpyklų padėtį, kad būtų galima uždaryti dureles ir (arba) stalčių.</li> </ul>
Korpuso šonai ir durelių juosta sušyla.	<ul style="list-style-type: none"> <li>• -</li> </ul>	<ul style="list-style-type: none"> <li>• Tai normalu.</li> </ul>
Prietaisas skleidžia neįprastus garsus.	<ul style="list-style-type: none"> <li>• Prietaisas pastatytas ant nelygaus paviršiaus.</li> <li>• Prietaisas liečia šalia jo esantį objektą.</li> </ul>	<ul style="list-style-type: none"> <li>• Sureguliuokite kojeles, kad sulygiuotumėte prietaisą.</li> <li>• Pašalinkite aplink prietaisą esančius objektus.</li> </ul>
Girdimas nežymus garsas, primenantis tekančio vandens garsą.	<ul style="list-style-type: none"> <li>• -</li> </ul>	<ul style="list-style-type: none"> <li>• Tai normalu.</li> </ul>
Girdimas signalo pypsėjimas.	<ul style="list-style-type: none"> <li>• Šaldytuvo skyriaus durelės atidarytos.</li> </ul>	<ul style="list-style-type: none"> <li>• Uždarykite duris.</li> </ul>
Girdimas silpnas ūžesys.	<ul style="list-style-type: none"> <li>• Veikia antikondensacinė sistema.</li> </ul>	<ul style="list-style-type: none"> <li>• Ji apsaugo nuo kondensacijos ir tai yra normalus reiškinys.</li> </ul>
Vidaus apšvietimo ar aušinimo sistema neveikia.	<ul style="list-style-type: none"> <li>• Maitinimo kištukas neįjungtas į elektros lizdą.</li> <li>• Netinkamai tiekiamas maitinimas.</li> <li>• Nebeveikia šviesos diodo lemputė.</li> </ul>	<ul style="list-style-type: none"> <li>• Prijunkite maitinimo kištuką.</li> <li>• Patikrinkite, ar į patalpą tiekiamas elektros energija. Skambinkite vietos elektros energijos tiekimo įmonei!</li> <li>• Norėdami pakeisti lemputę, kreipkitės į techninės priežiūros tarnybą.</li> </ul>

Norėdami susisiekti su techninės pagalbos tarnyba, apsilankykite mūsų svetainėje: <https://corporate.haier-europe.com/en/>

Skiltyje „svetainė“ pasirinkite savo gaminio prekės ženklą ir šalį. Būsime nukreipti į konkrečią svetainę, kurioje rasite telefono numerį ir formą, skirtą susisiekti su technine pagalba.

## Elektros energijos tiekimo nutraukimas

Nutrūkus elektros energijos tiekimui, maistas turėtų išlikti saugiai šaltas apie 5 valandų. Elektros energijos tiekimui nutrūkus ilgesnį laiką, ypač vasarą, vadovaukitės toliau išvardytais patarimais.

- ▶ Atidarinėkite duris ir (arba) stalčių kuo rečiau.
- ▶ Nutrūkus elektros energijos tiekimui, nedėkite į prietaisą papildomų maisto produktų.
- ▶ Jei apie elektros energijos tiekimo nutraukimą pranešama iš anksto ir jis trunka ilgiau nei 5 valandų, pasigaminkite ledo ir sudėkite jį į šaldytuvo skyriaus viršuje esantį indą.
- ▶ Nutrūkus elektros energijos tiekimui maisto produktus reikia nedelsiant apžiūrėti.
- ▶ Kadangi nutrūkus elektros tiekimui ar įvykus kitam gedimui temperatūra šaldytuve pakyla, sumažėja maisto produktų laikymo trukmė ir jų valgomoji kokybė. Siekiant išvengti pavojaus sveikatai, bet kokius atitirpusius maisto produktus reikia suvartoti arba ilgai nedelsiant išvirti ir vėl užšaldyti (jei tinka).

## Atminties funkcija nutrūkus elektros energijos tiekimui

Atkūrus elektros energijos tiekimą, prietaisas veikia tais pačiais nustatymais, kurie buvo naudojami prieš sutrinkant elektros energijos tiekimui.

## Išpakavimas



## ĮSPĖJIMAS!

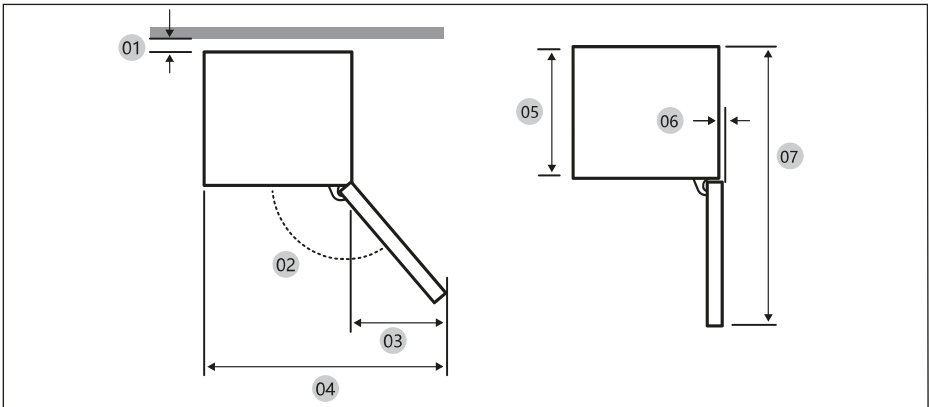
- ▶ Prietaisas yra sunkus. Jam perkelti visada reikės dviejų asmenų.
- ▶ Laikykite visas pakavimo medžiagas vaikams nepasiekiamoje vietoje ir išmeskite aplinkai nekenksmingu būdu.
- ▶ Išimkite prietaisą iš pakuotės.
- ▶ Nuimkite visas pakavimo medžiagas.

## Aplinkos sąlygos

Patalpos temperatūra visada turėtų būti nuo 10 °C iki 43 °C, nes ji gali turėti įtakos temperatūrai prietaiso viduje ir jo suvartojamos energijos kiekiui. Neįrenkite prietaiso šalia kitų neizoliuotų šilumą skleidžiančių prietaisų (orkačių, šaldytuvų).

## Erdvės reikalavimai

Reikalinga erdvė atidarius duris (be spintelės durų plokštės)

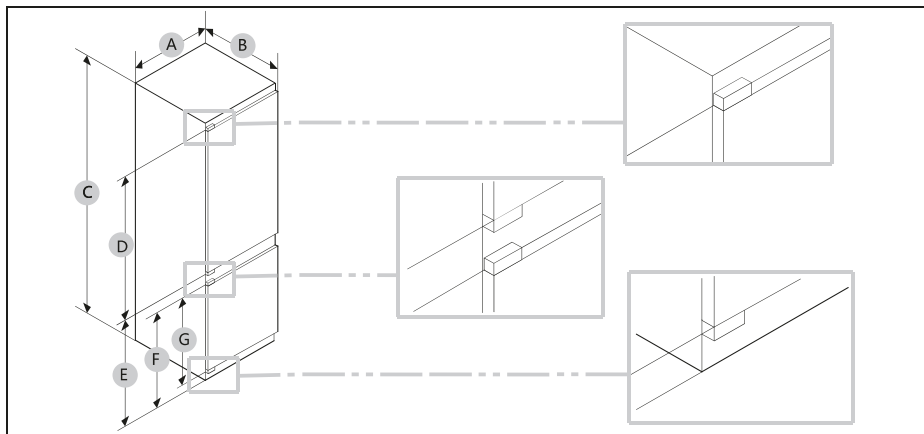


Modelis	EBQW5518E HBQW5518E HBQW5518EK HQE1855BCM EHQE1855BCM	HBQW5519E HBQW5519EK EBQW5519E EBQW5519EC	HBQW5719E
01 *	10 (min.) / 30 (rekomenduojama)	10 (min.) / 30 (rekomenduojama)	10 (min.) / 30 (rekomenduojama)
02	95° (rekomenduojama)	95° (rekomenduojama)	95° (rekomenduojama)
03	43	43	55
04	583	583	745
05	515	515	515
06	-3	-3	-3
07	1060	1060	1210

\* 01: nuo spintelės iki gamintojo galo.

(vienetas: mm)

## Gaminio matmenys



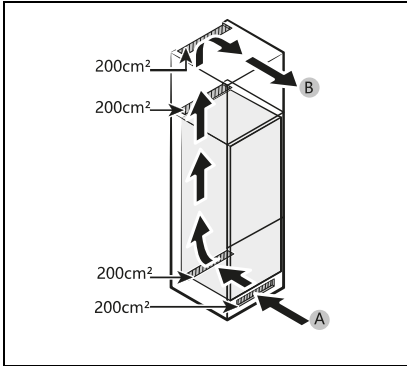
Modelis	A (mm)	B (mm)	C (mm)	G (mm)	E (mm)	F (mm)	G (mm)
EHBQW5518E HBQW5518E HBQW5518EK HQE1855BCMW EHQE1855BCMW	540 ± 2	550 ± 2	1772 ± 2	970	745	662	618
HBQW5519E HBQW5519EK EHBQW5519E EHBQW5519ECM	540 ± 2	550 ± 2	1935 ± 2	1133	745	662	618
HBQW5719E	690 ± 2	550 ± 2	1935 ± 2	1133	745	662	618

**i** PASTABA

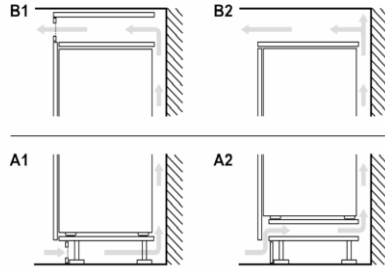
- Nurodytos energijos sąnaudos yra pagrįstos 10 mm tarpo nuo spintelės iki gaminio galo sąlyga. Gaminys tinkamai veikia net esant mažesniai nei 10 mm tarpui, tačiau sunaudoja šiek tiek daugiau energijos.
- Rekomenduojame naudoti spintelę, kurios sienelės 18 mm storio, o vyriai – mažiau nei 20 mm storio.
- Pirmiau pateiktoje lentelėje pateikti išmatavimai gali skirtis, priklausomai nuo matavimo metodo.
- Norėdami sužinoti apie įmontuojamojo prietaiso įrengimą, žr. įrengimo vadovą.

## Ventiliacijos skerspjūvis

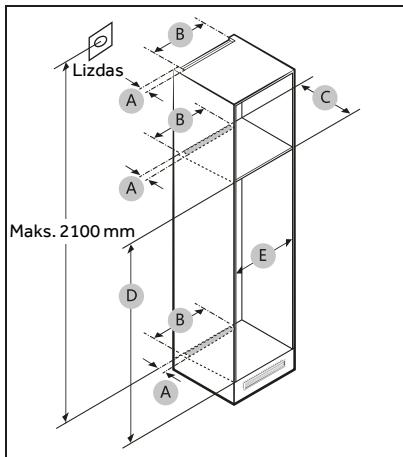
Siekiant užtikrinti pakankamą prietaiso ventiliaciją saugos sumetimais, būtina atkreipti dėmesį į informaciją apie ventiliacijos skerspjūvius.



A: Oro įleidimo anga  $\geq 200 \text{ cm}^2$ ; vėdinimo galimybės  
B: Oro išleidimo anga  $\geq 200 \text{ cm}^2$ ; vėdinimo galimybės



## Spintelės matmenys



## DĖMESIO!

Bet kokiam dėl toliau nurodytų priežasčių atsiradusiam gaminio gedimui garantija netaikoma.

1. Netinkamos vietos sąlygos arba netinkamo dydžio spintelė.
2. Spintelė su defektais.
3. Montuotojo arba naudotojo padarytos klaidos.

## Tarpai

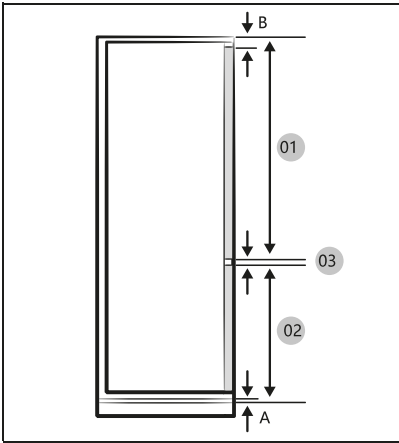
Žiūrėkite toliau pateiktus paveikslėlius ir lenteles, kuriuose nurodyti įrengimo vietos reikalavimai.

Modelis		A (mm)	B (mm)	C (mm)	D (mm)	E (mm)	Pastaba
EHBQW5518E HBQW5518E HBQW5518EK HQE1855BCMW EHQE1855BCMW	Min.	50	400	560	1778	560	Vyris: 17 mm
	Rekomend.			580	1780	562	
	Maks.			-	1782	568	
HBQW5519E HBQW5519EK EHBQW5519E EHBQW5519ECM	Min.	50	400	560	1940	560	Vyris: 17 mm
	Rekomend.			580	1943	562	
	Maks.			-	1945	568	
HBQW5719E	Min.	50	400	560	1941	710	Vyris: 17 mm
	Rekomend.			580	1943	714	
	Maks.			-	1945	718	



## PASTABA

- Jei spintelės plotis didesnis nei 568 mm, gali atsilaivinti tarpiklis (tarp šaldytuvo ir spintelės).
- Jei spintelė yra aukštesnė už maksimalų matmenį (1782 mm), tarpo užpildymui turite naudoti kitas apdailos medžiagas (skirta EHBQW5518E / HBQW5518E / EK / EHQE / HQE1855BCMW).
- Jei spintelė yra aukštesnė už maksimalų matmenį (1945 mm), tarpo užpildymui turite naudoti kitas apdailos medžiagas (skirta HBQW5519E / EK / EHBQW5519E / ECM).



## PASTABA

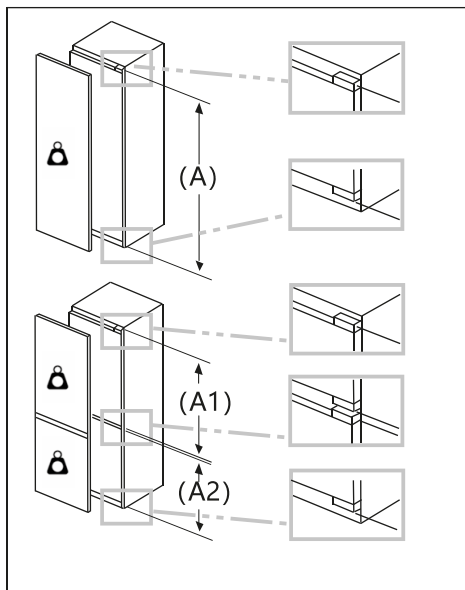
Norėdami sumontuoti spintelę, kuriai reikia 4 mm tarpo (03), žr. toliau pateiktą spintelės nuorodų lentelę.

- A Apatinis priekinės sienelės kraštas virš oro ventilacijos  
B Priekinės sienelės iškyša

(vienetas: mm)

Modelis	EHBQW5518E HBQW5518E HBQW5518EK HQE1855BCMW EHQE1855BCMW	HBQW5519E HBQW5519EK EHBQW5519E EHBQW5519ECM HBQW5719E
01	Min. 1028 + B Maks. 1106 + B	Min. 1191 + B Maks. 1269 + B
02	Min. 662 + A Maks. 740 + A	Min. 662 + A Maks. 740 + A
03	4 mm (šaldytuvo ir šaldiklio spintelė durų tarpas)	

## Didžiausias leistinas įrenginio fasadų svoris

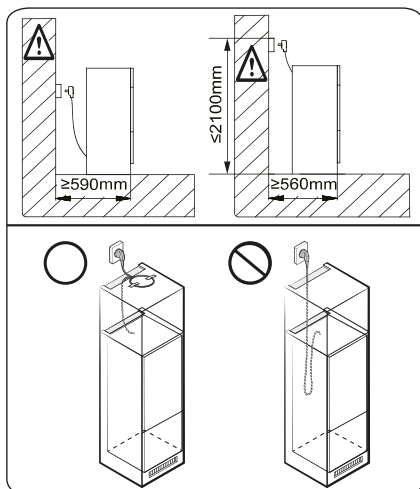


Sumontuoti įrenginio fasadai, viršijantys leistiną svorį, gali sugadinti viršius ir jie neveiks kaip reikia.

⚠ Svoris  
(kg)

1500–1750 mm	22
720–1400 mm	19
A1	15
A2	15

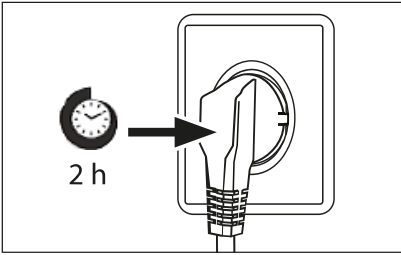
## Kištukinio lizdo vietą ir reikalingos erdvės vertinimas



### **i** PASTABA

Jei įrengiate šaldytuvą 560 mm gylis spintelėje, prieš jungdami į maitinimo lizdą įsitinkite, kad maitinimo laidas yra šaldytuvo šone. Jei maitinimo laidas yra šaldytuvo gale, gali sumažėti energijos vartojimo efektyvumas.

## Laukimo laikas



Kompresoriaus kapsulėje yra priežiūros nereikalaujančios tepalinės alyvos. Transportuojant prietaisą nuožulniai, ši alyva gali pratekėti per uždarytą vamzdžių sistemą. Prieš prijungdami prietaisą prie maitinimo šaltinio, palaukite 2 valandas, kol alyva sutekės atgal į kapsulę.

## Elektros jungtis

Prieš kiekvieną prijungimą patikrinkite, ar:

- ▶ maitinimo šaltinis, lizdas ir saugiklis yra tinkami pagal techninių duomenų lentelę;
- ▶ maitinimo lizdas yra įžemintas ir nenaudojami kelių kištukų įtaisai ar ilgintuvai;
- ▶ maitinimo kištukas ir lizdas tiksliai sutampa.

Prijunkite kištuką prie tinkamai įrengto buitinio lizdo.



## ĮSPĖJIMAS!

Siekiant išvengti rizikos, pažeistą maitinimo laidą turi pakeisti klientų aptarnavimo skyrius (žr. garantinę kortelę).

Gaminio aprašas pagal ES reglamentą nr. 2019/2016

Prekės ženklas	Haier		
Modelio pavadinimas / identifikatorius	EHBW5518E HBQW5518E HBQW5518EK HQE1855BCMW EHQE1855BCMW	HBQW5519E HBQW5519EK EHBQW5519E EHBQW5519ECM	HBQW5719E
Modelio kategorija	Šaldytuvai - šaldiklis		
Energijos efektyvumo klasė	E	E	E
Metinis energijos suvartojimas (kWh per metus) (1)	229	229	259
Bendras tūris (l)	268	285	382
Šaldytuvo tūris (l)	194	211	281
Šaldiklio tūris (l)	74	74	101
Vėsinimo skyriaus tūris (l)	/	/	/
Automatinio ledo gaminimo aparato tūris (l)	/	/	/
Įvertinimas žvaigždutėmis	4	4	4
Kitų skyrių temperatūra > 14 °C	Netaikoma		
Bešerkšnė sistema	Taip		
Šaldymo pajėgumas (kg/24 val.)			
Klimato klasė (2)	SN/N/ST/T	SN/N/ST/T	SN/N/ST/T
Skleidžiamo triukšmo klasė ir akustinio triukšmo lygis (db(A)re1pW)	B(35)	B(35)	B(33)
Temperatūros kilimo laikas (val.)	12	12	9
Ledo gaminimo pajėgumas	/	/	/
Prietaiso tipas	Įmontuojamasis		

Modelio pavadinimas	Energijos efektyvumo klasė
EHBQW5518E HBQW5518E HBQW5518EK HQE1855BCMW EHQE1855BCMW	E
HBQW5519E HBQW5519EK EHBQW5519E EHBQW5519ECM HBQW5719E	E

Paaiškinimai:

- Taip, ši funkcija yra

(1) Remiantis atitiktis standartams 24 valandų bandymo rezultatais. Faktinės sąnaudos priklauso nuo prietaiso naudojimo ir vietos.

(2) Klimato klasė SN: šis prietaisas skirtas naudoti aplinkos temperatūrai esant nuo +10 °C iki +32 °C.

Klimato klasė N: šis prietaisas skirtas naudoti aplinkos temperatūrai esant nuo +16 °C iki +32 °C.

Klimato klasė ST: šis prietaisas skirtas naudoti aplinkos temperatūrai esant nuo +16 °C iki +38 °C.

Klimato klasė T: šis prietaisas skirtas naudoti aplinkos temperatūrai esant nuo +16 °C iki +43 °C.

### Papildomi techniniai duomenys

Įtampa / dažnis	220–240 V ~/50 Hz
Įvesties srovė (A)	1.2/1.6
Pagrindinis saugiklis (A)	16
Aušinimo skystis	R600a
Matmenys (A/P/G mm)	EHBQW5518E / HBQW5518E / EK EHQE / HQE1855BCMW: 1773 / 540 / 555
	HBQW5519E / EK / EHBQW5519E / ECM: 1935 / 540 / 555
	EHBQW5719E : 1935/690/550

Rekomenduojame naudotis „Haier“ klientų aptarnavimo paslaugomis ir naudoti originalias atsargines dalis.

Jei kilo problemų su prietaisu, pirmiausia peržiūrėkite skyrių TRIKČIŲ ŠALINIMAS.

Jei nerandate sprendimo, kreipkitės į

- ▶ vietos prekybos atstovą arba
- ▶ mūsų Europos skambučių aptarnavimo centre (žr. toliau išvardytus telefono numerius) arba
- ▶ apsilankykite techninės priežiūros ir pagalbos skyriuje adresu [www.haier.com](http://www.haier.com), kur galėsite aktyvuoti techninės priežiūros paraišką
- ▶ ir rasti DUK.

Norėdami susisiekti su mūsų techninės priežiūros skyriumi, įsitikinkite, kad turite toliau nurodytus duomenis.

Informaciją galima rasti techninių duomenų lentelėje.

Modelis \_\_\_\_\_

Serijos nr. \_\_\_\_\_

Garantijos klausimais taip pat peržiūrėkite su gaminiu pateiktą garantijos kortelę.

Europos skambučių aptarnavimo centras		
Šalis*	Telefono numeris	Kainos
Haier Italy (IT)	199 100912	
Haier Spain (ES)	902 509 123	
Haier Germany (DE)	0180 5 39 39 99	<ul style="list-style-type: none"> <li>• 14 ct/min. fiksotojo ryšio numeris</li> <li>• Maks. 42 ct/min. mobiliojo ryšio numeris</li> </ul>
Haier Austria (AT)	0820 001205	<ul style="list-style-type: none"> <li>• 14,53 ct/min. fiksotojo ryšio numeris</li> <li>• Maks. 20 ct/min. visi kiti</li> </ul>
Haier United Kingdom (UK)	0333 003 8122	
Haier France (FR)	0980 406 409	

\* Kitų šalių informacijos pateikta svetainėje adresu [www.haier.com](http://www.haier.com)

Haier Europe Trading S.r.l

Filialas Jungtinėje Karalystėje

Westgate House, Westgate, Ealing

London, W5 1YY

\* Šaldymo įrenginio garantijos galiojimo laikas:

Minimali garantijos trukmė yra: 2 metai ES šalyse, 3 metai Turkijoje, 1 metai JK, 1 metai Rusijoje, 3 metai Švedijoje, 2 metai Serbijoje, 5 metai Norvegijoje, 1 metai Maroke, 6 mėnesiai Alžyre, Tunise teisinės garantijos nereikia.

\* Prietaiso remonto atsarginių dalių laikotarpis:

Termostatus, temperatūros jutiklius, spausdintines plokštes ir šviesos šaltinius galima įsigyti ne trumpiau kaip septynerius metus nuo paskutinio modelio įrenginio pateikimo į rinką.

Durelių rankenos, durelių vyriai, padėklai ir krepšiai – ne trumpiau kaip septynerius metus, o durelių tarpikliai – ne trumpiau kaip 10 metų nuo paskutinio modelio įrenginio pateikimo į rinką.

\* Norėdami gauti daugiau informacijos apie gaminį, apsilankykite <https://eprel.ec.europe.eu/> arba nuskaitykite QR, esantį su prietaisu pateiktoje energijos efektyvumo etiketėje.



**Haier**



2024 m. A versija

# Haier

## Lietotāja rokasgrāmata



### Ledusskapis/saldētava

EHBQW5518E

HBQW5518E

HBQW5518EK

HQE1855BCMW

EHQE1855BCMW

HBQW5519E

HBQW5519EK

EHBQW5519E

EHBQW5519ECM

HBQW5719E

LV

<u>4 Drošības informācija</u>	<u>Pirms pirmās lietošanas reizes</u>	5
	<u>Uzstādīšana</u>	5
	<u>Ikdienas lietošana</u>	6
	<u>Informācija par aukstumaģenta gāzi</u>	8
<u>9 Paredzētais lietojums</u>		
<u>10 Produkta apraksts</u>		
<u>12 Vadības panelis</u>		
<u>13 Lietošana</u>	<u>Paneļa blokēšana/atblokēšana</u>	13
	<u>Ledusskapja temperatūras regulēšana</u>	13
	<u>Saldētavas temperatūras regulēšana</u>	14
	<u>Wi-Fi funkcija</u>	15
	<u>Funkcija Holiday</u>	15
	<u>Funkcija Super Cool</u>	16
	<u>Funkcija Super Freeze</u>	16
<u>18 Aprīkojums</u>		
<u>20 Enerģijas taupīšanas padomi</u>		
<u>21 Kopšana un tīrīšana</u>		
<u>23 Problēmu novēršana</u>		
<u>27 Uzstādīšana</u>		
<u>34 Tehniskie dati</u>		
<u>36 Klientu apkalpošana</u>		

## Paldies, ka iegādājāties Haier produktu.

Pirms šīs ierīces lietošanas, lūdzu, uzmanīgi izlasiet šos norādījumus. Norādījumi satur svarīgu informāciju, kas jums palīdzēs ierīci izmantot visefektīvākajā veidā un garantēs drošu un pareizu uzstādīšanu, lietošanu un apkopi.

Glabājiet šo rokasgrāmatu ērti pieejamā vietā, lai jūs vienmēr varētu to izmantot kā atsauci drošai un pareizai ierīces lietošanai.

Ja ierīci pārdojat, atdodat vai atstājat iepriekšējā dzīvesvietā, neaizmirstiet jaunajam īpašniekam nodot arī šo rokasgrāmatu, lai viņš varētu iepazīties ar ierīci un izlasīt drošības brīdinājumus.

## Piederumi

Pārbaudiet piederumus un dokumentāciju saskaņā ar šo sarakstu:





**BRĪDINĀJUMS** — svarīga drošības informācija



**PAZIŅOJUMS** — vispārīga informācija un padomi



**Vides informācija**



### Utilizācija

Palīdziet aizsargāt vidi un cilvēku veselību. Ievietojiet iepakojumu atbilstošajos konteineros, lai nodrošinātu tā pārstrādi. Palīdziet pārstrādāt elektrisko un elektronisko ierīču atkritumus. Neizmetiet ar šo simbolu apzīmētās ierīces kopā ar sadzīves atkritumiem. Nododiet produktu atpakaļ vietējā pārstrādes uzņēmumā vai sazinieties ar pašvaldības biroju.



### BRĪDINĀJUMS!

Traumu vai nosmakšanas risks!

Aukstumaģentu un gāzu utilizācija ir jāveic profesionāļiem. Pārlicinieties, vai aukstumaģenta kontūra caurules nav bojātas, pirms tās tiek pareizi utilizētas. Atvienojiet ierīci no elektrotīkla. Atvienojiet elektrotīkla kabeli un atbrīvojieties no tā. Izņemiet paplātes un atvilktnes, kā arī durvju aizbīdņi un blīves, lai nepieļautu bērnu un mājdzīvnieku ieslēgšanu ierīcē.

## Pirms ierīci ieslēdzat pirmoreiz, izlasiet šos drošības norādījumus!



### BRĪDINĀJUMS!

#### Pirms pirmās lietošanas reizes

- ▶ Pārliecinieties, vai nav nekādu bojājumu, kas radušies transportēšanas laikā.
- ▶ Pirms ierīces uzstādīšanas nogaidiet vismaz divas stundas, lai aukstumaģenta kontūrs būtu pilnībā efektīvs.
- ▶ Ierīce jānes un jāpārvieto vismaz diviem cilvēkiem, jo tā ir smaga.
- ▶ Noņemiet visus iepakojuma materiālus, glabājiet tos bērniem nepieejamā vietā un utilizējiet videi draudzīgā veidā.
- ▶ Pirms ēdiena ievietošanas nomazgājiet ierīces iekšpusi un ārpusi, izmantojot ar ūdeni un maigu mazgāšanas līdzekli.
- ▶ Pēc tam, kad ierīce ir nolīmeņota un izmazgāta, uzgaidiet vismaz 2–5 stundas, pirms to pieslēdzat barošanas avotam. Skatiet sadaļu UZSTĀDĪŠANA.
- ▶ Pirms pārtikas ievietošanas atdzesējiet nodalījumus, izmantojot augstus iestatījumus. Funkcija Power-Freeze palīdz ātri atdzesēt saldētavas nodalījumus.
- ▶ Ledusskapja un saldētavas nodalījumam automātiski tiek iestatīta attiecīgi 5 °C un -18 °C temperatūra. Šie ir ieteicamie iestatījumi. Ja vēlaties, varat manuāli mainīt šīs temperatūras. Lūdzu, skatiet sadaļu TEMPERATŪRAS REGULĒŠANA.

#### Uzstādīšana

- ▶ Ierīce jānovieto labi vēdināmā vietā. Virs ierīces un ap to ir jābūt vismaz 10 cm atstarpei.
- ▶ Nekādā gadījumā nenovietojiet ierīci mitrā vietā vai vietā, kur to varētu apšļakstīt ūdens. Ūdens šļakatas noslaukiet un traipus notīriet ar mikstu, tīru drānu.
- ▶ Neuzstādiet ierīci tiešā saules gaismā vai siltuma avotu (piemēram, krāsns, sildītāja) tuvumā.
- ▶ Uzstādiet un nolīmeņojiet ierīci tās izmēram un lietošanas mērķim piemērotā vietā.
- ▶ Ventilācijas atveres ierīces korpusā vai iebūvētajā konstrukcijā nedrīkst būt aizsprostotas.
- ▶ Pārliecinieties, vai informācija par elektrību uz datu plāksnītes atbilst barošanas avotam. Ja tā neatbilst, sazinieties ar elektrotehniķi.
- ▶ Ierīces barošanu nodrošina 220–240 V maiņstrāva ar 50 Hz frekvenci. Anormālu sprieguma svārstību gadījumā ierīce var neieslēgties, var tikt radīti temperatūras regulatora vai kompresora bojājumi vai ierīces darbības laikā var būt dzirdami neparasti trokšņi. Šādā gadījumā ir jāuzstāda automātiskais regulators.
- ▶ Neizmantojiet vairāku kontaktdakšu adapterus un pagarinātājkabeļus.
- ▶ Ierīces aizmugurē nenovietojiet vairākas pārnēsājamās kontaktligzdas vai pārnēsājamās barošanas blokus.
- ▶ Pārliecinieties, ka ledusskapis nav nosprostojis barošanas kabeli. Nekāpiet uz barošanas kabeļa.



## BRĪDINĀJUMS!

- ▶ Barošanai izmantojiet atsevišķu zemētu kontaktligzdu, kas ir viegli pieejama. Ierīcei jābūt sazemētai.  
Tikai Apvienotajai Karalistei: ierīces barošanas kabelis ir aprīkots ar 3 vadu (zemējuma) kontaktdakšu, kas atbilst standarta 3 vadu (zemētai) kontaktligzdai. Nekad neatvienojiet un nenoņemiet trešo tapiņu (zemējumu). Pēc ierīces uzstādīšanas kontaktdakšai ir jābūt pieejamai.
- ▶ Nesabojājiet aukstumaģenta kontūru.

### Ikdienas lietošana

- ▶ Šo ierīci drīkst lietot personas no 8 gadu vecuma un personas ar ierobežotām fiziskām, sensorām vai garīgām spējām vai bez pieredzes un zināšanām, ja vien tās tiek uzraudzītas vai tām ir sniegti norādījumi par ierīces lietošanu drošā veidā un tās saprot ar to saistītos riskus.
- ▶ Bērni vecumā no 3 līdz 8 gadiem drīkst ledusskapī ievietot un no tā izņemt produktus, bet nedrīkst ierīci tīrīt un uzstādīt.
- ▶ Bērni, kas jaunāki par 3 gadiem, ierīci drīkst izmantot tikai pastāvīgā pieaugušo uzraudzībā.
- ▶ Bērni nedrīkst spēlēties ar ierīci.
- ▶ Ja ierīces tuvumā ir notikusi deggāzes vai citas viegli uzliesmojošas gāzes noplūde, aizgrieziet izplūstošās gāzes vārstu, atveriet durvis un logus un neatvienojiet no elektrotīkla ledusskapja vai jebkuras citas ierīces barošanas kabeli.
- ▶ Ņemiet vērā, ka ierīce ir iestatīta darbam noteiktā apkārtējās vides temperatūras diapazonā no 10 °C līdz 43 °C. Ierīce var nedarboties pareizi, ja tā tiek ilgstoši atstāta temperatūrā, kas pārsniedz norādīto diapazonu vai ir zemāka par to.
- ▶ Nenovietojiet nestabilus priekšmetus (smagus priekšmetus, ar ūdeni piepildītus traukus) uz ledusskapja virsmas, lai izvairītos no traumām, ko var izraisīt priekšmetu nokrišana, vai elektriskās strāvas trieciena, saskaroties ar ūdeni.
- ▶ Nevelciet aiz durvju plauktiem. Durvis var sašķiebties, pudeļu statīvs var izkrist, vai ierīce var apgāzties.
- ▶ Durvis atveriet un aizveriet tikai aiz rokturiem. Atstarpe starp durvīm, kā arī starp durvīm un plauktu ir ļoti šaura. Nelieciet šajās vietās rokas, lai nesapspiestu pirkstus. Atveriet un aizveriet ledusskapja durvis tikai tad, ja durvju kustības zonā neatrodas bērni.
- ▶ Neuzglabājiet un nelietojiet uzliesmojošus, sprādzienbīstamus vai kodīgus materiālus ierīcē vai tās tuvumā.
- ▶ Ierīcē neglabājiet zāles, baktērijas vai ķīmiskos līdzekļus. Šī ir mājaisaimniecības ierīce. Nav ieteicams tajā uzglabāt materiālus, kuriem nepieciešama stingri noteikta temperatūra.
- ▶ Saldētavā nekad neglabājiet pudelēs vai bundžās pildītus šķidrumus (izņemot alkoholiskos dzērienus ar augstu spirta saturu) un jo īpaši gāzētos dzērienus, jo, šķidrumam sasilstot, šie trauki plīsīs.



## BRĪDINĀJUMS!

- ▶ Ja saldētavā ir notikusi temperatūras paaugstināšanās, pārbaudiet pārtikas produktu stāvokli.
- ▶ Neiestatiet nevajadzīgi zemu temperatūru ledusskapja nodalījumā. Augstākajos plauktos temperatūra var būt zem nulles. Uzmanību! Pudeles var plīst
- ▶ Nepieskarieties saldētiem produktiem ar mitrām rokām (valkājiņiet cimdus). Jo īpaši neēdiet sulas saldējumu tūlīt pēc tā izņemšanas no saldētavas. Pastāv piesalšanas vai čulgu veidošanās risks. PIRMĀ palīdzība: nekavējoties turiet skarto vietu zem tekoša auksta ūdens. Neraujiet piesalušo priekšmetu nost!
- ▶ Nepieskarieties ieslēgtas saldētavas iekšējai virsmai, jo īpaši ar mitrām rokām, jo rokas var piesalt pie virsmas.
- ▶ Strāvas padeves pārtraukuma gadījumā vai pirms tīrīšanas atvienojiet ierīci no elektrotīkla. Pirms ierīces atkārtotas ieslēgšanas nogaidiet vismaz 7 minūtes, jo bieža iedarbināšana var sabojāt kompresoru.
- ▶ Pārtikas uzglabāšanas nodalījumos neizmantojiet nekādas elektroierīces, izņemot tās, kuras ieteicis ražotājs.

## Apkope/tīrīšana

- ▶ Ja tīrīšanu un apkopi veic bērni, pārliedcinieties, vai viņi tiek uzraudzīti.
- ▶ Pirms kārtējās apkopes veikšanas atvienojiet ierīci no elektrotīkla. Pirms ierīces atkārtotas ieslēgšanas nogaidiet vismaz 5 minūtes, jo bieža iedarbināšana var sabojāt kompresoru.
- ▶ Atvienojot ierīci, velciet aiz kontaktdakšas, nevis kabeļa.
- ▶ Netīriet ierīci ar cietām sukām, stieplu sukām, mazgāšanas pulveri, benzīnu, amilacetātu, acetonu un līdzīgiem organiskiem šķīdumiem, skābes vai sārma šķīdumiem. Tīriet ar īpašu ledusskapja mazgāšanas līdzekli, lai izvairītos no bojājumiem.
- ▶ Neskrāpējiet sarmu un ledu ar asiem priekšmetiem. Neizmantojiet aerosolus, elektriskās sildierīces, piemēram, sildītāju, matu žāvētāju, tvaika tīrītāju vai citus siltuma avotus, lai izvairītos no plastmasas detaļu sabojāšanas.
- ▶ Neizmantojiet nekādas mehāniskas ierīces vai citus atkausēšanas procesa paātrināšanas līdzekļus, izņemot tos, kurus ieteicis ražotājs.
- ▶ Ja barošanas vads ir bojāts, tas jānomaina ražotājam, tā klientu apkalpošanas dienesta pārstāvim vai līdzīgi kvalificētai personai, lai izvairītos no riska.
- ▶ Nemēģiniet patstāvīgi labot, izjaukt vai pārveidot ierīci. Lai veiktu remontu, sazinieties ar mūsu klientu apkalpošanas dienestu.
- ▶ Vismaz reizi gadā notīriet putekļus no iekārtas aizmugures, lai izvairītos no ugunsbīstamības, kā arī lielāka enerģijas patēriņa.
- ▶ Tīrīšanas laikā ierīci nedrīkst apsmidzināt vai skalot.
- ▶ Ierīces tīrīšanai neizmantojiet ūdens strūklu vai tvaiku.
- ▶ Nemazgājiet aukstus stikla plauktus karstā ūdenī. Krasas temperatūras izmaiņas var izraisīt stikla saplīšanu.

## Informācija par aukstumaģenta gāzi



### BRĪDINĀJUMS!

Ierīce satur uzliesmojošu aukstumaģentu IZOBUTĀNU (R600a). Pārliecinieties, vai aukstumaģenta kontūrs transportēšanas vai uzstādīšanas laikā nav bojāts. Aukstumaģenta noplūde var izraisīt aizdegšanos vai acu ievainojumus. Ja ir radies bojājums, turiet ierīci drošā attālumā no atklātiem uguns avotiem, kārtīgi izvēdiniet telpu, nepievienojiet elektrotīklam vai neatvienojiet no tā ierīces vai jebkuras citas ierīces strāvas vadus. Informējiet klientu apkalpošanas dienestu.

Ja aukstumaģents ir iekļuvis acīs, tās nekavējoties izskalojiet zem tekoša ūdens un sazinieties ar oftalmologu.

## Paredzētā lietošana

Šī ierīce ir paredzēta pārtikas dzesēšanai un sasaldēšanai. Tā ir paredzēta tikai mājāsaimniecībām un līdzīgam pielietojumam, piemēram, darbinieku virtuves zonām veikalos, birojos un citās darba vidēs; lauku mājām un klientiem viesnīcās, moteļos un cita veida dzīvojamās vidēs, kā arī naktsmītņu un ēdināšanas biznesā. Tā nav paredzēta komerciālai vai rūpnieciskai lietošanai.

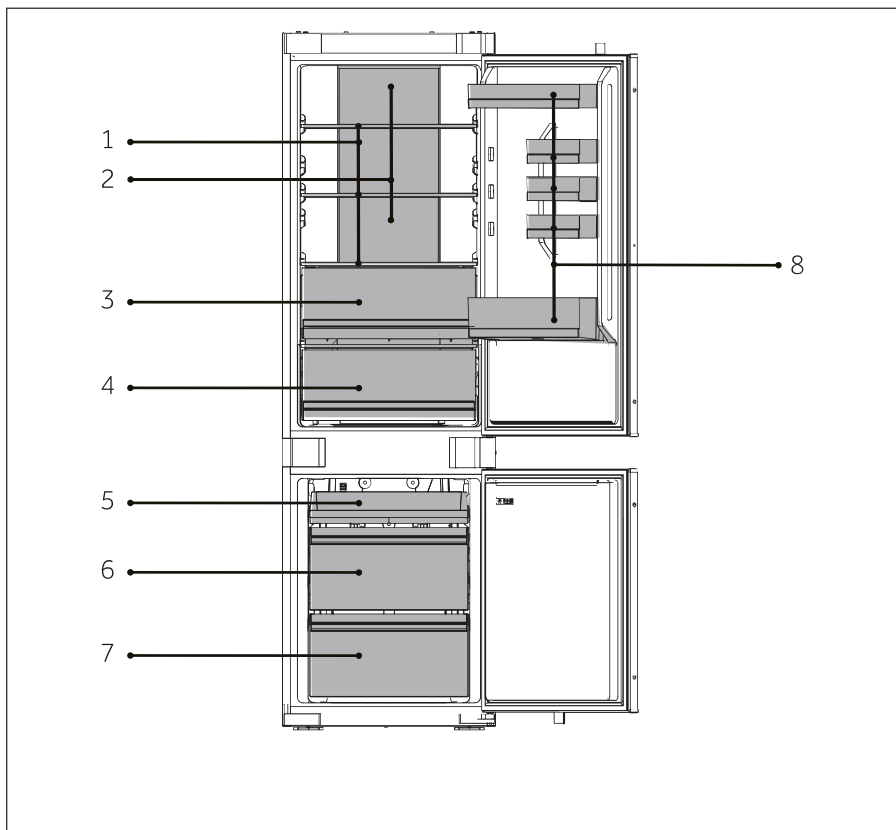
Nav atļauts veikt ierīces izmaiņas vai modifikācijas. Neatbilstoša lietošana var radīt apdraudējumu un anulēt garantiju.

## Standarti un direktīvas vai

Šis produkts atbilst visu piemērojamo EK direktīvu prasībām ar atbilstīgajiem saskaņotajiem standartiem un Apvienotās Karalistes standartiem, kas paredz CE vai UKCA marķējumu.

## **i** PAZIŅOJUMS

Tehnisku izmaiņu un dažādu modeļu dēļ dažas no ilustrācijām šajā rokasgrāmatā var atšķirties no jūsu modeļa.



EHBQW5518E/HBQW5518E/HBQW5518EK/HQE1855BCMW/EHQE1855BCMW

A: Dzesēšanas kamera

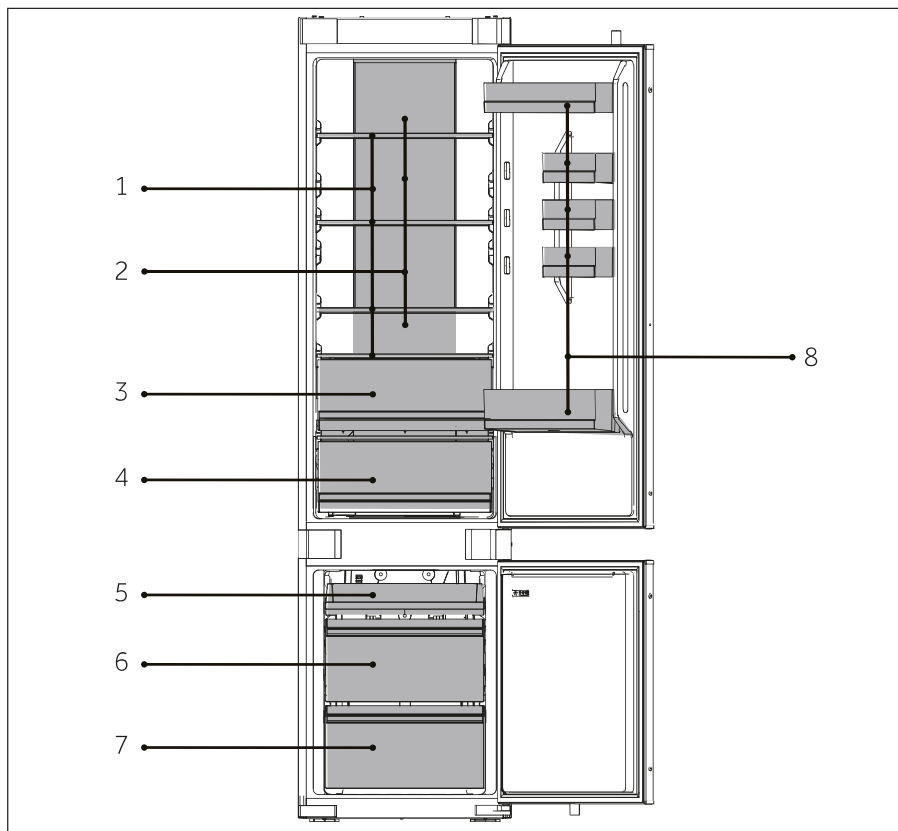
- 1 Parastie plaukti
- 2 Atdzesēta gaisa ventilācijas kanāls
- 3 Humidity Zone atvilktnē
- 4 Fresh Box atvilktnē
- 8 Pudeļu turētājs

B: Saldēšanas kamera

- 5 Augšējā saldētavas paplāte
- 6 Vidējā saldētavas atvilktnē
- 7 Apakšējā saldētavas atvilktnē

## **i** PAZIŅOJUMS

Tehnisku izmaiņu un dažādu modeļu dēļ dažas no ilustrācijām šajā rokasgrāmatā var atšķirties no jūsu modeļa.



HBQW5519E/ HBQW5519EK/ EHBQW5519E/ EHBQW5519ECM/ HBQW5719E

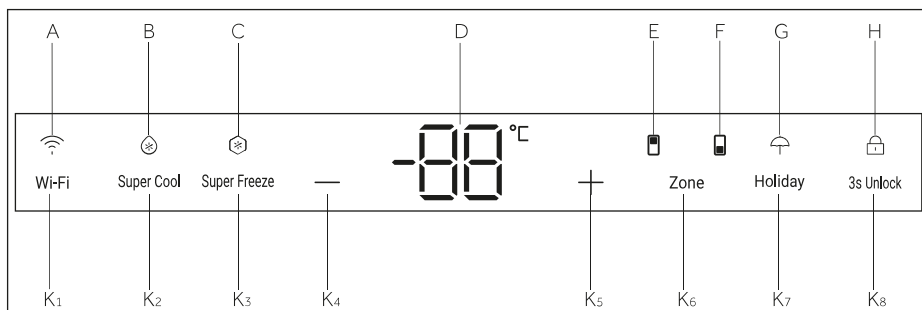
A: Dzesēšanas kamera

- 1 Parastie plaukti
- 2 Atdzesēta gaisa ventilācijas kanāls
- 3 Humidity Zone atvilktnē
- 4 Fresh Box atvilktnē
- 8 Pudeļu turētājs

B: Saldēšanas kamera

- 5 Augšējā saldētavas paplāte
- 6 Vidējā saldētavas atvilktnē
- 7 Apakšējā saldētavas atvilktnē

## Vadības panelis



## Indikatori:

- A Wi-Fi funkcija
- B Funkcija Super Cool
- C Funkcija Super Freeze
- D Temperatūras displejs
- E Ledusskapja indikators
- F Saldētavas indikators
- G Funkcija Holiday
- H Bloķēšana un atbloķēšana

## Pogas:

- K<sub>1</sub> Wi-Fi iestatīšanas poga
- K<sub>2</sub> Super Cool atlasēšanas poga
- K<sub>3</sub> Super Freeze atlasēšanas poga
- K<sub>4</sub> Temperatūras regulēšanas poga "-"
- K<sub>5</sub> Temperatūras regulēšanas poga "+"
- K<sub>6</sub> Zonas izvēles poga
- K<sub>7</sub> Funkcijas Holiday poga
- K<sub>8</sub> Bloķēšanas un atbloķēšanas poga

## Sensoru taustiņi

Vadības paneļa pogas ir sensoru taustiņi, kas reaģē, tiklīdz tām viegli pieskaraties ar pirkstu.

## Ierīces ieslēgšana/izslēgšana

Ierīce sāk darboties, tiklīdz tā ir pievienota barošanas avotam.

Kad ledusskapis pirmo reizi tiek ieslēgts, iedegas indikators "D" (temperatūras displejs). Ledusskapja un saldētavas nodaļumam automātiski tiek iestatīta attiecīgi 5 °C un -18 °C temperatūra.



## PAZIŅOJUMS

Ja ierīce tiek ieslēgta pēc atvienošanas no strāvas padeves avota, var paiet līdz 12 stundām, līdz tiek sasniegtas pareizās temperatūras.

Pirms izslēgšanas iztukšojiet ierīci. Lai izslēgtu ierīci, atvienojiet strāvas vadu no strāvas kontaktligzdas.

### Paneļa bloķēšana/atbloķēšana

Automātiskā bloķēšana: kad ledusskapja durvis un saldētavas durvis ir aizvērtas un 30 sekunžu laikā netiek izmantots neviens taustiņš, displeja ekrāns automātiski nodziest un tiek bloķēts.

Manuālā bloķēšana: pēc displeja ekrāna atbloķēšanas 3 sekundes turiet nospiestu pogu "K<sub>8</sub>" (3S Unlock); vienreiz atskan signāls, iedegas indikators "H" (paneļa bloķēšana), un displejs tiek bloķēts.

Atbloķēšana: kad displeja ekrāna ir bloķēts, 3 sekundes turiet nospiestu pogu "K<sub>8</sub>" (3S Unlock); vienreiz atskan signāls, nodziest indikators "H" (paneļa bloķēšana), un displejs tiek atbloķēts.

### Temperatūras regulēšana

Iekštelpu temperatūru ietekmē šādi faktori:

Apkārējās vides temperatūra, durvju atvēršanas biežums, uzglabāto pārtikas produktu daudzums, kā arī iekārtas uzstādīšanas.

### Ledusskapja temperatūras regulēšana

Kad displeja ekrāns ir atbloķēts, nospiediet pogu "K<sub>6</sub>" (zonas selektors). Vienreiz atskan signāls, mirgo indikators "E" (ledusskapja indikators), tad parādās ledusskapja temperatūras iestatīšanas režīms.

Ik reizi, nospiežot pogu "K<sub>4</sub>" (temperatūras regulēšanas pogu "-"), vienreiz atskan signāls un ledusskapja iestatītā temperatūra tiek samazināta par 1. Ledusskapja temperatūras parādīšanas secība: "9 °C -> 8 °C -> 7 °C -> 6 °C -> 5 °C -> 4 °C -> 3 °C -> 2 °C -> 1 °C".

Ik reizi, nospiežot pogu "K<sub>5</sub>" (temperatūras regulēšanas pogu "+"), vienreiz atskan signāls un ledusskapja iestatītā temperatūra tiek palielināta par 1. Ledusskapja temperatūras parādīšanas secība: "1 °C -> 2 °C -> 3 °C -> 4 °C -> 5 °C -> 6 °C -> 7 °C -> 8 °C -> 9 °C".



## PAZIŅOJUMS

Ja pēc temperatūras iestatīšanas 5 sekunžu laikā nenotiek nekāda darbība, sistēma tiek automātiski noteikta un saglabā iestatīto temperatūru.

## Saldētavas temperatūras regulēšana

Kad displeja ekrāns ir atbloķēts, nospiediet pogu "K<sub>6</sub>" (zonas selektors). Vienreiz atskan signāls, mirgo indikators "F" (saldētavas indikators), tad parādās saldētavas temperatūras iestatīšanas režīms.

Ik reizi, nospiežot pogu "K<sub>4</sub>" (temperatūras regulēšanas pogu "-"), vienreiz atskan signāls, saldētavas iestatītā temperatūra tiks samazināta par 1. Saldētavas temperatūras parādīšanas secība: "-14 °C -> -15 °C -> -16 °C -> -17 °C -> -18 °C -> -19 °C -> -20 °C -> -21 °C -> -22 °C -> -23 °C -> -24 °C".

Ik reizi, nospiežot pogu "K<sub>5</sub>" (temperatūras regulēšanas pogu "+"), vienreiz atskan signāls, saldētavas iestatītā temperatūra tiks palielināta par 1. Saldētavas temperatūras parādīšanas secība: "-24 °C -> -23 °C -> -22 °C -> -21 °C -> -20 °C -> -19 °C -> -18 °C -> -17 °C -> -16 °C -> -15 °C -> -14 °C".



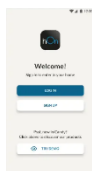
## PAZIŅOJUMS

Ja pēc temperatūras iestatīšanas 5 sekunžu laikā nenotiek nekāda darbība, sistēma tiek automātiski noteikta un saglabā iestatīto temperatūru.

1. darbība. Lejupielādējiet hOn lietotni no lietotņu veikaliem.



2. darbība. Izveidojiet kontu hOn lietotnē vai piesakieties, ja jums jau ir konts



3. darbība. Izpildiet savienošanas pāri norādījumus hOn lietotnē



## Wi-Fi funkcija

1. Lai konfigurētu Wi-Fi, izpildiet norādījumus lietotnē.
2. Kad ir konfigurēts Wi-Fi un izveidots savienojums, Wi-Fi ikona "A" ir iedegusies un deg pastāvīgi.
3. Ja Wi-Fi savienojums jau ir konfigurēts, tas tiek automātiski atkārtoti izveidots atbilstoši konfigurācijas informācijai, kad tiek ieslēgts Wi-Fi.
4. Lai izslēgtu Wi-Fi, nospiediet Wi-Fi pogu "K<sub>1</sub>", un Wi-Fi ikona "A" nodzīsīs.
5. Lai ieslēgtu Wi-Fi un sāktu konfigurāciju, nospiediet Wi-Fi pogu "K<sub>1</sub>", un Wi-Fi ikona "A" sāks lēni mirgot. Ja vēlaties konfigurēt Wi-Fi funkciju, 3 sekundes turiet nospiestu pogu "K<sub>1</sub>", Wi-Fi ikona ātri mirgos, un tiks atvērts konfigurācijas režīms. Ja vēlaties izslēgt Wi-Fi funkciju, vienreiz nospiediet pogu "K<sub>1</sub>". Iepriekš minētās darbības tiek atkārtotas.
6. Ja produkts ir konfigurēts un Wi-Fi funkcija ir izslēgta, ledusskapis nepārslēgsies konfigurācijas režīmā pēc strāvas pieslēgšanas.

## Funkcija Holiday

1. Kad displeja ekrāns ir atbloķēts, nospiediet pogu "K<sub>7</sub>" (Holiday funkcijas poga); vienreiz atskan signāls, iedegas indikators "G" (Holiday funkcija) un pēc tam tiek ieslēgta Holiday funkcija.
2. Kad displeja ekrāns ir atbloķēts, nospiediet pogu "K<sub>7</sub>" (Holiday funkcijas poga); vienreiz atskan signāls, nodziest indikators "G" (Holiday funkcija) un pēc tam tiek izslēgta Holiday funkcija.



## PAZIŅOJUMS

1. Holiday funkcija galvenokārt tiek izmantota īstermiņa ceļojumiem un citiem notikumiem, un, izmantojot Holiday funkciju, ledusskapja nodalījums ir jāiztukšo.
2. Izmantojot funkciju Holiday, ledusskapja nodalījuma temperatūra būs augstāka (aptuveni 17 °C), lūdzu, iztukšojiet no ledusskapja nodalījuma pārtikas produktus, lai novērstu to bojāšanos.

## Funkcija Super Cool

1. Kad displeja ekrāns ir atbloķēts, nospiediet pogu "K<sub>2</sub>" (Super Cool selektors), vienreiz atskan signāls, iedegas indikators "B" (Super Cool funkcija) un pēc tam tiks ieslēgta Super Cool funkcija.
2. Kad iedegas indikators "B" (Super Cool funkcija), nospiediet pogu "K<sub>2</sub>" (Super Cool selektors); vienreiz atskan signāls, indikators "O" (Super Cool funkcija) nodziest un pēc tam Super Cool funkcija tiks izslēgta.
3. Pēc Super Cool funkcijas ieslēgšanas ledusskapis automātiski izslēdz šo funkciju, kad sasniedz iestatīto temperatūru. Ja vēlaties manuāli izslēgt šo režīmu, varat nospriest pogu "K<sub>2</sub>" (Super Cool selektors), lai to izslēgtu.



## PAZIŅOJUMS

1. Super Cool režīmā ledusskapja temperatūru nevar regulēt. Ja tiek nospiesta poga "K<sub>4</sub>" (temperatūras regulēšanas poga "-") vai "K<sub>5</sub>" (temperatūras regulēšanas poga "+"), lai noregulētu ledusskapja temperatūru, indikators "B" (Super Cool indikators) sāk mirgot un uzreiz atskan signāls, norādot, ka šo darbību nevar veikt.
2. Funkcijas Super Cool izmantošanas laikā funkciju Auto-set nevar ieslēgt vienlaikus dažādu vadības režīmu dēļ. Izvēloties vienu funkciju, kas konfliktē ar citu funkciju, sākotnējā funkcija automātiski izslēgsies.
3. Šī funkcija tiks automātiski atspējota pēc 6 stundām.

## Funkcija Super Freeze

1. Kad displeja ekrāns ir atbloķēts, nospiediet pogu "K<sub>3</sub>" (Super Freeze selektors); vienreiz atskan signāls, iedegas indikators "C" (Super Freeze funkcija) un pēc tam tiek ieslēgta Super Freeze funkcija.
2. Kad iedegas indikators "C" (Super Freeze funkcija), nospiediet pogu "K<sub>3</sub>" (Super Freeze selektors); vienreiz atskan signāls, indikators "C" (Super Freeze funkcija) nodziest un pēc tam Super Freeze funkcija tiek izslēgta.
3. Pēc Super Freeze funkcijas ieslēgšanas ledusskapis automātiski izslēdz šo funkciju, kad sasniedz iestatīto temperatūru. Ja vēlaties izslēgt manuāli, varat nospriest pogu "K<sub>3</sub>" (Super Freeze selektors), lai to izslēgtu.





## PAZIŅOJUMS

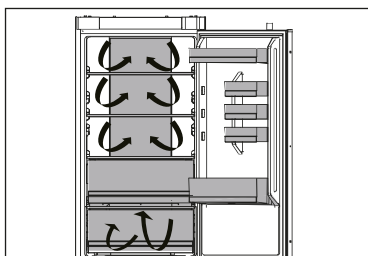
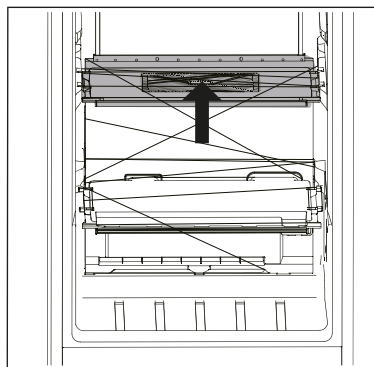
1. Super Freeze stāvoklī saldētavas temperatūru nevar regulēt. Ja tiek nospiesta poga "K<sub>4</sub>" (temperatūras regulēšanas poga "-") vai "K<sub>5</sub>" (temperatūras regulēšanas poga "+"), lai noregulētu saldētavas temperatūru, indikators "C" (Super Freeze indikators) sākt mirgot un uzreiz atskan signāls, norādot, ka šo darbību nevar veikt.
2. Super Freeze funkcija ir izstrādāta, lai saglabātu saldētas pārtikas uzturvērtību; tā sasaldē pārtiku visīsākajā laikā. Ja vienā reizē jāsasaldē liels daudzums pārtikas. Tikmēr Super Freeze funkcija jāiestata 24 stundas iepriekš, lai saldētavai būtu relatīvi zema temperatūra un tajā ievietotu pārtiku. Šajā laikā tiek uzlabots saldētava sasaldēšanas ātrums, pārtiku var ātri sasaldēt, pārtikas uzturs tiek efektīvi uzturēts, un uzglabāšana kļūst diezgan ērta.
3. Super Freeze funkcija automātiski izslēgsies pēc 50 stundām. Pēc tam ierīce darbojas ar iepriekš iestatīto temperatūru.

## Humidity Zone atvilktnē

Šajā nodaļā mitruma līmenis ir augstāks nekā ledusskapja nodaļā. Sistēma to kontrolē automātiski, un tā ir piemērota augļu, dārzeņu, salātu u. c. uzglabāšanai.

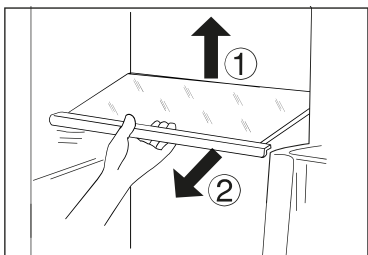
### **i** PAZIŅOJUMS

1. Nenoņemiet plastmasas pārsegu zonas iekšpusē.
2. Tie uztur mitruma līmeni.
3. Aukstumjutīgus augļus, piemēram, ananāsus, avokado, banānus, greipfrūtus, nav ieteicams glabāt šajā atvilktnē.



### Vairāku kanālu gaisa plūsma

1. Ledusskapis ir aprīkots ar vairāku kanālu gaisa plūsmas sistēmu, katra plaukta līmenī atrodies pa vēsas gaisa plūsmas kanālam. Tas palīdz uzturēt vienmērīgu temperatūru, lai nodrošinātu, ka ēdiens ilgāk tiek saglabāts svaigāks.



### Regulējami plaukti

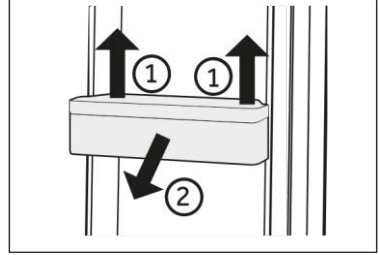
1. Plauktu augstumu var pielāgot, lai tie atbilstu jūsu uzglabāšanas vajadzībām.
2. Lai pārvietotu plauktu, vispirms izņemiet to, paceļot tā aizmugurējo malu ① un izvelkot to uz āru ②.
3. Lai to ievietotu atpakaļ, uzlieciet to uz izciļņiem abās pusēs un bīdiet to uz priekšu, līdz plaukta aizmugure ir fiksēta sānos esošajās atverēs.

### **i** PAZIŅOJUMS

Pārļiecieties, vai visas plaukta malas atrodas horizontāli.

### Noņemami durvju plaukti/pudeļu turētājs

1. Durvju plauktus var noņemt tīrīšanai:
2. Uzlieciet rokas abās plaukta pusēs, paceliet to uz augšu ① un izvelciet ②.
3. Lai ievietotu durvju plauktu, iepriekš minētās darbības jāveic pretējā secībā.



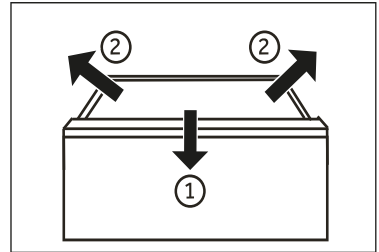
## PAZIŅOJUMS

Ja ierīce tiek ieslēgta, var paiet līdz 12 stundām, līdz tiek sasniegtas pareizās temperatūras.

### Izņemama atvilktnē

Lai izņemtu atvilktni, izvelciet to maksimāli ①, paceliet un izņemiet ②.

Lai ievietotu atvilktni, iepriekš minētās darbības jāveic pretējā secībā.



### Apgaismojums

LED iekšējais apgaismojums ieslēdzas, kad tiek atvērtas durvis. Apgaismojuma darbību neietekmē neviens no ierīces pārējiem iestatījumiem.



## Enerģijas taupīšanas padomi

- ▶ Pārlicinieties, vai ierīcē tiek veikta pienācīga ventilēšana (skatiet sadaļu UZSTĀDĪŠANA).
- ▶ Neuzstādiet ierīci tiešā saules gaismā vai siltuma avotu (piemēram, krāsns, sildītāja) tuvumā.
- ▶ Neiestatiet ierīcē nevajadzīgi zemu temperatūru. Jo zemāka temperatūra ierīcē ir iestatīta, jo augstāks ir enerģijas patēriņš.
- ▶ Tādas funkcijas kā Super Freeze tērē vairāk enerģijas.
- ▶ Ļaujiet siltam ēdienam atdzist, pirms to ievietojat ierīcē.
- ▶ Atveriet ierīces durvis pēc iespējas mazāk un uz īsāku brīdi.
- ▶ Nepārpildiet ierīci, lai netraucētu gaisa plūsmu.
- ▶ Izvairieties no gaisa iekļūšanas pārtikas iepakojumā.
- ▶ Uzturiet durvju blīves tīras, lai durvis vienmēr pareizi aizvērtos.
- ▶ Saldētus pārtikas produktus atkausējiet ledusskapja nodalījumā.
- ▶ Visvairāk enerģiju taupošajai konfigurācijai ir nepieciešams, lai ierīce saglabātu atvilktnes un plauktus rūpnīcas svaigā stāvoklī, un pārtika jānovieto pēc iespējas tālāk, nebloķējot gaisa kanāla izvadu.



## BRĪDINĀJUMS!

Pirms tīršanas atvienojiet ierīci no barošanas avota.

### Tīršana

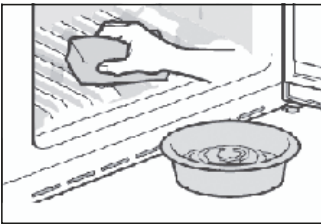
Iztīriet ierīci, kad tajā tiek uzglabāts maz vai necik pārtikas.

Lai ierīci uzturētu labā stāvoklī un novērstu glabāto pārtikas produktu aromātus, ierīce jātīra reizi četrās nedēļās.



## BRĪDINĀJUMS!

- ▶ Netīriet ierīci ar cietām sukām, stieplu sukām, mazgāšanas pulveri, benzīnu, amilacetātu, acetonu un līdzīgiem organiskiem šķīdumiem, skābes vai sārma šķīdumiem. Tīriet ar īpašu ledusskapja mazgāšanas līdzekli, lai izvairītos no bojājumiem.
- ▶ Tīršanas laikā ierīci nedrīkst apsmidzināt vai skalot.
- ▶ Ierīces tīršanai neizmantojiet ūdens strūklu vai tvaiku.
- ▶ Nemazgājiet aukstus stikla plauktus karstā ūdenī. Krasas temperatūras izmaiņas var izraisīt stikla saplīšanu.
- ▶ Nepieskarieties saldētavas iekšējai virsmai, jo īpaši ar mitrām rokām, jo rokas var piesalt pie virsmas.
- ▶ Sasilšanas gadījumā pārbaudiet saldēto produktu stāvokli.



- ▶ Durvju blīvi vienmēr turiet tīru.
- ▶ Notīriet ierīces iekšpusi un korpusu ar sūkli, kas samitrināts siltā ūdenī un neitrālā mazgāšanas līdzeklī.
- ▶ 1. Nomazgājiet ledusskapja iekšpusi un ārpusi, tostarp durvju blīvi, durvju plauktu, stikla plauktus, kastes un pārējos priekšmetus, izmantojot mīkstu dvieli vai sūkli, kas samitrināts siltā ūdenī (kuram var pievienot neitrālu mazgāšanas līdzekli).
- ▶ 2. Ja ir izlijis šķidrums, noņemiet visas piesārņotās daļas, tiešā veidā noskalojiet zem tekoša ūdens, nožāvējiet un ievietojiet atpakaļ ledusskapī.
- ▶ 3. Ja ir izlijis biezs šķidrums (piemēram, krējums, kūstošs saldējums), noņemiet visas netīrās detaļas, ielieciet tās aptuveni 40 °C siltā ūdenī, pēc tam noskalojiet tekošā ūdenī, noslaukiet un ievietojiet atpakaļ ledusskapī.
- ▶ 4. Ja ledusskapī (starp plauktiem vai atvilktnēm) ir iesprūdis kāda maza detaļa vai komponents, izmantojiet nelielu mīkstu suku, lai to atbrīvotu. Ja detaļu nevarat aizsniegt, sazinieties ar Haier klientu apkalpošanas dienestu
- ▶ Noskalojiet un nosusiniet ar mīkstu drānu.
- ▶ Nevienu ierīces daļu nemazgājiet trauku mazgājamā mašīnā.
- ▶ Pirms ierīces atkārtotas ieslēgšanas nogaidiet vismaz 5 minūtes, jo bieža iedarbināšana var sabojāt kompresoru.

## Atkausēšana

Ledusskapja un saldētavas nodalījumu atkausēšana tiek veikta automātiski; manuāla darbība nav jāveic.

## LED spuldžu nomaiņa



### BRĪDINĀJUMS!

LED lampu nomaiņu neveiciet paši, to drīkst nomainīt tikai ražotājs vai pilnvarots servisa pārstāvis.

Lampa izmanto LED kā gaismas avotu, nodrošinot zemu enerģijas patēriņu un ilgu kalpošanas laiku. Ja novērojat neparastu darbību, lūdzu, sazinieties ar klientu apkalpošanas dienestu. Skatiet sadaļu KLIENTU APKALPOŠANAS DIENESTS.

Lampu parametri:

Ledusskapja nodalījums: 12 V maks. 2 W

Saldētavas nodalījums: 12 V maks. 2 W

## Nelietošana ilgāku laiku

Ja ilgstoši nelietojat ierīci UN nevēlaties izmantot funkciju Holiday:

Izņemiet ēdienu.

Atvienojiet strāvas vadu no elektrotīkla.

Tīriet ierīci, kā aprakstīts iepriekš.

Turiet durvis atvērtas, lai novērstu nepatīkamu smaku veidošanos iekšpusē.



### PAZIŅOJUMS

Izslēdziet ierīci tikai tad, ja tas ir absolūti nepieciešams.

## Ierīces pārvietošana

1. Izņemiet visu pārtiku un atvienojiet ierīci no kontaktligzdas.
2. Nostipriniet plauktus un citas kustīgās ledusskapja un saldētavas daļas ar līmlenti.
3. Nesasveriet ledusskapi vairāk par 45°, lai nesabojātu dzesēšanas sistēmu.



### BRĪDINĀJUMS!

- ▶ Neceliet ierīci aiz rokturiem.
- ▶ Nekad nenovietojiet ierīci horizontāli uz zemes.

Daudzas radušās problēmas varat novērst paši, jo nav nepieciešamas speciālas prasmes. Ja rodas problēma, pirms sazināšanās ar klientu apkalpošanas dienestu, lūdzu, pārskatiet visus tālāk minētos iemeslus un izpildiet tālāk sniegtos norādījumus. Skatiet sadaļu KLIENTU APKALPOŠANAS DIENESTS.



## BRĪDINĀJUMS!

- ▶ Pirms apkopes izslēdziet ierīci un atvienojiet strāvas kontaktdakšu no kontaktligzdas.
- ▶ Elektroiekārtu apkopi drīkst veikt tikai kvalificēti elektrotehnikas speciālisti, jo nepareizi veikts remonts var radīt ievērojamus izrietošus bojājumus.
- ▶ Bojāts barošanas vads ir jānomaina tikai ražotājam, tā klientu apkalpošanas dienesta pārstāvim vai līdzīgi kvalificētai personai, lai izvairītos no riska.

Problēma	Iespējamais cēlonis	Iespējamais risinājums
Kompresors nedarbojas.	<ul style="list-style-type: none"> <li>• Elektrotīkla kontaktdakša nav pievienota strāvas kontaktligzdai.</li> <li>• Ierīce ir atkausēšanas ciklā</li> </ul>	<ul style="list-style-type: none"> <li>• Pievienojiet strāvas kontaktdakšu.</li> <li>• Tas ir normāls statuss automātiskās atkausēšanas laikā</li> </ul>
Ierīce darbojas bieži vai pārāk ilgu laika periodu.	<ul style="list-style-type: none"> <li>• Iekštelpu vai āra temperatūra ir pārāk augsta.</li> <li>• Ierīce kādu laiku ir bijusi izslēgta.</li> <li>• Ierīces durvis nav cieši aizvērtas.</li> <li>• Durvis ir tikušas atvērtas pārāk bieži vai uz pārāk ilgu laiku.</li> <li>• Saldētavas nodalījuma temperatūras iestatījums ir pārāk zems.</li> <li>• Durvju blīve ir netīra, nodilusi, ieplaisājusi vai neatbilstoša.</li> <li>• Netiek garantēta nepieciešamā gaisa cirkulācija.</li> </ul>	<ul style="list-style-type: none"> <li>• Šajā gadījumā ir normāli, ka ierīce darbojas ilgāk.</li> <li>• Parasti paaet 8 līdz 12 stundas, līdz ierīce pilnībā atdziest.</li> <li>• Aizveriet durvis/atvilktņi un pārļiecinieties, vai ierīce atrodas uz līdzenas virsmas un vai kāds produkts vai trauks netraucē durvju aizvēršanu.</li> <li>• Neatveriet durvis/atvilktņi pārāk bieži.</li> <li>• Iestatiet augstāku temperatūru, līdz tiek iegūta apmierinoša ledusskapja temperatūra. Lai ledusskapja temperatūra nostabilizētos, ir nepieciešamas 24 stundas.</li> <li>• Notīriet durvju/atvilktnes blīvi vai lūdziet klientu apkalpošanas dienestam to nomainīt.</li> <li>• Nodrošiniet atbilstošu ventilāciju.</li> </ul>

Problēma	Iespējamais cēlonis	Iespējamais risinājums
Ledusskapja iekšpuse ir netīra un/vai ož.	<ul style="list-style-type: none"> <li>• Ledusskapja iekšpuse ir jāiztīra.</li> <li>• Ledusskapī tiek uzglabāta pārtika ar spēcīgu aromātu.</li> </ul>	<ul style="list-style-type: none"> <li>• Iztīriet ledusskapja iekšpusi.</li> <li>• Rūpīgi iesaiņojiet ēdienu.</li> </ul>
Ierīces iekšpusē nav pietiekami auksts.	<ul style="list-style-type: none"> <li>• Ierīce iestatīta pārāk augsta temperatūra.</li> <li>• Tiek uzglabāti pārāk silti produkti.</li> <li>• Vienlaicīgi tiek glabāts pārāk daudz produktu.</li> <li>• Produkti atrodas pārāk tuvu viens otram.</li> <li>• Ierīces durvis/atvilktnē nav cieši aizvērtas.</li> <li>• Durvis/atvilktnē ir atvērtas pārāk bieži vai pārāk ilgi.</li> </ul>	<ul style="list-style-type: none"> <li>• Atiestatiet temperatūru.</li> <li>• Pirms glabāšanas produktus vienmēr atdzesējiet.</li> <li>• Vienmēr glabājiet nelielus pārtikas daudzumus.</li> <li>• Atstājiet spraugu starp produktiem, lai nodrošinātu gaisa plūsmu.</li> <li>• Aizveriet durvis/atvilktni.</li> <li>• Neatveriet durvis/atvilktni pārāk bieži.</li> </ul>
Ierīces iekšpusē ir pārāk auksts.	<ul style="list-style-type: none"> <li>• Ierīce iestatīta pārāk zema temperatūra.</li> <li>• Super Freeze/Super Cool funkcija ir aktivizēta vai darbojas pārāk ilgi.</li> </ul>	<ul style="list-style-type: none"> <li>• Atiestatiet temperatūru.</li> <li>• Izslēdziet Super Freeze/Super Cool funkciju.</li> </ul>
Ledusskapja nodalījuma iekšpusē veidojas mitrums.	<ul style="list-style-type: none"> <li>• Klimats ir pārāk silts un pārāk mitrs.</li> <li>• Ierīces durvis/atvilktnē nav cieši aizvērtas.</li> <li>• Durvis/atvilktnē ir atvērtas pārāk bieži vai pārāk ilgi.</li> <li>• Pārtikas trauki vai šķidrumi ir atstāti atvērti.</li> </ul>	<ul style="list-style-type: none"> <li>• Palieliniet temperatūru.</li> <li>• Aizveriet durvis/atvilktni.</li> <li>• Neatveriet durvis/atvilktni pārāk bieži.</li> <li>• Ļaujiet karstiem ēdieniem atdzist līdz istabas temperatūrai un pārklājiet ēdiena traukus un šķidrumus.</li> </ul>
Mitrums uzkrājas uz ledusskapja ārējās virsmas vai starp durvīm vai durvīm un atvilktni.	<ul style="list-style-type: none"> <li>• Klimats ir pārāk silts un pārāk mitrs.</li> <li>• Durvis nav cieši aizvērtas. Aukstais gaiss ierīcē un siltais gaiss ārpus tās kondensējas.</li> </ul>	<ul style="list-style-type: none"> <li>• Tas ir normāli mitrā klimatā un mainīsies, kad mitrums samazināsies.</li> <li>• Pārļiecinieties, vai durvis/atvilktnē ir cieši aizvērtas.</li> </ul>
Displeja apgaismojums darbojas, bet nešķiet vēss.	<ul style="list-style-type: none"> <li>• Ierīce ir demonstrācijas režīmā.</li> </ul>	<ul style="list-style-type: none"> <li>• Lūdzu, ņemiet vērā, kādā stāvoklī tas ir, ja tas ir demonstrācijas režīmā, izejiet no tā. Atveriet ledusskapja durvis bloķētā stāvoklī, nospiediet otro pogu pa labi no 8S 12 stundu laikā pēc ieslēgšanas.</li> </ul>

Problēma	Iespējamais cēlonis	Iespējamais risinājums
Daudz ledus un sarmas saldētavas nodalījumā.	<ul style="list-style-type: none"> <li>• Produkti nebija pienācīgi iepakoti.</li> <li>• Ierīces durvis/atvilktnē nav cieši aizvērtas.</li> <li>• Durvis/atvilktnē ir atvērta pārāk bieži vai pārāk ilgi.</li> <li>• Durvju/atvilktnes blīve ir netīra, nodilusi, iekļūstusi vai neatbilstoša.</li> <li>• Kaut kas iekšpusē neļauj kārtīgi aizvērt durvis/atvilktni.</li> </ul>	<ul style="list-style-type: none"> <li>• Vienmēr kārtīgi iepakojiet produktus.</li> <li>• Aizveriet durvis/atvilktni.</li> <li>• Neatveriet durvis/atvilktni pārāk bieži.</li> <li>• Notīriet durvju/atvilktnes blīvi vai nomainiet to pret jaunu.</li> <li>• Pārkārtojiet plauktus, durvju plauktus vai ievietotos traukus, lai ļautu durvīm/atvilktnē aizvērties.</li> </ul>
Skapja un durvju sloksnes malas kļūst siltas.	<ul style="list-style-type: none"> <li>• -</li> </ul>	<ul style="list-style-type: none"> <li>• Tas ir normāli.</li> </ul>
Ierīce rada neparastas skaņas.	<ul style="list-style-type: none"> <li>• Ierīce nav uzstādīta uz līdzenas virsmas.</li> <li>• Ierīce pieskaras kādam priekšmetam pie tās.</li> </ul>	<ul style="list-style-type: none"> <li>• Noregulējiet kājiņas tā, lai ierīce būtu vienā līmenī.</li> <li>• Noņemiet ap ierīci esošos priekšmetus.</li> </ul>
Ir dzirdama neliela skaņa, kas līdzīga tekoša ūdens skaņai.	<ul style="list-style-type: none"> <li>• -</li> </ul>	<ul style="list-style-type: none"> <li>• Tas ir normāli.</li> </ul>
Skan brīdinājuma signāls.	<ul style="list-style-type: none"> <li>• Ledusskapja uzglabāšanas nodalījuma durvis ir atvērtas.</li> </ul>	<ul style="list-style-type: none"> <li>• Aizveriet durvis.</li> </ul>
Dzirdama vāja dūkoņa.	<ul style="list-style-type: none"> <li>• Darbojas pretkondensācijas sistēma</li> </ul>	<ul style="list-style-type: none"> <li>• Tā novērš kondensāta veidošanos, un tās darbība ir normāla</li> </ul>
Iekšējais apgaismojums vai dzesēšanas sistēma nedarbojas.	<ul style="list-style-type: none"> <li>• Elektrotīkla kontaktdakša nav pievienota strāvas kontaktligzdai.</li> <li>• Barošanas avots ir bojāts.</li> <li>• LED lampa nedarbojas.</li> </ul>	<ul style="list-style-type: none"> <li>• Pievienojiet strāvas kontaktdakšu.</li> <li>• Pārbaudiet telpas elektroapgādi. Sazinieties ar vietējo elektroapgādes uzņēmumu!</li> <li>• Lūdzu, sazinieties ar servisu, lai nomainītu lampu.</li> </ul>

Lai sazinātos ar tehnisko palīdzību, apmeklējiet mūsu vietni: <https://corporate.haier-eu-rope.com/en/>

Sadaļā "Website" (Vietne) izvēlieties sava produkta zīmolu un savu valsti. Jūs tiksiet novirzīts uz konkrēto vietni, kur varēsiet atrast tālruna numuru un veidlapu, lai sazinātos ar tehnisko palīdzību.

## Strāvas padeves pārtraukums

Strāvas padeves pārtraukuma gadījumā pārtikai būtu droši jāuzglabājas aukstai apmēram 5 stundas. Ilgstoša strāvas padeves pārtraukuma laikā, īpaši vasarā, ņemiet vērā šos ieteikumus:

- ▶ Atveriet durvis/atvilktņi pēc iespējas mazāk reižu.
- ▶ Strāvas padeves pārtraukuma laikā nelieciet ierīcē papildu pārtikas produktus.
- ▶ Ja par strāvas padeves pārtraukumu tiek paziņots iepriekš un pārtraukums ir ilgāks par 5 stundām, pagatavojiet ledu un ievietojiet to traukā ledusskapja nodalījuma augšpusē.
- ▶ Uzreiz pēc strāvas padeves pārtraukuma beigām pārbaudiet produktus.
- ▶ Tā kā strāvas padeves pārtraukuma vai citas kļūmes laikā temperatūra ledusskapī paaugstināsies, samazināsies produktu uzglabāšanas laiks un kvalitāte. Visi produkti, kas ir atkususi, pēc iespējas drīzāk ir jāpatērē vai jāpagatavo un atkārtoti jāsasaldē (ja nepieciešams), lai novērstu veselības apdraudējumu.

## Atmiņas funkcija strāvas padeves pārtraukuma laikā

Pēc strāvas padeves atjaunošanas ierīce turpina darbu ar iestatījumiem, kas tika iestatīti pirms strāvas padeves pārtraukuma.

## Izpakošana

**BRĪDINĀJUMS!**

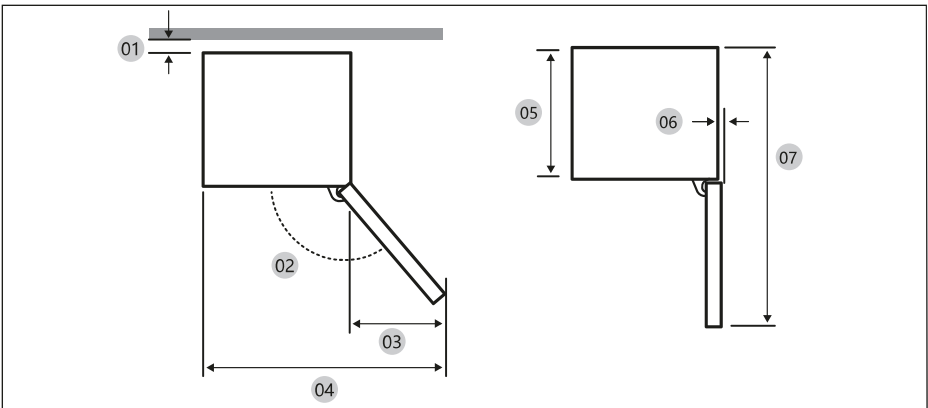
- ▶ Šī ierīce ir smaga. Tās pārvietošana jāveic vismaz diviem cilvēkiem.
- ▶ Visus iepakojuma materiālus uzglabājiet bērniem nepieejamā vietā un utilizējiet tos videi draudzīgā veidā.
- ▶ Izņemiet ierīci no iepakojuma.
- ▶ Noņemiet visus iepakojuma materiālus.

## Vides apstākļi

Telpas temperatūrai vienmēr jābūt no 10 °C līdz 43 °C, jo tā var ietekmēt temperatūru ierīces iekšpusē un tās enerģijas patēriņu. Neuzstādiet ierīci citu siltumu izstarojošu ierīču (cepeškrāšņu, ledusskapju) tuvumā bez izolācijas.

## Nepieciešamā vieta

Nepieciešamā vieta, atverot durvis (bez skapja durvju paneļa)

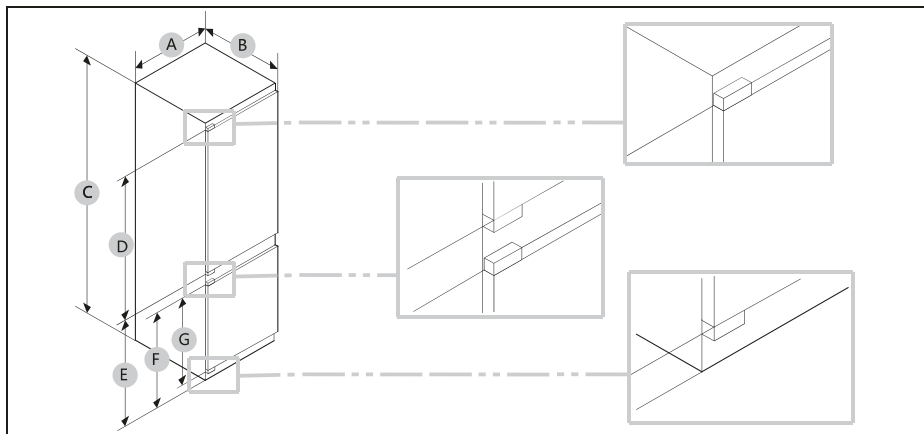


Modelis	EBQW5518E HBQW5518E HBQW5518EK HQE1855BCMW EHQE1855BCMW	HBQW5519E HBQW5519EK EBQW5519E EBQW5519ECM	HBQW5719E
01 *	10 (min.) / 30 (ieteicams)	10 (min.) / 30 (ieteicams)	10 (min.) / 30 (ieteicams)
02	95° (ieteicams)	95° (ieteicams)	95° (ieteicams)
03	43	43	55
04	583	583	745
05	515	515	515
06	-3	-3	-3
07	1060	1060	1210

\* 01: No skapja līdz produkta aizmugurei.

(mērvienība: mm)

## Produkta izmērs



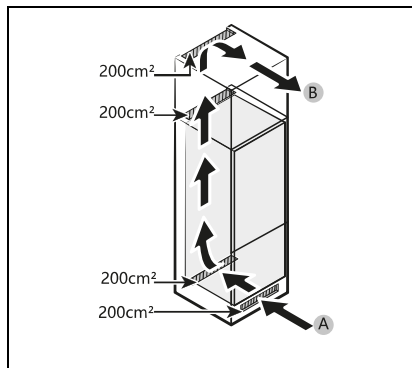
Modelis	A (mm)	B (mm)	C (mm)	D (mm)	E (mm)	F (mm)	G (mm)
EHBQW5518E HBQW5518E HBQW5518EK HQE1855BCMW EHQE1855BCMW	540±2	550±2	1772±2	970	745	662	618
HBQW5519E HBQW5519EK EHBQW5519E EHBQW5519ECM	540±2	550±2	1935±2	1133	745	662	618
HBQW5719E	690±2	550±2	1935±2	1133	745	662	618

## **i** PAZIŅOJUMS

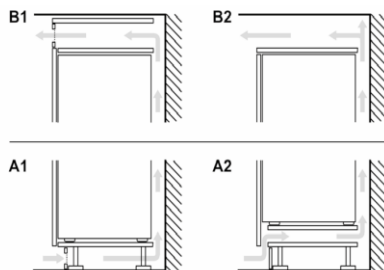
- Norādītā enerģijas patēriņa pamatā ir 10 mm atstarpe starp skapi un produkta aizmuguri. Produkts darbosies pareizi pat ar atstarpi, kas ir mazāka par 10 mm, tomēr tas patērēs nedaudz vairāk enerģijas.
- Mēs iesakām izmantot 18 mm biezu skapi ar eņģēm, kuru biezums ir mazāks par 20 mm.
- Iepriekš tabulā norādītie mērījumi var atšķirties atkarībā no mērīšanas metodes.
- Informāciju par iebūvētu uzstādīšanu skatiet uzstādīšanas rokasgrāmatā.

## Ventilācijas šķērsriezums

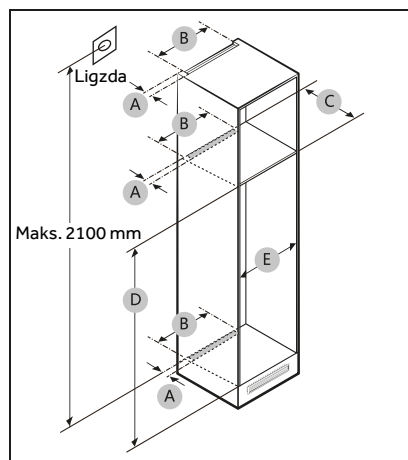
Lai nodrošinātu pietiekamu ierīces ventilāciju drošības apsvērumu dēļ, jāievēro informācija par nepieciešamajiem ventilācijas šķērsriezumiem.



**A:** Gaisa ieplūde  $\geq 200 \text{ cm}^2$ ; ventilācijas iespējas  
**B:** Gaisa izplūde  $\geq 200 \text{ cm}^2$ ; ventilācijas iespējas



## Skapja izmēri



## UZMANĪBU!

Garantija neattiecas uz nekādiem produkta bojājumiem, kas radušies tālāk minēto iemeslu dēļ.

1. Nepareizi atrašanās vietas apstākļi vai nepareizi skapja izmēri.
2. Bojāts skapis.
3. Uzstādītāja vai lietotāja kļūdas.

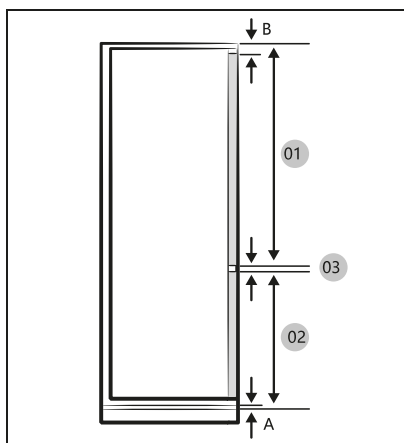
## Sprauga

Vietas prasības uzstādīšanai skatiet tālāk redzamajos attēlos un tabulās.

Modelis		A (mm)	B (mm)	C (mm)	D (mm)	E (mm)	Piezīme
EHBQW5518E HBQW5518E HBQW5518EK HQE1855BCMW EHQE1855BCMW	Min.	50	400	560	1778	560	Enģe: 17 mm
	Ieteicams			580	1780	562	
	Maks.			-	1782	568	
HBQW5519E HBQW5519EK EHBQW5519E EHBQW5519ECM	Min.	50	400	560	1940	560	Enģe: 17 mm
	Ieteicams			580	1943	562	
	Maks.			-	1945	568	
HBQW5719E	Min.	50	400	560	1941	710	Enģe: 17 mm
	Ieteicams			580	1943	714	
	Maks.			-	1945	718	

## **i** PAZIŅOJUMS

- Ja skapja platums ir lielāks par 568 mm, blīve (starp ledusskapi un skapi) var kļūt vajīga.
- Ja skapis ir augstāks par maksimālo izmēru (1782 mm), jāizmanto citi apdares materiāli, lai aizpildītu spraugu. (modeļiem EHBQW5518E/ HBQW5518E/ EK/ EHQE/ HQE1855BCMW)
- Ja skapis ir augstāks par maksimālo izmēru (1945 mm), jāizmanto citi apdares materiāli, lai aizpildītu spraugu. (HBQW5519E/ EK/ EHBQW5519E/ ECM)



## **i** PAZIŅOJUMS

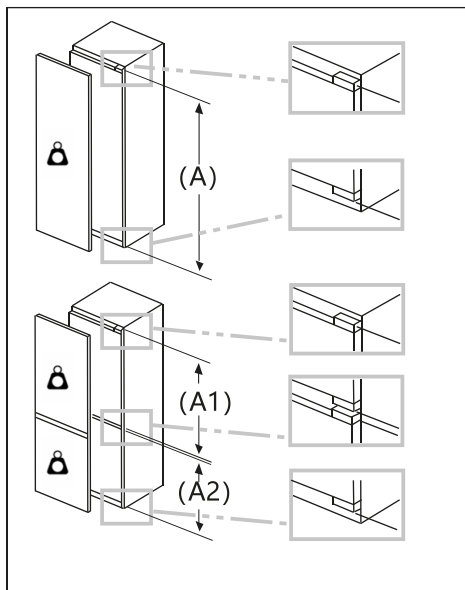
Lai uzstādītu skapi, kuram nepieciešama 4 mm atstarpe (03), skatiet skapja atsauces tabulu tālāk.

- A Priekšējā paneļa apakšējā mala virs gaisa ventilācijas
- B Priekšējā paneļa pārkare

(mērvienība: mm)

Modelis	EHBQW5518E HBQW5518E HBQW5518EK HQE1855BCMW EHQE1855BCMW	HBQW5519E HBQW5519EK EHBQW5519E EHBQW5519ECM HBQW5719E
01	Min. 1028+B Maks. 1106+B	Min. 1191+B Maks. 1269+B
02	Min. 662+A Maks. 740+A	Min. 662+A Maks. 740+A
03	4 mm (ledusskapja un saldētavas skapja durvju paneļa sprauga)	

## Maksimālais pieļaujamais iekārtas priekšpusē svars

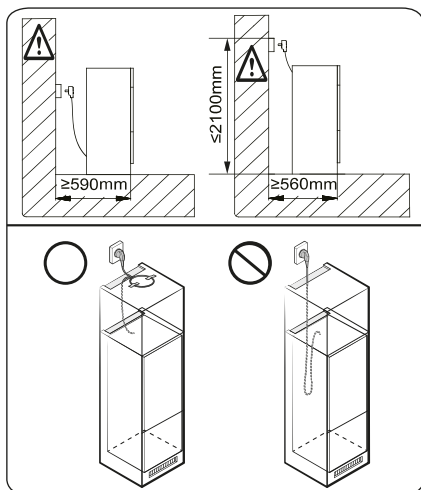


Uzstādītās iekārtas priekšpusē, kas pārsniedz pieļaujamo svaru, var izraisīt bojājumus un eņģu darbības traucējumus.

 Svars  
(kg)

1500–1750 mm	22
720–1400 mm	19
A1	15
A2	15

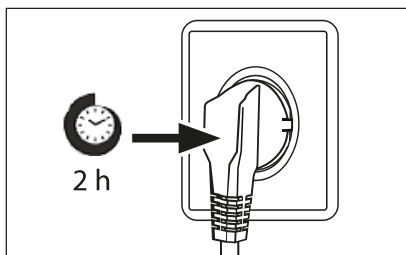
## Apsvērumi par kontaktligzdas atrašanās vietu un nepieciešamo vietu



### PAZIŅOJUMS

Ja uzstādāt ledusskapi skapī ar 560 mm dziļumu, pārliecinieties, ka strāvas vads ir novietots ledusskapja sānā, pirms to iespraužat strāvas kontaktligzdā. Ja strāvas vads atrodas ledusskapja aizmugurē, tas var samazināt energoefektivitāti.

## Gaidīšanas laiks



Kompresora kapsulā ir bezapkopes smērēļļa. Ja ierīce tiek transportēta slīpā stāvoklī, šī eļļa transportēšanas laikā var izkļūt caur slēgto cauruļu sistēmu. Pirms ierīces pievienošanas barošanas avotam nogaidiet 2 stundas, lai eļļa saplūstu atpakaļ kapsulā.

## Elektriskais savienojums

Pirms katras savienošanas reizes pārbaudiet, vai:

- ▶ barošanas avots, kontaktligzda un drošinātājs atbilst tehnisko datu plāksnītei;
- ▶ strāvas kontaktligzda ir zemēta un tai nav vairāku kontaktligzdu vai pagarinātāju;
- ▶ strāvas kontaktdakša un kontaktligzda atbilst tehniskajām prasībām.

Pievienojiet kontaktdakšu pareizi uzstādītai mājsaimniecības kontaktligzdai.



## BRĪDINĀJUMS!

Lai izvairītos no riskiem, bojāts strāvas vads ir jānomaina klientu apkalpošanas dienestam (skatiet garantijas karti).

## Produkta datu lapa saskaņā ar Regulu (ES) Nr. 2019/2016

Zīmols	Haier		
Modeļa nosaukums/identifikators	EHBQW5518E HBQW5518E HBQW5518EK HQE1855BCMW EHQE1855BCMW	HBQW5519E HBQW5519EK EHBQW5519E EHBQW5519ECM	HBQW5719E
Modeļa kategorija	Ledusskapis/saldētava		
Energoefektivitātes klase	E	E	E
Enerģijas patēriņš gadā (kWh/gadā) (1)	229	229	259
Kopējais tilpums (l)	268	285	382
Ledusskapja tilpums (l)	194	211	281
Saldētavas tilpums (l)	74	74	101
Dzesētāja sekcijas tilpums (l)	/	/	/
Automātiskā ledus automāta tilpums (l)	/	/	/
Vērtējums zvaigznēs	4	4	4
Citu nodalījumu temperatūra > 14 °C	Nav piemērojams		
Bezsarmas sistēma	Jā		
Saldēšanas jauda (kg/24 h)			
Klimata novērtējums (2)	SN/N/ST/T	SN/N/ST/T	SN/N/ST/T
Trokšņa emisijas klase un gaisa vadītā akustiskā trokšņa emisija (dB(A) re 1 pW)	B(35)	B(35)	B(33)
Temperatūras paaugstināšanās laiks (h)	12	12	9
Ledus gatavošanas jauda	/	/	/
Ierīces veids	Iebūvējama		

Modeļa nosaukums	Energoefektivitātes klase
EHBQW5518E HBQW5518E HBQW5518EK HQE1855BCMW EHQE1855BCMW	E
HBQW5519E HBQW5519EK EHBQW5519E EHBQW5519ECM HBQW5719E	E

Paskaidrojumi:

- Jā, piedāvātie

(1) Pamatojoties uz standartu atbilstības testa rezultātiem 24 stundu laikā. Faktiskais patēriņš ir atkarīgs no ierīces lietošanas veida un atrašanās vietas.

(2) Klimata novērtējums SN: Šī ierīce ir paredzēta lietošanai apkārtējās vides temperatūrā no +10 °C līdz +32 °C

Klimata novērtējums N: Šī ierīce ir paredzēta lietošanai apkārtējās vides temperatūrā no +16 °C līdz +32 °C

Klimata novērtējums ST: Šī ierīce ir paredzēta lietošanai apkārtējās vides temperatūrā no +16 °C līdz +38 °C

Klimata novērtējums T: Šī ierīce ir paredzēta lietošanai apkārtējās vides temperatūrā no +16 °C līdz +43 °C

#### Papildu tehniskie dati

Spriegums/frekvence	220-240 V ~/50 Hz
leejas strāva (A)	1.2/1.6
Galvenais drošinātājs (A)	16
Dzesēšanas šķidrums	R600a
Izmēri (A/P/D milimetros)	EHBQW5518E/ HBQW5518E/ EK EHQE/ HQE1855BCMW: 1773/540/555
	HBQW5519E/ EK/ EHBQW5519E/ ECM: 1935/540/555
	EHBQW5719E : 1935/690/550

Mēs iesakām izmantot mūsu Haier klientu apkalpošanas dienestu un oriģinālās rezerves daļas.

Ja rodas problēmas ar ierīci, lūdzu, vispirms skatiet sadaļu PROBLĒMU NOVĒRŠANA.

Ja tajā neatrodāt risinājumu, lūdzu, sazinieties ar

- ▶ vietējo izplatītāju vai
- ▶ mūsu Eiropas zvanu apkalpošanas centru (skatiet tālāk norādītos tālruņa numurus), vai
- ▶ skatiet pakalpojumu un atbalsta sadaļu (Service & Support) vietnē [www.haier.com](http://www.haier.com), kur varat aktivizēt apkopes
- ▶ pieprasījumu, kā arī atrast bieži uzdotos jautājumus.

Lai sazinātos ar mūsu apkalpošanas dienestu, pārliecinieties, vai jums ir pieejami tālāk minētie dati.

Informācija ir atrodama uz tehnisko datu plāksnītes.

Modelis \_\_\_\_\_

Sērijas Nr. \_\_\_\_\_

Garantijas pakalpojuma gadījumā pārbaudiet arī ierīcei pievienoto garantijas karti.

Eiropas zvanu apkalpošanas centrs		
Valsts*	Tālruņa numurs	Maksa
Haier Italy (IT)	199 100912	
Haier Spain (ES)	902 509 123	
Haier Germany (DE)	0180 5 39 39 99	<ul style="list-style-type: none"> <li>• 14 centi/min. (fiksētais tālrunis)</li> <li>• maks. 42 centi/min. (mobilais tālrunis)</li> </ul>
Haier Austria (AT)	0820 001205	<ul style="list-style-type: none"> <li>• 14,53 centi/min. (fiksētais tālrunis)</li> <li>• maks. 20 centi/min. (visi pārējie)</li> </ul>
Haier United Kingdom (UK)	0333 003 8122	
Haier France (FR)	0980 406 409	

\* Citām valstīm, lūdzu, skatiet [www.haier.com](http://www.haier.com)

Haier Europe Trading S.r.l

Filiāle Apvienotajā Karalistē

Westgate House, Westgate, Ealing

London, W5 1YY

\* Saldēšanas iekārtas garantijas termiņa periods:

Minimālais garantijas periods ir šāds: 2 gadi ES valstīs, 3 gadi Turcijā, 1 gads Apvienotajā Karalistē, 1 gads Krievijā, 3 gadi Zviedrijā, 2 gadi Serbijā, 5 gadi Norvēģijā, 1 gads Marokā, 6 mēneši Alžīrijā, Tunisijā nav nepieciešama juridiska garantija.

\* Ierīces remonta rezerves daļu termiņš:

Termostati, temperatūras sensori, iespiedshēmas plātes un gaismas avoti ir pieejami vismaz septiņus gadus pēc modeļa pēdējās ierīces laišanas tirgū.

Durvju rokturi, durvju eņģes, paplātes un grozi — vismaz septiņus gadus, un durvju blīves — vismaz 10 gadus pēc modeļa pēdējās vienības laišanas tirgū.

\* Lai iegūtu plašāku informāciju par produktu, lūdzu, apmeklējiet vietni <https://eprel.ec.europa.eu/> vai noskenējiet uz ierīces redzamo energoefektivitātes uzlīmes QR kodu.



**Haier**



2024. gada A versija

# Haier

## Gebruikershandleiding



### Koelvriescombinatie

EHBQW5518E

HBQW5518E

HBQW5518EK

HQE1855BCMW

EHQE1855BCMW

HBQW5519E

HBQW5519EK

EHBQW5519E

EHBQW5519ECM

HBQW5719E

NL

<u>4 Veiligheidsinformatie</u>	<u>Vóór het eerste gebruik</u>	5
	<u>Installatie</u>	5
	<u>Dagelijks gebruik</u>	6
	<u>Informatie over koelgas</u>	8
<u>9 Beoogd gebruik</u>		
<u>10 Productbeschrijving</u>		
<u>12 Bedieningspaneel</u>		
<u>13 Gebruik</u>	<u>Paneel vergrendelen/ontgrendelen</u>	13
	<u>Pas de temperatuur aan voor de koelkast</u>	13
	<u>De vriezertemperatuur aanpassen</u>	14
	<u>Wififunctie</u>	15
	<u>Holiday-functie</u>	15
	<u>Super Cool-functie</u>	16
	<u>Super Freeze-functie</u>	16
<u>18 Apparatuur</u>		
<u>20 Tips voor energiebesparing</u>		
<u>21 Onderhoud en reiniging</u>		
<u>23 Problemen oplossen</u>		
<u>27 Installatie</u>		
<u>34 Technische gegevens</u>		
<u>36 Klantenservice</u>		

## Bedankt voor de aankoop van dit Haier-product.

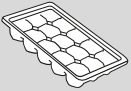
Lees deze instructies zorgvuldig door voordat u dit apparaat gebruikt. De instructies bevatten belangrijke informatie die u helpt het beste uit het apparaat te halen en veilige en correcte installatie, gebruik en onderhoud te waarborgen.

Bewaar deze handleiding op een handige plaats zodat u hem altijd kunt raadplegen voor een veilig en correct gebruik van het apparaat.

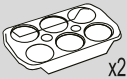
Als u het apparaat verkoopt, weggeeft of achterlaat wanneer u verhuist, zorg er dan voor dat u deze handleiding ook overdraagt, zodat de nieuwe eigenaar het apparaat en de veiligheidswaarschuwingen kan leren kennen.

## Accessoires

Controleer de accessoires en literatuur in overeenstemming met deze lijst:



Ijsblokjesbakje



Eierrekje



Energietabel



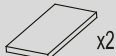
Garantiekaart

Veiligheids-  
waarschuwing  
handleiding

Schroeven



Afdekking



Sponsblok



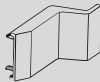
Schuifgeleider



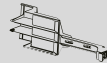
Schuifmontage



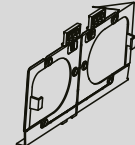
Vaste plaat



Scharnierafdekking



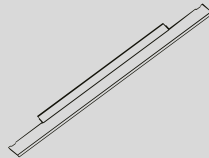
Vaste plaat II



Vaste plaat onder



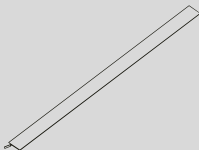
Vaste plaat boven



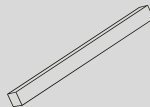
Bodemafdekking



Afdekking aan onderkant



Afdichtingsstrip



Afdichtingsspons



Onderste scharnierafdekking

**WAARSCHUWING –****Belangrijke veiligheidsinformatie****LET OP – Algemene informatie en tips****Milieu-informatie****Verwijdering**

Help het milieu en de menselijke gezondheid te beschermen. Doe de verpakking in de daarvoor bestemde containers om deze te recyclen. Help het afval van elektrische en elektronische apparaten te recyclen. Gooi apparaten met dit symbool niet weg bij het huisvuil. Lever het product in bij uw plaatselijke recyclingfaciliteit of neem contact op met uw gemeentekantoor.

**WAARSCHUWING!**

Gevaar voor letsel of verstikking!

Koelmiddelen en gassen moeten professioneel worden verwijderd. Controleer of de leidingen van het koelmiddelcircuit niet zijn beschadigd voordat ze op de juiste manier worden afgevoerd. Koppel het apparaat los van de stroomvoorziening. Knip het netsnoer af en gooi het weg. Verwijder de bakken en laden en de deurvergrendeling en -afdichtingen, om te voorkomen dat kinderen en huisdieren in het apparaat worden opgesloten.

## Lees voordat u het apparaat voor het eerst inschakelt de volgende veiligheidstips:



### WAARSCHUWING!

#### Vóór het eerste gebruik

- ▶ Controleer of er geen transportschade is.
- ▶ Wacht ten minste twee uur voordat u het apparaat installeert, om er zeker van te zijn dat het koelmiddelcircuit volledig werkt.
- ▶ Verplaats het apparaat altijd met ten minste twee personen, het is namelijk zwaar.
- ▶ Verwijder alle verpakkingsmaterialen, houd ze buiten bereik van kinderen en gooi ze op een milieuvriendelijke manier weg.
- ▶ Reinig de binnen- en de buitenkant van het apparaat met water en een mild reinigingsmiddel voordat u er voedingsmiddelen in plaatst.
- ▶ Nadat het apparaat waterpas is gezet en is schoongemaakt, moet u minstens 2–5 uur wachten voordat u het aansluit op het elektriciteitsnet. Raadpleeg het hoofdstuk **INSTALLATIE**.
- ▶ Koel de compartimenten op hoge instellingen voor voordat u het voedsel erin zet. De 'Power-Freeze'-functie helpt om de compartimenten snel af te koelen.
- ▶ De temperatuur van de koelkast en de vriezer worden automatisch ingesteld op respectievelijk 5°C en -18°C. Dit zijn de aanbevolen instellingen. Als u wilt, kunt u deze temperaturen handmatig veranderen. Raadpleeg **DE TEMPERATUUR AANPASSEN**.

#### Installatie

- ▶ Het apparaat moet op een goed geventileerde plaats worden geplaatst. Zorg voor een ruimte van ten minste 10 cm boven en rond het apparaat.
- ▶ Plaats het apparaat nooit in een vochtige ruimte of op een plaats waar het met water kan worden bespat. Reinig en droog waterspatten en vlekken met een zachte, schone doek.
- ▶ Installeer het apparaat niet in direct zonlicht of in de buurt van warmtebronnen (bijv. kachels, verwarmingstoestellen).
- ▶ Installeer het apparaat waterpas op een plaats die geschikt is voor de grootte en het gebruik ervan.
- ▶ Zorg ervoor dat de ventilatieopeningen in het apparaat of in de ingebouwde constructie open blijven.
- ▶ Controleer of de elektrische informatie op het typeplaatje overeenkomt met de stroomvoorziening. Als dat niet het geval is, neem dan contact op met een elektricien.
- ▶ Het apparaat wordt gebruikt met een voeding van 220–240 VAC/50 Hz. Abnormale spanningschommelingen kunnen ertoe leiden dat het apparaat niet start of dat de temperatuurregeling of de compressor beschadigd raakt of dat er tijdens het gebruik een abnormaal geluid optreedt. In dat geval moet er een automatische regelaar worden gemonteerd.



## WAARSCHUWING!

- ▶ Gebruik geen stekkerdozen en verlengkabels.
- ▶ Plaats niet meerdere draagbare stopcontacten of draagbare voedingen op de achterkant van het apparaat.
- ▶ Zorg ervoor dat de stroomkabel niet bekneld zit door de koelkast. Ga niet op de stroomkabel staan.
- ▶ Gebruik een apart geaard stopcontact voor de stroomvoorziening, dat gemakkelijk toegankelijk is. Het apparaat moet geaard zijn.  
Alleen voor het Verenigd Koninkrijk: Het netsnoer van het apparaat is voorzien van een 3-aderige (geaarde) stekker die past op een standaard 3-aderig (geaard) stopcontact. De derde pin (aarding) mag nooit worden afgesneden of gedemonteerd. Nadat het apparaat is geïnstalleerd, moet de stekker bereikbaar zijn.
- ▶ Beschadig het koelcircuit niet.

### Dagelijks gebruik

- ▶ Dit apparaat mag worden gebruikt door kinderen vanaf 8 jaar en door personen met verminderde lichamelijke, zintuiglijke of geestelijke vermogens of met een gebrek aan kennis en ervaring, mits zij onder toezicht worden gehouden of instructies hebben gekregen om het apparaat veilig te kunnen gebruiken en de gevaren begrijpen die ermee gepaard gaan.
- ▶ Kinderen van 3 tot 8 jaar mogen wel inladen en uitladen, maar mogen koelapparatuur niet reinigen of installeren.
- ▶ Houd kinderen onder de 3 jaar uit de buurt van het apparaat, tenzij ze voortdurend onder toezicht staan.
- ▶ Kinderen mogen niet met het apparaat spelen.
- ▶ Als er koelgas of ander brandbaar gas in de buurt van het apparaat lekt, moet u het ventiel van het lekkende gas sluiten, de deuren en ramen openen en mag u de stekker van de koelkast of een ander apparaat niet uit het stopcontact halen of in een stopcontact steken.
- ▶ Let op, het apparaat is ingesteld om te werken bij een specifiek omgevings-temperatuurbereik van 10 tot 43°C. Het apparaat kan gedurende lange tijd bij een temperatuur boven of onder het aangegeven bereik niet goed werken.
- ▶ Plaats geen onstabiele voorwerpen (zware voorwerpen, containers gevuld met water) boven op de koelkast, om persoonlijk letsel door vallen of elektrische schokken door contact met water te voorkomen.
- ▶ Trek niet aan de deurschappen. De deur kan scheefgetrokken worden, het flessenrek kan eruit worden getrokken, of het apparaat kan omvallen.
- ▶ Open en sluit de deuren alleen met de handgrepen. De ruimte tussen de deuren en tussen de deuren en de kast is zeer smal. Steek uw handen niet in deze ruimtes, om te voorkomen dat uw vingers bekneld raken. Open of sluit de koelkastdeuren alleen als er geen kinderen zijn die zich binnen het bewegingsbereik van de deur bevinden.



## WAARSCHUWING!

- ▶ Bewaar of gebruik in het apparaat of in de buurt ervan geen brandbare, explosieve of corrosieve materialen.
- ▶ Bewaar geen geneesmiddelen, bacteriën of chemische middelen in het apparaat. Dit is een huishoudelijk apparaat. Het wordt niet aanbevolen om materialen op te slaan die strikte temperaturen vereisen.
- ▶ Bewaar vloeistoffen in flessen of blikjes (met uitzondering van sterke drank), met name koolzuurhoudende dranken, nooit in de vriezer, omdat deze tijdens het invriezen barsten.
- ▶ Controleer de staat van het voedsel als er sprake van opwarming is geweest in de vriezer.
- ▶ Stel de temperatuur in het koelkastgedeelte niet onnodig laag in. Bij een hoge instelling kunnen temperaturen onder nul optreden. Let op: Flessen kunnen barsten
- ▶ Raak geen bevroren producten aan met natte handen (draag handschoenen). Eet vooral ijsjes niet onmiddellijk na verwijdering uit het vriezergedeelte op. Er bestaat het risico op bevrozing of vriesblaren. Eerste hulp: houd onmiddellijk onder de koude kraan. Niet lostrekken!
- ▶ Raak het binnenoppervlak van het vriezergedeelte niet aan wanneer het in werking is, vooral niet met natte handen, omdat uw handen aan het oppervlak vast kunnen vriezen.
- ▶ Haal de stekker van het apparaat uit het stopcontact wanneer er een stroomonderbreking optreedt of voordat u het schoonmaakt. Laat het apparaat minstens 7 minuten rusten voordat u het opnieuw opstart, omdat vaak starten de compressor kan beschadigen.
- ▶ Gebruik geen elektrische toestellen in de bewaarruimten voor levensmiddelen van het apparaat, tenzij deze van het type zijn dat door de fabrikant wordt aanbevolen.

## Onderhoud/reiniging

- ▶ Zorg ervoor dat kinderen onder toezicht staan als ze schoonmaak en onderhoud uitvoeren.
- ▶ Haal de stekker van het apparaat uit het stopcontact voordat u routineonderhoud uitvoert. Laat het apparaat minstens 5 minuten rusten voordat u het opnieuw opstart, omdat vaak starten de compressor kan beschadigen.
- ▶ Houd de stekker vast, niet het snoer, wanneer u de stekker uit het stopcontact haalt.
- ▶ Reinig het apparaat niet met harde borstels, draadborstels, waspoeder, benzine, amylicetaat, aceton en soortgelijke organische oplossingen, zure of alkalische oplossingen. Reinig het apparaat met een speciaal reinigingsmiddel voor koelkasten om schade te voorkomen.
- ▶ Schraap vorst en ijs niet af met scherpe voorwerpen. Gebruik geen sprays, elektrische verwarmingstoestellen zoals haardrogers, stoomreinigers of andere warmtebronnen om schade aan de kunststof onderdelen te voorkomen.



## WAARSCHUWING!

- ▶ Gebruik geen mechanische apparaten of andere middelen om het ontdooien te versnellen, behalve als deze door de fabrikant worden aanbevolen.
- ▶ Als het netsnoer beschadigd is, moet het worden vervangen door de fabrikant, diens servicevertegenwoordiger of vergelijkbaar gekwalificeerde personen om gevaar te voorkomen.
- ▶ Probeer het apparaat niet zelf te repareren, te demonteren of te wijzigen. In geval van reparatie kunt u contact opnemen met onze klantenservice.
- ▶ Verwijder het stof aan de achterkant van het toestel ten minste eenmaal per jaar om brandgevaar en een verhoogd energieverbruik te voorkomen.
- ▶ Spuit niet op het apparaat en spoel het niet af tijdens het reinigen.
- ▶ Gebruik geen waterstraal of stoom om het apparaat schoon te maken.
- ▶ Reinig de koude glazen planken niet met heet water. Door plotselinge temperatuurveranderingen kan het glas breken.

## Informatie over koelgas



## WAARSCHUWING!

Het apparaat bevat het brandbare koelmiddel ISOBUTAAN (R600a). Controleer of het koelcircuit tijdens transport of installatie niet is beschadigd. Lekkend koelmiddel kan oogletsel veroorzaken of ontbranden. Als er schade is opgetreden, weghouden van open vuurbronnen, de kamer grondig ventileren, de stekker van het apparaat of enig ander apparaat niet in het stopcontact steken of eruit halen. Informeer de klantenservice.

Als de ogen in contact komen met het koelmiddel, spoel het dan onmiddellijk onder stromend water af en bel onmiddellijk de oogspecialist.

## Beoogd gebruik

Dit apparaat is bedoeld voor het koelen en invriezen van voedsel. Het is uitsluitend ontworpen voor gebruik in huishoudelijke en soortgelijke toepassingen, zoals personeelskeukens in winkels, kantoren en andere werkomgevingen; op boerderijen en door gasten in hotels, motels en andere woonomgevingen, maar ook in bed and breakfasts en bij cateringbedrijven. Het is niet bedoeld voor commercieel of industrieel gebruik.

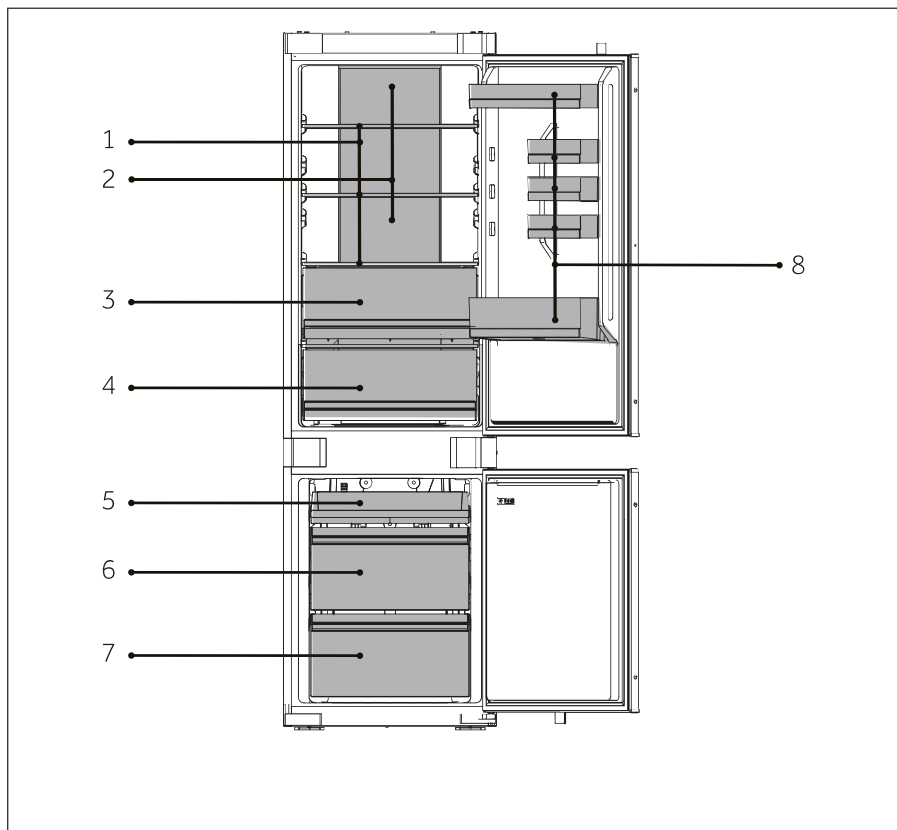
Wijzigingen of aanpassingen aan het apparaat zijn niet toegestaan. Onbedoeld gebruik kan risico's en verlies van garantieclaims veroorzaken.

## Normen en richtlijnen of UK CA

Dit product voldoet aan de eisen van alle toepasselijke EG-richtlijnen met de bijbehorende geharmoniseerde normen en normen van het VK, die voorzien in een CE- en UKCA-markering.

## **i** LET OP

Door technische wijzigingen en verschillende modellen kunnen sommige afbeeldingen in deze handleiding afwijken van uw model.



EHBQW5518E/HBQW5518E/HBQW5518EK/HQE1855BCM/WHQE1855BCM

### A: Koelruimte

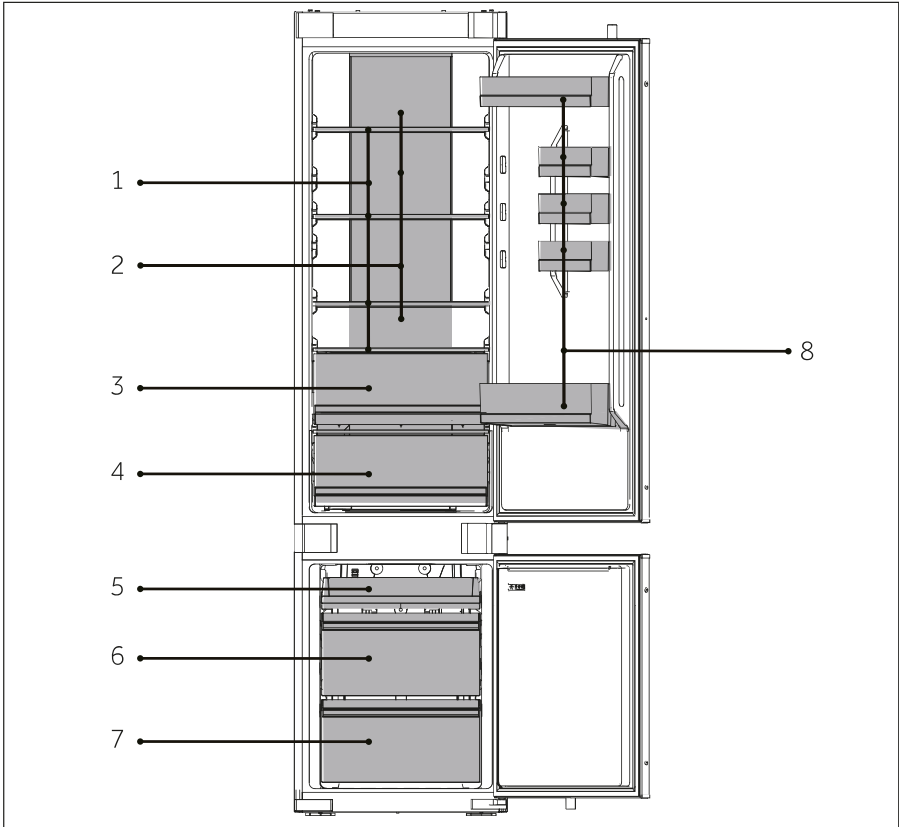
- 1 Gewone planken
- 2 Gekoeld luchtkanaal
- 3 Humidity Zone-lade
- 4 Fresh Box-lade
- 8 Flessenhouder

### B: Vriezerruimte

- 5 Bovenste vriesvak
- 6 Middelste vriezerlade
- 7 Onderste vriezerlade

## **i** LET OP

Door technische wijzigingen en verschillende modellen kunnen sommige afbeeldingen in deze handleiding afwijken van uw model.



HBQW5519E/HBQW5519EK/EHBQW5519E/EHBQW5519ECM/HBQW5719E

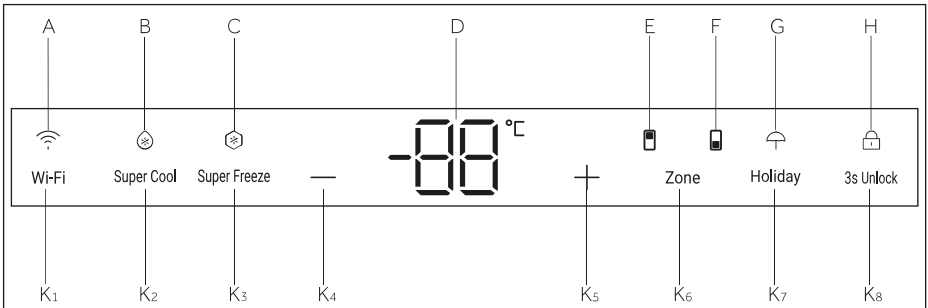
A: Koelruimte

- 1 Gewone planken
- 2 Gekoeld luchtkanaal
- 3 Humidity Zone-lade
- 4 Fresh Box-lade
- 8 Flessenhouder

B: Vriezerruimte

- 5 Bovenste vriesvak
- 6 Middelste vriezerlade
- 7 Onderste vriezerlade

## Bedieningspaneel



### Indicatoren:

- A Wififunctie
- B Super Cool-functie
- C Super Freeze-functie
- D Temperatuurweergave
- E Koelkastindicator
- F Vriezerindicator
- G Holiday-functie
- H Vergrendelen en ontgrendelen

### Toetsen:

- K<sub>1</sub> Wifi-instelknop
- K<sub>2</sub> Super Cool-selectieknop
- K<sub>3</sub> Super Freeze-selectieknop
- K<sub>4</sub> Temperatuurinsteltoets '-'
- K<sub>5</sub> Temperatuurinsteltoets '+'
- K<sub>6</sub> Zoneselectieknop
- K<sub>7</sub> Holiday-functieknop
- K<sub>8</sub> Knop vergrendelen en ontgrendelen

## Sensortoetsen

De toetsen op het bedieningspaneel zijn sensortoetsen, die al reageren als ze licht met de vinger worden aangeraakt.

## Het apparaat in-/uitschakelen

Het apparaat werkt zodra het op de voeding is aangesloten.

Wanneer de koelkast voor het eerst wordt ingeschakeld, licht de indicator 'D' (Temperatuurweergave) op. De temperatuur van de koelkast en de vriezer worden automatisch ingesteld op respectievelijk 5°C en -18°C.



## LET OP

Wanneer het apparaat wordt ingeschakeld nadat de stekker uit het stopcontact is gehaald, kan het tot wel 12 uren duren voordat de juiste temperaturen zijn bereikt.

Leeg het apparaat voordat u het uitschakelt. Trek het netsnoer uit het stopcontact om het apparaat uit te schakelen.

### Paneel vergrendelen/ontgrendelen

Automatische vergrendeling: Wanneer de koelkastdeur en de vriezerdeur gesloten zijn en er binnen 30 seconden geen toetsbediening is, gaat het display automatisch uit en wordt het vergrendeld.

Handmatige vergrendeling: Druk wanneer het display ontgrendeld is op de toets 'K<sub>8</sub>' (3s Unlock) en houd deze 3 seconden ingedrukt. De zoemer klinkt eenmaal, de indicator 'H' (Paneelvergrendeling) gaat branden en het display wordt vergrendeld.

Ontgrendelen: Druk wanneer het display vergrendeld is op de toets 'K<sub>8</sub>' (3s Unlock) en houd deze 3 seconden ingedrukt. De zoemer klinkt eenmaal, de indicator 'H' (Paneelvergrendeling) gaat uit en het display wordt ontgrendeld.

### De temperatuur aanpassen

De binnentemperaturen worden beïnvloed door de volgende factoren:

Omgevingstemperatuur, Frequentie van openen van deur, Hoeveelheid opgeslagen voedsel Installatie van het apparaat.

### Pas de temperatuur aan voor de koelkast

Wanneer het scherm is ontgrendeld, drukt u op de toets 'K<sub>6</sub>' (keuzetoets zone). De zoemer klinkt eenmaal, de indicator 'E' (koelkastindicator) gaat branden en dan verschijnt de temperatuurinstelmodus van de koelkast.

Druk herhaaldelijk op de toets 'K<sub>4</sub>' (temperatuurinsteltoets '-'), elke keer klinkt de zoemer eenmaal en wordt de ingestelde temperatuur van de koelkast verlaagd met 1 graad. De koelkasttemperatuur wordt weergegeven in de volgorde 9°C -> 8°C -> 7°C -> 6°C -> 5°C -> 4°C -> 3°C -> 2°C -> 1°C.

Druk herhaaldelijk op de toets 'K<sub>5</sub>' (temperatuurinsteltoets '+'), elke keer klinkt de zoemer eenmaal en wordt de ingestelde temperatuur van de koelkast verhoogd met 1 graad. De koelkasttemperatuur wordt weergegeven in de volgorde 1°C -> 2°C -> 3°C -> 4°C -> 5°C -> 6°C -> 7°C -> 8°C -> 9°C.



## LET OP

Als er na het instellen van de temperatuur binnen 5 seconden geen handeling plaatsvindt, wordt het systeem automatisch bepaald en de ingestelde temperatuur opgeslagen.

## De vriezer temperatuur aanpassen

Wanneer het scherm is ontgrendeld, drukt u op de toets 'K<sub>6</sub>' (keuzetoets zone). De zoemer klinkt eenmaal, de indicator 'F' (vriezerindicator) gaat branden en dan verschijnt de temperatuurinstelmodus van de vriezer.

Druk herhaaldelijk op de toets 'K<sub>4</sub>' (temperatuurinsteltoets '-'), elke keer klinkt de zoemer eenmaal en wordt de ingestelde temperatuur van de vriezer verlaagd met 1 graad. De vriezer temperatuur wordt weergegeven in de volgorde -14°C -> -15°C -> -16°C -> -17°C -> -18°C -> -19°C -> -20°C -> -21°C -> -22°C -> -23°C -> -24°C.

Druk herhaaldelijk op de toets 'K<sub>5</sub>' (temperatuurinsteltoets '+'), elke keer klinkt de zoemer eenmaal en wordt de ingestelde temperatuur van de vriezer verhoogd met 1 graad. De vriezer temperatuur wordt weergegeven in de volgorde -24°C -> -23°C -> -22°C -> -21°C -> -20°C -> -19°C -> -18°C -> -17°C -> -16°C -> -15°C -> -14°C.



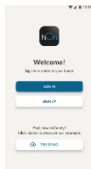
### LET OP

Als er na het instellen van de temperatuur binnen 5 seconden geen handeling plaatsvindt, wordt het systeem automatisch bepaald en de ingestelde temperatuur opgeslagen.

### Stap 1 Download de hOn-app in de stores.



**Stap 2** Maak een account aan in de hOn-app of log in als u al een account hebt.



**Stap 3** Volg de koppelinstructies in de hOn-app.



## Wififunctie

1. Volg de instructies in de app om de wifi te configureren.
2. Zodra de wifi is ingesteld en de verbinding tot stand is gebracht, gaat het wifipictogram 'A' aan en blijft branden.
3. Als de wifi al is geconfigureerd, zal er automatisch opnieuw verbinding worden gemaakt volgens de configuratie-informatie als de wifi wordt ingeschakeld.
4. Druk op de wifitoets 'K<sub>1</sub>' om de wifi uit te schakelen. Het wifipictogram 'A' gaat uit.
5. Druk op de wifitoets 'K<sub>1</sub>' om de wifi in te schakelen en de configuratie te starten. Het wifipictogram 'A' knippert langzaam. Als u de wififunctie wilt configureren, houdt u gedurende 3 seconden de toets 'K<sub>1</sub>' ingedrukt; het wifipictogram knippert snel en gaat de configuratiemodus in. Als u de wififunctie wilt uitschakelen, drukt u één keer op de toets 'K<sub>1</sub>'. De bovenstaande stappen worden herhaald.
6. Als het product is geconfigureerd en de wifi-functie is uitgeschakeld, zal de koelkast de configuratiemodus niet openen wanneer deze weer wordt aangesloten op de voeding.

## Holiday-functie

1. Druk wanneer het display ontgrendeld is op de toets 'K<sub>7</sub>' (toets Holiday-functie). De zoemer klinkt eenmaal, de indicator 'G' (Holiday-functie) gaat branden en de Holiday-functie wordt ingeschakeld.
2. Druk wanneer het display ontgrendeld is op de toets 'K<sub>7</sub>' (toets Holiday-functie). De zoemer klinkt eenmaal, de indicator 'G' (Holiday-functie) gaat uit en de Holiday-functie wordt uitgeschakeld.

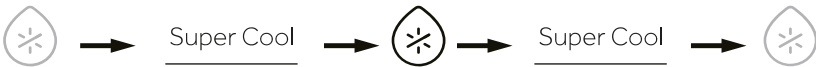


### LET OP

1. De Holiday-functie wordt voornamelijk gebruikt voor korte reizen en andere levensomstandigheden, en de koelkastruimte moet worden leeggemaakt wanneer de Holiday-functie wordt gebruikt.
2. In de Holiday-functie is de temperatuur van de koelkastruimte hoger (ongeveer 17°C). Let erop dat u het voedsel uit de koelkastruimte verwijdert om bederf van het voedsel te voorkomen.

## Super Cool-functie

1. Druk wanneer het display ontgrendeld is op de toets 'K<sub>2</sub>' (keuzetoets Super Cool). De zoemer klinkt eenmaal, de indicator 'B' (Super Cool-functie) gaat branden en de Super Cool-functie wordt ingeschakeld.
2. Wanneer de indicator 'B' (Super Cool-functie) brandt, drukt u op de toets 'K<sub>2</sub>' (keuzetoets Super Cool). De zoemer klinkt eenmaal, de indicator 'O' (Super Cool-functie) gaat uit en vervolgens wordt de Super Cool-functie uitgeschakeld.
3. Nadat de Super Cool-functie is ingeschakeld, schakelt de koelkast automatisch de functie uit wanneer deze de ingestelde temperatuur bereikt. Als u de functie handmatig wilt verlaten, kunt u op de toets 'K<sub>2</sub>' (keuzetoets Super Cool) drukken om hem uit te schakelen.



### LET OP

1. In de Super Cool-toestand kan de koelkasttemperatuur niet worden aangepast. Als de toets 'K<sub>4</sub>' (temperatuurinsteltoets '-') of toets 'K<sub>5</sub>' (temperatuurinsteltoets '+') wordt ingedrukt om de temperatuur van de koelkast aan te passen, knippert de indicator 'B' (indicator Super Cool) met een snel geluid om aan te geven dat deze handeling niet kan worden uitgevoerd.
2. In de Super Cool-functie kan de Auto-Set-functie niet tegelijkertijd worden ingeschakeld vanwege verschillende bedieningsmodi. Wanneer u een functie kiest die in strijd is met een andere functie, zal de oorspronkelijke functie automatisch worden verlaten.
3. Deze functie wordt na 6 uur automatisch uitgeschakeld.

## Super Freeze-functie

1. Wanneer het display is ontgrendeld, drukt u op de toets 'K<sub>3</sub>' (keuzetoets Super Freeze). De zoemer klinkt eenmaal, de indicator 'C' (Super Freeze-functie) gaat branden en de Super Freeze-functie wordt ingeschakeld.
2. Wanneer de indicator 'C' (Super Freeze-functie) brandt, drukt u op de toets 'K<sub>3</sub>' (keuzetoets Super Freeze). De zoemer klinkt eenmaal, de indicator 'C' (Super Freeze-functie) gaat uit en de Super Freeze-functie wordt uitgeschakeld.
3. Nadat de Super Freeze-functie is ingeschakeld, schakelt de koelkast automatisch de functie uit wanneer deze de ingestelde temperatuur bereikt. Als u de functie handmatig wilt verlaten, kunt u op de toets 'K<sub>3</sub>' (keuzetoets Super Freeze) drukken om hem uit te schakelen.





## LET OP

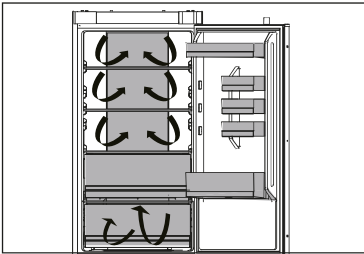
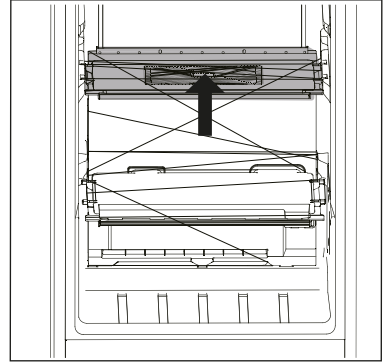
1. In de Super Freeze-toestand kan de vriezertemperatuur niet worden aangepast. Als de toets 'K<sub>4</sub>' (temperatuurinsteltoets '-') of toets 'K<sub>5</sub>' (temperatuurinsteltoets '+') wordt ingedrukt om de temperatuur van de vriezer aan te passen, knippert de indicator 'C' (indicator Super Freeze) met een snel geluid om aan te geven dat deze handeling niet kan worden uitgevoerd.
2. De Super Freeze-functie is ontworpen om de voedingswaarden van bevroren voedsel te behouden; voedsel wordt in de kortste tijd ingevroren. Als er grote hoeveelheden diepvriesvoedsel in één keer moeten worden ingevroren. Ondertussen moet de Super Freeze-functie 24 uur van tevoren worden ingesteld, zodat de vriezer een relatief lage temperatuur heeft voordat er voedsel in kan worden geplaatst. Op dat moment is de vriessnelheid van de vriezer verbeterd, kan voedsel snel worden ingevroren, worden de voedingswaarden van het voedsel effectief behouden en wordt de opslag heel handig.
3. De Super Freeze-functie schakelt na 50 uur automatisch uit. Het apparaat werkt dan op de eerder ingestelde temperatuur.

## Humidity Zone-lade

In dit gedeelte is de vochtigheidsgraad hoger dan in het koelkastgedeelte. Het wordt automatisch bestuurd door het systeem en is geschikt voor het bewaren van fruit, groenten, salades, enz.

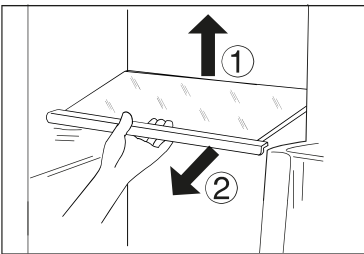
### **i** LET OP

1. Verwijder de plastic deksel in de zone niet.
2. Ze houden de luchtvochtigheid in stand.
3. Het wordt niet aanbevolen om koudegevoelige vruchten zoals ananas, avocado, bananen en grapefruits in de lade te bewaren.



### Meervoudige luchtstroom

1. De koelkast is uitgerust met een meervoudige-luchtstroomsysteem, waarmee er op elke plank koude luchtstromen zijn. Dit helpt om een gelijkmatige temperatuur te handhaven om ervoor te zorgen dat uw voedsel langer vers blijft.



### Verstelbare planken

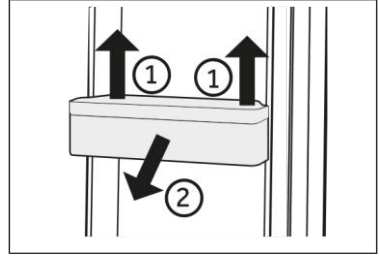
1. De hoogte van de planken kan worden aangepast aan uw opslagbehoeften.
2. Om een plank te verplaatsen, verwijdert u hem eerst door de achterrand ① op te tillen en de plank eruit te trekken ②.
3. Om hem weer te installeren, plaatst u hem op de nokjes aan beide kanten en duwt u hem helemaal naar achteren tot de achterkant van de plank vastzit in de gleuven in de zijkanten.

### **i** LET OP

Zorg ervoor dat alle kanten van een plank vlak zijn.

### Verwijderbare deurrekken/fleshouder

1. De deurrekken kunnen worden verwijderd om te worden schoongemaakt:
2. Plaats uw handen aan beide kanten van het rek, til het omhoog ① en trek het eruit ②.
3. Voer de bovenstaande stappen in omgekeerde volgorde uit om het deurrek weer terug te plaatsen.



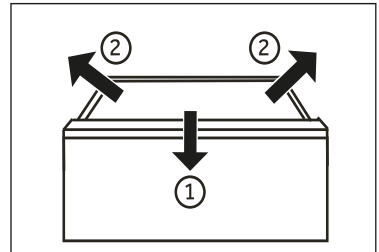
### LET OP

Als het apparaat is ingeschakeld, kan het tot 12 uur duren voordat de juiste temperaturen worden bereikt.

### Verwijderbare lade

Om de lade te verwijderen, trekt u deze zo ver mogelijk naar buiten ①, daarna optillen en verwijderen ②.

Voer de bovenstaande stappen in omgekeerde volgorde uit om lade weer terug te plaatsen.



### De verlichting

De led-binnenverlichting gaat branden als de deur wordt geopend. De werking van de verlichting wordt niet beïnvloed door een van de andere instellingen van het apparaat.



## Tips voor energiebesparing

- ▶ Zorg ervoor dat het apparaat goed wordt geventileerd (raadpleeg INSTALLATIE).
- ▶ Installeer het apparaat niet in direct zonlicht of in de buurt van warmtebronnen (bijv. kachels, verwarmingstoestellen).
- ▶ Vermijd onnodig lage temperaturen in het apparaat. Het energieverbruik neemt toe naarmate de temperatuur in het apparaat lager is ingesteld.
- ▶ Functies zoals de Super Freeze-functie verbruiken meer energie.
- ▶ Laat warm voedsel afkoelen voordat u het in de koelkast plaatst.
- ▶ Open de deur van het apparaat zo weinig en zo kort mogelijk.
- ▶ Vul het apparaat niet te vol om te voorkomen dat de luchtdoorstroming wordt geblokkeerd.
- ▶ Vermijd lucht in de verpakking van het voedsel.
- ▶ Houd de deurpakking schoon, zodat de deur altijd goed sluit.
- ▶ Ontdooi bevroren voedsel in de koelkast.
- ▶ De meest energiebesparende configuratie vereist dat de lades, voedselbakken en planken in fabrieksstaat worden gehouden, en dat voedsel zo diep mogelijk wordt geplaatst zonder dat de openingen van het luchtkanaal worden geblokkeerd.



## WAARSCHUWING!

Haal de stekker van het apparaat uit het stopcontact voordat u het reinigt.

### Reinigen

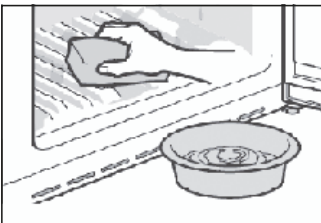
Reinig het apparaat als er weinig of geen voedsel in is opgeslagen.

Het apparaat moet om de vier weken worden schoongemaakt voor een goed onderhoud en om nare voedselgeuren te voorkomen.



## WAARSCHUWING!

- ▶ Reinig het apparaat niet met harde borstels, draadborstels, waspoeder, benzine, amylacetaat, aceton en soortgelijke organische oplossingen, zure of alkalische oplossingen. Reinig het apparaat met een speciaal reinigingsmiddel voor koelkasten om schade te voorkomen.
- ▶ Spuit niet op het apparaat en spoel het niet af tijdens het reinigen.
- ▶ Gebruik geen waterstraal of stoom om het apparaat schoon te maken.
- ▶ Reinig de koude glazen planken niet met heet water. Door plotselinge temperatuurveranderingen kan het glas breken.
- ▶ Raak het binnenoppervlak van het vriezergedeelte niet aan, vooral niet met natte handen, omdat uw handen aan het oppervlak vast kunnen vriezen.
- ▶ Controleer in geval van opwarming de toestand van de ingevroren producten.



- ▶ Houd de deurpakking altijd schoon.
- ▶ Reinig de binnenkant en behuizing van het apparaat met een spons die is bevochtigd in warm water en een neutraal reinigingsmiddel.
- ▶ 1. Was de binnenkant en buitenkant van de koelkast, waaronder deurrubbers, deurrek, glazen planken, bakken enzovoort, met een zachte handdoek of spons die in warm water is gedrenkt (u mag een neutraal schoonmaakmiddel toevoegen aan het warme water).
- ▶ 2. Als er vloeistof is gemorst, verwijder dan alle verontreinigde onderdelen en spoel ze direct af met het stromend water. Daarna afdrogen en terug in de koelkast plaatsen.
- ▶ 3. Als er room (zoals koffiemelk, smeltend ijs) wordt gemorst, moeten alle verontreinigde delen worden verwijderd. Zet ze een tijdje in warm water van ongeveer 40°C en spoel vervolgens af met stromend water. Daarna afdrogen en terug in de koelkast plaatsen.
- ▶ 4. Als een klein deeltje of onderdeel vast komt te zitten in de koelkast (tussen planken of laden), gebruik dan een klein, zacht borsteltje om het weg te halen. Als u het onderdeel niet kan bereiken, neem dan contact op met de klantenservice van Haier.
- ▶ Spoel af en droog af met een zachte doek.
- ▶ Reinig de onderdelen van het apparaat niet in een vaatwasser.

- ▶ Laat het apparaat minstens 5 minuten rusten voordat u het opnieuw opstart, omdat vaak opstarten de compressor kan beschadigen.

## Ontdooien

Het ontdooien van de koelkast en het vriezergedeelte gebeurt automatisch; er is geen handmatige actie nodig.

## De ledlampjes vervangen



### WAARSCHUWING!

Vervang de ledlamp niet zelf, deze mag alleen worden vervangen door de fabrikant of door de erkende servicevertegenwoordiger.

De lamp heeft een led als lichtbron, met een laag energieverbruik en een lange levensduur. Als er sprake is van een afwijking, neem dan contact op met de klantenservice. Zie KLANTENSERVICE.

Parameters van de lampen:

Koelkastgedeelte: 12 V max. 2 W

Vriezergedeelte: 12 V max. 2 W

## Geen gebruik voor een langere periode

Als u het apparaat lange tijd niet gebruikt, en u wilt de Holiday-functie niet gebruiken: Haal het voedsel eruit.

Haal de stekker van het netsnoer uit het stopcontact.

Reinig het apparaat zoals hierboven beschreven.

Houd de deuren open om de vorming van nare geuren binnenin te voorkomen.



### LET OP

Schakel het apparaat alleen uit als dat echt nodig is.

## Het apparaat verplaatsen

1. Verwijder alle etenswaren en haal de stekker van het apparaat uit het stopcontact.
2. Maak planken en andere beweegbare delen in de koelkast en vriezer vast met plakband.
3. Kantel de koelkast niet meer dan 45° om schade aan het koelsysteem te voorkomen.



### WAARSCHUWING!

- ▶ Til het apparaat niet op aan de grepen.
- ▶ Plaats het apparaat nooit horizontaal op de grond.

Veel problemen kunnen door uzelf worden opgelost zonder specifieke expertise. Raadpleeg in geval van een probleem alle getoonde mogelijkheden en volg de onderstaande instructies voordat u contact opneemt met de klantenservice. Zie KLANTENSERVICE.



## WAARSCHUWING!

- ▶ Schakel het apparaat uit voordat u onderhoud uitvoert en haal de stekker uit het stopcontact.
- ▶ Elektrische apparatuur mag alleen worden onderhouden door gekwalificeerde elektrische experts, omdat onjuiste reparaties aanzienlijke gevolgschade kunnen veroorzaken.
- ▶ Als de voeding beschadigd is, mag deze alleen worden vervangen door de fabrikant, diens servicevertegenwoordiger of vergelijkbaar gekwalificeerde personen om gevaar te voorkomen.

Probleem	Mogelijke oorzaak	Mogelijke oplossing
De compressor werkt niet.	<ul style="list-style-type: none"> <li>• De netstekker is niet aangesloten op het stopcontact.</li> <li>• Het apparaat is aan het ontdooien.</li> </ul>	<ul style="list-style-type: none"> <li>• Steek de stekker in het stopcontact.</li> <li>• Dit is normaal voor automatisch ontdooien.</li> </ul>
Het apparaat loopt vaak of te lang.	<ul style="list-style-type: none"> <li>• De binnen- of buitentemperatuur is te hoog.</li> <li>• Het apparaat is een tijd lang niet ingeschakeld geweest.</li> <li>• Een deur van het apparaat is niet goed gesloten.</li> <li>• De deur is te vaak of te lang geopend.</li> <li>• De temperatuurstelling voor het vriezergedeelte is te laag.</li> <li>• De deurpakkingen zijn vuil, versleten, gebarsten of niet goed op elkaar afgestemd.</li> <li>• De vereiste luchtcirculatie is niet gegarandeerd.</li> </ul>	<ul style="list-style-type: none"> <li>• In dit geval is het normaal dat het apparaat langer werkt.</li> <li>• Normaal gesproken duurt het 8–12 uur voordat het apparaat volledig is afgekoeld.</li> <li>• Sluit de deur/lade en zorg ervoor dat het apparaat op een vlakke ondergrond staat en dat er geen etenswaren of voedselbakjes de deur blokkeren.</li> <li>• Open de deur/lade niet te vaak.</li> <li>• Stel de temperatuur hoger in totdat een toereikende koelkasttemperatuur is bereikt. Het duurt 24 uur voordat de koelkasttemperatuur stabiel is.</li> <li>• Reinig de deur-/ladepakkingen of laat ze vervangen door de klantenservice.</li> <li>• Zorg voor voldoende ventilatie.</li> </ul>

Probleem	Mogelijke oorzaak	Mogelijke oplossing
De binnenkant van de koelkast is vies en/of stinkt.	<ul style="list-style-type: none"> <li>• De binnenkant van de koelkast moet worden schoongemaakt.</li> <li>• Er wordt voedsel met een sterke geur bewaard in de koelkast.</li> </ul>	<ul style="list-style-type: none"> <li>• Reinig de binnenkant van de koelkast.</li> <li>• Verpak het voedsel goed.</li> </ul>
Het is niet koud genoeg in het apparaat.	<ul style="list-style-type: none"> <li>• De temperatuur is te hoog ingesteld.</li> <li>• Er zijn te warme producten opgeslagen.</li> <li>• Er is te veel voedsel in één keer bewaard.</li> <li>• De producten zijn te dicht bij elkaar geplaatst.</li> <li>• Een deur/lade van het apparaat zit niet goed dicht.</li> <li>• De deur/lade is te vaak of te lang geopend.</li> </ul>	<ul style="list-style-type: none"> <li>• Stel de temperatuur opnieuw in.</li> <li>• Koel de producten altijd af voordat u ze opbergt.</li> <li>• Bewaar altijd kleine hoeveelheden voedsel.</li> <li>• Laat een gat tussen verschillende voedingsmiddelen waardoor lucht kan stromen.</li> <li>• Sluit de deur/lade.</li> <li>• Open de deur/lade niet te vaak.</li> </ul>
Het is te koud in het apparaat.	<ul style="list-style-type: none"> <li>• De temperatuur is te laag ingesteld.</li> <li>• De Super Freeze- / Super Cool-functie wordt geactiveerd of loopt te lang.</li> </ul>	<ul style="list-style-type: none"> <li>• Stel de temperatuur opnieuw in.</li> <li>• Schakel de functie Super Freeze/Super Cool uit.</li> </ul>
Vochtvorming aan de binnenkant van het koelkastgedeelte.	<ul style="list-style-type: none"> <li>• Het klimaat is te warm en te vochtig.</li> <li>• Een deur/lade van het apparaat zit niet goed dicht.</li> <li>• De deur/lade is te vaak of te lang geopend.</li> <li>• Voedselbakjes of vloeistoffen zijn open gelaten.</li> </ul>	<ul style="list-style-type: none"> <li>• Verhoog de temperatuur.</li> <li>• Sluit de deur/lade.</li> <li>• Open de deur/lade niet te vaak.</li> <li>• Laat warm voedsel afkoelen tot kamertemperatuur en dek voedsel en vloeistoffen af.</li> </ul>
Vocht hoopt zich op het oppervlak aan de buitenkant van de koelkast en tussen de deuren/ deur en lade op.	<ul style="list-style-type: none"> <li>• Het klimaat is te warm en te vochtig.</li> <li>• De deur is niet goed gesloten. De koude lucht in het apparaat en de warme lucht buiten condenseert.</li> </ul>	<ul style="list-style-type: none"> <li>• Dit is normaal in een vochtig klimaat en zal veranderen als de luchtvochtigheid afneemt.</li> <li>• Zorg dat de deur/lade goed dicht zit.</li> </ul>

Probleem	Mogelijke oorzaak	Mogelijke oplossing
De displayverlichting werkt, maar voelt niet koel aan.	<ul style="list-style-type: none"> <li>Hij staat in de demomodus.</li> </ul>	<ul style="list-style-type: none"> <li>Let op welke status hij zich in bevindt. Als het de demomodus is, sluit deze dan af. Afsluiten: Open de deur van de koelkast, in vergrendelde toestand, druk binnen 12 uur na het inschakelen 8 seconden lang op de tweede toets aan de rechterkant.</li> </ul>
Veel ijs en rijp in het vriezergedeelte.	<ul style="list-style-type: none"> <li>De etenswaren zijn niet goed verpakt.</li> <li>Een deur/lade van het apparaat zit niet goed dicht.</li> <li>De deur/lade is te vaak of te lang geopend.</li> <li>De deur-/ladepakkingen zijn vuil, versleten, gebarsten of niet goed op elkaar afgestemd.</li> <li>Iets aan de binnenkant voorkomt dat de deur/lade goed kan sluiten.</li> </ul>	<ul style="list-style-type: none"> <li>Verpak de etenswaren altijd goed.</li> <li>Sluit de deur/lade.</li> <li>Open de deur/lade niet te vaak.</li> <li>Reinig de deur-/ladepakkingen of vervang ze door nieuwe.</li> <li>Verplaats de planken, deurrekken of interne containers zodat de deur/lade kan worden gesloten.</li> </ul>
De zijkanten van de kast en de deurstrip worden warm.	<ul style="list-style-type: none"> <li>-</li> </ul>	<ul style="list-style-type: none"> <li>Dit is normaal.</li> </ul>
Het apparaat maakt afwijkende geluiden.	<ul style="list-style-type: none"> <li>Het apparaat staat niet op een vlakke ondergrond.</li> <li>Het apparaat raakt voorwerpen rondom.</li> </ul>	<ul style="list-style-type: none"> <li>Stel de pootjes af om het apparaat waterpas te zetten.</li> <li>Verwijder voorwerpen rondom het apparaat.</li> </ul>
Er is een licht geluid te horen dat lijkt op dat van stromend water.	<ul style="list-style-type: none"> <li>-</li> </ul>	<ul style="list-style-type: none"> <li>Dit is normaal.</li> </ul>
U hoort een alarm-piepton.	<ul style="list-style-type: none"> <li>De deur van het koelkastgedeelte staat open.</li> </ul>	<ul style="list-style-type: none"> <li>Sluit de deur.</li> </ul>
U hoort een zacht gebrom.	<ul style="list-style-type: none"> <li>Het anticondensatiesysteem is aan het werk.</li> </ul>	<ul style="list-style-type: none"> <li>Dit voorkomt condensatie en is normaal.</li> </ul>
De binnerverlichting of het koelsysteem werkt niet.	<ul style="list-style-type: none"> <li>De netstekker is niet aangesloten op het stopcontact.</li> <li>De voeding is niet intact.</li> <li>Het ledlampje is buiten werking.</li> </ul>	<ul style="list-style-type: none"> <li>Steek de stekker in het stopcontact.</li> <li>Controleer de elektrische voeding naar de kamer. Bel het plaatselijke elektriciteitsbedrijf!</li> <li>Bel de klantenservice om het lampje te laten vervangen.</li> </ul>

Ga naar onze website om contact op te nemen met de technische dienst: <https://corporate.haier-europe.com/en/>.

Kies onder de kop 'website' het merk van uw product en uw land. U wordt doorgestuurd naar de specifieke website waar u het telefoonnummer en formulier kunt vinden om contact op te nemen met de technische dienst.

## Stroomonderbreking

In het geval van een stroomstoring, zou voedsel ongeveer 5 uur lang veilig koud moeten blijven. Volg de volgende tips tijdens een langdurige stroomstoring, vooral in de zomer:

- ▶ Open de deur/lade zo weinig mogelijk.
- ▶ Plaats geen extra voedsel in het apparaat tijdens een stroomstoring.
- ▶ Als een stroomstoring vooraf wordt aangekondigd en de onderbrekingsduur langer is dan 5 uur, maak dan ijs en zet dit in een bak boven in het koelkastgedeelte.
- ▶ Onmiddellijk na de onderbreking is een controle van de producten vereist.
- ▶ Aangezien de temperatuur in de koelkast stijgt tijdens een stroomonderbreking of een andere storing, wordt de bewaarperiode en de eetbare kwaliteit van voedsel nadelig beïnvloedt. Alle levensmiddelen die ontdooien moeten worden gegeten, of worden bereid en daarna zo snel mogelijk opnieuw worden ingevroren (indien van toepassing) om gezondheidsrisico's te voorkomen.

## Geheugenfunctie tijdens de stroomonderbreking

Na herstel van de stroom gaat het apparaat door met de instellingen die waren ingesteld voor de stroomstoring.

Uitpakken



**WAARSCHUWING!**

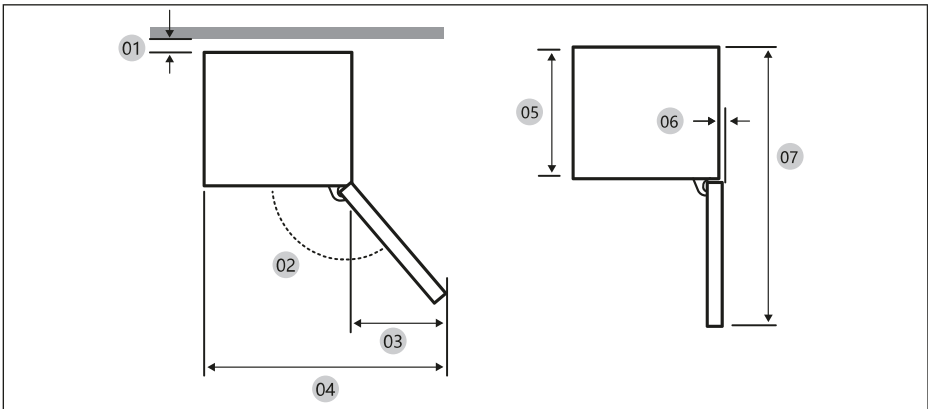
- ▶ Het apparaat is zwaar. Altijd hanteren met ten minste twee personen.
- ▶ Houd alle verpakkingsmaterialen buiten bereik van kinderen en gooi ze op een milieuvriendelijke manier weg.
- ▶ Haal het apparaat uit de verpakking.
- ▶ Verwijder al het verpakkingsmateriaal.

Omgevingsomstandigheden

De kamertemperatuur moet altijd tussen 10°C en 43°C liggen, aangezien deze de temperatuur in het apparaat en het energieverbruik kan beïnvloeden. Installeer het apparaat niet in de buurt van andere warmtebronnen (ovens, koelkasten) zonder isolatie.

Benodigde ruimte

Benodigde ruimte bij geopende deur (Zonder kastdeurpaneel)

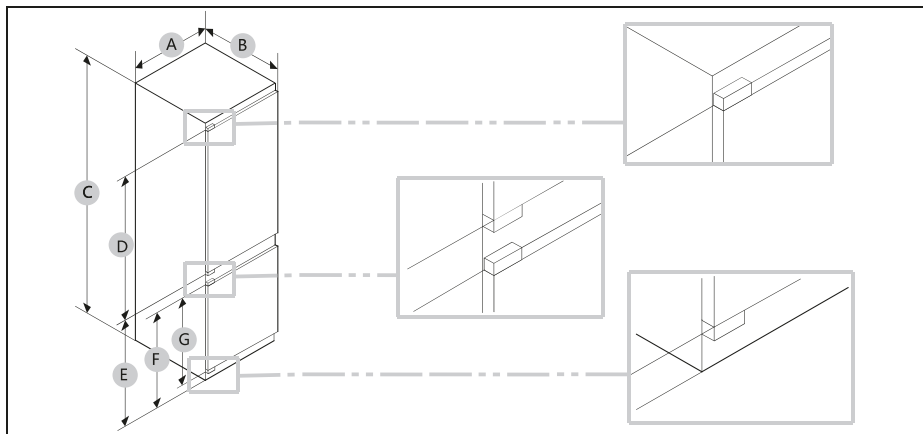


Model	EHBQW5518E HBQW5518E HBQW5518EK HQE1855BCM EHQE1855BCM	HBQW5519E HBQW5519EK EHBQW5519E EBQW5519ECM	HBQW5719E
01 *	10 (min.) / 30 (aanbevolen)	10 (min.) / 30 (aanbevolen)	10 (min.) / 30 (aanbevolen)
02	95°(Aanbevolen)	95°(Aanbevolen)	95°(Aanbevolen)
03	43	43	55
04	583	583	745
05	515	515	515
06	-3	-3	-3
07	1060	1060	1210

\* 01: Van kast tot achterkant product.

(eenheid: mm)

## Afmetingen product



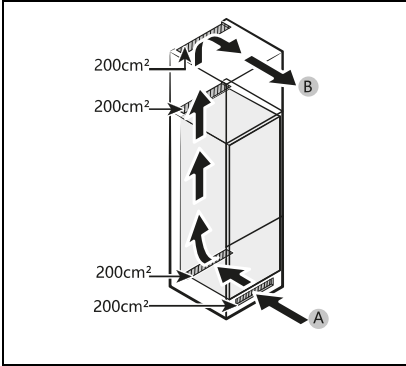
Model	A (mm)	B (mm)	C (mm)	D (mm)	E (mm)	F (mm)	G (mm)
EHBQW5518E HBQW5518E HBQW5518EK HQE1855BCMW EHQE1855BCMW	540±2	550±2	1772±2	970	745	662	618
HBQW5519E HBQW5519EK EHBQW5519E EHBQW5519ECM	540±2	550±2	1935±2	1133	745	662	618
HBQW5719E	690±2	550±2	1935±2	1133	745	662	618

**i** LET OP

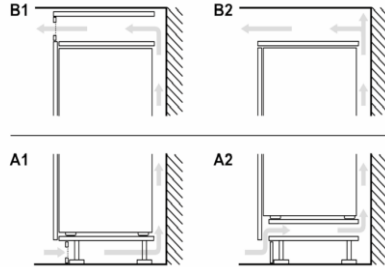
- Het opgegeven energieverbruik is gebaseerd op een afstand van 10 mm tussen de kast en de achterkant van het product. Het product werkt ook goed bij een afstand van minder dan 10 mm, maar verbruikt wel iets meer energie.
- We raden aan om een kast van 18 mm dik te gebruiken met scharnieren van minder dan 20 mm dik.
- De metingen in de bovenstaande tabel kunnen afwijken, afhankelijk van de meetmethode.
- Raadpleeg de Installatiehandleiding voor de ingebouwde installatie.

### Doorsnede van ventilatie

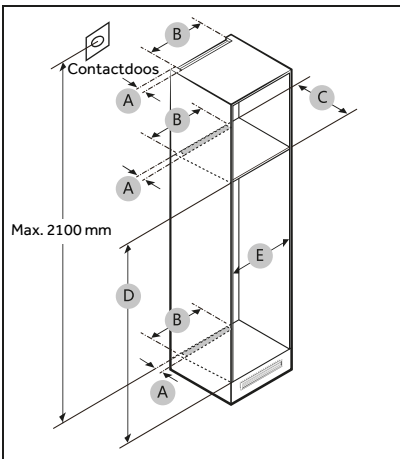
Om voor de veiligheid voldoende ventilatie van het apparaat te bereiken, moet de informatie over de vereiste ventilatiedoorsneden in acht worden genomen.



**A:** Luchtinlaat  $\geq 200 \text{ cm}^2$ ; ventilatie-opties  
**B:** Luchtuitlaat  $\geq 200 \text{ cm}^2$ ; ventilatie-opties



### Afmetingen kast



### VOORZICHTIG!

Productstoringen als gevolg van het volgende worden niet gedekt door de Garantie.

1. Onjuiste locatieomstandigheden of onjuiste kastafmetingen.
2. Defecte kast.
3. Fouten door de installateur of de gebruiker.

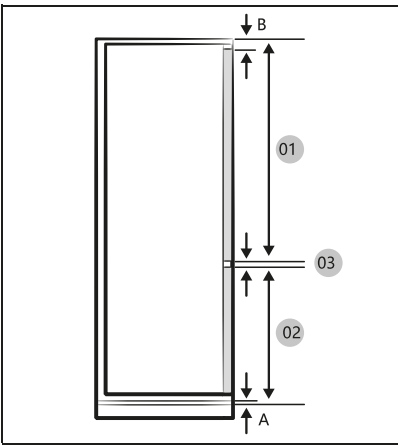
## Vrije ruimte

Zie de afbeeldingen en tabellen hieronder voor de benodigde ruimte voor installatie.

Model		A (mm)	B (mm)	C (mm)	D (mm)	E (mm)	Opmerking
EHBQW5518E HBQW5518E HBQW5518EK HQE1855BCMW EHQE1855BCMW	Min.	50	400	560	1778	560	Scharnier: 17 mm
	Aanbevolen			580	1780	562	
	Max.			-	1782	568	
HBQW5519E HBQW5519EK EHBQW5519E EHBQW5519ECM	Min.	50	400	560	1940	560	Scharnier: 17 mm
	Aanbevolen			580	1943	562	
	Max.			-	1945	568	
HBQW5719E	Min.	50	400	560	1941	710	Scharnier: 17 mm
	Aanbevolen			580	1943	714	
	Max.			-	1945	718	

**i** LET OP

- Als de breedte van een kast meer is dan 568 mm, kan de pakking (tussen de koelkast en de kast) losraken.
- Als de kast hoger is dan de maximale afmeting (1782 mm), moet u andere afwerkingsmaterialen gebruiken om de tussenruimte op te vullen (bij EHBQW5518E/HBQW5518E/EK/EHQE/HQE1855BCMW).
- Als de kast hoger is dan de maximale afmeting (1945 mm), moet u andere afwerkingsmaterialen gebruiken om de tussenruimte op te vullen (bij HBQW5519E/EK/EHBQW5519E/ECM).



**i** LET OP

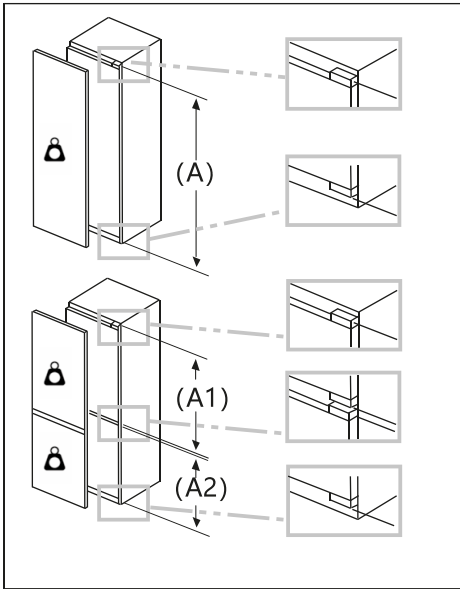
Raadpleeg de onderstaande kastreferentietabel om een kast te installeren die een opening van 4 mm (03) vereist.

- A Onderkant van het voorpaneel boven de luchtventilatie
- B Overhang voorpaneel


(eenheid: mm)

Model	EHBQW5518E HBQW5518E HBQW5518EK HQE1855BCMW EHQE1855BCMW	HBQW5519E HBQW5519EK EHBQW5519E EHBQW5519ECM HBQW5719E
01	Min. 1028+B Max. 1106+B	Min. 1191+B Max. 1269+B
02	Min. 662+A Max. 740+A	Min. 662+A Max. 740+A
03	4 mm (tussenruimte deurpaneel koelkast en vriezer)	

## Maximaal toelaatbaar gewicht van de unitfronten

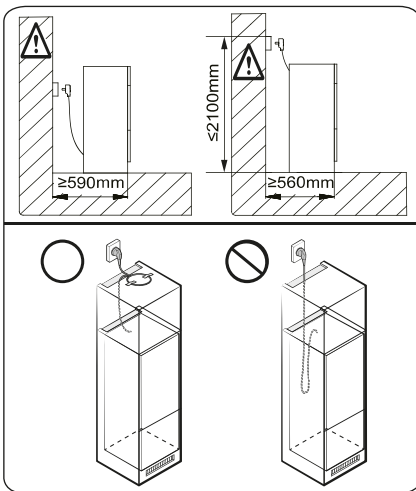


Gemonteerde unitfronten die het toegestane gewicht overschrijden, kunnen schade veroorzaken en de werking van de scharnieren belemmeren.

 **Gewicht**  
(kg)

1500–1750 mm	22
720–1400 mm	19
A1	15
A2	15

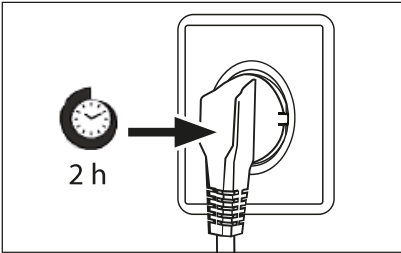
## Rekening houden met de locatie van stopcontacten en de benodigde ruimte



### LET OP

Als u de koelkast installeert in een kast met een diepte van 560 mm, zorg er dan voor dat het netsnoer aan een zijkant van de koelkast ligt voordat u de stekker in het stopcontact steekt. Als het netsnoer zich aan de achterkant van de koelkast bevindt, kan dit de energie-efficiëntie verminderen.

## Wachttijd



De onderhoudsvrije smeerolie bevindt zich in de behuizing van de compressor. Deze olie kan door het gesloten buissysteem komen bij liggend transport. Voordat u het apparaat op de voeding aansluit, moet u ten minste 2 uur wachten zodat de olie weer in de behuizing loopt.

## Elektrische aansluiting

Controleer vóór elke aansluiting of:

- ▶ voeding, stopcontact en zekering geschikt zijn volgens het typeplaatje;
- ▶ het stopcontact is geaard en er geen stekkerdoos of verlengsnoer is;
- ▶ de stekker en het stopcontact goed passen.

Sluit de stekker aan op een correct geïnstalleerd huishoudelijk stopcontact.



## WAARSCHUWING!

Om risico's te vermijden moet een beschadigd netsnoer worden vervangen door de klantenservice (zie garantiekaart).

Productkaart volgens de verordening EU nr. 2019/2016

Merk	Haier		
Modelnaam/identificatie	EHBQW5518E HBQW5518E HBQW5518EK HQE1855BCMW EHQE1855BCMW	HBQW5519E HBQW5519EK EHBQW5519E EHBQW5519ECM	HBQW5719E
Categorie van het model	Koelvriescombinatie		
Energie - efficiëntieklasse	E	E	E
Jaarlijks energieverbruik (kWh/jaar)(1)	229	229	259
Totaal volume (liter)	268	285	382
Volume koelkast (liter)	194	211	281
Volume vriezer (liter)	74	74	101
Volume koelersectie (liter)	/	/	/
Volume automatische ijsblokjesmachine (liter)	/	/	/
Ster aanduiding	4	4	4
Temperatuur van andere compartimenten > 14°C	Niet van toepassing		
Vorstvrij systeem	Ja		
Vriescapaciteit (kg/24 uur)			
Klimaatklasse (2)	SN/N/ST/T	SN/N/ST/T	SN/N/ST/T
Geluidsemissieklasse en geluidsemissie via de lucht (db(A) re1pW)	B(35)	B(35)	B(33)
Temperatuurstijgingstijd (uur)	12	12	9
Ijsbereidingscapaciteit	/	/	/
Type apparaat	Ingebouwd		

Naam model	Energie-efficiëntieklasse
EHBQW5518E HBQW5518E HBQW5518EK HQE1855BCMW EHQE1855BCMW	E
HBQW5519E HBQW5519EK EHBQW5519E EHBQW5519ECM HBQW5719E	E

Uitleg:

- Ja, aanwezig

(1) Op basis van de resultaten van de normenconformiteitstest gedurende 24 uur. Het werkelijke verbruik is afhankelijk van het gebruik en de locatie van het apparaat.

(2) Klimaatklasse SN: Dit apparaat is bedoeld voor gebruik bij een omgevings-temperatuur tussen +10°C en +32°C

Klimaatklasse N: Dit apparaat is bedoeld voor gebruik bij een omgevings-temperatuur tussen +16°C en +32°C.

Klimaatklasse ST: Dit apparaat is bedoeld voor gebruik bij een omgevings-temperatuur tussen +16°C en +38°C.

Klimaatklasse T: Dit apparaat is bedoeld voor gebruik bij een omgevings-temperatuur tussen +16°C en +43°C

### Aanvullende technische gegevens

Spanning/frequentie	220–240 V ~/50 Hz
Ingangsstroom (A)	1.2/1.6
Belangrijkste zekering (A)	16
Koelmiddel	R600a
Afmetingen (HxBxD in mm)	EHBQW5518E/ HBQW5518E/ EK EHQE/ HQE1855BCMW: 1773/540/555
	HBQW5519E/EK/ EHBQW5519E/ECM: 1935x540x555
	EHBQW5719E : 1935/690/550

Wij adviseren onze Haier-klantenservice en het gebruik van originele onderdelen. Als u een probleem hebt met uw apparaat, controleer dan eerst het hoofdstuk **PROBLEMEN OPLOSSEN**.

Als u daar geen oplossing kunt vinden, neem dan contact op met

- ▶ uw plaatselijke dealer; of
- ▶ ons Europese service-callcentrum (zie onderstaande telefoonnummers); of
- ▶ het gedeelte Service & Support op [www.haier.com](http://www.haier.com), waar u de serviceclaim kunt activeren
- ▶ en ook veelgestelde vragen kunt vinden.

Om contact op te nemen met onze klantenservice, moet u ervoor zorgen dat u over de volgende gegevens beschikt.

De informatie is te vinden op het typeplaatje.

Model \_\_\_\_\_

Serienummer \_\_\_\_\_

Controleer ook de garantiekaart die met het product is meegeleverd in geval van garantie.

Europees service-callcentrum		
Land*	Telefoonnummer	Kosten
Haier Italy (IT)	199 100912	
Haier Spain (ES)	902 509 123	
Haier Germany (DE)	0180 5 39 39 99	<ul style="list-style-type: none"> <li>• 14 ct/min – vaste lijn</li> <li>• max. 42 ct/min – mobiel</li> </ul>
Haier Austria (AT)	0820 001205	<ul style="list-style-type: none"> <li>• 14,53 ct/min – vaste lijn</li> <li>• max. 20 ct/min – alle andere</li> </ul>
Haier United Kingdom (UK)	0333 003 8122	
Haier France (FR)	0980 406 409	

\*Voor andere landen verwijzen wij u naar [www.haier.com](http://www.haier.com)

Haier Europe Trading S.r.l

Branch UK

Westgate House, Westgate, Ealing

London, W5 1YY, Verenigd Koninkrijk

\*Duur van de garantie van het koelapparaat:

De minimumgarantie is: 2 jaar voor EU-landen, 3 jaar voor Turkije, 1 jaar voor het Verenigd Koninkrijk, 1 jaar voor Rusland, 3 jaar voor Zweden, 2 jaar voor Servië, 5 jaar voor Noorwegen, 1 jaar voor Marokko, 6 maanden voor Algerije, Tunesië geen wettelijke garantie vereist.

\*De beschikbaarheidsperiode van reserveonderdelen voor reparatie van het apparaat:

Thermostaten, temperatuursensoren, printplaten en lichtbronnen zijn gedurende minimaal zeven jaar na het op de markt brengen van de laatste eenheid van het model beschikbaar.

Deurgrepen, deurscharnieren, bakken en manden zijn minimaal zeven jaar en deurrubbers minimaal tien jaar na het in de handel brengen van de laatste eenheid van het model verkrijgbaar.

\*Raadpleeg voor meer informatie over het product <https://eprel.ec.europa.eu/> of scan de QR-code op het energielabel dat met het apparaat wordt meegeleverd.



**Haier**



2024 Versie A

# Haier

## Brukerhåndbok

### Kjøleskap - fryser

EHBQW5518E

HBQW5518E

HBQW5518EK

HQE1855BCMW

EHQE1855BCMW

HBQW5519E

HBQW5519EK

EHBQW5519E

EHBQW5519ECM

HBQW5719E

NO

<u>4</u>	<u>Sikkerhetsinformasjon</u>	<u>Før første gangs bruk</u>	<u>5</u>
		<u>Installasjon</u>	<u>5</u>
		<u>Daglig bruk</u>	<u>6</u>
		<u>Informasjon om kjølemiddelgass</u>	<u>8</u>
<u>9</u>	<u>Tiltenkt bruk</u>		
<u>10</u>	<u>Produktbeskrivelse</u>		
<u>12</u>	<u>Kontrollpanel</u>		
<u>13</u>	<u>Bruk</u>	<u>Lås / lås opp panel</u>	<u>13</u>
		<u>Juster temperaturen for kjøleskapet</u>	<u>13</u>
		<u>Juster temperaturen for fryseren</u>	<u>14</u>
		<u>Wi-Fi-funksjon</u>	<u>15</u>
		<u>Holiday-funksjon</u>	<u>15</u>
		<u>Super Cool-funksjon</u>	<u>16</u>
		<u>Super Freeze-funksjon</u>	<u>16</u>
<u>18</u>	<u>Utstyr</u>		
<u>20</u>	<u>Energisparetips</u>		
<u>21</u>	<u>Stell og rengjøring</u>		
<u>23</u>	<u>Feilsøking</u>		
<u>27</u>	<u>Installasjon</u>		
<u>34</u>	<u>Tekniske data</u>		
<u>36</u>	<u>Kundeservice</u>		

## Takk for at du kjøpte et Haier-produkt.

Les disse instruksjonene nøye før du bruker dette apparatet. Instruksjonene inneholder viktig informasjon som vil hjelpe deg å få det beste ut av apparatet og sikre sikker og riktig installasjon, bruk og vedlikehold.

Oppbevar denne håndboken på et praktisk sted slik at du alltid kan se den for sikker og riktig bruk av apparatet.

Hvis du selger apparatet, gir det bort eller lar det ligge igjen når du flytter, sørg for at du også passerer denne håndboken slik at den nye eieren kan bli kjent med apparatet og sikkerhetsadvarslene.

## Tilbehør

Sjekk tilbehøret og litteraturen i henhold til denne listen:



**ADVARSEL - Viktig sikkerhetsinformasjon**

---

**MERKNAD - Generell informasjon og tips**

---

**Miljøinformasjon**

---

**Kassering**

Bidra til å beskytte miljøet og menneskers helse. Legg emballasjen i aktuelle beholdere for å resirkulere den. Bidra til å resirkulere avfall fra elektriske og elektroniske apparater. Ikke kast apparater merket med dette symbolet sammen med husholdningsavfallet. Returner produktet til ditt lokale resirkuleringsanlegg eller kontakt kommunekontoret.

**ADVARSEL!**

Fare for skade eller kvelning!

Kjølemedier og gasser må kasseres på en profesjonell måte. Forsikre deg om at slangen til kjølemiddelkretsen ikke er skadet før den kastes på riktig måte. Koble apparatet fra strømmettet. Kutt av nettkabelen og kast den. Fjern skuffene og skuffene samt dørlåsen og pakningene, for å forhindre at barn og kjæledyr blir lukket i apparatet.

## Les følgende sikkerhetstips før du slår på apparatet for første gang!:



### ADVARSEL!

#### Før første gangs bruk

- ▶ Kontroller at det ikke er noen transportskade.
- ▶ Vent minst to timer før du installerer apparatet for å sikre at kjølemiddelkretsen er fullt effektiv.
- ▶ Håndter alltid apparatet med minst to personer fordi det er tungt.
- ▶ Fjern all emballasje, oppbevar den utenfor barns rekkevidde og kast den på en miljøvennlig måte.
- ▶ Rengjør innsiden og utsiden av apparatet med vann og et mildt rengjøringsmiddel før du legger mat i det.
- ▶ Etter at apparatet er nivellert og rengjort, vent i minst 2-5 timer før du kobler det til strømforsyningen. Se avsnitt INSTALLASJON.
- ▶ Forkjøøl rommene ved høye innstillinger før du fyller med mat. Funksjonen Power-Freeze bidrar til å kjøle ned rommene raskt.
- ▶ Kjøleskapstemperaturen og frysertemperaturen stilles automatisk inn til henholdsvis 5 °C og -18 °C. Dette er de anbefalte innstillingene. Hvis du ønsker det, kan du endre temperaturen manuelt. Se JUSTERE TEMPERATUREN.

#### Installasjon

- ▶ Apparatet bør plasseres på et godt ventilert sted. Sørg for en plass på minst 10 cm over og rundt apparatet.
- ▶ Plasser aldri apparatet på et fuktig sted eller et sted hvor det kan sprutes med vann. Rengjør og tørk vannsprut og flekker med en myk ren klut.
- ▶ Ikke installer apparatet i direkte sollys eller i nærheten av varmekilder (f.eks. komfyrer, varmeovner).
- ▶ Installer og juster apparatet i et område som passer for størrelse og bruk.
- ▶ Hold ventilasjonsåpningene i apparatet eller i den innebygde strukturen fri for hindringer.
- ▶ Forsikre deg om at den elektriske informasjonen på typeskiltet stemmer overens med strømforsyningen. Hvis ikke, kontakt en elektriker.
- ▶ Apparatet drives av en 220-240 VAC / 50 Hz strømforsyning. Unormal spenningssvingning kan føre til at apparatet ikke starter, eller at temperaturreguleringen eller kompressoren blir skadet, eller det kan være unormal støy under bruk. I slike tilfeller skal det monteres en automatisk regulator.
- ▶ Ikke bruk multipluggadaptere og skjøteledninger.
- ▶ Ikke plasser flere bærbare stikkontakter eller bærbare strømforsyninger på baksiden av apparatet.
- ▶ Pass på at strømkabelen ikke kommer i klem i kjøleskapet. Ikke trakk på strømkabelen.



## ADVARSEL!

- ▶ Bruk en separat jordet stikkontakt for strømforsyningen som er lett tilgjengelig. Dette apparatet må jordes.  
Bare for Storbritannia: Apparatets strømkabel er utstyrt med 3-ledningskontakt (jording) som passer til en standard 3-ledningskontakt (jordet). Aldri kutt av eller demonter den tredje pinnen (jording). Etter at apparatet er installert, skal støpselet være tilgjengelig.
- ▶ Ikke skad kjølevæskekreten.

### Daglig bruk

- ▶ Dette apparatet kan brukes av barn i alderen fra åtte år og eldre og personer med nedsatt fysisk, sensorisk eller mental evne eller med mangel på erfaring og kunnskap, forutsatt at de blir veiledet eller gitt instruksjoner om bruk av apparatet på en trygg måte, og de forstår de involverte farene.
- ▶ Barn i alderen 3 til 8 år har lov til å laste og losse, men ikke til å rengjøre eller installere kjøleapparaterne.
- ▶ Hold barn under 3 år unna apparatet med mindre de er under konstant tilsyn.
- ▶ Barn skal ikke leke med apparatet.
- ▶ Hvis kjølig gass eller annen brennbar gass lekker i nærheten av apparatet, må du slå av ventilen til den lekkende gassen, åpne dørene og vinduene og ikke trekke ut støpselet i strømkabelen til kjøleskapet eller andre apparater.
- ▶ Legg merke til at apparatet er innstilt for bruk ved et spesifikt omgivelsesområde mellom 10 og 43 °C. Apparatet fungerer kanskje ikke som det skal hvis det blir stående i en lengre periode ved en temperatur over eller under det angitte området.
- ▶ Ikke plasser ustabile gjenstander (tunge gjenstander, beholdere fylt med vann) oppå kjøleskapet for å unngå personskader forårsaket av fall eller elektrisk støt forårsaket av kontakt med vann.
- ▶ Ikke trekk i dørhyllene. Døren kan trekkes skrått, flaskestativet kan trekkes bort, eller apparatet kan velte.
- ▶ Åpne og lukk dørene kun med håndtakene. Avstanden mellom dørene og mellom dørene og skapet er veldig smal. Ikke strekk ut hendene i disse områdene for å unngå å klemme fingrene. Åpne eller lukk kjøleskapsdørene kun når det ikke er barn som står innenfor dørens bevegelsesområde.
- ▶ Ikke oppbevar eller bruk brennbare, eksplosive eller etsende materialer i apparatet eller i nærheten.
- ▶ Oppbevar ikke medisiner, bakterier eller kjemiske midler i apparatet. Dette apparatet er et husholdningsapparat. Det anbefales ikke å lagre materialer som krever strenge temperaturer.
- ▶ Oppbevar aldri væsker i flasker eller bokser (foruten høyprosent brennevin), spesielt kullsyreholdige drikker i fryseren, da disse vil sprekke under frysing.
- ▶ Sjekk tilstanden til maten hvis en oppvarming i fryseren har funnet sted.
- ▶ Ikke still inn unødvendig lav temperatur i kjøleseksjonen. Minustemperaturer kan forekomme ved høye innstillinger. Obs: Flasker kan sprekke



## ADVARSEL!

- ▶ Ikke berør frosne varer med våte hender (bruk hansker). Spesielt ikke spis ispinner umiddelbart etter at de er tatt ut av fryseren. Det er fare for frysing eller dannelse av frostblemmer. FØRSTEHJELP: oppbevares umiddelbart under rennende kaldt vann. Ikke trekk unna!
- ▶ Ikke berør innsiden av fryseboksen når den er i bruk, spesielt med våte hender, da hendene dine kan fryse fast på overflaten.
- ▶ Koble fra apparatet i tilfelle strømbrydd eller før rengjøring. Vent minst 7 minutter før du starter apparatet på nytt, siden hyppig start kan skade kompressoren.
- ▶ Ikke bruk elektriske enheter inne i matoppbevaringsrommene på apparatet, med mindre de er av typen anbefalt av produsenten.

## Vedlikehold/rengjøring

- ▶ Sørg for at barn er under oppsyn hvis de utfører rengjøring og vedlikehold.
- ▶ Koble apparatet fra strømforsyningen før du utfører rutinemessig vedlikehold. Vent minst 5 minutter før du starter apparatet på nytt, siden hyppig start kan skade kompressoren.
- ▶ Hold støpselet, ikke kablen, når du kobler fra apparatet.
- ▶ Ikke rengjør apparatet med harde børster, stålbørster, vaskemiddelpulver, bensin, amylacetat, aceton og lignende organiske løsninger, sure eller alkaliske løsninger. Rengjør med spesielt kjøleskapsvaskemiddel for å unngå skade.
- ▶ Ikke skrap av frost og is med skarpe gjenstander. Ikke bruk spray, elektriske varmeovner som varmeovn, hårføner, damprensere eller andre varmekilder for å unngå skade på plastdelene.
- ▶ Ikke bruk mekaniske enheter eller andre metoder for å akselerere avrimingsprosessen, bortsett fra de som anbefales av produsenten.
- ▶ Hvis strømledningen er skadet, må den byttes ut av produsenten, serviceagenten eller tilsvarende kvalifiserte personer for å unngå fare.
- ▶ Ikke prøv å reparere, demontere eller modifisere apparatet på egen hånd. Ved reparasjon, kontakt vår kundeservice.
- ▶ Fjern støvet på baksiden av enheten minst én gang i året for å unngå fare ved brann, samt økt energiforbruk.
- ▶ Ikke spray eller skyl apparatet under rengjøring.
- ▶ Ikke bruk vannspray eller damp for å rengjøre apparatet.
- ▶ Ikke rengjør de kalde glasshyllene med varmt vann. Plutselige temperaturrendringer kan føre til at glasset knuses.

## Informasjon om kjølemiddelgass



### ADVARSEL!

Apparatet inneholder det brennbare kjølemediet ISOBUTANE (R600a). Sørg for at kjølemiddelkretsen ikke er skadet under transport eller installasjon. Kjølemiddel som lekker kan forårsake øyeskader eller antennes. Hvis det har oppstått en skade, hold åpne ildkilder unna, ventiler rommet grundig, ikke plugg eller koble fra strømledningene til apparatet eller andre apparater. Informer kundeservice.

Hvis øynene kommer i kontakt med kjølemediet, skylt det umiddelbart under rennende vann og kontakt øyespesialisten umiddelbart.

## Tiltenkt bruk

Dette apparatet er beregnet for kjøling og frysing av mat. Det er designet eksklusivt for bruk i husholdninger og lignende applikasjoner som personalkjøkkenområder i butikker, kontorer og andre arbeidsmiljøer; gårdshus og av kunder i hoteller, moteller og andre boligmiljøer, samt i bed-and-breakfast og cateringvirksomhet. Den er ikke beregnet for kommersiell eller industriell bruk.

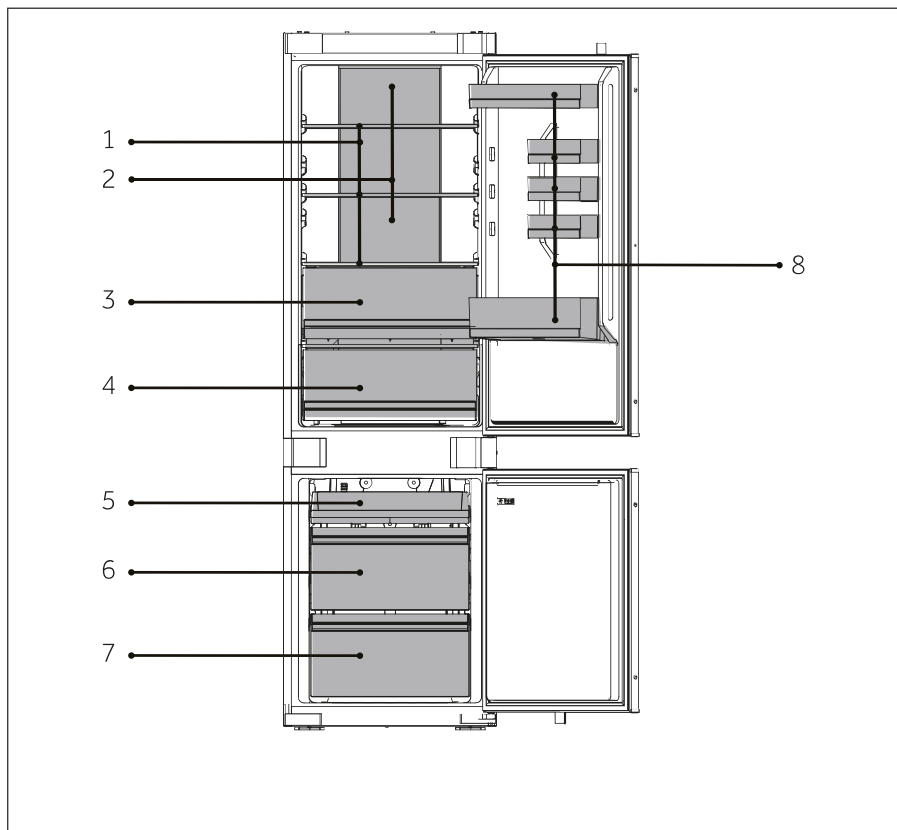
Endringer eller modifikasjoner på enheten er ikke tillatt. Utsiktet bruk kan forårsake farer og tap av garantikrav.

## Standarder og direktiver eller

Dette produktet oppfyller kravene i alle gjeldende EU-direktiver med tilsvarende harmoniserte standarder og britiske standarder, som sørger for CE- og UKCA-merking.

**i** OBS

På grunn av tekniske endringer og forskjellige modeller kan noen av illustrasjonene i denne håndboken avvike fra din modell.



EHBQW5518E/HBQW5518E/HBQW5518EK/HQE1855BCMW/EHQE1855BCMW

A: Kjølekammer

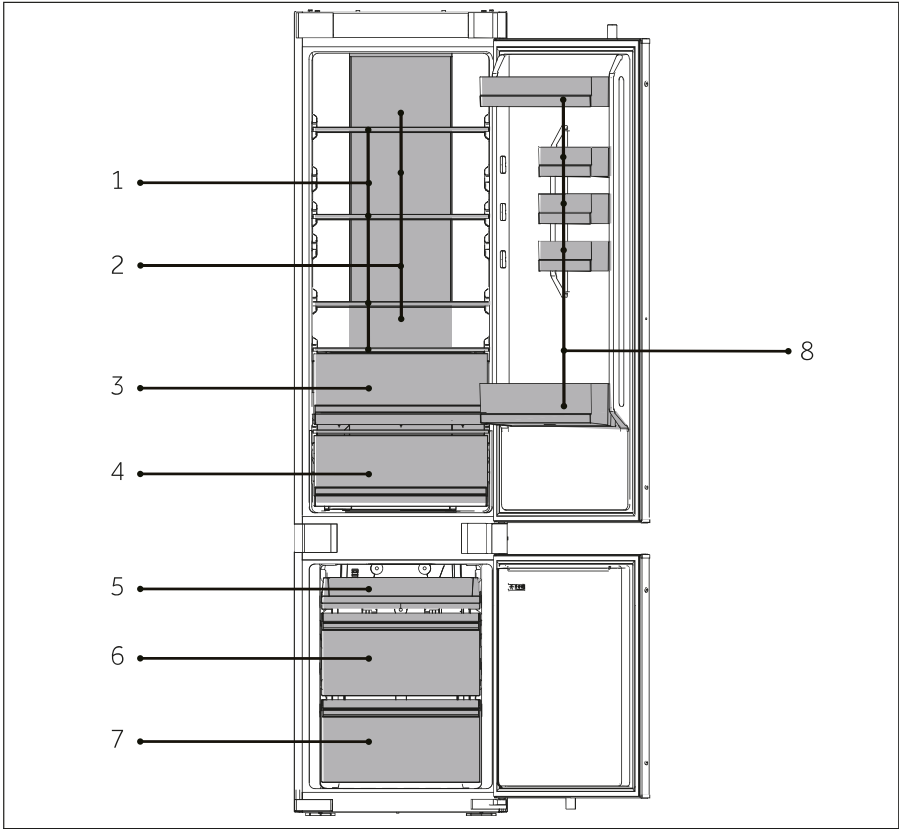
- 1 Vanlige hyller
- 2 Nedkjølt luftkanal
- 3 Humidity Zone-skuff
- 4 Fresh Box-skuff
- 8 Flaskeholder

B: Frysekammer

- 5 Øvre frysebrett
- 6 Midtre fryseskuff
- 7 Nedre fryseskuff

**i** OBS

På grunn av tekniske endringer og forskjellige modeller kan noen av illustrasjonene i denne håndboken avvike fra din modell.



HBQW5519E/ HBQW5519EK/ EHBQW5519E/ EHBQW5519ECM/ HBQW5719E

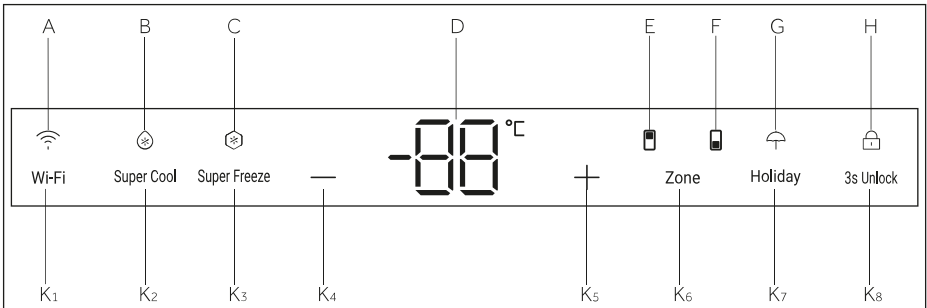
A: Kjølekommer

- 1 Vanlige hyller
- 2 Nedkjølt luftkanal
- 3 Humidity Zone-skuff
- 4 Fresh Box-skuff
- 8 Flaskeholder

B: Frysekommer

- 5 Øvre frysebrett
- 6 Midtre fryseskuff
- 7 Nedre fryseskuff

## Kontrollpanel



### Indikatorer:

- A Wi-Fi-funksjon
- B Super Cool-funksjon
- C Super Freeze-funksjon
- D Temperaturvisning
- E Kjøleskapsindikator
- F Fryser-indikator
- G Holiday-funksjon
- H Lås og lås opp

### Knapper:

- K<sub>1</sub> Wi-Fi-innstillingsknapp
- K<sub>2</sub> Super Cool-valgknapp
- K<sub>3</sub> Super Freeze-valgknapp
- K<sub>4</sub> Temperaturjusteringsknapp "-"
- K<sub>5</sub> Temperaturjusteringsknapp "+"
- K<sub>6</sub> Sone-valgknapp
- K<sub>7</sub> Holiday-funksjonsknapp
- K<sub>8</sub> Lås og lås opp-knapp

## Sensortaster

Knappene på kontrollpanelet er sensortaster, som allerede reagerer ved lett berøring med fingeren.

### Slå på/av apparatet

Apparatet er i drift så snart det er koblet til strømforsyningen.

Når kjøleskapet slås på for første gang, lyser indikatoren "D" (temperaturdisplay). Kjøleskapstemperaturen og frysertemperaturen stilles automatisk inn til henholdsvis 5 °C og -18 °C.

**OBS**

Når apparatet slås på etter at det er koblet fra hovedstrømforsyningen, kan det ta opptil 12 timer før riktig temperatur oppnås.

Tøm apparatet før du slår det av. For å slå av apparatet, trekk strømledningen ut av stikkontakten.

**Lås / lås opp panel**

Automatisk lås: Når kjøleskapsdøren og fryserdøren er lukket og det ikke er noen nøkkelbetjening innen 30 sekunder, vil skjermen automatisk slukkes og låses.

Manuell lås: Når skjermen er låst opp, trykk på knappen "K<sub>8</sub>" (3S Unlock) og hold den inne i 3 sekunder, summeren ringer én gang, indikatoren "H" (panellås) tennes og displayet er låst.

Låse opp: Når skjermen er låst, trykker du på knappen "K<sub>8</sub>" (3S Unlock) og holder den inne i tre sekunder, summeren ringer én gang, indikatoren "H" (panellås) slukkes, og skjermen låses opp.

**Juster temperaturen**

Innendørstemperaturene påvirkes av følgende faktorer:

Omgivelsestemperatur, hyppighet av døråpning, mengde lagret mat, installasjon av apparatet.

**Juster temperaturen for kjøleskapet**

Når skjermbildet er låst opp, trykk på knappen "K<sub>6</sub>" (sonevelger). Sommeren ringer én gang, indikatoren "E" (kjøleskapsindikator) lyser, og så kommer temperaturinnstillingsmodusen til kjøleskapet.

Trykk på knappen "K<sub>4</sub>" (Temperaturjusteringsknapp "-") hver gang, summeren ringer én gang, innstilt temperatur på kjøleskapet reduseres med 1. Kjøleskaps-temperaturen vises i sekvensen "9°C -> 8°C -> 7°C -> 6°C -> 5°C -> 4°C -> 3°C -> 2°C -> 1°C".

Trykk på knappen "K<sub>5</sub>" (Temperaturjusteringsknapp "+") hver gang, summeren ringer én gang, innstilt temperatur på kjøleskapet økes med 1. Kjøleskaps-temperaturen vises i sekvensen "1°C -> 2°C -> 3°C -> 4°C -> 5°C -> 6°C -> 7°C -> 8°C -> 9°C".

**OBS**

Etter innstilling av temperaturen, hvis det ikke er noen operasjon innen 5 sekunder, vil systemet automatisk bestemmes og lagre den innstilte temperaturen.

## Juster temperaturen for fryseren

Når skjermbildet er låst opp, trykk på knappen "K<sub>6</sub>" (sonevelger). Sommeren ringer én gang, indikatoren "F" (Freezer-indikator) lyser, og så kommer temperaturinnstillingsmodusen til fryseren.

Trykk på knappen "K<sub>4</sub>" (temperaturjusteringsknapp "-") hver gang, sommeren ringer én gang, den innstilte temperaturen på fryseren reduseres med 1. Frysetemperaturen vises i sekvensen "-14°C -> -15°C -> -16°C -> -17°C -> -18°C -> -19°C -> -20°C -> -21°C -> -22°C -> -23°C -> -24°C".

Trykk på knappen "K<sub>5</sub>" (temperaturjusteringsknapp "+") hver gang, sommeren ringer én gang, den innstilte temperaturen til fryseren økes med 1. Frysetemperaturen vises i sekvensen "-24°C -> -23°C -> -22°C -> -21°C -> -20°C -> -19°C -> -18°C -> -17°C -> -16°C -> -15°C -> -14°C".



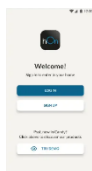
### OBS

Etter innstilling av temperaturen, hvis det ikke er noen operasjon innen 5 sekunder, vil systemet automatisk bestemmes og lagre den innstilte temperaturen.

## Trinn 1 Last ned hOn-appen fra butikkene.



Trinn 2 Opprett din konto i hOn-appen eller logg på hvis du allerede har en konto.



Trinn 3 Følg instruksjonene for paring i hOn-appen.



## Wi-Fi-funksjon

1. Følg instruksjonene i appen for å konfigurere Wi-Fi.
2. Når Wi-Fi er konfigurert og tilkoblingen opprettet, er Wi-Fi-ikonet "A" lyst og fast.
3. Hvis Wi-Fi allerede er konfigurert, kobles det automatisk til igjen i henhold til konfigurasjonsinformasjonen hvis Wi-Fi slås på.
4. For å slå av Wi-Fi, trykk på Wi-Fi-knappen "K<sub>1</sub>" og Wi-Fi-ikonet "A" slås av.
5. For å slå på Wi-Fi og starte konfigurasjonen, trykk på Wi-Fi-knappen "K<sub>1</sub>" og Wi-Fi-ikonet "A" begynner å blinke sakte. Hvis du vil konfigurere Wi-Fi-funksjonen, trykker du på knappen "K<sub>1</sub>" i 3 s, Wi-Fi-ikonet blinker raskt og går inn i konfigurasjonsmodus. Hvis du vil slå av Wi-Fi-funksjonen, trykk på tasten "K<sub>1</sub>" én gang. Trinnene ovenfor gjentas.
6. Hvis produktet er konfigurert og Wi-Fi-funksjonen var slått av, vil ikke kjøleskapet gå inn i konfigurasjonsmodus etter at strømmen er koblet til igjen.

## Holiday-funksjon

1. Når skjermbildet er låst opp, trykk på knappen "K<sub>7</sub>" (Holiday-funksjonsknapp), summeren ringer én gang, indikatoren "G" (Holiday-funksjon) tennes, og så slås Holiday-funksjonen på.
2. Når skjermbildet er låst opp, trykk på knappen "K<sub>7</sub>" (Holiday-funksjonsknapp), summeren ringer én gang, indikatoren "G" (Holiday-funksjon) slukkes, og deretter vil Holiday-funksjonen slås av.

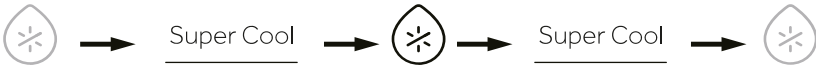


### OBS

1. Holiday-funksjonen brukes hovedsakelig til korttidsreiser og andre livsscener, og kjøleskapet må tømmes ved bruk av Holiday-funksjonen.
2. I Holiday-funksjonen vil temperaturen i kjøleskapet være høyere (ca. 17 °C), vær oppmerksom på å tømme maten i kjøleskapet for å unngå matfordingelse.

## Super Cool-funksjon

1. Når skjermen er låst opp, trykk på knappen "K<sub>2</sub>" (Super Cool-velger), summeren ringer én gang, indikatoren "B" (Super Cool-funksjon) tennes, og deretter vil Super Cool-funksjonen slås på.
2. Når indikatoren "B" (Super Cool-funksjon) tennes, trykker du på knappen "K<sub>2</sub>" (Super Cool-velger), summeren ringer én gang, indikatoren "O" (Super Cool-funksjon) slukker, og deretter Super Cool-funksjonen vil bli slått av.
3. Etter at Super Cool-funksjonen er slått på, vil kjøleskapet automatisk slå av funksjonen når det når den innstilte temperaturen. Hvis du vil avslutte manuelt, kan du trykke på knappen "K<sub>2</sub>" (Super Cool-velger) for å slå den av.



### **i** OBS

1. Under Super Cool-tilstand kan ikke kjøleskapstemperaturen justeres. Hvis en av knappene "K<sub>4</sub>" (temperaturjusteringsknapp "-") eller "K<sub>5</sub>" (temperaturjusteringsknapp "+") trykkes inn for å justere temperaturen i kjøleskapet, vil indikatoren "B" (Super Cool-indikator) blinke med en lyd for å indikere at denne operasjonen ikke kan utføres.
2. I tilstanden Super Cool-funksjonen kan ikke Auto-Set-funksjonen slås på samtidig på grunn av forskjellige kontrollmoduser. Når du velger en funksjon som er i konflikt med en annen funksjon, avsluttes den opprinnelige funksjonen automatisk.
3. Denne funksjonen deaktiveres automatisk etter seks timer.

## Super Freeze-funksjon

1. Når skjermen er låst opp, trykk på knappen "K<sub>3</sub>" (Super Freeze-velger), summeren ringer én gang, indikatoren "C" (Super Freeze-funksjon) tennes, og deretter vil Super Freeze-funksjonen slås på.
2. Når indikatoren "C" (Super Freeze-funksjon) tennes, trykk på knappen "K<sub>3</sub>" (Super Freeze-velger), summeren ringer én gang, indikatoren "C" (Super Freeze-funksjon) slukker, og deretter Super Freeze-funksjonen vil bli slått av.
3. Etter at Super Freeze-funksjonen er slått på, vil kjøleskapet automatisk slå av funksjonen når den når den innstilte temperaturen. Hvis du vil avslutte manuelt, kan du trykke på knappen "K<sub>3</sub>" (Super Freeze-velger) for å slå den av.



**OBS**

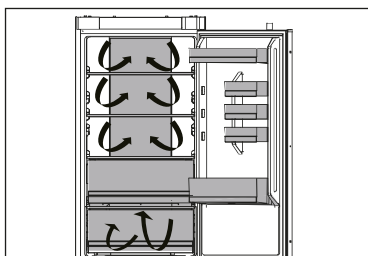
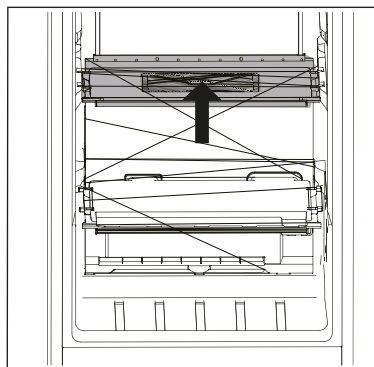
1. Under Super Freeze-tilstand kan ikke frysertemperaturen justeres. Hvis en av knappene "K<sub>4</sub>" (Temperaturjusteringsknapp "-") eller "K<sub>5</sub>" (Temperaturjusteringsknapp "+") trykkes inn for å justere temperaturen på fryseren, vil indikatoren "C" (Super Freeze-indikator) blinke med en lyd for å indikere at denne operasjonen ikke kan utføres.
2. Super Freeze-funksjonen er designet for å beholde næringsverdien til frossen mat, det vil fryse mat på kortest tid. Hvis store mengder frossen mat skal frys ned på en gang. I mellomtiden bør Super Freeze-funksjonen stilles inn 24 timer i forveien for å få fryseren til å ha en relativt lav temperatur og sette inn mat. På dette tidspunktet forbedres frysehastigheten til fryseren, maten kan frys raskt, matens ernæring holdes effektivt, og lagringen blir ganske praktisk.
3. Super Freeze-funksjonen slås av automatisk etter 50 timer. Apparatet brukes deretter ved den tidligere innstilte temperaturen.

## Humidity Zone-skuff

I dette rommet er fuktighetsnivået høyere enn kjøleskapsdelen. Den styres automatisk av systemet og egner seg til å lagre frukt, grønnsaker, salater, osv.

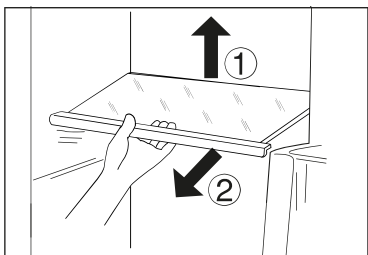
### **i** OBS

1. Ikke fjern plastdekselet inne i sonen.
2. De opprettholder fuktigheten.
3. Klumpsensitive frukter som ananas, avokado, bananer og grapefrukt anbefales ikke å lagre i skuffen.



### Multi-luftstrøm

1. Kjøleskapet er utstyrt med et multi-air-flow-system, hvor kjøleluftstrømmer er plassert på hvert hyllenivå. Dette bidrar til å opprettholde en jevn temperatur for å sikre at maten holdes ferskere lenger.



### Justerbare hyller

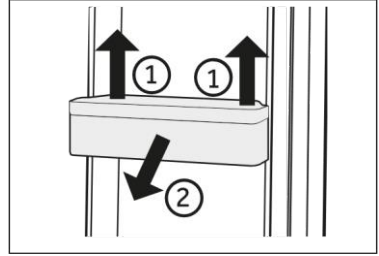
1. Høyden på hyllene kan justeres for å passe dine oppbevaringsbehov.
2. For å flytte en hylle, fjern den først ved å løfte bakkanten ① og trekke den ut ②.
3. For å installere den igjen, sett den på tappene på begge sider og skyv den til bakerste posisjon til baksiden av hyllen er festet inne i sporene i sidene.

### **i** OBS

Sørg for at alle ender av en hylle er i vater.

### Avtakbare dørhyller / flaskeholder

1. Dørhyllene kan tas ut for rengjøring:
2. Plasser hendene på hver side av stativet, løft det oppover ① og trekk det ut ②.
3. For å sette inn dørstativet, utføres trinnene ovenfor i omvendt rekkefølge.



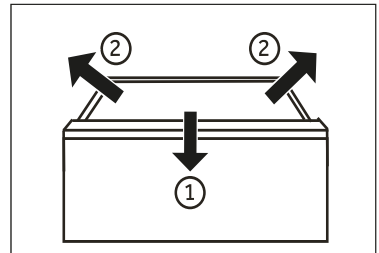
### OBS

Når apparatet er slått på, kan det ta opptil 12 timer før riktig temperatur oppnås.

### Avtakbar skuff

For å ta ut skuffen, trekk ut maksimalt ①, løft og fjern ②.

For å sette inn skuffen, utføres trinnene ovenfor i omvendt rekkefølge.



### Lyset

LED-innvendig lys tennes når døren åpnes. Ytelsen til lysene påvirkes ikke av noen av apparatens andre innstillinger.



## Energisparetips

- ▶ Sørg for at apparatet er skikkelig ventilert (se INSTALLASJON).
- ▶ Ikke installer apparatet i direkte sollys eller i nærheten av varmekilder (f.eks. komfyrer, varmeovner).
- ▶ Unngå unødvendig lav temperatur i apparatet. Energiforbruket øker jo lavere temperaturen i apparatet stilles inn.
- ▶ Funksjoner som Super Freeze bruker mer energi.
- ▶ La varm mat avkjøles før du plasserer den i apparatet.
- ▶ Åpne apparatdøren så lite og så kort som mulig.
- ▶ Ikke overfyll apparatet for å unngå å hindre luftstrømmen.
- ▶ Unngå luft i matemballasjen.
- ▶ Hold dørpakninger rene slik at døren alltid lukkes riktig.
- ▶ Frys ned frossen mat i oppbevaringsrommet i kjøleskapet.
- ▶ Den mest energibesparende konfigurasjonen krever at apparatet holder skuffer, matboks og hyller i fabrikkfri tilstand, og maten bør plasseres så langt som mulig uten å blokkere luftutløpet til kanalen.



## ADVARSEL!

Koble apparatet fra strømforsyningen før rengjøring.

### Rengjøring

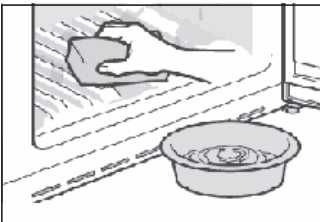
Rengjør apparatet når bare lite eller ingen mat er lagret.

Apparatet bør rengjøres hver fjerde uke for godt vedlikehold og for å forhindre dårlig matlagring.



## ADVARSEL!

- ▶ Ikke rengjør apparatet med harde børster, stålbørster, vaskemiddelpulver, bensin, amylacetat, aceton og lignende organiske løsninger, sure eller alkaliske løsninger. Rengjør med spesielt kjøleskapsvaskemiddel for å unngå skade.
- ▶ Ikke spray eller skylt apparatet under rengjøring.
- ▶ Ikke bruk vannspray eller damp for å rengjøre apparatet.
- ▶ Ikke rengjør de kalde glasshyllene med varmt vann. Plutselige temperatur-  
endringer kan føre til at glasset knuses.
- ▶ Ikke berør innsiden av fryserommet, spesielt med våte hender, siden hendene  
dine kan fryse fast på overflaten.
- ▶ Ved oppvarming kontroller tilstanden til frosne varer.



- ▶ Hold alltid dørpakningen ren.
- ▶ Rengjør innsiden og huset til apparatet med en svamp fuktet i varmt vann og nøytralt rengjøringsmiddel.
- ▶ 1. Skrubbe innsiden og utsiden av kjøleskapet, inkludert dørforsegling, dørhylle, glasshyller, bokser og så videre, med et mykt håndkle eller svamp dyppet i varmt vann (du kan tilsette nøytralt vaskemiddel i det varme vannet).
- ▶ 2. Hvis det er sølt væske, fjern alle de forurensede delene, skylt direkte med strømningsvannet, tørk og sett den tilbake i kjøleskapet.
- ▶ 3. Hvis det er sølt krem (som krem, smeltende iskrem), fjern alle de forurensede delene, legg i varmt vann med ca. 40 °C i en stund, skylt deretter med flytevannet, tørk og legg det tilbake i kjøleskapet.
- ▶ 4. I tilfelle en liten del eller komponent setter seg fast inne i kjøleskapet (mellom hyller eller skuffer), bruk en liten myk børste for å frigjøre den. Hvis du ikke kunne nå delen, kontakt Haier-service
- ▶ Skylt og tørk med en myk klut.
- ▶ Ikke rengjør deler av apparatet i oppvaskmaskin.
- ▶ La det gå minst fem minutter før du starter apparatet på nytt, ettersom hyppig start kan skade kompressoren.

## Avriming

Avrimingen av kjøleskapet og fryseseksjonen gjøres automatisk; ingen manuell betjening er nødvendig.

## Skifte ut LED-lampene



### ADVARSEL!

Ikke skift ut LED-lampen selv, den må kun skiftes av enten produsenten eller en autorisert serviceagent.

Lampene bruker LED som lyskilde, med lavt energiforbruk og lang levetid. Hvis det er noe unormalt, vennligst kontakt kundeservice. Se KUNDESERVICE.

Parametre til lampene:

Kjøleskaprom: 12 V maks. 2 W

Fryserom: 12 V maks 2 W

## Ikke brukt over lengre tid

Hvis du ikke bruker apparatet på lang tid, OG du ikke ønsker å bruke Holiday-funksjonen:

Ta ut maten.

Trekk ut strømledningen.

Rengjør apparatet som beskrevet ovenfor.

Hold dørene åpne for å forhindre dannelse av vond lukt inne.



### OBS

Slå av apparatet kun hvis det er strengt nødvendig.

## Flytte apparatet

1. Fjern all mat og trekk ut stikkontakten.
2. Fest hyller og andre bevegelige deler i kjøleskapet og fryseren med teip.
3. Ikke vipp kjøleskapet mer enn 45° for å unngå å skade kjølesystemet.



### ADVARSEL!

- ▶ Ikke løft apparatet i håndtakene.
- ▶ Plasser aldri apparatet horisontalt på bakken.

Mange oppståtte problemer kan løses av deg selv uten spesifikk ekspertise. I tilfelle et problem, sjekk alle viste muligheter og følg instruksjonene nedenfor før du kontakter en ettersalgsservice. Se KUNDESERVICE.



## ADVARSEL!

- ▶ Før vedlikehold, deaktiver apparatet og trekk støpselet ut av stikkkontakten.
- ▶ Elektrisk utstyr skal kun vedlikeholdes av kvalifiserte elektroeksperter, fordi feilaktige reparasjoner kan forårsake betydelige følgeskader.
- ▶ En skadet forsyning bør kun erstattes av produsenten, dennes serviceagent eller lignende kvalifiserte personer for å unngå fare.

Problem	Mulig årsak	Mulig løsning
Kompressoren fungerer ikke.	<ul style="list-style-type: none"> <li>• Støpselet er ikke koblet til stikkkontakten.</li> <li>• Apparateret er i avrimingssyklusen</li> </ul>	<ul style="list-style-type: none"> <li>• Koble til støpselet.</li> <li>• Dette er normalt for en automatisk tining</li> </ul>
Apparatet går ofte eller går i for lang tid.	<ul style="list-style-type: none"> <li>• Inne- eller utendørs-temperaturen er for høy.</li> <li>• Apparateret har vært avslått i en periode.</li> <li>• En dør på apparatet er ikke tett lukket.</li> <li>• Døren har vært åpnet for ofte eller for lenge.</li> <li>• Temperaturinnstillingen for fryseseksjonen er for lav.</li> <li>• Dørpakningen er skitten, slitt, sprukket eller feilaktig.</li> <li>• Den nødvendige luftsirkulasjonen er ikke garantert.</li> </ul>	<ul style="list-style-type: none"> <li>• I dette tilfellet er det normalt at apparatet går lenger.</li> <li>• Normalt tar det 8 til 12 timer før apparatet har kjølt seg helt ned.</li> <li>• Lukk døren/skuffen og sørg for at apparatet er plassert på et jevnt underlag og at det ikke er mat eller beholder som skurrer i døren.</li> <li>• Ikke åpne døren/skuffen for ofte.</li> <li>• Still inn temperaturen høyere til en tilfredsstillende kjøleskapstemperatur oppnås. Det tar 24 timer før kjøleskapstemperaturen blir stabil.</li> <li>• Rengjør dør-/skuffepakningen eller skift dem ut av kundeservice.</li> <li>• Sørg for tilstrekkelig ventilasjon.</li> </ul>
Innsiden av kjøleskapet er skittent og/eller lukter.	<ul style="list-style-type: none"> <li>• Innsiden av kjøleskapet trenger rengjøring.</li> <li>• Mat med sterk lukt oppbevares i kjøleskapet.</li> </ul>	<ul style="list-style-type: none"> <li>• Rengjør innsiden av kjøleskapet.</li> <li>• Pakk maten godt inn..</li> </ul>

Problem	Mulig årsak	Mulig løsning
Det er ikke kaldt nok inne i apparatet.	<ul style="list-style-type: none"> <li>• Temperaturen er satt for høyt.</li> <li>• For varme varer er lagret.</li> <li>• For mye mat har blitt lagret på en gang.</li> <li>• Varene er for nær hverandre.</li> <li>• En dør/skuff til apparatet er ikke tett lukket.</li> <li>• Døren/skuffen har vært åpnet for ofte eller for lenge.</li> </ul>	<ul style="list-style-type: none"> <li>• Tilbakestill temperaturen.</li> <li>• Avkjøl alltid varer før du lagrer dem.</li> <li>• Oppbevar alltid små mengder mat.</li> <li>• La det være et mellomrom mellom flere matvarer slik at luften kan strøkke.</li> <li>• Lukk døren/skuffen.</li> <li>• Ikke åpne døren/skuffen for ofte.</li> </ul>
Det er for kaldt inne i apparatet.	<ul style="list-style-type: none"> <li>• Temperaturen er satt for lavt.</li> <li>• Super Freeze/Super Cool-funksjonen er aktivert eller kjører for lenge.</li> </ul>	<ul style="list-style-type: none"> <li>• Tilbakestill temperaturen.</li> <li>• Slå av Super Freeze/Super Cool-funksjonen</li> </ul>
Fuktighetsdannelse på innsiden av kjøleseksjonen.	<ul style="list-style-type: none"> <li>• Klimaet er for varmt og for fuktig.</li> <li>• En dør/skuff til apparatet er ikke tett lukket.</li> <li>• Døren/skuffen har vært åpnet for ofte eller for lenge.</li> <li>• Matbeholdere eller væsker står åpne.</li> </ul>	<ul style="list-style-type: none"> <li>• Øk temperaturen.</li> <li>• Lukk døren/skuffen.</li> <li>• Ikke åpne døren/skuffen for ofte.</li> <li>• La varm mat avkjøles til romtemperatur og dekk til mat og væske.</li> </ul>
Fuktighet samler seg på kjøleskapets utside eller mellom dører/dør og skuff.	<ul style="list-style-type: none"> <li>• Klimaet er for varmt og for fuktig.</li> <li>• Døren er ikke tett lukket. Den kalde luften i apparatet og den varme luften utenfor kondenserer.</li> </ul>	<ul style="list-style-type: none"> <li>• Dette er normalt i fuktig klima og vil endre seg når luftfuktigheten synker.</li> <li>• Sørg for at døren/skuffen er tett lukket.</li> </ul>
Displaylyset fungerer, men det føles ikke kaldt.	<ul style="list-style-type: none"> <li>• Det er i demo-modus.</li> </ul>	<ul style="list-style-type: none"> <li>• Vær oppmerksom på hvilken tilstand den er i, hvis den er i demo-modus, avslutt den. Avslutt Åpne kjøleskapsdøren, i låst tilstand, trykk på den andre knappen til høyre i 8S innen 12 timer etter oppstart.</li> </ul>

Problem	Mulig årsak	Mulig løsning
Sterk is og frost i frysedelen.	<ul style="list-style-type: none"> <li>• Varene var ikke tilstrekkelig pakket.</li> <li>• En dør/skuff til apparatet er ikke tett lukket.</li> <li>• Døren/skuffen har vært åpnet for ofte eller for lenge.</li> <li>• Dør-/skuffepakningen er skitten, slitt, sprukket eller feilaktig.</li> <li>• Noe på innsiden hindrer at døren/skuffen lukkes ordentlig.</li> </ul>	<ul style="list-style-type: none"> <li>• Pakk alltid varene godt.</li> <li>• Lukk døren/skuffen.</li> <li>• Ikke åpne døren/skuffen for ofte.</li> <li>• Rengjør dør-/skuffepakningen eller bytt dem ut med nye.</li> <li>• Flytt hyllene, dørhyllene eller innvendige beholdere for å la døren/skuffen lukkes.</li> </ul>
Sidene på skapet og dørlisten blir varme.	<ul style="list-style-type: none"> <li>• -</li> </ul>	<ul style="list-style-type: none"> <li>• Dette er normalt.</li> </ul>
Apparatet lager unormale lyder.	<ul style="list-style-type: none"> <li>• Apparatet er ikke plassert på jevnt underlag.</li> <li>• Apparatet berører en gjenstand rundt seg.</li> </ul>	<ul style="list-style-type: none"> <li>• Juster føttene for å nivellere apparatet.</li> <li>• Fjern gjenstander rundt apparatet.</li> </ul>
En svak lyd kan høres som ligner på rennende vann.	<ul style="list-style-type: none"> <li>• -</li> </ul>	<ul style="list-style-type: none"> <li>• Dette er normalt.</li> </ul>
Du vil høre en alarm pipe.	<ul style="list-style-type: none"> <li>• Døren til kjøleskapet er åpen.</li> </ul>	<ul style="list-style-type: none"> <li>• Lukk døren.</li> </ul>
Du vil høre en svak summing.	<ul style="list-style-type: none"> <li>• Antikondenssystemet fungerer</li> </ul>	<ul style="list-style-type: none"> <li>• Dette forhindrer kondens og er normalt</li> </ul>
Innvendig belysning eller kjølesystem fungerer ikke.	<ul style="list-style-type: none"> <li>• Støpselet er ikke koblet til stikkkontakten.</li> <li>• Strømforsyningen er ikke intakt.</li> <li>• LED-lampen er ute av drift.</li> </ul>	<ul style="list-style-type: none"> <li>• Koble til støpselet.</li> <li>• Kontroller strømforsyningen til rommet. Ring det lokale strømselskapet!</li> <li>• Ring service for bytte av lampe.</li> </ul>

For å kontakte teknisk assistanse, besøk nettstedet vårt: <https://corporate.haier-europe.com/en/>

Under avsnittet "nettsted" velger du merket til produktet og landet ditt. Du vil bli omdirigert til det spesifikke nettstedet der du finner telefonnummeret og skjemaet for å kontakte teknisk assistanse.

## Strømbrudd

I tilfelle strømbrudd skal maten holde seg kald i ca. 5 timer. Følg disse tipsene under et langvarig strømbrudd, spesielt om sommeren:

- ▶ Åpne døren/skuffen så få ganger som mulig.
- ▶ Ikke legg ekstra mat i apparatet under strømbrudd.
- ▶ Hvis det gis forhåndsvarsel om strømbrudd og avbruddsvarigheten er lengre enn 5 timer, lag litt is og legg den i en beholder øverst i kjøleseksjonen.
- ▶ En inspeksjon av varene kreves umiddelbart etter avbruddet.
- ▶ Ettersom temperaturen i kjøleskapet vil stige under et strømbrudd eller annen feil, vil lagringsperioden og spiselig kvalitet på maten reduseres. All mat som tines bør enten konsumeres eller kokes og fryses ned (der det er egnet) like etterpå for å forhindre helserisiko.

## Minnefunksjon under strømbrudd

Etter gjenoppretting av strømmen fortsetter apparatet med innstillingene som ble angitt før strømbruddet.

Pakke ut



**ADVARSEL!**

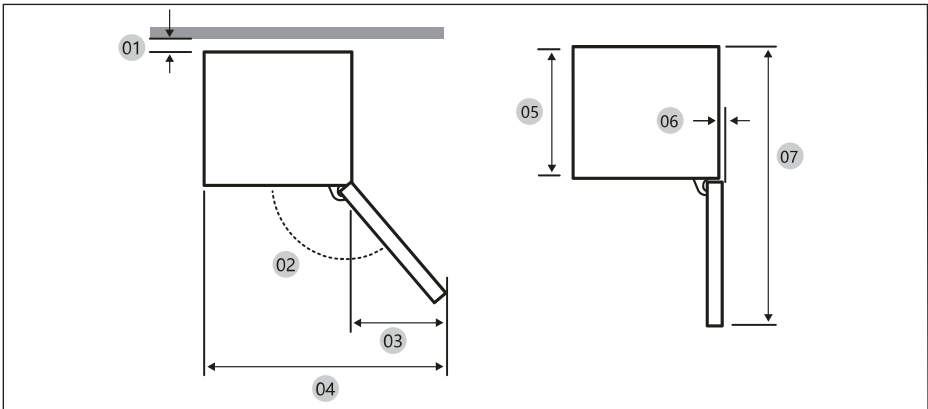
- ▶ Apparatet er tungt. Hånder alltid med minst to personer.
- ▶ Oppbevar alt emballasjemateriale utenfor barns rekkevidde og kast dem på en miljøvennlig måte.
- ▶ Ta apparatet ut av emballasjen.
- ▶ Fjern alt emballasjemateriale.

Miljøforhold

Romtemperaturen bør alltid være mellom 10 °C og 43 °C, siden det kan påvirke temperaturen inne i apparatet og energiforbruket. Ikke installer apparatet i nærheten av andre varmeavgivende apparater (ovner, kjøleskap) uten isolasjon.

Plassbehov

Nødvendig plass når døren åpnes (uten skapdørpanel)

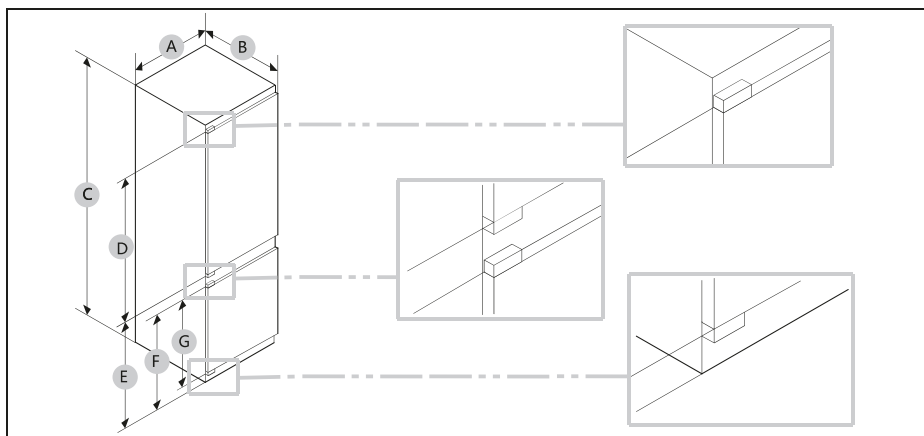


Modell	EHBQW5518E HBQW5518E HBQW5518EK HQE1855BCMW EHQE1855BCMW	HBQW5519E HBQW5519EK EBQW5519E EBQW5519ECM	HBQW5719E
01 *	10 (min.) / 30 (anbefalt)	10 (min.) / 30 (anbefalt)	10 (min.) / 30 (anbefalt)
02	95° (Anbefalt)	95° (Anbefalt)	95° (Anbefalt)
03	43	43	55
04	583	583	745
05	515	515	515
06	-3	-3	-3
07	1060	1060	1210

\* 01: Fra skap til baksiden av produktet.

(enhet: mm)

## Produktdimensjon



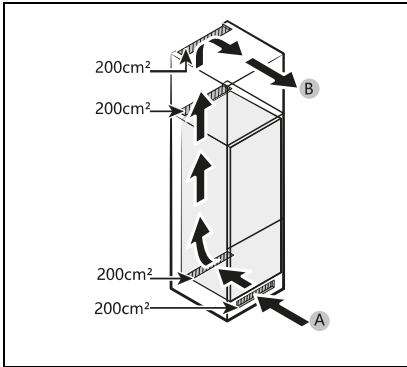
Modell	A (mm)	B (mm)	C(mm)	D (mm)	E (mm)	F (mm)	G (mm)
EHBQW5518E HBQW5518E HBQW5518EK HQE1855BCMW EHQE1855BCMW	540±2	550±2	1772±2	970	745	662	618
HBQW5519E HBQW5519EK EHBQW5519E EHBQW5519ECM	540±2	550±2	1935±2	1133	745	662	618
HBQW5719E	690±2	550±2	1935±2	1133	745	662	618

**i** OBS

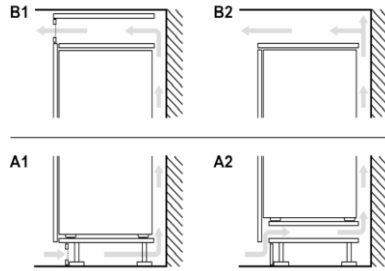
- Det spesifiserte energiforbruket er basert på tilstanden til et 10 mm gap fra skap til baksiden av produktet. Produktet vil fungere skikkelig selv med et gap som er mindre enn 10 mm, men det bruker litt mer energi.
- Vi anbefaler å bruke et skap som er 18 mm tykt med hengsler mindre enn 20 mm tykke.
- Målene i tabellen ovenfor kan variere, avhengig av målemetoden.
- For innebygd installasjon, se installasjonsveiledningen.

## Ventilasjonsvernsnitt

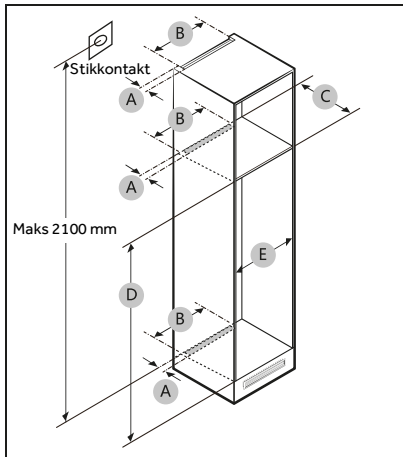
For å oppnå tilstrekkelig ventilasjon av apparatet av sikkerhetsgrunner, må informasjonen om de nødvendige ventilasjonsvernsnittene følges.



**A:** Luftinntak  $\geq 200 \text{ cm}^2$ ; Ventilasjonsmuligheter  
**B:** Luftuttak  $\geq 200 \text{ cm}^2$ ; Ventilasjonsmuligheter



## Skapdimensjon



## FORSIKTIGHET!

Enhver produktfeil på grunn av følgende dekkes ikke av garantien.

1. Uriktige forhold på stedet eller feil skapstørrelser.
2. Defekt skap.
3. Feil fra installatøren eller brukeren.

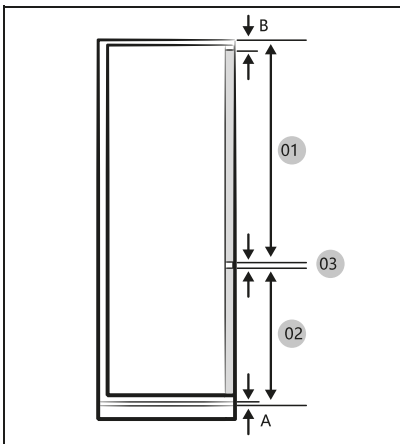
## Klarering

Se bildene og tabellene nedenfor for plassbehov for installasjon.

Modell		A (mm)	B (mm)	C (mm)	D (mm)	E (mm)	Merknad
EHBQW5518E HBQW5518E HBQW5518EK HQE1855BCMW EHQE1855BCMW	Min.	50	400	560	1778	560	Hengsel: 17 mm
	Anbefalt			580	1780	562	
	Maks.			-	1782	568	
HBQW5519E HBQW5519EK EHBQW5519E EHBQW5519ECM	Min.	50	400	560	1940	560	Hengsel: 17 mm
	Anbefalt			580	1943	562	
	Maks.			-	1945	568	
HBQW5719E	Min.	50	400	560	1941	710	Hengsel: 17 mm
	Anbefalt			580	1943	714	
	Maks.			-	1945	718	

**i** OBS

- Hvis bredden på et skap er større enn 568 mm, kan pakningen (mellom kjøleskapet og skapet) løsne.
- Hvis skapet er høyere enn maksimal dimensjon (1782 mm), må du bruke andre etterbehandlingsmaterialer for å fylle mellomrommet. (for EHBQW5518E/ HBQW5518E/ EK/ EHQE/ HQE1855BCMW)
- Hvis skapet er høyere enn maksimal dimensjon (1945 mm), må du bruke andre etterbehandlingsmaterialer for å fylle mellomrommet. (for HBQW5519E/ EK/ EHBQW5519E/ ECM)



**i** OBS

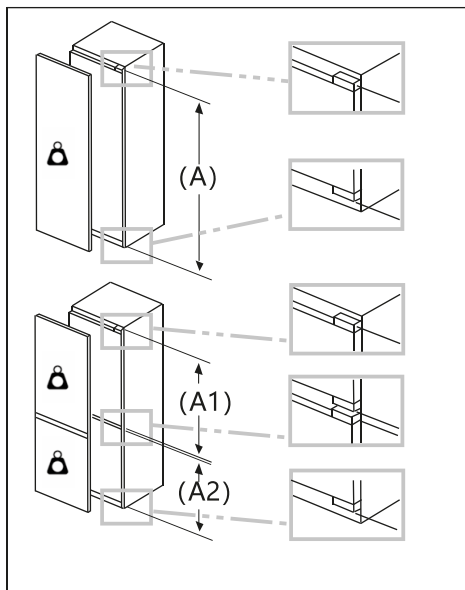
For å installere et skap som krever en åpning på 4 mm (03), se skapreferansetabellen nedenfor.

- A Nedre kant av frontpanelet over luftventilasjonen
- B Frontpaneloverheng

(enhet: mm)

Modell	EHBQW5518E HBQW5518E HBQW5518EK HQE1855BCMW EHQE1855BCMW	HBQW5519E HBQW5519EK EHBQW5519E EHBQW5519ECM HBQW5719E
01	Min. 1028+B Maks. 1106+B	Min. 1191+B Maks. 1269+B
02	Min. 662+A Maks. 740+A	Min. 662+A Maks. 740+A
03	4 mm (mellomrom kjøle- og frysescapsdørpanel)	

## Maksimal tillatt vekt på apparatfrontene

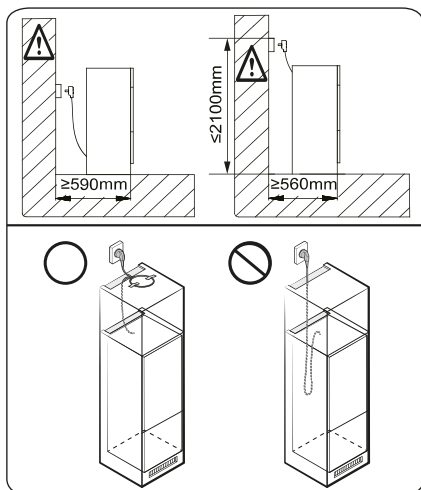


Monterte apparatfronter som overstiger tillatt vekt kan forårsake skader og føre til funksjonssvikt på hengslene.

 **Vekt**  
(kg)

1500-1750 mm	22
720-1400 mm	19
A1	15
A2	15

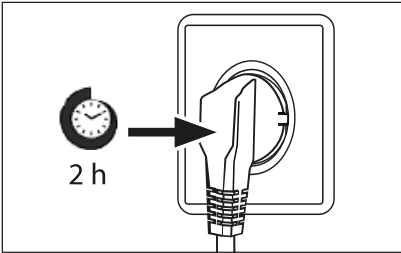
## Hensyn til plassering av stikkontakt og nødvendig plass



### **OBS**

Hvis du installerer kjøleskapet i et skap med 560 mm dybde, sørg for at strømledningen er plassert på siden av kjøleskapet før du kobler til en stikkontakt. Hvis strømledningen er på baksiden av kjøleskapet, kan det redusere energieffektiviteten.

## Ventetid



Til den vedlikeholdsfriske smøreoljen er det plassert i kapselen til kompressoren. Denne oljen kan komme gjennom det lukkede rørsystemet under skråtransport. Før du kobler apparatet til strømforsyningen, må du vente i minst 2 timer slik at oljen renner tilbake i kapselen.

## Elektrisk tilkobling

Kontroller før hver tilkobling om:

- ▶ strømforsyning, stikkontakt og sikring passer til typeskiltet.
- ▶ strømuttaket er jordet og ingen multiplugg eller forlenger.
- ▶ støpselet og stikkontakten er strengt i samsvar.

Koble støpselet til en riktig installert stikkontakt.



## ADVARSEL!

For å unngå risiko må en skadet strømledning skiftes ut av kundeservice (se garantikortet).

Produktblad i henhold til forordning EU nr. 2019/2016

Merke	Haier		
Modellnavn/- identifikator	EHBQW5518E HBQW5518E HBQW5518EK HQE1855BCMW EHQE1855BCMW	HBQW5519E HBQW5519EK EHBQW5519E EHBQW5519ECM	HBQW5719E
Kategori av modellen	Kjøleskap - fryser		
Energieffektivitetsklasse	E	E	E
Årlig energiforbruk (kWh/år) (1)	229	229	259
Totalt volum (L)	268	285	382
Volum kjøleskap (L)	194	211	281
Volumfryser (L)	74	74	101
Volumkjølerseksjon (L)	/	/	/
Volum til automatisk ismaskin (L)	/	/	/
Stjernerangering	4	4	4
Temperatur i andre rom > 14 °C	Ikke anvendelig		
Frostfritt system	Ja		
Frysekapasitet (kg/24t)			
Klimavurdering (2)	SN/N/ST/T	SN/N/ST/T	SN/N/ST/T
Støyemisjonsklasse og luftbåren akustisk støyutslipp (db(A)re1pW)	B(35)	B(35)	B(33)
Temperaturøkningstid (t)	12	12	9
Isproduksjonskapasitet	/	/	/
Type apparat	Innebygd		

Modellnavn	Energieffektivitetsklasse
EHBQW5518E HBQW5518E HBQW5518EK HQE1855BCMW EHQE1855BCMW	E
HBQW5519E HBQW5519EK EHBQW5519E EHBQW5519ECM HBQW5719E	E

Forklaringer:

- Ja, omtalt
- (1) Basert på resultatene av standardsamsvarstesten over 24 timer.  
Det faktiske forbruket avhenger av bruken og plasseringen av apparatet.
  - (2) Klimavurdering SN: Dette apparatet er beregnet for bruk i en omgivelsestemperatur på mellom +10 °C og +32 °C  
Klimavurdering N: Dette apparatet er beregnet for bruk i en omgivelsestemperatur på mellom +16 °C og +32 °C  
Klimavurdering ST: Dette apparatet er beregnet for bruk i en omgivelsestemperatur på mellom +16 °C og +38 °C  
Klimavurdering T: Dette apparatet er beregnet for bruk i en omgivelsestemperatur på mellom +16 °C og +43 °C

#### Ytterligere tekniske data

Spenning/frekvens	220-240 V ~/50 Hz
Inngangsstrøm (A)	1.2/1.6
Hovedsikring (A)	16
Kjølevæske	R600a
Dimensjoner (H/B/D i mm)	EHBQW5518E/ HBQW5518E/ EK EHQE/ HQE1855BCMW: 1773/540/555
	HBQW5519E/ EK/ EHBQW5519E/ ECM: 1935/540/555
	EHBQW5719E : 1935/690/550

Vi anbefaler vår Haier-kundeservice og bruk av originale reservedeler.  
Hvis du har et problem med apparatet, sjekk først avsnittet FEILSØKING.

Hvis du ikke finner en løsning der, ta kontakt

- ▶ din lokale forhandler eller
- ▶ vårt European Call Service-Center (se oppførte telefonnumre nedenfor) eller
- ▶ Service og Support-området på [www.haier.com](http://www.haier.com) hvor du kan aktivere tjenesten
- ▶ hevder og finn også vanlige spørsmål.

For å kontakte vår tjeneste, sørg for at du har følgende data tilgjengelig.  
Informasjonen finner du på typeskiltet.

Modell \_\_\_\_\_

Serienr. \_\_\_\_\_

Sjekk også garantikortet som følger med produktet i tilfelle garanti.

Europeisk Call Service-Center		
Land*	Telefonnummer	Kostnader
Haier Italy (IT)	199 100912	
Haier Spain (ES)	902 509 123	
Haier Germany (DE)	0180 5 39 39 99	<ul style="list-style-type: none"> <li>• 14 Ct/Min fasttelefon</li> <li>• maks 42 Ct/Min Mobil</li> </ul>
Haier Austria (AT)	0820 001205	<ul style="list-style-type: none"> <li>• 14,53 Ct/Min fasttelefon</li> <li>• max 20 Ct/Min alle andre</li> </ul>
Haier United Kingdom (UK)	0333 003 8122	
Haier France (FR)	0980 406 409	

\*For andre land, se [www.haier.com](http://www.haier.com)

Haier Europe Trading Srl

Filial Storbritannia

Westgate House, Westgate, Ealing

London, W5 1YY

\*Varighet av garantien for kjøleapparatet:

Minimumsgarantien er: 2 år for EU-land, 3 år for Tyrkia, 1 år for Storbritannia, 1 år for Russland, 3 år for Sverige, 2 år for Serbia, 5 år for Norge, 1 år for Marokko, 6 måneder for Algeria, Tunisia ingen juridisk garanti.

\*Perioden for reservedeler for reparasjon av apparatet:

Termostater, temperatursensorer, kretskort og lyskilder er tilgjengelige i minst sju år etter at den siste enheten av modellen er markedsført.

Dørhåndtak, dørhengsler, skuffer og kurver i minst sju år og dørpakninger i minimum ti år, etter å ha brakt den siste enheten av modellen på markedet.

\*For mer informasjon om produktet, se <https://eprel.ec.europa.eu/> eller skann QR-en på energietiketten som følger med apparatet.



**Haier**



2024 versjon A

# Haier

## Instrukcja obsługi

### Chłodziarko - zamrażarka

EHBQW5518E

HBQW5518E

HBQW5518EK

HQE1855BCMW

EHQE1855BCMW

HBQW5519E

HBQW5519EK

EHBQW5519E

EHBQW5519ECM

HBQW5719E

PL

<u>4</u>	<u>Informacje dotyczące bezpieczeństwa</u>	
		<u>Przed pierwszym użyciem</u> 5
		<u>Instalacja</u> 5
		<u>Codzienne użytkowanie</u> 6
		<u>Informacje dotyczące czynnika chłodniczego</u> 8
<u>9</u>	<u>Przeznaczenie</u>	
<u>10</u>	<u>Opis produktu</u>	
<u>12</u>	<u>Panel sterowania</u>	
<u>13</u>	<u>Użytkowanie</u>	<u>Zablokuj/Odblokuj panel</u> 13
		<u>Dostosuj temperaturę chłodziarki</u> 13
		<u>Wyreguluj temperaturę zamrażarki</u> 14
		<u>Funkcja Wi-Fi</u> 15
		<u>Funkcja Holiday</u> 15
		<u>Funkcja Super Cool</u> 16
		<u>Funkcja Super Freeze</u> 16
<u>18</u>	<u>Wyposażenie</u>	
<u>20</u>	<u>Wskazówki dotyczące oszczędzania energii</u>	
<u>21</u>	<u>Pielęgnacja i czyszczenie</u>	
<u>23</u>	<u>Rozwiązywanie problemów</u>	
<u>27</u>	<u>Instalacja</u>	
<u>34</u>	<u>Dane techniczne</u>	
<u>36</u>	<u>Obsługa klienta</u>	

## Dziękujemy za zakup produktu firmy Haier.

Przed użyciem urządzenia należy dokładnie przeczytać niniejsze instrukcje. Instrukcje zawierają ważne informacje, które pomogą możliwie najlepiej wykorzystać funkcje urządzenia, bezpiecznie i prawidłowo je zainstalować, eksploatować oraz konserwować.

Niniejszą instrukcję obsługi należy przechowywać w dostępnym miejscu, aby móc z niej zawsze skorzystać w celu bezpiecznego i właściwego użytkowania urządzenia.

Przy sprzedaży urządzenia należy do niego dołączyć niniejszą instrukcję obsługi, a w przypadku przeprowadzki przekazać ją nowemu właścicielowi, aby mógł się zapoznać z urządzeniem i ostrzeżeniami dotyczącymi bezpieczeństwa.

## Akcesoria

Sprawdź akcesoria i materiały zgodnie z tą listą:



**OSTRZEŻENIE -****Ważne informacje dotyczące bezpieczeństwa****UWAGA - Ogólne informacje i wskazówki****Informacje dotyczące ochrony środowiska****Utylizacja**

Pomóż chronić środowisko i ludzkie zdrowie. Wyrzuć opakowanie do odpowiednich pojemników do recyklingu. Pomóż w recyklingu odpadów z urządzeń elektrycznych i elektronicznych. Nie wyrzucaj urządzeń oznaczonych tym symbolem razem z odpadami domowymi. Oddaj produkt do miejscowego zakładu recyklingu lub skontaktuj się z urzędem miejskim.

**OSTRZEŻENIE!**

Ryzyko obrażeń lub uduszenia!

Czynniki chłodnicze i gazy muszą być utylizowane w profesjonalny sposób. Przed utylizacją upewnij się, że przewody układu chłodniczego nie są uszkodzone. Odłącz urządzenie od zasilania sieciowego. Odetnij przewód zasilający i zutylizuj go. Usuń tace i szuflady oraz zamek drzwi i uszczelki, aby zapobiec zamknięciu się dzieci i zwierząt w urządzeniu.

**Przed włączeniem urządzenia po raz pierwszy, przeczytaj poniższe wskazówki dotyczące bezpieczeństwa:**



## **OSTRZEŻENIE!**

### **Przed pierwszym użyciem**

- ▶ Upewnij się, że nie ma uszkodzeń powstałych podczas transportu.
- ▶ Odczekaj co najmniej dwie godziny przed zainstalowaniem urządzenia, aby upewnić się, że obwód czynnika chłodniczego jest w pełni efektywny.
- ▶ Zawsze przenoś urządzenie z pomocą co najmniej dwóch osób, ponieważ jest ono ciężkie.
- ▶ Usuń wszelkie opakowania, trzymaj je w miejscu niedostępnym dla dzieci i zutylizuj w sposób przyjazny dla środowiska.
- ▶ Przed włożeniem żywności wyczyść wnętrze i obudowę urządzenia wodą z dodatkiem łagodnego detergentu.
- ▶ Po wypoziomowaniu i wyczyszczeniu urządzenia odczekaj co najmniej 2-5 godzin przed podłączeniem go do zasilania. Zob. rozdział INSTALACJA.
- ▶ Przed załadowaniem żywności należy wstępnie schłodzić komory z wysokimi ustawieniami. Funkcja Power-Freeze pomaga szybko schłodzić komory.
- ▶ Temperatura chłodziarki i zamrażarki jest automatycznie ustawiana odpowiednio na 5°C i -18°C. To są zalecane ustawienia. W razie potrzeby można ręcznie zmienić ustawioną temperaturę. Zob. rozdział REGULACJA TEMPERATURY.

### **Instalacja**

- ▶ Urządzenie powinno być umieszczone w dobrze wentylowanym miejscu. Zapewnij przestrzeń co najmniej 10 cm nad urządzeniem i wokół niego.
- ▶ Nigdy nie umieszczaj urządzenia w wilgotnym miejscu lub w takim, w którym może być ochlapano wodą. Zetrzyj plamy i zachlapania do sucha miękką i czystą ściereczką.
- ▶ Nie należy instalować urządzenia w bezpośrednim świetle słonecznym lub w pobliżu źródeł ciepła (np. pieców, grzejników).
- ▶ Zainstaluj i wypoziomuj urządzenie w miejscu odpowiednim dla jego wielkości i przeznaczenia.
- ▶ Należy dbać o drożność otworów wentylacyjnych w obudowie urządzenia wolnostojącego lub w konstrukcji do zabudowy.
- ▶ Upewnij się, że informacje dotyczące elektryki na tabliczce znamionowej są zgodne z parametrami zasilania. Jeśli tak nie jest, skontaktuj się z elektrykiem.
- ▶ Urządzenie jest zasilane prądem 220–240 V AC/50 Hz. Odbiegające od normy wahania napięcia mogą spowodować niewłączenie się urządzenia albo uszkodzenie regulatora temperatury lub sprężarki. Mogą też być przyczyną nietypowego hałasu podczas pracy. W takim przypadku powinien zostać zamontowany automatyczny regulator.
- ▶ Nie używaj adapterów wtyczek i przedłużaczy.



## OSTRZEŻENIE!

- ▶ Za urządzeniem nie należy umieszczać kilku listew zasilających ani przenośnych zasilaczy.
- ▶ Upewnij się, że kabel zasilający nie jest przytrzaśnięty przez chłodziarkę. Nie stawaj na przewodzie zasilającym.
- ▶ Używaj oddzielnego, łatwo dostępnego i uziemionego gniazdka. Urządzenie musi być uziemione.

Dotyczy tylko Wielkiej Brytanii: Kabel zasilający urządzenie jest wyposażony we wtyczkę z 3 bolcami (z uziemieniem), która pasuje do standardowego gniazda z 3 przewodami (z uziemieniem). Nigdy nie odcinaj ani nie demontuj trzeciego bolca (z uziemieniem). Po zainstalowaniu urządzenia wtyczka powinna być łatwo dostępna.

- ▶ Uważaj, aby nie uszkodzić obwodu chłodniczego.

### Codzienne użytkowanie

- ▶ Urządzenie może być obsługiwane przez dzieci powyżej 8 roku życia i przez osoby o ograniczonych możliwościach fizycznych, sensorycznych lub umysłowych lub osoby nieposiadające doświadczenia ani wiedzy pod warunkiem, że są one pod odpowiednim nadzorem lub zostały poinstruowane, jak bezpiecznie obsługiwać urządzenie i rozumieją związane z nim zagrożenia.
- ▶ Dzieciom w wieku od 3 do 8 lat wolno ładować i rozładowywać, ale nie wolno czyścić ani instalować urządzeń chłodniczych.
- ▶ Trzymaj z dala od urządzenia dzieci poniżej 3 roku życia, chyba że są pod stałym nadzorem.
- ▶ Dzieci nie powinny bawić się urządzeniem.
- ▶ Jeśli czynnik chłodniczy lub inny łatwopalny gaz wycieka w pobliżu urządzenia, zamknij zawór wyciekającego gazu, otwórz drzwi oraz okna i nie odłączaj kabla zasilającego chłodziarki lub innego urządzenia.
- ▶ Zwróć uwagę, że urządzenie jest ustawione do pracy w określonym zakresie temperatur pomiędzy 10 a 43°C. Chłodziarka może nie pracować prawidłowo, jeśli pozostanie na dłuższy czas w temperaturze powyżej lub poniżej podanego zakresu.
- ▶ Na chłodziarce nie należy umieszczać niestabilnych przedmiotów (ciężkich przedmiotów, pojemników wypełnionych wodą), aby uniknąć obrażeń ciała spowodowanych upadkiem lub porażeniem prądem elektrycznym w wyniku kontaktu z wodą.
- ▶ Nie ciągnij za półki drzwiowe. Drzwi mogą być pochylone, stojak na butelki może zostać wyciągnięty lub urządzenie może się przewrócić.
- ▶ Otwieraj i zamykaj drzwi tylko za pomocą klamek. Szczelina między drzwiami a obudową jest bardzo wąska. Nie trzymaj rąk w tych obszarach, aby uniknąć przycięcia palców. Otwieraj i zamykaj drzwi chłodziarki tylko wtedy, gdy nie ma dzieci stojących w obrębie ruchu drzwi.
- ▶ Nie przechowuj ani nie używaj materiałów łatwopalnych, wybuchowych lub żrących w urządzeniu lub w jego sąsiedztwie.



## OSTRZEŻENIE!

- ▶ Nie należy przechowywać w urządzeniu leków, bakterii lub substancji chemicznych. To urządzenie jest urządzeniem gospodarstwa domowego. Nie zaleca się przechowywania materiałów, które wymagają ściśle określonej temperatury.
- ▶ Nigdy nie przechowuj płynów w butelkach lub puszkach (oprócz alkoholi wysokoprocentowych), zwłaszcza napojów gazowanych w zamrażarce, ponieważ mogą one pęknąć podczas zamrażania.
- ▶ Sprawdź stan żywności, jeśli w zamrażarce miało miejsce zwiększenie temperatury.
- ▶ Nie ustawiaj niepotrzebnie niskiej temperatury w komorze chłodziarki. Ujemne temperatury mogą wystąpić przy wysokich ustawieniach. Uwaga: Butelki mogą wybuchnąć
- ▶ Nie dotykaj zamrożonych towarów mokrymi rękami (załóż rękawiczki). Szczególnie nie należy jeść lizaków lodowych bezpośrednio po wyjęciu z komory zamrażarki. Istnieje ryzyko przymarznięcia naskórka lub powstania pęcherzy. PIERWSZA pomoc: Natychmiast polej miejsce przymarznięcia bieżącą zimną wodą. Nie odrywaj!
- ▶ Nie dotykaj wnętrza komory zamrażarki podczas pracy, zwłaszcza mokrymi rękami, ponieważ mogą one przymarznąć do jej powierzchni.
- ▶ Odłącz urządzenie w przypadku przerwy w zasilaniu lub przed czyszczeniem. Nie uruchamiaj ponownie urządzenia przez co najmniej 7 minut, ponieważ szybkie włączenie może doprowadzić do uszkodzenia sprężarki.
- ▶ Nie używaj urządzeń elektrycznych wewnątrz komór do przechowywania żywności, chyba że są to urządzenia typu zalecanego przez producenta.

## Konserwacja / czyszczenie

- ▶ Upewnij się, że dzieci są nadzorowane podczas czyszczenia i konserwacji urządzenia.
- ▶ Przed przystąpieniem do rutynowej konserwacji należy odłączyć urządzenie od zasilania elektrycznego. Odczekaj co najmniej 5 minut przed ponownym uruchomieniem urządzenia, ponieważ częste uruchamianie może uszkodzić sprężarkę.
- ▶ Podczas odłączania urządzenia trzymaj za wtyczkę, a nie za przewód.
- ▶ Nie czyść urządzenia za pomocą twardych szczotek, szczotek drucianych, detergentów proszkowych, benzyny, octanu amylu, acetonu i podobnych roztworów organicznych, kwasu lub roztworów alkalicznych. Do czyszczenia należy używać specjalnego detergentu do chłodziarek, aby uniknąć uszkodzenia.
- ▶ Nie zeskrobuj szronu i lodu ostrymi przedmiotami. Nie używaj rozpylaczy, grzejników elektrycznych, takich jak suszarka do włosów, myjek parowych lub innych źródeł ciepła, aby uniknąć uszkodzenia plastikowych części.
- ▶ Nie używaj urządzeń mechanicznych ani innych środków do przyspieszania procesu rozmrażania, chyba że są one zalecane przez producenta.
- ▶ Jeśli kabel zasilający ulegnie uszkodzeniu, dla bezpieczeństwa należy zlecić jego wymianę producentowi, autoryzowanemu serwisowi lub osobom o podobnych kwalifikacjach.



## OSTRZEŻENIE!

- ▶ Nie należy próbować samodzielnie naprawiać, demontować ani modyfikować urządzenia. W przypadku konieczności naprawy prosimy o kontakt z naszym działem obsługi klienta.
- ▶ Usuń kurz z tyłu urządzenia co najmniej raz w roku, aby uniknąć zagrożenia ogniem, a także zwiększonego zużycia energii.
- ▶ Nie używaj aerozolu ani nie przepłukuj urządzenia podczas czyszczenia.
- ▶ Nie używaj wody lub pary do czyszczenia urządzenia.
- ▶ Nie czyść zimnych szklanych półek gorącą wodą. Nagła zmiana temperatury może spowodować pęknięcie szkła.

## Informacje dotyczące czynnika chłodniczego



### OSTRZEŻENIE!

Urządzenie zawiera łatwopalny czynnik chłodniczy IZOBUTAN (R600a). Upewnij się, że układ chłodniczy nie został uszkodzony podczas transportu lub instalacji. Wyciek czynnika może spowodować uszkodzenie wzroku lub zapalenie. Jeśli wystąpiło uszkodzenie, trzymaj urządzenie z dala od otwartych źródeł ognia, dokładnie przewietrz pomieszczenie, nie podłączaj ani nie odłączaj kabli zasilających tego lub innego urządzenia. Poinformuj obsługę klienta.

W przypadku kontaktu czynnika chłodniczego z oczami natychmiast przepłucz je pod bieżącą wodą i natychmiast skontaktuj się z okulistą.

## Przeznaczenie

To urządzenie jest przeznaczone do chłodzenia i zamrażania żywności. Zostało zaprojektowane wyłącznie do użytku w gospodarstwach domowych i podobnych zastosowaniach, takich jak pomieszczenia kuchenne dla personelu w sklepach, biurach i innych środowiskach pracy; w gospodarstwach rolnych oraz przez klientów w hotelach, motelach i innych obiektach mieszkalnych, a także w pensjonatach i gastronomii. Nie jest przeznaczone do użytku komercyjnego ani przemysłowego.

Zmiany lub modyfikacje urządzenia są niedozwolone. Użycie niezgodne z przeznaczeniem może spowodować zagrożenie i utratę roszczeń gwarancyjnych.

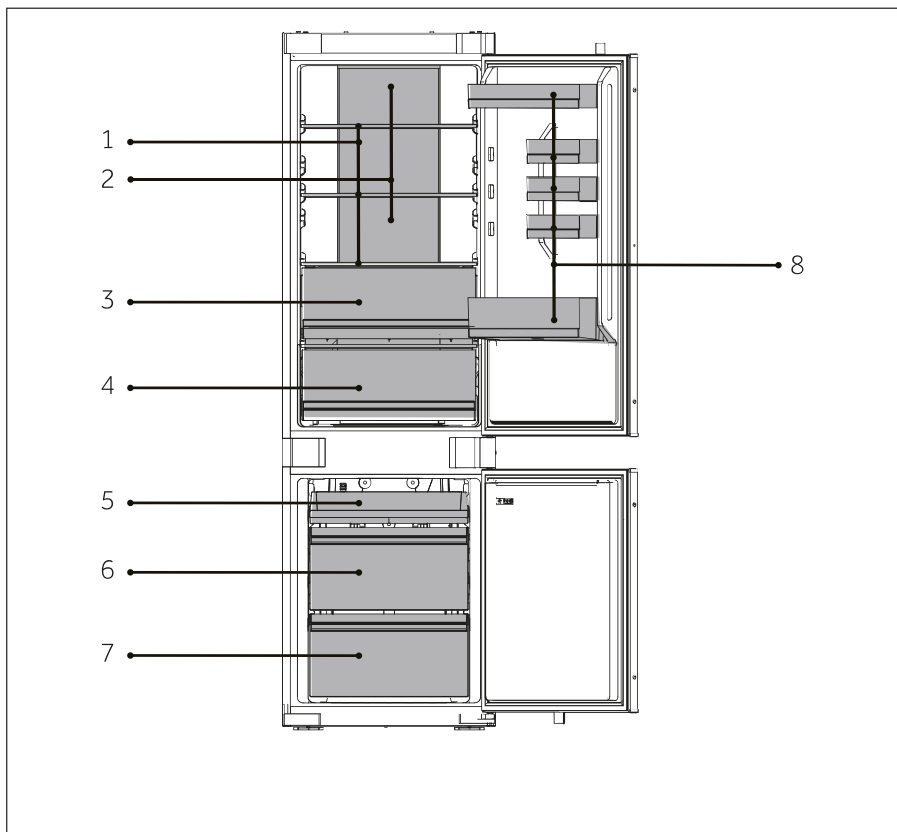
## Normy i dyrektywy lub

Ten produkt spełnia wymagania wszystkich obowiązujących dyrektyw WE wraz z odpowiednimi normami zharmonizowanymi i normami brytyjskimi, które przewidują oznakowanie CE lub UKCA.



## UWAGA

Z powodu zmian technicznych i różnych modeli, niektóre ilustracje w tej instrukcji mogą się różnić od Twojego modelu.



EHBQW5518E/HBQW5518E/HBQW5518EK/HQE1855BCMW/EHQE1855BCMW

### A: Komora chłodziarki

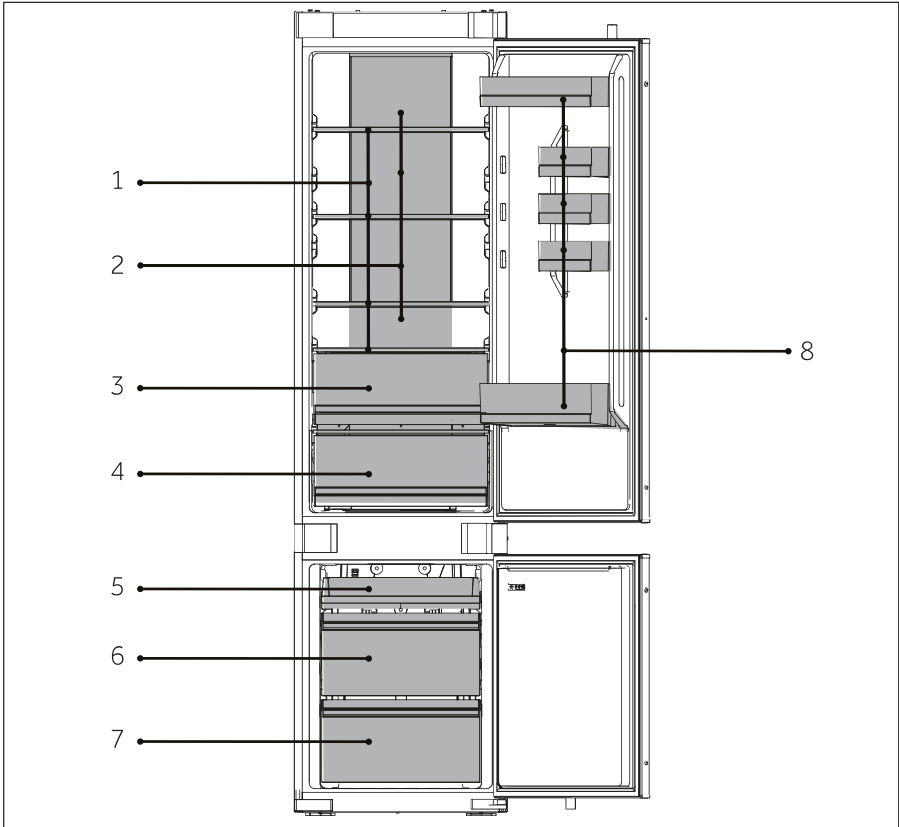
- 1 Zwykłe półki
- 2 Kanał powietrza chłodniczego
- 3 Szuflada Humidity Zone
- 4 Szuflada Fresh Box
- 8 Uchwyt na butelki

### B: Komora zamrażarki

- 5 Górna tacka zamrażarki
- 6 Środkowa szuflada zamrażarki
- 7 Dolna szuflada zamrażarki

## **i** UWAGA

Z powodu zmian technicznych i różnych modeli, niektóre ilustracje w tej instrukcji mogą się różnić od Twojego modelu.



HBQW5519E/ HBQW5519EK/ EHBQW5519E/ EHBQW5519ECM/ HBQW5719E

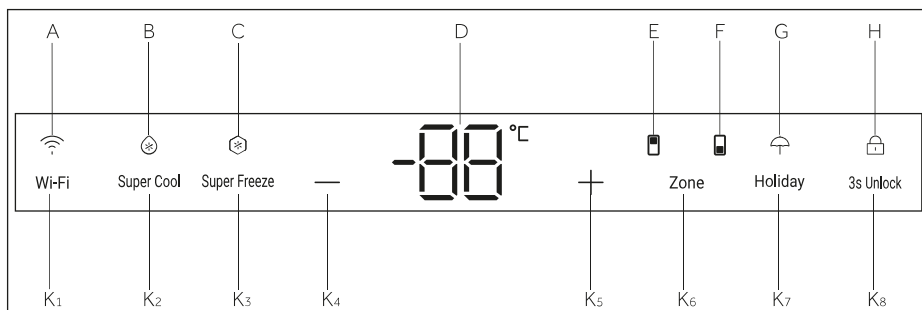
### A: Komora chłodziarki

- 1 Zwykłe półki
- 2 Kanał powietrza chłodniczego
- 3 Szuflada Humidity Zone
- 4 Szuflada Fresh Box
- 8 Uchwyt na butelki

### B: Komora zamrażarki

- 5 Górna tacka zamrażarki
- 6 Środkowa szuflada zamrażarki
- 7 Dolna szuflada zamrażarki

## Panel sterowania



### Wskaźniki:

- A Funkcja Wi-Fi
- B Funkcja Super Cool
- C Funkcja Super Freeze
- D Wyświetlacz temperatury
- E Wskaźnik chłodziarki
- F Wskaźnik zamrażarki
- G Funkcja Holiday
- H Zablokuj i odblokuj

### Przyciski:

- K<sub>1</sub> Przycisk ustawień Wi-Fi
- K<sub>2</sub> Przycisk wyboru Super Cool
- K<sub>3</sub> Przycisk wyboru Super Freeze
- K<sub>4</sub> Przycisk regulacji temperatury „-”
- K<sub>5</sub> Przycisk regulacji temperatury „+”
- K<sub>6</sub> Przycisk wyboru strefy
- K<sub>7</sub> Przycisk funkcji Holiday
- K<sub>8</sub> Przycisk Zablokuj i Odblokuj

## Klawisze czujnika

Przyciski na panelu sterowania są klawiszami czujników, które reagują przy delikatnym dotknięciu palcem.

## Włącz/Wyłącz urządzenie

Urządzenie zacznie pracować jak tylko zostanie podłączone do źródła energii.

Gdy chłodziarka jest włączana po raz pierwszy, zapala się wskaźnik „D” (wyświetlacz temperatury). Temperatury chłodziarki i zamrażarki są automatycznie ustawiane odpowiednio na 5°C i -18°C.



## UWAGA

Gdy urządzenie zostanie włączone po uprzednim odłączeniu od głównego źródła zasilania, osiągnięcie prawidłowej temperatury może potrwać do 12 godzin.

Przed wyłączeniem należy opróżnić urządzenie. Aby wyłączyć urządzenie, wyciągnij przewód zasilający z gniazdka.

### Zablokuj/Odblokuj panel

Automatyczne blokowanie: Gdy drzwi chłodziarki i zamrażarki są zamknięte i w ciągu 30 sekund nie zostanie naciśnięty żaden klawisz, ekran wyświetlacza zostanie automatycznie zgaszony i zablokowany.

Ręczne blokowanie: Po odblokowaniu ekranu wyświetlacza naciśnij przycisk „K<sub>8</sub>” (3S Unlock) i przytrzymaj przez 3 sekundy. Rozlegnie się jeden sygnał dźwiękowy, zaświeci się wskaźnik „H” (blokada panelu), a wyświetlacz zostanie zablokowany.

Odblokowanie: Po zablokowaniu ekranu wyświetlacza naciśnij przycisk „K<sub>8</sub>” (3S Unlock) i przytrzymaj przez 3 sekundy, usłyszysz jeden sygnał dźwiękowy, zgaśnie wskaźnik „H” (blokada panelu), a wyświetlacz zostanie odblokowany.

### Regulacja temperatury

Na temperaturę wewnątrz chłodziarki wpływają następujące czynniki:

temperatura otoczenia, częstotliwość otwierania drzwi, ilość przechowywanej żywności w urządzeniu.

### Dostosuj temperaturę chłodziarki

Po odblokowaniu ekranu wyświetlacza naciśnij przycisk „K<sub>6</sub>” (przełącznik strefy). Brzęczyk dzwoni raz, świeci kontrolka „E” (wskaźnik chłodziarki), a następnie pojawia się tryb ustawiania temperatury chłodziarki.

Naciśnij przycisk „K<sub>4</sub>” (przycisk regulacji temperatury „-”) za każdym razem, a brzęczyk zadzwoni jeden raz. Ustawiona temperatura chłodziarki zostanie zmniejszona o 1. Temperatura w chłodziarce będzie wyświetlana w kolejności „9°C -> 8°C -> 7°C -> 6°C -> 5°C -> 4°C -> 3°C -> 2°C -> 1°C”.

Naciśnij przycisk „K<sub>5</sub>” (przycisk regulacji temperatury „+”) za każdym razem, a brzęczyk zadzwoni jeden raz, a ustawiona temperatura chłodziarki zostanie zwiększona o 1. Temperatura w chłodziarce będzie wyświetlana w kolejności „1°C -> 2°C -> 3°C -> 4°C -> 5°C -> 6°C -> 7°C -> 8°C -> 9°C”.



## UWAGA

Po ustawieniu temperatury, jeśli w ciągu 5 sekund nie zostanie wykonana żadna operacja, system automatycznie zapisze ustawioną temperaturę.

## Wyreguluj temperaturę zamrażarki

Po odblokowaniu ekranu wyświetlacza naciśnij przycisk „K<sub>6</sub>” (przełącznik strefy). Brzęczyk zadzwoni raz, wskaźnik „F” (wskaźnik zamrażarki) miga, a następnie uruchamia się tryb ustawiania temperatury w zamrażarce.

Naciśnij przycisk „K<sub>4</sub>” (przycisk regulacji temperatury „-”) za każdym razem, brzęczyk zadzwoni jeden raz, a ustawiona temperatura zamrażarki zostanie zmniejszona o 1. Temperatura zamrażarki będzie wyświetlana w kolejności „-14°C -> -15°C -> -16°C -> -17°C -> -18°C -> -19°C -> -20°C -> -21°C -> -22°C -> -23°C -> -24°C”.

Naciśnij przycisk „K<sub>5</sub>” (przycisk regulacji temperatury „+”) za każdym razem, a brzęczyk zadzwoni jeden raz, a ustawiona temperatura zamrażarki zostanie zwiększona o 1. Temperatura zamrażarki będzie wyświetlana w kolejności „-24°C -> -23°C -> -22°C -> -21°C -> -20°C -> -19°C -> -18°C -> -17°C -> -16°C -> -15°C -> -14°C”.



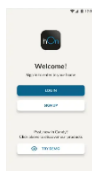
### UWAGA

Po ustawieniu temperatury, jeśli w ciągu 5 sekund nie zostanie wykonana żadna operacja, system automatycznie zapisze ustawioną temperaturę.

## Krok 1 Pobierz aplikację hOn ze sklepów.



**Krok 2** Utwórz konto w aplikacji hOn-App lub zaloguj się, jeśli już posiadasz konto



**Krok 3** Postępuj zgodnie z instrukcjami parowania wyświetlanymi w aplikacji hOn.



## Funkcja Wi-Fi

1. Należy postępować zgodnie z instrukcjami aplikacji, aby skonfigurować sieć Wi-Fi.
2. Po skonfigurowaniu sieci Wi-Fi i nawiązaniu połączenia ikona Wi-Fi „A” jest podświetlona i stała.
3. Jeśli sieć Wi-Fi została już skonfigurowana, po włączeniu sieci Wi-Fi automatycznie połączy się ponownie zgodnie z informacjami konfiguracyjnymi.
4. Aby wyłączyć Wi-Fi, naciśnij przycisk Wi-Fi „K<sub>1</sub>”, a ikona Wi-Fi „A” zgaśnie.
5. Aby włączyć sieć Wi-Fi i rozpocząć konfigurację, naciśnij przycisk Wi-Fi „K<sub>1</sub>”, a ikona Wi-Fi „A” zacznie powoli migać. Jeśli chcesz skonfigurować funkcję Wi-Fi, naciśnij przycisk „K<sub>1</sub>” przez 3 sekundy, ikona Wi-Fi zacznie szybko migać, a urządzenie przejdzie w tryb konfiguracji. Jeśli chcesz wyłączyć funkcję Wi-Fi naciśnij przycisk „K<sub>1</sub>” jeden raz. Powyższe kroki są powtarzane.
6. Jeśli produkt został skonfigurowany, a funkcja Wi-Fi została wyłączona, chłodziarka nie wejdzie w tryb konfiguracji po ponownym podłączeniu do zasilania.

## Funkcja Holiday

1. Po odblokowaniu ekranu wyświetlacza naciśnij przycisk „K<sub>7</sub>” (przycisk funkcji Holiday), brzęczyk zadzwoni jeden raz, zaświeci się wskaźnik „G” (funkcja Holiday), a następnie funkcja Holiday zostanie włączona.
2. Po odblokowaniu ekranu wyświetlacza naciśnij przycisk „K<sub>7</sub>” (przycisk funkcji Holiday), brzęczyk zadzwoni jeden raz, wskaźnik „G” (funkcja Holiday) zgaśnie, a funkcja Holiday zostanie wyłączona.



### UWAGA

1. Funkcja Holiday jest używana głównie w przypadku krótkotrwałych podróży i innych okoliczności. Przed skorzystaniem z funkcji Holiday należy opróżnić chłodziarkę.
2. W przypadku funkcji Holiday temperatura w chłodziarce będzie wyższa (około 17°C). Należy pamiętać o opróżnieniu chłodziarki, aby uniknąć zepsucia się żywności.

## Funkcja Super Cool

1. Po odblokowaniu ekranu wyświetlacza naciśnij przycisk „K<sub>2</sub>” (przełącznik Super Cool), usłyszysz jeden sygnał dźwiękowy, zaświeci się wskaźnik „B” (funkcja Super Cool), a następnie funkcja Super Cool zostanie włączona.
2. Gdy zaświeci się kontrolka „B” (funkcja Super Cool), naciśnij przycisk „K<sub>2</sub>” (przełącznik funkcji Super Cool), brzęczyk zadzwoni jeden raz, wskaźnik „O” (funkcja Super Cool) zgaśnie, a funkcja Super Cool zostanie wyłączona.
3. Po włączeniu funkcji Super Cool chłodziarka automatycznie wyłączy funkcję, gdy osiągnie ustawioną temperaturę. Jeśli chcesz wyjść ręcznie, naciśnij przycisk „K<sub>2</sub>” (selektor Super Cool), aby wyłączyć tę funkcję.



## UWAGA

1. W trybie Super Cool nie można regulować temperatury chłodziarki. Jeżeli w celu dostosowania temperatury chłodziarki zostanie naciśnięty przycisk „K<sub>4</sub>” (przycisk regulacji temperatury „-”) lub przycisk „K<sub>5</sub>” (przycisk regulacji temperatury „+”), wskaźnik „B” (wskaźnik funkcji Super Cool) zacznie migać i rozlegnie się sygnał dźwiękowy, aby zasygnalizować, że tej operacji nie można wykonać.
2. Po uruchomieniu funkcji Super Cool nie można jednocześnie włączyć funkcji Auto-Set ze względu na różne tryby sterowania. Gdy wybierzesz funkcję, która koliduje z inną funkcją, funkcja wybrana jako pierwsza zostanie automatycznie zamknięta.
3. Ta funkcja zostanie automatycznie wyłączona po 6 godzinach.

## Funkcja Super Freeze

1. Po odblokowaniu ekranu wyświetlacza naciśnij przycisk „K<sub>3</sub>” (przełącznik funkcji Super Freeze), usłyszysz jeden sygnał dźwiękowy, zaświeci się wskaźnik „C” (funkcja Super Freeze), a następnie funkcja Super Freeze zostanie włączona.
2. Gdy zaświeci się kontrolka „C” (funkcja Super Freeze), naciśnij przycisk „K<sub>3</sub>” (przełącznik funkcji Super Freeze), brzęczyk zadzwoni jeden raz, wskaźnik „C” (funkcja Super Freeze) zgaśnie, a funkcja Super Freeze zostanie wyłączona.
3. Po włączeniu funkcji Super Freeze chłodziarka automatycznie wyłączy funkcję, gdy temperatura osiągnie ustawioną wartość. Jeśli chcesz wyjść ręcznie, naciśnij przycisk „K<sub>3</sub>” (przełącznik funkcji Super Freeze), aby wyłączyć funkcję.





## UWAGA

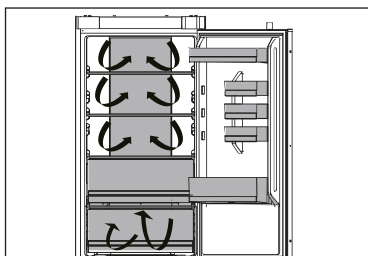
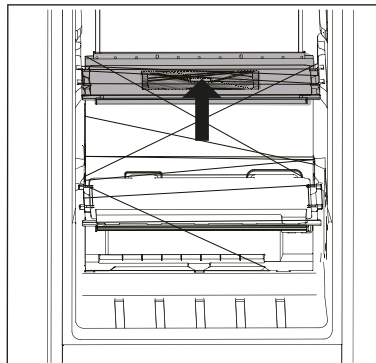
1. W stanie Super Freeze nie można regulować temperatury zamrażarki. Jeżeli w celu dostosowania temperatury zamrażarki zostanie naciśnięty przycisk „K<sub>4</sub>” (przycisk regulacji temperatury „-”) lub przycisk „K<sub>5</sub>” (przycisk regulacji temperatury „+”), wskaźnik „C” (wskaźnik funkcji Super Freeze) zacznie migać i rozlegnie się sygnał dźwiękowy, aby zasygnalizować, że tej operacji nie można wykonać.
2. Funkcja Super Freeze ma na celu zachowanie wartości odżywczych mrożonej żywności poprzez zamrożenie jej w bardzo krótkim czasie. Jest przeznaczona do jednoczesnego zamrażania dużych ilości mrożonej żywności. Funkcję Super Freeze należy ustawić z 24-godzinnym wyprzedzeniem, aby zamrażarka miała odpowiednio niską temperaturę pozwalającą na umieszczenie w niej żywności. Przyspiesza to proces zamrażania w zamrażarce, co umożliwia skuteczne zachowanie wartości odżywczych żywności i ułatwia jej przechowywanie.
3. Funkcja Super Freeze wyłączy się automatycznie po 50 godzinach. Następnie urządzenie będzie pracować z poprzednio ustawioną temperaturą.

## Szuflada Humidity Zone

W tej komorze poziom wilgotności jest wyższy niż w komorze chłodziarki. Jest sterowany automatycznie przez system i nadaje się do przechowywania owoców, warzyw, sałat itp.

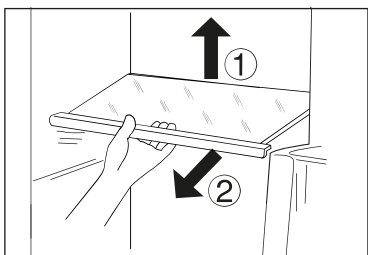
### **i** UWAGA

1. Nie zdejmuj plastikowej osłony wewnątrz strefy.
2. Utrzymuj ją odpowiednią wilgotność.
3. Nie zaleca się przechowywania w szufladzie owoców wrażliwych na zimno, takich jak ananasy, awokado, banany i grejfruty.



## System obiegu powietrza

1. Chłodziarka jest wyposażona w system obiegu powietrza, dzięki któremu chłodne strumienie powietrza znajdują się na każdym poziomie półki. Pomaga to utrzymać jednolitą temperaturę, dzięki czemu żywność jest dłużej świeża.



## Regulowane półki

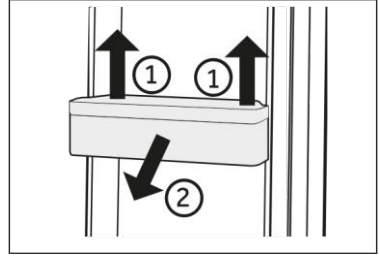
1. Wysokość półek można dostosować do potrzeb przechowywania.
2. Aby przenieść półkę, zdejmij ją najpierw, podnosząc tylną krawędź ① i wyciągając ją ②.
3. Aby ponownie zamontować półkę, należy nałożyć ją na uchwyty po obu stronach i przesunąć do pozycji najbardziej wysuniętej do tyłu, aż tylna część półki znajdzie się w szczelinach po bokach.

### **i** UWAGA

Upewnij się, że wszystkie końce półki są wypoziomowane.

### Zdejmowane półki na drzwiach/ uchwyt na butelki

1. Półki na drzwiach można zdemontować w celu czyszczenia:
2. Połóż dłoń po obu stronach stojaka, podnieś go do góry ① i wyciągnij ②.
3. W celu ponownego zamontowania półek powyższe czynności wykonuje się w odwrotnej kolejności.



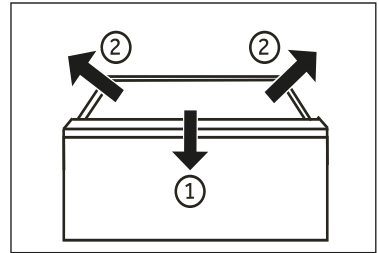
### UWAGA

Po włączeniu urządzenia osiągnięcie właściwej temperatury może potrwać do 12 godzin.

### Wyjmowana szuflada

Aby wyjąć szufladę, wyciągnij ją maksymalnie ①, podnieś i wyjmij ②.

W celu ponownego włożenia szuflady powyższe czynności wykonuje się w odwrotnej kolejności.



### Światło

Po otwarciu drzwi zapala się wewnętrzne oświetlenie LED. Na działanie świateł nie ma wpływu żadne z pozostałych ustawień urządzenia.



## Wskazówki dotyczące oszczędzania energii

- ▶ Upewnij się, że urządzenie jest właściwie wentylowane (patrz MONTAŻ).
- ▶ Nie należy instalować urządzenia w bezpośrednim świetle słonecznym lub w pobliżu źródeł ciepła (np. pieców, grzejników).
- ▶ Unikaj niepotrzebnie niskiej temperatury w urządzeniu. Zużycie energii zwiększa się wraz z ustawieniem niższej temperatury w urządzeniu.
- ▶ Funkcje takie jak Super Freeze zwiększają zużycie energii.
- ▶ Przed włożeniem ciepłej żywności do urządzenia należy poczekać, aż ostygnie.
- ▶ Otwieraj drzwi możliwie rzadko i na krótko.
- ▶ Nie przepelniaj urządzenia, aby nie blokować przepływu powietrza.
- ▶ Unikaj powietrza w opakowaniu z żywnością.
- ▶ Utrzymuj w czystości uszczelki drzwi, aby zapewnić ich prawidłowe zamykanie.
- ▶ Rozmrażaj mrożoną żywność w komorze chłodziarki.
- ▶ Najbardziej energooszczędna konfiguracja wymaga, aby pojemniki i półki były umieszczone w urządzeniu jak w stanie fabrycznym, a żywność powinna być rozmieszczona w taki sposób, aby nie blokowała wylotu kanału wentylacyjnego.



## OSTRZEŻENIE!

Przed czyszczeniem odłącz urządzenie od zasilania sieciowego.

### Czyszczenie

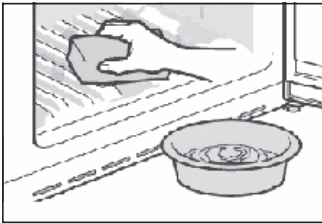
Urządzenie należy czyścić, gdy przechowywana jest niewielka ilość żywności lub nie ma jej wcale.

Urządzenie powinno być czyszczone co cztery tygodnie, aby zapewnić dobrą konserwację i zapobiec nieprzyjemnym zapachom przechowywanej żywności.



## OSTRZEŻENIE!

- ▶ Nie czyść urządzenia za pomocą twardych szczotek, szczotek drucianych, detergentów proszkowych, benzyny, octanu amylu, acetonu i podobnych roztworów organicznych, kwasu lub roztworów alkalicznych. Do czyszczenia należy używać specjalnego detergentu do chłodziarek, aby uniknąć uszkodzenia.
- ▶ Nie używaj aerozolu ani nie przepłukuj urządzenia podczas czyszczenia.
- ▶ Nie używaj wody lub pary do czyszczenia urządzenia.
- ▶ Nie czyść zimnych szklanych półek gorącą wodą. Nagła zmiana temperatury może spowodować pęknięcie szkła.
- ▶ Nie dotykaj wnętrza komory, zwłaszcza mokrymi rękami, ponieważ mogą one przymarznąć do jej powierzchni.
- ▶ W przypadku zwiększenia temperatury sprawdzić stan zamrożonych produktów.



- ▶ Uszczelka drzwi powinna być zawsze utrzymywana w czystości.
- ▶ Czyść wnętrze i obudowę urządzenia gąbką zanurzoną w ciepłej wodzie i neutralnym detergentem.
- ▶ 1. Czyść wnętrze i zewnętrzną część chłodziarki, w tym uszczelnienie drzwi, stojak na drzwi, szklane półki, pudełka itd., miękkim ręcznikiem lub gąbką zanurzoną w ciepłej wodzie (można dodać neutralny detergent do ciepłej wody).
- ▶ 2. W przypadku rozlania płynu usuń wszystkie zanieczyszczone elementy, bezpośrednio spłucz bieżącą wodą, osusz i włóż z powrotem do chłodziarki.
- ▶ 3. W przypadku rozlanego kremu (np. śmietany, topniejących lodów), należy wyjąć wszystkie zanieczyszczone części, włożyć je na chwilę do ciepłej wody o temperaturze ok. 40°C, następnie spłukać bieżącą wodą, osuszyć i włożyć z powrotem do chłodziarki.
- ▶ 4. W przypadku, gdy jakaś mała część lub element dostanie się do wnętrza chłodziarki (pomiędzy półki lub szuflady), użyć małego miękkiego pędzelka, aby go wyciągnąć. Jeśli nie udało się dotrzeć do tego elementu, prosimy o kontakt z serwisem Haier
- ▶ Spłucz i wysusz miękką ściereczką.
- ▶ Nie należy myć żadnych części urządzenia w zmywarce do naczyń.

- ▶ Odczekaj co najmniej 5 minut przed ponownym uruchomieniem urządzenia, ponieważ częste uruchamianie może uszkodzić sprężarkę.

### Rozmrażanie

Rozmrażanie komór chłodziarki i zamrażarki przebiega automatycznie; nie jest wymagana ręczna obsługa.

### Wymiana lampek LED



#### OSTRZEŻENIE!

Nie wolno samodzielnie wymieniać lampy LED, może to zrobić tylko producent lub autoryzowany serwis.

Jako źródło światła lampy wykorzystują diody LED, charakteryzujące się niskim zużyciem energii i długą żywotnością. W przypadku wystąpienia jakichkolwiek nieprawidłowości prosimy o kontakt z działem obsługi klienta. Zob. OBSŁUGA KLIENTA.

Parametry lamp:

Komora chłodziarki: 12V maks. 2W

Komora zamrażarki: 12 V maks. 2 W

### Dłuższa przerwa w użytkowaniu

Jeżeli nie używasz urządzenia przez dłuższy czas i nie chcesz korzystać z funkcji Holiday:

Wymij żywność.

Odłącz przewód zasilający.

Wyczyść urządzenie jak opisano powyżej.

Zostaw drzwi otwarte, aby zapobiec tworzeniu się wewnątrz nieprzyjemnych zapachów.



#### UWAGA

Wyłącz urządzenie tylko wtedy, gdy jest to absolutnie konieczne.

### Przenoszenie urządzenia

1. Wymij wszystkie produkty spożywcze i odłącz urządzenie od zasilania.
2. Zabezpiecz taśmą klejącą półki i inne ruchome części w zamrażarce.
3. Nie przechylaj chłodziarki pod kątem większym niż 45°, aby uniknąć uszkodzenia układu chłodniczego.



#### OSTRZEŻENIE!

- ▶ Nie podnoś urządzenia za klamki.
- ▶ Nigdy nie należy ustawiać urządzenia poziomo na ziemi.

Wiele problemów można rozwiązać samodzielnie, bez specjalistycznej wiedzy. W przypadku problemów prosimy sprawdzić wszystkie pokazane możliwości i postępować zgodnie z poniższymi instrukcjami przed skontaktowaniem się z obsługą posprzedażową. Zob. OBSŁUGA KLIENTA.



## OSTRZEŻENIE!

- ▶ Przed przystąpieniem do konserwacji wyłącz urządzenie i wyjmij wtyczkę z gniazdka sieciowego.
- ▶ Urządzenie elektryczne powinno być serwisowane tylko przez wykwalifikowanych ekspertów, ponieważ niewłaściwe naprawy mogą spowodować znaczne szkody.
- ▶ Jeśli kabel zasilania jest uszkodzony, musi on zostać wymieniony przez producenta, serwisanta lub inną wykwalifikowaną osobę w celu uniknięcia niebezpieczeństwa.

Problem	Potencjalna przyczyna	Możliwe rozwiązanie
Sprężarka nie działa.	<ul style="list-style-type: none"> <li>• Wtyczka sieciowa nie jest podłączona do gniazdka.</li> <li>• Urządzenie znajduje się w cyklu rozmrażania</li> </ul>	<ul style="list-style-type: none"> <li>• Podłącz wtyczkę sieciową.</li> <li>• Jest to normalne w przypadku automatycznego odszraniania</li> </ul>
Urządzenie działa często lub przez zbyt długi okres czasu.	<ul style="list-style-type: none"> <li>• Temperatura wewnątrz i na zewnątrz urządzenia jest za wysoka.</li> <li>• Urządzenie było odłączone od zasilania przez określony czas.</li> <li>• Drzwi urządzenia nie są szczelnie zamknięte.</li> <li>• Drzwi były za często otwierane lub pozostawały długo otwarte.</li> <li>• Ustawienie temperatury w komorze zamrażarki jest zbyt niskie.</li> <li>• Uszczelki drzwi są zabrudzone, zużyte, pęknięte lub niepasujące.</li> <li>• Wymagany przepływ powietrza nie jest gwarantowany.</li> </ul>	<ul style="list-style-type: none"> <li>• W tym przypadku to normalne, że urządzenie będzie pracować dłużej.</li> <li>• Całkowite schłodzenie urządzenia trwa zazwyczaj od 8 do 12 godzin.</li> <li>• Zamknij drzwi i upewnij się, że urządzenie jest ustawione na płaskiej powierzchni i jedzenie lub pojemniki nie blokują drzwi.</li> <li>• Nie otwieraj drzwi/szuflad zbyt często.</li> <li>• Ustaw wyższą temperaturę, aż do uzyskania zadowalającej temperatury w chłodziarce. Temperatura chłodziarki ustabilizuje się po 24 godzinach.</li> <li>• Wyczyść uszczelki drzwi/szuflady lub wymień je z pomocą serwisu obsługi klienta.</li> <li>• Zapewnij odpowiednią wentylację.</li> </ul>

Problem	Potencjalna przyczyna	Możliwe rozwiązanie
Wnętrze chłodziarki jest brudne i/lub nieprzyjemnie pachnie.	<ul style="list-style-type: none"> <li>• Wnętrze chłodziarki wymaga czyszczenia.</li> <li>• W chłodziarce przechowywana jest żywność o intensywnym zapachu.</li> </ul>	<ul style="list-style-type: none"> <li>• Wyczyść wnętrze chłodziarki.</li> <li>• Dokładnie owiń żywność.</li> </ul>
Wewnątrz urządzenia nie jest wystarczająco zimno.	<ul style="list-style-type: none"> <li>• Ustawiona temperatura jest za wysoka.</li> <li>• Była przechowywana zbyt ciepła żywność.</li> <li>• W chłodziarce umieszczono zbyt dużą ilość żywności.</li> <li>• Żywność jest zbyt blisko siebie.</li> <li>• Drzwi/szuflada urządzenia nie są szczelnie zamknięte.</li> <li>• Drzwi/szuflady były za często otwierane lub pozostawały długo otwarte.</li> </ul>	<ul style="list-style-type: none"> <li>• Ponownie ustaw temperaturę.</li> <li>• Zawsze schładzaj żywność przed jej włożeniem do urządzenia.</li> <li>• Zawsze przechowuj małe ilości żywności.</li> <li>• Pozostaw przestrzeń między produktami spożywczymi, umożliwiając przepływ powietrza.</li> <li>• Zamknij drzwi/szufladę.</li> <li>• Nie otwieraj drzwi/szuflad zbyt często.</li> </ul>
Wnętrze urządzenia jest za zimne.	<ul style="list-style-type: none"> <li>• Temperatura jest za niska.</li> <li>• Funkcja Super Freeze/Super Cool jest włączona lub działa zbyt długo.</li> </ul>	<ul style="list-style-type: none"> <li>• Ponownie ustaw temperaturę.</li> <li>• Wyłącz funkcję Super Freeze/Super Cool</li> </ul>
Powstawanie wilgoci na wewnętrznych ściankach komory.	<ul style="list-style-type: none"> <li>• Klimat jest zbyt ciepły i wilgotny.</li> <li>• Drzwi/szuflada urządzenia nie są szczelnie zamknięte.</li> <li>• Drzwi/szuflady były za często otwierane lub pozostawały długo otwarte.</li> <li>• Pojemniki na żywność lub płyny są otwarte.</li> </ul>	<ul style="list-style-type: none"> <li>• Zwiększ temperaturę.</li> <li>• Zamknij drzwi/szufladę.</li> <li>• Nie otwieraj drzwi/szuflad zbyt często.</li> <li>• Pozostaw gorącą żywność do ostygnięcia do temperatury pokojowej i przykryj żywność oraz płyny.</li> </ul>
Wilgoć gromadzi się na zewnętrznej powierzchni chłodziarki lub między drzwiami a szufladą.	<ul style="list-style-type: none"> <li>• Klimat jest zbyt ciepły i wilgotny.</li> <li>• Drzwi nie są szczelnie zamknięte. Zimne powietrze skrapla się wewnątrz urządzenia, a ciepłe powietrze na zewnątrz.</li> </ul>	<ul style="list-style-type: none"> <li>• Jest to normalne w wilgotnym klimacie i ulegnie zmianie, gdy wilgotność spadnie.</li> <li>• Upewnij się, że drzwi/szuflada są szczelnie zamknięte.</li> </ul>

Problem	Potencjalna przyczyna	Możliwe rozwiązanie
Lampki na wyświetlaczu działają, ale nie czuć chłodu.	<ul style="list-style-type: none"> <li>• Urządzenie jest w trybie demonstracyjnym.</li> </ul>	<ul style="list-style-type: none"> <li>• Sprawdź, w jakim stanie znajduje się urządzenie. Jeżeli jest w trybie demonstracyjnym, wyjdź z niego. Wyjście Otwórz drzwi chłodziarki, w stanie zablokowanym naciśnij drugi przycisk po prawej stronie i przytrzymaj go przez 8 sekund w ciągu 12 godzin od włączenia.</li> </ul>
Nadmierny lód i szron w komorze zamrażarki.	<ul style="list-style-type: none"> <li>• Artykuły spożywcze nie zostały odpowiednio zapakowane.</li> <li>• Drzwi/szuflada urządzenia nie są szczelnie zamknięte.</li> <li>• Drzwi/szuflady były za często otwierane lub pozostawały długo otwarte.</li> <li>• Uszczelki drzwi/szuflady są brudne, zużyte, pęknięte lub nieodpasowane.</li> <li>• Coś wewnątrz uniemożliwia prawidłowe zamknięcie drzwi/szuflady.</li> </ul>	<ul style="list-style-type: none"> <li>• Zawsze właściwie zapakuj artykuły spożywcze.</li> <li>• Zamknij drzwi/szufladę.</li> <li>• Nie otwieraj drzwi/szuflad zbyt często.</li> <li>• Wyczyść uszczelki drzwi lub wymień je na nowe.</li> <li>• Ponownie umieść półki, półki na drzwi lub pojemniki wewnętrzne, aby umożliwić zamknięcie drzwi/szuflady.</li> </ul>
Boki obudowy i listwa drzwiowa nagrzewają się.	<ul style="list-style-type: none"> <li>• -</li> </ul>	<ul style="list-style-type: none"> <li>• To normalne.</li> </ul>
Urządzenie wydaje dziwne dźwięki.	<ul style="list-style-type: none"> <li>• Urządzenie nie znajduje się na wypoziomowanym podłożu.</li> <li>• Urządzenie dotyka jakiegoś przedmiotu.</li> </ul>	<ul style="list-style-type: none"> <li>• Wyreguluj nóżki, aby wypoziomować urządzenie.</li> <li>• Usuń obiekty znajdujące się w pobliżu urządzenia.</li> </ul>
Słychać delikatny szum podobny do płynącej wody.	<ul style="list-style-type: none"> <li>• -</li> </ul>	<ul style="list-style-type: none"> <li>• To normalne.</li> </ul>
Usłyszysz sygnał alarmowy.	<ul style="list-style-type: none"> <li>• Drzwi komory chłodziarki są otwarte.</li> </ul>	<ul style="list-style-type: none"> <li>• Zamknij drzwi.</li> </ul>
Usłyszysz słaby szum.	<ul style="list-style-type: none"> <li>• Układ antykondensacyjny działa</li> </ul>	<ul style="list-style-type: none"> <li>• Zapobiega to kondensacji i jest normalne</li> </ul>
Oświetlenie wnętrza lub układ chłodzenia nie działa.	<ul style="list-style-type: none"> <li>• Wtyczka sieciowa nie jest podłączona do gniazdka.</li> <li>• Zasilanie nie jest w dobrym stanie.</li> <li>• Lampa LED nie działa.</li> </ul>	<ul style="list-style-type: none"> <li>• Podłącz wtyczkę sieciową.</li> <li>• Sprawdź zasilanie elektryczne w pomieszczeniu. Skontaktuj się z lokalnym dostawcą energii elektrycznej!</li> <li>• Wezwij serwis w celu wymiany lampki.</li> </ul>

Aby skontaktować się z pomocą techniczną, odwiedź naszą stronę internetową: <https://corporate.haier-europe.com/en/>

W sekcji „Strona internetowa” wybierz markę swojego produktu i kraj. Otworzy się strona internetowa, na której znajdziesz numer telefonu i formularz do kontaktu z pomocą techniczną.

### Przerwa w zasilaniu

W przypadku przerwy w dostawie prądu żywność powinna zachować bezpieczną temperaturę przez około 5 godzin. Podczas dłuższej przerwy w dostawie prądu, zwłaszcza latem, należy stosować się do poniższych wskazówek:

- ▶ Unikaj częstego otwierania drzwi/szuflady.
- ▶ Nie wkładaj do urządzenia dodatkowej żywności podczas przerwy w dostawie prądu.
- ▶ Jeśli przerwa w dostawie prądu została zgłoszona z wyprzedzeniem i trwa dłużej niż 5 godzin, należy przygotować trochę lodu i umieścić go w pojemniku w górnej części komory chłodziarki.
- ▶ Kontrola towaru jest wymagana niezwłocznie po przerwie.
- ▶ Ponieważ temperatura w chłodziarce wzrośnie podczas przerwy w zasilaniu lub innej awarii, okres przechowywania i jadalna jakość żywności ulegną skróceniu. Każda żywność, która się rozmraża, powinna zostać spożyta lub ugotowana i ponownie zamrożona (w stosownych przypadkach) wkrótce po tym, aby zapobiec zagrożeniom dla zdrowia.

### Funkcja pamięci podczas przerwy w zasilaniu

Po przywróceniu zasilania urządzenie kontynuuje ustawienia ustawione przed awarią zasilania.

## Rozpakowanie

**OSTRZEŻENIE!**

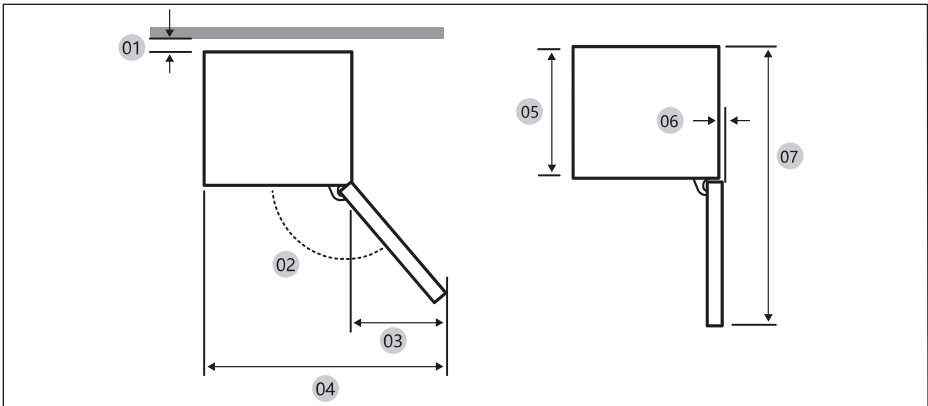
- ▶ Urządzenie jest ciężkie. Prace powinny być wykonywane przez co najmniej dwie osoby.
- ▶ Wszystkie materiały opakowaniowe należy przechowywać poza zasięgiem dzieci i utylizować w sposób przyjazny dla środowiska.
- ▶ Wyjmij urządzenie z opakowania.
- ▶ Usuń całe opakowanie.

## Warunki środowiskowe

Temperatura w pomieszczeniu powinna zawsze wynosić od 10 °C do 43 °C, ponieważ może wpływać na temperaturę wewnątrz urządzenia i zużycie energii. Nie ustawiaj urządzenia w pobliżu innych urządzeń bez izolacji emitujących ciepło (piekarniki, chłodziarki).

## Wymagana przestrzeń

Wymagana przestrzeń po otwarciu drzwi (bez panelu drzwi szafki)

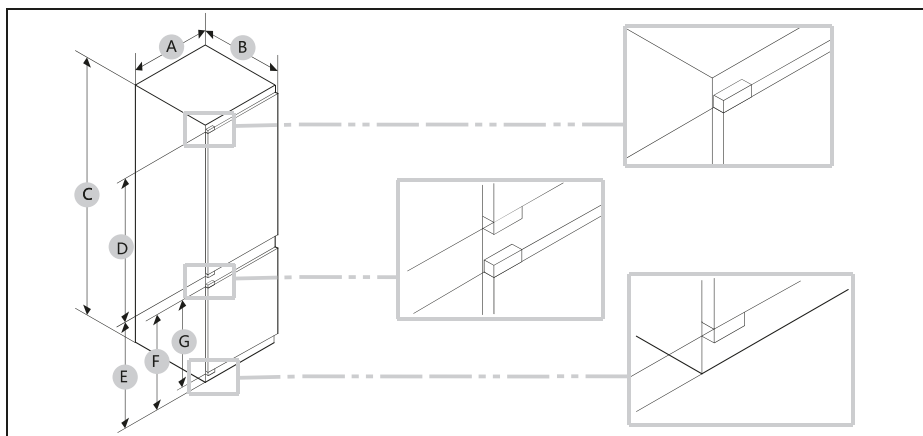


Model	EHBQW5518E HBQW5518E HBQW5518EK HQE1855BCMW EHQE1855BCMW	HBQW5519E HBQW5519EK EHBQW5519E EHBQW5519ECM	HBQW5719E
01 *	10 (min.) / 30 (zalecane)	10 (min.) / 30 (zalecane)	10 (min.) / 30 (zalecane)
02	95° (Zalecane)	95° (Zalecane)	95° (Zalecane)
03	43	43	55
04	583	583	745
05	515	515	515
06	-3	-3	-3
07	1060	1060	1210

\* 01: Od szafki do tyłu produktu.

(jednostka: mm)

## Wymiar produktu



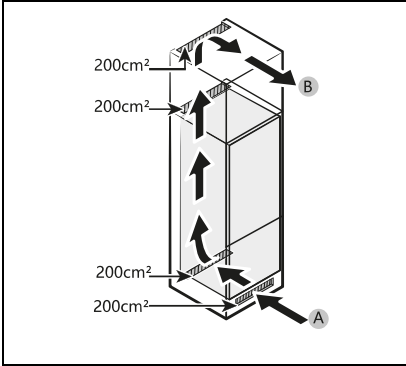
Model	A (mm)	B (mm)	C (mm)	D (mm)	E (mm)	F (mm)	G (mm)
EHBQW5518E HBQW5518E HBQW5518EK HQE1855BCMW EHQE1855BCMW	540±2	550±2	1772±2	970	745	662	618
HBQW5519E HBQW5519EK EHBQW5519E EHBQW5519ECM	540±2	550±2	1935±2	1133	745	662	618
HBQW5719E	690±2	550±2	1935±2	1133	745	662	618

**i UWAGA**

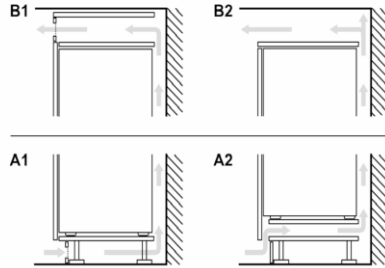
- Podane zużycie energii opiera się na warunku odstępu 10 mm między szafką a tyłem produktu. Produkt będzie działał poprawnie nawet przy szczelinie mniejszej niż 10 mm, jednak zużywa nieco więcej energii.
- Zalecamy użycie szafki o grubości 18 mm z zawiasami o grubości mniejszej niż 20 mm.
- Wymiary podane w powyższej tabeli mogą się różnić w zależności od metody pomiaru.
- Informacje na temat instalacji wbudowanej można znaleźć w Podręczniku instalacji.

## Przekrój wentylatora

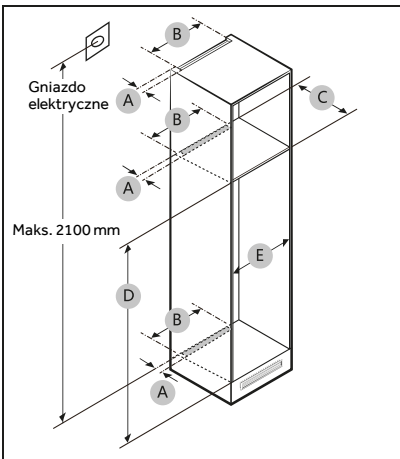
Aby zapewnić wystarczającą wentylację urządzenia ze względów bezpieczeństwa, należy przestrzegać informacji o wymaganych przekrojach wentylacji.



A: Wlot powietrza  $\geq 200 \text{ cm}^2$ ; Opcje wentylacji  
B: Wylot powietrza  $\geq 200 \text{ cm}^2$ ; Opcje wentylacji



## Wymiar szafki



## OSTRZEŻENIE!

Jakakolwiek awaria produktu spowodowana poniższymi czynnikami nie jest objęta gwarancją.

1. Niewłaściwe warunki w miejscu montażu lub nieprawidłowe wymiary szafek.
2. Wadliwa szafka.
3. Błędy instalatora lub użytkownika.

## Przeświet

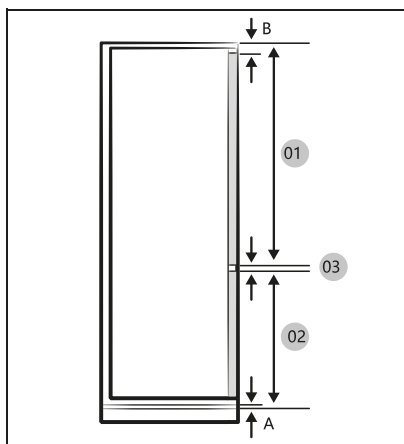
Poniższe zdjęcia i tabele przedstawiają wymagania przestrzenne dotyczące montażu.

Model		A (mm)	B (mm)	C (mm)	D (mm)	E (mm)	Uwaga
EHBQW5518E HBQW5518E HBQW5518EK HQE1855BCMW EHQE1855BCMW	Min.	50	400	560	1778	560	Zawias: 17 mm
	Zalecane			580	1780	562	
	Maks.			-	1782	568	
HBQW5519E HBQW5519EK EHBQW5519E EHBQW5519ECM	Min.	50	400	560	1940	560	Zawias: 17 mm
	Zalecane			580	1943	562	
	Maks.			-	1945	568	
HBQW5719E	Min.	50	400	560	1941	710	Zawias: 17 mm
	Zalecane			580	1943	714	
	Maks.			-	1945	718	



## UWAGA

- Jeśli szerokość szafki jest większa niż 568 mm, uszczelka (między chłodziarką a szafką) może się poluzować.
- Jeżeli szafka jest wyższa od maksymalnego wymiaru (1782 mm), należy zastosować inne materiały wykończeniowe, aby wypełnić szczelinę. (dotyczy modeli EHBQW5518E/ HBQW5518E/ EK/ EHQE/ HQE1855BCMW)
- Jeśli szafka jest wyższa od maksymalnego wymiaru (1945 mm), należy zastosować inne materiały wykończeniowe, aby wypełnić szczelinę. (dla HBQW5519E/ EK/ EHBQW5519E/ ECM)



## UWAGA

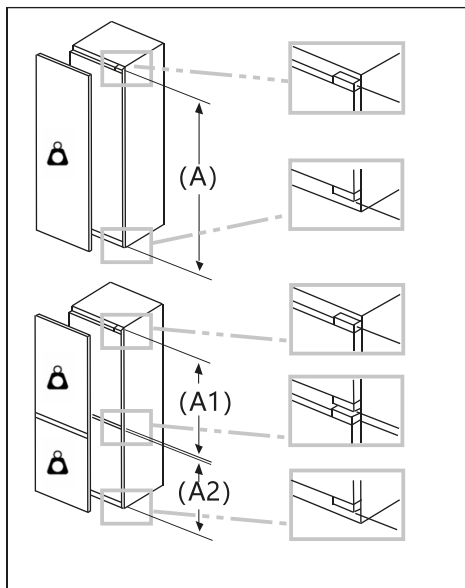
Aby zainstalować szafkę wymagającą odstępu 4 mm (03), zapoznaj się z poniższą tabelą referencyjną szafy.

- A Dolna krawędź panelu przedniego nad kratką wentylacyjną  
B Zwis panelu przedniego

(jednostka: mm)

Model	EHBQW5518E HBQW5518E HBQW5518EK HQE1855BCMW EHQE1855BCMW	HBQW5519E HBQW5519EK EHBQW5519E EHBQW5519ECM HBQW5719E
01	Min. 1028+B Maks. 1106+B	Min. 1191+B Maks. 1269+B
02	Min. 662+A Maks. 740+A	Min. 662+A Maks. 740+A
03	4 mm (szczelina w panelu drzwi chłodziarki i zamrażarki)	

## Maksymalna dopuszczalna waga frontów urządzenia

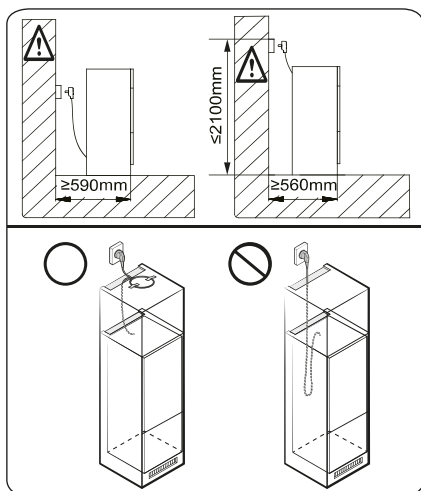


Zamontowane fronty mebli o wadze przekraczającej dopuszczalną masę mogą spowodować uszkodzenia i pogorszenie funkcjonalności zawiasów.

**Waga**  
(kg)

1500-1750 mm	22
720-1400 mm	19
A1	15
A2	15

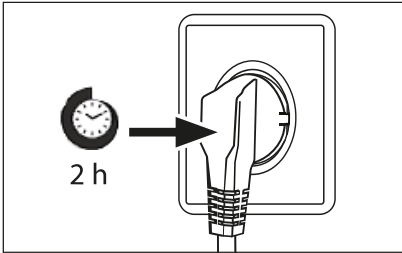
## Uwzględnienie lokalizacji gniazdka elektrycznego i wymaganej przestrzeni



### **i UWAGA**

Jeśli instalujesz chłodziarkę w szafce o głębokości 560 mm, przed podłączeniem do gniazdka elektrycznego upewnij się, że przewód zasilający jest ułożony z boku chłodziarki. Jeśli przewód zasilający znajduje się z tyłu chłodziarki, może to zmniejszyć efektywność energetyczną.

## Czas oczekiwania



W zbiorniku sprężarki znajduje się olej bezobsługowy. Olej ten może przedostać się poprzez zamknięty system rur podczas transportu w pozycji przechylonej. Przed podłączeniem urządzenia do zasilania trzeba odczekać co najmniej 2 godziny, aby olej spłynął z powrotem do zbiornika.

## Podłączenie do prądu

Przed każdym podłączeniem sprawdź, czy:

- ▶ zasilacz, gniazdo i bezpieczniki odpowiadają parametrom podanym na tabliczce znamionowej.
- ▶ gniazdko jest uziemione i nie zastosowano rozgałęźnika lub przedłużacza.
- ▶ wtyczka i gniazdko są ściśle zgodne.

Podłącz wtyczkę do prawidłowo zainstalowanego gniazdka domowego.



## **OSTRZEŻENIE!**

Aby uniknąć ryzyka, uszkodzony przewód zasilający musi być wymieniony przez serwis (zob. karta gwarancyjna).

Karta produktu zgodnie z rozporządzeniem UE nr 2019/2016

Marka	Haier		
Nazwa/identyfikator modelu	EHBQW5518E HBQW5518E HBQW5518EK HQE1855BCMW EHQE1855BCMW	HBQW5519E HBQW5519EK EHBQW5519E EHBQW5519ECM	HBQW5719E
Kategoria modelu	Chłodziarko - zamrażarka		
Klasa efektywności energetycznej	E	E	E
Roczne zużycie energii (kWh/rok) (1)	229	229	259
Całkowita pojemność (L)	268	285	382
Pojemność chłodziarki (l)	194	211	281
Pojemność zamrażarki (L)	74	74	101
Pojemność sekcji agregatu chłodniczego (L)	/	/	/
Objętość automatycznej kostkarki do lodu (L)	/	/	/
Oznakowanie gwiazdkami	4	4	4
Temperatura pozostałych komór > 14°C	Nie dotyczy		
System bez szronu	Tak		
Wydajność zamrażania (kg/24h)			
Klasyfikacja klimatyczna (2)	SN/N/ST/T	SN/N/ST/T	SN/N/ST/T
Klasa emisji hałasu i emisja hałasu akustycznego w powietrzu (db(A)re1pW)	B(35)	B(35)	B(33)
Czas wzrostu temperatury (h)	12	12	9
Wydajność wytwarzania lodu	/	/	/
Typ urządzenia	Do zabudowy		

Nazwa modelu	Klasa efektywności energetycznej
EHBQW5518E HBQW5518E HBQW5518EK HQE1855BCMWW EHQE1855BCMWW	E
HBQW5519E HBQW5519EK EHBQW5519E EHBQW5519ECM HBQW5719E	E

Objaśnienie:

- Tak, wyróżnione

(1) Na podstawie wyników badania zgodności norm w ciągu 24 godzin.  
Rzeczywiste zużycie zależy od użytkowania i lokalizacji urządzenia.

(2) Klasa klimatyczna SN: To urządzenie jest przeznaczone do użytku w temperaturze otoczenia od +10°C do +32°C

Klasa klimatyczna N: To urządzenie jest przeznaczone do użytku w temperaturze otoczenia od +16°C do +32°C

Klasa klimatyczna ST: To urządzenie jest przeznaczone do użytku w temperaturze otoczenia od +16°C do +38°C

Klasa klimatyczna T: To urządzenie jest przeznaczone do użytku w temperaturze otoczenia od +16°C do +43°C

#### Dodatkowe dane techniczne

Napięcie / Częstotliwość	220-240V ~/50Hz
Natężenie wejściowe (A)	1.2/1.6
Bezpiecznik główny (A)	16
Płyn chłodzący	R600a
Wymiary (wys./szer./gł. w mm)	EHBQW5518E/ HBQW5518E/ EK EHQE/ HQE1855BCMWW: 1773/540/555
	HBQW5519E/ EK/ EHBQW5519E/ ECM: 1935/540/555
	EHBQW5719E : 1935/690/550

Polecamy nasz system Obsługi Klienta Haier i stosowanie oryginalnych części zamiennych.

Jeśli masz problem z urządzeniem, najpierw sprawdź sekcję ROZWIĄZYWANIE PROBLEMÓW.

Jeżeli nie możesz znaleźć rozwiązania, skontaktuj się

- ▶ z lokalnym sprzedawcą lub
- ▶ naszym Europejskim Centrum Obsługi Klienta (zob. poniżej wymienione numery telefonów) lub
- ▶ obszarem serwisu i wsparcia na stronie [www.haier.com](http://www.haier.com), gdzie można aktywować zgłoszenie
- ▶ serwisowe i znaleźć odpowiedzi na najczęściej zadawane pytania.

Zanim skontaktujesz się z naszym działem obsługi, upewnij się, że masz następujące dane.

Informacje można znaleźć na tabliczce znamionowej.

Model \_\_\_\_\_

Nr seryjny \_\_\_\_\_

Sprawdź także kartę gwarancyjną dostarczoną z produktem.

Europejskie Centrum Obsługi Klienta		
Kraj*	Numer telefonu	Koszty
Haier Italy (IT)	199 100912	
Haier Spain (ES)	902 509 123	
Haier Germany (DE)	0180 5 39 39 99	<ul style="list-style-type: none"> <li>• 14 centów/min. telefon stacjonarny</li> <li>• maks. 42 centów/min. telefon komórkowy</li> </ul>
Haier Austria (AT)	0820 001205	<ul style="list-style-type: none"> <li>• 14,53 centów/min. telefon stacjonarny</li> <li>• maks. 20 centów/min. wszystkie pozostałe</li> </ul>
Haier United Kingdom (UK)	0333 003 8122	
Haier France (FR)	0980 406 409	

\*Numery innych krajów można znaleźć na stronie [www.haier.com](http://www.haier.com)

Haier Europe Trading S.r.l

Oddział Wielka Brytania

Westgate House, Westgate, Ealing

Londyn, W5 1YY

\*Okres gwarancji na urządzenie chłodnicze:

Minimalna gwarancja wynosi: 2 lata dla krajów UE, 3 lata dla Turcji, 1 rok dla Wielkiej Brytanii, 1 rok dla Rosji, 3 lata dla Szwecji, 2 lata dla Serbii, 5 lat dla Norwegii, 1 rok dla Maroka, 6 miesięcy dla Algierii, w Tunezji nie jest wymagana gwarancja prawna.

\*Okres dla części zamiennych do naprawy urządzenia:

Termostaty, czujniki temperatury, płytki drukowane i źródła światła są dostępne przez okres co najmniej siedem lat od wprowadzenia na rynek ostatniego egzemplarza modelu.

Klamki, zawiasy drzwi, tace i kosze przez okres co najmniej siedem lat, a uszczelki drzwi przez okres co najmniej 10 lat od wprowadzenia na rynek ostatniego egzemplarza modelu.

\*Aby uzyskać więcej informacji o produkcie, odwiedź stronę internetową <https://eprel.ec.europe.eu/> lub zeskanuj kod QR na etykiecie wydajności energetycznej dołączonej do urządzenia.



**Haier**



2024 Wersja A

# Haier

## Manual do Utilizador

### Frigorífico - Congelador

EHBQW5518E

HBQW5518E

HBQW5518EK

HQE1855BCMW

EHQE1855BCMW

HBQW5519E

HBQW5519EK

EHBQW5519E

EHBQW5519ECM

HBQW5719E

PT

<u>4</u>	<u>Informações de segurança</u>	•	<u>Antes da primeira utilização</u>	5
			<u>Instalação</u>	5
			<u>Utilização diária</u>	6
			<u>Informações sobre gases refrigerantes</u>	8
<u>9</u>	<u>Utilização prevista</u>	•		
<u>10</u>	<u>Descrição do produto</u>	•		
<u>12</u>	<u>Painel de controlo</u>	•		
<u>13</u>	<u>Utilização</u>	•	<u>Bloquear/desbloquear o painel</u>	13
			<u>Ajustar a temperatura do frigorífico</u>	13
			<u>Ajustar a temperatura do congelador</u>	14
			<u>Função Wi-Fi</u>	15
			<u>Função Holiday</u>	15
			<u>Função Super Cool</u>	16
			<u>Função Super Freeze</u>	16
<u>18</u>	<u>Equipamento</u>	•		
<u>20</u>	<u>Dicas de poupança de energia</u>	•		
<u>21</u>	<u>Cuidados e limpeza</u>	•		
<u>23</u>	<u>Resolução de problemas</u>	•		
<u>27</u>	<u>Instalação</u>	•		
<u>34</u>	<u>Dados técnicos</u>	•		
<u>36</u>	<u>Assistência ao cliente</u>	•		

## Obrigado por comprar um produto Haier.

Leia atentamente estas instruções antes de utilizar este aparelho. As instruções contêm informações importantes que irão ajudá-lo a obter o melhor proveito do aparelho e garantir a instalação, o uso e a manutenção seguros e adequados.

Mantenha este manual num local conveniente para que o possa sempre consultar para uma utilização segura e adequada do aparelho.

Se vender, oferecer ou deixar o aparelho para trás, caso mude de casa, certifique-se de que entrega também este manual para que o novo proprietário se possa familiarizar com o aparelho e os avisos de segurança.

## Acessórios

Verifique os acessórios e a literatura de acordo com esta lista:



**AVISO - Informação importante de segurança****NOTA - Informações gerais e dicas****Informação ambiental****Eliminação**

Ajude a proteger o ambiente e a saúde humana. Coloque a embalagem em recipientes adequados para reciclagem. Ajude a reciclar resíduos de aparelhos elétricos e eletrônicos. Não elimine os aparelhos identificados com este símbolo com o lixo doméstico. Entregue o produto na sua unidade de reciclagem local ou entre em contacto com seu gabinete municipal.

**AVISO!**

Risco de lesão ou sufocação!

Os refrigerantes e os gases devem ser eliminados de forma profissional. Certifique-se de que os tubos do circuito refrigerante não estão danificados antes de serem devidamente eliminados. Desligue o aparelho da alimentação elétrica. Corte o cabo de alimentação de rede e elimine-o. Remova as bandejas e gavetas, bem como a pega e vedantes da porta, para evitar que crianças e animais de estimação se fechem no interior do aparelho.

**Antes de ligar o aparelho pela primeira vez, leia as seguintes dicas de segurança!:**



## AVISO!

### Antes da primeira utilização

- ▶ Certifique-se de que não há danos provocados pelo transporte.
- ▶ Aguarde no mínimo duas horas antes de instalar o aparelho, de forma a garantir que o circuito refrigerante está com eficiência total.
- ▶ Manuseie o aparelho sempre com pelo menos duas pessoas porque é pesado.
- ▶ Remova todos os materiais de embalagem e mantenha fora do alcance das crianças e elimine-os de forma ecológica.
- ▶ Limpe o interior e o exterior do aparelho com água e um detergente suave antes de colocar qualquer alimento no seu interior.
- ▶ Após o aparelho ter sido nivelado e limpo, aguarde pelo menos 2 a 5 horas antes de o ligar à rede elétrica. Consulte a secção INSTALAÇÃO.
- ▶ Pré-arrefeça os compartimentos em definições elevadas antes de carregar com alimentos. A função Power-Freeze ajuda a arrefecer rapidamente os compartimentos.
- ▶ A temperatura do frigorífico e a temperatura do congelador são automaticamente definidas para 5°C e -18°C, respetivamente. Estas são as definições recomendadas. Se desejar, pode alterar estas temperaturas manualmente. Ver AJUSTAR A TEMPERATURA.

### Instalação

- ▶ O aparelho deve ser colocado num local bem ventilado. Certifique-se de que existe um espaço de, pelo menos, 10 cm por cima e ao redor do aparelho.
- ▶ Nunca coloque o aparelho numa área húmida ou num local onde possa ser salpicado com água. Limpe e seque as salpicos de água e manchas com um pano macio limpo.
- ▶ Não instale o aparelho sob luz solar direta ou na proximidade de fontes de calor (por exemplo, fogões, aquecedores).
- ▶ Instale e nivele o aparelho numa área adequada para o seu tamanho e utilização.
- ▶ Mantenha as aberturas de ventilação no aparelho ou na estrutura embutida livres de obstruções.
- ▶ Certifique-se de que as informações elétricas na placa de classificação correspondem à rede elétrica. Se não, entre em contato com um electricista.
- ▶ O aparelho é operado por uma fonte de alimentação de 220-240 VAC/50 Hz. Uma flutuação da tensão anormal pode fazer com que o aparelho não ligue ou danifique o controlo da temperatura ou o compressor, ou pode haver um ruído anormal durante o funcionamento. Nesse caso, deve ser montado um regulador automático.
- ▶ Não use adaptadores de fichas múltiplas nem cabos de extensão.
- ▶ Não coloque tomadas triplas múltiplas portáteis ou fontes de alimentação portáteis na parte traseira do aparelho.
- ▶ Certifique-se de que o cabo de alimentação não fica preso pelo frigorífico. Não pise o cabo de alimentação.



## AVISO!

- ▶ Use uma tomada de terra separada para a rede elétrica que seja fácil de aceder. Este aparelho deve ser ligado à terra.  
Apenas para o Reino Unido: O cabo de alimentação do aparelho está equipado com uma ficha de 3 cabos (terra) que se encaixa numa tomada standard de 3 cabos (ligada à terra). Nunca corte ou desmonte o terceiro pino (terra). Após a instalação do aparelho, a tomada deve ficar acessível.
- ▶ Não danifique o circuito refrigerante.

### Utilização diária

- ▶ Este aparelho pode ser utilizado por crianças de idade igual ou superior a 8 anos e por pessoas com capacidades físicas, sensoriais ou mentais reduzidas ou falta de experiência e conhecimento, caso lhes tenha sido fornecida supervisão ou instruções relativas à utilização do aparelho de forma segura e desde que compreendam os perigos envolvidos.
- ▶ As crianças de 3 a 8 anos são autorizadas a carregar e descarregar, mas não podem limpar e instalar os aparelhos de refrigeração.
- ▶ Mantenha as crianças com menos de 3 anos de idade afastadas do aparelho, a menos que estejam constantemente sob supervisão.
- ▶ As crianças não devem brincar com o aparelho.
- ▶ Se o gás refrigerante ou outro gás inflamável verter perto do aparelho, desligue a válvula do gás de fuga, abra as portas e janelas e não desligue uma ficha no cabo de alimentação do frigorífico ou de qualquer outro aparelho.
- ▶ Notar que o aparelho está definido para funcionar num intervalo de temperatura ambiente específico entre 10 °C e 43 °C. O aparelho não pode funcionar corretamente se for deixado por um longo período a uma temperatura acima ou abaixo do intervalo indicado.
- ▶ Não coloque artigos instáveis (objetos pesados, recipientes cheios de água) em cima do frigorífico, para evitar lesões pessoais causadas por queda ou choque elétrico causado pelo contacto com a água.
- ▶ Não puxe pelas prateleiras da porta. A porta pode inclinar-se, o suporte de garrafas pode sair para fora ou o aparelho pode tombar.
- ▶ Abra e feche as portas apenas pelas pegas. O espaço entre as portas e entre as portas e o armário é muito estreito. Não ponha as mãos nessas áreas para evitar entalar os dedos. Abra ou feche as portas do frigorífico apenas quando não houver crianças dentro do alcance do movimento das portas.
- ▶ Não guarde nem use materiais inflamáveis, explosivos ou corrosivos no aparelho ou nas proximidades.
- ▶ Não guarde medicamentos, bactérias ou agentes químicos no aparelho. Este aparelho é um eletrodoméstico. Não é recomendado armazenar materiais que necessitem de temperaturas rigorosas.
- ▶ Nunca guarde líquidos em garrafas ou latas (exceto bebidas alcoólicas) especialmente bebidas gaseificadas no congelador, porque estas rebentam quando congeladas.
- ▶ Verifique o estado dos alimentos caso ocorra aquecimento no congelador.



## AVISO!

- ▶ Não ajuste uma temperatura desnecessariamente baixa no frigorífico. Podem ocorrer temperaturas negativas com altas definições. Atenção: As garrafas podem rebentar
- ▶ Não toque em artigos congelados com as mãos húmidas (use luvas). Especialmente não coma gelados de gelo imediatamente depois de os retirar do congelador. Existe o risco de congelar ou de se formarem bolhas de queimadura por gelo. PRIMEIROS socorros: passar imediatamente por água fria corrente. Não puxe!
- ▶ Não toque na superfície interna do compartimento do congelador, quando em funcionamento, especialmente com as mãos molhadas, pois as mãos podem congelar na superfície.
- ▶ Desligue o aparelho em caso de interrupção da energia ou antes da limpeza. Deixe passar pelo menos 7 minutos antes de reiniciar o aparelho, pois o arranque frequente pode danificar o compressor.
- ▶ Não utilize dispositivos elétricos no interior dos compartimentos para armazenamento de comida do aparelho, a não ser que sejam do tipo recomendado pelo fabricante.

## Manutenção/limpeza

- ▶ Certifique-se de que as crianças estão vigiadas caso estejam a realizar a limpeza e manutenção.
- ▶ Desligue o aparelho da alimentação elétrica antes de realizar qualquer manutenção de rotina. Deixe passar pelo menos 5 minutos antes de voltar a ligar o aparelho pois o arranque frequente pode danificar o compressor.
- ▶ Segure a ficha, não o cabo, ao desligar o aparelho.
- ▶ Não limpe o aparelho com escovas duras, escovas de arame, detergente em pó, gasolina, acetato de amilo, acetona e soluções orgânicas semelhantes, soluções ácidas ou alcalinas. Limpe com detergente especial do frigorífico para evitar danos.
- ▶ Não raspe o gelo com objetos afiados. Não use sprays, aquecedores elétricos, como secadores de cabelo, dispositivos de limpeza a vapor ou outras fontes de calor, de forma a evitar danos às peças plásticas.
- ▶ Não utilize dispositivos mecânicos ou outros meios para acelerar o processo de descongelação, que não os recomendados pelo fabricante.
- ▶ Se o cabo de alimentação estiver danificado, tem de ser substituído pelo fabricante, pelo agente de serviço ou por pessoas igualmente qualificadas de forma a evitar o perigo.
- ▶ Não tente reparar, desmontar ou modificar o aparelho sozinho. Em caso de reparação, entre em contato com a nossa assistência ao cliente.
- ▶ Elimine o pó na parte de trás da unidade pelo menos uma vez no ano para evitar perigo de incêndio, bem como o aumento do consumo de energia.
- ▶ Não pulverize ou lave o aparelho durante a limpeza.
- ▶ Não use spray de água ou vapor para limpar o aparelho.
- ▶ Não lave prateleiras de vidro frias com água quente. A mudança súbita de temperatura pode fazer com que o vidro se quebre.

## Informações sobre gases refrigerantes



### AVISO!

O aparelho contém o refrigerante inflamável ISOBUTANO (R600a). Certifique-se de que o circuito refrigerante não fica danificado durante o transporte ou instalação. A fuga de refrigerante pode causar lesões oculares ou inflamações. Se ocorrer um dano, mantenha afastadas fontes de chama aberta, ventile completamente a sala, não ligue ou desligue os cabos de alimentação do eletrodoméstico ou de qualquer outro aparelho. Informe a assistência ao cliente.

No caso de os olhos entrarem em contacto com o fluido refrigerante, lave-os imediatamente sob água corrente e contacte imediatamente um oftalmologista.

## Utilização prevista

Este aparelho destina-se a arrefecer e congelar alimentos. Foi desenhado exclusivamente para uso em aplicações domésticas e semelhantes, como áreas de cozinha para pessoal em lojas, escritórios e outros ambientes de trabalho; casas agrícolas e por clientes em hotéis, motéis e outros ambientes de tipo residencial, bem como em negócios de pousada e de catering. Não se destina a utilização comercial ou industrial.

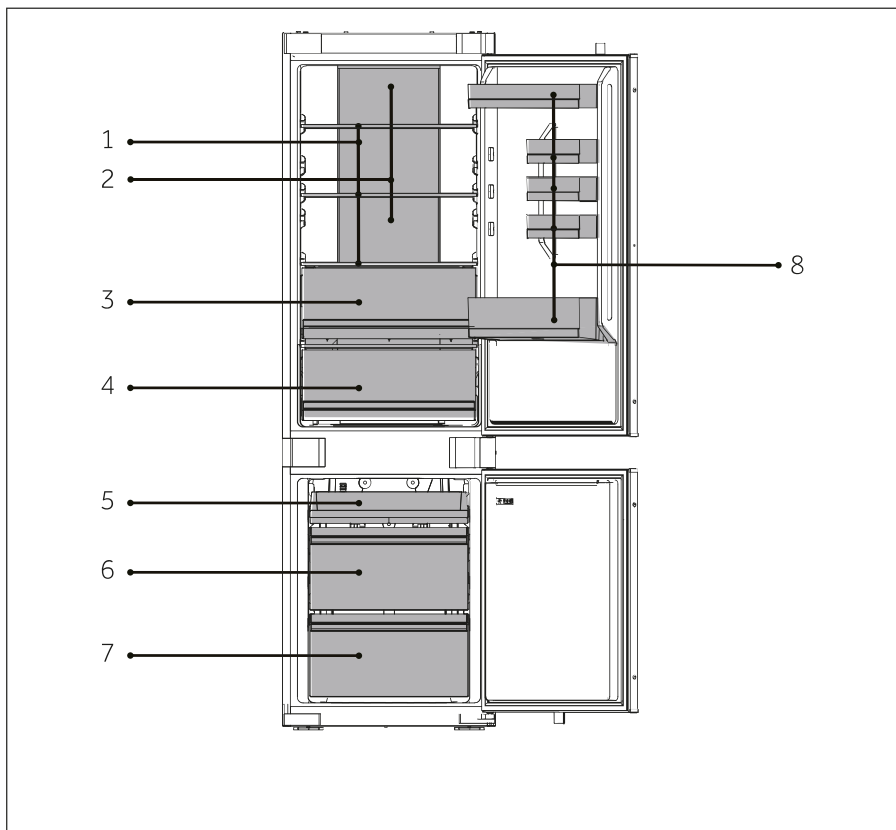
Não são permitidas alterações ou modificações no aparelho. Uma utilização indevida pode causar riscos e perda de reivindicações de garantia.

## Normas e diretivas ou

Este produto cumpre os requisitos de todas as diretivas CE aplicáveis com as normas harmonizadas correspondentes e normas UK, que permitem a marcação CE ou UKCA.

**i** AVISO

Devido a alterações técnicas e a modelos diferentes, algumas das ilustrações neste manual podem ser diferentes do seu modelo.



EHBQW5518E/HBQW5518E/HBQW5518EK/HQE1855BCMW/EHQE1855BCMW

**A:** Câmara de refrigeração

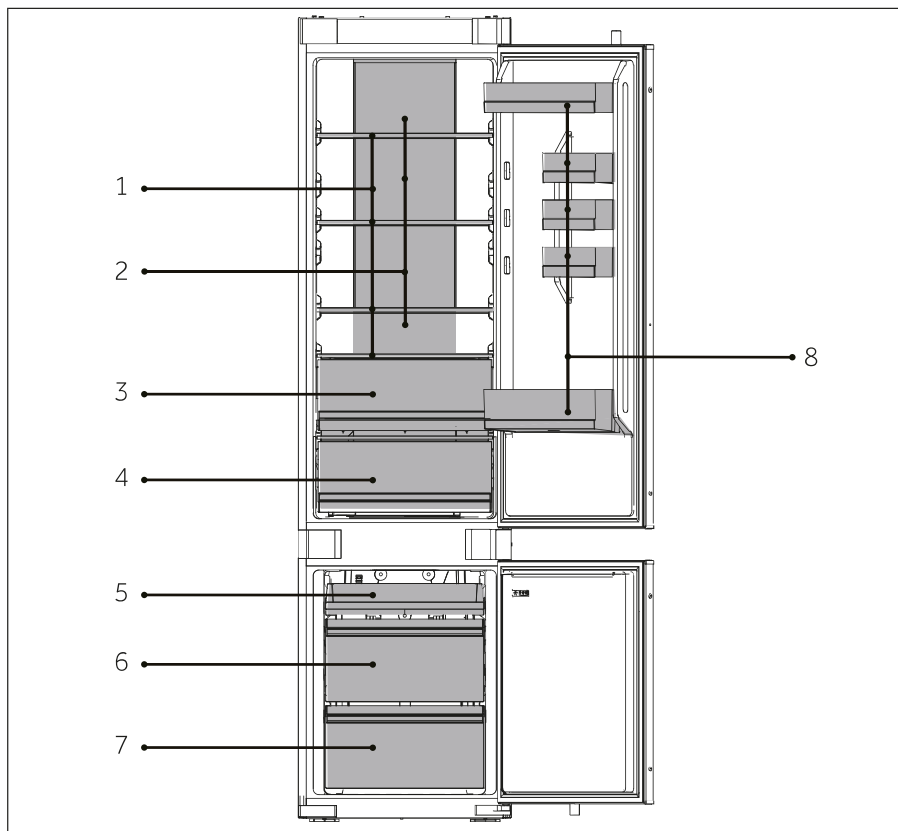
- 1 Prateleiras normais
- 2 Conduta de ar refrigerado
- 3 Gaveta Humidity Zone
- 4 Gaveta Fresh Box
- 8 Suporte para garrafas

**B:** Câmara de congelação

- 5 Tabuleiro superior do congelador
- 6 Gaveta do congelador intermédia
- 7 Gaveta do congelador inferior

**i** AVISO

Devido a alterações técnicas e a modelos diferentes, algumas das ilustrações neste manual podem ser diferentes do seu modelo.



HBQW5519E/ HBQW5519EK/ EHBQW5519E/ EHBQW5519ECM/ HBQW5719E

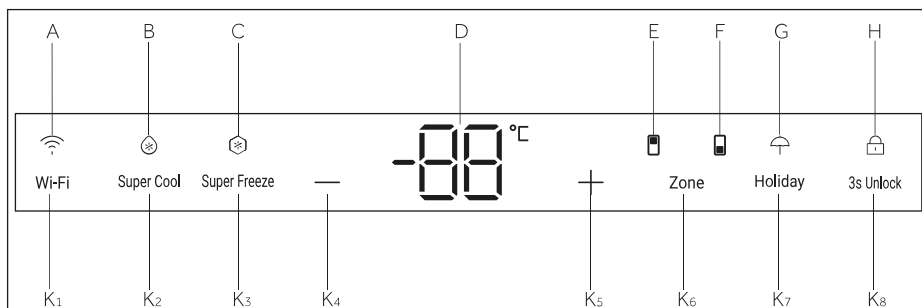
**A:** Câmara de refrigeração

- 1 Prateleiras normais
- 2 Conduta de ar refrigerado
- 3 Gaveta Humidity Zone
- 4 Gaveta Fresh Box
- 8 Suporte para garrafas

**B:** Câmara de congelação

- 5 Tabuleiro superior do congelador
- 6 Gaveta do congelador intermédia
- 7 Gaveta do congelador inferior

## Painel de controlo



### Indicadores:

- A Função Wi-Fi
- B Função Super Cool
- C Função Super Freeze
- D Indicação da temperatura
- E Indicador de frigorífico
- F Indicador do congelador
- G Função Holiday
- H Bloquear e desbloquear

### Botões:

- K<sub>1</sub> Botão de definição de Wi-Fi
- K<sub>2</sub> Botão de seleção Super Cool
- K<sub>3</sub> Botão de seleção Super Freeze
- K<sub>4</sub> Botão de ajuste de temperatura "-"
- K<sub>5</sub> Botão de ajuste de temperatura "+"
- K<sub>6</sub> Botão de seleção de zona
- K<sub>7</sub> Botão de função Holiday
- K<sub>8</sub> Botão de bloqueio e desbloqueio

## Botões do sensor

Os botões no painel de controlo são teclas de sensor que respondem logo quando tocadas levemente com o dedo.

## Ligar/Desligar o aparelho

O aparelho fica em funcionamento assim que for ligado à rede elétrica.

Quando o frigorífico é ligado pela primeira vez, o indicador "D" (visor de temperatura) acende-se. A temperatura do frigorífico e a temperatura do congelador são automaticamente regulados para 5 °C e -18 °C, respetivamente.

 **AVISO**

Quando o aparelho é ligado após a desconexão da fonte de alimentação principal, pode levar até 12 horas para que as temperaturas corretas sejam alcançadas.

Esvazie o aparelho antes de desligar. Para desligar o aparelho, puxe o cabo de alimentação para fora da tomada de alimentação.

**Bloquear/desbloquear o painel**

**Bloqueio automático:** Quando a porta do frigorífico e a porta do congelador estão fechadas e não há nenhuma operação de tecla dentro de 30 segundos, o ecrã do visor apaga-se e bloqueia automaticamente.

**Bloqueio manual:** Quando o ecrã do visor está desbloqueado, prima o botão "K<sub>8</sub>" (3S Unlock) e mantenha premido durante 3 segundos, o sinal sonoro toca uma vez, o indicador "H" (Bloqueio do painel) acende-se e o visor fica bloqueado.

**Desbloquear:** Quando o ecrã do visor está bloqueado, prima o botão "K<sub>8</sub>" (3S Unlock) e mantenha premido durante 3 segundos, o sinal sonoro toca uma vez, o indicador "H" (bloqueio do painel) apaga-se e o visor fica desbloqueado.

**Ajustar a temperatura**

As temperaturas interiores são influenciadas pelos seguintes fatores:

Temperatura ambiente, frequência de abertura da porta, quantidade de alimentos armazenados, instalação do aparelho.

**Ajustar a temperatura do frigorífico**

Quando o ecrã do visor estiver desbloqueado, prima o botão "K<sub>6</sub>" (Seletor de Zona). O sinal sonoro toca uma vez, o indicador "E" (Indicador de Frigorífico) acende-se, e depois entra-se no modo de regulação da temperatura do frigorífico.

Prima o botão "K<sub>4</sub>" (botão de ajuste de temperatura "-") sempre, o sinal sonoro toca uma vez, a temperatura definida do frigorífico será reduzida em 1. A temperatura do frigorífico irá ser exibida na sequência de "9 °C -> 8 °C -> 7 °C -> 6 °C -> 5 °C -> 4 °C -> 3 °C -> 2 °C -> 1 °C".

Prima o botão "K<sub>5</sub>" (botão de ajuste de temperatura "+") sempre, o sinal sonoro toca uma vez, a temperatura definida do frigorífico será aumentada em 1. A temperatura do frigorífico irá ser exibida na sequência de "1 °C -> 2 °C -> 3 °C -> 4 °C -> 5 °C -> 6 °C -> 7 °C -> 8 °C -> 9 °C".

 **AVISO**

Após a regulação da temperatura, se não houver operação dentro de 5 segundos, o sistema fica automaticamente determinado e memoriza a temperatura regulada.

## Ajustar a temperatura do congelador

Quando o ecrã do visor estiver desbloqueado, prima o botão "K<sub>6</sub>" (Seletor de Zona). O sinal sonoro toca uma vez, o indicador "F" (Indicador do Congelador) pisca, e depois entra-se no modo de regulação da temperatura do congelador.

Prima o botão "K<sub>4</sub>" (botão de ajuste de temperatura "-") sempre, o sinal sonoro toca uma vez, a temperatura definida do congelador será reduzida em 1. A temperatura do congelador é exibida na sequência de "-14 °C -> -15 °C -> -16 °C -> -17 °C -> -18 °C -> -19 °C -> -20 °C -> -21 °C -> -22 °C -> -23 °C -> -24 °C".

Prima o botão "K<sub>5</sub>" (botão de ajuste de temperatura "+") sempre, o sinal sonoro toca uma vez, a temperatura definida do congelador será aumentada em 1. A temperatura do congelador é exibida na sequência de "-24 °C -> -23 °C -> -22 °C -> -21 °C -> -20 °C -> -19 °C -> -18 °C -> -17 °C -> -16 °C -> -15 °C -> -14 °C".



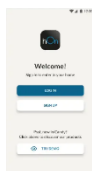
### AVISO

Após a regulação da temperatura, se não houver operação dentro de 5 segundos, o sistema fica automaticamente determinado e memoriza a temperatura regulada.

**Passo 1** Faça download da aplicação hOn nas lojas.



**Passo 2** Crie a sua conta na aplicação hOn ou inicie sessão se já tiver uma conta



**Passo 3** Siga as instruções de emparelhamento na aplicação hOn.



## Função Wi-Fi

1. Siga as instruções da aplicação para configurar o Wi-Fi.
2. Logo que o Wi-Fi esteja configurado e a conexão estabelecida, o ícone Wi-Fi "A" fica aceso e fixo.
3. Se o Wi-Fi já estiver configurado, será reconectado automaticamente de acordo com as informações de configuração se se ligar o Wi-Fi.
4. Para desligar o Wi-Fi, prima o botão Wi-Fi "K<sub>1</sub>" e o ícone Wi-Fi "A" desliga-se.
5. Para ativar o Wi-Fi e iniciar a configuração, prima o botão Wi-Fi "K<sub>1</sub>" e o ícone Wi-Fi "A" começa a piscar lentamente. Se quiser configurar a função Wi-Fi, prima o botão "K<sub>1</sub>" durante 3 segundos, o ícone Wi-Fi pisca rapidamente e entra no modo de configuração. Se quiser desligar a função Wi-Fi, prima uma vez o botão "K<sub>1</sub>". Os passos acima são repetidos.
6. Se o produto estiver configurado e a função Wi-Fi tiver sido desligada, o frigorífico não entrará no modo de configuração assim que for novamente conectado à energia elétrica.

## Função Holiday

1. Quando o ecrã do visor estiver desbloqueado, prima o botão "K<sub>7</sub>" (botão da função Holiday), o sinal sonoro toca uma vez, o indicador "G" (função Holiday) acende e, em seguida, a função Holiday será ligada.
2. Quando o ecrã do visor estiver desbloqueado, prima o botão "K<sub>7</sub>" (botão da função Holiday), o sinal sonoro toca uma vez, o indicador "G" (função Holiday) apaga-se e, em seguida, a função Holiday é desligada.



### AVISO

1. A função Holiday é utilizada principalmente para viagens de curta duração e outros cenários da vida, e o compartimento do frigorífico deve ser esvaziado quando se utiliza a função Holiday.
2. Na função Holiday, a temperatura do compartimento do frigorífico será mais elevada (cerca de 17°C). Tenha atenção ao esvaziar os alimentos no compartimento do frigorífico para evitar a deterioração dos alimentos.

## Função Super Cool

1. Quando o ecrã do visor estiver desbloqueado, prima o botão "K<sub>2</sub>" (seletor Super Cool), o sinal sonoro toca uma vez, o indicador "B" (função Super Cool) acende-se e, em seguida, a função Super Cool é ativada.
2. Quando o indicador "B" (função Super Cool) se acende, prima o botão "K<sub>2</sub>" (seletor Super Cool), o sinal sonoro toca uma vez, o indicador "O" (função Super Cool) apaga-se e, em seguida, a função Super Cool desativa-se.
3. Após a função Super Cool ser ligada, o frigorífico desliga automaticamente a função quando atinge a temperatura definida. Se quiser sair manualmente, pode premir o botão "K<sub>2</sub>" (seletor Super Cool) para o desligar.



## AVISO

1. No estado Super Cool, a temperatura do frigorífico não pode ser ajustada. Se for premido um dos botões "K<sub>4</sub>" (botão de ajuste de temperatura "-") ou "K<sub>5</sub>" (botão de ajuste de temperatura "+") para ajustar a temperatura do frigorífico, o indicador "B" (indicador Super Cool) piscará com um som rápido para indicar que esta operação não pode ser realizada.
2. No estado da função Super cool, a função Auto-set não pode ser ativada ao mesmo tempo devido a diferentes modos de controlo. Quando se escolhe uma função que entra em conflito com outra função, a função original é automaticamente desativada.
3. Esta função será desativada automaticamente após 6 horas.

## Função Super Freeze

1. Quando o ecrã do visor está desbloqueado, prima o botão "K<sub>3</sub>" (seletor Super Freeze), o sinal sonoro toca uma vez, o indicador "C" (função Super Freeze) acende-se e, em seguida, a função Super Freeze é ativada.
2. Quando o indicador "C" (função Super Freeze) acende, prima o botão "K<sub>3</sub>" (seletor Super Freeze), o sinal sonoro toca uma vez, o indicador "C" (função Super Freeze) apaga-se e, em seguida, a função Super Freeze é desativada.
3. Após a função Super Freeze estar ligada, o frigorífico desliga automaticamente a função quando atinge a temperatura definida. Se quiser sair manualmente, pode premir o botão "K<sub>3</sub>" (seletor Super Freeze) para o desligar.





## AVISO

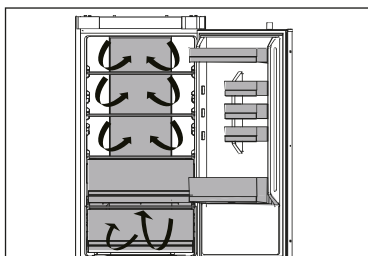
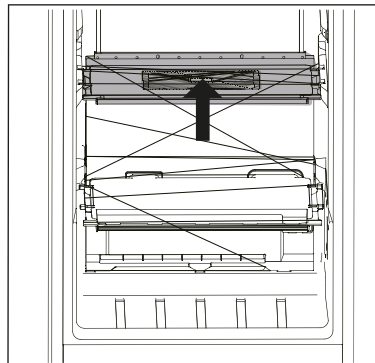
1. No estado Super Freeze, a temperatura do congelador não pode ser ajustada. Se for premido um dos botões "K<sub>4</sub>" (botão de ajuste de temperatura "-") ou "K<sub>5</sub>" (botão de ajuste de temperatura "+") para ajustar a temperatura do congelador, o indicador "C" (indicador Super Freeze) piscará com um som rápido para indicar que esta operação não pode ser realizada.
2. A função Super Freeze foi concebida para manter o valor nutricional dos alimentos congelados, pois congela os alimentos no mais curto espaço de tempo. Se se pretender congelar grandes quantidades de alimentos congelados de uma só vez. Entretanto, a função Super Freeze deve ser definida com 24h de antecedência, para que o congelador fique com uma temperatura relativamente baixa para se colocar os alimentos dentro. Neste momento, a velocidade de congelação do congelador é melhorada, os alimentos podem ser congelados rapidamente, a nutrição dos alimentos é efetivamente mantida, e o armazenamento torna-se bastante conveniente.
3. A função Super Freeze desliga-se automaticamente ao fim de 50 horas. O aparelho funciona então à temperatura previamente definida.

## Gaveta Humidity Zone

Neste compartimento o nível de humidade é maior do que no compartimento do frigorífico. É controlado automaticamente pelo sistema e é adequado para armazenar frutas, legumes, saladas, etc.

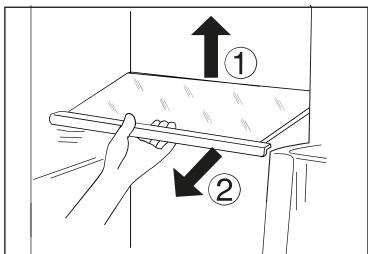
### **i** AVISO

1. Não retire a cobertura plástica dentro da zona.
2. Mantém a humidade.
3. Frutos sensíveis ao frio como ananás, abacate, bananas, toranjas não são recomendados para serem armazenados nesta gaveta.



### Fluxo de ar múltiplo

1. O frigorífico está equipado com um sistema de fluxo de ar múltiplo que oferece fluxos de ar frio em cada nível de prateleira. Isso ajuda a manter uma temperatura uniforme para garantir que a sua comida é mantida mais fresca durante mais tempo.



### Prateleiras ajustáveis

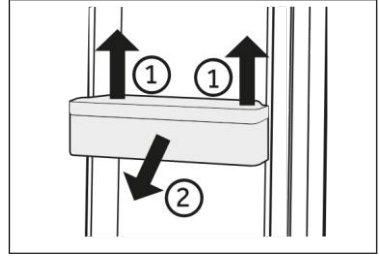
1. A altura das prateleiras pode ser ajustada para se adaptar às suas necessidades de armazenamento.
2. Para transferir uma prateleira, remova-a primeiro levantando a sua extremidade traseira ① e puxando-a para fora ②.
3. Para a reinstalar, coloque-a sobre as patilhas dos dois lados e empurre-a para a posição mais para trás até que a parte traseira da prateleira fique fixa no interior das ranhuras nos lados.

### **i** AVISO

Certifique-se de que todas as extremidades de uma prateleira estão niveladas.

### Prateleiras das portas/ suporte de garrafas amovíveis

1. As prateleiras da porta podem ser removidas para limpeza:
2. Coloque as mãos de cada lado da prateleira, levante-a para cima ① e puxe-a para fora ②.
3. Para inserir a prateleira da porta, deve executar os passos acima na ordem inversa.



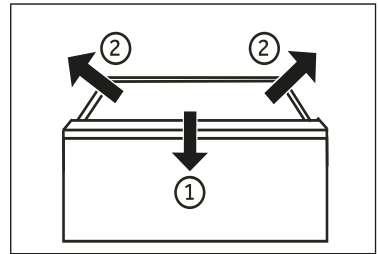
### AVISO

Quando o aparelho é ligado, pode demorar até 12 horas para atingir as temperaturas corretas.

### Gaveta amovível

Para remover a gaveta, puxe até à extensão máxima ①, levante e remova ②.

Para inserir a gaveta, os passos acima são executados em ordem inversa.



### A Luz

A luz interior LED acende-se quando a porta é aberta. O desempenho das luzes não é afetado por nenhuma das outras definições de aparelhos.



## Dicas de poupança de energia

- ▶ Certifique-se de que o aparelho está devidamente ventilado (ver INSTALAÇÃO).
- ▶ Não instale o aparelho sob luz solar direta ou na proximidade de fontes de calor (por exemplo, fogões, aquecedores).
- ▶ Evite temperaturas desnecessariamente baixas no aparelho. O consumo de energia aumenta quanto menor for a temperatura do aparelho.
- ▶ As funções como Super Freeze consomem mais energia.
- ▶ Deixe os alimentos arrefecer antes de os colocar no aparelho.
- ▶ Abra a porta do aparelho o mínimo e tão brevemente quanto possível.
- ▶ Não encha demasiado o aparelho para evitar obstruir o fluxo de ar.
- ▶ Evite ar dentro das embalagens de alimentos.
- ▶ Mantenha os vedantes da porta limpos para que a porta feche sempre corretamente.
- ▶ Descongele alimentos congelados no frigorífico.
- ▶ A configuração mais economizadora de energia requer que o aparelho mantenha as gavetas, caixa de comida e prateleiras em condições de frescura de fábrica, e os alimentos devem ser colocados tanto quanto possível, sem bloquear a saída de ar da conduta.

**AVISO!**

Desligue o aparelho da rede elétrica antes de limpar.

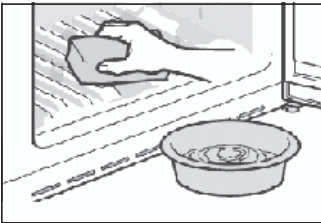
**Limpeza**

Limpe o aparelho quando apenas tiver armazenado pouca ou nenhuma comida.

O aparelho deve ser limpo a cada quatro semanas para uma boa manutenção e para evitar maus odores de alimentos armazenados.

**AVISO!**

- ▶ Não limpe o aparelho com escovas duras, escovas de arame, detergente em pó, gasolina, acetato de amilo, acetona e soluções orgânicas semelhantes, soluções ácidas ou alcalinas. Limpe com detergente especial do frigorífico para evitar danos.
- ▶ Não pulverize ou lave o aparelho durante a limpeza.
- ▶ Não use spray de água ou vapor para limpar o aparelho.
- ▶ Não lave prateleiras de vidro frias com água quente. A mudança súbita de temperatura pode fazer com que o vidro se quebre.
- ▶ Não toque na superfície interna do compartimento do congelador, especialmente com as mãos molhadas, pois as mãos podem congelar na superfície.
- ▶ No caso de aquecimento, verificar a condição das mercadorias congeladas.



- ▶ Mantenha a junta de vedação da porta sempre limpa.
- ▶ Limpe o interior e a caixa do aparelho com uma esponja molhada em água morna e detergente neutro.
- ▶ 1. Esfregue o interior e o exterior do frigorífico, incluindo junta do vedante da porta, prateleira da porta, prateleiras de vidro, caixas e assim por diante, com uma toalha macia ou esponja embebida em água morna (pode adicionar-se detergente neutro).
- ▶ 2. Se houver líquido derramado, remova todas as partes contaminadas, lave-as diretamente com água corrente, seque e coloque novamente no frigorífico.
- ▶ 3. Se houver derramamento de produtos cremosos (como natas, gelado derretido), remova todas as peças contaminadas, coloque-as em água morna a cerca de 40 °C durante algum tempo, passe por água corrente, seque e volte a colocar no frigorífico.
- ▶ 4. Caso alguma peça ou componente pequeno entre no interior do frigorífico (entre as prateleiras ou gavetas), use uma pequena escova macia para a liberar. Se não conseguir alcançar a peça, entre em contato com a assistência da Haier
- ▶ Enxaguar e secar com um pano macio.
- ▶ Não limpar nenhuma das peças do aparelho numa máquina de lavar loiça.

- ▶ Deixe passar pelo menos 5 minutos antes de voltar a ligar o aparelho pois o arranque frequente pode danificar o compressor.

### Descongelamento

O descongelamento do frigorífico e do congelador é feito automaticamente; sem necessidade de operação manual.

### Substituir as lâmpadas LED



#### AVISO!

Não substitua a luz LED sozinho, esta apenas deve ser substituída pelo fabricante ou por um agente de serviço autorizado.

A lâmpada é do tipo LED com um baixo consumo de energia e longa vida útil. Se houver alguma anomalia, entre em contacto com a assistência ao cliente. Consulte a ASSISTÊNCIA AO CLIENTE.

Parâmetros das lâmpadas:

Compartimento do frigorífico: 12 V máx. 2 W

Congelador: 12 V máx. 2 W

### Não utilizar durante um período prolongado

Se não utilizar o aparelho durante um longo período de tempo E não quiser utilizar a função Holiday:

Retire os alimentos.

Desligue o cabo de alimentação.

Limpe o aparelho conforme descrito acima.

Mantenha as portas abertas para evitar a criação de maus odores no interior.



#### AVISO

Desligue o aparelho apenas se estritamente necessário.

### Mover o aparelho

1. Remova todos os alimentos e desligue o aparelho.
2. Fixe as prateleiras e outras peças móveis no frigorífico e no congelador com fita adesiva.
3. Não incline o frigorífico mais de 45° para evitar danificar o sistema de refrigeração.



#### AVISO!

- ▶ Não levante o aparelho pelas suas pegas.
- ▶ Nunca coloque o aparelho na horizontal no chão.

Muitos problemas que ocorrem podem ser resolvidos por si mesmo sem experiência específica. Em caso de problema, por favor verifique todas as possibilidades apresentadas e siga as instruções abaixo antes de contactar um serviço pós-venda. Consulte a ASSISTÊNCIA AO CLIENTE.



## AVISO!

- ▶ Antes da manutenção, desative o aparelho e desligue a ficha da tomada.
- ▶ Os equipamentos elétricos devem ser reparados apenas por electricistas qualificados, uma vez que reparações inadequadas podem causar danos consequenciais consideráveis.
- ▶ Se o cabo de alimentação estiver danificado, este apenas pode ser substituído pelo fabricante, pelo agente de serviço ou por pessoas igualmente qualificadas de forma a evitar o perigo.

Problema	Causa possível	Possível solução
O compressor não funciona.	<ul style="list-style-type: none"> <li>• A ficha de alimentação não está ligada na tomada de alimentação.</li> <li>• O aparelho está no ciclo de descongelação</li> </ul>	<ul style="list-style-type: none"> <li>• Ligue a ficha de alimentação.</li> <li>• Isto é normal para um descongelamento automático</li> </ul>
O aparelho funciona frequentemente ou funciona por um período de tempo demasiado longo.	<ul style="list-style-type: none"> <li>• A temperatura interior ou exterior é muito alta.</li> <li>• O aparelho foi desligado da alimentação por um período de tempo.</li> <li>• Uma porta do aparelho não está bem fechada.</li> <li>• A porta foi aberta com muita frequência ou por muito tempo.</li> <li>• A regulação da temperatura para o congelador é muito baixa.</li> <li>• A junta de vedação da porta está suja, gasta, partida ou desalinhada.</li> <li>• A circulação de ar necessária não é garantida.</li> </ul>	<ul style="list-style-type: none"> <li>• Neste caso, é normal que o aparelho funcione mais tempo.</li> <li>• Normalmente, demora 8 a 12 horas até o aparelho arrefecer completamente.</li> <li>• Feche a porta/gaveta e certifique-se de que o aparelho está localizado num piso plano e de que não existe qualquer alimento ou recipiente a obstruir a porta.</li> <li>• Não abra a porta/gaveta com muita frequência.</li> <li>• Ajuste uma temperatura mais elevada até obter uma temperatura satisfatória do frigorífico. Demora 24 horas até a temperatura do frigorífico se tornar estável.</li> <li>• Limpe a junta de vedação da porta/gaveta ou peça à assistência ao cliente que a substitua.</li> <li>• Assegure uma ventilação adequada.</li> </ul>

Problema	Causa possível	Possível solução
O interior do frigorífico está sujo e/ou com cheiros.	<ul style="list-style-type: none"> <li>• O interior do frigorífico precisa de ser limpo.</li> <li>• Alimentos com forte odor estão armazenados no frigorífico.</li> </ul>	<ul style="list-style-type: none"> <li>• Limpe o interior do frigorífico.</li> <li>• Embrulhe os alimentos completamente.</li> </ul>
Não está frio o suficiente dentro do aparelho.	<ul style="list-style-type: none"> <li>• A temperatura definida é demasiado alta.</li> <li>• Foram guardados alimentos demasiado quentes.</li> <li>• Foram armazenados demasiados alimentos de uma vez.</li> <li>• Os produtos estão demasiado próximos uns dos outros.</li> <li>• Uma porta/gaveta do aparelho não está bem fechada.</li> <li>• A porta/gaveta foi aberta com muita frequência ou durante muito tempo.</li> </ul>	<ul style="list-style-type: none"> <li>• Repor a temperatura.</li> <li>• Arrefeça os alimentos antes de os guardar.</li> <li>• Guarde sempre pequenas quantidades de alimentos.</li> <li>• Deixe um intervalo entre os vários alimentos permitindo o fluxo de ar.</li> <li>• Feche a porta/gaveta.</li> <li>• Não abra a porta/gaveta com muita frequência.</li> </ul>
Está demasiado frio no interior do aparelho.	<ul style="list-style-type: none"> <li>• A temperatura é demasiado baixa.</li> <li>• A função Super Freeze/Super Cool está ativada ou está a funcionar há demasiado tempo.</li> </ul>	<ul style="list-style-type: none"> <li>• Repor a temperatura.</li> <li>• Desligue a função Super Freeze/Super Cool</li> </ul>
Formação de humidade no interior do compartimento do frigorífico.	<ul style="list-style-type: none"> <li>• O clima é demasiado quente e demasiado húmido.</li> <li>• Uma porta/gaveta do aparelho não está bem fechada.</li> <li>• A porta/gaveta foi aberta com muita frequência ou durante muito tempo.</li> <li>• Recipientes para alimentos ou líquidos foram deixados abertos.</li> </ul>	<ul style="list-style-type: none"> <li>• Aumente a temperatura.</li> <li>• Feche a porta/gaveta.</li> <li>• Não abra a porta/gaveta com muita frequência.</li> <li>• Deixe os alimentos quentes arrefecerem até à temperatura ambiente e cubra os alimentos e líquidos.</li> </ul>
A humidade acumula-se nos frigoríficos fora da superfície ou entre as portas/porta e gaveta.	<ul style="list-style-type: none"> <li>• O clima é demasiado quente e demasiado húmido.</li> <li>• A porta não está totalmente fechada. O ar frio no aparelho e o ar quente no exterior condensam.</li> </ul>	<ul style="list-style-type: none"> <li>• Isso é normal num clima húmido e mudará quando a humidade diminuir.</li> <li>• Certifique-se de que a porta/gaveta está bem fechada.</li> </ul>

Problema	Causa possível	Possível solução
A luz do visor funciona, mas não está fresco.	<ul style="list-style-type: none"> <li>• Está no modo de demonstração.</li> </ul>	<ul style="list-style-type: none"> <li>• Observe em que estado se encontra. Se estiver no modo de demonstração, saia. Saia de Abrir a porta do frigorífico, no estado bloqueado, prima o segundo botão da direita durante 8S nas 12 horas seguintes à ligação.</li> </ul>
Gelo forte e geada no compartimento do congelador.	<ul style="list-style-type: none"> <li>• Os alimentos não foram devidamente embalados.</li> <li>• Uma porta/gaveta do aparelho não está bem fechada.</li> <li>• A porta/gaveta foi aberta com muita frequência ou durante muito tempo.</li> <li>• A junta de vedação da porta/gaveta está suja, gasta, fissurada ou não é adequada.</li> <li>• Algo no interior está a impedir que a porta/gaveta feche corretamente.</li> </ul>	<ul style="list-style-type: none"> <li>• Embale sempre bem os alimentos.</li> <li>• Feche a porta/gaveta.</li> <li>• Não abra a porta/gaveta com muita frequência.</li> <li>• Limpe a junta de vedação da porta/gaveta ou substitua por novas.</li> <li>• Reposicione as prateleiras, prateleiras das portas ou recipientes internos para permitir que a porta/gaveta feche.</li> </ul>
Os lados do armário e a tira da porta ficam quentes.	<ul style="list-style-type: none"> <li>• -</li> </ul>	<ul style="list-style-type: none"> <li>• Isto é normal.</li> </ul>
O aparelho faz ruídos fora do normal.	<ul style="list-style-type: none"> <li>• O aparelho não está colocado sobre um piso nivelado.</li> <li>• O aparelho toca em algum objeto em seu redor.</li> </ul>	<ul style="list-style-type: none"> <li>• Ajuste os pés para nivelar o aparelho.</li> <li>• Remova objetos em redor do aparelho.</li> </ul>
Deve ouvir-se um som leve semelhante ao de água a correr.	<ul style="list-style-type: none"> <li>• -</li> </ul>	<ul style="list-style-type: none"> <li>• Isto é normal.</li> </ul>
Írá ouvir um sinal sonoro de alarme.	<ul style="list-style-type: none"> <li>• A porta do frigorífico está aberta.</li> </ul>	<ul style="list-style-type: none"> <li>• Feche a porta.</li> </ul>
Írá ouvir um som abafado.	<ul style="list-style-type: none"> <li>• O sistema anti condensação está a funcionar</li> </ul>	<ul style="list-style-type: none"> <li>• Isto impede a condensação e é normal</li> </ul>
O sistema de iluminação interior ou de arrefecimento não funciona.	<ul style="list-style-type: none"> <li>• A ficha de alimentação não está ligada na tomada de alimentação.</li> <li>• A fonte de alimentação não está intacta.</li> <li>• A lâmpada LED está avariada.</li> </ul>	<ul style="list-style-type: none"> <li>• Ligue a ficha de alimentação.</li> <li>• Verifique a alimentação elétrica da divisão. Ligue para a companhia de eletricidade local!</li> <li>• Por favor, ligue para a assistência para substituir a lâmpada.</li> </ul>

Para contactar a assistência técnica, consulte o nosso website:

<https://corporate.haier-europe.com/en/>

Na seção "website", escolha a marca do seu produto e o seu país. Será redirecionado para o website específico onde pode encontrar o número de telefone e o formulário para contactar a assistência técnica.

### **Falha de energia**

Em caso de falha de energia, os alimentos permanecem arrefecidos de forma segura durante cerca de 5 horas. Siga estas dicas durante uma falha de energia prolongada, especialmente no verão:

- ▶ Abra a porta/gaveta o mínimo de vezes possível.
- ▶ Não coloque mais alimentos no aparelho durante uma falha de energia.
- ▶ Se for dada uma notificação prévia de interrupção da energia e a duração da interrupção for superior a 5 horas, faça algum gelo e coloque-o num recipiente na parte superior do compartimento do frigorífico.
- ▶ É necessária uma inspeção dos alimentos imediatamente após a interrupção.
- ▶ Como a temperatura no frigorífico irá subir durante uma interrupção da energia ou outra falha, o período de armazenamento e a qualidade dos alimentos serão reduzidos. Qualquer alimento que descongele deve ser consumido, cozido e novamente congelado (se for caso disso) imediatamente, a fim de evitar riscos para a saúde.

### **Função de memória durante a falha de energia**

Depois de restabelecida a energia elétrica, o aparelho continua com as definições definidas antes da falha de energia.

## Desembalar



### AVISO!

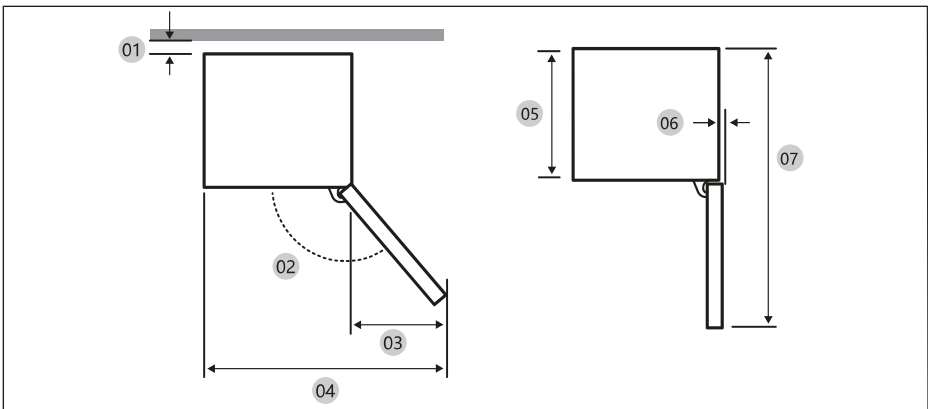
- ▶ O aparelho é pesado. Deve ser manuseado sempre por, pelo menos, duas pessoas.
- ▶ Mantenha todos os materiais de embalagem fora do alcance das crianças e elimine-os de forma ecológica.
- ▶ Retire o aparelho da embalagem.
- ▶ Remova todos os materiais de embalagem.

## Condições ambientais

A temperatura ambiente deve estar sempre entre 10 °C e 43 °C, uma vez que pode influenciar a temperatura no interior do aparelho e o seu consumo de energia. Não instale o aparelho perto de outros aparelhos emissores de calor (fornos, frigoríficos) sem isolamento.

## Requisitos de espaço

Espaço necessário quando a porta está aberta (sem painel da porta do armário)

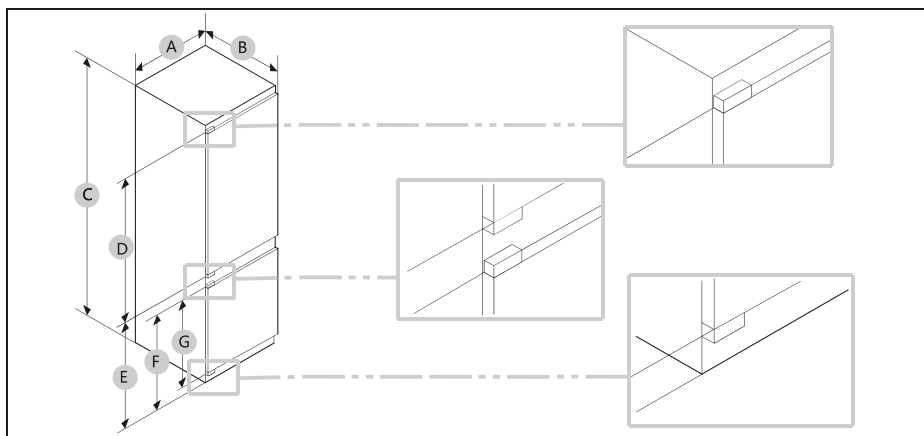


Modelo	EHBQW5518E HBQW5518E HBQW5518EK HQE1855BCM EHQE1855BCM	HBQW5519E HBQW5519EK EBQW5519E EBQW5519ECM	HBQW5719E
01 *	10 (Mínimo) / 30 (Recomendado)	10 (Mínimo) / 30 (Recomendado)	10 (Mínimo) / 30 (Recomendado)
02	95° (Recomendado)	95° (Recomendado)	95° (Recomendado)
03	43	43	55
04	583	583	745
05	515	515	515
06	-3	-3	-3
07	1060	1060	1210

\* 01: Do armário à traseira do produto.

(unidade: mm)

## Dimensão do produto



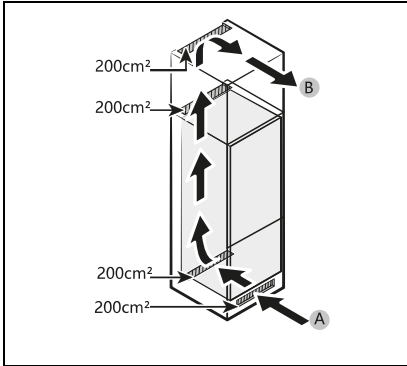
Modelo	A (mm)	B (mm)	C (mm)	D (mm)	E (mm)	F (mm)	G (mm)
EHBQW5518E HBQW5518E HBQW5518EK HQE1855BCMW EHQE1855BCMW	540±2	550±2	1772±2	970	745	662	618
HBQW5519E HBQW5519EK EHBQW5519E EHBQW5519ECM	540±2	550±2	1935±2	1133	745	662	618
HBQW5719E	690±2	550±2	1935±2	1133	745	662	618

**i** AVISO

- O consumo de energia especificado baseia -se na condição de um espaço de 10 mm entre o armário e a parte de trás do produto. O produto funciona corretamente mesmo com uma folga inferior a 10 mm, mas consome um pouco mais de energia.
- Recomendamos a utilização de um armário com 18 mm de espessura e dobradiças com menos de 20 mm de espessura.
- As medições na tabela acima podem ser diferentes, dependendo do método de medição.
- Para a instalação integrada, consulte o Guia de Instalação.

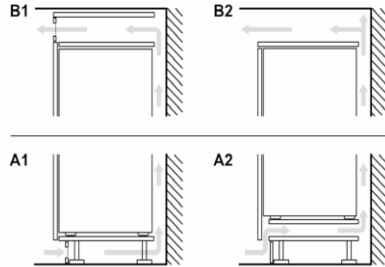
### Ventilação transversal

Para obter uma ventilação suficiente do aparelho por motivos de segurança, deve observar-se a informação das secções de ventilação necessárias.

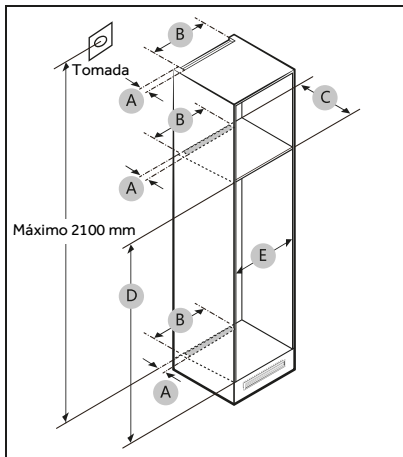


**A:** Entrada de ar  $\geq 200\text{cm}^2$ ; Opções de ventilação

**B:** Saída de ar  $\geq 200\text{cm}^2$ ; Opções de ventilação



### Dimensões do armário



### CUIDADO!

Qualquer falha do produto devida aos seguintes fatores não está coberta pela garantia.

1. Condições inadequadas do local ou dimensões incorretas do armário.
2. Armário com defeito.
3. Erros do instalador ou do utilizador.

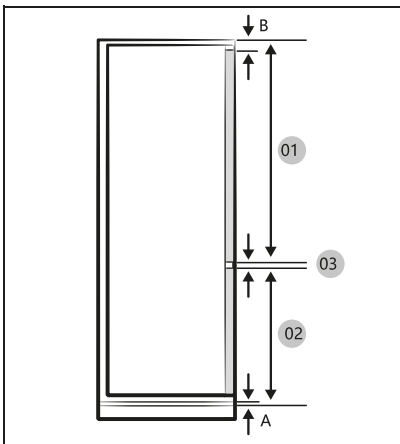
## Espaço

Consulte as imagens e as tabelas abaixo para conhecer os requisitos de espaço para a instalação.

Modelo		A (mm)	B (mm)	C (mm)	D (mm)	E (mm)	Observação
EHBQW5518E HBQW5518E HBQW5518EK HQE1855BCMW EHQE1855BCMW	Mín.	50	400	560	1778	560	Dobradiça: 17 mm
	Recomendado			580	1780	562	
	Máx.			-	1782	568	
HBQW5519E HBQW5519EK EHBQW5519E EHBQW5519ECM	Mín.	50	400	560	1940	560	Dobradiça: 17 mm
	Recomendado			580	1943	562	
	Máx.			-	1945	568	
HBQW5719E	Mín.	50	400	560	1941	710	Dobradiça: 17 mm
	Recomendado			580	1943	714	
	Máx.			-	1945	718	

**i** AVISO

- Se a largura de um armário for superior a 568 mm, a junta (entre o frigorífico e o armário) pode ficar solta.
- Se o armário for mais alto do que a dimensão máxima (1782 mm), é necessário utilizar outros materiais de acabamento para preencher o espaço. (para EHBQW5518E/ HBQW5518E/ EK/ EHQE/ HQE1855BCMW)
- Se o armário for mais alto do que a dimensão máxima (1945 mm), é necessário utilizar outros materiais de acabamento para preencher o espaço. (para HBQW5519E/ EK/ EHBQW5519E/ ECM)



**i** AVISO

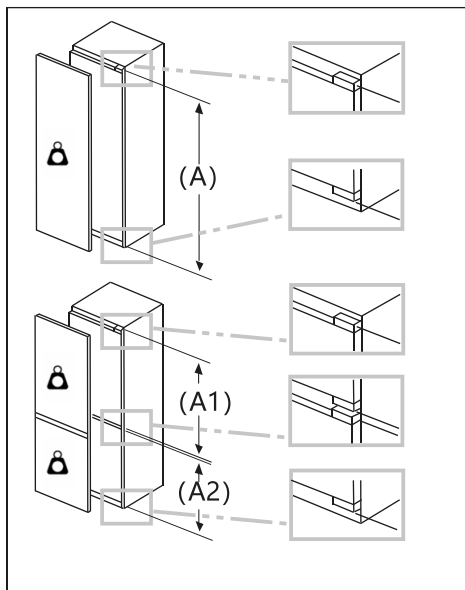
Para instalar um armário que necessite de um espaço de 4 mm (03), consulte a tabela de referência de armários abaixo.

- A Aresta inferior do painel frontal acima da ventilação de ar
- B Saliência do painel frontal

(unidade: mm)

Modelo	EHBQW5518E HBQW5518E HBQW5518EK HQE1855BCMW EHQE1855BCMW	HBQW5519E HBQW5519EK EHBQW5519E EHBQW5519ECM HBQW5719E
01	Mín. 1028+B Máx. 1106+B	Mín. 1191+B Máx. 1269+B
02	Mín. 662+A Máx. 740+A	Mín. 662+A Máx. 740+A
03	4 mm (folga do painel da porta do armário do frigorífico e do congelador)	

## Peso máximo admissível das frentes da unidade

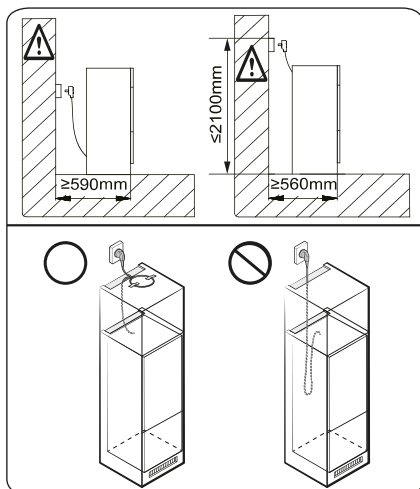


Frentes de móveis montadas que excedam o peso admissível podem causar danos e prejudicar o funcionamento das dobradiças.

 **Peso**  
(kg)

1500-1750 mm	22
720-1400 mm	19
A1	15
A2	15

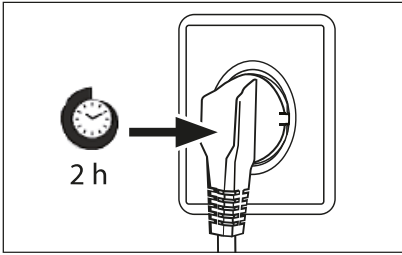
## Consideração da localização da tomada e do espaço necessário



### **AVISO**

Se instalar o frigorífico num armário com 560 mm de profundidade, certifique-se de que o cabo de alimentação está disposto num dos lados do frigorífico antes de ligar a uma tomada elétrica. Se o cabo de alimentação estiver na parte de trás do frigorífico, pode diminuir a eficiência energética.

## Tempo de espera



O óleo de lubrificação sem manutenção está localizado na cápsula do compressor. Este óleo pode atravessar o sistema de tubagem fechada durante o transporte inclinado. Antes de ligar o aparelho à rede elétrica, tem de esperar pelo menos 2 horas para que o óleo volte à cápsula.

## Ligação elétrica

Antes de cada conexão verificar se:

- ▶ a rede elétrica, tomada e fusíveis são adequados à placa de classificação.
- ▶ a tomada de alimentação está ligada à terra sem fichas múltiplas nem extensão.
- ▶ a ficha de alimentação e a tomada estão de acordo com as especificações.

Ligue a ficha a uma tomada doméstica instalada corretamente.



## AVISO!

Para evitar riscos, um cabo de alimentação danificado deve ser substituído pela assistência ao cliente (ver cartão de garantia).

Ficha de produto de acordo com o Regulamento UE N.º 2019/2016

Marca	Haier		
Nome/identificador do modelo	EHBQW5518E HBQW5518E HBQW5518EK HQE1855BCMW EHQE1855BCMW	HBQW5519E HBQW5519EK EHBQW5519E EHBQW5519ECM	HBQW5719E
Categoria do modelo	Frigorífico congelador		
Classe de eficiência energética	E	E	E
Consumo de energia anual (kWh/ano) (1)	229	229	259
Volume total (L)	268	285	382
Volume do frigorífico (L)	194	211	281
Volume do congelador (L)	74	74	101
Secção do refrigerador de volume (L)	/	/	/
Volume da máquina de fazer gelo automática (L)	/	/	/
Classificação em estrelas	4	4	4
Temperatura dos outros compartimentos > 14 °C	Não aplicável		
Sistema Frost -free	Sim		
Capacidade de congelação (kg/24h)			
Classificação climática (2)	SN/N/ST/T	SN/N/ST/T	SN/N/ST/T
Classe de emissão de ruído e emissões de ruído aéreo (db(A)re1pW)	B(35)	B(35)	B(33)
Tempo de subida da temperatura (h)	12	12	9
Capacidade de fazer gelo	/	/	/
Tipo de aparelho	Encastrado		

Nome do modelo	Classe de eficiência energética
EHBQW5518E HBQW5518E HBQW5518EK HQE1855BCMW EHQE1855BCMW	E
HBQW5519E HBQW5519EK EHBQW5519E EHBQW5519ECM HBQW5719E	E

Explicações:

- Sim, existe

- (1) Com base nos resultados do teste de conformidade das normas ao longo de 24 horas. O consumo real depende da utilização e da localização do aparelho.
- (2) Classificação climática SN: Este aparelho destina-se a ser utilizado a uma temperatura ambiente compreendida entre +10 °C e +32 °C  
Classificação climática N: Este aparelho destina-se a ser utilizado a uma temperatura ambiente compreendida entre +16 °C e +32 °C  
Classificação climática ST: Este aparelho destina-se a ser utilizado a uma temperatura ambiente compreendida entre +16 °C e +38 °C  
Classificação climática T: Este aparelho destina-se a ser utilizado a uma temperatura ambiente compreendida entre +16 °C e +43 °C

### Dados técnicos adicionais

Tensão/Frequência	220-240V ~/50Hz
Corrente de entrada (A)	1.2/1.6
Fusível principal (A)	16
Líquido de refrigeração	R600a
Dimensões (A/L/P em mm)	EHBQW5518E/ HBQW5518E/ EK EHQE/ HQE1855BCMW: 1773/540/555
	HBQW5519E/ EK/ EHBQW5519E/ ECM: 1935/540/555
	EHBQW5719E : 1935/690/550

Recomendamos o nosso Serviço de Assistência ao Cliente da Haier e a utilização de peça sobressalentes originais.

Se tiver algum problema com o seu aparelho, consulte primeiro a secção RESOLUÇÃO DE PROBLEMAS.

Se não conseguir encontrar uma solução nesta secção, entre em contacto

- ▶ com o seu revendedor local ou
- ▶ o nosso Serviço de Assistência Europeu (veja números de telefone listados abaixo) ou
- ▶ a área de Serviço e Suporte em [www.haier.com](http://www.haier.com) onde pode ativar a reclamação de serviço
- ▶ e também encontrar FAQs.

Para contactar a nossa Assistência, certifique-se de que tem os seguintes dados disponíveis.

As informações encontram-se na placa de classificação.

Modelo \_\_\_\_\_

N.º de série \_\_\_\_\_

Verifique também o cartão de garantia fornecido com o produto em caso de garantia.

Centro de Assistência Europeu		
País*	Número de telefone	Custos
Haier Italy (IT)	199 100912	
Haier Spain (ES)	902 509 123	
Haier Germany (DE)	0180 5 39 39 99	<ul style="list-style-type: none"> <li>• 14 CT/Min telefone fixo</li> <li>• Max 42 Ct/Min móvel</li> </ul>
Haier Austria (AT)	0820 001205	<ul style="list-style-type: none"> <li>• 14,53 CT/Min telefone fixo</li> <li>• máx. 20 Ct/Min todos os outros</li> </ul>
Haier United Kingdom (UK)	0333 003 8122	
Haier France (FR)	0980 406 409	

\*Para outros países, consulte [www.haier.com](http://www.haier.com)

Haier Europe Trading S.r.l

Branch UK

Westgate House, Westgate, Ealing

London, W5 1YY

\*Duração da garantia do aparelho de refrigeração:

A garantia mínima é: 2 anos para os países da UE, 3 anos para a Turquia, 1 ano para o Reino Unido, 1 ano para a Rússia, 3 anos para a Suécia, 2 anos para a Sérvia, 5 anos para a Noruega, 1 ano para Marrocos, 6 meses para a Argélia, Tunísia nenhuma garantia legal necessária.

\*O período de peças sobressalentes para a reparação do aparelho:

Termostatos, sensores de temperatura, placas de circuitos impressos e fontes de luz estão disponíveis durante um período mínimo de sete anos após a colocação da última unidade do modelo no mercado.

Puxadores da porta, dobradiças da porta, bandejas e cestos durante um período mínimo de sete anos e juntas da porta durante um período mínimo de 10 anos, depois de colocada a última unidade do modelo no mercado.

\*Para mais informações sobre o produto, consulte <https://eprel.ec.europa.eu/> ou digitalize o código QR na etiqueta energética fornecida com o aparelho.



**Haier**



2024 Versão A

# Haier

## Manualul de utilizare

### Combină frigorifică

EHBQW5518E

HBQW5518E

HBQW5518EK

HQE1855BCMW

EHQE1855BCMW

HBQW5519E

HBQW5519EK

EHBQW5519E

EHBQW5519ECM

HBQW5719E

RO

<u>4</u>	<u>Informații privind siguranța</u>	•	<u>Înainte de prima utilizare</u>	5
			<u>Instalare</u>	5
			<u>Utilizarea zilnică</u>	6
			<u>Informații privind gazul refrigerant</u>	8
<u>9</u>	<u>Utilizarea preconizată</u>	•		
<u>10</u>	<u>Descrierea produsului</u>	•		
<u>12</u>	<u>Panoul de comenzi</u>	•		
<u>13</u>	<u>Utilizare</u>	•	<u>Panou de blocare/deblocare</u>	13
			<u>Ajustarea temperaturii frigiderului</u>	13
			<u>Ajustarea temperaturii congelatorului</u>	14
			<u>Funcția Wi-Fi</u>	15
			<u>Funcția Holiday</u>	15
			<u>Funcția Super Cool</u>	16
			<u>Funcția Super Freeze</u>	16
<u>18</u>	<u>Echipament</u>	•		
<u>20</u>	<u>Sfaturi pentru economisirea energiei</u>	•		
<u>21</u>	<u>Îngrijire și curățare</u>	•		
<u>23</u>	<u>Depanare</u>	•		
<u>27</u>	<u>Instalare</u>	•		
<u>34</u>	<u>Date tehnice</u>	•		
<u>36</u>	<u>Serviciul pentru clienți</u>	•		

## Vă mulțumim că ați achiziționat un produs Haier.

Citiți aceste instrucțiuni cu atenție înainte de a utiliza acest aparat. Instrucțiunile conțin informații importante care vă vor ajuta să folosiți aparatul la capacitate maximă și să asigurați instalarea, utilizarea și întreținerea sigure și corespunzătoare.

Păstrați manualul de față la îndemână astfel încât să îl puteți consulta pentru utilizarea sigură și corectă a aparatului.

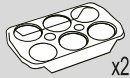
Dacă vindeți, oferiți sau lăsați aparatul în vechea locuință când vă mutați, asigurați-vă că lăsați și manualul de utilizare, astfel încât noul proprietar să se poată familiariza cu aparatul și cu avertismentele de siguranță.

## Accesorii

Verificați accesoriile și documentația în conformitate cu această listă:



Tavă pentru  
cuburi  
de gheață



Tavă  
pentru ouă



Eticheta  
de energie



Fișa  
de garanție



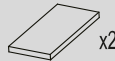
Avertisment  
de siguranță -  
manual



Șurub



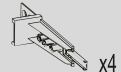
Capac



Bloc  
de burete



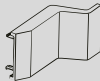
Ghid pentru  
diapozitive



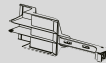
Ansamblu  
diapozitive



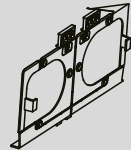
Placă fixă



Capac balama



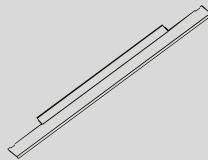
Placă fixă II



Placă fixă inferioară



Placă fixă superioară



Capac inferior



Capac lateral inferior



Bandă de etanșare



Burete de etanșare



Capacul balamalei inferioare

**AVERTISMENT -****Informații importante legate de siguranță****OBSERVAȚIE - Informații și sfaturi generale****Informații legate de mediu****Eliminare**

Ajutați la protejarea mediului și sănătății omului. Puneți ambalajul în containerele corespunzătoare în vederea reciclării. Ajutați la reciclarea deșeurilor de aparate electrice și electronice. Nu aruncați electronicele marcate cu acest simbol în același loc cu deșeurile menajere. Returnați produsul la centrul local de reciclare sau contactați agenția municipală.

**AVERTISMENT!**

Risc de vătămare sau sufocare!

Agenții frigorifici și gazele trebuie eliminate profesionist. Asigurați-vă că tubulatura circuitului de agent frigorific nu este deteriorată înainte de eliminarea corespunzătoare a acesteia. Deconectați aparatul de la rețeaua de curent. Tăiați cablul de alimentare de la rețeaua de curent și eliminați-l. Scoateți tăvile și sertarele, dar și opritorul și garniturile ușii, pentru a preveni închiderea copiilor și a animalelor în aparat.

**Înainte de pornirea aparatului pentru prima dată, citiți următoarele sfaturi legate de siguranță:**



## AVERTISMENT!

### Înainte de prima utilizare

- ▶ Asigurați-vă că nu există deteriorări provocate de transport.
- ▶ Așteptați cel puțin două ore înainte de a instala aparatul pentru a lăsa timp circuitului frigorific să devină perfect eficient.
- ▶ Manevrați întotdeauna dispozitivul cu cel puțin încă două persoane, pentru că este greu.
- ▶ Scoateți toate materialele de ambalare, țineți-le departe de copii și eliminați-le într-un mod ecologic.
- ▶ Curățați interiorul și exteriorul aparatului cu apă și un detergent neutru înainte de a pune alimente în interior.
- ▶ După echilibrarea și curățarea aparatului, așteptați cel puțin 2-5 ore înainte de a-l conecta la rețeaua de alimentare. Consultați secțiunea INSTALARE.
- ▶ Răciți în prealabil compartimentele cu setări ridicate înainte de ale umple cu alimente. Funcția Power-Freeze ajută la răcirea rapidă a compartimentelor.
- ▶ Temperatura frigiderului și temperatura congelatorului sunt setate automat la 5°C și, respectiv, la -18° C. Acestea sunt setările recomandate. Dacă doriți, puteți modifica manual aceste temperaturi. Consultați REGLARE TEMPERATURĂ.

### Instalare

- ▶ Aparatul trebuie amplasat într-un loc bine ventilat. Asigurați un spațiu de cel puțin 10 cm deasupra aparatului și în jurul acestuia.
- ▶ Nu amplasați niciodată aparatul într-o zonă cu umezeală sau într-un loc în care acesta poate fi stropit cu apă. Curățați și uscați stropiturile de apă și petele cu o cârpă curată, moale.
- ▶ Nu instalați aparatul în lumina directă a soarelui sau în apropierea surselor de căldură (de ex., cuptoare, radiatoare).
- ▶ Instalați și poziționați dispozitivul într-o zonă potrivită dimensiunilor și destinației sale.
- ▶ Mențineți fantele de aerisire ale aparatului sau pe cele încorporate în structură fără obstrucții.
- ▶ Asigurați-vă că informațiile electrice de pe plăcuța cu date tehnice se potrivesc cu sursa de electricitate. Dacă nu se potrivesc, contactați un electrician.
- ▶ Dispozitivul este operat de o sursă de electricitate de 220-240 V c.a./50 Hz. Fluctuațiile anormale de tensiune pot face dispozitivul să nu pornească sau pot deteriora controlul temperaturii sau compresorul sau pot provoca un zgomot anormal în timpul utilizării. În acest caz, ar trebui să fie montat un regulator automat.
- ▶ Nu utilizați adaptoare cu ștecă multiple și prelungitoare.



## AVERTISMENT!

- ▶ Nu amplasați prizele portabile multiple sau alimentările portabile în spatele aparatului.
- ▶ Evitați prinderea cablului de alimentare în frigider. Nu călcați pe cablul de alimentare.
- ▶ Folosiți o priză separată cu împământare pentru alimentarea cu energie electrică, care să fie ușor accesibilă. Aparatul trebuie legat la împământare. Doar pentru Regatul Unit: Cablul de alimentare al dispozitivului este prevăzut cu ștecăr cu 3 pini (împământare) care se potrivește cu o priză standard cu 3 găuri (împământată). Nu demontați și nu tăiați niciodată cel de-al treilea pin (împământarea). După instalarea dispozitivului, ștecărul ar trebui să fie accesibil.
- ▶ Nu deteriorați circuitul frigorific.

### Utilizarea zilnică

- ▶ Acest aparat poate fi utilizat de către copiii cu vârste de minim 8 ani și de către persoanele cu abilități fizice, senzoriale sau mintale reduse sau cu lipsă de experiență sau cunoștințe, cu condiția să fie supravegheate sau instruite corespunzător privind modul de utilizare a acestui aparat în siguranță și să înțeleagă pericolele implicate.
- ▶ Copiii cu vârsta cuprinsă între 3 și 8 ani pot încărca și descărca aparate frigorifice, dar nu li se permite să curețe și să instaleze aparatele frigorifice.
- ▶ Țineți copiii mai mici de 3 ani la distanță de aparat, cu excepția cazului în care aceștia sunt supravegheați constant.
- ▶ Nu lăsați copiii să se joace cu aparatul.
- ▶ În cazul scurgerii gazului de răcire sau a altor gaze inflamabile în vecinătatea aparatului, închideți valva gazului care curge, deschideți ușile și ferestrele și nu deconectați niciun ștecăr al cablului de alimentare al frigiderului sau al oricărui alt aparat.
- ▶ Observați că aparatul este setat să funcționeze într-un interval de mediu specific, între 10 și 43 °C. Este posibil ca aparatul să nu funcționeze corect dacă este lăsat pentru o perioadă lungă de timp la o temperatură superioară sau inferioară intervalului indicat.
- ▶ Nu puneți articole instabile (obiecte grele, recipiente umplute cu apă) deasupra frigiderului, pentru a evita vătămarea cauzată de cădere sau de electrocutarea cauzată de contactul cu apa.
- ▶ Nu trageți de rafturile de pe ușă. În caz contrar, ușa poate fi înclinată, raftul pentru sticle se poate desprinde sau aparatul se poate răsturna.
- ▶ Deschideți și închideți ușile numai cu ajutorul mânerelor. Spațiul liber dintre uși și dintre uși și dulap este foarte îngust. Nu întindeți mâinile în zonele respective, pentru a evita ciupirea degetelor. Deschideți sau închideți ușile frigiderului numai atunci când nu se află niciun copil în raza de deplasare a ușii.
- ▶ Nu depozitați materiale inflamabile, explozive sau corozive în aparat sau în vecinătatea acestuia.



## AVERTISMENT!

- ▶ Nu depozitați medicamente, bacterii sau agenți chimici în dispozitiv. Acest dispozitiv este un aparat electrocasnic. Nu este recomandat pentru depozitarea materialelor care necesită temperaturi stricte.
- ▶ Nu depozitați niciodată în congelator lichide în sticle sau doze (cu excepția băuturilor cu conținut ridicat de alcool), în special băuturi carbogazoase, deoarece acestea se vor sparge în timpul înghețării.
- ▶ Verificați starea alimentelor în cazul în care a avut loc încălzirea congelatorului.
- ▶ Nu setați o temperatură nenecesar de joasă în compartimentul frigiderului. În cazul setărilor ridicate, pot apărea temperaturi sub punctul de îngheț. Atenție: Sticlele se pot sparge
- ▶ Nu atingeți produsele înghețate cu mâinile ude (purtați mănuși). În special, nu consumați înghețată pe băț imediat după scoaterea din compartimentul congelatorului. Există riscul de îngheț sau de producere a leziunilor provocate de îngheț. PRIMUL ajutor: puneți imediat sub jet de apă rece. Nu trageți!
- ▶ Nu atingeți suprafața interioară a compartimentului de depozitare al congelatorului atunci când este în funcțiune, în special cu mâinile ude, deoarece mâinile pot îngheța pe suprafață.
- ▶ Deconectați aparatul de la energia electrică în cazul unei pene de curent sau înainte de curățare. Așteptați cel puțin 7 minute înainte de repornirea aparatului, deoarece pornirea frecventă poate deteriora compresorul.
- ▶ Nu utilizați dispozitive electrice în interiorul compartimentelor de depozitare a alimentelor ale aparatului decât dacă acestea sunt de tipul recomandat de către producător.

## Întreținere/curățare

- ▶ Asigurați-vă că supravegheați copiii dacă aceștia se ocupă de curățare și întreținere.
- ▶ Deconectați aparatul de la rețeaua de alimentare înainte de efectuarea întreținerii de rutină. Așteptați cel puțin 5 minute înainte de repornirea aparatului, deoarece pornirea frecventă poate deteriora compresorul.
- ▶ Țineți de ștecăr, nu de cablu, atunci când deconectați aparatul.
- ▶ Nu curățați aparatul cu perii aspre, cu perii de sârmă, cu detergent pulbere, benzină, acetat de amidon, acetonă sau soluții organice similare, soluții acide sau alcaline. Curățați cu detergent special pentru frigider pentru a evita deteriorările.
- ▶ Nu răzuți gheața cu obiecte ascuțite. Nu folosiți pulverizatoare, dispozitive electrice de încălzire precum radiatoare, uscătoare de păr, aparate de curățat cu abur sau alte surse de căldură, pentru a evita deteriorarea pieselor din plastic.
- ▶ Nu utilizați dispozitive mecanice sau alte mijloace de a accelera procesul de decongelare, în afara celor recomandate de producător.
- ▶ În cazul în care cablul de alimentare este deteriorat, acesta trebuie înlocuit de către producător, agentul său de service sau persoane calificate similare, pentru a evita orice pericol.
- ▶ Nu încercați să reparați, să dezasamblați sau să modificați dispozitivul pe cont propriu. În cazul în care este necesară o reparație, contactați serviciul de relații cu clienții.



## AVERTISMENT!

- ▶ Eliminați praful din spatele unității cel puțin o dată pe an, pentru a evita riscul de incendiu, dar și consumul mărit de energie.
- ▶ Nu pulverizați și nu spălați aparatul în timpul curățării.
- ▶ Nu folosiți pulverizarea cu apă sau aburi de apă în timpul curățării aparatului.
- ▶ Nu curățați rafturile reci din sticlă cu apă fierbinte. Schimbarea bruscă de temperatură poate face ca sticla să se spargă.

## Informații privind gazul refrigerant



### AVERTISMENT!

Aparatul conține agentul frigorific inflamabil IZOBUTAN (R600a). Asigurați-vă că circuitul frigorific nu este deteriorat în timpul transportării sau instalării. Scurgerile de agent frigorific pot cauza vătămări ale ochilor sau se pot aprinde. Dacă s-a produs o deteriorare a aparatului, țineți la distanță de sursele de flăcări deschise, ventilați bine camera, nu conectați și nu deconectați cablurile de alimentare ale aparatului sau ale oricărui alt aparat. Informați serviciul de asistență pentru clienți.

În cazul în care agentul frigorific intră în contact cu ochii, spălați imediat în jet de apă și contactați imediat un specialist oftalmolog.

## Utilizarea prevăzută

Acest aparat este proiectat pentru răcirea și congelarea alimentelor. Acesta a fost conceput exclusiv pentru utilizarea în aplicații casnice și similare, precum în zona de bucătărie pentru personalul din magazine, în birouri și în alte medii de lucru; ferme și clienți din hoteluri, moteluri și alte tipuri de medii rezidențiale, precum și în pensiunile de tip bed-and-breakfast și catering. Nu este destinat utilizării comerciale sau industriale.

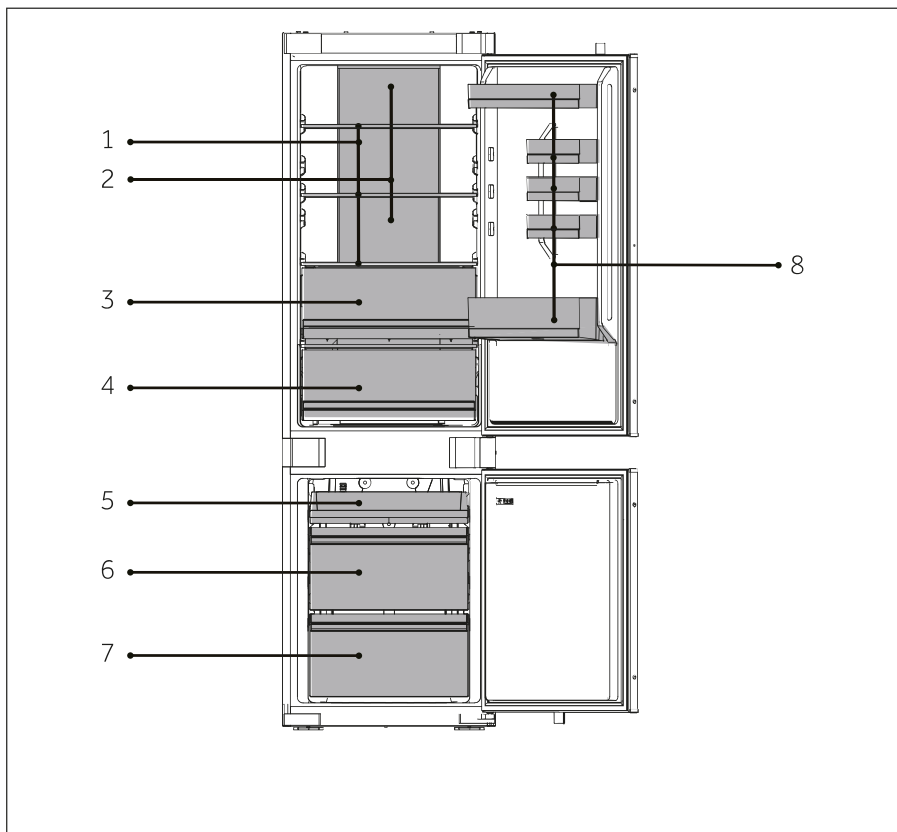
Nu este permisă aducerea schimbărilor sau modificărilor dispozitivului. Utilizarea necorespunzătoare poate duce la apariția pericolelor și la pierderea garanției.

## Standarde și directive sau

Acest produs îndeplinește cerințele tuturor directivelor CE aplicabile cu standardele armonizate corespunzătoare și standardele din Regatul Unit, prevăzute pentru marcajul CE sau UKCA.

## **i** OBSERVAȚIE

Ca urmare a modificărilor tehnice și a diferitelor modele, unele ilustrații din acest manual pot diferi de modelul dvs.



EHBQW5518E/HBQW5518E/HBQW5518EK/HQE1855BCMW/EHQE1855BCMW

A: Cameră de refrigerare

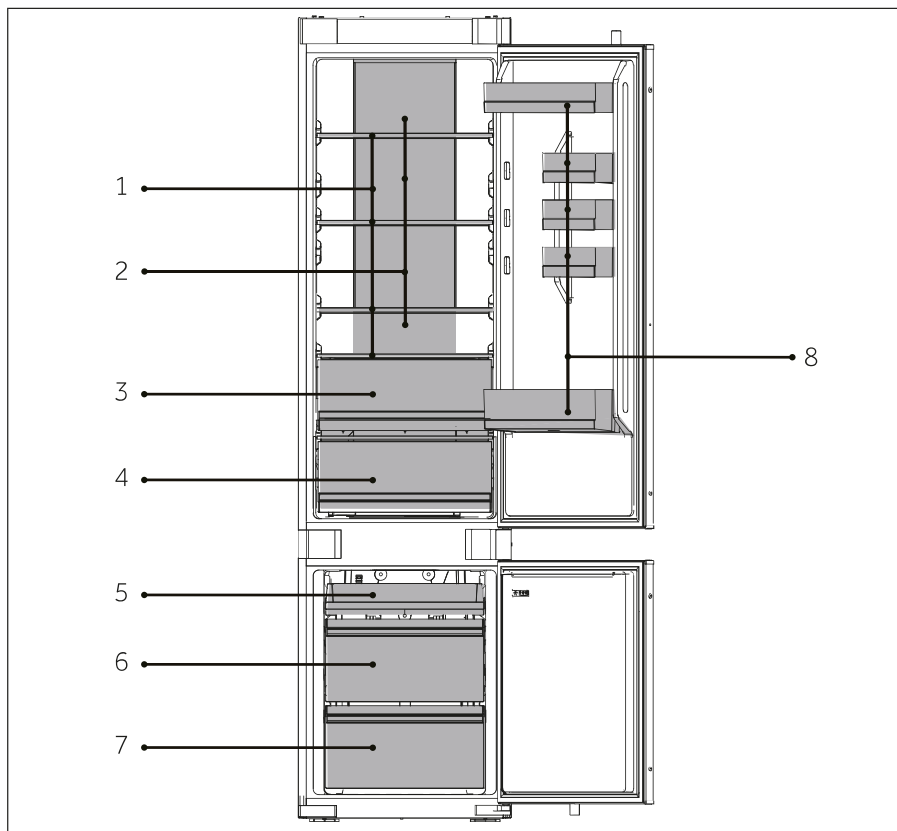
- 1 Rafturi obișnuite
- 2 Conducta de aer refrigerat
- 3 Sertarul Humidity Zone
- 4 Sertarul Fresh Box
- 8 Suport pentru sticle

B: Cameră de congelare

- 5 Tava superioară a congelatorului
- 6 Sertar mijloc congelator
- 7 Sertar inferior congelator

**i** **OBSERVAȚIE**

Ca urmare a modificărilor tehnice și a diferitelor modele, unele ilustrații din acest manual pot diferi de modelul dvs.



HBQW5519E/ HBQW5519EK/ EHBQW5519E/ EHBQW5519ECM/ HBQW5719E

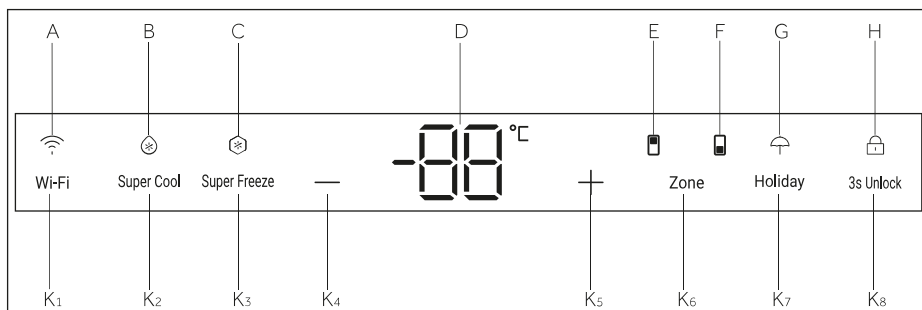
A: Cameră de refrigerare

B: Cameră de congelare

- 1 Rafturi obișnuite
- 2 Conducta de aer refrigerat
- 3 Sertarul Humidity Zone
- 4 Sertarul Fresh Box
- 8 Suport pentru sticle

- 5 Tava superioară a congelatorului
- 6 Sertar mijloc congelator
- 7 Sertar inferior congelator

## Panou de comenzi



Indicatoare:

- A Funcția Wi-Fi
- B Funcția Super Cool
- C Funcția Super Freeze
- D Afișaj temperatură
- E Indicator frigider
- F Indicator congelator
- G Funcția Holiday
- H Blocare și deblocare

Butoane:

- K<sub>1</sub> Butonul de setare Wi-Fi
- K<sub>2</sub> Butonul de selectare Super Cool
- K<sub>3</sub> Butonul de selectare a funcției Super Freeze
- K<sub>4</sub> Buton pentru reglarea temperaturii „-”
- K<sub>5</sub> Buton pentru reglarea temperaturii „+”
- K<sub>6</sub> Butonul de selectare a zonei
- K<sub>7</sub> Butonul pentru funcția Holiday
- K<sub>8</sub> Butonul de blocare și deblocare

### Taste cu senzor

Butoanele de pe panoul de comenzi sunt taste cu senzori, care răspund imediat ce sunt apăsată ușor cu degetul.

### Pornire/oprire aparat

Aparatul intră în funcțiune imediat ce este conectat la rețeaua de alimentare.

Când frigiderul este pornit pentru prima dată, indicatorul „D” (afișajul temperaturii) se aprinde. Temperaturile frigiderului și congelatorului sunt setate automat la 5 °C, respectiv -18 °C.



## OBSERVAȚIE

Atunci când aparatul este pornit după deconectarea de la rețeaua de alimentare, poate dura până la 12 ore pentru atingerea temperaturilor corecte.

Goliți aparatul înainte de oprire. Pentru oprirea aparatului, scoateți cablul de alimentare din priză.

### Panou de blocare/deblocare

**Blocare automată:** Când ușa frigiderului și ușa congelatorului sunt închise și nu se efectuează nicio acțiune asupra tastei în decursul a 30 de secunde, ecranul de afișare va fi stins și blocat automat.

**Blocare manuală:** Când ecranul de afișare este deblocat, apăsați butonul „K<sub>8</sub>” (3S Unlock) și țineți-l apăsat timp de 3 secunde; soneria sună o dată, indicatorul „H” (blocare panou) se aprinde, iar afișajul este blocat.

**Deblocare:** Când ecranul de afișare este blocat, apăsați butonul „K<sub>8</sub>” (3S Unlock) și mențineți-l apăsat timp de 3 secunde. Soneria sună o dată, indicatorul „H” (blocare panou) se stinge, iar afișajul este deblocat.

### Reglarea temperaturii

Temperaturile din interior sunt influențate de următorii factori:

Temperatura ambientală, frecvența deschiderii ușii, cantitatea de alimente depozitate instalarea aparatului.

### Ajustarea temperaturii frigiderului

Când ecranul de afișare este deblocat, apăsați butonul „K<sub>6</sub>” (selector zonă). Soneria sună o dată, indicatorul „E” (indicatorul pentru frigider) luminează și apoi se intră în modul de setare a temperaturii frigiderului.

Apăsați o dată butonul „K<sub>4</sub>” (butonul de reglare a temperaturii „-”); soneria sună o dată, iar temperatura setată a frigiderului va fi redusă cu 1. Temperatura frigiderului se va afișa în secvența „9°C -> 8°C -> 7°C -> 6°C -> 5°C -> 4°C -> 3°C -> 2°C -> 1°C”.

Apăsați o dată butonul „K<sub>5</sub>” (butonul de reglare a temperaturii „+”); soneria sună o dată, iar temperatura setată a frigiderului va crește cu 1. Temperatura frigiderului se va afișa în secvența „1°C -> 2°C -> 3°C -> 4°C -> 5°C -> 6°C -> 7°C -> 8°C -> 9°C”.



## OBSERVAȚIE

După setarea temperaturii, dacă nu există nicio operațiune în 5 secunde, sistemul va salva temperatura setată.

## Ajustarea temperaturii congelatorului

Când ecranul de afișare este deblocat, apăsați butonul „K<sub>6</sub>” (selector zonă). Soneria sună o dată, indicatorul „F” (indicatorul congelatorului) luminează și apoi intră în modul de setare a temperaturii congelatorului.

Apăsați o dată butonul „K<sub>4</sub>” (butonul de reglare a temperaturii „-”); soneria sună o dată, iar temperatura setată a congelatorului va fi redusă cu 1. Temperatura congelatorului va fi afișată în secvența „-14°C -> -15°C -> -16°C -> -17°C -> -18°C -> -19°C -> -20°C -> -21°C -> -22°C -> -23°C -> -24°C”.

Apăsați o dată butonul „K<sub>5</sub>” (butonul de reglare a temperaturii „+”); soneria sună o dată, iar temperatura setată a congelatorului va crește cu 1. Temperatura congelatorului va fi afișată în secvența „-24°C -> -23°C -> -22°C -> -21°C -> -20°C -> -19°C -> -18°C -> -17°C -> -16°C -> -15°C -> -14°C”.



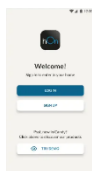
### OBSERVAȚIE

După setarea temperaturii, dacă nu există nicio operațiune în 5 secunde, sistemul va salva temperatura setată.

**Pasul 1** Descărcați aplicația hOn din magazinele digitale.



**Pasul 2** Creați-vă contul în aplicația hOn sau conectați-vă dacă aveți deja un cont



**Pasul 3** Urmați instrucțiunile de asociere în aplicația hOn



## Funcția Wi-Fi

1. Urmați instrucțiunile aplicației pentru a configura Wi-Fi.
2. După configurarea Wi-Fi și stabilirea conexiunii, pictograma Wi-Fi „A” rămâne aprinsă.
3. Dacă Wi-Fi-ul este deja configurat, acesta se va reconecta automat în funcție de informațiile de configurare, dacă se activează conexiunea Wi-Fi.
4. Pentru a opri Wi-Fi, apăsați butonul Wi-Fi „K<sub>1</sub>”, iar pictograma Wi-Fi „A” se stinge.
5. Pentru a porni Wi-Fi și a începe configurarea, apăsați butonul Wi-Fi „K<sub>1</sub>”, iar pictograma Wi-Fi „A” începe să lumineze intermitent ușor. Dacă doriți să configurați funcția Wi-Fi, apăsați butonul „K<sub>1</sub>” timp de 3 secunde, pictograma Wi-Fi se aprinde intermitent rapid și se intră în modul de configurare. Dacă doriți să dezactivați funcția Wi-Fi, apăsați butonul „K<sub>1</sub>” o dată. Repetați pașii de mai sus.
6. Dacă produsul a fost configurat și funcția Wi-Fi a fost dezactivată, frigiderul nu va intra în modul de configurare, după ce acesta este din nou conectat la curent.

## Funcția Holiday

1. Când ecranul de afișare este deblocat, apăsați butonul „K<sub>7</sub>” (butonul funcției Holiday); soneria sună o dată, indicatorul „G” (funcția Holiday) se aprinde și funcția Holiday va fi activată.
2. Când ecranul de afișare este deblocat, apăsați butonul „K<sub>7</sub>” (butonul funcției Holiday). Soneria sună o dată, indicatorul „G” (funcția Holiday) se stinge, iar funcția Holiday va fi dezactivată.

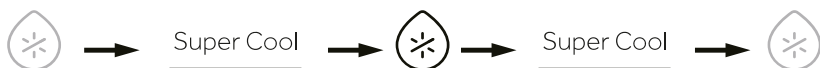


### OBSERVAȚIE

1. Funcția Holiday este utilizată în principal pentru călătorii pe termen scurt și alte situații, iar camera frigiderului trebuie golită atunci când se utilizează această funcție.
2. Atunci când este activată funcția Holiday, temperatura din camera frigorifică va fi mai mare (aproximativ 17°C). Aveți în vedere scoaterea alimentelor din camera frigorifică pentru a evita deteriorarea acestora.

## Funcția Super Cool

1. Când ecranul de afișare este deblocat, apăsați butonul „K<sub>2</sub>” (selector Super Cool); soneria sună o dată, indicatorul „B” (funcția Super Cool) se aprinde, iar funcția Super Cool se activează.
2. Când indicatorul „B” (funcția Super Cool) se aprinde, apăsați butonul „K<sub>2</sub>” (selector Super Cool); soneria sună o dată, indicatorul „O” (funcția Super Cool) se stinge, iar funcția Super Cool se dezactivează.
3. După ce funcția Super Cool este activată, frigiderul va dezactiva automat funcția când se atinge temperatura setată. Dacă doriți să ieșiți manual, puteți apăsa butonul „K<sub>2</sub>” (selectorul funcției Super Cool) pentru a o opri.



## OBSERVAȚIE

1. În starea Super Cool, temperatura frigiderului nu poate fi reglată. Dacă apăsați fie butonul „K<sub>4</sub>” (butonul de reglare a temperaturii „-”), fie butonul „K<sub>5</sub>” (butonul de reglare a temperaturii „+”) pentru a regla temperatura frigiderului, indicatorul „B” (indicatorul Super Cool) va lumina intermitent și se va auzi un semnal sonor pentru a indica faptul că această operațiune nu poate fi efectuată.
2. În starea funcției Super Cool, funcția Auto-set nu poate fi activată în același timp, din cauza diferitelor moduri de control. Când alegeți o funcție care intră în conflict cu o altă funcție, funcția inițială va fi abandonată automat.
3. Această funcție se va dezactiva automat după 6 ore.

## Funcția Super Freeze

1. Când ecranul de afișare este deblocat, apăsați butonul „K<sub>3</sub>” (selectorul Super Freeze). Soneria sună o dată, indicatorul „C” (funcția Super Freeze) se aprinde, iar funcția Super Freeze se activează.
2. Când indicatorul „C” (funcția Super Freeze) luminează, apăsați butonul „K<sub>3</sub>” (selectorul Super Freeze); soneria sună o dată, indicatorul „C” (funcția Super Freeze) se stinge, iar funcția Super Freeze se va dezactiva.
3. După ce funcția Super Freeze este activată, frigiderul va dezactiva automat funcția când se atinge temperatura setată. Dacă doriți să ieșiți manual, puteți apăsa butonul „K<sub>3</sub>” (selectorul funcției Super Freeze) pentru a o opri.





## OBSERVAȚIE

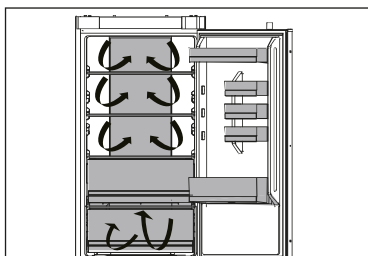
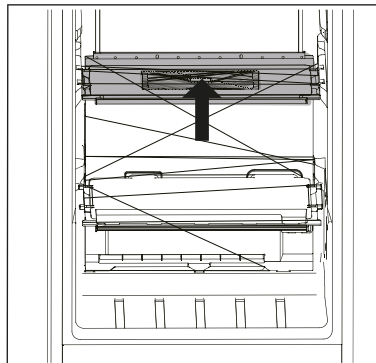
1. În starea Super Freeze, temperatura congelatorului nu poate fi reglată. Dacă apăsați fie butonul „K<sub>4</sub>” (butonul de reglare a temperaturii „-”), fie butonul „K<sub>5</sub>” (butonul de reglare a temperaturii „+”) pentru a regla temperatura congelatorului, indicatorul „C” (indicatorul Super Freeze) va lumina intermitent și se va auzi un semnal sonor pentru a indica faptul că această operațiune nu poate fi efectuată.
2. Funcția Super Freeze este concepută pentru a păstra valoarea nutritivă a alimentelor congelate; acestea vor fi congelate în cel mai scurt timp. În cazul în care trebuie congelate cantități mari de alimente congelate în același timp, funcția Super Freeze trebuie setată cu 24 de ore înainte, pentru a permite atingerea unei temperaturi relativ scăzute în congelator, pentru a introduce alimentele. În acest moment, viteza de congelare a congelatorului este îmbunătățită, alimentele pot fi congelate rapid, valorile nutriționale sunt păstrate eficient, iar depozitarea devine destul de convenabilă.
3. Funcția Super Freeze se oprește automat după 50 de ore, iar aparatul funcționează apoi la temperatura setată anterior.

## Sertarul Humidity Zone

În acest compartiment nivelul de umiditate este mai mare decât cel al frigiderului. Este controlat automat de către sistem și este potrivit pentru a depozita fructe, legume, salate etc.

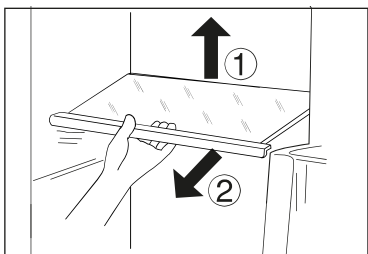
### **i** OBSERVAȚIE

1. Nu îndepărtați capacul de plastic din interiorul zonei.
2. Acesta menține umiditatea.
3. Nu se recomandă ca fructele sensibile la frig, cum ar fi ananasul, avocado, bananele, grepfrutul, să fie depozitate în acest sertar.



### Flux de aer multiplu

1. Frigiderul este prevăzut cu un sistem cu flux de aer multiplu, prin care fluxurile de aer rece sunt asigurate la nivelul fiecărui raft. Acest lucru ajută la păstrarea unei temperaturi uniforme pentru a asigura faptul că alimentele dvs. sunt menținute proaspete pentru mai mult timp.



### Rafturi ajustabile

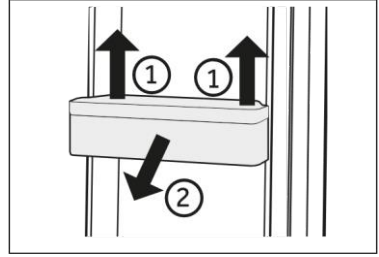
1. Înălțimea rafturilor poate fi ajustată pentru a se potrivi nevoilor dvs. de depozitare.
2. Pentru re poziționarea unui raft, scoateți-l mai întâi ridicând marginea din spate ① și tragându-l afară ②.
3. Pentru montarea la loc, așezați-l pe canalele de pe ambele părți și împingeți-l în cea mai din spate poziție, până când partea din spate a raftului este fixată în interiorul fantelor laterale

### **i** OBSERVAȚIE

Asigurați-vă că toate capetele unui raft sunt drepte.

### Rafturi de uşă detaşabile/ suport pentru sticle

1. Rafturile de uşă pot fi demontate pentru curăţare:
2. Puneţi mâinile pe fiecare parte a suportului, ridicaţi-l în sus ① şi scoateţi-l ②.
3. Pentru introducerea raftului de uşă urmaţi paşii de mai sus în ordine inversă.



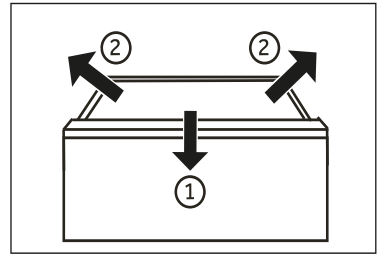
### OBSERVAȚIE

Atunci când aparatul este pornit, poate dura până la 12 ore pentru a ajunge la temperaturile corecte.

### Sertar demontabil

Pentru a scoate sertarul, trageți în afară până la maximum ①, ridicați și scoateți-l ②.

Pentru introducerea sertarului urmați pașii de mai sus în ordine inversă.



### Becul

Becul interior cu LED se aprinde la deschiderea ușii. Performanța luminilor nu este afectată de nicio altă setare a aparatului.



## Sfaturi de economisire a energiei

- ▶ Asigurați-vă că aparatul este ventilat corespunzător (consultați secțiunea INSTALARE).
- ▶ Nu instalați aparatul în lumina directă a soarelui sau în apropierea surselor de căldură (de ex., cuptoare, radiatoare).
- ▶ Evitați setarea temperaturilor nenecesare de scăzute în aparat. Consumul de energie crește odată cu scăderea temperaturii setate în aparat.
- ▶ Funcții precum Super Freeze consumă mai multă energie.
- ▶ Lăsați alimentele calde să se răcească înainte de a le amplasa în aparat.
- ▶ Deschideți ușa aparatului cât mai puțin și pentru o perioadă cât mai scurtă posibil.
- ▶ Nu umpleți excesiv aparatul, pentru a evita obstrucționarea fluxului de aer.
- ▶ Evitați prezența aerului în ambalajul alimentelor.
- ▶ Mențineți garniturile ușii curate astfel încât ușa să se închidă corect întotdeauna.
- ▶ Decongelați alimentele congelate în compartimentul de depozitare al frigiderului.
- ▶ Configurația pentru economisirea cea mai mare de energie necesită păstrarea sertarelor, cutiilor de alimente și rafturilor etc. în starea lor din fabrică, iar alimentele trebuie plasate cât mai departe posibil, fără a bloca orificiile de ieșire a aerului de pe conducta de aer.



## AVERTISMENT!

Deconectați aparatul de la rețeaua de alimentare înainte de curățare.

### Curățare

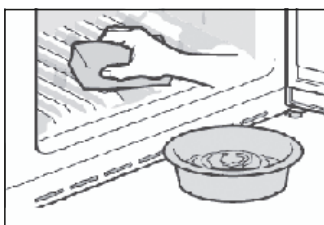
Curățați aparatul atunci când sunt depozitate puține alimente sau când acesta este gol.

Aparatul trebuie curățat o dată la patru săptămâni pentru o întreținere corectă și pentru a preveni mirosurile neplăcute cauzate de mâncarea depozitată.



## AVERTISMENT!

- ▶ Nu curățați aparatul cu perii aspre, cu perii de sârmă, cu detergent pulbere, benzină, acetat de amil, acetonă sau soluții organice similare, soluții acide sau alcaline. Curățați cu detergent special pentru frigider pentru a evita deteriorările.
- ▶ Nu pulverizați și nu spălați aparatul în timpul curățării.
- ▶ Nu folosiți pulverizarea cu apă sau aburi de apă în timpul curățării aparatului.
- ▶ Nu curățați rafturile reci din sticlă cu apă fierbinte. Schimbarea bruscă de temperatură poate face ca sticla să se spargă.
- ▶ Nu atingeți suprafața interioară a compartimentului de depozitare al congelatorului, în special cu mâinile ude, deoarece mâinile pot îngheța pe suprafață.
- ▶ În cazul încălzirii, verificați starea produselor congelate.



- ▶ Asigurați întotdeauna curățenia garniturii ușii.
- ▶ Curățați interiorul și carcasa aparatului cu un burete înmuiat în apă caldă și detergent neutru.
- ▶ 1. Este indicat să ștergeți interiorul și exteriorul frigiderului, inclusiv garniturile ușilor, raftul de pe ușă, rafturile din sticlă, cutiile și celelalte elemente, cu un prosop moale sau cu un burete înmuiat în apă caldă (puteți adăuga detergent neutru în apa caldă).
- ▶ 2. Dacă se varsă lichid, îndepărtați toate părțile contaminate, clătiți direct cu jet de apă, uscați-le și puneți-le înapoi în frigider.
- ▶ 3. Dacă se varsă alimente cu consistență cremoasă (cum ar fi smântâna, înghețata topită), vă rugăm să îndepărtați toate părțile contaminate, puneți-le în apă caldă la aproximativ 40 °C pentru o perioadă de timp, apoi clătiți-le cu jet de apă, uscați-le și puneți-le înapoi în frigider.
- ▶ 4. În cazul în care o parte mică sau o componentă este blocată în interiorul frigiderului (între rafturi sau sertare), utilizați o perie mică și moale pentru a o elibera. Dacă nu ați putut ajunge la piesa respectivă, contactați serviciul Haier
- ▶ Clătiți și uscați cu o cârpă moale.
- ▶ Nu curățați nicio parte a aparatului în mașina de spălat vase.
- ▶ Așteptați cel puțin 5 minute înainte de repornirea aparatului, deoarece pornirea frecventă poate deteriora compresorul.

### Decongelarea

Decongelarea compartimentului frigiderului și congelatorului au loc automat, nefiind necesară intervenția manuală.

### Înlocuirea becului LED



#### AVERTIZARE!

Nu înlocuiți becul LED de unul singur. Acesta trebuie înlocuit de producător sau de un agent de service autorizat.

Becul are un LED ca sursă de lumină a acestuia au un consum redus de energie și o durată mare de viață. În cazul în care există anormalități, contactați serviciul pentru clienți. Consultați secțiunea SERVICIU PENTRU CLIENȚI.

Parametrii becurilor:

Compartiment frigider: 12 V max. 2 W

Compartiment congelator: 12 V max. 2 W

### Neutilizare pentru o perioadă lungă de timp

Dacă nu utilizați aparatul pentru o perioadă lungă de timp, și nu doriți să utilizați funcția Holiday:

Scoateți alimentele.

Deconectați cablul de alimentare.

Curățați aparatul conform descrierii de mai sus.

Țineți ușile congelatorului deschise pentru a preveni apariția mirosurilor neplăcute în interior.



#### OBSERVAȚIE

Opriiți aparatul numai dacă este strict necesar.

### Mutarea aparatului

1. Scoateți toate alimentele și deconectați aparatul.
2. Securizați rafturile și restul părților mobile din frigider și congelator cu bandă adezivă.
3. Nu înclinați frigiderul la mai mult de 45°, pentru a evita deteriorarea sistemului frigorific.



#### AVERTIZARE!

- ▶ Nu ridicați aparatul de mână.
- ▶ Nu poziționați niciodată aparatul orizontal pe sol.

Multe probleme care pot apărea pot fi rezolvate de dvs., fără a fi necesare cunoștințe specifice. În cazul unei probleme verificați toate posibilitățile afișate și urmați instrucțiunile de mai jos înainte de a apela la un serviciu post-vânzare. Consultați secțiunea **SERVICIU PENTRU CLIENȚI**.



## AVERTIZARE!

- ▶ Înainte de întreținere, dezactivați aparatul și deconectați ștecărul de la rețeaua de alimentare.
- ▶ Echipamentele electrice trebuie depanate numai de către specialiști calificați în domeniul electric, deoarece reparațiile necorespunzătoare pot provoca daune indirecte considerabile.
- ▶ Un articol furnizat deteriorat trebuie înlocuit numai de către producător, agentul său de service sau persoane calificate similare, pentru a evita orice pericol.

Problemă	Cauză posibilă	Soluție posibilă
Compresorul nu funcționează.	<ul style="list-style-type: none"> <li>• Ștecărul de alimentare nu este conectat la priza de alimentare.</li> <li>• Aparatul este în ciclul de decongelare</li> </ul>	<ul style="list-style-type: none"> <li>• Conectați ștecărul de alimentare.</li> <li>• Acest lucru este normal în cazul unei decongelări automate</li> </ul>
Aparatul pornește frecvent sau pentru o perioadă prea mare de timp.	<ul style="list-style-type: none"> <li>• Temperatura interioară sau exterioară este prea ridicată.</li> <li>• Aparatul a fost deconectat de la energia electrică pentru o perioadă de timp.</li> <li>• O ușă a aparatului nu este închisă etanș.</li> <li>• Ușa a fost deschisă prea des sau pentru o perioadă prea lungă de timp.</li> <li>• Setarea temperaturii pentru compartimentul congelatorului este prea joasă.</li> <li>• Garnitura ușii este murdară, uzată, crăpată sau așezată incorect.</li> <li>• Circulația necesară a aerului nu este garantată.</li> </ul>	<ul style="list-style-type: none"> <li>• În acest caz, este normal ca aparatul să funcționeze mai mult timp.</li> <li>• În mod normal, durează între 8 și 12 ore ca aparatul să se răcească complet.</li> <li>• Închideți ușa/sertarul și asigurați-vă că aparatul este amplasat pe o suprafață dreaptă și că nu există vreun aliment sau recipient care să deranjeze ușa.</li> <li>• Nu deschideți ușa/sertarul prea des.</li> <li>• Setati temperatura la un valoare mai ridicată până când este obținută o temperatură satisfăcătoare a frigiderului. Durează 24 de ore ca temperatura frigiderului să se stabilizeze.</li> <li>• Curățați garnitura ușii/sertarului sau înlocuiți-o prin serviciul pentru clienți.</li> <li>• Asigurați o ventilație adecvată.</li> </ul>

Problemă	Cauză posibilă	Soluție posibilă
Interiorul frigiderului este murdar și/sau miroase.	<ul style="list-style-type: none"> <li>Interiorul frigiderului necesită curățare.</li> <li>Sunt depozitate alimente cu miros puternic în frigider.</li> </ul>	<ul style="list-style-type: none"> <li>Curățați interiorul frigiderului.</li> <li>Ambalați bine alimentele.</li> </ul>
În interiorul aparatului nu este suficient de rece.	<ul style="list-style-type: none"> <li>Temperatura setată este prea ridicată.</li> <li>Au fost depozitate alimente prea calde.</li> <li>Au fost depozitate prea multe alimente în același timp.</li> <li>Produsele sunt prea apropiate între ele.</li> <li>O ușă/un sertar al aparatului nu este închis etanș.</li> <li>Ușa/sertarul a fost deschis prea des sau pentru o perioadă prea mare de timp.</li> </ul>	<ul style="list-style-type: none"> <li>Resetați temperatura.</li> <li>Răciți întotdeauna produsele înainte de a le depozita.</li> <li>Depozitați întotdeauna cantități mici de alimente.</li> <li>Lăsați un spațiu liber între mai multe alimente pentru a permite trecerea aerului.</li> <li>Închideți ușa/sertarul.</li> <li>Nu deschideți ușa/sertarul prea des.</li> </ul>
În interiorul aparatului este prea rece.	<ul style="list-style-type: none"> <li>Temperatura setată este prea joasă.</li> <li>Funcția Super Freeze/ Super Cool este activată sau este activă de prea mult timp.</li> </ul>	<ul style="list-style-type: none"> <li>Resetați temperatura.</li> <li>Oprii funcția Super Freeze/ Super Cool</li> </ul>
Se formează umezeală în interiorul compartimentului frigiderului.	<ul style="list-style-type: none"> <li>Climatul este prea călduros și prea umed.</li> <li>O ușă/un sertar al aparatului nu este închis etanș.</li> <li>Ușa/sertarul a fost deschis prea des sau pentru o perioadă prea mare de timp.</li> <li>Recipientele cu alimente sau lichide sunt lăsate deschise.</li> </ul>	<ul style="list-style-type: none"> <li>Creșteți temperatura.</li> <li>Închideți ușa/sertarul.</li> <li>Nu deschideți ușa/sertarul prea des.</li> <li>Lăsați alimentele fierbinți să se răcească la temperatura camerei și acoperiți alimentele și lichidele.</li> </ul>
Umezeala se acumulează pe suprafața exterioară a frigiderului sau între uși/ușă și sertar.	<ul style="list-style-type: none"> <li>Climatul este prea călduros și prea umed.</li> <li>Ușa nu este închisă etanș. Aerul rece din aparat și aerul cald din exterior formează condens.</li> </ul>	<ul style="list-style-type: none"> <li>Acest lucru este normal într-un climat umed și se va modifica atunci când umiditatea va scădea.</li> <li>Asigurați-vă că ușa/sertarul este închis etanș.</li> </ul>

Problemă	Cauză posibilă	Soluție posibilă
Lumina afișajul funcționează, dar nu în frigider nu este rece.	<ul style="list-style-type: none"> <li>• Este în modul demo.</li> </ul>	<ul style="list-style-type: none"> <li>• Vă rugăm să observați în ce stare se află, iar dacă este în modul Demo, ieșiți din acesta. Ieșire - Deschideți ușa frigiderului, în stare blocată, apăsați al doilea buton din dreapta pentru 8S în decurs de 12 ore de la pornire.</li> </ul>
Gheață solidă în compartimentul congelatorului.	<ul style="list-style-type: none"> <li>• Produsele nu au fost ambalate corespunzător.</li> <li>• O ușă/un sertar al aparatului nu este închis etanș.</li> <li>• Ușa/sertarul a fost deschis prea des sau pentru o perioadă prea mare de timp.</li> <li>• Garnitura ușii/sertarului este murdară, uzată, crăpată sau așezată incorect.</li> <li>• Ceva din interior împiedică închiderea corespunzătoare a ușii/sertarului.</li> </ul>	<ul style="list-style-type: none"> <li>• Ambalați întotdeauna bine produsele.</li> <li>• Închideți ușa/sertarul.</li> <li>• Nu deschideți ușa/sertarul prea des.</li> <li>• Curățați garnitura ușii/sertarului sau înlocuiți-o cu una nouă.</li> <li>• Repoziționați rafturile, rafturile de ușă sau recipientele interne pentru a permite închiderea ușii/sertarului.</li> </ul>
Lateralele dulapului și garnitura ușii se încălzesc.	<ul style="list-style-type: none"> <li>• -</li> </ul>	<ul style="list-style-type: none"> <li>• Acest lucru este normal.</li> </ul>
Aparatul emite sunete anormale.	<ul style="list-style-type: none"> <li>• Aparatul nu se află pe o suprafață dreaptă.</li> <li>• Aparatul atinge unele obiecte din jurul acestuia.</li> </ul>	<ul style="list-style-type: none"> <li>• Reglați suportul pentru a aduce aparatul la același nivel.</li> <li>• Îndepărtați obiectele din jurul aparatului.</li> </ul>
Se aude un sunet similar cu cel al apei care curge.	<ul style="list-style-type: none"> <li>• -</li> </ul>	<ul style="list-style-type: none"> <li>• Acest lucru este normal.</li> </ul>
Veți auzi o alarmă sonoră.	<ul style="list-style-type: none"> <li>• Ușa compartimentului de depozitare al frigiderului este deschisă.</li> </ul>	<ul style="list-style-type: none"> <li>• Închideți ușa.</li> </ul>
Veți auzi un zumzet slab.	<ul style="list-style-type: none"> <li>• Sistemul anti-condens este în funcțiune</li> </ul>	<ul style="list-style-type: none"> <li>• Acesta împiedică formarea condensului și este normal</li> </ul>
Iluminarea interioară sau sistemul de răcire nu funcționează.	<ul style="list-style-type: none"> <li>• Ștecărul de alimentare nu este conectat la priza de alimentare.</li> <li>• Sursa de alimentare nu este intactă.</li> <li>• Becul cu LED este defect.</li> </ul>	<ul style="list-style-type: none"> <li>• Conectați ștecărul de alimentare.</li> <li>• Verificați sursa de alimentare cu energie electrică din cameră. Contactați compania locală de electricitate!</li> <li>• Contactați serviciul de depanare pentru înlocuirea becului.</li> </ul>

Pentru contactarea asistenței tehnice, vizitați site-ul nostru web:  
<https://corporate.haier-europe.com/en/>

La secțiunea „website” alegeți marca produsului dvs. și țara dvs. Veți fi redirectionat către website-ul specific unde puteți găsi numărul de telefon și formularul de contactare a asistenței tehnice.

## Pană de curent

În cazul unei pene de curent, alimentele ar trebui să rămână reci timp de aproximativ 5 ore. Urmați aceste sfaturi în cazul unei pene de curent prelungite, în special pe timpul verii:

- ▶ Deschideți ușa/sertarul de cât mai puține ori posibil.
- ▶ Nu puneți alimente adiționale în aparat în timpul unei pene de curent.
- ▶ În cazul în care știți că se va produce o pană de curent, iar durata acesteia va fi mai mare de 5 ore, faceți cuburi de gheață și puneți-le într-un recipient în partea de sus a compartimentului frigiderului.
- ▶ Imediat după întreruperea energiei electrice este necesară inspectarea produselor.
- ▶ Dat fiind faptul că temperatura din frigider va crește în timpul unei pene de curent sau în cazul altei defecțiuni, perioada de depozitare și calitatea alimentelor comestibile vor fi reduse. Alimentele care se decongelează trebuie consumate sau gătite și recongelate (unde este cazul) cât mai curând după aceea, pentru a preveni apariția riscurilor pentru sănătate.

## Funcția de memorare în timpul penei de curent

După restabilirea alimentării cu energie electrică, aparatul continuă să funcționeze cu setările stabilite înaintea penei de curent.

## Despachetare

**AVERTIZARE!**

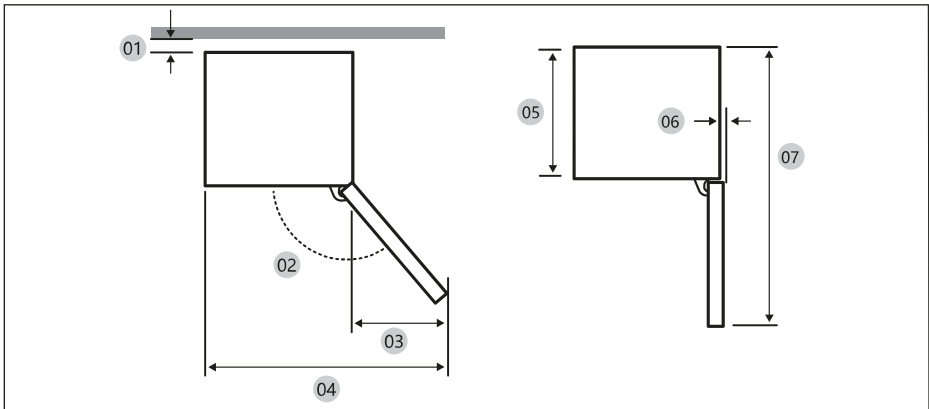
- ▶ Aparatul este greu. Manevrați-l întotdeauna cu cel puțin două persoane.
- ▶ Țineți toate materialele de ambalare la distanță de copii și eliminați-le într-un mod ecologic.
- ▶ Scoateți aparatul din ambalaj.
- ▶ Îndepărtați toate materialele de ambalare.

## Condiții ambientale

Temperatura camerei trebuie să fie cuprinsă întotdeauna între 10 °C și 43 °C, deoarece poate influența temperatura din interiorul aparatului și consumul de energie al acestuia. Nu instalați aparatul în apropierea altor aparate care emit căldură (cuptoare, frigidere) fără izolare.

## Cerințe legate de spațiu

Spațiul necesar la deschiderea ușii (fără panoul ușii dulapului)

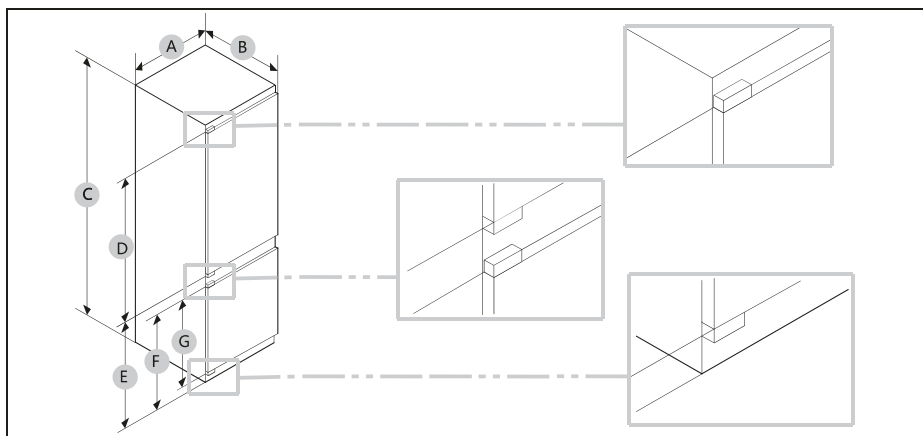


Model	EHBQW5518E HBQW5518E HBQW5518EK HQE1855BCMW EHQE1855BCMW	HBQW5519E HBQW5519EK EHBQW5519E EHBQW5519ECM	HBQW5719E
01 *	10 (min.) / 30 (recomandat)	10 (min.) / 30 (recomandat)	10 (min.) / 30 (recomandat)
02	95° (Recomandat)	95° (Recomandat)	95° (Recomandat)
03	43	43	55
04	583	583	745
05	515	515	515
06	-3	-3	-3
07	1060	1060	1210

\* 01: De la dulap la partea din spate a produsului.

(unitate: mm)

## Dimensiunea produsului



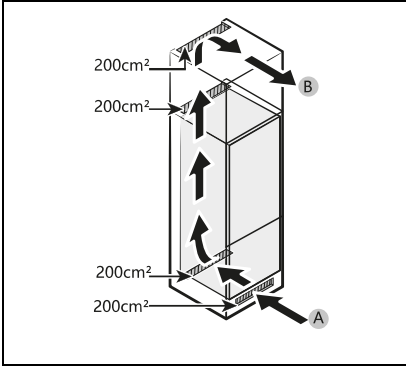
Model	A (mm)	B (mm)	C (mm)	D (mm)	E (mm)	F (mm)	G (mm)
EHBQW5518E HBQW5518E HBQW5518EK HQE1855BCMW EHQE1855BCMW	540±2	550±2	1772±2	970	745	662	618
HBQW5519E HBQW5519EK EHBQW5519E EHBQW5519ECM	540±2	550±2	1935±2	1133	745	662	618
HBQW5719E	690±2	550±2	1935±2	1133	745	662	618

**i** OBSERVAȚIE

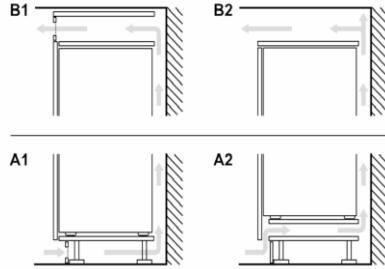
- Consumul de energie specificat se bazează pe condiția unui spațiu de 10 mm între dulap și partea din spate a produsului. Produsul va funcționa corect chiar și în cazul unui spațiu mai mic de 10 mm, însă consumă ceva mai multă energie.
- Vă recomandăm să folosiți un dulap cu o grosime de 18 mm și balamale cu o grosime mai mică de 20 mm.
- Măsurătorile din tabelul de mai sus pot fi diferite, în funcție de metoda de măsurare.
- Pentru instalarea ca produs încorporat, consultați ghidul de instalare.

## Secțiune transversală ventilare

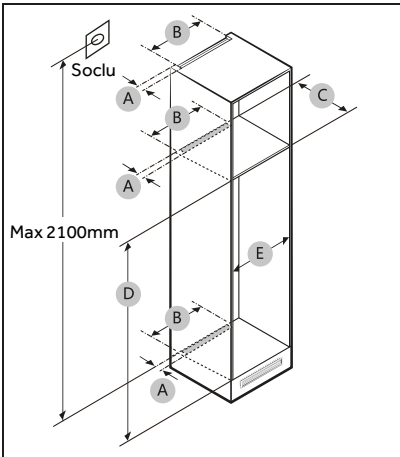
Pentru a obține o ventilare suficientă a aparatului din motive de siguranță, trebuie respectate informațiile legate de secțiunile transversale ale ventilării necesare.



**A:** Intrare aer  $\geq 200 \text{ cm}^2$ ; Opțiuni de ventilație  
**B:** ieșire aer  $\geq 200 \text{ cm}^2$ ; Opțiuni de ventilație



## Dimensiunea dulapului



## ATENȚIE!

Orice defecțiune a produsului cauzată de următoarele nu este acoperită de garanție.

1. Condiții de amplasare necorespunzătoare sau dimensiuni incorecte ale dulapului.
2. Dulap defect.
3. Greșeli ale instalatorului sau ale utilizatorului.

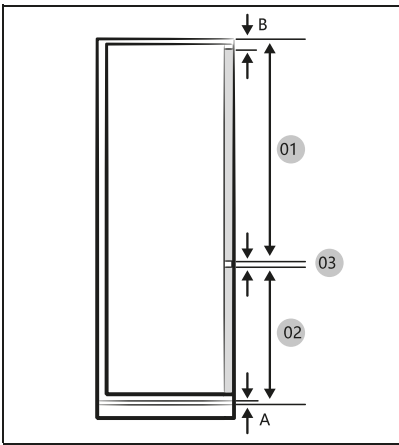
## Spațiu

Consultați imaginile și tabelele de mai jos pentru a vedea spațiul necesar pentru instalare.

Model		A (mm)	B (mm)	C (mm)	D (mm)	E (mm)	Observație
EHBQW5518E HBQW5518E HBQW5518EK HQE1855BCMW EHQE1855BCMW	Min.	50	400	560	1778	560	Balama: 17mm
	Recomandat			580	1780	562	
	Zonă de max.			-	1782	568	
HBQW5519E HBQW5519EK EHBQW5519E EHBQW5519ECM	Min.	50	400	560	1940	560	Balama: 17mm
	Recomandat			580	1943	562	
	Zonă de max.			-	1945	568	
HBQW5719E	Min.	50	400	560	1941	710	Balama: 17mm
	Recomandat			580	1943	714	
	Zonă de max.			-	1945	718	

## **i** OBSERVAȚIE

- Dacă lățimea unui dulap este mai mare de 568 mm, garnitura (dintre frigider și dulap) se poate slăbi.
- Dacă dulapul este mai înalt decât dimensiunea maximă (1782 mm), trebuie să utilizați alte materiale de finisare pentru a umple golul. (pentru modelele EHBQW5518E/ HBQW5518E/ EK/ EHQE/ HQE1855BCMW)
- Dacă dulapul este mai înalt decât dimensiunea maximă (1945 mm), trebuie să utilizați alte materiale de finisare pentru a umple golul. (pentru modelele HBQW5519E/ EK/ EHBQW5519E/ ECM)



## **i** OBSERVAȚIE

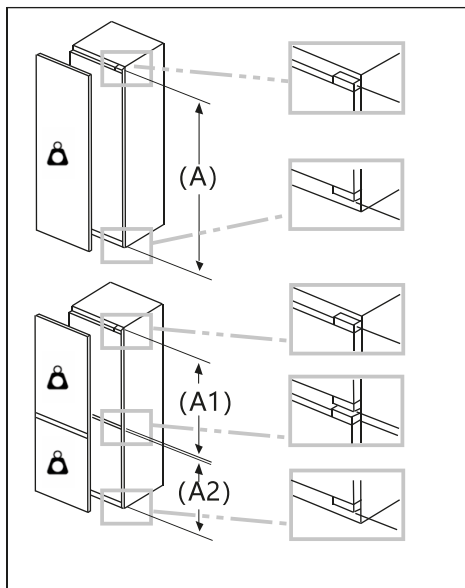
Pentru a instala un dulap care necesită un spațiu de 4 mm (03), consultați tabelul cu referințele dulapului de mai jos.

- A Marginea inferioară a panoului frontal deasupra ventilației de aerisire  
 B Panoul frontal dispus suspendat

(unitate: mm)

Model	EHBQW5518E HBQW5518E HBQW5518EK HQE1855BCMW EHQE1855BCMW	HBQW5519E HBQW5519EK EHBQW5519E EHBQW5519ECM HBQW5719E
01	Min. 1028+B Zonă de max. 1106+B	Min. 1191+B Zonă de max. 1269+B
02	Min. 662+A Zonă de max. 740+A	Min. 662+A Zonă de max. 740+A
03	4 mm (spațiul față de panoul ușii dulapului pentru frigider și congelator)	

## Greutatea maximă admisibilă a părților frontale ale unității

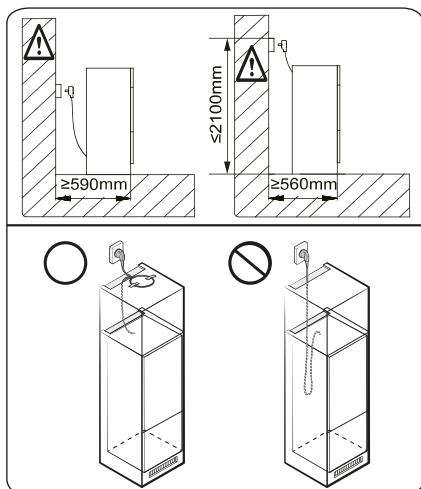


Părțile frontale ale unităților montate care depășesc greutatea admisă pot cauza deteriorări și pot afecta funcționalitatea balamalelor.

**Greutate**  
(kg)

1500-1750 mm	22
720-1400 mm	19
A1	15
A2	15

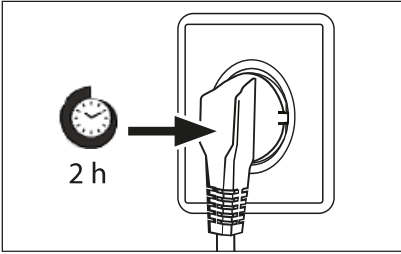
## Luarea în calcul a locației prizei și a spațiului necesar



### **i** OBSERVAȚIE

Dacă instalați frigiderul într-un dulap cu o adâncime de 560 mm, cablul de alimentare trebuie dispus pe o parte a frigiderului înainte de a-l conecta la o priză. În cazul în care cablul de alimentare se află în partea din spate a frigiderului, aceasta ar putea reduce eficiența energetică.

## Timpu de așteptare



Uleiul de ungere fără întreținere este amplasat în capsula compresorului. Uleiul respectiv poate trece prin sistemul cu țevi închis în timpul transportării înclinată. Înainte de conectarea aparatului la sursa de alimentare, trebuie să așteptați cel puțin 2 ore pentru ca uleiul să curgă înapoi în capsulă.

## Conexiunea electrică

Înainte de fiecare conexiune verificați dacă:

- ▶ sursa de alimentare, priza și siguranța sunt conforme cu plăcuța cu date tehnice.
- ▶ priza de alimentare este legată la împământare și nu este de tip prize multiple sau prelungitor.
- ▶ ștecărul și priza de alimentare sunt strict conforme.

Conectați ștecărul la o priză de la domiciliu instalată corespunzător.



## AVERTIZARE!

Pentru evitarea riscurilor, cablul de alimentare deteriorat trebuie înlocuit prin serviciul pentru clienți (consultați fișa de garanție).

Fișa de produs conform reglementării UE nr. 2019/2016

Marca	Haier		
Numele/identificatorul modelului	EHBQW5518E HBQW5518E HBQW5518EK HQE1855BCMW EHQE1855BCMW	HBQW5519E HBQW5519EK EHBQW5519E EHBQW5519ECM	HBQW5719E
Categoria modelului	Combină frigorifică		
Clasa de eficiență energetică	E	E	E
Consumul anual de energie (kWh/an) (1)	229	229	259
Volumul total (l)	268	285	382
Volum frigider (l)	194	211	281
Volum congelator (l)	74	74	101
Volumul secțiunii de răcire (l)	/	/	/
Volumul dispozitivului automat pentru cuburi de gheață (l)	/	/	/
Clasificarea prin stele	4	4	4
Temperatura altor compartimente > 14 °C	Nu se aplică		
Sistem fără îngheț	Da		
Capacitatea de congelare (kg/24 h)			
Evaluare temperatură (2)	SN/N/ST/T	SN/N/ST/T	SN/N/ST/T
Clasa de emisii sonore și emisii de zgomote acustice aeropurtate (db(A)re1pW)	B(35)	B(35)	B(33)
Timpu necesar creșterii temperaturii (h)	12	12	9
Capacitate de producere a gheții	/	/	/
Tipul aparatului	Încorporat		

Numele modelului	Clasa de eficiență energetică
EHBQW5518E HBQW5518E HBQW5518EK HQE1855BCMW EHQE1855BCMW	E
HBQW5519E HBQW5519EK EHBQW5519E EHBQW5519ECM HBQW5719E	E

Explicații:

- Da, prezentate

(1) Pe baza rezultatelor testului de conformitate cu standardele, cu o durată de peste 24 de ore. Consumul real depinde de utilizarea și locația aparatului.

(2) Evaluare temperatură SN: Acest aparat este destinat utilizării la o temperatură ambientală cuprinsă între +10 °C și +32 °C

Evaluare temperatură N: Acest aparat este destinat utilizării la o temperatură ambientală cuprinsă între +16 °C și +32 °C

Evaluare temperatură ST: Acest aparat este destinat utilizării la o temperatură ambientală cuprinsă între +16 °C și +38 °C

Evaluare temperatură T: Acest aparat este destinat utilizării la o temperatură ambientală cuprinsă între +16 °C și +43 °C

#### Date tehnice suplimentare

Tensiune/Frecvență	220-240 V ~/50 Hz
Curentul de intrare (A)	1.2/1.6
Siguranța principală (A)	16
Răcire	R600a
Dimensiuni (Î/L/A în mm)	EHBQW5518E/ HBQW5518E/ EK EHQE/ HQE1855BCMW: 1773/540/555
	HBQW5519E/ EK/ EHBQW5519E/ ECM: 1935/540/555
	EHBQW5719E : 1935/690/550

Vă recomandăm să apelați la serviciul pentru clienți Haier și să utilizați piese de schimb originale.

Dacă aveți o problemă cu aparatul, consultați mai întâi secțiunea DEPANARE.

Dacă nu găsiți nicio soluție acolo, contactați

- ▶ distribuitorul local sau
- ▶ Centrul nostru european de servicii telefonice (vedeți numerele de telefon enumerate mai jos) sau
- ▶ zona Service și Asistență pe [www.haier.com](http://www.haier.com), unde puteți activa cererea de service și găsi, de asemenea, întrebări frecvente.

Pentru contactarea serviciului nostru, asigurați-vă că aveți următoarele date.

Informațiile pot fi găsite pe plăcuța cu date tehnice.

Model \_\_\_\_\_

Nr. serie \_\_\_\_\_

De asemenea, verificați și fișa de garanție furnizată cu produsul, în cazul garanției.

Centrul european de servicii telefonice		
Țara*	Număr de telefon	Costuri
Haier Italy (IT)	199 100912	
Haier Spain (ES)	902 509 123	
Haier Germany (DE)	0180 5 39 39 99	<ul style="list-style-type: none"> <li>• 14 Ct/min de pe telefon fix</li> <li>• max 42 Ct/Min de pe mobil</li> </ul>
Haier Austria (AT)	0820 001205	<ul style="list-style-type: none"> <li>• 14,53 Ct/min de pe telefon fix</li> <li>• max 20 Ct/Min de pe toate celelalte</li> </ul>
Haier United Kingdom (UK)	0333 003 8122	
Haier France (FR)	0980 406 409	

\* Pentru alte țări, consultați [www.haier.com](http://www.haier.com)

Haier Europe Trading S.r.l

Filiala Marea Britanie

Westgate House, Westgate, Ealing

Londra, W5 1YY

\*Durata garanției aparatului frigorific:

Garanția minimă este de: 2 ani pentru țările din UE, 3 ani pentru Turcia, 1 an pentru Marea Britanie, 1 an pentru Rusia, 3 ani pentru Suedia, 2 ani pentru Serbia, 5 ani pentru Norvegia, 1 an pentru Maroc, 6 luni pentru Algeria, Tunisia nu necesită nicio garanție legală.

\* Perioada de piese de schimb pentru repararea aparatului:

Termostatele, senzorii de temperatură, plăcile cu circuite imprimate și sursele de lumină sunt disponibile timp de o perioadă minimă de șapte ani de la punerea pe piață a ultimei unități a modelului.

Mânerele de uși, balamalele de uși, tăvile și coșurile, timp de o perioadă minimă de șapte ani, iar garniturile de uși timp de o perioadă minimă de 10 ani de la punerea pe piață a ultimei unități a modelului.

\*Pentru mai multe informații despre produs, vă rugăm consultați <https://eprel.ec.europa.eu/> sau scanați codul QR de pe eticheta energetică furnizată cu aparatul.



**Haier**



2024 Versiunea A

# Haier

## Руководство пользователя

Холодильник - морозильник

ЕНВQW5518E

НВQW5518E

НВQW5518ЕК

НQE1855BCMВ

ЕНQE1855BCMВ

НВQW5519E

НВQW5519ЕК

ЕНВQW5519E

ЕНВQW5519ЕСM

НВQW5719E

RU

<u>4</u>	<u>Информация о технике безопасности</u>	<u>Перед первым использованием</u>	<u>5</u>
		<u>Установка</u>	<u>5</u>
		<u>Повседневная эксплуатация</u>	<u>6</u>
		<u>Информация о газообразном хладагенте</u>	<u>8</u>
<u>9</u>	<u>Назначение</u>		
<u>10</u>	<u>Описание изделия</u>		
<u>12</u>	<u>Панель управления</u>		
<u>13</u>	<u>Использование</u>	<u>Блокировка/разблокировка панели управления</u>	<u>13</u>
		<u>Регулировка температуры холодильного отделения</u>	<u>13</u>
		<u>Регулировка температуры в морозильном отделении</u>	<u>14</u>
		<u>Функция Wi-Fi</u>	<u>15</u>
		<u>Функция Holiday</u>	<u>15</u>
		<u>Функция Super Cool</u>	<u>16</u>
		<u>Функция Super Freeze</u>	<u>16</u>
<u>18</u>	<u>Оборудование</u>		
<u>20</u>	<u>Советы по энергосбережению</u>		
<u>21</u>	<u>Чистка и обслуживание</u>		
<u>23</u>	<u>Поиск и устранение неисправностей</u>		
<u>27</u>	<u>Установка</u>		
<u>34</u>	<u>Технические характеристики</u>		
<u>36</u>	<u>Служба по работе с заказчиками</u>		

## Благодарим за приобретение изделия Haier.

Внимательно прочитайте эти инструкции, прежде чем пользоваться этим устройством. Инструкции содержат важную информацию, которая поможет вам пользоваться устройством максимально эффективно и обеспечить безопасные и правильные установку, эксплуатацию и техническое обслуживание.

Храните это руководство в удобном месте, чтобы можно было сверяться с ним для безопасного и правильного пользования прибором.

Если вы продаете прибор, отдаете его или оставляете при переезде, обязательно передайте это руководство новому владельцу, чтобы он/она смог ознакомиться с прибором и предостережениями касательно техники безопасности.

## Принадлежности

Проверьте принадлежности и печатные издания в соответствии с этим списком:





**ПРЕДУПРЕЖДЕНИЕ – Важная информация по технике безопасности**



**ПРИМЕЧАНИЕ – Общие сведения и советы**



**Экологическая информация**



### Утилизация

Помогите защитить окружающую среду и здоровье людей. Выбрасывайте упаковку в соответствующие контейнеры для дальнейшей переработки. Помогите утилизировать отходы электрического и электронного оборудования. Не утилизируйте приборы, обозначенные этим символом, вместе с бытовыми отходами. Отвезите изделие на местное предприятие по переработке или обратитесь в муниципальное учреждение.



### ПРЕДУПРЕЖДЕНИЕ!

Опасность травмы или удушья!

Хладагенты и газы следует утилизировать профессиональным образом. Перед надлежащей утилизацией убедитесь, что трубки контура охлаждения не повреждены. Отключите прибор от электросети. Отрежьте сетевой шнур и утилизируйте его. Выньте лотки и выдвижные ящики, а также удалите дверную защелку и уплотнители, чтобы дети и домашние животные не закрывались в приборе.

**Перед первым включением прибора прочитайте следующие рекомендации по технике безопасности:**



## **ПРЕДУПРЕЖДЕНИЕ!**

### **Перед первым использованием**

- ▶ Убедитесь в отсутствии повреждений при транспортировке.
- ▶ Подождите не менее двух часов, прежде чем устанавливать прибор, чтобы убедиться в полной эффективности контура охлаждения.
- ▶ Из-за тяжести прибора его должны перемещать минимум два человека.
- ▶ Снимите всю упаковку и поместите в недоступное для детей место для утилизации экологически безопасным способом.
- ▶ Очистите внутреннюю и внешнюю часть прибора водой и мягким моющим средством, прежде чем класть в него какие-либо продукты.
- ▶ После выравнивания и очистки прибора подождите не менее 2-5 часов, прежде чем подключать его к источнику питания. См. раздел УСТАНОВКА.
- ▶ Предварительно охладите отсеки при высоких настройках перед загрузкой продуктов. Функция Power-Freeze помогает быстро охладить отделения.
- ▶ Температуры холодильного и морозильного отделений автоматически устанавливаются на 5°C и -18°C соответственно. Это рекомендуемые настройки. При желании вы можете изменить эти значения температуры вручную. См. раздел «РЕГУЛИРОВКА ТЕМПЕРАТУРЫ».

### **Установка**

- ▶ Прибор следует устанавливать в хорошо проветриваемом помещении. Обеспечьте не менее 10 см свободного пространства над прибором и вокруг него.
- ▶ Запрещается ставить прибор во влажных зонах или в месте, где он может быть забрызган водой. Сотрите и подсушите брызги воды и пятна мягкой чистой тканью.
- ▶ Не устанавливайте прибор под прямыми солнечными лучами или вблизи источников тепла (например, печей и обогревателей).
- ▶ Устанавливайте прибор и регулируйте его уровень в месте, соответствующем его размерам и использованию.
- ▶ Не допускайте перекрытия вентиляционных отверстий на корпусе электроприбора и на встроенных конструкциях.
- ▶ Удостоверьтесь, что электрические характеристики на паспортной табличке совпадают с характеристиками источника электропитания. Если это не так, обратитесь к электрику.
- ▶ Устройство работает от источника электропитания с 220-240 В пер. тока/50 Гц. Аномальные колебания напряжения могут привести к сбою при запуске прибора, либо повреждению регулятора температуры или компрессора, либо странному шуму во время работы. В этом случае следует установить автоматический регулятор.
- ▶ Не используйте многоштепсельные адаптеры и удлинительные кабели.
- ▶ Запрещается располагать многоместные удлинители или портативные источники питания позади прибора.



## ПРЕДУПРЕЖДЕНИЕ!

- ▶ Убедитесь, что кабель питания не зажат холодильником. Не наступайте на шнур питания.
- ▶ Используйте отдельную легкодоступную заземленную розетку электропитания. Этот прибор следует заземлить.  
Только для Великобритании: кабель питания прибора оснащен 3-контактной (заземляющей) вилкой, которая подключается к 3-контактной (заземленной) розетке. Запрещается обрезать или демонтировать третий штырь (заземляющий). После установки прибора вилка должна быть легко доступна.
- ▶ Не повредите контур охлаждения.

### Повседневная эксплуатация

- ▶ Дети в возрасте 8 лет и старше, а также лица с ограниченными физическими, сенсорными и умственными способностями, недостаточным опытом и знаниями, могут пользоваться прибором только при условии, что они находятся под надлежащим надзором или проинструктированы о порядке безопасного пользования устройством и осознают связанные с этим опасности.
- ▶ Детям в возрасте от 3 до 8 лет разрешается загружать и выгружать продукты, но не разрешается чистить и устанавливать холодильные приборы.
- ▶ Не допускайте детей в возрасте до 3 лет к прибору, если они не находятся под постоянным наблюдением.
- ▶ Не разрешайте детям играть с прибором.
- ▶ Если вблизи прибора вытекает холодный или другой легковоспламеняющийся газ, закройте вентиль вытекающего газа, откройте двери и окна и не вынимайте вилку кабеля питания холодильника или любого другого прибора из розетки.
- ▶ Обратите внимание, что прибор настроен на работу при определенном диапазоне температур окружающей среды: от 10 до 43°C. Электроприбор, находившийся при температуре выше или ниже указанного диапазона в течение длительного времени, может не работать надлежащим образом.
- ▶ Не ставьте неустойчивые предметы (тяжелые предметы, емкости с водой) на холодильник, чтобы избежать травмирования из-за падения таких предметов или поражения электрическим током в результате контакта с водой.
- ▶ Не тяните за дверные полки. Дверца может наклониться, полка для бутылок может выдвинуться, а прибор может опрокинуться.
- ▶ Открывайте и закрывайте дверцы только с помощью ручек. Расстояние между дверцами и между дверцами и шкафом очень мало. Не вставляйте руки в эти области, чтобы не прищемить пальцы. Открывайте и закрывайте дверцы холодильника только в том случае, если рядом нет детей, стоящих в пределах диапазона движения дверцы.
- ▶ Не храните и не используйте легковоспламеняющиеся, взрывоопасные или коррозионно активные материалы в приборе или в непосредственной близости от него.
- ▶ Не храните в приборе медикаменты, бактерии или химические вещества. Это устройство является бытовым прибором, не рекомендуется хранить в нем материалы, требующие строгого соблюдения диапазона температур.



## ПРЕДУПРЕЖДЕНИЕ!

- ▶ Никогда не храните в морозильной камере жидкости в бутылках или банках (кроме крепкого алкоголя), особенно газированные напитки, поскольку они лопнут во время замораживания.
- ▶ Проверьте состояние продуктов, если в морозильной камере произошло повышение температуры.
- ▶ Не устанавливайте излишне низкую температуру в холодильной камере. Высокие настройки могут становиться причиной отрицательных температур. Внимание! Бутылки могут лопнуть.
- ▶ Не прикасайтесь к замороженным продуктам мокрыми руками (надевайте перчатки). Особенно не ешьте мороженое сразу после извлечения из морозильного отделения. Существует риск примерзания или образования морозных волдырей. ПЕРВАЯ помощь: немедленно поместите под проточную холодную воду. Не пытайтесь оторваться!
- ▶ Не прикасайтесь к внутренней поверхности морозильного отделения во время работы, особенно мокрыми руками, так как ваши руки могут примерзнуть к поверхности.
- ▶ Отключайте прибор от электросети в случае сбоя питания или перед очисткой. Подождите не менее 7 минут перед повторным запуском прибора, так как частый запуск может повредить компрессор.
- ▶ Не пользуйтесь электрическими приборами внутри отделений для хранения пищевых продуктов, если они не относятся к устройствам, рекомендованным производителем.

## Техническое обслуживание/очистка

- ▶ Если дети выполняют очистку и техническое обслуживание, удостоверьтесь, что они находятся под наблюдением.
- ▶ Перед проведением планового технического обслуживания отсоединяйте прибор от сети электропитания. Подождите не менее 5 минут перед повторным запуском прибора, так как частый запуск может повредить компрессор.
- ▶ При отключении прибора держитесь за вилку, а не за шнур.
- ▶ Не чистите прибор жесткими щетками, проволочными щетками, порошковым моющим средством, бензином, амилацетатом, ацетоном и аналогичными органическими растворами, кислотными или щелочными растворами. Во избежание повреждений мойте прибор специальным моющим средством для холодильников.
- ▶ Не соскребайте иней и лед острыми предметами. Не используйте распылители, электрические нагреватели, такие как обогреватели, фены, пароочистители и другие источники тепла, чтобы избежать повреждения пластиковых частей.
- ▶ Для ускорения процесса размораживания не используйте механические или другие устройства кроме тех, которые рекомендованы производителем.
- ▶ При повреждении кабеля питания во избежание возможной опасности его замену должен осуществлять производитель, его сервисный представитель или лица с подобной квалификацией.
- ▶ Не пытайтесь самостоятельно ремонтировать, разбирать или модифицировать прибор. Для проведения ремонта обращайтесь в нашу службу по работе с заказчиками.



## ПРЕДУПРЕЖДЕНИЕ!

- ▶ Убирайте пыль на задней поверхности устройства не реже одного раза в год, чтобы избежать опасности возгорания, а также повышенного потребления энергии.
- ▶ Не разбрызгивайте воду на прибор и не промывайте его струей воды во время чистки.
- ▶ Не используйте распылитель для воды или пар для очистки прибора.
- ▶ Не мойте холодные стеклянные полки горячей водой. Резкий контраст температур может привести к растрескиванию стекла.

## Информация о газообразном хладагенте



### ПРЕДУПРЕЖДЕНИЕ!

Прибор содержит легковоспламеняющийся хладагент ИЗОБУТАН (R600a). Убедитесь, что охлаждающий контур не был поврежден во время транспортировки или установки. Утечка хладагента может привести к воспламенению или поражениям глаз. В случае такого повреждения держитесь подальше от открытых источников огня, тщательно проветрите помещение, не подключайте и не отсоединяйте шнуры питания этого или любого другого прибора. Уведомите службу по работе с заказчиками.

В случае попадания хладагента в глаза немедленно промойте их проточной водой и сразу же обратитесь к офтальмологу.

## Назначение

Этот прибор предназначен для охлаждения и замораживания продуктов. Он был разработан исключительно для использования в быту и подобных сферах применения, таких как: в кухонных зонах для персонала в магазинах, офисах и других рабочих помещениях; в жилых домах на фермах; для клиентов в гостиницах, мотелях и других жилых помещениях; в гостиницах типа «ночлег и завтрак». Он не предназначен для коммерческого или промышленного использования.

Изменения или модификации устройства не допускаются. Использование не по назначению может привести к возникновению опасной ситуации и потере права на претензии по гарантийным обязательствам.

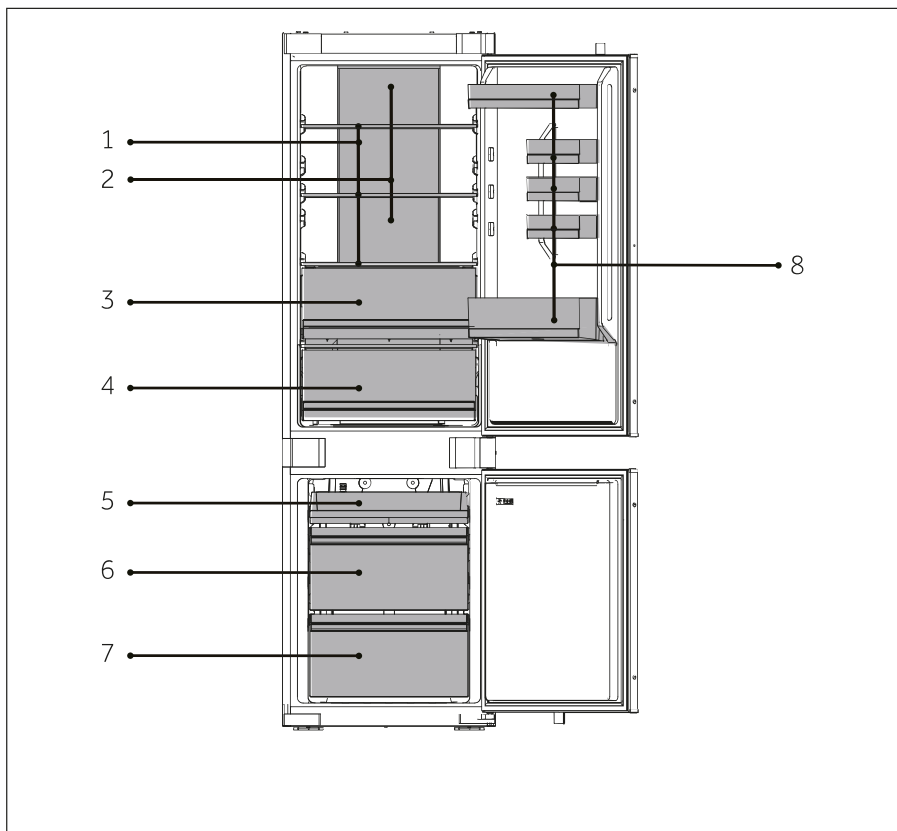
## Стандарты и директивы или

Данное изделие соответствует требованиям всех применимых директив ЕС с соответствующими гармонизированными стандартами и стандартами Великобритании, которые предусматривают маркировку CE или UKCA.



## ПРИМЕЧАНИЕ

Из-за технических изменений и различия моделей некоторые иллюстрации в этом руководстве могут не совпадать с вашим изделием.



ЕНВQW5518E/НВQW5518E/НВQW5518ЕК/НQE1855BCMW/ЕНQE1855BCMW

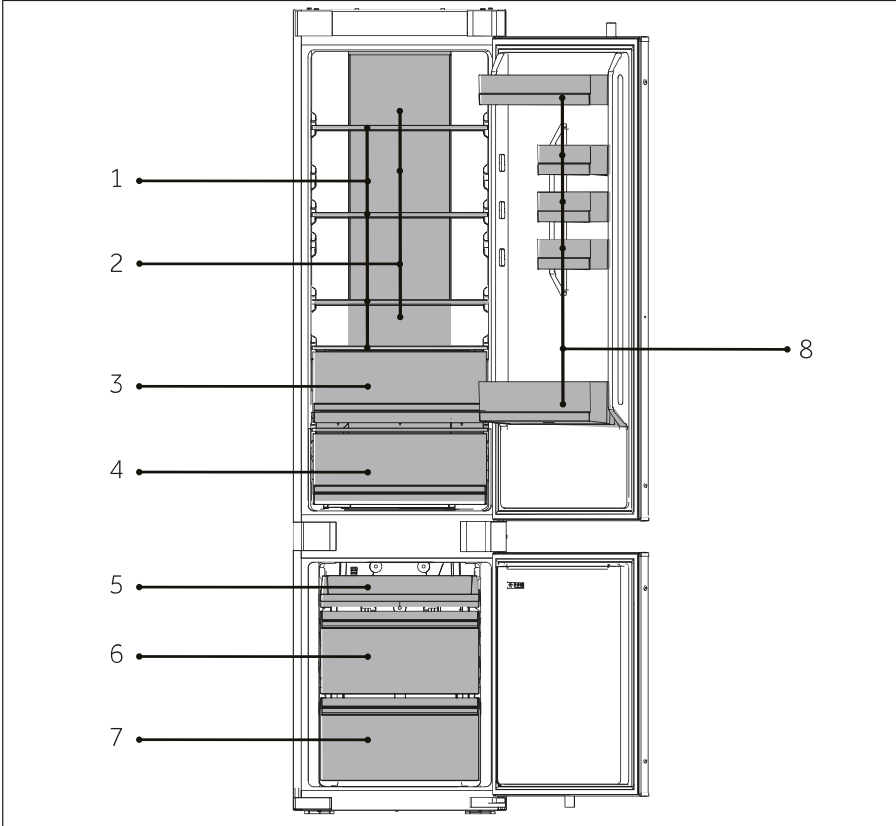
А: Холодильное отделение В: Морозильное отделение

- |                          |  |
|--------------------------|--|
| 1 Обычные полки          | 5 Верхний лоток морозильного отделения |
| 2 Холодильный воздуховод | 6 Средний ящик морозильного отделения  |
| 3 Ящик Humidity Zone     | 7 Нижний ящик морозильного отделения   |
| 4 Ящик Fresh Box         |  |
| 8 Держатель для бутылок  |  |



## ПРИМЕЧАНИЕ

Из-за технических изменений и различия моделей некоторые иллюстрации в этом руководстве могут не совпадать с вашим изделием.

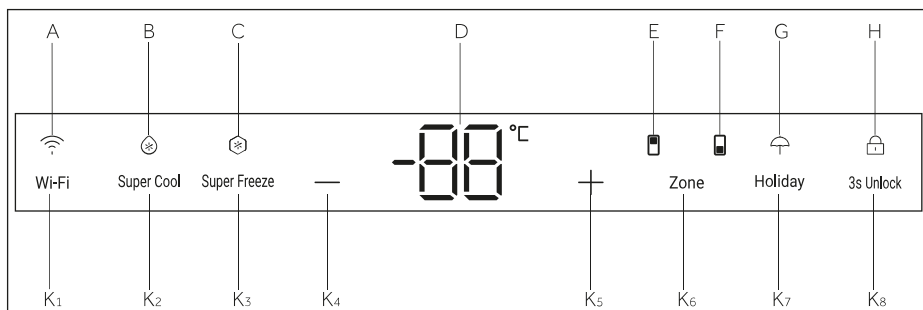


HBQW5519E/ HBQW5519EK/ EHBQW5519E/ EHBQW5519ECM/ HBQW5719E

А: Холодильное отделение В: Морозильное отделение

- |                             |  |
|-----------------------------|--|
| 1 Обычные полки             | 5 Верхний лоток морозильного отделения |
| 2 Холодильный воздухопровод | 6 Средний ящик морозильного отделения  |
| 3 Ящик Humidity Zone        | 7 Нижний ящик морозильного отделения   |
| 4 Ящик Fresh Box            |  |
| 8 Держатель для бутылок     |  |

## Панель управления



### Индикаторы:

- A Функция Wi-Fi
- B Функция Super Cool
- C Функция Super Freeze
- D Дисплей температуры
- E Индикатор холодильного отделения
- F Индикатор морозильного отделения
- G Функция Holiday
- H Блокировка и разблокировка

### Кнопки:

- K<sub>1</sub> Кнопка настройки Wi-Fi
- K<sub>2</sub> Кнопка выбора Super Cool
- K<sub>3</sub> Кнопка выбора Super Freeze
- K<sub>4</sub> Кнопка регулирования температуры «-»
- K<sub>5</sub> Кнопка регулирования температуры «+»
- K<sub>6</sub> Кнопка выбора зоны
- K<sub>7</sub> Кнопка функции Holiday
- K<sub>8</sub> Кнопка блокировки и разблокировки

## Сенсорные кнопки

Кнопки на панели управления – это сенсорные кнопки, которые реагируют на легкое прикосновение пальцем.

## Включение/выключение прибора

Прибор включается сразу после подключения к источнику питания.

При первом включении холодильника светится индикатор «D» (Дисплей температуры). Температуры холодильного и морозильного отделений автоматически устанавливаются на 5°C и -18°C соответственно.



## ПРИМЕЧАНИЕ

При включении прибора после отключения от электросети для достижения нужной температуры может потребоваться до 12 часов.

Опорожните прибор перед выключением. Чтобы выключить прибор, выньте шнур питания из розетки.

### Блокировка/разблокировка панели управления

**Автоматическая блокировка:** Если дверцы холодильного и морозильного отделений закрыты и в течение 30 секунд не происходит нажатия кнопок, экран дисплея автоматически гаснет и блокируется.

**Ручная блокировка:** Когда экран дисплея разблокирован, нажмите кнопку «K<sub>3</sub>» (3S Unlock) и удерживайте ее в течение 3 секунд, один раз прозвучит звуковой сигнал, начнет светиться индикатор «Н» (Блокировка панели управления), и дисплей будет заблокирован.

**Разблокировка:** Когда экран дисплея заблокирован, нажмите кнопку «K<sub>3</sub>» (3S Unlock) и удерживайте ее в течение 3 секунд, один раз прозвучит звуковой сигнал, погаснет индикатор «Н» (Блокировка панели управления), и дисплей будет разблокирован.

### Регулировка температуры

На температуру в приборе влияют следующие факторы:

температура окружающей среды, частота открывания дверцы, количество хранящихся продуктов, место установки прибора.

### Регулировка температуры холодильного отделения

Когда экран дисплея разблокирован, нажмите кнопку «K<sub>2</sub>» (Выбор зоны). Один раз прозвучит звуковой сигнал, начнет светиться индикатор «Е» (Индикатор холодильного отделения), а затем наступит режим настройки температуры холодильного отделения.

Последовательно нажимайте кнопку «K<sub>4</sub>» (Кнопка регулировки температуры «-»), один раз раздастся звуковой сигнал, и установленная температура холодильного отделения будет уменьшаться на 1 градус. Температура холодильного отделения будет отображаться в последовательности «9°C -> 8°C -> 7°C -> 6°C -> 5°C -> 4°C -> 3°C -> 2°C -> 1°C».

Последовательно нажимайте кнопку «K<sub>5</sub>» (Кнопка регулировки температуры «+»), один раз раздастся звуковой сигнал, и установленная температура холодильного отделения будет увеличиваться на 1 градус. Температура холодильного отделения будет отображаться в последовательности «1°C -> 2°C -> 3°C -> 4°C -> 5°C -> 6°C -> 7°C -> 8°C -> 9°C».



## ПРИМЕЧАНИЕ

После установки температуры, если в течение 5 секунд не будет выполнено ни одной операции, система автоматически определится и сохранит установленную температуру.

## Регулировка температуры в морозильном отделении

Когда экран дисплея разблокирован, нажмите кнопку «K<sub>5</sub>» (Выбор зоны). Один раз прозвучит звуковой сигнал, начнет светиться индикатор «F» (Индикатор морозильного отделения), а затем наступит режим настройки температуры морозильного отделения.

Последовательно нажимайте кнопку «K<sub>4</sub>» (Кнопка регулировки температуры «-»), один раз раздастся звуковой сигнал, и установленная температура морозильного отделения будет уменьшаться на 1 градус. Температура морозильного отделения будет отображаться в последовательности «-14°C -> -15°C -> -16°C -> -17°C -> -18°C -> -19°C -> -20°C -> -21°C -> -22°C -> -23°C -> -24°C».

Последовательно нажимайте кнопку «K<sub>5</sub>» (Кнопка регулировки температуры «+»), один раз раздастся звуковой сигнал, и установленная температура морозильного отделения будет увеличиваться на 1 градус. Температура морозильного отделения будет отображаться в последовательности «-24°C -> -23°C -> -22°C -> -21°C -> -20°C -> -19°C -> -18°C -> -17°C -> -16°C -> -15°C -> -14°C».



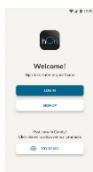
### ПРИМЕЧАНИЕ

После установки температуры, если в течение 5 секунд не будет выполнено ни одной операции, система автоматически определится и сохранит установленную температуру.

#### Шаг 1 Скачайте приложение hOn



**Шаг 2** Создайте учетную запись в приложении hOn или войдите в систему, если у вас уже есть учетная запись



**Шаг 3** Следуйте инструкциям по сопряжению в приложении hOn



## Функция Wi-Fi

1. Следуйте инструкциям в приложении для настройки Wi-Fi.
2. После настройки Wi-Fi и установки соединения значок Wi-Fi «А» станет ярким и будет светиться непрерывно.
3. Если Wi-Fi уже настроен, он автоматически подключится в соответствии с данными конфигурации, если включить Wi-Fi.
4. Чтобы выключить Wi-Fi, нажмите кнопку Wi-Fi «К<sub>1</sub>» и значок Wi-Fi «А» погаснет.
5. Чтобы включить Wi-Fi и запустить конфигурирование, нажмите кнопку Wi-Fi «К<sub>1</sub>», и значок Wi-Fi «А» начнет медленно мигать. Если нужно настроить функцию Wi-Fi, нажмите и удерживайте кнопку «К<sub>1</sub>» в течение 3 секунд, значок Wi-Fi начнет быстро мигать, и вы перейдете в режим конфигурирования. Если вы хотите отключить функцию Wi-Fi, нажмите кнопку «К<sub>1</sub>» один раз. Вышеуказанные шаги повторяются.
6. Если прибор был настроен и функция Wi-Fi была отключена, холодильник не войдет в режим конфигурирования после повторного подключения питания.

## Функция Holiday

1. Когда экран дисплея разблокирован, нажмите кнопку «К<sub>7</sub>» (Кнопка функции Holiday), один раз прозвучит звуковой сигнал, начнет светиться индикатор «G» (Функция Holiday), а затем включится функция Holiday.
2. Когда экран дисплея разблокирован, нажмите кнопку «К<sub>7</sub>» (Кнопка функции Holiday), один раз прозвучит звуковой сигнал, погаснет индикатор «G» (Функция Holiday), а затем выключится функция Holiday.

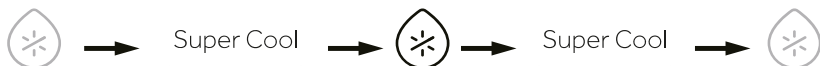


### ПРИМЕЧАНИЕ

1. Функция Holiday в основном используется для краткосрочных путешествий и других жизненных ситуаций, и на время использования функции Holiday холодильное отделение необходимо опорожнить.
2. При включенной функции Holiday температура в холодильном отделении будет выше (около 17°C), не забудьте выгрузить продукты из холодильного отделения, чтобы избежать порчи продуктов.

## Функция Super Cool

1. Когда экран дисплея разблокирован, нажмите кнопку «K<sub>2</sub>» (Кнопка выбора Super Cool), один раз прозвучит звуковой сигнал, начнет светиться индикатор «В» (Функция Super Cool), а затем включится функция Super Cool.
2. Когда светится индикатор «В» (Функция Super Cool), нажмите кнопку «K<sub>2</sub>» (Кнопка выбора Super Cool), один раз прозвучит звуковой сигнал, индикатор «В» (Функция Super Cool) погаснет, а затем функция Super Cool будет выключена.
3. После включения функции Super Cool холодильник автоматически выключит эту функцию по достижении установленной температуры. Если вы хотите выйти вручную, вы можете нажать кнопку «K<sub>2</sub>» (Кнопка выбора Super Cool), чтобы выключить ее.



## **i** ПРИМЕЧАНИЕ

1. В режиме Super Cool температуру холодильного отделения невозможно регулировать. Если нажать кнопку «K<sub>4</sub>» (Кнопка регулировки температуры «-») или кнопку «K<sub>5</sub>» (Кнопка регулировки температуры «+»), чтобы отрегулировать температуру холодильника, индикатор «В» (Индикатор Super Cool) начнет мигать с подачей звукового сигнала, указывая на то, что эту операцию невозможно выполнить.
2. В режиме функции Super Cool функция автоматической настройки Auto-set не может быть включена одновременно из-за различных режимов управления. Если вы выберете одну функцию, которая конфликтует с другой функцией, исходная функция будет автоматически отменена.
3. Эта функция будет автоматически отключена через 6 часов.

## Функция Super Freeze

1. Когда экран дисплея разблокирован, нажмите кнопку «K<sub>3</sub>» (Кнопка выбора Super Freeze), один раз прозвучит звуковой сигнал, начнет светиться индикатор «С» (Функция Super Freeze), а затем включится функция Super Freeze.
2. Когда светится индикатор «С» (Функция Super Freeze), нажмите кнопку «K<sub>3</sub>» (Кнопка выбора Super Freeze), один раз прозвучит звуковой сигнал, индикатор «С» (Функция Super Freeze) погаснет, а затем функция Super Freeze будет выключена.
3. После включения функции Super Freeze холодильник автоматически выключит эту функцию по достижении установленной температуры. Если вы хотите выйти вручную, вы можете нажать кнопку «K<sub>3</sub>» (Кнопка выбора Super Freeze), чтобы отключить ее.





## ПРИМЕЧАНИЕ

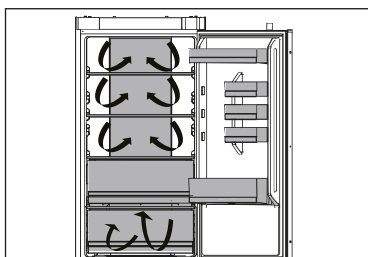
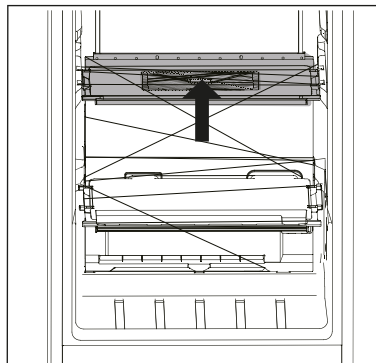
1. В режиме Super Freeze температуру морозильного отделения невозможно регулировать. Если нажать кнопку «K<sub>4</sub>» (Кнопка регулировки температуры «-») или кнопку «K<sub>5</sub>» (Кнопка регулировки температуры «+»), чтобы отрегулировать температуру морозильного отделения, индикатор «С» (Индикатор Super Freeze) начнет мигать с подачей звукового сигнала, указывая на то, что эту операцию невозможно выполнить.
2. Функция Super Freeze предназначена для сохранения пищевой ценности замороженных продуктов; она позволяет замораживать продукты в кратчайшие сроки. Если необходимо одновременно заморозить большое количество продуктов. Кстати, функцию Super Freeze следует настраивать за 24 часа, чтобы морозильное отделение имело относительно низкую температуру, и тогда класть в него продукты. В это время скорость замораживания морозильного отделения улучшается, продукты можно быстро заморозить, питательность продуктов эффективно сохраняется, а хранение становится довольно удобным.
3. Функция Super Freeze автоматически выключится через 50 часов. После этого прибор будет работать при предварительно установленной температуре.

## Ящик Humidity Zone

В этом отделении уровень влажности выше, чем в холодильном отделении. Он автоматически контролируется системой и подходит для хранения фруктов, овощей, салатов и т.д.

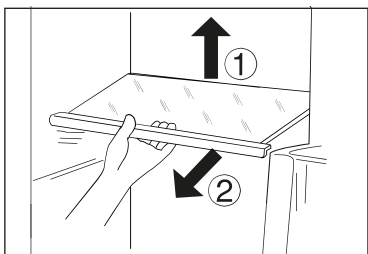
### **i** ПРИМЕЧАНИЕ

1. Не снимайте пластиковую крышку внутри зоны.
2. Она поддерживает уровень влажности.
3. Чувствительные к холоду фрукты, такие как ананас, авокадо, бананы, грейпфруты, не рекомендуется хранить в этом ящике.



### Мультитокоток воздуха

1. Холодильник оборудован системой мультитокота воздуха, благодаря которой на каждом уровне полок имеются потоки прохладного воздуха. Это помогает поддерживать равномерную температуру, чтобы ваши продукты дольше оставались свежими.



### Регулируемые полки

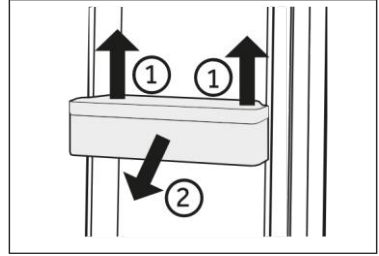
1. Высоту полок можно регулировать в соответствии с вашими потребностями в хранении.
2. Чтобы переместить полку, сначала снимите ее, подняв задний край ① и вытащив ②.
3. Чтобы установить ее, наденьте ее на выступы с обеих сторон и сдвиньте в крайнее заднее положение, пока задняя часть полки не зафиксируется в пазах по бокам.

### **i** ПРИМЕЧАНИЕ

Убедитесь, что все края полки выровнены.

### Съемные дверные полки/ держатель для бутылок

1. Дверные полки можно снять для очистки:
2. Положите руки с обеих сторон полки, поднимите ее вверх ① и вытяните ②.
3. Чтобы вставить дверную полку, выполняйте описанные выше действия в обратном порядке.



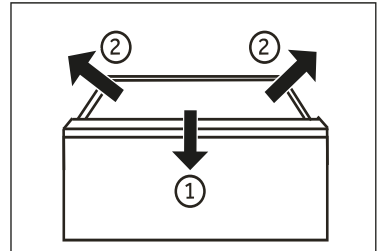
### ПРИМЕЧАНИЕ

При включении прибора может потребоваться до 12 часов для достижения правильной температуры.

### Съемный ящик

Чтобы вынуть ящик, максимально вытяните его ①, поднимите и извлеките ②.

Чтобы вставить ящик, выполняйте описанные выше действия в обратном порядке.



### Освещение

Светодиодное внутреннее освещение включается, когда открывается дверца. На работу освещения не влияют никакие другие настройки прибора.



## Советы по энергосбережению

- ▶ Убедитесь в надлежащей вентиляции электроприбора (см. раздел УСТАНОВКА).
- ▶ Не устанавливайте прибор под прямыми солнечными лучами или вблизи источников тепла (например, печей и обогревателей).
- ▶ Старайтесь не устанавливать чрезмерно низкую температуру внутри прибора. Потребление электроэнергии тем больше, чем ниже установленная температура внутри прибора.
- ▶ Такие функции, как Super Freeze, потребляют больше энергии.
- ▶ Дайте теплой пище остыть, прежде чем поместить ее в прибор.
- ▶ Открывайте дверцу прибора как можно реже и на как можно меньшие промежутки времени.
- ▶ Не переполняйте прибор, чтобы не препятствовать потоку воздуха.
- ▶ Избегайте попадания воздуха в упаковку пищевых продуктов.
- ▶ Уплотнения дверцы должны быть чистыми, чтобы дверца всегда закрывалась правильно.
- ▶ Размораживайте замороженные продукты в холодильном отделении.
- ▶ Наиболее энергосберегающая конфигурация требует, чтобы ящики, бокс для продуктов и полки были размещены в приборе в том же оригинальном состоянии, в котором они были установлены на заводе, а продукты были размещены как можно дальше, чтобы не препятствовать выходу воздуха из воздуховода.



## ПРЕДУПРЕЖДЕНИЕ!

Перед очисткой отсоединяйте прибор от источника электропитания

### Чистка

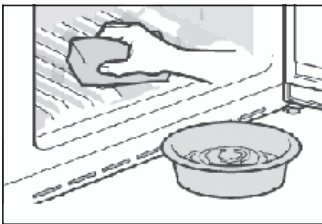
Очищайте прибор, когда хранится мало или вообще нет продуктов.

Прибор следует очищать каждые четыре недели для надлежащего обслуживания и предотвращения образования неприятных запахов у хранящихся в нем продуктов.



## ПРЕДУПРЕЖДЕНИЕ!

- ▶ Не чистите прибор жесткими щетками, проволочными щетками, порошковым моющим средством, бензином, амилацетатом, ацетоном и аналогичными органическими растворами, кислотными или щелочными растворами. Во избежание повреждений мойте прибор специальным моющим средством для холодильников.
- ▶ Не разбрызгивайте воду на прибор и не промывайте его струей воды во время чистки.
- ▶ Не используйте распылитель для воды или пар для очистки прибора.
- ▶ Не мойте холодные стеклянные полки горячей водой. Резкий контраст температур может привести к растрескиванию стекла.
- ▶ Не прикасайтесь к внутренней поверхности морозильного отделения, особенно мокрыми руками, так как ваши руки могут примерзнуть к поверхности.
- ▶ В случае нагрева проверьте состояние замороженных продуктов.



- ▶ Всегда держите уплотнитель дверцы в чистоте.
- ▶ Очистите внутреннюю часть и корпус прибора с помощью губки, смоченной в теплой воде с нейтральным моющим средством.
- ▶ 1. Протрите внутреннюю и внешнюю часть холодильника, включая уплотнитель дверцы, дверные полки, стеклянные полки, ящики и т.д., мягким полотенцем или губкой, смоченной в теплой воде (можно добавить нейтральное моющее средство).
- ▶ 2. Если пролилась жидкость, выньте все загрязненные части, промойте проточной водой, высушите и поместите обратно в холодильник.
- ▶ 3. Если разлились сливки (например, сметана, талое мороженое), выньте все загрязненные части, положите их в теплую воду при температуре около 40°C на некоторое время, а затем промойте проточной водой, высушите и установите на место в холодильник.
- ▶ 4. В случае, если какая-то небольшая деталь или компонент застрянет внутри холодильника (между полками или ящиками), используйте небольшую мягкую щетку, чтобы достать их. Если вы не смогли добраться до детали, обратитесь в службу поддержки Haier.
- ▶ Ополосните чистой водой и вытрите мягкой тканью.
- ▶ Не мойте какие-либо части прибора в посудомоечной машине.

- ▶ Подождите не менее 5 минут перед повторным запуском прибора, так как частый запуск может повредить компрессор.

### Размораживание

Размораживание холодильного и морозильного отделений осуществляется автоматически; ручное управление не требуется.

### Замена светодиодных ламп



#### ПРЕДУПРЕЖДЕНИЕ!

Не заменяйте светодиодную лампу самостоятельно, ее должен заменять только производитель или уполномоченный сервисный агент.

В лампе в качестве источника света используется светодиод, отличающийся низким энергопотреблением и длительным сроком службы. В случае каких-либо нарушений в работе свяжитесь со службой по работе с заказчиками. См. раздел СЛУЖБА ПО РАБОТЕ С ЗАКАЗЧИКАМИ.

Параметры ламп:

Холодильное отделение: 12 В, макс. 2 Вт

Морозильное отделение: 12 В, макс. 2 Вт.

### Неиспользование прибора в течение длительного времени

Если вы не используете прибор в течение длительного времени И не хотите использовать функцию Holiday:

Извлеките продукты питания.

Отсоедините вилку от сети электропитания.

Очистите прибор, как описано выше.

Держите дверцы открытыми, чтобы предотвратить появление неприятных запахов внутри прибора.



#### ПРИМЕЧАНИЕ

Выключайте прибор только в случае крайней необходимости.

### Перемещение прибора

1. Выньте все продукты и отсоедините прибор от розетки.
2. Закрепите полки и другие подвижные части в холодильном и морозильном отделениях клейкой лентой.
3. Во избежание повреждения холодильной системы не наклоняйте холодильник более чем на 45°.



#### ПРЕДУПРЕЖДЕНИЕ!

- ▶ Не поднимайте прибор за ручки.
- ▶ Ни в коем случае не кладите прибор горизонтально на пол.

Многие возникающие проблемы можно решить самостоятельно, не имея специальных знаний. В случае возникновения проблем проверьте все указанные варианты и следуйте приведенным ниже инструкциям, прежде чем обращаться в службу послепродажного обслуживания. См. раздел СЛУЖБА ПО РАБОТЕ С ЗАКАЗЧИКАМИ.



## ПРЕДУПРЕЖДЕНИЕ!

- ▶ Перед проведением технического обслуживания выключите прибор и отсоедините сетевую вилку от стенной розетки электросети.
- ▶ Обслуживание электрического оборудования должны проводить только квалифицированные специалисты по электрооборудованию, поскольку неправильный ремонт может привести к значительным последующим убыткам.
- ▶ При повреждении шнура питания во избежание возможной опасности его замену должен осуществлять производитель, его сервисный представитель или лица с подобной квалификацией.

Проблема	Возможная причина	Возможное решение
Компрессор не работает.	<ul style="list-style-type: none"> <li>• Сетевая вилка не подключена к розетке.</li> <li>• Прибор находится в цикле размораживания.</li> </ul>	<ul style="list-style-type: none"> <li>• Подключите вилку к сети электропитания.</li> <li>• Это нормально для автоматического размораживания.</li> </ul>
Прибор запускается часто или работает слишком долго.	<ul style="list-style-type: none"> <li>• Слишком высокая температура внутри или снаружи прибора.</li> <li>• Прибор был выключен в течение определенного времени.</li> <li>• Дверца прибора не плотно закрыта.</li> <li>• Дверца открывались слишком часто или на слишком большое время.</li> <li>• Слишком низкая настройка температуры в морозильном отделении.</li> <li>• Уплотнение дверцы загрязнено, изношено, потрескалось или не соответствует требованиям.</li> <li>• Не обеспечивается нужная циркуляция воздуха.</li> </ul>	<ul style="list-style-type: none"> <li>• В таких условиях нормально для прибора работать дольше.</li> <li>• Обычно для полного охлаждения прибора требуется 8-12 часов.</li> <li>• Закройте дверцу/ящик и убедитесь, что прибор расположен на ровной поверхности, а в дверце нет свободно движущихся продуктов или контейнера.</li> <li>• Не открывайте дверцу/ящик слишком часто.</li> <li>• Установите температуру выше, пока не будет достигнута удовлетворительная температура в холодильнике. Требуется 24 часа, чтобы температура в холодильнике стала стабильной.</li> <li>• Очистите уплотнители дверцы/ящика или замените их, обратившись в службу поддержки клиентов.</li> <li>• Обеспечьте надлежащую вентиляцию.</li> </ul>

Проблема	Возможная причина	Возможное решение
Внутри холодильника грязно и/или плохо пахнет.	<ul style="list-style-type: none"> <li>• Внутренняя часть холодильника нуждается в очистке.</li> <li>• В холодильнике хранится пища с сильным запахом.</li> </ul>	<ul style="list-style-type: none"> <li>• Очистите внутреннюю часть холодильника.</li> <li>• Тщательно упаковывайте продукты.</li> </ul>
Внутри прибора недостаточно холодно.	<ul style="list-style-type: none"> <li>• Установлена слишком высокая температура.</li> <li>• Были положены слишком теплые продукты.</li> <li>• Слишком много продуктов было положено за один раз.</li> <li>• Продукты находятся слишком близко друг к другу.</li> <li>• Дверца/ящик прибора не закрыты плотно.</li> <li>• Дверца/ящик открывались слишком часто или на слишком большое время.</li> </ul>	<ul style="list-style-type: none"> <li>• Перенастройте температуру.</li> <li>• Всегда охлаждайте продукты перед хранением.</li> <li>• Всегда кладите продукты небольшими количествами.</li> <li>• Оставьте промежуток между несколькими продуктами, позволяющий течь воздуху.</li> <li>• Закройте дверцу/ящик.</li> <li>• Не открывайте дверцу/ящик слишком часто.</li> </ul>
Внутри прибора слишком холодно.	<ul style="list-style-type: none"> <li>• Установлена слишком низкая температура.</li> <li>• Функция Super Freeze/ Super Cool активирована или работает слишком долго.</li> </ul>	<ul style="list-style-type: none"> <li>• Перенастройте температуру.</li> <li>• Отключите функцию Super Freeze/ Super Cool</li> </ul>
Образование влаги на внутренней стороне холодильного отделения.	<ul style="list-style-type: none"> <li>• Климат слишком теплый и влажный.</li> <li>• Дверца/ящик прибора не закрыты плотно.</li> <li>• Дверца/ящик открывались слишком часто или на слишком большое время.</li> <li>• Контейнеры с продуктами или жидкости оставлены открытыми.</li> </ul>	<ul style="list-style-type: none"> <li>• Повысьте температуру.</li> <li>• Закройте дверцу/ящик.</li> <li>• Не открывайте дверцу/ящик слишком часто.</li> <li>• Давайте горячим продуктам остыть до комнатной температуры и накрывайте продукты и жидкости.</li> </ul>
Влага скапливается на внешней поверхности холодильника или между дверцей/дверцей и ящиком.	<ul style="list-style-type: none"> <li>• Климат слишком теплый и влажный.</li> <li>• Дверца не закрыта плотно. Холодный воздух в приборе и теплый воздух вне его вызывают конденсацию.</li> </ul>	<ul style="list-style-type: none"> <li>• Это нормально во влажном климате и изменится при снижении влажности.</li> <li>• Убедитесь, что дверца/ящик плотно закрыты.</li> </ul>

Проблема	Возможная причина	Возможное решение
Индикация светится, но охлаждение не происходит.	<ul style="list-style-type: none"> <li>Прибор находится в демонстрационном режиме.</li> </ul>	<ul style="list-style-type: none"> <li>Обратите внимание, в каком состоянии находится прибор. Если прибор находится в демонстрационном режиме, выйдите из него. Выход. Откройте дверцу холодильника, в заблокированном состоянии нажмите на 8 секунд вторую кнопку справа в течение 12 часов после включения.</li> </ul>
Сильная наледь и изморозь в морозильном отделении.	<ul style="list-style-type: none"> <li>Продукты не были надлежащим образом упакованы.</li> <li>Дверца/ящик прибора не закрыты плотно.</li> <li>Дверца/ящик открывались слишком часто или на слишком большое время.</li> <li>Уплотнение дверцы/ящика загрязнено, изношено, потрескалось или не соответствует требованиям.</li> <li>Что-то изнутри препятствует надлежащему закрытию дверцы/ящика.</li> </ul>	<ul style="list-style-type: none"> <li>Всегда тщательно упаковывайте продукты.</li> <li>Закройте дверцу/ящик.</li> <li>Не открывайте дверцу/ящик слишком часто.</li> <li>Очистите уплотнители дверцы/ящика или замените их новыми.</li> <li>Измените положение полок, дверных полок или внутренних контейнеров, чтобы дверца/ящик могли закрыться.</li> </ul>
Боковины шкафа и дверная планка нагреваются.	<ul style="list-style-type: none"> <li>-</li> </ul>	<ul style="list-style-type: none"> <li>Это нормально.</li> </ul>
Прибор издает ненормальные звуки.	<ul style="list-style-type: none"> <li>Прибор не расположен на ровной поверхности.</li> <li>Прибор касается какого-то предмета рядом с ним.</li> </ul>	<ul style="list-style-type: none"> <li>Отрегулируйте ножки, чтобы выровнять прибор.</li> <li>Удалите предметы вокруг прибора.</li> </ul>
Слышен легкий звук, похожий на звук проточной воды.	<ul style="list-style-type: none"> <li>-</li> </ul>	<ul style="list-style-type: none"> <li>Это нормально.</li> </ul>
Звучит звуковой сигнал.	<ul style="list-style-type: none"> <li>Дверца холодильного отделения открыта.</li> </ul>	<ul style="list-style-type: none"> <li>Закройте дверцу.</li> </ul>
Вы слышите слабый гул.	<ul style="list-style-type: none"> <li>Работает противоконденсатная система.</li> </ul>	<ul style="list-style-type: none"> <li>Это предотвращает конденсацию и является нормальным.</li> </ul>

Проблема	Возможная причина	Возможное решение
Система внутреннего освещения или система охлаждения не работают.	<ul style="list-style-type: none"> <li>Сетевая вилка не подключена к розетке.</li> <li>Блок питания поврежден.</li> <li>Светодиодная лампа не работает</li> </ul>	<ul style="list-style-type: none"> <li>Подключите вилку к сети электропитания.</li> <li>Проверьте электроснабжение помещения. Позвоните в местную электроэнергетическую компанию!</li> <li>Обратитесь в службу поддержки для замены лампы.</li> </ul>

Чтобы связаться со службой технической поддержки, посетите наш веб-сайт: <https://corporate.haier-europe.com/en/>

В разделе «Веб-сайт» выберите торговую марку изделия и свою страну. Вы будете перенаправлены на конкретный веб-сайт, где сможете найти номер телефона и форму для обращения в службу технической поддержки.

### Перебои электропитания

В случае отключения электроэнергии продукты будут оставаться безопасно холодными в течение 5 часов. Следуйте этим советам при длительных отключениях электропитания, особенно летом:

- ▶ Открывайте дверцу/ящик как можно реже.
- ▶ Не кладите другие продукты в прибор во время перебоев электропитания.
- ▶ Если получено предварительное сообщение об отключении электропитания, а продолжительность отключения превышает 5 часов, сделайте лед и поместите его в контейнер в верхней части холодильного отделения.
- ▶ После восстановления электропитания необходимо немедленно проверить продукты.
- ▶ Поскольку температура в холодильнике будет повышаться во время перерыва в подаче электроэнергии или другой неисправности, срок хранения и съедобность продуктов будут уменьшаться. Любые размороженные продукты следует немедленно либо употребить, либо приготовить и заморозить (где это уместно), чтобы избежать опасности для здоровья.

### Функция памяти во время прерывания электропитания

После восстановления электропитания прибор продолжает работать с настройками, которые были установлены до отключения электропитания.

## Распаковка

**ПРЕДУПРЕЖДЕНИЕ!**

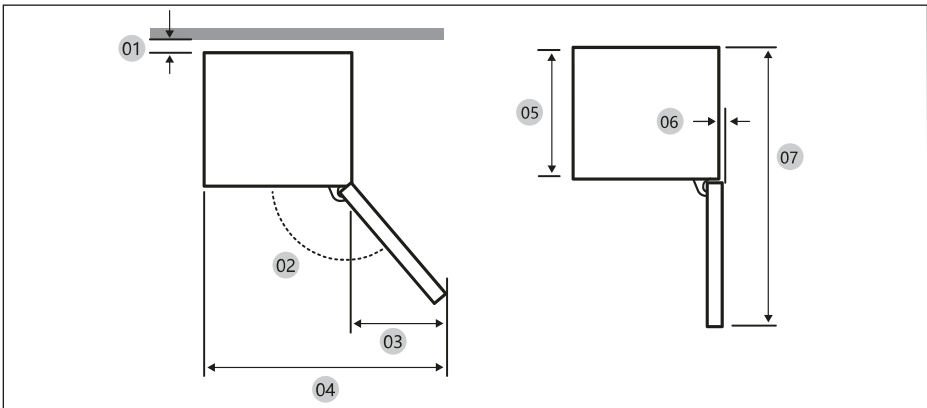
- ▶ Прибор тяжелый. Его должны перемещать минимум два человека.
- ▶ Храните все упаковочные материалы в недоступном для детей месте и утилизируйте их экологически чистым способом.
- ▶ Извлеките прибор из упаковки.
- ▶ Удалите все упаковочные материалы.

## Условия окружающей среды

Температура в помещении всегда должна быть в пределах диапазона от 10°C до 43°C, поскольку она может влиять на температуру внутри прибора и его энергопотребление. Не устанавливайте прибор рядом с другими излучающими тепло приборами (духовыми шкафами, холодильниками) без изоляции.

## Требования по размещению

Требуемое пространство при открытии дверцы (без дверной панели шкафа)

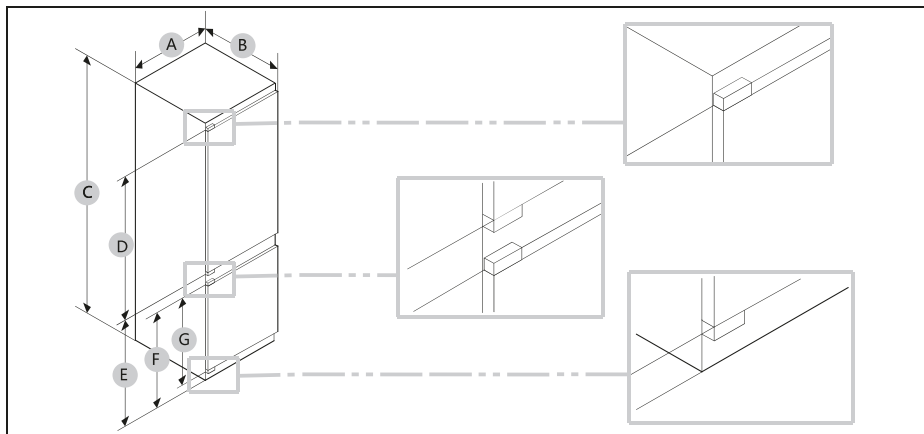


Модель	ЕНВQW5518Е НВQW5518Е НВQW5518ЕК НQE1855BCMW ЕНQE1855BCMW	НВQW5519Е НВQW5519ЕК ЕНВQW5519Е ЕНВQW5519ЕСМ	НВQW5719Е
01 *	10 (мин.) / 30 (рекомендуется)	10 (мин.) / 30 (рекомендуется)	10 (мин.) / 30 (рекомендуется)
02	95° (Рекомендуется)	95° (Рекомендуется)	95° (Рекомендуется)
03	43	43	55
04	583	583	745
05	515	515	515
06	-3	-3	-3
07	1060	1060	1210

\* 01: От шкафа до задней части изделия.

(единицы измерения: мм)

## Габариты изделия



Модель	A (мм)	B (мм)	C (мм)	D (мм)	E (мм)	F (мм)	G (мм)
ЕНВQW5518Е НВQW5518Е НВQW5518ЕК НQE1855BCMW ЕНQE1855BCMW	540±2	550±2	1772±2	970	745	662	618
НВQW5519Е НВQW5519ЕК ЕНВQW5519Е ЕНВQW5519ЕСМ	540±2	550±2	1935±2	1133	745	662	618
НВQW5719Е	690±2	550±2	1935±2	1133	745	662	618

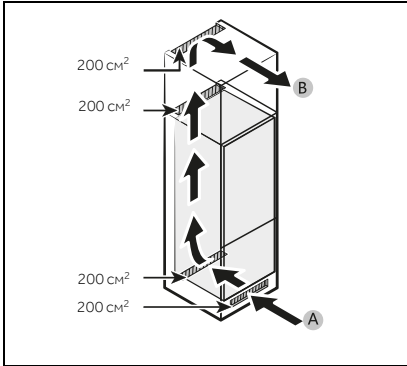


## ПРИМЕЧАНИЕ

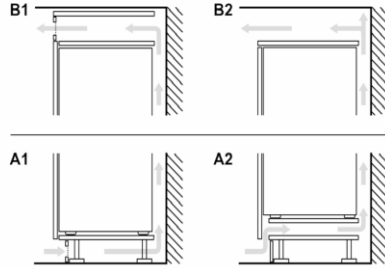
- Указанное энергопотребление основано на условии, что расстояние от шкафа до задней стенки изделия составляет 10 мм. Изделие будет работать должным образом даже при зазоре менее 10 мм, однако оно будет потреблять немного больше энергии.
- Мы рекомендуем использовать шкаф толщиной 18 мм с петлями толщиной менее 20 мм.
- Измерения в приведенной выше таблице могут отличаться в зависимости от метода измерения.
- Для встроенной установки см. Руководство по установке.

## Сечение вентиляционного воздуховода

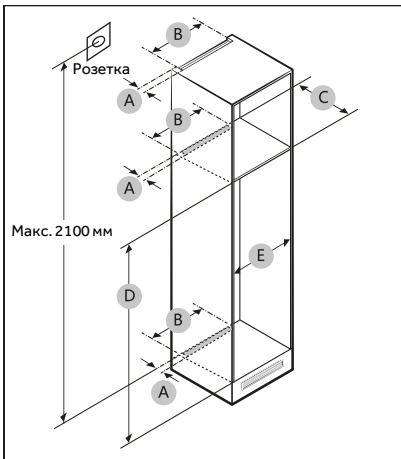
Для обеспечения достаточной вентиляции прибора по соображениям безопасности необходимо соблюдать информацию о требуемых поперечных сечениях вентиляционного воздуховода.



**A:** Вход воздуха  $\geq 200 \text{ см}^2$ ; варианты вентиляции  
**B:** Выход воздуха  $\geq 200 \text{ см}^2$ ; варианты вентиляции



## Размеры шкафа



## ПРЕДУПРЕЖДЕНИЕ!

Гарантия не распространяется на любые неисправности изделия, связанные с приведенными ниже причинами.

1. Несоответствующие условия на месте установки или неправильные размеры шкафа.
2. Дефектный шкаф.
3. Ошибки установщика или пользователя.

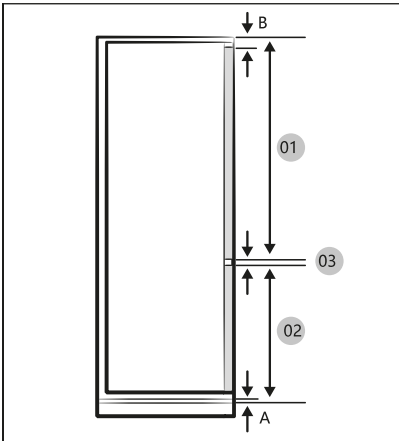
## Размеры для установки

Требования к месту для установки смотрите на рисунках и в таблицах ниже.

Модель		A (мм)	B (мм)	C (мм)	D (мм)	E (мм)	Примечание
ЕНВQW5518E HBQW5518E HBQW5518EK HQE1855BCMW EHQE1855BCMW	Мин.	50	400	560	1778	560	Петля: 17 мм
	Рекомендуется			580	1780	562	
	Макс.			-	1782	568	
HBQW5519E HBQW5519EK ЕНВQW5519E ЕНВQW5519ЕСМ	Мин.	50	400	560	1940	560	Петля: 17 мм
	Рекомендуется			580	1943	562	
	Макс.			-	1945	568	
HBQW5719E	Мин.	50	400	560	1941	710	Петля: 17 мм
	Рекомендуется			580	1943	714	
	Макс.			-	1945	718	

## **i** ПРИМЕЧАНИЕ

- Если ширина шкафа превышает 568 мм, прокладка (между холодильником и шкафом) может ослабнуть.
- Если размер шкафа превышает максимальный размер (1782 мм), для заполнения зазора необходимо использовать другие отделочные материалы (для ENBQW5518E/НВQW5518E / EK/ ENQE/ HQE1855BCMW).
- Если размер шкафа превышает максимальный размер (1945 мм), для заполнения зазора необходимо использовать другие отделочные материалы (для НВQW5519E/ EK/ ENBQW5519E/ ECM).



## **i** ПРИМЕЧАНИЕ

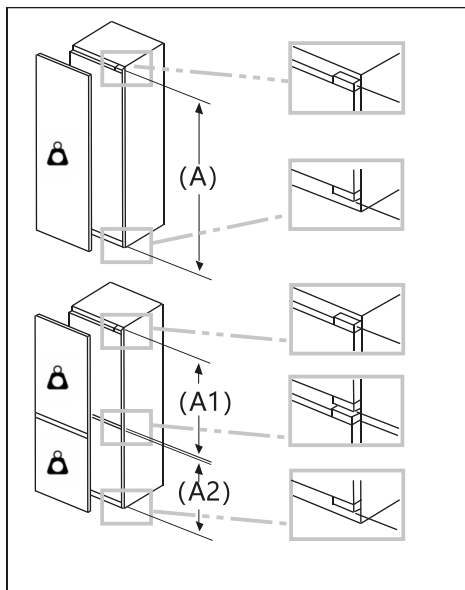
Чтобы установить шкаф с зазором 4 мм (03), см. справочную таблицу шкафа ниже.

- A Нижний край передней панели над вентиляцией воздуха  
 B Свес передней панели

(единицы измерения: мм)

Модель	ENBQW5518E НВQW5518E НВQW5518EK HQE1855BCMW ENQE1855BCMW	НВQW5519E НВQW5519EK ENBQW5519E ENBQW5519ECM НВQW5719E
01	Мин. 1028+B Макс. 1106+B	Мин. 1191+B Макс. 1269+B
02	Мин. 662+A Макс. 740+A	Мин. 662+A Макс. 740+A
03	4 мм (зазор между панелями дверей холодильного и морозильного отделений)	

## Максимально допустимый вес фасадов

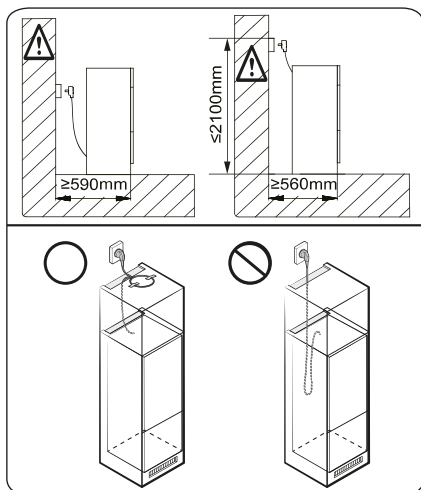


Установленные фасады, превышающие допустимый вес, могут вызвать повреждения и привести к функциональным нарушениям петель.

 Вес  
(кг)

1500-1750 мм	22
720-1400 мм	19
A1	15
A2	15

## Учет места расположения розетки и необходимого пространства

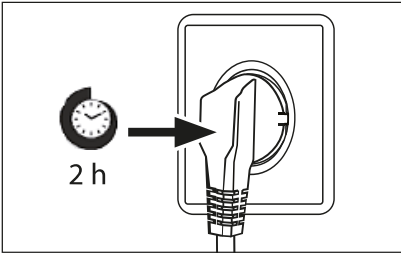


### ПРИМЕЧАНИЕ

Если вы устанавливаете холодильник в шкаф глубиной 560 мм, убедитесь, что шнур питания расположен сбоку от холодильника, прежде чем подключать его к розетке.

Если шнур питания находится позади холодильника, это может снизить энергоэффективность.

## Время ожидания



В оболочке компрессора находится не требующее технического обслуживания смазочное масло. Это масло может попадать в закрытую систему трубопроводов при транспортировке под наклоном. Перед подключением прибора к источнику питания необходимо подождать не менее 2 часов, чтобы масло стекло назад в капсулу.

## Подключение к источнику электропитания

Перед каждым подключением проверяйте следующее:

- ▶ соответствуют ли источник электропитания, розетка и предохранитель характеристикам, указанным на паспортной табличке.
- ▶ заземлена ли розетка электропитания и не используются ли многотепсельный адаптер либо удлинитель.
- ▶ штепсельная вилка и розетка полностью соответствуют требованиям.

Подключите вилку к правильно установленной бытовой розетке.



## ПРЕДУПРЕЖДЕНИЕ!

Во избежание рисков замену поврежденного шнура питания должна производить служба поддержки клиентов (см. гарантийный талон).

Справочный листок технических данных в соответствии с регламентом ЕС № 2019/2016

Торговая марка	Haier		
Наименование/ идентификатор модели	ENBQW5518E HBQW5518E HBQW5518EK HQE1855BCMW EHQE1855BCMW	HBQW5519E HBQW5519EK ENBQW5519E ENBQW5519ECM	HBQW5719E
Категория модели	Холодильник - морозильник		
Класс энергоэффективности	Е	Е	Е
Годовое потребление электроэнергии (кВт·ч/год) (1)	229	229	259
Общий объем (л)	268	285	382
Объем холодильного отделения (л)	194	211	281
Объем морозильного отделения (л)	74	74	101
Объем секции охладителя (л)	/	/	/
Объем автоматического ледогенератора (л)	/	/	/
Звездный рейтинг	4	4	4
Температура других отделений > 14°C	Неприменимо		
Система Frost - free	Да		
Мощность замораживания (кг/24ч)			
Климатический класс (2)	SN/N/ST/T	SN/N/ST/T	SN/N/ST/T
Класс эмиссии шума и эмиссия воздушного акустического шума (db(A) re 1pW)	B(35)	B(35)	B(33)
Время повышения температуры (ч)	12	12	9
Производительность льдообразования	/	/	/
Тип прибора	Встраиваемый		

Наименование модели	Класс энергоэффективности
ЕНВQW5518E HBQW5518E HBQW5518EK HQE1855BCMW EHQE1855BCMW	E
HBQW5519E HBQW5519EK ЕНВQW5519E ЕНВQW5519ECM HBQW5719E	E

Пояснения:

- Да, имеются

(1) По результатам испытаний на соответствие стандартам в течение 24 часов. Фактическое потребление зависит от использования и расположения прибора.

(2) Климатический класс SN: данный прибор предназначен для использования при температуре окружающей среды от +10°C до +32°C.

Климатический класс N: данный прибор предназначен для использования при температуре окружающей среды от +16°C до +32°C.

Климатический класс ST: данный прибор предназначен для использования при температуре окружающей среды от +16°C до +38°C.

Климатический класс T: данный прибор предназначен для использования при температуре окружающей среды от +16°C до +43°C.

### Дополнительные технические данные

Напряжение / частота	220-240 В ~/50 Гц
Входной ток (А)	1.2/1.6
Главный предохранитель (А)	16
Хладагент	R600a
Размеры (В/Ш/Г в мм)	ЕНВQW5518E/ HBQW5518E/ EK EHQE/ HQE1855BCMW: 1773/540/555
	HBQW5519E/ EK/ ЕНВQW5519E/ ECM: 1935/540/555
	ЕНВQW5719E : 1935/690/550

Мы рекомендуем услуги нашей службы по работе с заказчиками Haier и использование оригинальных запасных частей.

Если у вас возникла проблема с прибором, сначала сверьтесь с разделом ПОИСК И УСТРАНЕНИЕ НЕИСПРАВНОСТЕЙ.

Если вы не сможете найти решение, свяжитесь с

- ▶ вашим местным дилером или
- ▶ нашим европейским сервисным колл-центром (см. приведенные ниже номера телефонов) или
- ▶ посетите зону обслуживания и поддержки на веб-сайте [www.haier.com](http://www.haier.com), где вы можете активировать заявку на обслуживание, а также найти ответы на часто задаваемые вопросы.

Чтобы связаться с нашей службой, убедитесь, что у вас имеются следующие данные.

Информацию можно найти на паспортной табличке.

Модель \_\_\_\_\_

Серийный № \_\_\_\_\_

Также сверьтесь с гарантийным талоном, поставляемым с продуктом, в гарантийном случае.

Европейский сервисный колл-центр		
Страна*	Номер телефона	Затраты
Haier Italy (IT)	199 100912	
Haier Spain (ES)	902 509 123	
Haier Germany (DE)	0180 5 39 39 99	<ul style="list-style-type: none"> <li>• Стационарный телефон 14 центов/мин</li> <li>• Мобильный макс. 42 цента/мин</li> </ul>
Haier Austria (AT)	0820 001205	<ul style="list-style-type: none"> <li>• Стационарный телефон 14,53 цента/мин</li> <li>• Все остальные макс. 20 центов/мин</li> </ul>
Haier United Kingdom (UK)	0333 003 8122	
Haier France (FR)	0980 406 409	

\* Для других стран см. на веб-сайте [www.haier.com](http://www.haier.com)

Haier Europe Trading S.r.l

Филиал в Великобритании

Westgate House, Westgate, Ealing

London, W5 1YY

\* Срок действия гарантии на холодильный прибор:

Минимальная гарантия составляет: 2 года для стран ЕС, 3 года для Турции, 1 год для Великобритании, 1 год для России, 3 года для Швеции, 2 года для Сербии, 5 лет для Норвегии, 1 год для Марокко, 6 месяцев для Алжира, для Туниса юридических гарантий не требуется.

\* Срок наличия запчастей для ремонта прибора:

Термостаты, датчики температуры, печатные платы и источники света доступны в течение минимум семи лет с момента поступления в продажу последнего изделия данной модели.

Дверные ручки, дверные петли, лотки и корзины будут доступны на протяжении не менее семи лет, а дверные уплотнители – не менее 10 лет с момента поступления в продажу последнего изделия данной модели.

\*Для получения дополнительной информации об изделии посетите веб-сайт <https://eprel.ec.europe.eu/> или отсканируйте QR-код на этикетке класса энергопотребления, поставляемой с прибором.



**Haier**



2024 Версия А

# Haier

Príručka používateľa

Chladnička s mrazničkou

EHBQW5518E

HBQW5518E

HBQW5518EK

HQE1855BCMW

EHQE1855BCMW

HBQW5519E

HBQW5519EK

EHBQW5519E

EHBQW5519ECM

HBQW5719E

SK

<u>4 Bezpečnostné informácie</u>	<u>Pred prvým použitím</u>	5
	<u>Inštalácia</u>	5
	<u>Každodenné používanie</u>	6
	<u>Informácie o chladiacom plyne</u>	8
<u>9 Určené použitie</u>		
<u>10 Opis výrobku</u>		
<u>12 Ovládací panel</u>		
<u>13 Použite</u>	<u>Panel uzamknutia/odmknutia</u>	13
	<u>Úprava teploty chladničky</u>	13
	<u>Úprava teploty mrazničky</u>	14
	<u>Funkcia Wi-Fi</u>	15
	<u>Dovolenková funkcia Holiday</u>	15
	<u>Funkcia Super Cool</u>	16
	<u>Funkcia Super Freeze</u>	16
<u>18 Vybavenie</u>		
<u>20 Tipy na úsporu energie</u>		
<u>21 Starostlivosť a čistenie</u>		
<u>23 Riešenie problémov</u>		
<u>27 Inštalácia</u>		
<u>34 Technické údaje</u>		
<u>36 Zákaznícky servis</u>		

## Ďakujeme za zakúpenie produktu Haier.

Pred použitím tohto spotrebiča si pozorne prečítajte tieto pokyny. Pokyny obsahujú dôležité informácie, ktoré vám pomôžu vyťažiť zo spotrebiča maximum a zaisťujú bezpečnú a správnu inštaláciu, používanie a údržbu.

Túto príručku uschovajte na vhodnom mieste, aby ste si mohli kedykoľvek prečítať pokyny na bezpečné a správne používanie spotrebiča.

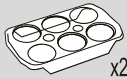
Ak spotrebič predávate, darujete alebo ho nechávate v domácnosti po odšťahovaní, nezabudnite s ním novému vlastníkovi odovzdať aj túto príručku, aby sa mohol oboznámiť so spotrebičom a bezpečnostnými upozoreniami.

## Príslušenstvo

Skontrolujte príslušenstvo a dokumentáciu podľa tohto zoznamu:



Forma na kocky ľadu



Zásobník na vajcia x2



Energetický štítok



Záručný list



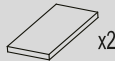
Príručka bezpečnostných varovaní



Skrutka x4



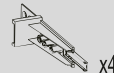
Kryt x2



Špongiový blok x2



Posuvné vedenie x4



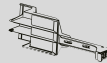
Posuvná zostava x4



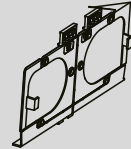
Pevná doska



Kryt závesu



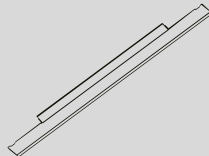
Pevná doska II



Spodná pevná doska



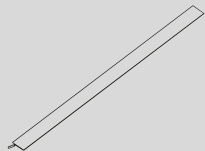
Horná pevná doska



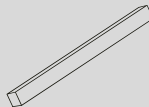
Spodný kryt



Spodný bočný kryt



Utesňovací prúžok



Utesňovacia špongia



Kryt spodného závesu

**VAROVANIE – Dôležité bezpečnostné informácie****POZNÁMKA – Všeobecné informácie a tipy****Informácie o životnom prostredí****Likvidácia**

Pomáhajte chrániť životné prostredie a zdravie ľudí. Obal vyhodte do vhodných nádob na recykláciu. Pomáhajte recyklovať odpad z elektrických a elektronických prístrojov. Spotrebiče označené týmto symbolom nelikvidujte s domácim odpadom. Výrobok odneste do miestneho recyklačného strediska alebo kontaktujte mestský úrad.

**VAROVANIE!**

Nebezpečenstvo poranenia alebo zadusenia!

Chladivá a plyny sa musia likvidovať profesionálnym spôsobom. Pred správnu likvidáciou sa uistite, že nie je poškodené potrubie okruhu chladiva. Spotrebič odpojte od elektrickej siete. Odrežte a zlikvidujte napájací kábel. Vyberte podnosy a zásuvky, ako aj západku a tesnenie dverí, aby ste zabránili zatvoreniu detí a domácich zvierat vnútri spotrebiča.

## Pred prvým zapnutím spotrebiča si prečítajte nasledujúce bezpečnostné pokyny:



### VAROVANIE!

#### Pred prvým použitím

- ▶ Uistite sa, že sa spotrebič pri preprave nepoškodil.
- ▶ Pred inštaláciou spotrebiča počkajte najmenej dve hodiny, aby sa zabezpečila plná účinnosť chladiaceho okruhu.
- ▶ Spotrebič musia prenášať minimálne dve osoby, pretože je ťažký.
- ▶ Odstráňte všetky obalové materiály a odložte ich mimo dosahu detí. Zlikvidujte ich s ohľadom na životné prostredie.
- ▶ Pred vložením potravín spotrebič umyte vodou a jemným čistiacim prostriedkom zvnútra aj zvonka.
- ▶ Po vyrovnaní a vyčistení spotrebiča počkajte pred pripojením k elektrickej sieti minimálne 2 – 5 hodín. Pozrite časť INŠTALÁCIA.
- ▶ Pred vložením potravín nechajte priehradky vychladiť pri vysokých nastaveniach. Funkcia Power- Freeze pomáha pri rýchlom vychladení priehradiek.
- ▶ Teplota v chladničke a v mrazničke sa automaticky nastaví na 5 °C a -18 °C v uvedenom poradí. Sú to odporúčané nastavenia. Ak je to potrebné, tieto teploty môžete manuálne zmeniť. Pozrite časť NASTAVENIE TEPLoty.

#### Inštalácia

- ▶ Spotrebič musí byť umiestnený na dobre vetranom mieste. Nad spotrebičom a v jeho okolí musíte zabezpečiť minimálne 10 cm priestor.
- ▶ Spotrebič nikdy neumiestňujte na vlhké miesto ani na miesto, kde by mohla striekať voda. Postriekania vodou a škvrny vyčistite a osušte mäkkou čistou handričkou.
- ▶ Spotrebič neinštalujte na priame slnečné svetlo ani do blízkosti zdrojov tepla (napr. kachle, ohrievače).
- ▶ Spotrebič nainštalujte a vyrovnajte na mieste, ktoré je vhodné svojou veľkosťou a využitím.
- ▶ Vetracie otvory v spotrebiči alebo v zabudovanej konštrukcii udržiajte bez prekážok.
- ▶ Uistite sa, že elektrické údaje na typovom štítku sa zhodujú s údajmi pre vašu sieť. V opačnom prípade kontaktujte elektrikára.
- ▶ Spotrebič je napájaný zo siete 220-240 VAC/50 Hz. Abnormálne kolísanie napätia môže spôsobiť, že sa spotrebič nezapne, poškodí sa regulátor teploty alebo kompresor alebo sa môže pri prevádzke vyskytnúť neobvyklý hluk. V takom prípade musíte namontovať automatický regulátor.
- ▶ Nepoužívajte adaptéry s viacerými zásuvkami ani predĺžovacie káble.
- ▶ Na zadnú stranu spotrebiča neumiestňujte rozvodné prenosné zásuvky ani prenosné zdroje napájania.
- ▶ Uistite sa, že napájací kábel nie je zachytený v chladničke. Na napájací kábel nestúpajte.



## VAROVANIE!

- ▶ Použite samostatnú uzemnenú zásuvku, aby k nej bol zabezpečený jednoduchý prístup. Spotrebič musí byť uzemnený.  
Len pre Spojené kráľovstvo: Napájaci kábel spotrebiča je vybavený 3-vodičovou (uzemňovacou) zástrčkou, ktorá sa vsúva do štandardnej 3-vodičovej (uzemnenej) zásuvky. Tretí kolík (uzemnenie) nikdy neodrezávajte ani neodstraňujte. Po inštalácii spotrebiča musí byť zástrčka prístupná.
- ▶ Nepoškodte chladiaci okruh.

### Každodenné používanie

- ▶ Deti staršie ako 8 rokov a osoby s obmedzenými fyzickými, zmyslovými alebo duševnými schopnosťami alebo nedostatkom skúseností či vedomostí môžu tento spotrebič používať pod dohľadom, resp. po poučení a oboznámení sa s bezpečným spôsobom používania a porozumení možným nebezpečenstvám.
- ▶ Deti vo veku od 3 do 8 rokov môžu do chladiacich spotrebičov nakladať a vykladať potraviny, nesmú ich však čistiť ani inštalovať.
- ▶ Deťom do 3 rokov nedovoľte, aby sa priblížili ku spotrebiču, pokiaľ nie sú pod neustálym dohľadom.
- ▶ Deti sa so spotrebičom nesmú hrať.
- ▶ Ak do blízkosti spotrebiča uniká studený plyn alebo iný horľavý plyn, zatvorte ventil unikajúceho plynu, otvorte dvere a okná a neodpájajte zástrčku napájacieho kábla chladničky ani iného zariadenia.
- ▶ Všimnite si, že spotrebič je nastavený na prevádzku v špecifickom klimatickom pásme 10 až 43 °C. Spotrebič možno nebude fungovať správne, ak sa ponechá dlho v prostredí s teplotou, ktorá je vyššia alebo nižšia než uvedený rozsah.
- ▶ Na chladničku neumiestňujte nestabilné predmety (ťažké predmety, nádoby naplnené vodou), aby nedošlo k zraneniu osôb následkom pádu alebo úrazu elektrickým prúdom po kontakte s vodou.
- ▶ Neťahajte za police vo dverách. Dvere by sa mohli skriviť, stojan na fľaše odtrhnúť alebo by sa spotrebič mohol prevrátiť.
- ▶ Dvere otvárajte a zatvárajte iba pomocou rúkavít. Medzera medzi dverami a medzi dverami a skrinkou je veľmi úzka. Do týchto priestorov nesiahajte, aby nedošlo k pricviknutiu prstov. Dvere chladničky otvárajte alebo zatvárajte iba vtedy, ak v rozsahu pohybu dverí nestoja žiadne deti.
- ▶ V spotrebiči ani v jeho blízkosti neskladujte a nepoužívajte horľavé, výbušné alebo korozívne materiály.
- ▶ V spotrebiči neskladujte lieky, baktérie ani chemické látky. Tento spotrebič je spotrebič pre domácnosť. Neodporúča sa skladovať materiály, ktoré vyžadujú presné teploty.
- ▶ V mrazničke nikdy neskladujte tekutiny vo fľašiach alebo v plechovkách (okrem liehovín s vysokým obsahom alkoholu), najmä sytené nápoje, pretože tieto počas mrazenia prasknú.
- ▶ Ak došlo v mrazničke k ohrevu, skontrolujte stav potravín.



## VAROVANIE!

- ▶ V chladiacom priestore nenastavujte zbytočne nízku teplotu. Pri vysokých nastaveniach sa môžu vyskytnúť mínusové teploty. Pozor: Flaše môžu prasknúť
- ▶ Zmrazených potravín sa nedotýkajte mokrými rukami (nasadte si rukavice). Najmä nekonzumujte nanuky ihneď po vybratí z mrazničky. Existuje riziko primrznutia alebo vytvorenia pluzgierov z mrazu. PRVÁ pomoc: ihneď umiestnite pod tečúcu studenú vodu. Neodstraňujte ťahaním!
- ▶ Počas prevádzky sa nedotýkajte vnútorného povrchu priestoru mrazničky, najmä nie mokrými rukami, pretože by vám mohli ruky primrznúť k povrchu.
- ▶ V prípade prerušenia napájania alebo pred čistením odpojte spotrebič zo zásuvky. Pred opätovným zapnutím spotrebiča počkajte najmenej 7 minút, pretože časté štartovanie môže poškodiť kompresor.
- ▶ Vo vnútri boxov spotrebiča, ktoré slúžia na skladovanie potravín, nepoužívajte elektrické zariadenia, pokiaľ ich používanie neschválil výrobca.

## Údržba/čistenie

- ▶ Keď čistenie a údržbu vykonávajú deti, nenechávajú ich bez dozoru.
- ▶ Pred vykonávaním akejkoľvek bežnej údržby odpojte spotrebič od elektrickej siete. Pred opätovným zapnutím spotrebiča počkajte najmenej 5 minút, pretože časté štartovanie môže poškodiť kompresor.
- ▶ Pri odpájaní spotrebiča chyťte zástrčku, nie kábel.
- ▶ Spotrebič nečistite tvrdými kefami, drôtenými kefami, čistiacim práškom, benzínom, amylacetátom, acetónom ani podobnými organickými roztokmi, kyselinami ani zásadami. Čistite pomocou špeciálneho čistiaceho prostriedku na chladničky, aby ste zabránili poškodeniu.
- ▶ Námrazu a ľad nezoškrabávajte ostrými predmetmi. Nepoužívajte spreje, elektrické ohrievače ako ohrievač, sušič vlasov, parné čističe alebo iné zdroje tepla, aby nedošlo k poškodeniu plastových častí.
- ▶ Na urýchlenie odmrazovania nepoužívajte mechanické nástroje ani iné prostriedky s výnimkou tých, ktoré odporúča výrobca.
- ▶ Ak je poškodený vonkajší napájací kábel, v záujme eliminácie akéhokoľvek rizika ho musí vymeniť výrobca, jeho servisný zástupca alebo rovnako kvalifikovaná osoba.
- ▶ Spotrebič sa nepokúšajte sami opravovať, rozoberať alebo upravovať. V prípade opravy kontaktujte náš zákaznický servis.
- ▶ Aspoň raz za rok odstráňte prach zo zadnej strany jednotky, aby ste predišli nebezpečenstvu požiaru a zvýšenej spotrebe energie.
- ▶ Počas čistenia na spotrebič nestriekajte ani ho neoplachujte.
- ▶ Na čistenie spotrebiča nepoužívajte prúd vody ani paru.
- ▶ Studené sklenené poháre neumývajte horúcou vodou. Náhla zmena teploty môže spôsobiť rozbitie skla.

## Informácie o chladiacom plyne



### **VAROVANIE!**

Spotrebič obsahuje horľavé chladivo IZOBUTÁN (R600a). Uistite sa, že sa počas prepravy alebo inštalácie nepoškodil chladiaci okruh. Unikajúce chladivo môže spôsobiť poranenie očí alebo vznietenie. Ak došlo k poškodeniu, udržiajte zdroje otvoreného ohňa mimo dosahu, dôkladne vyvetrajte miestnosť a nepripájajte ani neodpájajte napájacie káble spotrebiča alebo akéhokoľvek iného spotrebiča. Informujte zákaznický servis.

V prípade, že sa dostane chladivo do kontaktu s očami, ihneď ich vypláchnite pod tečúcou vodou a okamžite kontaktujte očnému lekárovi.

## Určené použitie

Tento spotrebič je určený na chladenie a mrazenie potravín. Bol navrhnutý výhradne na použitie v domácnostiach a podobných aplikáciách, ako sú kuchynské priestory pre zamestnancov v obchodoch, kanceláriách a iných pracovných prostrediach; vo farmárskych domoch, pre zákazníkov v hoteloch, moteloch a iných obytných priestoroch, ako aj pre zákazníkov ubytovacích a stravovacích služieb. Nie je určený na komerčné ani priemyselné použitie.

Zmeny alebo úpravy spotrebiča nie sú povolené. Neúmyselné použitie môže spôsobiť nebezpečenstvo a stratu nárokov na záruku.

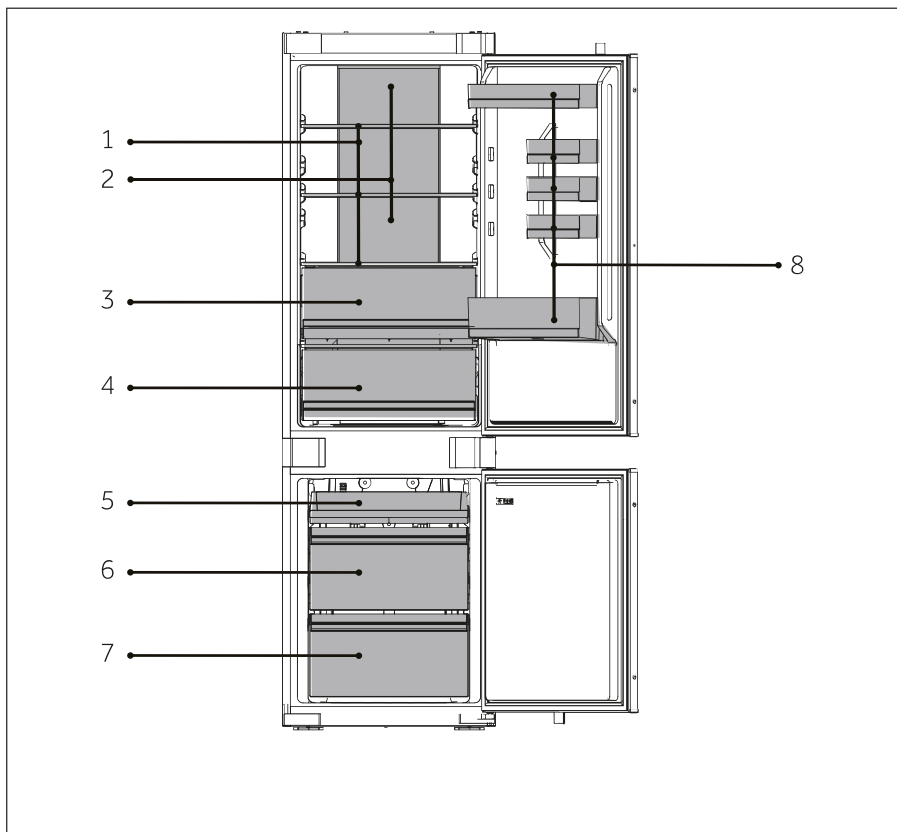
## Normy a smernice alebo

Tento výrobok spĺňa požiadavky všetkých príslušných smerníc ES s príslušnými harmonizovanými normami a normami v UK, ktoré umožňujú použitie označenia CE alebo UKCA.



## OZNÁMENIE

Z dôvodu technických zmien a rôznych modelov sa môžu niektoré ilustrácie v tejto príručke líšiť od vášho modelu.



EHBQW5518E/ HBQW5518E/ HBQW5518EK/ HQE1855BCMW/ EHQE1855BCMW

### A: Chladiaca komora

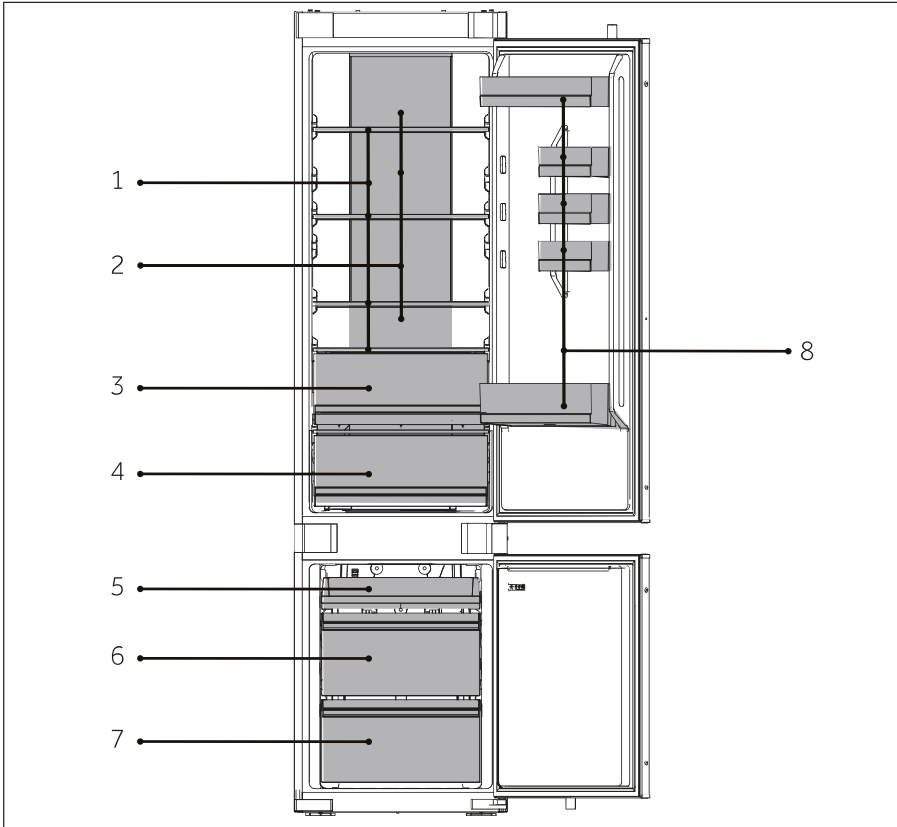
- 1 Obyčajné police
- 2 Vedenie chladeného vzduchu
- 3 Zásuvka Humidity Zone
- 4 Zásuvka Fresh box
- 8 Držiak na fľaše

### B: Mraziaca komora

- 5 Horná priehradka mrazničky
- 6 Stredná zásuvka mrazničky
- 7 Spodná zásuvka mrazničky

## **i** OZNÁMENIE

Z dôvodu technických zmien a rôznych modelov sa môžu niektoré ilustrácie v tejto príručke líšiť od vášho modelu.



HBQW5519E/ HBQW5519EK/ EHBQW5519E/ EHBQW5519ECM/ HBQW5719E

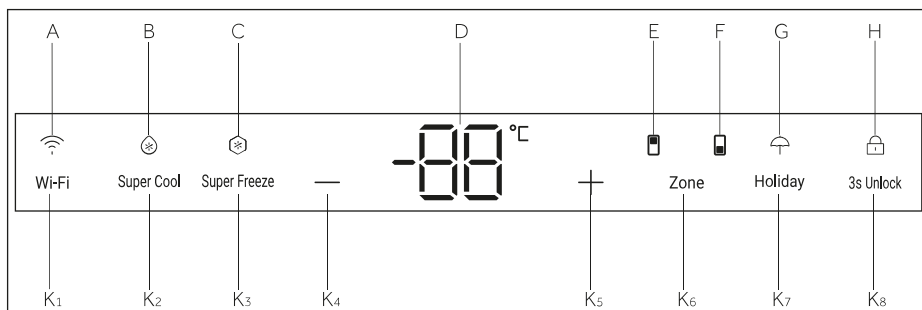
A: Chladiaca komora

- 1 Obyčajné police
- 2 Vedenie chladeného vzduchu
- 3 Zásuvka Humidity Zone
- 4 Zásuvka Fresh box
- 8 Držiak na fľaše

B: Mraziaca komora

- 5 Horná priehradka mrazničky
- 6 Stredná zásuvka mrazničky
- 7 Spodná zásuvka mrazničky

## Ovládací panel



### Indikátory:

- A Funkcia Wi-Fi
- B Funkcia Super Cool
- C Funkcia Super Freeze
- D Displej teploty
- E Indikátor chladničky
- F Indikátor mrazničky
- G Funkcia Holiday
- H Zamknúť a odomknúť

### Tlačidlá:

- K<sub>1</sub> Tlačidlo nastavenia Wi-Fi
- K<sub>2</sub> Tlačidlo výberu Super Cool
- K<sub>3</sub> Tlačidlo výberu Super Freeze
- K<sub>4</sub> Tlačidlo úpravy teploty „-“
- K<sub>5</sub> Tlačidlo úpravy teploty „+“
- K<sub>6</sub> Tlačidlo výberu zóny
- K<sub>7</sub> Tlačidlo funkcie Holiday
- K<sub>8</sub> Tlačidlo uzamknutia a odomknutia

## Tlačidlá snímača

Tlačidlá na ovládacom paneli sú dotykové tlačidlá, ktoré reagujú na ľahký dotyk prsta.

## Zapnutie a vypnutie spotrebiča

Spotrebič sa zapne ihneď po pripojení k zdroju elektrického napájania.

Pri prvom zapnutí chladničky sa rozsvieti indikátor „D“ (displej teploty). Teplota chladničky sa automaticky nastaví na 5 °C a teplota mrazničky na -18 °C.



## OZNÁMENIE

Keď sa spotrebič zapne po odpojení od elektrického sieťového napájania, dosiahnutie správnej teploty môže trvať až 12 hodín.

Pred vypnutím spotrebič vyprázdňte. Ak chcete spotrebič vypnúť, vyťahnite napájací kábel zo zásuvky.

### Panel uzamknutia/odmoknutia

Automatické uzamknutie: Keď sú dvere chladničky a dvere mrazničky zatvorené a do 30 sekúnd nestlačíte žiadne tlačidlo, obrazovka displeja automaticky zhasne a uzamkne sa.

Manuálne uzamknutie: Po odomknutí obrazovky displeja stlačte tlačidlo „K<sub>8</sub>“ (3S Unlock) a podržte ho 3 sekundy. Raz zaznie bzučiak, rozsvieti sa indikátor „H“ (Uzamknutie panela), čím sa panel uzamkne.

Odomknutie: Po zamknutí obrazovky displeja stlačte tlačidlo „K<sub>8</sub>“ (3S Unlock) a podržte ho 3 sekundy, bzučiak raz zazvoní, indikátor „H“ (Uzamknutie panela) zhasne, čím sa panel odomkne.

### Nastavenie teploty

Teploty vo vnútri spotrebiča sú ovplyvnené nasledujúcimi faktormi:

Teplota okolia, frekvencia otvárania dverí, množstvo uložených potravín, inštalácia spotrebiča.

### Úprava teploty chladničky

Po odomknutí obrazovky displeja stlačte tlačidlo „K<sub>6</sub>“ (volič zóny). Bzučiak raz zazvoní, rozsvieti sa indikátor „E“ (indikátor chladničky) a potom sa aktivuje režim nastavenia teploty chladničky.

Stláčajte tlačidlo „K<sub>4</sub>“ (tlačidlo úpravy teploty „-“), pri každom stlačení zaznie bzučiak a nastavená teplota chladničky sa zníži o 1 stupeň. Teplota chladničky sa bude zobrazovať v sekvencii „9°C -> 8°C -> 7°C -> 6°C -> 5°C -> 4°C -> 3°C -> 2°C -> 1°C“.

Stláčajte tlačidlo „K<sub>5</sub>“ (tlačidlo regulácie teploty „+“), pri každom stlačení zaznie bzučiak a nastavená teplota chladničky sa zvýši o 1 stupeň. Teplota chladničky sa bude zobrazovať v sekvencii „1°C -> 2°C -> 3°C -> 4°C -> 5°C -> 6°C -> 7°C -> 8°C -> 9°C“.



## OZNÁMENIE

Ak po nastavení teploty neurobite do 5 sekúnd žiadny úkon, systém automaticky prijme a uloží nastavenú teplotu.

## Úprava teploty mrazničky

Po odomknutí obrazovky displeja stlačte tlačidlo „K<sub>6</sub>“ (volič zóny). Bzučiak raz zazvoní, rozsvieti sa indikátor „F“ (indikátor mrazničky) a potom sa aktivuje režim nastavenia teploty mrazničky.

Stláčajte tlačidlo „K<sub>4</sub>“ (tlačidlo úpravy teploty „-“), pri každom stlačení zaznie bzučiak a nastavená teplota mrazničky sa zníži o 1 stupeň. Teplota mrazničky sa bude zobrazovať v sekvencii "-14°C -> -15°C -> -16°C -> -17°C -> -18°C -> -19°C -> -20°C -> -21°C -> -22°C -> -23°C -> -24°C".

Stláčajte tlačidlo „K<sub>5</sub>“ (tlačidlo na úpravu teploty „+“), pri každom stlačení zaznie bzučiak a nastavená teplota mrazničky sa zvýši o 1 stupeň. Teplota mrazničky sa bude zobrazovať v sekvencii "-24°C -> -23°C -> -22°C -> -21°C -> -20°C -> -19°C -> -18°C -> -17°C -> -16°C -> -15°C -> -14°C".



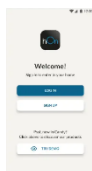
### OZNÁMENIE

Ak po nastavení teploty neurobite do 5 sekúnd žiadny úkon, systém automaticky prijme a uloží nastavenú teplotu.

**Krok 1** Z obchodu s aplikáciami si stiahnite aplikáciu hOn.



**Krok 2** Vytvorte si účet v aplikácii hOn alebo, ak už máte účet, prihláste sa



**Krok 3** Postupujte podľa pokynov na párovanie v aplikácii hOn.



## Funkcia Wi-Fi

1. Postupujte podľa pokynov v aplikácii a nakonfigurujte Wi-Fi.
2. Po nakonfigurovaní Wi-Fi a vytvorení pripojenia sa ikona „A“ pre Wi-Fi zapne a zostane svietiť.
3. Ak už bola sieť Wi-Fi nakonfigurovaná, Wi-Fi sa automaticky znova pripojí podľa informácií o konfigurácii.
4. Ak chcete Wi-Fi vypnúť, stlačte tlačidlo Wi-Fi „K<sub>1</sub>“, ikona „A“ pre Wi-Fi zhasne.
5. Ak chcete zapnúť Wi-Fi a spustiť konfiguráciu, stlačte tlačidlo Wi-Fi „K<sub>1</sub>“, ikona „A“ pre Wi-Fi začne pomaly blikať. Ak chcete nakonfigurovať funkciu Wi-Fi, stlačte tlačidlo „K<sub>1</sub>“ na 3 sekundy, ikona Wi-Fi začne blikať rýchlo a prepne sa do režimu konfigurácie. Ak chcete funkciu Wi-Fi vypnúť, raz stlačte tlačidlo „K<sub>1</sub>“. Vyššie uvedené kroky sa opakujú.
6. Ak bol výrobok nakonfigurovaný a funkcia Wi-Fi bola vypnutá, chladnička sa po opätovnom pripojení k napájaniu neprepne do režimu konfigurácie.

## Dovolenková funkcia Holiday

1. Keď je obrazovka displeja odomknutá, stlačte tlačidlo „K<sub>7</sub>“ (tlačidlo funkcie Holiday), bzučiak raz zazvoní, rozsvieti sa indikátor „G“ (funkcia Holiday) a potom sa funkcia Holiday zapne.
2. Keď je obrazovka displeja odomknutá, stlačte tlačidlo „K<sub>7</sub>“ (tlačidlo funkcie Holiday), bzučiak raz zazvoní, indikátor „G“ (funkcia Holiday) zhasne a potom sa funkcia Holiday vypne.



## OZNÁMENIE

1. Funkcia Holiday sa používa predovšetkým pri krátkodobých cestách a iné životných situáciách. Pri použití funkcie Holiday treba vyprázdiť chladničku.
2. Pri funkcii Holiday bude teplota v chladiacom priestore vyššia (približne 17 °C), dávajte pozor, aby v chladničke neostali potraviny, pretože by sa mohli znehodnotiť.

## Funkcia Super Cool

- Po odomknutí obrazovky displeja stlačte tlačidlo „K<sub>2</sub>“ (volič Super Cool), raz zazvoní bzučiak, rozsvieti sa indikátor „B“ (funkcia Super Cool) a zapne sa funkcia Super Cool.
- Keď sa rozsvieti indikátor „B“ (funkcia Super Cool), stlačte tlačidlo „K<sub>2</sub>“ (volič Super Cool), bzučiak zazvoní raz, indikátor „O“ (funkcia Super Cool) zhasne a funkcia Super Cool sa vypne.
- Po zapnutí funkcie Super Cool sa chladnička po dosiahnutí nastavenej teploty automaticky vypne. Ak chcete ukončiť manuálne, môžete ho vypnúť stlačením tlačidla „K<sub>2</sub>“ (volič Super Cool).



## OZNÁMENIE

- V stave Super Cool sa teplota chladničky nedá upravovať. Ak stlačíte tlačidlo „K<sub>4</sub>“ (tlačidlo úpravy teploty „-“) alebo tlačidlo „K<sub>5</sub>“ (tlačidlo úpravy teploty „+“) na úpravu teploty chladničky, indikátor „B“ (indikátor Super Cool) začne blikať a zaznie výstražné znamenie, ktoré signalizuje, že tento úkon sa nedá vykonať.
- V stave funkcie Super Cool nie je možné zapnúť funkciu automatického nastavenia Auto-set, pretože nie je možné zapnúť súčasne rôzne režimy ovládania. Keď vyberiete jednu funkciu, ktorá je v rozpore s inou funkciou, pôvodná funkcia sa automaticky ukončí.
- Táto funkcia sa automaticky deaktivuje po 6 hodinách.

## Funkcia Super Freeze

- Po odomknutí obrazovky displeja stlačte tlačidlo „K<sub>3</sub>“ (volič Super Freeze), bzučiak raz zazvoní, rozsvieti sa indikátor „C“ (funkcia Super Freeze) a zapne sa funkcia Super Freeze.
- Po rozsvietení indikátora „C“ (funkcia Super Freeze) stlačte tlačidlo „K<sub>3</sub>“ (volič Super Freeze), raz zazvoní bzučiak, indikátor „C“ (funkcia Super Freeze) zhasne a funkcia Super Freeze sa vypne.
- Po zapnutí funkcie Super Freeze sa chladnička po dosiahnutí nastavenej teploty automaticky vypne. Ak chcete funkciu ukončiť manuálne, môžete ju vypnúť stlačením tlačidla „K<sub>3</sub>“ (prepínač Super Freeze).





## OZNÁMENIE

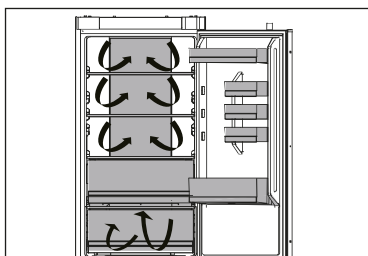
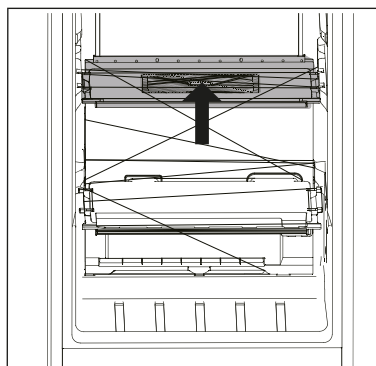
1. V stave Super Freeze sa teplota mrazničky nedá upravovať. Ak stlačíte tlačidlo „K<sub>4</sub>“ (tlačidlo úpravy teploty „-“) alebo tlačidlo „K<sub>5</sub>“ (tlačidlo úpravy teploty „+“) na úpravu teploty mrazničky, indikátor „C“ (indikátor Super Freeze) začne blikať a zaznie výstražné znamenie, ktoré signalizuje, že tento úkon sa nedá vykonať.
2. Funkcia Super Freeze je navrhnutá tak, aby zaistila uchovávanie nutričnej hodnoty mrazených potravín, takže bude zmrazovať potraviny v čo najkratšom čase. Ak chcete naraz zmraziť veľké množstvo potravín. Predtým však treba, 24 hodín vopred, nastaviť funkciu Super Freeze, aby mala mraznička relatívne nízku teplotu a mohli sa do nej vložiť potraviny. V tomto čase sa zvyšuje rýchlosť mrazenia v mrazničke, potraviny sa dajú rýchlo zmraziť, pričom sa udržiava ich nutričná hodnota a skladovanie bude výhodné.
3. Funkcia Super Freeze sa automaticky vypne po 50 hodinách. Spotrebič je potom v prevádzke pri predtým nastavenej teplote.

## Zásuvka Humidity Zone

V tomto oddelení je úroveň vlhkosti vyššia ako v oddelení chladničky. Je riadené automaticky systémom a vhodné na skladovanie ovocia, zeleniny, šalátov a pod.

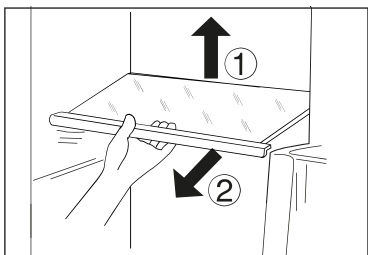
### **i** OZNÁMENIE

1. Neodstraňujte plastový kryt vo vnútri zóny.
2. Udržiavajú vlhkosť.
3. V tejto zásuvke sa neodporúča skladovať ovocie citlivé na chlad, ako je ananás, avokádo, banány, grapefruity.



### Viacnásobné prúdenie vzduchu

1. Chladnička je vybavená systémom s viacnásobným prúdením vzduchu, v ktorom sú prívody chladného vzduchu umiestnené na každej úrovni police. To pomáha udržiavať rovnomernú teplotu, aby sa vaše jedlo udržalo dlhšie čerstvé.



### Nastaviteľné police

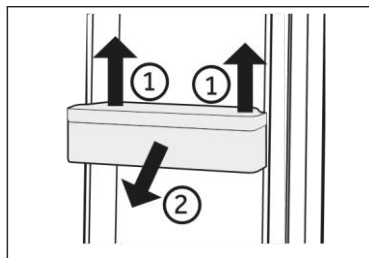
1. Výška polic sa môže nastaviť tak, aby vyhovovala vašim potrebám skladovania.
2. Ak chcete policu premiestniť, najprv nadvihnite jej zadný okraj ① a potom ju vytiahnite ②.
3. Ak ju chcete znovu nainštalovať, položte ju na výstupky na oboch stranách a zatlačte do najzadnejšej polohy, kým nezapadne do drážok na bokoch.

### **i** OZNÁMENIE

Uistite sa, že všetky konce police sú v jednej rovine.

### Vyberateľné stojany na dverách/ držiak na fľaše

1. Priehradky na dverách sa dajú vybrať na čistenie:
2. Položte ruky na boky stojana, zdvihnite ho ① a vytiahnite ②.
3. Ak chcete policičku vložiť späť do dverí, vykonajte vyššie uvedené kroky v opačnom poradí.



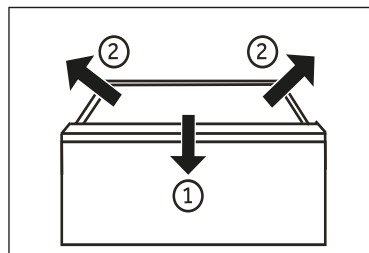
### OZNÁMENIE

Po zapnutí spotrebiča môže dosiahnutie správnej teploty trvať až 12 hodín.

### Vyberateľná zásuvka

Ak chcete zásuvku vybrať, vytiahnite ju do maximálnej polohy ①, nadvihnite ju a vyberte ②.

Ak chcete policičku znovu vsunúť, vykonajte vyššie uvedené kroky v opačnom poradí.



### Osvetlenie

Interiérové LED osvetlenie sa rozsvieti po otvorení dverí. Výkon svetiel nie je ovplyvnený žiadnym iným nastavením spotrebiča.



## Tipy na úsporu energie

- ▶ Uistite sa, že je spotrebič správne vetraný (pozrite časť INŠTALÁCIA).
- ▶ Spotrebič neinštalujte na priame slnečné svetlo ani do blízkosti zdrojov tepla (napr. kachle, ohrievače).
- ▶ Zabráňte zbytočne nízkej teplote v spotrebiči. Čím je nižšia nastavená teplota v spotrebiči, tým vyššia bude spotreba energie.
- ▶ Funkcie ako Super Freeze zvyšujú spotrebu energie.
- ▶ Pred vložením do spotrebiča nechajte teplé jedlo vychladnúť.
- ▶ Dvere spotrebiča otvárajte čo najmenej a na čo najkratšie.
- ▶ Spotrebič nepreplňujte, aby ste nebránili prúdeniu vzduchu.
- ▶ Vyhýbajte sa vzduchu v obale potravín.
- ▶ Tesnenia dverí udržiavajte čisté, aby boli dvere vždy správne zatvorené.
- ▶ Mrazené potraviny rozmrazujte v úložnom priestore chladničky.
- ▶ Konfigurácia s najväčšou úsporou energie si vyžaduje, aby sa zásuvky, nádoby na potraviny a police udržiavali v stave ako na novom spotrebiči, pričom potraviny treba ukladať tak, aby nebránili prúdeniu vzduchu a neupchávali prívod vzduchu z potrubia.



## VAROVANIE!

Spotrebič pred čistením odpojte od elektrickej siete.

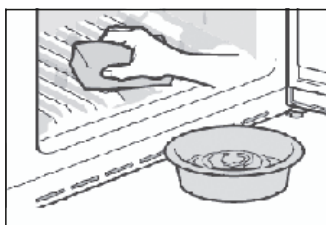
### Čistenie

Spotrebič čistite, keď je v ňom uskladnené len malé množstvo alebo žiadne potraviny. Spotrebič by ste mali čistiť každé štyri týždne, aby sa zaistila dobrá starostlivosť a zabránilo pachu z nesprávne uskladnených potravín.



## VAROVANIE!

- ▶ Spotrebič nečistite tvrdými kefami, drôtenými kefami, čistiacim práškom, benzínom, amylacetátom, acetónom ani podobnými organickými roztokmi, kyselinami ani zásadami. Čistite pomocou špeciálneho čistiaceho prostriedku na chladničky, aby ste zabránili poškodeniu.
- ▶ Počas čistenia na spotrebič nestriekajte ani ho neoplachujte.
- ▶ Na čistenie spotrebiča nepoužívajte prúd vody ani paru.
- ▶ Studené sklenené poličky neumývajte horúcou vodou. Náhla zmena teploty môže spôsobiť rozbitie skla.
- ▶ Nedotýkajte sa vnútorného povrchu priestoru mrazničky, najmä nie mokkými rukami, pretože by vám mohli k povrchu primrznúť.
- ▶ Ak dôjde k zahriatiu, skontrolujte stav zmrazených potravín.



- ▶ Tesnenie na dverách musí byť vždy čisté.
- ▶ Vnútro a plášť spotrebiča čistite špongiou navlhčenou v teplej vode s prídavkom neutrálneho saponátu.
- ▶ 1. Mäkkou handričkou alebo špongiou namočenou v teplej vode utrite interiér a exteriér chladničky, vrátane tesnenia dverí, dverovej poličky, sklenených polic, boxov atď. (do teplej vody môžete pridať neutrálny čistiaci prostriedok).
- ▶ 2. Ak sa rozleje nejaká kvapalina, vyberte všetky znečistené diely, opláchnite ich prúdom vody, vysušte a vložte späť do chladničky.
- ▶ 3. Ak dôjde k rozliatiu krému (napríklad smotana, roztopená zmrzlina), odstráňte všetky znečistené časti, vložte ich na nejaký čas do teplej vody s teplotou približne 40 °C, potom ich opláchnite prúdom vody, vysušte a vložte späť do chladničky.
- ▶ 4. V prípade, že v chladničke (medzi policami alebo zásuvkami) ostane nejaká malá usadenina alebo komponent, použite na uvoľnenie mäkkú kefku. Ak sa k tejto časti nedostanete, kontaktujte servis Haier
- ▶ Opláchnite a osušte mäkkou handričkou.
- ▶ Žiadne časti spotrebiča nečistite v umývačke riadu.
- ▶ Pred opätovným zapnutím spotrebiča počkajte najmenej 5 minút, pretože časté spúšťanie môže poškodiť kompresor.

## Odmrazovanie

Odmrazovanie chladničky a mrazničky sa vykonáva automaticky: nie je potrebná žiadna manuálna činnosť.

## Výmena LED žiaroviek



### VAROVANIE!

LED žiarovku nevymieňajte sami, musí ju vymeniť iba výrobca alebo autorizovaný servisný pracovník.

Osvetlenie využíva ako zdroj svetla LED, ktoré sa vyznačujú nízkou spotrebou energie a dlhou životnosťou. Ak sa vyskytnú nejaké abnormality, kontaktujte zákaznícky servis. Pozrite časť ZÁKAZNÍCKY SERVIS.

Parametre žiarovky:

Chladiaci priestor: 12V max 2W

Mraziaci priestor: 12 V max 2 W

## Dlhodobé vyradenie z prevádzky

Ak spotrebič dlhší čas nepoužívate A nechcete používať funkciu Holiday:

Vyberte potraviny.

Odpojte napájací kábel.

Spotrebič vyčistite podľa vyššie uvedeného návodu.

Dvere nechajte otvorené, aby sa vo vnútri nevytvárali nepríjemné pachy.



### OZNÁMENIE

Spotrebič vypnite, len ak je to nevyhnutne potrebné.

## Premiestňovanie spotrebiča

1. Vyberte všetky potraviny a odpojte spotrebič od elektrickej siete.
2. Police a ďalšie vyberateľné diely chladničky a mrazničky zaistite lepiacou páskou.
3. Chladničku nenakláňajte o viac ako 45°, aby ste predišli poškodeniu chladiaceho systému.



### VAROVANIE!

- ▶ Spotrebič nezdvíhajte za rukoväti dverí.
- ▶ Spotrebič nikdy neukladajte na podlahu v horizontálnej polohe.

Mnoho vyskytujúcich sa problémov môžete vyriešiť sami bez osobitných odborných znalostí. V prípade problému skontrolujte všetky zobrazené možnosti a pred kontaktovaním zákazníckeho servisu postupujte podľa nasledujúcich pokynov. Pozrite časť ZÁKAZNÍCKY SERVIS.



## VAROVANIE!

- ▶ Pred údržbou spotrebič vypnite a vyťahnite zástrčku zo zásuvky.
- ▶ Údržbu elektrického zariadenia môže vykonávať iba kvalifikovaný elektrikár, pretože neodborné opravy môžu spôsobiť značné následné škody.
- ▶ Poškodený prívod môže v záujme eliminácie akéhokolvek rizika vymeniť len výrobca, jeho servisný zástupca alebo rovnako kvalifikovaná osoba.

Problém	Možná príčina	Možné riešenie
Kompresor nefunguje.	<ul style="list-style-type: none"> <li>• Zástrčka nie je vsunutá do zásuvky.</li> <li>• Spotrebič je v cykle odmrazovania</li> </ul>	<ul style="list-style-type: none"> <li>• Vsuňte zástrčku do sieťovej zásuvky.</li> <li>• To je normálne pri automatickom odmrazovaní.</li> </ul>
Spotrebič sa zapína často alebo ostáva zapnutý príliš dlho.	<ul style="list-style-type: none"> <li>• Príliš vysoká vnútorná alebo vonkajšia teplota.</li> <li>• Spotrebič bol dlhšie vypnutý.</li> <li>• Zatvorené dvere spotrebiča netesnia dobre.</li> <li>• Dvere boli otvorené príliš často alebo príliš dlho.</li> <li>• Nastavenie teploty mraziacej časti je príliš nízke.</li> <li>• Tesnenie dverí je špinavé, opotrebované, popraskané alebo nevhodné.</li> <li>• Nie je zabezpečené požadované prúdenie vzduchu.</li> </ul>	<ul style="list-style-type: none"> <li>• V takom prípade je normálne, že kompresor spotrebiča ostane zapnutý dlhšie.</li> <li>• Zvyčajne trvá 8 až 12 hodín, kým spotrebič úplne ochladne.</li> <li>• Zatvorte dvere/zásuvku a uistite sa, že je spotrebič umiestnený na rovnom povrchu a že sa v ňom nenachádzajú potraviny alebo nádoba, ktoré by blokovali dvere.</li> <li>• Neotvárajte dvere/zásuvku príliš často.</li> <li>• Nastavujte vyššiu teplotu, kým nedosiahnete uspokojivú teplotu chladničky. Trvá 24 hodín, kým sa teplota v chladničke ustáli.</li> <li>• Vyčistite tesnenie dverí/zásuvky alebo ich dajte vymeniť v servise.</li> <li>• Zaisťte dostatočnú ventiláciu.</li> </ul>
Vnútro chladničky je špinavé a/alebo zápacha.	<ul style="list-style-type: none"> <li>• Vnútro chladničky treba vyčistiť.</li> <li>• V chladničke sú uložené potraviny so silnou arómou.</li> </ul>	<ul style="list-style-type: none"> <li>• Vyčistite vnútro chladničky.</li> <li>• Potraviny dôkladne zabaľte.</li> </ul>

Problém	Možná príčina	Možné riešenie
V spotrebiči nie je dostatočne nízka teplota.	<ul style="list-style-type: none"> <li>Nastavená teplota je príliš vysoká.</li> <li>Do spotrebiča ste vložili príliš teplé potraviny a jedlá.</li> <li>Vložili ste príliš veľa potravín naraz.</li> <li>Potraviny sú príliš blízko seba.</li> <li>Netesne zatvorené dvere/zásuvka spotrebiča.</li> <li>Dvere/zásuvka boli otvorené príliš často alebo príliš dlho.</li> </ul>	<ul style="list-style-type: none"> <li>Zresetujte teplotu.</li> <li>Pred uložením potraviny vždy ochladte.</li> <li>Vždy vkladajte malé množstvo potravín.</li> <li>Medzi potravinami nechávajte medzeru, aby mohol vzduch voľne prúdiť.</li> <li>Zatvorte dvere/zásuvku.</li> <li>Neotvárajte dvere/zásuvku príliš často.</li> </ul>
V spotrebiči je príliš nízka teplota.	<ul style="list-style-type: none"> <li>Nastavená teplota je príliš nízka.</li> <li>Funkcia Super Freeze/Super Cool je aktivovaná alebo je aktívna príliš dlho.</li> </ul>	<ul style="list-style-type: none"> <li>Resetujte teplotu.</li> <li>Funkciu Super Freeze/Super Cool vypnite</li> </ul>
Vytváranie kondenzátu na vnútornej strane chladiaceho priestoru.	<ul style="list-style-type: none"> <li>Ovzdušie je príliš teplé a príliš vlhké.</li> <li>Netesne zatvorené dvere/zásuvka spotrebiča.</li> <li>Dvere/zásuvka boli otvorené príliš často alebo príliš dlho.</li> <li>Otvorené nádoby na potraviny alebo kvapaliny.</li> </ul>	<ul style="list-style-type: none"> <li>Zvýšte teplotu.</li> <li>Zatvorte dvere/zásuvku.</li> <li>Neotvárajte dvere/zásuvku príliš často.</li> <li>Horúce jedlá nechajte vychladnúť na izbovú teplotu a jedlá a kvapaliny zakryte.</li> </ul>
Hromadenie vlhkosti na vonkajšom povrchu chladničky alebo medzi dverami/dverami a zásuvkou.	<ul style="list-style-type: none"> <li>Ovzdušie je príliš teplé a príliš vlhké.</li> <li>Dvere nie sú tesne zatvorené. Dochádza ku kondenzácii chladného vzduchu v spotrebiči a teplého vzduchu mimo neho.</li> </ul>	<ul style="list-style-type: none"> <li>Vo vlhkom podnebí je to normálne a zmení sa to po poklese vlhkosti.</li> <li>Dbajte na to, aby boli dvere/zásuvka tesne zatvorené.</li> </ul>
Svetlo displeja funguje, ale spotrebič nechladí.	<ul style="list-style-type: none"> <li>Spotrebič je v demo režime.</li> </ul>	<ul style="list-style-type: none"> <li>Všimnite si, v akom stave je spotrebič. Ak je v režime ukážky, režim ukončte. Ukončte funkciu, otvorte dvere chladničky, v uzamknutom stave stlačte druhé tlačidlo vpravo na 8 s do 12 hodín od zapnutia.</li> </ul>

Problém	Možná príčina	Možné riešenie
V mrazničke je silná vrstva ľadu a námrazy.	<ul style="list-style-type: none"> <li>• Potraviny neboli správne zabalené.</li> <li>• Netesne zatvorené dvere/zásuvka spotrebiča.</li> <li>• Dvere/zásuvka boli otvorené príliš často alebo príliš dlho.</li> <li>• Tesnenie dveri/zásuvky je znečistené, opotrebované, prasknuté alebo nevhodné.</li> <li>• Niečo na vnútornej strane bráni správne zatvoreniu dvierok/zásuvky.</li> </ul>	<ul style="list-style-type: none"> <li>• Potraviny vždy správne zabalte.</li> <li>• Zatvorte dvere/zásuvku.</li> <li>• Neotvárajte dvere/zásuvku príliš často.</li> <li>• Vyčistite tesnenie dveri/zásuvky alebo ich vymeňte za nové.</li> <li>• Premiestnite police, priehradky na dverách alebo vnútorné zásobníky tak, aby sa dali dvere/zásuvka zatvoriť.</li> </ul>
Boky skrinky a lišty dveri sa zahrievajú.	<ul style="list-style-type: none"> <li>• -</li> </ul>	<ul style="list-style-type: none"> <li>• Je to normálne.</li> </ul>
Spotrebič vydáva neobvyklé zvuky.	<ul style="list-style-type: none"> <li>• Spotrebič nie je umiestnený na rovnom povrchu.</li> <li>• Spotrebič sa dotýka nejakého predmetu v jeho okolí.</li> </ul>	<ul style="list-style-type: none"> <li>• Nastavte nožičky a vyrovajte spotrebič do vodorovnej polohy.</li> <li>• Odstráňte predmety v okolí spotrebiča.</li> </ul>
Počuť tichý zvuk podobný tečúcej vode.	<ul style="list-style-type: none"> <li>• -</li> </ul>	<ul style="list-style-type: none"> <li>• Je to normálne.</li> </ul>
Budete počuť pípnutie alarmu.	<ul style="list-style-type: none"> <li>• Dvere chladničky ostali otvorené.</li> </ul>	<ul style="list-style-type: none"> <li>• Zatvorte dvere.</li> </ul>
Budete počuť slabé hučanie.	<ul style="list-style-type: none"> <li>• Funguje systém proti kondenzácii</li> </ul>	<ul style="list-style-type: none"> <li>• To zabraňuje kondenzácii a je to normálne</li> </ul>
Nefunguje osvetlenie interiéru alebo chladiaci systém.	<ul style="list-style-type: none"> <li>• Zástrčka nie je vsunutá do zásuvky.</li> <li>• Porucha zdroja napájania.</li> <li>• LED žiarovka nie je v poriadku.</li> </ul>	<ul style="list-style-type: none"> <li>• Vsuňte zástrčku do sieťovej zásuvky.</li> <li>• Skontrolujte elektrické napájanie v miestnosti. Kontaktujte miestnu elektrárenskú spoločnosť!</li> <li>• Kontaktujte servis kvôli výmene žiarovky.</li> </ul>

Ak chcete kontaktovať technický servis, navštívte našu webovú stránku: <https://corporate.haier-europe.com/en/>

V sekcii „webová stránka“ vyberte značku svojho produktu a svoju krajinu. Stránka vás presmeruje na konkrétnu webovú stránku, kde nájdete telefónne číslo a formulár na kontaktovanie technickej pomoci.

### Prerušenie elektrického napájania

V prípade výpadku elektrického prúdu by mali potraviny zostať bezpečne vychladené približne 5 hodín. V prípade dlhšieho výpadku elektrického napájania, najmä v lete, postupujte podľa nasledujúcich pokynov:

- ▶ Dvere/zásuvku otvárajte čo najmenej.
- ▶ Počas prerušenia napájania nekladajte do spotrebiča ďalšie potraviny.
- ▶ Ak vám je výpadok prúdu oznámený vopred a predpokladaná doba výpadku presahuje 5 hodín, vyrobte ľad a vložte ho do zásobníka v hornej časti chladničky.
- ▶ Ihneď po prerušení musíte potraviny skontrolovať.
- ▶ V dôsledku zvýšenia teploty v chladničke počas výpadku elektrického prúdu alebo inej poruchy dôjde k skráteniu trvanlivosti potravín a tiež sa zníži ich kvalita. Potraviny, ktoré sa rozmrazili, by ste mali buď rýchlo skonzumovať alebo uvariť a znovu zmraziť (ak je to vhodné), aby sa predišlo zdravotným rizikám.

### Funkcia pamäte pri prerušení napájania

Po obnovení napájania spotrebič pokračuje v nastaveniach, ktoré boli nastavené pred výpadkom prúdu.

## Vybalenie

**VAROVANIE!**

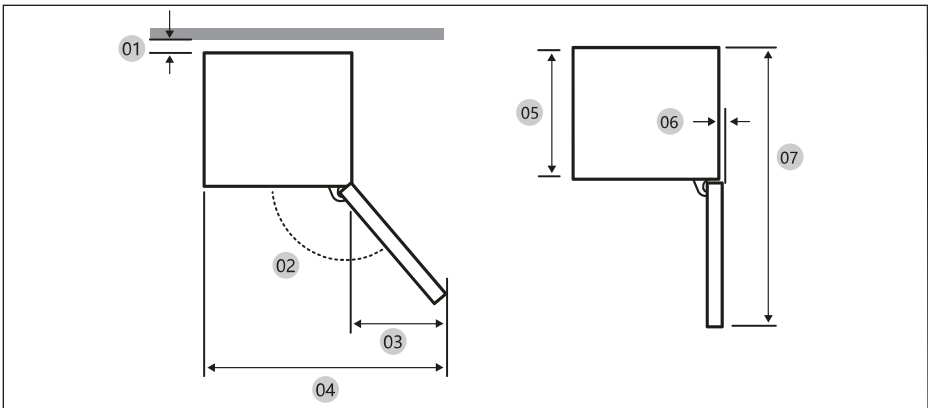
- ▶ Spotrebič je ťažký. Musia s ním vždy manipulovať dve osoby.
- ▶ Všetky obalové materiály udržiajte mimo dosahu detí a zlikvidujte ich spôsobom, ktorý je šetrný k životnému prostrediu.
- ▶ Vyberte spotrebič z obalu.
- ▶ Odstráňte všetok obalový materiál.

## Podmienky prostredia

Teplota v miestnosti musí byť vždy v rozsahu 10 °C až 43 °C, pretože môže mať vplyv na teplotu vnútri spotrebiča a na jeho spotrebu energie. Spotrebič neinštalujte v blízkosti iných spotrebičov vyžarujúcich teplo (rúry, chladničky) bez izolácie.

## Požiadavky na priestor

Požadovaný priestor pri otvorených dverách (bez panelu dverí skrinky)

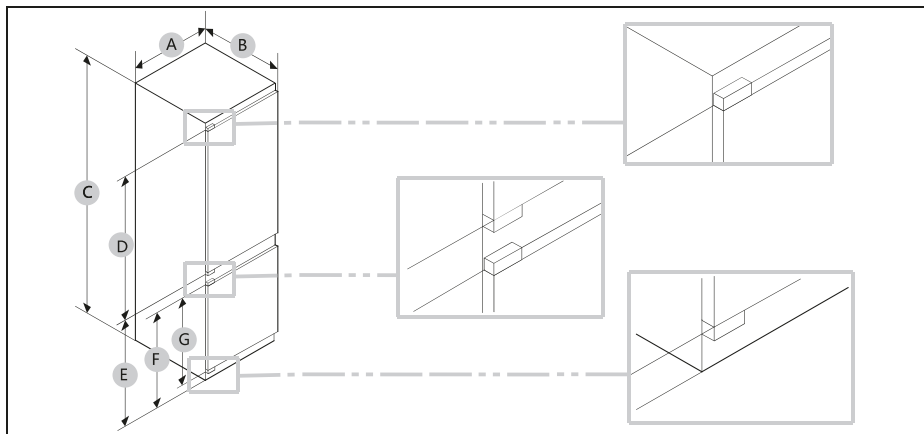


Model	EBQW5518E HBQW5518E HBQW5518EK HQE1855BCMW EHQE1855BCMW	HBQW5519E HBQW5519EK EBQW5519E EBQW5519ECM	HBQW5719E
01 *	10 (min.) / 30 (odporúčané)	10 (min.) / 30 (odporúčané)	10 (min.) / 30 (odporúčané)
02	95° (odporúčané)	95° (odporúčané)	95° (odporúčané)
03	43	43	55
04	583	583	745
05	515	515	515
06	-3	-3	-3
07	1060	1060	1210

\* 01: Od skrinky po zadnú stenu spotrebiča.

(jednotka: mm)

## Rozmery spotrebiča



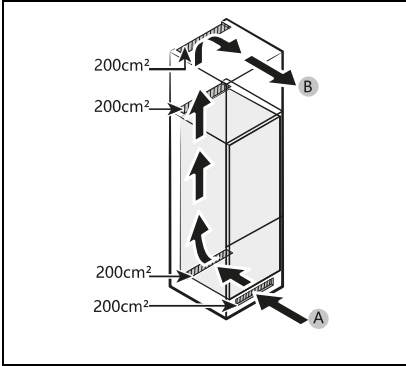
Model	A (mm)	B (mm)	C (mm)	D (mm)	E (mm)	F (mm)	G (mm)
EHBQW5518E HBQW5518E HBQW5518EK HQE1855BCMW EHQE1855BCMW	540±2	550±2	1772±2	970	745	662	618
HBQW5519E HBQW5519EK EHBQW5519E EHBQW5519ECM	540±2	550±2	1935±2	1133	745	662	618
HBQW5719E	690±2	550±2	1935±2	1133	745	662	618

## **i** OZNÁMENIE

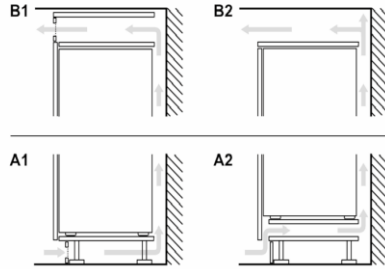
- Uvedená spotreba energie vyžaduje splnenie podmienky, že medzi skrinkou a zadnou stenou spotrebiča musí ostať 10 mm medzera. Spotrebič bude správne fungovať, aj keď bude medzera menšia ako 10 mm, spotrebuje však o niečo viac energie.
- Odporúčame použiť skrinku s hrúbkou steny 18 mm, so závesmi s hrúbkou menšou ako 20 mm.
- Rozmery vo vyššie uvedenej tabuľke sa môžu líšiť v závislosti od spôsobu merania.
- Informácie o inštalácii so zabudovaním nájdete v Inštaláčnej príručke.

### Požiadavky na ventiláciu

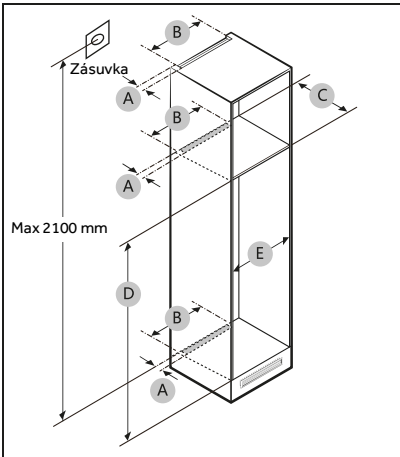
Na dosiahnutie dostatočnej ventilácie spotrebiča z bezpečnostných dôvodov je potrebné dodržiavať požiadavky pre správne vetranie.



**A:** Vstup vzduchu  $\geq 200 \text{ cm}^2$ ; Možnosti vetrania  
**B:** Výstup vzduchu  $\geq 200 \text{ cm}^2$ ; Možnosti vetrania



### Rozmer skrine



### POZOR!

Záruka sa nevzťahuje na žiadnu poruchu spotrebiča, pokiaľ je spôsobená niektorou z nasledujúcich príčin.

1. Nevhodné podmienky na mieste alebo nesprávne veľkosti skriniek.
2. Chybná skriňa.
3. Chyby inštalatéra alebo používateľa.

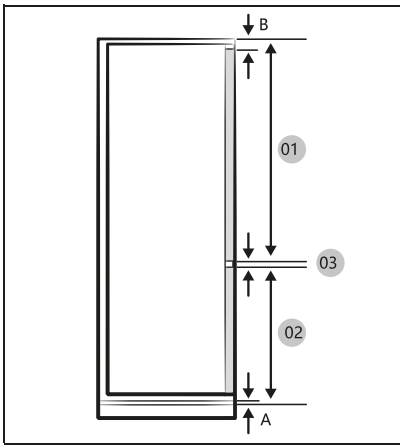
## Medzera

Priestorové požiadavky na inštaláciu nájdete na obrázkoch a v tabuľkách nižšie.

Model		A (mm)	B (mm)	C (mm)	D (mm)	E (mm)	Pripomenka
EHBQW5518E HBQW5518E HBQW5518EK HQE1855BCMW EHQE1855BCMW	Min.	50	400	560	1778	560	Záves: 17 mm
	Odporúčané			580	1780	562	
	Max.			-	1782	568	
HBQW5519E HBQW5519EK EHBQW5519E EHBQW5519ECM	Min.	50	400	560	1940	560	Záves: 17 mm
	Odporúčané			580	1943	562	
	Max.			-	1945	568	
HBQW5719E	Min.	50	400	560	1941	710	Záves: 17 mm
	Odporúčané			580	1943	714	
	Max.			-	1945	718	

## **i** OZNÁMENIE

- Ak je šírka skrinky väčšia ako 568 mm, tesnenie (medzi chladničkou a skrinkou) sa môže uvoľniť.
- Ak je skriňa vyššia ako maximálny rozmer (1782 mm), musíte na vyplnenie medzery použiť iné materiály na vyplnenie. (pre EHBQW5518E/ HBQW5518E/ EK/ EHQE/ HQE1855BCMW)
- Ak je skriňa vyššia ako maximálny rozmer (1945 mm), musíte na vyplnenie medzery použiť iný materiál na vyplnenie. (pre HBQW5519E/ EK/ EHBQW5519E/ ECM)



## **i** POZNÁMKA

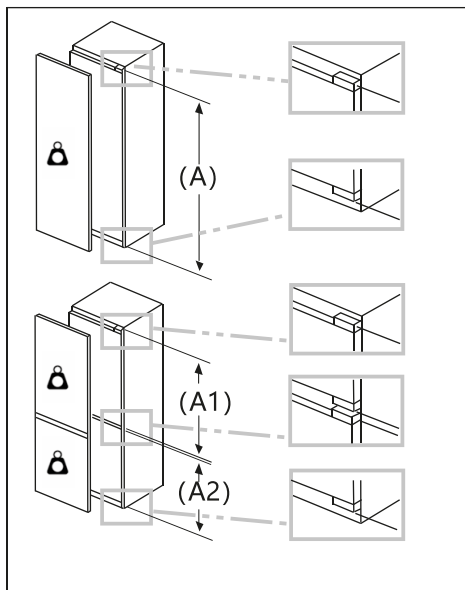
Ak chcete nainštalovať skrinku vyžadujúcu medzeru 4 mm (03), pozrite si referenčnú tabuľku skrinky nižšie.

- A Spodný okraj predného panela nad vetracím otvorom  
 B Presiahnutie predného panelu


(jednotka: mm)

Model	EHBQW5518E HBQW5518E HBQW5518EK HQE1855BCMW EHQE1855BCMW	HBQW5519E HBQW5519EK EHBQW5519E EHBQW5519ECM HBQW5719E
01	Min. 1028+B Max. 1106+B	Min. 1191+B Max. 1269+B
02	Min. 662+A Max. 740+A	Min. 662+A Max. 740+A
03	4 mm (medzera dverí chladničky a mrazničky)	

## Maximálna povolená hmotnosť čela jednotky

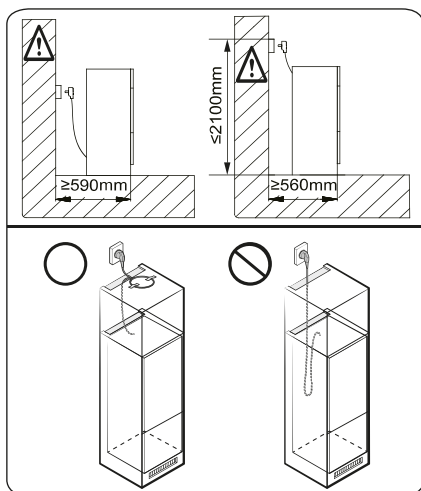


Namontované čelá jednotiek, ktoré prekračujú povolenú hmotnosť, môžu spôsobiť poškodenie a funkčnú poruchu závesov.

 Hmotnosť  
(kg)

1500-1750 mm	22
720-1400 mm	19
A1	15
A2	15

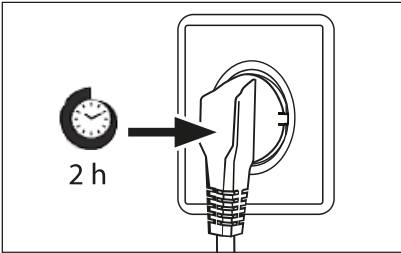
## Zvážte umiestnenie zásuvky elektrickej siete a požadovaný priestor



## OZNÁMENIE

Ak chladničku nainštalujete do skrine s hĺbkou 560 mm, pred zapojením do elektrickej zásuvky sa uistite, že je napájací kábel umiestnený na bočnej strane chladničky. Ak je napájací kábel v zadnej časti chladničky, môže to znížiť energetickú účinnosť.

## Doba čakania



V puzdre kompresora sa nachádza bezúdržbový mazací olej. Pri nakláňaní spotrebiča počas prevozu sa tento olej môže dostať cez uzatvorený systém rúrok. Pred pripojením spotrebiča ku zdroju napájania musíte počkať aspoň 2 hodiny, aby olej stiekol späť do puzdra.

## Elektrické zapojenie

Pred každým pripojením skontrolujte, či:

- ▶ napájanie, zásuvka a istenie zodpovedajú typovému štítku.
- ▶ je sieťová zásuvka uzemnená a nie je pripojený žiadny adaptér s viacerými zásuvkami ani predlžovací kábel.
- ▶ sa zástrčka a zásuvka presne zhodujú.

Zástrčku pripojte k správne nainštalovanej domácej zásuvke.



## **VAROVANIE!**

Poškodený napájací kábel musia vymeniť v zákazníckom servise, aby sa zabránilo nebezpečenstvu (pozrite záručný list).

## Špecifikácie výrobku podľa nariadenia EÚ č. 2019/2016

Značka	Haier		
Názov/identifikátor modelu	EHBQW5518E HBQW5518E HBQW5518EK HQE1855BCM EHQE1855BCM	HBQW5519E HBQW5519EK EHBQW5519E EHBQW5519ECM	HBQW5719E
Kategória modelu	Chladnička s mrazničkou		
Trieda energetickej účinnosti	E	E	E
Ročná spotreba energie (kWh/rok) (1)	229	229	259
Celkový objem (l)	268	285	382
Objem chladničky (l)	194	211	281
Objem mrazničky (l)	74	74	101
Objemová časť chladiča (l)	/	/	/
Objem automatického výrobníka ľadu (l)	/	/	/
Počet hviezdíčiek	4	4	4
Teplota ďalších priestorov > 14 °C	Neuplatňuje sa		
Systém bez námrazy Frost -free	Áno		
Kapacita zmrazovania (kg/24 h)			
Klimatická trieda (2)	SN/N/ST/T	SN/N/ST/T	SN/N/ST/T
Trieda emisie hluku a emisie hluku prenášané vzduchom (db(A)re1pW)	B(35)	B(35)	B(33)
Doba nábehu teploty (h)	12	12	9
Kapacita výroby ľadu	/	/	/
Typ spotrebiča	Zabudovaný		

Názov modelu	Trieda energetickej účinnosti
EHBQW5518E HBQW5518E HBQW5518EK HQE1855BCMW EHQE1855BCMW	E
HBQW5519E HBQW5519EK EHBQW5519E EHBQW5519ECM HBQW5719E	E

Vysvetlenie:

- Áno, odporúčané

(1) Na základe výsledkov skúšky zhody noriem počas 24 hodín. Skutočná spotreba závisí od použitia a umiestnenia spotrebiča.

(2) Klimatická trieda SN: Tento spotrebič je určený na používanie pri teplote okolia v rozsahu +10 °C až +32 °C.

Klimatická trieda N: Tento spotrebič je určený na používanie pri teplote okolia v rozsahu +16 °C až +32 °C

Klimatická trieda ST: Tento spotrebič je určený na používanie pri teplote okolia v rozsahu +16 °C až +38 °C

Klimatická trieda T: Tento spotrebič je určený na používanie pri teplote okolia v rozsahu +16 °C až +43 °C

### Doplňujúce technické údaje

Napätie/Frekvencia	220-240V ~/50Hz
Vstupný prúd (A)	1.2/1.6
Hlavná poistka (A)	16
Chladiace médium	R600a
Rozmery (V/Š/H v mm)	EHBQW5518E/ HBQW5518E/ EK EHQE/ HQE1855BCMW: 1773/540/555
	HBQW5519E/ EK/ EHBQW5519E/ ECM: 1935/540/555
	EHBQW5719E : 1935/690/550

Odporúčame vám náš zákaznícky servis Haier a použitie originálnych náhradných dielov.

Ak máte problém so svojím spotrebičom, najskôr si pozrite časť RIEŠENIE PROBLÉMOV.

Ak tam nenájdete riešenie, kontaktujte

- ▶ svojho miestneho predajcu alebo
- ▶ naše európske stredisko European Call Service-Center (pozri nižšie uvedené telefónne čísla) alebo
- ▶ oblasť Service & Support na stránke [www.haier.com](http://www.haier.com), kde môžete požiadať o servis
- ▶ a nájsť odpovede na najčastejšie otázky.

Ak chcete kontaktovať náš servis, uistite sa, že máte k dispozícii nasledujúce údaje. Informácie nájdete na typovom štítku.

Model \_\_\_\_\_

Sériové č. \_\_\_\_\_

V prípade záruky skontrolujte aj záručný list dodaný s výrobkom.

European Call Service-Center		
Krajina*	Telefónne číslo	Náklady
Haier Italy (IT)	199 100912	
Haier Spain (ES)	902 509 123	
Haier Germany (DE)	0180 5 39 39 99	<ul style="list-style-type: none"> <li>• 14 centov/min. pevná linka</li> <li>• max. 42 centov/min. mobil</li> </ul>
Haier Austria (AT)	0820 001205	<ul style="list-style-type: none"> <li>• 14,53 centov/min. pevná linka</li> <li>• max. 20 centov/min. všetky ostatné</li> </ul>
Haier United Kingdom (UK)	0333 003 8122	
Haier France (FR)	0980 406 409	

\*Ďalšie krajiny nájdete na stránke [www.haier.com](http://www.haier.com)

Haier Europe Trading S.r.l

Pobočka UK

Westgate House, Westgate, Ealing

London, W5 1YY

\*Trvanie záruky na chladiaci spotrebič:

Minimálna záruka je: 2 roky pre krajiny EÚ, 3 roky pre Turecko, 1 rok pre Spojené kráľovstvo, 1 rok pre Rusko, 3 roky pre Švédsko, 2 roky pre Srbsko, 5 rokov pre Nórsko, 1 rok pre Maroko, 6 mesiacov pre Alžírsko, Tunisko nevyžaduje žiadnu zákonnú záruku.

\*Obdobie poskytovania náhradných dielov na opravu spotrebiča:

Termostaty, snímače teploty, dosky plošných spojov a svetelné zdroje sú k dispozícii minimálne sedem rokov po uvedení poslednej jednotky modelu na trh.

Kľučky, závesy dverí, podnosy a koše minimálne na obdobie siedmich rokov a tesnenia dverí na minimálne 10 rokov po uvedení poslednej jednotky modelu na trh.

\*Ďalšie informácie o výrobku nájdete na stránkach <https://eprel.ec.europa.eu/> alebo si oskenujte QR kód na štítku s údajmi o elektrickej spotrebe spotrebiča.



**Haier**



2024 Verzia A

# Haier

## Navodila za uporabo

### Hladilnik-zamrzovalnik

EHBQW5518E

HBQW5518E

HBQW5518EK

HQE1855BCMW

EHQE1855BCMW

HBQW5519E

HBQW5519EK

EHBQW5519E

EHBQW5519ECM

HBQW5719E

SL

<u>4 Varnostne informacije</u>	<u>Pred prvo uporabo</u>	5
	<u>Namestitev</u>	5
	<u>Vsakodnevna uporaba</u>	6
	<u>Informacije o hladilnem plinu</u>	8
<u>9 Predvidena uporaba</u>		
<u>10 Opis izdelka</u>		
<u>12 Nadzorna plošča</u>		
<u>13 Uporaba</u>	<u>Zaklepanje/odklepanje plošče</u>	13
	<u>Prilagoditev temperature hladilnika</u>	13
	<u>Prilagoditev temperature zamrzovalnika</u>	14
	<u>Funkcija Wi-Fi</u>	15
	<u>Funkcija Holiday</u>	15
	<u>Funkcija Super Cool</u>	16
	<u>Funkcija Super Freeze</u>	16
<u>18 Oprema</u>		
<u>20 Namigi za varčevanje z električno energijo</u>		
<u>21 Vzdrževanje in čiščenje</u>		
<u>23 Odpravljanje težav</u>		
<u>27 Namestitev</u>		
<u>34 Tehnični podatki</u>		
<u>36 Služba za pomoč strankam</u>		

## Zahvaljujemo se vam za nakup izdelka Haier.

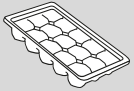
Pred uporabo aparata skrbno preberite ta navodila. Navodila vsebujejo pomembne informacije, ki vam bodo pomagale čim bolj izkoristiti aparat ter zagotoviti varno in pravilno namestitev, uporabo in vzdrževanje.

Ta priročnik hranite na priročnem mestu, da je vedno na dosegu roke za varno in pravilno uporabo aparata.

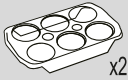
Če aparat prodate, ga podarite ali pustite za sabo, ko se selite, poskrbite, da boste ta priročnik predali novemu lastniku, da se bo lahko seznanil z aparatom in varnostnimi opozorili.

## Dodatki

Preverite dodatke in literaturo v skladu s tem seznamom:



Pladenj za ledene kocke



Pladenj za jajca x2



Energijska nalepka



Garancijska kartica



Priročnik z varnostnimi opozorili



Vijak x4



Pokrov x2



Gobasti blok x2



Vodilo drsnika x4



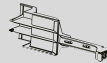
Drsnik asm. x4



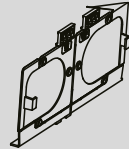
Fiksna plošča



Pokrov tečaja



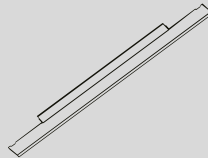
Fiksna plošča II



Spodnja fiksna plošča



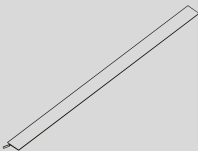
Zgornja fiksna plošča



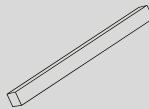
Spodnji pokrov



Spodnji stranski pokrov



Tesnilni trak



Tesnilna goba



Pokrov spodnjega tečaja

**OPOZORILO –****Pomembne varnostne informacije****OBVESTILO – Splošne informacije in nasveti****Okoljske informacije****Odstranjevanje**

Pomagajte varovati okolje in zdravje ljudi. Embalažo odložite v ustrezne zbiralnike za recikliranje. Pomagajte pri recikliranju električnih in elektronskih odpadnih naprav. Aparatov, označenih s tem simbolom, ne odlagajte med gospodinjske odpadke. Vrnite izdelek vašemu lokalnemu obratu za recikliranje ali se obrnite na občinski urad.

**OPOZORILO!**

Nevarnost telesnih poškodb ali zadužitve!

Hladilna sredstva in pline je treba odstraniti profesionalno. Prepričajte se, da cevi hladilnega tokokroga niso poškodovane, preden jih ustrezno zavržete. Aparat pred čiščenjem odklopite z napajanja. Odsluženemu aparatu odrežite električni kabel in ga zavržite. Odstranite pladnje in predale ter zatič in tesnila vrat, da preprečite zapiranje otrok in hišnih ljubljencev v aparat.

## Pred prvim vklopom aparata preberite naslednje varnostne nasvete!:



### OPOZORILO!

#### Pred prvo uporabo

- ▶ Prepričajte se, da med prevozom ni prišlo do poškodb.
- ▶ Pred namestitvijo aparata počakajte vsaj dve uri, da zagotovite polno učinkovitost hladilnega krogotoka.
- ▶ Aparat naj prenašata vsaj dve osebi, ker je težek.
- ▶ Odstranite vso embalažo in jo hranite izven dosega otrok ter jo zavrzite na okolju prijazen način.
- ▶ Očistite notranjost in zunanost aparata z vodo in blagim detergentom, preden vanj položite hrano.
- ▶ Ko je aparat poravnan in očiščen, počakajte vsaj 2–5 ur, preden ga priključite na napajanje. Glejte poglavje NAMESTITEV.
- ▶ Preden aparat napolnite s hrano, predhodno ohladite predele pri visokih nastavitvah. Funkcija Power-Freeze pomaga hitro ohladiti predele.
- ▶ Temperaturi v hladilniku in zamrzovalniku se samodejno nastavita na 5 °C oziroma –18 °C. To so priporočene nastavitve. Če želite, lahko te temperature ročno spremenite. Glejte razdelek PRILAGODITEV TEMPERATURE.

#### Namestitev

- ▶ Aparat naj bo postavljen v dobro prezračevan prostor. Poskrbite, da bo nad aparatom in okoli njega vsaj 10 cm prostora.
- ▶ Aparata nikoli ne postavljajte na vlažno mesto ali mesto, kjer bi lahko po njem brizgala voda. Očistite in pobrišite vodne kapljice in madeže z mehko čisto krpo.
- ▶ Aparata ne postavljajte neposredno na sonce ali blizu virov toplote (npr. štedilnikov, grelcev).
- ▶ Aparat namestite na mestu, ki je primerno njegovi velikosti in namenu.
- ▶ Poskrbite, da bodo prezračevalne odprtine aparata ali vgradnih elementov proste in neovirane.
- ▶ Prepričajte se, da se podatki o električnem toku na ploščici s tehničnimi navedbami ujemajo z napajanjem. V nasprotnem primeru se obrnite na električarja.
- ▶ Aparat deluje z izmeničnim napajanjem 220–240 VAC/50 Hz. Nenormalno nihanje napetosti lahko povzroči, da se aparat ne zažene, poškoduje regulator temperature ali kompresor ali pa se med delovanjem pojavi nenavaden hrup. V tem primeru se namesti samodejni regulator.
- ▶ Ne uporabljajte adapterjev z več vtiči in podaljškov.
- ▶ Prenosnih vtičnic ali prenosnega električnega napajanja ne postavljajte za aparat.
- ▶ Prepričajte se, da se napajalni kabel ni zataknil pod hladilnikom. Ne stopajte na napajalni kabel.



## OPOZORILO!

- ▶ Uporabite ločeno ozemljeno vtičnico za napajanje, ki je lahko dostopna. Aparat mora biti ustrezno ozemljen.  
Samo za Združeno kraljestvo: Napajalni kabel aparata je opremljen s 3-žilnim (ozemljitvenim) vtičem, ki ustreza standardni 3-žilni (ozemljeni) vtičnici. Nikoli ne odrežite in ne odstranjujte tretjega zatiča (ozemljitev). Po namestitvi aparata mora biti vtič dostopen.
- ▶ Ne poškodujte hladilne napeljave.

### Vsakodnevna uporaba

- ▶ Ta aparat lahko uporabljajo otroci, starejši od 8 let, ter osebe z zmanjšanimi fizičnimi, senzoričnimi ali umskimi zmožnostmi ali s pomanjkanjem izkušenj in znanja, pod ustreznim nadzorom, ali če imajo navodila za varno uporabo aparata ter če razumejo s tem povezana tveganja.
- ▶ Otrokom, starim od 3 do 8 let, je dovoljeno polnjenje in praznjenje, vendar jim ni dovoljeno čiščenje in nameščanje hladilnih aparatov.
- ▶ Otroci, mlajši od 3 let, naj se zadržujejo stran od aparata, razen če so pod stalnim nadzorom.
- ▶ Otroci naj se z aparatom ne igrajo.
- ▶ Če v bližini aparata pušča hladilni plin ali drug vnetljiv plin, izklopite ventil uhajajočega plina, odprite vrata in okna ter ne odklopite napajalnega kabla hladilnika ali drugega aparata.
- ▶ Upoštevajte, da je aparat nastavljen za delovanje v določenem območju temperature okolja med 10 in 43 °C. Aparat morda ne bo deloval pravilno, če je dlje časa izpostavljen temperaturi, ki je višja ali nižja od navedene.
- ▶ Na hladilnik ne postavljajte nestabilnih predmetov (težkih predmetov, posod, napolnjenih z vodo), da se izognete poškodbam zaradi padca ali električnega udara zaradi stika z vodo.
- ▶ Ne vlecite vratnih polic. Vrata se lahko potegnejo poševno, stojalo za steklenice se lahko izvleče ali pa se aparat prevrne.
- ▶ Vrata odpirajte in zapirajte samo z ročaji. Razmik med vrati ter vrati in omaro je zelo ozek. Ne segajte z rokami v te predele, da se izognete priprtju prstov. Vrata hladilnika odprite ali zaprite le, če v območju premikanja vrat ni otrok.
- ▶ Ne shranjujte ali uporabljajte vnetljivih, eksplozivnih ali jedkih snovi v aparatu ali njegovi bližini.
- ▶ V aparatu ne shranjujte zdravil, bakterij ali kemičnih snovi. Ta aparat je gospodinjski aparat. Zato ni priporočljivo hraniti materialov, ki zahtevajo strogo določene temperature.
- ▶ V zamrzovalniku nikoli ne shranjujte tekočin v steklenicah ali pločevinkah (razen močnih žganih pijač), zlasti gaziranih pijač, saj jih bo med zamrzovanjem razneslo.
- ▶ Preverite stanje hrane, če je prišlo do segrevanja v zamrzovalniku.
- ▶ Ne nastavite nepotrebno nizke temperature v predelu hladilnika. Pri visokih nastavitvah lahko pride do temperatur pod ničlo. Pozor: Steklenice lahko počijo



## OPOZORILO!

- ▶ Zamrznjenih živil se ne dotikajte z mokrimi rokami (uporabite rokavice). Še posebej ne jejte ledenk takoj, ko jih vzamete iz zamrzovalnika. Obstaja tveganje za zamrznitev ali nastanek mehurjev zaradi zmrzali. PRVA pomoč: takoj postavite pod tekočo mrzlo vodo. Ne vlecite proč!
- ▶ Med delovanjem se ne dotikajte notranjosti zamrzovalnega dela, zlasti z mokrimi rokami, saj lahko vaše roke primrznejo na površino.
- ▶ V primeru prekinitve napajanja ali pred čiščenjem aparat izklopite. Pred ponovnim zagonom aparata počakajte vsaj 7 minut, saj lahko pogosto zaganjanje poškoduje kompresor.
- ▶ Ne uporabljajte električnih naprav v predalih za shranjevanje živil v aparatu, razen če njihovo uporabo priporoča proizvajalec.

## Vzdrževanje/čiščenje

- ▶ Poskrbite, da bodo otroci pod nadzorom, če bodo opravljali čiščenje in vzdrževanje.
- ▶ Pred vsakim rednim vzdrževanjem aparat odklopite iz električnega napajanja. Pred ponovnim zagonom aparata počakajte vsaj 5 minut, saj lahko pogosto zaganjanje poškoduje kompresor.
- ▶ Pri izklopu aparata primite vtič kabla, ne vlecite kabla.
- ▶ Aparata ne čistite s trdimi ščetkami, žičnimi krtačami, detergentom v prahu, bencinom, amil acetatom, acetonom in podobnimi organskimi raztopinami, kislimi ali alkalnimi raztopinami. Čistite ga s posebnim detergentom za hladilnik, da se izognete poškodbam.
- ▶ Zmrzali in ledu ne strgajte z ostrimi predmeti. Ne uporabljajte razpršil in električnih grelnikov, kot so grelnik, sušilec za lase, parni čistilniki ali drugi viri toplote, da se izognete poškodbam plastičnih delov.
- ▶ Ne uporabljajte mehanskih sredstev za pospešitev odmrzovanja oziroma sredstev, ki jih ne priporoča proizvajalec.
- ▶ Če je priključni kabel poškodovan, morate preprečiti morebitna tveganja, zato ga sme nadomestiti samo proizvajalec, njegov servisni agent ali drug kvalificiran serviser.
- ▶ Aparata ne poskušajte popravljati, razstavljati ali spreminjati sami. V primeru popravila se obrnite na našo službo za stranke.
- ▶ Vsaj enkrat letno odstranite prah na hrbtni strani enote, da se izognete nevarnosti požara in povečani porabi energije.
- ▶ Med čiščenjem aparata ne škropite ali spirajte.
- ▶ Aparata ne čistite s pršenjem vode ali paro.
- ▶ Hladnih steklenih polic ne čistite z vročo vodo. Zaradi nenadne spremembe temperature se lahko steklo zlomi.

## Informacije o hladilnem plinu



### OPOZORILO!

Aparat vsebuje vnetljivo hladilno sredstvo IZOBUTAN (R600a). Prepričajte se, da hladilni tokokrog med transportom ali namestitvijo ni poškodovan. Puščanje hladilnega sredstva lahko povzroči poškodbe oči ali pa se sredstvo vname. Če je prišlo do poškodbe, aparatu ne približujte odprtih virov ognja, temeljito prezračite prostor, ne priključujte ali odklapljajte napajalnih kablov aparata ali katere koli druge naprave. Obvestite službo za pomoč strankam.

Če oči pridejo v stik s hladilnim sredstvom, jih takoj sperite pod tekočo vodo in pokličite očesnega specialista.

## Predvidena uporaba

Ta aparat je namenjen hlajenju in zamrzovanju hrane. Zasnovan je bil izključno za uporabo v gospodinjstvih in prostorih, kot so kuhinjski prostori za osebje v trgovinah, pisarne in druga delovna okolja; na kmetijah in za uporabo strank v hotelih, motelih in drugih bivalnih objektih ter v prenočitvenih in gostinskih dejavnostih. Ni primeren za komercialno ali industrijsko uporabo.

Spreminjanje aparata je prepovedano. Nenamenska uporaba lahko povzroči nevarnosti in izgubo garancijskih zahtevkov.

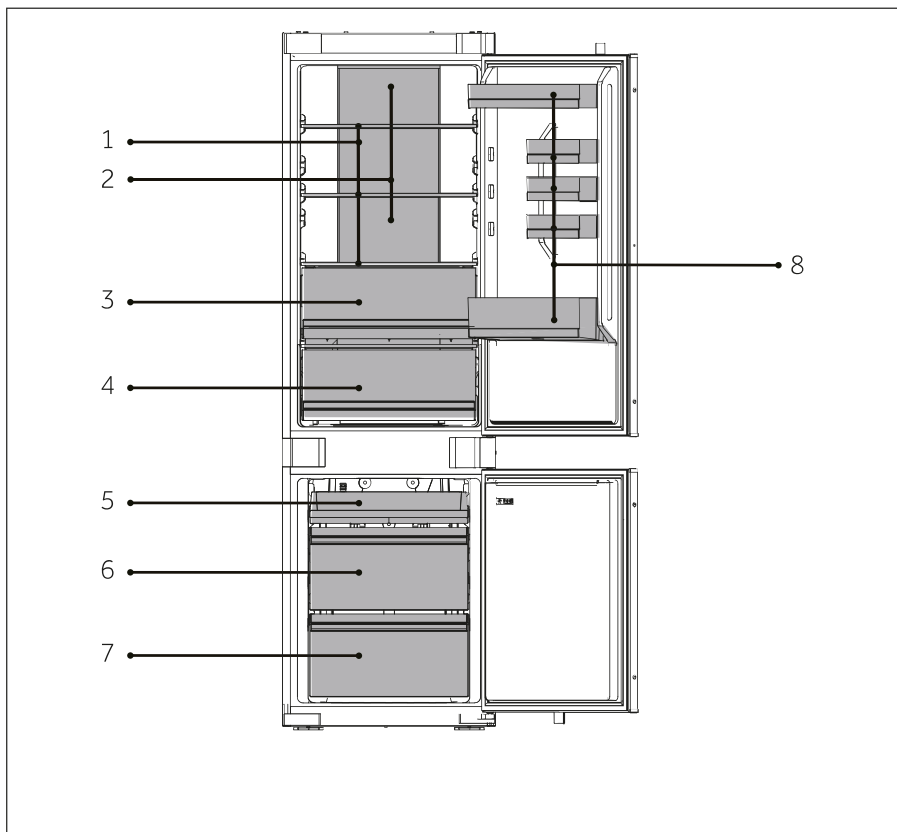
## Standardi in direktive ali

Ta izdelek izpolnjuje zahteve vseh veljavnih direktiv ES z ustreznimi usklajenimi standardi in standardi ZK, ki določajo oznaki CE ali UKCA.



## OBVESTILO

Zaradi tehničnih sprememb in različnih modelov se lahko nekatere ilustracije v tem priročniku razlikujejo od vašega modela.



EHBQW5518E / HBQW5518E / HBQW5518EK / HQE185BCMW / EHQE185BCMW

A: Hladilna komora

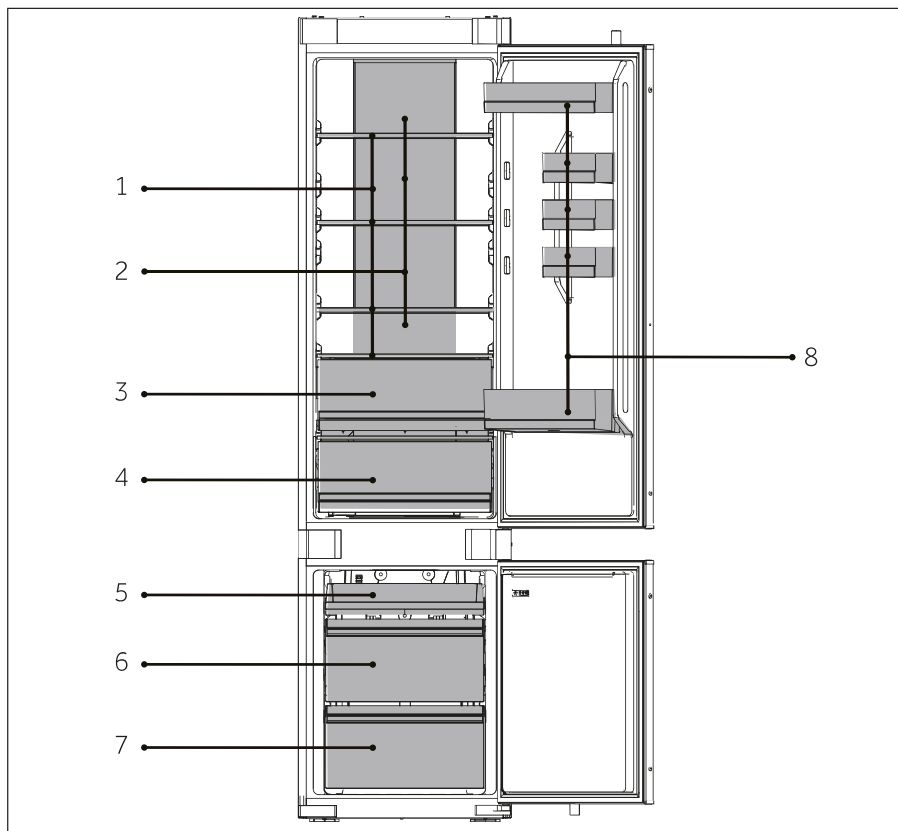
- 1 Običajne police
- 2 Kanal za hladen zrak
- 3 Predal Humidity Zone
- 4 Predal Fresh Box
- 8 Držalo za steklenice

B: Zamrzovalna komora

- 5 Zgornji pladenj zamrzovalnika
- 6 Srednji predal zamrzovalnika
- 7 Spodnji predal zamrzovalnika

## **i** OBVESTILO

Zaradi tehničnih sprememb in različnih modelov se lahko nekatere ilustracije v tem priročniku razlikujejo od vašega modela.



HBQW5519E / HBQW5519EK / EHBQW5519E / EHBQW5519ECM/HBQW5719E

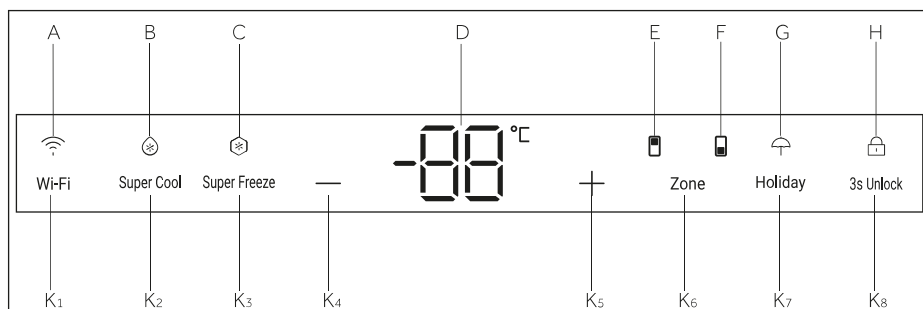
### A: Hladilna komora

- 1 Običajne police
- 2 Kanal za hladen zrak
- 3 Predal Humidity Zone
- 4 Predal Fresh Box
- 8 Držalo za steklenice

### B: Zamrzovalna komora

- 5 Zgornji pladenj zamrzovalnika
- 6 Srednji predal zamrzovalnika
- 7 Spodnji predal zamrzovalnika

## Nadzorna plošča



### Kazalniki:

- A Funkcija Wi-Fi
- B Funkcija Super Cool
- C Funkcija Super Freeze
- D Prikaz temperature
- E Indikator hladilnika
- F Indikator zamrzovalnika
- G Funkcija Holiday
- H Zaklepanje in odklepanje

### Gumbi:

- K<sub>1</sub> Gumb za nastavitev Wi-Fi
- K<sub>2</sub> Gumb za izbiro Super Cool
- K<sub>3</sub> Gumb za izbiro Super Freeze
- K<sub>4</sub> Gumb za nastavitev temperature »-«
- K<sub>5</sub> Gumb za nastavitev temperature »+«
- K<sub>6</sub> Gumb za izbiro območja
- K<sub>7</sub> Gumb funkcije Holiday
- K<sub>8</sub> Gumb za zaklepanje in odklepanje

## Senzorske tipke

Gumbi na nadzorni plošči so senzorske tipke, ki se odzovejo, ko se jih rahlo dotaknete s prstom.

## Vklop/izklop aparata

Aparat začne delovati takoj, ko ga priključite na napajanje.

Ob prvem vklopu hladilnika zasveti indikator »D« (prikaz temperature). Temperaturi v hladilniku in zamrzovalniku se samodejno nastavita na 5 °C in -18 °C.



## OBVESTILO

Ko aparat vklopite potem, ko ste ga odklopili iz glavnega napajanja, lahko traja do 12 ur, da doseže pravilno temperaturo.

Pred izklopom izpraznite aparat. Če želite izklopiti aparat, izvlecite napajalni kabel iz vtičnice.

### Zaklepanje/odklepanje plošče

Samodejno zaklepanje: Če po zapiranju vrat hladilnika in zamrzovalnika v 30 sekundah ne pritisnete nobene tipke, zaslon samodejno ugasne in se zaklene.

Ročno zaklepanje: Ko je zaslon odklenjen, pritisnite gumb »K<sub>8</sub>« (3S Unlock) in ga pridržite 3 sekunde; enkrat se oglasi zvočni signal, zasveti indikator »H« (zaklepanje plošče) in zaslon se zaklene.

Odklepanje: Ko je zaslon zaklenjen, pritisnite gumb »K<sub>8</sub>« (3S Unlock) in ga pridržite 3 sekunde; enkrat se oglasi zvočni signal, indikator »H« (zaklepanje plošče) ugasne in zaslon se odklene.

### Nastavitev temperature

Na notranjo temperaturo vplivajo naslednji dejavniki:

Temperatura okolja, pogostost odpiranja vrat, količina shranjenih živil v aparatu, namestitvev aparata.

### Prilagoditev temperature hladilnika

Ko je zaslon odklenjen, pritisnite gumb »K<sub>6</sub>« (izbirnik območja). Enkrat se oglasi zvočni signal, zasveti indikator »E« (indikator hladilnika) in vklopi se način za nastavljanje temperature hladilnika.

Pritisnite gumb »K<sub>4</sub>« (gumb za nastavitev temperature »-«); ob vsakem pritisku gumba se enkrat oglasi zvočni signal in nastavljena temperatura hladilnika se zmanjša za 1. Temperatura hladilnika se prikazuje v zaporedju »9 °C -> 8 °C -> 7 °C -> 6 °C -> 5 °C -> 4 °C -> 3 °C -> 2 °C -> 1 °C«.

Pritisnite gumb »K<sub>5</sub>« (gumb za nastavljanje temperature »+«); ob vsakem pritisku gumba se enkrat oglasi zvočni signal in nastavljena temperatura hladilnika se poveča za 1. Temperatura hladilnika se prikazuje v zaporedju »1 °C -> 2 °C -> 3 °C -> 4 °C -> 5 °C -> 6 °C -> 7 °C -> 8 °C -> 9 °C«.



## OBVESTILO

Če po nastavitvi temperature 5 sekund ne izvedete nobenega dejanja, sistem samodejno shrani nastavljeno temperaturo.

## Prilagoditev temperature zamrzovalnika

Koje zaslon odklenjen, pritisnite gumb »K<sub>6</sub>« (izbirnik območja). Enkrat se oglasi zvočni signal, zasveti indikator »F« (indikator zamrzovalnika) in vklopi se način za nastavljanje temperature zamrzovalnika.

Pritisnite gumb »K<sub>4</sub>« (gumb za nastavitev temperature »-«); ob vsakem pritisku gumba se enkrat oglasi zvočni signal in nastavljena temperatura zamrzovalnika se zmanjša za 1. Temperatura zamrzovalnika se prikazuje v zaporedju »-14 °C -> -15 °C -> -16 °C -> -17 °C -> -18 °C -> -19 °C -> -20 °C -> -21 °C -> -22 °C -> -23 °C -> -24 °C«.

Pritisnite gumb »K<sub>5</sub>« (gumb za nastavljanje temperature »+«); ob vsakem pritisku gumba se enkrat oglasi zvočni signal in nastavljena temperatura zamrzovalnika se poveča za 1. Temperatura zamrzovalnika se prikazuje v zaporedju »-24 °C -> -23 °C -> -22 °C -> -21 °C -> -20 °C -> -19 °C -> -18 °C -> -17 °C -> -16 °C -> -15 °C -> -14 °C«.



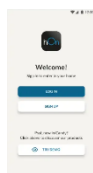
### OBVESTILO

Če po nastavitvi temperature 5 sekund ne izvedete nobenega dejanja, sistem samodejno shrani nastavljeno temperaturo.

1. korak Prenesite aplikacijo hOn iz spletnih trgovin z aplikacijami.



2. korak Ustvarite svoj račun v aplikaciji hOn ali pa se prijavite, če račun že imate



3. korak Sledite navodilom za seznanjanje v aplikaciji hOn



## Funkcija Wi-Fi

1. Če želite konfigurirati Wi-Fi, sledite navodilom v aplikaciji.
2. Ko je Wi-Fi konfiguriran in povezava vzpostavljena, ikona Wi-Fi »A« neprekinjeno sveti.
3. Če je bil Wi-Fi že konfiguriran, se bo ob vklopu Wi-Fi povezava ponovno samodejno vzpostavila na podlagi obstoječe konfiguracije.
4. Če želite izklopiti Wi-Fi, pritisnite gumb Wi-Fi »K<sub>1</sub>« in ikona Wi-Fi »A« bo ugasnila.
5. Če želite vklopiti Wi-Fi in zagnati konfiguracijo, pritisnite gumb Wi-Fi »K<sub>1</sub>« in ikona Wi-Fi »A« bo začela počasi utripati. Če želite konfigurirati funkcijo Wi-Fi, pridržite gumb »K<sub>1</sub>« 3 sekunde. Ikona Wi-Fi bo hitro utripala in vklopil se bo način konfiguracije. Če želite funkcijo Wi-Fi izklopiti, enkrat pritisnite gumb »K<sub>1</sub>«. Zgornji koraki se ponovijo.
6. Če je bil izdelek konfiguriran in je bila funkcija Wi-Fi izklopljena, hladilnik po ponovni priključitvi napajanja ne bo prešel v način konfiguracije.

## Funkcija Holiday

1. Ko je zaslon odklenjen, pritisnite gumb »K<sub>7</sub>« (gumb funkcije Holiday); enkrat se oglasi zvočni signal, zasveti indikator »G« (funkcija Holiday) in vklopi se funkcija Holiday.
2. Ko je zaslon odklenjen, pritisnite gumb »K<sub>7</sub>« (gumb funkcije Holiday); enkrat se oglasi zvočni signal, indikator »G« (funkcija Holiday) ugasne in funkcija Holiday se izklopi.



## OBVESTILO

1. Funkcija Holiday se uporablja predvsem med kratkotrajnimi potovanji in drugimi odsotnostmi. Ob uporabi funkcije Holiday je treba hladilnik izprazniti.
2. Med delovanjem funkcije Holiday bo temperatura v hladilniku višja (približno 17 °C), zato poskrbite, da odstranite živila iz hladilnika, da se ne pokvarijo.

## Funkcija Super Cool

1. Ko je zaslon odklenjen, pritisnite gumb »K<sub>2</sub>« (izbirnik Super Cool); enkrat se oglasi zvočni signal, zasveti indikator »B« (funkcija Super Cool) in vklopi se funkcija Super Cool.
2. Ko sveti indikator »B« (funkcija Super Cool), pritisnite gumb »K<sub>2</sub>« (izbirnik Super Cool); enkrat se oglasi zvočni signal, indikator »O« (funkcija Super Cool) ugasne in funkcija Super Cool se izklopi.
3. Po vklopu funkcije Super Cool jo hladilnik samodejno izklopi, ko doseže nastavljeno temperaturo. Če jo želite izklopiti ročno, lahko to storite s pritiskom na gumb »K<sub>2</sub>« (izbirnik Super Cool).



## OBVESTILO

1. V stanju Super Cool temperature hladilnika ni mogoče prilagajati. Če pritisnete gumb »K<sub>4</sub>« (gumb za nastavljanje temperature »-«) ali gumb »K<sub>5</sub>« (gumb za nastavljanje temperature »+«), da bi prilagodili temperaturo v hladilniku, indikator »B« (indikator Super Cool) utripa in oglasi se zvočni signal, kar pomeni, da izvedba tega dejanja ni možna.
2. V stanju funkcije Super Cool funkcije Auto-set zaradi različnih načinov krmiljenja ni mogoče vklopiti. Če izberete funkcijo, ki je v nasprotju z drugo funkcijo, se izvirna funkcija samodejno preklopi.
3. Ta funkcija se samodejno onemogoči po 6 urah.

## Funkcija Super Freeze

1. Ko je zaslon odklenjen, pritisnite gumb »K<sub>3</sub>« (izbirnik Super Freeze); enkrat se oglasi zvočni signal, zasveti indikator »C« (funkcija Super Freeze) in vklopi se funkcija Super Freeze.
2. Ko sveti indikator »C« (funkcija Super Freeze), pritisnite gumb »K<sub>3</sub>« (izbirnik Super Freeze); enkrat se oglasi zvočni signal, indikator »C« (funkcija Super Freeze) ugasne in funkcija Super Freeze se izklopi.
3. Po vklopu funkcije Super Freeze jo hladilnik samodejno izklopi, ko doseže nastavljeno temperaturo. Če jo želite izklopiti ročno, lahko to storite s pritiskom na gumb »K<sub>3</sub>« (izbirnik Super Freeze).





## OBVESTILO

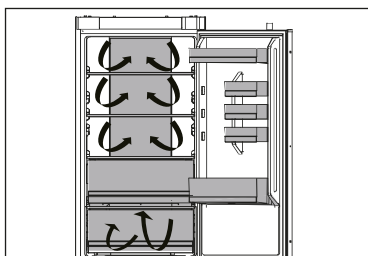
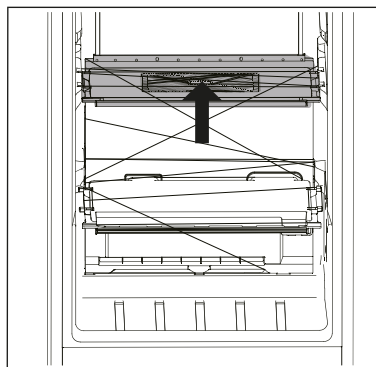
1. V stanju Super Freeze temperature zamrzovalnika ni mogoče prilagajati. Če pritisnete gumb »K<sub>4</sub>« (gumb za nastavljanje temperature »-«) ali gumb »K<sub>5</sub>« (gumb za nastavljanje temperature »+«), da bi prilagodili temperaturo v zamrzovalniku, indikator »C« (indikator Super Freeze) utripa in oglasi se zvočni signal, kar pomeni, da izvedba tega dejanja ni možna.
2. Funkcija Super Freeze je zasnovana tako, da ohrani hranilno vrednost zamrznjenih živil, saj bodo živila zamrznjena v najkrajšem času. Če želite zamrzniti večjo količino živil naenkrat. Pri tem je treba funkcijo Super Freeze nastaviti 24 ur vnaprej, da v zamrzovalniku zagotovite razmeroma nizko temperaturo, ko vstavite živila. V tem času se hitrost zamrzovanja v zamrzovalniku in poveča, živila lahko hitro zamrznejo, hranilna vrednost živil se učinkovito ohrani in shranjevanje postane zelo priročno.
3. Funkcija Super Freeze se po 50 urah samodejno izklopi. Aparat nato deluje pri prej nastavljeni temperaturi.

## Predal Humidity Zone

V tem predalu je raven vlažnosti višja kot v hladilniku. Sistem ga upravlja samodejno in je primeren za shranjevanje sadja, zelenjave, solat itd.

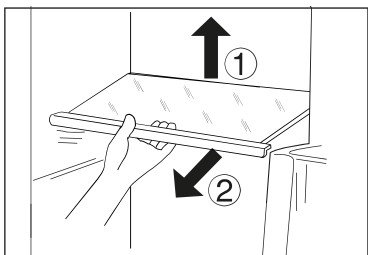
### **i** OBVESTILO

1. Ne odstranjajte plastičnega pokrova v območju.
2. Ohranjajo vlažnost.
3. Sadja, občutljivega na nizke temperature, na primer ananasa, avokada, banan in grenivk, ni priporočljivo shranjevati v tem predalu.



### Več pretokov zraka

1. Hladilnik je opremljen s sistemom z več pretoki zraka, s katerim se hladni pretoki zraka nahajajo na vsaki ravni police.
- To pomaga ohranjati enotno temperaturo, da ostane hrana dlje časa sveža.



### Nastavljive police

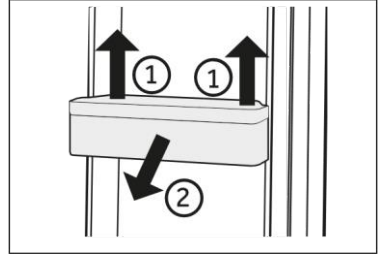
1. Višino polic lahko prilagodite tako, da ustrezajo vašim potrebam po shranjevanju.
2. Če želite polico premakniti, jo najprej odstranite tako, da dvignete njen zadnji rob ① in jo izvlečete ②.
3. Če jo želite znova namestiti, jo postavite na vodila na obeh straneh in potisnite do konca nazaj, dokler zadnji del police ni pritrjen v reže na strani.

### **i** OBVESTILO

Prepričajte se, da so vsi konci police poravnani.

### Odstranljive police za vrata/ nosilec za steklenice

1. Posode v vratih lahko odstranite za čiščenje:
2. Položite roko na vsako stran posode in jo dvignite ① ter izvlecite ②.
3. Za vstavev posode v vrata izvedite zgornje korake v obratnem vrstnem redu.



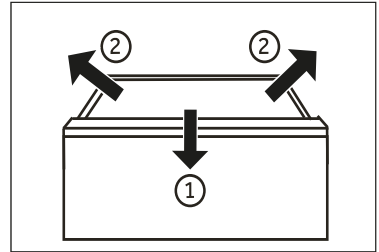
### OBVESTILO

Ko je aparat vklopljen, lahko traja do 12 ur, da doseže pravilne temperature.

### Odstranljiv predal

Če želite predal odstraniti, ga v največji možni meri izvlecite ①, dvignite in odstranite ②.

Za vstavev predala zgornje korake izvedite v obratnem vrstnem redu.



### Luč

Notranja lučka LED se prižge, ko so odprta vrata. Na delovanje luči ne vpliva nobena druga nastavitve aparata.



## Namigi za varčevanje z električno energijo

- ▶ Prepričajte se, da je aparat pravilno prezračen (glejte NAMESTITEV).
- ▶ Aparata ne postavljajte neposredno na sonce ali blizu virov toplote (npr. štedilnikov, grelcev).
- ▶ Izogibajte se nepotrebno nizki temperaturi v aparatu. Poraba energije se poveča, ko je v aparatu nastavljena nižja temperatura.
- ▶ Funkcije, kot je Super Freeze, porabijo več energije.
- ▶ Počakajte, da se toplotno obdelana živila ohladijo in jih šele nato postavite v aparat.
- ▶ Vrata aparata odprite čim manjkrat in za čim krajše obdobje.
- ▶ Aparata ne polnite preveč, da se izognete oviranju pretoka zraka.
- ▶ Izogibajte se zraku v embalaži živil.
- ▶ Tesnila vrat naj bodo čista, da se bodo vrata vedno pravilno zaprla.
- ▶ Zamrznjeno hrano odmrznite v hladilniku.
- ▶ Konfiguracija, ki najbolj varčuje z energijo, zahteva, da ima aparat predale, škatle za hrano in police v tovarniško nastavljenem stanju, hrano pa je treba postaviti čim bolj narazen, ne da bi blokirali odprtin zračnega kanala.

**OPOZORILO!**

Aparat pred čiščenjem izključite iz napajanja.

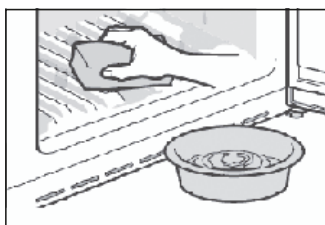
**Čiščenje**

Aparat očistite, ko hranite le malo živil ali nič.

Aparat je treba očistiti vsake štiri tedne za dobro vzdrževanje in za preprečevanje neprijetnega vonja hrane.

**OPOZORILO!**

- ▶ Aparata ne čistite s trdimi ščetkami, žičnimi krtačami, detergentom v prahu, bencinom, amil acetatom, acetonom in podobnimi organskimi raztopinami, kislimi ali alkalnimi raztopinami. Čistite ga s posebnim detergentom za hladilnik, da se izognete poškodbam.
- ▶ Med čiščenjem aparata ne škropite ali spirajte.
- ▶ Aparata ne čistite s pršenjem vode ali paro.
- ▶ Hladnih steklenih polic ne čistite z vročo vodo. Zaradi nenadne spremembe temperature se lahko steklo zlomi.
- ▶ Ne dotikajte se notranjosti zamrzovalnega predela, zlasti z mokrimi rokami, saj lahko vaše roke primrznejo na površino.
- ▶ V primeru ogrevanja preverite stanje zamrznjenega blaga.



- ▶ Tesnilo na vratih naj bo vedno čisto.
- ▶ Očistite notranjost in ohišje aparata z gobo, navlaženo v topli vodi in nevtralnem čistilu.
- ▶ 1. Z mehko brisačo ali gobico, namočeno v toplo vodo (v toplo vodo lahko dodate nevtralen detergent), obrišite notranjost in zunanost hladilnika, vključno s tesnilom na vratih, stojalom za vrata, steklenimi policami, posodami in podobno.
- ▶ 2. Če pride do razlitja tekočine, odstranite vse kontaminirane dele, neposredno jih sperite s tekočo vodo, posušite in vrnite v hladilnik.
- ▶ 3. Če pride do razlitja kremaste snovi (na primer smetana, stopljeni sladoled), odstranite vse kontaminirane dele, za nekaj časa postavite v toplo vodo s temperaturo približno 40 °C, nato sperite s tekočo vodo, posušite in vrnite nazaj v hladilnik.
- ▶ 4. Če se majhen del ali komponenta zatakne v hladilniku (med policami ali predali), ga odstranite z majhno mehko krtačo. Če dela ne dosežete, se obrnite na servis Haier.
- ▶ Sperite in posušite z mehko krpo.
- ▶ Nobenega dela aparata ne čistite v pomivalnem stroju.
- ▶ Pred ponovnim zagonom aparata počakajte vsaj 5 minut, saj lahko pogosto zaganjanje poškoduje kompresor.

## Odmrzovanje

Odmrzovanje predelov hladilnika in zamrzovalnika se izvede samodejno: ročno upravljanje ni potrebno.

## Menjava luči LED



### OPOZORILO!

LED-lučke ne smete zamenjati sami, zamenjati jo sme le proizvajalec ali pooblaščen servisier.

Luči kot vir svetlobe uporabljajo sijalke LED z nizko porabo energije in dolgo življenjsko dobo. Če pride do kakršnih koli nepravilnosti, se obrnite na službo za pomoč strankam. Glejte SLUŽBA ZA POMOČ STRANKAM.

Parametri luči:

Predel hladilnika: 12 V največ 2 W

Predel zamrzovalnika: 12 V, največ 2 W

## Dolgotrajna neuporaba

Če aparata dlje časa ne boste uporabljali IN ne želite uporabiti funkcije Holiday: vso hrano odstranite.

izklopite napajalni kabel.

očistite aparat, kot je opisano zgoraj.

vrata naj ostanejo odprta, da preprečite nastanek neprijetnega vonja.



### OBVESTILO

Aparat izklopite le, če je to nujno potrebno.

## Premikanje aparata

1. Odstranite vso hrano in izključite aparat.
2. Police in druge premične dele v hladilniku in zamrzovalniku pritrdite z lepilnim trakom.
3. Hladilnika ne nagibajte za več kot 45°, da ne poškodujete hladilnega sistema.



### OPOZORILO!

- ▶ Aparata ne dvigujte za ročaje.
- ▶ Aparata nikoli ne postavljajte vodoravno na tla.

Številne težave, do katerih prihaja, bi lahko rešili sami brez posebnega strokovnega znanja. V primeru težav preverite vse prikazane možnosti in sledite spodnjim navodilom, preden se obrnete na servisno službo. Glejte SLUŽBA ZA POMOČ STRANKAM.



## OPOZORILO!

- ▶ Pred vzdrževanjem izklopite aparat in odklopite vtič iz vtičnice.
- ▶ Električno opremo lahko servisirajo samo usposobljeni električarji, saj lahko nepravilna popravila povzročijo znatno posledično škodo.
- ▶ Če je napajalni kabel poškodovan, ga sme zamenjati samo proizvajalec, njegov servisni agent ali drug kvalificiran serviser, da preprečite morebitne nevarnosti.

Težava	Možen vzrok	Možna rešitev
Kompresor ne deluje.	<ul style="list-style-type: none"> <li>• Omrežni vtič ni priključen v omrežno vtičnico.</li> <li>• Aparat je v ciklu odmrzovanja</li> </ul>	<ul style="list-style-type: none"> <li>• Priključite omrežni vtič.</li> <li>• To je normalno za avtomatsko odmrzovanje</li> </ul>
Aparat deluje prepogosto ali deluje predolgo.	<ul style="list-style-type: none"> <li>• Notranja ali zunanja temperatura je previsoka.</li> <li>• Aparat že nekaj časa ni vklopljen.</li> <li>• Vrata aparata niso tesno zaprta.</li> <li>• Vrata so bila odprta prepogosto ali predolgo.</li> <li>• Nastavitev temperature v zamrzovalnem prostoru je prenizka.</li> <li>• Tesnila vrat so umazana, obrabljena, razpokana ali neustrezna.</li> <li>• Zahtevano kroženje zraka ni zagotovljeno.</li> </ul>	<ul style="list-style-type: none"> <li>• V tem primeru je običajno, da aparat deluje dlje.</li> <li>• Običajno traja od 8 do 12 ur, da se aparat popolnoma ohladi.</li> <li>• Zaprite vrata/predal in se prepričajte, da je aparat nameščen na ravni podlagi in da na vratih ni ovirajoče hrane ali posode.</li> <li>• Vrat/predala ne odpirajte prepogosto.</li> <li>• Nastavite višjo temperaturo, dokler ni dosežena zadovoljiva temperatura za hlajenje. Temperatura hladilnika je stabilna po 24 urah.</li> <li>• Očistite tesnilo vrat/predala ali prosite službo za pomoč strankam, da vam ga zamenja.</li> <li>• Zagotovite ustrezno prezračevanje.</li> </ul>
Notranjost hladilnika je umazana in/ali ima neprijeten vonj.	<ul style="list-style-type: none"> <li>• Notranjost hladilnika je potrebno očistiti.</li> <li>• V hladilniku je shranjena hrana z močnim vonjem.</li> </ul>	<ul style="list-style-type: none"> <li>• Očistite notranjost hladilnika.</li> <li>• Hrano dobro zavijte.</li> </ul>

Težava	Možen vzrok	Možna rešitev
Znotraj aparata ni dovolj hladno.	<ul style="list-style-type: none"> <li>• Temperatura je nastavljena previsoko.</li> <li>• Spravili ste preveč tople hrane.</li> <li>• Naenkrat ste spravili preveč hrane.</li> <li>• Živila so preblizu drug drugemu.</li> <li>• Vrata/predal aparata ni(so) tesno zaprt(a).</li> <li>• Vrata/predal je bil odprt prepogosto ali predolgo.</li> </ul>	<ul style="list-style-type: none"> <li>• Ponastavite temperaturo.</li> <li>• Preden blago shranite, ga vedno ohladite.</li> <li>• Vedno shranjujte manjše količine hrane.</li> <li>• Pustite razmik med živili, ki omogoča pretok zraka.</li> <li>• Zaprite vrata/predal.</li> <li>• Vrat/predala ne odpirajte prepogosto.</li> </ul>
Znotraj aparata je prehladno.	<ul style="list-style-type: none"> <li>• Temperatura je nastavljena prenizko.</li> <li>• Funkcija Super Freeze/ Super Cool je aktivirana ali deluje predolgo.</li> </ul>	<ul style="list-style-type: none"> <li>• Ponastavite temperaturo.</li> <li>• Izklopite funkcijo Super Freeze/ Super Cool.</li> </ul>
Nastajanje vlage na notranji strani hladilnega prostora.	<ul style="list-style-type: none"> <li>• Zunanje okolje je pretoplo in prevlažno.</li> <li>• Vrata/predal aparata ni(so) tesno zaprt(a).</li> <li>• Vrata/predal je bil odprt prepogosto ali predolgo.</li> <li>• Posode s hrano ali tekočine so ostale odprte.</li> </ul>	<ul style="list-style-type: none"> <li>• Povečajte temperaturo.</li> <li>• Zaprite vrata/predal.</li> <li>• Vrat/predala ne odpirajte prepogosto.</li> <li>• Vroča hrana naj se ohladi na sobno temperaturo, hrano in tekočine pa zaprite.</li> </ul>
Vlaga se nabira na zunanji površini hladilnika ali med vrati in predalom.	<ul style="list-style-type: none"> <li>• Zunanje okolje je pretoplo in prevlažno.</li> <li>• Vrata niso tesno zaprta. Hladen zrak v aparatu in topel zunanji zrak kondenzirata.</li> </ul>	<ul style="list-style-type: none"> <li>• To je normalno v vlažnem podnebju in se bo spremenilo, ko se vlažnost zmanjša.</li> <li>• Prepričajte se, da so/je vrata/predal tesno zaprt(a).</li> </ul>
Lučke na zaslonu delujejo, vendar v hladilniku ni hladno na občutek.	<ul style="list-style-type: none"> <li>• Nahaja se v demo načinu.</li> </ul>	<ul style="list-style-type: none"> <li>• Preverite, v katerem stanju je. Če je v demo načinu, ga izklopite. Če ga želite izklopiti, odprite vrata hladilnika in v zaklenjenem stanju pritisnite drugi gumb z desne za 8 sekund v 12 urah po vklopu.</li> </ul>

Težava	Možen vzrok	Možna rešitev
Močan led in zmrzal v zamrzovalnem prostoru.	<ul style="list-style-type: none"> <li>• Blago ni bilo ustrezno zapakirano.</li> <li>• Vrata/predal aparata ni(so) tesno zaprt(a).</li> <li>• Vrata/predal je bil odprt prepogosto ali predolgo.</li> <li>• Tesnila vrat/predala so umazana, obrabljena, razpokana ali neustrezna.</li> <li>• Nekaj na notranji strani preprečuje pravilno zapiranje vrat/predala.</li> </ul>	<ul style="list-style-type: none"> <li>• Blago vedno dobro zapakirajte.</li> <li>• Zaprite vrata/predal.</li> <li>• Vrat/predala ne odpirajte prepogosto.</li> <li>• Očistite tesnilo vrat/predala ali ga zamenjajte z novim.</li> <li>• Premaknite police, posode v vratih ali notranje posode, da se vrata/predal zaprejo.</li> </ul>
Strani hladilnika in trak na vratih se segrejejo.	<ul style="list-style-type: none"> <li>• -</li> </ul>	<ul style="list-style-type: none"> <li>• To je običajno.</li> </ul>
Aparat proizvaja nenormalne zvoke.	<ul style="list-style-type: none"> <li>• Aparat ni nameščen na ravno podlago.</li> <li>• Aparat se dotika predmeta v njegovi bližini.</li> </ul>	<ul style="list-style-type: none"> <li>• Nastavite noge, da poravnate aparat.</li> <li>• Odstranite predmete okoli aparata.</li> </ul>
Slišati je mogoče rahel zvok, podoben zvoku pretakanja vode.	<ul style="list-style-type: none"> <li>• -</li> </ul>	<ul style="list-style-type: none"> <li>• To je običajno.</li> </ul>
Zaslišali boste pisk alarma.	<ul style="list-style-type: none"> <li>• Vrata hladilnega prostora so odprta.</li> </ul>	<ul style="list-style-type: none"> <li>• Zaprite vrata.</li> </ul>
Slišali boste šibko brnenje.	<ul style="list-style-type: none"> <li>• Sistem proti kondenzaciji deluje</li> </ul>	<ul style="list-style-type: none"> <li>• To preprečuje kondenzacijo in je normalno</li> </ul>
Notranja razsvetljava ali hladilni sistem ne deluje.	<ul style="list-style-type: none"> <li>• Omrežni vtič ni priključen v omrežno vtičnico.</li> <li>• Napajanje ne deluje pravilno.</li> <li>• Lučka LED ne deluje.</li> </ul>	<ul style="list-style-type: none"> <li>• Priključite omrežni vtič.</li> <li>• Preverite električno napajanje prostora. Pokličite lokalno elektro podjetje!</li> <li>• Za zamenjavo lučke pokličite servisno službo.</li> </ul>

Če se želite obrniti na tehnično pomoč, obiščite naše spletno mesto:

<https://corporate.haier-eu-ropo.com/en/>

V razdelku »spletno mesto« izberite blagovno znamko izdelka in državo. Preusmerjeni boste na določeno spletno mesto, kjer boste našli telefonsko številko in obrazec za stik s tehnično pomočjo.

## Prekinitev napajanja

V primeru izpada električne energije naj bi hrana ostala varno hladna približno 5 ur. Upoštevajte te nasvete, če pride do daljše prekinitve napajanja, zlasti poleti:

- ▶ Čim manjkrat odprite vrata/predal.
- ▶ Med prekinitvijo napajanja v aparat ne vstavljajte dodatnih živil.
- ▶ Če ste predhodno obveščeni o prekinitvi napajanja in je trajanje prekinitve daljše od 5 ur, naredite nekaj ledu in ga postavite na vrh hladilnega predela.
- ▶ Takoj po prekinitvi je potreben pregled blaga.
- ▶ Ker bo temperatura v hladilniku med prekinitvijo napajanja ali drugo okvaro narasla, se obdobje shranjevanja in užitenosti hrane skrajša. Takoj za tem je vsako hrano, ki se odtaja, treba zaužiti ali skuhati in znova zamrzniti (kjer je to primerno), da se prepreči tveganje za zdravje.

## Funkcija pomnilnika med prekinitvijo napajanja

Po ponovni vzpostavitvi napajanja aparat nadaljuje z nastavitvami, ki so bile nastavljene pred izpadom električne energije.

## Razpakiranje

**OPOZORILO!**

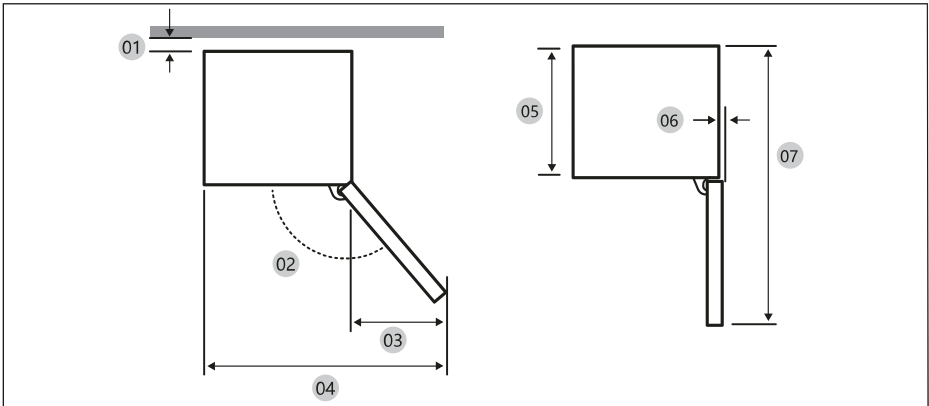
- ▶ Aparat je težak. Prenašata ga naj vsaj dve osebi.
- ▶ Vso embalažo hranite izven dosega otrok in jo zavržite na okolju prijazen način.
- ▶ Vzemite aparat iz embalaže.
- ▶ Odstranite vso embalažo.

## Okoljski pogoji

Sobna temperatura mora biti vedno med 10 °C in 43 °C, saj lahko to vpliva na temperaturo v aparatu in njegovo porabo energije. Aparata ne nameščajte brez izolacije v bližini drugih naprav, ki oddajajo toploto (pečice, hladilniki).

## Prostorske zahteve

Potreben prostor pri odprtih vratih (brez plošče vrat omare)

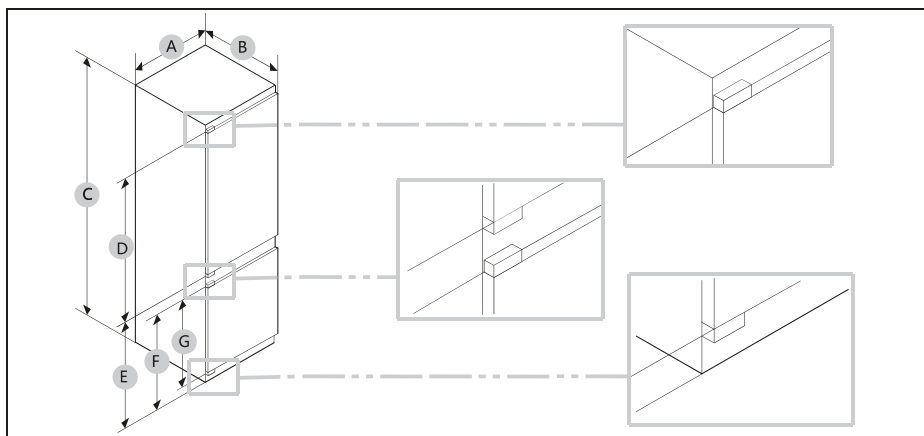


Model	EHBQW5518E HBQW5518E HBQW5518EK HQE1855BCMW EHQE1855BCMW	HBQW5519E HBQW5519EK EBQW5519E EBQW5519ECM	HBQW5719E
01 *	10 (najmanj) / 30 (priporočeno)	10 (najmanj) / 30 (priporočeno)	10 (najmanj) / 30 (priporočeno)
02	95° (Priporočeno)	95° (Priporočeno)	95° (Priporočeno)
03	43	43	55
04	583	583	745
05	515	515	515
06	-3	-3	-3
07	1060	1060	1210

\* 01: Od omarice do zadnje strani izdelka.

(enota: mm)

## Dimenzije izdelka



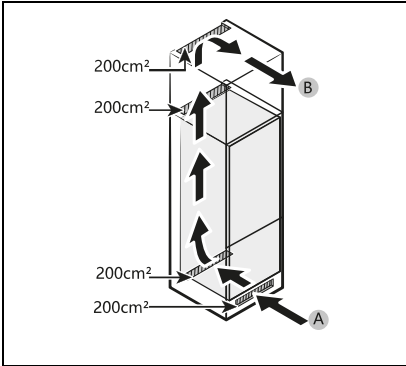
Model	A (mm)	B (mm)	C (mm)	D (mm)	E (mm)	F (mm)	G (mm)
EHBQW5518E HBQW5518E HBQW5518EK HQE1855BCMW EHQE1855BCMW	540±2	550±2	1772±2	970	745	662	618
HBQW5519E HBQW5519EK EHBQW5519E EHBQW5519ECM	540±2	550±2	1935±2	1133	745	662	618
HBQW5719E	690±2	550±2	1935±2	1133	745	662	618

**i** **OBVESTILO**

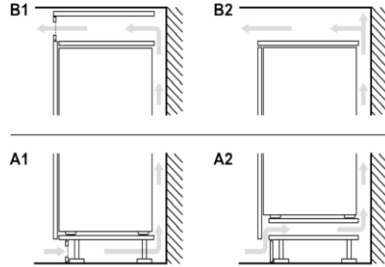
- Navedena poraba energije temelji na pogoju 10 mm vrzeli med ohišjem in zadnjo stranjo izdelka. Izdelek bo pravilno deloval tudi pri vrzeli, manjši od 10 mm, vendar porabi nekoliko več energije.
- Priporočamo uporabo omarice debeline 18 mm s tečajji debeline manj kot 20 mm.
- Meritve v zgornji tabeli se lahko razlikujejo glede na merilno metodo.
- Za vgradno namestitev glejte Vodnik za namestitev.

## Prezračevanje v prerezu

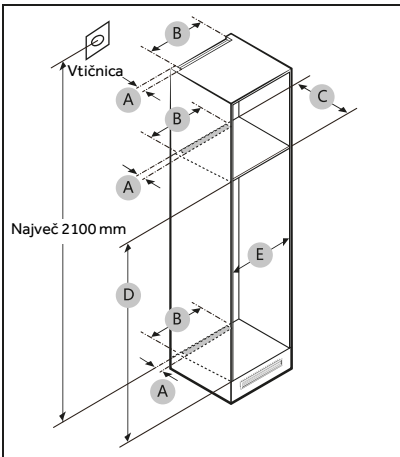
Da bi iz varnostnih razlogov dosegli zadostno prezračevanje aparata, je treba upoštevati informacije o zahtevanih normah prezračevanja.



**A:** Dovod zraka  $\geq 200 \text{ cm}^2$ ; možnosti prezračevanja  
**B:** Izpust zraka  $\geq 200 \text{ cm}^2$ ; možnosti prezračevanja



## Mere omarice



## POZOR!

Garancija ne krije nobene okvare izdelka zaradi naslednjih razlogov.

1. Neustrezni pogoji na mestu postavitve ali nepravilne velikosti omaric.
2. Neustrezna omarica.
3. Napake monterja ali uporabnika.

## Odmik

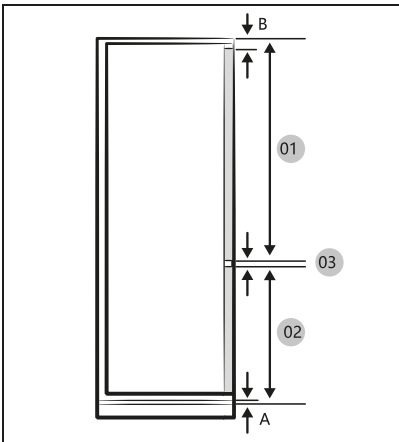
Na spodnjih slikah in v tabelah si oglejte prostorske zahteve za namestitev.

Model		A (mm)	B (mm)	C (mm)	D (mm)	E (mm)	Opomba
EHBQW5518E HBQW5518E HBQW5518EK HQE1855BCMW EHQE1855BCMW	Min.	50	400	560	1778	560	Tečaj: 17 mm
	Priporočeno			580	1780	562	
	Najv.			–	1782	568	
HBQW5519E HBQW5519EK EHBQW5519E EHBQW5519ECM	Min.	50	400	560	1940	560	Tečaj: 17 mm
	Priporočeno			580	1943	562	
	Najv.			–	1945	568	
HBQW5719E	Min.	50	400	560	1941	710	Tečaj: 17 mm
	Priporočeno			580	1943	714	
	Najv.			–	1945	718	



## NOTICE

- Če je širina omarice večja od 568 mm, se lahko tesnilo (med hladilnikom in omarico) zrahlja.
- Če je omarica višja od največje dimenzije (1782 mm), morate vrzel zapolniti z drugimi zaključnimi materiali (za EHBQW5518E / HBQW5518E / EK / EHQE / HQE1855BCMW).
- Če je omarica višja od največje dimenzije (1945 mm), morate vrzel zapolniti z drugimi zaključnimi materiali (za HBQW5519E / EK / EHBQW5519E / ECM)



## OBVESTILO

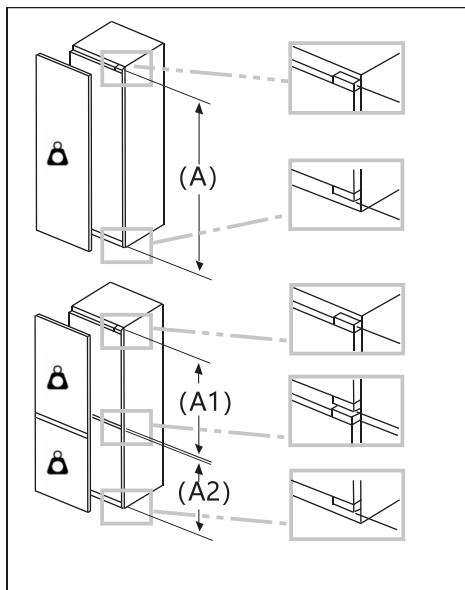
Če želite namestiti omarico, pri kateri je potrebna vrzel 4 mm (03), glejte spodnjo referenčno tabelo omaric.

- A Spodnji rob sprednje plošče nad prezračevanjem  
B Previs sprednje plošče

(enota: mm)

Model	EHBQW5518E HBQW5518E HBQW5518EK HQE1855BCMW EHQE1855BCMW	HBQW5519E HBQW5519EK EHBQW5519E EHBQW5519ECM HBQW5719E
01	Najm. 1028+B Najv. 1106+B	Min. 1191+B Maks. 1269+B
02	Min. 662+A Maks. 740+A	Min. 662+A Maks. 740+A
03	4 mm (vratna plošča omarice hladilnika in zamrzovalnika, vrzel)	

## Največja dovoljena teža sprednjih delov enote

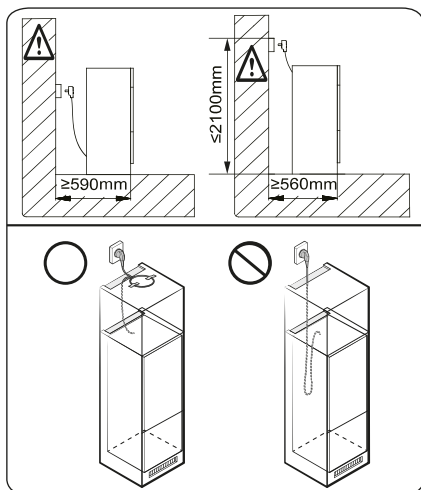


Vgrajeni sprednji deli enote, ki presegajo dovoljeno težo, lahko povzročijo poškodbe in negativno vplivajo na delovanje tečajev.

 Teža  
(kg)

1500–1750 mm	22
720–1400 mm	19
A1	15
A2	15

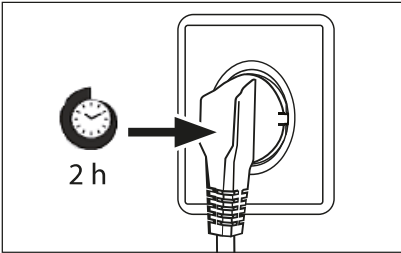
## Upoštevanje lokacije električne vtičnice in potreben prostor



### NOTICE

Če hladilnik namestite v omaro globine 560 mm, se pred priključitvijo v električno vtičnico prepričajte, da je napajalni kabel nameščen ob strani hladilnika. Če je napajalni kabel na zadnji strani hladilnika, lahko to zmanjša energetska učinkovitost.

## Čas čakanja



Mazalno olje, ki ga ni treba vzdrževati, je v kapsuli kompresorja. Če je aparat nagnjen, lahko to olje med transportom steče skozi zaprt cevni sistem. Preden aparat priključite na napajanje, počakajte vsaj 2 uri, da olje priteče nazaj v kapsulo.

## Priključitev v električno omrežje

Pred vsako priključitvijo preverite, ali:

- ▶ so napajanje, vtičnica in varovalke skladni s tipsko tablico,
- ▶ je vtičnica ozemljena in da v bližini ni podaljška z več vtičnicami ali kableskega podaljška.
- ▶ vtič in vtičnica sta pravilno nameščena.

Vtič priključite v pravilno nameščeno gospodinjsko vtičnico.



## OPOZORILO!

Da bi se izognili tveganju, mora servis zamenjati poškodovan napajalni kabel (glejte garancijski list).

List izdelka v skladu z Uredbo EU št. 2019/2016

Blagovna znamka	Haier		
Ime/identifikator modela	EHBQW5518E HBQW5518E HBQW5518EK HQE1855BCMW EHQE1855BCMW	HBQW5519E HBQW5519EK EHBQW5519E EHBQW5519ECM	HBQW5719E
Kategorija modela	Hladilnik-zamrzovalnik		
Razred energijske učinkovitosti	E	E	E
Letna poraba energije (kWh/leto) (1)	229	229	259
Skupna prostornina (L)	268	285	382
Prostornina hladilnika (L)	194	211	281
Prostornina zamrzovalnika (L)	74	74	101
Prostornina predela za hlajenje (L)	/	/	/
Prostornina samodejnega izdelovalca ledu (L)	/	/	/
Ocena z zvezdicami	4	4	4
Temperatura drugih predelov > 14 °C	Vgradni		
Sistem brez zmrzali	Da		
Zmogljivost zamrzovanja (kg/24 h)			
Ocena podnebja (2)	SN/N/ST/T	SN/N/ST/T	SN/N/ST/T
Razred emisij hrupa in emisij akustičnega hrupa v zraku (dB(A)re1pW)	B(35)	B(35)	B(33)
Čas dviga temperature (h)	12	12	9
Zmogljivost izdelave ledu	/	/	/
Vrsta aparata	Vgradni		

Ime modela	Razred energetske učinkovitosti
EHBQW5518E HBQW5518E HBQW5518EK HQE1855BCMW EHQE1855BCMW	E
HBQW5519E HBQW5519EK EHBQW5519E EHBQW5519ECM HBQW5719E	E

Pojasnila:

- Da, vključeno

(1) Na podlagi rezultatov preskusa skladnosti s standardi v 24 urah. Dejanska poraba je odvisna od uporabe in lokacije aparata.

(2) Ocena podnebja SN: Ta aparat je namenjen uporabi pri sobni temperaturi med +10 °C in +32 °C

Ocena podnebja N: Ta aparat je namenjen uporabi pri sobni temperaturi med +16 °C in +32 °C

Ocena podnebja ST: Ta aparat je namenjen uporabi pri sobni temperaturi med +16 °C in +38 °C

Ocena podnebja T: Ta aparat je namenjen uporabi pri sobni temperaturi med +16 °C in +43 °C

### Dodatni tehnični podatki

Napetost/frekvenca	220–240 V ~/50 Hz
Vhodni tok (A)	1.2/1.6
Glavna varovalka (A)	16
Hladišno sredstvo	R600a
Mere (V/Š/G v mm)	EHBQW5518E / HBQW5518E / EK EHQE / HQE1855BCMW: 1773/540/555
	HBQW5519E / EK / EHBQW5519E / ECM: 1935/540/555
	EHBQW5719E : 1935/690/550

Priporočamo našo službo za pomoč strankam Haier in uporabo originalnih nadomestnih delov.

Če imate težave z aparatom, najprej preverite poglavje ODPRAVLJANJE TEŽAV.

Če tam ne najdete rešitve, se obrnite na

- ▶ lokalnega prodajalca ali
- ▶ naš evropski klicni servisni center (glejte spodaj navedene telefonske številke) ali
- ▶ razdelek Servis in podpora na spletnem mestu [www.haier.com](http://www.haier.com), kjer lahko oddate zahtevek
- ▶ za servis in poiščete odgovore na pogosto postavljena vprašanja.

Če se želite obrniti na naš servis, se prepričajte, da imate na voljo naslednje podatke.

Podatke najdete na tipski tablici.

Model \_\_\_\_\_

Serijska št. \_\_\_\_\_

V primeru uveljavljanja garancije preverite tudi garancijsko kartico, ki je priložena izdelku.

Evropski center za klicne storitve		
Država*	Telefonska številka	Stroški
Haier Italy (IT)	199 100912	
Haier Spain (ES)	902 509 123	
Haier Germany (DE)	0180 5 39 39 99	<ul style="list-style-type: none"> <li>• 14 centov/min, stacionarno omrežje</li> <li>• največ 42 centov/min, mobilno omrežje</li> </ul>
Haier Austria (AT)	0820 001205	<ul style="list-style-type: none"> <li>• 14,53 centa/min, stacionarno omrežje</li> <li>• največ 20 centov/min, vsa ostala omrežja</li> </ul>
Haier United Kingdom (UK)	0333 003 8122	
Haier France (FR)	0980 406 409	

\*Za druge države glejte [www.haier.com](http://www.haier.com)

Haier Europe Trading S.r.l

Branch UK

Westgate House, Westgate, Ealing

London, W5 1YY

\*Trajanje garancije hladilnega aparata:

Minimalno garancijsko obdobje je: 2 leti za države EU, 3 leta za Turčijo, 1 leto za Združeno kraljestvo, 1 leto za Rusijo, 3 leta za Švedsko, 2 leti za Srbijo, 5 let za Norveško, 1 leto za Maroko, 6 mesecev za Alžirijo, za Tunizijo pravna garancija ni potrebna.

\*Obdobje razpoložljivosti rezervnih delov za popravilo aparata:

Termostati, temperaturni senzorji, tiskana vezja in svetlobni viri so na voljo najmanj sedem let po tem, ko je bila na trg dostavljena zadnja enota modela.

Ključavnice, tečaji vrat, pladnji in košare najmanj sedem let, tesnila vrat pa najmanj 10 let po tem, ko je bila na trg dostavljena zadnja enota modela.

\*Za dodatne informacije o izdelku obiščite spletno mesto

<https://eprel.ec.europa.eu/> ali skenirajte kodo QR

na energijski nalepki, priloženi aparatu.



**Haier**



2024, različica A

# Haier

Priručnik za korisnika

Frižider – zamrzivač

EHBQW5518E

HBQW5518E

HBQW5518EK

HQE1855BCMW

EHQE1855BCMW

HBQW5519E

HBQW5519EK

EHBQW5519E

EHBQW5519ECM

HBQW5719E

SR

<u>4 Bezbednosne informacije</u>	<u>Pre prve upotrebe</u>	<u>5</u>
	<u>Ugradnja</u>	<u>5</u>
	<u>Svakodnevna upotreba</u>	<u>6</u>
	<u>Informacije o rashladnom gasu</u>	<u>8</u>
<u>9 Namena</u>		
<u>10 Opis proizvoda</u>		
<u>12 Kontrolna tabla</u>		
<u>13 Upotreba</u>	<u>Zaključavanje/otključavanje table</u>	<u>13</u>
	<u>Podesite temperaturu za frižider</u>	<u>13</u>
	<u>Podesite temperaturu za zamrzivač</u>	<u>14</u>
	<u>Funkcija Wi-Fi</u>	<u>15</u>
	<u>Funkcija Holiday</u>	<u>15</u>
	<u>Funkcija Super Cool</u>	<u>16</u>
	<u>Funkcija Super Freeze</u>	<u>16</u>
<u>18 Oprema</u>		
<u>20 Saveti za uštedu energije</u>		
<u>21 Održavanje i čišćenje</u>		
<u>23 Rešavanje problema</u>		
<u>27 Ugradnja</u>		
<u>34 Tehnički podaci</u>		
<u>36 Korisnička služba</u>		

## Hvala vam što ste kupili proizvod kompanije Haier.

Pažljivo pročitajte ova uputstva pre upotrebe ovog uređaja. Uputstva sadrže važne informacije koje će vam pomoći da iskoristite sve mogućnosti uređaja i obezbedite bezbednu i pravilnu montažu, upotrebu i održavanje.

Držite ovaj priručnik na pogodnom mestu, tako da uvek možete da ga pročitate radi bezbedne i pravilne upotrebe uređaja.

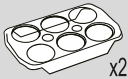
Ako prodajete uređaj, poklanjate ga ili ostavljate nakon preseljenja, obavezno priložite ovaj priručnik tako da novi vlasnik može da se upozna sa uređajem i sigurnosnim upozorenjima.

## Dodatna oprema

Proverite dodatnu opremu i literaturu u skladu sa ovom listom:



Tacna za led



Tacna za jaja x2



Energetska nalepnica



Garantni list



Priručnik sa bezbednosnim upozorenjima



Vijak x4



Poklopac x2



Sunderasti blok x2



Klizna vođica x4



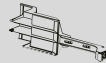
Klizi sklop x4



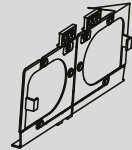
Fiksna ploča



Poklopac šarke



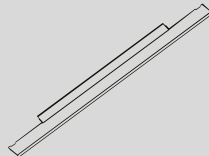
Fiksna ploča II



Donja fiksna ploča



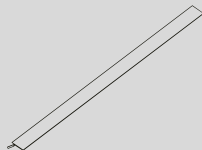
Gornja fiksna ploča



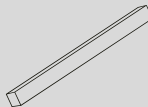
Donji poklopac



Donji bočni poklopac



Zaptivna traka



Zaptivni suđer



Poklopac šarke sa donje strane



## UPOZORENJE – Važne bezbednosne informacije



## OBAVEŠTENJE – Opšte informacije i saveti



## Informacije o životnoj sredini



### Odlaganje u otpad

Pomozite u zaštiti životne sredine i očuvanju ljudskog zdravlja. Odložite ambalažu u odgovarajući kontejner radi recikliranja. Pomozite u reciklaži otpada od električnih i elektronskih uređaja. Ne odlažite u otpad uređaje označene ovim simbolom zajedno sa otpadom iz domaćinstva. Vratite proizvod u lokalni objekat za reciklažu ili se obratite opštinskoj kancelariji.



## UPOZORENJE!

Rizik od povrede ili gušenja!

Stručnjaci moraju da odlože u otpad rashladna sredstva i gasove. Uverite se da cev rashladnog kola nije oštećena pre pravilnog odlaganja u otpad. Isključite uređaj iz mrežnog napajanja. Isecite mrežni kabl i odložite ga u otpad. Uklonite tacne i fioke, kao i rezu vrata i zaptivke, kako biste sprečili zaglavljivanje dece i kućnih ljubimaca u uređaju.

## Pre prvog uključivanja uređaja, pročitajte sledeće savete o bezbednosti:



### UPOZORENJE!

#### Pre prve upotrebe

- ▶ Uverite se da se nisu pojavila oštećenja pri transportu.
- ▶ Sačekajte najmanje dva sata pre montaže uređaja kako bi se osiguralo da je rashladno kolo potpuno funkcionalno.
- ▶ Rukujte uređajem uvek sa još najmanje dve osobe jer je težak.
- ▶ Uklonite sve materijale ambalaže, držite ih van domašaja dece i odložite ih u otpad na ekološki prihvatljiv način.
- ▶ Očistite unutrašnjost i spoljašnjost uređaja vodom i blagim deterdžentom pre stavljanja bilo kakve hrane u njega.
- ▶ Nakon što je uređaj nivelisan i očišćen, sačekajte najmanje 2–5 sati pre nego što ga priključite na napajanje. Pogledajte odeljak MONTAŽA.
- ▶ Ohladite odeljke pri visokim postavkama pre postavljanja hrane. Funkcija Power-Freeze pomaže da se odeljci brzo ohlade.
- ▶ Temperatura frižidera i zamrzivača su automatski podešene na 5 °C odnosno -18 °C. Ovo su preporučene postavke. Ako želite, možete ručno da promenite ove temperature. Pogledajte odeljak PODESITE TEMPERATURU.

#### Ugradnja

- ▶ Postavite uređaj na dobro provetreno mesto. Obezbedite prostor od najmanje 10 cm iznad i oko uređaja.
- ▶ Nikada ne montirajte uređaj u vlažnom prostoru ili na mestu gde se može isprskati vodom. Prebrišite vodu i mrlje od vode mekom i čistom krpom.
- ▶ Ne montirajte uređaj na direktnoj sunčevoj svetlosti ili u blizini izvora toplote (npr. rerna, grejalica).
- ▶ Montirajte i nivelišite uređaj u prostoru pogodnom za njegovu veličinu i upotrebu.
- ▶ Ne blokirajte ventilacione otvore na uređaju ili u ugrađenoj strukturi.
- ▶ Uverite se da su električne informacije na natpisnoj pločici usklađene sa napajanjem. Ako to nije slučaj, obratite se električaru.
- ▶ Uređaj radi pod napajanjem od 220–240 VAC / 50 Hz. Neuobičajena fluktuacija napona može prouzrokovati da se uređaj ne uključi ili oštećenje regulacije temperature, a pored toga može doći do neuobičajene buke prilikom rada. U tom slučaju, treba da se montira automatski regulator.
- ▶ Nemojte da koristite adaptere sa više utičnica niti produžne kablove.
- ▶ Nemojte da smeštate više prenosivih utičnica ili prenosivih izvora napajanja na zadnji deo uređaja.
- ▶ Uverite se da mrežni kabl nije zaglavljnjen u frižideru. Nemojte da gazite mrežni kabl.



## UPOZORENJE!

- ▶ Koristite zasebnu uzemljenu utičnicu za mrežno napajanje koja je lako dostupna. Uređaj mora biti uzemljen.  
Samo za Ujedinjeno Kraljevstvo: Mrežni kabl uređaja opremljen je utikačem sa 3 priključnice (sa uzemljenjem) koji se podudara sa standardnom utičnicom sa 3 priključnice (sa uzemljenjem). Nemojte nikada da sečete ili skidate treću iglicu (uzemljenje). Nakon montaže uređaja, utikač treba da bude pristupačan.
- ▶ Nemojte da oštetite rashladno kolo.

### Svakodnevna upotreba

- ▶ Ovaj uređaj smeju da koriste deca uzrasta od 8 godina i osobe sa smanjenim fizičkim, čulnim ili mentalnim sposobnostima ili nedostatkom iskustva i znanja ako su pod nadzorom ili ako imaju na raspolaganju uputstva u vezi sa upotrebom uređaja na bezbedan način i ako razumeju opasnosti koje su uključene.
- ▶ Deca uzrasta od 3 do 8 godina smeju da stavljaju hranu i vade je ih rashladnih uređaja, ali im nije dozvoljeno da ih čiste ili montiraju.
- ▶ Deca mlađa od 3 godina moraju se držati podalje od uređaja, osim ako su pod stalnim nadzorom.
- ▶ Deca ne smeju da se igraju uređajem.
- ▶ Ako u blizini uređaja curi hladni gas ili drugi zapaljivi gas, isključite ventil iscurelog gasa, otvorite vrata i prozore i nemojte da isključujete iz utičnice utikač mrežnog kabla frižidera ili bilo kog drugog uređaja.
- ▶ Imajte na umu da je uređaj pripremljen za rad u određenom opsegu temperature okruženja između 10 i 43 °C. Uređaj možda neće raditi ispravno ako se ostavi tokom dužeg perioda na temperaturi iznad ili ispod navedenog opsega.
- ▶ Ne stavljajte nestabilne predmete (teške predmete, posude napunjene vodom) na vrh frižidera kako biste izbegli telesne povrede izazvane padom ili strujnim udarom koji je izazvan kontaktom sa vodom.
- ▶ Nemojte da vučete police u vratima. Moguće je naginjanje vrata, police za flaše, izvlačenje vrata ili rušenje uređaja.
- ▶ Otvarajte i zatvarajte vrata samo pomoću ručki. Razmak između vrata i između vrata i unutrašnjosti zamrzivača je veoma uzak. Nemojte da pružate ruke u ove oblasti kako biste izbegli prikleštenje prstiju. Otvarajte ili zatvarajte vrata frižidera samo kada nema dece u domašaju kretanja vrata.
- ▶ Nemojte da čuvate ili koristite zapaljive, eksplozivne ili korozivne materijale u uređaju ili u njegovoj blizini.
- ▶ Nemojte da čuvate lekove, bakterije ili hemijska sredstva u uređaju. Ovaj uređaj je kućni aparat. Ne preporučuje se skladištenje materijala koji iziskuju strogo određene temperature.
- ▶ Nemojte da čuvate u zamrzivaču tečnosti u flašama ili limenkama (osim jakih alkoholnih pića), naročito gazirana pića, jer će one pući tokom zamrzavanja.
- ▶ Proverite stanje hrane ako je došlo do zagrevanja zamrzivača.



## UPOZORENJE!

- ▶ Nemojte da podešavate nepotrebno nisku temperaturu u frižideru. Temperature ispod nule se mogu javiti na visokim postavkama. Pažnja: Flaše mogu da puknu
- ▶ Nemojte da dodirujete smrznute predmete mokrim rukama (nosite rukavice). Posebno nemojte da jedete zaleđene lizalice neposredno nakon vađenja iz zamrzivača. Postoji rizik od smrzavanja ili stvaranja promrzlina. Prva pomoć: odmah stavite pod tekuću hladnu vodu. Ne povlačite!
- ▶ Nemojte da dodirujete unutrašnju površinu zamrzivača dok radi, naročito ne vlažnim šakama, jer šake mogu da vam se zamrznu na površini.
- ▶ Isključite uređaj u slučaju nestanka struje ili pre čišćenja. Sačekajte najmanje 7 minuta pre ponovnog uključivanja uređaja, jer često uključivanje može oštetiti kompresor.
- ▶ Nemojte da koristite električne uređaje unutar odeljaka za čuvanje hrane u uređaju, osim ako nisu onog tipa koji preporučuje proizvođač.

## Održavanje/čišćenje

- ▶ Deca moraju da budu pod nadzorom ako obavljaju čišćenje i održavanje.
- ▶ Isključite uređaj iz mrežnog napajanja pre nego što preduzmete bilo kakvo rutinsko održavanje. Sačekajte najmanje 5 minuta pre ponovnog uključivanja uređaja, jer često uključivanje može oštetiti kompresor.
- ▶ Držite utikač, a ne kabl, prilikom isključivanja uređaja iz napajanja.
- ▶ Nemojte da čistite uređaj tvrdim četkama, žičanim četkama, deterdžentom u prahu, benzinom, amil acetatom, acetonom i sličnim organskim, kiselim ili alkalnim rastvorima. Čistite uređaj specijalnim deterdžentom za frižidere kako biste izbegli oštećenje.
- ▶ Nemojte da stružete mraz ili led oštrim predmetima. Nemojte da koristite sprejeve, električne grejače poput grejalica, fenova za kosu, parnih čistača ili drugih izvora toplote, kako bi se izbeglo oštećenje plastičnih delova.
- ▶ Nemojte da koristite mehaničke uređaje ili druga sredstva za ubrzavanje procesa odmrzavanja, osim onih koje preporučuje proizvođač.
- ▶ Ako je mrežni kabl oštećen, mora da ga zameni proizvođač, radnik servisne službe ili slično kvalifikovana lica kako bi se izbegla opasnost.
- ▶ Nemojte da pokušavate sami da popravite, rastavljate ili izmenite uređaj. U slučaju popravke, obratite se našoj službi za korisnike.
- ▶ Uklonite prašinu na poleđini jedinice najmanje jednom godišnje kako bi se izbegla opasnost od požara, kao i povećana potrošnja energije.
- ▶ Nemojte da prskate tečnost na uređaj niti da ga ispirate tokom čišćenja.
- ▶ Nemojte da koristite raspršenu vodu ili paru za čišćenje uređaja.
- ▶ Nemojte da čistite hladne staklene police vrućom vodom. Iznenadna promena temperature može da prouzrokuje lom stakla.

## Informacije o rashladnom gasu



### UPOZORENJE!

Uređaj sadrži zapaljivo rashladno sredstvo IZOBUTAN (R600a). Uverite se da rashladno kolo nije oštećeno tokom transporta ili montaže. Curenje rashladnog sredstva može izazvati povrede oka ili se može zapaliti. Ako je došlo do oštećenja, držite dalje od otvorenih izvora vatre, dobro provetrite prostoriju, ne priključujte niti isključujte kablove za napajanje ovog uređaja ili bilo kog drugog uređaja. Obavestite korisničku službu.

U slučaju da rashladno sredstvo dođe u kontakt sa očima, odmah ih isperite tekućom vodom i odmah pozovite očnog lekara.

## Namena

Ovaj uređaj je namenjen za hlađenje i zamrzavanje hrane. Dizajniran je isključivo za upotrebu u domaćinstvu i za slične primene, kao što su kuhinjske prostorije za osoblje u okviru prodavnica, kancelarija ili drugih radnih prostorija, seoske kuće i za klijente u hotelima, motelima i drugim okruženjima stambenog tipa, kao i za smeštajne objekte tipa noćenja sa doručkom, kao i u keteringu. Nije namenjen za komercijalnu ili industrijsku upotrebu.

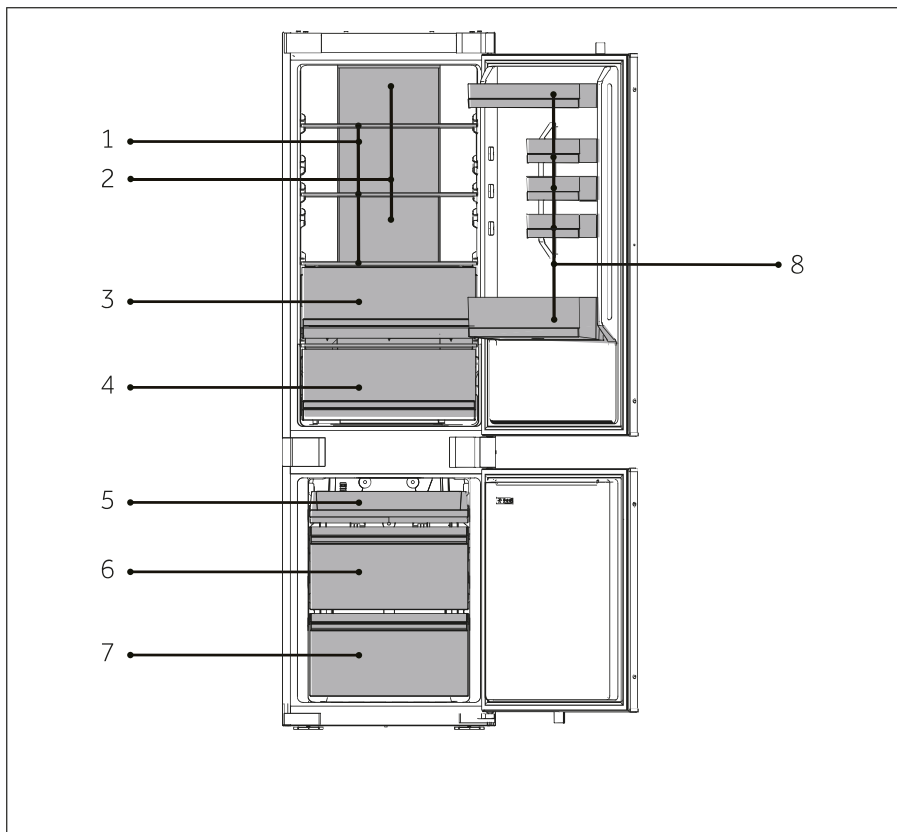
Promene ili izmene uređaja nisu dozvoljene. Upotreba u suprotnosti sa namenom može izazvati opasnosti i poništiti garanciju.

## Standardi i direktive ili

Ovaj proizvod zadovoljava zahteve svih važećih direktiva EC sa odgovarajućim usklađenim standardima i standarde UK, koji predviđaju CE ili UKCA oznaku.

## **i** NAPOMENA

Zbog tehničkih promena i različitih modela, neke ilustracije u ovom priručniku mogu se razlikovati od vašeg modela.



EHBQW5518E/HBQW5518E/HBQW5518EK/HQE1855BCMW/EHQE1855BCMW

A: Rashladna komora

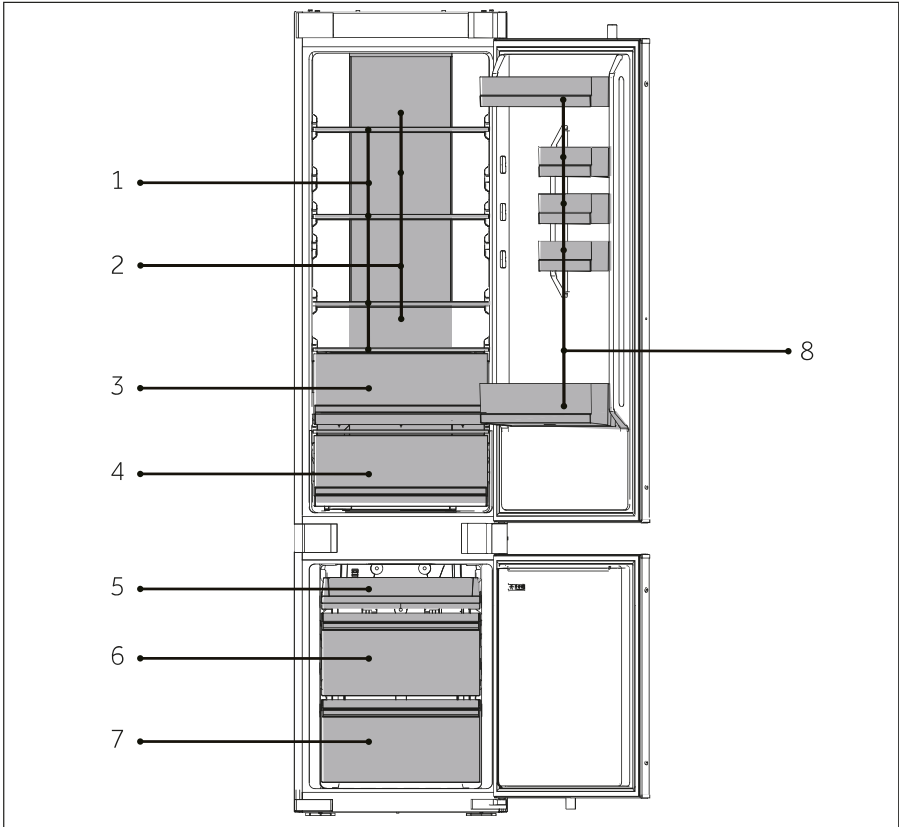
- 1 Obične police
- 2 Kanal za rashladni vazduh
- 3 Fioka Humidity Zone
- 4 Fioka Fresh Box
- 8 Držač za boce

B: Komora za zamrzavanje

- 5 Gornja tacna zamrzivača
- 6 Srednja fioka zamrzivača
- 7 Donja fioka zamrzivača

## **i** NAPOMENA

Zbog tehničkih promena i različitih modela, neke ilustracije u ovom priručniku mogu se razlikovati od vašeg modela.



HBQW5519E/ HBQW5519EK/ EHBQW5519E/ EHBQW5519ECM/ HBQW5719E

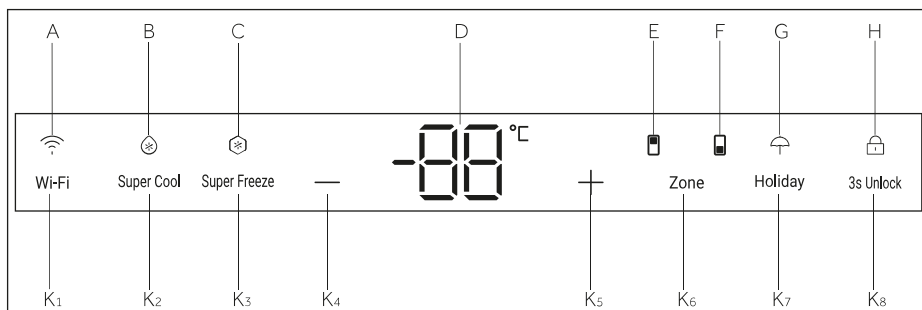
A: Rashladna komora

- 1 Obične police
- 2 Kanal za rashladni vazduh
- 3 Fioka Humidity Zone
- 4 Fioka Fresh Box
- 8 Držać za boce

B: Komora za zamrzavanje

- 5 Gornja tacna zamrzivača
- 6 Srednja fioka zamrzivača
- 7 Donja fioka zamrzivača

## Kontrolna tabla



## Indikatori:

- A Wi-Fi funkcija
- B Funkcija Super Cool
- C Funkcija Super Freeze
- D Prikaz temperature
- E Indikator frižidera
- F Indikator zamrzivača
- G Funkcija Holiday
- H Zaključavanje i otključavanje

## Dugmad:

- K<sub>1</sub> Dugme za podešavanje Wi-Fi mreže
- K<sub>2</sub> Dugme za izbor funkcije Super Cool
- K<sub>3</sub> Dugme za izbor funkcije Super Freeze
- K<sub>4</sub> Dugme za podešavanje temperature „-“
- K<sub>5</sub> Dugme za podešavanje temperature „+“
- K<sub>6</sub> Dugme za izbor zone
- K<sub>7</sub> Dugme za funkciju Holiday
- K<sub>8</sub> Dugme za zaključavanje i otključavanje

## Senzorski tasteri

Tasteri na kontrolnom panelu su senzorski tasteri koji reaguju i na blag dodir prstom.

## Uključite/isključite uređaj

Uređaj je u funkciji čim se priključi na napajanje.

Kada se frižider prvi put uključi, svetleće indikator „D“ (prikaz temperature). Temperatura frižidera i temperatura zamrzivača se automatski podešavaju na 5 °C odnosno -18 °C.



## NAPOMENA

Kada se uređaj uključi nakon isključivanja iz mrežnog napajanja, može potrajati i do 12 sati da se postignu ispravne temperature.

Ispraznite uređaj pre isključivanja. Da biste isključili uređaj, izvucite mrežni kabl iz utičnice.

### Zaključavanje/otključavanje table

**Automatsko zaključavanje:** Kada su vrata frižidera i vrata zamrzivača zatvorena i nijedan taster se ne pritisne u roku od 30 sekundi, ekran će se automatski ugasiti i zaključati.

**Ručno zaključavanje:** Kada je ekran otključan, držite dugme „K<sub>8</sub>” (3S Unlock) i pritisnutim 3 sekunde, zvučni signal će se oglasiti jednom, indikator „H” (zaključavanje table) će zasvetleti i ekran će se zaključati.

**Otključavanje:** Kada je ekran zaključan, držite dugme „K<sub>8</sub>” (3S Unlock) pritisnutim 3 sekunde, zvučni signal će se oglasiti jednom, indikator „H” (zaključavanje table) se gasi i ekran je otključan.

### Podesite temperaturu

Na unutrašnju temperaturu utiču sledeći faktori:

Temperatura okruženja, učestalost otvaranja vrata, količina uskladištene hrane, ugradnja uređaja.

### Podesite temperaturu za frižider

Kada je ekran otključan, pritisnite taster „K<sub>6</sub>” (birač zone). Zvučni signal će se oglasiti jednom, indikator „E” (indikator frižidera) će svetleti, a zatim će se aktivirati režim podešavanja temperature frižidera.

Pritisnite dugme „K<sub>4</sub>” (dugme za podešavanje temperature „-”) svaki put, zvučni signal će se oglasiti jednom, podešena temperatura frižidera će se smanjiti za 1. Temperatura frižidera će se prikazivati u nizu od „9 °C -> 8 °C -> 7 °C -> 6 °C -> 5 °C -> 4 °C -> 3 °C -> 2 °C -> 1 °C”.

Pritisnite dugme „K<sub>5</sub>” (dugme za podešavanje temperature „+”) svaki put, zvučni signal će se oglasiti jednom, podešena temperatura frižidera će se povećati za 1. Temperatura frižidera će se prikazivati u nizu od „1 °C -> 2 °C -> 3 °C -> 4 °C -> 5 °C -> 6 °C -> 7 °C -> 8 °C -> 9 °C”.



## NAPOMENA

Nakon podešavanja temperature, ako nema aktivnosti u roku od 5 sekundi, sistem će se automatski odrediti i sačuvati podešenu temperaturu.

## Podesite temperaturu za zamrzivač

Kada je ekran otključan, pritisnite taster „K<sub>6</sub>“ (birač zone). Zvučni signal će se oglasiti jednom, indikator „F“ (indikator zamrzivača) će svetleti, a zatim će se aktivirati režim podešavanja temperature zamrzivača.

Pritisnite dugme „K<sub>4</sub>“ (dugme za podešavanje temperature „-“) svaki put, zvučni signal će se oglasiti jednom, podešena temperatura zamrzivača će se smanjiti za 1. Temperatura zamrzivača će se prikazivati u nizu od „-14 °C -> -15 °C -> -16 °C -> -17 °C -> -18 °C -> -19 °C -> -20 °C -> -21 °C -> -22 °C -> -23 °C -> -24 °C“.

Pritisnite dugme „K<sub>5</sub>“ (dugme za podešavanje temperature „+“) svaki put, zvučni signal će se oglasiti jednom, podešena temperatura zamrzivača će se povećati za 1. Temperatura zamrzivača će se prikazivati u nizu od „-24 °C -> -23 °C -> -22 °C -> -21 °C -> -20 °C -> -19 °C -> -18 °C -> -17 °C -> -16 °C -> -15 °C -> -14 °C“.



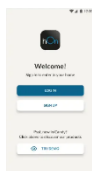
### NAPOMENA

Nakon podešavanja temperature, ako nema aktivnosti u roku od 5 sekundi, sistem će se automatski odrediti i sačuvati podešenu temperaturu.

1. korak Preuzmite aplikaciju hOn-App iz neke od prodavnica.



2. korak Kreirajte nalog u aplikaciji hOn-App ili se prijavite ako već imate nalog



3. korak Pratite uputstva za uparivanje u aplikaciji hOn.



## Funkcija Wi-Fi

1. Pratite uputstva u aplikaciji da biste konfigurisali Wi-Fi.
2. Kada je Wi-Fi konfigurisan i veza uspostavljena, Wi-Fi ikona „A“ će stalno svetleti.
3. Ako je Wi-Fi već konfigurisan, automatski će se ponovo povezati u skladu sa informacijama o konfiguraciji ako se uključi Wi-Fi.
4. Da biste isključili Wi-Fi, pritisnite Wi-Fi dugme „K<sub>1</sub>“ i Wi-Fi ikona „A“ se isključuje.
5. Da biste uključili Wi-Fi i pokrenuli konfiguraciju, pritisnite Wi-Fi dugme „K<sub>1</sub>“ i Wi-Fi ikona „A“ počinje polako da treperi. Ako želite da konfigurirate Wi-Fi funkciju, pritisnite dugme „K<sub>1</sub>“ na 3 sekunde, ikona Wi-Fi brzo treperi i prelazi u režim konfiguracije. Ako želite da isključite Wi-Fi funkciju, pritisnite dugme „K<sub>1</sub>“ jednom. Gorenavedeni koraci se ponavljaju.
6. Ako je proizvod konfigurisan i Wi-Fi funkcija je isključena, frižider neće ući u režim konfiguracije nakon ponovnog povezivanja napajanja.

## Funkcija Holiday

1. Kada je ekran otključan, pritisnite taster „K<sub>7</sub>“ (dugme za funkciju Holiday), zvučni signal se oglašava jednom, indikator „G“ (funkcija Holiday) zasvetli, a zatim će se uključiti funkcija Holiday.
2. Kada je ekran otključan, pritisnite dugme „K<sub>7</sub>“ (dugme funkcije Holiday), zvučni signal se oglašava jednom, indikator „G“ (funkcija Holiday) se isključuje, a zatim će se funkcija Holiday isključiti.



## NAPOMENA

1. Funkcija Holiday se uglavnom koristi za kratkotrajna putovanja i druge životne situacije, a frižider se mora isprazniti kada se koristi funkcija Holiday.
2. U funkciji Holiday, temperatura frižidera će biti viša (oko 17 °C), obratite pažnju na to da ispraznite hranu u frižideru kako biste izbegli propadanje hrane.

## Funkcija Super Cool

1. Kada je ekran otključan, pritisnite taster „K<sub>2</sub>“ (birač Super Cool), zvučni signal se oglašava jednom, indikator „B“ (funkcija Super Cool) će zasvetleti, a zatim će se uključiti funkcija Super Cool.
2. Kada indikator „B“ (funkcija Super Cool) svetli, pritisnite taster „K<sub>2</sub>“ (birač Super Cool), zvučni signal se oglašava jednom, indikator „O“ (funkcija Super Cool) će se isključiti, a zatim će se isključiti funkcija Super Cool.
3. Nakon uključivanja funkcije Super Cool, frižider će automatski isključiti funkciju kada dostigne podešenu temperaturu. Ako želite da izađete ručno, možete da pritisnete taster „K<sub>2</sub>“ (birač za Super Cool) da biste ga isključili.



## NAPOMENA

1. U načinu rada Super Cool, temperatura frižidera se ne može podesiti. Ako pritisnete dugme „K<sub>4</sub>“ (dugme za podešavanje temperature „-“) ili dugme „K<sub>5</sub>“ (dugme za podešavanje temperature „+“) da biste podesili temperaturu frižidera, indikator „B“ (indikator Super Cool) će treperiti uz pratnju brzog zvuka koji ukazuje na to da se ova radnja ne može izvršiti.
2. U stanju funkcije Super Cool, funkcija Auto-set ne može se istovremeno uključiti zbog različitih režima upravljanja. Kada izaberete jednu funkciju koja je u sukobu sa drugom funkcijom, prvobitna funkcija će se automatski zatvoriti.
3. Ova funkcija će se automatski onemogućiti nakon 6 sati.

## Funkcija Super Freeze

1. Kada je ekran otključan, pritisnite dugme „K<sub>3</sub>“ (birač Super Freeze), zvučni signal se oglašava jednom, indikator „C“ (funkcija Super Freeze) će zasvetleti, a zatim će se uključiti funkcija Super Freeze.
2. Kada indikator „C“ (funkcija Super Freeze) svetli, pritisnite dugme „K<sub>3</sub>“ (birač Super Freeze), zvučni signal se oglašava jednom, indikator „C“ (funkcija Super Freeze) se isključuje, a zatim će se isključiti funkcija Super Freeze.
3. Nakon uključivanja funkcije Super Freeze, frižider će automatski isključiti funkciju kada dostigne podešenu temperaturu. Ako želite da izađete ručno, možete da pritisnete taster „K<sub>3</sub>“ (birač Super Freeze) da biste ga isključili.





## NAPOMENA

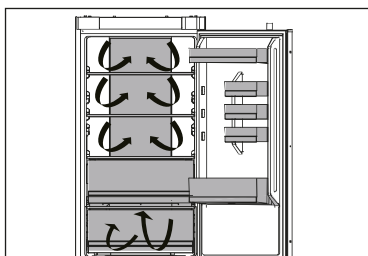
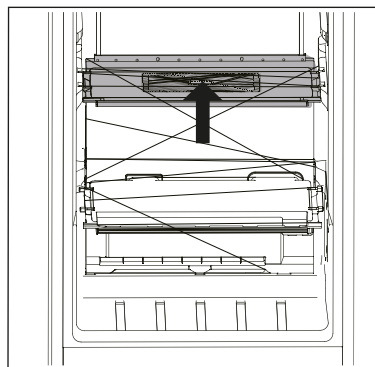
1. U stanju Super Freeze, temperatura zamrzivača se ne može podesiti. Ako pritisnete dugme „K<sub>4</sub>“ (dugme za podešavanje temperature „-“) ili dugme „K<sub>5</sub>“ (dugme za podešavanje temperature „-“) da biste podesili temperaturu zamrzivača, indikator „C“ (indikator Super Freeze) će treperiti uz pratnju brzog zvuka koji ukazuje na to da se ova radnja ne može izvršiti.
2. Funkcija Super Freeze je dizajnirana da zadrži hranjivu vrednost zamrznute hrane, ona će biti zamrznuta u najkraćem roku. Ako velike količine zamrznute hrane treba zamrznuti odjednom. U međuvremenu, funkciju Super Freeze treba podesiti 24 sata unapred kako bi zamrzivač imao relativno nisku temperaturu da bi se ubacila hrana. U tom trenutku se poboljšava brzina zamrzavanja zamrzivača, hrana se može brzo zamrznuti, hranjiva vrednost hrane se efikasno čuva, a skladištenje postaje prilično praktično.
3. Funkcija Super Freeze će se automatski isključiti nakon 50 sati. Uređaj se zatim pokreće na prethodno podešenoj temperaturi.

## Fioka Humidity Zone

U ovom odeljku je nivo vlažnosti viši nego u odeljku frižidera. Automatski ga kontroliše sistem i pogodan je za čuvanje voća, povrća, salata itd.

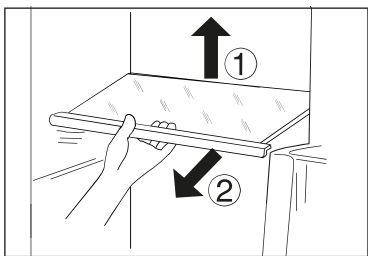
### **i** NAPOMENA

1. Ne uklanjajte plastični poklopac unutar zone.
2. Oni služe da održavaju vlažnost.
3. Ne preporučuje se da se voće osetljivo na kiseljenje kao što su ananas, avokado, banane, grejperfrut čuva u fioci.



### Višestruki protok vazduha

1. Frižider je opremljen sistemom sa višestrukim protokom vazduha, pri čemu se struja hladnog vazduha nalazi na svakom nivou police. Ovo pomaže u održavanju ravnomerne temperature kako bi se osiguralo da hrana bude sveža duže.



### Podesive police

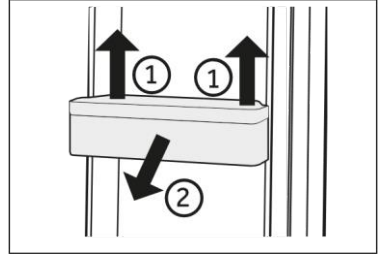
1. Visina police može se podesiti tako da odgovara vašim potrebama u pogledu čuvanja hrane.
2. Da biste premestili policu, prvo je uklonite podizanjem zadnje ivice ① i izvlačenjem ②.
3. Da biste je ponovo postavili, stavite je na držače sa obe strane i gurnite je što je moguće dublje dok se zadnji deo police ne učvrsti unutar bočnih ureza

### **i** NAPOMENA

Uverite se da su svi krajevi police ravni.

### Demontažne police u vratima / držači za flaše

1. Nosači u vratima se mogu ukloniti radi čišćenja:
2. Stavite šake sa obe strane police, podignite je nagore ① i izvucite je ②.
3. Da biste vratili nosač u vratima, obavite gorenavedene korake obrnutim redosledom.

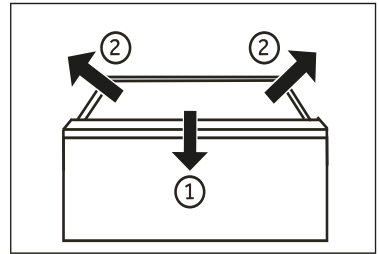


### NAPOMENA

Kada se uređaj uključi, može potrajati i do 12 sati da se postignu ispravne temperature.

### Demontažna fioka

Da biste izvadili fioku, izvucite je u najvećoj mogućoj meri ①, podignite i uklonite ②. Da biste ubacili fioku, obavite gorenavedene korake obrnutim redosledom.



### Svetlo

Unutrašnja LED lampica se uključuje kada se otvore vrata. Na učinak svetla ne utiče nijedna postavka uređaja.



## Saveti za uštedu energije

- ▶ Uverite se da uređaj ima ispravnu ventilaciju (pogledajte MONTAŽA).
- ▶ Ne montirajte uređaj na direktnoj sunčevoj svetlosti ili u blizini izvora toplote (npr. rerna, grejalica).
- ▶ Izbegavajte nepotrebno nisku temperaturu u uređaju. Potrošnja energije se povećava što je niža temperatura podešena u uređaju.
- ▶ Funkcije poput Super Freeze troše više energije.
- ▶ Sačekajte da se topla hrana ohladi pre nego što je stavite u uređaj.
- ▶ Otvarajte vrata uređaja što je manje i što kraće moguće.
- ▶ Nemojte da prepunite uređaj kako bi se izbeglo ometanje protoka vazduha.
- ▶ Izbegavajte zadržavanje vazduha pri pakovanju hrane.
- ▶ Održavajte čistoću zaptivki vrata tako da se uvek zatvaraju ispravno.
- ▶ Odmrzavajte smrznutu hranu u frižideru.
- ▶ Konfiguracija koja najviše štedi energiju zahteva da uređaj drži fioke, kutiju za hranu i police itd. u fabrički svežem stanju, a hranu treba postaviti što je dublje moguće bez blokiranja izlaza vazdušnog voda.



## UPOZORENJE!

Isključite uređaj iz mrežnog napajanja pre čišćenja.

### Čišćenje

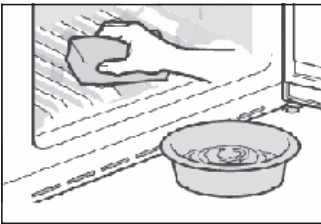
Očistite uređaj samo kada se čuva mala količina hrane ili kada nema hrane u njemu.

Uređaj treba da čistite na četiri nedelje radi dobrog održavanja i kako bi se sprečilo stvaranje neprijatnog mirisa hrane.



## UPOZORENJE!

- ▶ Nemojte da čistite uređaj tvrdim četkama, žičanim četkama, deterdžentom u prahu, benzinom, amil acetatom, acetonom i sličnim organskim, kiselim ili alkalnim rastvorima. Čistite uređaj specijalnim deterdžentom za frižidere kako biste izbegli oštećenje.
- ▶ Nemojte da prskate tečnost na uređaj niti da ga ispirate tokom čišćenja.
- ▶ Nemojte da koristite raspršenu vodu ili paru za čišćenje uređaja.
- ▶ Nemojte da čistite hladne staklene police vrućom vodom. Iznenadna promena temperature može da prouzrokuje lom stakla.
- ▶ Nemojte da dodirujete unutrašnju površinu zamrzivača, naročito ne vlažnim šakama, jer šake mogu da vam se zamrznu na površini.
- ▶ U slučaju zagrevanja, proverite stanje zamrznute hrane.



- ▶ Uvek održavajte zaptivku vrata čistom.
- ▶ Očistite unutrašnjost i kućište uređaja sunđerom natopljenim toplom vodom i neutralnom deterdžentu.
- ▶ 1. Oribajte unutrašnjost i spoljašnjost frižidera, uključujući zaptivku vrata, policu u vratima, staklene police, kutije itd. koristeći meku krpu ili sunđer umočen u toplu vodu (možete da dodate neutralni deterdžent u toplu vodu).
- ▶ 2. Ako se prolije tečnost, uklonite sve zaprljane delove, direktno isperite pod tekućom vodom, osušite i vratite nazad u frižider.
- ▶ 3. Ako se prolije gusta tečnost (na primer, šlag, otopljeni sladoled), uklonite sve zaprljane delove, stavite u toplu vodu od oko 40 °C neko vreme, a zatim isperite pod tekućom vodom, osušite i vratite nazad u frižider.
- ▶ 4. U slučaju da se neki mali deo ili komponenta zaglavi unutar frižidera (između policu ili fioka), oslobodite ih malom četkom. Ako niste mogli da dođete do dela, obratite se servisnoj službi kompanije Haier
- ▶ Isperite i osušite mekom krpom.
- ▶ Nemojte da čistite nijedan deo uređaja u mašini za pranje sudova.
- ▶ Sačekajte najmanje 5 minuta pre ponovnog uključivanja uređaja, jer često uključivanje može oštetiti kompresor.

## Odmrzavanje

Odmrzavanje frižidera i zamrzivača se vrši automatski, tako da ne morate to da radite ručno.

## Zamena LED lampica



### UPOZORENJE!

Nemojte sami da menjate LED lampicu. Nju sme da zameni samo proizvođač ili ovlašćeni serviser.

Lampice imaju LED tehnologiju za izvor svetlosti, što podrazumeva malu potrošnju energije i dugi vek trajanja. Ako postoji bilo kakva abnormalnost, obratite se korisničkoj službi. Pogledajte odeljak KORISNIČKA SLUŽBA.

Parametri lampica:

Odeljak frižidera: 12 V maks. 2 W

Odeljak zamrzivača: 12 V, maks. 2 W

## Duži prekid rada

Ako ne koristite uređaj duže vreme i ne želite da koristite funkciju Holiday:

Izvadite hranu.

Isključite kabl za napajanje.

Očistite uređaj kao što je opisano u prethodnom tekstu.

Držite vrata otvorena kako bi se sprečilo stvaranje neprijatnih mirisa u unutrašnjosti uređaja.



### NAPOMENA

Isključite uređaj samo ako je to neophodno.

## Premeštanje uređaja

1. Uklonite svu hranu i isključite uređaj iz mrežnog napajanja.
2. Zalepite police i druge pokretne delove u frižideru i zamrzivaču lepljivom trakom.
3. Nemojte naginjati frižider za više od 45° kako biste izbegli oštećenje rashladnog sistema.



### UPOZORENJE!

- ▶ Nemojte da podižete uređaj držeći ga za ručke.
- ▶ Nemojte da postavljate uređaj vodoravno na zemlju.

Mnoge probleme koji se javljaju možete da rešite sami bez posedovanja posebne stručnosti. U slučaju problema, proverite sve predstavljene mogućnosti i pratite uputstva u nastavku pre nego što se obratite postprodajnoj službi. Pogledajte odeljak KORISNIČKA SLUŽBA.



## UPOZORENJE!

- ▶ Pre sprovođenja održavanja, deaktivirajte uređaj i isključite utikač iz utičnice.
- ▶ Električnu opremu smeju da servisiraju samo stručni električari, jer nepravilne popravke mogu prouzrokovati značajnu posledičnu štetu.
- ▶ Oštećeni mrežni kabl sme da zameni samo proizvođač, radnik servisne službe ili slično kvalifikovana lica kako bi se izbegla opasnost.

Problem	Mogući uzrok	Moguće rešenje
Kompresor ne radi.	<ul style="list-style-type: none"> <li>• Utikač nije priključen u utičnicu.</li> <li>• Uređaj je u ciklusu odmrzavanja</li> </ul>	<ul style="list-style-type: none"> <li>• Priključite utikač.</li> <li>• Ovo je normalno za automatsko odmrzavanje</li> </ul>
Uređaj radi često ili radi tokom dužeg vremenskog perioda.	<ul style="list-style-type: none"> <li>• Unutrašnja ili spoljašnja temperatura je previsoka.</li> <li>• Uređaj je isključen tokom određenog vremenskog perioda.</li> <li>• Vrata uređaja nisu dobro zatvorena.</li> <li>• Vrata se otvaraju prečesto ili predugo.</li> <li>• Postavka temperature za zamrzivač je preniska.</li> <li>• Zaptivka vrata je prljava, istrošena, napukla ili neodgovarajuća.</li> <li>• Potrebna cirkulacija vazduha nije zagarantovana.</li> </ul>	<ul style="list-style-type: none"> <li>• U ovom slučaju, normalno je da uređaj radi duže.</li> <li>• Obično je potrebno od 8 do 12 sati da se uređaj potpuno ohladi.</li> <li>• Zatvorite vrata/fioku i uverite se da se uređaj nalazi na ravnom terenu i da nikakva hrana niti posuda ne blokiraju vrata.</li> <li>• Ne otvarajte vrata/fioku prečesto.</li> <li>• Podesite višu temperaturu dok se ne dobije zadovoljavajuća temperatura frižidera. Potrebno je 24 sata da temperatura frižidera postane stabilna.</li> <li>• Očistite zaptivku vrata/fioke ili neka je korisnička služba zameni.</li> <li>• Osigurajte adekvatnu ventilaciju.</li> </ul>
Unutrašnjost frižidera je prljava i/ili neprijatno miriše.	<ul style="list-style-type: none"> <li>• Unutrašnjost frižidera treba da se očisti.</li> <li>• Hrana jakog mirisa čuva se u frižideru.</li> </ul>	<ul style="list-style-type: none"> <li>• Očistite unutrašnjost frižidera.</li> <li>• Dobro umotajte hranu.</li> </ul>

Problem	Mogući uzrok	Moguće rešenje
Nije dovoljno hladno u unutrašnjosti uređaja.	<ul style="list-style-type: none"> <li>• Podešena je previsoka temperatura.</li> <li>• Pretopla hrana se čuva u uređaju.</li> <li>• Previše hrane je smešteno u uređaj.</li> <li>• Namirnice su preblizu jedna drugoj.</li> <li>• Vrata/fioka uređaja nije dobro zatvorena.</li> <li>• Vrata/fioka je otvorena prečesto ili predugo.</li> </ul>	<ul style="list-style-type: none"> <li>• Resetujte temperaturu.</li> <li>• Uvek ohladite hranu pre nego što je stavite u uređaj.</li> <li>• Uvek čuvajte manje količine hrane.</li> <li>• Ostavite razmak između namirnica da biste omogućili protok vazduha.</li> <li>• Zatvorite vrata/fioku.</li> <li>• Ne otvarajte vrata/fioku prečesto.</li> </ul>
Prehladno je u unutrašnjosti uređaja.	<ul style="list-style-type: none"> <li>• Podešena je preniska temperatura.</li> <li>• Funkcija Super Freeze/ Super Cool je aktivirana ili predugo radi.</li> </ul>	<ul style="list-style-type: none"> <li>• Resetujte temperaturu.</li> <li>• Isključite funkciju Super Freeze / Super Cool</li> </ul>
Vlaga se formira na unutrašnjoj strani frižidera.	<ul style="list-style-type: none"> <li>• Klima okruženja je previše topla i previše vlažna.</li> <li>• Vrata/fioka uređaja nije dobro zatvorena.</li> <li>• Vrata/fioka je otvorena prečesto ili predugo.</li> <li>• Posude za hranu ili tečnosti su otvorene.</li> </ul>	<ul style="list-style-type: none"> <li>• Povećajte temperaturu.</li> <li>• Zatvorite vrata/fioku.</li> <li>• Ne otvarajte vrata/fioku prečesto.</li> <li>• Sačekajte da se vruća hrana ohladi na sobnoj temperaturi i prekrijte hranu i tečnosti.</li> </ul>
Vlaga se akumulira na spoljnoj površini frižidera ili između vrata, to jest, vrata i fioke.	<ul style="list-style-type: none"> <li>• Klima okruženja je previše topla i previše vlažna.</li> <li>• Vrata nisu dobro zatvorena. Hladan vazduh u uređaju i topao vazduh van njega izaziva kondenzaciju.</li> </ul>	<ul style="list-style-type: none"> <li>• Ovo je uobičajeno u vlažnoj klimi i promeniće se kada se vlažnost smanji.</li> <li>• Uverite se da su vrata/fioke čvrsto zatvorene.</li> </ul>
Ekran svetli, ali se oseća da hlađenje ne radi.	<ul style="list-style-type: none"> <li>• U demo režimu je.</li> </ul>	<ul style="list-style-type: none"> <li>• Imajte na umu u kakvom je stanju, ako je u Demo režimu, izađite iz njega. Izađite iz Otvorite vrata frižidera, u zaključanom stanju, pritisnite drugo dugme sa desne strane 8 s u roku od 12 sati od uključivanja.</li> </ul>

Problem	Mogući uzrok	Moguće rešenje
Velike količine leda i mraza su se formirale u zamrzivaču.	<ul style="list-style-type: none"> <li>Namirnice nisu bile dobro upakovane.</li> <li>Vrata/fioka uređaja nije dobro zatvorena.</li> <li>Vrata/fioka je otvorena prečesto ili predugo.</li> <li>Zaptivka vrata/fioke je prljava, istrošena, napukla ili neodgovarajuća.</li> <li>Nešto iznutra sprečava pravilno zatvaranje vrata/fioke.</li> </ul>	<ul style="list-style-type: none"> <li>Uvek dobro upakujte namirnice.</li> <li>Zatvorite vrata/fioku.</li> <li>Ne otvarajte vrata/fioku prečesto.</li> <li>Očistite zaptivku vrata/fioke ili zamenite je novom.</li> <li>Promenite položaj polica, polica za vrata ili unutrašnjih posuda kako biste omogućili zatvaranje vrata/fioka.</li> </ul>
Bočne strane frižidera i lajsne na vratima se zagrevaju.	<ul style="list-style-type: none"> <li>-</li> </ul>	<ul style="list-style-type: none"> <li>Ovo je normalna pojava.</li> </ul>
Uređaj pravi neuobičajene zvukove.	<ul style="list-style-type: none"> <li>Uređaj se nalazi na neravnoj površini.</li> <li>Uređaj dodiruje neki predmet do njega.</li> </ul>	<ul style="list-style-type: none"> <li>Podesite stopice za nivelisanje uređaja.</li> <li>Uklonite predmete oko uređaja.</li> </ul>
Čuje se tih zvuk koji je sličan zvuku tekuće vode.	<ul style="list-style-type: none"> <li>-</li> </ul>	<ul style="list-style-type: none"> <li>Ovo je normalna pojava.</li> </ul>
Čuje se pištanje.	<ul style="list-style-type: none"> <li>Vrata frižidera su otvorena.</li> </ul>	<ul style="list-style-type: none"> <li>Zatvorite vrata.</li> </ul>
Čuje se tiho brujanje.	<ul style="list-style-type: none"> <li>Sistem protiv kondenzacije radi</li> </ul>	<ul style="list-style-type: none"> <li>Ovo sprečava kondenzaciju i normalna je pojava</li> </ul>
Unutrašnji sistem osvetljenja ili hlađenja ne radi.	<ul style="list-style-type: none"> <li>Utikač nije priključen u utičnicu.</li> <li>Napajanje je neispravno.</li> <li>LED lampica nije ispravna.</li> </ul>	<ul style="list-style-type: none"> <li>Priključite utikač.</li> <li>Proverite napajanje električnom energijom u prostoriji. Pozovite električara!</li> <li>Pozovite korisničku službu radi zamene lampice.</li> </ul>

Da biste se obratili tehničkoj pomoći, posetite našu veb-lokaciju:

<https://corporate.haier-eu-roe.com/en/>

U odeljku „veb-lokacija” izaberite brend proizvoda i svoju zemlju. Bićete preusmereni na određenu veb-lokaciju na kojoj možete pronaći telefonski broj i obrazac za kontakt sa službom tehničke pomoći.

## Prekid napajanja

U slučaju prekida napajanja, hrana bi trebalo da ostane bezbedno hladna oko 5 sati. Pratite ove savete tokom dužeg prekida napajanja, posebno tokom leta:

- ▶ Otvorite vrata/fioku što je ređe moguće.
- ▶ Ne stavljajte dodatnu hranu u uređaj tokom prekida napajanja.
- ▶ Ako se najavi prekid napajanja i ono traje duže od 5 sati, napravite led i stavite ga u posudu na gornju policu u unutrašnjosti frižidera.
- ▶ Odmah nakon prekida napajanja pregledajte sve namirnice.
- ▶ Pošto će temperatura u frižideru porasti tokom prekida napajanja ili drugog kvara, period čuvanja i jestivost hrane će se smanjiti. Svaku hranu koja se odmrzava treba konzumirati ili skuvati i ponovo zamrznuti (gde je to prikladno) ubrzo nakon toga kako bi se sprečili zdravstveni rizici.

## Funkcija memorije tokom prekida napajanja

Nakon povratka napajanja, uređaj nastavlja rad sa postavkama koje su podešene pre nestanka struje.

## Raspakivanje



### UPOZORENJE!

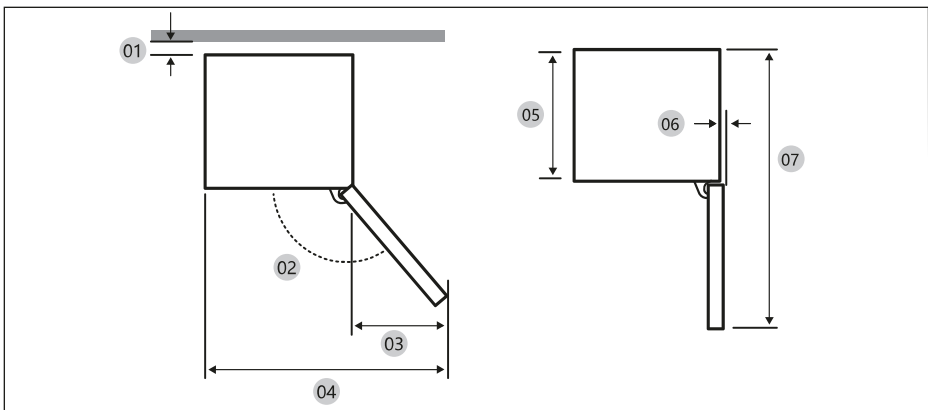
- ▶ Uređaj je težak. Njime uvek moraju da rukuju najmanje dve osobe.
- ▶ Čuvajte sve materijale ambalaže van domašaja dece i odložite ih u otpad na ekološki prihvatljiv način.
- ▶ Izvadite uređaj iz ambalaže.
- ▶ Uklonite sve materijale ambalaže.

## Uslovi u okruženju

Sobna temperatura uvek treba da bude između 10 °C i 43 °C, jer može uticati na temperaturu unutar uređaja i njegovu potrošnju energije. Nemojte da montirate uređaj u blizini drugih uređaja koji emituju toplotu (rerne, frižideri) bez izolacije.

## Potrebna prostor

Potrebna prostor kada su vrata otvorena (bez panela vrata ormarića)

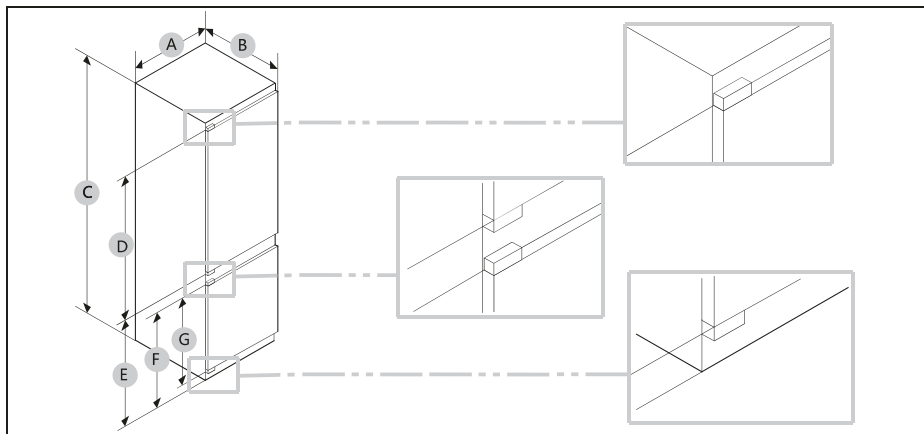


Model	EHBQW5518E HBQW5518E HBQW5518EK HQE1855BCMW EHQE1855BCMW	HBQW5519E HBQW5519EK EHBQW5519E EHBQW5519ECM	HBQW5719E
01 *	10 (min) / 30 (preporučeno)	10 (min) / 30 (preporučeno)	10 (min) / 30 (preporučeno)
02	95° (Preporučeno)	95° (Preporučeno)	95° (Preporučeno)
03	43	43	55
04	583	583	745
05	515	515	515
06	-3	-3	-3
07	1060	1060	1210

\* 01: Od ormarića do zadnjeg dela proizvoda.

(jedinica: mm)

## Dimenzije proizvoda



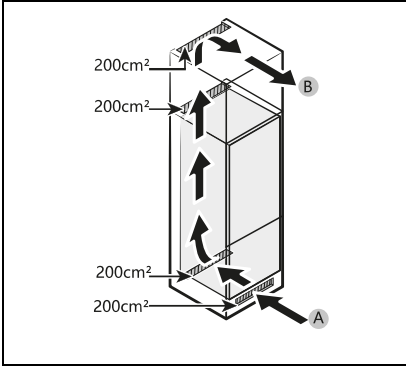
Model	A (mm)	B (mm)	C (mm)	D (mm)	E (mm)	F (mm)	G (mm)
EHBQW5518E HBQW5518E HBQW5518EK HQE1855BCMW EQE1855BCMW	540±2	550±2	1772±2	970	745	662	618
HBQW5519E HBQW5519EK EHBQW5519E EHBQW5519ECM	540±2	550±2	1935±2	1133	745	662	618
HBQW5719E	690±2	550±2	1935±2	1133	745	662	618

**i** NAPOMENA

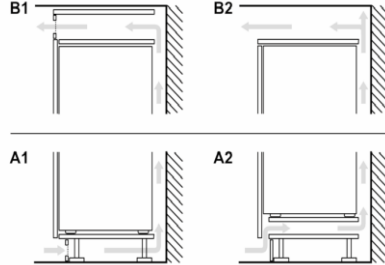
- Navedena potrošnja energije zasiva se na razmaku od 10 mm od ormarića do zadnjeg dela proizvoda. Proizvod će raditi ispravno čak i sa razmakom manjim od 10 mm, ali troši nešto više energije.
- Preporučujemo upotrebu ormarića debljine 18 mm sa šarkama debljine manje od 20 mm.
- Merenja u gornjoj tabeli mogu se razlikovati, u zavisnosti od metode merenja.
- Uputstva za ugradnu verziju u Vodiču za ugradnju.

## Poprečni presek za ventilaciju

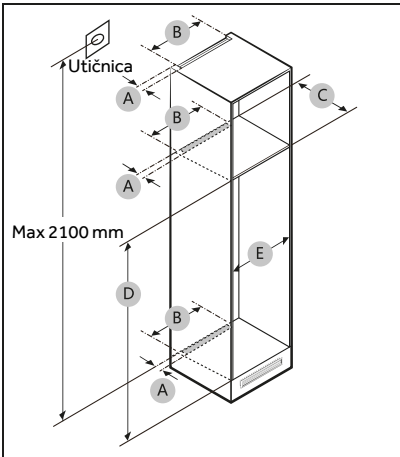
Da bi se postigla dovoljna ventilacija uređaja iz bezbednosnih razloga, moraju se poštovati informacije o potrebnim poprečnim presecima za ventilaciju.



**A:** Ulaz vazduha  $\geq 200 \text{ cm}^2$ ; opcije ventilacije  
**B:** Izlaz vazduha  $\geq 200 \text{ cm}^2$ ; opcije ventilacije



## Dimenzije ormarića



## OPREZI!

Svaki kvar proizvoda zbog sledećeg nije pokriven Garancijom.

1. Nepravilni uslovi na lokaciji ili nepravilne veličine ormarića.
2. Neispravan ormarić.
3. Greške instalatera ili korisnika.

## Zazor

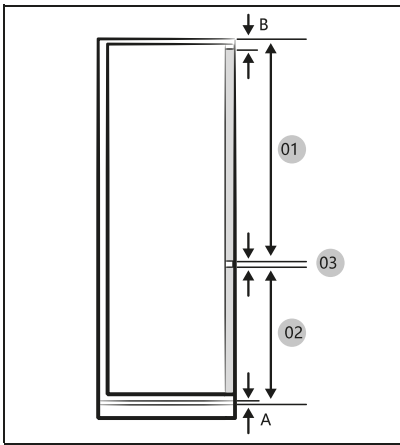
Pogledajte slike i tabele u nastavku za prostorne zahteve za ugradnju.

Model		A (mm)	B (mm)	C (mm)	D (mm)	E (mm)	Napomena
EHBQW5518E HBQW5518E HBQW5518EK HQE1855BCMW EHQE1855BCMW	Min.	50	400	560	1778	560	Šarka: 17 mm
	Preporučeno			580	1780	562	
	Maks.			-	1782	568	
HBQW5519E HBQW5519EK EHBQW5519E EHBQW5519ECM	Min.	50	400	560	1940	560	Šarka: 17 mm
	Preporučeno			580	1943	562	
	Maks.			-	1945	568	
HBQW5719E	Min.	50	400	560	1941	710	Šarka: 17 mm
	Preporučeno			580	1943	714	
	Maks.			-	1945	718	



## NAPOMENA

- Ako je širina ormarića veća od 568 mm, zaptivka (između frižidera i ormarića) može postati labava.
- Ako je ormarić veći od maksimalne dimenzije (1782 mm), morate koristiti druge materijale za završnu obradu kako biste popunili prazninu. (za EHBQW5518E/ HBQW5518E/ EK/ EHQE/ HQE1855BCMW)
- Ako je ormarić veći od maksimalne dimenzije (1945 mm), morate koristiti druge materijale za završnu obradu da biste popunili prazninu. (za HBQW5519E/ EK/ EHBQW5519E/ ECM)



## NAPOMENA

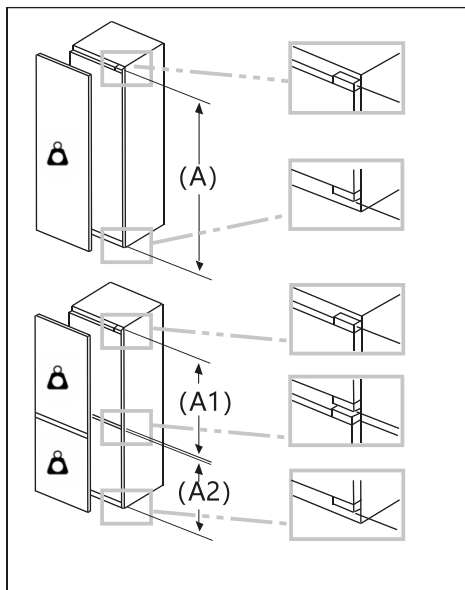
Da biste ugradili ormarić koji zahteva razmak od 4 mm (03), pogledajte referentnu tabelu ormarića u nastavku.

- A Donja ivica prednjeg panela iznad ventilacije vazduha  
 B Prednji panel prekomerno visi

(jedinica: mm)

Model	EHBQW5518E HBQW5518E HBQW5518EK HQE1855BCMW EHQE1855BCMW	HBQW5519E HBQW5519EK EHBQW5519E EHBQW5519ECM HBQW5719E
01	Min. 1028+B Maks. 1106+B	Min. 1191+B Maks. 1269+B
02	Min. 662+A Maks. 740+A	Min. 662+A Maks. 740+A
03	4 mm (razmak između vrata frižidera i zamrzivača)	

## Maksimalna dozvoljena težina prednjih strana jedinice

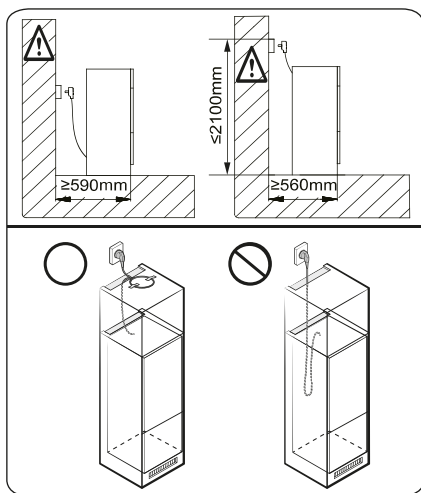


Prednje strane ugrađene jedinice koje premašuju dozvoljenu težinu mogu prouzrokovati oštećenje i dovesti do funkcionalnog oštećenja šarki.

 **Težina**  
(kg)

1500–1750 mm	22
720–1400 mm	19
A1	15
A2	15

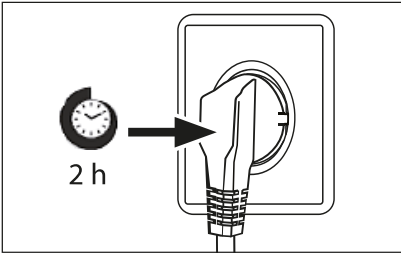
## Razmatranje lokacije utičnice i potrebnog prostora



## **NAPOMENA**

Ako ugradite frižider u ormarić dubine 560 mm, uverite se da je kabl za napajanje postavljen na bočnoj strani frižidera pre nego što ga priključite u utičnicu. Ako je kabl za napajanje u zadnjem delu frižidera, to može smanjiti energetska efikasnost.

## Vreme čekanja



Ulje za podmazivanje koje ne zahteva održavanje nalazi se u kapsuli kompresora. Ovo ulje može da prođe kroz zatvoreni sistem cevi tokom transporta na nagibu. Pre priključivanja uređaja na mrežno napajanje, morate da sačekate 2 sata tako da ulje otekne nazad u kapsulu.

## Električna veza

Pre svakog spajanja, proverite sledeće:

- ▶ napajanje, utičnica i osigurači su u skladu sa natpisnom pločicom,
- ▶ utičnica je uzemljena i nema više priključnica niti produžetka,
- ▶ utikač i utičnica su strogo usklađeni sa pravilima.

Priključite utikač u pravilno montiranu utičnicu za domaćinstvo.



## UPOZORENJE!

Da bi se izbegli rizici, korisnička služba mora da zameni oštećeni mrežni kabl (pogledajte garantni list).

Tehnički podaci o proizvodu u skladu sa Uredbom EU br. 2019/2016

Marka	Haier		
Naziv/identifikator modela	EHBQW5518E HBQW5518E HBQW5518EK HQE1855BCMW EHQE1855BCMW	HBQW5519E HBQW5519EK EHBQW5519E EHBQW5519ECM	HBQW5719E
Kategorija modela	Frižider i zamrzivač		
Klasa energetske efikasnosti	E	E	E
Godišnja potrošnja energije (kWh/godišnje) (1)	229	229	259
Ukupna zapremina (l)	268	285	382
Zapremina frižidera (l)	194	211	281
Zapremina zamrzivača (l)	74	74	101
Zapremina rashladnog odeljka (L)	/	/	/
Zapremina automatskog ledomata (L)	/	/	/
Ocena u zvezdicama	4	4	4
Temperatura ostalih odeljaka >14 °C	Nije primenljivo		
Sistem bez mraza	Da		
Kapacitet zamrzavanja (kg/24 h)			
Klimatska ocena (2)	SN/N/ST/T	SN/N/ST/T	SN/N/ST/T
Klasa emisija buke i emisija akustične buke koje se prenose vazduhom (dB(A)re1pW)	B(35)	B(35)	B(33)
Vreme porasta temperature (h)	12	12	9
Kapacitet izrade leda	/	/	/
Tip uređaja	Ugradni		

Naziv modela	Klasa energetske efikasnosti
EHBQW5518E HBQW5518E HBQW5518EK HQE1855BCMW EHQE1855BCMW	E
HBQW5519E HBQW5519EK EHBQW5519E EHBQW5519ECM HBQW5719E	E

Objašnjenja:

- Da, deo opreme

(1) Na osnovu rezultata ispitivanja usklađenosti sa standardima tokom 24 sata. Stvarna potrošnja zavisi od upotrebe i lokacije uređaja.

(2) Klimatska ocena za SN: Ovaj uređaj je namenjen za upotrebu na temperaturi okruženja između +10 °C i +32 °C

Klimatska ocena za N: Ovaj uređaj je namenjen za upotrebu na temperaturi okruženja između +16 °C i +32 °C

Klimatska ocena za ST: Ovaj uređaj je namenjen za upotrebu na temperaturi okruženja između +16 °C i +38 °C

Klimatska ocena za T: Ovaj uređaj je namenjen za upotrebu na temperaturi okruženja između +16 °C i +43 °C

### Dodatni tehnički podaci

Napon/frekvencija	220–240 V ~/50 Hz
Ulazna struja (A)	1.2/1.6
Glavni osigurač (A)	16
Rashladna tečnost	R600a
Dimenzije (V/Š/D u mm)	EHBQW5518E/ HBQW5518E/ EK EHQE/ HQE1855BCMW: 1773/540/555
	HBQW5519E/ EK/ EHBQW5519E/ ECM: 1935/540/555
	EHBQW5719E : 1935/690/550

Preporučujemo našu Haier korisničku službu i upotrebu originalnih rezervnih delova. Ako imate problema sa uređajem, prvo pogledajte odeljak REŠAVANJE PROBLEMA.

Ako ne možete da pronađete rešenje tamo, obratite se

- ▶ lokalnom prodavcu ili
- ▶ našem evropskom pozivnom centru servisne službe (pogledajte brojeve telefona navedene u nastavku) ili
- ▶ idite u oblast „Servis i podrška“ na stranici [www.haier.com](http://www.haier.com) gde možete poslati zahtev
- ▶ za servis i pronaći pitanja i odgovore.

Da biste se obratili našem servisu, uverite se da imate na raspolaganju sledeće podatke.

Informacije se mogu naći na natpisnoj pločici.

Model \_\_\_\_\_

Serijski broj \_\_\_\_\_

Takođe, pogledajte garantni list koji je isporučen sa proizvodom u slučaju garancije.

Evropski pozivni centar servisne službe		
Zemlja*	Broj telefona	Troškovi
Haier Italy (IT)	199 100912	
Haier Spain (ES)	902 509 123	
Haier Germany (DE)	0180 5 39 39 99	<ul style="list-style-type: none"> <li>• 14 ct/min. za pozive na fiksni telefon</li> <li>• maks. 42 ct/min. za pozive na mobilni telefon</li> </ul>
Haier Austria (AT)	0820 001205	<ul style="list-style-type: none"> <li>• 14,53 ct/min. za pozive na fiksni telefon</li> <li>• maks. 20 ct/min. sve ostalo</li> </ul>
Haier United Kingdom (UK)	0333 003 8122	
Haier France (FR)	0980 406 409	

\*Za druge zemlje, pogledajte [www.haier.com](http://www.haier.com)

Haier Europe Trading S.r.l

Branch UK

Westgate House, Westgate, Ealing

London, W5 1YY

\*Trajanje garancije za rashladni uređaj:

Minimalna garancija je: 2 godine za zemlje EU, 3 godine za Tursku, 1 godina za Veliku Britaniju, 1 godina za Rusiju, 3 godine za Švedsku, 2 godine za Srbiju, 5 godina za Norvešku, 1 godina za Maroko, 6 meseci za Alžir, u Tunisu nije potrebna zakonska garancija.

\*Period dostupnosti rezervnih delova za popravku uređaja:

Termostati, temperaturni senzori, štampane ploče i izvori svetlosti dostupni su u trajanju od najmanje sedam godina nakon stavljanja poslednje jedinice modela na tržište.

Ručke za vrata, šarke vrata, tacne i korpe za minimalni period od sedam godina i zaptivke vrata za minimalni period od 10 godina, nakon stavljanja poslednje jedinice modela na tržište.

\*Za dodatne informacije o proizvodu, pogledajte stranicu

<https://eprel.ec.europa.eu/> ili skenirajte QR kôd

na energetske nalepnice koje su isporučene sa uređajem.



**Haier**



2024. Verzija A

# Haier



## Bruksanvisning

Kyl- och frysskåp

EHBQW5518E

HBQW5518E

HBQW5518EK

HQE1855BCMW

EHQE1855BCMW

HBQW5519E

HBQW5519EK

EHBQW5519E

EHBQW5519ECM

HBQW5719E

SV

<u>4 Säkerhetsinformation</u>	<u>Innan apparaten används första gången</u>	5
	<u>Installation</u>	5
	<u>Daglig användning</u>	6
	<u>Information om köldmediegas</u>	8
<u>9 Avsedd användning</u>		
<u>10 Produktbeskrivning</u>		
<u>12 Kontrollpanel</u>		
<u>13 Användning</u>	<u>Lås/lås upp panel</u>	13
	<u>Justera temperaturen för kylan</u>	13
	<u>Justera temperaturen för frysen</u>	14
	<u>Wi-Fi-funktion</u>	15
	<u>Holiday-funktion</u>	15
	<u>Super Cool-funktion</u>	16
	<u>Super Freeze-funktion</u>	16
<u>18 Utrustning</u>		
<u>20 Tips för att spara energi</u>		
<u>21 Skötsel och rengöring</u>		
<u>23 Felsökning</u>		
<u>27 Installation</u>		
<u>34 Tekniska data</u>		
<u>36 Kundtjänst</u>		

## Tack för att du har köpt en Haier-produkt.

Läs igenom dessa anvisningar noggrant innan du använder apparaten. Instruktionerna innehåller viktig information som hjälper dig att få ut det bästa av apparaten och garanterar en säker och korrekt installation, användning och underhåll.

Förvara den här bruksanvisningen på en lämplig plats så att du alltid kan läsa den för att använda apparaten på ett säkert och korrekt sätt.

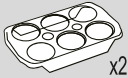
Om du säljer apparaten, ger bort den eller lämnar den kvar när du flyttar, se till att du också lämnar över den här bruksanvisningen så att den nya ägaren kan bekanta sig med apparaten och säkerhetsföreskrifterna.

## Tillbehör

Kontrollera tillbehören och litteraturen i enlighet med denna lista:



Bricka  
för isbitar



Äggbricka  
x2



Energimärkning



Garantikort



Bruksanvisning med  
säkerhetsvarningar



Skruv  
x4



Lock  
x2



Dyna  
x2



Glidskena  
x4



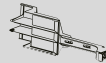
Glidenhet  
x4



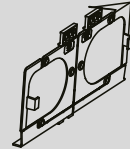
Fast platta



Gångjärnskåpa



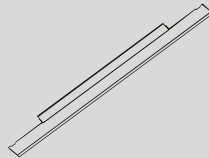
Fast platta II



Fast bottenplatta



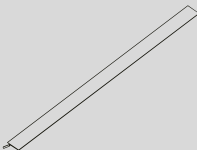
Fast topplatta



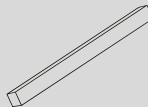
Nedre skydd



Nedre sidoskydd



Tätninglist



Skumtätning



Nedre gångjärnskåpa

**VARNING - Viktig säkerhetsinformation****OBSERVERA - Allmän information och tips****Miljöinformation****Bortskaffande**

Bidra till att skydda miljön och människors hälsa. Lägg förpackningen i lämpliga behållare för att återvinna den. Hjälp till att återvinna avfall från elektriska och elektroniska apparater. Släng inte apparater märkta med denna symbol med hushållsavfallet. Lämna in produkten till den lokala återvinningsanläggningen eller kontakta ditt kommunala kontor.

**VARNING!**

Risk för skada eller kvävning!

Köldmedier och gaser måste bortskaffas professionellt. Se till att kylmediekretsens slangar inte är skadade innan de kasseras. Koppla bort apparaten från elnätet. Klipp av nätkabeln och kassera den. Ta bort bricker och lådor samt dörrspärrar och tätningar för att förhindra att barn och husdjur stängs in i apparaten.

## Innan du slår på apparaten för första gången, läs följande säkerhetsråd!:



### VARNING!

#### Innan apparaten används första gången

- ▶ Se till att det inte finns några transportskador.
- ▶ Vänta minst två timmar innan du installerar apparaten för att säkerställa att köldmediekretsen är fullt effektiv.
- ▶ Apparaten är tung och ska hanteras av minst två personer.
- ▶ Ta bort allt förpackningsmaterial, förvara det utom räckhåll för barn och kassera det på ett miljövänligt sätt.
- ▶ Rengör apparatens in- och utsida med vatten och ett mildt rengöringsmedel innan du lägger in mat i den.
- ▶ Vänta minst 2-5 timmar innan du ansluter apparaten till strömförsörjningen efter att den har installerats och rengjorts. Se avsnitt INSTALLATION.
- ▶ Förkyl facken ordentligt genom att ställa in de högre kylinställningarna innan du fyller dem med mat. Funktionen Power-Freeze hjälper till att kyla ned facken snabbt.
- ▶ Kylskåpets och frysens temperatur ställs och ställs automatiskt in på 5 °C respektive -18 °C. Det är de rekommenderade inställningarna. Om man önskar går det att manuellt ändra de inställda temperaturerna. Se avsnittet JUSTERA TEMPERATUREN.

#### Installation

- ▶ Apparaten ska placeras på en väl ventilerad plats. Se till att det finns ett utrymme på minst 10 cm över och runt apparaten.
- ▶ Placera aldrig apparaten i ett fuktigt utrymme eller på en plats där vatten kan stänka på apparaten. Rengör och torka vattenstänk och fläckar med en mjuk, ren trasa.
- ▶ Installera inte apparaten i direkt solljus eller i närheten av värmekällor (t.ex. spisar, värmare).
- ▶ Installera och nivellera apparaten på en lämplig plats med hänsyn till användning och storlek.
- ▶ Håll ventilationsöppningarna i apparaten eller i den inbyggda konstruktionen fria från hinder.
- ▶ Kontrollera att den elektriska informationen på typskylten överensstämmer med strömförsörjningen. Om den inte gör det, kontakta en elektriker.
- ▶ Apparaten drivs av en strömförsörjning på 220-240 VAC/50 Hz. Onormala spänningsvariationer kan göra att apparaten inte startar, skada temperaturkontrollen eller kompressorn eller låta konstigt under drift. Om det är så, ska en automatisk regulator installeras.
- ▶ Använd inte adapterar och förlängningskablar med flera kontakter.



## VARNING!

- ▶ Lagg inte flera bärbara uttag eller bärbara strömförsörjningsaggregat bakom produkten.
- ▶ Se till att strömkabeln inte fastnar i kylskåpet. Trampa inte på strömkabeln.
- ▶ Använd ett separat jordat uttag för strömförsörjningen som är lätt att komma åt. Apparaten måste jordas.  
Endast för UK: Apparaten strömkabel är försedd med en 3-polig jordad kontakt som passar ett standarduttag med 3 poler (jordad). Klipp aldrig av eller demontera den tredje polen (jordad). Kontakten ska vara tillgänglig när apparaten är installerad.
- ▶ Skada inte köldmediekretsen.

## Daglig användning

- ▶ Den här apparaten kan användas av barn från åtta års ålder och av personer med nedsatt fysisk, sensorisk eller mental förmåga om de har fått handledning eller instruktioner för säker användning och förstår de faror som är inblandade.
- ▶ Barn i åldern 3–8 år får använda kylskåpet för att ta ut och sätta i mat. De får inte rengöra eller installera kylskåpet.
- ▶ Håll barn under tre år borta från apparaten om de inte är under ständig uppsikt.
- ▶ Barn ska inte leka med apparaten.
- ▶ Om kolgas av annan brandfarlig gas läcker ut i närheten av apparaten, stäng av ventilen för den läckande gasen, öppna dörrar och fönster och dra inte ur strömkabeln till kylskåpet eller någon annan apparat.
- ▶ Observera att apparaten är inställd för drift vid ett specifikt temperaturintervall mellan 10 och 43 °C. Det kan hända att apparaten inte fungerar som den ska om den lämnas under en längre tid vid en temperatur över eller under det angivna intervallet.
- ▶ För att förhindra personskada orsakad av fall eller elchock orsakad av kontakt med vatten, ska instabila föremål (tunga objekt, behållare med vatten) inte placeras ovanpå apparaten.
- ▶ Dra inte i dörrhyllorna. Dörren kan dras snett, flaskstället kan dras bort eller så kan apparaten välta.
- ▶ Öppna och stäng dörrarna endast med handtagen. Mellanrummet mellan dörrarna och skåpet är mycket smalt. Lagg inte händerna i dessa områden för att undvika att fingrarna kläms. Öppna eller stäng kylskåpets dörr endast när inga barn befinner sig inom dörrrens rörelseområde.
- ▶ Förvara eller använd inte brännbara, explosiva eller frätande material i apparaten eller i dess närhet.
- ▶ Förvara inte mediciner, medel med bakterier eller kemikalier i apparaten. Den här apparaten är en hushållsapparat. Det rekommenderas inte att förvara material som kräver strikta temperaturer.
- ▶ Förvara aldrig vätskor i flaskor eller burkar (förutom högprocentiga spritdrycker), särskilt kolsyrade drycker i frysen, eftersom de spricker under frysning.



## VARNING!

- ▶ Kontrollera livsmedlens skick om det har skett en uppvärmning i frysen.
- ▶ Ställ inte in onödigt låg temperatur i kyldelen. Minustemperaturer kan förekomma vid höga inställningar. Varning: Flaskor kan spricka
- ▶ Rör inte frysta varor med våta händer (bär handskar). Ät framför allt inte isglass omedelbart efter att den har tagits ut ur frysdelen. Det finns risk att blåsor bildas på grund av köldskador. FÖRSTA hjälpen: håll den skadade kroppsdelen under rinnande kallt vatten. Dra inte undan!
- ▶ Rör inte insidan av frysens förvaringsutrymme när den är i drift, särskilt inte med våta händer, eftersom dina händer kan frysa fast på ytan.
- ▶ Koppla ur apparaten i händelse av strömavbrott eller före rengöring. Vänta i minst 7 minuter innan du startar apparaten igen. Frekventa startar kan skada kompressorn.
- ▶ Använd inte elektriska apparater inuti förvaringsutrymmet för matvaror, om de inte är av en typ som rekommenderas av tillverkaren.

## Underhåll / rengöring

- ▶ Barn som utför rengöring och underhåll ska hållas under uppsikt.
- ▶ Koppla bort apparaten från elnätet innan du utför rutinunderhåll. Vänta i minst 5 minuter innan du startar apparaten igen. Frekventa startar kan skada kompressorn.
- ▶ Håll i kontakten, inte kabeln, när du kopplar ur apparaten.
- ▶ Rengör inte apparaten med hårda borstar, stålborstar, rengöringsmedelpulver, bensin, amylacetat, aceton och liknande organiska lösningar, sura eller alkaliska lösningar. Rengör med ett speciellt rengöringsmedel för kylskåp för att undvika skador.
- ▶ Skrapa inte bort frost och is med vassa föremål. Använd inte sprayer, elektriska värmare som värmelement, hårtork, ångtvättar eller andra värmekällor för att undvika skador på plastdelarna.
- ▶ Använd inte mekaniska hjälpmedel för att skynda på avfrostningen, annat än de som rekommenderas av tillverkaren.
- ▶ Om elsladden skadas måste den bytas av tillverkaren, dennes serviceombud eller liknande kvalificerad person för att undvika faror.
- ▶ Försök inte att reparera, demontera eller modifiera apparaten själv. Kontakta vår kundtjänst angående reparationer.
- ▶ Ta bort dammet på baksidan av enheten minst en gång om året för att undvika brandrisk och ökad energiförbrukning.
- ▶ Spruta eller spola inte i eller på apparaten under rengöringen.
- ▶ Använd inte vattenspray eller ånga för att rengöra apparaten.
- ▶ Rengör inte de kalla glashyllorna med hett vatten. Plötsliga temperaturförändringar kan göra att glaset spricker.

## Information om köldmediegas



### **VARNING!**

Apparaten innehåller det brandfarliga köldmediet ISOBUTANE (R600a). Se till att köldmediekretsen inte skadas under transport eller installation. Läckande köldmedium kan orsaka ögonskador eller antändas. Om en skada har uppstått: håll borta från öppna eldkällor, ventiler rummet ordentligt, koppla inte in eller dra ut nätsladdarna till apparaten eller någon annan apparat. Informera kundtjänsten.

Om ögonen kommer i kontakt med köldmediet, skölj omedelbart under rinnande vatten och kontakta omedelbart en ögonspecialist.

## Avsedd användning

Den här apparaten är avsedd för att kyla och frysa mat. Den har designats uteslutande för användning i hushåll och liknande tillämpningar som personalkök i butiker, kontor och andra arbetsmiljöer; bondgårdar och av kunder på hotell, motell och andra bostadsmiljöer samt inom bed-and-breakfast och cateringverksamhet. Den är inte avsedd för kommersiell eller industriell användning.

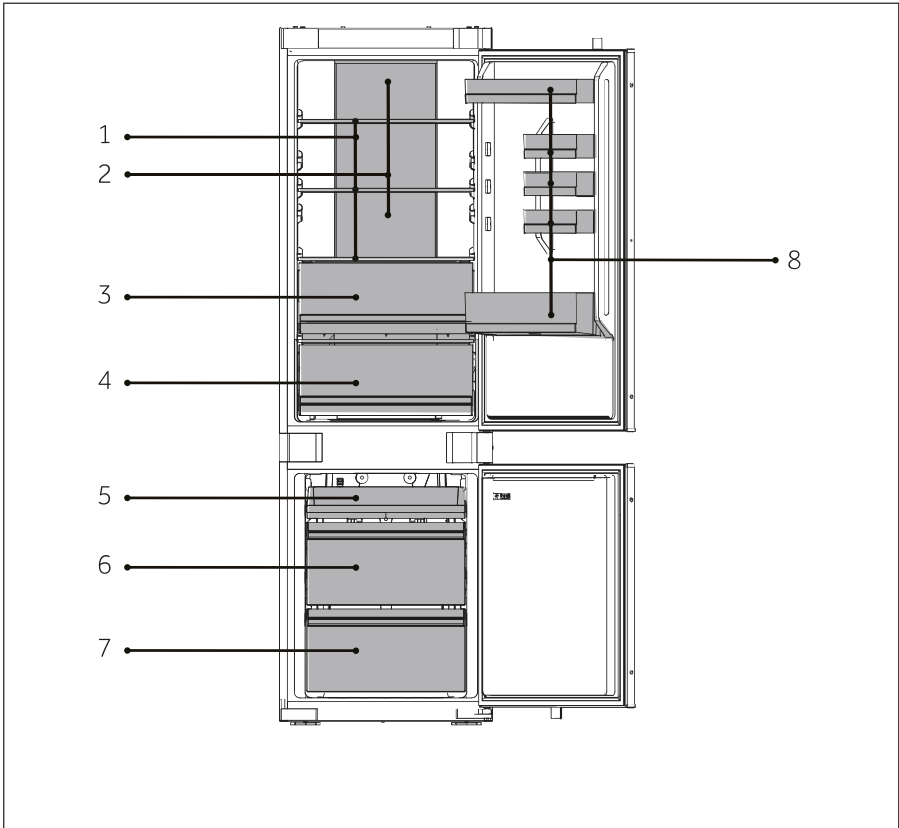
Det är inte tillåtet att ändra eller modifiera anordningen. Oavsiktlig användning kan orsaka faror och förlust av garantin.

## Standarder och direktiv eller

Denna produkt uppfyller kraven i alla tillämpliga EG-direktiv med motsvarande harmoniserade standarder och brittiska standarder, som tillhandahåller CE- eller UKCA-märkning.

**i** OBS!

På grund av tekniska förändringar och olika modeller kan vissa illustrationer i den här bruksanvisningen skilja sig från din modell.



EHBQW5518E/HBQW5518E/ HBQW5518EK/ HQE1855BCMW/ EHQE1855BCMW

**A: Kylområde**

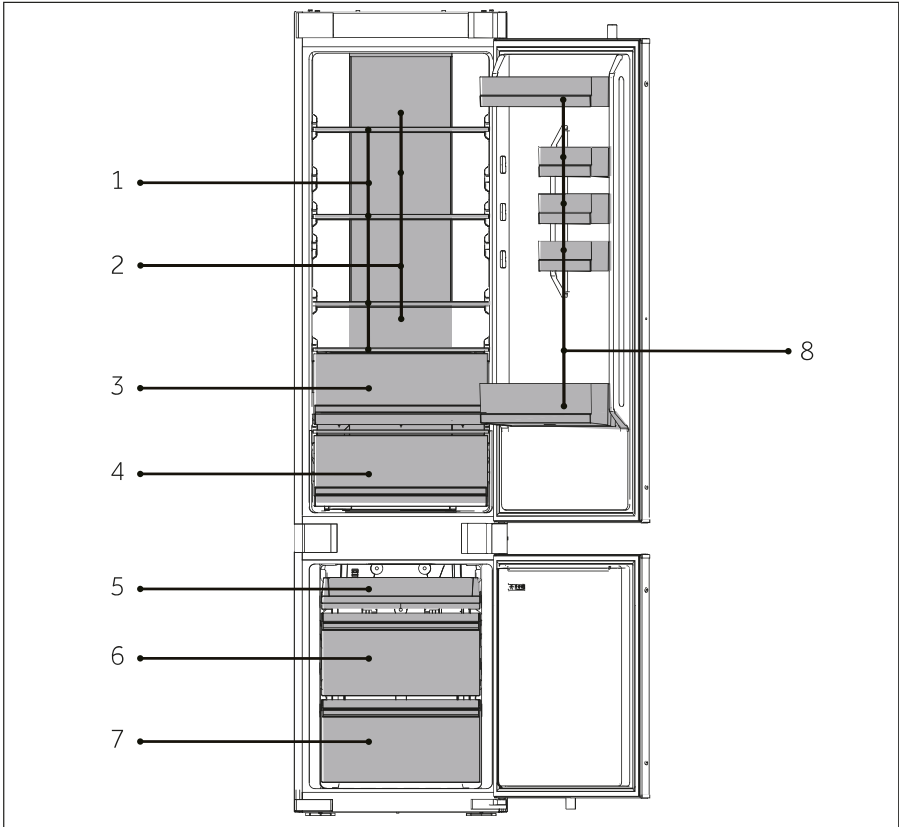
- 1 Vanliga hyllor
- 2 Luftintag kylning
- 3 Humidity Zone-låda
- 4 Fresh Box-låda
- 8 Flaskhållare/ställ

**B: Frysområde**

- 5 Övre frysack
- 6 Mittre frysåda
- 7 Nedre frysåda

**i** OBS!

På grund av tekniska förändringar och olika modeller kan vissa illustrationer i den här bruksanvisningen skilja sig från din modell.



HBQW5519E/ HBQW5519EK/ EHBQW5519E/ EHBQW5519ECM/ HBQW5719E

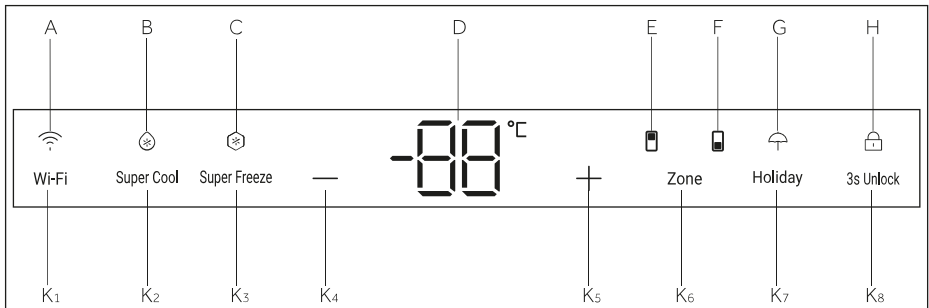
**A: Kylområde**

- 1 Vanliga hyllor
- 2 Luftintag kylning
- 3 Humidity Zone-låda
- 4 Fresh Box-låda
- 8 Flaskhållare/ställ

**B: Frysområde**

- 5 Övre frysfack
- 6 Mittre fryslåda
- 7 Nedre fryslåda

## Kontrollpanel



### Indikatorer:

- A Wi-Fi-funktion
- B Super Cool-funktion
- C Super Freeze-funktion
- D Temperaturdisplay
- E Kylskåpsindikator
- F Frys-skåpsindikator
- G Holiday-funktion
- H Lås och lås upp

### Knappar:

- K1 Wi-Fi-inställningsknapp
- K2 Knapp för Super Cool
- K3 Knapp för Super Freeze
- K4 Temperaturjusteringsknapp "-"
- K5 Temperaturjusteringsknapp "+"
- K6 Knapp för val av zon
- K7 Knappen Holiday-funktion
- K8 Knapp för lås och lås upp

## Sensorknappar

Knapparna på kontrollpanelen är sensorknappar som reagerar redan vid lätt beröring med fingret.

## Slå på/av apparaten

Apparaten är i drift så snart den ansluts till strömförsörjningen.

När kylskåpet slås på för första gången, tänds indikatorn "D" (temperaturdisplay). Kylskåpets och frysens temperatur ställs och ställs automatiskt in på 5°C respektive -18°C.

**i** OBS!

När apparaten sätts på efter att ha kopplats bort från elnätet kan det ta upp till 12 timmar innan den uppnår rätt temperatur.

Töm apparaten innan du stänger av den. För att stänga av apparaten drar du ut sladden ur eluttaget.

**Lås/lås upp panel**

Automatiskt lås: När dörren för kylskåpet och frysskåpet är stängda och ingen knapp rörs inom 30 sekunder, släcks och låses displayen automatiskt.

Manuellt lås: När displayen är upplåst trycker du på knappen "K<sub>8</sub>" (3S Unlock) och håller den intryckt i 3 sekunder, summern ringer en gång, indikatorn "H" (panellås) tänds och displayen är låst.

Lås upp: När displayen är låst, tryck på knappen "K<sub>8</sub>" (3S Unlock) och håll den intryckt i 3 sekunder, summern ringer en gång, indikatorn "H" (panellås) släcks och displayen låses upp.

**Justera temperaturen**

Inomhustemperaturer påverkas av följande faktorer:

Omgivningstemperatur, frekvens av dörröppning, mängd lagrade livsmedel, installation av apparaten.

**Justera temperaturen för kylan**

När displayen är upplåst trycker du på knappen "K<sub>6</sub>" (zonväljare). Summern ringer en gång, indikatorn "E" (kylskåpsindikator) tänds och sedan kommer kylens temperaturinställningsläge.

Tryck på knappen "K<sub>4</sub>" (temperaturjusteringsknapp "-") varje gång, summern ringer en gång, kylens inställda temperatur sänks med 1. Kylskåpets temperatur visas i sekvensen "9 °C -> 8 °C -> 7 °C -> 6 °C -> 5 °C -> 4 °C -> 3 °C -> 2 °C -> 1 °C".

Tryck på knappen "K<sub>5</sub>" (temperaturjusteringsknapp "+") varje gång, summern ringer en gång, kylskåpet inställda temperatur höjs med 1. Kylskåpets temperatur visas i sekvensen "1 °C -> 2 °C -> 3 °C -> 4 °C -> 5 °C -> 6 °C -> 7 °C -> 8 °C -> 9 °C".

**i** OBS!

Om ingen åtgärd vidtas inom 5 sekunder efter det att temperaturen har ställts in kommer systemet automatiskt att fastställa och spara den inställda temperaturen.

## Justera temperaturen för frysen

När displayen är upplåst trycker du på knappen "K<sub>6</sub>" (zonväljare). Summern ringer en gång, indikatorn "F" (frysindikator) blinkar och sedan kommer frysens temperaturinställningsläge.

Tryck på knappen "K<sub>4</sub>" (temperaturjusteringsknapp "-") varje gång, summern ringer en gång, frysens inställda temperatur sänks med 1. Frysskåpets temperatur visas i sekvensen "-14 °C -> -15 °C -> -16 °C -> -17 °C -> -18 °C -> -19 °C -> -20 °C -> -21 °C -> -22 °C -> -23 °C -> -24 °C".

Tryck på knappen "K<sub>5</sub>" (temperaturjusteringsknapp "+") varje gång, summern ringer en gång, frysens inställda temperatur höjs med 1. Frysskåpets temperatur visas i sekvensen "-24 °C -> -23 °C -> -22 °C -> -21 °C -> -20 °C -> -19 °C -> -18 °C -> -17 °C -> -16 °C -> -15 °C -> -14 °C".



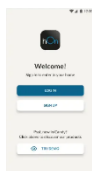
### OBS!

Om ingen åtgärd vidtas inom 5 sekunder efter det att temperaturen har ställts in kommer systemet automatiskt att fastställa och spara den inställda temperaturen.

## Steg 1 Ladda ner hOn-appen från butikerna.



**Steg 2** Skapa ditt konto i hOn-appen eller logga in om du redan har ett konto



**Steg 3** Följ instruktionerna för hopkoppling i hOn-appen.



## Wi-Fi-funktion

1. Följ anvisningarna i appen för att konfigurera Wi-Fi.
2. När Wi-Fi har konfigurerats och anslutningen upprättats är Wi-Fi-ikonen "A" ljus och fast.
3. Om Wi-Fi redan har konfigurerats kommer den (om du slår på Wi-Fi) automatiskt att återslutas i enlighet med konfigurationsinformationen.
4. För att stänga av Wi-Fi, tryck på Wi-Fi-knappen "K<sub>1</sub>" och Wi-Fi-ikonen "A" stängs av.
5. För att slå på Wi-Fi och starta konfigurationen trycker du på Wi-Fi-knappen "K<sub>1</sub>" och Wi-Fi-ikonen "A" börjar blinka långsamt. Om du vill konfigurera Wi-Fi-funktionen trycker du på knappen "K<sub>1</sub>" i 3 sekunder, Wi-Fi-ikonen blinkar snabbt och går in i konfigurationsläget. Om du vill stänga av Wi-Fi-funktionen trycker du på knappen "K<sub>1</sub>" en gång. Ovanstående steg upprepas.
6. Om produkten har konfigurerats och Wi-Fi-funktionen stängts av kommer kylskåpet inte att gå in i konfigurationsläget efter att strömmen har återanslutits.

## Holiday-funktion

1. När displayen är upplåst trycker du på knappen "K<sub>7</sub>" (knappen för Holiday-funktion), summern ringer en gång, indikatorn "G" (Holiday-funktion) tänds och därefter aktiveras Holiday-funktionen.
2. När displayen är upplåst trycker du på knappen "K<sub>7</sub>" (knappen för Holiday-funktion), summern ringer en gång, indikatorn "G" (Holiday-funktion) tänds och därefter deaktiveras Holiday-funktionen.



### OBS!

1. Holiday-funktionen används främst för korttidsresor och andra livssituationer. När du använder den här funktionen måste kylskåp och frys tömmas.
2. I Holiday-funktionen kommer temperaturen i kylskåpet att vara högre (ca 17 °C). Kom ihåg att tömma maten i kylskåpet för att undvika att den förstörs.

## Super Cool-funktion

1. När displayen är upplåst trycker du på knappen "K<sub>2</sub>" (Super Cool-väljare) summern ringer en gång, indikatorn "B" (Super Cool-funktion) lyser och därefter aktiveras Super Cool-funktionen.
2. När indikatorn "B" (Super Cool-funktion) tänds trycker du på knappen "K<sub>2</sub>" (Super Cool-väljare), summern ringer en gång, indikatorn "O" (Super Cool-funktion) slocknar och därefter stängs Super Cool-funktionen av.
3. När Super Cool-funktionen har aktiverats stänger kylskåpet automatiskt av funktionen när den når den inställda temperaturen. Om du vill avsluta manuellt kan du trycka på knappen "K<sub>2</sub>" (Super Cool-väljare) för att stänga av den.



### OBS!

1. I Super Cool-läget kan kylens temperatur inte justeras. Om du trycker på knappen "K<sub>4</sub>" (temperaturjusteringsknapp "-") eller knappen "K<sub>5</sub>" (temperaturjusteringsknapp "+") för att justera temperaturen i kylskåpet, blinkar indikatorn "B" (Super Cool-indikator) och en signal ljuder för att indikera att åtgärden inte kan utföras.
2. När Super Cool-funktionen är aktiverad kan Auto-set-funktionen inte slås på samtidigt på grund av de olika kontrollägena. När du väljer en funktion som står i konflikt med en annan funktion avslutas den ursprungliga funktionen automatiskt.
3. Denna funktion stängs av automatiskt efter 6 timmar.

## Super Freeze-funktion

1. När displayen är upplåst trycker du på knappen "K<sub>3</sub>" (Super Freeze-väljare), summern ringer en gång, indikatorn "C" (Super Freeze-funktion) lyser och därefter aktiveras Super Freeze-funktionen.
2. När indikatorn "C" (Super Freeze-funktion) lyser trycker du på knappen "K<sub>3</sub>" (Super Freeze-väljare), summern ringer en gång, indikatorn "C" (Super Freeze-funktion) slocknar och därefter stängs Super Freeze-funktionen av.
3. När Super Freeze-funktionen har aktiverats stänger kylskåpet automatiskt av funktionen när den når den inställda temperaturen. Om du vill avsluta manuellt kan du trycka på knappen "K<sub>3</sub>" (Super Freeze-väljare) för att stänga av den.



**OBS!**

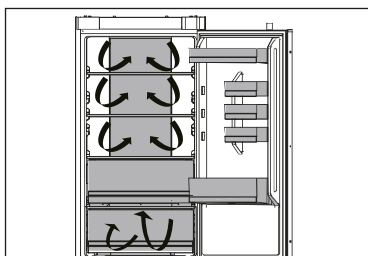
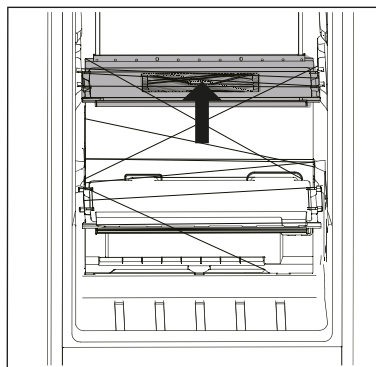
1. I läget Super Freeze kan frysens temperatur inte justeras. Om du trycker på knappen "K<sub>4</sub>" (temperaturjusteringsknapp "-") eller knappen "K<sub>5</sub>" (temperaturjusteringsknapp "+") för att justera temperaturen i frysen, blinkar indikatorn "C" (Super Freeze-indikator) och en signal ljuder för att indikera att åtgärden inte kan utföras.
2. Super Freeze-funktionen är utformad för att bevara näringsvärdet i fryst mat. Den kommer att frysa mat på kortast möjliga tid. Om stora mängder frysta livsmedel ska frysas in på en gång. Samtidigt bör Super Freeze-funktionen ställas in 24 timmar i förväg för att frysen ska ha en relativt låg temperatur och för att kunna lägga in mat i den. Vid denna tidpunkt förbättras frysens fryshastighet, maten kan frysas snabbt, matens näring bevaras effektivt och förvaringen blir effektiv.
3. Super Freeze-funktionen stängs automatiskt av efter 50 timmar, och apparaten används sedan vid den tidigare inställda temperaturen.

## Humidity Zone-låda

I denna del är luftfuktigheten högre än i kyldelen. Den styrs automatiskt av systemet och är lämplig för förvaring av frukt, grönsaker, sallader etc.

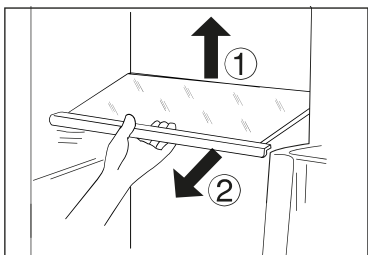
### **i** OBS!

1. Ta inte bort plastsyddet inuti zonen.
2. De upprätthåller luftfuktigheten.
3. Köldkänsliga frukter som ananas, avokado, bananer och grapefrukt rekommenderas inte att förvaras i lådan.



### Flera luftflöden

1. Kylskåpet är utrustat med ett system med flera luftflöden. Varje hyllplan har luftflöden. Detta bidrar till att hålla en jämn temperatur för att se till att maten hålls fräschare längre.



### Justerbara hyllor

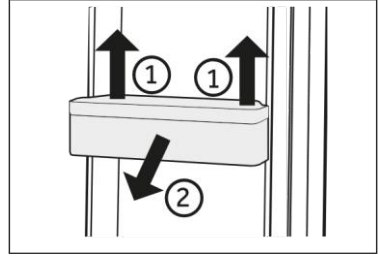
1. Hyllornas höjd kan justeras för att passa dina förvaringsbehov.
2. Om du vill flytta en hylla tar du först bort den genom att lyfta upp dess bakre kant ① och dra ut den ②.
3. För att återmontera den, sätt den på klackarna på båda sidorna och skjut den till det bakersta läget tills baksidan av hyllan är fast i skårorna på sidorna

### **i** OBS!

Se till att hyllan ligger plant.

### Löstagbara dörrhyllor/flaskhållare

1. Dörrhyllorna kan tas bort för rengöring:
2. Placera händerna på vardera sidan om hyllan, lyft upp den ① och dra ut den ②.
3. Sätt tillbaka dörrhyllan genom att göra på omvänt sätt.



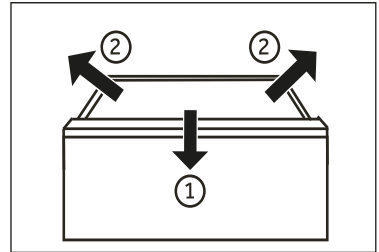
### OBS!

När apparaten är påslagen kan det ta upp till 12 timmar innan den uppnår rätt temperatur.

### Avtagbar låda

För att ta ut lådan, dra ut den maximalt ①, lyft och ta bort den ②.

Sätt tillbaka lådan genom att göra på omvänt sätt.



### Belysning

Lysdioderna i apparaten tänds när dörren öppnas. Ljusets prestanda påverkas inte av någon av apparatens övriga inställningar.



## Tips för att spara energi

- ▶ Se till att apparaten är ordentligt ventilerad (se avsnittet INSTALLATION).
- ▶ Installera inte apparaten i direkt solljus eller i närheten av värmekällor (t.ex. spisar, värmare).
- ▶ Undvik onödigt låga temperaturer i apparaten. Energiförbrukningen ökar ju lägre temperaturen i apparaten är inställd.
- ▶ Funktioner som Super Freeze förbrukar mer energi.
- ▶ Låt varm mat svalna innan du placerar den i apparaten.
- ▶ Öppna apparatens dörr så lite och så kort som möjligt.
- ▶ Fyll inte på med för mycket för att inte hindra luftflödet.
- ▶ Undvik luft i livsmedelsförpackningen.
- ▶ Håll dörrtätningarna rena så att dörren alltid stängs korrekt.
- ▶ Frys fryst mat i kylförvaringsfacket.
- ▶ Den mest energibesparande konfigurationen kräver att apparaten håller lådor, matlådor och hyllor i fabriksfriskt skick, och att maten placeras så långt in som möjligt utan att blockera kanalens luftutsläpp.

**VARNING!**

Innan rengöring ska apparaten kopplas bort från strömförsörjningen.

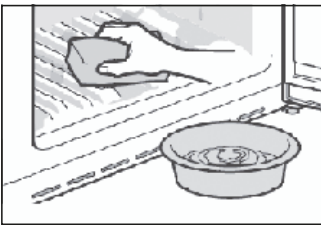
**Rengöring**

Rengör apparaten när det inte förvaras någon mat eller bara lite mat.

För god skötsel och för att undvika dålig lukt från förstörd mat bör apparaten rengöras var fjärde vecka.

**VARNING!**

- ▶ Rengör inte apparaten med hårda borstar, stålborstar, rengöringsmedelspulver, bensen, amylacetat, aceton och liknande organiska lösningar, sura eller alkaliska lösningar. Rengör med ett speciellt rengöringsmedel för kylskåp för att undvika skador.
- ▶ Spruta eller spola inte i eller på apparaten under rengöringen.
- ▶ Använd inte vattenspray eller ånga för att rengöra apparaten.
- ▶ Rengör inte de kalla glashyllorna med hett vatten. Plötsliga temperaturförändringar kan göra att glaset spricker.
- ▶ Rör inte insidan av frysens förvaringsutrymme, särskilt inte med våta händer, eftersom dina händer kan frysa fast på ytan.
- ▶ Vid uppvärmning ska du kontrollera frysta varors tillstånd.



- ▶ Håll alltid dörrpackningen ren.
- ▶ Rengör apparatens insida och hölje med en svamp fuktad med varmt vatten och neutralt rengöringsmedel.
- ▶ 1. Skrubba kylskåpets insida och utsida, inklusive dörrtätning, dörrhyllor, glashyllor, lådor och så vidare, med en mjuk handduk eller svamp doppad i varmt vatten (du kan tillsätta neutralt rengöringsmedel i det varma vattnet).
- ▶ 2. Om det har spillts vätska, ta bort alla förorenade delar, skölj direkt med rinnande vatten, torka och ställ tillbaka den/dem i kylan.
- ▶ 3. Om det finns spilld grädde (t.ex. grädde, smältande glass), ta bort alla förorenade delar, lägg dem i varmt vattnet (cirka 40 °C) under en tid, skölj sedan med rinnande vatten, torka och lägg tillbaka dem i kylskåpet.
- ▶ 4. Om någon liten del eller komponent fastnar inuti kylan (mellan hyllor eller lådor), använd en liten mjuk borste för att lossa den. Om du inte kan nå delen, kontakta Haier service
- ▶ Skölj av och torka med en mjuk trasa.
- ▶ Inga delar av apparaten får köras i diskmaskin.
- ▶ Vänta i minst 5 minuter innan du startar apparaten igen. Frekventa startar kan ska kompressorn.

## Avfrostning

Avfrostning av kyl- och frysutrymmet sker automatiskt: det krävs ingen manuell åtgärd.

## Byte av LED-lampor



### **VARNING!**

Byt inte LED-lampan själv. Den får endast bytas ut av tillverkaren eller en auktoriserad serviceverkstad.

Lamporna använder LED som ljuskälla, vilket ger låg energiförbrukning och lång livslängd. Om det finns något avvikelser, kontakta kundtjänsten. Se KUNDTJÄNST.

Parametrar för lamporna:

Kyldel: 12 V max. 2 W

Frysdel: 12 V max. 2 W

## Icke i bruk under längre tid

Om du inte använder apparaten under en längre tid OCH inte vill använda Holiday-funktionen:

Ta ut maten.

Dra ut kontakten.

Rengör apparaten enligt beskrivningen ovan.

Håll dörrarna öppna för att förhindra att dåligt lukt bildas i skåpet.



### **OBS!**

Stäng endast av apparaten om det är absolut nödvändigt.

## Flytta apparaten

1. Ta ut alla matvaror och koppla ifrån apparaten.
2. Fäst hyllor och andra rörliga delar i kylan och i frysen med tejp.
3. För att undvika att kylsystemet skadas ska apparaten inte lutas mer än 45°.



### **VARNING!**

- ▶ Lyft inte apparaten i handtagen.
- ▶ Placera aldrig apparaten horisontellt på marken.

Många problem som uppstår kan du lösa själv utan särskild expertis. Vid problem, kontrollera listade möjligheter och följ instruktionerna nedan innan du kontaktar en kundtjänst. Se KUNDTJÄNST.



## VARNING!

- ▶ Före underhåll ska du stänga av apparaten och dra ut nätkontakten ur eluttaget.
- ▶ Elektrisk utrustning bör endast underhållas av kvalificerade eltekniker, eftersom felaktiga reparationer kan orsaka betydande följdskador.
- ▶ En skadad nätkontakt får endast bytas ut av tillverkaren dess serviceagent eller liknande kvalificerade personer för att undvika fara.

Problem	Möjlig orsak	Möjlig lösning
Kompressorn fungerar inte.	<ul style="list-style-type: none"> <li>• Nätkontakten är inte ansluten till eluttaget.</li> <li>• Apparaten är i avfrostningscykeln</li> </ul>	<ul style="list-style-type: none"> <li>• Anslut nätkontakten.</li> <li>• Detta är normalt för en automatisk avfrostning</li> </ul>
Apparatens körs ofta eller kör för länge.	<ul style="list-style-type: none"> <li>• Den invändiga eller utvändiga temperaturen är för hög.</li> <li>• Apparaten har varit utan ström under en tid.</li> <li>• En dörr i apparaten är inte helt stängd.</li> <li>• Dörren har öppnats för ofta eller för länge.</li> <li>• Temperaturinställningen för frysdelen är för låg.</li> <li>• Dörrpackningen är smutsig, slitna, sprucken eller felanpassad.</li> <li>• Den nödvändiga luftcirkulationen är inte garanterad.</li> </ul>	<ul style="list-style-type: none"> <li>• I detta fall är det normalt att apparaten kör längre.</li> <li>• Det tar vanligtvis 8 till 12 timmar för apparaten att helt kylas ned.</li> <li>• Stäng dörren/lådan och säkerställ att apparaten är placerad på en plan mark och att det inte finns någon mat eller behållare som förhindrar att dörren stängs.</li> <li>• Öppna inte dörren/lådan för ofta.</li> <li>• Ställ in temperaturen högre tills en tillfredsställande kyltemperatur uppnås. Det tar 24 timmar för kylens temperatur att bli stabil.</li> <li>• Rengör dörr/lådpackningen eller byt ut dem av kundtjänsten.</li> <li>• Säkerställ tillräcklig ventilation.</li> </ul>
Det är smutsigt/ luktar illa inuti kylskåpet.	<ul style="list-style-type: none"> <li>• Kylskåpet behöver rengöras.</li> <li>• Mat som luktar starkt förvaras i kylskåpet.</li> </ul>	<ul style="list-style-type: none"> <li>• Rengör kylskåpets insida.</li> <li>• Förpacka maten ordentligt.</li> </ul>

Problem	Möjlig orsak	Möjlig lösning
Det är inte tillräckligt kallt inuti apparaten.	<ul style="list-style-type: none"> <li>• Temperaturen är inställd för högt.</li> <li>• För varma varor har förvarats.</li> <li>• För mycket mat har lagrats på en gång.</li> <li>• Varorna ligger för nära varandra.</li> <li>• En dörr/låda i apparaten är inte helt stängd.</li> <li>• Dörren/lådan har öppnats för ofta eller för länge.</li> </ul>	<ul style="list-style-type: none"> <li>• Återställ temperaturen.</li> <li>• Kyl alltid ner varor innan du förvarar dem.</li> <li>• Förvara alltid små mängder mat.</li> <li>• Lämna ett mellanrum mellan varorna så att luften kan flöda.</li> <li>• Stäng dörren/lådan.</li> <li>• Öppna inte dörren/lådan för ofta.</li> </ul>
Det är för kallt inuti apparaten.	<ul style="list-style-type: none"> <li>• Temperaturen är inställd för lågt.</li> <li>• Funktionen Super Freeze/ Super Cool är aktiverad eller körs för länge.</li> </ul>	<ul style="list-style-type: none"> <li>• Återställ temperaturen.</li> <li>• Stäng av funktionen Super Freeze/Super Cool</li> </ul>
Det finns fuktbildningar i kyldelen.	<ul style="list-style-type: none"> <li>• Klimatet är för varmt och för fuktigt.</li> <li>• En dörr/låda i apparaten är inte helt stängd.</li> <li>• Dörren/lådan har öppnats för ofta eller för länge.</li> <li>• Behållare med mat eller vätskor är öppna.</li> </ul>	<ul style="list-style-type: none"> <li>• Öka temperaturen.</li> <li>• Stäng dörren/lådan.</li> <li>• Öppna inte dörren/lådan för ofta.</li> <li>• Låt heta matvaror svalna till rumstemperatur och förpacka mat och vätska.</li> </ul>
Det ansamlas fukt på kylskåpets utsida eller mellan dörrar/dörr och låda.	<ul style="list-style-type: none"> <li>• Klimatet är för varmt och för fuktigt.</li> <li>• Dörren är inte ordentligt stängd. Den kalla luften i apparaten och den varma luften utanför kondenserar.</li> </ul>	<ul style="list-style-type: none"> <li>• Detta är normalt i fuktigt klimat och kommer att ändras när luftfuktigheten minskar.</li> <li>• Säkerställ att dörren/lådan är helt stängd.</li> </ul>
Displaybelysningen fungerar men apparaten kylar inte.	<ul style="list-style-type: none"> <li>• Den är i demoläge.</li> </ul>	<ul style="list-style-type: none"> <li>• Observera vilket skick den är i, om den är i demoläge, avsluta det. Avsluta: Öppna kylskåpsdörren, i låst läge, tryck på den andra knappen till höger i 8 sekunder inom 12 timmar efter påslagning.</li> </ul>

Problem	Möjlig orsak	Möjlig lösning
Is- och frostbildning i frysdelen.	<ul style="list-style-type: none"> <li>• Matvarorna var inte ordentligt förpackade.</li> <li>• En dörr/låda i apparaten är inte helt stängd.</li> <li>• Dörren/lådan har öppnats för ofta eller för länge.</li> <li>• Dörrens/lådans packning(ar) är smutsig(a), sliten(na), sprucken(na) eller felanpassad(e).</li> <li>• Något på insidan hindrar dörren/lådan från att stänga ordentligt.</li> </ul>	<ul style="list-style-type: none"> <li>• Förpacka alltid matvarorna väl.</li> <li>• Stäng dörren/lådan.</li> <li>• Öppna inte dörren/lådan för ofta.</li> <li>• Rengör dörrens/lådans packning(ar) eller byt ut den/dem mot nya.</li> <li>• Flytta om hyllorna, dörrhyllorna eller de inre behållarna så att dörren/lådan kan stängas.</li> </ul>
Sidorna på skåpet och dörrlisten blir varma.	<ul style="list-style-type: none"> <li>• -</li> </ul>	<ul style="list-style-type: none"> <li>• Det är normalt.</li> </ul>
Apparaten låter konstigt.	<ul style="list-style-type: none"> <li>• Apparaten är inte placerad på en plan yta.</li> <li>• Apparaten rör vid något föremål runt omkring den.</li> </ul>	<ul style="list-style-type: none"> <li>• Justera fötterna för att nivellera apparaten.</li> <li>• Ta bort föremål runt apparaten.</li> </ul>
Ett svagt ljud hörs som liknar det från rinnande vatten.	<ul style="list-style-type: none"> <li>• -</li> </ul>	<ul style="list-style-type: none"> <li>• Det är normalt.</li> </ul>
Du hör ett larm.	<ul style="list-style-type: none"> <li>• Kylskåpsdörren är öppen.</li> </ul>	<ul style="list-style-type: none"> <li>• Stäng dörren.</li> </ul>
Du hör ett svagt brummande.	<ul style="list-style-type: none"> <li>• Systemet mot kondensering fungerar</li> </ul>	<ul style="list-style-type: none"> <li>• Detta förhindrar kondensering och är normalt</li> </ul>
Invändig belysning eller kylsystem fungerar inte.	<ul style="list-style-type: none"> <li>• Nätkontakten är inte ansluten till eluttaget.</li> <li>• Strömförsörjningen är inte intakt.</li> <li>• LED-lampan är sönder.</li> </ul>	<ul style="list-style-type: none"> <li>• Anslut nätkontakten.</li> <li>• Kontrollera elförsörjningen i rummet. Ring det lokala elbolaget!</li> <li>• Kontakta kundservice för byte av lampa.</li> </ul>

För att kontakta teknisk assistans, besök vår webbplats: <https://corporate.haier-europe.com/en/>

Under stycket "Webbplats", välj märket på din produkt och ditt land. Du kommer att omdirigeras till den specifika webbplatsen där du hittar telefonnummer och formulär för att kontakta teknisk assistans.

## Strömavbrott

I händelse av ett strömavbrott bör maten förbli säkert kall i cirka 5 timmar. Följ dessa tips under längre strömavbrott, speciellt under sommaren:

- ▶ Öppna dörren/lådan så få gånger som möjligt.
- ▶ Sätt inte in mer mat i apparaten under strömavbrottet.
- ▶ Om ett strömavbrott meddelas i förväg och avbrottet är längre än 5 timmar, gör lite is och lägg den i en behållare högst upp i kyldelen.
- ▶ En inspektion av varorna krävs omedelbart efter avbrottet.
- ▶ Eftersom temperaturen i kylskåpet stiger under ett strömavbrott, eller annat fel, minskar förvaringstiden och matens kvalitet. För att förhindra hälsorisker bör all mat som tinats upp antingen konsumeras eller tillagas och frysas igen omedelbart (om så är lämpligt).

## Minnesfunktion vid strömavbrott

När strömmen återställs fortsätter apparaten med de inställningar som gjordes innan strömavbrottet.

## Uppackning



### VARNING!

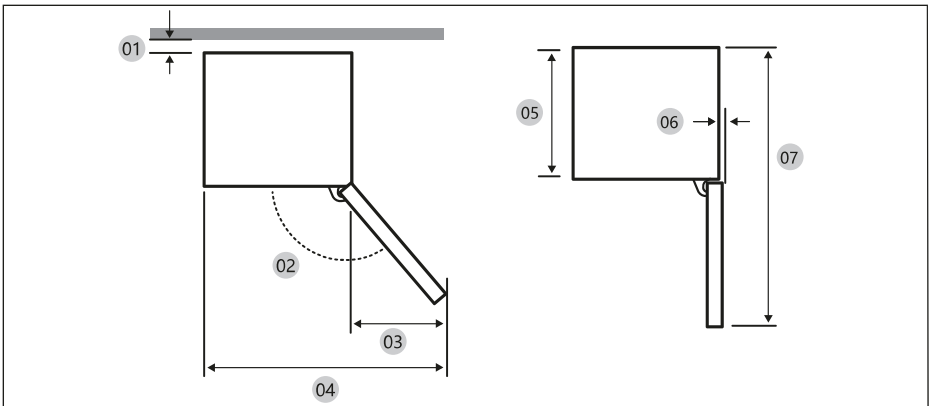
- ▶ Apparaten är tung. Var alltid minst två personer vid hantering av apparaten.
- ▶ Förvara allt förpackningsmaterial utom räckhåll för barn och kassera det på ett miljövänligt sätt.
- ▶ Ta ut apparaten ur förpackningen.
- ▶ Avlägsna allt förpackningsmaterial.

## Miljöförhållanden

Rumstemperaturen bör alltid ligga mellan 10 °C och 43 °C, eftersom den kan påverka temperaturen i apparaten och dess energiförbrukning. Apparaten ska inte installeras nära andra värmeavgivande apparater (ugnar, kylskåp) utan isolering.

## Utrymme som krävs

Nödvärdigt utrymme när dörren är öppen (utan dörrpanel)

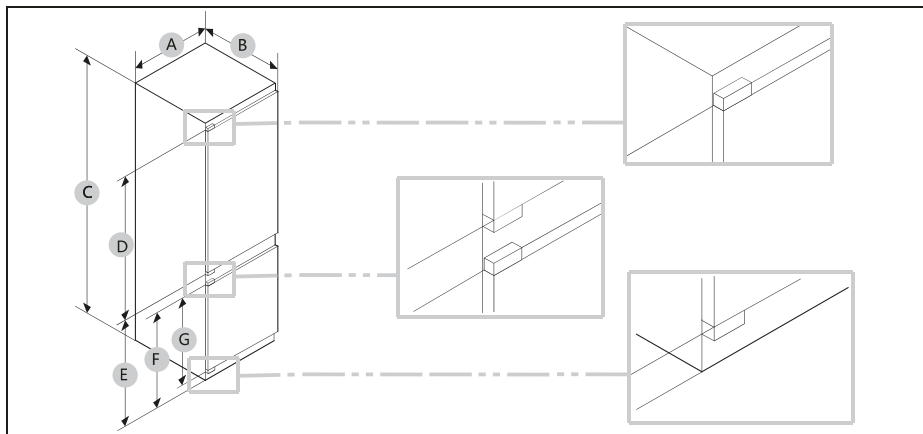


Modell	EHBQW5518E HBQW5518E HBQW5518EK HQE1855BCMW EHQE1855BCMW	HBQW5519E HBQW5519EK EHBQW5519E EHBQW5519ECM	HBQW5719E
01 *	10 (Min.) / 30 (Rekommenderas)	10 (Min.) / 30 (Rekommenderas)	10 (Min.) / 30 (Rekommenderas)
02	95° (Rekommenderas)	95° (Rekommenderas)	95° (Rekommenderas)
03	43	43	55
04	583	583	745
05	515	515	515
06	-3	-3	-3
07	1060	1060	1210

\* 01: Från skåpet till baksidan av produkten.

(enhet: mm)

## Produktmått



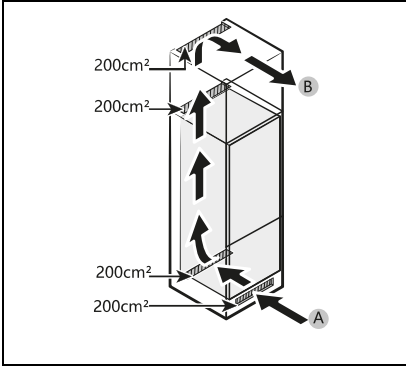
Modell	A (mm)	B (mm)	C (mm)	D (mm)	E (mm)	F (mm)	G (mm)
EHBQW5518E HBQW5518E HBQW5518EK HQE1855BCMW EHQE1855BCMW	540±2	550±2	1772±2	970	745	662	618
HBQW5519E HBQW5519EK EHBQW5519E EHBQW5519ECM	540±2	550±2	1935±2	1133	745	662	618
HBQW5719E	690±2	550±2	1935±2	1133	745	662	618

**OBS!**

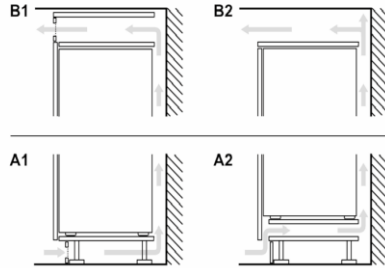
- Den angivna energiförbrukningen baseras på att det finns ett 10 mm mellanrum från skåpet till produktens baksida. Produkten fungerar korrekt även med ett mellanrum som är mindre än 10 mm, men den förbrukar något mer energi.
- Vi rekommenderar att du använder ett skåp som är 18 mm tjockt med gångjärn som är mindre än 20 mm tjocka.
- Mätvärdena i tabellen ovan kan variera beroende på mätmetod.
- För inbyggd installation, se installationsguiden.

## Ventilationstvärsnitt

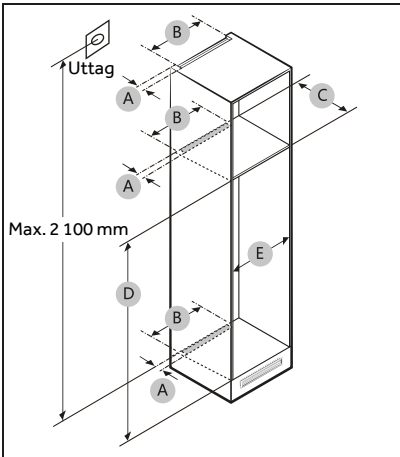
För att uppnå tillräcklig ventilation av apparaten av säkerhetsskäl måste informationen om nödvändiga ventilationstvärsnitt följas.



**A:** Luftintag  $\geq 200 \text{ cm}^2$ ; ventilationsalternativ  
**B:** Luftutsläpp  $\geq 200 \text{ cm}^2$ ; ventilationsalternativ



## Skåpets mått



## FÖRSIKTIGHET!

Fel på produkten som beror på följande omfattas inte av garantin.

1. Olämpliga platsförhållanden eller felaktiga skåpstorlekar.
2. Defekt skåp.
3. Misstag från installatörens eller användarens sida.

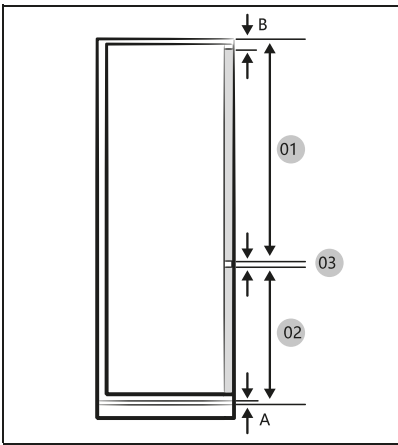
## Fritt utrymme

Se bilderna och tabellerna nedan för utrymmeskrav vid installation.

Modell		A (mm)	B (mm)	C (mm)	D (mm)	E (mm)	Anmärkning
EHBQW5518E HBQW5518E HBQW5518EK HQE1855BCMW EHQE1855BCMW	Min.	50	400	560	1 778	560	Gångjärn: 17 mm
	Rekommenderas			580	1 780	562	
	Max.			-	1 782	568	
HBQW5519E HBQW5519EK EHBQW5519E EHBQW5519ECM	Min.	50	400	560	1 940	560	Gångjärn: 17 mm
	Rekommenderas			580	1 943	562	
	Max.			-	1 945	568	
HBQW5719E	Min.	50	400	560	1 941	710	Gångjärn: 17 mm
	Rekommenderas			580	1 943	714	
	Max.			-	1 945	718	

## **i** OBS!

- Om bredden på ett skåp är större än 568 mm kan packningen (mellan kylskåpet och skåpet) lossna.
- Om skåpet är högre än det maximala måttet (1 782 mm) måste du använda andra ytmaterial för att fylla ut mellanrummet (för EHBQW5518E/ HBQW5518E/ EK/ EHQE/ HQE1855BCMW).
- Om skåpet är högre än det maximala måttet (1 945 mm) måste du använda andra ytmaterial för att fylla ut mellanrummet (för HBQW5519E/ EK/ EHBQW5519E/ ECM).



## **i** OBS!

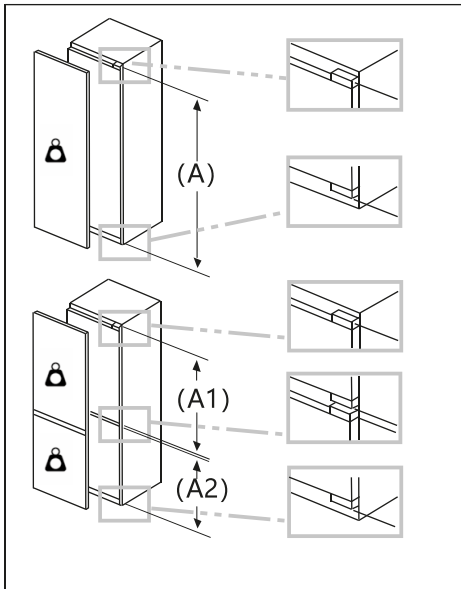
För att installera ett skåp som kräver ett 4 mm mellanrum (03), se skåpets referenstabell nedan.

- A Frontpanelens nedre kant ovanför luftventilationen  
B Frontpanelens utskjutande del

(enhet: mm)

Modell	EHBQW5518E HBQW5518E HBQW5518EK HQE1855BCMW EHQE1855BCMW	HBQW5519E HBQW5519EK EHBQW5519E EHBQW5519ECM HBQW5719E
01	Min. 1 028+B Max. 1 106+B	Min. 1 191+B Max. 1 269+B
02	Min. 662+A Max. 740+A	Min. 662+A Max. 740+A
03	4 mm (utrymme mellan kyl- och frysskåpets dörrpanel)	

## Maximal tillåten vikt för enhetens fronter

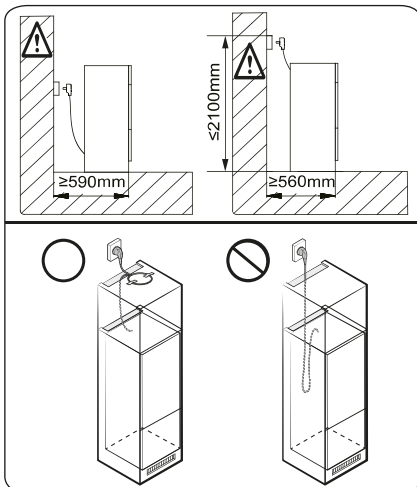


Monterade fronter som överskrider den tillåtna vikten kan orsaka skador och leda till funktionsstörningar på gångjärnen.

**Vikt**  
(kg)

1 500-1 750 mm	22
720-1 400 mm	19
A1	15
A2	15

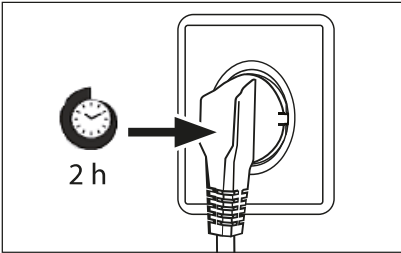
## Hänsyn till uttagets placering och erforderligt utrymme



### **i** OBS!

Om du installerar kylskåpet i ett 560 mm djup nisch ska du se till att nätsladden sitter på ena sidan av kylskåpet innan du ansluter den till ett eluttag. Om nätsladden sitter på baksidan av kylskåpet kan det försämra energieffektiviteten.

## Väntetid



Till den underhållsfria smörjoljan finns i kompressorns kapsel. Denna olja kan tränga igenom det slutna rörsystemet under den lutande transporten. Innan du ansluter apparaten till elnätet måste du vänta i minst 2 timmar så att oljan kan rinna tillbaka till kapseln.

## Elanslutning

Kontrollera före varje anslutning att:

- ▶ Strömförsörjning, uttag och säkringar överensstämmer med typskylten.
- ▶ Eluttaget är jordat och att det inte finns någon flervägskontakt eller förlängningar.
- ▶ Nätkontakten och uttaget är i enlighet med gällande bestämmelser.

Anslut kontakten till ett korrekt installerat hushållsuttag.



## VARNING!

För att undvika risker måste en skadad nätsladd bytas ut av kundtjänst (se garantikortet).

## Produktblad enligt förordning EU nr 2019/2016

Varumärke	Haier		
Modellnamn/identifierare	EHBQW5518E HBQW5518E HBQW5518EK HQE1855BCMW EHQE1855BCMW	HBQW5519E HBQW5519EK EHBQW5519E EHBQW5519ECM	HBQW5719E
Kategori	Kyl- och frysskåp		
Energieffektivitetsklass	E	E	E
Årlig energiförbrukning (kWh/år) (1)	229	229	259
Total volym (l)	268	285	382
Volym för kylskåp (l)	194	211	281
Volym för frysskåp (l)	74	74	101
Volym kylområde (l)	/	/	/
Volym automatisk ismaskin (l)	/	/	/
Stjärnklassificering	4	4	4
Temperatur i övriga fack > 14 °C	Ej tillämplig		
Frostfritt system	Ja		
Fryskapacitet (kg/24h)			
Klimatklassificering (2)	SN/N/ST/T	SN/N/ST/T	SN/N/ST/T
Bulleremissionsklass och luftburet akustiskt buller (db(A)re1pW)	B(35)	B(35)	B(33)
Temperaturstegringstid (h)	12	12	9
Istillverkningskapacitet	/	/	/
Typ av apparat	Inbyggd		

Modellnamn	Energieffektivitetsklass
EHBQW5518E HBQW5518E HBQW5518EK HQE1855BCMW EHQE1855BCMW	E
HBQW5519E HBQW5519EK EHBQW5519E EHBQW5519ECM HBQW5719E	E

## Förklaringar:

## • Egenskaper

- (1) Baserat på resultaten av testet av standardöverensstämmelse under 24 timmar.  
Den faktiska förbrukningen beror på hur apparaten används och var den är placerad.
- (2) Klimatklassificering SN: Den här apparaten är avsedd att användas i en omgivningstemperatur på mellan +10 °C och +32 °C  
Klimatklassificering N: Den här apparaten är avsedd att användas i en omgivningstemperatur på mellan +16 °C och +32 °C  
Klimatklassificering ST: Den här apparaten är avsedd att användas i en omgivningstemperatur på mellan +16 °C och +38 °C  
Klimatklassificering T: Den här apparaten är avsedd att användas i en omgivningstemperatur på mellan +16 °C och +43 °C

## Ytterligare tekniska uppgifter

Spänning / frekvens	220-240V ~/50Hz
Ingångsström (A)	1.2/1.6
Huvudsäkring (A)	16
Kylvätska	R600a
Mått (H/B/D i mm)	EHBQW5518E/ HBQW5518E/ EK EHQE/ HQE1855BCMW: 1 773/540/555
	HBQW5519E/ EK/ EHBQW5519E/ ECM: 1 935/540/555
	EHBQW5719E : 1935/690/550

Vi rekommenderar vår Haier-kundtjänst och användning av originalreservdelar. Om du har problem med din apparat, kontrollera först avsnittet FELSÖKNING.

Om du inte hittar en lösning där kontakta

- ▶ din lokala återförsäljare eller
- ▶ vårt European Call Service-Center (se angivna telefonnummer nedan) eller
- ▶ Service & Support-området på [www.haier.com](http://www.haier.com) där du kan aktivera
- ▶ serviceanspråket och hitta vanliga frågor och svar.

Om du vill kontakta vår tjänst ska du se till att du har följande uppgifter tillgängliga. Informationen finns på typskylten.

Modell \_\_\_\_\_

Serienummer. \_\_\_\_\_

Kontrollera även det garantikort som medföljer produkten i händelse av garanti.

European Call Service-Center		
Land*	Telefonnummer	Pris
Haier Italy (IT)	199 100912	
Haier Spain (ES)	902 509 123	
Haier Germany (DE)	0180 5 39 39 99	<ul style="list-style-type: none"> <li>• 14 Ct/min på fast linje</li> <li>• max 42 Ct/min på mobil linje</li> </ul>
Haier Austria (AT)	0820 001205	<ul style="list-style-type: none"> <li>• 14,53 Ct/min på fast linje</li> <li>• max 20 Ct/min på alla andra</li> </ul>
Haier United Kingdom (UK)	0333 003 8122	
Haier France (FR)	0980 406 409	

\*För andra länder, se [www.haier.com](http://www.haier.com)  
Haier Europe Trading S.r.l  
Filial i Storbritannien  
Westgate House, Westgate, Ealing  
London, W5 1YY

\*Garantins giltighetstid för apparaten:

Minsta garantiperiod är: 2 år för EU-länder, 3 år för Turkiet, 1 år för Storbritannien, 1 år för Ryssland, 3 år för Sverige, 2 år för Serbien, 5 år för Norge, 1 år för Marocko, 6 månader för Algeriet, ingen juridisk garanti krävs i Tunisien.

\*Perioden för reparation av apparatens reservdelar:

Termostater, temperaturgivare, kretskort och ljuskällor finns tillgängliga under minst sju år efter det att den sista enheten av samma modell har släppts på marknaden.  
Dörrhandtag, dörrgångjärn, brickor och korgar under minst sju år och dörrpackningar under minst tio år efter att den sista enheten av samma modell har släppts på marknaden.

\*För mer information om produkten, se <https://eprel.ec.europa.eu/> eller skanna QR-koden på energimärkningen bifogad med apparaten.



**Haier**



2024 version A

# Haier

## Kullanım Kılavuzu

### Buzdolabı - Dondurucu

EHBQW5518E

HBQW5518E

HBQW5518EK

HQE1855BCMW

EHQE1855BCMW

HBQW5519E

HBQW5519EK

EHBQW5519E

EHBQW5519ECM

HBQW5719E

TR

<u>4</u>	<u>Güvenlik bilgileri</u>	•	<u>İlk kullanımdan önce</u>	5
			<u>Kurulum</u>	5
			<u>Günlük kullanım</u>	6
			<u>Soğutucu gaz bilgisi</u>	8
<u>9</u>	<u>Kullanım amacı</u>	•		
<u>10</u>	<u>Ürün açıklaması</u>	•		
<u>12</u>	<u>Kumanda paneli</u>	•		
<u>13</u>	<u>Kullanım</u>	•	<u>Panel kilitleme/kilidini açma</u>	13
			<u>Buzdolabı için sıcaklığı ayarlama</u>	13
			<u>Dondurucu için sıcaklığı ayarlama</u>	14
			<u>Wi-Fi işlevi</u>	15
			<u>Holiday işlevi</u>	15
			<u>Super Cool işlevi</u>	16
			<u>Super Freeze işlevi</u>	16
<u>18</u>	<u>Ekipman</u>	•		
<u>20</u>	<u>Enerji tasarrufu ipuçları</u>	•		
<u>21</u>	<u>Bakım ve temizlik</u>	•		
<u>23</u>	<u>Sorun giderme</u>	•		
<u>27</u>	<u>Kurulum</u>	•		
<u>34</u>	<u>Teknik veriler</u>	•		
<u>36</u>	<u>Müşteri hizmetleri</u>	•		

## Bir Haier Ürünü satın aldığınız için teşekkür ederiz.

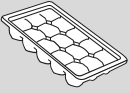
Lütfen bu cihazı kullanmadan önce bu talimatları dikkatlice okuyun. Talimatlar, cihazdan en iyi şekilde yararlanmanıza ve güvenli ve doğru kurulum, kullanım ve bakım sağlamanıza yardımcı olacak önemli bilgiler içerir.

Bu kılavuzu, cihazın güvenli ve doğru kullanımı için her zaman başvurabileceğiniz uygun bir yerde saklayın.

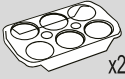
Cihazı satarsanız, başka birine verirsiniz veya taşınırken geride bırakırsanız, yeni sahibinin cihaza ve güvenlik uyarılarına aşına olabilmesi için bu kılavuzu da teslim ettiğinizden emin olun.

## Aksesuarlar

Aksesuarları ve literatürü bu listeye göre kontrol edin:



Buz kalıbı



Yumurta bölmesi x2



Enerji etiketi



Garanti kartı



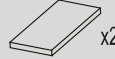
Güvenlik Uyarıları Kılavuzu



Vida x4



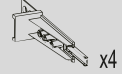
Kapak x2



Sünger bloğu x2



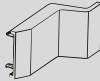
Kızak kılavuzu x4



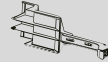
Kızak tert. x4



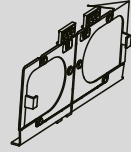
Sabit plaka



Menteşe kapağı



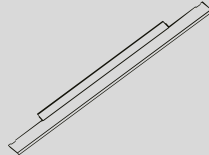
Sabit plaka II



Alt sabit plaka



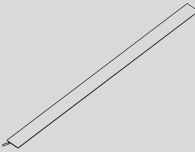
Üst sabit plaka



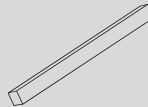
Alt kapak



Alt yan kapak



Conta şeridi



Conta süngeri



Alt menteşe kapağı

**UYARI - Önemli Güvenlik bilgileri****AÇIKLAMA - Genel bilgiler ve ipuçları****Çevre bilgisi****Bertaraf**

Çevrenin ve insan sağlığının korunmasına yardımcı olun. Ambalajı geri dönüştürmek için uygun kaplara koyun. Elektrikli ve elektronik aletlerin atıklarının geri dönüştürülmesine yardımcı olun. Bu sembole işaretlenmiş cihazları evsel atıklarla birlikte atmayın. Ürünü yerel geri dönüşüm tesisinize iade edin veya belediye ofisinizle iletişime geçin.

**UYARI!**

Yaralanma veya boğulma tehlikesi!

Soğutucu akışkanlar ve gazlar profesyonelce bertaraf edilmelidir. Uygun şekilde atılmadan önce soğutucu devresinin borularının hasar görmediğinden emin olun. Cihazı elektrik şebekesinden ayırın. Elektrik kablosunu kesin ve atın. Çocukların ve evcil hayvanların cihaz içinde kapanmasını önlemek için tepsileri ve çekmeceleri, kapı mandalını ve contaları çıkarın.

## Cihazı ilk kez çalıştırmadan önce aşağıdaki güvenlik ipuçlarını okuyun!:



### UYARI!

#### İlk kullanımdan önce

- ▶ Nakliye hasarı olmadığından emin olun.
- ▶ Cihazın gücünü açmadan önce, soğutucu devresinin tam verimli hale gelmesini sağlamak için en az iki saat bekleyin.
- ▶ Ağır olduğu için cihazı her zaman en az iki kişi ile taşıyın.
- ▶ Tüm ambalajlar malzemelerini çıkarın, çocukların erişemeyeceği bir yerde saklayın ve çevreye zarar vermeyecek şekilde atın.
- ▶ İçine yiyecek koymadan önce cihazın içini ve dışını su ve hafif bir deterjanla temizleyin.
- ▶ Cihaz seviyelendirilip temizlendikten sonra, güç kaynağına bağlamadan önce en az 2-5 saat bekleyin. KURULUM Bölümüne bakın.
- ▶ Yiyecekleri yüklemeyen önce bölmeleri yüksek ayarlarda önceden soğutun. Power-Freeze işlevi, bölmelerin hızlı bir şekilde soğutulmasına yardımcı olur.
- ▶ Buzdolabı sıcaklığı ve dondurucu sıcaklığı sırasıyla 5°C ve -18°C olarak otomatik ayarlanır. Bunlar önerilen ayarlardır. İsterseniz, bu sıcaklıkları manuel olarak değiştirebilirsiniz. Lütfen SICAKLIĞI AYARLAMA bölümüne bakın.

#### Kurulum

- ▶ Cihaz iyi havalandırılan bir yere yerleştirilmelidir. Cihazın üstünde ve çevresinde en az 10 cm boşluk bırakın.
- ▶ Cihazı asla nemli bir alana veya üzerine su sıçrayabilecek bir yere koymayın. Sıçrayan suları ve lekeleri yumuşak temiz bir bezle temizleyin ve kurulayın.
- ▶ Cihazı doğrudan güneş ışığı alan bir yere veya ısı kaynaklarının (örn. soba, ısıtıcı) yakınına kurmayın.
- ▶ Cihazı, boyutuna ve kullanımına uygun bir alana kurun ve düzleştirin.
- ▶ Cihazdaki veya ankastre yapıdaki havalandırma deliklerini engelden uzak tutun.
- ▶ Anma değeri plakasındaki elektrik bilgilerinin güç kaynağı ile uyumlu olduğundan emin olun. Değilse, bir elektrikçiye başvurun.
- ▶ Cihaz 220-240 VAC/50 Hz güç kaynağı ile çalıştırılır. Anormal voltaj dalgalanması, cihazın çalışmamasına veya sıcaklık kontrolünün veya kompresörün hasar görmesine neden olabilir veya çalışırken anormal bir gürültü olabilir. Bu durumda otomatik regülatör takılmalıdır.
- ▶ Çoklu fiş adaptörleri ve uzatma kabloları kullanmayın.
- ▶ Cihazın arkasına birden fazla portatif priz veya portatif güç kaynağı yerleştirmeyin.
- ▶ Güç kablosunun buzdolabına sıkışmadığından emin olun. Güç kablosunun üzerine basmayın.



## UYARI!

- ▶ Güç kaynağı için kolay erişilebilen ayrı bir topraklı priz kullanın. Cihaz topraklanmalıdır.  
Yalnızca İngiltere için: Cihazın güç kablosu, standart bir 3 kablolu (topraklı) prize uyum 3 kablolu (topraklı) fiş ile donatılmıştır. Üçüncü pimi (topraklama) asla kesmeyin veya sökmeyin. Cihaz kurulduktan sonra fiş erişilebilir olmalıdır.
- ▶ Soğutucu devresine zarar vermeyin.

### Günlük kullanım

- ▶ Bu cihaz, 8 yaş ve üzeri çocuklar ve fiziksel, duyuşsal veya zihinsel yetenekleri azalmış veya deneyim ve bilgi eksikliği olan kişiler tarafından, cihazın güvenli bir şekilde kullanımına ilişkin gözetim veya talimat verildiyse ve içerdiği tehlikeleri anlıyorsa kullanılabilir.
- ▶ 3-8 yaş arası çocukların soğutma cihazlarını yüklemelerine ve boşaltmalarına izin verilir, ancak bunları temizlemelerine ve kurmalarına izin verilmez.
- ▶ Sürekli gözetim altında olmadıkları sürece 3 yaşından küçük çocukları cihazdan uzak tutun.
- ▶ Çocuklar cihazla oynamamalıdır.
- ▶ Cihazın yakınına kömür gazı veya başka bir yanıcı gaz sızıyorsa, sızan gazın vanasını kapatın, kapı ve pencereleri açın ve buzdolabının veya herhangi bir cihazın elektrik kablosunu prizden çekmeyin.
- ▶ Cihazın, 10 ile 43°C arasındaki özel bir ortam sıcaklığı aralığında çalıştırılmak üzere ayarlandığına dikkat edin. Cihaz, belirtilen aralığın üstünde veya altında bir sıcaklıkta uzun süre bırakılırsa düzgün çalışmayabilir.
- ▶ Düşmeden kaynaklanan kişisel yaralanmaları veya suyla temastan kaynaklanan elektrik çarpmasını önlemek için buzdolabının üzerine dengesiz nesnelere (ağır nesnelere, su dolu kaplar) koymayın.
- ▶ Kapı raflarını çekmeyin. Kapı çekilirken eğilebilir, şişse rafı dışarı çekilebilir veya cihaz devrilebilir.
- ▶ Kapıları sadece kollarla açıp kapatın. Kapılar arasındaki ve kapılar ile dolap arasındaki boşluk çok dardır. Parmaklarınızı sıkıştırmamak için ellerinizi bu alanlara uzatmayın. Buzdolabı kapılarını sadece kapı hareket alanı içinde çocuklar yokken açın veya kapatın.
- ▶ Cihazın içinde veya çevresinde yanıcı, patlayıcı veya aşındırıcı malzemeler saklamayın veya kullanmayın.
- ▶ Cihazda ilaç, bakteri veya kimyasal maddeler saklamayın. Bu cihaz bir ev aletidir. Kati bir biçimde uyulması gereken sıcaklık sınırlamaları bulunan malzemelerin saklanması önerilmez.
- ▶ Şişe veya kutulardaki sıvıları (yüksek alkollü içkiler dışında), özellikle gazlı içecekleri asla dondurucuda saklamayın, çünkü bunlar dondurma sırasında patlayabilir.
- ▶ Dondurucuda bir ısınma gerçekleşmişse yiyeceğin durumunu kontrol edin.



## UYARI!

- ▶ Buzdolabı bölmesinde gereksiz yere düşük sıcaklık ayarlamayın. Yüksek ayarlarda eksi sıcaklıklar oluşabilir. Dikkat: Şişeler patlayabilir
- ▶ Donmuş ürünlere ıslak ellerle dokunmayın (eldiven giyin). Özellikle buzlu şekerleri dondurucu bölmesinden çıkardıktan hemen sonra yemeyin. Donma veya donma kabarcıkları oluşma riski vardır. İLK YARDIM: Hemen akan soğuk su altında tutun. Geri çekmeyin!
- ▶ Ellerinizi yüzeyde donabileceğinden, çalışırken özellikle ıslak ellerle dondurucu depolama bölmesinin iç yüzeyine dokunmayın.
- ▶ Elektrik kesintisi durumunda veya temizlemeden önce cihazın fişini çekin. Sık çalıştırma kompresöre zarar verebileceğinden, cihazı yeniden başlatmadan önce en az 7 dakika bekleyin.
- ▶ Üretici tarafından önerilen tipte olmadıkça, cihazın gıda saklama bölmelerinde elektrikli cihazlar kullanmayın.

## Bakım / temizlik

- ▶ Temizlik ve bakım yaparken çocukların gözetim altında olduğundan emin olun.
- ▶ Herhangi bir rutin bakım yapmadan önce cihazın elektrik bağlantısını kesin. Sık çalıştırma kompresöre zarar verebileceğinden, cihazı yeniden başlatmadan önce en az 5 dakika bekleyin.
- ▶ Cihazın fişini prizden çekerken kablodan değil fişten tutun.
- ▶ Cihazı sert fırçalar, tel fırçalar, deterjan tozu, benzin, amil asetat, aseton ve benzeri organik solüsyonlar, asit veya alkali solüsyonlarla temizlemeyin. Hasarı önlemek için lütfen özel buzdolabı deterjanı ile temizleyin.
- ▶ Buzlanma ve buzu keskin nesnelere kazımayın. Plastik parçalara zarar vermemek için spreyleyiciler, ısıtıcı ve saç kurutma makinesi gibi elektrikli ısıtıcılar, buharlı temizleyiciler veya diğer ısı kaynaklarını kullanmayın.
- ▶ Üretici tarafından önerilenler dışında, buz çözme işlemini hızlandırmak için mekanik cihazlar veya başka araçlar kullanmayın.
- ▶ Besleme kablosu hasarlıysa, bir tehlikeyi önlemek için üretici, servis acentesi veya benzer kalifiye kişiler tarafından değiştirilmelidir.
- ▶ Cihazı kendi başınıza tamir etmeye, parçalarına ayırmaya veya üzerinde değişiklik yapmaya çalışmayın. Onarım durumunda lütfen müşteri hizmetlerimizle iletişime geçin.
- ▶ Yangın tehlikesini ve artan enerji tüketimini önlemek için ünitenin arkasındaki tozu yılda en az bir kez ortadan kaldırın.
- ▶ Temizlik sırasında cihaza bir şey püskürtmeyin veya onu yıkamayın.
- ▶ Cihazı temizlemek için su spreyi veya buhar kullanmayın.
- ▶ Soğuk cam rafları sıcak suyla temizlemeyin. Ani sıcaklık değişimi camın kırılmasına neden olabilir.

## Soğutucu gaz bilgisi



### UYARI!

Cihaz, yanıcı soğutucu İZOBÜTAN (R600a) içerir. Nakliye veya kurulum sırasında soğutucu devresinin hasar görmediğinden emin olun. Sızan soğutucu, göz yaralanmalarına veya tutuşmaya neden olabilir. Bir hasar meydana gelirse, açık ateş kaynaklarından uzak tutun, odayı iyice havalandırın, cihazın veya başka bir cihazın güç kablolarını takmayın veya çıkarmayın. Müşteri hizmetlerini bilgilendirin.

Soğutucu ile göz teması halinde, hemen akan su altında yıkayın ve hemen göz sağlığı uzmanını arayın.

## Kullanım amacı

Bu cihaz, yiyecekleri soğutmak ve dondurmak için tasarlanmıştır. Bu cihaz mağazalar, ofisler ve diğer çalışma ortamlarındaki personel mutfak alanları; çiftlik evleri ve pansiyon ve yemek hizmetleri işinin yanı sıra oteller, moteller ve diğer konut tipi ortamlardaki müşteriler tarafından olmak üzere ev içi ve benzeri uygulamalarda kullanılmak üzere özel olarak tasarlanmıştır. Ticari veya endüstriyel kullanım için tasarlanmamıştır.

Cihazda değişiklik veya modifikasyon yapılmasına izin verilmez. Amaç dışı kullanım, tehlikelere ve garanti taleplerinde hak kaybına neden olabilir.

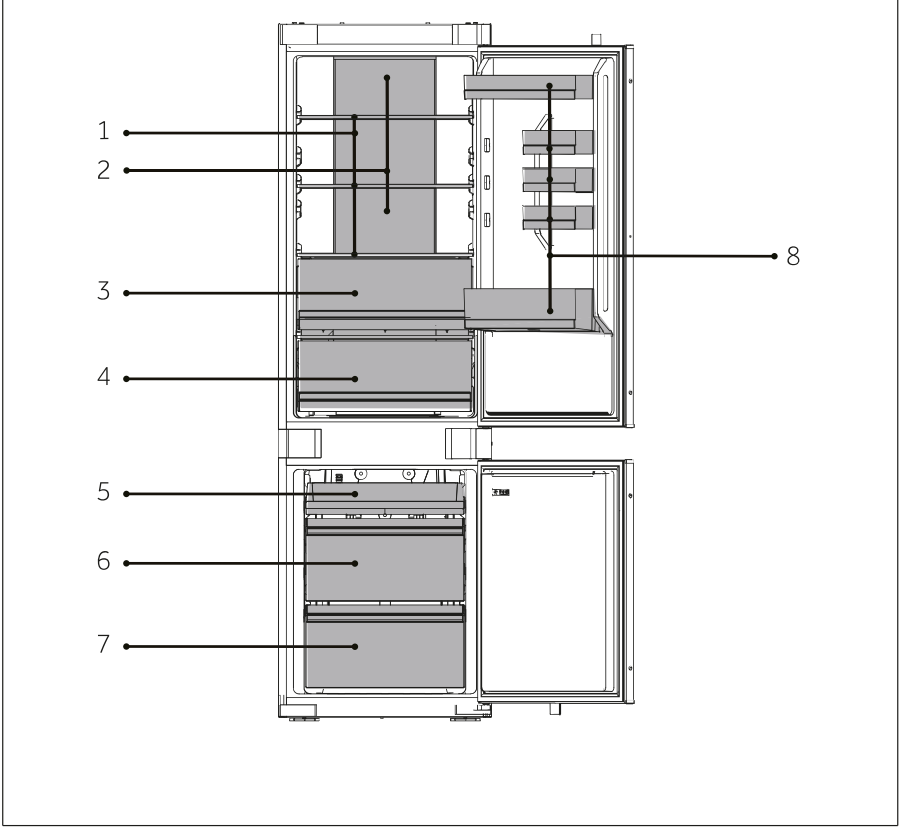
## Standartlar ve direktifler veya

Bu ürün, CE veya UKCA işareti sağlayan ilgili uyumlaştırılmış standartlar ve Birleşik Krallık standartları ile tüm geçerli AT direktiflerinin gereksinimlerini karşılar.



## AÇIKLAMA

Teknik değişiklikler ve farklı modeller nedeniyle bu kılavuzdaki bazı resimler sizin modelinizden farklı olabilir.



EHBQW5518E/HBQW5518E/HBQW5518EK/HQE1855BCMW/EHQE1855BCMW

### A: Soğutma odası

- 1 Sıradan raflar
- 2 Soğutmalı hava kanalı
- 3 Humidity Zone çekmecesi
- 4 Fresh Box çekmecesi
- 8 Şişe tutucu

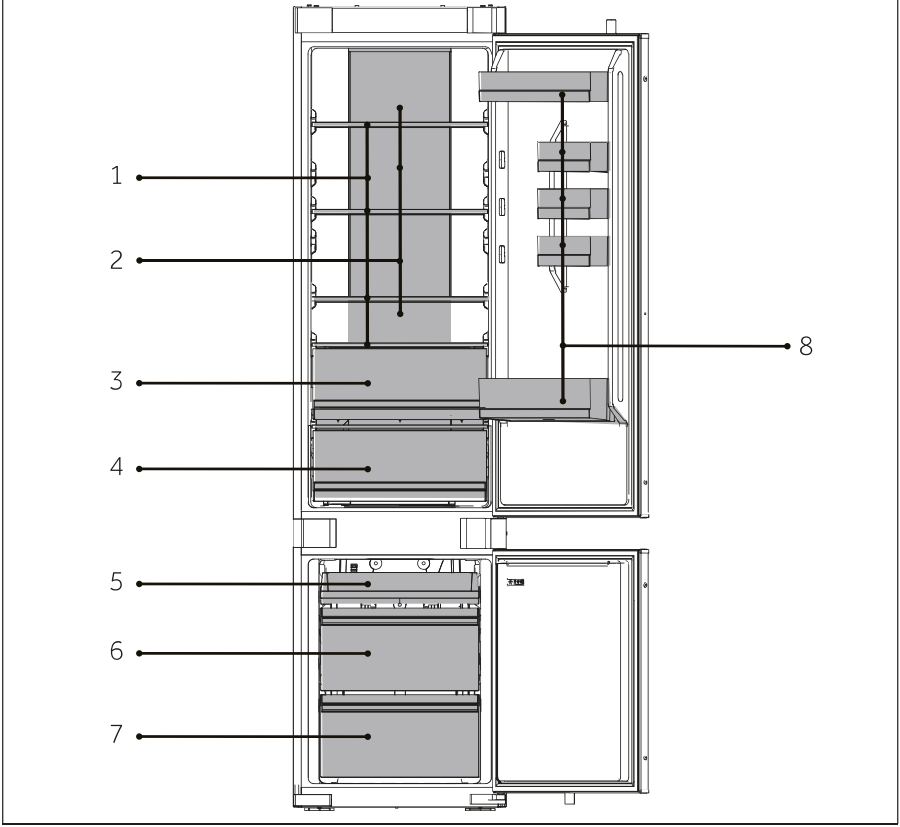
### B: Dondurma odası

- 5 Üst dondurucu tepsi
- 6 Orta dondurucu çekmecesi
- 7 Alt dondurucu çekmecesi



## AÇIKLAMA

Teknik değişiklikler ve farklı modeller nedeniyle bu kılavuzdaki bazı resimler sizin modelinizden farklı olabilir.



HBQW5519E/ HBQW5519EK/ EHBQW5519E/ EHBQW5519ECM/ HBQW5719E

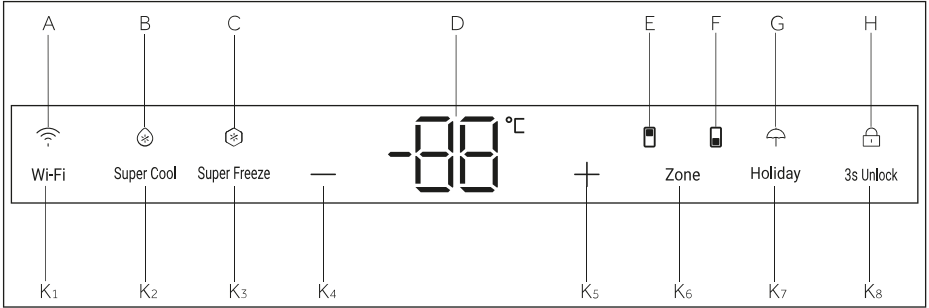
### A: Soğutma odası

- 1 Sıradan raflar
- 2 Soğutmalı hava kanalı
- 3 Humidity Zone çekmecesini
- 4 Fresh Box çekmecesini
- 8 Şişe tutucu

### B: Dondurma odası

- 5 Üst dondurucu tepsi
- 6 Orta dondurucu çekmecesini
- 7 Alt dondurucu çekmecesini

## Kumanda paneli



## Göstergeler:

- A Wi-Fi işlevi
- B Super Cool işlevi
- C Super Freeze işlevi
- D Sıcaklık göstergesi
- E Buzdolabı göstergesi
- F Dondurucu göstergesi
- G Holiday işlevi
- H Kilitleme ve Kilit Açma

## Düğmeler:

- K<sub>1</sub> Wi-Fi ayar düğmesi
- K<sub>2</sub> Super Cool seçme düğmesi
- K<sub>3</sub> Super Freeze seçme düğmesi
- K<sub>4</sub> Sıcaklık Ayarı düğmesi "-"
- K<sub>5</sub> Sıcaklık Ayarı düğmesi "+"
- K<sub>6</sub> Bölge seçme düğmesi
- K<sub>7</sub> Holiday işlevi düğmesi
- K<sub>8</sub> Kilitleme ve Kilit Açma düğmesi

## Sensör tuşları

Kumanda panelindeki düğmeler, parmakla hafifçe dokunulduğunda tepki veren sensörlü tuşlardır.

## Cihazı açma/kapatma

Cihaz, güç kaynağına bağlanır bağlanmaz çalışmaya başlar.

Buzdolabı ilk çalıştırıldığında gösterge "D" (Sıcaklık göstergesi) yanar. Buzdolabı sıcaklığı ve dondurucu sıcaklığı sırasıyla 5°C ve -18°C olarak otomatik ayarlanır.



## AÇIKLAMA

Ana güç kaynağıyla bağlantısı kesildikten sonra cihaz açıldığında, doğru sıcaklıklara ulaşılması 12 saate kadar sürebilir.

Cihazı kapatmadan önce boşaltın. Cihazı kapatmak için güç kablosunu prizden çekin.

### Panel kilitleme/kilidini açma

Otomatik kilit: Buzdolabı kapısı ve dondurucu kapısı kapatıldığında ve 30 saniye içinde herhangi bir tuş işlemi yapılmadığında, görüntü ekranı otomatik olarak sönecek ve kilitlenecektir.

Manuel kilit: Ekran kilidi açıldığında, "K<sub>8</sub>" (3S Unlock) düğmesine basın ve 3 saniye basılı tutun; sesli uyarı bir kez çalar, "H" (Panel kilidi) göstergesi yanar ve ekran kilitlenir.

Kilidi aç: Ekran kilitlendiğinde, "K<sub>8</sub>" (3S Unlock) düğmesine basın ve 3 saniye basılı tutun, sesli uyarı bir kez çalar, "H" (Panel kilidi) göstergesi söner ve ekran kilidi açılır.

### Sıcaklığı ayarlayın

İç ortam sıcaklıkları aşağıdaki faktörlerden etkilenir:

Ortam sıcaklığı, Kapının açılma sıklığı, Depolanan gıda miktarı Cihazın kurulumu.

### Buzdolabı için sıcaklığı ayarlama

Ekran kilidi açıldığında, "K<sub>6</sub>" (Bölge seçici) düğmesine basın. Bir kez sesli ikaz verilir, gösterge "E" (Soğutucu göstergesi) yanar ve ardından soğutucu sıcaklık ayar modu görüntülenir.

Her seferinde "K<sub>4</sub>" (Sıcaklık ayar düğmesi "-") düğmesine basın; sesli uyarı bir kez çalar, buzdolabının ayarlanan sıcaklığı 1 azaltılır. Buzdolabı sıcaklığı "9°C -> 8°C -> 7°C -> 6°C -> 5°C -> 4°C -> 3°C -> 2°C -> 1°C" şeklinde görüntülenecektir.

Her seferinde "K<sub>5</sub>" (Sıcaklık ayar düğmesi "+") düğmesine basın; sesli uyarı bir kez çalar, buzdolabının ayarlanan sıcaklığı 1 artırılır. Buzdolabı sıcaklığı "1°C -> 2°C -> 3°C -> 4°C -> 5°C -> 6°C -> 7°C -> 8°C -> 9°C" şeklinde görüntülenecektir.



## AÇIKLAMA

Sıcaklık ayarlandıktan sonra 5 saniye içinde herhangi bir işlem yapılmazsa sistem otomatik olarak ayarlanan sıcaklığı belirleyecek ve kaydedecektir.

## Dondurucu için sıcaklığı ayarlama

Ekran kilidi açıldığında, "K<sub>6</sub>" (Bölge seçici) düğmesine basın. Sesli uyarı bir kez çalar, "F" (Dondurucu göstergesi) göstergesi yanar ve ardından dondurucunun sıcaklık ayar modu gelir.

Her seferinde "K<sub>4</sub>" (Sıcaklık ayar düğmesi "-") düğmesine basın; sesli uyarı bir kez çalar, dondurucunun ayarlanan sıcaklığı 1 azaltılır. Dondurucu sıcaklığı "-14°C -> -15°C -> -16°C -> -17°C -> -18°C -> -19°C -> -20°C -> -21°C -> -22°C -> -23°C -> -24°C" şeklinde görüntülenecektir.

Her seferinde "K<sub>5</sub>" (Sıcaklık ayar düğmesi "+") düğmesine basın; sesli uyarı bir kez çalar, dondurucunun ayarlanan sıcaklığı 1 artırılır. Dondurucu sıcaklığı "-24°C -> -23°C -> -22°C -> -21°C -> -20°C -> -19°C -> -18°C -> -17°C -> -16°C -> -15°C -> -14°C" şeklinde görüntülenecektir.



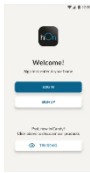
## AÇIKLAMA

Sıcaklık ayarlandıktan sonra 5 saniye içinde herhangi bir işlem yapılmazsa sistem otomatik olarak ayarlanan sıcaklığı belirleyecek ve kaydedecektir.

### Adım 1 Mağazalardan hOn Uygulamasını indirin.



Adım 2 hOn Uygulamasında hesabınızı oluşturun veya zaten bir hesabınız varsa giriş yapın



Adım 3 hOn Uygulamasındaki eşleştirme talimatlarını izleyin.



## Wi-Fi işlevi

1. Wi-Fi'yi yapılandırmak için uygulamada verilen talimatları izleyin.
2. Wi-Fi yapılandırıldığında ve bağlantı kurulduğunda, Wi-Fi simgesi "A" sabit olarak yanar.
3. Wi-Fi zaten yapılandırılmışsa, Wi-Fi açıldığında yapılandırma bilgilerine göre otomatik olarak yeniden bağlanacaktır.
4. Wi-Fi'yi kapatmak için Wi-Fi düğmesine "K<sub>1</sub>" basın; Wi-Fi simgesi "A" kapanır.
5. Wi-Fi'yi açmak ve yapılandırmayı başlatmak için Wi-Fi düğmesine "K<sub>1</sub>" basın, Wi-Fi simgesi "A" yavaşça yanıp sönmeye başlar. Wi-Fi işlevini yapılandırmak istiyorsanız, "K<sub>1</sub>" düğmesine 3 saniye basın; Wi-Fi simgesi hızlı bir şekilde yanıp söner ve yapılandırma moduna girer. Wi-Fi işlevini kapatmak istiyorsanız, "K<sub>1</sub>" düğmesine bir kez basın. Yukarıdaki adımlar tekrarlanır.
6. Ürün yapılandırılmışsa ve Wi-Fi işlevi kapatılmışsa, buzdolabı güce yeniden bağlandıktan sonra yapılandırma moduna girmeyecektir.

## Holiday işlevi

1. Ekran kilidi açıldığında, "K<sub>7</sub>" (Holiday işlevi) düğmesine basın; sesli uyarı bir kez çalar, "G" (Holiday fonksiyonu) göstergesi yanar ve ardından Holiday işlevi açılır.
2. Ekran kilidi açıldığında, "K<sub>7</sub>" (Holiday işlevi) düğmesine basın; sesli uyarı bir kez çalar, "G" (Holiday fonksiyonu) göstergesi söner ve ardından Holiday işlevi kapatılır.

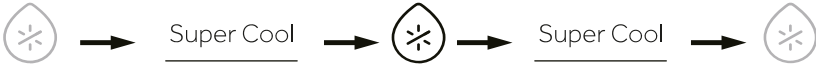


## AÇIKLAMA

1. Holiday işlevi esas olarak kısa süreli seyahatler ve diğer durumlar için kullanılır ve Holiday işlevi kullanılırken buzdolabı odası boşaltılmalıdır.
2. Holiday işlevinde, buzdolabı odasının sıcaklığı daha yüksek olacaktır (yaklaşık 17°C), gıdaların bozulmasını önlemek için lütfen buzdolabı odasındaki yiyecekleri mutlaka boşaltın.

## Super Cool işlevi

1. Ekran kilidi açıldığında, "K<sub>2</sub>" (Super Cool seçici) düğmesine basın; sesli uyarı bir kez çalar, "B" (Super Cool işlevi) göstergesi yanar ve ardından Super Cool işlevi açılır.
2. "B" (Super Cool işlevi) göstergesi yandığında, "K<sub>2</sub>" (Super Cool seçici) düğmesine basın; sesli uyarı bir kez çalar, "O" (Super Cool işlevi) göstergesi söner ve ardından Super Cool işlevi kapatılır.
3. Super Cool işlevi açıldıktan sonra, buzdolabı ayarlanan sıcaklığa geldiğinde işlevi otomatik olarak kapatacaktır. Manuel olarak çıkmak isterseniz, "K<sub>2</sub>" (Super Cool seçici) düğmesine basıp kapatabilirsiniz.



## AÇIKLAMA

1. Super Cool durumunda, buzdolabı sıcaklığı ayarlanamaz. Buzdolabının sıcaklığını ayarlamak için "K<sub>4</sub>" (Sıcaklık ayar düğmesi "-") veya "K<sub>5</sub>" (Sıcaklık ayar düğmesi "+") düğmelerinden birine basılırsa, bu işlemin gerçekleştirilemeyeceğini belirtmek için uyarı sesiyle birlikte "B" (Super Cool göstergesi) göstergesi yanıp sönecektir.
2. Super Cool işlevi durumunda, farklı kontrol modları nedeniyle Auto-Set işlevi aynı anda açılmaz. Başka bir işlevle çakışan bir işlevi seçtiğinizde, orijinal işlevden otomatik olarak çıkış yapılacaktır.
3. Bu işlev 6 saat sonra otomatik olarak devre dışı bırakılacaktır.

## Super Freeze işlevi

1. Ekran kilidi açıldığında, "K<sub>3</sub>" (Super Freeze seçici) düğmesine basın; sesli uyarı bir kez çalar, "C" (Super Freeze işlevi) göstergesi yanar ve ardından Super Freeze işlevi açılır.
2. "C" (Super Freeze işlevi) göstergesi yandığında, "K<sub>3</sub>" (Super Freeze seçici) düğmesine basın; sesli uyarı bir kez çalar, "C" (Super Freeze işlevi) göstergesi söner ve ardından Super Freeze işlevi kapatılır.
3. Super Freeze işlevi açıldıktan sonra, buzdolabı ayarlanan sıcaklığa geldiğinde işlevi otomatik olarak kapatacaktır. Manuel olarak çıkmak isterseniz, "K<sub>3</sub>" (Super Freeze seçici) düğmesine basıp kapatabilirsiniz.





## AÇIKLAMA

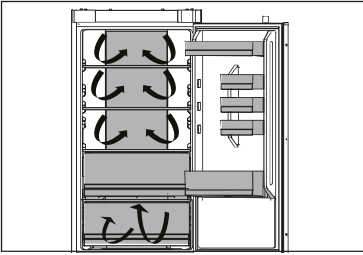
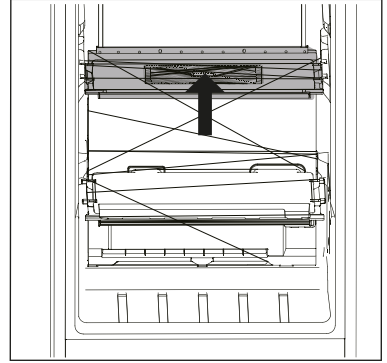
1. Super Freeze durumunda, dondurucu sıcaklığı ayarlanamaz. Dondurucunun sıcaklığını ayarlamak için "K4" (Sıcaklık ayar düğmesi "-") veya "K5" (Sıcaklık ayar düğmesi "+") düğmelerinden birine basılırsa, bu işlemin gerçekleştirilemeyeceğini belirtmek için "C" (Super Freeze göstergesi) göstergesi bir uyarı sesiyle birlikte yanıp sönecektir.
2. Super Freeze işlevi, dondurulmuş gıdaların besin değerini korumak için tasarlanmıştır ve gıdaları en kısa sürede donduracaktır. Tek seferde büyük miktarlarda dondurulmuş gıda dondurulacaksa. Dondurucuyu görece düşük sıcaklığa getirmek ve yiyecekleri yerleştirmek için Super Freeze işlevi 24 saat önceden ayarlanmalıdır. Bu şekilde, dondurucunun dondurma hızı iyileştirilir, yiyecekler hızlı bir şekilde dondurulabilir, yiyeceklerin besin değerleri etkin bir şekilde korunur ve saklama oldukça kullanışlı hale gelir.
3. Super Freeze işlevi 50 saat sonra otomatik olarak kapanır, cihaz daha sonra önceden ayarlanan sıcaklıkta çalışır.

## Humidity Zone çekmecesi

Bu bölmede nem oranı buzdolabı bölmesine göre daha yüksektir. Sistem tarafından otomatik olarak kontrol edilir ve meyve, sebze, salata vb. depolamak için uygundur.

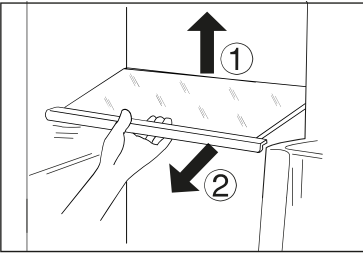
### **i** AÇIKLAMA

1. Bölgenin içindeki plastik kapağı çıkarmayın.
2. Nemi korurlar.
3. Ananas, avokado, muz, greyfurt gibi soğuğa duyarlı meyvelerin bu çekmeceye saklanması önerilmez.



### Çoklu hava akışı

1. Buzdolabı, her raf seviyesinde soğuk hava akışlarının bulunduğu çoklu hava akışı sistemi ile donatılmıştır. Bu, yiyeceklerinizin daha uzun süre taze kalmasını sağlamak için sabit bir sıcaklığın korunmasına yardımcı olur.



### Ayarlanabilir raflar

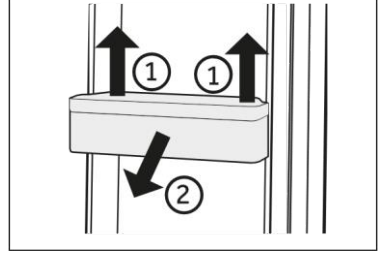
1. Rafların yüksekliği, depolama ihtiyaçlarınıza göre ayarlanabilir.
2. Bir rafın yerini değiştirmek için önce arka kenarını yukarı kaldırıp ① dışarı doğru çekerek ② çıkarın.
3. Yeniden takmak için, her iki taraftaki tırnaklara yerleştirin ve rafın arkası yanlardaki yuvalara sabitlenene kadar en arkaya doğru itin

### **i** AÇIKLAMA

Bir rafın tüm uçlarının düz olduğundan emin olun.

### Çıkarılabilir kapı rafları/şişe tutucu

1. Kapı rafları temizlik için çıkarılabilir:
2. Ellerinizi rafın her iki yanına koyun, yukarı doğru kaldırın ① ve dışarı doğru çekin ②.
3. Kapı rafını takmak için yukarıdaki adımlar ters sırayla gerçekleştirilir.

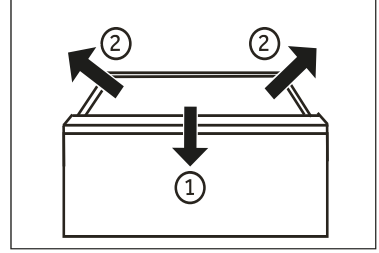


### AÇIKLAMA

Cihaz açıldığında, doğru sıcaklıklara ulaşılması 12 saati bulabilir.

### Çıkarılabilir çekmece

- Çekmeceyi çıkarmak için, azami ölçüde dışarı çekin ①, kaldırın ve çıkarın ②.
- Çekmeceyi takmak için yukarıdaki adımlar ters sırayla gerçekleştirilir.



### Işık

Kapı açıldığında LED iç aydınlatma yanar. Işıkların performansı, cihazın diğer ayarlarından etkilenmez.



## Enerji tasarrufu ipuçları

- ▶ Cihazın uygun şekilde havalandırıldığından emin olun (bkz. KURULUM).
- ▶ Cihazı doğrudan güneş ışığı alan bir yere veya ısı kaynaklarının (örn. soba, ısıtıcı) yakınına kurmayın.
- ▶ Cihazda gereksiz yere düşük sıcaklıktan kaçınin. Enerji tüketimi, cihazdaki sıcaklık ne kadar düşük ayarlanırsa o kadar artar.
- ▶ Super Freeze gibi işlevler daha fazla enerji tüketir.
- ▶ Sıcak yiyecekleri cihaza yerleştirmeden önce soğumaya bırakın.
- ▶ Cihaz kapısını mümkün olduğunca az ve kısa süreliğine açın.
- ▶ Hava akışını engellemek için cihazı aşırı doldurmayın.
- ▶ Gıda ambalajının içinde hava olmasını önleyin.
- ▶ Kapının her zaman doğru şekilde kapanması için kapı contalarını temiz tutun.
- ▶ Dondurulmuş yiyecekleri buzdolabı saklama bölmesinde çözün.
- ▶ En fazla enerji tasarrufu sağlayan konfigürasyon, cihazın çekmeceleri, yiyecek kutusunu ve rafları fabrikadan yeni çıkmış durumda tutmasını gerektirir ve yiyecekler mümkün olduğunca kanallın hava çıkışını engellemeyecek şekilde yerleştirilmelidir.



## UYARI!

Temizlemeden önce cihazı güç kaynağından ayırın.

### Temizleme

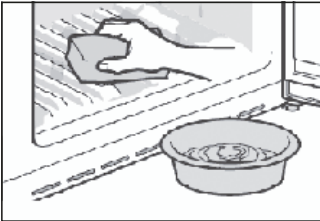
Cihazı çok az yiyecek saklandığında veya hiç yiyecek saklanmadığında temizleyin.

Cihaz, iyi bir bakım sağlamak ve depolanmış kötü yiyecek kokularını önlemek için her dört haftada bir temizlenmelidir.



## UYARI!

- ▶ Cihazı sert fırçalar, tel fırçalar, deterjan tozu, benzin, amil asetat, aseton ve benzeri organik solüsyonlar, asit veya alkali solüsyonlarla temizlemeyin. Hasarı önlemek için lütfen özel buzdolabı deterjanı ile temizleyin.
- ▶ Temizlik sırasında cihaza bir şey püskürtmeyin veya onu yıkamayın.
- ▶ Cihazı temizlemek için su spreyi veya buhar kullanmayın.
- ▶ Soğuk cam rafları sıcak suyla temizlemeyin. Ani sıcaklık değişimi camın kırılmasına neden olabilir.
- ▶ Elleriniz yüzeyde donabileceğinden, özellikle ıslak ellerle dondurucu depolama bölmesinin iç yüzeyine dokunmayın.
- ▶ Isıtma durumunda donmuş ürünlerin durumunu kontrol edin.



- ▶ Kapı contasını daima temiz tutun.
- ▶ Cihazın içini ve muhafazasını ılık su ve nötr deterjanla nemlendirilmiş bir süngerle temizleyin.
- ▶ 1. Lütfen kapı contası, kapı rafı, cam raflar, kutular vb. dahil olmak üzere buzdolabının içini ve dışını yumuşak bir havlu veya ılık suya batırılmış süngerle silin (ılık suya nötr deterjan ekleyebilirsiniz).
- ▶ 2. Dökülen sıvı varsa, kirlenmiş tüm parçaları çıkarın, doğrudan akan su ile yıkayın, kurutun ve tekrar buzdolabına yerleştirin.
- ▶ 3. Dökülen krema varsa (krema, eriyen dondurma gibi) lütfen kirlenmiş tüm parçaları çıkarın, yaklaşık 40 °C'lik ılık suda bir süre bekletin, ardından akan su ile durulayın, kurutun ve tekrar buzdolabına yerleştirin.
- ▶ 4. Küçük bir parçanın veya bileşenin buzdolabının içine (raflar veya çekmeceler arasına) sıkışması durumunda, çıkarmak için küçük yumuşak bir fırça kullanın. Parçaya ulaşamadıysanız, lütfen Haier servisi ile iletişime geçin
- ▶ Durulayın ve yumuşak bir bezle kurulayın.
- ▶ Cihazın hiçbir parçasını bulaşık makinesinde yıkamayın.
- ▶ Sık çalıştırma kompresöre zarar verebileceğinden, cihazı yeniden başlatmadan önce en az 5 dakika bekleyin.

### Buz çözme

Buzdolabı ve dondurucu bölmesinin buzunun çözülmesi otomatik olarak gerçekleştirilir; manuel işleme gerek yoktur.

## LED lambaların deęiřtirilmesi



### UYARI!

LED lambayı kendiniz deęiřtirmeyin, bu para, yalnızca üretici veya yetkili servis temsilcisi tarafından deęiřtirilmelidir.

Lambalar, düşük enerji tüketimi ve uzun hizmet ömrü sunan ışık kaynaęı olarak LED ile donatılmıştır. Herhangi bir anormallik varsa, lütfen müşteri hizmetleri ile iletişime geçin. Bkz. MÜŞTERİ HİZMETLERİ.

Lambaların parametreleri:

Buzdolabı bölmesi: 12V maks 2W

Dondurucu bölmesi: 12 V maks 2 W

## Uzun süre kullanılmaması

Cihazı uzun süre kullanmayacaksanız VE Holiday işlevini kullanmak istemiyorsanız:

Yiyecekleri çıkarın.

Güç kablosunu çıkarın.

Cihazı yukarıda açıklandığı gibi temizleyin.

İçeride kötü kokuların oluşmasını önlemek için kapıyı açık tutun.



### AÇIKLAMA

Cihazı yalnızca kesinlikle gerekiyorsa kapatın.

## Cihazın taşınması

1. Tüm yiyecekleri çıkarın ve cihazın fişini çekin.
2. Buzdolabı ve dondurucudaki rafları ve diğer hareketli parçaları yapışkan bantla sabitleyin.
3. Soğutma sistemine zarar vermemek için buzdolabını 45°den fazla eğmeyin.



### UYARI!

- ▶ Cihazı kollarından kaldırmayın.
- ▶ Cihazı asla yere yatay olarak yerleřtirmeyin.

Ortaya çıkan birçok sorun, belirli bir uzmanlık olmadan kendi başınıza çözülebilir. Bir sorunla karşılaşırsanız, lütfen gösterilen tüm olasılıkları kontrol edin ve bir satış sonrası servisle iletişime geçmeden önce aşağıdaki talimatları izleyin. Bkz. MÜŞTERİ HİZMETLERİ.



## UYARI!

- ▶ Bakımdan önce cihazı devre dışı bırakın ve elektrik fişini elektrik prizinden çekin.
- ▶ Elektrikli ekipmanın servisi yalnızca kalifiye elektrik uzmanları tarafından yapılmalıdır, çünkü uygun olmayan onarımlar önemli ölçüde dolaylı hasarlara neden olabilir.
- ▶ Hasarlı bir besleme kablosu, bir tehlikeyi önlemek için yalnızca üretici, servis acentesi veya benzer kalifiye kişiler tarafından değiştirilmelidir.

Sorun	Olası Neden	Olası Çözüm
Kompresör çalışmıyor.	<ul style="list-style-type: none"> <li>• Elektrik fişi prize takılı değil.</li> <li>• Cihaz buz çözme döngüsünde</li> </ul>	<ul style="list-style-type: none"> <li>• Elektrik fişini bağlayın.</li> <li>• Otomatik buz çözme için bu normaldir</li> </ul>
Cihaz sık sık çalışıyor veya çok uzun süre çalışıyor.	<ul style="list-style-type: none"> <li>• İç veya dış ortam sıcaklığı çok yüksek.</li> <li>• Cihaz bir süredir kapalı durumda.</li> <li>• Cihazın bir kapısı sıkıca kapatılmamış.</li> <li>• Kapı çok sık veya çok uzun süre açık kalmış.</li> <li>• Dondurucu bölmesi için sıcaklık ayarı çok düşük.</li> <li>• Kapı contası kirli, aşınmış, çatlamış veya uyumsuz.</li> <li>• Gerekli hava sirkülasyonu sağlanmamış.</li> </ul>	<ul style="list-style-type: none"> <li>• Bu durumda cihazın daha uzun süre çalışması normaldir.</li> <li>• Normalde, cihazın tamamen soğuması 8 ila 12 saat alır.</li> <li>• Kapağı/çekmeceyi kapatın ve cihazın düz bir zemine yerleştirildiğinden ve kapağı sarsan yiyecek veya kap olmadığından emin olun.</li> <li>• Kapağı/çekmeceyi çok sık açmayın.</li> <li>• Uygun bir buzdolabı sıcaklığı elde edilene kadar sıcaklığı daha yükseğe ayarlayın. Buzdolabı sıcaklığının sabit hale gelmesi 24 saat sürer.</li> <li>• Kapı/çekmece contasını temizleyin veya müşteri hizmetleri tarafından değiştirilmesini sağlayın.</li> <li>• Yeterli havalandırma sağlayın.</li> </ul>
Buzdolabının içi kirli ve/veya kokuyor.	<ul style="list-style-type: none"> <li>• Buzdolabının içinin temizlenmesi gerekiyor.</li> <li>• Keskin kokulu yiyecekler buzdolabında saklanır.</li> </ul>	<ul style="list-style-type: none"> <li>• Buzdolabının içini temizleyin.</li> <li>• Yiyecekleri iyice sarın.</li> </ul>

Sorun	Olası Neden	Olası Çözüm
Cihazın içi yeterince soğuk değil.	<ul style="list-style-type: none"> <li>Sıcaklık çok yüksek ayarlanmış.</li> <li>Çok sıcak ürünler saklanmış.</li> <li>Bir seferde çok fazla yiyecek depolanmış.</li> <li>Ürünler birbirine çok yakın.</li> <li>Cihazın bir kapısı/çekmecesini sıkıca kapatılmamış.</li> <li>Kapı/çekmece çok sık veya çok uzun süre açık kalmış.</li> </ul>	<ul style="list-style-type: none"> <li>Sıcaklığı sıfırlayın.</li> <li>Ürünleri saklamadan önce daima soğutun.</li> <li>Her zaman az miktarda yiyecek saklayın.</li> <li>Birkaç yiyecek arasında hava akışına izin verecek bir boşluk bırakın.</li> <li>Kapıyı/çekmeceyi kapatın.</li> <li>Kapıyı/çekmeceyi çok sık açmayın.</li> </ul>
Cihazın içi çok soğuk.	<ul style="list-style-type: none"> <li>Sıcaklık çok düşük ayarlanmış.</li> <li>Super Freeze/Super Cool işlevi etkinleştirilmiş veya çok uzun süre çalışıyor.</li> </ul>	<ul style="list-style-type: none"> <li>Sıcaklığı sıfırlayın.</li> <li>Super Freeze/Super Cool işlevini kapatın</li> </ul>
Buzdolabı bölmesinin iç kısmında nem oluşumu.	<ul style="list-style-type: none"> <li>İklim çok sıcak ve çok nemli.</li> <li>Cihazın bir kapısı/çekmecesini sıkıca kapatılmamış.</li> <li>Kapı/çekmece çok sık veya çok uzun süre açık kalmış.</li> <li>Yiyecek kapları veya sıvılar açık bırakılmış.</li> </ul>	<ul style="list-style-type: none"> <li>Sıcaklığı artırın.</li> <li>Kapıyı/çekmeceyi kapatın.</li> <li>Kapıyı/çekmeceyi çok sık açmayın.</li> <li>Sıcak yiyecekleri oda sıcaklığına soğumaya bırakın ve yiyecek ve sıvıları kapatın.</li> </ul>
Nem, buzdolabının dış yüzeyinde veya kapılar/kapı ile çekmece arasında birikiyor.	<ul style="list-style-type: none"> <li>İklim çok sıcak ve çok nemli.</li> <li>Kapı sıkıca kapatılmamış. Cihazdaki soğuk hava ve dışındaki sıcak hava yoğunlaşır.</li> </ul>	<ul style="list-style-type: none"> <li>Bu durum nemli iklimde bu normaldir ve nem azaldığında değişecektir.</li> <li>Kapının/çekmecenin sıkıca kapatıldığından emin olun.</li> </ul>
Hafif işleri gösterin ancak soğuğu hissetmeyin.	<ul style="list-style-type: none"> <li>Demo modundadır.</li> </ul>	<ul style="list-style-type: none"> <li>Lütfen hangi durumda olduğuna dikkat edin, Demo modundayken çıkın. Çıkış Kilitli durumdayken buzdolabının kapısını açın, açıldıktan sonraki 12 saat içinde sağdaki ikinci düğmeye 8 saniye basın.</li> </ul>

Sorun	Olası Neden	Olası Çözüm
Dondurucu bölmesinde kuvvetli buz ve buzlanma.	<ul style="list-style-type: none"> <li>• Ürünler yeterince paketlenmemiş.</li> <li>• Cihazın bir kapısı/çekmecesi sıkıca kapatılmamış.</li> <li>• Kapı/çekmece çok sık veya çok uzun süre açık kalmış.</li> <li>• Kapı/çekmece contası kirli, aşınmış, çatlamış veya uyumsuz.</li> <li>• İçerideki bir şey kapının/çekmecenin düzgün kapanmasını engelliyor.</li> </ul>	<ul style="list-style-type: none"> <li>• Ürünleri her zaman iyi paketleyin.</li> <li>• Kapıyı/çekmeceyi kapatın.</li> <li>• Kapıyı/çekmeceyi çok sık açmayın.</li> <li>• Kapı/çekmece contasını temizleyin veya yenileriyle değiştirin.</li> <li>• Kapının/çekmecenin kapanmasına izin vermek için rafları, kapı raflarını veya dahili kapları yeniden konumlandırın.</li> </ul>
Kabinin kenarları ve kapı şeridi ısınıyor.	<ul style="list-style-type: none"> <li>• -</li> </ul>	<ul style="list-style-type: none"> <li>• Bu normaldir.</li> </ul>
Cihaz anormal sesler çıkarıyor.	<ul style="list-style-type: none"> <li>• Cihaz düz bir zemine yerleştirilmemiştir.</li> <li>• Cihaz etrafındaki bir nesneye dokunuyor.</li> </ul>	<ul style="list-style-type: none"> <li>• Cihazı düzleştirmek için ayakları ayarlayın.</li> <li>• Cihazın etrafındaki nesnelere kaldırm.</li> </ul>
Akan suya benzer hafif bir ses duyulacaktır.	<ul style="list-style-type: none"> <li>• -</li> </ul>	<ul style="list-style-type: none"> <li>• Bu normaldir.</li> </ul>
Bir alarm bip sesi duyacaksınız.	<ul style="list-style-type: none"> <li>• Buzdolabı saklama bölümü kapısı açık.</li> </ul>	<ul style="list-style-type: none"> <li>• Kapıyı kapatın.</li> </ul>
Hafif bir uğultu duyacaksınız.	<ul style="list-style-type: none"> <li>• Yoğuşma önleyici sistem çalışıyor</li> </ul>	<ul style="list-style-type: none"> <li>• Bu, yoğuşmayı önler ve normaldir</li> </ul>
İç aydınlatma veya soğutma sistemi çalışmıyor.	<ul style="list-style-type: none"> <li>• Elektrik fişi prize takılı değil.</li> <li>• Güç kaynağı sağlam değil.</li> <li>• LED lamba arızalı.</li> </ul>	<ul style="list-style-type: none"> <li>• Elektrik fişini bağlayın.</li> <li>• Odanın elektrik beslemesini kontrol edin. Yerel elektrik şirketini arayın!</li> <li>• Lütfen lamba değişimi için servisi arayın.</li> </ul>

Teknik yardıma başvurmak için web sitemizi ziyaret edin: <https://corporate.haier-europe.com/en/>

"Web sitesi" bölümünün altında, ürününüzün markasını ve ülkenizi seçin. Teknik yardıma başvurmak için telefon numarasını ve formu bulabileceğiniz belirli bir web sitesine yönlendirileceksiniz.

## Güç kesintisi

Elektrik kesintisi durumunda, yiyecekler yaklaşık 5 saat boyunca güvenli bir şekilde soğuk kalmalıdır. Özellikle yaz aylarında, uzun süreli elektrik kesintisi sırasında şu ipuçlarını izleyin:

- ▶ Kapıyı/çekmeceyi olabildiğince az açın.
- ▶ Elektrik kesintisi sırasında cihaza ilave yiyecek koymayın.
- ▶ Elektrik kesintisi önceden bildirilmişse ve kesinti süresi 5 saatten uzunsa, biraz buz yapın ve buzdolabı bölmesinin üst kısmındaki bir kaba koyun.
- ▶ Kesintiden hemen sonra ürünlerin kontrol edilmesi gereklidir.
- ▶ Bir elektrik kesintisi veya başka bir arıza sırasında buzdolabındaki sıcaklık artacağından, yiyeceklerin saklama süresi ve yenilebilir kalitesi azalacaktır. Sağlık risklerini önlemek için buzu çözülen yiyecekler tüketilmeli veya kısa süre sonra pişirilip yeniden dondurulmalıdır (uygunsa).

## Güç kesintisi sırasında hafıza işlevi

Güç geri geldikten sonra cihaz, elektrik kesintisinden önce belirlenen ayarlarla devam eder.

## Ambalajın açılması

**UYARI!**

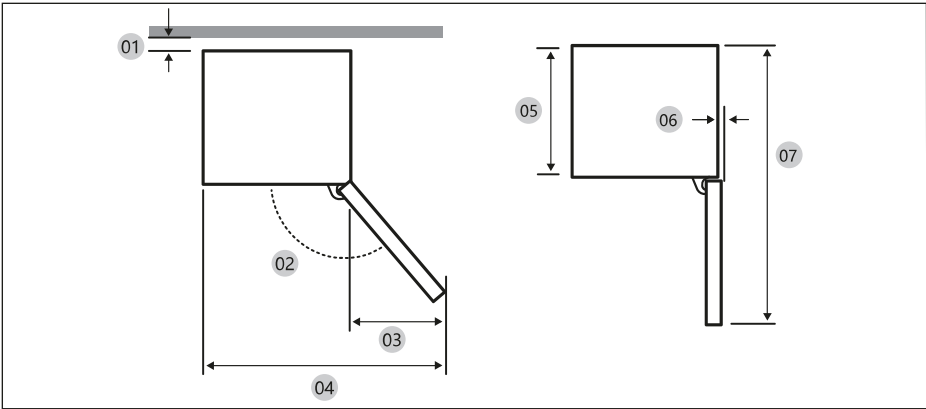
- ▶ Cihaz ağırdır. Daima en az iki kişi taşıyın.
- ▶ Tüm ambalajları çocukların erişemeyeceği bir yerde saklayın ve çevreye zarar vermeyecek şekilde atın.
- ▶ Cihazı ambalajından çıkarın.
- ▶ Tüm ambalaj malzemelerini çıkarın.

## Çevre koşulları

Cihazın içindeki sıcaklığı ve enerji tüketimini etkileyebileceğinden, oda sıcaklığı her zaman 10°C ile 43°C arasında olmalıdır. Cihazı izolasyonu olmayan diğer ısı yayan cihazların (fırınlar, buzdolapları) yanına kurmayın.

## Alan gereksinimi

Kapı açıldığında gerekli alan (Kabin kapı paneli olmadan)

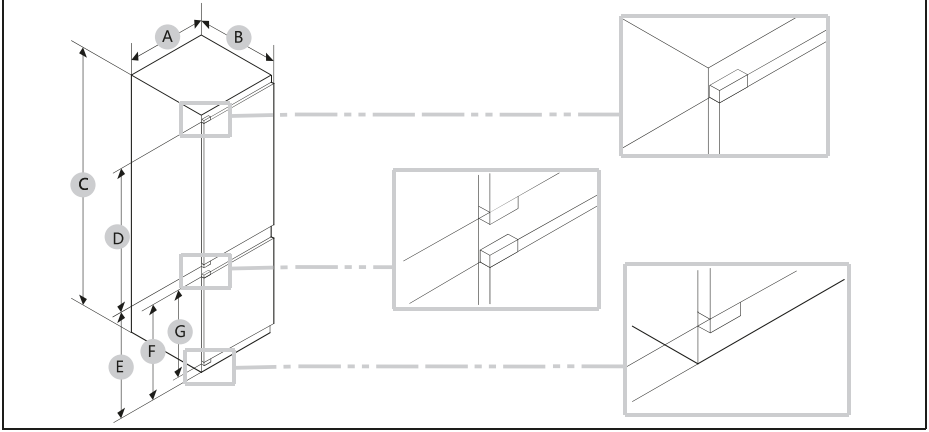


Model	EHBQW5518E HBQW5518E HBQW5518EK HQE1855BCMW EHQE1855BCMW	HBQW5519E HBQW5519EK EBQW5519E EBQW5519ECM	HBQW5719E
01 *	10 (Dk.) / 30 (Tavsiye edilen)	10 (Dk.) / 30 (Tavsiye edilen)	10 (Dk.) / 30 (Tavsiye edilen)
02	95° (Tavsiye edilen)	95° (Tavsiye edilen)	95° (Tavsiye edilen)
03	43	43	55
04	583	583	745
05	515	515	515
06	-3	-3	-3
07	1060	1060	1210

\*01: Kabinden ürünün arkasına kadar.

(birim: mm)

## Ürün boyutu



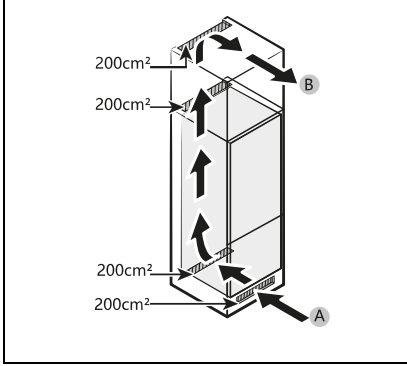
Model	A (mm)	B (mm)	C (mm)	D (mm)	E (mm)	F (mm)	G (mm)
EHBQW5518E HBQW5518E HBQW5518EK HQE1855BCMW EHQE1855BCMW	540±2	550±2	1772±2	970	745	662	618
HBQW5519E HBQW5519EK EHBQW5519E EHBQW5519ECM	540±2	550±2	1935±2	1133	745	662	618
HBQW5719E	690±2	550±2	1935±2	1133	745	662	618

## **i** AÇIKLAMA

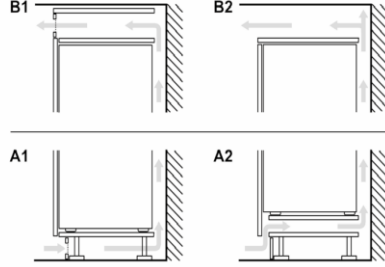
- Belirtilen enerji tüketimi, kabin ile ürünün arkası arasında 10 mm boşluk olması koşuluna dayanmaktadır. Ürün, 10 mm'den daha az bir boşlukta bile düzgün çalışacaktır, ancak biraz daha fazla enerji tüketir.
- Kalınlığı 20 mm'den az menteşelerle 18 mm kalınlığında bir dolap kullanmanızı tavsiye ederiz.
- Yukarıdaki tabloda yer alan ölçümler, ölçüm yöntemine bağlı olarak farklılık gösterebilir.
- Yerleşik kurulum için Kurulum Kılavuzuna bakın.

## Havalandırma kesiti

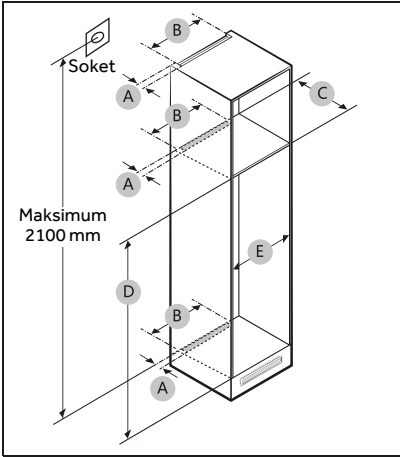
Güvenlik nedeniyle cihazın yeterli şekilde havalandırılmasını sağlamak için, gerekli havalandırma kesitlerine ilişkin bilgilere uyulmalıdır.



**A:** Hava girişi  $\geq 200\text{cm}^2$ ; Havalandırma seçenekleri  
**B:** Hava çıkışı  $\geq 200\text{cm}^2$ ; Havalandırma seçenekleri



## Kabin boyutu



## DİKKAT!

Aşağıdakilerden kaynaklanan herhangi bir ürün arızası Garanti kapsamında değildir.

1. Uygun olmayan saha koşulları veya yanlış kabin boyutları.
2. Kusurlu dolap.
3. Yükleyici veya kullanıcı tarafından yapılan hatalar.

## Alan

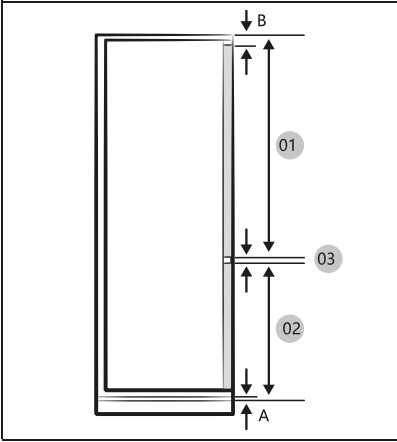
Kurulum için alan gereksinimleri için aşağıdaki resimlere ve tablolara bakın.

Model		A (mm)	B (mm)	C (mm)	D (mm)	E (mm)	Açıklama
EHBQW5518E HBQW5518E HBQW5518EK HQE1855BCMW EHQE1855BCMW	Min.	50	400	560	1778	560	Menteşe: 17mm
	Tavsiye Edilen			580	1780	562	
	Maks.			-	1782	568	
HBQW5519E HBQW5519EK EHBQW5519E EHBQW5519ECM	Min.	50	400	560	1940	560	Menteşe: 17mm
	Tavsiye Edilen			580	1943	562	
	Maks.			-	1945	568	
HBQW5719E	Min.	50	400	560	1941	710	Menteşe: 17mm
	Tavsiye Edilen			580	1943	714	
	Maks.			-	1945	718	



## AÇIKLAMA

- Bir dolabın genişliği 568 mm'den büyükse, conta (buzdolabı ile dolap arasında) gevşeyebilir.
- Kabin maksimum boyuttan (1782 mm) daha yüksekse, boşluğu doldurmak için başka kaplama malzemeleri kullanmanız gerekir (EHBQW5518E/ HBQW5518E/ EK/ EHQE/ HQE1855BCMW için)
- Kabin maksimum boyuttan (1945 mm) daha yüksekse, boşluğu doldurmak için başka kaplama malzemeleri kullanmanız gerekir (HBQW5519E/ EK/ EHBQW5519E/ ECM için)



## AÇIKLAMA

4 mm boşluk (03) gerektiren bir kabini monte etmek için aşağıdaki kabin referans tablosuna bakın.

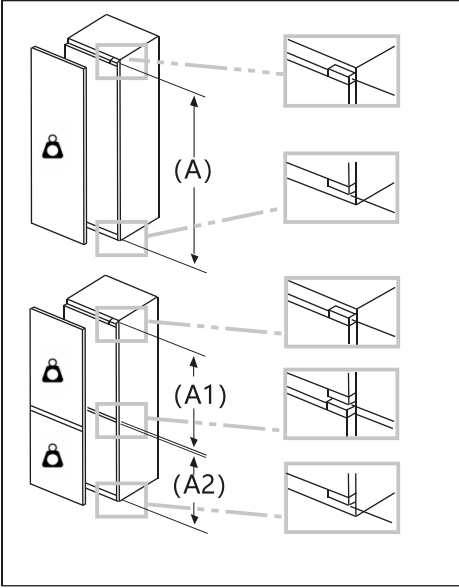
- A Havalandırmanın üzerindeki ön panelin alt kenarı  
B Ön panel çıkıntısı

(birim: mm)

Model	EHBQW5518E HBQW5518E HBQW5518EK HQE1855BCMW EHQE1855BCMW	HBQW5519E HBQW5519EK EHBQW5519E EHBQW5519ECM HBQW5719E
01	Min. 1028+B Maks. 1106+B	Min. 1191+B Maks. 1269+B
02	Min. 662+A Maks. 740+A	Min. 662+A Maks. 740+A
03	4 mm (buzdolabı ve dondurucu dolap kapı paneli boşluğu)	

## Ünite cephelerinin izin verilen maksimum ağırlığı

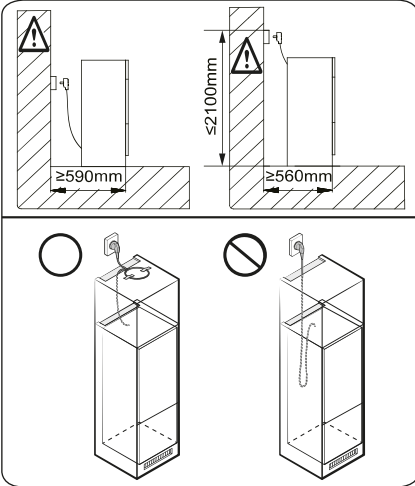
İzin verilen ağırlığı aşan ünite ön yüzleri hasara neden olabilir ve menteşelerin işlevselliğinin bozulmasına yol açabilir.



**A** Ağırlık  
(kg)

1500-1750 mm	22
720-1400 mm	19
A1	15
A2	15

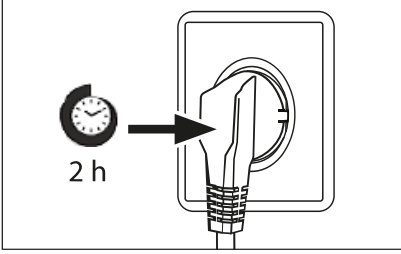
## Priz konumu ve gerekli alanın dikkate alınması



### **i** AÇIKLAMA

Buzdolabını 560 mm derinliğe sahip bir dolaba monte ederseniz, fişi prize takmadan önce güç kablosunun buzdolabının bir tarafına yerleştirildiğinden emin olun. Güç kablosunun buzdolabının arkasında olması enerji verimliliğini düşürebilir.

## Bekleme süresi



Bakım gerektirmeyen yağlama yağı, kompresörün kapsülünde bulunur. Bu yağ eğimli taşıma sırasında kapalı boru sisteminden geçebilir. Cihazı güç kaynağına bağlamadan önce, yağın tekrar kapsüle akması için en az 2 saat beklemeniz gerekir.

## Elektrik bağlantısı

Her bağlantıdan önce şunları kontrol edin:

- ▶ Güç kaynağı, priz ve sigortanın anma değeri plakasına uygun olduğunu.
- ▶ Elektrik prizinin topraklı olduğunu ve çoklu fiş veya uzatma olmadığını.
- ▶ Elektrik fişi ve prizin kesinlikle doğru olduğunu.

Fişi uygun şekilde kurulmuş bir ev prizine takın.



## UYARI!

Riskleri önlemek için hasarlı bir güç kablosu müşteri hizmetleri tarafından değiştirilmelidir (garanti kartına bakın).

AB No. 2019/2016 yönetmeliğine göre ürün fişi

Marka	Haier		
Model adı/tanımlayıcı	EHBQW5518E HBQW5518E HBQW5518EK HQE1855BCMW EHQE1855BCMW	HBQW5519E HBQW5519EK EHBQW5519E EHBQW5519ECM	HBQW5719E
Modelin kategorisi	Buzdolabı Dondurucusu		
Enerji verimliliği sınıfı	E	E	E
Yıllık enerji tüketimi (kWh/yıl) (1)	229	229	259
Toplam hacim (L)	268	285	382
Buzdolabı hacmi (L)	194	211	281
Dondurucu hacmi (L)	74	74	101
Soğutucu bölümü hacmi (L)	/	/	/
Otomatik buz yapıcı hacmi (L)	/	/	/
Yıldız derecelendirmesi	4	4	4
Diğer bölmelerin sıcaklığı > 14°C	Uygulanamaz		
Buzlanmayan sistem	Evet		
Dondurma kapasitesi (kg/24sa)			
İklim derecelendirmesi (2)	SN/N/ST/T	SN/N/ST/T	SN/N/ST/T
Gürültü emisyon sınıfı ve hava kaynaklı akustik gürültü emisyonları (db(A)re1pW)	B(35)	B(35)	B(33)
Sıcaklık yükselme süresi (saat)	12	12	9
Buz yapma kapasitesi	/	/	/
Cihaz tipi	Yerleşik		

Model adı	Enerji verimliliği sınıfı
EHBQW5518E HBQW5518E HBQW5518EK HQE1855BCMW EHQE1855BCMW	E
HBQW5519E HBQW5519EK EHBQW5519E EHBQW5519ECM HBQW5719E	E

## Açıklamalar:

- Evet, özellikli

- (1) 24 saatlik standart uygunluk testi sonuçlarına göre. Gerçek tüketim, cihazın kullanımına ve konumuna bağlıdır.
- (2) İklim derecelendirmesi SN: Bu cihaz, +10°C ile +32°C arasındaki ortam sıcaklığında kullanılmak üzere tasarlanmıştır  
İklim derecelendirmesi N: Bu cihaz, +16°C ile +32°C arasındaki ortam sıcaklığında kullanılmak üzere tasarlanmıştır  
İklim derecelendirmesi ST: Bu cihaz, +16°C ile +38°C arasındaki ortam sıcaklığında kullanılmak üzere tasarlanmıştır  
İklim derecelendirmesi T: Bu cihaz, +16°C ile +43°C arasındaki ortam sıcaklığında kullanılmak üzere tasarlanmıştır

## Ek teknik veriler

Gerilim / Frekans	220-240V ~/50Hz
Giriş akımı (A)	1.2/1.6
Ana sigorta (A)	16
Soğutma sıvısı	R600a
Boyutlar (mm cinsinden Y/G/D)	EHBQW5518E/ HBQW5518E/ EK EHQE/ HQE1855BCMW: 1773/540/555
	HBQW5519E/ EK/ EHBQW5519E/ ECM: 1935/540/555
	EHBQW5719E : 1935/690/550

Haier Müşteri Hizmetlerimizi ve orijinal yedek parça kullanımını öneriyoruz. Cihazınızla ilgili bir sorununuz varsa, lütfen önce SORUN GİDERME bölümüne bakın.

Orada bir çözüm bulamazsanız, lütfen

- ▶ yerel bayinizle veya
- ▶ Avrupa Çağrı Hizmet Merkezimizle (aşağıda listelenen telefon numaralarına bakın) ya da
- ▶ servis talebini etkinleştirebileceğiniz ve ayrıca SSS'leri bulabileceğiniz [www.haier.com](http://www.haier.com) adresindeki Servis ve Destek alanı
- ▶ ile iletişime geçin.

Hizmetimizle iletişime geçmek için aşağıdaki verilere sahip olduğunuzdan emin olun. Bilgiler, anma değeri plakasında bulunabilir.

Model \_\_\_\_\_

Seri Numarası \_\_\_\_\_

Garanti ile ilgili olarak, ürünle birlikte verilen Garanti Kartını da kontrol edin.

Avrupa Çağrı Servis Merkezi		
Ülke*	Telefon Numarası	Maliyetler
Haier Italy (IT)	199 100912	
Haier Spain (ES)	902 509 123	
Haier Germany (DE)	0180 5 39 39 99	<ul style="list-style-type: none"><li>• 14 Ct/Dk. Sabit Hat</li><li>• maks 42 Ct/Dk. Mobil</li></ul>
Haier Austria (AT)	0820 001205	<ul style="list-style-type: none"><li>• 14,53 Ct/Dk. Sabit Hat</li><li>• maks 20 Ct/Dk. diğerleri</li></ul>
Haier United Kingdom (UK)	0333 003 8122	
Haier France (FR)	0980 406 409	

\*Diğer ülkeler için lütfen [www.haier.com](http://www.haier.com) adresine bakın

Haier Europe Trading S.r.l

Branch UK

Westgate House, Westgate, Ealing

London, W5 1YY

\*Soğutma cihazının garanti süresi:

Asgari garanti: AB Ülkeleri için 2 yıl, Türkiye için 3 yıl, İngiltere için 1 yıl, Rusya için 1 yıl, İsveç için 3 yıl, Sırbistan için 2 yıl, Norveç için 5 yıl, Fas için 1 yıl, Cezayir için 6 ay, Tunus yasal garanti gerekli değildir.

\*Cihazın tamiri için yedek parça süresi:

Termostatlar, sıcaklık sensörleri, baskılı devre kartları ve ışık kaynakları, modelin son ünitesinin piyasaya sürülmesinden sonra en az yedi yıl süreyle mevcuttur.

Modelin son ünitesinin piyasaya sürülmesinden sonra en az yedi yıl kapı kolları, kapı menteşeleri, tepsi ve sepetler ve en az 10 yıl kapı contaları.

\*Ürün hakkında daha fazla bilgi için lütfen <https://eprel.ec.europa.eu/> adresini ziyaret edin veya cihazla birlikte verilen enerji etiketindeki QR kodunu tarayın.



**Haier**



2024 Versiyon A

# Haier



## Посібник користувача

### Холодильник - морозильник

ЕНВQW5518E

НВQW5518E

НВQW5518EK

НQE1855BCM W

ЕНQE1855BCM W

НВQW5519E

НВQW5519EK

ЕНВQW5519E

ЕНВQW5519ECM

НВQW5719E

UA

<u>4</u>	<u>Інформація щодо техніки безпеки</u>	<u>Перед першим використанням</u>	<u>5</u>
		<u>Встановлення</u>	<u>5</u>
		<u>Щоденне використання</u>	<u>6</u>
		<u>Інформація про холодоагент</u>	<u>8</u>
<u>9</u>	<u>Застосування за призначенням</u>		
<u>10</u>	<u>Опис виробу</u>		
<u>12</u>	<u>Панель управління</u>		
<u>13</u>	<u>Експлуатація</u>	<u>Блокування/розблокування панелі керування</u>	<u>13</u>
		<u>Налаштування температури холодильного відділення</u>	<u>13</u>
		<u>Налаштування температури морозильного відділення</u>	<u>14</u>
		<u>Функція Wi-Fi</u>	<u>15</u>
		<u>Функція Holiday</u>	<u>15</u>
		<u>Функція Super Cool</u>	<u>16</u>
		<u>Функція Super Freeze</u>	<u>16</u>
<u>18</u>	<u>Обладнання</u>		
<u>20</u>	<u>Поради щодо енергозбереження</u>		
<u>21</u>	<u>Догляд та очищення</u>		
<u>23</u>	<u>Усунення несправностей</u>		
<u>27</u>	<u>Встановлення</u>		
<u>34</u>	<u>Технічні дані</u>		
<u>36</u>	<u>Служба підтримки клієнтів</u>		

## Дякуємо Вам за придбання продукції Haier.

Уважно прочитайте ці інструкції, перш ніж користуватися цим приладом. Інструкції містять важливу інформацію, яка допоможе вам отримати максимальний зиск від приладу і забезпечити безпечну і правильну установку, використання та обслуговування.

Зберігайте цей посібник у зручному місці, щоб ви завжди могли звернутися до нього для безпечного та правильного використання приладу.

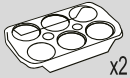
Якщо ви продаєте прилад, віддаєте його або залишаєте його під час переїзду, переконайтеся, що ви також передаєте цей посібник, аби новий власник міг ознайомитися з інформацією про прилад та заходами техніки безпеки.

## Приладдя

Перевірте наявність приладдя та документації відповідно до цього переліку:



Лоток для кубиків льоду



Лоток для яєць x2



Етикетка енергоефективності



Гарантійний талон



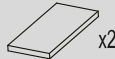
Посібник із заходів техніки безпеки



Гвинт x4



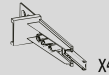
Кришка x2



Губчастий блок x2



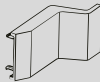
Висувна напрямна x4



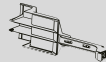
Висувний кронштейн x4



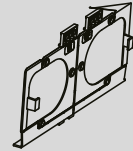
Нерухома пластина



Кришка петлі



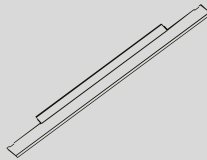
Нерухома пластина II



Нижня нерухома пластина



Верхня нерухома пластина



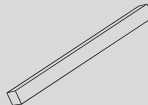
Нижня кришка



Нижня бічна кришка



Ущільнювальна смуга



Ущільнювальна губка



Кришка нижньої петлі

**ПОПЕРЕДЖЕННЯ –****Важлива інформація щодо техніки безпеки****ЗАУВАЖЕННЯ –****Загальна інформація та поради****Екологічна інформація****Утилізація**

Допоможіть захистити довкілля та здоров'я людей. Покладіть упаковку у відповідні контейнери для переробки. Допоможіть переробити відходи електричних та електронних приладів. Не утилізуйте прилади, позначені цим символом, разом з побутовими відходами. Поверніть виріб на місцевий пункт переробки або зверніться до місцевої служби.

**ПОПЕРЕДЖЕННЯ!**

Ризик травмування або задухи!

Холодоагенти та гази повинні бути утилізовані професійно. Переконайтеся, що трубка контуру холодоагенту не пошкоджена, перш ніж її належним чином утилізувати. Від'єднайте прилад від електромережі. Відріжте кабель живлення та утилізуйте його. Зніміть лотки і ящики, а також дверні застібки та ущільнювачі, щоб діти й домашні тварини не зачинилися в приладі.

**Перед першим увімкненням приладу прочитайте наступні поради з техніки безпеки!**



## ПОПЕРЕДЖЕННЯ!

### Перед першим використанням

- ▶ Переконайтеся, що при транспортуванні не було завдано пошкоджень.
- ▶ Зачекайте щонайменше дві години, перш ніж установити пристрій; це забезпечить ефективне функціонування контуру циркуляції холодоагента.
- ▶ Через значну вагу приладу переміщувати його повинні дві особи водночас.
- ▶ Видаліть усі пакувальні матеріали, зберігайте їх у недоступному для дітей місці та утилізуйте екологічно чистим способом.
- ▶ Очистіть прилад зсередини та зовні водою з м'яким миючим засобом, перш ніж класти в нього продукти.
- ▶ Після вирівнювання та очищення приладу зачекайте принаймні 2-5 годин, перш ніж підключати його до джерела живлення. Див. розділ ВСТАНОВЛЕННЯ.
- ▶ Перед завантаженням продуктів попередньо охолодіть відсіки при високих налаштуваннях. Функція Power-Freeze допомагає швидко охолодити відділення.
- ▶ Температури холодильного й морозильного відділень автоматично встановлюються на 5°C та -18°C відповідно. Це рекомендовані налаштування. За бажанням ви можете змінити ці значення температури вручну. Див. розділ НАЛАШТУВАННЯ ТЕМПЕРАТУРИ.

### Встановлення

- ▶ Прилад слід розмістити в добре провітрюваному місці. Забезпечте простір щонайменше на 10 см вище та навколо приладу.
- ▶ Ніколи не розміщуйте прилад у вологому місці або місці, де на нього можуть потрапляти бризки води. Прибирайте забруднення та протирайте насухо прилад м'якою чистою тканиною.
- ▶ Не встановлюйте прилад під прямими сонячними променями або поблизу джерел тепла (наприклад, печей, обігрівачів).
- ▶ Встановлюйте прилад і регулюйте його рівень у місці, що відповідає розмірам та використанню приладу.
- ▶ Не закривайте вентиляційні отвори в приладі або вбудованій конструкції.
- ▶ Пересвідчіться, що електричні характеристики на паспортній таблиці збігаються з характеристиками джерела електроживлення. Якщо це не так, зверніться до електрика.
- ▶ Прилад працює від джерела електроживлення з 220-240 В змін. струму/ 50 Гц. Аномальні коливання напруги можуть призвести до збоїв під час запуску приладу, або пошкодження регулятора температури чи компресора, або дивного шуму під час роботи. У цьому разі слід установити автоматичний регулятор.
- ▶ Не використовуйте багатотепсельні адаптери та подовжувачі.



## ПОПЕРЕДЖЕННЯ!

- ▶ Заборонено розташовувати переносні подовжувачі з кількома розетками або портативні джерела живлення позаду приладу.
- ▶ Переконайтеся, що кабель живлення не затиснутий холодильником. Не наступайте на кабель живлення.
- ▶ Для живлення приладу використовуйте окрему заземлену розетку, яка є легко доступною. Прилад повинен бути заземлений.  
Лише для Великої Британії: кабель живлення приладу обладнано 3-контактною (з заземленням) вилкою, яка підключається до 3-контактної (заземленої) розетки. Заборонено обрізати чи демонтувати третій штир (заземлення). Після встановлення приладу вилка має бути легко доступна.
- ▶ Не пошкодьте охолоджувальний контур.

## Щоденне використання

- ▶ Цей прилад може використовуватися дітьми віком 8 років і старшими, а також особами з обмеженими фізичними, сенсорними й розумовими можливостями, недостатнім досвідом і знаннями за умови, що вони перебувають під належним наглядом або проінструктовані щодо порядку безпечного користування приладом та усвідомлюють пов'язані з цим небезпеки.
- ▶ Дітям віком від 3 до 8 років дозволяється завантажувати та розвантажувати, але не дозволяється чистити або встановлювати холодильні прилади.
- ▶ Тримайте дітей віком до 3 років подалі від приладу, якщо вони не перебувають під постійним наглядом дорослих осіб.
- ▶ Не дозволяйте дітям гратися з приладом.
- ▶ Якщо поблизу приладу витікає холодний або інший легкозаймистий газ, закрийте вентиль газу, що витікає, відкрийте двері й вікна та не виймайте вилку кабелю живлення холодильника або будь-якого іншого приладу з розетки.
- ▶ Зверніть увагу, що прилад налаштований для роботи в певному діапазоні температур навколишнього середовища: від 10°C до 43°C. Прилад може не працювати належним чином, якщо він залишається на тривалий час при температурі вище або нижче зазначеного діапазону.
- ▶ Не ставте нестійкі предмети (важкі предмети, ємності з водою) на холодильник, щоб уникнути травмування через падіння таких предметів або ураження електричним струмом у результаті контакту з водою.
- ▶ Не тягніть за дверні полиці. Дверцята можуть нахилитися, полиця для пляшок може висунутися, а прилад може перекинутися.
- ▶ Відчиняйте та зачиняйте дверцята тільки за допомогою ручок. Відстань між дверцятами й між дверцятами та шафою дуже мала. Не простягайте руки в ці місця, щоб уникнути защемлення пальців. Відчиняйте й зачиняйте дверцята холодильника лише тоді, коли в зоні руху дверцят немає дітей.
- ▶ Не зберігайте й не використовуйте легкозаймисті, вибухонебезпечні або корозійні матеріали в приладі або поблизу нього.



## ПОПЕРЕДЖЕННЯ!

- ▶ Не зберігайте у приладі медикаменти, бактерії або хімічні речовини. Це побутовий прилад. Не рекомендовано зберігати в ньому матеріали, що вимагають строгого дотримання діапазону температури.
- ▶ Ніколи не зберігайте в морозильному відділенні рідини в пляшках або банках (крім міцного алкоголю), особливо газовані напої, оскільки вони луснуть під час заморожування.
- ▶ Перевірте стан продуктів, якщо в морозильному відділенні відбулося підвищення температури.
- ▶ Не встановлюйте необґрунтовано низьку температуру в холодильному відділенні. При високих налаштуваннях можливі мінусові температури. Увага! Пляшки можуть розірватися
- ▶ Не торкайтеся заморожених продуктів мокрими руками (одягайте рукавички). Особливо не їжте морозиво відразу після того, як його вийняли з морозильного відділення. Існує ризик замерзання або утворення морозних пухирів. ПЕРША допомога: негайно помістіть під проточну холодну воду. Не намагайтесь відірватись!
- ▶ Не торкайтеся внутрішньої поверхні морозильного відділення під час роботи, особливо мокрими руками, оскільки ваші руки можуть замерзнути до поверхні.
- ▶ Від'єднайте прилад від мережі у випадку перебою електропостачання або перед чищенням. Зачекайте щонайменше 7 хвилин перш ніж знову підключити прилад, оскільки частий запуск може пошкодити компресор.
- ▶ Не користуйтеся електричними приладами всередині відділень для зберігання харчових продуктів приладу, якщо вони не належать до типу пристроїв, рекомендованих виробником.

## Технічне обслуговування / очищення

- ▶ Переконайтеся, що діти перебувають під наглядом, якщо вони чистять і обслуговують прилад.
- ▶ Перш ніж проводити будь-яке планове технічне обслуговування, від'єднайте прилад від електромережі. Зачекайте щонайменше 5 хвилин перш ніж знову підключити прилад, оскільки частий запуск може пошкодити компресор.
- ▶ Вимикаючи прилад, тримайтеся за вилку, а не за кабель.
- ▶ Не очищуйте прилад жорсткими щітками, дротяними щітками, мийним порошком, бензином, амілацетатом, ацетоном та подібними органічними розчинами, кислотними або лужними розчинами. Щоб уникнути пошкоджень, очищуйте спеціальним засобом для миття холодильників.
- ▶ Не зіскрібайте іній та лід гострими предметами. Не використовуйте розпилювачі, електричні нагрівачі, такі як обігрівачі, фени, пароочищувачі та інші джерела тепла, щоб уникнути пошкодження пластикових частин.
- ▶ Для прискорення процесу розморожування не використовуйте механічні або інші пристрої, окрім рекомендованих виробником.



## ПОПЕРЕДЖЕННЯ!

- ▶ У випадку пошкодження кабелю живлення для уникнення можливої небезпеки його заміну має проводити виробник, його сервісний представник або особи з подібною кваліфікацією.
- ▶ Не намагайтеся самостійно ремонтувати, розбирати чи модифікувати прилад. Для ремонту звертайтеся у нашу службу обслуговування клієнтів.
- ▶ Принаймні раз на рік видаляйте пил із задньої панелі пристрою, щоб уникнути небезпеки пожежі, а також збільшення споживання енергії.
- ▶ Не розбризкуйте воду на прилад і не промивайте його струменем води під час чищення.
- ▶ Не використовуйте пару або розпилювач води під час очищення приладу.
- ▶ Не мийте холодні скляні полиці гарячою водою. Різкий контраст температур може призвести до розтріскування скла.

## Інформація про холодоагент



### ПОПЕРЕДЖЕННЯ!

Прилад містить легкозаймистий холодоагент ІЗОБУТАН (R600a). Переконайтеся, що контур холодоагенту не пошкоджений під час транспортування або встановлення приладу. Витік холодоагенту може призвести до травм очей або займання. Якщо сталося пошкодження, тримайте подалі від приладу відкриті джерела вогню, ретельно провітруйте приміщення, не підключайте та не від'єднуйте шнури живлення цього або будь-якого іншого приладу. Повідомте службу підтримки клієнтів.

У разі контакту очей з холодоагентом негайно промийте їх під проточною водою і негайно зверніться до окуліста.

## Застосування за призначенням

Цей прилад призначений для охолодження та заморожування продуктів. Він був розроблений виключно для використання в побуті й подібних сферах застосування, як-от: у кухонних зонах для персоналу в магазинах, офісах та інших робочих приміщеннях; у житлових будинках на фермах; для клієнтів у готелях, мотелях й інших житлових приміщеннях; у готелях типу «ночівля і сніданок». Він не призначений для комерційного або промислового використання.

Зміни або модифікації пристрою не допускаються. Використання не за призначенням може призвести до виникнення небезпечних ситуацій і втрати гарантії.

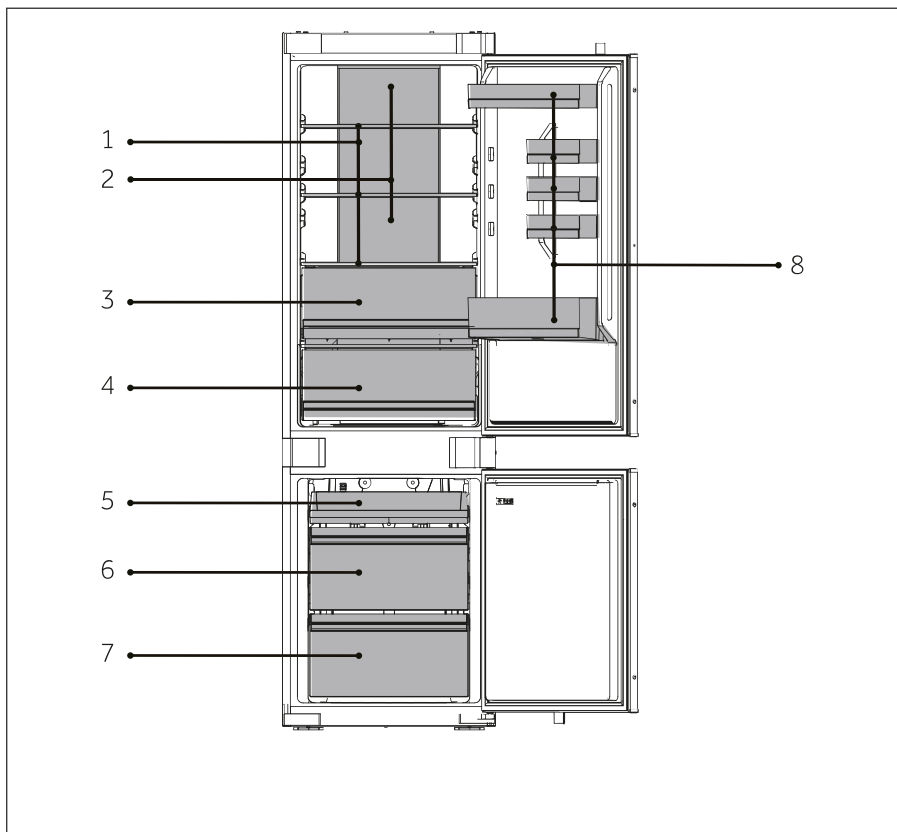
## Стандарти й директиви або

Цей виріб відповідає вимогам всіх застосовних директив ЄС з відповідними гармонізованими стандартами і стандартами Великої Британії, які передбачають маркування CE або UKCA.



## ЗАУВАЖЕННЯ

Через технічні зміни та різні моделі деякі з ілюстрацій у цьому посібнику можуть відрізнятися від вашої моделі.



ЕНВQW5518E/НВQW5518E/НВQW5518ЕК/НQE1855BCMW/ЕНQE1855BCMW

**A:** Холодильне відділення

- 1 Звичайні полиці
- 2 Холодильний повітропровід
- 3 Ящик Humidity Zone
- 4 Ящик Fresh Box
- 8 Тримач для пляшок

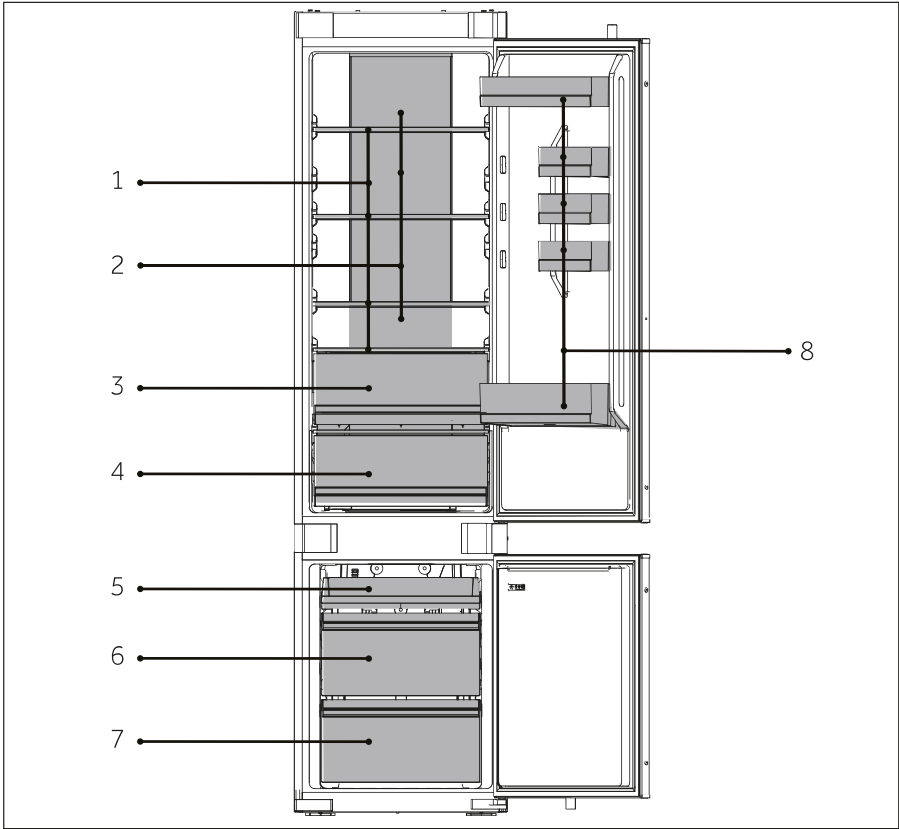
**B:** Морозильне відділення

- 5 Верхній лоток морозильного відділення
- 6 Середній ящик морозильного відділення
- 7 Нижній ящик морозильного відділення



## ЗАУВАЖЕННЯ

Через технічні зміни та різні моделі деякі з ілюстрацій у цьому посібнику можуть відрізнятися від вашої моделі.



HBQW5519E/ HBQW5519EK/ EHBQW5519E/ EHBQW5519ECM/ HBQW5719E

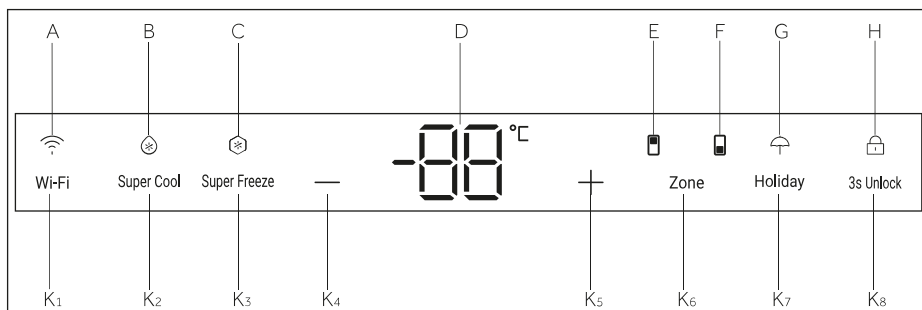
**A:** Холодильне відділення

- 1 Звичайні полиці
- 2 Холодильний повітропровід
- 3 Ящик Humidity Zone
- 4 Ящик Fresh Box
- 8 Тримач для пляшок

**B:** Морозильне відділення

- 5 Верхній лоток морозильного відділення
- 6 Середній ящик морозильного відділення
- 7 Нижній ящик морозильного відділення

## Панель управління



### Індикатори:

- A Функція Wi-Fi
- B Функція Super Cool
- C Функція Super Freeze
- D Дисплей температури
- E Індикатор холодильного відділення
- F Індикатор морозильного відділення
- G Функція Holiday
- H Блокування та розблокування

### Кнопки:

- K<sub>1</sub> Кнопка налаштування Wi-Fi
- K<sub>2</sub> Кнопка вибору Super Cool
- K<sub>3</sub> Кнопка вибору Super Freeze
- K<sub>4</sub> Кнопка регулювання температури «-»
- K<sub>5</sub> Кнопка регулювання температури «+»
- K<sub>6</sub> Кнопка вибору зони
- K<sub>7</sub> Кнопка функції Holiday
- K<sub>8</sub> Кнопка блокування та розблокування

## Сенсорні кнопки

Кнопки на панелі керування – це сенсорні кнопки, які реагують на легкий дотик пальцем.

## Увімкнення/вимкнення приладу

Прилад починає працювати, як тільки його підключено до джерела живлення.

Під час першого увімкнення холодильника світиться індикатор «D» (Дисплей температури). Температура холодильного й морозильного відділень автоматично встановлюються на  $5^{\circ}\text{C}$  та  $-18^{\circ}\text{C}$  відповідно.



## ЗАУВАЖЕННЯ

Коли прилад вмикається після відключення від електромережі, для досягнення потрібної температури може знадобитися до 12 годин.

Спорожніть прилад перед вимкненням. Щоб вимкнути прилад, витягніть шнур живлення з розетки.

### Блокування/розблокування панелі керування

Автоматичне блокування: Якщо дверцята холодильного й морозильного відділень зачинені та протягом 30 секунд не відбувається натискання кнопок, екран дисплея автоматично гасне й блокується.

Блокування вручну: Коли екран дисплея розблоковано, натисніть кнопку «K<sub>8</sub>» (3S Unlock) і утримуйте її протягом 3 секунд, один раз пролунає звуковий сигнал, почне світитися індикатор «Н» (Блокування панелі керування), і дисплей буде заблоковано.

Розблокування: Коли екран дисплея заблоковано, натисніть кнопку «K<sub>8</sub>» (3S Unlock) і утримуйте її протягом 3 секунд, один раз пролунає звуковий сигнал, згасне індикатор «Н» (Блокування панелі керування), і дисплей буде розблоковано.

### Налаштування температури

На температуру в приладі впливають наступні фактори:

температура навколишнього середовища, частота відкривання дверцят, кількість продуктів, що зберігаються, місце установки приладу.

### Налаштування температури холодильного відділення

Коли екран дисплея розблоковано, натисніть кнопку «K<sub>6</sub>» (Вибір зони). Один раз пролунає звуковий сигнал, почне світитися індикатор «Е» (Індикатор холодильного відділення), а потім настане режим налаштування температури холодильного відділення.

Послідовно натискайте кнопку «K<sub>4</sub>» (Кнопка регулювання температури «-»), один раз лунатиме звуковий сигнал, і встановлена температура холодильного відділення зменшуватиметься на 1 градус. Температура холодильного відділення відобразатиметься в послідовності «9°C -> 8°C -> 7°C -> 6°C -> 5°C -> 4°C -> 3°C -> 2°C -> 1°C».

Послідовно натискайте кнопку «K<sub>5</sub>» (Кнопка регулювання температури «+»), один раз лунатиме звуковий сигнал, і встановлена температура холодильного відділення збільшуватиметься на 1 градус. Температура холодильного відділення відобразатиметься в послідовності «1°C -> 2°C -> 3°C -> 4°C -> 5°C -> 6°C -> 7°C -> 8°C -> 9°C».



## ЗАУВАЖЕННЯ

Після встановлення температури, якщо протягом 5 секунд не буде виконано жодної операції, система автоматично визначиться та збереже встановлену температуру.

## Налаштування температури морозильного відділення

Коли екран дисплея розблоковано, натисніть кнопку «K<sub>6</sub>» (Вибір зони). Один раз пролунає звуковий сигнал, почне світитися індикатор «F» (Індикатор морозильного відділення), а потім настане режим налаштування температури морозильного відділення.

Послідовно натискайте кнопку «K<sub>4</sub>» (Кнопка регулювання температури «-»), один раз лунатиме звуковий сигнал, і встановлена температура морозильного відділення зменшуватиметься на 1 градус. Температура морозильного відділення відобразиться в послідовності «-14°C -> -15°C -> -16°C -> -17°C -> -18°C -> -19°C -> -20°C -> -21°C -> -22°C -> -23°C -> -24°C».

Послідовно натискайте кнопку «K<sub>5</sub>» (Кнопка регулювання температури «+»), один раз лунатиме звуковий сигнал, і встановлена температура морозильного відділення збільшуватиметься на 1 градус. Температура морозильного відділення відобразиться в послідовності «-24°C -> -23°C -> -22°C -> -21°C -> -20°C -> -19°C -> -18°C -> -17°C -> -16°C -> -15°C -> -14°C».



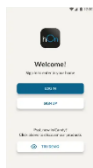
## ЗАУВАЖЕННЯ

Після встановлення температури, якщо протягом 5 секунд не буде виконано жодної операції, система автоматично визначиться та збереже встановлену температуру.

Крок 1 Завантажте додаток hOn із магазинів.



Крок 2 Створіть обліковий запис у додатку hOn або ввійдіть у систему, якщо у вас вже є обліковий запис



Крок 3 Дотримуйтеся вказівок із поєднання в додатку hOn



## Функція Wi-Fi

1. Дотримуйтесь інструкцій у додатку, щоб налаштувати Wi-Fi.
2. Після налаштування Wi-Fi та встановлення з'єднання піктограма Wi-Fi «А» стане яскравою і світитиметься неперервно.
3. Якщо Wi-Fi вже налаштовано, з'єднання автоматично відновиться відповідно до даних конфігурування, якщо увімкнути Wi-Fi.
4. Щоб вимкнути Wi-Fi, натисніть кнопку Wi-Fi «К<sub>1</sub>», і піктограма Wi-Fi «А» згасне.
5. Щоб увімкнути Wi-Fi та запустити конфігурування, натисніть кнопку Wi-Fi «К<sub>1</sub>», і піктограма Wi-Fi «А» почне повільно блимати. Якщо потрібно налаштувати функцію Wi-Fi, натисніть і утримуйте кнопку «К<sub>1</sub>» протягом 3 секунд, піктограма Wi-Fi почне швидко блимати, і ви перейдете в режим конфігурування. Якщо потрібно вимкнути функцію Wi-Fi, натисніть кнопку «К<sub>1</sub>» один раз. Вищезазначені кроки повторюються.
6. Якщо прилад було налаштовано і функцію Wi-Fi було вимкнено, холодильник не увійде в режим конфігурування після повторного підключення живлення.

## Функція Holiday

1. Коли екран дисплея розблоковано, натисніть кнопку «К<sub>7</sub>» (Кнопка функції Holiday), один раз пролунає звуковий сигнал, почне світитися індикатор «G» (Функція Holiday), а потім увімкнеться функція Holiday.
2. Коли екран дисплея розблоковано, натисніть кнопку «К<sub>7</sub>» (Кнопка функції Holiday), один раз пролунає звуковий сигнал, згасне індикатор «G» (Функція Holiday), а потім вимкнеться функція Holiday.

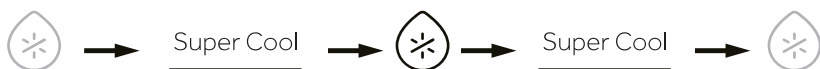


## ЗАУВАЖЕННЯ

1. Функція Holiday в основному використовується для короткострокових подорожей та інших життєвих ситуацій, і на час використання функції Holiday холодильне відділення необхідно спорожнити.
2. За увімкненої функції Holiday температура в холодильному відділенні буде вищою (близько 17°C), не забудьте вивантажити продукти з холодильного відділення, щоб уникнути псування продуктів.

## Функція Super Cool

1. Коли екран дисплея розблоковано, натисніть кнопку «K<sub>2</sub>» (Кнопка вибору Super Cool), один раз пролунає звуковий сигнал, почне світитися індикатор «В» (Функція Super Cool), а потім увімкнеться функція Super Cool.
2. Коли світиться індикатор «В» (Функція Super Cool), натисніть кнопку «K<sub>2</sub>» (Кнопка вибору Super Cool), один раз пролунає звуковий сигнал, індикатор «О» (Функція Super Cool) згасне, а потім функція Super Cool буде вимкнена.
3. Після увімкнення функції Super Cool холодильник автоматично вимкне цю функцію після досягнення встановленої температури. Якщо ви хочете вийти вручну, ви можете натиснути кнопку «K<sub>2</sub>» (Кнопка вибору Super Cool), щоб вимкнути її.



## **i** ЗАУВАЖЕННЯ

1. У режимі Super Cool температуру холодильного відділення не можна регулювати. Якщо натиснути кнопку «K<sub>4</sub>» (Кнопка регулювання температури «-») або кнопку «K<sub>5</sub>» (Кнопка регулювання температури «+»), щоб відрегулювати температуру холодильника, індикатор «В» (Індикатор Super Cool) почне блимати з подачею звукового сигналу, вказуючи на те, що цю операцію неможливо виконати.
2. У режимі функції Super Cool функція автоматичного налаштування Auto-set не може бути увімкнена одночасно через різні режими керування. Якщо ви виберете одну функцію, яка конфліктує з іншою функцією, вихідна функція буде автоматично скасована.
3. Цю функцію буде автоматично вимкнено через 6 годин.

## Функція Super Freeze

1. Коли екран дисплея розблоковано, натисніть кнопку «K<sub>3</sub>» (Кнопка вибору Super Freeze), один раз пролунає звуковий сигнал, почне світитися індикатор «С» (Функція Super Freeze), а потім увімкнеться функція Super Freeze.
2. Коли світиться індикатор «С» (Функція Super Freeze), натисніть кнопку «K<sub>3</sub>» (Кнопка вибору Super Freeze), один раз пролунає звуковий сигнал, індикатор «С» (Функція Super Freeze) згасне, а потім функція Super Freeze буде вимкнена.
3. Після увімкнення функції Super Freeze холодильник автоматично вимкне цю функцію після досягнення встановленої температури. Якщо ви хочете вийти вручну, ви можете натиснути кнопку «K<sub>3</sub>» (Кнопка вибору Super Freeze), щоб вимкнути її.





## ЗАУВАЖЕННЯ

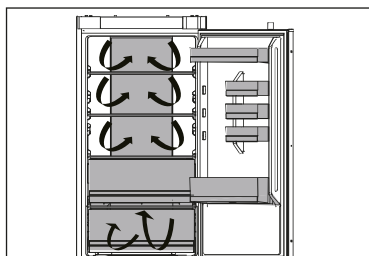
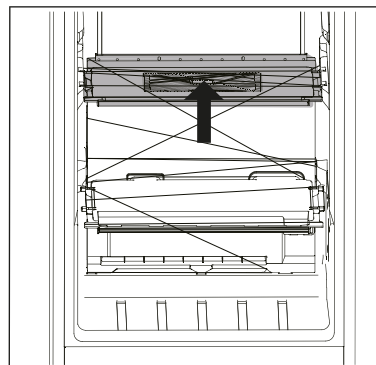
1. У режимі Super Freeze температуру морозильного відділення не можна регулювати. Якщо натиснути кнопку «K<sub>4</sub>» (Кнопка регулювання температури «-») або кнопку «K<sub>5</sub>» (Кнопка регулювання температури «+»), щоб відрегулювати температуру морозильного відділення, індикатор «С» (Індикатор Super Freeze) почне блимати з подачею звукового сигналу, вказуючи на те, що цю операцію неможливо виконати.
2. Функція Super Freeze призначена для збереження харчової цінності заморожених продуктів; вона дозволяє заморожувати продукти в найкоротші терміни. Якщо необхідно одночасно заморозити велику кількість продуктів. До речі, функцію Super Freeze слід налаштувати за 24 години, щоб морозильне відділення мало відносно низьку температуру, і тоді класти до нього продукти. У цей час швидкість заморожування морозильного відділення покращується, продукти можна швидко заморозити, поживність продуктів ефективно зберігається, а зберігання стає досить зручним.
3. Функція Super Freeze автоматично вимкнеться через 50 годин. Після цього прилад працюватиме при попередньо встановленій температурі.

## Ящик Humidity Zone

У цьому відділенні рівень вологості вищий, ніж у холодильному відділенні. Він автоматично контролюється системою і підходить для зберігання фруктів, овочів, салатів тощо.

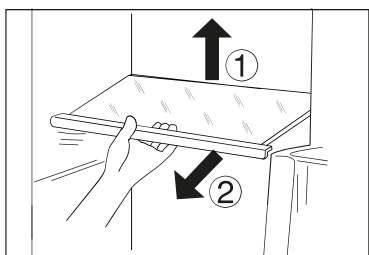
### **i** ЗАУВАЖЕННЯ

1. Не знімайте пластикову кришку всередині зони.
2. Вона підтримує рівень вологості.
3. Чутливі до холоду фрукти, такі як ананас, авокадо, банани, грейпфрути, не рекомендується зберігати у цьому ящику.



### Мультипотік повітря

1. Холодильник обладнаний системою мультипотіку повітря, завдяки якій на кожному рівні полиць наявні потоки прохолодного повітря. Це допомагає підтримувати рівномірну температуру, щоб ваші продукти довше залишалися свіжими.



### Регульовані полиці

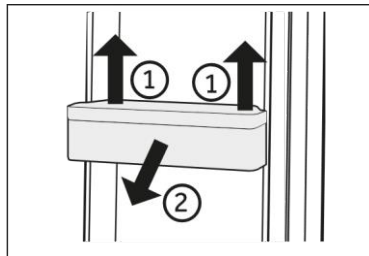
1. Висоту полиць можна регулювати відповідно до ваших потреб у зберіганні.
2. Щоб перемістити полицю, спочатку зніміть її, піднявши задній край ① і витягнувши ②.
3. Щоб встановити її, надіньте її на виступи з обох боків і посуньте в крайнє заднє положення, доки задня частина полиці не зафіксується в пазах з боків.

### **i** ЗАУВАЖЕННЯ

Переконайтеся, що всі краї полиці вирівняні.

### Знімні дверні полиці/тримач для пляшок

1. Дверні полиці можна зняти для очищення:
2. Покладіть руки на обидва боки полиці, підніміть її вгору ① і витягніть ②.
3. Щоб вставити дверну полицю, виконуйте описані вище дії у зворотному порядку.



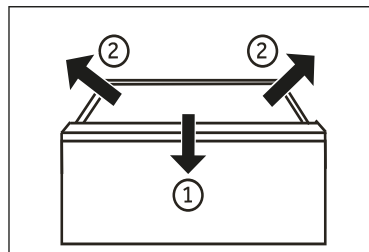
### ЗАУВАЖЕННЯ

Після увімкнення приладу для досягнення правильної температури може знадобитися до 12 годин.

### Знімний ящик

Щоб вийняти ящик, максимально витягніть його ①, підніміть і зніміть ②.

Щоб вставити ящик, виконуйте описані вище дії у зворотному порядку.



### Освітлення

Світлодіодне внутрішнє освітлення вмикається, коли відкриваються дверцята. Інші налаштування приладу не впливають на роботу освітлення.



## Поради щодо енергозбереження

- ▶ Переконайтеся, що прилад належним чином провітрюється (див. ВСТАНОВЛЕННЯ).
- ▶ Не встановлюйте прилад під прямими сонячними променями або поблизу джерел тепла (наприклад, печей, обігрівачів).
- ▶ Уникайте непотрібно низької температури в приладі. Споживання енергії зростає, чим нижча встановлена температура в приладі.
- ▶ Такі функції, як Super Freeze, споживають більше енергії.
- ▶ Дайте теплій їжі охолонути, перш ніж помістити її в прилад.
- ▶ Відкривайте дверцята приладу якомога менше та якомога швидше.
- ▶ Не переповнюйте прилад, щоб не перешкоджати потоку повітря.
- ▶ Уникайте повітря всередині упаковки харчових продуктів.
- ▶ Зберігайте ущільнення дверцят чистими, щоб дверцята завжди зачинялися правильно.
- ▶ Розморозуйте заморожені продукти в холодильному відділенні.
- ▶ Найбільш енергозберігаюча конфігурація вимагає, щоб ящики, бокс для продуктів і полиці були розміщені в приладі в тому ж оригінальному стані, в якому вони були встановлені на заводі, а продукти були розміщені якнайдалі, щоб не перешкоджати виходу повітря з повітропроводу.



## ПОПЕРЕДЖЕННЯ!

Перед чищенням від'єднайте прилад від джерела електроживлення

### Очищення

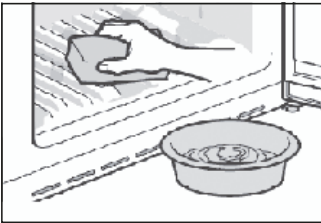
Очищуйте прилад, коли зберігається мало або взагалі немає продуктів.

Прилад слід очищати кожні чотири тижні для належного обслуговування та запобігання утворенню неприємних запахів у продуктів, які зберігаються в ньому.



## ПОПЕРЕДЖЕННЯ!

- ▶ Не очищуйте прилад жорсткими щітками, дротяними щітками, мийним порошком, бензином, амілацетатом, ацетоном та подібними органічними розчинами, кислотними або лужними розчинами. Щоб уникнути пошкоджень, очищуйте спеціальним засобом для миття холодильників.
- ▶ Не розбризкуйте воду на прилад і не промивайте його струменем води під час чищення.
- ▶ Не використовуйте пару або розпилювач води під час очищення приладу.
- ▶ Не мийте холодні скляні полиці гарячою водою. Різкий контраст температур може призвести до розтріскування скла.
- ▶ Не торкайтеся внутрішньої поверхні морозильного відділення, особливо мокрими руками, оскільки ваші руки можуть примерзнути до поверхні.
- ▶ У разі нагрівання перевірте стан заморожених продуктів.



- ▶ Завжди тримайте ущільнювач дверцят чистим.
- ▶ Очистіть внутрішню частину та корпус приладу губкою, змоченою в теплій воді з нейтральним м'яким засобом.
- ▶ 1. Протріть внутрішню та зовнішню частину холодильника, включно з ущільнювачем дверцят, дверні полиці, скляні полиці, ящики тощо, м'яким рушником або губкою, змоченою в теплій воді (можна додати нейтральний м'який засіб).
- ▶ 2. Якщо пролилася рідина, вийміть усі забруднені частини, промийте проточною водою, висушіть і помістіть назад у холодильник.
- ▶ 3. Якщо розлились вершки (наприклад, сметана, тале морозиво), вийміть усі забруднені частини, покладіть їх у теплу воду при температурі близько 40°C на деякий час, а потім промийте проточною водою, висушіть і установіть на місце у холодильник.
- ▶ 4. Якщо якась дрібна деталь або компонент потрапить всередину холодильника (між полицями або ящиками), застосуйте невелику м'яку щітку, щоб дістати їх. Якщо ви не зможете дістатися до деталі, зверніться до служби підтримки Haier.
- ▶ Сполосніть чистою водою й витріть м'якою тканиною.
- ▶ Не мийте будь-які частини приладу в посудомийній машині.

- ▶ Зачекайте щонайменше 5 хвилин перед повторним запуском приладу, оскільки частий запуск може пошкодити компресор.

### Розморожування

Розморожування холодильного та морозильного відділень здійснюється автоматично; ручне керування не потрібне.

### Заміна світлодіодних ламп



#### ПОПЕРЕДЖЕННЯ!

Не замінюйте світлодіодну лампу самостійно, її повинен замінювати лише виробник або уповноважений сервісний агент.

Світлодіодні лампи використовують як джерело світла, оскільки вони мають низьке енергоспоживання та тривалий термін служби. У разі виникнення будь-яких відхилень від норми зверніться до служби підтримки клієнтів. Див. СЛУЖБА ПІДТРИМКИ КЛІЄНТІВ.

Параметри ламп:

Холодильне відділення: 12 В, макс. 2 Вт

Морозильне відділення: 12 В, макс. 2 Вт

### Невикористання протягом тривалого часу

Якщо ви не використовуєте прилад протягом тривалого часу, і ви не хочете використовувати функцію Holiday:

Вийміть продукти харчування.

Вийміть вилку з розетки мережі електроживлення.

Очистіть прилад, як описано вище.

Тримайте дверцята відчиненими, щоб запобігти утворенню неприємних запахів всередині.



#### ЗАУВАЖЕННЯ

Вимикайте прилад лише за крайньої необхідності.

### Пересування приладу

1. Вийміть усі продукти та від'єднайте прилад від розетки електромережі.
2. Закріпіть полиці й інші рухомі частини в холодильному та морозильному відділеннях клейкою стрічкою.
3. Не нахиляйте холодильник більше ніж на 45°, щоб запобігти пошкодженню охолоджувальної системи.



#### ПОПЕРЕДЖЕННЯ!

- ▶ Не піднімайте прилад за ручки.
- ▶ Ніколи не розміщуйте прилад горизонтально на підлозі.

Багато проблем, що виникають, можна вирішити самостійно без спеціальних знань. У разі виникнення проблем перевірте всі зазначені варіанти та дотримуйтеся наведених нижче інструкцій, перш ніж звертатися до служби післяпродажного обслуговування. Див. СЛУЖБА ПІДТРИМКИ КЛІЄНТІВ.



## ПОПЕРЕДЖЕННЯ!

- ▶ Перед обслуговуванням вимкніть прилад і вийміть вилку з розетки.
- ▶ Електрообладнання має обслуговуватися лише кваліфікованими фахівцями-електриками, тому що неналежний ремонт може призвести до значних непрямих збитків.
- ▶ У випадку пошкодження кабелю живлення для уникнення можливої небезпеки його заміну має проводити виробник, його сервісний представник або особи з подібною кваліфікацією.

Проблема	Можлива причина	Можливе рішення
Компресор не працює.	<ul style="list-style-type: none"> <li>• Штепсельна вилка не під'єднана до розетки електромережі.</li> <li>• Прилад знаходиться в циклі розморожування.</li> </ul>	<ul style="list-style-type: none"> <li>• Під'єднайте вилку до мережі електроживлення.</li> <li>• Це нормально для автоматичного розморожування.</li> </ul>
Прилад запускається надто часто або працює надто довго.	<ul style="list-style-type: none"> <li>• Температура в приміщенні або на вулиці занадто висока.</li> <li>• Живлення приладу було вимкнено протягом певного часу.</li> <li>• Дверцята приладу не зачинено достатньо щільно.</li> <li>• Дверцята відчинялися занадто часто або на занадто тривалий час.</li> <li>• Налаштування температури в морозильному відділенні занадто низьке.</li> <li>• Ущільнювач дверцят забруднений, зношений, тріснутий або не відповідає вимогам.</li> <li>• Не забезпечується потрібна циркуляція повітря.</li> </ul>	<ul style="list-style-type: none"> <li>• За таких умов для приладу нормально працювати довше.</li> <li>• Зазвичай для повного охолодження приладу потрібно 8-12 годин.</li> <li>• Закрийте дверцята/ящик і переконайтеся, що прилад розташований на рівній поверхні, а в дверцятах немає продуктів або контейнера, що вільно рухаються.</li> <li>• Не відкривайте дверцята/ящик занадто часто.</li> <li>• Встановіть температуру вище, поки не буде отримано задовільну температуру холодильника. Щоб температура холодильника стала стабільною, потрібно 24 години.</li> <li>• Очистіть ущільнювачі дверцят/ящика або замініть їх, звернувшись до служби підтримки клієнтів.</li> <li>• Забезпечте належну вентиляцію.</li> </ul>

Проблема	Можлива причина	Можливе рішення
Всередині холодильника брудно та/або погано пахне.	<ul style="list-style-type: none"> <li>• Внутрішня частина холодильника потребує очищення.</li> <li>• У холодильнику зберігаються продукти з сильним запахом.</li> </ul>	<ul style="list-style-type: none"> <li>• Вимийте внутрішні поверхні холодильника.</li> <li>• Ретельно запакуйте їжу.</li> </ul>
Всередині приладу недостатньо холодно.	<ul style="list-style-type: none"> <li>• Встановлено занадто високу температуру.</li> <li>• Були покладені занадто теплі продукти.</li> <li>• Занадто багато продуктів було покладено за один раз.</li> <li>• Продукти знаходяться занадто близько один до одного.</li> <li>• Дверцята/ящик приладу не зачинено достатньо щільно.</li> <li>• Дверцята/ящик відчинялися занадто часто або на занадто тривалий час.</li> </ul>	<ul style="list-style-type: none"> <li>• Перевстановіть температуру.</li> <li>• Завжди охолоджуйте продукти перед зберіганням.</li> <li>• Завжди кладіть продукти невеликими кількостями.</li> <li>• Залиште проміжок між кількома продуктами, щоб повітря протікало.</li> <li>• Зачиніть дверцята/ящик.</li> <li>• Не відкривайте дверцята/ящик занадто часто.</li> </ul>
Всередині приладу занадто холодно.	<ul style="list-style-type: none"> <li>• Встановлено занадто низьку температуру.</li> <li>• Функція Super Freeze/ Super Cool активована або працює занадто довго.</li> </ul>	<ul style="list-style-type: none"> <li>• Перевстановіть температуру.</li> <li>• Вимкніть функцію Super Freeze/ Super Cool</li> </ul>
Утворення вологи всередині холодильного відділення.	<ul style="list-style-type: none"> <li>• Клімат надто теплий і вологий.</li> <li>• Дверцята/ящик приладу не зачинено достатньо щільно.</li> <li>• Дверцята/ящик відчинялися занадто часто або на занадто тривалий час.</li> <li>• Контейнери для продуктів харчування або рідини залишено відкритими.</li> </ul>	<ul style="list-style-type: none"> <li>• Встановіть більш високу температуру.</li> <li>• Зачиніть дверцята/ящик.</li> <li>• Не відкривайте дверцята/ящик занадто часто.</li> <li>• Давайте гарячим продуктам охолонути до кімнатної температури і накривайте продукти та рідини.</li> </ul>

Проблема	Можлива причина	Можливе рішення
Волога накопичується на зовнішній поверхні холодильника або між дверцятами/дверцями та ящиком.	<ul style="list-style-type: none"> <li>Клімат надто теплий і вологий.</li> <li>Дверцята не зачинено достатньо щільно. Холодне повітря в приладі та тепле повітря поза ним викликають конденсацію.</li> </ul>	<ul style="list-style-type: none"> <li>Це нормально в вологому кліматі і зміниться після зниження вологості.</li> <li>Переконайтеся, що дверцята/ящик щільно закриті.</li> </ul>
Індикація світиться, проте охолодження не відбувається.	<ul style="list-style-type: none"> <li>Прилад знаходиться в демонстраційному режимі.</li> </ul>	<ul style="list-style-type: none"> <li>Зверніть увагу, в якому стані знаходиться прилад. Якщо прилад знаходиться в демонстраційному режимі, вийдіть з нього. Вихід. Відкрийте дверцята холодильника, у заблокованому стані натисніть на 8 секунд другу кнопку праворуч протягом 12 годин після увімкнення.</li> </ul>
Значна кількість льоду і наморозь у морозильному відділенні.	<ul style="list-style-type: none"> <li>Продукти не були належним чином упаковані.</li> <li>Дверцята/ящик приладу не зачинено достатньо щільно.</li> <li>Дверцята/ящик відчинялися занадто часто або на занадто тривалий час.</li> <li>Ущільнювач дверцят/ящика забруднений, зношений, тріснутий або не відповідає вимогам.</li> <li>Щось зсередини перешкоджає належному закриттю дверцят/ящика.</li> </ul>	<ul style="list-style-type: none"> <li>Завжди добре пакуйте продукти.</li> <li>Зачиніть дверцята/ящик.</li> <li>Не відчиняйте дверцята/ящик занадто часто.</li> <li>Очистіть ущільнювачі дверцят/ящика або замініть їх новими.</li> <li>Змініть положення полиць, дверних полиць або внутрішніх контейнерів, щоб дверцята/ящик могли закритися.</li> </ul>
Боковини шафи і дверна планка нагріваються.	<ul style="list-style-type: none"> <li>-</li> </ul>	<ul style="list-style-type: none"> <li>Це нормально.</li> </ul>
Прилад видає ненормальні звуки.	<ul style="list-style-type: none"> <li>Прилад не розташований на рівній поверхні.</li> <li>Прилад торкається якогось предмета поряд із ним.</li> </ul>	<ul style="list-style-type: none"> <li>Відрегулюйте ніжки, щоб вирівняти прилад.</li> <li>Видаліть предмети навколо приладу.</li> </ul>

Проблема	Можлива причина	Можливе рішення
Чутно легкий звук, схожий на звук проточної води.	<ul style="list-style-type: none"> <li>-</li> </ul>	<ul style="list-style-type: none"> <li>Це нормально.</li> </ul>
Лунає звуковий сигнал.	<ul style="list-style-type: none"> <li>Дверцята холодильного відділення відчинені.</li> </ul>	<ul style="list-style-type: none"> <li>Зачиніть дверцята.</li> </ul>
Ви чуєте слабкий гул.	<ul style="list-style-type: none"> <li>Працює протиконденсатна система.</li> </ul>	<ul style="list-style-type: none"> <li>Це запобігає конденсації і є нормальним явищем.</li> </ul>
Система внутрішнього освітлення або система охолодження не працює.	<ul style="list-style-type: none"> <li>Штепсельна вилка не під'єднана до розетки електромережі.</li> <li>Блок живлення пошкоджений.</li> <li>Світлодіодна лампа не працює.</li> </ul>	<ul style="list-style-type: none"> <li>Під'єднайте вилку до мережі електроживлення.</li> <li>Перевірте електропостачання приміщення. Зателефонуйте до місцевої електроенергетичної компанії!</li> <li>Зверніться до служби підтримки для заміни лампи.</li> </ul>

Щоб зв'язатися зі службою технічної підтримки, відвідайте наш веб-сайт: <https://corporate.haier-europe.com/en/>.

У розділі «Веб-сайт» виберіть торговельну марку свого виробу та свою країну. Вас буде перенаправлено на певний веб-сайт, де ви зможете знайти номер телефону і форму для звернення до служби технічної допомоги.

### Збій електроживлення

У разі відключення електроенергії продукти залишатимуться безпечно холодними протягом 5 годин. Дотримуйтеся наведених нижче порад під час тривалого переривання живлення, особливо влітку:

- ▶ Відчиняйте дверцята/ящик якомога рідше.
- ▶ Не кладіть додаткові продукти в прилад за відсутності електроживлення.
- ▶ Якщо отримано попереднє повідомлення про відключення електроживлення, а тривалість відключення перевищує 5 годин, зробіть лід і покладіть його в контейнері у верхній частині холодильного відділення.
- ▶ Після відновлення електроживлення необхідно негайно перевірити продукти.
- ▶ Оскільки температура в холодильнику підвищуватиметься під час перерви в подачі електроенергії або іншої несправності, термін зберігання та їстівна якість продуктів зменшуватимуться. Будь-які розморожені продукти слід негайно або спожити, або приготувати та заморозити (де це доречно), щоб уникнути небезпеки для здоров'я.

### Функція пам'яті під час переривання електроживлення

Після відновлення живлення прилад продовжує працювати з налаштуваннями, які були встановлені до відключення живлення.

## Розпакування

**ПОПЕРЕДЖЕННЯ!**

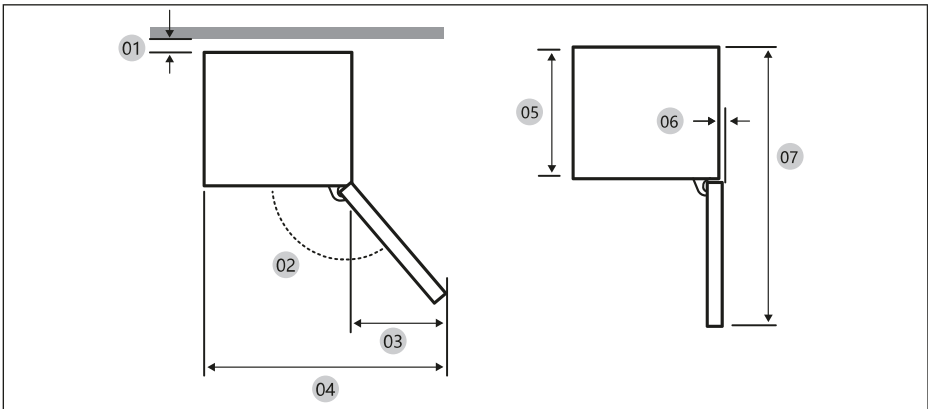
- ▶ Прилад важкий. Його мають переміщувати принаймні дві особи.
- ▶ Зберігайте всі пакувальні матеріали у недоступному для дітей місці та утилізуйте їх екологічно чистим способом.
- ▶ Вийміть прилад з упаковки.
- ▶ Видаліть всі пакувальні матеріали.

## Умови доквілля

Температура в приміщенні завжди повинна бути від 10°C до 43°C, оскільки це може вплинути на температуру всередині приладу і його енергоспоживання. Не встановлюйте прилад біля іншого обладнання, що випромінює тепло (духових шаф, холодильників) без ізоляції.

## Вимоги до розміщення

Необхідний простір при відкриванні дверцят (без дверної панелі шафи)

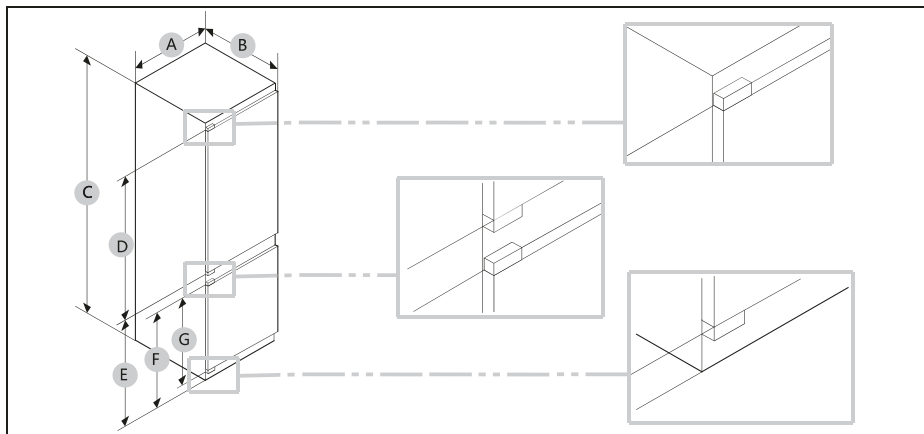


Модель	ЕНВQW5518Е НВQW5518Е НВQW5518ЕК НQE1855BCMW ЕНQE1855BCMW	НВQW5519Е НВQW5519ЕК ЕНВQW5519Е ЕНВQW5519ЕСМ	НВQW5719Е
01 *	10 (мін.) / 30 (рекомендовано)	10 (мін.) / 30 (рекомендовано)	10 (мін.) / 30 (рекомендовано)
02	95° (рекомендовано)	95° (рекомендовано)	95° (рекомендовано)
03	43	43	55
04	583	583	745
05	515	515	515
06	-3	-3	-3
07	1060	1060	1210

01 Від шафи до задньої частини виробу.

(одиниці вимірювання: мм)

## Розмір виробу



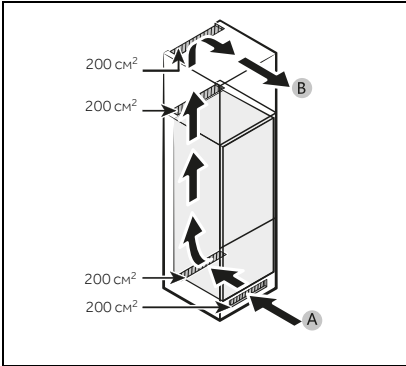
Модель	A (мм)	B (мм)	C (мм)	D (мм)	E (мм)	F (мм)	G (мм)
ЕНВQW5518Е НВQW5518Е НВQW5518ЕК НQE1855BCMW ЕНQE1855BCMW	540±2	550±2	1772±2	970	745	662	618
НВQW5519Е НВQW5519ЕК ЕНВQW5519Е ЕНВQW5519ЕСМ	540±2	550±2	1935±2	1133	745	662	618
НВQW5719Е	690±2	550±2	1935±2	1133	745	662	618

### **i** ЗАУВАЖЕННЯ

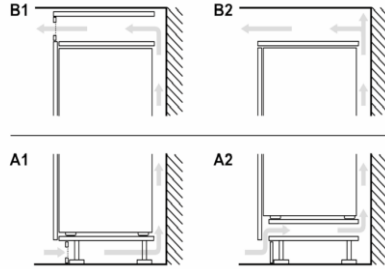
- Зазначене енергоспоживання базується на умові, що відстань від шафи до задньої стінки виробу становить 10 мм. Виріб буде працювати належним чином навіть при зазорі менше 10 мм, проте він споживатиме трохи більше енергії.
- Ми рекомендуємо використовувати шафу товщиною 18 мм з петлями товщиною менше 20 мм.
- Вимірювання в наведеній вище таблиці можуть відрізнятись залежно від методу вимірювання.
- Для вбудованого встановлення див. Посібник із встановлення.

## Переріз вентиляційного повітропроводу

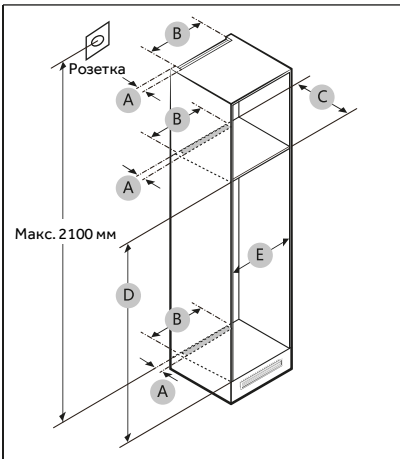
Для забезпечення достатньої вентиляції приладу з міркувань безпеки необхідно дотримуватися інформації про необхідні поперечні перерізи вентиляційного повітропроводу.



**A:** Вхід повітря  $\geq 200 \text{ cm}^2$ ; варіанти вентиляції  
**B:** Вихід повітря  $\geq 200 \text{ cm}^2$ ; варіанти вентиляції



## Розмір шафи



## ЗАСТЕРЕЖЕННЯ!

Гарантія не поширюється на будь-які несправності виробу, пов'язані з наведеними нижче причинами.

1. Невідповідні умови на місці встановлення або неправильні розміри шафи.
2. Дефектна шафа.
3. Помилки встановлювача або користувача.

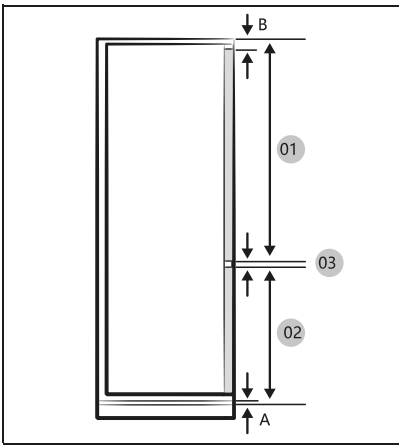
## Розміри для встановлення

Вимоги до місця для встановлення дивіться на малюнках і в таблицях нижче.

Модель		A (мм)	B (мм)	C (мм)	D (мм)	E (мм)	Примітка
EHBQW5518E HBQW5518E HBQW5518EK HQE1855BCMW EHQE1855BCMW	Мін.	50	400	560	1778	560	Петля: 17 мм
	Рекомендовано			580	1780	562	
	Макс.			-	1782	568	
HBQW5519E HBQW5519EK EHBQW5519E EHBQW5519ECM	Мін.	50	400	560	1940	560	Петля: 17 мм
	Рекомендовано			580	1943	562	
	Макс.			-	1945	568	
HBQW5719E	Мін.	50	400	560	1941	710	Петля: 17 мм
	Рекомендовано			580	1943	714	
	Макс.			-	1945	718	

## **i** ЗАУВАЖЕННЯ

- Якщо ширина шафи перевищує 568 мм, прокладка (між холодильником і шафою) може ослабнути.
- Якщо шафа вища за максимальний розмір (1782 мм), необхідно використовувати інші оздоблювальні матеріали для заповнення проміжку (для ENBQW5518E/ HBQW5518E/ EK/ ENQE/ HQE1855BCMW).
- Якщо шафа вища за максимальний розмір (1945 мм), необхідно використовувати інші оздоблювальні матеріали для заповнення проміжку (для HBQW5519E/ EK/ ENBQW5519E/ ECM).



## **i** ЗАУВАЖЕННЯ

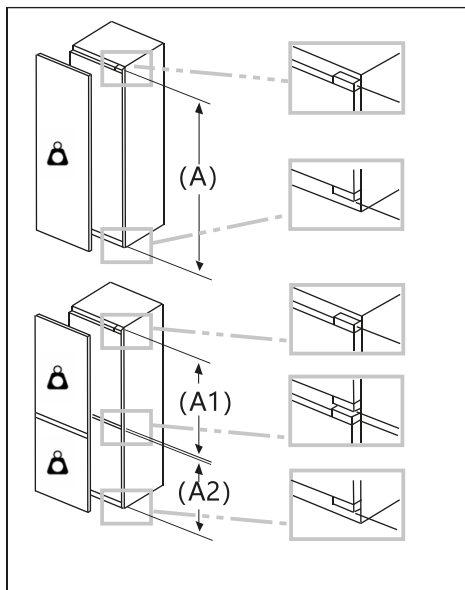
Щоб встановити шафу з зазором 4 мм (03), див. довідкову таблицю шафи нижче.

- A Нижній край передньої панелі над вентиляцією повітря  
B Виступ передньої панелі

(одиниці вимірювання: мм)

Модель	ENBQW5518E HBQW5518E HBQW5518EK HQE1855BCMW ENQE1855BCMW	HBQW5519E HBQW5519EK ENBQW5519E ENBQW5519ECM HBQW5719E
01	Мін. 1028+B Макс. 1106+B	Мін. 1191+B Макс. 1269+B
02	Мін. 662+A Макс. 740+A	Мін. 662+A Макс. 740+A
03	4 мм (зазор між панелями дверцят холодильного й морозильного відділень)	

### Максимально допустима вага фасадів

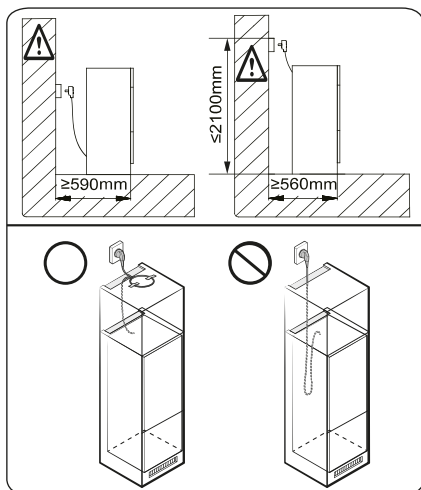


Встановлені фасади, що перевищують допустиму вагу, можуть спричинити пошкодження та призвести до функціональних порушень петель.

 Вага (кг)

1500-1750 мм	22
720-1400 мм	19
A1	15
A2	15

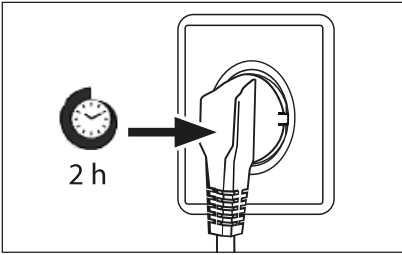
### Врахування місця розташування розетки та необхідного простору



### ЗАУВАЖЕННЯ

Якщо ви встановлюєте холодильник у шафу глибиною 560 мм, переконайтеся, що шнур живлення розташований збоку холодильника, перш ніж підключати його до розетки. Якщо шнур живлення знаходиться позаду холодильника, це може знизити енергоефективність.

### Час очікування



Щоб компресор не потребував технічного обслуговування, олива знаходиться в капсулі компресора. Ця олива може потрапляти у закриту систему трубопроводів під час транспортування під нахилом. Перед підключенням приладу до джерела живлення потрібно зачекати щонайменше 2 години, щоб олива стекла назад до капсули.

### Електричне з'єднання

Перед кожним підключенням перевірте, чи:

- ▶ блок живлення, розетка та запобіжник відповідають характеристикам, зазначеним на паспортній табличці.
- ▶ розетка живлення заземлена; прилад не слід підключати за допомогою багатоштепсельної вилки або подовжувача.
- ▶ штепсельна вилка та розетка повністю відповідають вимогам.

Вставте вилку в належним чином встановлену побутову розетку.



### ПОПЕРЕДЖЕННЯ!

Щоб уникнути ризиків, пошкоджений шнур живлення повинен бути замінений службою підтримки клієнтів (див. гарантійний талон).

Мікрофіша виробу відповідно до регламенту ЄС № 2019/2016

Торговельна марка	Haier		
Назва/ідентифікатор моделі	ENBQW5518E HBQW5518E HBQW5518EK HQE1855BCMW ENQE1855BCMW	HBQW5519E HBQW5519EK ENBQW5519E ENBQW5519ECM	HBQW5719E
Категорія моделі	Холодильник - морозильник		
Клас енергоефективності	E	E	E
Річне споживання енергії (кВт·год/рік) (1)	229	229	259
Загальний об'єм (л)	268	285	382
Об'ємний холодильного відділення (л)	194	211	281
Об'єм морозильного відділення (л)	74	74	101
Об'єм секції охолоджувача (л)	/	/	/
Об'єм автоматичного льодогенератора (л)	/	/	/
Зірковий рейтинг	4	4	4
Температура інших відділень > 14°C	Не застосовується		
Система Frost - free	Так		
Потужність заморожування (кг/24 год)			
Кліматичний клас (2)	SN/N/ST/T	SN/N/ST/T	SN/N/ST/T
Клас емісії шуму та емісія повітряного акустичного шуму (db(A) re 1pW)	B(35)	B(35)	B(33)
Час підвищення температури (год)	12	12	9
Продуктивність виготовлення льоду	/	/	/
Тип приладу	Вбудований		

Назва моделі	Клас енергоефективності
ЕНВQW5518E НВQW5518E НВQW5518EK НQE1855BCMВ ЕНQE1855BCMВ	E
НВQW5519E НВQW5519EK ЕНВQW5519E ЕНВQW5519ЕСM НВQW5719E	E

Пояснення:

- Так, маються

- (1) За результатами випробування на відповідність стандартам протягом 24 годин. Фактичне споживання залежить від використання та розташування приладу.
- (2) Кліматичний клас SN: цей прилад призначений для використання при температурі навколишнього середовища від +10°C до +32°C  
Кліматичний клас N: цей прилад призначений для використання при температурі навколишнього середовища від +16°C до +32°C  
Кліматичний клас ST: цей прилад призначений для використання при температурі навколишнього середовища від +16°C до +38°C  
Кліматичний клас T: цей прилад призначений для використання при температурі навколишнього середовища від +16°C до +43°C

#### Додаткові технічні дані

Напруга / частота	220-240 В ~/50 Гц
Вхідний струм (А)	1.2/1.6
Головний запобіжник (А)	16
Холодоагент	R600a
Розміри (В/Ш/Г, мм)	ЕНВQW5518E/ НВQW5518E/ EK ЕНQE/ НQE1855BCMВ: 1773/540/555
	НВQW5519E/ EK/ ЕНВQW5519E/ ЕСM: 1935/540/555
	ЕНВQW5719E : 1935/690/550

Ми рекомендуємо нашу службу підтримки клієнтів Haier і використання оригінальних запасних частин.

Якщо у вас виникли проблеми з вашим приладом, спочатку зверніться до розділу ПОШУК ТА УСУНЕННЯ НЕСПРАВНОСТЕЙ.

Якщо ви не зможете знайти рішення там, тоді зверніться до

- ▶ місцевого дилера або
- ▶ нашого європейського сервісного кол-центру (див. наведені нижче номери телефонів) або
- ▶ до зони обслуговування й підтримки на веб-сайті [www.haier.com](http://www.haier.com), де ви можете активувати заявку на обслуговування, а також знайти відповіді на поширені запитання.

Щоб зв'язатися з нашою Службою, переконайтеся, що у вас є такі дані. Інформацію можна знайти на паспортній табличці.

Модель \_\_\_\_\_

Серійний номер \_\_\_\_\_

Також перевірте наявність гарантійного талона, що постачається з продуктом, у разі наявності гарантії.

Європейський сервісний кол-центр		
Країна*	Номер телефону	Витрати
Haier Italy (IT)	199 100912	
Haier Spain (ES)	902 509 123	
Haier Germany (DE)	0180 5 39 39 99	<ul style="list-style-type: none"> <li>• Стационарний телефон 14 центів/хв</li> <li>• макс. 42 центи/хв мобільний</li> </ul>
Haier Austria (AT)	0820 001205	<ul style="list-style-type: none"> <li>• Стационарний телефон 14,53 центів/хв</li> <li>• макс. 20 центів/хв всі інші</li> </ul>
Haier United Kingdom (UK)	0333 003 8122	
Haier France (FR)	0980 406 409	

\* Для інших країн див. на веб-сайті [www.haier.com](http://www.haier.com)

Haier Europe Trading S.r.l

Філія у Великій Британії

Westgate House, Westgate, Ealing

London, W5 1YY

\* Термін дії гарантії на холодильний прилад:

Мінімальна гарантія: 2 роки для країн ЄС, 3 роки для Туреччини, 1 рік для Великої Британії, 1 рік для Росії, 3 роки для Швеції, 2 роки для Сербії, 5 років для Норвегії, 1 рік для Марокко, 6 місяців для Алжиру, для Тунісу юридичних гарантій не вимагається.

\* Термін наявності запчастин для ремонту приладу:

Термостати, температурні датчики, друковані плати та джерела світла доступні протягом щонайменше 7 років після виведення останньої одиниці моделі виробу на ринок.

Дверні ручки, дверні петлі, лотки й кошики будуть доступні протягом щонайменше 7 років, а ущільнювачі дверей – щонайменше 10 років, після виведення останньої одиниці моделі виробу на ринок.

\* Для отримання додаткової інформації про виріб відвідайте веб-сайт <https://eprel.ec.europa.eu/> або відскануйте QR-код на етикетці класу енергоспоживання, що постачається разом із приладом



**Haier**



2024 Версія А