



HMG20C5SB

HMG20C5SB-80

MICROWAVE OVENS

USER INSTRUCTIONS

GB

FORNI A MICROONDE

ISTRUZIONI PER L'USO

IT

FOURS À MICRO-ONDES

MODE D'EMPLOI

FR

MIKROWELLENOFEN

BEDIENUNGSANLEITUNG

DE

MAGNETRONS

GEBRUIKERSHANDLEIDING

NL

FORNOS MICRO-ONDAS

INSTRUÇÕES PARA O UTILIZADOR

PT

MIKROVLNNÉ TROUBY

POKYNY PRO UŽIVATELE

CS

MIKROVLNNÉ RÚRY

NÁVOD NA POUŽITIE

SK

Microwave Oven
INSTRUCTION MANUAL
MODEL:HMG20C5SB
HMG20C5SB-80

Read these instructions carefully before using your microwave oven, and keep it carefully.

If you follow the instructions, your oven will provide you with many years of good service.

SAVE THESE INSTRUCTIONS CAREFULLY

PRECAUTIONS TO AVOID POSSIBLE EXPOSURE TO EXCESSIVE MICROWAVE ENERGY

(a) Do not attempt to operate this oven with the door open since this can result in harmful exposure to microwave energy. It is important not to break or tamper with the safety interlocks.

(b) Do not place any object between the oven front face and the door or allow soil or cleaner residue to accumulate on sealing surfaces.

(c) **WARNING:** If the door or door seals are damaged, the oven must not be operated until it has been repaired by a competent person.

ADDENDUM

If the apparatus is not maintained in a good state of cleanliness, its surface could be degraded and affect the lifespan of the apparatus and lead to a dangerous situation.

Specifications

Model:	HMG20C5SB HMG20C5SB-80
Rated Voltage:	230V~ 50Hz
Rated Input Power(Microwave):	1270W
Rated Output Power(Microwave):	800W
Rated Input Power(Grill):	1000W

Low power consumption data according to Commission Regulation (EU) 2023/826.

Condition	Power consumption	Period after which the equipment reaches automatically the condition
Standby mode with information or status display	0.8W	20 Min

IMPORTANT SAFETY INSTRUCTIONS

WARNING

To reduce the risk of fire, electric shock, injury to persons or exposure to excessive microwave oven energy when using your appliance, follow basic precautions, including the following:

1. Warning: Liquids and other foods must not be heated in sealed containers since they are liable to explode.
2. Warning: It is hazardous for anyone other than a competent person to carry out any service or repair operation that involves the removal of a cover which gives protection against exposure to microwave energy.
3. This appliance can be used by children aged from 8 years and above and persons with reduced physical, sensory or mental capabilities or lack of experience and knowledge if they have been given supervision or instruction concerning use of the appliance in a safe way and understand the hazards involved. Children shall not play with the appliance. Cleaning and user maintenance shall not be made by children unless they are older than 8 and supervised.
4. Keep the appliance and its cord out of reach of children less than 8 years.
5. Only use utensils that are suitable for use in microwave ovens.
6. The oven should be cleaned regularly and any food deposits should be removed.
7. Read and follow the specific: "PRECAUTIONS TO AVOID POSSIBLE EXPOSURE TO EXCESSIVE MICROWAVE ENERGY".
8. When heating food in plastic or paper containers,

- keep an eye on the oven due to the possibility of ignition.
9. If smoke is emitted, switch off or unplug the appliance and keep the door closed in order to stifle any flames.
 10. Do not overcook food.
 11. Do not use the oven cavity for storage purposes. Do not store items, such as bread, cookies, etc. inside the oven.
 12. Remove wire twist-ties and metal handles from paper or plastic containers/bags before placing them in the oven.
 13. Install or locate this oven only in accordance with the installation instructions provided.
 14. Eggs in their shell and whole hard-boiled eggs should not be heated in microwave ovens since they may explode, even after microwave heating has ended.
 15. This appliance is intended to be used in household and similar applications such as:
 - staff kitchen areas in shops, offices and other working environments;
 - by clients in hotels, motels and other residential type environments;
 - farm houses;
 - bed and breakfast type environments.
 16. If the supply cord is damaged, it must be replaced by the manufacturer, its service agent or similarly qualified persons in order to avoid a hazard.
 17. Do not store or use this appliance outdoors.
 18. Do not use this oven near water, in a wet basement or near a swimming pool.
 19. The temperature of accessible surfaces may be high when the appliance is operating. The surfaces are liable to get hot during use. Keep cord away from heated

surface, and do not cover any vents on the oven.

20. Do not let cord hang over edge of table or counter.

21. Failure to maintain the oven in a clean condition could lead to deterioration of the surface that could adversely affect the life of the appliance and possibly result in a hazardous situation.

22. The contents of feeding bottles and baby food jars shall be stirred or shaken and the temperature checked before consumption, in order to avoid burns.

23. Microwave heating of beverages can result in delayed eruptive boiling, therefore care must be taken when handling the container.

24. The appliance is not intended for use by persons (including children) with reduced physical, sensory or mental capabilities, or lack of experience and knowledge, unless they have been given supervision or instruction concerning use of the appliance by a person responsible for their safety.

25. Children should be supervised to ensure that they do not play with the appliance.

26. The appliances are not intended to be operated by means of an external timer or separate remote-control system.

27. Accessible parts may become hot during use. Young children should be kept away.

28. Steam cleaner is not to be used.

29. During use the appliance becomes hot. Care should be taken to avoid touching heating elements inside the oven.

30. Only use the temperature probe recommended for this oven. (for ovens provided with a facility to use a

temperature-sensing probe.)

31. **WARNING:** The appliance and its accessible parts become hot during use. Care should be taken to avoid touching heating elements. Children less than 8 years of age shall be kept away unless continuously supervised.

32. The microwave oven must be operated with the decorative door open. (for ovens with a decorative door.)

33. Surface of a storage drawer can get hot.

34. The microwave oven is intended for heating food and beverages. Drying of food or clothing and heating of warming pads, slippers, sponges, damp cloth and similar may lead to risk of injury, ignition or fire.

35. Metallic containers for food and beverages are not allowed during microwave cooking.

36. The appliance shall not be cleaned with a steam cleaner.

37. Care should be taken not to displace the turntable when removing containers from the appliance.

38. The appliance must not be installed behind a decorative door in order to avoid overheating.

39. **WARNING:** When the appliance is operated in the combination mode, children should only use the oven under adult supervision due to the temperatures generated.

READ CAREFULLY AND KEEP FOR FUTURE REFERENCE

To Reduce the Risk of Injury to Persons Grounding Installation

DANGER

Electric Shock Hazard
Touching some of the internal components can cause serious personal injury or death. Do not disassemble this appliance.

WARNING

Electric Shock Hazard Improper use of the grounding can result in electric shock. Do not plug into an outlet until appliance is properly installed and grounded.

This appliance must be grounded. In the event of an electrical short circuit, grounding reduces the risk of electric shock by providing an escape wire for the electric current. This appliance is equipped with a cord having a grounding wire with a grounding plug. The plug must be plugged into an outlet that is properly installed and grounded.

Consult a qualified electrician or serviceman if the grounding instructions are not completely understood or if doubt exists as to whether the appliance is properly grounded. If it is necessary to use an extension cord, use only a 3-wire extension cord.

1. A short power-supply cord is provided to reduce the risks resulting from becoming entangled in or tripping over a longer cord.
2. If a long cord set or extension cord is used:
 - 1)The marked electrical rating of the cord set or extension cord should be at least as great as the electrical rating of the appliance.
 - 2)The extension cord must be a grounding-type 3-wire cord.
 - 3)The long cord should be arranged so that it will not drape over the counter top or tabletop where it can be pulled on by children or tripped over unintentionally.

CLEANING

Be sure to unplug the appliance from the power supply.

1. Clean the cavity of the oven after using with a slightly damp cloth.
2. Clean the accessories in the usual way in soapy water.
3. The door frame and seal and neighbouring parts must be cleaned carefully with a damp cloth when they are dirty.
4. Do not use harsh abrasive cleaners or sharp metal scrapers to clean the oven door glass since they can scratch the surface, which may result in shattering of the glass.
5. **Cleaning Tip**---For easier cleaning of the cavity walls that the food cooked can touch: Place half a lemon in a bowl, add 300ml (1/2 pint) water and heat on 100% microwave power for 10 minutes. Wipe the oven clean using a soft, dry cloth.

UTENSILS

CAUTION

Personal Injury Hazard

It is hazardous for anyone other than a competent person to carry out any service or repair operation that involves the removal of a cover which gives protection against exposure to microwave energy.

See the instructions on "Materials you can use in microwave oven or to be avoided in microwave oven." There may be certain non-metallic utensils that are not safe to use for microwaving. If in doubt, you can test the utensil in question following the procedure below.

Utensil Test:

1. Fill a microwave-safe container with 1 cup of cold water (250ml) along with the utensil in question.
2. Cook on maximum power for 1 minute.
3. Carefully feel the utensil. If the empty utensil is warm, do not use it for microwave cooking.
4. Do not exceed 1 minute cooking time.

Materials you can use in microwave oven

Utensils	Remarks
Browning dish	Follow manufacturer's instructions. The bottom of browning dish must be at least 3/16 inch (5mm) above the turntable. Incorrect usage may cause the turntable to break.
Dinnerware	Microwave-safe only. Follow manufacturer's instructions. Do not use cracked or chipped dishes.
Glass jars	Always remove lid. Use only to heat food until just warm. Most glass jars are not heat resistant and may break.
Glassware	Heat-resistant oven glassware only. Make sure there is no metallic trim. Do not use cracked or chipped dishes.
Oven cooking bags	Follow manufacturer's instructions. Do not close with metal tie. Make slits to allow steam to escape.
Paper plates and cups	Use for short-term cooking/warming only. Do not leave oven unattended while cooking.
Paper towels	Use to cover food for reheating and absorbing fat. Use with supervision for a short-term cooking only.
Parchment paper	Use as a cover to prevent splattering or a wrap for steaming.
Plastic	Microwave-safe only. Follow the manufacturer's instructions. Should be labeled "Microwave Safe". Some plastic containers soften, as the food inside gets hot. "Boiling bags" and tightly closed plastic bags should be slit, pierced or vented as directed by package.
Plastic wrap	Microwave-safe only. Use to cover food during cooking to retain moisture. Do not allow plastic wrap to touch food.
Thermometers	Microwave-safe only (meat and candy thermometers).
Wax paper	Use as a cover to prevent splattering and retain moisture.

Materials to be avoided in microwave oven

Utensils	Remarks
Aluminum tray	May cause arcing. Transfer food into microwave-safe dish.
Food carton with metal handle	May cause arcing. Transfer food into microwave-safe dish.
Metal or metal-trimmed utensils	Metal shields the food from microwave energy. Metal trim may cause arcing.
Metal twist ties	May cause arcing and could cause a fire in the oven.
Paper bags	May cause a fire in the oven.
Plastic foam	Plastic foam may melt or contaminate the liquid inside when exposed to high temperature.
Wood	Wood will dry out when used in the microwave oven and may split or crack.

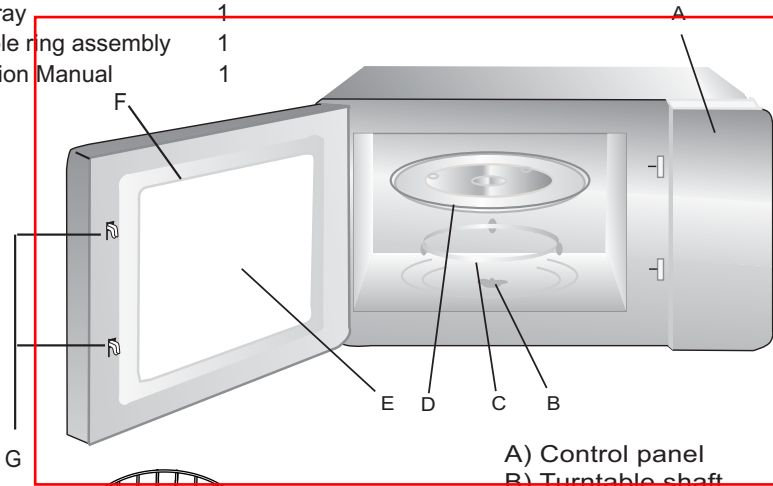
SETTING UP YOUR OVEN

Names of Oven Parts and Accessories

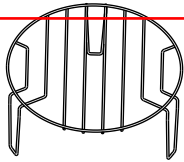
Remove the oven and all materials from the carton and oven cavity.

Your oven comes with the following accessories:

- Glass tray 1
- Turntable ring assembly 1
- Instruction Manual 1

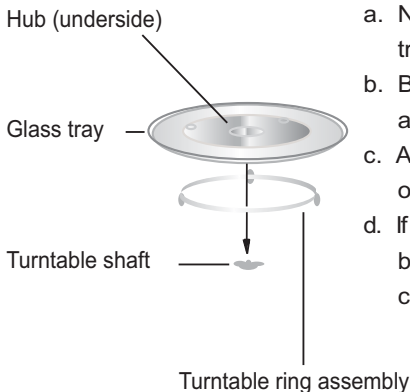


- A) Control panel
- B) Turntable shaft
- C) Turntable ring assembly
- D) Glass tray
- E) Observation window
- F) Door assembly
- G) Safety interlock system



Grill Rack(Only be used in grill function and be placed on the glass tray)

Turntable Installation



- a. Never place the glass tray upside down. The glass tray should never be restricted.
- b. Both glass tray and turntable ring assembly must always be used during cooking.
- c. All food and containers of food are always placed on the glass tray for cooking.
- d. If glass tray or turntable ring assembly cracks or breaks, contact your nearest authorized service center.

Installation and connection

1. This appliance is only intended for domestic use.
2. This oven is intended for built-in use only. It is not intended for counter-top use or for use inside a cupboard.
3. Please observe the special installation instructions.
4. The appliance can be installed in a 60cm wide wall-mounted cupboard.
5. The appliance is fitted with a plug and must only be connected to a properly installed earthed socket.
6. The mains voltage must correspond to the voltage specified on the rating plate.
7. The socket must be installed and connecting cable must only be replaced by a qualified electrician. If the plug is no longer to accessible following installation, an all-pole disconnecting device must be present on the installation side with a contact gap of at least 3mm.
8. Adapters, multi-way strips and extension leads must not be used. Overloading can result in a risk of fire.

The accessible surface may be hot during operation.



Installation Instruction

The following must be noted

Electrical connection

The appliance is fitted with a plug and must only be connected to a properly installed earthed socket. Only a qualified electrician who takes the appropriate regulations into account may install the socket or replace the connecting cable. If the plug is no longer accessible following installation, an all-pole isolating switch must be present on the installation side with a contact gap of at least 3 mm. Contact protection must be ensured by the installation.

Fitted units

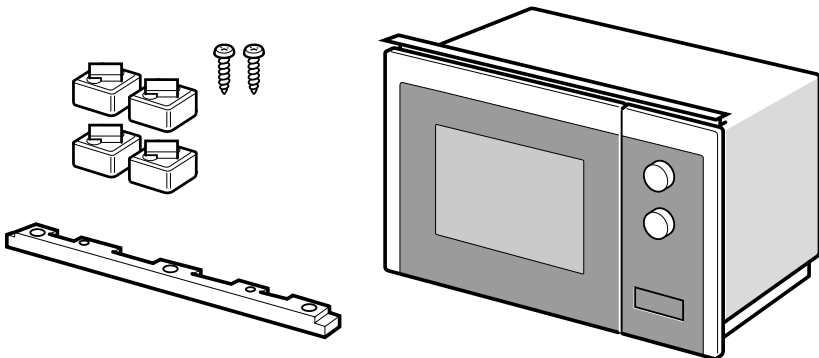
The installation cabinet must not have a back panel behind the appliance. Minimum installation height: 850 mm. Ventilation slots and intakes must not be covered.

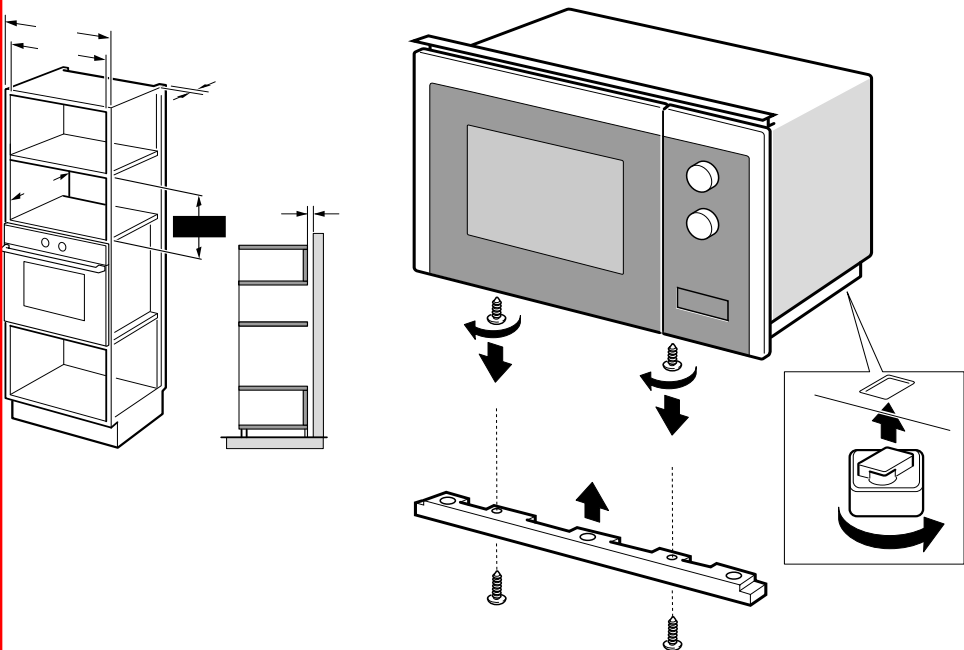
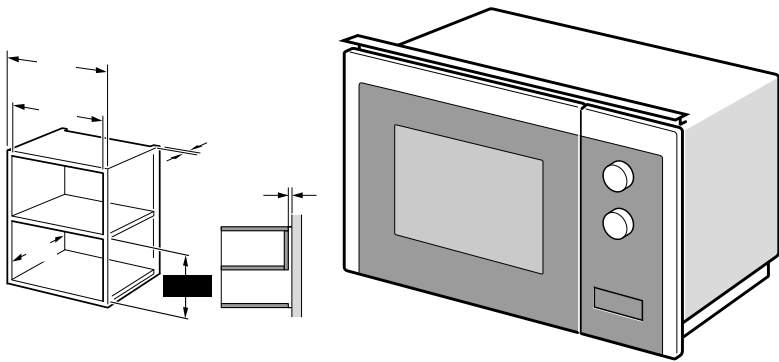
Appliance in a wall-hanging unit - Fig. 1A

Appliance in a tall unit - Fig.1B

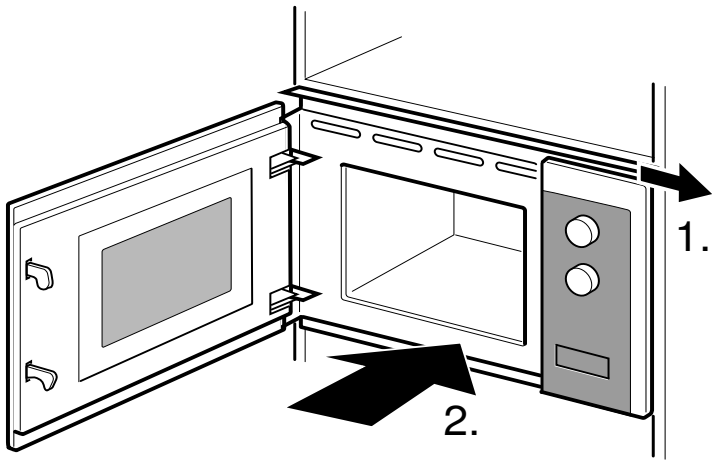
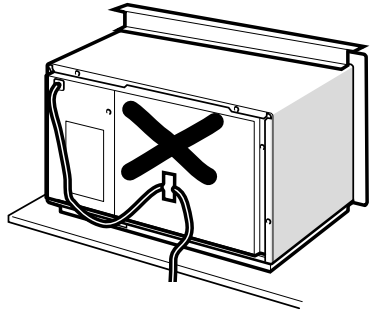
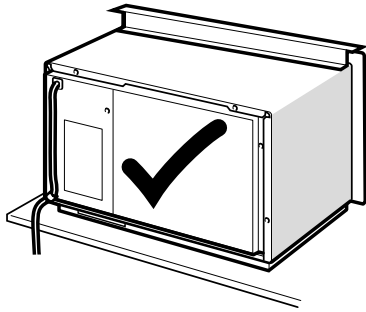
Installing the oven - Fig. 2

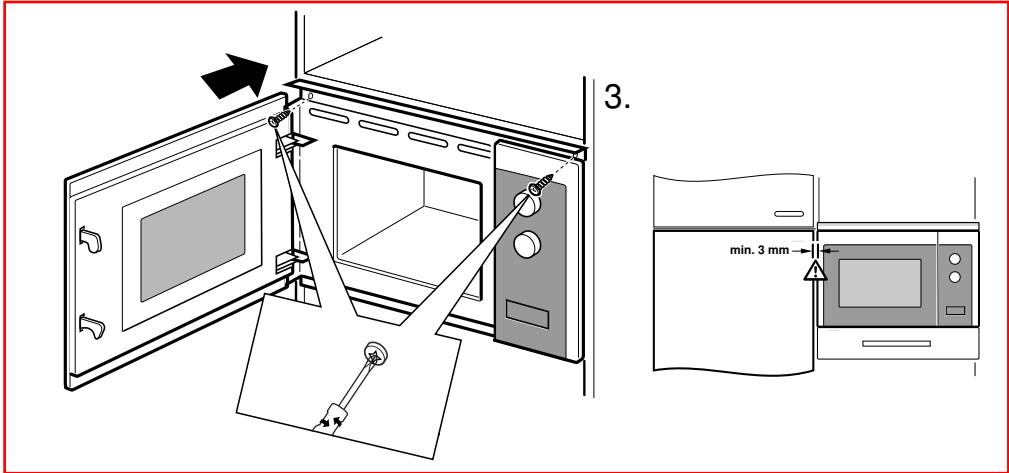
Note: Do not trap or kink the mains lead.





2





OPERATION INSTRUCTION

This microwave oven uses modern electronic control to adjust cooking parameters to meet your needs better for cooking.

1. Clock Setting

When the microwave oven is electrified, the oven will display "0:00", buzzer will ring once. The oven will enter to waiting state.

- 1) Press "Duration" twice, the hour figures will flash;
- 2) Press " - " or " + " to adjust the hour figures, the input time should be within 0--23.
- 3) Press "Duration" to confirm, the minute figures will flash.
- 4) Turn " - " or " + " to adjust the minute figures, the input time should be within 0--59.
- 5) Press "Duration" to finish clock setting.
":" will flash. The current time will display.

Note: If the clock is not set, it would not function when powered.

2. Microwave Cooking

- 1) Press the "Microwave" key once, and "P100" will display.
- 2) Press "Microwave" repeatedly or press " - " or " + " to select the microwave power.
"P100", "P80", "P50", "P30", "P10" will display in order.
- 3) Press "Start | +30 | Confirm" to confirm setting.
- 4) Press " - " or " + " to adjust the cooking time.
(The maximum cooking time is 95 minutes)
- 5) Press "Start | +30 | Confirm" to start cooking.

NOTE: the step quantities for the adjustment time of the coding switch are as follow:

0---1 min	:	5 seconds
1---5 min	:	10 seconds
5---10 min	:	30 seconds
10---30 min	:	1 minute
30---95 min	:	5 minutes

Microwave Power Chart

Microwave Power	High	Med.High	Med.	Med.Low	Low
Display	P100	P80	P50	P30	P10

3. Grill or Combi. Cooking

Press "Grill Combi" once, the screen will display "G", and press "Grill Combi" repeatedly or press " - " or " + " to choose the power you want, and "G", "C-1" or "C-2" will display. Press "Start | +30" | Confirm " to confirm the power. Press " - " or " + " to set cooking time. (The maximum cooking time is 95 minutes) Press "Start | +30" | Confirm " again to start cooking.

Example: If you want to use 55% microwave power and 45% grill power(C-1) to cook for 10 minutes, you can operate the oven as the following steps.

- 1) Press "Grill Combi" once, the screen displays "G".
- 2) Continue to press "Grill Combi" until the screen displays "C-1".
- 3) Press "Start | +30" | Confirm " to confirm.
- 4) Press " - " or " + " to adjust the cooking time until the oven displays "10:00".
- 5) Press "Start | +30" | Confirm " to start cooking.

Combination Power instructions:

Program	Display	Microwave Power	Grill Power
Grill	G	0%	100%
Combi.1	C-1	55%	45%
Combi.2	C-2	36%	64%

Note: If half the grill time passes, the oven sounds twice, and this is normal. In order to have a better effect of grilling food, you should turn the food over, close the door, and then press "Start | +30" | Confirm " to continue cooking. If no operation, the oven will continue working.

4. Defrost By Weight

- 1) Press "Weight Defrost" once, the screen will display "dEF1".
- 2) Press " - " or " + " to select the food weight. The range of weight is 100-2000g.
- 3) Press "Start | +30" | Confirm " key to start defrosting.

Note: If half the defrost time passes, the oven sounds twice, and this is normal. In order to have a better effect of defrosting, you should turn the food over, close the door, and then press "Start | +30" | Confirm " to continue cooking. If no operation, the oven will continue working.

5. Defrost By Time

- 1) Press "Time Defrost " once, the screen will display "dEF2".
- 2) Press " - "or" + " to select the cooking time.The maximum time is 95 minutes.
- 3) Press "Start | + 30Sec" | Confirm" key to start defrosting.

Note: If half the defrost time passes, the oven sounds twice, and this is normal. In order to have a better effect of defrosting, you should turn the food over, close the door, and then press" Start | + 30Sec" | Confirm " to continue cooking. If no operation, the oven will continue working.

6.Multi-Stage Cooking

2 stages can be maximumly set. If one stages is defrosting, it should be put in the first stage automatically. The buzzer will ring once after each stage and the next stage will begin.

Note: Auto menu and speedy cooking cannot be set as one of the multi-stage.

Example: if you want to defrost the food for 5 minutes, then to cook with 80% microwave power for 7 minutes. The steps are as following:

- 1) Press " Time Defrost " once, the screen will display "DEF2".
- 2) Press " - "or" + " to adjust the defrost time of 5 minutes;
- 3) Press "Microwave" once, the screen will display "P100".
- 4) Press " Microwave" repeatedly to choose microwave power till "P80" displays;
- 5) Press "Start | + 30" | Confirm" to confirm.
- 5) Press " - "or" + " to adjust the cooking time of 7 minutes;
- 7) Press " Start | + 30" | Confirm " to start cooking.

7. Kitchen Timer

- 1) Press " Duration" once, the screen will display " 00:00 " .
- 2) Press " - "or" + " to enter the correct timer.
(The maximum cooking time is 95 minutes)
- 3) Press " Start | + 30" | Confirm " to confirm setting.
- 4) When the kitchen time is reached, the buzzer will ring 5 times.

If the clock has been set(24-hour system), the screen will display the current time.

Note: The kitchen Time is different from 24-hour system. Kitchen Timer is a timer.

8. Auto Menu

- 1) In waiting state, press " + " repeatedly to choose the menu .
- 2) Press " Start | +30" | Confirm " to confirm the menu you choose.
- 3) Press " - "or" + " to choose the food weight.
- 4) Press "Start | +30" | Confirm " to start cooking.

The menu chart:

Menu	Weight	Power
Pizza	200 g	100%(Mic.)
	400 g	
Meat	250 g	100%(Mic.)
	350 g	
	450 g	
Vegetable	200 g	100%(Mic.)
	300 g	
	400 g	
Pasta	50g(with 450g cold water)	80%(Mic.)
	100g(with 800g cold water)	
Potato	200 g	100%(Mic.)
	400 g	
	600 g	
Fish	250 g	80%(Mic.)
	350 g	
	450 g	
Beverage	1cup (about 120ml)	100%(Mic.)
	2cups (about 240ml)	
	3cups (about 360ml)	
Popcorn	50 g	100%(Mic.)
	100 g	

9. Speedy Cooking

- 1) In waiting state, press " Start | + 30 " | Confirm " key to cook with 100% power level for 30 seconds. Each press on the same key can increase 30 seconds. The maximum cooking time is 95 minutes.
- 2) During the microwave,grill,combination cooking and the defrost by time process, press "Start | + 30 " | Confirm" to increase the cooking time.
- 3) Under the states of auto menu and defrost by weight, cooking time cannot be increased by pressing" Start | + 30Sec" | Confirm ".
- 4) In waiting state, press " - " to choose the cooking time. After adjusting the cooking time, press"Start | + 30 " | Confirm" to start microwave cooking with 100% power lever .

10. Lock Function for Children

Lock: In waiting state, press "Stop|Clear" for 3 seconds to enter the children-lock state and the current time will display if the time has been set, otherwise, the screen will display "🔒 : : 🕒 ".

Lock quitting: In locked state, press " Stop|Clear " for 3 seconds, the lock is released.

11. Inquiring Function

- 1) In cooking states of microwave or grill and combination. Press " Microwave" or " Grill Combi ", the current power will be displayed for 3 seconds.
- 2) If the clock has been set , during cooking state, press "Duration" to check the current time. It will be displayed for 3 seconds.

12. Specification

- 1) If the door is opened in the process of cooking, close the door and then press "Start | + 30 " | Confirm" to continue cooking.
- 2) Once the cooking programme has been set , " Start | + 30 " | Confirm " is not pressed in 1 minutes. The current time will be displayed. The setting will be cancelled.
- 3) The buzzer sounds once by efficient press, inefficient press will be no response.

Trouble shooting

Normal	
Microwave oven interfering TV reception	Radio and TV reception may be interfered when microwave oven operating. It is similar to the interference of small electrical appliances, like mixer, vacuum cleaner, and electric fan. It is normal.
Dim oven light	In low power microwave cooking, oven light may become dim. It is normal.
Steam accumulating on door, hot air out of vents	In cooking, steam may come out of food. Most will get out from vents. But some may accumulate on cool place like oven door. It is normal.
Oven started accidentally with no food in.	It is forbidden to run the unit without any food inside. It is very dangerous.

Trouble	Possible Cause	Remedy
Oven cannot be started.	(1) Power cord is not plugged in tightly.	Unplug. Then plug again after 10 seconds.
	(2) Fuse blowing or circuit breaker works.	Replace fuse or reset circuit breaker (repaired by professional personnel of our company)
	(3) Trouble with outlet.	Test outlet with other electrical appliances.
Oven does not heat.	(4) Door is not closed well.	Close door well.



According to Waste of Electrical and Electronic Equipment (WEEE) directive, WEEE should be separately collected and treated. If at any time in future you need to dispose of this product please do NOT dispose of this product with household waste. Please send this product to WEEE collecting points where available.



Forno a microonde

MANUALE DI ISTRUZIONI

MODELLO: HMG20C5SB

HMG20C5SB-80

Leggere attentamente queste istruzioni prima di utilizzare il forno a microonde e conservarle con cura.

Se si seguono le istruzioni, il forno funzionerà perfettamente per molti anni.

CONSERVARE CON CURA QUESTE ISTRUZIONI

PRECAUZIONI PER EVITARE LA POSSIBILE ESPOSIZIONE A UN'ECESSIVA ENERGIA A MICROONDE

(a) Per evitare esposizioni nocive all'energia a microonde, non provare a utilizzare questo forno con lo sportello aperto. Prestare particolare attenzione a non danneggiare o manomettere gli interblocchi di sicurezza.

(b) Non collocare alcun oggetto tra il lato anteriore del forno e lo sportello. Evitare l'accumulo di sporcizia o residui di detersivo sulle superfici di tenuta.

(c) **AVVERTENZA:** in caso di danni allo sportello o alle guarnizioni dello sportello, utilizzare il forno solo dopo che è stato riparato da una persona competente.

ALTRE ISTRUZIONI

Se l'apparecchio non viene mantenuto pulito, la superficie potrebbe danneggiarsi, l'apparecchio potrebbe durare meno e potrebbe causare situazioni pericolose.

Specifiche

Modello:	HMG20C5SB HMG20C5SB-80
Tensione nominale:	230 V ~ 50 Hz
Potenza nominale in ingresso (microonde):	1270 W
Potenza nominale in uscita (microonde):	800 W
Potenza nominale in ingresso (grill):	1000 W

Dati sul basso consumo energetico secondo il regolamento (UE) 2023/826 della Commissione.

Condizione	Consumo energetico	Tempo dopo il quale l'apparecchio raggiunge automaticamente la condizione
Modalità standby con visualizzazione delle informazioni o dello stato	0,8 W	20 minuti

ISTRUZIONI E AVVERTENZE IMPORTANTI PER LA SICUREZZA

Per ridurre il rischio di incendi, scosse elettriche, lesioni personali o esposizione a un'energia eccessiva del forno a microonde durante l'uso, attenersi alle precauzioni basilari e alle seguenti avvertenze:

1. Avvertenza: non riscaldare liquidi o altri alimenti in contenitori sigillati perché potrebbero esplodere.
2. Avvertenza: Le operazioni di manutenzione e riparazione che implicano la rimozione degli involucri possono essere pericolose se non effettuate da personale competente, dal momento che causano l'esposizione all'energia a microonde.
3. Questo elettrodomestico può essere utilizzato da bambini di almeno 8 anni, da persone con ridotte capacità fisiche, sensoriali o mentali e da persone inesperte solo sotto stretta sorveglianza o se hanno appreso le modalità di utilizzo sicuro dell'elettrodomestico e sono consapevoli dei relativi pericoli. Impedire ai bambini di giocare con l'elettrodomestico. La pulizia e la manutenzione non devono essere effettuate da bambini di età inferiore a 8 anni senza supervisione.
4. Tenere l'elettrodomestico e il cavo fuori dalla portata di bambini di età inferiore a 8 anni.
5. Adoperare solo utensili da cucina idonei all'uso nei forni a microonde.
6. È indispensabile pulire regolarmente il forno e rimuovere tutti i residui di alimenti.
7. Attenersi alla seguente specifica: "PRECAUZIONI PER EVITARE LA POSSIBILE ESPOSIZIONE A UN'ECESSIVA ENERGIA A MICROONDE".
8. Quando si riscaldano alimenti contenuti in una vaschetta in plastica o carta, controllare frequentemente il forno perché i contenitori potrebbero incendiarsi.

9. Se il forno emette fumo, spegnerlo o scollegarlo dall'alimentazione elettrica e mantenere chiuso lo sportello per evitare la propagazione alle fiamme.
10. Non cuocere eccessivamente il cibo.
11. Non utilizzare la cavità del forno per conservare gli alimenti. Non riporre prodotti come pane, biscotti, ecc. all'interno del forno.
12. Rimuovere i laccetti di chiusura e i manici di metallo dei contenitori/sacchetti di carta o di plastica prima di collocarli nel forno.
13. Installare o posizionare questo forno solo in conformità con le istruzioni di installazione fornite.
14. Non riscaldare nel microonde uova col guscio e uova sode intere perché potrebbero esplodere anche dopo la fine della cottura.
15. Questo elettrodomestico è destinato all'uso domestico e a utilizzi simili a quelli di seguito indicati:
 - zone cucina per il personale di negozi, uffici e altri ambienti lavorativi;
 - clienti di hotel, motel e altri ambienti residenziali;
 - agriturismi;
 - bed & breakfast.
16. Se il cavo di alimentazione è danneggiato, deve essere sostituito dal produttore, da un tecnico dell'assistenza o da una persona con analoga qualifica per evitare rischi.
17. Non conservare o utilizzare questo apparecchio all'aperto.
18. Non utilizzare questo forno vicino all'acqua, in un seminterrato umido o in prossimità a una piscina.
19. Quando l'elettrodomestico è in funzione, la temperatura delle superfici accessibili potrebbe essere alta. Le superfici possono scaldarsi durante l'uso. Tenere il cavo lontano dalla superficie riscaldata e non coprire le prese d'aria del forno.

20. Non lasciare che il cavo penda dal bordo del tavolo o del top della cucina.
21. Se il forno non viene tenuto sempre pulito, le superfici potrebbero deteriorarsi, riducendo la durata dell'elettrodomestico e causando situazioni pericolose.
22. Per evitare ustioni, mescolare e agitare il contenuto di biberon e barattoli contenenti alimenti per neonati, e controllare la temperatura prima del consumo.
23. Il riscaldamento di bevande nel forno a microonde può provocare una violenta ebollizione ritardata, per cui manipolare il contenitore con cautela.
24. La piastra non deve essere utilizzata da persone (bambini inclusi) con ridotte capacità fisiche, sensoriali o mentali o senza esperienza e sufficiente conoscenza del suo utilizzo, a meno che ciò avvenga sotto la supervisione di una persona responsabile della loro sicurezza o siano state date istruzioni relative al suo utilizzo.
25. Vigilare i bambini affinché non giochino con l'elettrodomestico.
26. Gli elettrodomestici non sono progettati per essere azionati tramite un timer esterno o un sistema di controllo da remoto separato.
27. durante l'uso, i componenti accessibili potrebbero diventare caldi.
Tenere lontani i bambini.
28. Non adoperare elettrodomestici per la pulizia a vapore.
29. Durante l'uso, l'elettrodomestico diventa caldo. Non toccare le resistenze all'interno del forno.
30. Utilizzare solo la sonda di temperatura consigliata per questo forno. (Per i forni dotati di apparecchiature per l'uso di una sonda di rilevamento della temperatura.)

31. **AVVERTENZA:** l'elettrodomestico e i componenti accessibili diventano molto caldi durante l'uso. Non toccare le resistenze. Tenere lontani i bambini di età inferiore a 8 anni se non sono sorvegliati continuamente.
32. Il forno a microonde deve essere azionato con lo sportello decorativo aperto. (Per forni con sportello decorativo.)
33. La superficie del cassetto di stoccaggio potrebbe riscaldarsi.
34. Il forno a microonde è progettato per riscaldare alimenti e bevande. L'asciugatura di alimenti o indumenti e il riscaldamento di cuscini scaldanti, pantofole, spugne, panni bagnati e simili può provocare lesioni o innescare incendi.
35. Non è consentito utilizzare contenitori metallici per alimenti e bevande durante la cottura a microonde.
36. Non pulire l'apparecchio con elettrodomestici a vapore.
37. Quando i contenitori vengono rimossi dall'elettrodomestico, non spostare il piatto girevole.
38. Per evitare che l'elettrodomestico si surriscaldi, non installarlo dietro uno sportello decorativo.
39. **AVVERTENZA:** in modalità combinata, l'uso del forno è consentito ai bambini solo sotto la supervisione di un adulto a causa delle alte temperature prodotte.

**LEGGERE ATTENTAMENTE QUESTE ISTRUZIONI
E CONSERVARLE PER FUTURI RIFERIMENTI**

Installazione del collegamento a terra per ridurre il rischio di lesioni personali

PERICOLO

Per evitare scosse elettriche e lesioni personali gravi o fatali, non toccare gli elementi interni.

Non smontare questo elettrodomestico.

AVVERTENZA

Eventuali difetti del collegamento a terra potrebbero provocare scosse elettriche.

Se l'elettrodomestico non è installato e collegato correttamente a terra, non collegarlo alla presa elettrica.

L'elettrodomestico deve essere dotato di messa a terra. In caso di cortocircuito, il collegamento a terra limita il rischio di scosse elettriche in quanto il conduttore di terra garantisce un percorso per la dissipazione della corrente elettrica.

Questo elettrodomestico è fornito con un cavo dotato di un conduttore di terra e di una spina di messa a terra.

La spina deve essere collegata a una presa correttamente installata e dotata di messa a terra.

In caso di dubbi relativi al collegamento a terra dell'elettrodomestico, consultare un tecnico o un elettricista qualificato. Se è necessario adoperare una prolunga, utilizzare un cavo tripolare.

1. Il cavo di alimentazione fornito è corto per ridurre i rischi di intrappolamento e inciampo.

2. Se si utilizza un cavo o una lunga prolunga:

1) Le caratteristiche elettriche nominali del cavo o della prolunga devono essere idonee alle caratteristiche elettriche

dell'elettrodomestico.

2) L'eventuale prolunga deve essere costituita da un cavo tripolare dotato di conduttore di terra.

3) I cavi lunghi devono essere sistemati in modo che non ciondolino sul top della cucina, per evitare che vengano tirati dai bambini o possano far inciampare.

PULIZIA

Accertarsi che l'elettrodomestico sia scollegato dalla fonte di alimentazione.

1. Pulire la cavità del forno con un panno lievemente bagnato.
2. Pulire gli accessori con acqua e sapone.
3. La cornice dello sportello, la guarnizione e i componenti vicini devono essere puliti attentamente con un panno bagnato se sono sporchi.
4. Non adoperare detersivi aggressivi e abrasivi o raschietti metallici affilati per pulire il vetro dello sportello del forno, altrimenti la superficie potrebbe graffiarsi e il vetro potrebbe frantumarsi.
5. Suggerimento per la pulizia: per facilitare la pulizia delle pareti della cavità che potrebbero entrare a contatto con gli alimenti cotti; collocare mezzo limone in una scodella, aggiungere 300 ml d'acqua e riscaldarla per 10 minuti con il forno a microonde al 100% della potenza. Per pulire il forno, strofinarlo con un panno morbido e asciutto.

UTENSILI DA CUCINA

ATTENZIONE

Rischio di lesioni personali

Le operazioni di manutenzione e riparazione che implicano la rimozione degli involucri possono essere pericolose se non effettuate da personale competente, dal momento che causano l'esposizione all'energia a microonde.

Consultare le istruzioni che indicano i "Materiali utilizzabili e non utilizzabili nel forno a microonde". L'uso di determinati utensili da cucina non metallici non è sicuro per la cottura a microonde. In caso di dubbi, provare l'utensile da cucina effettuando la procedura indicata di seguito.

Prova dell'utensile da cucina:

1. Riempire un contenitore utilizzabile nel forno a microonde con una tazza d'acqua fredda (250 ml) assieme all'utensile da cucina da provare.
2. Accendere il forno alla massima potenza per 1 minuto.
3. Toccare con attenzione l'utensile da cucina. Se l'utensile da cucina vuoto è caldo, non deve essere utilizzato per la cottura a microonde.
4. Non superare il tempo di cottura di 1 minuto.

Materiali utilizzabili nel forno a microonde

Utensili da cucina	Note
Piatto per doratura	Seguire le istruzioni del fabbricante. Il fondo del piatto per doratura deve trovarsi ad almeno 5 mm al di sopra del piatto girevole. Utilizzi errati potrebbero causare la rottura del piatto girevole.
Stoviglie	Solo quella utilizzabile nei forni a microonde. Seguire le istruzioni del fabbricante. Non adoperare piatti screpolati o scheggiati.
Barattoli di vetro	Rimuovere sempre il coperchio. Adoperarli solo per riscaldare lievemente gli alimenti. La maggior parte dei barattoli di vetro non resistono al calore e possono rompersi.
Cristalleria	Adoperare solo cristalleria che resiste nei forni a microonde. Accertarsi che non siano presenti finiture metalliche. Non adoperare piatti screpolati o scheggiati.
Sacchetti per la cottura in forno	Seguire le istruzioni del fabbricante. Non chiuderli con fascette metalliche. Creare qualche feritoia per lasciare uscire il vapore.
Piatti e bicchieri di carta	Adoperarli solo per cottura o riscaldamento breve. Non lasciare il forno incustodito durante la cottura.
Carta assorbente	Adoperarla per coprire gli alimenti per riscaldarli e assorbire i grassi. Adoperarla solo per cotture brevi, senza lasciare incustodito il forno.
Carta da forno	Adoperarla come coperchio per evitare schizzi o per la cottura a vapore.
Plastica	Solo quella utilizzabile nei forni a microonde. Seguire le istruzioni del fabbricante. Deve essere presente un'apposita etichetta indicante che è possibile utilizzarla nei forni a microonde. Alcuni contenitori in plastica si ammorbidiscono quando gli alimenti diventano caldi. Se si utilizzano sacchetti per la cottura e sacchetti in plastica chiusi ermeticamente, praticare piccoli tagli o fori come indicato sulla confezione.
Pellicola di plastica	Solo quella utilizzabile nei forni a microonde. Utilizzarla per coprire gli alimenti durante la cottura per trattenere l'umidità. Evitare il contatto della plastica con gli alimenti.
Termometri	Solo quelli utilizzabili nei forni a microonde (termometri per la carne e i dolci).
Carta cerata	Adoperarla come coperchio per evitare schizzi o per trattenere l'umidità.

Materiali da evitare nel forno a microonde

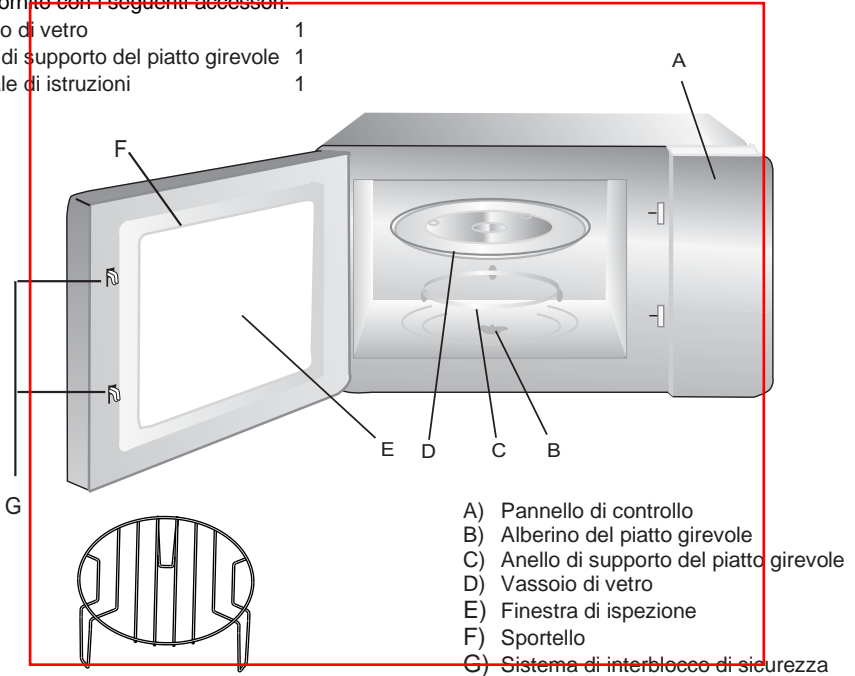
Utensili da cucina	Note
Vaschette di alluminio	Possono causare archi elettrici. Trasferire gli alimenti in un piatto adatto alla cottura a microonde.
Cartone per alimenti con maniglie metalliche	Possono causare archi elettrici. Trasferire gli alimenti in un piatto adatto alla cottura a microonde.
Utensili da cucina in metallo o con finiture metalliche	Il metallo schermava gli alimenti dall'energia a microonde. Le finiture metalliche possono causare archi elettrici.
Fascette metalliche	Possono causare archi elettrici e incendi nel forno.
Sacchetti di carta	Possono causare incendi nel forno.
Materiale espanso plastico	Il materiale espanso plastico può fondere o contaminare il liquido interno quando viene esposto ad alte temperature.
Legno	Quando viene utilizzato nel forno a microonde, il legno si secca e potrebbe creparsi o rompersi.

IMPOSTAZIONE DEL FORNO

Nomi dei componenti e degli accessori del forno

Togliere il forno e tutti i materiali dal cartone e dalla cavità del forno. Il forno viene fornito con i seguenti accessori:

Vassoio di vetro	1
Anello di supporto del piatto girevole	1
Manuale di istruzioni	1



- A) Pannello di controllo
- B) Alberino del piatto girevole
- C) Anello di supporto del piatto girevole
- D) Vassoio di vetro
- E) Finestra di ispezione
- F) Sportello
- G) Griglia

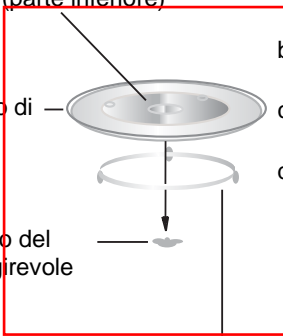
Griglia (utilizzabile solo in funzione grill e posizionata sul ripiano in vetro)

Installazione del piatto girevole

Mozzo (parte inferiore)

Vassoio di vetro

Alberino del piatto girevole



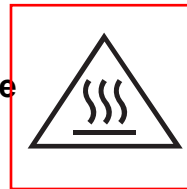
Anello di supporto del piatto girevole

- a. Non capovolgere il vassoio di vetro. Il vassoio di vetro non deve mai bloccarsi.
- b. Durante la cottura, utilizzare sia il vassoio di vetro che l'anello di supporto del piatto girevole.
- c. Tutti gli alimenti e i contenitori devono essere collocati sempre sul vassoio di vetro per la cottura.
- d. Se il vassoio di vetro o l'anello di supporto del piatto girevole si incrina o si rompe, rivolgersi al centro assistenza autorizzato più vicino.

Installazione e collegamento

1. Questo elettrodomestico è progettato solo per usi domestici.
2. Questo forno è destinato solo per il montaggio a incasso.
Non è progettato per utilizzarlo sul top di cucina o all'interno di una credenza.
3. Attenersi scrupolosamente alle istruzioni particolari per l'installazione.
4. L'elettrodomestico può essere installato in una credenza montata a parete larga 60 cm.
5. La spina dell'elettrodomestico deve essere collegata solo a una presa dotata di messa a terra.
6. La tensione della rete elettrica deve corrispondere a quella specificata sulla targhetta dei dati.
7. L'installazione della presa e la sostituzione del cavo di collegamento devono essere effettuati solo da un elettricista qualificato. Se non è possibile accedere alla spina dopo l'installazione, predisporre un dispositivo di scollegamento omnipolare dal lato dell'installazione con un margine di contatto di almeno 3 mm.
8. Non adoperare adattatori, prese multiple e prolunghe.
Eventuali sovraccarichi possono causare incendi.

La superficie accessibile può essere calda durante il funzionamento.



Istruzioni di installazione

Prestare attenzione alle indicazioni riportate di seguito

Collegamento elettrico

La spina dell'elettrodomestico deve essere collegata solo a una presa dotata di messa a terra. L'installazione della presa o la sostituzione del cavo di collegamento possono essere effettuate solo da un elettricista qualificato nel rispetto delle normative. Se non è possibile accedere alla spina dopo l'installazione, predisporre un interruttore di isolamento omnipolare dal lato dell'installazione con un margine di contatto di almeno 3 mm. La protezione dei contatti deve essere garantita dall'installazione.

Unità installate

Il mobile di installazione deve essere privo di pannello posteriore dietro l'apparecchio. Altezza minima di installazione: 850 mm.

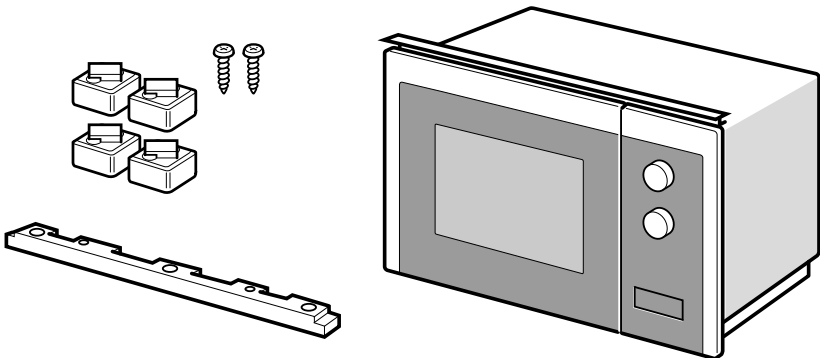
Le fessure e le prese di ventilazione non devono essere coperte.

Apparecchio in un pensile - Fig. 1A

Apparecchio in una colonna - Fig.1B

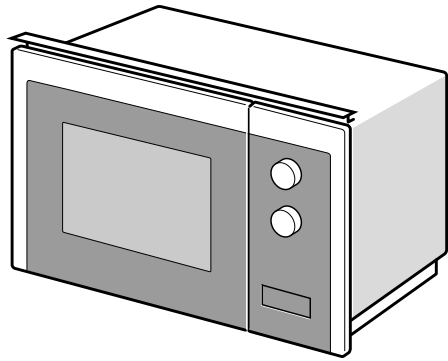
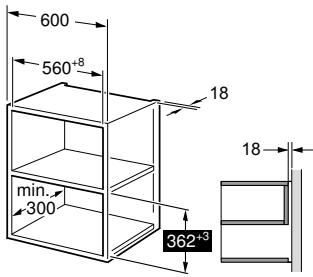
Installazione del forno - Fig. 2

Nota: Non incastrare o piegare il cavo di alimentazione.

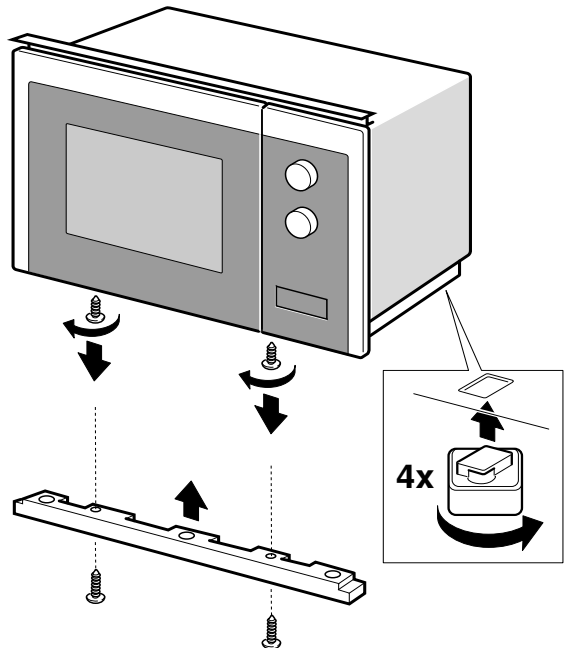
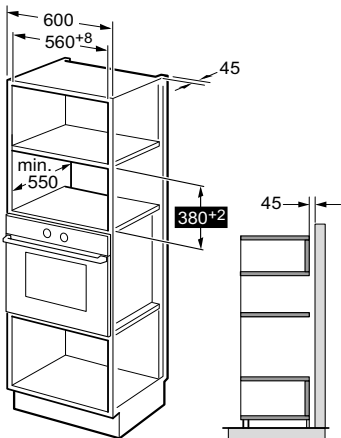


1

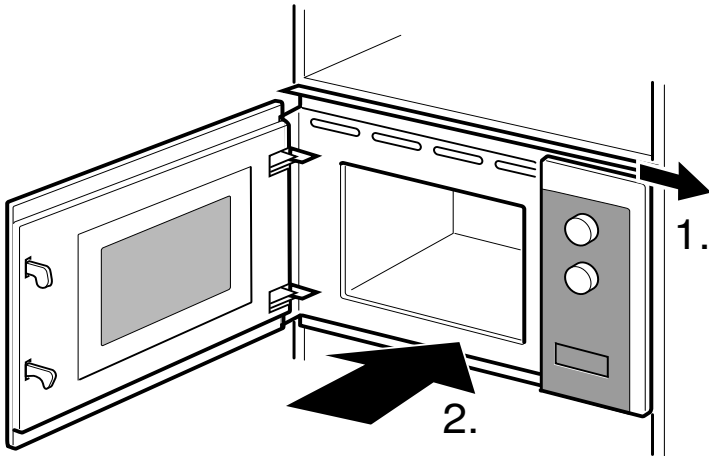
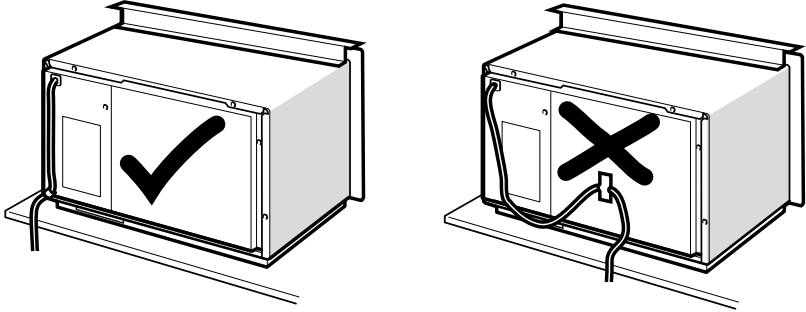
A

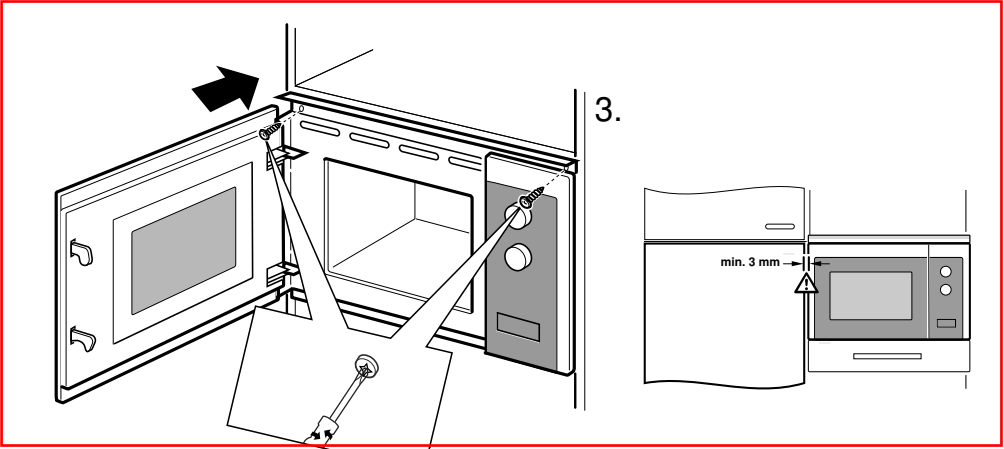


B



2





ISTRUZIONI DI FUNZIONAMENTO

Questo forno a microonde utilizza un moderno controllo elettronico per regolare i parametri di cottura al fine di soddisfare al meglio le esigenze di cottura.

1. Impostazione dell'orologio

Quando il forno a microonde è collegato all'alimentazione, il display visualizza "0:00" e viene emesso un singolo segnale acustico. Il forno accede allo stato di attesa.

- 1) Premere due volte "Duration", le cifre dell'ora lampeggiano.
- 2) Premere " - " o " + " per regolare l'ora (da 0 a 23).
- 3) Premere "Duration" per confermare, le cifre dei minuti lampeggiano.
- 4) Ruotare " - " o " + " per regolare i minuti (da 0 a 59).
- 5) Premere "Duration" per terminare l'impostazione dell'orologio.
": " lampeggia. Viene visualizzata l'ora corrente.

Nota: Se l'orologio non è impostato, quando si accende il forno non funziona.

2. Cottura a microonde

- 1) Premere una volta il tasto "Microwave", viene visualizzato "P100".
- 2) Premere ripetutamente " Microwave " oppure premere " - " o " + " per selezionare la potenza del microonde.
Vengono visualizzati in ordine "P100", "P80", "P50", "P30", "P10".
- 3) Premere " Start | + 30 " | Confirm " per confermare l'impostazione.
- 4) Premere " - " o " + " per regolare il tempo di cottura.
(Il tempo massimo di cottura è 95 minuti)
- 5) Premere " Start | + 30 " | Confirm " per avviare la cottura.

NOTA: il tempo di cottura è regolabile con i seguenti incrementi per i diversi intervalli:

0---1 min	: 5 secondi
1---5 min	: 10 secondi
5---10 min	: 30 secondi
10---30 min	: 1 minuto
30---95 min	: 5 minuti

Tabella della potenza delle microonde

Potenza microonde	High (Alta)	Med.High (Medio- alta)	Med. (Media)	Med.Low (Medio- bassa)	Low (Bassa)
Valore visualizzato	P100	P80	P50	P30	P10

3. Grill o Combi. Cottura

Premere una volta " Grill Combi ", lo schermo visualizza "G", quindi premere ripetutamente " Grill Combi " o premere " - " o " + " per scegliere la potenza desiderata; viene visualizzato "G", "C-1" o "C-2". Premere " Start | + 30 " | Confirm " per confermare la potenza. Premere " - " o " + " per impostare il tempo di cottura. (Il tempo massimo di cottura è 95 minuti) Premere nuovamente " Start | + 30 " | Confirm " per avviare la cottura.

Esempio: per utilizzare il microonde al 55% della potenza e il grill al 45% della potenza (C-1) per una cottura di 10 minuti, impostare il forno in base alla procedura seguente.

- 1) Premere una volta " Grill Combi ", lo schermo visualizza "G".
- 2) Continuare a premere "Grill Combi" finché sullo schermo non compare "C-1".
- 3) Premere " Start | + 30 " | Confirm " per confermare.
- 4) Premere " - " o " + " per regolare il tempo di cottura fino a quando il forno visualizza "10:00".
- 5) Premere " Start | + 30 " | Confirm " per avviare la cottura.

Istruzioni potenza combinata:

Programma	Valore visualizzato	Potenza microonde	Potenza grill
Grill	G	0%	100%
Combi.1	C-1	55%	45%
Combi.2	C-2	36%	64%

Nota: quando è trascorso metà del tempo impostato per il grill, il forno emette due segnali acustici: si tratta di un evento normale. Per ottimizzare la cottura degli alimenti con il grill, capovolgere gli alimenti, chiudere lo sportello e premere " Start | + 30 " | Confirm " per continuare la cottura.

Se non viene effettuata alcuna operazione, il forno continua a funzionare.

4. Scongelamento in base al peso

- 1) Premere " Weight Defrost " una volta, il display visualizza "dEF1".
- 2) Premere " - " o " + " per selezionare il peso degli alimenti. Il peso selezionabile è compreso tra 100 e 2000 g.
- 3) Premere il tasto " Start | + 30 " | Confirm " per avviare lo scongelamento.

Nota: quando è trascorso metà del tempo impostato per lo scongelamento, il forno emette due segnali acustici: si tratta di un evento normale. Per ottimizzare l'effetto di scongelamento, capovolgere gli alimenti, chiudere lo sportello e premere " Start | + 30 " | Confirm " per continuare la cottura. Se non viene effettuata alcuna operazione, il forno continua a funzionare.

5. Scongelamento in base al tempo

- 1) Premere " Time Defrost " una volta, il display visualizza "dEF2".
- 2) Premere " - " o " + " per selezionare il tempo di cottura. Il tempo massimo è 95 minuti.
- 3) Premere il tasto " Start | + 30Sec " | Confirm " per avviare lo scongelamento.

Nota: quando è trascorso metà del tempo impostato per lo scongelamento, il forno emette due segnali acustici: si tratta di un evento normale. Per ottimizzare l'effetto di scongelamento, capovolgere gli alimenti, chiudere lo sportello e premere " Start | + 30Sec " | Confirm " per continuare la cottura. Se non viene effettuata alcuna operazione, il forno continua a funzionare.

6. Cottura in più fasi

È possibile impostare al massimo due fasi. Lo scongelamento, se incluso nelle fasi, viene sempre impostato automaticamente per primo. Il cicalino emette un avviso acustico al termine di ciascuna fase e prima dell'inizio di quella successiva. Nota: il menu Auto e la cottura veloce non possono essere impostati come una delle fasi.

Esempio: si desidera scongelare un alimento per 5 minuti e poi cuocerlo con l'80% di potenza del microonde per 7 minuti. Attenersi alla seguente procedura:

- 1) Premere " Time Defrost " una volta, il display visualizza "dEF2".
- 2) Premere " - " o " + " per regolare il tempo di scongelamento su 5 minuti.
- 3) Premere una sola volta " Microwave "; in tal modo, lo schermo visualizza "P100".
- 4) Premere ripetutamente "Microwave" per scegliere la potenza del microonde finché non viene visualizzato "P80".
- 5) Premere " Start | + 30 " | Confirm " per confermare.
- 6) Premere " - " o " + " per impostare il tempo di cottura di 7 minuti;
- 7) Premere " Start | + 30 " | Confirm " per avviare la cottura.

7. Timer per cottura

- 1) Premere una volta "Duration", lo schermo visualizza "00:00".
- 2) Premere " - " o " + " per regolare il timer.
(Il tempo massimo di cottura è 95 minuti)
- 3) Premere " Start | + 30 " | Confirm " per confermare l'impostazione.
- 4) Al raggiungimento dell'ora di cottura il cicalino suona 5 volte.
Se l'orologio è stato impostato (sistema 24 ore), lo schermo visualizza l'ora corrente.

Nota: l'ora di cottura è diversa dal sistema 24 ore. Il timer di cottura è un timer.

8. Menu Auto

- 1) In stato di attesa, premere ripetutamente " + " per scegliere il menu.
- 2) Premere " Start | + 30 " | Confirm " per confermare il menu scelto.
- 3) Premere " - " o " + " per selezionare il peso degli alimenti.
- 4) Premere " Start | + 30 " | Confirm " per avviare la cottura.

Grafico del menu

Menu	Peso	Potenza
Pizza	200 g	100%(Mic.)
	400 g	
Carne	250 g	100%(Mic.)
	350 g	
	450 g	
Verdure	200 g	100%(Mic.)
	300 g	
	400 g	
Pasta	50 g (con 450 g di acqua fredda)	80%(Mic.)
	100 g (con 800 g di acqua fredda)	
Patate	200 g	100%(Mic.)
	400 g	
	600 g	
Pesce	250 g	80%(Mic.)
	350 g	
	450 g	
Bevande	1 tazza (circa 120 ml)	100%(Mic.)
	2 tazze (circa 240 ml)	
	3 tazze (circa 360 ml)	
Pop-corn	50 g	100%(Mic.)
	100 g	

9. Cottura veloce

- 1) In modalità di attesa, premere il tasto " Start | + 30 " | Confirm " per cuocere con il 100% della potenza per 30 secondi. Ogni pressione del tasto aumenta la durata di 30 secondi. Il tempo massimo di cottura è 95 minuti.
- 2) Durante la cottura a microonde, con grill e combinata e il processo di scongelamento in base al tempo, premere " Start | + 30 " | Confirm " per aumentare il tempo impostato.
- 3) Negli stati del menu Auto e dello scongelamento in base al peso, non è possibile aumentare il tempo di cottura premendo " Start | + 30 " | Confirm "
- 4) In stato di attesa, premere " - " per scegliere il tempo di cottura. Dopo aver regolato il tempo di cottura, premere " Start | + 30 " | Confirm " per avviare la cottura a microonde con il livello di potenza al 100%.

10. Funzione di blocco bambini

Blocco: in stato di attesa, tenere premuto " Stop | Clear " per 3 secondi per accedere allo stato di blocco bambini e verrà visualizzata l'ora corrente, se è stata impostata, altrimenti lo schermo visualizzerà " **⏸** ".

Annullamento del blocco: in stato bloccato, tenere premuto " Stop Clear " per 3 secondi; il blocco è stato annullato.

11. Funzione di interrogazione

- 1) Negli stati di cottura a microonde o grill e combinata. Premere " Microwave " o "Grill Combi", la potenza attuale verrà visualizzata per 3 secondi.
- 2) Se l'orologio è stato impostato, durante la fase di cottura, premere "Duration" per controllare l'ora corrente. L'ora verrà visualizzata per 3 secondi.

12. Specifiche

- 1) Se durante la cottura viene aperto lo sportello, chiudere lo sportello e quindi premere " Start | + 30 " | Confirm " per continuare la cottura.
- 2) Dopo aver impostato il programma di cottura, se non si preme " Start | + 30 " | Confirm " entro 1 minuto, verrà visualizzata l'ora corrente e l'impostazione verrà annullata.
- 3) Se la pressione ha effetto, viene emesso un segnale acustico, altrimenti no.

Soluzione dei problemi

Normale	
Il forno a microonde interferisce con la ricezione del segnale televisivo	Quando il forno a microonde è in funzione, potrebbe interferire sulla ricezione del segnale radio e televisivo. Il fenomeno è simile alle interferenze di piccoli elettrodomestici (ad es. frullatore, aspirapolvere, ventilatori elettrici). È normale.
La spia del forno è debole	Se la cottura a microonde avviene a bassa potenza, la spia del forno potrebbe diventare debole. È normale.
Accumulo di vapore sullo sportello, fuoriuscita di aria calda dagli sfiati	Durante la cottura, potrebbe fuoriuscire vapore dagli alimenti. La maggior parte viene estratta dagli sfiati. Parte, però, potrebbe accumularsi su una zona fresca, ad esempio lo sportello del forno. È normale.
Il forno si è avviato accidentalmente senza alimenti.	Non azionare l'elettrodomestico senza alimenti all'interno. È molto pericoloso.

Problema	Causa possibile	Soluzione
Il forno non si avvia.	(1) Il cavo di alimentazione non è collegato saldamente.	Staccare il cavo. Ricollegare il cavo dopo 10 secondi.
	(2) Il fusibile si brucia o entra in azione il salvavita.	Sostituire il fusibile o resettare il salvavita (riparato da un professionista della società elettrica).
	(3) Problema con la presa elettrica.	Provare la presa elettrica con altri elettrodomestici.
Il forno non si riscalda.	(4) Lo sportello non è chiuso correttamente.	Chiudere bene lo sportello.



In conformità alla direttiva RAEE (Rifiuti di Apparecchiature Elettriche ed Elettroniche), le apparecchiature elettriche ed elettroniche di scarto devono essere smaltite e gestite separatamente. Se in futuro occorre smaltire questo prodotto, **NON** smaltirlo assieme i rifiuti domestici. Conferire questo prodotto nei punti disponibili alla raccolta delle apparecchiature elettriche ed elettroniche di scarto.



Four à micro-ondes

MANUEL D'INSTRUCTIONS

MODÈLE : HMG20C5SB
HMG20C5SB-80

Veillez lire attentivement les instructions de ce manuel avant d'utiliser votre four à micro-ondes, et conservez-le en lieu sûr.

Si vous suivez les instructions, votre four vous servira pendant de nombreuses années.

**CONSERVEZ CES INSTRUCTIONS DANS
UN LIEU SÛR**

PRÉCAUTIONS À PRENDRE POUR ÉVITER UNE EXPOSITION ÉVENTUELLE À UNE ÉNERGIE EXCESSIVE DUE AUX MICRO-ONDES

- (a) N'essayez pas de faire fonctionner ce four avec la porte ouverte, car cela peut entraîner une exposition nocive à l'énergie micro-ondes. Il est important de ne pas briser ou altérer les verrouillages de sécurité.
- (b) Ne placez aucun objet entre la face avant du four et la porte et ne laissez pas de saleté ou de résidus de nettoyant s'accumuler sur les surfaces d'étanchéité.
- (c) **AVERTISSEMENT** : Si la porte ou les joints de porte sont endommagés, le four ne doit pas être utilisé tant qu'il n'a pas été réparé par une personne compétente.

ADDENDUM

Si l'appareil n'est pas conservé dans un bon état de propreté, sa surface pourrait se dégrader et affecter la durée de vie de l'appareil et conduire à une situation dangereuse.

Caractéristiques

Modèle :	HMG20C5SB HMG20C5SB-80
Tension nominale :	230 V~ 50 Hz
Puissance d'entrée nominale (micro-ondes) :	1270 W
Puissance de sortie nominale (micro-ondes) :	800 W
Puissance d'entrée nominale (gril) :	1000 W

Données de faible consommation d'électricité selon le règlement (UE) 2023/826 de la Commission.

Condition	Consommation d'électricité	Laps de temps après lequel l'équipement atteint automatiquement la condition
Mode veille avec affichage d'une information ou d'un état	0,8 W	20 min

AVERTISSEMENT CONCERNANT LES CONSIGNES DE SÉCURITÉ IMPORTANTES

Pour réduire les risques d'incendie, de choc électrique, de blessures ou d'exposition à une énergie excessive du four à micro-ondes lors de l'utilisation de votre appareil, suivez les précautions de base, y compris celles qui suivent :

1. Avertissement : Les liquides et autres aliments ne doivent pas être chauffés dans des contenants scellés, car ils sont susceptibles d'exploser.
2. Avertissement : Il est dangereux pour les personnes autres que des personnes compétentes d'effectuer toute opération d'entretien ou de réparation impliquant l'enlèvement d'un cache qui protège contre l'exposition à l'énergie des micro-ondes.
3. Cet appareil peut être utilisé par des enfants à partir de 8 ans et par des personnes ayant des capacités physiques, sensorielles ou mentales réduites ou un manque d'expérience et de connaissances, s'ils sont sous surveillance ou si on leur a appris à utiliser l'appareil en toute sécurité et s'ils comprennent les risques courus. Les enfants ne doivent pas jouer avec l'appareil. Le nettoyage et l'entretien par l'utilisateur ne doivent pas être effectués par des enfants, sauf s'ils ont plus de 8 ans et s'ils sont surveillés.
4. Gardez l'appareil et son cordon hors de portée des enfants de moins de 8 ans.
5. N'utilisez que des ustensiles adaptés à l'utilisation dans les fours à micro-ondes.
6. Le four doit être nettoyé régulièrement et tout dépôt de nourriture doit être enlevé.
7. Lisez et suivez les instructions spécifiques : « PRÉCAUTIONS À PRENDRE POUR ÉVITER UNE EXPOSITION ÉVENTUELLE À UNE ÉNERGIE EXCESSIVE DUE AUX MICRO-ONDES ».
8. Lorsque vous chauffez des aliments dans des contenants en plastique ou en papier, gardez un œil sur le four en raison du risque d'inflammation.

9. En cas d'émission de fumée, éteignez ou débranchez l'appareil et gardez la porte fermée afin d'étouffer toute flamme.
10. Ne faites pas trop cuire les aliments.
11. N'utilisez pas la cavité du four à des fins de conservation. Ne conservez pas d'aliments tels que du pain, des biscuits, etc. à l'intérieur du four.
12. Retirez les attaches en métal et les poignées en métal des contenants/sacs en papier ou en plastique avant de les placer dans le four.
13. Installez ou positionnez ce four uniquement conformément aux instructions d'installation fournies.
14. Les œufs dans leur coquille et les œufs durs entiers ne doivent pas être chauffés dans un four à micro-ondes, car ils peuvent exploser, même après la fin du chauffage au micro-ondes.
15. Cet appareil est conçu pour être utilisé dans une habitation et pour des applications similaires telles que :
 - coins-cuisine du personnel dans des magasins, bureaux et autres environnements de travail ;
 - par des clients dans des hôtels, motels et autres environnements de type résidentiel ;
 - habitations rurales ;
 - environnements de type chambres d'hôtes ou B&B.
16. Si le cordon d'alimentation est endommagé, faites-le remplacer par le fabricant, le service après-vente ou un électricien qualifié pour éviter tout risque d'accident.
17. Ne rangez pas et n'utilisez pas cet appareil à l'extérieur.
18. N'utilisez pas ce four près de sources d'eau, dans un sous-sol humide ou près d'une piscine.
19. La température des surfaces accessibles peut être élevée durant le fonctionnement. Les surfaces risquent de s'échauffer pendant l'utilisation. Tenez le cordon éloigné de la surface chauffée et ne couvrez pas les événements du four.

20. Ne laissez pas le cordon pendre sur le bord de la table ou du comptoir.
21. Le fait de ne pas conserver le four dans un état de propreté peut entraîner une détérioration de la surface qui pourrait nuire à la durée de vie de l'appareil et éventuellement entraîner une situation dangereuse.
22. Le contenu des biberons et des pots d'aliments pour bébés doit être mélangé ou agité et la température vérifiée avant consommation, afin d'éviter les brûlures.
23. Le chauffage des boissons par micro-ondes peut retarder l'ébullition par éruption ; il faut donc être prudent lors de la manipulation du contenant.
24. Cet appareil n'est pas prévu pour être utilisé par des personnes (y compris des enfants) à capacités physiques, sensorielles ou intellectuelles réduites ou sans expérience et connaissances, à moins d'être surveillés ou d'avoir appris à utiliser l'appareil par une personne responsable de leur sécurité.
25. Surveillez les enfants pour éviter qu'ils ne jouent avec l'appareil.
26. Les appareils ne sont pas prévus pour être utilisés au moyen d'une minuterie extérieure ou d'un système de télécommande séparé.
27. Les parties accessibles peuvent devenir chaudes au cours de l'utilisation.
Tenez les jeunes enfants à l'écart de l'appareil.
28. Ne pas utiliser de nettoyeur vapeur.
29. Au cours de l'utilisation, l'appareil devient chaud. Faites attention à ne pas toucher les éléments de chauffage à l'intérieur du four.
30. Utilisez uniquement la sonde de température recommandée pour ce four (pour les fours équipés d'une sonde de température).
31. **AVERTISSEMENT** : l'appareil et ses parties accessibles peuvent devenir chauds au cours de l'utilisation. Il faut faire attention à ne pas toucher les éléments de chauffage. Les enfants de moins de 8 ans doivent être tenus à l'écart à moins d'être surveillés constamment.

32. Le four à micro-ondes doit être utilisé avec la porte décorative ouverte (pour les fours équipés d'une porte décorative).
33. La surface d'un éventuel tiroir de rangement peut devenir chaude.
34. Le four à micro-ondes est destiné au chauffage des aliments et des boissons. Le séchage d'aliments ou de vêtements et le chauffage de coussins chauffants, de chaussons, d'éponges, de chiffons humides ou similaires peuvent entraîner un risque de blessure, d'ignition ou d'incendie.
35. Les récipients métalliques pour aliments et boissons ne sont pas autorisés pendant la cuisson au micro-ondes.
36. L'appareil ne doit pas être nettoyé à l'aide d'un nettoyeur à vapeur.
37. Veillez à ne pas déplacer le plateau tournant lorsque vous retirez les récipients de l'appareil.
38. L'appareil ne doit pas être installé derrière une porte décorative afin d'éviter toute surchauffe.
39. AVERTISSEMENT : Lorsque l'appareil est utilisé en mode combiné, les enfants doivent uniquement utiliser le four sous la surveillance d'un adulte en raison des températures générées.

**LISEZ ATTENTIVEMENT ET CONSERVEZ CE
MANUEL POUR POUVOIR LE CONSULTER EN
CAS DE BESOIN**

Pour réduire les risques de blessures aux personnes – Installation de mise à la terre

DANGER

Risque de choc électrique. Toucher certains des composants internes peut causer des blessures graves, voire mortelles. Ne démontez pas cet appareil.

AVERTISSEMENT

Risque de choc électrique. Toute utilisation impropre de la mise à la terre vous expose à un risque d'électrocution. Ne branchez pas l'appareil à une prise de courant avant qu'il ne soit correctement installé et mis à la terre.

Cet appareil doit être mis à la terre. En cas de court-circuit électrique, la mise à la terre réduit les risques d'électrocution en offrant une voie d'évacuation au courant électrique.

Cet appareil est équipé d'un cordon muni d'un cordon avec une mise à la terre et une prise de mise à la terre. Le connecteur fiche doit être branché sur une prise appropriée, installée et mise à la terre.

Consultez un électricien ou un technicien qualifié si les instructions de mise à la terre ne sont pas entièrement comprises ou s'il existe un doute quant à la mise à la terre correcte de l'appareil.

S'il est nécessaire d'utiliser une rallonge, utilisez uniquement une rallonge à 3 fils.

1. Un cordon d'alimentation court est fourni pour réduire les risques de s'emmêler ou de trébucher sur un cordon plus long.
2. Si un cordon long ou une rallonge est utilisé :
 - 1) La puissance électrique marquée de l'ensemble de cordons ou de la rallonge doit être au moins aussi élevée que la puissance électrique de l'appareil.
 - 2) La rallonge doit être une rallonge à 3 fils de type mise à la terre.
 - 3) Le long cordon doit être disposé de façon à ce qu'il ne s'enroule pas sur le comptoir ou sur le dessus de la table où il peut être tiré par les enfants ou vous pouvez trébucher dessus par inadvertance.

NETTOYAGE

Assurez-vous de débrancher l'appareil de l'alimentation électrique.

1. Après utilisation, nettoyez la cavité de l'appareil avec un chiffon humide.
2. Nettoyez les accessoires à l'eau savonneuse comme d'habitude.
3. Le cadre et le joint de la porte ainsi que les pièces voisines doivent être nettoyés soigneusement avec un chiffon humide lorsqu'ils sont sales.
4. N'utilisez pas de nettoyeurs abrasifs agressifs ni des racloirs en métal pointus pour nettoyer la vitre de la porte du four, car ils peuvent rayer la surface du verre et briser la vitre.
5. Astuce de nettoyage --- pour un nettoyage plus facile des parois de la cavité que les aliments cuits peuvent toucher : Mettre un demi-citron dans un bol, ajouter 300 ml (1/2 pinte) d'eau et chauffer au micro-ondes à 100 % pendant 10 minutes. Essayez le four avec un chiffon doux et sec.

USTENSILES

ATTENTION

Danger de blessures corporelles

Il est dangereux pour les personnes autres que des personnes compétentes d'effectuer toute opération d'entretien ou de réparation impliquant l'enlèvement d'un cache qui protège contre l'exposition à l'énergie des micro-ondes.

Voir les instructions sur les « Matériaux à utiliser dans un four à micro-ondes ou à éviter dans un four à micro-ondes ». Certains ustensiles non métalliques peuvent ne pas être sécurisés pour le micro-ondes. En cas de doute, vous pouvez tester l'ustensile en question en suivant la procédure ci-dessous.

Test des ustensiles :

1. Remplissez un contenant allant au micro-ondes d'une tasse d'eau froide (250 ml) avec l'ustensile en question.
2. Faites-le chauffer à la puissance maximale pendant 1 minute.
3. Touchez délicatement l'ustensile. Si l'ustensile vide est chaud, ne l'utilisez pas pour la cuisson au micro-ondes.
4. Ne dépassez pas 1 minute de cuisson.

Matériaux que vous pouvez utiliser dans un four à micro-ondes

Ustensiles	Remarques
Plat brunisseur	Suivez les instructions du fabricant. Le fond du plat brunisseur doit être à au moins 5 mm (3/16 po) au-dessus de la plaque tournante. Une utilisation incorrecte peut entraîner la rupture de la plaque tournante.
Vaisselle de table	Uniquement si compatible micro-ondes. Suivez les instructions du fabricant. N'utilisez pas de vaisselle craquelée ou ébréchée.
Bocaux en verre	Ôtez toujours le couvercle. À n'utiliser que pour réchauffer les aliments jusqu'à ce qu'ils soient chauds. La plupart des bocaux en verre ne sont pas résistants à la chaleur et peuvent se briser.
Verres	Verres résistants à la chaleur seulement. Assurez-vous qu'il n'y a pas de garniture métallique. N'utilisez pas de vaisselle craquelée ou ébréchée.
Sacs de cuisson au four	Suivez les instructions du fabricant. Ne pas fermer avec une attache métallique. Faites des fentes pour permettre à la vapeur de s'échapper.
Assiettes et gobelets en papier	Utilisez-les uniquement pour la cuisson/le réchauffement rapide. Ne laissez pas le four sans surveillance pendant la cuisson.
Essuie-mains en papier	Utilisez-le pour couvrir les aliments afin de les réchauffer et d'absorber les graisses. Utilisez-le sous surveillance pour une cuisson de courte durée seulement.
Papier sulfurisé	Utiliser comme couvercle pour éviter les éclaboussures ou comme emballage pour la cuisson à la vapeur.
Plastique	Uniquement si compatible micro-ondes. Suivez les instructions du fabricant. Doit porter la mention « Compatible micro-ondes ». Certains contenants en plastique s'assouplissent lorsque la nourriture à l'intérieur devient chaude. Les « sachets cuisson » et les sacs en plastique hermétiquement fermés doivent être fendus, percés ou ventilés selon les directives de l'emballage.
Film plastique	Uniquement si compatible micro-ondes. À utiliser pour couvrir les aliments pendant la cuisson afin de retenir l'humidité. Ne laissez pas le film plastique toucher les aliments.
Thermomètre	Seulement si compatible micro-ondes (thermomètres à viande et confiseurs).
Papier paraffiné	Utilisez-le comme protection pour éviter les éclaboussures et retenir l'humidité.

Matières à éviter dans le four à micro-ondes

Ustensiles	Remarques
Contenant en aluminium	Peut causer des arcs électriques. Transférez les aliments dans un plat adapté pour le micro-ondes.
Carton alimentaire avec poignée en métal	Peut causer des arcs électriques. Transférez les aliments dans un plat adapté pour le micro-ondes.
Ustensiles en métal ou à garniture métallique	Le métal protège les aliments de l'énergie micro-ondes. Les garnitures métalliques peuvent causer des arcs électriques.
Attaches en métal	Risque de formation d'arcs électriques et d'incendie dans le four.
Sacs en papier	Peut causer un incendie dans le four.
Mousse plastique	La mousse plastique peut fondre ou contaminer le liquide à l'intérieur lorsqu'elle est exposée à des températures élevées.
Bois	Le bois se dessèche lorsqu'il est utilisé dans le four à micro-ondes et peut se fendre ou se briser.

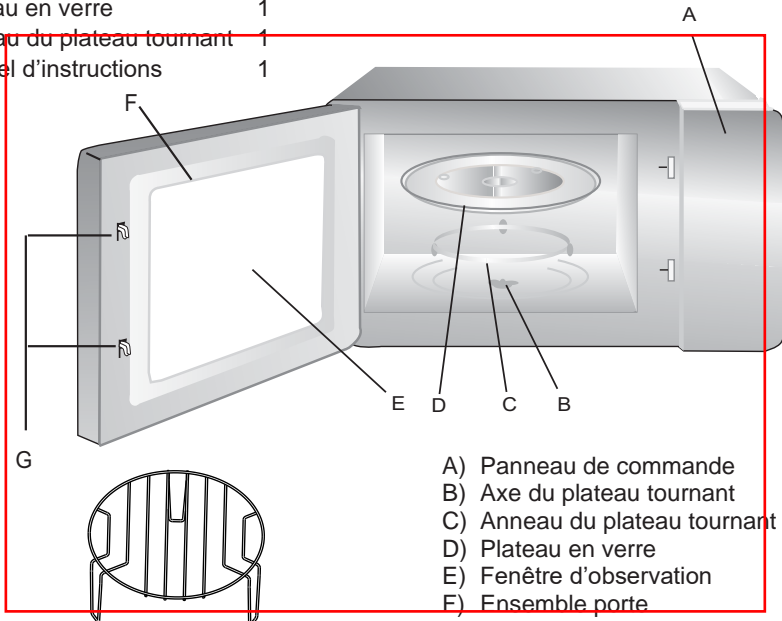
INSTALLATION DE VOTRE FOUR

Noms des pièces et accessoires du four

Enlevez le four et tous les matériaux du carton et de la cavité du four.

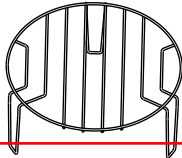
Votre four est livré avec les accessoires suivants :

Plateau en verre	1
Anneau du plateau tournant	1
Manuel d'instructions	1



- A) Panneau de commande
- B) Axe du plateau tournant
- C) Anneau du plateau tournant
- D) Plateau en verre
- E) Fenêtre d'observation
- F) Ensemble porte
- G) Système de verrouillage de sécurité

Grille (à n'utiliser que lorsque la fonction gril est activée et doit être placée sur le plateau en verre)



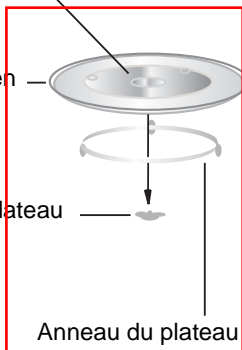
Installation du plateau tournant

Moyeu (dessous)

Plateau en verre

Axe du plateau tournant

Anneau du plateau tournant



- a. Ne placez jamais le plateau en verre à l'envers. Le plateau en verre ne doit jamais être bloqué.
- b. Le plateau en verre et son anneau doivent toujours être utilisés pendant la cuisson.
- c. La nourriture et les contenants alimentaires doivent toujours être placés sur le plateau en verre pour la cuisson.
- d. Si le plateau en verre ou l'anneau du plateau tournant se fend ou se brise, contactez le SAV autorisé le plus proche.

Installation et raccordement

1. Cet appareil est uniquement destiné à un usage domestique.
2. Ce four est destiné à être encastré uniquement. Il n'est pas destiné à un usage sur plan de travail ou à l'intérieur d'un placard.
3. Veuillez respecter les instructions d'installation spécifiques.
4. L'appareil peut être installé dans un placard mural de 60 cm de large.
5. L'appareil est muni d'un connecteur de type fiche et il ne doit être branché que sur une prise correctement mise à la terre.
6. La tension secteur doit correspondre à la tension spécifiée sur la plaque signalétique.
7. La prise doit être installée et le câble de connexion ne doit être remplacé que par un électricien qualifié. Si le connecteur de type fiche n'est plus accessible après l'installation, un sectionneur doit être installé avec un intervalle de contact d'au moins 3 mm.
8. N'utilisez pas d'adaptateurs, de multiprises ni de rallonges électriques. La surcharge peut entraîner un risque d'incendie.

La surface accessible peut être chaude pendant le fonctionnement.



Instructions d'installation

Il convient de noter les instructions qui suivent.

Branchement électrique

L'appareil est muni d'un connecteur de type fiche et il ne doit être branché que sur une prise correctement mise à la terre. Ne faites installer la prise ou remplacer le câble de connexion que par un électricien qualifié, qui respecte les règlements en la matière. Si le connecteur de type fiche n'est plus accessible après l'installation, un sectionneur doit être installé avec un intervalle de contact d'au moins 3 mm. La protection du contact doit être assurée.

Encastrement

L'élément au sein duquel l'appareil sera encastré ne doit pas comporter de panneau arrière situé derrière l'appareil. Hauteur d'installation minimale : 850 mm.

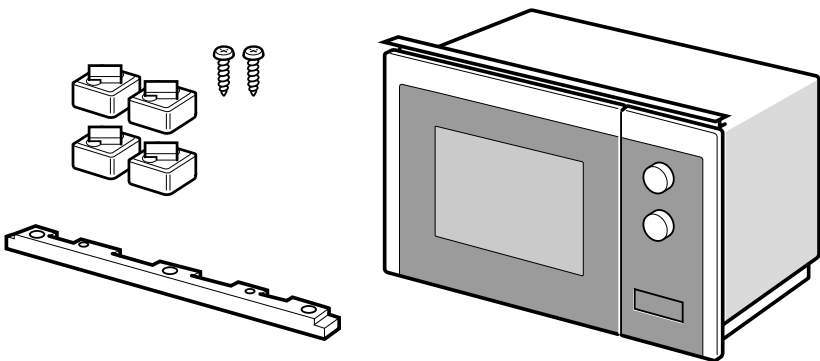
Les fentes d'aération et les prises d'air ne doivent en aucun cas être couvertes.

Appareil installé dans un élément mural - Fig. 1A

Appareil installé dans un meuble haut - Fig.1B

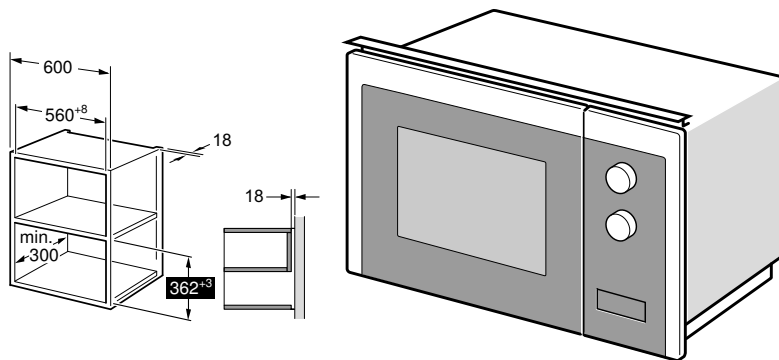
Installation du four - Fig. 2

Remarque : veillez à ce que le cordon d'alimentation ne soit ni piégé ni tordu.

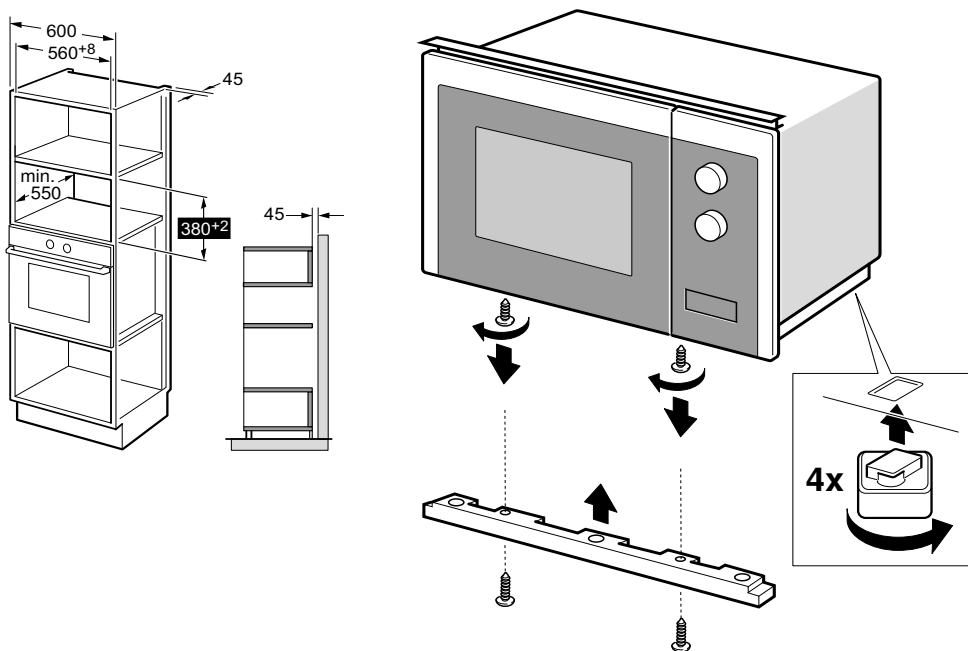


1

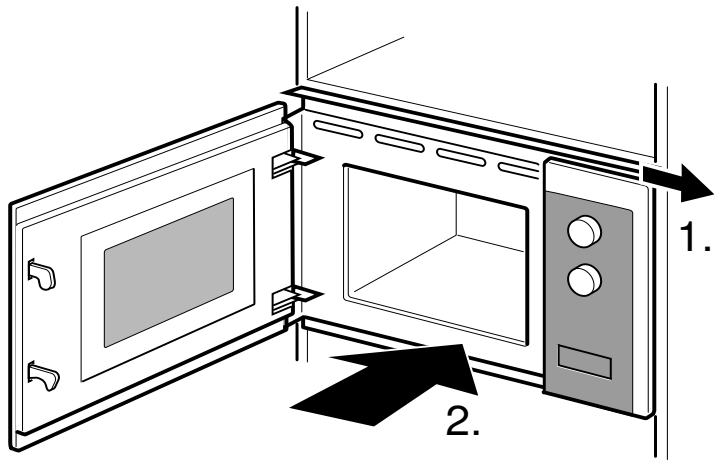
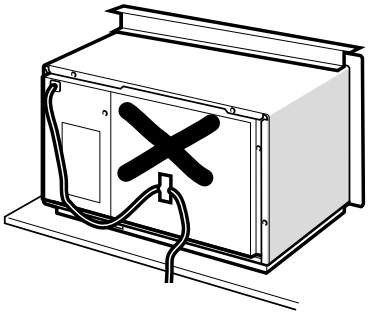
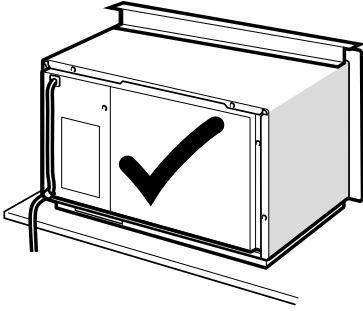
A

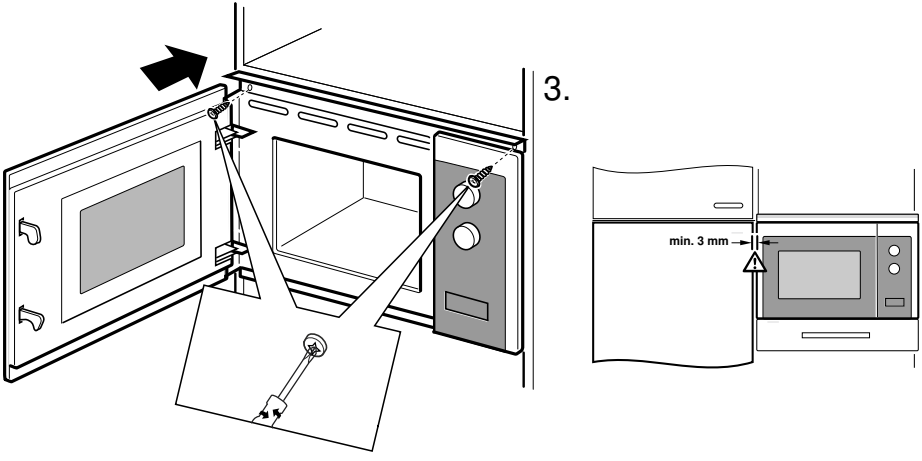


B



2





MODE D'EMPLOI

Ce four à micro-ondes intègre un système de commande électronique moderne qui permet de régler les paramètres de cuisson afin de mieux répondre à vos besoins.

1. Réglage de l'horloge

Lorsque le four à micro-ondes est sous tension, l'indication « 0:00 » clignote, le signal sonore retentit une fois. Le four passe ensuite en mode attente.

- 1) Appuyez deux fois sur « Duration », les chiffres des heures clignotent.
- 2) Appuyez sur « - » ou « + » pour régler les chiffres des heures, la valeur saisie doit être comprise entre 0 et 23.
- 3) Appuyez sur « Duration » pour confirmer, les chiffres des minutes clignotent.
- 4) Tournez « - » ou « + » pour régler les chiffres des minutes, la valeur saisie doit être comprise entre 0 et 59.
- 5) Appuyez sur « Duration » pour terminer le réglage de l'horloge.
« : » clignote. L'heure actuelle s'affiche.

Remarque : Si l'heure n'est pas réglée, l'appareil ne fonctionnera pas après la mise sous tension.

2. Cuisson au micro-ondes

- 1) Appuyez une fois sur la touche « Microwave ». L'indication « P100 » s'affiche.
- 2) Appuyez plusieurs fois sur la touche « Microwave » ou sur « - » ou « + » pour sélectionner la puissance du micro-ondes.
Les indications « P100 », « P80 », « P50 », « P30 », « P10 » s'affichent successivement.
- 3) Appuyez sur la touche « Start | + 30 " | Confirm » pour valider le réglage.
- 4) Appuyez sur « - » ou « + » pour régler la durée de cuisson.
(Le temps de cuisson maximal est de 95 minutes)
- 5) Appuyez sur « Start | + 30 " | Confirm » pour démarrer la cuisson.

REMARQUE : la durée de réglage s'effectue à l'aide de la commande selon les incréments suivants :

0---1 min	: 5 secondes
1---5 min	: 10 secondes
5---10 min	: 30 secondes
10---30 min	: 1 minute
30---95 min	: 5 minutes

Tableau de puissance du micro-ondes

Puissance du micro-ondes	Élevée	Moy./Élevée	Moy.	Moy./Basse	Basse
Affichage	P100	P80	P50	P30	P10

3. Cuisson Gril ou Combinée .

Appuyez une fois sur la touche « Grill Combi », l'écran affiche le symbole « G », puis appuyez plusieurs fois sur la touche « Grill Combi » ou sur « - » ou « + » pour choisir la puissance souhaitée. Les indications « G », « C-1 » ou « C-2 » s'affichent. Appuyez sur « Start | + 30 " | Confirm » pour confirmer la puissance. Appuyez sur « - » ou « + » pour régler le temps de cuisson. (Le temps de cuisson maximum est de 95 minutes.) Appuyez à nouveau sur « Start | + 30 " | Confirm » pour démarrer la cuisson.

Exemple : Si vous souhaitez utiliser 55 % de puissance micro-ondes et 45 % de puissance du gril (C-1) pour cuire pendant 10 minutes, vous pouvez faire fonctionner le four comme suit.

- 1) Appuyez une fois sur la touche « Grill Combi », l'écran affiche le symbole « G ».
- 2) Appuyez de nouveau sur la touche « Grill Combi » jusqu'à ce que l'écran affiche le symbole « C-1 ».
- 3) Appuyez sur « Start | + 30 " | Confirm » pour confirmer.
- 4) Appuyez sur « - » ou « + » pour régler le temps de cuisson jusqu'à ce que le four affiche « 10:00 ».
- 5) Appuyez sur « Start | + 30 " | Confirm » pour démarrer la cuisson.

Instructions de cuisson combinée :

Programme	Affichage	Micro-ondes Puissance	Gril Puissance
Gril	G	0 %	100 %
Combi.1	C-1	55 %	45 %
Combi.2	C-2	36 %	64 %

Remarque : Lorsque la moitié du temps de gril est écoulée, le four sonne deux fois, ce qui est normal. Pour que les aliments soient mieux grillés, vous devez les retourner, fermer la porte et appuyer sur « Start | + 30 " | Confirm » pour poursuivre la cuisson.
Si aucune opération n'est effectuée, le four continue à fonctionner.

4. Décongeler en fonction du poids

- 1) Appuyez une fois sur « Weight Defrost », l'écran affiche l'indication « dEF1 ».
- 2) Appuyez sur « - » ou « + » pour sélectionner le poids des aliments. La plage de poids varie entre 100 et 2 000 g.
- 3) Appuyez sur la touche « Start | + 30 " | Confirm » pour lancer la décongélation.

Remarque : Lorsque la moitié du temps de décongélation est écoulée, le four sonne deux fois, ce qui est normal. Pour que les aliments soient mieux décongelés, vous devez les retourner, fermer la porte et appuyer sur « Start | + 30 " | Confirm » pour poursuivre la cuisson. Si aucune opération n'est effectuée, le four continue à fonctionner.

5. Décongélation en fonction du temps

- 1) Appuyez une fois sur « Time Defrost », l'écran affiche l'indication « dEF2 ».
- 2) Appuyez sur « - » ou « + » pour sélectionner la durée de cuisson. Le temps de cuisson maximum est de 95 minutes.
- 3) Appuyez sur la touche « Start | + 30Sec " | Confirm » pour lancer la décongélation.

Remarque : Lorsque la moitié du temps de décongélation est écoulée, le four sonne deux fois, ce qui est normal. Pour que les aliments soient mieux décongelés, vous devez les retourner, fermer la porte et appuyer sur « Start | + 30Sec " | Confirm » pour poursuivre la cuisson. Si aucune opération n'est effectuée, le four continue à fonctionner.

6. Cuisson en plusieurs étapes

Deux étapes peuvent être réglées au maximum. Si une étape consiste à décongeler, celle-ci doit être automatiquement effectuée en premier lieu. Le signal sonore retentit à la fin de chaque étape et l'étape suivante commence. Remarque : le menu Auto et la cuisson rapide ne peuvent pas être définis comme l'une des étapes.

Exemple : si vous voulez décongeler les aliments pendant 5 minutes, puis faire cuire à 80 % de puissance micro-ondes pendant 7 minutes. Les étapes sont les suivantes :

- 1) Appuyez une fois sur « Time Defrost », l'écran affiche l'indication « dEF2 ».
- 2) Appuyez sur « - » ou « + » pour régler le temps de décongélation sur 5 minutes.
- 3) Appuyez une fois sur la touche « Microwave », l'écran affiche alors l'indication « P100 ».
- 4) Appuyez plusieurs fois sur la touche « Microwave » pour choisir la puissance du micro-ondes jusqu'à ce que l'indication « P80 » s'affiche.
- 5) Appuyez sur « Start | + 30 " | Confirm » pour confirmer.
- 6) Appuyez sur « - » ou « + » pour régler le temps de cuisson sur 7 minutes.
- 7) Appuyez sur « Start | + 30 " | Confirm » pour démarrer la cuisson.

7. Minuterie

- 1) Appuyez une fois sur « Duration », l'écran affiche « 00:00 ».
- 2) Appuyez sur « - » ou « + » pour saisir la valeur de minuterie souhaitée.
(Le temps de cuisson maximal est de 95 minutes.)
- 3) Appuyez sur la touche « Start | + 30 " | Confirm » pour valider le réglage.
- 4) Lorsque le temps de cuisson est atteint, le signal sonore retentit 5 fois.
Si l'horloge a été réglée (système de 24 heures), l'écran affiche l'heure actuelle.

Remarque : le temps de cuisson est différent du système 24 heures. Il s'agit d'une minuterie.

8. Menu Auto

- 1) En mode attente, appuyez plusieurs fois sur « + » pour choisir le menu.
- 2) Appuyez sur « Start | + 30 " | Confirm » pour confirmer le menu choisi.
- 3) Appuyez sur « - » ou « + » pour sélectionner le poids des aliments.
- 4) Appuyez sur « Start | + 30 " | Confirm » pour démarrer la cuisson.

Tableau des menus :

Menu	Poids	Puissance
Pizza	200 g	100 % (mic.)
	400 g	
Viande	250 g	100 % (mic.)
	350 g	
	450 g	
Légumes	200 g	100 % (mic.)
	300 g	
	400 g	
Pâtes	50 g (avec 450 g d'eau froide)	80 % (mic.)
	100 g (avec 800 g d'eau froide)	
Pomme de terre	200 g	100 % (mic.)
	400 g	
	600 g	
Poisson	250 g	80 % (mic.)
	350 g	
	450 g	
Boissons	1 tasse (environ 120 ml)	100 % (mic.)
	2 tasses (environ 240 ml)	
	3 tasses (environ 360 ml)	
Popcorn	50 g	100 % (mic.)
	100 g	

9. Cuisson rapide

- 1) En mode attente, appuyez sur la touche « Start | + 30 " | Confirm » pour cuire à 100 % de puissance pendant 30 secondes. Chaque pression sur la même touche permet d'augmenter le temps de cuisson de 30 secondes. Le temps de cuisson maximal est de 95 minutes.
- 2) Pendant la cuisson au micro-ondes, au gril, la cuisson combinée et la décongélation en fonction du temps, appuyez sur « Start | + 30 " | Confirm » pour augmenter le temps de cuisson.
- 3) En mode Auto et de décongélation en fonction du poids, le temps de cuisson ne peut pas être augmenté en appuyant sur « Start | + 30 " | Confirm ».
- 4) En mode attente, appuyez sur « - » pour sélectionner le temps de cuisson. Après avoir réglé le temps de cuisson, appuyez sur « Start | + 30 " | Confirm » pour démarrer la cuisson au micro-ondes avec une puissance à 100 %.

10. Sécurité enfants

Activation de la sécurité enfants : En mode attente, appuyez sur « Stop | Clear » pendant 3 secondes pour activer la sécurité enfants. L'heure actuelle s'affiche si l'heure a été réglée, sinon, l'écran affiche « **---** ».

Désactivation de la sécurité enfants : Lorsque la sécurité enfants est activée, appuyez sur « Stop Clear » pendant 3 secondes, la sécurité enfants est alors désactivée.

11. Fonction de consultation

- 1) Pendant la cuisson au micro-ondes ou au gril ou en mode combiné : appuyez sur « Microwave » ou « Grill Combi », la puissance actuelle s'affiche pendant 3 secondes.
- 2) Si l'horloge a été réglée, appuyez pendant la cuisson sur « Duration » pour vérifier l'heure actuelle. Elle s'affiche pendant 3 secondes.

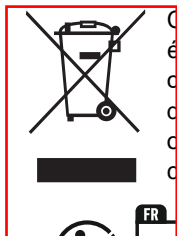
12. Caractéristiques

- 1) Si la porte est ouverte pendant la cuisson, fermez la porte, puis appuyez sur « Start | + 30 " | Confirm » pour poursuivre la cuisson.
- 2) Une fois le programme de cuisson sélectionné, si vous n'appuyez pas sur « Start | + 30 " | Confirm » dans la minute qui suit, l'heure actuelle s'affiche, le réglage est annulé.
- 3) Le signal sonore retentit si vous appuyez vigoureusement sur la touche, sinon vous n'entendrez rien.

Dépannage

Fonctionnement normal	
Four à micro-ondes interférant avec la réception TV	La réception de la radio et de la télévision peut être perturbée lorsque le four à micro-ondes fonctionne. Il s'agit d'un phénomène similaire à l'interférence des petits appareils électriques, comme les mixeurs, les aspirateurs et les ventilateurs électriques. C'est tout à fait normal.
Lumière du four	Durant la cuisson au micro-ondes à faible puissance, la lumière du four peut s'assombrir. C'est tout à fait normal.
La vapeur s'accumule sur la porte, de l'air chaud s'échappe par les événements.	Durant la cuisson, de la vapeur peut s'échapper des aliments. Elle sortira principalement par les événements d'aération. Mais il est possible qu'un peu de vapeur s'accumule sur un endroit frais comme la porte du four. C'est tout à fait normal.
Le four a démarré accidentellement sans nourriture.	Il est interdit de faire fonctionner l'appareil sans nourriture à l'intérieur. Il est très dangereux de faire fonctionner l'appareil ainsi.

Problème	Cause possible	Solution
Il est impossible de démarrer le four.	(1) Le cordon d'alimentation n'est pas bien branché.	Débranchez-le. Puis rebranchez après 10 secondes.
	(2) Les fusibles ou le disjoncteur ont sauté.	Remplacez le fusible ou réinitialisez le disjoncteur (réparé par du personnel professionnel de notre société)
	(3) Problème avec la prise de courant.	Testez la prise avec d'autres appareils électriques.
Le four ne chauffe pas.	(4) La porte n'est pas bien fermée.	Fermez bien la porte.



Conformément à la directive relative aux déchets d'équipements électriques et électroniques (DEEE), les DEEE doivent être collectés et traités séparément. Si à l'avenir vous devez vous débarrasser de ce produit, veuillez NE PAS le jeter avec les ordures ménagères. Veuillez envoyer ce produit aux points de collecte des DEEE, le cas échéant.



Mikrowellenofen

BEDIENUNGSHANDBUCH

MODELL:HMG20C5SB
HMG20C5SB-80

Lesen Sie diese Anleitungen aufmerksam vor der Verwendung Ihres Mikrowellenofens und bewahren Sie sie sorgfältig auf.

Wenn Sie diese Anleitungen befolgen, wird Ihnen Ihr Ofen viele Jahre gute Dienste leisten.

**BEWAHREN SIE DIESE ANLEITUNGEN
SORGFÄLTIG AUF**

VORSICHTSMASSNAHMEN, UM EINE ZU HOHE MIKROWELLENBELASTUNG ZU VERHINDERN

- (a) Versuchen Sie nicht, diesen Ofen mit offener Tür zu betreiben, weil ein Betrieb bei offener Tür zu schädlicher Belastung durch Mikrowellen führen kann. Manipulieren Sie keinesfalls die Sicherheitsverriegelungen oder entfernen Sie sie.
- (b) Stellen Sie keinen Gegenstand zwischen die Vorderseite des Ofens und die Tür und verhindern Sie, dass sich Schmutz oder Reinigungsmittelreste auf den Dichtungsflächen ansammeln.
- (c) **WARNUNG:** Falls die Tür oder die Türdichtungen beschädigt sein sollte, darf der Ofen erst wieder in Betrieb genommen werden, nachdem er durch eine qualifizierte Person repariert worden ist.

NACHTRAG

Wenn dieses Produkt nicht stets in einem sauberen Zustand sein sollte, wird die Oberfläche ggf. in Mitleidenschaft gezogen, die Lebensdauer des Produktes verringert sich und zudem können Gefahrensituationen herbeigeführt werden.

Technische Daten

Modell:	HMG20C5SB HMG20C5SB-80
Nennspannung:	230 V~ 50 Hz
Nenneingangsleistung (Mikrowelle):	1270W
Nennausgangsleistung (Mikrowelle):	800W
Nenneingangsleistung (Grill):	1000W

Geringe Leistungsaufnahme gemäß der Verordnung (EU) 2023/826 der Kommission.

Zustand	Energieverbrauch	Zeitraum, nach dem das Gerät automatisch in den Zustand übergeht
Bereitschaftszustand mit Informations- oder Statusanzeige	0,8W	20 min

WICHTIGE SICHERHEITS- UND WARNHINWEISE

Zum Schutz vor Feuer, elektrischem Schlag, Verletzungen und Bestrahlung mit starker Mikrowellenenergie während der Verwendung des Produktes beachten Sie bitte die folgenden grundsätzlichen Hinweise, einschließlich:

1. Warnung: Flüssigkeiten oder andere Lebensmittel dürfen nicht in luftdicht verschlossenen Behältern erhitzt werden, weil sie explodieren können.
2. Warnung: Für jede nicht geschulte Person ist es gefährlich, Kundendienst- oder Reparaturarbeiten durchzuführen, bei denen Abdeckungen entfernt werden müssen, die vor der Mikrowellenbelastung schützen.
3. Dieses Gerät kann von Kindern ab 8 Jahren und Personen mit eingeschränkten körperlichen, sensorischen oder geistigen Fähigkeiten oder mangelnder Erfahrung und mangelndem Wissen benutzt werden, wenn diese in die sichere Bedienung des Geräts eingewiesen wurden oder beaufsichtigt werden und die damit verbundenen Gefahren verstanden haben. Kinder dürfen nicht mit dem Gerät spielen. Die Reinigung und die Wartung des Geräts darf nur von über 8 Jahre alten Kindern unter Aufsicht durchgeführt werden.
4. Bewahren Sie das Gerät und dessen Kabel außerhalb der Reichweite von Kindern unter 8 Jahren auf.
5. Verwenden Sie ausschließlich für Mikrowellenofen geeignete Utensilien.
6. Der Ofen sollte regelmäßig gereinigt und sämtliche Lebensmittelreste entfernt werden.
7. Lesen und beachten Sie die folgenden Hinweise: „VORSICHTSMASSNAHMEN, UM EINE ZU HOHE MIKROWELLENBELASTUNG ZU VERHINDERN.“
8. Behalten Sie den Ofen wegen der Entzündungsgefahr im Auge, wenn Sie Lebensmittel in Kunststoff- oder Papierbehältern aufwärmen.

9. Wenn Sie Rauch feststellen, schalten Sie das Gerät aus oder ziehen Sie den Netzstecker und lassen Sie die Ofentür geschlossen, um Flammen zu ersticken.
10. Verkochen Sie Lebensmittel nicht.
11. Verwenden Sie den Garraum nicht zu Aufbewahrungszwecken. Bewahren Sie keine Lebensmittel im Ofen auf, beispielsweise Brot, Plätzchen usw.
12. Entfernen Sie Zugbänder und Metallverschlüsse von Papier- oder Kunststoffbehältern, bevor Sie einen Behälter in den Ofen stellen.
13. Installieren und stellen Sie diesen Ofen nur gemäß den Anweisungen in diesen Bedienungsanleitungen auf.
14. Eier in ihrer Schale und hartgekochte Eier sollten nicht in Mikrowellenofen erhitzt werden, weil sie auch dann noch explodieren können, wenn die Mikrowellenerhitzung beendet wurde.
15. Dieses Gerät ist ausschließlich für den Hausgebrauch und vergleichbare Verwendung bestimmt, wie:
 - Personalküchen in Geschäften, Büros und anderen Arbeitsumgebungen,
 - für die Nutzung durch Gäste in Hotels, Pensionen und ähnlichen Unterkünften,
 - landwirtschaftliche Betriebe,
 - Bed & Breakfast (B&B)-Unterkünfte.
16. Wenn das Stromkabel beschädigt ist, muss es vom Hersteller oder von seinem Service-Mitarbeiter, oder einer gleichwertig qualifizierten Person ausgetauscht werden, um jegliches Risiko zu vermeiden.
17. Dieses Gerät nicht im Freien verwenden oder aufstellen.
18. Diesen Ofen nicht im Wasser, in einem feuchten Keller oder in der Nähe eines Swimmingpools verwenden.
19. Die Temperatur der zugänglichen Flächen kann bei Betrieb des Geräts hoch sein. Die Oberflächen werden während der Verwendung heiß. Das Kabel von heißen Flächen entfernt verlegen; Belüftungsöffnungen des Ofens nicht verdecken.

20. Das Kabel darf nicht über dem Rand eines Tisches oder Tresens herabhängen.
21. Wird der Ofen nicht in einem sauberen Zustand gehalten, kann dies zur Verschlechterung der Oberfläche führen, was sich wiederum nachteilig auf die Lebensdauer des Geräts auswirken und möglicherweise zu einer gefährlichen Situation führen könnte.
22. Der Inhalt von Säuglingsfläschchen und Babygläschen sollte gerührt oder geschüttelt werden und die Temperatur sollte vor dem Verzehr kontrolliert werden, um Verbrennungen zu vermeiden.
23. Die Erwärmung von Getränken durch Mikrowellen kann zu verzögertem eruptivem Kochen führen, daher ist der Behälter mit Sorgfalt zu behandeln.
24. Das Gerät ist nicht zur Nutzung durch Personen (einschließlich Kindern) mit eingeschränkten körperlichen, sensorischen oder geistigen Fähigkeiten oder mangelnder Erfahrung und mangelndem Wissen bestimmt, sofern diese nicht in die Bedienung des Geräts durch eine Person eingewiesen wurden, die für ihre Sicherheit verantwortlich ist oder von einer solchen Person beaufsichtigt werden.
25. Kinder sollten beaufsichtigt werden, um sicherzustellen, dass sie nicht mit dem Gerät spielen.
26. Das Gerät ist nicht dazu bestimmt, über einen externen Timer oder eine gesonderte Fernsteuerung betrieben zu werden.
27. Zugängliche Teile können während des Betriebs heiß werden. Kleine Kinder nicht in die Nähe des Geräts gelangen lassen.
28. Keinen Dampfreiniger verwenden.
29. Während der Verwendung wird das Gerät heiß. Die Heizelemente im Ofen nicht berühren.
30. Verwenden Sie ausschließlich die für diesen Ofen empfohlene Temperatursonde (bei Ofen, die mit einem Temperaturfühler ausgestattet sind).

31. **WARNUNG:** Das Gerät und die zugänglichen Teile können während des Betriebs heiß werden. Die Heizelemente nicht berühren. Kinder unter 8 Jahren niemals unbeaufsichtigt in die Nähe des Geräts lassen.
32. Die Mikrowellenofen muss mit geöffneter Dekortür betrieben werden (Ofen mit Dekortür).
33. Die Oberfläche der Aufbewahrungsschublade kann heiß werden.
34. Der Mikrowellenherd ist für die Erwärmung von Speisen und Getränken vorgesehen. Das Trocknen von Lebensmitteln oder Kleidung sowie das Erwärmen von Wärmekissen, Hausschuhen, Schwämmen, feuchten Tüchern und Ähnlichem kann zu Verletzungs-, Entzündungs- oder Brandgefahr führen.
35. Metallische Behälter für Speisen und Getränke sind beim Garen in der Mikrowelle nicht erlaubt.
36. Das Gerät darf nicht mit einem Dampfreiniger gereinigt werden.
37. Bei der Entnahme von Behältern aus dem Gerät ist darauf zu achten, dass der Drehteller nicht verschoben wird.
38. Das Gerät nicht hinter einer Dekortüre einbauen, um Überhitzen zu vermeiden.
39. **WARNUNG:** Kinder sollten den Ofen wegen der generierten Temperaturen ausschließlich unter Aufsicht von Erwachsenen verwenden, wenn das Gerät im Kombinationsmodus betrieben wird.

**BITTE SORGFÄLTIG LESEN UND ZUM
NACHSCHLAGEN AUFBEWAHREN**

Reduzierung von Verletzungsrisiko – Erdung der Installation

GEFAHR

Stromschlaggefahr: Bei Berührung der Einbauteile besteht die Gefahr von schweren Verletzungen und Lebensgefahr. Demontieren Sie dieses Gerät nicht.

WARNUNG

Stromschlaggefahr: Eine nicht fachgerechte Erdung kann das Risiko von elektrischen Schlägen mit sich bringen. Verbinden Sie das Gerät niemals mit einer Steckdose, die nicht ordnungsgemäß installiert wurde und geerdet ist.

Dieses Gerät muss geerdet sein. Im Falle eines Kurzschlusses reduziert die Erdung das Risiko eines Stromschlags, indem ein Fluchtdraht für den elektrischen Strom bereitgestellt wird. Dieser Ofen ist mit einem Stromkabel ausgestattet, das eine Erdungsleitung und einen Erdungsstift aufweist. Der Stecker muss in eine Wandsteckdose gesteckt werden, die ordnungsgemäß installiert wurde und geerdet ist.

Wenden Sie sich im Zweifel hinsichtlich der ordnungsgemäßen Erdung des Gerätes an einen Fachelektriker oder an einen Experten. Verwenden Sie ggf. ausschließlich ein dreiadriges Verlängerungskabel.

1. Das beiliegende kurze Netzkabel verhindert Risiken infolge von Verheddern in oder Stolpern über ein längeres Kabel.
2. Wenn ein langes Kabel oder ein Verlängerungskabel verwendet wird:
 - 1) Die elektrische Leistung des Kabels oder Verlängerungskabels muss zumindest der elektrischen Leistung des Gerätes entsprechen.
 - 2) Das Verlängerungskabel muss ein geerdetes dreiadriges Kabel sein.
 - 3) Das lange Kabel muss so verlegt werden, dass es nicht über die Tisch- oder Tresenkante herabhängt, so dass Kinder daran ziehen oder Personen darüber stolpern könnten.

REINIGUNG

Trennen Sie das Gerät vom Stromnetz.

1. Reinigen Sie den Garraum des Ofens mit einem leicht angefeuchteten Tuch.
2. Reinigen Sie das Zubehör ganz normal mit Seifenwasser.
3. Der Türrahmen, die Dichtung und die angrenzenden Teile müssen sorgfältig mit einem feuchten Tuch gereinigt werden, wenn sie verschmutzt sind.
4. Für die Reinigung der Glasbestandteile der Ofentür keine Scheuermaterialien oder scharfkantigen Metallschaber verwenden, da diese die Oberfläche zerkratzen und das Glas zerspringen kann.
5. Tipp für die Reinigung – Einfaches Entfernen von Lebensmittelrückständen von Garraumwänden: Legen Sie eine halbe Zitrone in eine Schale, geben Sie 300 ml Wasser dazu und erwärmen Sie es bei voller Mikrowellenleistung (100 %) 10 Minuten lang. Wischen Sie den Ofen mit einem weichen, trockenen Tuch sauber.

UTENSILIEN

VORSICHT

Verletzungsgefahr

Für jede nicht geschulte Person ist es gefährlich, Kundendienst- oder Reparaturarbeiten durchzuführen, bei denen Abdeckungen entfernt werden müssen, die vor der Mikrowellenbelastung schützen.

Weiterführende Informationen finden Sie unter „Materialien, die Sie in einem Mikrowellenofen verwenden bzw. nicht verwenden können“. Die Verwendung bestimmter nicht metallischer Gegenstände ist für Mikrowellenofen ggf. nicht geeignet. Im Zweifel können Sie solche Gegenstände dem folgenden Test unterziehen.

Test von Utensilien:

1. Füllen Sie einen mikrowellengeeigneten Behälter mit einer Tasse kaltem Wasser (250 ml) und legen Sie den entsprechenden Gegenstand dazu.
2. Kochen Sie das Wasser bei maximaler Leistung während einer (1) Minute.
3. Berühren Sie den Gegenstand vorsichtig. Wenn der leere Gegenstand warm ist, verwenden Sie ihn nicht in der Mikrowelle.
4. Überschreiten Sie die Kochdauer von einer (1) Minute nicht.

Materialien, die Sie in einem Mikrowellenofen verwenden können

Utensilien	Anmerkungen
Bratgeschirr	Beachten Sie die Herstellerangaben. Der Boden des Bratgeschirrs muss mindestens 5 mm vom Drehteller entfernt sein. Bei fehlerhafter Anwendung kann der Drehteller beschädigt werden.
Essgeschirr	Nur mikrowelleneeignet. Beachten Sie die Herstellerangaben. Verwenden Sie kein gerissenes oder angeschlagenes Geschirr.
Glasbehälter	Immer den Deckel abnehmen. Nur für das Erwärmen von Lebensmittel verwenden. Die meisten Glasbehälter sind nicht hitzebeständig und können zerspringen.
Glasgeschirr	Nur hitzebeständiges Glasgeschirr verwenden. Es darf keinen Metallrand haben. Verwenden Sie kein gerissenes oder angeschlagenes Geschirr.
Mikrowellenbeute l	Beachten Sie die Herstellerangaben. Nicht mit einem Metallband verschließen. Machen Sie Schlitze, damit der Dampf entweichen kann.
Pappteller und - becher	Nur für kurzfristiges Garen/Erwärmen verwenden. Während des Garvorgangs nicht unbeaufsichtigt lassen.
Papiertücher	Abdecken während des Aufwärmens von Lebensmitteln und für das Aufsaugen von Fett. Nur für kurzfristiges Garen unter Aufsicht.
Pergamentpapier	Als Abdeckung verwenden, um Spritzer zu vermeiden bzw. Einwickeln zum Dämpfen.
Kunststoff	Nur mikrowelleneeignet. Beachten Sie die Herstellerangaben. Mit der Kennzeichnung „mikrowelleneeignet“. Einige Kunststoffbehälter werden weich, während die Lebensmittel darin erwärmt werden. „Kochbeutel“ und andere fest verschlossene Plastikbeutel sollten mit Schlitzen versehen, durchstochen oder gemäß den Packungsangaben luftdurchlässig gemacht werden.
Frischhaltefolie	Nur mikrowelleneeignet. Abdecken während des Aufwärmens von Lebensmittels, um die Feuchtigkeit zu bewahren. Die Frischhaltefolie darf das Lebensmittel nicht berühren.
Thermometer	Nur mikrowelleneeignet (Fleisch- und Zuckerthermometer).
Wachspapier	Als Abdeckung verwenden, um Spritzer zu vermeiden und um die Feuchtigkeit zu bewahren.

Materialien, die nicht in die Mikrowelle dürfen

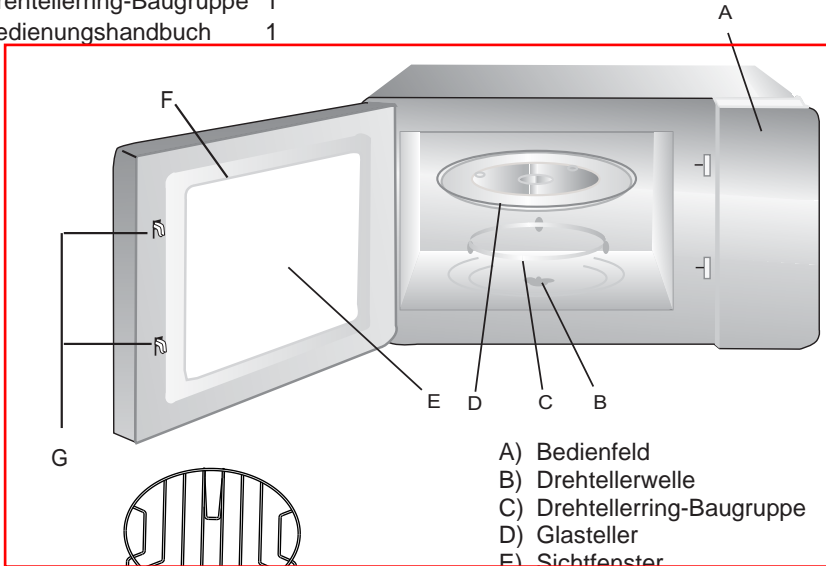
Utensilien	Anmerkungen
Aluminiumschale	Kann sich wölben. Lebensmittel in mikrowelleneeignetes Geschirr geben.
Lebensmittelkarton mit Metallgriff	Kann sich wölben. Lebensmittel in mikrowelleneeignetes Geschirr geben.
Utensilien aus Metall oder mit Metallrand.	Metall schirmt Lebensmittel vor der Mikrowellenenergie ab. Metallrahmen kann sich wölben.
Metallverschlüsse	Können wölben und Feuer im Ofen verursachen.
Papierbeutel	Können Feuer im Ofen verursachen.
Schaumstoff	Schaumstoff kann schmelzen oder die darin befindlichen Lebensmittel bei zu hoher Hitze kontaminieren.
Holz	Holz trocknet im Mikrowellenofen aus und es kann splintern oder reißen.

EINRICHTUNG IHRES OFENS

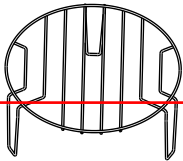
Bezeichnung von Ofenteilen und Zubehör

Nehmen Sie den Ofen und das gesamte Material aus dem Karton und aus dem Garraum. Ihr Ofen ist mit dem folgenden Zubehör ausgestattet:

Glasteller	1
Drehtellerring-Baugruppe	1
Bedienungshandbuch	1



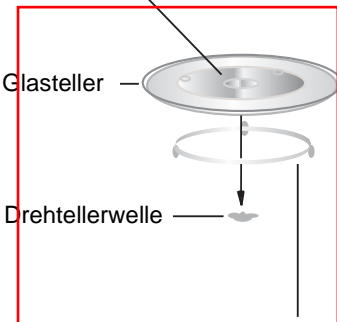
- A) Bedienfeld
- B) Drehtellerwelle
- C) Drehtellerring-Baugruppe
- D) Glasteller
- E) Sichtfenster
- F) Türbaugruppe
- G) Sicherheitsverriegelungssystem



Grillrost (nur mit der Grillfunktion verwenden und auf den Glasteller stellen)

Drehteller-Montage

Nabe (Unterseite)



Drehtellerring-Baugruppe

- a. Den Drehteller aus Glas niemals umgekehrt verwenden. Drehteller aus Glas darf niemals blockiert werden.
- b. Bei jedem Garvorgang müssen immer sowohl der Glasteller, als auch der Drehtellerring verwendet werden.
- c. Alle Lebensmittel und Lebensmittelbehälter müssen zum Garen immer auf den Glasteller gestellt werden.
- d. Falls der Glasteller oder der Drehtellerring reißen oder brechen sollte, wenden Sie sich an ein autorisiertes Servicecenter.

Einbau und Anschluss

1. Dieses Gerät ist nur für den Hausgebrauch bestimmt.
2. Dieser Ofen ist nur für den Einbau vorgesehen. Er ist nicht für die Verwendung auf einer Arbeitsfläche oder in einem Schrank vorgesehen.
3. Beachten Sie die besondere Installationsanleitung.
4. Das Gerät kann in einen 60 cm breiten Einbauschränk eingebaut werden.
5. Das Gerät ist mit einem Stecker ausgestattet, der mit einer ordnungsgemäß geerdeten Steckdose verbunden werden muss.
6. Die Spannung muss mit dem Wert auf dem Typenschild übereinstimmen.
7. Der Einbau der Steckdose und das Auswechseln des Anschlusskabels darf nur von einer Elektrofachkraft vorgenommen werden. Wenn der Stecker nach der Installation nicht mehr zugänglich sein sollte, muss eine Poltrennvorrichtung mit einem Kontaktspace von mindestens 3 mm vorgesehen werden.
8. Adapter, Steckerleisten und Verlängerungskabel dürfen nicht verwendet werden. Bei Überlast besteht Brandgefahr.

Die Zugangsfläche kann bei Betrieb heiß werden.



Installationsanleitung

Folgendes ist zu beachten

Elektrischer Anschluss

Das Gerät ist mit einem Stecker ausgestattet, der mit einer ordnungsgemäß geerdeten Steckdose verbunden werden muss. Nur ein qualifizierter Elektriker, der die entsprechenden Vorschriften berücksichtigt, darf die Steckdose installieren oder das Anschlusskabel austauschen. Wenn der Stecker nach der Installation nicht mehr zugänglich sein sollte, muss ein allpoliger Trennschalter mit einem Kontaktpalt von mindestens 3 mm vorgesehen werden. Der Berührungsschutz muss durch die Installation gewährleistet sein.

Eingebaute Geräte

Der Einbauschränk darf keine Rückwand hinter dem Gerät haben.
Mindestmontagehöhe: 850 mm.

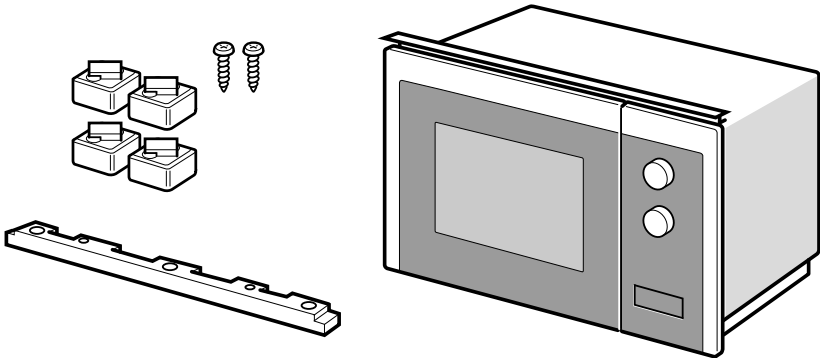
Lüftungsschlitze und -öffnungen dürfen nicht verdeckt werden.

Gerät in einer Hängevorrichtung - Abb. 1A

Gerät in einem Hochschrank - Abb.1B

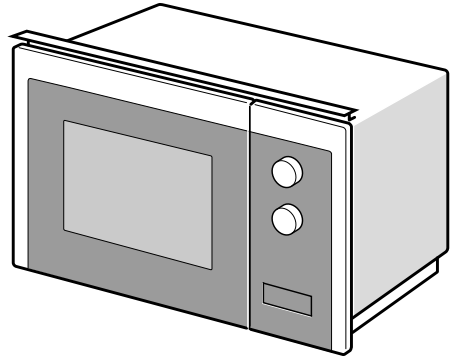
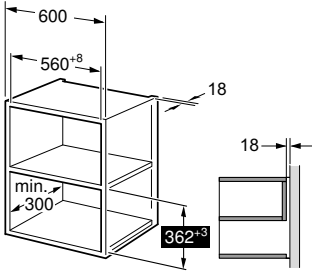
Einbau des Ofens - Abb. 2

Hinweis: Das Netzkabel darf nicht eingeklemmt oder geknickt werden.

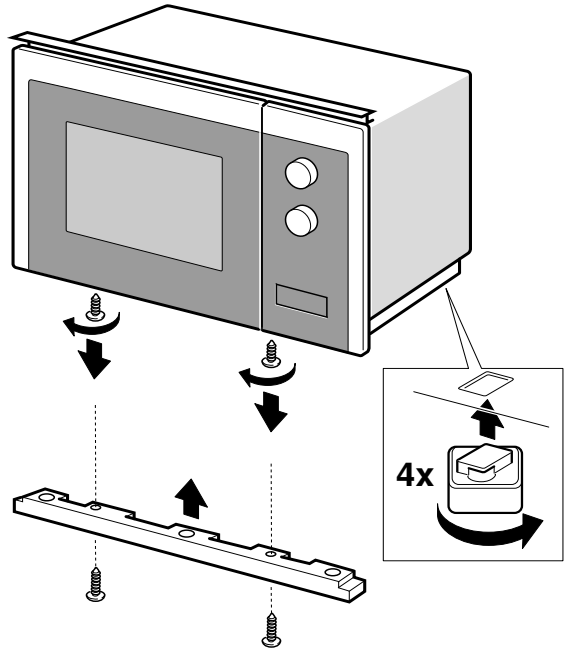
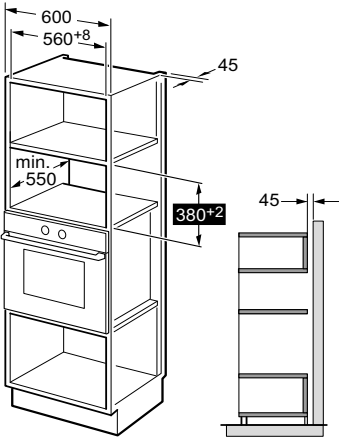


1

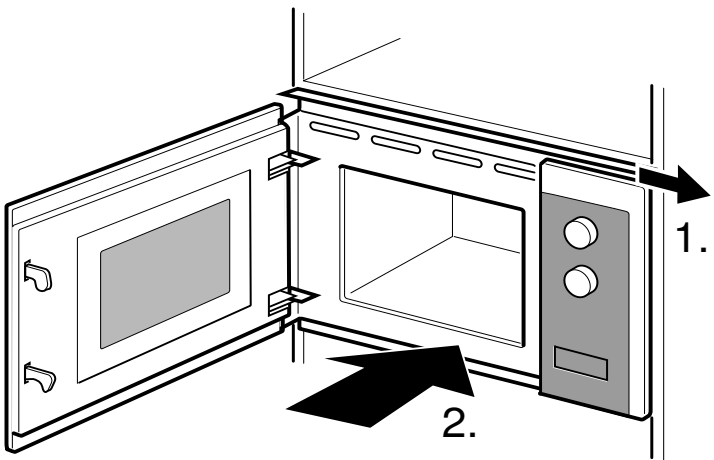
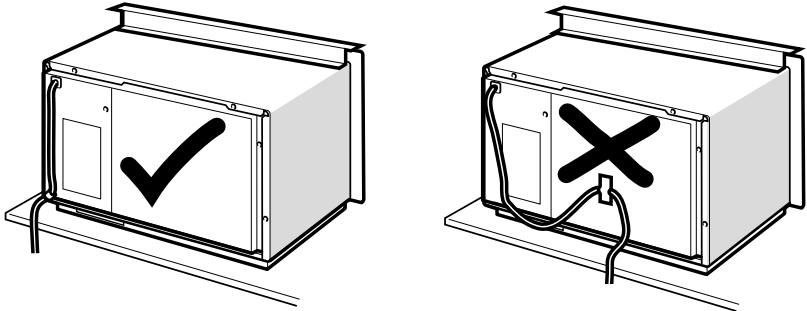
A

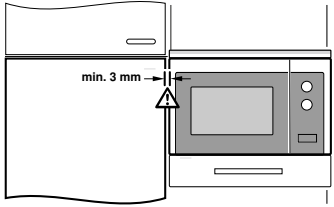
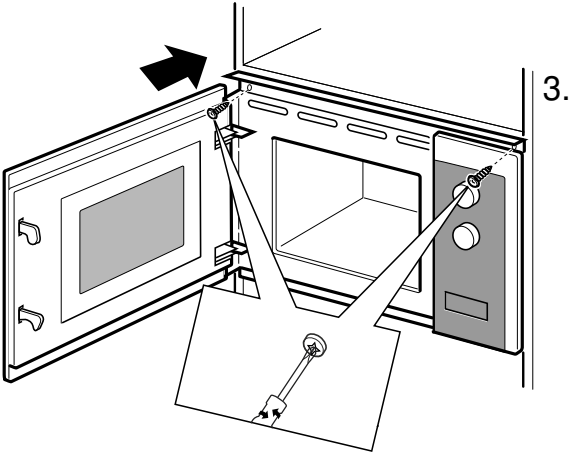


B



2





BEDIENUNGSANLEITUNG

Dieser Mikrowellenofen nutzt eine moderne elektronische Steuerung für die Anpassung der Parameter für Garvorgänge, die Ihnen beste Ergebnisse liefern wird.

1. Einstellung der Uhrzeit

Sobald der Mikrowellenofen eingeschaltet wird, zeigt das Display „0:00“ an und der Summer ertönt einmal. Der Ofen geht in den Wartezustand über.

- 1) Drücken Sie zweimal auf „Duration“, die Stundenzahlen blinken.
- 2) Drücken Sie „-“ oder „+“, um die Stunden einzustellen. Die eingegebene Zeit sollte zwischen 0--23 liegen.
- 3) Drücken Sie zur Bestätigung auf „Duration“, die Minutenzahlen blinken.
- 4) Drehen Sie „-“ oder „+“, um die Minuten einzustellen. Die eingegebene Zeit sollte zwischen 0--59 liegen.
- 5) Drücken Sie „Duration“, um die Einstellung der Uhr zu beenden.
Es blinkt das Zeichen „:“. Die aktuelle Uhrzeit wird angezeigt.

Hinweis: Wenn die Uhr nicht eingestellt ist, funktioniert die Uhr bei Betrieb nicht.

2. Garen mit der Mikrowelle

- 1) Drücken Sie die Taste „Microwave“ einmal und „P100“ wird angezeigt.
- 2) Drücken Sie wiederholt auf „Microwave“ oder auf „-“ oder „+“, um die Mikrowellenleistung auszuwählen.
„P100“, „P80“, „P50“, „P30“, „P10“ werden der Reihe nach angezeigt.
- 3) Drücken Sie „Start | + 30" | Confirm“, um die Einstellung zu bestätigen.
- 4) Drücken Sie „-“ oder „+“, um die Gardauer einzustellen.
(Die maximale Garzeit beträgt 95 Minuten.)
- 5) Drücken Sie „Start | +30" | Confirm“, um den Garvorgang zu starten.

HINWEIS: Die Schritte für die Anpassung der Zeit mit dem Codier-Schalter sind folgendermaßen:

0---1 Min.	: 5 Sekunden
1---5 Min.	: 10 Sekunden
5---10 Min.	: 30 Sekunden
10---30 Min.	: 1 Minute
30---95 Min.	: 5 Minuten

Mikrowellen-Leistungsübersicht

Mikrowellenleistung	Hoch	Mittelhoch	Mitt.	Mitt. niedrig	Niedrig
Anzeige	P100	P80	P50	P30	P10

3. Grill oder Kombi. Kochen

Drücken Sie einmal die Taste „Grill Combi“ und im Display wird „G“ angezeigt. Drücken Sie die Taste „Grill Combi“ wiederholt oder drücken Sie „-“ oder „+“, um die gewünschte Leistung auszuwählen, woraufhin „G“, „C-1“ oder „C-2“ angezeigt wird. Drücken Sie „Start | + 30“ | Confirm“, um die Leistung zu bestätigen. Drücken Sie „-“ oder „+“, um die Garzeit einzustellen. (Die maximale Garzeit beträgt 95 Minuten.) Drücken Sie „Start | + 30“ | Confirm“, um den Garvorgang zu starten.

Beispiel: Wenn Sie mit 55 % Mikrowellenleistung und 45 % Grilleistung (C-1) 10 Minuten lang garen möchten, können Sie den Ofen wie folgt einstellen.

- 1) Drücken Sie einmal auf „Grill Combi“, auf dem Bildschirm wird „G“ angezeigt.
- 2) Drücken Sie weiter auf „Grill Combi“, bis das Display „C-1“ anzeigt.
- 3) Drücken Sie zum Bestätigen „Start | + 30“ | Confirm“.
- 4) Drücken Sie „-“ oder „+“, um die Garzeit einzustellen, bis der Ofen „10:00“ anzeigt.
- 5) Drücken Sie „Start | +30“ | Confirm“, um den Garvorgang zu starten.

Anleitung zur Kombifunktion:

Programm	Anzeige	Mikrowelle Leistung	Grill Leistung
Grill	G	0%	100%
Kombi.1	C-1	55%	45%
Kombi.2	C-2	36%	64%

Hinweis: Wenn die Hälfte der Grillzeit verstrichen ist, piept das Signal zweimal, und das ist normal. Um einen besseren Grilleffekt zu erzielen, sollten Sie das Grillgut umdrehen, die Tür schließen und dann „Start | + 30“ | Confirm“ drücken, um den Garvorgang fortzusetzen.
Wenn keine Bedienung erfolgt, arbeitet der Ofen weiter.

4. Auftauen nach Gewicht

- 1) Drücken Sie einmal auf „Weight Defrost“, auf dem Bildschirm wird „dEF1“ angezeigt.
- 2) Drücken Sie „-“ oder „+“, um das Gewicht der Lebensmittel auszuwählen. Der Gewichtsbereich liegt zwischen 100 und 2000 g.
- 3) Drücken Sie „Start | +30“ | Confirm“, um den Auftauvorgang zu starten.

Hinweis: Wenn die Hälfte der Abtauzeit verstrichen ist, piept das Signal zweimal, und das ist normal. Um einen besseren Auftauereffekt zu erzielen, sollten Sie das Lebensmittel umdrehen, die Tür schließen und dann „Start | +30“ | Confirm“ drücken, um den Vorgang fortzusetzen. Wenn keine Bedienung erfolgt, arbeitet der Ofen weiter.

5. Auftauen nach Zeit

- 1) Drücken Sie einmal auf „Time Defrost“, auf dem Bildschirm wird „dEF2“ angezeigt.
- 2) Drücken Sie „-“ oder „+“, um die Gardauer auszuwählen. Die maximale Gardauer beträgt 95 Minuten.
- 3) Drücken Sie „Start | +30Sec " | Confirm“, um den Auftauvorgang zu starten.

Hinweis: Wenn die Hälfte der Abtauzeit verstrichen ist, piept das Signal zweimal, und das ist normal. Um einen besseren Auftauereffekt zu erzielen, sollten Sie das Lebensmittel umdrehen, die Tür schließen und dann „Start | +30Sec " | Confirm“ drücken, um den Vorgang fortzusetzen. Wenn keine Bedienung erfolgt, arbeitet der Ofen weiter.

6. Mehrstufiges Garen

Es können maximal zwei Stufen eingestellt werden. Wenn eine Stufe Abtauen ist, sollte sie automatisch an erster Stelle geschaltet werden. Nach jeder Stufe ertönt der Summer einmal und die nächste Stufe beginnt. Hinweis: Auto-Menü und Schnellkochen können nicht als eine der Mehrstufen eingestellt werden.

Beispiel: Sie wollen die Lebensmittel 5 Minuten auftauen und dann 7 Minuten lang mit 80 % Mikrowellenleistung garen. Die Schritte sind wie folgt:

- 1) Drücken Sie einmal auf „Time Defrost“, auf dem Bildschirm wird „dEF2“ angezeigt.
- 2) Drücken Sie „-“ oder „+“, um die Auftauzeit auf 5 Minuten einzustellen.
- 3) Drücken Sie einmal auf „Microwave“, auf dem Bildschirm wird „P100“ angezeigt.
- 4) Drücken Sie wiederholt auf „Microwave“, um die Mikrowellenleistung zu wählen, bis „P80“ angezeigt wird.
- 5) Drücken Sie zum Bestätigen „Start | + 30" | Confirm“.
- 6) Drücken Sie „-“ oder „+“, um die Gardauer von 7 Minuten auszuwählen.
- 7) Drücken Sie „Start | +30" | Confirm“, um den Garvorgang zu starten.

7. Küchen-Timer

- 1) Drücken Sie einmal auf „Duration“ und auf dem Bildschirm wird „00:00“ angezeigt.
- 2) Drücken Sie „-“ oder „+“, um den richtigen Timer einzugeben.
(Die maximale Garzeit beträgt 95 Minuten.)
- 3) Drücken Sie „Start | + 30" | Confirm“, um die Einstellung zu bestätigen.
- 4) Wenn die Garzeit erreicht ist, ertönt der Summer fünfmal.
Wenn die Uhr eingestellt ist (24-Stunden-System), wird auf dem Display die aktuelle Uhrzeit angezeigt.

Hinweis: Die Garzeit ist anders als das 24-Stunden-System. Der Timer ist eine Zeitschaltuhr.

8. Auto-Menü

- 1) Drücken Sie im Wartezustand wiederholt „+“, um das Menü auszuwählen.
- 2) Drücken Sie „Start | +30" | Confirm“, um das gewählte Menü zu bestätigen.
- 3) Drücken Sie „-“ oder „+“, um das Gewicht der Lebensmittel auszuwählen.
- 4) Drücken Sie „Start | +30" | Confirm“, um den Garvorgang zu starten.


Menüübersicht:

Menü	Gewicht	Leistung
Pizza	200 g	100 % (Mik.)
	400 g	
Fleisch	250 g	100 % (Mik.)
	350 g	
	450 g	
Gemüse	200 g	100 % (Mik.)
	300 g	
	400 g	
Pasta	50 g (mit 450 g kaltem Wasser)	80 % (Mik.)
	100 g (mit 800 g kaltem Wasser)	
Kartoffel	200 g	100 % (Mik.)
	400 g	
	600 g	
Fisch	250 g	80 % (Mik.)
	350 g	
	450 g	
Getränk	1 Tasse (circa 120 ml)	100 % (Mik.)
	2 Tassen (circa 240 ml)	
	3 Tassen (circa 360 ml)	
Popcorn	50 g	100 % (Mik.)
	100 g	

9. Schnelles Garen

- 1) Drücken Sie im Wartemodus die Taste „Start | +30" | Confirm“, um 30 Sekunden lang mit 100 % Leistungsstufe zu garen. Mit jedem Drücken auf dieselbe Taste verlängert sich die Zeit um 30 Sekunden. Die maximale Garzeit beträgt 95 Minuten.
- 2) Drücken Sie während des Mikrowellen-, Grill-, Kombinationsgarens und des Auftauens nach Zeit auf „Start | +30" | Confirm“, um die Garzeit zu verlängern.
- 3) Bei den Funktionen „Auto-Menü“ und „Auftauen nach Gewicht“ kann die Garzeit nicht durch Drücken von „Start | +30" | Confirm“ verlängert werden.
- 4) Drücken Sie im Wartemodus „-“, um die Gardauer auszuwählen. Nachdem Sie die Garzeit eingestellt haben, drücken Sie auf „Start | +30" | Confirm“, um das Garen in der Mikrowelle mit 100 % Leistung zu starten.

10. Kindersicherung

Sperren: Drücken Sie im Wartemodus 3 Sekunden lang „Stop | Clear“, um die Kindersicherung zu aktivieren. Die aktuelle Uhrzeit wird angezeigt, wenn sie eingestellt wurde, andernfalls wird „“ angezeigt.

Kindersicherung deaktivieren: Im gesperrten Zustand „Stop | Clear“ 3 Sekunden lang drücken, die Kindersicherung wird aufgehoben.

11. Abfragefunktion

- 1) Aktiv, wenn die Funktionen Mikrowelle, Grill und Kombi ausgeführt werden. Drücken Sie „Microwave“ oder „Grill Combi“, die aktuelle Leistung wird 3 Sekunden lang angezeigt.
- 2) Wenn die Uhr eingestellt wurde, drücken Sie während des Garvorgangs auf „Duration“, um die aktuelle Zeit anzuzeigen. Sie wird 3 Sekunden lang angezeigt.

12. Angabe

- 1) Wenn die Tür während des Garvorgangs geöffnet wird, schließen Sie sie und drücken Sie dann „Start | +30" | Confirm“, um den Garvorgang fortzusetzen.
- 2) Nach der Einstellung des Garprogramms sollte „Start | +30" | Confirm“ nicht innerhalb von 1 Minute gedrückt werden. Es wird die aktuelle Uhrzeit angezeigt. Die Einstellung wird aufgehoben.
- 3) Der Summer ertönt bei festem Drücken, leichtes oder ungenaues Drücken führt zu keiner Reaktion.

Fehlersuche

Normal	
Mikrowelle - Störung des Fernsehempfangs	Während des Betriebs der Mikrowelle kann der Radio- und Fernsehempfang gestört sein. Diese Störungen sind mit jenen vergleichbar, die durch Elektrokleingeräte verursacht werden, wie Mixer, Staubsauger und elektrischem Föhn. Das ist normal.
Ofenlicht schwach.	Beim Garen mit der Mikrowelle wird das Ofenlicht eventuell dunkler. Das ist normal.
Dampfansammlung an der Tür, heiße Luft kommt aus den Lüftungsöffnungen.	Während des Garens kann Dampf aus Lebensmitteln austreten. Der meiste Dampf tritt aus den Lüftungsöffnungen aus. Er kann sich jedoch auf kühlen Flächen bilden, beispielsweise auf der Tür des Garers. Das ist normal.
Ofen ohne Lebensmittel im Garraum eingeschaltet.	Es ist untersagt, den Ofen ohne Lebensmittel im Garraum einzuschalten. Das ist sehr gefährlich.

Problem	Mögliche Ursache	Abhilfe
Ofen kann nicht gestartet werden.	(1) Stromstecker nicht richtig eingesteckt.	Ausstecken. Nach 10 Sekunden wieder einstecken.
	(2) Sicherung durchgebrannt oder Trennschalter ausgelöst.	Sicherung austauschen oder Trennschalter zurücksetzen (Reparatur durch einen Techniker unseres Unternehmens).
	(3) Problem mit der Steckdose.	Steckdose mit anderen elektrischen Geräten prüfen.
Ofen heizt nicht.	(4) Die Tür ist nicht richtig geschlossen.	Tür richtig schließen.



Gemäß der E-Richtlinie über Elektro- und Elektronik-Altgeräte (WEEE) müssen Elektro- und Elektronik-Altgeräte separat entsorgt und aufbereitet werden. Entsorgen Sie dieses Produkt ggf. NIEMALS im Haushaltsmüll. Geben Sie dieses Produkt bitte an den entsprechenden Sammelstellen für Elektro- und Elektronik-Altgeräte ab.



Magnetron

HANDLEIDING

MODEL:HMG20C5SB

HMG20C5SB-80

Lees deze handleiding zorgvuldig door alvorens uw magnetron in gebruik te nemen. Bewaar de handleiding voor later gebruik.

Als u de instructies opvolgt, zal uw oven vele jaren meegaan.

BEWAAR DEZE HANDLEIDING GOED

VOORZORGSMAATREGELEN TER VOORKOMING VAN MOGELIJKE BLOOTSTELLING AAN TE VEEL MICROGOLFENERGIE

(a) Probeer deze oven niet te gebruiken met de deur open, aangezien dit kan leiden tot schadelijke blootstelling aan microgolvenenergie. Het is van groot belang de veiligheidsblokkeringen niet te verbreken of pogingen daartoe te doen.

(b) Plaats geen voorwerpen tussen de voorkant van de oven en de ovendeur en zorg ervoor dat zich geen vuil of resten van reinigingsmiddel kunnen ophopen op het oppervlak van afdichtingen.

(c) **WAARSCHUWING:** Als de deur of de afdichtingen van de deur beschadigd zijn, mag de oven niet worden gebruikt totdat hij is gerepareerd door een daartoe gekwalificeerde persoon.

AANVULLING

Als het apparaat niet voldoende schoon wordt gehouden, kan dit ten koste gaan van het oppervlak en van de levensduur van het apparaat en kan dit leiden tot gevaarlijke situaties.

Specificaties

Model:	HMG20C5SB HMG20C5SB-80
Nominale spanning:	230 V~50 Hz
Nominaal opgenomen vermogen (magnetron):	1270 W
Nominaal afgegeven vermogen (magnetron):	800 W
Nominaal opgenomen vermogen (grill):	1000 W

Gegevens laag energieverbruik volgens Verordening (EU) 2023/826 van de Commissie.

Toestand	Stroomverbruik	Periode waarna de apparatuur automatisch de toestand bereikt
Stand-bymodus met informatie- of statusweergave	0,8 W	20 min.

BELANGRIJKE VEILIGHEIDSINSTRUCTIES EN WAARSCHUWINGEN

Om het risico van brand, elektrische schok, persoonlijk letsel of blootstelling aan schadelijke microgolven tijdens het gebruik van uw apparaat te verlagen, moeten onder meer de volgende voorzorgsmaatregelen worden genomen:

1. Waarschuwing: Verwarm vloeistoffen en andere levensmiddelen niet in afgedichte houders, omdat die kunnen exploderen.
2. Waarschuwing: Gevaarlijke onderhouds- of reparatiewerkzaamheden waarbij afdekkingen moeten worden verwijderd die bescherming bieden tegen blootstelling aan microgolven energie mogen uitsluitend worden verricht door daartoe gekwalificeerde personen.
3. Dit apparaat mag worden gebruikt door kinderen vanaf 8 jaar en door personen met verminderde lichamelijke, zintuiglijke of geestelijke vermogens of met een gebrek aan kennis en ervaring, mits zij onder toezicht worden gehouden of instructies hebben gekregen om het apparaat veilig te kunnen gebruiken en de gevaren begrijpen die ermee gepaard gaan. Kinderen mogen niet met het apparaat spelen. De reiniging en het reguliere onderhoud van het apparaat mogen niet worden uitgevoerd door kinderen, tenzij deze ouder zijn dan 8 jaar en tenzij er toezicht is.
4. Houd het apparaat en de voedingskabel buiten het bereik van kinderen die jonger zijn dan 8 jaar.
5. Gebruik uitsluitend keukengerei dat geschikt is voor gebruik in magnetrons.
6. De oven moet regelmatig worden gereinigd en etensresten moeten worden verwijderd.
7. Lees en volg de specifieke: "VOORZORGSMATREGELEN TER VOORKOMING VAN MOGELIJKE BLOOTSTELLING AAN TE VEEL MICROGOLFENERGIE".
8. Houd bij het verwarmen van etenswaren in kunststof of papieren houders de oven in de gaten, omdat het materiaal vlam kan vatten.

9. Als er rook vrijkomt, zet het apparaat dan uit of haal de stekker uit het stopcontact en houd de deur dicht om eventuele vlammen te smoren.
10. Kook etenswaren niet te lang.
11. Gebruik de ovenruimte niet als opslagruimte. Bewaar geen producten zoals brood, koekjes enz. in de oven.
12. Verwijder metalen sluitstrips en metalen handgrepen van papieren of kunststof houders/zakken alvorens deze in de oven te plaatsen.
13. Installeer en plaats deze oven uitsluitend in overeenstemming met de meegeleverde installatie-instructies.
14. Ongepelde rauwe eieren en hardgekookte eieren mogen nooit in magnetrons worden verwarmd omdat zij kunnen exploderen, zelfs nog nadat de magnetronwerking is beëindigd.
15. Dit apparaat is bedoeld voor huishoudelijk gebruik of voor soortgelijke toepassingen, zoals:
 - personeelskeukens in winkels, kantoren en andere werkomgevingen;
 - door gasten in hotels, motels en andere verblijfsaccommodatie;
 - vakantiehuizen;
 - bed-and-breakfastomgevingen.
16. Als het netsnoer beschadigd is, moet het worden vervangen door de fabrikant, diens servicevertegenwoordiger of vergelijkbaar gekwalificeerde personen om gevaar te voorkomen.
17. Bewaar of gebruik dit apparaat niet buiten.
18. Gebruik deze oven niet in de buurt van water, in een vochtige kelder of vlakbij een zwembad.
19. De temperatuur van toegankelijke oppervlakken kan hoog oplopen wanneer het apparaat in werking is. De oppervlakken kunnen heet worden tijdens het gebruik. Houd het netsnoer uit de buurt van hete oppervlakken en dek geen ventilatieopeningen van de oven af.

20. Laat het netsnoer niet over de rand van de tafel of het werkblad hangen.
21. Als de oven niet voldoende schoon wordt gehouden, kan dit ten koste gaan van het oppervlak en dus van de levensduur van het apparaat en kan dit leiden tot gevaarlijke situaties.
22. De inhoud van in de magnetron opgewarmde babyflesjes en potjes babyvoeding moet eerst worden geschud of geroerd en vervolgens moet de temperatuur worden gevoeld voordat de inhoud aan het kind wordt gegeven, om verbranding te voorkomen.
23. Dranken die in de magnetron worden verwarmd, kunnen met vertraging heftig gaan koken; de houder moet nadien dan ook voorzichtig worden behandeld.
24. Het apparaat mag niet worden gebruikt door personen (waaronder kinderen) met verminderde fysieke, zintuiglijke of geestelijke vermogens of met een gebrek aan kennis en ervaring, tenzij deze personen door iemand die verantwoordelijk is voor hun veiligheid onder toezicht worden gehouden of instructies hebben gekregen over de werking van het apparaat.
25. Houd kinderen in de gaten, om te voorkomen dat zij met het apparaat spelen.
26. De apparaten zijn niet bedoeld om te worden gebruikt met een externe timer of afzonderlijk afstandsbedieningssysteem.
27. Toegankelijke delen kunnen heet worden tijdens het gebruik. Houd kleine kinderen uit de buurt.
28. Gebruik geen stoomreiniger.
29. Tijdens het gebruik wordt het apparaat heet. Voorkom aanraking van de verwarmingselementen in de oven.
30. Gebruik alleen de voor deze oven aanbevolen temperatuursonde (voor ovens die zijn uitgerust met een voorziening voor het gebruik van een temperatuursonde).
31. **WAARSCHUWING:** Tijdens het gebruik worden het apparaat en de toegankelijke delen ervan heet. Voorkom aanraking van de verwarmingselementen. Houd kinderen tot 8 jaar uit de buurt, tenzij zij voortdurend onder toezicht worden gehouden.

32. De magnetron mag alleen worden gebruikt met de decoratieve deur open (bij ovens met een decoratieve deur).
33. Het oppervlak van een opberglade kan heet worden.
34. De magnetron is bedoeld voor het verwarmen van voedsel en dranken. Het drogen van voedsel of kleding en het verwarmen van verwarmingskussens, pantoffels, sponzen, vochtige doeken en dergelijke kan leiden tot kans op letsel, vonken of brand.
35. Metalen houders voor voedsel en dranken zijn niet bij magnetronbereiding.
36. Het apparaat mag niet worden gereinigd met een stoomreiniger.
37. Let op dat u het draaiplateau niet verplaatst wanneer u schalen uit het apparaat verwijdert.
38. Om oververhitting te voorkomen mag het apparaat niet achter een decoratieve deur worden geïnstalleerd.
39. **WAARSCHUWING:** Wanneer het apparaat in de combinatiemodus wordt gebruikt, mogen kinderen vanwege de gegenereerde temperaturen de oven alleen onder toezicht van een volwassene gebruiken.

ZORGVULDIG LEZEN EN BEWAREN VOOR LATER GEBRUIK

Aardingsinstallatie ter vermindering van het risico van lichamelijk letsel

GEVAAR

Gevaar voor elektrische schok
Het aanraken van inwendige onderdelen kan ernstig lichamelijk letsel of de dood tot gevolg hebben. Haal dit apparaat niet uit elkaar.

WAARSCHUWING

Gevaar voor elektrische schok
Onjuist gebruik van de aarding kan resulteren in elektrische schok.

Sluit het apparaat niet aan op een stopcontact voordat het op de juiste wijze is geïnstalleerd en geaard.

Dit apparaat moet worden geaard. In het geval van kortsluiting vermindert aarding het risico van elektrische schok doordat de elektrische stroom via een ontsnappingsroute - de aardingsdraad - naar aarde kan worden weggeleid.

Dit apparaat is voorzien van een voedingskabel met een aardingsdraad en een geaarde stekker. De stekker moet worden aangesloten op een stopcontact dat correct is geïnstalleerd en geaard.

Raadpleeg een gekwalificeerde elektricien of monteur als de aardingsinstructies niet helemaal duidelijk zijn of als u twijfelt of het apparaat op de juiste manier is geaard.

Als gebruik van een verlengkabel nodig is, gebruik dan uitsluitend een 3-aderige verlengkabel.

1. Er wordt een korte voedingskabel meegeleverd om het risico te beperken dat men verstrikt raakt in een langere kabel of erover struikelt.

2. Bij gebruik van een set met langere kabels of een verlengkabel:

1) De aangegeven elektrische classificatie van de set met lange kabels of de verlengkabel moet ten minste net zo hoog zijn als die van het apparaat.

2) De verlengkabel moet een drieaderige geaarde kabel zijn.

3) De lange kabel moet zo worden gelegd dat hij niet over het tafel- of werkblad loopt waar er door kinderen aan kan worden getrokken zodat er struikelgevaar ontstaat.

REINIGING

Haal de stekker van het apparaat uit het stopcontact.

1. Reinig de ovenruimte na gebruik met een licht bevochtigde doek.
2. Reinig de accessoires zoals gebruikelijk in een sopje.
3. De deurpost met afdichting en de aangrenzende delen moeten goed worden gereinigd met een vochtige doek als ze vuil zijn.
4. Gebruik voor het reinigen van de ovendeurruit geen agressieve of schurende reinigingsmiddelen of scherpe metalen schrapers, omdat het glasoppervlak hierdoor bekrast kan raken, wat kan leiden tot breuk van het glas.
5. Reinigingstip---voor gemakkelijker schoonmaken van de wanden van de ovenruimte die in aanraking komen met het bereide voedsel: Doe een halve citroen in een kom, voeg 300 ml water toe en verwarm dit gedurende 10 minuten in de magnetron op vol vermogen (100%). Veeg de oven schoon met een zachte, droge doek.

GEBRUIKSMATERIALEN

VOORZICHTIG

Gevaar voor lichamelijk letsel

Het is gevaarlijk om service of reparaties waarbij de beschermkap wordt verwijderd die bescherming biedt tegen blootstelling aan microgolfenergie, te laten uitvoeren door iemand die hiervoor niet gekwalificeerd is.

Zie de instructies in 'Materialen die u in een magnetron kunt gebruiken of materialen die u beter niet in een magnetron kunt gebruiken'. Er kunnen ook niet-metalen gebruiksmaterialen zijn die niet veilig zijn voor gebruik in een magnetron. Bij twijfel kunt u het gebruiksvoorwerp in kwestie testen volgens de onderstaande procedure.

Test van gebruiksmaterialen:

1. Vul een voor de magnetron geschikte houder met een kop koud water (250 ml) samen met het gebruiksvoorwerp in kwestie.
2. Zet het geheel gedurende 1 minuut in de magnetron op vol vermogen.
3. Voel voorzichtig aan het gebruiksvoorwerp. Als het gebruiksvoorwerp warm aanvoelt, verdient het aanbeveling het niet te gebruiken in de magnetron.
4. Test niet langer dan 1 minuut.

Materialen die u in een magnetron kunt gebruiken

Gebruiks-materialen	Opmerkingen
Bruiningsschaal	Volg de instructies van de fabrikant. De onderkant van de bruiningsschaal moet zich ten minste 5 mm boven het draaiplateau bevinden. Onjuist gebruik kan ertoe leiden dat het draaiplateau breekt.
Serviesgoed	Alleen indien magnetronbestendig. Volg de instructies van de fabrikant. Gebruik geen bordes met barsten of beschadigingen.
Glazen potten	Verwijder altijd het deksel. Gebruik deze alleen om voedsel net voldoende te verwarmen. De meeste glazen potten zijn niet hittebestendig en kunnen breken.
Glaswerk	Alleen hittebestendig ovenglaswerk. Controleer of er geen metalen randen zijn. Gebruik geen bordes met barsten of beschadigingen.
Stoom- en braadzakken voor in de oven	Volg de instructies van de fabrikant. Sluit ze niet af met een metalen strip. Maak openingen zodat stoom kan ontsnappen.
Papieren bordes en koppen	Gebruik deze alleen voor kortstondig koken/verwarmen. Laat het apparaat tijdens gebruik niet onbeheerd achter.
Keukenpapier	Gebruik dit om voedsel af te dekken voor opwarmen en vetopname. Gebruik het alleen kort en met toezicht.
Bakpapier	Gebruik dit als afdekking om spetteren te voorkomen, of als wikkel bij stomen.
Kunststof	Alleen indien magnetronbestendig. Volg de instructies van de fabrikant. Moet zijn voorzien van etiket 'magnetronbestendig'. Sommige kunststof houders worden zacht wanneer het voedsel erin heet wordt. "Kookzakken" en strak gesloten plastic zakken moeten worden ingesneden, doorboord of geventileerd conform de instructies op de verpakking.
Vershoudfolie	Alleen indien magnetronbestendig. Gebruik dit om voedsel af te dekken zodat het niet uitdroogt. Laat het vershoudfolie het voedsel niet raken.
Thermometers	Alleen indien magnetronbestendig. (vlees- en suikerthermometers).
Waxpapier	Gebruik dit als afdekking om spetteren en uitdroging te voorkomen.

Materialen die u niet in een magnetron kunt gebruiken

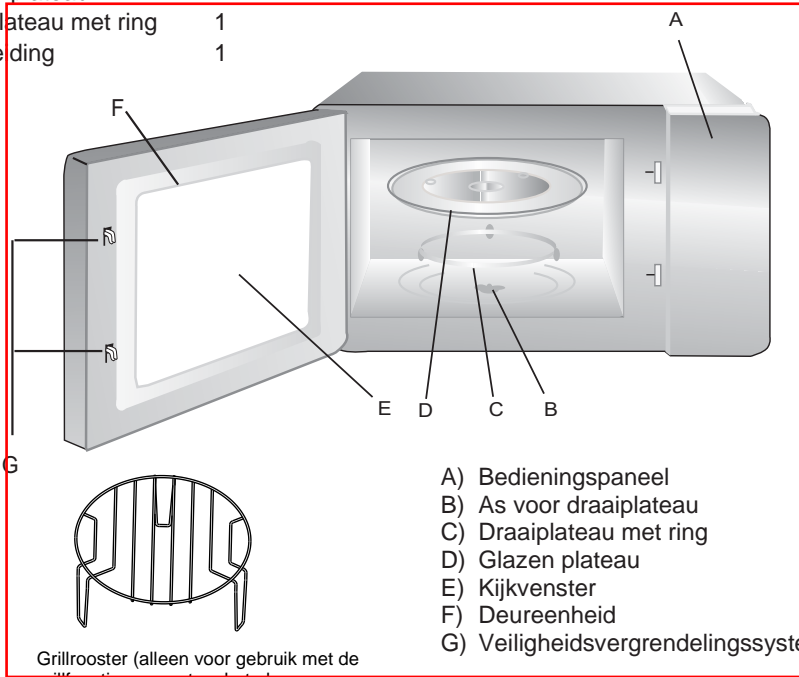
Gebruiks-materialen	Opmerkingen
Aluminium bakjes	Kan vonken veroorzaken. Breng voedsel over in magnetronbestendige schaal.
Levensmiddelen met metalen handvat	Kan vonken veroorzaken. Breng voedsel over in magnetronbestendige schaal.
Metalen of gedeeltelijk metalen gebruiksvoorwerpen	Metaal schermt het voedsel af van microgolff energie. Metalen randen kunnen vonken veroorzaken.
Metalen sluitstrips	Kunnen vonken veroorzaken en kunnen brand in de oven veroorzaken.
Papieren zakken	Kunnen brand in de oven veroorzaken.
Kunststof schuim	Kunststof schuim kan bij blootstelling aan hoge temperaturen smelten of de vloeistof in de houder verontreinigen.
Hout	Hout droogt uit in de magnetron en kan splijten of barsten.

DE OVEN PLAATSEN

Namen van ovenonderdelen en -accessoires

Haal de oven en alle materialen uit de doos en maak de ovenruimte leeg. Uw oven wordt geleverd met de volgende accessoires:

Glazen plateau	1
Draaiplateau met ring	1
Handleiding	1

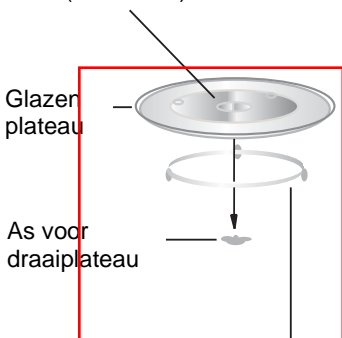


- A) Bedieningspaneel
- B) As voor draaiplateau
- C) Draaiplateau met ring
- D) Glazen plateau
- E) Kijkvenster
- F) Deureenheid
- G) Veiligheidsvergrendelingsysteem

Grillrooster (alleen voor gebruik met de grillfunctie en moet op het glazen plateau worden geplaatst)

Plaatsing draaiplateau

Naaf (onderkant)



- a. Plaats het glazen plateau nooit ondersteboven. Het glazen plateau mag nooit in zijn beweging worden belemmerd.
- b. Zowel het glazen plateau als het draaiplateau met ring moeten altijd worden gebruikt tijdens het koken.
- c. Alle etenswaren en houders voor etenswaren worden altijd op het glazen plateau geplaatst om te koken.
- d. Als het glazen plateau of het draaiplateau met ring barst of breekt, neem dan contact op met het dichtstbijzijnde erkende servicecentrum.

Draaiplateau met ring

Installeren en aansluiten

1. Dit apparaat is uitsluitend bedoeld voor huishoudelijk gebruik.
2. Deze magnetron is alleen bedoeld om te worden ingebouwd. Het apparaat is niet bedoeld voor gebruik op het aanrecht of in een kast.
3. Neem de speciale installatie instructies in acht.
4. Het apparaat kan in een aan de muur gemonteerde kast van 60 cm breed worden geïnstalleerd.
5. Het apparaat is met een stekker uitgerust en mag alleen op een correct geïnstalleerd, geaard stopcontact worden aangesloten.
6. De netspanning moet overeenkomen met de spanning die op het serieplaatje staat aangegeven.
7. Het stopcontact moet worden geïnstalleerd en de aansluitkabel mag alleen worden vervangen door een erkende electricien. Als de stekker na installatie niet meer toegankelijk is, moet er op de installatielocatie een stroomonderbrekingsschakelaar aanwezig zijn met een contactopening van ten minste 3 mm.
8. Er mag geen gebruik worden gemaakt van adapters, stekkerblokken en verlengkabels. Overbelasting kan brandgevaar tot gevolg hebben.

Wanneer het apparaat in werking is, kan het oppervlak heet worden.



Installatie-instructies

Houd rekening met het volgende

Elektrische aansluiting

Het apparaat is met een stekker uitgerust en mag alleen op een correct geïnstalleerd, geaard stopcontact worden aangesloten. Alleen een gekwalificeerde elektricien die rekening houdt met de betreffende voorschriften mag het stopcontact installeren of de aansluitkabel vervangen. Als de stekker na installatie niet meer toegankelijk is, moet er op de installatielocatie een isolatieschakelaar aanwezig zijn met een contactopening van ten minste 3 mm. De contactbescherming moet tijdens de installatie worden gewaarborgd.

Gemonteerde eenheden

Er mag in de kast waar het apparaat wordt geïnstalleerd geen paneel achter het apparaat zitten. Minimale installatiehoogte: 850 mm.

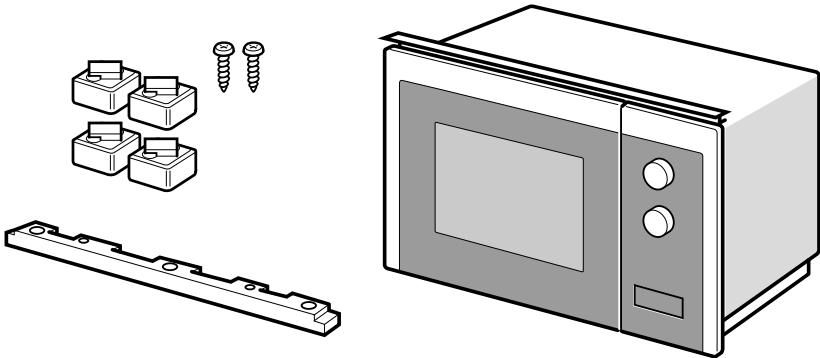
Ventilatieopeningen en inlaten mogen niet worden afgedekt.

Apparaat in een bovenkast aan de wand – afb. 1A

Apparaat in een hoge kast – afb. 1B

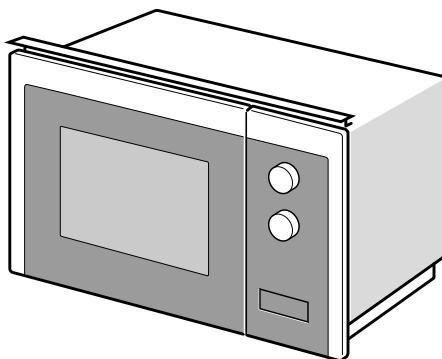
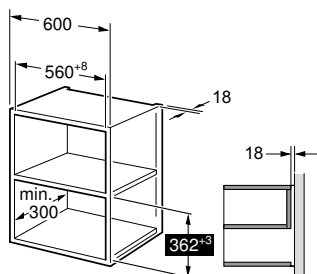
Installatie van de oven – afb. 2

Opmerking: Beknel of knik het netsnoer niet.

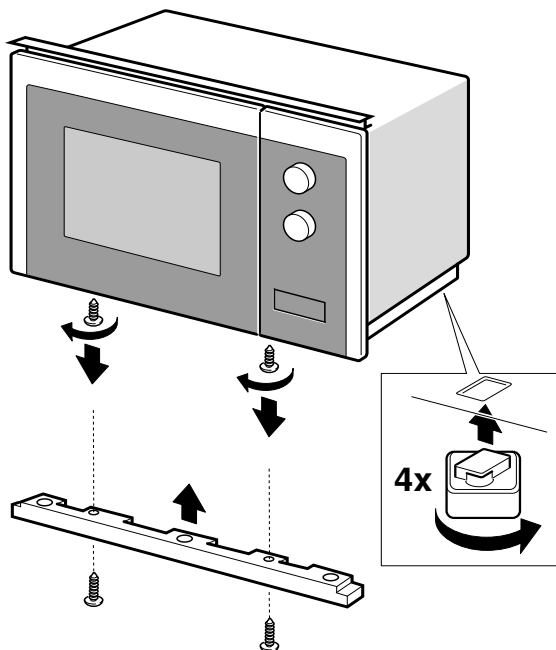
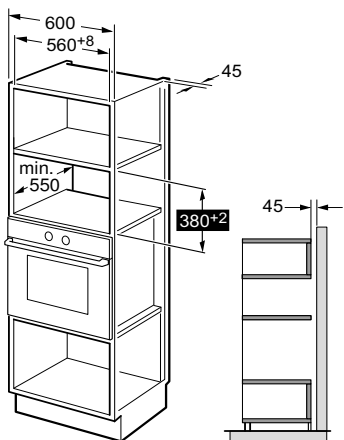


1

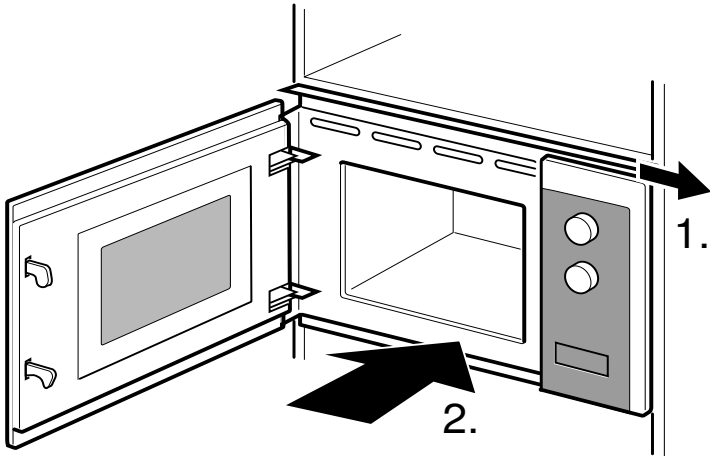
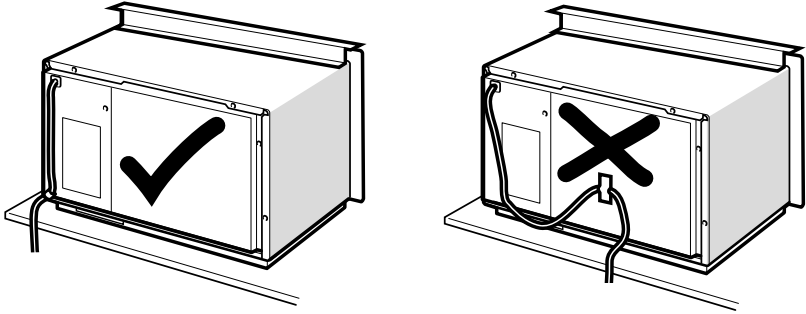
A

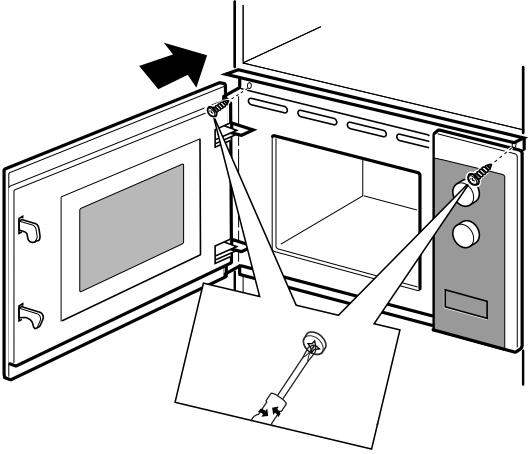


B

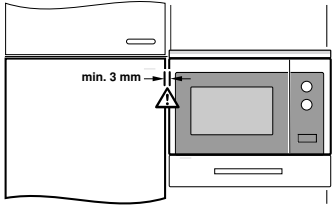


2





3.



BEDIENINGSINSTRUCTIES

Deze magnetron maakt gebruik van moderne elektronica voor het regelen en instellen van kookparameters om beter te voldoen aan uw kookwensen.

1. De klok instellen

Wanneer de magnetron wordt aangesloten op de stroom, verschijnt er '0:00' op het display en klinkt de zoemer één keer. De oven gaat in de wachtstand.

- 1) Druk twee keer op 'Duration', de cijfers van de uren gaan knipperen.
- 2) Druk op '–' of '+' om de cijfers van de uren in te stellen. De ingevoerde tijd moet tussen 0 en 23 zijn.
- 3) Druk op 'Duration' om te bevestigen; de cijfers van de minuten gaan knipperen.
- 4) Draai aan '–' of '+' om de cijfers van de minuten in te stellen. De ingevoerde tijd moet tussen 0 en 59 zijn.
- 5) Druk op 'Duration' om het instellen van de klok te voltooien.
'.' knippert. De huidige tijd wordt weergegeven.

Opmerking: Als de klok niet is ingesteld, werkt deze niet wanneer de voeding wordt ingeschakeld.

2. Bereiding in de magnetron

- 1) Druk eenmaal op de toets 'Microwave' (Magnetron), waarna 'P100' wordt weergegeven.
- 2) Druk meerdere malen op 'Microwave' of druk op '–' of '+' om het magnetronvermogen te selecteren.
Opeenvolgend wordt 'P100', 'P80', 'P50', 'P30', 'P10' weergegeven.
- 3) Druk op 'Start | + 30 | Confirm' om de instelling te bevestigen.
- 4) Druk op '–' of '+' om de bereidingstijd aan te passen.
(De maximale bereidingstijd is 95 minuten.)
- 5) Druk op 'Start | + 30 | Confirm' om de bereiding te starten.

OPMERKING: De stapgroottes voor de insteltijd van de codeerschakelaar zijn als volgt:

0---1 min.	: 5 seconden
1---5 min.	: 10 seconden
5---10 min.	: 30 seconden
10---30 min.	: 1 minuut
30---95 min.	: 5 minuten

Overzicht magnetronvermogens

Magnetronvermogen	Hoog	Middelhoog	Middel	Middellaag	Laag
Display	P100	P80	P50	P30	P10

3. Grill of Combi. Bereiden

Druk eenmaal op 'Grill Combi', er wordt 'G' weergegeven op de display, en druk meerdere malen op 'Grill Combi' of druk op '–' of '+' om het gewenste vermogen te kiezen, 'G', 'C-1' of 'C-2' wordt weergegeven. Druk op 'Start | + 30 | Confirm' om het vermogen te bevestigen. Druk op '–' of '+' om de bereidingstijd in te stellen. (De maximale bereidingstijd is 95 minuten.) Druk nogmaals op 'Start | + 30 | Confirm' om de bereiding te starten.

Voorbeeld: Als u de magnetron 10 minuten wilt gebruiken met 55% van het vermogen en 45% van het grillvermogen (C-1), kunt u de oven als volgt instellen.

- 1) Druk eenmaal op 'Grill Combi', op het scherm wordt 'G' weergegeven.
- 2) Blijf drukken op 'Grill Combi' tot 'C-1' wordt weergegeven op het scherm.
- 3) Druk op 'Start | + 30 | Confirm' om te bevestigen.
- 4) Druk op '–' of '+' om de bereidingstijd in te stellen totdat '10:00' op de oven wordt weergegeven.
- 5) Druk op 'Start | + 30 | Confirm' om de bereiding te starten.

Instructies combinatievermogen:

Programma	Display	Magnetron Vermogen	Grillen Vermogen
Grillen	G	0%	100%
Combi.1	C-1	55%	45%
Combi.2	C-2	36%	64%

Opmerking: Als de helft van de grilltijd voorbij is, geeft de oven tweemaal een geluid. Dit is normaal. Om een beter resultaat te krijgen met het grillen van voedsel, moet u het omdraaien, de deur sluiten en dan op 'Start | + 30 | Confirm' drukken om door te gaan met de bereiding.
Als u niets doet, gaat de oven door met de bereiding.

4. Ontdooien op gewicht

- 1) Druk eenmaal op 'Weight Defrost', op het scherm wordt 'dEF1' weergegeven.
- 2) Druk op '–' of '+' om het gewicht van het voedsel te selecteren. Het gewichtsbereik is 100–2000 g.
- 3) Druk op 'Start | + 30 | Confirm' om het ontdooien te starten.

Opmerking: Als de helft van de ontdooitijd voorbij is, laat de oven tweemaal een geluid horen. Dit is normaal. Om een beter resultaat te krijgen met het ontdooien van voedsel, moet u het omdraaien, de deur sluiten en dan op 'Start | + 30 | Confirm' drukken om door te gaan met de bereiding.
Als u niets doet, gaat de oven door met de bereiding.

5. Ontdooien op tijd

- 1) Druk eenmaal op 'Time Defrost', op het scherm wordt 'dEF2' weergegeven.
- 2) Druk op '−' of '+' om de bereidingstijd te selecteren. De maximale tijd is 95 minuten.
- 3) Druk op 'Start | + 30Sec | Confirm' om het ontdooien te starten.

Opmerking: Als de helft van de ontdooitijd voorbij is, laat de oven tweemaal een geluid horen. Dit is normaal. Om een beter resultaat te krijgen met het ontdooien van voedsel, moet u het omdraaien, de deur sluiten en dan op 'Start | + 30Sec | Confirm' drukken om door te gaan met de bereiding. Als u niets doet, gaat de oven door met de bereiding.

6. Meerfasige bereiding

Er kunnen maximaal 2 fasen worden ingesteld. Als één fase ontdooien is, moet deze automatisch in de eerste fase worden gezet. De zoemer klinkt eenmaal na elke fase en dan begint de volgende fase. Opmerking: Automatisch menu en snelle bereiding kunnen niet als één van de meerdere fasen worden ingesteld.

Voorbeeld: als u het voedsel 5 minuten wilt ontdooien, bereid dan gedurende 7 minuten met een magnetronvermogen van 80%. De stappen zijn als volgt:

- 1) Druk eenmaal op 'Time Defrost', op het scherm wordt 'dEF2' weergegeven.
- 2) Druk op '−' of '+' om de ontdooitijd van 5 minuten aan te passen;
- 3) Druk eenmaal op 'Microwave', op het scherm wordt 'P100' weergegeven.
- 4) Druk meerdere malen op 'Microwave' om het magnetronvermogen te kiezen tot 'P80' wordt weergegeven;
- 5) Druk op 'Start | + 30 | Confirm' om te bevestigen.
- 6) Druk op '−' of '+' om de bereidingstijd van 7 minuten aan te passen.
- 7) Druk op 'Start | + 30 | Confirm' om de bereiding te starten.

7. Kookwekker

- 1) Druk eenmaal op 'Duration', op het scherm wordt '00:00' weergegeven.
- 2) Druk op '−' of '+' om de juiste kookwekkertijd in te voeren.
(De maximale bereidingstijd is 95 minuten.)
- 3) Druk op 'Start | + 30 | Confirm' om de instelling te bevestigen.
- 4) Wanneer de bereidingstijd is bereikt, klinkt de zoemer 5 maal.
Als de klok is ingesteld (24-uurssysteem), geeft het scherm de actuele tijd weer.

Opmerking: De kookwekker is anders dan het 24-uurssysteem. De kookwekker is een timer.

8. Automatisch menu

- 1) Druk in de wachtstand meerdere malen op '+' om het menu te kiezen.
- 2) Druk op 'Start | + 30 | Confirm' om het gekozen menu te bevestigen.
- 3) Druk op '-' of '+' om het gewicht van het voedsel te kiezen.
- 4) Druk op 'Start | + 30 | Confirm' om de bereiding te starten.

Het menu-overzicht:

Menu	Gewicht	Vermogen
Pizza	200 g	100% (magn.)
	400 g	
Vlees	250 g	100% (magn.)
	350 g	
	450 g	
Groenten	200 g	100% (magn.)
	300 g	
	400 g	
Pasta	50 g (met 450 ml koud water)	80% (magn.)
	100 g (met 800 ml koud water)	
Aardappelen	200 g	100% (magn.)
	400 g	
	600 g	
Vis	250 g	80% (magn.)
	350 g	
	450 g	
Drank	1 kopje (circa 120 ml)	100% (magn.)
	2 kopjes (circa 240 ml)	
	3 kopjes (circa 360 ml)	
Popcorn	50 g	100% (magn.)
	100 g	

9. Snelle bereiding

- 1) Druk in de wachtstand op 'Start | + 30 | Confirm' om gedurende 30 seconden te bereiden met 100% vermogen. Elke druk op dezelfde toets kan dit met 30 seconden verhogen. De maximale bereidingstijd is 95 minuten.
- 2) Druk tijdens de bereiding met de magnetron, grill, combinatie en het ontdooien op tijd op 'Start | + 30 | Confirm' om de bereidingstijd te verlengen.
- 3) Bij automatisch menu en ontdooien op gewicht kan de bereidingstijd niet worden verhoogd door op 'Start | + 30 | Confirm' te drukken.
- 4) Druk in de wachtstand op '-' om de bereidingstijd te kiezen. Druk na het instellen van de bereidingstijd op 'Start | + 30 | Confirm' om de magnetronbereiding te starten op een vermogen van 100%.

10. Kinderslot

- Vergrendelen: Druk in de wachtstand 3 seconden lang op 'Stop | Clear' om het kinderslot in te schakelen. Als de tijd is ingesteld wordt het huidige tijdstip weergegeven, anders wordt '🔒' op het scherm weergegeven.
- Ontgrendelen: Druk als het kinderslot is ingeschakeld 3 seconden lang op 'Stop Clear' en de vergrendeling wordt uitgeschakeld.

11. Opvraagfunctie

- 1) In de bereidingsstand van de magnetron of grill en de combinatie ervan. Druk op 'Microwave' of 'Grill Combi' en het huidige vermogen wordt 3 seconden lang weergegeven.
- 2) Als de klok is ingesteld, drukt u tijdens de bereiding op 'Duration' om het huidige tijdstip te controleren. Dit wordt 3 seconden lang weergegeven.

12. Specificatie

- 1) Als de deur wordt geopend tijdens het bereidingsproces, moet u de deur sluiten en daarna op 'Start | + 30 | Confirm' drukken om verder te gaan met de bereiding.
- 2) Zodra het bereidingsprogramma is ingesteld, mag 'Start | + 30 | Confirm' 1 minuut lang niet worden ingedrukt. De huidige tijd wordt weergegeven. De instelling wordt geannuleerd.
- 3) De zoemer klinkt eenmaal als er goed is gedrukt en geeft geen reactie als er niet goed is gedrukt.

Problemen oplossen

Normaal	
Magnetron verstoort tv-ontvangst	Radio- en tv-ontvangst worden mogelijk verstoord wanneer de magnetron in werking is. Dit is vergelijkbaar met de storing van kleine elektrische apparaten zoals een mixer, stofzuiger en elektrische ventilator. Dit is normaal.
Gedimde ovenverlichting	Wanneer de magnetron bij laag vermogen wordt gebruikt, wordt mogelijk de ovenverlichting gedimd. Dit is normaal.
Er ontstaat condens op de ovenruit, er komt hete lucht uit de ventilatieopeningen	Tijdens het koken kan er stoom uit gerechten vrijkomen. De meeste stoom wordt afgevoerd via de ventilatieopeningen. Maar een deel kan zich ophopen op een relatief koel oppervlak zoals de ovendeur. Dit is normaal.
De oven wordt per ongeluk aangezet zonder etenswaren erin	Het is verboden een magnetron leeg te gebruiken. Dit is zeer gevaarlijk.

Probleem	Mogelijke oorzaak	Oplossing
Oven start niet.	(1) Voedingskabel niet goed in stopcontact gestoken.	Haal de stekker uit het stopcontact. Steek de stekker na 10 seconden weer in het stopcontact.
	(2) Zekering doorgebrand of stroomonderbreker ingeschakeld.	Vervang de zekering of reset de stroomonderbreker (uit te voeren door ons deskundige personeel)
	(3) Probleem met stopcontact.	Probeer het stopcontact met andere elektrische apparaten.
Oven verwarmt niet.	(4) De deur is niet goed gesloten.	Sluit de deur goed.



In overeenstemming met de Europese Richtlijn betreffende afgedankte elektrische en elektronische apparatuur (AEEA) moet AEEA gescheiden worden ingezameld en behandeld. Als u dit product in de toekomst ooit wegdoet, gooi het dan NIET weg met het huishoudelijk afval. Lever het product in bij een speciaal inzamelpunt voor AEEA.



Forno Micro-ondas

MANUAL DE INSTRUÇÕES

MODELO:HMG20C5SB
HMG20C5SB-80

Leia cuidadosamente estas instruções antes de utilizar o seu forno micro-ondas e faça uma manutenção cuidadosa do mesmo.

Se seguir as instruções, o seu forno irá dar-lhe muitos anos de bom serviço.

GUARDE ESTAS INSTRUÇÕES CUIDADOSAMENTE

PRECAUÇÕES PARA EVITAR UMA POSSÍVEL EXPOSIÇÃO A ENERGIA DE MICRO-ONDAS EXCESSIVA

(a) Não tente operar este forno com a porta aberta, pois isso pode resultar em exposição prejudicial à energia de micro-ondas. É importante não quebrar nem violar os bloqueios de segurança.

(b) Não coloque nenhum objeto entre a parte frontal do forno e a porta, nem deixe que sujidade ou resíduos de limpeza se acumulem sobre as superfícies vedantes.

(c) AVISO: Se a porta ou os vedantes da porta estiverem danificados, o forno não deve ser operado até ter sido reparado por uma pessoa competente.

ADENDA

Se o aparelho não for mantido num bom estado de limpeza, a sua superfície poderá ficar degradada e afetar a vida útil do aparelho e provocar uma situação perigosa.

Especificações

Modelo:	HMG20C5SB HMG20C5SB-80
Tensão Nominal:	230V~ 50Hz
Potência nominal de entrada (Micro-ondas):	1270W
Potência nominal de saída (Micro-ondas):	800W
Potência nominal de entrada (Grelhador):	1000W

Dados de baixo consumo de energia de acordo com o Regulamento (UE) 2023/826 da Comissão.

Estado	Consumo de energia	Período após o qual o equipamento atinge automaticamente o estado
Modo de espera com visualização de informações ou de estado	0,8 W	20 min.

AVISO DE INSTRUÇÕES DE SEGURANÇA IMPORTANTES

Para reduzir o risco de incêndio, choque elétrico, ferimentos a pessoas ou exposição a energia excessiva do forno de micro-ondas ao usar o seu aparelho, siga as precauções básicas, incluindo as seguintes:

1. **Aviso:** Os líquidos e outros alimentos não devem ser aquecidos em recipientes fechados, uma vez que são suscetíveis de explodir.
2. **Aviso:** É perigoso para qualquer pessoa que não seja uma pessoa competente efetuar qualquer operação de serviço ou reparação que envolva a remoção de uma tampa de proteção contra exposição à energia de micro-ondas.
3. Este aparelho pode ser utilizado por crianças de idade igual ou superior a 8 anos e por pessoas com capacidades físicas, sensoriais ou mentais reduzidas ou falta de experiência e conhecimento, caso lhes tenha sido fornecida supervisão ou instruções relativas à utilização do aparelho de forma segura e desde que compreendam os perigos envolvidos. As crianças não devem brincar com o aparelho. A limpeza e a manutenção do utilizador não devem ser feitas por crianças a menos que tenham mais de 8 e sejam supervisionadas.
4. Mantenha o aparelho e o cabo fora do alcance de crianças com menos de 8 anos.
5. Use apenas utensílios adequados para utilização em fornos micro-ondas.
6. O forno deve ser limpo regularmente e quaisquer depósitos de alimentos devem ser removidos.
7. Leia e siga as instruções específicas: **“PRECAUÇÕES PARA EVITAR UMA POSSÍVEL EXPOSIÇÃO A ENERGIA EXCESSIVA DOS MICRO-ONDAS”**.
8. Ao aquecer os alimentos em recipientes de plástico ou de papel, fique atento ao forno devido à possibilidade de ignição.

9. Se estiver a sair fumo, desligue ou desconecte o aparelho e mantenha a porta fechada para abafar qualquer chama.
10. Não coza demasiado os alimentos.
11. Não utilize a cavidade do forno para efeitos de armazenamento. Não guarde artigos, tais como pão, biscoitos, etc. dentro do forno.
12. Remova as torções dos fios e as alças de metal dos recipientes/sacos de papel ou plástico antes de os colocar no forno.
13. Instale ou localize este forno apenas de acordo com as instruções de instalação fornecidas.
14. Os ovos com casca e ovos cozidos inteiros não devem ser aquecidos em fornos micro-ondas porque podem explodir, mesmo depois de o aquecimento no micro-ondas ter terminado.
15. Este aparelho destina-se a ser utilizado em meio doméstico e aplicações semelhantes tais como:
 - áreas de cozinha para o pessoal em lojas, escritórios e outros ambientes de trabalho;
 - por clientes em hotéis, motéis e outros ambientes de tipo residencial;
 - quintas;
 - ambientes de tipo alojamento e pequeno-almoço.
16. Se o cabo de alimentação estiver danificado, tem de ser substituído pelo fabricante, pelo agente de serviço ou por pessoas igualmente qualificadas de forma a evitar o perigo.
17. Não guarde ou utilize este aparelho no exterior.
18. Não use este forno perto de água, numa cave molhada ou perto de uma piscina.
19. A temperatura das superfícies acessíveis pode ser elevada quando o aparelho estiver a funcionar. As superfícies são suscetíveis de aquecer durante a utilização. Mantenha o cabo longe da superfície aquecida e não cubra nenhuns orifícios no forno.

20. Não deixe o cabo pendurado sobre a borda da mesa ou bancada.
21. A falta de manutenção do forno numa condição limpa pode provocar uma deterioração da superfície suscetível de afetar negativamente a vida útil do aparelho e eventualmente resultar numa situação perigosa.
22. O conteúdo dos biberões e da comida para bebé em frascos deve ser mexido ou abanado, e a sua temperatura deve ser verificada antes do consumo de forma a evitar queimaduras.
23. O aquecimento de bebidas no micro-ondas pode resultar em ebulição eruptiva tardia, portanto, deve ter-se cuidado ao manusear o recipiente.
24. O aparelho não está concebido para ser utilizado por pessoas (incluindo crianças) com capacidades físicas, sensoriais ou mentais reduzidas, ou falta de experiência e conhecimento, salvo se providas de supervisão e instrução referente à utilização do aparelho por uma pessoa responsável pela sua segurança.
25. As crianças devem ser supervisionadas para garantir que não brincam com o aparelho.
26. Os aparelhos não se destinam a ser operados através de um temporizador externo ou de um sistema de controlo remoto separado.
27. As peças acessíveis podem ficar quentes durante a utilização. As crianças pequenas devem ser mantidas afastadas.
28. Não deve nunca utilizar um aparelho de limpeza a vapor.
29. Durante a utilização, o aparelho fica quente. Deve ter-se cuidado para evitar tocar nas resistências dentro do forno.
30. Utilize apenas a sonda de temperatura recomendada para este forno. (para fornos fornecidos com uma instalação para utilizar uma sonda de sensor de temperatura.)

31. AVISO: O aparelho e peças acessíveis ficam quentes durante a utilização. Deve ter-se cuidado para evitar tocar nas resistências. As crianças com menos de 8 anos devem ser mantidas afastadas, a menos que supervisionadas continuamente.
32. O forno micro-ondas tem de ser operado com a porta decorativa aberta. (para fornos com porta decorativa.)
33. A superfície de uma gaveta de armazenamento pode ficar quente.
34. O forno micro-ondas destina-se a aquecer alimentos e bebidas. Secar alimentos, peças de roupa e aquecer almofadas térmicas, chinelos, esponjas, panos húmidos e similares pode causar riscos de lesão, ignição ou incêndio.
35. Não é permitido utilizar recipientes metálicos para alimentos e bebidas no micro-ondas.
36. O aparelho não deve ser limpo com um aparelho de limpeza a vapor.
37. Deve ter-se cuidado para não deslocar o prato giratório ao retirar os recipientes do aparelho.
38. Este aparelho não pode ser instalado atrás de uma porta decorativa de forma a evitar sobreaquecimento.
39. AVISO: Quando o aparelho é operado no modo combinado, as crianças apenas devem utilizar o forno sob supervisão adulta devido às temperaturas geradas.

LEIA ATENTAMENTE E GUARDE PARA CONSULTA FUTURA

Para reduzir o risco de lesão é necessário ligar à terra

PERIGO

Risco de choque elétrico. Tocar em alguns dos componentes internos pode provocar lesão grave ou morte. Não desmontar este aparelho.

AVISO

Risco de choque elétrico. Uma utilização inadequada da ligação à terra pode resultar em choque elétrico. Não ligue a uma tomada até que o aparelho esteja instalado e ligado à terra.

Este aparelho tem estar ligado à terra. No caso de um curto-circuito elétrico, a ligação à terra reduz o risco de choque elétrico, fornecendo um fio de escape para a corrente elétrica. Este aparelho está equipado com um cabo que possui um fio de terra com uma tomada de ligação a terra. A ficha deve ser ligada a uma tomada corretamente instalada e ligada à terra.

Consulte um electricista qualificado ou técnico se as instruções de ligação à terra não estiverem completamente compreendidas ou se existirem dúvidas sobre se o aparelho está corretamente ligado à terra. Se for necessário utilizar um cabo de extensão, utilize apenas um cabo de extensão de 3 fios.

1. É fornecido um curto cabo de alimentação para reduzir os riscos resultantes de se enredar ou tropeçar num cabo comprido.

2. Se for utilizado um conjunto de cabos ou cabo de extensão:

1) A classificação elétrica marcada do conjunto de cabo ou extensão deve ser igual ou superior à classificação elétrica do aparelho.

2) O cabo de extensão deve ter um fio de terra de 3 fios.

3) O cabo comprido deve ser disposto de modo que não ficar dobrado sobre a bancada ou tampo de mesa onde poderá ser puxado por crianças ou poderá fazer com que as pessoas tropecem.

LIMPEZA

Certifique-se de desligar o aparelho da fonte de alimentação.

1. Limpe a cavidade do forno depois de usar com um pano ligeiramente húmido.
2. Limpe os acessórios da maneira habitual em água e sabão.
3. A estrutura da porta e o vedante e as partes adjacentes devem ser limpos cuidadosamente com um pano húmido quando estiverem sujos.
4. Não use produtos de limpeza abrasivos ou raspadores afiados de metal para limpar o vidro da porta do forno, uma vez que podem arranhar a superfície, o que pode fazer estalar o vidro.
5. Dica de limpeza---Para uma limpeza mais fácil das paredes da cavidade nas quais os alimentos cozidos podem tocar: Coloque meio limão numa tigela, adicione 300 ml de água e aqueça com a potência do micro-ondas a 100% durante 10 minutos. Limpe o forno com um pano macio e seco.

UTENSÍLIOS

CUIDADO

Perigo de lesão

É perigoso para qualquer pessoa que não seja uma pessoa competente efetuar qualquer operação de serviço ou reparação que envolva a remoção de uma tampa de proteção contra exposição à energia de micro-ondas.

Veja as instruções em "Materiais que pode usar no forno micro-ondas ou a evitar no forno a micro-ondas." Pode haver alguns utensílios não-metálicos que não são seguros de usar em micro-ondas. Em caso de dúvida, pode testar o utensílio em questão após o procedimento abaixo.

Teste do utensílio:

1. Encha um recipiente seguro para micro-ondas com 1 chávena de água fria (250 ml) juntamente com o utensílio em questão.
2. Cozinhe na potência máxima durante 1 minuto.
3. Sinta cuidadosamente o utensílio. Se o utensílio vazio estiver quente, não o utilize para cozinhar no micro-ondas.
4. Não exceda 1 minuto de tempo de cozedura.

Materiais que pode usar no forno micro-ondas

Utensílios	Comentários
Prato para micro-ondas	Siga as instruções do fabricante. O fundo do prato deve ter pelo menos 3/16 polegadas (5 mm) acima do prato giratório. O uso incorreto pode fazer com que o prato giratório quebre.
Loiça	Apenas para micro-ondas. Siga as instruções do fabricante. Não use pratos rachados ou com falhas.
Taças de vidro	Remova sempre a tampa. Utilize apenas para aquecer alimentos. A maioria dos frascos de vidro não é resistente ao calor e pode quebrar.
Artigos de vidro	Apenas artigos de vidro para forno resistentes ao calor. Certifique-se de que não há qualquer decoração de metal. Não use pratos rachados ou com falhas.
Sacos para cozinhar no forno	Siga as instruções do fabricante. Não feche com atilho de metal. Faça fendas para permitir que o vapor se liberte.
Pratos e copos de papel	Utilizar apenas para cozinhar/aquecer durante pouco tempo. Não deixe o forno sem vigilância durante a cozedura.
Toalhas de papel	Use para cobrir alimentos para reaquecer e absorver a gordura. Use com supervisão apenas para cozinhar a curto prazo.
Papel manteiga	Use como cobertura para evitar salpicar ou como uma película para vapor.
Plástico	Apenas para micro-ondas. Siga as instruções do fabricante. Deve ter o rótulo "Seguro para Micro-ondas". Alguns recipientes de plástico amolecem, à medida que a comida aquece. "Sacos para cozer" e sacos de plástico estanques devem ser cortados, perfurados ou ventilados consoante indicado na embalagem.
Película de plástico	Apenas para micro-ondas. Use para cobrir alimentos durante a cozedura para reter a humidade. Não permita que a película de plástico toque na comida.
Termómetros	Apenas seguro para micro-ondas (termómetros para carne e doces).
Papel de cera	Use como cobertura para evitar salpicar ou reter humidade.

Materiais a ser evitados no forno a micro-ondas

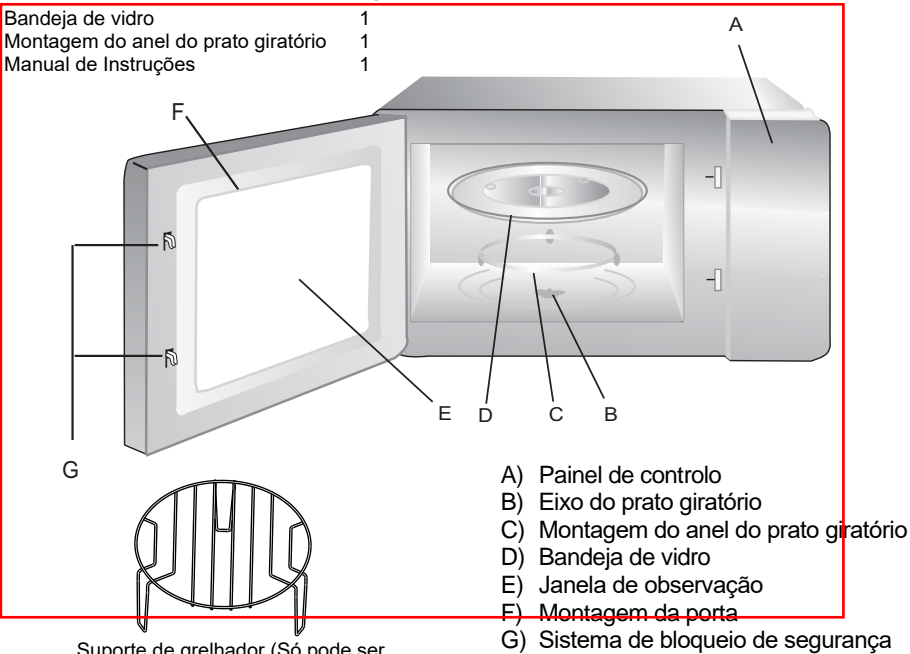
Utensílios	Comentários
Bandeja de alumínio	Pode causar arco. Transfira os alimentos para um prato seguro para micro-ondas.
Caixa de cartão com pega de metal para alimentos	Pode causar arco. Transfira os alimentos para um prato seguro para micro-ondas.
Utensílios de metal ou com decoração de metal	O metal blinda os alimentos da energia do micro-ondas. Uma decoração de metal pode causar arco.
Atilhos de metal	Podem provocar arco e pode causar um incêndio no forno.
Sacos de papel	Pode provocar um incêndio no forno.
Espuma de plástico	A espuma de plástico pode derreter ou contaminar o líquido no interior quando exposto a altas temperaturas.
Madeira	A madeira secará quando utilizada no forno micro-ondas e pode rachar ou quebrar.

CONFIGURAR O SEU FORNO

Nomes de peças de forno e acessórios

Remova o forno e todos os materiais da caixa de cartão e da cavidade do forno.
O seu forno é fornecido com os seguintes acessórios:

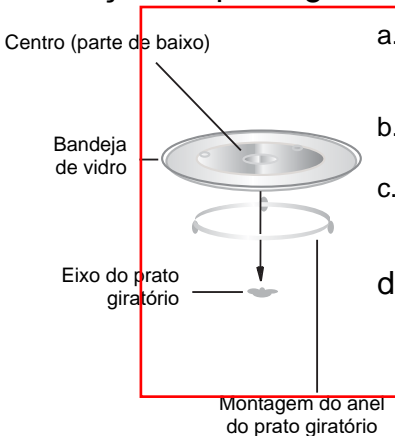
Bandeja de vidro	1
Montagem do anel do prato giratório	1
Manual de Instruções	1



Suporte de grelhador (Só pode ser utilizado na função de grelhador e ser colocado na bandeja de vidro)

- A) Painel de controlo
- B) Eixo do prato giratório
- C) Montagem do anel do prato giratório
- D) Bandeja de vidro
- E) Janela de observação
- F) Montagem da porta
- G) Sistema de bloqueio de segurança

Instalação do prato giratório



- a. Nunca coloque a bandeja de vidro voltada para baixo. A bandeja de vidro nunca deve estar restringida.
- b. Deve utilizar-se sempre a bandeja de vidro e prato giratório em conjunto durante a cozedura.
- c. Todos os alimentos e recipientes de alimentos são sempre colocados na bandeja de vidro para cozinhar.
- d. Se bandeja de vidro ou anel do prato giratório se rachar ou quebrar, entre em contato com o seu centro de serviço autorizado mais próximo.

Montagem do anel do prato giratório

Instalação e conexão

1. Este aparelho destina-se apenas a utilização doméstica.
2. Este forno destina-se apenas a uma utilização encastrada.
Não se destina a utilização em bancada ou a utilização dentro de um armário.
3. Observe as instruções especiais de instalação.
4. O aparelho pode ser instalado num armário montado na parede de 60 cm.
5. O aparelho está equipado com uma ficha e só deve ser ligado a uma tomada de terra devidamente instalada.
6. A tensão da rede deve corresponder à tensão especificada na placa de classificação.
7. A tomada deve ser instalada e o cabo de conexão apenas deve ser substituído por um electricista qualificado.
Se a ficha deixar de ser acessível após a instalação, um dispositivo de desconexão de todos os polos tem de estar presente no lado da instalação com uma folga de contato de, pelo menos, 3 mm.
8. Adaptadores, tiras múltiplas vias e cabos de extensão não devem ser usados. A sobrecarga pode resultar em risco de incêndio.

A superfície acessível pode estar quente durante o funcionamento.



Instruções de instalação

Há que notar o seguinte

Ligação elétrica

O aparelho está equipado com uma ficha e só deve ser ligado a uma tomada de terra devidamente instalada. Apenas um electricista qualificado que tenha em conta os regulamentos apropriados pode instalar a tomada ou substituir o cabo de conexão. Se a ficha deixar de estar acessível após a instalação, tem de estar presente um interruptor de isolamento de todos os polos no lado da instalação com uma folga de contacto de, no mínimo, 3 mm. A proteção contra contacto deve ser assegurada pela instalação.

Unidades instaladas

O armário de instalação não deve ter um painel traseiro atrás do aparelho. Altura mínima de instalação: 850 mm.

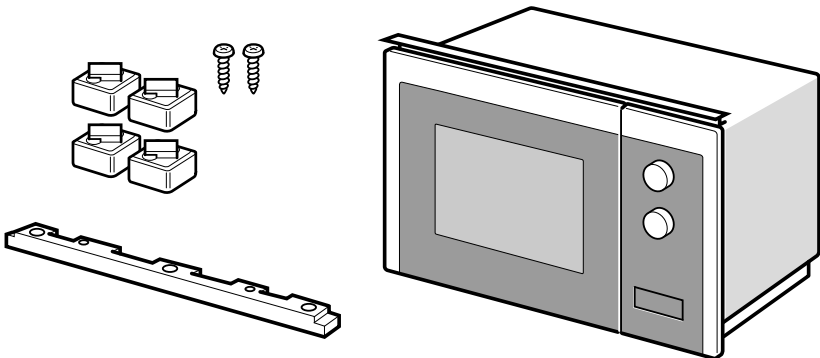
As ranhuras e as entradas para ventilação não devem estar tapadas.

Aparelho numa unidade de pendurar na parede - Fig. 1A

Aparelho numa unidade vertical - Fig.1B

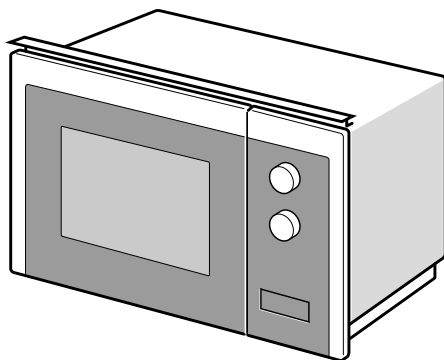
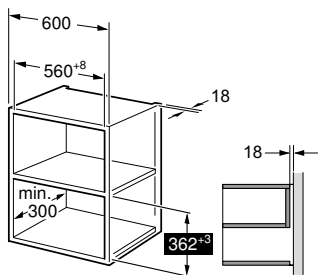
Instalar o forno - Fig. 2

Nota: Não entale nem vinque o cabo principal.

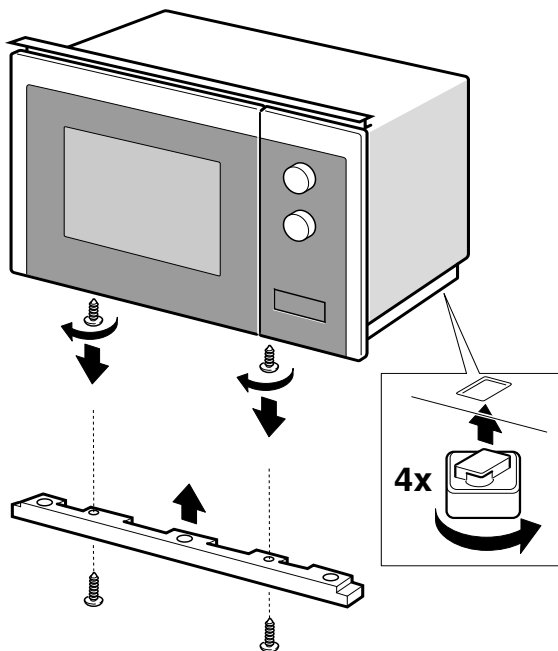
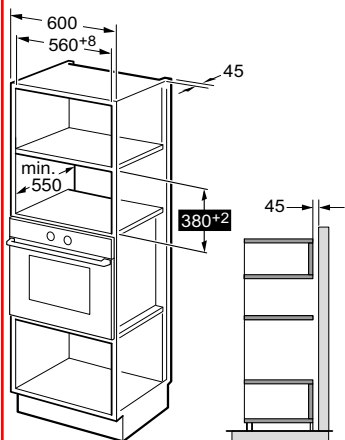


1

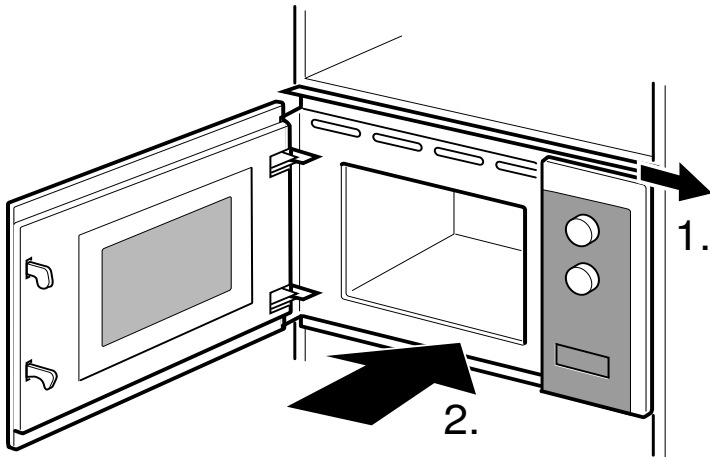
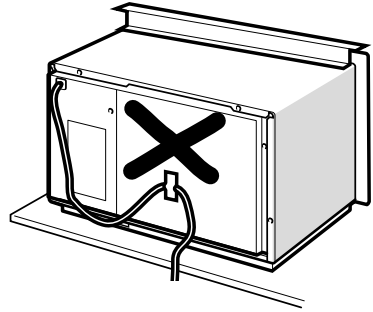
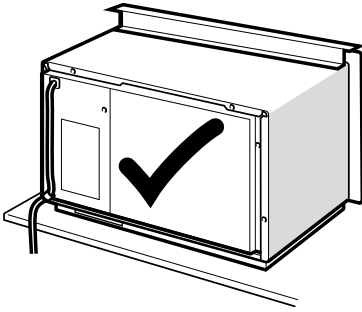
A

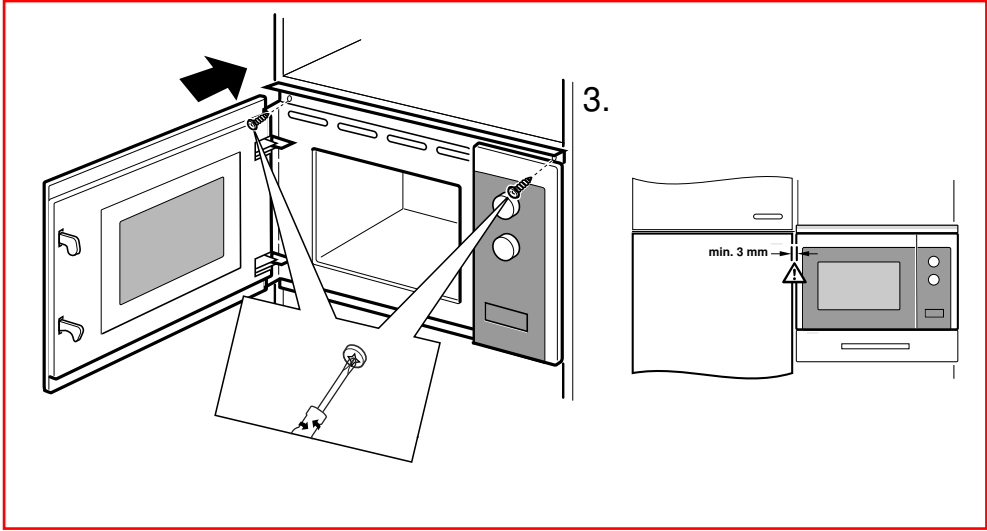


B



2





INSTRUÇÕES DE FUNCIONAMENTO

Este forno micro-ondas utiliza um moderno controlo eletrónico para ajustar os parâmetros de cozedura para atender melhor às suas necessidades de cozinha.

1. Definição do Relógio

Quando o forno micro-ondas é ligado à corrente, o forno irá exibir "0:00", o sinal sonoro soa uma vez. O forno entra no estado de espera.

- 1) Prima "Duration" duas vezes, os números das horas piscam;
- 2) Prima "-" ou "+" para ajustar os números das horas, o tempo introduzido deve estar dentro de 0--23.
- 3) Prima "Duration" para confirmar, os números dos minutos piscam.
- 4) Rode "-" ou "+" para ajustar os números dos minutos, o tempo introduzido deve estar dentro de 0--59.
- 5) Prima "Duration" para terminar a definição do relógio.
":" irá piscar. A hora atual é exibida.

Nota: Se o relógio não estiver definido, não funciona quando ligado à corrente.

2. Cozinhar no Micro-ondas

- 1) Prima uma vez a tecla "Microwave" e aparece "P100".
- 2) Prima "Microwave" repetidamente ou prima "-" ou "+" para selecionar a potência do micro-ondas. "P100", "P80", "P50", "P30", "P10" irá aparecer por ordem.
- 3) Prima "Start | + 30" | Confirm" para confirmar a definição.
- 4) Prima "-" ou "+" para ajustar o tempo de cozedura.
(O tempo máximo de cozedura é de 95 minutos)
- 5) Prima "Start | + 30 " | Confirm" para começar a cozinhar.

Nota: as quantidades dos passos para o tempo de ajuste do codificador são as seguintes:

0---1 min	: 5 segundos
1---5 min	: 10 segundos
5---10 min	: 30 segundos
10---30 min	: 1 minuto
30---95 min	: 5 minutos

Gráfico de Potência do Micro-ondas

Potência do Micro-ondas	Alto	Méd. alto	Méd.	Méd. baixo	Baixo
Visor	P100	P80	P50	P30	P10

3. Grelhador ou Combi. Cozinha

Prima "Grill Combi" uma vez, o ecrã irá mostrar "G", e prima "Grill Combi" repetidamente ou prima "-" ou "+" para escolher a potência desejada, e aparecerá "G", "C-1" ou "C-2". Prima "Start | + 30 " | Confirm" para confirmar a potência. Prima "-" ou "+" para definir o tempo de cozedura. (O tempo máximo de cozedura é de 95 minutos) Prima "Start | + 30 " | Confirm" novamente para começar a cozinhar.

Exemplo: Se desejar utilizar 55% de potência de micro-ondas e 45% de potência do grelhador (C-1) para cozinhar durante 10 minutos, pode operar o forno como os seguintes passos.

- 1) Prima "Grill Combi" uma vez, o ecrã exibe "G".
- 2) Continue a premir "Grill Combi" até o ecrã exibir "C-1".
- 3) Prima "Start | + 30 " | Confirm" para confirmar.
- 4) Prima " — " ou "+" para ajustar o tempo de cozedura até o forno exibir "10:00".
- 5) Prima "Start | + 30 " | Confirm" para começar a cozinhar.

Instruções da potência combinada:

Programa	Visor	Potência do Micro-ondas	Potência do grelhador
Grelhador	G	0%	100%
Combi.1	C-1	55%	45%
Combi.2	C-2	36%	64%

Nota: Se metade do tempo do grelhador passar, o forno soa duas vezes, e isso é normal. Para ter um efeito melhor do alimento a grelhar, deve voltar a comida, fechar a porta e, em seguida, premir "Start | + 30 " | Confirm" para continuar a cozinhar. Se não houver operação, o forno continua a cozinhar.

4. Descongelar por peso

- 1) Pressione "Weight Defrost" uma vez, o ecrã irá exibir "dEF1".
- 2) Prima "-" ou "+" para selecionar o peso dos alimentos. A gama de peso é de 100-2000g.
- 3) Prima a tecla "Start | + 30 " | Confirm" para iniciar o descongelamento.

Nota: Se metade do tempo de descongelação passar, o forno soa duas vezes, e isso é normal. Para ter um efeito melhor do alimento a descongelar, deve virar a comida, fechar a porta e, em seguida, premir "Start | + 30 " | Confirm" para continuar a cozinhar. Se não houver operação, o forno continua a cozinhar.

5. Descongelar por tempo

- 1) Prima "Time Defrost" uma vez, o ecrã exibe "dEF2".
- 2) Prima "-" ou "+" para selecionar o tempo de cozedura. O tempo máximo é 95 minutos.
- 3) Prima a tecla "Start | + 30Sec" | Confirm" para iniciar o descongelamento.

Nota: Se metade do tempo de descongelação passar, o forno soa duas vezes, e isso é normal. Para ter um efeito melhor do alimento a descongelar, deve voltar a comida, fechar a porta e, em seguida, premir "Start | + 30 Sec " | Confirm" para continuar a cozinhar. Se não houver operação, o forno continua a cozinhar.

6. Cozedura multi-fases

Podem definir-se 2 fases no máximo. Se uma das fases for descongelação, deve ser colocada na primeira fase automaticamente. O sinal sonoro irá tocar uma vez após cada fase e a fase seguinte começa. Nota: O menu automático e a rápida cozedura não podem ser ajustados como uma das fases múltiplas.

Exemplo: se quiser descongelar os alimentos durante 5 minutos, e depois cozinhar com 80% de potência do micro-ondas durante 7 minutos. Os passos são os seguintes:

- 1) Prima "Time Defrost" uma vez, o ecrã exibe "dEF2".
- 2) Prima " - "ou " + " para ajustar o tempo de descongelamento de 5 minutos;
- 3) Prima "Microwave" uma vez, o ecrã irá exibir "P100".
- 4) Prima "Microwave" repetidamente para escolher o poder de micro-ondas até "P80" aparecer;
- 5) Prima "Start | + 30" | Confirm" para confirmar.
- 5) Prima "-" ou "+" para ajustar o tempo de cozedura de 7 minutos;
- 7) Prima "Start | + 30 " | Confirm" para começar a cozinhar.

7. Temporizador de Cozedura

- 1) Prima "Duration" uma vez, o ecrã irá exibir "00:00".
- 2) Prima "-" ou "+" para introduzir o temporizador correto.
(O tempo máximo de cozedura é de 95 minutos)
- 3) Prima "Start | + 30 " | Confirm" para confirmar a definição.
- 4) Quando o tempo de cozedura for alcançado, o sinal sonoro irá tocar 5 vezes.

Se o relógio estiver definido (sistema de 24 horas), o ecrã irá exibir a hora atual.

Nota: O Tempo de Cozedura é diferente do sistema 24 horas. O Temporizador de Cozedura é um temporizador.

8. Menu automático

- 1) No estado de espera, prima "+" várias vezes para escolher o menu.
- 2) Prima "Start | + 30 " | Confirm" para confirmar o menu que escolheu.
- 3) Prima "-" ou "+" para escolher o peso dos alimentos.
- 4) Prima "Start | + 30" | Confirm" para começar a cozinhar.

O gráfico do menu:

Menu	Peso	Energia
Pizza	200 g	100% (Mic.)
	400 g	
Carne	250 g	100% (Mic.)
	350 g	
	450 g	
Vegetal	200 g	100% (Mic.)
	300 g	
	400 g	
Massas	50g (com 450 g de água fria)	80% (Mic.)
	100 G (com 800 g de água fria)	
Batata	200 g	100% (Mic.)
	400 g	
	600 g	
Peixe	250 g	80% (Mic.)
	350 g	
	450 g	
Bebidas	1 chávena (cerca de 120 ml)	100% (Mic.)
	2 chávenas (cerca de 240 ml)	
	3 chávenas (cerca de 360ml)	
Pipocas	50 g	100% (Mic.)
	100 g	

9. Cozinha Rápida

- 1) No estado de espera, prima a tecla "Start | + 30 " | Confirm" para cozinhar com nível de potência 30% durante 100 segundos. De cada vez que prime a mesma tecla aumenta 30 segundos. O tempo máximo de cozedura é de 95 minutos.
- 2) Durante a cozedura com micro-ondas, grelhador, combinada e descongelamento por tempo, prima "Start | + 30 " | Confirm" para aumentar o tempo de cozedura.
- 3) Sob os estados do menu automático e do descongelamento por peso, o tempo de cozedura não pode ser aumentado premindo "Start | + 30 Sec" | Confirm".
- 4) No estado de espera, prima " - " para escolher o tempo de cozedura. Depois de ajustar o tempo de cozedura, prima " Start | + 30 " | Confirm" para iniciar a cozedura por micro-ondas com o nível de potência a 100%.

10. Trinco para crianças

Trinco: No estado de espera, prima "Stop|Clear" durante 3 segundos para entrar no estado de trinco para crianças e o tempo atual aparecerá se tiver sido definido, caso contrário, o ecrã exibirá "👶👶".

Desativar o trinco: Em estado bloqueado, prima " Stop|Clear" durante 3 segundos, o bloqueio é libertado.

11. Função de Inquirição

- 1) Quando se cozinha com o micro-ondas ou grelhador e em combinação. Prima "Microwave" ou "Grill Combi", a potência atual será exibida durante 3 segundos.
- 2) Se o relógio estiver definido, durante o estado de cozedura, prima "Duration" para verificar o tempo atual. Será exibido durante 3 segundos.

12. Especificação

- 1) Se a porta for aberta no processo de cozedura, feche a porta e prima "Start | + 30 " | Confirm" para continuar a cozinhar.
- 2) Uma vez definido o programa de cozedura, " Start | + 30 " | Confirm " não é premido em 1 minuto. A hora atual será exibida. A configuração será cancelada.
- 3) O sinal sonoro soa uma vez com pressão eficiente, uma pressão ineficiente não dá resposta.

Resolução de problemas

Normal	
Forno micro-ondas a interferir com a receção de TV	A receção de rádio e TV pode sofrer interferência durante o funcionamento do forno de micro-ondas. É semelhante à interferência de pequenos aparelhos elétricos, como misturador, aspirador de pó e ventilador elétrico. Isto é normal.
Luz do forno fraca	Quando se cozinha no micro-ondas a baixa potência, a luz do forno pode tornar-se fraca. Isto é normal.
Vapor a acumular na porta, ar quente fora das aberturas	Na cozinha, o vapor pode sair dos alimentos. A maioria sairá das aberturas. Mas algum pode acumular-se num local fresco como a porta do forno. Isto é normal.
O forno ligou-se acidentalmente sem comida dentro.	É proibido pôr o aparelho a funcionar sem qualquer alimento dentro. É muito perigoso.

Problema	Causa possível	Solução
O forno não pode ser iniciado.	(1) Cabo de alimentação mal conectado.	Desligue. Em seguida, volte a ligar após 10 segundos.
	(2) Fusível fundido ou curto-circuito.	Substituir o fusível ou repor o curto-circuito (reparado por pessoal profissional da nossa empresa)
	(3) Problema com a tomada.	Saída de teste com outros aparelhos elétricos.
O forno não aquece.	(4) A porta não está bem fechada.	Feche bem a porta.



De acordo com a diretiva relativa aos resíduos de equipamentos eléctricos e electrónicos (REEE), os REEE devem ser recolhidos e tratados separadamente. Se a qualquer momento no futuro precisar de eliminar este produto por favor não elimine este produto com o lixo doméstico. Por favor, envie este produto para os pontos de recolha de REEE quando disponível.



Mikrovlinná trouba

NÁVOD K OBSLUZE

**MODEL: HMG20C5SB
HMG20C5SB-80**

Před použitím mikrovlnné trouby si důkladně přečtěte tyto pokyny a pečlivě si je uschovejte.

Pokud se budete řídit pokyny, bude vám trouba sloužit dlouhá léta.

PEČLIVĚ SI TYTO POKYNY USCHOVEJTE

OPATŘENÍ, KTERÁ MAJÍ ZAMEZIT PŘÍPADNÉMU VYSTAVENÍ NADMĚRNÉMU MNOŽSTVÍ MIKROVLNNÉ ENERGIE

(a) Nepokoušejte se používat tuto troubu s otevřenými dvířky, protože to by mohlo vést ke škodlivému vystavení mikrovlnné energii. Je důležité zabránit rozbití nebo neodborné manipulaci s bezpečnostním blokováním.

(b) Neumisťujte žádné předměty mezi čelní stranu trouby a dvířka, ani nedovolte, aby se na povrchu těsnění hromadila špína nebo zbytky čisticích prostředků.

(c) **VAROVÁNÍ:** Jestliže jsou poškozená dvířka nebo jejich těsnění, trouba se nesmí používat, dokud nebude opravena kompetentní osobou.

DODATEK

Jestliže není spotřebič udržován v čistém stavu, jeho povrch by se mohl narušit, což by ovlivnilo životnost spotřebiče a vedlo ke vzniku nebezpečné situace.

Technické údaje

Model:	HMG20C5SB HMG20C5SB-80
Jmenovité napětí:	230 V~, 50 Hz
Jmenovitý příkon (mikrovlnná trouba):	1270 W
Jmenovitý výkon (mikrovlnná trouba):	800 W
Jmenovitý příkon (gril):	1000 W

Údaje o nízké spotřebě energie podle nařízení Komise (EU) 2023/826.

Stav	Příkon	Doba, po které zařízení automaticky dosáhne daného stavu
Pohotovostní režim s informacemi nebo zobrazením stavu	0,8 W	20 min

DŮLEŽITÉ BEZPEČNOSTNÍ POKYNY A VAROVÁNÍ

Dodržujte základní bezpečnostní opatření včetně následujících, aby se snížilo nebezpečí požáru, úrazu elektrickým proudem, zranění osob nebo vystavení nadměrnému množství mikrovlnné energie při používání spotřebiče:

1. Varování: Tekutiny a jiné potraviny se nesmí ohřívat v uzavřených nádobách, protože by mohly vybuchnout.
2. Varování: Provádění jakékoli údržby nebo opravy zahrnující sejmutí krytu, který chrání před vystavením mikrovlnné energii, je nebezpečné pro kohokoli kromě kompetentní osoby.
3. Tento spotřebič mohou používat děti starší osmi let a osoby s omezenými fyzickými, smyslovými nebo duševními schopnostmi nebo osoby nezkušené a neznalé za předpokladu, že mají zajištěný dohled nebo byly poučeny o bezpečném používání spotřebiče a chápou související rizika. Děti si se spotřebičem nesmějí hrát. Děti nesmějí provádět čištění a uživatelskou údržbu bez dozoru, nebo pokud nejsou starší osmi let.
4. Uchovávejte spotřebič a jeho kabel mimo dosah dětí mladších osmi let.
5. Používejte pouze náčiní vhodné pro mikrovlnné trouby.
6. Trouba by se měla pravidelně čistit včetně odstraňování veškerých usazenin pokrmů.
7. Zejména si přečtěte a dodržujte: „OPATŘENÍ, KTERÁ MAJÍ ZAMEZIT PŘÍPADNÉMU VYSTAVENÍ NADMĚRNÉMU MNOŽSTVÍ MIKROVLNNÉ ENERGIE“.
8. Při ohřívání potravin v plastových nebo papírových nádobách sledujte troubu, protože existuje možnost vznícení.
9. Jestliže se objeví kouř, vypněte spotřebič nebo ho odpojte od napájení a nechte dvířka zavřená, aby se plameny udusili.
10. Pokrmy nepřevažujte.
11. Vnitřek trouby nepoužívejte ke skladování věcí.
Nic v troubě nenechávejte, např. chléb, sušenky apod.

12. Před vložením do trouby odstraňte z papírových nebo plastových nádob/sáčků drátěné kroužky a kovové úchyty.

13. Tuto troubu instalujte a umístěte pouze v souladu s dodanými pokyny pro instalaci.

14. V mikrovlnné troubě by se neměla ohřívat vejce ve skořápkách a celá vejce na tvrdo, protože by mohla vybuchnout, a to i po skončení mikrovlnného ohřevu.

15. Spotřebič je určen k použití v domácnosti a podobných místech, jako jsou:

- kuchyňky pro personál v obchodech, kancelářích a na dalších pracovištích;

- hotely, motely a dalších obytné objekty, v nichž je používán zákazníci;

- na chalupách;

- v bytovacích zařízeních typu penzionu se snídaní.

16. Pokud se poškodí napájecí kabel, výměnu musí provést výrobce, jeho servisní zástupce nebo osoba s podobnou kvalifikací, aby se vyloučilo riziko.

17. Nepoužívejte ani neskladujte spotřebič venku.

18. Nepoužívejte troubu v blízkosti vody, ve vlhkém sklepě nebo v blízkosti bazénu.

19. Teplota přístupných povrchů může být při provozu spotřebiče vysoká. Povrchy mohou být při používání horké. Šňůru uchovávejte mimo ohříváný povrch a nezakrývejte žádné větrací otvory trouby.

20. Nenechávejte kabel viset přes okraj stolu nebo pultu.

21. Když se trouba nebude udržovat v čistém stavu, mohlo by to vést k narušení povrchu, což by mohlo nepříznivě ovlivnit životnost spotřebiče a případně způsobit nebezpečnou situaci.

22. Obsah kojeneckých láhví a dětské výživy ve sklenicích se musí zamíchat nebo protřepat a před krmením je nutné zkontrolovat jeho teplotu, aby se zamezilo popálení.

23. Mikrovlnný ohřev nápojů může vést ke zpožděnému prudkému varu, proto je nutné dávat pozor při manipulaci s nádobou.
24. Tento spotřebič není určen k používání osobami (včetně dětí) s omezenými fyzickými, smyslovými nebo duševními schopnostmi nebo osobami nezkušenými a neznalými, pokud nejsou pod dohledem nebo nebyly poučeny o používání spotřebiče osobou odpovědnou za jejich bezpečnost.
25. Děti by měly být pod dohledem, aby si se spotřebičem nehrály.
26. Tyto spotřebiče nejsou určeny k tomu, aby byly řízeny externím časovým spínačem nebo samostatným systémem dálkového ovládání.
27. Přístupné součásti mohou být během používání horké. Zabraňte přístupu malých dětí ke spotřebiči.
28. Nesmí se používat parní čistič.
29. Během používání je spotřebič horký. Je třeba dávat pozor, abyste se nedotkli topných těles uvnitř trouby.
30. Používejte pouze teplotní sondu doporučenou pro tuto troubu (u trub vybavených možností použití teplotní sondy).
31. **VAROVÁNÍ:** Spotřebič a jeho přístupné součásti jsou během používání horké. Je třeba dávat pozor, abyste se nedotkli topných těles. Děti mladší osmi let se nesmí přibližovat ke spotřebiči, pokud nejsou pod nepřetržitým dohledem.
32. Mikrovlnná trouba musí být provozována s otevřenými dekoračními dvířky (pro trouby s dekoračními dvířky).
33. Povrch úložné zásuvky se může zahřát.
34. Mikrovlnná trouba je určena k ohřívání pokrmů a nápojů. Sušení potravin nebo oblečení a ohřívání ohřívacích podušek, pantoflí, houbiček, vlhkých látek apod. by mohlo vést k riziku zranění, vznícení nebo požáru.
35. V mikrovlnné troubě není dovoleno připravovat pokrmy a nápoje v kovových nádobách.

36. Spotřebič se nesmí čistit parním čističem.
37. Při vyjímání nádob ze spotřebiče je třeba dávat pozor, aby se neposunul otočný talíř.
38. Spotřebič se nesmí instalovat za dekorační dvířka, aby se zamezilo přehřívání.
39. VAROVÁNÍ: Pokud je spotřebič provozován v kombinovaném režimu, měly by děti troubu používat pouze pod dohledem dospělé osoby, a to kvůli teplotám, které v ní vznikají.

**POZORNĚ SI PŘEČTĚTE A USCHOVEJTE
PRO BUDOUCÍ POUŽITÍ**

Instalace uzemnění za účelem snížení rizika zranění

NEBEZPEČÍ

Nebezpečí úrazu elektrickým proudem. Kontakt s některými vnitřními součástmi může způsobit vážné zranění nebo usmrcení. Nerozebírejte tento spotřebič.

VAROVÁNÍ

Nebezpečí úrazu elektrickým proudem. Nesprávné uzemnění může vést k úrazu elektrickým proudem. Nezapojujte spotřebič do zásuvky, dokud nebude správně nainstalovaný a uzemněný.

Tento spotřebič musí být uzemněný. Uzemnění snižuje riziko úrazu elektrickým proudem v případě elektrického zkratu tím, že poskytuje vodič pro odvod elektrického proudu. Tento spotřebič je vybaven kabelem s uzemňovacím vodičem a uzemňovací zástrčkou. Zástrčku je nutné zasunout do náležitě nainstalované a uzemněné zásuvky.

Pokud plně nechápete pokyny pro uzemnění nebo máte pochybnosti, zda je spotřebič správně uzemněný, poraďte se s kvalifikovaným elektrikářem nebo servisním technikem.

Jestliže je zapotřebí použít prodlužovací kabel, použijte pouze trojžilový prodlužovací kabel.

1. Dodaný napájecí kabel je krátký, aby se snížilo riziko zamotání nebo zakopnutí o delší kabel.

2. Pokud se používá dlouhý připojený nebo prodlužovací kabel:

1) Jmenovité hodnoty elektrického napájení vyznačené na připojeném nebo prodlužovacím kabelu musí být alespoň stejně velké jako hodnoty spotřebiče.

2) Prodlužovací kabel musí být trojžilový kabel s uzemněním.

3) Dlouhý kabel by měl být veden tak, aby nevisel přes pracovní desku nebo desku stolu na místě, kde by za něj mohly tahat děti nebo kde by o něj mohl někdo neúmyslně zakopnout.

ČIŠTĚNÍ

Je nutné odpojit spotřebič od napájení.

1. Po použití otřete vnitřní prostor trouby navlhčeným hadrem.
2. Umyjte příslušenství běžným způsobem v mýdlové vodě.
3. Když jsou rám dvířek, těsnění a okolní součásti znečištěné, musíte je pečlivě očistit vlhkým hadrem.
4. K čištění skla ve dvířkách trouby nepoužívejte drsné čisticí prostředky s brusným účinkem ani ostré kovové škrabky, protože by mohly poškrábat povrch, což by mohlo vést k roztříštění skla.
5. Tip pro čištění – pro snazší čištění stěn vnitřního prostoru, které se mohou dotýkat připravovaných pokrmů: Vložte do mísy polovinu citrónu, přidejte 300 ml vody a na 10 minut zapněte mikrovlnnou troubu nastavenou na 100% výkon. Otřete troubu měkkou, suchou látkou.

KUCHYŇSKÉ NÁČINÍ

POZOR

Nebezpečí zranění

Provádění jakékoli údržby nebo opravy zahrnující sejmutí krytu, který chrání před vystavením mikrovlnné energii, je nebezpečné pro kohokoli kromě kompetentní osoby.

Viz pokyny „Materiály, které lze používat v mikrovlnné troubě nebo kterým se v mikrovlnné troubě vyhýbat“. Může existovat určité nekovové kuchyňské náčiní, jehož používání pro mikrovlnný ohřev není bezpečné. Máte-li pochybnosti, můžete dotčené náčiní vyzkoušet podle níže popsání postupu.

Zkouška kuchyňského náčiní:

1. Naplňte nádobu určenou pro mikrovlnnou troubu jedním šálkem (250 ml) studené vody a vložte do ní dotčené náčiní.
2. Ohřívajte jednu minutu na maximální výkon.
3. Opatrně se dotkněte náčiní. Jestliže je prázdné náčiní teplé, nepoužívejte ho k přípravě pokrmů s mikrovlnným ohřevem.
4. Délka ohřevu nesmí překročit jednu minutu.

Materiály, které lze používat v mikrovlnné troubě

Kuchyňské náčiní	Poznámky
Gratinovací mísa	Řiďte se pokyny výrobce. Dno gratinovací mísy musí být alespoň 5 mm nad otočným talířem. Nesprávné použití může způsobit rozbití otočného talíře.
Stolní nádobí	Pouze výrobky určené pro mikrovlnnou troubu. Řiďte se pokyny výrobce. Nepoužívejte prasklé nebo otlučené nádobí.
Zavařovací sklenice	Vždy sejměte víčko. Používejte pouze k ohřevu pokrmu, dokud nebude teplý. Většina zavařovacích sklenic není žáruvzdorná a mohla by prasknout.
Skleněné nádobí	Pouze žáruvzdorné skleněné nádobí pro troubu. Ujistěte se, že nemá metalické lemování. Nepoužívejte prasklé nebo otlučené nádobí.
Sáčky na pečení v troubě	Řiďte se pokyny výrobce. Nezapínejte kovovou sponu. Nařízněte je, aby mohla unikat pára.
Papírové talíře a kelímky	Používejte pouze ke krátkodobému vaření/ohřevu. Během ohřevu nenechávejte troubu bez dozoru.
Papírové utěrky	Používejte k zakrývání pokrmů za účelem přehřívání a absorbování tuku. Používejte pouze pod dozorem ke krátkodobé přípravě pokrmů.
Pergamenový papír	Používejte k zakrývání, aby se předešlo rozstříku, nebo k obalování při pečení v páře.
Plasty	Pouze výrobky určené pro mikrovlnnou troubu. Řiďte se pokyny výrobce. Měly by být označeny jako „určené pro mikrovlnnou troubu“. Některé plastové nádoby během ohřívání pokrmu uvnitř měknou. „Varné sáčky“ a těsně uzavřené plastové sáčky by se měly naříznout, propíchnout nebo odvětrat podle pokynů na obalu.
Plastové fólie	Pouze výrobky určené pro mikrovlnnou troubu. Používejte k zakrývání potravin během přípravy, aby si udržely vlhkost. Zabraňte tomu, aby se plastové fólie dotýkaly potravin.
Teploměry	Pouze výrobky určené pro mikrovlnnou troubu (teploměry na maso a cukroví).
Voskový papír	Používejte k zakrývání, aby se předešlo rozstříku a ztrátě vlhkosti.

Materiály, kterým se v mikrovlnné troubě vyhýbat

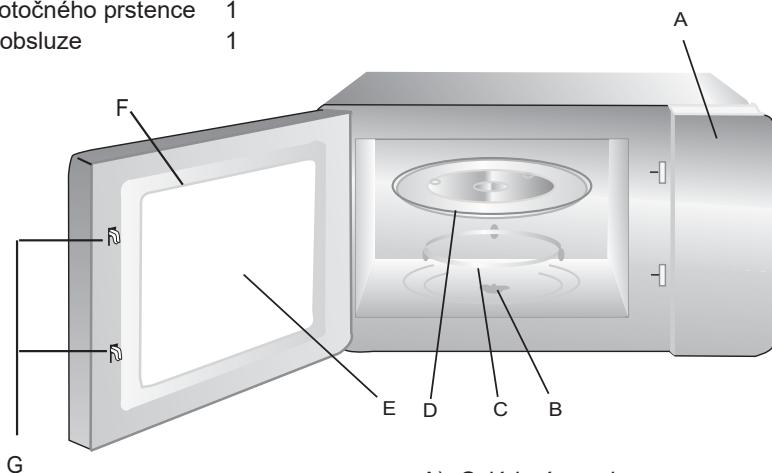
Kuchyňské náčiní	Poznámky
Hliníkový plech	Mohl by způsobit vznik elektrického oblouku. Přemístěte pokrm do mísy určené pro mikrovlnnou troubu.
Kartónový obal na potraviny s kovovým držadlem	Mohl by způsobit vznik elektrického oblouku. Přemístěte pokrm do mísy určené pro mikrovlnnou troubu.
Kovové náčiní nebo náčiní s kovovým lemováním	Kov stíní potraviny před mikrovlnnou energií. Kovové lemování by mohlo způsobit vznik elektrického oblouku.
Kovové stahovací pásy	Mohly by způsobit vznik elektrického oblouku a oheň v troubě.
Papírové sáčky	Mohly by způsobit oheň v troubě.
Pěnové plasty	Pěnové plasty by se mohly působením vysoké teploty roztavit nebo kontaminovat tekutinu uvnitř.
Dřevo	Dřevo při používání v mikrovlnné troubě vyschne a mohlo by se rozštěpit nebo prasknout.

SESTAVENÍ TROUBY

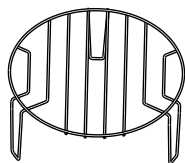
Názvy součástí trouby a příslušenství

Vyjměte troubu a všechny materiály z kartónového obalu a vnitřního prostoru trouby. Trouba se dodává s následujícím příslušenstvím:

Skleněný talíř	1
Sestava otočného prstence	1
Návod k obsluze	1



G



- A) Ovládací panel
- B) Osa otočného talíře
- C) Sestava otočného prstence
- D) Skleněný talíř
- E) Pozorovací okénko
- F) Sestava dvířek
- G) Systém bezpečnostního blokování

Grilovací rošt (lze použít pouze ve funkci grilování a je nutno umístit na skleněný táč)

Instalace otočného talíře

Sřed (na spodní straně)

Skleněný talíř

Osa otočného talíře

Sestava otočného prstence

- a. Nikdy nepokládejte skleněný talíř spodní stranou vzhůru. Nic nesmí omezovat skleněný talíř v pohybu.
- b. Během přípravy pokrmů se musí vždy používat skleněný talíř i sestava otočného prstence.
- c. Všechny potraviny a pokrmy v nádobách se musí vždy pokládat na skleněný talíř.
- d. Dojde-li k prasknutí nebo rozbití skleněného talíře nebo sestavy otočného prstence, obraťte se na nejbližší autorizované servisní středisko.

Instalace a zapojení

1. Tento spotřebič je určen pouze k používání v domácnosti.
2. Tato trouba je určena pouze k vestavnému použití.
Není určena k položení na pracovní desku ani k používání uvnitř skříně.
3. Řiďte se speciálními pokyny pro instalaci.
4. Spotřebič lze instalovat do nástěnné skříně o šířce 60 cm.
5. Spotřebič je vybaven zástrčkou a smí být připojen pouze k řádně nainstalované uzemněné zásuvce.
6. Síťové napětí musí odpovídat hodnotě napětí uvedené na typovém štítku.
7. Instalaci zásuvky a výměnu připojovacího kabelu smí provádět pouze kvalifikovaný elektrikář. Pokud po instalaci již není přístupná zástrčka, je nutné, aby bylo místo instalace vybaveno vícepólovým vypínacím zařízením se vzdáleností kontaktů nejméně 3 mm.
8. Nesmí se používat adaptéry, rozbočovače ani prodlužovací kabely. Přetížení může vést k nebezpečí požáru.

**Přístupný povrch nesmí
být za provozu horký.**



Pokyny pro instalaci

Důležité informace

Připojení k elektrickému napájení

Spotřebič je vybaven zástrčkou a smí být připojen pouze k řádně nainstalované uzemněné zásuvce. Instalaci zásuvky či výměnu napájecího kabelu smí provádět pouze kvalifikovaný elektrikář, který zná příslušná nařízení. Pokud po instalaci již není přístupná zástrčka, je nutné, aby bylo místo instalace vybaveno vícepólovým oddělovacím vypínačem se vzdáleností kontaktů nejméně 3 mm. Při instalaci musí být zajištěna ochrana kontaktu.

Vestavěné jednotky

Instalační skříň nesmí mít zadní stěnu hned za spotřebičem. Minimální instalační výška: 850 mm.

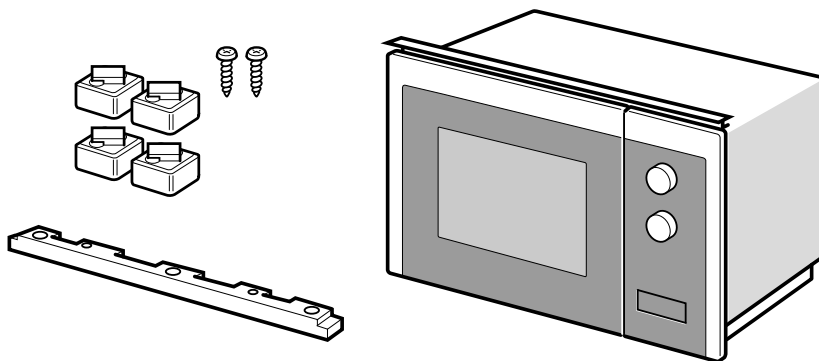
Větrací otvory a sání nesmí být zakryty.

Spotřebič v jednotce zavěšené na zdi – obr. 1A

Spotřebič ve vysoké jednotce – obr. 1B

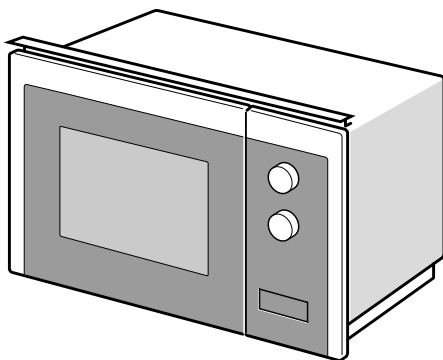
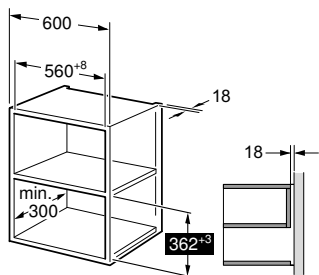
Instalace mikrovlnné trouby – obr. 2

Poznámka: Nesvírejte ani nezauzklujte síťový kabel.

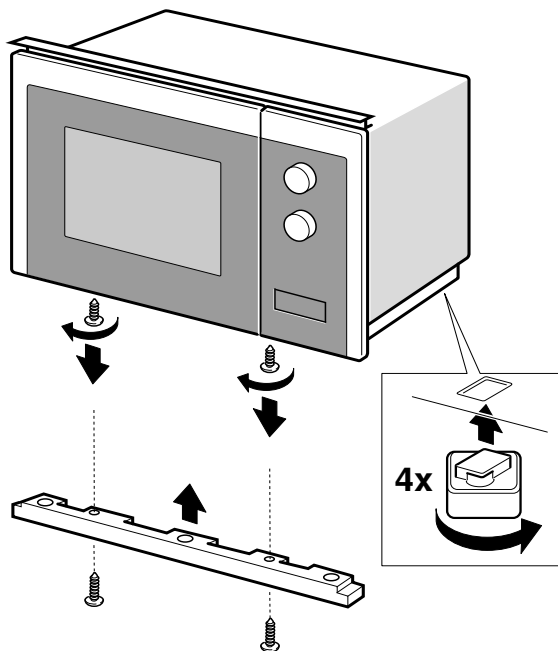
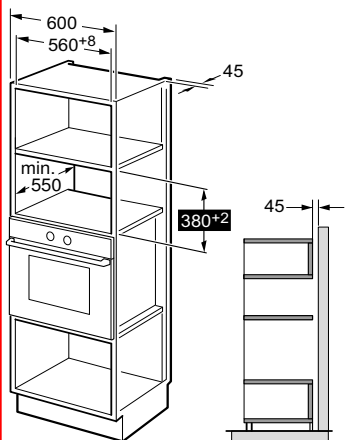


1

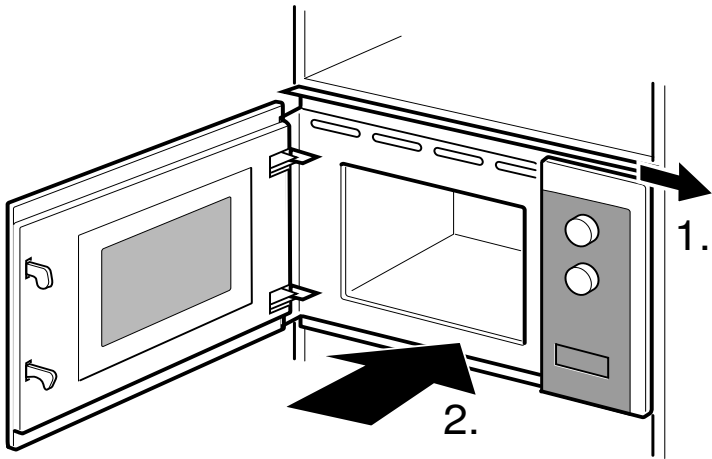
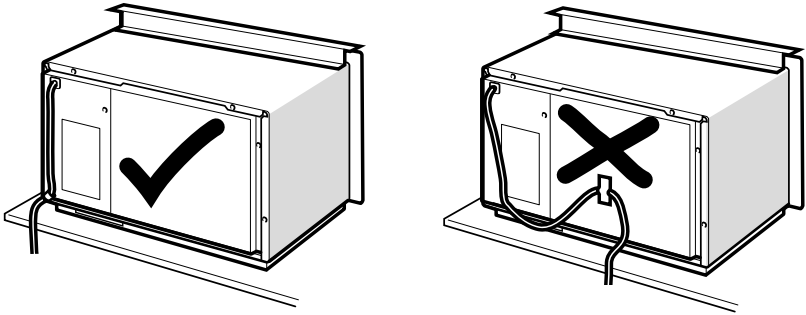
A

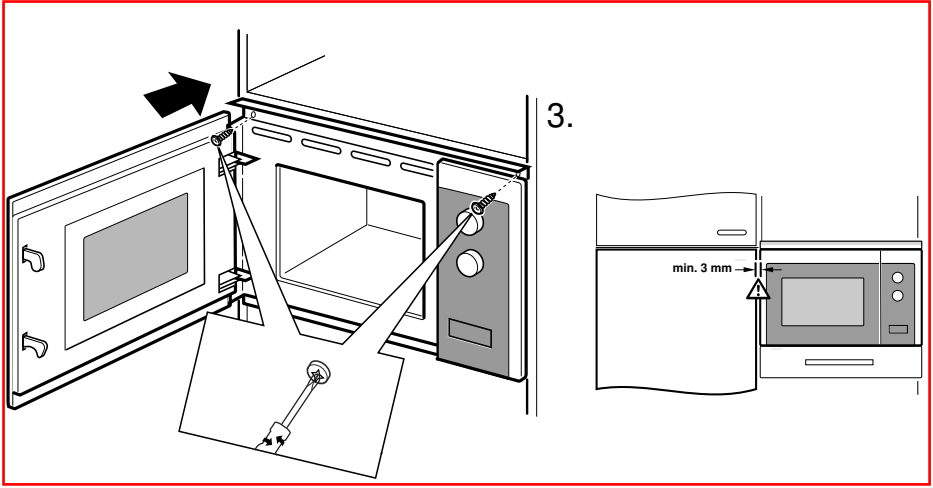


B



2





POKYNY PRO OVLÁDÁNÍ

Tato mikrovlnná trouba využívá moderní elektronické ovládání, které upravuje parametry ohřevu tak, aby lépe vyhovovaly vašim potřebám při vaření.

1. Nastavení hodin

Když je mikrovlnná trouba pod proudem, na displeji se zobrazí „0:00“ a jednou se ozve zvukový signál. Trouba přejde do fáze čekání.

- 1) Dvakrát zmáčknete „Duration“, číslice na hodinách zablikají;
- 2) Zmáčknete „-“ nebo „+“ pro nastavení čísel hodin, zadávaný čas by měl být v rozmezí 0–23.
- 3) Potvrdíte zmáčknutím tlačítka „Duration“, číslice minut zablikají.
- 4) Otočte „-“ nebo „+“ pro nastavení čísel minut, zadávaný čas by měl být v rozmezí 0–59.
- 5) Stisknete tlačítko „Duration“ pro dokončení nastavení hodin.
„:“ zabliká. Zobrazí se aktuální čas.

Poznámka: Pokud nejsou hodiny nastaveny, nebudou při napájení fungovat.

2. Příprava pokrmů s mikrovlnným ohřevem

- 1) Jednou zmáčknete „Microwave“ a zobrazí se „P100“.
- 2) Zmáčknete několikrát „Microwave“ nebo zmáčknete „-“ nebo „+“ pro výběr výkonu mikrovlnného ohřevu.
Postupně se zobrazí „P100“, „P80“, „P50“, „P30“, „P10“.
- 3) Nastavení potvrdíte zmáčknutím „Start | + 30 " | Confirm“.
- 4) Zmáčknete „-“ nebo „+“ a nastavíte dobu ohřevu.
(Maximální doba ohřevu je 95 minut.)
- 5) Zmáčknutím „Start | + 30 " | Confirm“ začnete vařit.

POZNÁMKA: časové posuny při nastavování doby kódovacího spínače jsou následující:

0---1 min	: 5 sekund
1---5 min	: 10 sekund
5---10 min	: 30 sekund
10---30 min	: 1 minuta
30---95 min	: 5 minut

Tabulka mikrovlnného ohřevu

Výkon mikrovlnného ohřevu	vysoký	středně vysoký	střední	středně nízký	nízký
Displej	P100	P80	P50	P30	P10

3. Gril nebo kombinované vaření

Stiskněte jednou tlačítko „Grill Combi“, na displeji se zobrazí „G“ a opakovaným stisknutím tlačítka „Grill Combi“ nebo stisknutím tlačítka „-“ nebo „+“ zvolte požadovaný výkon. Zobrazí se „G“, „C-1“ nebo „C-2“. Nastavení výkonu potvrdíte zmáčknutím „Start | + 30 " | Confirm“. Zmáčkněte „-“ nebo „+“ a nastavte dobu ohřevu. (Maximální doba ohřevu je 95 minut.) Ohřev začne, když znovu zmáčknete „Start | + 30 " | Confirm“.

Například: Pokud chcete použít 55 % mikrovlnného výkonu a 45 % výkonu grilu (C-1) pro přípravu pokrmů po dobu 10 minut, můžete troubu ovládat podle následujících kroků.

- 1) Stiskněte jednou tlačítko „Grill Combi“, na displeji se zobrazí „G“.
- 2) Dále mačkejte tlačítko „Grill Combi“, dokud se na displeji nezobrazí „C-1“.
- 3) Potvrďte zmáčknutím „Start | + 30 " | Confirm“.
- 4) Mačkejte „-“ nebo „+“ a nastavte dobu ohřevu tak, dokud displej trouby nebude ukazovat „10:00“.
- 5) Zmáčknutím „Start | + 30 " | Confirm“ začnete vařit.

Pokyny pro kombinovaný výkon:

Program	Displej	Výkon mikrovlnného ohřevu	Výkon grilu
Gril	G	0 %	100 %
Kombi.1	C-1	55 %	45 %
Kombi.2	C-2	36 %	64 %

Poznámka: Pokud uplyne polovina doby grilování, zvukový signál trouby dvakrát zazní, což je normální. Abyste dosáhli lepšího výsledku grilování, měli byste pokrm otočit, zavřít dvířka a poté stisknout tlačítko „Start | + 30 " | Confirm“ pro pokračování v grilování.

Pokud nedojde k žádné manipulaci, trouba bude pokračovat v činnosti.

4. Rozmrazování podle hmotnosti

- 1) Stiskněte jednou tlačítko „Weight Defrost“, na obrazovce se zobrazí „dEF1“.
- 2) Zmáčknutím „-“ nebo „+“ vyberte hmotnost potravin. Rozsah hmotnosti je 100-2000 g.
- 3) Zmáčknutím tlačítka „Start | + 30 " | Confirm“ začnete s rozmrazováním.

Poznámka: Pokud uplyne polovina doby rozmrazování, dvakrát zazní zvukový signál trouby, což je normální. Abyste dosáhli lepšího výsledku rozmrazování, měli byste pokrm otočit, zavřít dvířka a poté stisknout tlačítko „Start | + 30 " | Confirm“ pro pokračování v grilování. Pokud nedojde k žádné manipulaci, trouba bude pokračovat v činnosti.

5. Rozmrazování podle času

- 1) Stiskněte jednou tlačítko „Time Defrost“, na obrazovce se zobrazí „dEF2“.
- 2) Zmáčkněte „-“ nebo „+“ a nastavte dobu ohřevu. Maximální doba ohřevu je 95 minut.
- 3) Zmáčknutím tlačítka „Start | + 30Sec " | Confirm“ začnete s rozmrazováním.

Poznámka: Pokud uplyne polovina doby rozmrazování, dvakrát zazní zvukový signál trouby, což je normální. Abyste dosáhli lepšího výsledku rozmrazování, měli byste pokrm otočit, zavřít dvířka a poté stisknout tlačítko „Start | + 30Sec " | Confirm“ pro pokračování v grilování. Pokud nedojde k žádné manipulaci, trouba bude pokračovat v činnosti.

6. Vícefázový ohřev

Lze nastavit maximálně dvě fáze. Pokud je jednou z fází rozmrazování, mělo by být automaticky zařazeno do první fáze. Po každé fázi se jednou ozve zvukový signál a začne další fáze. Poznámka: Automatickou nabídku a rychlý ohřev nelze nastavit jako jednu z fází vícefázového ohřevu.

Příklad: pokud chcete jídlo rozmrazovat 5 minut, pak jej ohřívejte s 80 % výkonu mikrovlnné trouby 7 minut. Postup je následující:

- 1) Stiskněte jednou tlačítko „Time Defrost“, na obrazovce se zobrazí „dEF2“.
- 2) Zmáčkněte „-“ nebo „+“ a nastavte dobu rozmrazování na 5 minut;
- 3) Stiskněte jednou tlačítko „Microwave“, na obrazovce se zobrazí „P100“.
- 4) Opakovaně mačkejte tlačítko „Microwave“, abyste nastavili výkon mikrovlnného ohřevu, dokud se nezobrazí „P80“;
- 5) Potvrďte zmáčknutím „Start | + 30 " | Confirm“.
- 6) Zmáčkněte „-“ nebo „+“ a nastavte dobu ohřevu na 7 minut;
- 7) Zmáčknutím „Start | + 30 " | Confirm“ začnete vařit.

7. Časovač

- 1) Stiskněte jednou tlačítko „Duration“, na obrazovce se zobrazí „00:00“.
- 2) Zmáčkněte „-“ nebo „+“ a nastavte požadovaný čas.
(Maximální doba ohřevu je 95 minut.)
- 3) Nastavení potvrdíte zmáčknutím „Start | + 30 " | Confirm“.
- 4) Po dosažení nastaveného času se pětkrát ozve zvukový signál.
Pokud byl nastaven čas (24hodinový systém), obrazovka bude ukazovat aktuální čas.

Poznámka: Časovač je odlišný od 24hodinového systému. Časovač slouží jako časový spínač.

8. Automatická nabídka

- 1) Ve fázi čekání opakovaně zmáčkněte „+“ a vyberte menu.
- 2) Vybrané menu potvrdíte zmáčknutím „Start | + 30 " | Confirm“.
- 3) Zmáčknutím „-“ nebo „+“ vyberte hmotnost potraviny.
- 4) Zmáčknutím „Start | + 30 " | Confirm“ začnete vařit.

Tabulka menu:

Menu	Hmotnost	Výkon
Pizza	200 g	100 % (Mik.)
	400 g	
Maso	250 g	100 % (Mik.)
	350 g	
	450 g	
Zelenina	200 g	100 % (Mik.)
	300 g	
	400 g	
Těstoviny	50 g (se studenou vodou 450 g)	80 % (Mik.)
	100 g (se studenou vodou 800 g)	
Brambory	200 g	100 % (Mik.)
	400 g	
	600 g	
Ryby	250 g	80 % (Mik.)
	350 g	
	450 g	
Nápoje	1 šálek (cca 120 ml)	100 % (Mik.)
	2 šálky (cca 240 ml)	
	3 šálky (cca 360 ml)	
Popcorn	50 g	100 % (Mik.)
	100 g	

9. Rychlý ohřev

- 1) Ve fázi čekání stiskněte „Start | + 30 " | Confirm“ pro ohřev se 100% výkonem po dobu 30 sekund. Každé stisknutí tohoto tlačítka může prodloužit dobu o dalších 30 sekund. Maximální doba ohřevu je 95 minut.
- 2) Během procesu přípravy pokrmů s mikrovlnným ohřevem, grilem, procesu kombinovaného ohřevu a rozmrazování podle času stiskněte tlačítka „Start | + 30 " | Confirm“ pro prodloužení doby ohřevu.
- 3) Ve stavech automatické nabídky a rozmrazování podle hmotnosti nelze dobu ohřevu prodloužit stisknutím tlačítka „Start | + 30 " | Confirm“.
- 4) Ve fázi čekání zmáčkněte „-“ a vyberte čas ohřevu. Po nastavení doby ohřevu stiskněte tlačítka „Start | + 30 " | Confirm“ pro spuštění mikrovlnného ohřevu se 100% výkonem.

10. Funkce dětského zámku

Zamčení: Ve fázi čekání stiskněte na 3 sekundy tlačítka „Stop | Clear“, čímž přejdete do stavu dětského zámku, a pokud byl nastaven čas, zobrazí se aktuální čas, jinak se na obrazovce zobrazí „**⏏ : : ⏏**“.

Odemčení: Ve stavu zámku zmáčkněte na 3 sekundy tlačítka „Stop | Clear“ a zámek se odemkne.

11. Dotazovací funkce

- 1) Ve stavu mikrovlnného ohřevu nebo grilu nebo kombinovaného vaření. Zmáčkněte tlačítka „Microwave“ nebo „Grill Combi“ a na 3 sekundy se zobrazí aktuální výkon.
- 2) Pokud byl nastaven čas, během ohřevu můžete aktuální čas zkontrolovat stisknutím tlačítka „Duration“. Zobrazí se na 3 sekundy.

12. Technické údaje

- 1) Pokud jsou během procesu ohřevu otevřena dvířka, zavřete je a poté zmáčkněte tlačítka „Start | + 30 " | Confirm“, abyste pokračovali v ohřevu.
- 2) Po nastavení programu ohřevu nepoužívejte po 1 minutu tlačítka „Start | + 30 " | Confirm“. Zobrazí se aktuální čas. Nastavení se zruší.
- 3) Při účinném stisknutí se zvukový signál ozve jednou, při neúčinném stisknutí nebude reagovat.

Řešení problémů

Normální	
Mikrovlnná trouba ruší televizní příjem	Za provozu mikrovlnné trouby může docházet k rušení příjmu rozhlasového a televizního signálu. Rušení je podobné jako u malých elektrických spotřebičů, například mixéru, vysavače a elektrického ventilátoru. Jedná se o normální jev.
Ztlumení osvětlení trouby	Při přípravě pokrmů s mikrovlnným ohřevem na malý výkon se může ztlumit osvětlení. Jedná se o normální jev.
Usazování páry na dvířkách, horký vzduch vycházející z větracích štěrbin	Při ohřevu může z pokrmu vycházet pára. Většina se dostane ven skrz větrací štěrbinu. Ale trochu páry se může usadit na nějakém chladném místě, jako jsou dvířka trouby. Jedná se o normální jev.
Neúmyslné spuštění trouby bez pokrmu uvnitř.	Je zakázáno spouštět spotřebič, když uvnitř není žádný pokrm. Je to velmi nebezpečné.

Problém	Možná příčina	Náprava
Troubu nelze spustit.	(1) Napájecí kabel není správně zapojený v zásuvce.	Vytáhněte zástrčku ze zásuvky. Potom ji po 10 sekundách opět zasuňte.
	(2) Spálená pojistka nebo vypnutý jistič.	Vyměňte pojistku nebo znovu zapněte jistič (opravu musí provést odborný personál naší společnosti)
	(3) Problém se zásuvkou.	Vyzkoušejte zásuvku pomocí jiných elektrických spotřebičů.
Trouba nehřeje.	(4) Nejsou správně zavřená dvířka.	Důkladně zavřete dvířka.



Podle směrnice o odpadních elektrických a elektronických zařízeních (OEEZ) je nutné tato zařízení sbírat a nakládat s nimi odděleně. Jestliže se budete někdy v budoucnu potřebovat zbavit tohoto výrobku, NEVYHAZUJTE ho do domovního odpadu. Odevzdejte tento výrobek do sběrného dvora pro OEEZ, pokud je k dispozici.



Mikrovlnná rúra

NÁVOD NA OBSLUHU

MODEL:HMG20C5SB

HMG20C5SB-80

Pred použitím mikrovlnnej rúry si pozorne prečítajte tento návod a starostlivo ho uschovajte.

Ak budete postupovať podľa pokynov, vaša rúra vám bude slúžiť dobre a dlho.

TIETO POKYNY SI STAROSTLIVO USCHOVAJTE

BEZPEČNOSTNÉ OPATRENIA NA PREDCHÁDZANIE MOŽNÉHO VYSTAVENIA NADMERNEJ MIKROVLNNEJ ENERGII

(a) Nepokúšajte sa používať túto rúru s otvorenými dvierkami, pretože to môže mať za následok škodlivé vystavenie mikrovlnnej energii. Je dôležité, aby ste nepoškodili bezpečnostné zámky ani s nimi nemanipulovali.

(b) Neumiestňujte žiadne predmety medzi prednú stranu rúry a dvierka, ani nedovoľte, aby sa na tesniacich plochách nahromadili nečistoty alebo zvyšky čistiaceho prostriedku.

(c) **VAROVANIE:** Ak sú dvierka alebo tesnenia poškodené, rúra sa nesmie používať, kým ju neopraví kompetentná osoba.

DODATOK

Ak sa spotrebič neudržiava v dobrom stave, čo sa týka čistoty, jeho povrch by sa mohol znehodnotiť, mohlo by to ovplyvniť životnosť zariadenia a viesť k nebezpečnej situácii.

Špecifikácie

Model:	HMG20C5SB HMG20C5SB-80
Menovité napätie:	230 V~ 50 Hz
Menovitý príkon (mikrovlnná rúra):	1270 W
Menovitý výkon (mikrovlnná rúra):	800 W
Menovitý príkon (gril):	1000 W

Údaje o nízkej spotrebe energie podľa nariadenia Komisie (EÚ) 2023/826.

Stav	Spotreba energie	Obdobie, po ktorom zariadenie automaticky dosiahne daný stav
Pohotovostný režim s informáciami alebo stavovým displejom	0,8 W	20 min

DÔLEŽITÉ BEZPEČNOSTNÉ VAROVANIA

Aby ste znížili riziko požiaru, úrazu elektrickým prúdom, poranenia osôb alebo vystavenia nadmernej energii mikrovlnnej rúry pri používaní svojho spotrebiča, dodržujte základné opatrenia vrátane nasledujúcich:

1. Varovanie: Kvapaliny a iné potraviny sa nesmú ohrievať v uzavretých nádobách, pretože by mohli vybuchnúť.
2. Varovanie: Pre kohokoľvek iného ako kompetentnú osobu je nebezpečné vykonávať akýkoľvek servis alebo opravu, ktorá zahŕňa odstránenie krytu, ktorý poskytuje ochranu pred vystavením mikrovlnnej energii.
3. Deti staršie ako 8 rokov a osoby s obmedzenými fyzickými, zmyslovými alebo duševnými schopnosťami alebo nedostatkom skúseností či vedomostí môžu tento spotrebič používať pod dohľadom, resp. po poučení a oboznámení sa s bezpečným spôsobom používania a porozumení možným nebezpečenstvám. Deti sa so spotrebičom nesmú hrať. Čistenie a bežnú údržbu by nemali vykonávať deti bez dozoru, pokiaľ nie sú staršie ako 8 rokov.
4. Spotrebič a jeho kábel uchovávajte mimo dosahu detí mladších ako 8 rokov.
5. Používajte len pomôcky, ktoré sú vhodné na použitie v mikrovlnných rúrach.
6. Rúra by sa mala pravidelne čistiť a mali by sa odstrániť všetky usadené zvyšky potravín.
7. Prečítajte si a dodržujte konkrétne: „BEZPEČNOSTNÉ OPATRENIA NA PREDCHÁDZANIE MOŽNÉMU VYSTAVENIU NADMERNEJ MIKROVLNNEJ ENERGII“.
8. Pri zohrievaní potravín v plastových alebo papierových nádobách sledujte rúru z dôvodu možnosti zapálenia.

9. Ak z rúry uniká dym, vypnite alebo odpojte spotrebič a nechajte dvierka zatvorené, aby ste zadusili všetky plamene.
10. Jedlo nevarite príliš dlho.
11. Rúru nepoužívajte na skladovanie. Neuchovávajte predmety, ako je chlieb, sušienky atď. vnútri rúry.
12. Pred vložením do rúry odstráňte drôtené svorky a kovové držadlá z papierových alebo plastových nádob/vreciek.
13. Túto rúru nainštalujte alebo umiestnite len v súlade s poskytnutými pokynmi na inštaláciu.
14. Vajcia v škrupine a celé vajcia uvarené natvrdo sa nesmú zahrievať v mikrovlnných rúrach, pretože by mohli explodovať, a to aj po skončení zahrievania v mikrovlnnej rúre.
15. Tento spotrebič je určený na používanie v domácnostiach a podobných priestoroch, ako napr.:
 - kuchynské priestory pre personál v obchodoch, úradoch a iných pracovných prostrediach;
 - použitie pre zákazníkov v hoteloch, motelloch a ďalších prostrediach rezidenčného typu;
 - farmy;
 - prostredie typu prenocovania s raňajkami.
16. Ak je poškodený vonkajší napájací kábel, v záujme eliminácie akéhokoľvek rizika ho musí vymeniť výrobca, jeho servisný zástupca alebo rovnako kvalifikovaná osoba.
17. Tento spotrebič neskladujte ani nepoužívajte vonku.
18. Nepoužívajte túto rúru v blízkosti vody, v mokrom suteréne ani v blízkosti bazéna.
19. Teplota prístupných povrchov môže byť počas prevádzky spotrebiča vysoká. Povrchy môžu byť počas používania horúce. Uchovávajte kábel mimo ohriateho povrchu a nezakrývajte žiadne vetracie otvory na rúre.

20. Nenechajte kábel visieť cez okraj stola alebo pultu.
21. Ak by sa rúra neudržiavala v čistote, mohlo by to viesť k poškodeniu povrchu, čo by zase mohlo nepriaznivo ovplyvniť životnosť spotrebiča a ohroziť bezpečnosť.
22. Obsah dojčenských fliaš a detskej výživy v pohároch sa musí premiešať alebo pretrepať a pred kŕmením dieťaťa treba skontrolovať ich teplotu, aby sa zabránilo obareniu alebo popáleniu.
23. Pri mikrovlnnom ohreve nápojov môže dôjsť k oneskorenému veľmi prudkému varu, preto treba s nádobou zaobchádzať veľmi opatrne.
24. Spotrebič nesmú používať osoby (vrátane detí) s obmedzenými fyzickými, zmyslovými alebo mentálnymi schopnosťami, prípadne s nedostatkom skúseností alebo znalostí, pokiaľ nie je zabezpečený dohľad alebo pokiaľ neboli poučené osobou zodpovednou za ich bezpečnosť.
25. Deti by mali byť pod dozorom, aby ste sa ubezpečili, že sa nehrajú so spotrebičom.
26. Spotrebič nie je určený na ovládanie externým časovačom ani samostatným diaľkovým ovládaním.
27. Dostupné diely sa môžu počas používania zohriať. Malé deti by ste mali udržiavať ďalej od spotrebiča.
28. Nepoužívajte parný čistič.
29. Počas používania je spotrebič horúci. Musíte dávať pozor a nesmiete sa dotýkať ohrievacích článkov vo vnútri rúry.
30. Používajte iba teplotnú sondu odporúčanú pre túto rúru (v prípade rúr vybavených zariadením na použitie teplotnej sondy).

31. VAROVANIE: Počas používania sú spotrebiča a jeho dostupné diely horúce. Pri používaní treba byť opatrný, aby sa predišlo dotyku ohrievacích prvkov. Deti do 8 rokov udržujte mimo dosahu alebo ich majte pod neustálym dohľadom.
32. Mikrovlnná rúra sa musí používať s otvorenými dekoratívnymi dvierkami. (pre rúry s dekoratívnymi dvierkami.)
33. Povrch úložnej zásuvky môže byť horúci.
34. Mikrovlnná rúra je určená na ohrev jedál a nápojov. Sušenie potravín alebo odevov a ohrievanie vyhrievacích podložiek, papúč, špongií, vlhkej utierky a pod. môže viesť k riziku zranenia, vznietenia alebo požiaru.
35. Počas varenia v mikrovlnnej rúre sa na prípravu jedál a nápojov nesmú používať kovové nádoby.
36. Spotrebič sa nesmie čistiť parným čističom.
37. Pri vyberaní nádob zo spotrebiča treba dbať na to, aby sa otočný tanier neposunul.
38. Spotrebič sa nesmie inštalovať za dekoratívne dvierka, aby nedošlo k prehriatiu.
39. VAROVANIE: Ak sa spotrebič používa v kombinovanom režime, vzhľadom na generované vysoké teploty by mali deti používať len pod dohľadom dospelšej osoby.

**POZORNE PREČÍTAJTE A ODLOŽTE NA
POUŽITIE AJ V BUDÚCNOSTI**

Aby sa znížilo riziko zranenia osôb, elektrická prípojka musí byť uzemnená

NEBEZPEČENSTVO

Nebezpečenstvo úrazu elektrickým prúdom. Dotyk s niektorými vnútornými komponentmi môže spôsobiť vážne zranenie alebo smrť. Tento spotrebič nerozoberajte.

VAROVANIE

Nebezpečenstvo úrazu elektrickým prúdom. Nesprávne použitie uzemnenia môže spôsobiť zásah elektrickým prúdom. Nezapájajte spotrebič do zásuvky, pokiaľ nie je správne nainštalovaný a uzemnený.

Spotrebič musí byť uzemnený. V prípade elektrického skratu uzemnenie znižuje riziko úrazu elektrickým prúdom tým, že poskytuje únikový vodič pre elektrický prúd. Tento spotrebič je vybavený káblom s uzemňovacím vodičom a uzemňovacou zástrčkou. Zástrčka musí byť zapojená do správne nainštalovanej a uzemnenej zásuvky elektrickej siete.

Ak ste pokyny na uzemnenie nepochopili úplne alebo ak máte pochybnosti o správnom uzemnení spotrebiča, požiadajte o pomoc kvalifikovaného elektrikára alebo servisného technika.

Ak treba použiť predlžovací elektrický kábel, používajte iba 3-vodičový predlžovací kábel.

1. Krátky elektrický napájací kábel sa dodáva s cieľom znížiť riziká súvisiace so zamotaním do kábla alebo zakopnutím o dlhší kábel.
2. Ak sa používa dlhý kábel alebo predlžovací kábel:
 - 1) Označená hodnota elektrického napätia napájacieho kábla alebo predlžovacieho kábla musí byť minimálne taká veľká ako elektrické napätie spotrebiča.
 - 2) Predlžovací kábel musí byť uzemňovací 3-vodičový kábel.
 - 3) Dlhý napájací kábel treba viesť tak, aby neprechádzal cez pracovnú dosku alebo cez linku, kde by ho mohli stiahnuť deti alebo by ste ho mohli nechtiac zachytiť.

ČISTENIE

Uistite sa, že ste spotrebič odpojili od zdroja napájania.

1. Po použití vyčistite vnútro rúry mierne navlhčenou handričkou.
2. Príslušenstvo čistite obvyklým spôsobom vo vode so saponátom.
3. Rám dvierok, tesnenie a susediace časti treba pri znečistení dôkladne očistiť vlhkou handričkou.
4. Na čistenie skla dvierok rúry nepoužívajte abrazívne čistiace prostriedky ani ostré kovové škrabky, pretože by mohli sklo poškrabať alebo rozbiť.
5. Tip na čistenie --- Čistenie vnútorných stien, ktorých sa môže dotýkať pripravované jedlo: vložte do misky polovicu citrónu, prilejte 300 ml vody a zohrievajte použitím na 100 % mikrovlnného výkonu 10 minút. Rúru očistite mäkkou, suchou handričkou.

KUCHYNSKÉ POMÔCKY

UPOZORNENIE

Nebezpečenstvo úrazu

Pre kohokoľvek iného ako kompetentnú osobu je nebezpečné vykonávať akýkoľvek servis alebo opravu, ktorá zahŕňa odstránenie krytu, ktorý poskytuje ochranu pred vystavením mikrovlnnej energii.

Pozrite si pokyny o „Materiáloch, ktoré môžete alebo nesmiete použiť v mikrovlnnej rúre“. Nie všetky nekovové pomôcky sa môžu používať v mikrovlnnej rúre bezpečne. Ak by ste mali nejaké pochybnosti, môžete príslušnú pomôcku vyskúšať nasledujúcim spôsobom.

Skúška pomôcky:

1. Do nádoby vhodnej na použitie v mikrovlnnej rúre vlejte 1 šálku studenej vody (250 ml) a vložte ju spolu s príslušnou pomôckou do mikrovlnnej rúry.
2. Zohrievajte pri maximálnom výkone 1 minútu.
3. Pomôcky sa opatrne dotknite. Ak je prázdna pomôcka teplá, nepoužívajte ju na prípravu jedla v mikrovlnnej rúre.
4. Neprekračujte čas ohrevu 1 minútu.

Materiály, ktoré môžete použiť v mikrovlnnej rúre

Kuchynské pomôcky	Poznámky
Zapekacia misa	Postupujte podľa pokynov výrobcu. Spodná časť zapekacej misy musí byť aspoň 5 mm (3/16 palca) nad otočným tanierom. Nesprávne použitie môže spôsobiť prasknutie otočného taniera.
Jedálenský riad	Iba riad vhodný do mikrovlnnej rúry. Dodržiavajte pokyny výrobcu. Nepoužívajte prasknutý ani vyštrbený riad.
Sklenené poháre	Vždy odstráňte viečko. Používajte len na ohrievanie jedla na teplotu podávania. Väčšina sklenených pohárov nie je tepelne odolná a môže sa rozbiť.
Sklenený riad	Iba tepelne odolný sklenený riad vhodný do rúry. Uistite sa, že neobsahuje žiadne ozdobné kovové prvky. Nepoužívajte prasknutý ani vyštrbený riad.
Vrecká na pečenie v rúre	Postupujte podľa pokynov výrobcu. Nezatvárajte kovovou svorkou. Prepichnete, aby mohla unikáť para.
Papierové taniere a poháre	Používajte len na krátkodobé varenie/ohrievanie. Počas prípravy jedla nenechávajte rúru bez dozoru.
Papierové utierky	Používajte na zakrytie jedla pri ohreve a na zachytávanie tuku. Používajte pod dohľadom a len na krátkodobé varenie.
Pergamenový papier	Použite ako kryt, aby sa zabránilo rozstrekovaniu alebo ako obal pri naparovaní.
Plasty	Iba riad vhodný do mikrovlnnej rúry. Dodržiavajte pokyny výrobcu. Mali by byť označené ako „Vhodné do mikrovlnnej rúry“. Niektoré plastové nádoby pri zohriatí jedla vnútri zmäknú. „Vrecká na varenie“ a tesne uzavreté plastové vrecká treba upraviť tak, aby ostala voľná štrbina, treba ich prepichnúť alebo nechať pootvorené, podľa pokynov na obale.
Plastový obal	Iba riad vhodný do mikrovlnnej rúry. Používajte na zakrytie jedla počas varenia, aby si jedlo zachovalo vlhkosť. Nedovoľte, aby sa plastový obal dotýkal potravín.
Teplomery	Iba vhodné do mikrovlnnej rúry (teplomery na mäso a sladkosti).
Voskový papier	Použite ako kryt, aby ste zabránili rozstrekovaniu a udržali vlhkosť.

Materiály, ktorým sa pri používaní mikrovlnnej rúry treba vyhnúť

Kuchynské pomôcky	Poznámky
Hliníkový podnos	Môže spôsobiť iskrenie. Jedlo preložte do nádoby vhodnej do mikrovlnnej rúry.
Obal na potraviny s kovovou rukoväťou	Môže spôsobiť iskrenie. Jedlo preložte do nádoby vhodnej do mikrovlnnej rúry.
Kovové alebo kovom zdobené pomôcky	Kov chráni jedlo pred mikrovlnnou energiou. Kovový okraj môže spôsobiť iskrenie.
Kovové svorky	Môžu spôsobiť iskrenie a mohli by spôsobiť požiar v rúre.
Papierové vrecká	Môžu spôsobiť požiar v rúre.
Plastové špongie a polystyrén	Plastové špongie a polystyrén sa môžu pri vysokej teplote roztaviť alebo kontaminovať kvapalinu vnútri nádoby.
Drevo	Pri použití v mikrovlnnej rúre drevo vyschne a môže sa rozštiepiť alebo popraskať.

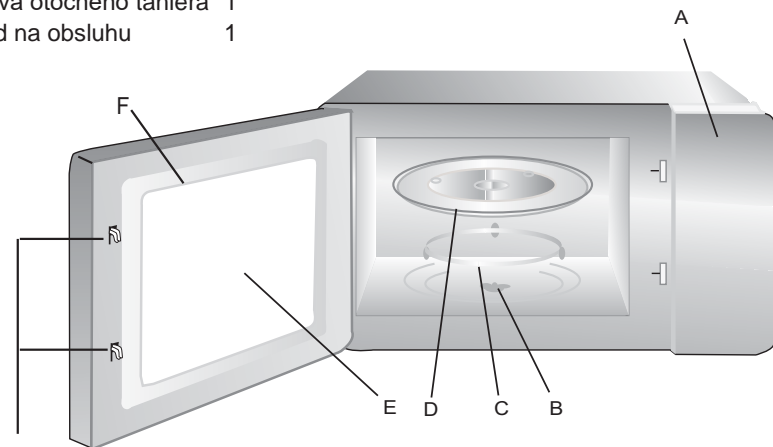
NASTAVENIE RÚRY

Názvy dielov a príslušenstva rúry

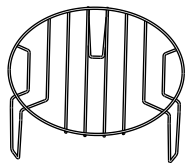
Vyberte rúru a všetok materiál zo škatule a z vnútra rúry.

Rúra sa dodáva s nasledujúcim príslušenstvom:

Sklenený podnos	1
Zostava otočného taniera	1
Návod na obsluhu	1



G



- A) Ovládací panel
- B) Otočný hriadeľ
- C) Zostava otočného taniera
- D) Sklenený podnos
- E) Pozorovací priezor
- F) Zostava dvierok
- G) Bezpečnostný blokovací systém

Grilovací rošt (používa sa len pri grilovacej funkcii a umiestňuje sa na sklenený podnos)

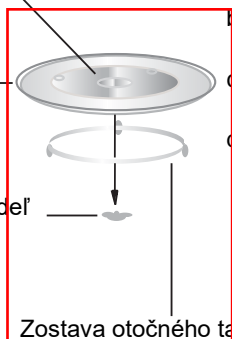
Inštalácia otočného taniera

Rozbočovač (spodná strana)

Sklenený podnos

Otočný hriadeľ

Zostava otočného taniera



- a. Sklenený podnos nikdy nekladte hore dnom. Pohyb skleneného podnosu sa nikdy nesmie obmedzovať.
- b. Počas prípravy jedla sa musí vždy používať sklenený podnos aj zostava otočného taniera.
- c. Všetky potraviny a nádoby s jedlom sú vždy umiestnené na sklenenom podnose na varenie.
- d. V prípade prasknutia alebo rozbitia skleneného podnosu alebo zostavy otočného taniera sa obráťte na najbližšie autorizované servisné stredisko.

Inštalácia a pripojenie

1. Zariadenie je určené iba na použitie v domácnosti.
2. Táto rúra je určená len ako vstavaný spotrebič. Nie je určený na použitie na pracovnej doske ani vnútri skrinky.
3. Dodržiavajte špeciálne inštalačné pokyny.
4. Spotrebič je možné nainštalovať do skrinky so šírkou 60 cm.
5. Spotrebič je vybavený zástrčkou a smie sa zapájať iba do riadne nainštalovanej uzemnenej zásuvky.
6. Napätie musí zodpovedať hodnote na typovom štítku.
7. Zásuvku musí nainštalovať a elektrický napájací kábel smie vymeniť len kvalifikovaný elektrikár. Pokiaľ už zásuvka po inštalácii nie je prístupná, treba v blízkosti spotrebiča nainštalovať dvojpólový vypínač s medzerou medzi kontaktmi 3 mm.
8. Adaptéry, rozdvojky ani predlžovacie káble sa nesmú používať. Preťaženie môže mať za následok nebezpečenstvo vzniku požiaru.

Prístupný povrch môže byť počas prevádzky horúci.



Pokyny týkajúce sa inštalácie

Treba poznamenať nasledovné

Elektrické zapojenie

Spotrebič je vybavený zástrčkou a smie sa zapájať iba do riadne nainštalovanej uzemnenej zásuvky. Nainštalovať zásuvku alebo vymeniť elektrický napájací kábel smie iba kvalifikovaný technik za dodržania všetkých príslušných predpisov. Pokiaľ zásuvka po inštalácii už nebude prístupná, treba v blízkosti spotrebiča nainštalovať dvojpólový vypínač s medzerou medzi kontaktmi 3 mm. Inštalácia musí zabezpečiť ochranu kontaktu.

Namontované jednotky

Inštalácia skrinka nesmie mať za spotrebičom zadný panel. Minimálna výška pri montáži: 850 mm.

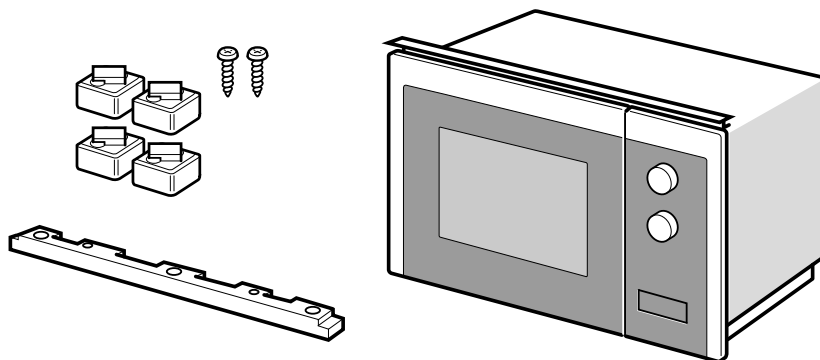
Ventilačné otvory a prívody nesmú byť zakryté.

Spotrebič v závesnej skrinke na múre - obr. 1A

Spotrebič vo vysokej jednotke - obr. 1B

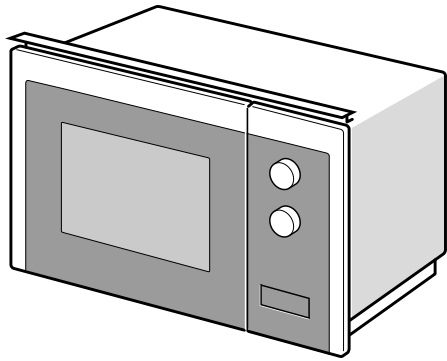
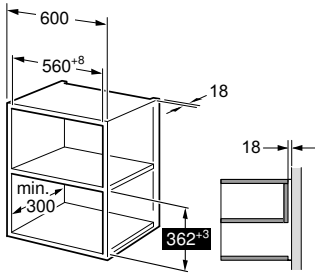
Inštalácia rúry - obr. 2

Poznámka: Dávajte pozor, aby sa prívodný elektrický kábel nikde nezachytil ani nezalomil.

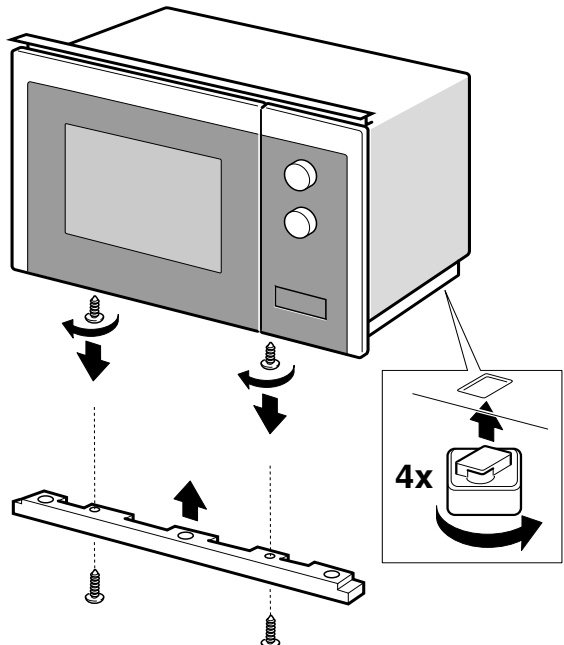
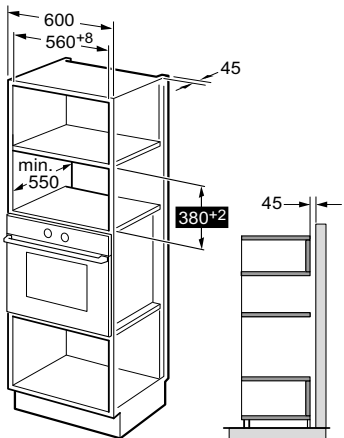


1

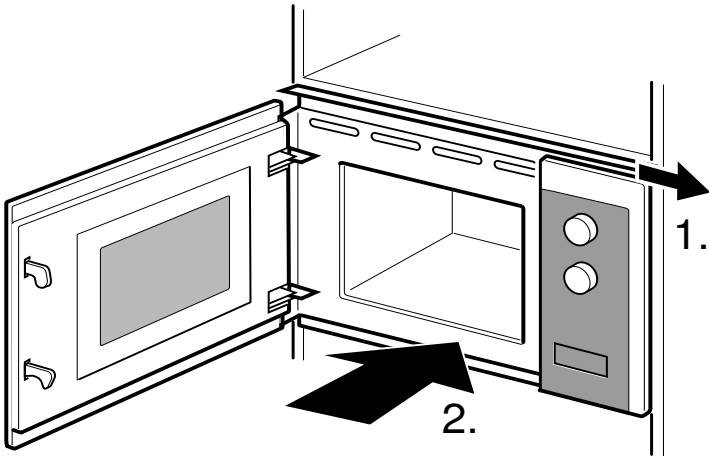
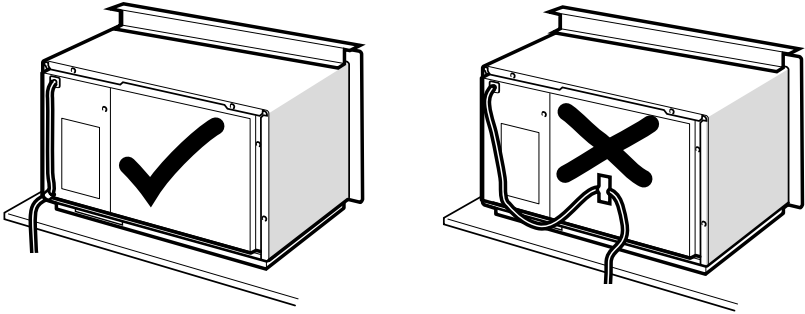
A

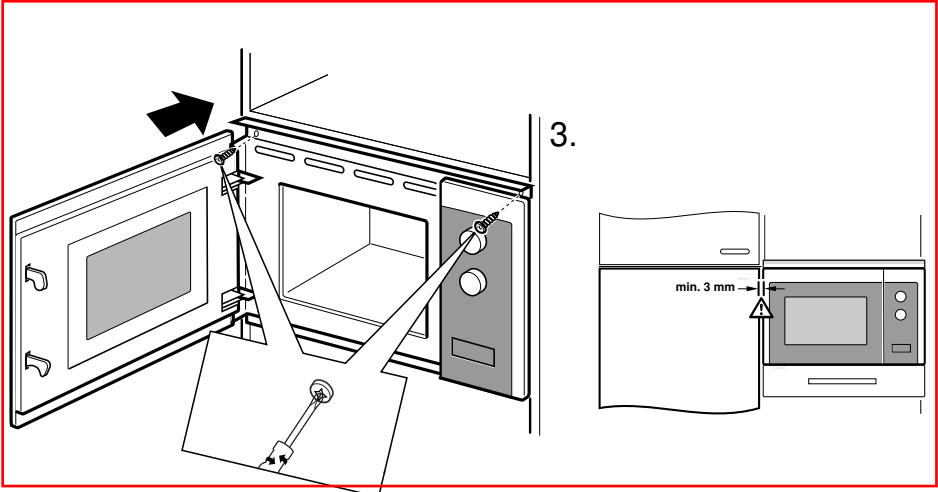


B



2





POKYNY NA OBSLUHU

Táto mikrovlnná rúra využíva na nastavenie parametrov prípravy jedla moderné elektronické ovládače, ktoré lepšie vyhovujú potrebám varenia.

1. Nastavenie času

Po zapojení rúry do elektrickej siete sa na displeji zobrazí „0:00“ a raz zaznie bzučiak. Rúra sa prepne do stavu čakania.

- 1) Dvakrát stlačte tlačidlo „Duration“, číslice hodín budú blikať;
- 2) Stláčaním „-“ alebo „+“ upravte číslice hodín, zadanie hodín má byť z intervalu 0--23.
- 3) Stláčením „Duration“ potvrdíte, začnú blikať číslice minút.
- 4) Otáčaním „-“ alebo „+“ upravte číslice minút, zadanie má byť z intervalu 0--59.
- 5) Stláčením „Duration“ nastavenie času ukončíte.
„:“ bude blikať. Zobrazí sa presný čas.

Poznámka: Ak by hodiny neboli nastavené, po zapojení elektrického napájania by nefungovali.

2. Príprava jedla mikrovlnnou energiou

- 1) Jedným stlačením tlačidla „Microwave“ sa zobrazí „P100“.
- 2) Opakovaným stláčaním tlačidla „Microwave“ alebo „-“ alebo „+“ vyberte výkon mikrovlnného ohrevu.
Postupne sa zobrazí „P100“, „P80“, „P50“, „P30“, „P10“.
- 3) Stláčením „Start | + 30 " | Confirm“ nastavenie potvrdíte.
- 4) Stláčaním „-“ alebo „+“ upravte dobu varenia.
(Maximálna doba prípravy je 95 minút)
- 5) Stláčením „Start | + 30 " | Confirm“ spustíte prípravu jedla.

POZNÁMKA: prírastky pre úpravu doby kódovacieho spínača sú nasledovné:

0---1 min	: 5 sekúnd
1---5 min	: 10 sekúnd
5---10 min	: 30 sekúnd
10---30 min	: 1 minúta
30---95 min	: 5 minút

Tabuľka pre mikrovlnný výkon

Mikrovlnný výkon	Vysoký	Stredne vysoký	Stredný	Stredne nízky	Nízky
Displej	P100	P80	P50	P30	P10

3. Gril alebo kombinácia výkonu a grilu. Príprava jedla

Jedným stlačením tlačidla „Grill Combi“ sa na obrazovke zobrazí „G“ a opakovaným stláčaním tlačidla „Grill Combi“ alebo stláčaním tlačidla „-“ alebo „+“ vyberte požadovaný výkon, zobrazia sa „G“, „C-1“ alebo „C-2“. Stlačením tlačidla „Start | + 30 " | Confirm“ potvrdíte výkon. Stláčaním „-“ alebo „+“ nastavíte dobu prípravy jedla. (Maximálna doba prípravy jedla je 95 minút) Opätovným stlačením tlačidla „Start | + 30 " | Confirm“ spustíte prípravu jedla.

Príklad: Ak chcete na 10 minútovú prípravu jedla použiť 55 % mikrovlnný výkon a 45 % gril (C-1), môžete rúru riadiť podľa nasledujúcich krokov.

- 1) Jedným stlačením tlačidla „Grill Combi“ sa na obrazovke zobrazí „G“.
- 2) Pokračujte stlačením tlačidla „Grill Combi“, aby sa na obrazovke zobrazilo „C-1“.
- 3) Stlačením „Start | + 30 " | Confirm“ nastavenie potvrdíte.
- 4) Stláčaním „-“ alebo „+“ upravujete dobu prípravy jedla, kým sa na displeji nezobrazí „10:00“.
- 5) Stlačením „Start | + 30" | Confirm“ spustíte prípravu jedla.

Pokyny pre kombinovaný výkon:

Program	Displej	Mikrovlny Výkon	Gril Výkon
Gril	G	0%	100%
Combi.1	C-1	55%	45%
Combi.2	C-2	36%	64%

Poznámka: Po uplynutí polovice doby grilovania zaznie dvakrát bzučiak, je to normálne. Aby ste dosiahli lepší účinok grilovania, mali by ste jedlo obrátiť, zavrieť dverka a potom stlačiť „Start | + 30 " | Confirm“, aby ste pokračovali v príprave jedla.

Ak neurobíte žiadny úkon, rúra bude pokračovať v postupe.

4. Rozmrazenie podľa hmotnosti

- 1) Jedným stlačením tlačidla „Weight Defrost“ sa na obrazovke zobrazí „dDEF1“.
- 2) Stláčaním „-“ alebo „+“ vyberte hmotnosť jedla. Rozsah dostupných hmotností 100 - 2000 g.
- 3) Stlačením tlačidla „Start | + 30 " | Confirm“ spustíte rozmrazovanie.

Poznámka: Po uplynutí polovice doby rozmrazovania sa dvakrát ozve bzučiak, je to normálne. Aby ste dosiahli lepší účinok rozmrazovania jedla, mali by ste jedlo obrátiť, zavrieť dverka a potom stlačiť „Start | + 30 " | Confirm“, aby ste pokračovali v postupe. Ak neurobíte žiadny úkon, rúra bude pokračovať v postupe.

5. Rozmrazenie podľa času

- 1) Jedným stlačením tlačidla „Time Defrost“ sa na obrazovke zobrazí „dEF2“.
- 2) Stláčaním „-“ alebo „+“ vyberte dobu prípravy jedla. Maximálna doba je 95 minút.
- 3) Stlačením tlačidla „Start | + 30 " | Confirm“ spustíte rozmrazovanie.

Poznámka: Po uplynutí polovice doby rozmrazovania sa dvakrát ozve bzučiak, je to normálne. Aby ste dosiahli lepší účinok rozmrazovania jedla, mali by ste jedlo obrátiť, zavrieť dvierka a potom stlačiť „Start | + 30 " | Confirm“, aby ste pokračovali v postupe. Ak neurobíte žiadny úkon, rúra bude pokračovať v postupe.

6. Viacstupňová príprava jedla

Maximálne je možné nastaviť 2 stupne. Ak je jedným zo stupňov rozmrazovanie, malo by sa nastaviť ako prvý stupeň automaticky. Bzučiak zazvoní raz po každom stupni a začne ďalší stupeň. Poznámka: Ako niektorý z viacerých stupňov sa nedá nastaviť automatická ponuka ani rýchla príprava jedla.

Príklad: ak chcete jedlo 5 minút rozmrazovať a potom 7 minút variť s 80 % mikrovlnným výkonom. Kroky sú nasledovné:

- 1) Jedným stlačením tlačidla „Time Defrost“ sa na obrazovke zobrazí „dEF2“.
- 2) Stláčaním „-“ alebo „+“ nastavte dobu rozmrazovania na 5 minút;
- 3) Jedným stlačením tlačidla „Microwave“ sa na obrazovke zobrazí „P100“.
- 4) Opakovaným stláčaním „Microwave“ vyberte mikrovlnný výkon, kým sa nezobrazí „P80“;
- 5) Stlačením „ Start | + 30 " | Confirm“ nastavenie potvrdte.
- 6) Stláčaním „-“ alebo „+“ nastavte dobu prípravy na 7 minút;
- 7) Stlačením „ Start | + 30 " | Confirm“ spustíte prípravu jedla.

7. Kuchynský časovač

- 1) Jedným stlačením tlačidla „Duration“ sa na obrazovke zobrazí „00:00“.
- 2) Stláčaním „-“ alebo „+“ zadajte správnu dobu.
(Maximálna doba prípravy je 95 minút)
- 3) Stlačením „ Start | + 30 " | Confirm“ nastavenie potvrdte.
- 4) Po dosiahnutí nastaveného času bzučiak zazvoní 5-krát.
Ak bol nastavený presný čas (24-hodinový systém), na displeji sa zobrazí presný čas.

Poznámka: Kuchynský časovač sa líši od 24-hodinového systému. Kuchynský časovač je časovač.

8. Automatická ponuka

- 1) V stave čakania opakovane stláčajte „+“, aby ste vybrali ponuku.
- 2) Stlačením „Start | + 30 " | Confirm“ potvrdíte vybranú ponuku.
- 3) Stláčaním „-“ alebo „+“ vyberte hmotnosť jedla.
- 4) Stlačením „Start | + 30“ | Confirm“ spustíte prípravu jedla.

Tabuľka ponuky:

Ponuka	Hmotnosť	Výkon
Pizza	200 g	100%(Mic.)
	400 g	
Mäso	250 g	100%(Mic.)
	350 g	
	450 g	
Zelenina	200 g	100%(Mic.)
	300 g	
	400 g	
Cestoviny	50g (so 450g studenej vody)	80%(Mic.)
	100g (s 800g studenej vody)	
Zemiaky	200 g	100%(Mic.)
	400 g	
	600 g	
Ryby	250 g	80%(Mic.)
	350 g	
	450 g	
Nápoj	1 šálka (pribl. 120 ml)	100%(Mic.)
	2 šálky (pribl. 240 ml)	
	3 šálky (pribl. 360 ml)	
Popcorn	50 g	100%(Mic.)
	100 g	

9. Rýchle varenie

- 1) V stave čakania stlačte tlačidlo „Start | + 30 " | Confirm“, čím sa zapne varenie so 100 % úrovňou výkonu na 30 sekúnd. Každé ďalšie stlačenie tohto tlačidla spôsobí predĺženie o 30 sekúnd. Maximálna doba varenia je 95 minút.
- 2) Počas mikrovlnného varenia, grilu a kombinácie varenia a procesu rozmrazovania sa doba predlžuje tlačidlom „Start | + 30 " | Confirm“.
- 3) V stavoch automatickej ponuky a rozmrazovania podľa hmotnosti sa doba prípravy tlačidlom „Start | + 30 " | Confirm“ nedá predĺžiť.
- 4) V stave čakania stláčaním tlačidla „-“ vyberte dobu prípravy jedla. Po úprave doby prípravy jedla stlačte tlačidlo „Start | + 30 " | Confirm“, čím spustíte mikrovlnnú rúru so 100 % výkonom.

10. Funkcia detskej poistky

Zamknutie: V stave čakania stlačte tlačidlo „Stop | Clear“ na 3 sekundy, aby ste zapli stav detskej poistky, pričom sa zobrazí presný čas, pokiaľ bol nastavený, inak sa na displeji zobrazí „**⏸ - : - : J**“.

Odblokovanie: V uzamknutom stave stlačte „Stop Clear“ na 3 sekundy, zámka sa uvoľní.

11. Vyšetrovací funkcia

- 1) V stave prípravy jedla mikrovlnami, pri grilovaní alebo pri kombinovanom výkone. Stlačte „Microwave“ alebo „Grill Combi“, aby sa na 3 sekundy zobrazil aktuálny výkon.
- 2) Ak bol nastavený presný čas, počas stavu prípravy jedla stlačte tlačidlo „Duration“ aby ste skontrolovali presný čas. Zobrazí sa na 3 sekundy.

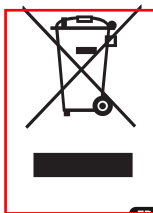
12. Špecifikácia

- 1) Ak počas prípravy jedla otvoríte dverka rúry, zatvorte ich a potom pokračujte v príprave jedla stlačením tlačidla „Start | + 30 " | Confirm“.
- 2) Po nastavení programu prípravy jedla nebude tlačidlo „Start | + 30 " | Confirm“ funkčné počas 1 minúty. Zobrazí sa presný čas. Nastavenie sa zruší.
- 3) Bzučiak zaznie raz pri stlačení, na neúčinné stlačenie nebude reagovať.

Riešenie problémov

Normálne	
Mikrovlnná rúra ruší TV príjem	Pri prevádzke mikrovlnnej rúry môže byť rušený príjem rádia a televízora. Je to podobné ako rušenie malých elektrických spotrebičov, ako je mixér, vysávač a elektrický ventilátor. Je to normálne.
Stlmené svetlo rúry	Pri varení v mikrovlnnej rúre s nízkym výkonom sa svetlo rúry môže stlmiť. Je to normálne.
Para nahromadená na dverkách, horúci vzduch z prieducho	Pri varení môže z jedla unikať para. Väčšina sa dostane von z prieducho. Ale určitý podiel sa môže hromadiť na chladnom mieste, ako sú dvierka rúry. Je to normálne.
Rúra sa spustila náhodne bez jedla vnútri.	Je zakázané zapínať jednotku bez akéhokolvek jedla vnútri. Je to veľmi nebezpečné.

Problém	Možná príčina	Náprava
Rúra sa nedá aktivovať.	(1) Elektrický napájací kábel nie je zapojený správne.	Odpojte ho. Po 10 sekundách ho znova zapojte.
	(2) Vypálená poistka alebo zasiahol istič.	Vymeňte poistku alebo zresetujte istič (opravený odborným personálom našej spoločnosti)
	(3) Problémy so zásuvkou.	Zásuvku preskúšajte zapojením iného elektrického spotrebiča.
Rúra nezohrieva.	(4) Dvierka nie sú dobre zatvorené.	Zatvorte dvierka správne.



Podľa smernice o odpade z elektrických a elektronických zariadení (OEEZ) by sa mal OEEZ zbierať a spracúvať separovane. Ak budete niekedy v budúcnosti potrebovať tento výrobok zlikvidovať, nelikvidujte ho spolu s komunálnym odpadom. Tento výrobok odovzdajte v zbernom stredisku pre OEEZ, ak sú k dispozícii.



PN:16170000A92841