

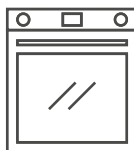
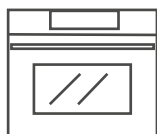
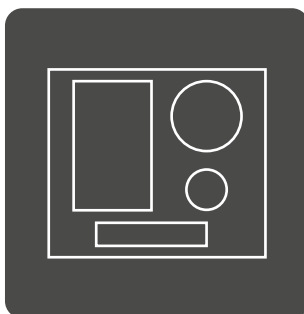
USER MANUAL

ROSIERES

EN

FR

PL



(EN) User manual (FR) Manuel de l'Utilisateur (PL) Instrukcja obsługi

www.hoover-home.com

ROSIÈRES

User Instructions

HOBS _____ **EN**

3

Mode d'emploi

PLAQUES DE CUISSON _____ **FR**

33

Instrukcje obsługi

PŁYTY KUCHENNE _____ **PL**

63

Summary

- 4 Safety informations
- 9 Product introduction
- 10 Before starting
- 13 Operation of product
- 21 Cooking guidelines
- 22 Care and cleaning
- 23 Failure display and inspection
- 25 Environmental protection & disposal
- 26 Installation

WELCOME

Thank you for choosing our product. To ensure your safety and get the best results, please read this manual carefully, including the safety instructions, and keep it for future reference. Before installing the hob, note the serial number, which you might need for repairs. Check for any damage during transportation and consult a technician if you're unsure before using it. Keep packaging materials away from children.

NOTE: Please note that the hob's accessories may vary depending on the model you purchased.

SAFETY INFORMATION

1.1 GENERAL WARNINGS

- Read these instructions carefully before installing or using this appliance.
- **WARNING:** If the surface is cracked, switch off the appliance to avoid the possibility of electric shock.
- **NEVER** try to extinguish a fire with water, but switch off the appliance and then cover flame e.g. with a lid or a fire blanket.
- **WARNING:** Danger of fire: do not store items on the cooking surfaces.
- **WARNING:** Use only hob guards designed by the manufacturer of the cooking appliance or indicated by the manufacturer of the appliance in the instructions for use as suitable or hob guards incorporated in the appliance. The use of inappropriate guards can cause accidents.

1.1.1 Use Limitations

- This appliance is not intended for use by persons (including children) with reduced physical, sensory or mental capabilities, or lack of experience and knowledge, unless they have been given supervision or instruction concerning use of the appliance by a person responsible for their safety.
- Children should be supervised to ensure that they do not play with the appliance.
- This appliance can be used by children aged from 8 years and above and persons with reduced physical, sensory or mental capabilities, or lack of experience and knowledge, if they have been given supervision or instruction concerning use of the appliance in a safe way and understand the hazard involved.
- Children shall not play with the appliance.
- Cleaning and user maintenance shall not be made by children without supervision.

- This appliance complies with electromagnetic safety standards. However, persons with cardiac pacemakers or other electrical implants` (such as insulin pumps) must consult wth` ther` doctor or mplant` manufacturer before usng` ths` appliance` to make sure that their implants will not be affected by the electromagnetic field.É Failure` to follow ths` advce` may result n` death.

1.1.2. Use in Accordance With The Intended Use

- This appliance is intended to be used in household and similar applications such as:
 - staff kitchen areas in shops, offices and other working environments;
 - farm houses;
 - by clients in hotels, motels and other residential type environments;
 - bed and breakfast type environments.
- Never use your appliance as a work or storage surface.
- Never use your appliance for warming or heating the room.

1.2. INSTALLATION

- If the supply cord is damaged, it must be replaced by the manufacturer, its service agent or similarly qualified persons in order to avoid a hazard.
- Connection to a good earth wiring system is essential and mandatory.
- This appliance is to be properly installed and earthed only by a suitably qualified person.
- Disconnect the appliance from the mains electricity supply before carrying out any work or maintenance on it in order to avoid a hazard, which could result in injury or cuts.
- Please make this information available to the person responsible for installing the appliance as it could reduce your installation costs.
- Failure to install the appliance correctly could invalidate any warranty or liability claims.

1.3 ELECTRICAL WARNINGS

- This appliance should be connected to a circuit which incorporates an isolating switch providing full disconnection from the power supply for all poles under overvoltage category III conditions. Means for disconnection must be in accordance with the writing rules.
- **WARNING:** in order to avoid any danger caused by the accidental resetting of the thermal interruption device, the appliance should not be powered by an external switching device, such as a timer, or be connected to a circuit that is regularly switched on and off.
- The appliance is not intended to be operated by means of an external timer or separate remote-control system.
- Alterations to the domestic wiring system must only be made by a qualified electrician.
- Failure to follow this advice may result in electrical shock or death.

1.4 USE & MAINTENANCE

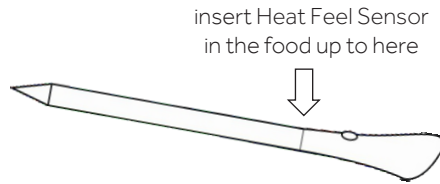
- **WARNING:** The appliance and its accessible parts become hot during use. Care should be taken to avoid touching heating elements. Children less than 8 years of age shall be kept away unless continuously supervised.
- **WARNING:** Unattended cooking on a hob with fat or oil can be dangerous and may result in fire.
- **CAUTION:** The cooking process has to be supervised. A short term cooking process has to be supervised continuously.
- Disconnect the appliance from the mains electricity supply before carrying out any work or maintenance on it.
- No combustible material or products should be placed on this appliance at any time.
- Metallic objects such as knives, forks, spoons and lids should not be placed on the hob surface since they can get hot.
- A steam cleaner is not to be used.

- Do not use a steam cleaner to clean your cooktop.
- Do not store items on the cooking surfaces.
- Do not let your body, clothing or any item other than suitable cookware contact the Induction glass until the surface is cool.
- Handles of saucepans may be hot to touch. Check saucepan handles do not overhang other cooking zones that are on. Keep handles out of reach of children. Failure to follow this advice could result in burns and scalds.
- The razor-sharp blade of a cooktop scraper is exposed when the safety cover is retracted. Use with extreme care and always store safely and out of reach of children. Failure to use caution could result in injury or cuts.
- Do not place or leave any magnetisable objects (e.g. credit cards, memory cards) or electronic devices (e.g. computers, MP3 players) near the appliance, as they may be affected by its electromagnetic field.
- Do not repair or replace any part of the appliance unless specifically recommended in the manual. All other servicing should be done by a qualified technician.
- Do not place or drop heavy objects on your cooktop.
- Do not use pans with jagged edges or drag pans across the Induction glass surface as this can scratch the glass.
- Do not use scourers or any other harsh abrasive cleaning agents to clean your cooktop, as these can scratch the Induction glass.
- Do not use adapters for cooking vessels.
- **WARNING:** when one or more cooking zone shut down, the presence of residual heat is indicated by a visual signal on the corresponding zone display, by way of the H symbol. When this symbol is active, be careful not to touch the hob, or there is a risk of burns.

1.5 WARNINGS Wireless Temperature Probe (available depending on the model)

This product is exclusive for hobs appliances. It should only be used as described in this User Manual.

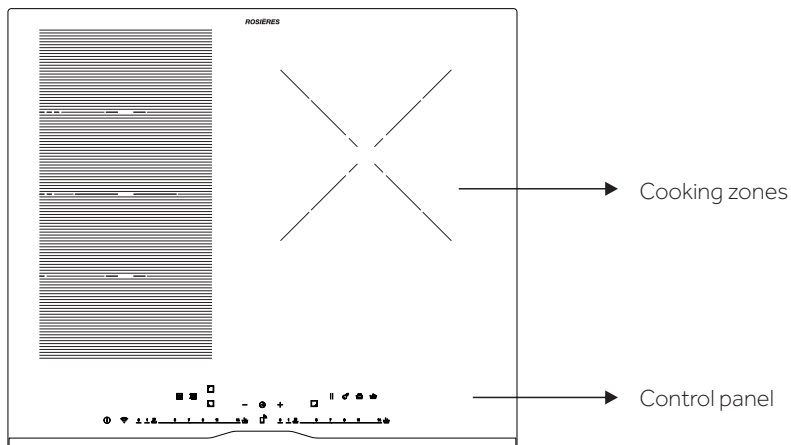
- DO NOT TOUCH Heat Feel Sensor WITH BARE HANDS JUST AFTER COOKING. Always wear oven gloves to remove Heat Feel Sensor from the food after cooking.
- It is required to FULLY INSERT Heat Feel Sensor metal bar properly into the food until the BLACK ceramic EDGE of it during cooking.



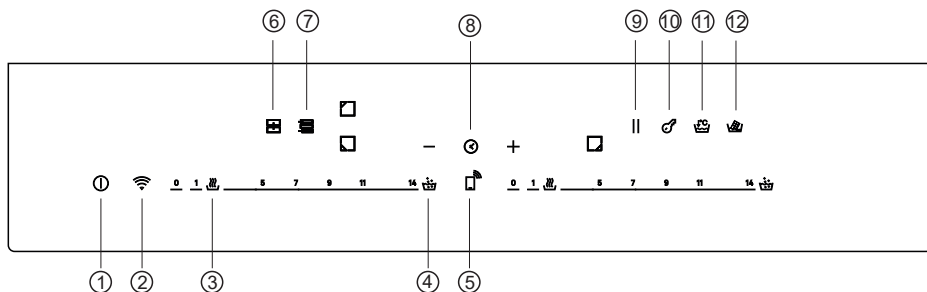
- Do not use Heat Feel Sensor in a microwave oven.
- Heat Feel Sensor can be cleaned and washed but do not immerse it long in water.
- This product is not intended for use by persons with ages 12 and under.
- The supplier will not be liable for any damage of Heat Feel Sensor due to misuse of the device.
- Clean the Heat Feel Sensor before the use.
- Probe can work in this range of temperature: 10°C to an internal maximum temperature of 100°C of the metal part. Ceramic part can reach 350°C.
- If the Heat Feel Sensor temperature exceeds 100°C, cooking will stop and the Heat Feel Sensor must be removed from the oven as soon as possible, wearing gloves, to avoid damage to the probe.

2. PRODUCT INTRODUCTION

2.1 TOP VIEW OF THE PRODUCT



2.2. CONTROL PANEL



1. ON/OFF
2. WIFI
3. Keep Warm
4. Boiling

5. Remote Control
6. Full Zone
7. Varycook
8. Timer /Minute minder

9. Pause
10. Child lock
11. Simmering
12. Melting

3. BEFORE STARTING

3.1 GENERAL INFORMATION

Before you begin, it is important to know: all functions of this hob are designed in order to comply with the most stringent safety regulations.

For this reason:

- Some functions will be activated, or will be automatically deactivated in absence of pots on the burners or when they are not correctly positioned.
- In other cases, functions will be automatically deactivated after a few seconds when it requires more than one step (e.g. "Turn the hob on" without "selecting the cooking zone").
- In case of longtime use, the appliance may not immediately shut down, even with all the cooking zones off, because it is in the cooling phase; the H symbol appears on the cooking zone display until it is cooled.

Safe activation: the product is activated with the presence of pots on the cooking zone. The heating process does not start or is interrupted if there are no pots or if these are removed.

Pot detector: After the hob is switched on, the product automatically detects the presence of pots on the cooking zones, even before activating them.

Safety shut down: for safety reasons, each cooking zone has a maximum operating time, which depends on the maximum power level set.

3.2. POWER MANAGEMENT

When product is first used, the hob is set to maximum reachable power. Different power limits can be chosen according with home main supply system by using power management function.

How to set the power management

It is possible to set a maximum power absorption level for the Induction hob, choosing up to different power ranges.

Induction hobs are able to limit themselves automatically in order to work at lower power level, to avoid the risk of overloading.

To enter Power Management Function:

- Turn on the hob, then press at the same time + and - on the control panel.
- The timer indicator will show "P8" which means power level 8. The default mode is on 7.4 kW.

To switch to another level

- Press + or - to change the power management level.
- There are 8 power levels, from "P1" to "P8". The timer indicator will show one of them:

P1	P2	P3	P4	P5	P6	P7	P8
2kW	2,5kW	3kW	3,5kW	4,5kW	5,5kW	6,8kW	7,4kW

Confirmation and Exit Power Management Function

For confirmation, turn off the hob. The power level will be saved automatically. Selected value is permanently stored and remains even after power down of the main supply.
To change the power level repeat the operations described above.

NOTE: depending on the power management selection, some power levels and functions of the cooking zones could be automatically limited not to exceed the selected value. In particular, in case of a power management level set less than 4,5kw, Boost function, Varycook and some cooking preparations with the app, could not be selected.

In particular last power level selection can be refused/adjusted according with the available amount of residual power from the previous setting.

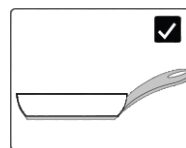
3.3. CHOOSING THE RIGHT COOKWARE

3.3.1. Characteristics of the cookware

Use only pots with the induction symbol.

- Only pots with a perfectly flat bottom. Otherwise, the following situations may occur:

- No pot detection;
- Low performance;
- Unwanted noise.



- Only pots with a smooth base, to avoid scratching the hob surface;

NOTE: avoid as much as possible moving pot operations on the glass surface just to minimize scratches.

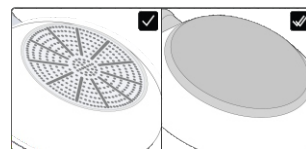
Magnet test

Induction cooking uses magnetism to generate heat; pots must therefore contain iron. If you already have a cookware you can check if the material is magnetic by using a magnet. Pots are suitable if they are magnetically attracted by the magnet.

Cookwares made from the following materials are not suitable: pure stainless steel, aluminum or copper without a magnetic base, glass, wood, porcelain, ceramic, earthenware.

3.3.2 Higher quality cookwares

All cookwares with the induction symbol are generally accepted.
Depending on the type of bottom, however, the behavior may vary.



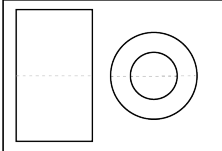
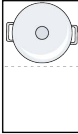
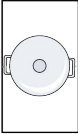
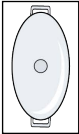
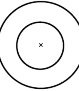
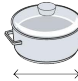
When using large cookware with a smaller ferromagnetic element, only the ferromagnetic element heats up. Consequently, heat might not be uniformly distributed.

3.3.3. Dimension & placement

Always use the cooking zone that best matches the bottom diameter of the pan.
Place the pot making sure it is well centered in the cooking area.

NOTE: it's recommended not to use pans that exceed the perimeter of the cooking zone.

For the correct working of the hob, it's necessary to use pots with the bottom diameter inside the range described in the following table.

				
	<p>min. 120 mm</p> <p>max. 220 mm</p>	<p>min. 220 mm</p> <p>max. 220 mm</p>	<p>min. 160 mm</p> <p>max. 200 x 380 mm</p>	<p>min. 120 mm</p> <p>max. 280 mm</p>

NOTE: by using a cookware smaller than the minimum required, it could not be detected. While using one bigger than the maximum required, malfunctions or low performances may occur.

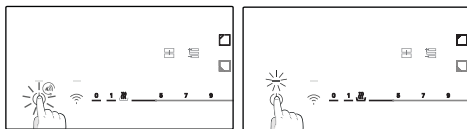
ATTENTION: do not put the pot on/near the control panel during cooking or cooling down.

4. OPERATION OF PRODUCT

4.1 HOW THE PRODUCT WORKS

① SWITCHING ON/OFF THE HOB

To switch on/off the hob, press and hold for a while. A dedicated sound will indicate the status of the appliance.



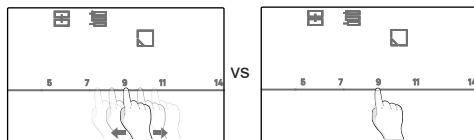
88 SELECT THE COOKING ZONE AND SET THE POWER

The hob can automatically detect the pot once it is placed on the cooking zone by lighting the related zone indicator. There will not be a power level activation at this stage.

Zone can be selected by pressing the zone indicator.

The power can be set:

Sliding the finger on the slider;
Pressing directly on the right level.



User can change power level during cooking, repeating the same process.

The digits will show the power level set: each cooking zone has a different number of power levels that goes from 1 (min) to 14 (max). Each level has an automatic shut down that could vary from 1 h to 8h.

Power level	1	2	3	4	5	6	7	8	9	10	11	12	13	14
Time (h)	8	8	5	4	3	3	2	2	2	2	2	2	2	1

BOOST FUNCTION: it is also possible to choose the rapid heating by pressing the slider in correspondance of the 15.

- The function can be used in any cooking zone;
- After 10 minutes, the boost function automatically switches to level 14.

ATTENTION: after switching on the cooktop or after ending all cookings, if then any power level is set within one minute, the hob switches off.

If the display shows $\text{E} \text{E}$, this means that:

- The pot is not positioned in the selected cooking zone;
- The pan is not correctly positioned/not placed at all on the hob;
- Pot isn't suitable for the induction;
- Dimensions of the pot are smaller than minimum pot diameter requested in the selected zone (p.12).
- If suitable pot is not placed within 1 minute cooking zone switches off.

H: once this symbol appears on the digits means that the cooking zone is still hot. When the surface is cooled down to a safe temperature the symbols disappears.

|| PAUSE

All the hobs can be put in pause by pressing the related key instead of being shut off.

To activate this function press || . All the zone indicators will show || and cooking is stopped. To deactivate press || and previous power settings will be restored.

WARNING: When entering Pause mode, all the controls except the ON/OFF controls are disabled. In this way the induction hob can always be turned off with the ON/OFF control in case of emergency.


TIMER

Timer can be set in two different ways:

- Minute minder: when the time is set the cooking zone will not be switched off.
- Stop Cooking Mode : after the time is set the selected cooking zone will be switched off.

Timer count until 60 min.


Minute minder: select directly the Timer button (without selecting a zone). A generic countdown timer starts. When time expires, the cooktop continuously beeps till any other button is pressed.

Stop cooking Mode: to select timer for one zone, select the related zone and press . Near the digit display of the selected zone, a dot appears and, by tapping on the +/- symbols, adjust the desired timing. A maximum of four timers can be set at the same time one for each zone.

Before editing the timer value always select the desired cooking zone.

When time elapses the cooktop beeps once.

KEYLOCK

Hob can be locked by pressing  to prevent unattended use and on display L appears. When the appliance is locked, all the controls except the ON/OFF button are disabled.

To activate/deactivate the function press and hold  for a while.

When switching the hob ON/OFF, this function remains active until it is deactivated by pressing  for a while.

SPECIAL FUNCTIONS

The hob has 3 special functions positioned on the slider which correspond to 3 power levels;

Direct access:

These functions can be activated after zone selection:

 **SIMMERING:** function used for creams, sauce or generic low temperature liquid.

 **MELTING:**

Function used mainly for melting chocolates. After few minutes, when chocolate begins to melt, move to level 1 to keep it liquid without exceeding the ideal temperature.

Accessible by the slider:


 **KEEP WARM:** function used for maintaining the food heated after cooking.

 **BOILING:** function used for water boiling and boil maintenance.

NOTE: any time cooking related to each function can be adjusted by selecting different power levels close to the suggested one

FULL ZONE

The Full zone is a cooking area that is a combination of more cooking zones in front and rear positions by creating a unique vertical zone. The Full zone, when activated, is controlled with one power level only.

To activate the function press . Only the upper digits will show feedbacks. The lower digits are switched off.

To deactivate longpress the zone selector.

Pots shall be placed as indicated in "3.3.3. Dimension & placement".

VARYCOOK ZONE

This function is used to pre-set fixed power levels in three different areas according with the position of the pot: high (l.14), medium (l.10), low (l.1).

- If the pot is on the front of Varycook zone, the power level is set to l.1;
- If the pot is on the middle of Varycook zone, the power level is set to l.10;
- If the pot is on the rear of Varycook zone, the power level is set to l.14.

For the minimum measurement for pot detection in the middle area, refer to the positioning shown in the table in "3.3.3. Dimension & Placement".

To activate the function longpress the zone selector . Only the upper digits will show feedbacks. The lower digits are switched off. To deactivate longpress the zone selector.

4.2.CONNECT TO hOnAPP

Your appliance may be connected to your home wireless network and operated remotely using the app. Connect your appliance to ensure it stays up to date with the latest software and features.

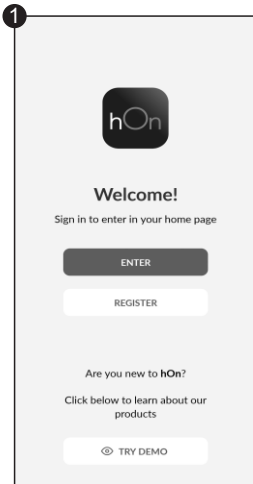
NOTE

- Once the hob is turned on, the WiFi icon starts to blink. During this period it's possible to enroll the product.
- Ensure your home Wi-Fi network is turned on.
- You will be given step by step guidance on both your appliance and mobile device.
- It may take up to 10 minutes to connect your hob.
- For further guidance and troubleshooting, please refer to the app.

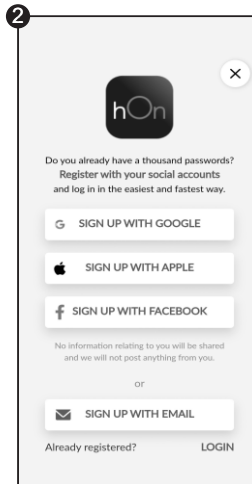
Download hOnApp on your smartphone.



New User Registration

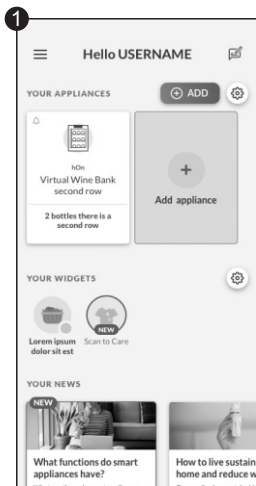


Click on "Register"

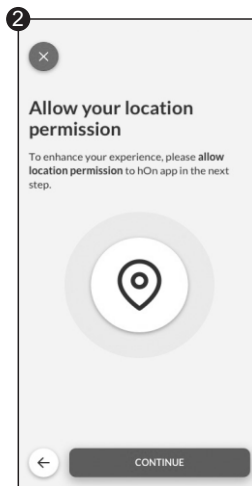


You can register through social accounts or sign up with your personal email

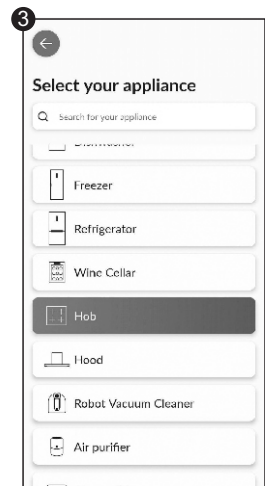
Quick Pair Enrollment



Select "Add appliance"

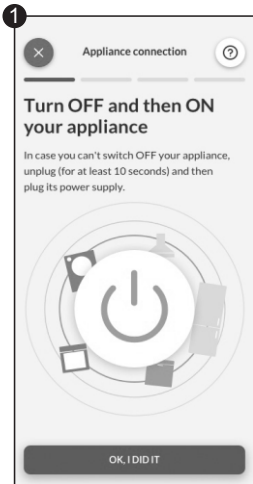


Allow your location permission

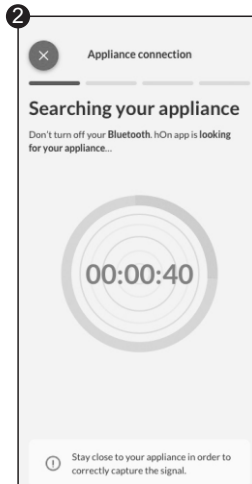


Select Hob from the appliance category

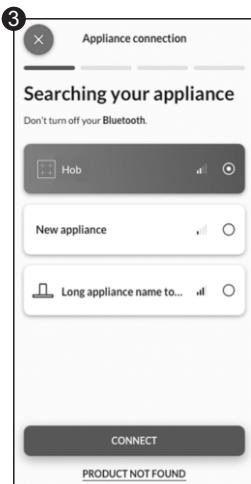
Quick Pair Enrollment



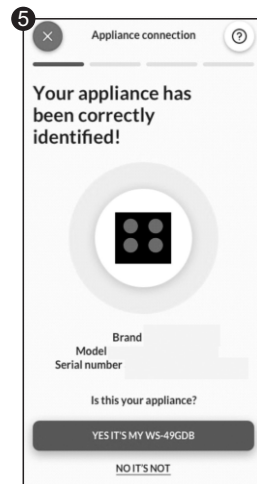
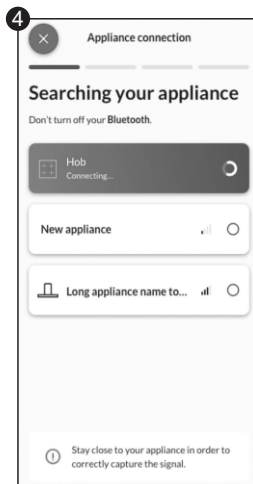
Turn on your appliance;
if it is already on,
turn it off and on again



After turning on,
the hOn app will start
searching for your
home appliance



Select your home appliance,
tap on "connect"
and wait a few seconds



Your Hob will be
found and you can
display and set functions/recipes
through hOn

Choose from the hOn App recipes menu or special programs menu. Follow step by step the indications on the App and when you have finished send the parameters to the hob that will cook for you.

When the hob receives the command from the app, the hob will beep for 2 times and blink for one second to indicate that the instructions have been received.

To start the recipe, press the "My Chef" button.

If you want to get out of "My Chef" function press 3 sec.

*Cooking results may vary due to used cookware.

Procedure for second enrollment:

1. After first enrollment, since the hob has already been connected with certain credentials to the WiFi network, it is needed to reset them
2. In order to reset them, power on the hob
3. Push WiFi button till hearing beep sound and seeing WiFi led blinking
4. After that, it is strongly recommended to power off the hob, without any operation from the mobile app
5. Finally, start again as it was the first enrollment, powering on the hob and proceeding by the mobile app with the usual enrollment procedure

WIRELESS PARAMETERS

Technology	Wi-Fi	Bluetooth
Standard	IEEE 802.11b/g/n	Bluetooth v4.2, BR / EDR, BLE
Frequency Band (s) [MHZ]	2401÷2483	2402÷2480
Maximum Power [mW]	100	10

Hereby, Candy Hoover Group Srl declares that the radio equipment is in compliance with Directive 2014/53/EU and with the relevant statutory requirements for the UK market. The full text of the declaration of conformity is available at the following internet address: www.candy-group.com

HEAT FEEL SENSOR MODEL Et180 WIRELESS PARAMETERS:

Technology	Bluetooth
Standard	Bluetooth v4.0 BLE
Frequency Band (s) [MHZ]	2400÷2480
Maximum Power [mW]	2.5 -(4dBm)

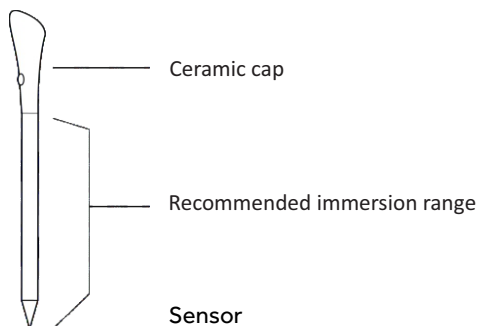
4.3 ACCESSORIES

4.3.1. HEAT FEEL SENSOR & LADLE-Intelligent Wireless Food Thermometer

(available depending on the model)

Thank you for purchasing Heat Feel Sensor. Please note it works only with Rosieres induction hob and before using it please read the following instruction and safety notes included in the user manual.

Introduction: Heat Feel Sensor is a wireless food thermometer that gives home chefs real-time status inside the food to avoid undercook or overcook disasters and ensuring the perfect result every time. It connects directly to the product. Details and the real-time status of the food can be read from your phone, giving you the best result at your fingertips. For further information on pairing and use tips, please refer to the instructions below.



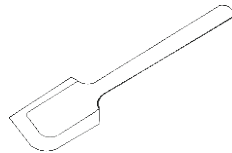
CHARGE THE HEAT FEEL SENSOR BEFORE USING:

- Put Heat Feel Sensor into the charger and close the cover;
- Connect the charger to a USB power source, such as USB adapter or USB socket of PC/notebook with the USB cable. The charger may not be working properly with power bank because of its auto switch-off function;
- LED of the charger will turn on and is flashing during charging. It will turn off when Heat feel sensor is full charged.

LADLE

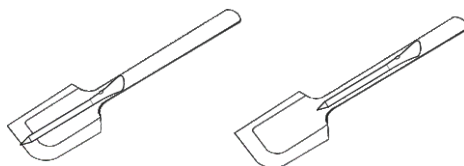
Use the ladle with the probe to stir food during your cooking.

- Clean the ladle before the first use.
- Do not use the ladle on an open flame.
- Do not cut the ladle.
- Do not put the ladle in direct contact with the hot accessible parts of the hob.
- Tolerated temperature range: 220°C



Position 1

Position 2



4.4 COOKING PREPARATIONS WITH THE APP

Heat feel sensor as thermometer

Set in the hOn App the target temperature you want to reach, insert the heat feel sensor inside the food or with its accessory inside liquids and you will see the temperature raising from the app until reaching the target temperature.

It will help you to accurately maintain the temperature for all kind of food. You cannot use it when the Assisted Cooking function operates.

Assisted Cooking: "Cook with me" function

Choose from the hOn App recipes or special programs, follow step by step the preparation and then the hob will automatically set the parameters for the chosen cooking method.

Sous Vide

Type of cooking in which the food is placed in a vacuum bag and cooked in a low temperature water bath.

The food prepared in this way will be more juicy and tender and will keep the nutritional properties intact, making it healthier and tastier.

Go on the hOn App select the category of food, select this type of cooking, insert the bag with the food in the pot with water and the induction hob will set the correct cooking temperature for a perfect result.

Grill

Select the category of food from the hOn App, select this type of cooking and the induction hob will automatically bring the grill to the correct temperature in a predetermined time.

Simmering

The simmering function is ideal for cooking sauces, stews, braised dishes and all preparations with an average long cooking time.

The automatic function you find on the hOn App will gently bring the food to a slightly boiling temperature, keeping it for all the duration of cooking.

Steaming

With the steaming function you can steam food such as vegetables, meat or fish in pots equipped with a steamer basket. Steam cooking is faster than boiling, as it is not immersed in a liquid it disperses less nutrients contained in the food and preserves its vitamin content, improving its taste and structure which will be more compact and pleasant.

If necessary, contact the authorized service center.

5. COOKING GUIDELINES

5.1 POWER TABLE

POWER LEVEL	TYPE OF COOKING	SUGGESTED USE
14/15 BOOSTER	Fast Heating, Booster	Ideal for stir-frying, searing, bringing soup to the boil, boiling water
11-13	Frying, Grilling, Keep Boiling	Ideal for starting cooking, sautéing, cooking pasta, deep frying, grilling
5-10	Stewing, Cooking	Ideal for preheat stewing, keep gentle boiling, cooking, long & continuous frying (rice, roast, pancakes*)
3-4	Simmering, Keep Warm, Slow Cooking	Ideal for slow cooking recipes, gentle simmering cream sauces and liquid
1-2	Melting, Keep Liquid, Defrosting	Delicate warming for small amounts of food, slow warming, melting & keep liquid chocolate**
OFF	-	-

*Continuous frying pancake at level 5-6. Ë

**Melting Level 2, when begins to melt, move to level 1 to keep liquid.

5.2. COOKING TABLE

FOOD CATEGORY	RECIPE	Preheat		Cooking
		Heating Phase	Power Level	Power Level
Pasta & rice	Pasta	Heating Water	14 - 15	6 - 11
	Rice Pudding	Heating Milk	13 - 15	6 - 8
	Boiled Rice	Heating Water	14 - 15	6 - 8
	Risotto	Stir-frying & Roasting	13 - 15	6 - 8
Meat	Roast Meat	Stir-frying & Roasting	10 - 13	6 - 11
	Grilled Steak	Preheat Grill	10 - 13	10 - 13
	Sausages & Hamburger	Preheat Grill	10 - 11	10 - 13
	Chicken Pieces	Preheat Pan	10 - 11	6 - 10
	Breaded Steak	Preheat Pan	6 - 11	10 - 13
Fish	Grilled Fish	Preheat Grill	10 - 13	8 - 10
	Fillet Fish	Stir-frying	10 - 13	8 - 10
	Shrimps & Prawns	Stir-frying	10 - 13	10 - 13
Vegetables & legumes	Fresh Frying Potatoes	Heating Oil*	14	11 - 14
	Frozen Frying Potatoes	Heating Oil*	14	11 - 14
	Grilled vegetables	Preheat Grill	6 - 11	10 - 13
	Peppers, Zucchini & Eggplant	Preheat Pan	6 - 11	10 - 13
Eggs & Egg products	Hard Boiled Eggs	Heating Water	14 - 15	6 - 8
	Fried Eggs	Stir-frying	10 - 13	8 - 10
	Pancakes	Preheat Pan	6 - 11	5 - 7
Sauces, Creams & Dessert	Tomato Sauces	Heating Sauces	4 - 6	2 - 4
	Melted Cheese	Melting	6 - 11	2 - 5
	Cream & Custard	Heating Cream	4 - 6	2 - 4
	Melted Chocolate	Melting	1 - 2	1
	Butter	Melting	1 - 3	1 - 3

6. CARE & CLEANING

6.1 GENERAL RECOMMENDATIONS

Regular cleaning can extend the lifecycle of your appliance.

- Clean the hob after each use;
- Always use cookware with a clean base;
- Scratches on the surface have no effect on how the operates;
- Use a special cleaner suitable for the surface of the hob; Use a special scraper for the glass.

6.2. CLEANING THE HOB

Before proceeding with the cleaning, make sure that the cooking zones are turned off. Always remember to follow the recommended cleaning instructions and avoid using abrasive products that could damage the surface of the cooktop.

a) FATTY SOIL

This procedure is recommended for these kinds of scenarios; splatters caused by frying or grilling meat.

- Let the hob cool down.
- Absorb any excess liquid around the pot with kitchen paper, then remove the pot.
- Clean the cooking surface with a cloth and detergent solution.
- If necessary, clean the hob a second time using hot water and cleaner for induction hob glasses.

b) SUGARY SOIL

This procedure is recommended for foods that, due to their high sugar content, need to be promptly removed to prevent damage to the hob surface (syrups, jams, or preserves).

- When the hob is still warm, absorb any excess liquid around the pot with kitchen paper, then remove the pot.
- If necessary, we recommend using a scraper at an acute angle to remove any remaining residue.
- Clean the cooking surface with a detergent solution and dry it with the kitchen paper.
- If necessary, clean the hob a second time using hot water and cleaner for induction hob glasses.

c) STARCHY SOIL

This cleaning procedure is recommended for these kinds of foods: pasta, rice and potatoes.

- Absorb any excess liquid around the pot with kitchen paper, then remove the pot.
- Let the hob cool down.
- Use a damp cloth to moisten any starch residues. Allow it to sit for a couple of minutes.
- Clean the cooking surface with a cloth and detergent solution.
- After cleaning, wipe the hob dry with a soft cloth.
- If necessary, clean the hob a second time using hot water and cleaner for induction hob glasses.

NOTE: Please consider these instructions also for; water rings, limescale rings, fat stains.

d) SHINY METALLIC DISCOLORATION

Use a solution of water with vinegar and clean the glass surface with a cloth.

7. FAILURE DISPLAY & INSPECTION

7.1 TROUBLESHOOTING

Problem	Possible causes	What to do
The induction hob cannot be turned on.	No power.	Make sure the induction hob is connected to the power supply. Check whether there is a power outage in your home or area. If the problem persists, call a qualified technician.
The touch controls are unresponsive.	The controls are locked.	Unlock the controls by checking the section 'How product works'.
The touch controls are difficult to operate.	There might be water residue on the controls, or you might not be applying the correct pressure to the buttons.	Make sure the touch control area is dry and use the right pressure when touching the controls.
The glass is being scratched.	Rough-edged cookware. Unsuitable, abrasive scourer or cleaning products being used.	Use cookware with flat and smooth bases. See 'Choosing the right cookware' and "Care and cleaning" sections.
Some pans make crackling or clicking noises.	This may be caused by the construction of your cookware (layers of different metals vibrating differently).	This is normal for cookware and does not indicate a fault.
The induction hob makes a low humming noise when used on a high heat setting.	This is caused by the technology of induction cooking.	This is normal, but the noise should quieten down or disappear completely when you decrease the heat setting.
Fan noise coming from the induction hob.	A cooling fan built into your induction hob has come on to prevent the electronics from overheating. It may continue to run even after you've turned the induction hob off.	This is normal and needs no action. Do not switch the power to the induction hob off at the wall while the fan is running.
Pans do not become hot and "U" appears in the display.	The induction hob cannot detect the pan because it is not suitable for induction cooking. The induction hob cannot detect the pan because it is too small for the cooking zone or not properly centred on it.	Use cookware suitable for induction cooking. See section 'Choosing the right cookware'. Centre the pan and make sure that its base matches the size of the cooking zone.
The induction hob or a cooking zone has turned itself off unexpectedly, a tone sounds and an error code is displayed (typically alternating with one or two digits in the cooking timer display).	Technical fault.	Please note down the error letters and numbers, switch the power to the induction hob off at the wall, and contact a qualified technician.

d0 warning appears on display.	Pressing two buttons at the same time, waterdrops or dust on the glass.	Make sure no buttons are being pressed at the same time and clean the hob to remove any water or dust residues.
--------------------------------	---	---

7.1.2 ERROR CODES

ERROR CODE	RULE OF DISPLAY		ACTIONS
E0			Call ASA
	Front left		
E1			Call ASA
	Front left		
E2			Call ASA
	Front left		Call ASA
E3			Call ASA
			Call ASA
	Front left		Call ASA
E4	left	right	Call ASA
			Call ASA
			Call ASA
			Call ASA
			Call ASA
			Check mains phase signal and frequency, if ok call ASA
			Check mains cable & differential thermostat, if ok call ASA
E5			Wait for cooldown, clean and/or remove foreign bodies
	Front left		Call ASA
E6	Cz4	Cz1	Call ASA
	Cz3	Cz2	Check installation requirements via user manual, if ok call ASA
E7	Cz4	Cz1	Call ASA
			Call ASA
	Cz3	Cz2	Call ASA
E8	Cz4	Cz1	Check installation requirements via user manual, if ok call ASA
			Check installation requirements via user manual, if ok call ASA
	Cz3	Cz2	
E9			Call ASA
	Front left		Call ASA

*ASA = Service Center

8. ENVIRONMENTAL PROTECTION & DISPOSAL

8.1 SAVING AND RESPECTING THE ENVIRONMENT

Recommendations for best results;

Use pots and pans with a bottom diameter equal to that of the cooking zone;

Use only pots and pans with flat bottoms;

Where possible, keep the lid on pots during cooking;

Cook vegetables, potatoes, etc. with a minimal amount of water to reduce cooking time;

Use a pressure cooker as it further reduces the energy consumption and cooking time.

Place the pot in the center of the cooking zone outlined of the hob.

8.2 WASTE MANAGEMENT AND ENVIRONMENTAL PROTECTION

This appliance is labelled in accordance with European Directive 2012/19/EU regarding electric and electronic appliances (WEEE). The WEEE contain both polluting substances (that can have a negative effect on the environment) and base elements (that can be reused).



It is important that the WEEE undergo specific treatments to correctly remove and dispose of the pollutants and recover all the materials. Individuals can play an important role in ensuring that the WEEE do not become an environmental problem; it is essential to follow a few basic rules:

- The WEEE should not be treated as domestic waste;
- The WEEE should be taken to dedicated collection areas managed by the town council or a registered company.

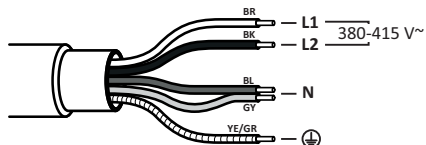
In many countries, domestic collections may be available for large WEEEs. When you buy a new appliance, the old one can be returned to the vendor who must accept it free of charge as a one off, as long as the appliance is of an equivalent type and has the same function as the purchased appliance.

9. INSTALLATION

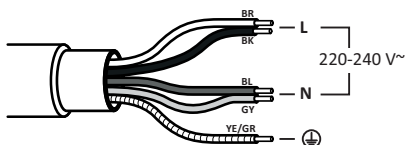
Electrical installation

Power supply cable: The device is equipped with a power supply cable that must be connected to the domestic power grid. Identify the various connection options based on the type of domestic power supply from the corresponding diagram. The data plate also indicates the allowable connection voltage for this device and its corresponding power consumption.

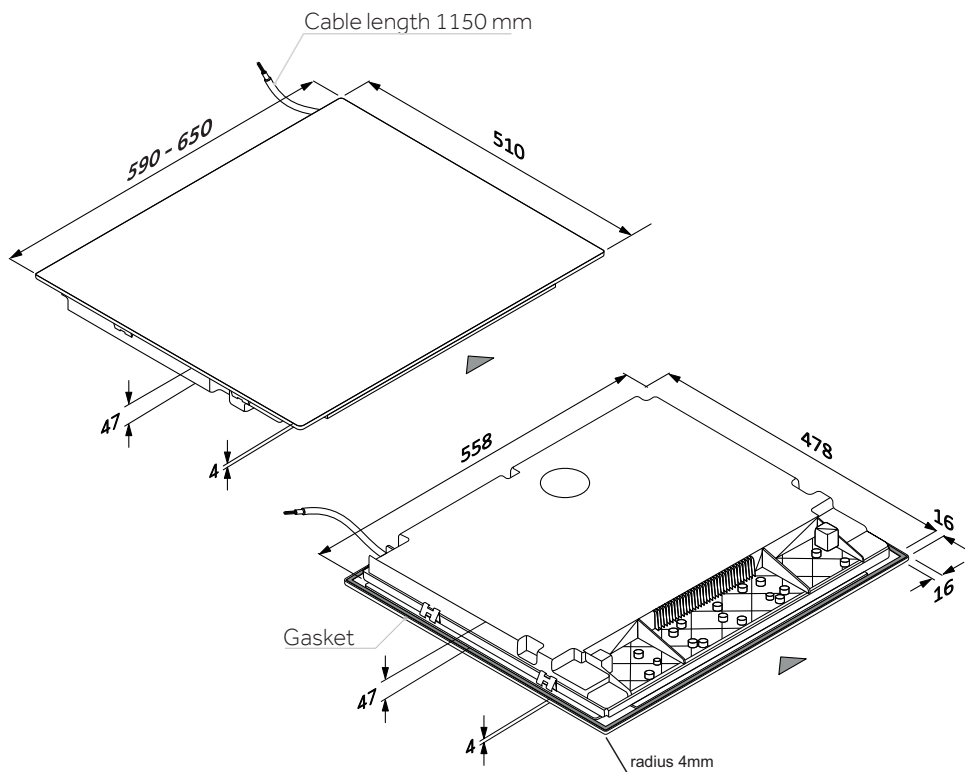
380-415V ~ 2N 50/60 Hz



220-240V ~ 50/60 Hz



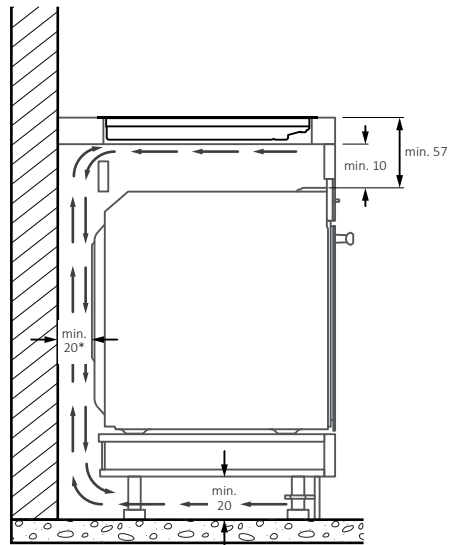
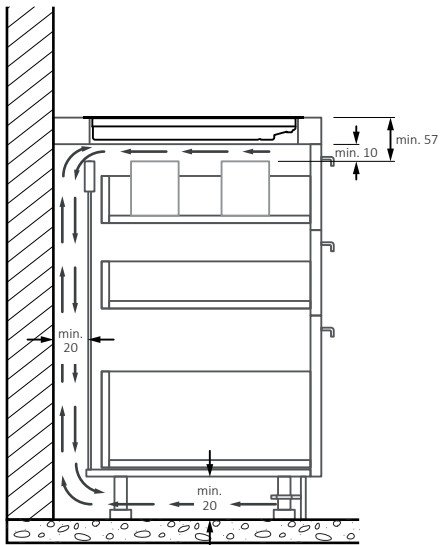
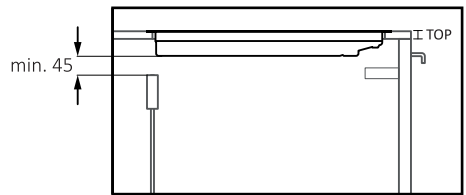
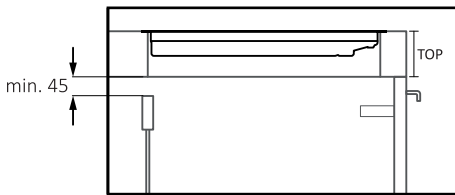
HOB 60-65 cm



Tools

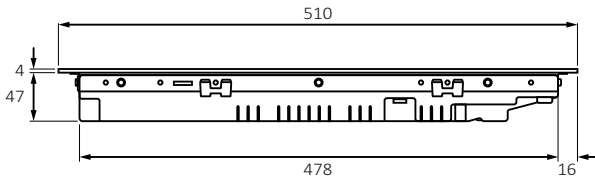


SECTIONS - WIDTH 60 and 65

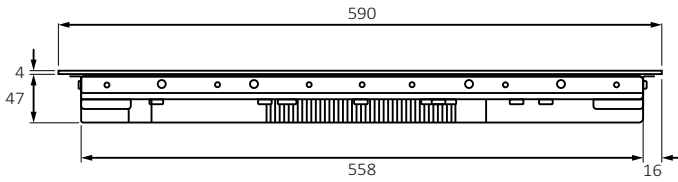


*For proper operation of the appliance, ensure proper airflow beneath the cooktop according to the installation guidelines.

HOB 60 cm

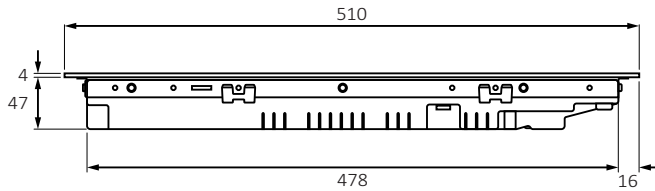


Side view

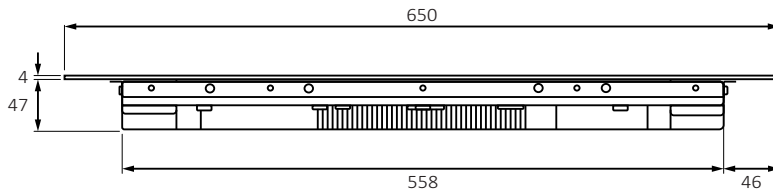


Frontal view

HOB 65 cm

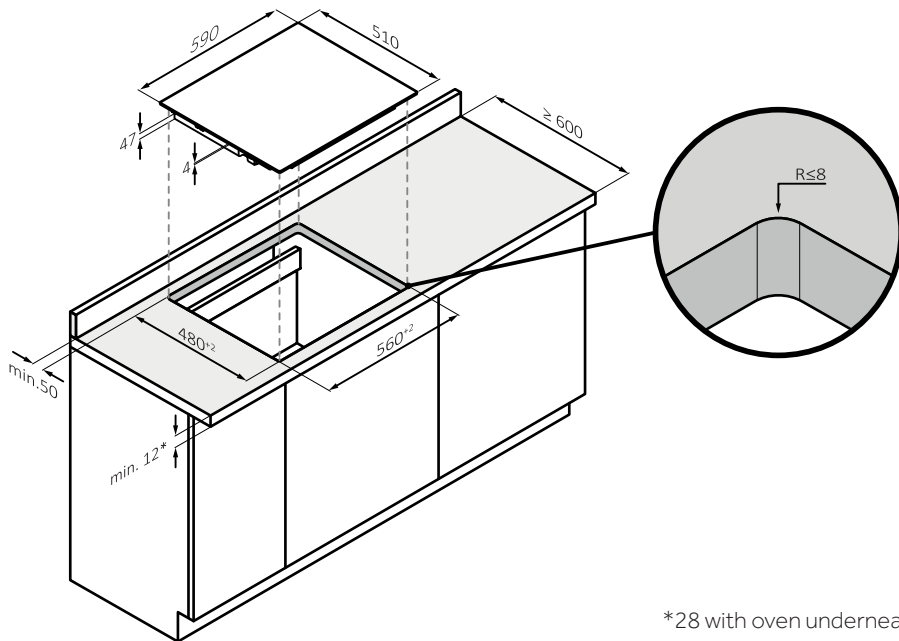


Side view

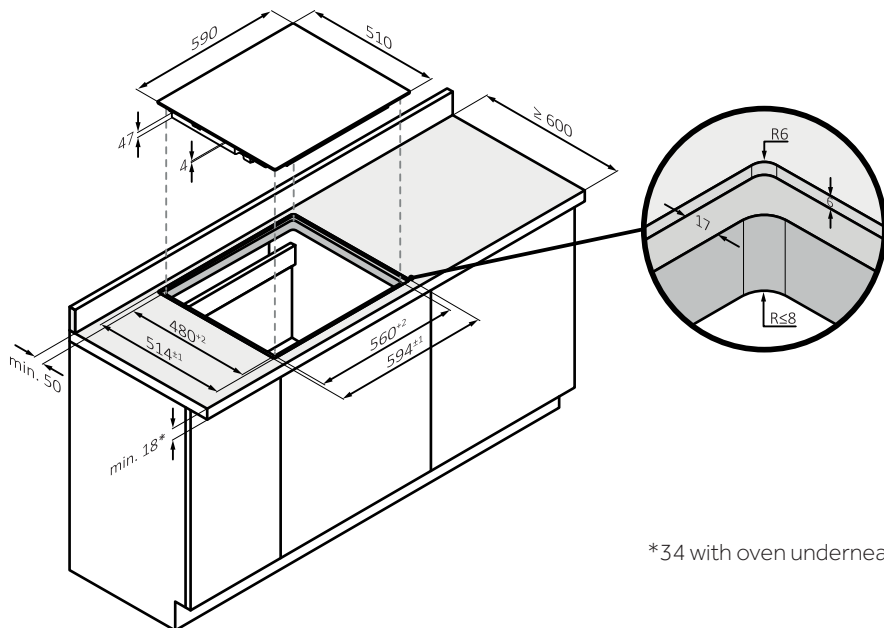


Frontal view

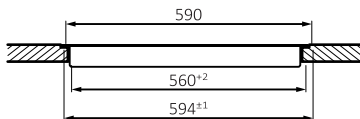
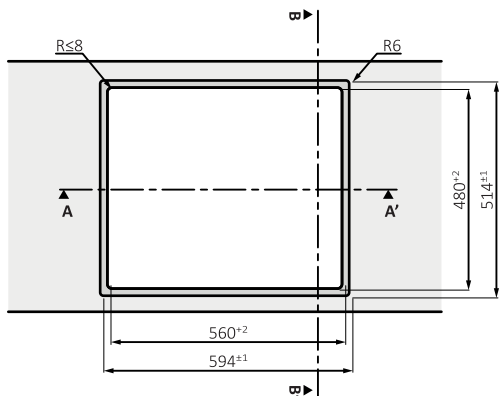
STANDARD BUILT-IN MEASUREMENTS 60



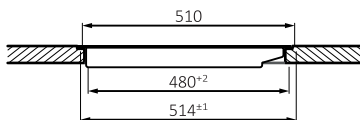
FLUSH BUILT-IN MEASUREMENTS OF 60 (Not applicable for models with beveled glass)



FLUSH BUILT-IN MEASUREMENTS OF 60 (Not applicable for models with beveled glass)

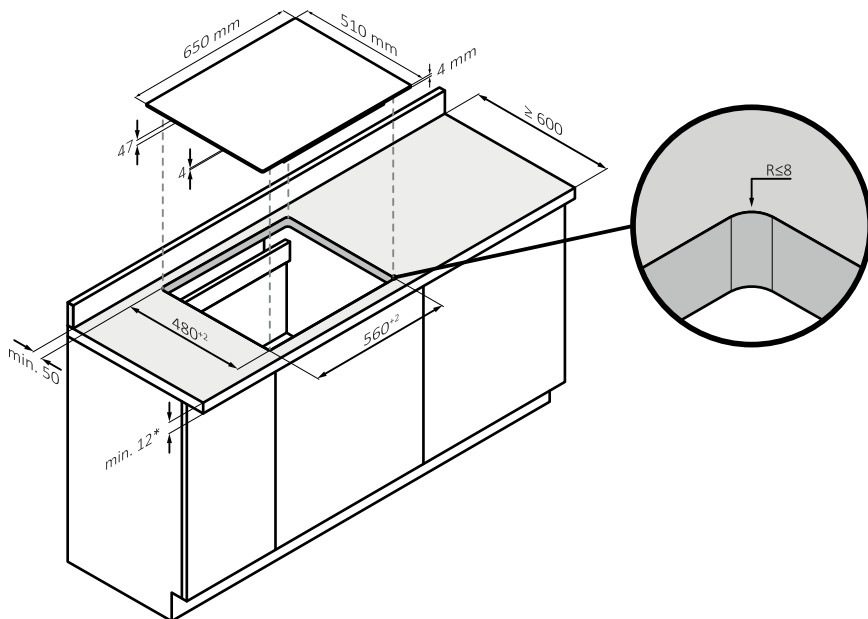


Section AA'



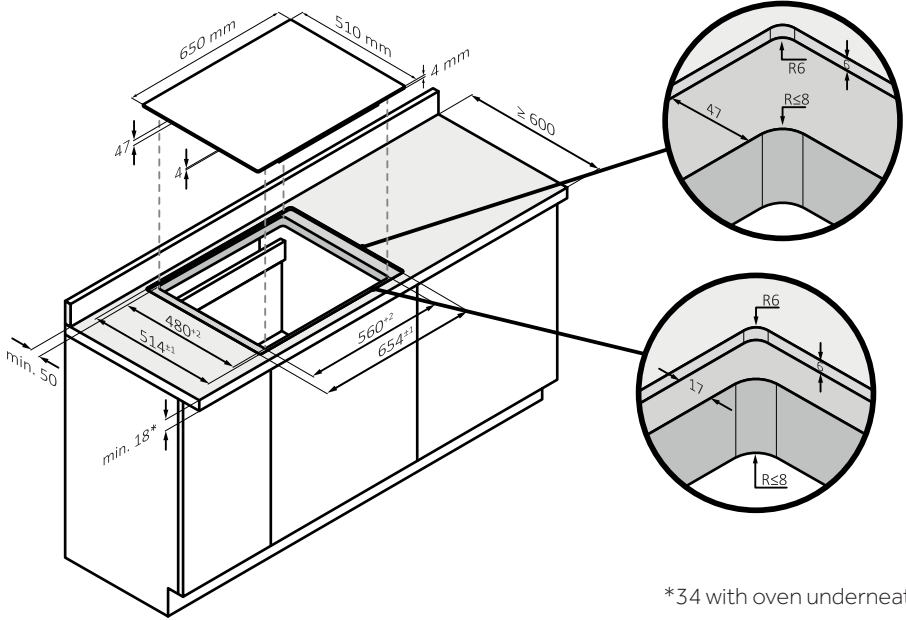
Section BB'

STANDARD BUILT-IN MEASUREMENTS 65 TOP

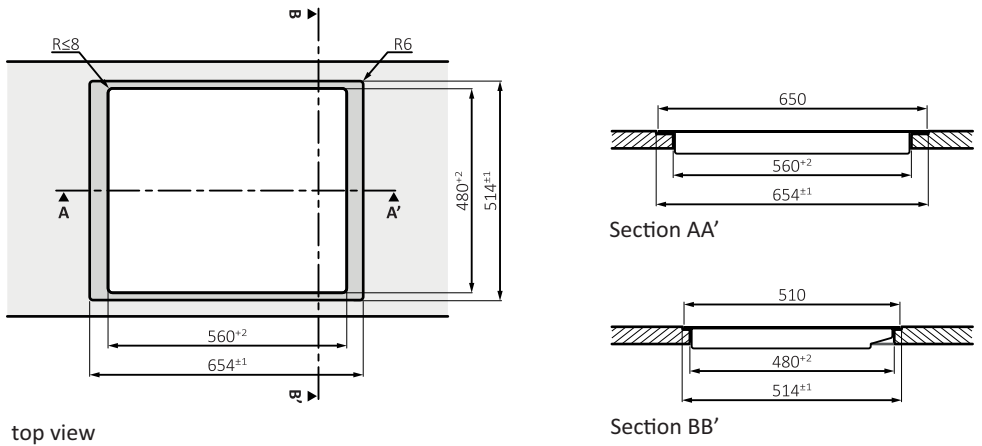


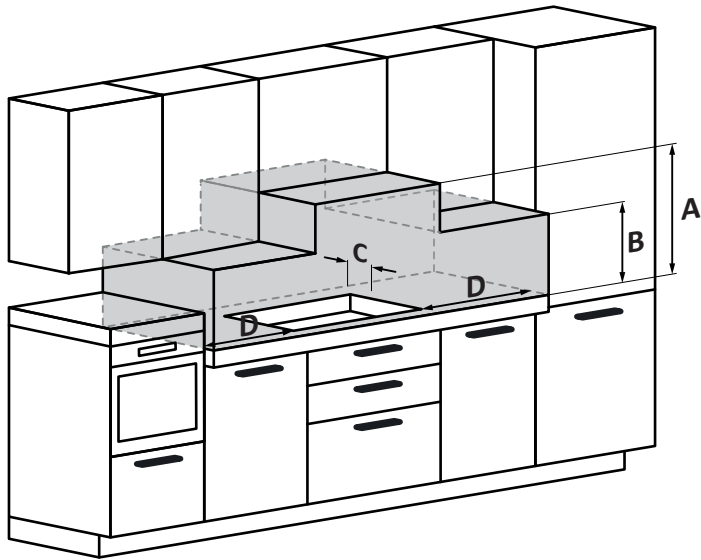
*28 with oven underneath

FLUSH RECESSING MEASUREMENTS OF 65 (Not applicable for models with beveled glass)



FLUSH RECESSING MEASUREMENTS OF 65 (Not applicable for models with beveled glass)





A: We recommend a distance of at least 650mm, but it is preferable to consult the hood user manual;

B: Consider providing a functional space for handling kitchen tools and any steam and condensation produced during food preparation;

C: 35 mm from the recessed hole to the backrest/backrest panel;

D: 35 mm from adjacent furniture (for 60 cm hob);

D: 55 mm from adjacent furniture (for 65 cm hob).

Table des matières

- 34** Informations sur la sécurité
- 39** Présentation du produit
- 40** Avant de commencer
- 43** Fonctionnement du produit
- 51** Directives de cuisson
- 52** Entretien et nettoyage
- 53** Affichage et inspection des pannes
- 55** Protection de l'environnement et élimination
- 56** Installation

BIENVENUE

Merci d'avoir choisi notre produit. Pour garantir votre sécurité et obtenir les meilleurs résultats, veuillez lire attentivement ce manuel, y compris les consignes de sécurité, et le conserver afin de pouvoir le consulter plus tard. Avant d'installer la plaque de cuisson, prenez note du numéro de série dont vous pourriez avoir besoin pour des réparations. Vérifiez qu'elle n'a pas été endommagée pendant le transport et consultez un technicien en cas de doute avant de l'utiliser. Conservez les matériaux d'emballage hors de portée des enfants.

REMARQUE : veuillez noter que les caractéristiques et les accessoires de la plaque de cuisson peuvent varier en fonction du modèle que vous avez acheté.

INFORMATIONS SUR LA SÉCURITÉ

1.1. AVERTISSEMENTS GÉNÉRAUX

- Lisez attentivement ces instructions avant d'installer ou d'utiliser cet appareil.
- AVERTISSEMENT : si la surface est fissurée, éteindre l'appareil pour éviter tout risque d'électrocution.
- Ne tentez JAMAIS d'éteindre un incendie avec de l'eau, mais éteignez l'appareil puis couvrez la flamme par exemple avec un couvercle ou une couverture anti-feu.
- AVERTISSEMENT : risque d'incendie : ne ranger aucun objet sur les surfaces de cuisson.
- AVERTISSEMENT : utilisez uniquement des protections de plaque de cuisson conçues par le fabricant de l'appareil de cuisson ou indiquées comme appropriées par le fabricant de l'appareil dans le mode d'emploi ou intégrées à l'appareil. L'utilisation de protections inappropriées peut provoquer des accidents.

1.1.1. Limites d'utilisation

- Cet appareil n'est pas prévu pour être utilisé par des personnes (y compris des enfants) à capacités physiques, sensorielles ou intellectuelles réduites ou sans expérience et connaissances, à moins d'être surveillés ou d'avoir appris à utiliser l'appareil par une personne responsable de leur sécurité.
- Surveillez les enfants pour éviter qu'ils ne jouent avec l'appareil.
- Cet appareil peut être utilisé par des enfants âgés de 8 ans et plus et par des personnes ayant des capacités physiques, sensorielles ou mentales réduites, ou connaissant mal l'appareil, s'ils bénéficient d'une surveillance ou reçoivent des instructions concernant l'utilisation de l'appareil de manière sûre et qu'ils comprennent les risques encourus.
- Les enfants ne doivent pas jouer avec l'appareil.
- Le nettoyage et l'entretien ne doivent pas être effectués par des enfants sans surveillance.
- Cet appareil est conforme aux normes de sécurité électromagnétique. Toutefois, les personnes porteuses d'un stimulateur cardiaque ou d'autres implants électriques (tels que

les pompes à insuline) doivent consulter leur médecin ou le fabricant de l'implant. Avant d'utiliser cet appareil, il faut s'assurer que les implants ne seront pas affectés par le champ électromagnétique. Le non-respect de cette consigne peut entraîner la mort.

1.1.2. Utilisation conforme à l'usage prévu

- Cet appareil est conçu pour être utilisé dans une habitation et pour des applications similaires telles que :
 - coins-cuisine du personnel dans des magasins, bureaux et autres environnements de travail ;
 - habitations rurales ;
 - par des clients dans des hôtels, motels et autres environnements de type résidentiel ;
 - environnements de type chambres d'hôtes ou B&B.
- N'utilisez jamais votre appareil comme plan de travail ou surface de rangement.
- N'utilisez jamais l'appareil pour chauffer la pièce.

1.2. INSTALLATION

- Si le cordon d'alimentation est endommagé, faites-le remplacer par le fabricant, le service clientèle ou un électricien qualifié pour éviter tout risque d'accident.
- Le raccordement à un bon système de mise à la terre est essentiel et obligatoire.
- Cet appareil doit être installé correctement et être mis à la terre par une personne qualifiée pour cela.
- Débranchez l'appareil du réseau électrique avant d'effectuer tout travail ou opération d'entretien afin d'éviter tout risque de blessure ou de coupure.
- Veuillez laisser ces informations à la disposition de la personne chargée de l'installation de l'appareil car cela pourrait réduire les frais d'installation.
- Si l'appareil n'est pas installé correctement, cela peut rendre la garantie caduque ou les réclamations irrecevables.

1.3. AVERTISSEMENTS CONCERNANT LES RISQUES ÉLECTRIQUES

- Cet appareil doit être raccordé à un circuit comprenant un sectionneur garantissant une déconnexion totale de l'alimentation électrique pour tous les pôles dans des conditions de surtension de catégorie III. Les moyens de déconnexion doivent être conformes aux règles de câblage.
- **AVERTISSEMENT** : afin d'éviter tout danger provoqué par le réarmement accidentel du disjoncteur thermique, l'appareil ne doit pas être alimenté par un commutateur extérieur, comme une minuterie, ni être raccordé à un circuit qui est régulièrement allumé et éteint.
- L'appareil n'est pas prévu pour être utilisé au moyen d'une minuterie extérieure ou d'un système de télécommande séparé.
- Toute modification du système de câblage de l'habitation doit être effectuée exclusivement par un électricien qualifié.
- Le non-respect de cette consigne peut entraîner une électrocution voire la mort.

1.4. UTILISATION ET MAINTENANCE

- **AVERTISSEMENT** : l'appareil et ses parties accessibles peuvent devenir brûlants au cours de l'utilisation. Il convient de faire attention à ne pas toucher les éléments de chauffage. Les enfants de moins de 8 ans doivent être tenus à l'écart à moins d'être surveillés constamment.
- **AVERTISSEMENT** : il peut s'avérer dangereux de cuisiner sur une plaque de cuisson avec des matières grasses ou de l'huile sans surveiller la cuisson car celles-ci peuvent prendre feu.
- **ATTENTION** : le processus de cuisson doit être surveillé. Un processus de cuisson de courte durée doit être surveillé en continu.
- Débranchez l'appareil du secteur avant d'effectuer tout travail ou opération d'entretien.
- Aucun produit ou matière combustible ne doit être posé sur cet appareil.
- Les objets métalliques comme les couteaux, les fourchettes, les cuillères et les couvercles ne doivent pas être placés sur

la surface de la plaque de cuisson car ils peuvent chauffer.

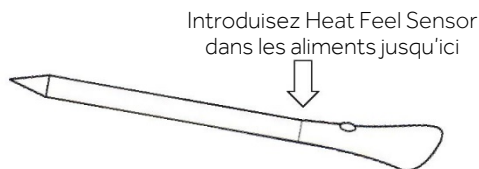
- N'utilisez pas de nettoyeur vapeur.
- N'utilisez pas de nettoyeur vapeur pour nettoyer votre plaque de cuisson.
- Ne rangez aucun objet sur les surfaces de cuisson.
- Ne laissez pas votre corps, vos vêtements ou tout élément autre qu'un ustensile de cuisine au contact de la plaque à induction tant que la surface n'a pas refroidi.
- Les poignées des casseroles peuvent être chaudes au toucher. Contrôlez que les poignées des casseroles ne soient pas au-dessus d'autres zones de cuisson allumées. Gardez les poignées hors de portée des enfants. Si vous ne respectez pas ce conseil, vous pourriez vous brûler et vous ébouillanter.
- La lame extrêmement coupante du racloir d'une plaque de cuisson est à découvert quand le couvercle de sécurité est enlevé. Faites extrêmement attention quand vous l'utilisez et rangez-la toujours à l'abri et hors de portée des enfants. Si vous ne faites pas attention, vous pourriez vous blesser ou vous couper.
- Ne placez et ne laissez aucun objet magnétisable (par ex. cartes de crédit, cartes à mémoire) ou dispositif électronique (par ex. ordinateurs, lecteurs MP3) à proximité de l'appareil, car ils pourraient être affectés par son champ électromagnétique.
- Ne réparez et ne remplacez aucune partie de l'appareil sauf si cela est recommandé spécifiquement dans le mode d'emploi. Toutes les autres opérations de réparation doivent être faites par un technicien qualifié.
- Ne placez pas et ne laissez pas tomber des objets lourds sur votre plaque de cuisson.
- N'utilisez pas de poêle avec des bords irréguliers et ne traînez pas les poêles sur la surface de la plaque à induction car cela peut rayer le verre.
- N'utilisez pas de tampons à récurer ni d'autres agents de nettoyage très abrasifs pour nettoyer votre plaque, car ils peuvent rayer la surface du verre à induction.
- N'utilisez pas d'adaptateurs pour les récipients de cuisson.
- **AVERTISSEMENT** : lorsqu'une ou plusieurs zones de cuisson sont arrêtées, la présence de chaleur résiduelle est indiquée par un

signal visuel sur l'afficheur de la zone correspondante, par le biais du symbole H. Lorsque ce symbole est activé, veillez à ne pas toucher la plaque de cuisson, car vous risqueriez de vous brûler.

1.5. AVERTISSEMENTS relatifs à la sonde de température sans fil (disponible selon le modèle)

Ce produit est réservé aux plaques de cuisson. Il ne doit être utilisé que selon les indications de ce manuel d'utilisation.

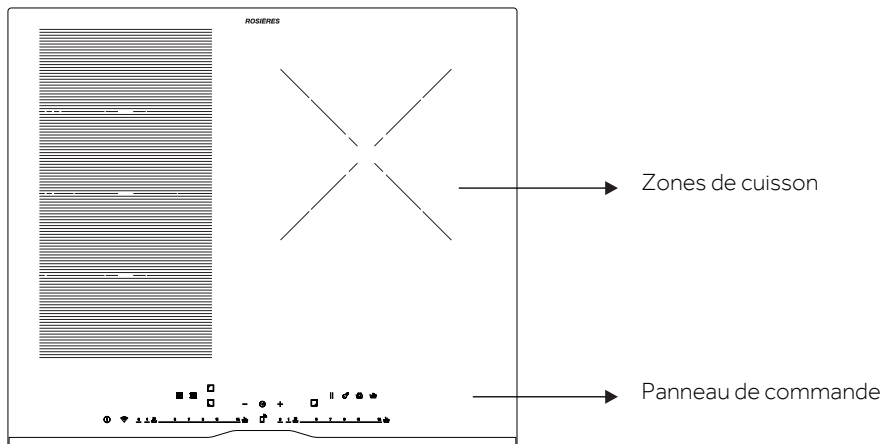
- NE TOUCHEZ PAS Heat Feel Sensor À MAINS NUES JUSTE APRÈS LA CUISSON. Portez toujours des maniques pour retirer Heat Feel Sensor des aliments après la cuisson.
- Il est nécessaire d'INSÉRER INTÉGRALEMENT la tige métallique de Heat Feel Sensor dans les aliments jusqu'au BORD NOIR en céramique pendant la cuisson.



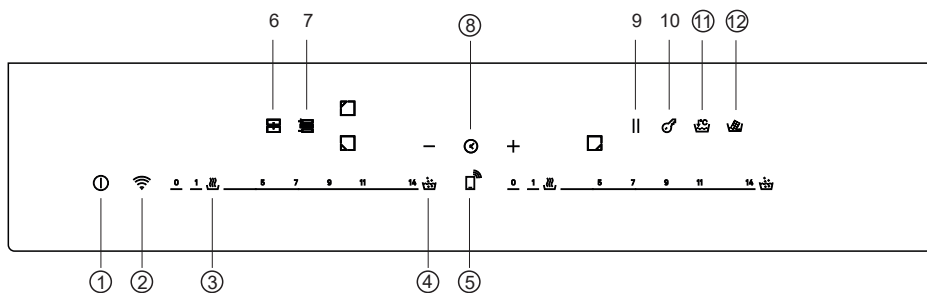
- N'utilisez pas le capteur Heat Feel dans un four à micro-ondes.
- Le capteur Heat Feel peut être nettoyé et lavé mais ne le plongez pas trop longtemps dans l'eau.
- Ce produit n'est pas conçu pour être utilisé par les enfants de moins de 12 ans.
- Le fournisseur ne pourra être tenu pour responsable de tout dégât occasionné au capteur Heat Feel suite à une utilisation incorrecte de l'appareil.
- Nettoyez le capteur Heat Feel avant de l'utiliser.
- La sonde peut fonctionner dans cette plage de températures : de 10 °C jusqu'à une température maximale interne de 100 °C de la partie métallique. La partie en céramique peut atteindre 350 °C.
- Si la température du capteur Heat Feel dépasse 100 °C, la cuisson sera interrompue et le capteur Heat Feel devra être retiré du four dans les plus brefs délais, en portant des gants, pour éviter d'abîmer la sonde.

2. PRÉSENTATION DU PRODUIT

2.1. VUE DE DESSUS DU PRODUIT



2.2. PANNEAU DE COMMANDE



1. MARCHE/ARRÊT
2. WI-FI
3. Garder au chaud
4. Faire bouillir

5. Contrôle à distance
6. Full Zone
7. Varycook
8. Minuterie

9. Pause
10. Sécurité enfant
11. Mijotage
12. Faire fondre

3. AVANT DE COMMENCER

3.1. INFORMATIONS GÉNÉRALES

Avant de commencer, il est important de savoir que toutes les fonctions de cette plaque de cuisson sont conçues pour répondre aux normes de sécurité les plus strictes.

C'est la raison pour laquelle :

- Certaines fonctions s'activent ou se désactivent automatiquement en l'absence de casseroles sur les brûleurs ou lorsqu'elles ne sont pas correctement positionnées.
- Dans d'autres cas, les fonctions seront automatiquement désactivées au bout de quelques secondes lorsqu'elles nécessitent plus d'une étape (par ex. « Allumer la plaque de cuisson » sans « sélectionner la zone de cuisson »).
- En cas d'utilisation prolongée, l'appareil peut ne pas s'éteindre immédiatement, même si toutes les zones de cuisson sont éteintes, car il est en phase de refroidissement ; le symbole H apparaît sur l'afficheur de la zone de cuisson jusqu'à ce qu'il ait refroidi.

Activation sécurisée : le produit est activé en présence de casseroles sur la plaque de cuisson. Le processus de chauffage ne démarre pas ou est interrompu s'il n'y a pas de casseroles ou si celles-ci sont retirées.

Détecteur de casserole : une fois la plaque de cuisson allumée, le produit détecte automatiquement la présence de casseroles sur les zones de cuisson, avant même de les activer.

Arrêt de sécurité : pour des raisons de sécurité, chaque zone de cuisson a un temps de fonctionnement maximum, en fonction du niveau de puissance maximum réglé.

3.2. GESTION DE LA PUISSANCE

Lors de la première utilisation du produit, la plaque de cuisson est réglée sur la puissance maximale atteignable. Différentes limites de puissance peuvent être choisies en fonction du système d'alimentation principal de la maison en utilisant la fonction de gestion de la puissance.

Comment régler la gestion de la puissance

Il est possible de régler un niveau d'absorption maximale de la puissance pour la plaque à induction, en choisissant différentes pages de puissance.

Les plaques à induction sont en mesure de se limiter automatiquement pour fonctionner à un niveau de puissance plus faible, pour éviter le risque de surcharge.

Pour passer à la fonction de gestion de la puissance :

- Allumez la plaque de cuisson, puis appuyez simultanément sur + et - sur le panneau de commande.
- Le voyant de la minuterie affiche « P8 », ce qui indique le niveau de puissance 8. Le mode par défaut est sur 7,4 kW.

Pour passer à un autre niveau

- Appuyez sur + ou - pour modifier le niveau de gestion de l'énergie.
- Il y a 8 niveaux de puissance, de « P1 » à « P8 ». Le voyant de la minuterie affichera l'un d'eux :

P1	P2	P3	P4	P5	P6	P7	P8
2 kW	2,5 kW	3 kW	3,5 kW	4,5 kW	5,5 kW	6,8 kW	7,4 kW

Validation et sortie de la fonction de gestion de la puissance

Pour confirmation, éteignez la plaque de cuisson. Le niveau de puissance est sauvegardé automatiquement. La valeur sélectionnée est stockée de manière permanente et reste valable même après une coupure de l'alimentation principale.

Pour modifier le niveau de puissance, répétez les opérations décrites ci-dessus.

REMARQUE : selon la sélection de la gestion de la puissance, certains niveaux de puissance et certaines fonctions des zones de cuisson peuvent être automatiquement limités pour ne pas dépasser la valeur sélectionnée. En particulier, si le niveau de gestion de la puissance est inférieur à 4,5 kW, la fonction Boost, Varycook et certaines préparations culinaires avec l'application ne peuvent pas être sélectionnées.

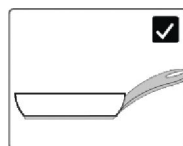
3.3. SÉLECTION DU BON USTENSILE DE CUISSON

3.3.1. Caractéristiques des ustensiles de cuisine

N'utilisez que des casseroles portant le symbole de l'induction.

• Uniquement les casseroles à fond parfaitement plat. Dans le cas contraire, les situations suivantes peuvent se produire :

- La casserole n'est pas détectée ;
- Faible performance ;
- Bruit indésirable.



• N'utilisez que des casseroles à fond lisse, afin d'éviter de rayer la surface de la plaque de cuisson ;

REMARQUE : évitez autant que possible de déplacer des casseroles sur la surface en verre afin de minimiser les rayures.

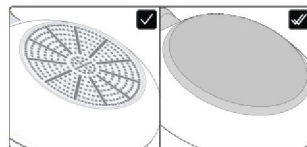
Test de l'aimant

La cuisson par induction utilise le magnétisme pour générer de la chaleur ; les casseroles doivent donc contenir du fer. Si vous possédez déjà un ustensile de cuisine, vous pouvez vérifier si le matériau est magnétique en utilisant un aimant. Les casseroles conviennent si elles sont attirées par l'aimant.

Les ustensiles de cuisson fabriqués dans les matériaux suivants ne sont pas adaptés : acier inoxydable pur, aluminium ou cuivre sans une base magnétique, verre, bois, porcelaine, céramique et faïence.

3.3.2. Des ustensiles de cuisine de meilleure qualité

Tous les ustensiles de cuisine portant le symbole de l'induction sont généralement acceptés. Toutefois, le comportement peut varier en fonction du type de fond.



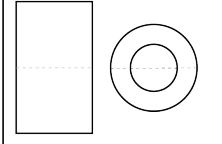
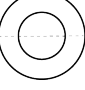
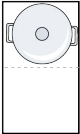
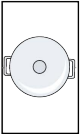
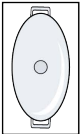
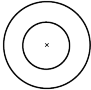

Lors de l'utilisation d'un grand ustensile de cuisine avec un élément ferromagnétique plus petit, seul l'élément ferromagnétique chauffe. Par conséquent, la chaleur peut ne pas être distribuée uniformément.

3.3.3. Dimensions et emplacement

Utilisez toujours la zone de cuisson qui correspond le mieux au diamètre du fond de la casserole. Placez la casserole en veillant à ce qu'elle soit bien centrée dans la zone de cuisson.

REMARQUE : il est recommandé de ne pas utiliser de casseroles qui dépassent le périmètre de la zone de cuisson.

Pour le bon fonctionnement de la plaque de cuisson, il est nécessaire d'utiliser des casseroles dont le diamètre du fond se situe dans la fourchette décrite dans le tableau suivant.

					
	min.	120 mm	220 mm	160 mm	120 mm
	max.	220 mm	220 mm	200 x 380 mm	280 mm

REMARQUE : l'utilisation d'un ustensile de cuisine plus petit que le minimum requis n'a pas permis de le détecter. L'utilisation d'un appareil plus grand que le maximum requis peut entraîner des dysfonctionnements ou de faibles performances.

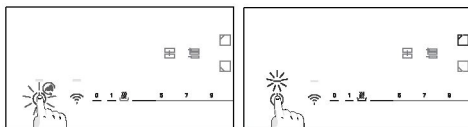
ATTENTION : ne placez pas la casserole sur ou à proximité du panneau de commande pendant la cuisson ou le refroidissement.

4. FONCTIONNEMENT DU PRODUIT

4.1. FONCTIONNEMENT DU PRODUIT

① MISE EN MARCHÉ/ARRÊT DE LA PLAQUE DE CUISSON

Pour allumer/éteindre la plaque de cuisson, appuyez sur la touche et maintenez-la enfoncée pendant un certain temps. Un son spécifique indiquera l'état de l'appareil.



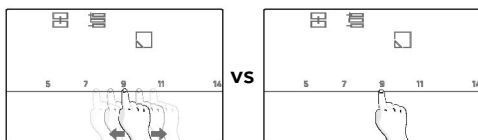
88 SÉLECTIONNER LA ZONE DE CUISSON ET RÉGLER LA PUISSANCE

La plaque de cuisson peut détecter automatiquement la casserole une fois qu'elle est placée sur la zone de cuisson en allumant l'indicateur de zone correspondant. Il n'y aura pas d'activation du niveau de puissance à ce stade.

La zone peut être sélectionnée en appuyant sur l'indicateur de zone.

La puissance peut être réglée :

En faisant glisser le doigt sur le curseur ; en appuyant directement sur le niveau droit.



L'utilisateur peut modifier le niveau de puissance pendant la cuisson, en répétant le même processus.


Les chiffres indiquent le niveau de puissance réglé : chaque zone de cuisson a un nombre différent de niveaux de puissance qui va de 1 (min) à 14 (max). Chaque niveau a un arrêt automatique qui peut varier de 1 à 8 heures.

Niveau de puissance	1	2	3	4	5	6	7	8	9	10	11	12	13	14
Temps (h)	8	8	5	4	3	3	2	2	2	2	2	2	2	1

FONCTION BOOST : il est également possible de choisir le chauffage rapide en appuyant le curseur jusqu'au chiffre 15.

- La fonction peut être utilisée dans n'importe quelle zone de cuisson ;
- Au bout de 10 minutes, la fonction Boost passe automatiquement au niveau 14.

ATTENTION : après avoir allumé la plaque de cuisson ou après avoir terminé toutes les cuissons, si un niveau de puissance quelconque est réglé dans la minute qui suit, la plaque de cuisson s'éteint.

Si l'afficheur indique , cela signifie que :

- La casserole n'est pas positionnée dans la zone de cuisson sélectionnée ;
- La casserole n'est pas correctement positionnée ou n'est pas du tout placée sur la plaque de cuisson ;
- La casserole n'est pas adaptée à l'induction ;
- Les dimensions de la casserole sont inférieures au diamètre minimum de la casserole requis dans la zone sélectionnée ;
- Si la casserole appropriée n'est pas placée dans un délai d'une minute, la zone de cuisson s'éteint.

H : une fois que ce symbole apparaît sur les chiffres, cela signifie que la zone de cuisson est encore chaude. Les symboles disparaîtront quand la surface aura refroidi pour atteindre une température ne présentant aucun risque.

|| PAUSE

Toutes les plaques de cuisson peuvent être mises en pause en appuyant sur la touche correspondante au lieu d'être éteintes.

Pour activer cette fonction, appuyez sur **||**. Tous les indicateurs de zone afficheront **||** et la cuisson sera arrêtée.

Pour désactiver la fonction, appuyez sur **||** et les paramètres de puissance précédents seront rétablis.

AVERTISSEMENT : Quand vous passez en mode pause, toutes les commandes sont désactivées à l'exception de la commande MARCHÉ/ARRÊT. De cette manière, la plaque à induction peut toujours être éteinte en cas d'urgence à l'aide de la commande MARCHÉ/ARRÊT.


MINUTERIE

La minuterie peut être réglée de deux manières différentes :

- Alarme : lorsque l'heure est réglée, la zone de cuisson ne s'éteint pas ;
- Mode d'arrêt de la cuisson : une fois la durée réglée, la zone de cuisson sélectionnée s'éteint.

Compte à rebours jusqu'à 60 min.

Alarme : sélectionnez directement la touche Minuterie (sans sélectionner de zone). Un compte à rebours générique démarre. Lorsque le temps est écoulé, la plaque de cuisson émet un signal sonore continu jusqu'à ce que l'on appuie sur une autre touche.


Mode d'arrêt de la cuisson : pour sélectionner la minuterie d'une zone, sélectionnez la zone concernée et appuyez sur . Un point apparaît près de l'affichage numérique de la zone sélectionnée et vous pouvez régler la durée souhaitée en appuyant sur les symboles +/-.

Il est possible de régler un maximum de quatre minuteries en même temps, une pour chaque zone.

Avant de modifier la valeur de la minuterie, sélectionnez toujours la zone de cuisson souhaitée.


Lorsque le temps est écoulé, la plaque de cuisson émet un signal sonore.

VERROUILLAGE DES TOUCHES

La plaque de cuisson peut être verrouillée en appuyant sur  pour empêcher toute utilisation non surveillée, tandis que « L » s'affiche.

Lorsque l'appareil est verrouillé, toutes les commandes sont désactivées à l'exception de la touche Marche/Arrêt.

Pour activer/désactiver la fonction, appuyez sur  pendant un certain temps.


Lorsque vous allumez ou éteignez la plaque de cuisson, cette fonction reste active jusqu'à ce qu'elle soit désactivée en appuyant sur  pendant un certain temps.


FONCTIONS SPÉCIALES

La plaque de cuisson dispose de 3 fonctions spéciales positionnées sur le curseur qui correspondent à 3 niveaux de puissance.

Accès direct :


Ces fonctions peuvent être activées après avoir sélectionné la zone :

 **MIJOTAGE :** fonction utilisée pour les crèmes, les sauces ou les liquides génériques à basse température.

 **FAIRE FONDRE :** Fonction utilisée principalement pour faire fondre du chocolat. Au bout de quelques minutes, lorsque le chocolat commence à fondre, passez au niveau 1 pour qu'il reste liquide sans dépasser la température idéale.

Accessible au moyen du curseur :


 **GARDER AU CHAUD** : fonction utilisée pour garder les aliments au chaud après la cuisson.

 **ÉBULLITION** : fonction utilisée pour faire bouillir l'eau et maintenir l'ébullition.

REMARQUE : chaque temps de cuisson associé à chaque fonction peut être ajusté en sélectionnant différents niveaux de puissance proches de celui proposé.

FULL ZONE

La Full Zone est une zone de cuisson qui combine plusieurs zones de cuisson à l'avant et à l'arrière en créant une zone verticale unique. Lorsqu'elle est activée, la Full Zone est contrôlée par un seul niveau de puissance.

Pour activer la fonction, appuyez sur . Seuls les chiffres supérieurs indiqueront les rétroactions. Les chiffres inférieurs sont désactivés.


Pour désactiver la fonction, appuyez longuement sur le sélecteur de zone.

Les casseroles doivent être placées comme indiqué dans la sous-section « 3.3.3. Dimensions et emplacement ».

ZONE VARYCOOK

Cette fonction permet de pré régler des niveaux de puissance fixes dans trois zones différentes en fonction de la position de la casserole : élevé (l.14), moyen (l.10), faible (l.1).

- Si la casserole se trouve à l'avant de la zone Varycook, le niveau de puissance est réglé sur l.1 ;
- Si la casserole se trouve au milieu de la zone Varycook, le niveau de puissance est réglé sur l.10 ;
- Si la casserole se trouve à l'arrière de la zone Varycook, le niveau de puissance est réglé sur l.14.

Pour activer la fonction, appuyez longuement sur le sélecteur de zone . Seuls les chiffres supérieurs indiqueront les rétroactions. Les chiffres inférieurs sont désactivés.

Pour connaître le diamètre minimum de la casserole adaptée à cette fonction, reportez-vous à la position centrale de la zone rectangulaire indiquée dans le tableau de la sous-section « 3.3.3. Dimensions et emplacement ».

4.2. CONNEXION À L'APPLICATION hOn

Votre appareil peut être connecté au réseau sans fil de votre domicile et commandé à distance à l'aide de l'application. Connectez votre appareil pour vous assurer qu'il reste à jour avec les derniers logiciels et fonctionnalités.

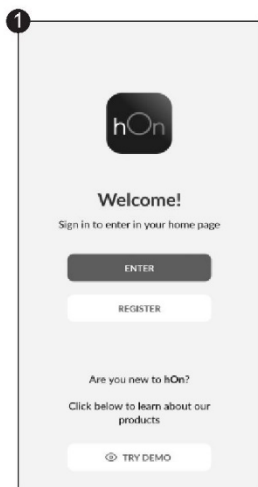
REMARQUE

- Une fois la plaque de cuisson allumée, l'icône Wi-Fi commence à clignoter. Pendant cette période, il est possible d'enregistrer le produit.
- Assurez-vous que le réseau Wi-Fi de votre domicile est activé.
- Vous serez guidé pas à pas sur votre appareil et sur votre appareil mobile.
- La connexion de votre plaque de cuisson peut prendre jusqu'à 10 minutes.
- Pour plus de conseils et pour le dépannage, veuillez vous référer à l'application.

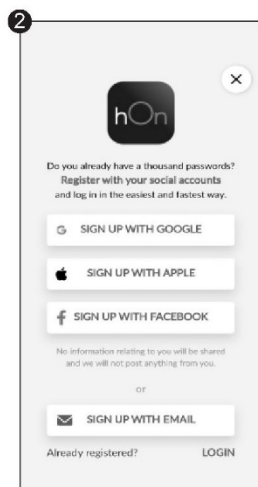
Téléchargez l'application hOn sur votre smartphone.



Inscription d'un nouvel utilisateur

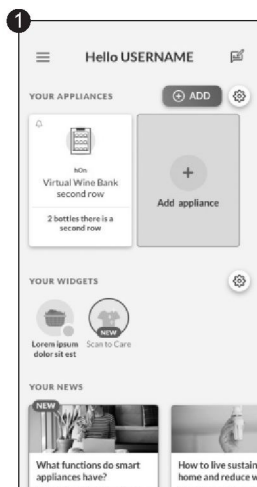


Cliquez sur « S'inscrire »

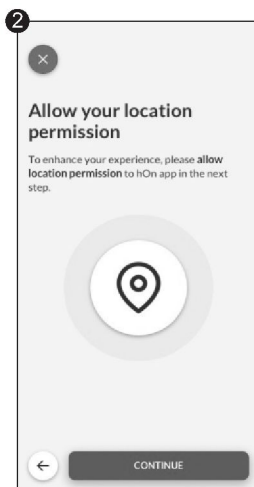


Vous pouvez vous inscrire par le biais de vos comptes sociaux ou avec votre adresse électronique personnelle

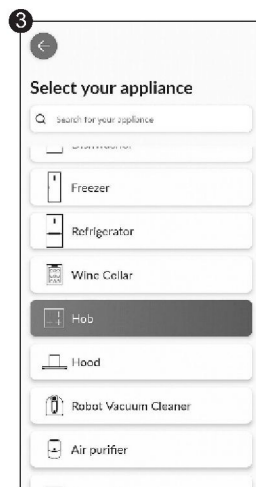
Enregistrement avec appairage rapide



Sélectionnez « Ajouter un appareil »

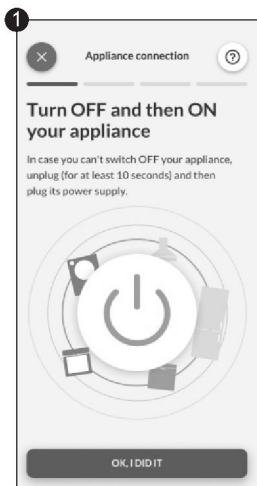


Autorisez votre localisation

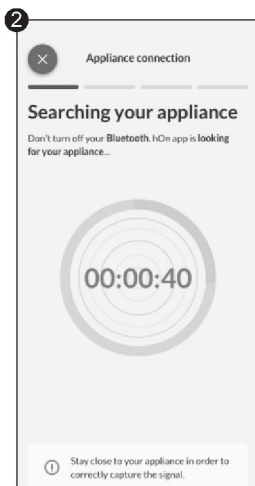


Sélectionnez la plaque de cuisson dans la catégorie des appareils

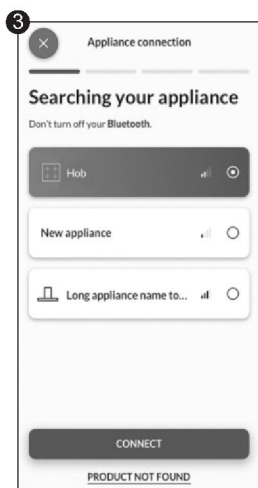
Enregistrement avec appairage rapide



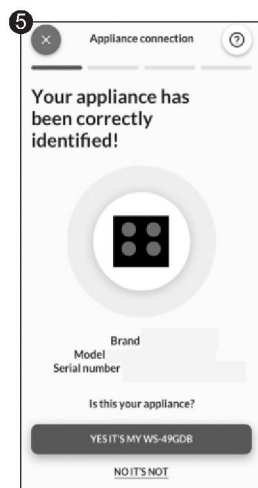
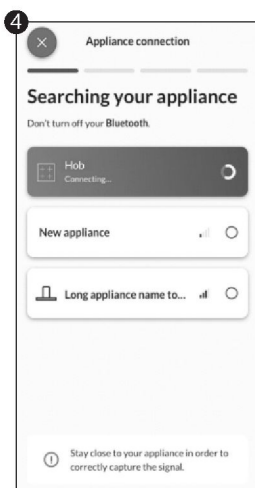
Allumez votre appareil ;
s'il est déjà allumé,
éteignez-le et rallumez-le



Lorsqu'il aura été allumé,
l'application hOn commencera
à rechercher votre appareil
électroménager



Sélectionnez votre appareil ménager,
appuyez sur « connecter » et attendez
quelques secondes



Votre plaque de cuisson sera
trouvée et vous pourrez afficher
et régler les fonctions/recettes
par le biais de hOn

Choisissez dans le menu des recettes de l'application hOn ou dans le menu des programmes spéciaux. Suivez étape par étape les indications sur l'application et lorsque vous avez terminé, envoyez les paramètres à la plaque de cuisson qui va cuisiner pour vous.

Lorsque la plaque de cuisson reçoit la commande de l'application, la plaque de cuisson émet à 2 reprises un bip et clignote pendant une seconde pour indiquer que les instructions ont été reçues.

Pour démarrer la recette, appuyez sur la touche « My Chef ».

Si vous voulez quitter la fonction « My Chef », appuyez dessus pendant 3 secondes.

*Les résultats de cuisson peuvent varier en fonction des ustensiles utilisés.

Procédure pour le deuxième enregistrement :

1. Après le premier enregistrement, étant donné que la plaque de cuisson a déjà été connectée au réseau Wi-Fi avec certains identifiants, il est nécessaire de les réinitialiser
2. Pour les réinitialiser, allumez la plaque de cuisson
3. Appuyez sur la touche Wi-Fi jusqu'à ce que vous entendiez un bip et que la LED Wi-Fi se mette à clignoter
4. Ensuite, il est fortement recommandé d'éteindre la plaque de cuisson, sans aucune opération à partir de l'application mobile
5. Enfin, recommencez comme s'il s'agissait du premier enregistrement, en allumant la plaque de cuisson et en effectuant la procédure d'enregistrement habituelle via l'application mobile

PARAMÈTRES SANS FIL

Technologie	Wi-Fi	Bluetooth
Standard	IEEE 802.11b/g/n	Bluetooth v4.2, BR / EDR, BLE
Bande(s) de fréquence [MHz]	2401÷2483	2402÷2480
Puissance maximale [mW]	100	10

Par la présente, Candy Hoover Group Srl déclare que l'équipement radio est conforme à la directive 2014/53/UE. Le texte complet de la déclaration UE de conformité est disponible à l'adresse Internet suivante : www.candy-group.com

PARAMÈTRES SANS FIL DU MODÈLE HEAT FEEL SENSOR Et180 :

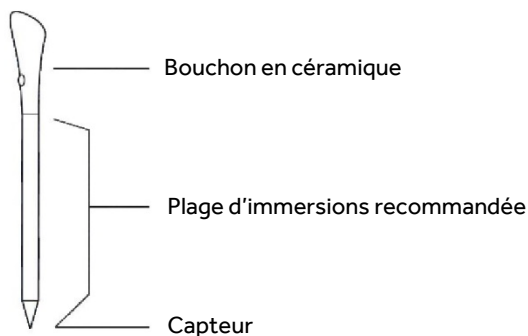
Technologie	Bluetooth
Standard	Bluetooth v4.0 BLE
Bande(s) de fréquence [MHz]	2400÷2480
Puissance maximale [mW]	2,5 - (4 dBm)

4.3. ACCESSOIRES

4.3.1. Thermomètre sans fil intelligent pour les aliments HEAT FEEL SENSOR & LOUCHE (disponible selon le modèle)

Merci d'avoir acheté Heat Feel Sensor Veuillez noter qu'il ne fonctionne qu'avec la plaque de cuisson à induction Rosieres et avant de l'utiliser, veuillez lire les instructions et les conseils de sécurité suivantes contenues dans le manuel de l'utilisateur.

Introduction : Heat Feel Sensor est un thermomètre pour aliments sans fil qui communique aux chefs à la maison la situation en temps réel à l'intérieur des aliments pour éviter de trop ou de trop peu les cuire et garantir un résultat parfait à chaque fois. Il se connecte directement au produit. Les détails et la situation en temps réel des aliments peuvent être lus sur votre téléphone, en vous donnant le meilleur résultat à portée de main. Pour plus d'informations sur l'appairage et les conseils d'utilisation, veuillez consulter les instructions ci-dessous.



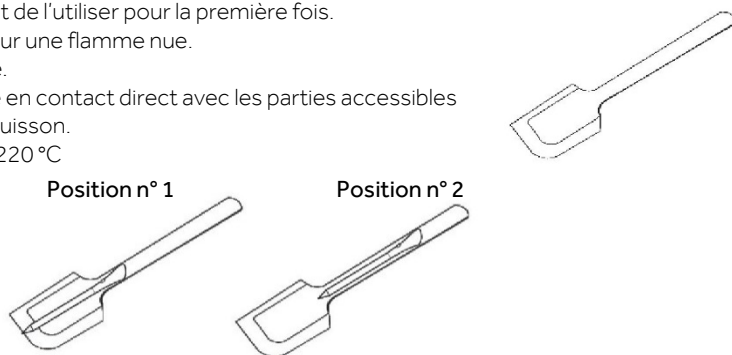
CHARGEZ HEAT FEEL SENSOR AVANT DE L'UTILISER :

- Placez Heat Feel Sensor dans le chargeur et fermez le couvercle ;
- Branchez le chargeur sur une source de courant USB telle qu'un adaptateur USB ou un port USB sur un PC/ordinateur portable avec le câble USB. Le chargeur pourrait ne pas fonctionner correctement avec une batterie externe en raison de sa fonction de coupure automatique ;
- La LED du chargeur s'allume et clignote pendant qu'elle se recharge. Elle s'éteint lorsque Heat Feel Sensor est entièrement rechargée.

LOUCHE

Utilisez la louche avec la sonde pour remuer les aliments pendant la cuisson.

- Nettoyez la louche avant de l'utiliser pour la première fois.
- N'utilisez pas la louche sur une flamme nue.
- Ne coupez pas la louche.
- Ne mettez pas la louche en contact direct avec les parties accessibles chaudes de la plaque de cuisson.
- Température tolérée : +220 °C



4.4. PRÉPARATIONS CULINAIRES AVEC L'APPLICATION

Heat Feel Sensor en tant que thermomètre

Réglez dans l'application hOn la température cible que vous souhaitez atteindre, insérez la sonde Heat Feel Sensor à l'intérieur de l'aliment ou avec son accessoire à l'intérieur des liquides et vous verrez la montée de température dans l'application jusqu'à ce que la température cible soit atteinte. Cela vous aidera à maintenir précisément la température de tous les types d'aliments. Vous ne pouvez pas l'utiliser lorsque la fonction Cuisson assistée fonctionne.

Cuisson assistée : Fonction « Cook with me »

Choisissez parmi les recettes de l'application hOn ou les programmes spéciaux, suivez étape par étape la préparation, puis la plaque de cuisson règle automatiquement les paramètres de la méthode de cuisson choisie.

Sous vide

Type de cuisson dans lequel les aliments sont placés dans un sac sous vide et cuits dans un bain d'eau à basse température.

Les aliments préparés de cette manière seront plus juteux et plus tendres et garderont les propriétés nutritionnelles intactes, les rendant plus sains et plus savoureux.

Dans l'application hOn, sélectionnez la catégorie d'aliments, sélectionnez ce type de cuisson, insérez le fond avec les aliments dans la casserole avec de l'eau et la plaque à induction définira la température de cuisson appropriée pour un résultat parfait.

Gril

Sélectionnez la catégorie d'aliments dans l'application hOn, sélectionnez ce type de cuisson et la plaque à induction amènera automatiquement le gril à la bonne température dans un délai prédéfini.

Mijotage

La fonction Mijotage est idéale pour cuire des sauces, des ragoûts, des plats braisés et toutes les préparations avec un temps de cuisson allant de moyen à long.

La fonction automatique que vous trouverez sur l'application hOn amènera doucement les aliments à une température légèrement bouillante, en la gardant pendant toute la durée de cuisson.

Cuisson à la vapeur

Avec la fonction de cuisson à la vapeur, vous pouvez cuire à la vapeur des aliments tels que des légumes, de la viande ou du poisson dans des casseroles équipées d'un panier vapeur. La cuisson à la vapeur est plus rapide que l'ébullition, car elle n'est pas immergée dans un liquide, elle disperse moins d'éléments nutritifs contenus dans les aliments et préserve leur teneur en vitamines, améliorant ainsi leur goût et leur structure, qui seront plus compacts et agréables.

Si nécessaire, contactez le centre de service agréé.

5. DIRECTIVES DE CUISSON

5.1. TABLEAU DE PUISSANCE

NIVEAU DE PUISSANCE	TYPE DE CUISSON	UTILISATION SUGGÉRÉE
14/15 BOOSTER	Chaleur rapide, Booster	Idéal pour faire sauter des aliments, saisir, porter la soupe à ébullition, faire bouillir de l'eau
11-13	Frيره, griller, faire bouillir	Idéal pour commencer à cuisiner, faire revenir, cuire des pâtes, frيره, griller
5-10	Mijoter, cuire	Idéal pour préchauffer les ragoûts, maintenir une ébullition douce, cuire, frيره longtemps et en continu (riz, rôti, crêpes*)
3-4	Mijoter, garder au chaud, cuisson lente	Idéal pour les recettes à cuisson lente, pour faire mijoter doucement les sauces à la crème et les liquides
1-2	Faire fondre, maintenir liquide, décongeler	Réchauffer délicatement de petites quantités d'aliments, réchauffer lentement, faire fondre et conserver le chocolat liquide**
ÉTEINT	-	-

*Continue à faire cuire les crêpes au niveau 5-6.

**Niveau pour faire fondre 2, lorsque l'aliment commence à fondre, passer au niveau 1 pour le maintenir à l'état liquide.

5.2. TABLEAU DE CUISSON

CATÉGORIE D'ALIMENTS	RECETTE	Préchauffage		Cuisson
		Phase de chauffage	Niveau de puissance	Niveau de puissance
Pâtes et riz	Pâtes	Chauffer de l'eau	14 - 15	6 - 11
	Riz au lait	Chauffer du lait	13 - 15	6 - 8
	Riz cuit	Chauffer de l'eau	14 - 15	6 - 8
	Risotto	Faire sauter et rôtir	13 - 15	6 - 8
Viande	Rôti de viande	Faire sauter et rôtir	10 - 13	6 - 11
	Steak grillé	Préchauffer le gril	10 - 13	10 - 13
	Saucisses et hamburgers	Préchauffer le gril	10 - 11	10 - 13
	Morceaux de poulet	Préchauffer la poêle	10 - 11	6 - 10
	Steak pané	Préchauffer la poêle	6 - 11	10 - 13
Poisson	Poisson grillé	Préchauffer le gril	10 - 13	8 - 10
	Filet de poisson	Faire sauter des aliments	10 - 13	8 - 10
	Crevettes	Faire sauter des aliments	10 - 13	10 - 13
Légumes et légumineuses	Frites fraîches	Chauffer de l'huile*	14	11 - 14
	Frites surgelées	Chauffer de l'huile*	14	11 - 14
	Légumes grillés	Préchauffer le gril	6 - 11	10 - 13
	Poivrons, courgettes et aubergines	Préchauffer la poêle	6 - 11	10 - 13
Œufs et produits à base d'œuf	Œufs durs	Chauffer de l'eau	14 - 15	6 - 8
	Œufs frits	Faire sauter des aliments	10 - 13	8 - 10
	Pancakes	Préchauffer la poêle	6 - 11	5 - 7
Sauces, crèmes et desserts	Sauce tomate	Chauffer des sauces	4 - 6	2 - 4
	Fromage fondu	Faire fondre	6 - 11	2 - 5
	Crème et crème pâtissière	Chauffer une crème	4 - 6	2 - 4
	Chocolat fondu	Faire fondre	1 - 2	1
	Beurre	Faire fondre	1 - 3	1 - 3

6. ENTRETIEN ET NETTOYAGE

6.1. RECOMMANDATIONS GÉNÉRALES

Le nettoyage régulier peut prolonger le cycle de vie de votre appareil.

- Nettoyez la plaque de cuisson après chaque utilisation ;
- Utilisez toujours des ustensiles de cuisine dont le fond est propre ;
- Les rayures sur la surface n'ont aucune incidence sur le fonctionnement de l'appareil ;
- Utilisez un nettoyeur spécial adapté à la surface de la plaque de cuisson ;
- Utilisez un grattoir spécial pour le verre.

6.2. NETTOYAGE DE LA PLAQUE DE CUISSON

Avant de procéder au nettoyage, assurez-vous que les zones de cuisson sont éteintes. N'oubliez pas de suivre les instructions de nettoyage recommandées et évitez d'utiliser des produits abrasifs qui pourraient endommager la surface de la plaque de cuisson.

a) SALETÉ GRASSE

Ce produit est recommandé pour ce type de scénario : les éclaboussures causées par la friture ou la cuisson de la viande.

- Laissez refroidir la plaque de cuisson.
- Absorbent l'excédent de liquide autour de la casserole avec du papier absorbant, puis retirez la casserole.
- Nettoyez la surface de cuisson avec un chiffon et une solution détergente.
- Si nécessaire, nettoyez la plaque de cuisson une seconde fois en utilisant de l'eau chaude et du nettoyeur pour vitres de plaques à induction.

b) SALETÉ SUCRÉE

Cette procédure est recommandée pour les aliments qui, en raison de leur teneur élevée en sucre, doivent être retirés rapidement pour éviter d'endommager la surface de la plaque de cuisson (sirops, confitures ou conserves).

- Lorsque la plaque de cuisson est encore chaude, absorbez l'excédent de liquide autour de la casserole avec du papier absorbant, puis retirez la casserole.
- Si nécessaire, nous recommandons d'utiliser un grattoir à angle aigu pour éliminer les résidus restants.
- Nettoyez la surface de cuisson avec une solution détergente et séchez-la avec du papier absorbant.
- Si nécessaire, nettoyez la plaque de cuisson une seconde fois en utilisant de l'eau chaude et du nettoyeur pour vitres de plaques à induction.

c) SALETÉ CONTENANT DE L'AMIDON

Cette procédure de nettoyage est recommandée pour les aliments suivants : pâtes, riz et pommes de terre.

- Absorbent l'excédent de liquide autour de la casserole avec du papier absorbant, puis retirez la casserole.
- Laissez refroidir la plaque de cuisson.
- Utilisez un chiffon humide pour humidifier les résidus d'amidon. Laissez reposer pendant quelques minutes.
- Nettoyez la surface de cuisson avec un chiffon et une solution détergente.
- Après le nettoyage, essuyez la plaque de cuisson avec un chiffon doux.
- Si nécessaire, nettoyez la plaque de cuisson une seconde fois en utilisant de l'eau chaude et du nettoyeur pour vitres de plaques à induction.

REMARQUE : Ces instructions s'appliquent également aux auréoles d'eau, aux auréoles de calcaire et aux taches de graisse.

d) DÉCOLORATION MÉTALLIQUE BRILLANTE

Utilisez une solution d'eau et de vinaigre et nettoyez la surface du verre avec un chiffon.

7. AFFICHAGE ET INSPECTION DES PANNES

7.1. DÉPANNAGE

Problème	Causes possibles	Que faire
Il est impossible d'allumer la plaque à induction.	Pas de courant.	Assurez-vous que la plaque à induction est branchée sur le secteur. Vérifiez s'il y a une coupure de courant chez vous ou dans votre quartier. Si le problème persiste, appelez un technicien qualifié.
Les commandes tactiles ne répondent pas.	Les commandes sont verrouillées.	Déverrouillez les commandes en consultant le paragraphe « Fonctionnement du produit ».
Les commandes tactiles sont difficiles à utiliser.	Il se peut qu'il y ait des résidus d'eau sur les commandes ou que vous n'appliquez pas la bonne pression sur les touches.	Assurez-vous que la zone des commandes tactiles est sèche et que vous exercez la bonne pression quand vous touchez les commandes.
Le verre est rayé.	Ustensiles de cuisson avec bord rugueux. Utilisation d'un tampon abrasif ou de produits de nettoyage inadaptés.	Utilisez des ustensiles de cuisson avec des fonds plats et lisses. Voir les paragraphes « Sélection du bon ustensile de cuisson » et « Entretien et nettoyage ».
Certaines casseroles émettent des craquements ou des cliquements.	Cela peut être dû à la construction de votre ustensile de cuisson (des couches de métaux différents qui vibrent différemment).	Cela est normal pour les ustensiles de cuisson et cela n'indique pas un défaut.
La plaque à induction émet un ronronnement bas quand elle est utilisée avec un réglage sur haute chaleur.	Ceci est dû à la technologie de la cuisson à induction.	Cela est normal, mais le bruit devrait diminuer voire disparaître complètement quand vous diminuez la chaleur.
Bruit de ventilateur provenant de la plaque à induction.	Un ventilateur de refroidissement intégré dans votre plaque à induction sert à prévenir la surchauffe des parties électroniques. Il peut continuer à fonctionner après que vous ayez éteint la plaque à induction.	Cela est normal et ne requiert aucune intervention. N'éteignez pas la plaque à induction au niveau du mur quand le ventilateur fonctionne.
Les casseroles ne deviennent pas chaudes et un « U » apparaît sur l'afficheur.	La plaque à induction ne peut pas détecter la casserole car elle n'est pas adaptée pour la cuisson à induction. La plaque à induction ne peut pas détecter la casserole car elle est trop petite pour la zone de cuisson ou n'est pas centrée correctement dessus.	Utilisez des ustensiles de cuisson adaptés à la cuisson à induction. Voir le paragraphe « Sélection du bon ustensile de cuisson ». Centrez la casserole et assurez-vous que sa base correspond bien à la taille de la zone de cuisson.
La plaque à induction ou une zone de cuisson s'est coupée à l'improviste, un son résonne et un code d'erreur s'affiche (en alternant habituellement un ou deux chiffres sur l'afficheur de la minuterie de cuisson).	Défaut technique.	Veillez noter les lettres et les numéros d'erreur, éteignez la plaque à induction au niveau du mur et contactez un technicien qualifié.
L'avertissement d0 s'affiche à l'écran.	Deux touches appuyées simultanément, gouttes d'eau ou poussière sur le verre.	Assurez-vous que vous n'appuyez sur aucune touche simultanément et nettoyez la plaque de cuisson pour éliminer tout résidu d'eau ou de poussière.

7.1.2. CODES D'ERREUR

CODE D'ERREUR	RÈGLE D'AFFICHAGE		ACTIONS
E0			Appelez le SAV
	Avant gauche		
E1			Appelez le SAV
	Avant gauche		
E2			Appelez le SAV
	Avant gauche		Appelez le SAV
E3			Appelez le SAV
			Appelez le SAV
	Avant gauche		Appelez le SAV
E4	à gauche	à droite	Appelez le SAV
			Appelez le SAV
			Appelez le SAV
			Appelez le SAV
			Appelez le SAV
			Vérifiez le signal de phase et la fréquence du réseau, s'ils ne présentent pas de problème, appelez le SAV
			Vérifiez le câble d'alimentation et le thermostat différentiel, s'ils ne présentent pas de problème, appelez le SAV
E5			Attendez que la plaque ait refroidi, nettoyez et/ou retirez les corps étrangers
	Avant gauche		Appelez le SAV
E6	Cz4	Cz1	Appelez le SAV
	Cz3	Cz2	Vérifiez les conditions d'installation à l'aide du manuel de l'utilisateur, si elles ne présentent pas de problème, appelez le SAV
E7	Cz4	Cz1	Appelez le SAV
			Appelez le SAV
	Cz3	Cz2	Appelez le SAV
E8	Cz4	Cz1	Vérifiez les conditions d'installation à l'aide du manuel de l'utilisateur, si elles ne présentent pas de problème, appelez le SAV
			Vérifiez les conditions d'installation à l'aide du manuel de l'utilisateur, si elles ne présentent pas de problème, appelez le SAV
	Cz3	Cz2	
E9			Appelez le SAV
	Avant gauche		Appelez le SAV

*SAV = Service après-vente

8. PROTECTION DE L'ENVIRONNEMENT ET ÉLIMINATION

8.1. PROTECTION ET RESPECT DE L'ENVIRONNEMENT

Recommandations pour de meilleurs résultats : Utilisez des casseroles et des poêles dont le diamètre du fond est égal à celui de la zone de cuisson ;

N'utilisez que des casseroles et des poêles à fond plat ;

Dans la mesure du possible, laissez le couvercle sur les casseroles pendant la cuisson ;

Faites cuire les légumes, les pommes de terre, etc. avec un minimum d'eau pour réduire le temps de cuisson ;

Utilisez un autocuiseur pour réduire la consommation d'énergie et le temps de cuisson ;

Placez la casserole au centre de la zone de cuisson délimitée sur la plaque de cuisson.

8.2. GESTION DES DÉCHETS ET PROTECTION DE L'ENVIRONNEMENT

Cet appareil est étiqueté conformément à la Directive européenne 2012/19/UE relative aux déchets d'équipements électriques et électroniques (DEEE).

Les DEEE contiennent à la fois des substances polluantes (pouvant avoir un effet négatif sur l'environnement) et des éléments de base (pouvant être réutilisés).



Il est important que les DEEE fassent l'objet de traitements spécifiques pour enlever et mettre au rebut les polluants et récupérer tous les matériaux. Chaque personne peut jouer un rôle important en s'assurant que les DEEE ne deviennent pas un problème environnemental ; il est essentiel de suivre quelques règles fondamentales :

- les DEEE ne doivent pas être traités comme des déchets ménagers ;
- les DEEE doivent être amenés sur des sites de collecte spéciaux (déchetteries) gérés par la Mairie ou une entreprise agréée.

Dans de nombreux pays, la collecte chez les particuliers peut être disponible pour les DEEE volumineux. Lors de l'achat d'un nouvel appareil, l'ancien peut être retourné au vendeur qui doit l'accepter gratuitement sous forme d'échange, à condition que l'appareil soit d'un type équivalent et qu'il possède les mêmes fonctions que l'appareil acheté.

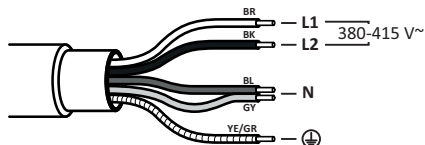


9. INSTALLATION

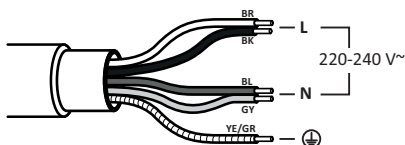
Installation électrique

Câble d'alimentation : l'appareil est équipé d'un câble d'alimentation qui doit être raccordé au réseau électrique domestique. Identifiez les différentes options de raccordement en fonction du type d'alimentation domestique à partir du schéma correspondant. La plaque signalétique indique également la tension de raccordement autorisée pour cet appareil et la consommation électrique correspondante.

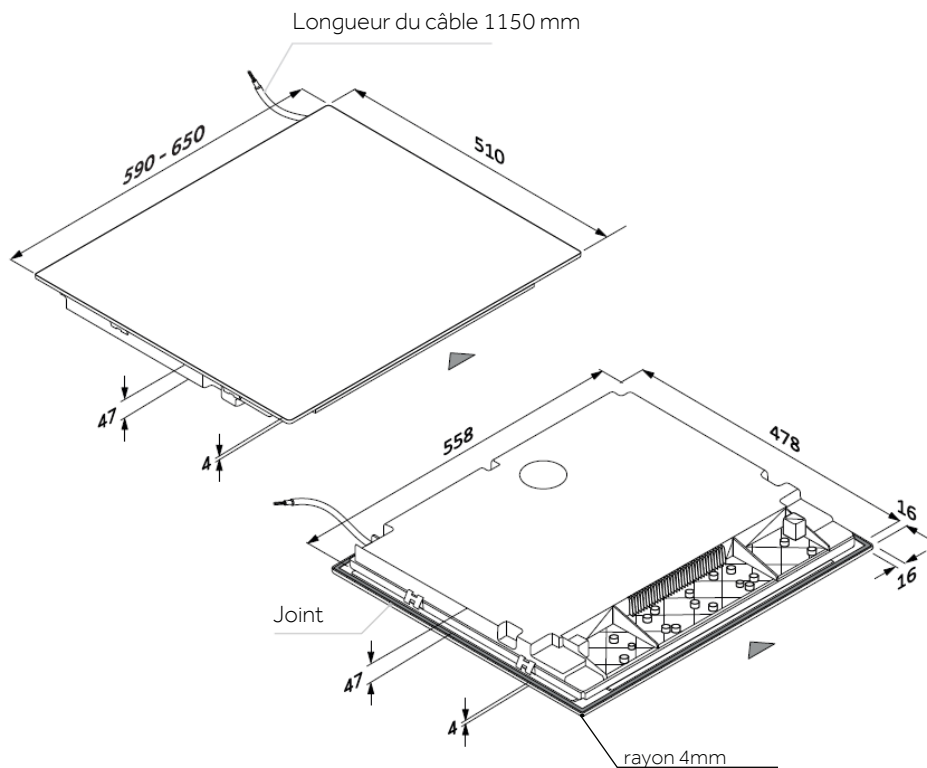
380-415V ~ 2N 50/60 Hz



220-240V ~ 50/60 Hz



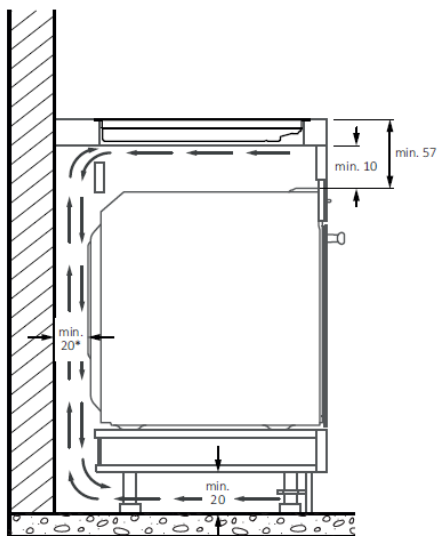
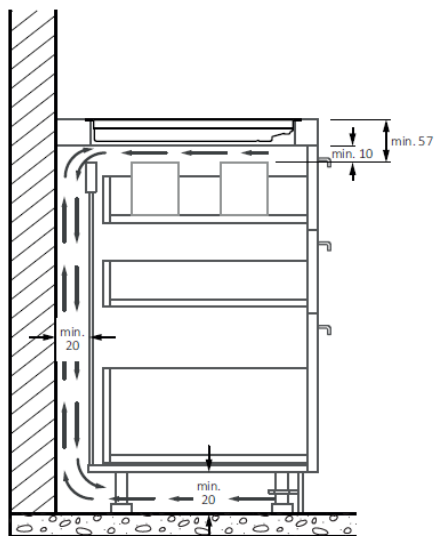
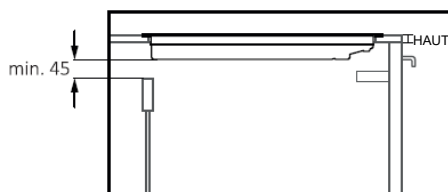
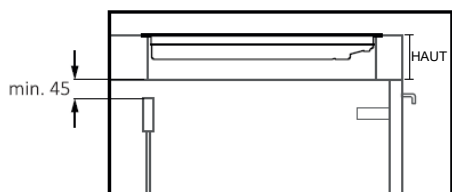
PLAQUE DE CUISSON 60-65 cm



Outils

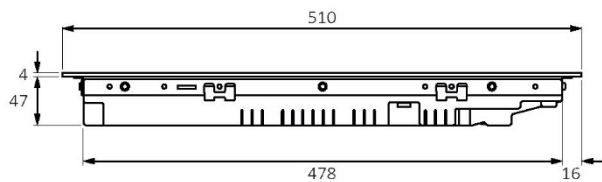


SECTIONS - LARGEUR 60 et 65

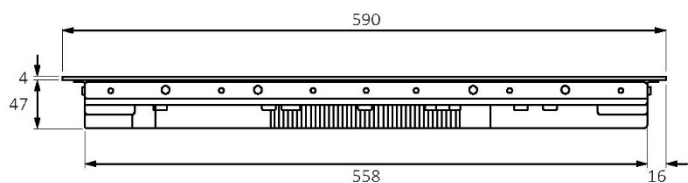


*Pour un bon fonctionnement de l'appareil, veillez à ce que l'air circule correctement sous la plaque de cuisson, conformément aux instructions d'installation.

PLAQUE DE CUISSON 60 cm

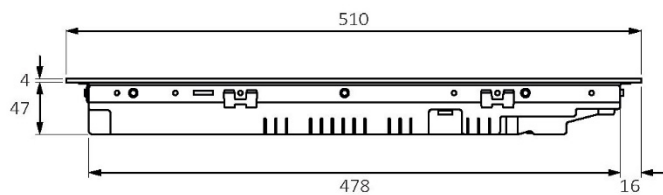


Vue latérale

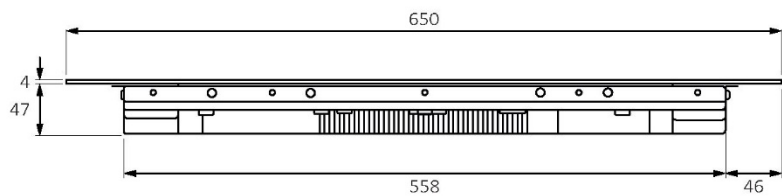


Vue frontale

PLAQUE DE CUISSON 65 cm

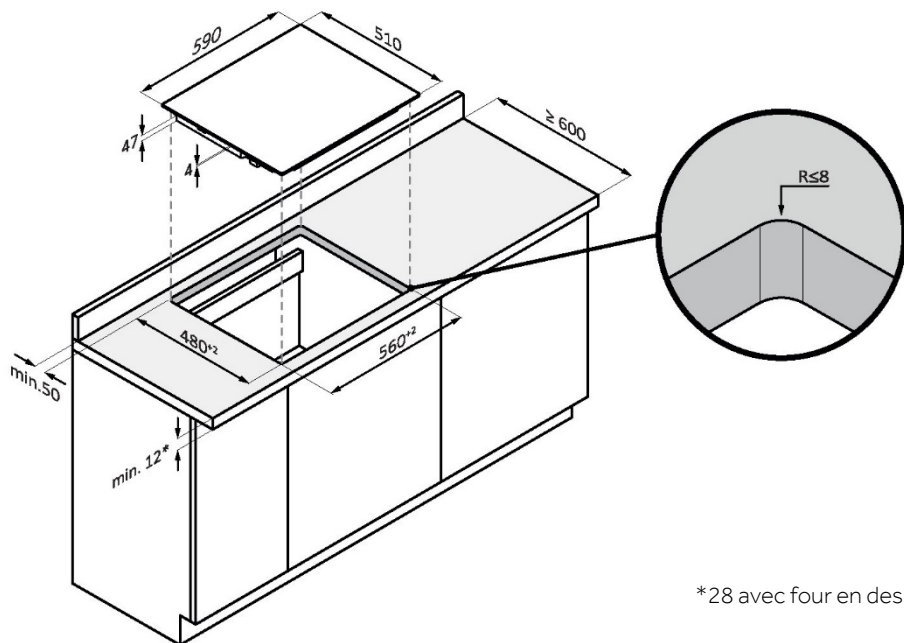


Vue latérale



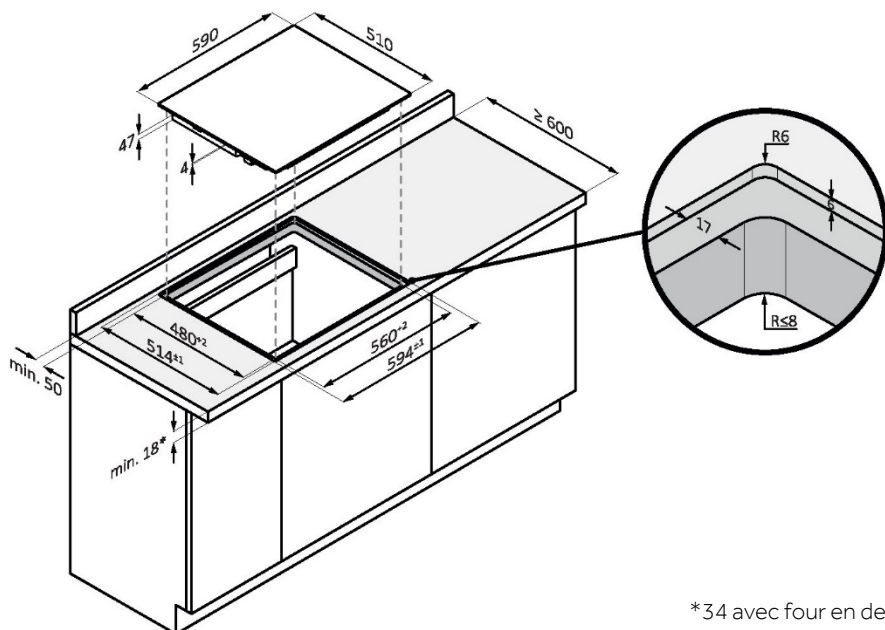
Vue frontale

MESURES ENCASTREMENT STANDARD 60



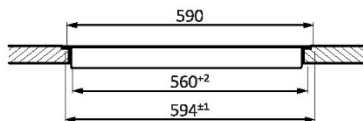
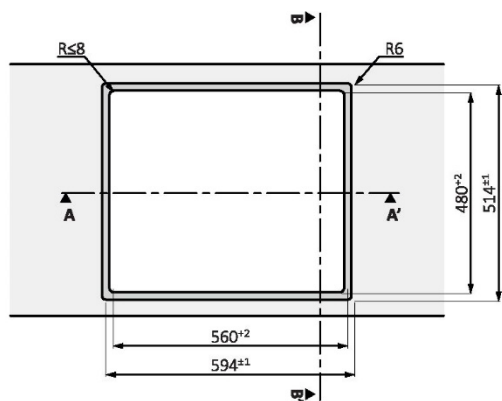
*28 avec four en dessous

MESURES ENCASTREMENT EN AFFLEUREMENT DE 60 (Ne s'applique pas aux modèles avec verre biseauté)

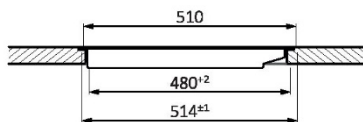


*34 avec four en dessous

MESURES ENCASTREMENT EN AFFLEUREMENT DE 60 (Ne s'applique pas aux modèles avec verre biseauté)

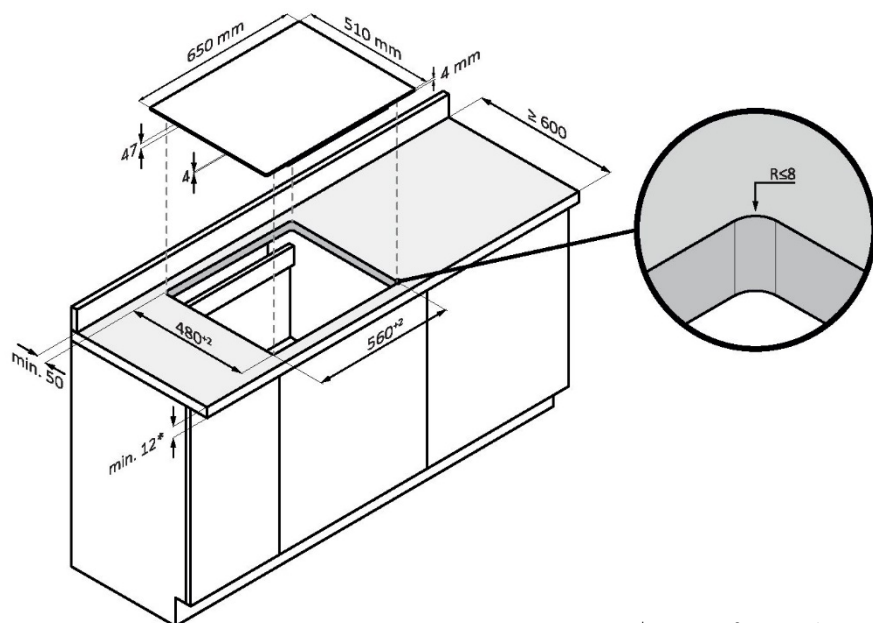


Section AA'

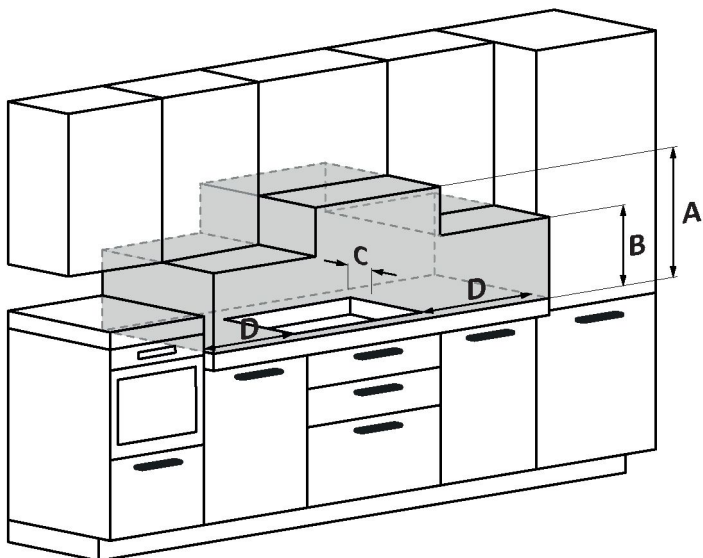


Section BB'

MESURES ENCASTREMENT STANDARD 65 HAUT



*28 avec four en dessous



A: Nous recommandons une distance d'au moins 650 mm, mais il est préférable de consulter le manuel d'utilisation de la hotte ;

B: Pensez à prévoir un espace fonctionnel pour manipuler les ustensiles de cuisine et pour la vapeur et la condensation produites pendant la préparation des aliments ;

C: 35 mm entre le trou encastré et le dossier/le panneau du dossier ;

D: à 35 mm des meubles adjacents (pour une plaque de cuisson de 60 cm) ;

D: à 55 mm des meubles adjacents (pour une plaque de cuisson de 65 cm).

Spis treści

- 64** Informacje dotyczące bezpieczeństwa
- 69** Wprowadzenie do produktów
- 70** Przed uruchomieniem
- 73** Działanie produktu
- 81** Wytyczne dotyczące gotowania
- 82** Konserwacja i czyszczenie
- 83** Wyświetlanie i kontrola awarii
- 85** Ochrona środowiska i utylizacja odpadów
- 86** Instalacja

WITAMY

Dziękujemy za wybranie naszego produktu. Aby zapewnić sobie bezpieczeństwo i uzyskać najlepsze wyniki, prosimy o uważne przeczytanie niniejszej instrukcji, łącznie z instrukcjami dotyczącymi bezpieczeństwa, i zachowanie jej na przyszłość. Przed instalacją kuchenki mikrofalowej zanotuj numer seryjny, który może być potrzebny w przypadku naprawy. Sprawdź, czy nie doszło do uszkodzeń podczas transportu i skonsultuj się z technikiem, jeśli nie masz pewności przed użyciem. Trzymaj materiały opakowaniowe z dala od dzieci.

UWAGA: Należy pamiętać, że akcesoria piekarnika mogą się różnić w zależności od zakupionego modelu.

INFORMACJE DOTYCZĄCE BEZPIECZEŃSTWA

1.1. OGÓLNE OSTRZEŻENIA

- Przeczytaj uważnie niniejszą instrukcję przed zainstalowaniem lub użyciem tego urządzenia.
- OSTRZEŻENIE: Jeśli powierzchnia jest pęknięta, wyłącz urządzenie, aby uniknąć ryzyka porażenia prądem.
- NIGDY nie próbuj gasić ognia wodą. Należy wyłączyć urządzenie, a następnie zakryć płomień, na przykład pokrywką lub kocem gaśniczym.
- OSTRZEŻENIE: Niebezpieczeństwo pożaru: nie przechowuj przedmiotów na powierzchniach gotowania.
- OSTRZEŻENIE: Należy korzystać wyłącznie z osłon płyty kuchennej zaprojektowanych przez producenta urządzenia lub wskazanych przez niego w instrukcji obsługi jako odpowiednie lub z osłon płyty kuchennej wbudowanych w urządzenie. Użycie nieodpowiednich osłon może być przyczyną wypadków.

1.1.1. Ograniczenia użytkowania

- To urządzenie nie może być użytkowane przez osoby (w tym dzieci) o ograniczonej sprawności fizycznej, czuciowej lub umysłowej ani przez osoby bez odpowiedniego doświadczenia i wiedzy, chyba że będą one dozorowane lub zostaną odpowiednio poinstruowane.
- Należy pilnować dzieci, aby nie bawiły się urządzeniem.
- Urządzenie może być obsługiwane przez dzieci powyżej 8 roku życia i przez osoby o ograniczonych możliwościach fizycznych, sensorycznych lub umysłowych lub osoby nieposiadające doświadczenia ani wiedzy pod warunkiem, że są one pod odpowiednim nadzorem lub zostały poinstruowane, jak bezpiecznie obsługiwać urządzenie i rozumieją związane z nim zagrożenia.
- Dzieci nie powinny bawić się urządzeniem.
- Czyszczenie i konserwacja nie mogą być wykonywane przez dzieci bez dozoru.
- To urządzenie spełnia normy bezpieczeństwa elektromagnetycznego. Jednak osoby z rozrusznikiem serca lub innymi

implantami elektrycznymi (takimi jak pompy insulinowe) muszą skonsultować się ze swoim lekarzem lub producentem implantu. Przed użyciem tego urządzenia należy się upewnić, że pole elektromagnetyczne nie wpłynie na implanty. Niezastosowanie się do tego zalecenia może mieć skutek śmiertelny.

1.1.2. Użytkowanie zgodne z przeznaczeniem

- To urządzenie jest przeznaczone do użytku domowego i podobnych zastosowań, takich jak:
 - powierzchnie kuchenne dla personelu w sklepach, biurach i innych miejscach pracy;
 - użytkowanie w domkach mieszkalno-gospodarczych;
 - użytkowanie przez gości w hotelach, motelach i innych tego typu obiektach mieszkalnych;
 - miejsca typu bed and breakfast.
- Nigdy nie używaj urządzenia jako powierzchni do pracy lub przechowywania.
- Nigdy nie używaj urządzenia do ogrzewania lub ogrzewania pomieszczenia.

1.2. INSTALACJA

- Jeśli kabel zasilający ulegnie uszkodzeniu, dla bezpieczeństwa należy zlecić jego wymianę producentowi, autoryzowanemu serwisowi lub osobom o podobnych kwalifikacjach.
- Podłączenie do dobrego systemu uziemienia jest niezbędne i obowiązkowe.
- To urządzenie może być prawidłowo zainstalowane i uziemione tylko przez odpowiednio wykwalifikowaną osobę.
- Przed przystąpieniem do jakichkolwiek prac lub konserwacji należy odłączyć urządzenie od sieci elektrycznej, aby uniknąć zagrożenia mogącego skutkować obrażeniami ciała lub skaleczeniami.
- Prosimy o udostępnienie tych informacji osobie odpowiedzialnej za instalację urządzenia, ponieważ może to obniżyć koszty instalacji.
- Nieprawidłowy montaż urządzenia może spowodować unieważnienie gwarancji lub roszczeń z tytułu odpowiedzialności.

1.3. OSTRZEŻENIA ELEKTRYCZNE

- To urządzenie powinno być podłączone do obwodu wyposażonego w wyłącznik zapewniający całkowite odłączenie od zasilania wszystkich biegunów w warunkach przepięcia kategorii III. Sposób odłączenia musi być zgodny opisanymi zasadami.
- **OSTRZEŻENIE:** Aby uniknąć niebezpieczeństwa spowodowanego przypadkowym zresetowaniem termicznego urządzenia zakłócającego, urządzenie nie powinno być zasilane przez zewnętrzne urządzenie przełączające, takie jak czasomierz, ani podłączane do obwodu, który jest często włączany i wyłączany.
- Urządzenie nie jest przeznaczone do obsługi za pomocą zewnętrznego minutnika lub niezależnego systemu zdalnego sterowania.
- Zmiany w domowej instalacji elektrycznej mogą być dokonywane wyłącznie przez wykwalifikowanego elektryka.
- Niezastosowanie się do tej porady może spowodować porażenie prądem lub śmierć.

1.4. UŻYTKOWANIE I KONSERWACJA

- **OSTRZEŻENIE:** Urządzenie i jego dostępne części nagrzewają się podczas użytkowania. Należy uważać, aby nie dotykać elementów grzejnych. Dzieci w wieku poniżej 8 lat nie powinny przebywać w pobliżu urządzenia, chyba że są pod stałym nadzorem.
- **OSTRZEŻENIE:** Gotowanie na płycie kuchennej potraw z użyciem tłuszczu lub oleju bez nadzoru może być niebezpieczne i spowodować pożar.
- **OSTROŻNIE:** Proces gotowania musi być stale nadzorowany. Krótki proces gotowania musi być stale nadzorowany.
- Przed przystąpieniem do jakichkolwiek prac lub konserwacji należy odłączyć urządzenie od sieci elektrycznej.
- W żadnym momencie nie należy umieszczać na urządzeniu żadnych materiałów ani produktów palnych.
- Metalowe przedmioty, takie jak noże, widelce, łyżki i pokrywki, nie powinny być umieszczane na powierzchni płyty, ponieważ mogą się nagrzać.
- Nie należy używać odkurzacza parowego.
- Nie używaj myjki parowej do czyszczenia płyty grzewczej.

- Nie przechowuj przedmiotów na powierzchniach do gotowania.
- Nie pozwól, aby Twoje ciało, ubranie lub jakikolwiek przedmiot inny niż odpowiednie naczynia kuchenne stykały się ze szkłem indukcyjnym, dopóki powierzchnia nie ostygnie.
- Uchwyty garnków mogą być gorące w dotyku. Sprawdź, czy uchwyty garnków nie wystają poza inne włączone pola grzejne. Ustawiaj garnki w taki sposób, aby uchwyty były poza zasięgiem dzieci. Niezastosowanie się do tych zaleceń może spowodować oparzenia.
- Ostre jak brzytwa ostrze skrobaka do płyt kuchennych jest odstonięte, gdy osłona bezpieczeństwa jest schowana. Używaj z najwyższą ostrożnością i zawsze przechowuj bezpiecznie i poza zasięgiem dzieci. Niezachowanie ostrożności może spowodować obrażenia ciała lub skaleczenia.
- W pobliżu urządzenia nie należy umieszczać ani pozostawiać żadnych przedmiotów, które można namagnesować (np. karty kredytowe, karty pamięci) lub urządzeń elektronicznych (np. komputerów, odtwarzaczy MP3), ponieważ ich pole elektromagnetyczne może mieć na nie wpływ.
- Nie naprawiaj ani nie wymieniaj żadnej części urządzenia, chyba że jest to wyraźnie zalecane w instrukcji. Wszystkie inne czynności serwisowe powinny być wykonywane przez wykwalifikowanego technika.
- Nie kładź ani nie upuszczaj ciężkich przedmiotów na płytę kuchenną.
- Nie używaj garnków z nierównymi krawędziami ani nie przeciągaj naczyń po powierzchni szkła indukcyjnego, ponieważ może to porysować szkło.
- Do czyszczenia płyty kuchennej nie używaj druciaków ani innych szorstkich środków czyszczących, ponieważ mogą one porysować szkło indukcyjne.
- Nie należy używać adapterów do naczyń kuchennych.
- **OSTRZEŻENIE:** W przypadku wyłączenia jednej lub kilku stref gotowania obecność ciepła resztkowego jest sygnalizowana na wyświetlaczu odpowiedniego pola za pomocą symbolu H. Gdy ten symbol jest aktywny, należy uważać, aby nie dotknąć płyty kuchennej ze względu na ryzyko oparzenia.

1.5. OSTRZEŻENIA dot. bezprzewodowej sondy temperatury

(dostępne w zależności od modelu)

Ten produkt jest przeznaczony wyłącznie do urządzeń z płytą kuchenną. Należy go używać wyłącznie w sposób opisany w niniejszej instrukcji obsługi.

- NIE DOTYKAJ sondy Heat Feel Sensor GOŁYMI RĘKAMI BEZPOŚREDNIO PO GOTOWANIU. Zawsze noś rękawice kuchenne, aby usunąć sondę Heat Feel Sensor z potrawy po ugotowaniu.
- Podczas gotowania należy W PEŁNI WŁOŻYĆ metalowy pręt sondy Heat Feel Sensor do potrawy, aż do jego CZARNEJ ceramicznej krawędzi.

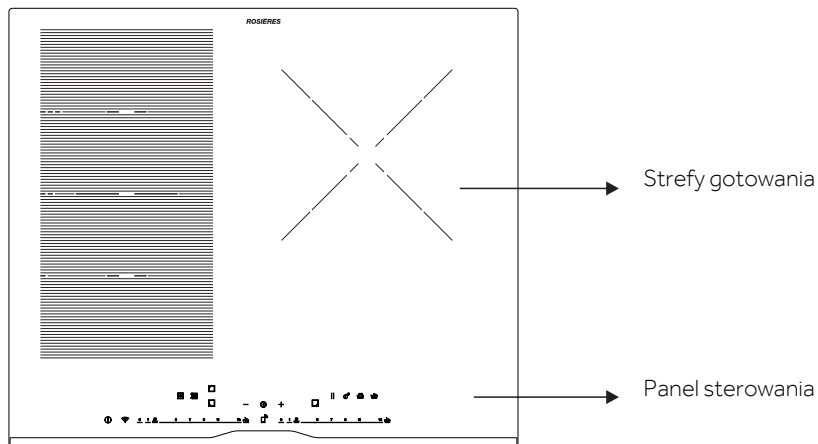
Włóż sondę Heat Feel Sensor
do żywności do tego miejsca



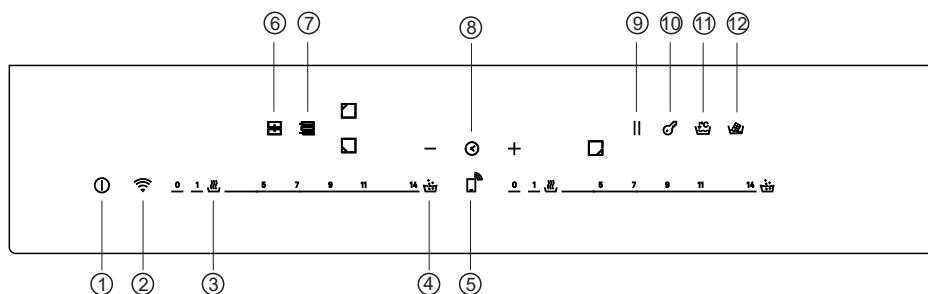
- Nie używaj czujnika Heat Feel w kuchence mikrofalowej.
- Czujnik Heat Feel można czyścić i myć, ale nie należy zanurzać go na długo w wodzie.
- Ten produkt nie jest przeznaczony do użytku przez osoby w wieku 12 lat i młodsze
- Dostawca nie ponosi odpowiedzialności za jakiegokolwiek uszkodzenia czujnika Heat Feel spowodowane niewłaściwym użytkowaniem urządzenia.
- Wyczyść czujnik Heat Feel przed użyciem.
- Sonda może pracować w tym zakresie temperatur: od 10°C do maksymalnej temperatury wewnętrznej 100°C części metalowej. Część ceramiczna może osiągnąć 350°C.
- Jeśli temperatura czujnika Heat Feel przekroczy 100°C, gotowanie zostanie zatrzymane, a czujnik Heat Feel należy jak najszybciej wyjąć z piekarnika w rękawiczkach, aby uniknąć uszkodzenia sondy.

2. WPROWADZENIE DO PRODUKTU

2.1. WIDOK PRODUKTU Z GÓRY



2.2. PANEL STEROWANIA



- | | | |
|-------------------------------|----------------------|-------------------------------|
| 1. WŁ./WYŁ. | 5. Zdalne sterowanie | 9. Pauza |
| 2. WIFI | 6. Cała strefa | 10. Blokada rodzicielska |
| 3. Podtrzymywanie temperatury | 7. Varycook | 11. Gotowanie na wolnym ogniu |
| 4. Intensywne gotowanie | 8. Zegar | 12. Roztopianie |

3. PRZED URUCHOMIENIEM

3.1. INFORMACJE OGÓLNE

Przed rozpoczęciem użytkowania warto wiedzieć, że wszystkie funkcje tej płyty kuchennej zostały zaprojektowane tak, aby spełniały najbardziej rygorystyczne przepisy bezpieczeństwa.

Z tego powodu:

- Niektóre funkcje zostaną włączone lub zostaną automatycznie wyłączone w przypadku braku garnków na palnikach lub gdy nie zostaną one prawidłowo ustawione.
- W pozostałych przypadkach funkcje zostaną automatycznie wyłączone po kilku sekundach, gdy będzie to wymagało wykonania więcej niż jednego kroku (np. „Włącz płytę” bez „wyboru pola grzejnego”).
- W przypadku długotrwałego użytkowania urządzenie może nie zostać natychmiast wyłączone, nawet przy wyłączonych wszystkich strefach gotowania, ponieważ znajduje się w fazie chłodzenia; na wyświetlaczu strefy gotowania pojawi się symbol H, aż do jej ostygnięcia.

Bezpieczna aktywacja: produkt aktywuje się w przypadku, gdy garnki znajdują się na kuchence. Proces podgrzewania nie rozpoczyna się lub zostaje przerwany, jeśli na kuchence nie ma garnków lub je zdjęto.

Detektor garnków: Po włączeniu płyty produkt automatycznie wykrywa garnki w strefach gotowania, nawet przed ich aktywacją.

Wyłączenie ze względów bezpieczeństwa: ze względów bezpieczeństwa każda strefa gotowania ma określony maksymalny czas działania, zależny od ustawionego maksymalnego poziomu mocy.

3.2. ZARZĄDZANIE ZASILANIEM

Przy pierwszym użyciu produktu strefa gotowania jest ustawiona na maksymalną osiągalną moc. Można wybrać różne limity mocy odpowiednio do głównego systemu zasilania w domu, korzystając z funkcji zarządzania energią.

Jak ustawić zarządzanie energią

Możesz ustawić maksymalny poziom mocy dla płyty indukcyjnej, wybierając różne zakresy. Płyty indukcyjne mogą automatycznie się ograniczać, aby pracować na niższym poziomie mocy w celu uniknięcia ryzyka przeciążenia.

Aby rozpocząć korzystanie z funkcji zarządzania energią:

- Włącz płytę, a następnie naciśnij jednocześnie + i - na panelu sterowania.
- Wskaźnik minutnika wyświetli „P8”, co oznacza poziom mocy 8. Tryb domyślny to 7,4 kW.

Aby przejść na inny poziom

- Naciśnij + lub -, aby zmienić poziom zarządzania energią.
- Istnieje 8 poziomów mocy, od „P1” do „P8”. Wskaźnik minutnika pokaże jeden z nich:

P1	P2	P3	P4	P5	P6	P7	P8
2 kW	2,5 kW	3 kW	3,5 kW	4,5 kW	5,5 kW	6,8 kW	7,4 kW

Potwierdzenie i wyjście z funkcji zarządzania energią

W celu potwierdzenia wyłącz płytę. Poziom mocy zostanie zapisany automatycznie. Wybrana wartość zostaje trwale zapisana i pozostaje zachowana nawet po wyłączeniu głównego zasilania. Aby zmienić poziom mocy, powtórz czynności opisane powyżej.

UWAGA: w zależności od wybranego sposobu zarządzania energią niektóre poziomy mocy i funkcje stref gotowania mogą zostać automatycznie ograniczone tak, aby nie przekraczały wybranej wartości. W szczególności w przypadku poziomu zarządzania energią ustawionego na mniej niż 4,5 kW, nie można było wybrać funkcji Boost, Varycook i niektórych sposobów gotowania za pomocą aplikacji.

W niektórych przypadkach wybór ostatniego poziomu mocy może zostać odrzucony/ dostosowany zgodnie z dostępną ilością mocy resztkowej z poprzedniego ustawienia.

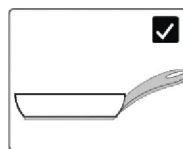
3.3. WYBÓR ODPOWIEDNIEGO NACZYNIA

3.3.1. Charakterystyka naczyń kuchennych

Używaj wyłącznie garnków z symbolem indukcji.

• Wybieraj tylko garnki z idealnie płaskim spodem. W przeciwnym razie mogą wystąpić następujące sytuacje:

- Niewykrywanie garnka;
- Niska wydajność;
- Niepożądany hałas.



• Wybieraj tylko garnki z gładkim spodem, aby uniknąć zarysowania powierzchni płyty;

UWAGA: w miarę możliwości unikaj przesuwania garnka na szklanej powierzchni, aby zminimalizować ryzyko zadrapań.

Test magnesu

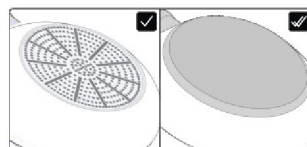
Gotowanie indukcyjne wykorzystuje magnetyzm do wytwarzania ciepła; dlatego garnki muszą zawierać żelazo. Jeśli masz już naczynie kuchenne, możesz sprawdzić, czy materiał jest magnetyczny, używając magnesu. Garnki są odpowiednie, jeśli są przyciągane przez magnes.

Naczynia wykonane z następujących materiałów nie są odpowiednie: czysta stal nierdzewna, aluminium lub miedź bez podstawy magnetycznej, szkło, drewno, porcelana, ceramika i naczynia ceramiczne.

3.3.2. Naczynia kuchenne wyższej jakości

Ogólnie akceptowane są wszystkie naczynia kuchenne oznaczone symbolem indukcji. Jednak w zależności od rodzaju dna zachowanie urządzenia może się różnić.

W przypadku używania dużych naczyń z mniejszym elementem ferromagnetycznym nagrzewa się tylko element ferromagnetyczny. W rezultacie ciepło może nie być równomiernie rozłożone.

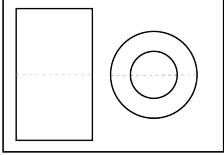
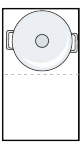
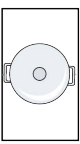
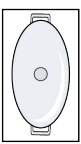
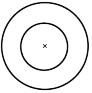



3.3.3. Wymiary i rozmieszczenie

Zawsze używaj strefy gotowania, która najlepiej odpowiada średnicy dna naczynia. Umieść garnek, upewniając się, że jest dobrze wyśrodkowany w strefie gotowania.

UWAGA: zaleca się, aby nie używać patelni wykraczającej poza obwód strefy gotowania.

Aby zapewnić prawidłową pracę płyty należy używać garnków o średnicy dna mieszczącej się w zakresie opisanym w poniższej tabeli.

					
	min.	120 mm	220 mm	160 mm	120 mm
	max.	220 mm	220 mm	200 x 380 mm	280 mm

UWAGA: Naczynie o średnicy mniejszej niż wymagane minimum może nie zostać wykryte. Użycie naczynia o średnicy większej niż wymagane maksimum może spowodować awarię lub niską wydajność.

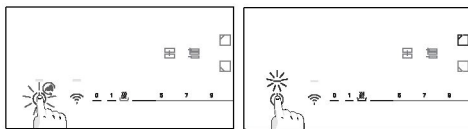
UWAGA: Nie stawiaj garnka na panelu sterowania ani w jego pobliżu podczas gotowania lub schładzania.

4. DZIAŁANIE PRODUKTU

4.1. JAK DZIAŁA PRODUKT

ⓘ WŁĄCZANIE/WYŁĄCZANIE PŁYTY

Aby włączyć/wyłączyć płytę należy nacisnąć i przytrzymać przez chwilę wskazane pole. Odpowiedni dźwięk będzie informował o stanie urządzenia.

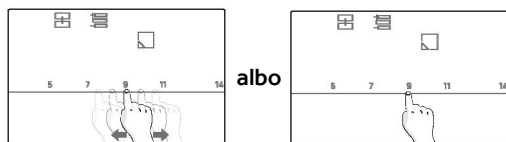


☐☐ WYBIERZ STREFĘ GOTOWANIA I USTAW MOC

Płyta może automatycznie wykryć garnek po umieszczeniu go w strefie gotowania, włączając wskaźnik odpowiedniej strefy. Na tym etapie nie nastąpi aktywacja poziomu mocy. Strefę można wybrać naciskając wskaźnik strefy.

Moc można ustawić poprzez:

Przesuwanie palca po suwaku;
Naciśnięcie bezpośrednio na właściwym poziomie.



Użytkownik może zmienić poziom mocy podczas gotowania, powtarzając ten sam proces.

Cyfry wskazują ustawiony poziom mocy: każde pole grzejne ma inną liczbę poziomów mocy, od 1 (min) do 14 (maks.). Każdy poziom ma funkcję automatycznego wyłączenia, które może trwać od 1 do 8 godzin.

Poziom mocy	1	2	3	4	5	6	7	8	9	10	11	12	13	14
Czas (godz.)	8	8	5	4	3	3	2	2	2	2	2	2	2	1

FUNKCJA BOOST: Można także wybrać szybkie nagrzewanie, naciskając suwak odpowiadający wartości 15.

- Z funkcji można korzystać w dowolnej strefie gotowania;
- Po 10 minutach funkcja Boost automatycznie ustawia się na poziomie 14.

UWAGA: Jeśli po włączeniu płyty kuchennej lub zakończeniu gotowania w ciągu minuty zostanie ustawiony jakikolwiek poziom mocy, płyta wyłączy się.

Jeśli na wyświetlaczu pojawi się , oznacza to, że:

- Garnek nie jest ustawiony w wybranej strefie gotowania;
- Naczynie nie jest prawidłowo umieszczone / w ogóle nie jest umieszczone na płycie kuchennej;
- Garnek nie nadaje się do kuchenek indukcyjnych;
- Wymiary garnka są mniejsze niż minimalna średnica garnka wymagana dla wybranej strefy;
- Jeśli odpowiedni garnek nie zostanie ustawiony w ciągu 1 minuty na strefie gotowania, nastąpi jej wyłączenie.

H : Pojawienie się tego symbolu na cyfrach oznacza, że strefa gotowania jest nadal gorąca. Gdy powierzchnia ostygnie do bezpiecznej temperatury, symbole znikają.

|| PAUZA

Zamiast wyłączenia, można wstrzymać działanie całej płyty, naciskając odpowiedni przycisk;

Aby aktywować tę funkcję, naciśnij **||**. Wskaźniki wszystkich stref pokażą **||**, a gotowanie zostanie zatrzymane.

Aby dezaktywować, naciśnij **||**; poprzednie ustawienia zasilania zostaną przywrócone.


OSTRZEŻENIE: Po wejściu w tryb wstrzymania wszystkie elementy sterujące z wyjątkiem sterowania WŁ./WYŁ. są wyłączone. Dzięki temu w sytuacji awaryjnej zawsze można wyłączyć płytę indukcyjną za pomocą przycisku WŁ./WYŁ.

ZEGAR

Minutnik można ustawić na dwa różne sposoby:

- Minutnik: po ustawieniu godziny strefa grzejna nie wyłączy się
- Tryb Zatrzymaj gotowanie: po ustawionym czasie wybrana strefa gotowania zostanie wyłączona. Licznik czasu do 60 minut.

Minutnik: wybierz bezpośrednio przycisk czasu (bez wybierania strefy). Rozpocznie się ogólne odliczanie czasu. Po upływie czasu płyta kuchenna emituje ciągły sygnał dźwiękowy, aż do naciśnięcia dowolnego innego przycisku.

Tryb zatrzymania gotowania: aby wybrać minutnik dla jednej strefy, wybierz odpowiednią strefę i naciśnij . W pobliżu wyświetlacza cyfrowego wybranej strefy pojawi się kropka i dotykając symboli +/-, ustaw żądany czas.

Jednocześnie można ustawić maksymalnie cztery zegary, po jednym dla każdej strefy.

Przed edycją wartości minutnika zawsze wybierz żądaną strefę grzejną.


Po upływie czasu płyta kuchenna wyda pojedynczy sygnał dźwiękowy.

BLOKADA

Płytę można zablokować, naciskając , aby zapobiec użytkownikowi bez nadzoru, a na wyświetlaczu pojawi się „L”.

Gdy urządzenie jest zablokowane, wszystkie elementy sterujące z wyjątkiem dolnego przycisku WŁ./WYŁ. są wyłączone.

Aby włączyć/wyłączyć funkcję, naciśnij i przytrzymaj przez chwilę przycisk .

Podczas włączania/wyłączenia płyty funkcja ta pozostaje aktywna do momentu jej wyłączenia poprzez naciśnięcie na chwilę .


FUNKCJE SPECJALNE

Płyta posiada 3 funkcje specjalne umieszczone na suwaku, które odpowiadają 3 poziomom mocy;


Dostęp bezpośredni:

Funkcje te można włączyć po wyborze strefy:

 **GOTOWANIE NA WOLNYM OGNIU:** Funkcja używana do gotowania kremów, sosów lub zwykłych płynów wymagających niższej temperatury.

 **ROZTAPIANIE:** Funkcja używana głównie do roztopienia czekolady. Po kilku minutach, gdy czekolada zacznie się topić, przejdź na poziom 1, aby zachować uzyskana płynną konsystencję bez przekraczania idealnej temperatury.

Dostępne za pomocą suwaka:

 **PODTRZYMANIE TEMPERATURY:** funkcja służąca do utrzymywania temperatury potrawy po ugotowaniu.

 **GOTOWANIE:** Funkcja używana do zagotowania wody i utrzymania wrzenia.

UWAGA: W dowolnym momencie gotowanie powiązane z każdą funkcją można dostosować, wybierając różne poziomy mocy zbliżone do zalecanych.

CAŁA STREFA

Cała strefa to obszar gotowania będący połączeniem większej liczby stref gotowania z przodu i z tyłu, tworząc unikalną strefę pionową. Jeśli aktywna jest cała strefa, można nią sterować tylko na jednym poziomie mocy.

Aby aktywować funkcję, naciśnij . Tylko górne cyfry będą pokazywać informacje zwrotne. Dolne cyfry są wyłączone.

Aby dezaktywować, naciśnij i przytrzymaj przełącznik strefy.

Garnki należy umieścić w sposób pokazany w „3.3.3. Wymiary i rozmieszczenie”.

STREFA VARYCOOK

Ta funkcja służy do wstępnego ustawienia stałych poziomów mocy w trzech różnych obszarach, w zależności od położenia garnka: wysoki (l.14), średni (l.10), niski (l.1).

- Jeśli garnek znajduje się z przodu strefy Varycook, poziom mocy jest ustawiony na l.1;
- Jeśli garnek znajduje się pośrodku strefy Varycook, poziom mocy jest ustawiony na l.10;
- Jeśli garnek znajduje się z tyłu strefy Varycook, poziom mocy jest ustawiony na l.14.

Minimalną średnicę garnka możliwą w przypadku tej funkcji można znaleźć w środkowej pozycji prostokątnego obszaru przedstawionego w tabeli w „3.3.3. Wymiary i rozmieszczenie”.

Aby aktywować funkcję, naciśnij i przytrzymaj przełącznik strefy . Tylko górne cyfry będą pokazywać informacje zwrotne. Dolne cyfry są wyłączone.

4.2. POŁĄCZENIE Z APLIKACJĄ hOn

Twoje urządzenie może być podłączone do domowej sieci bezprzewodowej i sterowane zdalnie za pomocą aplikacji. Podłącz swoje urządzenie, aby zapewnić aktualne oprogramowanie i funkcje.

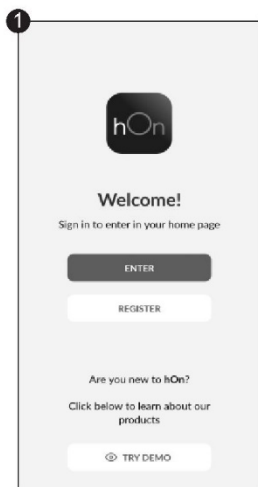
UWAGA

- Po włączeniu płyty ikona Wi-Fi zaczyna migać. W tym okresie istnieje możliwość zarejestrowania produktu.
- Upewnij się, że domowa sieć Wi-Fi jest włączona.
- Otrzymasz instrukcje krok po kroku zarówno na rejestrowanym urządzeniu, jak i na urządzeniu mobilnym.
- Podłączenie płyty kuchennej może zająć do 10 minut.
- Dalsze wskazówki i rozwiązywanie problemów można znaleźć w aplikacji.

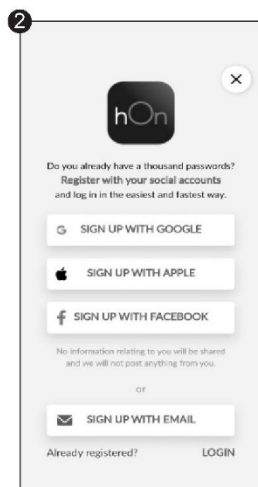
Pobierz aplikację hOn na swój smartfon.



Rejestrowanie nowego użytkownika

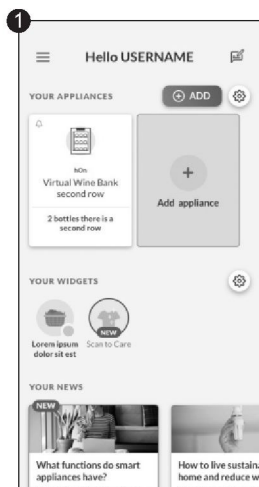


Kliknij opcję „Zarejestruj się”

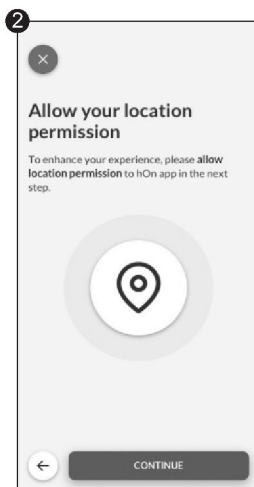


Możesz się zarejestrować się za pośrednictwem kont społecznościowych lub przy użyciu osobistego adresu e-mail

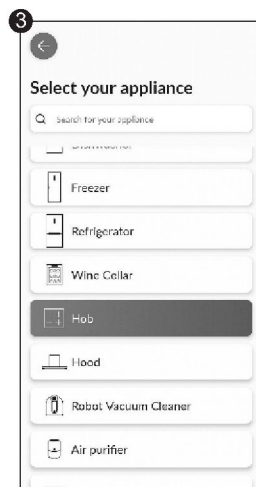
Szybkie parowanie



Wybierz opcję „Dodaj urządzenie”

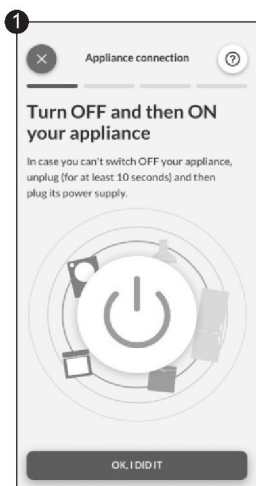


Zezwól na lokalizację

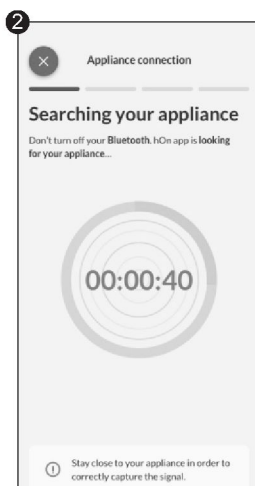


Wybierz płytę z kategorii urządzeń

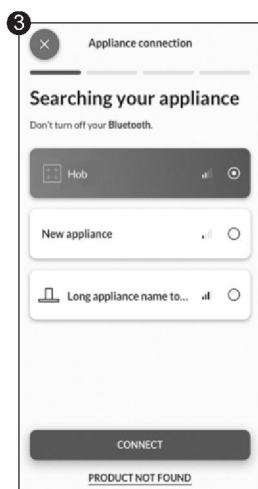
Szybkie parowanie



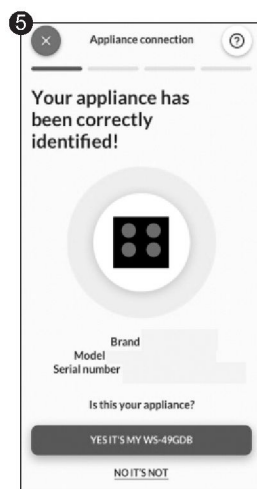
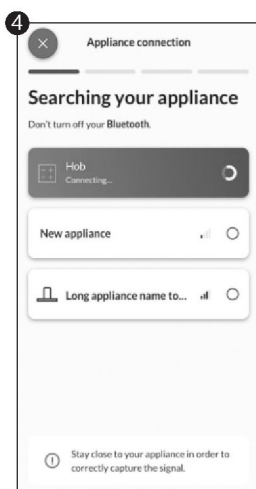
Włącz urządzenie; jeśli jest już włączone, wyłącz je i włącz ponownie



Po włączeniu aplikacja hOn rozpocznie wyszukiwanie Twojego urządzenia gospodarstwa domowego



Wybierz swoje urządzenie gospodarstwa domowego, kliknij „Połącz” i poczekaj kilka sekund



Gdy Twoja płyta kuchenna zostanie odnaleziona i możesz wyświetlić i ustawić funkcje/przepisy za pomocą aplikacji hOn

Wybierz z menu przepisów aplikacji hOn lub menu programów specjalnych. Postępuj krok po kroku zgodnie ze wskazówkami w aplikacji, a po zakończeniu wyślij parametry do płyty, która będzie dla Ciebie gotować.

Gdy płyta odbierze polecenie z aplikacji, wyda 2 razy sygnał dźwiękowy i będzie migać przez jedną sekundę, aby wskazać, że instrukcje zostały odebrane.

Aby rozpocząć przepis, naciśnij przycisk „My Chef”.

Jeśli chcesz wyjść z funkcji „My Chef”, naciśnij przycisk przez 3 sek.

*Rezultaty gotowania mogą się różnić w zależności od używanych naczyń.

Procedura drugiej rejestracji:

1. Po pierwszej rejestracji, ponieważ płyta została już połączona z siecią Wi-Fi przy użyciu określonych danych uwierzytelniających, konieczne jest ich zresetowanie
2. Aby je zresetować, należy włączyć płytę
3. Naciśnij przycisk Wi-Fi, aż usłyszysz sygnał dźwiękowy i zobaczysz migającą diodę Wi-Fi
4. Następnie zdecydowanie zaleca się wyłączenie płyty bez wykonywania jakichkolwiek operacji za pomocą aplikacji mobilnej
5. Na koniec rozpocznij od nowa, tak jakby była to pierwsza rejestracja, włączając płytę i kontynuując zwykłą procedurę rejestracji za pomocą aplikacji mobilnej

Technologia	Wi-Fi	Bluetooth
Standard	IEEE 802.11b/g/n	Bluetooth v4.2, BR / EDR, BLE
Pasma(-a) częstotliwości [MHz]	2401÷2483	2402÷2480
Moc maksymalna [mW]	100	10

PARAMETRY SIECI BEZPRZEWODOWEJ

Niniejszym Candy Hoover Group Srl oświadcza, że sprzęt radiowy jest zgodny z Dyrektywą 2014/53/UE oraz z odpowiednimi wymaganiami ustawowymi (dla rynku UKCA). Pełny tekst deklaracji zgodności jest dostępny pod następującym adresem internetowym: www.candy-group.com

MODEL SONDY HEAT FEEL SENSOR Et180 PARAMETRY BEZPRZEWODOWE:

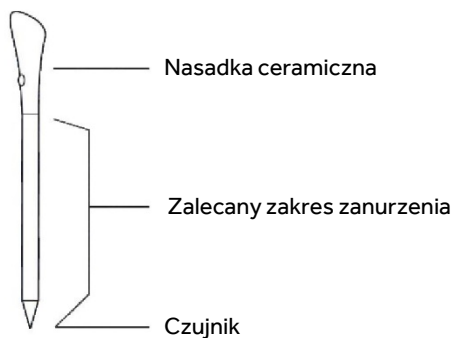
Technologia	Bluetooth
Standard	Bluetooth v4.0 BLE
Pasma(-a) częstotliwości [MHz]	2400÷2480
Moc maksymalna [mW]	2,5 - (4 dBm)

4.3. AKCESORIA

4.3.1. Inteligentny bezprzewodowy termometr do żywności Heat Feel Sensor & LADLE (dostępny w zależności od modelu)

Dziękujemy za zakup sondy Heat Feel Sensor. Należy pamiętać, że działa tylko z płytą indukcyjną Rosieres i przed użyciem należy zapoznać się z poniższą instrukcją oraz zawartymi w niej uwagami dotyczącymi bezpieczeństwa.

Wstęp: Sonda Heat Feel Sensor to bezprzewodowy termometr do żywności, który podaje w czasie rzeczywistym informację o statusie wewnątrz żywności, aby uniknąć niedogotowania lub przegotowania i za każdym razem zapewnić doskonały rezultat. Łączy się bezpośrednio z produktem. Szczegóły i status żywności w czasie rzeczywistym można odczytać z telefonu, zapewniając najlepszy rezultat na wyciągnięcie ręki. Aby uzyskać więcej informacji na temat parowania i wskazówek dotyczących użytkowania, zapoznaj się z poniższymi instrukcjami.



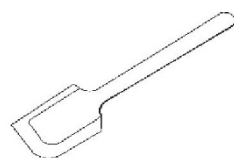
ŁADOWANIE SONDY HEAT FEEL SENSOR PRZED UŻYCIEM:

- Włóż sondę Heat Feel Sensor do ładowarki i zamknij pokrywę;
- Podłącz ładowarkę do źródła zasilania USB, takiego jak adapter USB lub gniazdo USB komputera/notebooka za pomocą kabla USB. Ładowarka może nie działać prawidłowo po podłączeniu do powerbanka ze względu na funkcję automatycznego wyłączenia;
- Dioda LED ładowarki włączy się i będzie migać podczas ładowania. Wyłączy się, gdy sonda Heat Feel Sensor zostanie w pełni naładowana.

CHOCHLA

Używaj chochli z sondą do mieszania potraw podczas gotowania.

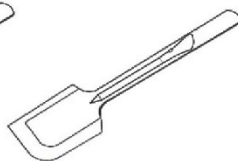
- Umyj chochlę przed pierwszym użyciem.
- Nie używaj chochli na otwartym ogniu.
- Nie przecinaj chochli.
- Nie kładź chochli w bezpośrednim kontakcie z gorącymi częściami płyty.
- Tolerowana temperatura: +220°C



Ustawienie 1



Ustawienie 2



4.4. PRZYGOTOWANIE DO GOTOWANIA Z APLIKACJĄ

Sonda Heat Feel Sensor jako termometr

Ustaw w aplikacji hOn docelową temperaturę, którą chcesz osiągnąć, włóż sondę Heat Feel Sensor do żywności lub wraz z akcesorium do płynów, a zobaczysz wzrost temperatury w aplikacji aż do osiągnięcia temperatury docelowej.

Pomoże Ci dokładnie utrzymać temperaturę dla każdego rodzaju żywności. Nie można jej używać, gdy działa funkcja gotowania wspomaganego.

Gotowanie wspomagane: Funkcja „Cook with me”

Wybieraj spośród przepisów aplikacji hOn lub programów specjalnych, śledź przygotowania krok po kroku, a następnie płyta automatycznie ustawi parametry dla wybranej metody gotowania.

Sous Vide

Rodzaj gotowania, w którym żywność jest umieszczana w worku próżniowym i gotowana w kąpielu wodnej o niskiej temperaturze.

Przygotowane w ten sposób potrawy będą bardziej soczyste i delikatne oraz zachowają właściwości odżywcze, dzięki czemu będą zdrowsze i smaczniejsze

Przejdź do aplikacji hOn, wybierz kategorię żywności, wybierz ten rodzaj gotowania, włóż podstawę z jedzeniem do garnka z wodą, a płyta indukcyjna ustawi odpowiednią temperaturę gotowania, aby uzyskać doskonały rezultat.

Grill

Wybierz kategorię potrawy z aplikacji hOn, wybierz ten rodzaj gotowania, a płyta indukcyjna automatycznie rozgrzeje grill do odpowiedniej temperatury w określonym czasie.

Gotowanie na wolnym ogniu

Funkcja gotowania na wolnym ogniu jest idealna do gotowania sosów, gulaszu, potraw duszonych i wszelkich preparatów o średnio długim czasie gotowania.

Automatyczna funkcja, którą znajdziesz w aplikacji hOn, delikatnie doprowadzi potrawę do temperatury lekkiego wrzenia, utrzymując ją przez cały czas gotowania.

Gotowanie na parze

Dzięki funkcji gotowania na parze można gotować na parze potrawy takie jak warzywa, mięso czy ryby w garnkach wyposażonych w koszyk do gotowania na parze. Gotowanie na parze jest szybsze niż gotowanie, ponieważ nie jest zanurzone w płynie, rozprasza mniej składników odżywczych zawartych w żywności i zachowuje jej zawartość witamin, poprawiając jej smak i strukturę, która będzie bardziej zwarta i przyjemna.

W razie potrzeby skontaktuj się z autoryzowanym serwisem.

5. WYTYCZNE DOTYCZĄCE GOTOWANIA

5.1. TABELA MOCY

POZIOM MOCY	RODZAJ GOTOWANIA	SUGEROWANY SPOSÓB UŻYCIA
14/15 BOOSTER	Szybkie nagrzewanie, booster	Idealny do smażenia, podsmażania, zagotowania zupy, zagotowania wody
11-13	Smażenie, grillowanie, gotowanie	Idealny do rozpoczęcia gotowania, smażenia, gotowania makaronu, smażenia w głębokim tłuszczu, grillowania
5-10	Duszenie, gotowanie	Idealny do wstępnego podgrzewania duszenia, utrzymywania delikatnego wrzenia, gotowania, długiego smażenia (ryż, pieczeń, naleśniki*)
3-4	Gotowanie na wolnym ogniu, utrzymywanie ciepła, powolne gotowanie	Idealny do dań gotowanych na wolnym ogniu, sosów śmietanowych i utrzymywania płynnej konsystencji
1-2	Roztapianie, utrzymywanie płynnej konsystencji, rozmrażanie	Delikatne podgrzewanie małych ilości jedzenia, powolne podgrzewanie, roztapianie i utrzymywanie płynnej konsystencji czekolady**
WYŁ.	-	-

* Kontynuuj smażenie naleśników na poziomie 5-6.

** Poziom 2, gdy zaczniesz się roztopiać, przejdź do poziomu 1, aby zachować płynną konsystencję.

5.2. TABELA GOTOWANIA

KATEGORIA ŻYWNOŚCI	PRZEPIS	Wstępne nagrzewanie		Gotowanie
		Faza wstępnego nagrzewania	Poziom mocy	Poziom mocy
Makaron i ryż	Makaron	Gotowanie wody	14 - 15	6 - 11
	Pudding ryżowy	Podgrzewanie mleka	13 - 15	6 - 8
	Gotowany ryż	Gotowanie wody	14 - 15	6 - 8
	Risotto	Smażenie i pieczenie	13 - 15	6 - 8
Mięso	Pieczone mięso	Smażenie i pieczenie	10 - 13	6 - 11
	Grillowany stek	Rozgrzewanie grilla	10 - 13	10 - 13
	Kiełbaski i hamburgery	Rozgrzewanie grilla	10 - 11	10 - 13
	Kawałki kurczaka	Rozgrzewanie patelni	10 - 11	6 - 10
	Panierowany stek	Rozgrzewanie patelni	6 - 11	10 - 13
Ryby	Grillowana ryba	Rozgrzewanie grilla	10 - 13	8 - 10
	Filet rybny	Podsmażanie	10 - 13	8 - 10
	Krewetki	Podsmażanie	10 - 13	10 - 13
Warzywa i rośliny strączkowe	Świeże smażone ziemniaki	Podgrzewanie oleju*	14	11 - 14
	Mrożone smażone ziemniaki	Podgrzewanie oleju*	14	11 - 14
	Grillowane warzywa	Rozgrzewanie grilla	6 - 11	10 - 13
	Papryka, cukinia i bakłażan	Rozgrzewanie patelni	6 - 11	10 - 13
Jajka i produkty jajeczne	Jajka na twardo	Gotowanie wody	14 - 15	6 - 8
	Jajka sadzone	Podsmażanie	10 - 13	8 - 10
	Naleśniki	Rozgrzewanie patelni	6 - 11	5 - 7
Sosy, kremy i desery	Sos pomidorowy	Gotowanie sosów	4 - 6	2 - 4
	Roztopiony ser	Roztapianie	6 - 11	2 - 5
	Krem i sos	Podgrzewanie kremu	4 - 6	2 - 4
	Roztopiona czekolada	Roztapianie	1 - 2	1
	Masło	Roztapianie	1 - 3	1 - 3

6. KONSERWACJA I CZYSZCZENIE

6.1. OGÓLNE ZASADY

Regularne czyszczenie może przedłużyć żywotność urządzenia.

- Czyść płytę po każdym użyciu;
- Zawsze używaj naczyń kuchennych z czystym dnem;
- Zdrapania na powierzchni nie mają wpływu na działanie;
- Użyj specjalnego środka czyszczącego odpowiedniego do powierzchni płyty kuchennej;
- Używaj specjalnego skrobaka do szkła.

6.2. CZYSZCZENIE PŁYTY

Przed przystąpieniem do czyszczenia należy się upewnić, że strefy gotowania są wyłączane. Zawsze pamiętaj o przestrzeganiu zalecanych instrukcji czyszczenia i unikaj stosowania produktów ściernych, które mogłyby uszkodzić powierzchnię płyty kuchennej.

a) ZABRUDZENIE TŁUSZCZEM

Ta procedura jest zalecana w tego rodzaju scenariuszach; tłuste plamy spowodowane smażeniem lub grillowaniem mięsa.

- Poczekaj, aż płyta ostygnie.
- Usuń nadmiar płynu wokół garnka ręcznikiem papierowym, a następnie zdejmij garnek.
- Wyczyść powierzchnię ściereczką kuchenną i roztworem detergentu.
- W razie potrzeby wyczyść płytę ponownie, używając gorącej wody i środka do czyszczenia szkła płyt indukcyjnych.

b) ZABRUDZENIE LEPKIM CUKREM

Ta procedura jest zalecana w przypadku zabrudzenia przez produkty, które ze względu na dużą zawartość cukru wymagają natychmiastowego usunięcia, aby zapobiec uszkodzeniu powierzchni płyty (syropy, dżemy, konfitury).

- Gdy płyta kuchenna jest jeszcze ciepła, usuń nadmiar płynu wokół garnka ręcznikiem papierowym, a następnie zdejmij garnek.
- W razie potrzeby zalecamy użycie skrobaka ustawionego pod ostrym kątem w celu usunięcia pozostałości.
- Wyczyść powierzchnię do gotowania roztworem detergentu i osusz ją ręcznikiem papierowym.
- Jeśli to konieczne, wyczyść płytę po raz drugi, używając gorącej wody i środka czyszczącego do płyty indukcyjnej.

c) ZABRUDZENIE SKROBIĄ

Ta procedura czyszczenia jest zalecana do następujących rodzajów żywności: makaron, ryż i ziemniaki.

- Usuń nadmiar płynu wokół garnka ręcznikiem papierowym, a następnie zdejmij garnek.
- Poczekaj, aż płyta ostygnie.
- Resztki skrobi zwilż wilgotną ściereczką. Pozostaw na kilka minut.
- Wyczyść powierzchnię ściereczką kuchenną i roztworem detergentu.
- Po czyszczeniu wytrzyj płytę do sucha miękką ściereczką.
- Jeśli to konieczne, wyczyść płytę po raz drugi, używając gorącej wody i środka czyszczącego do płyty indukcyjnej.

UWAGA: Przestrzegaj podanych instrukcji również w przypadku plam po wodzie, kamieniu, tłuszczu.

d) BŁYSZCZĄCE METALICZNE PRZEBARWIENIA

Użyj roztworu wody z octem i wyczyść szklaną powierzchnię ściereczką.

7. WYŚWIETLANIE I KONTROLA AWARII

7.1. ROZWIĄZYWANIE PROBLEMÓW

Problem	Potencjalne przyczyny	Co robić
Nie można włączyć płyty indukcyjnej.	Brak zasilania.	Upewnij się, że płyta indukcyjna jest podłączona do źródła zasilania. Sprawdź, czy w Twoim domu lub okolicy nie ma przerwy w dostawie prądu. Jeśli problem będzie się powtarzał, skontaktuj się z wykwalifikowanym technikiem.
Przyciski dotykowe nie reagują.	Elementy sterujące są zablokowane.	Odblokuj elementy sterujące zgodnie z instrukcjami podanymi w sekcji „Jak działa produkt”.
Sterowanie dotykowe jest trudne w obsłudze.	Na elementach sterujących mogą znajdować się pozostałości wody lub naciskasz je za delikatnie.	Upewnij się, że obszar sterowania dotykowego jest suchy i dotykaj elementów z odpowiednim naciskiem.
Szyba jest porysowana.	Naczynia o szorstkich krawędziach. Użyto nieodpowiedniej szorującej szmatki lub środków czyszczących.	Używaj naczyń z płaskim i gładkim dnem. Zobacz sekcje „Wybór odpowiednich naczyń kuchennych” oraz „Pielęgnacja i czyszczenie”.
Niektóre patelnie wydają trzaski lub kliki.	Może to być spowodowane konstrukcją naczynia (warstwy różnych metali wibrują w różny sposób).	Jest to normalne w przypadku naczyń kuchennych i nie oznacza usterki.
Płyta indukcyjna wydaje ciche brzęczenie, gdy jest używana na wysokim poziomie mocy.	Jest to spowodowane technologią gotowania indukcyjnego.	Jest to normalne, ale hałas powinien się wyciszyć lub całkowicie zniknąć po zmniejszeniu mocy grzania.
Hałas wentylatora dochodzi z płyty indukcyjnej.	Włączył się wentylator chłodzący wbudowany w płytę indukcyjną, aby zapobiec przegrzaniu elektroniki. Może nadal działać nawet po wyłączeniu płyty indukcyjnej.	Jest to normalne i nie wymaga żadnych działań. Nie wyłączać zasilania płyty indukcyjnej przy ścianie podczas pracy wentylatora.
Naczynia nie nagrzewają się i na wyświetlaczu pojawia się oznaczenie „U”.	Płyta indukcyjna nie może wykryć naczynia, ponieważ nie nadaje się do gotowania indukcyjnego. Płyta indukcyjna nie może wykryć naczynia, ponieważ jest za małe dla pola grzejjego lub nie jest odpowiednio wysróżkowane na nim.	Używaj naczyń odpowiednich do gotowania indukcyjnego. Zobacz rozdział „Wybór odpowiedniego naczynia”. Wysróżkuj patelnię i upewnij się, że jej podstawa odpowiada wielkości strefy gotowania.
Płyta indukcyjna lub strefa grzejna niespodziewanie się wyłączyły, rozlega się sygnał dźwiękowy i wyświetla się kod błędu (zwykle na przemian z jedną lub dwiema cyframi na wyświetlaczu timera gotowania).	Usterka techniczna.	Proszę zanotuj litery i cyfry błędów, wyłącz zasilanie płyty indukcyjnej na ścianie i skontaktuj się z wykwalifikowanym technikiem.
Na wyświetlaczu pojawia się ostrzeżenie d0.	Jednoczesne naciśnięcie dwóch przycisków powoduje krople wody lub kurz na szkle.	Upewnij się, że nie są wciśnięte żadne przyciski w tym samym czasie i wycyść płytę kuchenną z resztek wody i kurzu.

7.1.2. KODY USTERKI

KOD USTERKI	ZASADA WYŚWIETLANIA		DZIAŁANIA
E0			Zadzwoń do ASA
	Przedni lewy		
E1			Zadzwoń do ASA
	Przedni lewy		
E2			Zadzwoń do ASA
	Przedni lewy		Zadzwoń do ASA
E3			Zadzwoń do ASA
			Zadzwoń do ASA
	Przedni lewy		Zadzwoń do ASA
E4	(po lewej)	(po prawej)	Zadzwoń do ASA
			Zadzwoń do ASA
			Zadzwoń do ASA
			Zadzwoń do ASA
			Zadzwoń do ASA
			Sprawdź sygnał fazowy i częstotliwość sieci; jeśli wszystko jest w porządku, skontaktuj się z ASA
			Sprawdź kabel zasilający i termostat różnicowy; jeśli wszystko jest w porządku, skontaktuj się z ASA
E5			Poczekaj na ostygnięcie, wyczyść i/lub usuń ciała obce
	Przedni lewy		Zadzwoń do ASA
E6	Cz4	Cz1	Zadzwoń do ASA
	Cz3	Cz2	Sprawdź wymagania instalacyjne w instrukcji obsługi; jeśli wszystko jest w porządku, zadzwoń do ASA
E7	Cz4	Cz1	Zadzwoń do ASA
			Zadzwoń do ASA
	Cz3	Cz2	Zadzwoń do ASA
E8	Cz4	Cz1	Sprawdź wymagania instalacyjne w instrukcji obsługi; jeśli wszystko jest w porządku, zadzwoń do ASA
			Sprawdź wymagania instalacyjne w instrukcji obsługi; jeśli wszystko jest w porządku, zadzwoń do ASA
	Cz3	Cz2	
E9			Zadzwoń do ASA
	Przedni lewy		Zadzwoń do ASA

*ASA = Centrum serwisowe

8. OCHRONA ŚRODOWISKA I UTYLIZACJA ODPADÓW

8.1. OCHRONA I POSZANOWANIE ŚRODOWISKA NATURALNEGO

Zalecenia mające na celu uzyskanie najlepszych wyników;

Używaj garnków i patelni o średnicy dna równej średnicy strefy gotowania;

Używaj wyłącznie garnków i patelni z płaskim dnem;

Jeśli to możliwe, podczas gotowania zakrywaj garnki pokrywką;

Gotuj warzywa, ziemniaki itp. z minimalną ilością wody, aby skrócić czas gotowania;

Użyj szybkowaru, ponieważ dodatkowo zmniejsza to zużycie energii i czas gotowania.

Umieść garnek na środku strefy gotowania w obrysie płyty.

8.2. GOSPODARKA ODPADAMI I OCHRONA ŚRODOWISKA

To urządzenie ma oznaczenie zgodne z Europejską Dyrektywą 2012/19/UE dotyczącą zużytego sprzętu elektrycznego

i elektronicznego (WEEE).

Zużyty sprzęt elektryczny i elektroniczny zawiera substancje zanieczyszczające (które mogą wywierać negatywny wpływ na środowisko) oraz elementy podstawowe (które nadają się do ponownego wykorzystania).



Ważne jest właściwe przetwarzanie zużytego sprzętu elektrycznego i elektronicznego w celu prawidłowego usunięcia i utylizacji wszystkich substancji zanieczyszczających oraz odzyskania pozostałych materiałów. Każdy może odegrać ważną rolę w zadaniu o to, by zużyty sprzęt elektryczny i elektroniczny nie zagrażał środowisku. Zasadnicze znaczenie ma przestrzeganie kilku podstawowych zasad:

- Zużytego sprzętu elektrycznego i elektronicznego nie należy traktować jak odpadów z gospodarstwa domowego;
- Zużyty sprzęt elektryczny i elektroniczny powinien być odwołany do wyznaczonych punktów zbiórki odpadów zarządzanych przez radę miasta lub zarejestrowaną firmę.

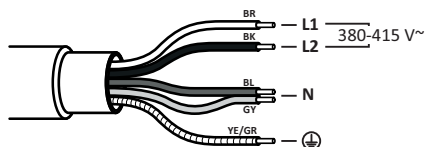
W wielu krajach organizowane są lokalne zbiórki dużego zużytego sprzętu elektrycznego i elektronicznego. Po zakupie nowego urządzenia, stare można oddać dostawcy, który musi je bezpłatnie przyjąć w ramach wymiany, jeśli to urządzenie jest podobnego typu i ma takie same funkcje jak urządzenie zakupione.

9. INSTALACJA

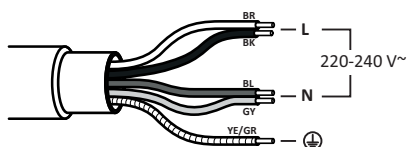
Instalacja elektryczna

Kabel zasilający: Urządzenie jest wyposażone w kabel zasilający, który należy podłączyć do domowej sieci energetycznej. Zidentyfikuj różne opcje połączeń w zależności od rodzaju domowego źródła zasilania na podstawie odpowiedniego schematu. Na tabliczce znamionowej podane jest również dopuszczalne napięcie przyłączeniowe tego urządzenia i odpowiadający mu pobór mocy.

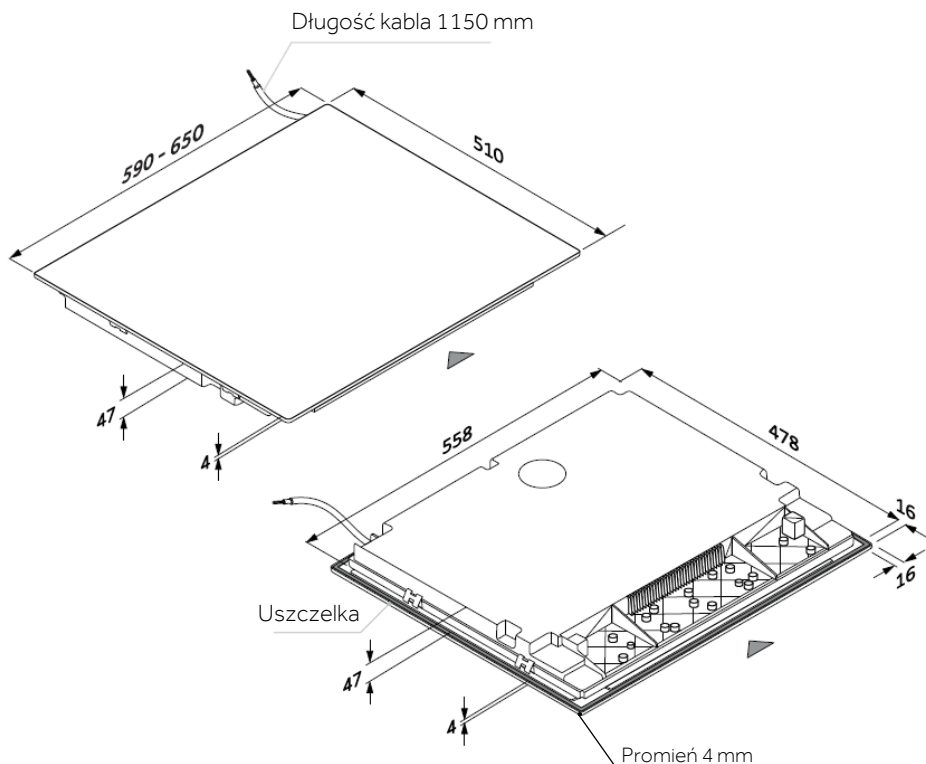
380-415V ~ 2N 50/60 Hz



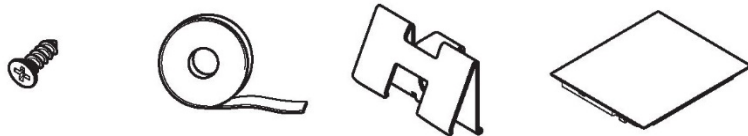
220-240V ~ 50/60 Hz



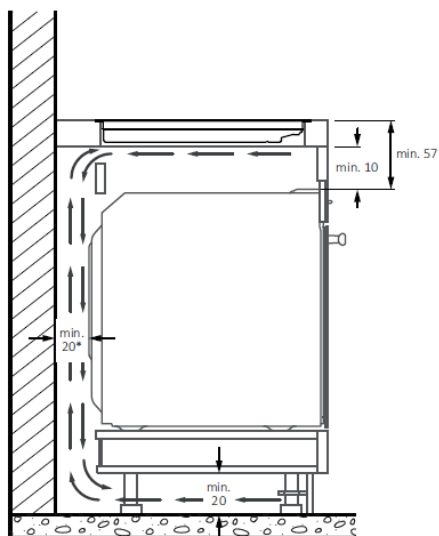
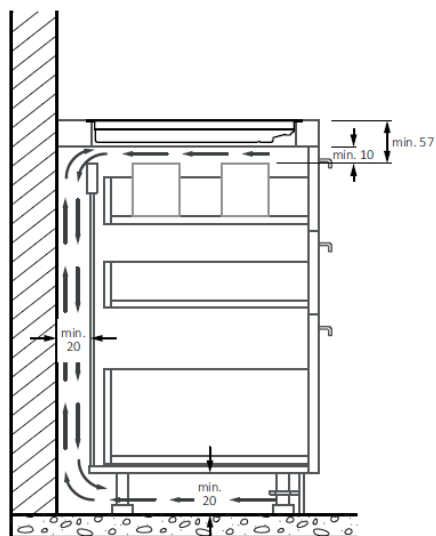
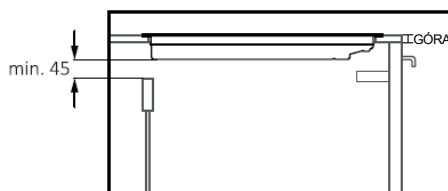
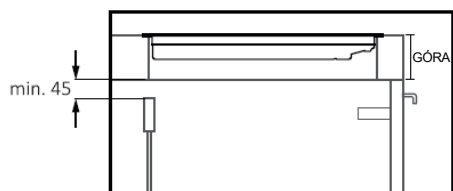
PŁYTA 60-65 cm



Narzędzia

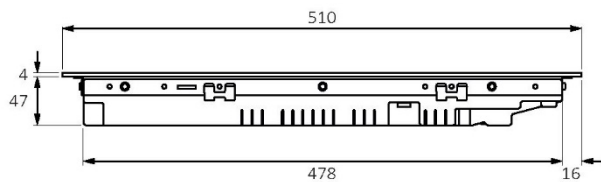


SEKCJE - SZEROKOŚĆ 60 i 65

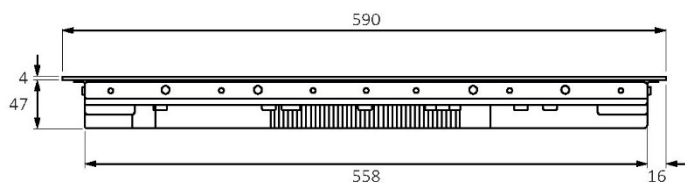


*W celu zapewnienia prawidłowego działania urządzenia należy zapewnić odpowiedni przepływ powietrza pod płytą kuchenną, zgodnie z wytycznymi instalacyjnymi.

PŁYTA 60 cm

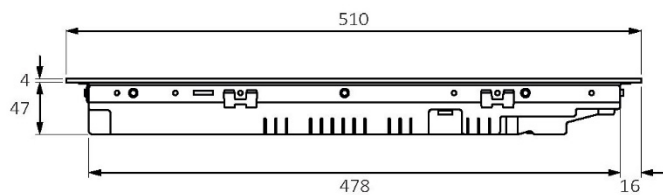


Widok z boku

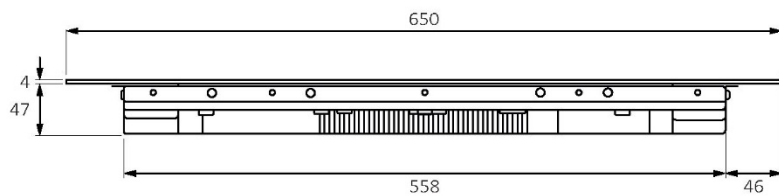


Widok z przodu

PŁYTA 65 cm

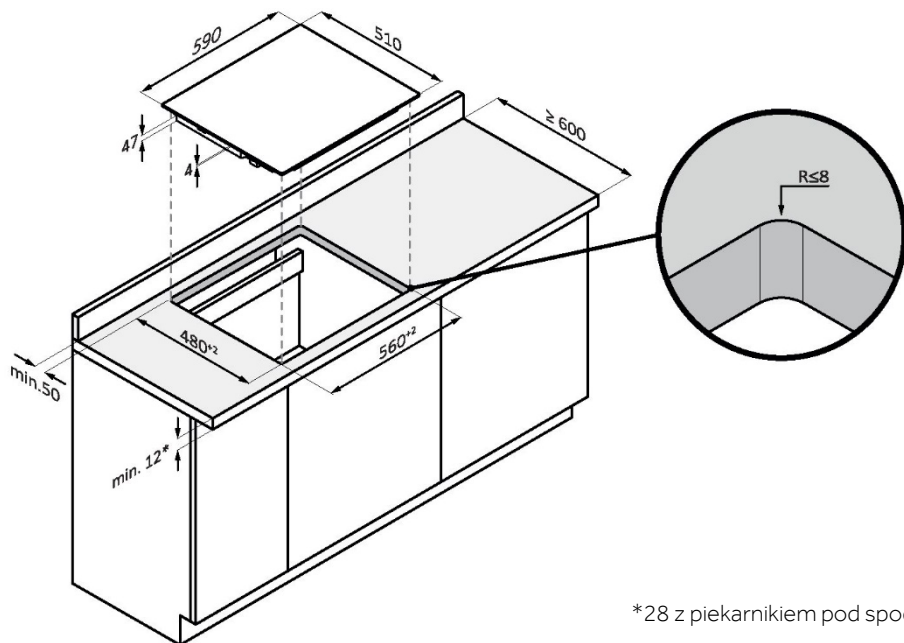


Widok z boku



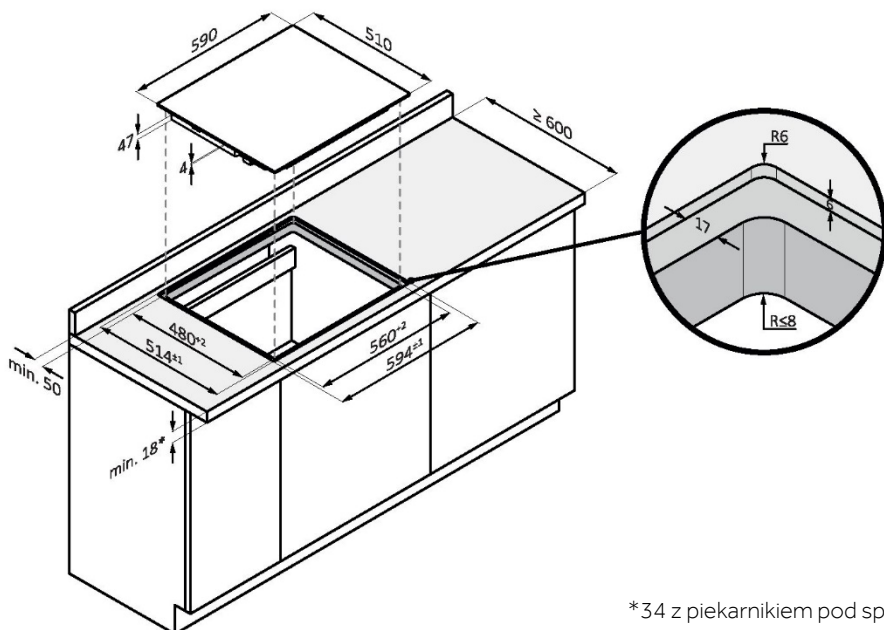
Widok z przodu

STANDARDOWE WYMIARY DO ZABUDOWY 60



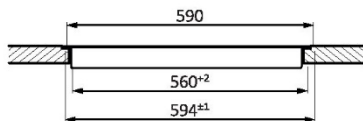
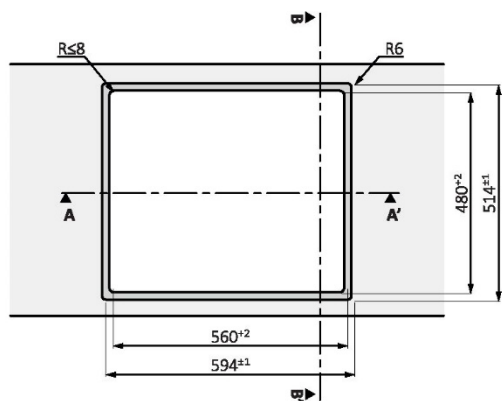
*28 z piekarnikiem pod spodem

POMIARY DO ZABUDOWY W PŁASZCZYŹNIE 60 (Nie dotyczy modeli z fazowanym szkłem)

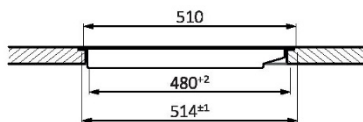


*34 z piekarnikiem pod spodem

POMIARY DO ZABUDOWY W PŁASZCZYŹNIE 60 (Nie dotyczy modeli z fazowanym szkłem)

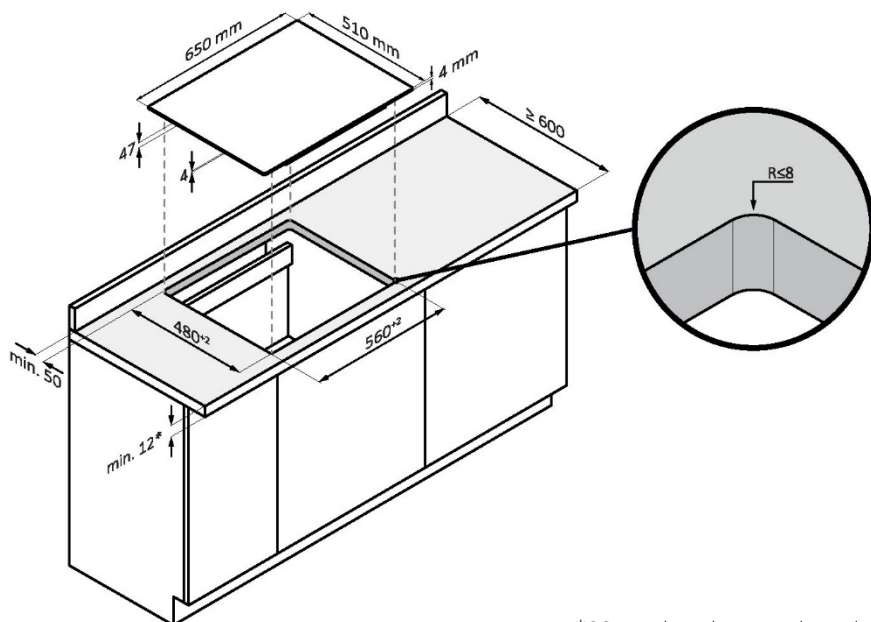


Sekcja AA'

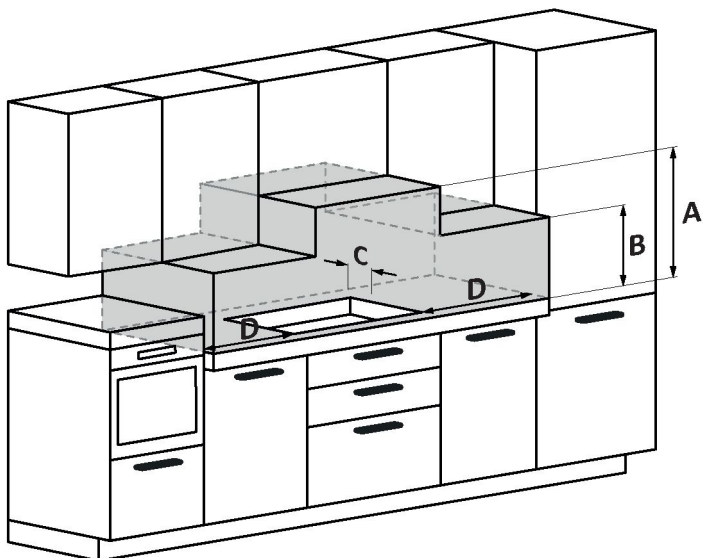


Sekcja BB'

WYMIARY DO ZABUDOWY W PŁASZCZYŹNIE 65 GÓRA



*28 z piekarnikiem pod spodem



- A:** Zalecamy odległość co najmniej 650 mm; najlepiej jednak zapoznać się z instrukcją obsługi okapu;
- B:** Pamiętaj, aby zapewnić funkcjonalną przestrzeń do przechowywania przyborów kuchennych oraz na parę i skropliny powstającego podczas przygotowywania żywności;
- C:** 35 mm od wpuszczanego otworu do podparcia / panelu podpierającego;
- D:** 35 mm od sąsiadujących mebli (w przypadku płyty 60 cm);
- D:** 55 mm od sąsiadujących mebli (w przypadku płyty 65 cm).

70041098-Rev B

04.07.2024