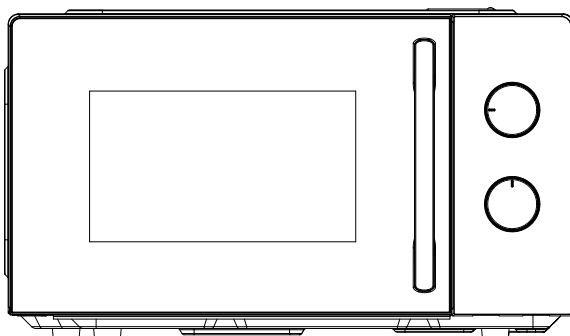


CANDY

MICROWAVE OVEN INSTRUCTION MANUAL



CMW20SMWLI/4U



PAP

**IMPORTANT SAFETY INSTRUCTIONS
READ CAREFULLY AND KEEP FOR FUTURE REFERENCE**

Household use only

SAVE THESE INSTRUCTIONS

IMPORTANT SAFEGUARDS

WARNING: If the door or door seals are damaged, the oven must not be operated until it has been repaired by a trained person.

WARNING: It is hazardous for anyone other than a trained person to carry out any service or repair operation, which involves the removal of any cover, which gives protection against exposure to microwave energy. **WARNING:** Liquids or other food must not be heated in sealed containers since they are liable to explode.

1. Only use utensils that are suitable for use in microwave ovens
2. Metallic containers for food and beverages are not allowed during microwave cooking.
3. When heating food in plastic or paper containers, keep an eye on the oven due to the possibility of ignition
4. The microwave oven is intended for heating food and beverages. Drying of food or clothing and heating of warming pads, slippers, sponges, damp cloth and similar may lead to risk of injury, ignition or fire.
5. If smoke is observed, switch off or unplug the appliance and keep the door closed in order to stifle any flames microwave heating of beverages can result in delayed eruptive boiling, therefore care has to be taken when handling the container;

6. The contents of feeding bottles and baby food jars are to be stirred or shaken and the temperature is to be checked before consumption, in order to avoid burns;
7. Eggs in their shell and whole hard-boiled eggs shall not be heated in microwave ovens since they may explode, even after microwave heating has ended;
8. Failure to maintain the oven in a clean condition could lead to deterioration of The surface that could adversely affect the life of the appliance and possibly result in a hazardous situation.
The microwave oven is intended to be used freestanding or built-in or in a cabinet.
9. The appliance must not be placed in a cabinet
10. Care should be taken not to displace the turntable when removing containers from the appliance.
11. The appliance shall not be cleaned with a steam cleaner.

Warning: When the appliance is operated in the combination mode, children should only use the oven under adult supervision due to the temperatures generated.



CAUTION: HOT SURFACE

12. If the supply cord is damaged, it must be replaced by the manufacturer or its service agent or a similarly qualified person in order to avoid a hazard.
13. This appliance can be used by children aged from 8 years and above and persons with reduced physical, sensory or mental

capabilities or lack of experience and knowledge if they have been given supervision or instruction concerning use of the appliance in a safe way and understand the hazards involved.

14. Children shall not play with the appliance.
15. Cleaning and user maintenance shall not be made by children without supervision.
16. Group 2 Class B appliance

Group 2 ISM equipment: group 2 contains all ISM equipment in which radio-frequency energy is intentionally generated and/or used in the form of electromagnetic radiation for the treatment of material, and EDM and arc welding equipment.

Class B equipment is equipment suitable for use in domestic establishments and in establishments directly connected to a low voltage power supply network which supplies buildings used for domestic purposes.

INSTALLATION

1. Remove the package from the microwave and carefully check the microwave for damage. Such as:

Whether the furnace body is shocked and shows signs of heavy pressure.

Whether the furnace door is flat and the switch is smooth and flexible.

Whether the metal insulation mesh on the furnace door is bent or deformed.

Whether the power cord is loose.

If you find any of the above, please contact your dealer or our special maintenance department immediately.

2. The microwave oven must be placed flat in a ventilated, dry, non-corrosive environment, away from high temperatures and vapors.

3. Do not place any objects on the top of the stove. In order to have sufficient air circulation space, the product should be placed 85cm above the ground. The distance between the sides of the microwave oven and the wall should be no less than 5cm, the distance between the back of the furnace and the wall should be no less than 10cm and the distance from the top wall cabinet should be no less than 20cm.

4. The microwave oven should be away from the TV, radio and antenna (generally greater than 5m), otherwise it will cause interference.

5. The microwave oven should be placed in the place where the power cable is convenient to plug in, and the grounding is guaranteed to be good. In case of leakage, the grounding wire can be deformed.

The current loop avoids electric shock.

6. Be sure to operate the microwave oven with the door closed.

7. Do not place the microwave in the cabinet.

8. When using the microwave oven for the first time, since the residue or grease in the manufacturing process exists in the furnace cavity or on the heating pipe, there may often be odor and even white smoke during heating. This is a normal phenomenon and has been used several times. After this, this will not happen, pay attention to open the doors and windows to maintain good ventilation.

CLEANING

MICROWAVE OVEN CARE



CAUTION

The oven should be cleaned regularly and any food deposits removed.



WARNING

1. Remove the power cord from the wall outlet before cleaning. Don't immerse the appliance in water or other fluids when cleaning.
2. Failure to maintain the oven in a clean condition could lead to deterioration of the surface that could adversely affect the life of the appliance and possibly result in a hazardous situation

3. Never use hard detergent, gasoline, abrasive powder or metal brush to clean any part of the appliance
4. Do not remove the waveguide cover
5. When the microwave oven has been used for a long time, there may be some strange odors exist in oven, Following 3 methods can get rid of them:
 - a. Place several lemon slices in a cup, then heat with high Micro Power for 2-3 min.
 - b. Place a cup of red tea in oven, then heat with high micro power.
 - c. Put some orange peel into oven, and then heat them with high Micro Power for 1 minute.
6. **WARNING:** Only allow children to use the oven without supervision when adequate instructions have been given so that the child is able to use the oven in a safe way and understands the hazards of improper use.

TIPS FOR CLEANING

Details for cleaning door seals, cavity and adjacent parts:

Exterior:

Wipe the enclosure with a dampened soft cloth

Door:

Using a dampened soft cloth, wipe clean the door and window

Wipe the door seals and adjacent parts to remove any spill or spatter

Wipe the control panel with a slightly dampened soft cloth

Interior walls:

Wipe clean the cavity with a dampened soft cloth

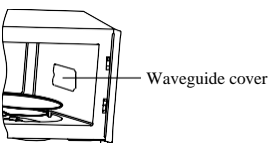
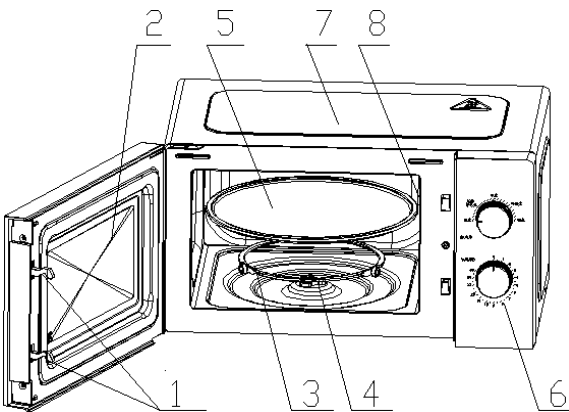
Wipe clean the waveguide cover to remove any food splashed

Turntable/ Rotation ring/ Rotation axis:

Wash with mild soap water

Rinse with clean water and allow drying thoroughly

PRODUCT INSTRUCTION



1) Door lock

Microwave oven door must be properly closed in order for it to operate

2) Viewing window

Allow user to see the cooking status

3) Rotating ring

The glass turntable sits on its wheels; it supports the turntable and helps it to balance when rotating

4) Rotating axis

The glass turntable sits on the axis; the motor underneath it drives the turntable to rotate

5) Turntable

The food sits on the turntable, its rotation during operation helps to cook food evenly



CAUTION

- Place the rotating ring first
- Fit the turntable onto the rotating axis and make sure that it is geared in properly

6) Control panel

See below in details (the control panel is subject to change without prior notice)

7) Outer cover

Used for wrapping and protecting the internal structural parts and electrical components of the whole machine

8) Waveguide cover

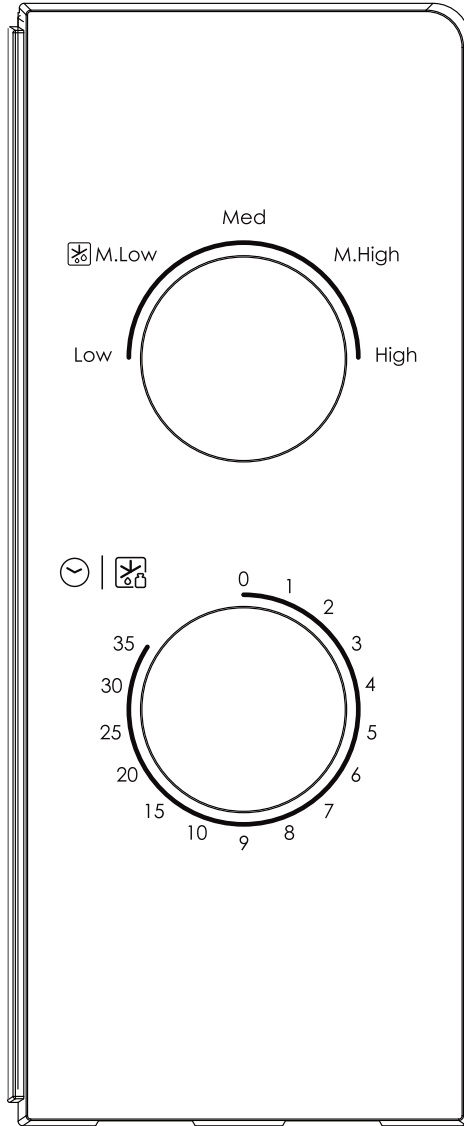
It is inside the microwave oven, next to the wall of control panel.



WARNING

Never remove the waveguide cover

OPERATION OF CONTROL PANEL



1. CLOCK SETTING

The maximum setting is 35 minutes, there is a ringtone at the end, and the knob returns to the “0” position.

2. MICROWAVE FUNCTION

There are five firepower files:

HIGH	100% power output	700W	(Quick cooking)
M.High	80% power output	550W	(Normal cooking)
Med	55% power output	390W	(Slow cooking)
M.Low	30% power output	200W	(Defrost food)
LOW	17% power output	120W	(Keep warm)

Below is some food defrosting time advice:

	Weight	Defrost time
Meat	0.1~1.0kg	1:30~26:00
Poultry	0.2~1.0kg	2:30~22:00
Sea food	0.1~0.9kg	1:30~14:00

OPERATION

1) Connect the cord

- Before connecting the cord, make sure the timer is set to “0” position.
- Do not block the ventilation.

2) Place the food on the glass turntable and close the door

- Food must be contained in a utensil

3) Select the desired power level

4) Set the timer

If desired time is less than 10 minutes, turn the firepower knob to over 10 minutes position and then turn back to the desired time setting.

5) Once the desired time is set, the cooking begins. If pausing in between is needed, just open the door at any time, and close it to resume operation.

6) When it times out and cooking ends, the microwave oven produces a bell ring, the inside lamp will also be automatically turned off.

If food is removed before time out, make sure to set back the timer to “0” position, this avoids the microwave oven from operating in empty load.

UTENSILS GUIDELINE

Depending on the cooking method, it is necessary to choose a safe and suitable vessel. If it is not properly selected, it will not only affect the cooking effect, but also cause damage to the vessel or microwave oven. Please refer to the table below for use:

Material of container	Microwave	Notes
Heat-resistant ceramic	Yes	Never use the ceramics which are decorated with metal rim or glazed
Heat-resistant plastic	Yes	Can not be used for long time microwave cooking
Heat-resistant glass	Yes	
Grill rack	No	
Plastic film	Yes	It should not be used when cooking meat or chops as the over-temperature may do damage to the film

COOKING TIPS

The following factors may affect the cooking result:

Food arrangement

Place thicker areas towards outside of dish, the thinner part towards the centre and spread it evenly. Do not overlap if possible.

Cooking time length

Start cooking with a short time setting, evaluate it after it times out and extend it according to the actual need. Over cooking may result in smoke and burns.

Cooking food evenly

Food such as chicken, hamburger or steak should be turned once during cooking.

Depending on the type of food, if applicable, stir it from outside to centre of dish once or twice during cooking

Allow standing time

After cooking times out, leave the food in the oven for an adequate length of time, this allows it to complete its cooking cycle and cooling it down in a gradual manner

Whether the food is done

Color and hardness of food help to determine if it is done, these include:

- Steam coming out from all parts of food, not just the edge
- Joints of poultry can be moved easily
- Pork or poultry shows no signs of blood
- Fish is opaque and can be sliced easily with a fork

Browning dish

When using a browning dish or self-heating container, always place a heat-resistant insulator such as a porcelain plate under it to prevent damage to the turntable and rotating ring.

Microwave safe plastic wrap

When cooking food with high fat content, do not allow the plastic wrap come into contact with food as it may melt

Microwave safe plastic cookware

Some microwave safe plastic cookware might not be suitable for cooking foods with high fat and sugar content. Also, the preheating time specified in the dish instruction manual must not be exceeded.

MAINTENANCE

SERVICING

Please check the following before calling for services.

1. Place one cup of water (approx.150ml) in a glass measure in the oven and close the door securely. Oven lamp should go off if the door is closed properly. Let the oven work for 1 min.
2. Does the oven lamp light?
3. Does the cooling fan work?
(Put your hand over the rear ventilation openings.)
4. Does the turntable rotate?
(The turntable can rotate clockwise or counter clockwise. This is quite normal.)
5. Is the water inside the oven hot after 1 minute?

If “NO” is the answer to any of the above questions, please check your wall socket and the fuse in your meter box.

If both the wall socket and the fuse are functioning properly, CONTACT YOUR NEAREST SERVICE CENTER APPROVED.

SERVICING SAFEGUARDS

Caution: MICROWAVE RADIATION

1. **Warning:** There is microwave radiation and high voltage in the microwave. Except for maintenance technicians, it is strictly forbidden to dismantle it by yourself to avoid harm to the human body. Do not expose to radiation from microwave generators or other conducted microwave energy components!

Warning: When the microwave oven is running, the surface temperature will be very high!

2. During servicing below listed parts are liable to be removed and give access to potentials above 250V to earth.

- Magnetron
- High voltage transformer
- High voltage capacitor
- High voltage diode

3. The following conditions may cause undue microwave exposure during servicing.

- Improper fitting of magnetron;
- Improper matching of door interlock, door hinge and door;
- Improper fitting of switch support;
- Door, door seal or enclosure has been damaged.

Correct Disposal of this product



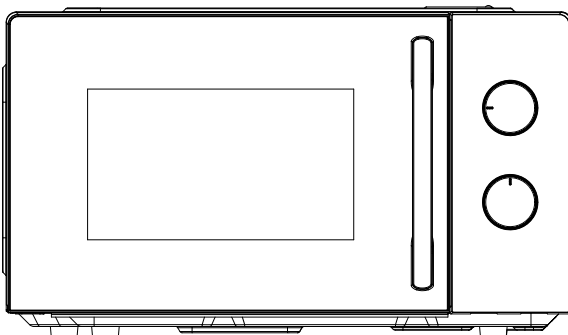
This appliance is labelled in accordance with European Directive 2012/19/EU on Waste Electrical and Electronic Equipment Regulations 2013 regarding electric and electronic appliances (WEEE). The WEEE contain both polluting substances (that can have a negative effect on the environment) and base elements (that can be reused). It is important that the WEEE undergo specific treatments to correctly remove and dispose of the pollutants and recover all the materials. Individuals can play an important role in ensuring that the WEEE do not become an environmental problem; it is essential to follow a few basic rules:

- the WEEE should not be treated as domestic waste;
- the WEEE should be taken to dedicated collection areas managed by the town council or a registered company.

In many countries, domestic collections may be available for large WEEEs. When you buy a new appliance, the old one can be returned to the vendor who must accept it free of charge as a one-off, as long as the appliance is of an equivalent type and has the same functions as the purchased appliance.

CANDY

FOUR À MICRO-ONDES MANUEL D'INSTRUCTIONS



CMW20SMWLI/4U



PAP

**CONSIGNES DE SÉCURITÉ IMPORTANTES
LISEZ ATTENTIVEMENT ET CONSERVEZ CE MANUEL POUR
POUVOIR LE CONSULTER EN CAS DE BESOIN**

Usage domestique uniquement

CONSERVEZ CES INSTRUCTIONS

CONSIGNES DE SÉCURITÉ IMPORTANTES

AVERTISSEMENT : si la porte ou les joints de porte sont endommagés, le four ne doit pas être utilisé tant qu'il n'a pas été réparé par une personne compétente.

AVERTISSEMENT : il est dangereux pour toute personne autre qu'une personne compétente d'effectuer toute opération d'entretien ou de réparation impliquant l'enlèvement d'un couvercle qui protège contre l'exposition à l'énergie des micro-ondes. **AVERTISSEMENT** : les liquides et autres aliments ne doivent pas être chauffés dans des contenants scellés, car ils sont susceptibles d'exploser.

1. N'utilisez que des ustensiles adaptés à l'utilisation dans les fours à micro-ondes.
2. Les contenants métalliques pour aliments et boissons ne sont pas autorisés pendant la cuisson aux micro-ondes.
3. Lorsque vous chauffez des aliments dans des contenants en plastique ou en papier, gardez un œil sur le four en raison du risque d'inflammation.
4. Le four à micro-ondes est destiné au chauffage des aliments et des boissons. Le séchage d'aliments ou de vêtements et le chauffage de coussins chauffants, de chaussons, d'éponges, de chiffons humides ou similaires peuvent entraîner un risque de blessure, d'ignition ou d'incendie.
5. S'il y a de la fumée, éteindre ou débrancher l'appareil et garder la porte fermée afin d'étouffer toute flamme de chauffage de boissons par

micro-ondes peut entraîner le débordement d'une ébullition à retardement, c'est pourquoi il faut faire attention lors de la manipulation du contenant.

6. Le contenu des biberons et des pots d'aliments pour bébés doit être mélangé ou agité et la température vérifiée avant consommation, afin d'éviter les brûlures.
7. Les œufs dans leur coquille et les œufs durs entiers ne doivent pas être chauffés dans un four à micro-ondes, car ils peuvent exploser, même après la fin du chauffage aux micro-ondes.
8. Le fait de ne pas conserver le four propre peut entraîner une détérioration de la surface qui pourrait nuire à la durée de vie de l'appareil et éventuellement entraîner une situation dangereuse. Le four à micro-ondes est destiné à être utilisé en pose libre ou encastré.
9. L'appareil ne doit pas être installé dans une armoire
10. Veillez à ne pas déplacer le plateau tournant lorsque vous retirez les contenants de l'appareil.
11. L'appareil ne doit pas être nettoyé à l'aide d'un nettoyeur à vapeur.

Avertissement : lorsque l'appareil est utilisé en mode combiné, les enfants doivent utiliser le four uniquement sous la surveillance d'un adulte en raison des températures générées.



ATTENTION : SURFACE CHAUDE

12. Si le cordon d'alimentation est endommagé, faites-le remplacer par le fabricant, le service après-vente ou un électricien qualifié pour éviter tout risque d'accident.

13. Cet appareil peut être utilisé par des enfants à partir de 8 ans et par des personnes ayant des capacités physiques, sensorielles ou mentales réduites ou un manque d'expérience et de connaissances, s'ils sont sous surveillance ou si on leur a appris à utiliser l'appareil en toute sécurité et s'ils comprennent les risques courus.
14. Les enfants ne doivent pas jouer avec l'appareil.
15. Le nettoyage et l'entretien ne doivent pas être effectués par des enfants sans surveillance.
16. Appareil du groupe 2 classe B Équipements du groupe 2 ISM: le groupe 2 comprend tous les équipements ISM dans lesquels l'énergie des radiofréquences est générée intentionnellement et/ou utilisée sous forme de rayonnement électromagnétique pour le traitement des matériaux, EDM et du matériel de soudage à l'arc.
Les équipements de classe B sont des équipements adaptés à une utilisation dans des établissements domestiques et dans des établis-sements directement raccordés à un réseau d'alimentation à basse tension qui alimente les bâtiments utilisés à des fins domestiques.

INSTALLATION

1. Retirez l'emballage du four à micro-ondes et vérifiez l'absence de dommages sur le micro-ondes. Par exemple :

Si le corps du four a un impact et présente des signes de forte pression.

Si la porte du four est plate et l'interrupteur est lisse et flexible.

Si le treillis isolant métallique de la porte du four est plié ou déformé.

Si le cordon d'alimentation est desserré.

Si vous constatez l'un des éléments ci-dessus, veuillez contacter immédiatement votre revendeur ou notre service d'entretien spécial.

2. Le four à micro-ondes doit être placé à plat dans un environnement ventilé, sec et non corrosif, à l'abri des hautes températures et vapeurs.

3. Ne placez aucun objet sur le dessus du four. Afin d'avoir suffisamment d'espace de circulation d'air, le produit doit être placé à 85 cm au-dessus du sol. La distance entre les côtés du four à micro-ondes et le mur ne doit pas être inférieure à 5 cm, la distance entre l'arrière du four et le mur ne doit pas être inférieure à 10 cm et la distance avec l'armoire murale supérieure ne doit pas être inférieure à 20 cm.

4. Le four à micro-ondes doit être éloigné de la télévision, de la radio et de l'antenne (généralement à plus de 5 m), sinon il peut provoquer des interférences.

5. Le four à micro-ondes doit être placé à l'endroit où le câble d'alimentation est pratique à brancher, et la mise à la terre est garantie d'être bonne. En cas de fuite, le fil de mise à la terre peut être moulé.

La boucle de courant évite les chocs électriques.

6. Assurez-vous de faire fonctionner le four à micro-ondes lorsque la porte est fermée.

7. Ne placez pas le four à micro-ondes dans une armoire.

8. Lorsque vous utilisez le four à micro-ondes pour la première fois, étant donné qu'il peut y avoir des résidus ou de la graisse issus du processus de fabrication dans la cavité du four ou sur le tuyau de chauffage, il peut y avoir des odeurs et même de la fumée blanche pendant le chauffage. C'est un phénomène normal qui a été utilisé plusieurs fois. Après cela, cela ne se produira pas, faites attention à ouvrir les portes et les fenêtres pour maintenir une bonne ventilation.

NETTOYAGE

ENTRETIEN DU FOUR À MICRO-ONDES



ATTENTION

Le four doit être nettoyé régulièrement et tout dépôt de nourriture doit être enlevé.



AVERTISSEMENT

1. Retirez le cordon d'alimentation de la prise murale avant de le nettoyer. Ne plongez pas l'appareil dans l'eau ou dans d'autres liquides lors du nettoyage.
2. Le fait de ne pas conserver le four propre peut entraîner une détérioration de la surface qui pourrait nuire à la durée de vie de l'appareil et éventuellement entraîner une situation dangereuse.
3. N'utilisez jamais de détergent dur, d'essence, de poudre abrasive ou de brosse métallique pour nettoyer les pièces de l'appareil
4. Ne retirez pas le couvercle du guide d'ondes
5. Lorsque le four à micro-ondes a été utilisé pendant une longue période, il peut y avoir des odeurs étranges dans le four. Voici 3 méthodes pour se débarrasser de ces odeurs :
 - a. Déposez plusieurs tranches de citron dans une tasse, puis chauffez à puissance élevée pendant 2-3 min.

b. Placez une tasse de thé rouge dans le four, puis chauffez à haute puissance.

c. Mettez un peu d'écorce d'orange au four, puis faites chauffer à haute puissance le micro-ondes pendant 1 minute.

6. AVERTISSEMENT : ne laissez les enfants utiliser le four sans surveillance que lorsque des instructions adéquates ont été données afin que les enfants puissent utiliser le four de manière sûre et qu'ils comprennent les risques d'une utilisation inappropriée.

CONSEILS DE NETTOYAGE

Détails pour le nettoyage des joints de porte, de la cavité et des pièces adjacentes :

Extérieur :

Essuyez le boîtier à l'aide d'un chiffon doux humide

Porte :

À l'aide d'un chiffon doux humide, nettoyez la porte et la fenêtre

Essuyez les joints de la porte et les pièces adjacentes pour éliminer tout débordement ou éclaboussure

Essuyez le panneau de commande à l'aide d'un chiffon doux légèrement humide

Parois intérieures :

Nettoyez la cavité à l'aide d'un chiffon doux humide

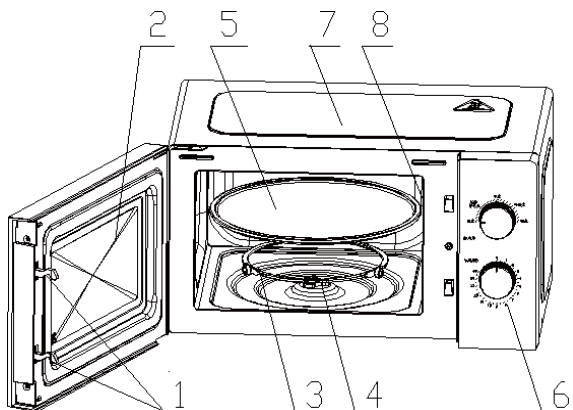
Nettoyez le couvercle du guide d'ondes pour éliminer les éclaboussures d'aliments

Plateau tournant / anneau de rotation / axe de rotation :

Lavez à l'eau savonneuse douce

Rincez à l'eau claire et laissez bien sécher

INSTRUCTIONS SUR LE PRODUIT



Couvercle du guide d'ondes

1) Loquet de la porte

La porte du four à micro-ondes doit être correctement fermée pour fonctionner

2) Fenêtre de visualisation

Permet à l'utilisateur de voir l'état de cuisson

3) Anneau de rotation

Le plateau tournant en verre repose sur ses roues; il supporte le plateau tournant et l'aide à s'équilibrer lors de la rotation

4) Axe de rotation

Le plateau tournant en verre repose sur l'axe ; le moteur en dessous entraîne la rotation du plateau

5) Plateau tournant

Les aliments sont placés sur le plateau tournant, sa rotation pendant le fonctionnement permet une cuisson uniforme des aliments

ATTENTION

- Placez d'abord l'anneau de rotation

- Placez le plateau tournant sur l'axe de rotation et assurez-vous qu'il est correctement aligné

6) Panneau de commande

Voir ci-dessous en détail (le panneau de commande peut être modifié sans préavis)

7) Couvercle extérieur

Utilisé pour l'emballage et la protection des pièces internes de structure et des composants électriques de l'ensemble de la machine

8) Couvercle du guide d'ondes

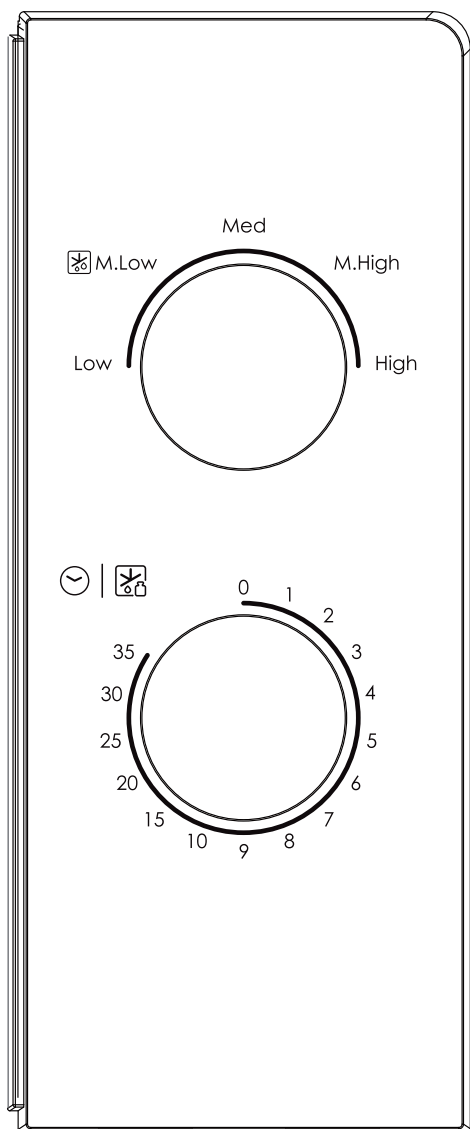
Il se trouve à l'intérieur du four à micro-ondes, à côté de la paroi du panneau de commande.



AVERTISSEMENT

Ne retirez jamais le couvercle du guide d'ondes

FONCTIONNEMENT DU PANNEAU DE COMMANDE



1. RÉGLAGE DE L'HORLOGE

Le réglage maximum est de 35 minutes, il y a une sonnerie à la fin, et le bouton revient en position « 0 ».

2. FONCTION MICRO-ONDES

Il y a cinq puissances de feu :

HIGH (ÉLEVÉE)	puissance de sortie 100 %	700 W	(Cuisson rapide)
M.High (M. Élevée)	puissance de sortie 80 %	550 W	(Cuisson normale)
Med (Moyenne)	puissance de sortie 55 %	390 W	(Cuisson lente)
M.Low (M. Basse)	puissance de sortie 30 %	200 W	(Décongélation d'aliments)
LOW (BASSE)	puissance de sortie 17 %	120 W	(Garder au chaud)

Vous trouverez ci-dessous quelques conseils sur le temps de décongélation des aliments :

	Poids	Durée de décongélation
Viande	0,1~1,0 kg	1:30~26:00
Volaille	0,2~1,0 kg	2:30~22:00
Fruits de mer	0,1~0,9 kg	1:30~14:00

FONCTIONNEMENT

1) Branchez le cordon

- Avant de brancher le cordon, assurez-vous que la minuterie est en position « 0 ».
- Ne bloquez pas la ventilation.

2) Placez les aliments sur le plateau tournant en verre et fermez la porte

- Les aliments doivent être contenus dans un ustensile

3) Sélectionnez le niveau de puissance souhaité

4) Réglez la minuterie

Si la durée souhaitée est inférieure à 10 minutes, tournez le bouton d'alimentation en position 10 minutes puis revenez à la durée souhaitée.

5) Une fois que le temps souhaité est défini, la cuisson commence. Si vous avez besoin d'une pause entre les deux, il suffit d'ouvrir la porte à tout moment et de la fermer pour reprendre l'opération.

6) Lorsqu'il s'arrête et que la cuisson se termine, le four à micro-ondes émet une sonnerie, la lampe intérieure s'éteindra également automatiquement.

Si les aliments sont retirés avant l'expiration du délai, assurez-vous de remettre la minuterie sur la position « 0 », ce qui évite que le four à micro-ondes ne fonctionne à vide.

GUIDE DES USTENSILES DE CUISINE

Selon le mode de cuisson, il est nécessaire de choisir un contenant sûr et adapté. S'il n'est pas approprié, il affectera non seulement l'effet de cuisson, mais il risque également d'endommager le plat ou le four à micro-ondes. Veuillez vous reporter au tableau ci-dessous pour l'utilisation :

Matériau du contenant	Micro-ondes	Remarques
Céramique résistante à la chaleur	Oui	N'utilisez jamais la céramique décorée d'un rebord métallique ou émaillé
Plastique résistant à la chaleur	Oui	Ne peut pas être utilisé lors d'une cuisson prolongée aux micro-ondes
Verre résistant à la chaleur	Oui	
Rack de gril	Non	
Film plastique	Oui	Il ne doit pas être utilisé lors de la cuisson de la viande ou des côtelettes car la surtempérature risque d'endommager le film

ASTUCES DE CUISSON

Les facteurs suivants peuvent avoir une incidence sur le résultat de cuisson :

Disposition des aliments

Placez les parties plus épaisses vers l'extérieur du plat, les parties les plus fines vers le centre et répartir uniformément. Ne pas faire chevaucher si possible.

Durée de cuisson

Commencez la cuisson par une courte durée, évaluez-la après le temps écoulé et prolongez-la en fonction du besoin réel. La surcuisson peut provoquer de la fumée et des brûlures.

Cuisson uniforme des aliments

Les aliments tels que le poulet, un hamburger ou un steak doivent être retournés une fois pendant la cuisson.

Selon le type d'aliment, le cas échéant, remuer de l'extérieur vers le centre du plat une ou deux fois pendant la cuisson

Laisser un temps de repos

Après la fin de la cuisson, laissez les aliments dans le four pendant une durée suffisante, pour leur permettre de terminer leur cycle de cuisson et de refroidir de manière progressive

Savoir si les aliments sont prêts

La couleur et la dureté des aliments aident à déterminer s'ils sont prêts, notamment :

- de la vapeur provient de toutes les parties des aliments, pas seulement les bords
- les articulations de la volaille peuvent être bougées facilement
- le porc ou la volaille ne présentent aucune trace de sang
- le poisson est opaque et se tranche facilement à l'aide d'une fourchette

Plat brunisseur

Lorsque vous utilisez un plat brunisseur ou un contenant auto-chauffant, placez toujours un isolant résistant à la chaleur, tel qu'une assiette en porcelaine, afin d'éviter d'endommager le plateau tournant et l'anneau de rotation.

Film plastique résistant aux micro-ondes

Lors de la cuisson d'aliments à teneur élevée en matières grasses, ne laissez pas le film plastique entrer en contact avec les aliments car il peut fondre

Ustensiles de cuisine en plastique résistant aux micro-ondes

Certains ustensiles en plastique allant au four à micro-ondes ne conviennent peut-être pas à la cuisson d'aliments riches en matières grasses et en sucre. En outre, le temps de préchauffage spécifié dans le mode d'emploi du plat ne doit pas être dépassé.

ENTRETIEN

ENTRETIEN

Veuillez vérifier ce qui suit avant d'appeler le service d'assistance.

1. Placez une tasse d'eau (150 ml environ) dans un verre de mesure dans le four et fermez bien la porte. La lampe du four s'éteint si la porte est correctement fermée. Faites fonctionner le four pendant 1 min.

2. La lampe du four s'allume-t-elle ?

3. Le ventilateur de refroidissement fonctionne-t-il ?

(Mettez votre main sur les ouvertures de ventilation à l'arrière.)

4. Le plateau tournant tourne-t-il ?

(Le plateau tournant peut tourner dans le sens horaire ou antihoraire. C'est tout à fait normal.)

5. L'eau à l'intérieur du four est-elle chaude au bout d'une minute ?

Si vous répondez « NON » à l'une des questions ci-dessus, veuillez vérifier votre prise murale et le fusible dans votre compteur d'électricité.

Si la prise murale et le fusible fonctionnent correctement, **VEUILLEZ CONTACTER LE CENTRE D'ASSISTANCE APPROUVÉ LE PLUS PROCHE DE CHEZ VOUS.**

CONSIGNES DE SÉCURITÉ LORS DE L'ENTRETIEN

Attention : RAYONNEMENT À MICRO-ONDES

1. **Avertissement** : il y a un rayonnement à micro-ondes et une haute tension dans le four à micro-ondes. À l'exception des techniciens de maintenance, il est strictement interdit de le démonter par vous-même pour éviter tout dommage au corps humain. N'exposez pas au rayon-

nement des générateurs de micro-ondes ou d'autres composants d'énergie à micro-ondes !

Avertissement : lorsque le four à micro-ondes fonctionne, la température de la surface sera très élevée !

2. Lors de l'entretien, les pièces énumérées ci-dessous peuvent être retirées et donnent accès à des potentiels supérieurs à 250 V à la terre.

- Magnétron
- Transformateur haute tension
- Condensateur haute tension
- Diode haute tension

3. Les conditions suivantes peuvent provoquer une exposition excessive aux micro-ondes pendant l'entretien.

- Mauvais montage du magnétron
- Mauvaise adaptation du dispositif de verrouillage de la porte, de la charnière de porte et de la porte
- Mauvais montage du boîtier d'interrupteurs
- La porte, le joint de porte ou le boîtier ont été endommagés

Mise au rebut correcte de ce produit



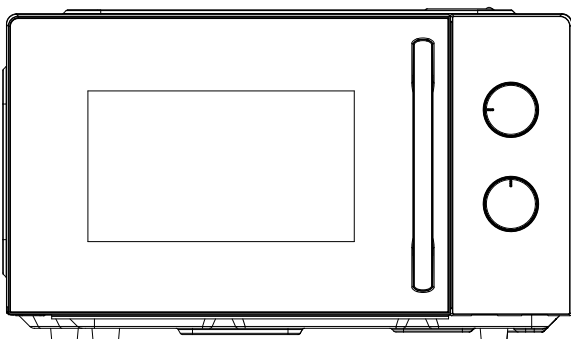
Cet appareil est étiqueté conformément à la Directive Européenne 2012/19/UE relative aux déchets d'équipements électriques et électroniques 2013 concernant les appareils électriques et électroniques (DEEE). Les DEEE contiennent à la fois des substances polluantes (pouvant avoir un effet négatif sur l'environnement) et des éléments de base (pouvant être réutilisés). Il est important que les DEEE fassent l'objet de traitements spécifiques pour enlever et mettre au rebut les polluants et récupérer tous les matériaux. Chaque personne peut jouer un rôle important en s'assurant que les DEEE ne deviennent pas un problème environnemental ; il est essentiel de suivre quelques règles fondamentales :

- les DEEE ne doivent pas être traités comme des déchets ménagers ;
- les DEEE doivent être amenés sur des sites de collecte spéciaux (déchetteries) gérés par la mairie ou une entreprise agréée.

Dans de nombreux pays, les collectes chez les particuliers peuvent être disponibles pour les grands DEEE. Lors de l'achat d'un nouvel appareil, l'ancien peut être retourné au vendeur qui doit l'accepter gratuitement sous forme d'échange, à condition que l'appareil soit d'un type équivalent et qu'il possède les mêmes fonctions que l'appareil acheté.

CANDY

KUCHENKA MIKROFALOWA INSTRUKCJA OBSŁUGI



CMW20SMWLI/4U



PAP

**WAŻNE INSTRUKCJE DOTYCZĄCE BEZPIECZEŃSTWA
NALEŻY UWAŻNIE PRZECZYTAĆ I ZACHOWAĆ
NA PRZYSZŁOŚĆ**

Tylko do użytku domowego

ZAPISZ TE INSTRUKCJE

ISTOTNE ZABEZPIECZENIA

OSTRZEŻENIE: Jeśli drzwi lub uszczelki drzwi są uszkodzone, nie wolno używać piekarnika, dopóki nie zostanie on naprawiony przez przeszkoloną osobę.

OSTRZEŻENIE: Wszelkie naprawy i konserwacje wymagające zdjęcia pokrywy chroniącej przed narażeniem na promieniowanie mikrofalowe powinna przeprowadzać wyłącznie przeszkolona osoba, aby nie stwarzać niebezpieczeństwa. **OSTRZEŻENIE:** Nie wolno podgrzewać płynów ani innych produktów spożywczych w szczelnie zamkniętych pojemnikach, ponieważ mogą eksplodować.

1. Należy używać wyłącznie naczyń, które nadają się do użytku w kuchenkach mikrofalowych
2. Podczas gotowania w kuchenke mikrofalowej nie wolno używać metalowych pojemników na żywność i napoje.
3. Podczas podgrzewania potraw w plastikowych lub papierowych pojemnikach należy pilnować kuchenki ze względu na możliwość zapłonu
4. Kuchenka mikrofalowa przeznaczona jest do podgrzewania potraw i napojów. Suszenie żywności lub odzieży oraz podgrzewanie poduszek rozgrzewających, kapci, gąbek, wilgotnych ściereczek itp. może prowadzić do ryzyka obrażeń, zapłonu lub pożaru.
5. W przypadku zaobserwowania dymu należy wyłączyć urządzenie lub wyjąć wtyczkę z gniazdka i pozostawić zamknięte drzwi, aby stłumić płomień. Podgrzewanie

napojów w kuchence mikrofalowej może spowodować opóźnione wrzenie, dlatego należy zachować ostrożność podczas obchodzenia się z pojemnikiem;

6. Zawartość butelek do karmienia i słoiczków z jedzeniem dla dzieci należy zamieszać lub wstrząsać, a przed spożyciem sprawdzać temperaturę, aby uniknąć poparzeń;
7. Jajek w skorupkach i całych jajek ugotowanych na twardo nie należy podgrzewać w kuchence mikrofalowej, ponieważ mogą eksplodować, nawet po zakończeniu podgrzewania w kuchence mikrofalowej;
8. Nieutrzymywanie kuchenki w czystości może prowadzić do uszkodzenia powierzchni, co może niekorzystnie wpłynąć na żywotność urządzenia i spowodować niebezpieczną sytuację. Kuchenka mikrofalowa jest przeznaczona do użytku jako wolnostojąca, do zabudowy lub w szafce.
9. Urządzenia nie wolno umieszczać w szafce
10. Należy uważać, aby nie przesunąć talerza obrotowego podczas wyjmowania pojemników z urządzenia.
11. Urządzenia nie należy czyścić myjką parową.

Ostrzeżenie: Gdy urządzenie pracuje w trybie łączonym, dzieci powinny używać kuchenki tylko pod nadzorem osoby dorosłej ze względu na wytwarzaną temperaturę.



OSTROŻNIE: GORĄCA POWIERZCHNIA

12. Jeśli kabel zasilający ulegnie uszkodzeniu, dla bezpieczeństwa należy zlecić jego wymianę producentowi, autoryzowanemu serwisowi lub osobom o podobnych kwalifikacjach.
13. Urządzenie może być obsługiwane przez dzieci powyżej 8 roku życia i przez osoby o ograniczonych możliwościach

fizycznych, sensorycznych lub umysłowych albo osoby nieposiadające doświadczenia ani wiedzy pod warunkiem, że są one pod odpowiednim nadzorem lub zostały poinstruowane, jak bezpiecznie obsługiwać urządzenie i rozumieją związane z nim zagrożenia.

14. Dzieci nie powinny bawić się urządzeniem.
15. Czyszczenie i konserwacja nie mogą być wykonywane przez dzieci bez dozoru.
16. Urządzenie grupy 2 klasy B
Sprzęt grupy 2 ISM: grupa 2 obejmuje wszystkie urządzenia ISM, w których energia o częstotliwości radiowej jest celowo generowana i/lub wykorzystywana w postaci promieniowania elektromagnetycznego do obróbki materiału, a także sprzęt EDM i sprzęt do spawania łukowego. Urządzenia klasy B to urządzenia nadające się do stosowania w placówkach domowych oraz w placówkach bezpośrednio podłączonych do niskonapięciowej sieci energetycznej, która zasila budynki wykorzystywane do celów domowych.

MONTAŻ

1. Zdejmij opakowanie z kuchenki mikrofalowej i dokładnie sprawdź kuchenkę mikrofalową pod kątem uszkodzeń. Jak na przykład:

Czy korpus nie wykazuje oznak wgnieceń.

Czy drzwi są płaskie, a przełącznik bez zarysowań.

Czy metalowa siatka izolacyjna na drzwiach jest wygięta lub zdeformowana.

Czy przewód zasilający jest luźny.

W przypadku stwierdzenia któregośkolwiek z powyższych należy natychmiast skontaktować się ze sprzedawcą lub naszym specjalnym działem konserwacji.

2. Kuchenkę mikrofalową należy ustawić płasko w przewiewnym, suchym, niekorozyjnym środowisku, z dala od wysokich temperatur i oparów.

3. Nie kłaść żadnych przedmiotów na wierzchu. Aby zapewnić odpowiednią cyrkulację powietrza, produkt należy umieścić na wysokości 85 cm nad ziemią. Odległość między bokami kuchenki mikrofalowej a ścianą powinna wynosić co najmniej 5 cm, odległość między tyłem kuchenki a ścianą powinna wynosić co najmniej 10 cm, a odległość od górnej szafki ściiennej powinna wynosić co najmniej 20 cm .

4. Kuchenka mikrofalowa powinna znajdować się z dala od telewizora, radia i anteny (zazwyczaj więcej niż 5 m), w przeciwnym razie będzie powodować zakłócenia.

5. Kuchenkę mikrofalową należy umieścić w miejscu, w którym kabel zasilający jest wygodny do podłączenia i gwarantuje się, że uziemienie jest dobre. W przypadku wycieku można uformować przewód uziemiający.

Pętla prądowa zapobiega porażeniu prądem.

6. Pamiętaj, aby używać kuchenki mikrofalowej z zamkniętymi drzwiami.
7. Nie umieszczaj kuchenki mikrofalowej w szafce.
8. Podczas pierwszego użycia kuchenki mikrofalowej, ponieważ pozostałości lub tłuszcz z procesu produkcyjnego znajdują się w komorze pieca lub na rurze grzewczej, podczas podgrzewania może często pojawiać się zapach, a nawet biały dym. Jest to normalne zjawisko. Zwróć uwagę na otwarte drzwi i okna, aby utrzymać dobrą wentylację.

CZYSZCZENIE

CZYSZCZENIE KUCHENKI MIKROFALOWEJ

UWAGA

Kuchenkę należy regularnie czyścić i usuwać wszelkie resztki jedzenia.

OSTRZEŻENIE

1. Przed czyszczeniem wyjmij przewód zasilający z gniazdka ściennego. Podczas czyszczenia nie zanurzaj urządzenia w wodzie ani innych płynach.
2. Nieutrzymywanie kuchenki w czystości może prowadzić do uszkodzenia powierzchni, co może niekorzystnie wpłynąć na żywotność urządzenia i spowodować niebezpieczną sytuację
3. Nigdy nie używaj twardych detergentów, benzyny, proszku ściernego ani metalowej szczotki do czyszczenia jakiegokolwiek części urządzenia
4. Nie zdejmuj osłony falowodu
5. Gdy kuchenka mikrofalowa była używana przez długi czas, w kuchence mogą pojawiać się dziwne zapachy. Aby się ich pozbyć, można zastosować następujące 3 metody:

- a. Umieść kilka plasterków cytryny w filiżance, a następnie podgrzewaj z dużą mocą przez 2-3 minuty.
- b. Umieść filiżankę czerwonej herbaty w kuchence, a następnie podgrzej z dużą mocą.
- c. Włóż trochę skórki pomarańczowej do piekarnika, a następnie podgrzej je z dużą mocą przez 1 minutę.

6. **OSTRZEŻENIE:** Zezwalaj dzieciom na korzystanie z kuchenki bez nadzoru wyłącznie po przekazaniu odpowiednich instrukcji umożliwiających im bezpieczne korzystanie z kuchenki i zrozumienie zagrożeń związanych z niewłaściwym użytkowaniem.

WSKAZÓWKI DOTYCZĄCE CZYSZCZENIA

Szczegóły dotyczące czyszczenia uszczelki drzwi, wnętrza i przyległych części:

Zewnętrzny:

Przetrzyj obudowę zwilżoną miękką ściereczką

Drzwiczki:

Za pomocą zwilżonej miękkiej szmatki wytrzyj do czysta drzwi i okno

Wytrzyj uszczelki drzwi i sąsiednie części, aby usunąć wszelkie rozlania lub rozpryski

Wytrzyj panel sterowania lekko zwilżoną miękką ściereczką

Ścianki wewnętrzne:

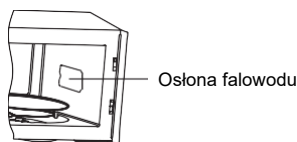
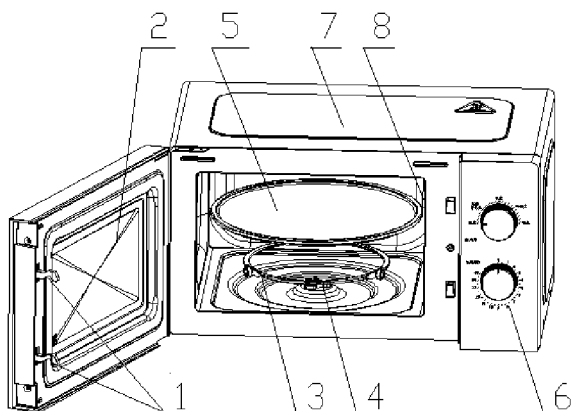
Wytrzyj do czysta wnękę zwilżoną miękką ściereczką

Wytrzyj do czysta osłonę falowodu, aby usunąć rozchlapane jedzenie Talerz obrotowy/ Pierścień obrotowy/ Oś obrotu:

Umyj wodą z łagodnym mydłem

Splucz czystą wodą i pozostaw do całkowitego wyschnięcia

INSTRUKCJA PRODUKTU



Osłona falowodu

1) Blokada drzwi

Aby działała, drzwiczki kuchenki mikrofalowej muszą być prawidłowo zamknięte

2) Okienko

Pozwala użytkownikowi zobaczyć status gotowania

3) Pierścień obrotowy

Szklany talerz obrotowy jest oparty na kółkach, które pomagają utrzymać stabilność podczas obracania

4) Oś obrotowa

Szklany talerz obrotowy znajduje się na osi; silnik pod nim napędza talerz obrotowy, aby się obracał

5) Talerz obrotowy

Jedzenie znajduje się na talerzu obrotowym, jego obracanie podczas pracy pomaga równomiernie gotować jedzenie

UWAGA

- Najpierw umieść obrotowy pierścień
- Zamocuj talerz obrotowy na osi obrotowej i upewnij się, że jest prawidłowo ustawiony

6) Panel sterowania

Zobacz szczegóły poniżej (panel sterowania może ulec zmianie bez wcześniejszego powiadomienia)

7) Zewnętrzna warstwa

Służy do owijania i zabezpieczania wewnętrznych części konstrukcyjnych oraz elementów elektrycznych całej maszyny

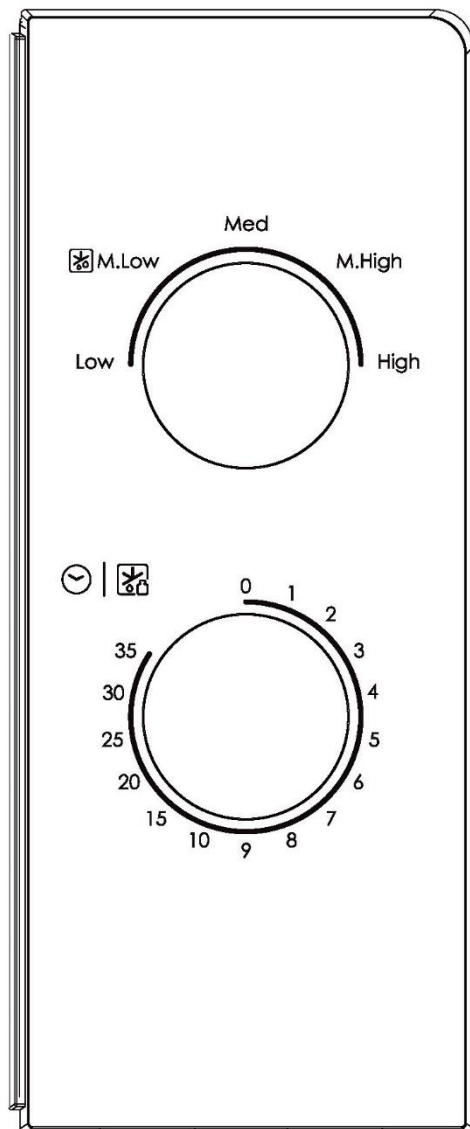
8) Osłona falowodu

Znajduje się wewnątrz kuchenki mikrofalowej, obok ściany panelu kontrolnego.

OSTRZEŻENIE

Nigdy nie zdejmuj osłony falowodu

DZIAŁANIE PANELU STERUJĄCEGO



1. USTAWIANIE ZEGARA

Maksymalne ustawienie to 35 minut, na koniec słycać dzwonek, a pokrętko wraca do pozycji „0”.

2. FUNKCJA MIKROFALOWA

Istnieje pięć poziomów mocy:

WYSOKA	100% mocy wyjściowej	700 W	(Szybkie gotowanie)
M. Wysoka	80% mocy wyjściowej	550 W	(Normalne gotowanie)
Wysoka	55% mocy wyjściowej	390 W	(Powolne gotowanie)
M. Niska	30% mocy wyjściowej	200 W	(Rozmrażanie żywności)
NISKA	17% mocy wyjściowej	120 W	(Podtrzymywanie temperatury)

Poniżej znajduje się kilka wskazówek dotyczących czasu rozmrażania żywności:

	Waga	Czas rozmrażania
Mięso	0,1 ~ 1,0 kg	1:30 ~ 26:00
Drób	0,2 ~ 1,0 kg	2:30 ~ 22:00
Owoce morza	0,1 ~ 0,9 kg	1:30 ~ 14:00

OBSŁUGA

1) Podłącz przewód

- Przed podłączeniem przewodu upewnij się, że minutnik jest ustawiony w pozycji „0”.
- Nie blokuj wentylacji.

2) Umieść jedzenie na szklanym talerzu obrotowym i zamknij drzwiczki

- Jedzenie musi znajdować się w naczyniu

3) Wybierz żądany poziom mocy

4) Ustaw minutnik

Jeśli żądany czas jest krótszy niż 10 minut, obróć pokrętkę siły ognia do pozycji ponad 10 minut, a następnie wróć do żądanego ustawienia czasu.

5) Po ustawieniu żądanego czasu rozpoczyna się gotowanie.

Jeśli potrzebna jest przerwa pomiędzy, po prostu otwórz drzwi w dowolnym momencie i zamknij je, aby wznowić działanie.

6) Po upływie limitu czasu i zakończeniu gotowania kuchenka mikrofalowa wyemituje dzwonek, a wewnętrzna lampka również zostanie automatycznie wyłączona.

Jeśli żywność zostanie wyjęta przed upływem limitu czasu, należy ustawić timer z powrotem na pozycję „0”, co zapobiegnie pracy kuchenki mikrofalowej bez włożonego jedzenia.

WYTYCZNE DOTYCZĄCE PRZYBORÓW KUCHENNYCH

W zależności od metody gotowania należy wybrać bezpieczne i odpowiednie naczynie. Niewłaściwie dobrany nie tylko wpłynie na efekt gotowania, ale również spowoduje uszkodzenie naczynia lub kuchenki mikrofalowej. Należy zapoznać się z poniższą tabelą:

Materiał pojemnika	Kuchenka mikrofalowa	Notatki
Ceramika żaroodporna	Tak	Nigdy nie używaj ceramiki, która jest ozdobiona metalowym obrzeżem lub szkliona
Plastik odporny na ciepło	Tak	Nie można używać do długiego gotowania w kuchenke mikrofalowej
Szkoło żaroodporne	Tak	
Stojak na grilla	Nie	
Folia plastikowa	Tak	Nie należy jej używać do pieczenia mięsa lub kotletów, gdyż nadmierna temperatura może uszkodzić folię

WSKAZÓWKI DOTYCZĄCE GOTOWANIA

Następujące czynniki mogą mieć wpływ na wynik gotowania:

Ułożenie żywności

Umieść grubsze obszary na zewnątrz naczynia, cieńszą część w kierunku środka i równomiernie rozprowadź. W miarę możliwości nie nakładaj żywności na siebie.

Długość czasu gotowania

Rozpocznij gotowanie z ustawieniem krótkiego czasu, oceń go po upływie określonego czasu i wydłuż zgodnie z rzeczywistą potrzebą.

Nadmierne gotowanie może spowodować dym i oparzenia.

Równomierne gotowanie żywności

Potrawy takie jak kurczak, hamburger lub stek należy obrócić raz podczas gotowania.

W zależności od rodzaju potrawy, w trakcie gotowania należy ją ewentualnie raz lub dwa razy przemieszać z zewnątrz do środka naczynia

Pozostawienie czasu na odstanie

Po upływie czasu gotowania pozostaw potrawę w kuchence na odpowiedni czas, co umożliwi jej zakończenie cyklu gotowania i stopniowe schłodzenie

Czy jedzenie jest gotowe

Kolor i twardość pokarmu pomagają określić czy jedzenie jest gotowe, są to m.in:

- Para wydostaje się ze wszystkich części potrawy, nie tylko z krawędzi
- Stawy drobiu można łatwo przesunąć
- Wieprzowina lub drób nie wykazują śladów krwi
- Ryba jest nieprzezroczysta i można ją łatwo pokroić widelcem

Naczynie do zapiekania

W przypadku korzystania z naczynia do przyrumieniania lub pojemnika samonagrzewającego się zawsze umieszczaj pod nim żaroodporny izolator, taki jak porcelanowy talerz, aby zapobiec uszkodzeniu talerza obrotowego i pierścienia obrotowego.

Plastikowa folia bezpieczna w kuchence mikrofalowej

Podczas gotowania żywności o dużej zawartości tłuszczu nie dopuszczaj do kontaktu plastikowego opakowania z żywnością, ponieważ może się stopić

Plastikowe naczynia do gotowania w kuchence mikrofalowej

Niektóre plastikowe naczynia do gotowania w kuchence mikrofalowej mogą nie nadawać się do gotowania potraw o wysokiej zawartości tłuszczu i cukru. Nie wolno również przekraczać czasu nagrzewania podanego w instrukcji obsługi naczyń.

KONSERWACJA

SERWIS

Przed wezwaniem serwisu sprawdź następujące elementy.

1. Nalej jedną filiżankę wody (ok. 150 ml) do szklanej miarki w piekarniku i dokładnie zamknij drzwiczki. Lampka kuchenki powinna zgasnąć, jeśli drzwi są prawidłowo zamknięte. Pozwól kuchence pracować przez 1 minutę.

2. Czy lampka kuchenki świeci?

3. Czy wentylator chłodzący działa?

(Połóż rękę na tylnych otworach wentylacyjnych.)

4. Czy talerz obrotowy się obraca?

(Talerz obrotowy może obracać się zgodnie z ruchem wskazówek zegara lub przeciwnie do ruchu wskazówek zegara.

To całkiem normalne.)

5. Czy woda w piekarniku jest gorąca po 1 minucie?

Jeśli odpowiedź na którekolwiek z powyższych pytań brzmi „NIE”, sprawdź gniazdko ścienne i bezpiecznik w skrzynce licznikowej.

Jeśli zarówno gniazdko ścienne, jak i bezpiecznik działają

prawidłowo, SKONTAKTUJ SIĘ Z NAJBLIŻSZYM

AUTORYZOWANYM CENTRUM SERWISOWYM.

ZABEZPIECZENIA SERWISOWE

Uwaga: PROMIENIOWANIE MIKROFALOWE

1. **Ostrzeżenie:** W kuchence mikrofalowej występuje promieniowanie mikrofalowe i wysokie napięcie. Z wyjątkiem specjalistów w zakresie konserwacji, surowo zabrania się samodzielnego demontażu, aby uniknąć uszkodzeń ciała. Nie narażać na promieniowanie generatorów mikrofalowych lub innych elementów przewodzących energię mikrofalową!

Ostrzeżenie: Podczas pracy kuchenki mikrofalowej temperatura powierzchni będzie bardzo wysoka!

2. Podczas serwisowania wymienione poniżej części mogą zostać usunięte i dają dostęp do potencjałów powyżej 250 V.

- Magnetron
- Transformator wysokiego napięcia
- Kondensator wysokiego napięcia
- Dioda wysokiego napięcia

3. Następujące warunki mogą powodować nadmierne narażenie na działanie mikrofal podczas serwisowania.

- Niewłaściwe dopasowanie magnetronu;
- Niewłaściwe dopasowanie blokady drzwi, zawiasu drzwi i drzwi;
- Niewłaściwe dopasowanie wspornika przełącznika;
- Drzwi, uszczelka drzwi lub obudowa zostały uszkodzone.

Prawidłowa utylizacja produktu



To urządzenie jest oznakowane zgodnie z Dyrektywą Europejską 2012/19/UE w sprawie przepisów dotyczących zużytego sprzętu elektrycznego i elektronicznego z 2013 r. dotyczących urządzeń elektrycznych i elektronicznych (WEEE). Zużyty sprzęt elektryczny i elektroniczny zawiera substancje zanieczyszczające (które mogą wywierać negatywny wpływ na środowisko) oraz elementy podstawowe (które nadają się do ponownego wykorzystania). Ważne jest właściwe przetwarzanie zużytego sprzętu elektrycznego i elektronicznego w celu prawidłowego usunięcia i utylizacji wszystkich substancji zanieczyszczających oraz odzyskania pozostałych materiałów. Każdy może odegrać ważną rolę w zadbaniu o to, by zużyty sprzęt elektryczny i elektroniczny nie zagrażał środowisku.

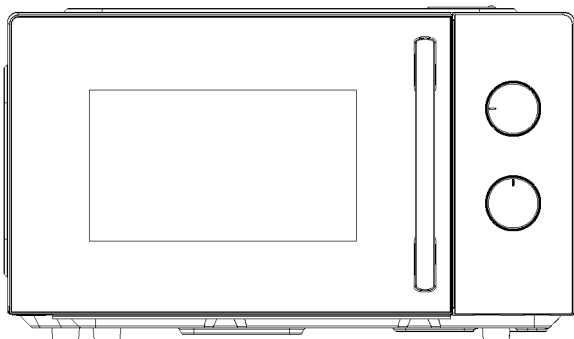
Zasadnicze znaczenie ma przestrzeganie kilku podstawowych zasad:

- Zużytego sprzętu elektrycznego i elektronicznego nie należy traktować jak odpadów z gospodarstwa domowego;
- Zużyty sprzęt elektryczny i elektroniczny powinien być odwożony do wyznaczonych punktów zbiórki odpadów zarządzanych przez radę miasta lub zarejestrowaną firmę.

W wielu krajach organizowane są lokalne zbiórki dużego zużytego sprzętu elektrycznego i elektronicznego. Po zakupie nowego urządzenia, stare można oddać dostawcy, który musi je bezpłatnie przyjąć w ramach wymiany, jeśli to urządzenie jest podobnego typu i ma takie same funkcje jak urządzenie zakupione.

CANDY

МІКРОХВИЛЬОВА ПІЧ ІНСТРУКЦІЯ З ЕКСПЛУАТАЦІЇ



CMW20SMWLI/4U



PAP

**ВАЖЛИВІ ІНСТРУКЦІЇ З ТЕХНІКИ БЕЗПЕКИ
УВАЖНО ПРОЧИТАЙТЕ ТА ЗБЕРІГАЙТЕ
ЦІ ІНСТРУКЦІЇ ДЛЯ ПОДАЛЬШОГО ВИКОРИСТАННЯ**

Лише для побутового використання

ЗБЕРЕЖІТЬ ЦІ ІНСТРУКЦІЇ

ВАЖЛИВІ ЗАПОБІЖНІ ЗАХОДИ

УВАГА! Якщо дверцята або їхні ущільнення пошкоджено, заборонено використовувати піч, доки її не відремонтує підготовлений фахівець.

УВАГА! Для інших осіб, окрім підготовлених фахівців, небезпечно виконувати будь-які операції з обслуговування або ремонту приладу, які передбачають зняття кришки, що захищає від негативного впливу мікрохвильової енергії. **УВАГА!** Не розігрівайте рідкі та інші продукти харчування в герметичних контейнерах, оскільки вони можуть вибухнути.

1. Використовуйте лише посуд, схвалений для використання в мікрохвильових печах.
2. Під час приготування в мікрохвильовій печі заборонено використовувати металеві контейнери для продуктів харчування та напоїв.
3. Під час нагрівання їжі в пластикових або паперових ємностях постійно стежте за піччю з огляду на безпеку займання.
4. Мікрохвильова піч призначена для розігрівання їжі й напоїв. Сушіння продуктів або одягу, а також нагрівання грілок, капців, губок, вологих тканин і подібних предметів може призвести до травмування, займання або пожежі.
5. Якщо з'явився дим, вимкніть прилад або від'єднайте його від мережі. Не відчиняйте дверцята приладу, щоб уникнути надходження повітря до полум'я. Розігрівання напоїв

у мікрохвильовій печі може призвести до затриманого надшвидкого закипання рідини, тому слід обережно використовувати контейнер.

6. Уміст пляшок і банок із продуктами для дитячого харчування слід перемішувати або збовтувати. Крім того, потрібно перевіряти температуру перед годуванням, щоб уникнути опіків.
7. Заборонено розігрівати в мікрохвильових печах яйця в шкаралупі й цілі, круто зварені яйця, оскільки вони можуть вибухнути навіть після завершення мікрохвильового нагрівання.
8. Недотримання чистоти печі може призвести до погіршення стану її поверхні, скорочення терміну служби приладу й виникнення небезпечної ситуації. Перед експлуатацією мікрохвильову піч можна встановити окремо або вбудувати всередину кухонних меблів.
9. Заборонено розташовувати прилад у шафі.
10. Під час виймання контейнерів із приладу слід бути обережними, щоб не змістити поворотну тацю.
11. Заборонено очищувати прилад за допомогою пароочисника.

Увага! Якщо піч функціонує в комбінованому режимі, дітям дозволено користуватися нею лише під наглядом дорослих через ризики, пов'язані з високою температурою.



ОБЕРЕЖНО! ГАРЯЧА ПОВЕРХНЯ

12. Якщо кабель живлення пошкоджено, для уникнення небезпеки його має замінити виробник, його сервісний представник або особа з аналогічною кваліфікацією.
13. Цей прилад може використовуватися дітьми віком 8 років і старшими, а також особами з обмеженими фізичними, сенсорними й розумовими можливостями, недостатнім досвідом і знаннями за умови, що вони перебувають під належним наглядом або проінструктовані щодо порядку безпечного користування приладом та усвідомлюють пов'язані з цим небезпеки.
14. Не дозволяйте дітям гратися з приладом.
15. Дітям заборонено проводити очищення й користувацьке обслуговування приладу без нагляду.
16. Це прилад класу В групи 2.

Промислове, наукове й медичне обладнання (категорії ISM) групи 2: до групи 2 належить усе обладнання категорії ISM, у якому радіочастотна енергія спеціально генерується та/або використовується як електромагнітне випромінювання для обробки матеріалу, а також обладнання для електроерозійної обробки (категорії EDM) і дугового зварювання.

До класу В належить обладнання, придатне для використання в побутових приміщеннях і на об'єктах, під'єднаних безпосередньо до мережі електропостачання низької напруги, яка живить будівлі, призначені для побутових потреб.

УСТАНОВЛЕННЯ

1. Вийміть пакувальний матеріал із мікрохвильової печі й ретельно перевірте її на наявність пошкоджень. Зокрема:
чи є на корпусі печі ознаки ударів або сильного тиску;
чи плоскі дверцята печі, чи гладкий і гнучкий перемикач;
чи зігнута або деформована металева ізоляційна сітка на дверцятах печі;
чи ослаблений кабель живлення.

У разі виявлення будь-якої із зазначених вище проблем, негайно зверніться до дилера або нашого спеціалізованого відділу технічного обслуговування.

2. Мікрохвильову піч потрібно розташувати на рівній поверхні у вентиляваному й сухому приміщенні без корозійного середовища, а також подалі від зон із високими температурами й випаровуваннями.

3. Не кладіть на піч жодних предметів. Щоб мати достатній простір для циркуляції повітря, виріб слід розташувати на висоті 85 см над підлогою. Відстань між боковими частинами мікрохвильової печі та стіною має становити щонайменше 5 см. Відстань між задньою частиною печі та стіною має становити принаймні 10 см. Відстань від верхньої настіної шафи має бути щонайменше 20 см.

4. Мікрохвильова піч має бути розташована подалі від телевізора, радіопристрою та антени (зазвичай на відстані більше 5 м), інакше її функціонування спричинить виникнення завад.

5. Мікрохвильову піч слід установити в такому місці, де зручно під'єднати кабель живлення та гарантується належне

заземлення. У разі витоку току може бути сформований заземлювальний провідник.

Струмовий контур запобігає ураженню електричним струмом.

6. Під час експлуатації мікрохвильової печі її дверцята мають бути обов'язково зачинені.

7. Не розташовуйте мікрохвильову піч у шафі.

8. Під час першого робочого нагрівання мікрохвильової печі часто може з'являтися сторонній запах або навіть білий дим, оскільки в камері печі або на нагрівальній трубці можуть бути залишки матеріалів або змащувальних речовин, що накопилися в процесі виробництва. Це доволі розповсюджене й нормальне явище. Надалі це не відбуватиметься. Щоб провітрити приміщення, відчиніть двері й вікна.

ОЧИЩЕННЯ

ДОГЛЯД ЗА МІКРОХВИЛЬОВОЮ ПІЧЧЮ

 **ОБЕРЕЖНО!**

Піч слід регулярно очищати, зокрема від усіх залишків харчових продуктів.

 **ПОПЕРЕДЖЕННЯ!**

1. Перед очищенням від'єднайте кабель живлення від настінної розетки. Під час очищення не занурюйте прилад у воду або інші рідини.

2. Недотримання чистоти печі може призвести до погіршення стану її поверхні, скорочення терміну служби приладу й виникнення небезпечної ситуації.

3. У жодному разі не використовуйте мийний засіб інтенсивної дії, бензин, абразивний порошок або металеву щітку для очищення будь-якої частини приладу.

4. Не знімайте кришку хвилеводу.

5. Після тривалого використання в мікрохвильовій печі можуть з'явитися сторонні запахи. Є 3 способи позбутися їх:

а. розташуйте в печі чашку з кількома дольками лимона й увімкніть режим нагрівання з високою мікрохвильовою потужністю на 2—3 хвилини;

б. поставте чашку червоного чаю в піч і скористайтеся режимом нагрівання з високою мікрохвильовою потужністю;

с. покладіть до печі трохи апельсинової цедри й увімкніть режим нагрівання з високою мікрохвильовою потужністю на 1 хвилину.

6. **УВАГА!** Дітям дозволено використовувати піч без нагляду дорослих, лише якщо вони отримали відповідні інструкції з безпечної експлуатації приладу й розуміють небезпеку, пов'язану з неправильними діями.

ПОРАДИ ЩОДО ОЧИЩЕННЯ

Докладні інструкції з очищення ущільнень дверцят, камери й суміжних частин.

Зовнішні поверхні:

протріть корпус вологою м'якою тканиною.

Дверцята:

витріть начисто дверцята й віконце вологою м'якою тканиною;

протріть ущільнювачі дверцят і прилеглі частини, щоб видалити розлиті або розбризкані залишки;

витріть панель керування злегка зволоженою м'якою тканиною.

Внутрішні стінки:

витріть начисто камеру вологою м'якою тканиною;

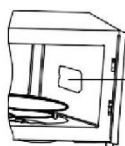
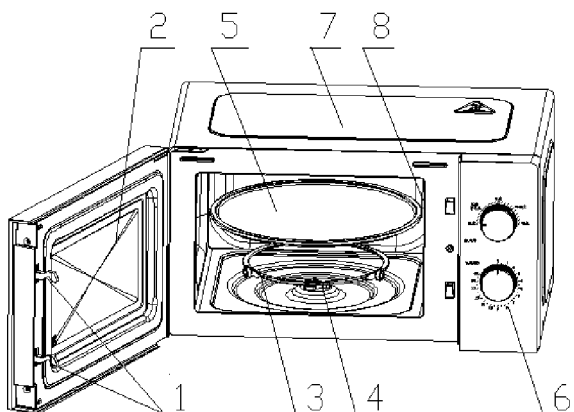
витріть начисто кришку хвилеводу, щоб видалити всі розбризані залишки їжі.

Поворотна таця / обертальне кільце / вісь обертання:

вимийте м'яким мильним розчином;

промийте чистою водою та залиште для повного висихання.

ІНСТРУКЦІЯ З ЕКСПЛУАТАЦІЇ ВИРОБУ



Кришка хвилеводу

1) Замок дверцят.

Для можливості експлуатації мікрохвильової печі її дверцята мають бути правильно зачинені.

2) Оглядове віконце.

Дає змогу користувачу перевіряти стан приготування.

3) Обертальне кільце.

Скляну поворотну тацю встановлюють на підставку з коліщатами для збалансованого обертання.

4) Вісь обертання.

Скляна поворотна таця, розташована на осі, обертається за допомогою нижнього електродвигуна.

5) Поворотна таця.

Обертання поворотної таці з продуктами під час експлуатації приладу забезпечує рівномірне приготування їжі.

ОБЕРЕЖНО!

- Спочатку встановіть обертальне кільце.
- Розташуйте поворотну тацю на осі обертання та переконайтеся, що вона належним чином зафіксована за допомогою пазів.

6) Панель керування.

Докладніше див. нижче (виробник може змінювати панелі керування приладів без попереднього повідомлення).

7) Зовнішня кришка.

Використовується як захисне покриття для внутрішніх деталей конструкції та електричних компонентів усього приладу.

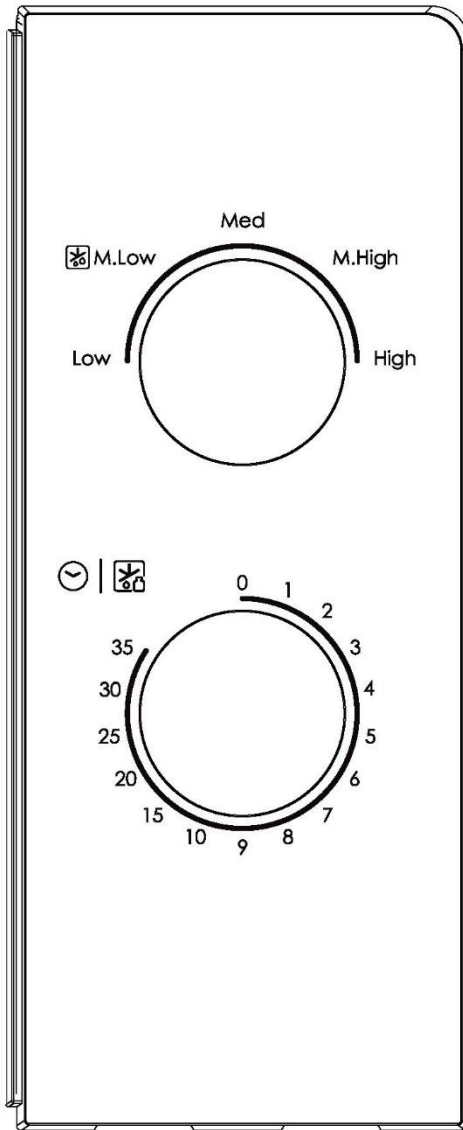
8) Кришка хвилеводу

Вона розташована всередині мікрохвильової печі поруч зі стінкою панелі керування.

ПОПЕРЕДЖЕННЯ!

У жодному разі не знімайте кришку хвилеводу

ЕКСПЛУАТАЦІЯ ПАНЕЛІ КЕРУВАННЯ



1. ВИСТАВЛЕННЯ ЧАСУ

Максимально допустиме значення — 35 хвилин. Наприкінці лунає звуковий сигнал, а ручка повертається в положення 0.

2. ФУНКЦІЇ МІКРОХВИЛЬОВОЇ ПЕЧІ

Є п'ять режимів із різною потужністю.

HIGH (Висока потужність)	Вихідна потужність становить 100 %	700 Вт	Швидке приготування
M. High (середньо- висока)	Вихідна потужність становить 80 %	550 Вт	Звичайне приготування
Med (Середня потужність)	Вихідна потужність становить 55 %	390 Вт	(Повільне приготування)
M.Low (Нижче середньої)	Вихідна потужність становить 30 %	200 Вт	Розморожування продуктів
LOW (Низька потужність)	Вихідна потужність становить 17 %	120 Вт	(Підтримання в нагрітому стані)

Нижче наведено кілька порад щодо тривалості розморожування продуктів.

	Маса	Час розморожування
М'ясо	0,1 ~ 1,0 кг	1:30 ~ 26:00
Птиця	0,2 ~ 1,0 кг	2:30 ~ 22:00
Морепродукти	0,1 ~ 0,9 кг	1:30 ~ 14:00

ЕКСПЛУАТАЦІЯ

1) Під'єднайте кабель живлення.

- Перед під'єднанням кабелю живлення переконайтеся, що таймер установлено в положення 0.
- Не перекривайте вентиляційні отвори.

2) Розташуйте продукти на скляній поворотній таці й зачиніть дверцята.

- Їжа має бути в посудині.

3) Виберіть потрібний рівень потужності.

4) Установіть таймер.

Якщо потрібний час становить менше 10 хвилин, поверніть ручку регулювання потужності в положення, що перевищує 10 хвилин, після чого поверніть її назад для встановлення потрібного налаштування часу.

5) Після встановлення потрібного часу розпочнеться процес приготування. Щоб призупинити процес приготування, просто відчиніть дверцята в будь-який потрібний момент, після чого зачиніть їх для продовження функціонування приладу.

6) Коли мине час приготування, пролунає звуковий сигнал мікрохвильової печі, а її внутрішня лампа автоматично вимкнеться.

Якщо ви вийняли їжу до завершення встановленого часу, обов'язково встановіть таймер у положення 0, щоб уникнути роботи порожньої мікрохвильової печі.

РЕКОМЕНДАЦІЇ ЩОДО ПОСУДУ

Залежно від способу приготування їжі потрібно підібрати безпечний і придатний посуд. Якщо посуд підібрано неправильно, це не лише знизить ефективність приготування їжі, але й спричинить пошкодження застосованих ємностей або мікрохвильової печі. Рекомендації щодо використання див. у таблиці нижче.

Матеріал контейнера	Мікрохвильова піч	Примітки
Термостійка кераміка	Так	У жодному разі не використовуйте керамічний посуд із декоративним металевим обідком або шаром глазури.
Термостійкий пластик	Так	Заборонене тривале використання для приготування їжі в мікрохвильовій печі
Термостійке скло	Так	
Решітка для гриля	Ні	
Поліетиленова плівка	Так	Заборонено використовувати для приготування м'яса або відбивних, оскільки надмірна температура може спричинити пошкодження плівки

ПОРАДИ З ПРИГОТУВАННЯ ЇЖІ

На результат приготування можуть впливати зазначені нижче чинники.

Розташування продуктів

Розташуйте товстіші частини ближче до країв посудини, а тонші — ближче до її центру. Рівномірно розподіляйте всі частини. Намагайтеся не перекривати продукти один одним.

Тривалість приготування

Почніть готувати, установивши короткий період часу. Після його завершення оцініть стан страви. Установіть додатковий час приготування з огляду на фактичну потребу. Занадто тривале приготування може призвести до пригорання страви й появи диму.

Рівномірне приготування їжі

Деякі страви, зокрема курку, гамбургер або стейк, слід перевернути один раз під час приготування.

Якщо це припустимо, перемішайте страву від країв до центру посудини один раз або двічі в процесі приготування.

Страва має настоятися

Після завершення встановленого періоду приготування залиште їжу в печі на деякий час, достатній для доведення страви до готовності та її поступового охолодження.

Ступінь готовності страви

Щоб визначити, чи готова страва, слід звертати увагу на її колір і щільність, зокрема:

- пара має здійматися над усіма частинами страви, а не тільки над її краями;
- страву з птиці має легко відокремлюватися в місцях із суглобами;
- у стравах зі свинини або птиці не має бути сирої крові;
- риба має бути непрозорою та доведеною до такого стану, щоб її можна було легко розділити на частини виделкою.

Посуд для підрум'янювання

У разі використання посуду для підрум'янювання або самонагрівального контейнера обов'язково кладіть під нього термостійкий ізоляційний предмет, зокрема порцелянову

тарілку, щоб уникнути пошкодження поворотної таці й обертального кільця.

Поліетиленова плівка для мікрохвильової печі

Під час приготування страв із високим умістом жиру не допускайте контакту поліетиленової плівки з ними, оскільки вона може розплавитися.

Пластиковий посуд для мікрохвильової печі

Деякий пластиковий посуд, призначений для мікрохвильової печі, може виявитися непридатним для приготування їжі з високим умістом жиру й цукру. Крім того, важливо не перевищувати тривалість попереднього нагрівання, зазначену в інструкції з використання посуду.

ТЕХНІЧНЕ ОБСЛУГОВУВАННЯ

СЕРВІСНЕ ОБСЛУГОВУВАННЯ

Перш ніж звертатися до сервісного центру, виконайте зазначені нижче перевірки.

1. Поставте в піч скляну ємність із приблизно 150 мл води, після чого щільно зачиніть дверцята. Якщо дверцята зачинено правильно, лампочка печі має згаснути. Запустіть робочий режим печі на 1 хвилину.

2. Чи світиться лампочка печі?

3. Чи працює охолоджувальний вентилятор?
(Наблизьте руку до задніх вентиляційних отворів.)

4. Чи обертається поворотна таця?
(Поворотна таця може обертатися за годинниковою стрілкою або проти неї. Це цілком нормально.)

5. Чи нагрілася вода в ємності, що розташована в печі, через 1 хвилину?

Якщо ви відповіли «ні» на будь-яке з наведених вище запитань, перевірте настінну розетку й запобіжник у розподільному щиті.

Якщо настінна розетка й запобіжник справні, **ЗВЕРНІТЬСЯ ДО НАЙБЛИЖЧОГО АВТОРИЗОВАНОГО СЕРВІСНОГО ЦЕНТРУ.**

ЗАПОБІЖНІ ЗАХОДИ, ПОВ'ЯЗАНІ ІЗ СЕРВІСНИМ ОБСЛУГОВУВАННЯМ

Обережно! МІКРОХВИЛЬОВЕ ВИПРОМІНЮВАННЯ

1. **Увага!** Під час роботи в мікрохвильовій печі наявне мікрохвильове випромінювання та виникає висока напруга. Категорично забороняється розбирати її самостійно. Інакше є ризик шкідливої дії на організм. Усі роботи мають виконувати технічні фахівці з обслуговування. Уникайте негативного впливу випромінювання від мікрохвильових генераторів або інших струмопровідних компонентів, пов'язаних із використанням мікрохвильової енергії.

Увага! Під час роботи температура поверхні мікрохвильової печі є дуже високою.

2. Перед сервісним обслуговуванням перелічені нижче деталі потрібно зняти з огляду на доступ до потенціалів понад 250 В на землю:

- магнетрон;
- високовольтний трансформатор;
- високовольтний конденсатор;
- високовольтний діод.

3. Зазначені нижче умови можуть спричинити надмірний негативний вплив мікрохвиль у процесі сервісного обслуговування:

- неправильне встановлення магнетрона;
- неправильне прилаштування блокувальників і петель дверцят;
- неправильне встановлення підпірки перемикача;
- пошкодження дверцят, їхніх ущільнень або корпусу.

Правильна утилізація цього виробу



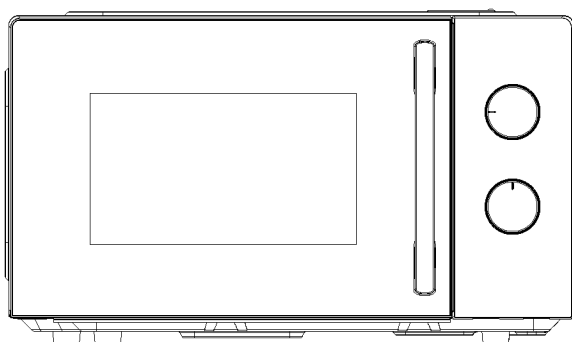
Цей прилад марковано відповідно до Директиви ЄС 2012/19/EU у рамках Регламенту відходів електричного та електронного обладнання 2013 року щодо електричного та електронного обладнання (WEEE). Відходи електричного та електронного обладнання містять як забруднюючі речовини (що можуть мати негативний вплив на довкілля), так і базові елементи (що можуть бути повторно використані). Важливо, щоб відходи електричного й електронного обладнання зазнали спеціальної обробки для правильного видалення та утилізації забруднювальних речовин, а також для відновлення всіх матеріалів. Окремі люди можуть грати важливу роль у забезпеченні того, щоб відходи електричного та електронного обладнання не стали проблемою для довкілля; необхідно дотримуватися кількох базових правил:

- Із відходами електричного та електронного обладнання не можна поводитися як із побутовим сміттям.
- Відходи електричного та електронного обладнання слід відносити до спеціальних зон збору, що перебувають в управлінні міської ради або зареєстрованої компанії.

У багатьох країнах місцеві програми збирання можуть бути доступні для великого електричного та електронного обладнання. Купуючи новий прилад, можна повернути старий продавцеві, що зобов'язаний безкоштовно прийняти його за принципом «один за один», якщо це обладнання аналогічного типу і має ті ж функції, що й прилад, який постачає продавець.

CANDY

MIKROVALNA PEČNICA PRIRUČNIK S UPUTAMA



CMW20SMWLI/4U



**VAŽNE SIGURNOSNE UPUTE PAŽLJIVO PROČITAJTE
I ČUVAJTE ZA BUDUĆU UPORABU**

Samo za uporabu u kućanstvu

SAČUVAJTE OVE UPUTE

VAŽNE SIGURNOSNE NAPOMENE

UPOZORENJE: Ako su vrata ili brtve vrata oštećene, pećnica se ne smije upotrebljavati dok je ne popravi ovlaštena osoba.

UPOZORENJE: Opasno je za bilo koga, osim za osposobljenu osobu, da izvrši bilo koji servis ili popravak koji uključuje uklanjanje pokrova koji pruža zaštitu od izlaganja mikrovalnoj energiji.

UPOZORENJE: Tekućine i druga hrana ne smiju se zagrijavati u zatvorenim posudama jer mogu eksplodirati.

1. Upotrebljavajte samo pribor koji je prikladan za upotrebu u mikrovalnim pećnicama
2. Metalne posude za hranu i pića nisu dopuštene tijekom mikrovalnog kuhanja.
3. Prilikom zagrijavanja hrane u plastičnim ili papirnatim posudama pazite na pećnicu zbog mogućnosti paljenja
4. Mikrovalna pećnica namijenjena je zagrijavanju hrane i pića. Sušenje hrane ili odjeće i zagrijavanje jastučića za grijanje, papuča, spužvi, vlažne krpe i slično može povećati rizik od ozljeda, paljenja ili požara.
5. Ako primijetite dim, isključite ili odspojite uređaj i držite vrata zatvorena kako biste ugušili eventualni plamen. Mikrovalno zagrijavanje pića može dovesti do odgođenog eruptivnog ključanja, stoga morate paziti pri rukovanju spremnikom;

6. Sadržaj bočica za hranjenje i posuda za hranu za bebe mora se promiješati ili protresti i provjeriti temperatura prije konzumacije kako bi se izbjegle opekline;
7. Jaja u ljusci i cijela tvrdo kuhana jaja ne smiju se zagrijavati u mikrovalnim pećnicama jer mogu eksplodirati, čak i nakon završetka mikrovalnog zagrijavanja;
8. Neodržavanje pećnice čistom može dovesti do propadanja površine što može negativno utjecati na vijek trajanja uređaja i možda dovesti do opasnog stanja. Mikrovalna pećnica namijenjena je za uporabu u samostojećoj ili ugradbenoj pećnici ili u ormariću.
9. Uređaj se ne smije stavljati u ormarić
10. Pri vađenju posuda iz uređaja potrebno je paziti da se rotirajući pladanj ne pomakne.
11. Uređaj se ne smije čistiti parnim čistačem.

Upozorenje: Kada uređaj radi u kombiniranom načinu rada, djeca trebaju upotrebljavati pećnicu samo pod nadzorom odrasle osobe zbog generiranih temperatura.



OPREZ: VRUĆA POVRŠINA

12. Ako je kabel za napajanje oštećen, mora ga zamijeniti proizvođač, njegov serviser ili osobe sličnih kvalifikacija da bi se izbjegla opasnost.
13. Ovaj uređaj smiju upotrebljavati djeca starija od 8 godina i osobe sa smanjenim fizičkim, osjetilnim ili mentalnim sposobnostima ili nedostatkom iskustva i znanja ako su pod nadzorom ili su

dobili upute u vezi sa sigurnom upotrebom uređaja te ako shvaćaju povezane opasnosti.

14. Djeca se ne smiju igrati uređajem.
15. Djeca ne smiju čistiti niti održavati uređaj bez nadzora.
16. Skupina 2 Uređaj klase B

Skupina 2 ISM oprema: skupina 2 sadrži svu ISM opremu u kojoj se namjerno stvara i/ili koristi radiofrekvencijska energija u obliku elektromagnetskog zračenja za obradu materijala te opremu za EDM i elektrolučno zavarivanje.

Oprema klase B je oprema pogodna za upotrebu u domaćim objektima i objektima koji su izravno priključeni na niskonaponsku mrežu za napajanje koja opskrbljuje zgrade koje se koriste u kućne svrhe.

UGRADNJA

1. Izvadite pakiranje iz mikrovalne pećnice i pažljivo provjerite da nema oštećenja u mikrovalnoj pećnici. Kao što su:

Je li tijelo peći šokirano i pokazuje li znakove teškog pritiska.

Jesu li vrata peći ravna, a prekidač gladak i fleksibilan.

Je li metalna izolacijska mreža na vratima peći savijena ili deformirana.

Je li kabel napajanja labav.

Ako pronađete bilo što od gore navedenog, odmah se obratite svom prodavaču ili našem posebnom odjelu za održavanje.

2. Mikrovalna pećnica mora biti postavljena ravno u prozračenom, suhom i nekorozivnom okruženju, daleko od visokih temperatura i para.

3. Ne stavljajte nikakve predmete na gornju površinu štednjaka. Kako bi se osigurao dovoljan prostor za cirkulaciju zraka, proizvod treba biti postavljen 85 cm iznad tla. Udaljenost između bočnih strana mikrovalne pećnice i zida ne smije biti manja od 5 cm, udaljenost između stražnje strane peći i zida ne smije biti manja od 10 cm, a udaljenost od gornjeg zidnog ormarića ne smije biti manja od 20 cm.

4. Mikrovalna pećnica treba biti udaljena od TV-a, radija i antene (obično više od 5 m), inače će uzrokovati smetnje.

5. Mikrovalnu pećnicu treba postaviti na mjesto gdje je kabel za napajanje prikladan za priključivanje, a uzemljenje je zajamčeno dobro. U slučaju dozemnog spoja, može se oblikovati vodič za uzemljenje.

Strujnom petljom izbjegava se električni udar.

6. Obvezno upotrebljavajte mikrovalnu pećnicu sa zatvorenim vratima.
7. Ne stavljajte mikrovalnu pećnicu u ormarić.
8. Prilikom prve uporabe mikrovalne pećnice, budući da ostatak ili mast u proizvodnom procesu postoji u pećnici ili na cijevi za grijanje, tijekom zagrijavanja često može doći do mirisa, pa čak i bijelog dima. To je normalna pojava u prvih nekoliko korištenja. Nakon toga, to se neće dogoditi, obratite pozornost na otvaranje vrata i prozora kako biste održali dobru ventilaciju.

ČIŠĆENJE

ODRŽAVANJE MIKROVALNE PEĆNICE



OPREZ

Pećnicu treba redovito čistiti i uklanjati naslage hrane.



UPOZORENJE

1. Prije čišćenja iskopčajte kabel napajanja iz zidne utičnice. Nemojte uranjati uređaj u vodu ili druge tekućine za vrijeme čišćenja.
2. Neodržavanje pećnice čistom može dovesti do propadanja površine što može negativno utjecati na vijek trajanja uređaja i možda dovesti do opasnog stanja
3. Ne koristite tvrdi deterdžent, benzin, abrazivni prah ili metalnu četku za čišćenje bilo kojeg dijela uređaja
4. Ne uklanjajte poklopac valovoda

5. Kada se mikrovalna pećnica koristi dulje vrijeme, u pećnici mogu postojati neki čudni mirisi. Slijedeći 3 metode možete ih se riješiti:

a. Stavite nekoliko kriški limuna u šalicu, a zatim zagrijavajte s velikom snagom mikrovalova 2-3 minute.

b. Stavite šalicu crvenog čaja u pećnicu, a zatim zagrijte velikom snagom mikrovalova.

c. Stavite malo kore naranče u pećnicu, a zatim ih zagrijte velikom snagom mikrovalova 1 minutu.

6. UPOZORENJE: Djeci dopustite uporabu pećnice bez nadzora samo kada uz odgovarajuće upute kako bi dijete moglo koristiti pećnicu na siguran način i razumjeti opasnosti uslijed nepravilne uporabe.

SAVJETI ZA ČIŠĆENJE

Detalji za čišćenje brtvi vrata, šupljine i susjednih dijelova:

Vanjska površina:

Obrišite kućište vlažnom mekom krpom

Vrata:

Vlažnom mekom krpom prebrišite vrata i prozor

Obrišite brtve vrata i susjedne dijelove kako biste uklonili izlivanje ili prskanje

Obrišite upravljačku ploču blago navlaženom mekom krpom

Unutarnji zidovi:

Obrišite šupljinu vlažnom mekom krpom

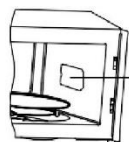
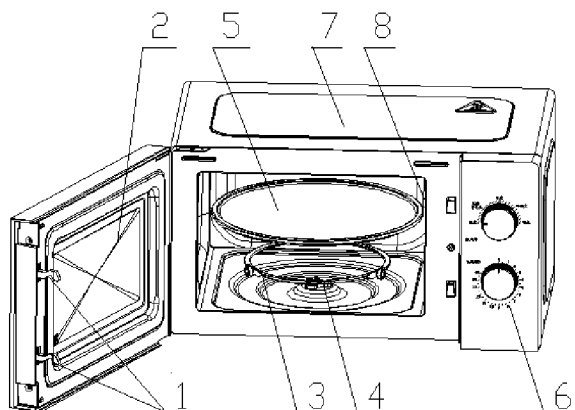
Obrišite pokrov valovoda kako biste uklonili svu prskanu hranu

Rotirajući pladanj/ rotacijski prsten/os vrtnje:

Operite blagim sapunom

Isperite čistom vodom i pustite da se dobro osuši

UPUTE ZA PROIZVOD



Pokrov za valovod

1) Brava na vratima

Vrata mikrovalne pećnice moraju biti pravilno zatvorena kako bi pećnica mogla raditi

2) Prozor za pregled

Omogućuje korisniku da prati stanje kuhanja

3) Rotirajući prsten

Stakleni okretni pladanj nalazi se na kotačićima; on nosi okretni pladanj i pomaže mu u balansiranju prilikom vrtnje

4) Rotirajuća os

Stakleni rotirajući pladanj nalazi se na osi; motor ispod njega pokreće vrtnju rotirajućeg pladnja

5) Rotirajući pladanj

Hrana se nalazi na rotirajućem pladnju, a njegova vrtnja tijekom rada pomaže u ravnomjernom kuhanju hrane



OPREZ

- Prvo postavite rotirajući prsten
- Postavite rotirajući pladanj na rotirajuću os i provjerite je li pravilno usmjeren

6) Upravljačka ploča

Detalje potražite u nastavku (upravljačka ploča podložna je promjenama bez prethodne najave)

7) Vanjski poklopac

Koristi se za zaštitu unutarnjih konstrukcijskih dijelova i električnih komponenti cijelog uređaja

8) Pokrov za valovod

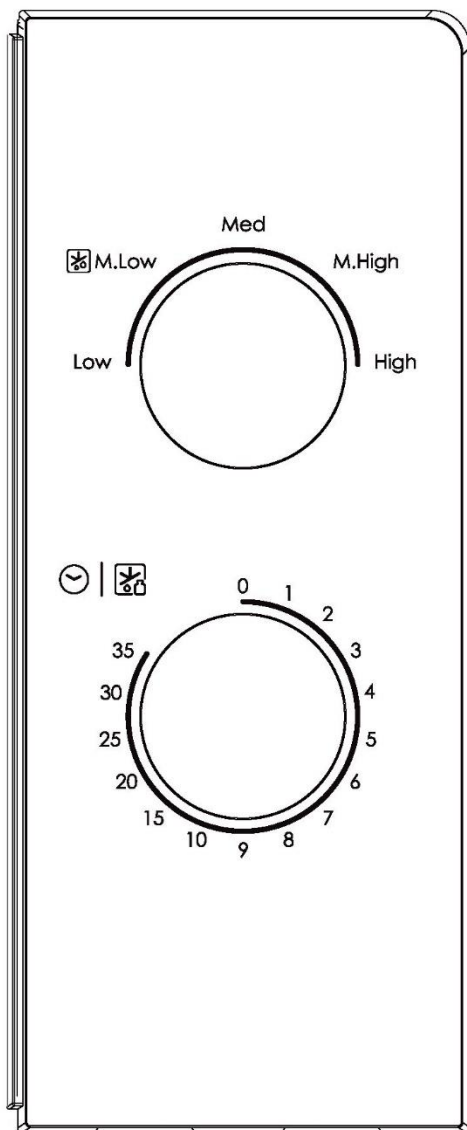
Nalazi se unutar mikrovalne pećnice, pored zida upravljačke ploče.



UPOZORENJE

Ne uklanjajte poklopac valovoda

RAD UPRAVLJAČKE PLOČE



1. POSTAVKA SATA

Maksimalna postavka je 35 minuta, na kraju se čuje melodija zvona, a regulator se vraća u položaj "0".

2. MIKROVALNA FUNKCIJA

Postoji pet razina vatrene moći:

VISOKA	100 % izlazne snage	700 W	(Brzo pečenje)
S. Visoka	80 % izlazne snage	550 W	(Normalno kuhanje)
Srednja	55 % izlazne snage	390 W	(Sporo kuhanje)
S. Niska	30 % izlazne snage	200 W	(Odmrzavanje hrane)
NISKA	17 % izlazne snage	120 W	(Podgrijavanje)

U nastavku je nekoliko savjeta o vremenu odmrzavanja hrane:

	Težina	Vrijeme odmrzavanja
Meso	0,1 ~ 1,0 kg	1:30 ~ 26:00
Perad	0,2 ~ 1,0 kg	2:30 ~ 22:00
Plodovi mora	0,1 ~ 0,9 kg	1:30 ~ 14:00

UKLOP

1) Spojite kabel

- Prije spajanja kabela provjerite je li vremenski programator postavljen na položaj "0".
- Nemojte blokirati ventilaciju.

2) Stavite hranu na stakleni rotirajući pladanj i zatvorite vrata

- Hrana mora biti u posudi

3) Odaberite željenu razinu snage

4) Podesite vremenski programator

Ako je željeno vrijeme kraće od 10 minuta, okrenite regulator vatrene moći u položaj dulji od 10 minuta, a zatim se vratite na željenu postavku vremena.

5) Nakon podešavanja željenog vremena započinje kuhanje. Ako je potrebna pauza između, samo otvorite vrata u bilo kojem trenutku i zatvorite ih za nastavak rada.

6) Kad istekne vrijeme i kuhanje završi, mikrovalna pećnica oglašava se zvonom, a unutarnja žaruljica također će se automatski isključiti.

Ako se hrana ukloni prije isteka vremena, obvezno vratite vremenski programator u položaj "0", čime se sprječava rad mikrovalne pećnice bez opterećenja.

VODIČ ZA PRIBOR

Ovisno o načinu kuhanja, potrebno je odabrati sigurnu i prikladnu posudu. Ako se ne odabere pravilno, to neće utjecati samo na učinak kuhanja, već će uzrokovati i oštećenje posude ili mikrovalne pećnice. Više o uporabi potražite u tablici u nastavku:

Materijal spremnika	Mikrovalovi	Napomene
Keramika otporna na toplinu	Da	Ne koristite keramiku koja je ukrašena metalnim rubom ili ostakljena
Plastika otporna na toplinu	Da	Ne može se koristiti za duže vrijeme kuhanja u mikrovalnoj pećnici
Staklo otporno na toplinu	Da	
Rešetka za roštilj	Ne	
Plastična folija	Da	Ne smije se koristiti prilikom pečenja mesa ili odrezaka jer previsoka temperatura može oštetiti foliju

SAVJETI ZA PRIPREMANJE HRANE

Sljedeći čimbenici mogu utjecati na rezultat kuhanja:

Raspored hrane

Postavite deblja područja prema vanjskoj strani posude, tanji dio prema sredini i ravnomjerno ga rasporedite. Nemojte ih preklapati ako je moguće.

Trajanje kuhanja

Počnite kuhati s kratkim podešavanjem vremena, procijenite ga nakon isteka vremena i produžite ga prema stvarnim potrebama. Prekomjerno kuhanje može dovesti do dima i opeklina.

Ravnomjerno pečenje hrane

Hrana kao što su piletina, hamburger ili odrezak treba se okrenuti jednom tijekom kuhanja.

Ovisno o vrsti hrane, ako je primjenjivo, promiješajte je od vanjske strane do središta jela jednom ili dvaput za vrijeme kuhanja

Osigurajte vrijeme stajanja

Nakon isteka vremena kuhanja, ostavite hranu u pećnici odgovarajuće vrijeme, što joj omogućuje da dovrši ciklus kuhanja i postupno se ohladi

Je li hrana gotova

Boja i tvrdoća hrane pomažu u određivanju je li to učinjeno, a to uključuje:

- Para izlazi iz svih dijelova hrane, a ne samo iz ruba
- Zglobovi peradi mogu se lako pomicati
- Svinjetina ili perad ne pokazuje znakove krvi
- Riba je neprozirna i lako se reže vilicom

Posuda za pečenje

Kada koristite posudu za pečenje ili samozagrijavajuću posudu, ispod nje stavite izolator otporan na toplinu, kao što je porculanska ploča, kako biste spriječili oštećenje rotirajućeg pladnja i rotirajućeg prstena.

Plastična folija sigurna za mikrovalnu pećnicu

Prilikom kuhanja hrane s visokim sadržajem masti, ne dopustite da plastična folija dođe u kontakt s hranom jer se može otopiti

Plastično posuđe pogodno za mikrovalnu pećnicu

Neke plastične posude koje su sigurne za mikrovalnu pećnicu možda nisu prikladne za kuhanje hrane s visokim sadržajem masti i šećera. Također, ne smije se prekoračiti vrijeme zagrijavanja navedeno u uputama za uporabu posuđa.

ODRŽAVANJE

SERVISIRANJE

Prije pozivanja servisa provjerite sljedeće.

1. Stavite jednu šalicu vode (oko 150 ml) u staklenu mjernu posudu u pećnici i čvrsto zatvorite vrata. Svjetlo pećnice treba se ugasiiti ako su vrata pravilno zatvorena. Ostavite pećnicu da radi 1 minutu.
2. Svijetli li žaruljica pećnice?
3. Radi li ventilator za hlađenje?
(Stavite ruku preko stražnjih ventilacijskih otvora.)
4. Vrti li se rotirajući pladanj?
(Rotirajući pladanj može se vrtjeti udesno ili ulijevo. To je normalno.)
5. Je li voda u pećnici vruća nakon 1 minute?

Ako je "NE" odgovor na bilo koje od gore navedenih pitanja, provjerite zidnu utičnicu i osigurač u kutiji mjerača.

Ako zidna utičnica i osigurač rade ispravno, **OBRATITE SE NAJBLIŽEM OVLAŠTENOM SERVISU.**

ZAŠTITNE MJERE PRI SERVISIRANJU

Opres: MIKROVALNO ZRAČENJE

1. **Upozorenje:** U mikrovalnoj pećnici postoji mikrovalno zračenje i visoki napon. Osim za tehničare za održavanje, strogo je zabranjeno

samostalno rastavljanje kako bi se izbjeglo ozljede ljudskog tijela. Nemojte se izlagati zračenju mikrovalnih generatora ili drugih komponenti za provođenje mikrovalne energije!

Upozorenje: Kad mikrovalna pećnica radi, temperatura površine bit će vrlo visoka!

2. Za vrijeme servisiranja dolje navedeni dijelovi mogu se ukloniti i omogućiti pristup potencijalima iznad 250 V prema zemlji.

- Magnetron
- Visokonaponski transformator
- Visokonaponski kondenzator
- Visokonaponska dioda

3. Sljedeći stanja mogu uzrokovati nepotrebno izlaganje mikrovalovima tijekom servisiranja.

- Nepravilno postavljanje magnetrona;
- Nepravilno usklađivanje brave vrata, šarke vrata i vrata;
- Nepravilno postavljanje nosača sklopke;
- Oštećena su vrata, brtva vrata ili kućište.

Propisno zbrinjavanje proizvoda



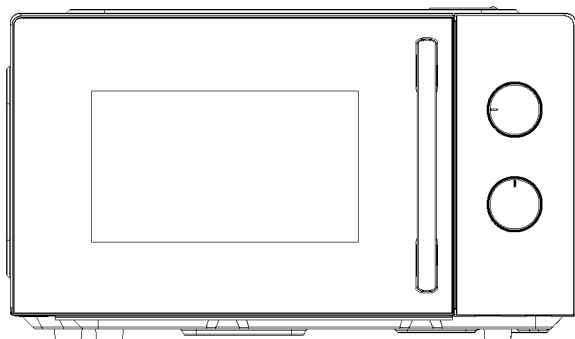
Ovaj uređaj označen je u skladu s Europskom direktivom 2012/19/EU o otpadnoj električnoj i elektroničkoj opremi iz 2013. u pogledu električnih i elektroničkih uređaja (OEEO). Otpadna električna i elektronička oprema sadrži zagađivače (koji mogu imati negativan učinak na okoliš) i bazne elemente (koji se mogu ponovno upotrijebiti). Važno je posebno obraditi otpadnu električnu i elektroničku opremu da bi se ispravno uklonili i odložili onečišćivači i vratili svi materijali. Pojedinci mogu imati važnu ulogu u postizanju cilja da otpadna električna i elektronička oprema ne postane ekološki problem. Treba se pridržavati nekoliko osnovnih pravila:

- oprema OEEO ne smije se zbrinjavati kao kućanski otpad;
- opremu OEEO potrebno je odnijeti na namjenska područja za prikupljanje kojima upravlja gradsko vijeće ili registrirano poduzeće.

U mnogim državama, velika se otpadna električna i elektronička oprema prikuplja i kao kućanski otpad. Pri kupnji novog uređaja, stari uređaj možete vratiti prodavaču koji će ga preuzeti besplatno, samo ako je uređaj iste vrste ili ima jednake funkcije kao i kupljeni uređaj.

CANDY

CUPTOR CU MICROUND MANUAL DE INSTRUCȚIUNI



CMW20SMWLI/4U



PAP

**INSTRUCȚIUNI IMPORTANTE DE SIGURANȚĂ
CITIȚI CU ATENȚIE ȘI PĂSTRAȚI PENTRU A PUTEA
CONSULTA PE VIITOR**

Numai pentru uz casnic

PĂSTRAȚI ACESTE INSTRUCȚIUNI

MĂSURI DE PROTECȚIE IMPORTANTE

AVERTISMENT: Dacă ușa sau garniturile ușii sunt deteriorate, cuptorul nu trebuie să fie pus în funcțiune până când nu a fost reparat de o persoană instruită.

AVERTISMENT: Este periculos ca orice altă persoană în afară de o persoană instruită, să efectueze orice operațiune de service sau reparație care implică îndepărtarea oricărui capac care oferă protecție împotriva expunerii la energia emisă de microunde.

AVERTISMENT: Lichidele sau alte alimente nu trebuie încălzite în recipiente sigilate, deoarece pot exploda.

1. Utilizați numai ustensile care sunt adecvate pentru utilizarea în cuptoarele cu microunde
2. Recipientele metalice pentru alimente și băuturi nu sunt permise în timpul gătirii la microunde.
3. Când încălziți alimente în recipiente de plastic sau hârtie, supravegheați cuptorul întrucât există posibilitatea aprinderii
4. Cuptorul cu microunde este destinat încălzirii alimentelor și băuturilor. Uscarea alimentelor sau a îmbrăcăminte și încălzirea compreselor termice, papucilor, bureților, cârpei umede și a altor obiecte asemănătoare pot duce la risc de rănire, aprindere sau incendiu.

5. Dacă se observă fum, opriți sau scoateți aparatul din priză și țineți ușa închisă pentru a înăbuși eventualele flăcări provocate de încălzirea cu microunde a băuturilor poate duce la o fierbere eruptivă întârziată, de aceea trebuie să aveți grijă la manevrarea recipientului;
 6. Conținutul biberoanelor și borcanelor cu mâncare pentru copii trebuie amestecat sau agitat, iar temperatura trebuie verificată înainte de a fi consumate pentru a evita arsurile;
 7. Ouăle în coajă și ouăle întregi fierte tari nu trebuie încălzite în cuptoarele cu microunde, deoarece pot exploda chiar și după ce încălzirea la cuptorul cu microunde s-a încheiat;
 8. Dacă nu mențineți cuptorul în condiții igienice optime, există riscul deteriorării suprafeței, fapt ce ar putea afecta negativ durata de viață a aparatului și ar putea duce la o situație de pericol. Cuptorul cu microunde este destinat să fie utilizat independent sau încorporat sau într-un dulap.
 9. Aparatul nu trebuie să fie amplasat într-un dulap
 10. Trebuie să aveți grijă să nu deplasați placa turnantă atunci când scoateți recipientele din aparat.
 11. Aparatul nu trebuie curățat cu un aparat de curățat cu abur.
- Avertizare:** Când aparatul funcționează în modul combinat, ținând cont de temperaturile care se ating, copiii ar trebui să folosească cuptorul numai sub supravegherea unui adult.



ATENȚIE: SUPRAFAȚĂ FIERBINTE

12. În cazul în care cablul de alimentare este deteriorat, acesta trebuie înlocuit de către producător, agentul său de service sau persoane cu calificări similare pentru a evita orice pericol.
13. Acest aparat poate fi utilizat de către copiii cu vârste de minim 8 ani și de către persoanele cu abilități fizice, senzoriale sau mintale reduse sau cu lipsă de experiență sau cunoștințe, cu condiția să fie supravegheate sau instruite corespunzător privind modul de utilizare a acestui aparat în siguranță și să înțeleagă pericolele implicate.
14. Nu lăsați copiii să se joace cu aparatul.
15. Curățarea și întreținerea de către utilizator nu vor fi efectuate de copii fără supraveghere.
16. Aparat din grupa 2, clasa B
Grupa 2 Echipamente ISM: grupa 2 conține toate echipamentele ISM în care energia de radiofrecvență este generată în mod intenționat și/sau utilizată sub formă de radiații electromagnetice pentru tratarea materialelor, precum și echipamentele EDM și de sudură cu arc.
Echipamentele de clasa B sunt echipamente adecvate pentru utilizare în locuințe și în incinte conectate direct la o rețea de alimentare cu energie de joasă tensiune care alimentează clădirile utilizate în scopuri domestice.

INSTALARE

1. Scoateți ambalajul din cuptorul cu microunde și verificați cu atenție dacă acesta nu este deteriorat. Cum ar fi:

În cazul în care corpul cuptorului prezintă urme de șoc și semne de presiune puternică.

Dacă ușa cuptorului este plană, iar comutatorul este neted și flexibil.

Dacă plasa metalică izolatoare de pe ușa cuptorului este îndoită sau deformată.

Dacă este slăbit cablul de alimentare.

Dacă observați oricare dintre semnele de mai sus, vă rugăm să contactați imediat distribuitorul sau departamentul nostru de întreținere specială.

2. Cuptorul cu microunde trebuie așezat plat într-un mediu ventilat, uscat, necoroziv, departe de temperaturi ridicate și de vapori.

3. Nu așezați niciun obiect pe partea superioară a aragazului. Pentru a avea suficient spațiu de circulație a aerului, produsul trebuie amplasat la o înălțime de 85 cm deasupra solului. Distanța dintre părțile laterale ale cuptorului cu microunde și perete nu trebuie să fie mai mică de 5 cm, distanța dintre partea din spate a cuptorului și perete nu trebuie să fie mai mică de 10 cm, iar distanța față de dulapul de sus nu trebuie să fie mai mică de 20 cm.

4. Cuptorul cu microunde trebuie să fie departe de televizor, radio și antenă (în general, la o distanță mai mare de 5 m), în caz contrar, va cauza interferențe.

5. Cuptorul cu microunde trebuie amplasat într-un loc în care cablul de alimentare să fie ușor de conectat, iar împământarea să fie

garantată ca fiind adecvată. În caz de scurgere, se poate forma firul de împământare.

Bucula de curent evită șocurile electrice.

6. Asigurați-vă că folosiți cuptorul cu microunde cu ușa închisă.

7. Nu așezați cuptorul cu microunde în dulap.

8. Când se utilizează cuptorul cu microunde pentru prima dată, deoarece reziduurile sau grăsimea din procesul de fabricație există în cavitatea cuptorului sau pe conducta de încălzire, este posibil să apară adesea miros și chiar fum alb în timpul încălzirii. Acesta este un fenomen normal și a fost folosit de mai multe ori. După aceea, acest lucru nu se va întâmpla, acordați atenție deschiderii ușilor și a ferestrelor pentru a menține o bună ventilație.

CURĂȚAREA

ÎNGRIJIREA CUPTORULUI CU MICROUNDE

ATENȚIE

Cuptorul trebuie curățat în mod regulat și orice depuneri de alimente trebuie îndepărtate.

AVERTISMENT

1. Scoateți cablul de alimentare din priza de perete înainte de curățare. Nu scufundați aparatul în apă sau în alte lichide atunci când îl curățați.

2. Dacă nu mențineți cuptorul în condiții igienice optime, există riscul deteriorării suprafeței, fapt ce ar putea afecta negativ durata de viață a aparatului și ar putea duce la o situație de pericol

3. Nu folosiți niciodată detergent dur, benzină, praf abraziv sau o perie metalică pentru a curăța orice parte a aparatului

4. Nu îndepărtați capacul ghidului de unde

5. Când cuptorul cu microunde a fost folosit pentru o perioadă de timp îndelungată, pot exista unele mirosuri ciudate în cuptor, urmați 3 metode pentru a scăpa de ele:

a. Se pun câteva felii de lămâie într-o ceașcă, apoi se încălzește cu Micro Power la putere mare timp de 2-3 min.

b. Se pune o ceașcă de ceai roșu în cuptor, apoi se încălzește la putere de microunde.

c. Puneți în cuptor niște coji de portocale, apoi încălziți-le cu Micro Power la putere mare timp de 1 minut.

6. AVERTISMENT: Permiteți-le copiilor să folosească cuptorul fără supraveghere numai atunci când au fost date instrucțiuni adecvate, astfel încât copilul să poată utiliza cuptorul în condiții de siguranță și să înțeleagă pericolele unei utilizări necorespunzătoare.

SFATURI PENTRU CURĂȚARE

Detalii pentru curățarea garniturilor ușilor, a cavității și a pieselor adiacente:

Exterior:

Ștergeți carcasa cu o cârpă moale umezită

Ușă:

Folosind o cârpă moale umezită, curățați ușa și fereastra

Ștergeți garniturile de etanșare ale ușii și piesele adiacente pentru a îndepărta orice scurgere sau stropi

Ștergeți panoul de comenzi cu o cârpă moale ușor umezită

Pereții interiori:

Curățați cavitatea cu o cârpă moale umezită

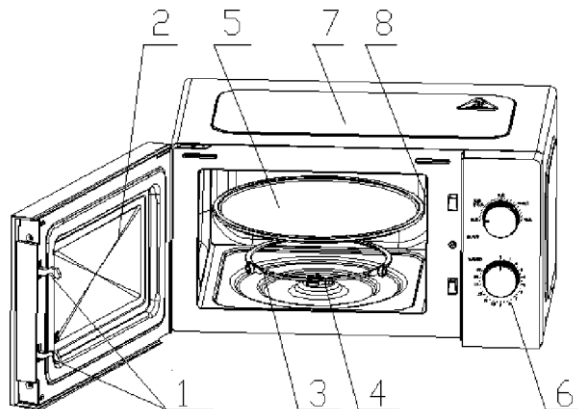
Ștergeți capacul ghidului de unde pentru a îndepărta orice fel de stropi de mâncare

Placă turnantă/ Inel rotativ/ Axă rotativă:

Spălați cu apă cu săpun neutru

Clătiți cu apă curată și lăsați să se usuce bine

INSTRUCȚIUNI PRIVIND PRODUSUL



Capacul ghidului de unde

1) Blocare uşă

Uşa cuptorului cu microunde trebuie să fie închisă corespunzător pentru ca acesta să funcţioneze

2) Fereastra de vizualizare

Permiteţi-i utilizatorului să vadă starea gătitului

3) Inelul rotativ

Placa rotativă din sticlă este aşezată pe roţile sale; acestea susţin placa turnantă şi o ajută să se echilibreze atunci când se roteşte

4) Axa rotativă

Placa rotativă din sticlă este aşezată pe axă; motorul de dedesubt acţionează placa rotativă pentru a se roti

5) Placa rotativă

Alimentele sunt aşezate pe placa rotativă, rotaţia acesteia în timpul funcţionării ajută la gătitul uniformă a alimentelor



ATENŢIE

- Aşezaţi mai întâi inelul rotativ
- Montaţi placa turnantă pe axa rotativă şi asiguraţi-vă că este angrenată corect

6) Panoul de comenzi

Consultaţi detaliile de mai jos (panoul de comenzi se poate modifica fără notificare prealabilă)

7) Capacul exterior

Folosit pentru învelirea şi protejarea pieselor structurale interne şi a componentelor electrice ale întregii maşini

8) Capacul ghidului de unde

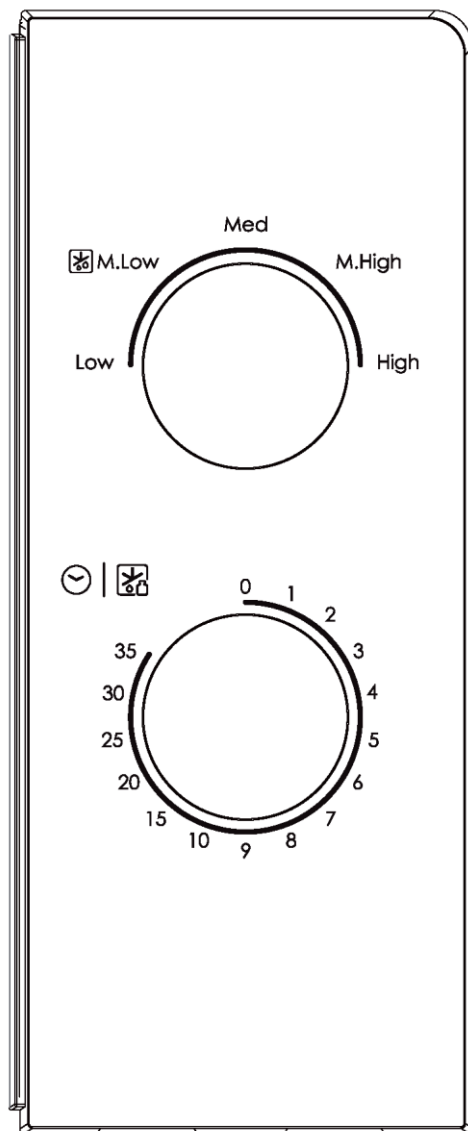
Se află în interiorul cuptorului cu microunde, lângă panoul de comenzi de pe perete.



AVERTISMENT

Nu îndepărtaţi niciodată capacul ghidului de unde

FUNȚIONAREA PANOULUI DE COMENZI



1. SETAREA OREI

Setarea maximă este de 35 de minute, la sfârșit se emite un ton de apel, iar butonul revine în poziția „0”.

2. FUNCȚIA DE MICROUNDE

Există cinci file cu puterea de încălzire:

RIDICAT	Putere de ieșire 100%	700 W	(Gătire rapidă)
Mediu-înalt	Putere de ieșire 80%	550 W	(Gătire normală)
Med.	Putere de ieșire 55%	390 W	(Gătire lentă)
M.scăzut	Putere de ieșire 30%	200 W	(Dezghețați alimentele)
SCĂZUT	Putere de ieșire 17%	120 W	(Menținere la cald)

Mai jos regăsiți câteva sfaturi privind timpul de decongelare a alimentelor:

	Greutate	Timp de dezghețare
Carne	0,1 ~ 1,0 kg	1:30~26:00
Carne de pasăre	0,2 ~ 1,0 kg	2:30~22:00
Fructe de mare	0,1 ~ 0,9 kg	1:30~14:00

FUNCȚIONARE

1) Conectați cablul

- Înainte de a conecta cablul, asigurați-vă că cronometrul este setat pe poziția „0”.
- Nu blocați ventilația.

2) Așezați alimentele pe placa rotativă din sticlă și închideți ușa

- Alimentele trebuie să fie conținute într-o ustensilă

3) Selectați nivelul de putere dorit

4) Setați cronometrul

Dacă timpul dorit este mai mic de 10 minute, rotiți butonul de putere

de încălzire în poziția la peste 10 minute și apoi rotiți-l înapoi la setarea de timp dorită.

5) Odată ce este setat timpul dorit, începe procesul de gătire. Dacă este necesară o pauză intermediară, deschideți ușa în orice moment și închideți-o pentru a relua funcționarea.

6) Când se termină timpul și se încheie procesul de gătire, cuptorul cu microunde produce un sunet de clopoțel, iar lampa interioară se va stinge de asemenea automat.

Dacă alimentele sunt scoase înainte de expirarea timpului, asigurați-vă că setați înapoi cronometrul pe poziția „0”, pentru a evita funcționarea cuptorului cu microunde cu o încărcătură goală.

GHID DE USTENSILE

În funcție de metoda de gătit, este necesar să alegeți un recipient sigur și adecvat. Dacă nu este selectat corespunzător, nu numai că va afecta efectul de gătire, dar va provoca și deteriorarea vasului sau a cuptorului cu microunde. Vă rugăm să consultați tabelul de mai jos pentru utilizare:

Materialul recipientului	Cuptor cu microunde	Note
Ceramică rezistentă la căldură	Da	Nu utilizați niciodată vase ceramice decorate cu margine metalică sau de sticlă
Plastic rezistent la căldură	Da	Nu poate fi folosit pentru gătitul la microunde pentru o perioadă îndelungată
Sticlă termorezistentă	Da	
Raft de grill	Nu	
Folie de plastic	Da	Nu trebuie utilizată la gătitul cărnii sau al cotletelor, deoarece temperatura excesivă poate deteriora folia

SFATURI PENTRU GĂTIT

Următorii factori pot afecta rezultatul gătitului:

Disponerea alimentelor

Amplasați zonele mai groase spre exteriorul vasului, iar partea mai subțire spre centru și răspândiți uniform. Nu suprapuneți, dacă este posibil.

Durata timpului de gătire

Începeți să gătiți cu o setare de timp scurt, evaluați-o după ce se termină și prelungiți-o în funcție de necesitățile reale. Gătitul excesiv poate provoca fum și arsuri.

Gătirea uniformă a alimentelor

Alimentele precum puiul, hamburgerii sau friptura trebuie întoarse o dată în timpul gătitului.

În funcție de tipul de alimente, dacă este cazul, se amestecă dinspre exterior spre centrul vasului o dată sau de două ori în timpul gătitului

Permiteți timpul de așteptare

După terminarea timpului de gătire, lăsați alimentele în cuptor pentru o perioadă de timp adecvată, acest lucru permițându-le să își completeze ciclul de gătire și să se răcească în mod treptat

Dacă alimentele sunt gata

Culoarea și duritatea alimentelor ajută la determinarea faptului că sunt gata, acestea includ:

- Aburi care ies din toate părțile alimentelor, nu doar de pe margine
- Articulațiile păsărilor de curte pot fi mutate cu ușurință
- Carnea de porc sau de pasăre nu prezintă urme de sânge
- Peștele este opac și poate fi feliat ușor cu o furculiță

Vas pentru rumenire

Când folosiți un vas de rumenire sau un recipient cu autoîncălzire, amplasați întotdeauna sub acesta un izolator rezistent la căldură, cum ar fi o farfurie de porțelan, pentru a preveni deteriorarea platoului rotativ și a inelului rotativ.

Folie de plastic pentru cuptorul cu microunde

Când gătiți alimente cu un conținut ridicat de grăsimi, nu lăsați folia de plastic să intre în contact cu alimentele, deoarece se poate topi

Vase de gătit din plastic pentru cuptorul cu microunde

Este posibil ca unele vase de gătit din plastic pentru cuptorul cu microunde să nu fie potrivite pentru a găti alimente cu un conținut ridicat de grăsimi și de zahăr. De asemenea, nu trebuie depășit timpul de preîncălzire specificat în manualul de instrucțiuni al vasului.

ÎNTREȚINEREA

ACTIVITĂȚILE DE ÎNTREȚINERE

Vă rugăm să verificați următoarele informații înainte de a apela pentru a solicita servicii.

1. Puneți o cană de apă (aproximativ 150 ml) într-o măsură de sticlă în cuptor și închideți bine ușa. Lampa cuptorului trebuie să se stingă dacă ușa este închisă corespunzător. Lăsați cuptorul să funcționeze timp de 1 min.

2. Se aprinde lampa cuptorului?

3. Funcționează ventilatorul de răcire?

(Puneți mâna peste orificiile de ventilație din spate.)

4. Se rotește placa rotativă?

(Placa rotativă se poate roti în sensul acelor de ceasornic sau în sens antiorar. Acest lucru este foarte normal.)

5. Apa din interiorul cuptorului este fierbinte după 1 minut?

Dacă răspunsul la oricare dintre întrebările de mai sus este „NU”, vă rugăm să verificați priza de perete și siguranța din cutia contorului.

Dacă atât priza de perete, cât și siguranța funcționează corespunzător, CONTACTAȚI CEL MAI APROPIAT CENTRU DE SERVICE APROBAT.

MĂSURI DE PROTECȚIE A ACTIVITĂȚILOR DE ÎNTREȚINERE

Atenție: RADIAȚII CU MICROUND

1. **Avertizare:** În cuptorul cu microunde există radiații de microunde și înaltă tensiune. Cu excepția tehnicienilor de întreținere, este strict

interzisă demontarea acestuia de către dvs. pentru a evita vătămările corporale. Nu vă expuneți la radiații de la generatoarele de microunde sau de la alte componente cu energie de microunde condusă!

Avertizare: Când cuptorul cu microunde este în funcțiune, temperatura suprafeței este foarte ridicată!

2. În timpul întreținerii, piesele enumerate mai jos pot fi îndepărtate și pot da acces la potențiale de peste 250 V la pământ.

- Magnetron
- Transformator de înaltă tensiune
- Condensator de înaltă tensiune
- Diodă de înaltă tensiune

3. Următoarele condiții pot cauza o expunere nejustificată la microunde în timpul întreținerii.

- Montarea necorespunzătoare a magnetronului;
- Potrivirea necorespunzătoare a dispozitivului de blocare a ușii, a balamalei ușii și a ușii;
- Montarea necorespunzătoare a suportului comutatorului;
- Ușa, garnitura de etanșare a ușii sau carcasa a fost deteriorată.

Eliminarea corectă a acestui produs



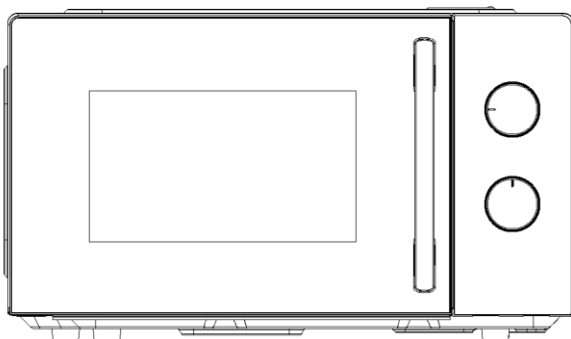
Acest aparat este etichetat în conformitate cu Directiva Europeană 2012/19/UE privind Reglementările privind deșeurile de echipamente electrice și electronice 2013 privind aparatele electrice și electronice (DEEE). DEEE conține substanțele poluante (care pot avea un efect negativ asupra mediului) și elementele de bază (care pot fi reutilizate). Este important ca DEEE să fie supuse tratamentelor specifice pentru a îndepărta și elimina corect substanțele poluante și a recupera toate materialele. Persoanele pot juca un rol important în a asigura că DEEE nu devin o problemă de mediu: este vital să urmați câteva dintre regulile de bază:

- DEEE nu trebuie tratate drept deșeuri casnice;
- DEEE trebuie duse în zone de colectare dedicate, gestionate de primărie sau de o companie autorizată.

În multe țări, colectările domestice pot fi disponibile pentru DEEE de dimensiuni mari. atunci când cumpărați un aparat nou, cel vechi poate fi returnat la distribuitorul care trebuie să îl accepte gratuit câte unul, atât timp cât aparatul este de tip echivalent și are aceleași funcții ca și aparatul achiziționat.

CANDY

BETJENINGSVEJLEDNING TIL MIKROBØLGEOVN



CMW20SMWLI/4U



PAP

**VIGTIGE SIKKERHEDSANVISNINGER
LÆS OMHYGGELIGT OG OPBEVAR
TIL FREMTIDIGE OPSLAG**

Kun til husholdningsbrug

GEM DENNE VEJLEDNING

VIGTIGE SIKKERHEDSFORANSTALTNINGER

ADVARSEL: Hvis lågen eller lågens tætninger er beskadiget, må ovnen ikke betjenes, før den er blevet repareret af en uddannet person.

ADVARSEL: Det er farligt for andre end en uddannet person at udføre service- eller reparationsarbejder, der omfatter fjernelse af et dæksel, der beskytter mod eksponering for mikrobølgeenergi.

ADVARSEL: Væsker og andre fødevarer må ikke opvarmes i lukkede beholdere, da de kan eksplodere.

1. Brug kun redskaber, der er egnede til brug i mikrobølgeovne.
2. Det er ikke tilladt at bruge metalbøtter til mad og drikke ved tilberedning i mikrobølgeovn.
3. Ved opvarmning af mad i plast- eller papirbeholdere skal du holde øje med ovnen på grund af muligheden for antændelse.
4. Mikrobølgeovnen er beregnet til opvarmning af mad og drikke. Tørring af mad eller tøj og opvarmning af varmeguder, hjemmesko, svampe, fugtig klud og lignende kan medføre risiko for skader, antændelse eller brand.
5. Hvis der observeres røg, skal du slukke eller frakoble apparatet og holde lågen lukket for at kvæle eventuelle flammer. Mikrobølgeopvarmning af drikkevarer kan resultere i forsinket

stødkogning, derfor skal der udvises forsigtighed ved håndtering af beholderen.

6. Indholdet af sutteflasker og glas med babymad skal omrøres eller rystes, og temperaturen kontrolleres før indtagelse for at undgå forbrændinger.
7. Æg med skal og hele hårdkogte æg må ikke opvarmes i mikrobølgeovne, da de kan eksplodere, selv efter at mikrobølgeopvarmningen er afsluttet.
8. Manglende rengøring af ovnen kan føre til nedbrydning af overfladen, hvilket kan påvirke apparatets levetid negativt og måske resultere i en farlig situation. Mikrobølgeovnen er beregnet til at blive brugt fritstående eller indbygget eller i et skab.
9. Apparatet må ikke placeres i et skab
10. Vær omhyggelig med ikke at skubbe til drejeskiven, når beholder tages ud af apparatet.
11. Apparatet må ikke rengøres med en damprenser.

Advarsel: Når apparatet bruges i kombinationstilstand, bør børn kun bruge ovnen under opsyn af voksne på grund af de genererede temperaturer.



FORSIGTIG: VARM OVERFLADE

12. Hvis strømledningen er beskadiget, skal den udskiftes af producenten, dennes serviceagent eller lignende kvalificeret fagperson for at undgå fare.

13. Dette apparat kan anvendes af børn over 8 år og af personer med nedsatte fysiske, sensoriske eller mentale evner eller med en manglende erfaring og viden, forudsat at de er under opsyn eller har modtaget vejledning i sikker brug af apparatet, samt at de forstår de farer, der er forbundet dermed.

14. Børn må ikke lege med apparatet.

15. Rengøring og vedligeholdelse må ikke udføres af børn uden opsyn.

16. Gruppe 2 Klasse B-apparat

Gruppe 2 ISM-udstyr: Gruppe 2 omfatter alt ISM-udstyr, hvor der tilsigtet genereres og/eller bruges radiofrekvensenergi i form af elektromagnetisk stråling til behandling af materiale, samt EDM- og buesvejsningsudstyr.

Klasse B-udstyr er udstyr, der er egnet til brug i boliger og i bygninger, der er tilsluttet direkte til et lavspændingsnetværk, som forsyner bygninger, der bruges til husholdningsformål.

INSTALLATION

1. Tag pakken ud af mikrobølgeovnen, og kontrollér omhyggeligt mikrobølgeovnen for skader. Det kan f.eks. være:

Om ovnkabinettet er blevet rystet og viser tegn på kraftigt tryk.

Om ovnlågen er flad, og kontakten er jævn og fleksibel.

Om metaliseringsnettet på ovnlågen er bøjet eller deformeret.

Om strømkablet er løst.

Hvis du konstaterer noget af ovenstående, skal du straks kontakte forhandleren eller vores særlige vedligeholdelsesafdeling.

2. Mikrobølgeovnen skal placeres på en flad overflade i et ventileret, tørt og ikke-ætsende miljø væk fra høje temperaturer og dampe.

3. Anbring ikke genstande oven på ovnen. For at have tilstrækkelig plads til luftcirkulation skal produktet placeres 85 cm over gulvet. Afstanden mellem mikrobølgeovnens sider og væggen skal være mindst 5 cm, afstanden mellem ovnens bagside og væggen skal være mindst 10 cm, og afstanden fra vægskabet over ovnen skal være mindst 20 cm.

4. Mikrobølgeovnen skal placeres væk fra tv, radio og antenner (generelt længere væk end 5 m), ellers vil det medføre interferens.

5. Mikrobølgeovnen skal placeres på et sted, hvor det er nemt at tilslutte strømkablet, og der er garanti for god jordforbindelse. I tilfælde af lækage kan jordledningen blive deformeret.

Strømsløjfen forhindrer elektrisk stød.

6. Sørg for at betjene mikrobølgeovnen med lågen lukket.

7. Anbring ikke mikrobølgeovnen i skabet.

8. Når du bruger mikrobølgeovnen første gang, kan der ofte forekomme lugt og hvid røg under opvarmningen på grund af rester af fedt fra fremstillingsprocessen i ovnrummet. Dette er et normalt fænomen, som forsvinder efter flere ganges brug. Derefter vil dette ikke forekomme. Husk at åbne døre og vinduer for at sørge for god ventilation.

RENGØRING

PLEJE AF MIKROBØLGEOVNEN



FORSIGTIG

Ovnen skal rengøres regelmæssigt, og eventuelle madrester skal fjernes.



ADVARSEL

1. Tag strømkablet ud af stikkontakten før rengøring. Nedsænk ikke apparatet i vand eller andre væsker under rengøring.
2. Manglende rengøring af ovnen kan føre til nedbrydning af overfladen, hvilket kan påvirke apparatets levetid negativt og måske resultere i en farlig situation
3. Brug aldrig kraftigt rengøringsmiddel, benzin, skurepulver eller metalbørste til at rengøre nogen del af apparatet
4. Fjern ikke bølgeleder dækslet
5. Når mikrobølgeovnen har været brugt i længere tid, kan ovnen lugte underligt. Følg disse 3 metoder for at slippe af med lugtene:
 - a. Læg flere citronskiver i en kop, og opvarm derefter med høj mikrobølgeeffekt i 2-3 minutter.

b. Sæt en kop rød te i ovnen, og opvarm derefter med høj mikrobølgeeffekt.

c. Læg lidt appelsinskal i ovnen, og opvarm det derefter med høj mikrobølgeeffekt i 1 minut.

6. ADVARSEL: Lad kun børn bruge ovnen uden opsyn, når barnet har fået tilstrækkelig vejledning til at kunne bruge ovnen på en sikker måde og forstår de farer, der er forbundet med forkert brug.

TIPS TIL RENGØRING

Oplysninger om rengøring af lågetætninger, ovnrum og tilstødende dele:

Udvendigt:

Tør kabinettet af med en blød fugtig klud

Låge:

Tør lågen og vinduet af med en fugtig blød klud

Tør dørtætningerne og tilstødende dele af for at fjerne spildte madvarer eller sprøjt

Tør betjeningspanelet af med en let fugtig blød klud

Indvendige vægge:

Tør ovnrummet af med en fugtig blød klud

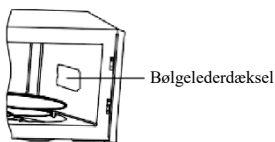
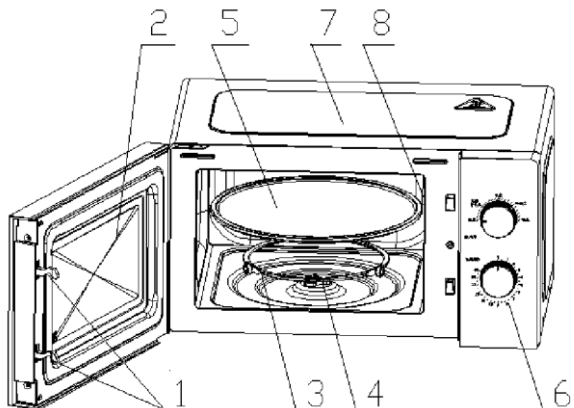
Tør bølgeleder dækslet af for at fjerne eventuel madsprøjt

Drejeskive/rotationsring/rotationsakse:

Vask med mildt sæbevand

Skyl med rent vand, og lad det tørre grundigt

PRODUKTVEJLEDNING



1) Dørlås

Mikrobølgeovnsdøren skal være ordentligt lukket, for at ovnen kan fungere

2) Vindue

Giver brugeren mulighed for at se tilberedningsstatus

3) Roterende ring

Glasdrejeskiven hviler på sine hjul. De støtter drejeskiven og hjælper den med at balancere, når den drejer

4) Roterende akse

Glasdrejeskiven hviler på akserne. Motoren under den hjælper drejeskiven med at køre rundt

5) Drejeskive

Maden er anbragt på drejeskiven, og maden tilberedes jævnt, fordi drejeskiven kører rundt



FORSIGTIG

- Placer først den roterende ring

- Sæt drejeskiven på den roterende akse, og sørg for, at den er tilsluttet korrekt

6) Betjeningspanel

Du kan se flere oplysninger nedenfor (betjeningspanelet kan ændres uden forudgående varsel)

7) Udvendigt dæksel

Bruges til indpakning og beskyttelse af de indvendige strukturelle dele og de elektriske komponenter i hele apparatet

8) Bølgelederdæksel

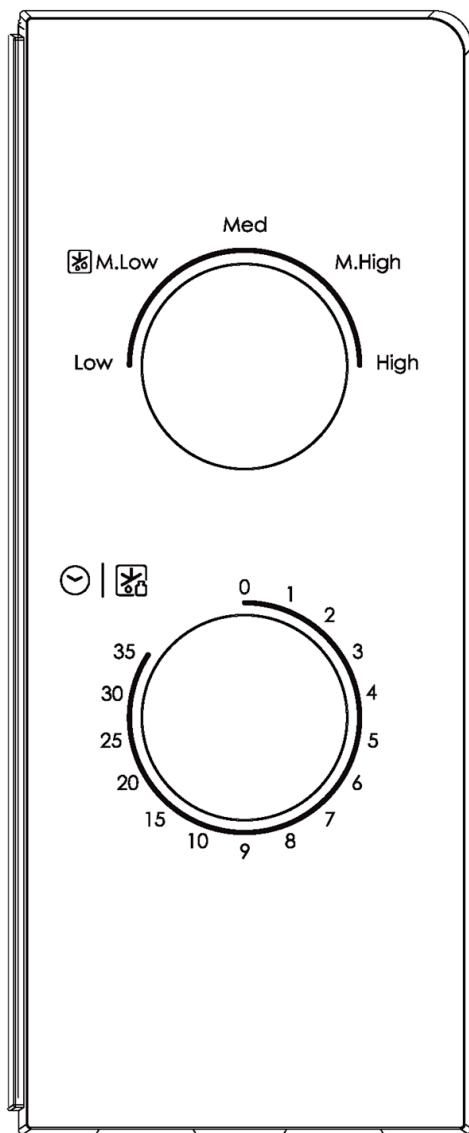
Er placeret inde i ovnen ved siden af væggen med betjeningspanelet.



ADVARSEL

Fjern aldrig bølgelederdækslet

BETJENING AF BETJENINGSPANELET



1. URINDSTILLING

Den maksimale indstilling er 35 minutter, der er en ringetone i slutningen, og knappen vender tilbage til positionen "0".

2. MIKROBØLGEFUNKTION

Der er fem effektindstillinger:

HØJ	100 % udgangseffekt	700 W	(Hurtig tilberedning)
Mellemhøj	80 % udgangseffekt	550 W	(Normal tilberedning)
Medium	55 % udgangseffekt	390 W	(Langsom tilberedning)
Mellemlav	30 % udgangseffekt	200 W	(Optøning af mad)
LAV	17 % udgangseffekt	120 W	(Hold varm)

Nedenfor er nogle råd om madoptøningstid:

	Vægt	Optøningstid
Kød	0,1 ~ 1,0 kg	1:30~26:00
Fjerkræ	0,2~1,0 kg	2:30~22:00
Fisk og skaldyr	0,1~0,9 kg	1:30~14:00

BETJENING

1) Tilslut ledningen

- Før du tilslutter ledningen, skal du sørge for, at timeren er indstillet til positionen "0".
- Bloker ikke ventilationen.

2) Placer maden på glaspladen, og luk lågen

- Maden skal være anbragt i en beholder

3) Vælg det ønskede effektniveau

4) Indstil tiden

Hvis den ønskede tid er under 10 minutter, skal du dreje knappen til over 10 minutter og derefter dreje knappen tilbage til den ønskede tidsindstilling.

5) Når den ønskede tid er indstillet, begynder tilberedningen. Hvis der er brug for en pause under tilberedningen, kan du altid åbne lågen og derefter lukke den igen for at fortsætte tilberedningen.

6) Når tiden er gået, og tilberedningen slutter, udsender mikrobølgeovnen en lyd som en ringklokke, og den indvendige lampe slukkes automatisk.

Hvis maden fjernes, inden tiden er gået, skal du huske at sætte timeren tilbage til positionen "0" for at undgå, at mikrobølgeovnen kører, selvom den er tom.

RETNINGSLINJER FOR REDSKABER

Afhængigt af tilberedningsmetoden er det nødvendigt at vælge en sikker og egnet beholder. Hvis der ikke er valgt den rigtige beholder, påvirker det dels tilberedningseffekten, og det kan beskadige beholderen eller mikrobølgeovnen. Se nedenstående tabel for brug:

Beholderens materiale	Mikrobølgeovn	Bemærkninger
Varmebestandig keramik	Ja	Brug aldrig keramik, som er dekoreret med metalkant eller glaseret
Varmebestandig plastik	Ja	Kan ikke bruges til langtidstilberedning i mikrobølgeovn
Varmebestandigt glas	Ja	
Grillstativ	Nej	
Plastfilm	Ja	Det bør ikke bruges til tilberedning af kød eller koteletter, da overtemperaturen kan skade filmen

TILBEREDNINGSTIPS

Følgende faktorer kan påvirke tilberedningsresultatet:

Placering af maden

Placer tykke områder mod ydersiden af fadet og tyndere dele midt på fadet, og fordel det jævnt. Undlad så vidt muligt at lægge stykkerne oven på hinanden.

Tilberedningstid

Begynd at lave mad med en kort tidsindstilling, og vurder maden, når tiden er gået. Herefter kan du forlænge tilberedningstiden efter behov. Overtilberedning kan forårsage røg, og at maden brænder på.

Ensartet tilberedning af maden

Madvarer som kylling, burger eller bøffer skal vendes en gang under tilberedningen.

Afhængigt af typen af madvare kan du stege det fra ydersiden til midten og vende det en eller to gange under tilberedningen

Lad maden hvile

Når tilberedningstiden er gået, kan du lade maden stå i ovnen et passende stykke tid, så tilberedningen færdiggøres, og maden gradvist køles ned.

Tjek, om maden er færdig

Madens farve og hårdhed kan hjælpe med at afgøre, om den er færdigtilberedt. Det omfatter følgende:

- Der kommer damp ud fra alle dele af maden og ikke kun kanten
- Ben i fjerkræ kan nemt bevæges
- Svinekød eller fjerkræ viser ingen tegn på blod
- Fisk er uigennemsigtig og kan nemt skæres med en gaffel

Bruningsfad

Når du bruger et bruningsfad eller en selvopvarmende beholder, skal du altid placere en varmebestandig isolator, såsom en porcelænsplade, under den for at forhindre beskadigelse af drejeskiven og den roterende ring.

Mikrobølgesikker plastfolie

Når du tilbereder mad med højt fedtindhold, må du ikke lade plastikfolien komme i kontakt med mad, da den kan smelte

Mikrobølgesikkert køkkengrej af plast

Noget mikrobølgesikkert plastikkogegrej er muligvis ikke egnet til madlavning med højt fedt- og sukkerindhold. Den forvarmningstid, der er angivet i betjeningsvejledningen til fadet, må heller ikke overskrides.

VEDLIGEHODELSE

SERVICE

Kontroller venligst følgende, før du anmoder om service.

1. Placer en kop vand (ca. 150 ml) i et glasmål i ovnen, og luk lågen forsvarligt. Ovnlampen skal slukke, hvis lågen er lukket korrekt. Lad ovnen virke i 1 minut.

2. Lyser ovnlampen?

3. Virker køleventilatoren?

(Læg din hånd over de bagerste ventilationsåbninger).

4. Kører drejeskiven rundt?

(Drejeskiven kan dreje med eller mod uret. Det er helt normalt).

5. Er vandet inde i ovnen varmt efter 1 minut?

Hvis "NEJ" er svaret på et af ovenstående spørgsmål, så tjek venligst din stikkontakt og sikringen i din målerboks.

Hvis både stikkontakten og sikringen fungerer korrekt, skal du KONTAKTE DIT NÆRMESTE GODKENDTE SERVICECENTER.

SIKKERHEDSFORSKRIFTER TIL SERVICE

Forsigtig: MIKROBØLGESTRÅLING

1. **Advarsel:** Der er mikrobølgestråling og højspænding i mikroovnen. Det er kun vedligeholdelsesteknikere, der må skille ovnen ad. Det er strengt forbudt at gøre det selv, da det kan medføre skade på kroppen. Udsæt ikke dig selv for stråling fra mikrobølgegeneratore eller andre strømførende mikrobølgeenergi komponenter!

Advarsel: Når mikrobølgeovnen kører, vil overfladetemperaturen være meget høj!

2. Under servicering kan de nedenfor anførte dele blive fjernet og give adgang til potentialer over 250 V til jord.

- Magnetron
- Højspændingstransformer
- Højspændingskondensator
- Højspændingsdiode

3. Følgende forhold kan forårsage unødigt eksponering for mikrobølger under servicering.

- Forkert montering af magnetron.
- Forkert afstemning af dørlås, dørhængsel og dør.
- Forkert montering af kontaktstøtte.
- Dør, dørtætning eller kabinnet er blevet beskadiget.

Korrekt bortskaffelse af dette produkt

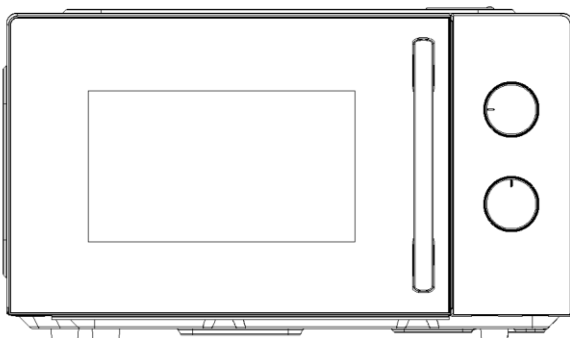


Dette apparat er mærket i overensstemmelse med det europæiske direktiv 2012/19/EU om bortskaffelse af elektrisk og elektronisk udstyr 2013 vedrørende elektriske og elektroniske apparater (WEEE). WEEE indeholder både forurenende stoffer (som kan have en negativ indvirkning på miljøet) og grundelementer (som kan genbruges). Det er vigtigt, at WEEE-udstyret gennemgår specifikke behandlinger for at fjerne og bortskaffe de forurenende stoffer korrekt og genvinde alle materialerne. Enkeltpersoner kan spille en vigtig rolle for at sikre, at WEEE-udstyr ikke bliver et miljøproblem. Det er vigtigt at følge nogle få grundlæggende regler:

- WEEE-udstyr må ikke behandles som husholdningsaffald.
- WEEE-udstyr skal medbringes til dedikerede indsamlingsområder, der forvaltes af kommunen eller en registreret virksomhed. I mange lande kan der være indsamling af storskrald til stort WEEE-udstyr. Når du køber et nyt apparat, kan det gamle returneres til leverandøren, som skal modtage det uden beregning, så længe apparatet er af samme type og har samme funktioner som det købte.

CANDY

BRUKSANVISNING FOR MIKROBØLGEOVN



CMW20SMWLI/4U



PAP

**VIKTIGE SIKKERHETSINSTRUKSJONER
LES NØYE OG BEHOLD FOR FREMTIDIG REFERANSE**

Kun for husholdningsbruk

LAGRE DISSE INSTRUKSJONENE

VIKTIGE SIKKERHETSFORANSTALTNINGER

ADVARSEL: Hvis døren eller dørpakningene er skadet, må ovnen ikke brukes før den er reparert av en kompetent person.

ADVARSEL: Det er farlig for andre enn en opplært person å utføre service eller reparasjon, noe som involverer fjerning av deksel som gir beskyttelse mot eksponering for mikrobølgeenergi. **ADVARSEL:** Flytende eller annen mat må ikke varmes opp i forseglede beholdere, da de kan eksplodere.

1. Bruk kun redskaper som er egnet for bruk i mikrobølgeovner
2. Metalliske beholdere for mat og drikke er ikke tillatt under tilberedning i mikrobølgeovn.
3. Ved oppvarming av mat i plast- eller papirbeholder, må du sjekke ovnen ofte for mulighet for antennelse
4. Mikrobølgeovnen er beregnet for oppvarming av mat og drikke. Tørking av mat eller klær og oppvarming av varmeputer, tøfler, svamper, fuktig klut og lignende kan føre til fare for skade, antennelse eller brann.
5. Hvis det oppdages røyk, slå av eller koble fra apparatet og hold døren lukket for å kvele eventuelle flammer. Mikrobølgeoppvarming av drikkevarer kan føre til forsinket eruptiv koking, derfor må man være forsiktig når man håndterer beholderen;

6. Innholdet i tåteflasker og barnematglass skal røres eller ristes og temperaturen kontrolleres før inntak, for å unngå brannskader;
7. Egg med skall og hele hardkokte egg må ikke varmes opp i mikrobølgeovn fordi de kan eksplodere, selv etter at oppvarmingen er avsluttet;
8. Hvis man ikke holder ovnen ren kan dette føre til forringelse av overflaten, som kan ha negativ innvirkning på apparatets levetid og muligens føre til en farlig situasjon. Mikrobølgeovnen er beregnet for bruk frittstående eller innebygd eller i et skap.
9. Apparatet må ikke plasseres i et skap
10. Vær forsiktig så du ikke forskyver dreieskiven når du fjerner beholdere fra apparatet.
11. Apparatet skal ikke rengjøres med en damprenser.

Advarsel: Når apparatet brukes i kombinasjonsmodus, bør barn kun bruke ovnen under tilsyn av voksne på grunn av temperaturene som genereres.



FORSIKTIGHET: VARM OVERFLATE

12. Hvis strømledningen er skadet, må den byttes ut av produsenten, serviceagenten eller tilsvarende kvalifiserte personer for å unngå fare.
13. Dette apparatet kan brukes av barn i alderen fra åtte år og eldre og personer med nedsatt fysisk, sensorisk eller mental evne

eller med mangel på erfaring og kunnskap, forutsatt at de blir veiledet eller gitt instruksjoner om bruk av apparatet på en trygg måte, og de forstår de involverte farene.

14. Barn skal ikke leke med apparatet.
15. Rengjøring og vedlikehold skal ikke utføres av barn uten tilsyn.
16. Gruppe 2, Klasse B-apparat

Gruppe 2 ISM-utstyr: gruppe 2 inneholder alt ISM-utstyr der radiofrekvent energi med vilje genereres og/eller brukes i form av elektromagnetisk stråling for behandling av materiale, og EDM- og buesveiseutstyr.

For utstyr i klasse B er utstyr egnet til bruk i private virksomheter og i virksomheter som er direkte koblet til et lavspenningsnett, som forsyner bygninger som brukes til husholdningsbruk.

INSTALLASJON

1. Ta pakken ut av mikrobølgeovnen og sjekk mikrobølgeovnen nøye for skader. Som for eksempel:

Om ovnshuset har vært utsatt for støt og viser tegn på kraftig trykk.

Om ovnsdøren er flat og bryteren er jevn og fleksibel.

Om metallisolasjonsnettlet på ovnsdøren er bøyd eller deformert.

Om strømledningen er løs.

Hvis du finner noe av det ovennevnte, kontakt din forhandler eller vår spesialvedlikeholdsavdeling umiddelbart.

2. Mikrobølgeovnen må plasseres flatt i et ventilert, tørt, ikke-korrosivt miljø, vekk fra høye temperaturer og damper.

3. Ikke plasser noen gjenstander på toppen av ovnen. For å ha tilstrekkelig luftsirkulasjonsplass bør produktet plasseres 85 cm over bakken. Avstanden mellom sidene av mikrobølgeovnen og veggen bør ikke være mindre enn 5 cm, avstanden mellom baksiden av ovnen og veggen bør ikke være mindre enn 10 cm og avstanden fra det øverste veggskapet bør ikke være mindre enn 20 cm.

4. Mikrobølgeovnen bør være borte fra TV, radio og antenne (vanligvis mer enn 5 m), ellers vil det forårsake interferens.

5. Mikrobølgeovnen bør plasseres på stedet der strømkabelen er praktisk å koble til, og jordingen er garantert god. Ved lekkasje kan jordingsledningen deformeres.

Strømledningen unngår elektrisk støt.

6. Sørg for å bruke mikrobølgeovnen med døren lukket.

7. Ikke plasser mikrobølgeovnen i skapet.

8. Når du bruker mikrobølgeovnen for første gang, siden rester eller fett i produksjonsprosessen finnes i ovnsrommet eller på varmerøret, kan det ofte oppstå lukt og til og med hvit røyk under oppvarming. Dette er et normalt fenomen og har vært brukt flere ganger. Etter dette vil dette ikke skje, vær oppmerksom på å åpne dører og vinduer for å opprettholde god ventilasjon.

RENGJØRING

STELL AV MIKROBØLGEOVN



FORSIKTIGHET

Ovnen bør rengjøres regelmessig og eventuelle matrester må fjernes.



ADVARSEL

1. Trekk strømledningen ut av stikkontakten før rengjøring. Ikke senk apparatet ned i vann eller andre væsker under rengjøring.
2. Hvis man ikke holder ovnen ren kan dette føre til forringelse av overflaten, som kan ha negativ innvirkning på apparatets levetid og muligens føre til en farlig situasjon.
3. Bruk aldri hardt rengjøringsmiddel, bensin, slipepulver eller metallbørste for å rengjøre noen del av apparatet
4. Ikke fjern bølgelederdekselet
5. Når mikrobølgeovnen har vært brukt i lang tid, kan det forekomme merkelige lukter i ovnen. Følgende tre metoder kan bli kvitt dem:
 - a. Legg flere sitronskiver i en kopp, og varm opp med høy mikroeffekt i 2–3 min.

- b. Sett en kopp rød te i ovnen, og varm opp med høy mikroeffekt.
- c. Sett litt appelsinskall inn i ovnen, og varm dem opp med høy mikroeffekt i 1 minutt.

6. ADVARSEL: Tillat bare barn å bruke ovnen uten tilsyn utelukkende når det er gitt tilstrekkelige instruksjoner, slik at barnet er i stand til å bruke ovnen på en sikker måte og forstår farene ved feil bruk.

RENGJØRINGSTIPS

Detaljer for rengjøring av dørpakninger, hulrom og tilstøtende deler:

Utvendig:

Tørk av kabinettet med en fuktet myk klut

Dør:

Tørk av døren og vinduet med en fuktet myk klut

Tørk av dørpakningene og tilstøtende deler for å fjerne søl eller sprut

Tørk av kontrollpanelet med en lett fuktet myk klut

Innvendige vegger:

Tørk av hulrommet med en fuktet myk klut

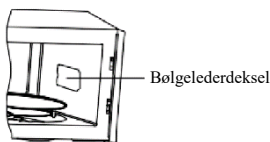
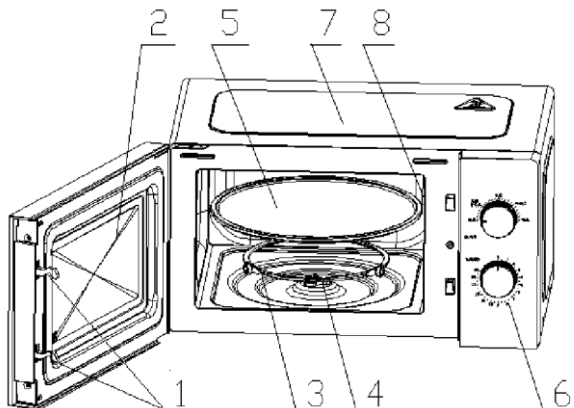
Tørk av bølgelederdekselet for å fjerne matsprut

Dreieskive/rotasjonsring/rotasjonsakse:

Vask med mildt såpevann

Skyll med rent vann og la det tørke grundig

PRODUKTINSTRUKSJON



1) Dørlås

Mikrobølgeovnsdøren må være ordentlig lukket for at den skal fungere

2) Visningsvindu

La brukeren se matlagingsstatusen

3) Rotasjonsring

Glassrotasjonsplaten sitter på hjulene; den støtter rotasjonsplaten og hjelper den med å balansere når den roterer

4) Rotasjonsakse

Glassrotasjonsplaten sitter på aksene; motoren under den driver rotasjonsbordet for å rotere

5) Rotasjonsplate

Maten sitter på rotasjonsplaten, dens rotasjon under drift bidrar til å tilberede maten jevnt



FORSIKTIGHET

- Plasser rotasjonsringen først

- Monter rotasjonsplaten på rotasjonsaksen og sørg for at den er riktig innrettet

6) Kontrollpanel

Se detaljer nedenfor (kontrollpanelet kan endres uten forvarsel)

7) Ytterdeksel

Brukes til å pakke inn og beskytte de interne strukturelle delene og elektriske komponentene til hele maskinen

8) Bølgelederdeksel

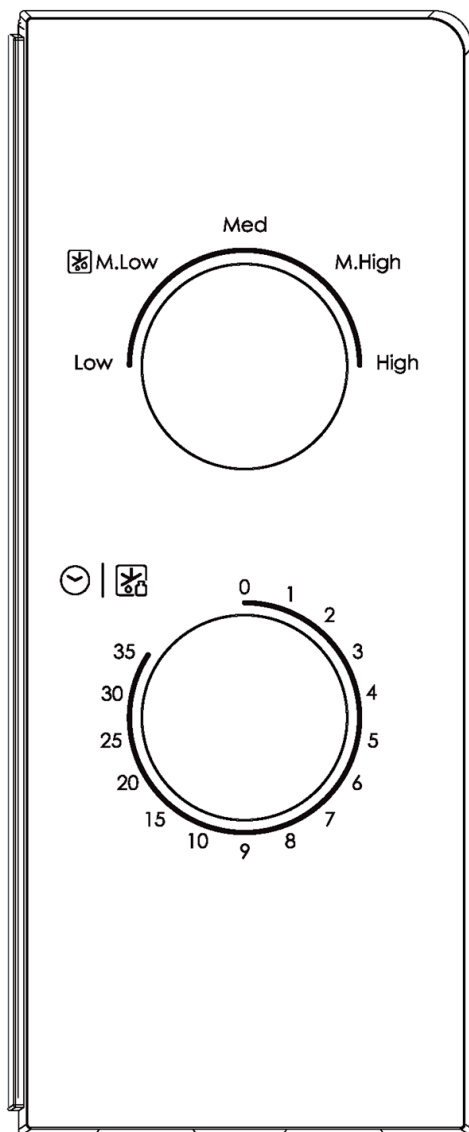
Den er inne i mikrobølgeovnen, ved siden av veggen på kontrollpanelet.



ADVARSEL

Fjern aldri bølgelederdekselet

BETJENING AV KONTROLLPANEL



1. KLOKKEINNSTILLING

Maksimal innstilling er 35 minutter, det er en ringetone på slutten, og knappen går tilbake til "0"-posisjon.

2. MIKROBØLGEFUNKSJON

Det er fem ildkraftfiler:

HØY	100 % effekt	700 W	(Rask matlaging)
M.Høy	80 % effekt	550 W	(Vanlig matlaging)
Med.	55 % effekt	390 W	(Sakte matlaging)
M.Lav	30 % effekt	200 W	(Tin mat)
LAV	17 % effekt	120 W	(Hold varm)

Nedenfor er noen råd om tiningstid for mat:

	Vekt	Tiningstid
Kjøtt	0,1~1,0 kg	1:30–26:00
Fjærkre	0,2~1,0 kg	2:30–22:00
Sjømat	0,1~0,9 kg	1:30-14:00

DRIFT

1) Koble til ledningen

- Før du kobler til ledningen, sørg for at timeren er satt til "0"-posisjon.
- Ikke blokker ventilasjonen.

2) Plasser maten på glassrotasjonsplaten og lukk døren

- Mat må ligge i et redskap

3) Velg ønsket effektnivå

4) Still inn timeren

Hvis ønsket tid er mindre enn 10 minutter, vri ildkraftknappen til over 10 minutter-posisjon og deretter tilbake til ønsket tidsinnstilling.

5) Når ønsket tid er stilt inn, begynner tilberedningen. Hvis det er nødvendig med pause i mellom, åpner du bare døren når som helst og lukker den for å gjenoppta driften.

6) Når tiden går ut og tilberedningen avsluttes, produserer mikrobølgeovnen en ringeklokke, den innvendige lampen vil også slås av automatisk.

Hvis maten fjernes før tidsavbrudd, sørg for å stille timeren tilbake til "0"-posisjon, da dette unngår at mikrobølgeovnen drives helt tom.

REDSKAPSVEILEDNING

Avhengig av tilberedningsmetoden er det nødvendig å velge et trygt og passende kar. Hvis det ikke er riktig valgt, vil det ikke bare påvirke tilberedningseffekten, men også forårsake skade på karet eller mikrobølgeovnen. Se tabellen nedenfor for bruk:

Beholdermateriale	Mikrobølgeovn	Notater
Varmebestandig keramikk	Ja	Bruk aldri keramikken som er dekorert med metallkant eller glasert
Varmebestandig plast	Ja	Kan ikke brukes langvarig i mikrobølgeovn
Varmebestandig glass	Ja	
Grillstativ	Nei	
Plastisk film	Ja	Den bør ikke brukes når du tilbereder kjøtt eller koteletter, da overtemperaturen kan skade filmen

MATLAGINGSTIPS

Følgende faktorer kan påvirke tilberedningsresultatet:

Matordning

Plasser tykkere områder mot utsiden av fatet, den tynnere delen mot midten og fordel den jevnt. Ikke overlapp om mulig.

Lengde på matlagingstiden

Begynn matlagingen med en kort tidsinnstilling, vurder den etter at tiden går ut og forleng den etter det faktiske behovet. Overkoking kan føre til røyk og brannskader.

Tilbered maten jevnt

Mat som kylling, hamburger eller biff bør snus én gang under tilberedning.

Avhengig av type mat, dersom aktuelt, rør den fra utsiden til midten av retten en eller to ganger under tilberedningen

Tillat hviletid

Etter at tilberedningstiden er ute, la maten stå i ovnen i tilstrekkelig lang tid, da dette gjør at den kan fullføre tilberedningssyklusen og kjøle den ned gradvis

Om maten er ferdig eller ikke

Farge og hardhet på maten hjelper til med å avgjøre om den er ferdig, disse inkluderer:

- Damp kommer ut fra alle deler av maten, ikke bare kanten
- Skjøter av fjørfe kan enkelt flyttes
- Svinekjøtt eller fjærfe viser ingen tegn på blod
- Fisken er ugjennomsiktig og kan enkelt skjæres i skiver med en gaffel

Bruningsrett

Når du bruker en brunskål eller selvoppvarmende beholder, plasser alltid en varmebestandig isolator som en porselensplate under den for å unngå skade på rotasjonsplaten og rotasjonsringen.

Mikrobølgesikker plastfolie

Når du lager mat med høyt fettinnhold, må du ikke la plastfolien komme i kontakt med mat, da den kan smelte

Mikrobølgesikre kokekar i plast

Noen kokekar av plast som tåler mikrobølgeovn er kanskje ikke egnet for matlaging med høyt fett- og sukkerinnhold. Forvarmingstiden som er spesifisert i bruksanvisningen for matretten må heller ikke overskrides.

VEDLIKEHOLD

SERVICE

Sjekk følgende før du ringer service.

1. Plasser en kopp vann (ca. 150 ml) i et glassmål i ovnen og lukk døren godt. Ovnslampen skal slukke dersom døren er ordentlig lukket. La ovnen kjøre i 1 min.

2. Lyser ovnslampen?

3. Fungerer kjøleviften?

(Legg hånden over de bakre ventilasjonsåpningene.)

4. Roterer rotasjonsplaten?

(Rotasjonsplaten kan rotere med eller mot klokken. Dette er ganske normalt.)

5. Er vannet inne i ovnen varmt etter 1 minutt?

Hvis "NEI" er svaret på noen av spørsmålene ovenfor, sjekk vegguttaket og sikringen i målerboksen.

Hvis både stikkontakten og sikringen fungerer som den skal, TA KONTAKT MED DITT NÆRMESTE GODKJENTE SERVICE-SENTER.

SERVICSIKKERHETSANORDNINGER

Forsiktighet: MIKROBØLGESTRÅLING

1. **Advarsel:** Det er mikrobølgestråling og høyspenning i mikrobølgeovnen. Bortsett fra vedlikeholdsteknikere, er det strengt forbudt å demontere den selv for å unngå skade på menneskekroppen. Ikke utsett noen for stråling fra mikrobølgegeneratorer eller andre ledede mikrobølgeenergi komponenter!

Advarsel: Når mikrobølgeovnen er i gang, vil overflatetemperaturen være svært høy!

2. Under service kan de oppførte delene fjernes og gi tilgang til potensialer over 250 V til jord.

- Magnetron
- Høyspent transformator
- Høyspent kondensator
- Høyspent diode

3. Følgende forhold kan forårsake unødig eksponering for mikrobølger under service.

- Feil montering av magnetron;
- Feil matching av dørlås, dørhengsel og dør;
- Feil montering av bryterstøtte;
- Dør, dørpakning eller innkapsling har blitt skadet.

Riktig kassering av dette produktet



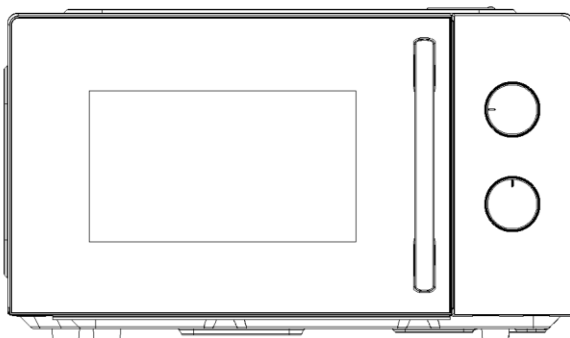
Dette apparatet er merket i samsvar med det europeiske direktivet 2012/19/EU om forskrifter for avfall av elektrisk og elektronisk utstyr 2013 angående elektriske og elektroniske apparater (WEEE). WEEE inneholder både forurensende stoffer (som kan ha en negativ effekt på miljøet) og basiselementer (som kan gjenbrukes). Det er viktig at WEEE-behandlingen tar hånd om spesifikke behandlinger for å fjerne og kassere forurensningene korrekt og gjenvinne alt materialet. Enkeltpersoner kan spille en viktig rolle i å sikre at WEEE ikke blir et miljøproblem. Det er avgjørende å følge noen få grunnleggende regler:

- WEEE skal ikke behandles som husholdningsavfall.
- WEEE skal bringes til dedikerte innsamlingsområder som administreres av byrådet eller et registrert selskap.

I mange land kan boligsinnsamlinger være tilgjengelige for store WEEE-produkter. Når du kjøper et nytt apparat, kan det gamle returneres til forhandleren som må ta imot det gratis. Så lenge apparatet er av en tilsvarende type og har samme funksjoner som den kjøpte enheten.

CANDY

BRUKSANVISNING FÖR MIKROVÅGSUGN



CMW20SMWLI/4U



PAP

**VIKTIGA SÄKERHETSANVISNINGAR
LÄS NOGGRANT OCH SPARA FÖR FRAMTIDA REFERENS**

Endast för hushållsbruk

SPARA DESSA INSTRUKTIONER

VIKTIGA SÄKERHETSÅTGÄRDER

VARNING: Om luckan eller dörrtätningarna är skadade får ugnen inte användas förrän den har reparerats av en kompetent person.

VARNING: Det är farligt för andra än behöriga tekniker att utföra service eller reparationer som innebär att ett hölje som skyddar mot exponering för mikrovågsenergi avlägsnas. **VARNING:** Vätskor eller andra livsmedel får inte värmas i slutna behållare eftersom de kan explodera.

1. Använd endast redskap som är lämpliga för mikrovågsugnar
2. Metallbehållare för mat och dryck får inte användas vid tillagning i mikrovågsugn.
3. När du värmer mat i plast- eller pappersförpackningar ska du hålla ett öga på ugnen eftersom det finns risk för antändning.
4. Mikrovågsugnen är avsedd för uppvärmning av mat och dryck. Att torka mat eller kläder och värma värmekuddar, tofflor, svampar, fuktiga trasor och liknande kan leda till risk för skada, antändning eller brand.
5. Om rök observeras, stäng av eller koppla ur apparaten och håll luckan stängd för att kväva eventuella lågor. Uppvärmning av drycker i mikrovågsugn kan medföra försenad eruptiv kokning, och därför måste försiktighet iakttas vid hantering av behållaren.

6. Då du värmer upp barnmat i burk eller nappflaska ska maten blandas och kärlet omskakas ordentligt efter uppvärmningen och temperaturen kontrolleras för att undvika brännskador.
7. Ägg med skal och hela hårdkokta ägg bör inte värmas i mikrovågsugn. De kan explodera även efter mikrovågsvärmningen.
8. Om ugnen inte hålls ren kan det leda till att ytan försämras, vilket kan påverka apparatens livslängd negativt och eventuellt leda till en farlig situation. Mikrovågsgugnen är avsedd att användas fristående eller inbyggd eller i ett skåp.
9. Apparaten får inte placeras i ett skåp
10. Var försiktig så att den roterande tallriken inte förskjuts när du tar bort behållare från apparaten.
11. Apparaten får inte rengöras med en ångrengörare.

Varning: När apparaten används i kombinationsläget bör barn endast använda ugnen under uppsikt av en vuxen på grund av de temperaturer som uppstår.



FÖRSIKTIGHET: HET YTA

12. Om elsladden skadas måste den bytas av tillverkaren, dennes serviceombud eller liknande kvalificerad person för att undvika faror.
13. Den här apparaten kan användas av barn från 8 års ålder och av personer med nedsatt fysisk, sensorisk eller mental förmåga

om de har fått handledning eller instruktioner för säker användning och förstår de faror som är inblandade.

14. Barn ska inte leka med apparaten.
15. Rengöring och skötsel ska inte utföras av barn utan uppsikt.
16. Apparat i grupp 2 klass B

Definitionen för grupp 2 inkluderar all ISM-utrustning i vilken radiofrekvensenergi avsiktligt genereras och/ eller används i form av elektromagnetisk strålning för behandling av material och EDM- och bågsvetsutrustning.

Klass B innebär att utrustningen är lämplig för bruk i hemmiljö och i anläggningar som är direkt anslutna till ett lågspänningsnätverk som försörjer byggnader som används för hushållsändamål.

INSTALLATION

1. Ta bort förpackningen från mikrovågsugnen och kontrollera noga att den inte är skadad. Till exempel att:

Ugnshöljet inte är skadat eller utsatt för hårt tryck

Ugnsluckan är platt och omkopplaren är smidig och flexibel

Metallisoleringsnätet på ugnsluckan inte är böjt eller deformerat

Nätsladden inte är lös.

Om du upptäcker något av ovanstående, kontakta omedelbart din återförsäljare eller vår särskilda underhållsavdelning.

2. Mikrovågsugnen måste placeras plant i en ventilerad, torr och korrosionsfri miljö. På avstånd från höga temperaturer och ångor.

3. Placera inga föremål ovanpå mikrovågsugnen. För att få tillräckligt utrymme för cirkulation bör produkten placeras 85 cm ovanför marken. Avståndet mellan mikrovågsugnens sidor och väggen bör inte vara mindre än 5 cm, avståndet mellan ugnens baksida och väggen bör inte vara mindre än 10 cm och avståndet från det översta väggskåpet bör inte vara mindre än 20 cm.

4. Mikrovågsugnen bör placeras på säkert avstånd från tv, radio och antenn (i allmänhet mer än 5 m), eftersom den annars kan orsaka störningar.

5. Mikrovågsugnen bör placeras på en plats där strömsladden är lätt att koppla in och där jordningen är garanterat bra. Vid läckage kan jordledningen deformeras.

Strömslingan undviker elektriska stötar.

6. Se till att luckan är stängd när du använder mikrovågsugnen.

7. Placera inte mikrovågsugnen i skåpet.
8. När mikrovågsugnen används för första gången kan det ofta uppstå lukt och till och med vit rök under uppvärmningen. Detta uppstår när rester eller fett från tillverkningsprocessen fortfarande finns kvar i ugnsutrymmet eller på värmeröret. Detta är normalt och vanligt förekommande. Lukten kommer att försvinna. Se till att öppna dörrar och fönster för att upprätthålla god ventilation.

RENGÖRING

SKÖTSEL AV MIKROVÅGSUGN



FÖRSIKTIGHET

Ugnen bör rengöras regelbundet och eventuella matavlagringar bör avlägsnas.



VARNING

1. Dra ut strömsladden ur vägguttaget innan rengöring. Sänk inte ner apparaten i vatten eller andra vätskor vid rengöring.
2. Om ugnen inte hålls ren kan det leda till att ytan försämras, vilket kan påverka apparatens livslängd negativt och eventuellt leda till en farlig situation.
3. Använd aldrig hårda rengöringsmedel, bensin, slipmedel eller metallborste för att rengöra någon del av apparaten.
4. Ta inte bort vågskyddet.
5. När mikrovågsugnen har använts under en längre tid kan det förekomma konstiga lukter i ugnen. Följande tre metoder kan få bort dem:
 - a. Lägg flera citronskivor i en kopp och värm sedan med hög mikroeffekt i 2-3 min.

b. Ställ in en kopp rött te i ugnen och värm sedan med hög mikroeffekt.

c. Lägg några apelsinskal i ugnen och värm dem sedan med hög mikroeffekt i 1 minut.

6. VARNING: Låt endast barn använda ugnen utan uppsikt när tillräckliga instruktioner har getts så att barnet kan använda ugnen på ett säkert sätt och förstår riskerna med felaktig användning.

TIPS FÖR RENGÖRING

Detaljer för rengöring av dörrtätning, hålrum och intilliggande delar:

Ugnens utsida:

Torka av höljet med en mjuk, fuktig trasa.

Lucka:

Torka av luckan och fönstret med en mjuk, fuktig trasa.

Torka av luckans tätningar och intilliggande delar för att avlägsna eventuellt spill eller stänk.

Torka av kontrollpanelen med en mjuk, lätt fuktad trasa.

Ugnens insida:

Använd en mjuk, fuktig trasa för att torka rent ugnen

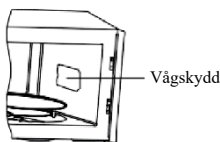
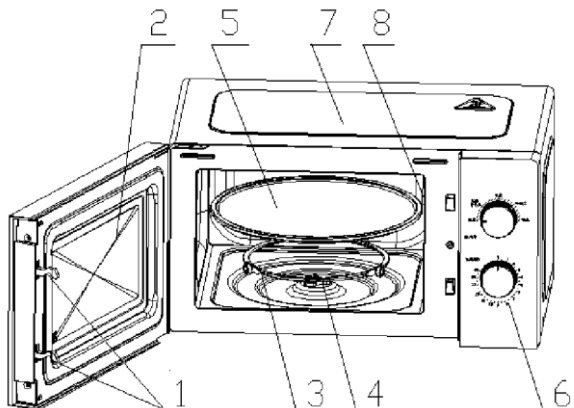
Gör rent vågskyddet för att ta bort eventuell matstänk

Roterande tallrik/ Rotationsring/ Rotationsaxel:

Rengör med milt tvålatten

Skölj med rent vatten och låt torka ordentligt

PRODUKTINSTRUKTION



1) Lucklås

Luckan måste vara ordentligt stängd för att mikrovågsugnen ska fungera

2) Fönster

Gör det möjligt för användaren att se tillagningens status

3) Rotationsring

Glastallriken står på sina hjul; de stöder glassallriken och hjälper den att balansera vid rotering

4) Roterande axel

Glastallriken sitter på axeln; motorn sitter under axeln och gör så glassallriken roterar

5) Roterande tallrik

Maten placeras på den roterbara tallriken, dess rotation under drift hjälper till att tillaga maten jämnt



FÖRSIKTIGHET

- Placera rotationsringen först

- Montera den roterande tallriken på den roterande axeln och se till att den sitter ordentligt

6) Kontrollpanel

Se nedan för detaljer (kontrollpanelen kan komma att ändras utan föregående meddelande)

7) Ytterhölje

Används att skydda de inre strukturella delarna och de elektriska komponenterna i hela maskinen

8) Vågskydd

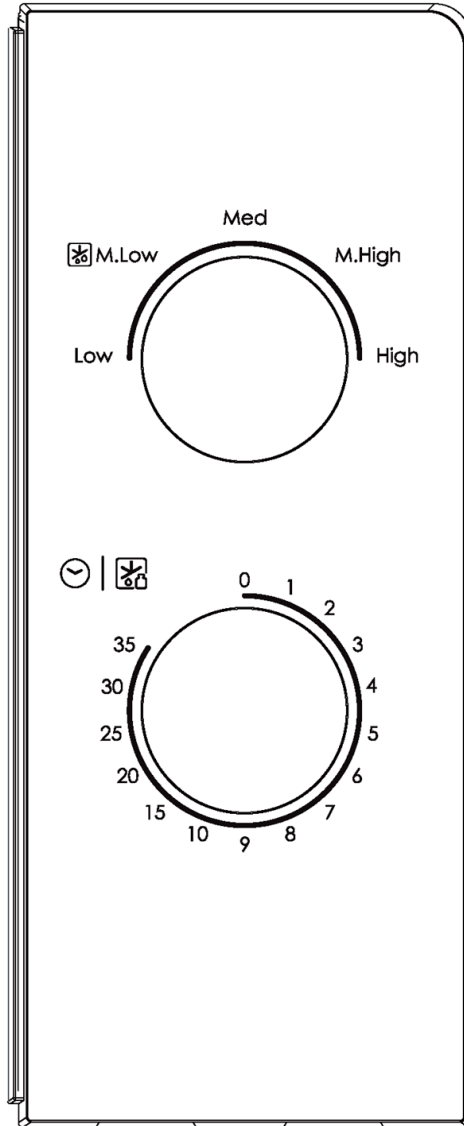
Den sitter inuti mikrovågsugnen, bredvid väggen med kontrollpanelen.



WARNING

Ta aldrig bort vågskyddet.

ANVÄNDA KONTROLLPANELEN



1. KLOCKINSTÄLLNING

Den maximala inställningen är 35 minuter, det hörs en ringsignal i slutet och vredet återgår till "0"-läget.

2. MIKROVÅGSFUNKTION

Det finns fem tillagningseffekter:

HÖG	100 % uteffekt	700 W	(Snabb tillagning)
M.Hög	80 % uteffekt	550 W	(Normal tillagning)
Med.	55 % uteffekt	390 W	(Långsam tillagning)
M.Låg	30 % uteffekt	200 W	(Tina upp mat)
LÅG	17 % uteffekt	120 W	(Varmhållning)

Nedan följer några råd om tid för upptining av livsmedel:

	Vikt	Upptiningstid
Kött	0,1 ~ 1,0 kg	1:30~26:00
Fjäderfä/fågel	0,2~1,0 kg	2:30~22:00
Skaldjur	0,1~0,9 kg	1:30~14:00

DRIFT

1) Anslut sladden

- Innan du ansluter sladden, se till att timern är inställd på "0".
- Se till att inte blockera ventilationen.

2) Placera maten på glastallriken och stäng luckan

- Maten måste vara placerad i kärl eller behållare

3) Välj önskad effektnivå

4) Ställa in timer

Om önskad tid är mindre än 10 minuter, vrid timern till läget över 10 minuter och vrid sedan tillbaka till önskad tidsinställning.

5) När den önskade tiden är inställd börjar tillagningen. Om det behövs en paus däremellan kan du när som helst öppna luckan och stänga den igen för att återuppta driften.

6) När tiden är ute och tillagningen är avslutad avger mikrovågsugnen en klocksignal, och den inre lampan släcks också automatiskt.

Om maten tas ut innan tiden gått ut, se till att ställa tillbaka timern till "0". Detta för att undvika att mikrovågsugnen körs tom.

RIKTLINJER FÖR KÄRL

Beroende på tillagningsmetoden är det nödvändigt att välja ett säkert och lämpligt kärl. Om kärlet inte väljs korrekt kommer det inte bara att påverka tillagningseffekten, utan också orsaka skador på kärlet eller mikrovågsugnen. Se tabellen nedan för användning:

Behållarens material	Mikrovågsugn	Anmärkningar
Värmebeständig keramik	Ja	Använd aldrig keramik som är dekorerad med metallkant eller glaserad
Värmebeständig plast	Ja	Kan inte användas för långvarig tillagning i mikrovågsugn
Värmebeständigt glas	Ja	
Grillställ	Nej	
Plastfilm	Ja	Den bör inte användas vid tillagning av kött eller kotletter eftersom övertemperaturen kan skada filmen

MATLAGNINGSTIPS

Följande faktorer kan påverka tillagningsresultatet:

Placering av mat

Placera tjockare delar utåt mot tallriken, tunnare delar inåt mot tallriken. Se till att maten är jämnt fördelad. Maten ska inte placeras i lager.

Tillagningstid längd

Starta tillagningen med en kort tidsinställning, kontrollera maten efter att tiden gått ut och förläng efter behov. Överkokning kan leda till rök och brännskador.

Jämn tillagning

Mat som kyckling, hamburgare eller biff ska vändas en gång under tillagningen.

Beroende på typ av mat (om tillämpligt), rör om maten en eller två gånger, arbeta utåt mot mitten, under tillagningen.

Låt maten vara kvar i ugnen

Låt maten stå kvar i ugnen tillräckligt länge efter att tillagningstiden har gått ut, så att den kan slutföra sin tillagningscykel och kylas ned gradvis.

Hur du ser om maten är färdig

Färgen och hårdheten på maten hjälper till att avgöra om den är färdig. Uppmärksamma följande:

- Ånga kommer ut från alla delar av maten, inte bara kanten
- Ben på fjäderfä/fågel tas lätt bort
- Inget resterande blod vid tillagning av fläsk eller fjäderfä/fågel
- Fiskens kött är ogenomskinligt och kan lätt skivas med en gaffel

Crisppanna

När du använder en crisppanna eller en självuppvärmande behållare ska du alltid placera en värmetålig isolering, t.ex. en porslinsplatta, under den för att förhindra skador på den roterande tallriken och rotationsringen.

Mikrovågssäker plastfolie

Vid tillagning av mat med hög fetthalt, låt inte plastfolien komma i kontakt med maten eftersom den kan smälta.

Mikrovågssäkert plastkärl

Vissa mikrovågssäkra plastkärl kanske inte är lämpliga för att laga mat med hög fett- och sockerhalt. Förvärmningstiden som anges för skålen i relativ bruksanvisning får inte överskridas.

UNDERHÅLL

SERVICE

Kontrollera följande innan du ringer efter service.

1. Placera en kopp vatten (ca 150 ml) i ett glasmått i ugnen och stäng luckan ordentligt. Ugnslampan ska slockna om luckan är ordentligt stängd. Låt ugnen verka i 1 min.

2. Lyser ugnslampan?

3. Fungerar kylfläkten?

(Lägg handen över de bakre ventilationsöppningarna.)

4. Roterar den roterande tallriken?

(Den roterande tallriken kan rotera medurs eller moturs. Detta är ganska normalt.)

5. Är vattnet i ugnen varmt efter 1 minut?

Om "NEJ" är svaret på någon av ovanstående frågor, kontrollera ditt vägguttag och säkringen i ditt elskåp.

Om både vägguttaget och säkringen fungerar korrekt, KONTAKTA DITT NÄRMASTE GODKÄNDA SERVICECENTER.

SKYDDSÅTGÄRDER FÖR SERVICE

Försiktighet: MIKROVÅGSSTRÅLNING

1. **Varning:** Det finns mikrovågsstrålning och hög spänning i mikrovågsugnen. Med undantag för underhållstekniker är det strängt förbjudet att demontera den själv för att undvika kroppsskador. Utsätt dig inte för strålning från mikrovågsgeneratorer eller andra komponenter med mikrovågsenergi!

Varning: När mikrovågsugnen är igång blir ytttemperaturen mycket hög!

2. Vid service kan nedan listade delar avlägsnas och ge tillgång till jordpotentialer över 250 V.

- Magnetron
- Högsänningstransformator
- Högsänningkondensator
- Högsänningdiöd

3. Följande förhållanden kan orsaka onödigg exponering för mikrovågor under service;

- felaktigg montering av magnetron;
- felaktigg matchning av förregling, gångjärn för lucka samt lucka;
- felaktigg montering av strömbrytarstödd;
- skadad lucka, dörrtätning eller kapsling.

Korrekt bortscaffande av denna produkt



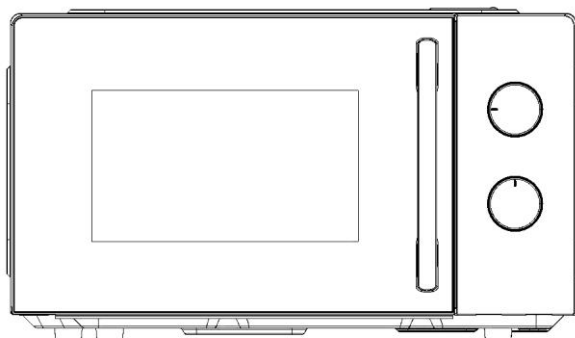
Den här apparaten är märkt i enlighet med EU-direktivet 2012/19/EU om föreskrifter gällande avfall av elektrisk och elektronisk utrustning (WEEE) från 2013. WEEE innehåller både miljöförstörende substanser och baselement (som kan återanvändas). Det är viktigt att WEEE genomgår specifik bearbetning så att miljöförstörende ämnen avlägsnas och hanteras på rätt sätt, och andra material kan återvinnas. Individier kan spela en viktig roll i att säkerställa att WEEE inte blir ett miljöproblem. Det är viktigt att följä några grundläggande regler:

- WEEE ska inte betraktas som hushållsavfall.
- WEEE ska tas till en särskild återvinningsstation som drivs kommunalt eller av ett privat företag.

I många länder kan stora WEEE-produkter hämtas i hemmen. När du köper en ny apparat kan den gamla lämnas till leverantören som måste acceptera den kostnadsfritt som en engångslösning, så länge den gamla apparaten är av liknande typ och har samma funktioner som den nyinköpta apparaten.

CANDY

MIKROAALTOUUNI KÄYTTÖOHJE



CMW20SMWLI/4U



PAP

**TÄRKEITÄ TURVALLISUUSOHJEITA
LUE HUOLELLISESTI JA SÄILYTÄ MYÖHEMPÄÄ
KÄYTTÖÄ VARTEN**

Vain kotitalouskäyttöön

TALLENNA NÄMÄ OHJEET

TÄRKEÄT SUOJATOIMET

VAROITUS: Laitetta ei saa käyttää ennen kuin koulutettu henkilö on korjannut sen, jos sen ovi tai oven tiivisteet ovat vahingoittuneet.

VAROITUS: Kenenkään muun kuin asianmukaisen koulutuksen saaneen henkilön ei tule tehdä laitteelle mitään huolto- tai korjaustoimia, jotka edellyttävät laitteen minkään sellaisen kuoren osan poistamista, mikä suojaa altistumiselta mikroaaltoenergialle. **VAROITUS:** Nesteitä tai muita ruokia ei saa kuumentaa suljetuissa astioissa, sillä ne voivat räjähtää.

1. Käytä vain astioita, jotka soveltuvat mikroaaltouunikäyttöön.
2. Metallisia välineitä tai metallipinnoitettuja astioita ei tule käyttää.
3. Kun lämmität ruokaa muovi- tai paperiastioissa, tarkista uuni usein syttymisvaaran vuoksi.
4. Mikroaaltouuni on tarkoitettu ainoastaan ruokien ja nesteiden lämmittämiseen. Ruokien tai vaatteiden kuivaaminen, lämpötyynyjen, aamutossujen, sienien, kosteiden kankaiden ja vastaavien tuotteiden lämmittäminen mikroaaltouunilla voi aiheuttaa loukkaantumisen, syttymisen tai tulipalon.
5. Jos havaitset savua, sammuta laite tai irrota se pistorasiasta ja pidä ovi suljettuna liekkien tukahduttamiseksi. Juomien lämmittäminen mikroaaltouunissa voi johtaa viivästyneeseen purkautuvaan kiehumiseen, minkä vuoksi astiaa käsiteltäessä on oltava varovainen.

6. Ruokintapullojen ja lastenruokatölkkien sisältöä on palovammojen välttämiseksi sekoitettava tai ravistettava ja lämpötila on tarkistettava ennen tarjoamista lapselle.
7. Raakoja kananmunia ei tule kuumentaa kuorineen uunissa. Myöskään kokonaisia kovaksi keitettyjä munia ei saa lämmittää uunissa, koska ne voivat räjähtää myös kuumentamisen jälkeen.
8. Jos uunia ei pidetä aina puhtaana, sen pinnan laatu voi huonontua ja tämän seurauksena laitteen käyttöikä voi lyhentyä. Myös vaaratilanteita saattaa syntyä. Mikroaaltouuni on tarkoitettu käytettäväksi vapaasti seisovana tai sisäänrakennettuna.
9. Laitetta ei saa sijoittaa kaappiin.
10. On varottava siirtämästä pyörivää alustaa, kun astioita poistetaan laitteesta.
11. Laitetta ei saa puhdistaa höyrypuhdistimella.

Varoitus: Kun laitetta käytetään yhdistelmätilassa, lasten tulisi käyttää laitetta sen kuumentamisen vuoksi ainoastaan aikuisen valvonnassa.



HUOMIO: KUUMA PINTA

12. Jos virtajohto on vaurioitunut, valmistajan, sen huoltoedustajan tai vastaavan ammattitaitoisen henkilön on vaihdettava se vaaran välttämiseksi.
13. Vähintään 8-vuotiaat lapset ja henkilöt, joiden fyysiset, aisteihin liittyvät tai henkiset kyvyt ovat alentuneet tai joilla ei ole aiheeseen liittyvää kokemusta ja tietoa, voivat käyttää laitetta edellyttäen,

että heitä valvotaan tai heille annetaan ohjeet laitteen käyttöön turvallisella tavalla ja he ymmärtävät vaaratekijät.

14. Lapset eivät saa leikkiä laitteella.

15. Lapset eivät saa puhdistaa laitetta tai suorittaa käyttäjän ylläpito-toimia ilman valvontaa.

16. Ryhmän 2 luokan B laite

Ryhmä 2 ISM-laitteet: ryhmään 2 kuuluvat kaikki ISM-laitteet, joissa radiotaajuusenergiaa tuotetaan ja/tai käytetään tarkoituk-sellisesti sähkömagneettisen säteilyn muodossa materiaalin käsit-telyyn, sekä kipinätyöstö- ja kaarihitsauslaitteet.

Luokan B laitteilla tarkoitetaan laitteita, jotka soveltuvat käytet-täviksi kotitalouksissa ja laitoksissa, jotka on liitetty suoraan pienjänniteverkkoon, joka toimittaa sähköä asuinkäyttöön tarkoitet-tuihin rakennuksiin.

ASENNUS

1. Poista pakkaus ja tarkista mikroaaltouuni huolellisesti vaurioiden varalta. Kuten:

Onko uunin runko kärsinyt ja onko siinä merkkejä kovasta paineesta.

Onko uunin ovi tasainen ja onko kytkin sileä ja joustava.

Onko uunin oven metallinen eristysverkko taipunut tai epämuodostunut.

Onko virtajohto löysällä.

Jos havaitset jotain edellä mainituista, ota välittömästi yhteyttä jälleenmyyjään tai erikoishuolto-osastoomme.

2. Mikroaaltouuni on sijoitettava tasaiselle alustalle tuuletettuun, kuivaan, korroosionkestävään ympäristöön, pois korkeista lämpötiloista ja höyryistä.

3. Älä aseta mitään esineitä uunin päälle. Riittävän ilmankiertotilan varmistamiseksi tuote on sijoitettava 85 cm maanpinnan yläpuolelle. Mikroaaltouunin sivujen ja seinän välisen etäisyyden tulisi olla vähintään 5 cm, uunin takaosan ja seinän välisen etäisyyden tulisi olla vähintään 10 cm ja etäisyyden yläpuolella olevasta kaapista tulisi olla vähintään 20 cm.

4. Mikroaaltouunin on oltava kaukana televisiosta, radiosta ja antennista (yleensä yli 5 m), muuten se aiheuttaa häiriöitä.

5. Mikroaaltouuni on sijoitettava paikkaan, jossa virtajohto on kätevä kytkeä ja jossa maadoitus on taatusti hyvä. Vuodon sattuessa maadoitusjohto voi vääntyä.

Virtasilmutuksella vältetään sähköisku.

6. Käytä mikroaaltouunia vain oven ollessa kiinni.

7. Älä aseta mikroaaltouunia kaappiin.

8. Kun mikroaaltouunia käytetään ensimmäistä kertaa, lämmityksen aikana voi usein esiintyä hajua ja jopa valkoista savua, koska uunissa tai lämmitysputkessa on valmistusprosessissa syntyneitä jäämiä tai rasvaa. Tämä on normaali ilmiö, ja sitä tapahtuu usein. Tämän jälkeen näin ei tapahdu. Kiinnitä huomiota ovien ja ikkunoiden avaamiseen hyvän ilmanvaihdon ylläpitämiseksi.

PUHDISTUS

MIKROAALTOUUNIN HOITO



HUOMIO

Uuni on puhdistettava säännöllisesti ja mahdolliset ruokakertymät on poistettava.



VAROITUS

1. Irrota virtajohto pistorasiasta ennen puhdistusta. Älä upota laitetta veteen tai muihin nesteisiin puhdistuksen aikana.

2. Jos uunia ei pidetä aina puhtaana, sen pinnan laatu voi huonontua ja tämän seurauksena laitteen käyttöikä voi lyhentyä. Myös vaaratilanteita saattaa syntyä.

3. Älä koskaan käytä kovaa pesuainetta, bensiiniä, hankaavaa jauhetta tai metalliharjaa minkään laitteen osan puhdistamiseen.

4. Älä poista aaltoputken kantta.

5. Kun mikroaaltouunia on käytetty pitkään, uunissa voi esiintyä outoja hajuja. Hajuista voi päästä eroon seuraavan kolmen menetelmän avulla:

a. Laita useita sitruunanviipaleita kuppiin ja kuumenna korkealla teholla 2–3 minuutin ajan.

b. Laita kuppi punaista teetä uuniin ja kuumenna sitten korkealla mikroteholla.

c. Laita appelsiininkuoria uuniin ja kuumenna niitä korkealla teholla 1 minuutin ajan.

6. VAROITUS: Anna lasten käyttää uunia ilman valvontaa vain, kun on annettu riittävät ohjeet, jotta lapsi osaa käyttää uunia turvallisesti ja hän ymmärtää sopimattoman käytön aiheuttamat vaarat.

VINKKEJÄ PUHDISTUKSEEN

Oven tiivisteiden, uunin sisäosan ja viereisten osien puhdistus:

Ulkopuoli:

Pyyhi kotelo kostutetulla pehmeällä liinalla.

Ovi:

Pyyhi ovi ja ikkuna puhtaaksi kostutetulla pehmeällä liinalla.

Pyyhi oven tiivisteet ja viereiset osat roiskeiden poistamiseksi.

Pyyhi ohjauspaneeli hieman kostutetulla pehmeällä liinalla.

Sisäseinät:

Pyyhi sisäosa puhtaaksi kostutetulla pehmeällä liinalla.

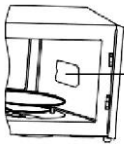
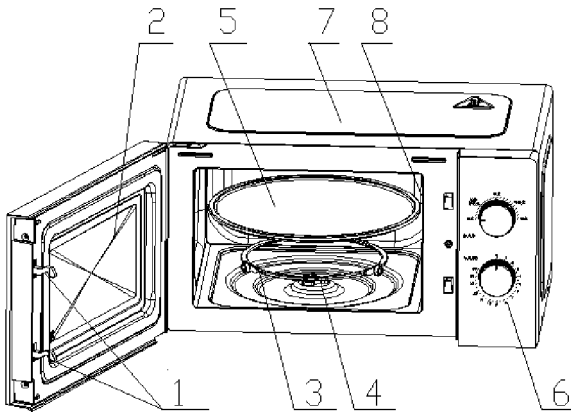
Pyyhi aaltoputken kansi puhtaaksi mahdollisesti roiskuneesta ruuasta.

Pyörivä alusta/ Pyörivä rengas/ Pyörivä akseli:

Pese miedolla saippuavedellä.

Huuhtele puhtaalla vedellä ja anna kuivua perusteellisesti.

TUOTEOHJEET



Aaltoputken kansi

1) Oven lukitus

Mikroaaltouunin oven on oltava kunnolla kiinni, jotta laite voi toimia.

2) Katseluikkuna

Käyttäjä voi nähdä ruoanvalmistuksen tilan.

3) Pyörivä rengas

Lasinen pyörivä alusta lepää sen pyörien päällä. Se tukee pyörivää alustaa ja pitää sen tasapainossa pyörimisen aikana.

4) Pyörivä akseli

Lasinen pyörivä alusta lepää akselin päällä. Sen alla oleva moottori pyörittää alustaa.

5) Pyörivä alusta

Ruoka asetetaan alustalle, jonka pyöriminen kuumennuksen aikana auttaa kypsentämään ruokaa tasaisesti.



HUOMIO

- Aseta pyörivä rengas ensin.
- Aseta pyörivä alusta pyörivälle akselille ja varmista, että se on asetettu asianmukaisesti paikalleen.

6) Ohjauspaneeli

Katso alla olevat tiedot (ohjauspaneeli voi muuttua ilman ennakkoilmoitusta).

7) Ulkokuori

Suojaa koneen sisäosia ja sähkökomponentteja.

8) Aaltoputken kansi

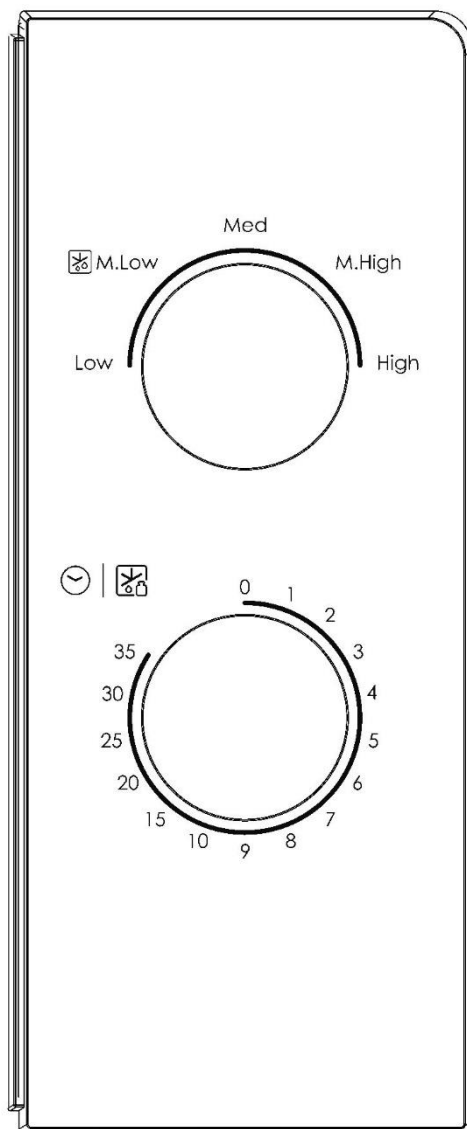
Mikroaaltouunin sisällä, ohjauspaneelin seinän vieressä.



VAROITUS

Älä koskaan poista aaltoputken kantta.

OHJAUSPANEELIN TOIMINTA



1. KELLON ASETUS

Enimmäisasetus on 35 minuuttia, lopussa kuuluu soittoääni ja nuppi palaa asentoon "0".

2. MIKROAALTOTOIMINTO

Käytettävissä on viisi tehoasetusta:

HIGH	100 % teho	700 W	(Nopea ruoanlaitto)
M.High	80 % teho	550 W	(Normaali ruoanlaitto)
Med	55 % teho	390 W	(Hidas ruoanlaitto)
M.Low	30 % teho	200 W	(Ruuan sulatus)
LOW	17 % teho	120 W	(Lämpimänä pito)

Seuraavassa on joitakin ohjeita ruoan sulatusajasta:

	Paino	Sulatusaika
Liha	0,1~1,0 kg	1:30~26:00
Siipikarja	0,2~1,0 kg	2:30~22:00
Merenelävät	0,1~0,9 kg	1:30~14:00

KÄYTTÖ

1) Liitä johto

- Varmista ennen johdon kytkemistä, että ajastin on asetettu asentoon "0".
- Älä tuki ilmanvaihtoa.

2) Aseta ruoka lasiselle pyörivälle alustalle ja sulje ovi.

- Ruoan on oltava astiassa.

3) Valitse haluttu tehotaso.

4) Aseta aika

Jos haluttu aika on alle 10 minuuttia, käännä tehon säädin ensin yli 10 minuutin ja sitten takaisin haluttuun aika-asetukseen.

5) Kun haluttu aika on asetettu, kypsennys alkaa. Jos kypsennyksen välissä tarvitaan taukoa, voit avata oven milloin tahansa. Sulje ovi, kun haluat jatkaa kypsennystä.

6) Kun aika loppuu ja kypsennys päättyy, kuuluu merkkiäni, ja myös sisävalo sammuu automaattisesti.

Jos ruoka poistetaan mikroaaltouunista ennen ajan umpeutumista, varmista, että käännät ajastimen takaisin asentoon "0", sillä tämä estää mikroaaltouunia toimimasta tyhjänä.

ASTIAOHJE

Muista valita kypsennysmenetelmään sopiva ja turvallinen astia. Vääränlainen astia ei ainoastaan vaikuta kypsennystulokseen, vaan myös vahingoittaa astiaa tai mikroaaltouunia. Katso lisätietoja alla olevasta taulukosta:

Astian materiaali	Mikroaaltouuni	Huomautukset
Lämpöä kestävä keramiikka	Kyllä	Älä koskaan käytä keramiikkaa, joka on koristeltu metallireunalla tai lasitettu.
Lämmönkestävä muovi	Kyllä	Ei voida käyttää pitkään kestävään kypsennykseen mikroaaltouunissa.
Lämmönkestävä lasi	Kyllä	
Grilliritilä	Ei	
Muovikelmu	Kyllä	Sitä ei saa käyttää lihan tai kyljysten kypsennykseen, koska liian korkea lämpötila voi vahingoittaa muovikelmuja.

RUOANVALMISTUSVINKKEJÄ

Seuraavat tekijät voivat vaikuttaa kypsennystulokseen:

Ruoan asettelu uunissa

Aseta paksummat kohdat lautasen ulkoreunalle ja ohuemmat kohdat pyörivän alustan keskelle. Levitä ruoka tasaisesti alustalle. Aseta ruoka alustalle tasaisesti, älä päällekkäin, jos mahdollista.

Kypsennysajan pituus

Aloita ruoanvalmistus lyhyellä aika-asetuksella, arvioi tilanne, kun aika on kulunut, ja pidennä aikaa tarvittaessa. Liiallinen kypsentäminen voi aiheuttaa savua ja palovammoja.

Ruoan kypsentäminen tasaisesti

Ruokaa, kuten kanaa, hampurilaisia tai pihvejä, on käännettävä kerran kypsennyksen aikana.

Sekoita ruokaa sen tyypistä riippuen tarvittaessa kerran tai kahdesti kypsennyksen aikana siten, että siirrät astian ulkoreunoilla olevaa ruokaa astian keskelle.

Anna ruoan levätä

Kun kypsennysaika on päättynyt, jätä ruoka uuniin riittävän pitkäksi aikaa, jolloin kypsennys voi päättyä asianmukaisella tavalla ja ruoka jäähtyy vähitellen.

Onko ruoka valmis

Ruoan väri ja kovuus auttavat sen päättelemisessä, onko ruoka kypsää:

- Höyryä tulee ruoan kaikista osista, ei vain reunasta.
- Siipikarjan niveliä voidaan siirtää helposti.
- Sian- tai siipikarjan lihassa ei ole merkkejä verestä.
- Kala on läpinäkymätöntä ja sitä voidaan viipaloida helposti haarukalla.

Ruskistusastia

Kun käytät ruskistusastiaa tai itselämpenevää astiaa, aseta sen alle aina kuumuutta kestävä eriste, kuten posliinilautanen, jotta pyörivä alusta ja pyörivä rengas eivät vaurioidu.

Mikroaaltouunia kestävä muovikääre

Kun kypsennät runsaasti rasvaa sisältävää ruokaa, älä anna muovikääreeseen joutua kosketuksiin ruoan kanssa, sillä se voi sulaa.

Mikroaaltouuninkestävät muoviset keittoastiat

Jotkin mikroaaltoturvalliset muoviset keittoastiat eivät välttämättä sovellu runsaasti rasvaa ja sokeria sisältävien ruokien valmistukseen. Astian käyttöohjeessa mainittua esilämmitysaikaa ei myöskään saa ylittää.

YLLÄPITO JA HUOLTO

HUOLTO

Tarkista seuraavat asiat ennen kuin soitat huoltopalveluihin.

1. Laita yksi kupillinen vettä (noin 150 ml) lasiastiassa uuniin ja sulje ovi kunnolla. Uunin lampun pitäisi sammua, jos luukku on suljettu kunnolla. Anna uunin toimia 1 minuutin ajan.

2. Syttyykö uunin lamppu?

3. Toimiiko jäähdytystuuletin?
(Laita kätesi takaosan tuuletusaukkojen päälle.)

4. Pyöriikö pyörivä alusta?
(Pyörivä alusta voi pyöriä myötäpäivään tai vastapäivään. Tämä on aivan normaalia.)

5. Onko uunin sisällä oleva vesi kuumaa 1 minuutin kuluttua?

Jos vastaus johonkin edellä esitettyyn kysymykseen on EI, tarkista pistorasia ja sähkökaapissa oleva sulake.

Jos sekä pistorasia että sulake toimivat oikein, OTA YHTEYTTÄ LÄHIMPÄÄN HYVÄKSYTTYYN HUOLTOKESKUKSEEN.

HUOLTOTURVATOIMET

Huomio: MIKROAALTOSÄTEILY

1. **Varoitus:** Mikroaaltouunissa on mikroaaltosäteilyä ja korkeajännitettä. Huoltoteknikkoja lukuun ottamatta on ehdottomasti kiellettyä purkaa uunia itse, jotta vältetään henkilövahingot. Älä altista itseäsi tai muita mikroaaltogeneraattoreiden tai muiden johdetun mikroaltoenergian komponenttien säteilylle!

Varoitus: Kun mikroaaltouuni on käynnissä, pintalämpötila on hyvin korkea!

2. Alla olevia osia huollettaessa on olemassa riskejä, jos ne irrotetaan, sillä ne antavat pääsyn korkeajännitteisiin yli 250 V.

- Magneutroni
- Korkeajännitemuuntaja
- Korkeajännitekondensaattori
- Korkeajännitediodi

3. Seuraavat olosuhteet voivat aiheuttaa kohtuuttoman mikroaaltostituksen huollon aikana.

- Magneutronin virheellinen asennus.
- Oven lukituksen, oven saranan ja oven virheellinen sovittaminen yhteen.
- Kytkimen tuen virheellinen asennus.
- Ovi, oven tiiviste tai ulkokuori on vaurioitunut.

Tämän tuotteen oikea hävittäminen



Tämä laite on merkitty sähkö- ja elektroniikkalaiteromua (WEEE) koskevien EU-direktiivin 2012/19/EU mukaisesti. Sähkö- ja elektroniikkalaiteromussa on sekä pilaantuvia aineita, jotka voivat vaikuttaa ympäristöön haitallisesti, että perusaineita (joita voidaan käyttää uudelleen). On tärkeää, että sähkö- ja elektroniikkalaiteromu käsitellään oikein, jotta epäpuhtaudet voidaan poistaa ja hävittää ja kaikki materiaalit ottaa talteen. Yksilöillä voi olla tärkeä rooli sen varmistamisessa, että sähkö- ja elektroniikkalaiteromusta ei tule ympäristöongelmaa. Sen vuoksi on tärkeää noudattaa muutamia perussääntöjä:

- sähkö- ja elektroniikkalaiteromua ei tule käsitellä kotitalousjätteenä
- sähkö- ja elektroniikkalaiteromu on vietävä kunnan tai rekisteröidyn yrityksen hallinnoimille omille keräysalueille.

Monissa maissa voi olla saatavilla keräyspisteitä kotitalouksien suurta sähkö- ja elektroniikkalaiteromua varten. Kun ostat uuden laitteen, vanha laite voidaan palauttaa kauppiaille, jonka on otettava se vastaan ilmaiseksi kertaluonteisesti, kunhan laite on samantyyppinen ja toimii samalla tavalla kuin hankittu laite.

