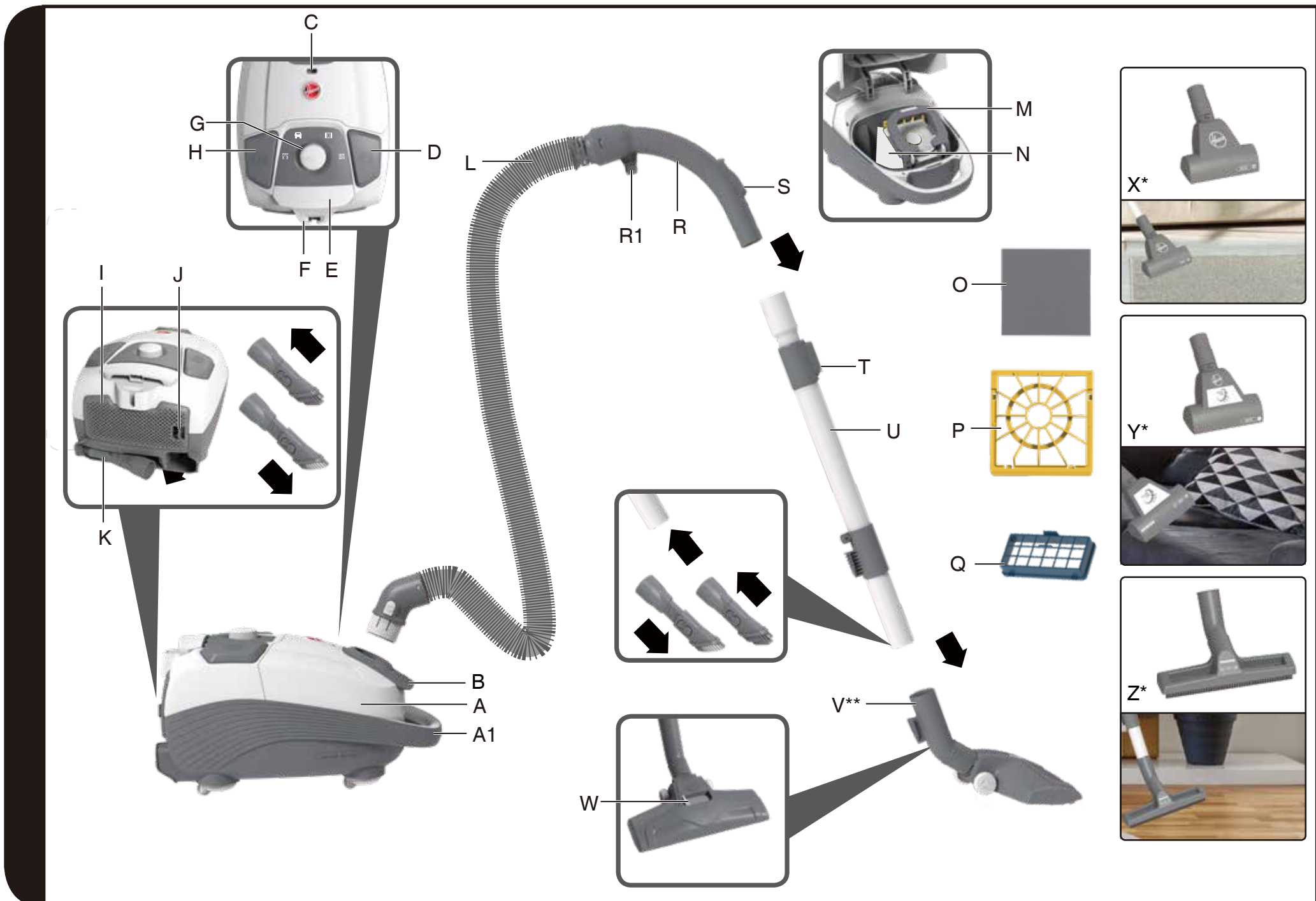
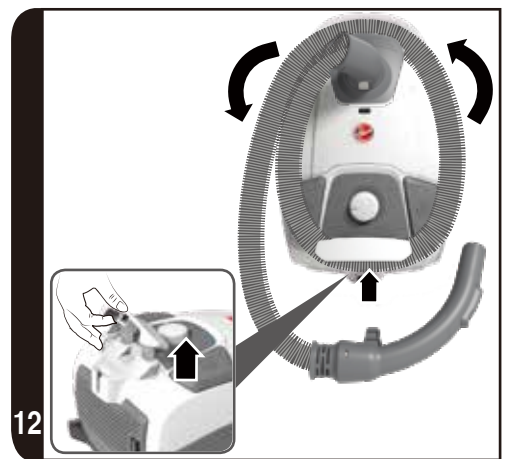
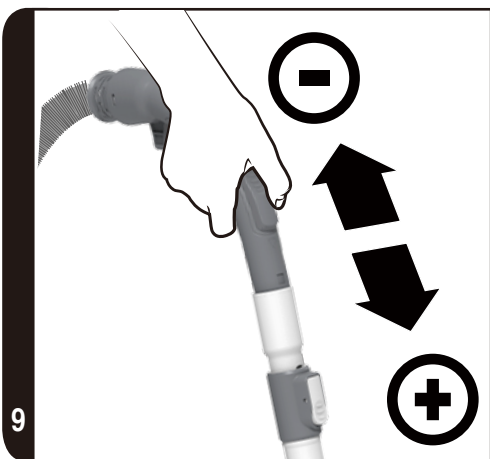
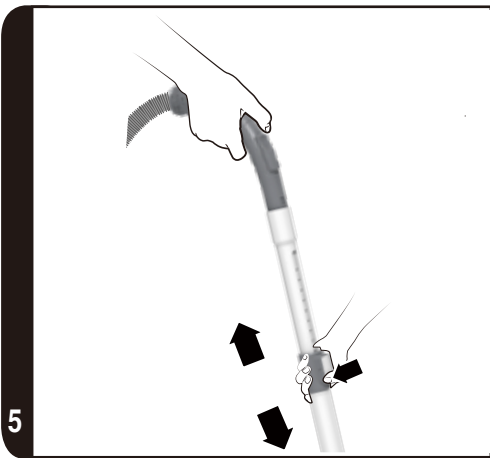
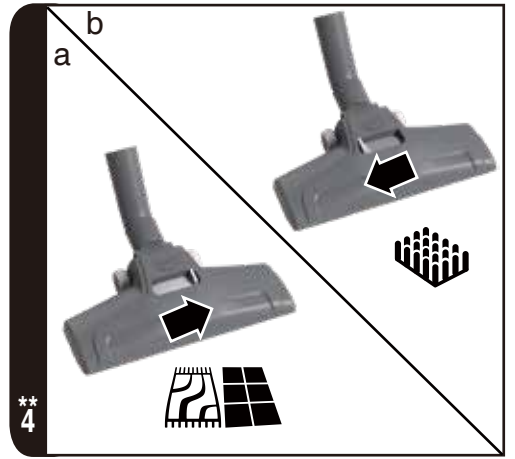
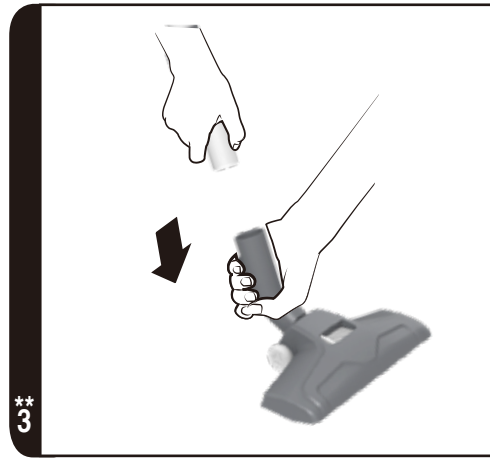
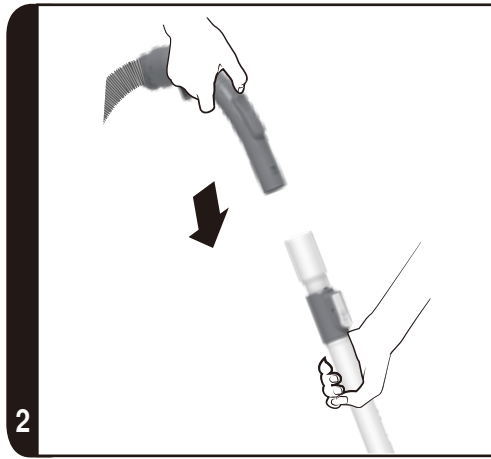




USER MANUAL

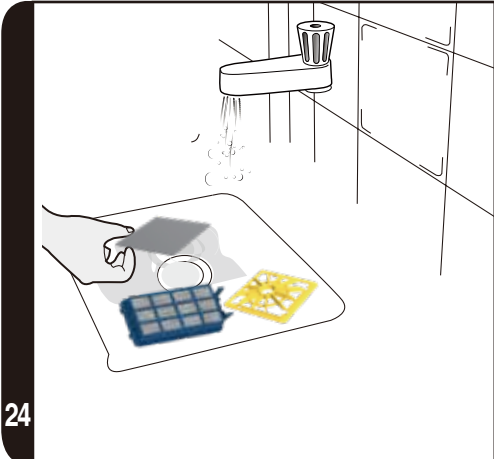
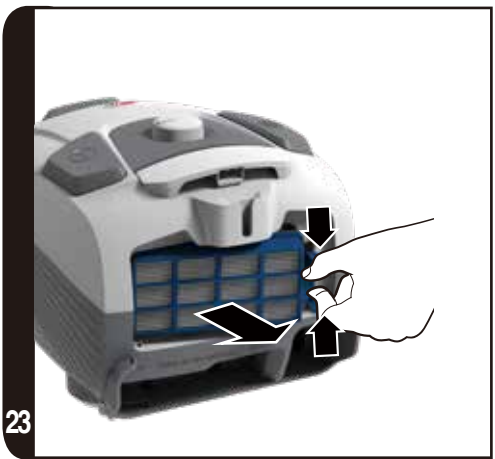
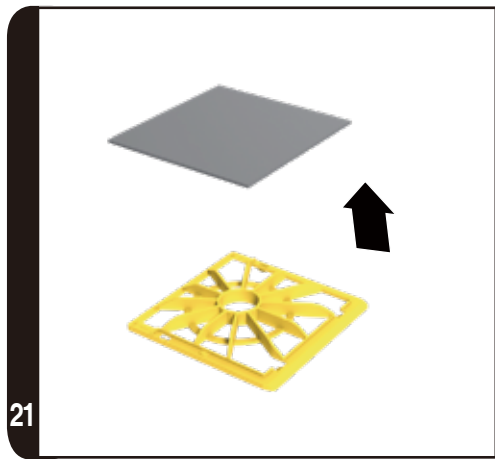
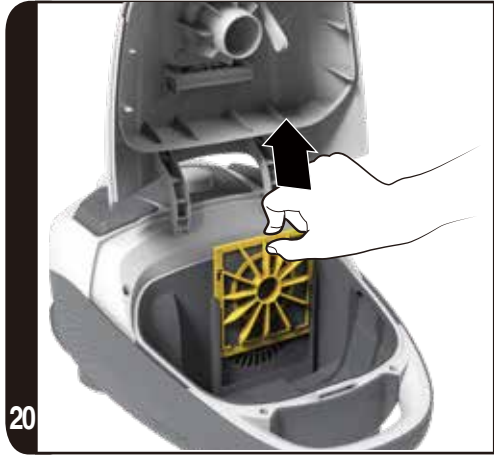
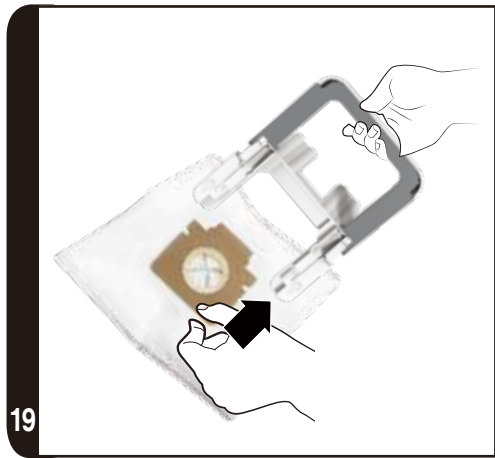
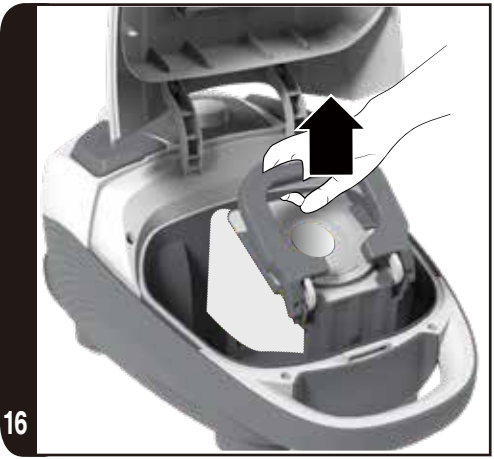


*Certain Models Only **Nozzle design may vary according to models

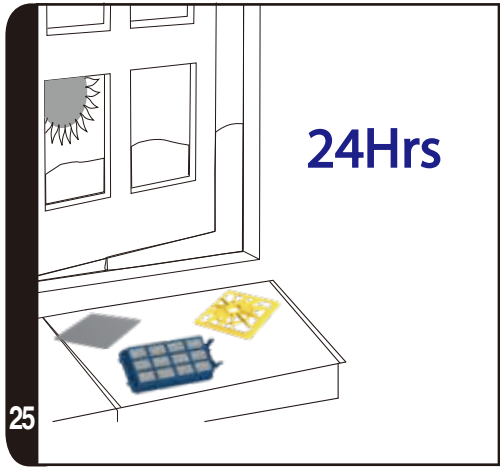


*Certain Models Only

**Nozzle design may vary according to models



*Certain Models Only **Nozzle design may vary according to models



INSTRUCTIONS FOR SAFE USE

This appliance should only be used for domestic cleaning, as described in this user guide. Please ensure that this guide is fully understood before operating the appliance.

Do not leave the appliance plugged in. Always switch off and remove the plug from the socket after use, or before cleaning the appliance or any maintenance task.

This appliance can be used by children aged from 8 years and above and persons with reduced physical, sensory or mental capabilities or lack of experience and knowledge if they have been given supervision or instruction concerning use of the appliance in a safe way and understand the hazards involved. Children shall not play with the appliance. Cleaning and user maintenance shall not be made by children without supervision.

If the power cord is damaged stop using the appliance immediately. To avoid a safety hazard, an authorised HOOVER service engineer must replace the power cord.

Keep hands, feet, loose clothing and hair away from rotating brushes.

Use only attachments, consumables or spares recommended or supplied by HOOVER.

Static electricity: Some carpets can cause a small build up of static electricity. Any static discharge is not hazardous to health.

Do not use your appliance out of doors or on any wet surface or for wet pick up.

Do not pick up hard or sharp objects, matches, hot ashes, cigarette ends or other similar items.

Do not spray with or pick up flammable liquids, cleaning fluids, aerosols or their vapours.

Do not run over the power cord when using your appliance or remove the plug by pulling on the power cord.

Do not continue to use your appliance if it appears faulty.

HOOVER service: To ensure the continued safe and efficient operation of this appliance we recommend that any servicing or repairs are only carried out by an authorised HOOVER service engineer.

Do not stand on or wrap the cord around arms or legs when using your appliance.

Do not use the appliance to clean animals or people.

Do not position the appliance above you when cleaning the stairs.

The Environment

The symbol on this appliance indicates that this appliance may not be treated as household waste. Instead it must be handed over to the applicable collection point for the recycling of electrical and electronic equipment. Disposal must be carried out in accordance with local environmental regulations for waste disposal. For more detailed information about treatment, recovery and recycling of this appliance, please contact your local city office, your household and waste disposal service or the shop where you purchased the appliance.



 This appliance complies with the European Directives 2014/35/EU, 2014/30/EU and 2011/65/EU.

CANDY HOOVER GROUP S.r.l. Via Privata Eden Fumagalli, 20861 Brugherio (MB) Italy

GETTING TO KNOW YOUR CLEANER




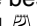
- | | |
|---------------------------------------|--|
| A. Bag Door | N. Bag |
| A1. Carry Handle | O. Pre-Motor Filter |
| B. Bag Door Latch | P. Pre-Motor Filter Frame |
| C. Bag Check Indicator | Q. Exhaust Filter |
| D. Cord Reel Pedal | R. Hose Handle |
| E. Hose Latch (For Nano Pack™ system) | R1. Hose Handle Hook (For Nano Pack™ system) |
| F. Parking Slot | S. Suction Regulator |
| G. Variable Power Rotary Control | T. Telescopic Tube Adjuster |
| H. On/Off Pedal | U. Telescopic Tube |
| I. Exhaust Filter Cover | V. Carpet and Floor Nozzle** |
| J. Exhaust Filter Cover Release Latch | W. Suction Control Slider |
| K. 2in1 Tool | X. Pet Hair Remover Mini Turbo Nozzle* |
| L. Hose | Y. Allergy Remover Mini Turbo Nozzle* |
| M. Bag Release Button | Z. Parquet Nozzle* |

ASSEMBLING YOUR CLEANER

Remove all components from the packaging:

1. Connect the hose to the cleaner main body, ensuring it clips and locks into position. **[1]** To release the hose: simply press the two latches on the hose end and pull.
2. Connect the hose handle to the upper tube end. **[2]**
3. Connect the tube lower end to the Carpet and Floor Nozzle** or accessories if required. **[3]**

USING YOUR CLEANER

1. Extract power cord and plug it into the power supply. Do not pull the cord beyond the red marker. **[6]**
 2. Adjust the telescopic tube to the desired height by pressing the button on the telescopic tube adjuster and raise or lower the tube to the most comfortable cleaning position. **[5]**
 3. After connecting the telescopic tube to the Carpet and Floor Nozzle**, adjust the suction control slider on the nozzle according to your cleaning needs **[4]**:
 - **Hard Floor Cleaning** – Adjust the suction control slider on the nozzle to the symbol. 
 - **Standard Carpet** – Adjust the suction control slider on the nozzle to the symbol. 
 - **Long Pile Carpet** – Adjust the suction control slider on the nozzle to the symbol. 
- To obtain the best performance and efficiency on Carpet adjust the suction control slider to the symbol.  The suction control can also be used to reduce the operating push force.

4. Switch the cleaner on by pressing the On/Off Pedal on the cleaner main body. **[7]**
5. Rotate the Variable Power Rotary Control to increase or decrease the power **[8]** and then you can start vacuuming. **[10]**
6. Switch off at the end of use by pressing the On/Off Pedal **[7]**. Unplug and press the cord rewind button to wind the power cord back into the cleaner.

PARKING AND STORAGE SECTION

The flexible hose and telescopic tube can be parked temporarily while in use **[11]** or in the Nano Pack™ storage position when not in use **[13]**:

1. Retract the telescopic tube to its storage length. **[14]**
2. Remove the nozzle from the end of the telescopic tube.
3. Remove the hose handle from the telescopic tube.
4. Lift the Hose Latch at the rear of the cleaner and wrap the flexible hose around the product. **[12,13]**
5. Place the nozzle into the nozzle parking slot underneath the product. **[14]**
6. Place the telescopic tube into the telescopic tube parking slot underneath the product. **[14]**

CLEANER MAINTENANCE

Replacing the Dust Bag

If the bag check indicator is red, please check the bag and, if necessary, replace it.

1. Lift the bag door release latch and open the bag door. **[15]**
2. Lift the handle of the bag holder up. **[16]**
3. Hold the bag with the holder over a bin. Press the red button to automatically release the bag without any contact with dust. **[17]**
4. Fold a new bag **[18]** and insert the collar into the bag holder. **[19]**
5. Refit the bag with holder back into the appliance.
6. Close the bag door.

WARNING: The bag door will NOT close if the dust bag and/or the bag auto eject mechanism are not assembled to the cleaner. Always ensure the bag and bag auto eject mechanism are present when closing the bag door.

REMEMBER: The bag check indicator may be red if an obstruction has occurred. In this case refer to 'Removing a blockage from the system'.

Cleaning the Filters:

To maintain optimum performance of your cleaner, please wash the pre-motor filter and exhaust filter after each 5 bag changes.

Cleaning the pre-motor filter:

1. Lift the bag door latch to open the bag door and remove the holder. **[15,16]**
2. Slide the pre-motor filter frame from the cleaner. **[20]**
3. Remove the filter from the frame. **[21]**

*Certain Models Only **Nozzle design may vary according to models

- Wash the pre-motor filter using warm water [24] and allow it to dry [25] thoroughly before inserting it into the cleaner.

Cleaning the exhaust filter:

- Unclip the exhaust filter cover and remove the exhaust filter pack. [22,23]
- Wash the exhaust filter under warm water [24] and allow it to dry [25] thoroughly before inserting it into the cleaner.

REMEMBER: Do not use hot water or detergents. In the unlikely event of the filters becoming damaged, fit a Genuine Hoover replacement. Do not try and use the product without a dust bag or filter fitted.

Removing a blockage from the system

If the bag check indicator is red:

- Check if the bag is full. If so, refer to 'Replacing The Dust Bag'.
- If the bag is not full, then:
 - Do the filters need cleaning? If so, refer to 'Cleaning the Filter'.
 - Check if there is any other blockage in the system - Use a rod or a pole to remove any blockage from telescopic tube or flexible hose.

WARNING: - The bag check indicator will remain red if the cleaner is used when the bag is full, if there is a blockage or if the filters are dirty. If used for a significant period of time with the bag check indicator red, an electronic cut out will switch the cleaner off to prevent any risk of overheating. If this should happen, switch the cleaner off, unplug and correct the fault (see 'Removing a blockage from the system'). It will take 30 minutes for the cut out to automatically reset.

ACCESSORIES AND NOZZLES

All accessories can be fitted to the end of the hose handle [2] or to the end of the tube.

- **2in1 Tool** combines several functions into one tool [K]:
 - **Crevice Tool** – For corners and hard to reach areas.
 - **Dusting Brush** – For bookshelves, frames, keyboards and other delicate areas.
- **Pet Hair Remover Mini Turbo Nozzle* [X]** – On stairs or for deep cleaning on textile surfaces and other hard to clean areas. Particularly suitable for pet hair removal.
- **Allergen Remover Mini Turbo Nozzle* [Y]** – On stairs or for deep cleaning on textile surfaces and other hard to clean areas. Particularly suitable for allergen removal.
- **Parquet Nozzle* [Z]** – For parquet floors and other delicate floors.

IMPORTANT: Do not use the Mini Turbo Nozzles on rugs with long fringes, animal hides and carpet pile deeper than 15mm. Do not keep the nozzle stationary while the brush is rotating.

USER CHECK LIST

Should you have a problem with the product, complete this simple user checklist before calling your local Hoover service.

- Is there a working electricity supply to the cleaner? Please check with another electrical appliance.
- Is the dust bag over-filled? Please refer to 'Cleaner Maintenance'.
- Is the Filter blocked? Please refer to 'Cleaner Maintenance'.
- Are the hose or nozzle blocked? Please refer to 'Removing a blockage from the system'.
- A thermal cut out switches off the cleaner to prevent overheating if it is used when full or there is a blockage or dirty filters. If this should happen: switch off, unplug and correct the fault. It will take about 30 minutes for the cut out to automatically reset.

IMPORTANT INFORMATION

HOOVER spares and Consumables

Always replace parts with genuine HOOVER spares. These are available from your local HOOVER dealer or direct from Hoover. When ordering parts always quote your model number.

Quality

HOOVER's factories have been independently assessed for quality. Our products are made using a quality system which meets the requirements of ISO 9001.

Your Guarantee

The guarantee conditions for this appliance are as defined by our representative in the country in which it is sold. Details regarding these conditions can be obtained from the dealer from whom the appliance was purchased. The bill of sale or receipt must be produced when making any claim under the terms of this guarantee.

Subject to change without notice.

