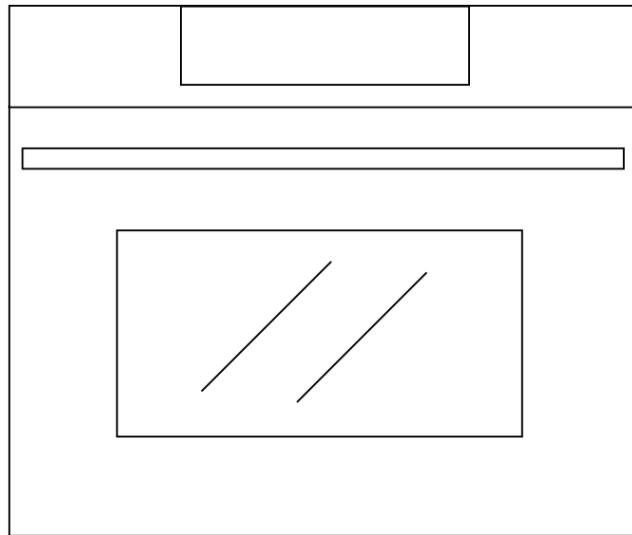




# HOOVER







# HOOVER

## User Instructions

OVENS

EN

5

## Mode d'emploi

FOURS

FR

18

## Istruzioni per l'uso

FORNI

IT

31

## Instrucciones de uso

HORNOS

ES

44

## Bedienungsanleitung

ÖFEN

DE

57

## Handleiding

OVENS

NL

70

## Instrukcje użytkownika

PIEKARNIKI

PL

83

## Инструкции для пользователя

ДУХОВЫЕ ШКАФЫ

RU

96

## Pokyny pro uživatele

TROUBY

CS

109

## Návod na použitie

RÚRY

SK

122



# Summary

---

- 6** Important safety indications
  - 11** Product description
  - 13** How the product works
  - 14** Use of the appliance
  - 16** Cleaning & maintenance
  - 17** Environmental protection and disposal
  - 135** Installation
- 

Thank you for choosing one of our products. For the best results, please read this manual carefully and retain it for future reference. Before installing the oven, take note of the serial number, which you may need if any repairs are required. Check that the oven has not been damaged during transportation. If in doubt, consult a qualified technician before using the oven. Keep all packaging materials out of reach of children. When the oven is switched on for the first time, strong-smelling smoke may de-

velop. This is caused by the grease on the element heating for the first time. If it occurs, do not worry, just wait for the smoke to dissipate before putting food in the oven. The manufacturer accepts no responsibility in cases where the instructions contained in this document are not observed.

NOTE: The oven functions, properties and accessories cited in this manual will vary depending on the model you have purchased.

# Important safety indications

---

## SAFETY INSTRUCTIONS

- Children should not play with the appliance.
- The appliance can be used by those aged 8 or over and by those with limited physical, sensorial or mental capacities, without experience or knowledge of the product, only if supervised or provided with instruction as to the operation of the appliance, in a safe way with awareness of the possible risks.
- Cleaning and maintenance should not be carried out by unsupervised children.
- **WARNING:** the appliance and accessible parts become hot during use. Be careful not to touch any hot parts.
- **WARNING:** the accessible parts may become hot during use. Young children should be kept away.
- **WARNING:** in order to avoid any danger caused by the accidental re-setting of the thermal interruption device, the appliance should not be powered by an external switching device, such as a timer, or be connected to a circuit that is regularly switched on and off.
- Children under 8 should be kept at a safe distance from the appliance if not continuously supervised.
- Do not use a steam cleaner or high pressure spray for cleaning operations.
- Disconnect the appliance from the mains electricity supply before carrying out any work or maintenance on it.
- Care should be taken to avoid touching heating elements inside the oven.

## INSTALLATION RECOMMENDATIONS/WARNINGS

- The manufacturers have no obligation to carry this out. If the assistance of the manufacturer is required to rectify faults arising from incorrect installation, this assistance is not covered by the guarantee. The installation instructions for professionally qualified personnel must be followed. Incorrect installation may cause harm or injury to people, animals or belongings. The manufacturer cannot be held responsible for such harm or injury.

- No additional operation/setting is required in order to operate the appliance at the rated frequencies.
- The appliance must not be installed behind a decorative door in order to avoid overheating.
- The oven can be located high in a column. It is not recommended to install the oven under cooktop. If this is necessary, be sure to leave a large enough gap for the cooktop according to the manufacturer's instructions. Before fixing, you must ensure good ventilation in the oven space to allow proper circulation of the fresh air required for cooling and protecting the internal parts. Make the openings specified on last page according to the type of fitting.

## **ELECTRICAL WARNINGS**

- **If the oven is provided by the manufacturer without plug:**

THE APPLIANCE MUST NOT BE CONNECTED TO THE POWER SOURCE USING PLUG OR SOCKETS, BUT MUST BE DIRECTLY CONNECTED TO THE SUPPLY MAINS. The connection to the power source must be carried out by a suitably qualified professional. In order to have an installation compliant to the current safety legislation the oven must be connected only placing an omnipolar breaker, with contact separation compliant to the requirements for overvoltage category III, between the appliance and the power source. The omnipolar breaker must bear the maximum connected load and must be in line with current legislation. The yellow-green earth cable should not be interrupted by the breaker. The omnipolar breaker used for the connection must be easily accessible when the appliance is installed. The connection to the power source must be carried out by a suitably qualified professional considering the polarity of the oven and of the power source. The disconnection must be achieved incorporating a switch in the fixed wiring in accordance with the wiring rules.
- **If the oven is provided by the manufacturer with plug:**

The socket must be suitable for the load indicated on the tag and must have ground contact connected and in operation. The earth conductor is yellow-green in colour. This operation should be carried out by a suitably qualified professional. In case of incompatibility between the socket and the appliance plug, ask a qualified electrician to substitute

the socket with another suitable type. The plug and the socket must be conformed to the current norms of the installation country. Connection to the power source can also be made by placing an omnipolar breaker, with contact separation compliant to the requirements for overvoltage category III, between the appliance and the power source that can bear the maximum connected load and that is in line with current legislation. The yellow-green earth cable should not be interrupted by the breaker. The socket or omnipolar breaker used for the connection should be easily accessible when the appliance is installed. The disconnection may be achieved by having the plug accessible or by incorporating a switch in the fixed wiring in accordance with the wiring rules.

- If the power cable is damaged, it should be substituted with a cable or special bundle available from the manufacturer or by contacting the customer service department. The type of power cable must be H05VV-F. This operation should be carried out by a suitably qualified professional. The earth conductor (yellow-green) must be approximately 10 mm longer than the other conductors. For any repairs, refer only to the Customer Care Department and request the use of original spare parts.
- Failure to comply with the above can compromise the safety of the appliance and invalidate the guarantee.
- **WARNING:** the accessible parts can become hot when the grill is in use. Children should be kept at a safe distance.
- Do not use rough or abrasive materials or sharp metal scrapers to clean the oven door glasses, as they can scratch the surface and cause the glass to shatter.
- The cavity lamp should be replaced by qualified professional by calling the service department.
- **WARNING:** Ensure that the appliance is switched off before replacing the lamp to avoid the possibility of electric shock.
- The oven must be switched off before removing the removable parts. After cleaning, reassemble them according the instructions.
- Only use the oven for its intended purpose, that is only for the cooking of foods: any other use, for example as a heat source, is considered improper and therefore dangerous. The manufacturer cannot be held responsible for any damage resulting from improper, incorrect or unreasonable usage.



- The use of any electrical appliance implies the observance of some fundamental rules:
- Do not pull on the power cable to disconnect the product from the power source;
- Do not touch the appliance with wet or damp hands or feet;
- In general the use of adaptors, multiple sockets and extension cables is not recommended;
- In case of malfunction and/or poor operation, switch off the appliance and do not tamper with it.
- ENSURE THAT AN ELECTRICIAN OR QUALIFIED TECHNICIAN MAKES THE ELECTRICAL CONNECTIONS. The power supply to which the oven is connected must conform with the laws in force in the country of installation. The manufacturer accepts no responsibility for any damage caused by the failure to observe these instructions. The oven must be connected to an electrical supply with an earthed wall outlet or a disconnecter with multiple poles, depending on the laws in force in the country of installation. The electrical supply should be protected with suitable fuses and the cables used must have a transverse section that can ensure correct supply to the oven.
- CONNECTION. The oven is supplied with a power cable that should only be connected to an electrical supply with 220-240 Vac power between the phases or between the phase and the neutral. Before the oven is connected to the electrical supply, it is important to check power voltage indicated on the gauge and the setting of the disconnecter. The grounding wire connected to the oven's earth terminal must be connected to the earth terminal of the power supply.
- WARNING. Before connecting the oven to the power supply, ask a qualified electrician to check the continuity of the power supply's earth terminal. The manufacturer accepts no responsibility for any accidents or other problems caused by failure to connect the oven to the earth terminal or by an earth connection that has defective continuity.
- NOTE: as the oven could require maintenance work, it is advisable to keep another wall socket available so that the oven can be connected to this if it is removed from the space in which it is installed. The power cable must only be substituted by technical service staff or by technicians with equivalent qualifications.

## **USE RECOMMENDATIONS/WARNINGS**

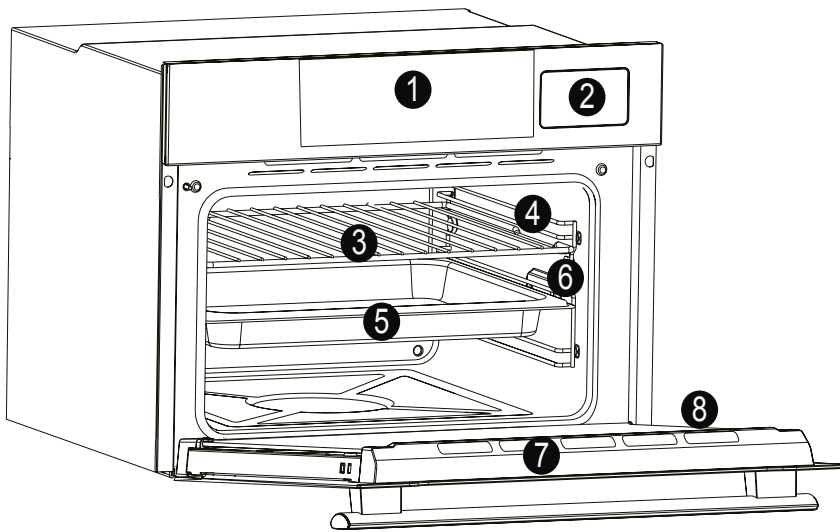
- During running cooking modes, moisture may condense inside the oven cavity or on the glass of the door. This is a normal condition. To reduce this effect, wait 10-15 minutes after turning on the power before putting food inside the oven. In any case, the condensation disappears when the oven reaches the cooking temperature.
- Cook the vegetables in a container with a lid instead of an open tray.
- Avoid leaving food inside the oven after cooking for more than 15/20 minutes.
- A long power supply failure during an occurring cooking phase may cause a malfunction of the monitor. In this case contact customer service.
- When you place the shelf inside, make sure that the stop is directed upwards and in the back of the cavity. The shelf must be inserted completely into the cavity.
- **WARNING:** Do not store oil, fat or other flammable materials in the steam oven, or it may be dangerous after the steam oven is started.
- **WARNING:** Never remove the oven door seal.
- For a correct use of the oven it is advisable not to put the food in direct contact with the racks and trays, but to use oven papers and/ or special containers.
- The dripping pan collects the residues that drip during cooking.

## **WARNINGS**

- Any excess of spilled material should be removed before cleaning.
- **WARNING:** before initiating any cleaning cycle:
  1. Clean the oven door;
  2. Remove large or coarse food residues from the inside of the oven using a damp sponge. Do not use detergents;
  3. Remove all accessories and the sliding rack kit (where present);
  4. Do not place tea towels.
- When filling in the water tank the level of the water must not exceed the maximum level indicated on the tank.
- **WARNING:** Risk of burn and damage to the appliance: using the steam function released steam can cause burns: Open the door carefully to avoid injury after using a cooking function with steam.
- Use only pure water to fill in the tank.

# Product description

---



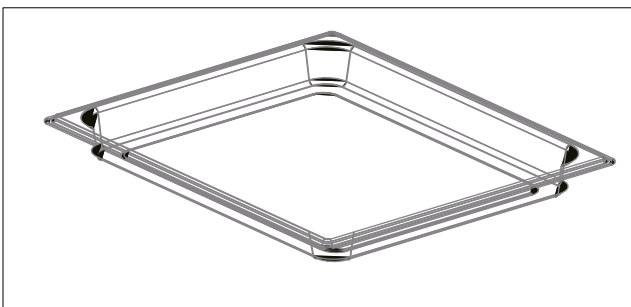
1. Control panel
2. Water tank
3. Grids
4. Shelf positions (lateral wire grid if included)
5. Trays
6. Lateral wire grids
7. Door
- 8. Serial number**



Write here your serial number for future reference.

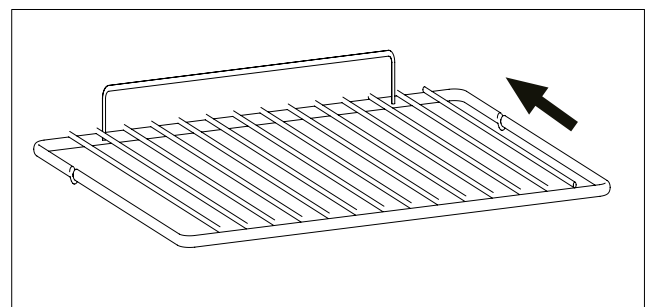
## ACCESSORIES

### Drip pan without hole



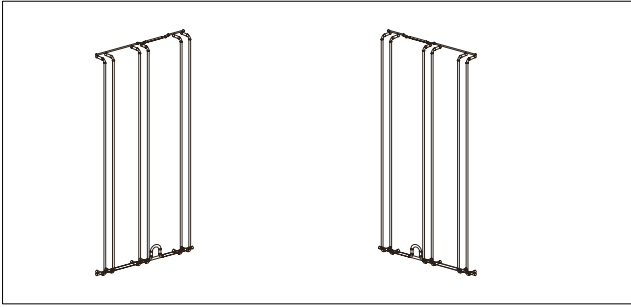
Collects residues that drip when cooking food on the grills.

### Metal grid



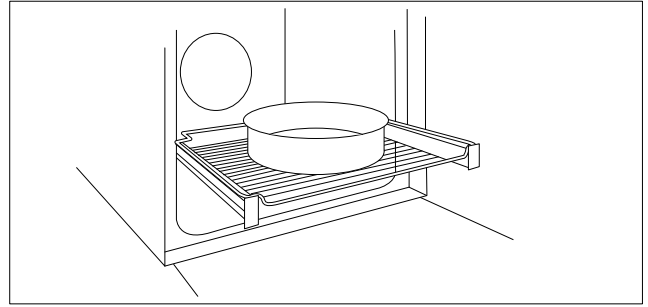
Holds baking trays and plates.  
\*Push into the oven as indicated by the arrow.

**Lateral wire grids** (only if present)



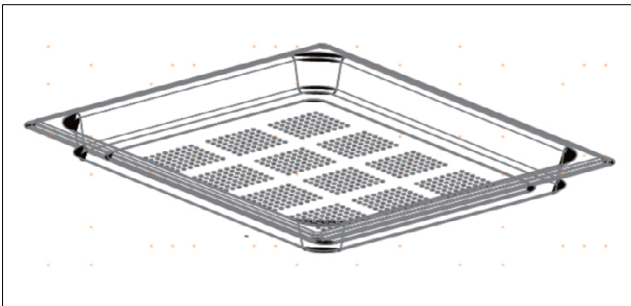
Located on both sides of the oven cavity, holds metal grills and drip pans.

**Telescopic guides** (only if present)



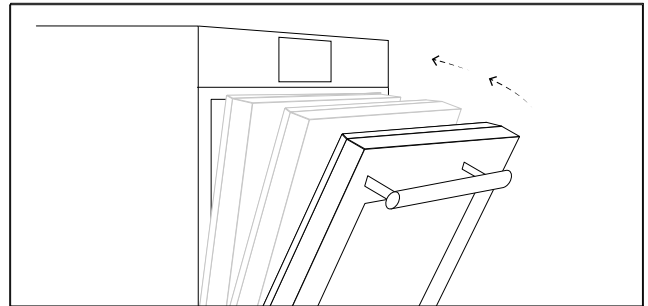
Two guide rails which facilitate the cooking status check as they allow easily the extraction and repositioning of trays and grids inside the oven cavity.

**Drip pan with holes**



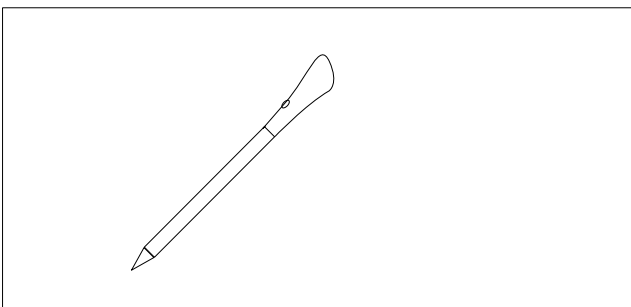
Holds food in steam mode.

**Softclose** (only if present)



Hinges which ensure an automatic soft and smooth movement during the closing phase of the oven door.

**Meat probe** (only if present)










Measures the internal temperature of food during cooking.

**WARNINGS:**

- Do not preheat or start cooking before properly inserting the meat probe.
- Do not try to insert the meat probe in frozen food.






## How the product works \*

Symbol	Function	Description
	<b>Manual mode</b>	This function allows to choose cooking functions, temperature and duration.
	<b>My Taste</b>	In this menu you can see and select recently used and favorite programs as well as generate customized recipes according to your taste. <ul style="list-style-type: none"> <li>• Last used/Last used on app: see the last programs used with duration, temperature and preheating (if selected) used directly on your oven or via app.</li> <li>• Favorites/My recipes: see the list of your favorite recipes and/or programs.</li> <li>• U-Create: create and see customized recipes.</li> </ul>
	<b>Recipes</b>	In this menu you can access a variety of recipes already integrated on your oven.
	<b>WiFi</b>	In this mode you can connect your oven to a network and enroll it with the Haier App.
	<b>Settings</b>	Access this menu to change language, set time of day, adjust brightness, activate or deactivate sounds, units, edit your WiFi and Remote Control settings.
	<b>Remote Control</b>	When remote control is On you can access and control your oven ONLY by the connected device.
	<b>Lock</b>	This function enables to lock the screen/door in order to prevent any unwanted use by minors

\* Depending on the oven model.




# Use of the appliance

## COOKING MODES \*




Symbol	Default temperature	Functions
	<b>L3(Power)</b>	<b>GRILL:</b> This function uses only the top heating element, and the grill level can be adjusted. Use with the door closed. Place white meats at a distance from the grill. Red meats and fish fillets can be placed on the shelf with the drip pan underneath. Preheat for 5 minutes.
	<b>165°C</b>	<b>GRILL+FAN:</b> The top heating element is used with the fan circulation the air inside the oven. Preheating is necessary for red meats but not for white meats. Place the food to be grilled directed on the shelf centrally. Slide the drip pan under the shelf to collect the juices. Make sure that the food is not too close to the grill. Turn the food over halfway through cooking.
	<b>165°C</b>	<b>MULTILEVEL:</b> This function distributes heat better due to the combination of fan and back heating elements, ensuring evenly baked results.
	<b>210°</b>	<b>MULTILEVEL +GRILL:</b> Uses the top & back heating element with the fan to circulate the air inside the oven. Use with the door closed. Slide the drip tray under the shelf to collect juices. Turn food over halfway through cooking. Preheating is required for red meats but not for white meats.
	<b>165°C</b>	<b>ECO MULTI-LEVEL:</b> This function is tested in accordance with the CENELEC EN 60350-1 for the purpose of energy consumption declaration and energy class.

\* Depending on the oven model.

## STEAM FUNCTIONS MODES \*

Symbol	Temperature range	Functions
	40~100°	<p>STEAM PURE:</p> <p>Cook at low temperature, with full steam power. By way of radial ventilation, the steam is distributed to ensure the food is evenly heated and cooked. This holds the advantage of being able to cook on different levels at the same time.</p>
	70~130°	<p>STEAM WARM:</p> <p>You can allow food regeneration while preserving its nutrients. In this function, the cooking chamber is heated with steam and warm air, which allows rapid and consistent heating of the food without drying it.</p>
	50~230°	<p>STEAM CRISPER:</p> <p>Mix steam power with a fan, you can achieve crispy meals without any fat. This type of function is particularly suited to large meat and seafood dishes for example; large sized bread loaves made from white or wholemeal flour, with yeast or yeast dough at 190°C until 210°C, as well as filled and hollow puff pastry, whether fresh or frozen from 190°C to 210°C.</p>

## CLEANING FUNCTIONS \*

Symbol	Function	Description
	H2O circuit clean	<p>H2O circuit clean allows to clean the circuit each time is needed for a better maintenance, just fill the tank and wait for instructions. This function performs a cleaning cycle of the circuit, to keep it clean and efficient over time. It is important to ensure that there is water inside the tank before starting this function.</p>
	H2O cavity clean	<p>H2O cavity clean let the user clean the cavity with steam power. This function performs a cleaning cycle by injecting steam into the cavity for 15 minutes. At the end of the cycle, any crusting that may have formed due to high-temperature cooking inside the oven cavity, will be softened and become much easier to remove with a wipe.</p>
	Descaling	<p>This function performs a cleaning cycle through cleaning media, to keep it clean and efficient over time.</p> <p>NOTE: Cleaning media must be carbonic acid scale remover.</p>

Note: If you had used water in any functions, a circuit discharge will be requested before the oven goes into standby mode.

\* Depending on the oven model.

# Cleaning and maintenance

---

## GENERAL NOTES ON CLEANING:

Regular cleaning can extend the lifecycle of your appliance. Wait for the oven to cool before carrying out manual cleaning.

### WARNING:

- Never use abrasive detergents, steel wool or sharp objects for cleaning, as they may irreparably damage surface.
- Do not use corrosive or abrasive cleaning products. Use only water, soap or bleach-based detergents (ammonia).
- Immediately remove scale, grease, starch or protein stains. Otherwise, these stains may be causes corrosion. Do not let water into the steam oven.
- Do not use high pressure or steam jet cleaning devices.

### GLASS PARTS

Clean the glass oven window with absorbent kitchen towel after every use. For stubborn stains, use a detergent-soaked sponge, wrung out, then rinse with water.

### OVEN WINDOW SEAL

If dirty, the seal can be cleaned with a damp sponge.

## RECOMMENDATIONS:

- After each use of the oven, a minimum of cleaning will help keep the oven perfectly clean.
- Do not line the oven walls with aluminium foil or single-use protection available from stores. Do not place boxes or food directly on the cavity bottom. Use trays or grids.
- In order to prevent excessive dirting of your oven and the resulting strong smokey smells, we recommend not using the oven at very high temperature. It is better to extend the cooking time and lower the temperature a little.
- In addition to the accessories supplied with the oven, we advise you only use dishes and baking moulds resistant to very high temperatures.
- Trays are dishwasher safe.



# Environmental protection and disposal

---

## SAVING AND RESPECTING THE ENVIRONMENT

Where possible, avoid pre-heating the oven and always try to fill it. Open the oven door as infrequently as possible, because heat from the cavity disperses every time it is opened. For a significant energy saving, switch off the oven between 5 and 10 minutes before the planned end of the cooking time, and use the residual heat that the oven continues to generate. Keep the seals clean and in order, to avoid any heat dispersal outside of the cavity. If you have an electric contract with an hourly tariff, the "delayed cooking" programme makes energy saving more simple, moving the cooking process to start at the reduced tariff time slot.

## WASTE MANAGEMENT AND ENVIRONMENTAL PROTECTION

This appliance is labelled in accordance with European Directive 2012/19/EU regarding electric and electronic appliances (WEEE). The WEEE contain both polluting substances (that can have a negative effect on the environment) and base elements (that can be reused).



It is important that the WEEE undergo specific treatments to correctly remove and dispose of the pollutants and recover all the materials. Individuals can play an important role in ensuring that the WEEE do not become an environmental problem; it is essential to follow a few basic rules:

- The WEEE should not be treated as domestic waste;
- The WEEE should be taken to dedicated collection areas managed by the town council or a registered company.

In many countries, domestic collections may be available for large WEEEs. When you buy a new appliance, the old one can be returned to the vendor who must accept it free of charge as a one-off, as long as the appliance is of an equivalent type and has the same functions as the purchased appliance.

## DECLARATION OF COMPLIANCE

By placing the **CE** mark on the appliance, we are confirming compliance to all relevant European safety, health and environmental requirements which are applicable in legislation for this product.

# Table des matières

---

<b>19</b>	<b>Consignes de sécurité importantes</b>
<b>24</b>	<b>Description du produit</b>
<b>26</b>	<b>Fonctionnement du produit</b>
<b>27</b>	<b>Utilisation de l'appareil</b>
<b>29</b>	<b>Nettoyage et entretien</b>
<b>30</b>	<b>Protection de l'environnement et élimination</b>
<b>135</b>	<b>Installation</b>

---

Merci d'avoir choisi un de nos produits. Pour de meilleurs résultats, veuillez lire attentivement ce manuel et le conserver pour consultation ultérieure. Avant d'installer le four, prenez note du numéro de série dont vous pourriez avoir besoin si des réparations sont nécessaires. Vérifiez que le four n'a pas été endommagé pendant le transport. En cas de doute, consultez un technicien qualifié avant d'utiliser le four. Conservez tous les matériaux d'emballage hors de portée des enfants. Lorsque le four est allumé pour la première fois, une fumée forte risque de se former. Cela est provoqué par le fait que la graisse

de l'élément chauffe pour la première fois. Si cela se produit, ne vous inquiétez pas, il suffit d'attendre que la fumée se dissipe avant de mettre des aliments dans le four. Le fabricant décline toute responsabilité en cas de non-respect des instructions contenues dans ce document.

REMARQUE : les fonctions, propriétés et accessoires du four mentionnés dans ce manuel varient selon le modèle que vous avez acheté.

# Consignes de sécurité importantes

---

## CONSIGNES DE SÉCURITÉ

- Les enfants ne doivent pas jouer avec l'appareil.
- L'appareil peut être utilisé par les enfants à partir de 8 ans et par les personnes ayant des capacités physiques, sensorielles ou mentales limitées, sans expérience ou connaissance du produit, uniquement s'ils sont supervisés ou s'ils ont reçu des instructions sur le fonctionnement de l'appareil, de manière sécurisée et en ayant conscience des éventuels risques.
- Le nettoyage et l'entretien ne doivent pas être effectués par des enfants non surveillés.
- **AVERTISSEMENT** : l'appareil et ses parties accessibles deviennent chauds au cours de l'utilisation. Veillez à ne toucher aucune partie chaude.
- **AVERTISSEMENT** : les parties accessibles peuvent devenir chaudes au cours de l'utilisation. Tenez les jeunes enfants à l'écart de l'appareil.
- **AVERTISSEMENT** : afin d'éviter tout danger provoqué par le réarmement accidentel du disjoncteur thermique, l'appareil ne doit pas être alimenté par un commutateur extérieur, comme une minuterie, ni être raccordé à un circuit qui est régulièrement allumé et éteint.
- Les enfants de moins de 8 ans doivent être gardés à bonne distance de l'appareil s'ils ne sont pas constamment surveillés.
- Ne pas utiliser de nettoyeur vapeur ou de vaporisateur à haute pression pour les opérations de nettoyage.
- Débrancher l'appareil du secteur avant d'effectuer tout travail ou opération d'entretien.
- Faites attention à ne pas toucher les éléments de chauffage à l'intérieur du four.

## RECOMMANDATIONS D'INSTALLATION/AVERTISSEMENTS

- Les fabricants n'ont aucune obligation de le faire. Si l'assistance du fabricant est requise pour remédier à des défauts dérivant d'une installation incorrecte, cette assistance n'est pas couverte par la garantie. Les instructions d'installation pour le personnel professionnellement qualifié doivent être suivies. Une installation incorrecte peut endommager ou blesser des gens, des animaux ou des biens. Le fabricant ne peut être tenu pour responsable d'un tel dégât ou d'une telle blessure.
- Aucun réglage/opération supplémentaire n'est requis pour faire fonctionner l'appareil aux fréquences nominales.

- L'appareil ne doit pas être installé derrière une porte décorative afin d'éviter toute surchauffe.
- Le four peut être placé en hauteur dans une colonne. Il est déconseillé d'installer le four sous la table de cuisson. Si cela est nécessaire, assurez-vous de laisser un espace suffisant pour la table de cuisson conformément aux instructions du fabricant. Avant de le fixer, vous devez garantir une bonne ventilation dans l'espace du four pour permettre une circulation correcte de l'air frais requis pour refroidir et protéger les parties situées à l'intérieur. Réalisez les ouvertures spécifiées à la dernière page en fonction du type de fixation.

## **AVERTISSEMENTS CONCERNANT LES RISQUES ÉLECTRIQUES**

- **Si le four est fourni par le fabricant sans fiche :**

L'APPAREIL NE DOIT PAS ÊTRE RACCORDÉ À LA SOURCE D'ALIMENTATION À L'AIDE D'UNE FICHE OU D'UNE PRISE, MAIS DOIT ÊTRE DIRECTEMENT RACCORDÉ AU SECTEUR D'ALIMENTATION. Le raccordement à la source d'alimentation doit être effectué par un professionnel qualifié. Pour que l'installation soit conforme à la législation de sécurité en vigueur, le four ne doit être branché que sur un disjoncteur omnipolaire, avec une séparation de contact conforme aux exigences applicables à la catégorie de surtension III, entre l'appareil et la source d'alimentation. Le disjoncteur omnipolaire doit supporter la charge maximale raccordée et doit être conforme à la législation en vigueur. Le câble de terre jaune-vert ne doit pas être interrompu par le disjoncteur. Le disjoncteur omnipolaire utilisé pour la connexion doit être facilement accessible lorsque l'appareil est installé. Le raccordement à la source d'alimentation doit être effectué par un professionnel qualifié en tenant compte de la polarité du four et de la source d'alimentation. La déconnexion doit être réalisée en incorporant un interrupteur dans le câblage fixe conformément aux règles de câblage

- **Si le four est fourni par le fabricant avec fiche :**

La prise doit être adaptée à la charge indiquée sur l'étiquette et doit avoir le contact de terre raccordé et en état de fonctionnement. Le conducteur de terre est de couleur jaune-verte. Cette opération doit être effectuée par un professionnel qualifié. En cas d'incompatibilité entre la prise et la fiche de l'appareil, demandez à un électricien qualifié de remplacer la prise par une autre d'un type adapté. La fiche et la prise doivent être conformes aux normes en vigueur dans le pays d'installation. Le raccordement à la source de courant peut également être effectué en plaçant un disjoncteur omnipolaire, avec séparation des contacts conforme aux exigences de la caté-

gorie de surtension III, entre l'appareil et la source de courant capable de supporter la charge raccordée maximale et qui soit conforme à la législation en vigueur. Le câble de terre jaune-vert ne doit pas être interrompu par le disjoncteur. La prise ou le disjoncteur omnipolaire utilisé pour le raccordement doit être facilement accessible lorsque l'appareil est installé. Le débranchement peut être obtenu en faisant en sorte que la fiche soit accessible ou en incorporant un interrupteur dans le câblage fixe conformément aux règles de câblage.

- Si le cordon d'alimentation est abîmé, il doit être remplacé par un câble ou un faisceau spécial disponible chez le fabricant ou en contactant le service clientèle. Le type de cordon d'alimentation doit être H05VV-F. Cette opération doit être effectuée par un professionnel qualifié. Le conducteur de terre (jaune-vert) doit mesurer environ 10 mm de plus que les autres conducteurs. Pour toute réparation, s'adresser uniquement au service clientèle et demander à ce que des pièces détachées originales soient utilisées.
- Le non-respect de ces instructions peut compromettre la sécurité de l'appareil et rendre la garantie caduque.
- **AVERTISSEMENT** : les parties accessibles peuvent devenir chaudes lorsque le gril est utilisé. Les enfants doivent rester à une distance de sécurité.
- N'utilisez pas des produits rugueux ou abrasifs ni des racloirs en métal pointus pour nettoyer les vitres de la porte du four, car ils peuvent rayer la surface du verre et le briser.
- La lampe de la cavité doit être remplacée par un professionnel qualifié en appelant le service après-vente.
- **AVERTISSEMENT** : vérifiez que l'appareil est éteint avant de changer l'ampoule, pour éviter tout risque d'électrocution.
- Le four doit être éteint avant de retirer les pièces amovibles. Après le nettoyage, réassemblez-les selon les instructions.
- Utiliser le four uniquement aux fins prévues, à savoir pour cuire des aliments. Toute autre utilisation, par exemple comme source de chaleur, est considérée comme impropre et par conséquent dangereuse. Le fabricant ne peut être tenu pour responsable de tout dégât provoqué par un usage impropre, incorrect ou déraisonnable.
- L'utilisation de tout appareil électrique implique le respect de certaines règles fondamentales :
- Ne tirez pas sur le cordon d'alimentation pour débrancher le produit de la source d'alimentation ;
- Ne touchez pas l'appareil avec les mains ou les pieds mouillés ou humides ;

- En général, l'utilisation d'adaptateurs, de prises multiples et de câbles d'extension n'est pas recommandée ;
- En cas de dysfonctionnement et/ou de mauvais fonctionnement, éteignez l'appareil et évitez de le bricoler.
- **ASSUREZ-VOUS QUE LES BRANCHEMENTS ÉLECTRIQUES SONT EFFECTUÉS PAR UN ÉLECTRICIEN OU UN TECHNICIEN QUALIFIÉ.** Le circuit électrique sur lequel le four est branché doit être conforme aux lois en vigueur dans le pays d'installation. Le fabricant décline toute responsabilité pour tous les dégâts occasionnés par le non-respect de ces instructions. Le four doit être branché sur un circuit électrique avec une prise murale mise à la terre ou un interrupteur de sectionnement avec des pôles multiples, en fonction des lois en vigueur dans le pays d'installation. Le circuit électrique doit être protégé par des fusibles adaptés et les câbles utilisés doivent avoir une section transversale pouvant garantir une alimentation correcte au four.
- **CONNEXION.** Le four est alimenté par un cordon d'alimentation qui ne doit être branché que sur un circuit électrique avec une puissance de 220-240 Vca entre les phases ou entre la phase et le neutre. Avant de brancher le four sur l'alimentation électrique, il est important de vérifier la tension d'alimentation indiquée sur le manomètre et le réglage du sectionneur. Le câble de terre raccordé à la borne de terre du four doit être raccordé à la borne de terre du circuit électrique.
- **AVERTISSEMENT.** avant de brancher le four sur le circuit électrique, demandez à un électricien qualifié de vérifier la continuité de la borne de terre du circuit électrique. Le fabricant ne peut être tenu pour responsable de tout accident ou autre problème provoqué par l'incapacité à brancher le four sur la borne de terre ou par un raccordement de terre présentant une continuité défectueuse.
- **REMARQUE :** étant donné que le four peut nécessiter des travaux d'entretien, il est conseillé de conserver une autre prise murale disponible afin de pouvoir brancher le four sur celle-ci s'il est enlevé de l'espace dans lequel il est installé. Le cordon d'alimentation ne doit être remplacé que par du personnel de l'assistance technique ou par des techniciens possédant des qualifications équivalentes.

## **RECOMMANDATIONS D'UTILISATION/AVERTISSEMENTS**

- Pendant le fonctionnement des modes de cuisson, de l'humidité peut se condenser à l'intérieur de la cavité du four ou sur la vitre de la porte. C'est tout à fait normal. Pour réduire cet effet, attendre 10 à 15 minutes après avoir al-

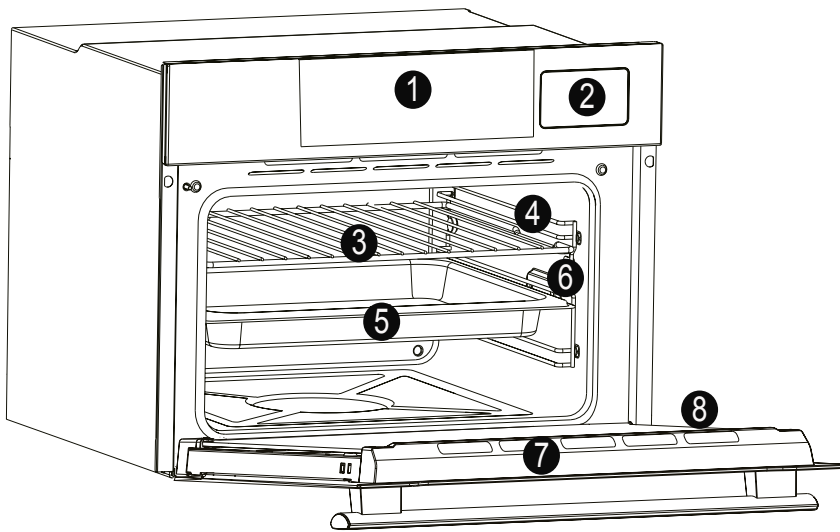
lumé le four avant d'y placer des aliments à l'intérieur. Dans tous les cas, la condensation disparaît lorsque le four atteint la température de cuisson.

- Cuire les légumes dans un récipient muni d'un couvercle plutôt que sur une plaque ouverte.
- Éviter de laisser des aliments à l'intérieur du four pendant plus de 15 à 20 minutes après la cuisson.
- Une longue coupure de courant durant une phase de cuisson peut provoquer un dysfonctionnement du moniteur. Dans ce cas-là, contactez le service clientèle.
- En plaçant la grille à l'intérieur, vérifier que l'arrêt est dirigé vers le haut et à l'arrière de la cavité. La grille doit être insérée entièrement dans la cavité.
- **AVERTISSEMENT** : ne conservez pas d'huile, de graisse ni autres produits inflammables dans le four à vapeur, car cela peut s'avérer dangereux après le démarrage du four à vapeur.
- **AVERTISSEMENT** : ne jamais enlever le joint de la porte du four.
- Pour une utilisation correcte du four, il est recommandé de ne pas mettre les aliments en contact direct avec les grilles et les plateaux, mais d'utiliser des papiers de cuisson et/ou des récipients spéciaux.
- La lèchefrite recueille les résidus qui s'égouttent pendant la cuisson.

## **AVERTISSEMENTS**

- Tout excès de produit renversé doit être enlevé avant d'effectuer le nettoyage.
- **AVERTISSEMENT** : avant de commencer tout cycle de nettoyage :
  1. Nettoyez la porte du four ;
  2. Enlevez les résidus grossiers ou importants de nourriture de l'intérieur du four avec une éponge humide. N'utilisez pas de détergents ;
  3. Ôtez tous les accessoires et l'ensemble des rails coulissants (le cas échéant) ;
  4. Ne mettez pas de torchons à l'intérieur.
- Lors du remplissage du réservoir d'eau, le niveau de l'eau ne doit pas dépasser le niveau maximal indiqué sur le réservoir.
- **AVERTISSEMENT** : risque de brûlure et d'endommagement de l'appareil : l'utilisation de la fonction vapeur libérée peut provoquer des brûlures : ouvrir soigneusement la porte pour éviter toute blessure après avoir utilisé une fonction de cuisson à la vapeur.
- N'utilisez que de l'eau pure pour remplir le réservoir.

# Description du produit



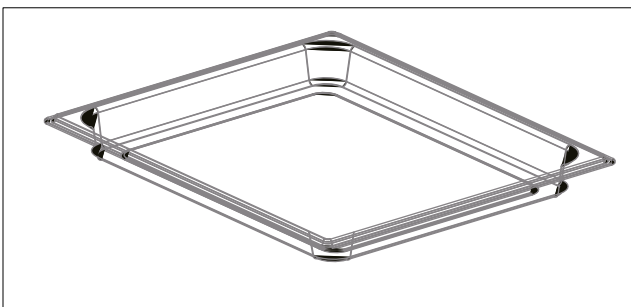
1. Panneau de commande
2. Réservoir d'eau
3. Grilles
4. Positions de la grille (grille métallique latérale si celle-ci est incluse)
5. Plateaux
6. Grilles métalliques latérales
7. Porte
8. **Numéro de série**



Écrivez ici votre numéro de série pour consultation ultérieure.

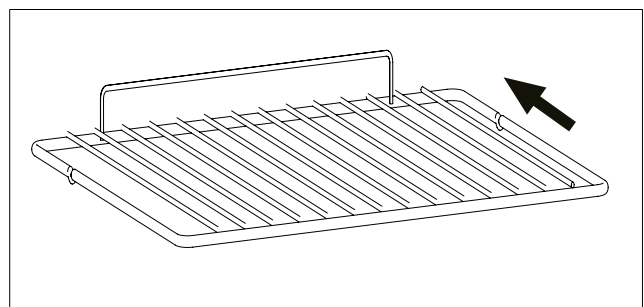
## ACCESSOIRES

### Lèchefrite sans trou



Collecte les résidus qui s'égouttent lors de la cuisson des aliments sur les grilles.

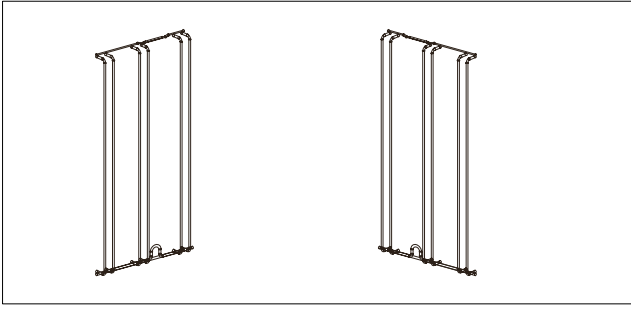
### Grille métallique



Maintient les plaques de cuisson et les plats.  
\*Poussez-les dans le four comme indiqué par la flèche.

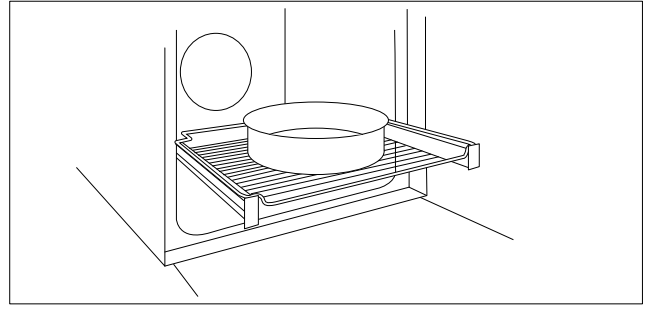


### Grilles latérales (si présentes)



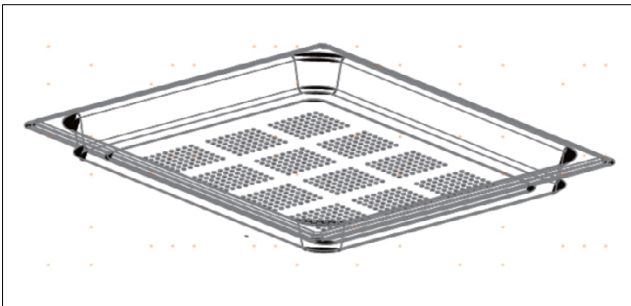
Situés des deux côtés de la cavité du four, les grilles métalliques et la lèchefrite.

### Guides télescopiques (si présents)



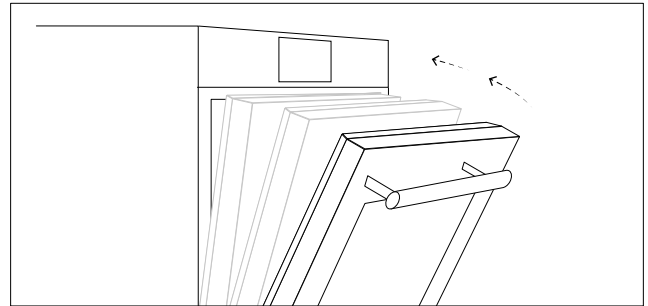
Deux rails de guidage facilitent la vérification de l'état de cuisson, en permettant d'extraire et de repositionner facilement les plaques et les grilles à l'intérieur de la cavité du four.

### Lèchefrite avec trous



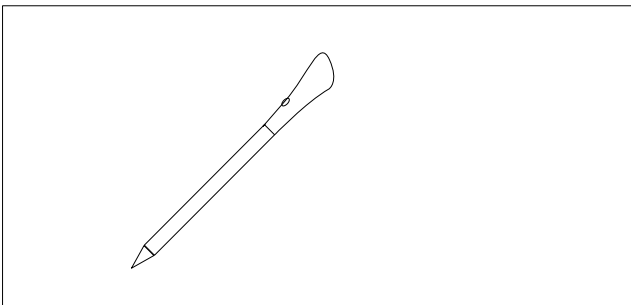
Maintient les aliments en mode vapeur.

### Amortissement (si présent)



Charnières qui garantissent un mouvement souple et lisse automatique pendant la phase de fermeture de la porte du four.

### Sonde de cuisson (si présente)

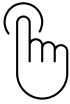








Mesure la température interne des aliments pendant la cuisson.

#### AVERTISSEMENTS :

- Ne préchauffez pas ou ne commencez pas la cuisson avant d'avoir correctement inséré la sonde de cuisson.
- N'essayez pas d'insérer la sonde de cuisson dans des aliments congelés.






## Fonctionnement du produit \*

Symbole	Fonction	Description
	<b>Mode manuel</b>	Cette fonction permet de choisir les fonctions de cuisson, la température et la durée.
	<b>My Taste</b>	Dans ce menu, vous pouvez voir et sélectionner des programmes récemment utilisés et préférés ainsi que générer des recettes personnalisées en fonction de votre goût. <ul style="list-style-type: none"><li>• Dernière utilisation/dernier utilisé sur l'application : voir les derniers programmes utilisés avec la durée, la température et le préchauffage (si sélectionné) utilisés directement sur votre four ou via l'application.</li><li>• Favoris/Mes recettes : voir la liste de vos recettes et/ou programmes préférés.</li><li>• U-Create : créer et voir des recettes personnalisées.</li></ul>
	<b>Recettes</b>	Dans ce menu, vous pouvez accéder à une variété de recettes déjà intégrées sur votre four.
	<b>Wi-Fi</b>	Dans ce mode, vous pouvez connecter votre four à un réseau et l'inscrire à l'application Haier.
	<b>Paramètres</b>	Accédez à ce menu pour changer la langue, régler l'heure de la journée, ajuster la luminosité, activer ou désactiver les sons, modifier votre Wi-Fi et les paramètres du contrôle à distance.
	<b>Contrôle à distance</b>	Lorsque le contrôle à distance est activé, vous pouvez accéder et contrôler votre four UNIQUEMENT par l'appareil connecté.
	<b>Verrouillage</b>	Cette fonction permet de verrouiller l'écran/porte afin d'éviter toute utilisation non désirée par des mineurs

\* En fonction du modèle de four.




# Utilisation de l'appareil

## MODES DE CUISSON \*




Symbole	Température par défaut	Fonctions
	<b>L3 (puissance)</b>	<b>GRIL :</b> Cette fonction n'utilise que l'élément chauffant supérieur, et le niveau du gril peut être réglé. À utiliser avec la porte fermée. Placez les viandes blanches à distance du gril. Les viandes rouges et les filets de poisson peuvent être placés sur la grille avec la lèchefrite en dessous. Préchauffez pendant 5 minutes.
	<b>165°C</b>	<b>TURBOGRIL :</b> La résistance du haut est utilisée avec le ventilateur faisant circuler l'air à l'intérieur du four. Le préchauffage est nécessaire pour les viandes rouges mais pas pour les viandes blanches. Placez les aliments à griller directement sur la grille au centre. Glissez la lèchefrite sous la grille pour récupérer le jus. Vérifiez que l'aliment ne se trouve pas trop près du gril. Retournez la nourriture à mi-cuisson.
	<b>165°C</b>	<b>CHALEUR PULSÉE :</b> cette fonction répartit mieux la chaleur en raison de la combinaison de ventilateurs et d'éléments chauffants, garantissant des résultats de cuisson uniformes.
	<b>210°</b>	<b>CHALEUR PULSÉE + GRIL :</b> utilise l'élément chauffant supérieur avec le ventilateur pour faire circuler l'air à l'intérieur du four. À utiliser avec la porte fermée. Placez la lèchefrite sous la grille pour récupérer les jus. Retournez les aliments à mi-cuisson. Le préchauffage est nécessaire pour les viandes rouges mais pas pour les viandes blanches.
	<b>165°C</b>	<b>CHALEUR PULSÉE ÉCO :</b> cette fonction est testée conformément à la norme CENELEC EN 60350-1 en vue de la déclaration de consommation d'énergie et de la classe énergétique.

\* En fonction du modèle de four.

## MODES FONCTIONS VAPEUR \*

Symbole	Plage de température	Fonctions
	40~100°	<p>STEAM PURE :</p> <p>Cuit à basse température avec toute la puissance de la vapeur. Grâce à la ventilation radiale, la vapeur est distribuée pour s'assurer que les aliments sont uniformément chauffés et cuits. Cela permet d'être en mesure de cuisiner sur plusieurs niveaux simultanément.</p>
	70~130°	<p>STEAM WARM :</p> <p>Vous pouvez permettre la régénération des aliments tout en préservant leurs nutriments. Dans cette fonction, la chambre de cuisson est chauffée à la vapeur et à l'air chaud, ce qui permet un chauffage rapide et constant des aliments sans les dessécher.</p>
	50~230°	<p>STEAM CRISPER :</p> <p>Mélangez la puissance de la vapeur avec un ventilateur, vous pouvez obtenir des plats croustillants sans aucune matière grasse. Ce type de fonction est particulièrement adapté aux grands plats de viande et de fruits de mer par exemple, les pains de grande taille fabriqués à partir de farine blanche ou complète, avec levure ou pâte à levure de 190 °C à 210 °C, ainsi que les plats avec de la pâte feuilletée farcie et vide, fraîche ou congelée de 190 °C à 210 °C.</p>

## FONCTIONS DE NETTOYAGE \*

Symbole	Fonction	Description
	<b>H2O circuit clean</b>	<p>H2O circuit clean permet de nettoyer le circuit à chaque fois que cela est nécessaire pour un meilleur entretien, il suffit de remplir le réservoir et d'attendre des instructions.</p> <p>Cette fonction effectue un cycle de nettoyage du circuit, afin de le maintenir propre et efficace au fil du temps.</p> <p>Il est important de s'assurer qu'il y a de l'eau à l'intérieur du réservoir avant de démarrer cette fonction.</p>
	<b>H2O cavity clean</b>	<p>H2O cavity clean laisse l'utilisateur nettoyer la cavité à la vapeur.</p> <p>Cette fonction effectue un cycle de nettoyage en injectant de la vapeur dans la cavité pendant 15 minutes. À la fin du cycle, toute croûte qui a pu se former en raison d'une cuisson à haute température à l'intérieur de la cavité du four sera ramollie et deviendra beaucoup plus facile à enlever avec une lingette.</p>
	<b>Détartrage</b>	<p>Cette fonction effectue un cycle de nettoyage avec un produit de nettoyage, afin de le maintenir propre et efficace au fil du temps.</p> <p>REMARQUE :</p> <p>Le produit de nettoyage doit être un détachant à base d'acide carbonique.</p>

Remarque : Si vous avez utilisé de l'eau dans n'importe quelle fonction, une vidange du circuit est demandée avant que le four ne passe en mode veille.

\* En fonction du modèle de four.

# Nettoyage et entretien

---

## REMARQUES GÉNÉRALES SUR LE NETTOYAGE :

le nettoyage régulier peut prolonger le cycle de vie de votre appareil. Attendez que le four refroidisse avant de procéder au nettoyage manuel.

### AVERTISSEMENT :

- n'utilisez jamais de détergents abrasifs, de laine d'acier ou d'objets coupants pour le nettoyage, car ils risquent d'endommager irréparablement la surface.
- N'utilisez pas de produits de nettoyage corrosifs ou abrasifs. N'utilisez que de l'eau, du savon ou des détergents à base d'eau de javel (ammoniaque).
- Retirez immédiatement les taches de tartre, de graisse, d'amidon ou de protéines. Dans le cas contraire, ces taches peuvent causer de la corrosion. Ne laissez pas d'eau dans le four à vapeur.
- N'utilisez pas de dispositifs de nettoyage à jet de vapeur ou à haute pression.

### PARTIES VITRÉES

Nettoyez la fenêtre du four en verre à l'aide d'un torchon de cuisine absorbant après chaque utilisation. Pour les taches tenaces, utiliser une éponge imbibée de détergent, essuyez, puis rincez à l'eau.

### JOINT DE FENÊTRE DU FOUR

S'il est sale, le joint peut être nettoyé à l'aide d'une éponge humide.

## RECOMMANDATIONS :

- Après chaque utilisation du four, un minimum de nettoyage aidera à conserver le four parfaitement propre.
- Ne recouvrez pas les parois du four avec du papier aluminium ou une protection jetable disponible dans le commerce. Ne placez ni boîtes ni aliments directement sur le fond de la cavité. Utilisez des plateaux ou des grilles.
- Afin d'éviter que votre four se salisse trop et que cela provoque de fortes odeurs de fumée, nous recommandons de ne pas utiliser le four à une température très élevée. Il vaut mieux prolonger le temps de cuisson et baisser légèrement la température.
- En plus des accessoires fournis avec le four, nous vous conseillons de n'utiliser que des plats et des moules résistants aux températures très élevées.
- Les plateaux passent au lave-vaisselle.

# Protection de l'environnement et élimination

---

## PROTECTION ET RESPECT DE L'ENVIRONNEMENT

Lorsque cela est possible, éviter de préchauffer le four et toujours le remplir. Ouvrir la porte du four le moins possible, car la chaleur de la cavité se disperse à chaque ouverture. Pour des économies d'énergie significatives, éteindre le four de 5 à 10 minutes avant la fin prévue du temps de cuisson, et utiliser la chaleur résiduelle que le four continue à générer. Maintenir les joints propres et en bon état, afin d'éviter toute dispersion de chaleur à l'extérieur de la cavité. Si vous disposez d'un contrat d'électricité avec un tarif horaire, le programme « cuisson différée » facilite encore plus les économies d'énergie, en déplaçant la cuisson afin qu'elle démarre dans le créneau horaire à tarif réduit.

## MISE AU REBUT ET PROTECTION DE L'ENVIRONNEMENT

Cet appareil est étiqueté conformément à la Directive européenne 2012/19/UE relative aux déchets d'équipements électriques et électroniques (DEEE). Les DEEE contiennent à la fois des substances polluantes (pouvant avoir un effet négatif sur l'environnement) et des éléments de base (pouvant être réutilisés). Il est important que les DEEE fassent l'objet de traitements spécifiques pour enlever et mettre au rebut les polluants et récupérer tous les matériaux. Chaque personne peut jouer un rôle important en s'assurant que les DEEE ne deviennent pas un problème environnemental ; il est essentiel de suivre quelques règles fondamentales :

- les DEEE ne doivent pas être traités comme des déchets ménagers ;
- les DEEE doivent être amenés sur des sites de collecte spéciaux (déchèteries) gérés par la Mairie ou une entreprise agréée.

Dans de nombreux pays, les collectes chez les particuliers peuvent être disponibles pour les grands DEEE. Lors de l'achat d'un nouvel appareil, l'ancien peut être retourné au vendeur qui doit l'accepter gratuitement sous forme d'échange, à condition que l'appareil soit d'un type équivalent et qu'il possède les mêmes fonctions que l'appareil acheté.



## DÉCLARATION DE CONFORMITÉ

En apposant la marque **CE** sur cet appareil, nous confirmons qu'il est conforme à toutes les exigences européennes en matière de sécurité, de santé et d'environnement applicables dans la législation pour ce produit.

# Sommario

---

- 32 Istruzioni importanti per la sicurezza**
  - 37 Descrizione del prodotto**
  - 39 Funzionamento del prodotto**
  - 40 Uso dell'elettrodomestico**
  - 42 Pulizia e manutenzione**
  - 43 Protezione dell'ambiente e smaltimento**
  - 135 Installazione**
- 

Grazie per aver scelto uno dei nostri prodotti. Per ottenere i risultati migliori, leggere attentamente questo manuale e conservarlo per futuri riferimenti. Prima di installare il forno, prendere nota del numero di serie, in quanto potrebbe essere necessario nel caso in cui occorranza riparazioni. Accertarsi che il forno non abbia subito danni durante il trasporto. In caso di dubbi, consultare un tecnico qualificato prima di utilizzare il forno. Tenere lontano dalla portata dei bambini i materiali dell'imballo. Quando il forno viene acceso per la prima volta, è possibile che si sviluppi un intenso

odore di fumo. Questo fenomeno è causato dal grasso sulla resistenza che si riscalda per la prima volta. Se si verifica questo fenomeno, basta attendere che il fumo si disperda prima di collocare gli alimenti nel forno. Il fabbricante non accetta responsabilità nel caso in cui non vengano rispettate le istruzioni contenute nel presente documento.

NOTA: le funzioni, le proprietà e gli accessori del forno citati nel presente manuale variano in base al modello acquistato.

# Istruzioni importanti per la sicurezza

---

## ISTRUZIONI PER LA SICUREZZA

- Impedire ai bambini di giocare con l'elettrodomestico.
- L'elettrodomestico può essere utilizzato da persone di almeno 8 anni e da persone affette da limitazioni delle capacità fisiche, sensoriali o mentali, senza esperienza o conoscenza del prodotto, solo sotto supervisione e dopo averle istruite sull'uso dell'elettrodomestico, in maniera sicura e consapevole dei possibili rischi.
- La pulizia e la manutenzione non devono essere effettuate da bambini senza supervisione.
- **AVVERTENZA:** l'elettrodomestico e i componenti accessibili diventano caldi durante l'uso. Attenzione a non toccare componenti caldi.
- **AVVERTENZA:** durante l'uso, i componenti accessibili possono diventare caldi. Tenere lontani i bambini.
- **AVVERTENZA:** per evitare pericoli causati dal reset accidentale del dispositivo di interruzione termica, l'elettrodomestico non deve essere alimentato tramite un dispositivo di commutazione esterno, ad es. un timer, e non deve essere collegato a un circuito che viene acceso e spento regolarmente.
- Tenere i bambini di età inferiore a 8 anni a una distanza di sicurezza dall'elettrodomestico, se non sono sorvegliati continuamente.
- Non utilizzare elettrodomestici a vapore o spruzzatori ad alta pressione per le operazioni di pulizia.
- Scollegare l'elettrodomestico dalla rete elettrica prima di effettuare operazioni di manutenzione o altre attività simili.
- Non toccare le resistenze all'interno del forno.

## CONSIGLI E AVVERTENZE INERENTI ALL'INSTALLAZIONE

- I fabbricanti non hanno alcun obbligo in tal senso. Se occorre l'assistenza del fabbricante per eliminare eventuali guasti dovuti all'installazione errata, tale assistenza non è coperta dalla garanzia. Attenersi alle istruzioni per l'installazione fornite per il personale qualificato. Un'installazione errata può causare lesioni a persone, animali e oggetti. Il produttore non può essere ritenuto responsabile di tali lesioni.
- Il funzionamento dell'elettrodomestico alle frequenze nominali non richiede interventi o installazioni supplementari.



- Per evitare che l'elettrodomestico si surriscaldi, non installarlo dietro uno sportello decorativo.
- Il forno può essere collocato in alto in colonna. Si sconsiglia l'installazione del forno sotto il piano cottura. Se è necessario, lasciare spazio a sufficienza per il piano di cottura, attenendosi alle istruzioni del produttore. Prima di fissare il forno, accertarsi che la ventilazione sia sufficiente per consentire la corretta circolazione dell'aria fresca necessaria per il raffreddamento e la salvaguardia dei componenti interni. In base al tipo di sistemazione, praticare le aperture specificate sull'ultima pagina.

## **AVVERTENZE ELETTRICHE**

- **Se il forno è fornito dal produttore senza spina:**

L'ELETTRODOMESTICO NON DEVE ESSERE COLLEGATO ALLA FONTE DI ALIMENTAZIONE TRAMITE SPINA O PRESE, MA DEVE ESSERE COLLEGATO DIRETTAMENTE ALLA RETE ELETTRICA. Il collegamento alla fonte di alimentazione deve essere effettuato da un professionista adeguatamente qualificato. Per un'installazione conforme alle norme vigenti in materia di sicurezza, il forno deve essere collegato solo tramite un interruttore omnipolare con separazione dei contatti conforme ai requisiti per la categoria di sovratensioni III, tra l'elettrodomestico e la fonte di alimentazione. L'interruttore omnipolare deve essere in grado di sostenere il carico massimo collegato e deve essere conforme alle norme vigenti. Il cavo di terra giallo-verde non deve essere interrotto dall'interruttore. L'interruttore omnipolare utilizzato per il collegamento deve essere facilmente accessibile quando l'elettrodomestico è installato. Il collegamento alla fonte di alimentazione deve essere effettuato da un professionista adeguatamente qualificato, rispettando la polarità del forno e della fonte di alimentazione. Per il distacco dell'alimentazione incorporare un interruttore nel cablaggio fisso in conformità alle norme sui cablaggi.

- **Se il forno è fornito dal produttore con la spina:**

La presa deve essere in grado di sostenere il carico indicato sull'etichetta e deve essere dotata di contatto di terra perfettamente funzionante. Il conduttore di terra è di colore giallo-verde. Questa operazione deve essere effettuata da un professionista qualificato. In caso di incompatibilità tra la presa e la spina dell'elettrodomestico, chiedere a un elettricista qualificato di sostituire la presa con un'altra di tipo adatto. La spina e la presa devono essere conformi alle norme vigenti nel paese di installazione. Il collegamento alla fonte di alimentazione può essere effettuato

anche interponendo tra l'elettrodomestico e la fonte di alimentazione un interruttore omnipolare, con separazione dei contatti conforme ai requisiti della categoria di sovratensioni III, in grado di sostenere il carico massimo collegato e conforme alle norme vigenti. Il cavo di terra giallo-verde non deve essere interrotto dall'interruttore. La presa o l'interruttore omnipolare utilizzato per il collegamento deve essere facilmente accessibile quando l'elettrodomestico è installato. Per interrompere l'alimentazione, la spina deve essere facilmente accessibile oppure nel cablaggio fisso deve essere incorporato un interruttore, in conformità alle norme sul cablaggio.

- Se il cavo di alimentazione si danneggia, deve essere sostituito con un cavo o un fascio di conduttori reperibili presso il fabbricante o rivolgendosi all'assistenza clienti. Il cavo di alimentazione deve essere di tipo H05VV-F. Questa operazione deve essere effettuata da un professionista opportunamente qualificato. Il conduttore di terra (giallo-verde) deve essere lungo circa 10 mm in più rispetto agli altri conduttori. Per eventuali riparazioni, rivolgersi esclusivamente all'assistenza clienti e chiedere che vengano utilizzati ricambi originali.
- In caso contrario, la sicurezza dell'elettrodomestico potrebbe comprometersi e la garanzia potrebbe essere annullata.
- **AVVERTENZA:** i componenti accessibili diventano caldi quando si utilizza il grill. Tenere i bambini a distanza di sicurezza.
- Non utilizzare materiali ruvidi o abrasivi oppure raschietti metallici affilati per pulire i vetri dello sportello del forno, in quanto potrebbero graffiare la superficie e rovinare il vetro.
- La lampada della cavità deve essere sostituita da un professionista qualificato. Rivolgersi all'assistenza tecnica.
- **AVVERTENZA:** per evitare scosse elettriche, accertarsi che l'elettrodomestico sia spento prima di sostituire la lampadina.
- Spegnerne il forno prima di rimuovere i componenti rimovibili. Dopo la pulizia, rimontarli secondo le istruzioni.
- Utilizzare il forno solo per gli scopi previsti, cioè solo per la cottura di alimenti; altri usi, ad es. come fonte di calore, sono considerati impropri e quindi pericolosi. Il fabbricante non potrà essere ritenuto responsabile di eventuali danni causati da usi errati, impropri o irragionevoli.
- L'uso di qualunque elettrodomestico impone il rispetto di alcune regole fondamentali:
- Non tirare il cavo di alimentazione per scollegare l'alimentazione.

- Non toccare l'elettrodomestico con le mani o i piedi umidi o bagnati.
- L'uso di adattatori, prese multiple o prolunghe generalmente è sconsigliato.
- In caso di malfunzionamento e/o calo di prestazioni, spegnere l'elettrodomestico e non manometterlo.
- I COLLEGAMENTI ELETTRICI DEVONO ESSERE EFFETTUATI DA UN ELETTRICISTA O UN TECNICO QUALIFICATO. La fonte di alimentazione a cui è collegato il forno deve essere conforme alle leggi vigenti nel paese di installazione. Il produttore non accetta alcuna responsabilità per eventuali danni causati dalla mancata osservazione delle presenti istruzioni. Il forno deve essere collegato alla rete elettrica tramite una presa dotata di messa a terra o un sezionatore a più poli, a seconda delle leggi in vigore nel paese di installazione. L'alimentazione elettrica deve essere protetta con fusibili adeguati e la sezione dei cavi utilizzati deve essere in grado di garantire la corretta alimentazione del forno.
- COLLEGAMENTO. Il forno è fornito con un cavo di alimentazione che può essere collegato solo a una rete elettrica con corrente a 220-240 Vca tra le fasi o tra la fase e il neutro. Prima di collegare il forno all'alimentazione elettrica, è importante controllare la tensione di alimentazione riportata sull'indicatore e l'impostazione del sezionatore. Il conduttore di messa a terra collegato al terminale di terra del forno deve essere collegato al terminale di terra dell'alimentazione.
- AVVERTENZA. Prima di collegare il forno all'alimentazione elettrica, chiedere a un elettricista qualificato di controllare la continuità del terminale di terra dell'alimentazione. Il produttore non si assume alcuna responsabilità per eventuali incidenti o altri problemi causati dal mancato collegamento del forno al terminale di terra o da difetti di continuità del collegamento a terra.
- NOTA: poiché il forno potrebbe richiedere lavori di manutenzione, è consigliabile tenere un'altra presa a parete disponibile a cui poter collegare il forno nel caso in cui venga rimosso dallo spazio in cui è installato. Il cavo di alimentazione deve essere sostituito solo dal personale dell'assistenza tecnica o da tecnici con qualifiche equivalenti.

## **CONSIGLI E AVVERTENZE RIGUARDANTI L'USO**

- Durante l'uso delle modalità di cottura, l'umidità potrebbe condensarsi all'interno della cavità del forno o sul vetro dello sportello. Questa condizione è normale. Per ridurre questo effetto, dopo l'accensione attendere 10-15 minuti prima di collocare gli alimenti nel forno. In ogni caso, la con-

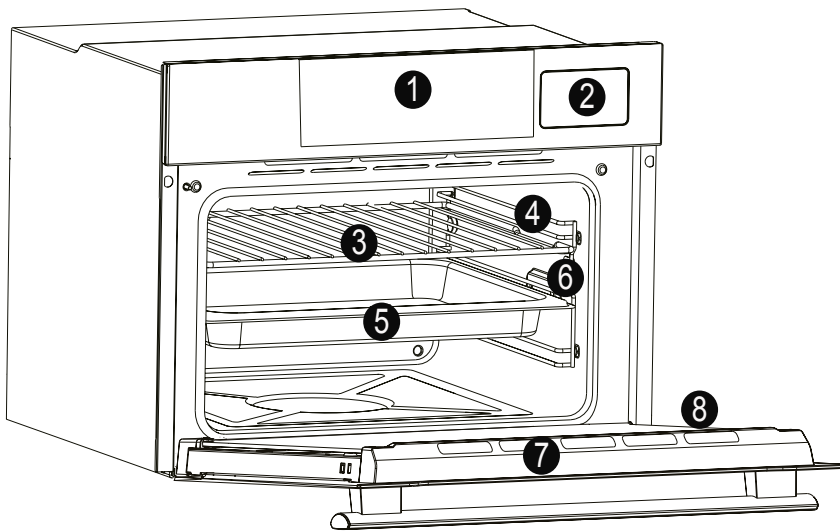
densa scompare quando il forno raggiunge la temperatura di cottura.

- Per cuocere la verdura, utilizzare un contenitore dotato di coperchio invece di un vassoio aperto.
- Evitare di lasciare gli alimenti nel forno per più di 15-20 minuti dopo la cottura.
- Un blackout prolungato durante la cottura potrebbe causare malfunzionamenti del monitor. In tal caso, rivolgersi all'assistenza clienti.
- Quando si colloca il ripiano interno, accertarsi che il blocco sia diretto verso l'alto e verso la parte posteriore della cavità. Il ripiano deve essere totalmente inserito nella cavità.
- **AVVERTENZA:** Non conservare olio, grasso o altri materiali infiammabili nel forno a vapore, altrimenti potrebbero causare pericoli se si avvia il forno a vapore.
- **AVVERTENZA:** non rimuovere mai la guarnizione dello sportello del forno.
- Per un corretto utilizzo del forno, evitare di collocare alimenti a contatto diretto con le griglie e i vassoi; utilizzare carta da forno e/o contenitori speciali.
- Il vassoio di gocciolamento raccoglie i residui che gocciolano durante la cottura.

## **AVVERTENZE**

- Eventuali fuoriuscite di materiali in eccesso devono essere eliminate prima della pulizia.
- **AVVERTENZA:** prima di avviare il ciclo di pulizia:
  1. Pulire lo sportello del forno.
  2. Rimuovere grossi residui di cibo dall'interno del forno con una spugna bagnata. Non utilizzare detergenti.
  3. Rimuovere tutti gli accessori e far scorrere la rastrelliera (se presente)
  4. Non collocare strofinacci.
- Quando viene riempito il serbatoio dell'acqua, il livello dell'acqua non deve superare il livello massimo indicato sul serbatoio.
- **AVVERTENZA:** Rischio di ustioni e danni all'elettrodomestico: l'utilizzo della funzione vapore può causare ustioni: Dopo aver utilizzato una funzione di cottura a vapore, aprire lo sportello con cautela per evitare lesioni.
- Per il riempimento del serbatoio utilizzare solo acqua pulita.

# Descrizione del prodotto



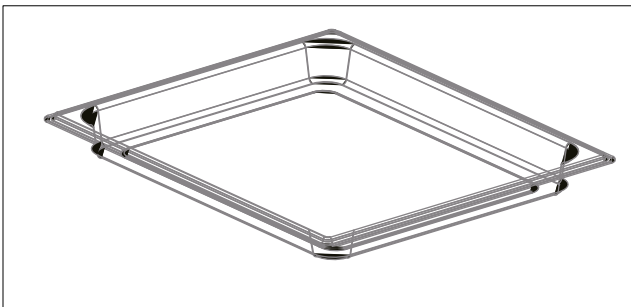
1. Pannello dei comandi
2. Serbatoio dell'acqua
3. Griglie
4. Posizioni dei ripiani (griglia metallica laterale se inclusa)
5. Vassoi
6. Griglie metalliche laterali
7. Sportello
- 8. Numero di serie**



Scrivere qui il numero di serie per futuri riferimenti.

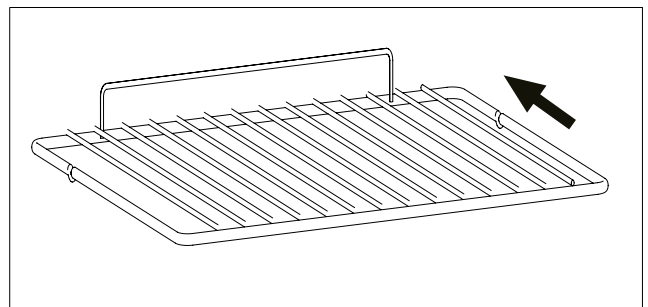
## ACCESSORI

### Leccarda senza foro



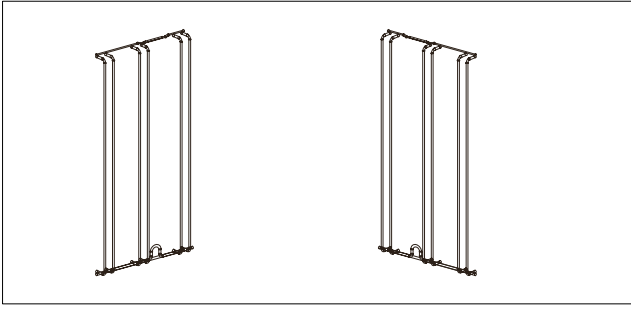
Raccoglie i residui del gocciolamento durante la cottura degli alimenti sulle griglie.

### Griglia metallica



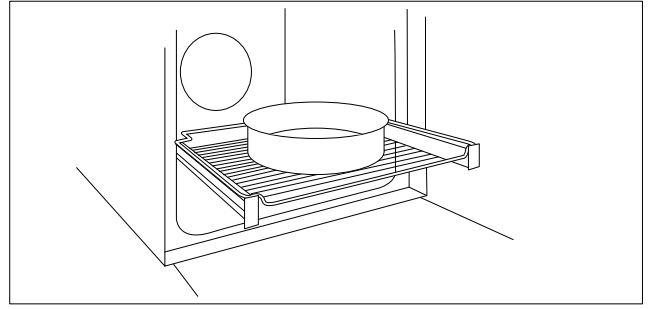
Sostiene piastre e vassoi di cottura  
\* Spingere nel forno come indicato dalla freccia.

### Griglie metalliche laterali (solo se presenti)



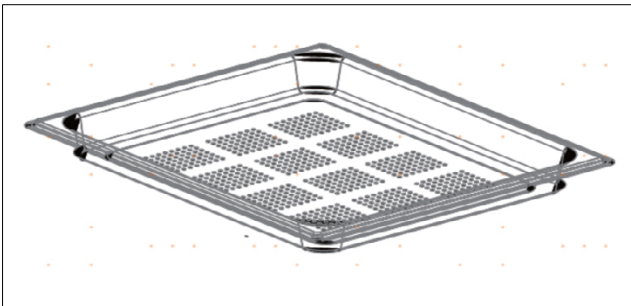
Collocate su entrambi i lati della cavità del forno, sostengono le griglie metalliche e i vassoi di gocciolamento.

### Guide telescopiche (solo se presenti)



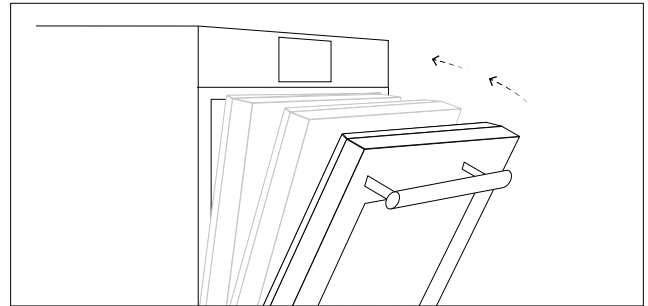
Le due guide che facilitano il controllo dello stato di cottura in quanto consentono di estrarre e riposizionare facilmente i vassoi e le griglie all'interno della cavità del forno.

### Leccarda con fori



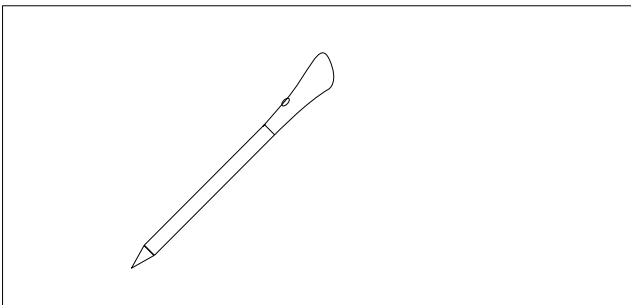
Sorregge gli alimenti in modalità vapore.

### Chiusura graduale (solo se presente)



Cerniere che garantiscono un movimento fluido e automatico durante la chiusura della porta del forno.

### Sonda per la carne (solo se presente)










Misura la temperatura interna degli alimenti durante la cottura.

#### AVVERTENZE:

- Non preriscaldare o iniziare la cottura prima di aver inserito correttamente la sonda per la carne.
- Non cercare di inserire la sonda per la carne negli alimenti congelati.






## Funzionamento del prodotto \*

Simbolo	Funzione	Descrizione
	<b>Modalità manuale</b>	Questa funzione consente di scegliere le funzioni di cottura, la temperatura e la durata.
	<b>My Taste</b>	In questo menu è possibile vedere e selezionare i programmi usati di recente e quelli preferiti, nonché creare ricette personalizzate secondo i gusti preferiti. <ul style="list-style-type: none"> <li>• Ultimi usati/Ultimi usati nell'app: vedere gli ultimi programmi usati con durata, temperatura e preriscaldamento (se selezionati) utilizzati direttamente sul forno o tramite app.</li> <li>• Preferiti / Ricette personali: vedere l'elenco delle ricette personali e/o i programmi preferiti.</li> <li>• U-Create: creare e vedere ricette personalizzate.</li> </ul>
	<b>Ricette</b>	In questo menu è possibile accedere a diverse ricette già integrate nel forno.
	<b>Wi-Fi</b>	In questa modalità è possibile collegare il forno a una rete tramite l'App Haier.
	<b>Impostazioni</b>	Accedere a questo menu per cambiare lingua, impostare l'ora, regolare la luminosità, attivare o disattivare i segnali acustici, modificare le impostazioni della rete Wi-Fi e del controllo da remoto.
	<b>Controllo da remoto</b>	Quando il controllo da remoto è attivato, è possibile accedere e controllare il forno SOLO dal dispositivo collegato.
	<b>Blocco</b>	Questa funzione consente di bloccare lo schermo e lo sportello per evitare utilizzi indesiderati da parte di minori.

\* A seconda del modello del forno.

# Uso dell'elettrodomestico




## MODALITÀ DI COTTURA

Simbolo	Temperatura predefinita	Funzioni
	<b>L3 (potenza)</b>	<b>GRILL:</b> Questa funzione utilizza solo la resistenza superiore e il livello della griglia può essere regolato. Utilizzare con lo sportello chiuso. Collocare le carni bianche a distanza dalla griglia. Le carni rosse e i filetti di pesce possono essere collocati sul ripiano con la leccarda sottostante. Preriscaldare per 5 minuti.
	<b>165°C</b>	<b>GRILL VENTILATO:</b> La resistenza superiore viene utilizzata con la ventola che consente la circolazione dell'aria all'interno del forno. Il preriscaldamento è necessario per le carni rosse ma non per quelle bianche. Collocare gli alimenti da grigliare direttamente sul ripiano in posizione centrale. Fare scorrere la leccarda sotto lo scaffale per raccogliere i succhi. Accertarsi che gli alimenti non siano vicini al grill. Girare l'alimento a metà cottura.
	<b>165°C</b>	<b>COTTURA MULTILIVELLO:</b> Questa funzione distribuisce meglio il calore grazie alla combinazione della ventola e delle resistenze posteriori, garantendo risultati di cottura uniformi.
	<b>210°</b>	<b>COTTURA MULTILIVELLO + GRILL</b> Utilizza la resistenza superiore e quella posteriore con la ventola per ottimizzare la circolazione dell'aria all'interno del forno. Utilizzare con lo sportello chiuso. Fare scorrere il vassoio di gocciolamento sotto lo scaffale per raccogliere i succhi. Girare gli alimenti a metà cottura. Il preriscaldamento è necessario per le carni rosse ma non per quelle bianche.
	<b>165°C</b>	<b>COTTURA MULTILIVELLO ECO:</b> Questa funzione è stata collaudata in base alla norma EN 60350-1 ai fini della dichiarazione del consumo elettrico e della classe energetica.


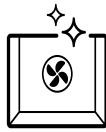

\* A seconda del modello del forno.



## MODALITÀ FUNZIONI A VAPORE \*

Simbolo	Intervallo di temperatura	Funzioni
	40~100°	<p>STEAM PURE:</p> <p>Cottura a bassa temperatura con vapore a piena potenza. Grazie alla ventilazione radiale, il vapore viene distribuito per garantire che gli alimenti vengano riscaldati e cotti in maniera uniforme. Questa funzione consente di cucinare su diversi livelli allo stesso tempo.</p>
	70~130°	<p>STEAM WARM:</p> <p>Consente di rigenerare gli alimenti preservandone le caratteristiche nutrizionali. Con questa funzione, la camera di cottura viene riscaldata con vapore e aria calda, per riscaldare in maniera rapida e costante gli alimenti senza seccarli.</p>
	50~230°	<p>STEAM CRISPER:</p> <p>Combinando la potenza del vapore e la ventilazione, è possibile preparare cibi croccanti senza l'uso di grassi. Questo tipo di funzione è particolarmente adatto, ad esempio, alla preparazione di piatti abbondanti di carne e frutti di mare; forme di pane di grandi dimensioni preparate con farina bianca o integrale, lieviti o impasti lievitati a 190 °C fino a 210 °C e pasta sfoglia ripiena e vuota, sia fresca che congelata a 190 °C fino a 210 °C.</p>

## FUNZIONI DI PULIZIA \*

Simbolo	Funzione	Descrizione
	<b>H2O circuit clean</b>	<p>H2O circuit clean consente di pulire il circuito ogni volta che occorre per migliorare la manutenzione: basta riempire il serbatoio e attendere le istruzioni.</p> <p>Questa funzione effettua un ciclo di pulizia del circuito per mantenerlo pulito ed efficiente nel tempo.</p> <p>E' importante assicurarsi la presenza di acqua all'interno del serbatoio prima di far partire la funzione.</p>
	<b>H2O cavity clean</b>	<p>H2O cavity clean consente di pulire la cavità con la potenza del vapore. Questa funzione effettua un ciclo di pulizia iniettando vapore nella cavità per 15 minuti. Alla fine del ciclo, tutte le incrostazioni che possono essersi formate all'interno della cavità del forno con la cottura ad alta temperatura verranno ammorbidite in modo da poterle rimuovere facilmente con un panno.</p>
	<b>Decalcificazione</b>	<p>Questa funzione effettua un ciclo di pulizia tramite mezzi di pulizia per mantenerlo pulito ed efficiente nel tempo.</p> <p>NOTA:</p> <p>Il mezzo di pulizia deve essere un decalcificante all'acido carbonico.</p>

Nota: Se è stata utilizzata acqua con qualche funzione, verrà chiesto di scaricare il circuito prima del passaggio del forno alla modalità standby.

\* A seconda del modello del forno.

# Pulizia e manutenzione

---

## **NOTE GENERALI SULLA PULIZIA:**

La pulizia regolare può prolungare la durata dell'elettrodomestico. Attendere che il forno si raffreddi prima di effettuare la pulizia manuale.

### **AVVERTENZA:**

- Per evitare danni irreparabili alle superfici, per la pulizia non adoperare mai detersivi abrasivi, oggetti affilati o lana d'acciaio.
- Per la pulizia non utilizzare prodotti corrosivi o abrasivi. Usare solo acqua, sapone o detersivi a base di candeggina (ammoniaca).
- Eliminare immediatamente macchie di calcare, grasso, amido o proteine. In caso contrario, queste macchie possono provocare la corrosione. Non far entrare acqua nel forno a vapore.
- Non usare dispositivi di pulizia ad alta pressione o a getto di vapore.

### **COMPONENTI IN VETRO**

Pulire la finestra in vetro del forno con una tovaglia da cucina assorbente dopo ogni utilizzo. Per le macchie più ostinate, adoperare una spugna imbevuta di detergente e strizzata, quindi risciacquare con acqua.

### **GUARNIZIONE DELLA FINESTRA DEL FORNO**

Se la guarnizione è sporca, può essere pulita con una spugna bagnata.

## **RACCOMANDAZIONI:**

- Dopo ogni utilizzo, pulire il forno per tenerlo sempre perfettamente pulito.
- Non rivestire le pareti con pellicole di alluminio o protezioni monouso reperibili in commercio. Non collocare scatole o alimenti direttamente sul fondo della cavità. Utilizzare vassoi o griglie.
- Per evitare che nel forno si accumuli sporco in eccesso con conseguente emissione di forte odore di fumo, si consiglia di non utilizzare il forno a temperature molto alte. È consigliabile aumentare il tempo di cottura e ridurre lievemente la temperatura.
- Oltre agli accessori forniti con il forno, si consiglia di utilizzare piatti e stampi da forno resistenti ad altissime temperature.
- I vassoi sono lavabili in lavastoviglie.

# Protezione dell'ambiente e smaltimento

---

## PROTEZIONE E RISPETTO DELL'AMBIENTE

Se possibile, evitare di preriscaldare il forno e provare sempre a riempirlo. Aprire lo sportello del forno il meno possibile per evitare la dispersione di calore. Per ottenere un significativo risparmio energetico, spegnere il forno 5-10 minuti prima della fine del tempo di cottura e utilizzare il calore residuo che il forno continua a produrre. Mantenere le guarnizioni pulite e in ordine per evitare la dispersione del calore all'esterno della cavità. In caso di contratto dell'utenza elettrica a tariffa oraria, il programma di "cottura ritardata" consente di risparmiare energia più facilmente, spostando l'inizio del processo di cottura in un orario a tariffa ridotta.

## GESTIONE DEI RIFIUTI E PROTEZIONE DELL'AMBIENTE

Sull'elettrodomestico è riportato il simbolo di conformità alla direttiva europea 2012/19/CE relativa allo smaltimento di rifiuti di apparecchiature elettriche ed elettroniche. I rifiuti di apparecchiature elettriche ed elettroniche contengono sostanze inquinanti per l'ambiente e componenti basilari riutilizzabili. È fondamentale che i rifiuti di apparecchiature elettriche ed elettroniche siano sottoposti a trattamenti specifici per rimuovere e smaltire correttamente i materiali inquinanti e recuperare tutti i materiali riciclabili. Osservando alcune regole basilari, tutti possono contribuire a evitare danni ambientali causati dai rifiuti di apparecchiature elettriche ed elettroniche:



- I rifiuti di apparecchiature elettriche ed elettroniche non devono essere gestiti come rifiuti domestici.
- I rifiuti di apparecchiature elettriche ed elettroniche devono essere conferiti in aree di raccolta dedicate, gestite a livello municipale o da una società registrata.

In molti paesi potrebbe essere disponibile il prelievo a domicilio per i rifiuti di apparecchiature elettriche ed elettroniche di grandi dimensioni. Quando si acquista un nuovo elettrodomestico, quello vecchio può essere restituito al rivenditore che è tenuto ad accettarlo gratuitamente, purché sia di tipo equivalente e abbia le stesse funzioni di quello acquistato.

## DICHIARAZIONE DI CONFORMITÀ

L'applicazione del marchio **CE** sul prodotto garantisce la conformità a tutti i requisiti europei in materia di sicurezza, salute e ambiente previsti dalle norme vigenti.

# Índice

---

- 45** Indicaciones de seguridad importantes
  - 50** Descripción del producto
  - 52** Cómo funciona este producto
  - 53** Uso del electrodoméstico
  - 55** Limpieza y mantenimiento
  - 56** Eliminación y protección del medio ambiente
  - 135** Instalación
- 

Gracias por elegir uno de nuestros productos. Para obtener los mejores resultados, lea atentamente este manual y guárdelo para futuras consultas. Antes de instalar el horno, tome nota del número de serie, ya que puede necesitarlo en caso de requerir alguna reparación. Compruebe que el horno no ha sufrido daños durante el transporte. En caso de duda, consulte a un técnico cualificado antes de usar el horno. Mantenga todos los materiales de embalaje lejos del alcance de los niños. Cuando el horno se enciende por primera vez, puede producir un

humo de olor fuerte. Esto se debe a que la grasa de la resistencia se está calentando por primera vez. Si esto ocurre, no se preocupe: espere a que el humo se disipe antes de poner la comida en el horno. El fabricante no acepta ninguna responsabilidad en los casos en que no se sigan las instrucciones contenidas en este documento.

NOTA: Las funciones, propiedades y accesorios del horno citados en este manual variarán según el modelo que haya adquirido.

# Indicaciones de seguridad importantes

---

## **INSTRUCCIONES DE SEGURIDAD**

- Los niños no deben jugar con este electrodoméstico.
- Este electrodoméstico puede ser utilizado por personas a partir de 8 años y por personas con capacidades físicas, sensoriales o mentales limitadas, sin experiencia o conocimiento sobre el producto, únicamente si se las supervisa o reciben instrucciones sobre su funcionamiento seguro y con conciencia de los posibles riesgos.
- Los niños sin supervisión no deben realizar las actividades de limpieza y mantenimiento.
- **ADVERTENCIA:** Este electrodoméstico y sus partes accesibles se calientan durante el uso. Tenga cuidado de no tocar ninguna parte caliente.
- **ADVERTENCIA:** Las partes accesibles pueden calentarse durante el uso. Los niños pequeños deben mantenerse alejados de este electrodoméstico.
- **ADVERTENCIA:** Para evitar cualquier peligro causado por el reinicio accidental del dispositivo de interrupción térmica, este electrodoméstico no debe recibir alimentación de un dispositivo de conmutación externo, como un temporizador, ni estar conectado a un circuito que se enciende y apaga regularmente.
- A menos que se les supervise constantemente, los niños menores de 8 años deben mantenerse a una distancia segura de este electrodoméstico.
- No utilice un limpiador de vapor o un aerosol de alta presión para las operaciones de limpieza.
- Desconecte el dispositivo de la red eléctrica antes de realizar cualquier operación o mantenimiento sobre este.
- Tenga cuidado para evitar tocar los elementos de calentamiento del interior del horno.

## **RECOMENDACIONES/ADVERTENCIAS DE INSTALACIÓN**

- Los fabricantes no tienen la obligación de llevar a cabo estas operaciones. Si se requiere la asistencia del fabricante para corregir fallos derivados de una instalación incorrecta, esta asistencia no estará cubierta por la garantía. Se deben seguir las instrucciones de instalación para personal profesionalmente cualificado. Una instalación incorrecta puede causar daños o lesiones a personas, animales o pertenencias. El fabricante no se hace responsable de tales daños o lesiones.
- No se requiere ninguna operación/ajuste adicional para hacer funcionar

este electrodoméstico a las frecuencias nominales.

- Para evitar sobrecalentamientos, este electrodoméstico no debe instalarse detrás de una puerta decorativa.
- El horno se puede ubicar en la parte alta de una columna. No se recomienda instalar el horno debajo de una placa de cocción. Si esto es necesario, asegúrese de dejar un espacio lo suficientemente grande para la placa de acuerdo con las instrucciones del fabricante. Antes de instalarlo, debe garantizar una buena ventilación en el espacio del horno para permitir la circulación adecuada del aire fresco requerido para enfriar y proteger las partes internas. Realice las aberturas especificadas en la última página según el tipo de instalación.

## **ADVERTENCIAS ELÉCTRICAS**

- **Si el horno es suministrado por el fabricante sin enchufe:**

EL ELECTRODOMÉSTICO NO DEBE CONECTARSE A LA FUENTE DE ALIMENTACIÓN MEDIANTE ENCHUFES O TOMAS DE CORRIENTE, SINO QUE DEBE CONECTARSE DIRECTAMENTE A LA RED ELÉCTRICA. La conexión a la fuente de alimentación debe llevarla a cabo un profesional cualificado. Con el fin de llevar a cabo una instalación conforme a la legislación de seguridad vigente, este horno debe conectarse únicamente colocando un interruptor de corte omnipolar entre el electrodoméstico y la fuente de alimentación, con una separación de contacto que cumpla con los requisitos de la categoría de sobretensión III. El interruptor omnipolar debe soportar la carga máxima conectada y debe ser conforme a la legislación vigente. El cable de tierra amarillo-verde no debe ser interrumpido por el interruptor. Cuando se instala el electrodoméstico, el interruptor omnipolar utilizado para la conexión debe ser fácilmente accesible. La conexión a la fuente de alimentación debe llevarla a cabo un profesional cualificado teniendo en cuenta la polaridad del horno y de la fuente de alimentación. La desconexión debe llevarse a cabo incorporando un interruptor en el cableado fijo de acuerdo con las normas de cableado.

- **Si el horno es suministrado por el fabricante con enchufe:**

La toma de corriente debe ser adecuada para la carga indicada en la etiqueta y debe tener la conexión a tierra conectada y en funcionamiento. El conductor de tierra es de color amarillo-verde. Esta operación debe realizarla un profesional debidamente cualificado. En caso de incompatibilidad entre la toma de corriente y la clavija del electrodoméstico, solicite a un electricista cualificado que sustituya la toma de corriente por otra del tipo adecuado. La clavija y la toma de corriente deben cumplir con la

normativa actual del país de instalación. La conexión a la fuente de alimentación también se puede realizar colocando un interruptor de corte omnipolar entre el electrodoméstico y la fuente de alimentación, con una separación de contacto que cumpla con los requisitos de la categoría de sobretensión III, que pueda soportar la carga máxima conectada y que cumpla la legislación vigente. El cable de tierra amarillo-verde no debe ser interrumpido por el interruptor. Cuando se instala el electrodoméstico, la toma de corriente o el interruptor omnipolar utilizado para la conexión deben ser fácilmente accesibles. La desconexión se puede lograr manteniendo la clavija accesible o incorporando un interruptor en el cableado fijo de acuerdo con las normas de cableado.

- Si el cable de alimentación está dañado, debe ser sustituido por un cable o paquete especial disponible a través del fabricante o poniéndose en contacto con el departamento de atención al cliente. El tipo de cable de alimentación debe ser H05VV-F. Esta operación debe realizarla un profesional debidamente cualificado. El conductor de tierra (amarillo-verde) debe ser aproximadamente 10 mm más largo que los otros conductores. Para cualquier reparación, diríjase exclusivamente al departamento de atención al cliente y solicite el uso de repuestos originales.
- No hacerlo puede comprometer la seguridad del electrodoméstico e invalidar la garantía.
- **ADVERTENCIA:** Las partes accesibles pueden calentarse cuando el grill está en uso. Los niños deben mantenerse a una distancia segura.
- No utilice materiales ásperos o abrasivos ni espátulas metálicas afiladas para limpiar el cristal de la puerta del horno, ya que estos pueden rayar su superficie y hacer que se rompa.
- La lámpara de la cavidad debe ser sustituida por un profesional cualificado: llame al departamento de servicio.
- **ADVERTENCIA:** Para evitar la posibilidad de descargas eléctricas, asegúrese de que el electrodoméstico esté apagado antes de cambiar la bombilla.
- Antes de retirar las piezas extraíbles, hay que apagar el horno. Después de realizar la limpieza, vuelva a montarlas siguiendo las instrucciones.
- Utilice el horno únicamente para el fin para el que fue diseñado, es decir, solo para cocinar alimentos. Cualquier otro uso (por ejemplo, como fuente de calor) se considera inadecuado y, por lo tanto, peligroso. El fabricante no se hace responsable de ningún daño resultante de un uso incorrecto, inadecuado o irracional del horno.
- El uso de cualquier aparato eléctrico implica el cumplimiento de algunas reglas fundamentales:

- No tire del cable de alimentación para desconectar este producto de la fuente de alimentación.
- No toque el electrodoméstico con las manos o los pies mojados o húmedos.
- En general no se recomienda el uso de adaptadores, múltiples tomas de corriente y cables alargadores.
- En caso de avería y/o mal funcionamiento, apague el electrodoméstico y no lo manipule.
- **ASEGÚRESE DE QUE UN ELECTRICISTA O TÉCNICO CUALIFICADO HAGA LAS CONEXIONES ELÉCTRICAS.** La fuente de alimentación a la que está conectado el horno debe cumplir con las leyes vigentes en el país de instalación. El fabricante no acepta ninguna responsabilidad de cualquier posible daño causado por el incumplimiento de estas instrucciones. El horno debe estar conectado a un suministro eléctrico con una toma de corriente con conexión a tierra o un seccionador con múltiples polos, según las leyes vigentes en el país de instalación. El suministro eléctrico debe protegerse con los fusibles adecuados, y los cables utilizados deben tener una sección transversal que pueda garantizar un suministro correcto al horno.
- **CONEXIÓN.** El horno se entrega con un cable de alimentación que solo debe conectarse a un suministro eléctrico con una potencia de 220-240 VCA entre las fases o entre la fase y el neutro. Antes de conectar el horno a la red eléctrica, es importante comprobar el voltaje indicado en el medidor y la configuración del seccionador. El cable de conexión a tierra conectado al terminal de tierra del horno debe conectarse al terminal de tierra de la fuente de alimentación.
- **ADVERTENCIA:** Antes de conectar el horno a la fuente de alimentación, solicite a un electricista cualificado que compruebe la continuidad del terminal de tierra de la fuente de alimentación. El fabricante no acepta ninguna responsabilidad por accidentes u otros problemas causados por la falta de conexión del horno al terminal de tierra o por una conexión a tierra con una continuidad defectuosa.
- **NOTA:** Dado que el horno podría requerir mantenimiento, es aconsejable tener disponible otra toma de corriente de pared para que el horno pueda conectarse a esta si se retira del espacio donde está instalado. El cable de alimentación solo debe ser sustituido por personal de servicio técnico o por técnicos con cualificaciones equivalentes.

## **RECOMENDACIONES/ADVERTENCIAS DE USO**

- Durante la ejecución de los modos de cocción, la humedad puede con-



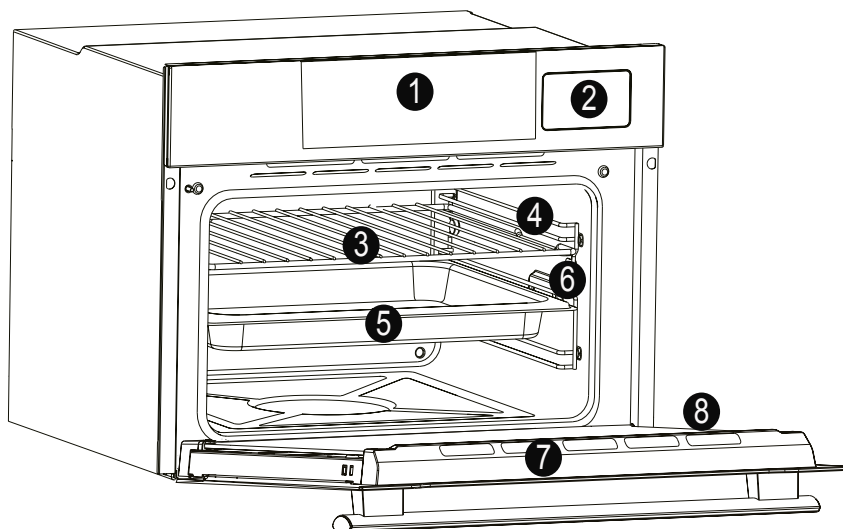
densarse dentro de la cavidad del horno o en el cristal de la puerta. Esto es normal. Para reducir este efecto, espere de 10 a 15 minutos después de encender el horno antes de colocar alimentos en su interior. En cualquier caso, la condensación desaparece cuando el horno alcanza la temperatura de cocción.

- Cocine las verduras en un recipiente con tapa en lugar de en una bandeja abierta.
- No deje alimentos dentro del horno pasados 15/20 minutos desde el final de la cocción.
- Una falla prolongada en la fuente de alimentación durante una fase de cocción puede causar un mal funcionamiento del monitor. En este caso, póngase en contacto con el servicio de atención al cliente.
- Cuando coloque el estante dentro, asegúrese de que el tope esté dirigido hacia arriba y en la parte posterior de la cavidad. El estante debe insertarse completamente en la cavidad.
- **ADVERTENCIA:** No deje aceite, grasa u otros materiales inflamables en el horno de vapor, ya que esto puede ser peligroso cuando se pone en marcha el horno de vapor.
- **ADVERTENCIA:** Nunca retire la junta de la puerta del horno.
- Para un uso correcto del horno, se aconseja no poner los alimentos en contacto directo con los estantes y bandejas, sino utilizar papel para horno y/o recipientes especiales.
- La bandeja de goteo recoge los residuos que gotean durante la cocción.

## **ADVERTENCIAS**

- Si se ha producido algún derrame, debe retirar el exceso de sustancia derramada antes de la limpieza.
- **ADVERTENCIA:** Antes de iniciar cualquier ciclo de limpieza:
  1. Limpie la puerta del horno.
  2. Retire los residuos de comida grandes del interior del horno con una esponja húmeda. No use detergentes.
  3. Retire todos los accesorios y el kit de estante deslizante (si está presente).
  4. No ponga paños de cocina.
- Cuando llene el depósito de agua, el nivel de agua no deberá superar el nivel máximo indicado en el depósito.
- **ADVERTENCIA:** Riesgo de quemaduras y daños al electrodoméstico: el vapor liberado al usar la función vapor puede causar quemaduras: abra la puerta con cuidado para evitar lesiones después de utilizar una función de cocción con vapor.
- Utilice solo agua pura para llenar el depósito.

# Descripción del producto



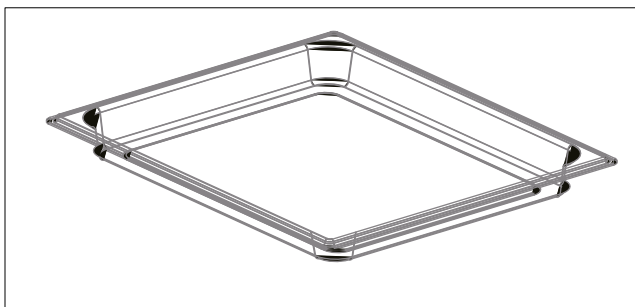
1. Panel de control
2. Depósito de agua
3. Rejillas
4. Niveles del horno (rejilla lateral, si está incluida)
5. Bandejas
6. Rejillas laterales
7. Puerta
- 8. Número de serie**



Escriba aquí su número de serie para futuras consultas.

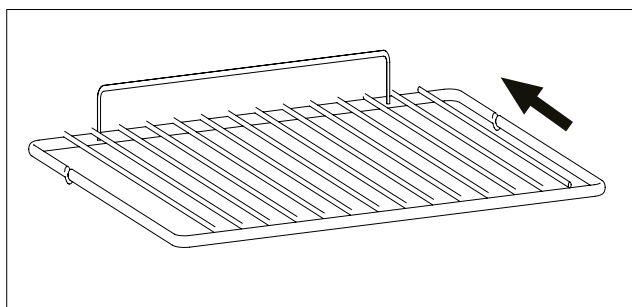
## ACCESORIOS

### Bandeja de goteo no perforada



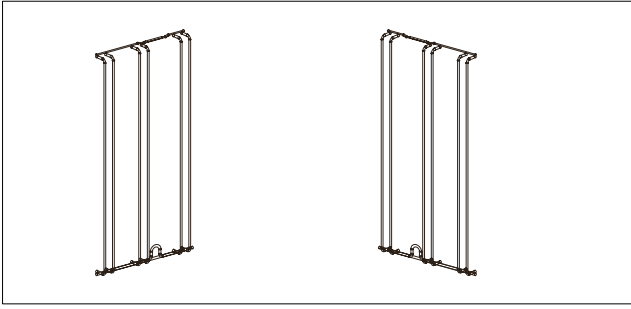
Recoge los residuos que gotean al cocinar alimentos en las rejillas.

### Rejilla metálica



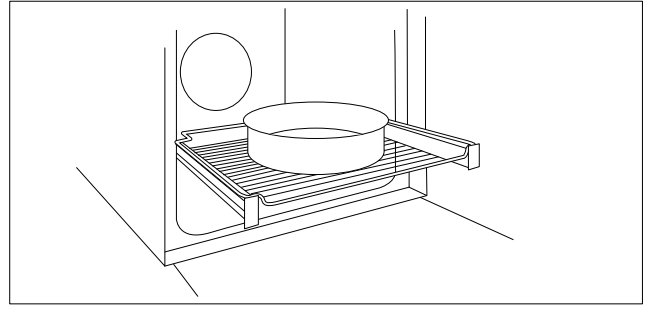
Sostiene fuentes y platos.  
\*Introducir en el horno en la dirección que indica la flecha.

### Rejillas laterales (solo si están presentes)



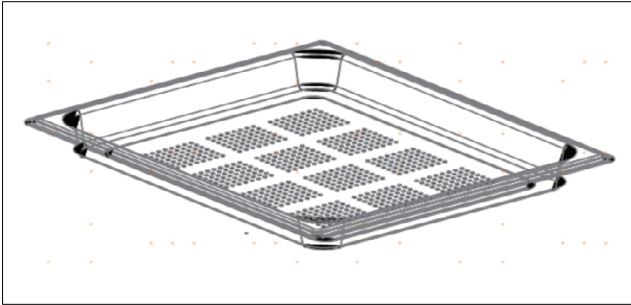
Situadas en ambos lados de la cavidad del horno, sostienen rejillas de metal y bandejas de goteo.

### Guías telescópicas (solo si están presentes)



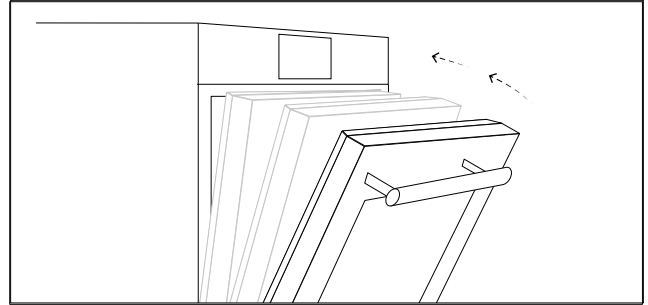
Dos guías que facilitan la comprobación del estado de cocción, ya que permiten la extracción y el reposicionamiento de bandejas y rejillas dentro de la cavidad del horno.

### Bandeja de goteo perforada



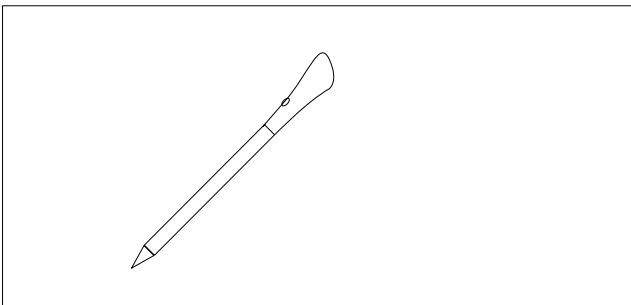
Sostiene los alimentos en el modo vapor.

### Sistema de cierre suave (solo si está presente)



Bisagras que garantizan un movimiento suave y automático durante la fase de cierre de la puerta del horno.

### Termómetro para carne (solo si está presente)

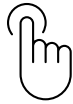








Mide la temperatura interior de la comida durante la cocción.

#### ADVERTENCIAS:

- No precalentar ni empezar a cocinar antes de introducir correctamente el termómetro para carne.
- No intente introducir el termómetro para carne en alimentos congelados.






## Cómo funciona este producto \*

Símbolo	Función	Descripción
	<b>Modo manual</b>	Esta función permite elegir las funciones de cocción, la temperatura y la duración.
	<b>My Taste</b>	En este menú puede ver y seleccionar los programas recientemente utilizados y favoritos, así como generar recetas personalizadas según sus gustos. <ul style="list-style-type: none"><li>• Último usado/último usado en la aplicación: vea los últimos programas usados con duración, temperatura y precalentamiento (si se ha seleccionado) utilizados directamente en el horno o a través de la aplicación.</li><li>• Favoritos/Mis recetas: vea la lista de sus recetas y/o programas favoritos.</li><li>• U-Create: cree y vea sus recetas personalizadas.</li></ul>
	<b>Recetas</b>	Desde este menú puede acceder a una variedad de recetas ya integradas en el horno.
	<b>Wifi</b>	En este modo puede conectar el horno a una red y registrarlo con la aplicación de Haier.
	<b>Ajustes</b>	Acceda a este menú para cambiar el idioma, establecer la hora, ajustar el brillo, activar o desactivar los sonidos, editar su Wifi y configurar el control remoto.
	<b>Control remoto</b>	Cuando el control remoto está activo, puede acceder y controlar el horno SOLO por medio del dispositivo conectado.
	<b>Boqueo</b>	Esta función permite bloquear la pantalla/puerta para evitar cualquier uso no deseado por parte de menores.

\* Según el modelo de horno.




# Uso del electrodoméstico

## MODOS DE COCCIÓN \*




Símbolo	Temperatura predeterminada	Funciones
	<b>L3 (potencia)</b>	<b>GRILL:</b> Esta función utiliza solo el elemento de calentamiento superior, y el nivel del grill se puede ajustar. Usar con la puerta cerrada. Coloque las carnes blancas a cierta distancia del grill. Las carnes rojas y los filetes de pescado se pueden colocar en el estante con la bandeja de goteo debajo. Precalentar durante 5 minutos.
	<b>165°C</b>	<b>GRILL + VENTILADOR:</b> El elemento de calentamiento superior se utiliza con el ventilador, que hace circular el aire dentro del horno. El precalentamiento es necesario para las carnes rojas, pero no para las carnes blancas. Coloque la comida en el centro del estante. Coloque la bandeja de goteo debajo del estante para recoger los jugos. Asegúrese de que la comida no esté demasiado cerca del grill. Voltee la comida a media cocción.
	<b>165°C</b>	<b>MÚLTIPLES NIVELES:</b> Esta función distribuye mejor el calor gracias a la combinación del ventilador y los elementos de calentamiento traseros, garantizando un horneado uniforme.
	<b>210°</b>	<b>MÚLTIPLES NIVELES + GRILL:</b> Utiliza el elemento de calentamiento superior y trasero con el ventilador para hacer circular el aire dentro del horno. Usar con la puerta cerrada. Coloque la bandeja debajo de la rejilla para recoger los jugos. Voltee la comida a media cocción. El precalentamiento es necesario para las carnes rojas, pero no para las carnes blancas.
	<b>165°C</b>	<b>MÚLTIPLES NIVELES ECO:</b> Esta función ha sido probada de acuerdo con la norma CE-NELEC EN 60350-1 para fines de declaración de consumo de energía y clase energética.

\* Según el modelo de horno.

## MODOS DE LAS FUNCIONES DE VAPOR \*

Símbolo	Rango de temperatura	Funciones
	40-100°	<p>STEAM PURE:</p> <p>Para cocinar a bajas temperaturas con vapor a plena potencia. A través de la ventilación radial, el vapor se distribuye para asegurar que los alimentos se calientan y se cuecen de manera uniforme. Esto supone la ventaja de poder cocinar en diferentes niveles al mismo tiempo.</p>
	70-130°	<p>STEAM WARM:</p> <p>Permite la regeneración de los alimentos preservando sus nutrientes. En esta función, la cámara de cocción se calienta con vapor y aire caliente, lo que permite un calentamiento rápido y constante de los alimentos sin secarlos.</p>
	50-230°	<p>STEAM CRISPER:</p> <p>Combina el poder del vapor con un ventilador para lograr unos platos crujientes sin grasa. Este tipo de función es especialmente adecuada para grandes platos de carne y marisco, por ejemplo, panes de gran tamaño hechos con harina blanca o integral, con levadura o masa con levadura a 190 °C - 210 °C, así como para hojaldres rellenos y huecos, ya sean frescos o congelados, de 190 °C a 210 °C.</p>

## FUNCIONES DE LIMPIEZA \*

Símbolo	Función	Descripción
	H2O circuit clean	<p>H2O circuit clean permite limpiar el circuito cada vez que sea necesario para un mejor mantenimiento, solo tiene que llenar el depósito y esperar instrucciones.</p> <p>Esta función realiza un ciclo de limpieza del circuito para mantenerlo limpio y eficiente a lo largo del tiempo.</p> <p>Es importante asegurarse de que haya agua dentro del depósito antes de iniciar esta función.</p>
	H2O cavity clean	<p>H2O cavity clean permite que el usuario limpie la cavidad con vapor.</p> <p>Esta función realiza un ciclo de limpieza inyectando vapor en la cavidad durante 15 minutos. Al final del ciclo, cualquier corteza que pueda haberse formado debido a la cocción a alta temperatura dentro de la cavidad del horno, se ablandará y será mucho más fácil de quitar con un paño.</p>
	Descalcificación	<p>Esta función realiza un ciclo de limpieza mediante un producto de limpieza para mantenerlo limpio y eficiente a lo largo del tiempo.</p> <p>NOTA:</p> <p>El producto de limpieza debe ser un antical con ácido carbónico.</p>

Nota: Si hubiera usado agua en alguna función, se le pedirá una descarga del circuito antes de que el horno pase al modo de espera.

\* Según el modelo de horno.

# Limpieza y mantenimiento

---

## NOTAS GENERALES SOBRE LA LIMPIEZA:

La limpieza regular puede ampliar la vida útil del electrodoméstico. Espere a que el horno se enfríe antes de llevar a cabo la limpieza manual.

### ADVERTENCIA:

- No utilice detergentes abrasivos, lana de acero u objetos afilados para la limpieza, ya que podrían dañar irreparablemente la superficie.
- No utilice productos de limpieza corrosivos ni abrasivos. Use solo agua, jabón o detergentes con base de cloro (amoníaco).
- Retire inmediatamente las manchas de cal, grasa, almidón o proteínas. De lo contrario, estas manchas pueden ser causa de corrosión. No deje que el agua entre en el horno de vapor.
- No utilice dispositivos de limpieza de alta presión o con chorros de vapor.

### PARTES DE CRISTAL

Limpie la ventana de cristal del horno con papel de cocina absorbente después de cada uso. Para las manchas difíciles, use una esponja empapada con detergente escurrida y luego enjuague con agua.

### JUNTA DE LA VENTANA DEL HORNO

Si está sucia, la junta se puede lavar con una esponja humedecida.

## RECOMENDACIONES:

- Un mínimo de limpieza después de cada uso ayudará a mantener el horno perfectamente limpio.
- No cubra las paredes del horno con papel de aluminio o protectores de un solo uso disponibles en las tiendas. No coloque cajas ni alimentos directamente en el fondo de la cavidad. Use bandejas o rejillas.
- Para evitar fuertes olores de humo y una suciedad excesiva, recomendamos no usar el horno a temperaturas muy altas. Es mejor prolongar el tiempo de cocción y bajar un poco la temperatura.
- Además de los accesorios suministrados con el horno, le recomendamos que utilice únicamente platos y moldes resistentes a temperaturas muy altas.
- Las bandejas pueden ponerse en el lavavajillas.

# Eliminación y protección del medio ambiente

---

## AHORRAR Y RESPETAR EL MEDIO AMBIENTE

Siempre que sea posible, llene el horno y evite precalentarlo. Abra la puerta del horno con la menor frecuencia posible, porque el calor de la cavidad se dispersa cada vez que se abre. Para lograr un ahorro de energía significativo, apague el horno entre 5 y 10 minutos antes del final del tiempo de cocción planificado y aproveche el calor residual que el horno continúa generando. Mantenga las juntas limpias y bien colocadas para evitar que el calor se disperse fuera de la cavidad. Si tiene un contrato eléctrico con tarifa horaria, el programa «Cocción diferida» le ayudará a ahorrar energía más fácilmente, ya que le permitirá retrasar el inicio del proceso de cocción hasta el inicio de la franja horaria con tarifa reducida.

## GESTIÓN DE RESIDUOS Y PROTECCIÓN DEL MEDIO AMBIENTE

Este electrodoméstico está etiquetado de acuerdo con la directiva europea 2012/19/UE en materia de residuos de aparatos eléctricos y electrónicos (RAEE). Los RAEE contienen tanto sustancias contaminantes (que pueden tener un efecto negativo en el medio ambiente) como elementos básicos (que pueden reutilizarse). Es importante que los RAEE se sometan a tratamientos específicos para desechar y eliminar correctamente los contaminantes y recuperar todos los materiales reutilizables. Las personas desempeñan un papel clave a la hora de garantizar que los RAEE no se conviertan en un problema medioambiental. Para ello, es esencial seguir algunas normas básicas:

- Los RAEE no deben recibir el mismo tratamiento que los residuos domésticos.
- Los RAEE deben llevarse a áreas de recolección específicas gestionadas por el ayuntamiento o por una empresa registrada.

En muchos países puede haber servicios de recogida a domicilio para RAEE de gran tamaño. Al comprar un electrodoméstico nuevo, el antiguo puede devolverse al proveedor (que debe aceptarlo de forma gratuita) siempre y cuando el electrodoméstico antiguo tenga características similares y sea de un tipo equivalente al electrodoméstico adquirido.



## DECLARACIÓN DE CONFORMIDAD

Mediante la colocación de la marca **CE** en este electrodoméstico, confirmamos el cumplimiento de todos los requisitos legislativos europeos relevantes en materia de seguridad, salud y medio ambiente aplicables a este producto.



# Zusammenfassung

---

- 58** Wichtige Sicherheitshinweise
- 63** Produktbeschreibung
- 65** Funktionsweise des Produkts
- 66** Gebrauch des Geräts
- 68** Reinigung & Wartung
- 69** Umweltschutz und -entsorgung
- 135** Installation

---

Vielen Dank, dass Sie sich für eins unserer Produkte entschieden haben. Damit Sie lange Freude mit Ihrem Backofen haben, sollten Sie diese Bedienungsanleitung sorgfältig durchlesen und zum Nachschlagen für zukünftige Zwecke aufbewahren. Notieren Sie sich vor dem Anschließen des Backofens die Seriennummer, sodass Sie diese im Reparaturfall an den Kundendienst weitergeben können. Überprüfen Sie, ob der Backofen während des Transports beschädigt wurde. Wenden Sie sich im Zweifel vor der Benutzung des Backofens an einen qualifizierten Techniker. Bewahren Sie alle Verpackungsmaterialien außerhalb der Reichweite von Kindern auf.

Beim ersten Einschalten des Backofens kann ein streng riechender Rauch entstehen. Dies wird beim erstmaligen Erhitzen durch das Fett auf den Heizelementen verursacht. Dies sollte Sie nicht beunruhigen, warten Sie einfach, bis der Rauch verschwunden ist, bevor Sie Lebensmittel zum Garen in den Ofen geben. Der Hersteller übernimmt keine Verantwortung in Fällen, wo die in diesem Dokument enthaltenen Anweisungen nicht beachtet werden.

HINWEIS: Die in diesem Handbuch erwähnten Funktionen, Eigenschaften und Zubehörteile können je nach gekauftem Modell variieren.

# Wichtige Sicherheitshinweise

---

## SICHERHEITSHINWEISE

- Dieses Gerät ist kein Spielzeug für Kinder.
- Dieses Gerät darf nicht von körperlich oder geistig behinderten bzw. in ihrer Sinneswahrnehmung beeinträchtigten Personen (einschließlich Kindern) oder von Personen mit unzureichender Produktkenntnis benutzt werden, es sei denn, sie werden von einer für ihre Sicherheit verantwortlichen Person überwacht und eingewiesen.
- Reinigung und Wartung sollten nicht durch unbeaufsichtigte Kinder erfolgen.
- WARNUNG: Das Gerät und zugängliche Teile können während des Betriebs heiß werden. Darauf achten, dass keine heißen Bestandteile berührt werden.
- WARNUNG: Zugängliche Teile können während des Betriebs heiß werden. Kleine Kinder nicht in die Nähe des Geräts gelangen lassen.
- WARNUNG: Um Gefahren durch das versehentliche Zurücksetzen der thermischen Schutzeinrichtung zu verhindern, sollte das Gerät nicht über eine externe Schaltquelle, beispielsweise eine Zeitschaltuhr, betrieben oder an einen Stromkreislauf angeschlossen werden, der regelmäßig ein- und ausgeschaltet wird.
- Kinder unter acht Jahren nur unter ständiger Aufsicht an das Gerät lassen.
- Verwenden Sie keinen Dampfreiniger oder Hochdruckspray für die Reinigung.
- Trennen Sie das Gerät von der Stromversorgung, bevor Sie Arbeiten oder Wartung an dem Gerät vornehmen.
- Die Heizelemente im Ofen nicht berühren.

## INSTALLATIONSEMPFEHLUNGEN/WARNUNGEN

- Der Hersteller ist nicht zur Installation verpflichtet. Wird das Eingreifen des Herstellers erforderlich, um Fehler zu beheben, die aus einer falschen Installation hervorgehen, so erfolgt dieses nicht im Rahmen der Gewährleistungsgarantie. Die Installationsanweisungen für qualifiziertes Fachpersonal müssen befolgt werden. Eine falsche Installation kann Personen- oder Sachschäden hervorrufen. Für derartige Schäden oder Verletzungen übernimmt der Hersteller keine Haftung.
- Weitere Vorgänge/Einstellungen sind nicht erforderlich, um das Gerät mit den Nennfrequenzen zu betreiben.

- Das Gerät nicht hinter einer Zierblende oder Tür einbauen, um Überhitzen zu vermeiden.
- Der Ofen kann oben in einem Einbauschränk eingebaut werden. Es wird nicht empfohlen, den Ofen unter dem Kochfeld zu installieren. Wenn dies erforderlich ist, achten Sie darauf, dass Sie einen ausreichend großen Spalt für das Kochfeld gemäß den Anweisungen des Herstellers lassen. Vor dem Fixieren muss gewährleistet sein, dass im Backofenraum genügend Frischluft zirkulieren kann, um die Kühlung und den Schutz der innenliegenden Teile zu gewährleisten. Je nach Einbauart die auf der letzten Seite angegebenen Öffnungen vornehmen.

## ELEKTRISCHE WARNUNGEN

- **Wenn der Backofen vom Hersteller ohne Stecker ausgeliefert wird:**  
DAS GERÄT DARF NICHT ÜBER STECKER ODER STECKDOSEN MIT DER STROMQUELLE VERBUNDEN WERDEN, SONDERN MUSS DIREKT AN DAS STROMNETZ ANGESCHLOSSEN WERDEN. Der Anschluss an die Stromquelle muss von einem entsprechend qualifizierten Fachmann vorgenommen werden. Damit der Anschluss den geltenden Sicherheitsvorschriften entspricht, darf er nur mittels eines allpoligen Schalters erfolgen, mit Unterbrechung der Kontakte gemäß Überspannungskategorie III zwischen Gerät und Stromquelle. Der allpolige Schalter muss die gesetzlich zugelassenen maximalen Anschlusswerte tragen. Das gelb/grüne Erdungskabel darf nicht vom Schalter unterbrochen werden. Bei der Installation des Geräts darauf achten, dass der für den Anschluss verwendete allpolige Schalter gut zugänglich ist. Der Anschluss an die Stromquelle muss von einem entsprechend qualifizierten Fachmann unter Berücksichtigung der Polarität des Ofens und der Stromquelle vorgenommen werden. Die Trennung von der Stromversorgung muss durch einen Pol-Trenner erfolgen, der gemäß den geltenden VDE-Vorschriften an den Stromkreis angeschlossen wird.
- **Wenn der Backofen vom Hersteller mit Stecker geliefert wird:**  
Die Steckdose muss der auf dem Schild angegebenen Last entsprechen, funktionsfähig und geerdet sein. Der Erdleiter ist gelb-grün. Dieser Vorgang darf nur durch einen geschulten Elektriker ausgeführt werden. Passen Steckdose und Stecker nicht zueinander, muss die Steckdose durch einen qualifizierten Elektriker gegen eine geeignete ausgetauscht werden. Stecker und Steckdose müssen den aktuellen Gesetzgebungen des Landes entsprechen. Der Anschluss an die Stromversorgung kann auch mit-

tels eines allpoligen Schalters, der die gesetzlich zugelassenen maximalen Anschlusswerte tragen kann, mit Unterbrechung der Kontakte gemäß Überspannungskategorie III zwischen Gerät und Stromquelle erfolgen. Das gelb/grüne Erdungskabel darf nicht vom Schalter unterbrochen werden. Bei der Installation des Geräts darauf achten, dass die für den Anschluss verwendete Steckdose oder der allpolige Schalter gut zugänglich ist. Die Trennung von der Stromversorgung kann entweder durch einen zugänglichen Stecker oder durch einen Poltrenner erfolgen, der gemäß den geltenden VDE-Vorschriften an den Stromkreis angeschlossen wird.

- Ist das Stromkabel beschädigt, sollte es vom Kundendienst durch ein vom Hersteller erhältliches ersetzt werden. Das Kabel muss vom Typ H05VV-F sein. Dieser Vorgang darf nur durch einen geschulten Elektriker ausgeführt werden. Der Erdleiter (gelb-grün) muss etwa 10 mm länger sein als die anderen Leiter. Wenden Sie sich für alle Reparaturen an den Kundendienst und veranlassen Sie die Verwendung originaler Ersatzteile.
- Die Nichteinhaltung der oben genannten Anweisungen kann die Sicherheit des Geräts beeinträchtigen und zum Erlöschen der Garantie führen.
- **WARNUNG:** Der Grill und zugängliche Teile können während des Betriebs heiß werden. Kinder nicht in die Nähe des Geräts gelangen lassen.
- Für die Reinigung der Glasbestandteile der Backofentür keine Scheuermaterialien oder scharfkantigen Metallschaber verwenden, da diese die Oberfläche zerkratzen und das Glas zerspringen kann.
- Die Backofenlampe sollte von einem qualifizierten Fachmann ausgetauscht werden, indem Sie den Kundendienst anrufen.
- **WARNUNG:** Vor dem Austauschen der Glühbirne prüfen, ob das Gerät ausgeschaltet ist, um die Gefahr von Stromschlägen zu vermeiden.
- Ofen vor dem Herausnehmen der Zubehörteile ausschalten. Nach der Reinigung diese entsprechend den Anweisungen wieder einsetzen.
- Den Backofen nur zum vorbestimmten Zweck, das heißt, für das Garen von Lebensmitteln einsetzen. Alle anderen Verwendungsmöglichkeiten wie beispielsweise als Heizungsquelle gelten als unsachgemäß und sind daher gefährlich. Der Hersteller übernimmt keine Haftung für Schäden, die aus einer falschen, unsachgemäßen oder unverständlichen Verwendung hervorgehen.
- Der Betrieb elektrischer Geräte erfordert die Einhaltung einiger Grundregeln:
  - Das Gerät nicht am Stromkabel aus der Steckdose ziehen.
  - Gerät nicht mit nassen oder feuchten Händen oder Füßen berühren.

- Die Verwendung von Adaptern, Mehrfachsteckern und Verlängerungskabeln wird nicht empfohlen.
- Bei einer Fehlfunktion beziehungsweise bei unzulänglichem Betrieb Gerät ausschalten und nicht öffnen.
- DER ANSCHLUSS AN DIE STROMQUELLE DARF NUR DURCH EINEN ELEKTRIKER ODER QUALIFIZIERTEN TECHNIKER ERFOLGEN. Die Stromquelle, an die der Backofen angeschlossen wird, muss den gesetzlichen Voraussetzungen des Landes entsprechen. Der Hersteller übernimmt keine Haftung für Schäden, die aus der Nichtbefolgung dieser Anweisungen entstehen. Der Backofen muss entsprechend der geltenden Gesetzgebung des Landes an eine geerdete Wandsteckdose oder an einen allpoligen Trennschalter angeschlossen werden. Die Stromquelle sollte durch entsprechende Sicherungen geschützt sein und die verwendeten Kabel müssen einen Querschnitt aufweisen, der eine ordnungsgemäße Stromversorgung des Backofens gewährleistet.
- ANSCHLUSS Der Backofen wird mit einem Stromkabel geliefert, das nur an eine Stromquelle mit 220-240 Vac zwischen zwei Phasen oder zwischen einer Phase und dem Neutraleiter angeschlossen werden kann. Bevor der Backofen an die Stromversorgung angeschlossen wird, muss die auf dem Messgerät angegebene Spannung und das Umfeld des Trennschalters überprüft werden. Die mit der Erdungsklemme des Backofens verbundene Schutzleitung muss mit der Erdungsklemme der Stromquelle verbunden werden.
- WARNUNG Vor dem Anschließen des Backofens an die Stromquelle einen qualifizierten Elektriker darum bitten, die Kontinuität der Erdungsklemme an der Stromquelle zu überprüfen. Der Hersteller übernimmt keine Verantwortung für Unfälle oder sonstige Probleme, die aus einem nicht sachgemäßen Anschluss des Backofens an die Erdungsklemme oder an einen geerdeten Anschluss mit defekter Kontinuität entstehen können.
- HINWEIS: Für eine eventuelle Wartung des Ofens ist die Zugänglichkeit einer zweiten Wandsteckdose von Vorteil, sodass er an diese angeschlossen werden kann, wenn er ausgebaut werden muss. Das Stromkabel darf nur von qualifizierten Kundendiensttechnikern oder Elektrikern ausgetauscht werden.

## **VERWENDUNGSEMPFEHLUNGEN/WARNUNGEN**

- Beim Ausführen der Garmodi kann Feuchtigkeit in den Garraum des Ofens oder an der Glastür kondensieren. Dies ist ein normaler Vorgang. Um dies zu verhindern, warten Sie 10-15 Minuten nach dem Einschalten des Geräts, bevor Sie Lebensmittel in den Ofen geben. Die Kondensation ver-

schwindet, sobald der Ofen die Gartemperatur erreicht hat.

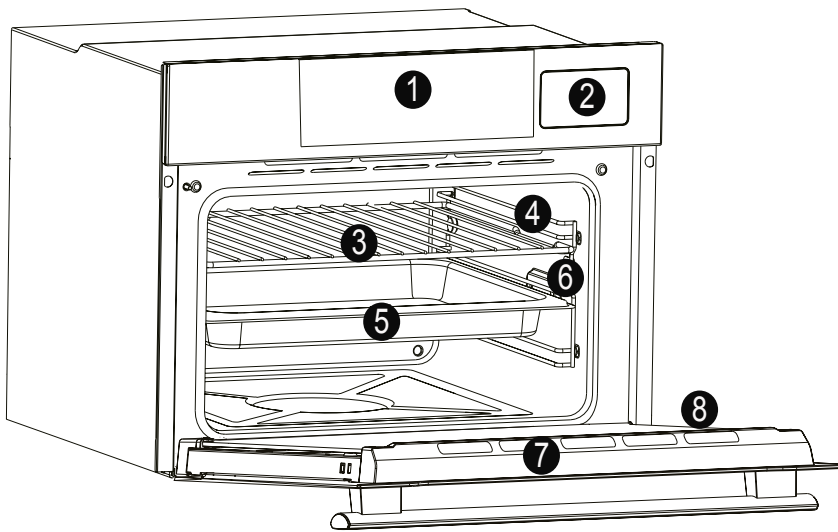
- Garen Sie Gemüse in einem Behälter mit Deckel, anstatt auf dem offenen Blech.
- Lassen Sie Lebensmittel nach dem Garen nicht länger als 15/20 Minuten im Ofen.
- Ein längerer Stromausfall während des Garens kann zu einer Fehlfunktion des Monitors führen. Kontaktieren Sie in diesem Fall den Kundenservice.
- Beim Einsetzen des Blechs darauf achten, dass der Anschlag nach oben ausgerichtet ist und sich an der Rückseite des Garraums befindet. Das Blech muss ganz in den Garraum eingesetzt werden.
- **WARNUNG:** Lagern Sie kein Öl, Fett oder andere brennbare Materialien im Dampfgerät, da dies nach dem Start des Dampfgeräts gefährlich werden kann.
- **WARNUNG:** Die Dichtung der Backofentür niemals entfernen.
- Für eine korrekte Verwendung des Backofens sollten die Lebensmittel nicht in direkten Kontakt mit den Einschubleisten und Blechen kommen, sondern auf Backpapier bzw. in ofenfeste Behälter gelegt werden.
- Die Fettpfanne fängt die beim Garen austretenden Säfte auf.

## **WARNUNGEN**

- Eventuelle Materialreste sollten vor der Reinigung entfernt werden.
- **WARNUNG:** Vor dem Start eines Reinigungszyklus:
  1. Backofentür reinigen.
  2. Große oder grobe Speisereste mit einem feuchten Schwamm aus dem Inneren des Backofens entfernen. Keine Reinigungsmittel verwenden.
  3. Alle Zubehörteile und Gleitschienen (falls vorhanden) herausnehmen.
  4. Keine Geschirrtücher in den Ofen legen.
- Beim Befüllen des Wassertanks darf der Füllstand des Wassers den im Tank angegebenen maximalen Füllstand nicht überschreiten.
- **WARNUNG:** Verbrennungsgefahr und Beschädigung des Geräts: Der freigesetzte Dampf der Dampffunktion kann zu Verbrennungen führen: Öffnen Sie die Türe vorsichtig, um Verletzungen nach dem Dampfgeräten zu vermeiden.
- Nur sauberes Wasser zum Befüllen des Tanks verwenden.

# Produktbeschreibung

---



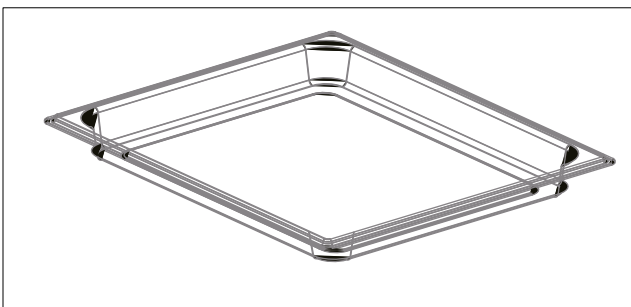
1. Bedienfeld
2. Wassertank
3. Gitter
4. Einschubpositionen  
(Seitengitter falls enthalten)
5. Bleche
6. Seitliche Führungsschienen
7. Tür
- 8. Seriennummer**



Notieren Sie hier Ihre Seriennummer für zukünftige Zwecke.

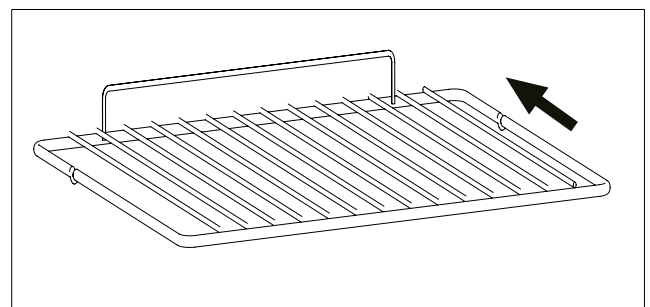
## ZUBEHÖR

### Fettpfanne ohne Löcher



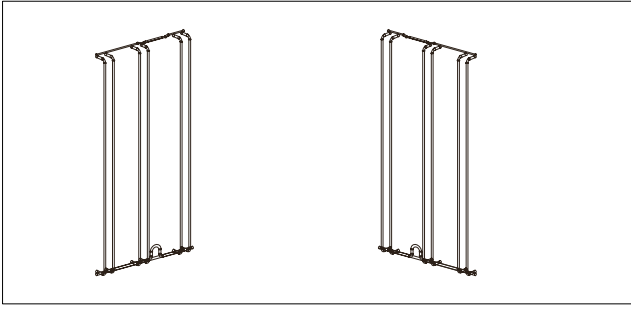
Fängt die beim Grillen von Lebensmitteln austretende Flüssigkeit auf.

### Metallrost



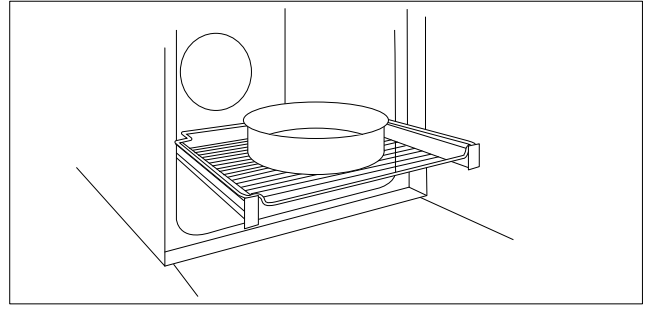
Hält Auflauf- und Backformen.  
\*Wie mit dem Pfeil angezeigt in den Ofen schieben.

### Seitliche Drahtgitter (nur falls vorhanden)



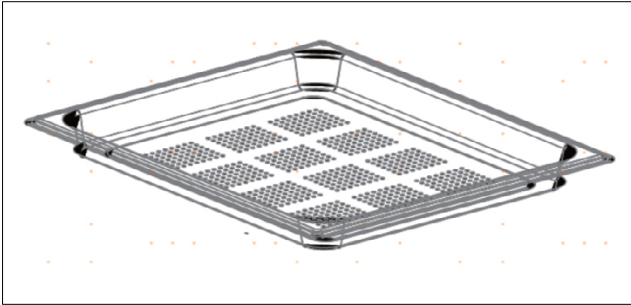
Befindet sich an beiden Seiten des Ofens und hält Metallroste und Fettpfannen.

### Teleskopschienen (nur, wenn vorhanden)



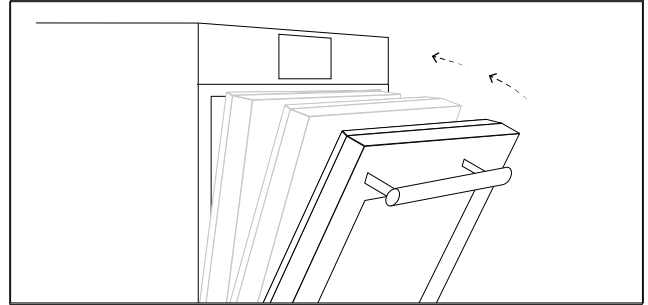
Zwei Führungsschienen, die das Überprüfen der Garung erleichtern, da sie sich ganz einfach herausziehen lassen, sodass Bleche und Roste anders positioniert werden können.

### Fettpfanne mit Löchern



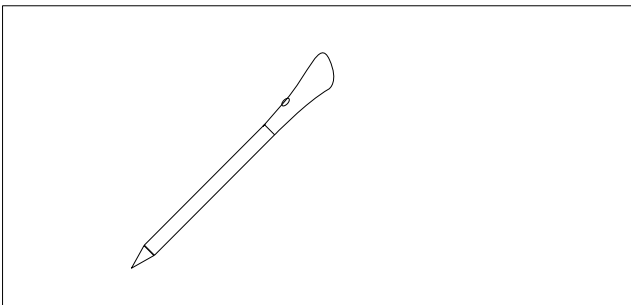
Enthält die Lebensmittel im Dampfbetrieb.

### Softclose (nur, falls vorhanden)



Scharniere, die ein automatisches, sanftes und leichtgängiges Schließen der Backofentür gewährleisten.

### Fleischthermometer (nur, falls vorhanden)










Misst die Innentemperatur während des Garvorgangs.

#### WARNUNGEN:

- Backofen erst vorheizen oder anschalten, wenn das Fleischthermometer richtig eingeführt ist.
- Fleischthermometer nicht in gefrorene Lebensmittel einführen.








## Funktionsweise des Produkts \*

Symbol	Funktion	Beschreibung
	<b>Manueller Modus</b>	Diese Funktion ermöglicht die Auswahl von Kochfunktionen, Temperatur und Dauer.
	<b>My Taste</b>	In diesem Menü können Sie die zuletzt gebrauchten und Lieblingsprogramme sehen sowie maßgeschneiderte Rezepte nach Ihrem Geschmack zubereiten. <ul style="list-style-type: none"> <li>• Zuletzt verwendet/Zuletzt verwendet in der App: Sie sehen die zuletzt direkt am Ofen eingestellten oder über die App verwendeten Programme mit Dauer, Temperatur und Vorheizen (falls ausgewählt).</li> <li>• Meine Favoriten/Rezepte: Sie sehen die Liste Ihrer Lieblingsrezepte beziehungsweise verwendeten Programme.</li> <li>• U-Create: Kochen und sehen Sie sich individuelle Rezepte an.</li> </ul>
	<b>Rezepte</b>	In diesem Menü können Sie auf eine Vielzahl von bereits in Ihrem Ofen integrierten Rezepten zugreifen.
	<b>WiFi</b>	In diesem Modus können Sie Ihren Backofen mit einem Netzwerk verbinden und bei der Haier-App anmelden.
	<b>Einstellungen</b>	In diesem Menü können Sie die Sprache ändern, die Uhrzeit einstellen, die Helligkeit anpassen, die Töne aktivieren oder deaktivieren und Ihre WiFi- und Fernsteuerungseinstellungen bearbeiten.
	<b>Fernsteuerung</b>	Wenn die Fernsteuerung eingeschaltet ist, können Sie NUR über das verbundene Endgerät auf den Ofen zugreifen und ihn steuern.
	<b>Sperrern</b>	Diese Funktion ermöglicht das Verriegeln des Bildschirms/der Tür, um eine ungewollte Nutzung durch Minderjährige zu verhindern.

\* Je nach Backofenmodell.




# Gebrauch des Geräts

## KOCHMODI \*


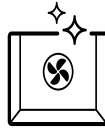

Symbol	Standardtemperatur	Funktionen
	<b>L3 (Power)</b>	GRILL: Diese Funktion nutzt nur das obere Heizelement und die Grillstufe kann angepasst werden. Verwendung bei geschlossener Tür. Weißes Fleisch mit Abstand vom Grill platzieren. Rotes Fleisch und Fischfilets können auf dem Rost mit der Fettpfanne darunter gegart werden. Fünf Minuten vorheizen.
	<b>165°C</b>	GRILL + UMLUFT: Das obere Heizelement wird zusammen mit dem Ventilator gebraucht, der die Luft im Ofen umwälzt. Für rotes Fleisch ist Vorheizen erforderlich, für weißes Fleisch nicht. Legen Sie das Grillgut mittig auf das Rost. Fettpfanne darunter schieben, um Bratensaft aufzufangen. Darauf achten, dass sich der Braten nicht zu nahe am Grill befindet. Nach der Hälfte der Garzeit wenden.
	<b>165°C</b>	MULTI-LEVEL: Diese Funktion verteilt die Wärme dank der Kombination von Lüfter und hinteren Heizelementen besser, was gleichmäßig gebackene Ergebnisse sicherstellt.
	<b>210°</b>	MULTI-LEVEL + GRILL: Die oberen und hinteren Heizelemente werden zusammen mit dem Ventilator gebraucht, der die Luft im Ofen umwälzt. Verwendung bei geschlossener Tür. Bratensaft mit der Fettpfanne auffangen. Nach der Hälfte der Garzeit wenden. Für rotes Fleisch ist Vorheizen erforderlich, für weißes Fleisch nicht.
<b>ECO</b> 	<b>165°C</b>	ECO MULTI-LEVEL: Diese Funktion wurde nach CENELEC EN 60350-1 zur Definition des Energieverbrauchs und der Energieklasse geprüft.

\* Je nach Backofenmodell.

## DAMPFFUNKTIONSMODI \*

Symbol	Temperaturbereich	Funktionen
	40-100°	<p>STEAM PURE:</p> <p>Zum Garen bei niedriger Temperatur mit voller Dampfleistung. Durch die radiale Belüftung wird der Dampf so verteilt, dass die Speisen gleichmäßig erhitzt und gegart werden. Dies hat den Vorteil, auf verschiedenen Ebenen gleichzeitig kochen zu können.</p>
	70-130°	<p>STEAM WARM:</p> <p>Damit können Lebensmitteln so erhitzt werden, dass ihre Nährstoffe erhalten bleiben. Bei dieser Funktion wird der Garraum mit Dampf und Warmluft beheizt, was eine schnelle und gleichmäßige Erwärmung der Speisen ermöglicht, ohne sie auszutrocknen.</p>
	50-230°	<p>STEAM CRISPER:</p> <p>Durch eine Kombination der Dampfleistung mit dem Gebläse, erhalten Sie knusprige Speisen ohne Fett. Diese Funktionsweise eignet sich z. B. besonders für große Fleisch- und Meeresfrüchtegerichte, große Brotlaibe aus Weiß- oder Vollkornmehl, mit Hefe oder Hefeteig bei 190°C bis 210°C, sowie für gefüllten und hohlen Blätterteig, ob frisch oder tiefgekühlt bei 190°C bis 210°C.</p>

## REINIGUNGSFUNKTIONEN \*

Symbol	Funktion	Beschreibung
	H2O Circuit Clean	<p>Mit der Funktion H2O Circuit Clean wird der Kreislauf für eine bessere Geräterwartung jedes Mal gereinigt. Befüllen Sie dazu einfach den Tank und warten Sie auf Anweisungen.</p> <p>Diese Funktion führt einen Reinigungszyklus des Kreislaufs durch, damit er konsequent sauber bleibt und effizient arbeitet.</p> <p>Es ist wichtig sicherzustellen, dass sich Wasser im Tank befindet, bevor die Funktion eingeschaltet wird.</p>
	H2O Cavity Clean	<p>Mit der Funktion H2O Cavity Clean kann der Benutzer den Garraum mit Dampf reinigen.</p> <p>Diese Funktion führt einen Reinigungszyklus durch, bei dem 15 Minuten lang Dampf in den Garraum gegeben wird. Am Ende der Reinigung sind eventuelle Verkrustungen, die sich durch das Hochtemperaturgaren im Garraum gebildet haben, aufgeweicht und lassen sich viel leichter mit einem mal Wischen entfernen.</p>
	Entkalken	<p>Diese Funktion führt einen Reinigungszyklus mit Reinigungsmitteln durch, damit der Ofen konsequent sauber bleibt und effizient arbeitet.</p> <p>HINWEIS: Das Reinigungsmittel muss ein Entkalker mit Carbonsäure sein.</p>

Hinweis: Wenn Sie in irgendeinem Garmodus Wasser verwendet haben, wird eine Kreislaufentleerung erzwungen, bevor der Ofen in den Standby-Modus geht.

\* Je nach Backofenmodell.

# Reinigung und Wartung

---

## **ALLGEMEINE REINIGUNGSHINWEISE:**

Durch regelmäßiges Reinigen kann die Lebensdauer des Gerätes erhöht werden. Den Ofen vor der manuellen Reinigung abkühlen lassen.

### WARNUNG:

- Keine Scheuermittel, Stahlwolle oder scharfkantige Gegenstände für die Reinigung verwenden, da diese die Beschichtung beschädigen könnten.
- Verwenden Sie keine ätzenden oder scheuernden Reinigungsmittel. Nur Wasser, Spülmittel oder Reinigungsmittel mit Bleiche (Ammoniak) verwenden.
- Entfernen Sie sofort Kalk-, Fett-, Stärke- oder Eiweißflecken. Andernfalls können diese Flecken die Ursache für Korrosion sein. Lassen Sie kein Wasser in den Dampfgerät.
- Verwenden Sie keine Hochdruck- oder Dampfstrahlreinigungsgeräte.
- Es empfiehlt sich, den Backofen nach jeder Verwendung grob zu reinigen.
- Die Ofenwände nicht mit Aluminiumfolie oder sonstiger im Handel erhältlicher Einmalschutzfolie auskleiden. Stellen Sie keine Kartons oder Lebensmittel direkt auf den Boden des Hohlraums. Verwenden Sie Bleche oder Roste.
- Es wird empfohlen, den Backofen nicht bei sehr hohen Temperaturen zu betreiben, um eine übermäßige Verschmutzung und unangenehme Rauch- und Geruchsentwicklung zu vermeiden. Es ist besser, bei niedrigerer Temperatur die Garzeit zu erhöhen.
- Zusätzlich zum mitgelieferten Zubehör sollten nur temperatur- und hitzebeständige Backformen und ofenfestes Geschirr verwendet werden.
- Die Bleche sind spülmaschinenfest.

### BESTANDTEILE AUS GLAS

Die Glastür nach jeder Verwendung des Backofens mit einem saugfähigen Küchentuch zu reinigen. Hartnäckige Flecken können mit einem in Reinigungsmittel getränkten Schwamm gesäubert und mit klarem Wasser abgewaschen werden.

### DICHTUNG OFENTÜR

Schmutzige Dichtungen mit einem feuchteten Schwamm reinigen.

## **EMPFEHLUNGEN:**

# Umweltschutz und -entsorgung

---

## MASSNAHMEN ZUM STROMSPAREN UND UMWELTSCHUTZ

Sofern möglich, das Vorheizen des Backofens vermeiden und seine Kapazität voll ausnutzen. Die Backofentür so selten wie möglich öffnen, weil die Hitze aus dem Innenraum bei jedem Öffnen verloren geht. Für eine deutliche Energieersparnis den Backofen 5-10 Minuten vor dem Ende der Garzeit ausschalten und mit der Restwärme zu Ende garen. Die Dichtungen sollten sauber und unversehrt bleiben, damit keine Hitze aus dem Inneren verloren geht. Falls Sie einen Stromversorgungsvertrag mit wechselndem Stundentarif haben, erleichtert das Programm der „verzögerten Startzeit“ das Stromsparen, indem der Anfang des Garvorgangs in die Zeit verschoben wird, wo der günstigere Stromtarif gilt.

## ENTSORGUNG UND UMWELTSCHUTZ

Dieses Elektrohaushaltsgerät ist in Einklang mit der EU-Richtlinie 2012/19/EU über Elektro- und Elektronik-Altgeräte (WEEE) gekennzeichnet. Elektro- und Elektronik-Altgeräte enthalten umweltschädigende Substanzen (die ggf. eine negative Auswirkung auf die Umwelt haben) sowie (wiederverwendbare) Grundelemente. Daher ist es wichtig, Elektro- und Elektronik-Altgeräte spezifisch zu entsorgen, um alle schädlichen Substanzen zu entfernen und wiederverwendbare Teile zu recyceln. Verbraucher leisten einen wichtigen Beitrag, um zu gewährleisten, dass Elektro- und Elektronik-Altgeräte nicht zu einem Umweltproblem werden. Halten Sie sich daher bitte an die folgenden Grundregeln:

- Elektro- und Elektronik-Altgeräte dürfen nicht mit dem normalen Hausmüll entsorgt werden.
- Elektro- und Elektronik-Altgeräte müssen bei zugelassenen Sammelstellen abgegeben werden, die von der Stadtverwaltung oder anderen zuständigen Stellen verwaltet werden.

In vielen Ländern wird für die Entsorgung großer Elektro- und Elektronik-Altgeräte ein Abholservice angeboten. Beim Kauf eines neuen Geräts wird das alte vom Händler zurückgenommen, der es kostenfrei entsorgt, sofern das neue Gerät von einem ähnlichen Typ ist und die gleiche Funktion erfüllt wie das Altgerät.



## KONFORMITÄTSERKLÄRUNG

Durch das Zeichen **CE** auf diesem Produkt wird seine Einhaltung aller geltenden EU-Sicherheits-, Gesundheits- und Umweltauflagen bestätigt, die gesetzlich für dieses Produkt vorgeschrieben sind.

# Samenvatting

---

- 71** Belangrijke veiligheidsinstructies
- 76** Productbeschrijving
- 78** Hoe het product werkt
- 79** Gebruik van het apparaat
- 81** Reiniging en onderhoud
- 82** Milieubescherming en verwijdering
- 135** Installatie

---

Bedankt voor het kiezen van een van onze producten. Lees voor de beste resultaten deze handleiding zorgvuldig door en bewaar deze voor toekomstige raadpleging. Noteer voordat u de oven installeert het serienummer, dat u nodig kunt hebben als er reparaties nodig zijn. Controleer of de oven niet beschadigd is tijdens het vervoer. Raadpleeg in geval van twijfel een gekwalificeerde technicus voordat u de oven gebruikt. Houd alle verpakkingsmaterialen buiten het bereik van kinderen. Wanneer de oven voor het eerst wordt ingeschakeld, kan er een sterk ruikende rook ontstaan. Dit wordt veroorzaakt

door het vet op het verwarmingselement dat voor de eerste keer wordt verwarmd. Als dat gebeurt, maakt u zich dan geen zorgen, maar wacht gewoon totdat de rook is opgelost voordat u voedsel in de oven plaatst. De fabrikant aanvaardt geen verantwoordelijkheid in het geval dat de instructies aanwezig in dit document niet in acht worden genomen.

OPMERKING: De ovenfuncties, -eigenschappen en -accessoires die in deze handleiding genoemd worden, verschillen afhankelijk van het model dat u gekocht hebt.

# Belangrijke veiligheidsinstructies

---

## VEILIGHEIDSINSTRUCTIES

- Kinderen mogen niet spelen met het apparaat.
- Het apparaat mag uitsluitend worden gebruikt door personen ouder dan 8 jaar en door personen met beperkte fysieke, sensorische of mentale vermogens, zonder ervaring of kennis van het product, als deze onder toezicht staan of instructies hebben ontvangen over de werking van het apparaat, op een veilige manier en zich bewust van de mogelijke risico's.
- Reiniging en onderhoud mag niet worden uitgevoerd door kinderen die niet onder toezicht staan.
- WAARSCHUWING: het apparaat en toegankelijke delen ervan worden heet tijdens het gebruik. Kijk uit en raak geen hete delen aan.
- WAARSCHUWING: de toegankelijke delen kunnen heet worden tijdens het gebruik. Houd kleine kinderen uit de buurt.
- WAARSCHUWING: om ieder risico veroorzaakt door het per ongeluk resetten van het thermische uitschakelapparaat te voorkomen, mag het apparaat niet worden gevoed door een extern schakeltoestel zoals een timer of worden aangesloten op een circuit dat regelmatig wordt in- en uitgeschakeld.
- Kinderen jonger dan 8 jaar moeten op een veilige afstand van het apparaat worden gehouden, als ze niet continu onder toezicht staan.
- Gebruik geen stoomreiniger of hogedrukspuit voor reinigingswerkzaamheden.
- Trek de stekker van het apparaat uit het stopcontact voordat u werkzaamheden of onderhoud uitvoert.
- Voorkom aanraking van de verwarmingselementen in de oven.

## INSTALLATIEAANBEVELINGEN/WAARSCHUWINGEN

- De fabrikanten zijn niet verplicht om deze uit te voeren. Als de service van de fabrikant vereist is om storingen te corrigeren die het gevolg zijn van onjuiste installatie, wordt deze service niet gedekt door de garantie. De installatie-instructies voor professioneel gekwalificeerd personeel moeten worden gevolgd. Een onjuiste installatie kan schade of persoonlijk letsel veroorzaken voor personen, dieren of eigendommen. De fabrikant kan niet aansprakelijk worden gesteld voor dergelijke schade of letsel.
- Er zijn geen aanvullende handelingen/instellingen nodig om het apparaat op de nominale frequenties te gebruiken.
- Om oververhitting te voorkomen mag het apparaat niet achter een decoratieve deur worden geïnstalleerd.

- De oven kan hoog in een kolom worden geplaatst. Als dit nodig is, zorg er dan voor dat u een grote ruimte overlaat voor het fornuis volgens de aanwijzingen van de fabrikant achterlaat. Vóór de bevestiging dient u te zorgen voor goede ventilatie in de ovenruimte, om een goede circulatie van de frisse lucht benodigd voor het koelen en beschermen van de interne delen mogelijk te maken. Breng de openingen aan zoals gespecificeerd op de laatste pagina, overeenkomstig het type fitting.

## **ELEKTRISCHE WAARSCHUWINGEN**

- **Als de oven door de fabrikant zonder stekker wordt geleverd:**

HET APPARAAT MAG NIET OP DE VOEDINGSBRON WORDEN AANGESLOTEN DOOR MIDDEL VAN STEKKERS OF CONTACTDOZEN, MAAR MOET RECHTSTREEKS OP HET ELEKTRICITEITSNET WORDEN AANGESLOTEN. De aansluiting op de krachtbron moet worden uitgevoerd door een voldoende gekwalificeerde professional. Om een installatie te hebben die voldoet aan de huidige veiligheidswetgeving mag de oven alleen worden aangesloten met een omnipolaire scheidingsschakelaar, met een contactscheiding die voldoet aan de eisen voor overspanningscategorie III, tussen het apparaat en de stroombron. De omnipolaire scheidingsschakelaar moet geschikt zijn voor de maximale aangesloten belasting en moet in overeenstemming zijn met de huidige wetgeving. De groen-gele aardingsleiding mag niet door de scheidingsschakelaar onderbroken worden. De omnipolaire scheidingsschakelaar die wordt gebruikt voor de aansluiting moet makkelijk toegankelijk zijn wanneer het apparaat wordt geïnstalleerd. De aansluiting op de krachtbron moet worden uitgevoerd door een voldoende gekwalificeerde professional die rekening houdt met de polariteit van de oven en van de krachtbron. De uitschakeling moet worden bereikt door het integreren van een schakelaar in de vaste bedrading in overeenstemming met de bedradingsregels.

- **Als de oven door de fabrikant met de stekker is geleverd:**

Het stopcontact moet geschikt zijn voor de belasting die staat aangegeven op het label en de aarding ervan moet aangesloten en in werking zijn. De aardgeleider heeft een geel-groene kleur. Deze handeling moet worden uitgevoerd door een daarvoor gekwalificeerde professional. Vraag in geval van incompatibiliteit tussen het stopcontact en de apparaatstekker een erkende elektricien om het stopcontact door een ander geschikt type te vervangen. De stekker en het stopcontact moeten worden aangepast aan de huidige normen van het land van installatie. Aansluiting op de voeding kan ook worden uitgevoerd door het plaatsen van een omnipolaire scheidingsschakelaar (met een contactscheiding in overeenstemming



met de vereisten voor overspanning van categorie III) tussen het apparaat en de voeding, die geschikt is voor de maximaal aangesloten belasting en die voldoet aan de huidige wetgeving. De groen-gele aardingsleiding mag niet door de scheidingsschakelaar onderbroken worden. Het stopcontact of de omnipolaire scheidingsschakelaar gebruikt voor de aansluiting moet makkelijk toegankelijk zijn wanneer het apparaat wordt geïnstalleerd. De uitschakeling kan worden bereikt met een toegankelijke stekker of door het opnemen van een schakelaar in de vaste bedrading in overeenstemming met de bedradingsregels.

- Als de stroomkabel beschadigd is, moet deze worden vervangen door een kabel of een speciale bundel verkrijgbaar bij de producent of door contact op te nemen met de afdeling klantenservice. Het type stroomkabel moet H05VV-F zijn. Deze handeling moet worden uitgevoerd door een daarvoor gekwalificeerde professional. De aardgeleider (geel-groen) moet ongeveer 10 mm langer zijn dan de andere geleiders. Laat alle reparaties uitsluitend over aan de afdeling klantenservice en vraag om het gebruik van originele reserveonderdelen.
- Als het bovenstaande niet in acht wordt genomen, kan de veiligheid van het apparaat in gevaar worden gebracht en de garantie ongeldig worden.
- **WAARSCHUWING:** de toegankelijke delen kunnen heet worden wanneer de grill wordt gebruikt. Kinderen moeten op veilige afstand gehouden worden.
- Gebruik geen ruwe of schurende materialen of scherpe metalen schrapers om de ovendeurruiten te reinigen, aangezien het oppervlak hierdoor bekrast kan raken, waardoor het glas kan breken.
- De ovenlamp moet door een gekwalificeerde professional worden vervangen door de serviceafdeling te bellen.
- **WAARSCHUWING:** zorg ervoor dat het apparaat uitgeschakeld is, alvorens de lamp te vervangen, om de mogelijkheid van elektrische schokken te voorkomen.
- De oven moet worden uitgeschakeld voordat u de verwijderbare onderdelen verwijdert. Plaats ze na het reinigen terug volgens de instructies.
- Gebruik de oven uitsluitend voor het beoogde doel: het bereiden van voedsel. Ieder ander soort gebruik, bijvoorbeeld als warmtebron, wordt als oneigenlijk en daarom gevaarlijk beschouwd. De fabrikant kan niet aansprakelijk worden gesteld voor schade voortvloeiende uit oneigenlijk, onjuist of nodeloos gebruik.
- Het gebruik van een elektrisch apparaat brengt de inachtneming van bepaalde fundamentele regels met zich mee:
- Trek niet aan de stroomkabel om de stekker uit het stopcontact te halen;

- Raak het apparaat niet aan met natte of vochtige handen of voeten;
- Over het algemeen wordt het gebruik van adapters, stekkerdozen en verlengkabels niet aanbevolen;
- In geval van storing en/of slechte werking, het apparaat uitschakelen en het niet manipuleren.
- **ZORG ERVOOR DAT EEN ELEKTRICIEN OF GEKWALIFICEERDE MONTEUR DE ELEKTRISCHE AANSLUITINGEN MAAKT.** De stroomvoorziening waarop de oven aangesloten is, moet in overeenstemming zijn met de in kracht zijnde wetten in het land van installatie. De fabrikant aanvaardt geen verantwoordelijkheid voor schade veroorzaakt door het niet opvolgen van deze instructies. De oven moet worden aangesloten op een lichtnet met een geaard stopcontact of een scheider met meerdere polen, afhankelijk van de in kracht zijnde wetten in het land van installatie. Het lichtnet moet worden beschermd met geschikte zekeringen en de gebruikte kabels moeten een dwarsdoorsnede hebben, waarmee een correcte toevoer naar de oven gewaarborgd kan worden.
- **AANSLUITING.** De oven wordt geleverd met een stroomkabel die alleen mag worden aangesloten op een lichtnet met een vermogen van 220-240 Vac tussen de fases of tussen de fase en neutraal. Voordat de oven op de elektrische voeding wordt aangesloten, is het belangrijk om de vermogensspanning die op de meter staat aangegeven en de instelling van de afscheider te controleren. De aardingsdraad die is aangesloten op de aardaansluiting van de oven moet worden aangesloten op de aardaansluiting van de stroomvoorziening.
- **WAARSCHUWING.** Vraag voordat u de oven op de stroomvoorziening aansluit, een erkende elektricien om de continuïteit van de aardaansluiting van de stroomvoorziening te controleren. De fabrikant aanvaardt geen verantwoordelijkheid voor ongevallen of andere problemen veroorzaakt door het niet aansluiten van de aardaansluiting of door een aardverbinding met een defecte continuïteit.
- **OPMERKING:** aangezien voor de oven onderhoudswerkzaamheden nodig zouden kunnen zijn, is het raadzaam om nog een stopcontact vrij te houden, zodat de oven daarop kan worden aangesloten als hij wordt verwijderd uit de ruimte waarin hij is geïnstalleerd. De stroomkabel mag alleen worden vervangen door technisch servicepersoneel of door monteurs met gelijkwaardige kwalificaties.

## **AANBEVELINGEN/WAARSCHUWINGEN VOOR HET GEBRUIK**

- Tijdens het gebruik van de bereidingsmodi kan vocht in de ovenruimte of op het glas van de deur condenseren. Dit is een normale conditie. Om dit

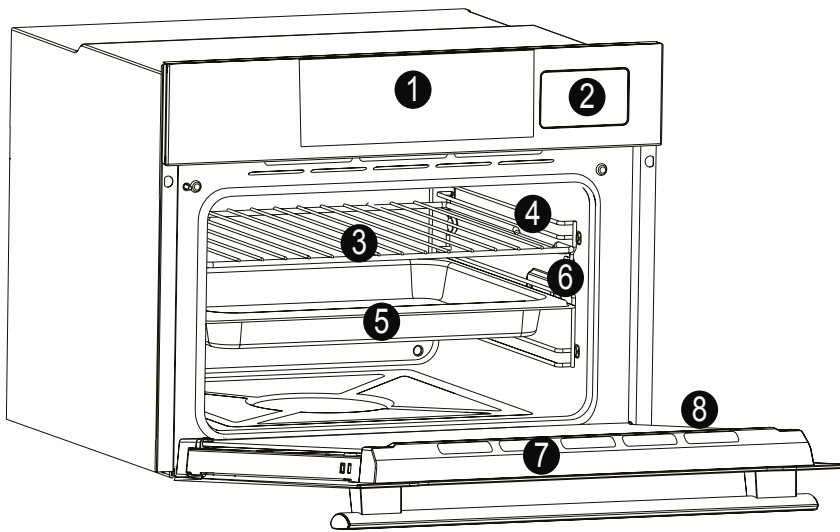
effect te verminderen, 10-15 minuten wachten na het inschakelen, alvorens voedsel in de oven te zetten. De condens verdwijnt in ieder geval wanneer de oven de bereidingstemperatuur bereikt.

- Kook de groenten in een container met een deksel in plaats van een open schaal.
- Probeer om voedsel na het koken niet langer dan 15–20 minuten in de oven te laten staan.
- Een lange stroomstoring tijdens een voorkomende kookfase kan een storing van de monitor veroorzaken. Neem in dit geval contact op met de klantenservice.
- Zorg ervoor dat als u de plaat erin legt, de stop omhoog wijst en zich in de achterkant van de ruimte bevindt. De plaat moet volledig in de ruimte worden geplaatst.
- **WAARSCHUWING:** Bewaar geen olie, vet of andere brandbare materialen in de stoomoven; dit kan namelijk gevaarlijk zijn als de stoomoven wordt aangezet.
- **WAARSCHUWING:** Verwijder nooit de ovendeurafdichting.
- Voor een correct gebruik van de oven is het raadzaam het voedsel niet rechtstreeks in contact te brengen met de rekken en platen, maar gebruik te maken van bakpapier en/of speciale houders.
- De lekbak vangt de resten op die tijdens het koken druppelen.

## **WAARSCHUWINGEN**

- Alle resten van gemorst materiaal moeten verwijderd worden vóór het reinigen.
- **WAARSCHUWING:** voordat u een reinigingscyclus begint:
  1. Reinig de ovendeur;
  2. Verwijder grote of grove voedselresten vanuit de binnenkant van de oven met gebruik van een vochtige spons. Gebruik geen schoonmaakmiddelen;
  3. Verwijder alle accessoires en de schuifrek-kit (waar aanwezig);
  4. Plaats geen theedoeken.
- Wanneer het waterreservoir wordt gevuld, mag het waterniveau het op het reservoir aangegeven maximumniveau niet overschrijden.
- **WAARSCHUWING:** Gevaar voor brandwonden en schade aan het apparaat: bij gebruik van de stoomfunctie, kan de vrijgekomen stoom brandwonden veroorzaken: Open de deur voorzichtig om letsel na gebruik van een kookfunctie met stoom te voorkomen.
- Gebruik alleen schoon water om het reservoir mee te vullen.

# Productbeschrijving



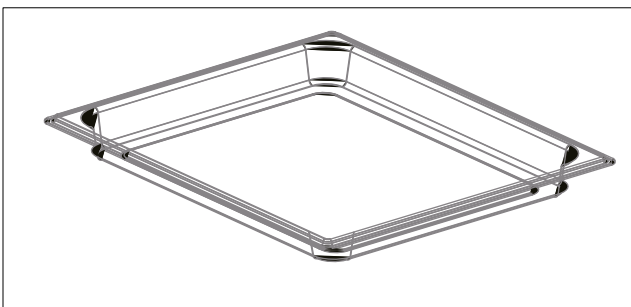
1. Bedieningspaneel
2. Waterreservoir
3. Roosters
4. Posities van de platen  
(zijrooster indien aanwezig)
5. Bakplaten
6. Zijroosters
7. Deur
- 8. Serienummer**



Schrijf hier uw serienummer voor raadpleging in de toekomst.

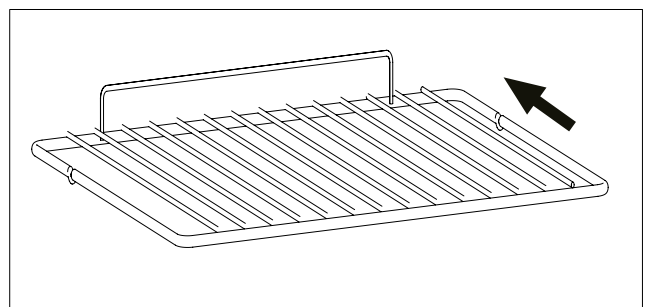
## ACCESSOIRES

### Lekbak zonder gat



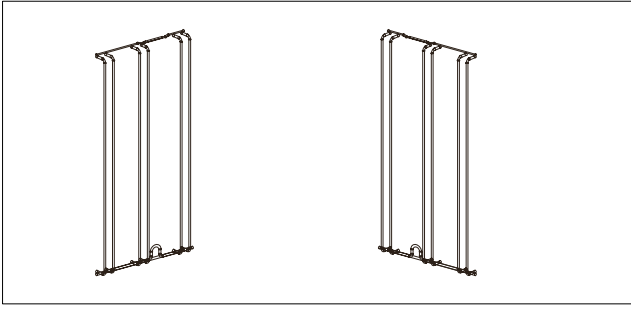
Hierin worden de resten opgevangen die tijdens het bereiden van voedsel op de roosters vallen.

### Metalen rooster



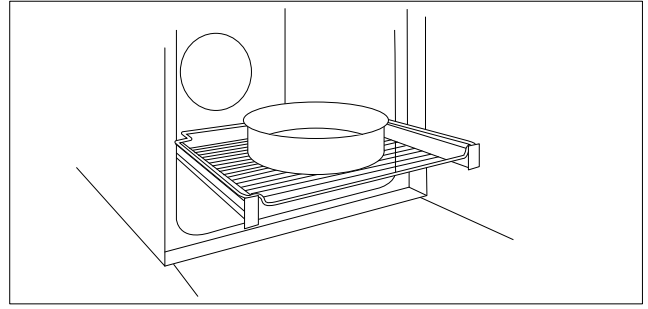
Biedt plaats aan bakplaten en borden.  
\*Duw de oven in zoals aangegeven door de pijl.

### Zijroosters (alleen indien aanwezig)



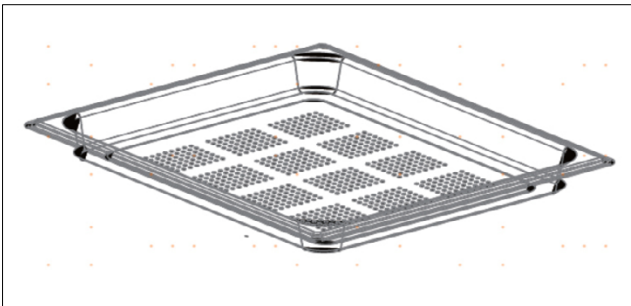
Aan weerszijden van de ovenruimte bevinden zich metalen roosters en lekbakken.

### Telescopische geleiders (alleen indien aanwezig)



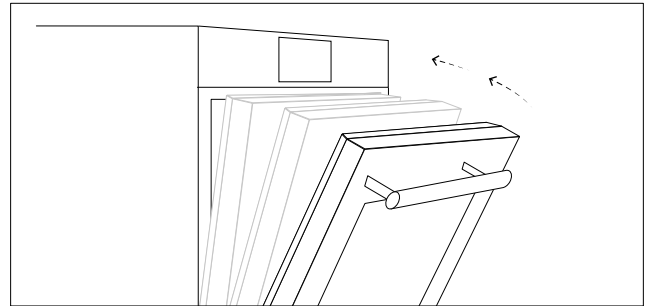
Twee geleiderails die de controle van de kookstatus vergemakkelijken omdat ze het mogelijk maken om bakplaten en roosters uit de ovenruimte te trekken en weer terug te plaatsen.

### Lekbak met gaten



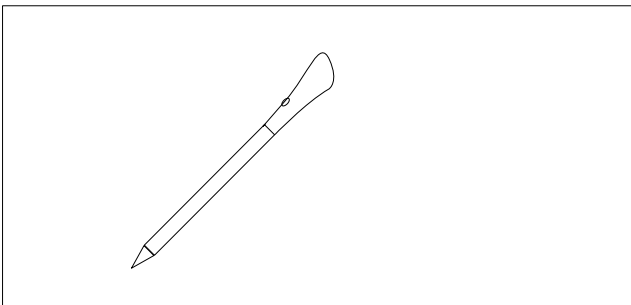
Houdt voedsel in de stoomstand.

### Softclose (alleen indien aanwezig)



Scharnieren die zorgen voor een automatische zachte en soepele beweging tijdens de sluitingsfase van de oven deur.

### Vleessonde (alleen indien aanwezig)










Meet de interne temperatuur van het voedsel tijdens de bereiding.

WAARSCHUWINGEN:

- Verwarm of start de bereiding niet voordat u de vleessonde op de juiste wijze heeft aangebracht.
- Probeer de vleessonde niet in bevroren voedsel aan te brengen.






## Hoe het product werkt \*

Symbol	Functie	Beschrijving
	<b>Handmatige stand</b>	Met deze functie kunnen kookfuncties, temperatuur en duur worden gekozen.
	<b>My Taste</b>	In dit menu kunt u onlangs gebruikte en favoriete programma's bekijken en selecteren en aan uw smaak aangepaste recepten genereren. <ul style="list-style-type: none"><li>• Laatst gebruikt/Laatst gebruikt op app: zie de laatste programma's die zijn gebruikt met duur, temperatuur en voorverwarming (indien geselecteerd) die direct op uw oven of via een app zijn gebruikt.</li><li>• Favoriete recepten/Mijn recepten: bekijk de lijst met uw favoriete recepten en/of programma's.</li><li>• U-Create: creëer en bekijk op maat gemaakte recepten.</li></ul>
	<b>Recepten</b>	In dit menu kunt u toegang krijgen tot een verscheidenheid aan recepten die al in uw oven zijn geïntegreerd.
	<b>Wifi</b>	In deze modus kunt u uw oven aansluiten op een netwerk en registreren in de Haier App.
	<b>Instellingen</b>	Open dit menu om de taal te veranderen, de tijd van de dag in te stellen, de helderheid aan te passen, geluiden in of uit te schakelen, uw Wifi- en afstandsbedieningsinstellingen te bewerken.
	<b>Afstandsbediening</b>	Wanneer de afstandsbediening Aan is, kunt u ALLEEN via het aangesloten apparaat toegang krijgen tot uw oven en deze bedienen.
	<b>Vergrendeling</b>	Deze functie maakt het mogelijk het scherm/de deur te vergrendelen om onbedoeld gebruik door minderjarigen te voorkomen

\* Afhankelijk van het ovenmodel.




# Gebruik van het apparaat

## KOOKMODI

Symbol	Standaard-temperatuur	Functies
	<b>L3 (vermogen)</b>	<b>GRILL:</b> Deze functie maakt alleen gebruik van het bovenste verwarmingselement en het grillniveau kan worden aangepast. Gebruiken met de deur dicht. Leg wit vlees op een afstand van de grill. Rood vlees en visfilets kunnen op de plaat worden gelegd met de lekbak eronder. 5 minuten voorverwarmen.
	<b>165°C</b>	<b>GRILL+VENTILATOR:</b> Het bovenste verwarmingselement wordt gebruikt met de ventilator die lucht in de oven laat circuleren. Voorverwarming is noodzakelijk voor rood vlees, maar niet voor wit vlees. Plaats het te grillen voedsel in het midden van het rooster. Schuif de lekbak onder het rooster om de sappen op te vangen. Zorg ervoor dat het voedsel zich niet te dicht bij de grill bevindt. Draai het voedsel om na de helft van de bereidingstijd.
	<b>165°C</b>	<b>MULTI-LEVEL:</b> Deze functie verdeelt de warmte beter door de combinatie van ventilator en de achterste verwarmingselementen en zorgt voor gelijkmatige bakresultaten.
	<b>210°</b>	<b>MULTI-LEVEL + GRILL:</b> Gebruik het bovenste en achterste verwarmingselement met de ventilator om de lucht in de oven te circuleren. Gebruiken met de deur dicht. Schuif de lekbak onder het rooster om de sappen op te vangen. Draai het voedsel om na de helft van de bereidingstijd. Voorverwarming is noodzakelijk voor rood vlees, maar niet voor wit vlees.
<b>ECO</b> 	<b>165°C</b>	<b>ECO MULTI-LEVEL:</b> Deze functie is getest conform de CENELEC-richtlijn EN 60350-1 met als doel het energieverbruik en de energieklasse te classificeren.

\* Afhankelijk van het ovenmodel.

## STOOMFUNCTIEMODI \*

Symbol	Temperatuurbereik	Functies
	40-100°	<p>STEAM PURE:</p> <p>Bereiding op lage temperaturen met volledig stoomvermogen. Door middel van radiale ventilatie wordt de stoom gedistribueerd om er zeker van te zijn dat het voedsel gelijkmatig verhit en bereid wordt. Dit biedt het voordeel van de mogelijkheid om tegelijkertijd op verschillende niveaus voedsel te bereiden.</p>
	70-130°	<p>STEAM WARM:</p> <p>U kunt voedsel opnieuw opwarmen en daarbij de voedingsstoffen ervan behouden. Bij deze functie wordt de bereidingsruimte verwarmd met stoom en warme lucht, waardoor het voedsel snel en gelijkmatig kan worden verhit zonder het uit te drogen.</p>
	50-230°	<p>STEAM CRISPER:</p> <p>Combineer het stoomvermogen met een ventilator, zodat u zonder vet krokante maaltijden kunt bereiden. Een dergelijke functie is bijzonder geschikt voor grote vlees- en visgerechten, bijvoorbeeld grote broden van bloem of volkoren meel, met gist of brooddeeg bij 190°C tot 210°C, maar ook gevuld en leeg bladerdeeg, zowel vers als bevroren van 190°C tot 210°C.</p>

## REINIGINGSFUNCTIES \*

Symbol	Functie	Beschrijving
	H2O circuit clean	<p>Met H2O circuit clean kunt u het circuit elke keer reinigen als dat nodig is voor een beter onderhoud. Vul gewoon het reservoir en wacht op de instructies.</p> <p>Deze functie voert een reinigingscyclus van het circuit uit om deze op termijn schoon en efficiënt te houden.</p> <p>Het is belangrijk ervoor te zorgen dat er water in het reservoir zit voordat deze functie wordt aangezet.</p>
	H2O cavity clean	<p>Met H2O cavity clean kan de gebruiker de ovenruimte met stoomkracht reinigen.</p> <p>Deze functie voert een reinigingscyclus uit door 15 minuten lang stoom in de ovenruimte te injecteren. Aan het einde van de cyclus wordt al het aangekoekt vuil dat door bereiding op hoge temperatuur in de ovenruimte kan zijn ontstaan zachter gemaakt en is het veel gemakkelijker om met een doekje te verwijderen.</p>
	Ontkalken	<p>Deze functie voert een reinigingscyclus uit met een reinigingsmiddel om de oven op termijn schoon en efficiënt te houden.</p> <p>OPMERKING:</p> <p>Reinigingsmedia moeten ontkalkers met carbonzuur zijn.</p>

Opmerking: Als u water in om het even welke functies hebt gebruikt, wordt een stroomontlading gevraagd voordat de oven in stand-bystand gaat.

\* Afhankelijk van het ovenmodel.



# Reiniging en onderhoud

---

## **ALGEMENE OPMERKINGEN OVER DE REINIGING:**

Regelmatig reinigen kan de levensduur van uw apparaat verlengen. Wacht tot de oven afkoelt, alvorens handmatige reinigingswerkzaamheden uit te voeren.

### **WAARSCHUWING:**

- Gebruik nooit schurende schoonmaakmiddelen, staalwol of scherpe voorwerpen voor het reinigen; deze kunnen het oppervlak onherstelbaar beschadigen.
- Gebruik geen bijtende of schurende schoonmaakmiddelen. Gebruik alleen water, zeep of schoonmaakmiddelen gebaseerd op chloor (ammoniak).
- Verwijder kalk-, vet-, zetmeel- of eiwitvlekken onmiddellijk. Deze vlekken kunnen anders corrosie veroorzaken. Laat geen water in de stoomoven komen.
- Gebruik geen hogedruk- of stoomreinigers.

### **GLAZEN DELEN**

Maak het glazen ovenvenster na elk gebruik schoon met absorberend keukenpapier. Gebruik voor hardnekkige vlekken een in wasmiddel gedrenkte spons, wring deze uit en spoel daarna af met water.

### **AFDICHTING VAN HET OVENVENSTER**

Als de afdichting vuil is, kan deze met een vochtige spons worden gereinigd.

## **AANBEVELINGEN:**

- Na ieder gebruik van de oven helpt een kleine reiniging om de oven volledig schoon te houden.
- Bedek de ovenwanden niet met aluminiumfolie of wegwerpbescherming die u in winkels kunt kopen. Plaats geen dozen of voedsel rechtstreeks op de ovenbodem. Gebruik platen of roosters.
- Om te voorkomen dat uw oven erg vuil wordt en daardoor sterke rookgeuren ontstaan, raden wij u aan om de oven niet op zeer hoge temperatuur te gebruiken. Het is beter de bereidingstijd te verlengen en de temperatuur iets te verlagen.
- Naast de bij de oven meegeleverde accessoires, adviseren wij u om alleen borden en bakvormen te gebruiken die bestand zijn tegen zeer hoge temperaturen.
- De platen zijn geschikt voor de vaatwasser.

# Milieubescherming en verwijdering

---

## MILIEUBESCHERMING

Voorkom indien mogelijk voorverwarming van de oven en probeer deze altijd te vullen. Open de ovendeur zo weinig mogelijk, omdat er warmte uit de ruimte verloren gaat iedere keer als hij geopend wordt. Om aanzienlijk op energie te besparen, de oven uitschakelen tussen 5 en 10 minuten voor het geplande einde van de bereidingstijd en de restwarmte gebruiken die de oven blijft produceren. Houd de afdichtingen schoon en in orde, om warmteverlies buiten de ruimte te voorkomen. Als u een elektriciteitscontract hebt met een uurtarief, maakt het programma "uitgestelde bereiding" het besparen van energie eenvoudiger, door het bereidingsproces te laten starten in het tijdvenster met gereduceerd tarief.

## AFVALBEHEER EN MILIEUBESCHERMING

Dit apparaat is gemarkeerd in overeenstemming met de Europese Richtlijn 2012/19/EG betreffende afgedankte elektrische en elektronische apparatuur (AEEA). De AEEA bevat zowel vervuilende stoffen (die een negatief effect op het milieu kunnen hebben) als basiscomponenten (die hergebruikt kunnen worden). Het is belangrijk dat de AEEA specifieke behandelingen ondergaat om de vervuilende stoffen op de juiste wijze te verwijderen en af te voeren en alle materialen terug te winnen. Individuen kunnen een belangrijke rol spelen om ervoor te zorgen dat de AEEA geen milieuprobleem wordt; het is van essentieel belang om enkele basisregels te volgen:

- De AEEA mag niet worden behandeld als huishoudelijk afval;
- De AEEA moet naar speciale inzamelgebieden worden gebracht, die beheerd worden door het gemeentebestuur of een geregistreerd bedrijf.

In veel landen wordt grote AEEA thuis opgehaald. Wanneer u een nieuw apparaat koopt, kan het oude teruggegeven worden aan de leverancier die het gratis moet accepteren met dien verstande dat het apparaat van een gelijkwaardig type is en dezelfde functies heeft als het gekochte apparaat.



## CONFORMITEITSVERKLARING

Door het -merk **CE** op het apparaat te plaatsen, bevestigen we dat het voldoet aan alle relevante Europese veiligheids-, gezondheids- en milieueisen die van toepassing zijn in de wetgeving voor dit product.

# Spis treści

---

- 84** Istotne wskazówki dotyczące bezpieczeństwa
  - 89** Opis produktu
  - 91** Jak działa produkt
  - 92** Użytkowanie urządzenia
  - 94** Czyszczenie i konserwacja
  - 95** Ochrona środowiska i utylizacja odpadów
  - 135** Instalacja
- 

Dziękujemy za wybranie jednego z naszych produktów. Aby efektywnie korzystać z urządzenia, należy dokładnie przeczytać niniejszą instrukcję i zachować ją na wypadek, gdyby była potrzebna w przyszłości. Przed zainstalowaniem piekarnika należy spisać numer seryjny, niezbędny w razie konieczności naprawy. Należy sprawdzić, czy piekarnik nie został uszkodzony podczas transportu. W razie wątpliwości, przed użyciem piekarnika należy skonsultować się z wykwalifikowanym serwisantem. Wszystkie materiały opakowaniowe należy przechowywać w miejscu niedostępnym dla dzieci. Piekarnik włączony po raz pierwszy może

wydzielać się silny zapach dymu. Jest to spowodowane tym, że smar na elementach piekarnika nagrzewa się po raz pierwszy. Jeśli do tego dojdzie, nie martw się, po prostu poczekaj, aż dym się rozproszy przed włożeniem jedzenia do piekarnika. Producent nie ponosi odpowiedzialności w przypadku nieprzestrzegania instrukcji zawartych w niniejszym dokumencie.

UWAGA; Funkcje piekarnika, właściwości i akcesoria wymienione w niniejszej instrukcji różnią się w zależności od zakupionego modelu.

# Istotne wskazówki dotyczące bezpieczeństwa

---

## INSTRUKCJE BEZPIECZEŃSTWA

- Dzieci nie mogą bawić się urządzeniem.
- Osoby w wieku 8 lat lub starsze oraz osoby o ograniczonych zdolnościach fizycznych, czuciowych lub umysłowych, bez doświadczenia w zakresie użytkowania lub wiedzy o produkcie mogą korzystać z urządzenia wyłącznie pod nadzorem lub z instrukcją obsługi urządzenia, w bezpieczny sposób i ze świadomością możliwych zagrożeń.
- Czyszczenie i konserwacja nie powinny być wykonywane przez dzieci bez nadzoru.
- **OSTRZEŻENIE:** Podczas użytkowania urządzenie oraz jego dostępne części silnie się nagrzewają. Należy pilnować, by nie dotknąć żadnej gorącej części.
- **OSTRZEŻENIE:** Dostępne elementy mogą się silnie nagrzewać podczas użytkowania. Małe dzieci nie powinny znajdować się w pobliżu urządzenia.
- **OSTRZEŻENIE:** Aby uniknąć niebezpieczeństwa spowodowanego przypadkowym zresetowaniem termicznego urządzenia zaskórnego, urządzenie nie powinno być zasilane przez zewnętrzne urządzenie przełączające, takie jak czasomierz, ani podłączane do obwodu, który jest często włączany i wyłączany.
- Dzieci w wieku poniżej 8 lat powinny być trzymane w bezpiecznej odległości od urządzenia, o ile nie są pod stałym nadzorem.
- Nie stosować do czyszczenia urządzeń parowych ani spray'u wysokociśnieniowego.
- Przed przystąpieniem do jakichkolwiek prac lub konserwacji należy odłączyć urządzenie od sieci elektrycznej.
- Należy uważać, aby nie dotykać elementów grzejnych wewnątrz kuchenki mikrofalowej.

## ZALECENIA/OSTRZEŻENIA DOTYCZĄCE INSTALACJI

- Producenci nie są zobowiązani do wykonania tego zadania. Jeśli usunięcie usterek wynikających z nieprawidłowego montażu wymaga skorzystania z pomocy producenta, pomoc ta nie jest objęta gwarancją. Należy przestrzegać instrukcji dotyczących instalacji przeznaczonych dla wykwalifikowanych specjalistów. Nieprawidłowa instalacja może spowodować obrażenia lub urazy u ludzi, zwierząt bądź uszkodzenie mienia. Producent nie może być

pociągnięty do odpowiedzialności za takie szkody lub obrażenia.

- Do obsługi urządzenia na częstotliwościach znamionowych nie jest wymagane wykonanie żadnej dodatkowej operacji/ustawienia.
- Urządzenia nie można montować za dekoracyjnymi drzwiami, aby się nie przegrzało.
- Piekarnik można umieścić wysoko w kolumnie. Nie zaleca się instalowania piekarnika pod płytą grzewczą. Jeśli jest to konieczne, należy pamiętać o pozostawieniu wystarczająco dużego odstępu dla płyty grzewczej, zgodnie z instrukcjami producenta. Przed montażem zapewnić dobrą wentylację w przestrzeni piekarnika, aby umożliwić właściwą cyrkulację świeżego powietrza potrzebnego do chłodzenia i ochrony części wewnętrznych. Otwory podane na ostatniej stronie wykonać zgodnie z typem okucia.

## **OSTRZEŻENIA ELEKTRYCZNE**

- **Jeśli piekarnik jest dostarczany przez producenta bez wtyczki:**

URZĄDZENIE NIE MOŻE BYĆ PODŁĄCZONE DO ŹRÓDŁA ZASILANIA ZA POMOCĄ WTYCZKI LUB GNIAZDEK, LECZ MUSI BYĆ PODŁĄCZONE BEZPOŚREDNIO DO SIECI ELEKTRYCZNEJ. Podłączenie do źródła zasilania musi być wykonane przez specjalistę z odpowiednimi kwalifikacjami. W celu uzyskania instalacji zgodnej z aktualnymi przepisami bezpieczeństwa piekarnik musi być podłączony wyłącznie z wyłącznikiem wielobiegowym, z separacją styków zgodną z wymaganiami dla kategorii nadnapięciowej III, pomiędzy urządzeniem a źródłem zasilania. Wyłącznik wielobiegowy musi wytrzymać maksymalną moc przyłączeniową i musi być zgodny z obowiązującymi przepisami. Żółto-zielony kabel uziemiający nie powinien być przerwany przez ten wyłącznik. Wyłącznik wielobiegowy zastosowany do podłączenia powinien być po zainstalowaniu urządzenia łatwo dostępny. Podłączenie do źródła zasilania musi być wykonane przez specjalistę z odpowiednimi kwalifikacjami z uwzględnieniem biegunowości piekarnika i źródła zasilania. Odłączenie powinno następować poprzez przełącznik w stałym okablowaniu zgodnie z obowiązującymi przepisami w zakresie okablowania.

- **Jeśli piekarnik jest dostarczany przez producenta z wtyczką:**

Gniazdko musi być odpowiednie do obciążenia wskazanego na tabliczce i musi posiadać podłączony oraz działający styk uziemiający. Uziemienie oznaczone jest kolorem żółto-zielonym. Ta czynność musi być wykonana przez specjalistę z odpowiednimi kwalifikacjami. W razie niezgodności pomiędzy gniazdem i wtyczką urządzenia, należy poprosić wykwalifikowane-

go elektryka o zastąpienie gniazda innym odpowiednim typem. Wtyczka i gniazdo muszą być zgodne z obowiązującymi normami kraju instalacji. Podłączenie do źródła zasilania można również wykonać, umieszczając wyłącznik wielobiegunowy, z separacją styków zgodną z wymogami dla kategorii przepięciowej III, w miejscu pomiędzy urządzeniem i źródłem zasilania, które może wytrzymać maksymalne obciążenie i jest to zgodne z obowiązującymi przepisami. Żółto-zielony kabel uziemiający nie powinien być przerwany przez ten wyłącznik. Gniazdo oraz wyłącznik wielobiegunowy zastosowany do podłączenia powinien być po zainstalowaniu urządzenia łatwo dostępny. Odłączenie umożliwia się poprzez zapewnienie dostępu do wtyczki lub wstawienie przełącznika do stałego okablowania zgodnie z obowiązującymi przepisami w zakresie okablowania.

- Jeśli kabel zasilający jest uszkodzony, należy zastąpić go kablem lub specjalną wiązką dostępną u producenta bądź skontaktować się z działem obsługi klienta. Kabel zasilający musi być typu H05VV-F. Ta czynność musi być wykonana przez specjalistę z odpowiednimi kwalifikacjami. Przewód uziemienia (żółto-zielony) musi być ok. 10 mm dłuższy niż inne przewody. W sprawie napraw należy zwrócić się do Działu obsługi klienta i poprosić o zastosowanie oryginalnych części zamiennych.
- Niedopełnienie tej procedury może zagrozić bezpieczeństwu urządzenia i spowodować utratę gwarancji.
- **OSTRZEŻENIE:** Dostępne elementy mogą się silnie nagrzewać podczas użytkowania grilla. Dzieci należy trzymać w bezpiecznej odległości.
- Do czyszczenia szklanych drzwiczek piekarnika nie wolno używać szorstkich lub żrących materiałów czy ostrych metalowych skrobaków, ponieważ mogą one zarysować powierzchnię, powodując rozbicie szkła.
- Lampę w komorze powinien wymienić wykwalifikowany specjalista, więc niezbędny jest kontakt z działem serwisowym.
- **OSTRZEŻENIE:** Aby uniknąć ryzyka porażenia prądem elektrycznym, przed przystąpieniem do wymiany lampki należy upewnić się, że urządzenie jest wyłączone.
- Piekarnik należy wyłączyć przed wyciągnięciem zdejmowalnych części. Po wyczyszczeniu należy je ponownie złożyć zgodnie z instrukcją.
- Piekarnik należy używać wyłącznie zgodnie z jego przeznaczeniem, tzn. tylko do pieczenia żywności; wszelkie inne zastosowania, na przykład jako źródło ciepła, uważane są za niewłaściwe, a zatem niebezpieczne. Producent nie ponosi odpowiedzialności za jakiegokolwiek szkody wynikające z niewłaściwego, nieprawidłowego lub nieuzasadnionego użytkowania.

- Użytkowanie każdego urządzenia elektrycznego wiąże się z koniecznością przestrzegania pewnych zasadniczych reguł:
- Nie ciągnąć za kabel zasilający podczas odłączania urządzenia od źródła zasilania;
- Nie dotykać urządzenia mokrymi lub wilgotnymi dłońmi bądź stopami;
- Ogólne nie zaleca się używania adapterów, wielu gniazd i przedłużaczy;
- W razie awarii i/lub nieprawidłowego działania wyłączyć urządzenie i nie manipulować przy nim.
- **NALEŻY ZADBAĆ, BY POŁĄCZENIA ELEKTRYCZNE WYKONYWAŁ ELEKTRYK LUB TECHNIK Z ODPOWIEDNIMI KWALIFIKACJAMI.** Zasilanie, do którego podłączony jest piekarnik, musi być zgodne z przepisami obowiązującymi w kraju instalacji. Producent nie ponosi odpowiedzialności za wszelkie szkody spowodowane nieprzestrzeganiem niniejszej instrukcji. Piekarnik musi być podłączony do zasilania elektrycznego z uziemionym gniazdem ściennym lub rozłącznikiem z wieloma biegunami, w zależności od przepisów obowiązujących w kraju instalacji. Zasilanie elektryczne powinno być zabezpieczone odpowiednimi bezpiecznikami, a zastosowane kable muszą mieć przekrój poprzeczny, który zapewni prawidłowe zasilanie piekarnika.
- **PODŁĄCZENIE.** Piekarnik jest dostarczany wraz z kablem zasilającym, który należy podłączyć do zasilania elektrycznego 220-240 VAC pomiędzy fazami lub pomiędzy fazą a biegunem neutralnym. Zanim piekarnik zostanie podłączony do zasilania elektrycznego, należy sprawdzić napięcie zasilania podane na mierniku i w ustawieniach rozłącznika. Przewód uziemiający podłączony do zacisku uziemienia piekarnika musi być podłączony do zacisku uziemienia zasilania.
- **OSTRZEŻENIE.** Przed podłączeniem piekarnika do źródła zasilania należy poprosić wykwalifikowanego elektryka, aby sprawdził ciągłość zacisku uziemienia zasilania. Producent nie ponosi odpowiedzialności za jakiegokolwiek wypadki lub inne problemy spowodowane niepodłączeniem piekarnika do zacisku uziemienia bądź uszkodzonym uziemieniem.
- **UWAGA:** Piekarnik może wymagać prac konserwacyjnych, dlatego zaleca się udostępnienie innego gniazda ściennego, tak aby można było go podłączyć, jeśli zostanie wyjęty z miejsca, w którym go zainstalowano. Kabel zasilający może wymieniać wyłącznie serwisant lub technik z równoważnymi kwalifikacjami.

### **NALEŻY STOSOWAĆ SIĘ DO ZALECEŃ/OSTRZEŻEŃ**

- Po uruchomieniu trybów pieczenia na szybie drzwiczek może skraplać się wilgoć. Jest to stan normalny. Aby ograniczyć skraplanie wilgoci, przed wło-

żeniem potrawy do piekarnika należy po jego włączeniu odczekać 10-15 minut. Kondensacja zniknie, gdy piekarnik osiągnie temperaturę pieczenia.

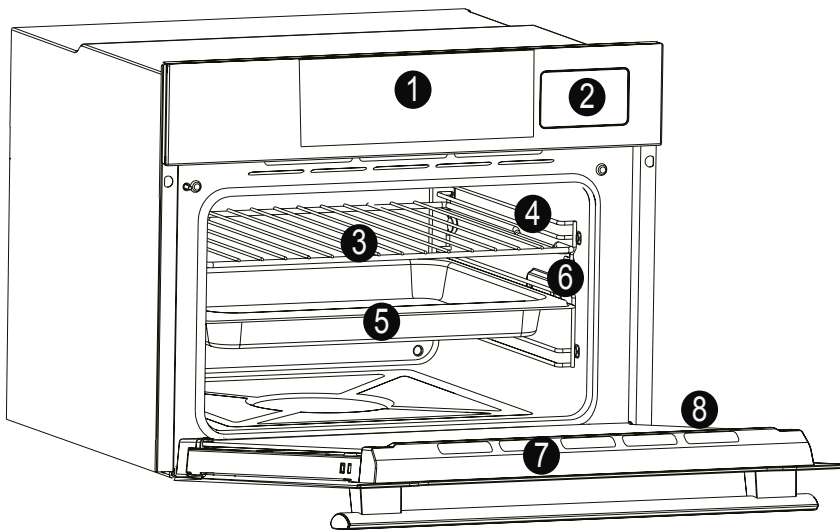
- Warzywa należy piec w naczyniu z pokrywką zamiast na nieosłoniętej tacce.
- Po upieczeniu potrawy nie powinno się zostawiać jej w piekarniku przez czas dłuższy niż 15-20 minut.
- W przypadku długiej awarii zasilania podczas fazy pieczenia może dojść do nieprawidłowego działania wskaźnika kontrolnego. W takim przypadku należy skontaktować się z działem obsługi klienta.
- Po włożeniu półki do piekarnika, upewnić się, że ogranicznik jest skierowany do góry i do tyłu komory. Półka musi być włożona do komory w całości.
- **OSTRZEŻENIE:** Nie należy przechowywać oleju, tłuszczu lub innych materiałów łatwopalnych w piecu parowym, gdyż może to być niebezpieczne po uruchomieniu pieca parowego.
- **OSTRZEŻENIE:** Nie wolno zdejmować uszczelki drzwiczek piekarnika.
- W celu prawidłowego użytkowania piekarnika nie zaleca się umieszczania żywności w bezpośrednim kontakcie z rusztami i tacami, ale używania papieru do pieczenia i/lub specjalnych pojemników.
- Ociekacz zbiera resztki, które ociekają podczas gotowania/pieczenia.

## **OSTRZEŻENIA**

- Przed czyszczeniem zetrzeć nadmiar rozlanej substancji.
- **OSTRZEŻENIE:** Przed rozpoczęciem automatycznego cyklu czyszczenia należy:
  1. Otworzyć drzwiczki piekarnika
  2. Wilgotną gąbką usunąć z wnętrza piekarnika duże lub gruboziarniste resztki jedzenia. Nie używać detergentów
  3. Wyciągnąć wszystkie akcesoria i zestaw wysuwanych półek (o ile dostępne)
  4. Nie wkładać ścierek do naczyń.
- Podczas napełniania zbiornika na wodę poziom wody nie może przekraczać maksymalnego poziomu wskazanego na zbiorniku.
- **OSTRZEŻENIE:** Niebezpieczeństwo oparzenia i uszkodzenia urządzenia: użycie funkcji pary wodnej, uwalniającej parę, może spowodować oparzenia: Należy ostrożnie otwierać drzwiczki, aby uniknąć obrażeń ciała po użyciu funkcji gotowania na parze.
- Do napełniania zbiornika należy używać tylko czystej wody.



# Opis produktu



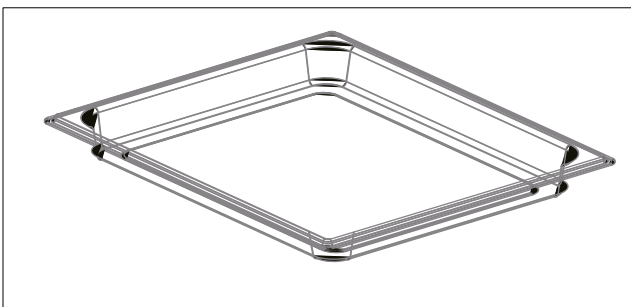
1. Panel sterowania
2. Zbiornik na wodę
3. Kratki
4. Pozycje półek (boczna kratka, jeśli jest dołączona)
5. Tace
6. Boczne kratki metalowe
7. Drzwiczki
- 8. Numer seryjny**



Wpisz tutaj swój numer seryjny do wykorzystania w przyszłości

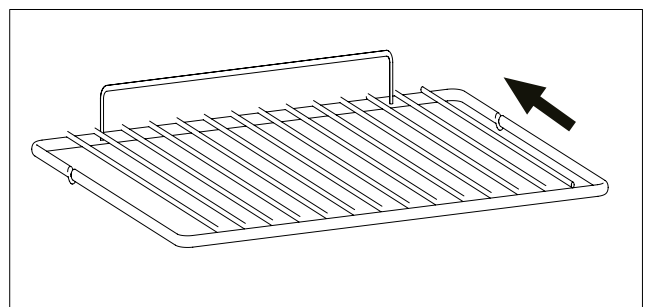
## AKCESORIA

### Wanienka ociekowa bez otworu



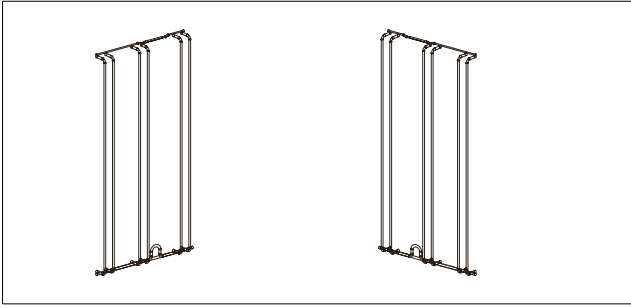
Zbiera resztki, które ociekają podczas pieczenia potraw na grillu.

### Kratka metalowa



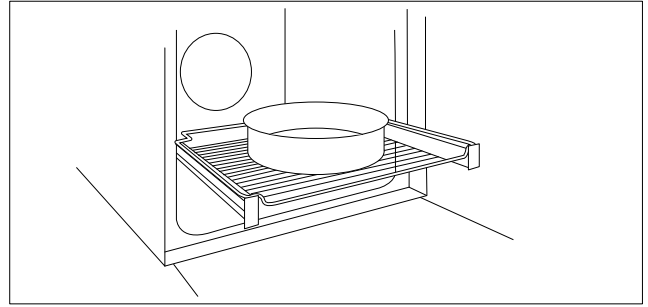
Podtrzymuje blachy i tacki do pieczenia.  
\*Wsuń do piekarnika zgodnie ze strzałką.

### Boczne siatki (tylko jeśli występują)



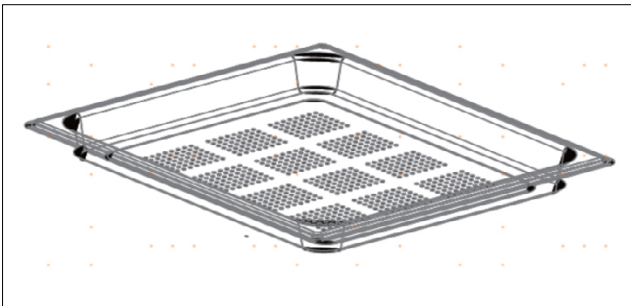
Umieszczone po obu stronach komory piekarnika, podtrzymują metalowe grille i ociekacze.

### Prowadnice teleskopowe (jeśli występują)



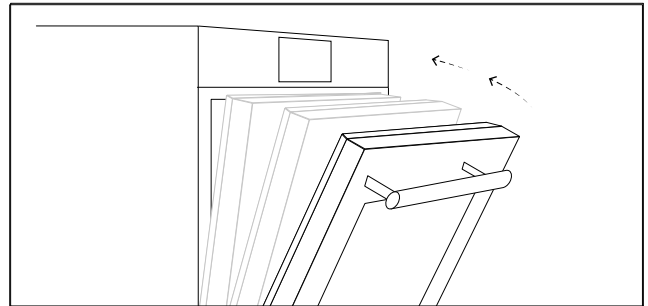
Dwie prowadnice, które ułatwiają kontrolę stanu pieczenia, ponieważ umożliwiają łatwe wyciągnięcie i przesuwanie tac i siatek wewnątrz komory piekarnika.

### Wanienka ociekowa z otworami



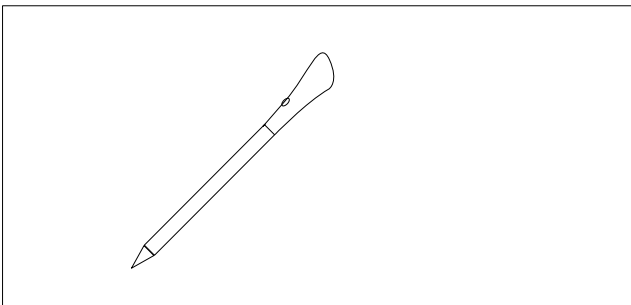
Utrzymuje żywność w trybie gotowania na parze.

### Łagodne zamknięcie (jeśli występuje)



Zawiasy, które zapewniają automatyczny, miękki i płynny ruch podczas zamykania drzwiczek piekarnika.

### Sonda do mięsa (jeśli występuje)










Mierzy temperaturę wewnętrzną potrawy podczas pieczenia.

#### OSTRZEŻENIA:

- Nie należy wstępnie nagrzewać piekarnika ani rozpoczynać pieczenia, zanim nie zostanie odpowiednio włożona sonda do mięsa.
- Nie próbuj wkładać sondy do mięsa do mrozonek.






## Jak działa produkt \*

Symbol	Funkcja	Opis
	<b>Tryb ręczny</b>	Funkcja ta pozwala na wybór funkcji pieczenia, temperatury i czasu trwania.
	<b>My Taste</b>	<p>W tym menu można wyświetlić i wybrać ostatnio używane i ulubione programy, a także wygenerować własne przepisy według swojego gustu.</p> <ul style="list-style-type: none"><li>• Ostatnio używane/ostatnio używane w aplikacji: wyświetli ostatnio używane programy z czasem trwania, temperaturą i wstępnym nagrzewaniem (jeśli jest wybrane) zastosowane bezpośrednio w piekarniku lub poprzez aplikację.</li><li>• Ulubione/moje przepisy: wyświetli listę swoich ulubionych przepisów i/lub programów.</li><li>• U-Create: utwórz i wyświetli niestandardowe receptury.</li></ul>
	<b>Przepisy</b>	W tym menu można uzyskać dostęp do różnych przepisów, już dostępnych w ramach funkcji piekarnika.
	<b>WiFi</b>	W tym trybie można podłączyć piekarnik do sieci i zarejestrować go za pomocą aplikacji Haier.
	<b>Ustawienia</b>	Dostęp do tego menu umożliwia zmianę języka, ustawienie pory dnia, regulację jasności, aktywację lub dezaktywację dźwięków, edycję ustawień WiFi i zdalnego sterowania.
	<b>Zdalne sterowanie</b>	Gdy włączone jest zdalne sterowanie, dostęp i sterowanie piekarnikiem jest możliwe TYLKO za pomocą podłączonego urządzenia.
	<b>Blokada</b>	Funkcja ta umożliwia zablokowanie ekranu/drzwiczek, aby zapobiec ich niepożądanemu wykorzystaniu przez osoby niepełnoletnie

\* Zależy od modelu piekarnika.




# Użytkowanie urządzenia

## TRYB PIECZENIA \*




Symbol	Temperatura domyślna	Funkcje
	<b>L3 (moc)</b>	GRILL: Funkcja ta umożliwia wykorzystanie tylko górnej grzałki oraz regulację poziomu grilla. Używać przy zamkniętych drzwiczkach. Białe mięso należy umieścić w pewnej odległości od grilla. Czerwone mięso i filety rybne można położyć na półce z waniemką ociekową pod spodem. Rozgrzewać piekarnik przez 5 minut.
	<b>165°C</b>	GRILL + TERMOOBIEG: Górna grzałka jest używana wraz z termoobiegiem cyrkulującym powietrze wewnątrz piekarnika. Rozgrzewanie jest konieczne w przypadku mięsa czerwonego, ale nie w przypadku mięsa białego. Umieścić żywność, która ma być grillowana, centralnie na półce. Wsunąć waniemkę ociekową pod półkę, aby gromadziła soki. Upewnić się, że jedzenie nie znajduje się zbyt blisko grilla. Obrócić potrawę w połowie czasu pieczenia.
	<b>165°C</b>	WIELOPOZIOMOWY: Funkcja ta lepiej rozprowadza ciepło, łącząc wentylator i tylne grzałki, co zapewnia równomierny efekt pieczenia.
	<b>210°</b>	WIELOPOZIOMOWY + GRILL: Używana jest górna i tylna grzałka z termoobiegiem do cyrkulacji powietrza wewnątrz piekarnika. Używać przy zamkniętych drzwiczkach. Wsunąć tacę ociekową pod półkę, aby zgromadzić soki. Obrócić potrawę w połowie czasu pieczenia. Rozgrzewanie jest konieczne w przypadku mięsa czerwonego, ale nie w przypadku mięsa białego.
	<b>165°C</b>	WIELOPOZIOMOWY EKO: Ta funkcja jest przetestowana zgodnie z normą CENELEC EN 60350-1 pod kątem deklaracji zużycia energii i klasy energetycznej.

\* Zależy od modelu piekarnika.

## TRYBY FUNKCJI PARY \*

Symbol	Zakres temperatury	Funkcje
	40-100°	<p>STEAM PURE:</p> <p>Gotowanie w niskiej temperaturze z pełną mocą pary. Dzięki wentylacji promieniowej para jest rozprowadzana w taki sposób, że potrawy są równomiernie podgrzewane i gotowane. Zaletą tego rozwiązania jest możliwość jednoczesnego gotowania na różnych poziomach.</p>
	70-130°	<p>STEAM WARM:</p> <p>Możesz zregenerować żywność, zachowując jej wartości odżywcze. W tej funkcji komora gotowania ogrzewana jest parą i ciepłym powietrzem, co umożliwi szybkie i równomierne podgrzewanie potraw bez ich wysuszenia.</p>
	50-230°	<p>STEAM CRISPER:</p> <p>Mieszając moc pary z wentylatorem, można uzyskać chrupiące potrawy bez tłuszczu. Ten rodzaj funkcji jest szczególnie odpowiedni na przykład do przyrządzania dużych dań z mięsa i owoców morza, pieczenia dużych bochenków chleba z białej lub razowej mąki, z drożdżami lub ciastem drożdżowym w temperaturze 190°C do 210°C, jak również pieczenia świeżego lub mrożonego nadziewanego i niena-dziewanego ciasta francuskiego, w temperaturze 190°C do 210°C.</p>

## FUNKCJE CZYSZCZENIA \*

Symbol	Funkcja	Opis
	H2O circuit clean	<p>Funkcja H2O circuit clean pozwala na czyszczenie obwodu za każdym razem, gdy jest to potrzebne do lepszej konserwacji. Wystarczy napełnić zbiornik i czekać na instrukcje.</p> <p>Funkcja ta umożliwia wykonanie cyklu czyszczenia obwodu w celu utrzymania go w czystości i sprawności przez dłuższy czas.</p> <p>Ważne jest, aby przed uruchomieniem tej funkcji upewnić się, że w zbiorniku znajduje się woda.</p>
	H2O cavity clean	<p>Funkcja H2O cavity clean umożliwia użytkownikowi wyczyszczenie komory za pomocą pary wodnej.</p> <p>Funkcja ta umożliwia wykonanie cyklu czyszczenia poprzez wtłaczanie pary do komory przez 15 minut. Pod koniec cyklu wszelkie zeskorpiałe zanieczyszczenia, które mogły się utworzyć w wyniku pieczenia w wysokiej temperaturze w komorze piekarnika, zostaną zmiękczone i będą znacznie łatwiejsze do usunięcia za pomocą ściereczki.</p>
	Odkamienianie	<p>Funkcja ta umożliwia wykonanie cyklu czyszczenia za pomocą środków czyszczących w celu utrzymania piekarnika w czystości i sprawności przez dłuższy czas.</p> <p>UWAGA;</p> <p>Środkiem czyszczącym musi być środek do usuwania kamienia z kwasem węglowym.</p>

Uwaga: Jeśli w jakiegokolwiek funkcji używana była woda, przed przejściem piekarnika w tryb czuwania wymagane będzie rozładowanie obwodu.

\* Zależy od modelu piekarnika.

# Czyszczenie i konserwacja

---

## OGÓLNE UWAGI DOTYCZĄCE

### CZYSZCZENIA:

Regularne czyszczenie może przedłużyć żywotność urządzenia. Przed przystąpieniem do ręcznego czyszczenia odczekać, aż piekarnik ostygnie.

### OSTRZEŻENIE:

- Do czyszczenia nie wolno używać żrących detergentów, wełny stalowej ani ostrych przedmiotów, aby nie uszkodzić nieodwracalnie powierzchni.
- Nie należy używać żrących lub ściernych środków czyszczących. Używać wyłącznie wody, mydła lub detergentów na bazie środków wybielających (amoniak).
- Należy od razu usuwać kamień, tłuszcz, skrobię i zanieczyszczenia białkowe. W przeciwnym razie te zanieczyszczenia mogą być przyczyną korozji. Do pieca parowego nie wolno wlewać wody.
- Nie należy używać urządzeń czyszczących pod wysokim ciśnieniem lub strumieniem pary.

### ELEMENTY SZKLANE

Po każdym użyciu wyczyścić szklaną szybę piekarnika chłonnym ręcznikiem kuchennym. W przypadku uporczywych plam należy użyć dobrze wykręconej gąbki nasączonej detergentem, a następnie spłukać wodą.

### USZCZELKA SZYBY PIEKARNIKA

W przypadku zabrudzenia uszczelkę można oczyścić wilgotną gąbką.

### ZALECENIA:

- Po każdorazowym użyciu piekarnika minimalne czyszczenie pomoże utrzymać piekarnik w idealnej czystości.
- Nie wykladać ścian piekarnika folią aluminiową ani jednorazowym zabezpieczeniem dostępnym w sklepach. Nie należy umieszczać pudełek ani żywności bezpośrednio na dnie komory. Należy używać tacek lub kratek.
- Aby zapobiec nadmiernemu zabrudzeniu piekarnika i w efekcie powstaniu silnego zapachu dymu, zalecamy nie używać piekarnika w bardzo wysokiej temperaturze. Lepiej jest wydłużyć czas pieczenia i nieco obniżyć temperaturę.
- Oprócz akcesoriów dostarczanych wraz z piekarnikiem zalecamy stosowanie wyłącznie naczyń i form do pieczenia odpornych na bardzo wysokie temperatury.
- Tace nadają się do mycia w zmywarce.

# Ochrona środowiska i utylizacja odpadów

---

## OCHRONA I POSZANOWANIE ŚRODOWISKA NATURALNEGO

O ile możliwe, unikać wstępnego nagrzewania piekarnika i zawsze starać się go wypełnić. Drzwiczki piekarnika otwierać jak najrzadziej, ponieważ przy każdym otwarciu ucieka ciepło z wnętrza. Aby uzyskać znaczną oszczędność energii, wyłączyć piekarnik na 5-10 minut przed planowanym zakończeniem pieczenia i wykorzystać ciepło resztkowe, które piekarnik nadal wytwarza. Uszczelki utrzymywać w czystości i porządku, aby uniknąć uciekania ciepła poza wnętrze piekarnika. W przypadku zawartej umowy o energię elektryczną z taryfą godzinową, program „opóźnione pieczenie” ułatwia oszczędzanie energii, przesuwając rozpoczęcie procesu pieczenia na przedział godzinowy z niższą taryfą.


## GOSPODARKA ODPADAMI I OCHRONA ŚRODOWISKA

To urządzenie ma oznaczenie zgodne z Europejską Dyrektywą 2012/19/UE dotyczącą zużytego sprzętu elektrycznego i elektronicznego (WEEE). Zużyty sprzęt elektryczny i elektroniczny zawiera substancje zanieczyszczające (które mogą wywierać negatywny wpływ na środowisko) oraz elementy podstawowe (które nadają się do ponownego wykorzystania). Ważne jest właściwe przetwarzanie zużytego sprzętu elektrycznego i elektronicznego w celu prawidłowego usunięcia i utylizacji wszystkich substancji zanieczyszczających oraz odzyskania pozostałych materiałów. Każdy może odegrać ważną rolę w zadaniu o to, by zużyty sprzęt elektryczny i elektroniczny nie zagrażał środowisku. Zasadnicze znaczenie ma przestrzeganie kilku podstawowych zasad:

- Zużytego sprzętu elektrycznego i elektronicznego nie należy traktować jak odpadów z gospodarstwa domowego;
- Zużyty sprzęt elektryczny i elektroniczny powinien być odwożony do wyznaczonych punktów zbiórki odpadów zarządzanych przez radę miasta lub zarejestrowaną firmę.

W wielu krajach organizowane są lokalne zbiórki dużego zużytego sprzętu elektrycznego i elektronicznego. Po zakupie nowego urządzenia, stare można oddać dostawcy, który musi je bezpłatnie przyjąć w ramach wymiany, jeśli to urządzenie jest podobnego typu i ma takie same funkcje jak urządzenie zakupione.

## DEKLARACJA ZGODNOŚCI

Umieszczając znak  na tym urządzeniu, potwierdzamy jego zgodność ze wszystkimi wymogami europejskimi w zakresie bezpieczeństwa, zdrowia oraz ochrony środowiska stosowanymi w prawodawstwie dotyczącym tego produktu.



- 97**    **Важные указания по технике безопасности**
  - 102**   **Описание изделия**
  - 104**   **Как работает изделие**
  - 105**   **Эксплуатация прибора**
  - 107**   **Чистка и обслуживание**
  - 108**   **Охрана окружающей среды и утилизация**
  - 135**   **Установка**
- 

Благодарим за выбор одного из наших продуктов. Для получения наилучших результатов внимательно прочитайте это руководство и сохраните его для использования в будущем. Перед установкой духового шкафа запишите серийный номер, который может понадобиться при ремонте. Убедитесь, что духовой шкаф не был поврежден во время транспортировки. В случае сомнений перед использованием духового шкафа проконсультируйтесь с квалифицированным специалистом. Держите все упаковочные материалы в недоступном для детей месте. При первом включении духового шкафа может появиться сильный запах дыма.

Это вызвано первым нагревом смазки на нагревательном элементе. Если такое произойдет, не волнуйтесь, просто подождите, пока дым не рассеется, прежде чем класть пищу в духовой шкаф. Изготовитель не несет ответственности в случае несоблюдения указаний, содержащихся в данном документе.

**ПРИМЕЧАНИЕ.** Функции, свойства и принадлежности прибора, указанные в данном руководстве, будут зависеть от приобретенной вами модели.



# Важные указания по технике безопасности

---

## ИНСТРУКЦИИ ПО ТЕХНИКЕ БЕЗОПАСНОСТИ

- Не разрешайте детям играть с электроприбором.
- Прибором могут пользоваться лица в возрасте от 8 лет и старше, а также лица с ограниченными физическими, сенсорными или умственными способностями, не имеющие опыта или знаний об изделии, только в том случае, если они находятся под надзором или проинструктированы на предмет безопасной эксплуатации прибора, осознавая при этом возможные риски.
- Чистка и техническое обслуживание не должны выполнять дети, не находящиеся под надзором.
- ПРЕДУПРЕЖДЕНИЕ. Прибор и доступные части во время использования нагреваются. Будьте осторожны и не прикасайтесь к горячим деталям.
- ПРЕДУПРЕЖДЕНИЕ. В процессе эксплуатации доступные части могут стать горячими. Не допускайте к ним детей.
- ПРЕДУПРЕЖДЕНИЕ. Во избежание любой опасности, вызванной случайным сбросом терморезерватора, прибор не должен получать питание от внешнего коммутационного устройства, например, от таймера, или подключаться к цепи, которая регулярно включается и выключается.
- Дети младше 8 лет должны находиться на безопасном расстоянии от прибора, если они не находятся под постоянным надзором.
- Не используйте для очистки паровой очиститель или аэрозоль высокого давления.
- Перед проведением любых работ или техобслуживания отключайте прибор от сети электропитания.
- Будьте осторожны, не касайтесь нагревательных элементов внутри духового шкафа.

## РЕКОМЕНДАЦИИ ПО МОНТАЖУ/ПРЕДУПРЕЖДЕНИЯ

- Производители не обязаны выполнять эти действия. Если для устранения неисправностей, возникших в результате неправильного монтажа, требуется помощь изготовителя, гарантия не распространяется на эту помощь. Необходимо соблюдать инструкции по монтажу для квалифицированного профессионального персонала. Неправильный монтаж может привести к нанесению вреда или физического ущерба для людей, животных или вещей. Производитель не может нести ответственность за такой вред или физический ущерб.
- Для эксплуатации прибора с номинальными частотами не требуются дополнительные действия/настройки.
- Во избежание перегрева прибор нельзя устанавливать за декоративной дверцей.

- Духовой шкаф может быть расположен высоко в колонне. Не рекомендуется устанавливать духовой шкаф под варочной панелью. Если потребуется такой вариант установки, убедитесь в том, что для варочной панели оставлен достаточно большой зазор в соответствии с инструкциями производителя. Перед креплением прибора необходимо обеспечить хорошую вентиляцию в помещении, где находится духовой шкаф, чтобы обеспечить надлежащую циркуляцию свежего воздуха, необходимого для охлаждения и защиты внутренних частей прибора. Сделайте отверстия, указанные на последней странице, в соответствии с типом арматуры.

## **ПРЕДУПРЕЖДЕНИЯ КАСАТЕЛЬНО ЭЛЕКТРИЧЕСКИХ СИСТЕМ**

- **Если духовой шкаф поставляется производителем без вилки электросети:** ЗАПРЕЩАЕТСЯ ПОДКЛЮЧАТЬ ПРИБОР К ИСТОЧНИКУ ЭЛЕКТРОПИТАНИЯ С ПОМОЩЬЮ ШТЕПСЕЛЬНОЙ ВИЛКИ ИЛИ РОЗЕТКИ; ПОДКЛЮЧЕНИЕ СЛЕДУЕТ ВЫПОЛНЯТЬ НАПРЯМУЮ К СЕТИ ЭЛЕКТРОПИТАНИЯ. Подключение к источнику питания должен выполнять только специалист с соответствующей квалификацией. Чтобы установка соответствовала действующим законодательным нормам по безопасности, духовой шкаф должен быть подключен только при условии наличия между прибором и источником питания многополюсного выключателя с разделением контактов, соответствующим требованиям по категории III, между прибором и источником питания. Многополярный выключатель должен выдерживать максимальную подключенную нагрузку и соответствовать действующему законодательству. Желто-зеленый провод заземления не должен прерываться с помощью прерывателя тока. При установке прибора многополярный прерыватель тока, используемый для подключения, должен быть легко доступен. Подключение к источнику питания должен выполнять квалифицированный специалист с учетом полярности духового шкафа и источника питания. Разъединение должно быть достигнуто путем установки выключателя в стационарную проводку в соответствии с правилами подключения.
- **Если производитель предоставляет духовой шкаф с вилкой:** Гнездо должно быть рассчитано на нагрузку, указанную на бирке, и иметь контакт заземления – подключенный и работающий. Провод заземления желто-зеленого цвета. Эти работы должен проводить только профессионал с надлежащей квалификацией. В случае несовместимости розетки и штепсельной вилки прибора обратитесь к квалифицированному электрику для замены розетки на другой подходящий тип. Вилка и розетка должны соответствовать действующим нормам страны установки. Подключение к источнику питания может быть выполнено также путем установки многополюсного прерывателя тока с разделением контактов в соответствии с требованиями для категории III электрического перенапряжения между прибором и источником питания, который может выдержать максимальную подключенную нагрузку и который соответствует действующему

законодательству. Желто-зеленый провод заземления не должен прерываться с помощью прерывателя тока. При установке прибора должны быть легко доступны штепсельная розетка или многополюсный прерыватель тока, используемые для подключения. Отключение может быть достигнуто путем доступа к штепсельной вилке или встраивания выключателя в стационарную электропроводку в соответствии с правилами электрических соединений.

- Если кабель питания поврежден, его необходимо заменить кабелем или специальным кабельным пучком, который можно приобрести у производителя, или связаться со департаментом поддержки клиентов. Тип кабеля питания должен быть H05VV-F. Эту операцию должен выполнять только специалист с соответствующей квалификацией. Заземляющий проводник (желто-зеленый) должен быть примерно на 10 мм длиннее других проводников. Для любого ремонта обращайтесь только в отдел по работе с клиентами и просите использовать оригинальные запасные части.
- Несоблюдение вышеприведенных условий может нарушить безопасность прибора.
- ПРЕДУПРЕЖДЕНИЕ. Доступные детали могут нагреваться при использовании гриля. Дети должны находиться на безопасном расстоянии.
- Не используйте грубые или абразивные материалы либо острые металлические скребки для очистки стекол дверцы духового шкафа, поскольку они могут поцарапать поверхность, и стекло может лопнуть.
- Замену лампы в духовом шкафу должен выполнять квалифицированный специалист после обращения в сервисную службу.
- ПРЕДУПРЕЖДЕНИЕ. Перед заменой лампы убедитесь, что прибор выключен, во избежание поражения электрическим током.
- Перед отсоединением съемных частей следует выключать духовой шкаф. После очистки установите их в соответствии с инструкциями.
- Используйте духовой шкаф только по назначению, т.е. только для приготовления пищи: любое другое использование, например, в качестве источника тепла, считается ненадлежащим и, следовательно, опасным. Производитель не несет ответственности за ущерб, возникший в результате ненадлежащего, неправильного или неразумного использования.
- Использование любого электроприбора подразумевает соблюдение некоторых основополагающих правил:
  - Не тяните за кабель питания, чтобы отсоединить изделие от источника питания.
  - Не прикасайтесь к прибору влажными или мокрыми руками или ногами.
  - В целом не рекомендуется использовать адаптеры, несколько розеток и удлинительные кабели.
  - В случае неисправности и/или неудовлетворительной работы выключите прибор и не нарушайте целостность устройства.
- УДОСТОВЕРЬТЕСЬ, ЧТО ЭЛЕКТРИЧЕСКИЕ СОЕДИНЕНИЯ ВЫПОЛНЕНА ЭЛЕКТРИ-

КОМ ИЛИ КВАЛИФИЦИРОВАННЫМ ТЕХНИЧЕСКИМ СПЕЦИАЛИСТОМ. Источник питания, к которому подключен духовой шкаф, должен соответствовать законодательным нормам, действующим в стране установки. Изготовитель не несет ответственности за ущерб, возникший в результате несоблюдения данной инструкции. Духовой шкаф должен быть подключен к электросети с заземленной розеткой или разъединяющим устройством с несколькими полюсами, в зависимости от законодательных норм, действующих в стране установки. Электропитание должно быть защищено соответствующими плавкими предохранителями, а используемые кабели должны иметь поперечное сечение, обеспечивающее надлежащее электропитание духового шкафа.

- **ПОДКЛЮЧЕНИЕ** Духовой шкаф поставляется с кабелем питания, который следует подключать только к электросети с напряжением 220-240 В переменного тока между фазами или между фазой и нейтралью. Перед подключением прибора к электросети необходимо проверить напряжение питания, отображаемое измерительным прибором, а также указанное в настройках разъединяющего устройства. Провод заземления, подключенный к клемме заземления духового шкафа, должен быть подключен к клемме заземления источника питания.
- **ПРЕДУПРЕЖДЕНИЕ.** Перед подключением духового шкафа к источнику питания попросите квалифицированного электрика проверить целостность клеммы заземления источника питания. Изготовитель не несет ответственности за несчастные случаи или другие проблемы, вызванные отсутствием подключения духового шкафа к клемме заземления или подключением к заземлению с нарушением целостности последнего.
- **ПРИМЕЧАНИЕ.** Поскольку может потребоваться проведение работ по обслуживанию духового шкафа, рекомендуется иметь в наличии другую настенную розетку, чтобы к ней можно было подключить духовой шкаф, если его вынут из того места, где он установлен. Замену кабеля электропитания должны производить только специалисты технической службы или техники с соответствующей квалификацией.

### **РЕКОМЕНДАЦИИ ПО ЭКСПЛУАТАЦИИ/ПРЕДУПРЕЖДЕНИЯ**

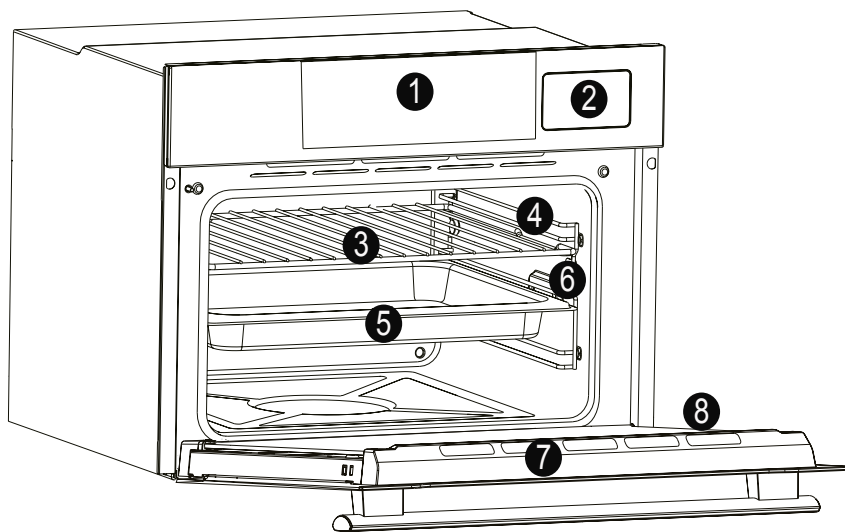
- Во время работы духового шкафа в режимах приготовления внутри полости или на стекле дверцы может конденсироваться влага. Это нормальное состояние. Чтобы уменьшить этот эффект, подождите 10-15 минут после включения питания, прежде чем положить еду внутрь духовки. В любом случае конденсация исчезает, когда духовка достигает температуры приготовления.
- Готовьте овощи в емкости с крышкой, а не на открытом противне.
- Не оставляйте продукты в духовом шкафу после приготовления более чем на 15-20 минут.
- Длительное отключение электропитания на этапе приготовления пищи может привести к неисправности монитора. В этом случае обратитесь в службу по работе с заказчиками.

- Устанавливая полку внутри духового шкафа, убедитесь, что стопор направлен вверх и находится в задней части полости. Полка должна быть полностью вставлена в полость духового шкафа.
- **ПРЕДУПРЕЖДЕНИЕ.** Не храните в паровом духовом шкафу масло, жир или другие легковоспламеняющиеся материалы, поскольку это может создать опасность при включении духового шкафа.
- **ПРЕДУПРЕЖДЕНИЕ.** Запрещается снимать уплотнение дверцы духового шкафа.
- Для правильной работы духового шкафа рекомендуется класть продукты так, чтобы они не контактировали напрямую с решетками и противнями; вместо этого используйте бумагу для духового шкафа и/или специальные емкости.
- Лоток для сбора капель собирает соки, вытекающие во время приготовления пищи.

## **ПРЕДУПРЕЖДЕНИЯ**

- Перед чисткой следует вытереть все остатки пролитых продуктов.
- **ПРЕДУПРЕЖДЕНИЕ.** Перед началом какого-либо цикла чистки:
  1. очистите дверцу духового шкафа;
  2. удалите крупные или грубые остатки пищи с внутренних поверхностей духового шкафа с помощью влажной губки; не используйте моющие средства;
  3. снимите все принадлежности и комплект для выдвижных решеток (если имеется);
  4. уберите кухонные полотенца.
- При заправке резервуара для воды уровень воды не должен превышать максимальное значение, указанное на баке.
- **ПРЕДУПРЕЖДЕНИЕ.** Опасность ожогов и повреждения прибора: при использовании функции пара выходящий пар может вызвать ожоги: осторожно открывайте дверцу, чтобы избежать травм при использовании функции приготовления с паром.
- Для заполнения резервуара используйте только чистую воду.

# Описание изделия



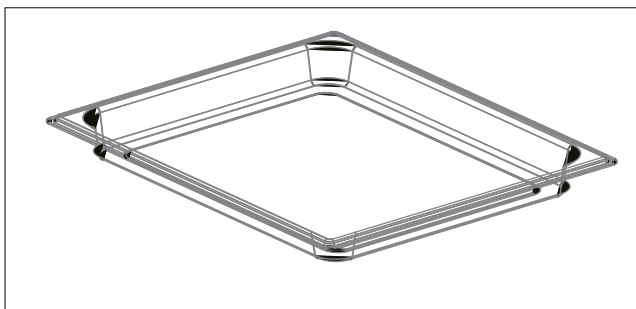
1. Панель управления
2. Резервуар для воды
3. Боковые держатели
4. Расположение полок (боковые проволочные решетки, если входят в комплект)
5. Противни
6. Боковые проволочные решетки
7. Дверца
8. **Серийный номер**



Запишите здесь серийный номер своего прибора для дальнейшего использования.

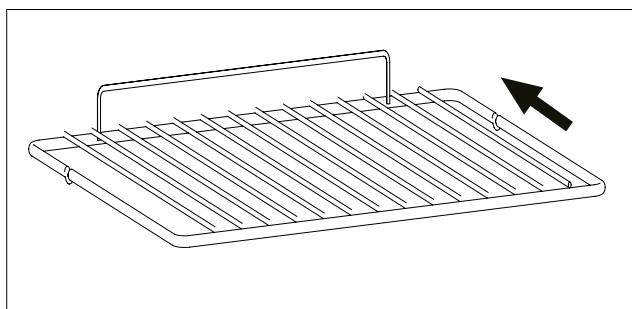
## ПРИНАДЛЕЖНОСТИ

### Лоток для сбора капель без отверстия



Собирает соки, капающие при приготовлении пищи под грилем.

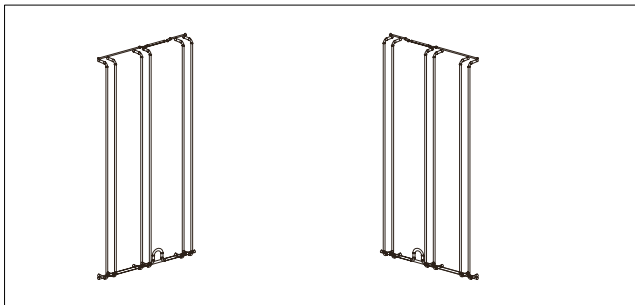
### Металлическая решетка



Удерживает противни и блюда для выпечки.  
\*Установите в духовом шкафу, как показано стрелкой.

### Боковые проволочные решетки

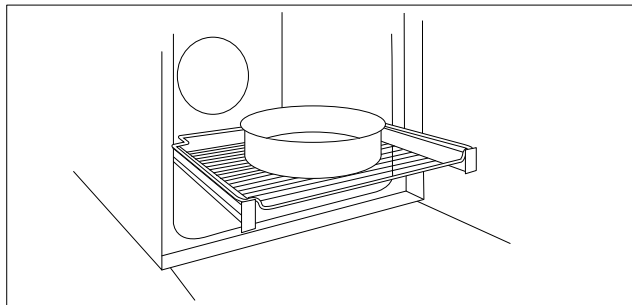
(только при наличии)



Расположенные по обе стороны полости духового шкафа, держат металлические решетки и лотки для капель.

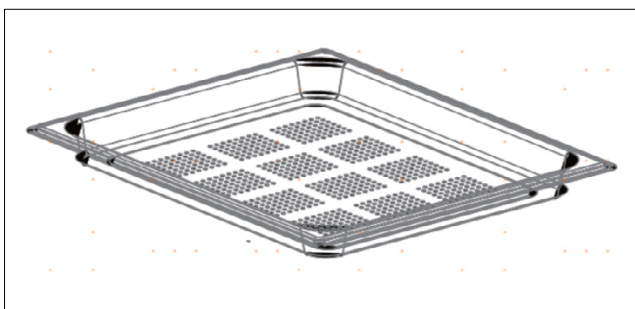
### Телескопические направляющие

(только при наличии)



Две направляющих, которые облегчают проверку состояния приготовления блюда, поскольку позволяют легко извлекать и перемещать противни и решетки внутри полости духового шкафа.

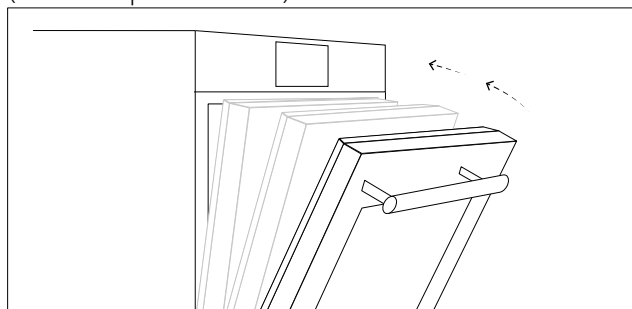
### Лоток для сбора капель с отверстиями



Удерживает продукт в режиме приготовления с паром.

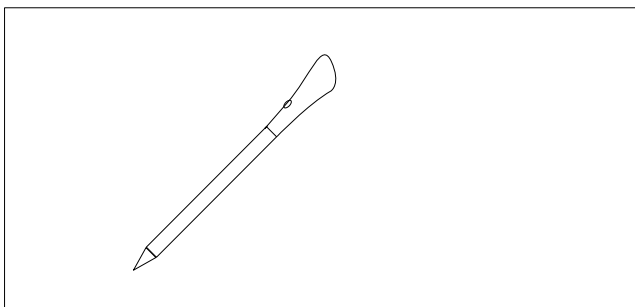
### Функция плавного закрывания Softclose

(только при наличии)



Петли, обеспечивающие автоматическое мягкое и плавное движение на этапе закрытия дверцы духового шкафа.

### Зонд для мяса (только при наличии)

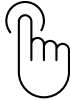








Измеряет внутреннюю температуру пищи во время приготовления.

**ПРЕДУПРЕЖДЕНИЯ.**

- Не выполняйте предварительный разогрев и не начинайте готовить до того, как правильно вставите зонд для мяса.
- Не пытайтесь вставлять зонд для мяса в замороженные продукты.

## Как работает продукт\*






Символ	Функция	Описание
	<b>Ручной режим</b>	Эта функция позволяет выбирать функции приготовления, температуру и продолжительность.
	<b>My Taste</b>	В этом меню можно просмотреть и выбрать недавно использованные и любимые программы, а также создавать индивидуальные рецепты в соответствии с вашими вкусами. <ul style="list-style-type: none"><li>• Последние использованные/последние использованные в приложении: см. последние использованные программы с длительностью, температурой и предварительным нагревом (если выбраны) непосредственно на вашем приборе или в приложении.</li><li>• Избранные/мои рецепты: просматривайте список своих любимых рецептов и/или программ.</li><li>• U-Create: создание и просматривание индивидуальных рецептов.</li></ul>
	<b>Рецепты</b>	В этом меню можно получить доступ к разнообразным рецептам, уже встроенным в духовой шкаф.
	<b>WiFi</b>	В этом режиме можно подключить духовой шкаф к сети и зарегистрировать его в приложении Haier.
	<b>Настройки</b>	В этом меню можно изменить язык, настроить время суток, отрегулировать яркость, включить или выключить звуки, устройства, отредактировать настройки Wi-Fi и дистанционного управления.
	<b>Дистанционное управление</b>	Когда дистанционное управление включено, можно получить доступ к духовому шкафу и управлять ТОЛЬКО с помощью подключенного устройства.
	<b>Замок</b>	Эта функция позволяет заблокировать экран/дверцу, чтобы предотвратить нежелательное использование прибора несовершеннолетними.

\* В зависимости от модели духового шкафа.



# Эксплуатация прибора

## РЕЖИМЫ ПРИГОТОВЛЕНИЯ \*

Символ	Температура по умолчанию	Функции
	<b>L3 (Power)</b>	<b>ГРИЛЬ:</b> Эта функция использует только верхний нагревательный элемент, а уровень гриля можно регулировать. Используйте с закрытой дверцей. Поместите белое мясо на расстоянии от гриля. Красное мясо и рыбное филе можно положить на полку с лотком для сбора капель под ней. Предварительный разогрев в течение 5 минут.
	<b>165°C</b>	<b>ГРИЛЬ + ВЕНТИЛЯТОР:</b> Верхний нагревательный элемент используется для циркуляции воздуха внутри духового шкафа. Предварительный подогрев необходим для красного мяса, но не для белого. Положите продукты, которые нужно приготовить на гриле, на полку по центру. Установите лоток для сбора капель под полку, чтобы собирать вытекающие соки. Удостоверьтесь, что продукты находятся не слишком близко к грилю. По истечении половины времени приготовления переверните продукт.
	<b>165°C</b>	<b>МНОГОУРОВНЕВОЕ ПРИГОТОВЛЕНИЕ:</b> Эта функция лучше распределяет тепло благодаря сочетанию вентилятора и задних нагревательных элементов, обеспечивая равномерный результат выпечки.
	<b>210°</b>	<b>МНОГОУРОВНЕВОЕ ПРИГОТОВЛЕНИЕ + ГРИЛЬ:</b> Использует верхний и задний нагревательные элементы с вентилятором для циркуляции воздуха внутри духового шкафа. Используйте с закрытой дверцей. Установите лоток для сбора капель под полку, чтобы собрать вытекающие соки. По истечении половины времени приготовления переверните продукт. Предварительный разогрев необходим для красного мяса, но не для белого.
	<b>165°C</b>	<b>ЭКОЛОГИЧЕСКИЙ МНОГОУРОВНЕВЫЙ:</b> Данная функция прошла испытания в соответствии со стандартом CENELEC EN 60350-1 в целях декларирования энергопотребления и класса энергопотребления.

\* В зависимости от модели духового шкафа.

## РЕЖИМЫ ПРИГОТОВЛЕНИЯ С ПАРОМ \*

Символ	Температурный диапазон	Функции
	40~100°	<p>STEAM PURE:</p> <p>Идеально для приготовления при низких температурах с полной мощностью пара. Пар распределяется с помощью радиальной вентиляции, что обеспечивает равномерное нагревание и приготовление пищи. Преимуществом этой функции является возможность готовить на разных уровнях одновременно.</p>
	70~130°	<p>STEAM WARM:</p> <p>Вы можете обеспечить доготовку пищи, сохраняя при этом ее питательные свойства. При использовании этой функции полость духового шкафа нагревается паром и теплым воздухом, что позволяет быстро и равномерно разогреть продукты, не высушивая их.</p>
	50~230°	<p>STEAM CRISPER:</p> <p>Объединяя мощность пара с работой вентилятора, можно получить хрустящие блюда без жиров. Эта функция особенно подходит для больших блюд из мяса и морепродуктов, например, больших булок из белой или цельнозерновой муки, дрожжевого теста при температуре от 190°C до 210°C, а также слоеного теста с начинками и без – как свежего, так и замороженного, при температуре от 190°C до 210°C.</p>

## ФУНКЦИИ ОЧИСТКИ \*

Символ	Функция	Описание
	H2O circuit clean	<p>H2O circuit clean позволяет очищать контур каждый раз, когда это необходимо для лучшего обслуживания; просто заполните резервуар и ждите инструкций.</p> <p>Эта функция выполняет цикл очистки контура для поддержания его чистоты и эффективности его работы с ходом времени.</p> <p>Перед запуском этой функции важно удостовериться в наличии воды в резервуаре.</p>
	H2O cavity clean	<p>H2O cavity clean позволяет очистить полость духового шкафа с помощью пара.</p> <p>Эта функция выполняет цикл очистки путем введения пара в полость духового шкафа в течение 15 минут. В конце цикла корка, которая могла образоваться после высокотемпературного приготовления пищи в полости духового шкафа, размягчится, и ее будет намного легче удалить тряпкой.</p>
	Удаление накипи	<p>Эта функция позволяет выполнить цикл очистки с помощью специального средства, чтобы сохранить чистоту и эффективность духового шкафа с ходом времени.</p> <p>ПРИМЕЧАНИЕ.</p> <p>Средством для очистки должен быть удалителем накипи на основе угольной кислоты.</p>

Примечание. Если каких-либо функциях использовалась вода, то перед переходом прибора в режим ожидания отобразится запрос на слив контура.

\* В зависимости от модели духового шкафа.

# Чистка и обслуживание

---

## ОБЩИЕ УКАЗАНИЯ ПО ОЧИСТКЕ:

Регулярная очистка может продлить срок службы вашего прибора. Перед ручной очисткой подождите, пока духовой шкаф остынет.

### ПРЕДУПРЕЖДЕНИЕ.

- Ни в коем случае не используйте для очистки абразивные моющие средства, стальные мочалки или острые предметы, поскольку они могут необратимо повредить поверхность.
- Не используйте агрессивные или абразивные чистящие средства. Используйте только воду, мыло или моющие средства на основе отбеливателя (аммиака).
- Сразу же удаляйте накипь, жир, крахмальные или белковые пятна. В противном случае эти пятна могут вызвать коррозию. Не допускайте попадания воды в духовой шкаф с функцией пара.
- Не используйте устройства для чистки под высоким давлением или пароструйную очистку.

### СТЕКЛЯННЫЕ ЭЛЕМЕНТЫ

После каждого использования очищайте стеклянное окошко духового шкафа впитывающим кухонным полотенцем. Для устранения трудноудаляемых пятен используйте пропитанную моющим средством и отжатую губку, затем промывайте это место водой.

### УПЛОТНЕНИЕ ОКОШКА ДУХОВОГО ШКАФА

Загрязненное уплотнение можно очистить влажной губкой.

## РЕКОМЕНДАЦИИ

- После каждого использования духового шкафа минимальное количество чистящих средств поможет поддерживать его в идеальной чистоте.
- Не выстилайте стенки духового шкафа алюминиевой фольгой или одноразовыми защитными элементами, доступными в магазинах. Не кладите коробки или продукты питания непосредственно на дно полости духового шкафа. Используйте противни или решетки.
- Для предотвращения избыточного загрязнения духового шкафа и, как следствие, сильного запаха, мы не рекомендуем эксплуатировать духовой шкаф при очень высокой температуре. Лучше продлить время приготовления и немного снизить температуру.
- В дополнение к принадлежностям, поставляемым с духовым шкафом, рекомендуем использовать только посуду и формы для выпечки, устойчивые к очень высоким температурам.
- Противни можно безопасно мыть в посудомоечной машине.

# Охрана окружающей среды и утилизация

---

## СОХРАНЕНИЕ И БЕРЕЖНОЕ ОТНОШЕНИЕ К ОКРУЖАЮЩЕЙ СРЕДЕ

Когда возможно, избегайте предварительного нагрева духового шкафа и всегда старайтесь наполнять его. Открывайте дверцу духового шкафа как можно реже, так как тепло из полости рассеивается при каждом открытии. Для значительной экономии энергии выключите духовой шкаф за 5-10 минут до запланированного окончания времени приготовления и используйте остаточное тепло, которое он продолжает вырабатывать. Содержите уплотнения в чистоте и порядке, чтобы избежать рассеивания тепла за пределы полости духового шкафа. Если у вас счетчик электроэнергии с почасовым тарифом, программа отложенного приготовления пищи упрощает экономию энергии, сдвигая процесс приготовления пищи на промежуток времени со сниженным тарифом.

## КОНТРОЛЬ ОТХОДОВ И ОХРАНА ОКРУЖАЮЩЕЙ СРЕДЫ

Это устройство имеет маркировку в соответствии с директивой ЕС 2012/19/EU касательно электрического и электронного оборудования (WEEE). Электрическое и электронное оборудование (WEEE) содержит как загрязняющие вещества (которые могут оказывать негативное воздействие на окружающую среду), так и базовые элементы (которые могут быть использованы повторно). Важно, чтобы электрическое и электронное оборудование прошло специальную обработку для правильного изъятия и утилизации загрязняющих веществ, а также восстановления всех материалов. Физические лица могут играть важную роль в предотвращении негативного воздействия электрического и электронного оборудования на окружающую среду; необходимо следовать нескольким базовым правилам:

- С электрическим и электронным оборудованием запрещается обращаться как с бытовыми отходами.
- Электрическое и электронное оборудование следует отнести в специальные места сбора, деятельность которых регулируется городским советом, либо управляемые зарегистрированной компанией.

Во многих странах для утилизации крупного электрического и электронного оборудования могут быть доступны внутренние программы сбора. При покупке новой бытовой техники во многих странах старую можно отдать продавцу, который обязан бесплатно принять ее в порядке «одна единица за одну», если оборудование относится к аналогичному типу и имеет те же функции, что и поставляемое оборудование.

## ДЕКЛАРАЦИЯ СООТВЕТСТВИЯ

Нанеся маркировку **CE** на данное изделие, мы подтверждаем его соответствие всем релевантным европейским требованиям касательно безопасности, охраны здоровья и окружающей среды, применимым согласно законодательству в отношении данного изделия.



# Shrnutí

---

- 110** Důležité bezpečnostní pokyny
- 115** Popis výrobku
- 117** Jak tento výrobek funguje
- 118** Používání spotřebiče
- 120** Čištění a údržba
- 121** Ochrana životního prostředí a likvidace
- 135** Instalace

---

Děkujeme vám, že jste si vybrali jeden z našich výrobků. Abyste dosáhli nejlepších výsledků, pozorně si přečtěte tuto příručku a uschovejte ji pro budoucí použití. Před instalací trouby si poznamenejte sériové číslo, budete ho potřebovat, jestliže budou zapotřebí nějaké opravy. Zkontrolujte, zda nebyla trouba poškozena během přepravy. Máte-li pochybnosti, před použitím trouby se poradte s kvalifikovaným technikem. Uchovávejte veškerý obalový materiál mimo dosah dětí. Po prvním zapnutí trouby se může objevit silně

zapáchající kouř. Může to být způsobeno ohřevem tuku na topném tělese. V takovém případě si nedělejte starosti, stačí počkat, až se kouř rozptýlí. Pak můžete do trouby vložit pokrm. Výrobce neponese žádnou odpovědnost v případech, kdy nebudou dodrženy pokyny obsažené v tomto dokumentu.

POZNÁMKA: Funkce, vlastnosti a doplňky uváděné v tomto návodu se budou lišit v závislosti na modelu, který jste zakoupili.

# Důležité bezpečnostní pokyny

---

## BEZPEČNOSTNÍ POKYNY

- Děti si nesmí hrát se spotřebičem.
- Osoby ve věku osmi nebo více let a osoby s omezenými fyzickými, smyslovými nebo duševními schopnostmi bez zkušeností nebo znalosti výrobku smějí používat spotřebič pouze pod dohledem nebo s poučením o provozu spotřebiče, bezpečným způsobem a s vědomím možných rizik.
- Děti bez dozoru nesmějí provádět čištění a údržbu.
- VAROVÁNÍ: Spotřebič a přístupné součásti jsou během používání horké. Buďte opatrní a nedotýkejte se horkých součástí.
- VAROVÁNÍ: Přístupné součásti mohou být během používání horké. Zabraňte přístupu malých dětí ke spotřebiči.
- VAROVÁNÍ: Aby se zabránilo jakémukoli nebezpečí způsobenému náhodným resetováním tepelné pojistky, spotřebič nesmí být napájen přes externí vypínací zařízení, jako je časovač, ani být připojen k okruhu, který se pravidelně zapíná a vypíná.
- Děti mladší osmi let se musí zdržovat v bezpečné vzdálenosti od spotřebiče, pokud nejsou pod nepřetržitým dohledem.
- K čištění nepoužívejte parní čistič ani vysokotlaký postřik.
- Před prováděním jakékoli práce na spotřebiči nebo údržby odpojte spotřebič od síťového napájení.
- Je třeba dávat pozor, abyste se nedotkli topných těles uvnitř trouby.

## DOPORUČENÍ/VAROVÁNÍ TÝKAJÍCÍ SE INSTALACE

- Výrobci nemají žádnou povinnost provádět instalaci. Pokud je požadována pomoc výrobce k nápravě škod způsobených nesprávnou instalací, na takovou pomoc se nevztahuje záruka. Je nutno dodržet pokyny pro instalaci určené pro odborně vyškolené pracovníky. Nesprávná instalace může způsobit zranění osob a zvířat nebo škodu na majetku. Výrobce nemůže být za takové škody nebo zranění zodpovědný.
- K provozování spotřebiče při jmenovitých frekvencích nejsou nutné žádné další úkony ani nastavování.
- Spotřebič se nesmí instalovat za dekorační dvířka, aby se zamezilo přehřívání.
- Trouba může být umístěna ve výšce na jiném předmětu. Nedoporuču-

je se instalovat troubu pod varnou desku. Je-li to nutné, musíte nechat dostatečně velkou mezeru pro varnou desku podle pokynů výrobce. Před upevněním je nutné zajistit dobré větrání v prostoru pro troubu, které umožní řádnou cirkulaci čerstvého vzduchu potřebného pro chlazení a ochranu vnitřních částí. Na základě typu upevnění vytvořte otvory popsané na poslední straně.

## **VAROVÁNÍ TÝKAJÍCÍ SE ELEKTŘINY**

- **Pokud výrobce dodal troubu bez zástrčky:**

SPOTŘEBIČ SE NESMÍ PŘIPOJOVAT KE ZDROJI ENERGIE POMOCÍ ZÁSTRČKY NEBO ZÁSUVKY, ALE MUSÍ SE PŘIPOJIT PŘÍMO K SÍŤOVÉMU NAPÁJENÍ. Připojení ke zdroji energie musí provést odborník s vhodnou kvalifikací. Trouba musí být zapojena za vícepólovým jističem se vzdáleností kontaktů vyhovující požadavkům na kategorii přepětí III, který se nachází mezi spotřebičem a zdrojem energie, aby byla instalace v souladu s platnými bezpečnostními předpisy. Vícepólový jistič musí být dimenzován na maximální připojené zatížení a musí být v souladu s platnými právními předpisy. Žlutozelený zemnicí kabel by neměl být přerušen jističem. Vícepólový jistič používaný k připojení by měl být snadno přístupný při instalaci spotřebiče. Připojení ke zdroji energie musí provést odborník s vhodnou kvalifikací. Je nutné dodržet polaritu trouby a síťového napájení. K odpojování se musí používat vypínač začleněný do pevné kabeláže v souladu s elektroinstalačními předpisy.

- **Pokud výrobce dodal troubu se zástrčkou:**

Zásuvka musí být vhodná pro zatížení uvedené na štítku a musí mít připojený a funkční zemnicí kontakt. Zemnicí vodič má žlutozelenou barvu. Tento úkon by měl provést odborník s vhodnou kvalifikací. V případě nekompatibility mezi zásuvkou a zástrčkou spotřebiče požádejte kvalifikovaného elektrikáře o nahrazení zásuvky jiným vhodným typem. Zástrčka a zásuvka musí splňovat aktuální normy platné v zemi instalace. Připojení ke zdroji energie lze provést také pomocí vícepólového jističe se vzdáleností kontaktů vyhovující požadavkům na kategorii přepětí III, který je umístěn mezi spotřebičem a síťovým napájením, je dimenzován na maximální připojené zatížení a je v souladu s platnými právními předpisy. Žlutozelený zemnicí kabel by neměl být přerušen jističem. Zásuvka a vícepólový jistič používané pro připojení by měly být snadno přístupné při instalaci spotřebiče. Odpojení lze provést prostřednictvím přístupné zástrčky nebo začleněním vypínače do pevné kabeláže v souladu

s elektroinstalačními předpisy.

- Pokud je napájecí kabel poškozený, měl by být nahrazen kabelem nebo speciálním svazkem dostupným od výrobce nebo servisního oddělení. Napájecí kabel musí být typu H05VV-F. Tento úkon by měl provést odborník s vhodnou kvalifikací. Zemnicí vodič (žlutozelený) musí být přibližně o 10 mm delší než ostatní vodiče. V případě jakýchkoli oprav kontaktujte pouze oddělení péče o zákazníky a požadujte použití originálních náhradních dílů.
- Nedodržení výše uvedených pokynů může narušit bezpečnost spotřebiče a způsobit ztrátu záruky.
- **VAROVÁNÍ:** pokud se používá gril, přístupné díly jsou horké. Zabraňte přístupu dětí na menší než bezpečnou vzdálenost.
- K čištění skel dvířek trouby nepoužívejte drsné nebo brusné materiály ani ostré kovové škrabky, protože mohou poškrábat povrch a způsobit rozbití skla.
- Výměnu žárovky v pečicím prostoru by měl provést kvalifikovaný odborník, až zavoláte servisní oddělení.
- **VAROVÁNÍ:** Před výměnou žárovky se ujistěte, že je spotřebič vypnutý, aby se předešlo úrazu elektrickým proudem.
- Před odstraněním odnímatelných součástí je nutné vypnout troubu. Po vyčištění je namontujte zpět podle pokynů.
- Používejte troubu pouze ke stanovenému účelu, kterým je pečení pokrmů; jakékoli jiné použití, například jako zdroj tepla, je považováno za nevhodné a proto nebezpečné. Výrobce nemůže nést odpovědnost za případné škody vzniklé nesprávným či nevhodným používáním.
- Použití jakéhokoliv elektrického spotřebiče předpokládá dodržování některých základních pravidel:
  - Neodpojujte spotřebič od zdroje energie taháním za napájecí kabel.
  - Nedotýkejte se spotřebiče mokřýma nebo vlhkýma rukama či nohama.
  - Použití adaptérů, rozdvojek a prodlužovacích kabelů se všeobecně nedoporučuje.
- V případě selhání nebo a/nebo špatné funkce vypněte spotřebič a ne-manipulujte s ním.
- **ZAJISTĚTE, ABY ELEKTRICKÁ ZAPOJENÍ PROVÁDĚL ELEKTRIKÁŘ NEBO KVALIFIKOVANÝ TECHNIK.** Napájecí zdroj, ke kterému je trouba připojena, musí být v souladu s právními předpisy platnými v zemi instalace. Výrobce nenesení žádnou zodpovědnost za případné škody způsobené nedodržením těchto pokynů. Trouba musí být připojena



k elektrické síti prostřednictvím uzemněné zásuvky nebo vícepólového odpojovače v závislosti na právních předpisech platných v zemi instalace. Elektrické napájení je třeba chránit vhodnými pojistkami a použité kabely musí mít takový průřez, který je schopen zajistit správné napájení trouby.

- **ZAPOJENÍ.** Trouba je dodávána s napájecím kabelem, který by měl být připojen pouze k elektrickému napájení s 220–240 V AC mezi fázemi nebo mezi fází a nulovým vodičem. Před připojením síti k elektrickému napájení je důležité zkontrolovat napájecí napětí změřené voltmetrem a nastavení odpojovače. Uzemňovací vodič připojený k zemnicí svorce trouby musí být připojen k zemnicí svorce zdroje napájení.
- **VAROVÁNÍ.** Před připojením trouby k elektrické síti požádejte kvalifikovaného elektrikáře o kontrolu propojení zemnicí svorky elektrického napájení. Výrobce nenese žádnou odpovědnost za nehody nebo jiné problémy způsobené nepřipojením trouby k zemnicí svorce nebo použitím přerušného spojení s uzemněním.
- **POZNÁMKA:** Protože trouba může vyžadovat údržbu, je vhodné mít k dispozici další elektrickou zásuvku, ke které lze troubu připojit po vyjmutí z prostoru, ve kterém je nainstalována. Výměnu napájecího kabelu smí provádět pouze servisní technik nebo technik s rovnocennou kvalifikací.

## **DOPORUČENÍ/VAROVÁNÍ TÝKAJÍCÍ SE POUŽÍVÁNÍ**

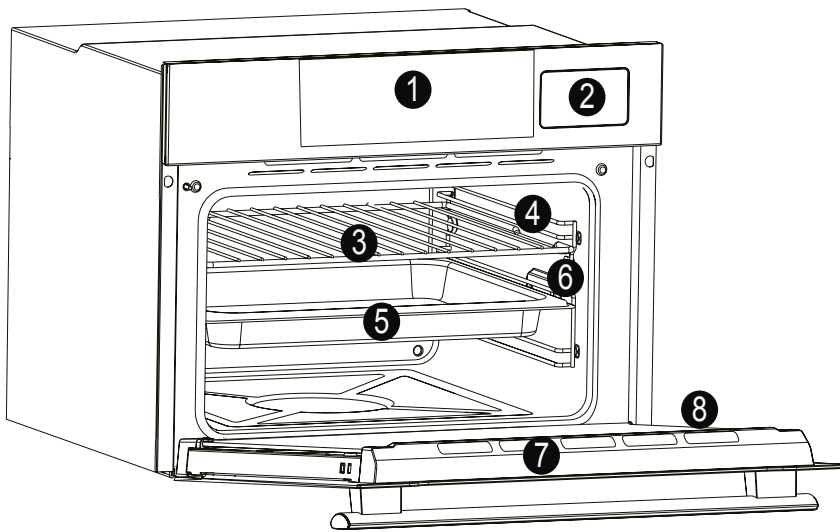
- Během pečení v různých režimech může dojít ke kondenzaci vlhkosti uvnitř vnitřního prostoru nebo na skle dvířek trouby. Jedná se o normální stav. Aby se tento jev omezil, po zapnutí trouby počkejte 10–15 minut, než do ní vložíte pokrm. V každém případě kondenzace zmizí, až trouba dosáhne teploty pečení.
- Zeleninu nepřipravujte v otevřeném pekáči, ale v nádobě s víkem.
- Po upečení nenechávejte pokrm uvnitř trouby déle než 15–20 minut.
- Dlouhý výpadek napájení během probíhající fáze pečení může způsobit selhání monitoru. V takovém případě kontaktujte zákaznický servis.
- Když dovnitř vkládáte rošt, ujistěte se, že zarážka je obrácena nahoru a nachází se v zadní části vnitřního prostoru. Rošt musí být úplně zasunutý do vnitřního prostoru.
- **VAROVÁNÍ:** V parní troubě neskladujte olej, tuk ani jiné hořlavé materiály, protože po spuštění trouby by mohly být nebezpečné.
- **VAROVÁNÍ:** Nikdy neodstraňujte těsnění dvířek trouby.

- S ohledem na správné používání trouby se doporučuje zamezit přímému kontaktu pokrmů s rošty a plechy a používat pečicí papír a/nebo speciální nádoby.
- V odkapávacím plechu se hromadí zbytky, které odkapávají během pečení.

## **VAROVÁNÍ**

- Před čištěním je nutné odstranit veškerý nadbytečný rozlitý materiál.
- **VAROVÁNÍ:** Před spuštěním jakéhokoli cyklu čištění:
  1. Vyčistěte dvířka trouby.
  2. Vlhkou houbou odstraňte velké nebo hrubé zbytky jídla z vnitřku trouby. Nepoužívejte čisticí prostředky.
  3. Vyjměte veškeré příslušenství a výsuvný rošt (pokud se používá).
  4. Nepoužívejte utěrky.
- Při plnění nádrže na vodu nesmí hladina vody překročit maximální hladinu vyznačenou na nádrži.
- **VAROVÁNÍ:** Nebezpečí popálení a poškození spotřebiče: unikající pára při pečení v páře může způsobit popáleniny. Po použití funkce pečení v páře otvírejte dvířka opatrně, abyste předešli zranění.
- K plnění nádrže používejte pouze čistou vodu.

# Popis výrobku



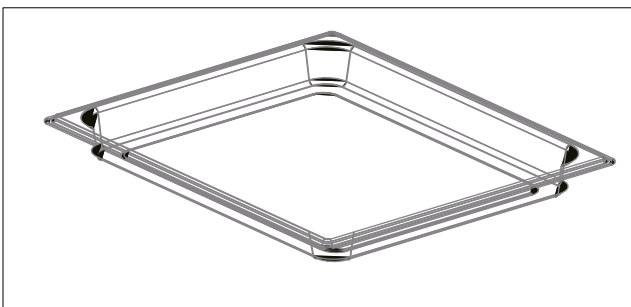
1. Ovládací panel
2. Zásobník na vodu
3. Rošty
4. Polohy roštu (bočního drátěného roštu, je-li součástí dodávky)
5. Plechy
6. Boční drátěné rošty
7. Dveře
8. **Sériové číslo**



Sem запиšte sériové číslo pro budoucí použití.

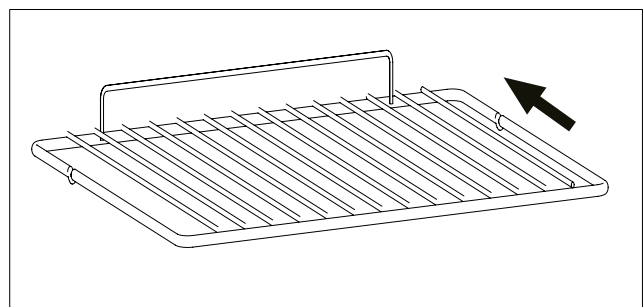
## PŘÍSLUŠENSTVÍ

### Odkapávací plech bez otvoru



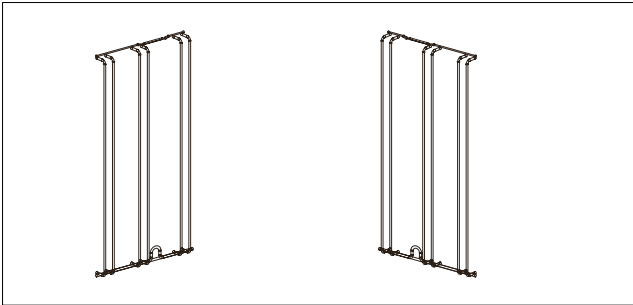
Shromažďuje zbytky, které odkapávají při pečení pokrmů na roštích.

### Kovový rošt



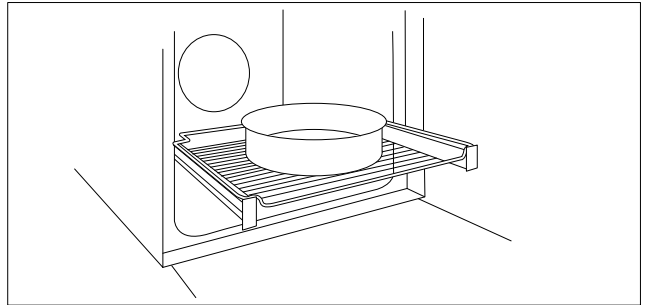
Drží pečicí plechy a talíře.  
\*Zasuňte ho do trouby ve směru šipky.

### Boční drátěné rošty (pouze pokud se používají)



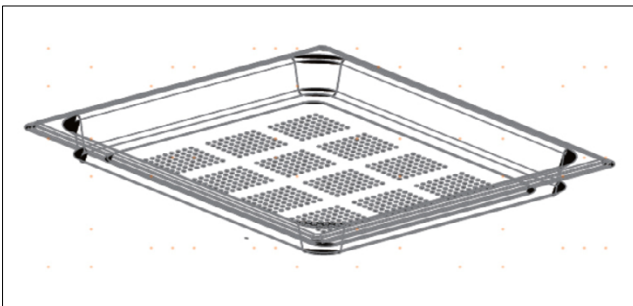
Jsou umístěny na obou stranách vnitřního prostoru trouby, drží kovové rošty a odkapávací plechy.

### Teleskopické vodící lišty (pouze pokud jsou ve výbavě)



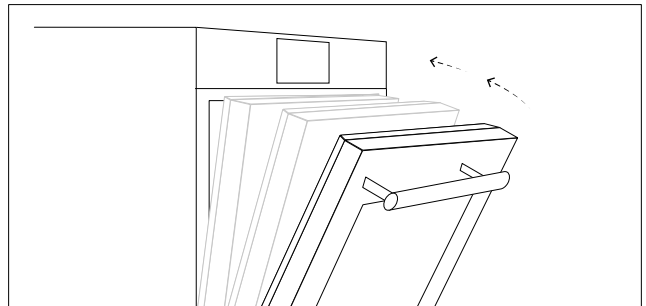
Dvě vodící lišty, které usnadňují kontrolu stavu pečení, protože umožňují snadné vytažení a přemístění plechů a roštů uvnitř vnitřního prostoru.

### Odkapávací plech s otvory



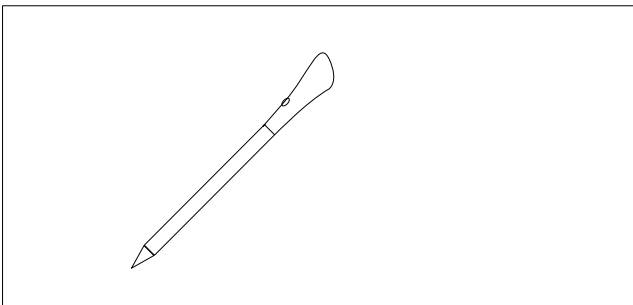
Drží pokrm v režimu páry.

### Tlumené zavírání (pouze pokud je ve výbavě)



Závěsy, které zaručují automatický tlumený a vyrovnaný pohyb dvířek během zavírání.

### Sonda do masa (pouze pokud je ve výbavě)










Měří vnitřní teplotu pokrmu během pečení.

**VAROVÁNÍ:**

- Nepředehřívejte troubu, ani nezahajujte pečení před správným zasunutím sondy do masa.
- Nepokoušejte se zasunovat sondu do masa do zmražených potravin.






## Jak tento výrobek funguje\*

Symbol	Funkce	Popis
	<b>Ruční režim</b>	Tato funkce umožňuje volit funkce, teplotu a délku pečení.
	<b>My Taste</b>	V této nabídce můžete zobrazovat a vybírat nedávno použité a oblíbené programy a rovněž vytvářet vlastní recepty podle vlastní chuti. <ul style="list-style-type: none"><li>• Naposledy použito/Naposledy použito v aplikaci: přímo na trouby nebo prostřednictvím aplikace zobrazte naposledy použité programy včetně délky, teploty a přehřevu (pokud byl vybrán).</li><li>• Oblíbené/Moje recepty: zobrazte seznam svých oblíbených receptů a/nebo programů.</li><li>• U-Create: vytvořte si a zobrazte vlastní recepty.</li></ul>
	<b>Recepty</b>	Tato nabídka nabízí přístup k různým receptům, které jsou již v troubě.
	<b>Wi-Fi</b>	V tomto režimu můžete připojit troubu k síti a zaregistrovat ji v aplikaci Haier.
	<b>Nastavení</b>	Do této nabídky vstupte v případě, že chcete změnit jazyk, nastavit denní čas, upravit jas, aktivovat nebo deaktivovat zvuky a upravit nastavení Wi-Fi a dálkového ovládání.
	<b>Dálkové ovládání</b>	Když je dálkové ovládání zapnuté, trouba je přístupná a lze ji ovládat POUZE pomocí připojeného zařízení.
	<b>Zámek</b>	Tato funkce umožňuje zamknout obrazovku/dvířka, aby se zamezilo jakémukoli nežádoucímu ovládání dětmi.

\* Závisí na modelu trouby.




# Používání spotřebiče

## REŽIMY PŘÍPRAVY\*




Symbol	Výchozí teplota	Funkce
	<b>L3 (výkon)</b>	GRIL: Tato funkce používá pouze horní topné těleso a lze nastavovat úroveň grilování. Používejte se zavřenými dvířky. Bílé maso umístěte do určité vzdálenosti od grilu. Tmavé maso a rybí filety lze umístit na rošt, pod nímž je odkapávací plech. Předehřívejte po dobu 5 minut.
	<b>165°C</b>	GRIL + VENTILÁTOR: Horní topné těleso se používá společně s ventilátorem zajišťujícím cirkulaci vzduchu uvnitř trouby. Předehřev je nezbytný u tmavého masa, ale nikoli u bílého masa. Umístěte pokrm určený ke grilování přímo do středu roštu. Zasuňte pod rošt odkapávací plech na zachytávání šťáv. Zajistěte, aby nebyl pokrm příliš blízko u grilu. V polovině pečení pokrm obraťte.
	<b>165°C</b>	VÍCEÚROVŇOVÉ: Tato funkce lépe rozvátí teplo díky kombinaci ventilátoru a zadních topných těles, což zaručuje rovnoměrné propečení.
	<b>210°</b>	VÍCEÚROVŇOVÉ + GRIL: Používá horní a zadní topné těleso společně s ventilátorem zajišťujícím cirkulaci vzduchu uvnitř trouby. Používejte se zavřenými dvířky. Zasuňte pod rošt odkapávací plech na zachytávání šťáv. V polovině pečení pokrm obraťte. Předehřev je nezbytný u tmavého masa, ale nikoli u bílého masa.
	<b>165°C</b>	ECO VÍCEÚROVŇOVÉ: Tato funkce byla testována podle normy CENELEC EN 60350-1 pro účely prohlášení o spotřebě energie a stanovení energetické třídy.

\* Závisí na modelu trouby.

## REŽIMY FUNKCÍ PÁRY \*

Symbol	Rozsah teplot	Funkce
	40-100°	<p>STEAM PURE:</p> <p>Pečte při nízkých teplotách na plný parní výkon. Pára je rozváděna radiální ventilací, aby bylo zaručeno rovnoměrné ohřátí a propečení pokrmu. Výhoda tohoto způsobu spočívá v tom, že současně lze péct v různých úrovních.</p>
	70-130°	<p>STEAM WARM:</p> <p>Tato funkce umožňuje regeneraci pokrmů se zachováním nutričních hodnot. Při použití této funkce je pečicí prostor ohříván párou a teplým vzduchem, což umožňuje rychle a rovnoměrně ohřát pokrm, aniž by se vysušil.</p>
	50-230°	<p>STEAM CRISPER:</p> <p>Pomocí této kombinace parního výkonu a ventilátoru můžete připravovat křupavé pokrmy bez jakéhokoli tuku. Funkce tohoto typu je vhodná zejména pro velké kusy masa a mořské plody, ale také například pro velké pecny chleba z bílé nebo celozrnné mouky s kvasnicemi nebo z kynutého těsta pečené na 190 °C až 210 °C, stejně jako pro čerstvé nebo zmrazené plněné a kypřé křehké pečivo pečené na 190 °C až 210 °C.</p>

## FUNKCE ČIŠTĚNÍ \*

Symbol	Funkce	Popis
	H2O Circuit Clean	<p>Funkce H2O Circuit Clean umožňuje čistit okruh vždy, když je zapotřebí lepší údržba; stačí naplnit zásobník a počkat na pokyny. Tato funkce provádí čištění okruhu, aby byl po čase stále čistý a účinný. Před spuštěním této funkce je důležité se ujistit, že uvnitř zásobníku je voda.</p>
	H2O Cavity Clean	<p>Funkce H2O Cavity Clean umožňuje uživateli čistit vnitřní prostor parním výkonem. Tato funkce provádí čištění tak, že po dobu 15 minut vstřikuje páru do vnitřního prostoru. Všechny připečené nečistoty, které se mohly vytvořit uvnitř trouby během pečení s vysokou teplotou, budou na konci cyklu změkklé a bude mnohem snazší je setřít.</p>
	Odstranění vodního kamene	<p>Tato funkce provádí čištění prostřednictvím čistícího média, aby byl okruh po čase stále čistý a účinný. POZNÁMKA: Jako čistící médium se musí použít odstraňovač vodního kamene obsahující kyselinu uhličitou.</p>

Poznámka: Pokud jste v nějakých funkcích použili vodu, před přechodem trouby do pohotovostního režimu bude vyžadováno vypuštění okruhu.

\* Závisí na modelu trouby.

# Čištění a údržba

---

## OBECNÉ POZNÁMKY K ČIŠTĚNÍ:

Pravidelné čištění může prodloužit životnost vašeho spotřebiče. Před prováděním ručního čištění počkejte, než trouba vychladne.

## VAROVÁNÍ:

- Při čištění nikdy nepoužívejte brusné čisticí prostředky, drátěnku nebo ostré předměty, protože by mohly nevratně poškodit povrch.
- Nepoužívejte korozivní ani abrazivní čisticí prostředky. Používejte pouze čisticí prostředky na bázi vody, mýdla nebo bělidla (čpavku).
- Ihned odstraňujte skvrny po vodním kameni, tuku, škrobu nebo bílkovinách. Jinak by mohly způsobit korozi. Zabraňte vniknutí vody do parní trouby.
- Nepoužívejte čisticí zařízení s proudem vysokotlaké vody nebo páry.

## SKLENĚNÉ SOUČÁSTI

Po každém použití vyčistěte sklo trouby savou kuchyňskou utěrkou. Na nepoddajné skvrny použijte vyždímanou houbu nasycenou čisticím prostředkem a potom povrch opláchněte vodou.

## TĚSNĚNÍ OKNA TROUBY

Je-li těsnění znečištěné, můžete jej vyčistit navlhčenou houbou.

## DOPORUČENÍ:

- Po každém použití trouby napomůže minimální vyčištění udržet troubu v dokonalé čistotě.
- Nevykládejte stěny trouby hliníkovou fólií nebo jednorázovou ochranou dostupnou ve specializovaných prodejnách. Nepokládejte nádoby ani potraviny přímo na dno vnitřního prostoru. Používejte plechy nebo rošty.
- Aby se zabránilo nadměrnému znečištění trouby a výsledným silným kouřovým zápachům, doporučujeme nepoužívat troubu při velmi vysokých teplotách. Je lepší prodloužit dobu pečení a mírně snížit teplotu.
- Vedle příslušenství dodávaného s troubou doporučujeme používat pouze nádobí a pečicí formy odolné proti velmi vysokým teplotám.
- Plechy lze bezpečně mýt v myčce.



# Ochrana životního prostředí a likvidace

---

## ŠETRNOST A OHLEDUPLNOST K ŽIVOTNÍMU PROSTŘEDÍ

Kdykoli je to možné, vyhněte se přehřívání trouby a vždy se ji snažte naplnit. Otvírejte dvířka trouby co možná nejméně často, protože při každém otevření uniká teplo z vnitřního prostoru. Vypněte troubu 5 až 10 minut před plánovaným koncem doby pečení a využijte zbytkové teplo, které trouba dále vytváří. Dosáhnete tak významné úspory energie. Udržujte těsnění v čistotě a v pořádku, aby nedocházelo k unikání tepla z trouby. Máte-li hodinový tarif, program „zpožděné pečení“ usnadňuje úspory energie přesunutím začátku pečení do doby s nižší sazbou.


## NAKLÁDÁNÍ S ODPADY A OCHRANA ŽIVOTNÍHO PROSTŘEDÍ

Tento spotřebič je označen v souladu s evropskou směrnicí 2012/19/EU o odpadních elektrických a elektronických zařízeních (OEEZ). OEEZ obsahují jak znečišťující látky (které mohou mít negativní vliv na životní prostředí), tak i základní prvky (které mohou být znovu použity). Je důležité, aby OEEZ podstoupily zvláštní zpracování, aby bylo možné správně odstranit a zlikvidovat znečišťující látky a znovu využít všechny materiály. Jednotlivci mohou hrát významnou roli při ochraně životního prostředí před OEEZ; je nezbytné dodržovat několik základních pravidel:

- S OEEZ se nesmí nakládat jako s domovním odpadem.
- OEEZ by měla být odvezena do speciálních sběrných dvorů spravovaných místním úřadem nebo registrovanou společností.

V mnoha zemích může být k dispozici vyzvednutí velkých OEEZ u zákazníka. Když koupíte nový spotřebič, můžete starý odevzdat obchodníkovi, který musí bezplatně přijmout jeden starý spotřebič za jeden nový prodaný spotřebič, pokud se jedná o ekvivalentní typ se stejnými funkcemi, jaké má nový zakoupený spotřebič.

## PROHLÁŠENÍ O SHODĚ

Umístěním symbolu  na spotřebič potvrzujeme shodu se všemi příslušnými evropskými směrnicemi týkajícími se bezpečnosti, ochrany zdraví a ochrany životního prostředí, které lze použít pro tento výrobek.



# Obsah

---

- 123** Dôležité bezpečnostné pokyny
  - 128** Popis produktu
  - 130** Ako produkt funguje
  - 131** Použitie spotrebiča
  - 133** Čistenie a údržba
  - 134** Ochrana životného prostredia a likvidácia
  - 135** Inštalácia
- 

Ďakujeme, že ste si vybrali jeden z našich produktov. Aby ste dosiahli najlepšie výsledky, pozorne si prečítajte túto príručku a odložte si ju pre budúce použitie. Pred inštaláciou rúry si poznačte výrobné číslo, ktoré budete v prípade potreby opravy potrebovať. Skontrolujte, či sa rúra počas prepravy nepoškodila. Ak máte pochybnosti, kontaktujte pred použitím rúry kvalifikovaného technika. Všetok obalový materiál uchovávajte mimo dosahu detí. Pri prvom zapnutí rúry sa môže objaviť silne zapáchajúci

dym. Je to spôsobené prvým zahriatím maziva na ohrievacích článkoch. Ak k tomu dôjde, nemajte obavy, iba chvíľu počkajte, kým sa dym nerozptýli. Výrobca nenesie žiadnu zodpovednosť v prípadoch nedodržania pokynov uvedených v tomto dokumente.

POZNÁMKA: Funkcie, vlastnosti a príslušenstvo rúry uvedené v tejto príručke sa budú líšiť v závislosti od zakúpeného modelu.

# Dôležité bezpečnostné pokyny

---

## BEZPEČNOSTNÉ POKYNY

- Deti sa so spotrebičom nesmú hrať.
- Spotrebič môžu používať osoby od 8 rokov a osoby s obmedzenými fyzickými, zmyslovými alebo mentálnymi kapacitami, bez skúseností alebo znalosti produktu, iba ak sú pod dohľadom alebo boli poučené o prevádzke spotrebiča bezpečným spôsobom s vedomím možných rizík.
- Čistenie a údržbu by nesmú vykonávať deti bez dozoru.
- VAROVANIE: počas používania sú spotrebič a jeho dostupné diely horúce. Dajte pozor, aby ste sa nedotkli horúcich častí.
- VAROVANIE: dostupné diely sa môžu počas používania zohriať. Malé deti by ste mali udržiavať ďalej.
- VAROVANIE: na vylúčenie nebezpečenstva spôsobeného neúmyselným resetovaním tepelného ističa sa tento spotrebič nesmie napájať cez externé spínacie zariadenie, ako je napríklad časovač a nesmie byť ani pripojený k pravidelne zapínanému a vypínanému obvodu.
- Deti mladšie ako 8 rokov sa musia zdržiavať v bezpečnej vzdialenosti od spotrebiča, ak nie sú pod neustálym dohľadom.
- Na čistenie nepoužívajte parný čistič ani vysokotlakový sprej.
- Pred akoukoľvek prácou alebo údržbou odpojte spotrebič od elektrickej siete.
- Musíte byť opatrní a nesmiete sa dotýkať ohrievacích článkov vo vnútri rúry.

## ODPORÚČANIA/VAROVANIA PRE INŠTALÁCIU

- Výrobcovia nie sú povinní ju vykonať. Ak sa na odstránenie porúch spôsobených nesprávnou inštaláciou vyžaduje pomoc výrobcu, záruka sa na túto pomoc nevzťahuje. Musia sa dodržiavať pokyny na inštaláciu pre odborne spôsobilý personál. Nesprávna inštalácia môže spôsobiť poškodenie alebo poranenie ľudí, zvierat alebo vecí. Za takéto poškodenie alebo poranenie výrobcu nezodpovedá.
- Na prevádzku spotrebiča pri menovitých frekvenciách nie sú potrebné žiadne ďalšie činnosti/nastavenia.
- Spotrebič nesmie byť inštalovaný za dekoratívnymi dvierkami, aby nedošlo k prehriatiu.
- Rúra môže byť umiestnená vysoko na podpere. Neodporúčame vám,

aby ste rúru inštalovali pod varnú dosku. Ak je to potrebné, nezabudnite podľa pokynov výrobcu ponechať dostatočne veľkú medzeru pre varnú dosku. Pred pripevnením musíte v priestore rúry zabezpečiť dobré vetranie, aby ste umožnili správnu cirkuláciu čerstvého vzduchu potrebného na chladenie a ochranu vnútorných častí. Otvory uvedené na poslednej strane spravte podľa typu úchytiak.

## **VAROVANIA TÝKAJÚCE SA ELEKTRICKEJ ENERGIE**

- **Ak je vám rúra dodaná od výrobcu bez zástrčky:**

SPOTREBIČ NESMIETE PRIPOJIŤ KU ZDROJU NAPÁJANIA POMOCOU ZÁSTRČKY ALEBO ZÁSUVIEK, ALE MUSÍTE HO PRIPOJIŤ PRIAMO K NAPÁJACEJ SIETI. Pripojenie k zdroju energie môže vykonať iba odborník s príslušnou kvalifikáciou. Aby bola inštalácia v súlade s platnými bezpečnostnými predpismi, rúru môžete pripojiť len s umiestnením omnipolárneho ističa medzi spotrebičom a zdrojom energie so separáciou kontaktov v súlade s požiadavkami na prepäťovú kategóriu III. Omnipolárny istič musí zniesť maximálne pripojené zaťaženie a musí byť v súlade s platnými právnymi predpismi. Žltozelený uzemňovací kábel nesmie byť prerušený ističom. Omnipolárny istič použitý na pripojenie musí byť po inštalácii spotrebiča ľahko prístupný. Pripojenie k zdroju energie môže vykonať iba odborník s príslušnou kvalifikáciou s ohľadom na polaritu rúry a zdroj napájania. Odpojenie sa musí dosiahnuť začlenením spínača do pevného zapojenia v súlade s pravidlami zapojenia.

- **Ak je vám rúra dodaná od výrobcu so zástrčkou:**

Zásuvka musí byť vhodná pre záťaž uvedenú na štítku a musí mať zapojený a funkčný uzemňovací kontakt. Uzemňovací vodič má žltozelenú farbu. Túto činnosť môže vykonávať iba odborník s vhodnou kvalifikáciou. V prípade nekompatibility medzi zásuvkou a zástrčkou spotrebiča požiadajte kvalifikovaného elektrikára, aby zásuvku vymenil za iný vhodný typ. Zástrčka a zásuvka musia zodpovedať platným normám krajiny inštalácie. Pripojenie k zdroju energie sa dá tiež vytvoriť umiestnením omnipolárneho ističa medzi spotrebič a zdroj energie, so separáciou kontaktov v súlade s požiadavkami na prepäťovú kategóriu III, ktorý znesie maximálne pripojené zaťaženie a ktorý je v súlade s platnými právnymi predpismi. Žltozelený uzemňovací kábel nesmie byť prerušený ističom. Zásuvka alebo omnipolárny istič použité na pripojenie musia byť

po inštalácii spotrebiča ľahko prístupné. Odpojenie sa môže dosiahnuť sprístupnením zástrčky alebo začlenením spínača do pevného zapojenia v súlade s pravidlami zapojenia.

- Ak je napájací kábel poškodený, musí byť nahradený káblom alebo špeciálnym zväzkom, ktorý je k dispozícii od výrobcu alebo kontaktujte oddelenie služieb zákazníkom. Typ napájacieho kábla musí byť H05VV-F. Túto činnosť môže vykonávať iba odborník s vhodnou kvalifikáciou. Uzemňovací vodič (žlto-zelený) musí byť približne o 10 mm dlhší ako ostatné vodiče. Ak potrebujete akékoľvek opravy, kontaktujte len oddelenie starostlivosti o zákazníka a požiadajte o použitie originálnych náhradných dielov.
- Nedodržanie vyššie uvedeného pokynu môže ohroziť bezpečnosť spotrebiča a zrušiť platnosť záruky.
- VAROVANIE: dostupné diely sa môžu počas používania grilu zohriať. Deti musíte udržiavať v bezpečnej vzdialenosti.
- Na čistenie skla dvierok rúry nepoužívajte drsné alebo abrazívne materiály ani ostré kovové škrabky, pretože by mohli poškriabať povrch a spôsobiť rozbitie skla.
- Osvetlenie vnútra môže vymieňať len kvalifikovaný odborník kontaktovaním servisného oddelenia.
- VAROVANIE: Pred výmenou žiarovky sa uistite, že je spotrebič vypnutý, aby nedošlo k úrazu elektrickým prúdom.
- Pred vybratím odnímateľných častí musí byť rúra vypnutá. Po vyčistení ich znovu namontujte podľa pokynov.
- Rúru používajte iba na určený účel, t. j. iba na pečenie potravín: akékoľvek iné použitie, napríklad ako zdroj tepla, sa považuje za nesprávne a preto nebezpečné. Výrobca nezodpovedá za škody vzniknuté nevhodným, nesprávnym alebo neprimeraným použitím.
- Používanie akéhokoľvek elektrického zariadenia si vyžaduje dodržiavanie niektorých základných pravidiel:
  - Pri odpájaní produktu od zdroja energie neťahajte za napájací kábel;
  - Spotrebiča sa nedotýkajte mokrými alebo vlhkými rukami alebo nohami;
  - Použitie adaptérov, viacerých zásuviek a predlžovacích káblov sa vo všeobecnosti neodporúča;
  - V prípade poruchy a/alebo nesprávnej obsluhy spotrebič vypnite a nemanipulujte s ním.
- ZABEZPEČTE, ABY ELEKTRICKÉ PRIPOJENIE VYKONAL ELEKTRIKÁR ALEBO KVALIFIKOVANÝ TECHNIK. Zdroj napájania, ku ktorému je rúra

pripojená, musí byť v súlade so zákonmi platnými v krajine inštalácie. Výrobca nepreberá žiadnu zodpovednosť za škody spôsobené nedodržaním týchto pokynov. Rúra musí byť pripojená k elektrickému napájaniu s uzemnenou sieťovou zásuvkou alebo odpojovačom s viacerými pólmi, podľa zákonov platných v krajine inštalácie. Elektrické napájanie musí byť chránené vhodnými poistkami a použité káble musia mať priečnu časť na zabezpečenie správneho prívodu do rúry.

- **PRIPOJENIE.** Rúra sa dodáva s napájacím káblom, ktorý môže byť pripojený iba k elektrickému napájaniu s 220 – 240 Vac výkonom medzi fázami alebo medzi fázou a nulovým vodičom. Pred pripojením rúry k elektrickému napájaniu je dôležité skontrolovať napájacie napätie na merači a nastavenie odpojovača. Uzemňovací vodič pripojený k uzemňovacej svorke rúry musí byť pripojený k uzemňovacej svorke zdroja napájania.
- **VAROVANIE.** Pred pripojením rúry k zdroju napájania požiadajte kvalifikovaného elektrikára, aby skontroloval kontinuitu uzemňovacej svorky zdroja napájania. Výrobca nepreberá žiadnu zodpovednosť za akékoľvek nehody alebo iné problémy spôsobené zlyhaním pripojenia rúry k uzemňovacej svorke alebo uzemnením, ktoré má chybnú kontinuitu.
- **POZNÁMKA:** keďže rúra môže vyžadovať údržbárske práce, je vhodné mať k dispozícii ďalšiu zásuvku, ku ktorej môžete rúru pripojiť po vybratí z priestoru, v ktorom je nainštalovaná. Napájací kábel môže vymieňať iba technický personál alebo technik s príslušnou kvalifikáciou.

## **ODPORÚČANIA/VAROVANIA PRE POUŽITIE**

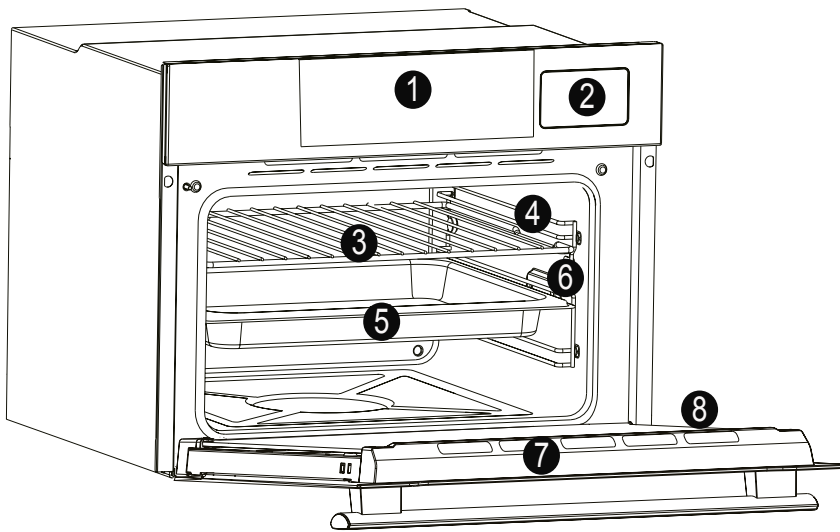
- Počas prevádzky režimov varenia môže vo vnútornom priestore rúry alebo na skle dvierok kondenzovať vlhkosť. Je to normálny stav. Aby ste tento účinok znížili, počkajte 10 až 15 minút po zapnutí rúry a až potom do nej vložte jedlo. V každom prípade kondenzácia zmizne, keď rúra dosiahne teplotu pečenia.
- Zeleninu pečte v nádobe s vekom namiesto v otvorenom plechu.
- Po pečení dlhšie ako 15/20 minút nenechávajte jedlo vo vnútri rúry.
- Dlhá porucha napájania počas prebiehajúceho pečenia môže spôsobiť poruchu monitora. V takom prípade kontaktujte zákaznícky servis.
- Keď dáte dovnútra poličku, uistite sa, že zarážka smeruje nahor a k zadnej strane vnútorného priestoru rúry. Polička musí byť úplne zasunutá vo vnútornom priestore rúry.
- **VAROVANIE:** V parnej rúre neskladujte oleje, tuky ani iné horľavé materiály, pretože to po spustení rúry môže byť nebezpečné.

- VAROVANIE: Nikdy neodstraňujte tesnenie dvierok rúry.
- Kvôli správne mu používaniu rúry vám odporúčame, aby ste nedávali jedlo do priameho styku s regálmi a roštami, ale aby ste používali papier na pečenie a/alebo špeciálne nádoby.
- Odkvapkávací plech zhromažďuje zvyšky, ktoré odkvapkávajú počas pečenia.

## **VAROVANIA**

- Pred čistením je potrebné odstrániť akýkoľvek vytečený materiál.
- VAROVANIE: pred spustením ktoréhokoľvek cyklu čistenia:
  1. Vyčistite dvierka rúry.;
  2. Vlhkou špongiu odstráňte z vnútra rúry veľké alebo hrubé zvyšky jedla. Nepoužívajte čistiace prostriedky;
  3. Odstráňte všetko príslušenstvo a súpravu posuvného regálu (ak je k dispozícii);
  4. Neumiestňujte utierky;
- Pri plnení nádrže na vodu nesmie hladina vody prekročiť maximálnu hladinu uvedenú na nádrži.
- VAROVANIE: Nebezpečenstvo popálenia a poškodenia spotrebiča: pri použití funkcie pary môže uvoľnená para spôsobiť popálenie: Po použití funkcie varenia s parou otvárajte dvierka opatrne, aby ste predišli poraneniu.
- Na plnenie nádrže používajte iba pitnú vodu.

# Popis produktu



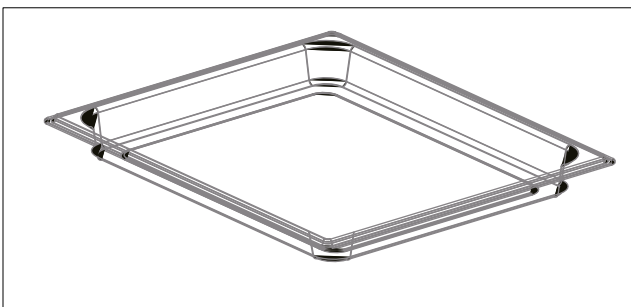
1. Ovládací panel
2. Nádrž na vodu
3. Mriežky
4. Polohy poličiek (bočná mriežka, ak je súčasťou balenia)
5. Plechy
6. Bočné mriežky
7. Dvere
- 8. Sériové číslo**



Sem si zapíšte svoje sériové číslo pre použitie v budúcnosti.

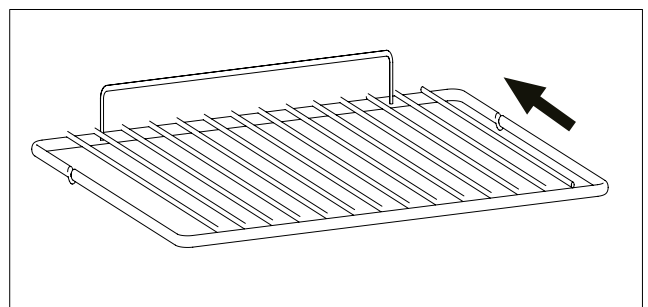
## PRÍSLUŠENSTVO

### Odkvapávací plech bez otvoru



Zhromažďuje zvyšky, ktoré odkvapávajú počas pečenia na mriežkach.

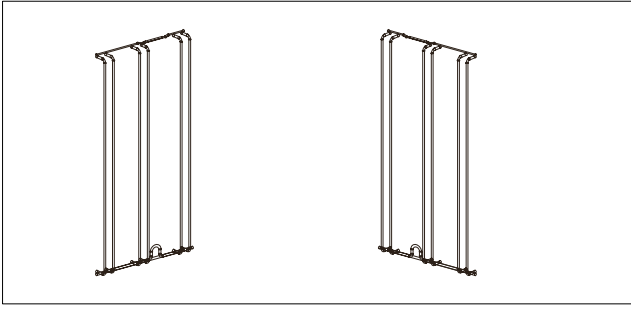
### Kovová mriežka



Drží plechy a podnosy na pečenie.  
\*Zatlačte do rúry podľa označenia šípkou.

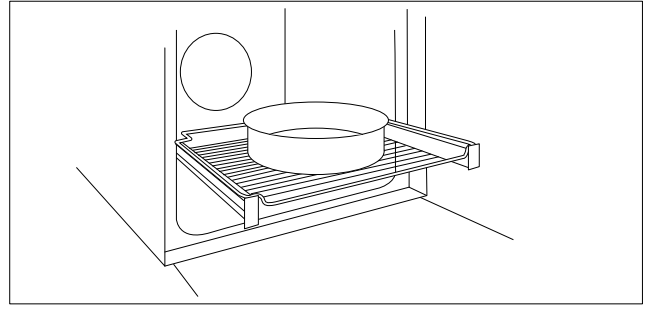


### Bočné mriežky (len ak sa tam nachádzajú)



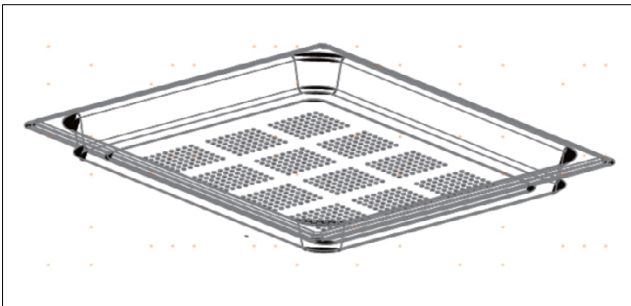
Nachádzajú sa na oboch stranách vnútorného priestoru rúry, držia kovové mriežky a odkvapávacie plechy.

### Výsuvné vodičlá (len ak sa tam nachádzajú)



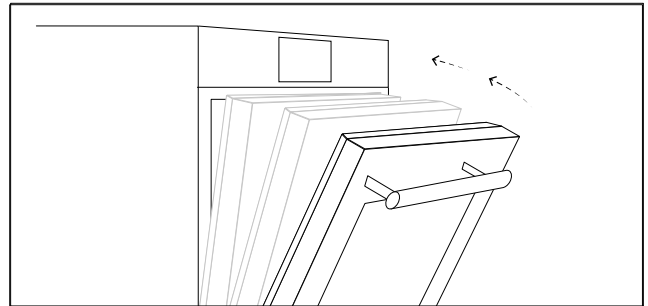
Dve vodiace kolajnice, ktoré uľahčujú kontrolu stavu pečenia, pretože umožňujú ľahké vytiahnutie a premiestnenie plechov a mriežok vo vnútri rúry.

### Odkvapávací plech s otvormi



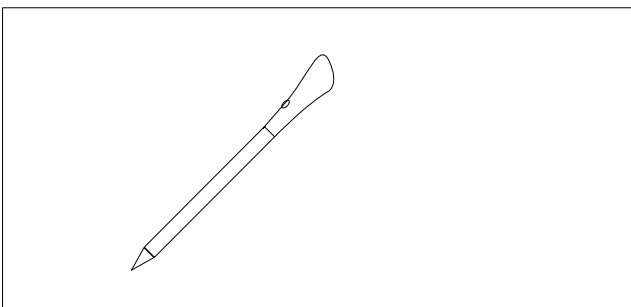
Drží potraviny v režime pary.

### Mäkké zatvorenie (len ak sa tam nachádza)



Závesy, ktoré zabezpečujú automatický mäkký a plynulý pohyb počas fázy zatvárania dvierok rúry.

### Sonda na mäso (len ak sa tam nachádza)

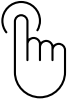








Meria vnútornú teplotu jedla počas pečenia.

**VAROVANIA:**

- Rúru nepredhrievajte ani nezačnite piecť, kým nemáte správne vloženú sondu na mäso.
- Sondy na mäso sa nepokúšajte vložiť do zamrznutého jedla.






## Ako produkt funguje \*

Symbol	Funkcia	Popis
	<b>Manuálny režim</b>	Táto funkcia umožňuje zvoliť funkcie pečenia, teplotu a trvanie.
	<b>My Taste</b>	V tejto ponuke si môžete prezrieť a vybrať nedávno použité a obľúbené programy a generovať prispôsobené recepty podľa vašej chuti. <ul style="list-style-type: none"> <li>• Naposledy použité/Naposledy použité v aplikácii: pozrite si trvanie, teplotu a predohrev (ak je vybraný) posledných použitých programov priamo na svojej rúre alebo prostredníctvom aplikácie.</li> <li>• Obľúbené/Moje recepty: pozrite si zoznam obľúbených receptov a/alebo programov.</li> <li>• U-Create: vytvárajte a prezerajte si prispôsobené recepty.</li> </ul>
	<b>Recepty</b>	V tejto ponuke máte prístup k rôznym receptom, ktoré sú už integrované vo vašej rúre.
	<b>WiFi</b>	V tomto režime môžete pripojiť svoju rúru k sieti a zaregistrovať ju pomocou aplikácie Haier.
	<b>Nastavenia</b>	V tejto ponuke môžete zmeniť jazyk, nastaviť čas, upraviť jas, aktivovať alebo deaktivovať zvuky, upraviť nastavenia Wi-Fi a diaľkového ovládania.
	<b>Diaľkové ovládanie</b>	Ak je diaľkové ovládanie zapnuté, môžete vstupovať do ponúk svojej rúry a ovládať ju IBA z pripojeného zariadenia.
	<b>Zámok</b>	Táto funkcia umožňuje uzamknutie obrazovky/dvierok, aby sa zabránilo akémukoľvek nechcenému použitiu maloletými osobami

\* Záleží od modelu rúry.




# Použitie spotrebiča

## REŽIMY PEČENIA \*




Symbol	Východisková teplota	Funkcie
	<b>L3 (Výkon)</b>	GRIL: Táto funkcia používa iba horný ohrievací článok a môžete nastaviť úroveň grilu. Používajte so zatvorenými dvierkami. Biele mäso umiestňujte ďalej od grilu. Červené mäso a rybie filé môžete umiestniť na poličku, pod ktorou je odkvapkávací plech. Predhrievajte 5 minút.
	<b>165°C</b>	GRIL + VENTILÁTOR: Horný ohrievací článok sa používa s ventilátorom, ktorý cirkuluje vzduch vo vnútri rúry. Pre červené mäso je potrebný predohrev, pre biele mäso nie je potrebný. Jedlo určené na grilovanie umiestnite nasmerované na poličku uprostred. Pod poličku zasuňte odkvapkávací plech, aby ste zachytili šťavy. Dávajte pozor, aby nebolo jedlo príliš blízko grilu. V polovici pečenia otočte jedlo na druhú stranu.
	<b>165°C</b>	VIACÚROVŇOVÉ: Táto funkcia lepšie distribuuje teplo vďaka kombinácii ventilátora a zadných ohrievacích článkov, čo zaručuje rovnomerné opečenie.
	<b>210°</b>	VIACÚROVŇOVÉ + GRIL: Používa horný a zadný ohrievací článok s ventilátorom na cirkuláciu vzduchu vo vnútri rúry. Používajte so zatvorenými dvierkami. Pod poličku zasuňte odkvapkávací plech, aby ste zachytili šťavy. V polovici pečenia otočte jedlo na druhú stranu. Pre červené mäso je potrebný predohrev, pre biele mäso nie je potrebný.
	<b>165°C</b>	EKO VIACÚROVŇOVÉ: Táto funkcia je testovaná v súlade s normou CENELEC EN 60350-1 na účely vyhlásenia o spotrebe energie a energetickej triedy.

\* Záleží od modelu rúry.

## REŽIMY FUNKCIÍ PARY \*

Symbol	Teplotný rozsah	Funkcie
	40 – 100°	<p>STEAM PURE:</p> <p>Pečenie pri nízkej teplote s plným parným výkonom. Radiálnou ventiláciou sa para rozdeľuje, aby sa jedlo zahrialo a pripravilo rovnomerne. Tento režim má výhodu v tom, že môžete pripravovať jedlo na rôznych úrovniach súčasne.</p>
	70 – 130°	<p>STEAM WARM:</p> <p>Umožňuje regeneráciu potravín pri zachovaní ich výživných látok. Pri tejto funkcii sa komora ohrieva parou a teplým vzduchom, čo umožňuje rýchle a konzistentné ohrievanie pokrmov bez ich vysušenia.</p>
	50 – 230°	<p>STEAM CRISPER:</p> <p>Kombinácia parného výkonu s ventilátorom, chrumkavé jedlá získate bez tuku. Tento typ funkcie je vhodný napríklad pre veľké mäso a morské plody; veľké bochníky chleba z bielej alebo celozrnnej múky s droždím alebo z kysnutého cestom pri teplote 190 °C do 210 °C, ako aj plnené a neplnené lístkové cesto, čerstvé alebo mrazené od 190 °C do 210 °C.</p>

## FUNKCIE ČISTENIA \*

Symbol	Funkcia	Popis
	H2O circuit clean	<p>H2O circuit clean umožňuje vyčistiť okruh zakaždým, keď je to potrebné kvôli lepšej údržbe, stačí naplniť nádrž a počkať na pokyny. Táto funkcia vykonáva čistiaci cyklus okruhu, aby bol aj po čase čistý a efektívny. Pred spustením tejto funkcie je dôležité zabezpečiť, aby sa v nádrži nachádzala voda.</p>
	H2O cavity clean	<p>H2O cavity clean umožňuje používateľovi vyčistiť vnútrajšok parou. Táto funkcia vykonáva čistiaci cyklus vstrekaním pary do vnútrajška po dobu 15 minút. Na konci cyklu bude tvrdý povlak, ktorý mohol vzniknúť v dôsledku vysokoteplotného pečenia vo vnútri rúry, mäkši a oveľa ľahšie ho odstránite utierkou.</p>
	Odstránenie vodného kameňa	<p>Táto funkcia vykonáva čistiaci cyklus čistiacim prostriedkom kvôli zachovaniu produktu čistého a efektívneho po celý čas.</p> <p>POZNÁMKA: Čistiacim prostriedkom musí byť odstraňovač vodného kameňa.</p>

Poznámka: Ak ste pri niektorých funkciách použili vodu, pred prepnutím rúry do pohotovostného režimu budete požiadaní o vypustenie okruhu.

\* Záleží od modelu rúry.

# Čistenie a údržba

---

## VŠEOBECNÉ POZNÁMKY K ČISTENIU:

Pravidelné čistenie môže predĺžiť životnosť vášho spotrebiča. Pred manuálnym čistením počkajte, kým rúra nevychladne.

## VAROVANIE:

- Na čistenie nikdy nepoužívajte abrazívne čistiace prostriedky, drôtenku ani ostré predmety, aby nedošlo k nenapraviteľnému poškodeniu povrchu.
- Nepoužívajte korozívne ani abrazívne čistiace prostriedky. Používajte iba vodu, mydlo alebo čistiace prostriedky na báze bielidla (amoniak).
- Škrvny od vodného kameňa, mastnoty, škrobu alebo bielkovín odstráňte okamžite. V opačnom prípade môžu tieto škrvny spôsobiť koróziu. Nedovoľte, aby sa do parnej rúry dostala voda.
- Nepoužívajte vysokotlakové ani parné čistiace prístroje.

## SKLENENÉ ČASTI

Sklenené okienko rúry po každom použití očistite pomocou savej kuchynskej utierky. Na nepoddajnejšie škrvny môžete použiť špongiu s čistiacim prostriedkom a potom ich opláchnite vodou.

## TESNENIE OKIENKA RÚRY

Ak je tesnenie znečistené, môžete ho vyčistiť vlhkou špongiou.

## ODPORÚČANIA:

- Po každom použití rúry vám minimálne čistenie pomôže udržať rúru dokonale čistú.
- Steny rúry nepokrývajte hliníkovou fóliou ani jednorazovou ochranou, ktorá je k dispozícii v obchodoch. Nádoby ani jedlo neukladajte priamo na dno rúry. Používajte plechy alebo mriežky.
- Aby ste predišli nadmernému znečisteniu rúry a výslednému silnému zápachu od dymu, odporúčame vám, aby ste rúru nepoužívali pri veľmi vysokej teplote. Je lepšie predĺžiť čas pečenia a trochu znížiť teplotu.
- Okrem príslušenstva dodávaného s rúrou vám odporúčame, aby ste používali iba riad a formy na pečenie, ktoré sú odolné voči veľmi vysokým teplotám.
- Plechy sú vhodné do umývačky riadu.

# Ochrana životného prostredia a likvidácia

## ŠETRENIE A REŠPEKTOVANIE ŽIVOTNÉHO PROSTREDIA

Ak je to možné, rúru vopred nevykurujte a snažte sa ju vždy naplniť. Dvierka rúry otvárajte čo najmenej, pretože pri každom otvorení sa teplo z vnútorného priestoru rozptyľuje. Z dôvodu výraznej úspory energie vypnite rúru 5 až 10 minút pred plánovaným ukončením doby pečenia a použite zvyškové teplo, ktoré rúra ďalej generuje. Tesnenia udržiavajte čisté a v poriadku, aby sa zabránilo rozptylu tepla mimo vnútorného priestoru. Ak máte zmluvu o elektrickej energii s hodinovou tarifou, program „oneskorené pečenie“ zjednodušuje úsporu energie a proces pečenia sa začne tak, aby bol v skrátrenom časovom limite tarify.

## NAKLADANIE S ODPADMI A OCHRANA ŽIVOTNÉHO PROSTREDIA

Toto zariadenie je označené v súlade s európskou smernicou 2012/19/EÚ o elektrických a elektronických zariadeniach (OEEZ - odpad z elektrických a elektronických zariadení). OEEZ obsahuje znečisťujúce látky (ktoré môžu mať negatívny vplyv na životné prostredie) a základné prvky (ktoré sa dajú opätovne použiť). Je dôležité, aby sa OEEZ správne likvidoval použitím špecifických postupov s cieľom zaistiť správne odstránenie a likvidáciu všetkých znečisťujúcich látok, ako aj obnovenie ostatných materiálov. Jednotlivci prispievajú výraznou mierou k minimalizácii vplyvov OEEZ na životné prostredie. Bezpodmienečne treba dodržiavať určité základné pravidlá:

- OEEZ sa nesmie spracovávať ako bežný domáci odpad;
- OEEZ treba odovzdávať na príslušných zberných miestach, ktoré sú riadené príslušnou samosprávnou obcou alebo registrovanými spoločnosťami.

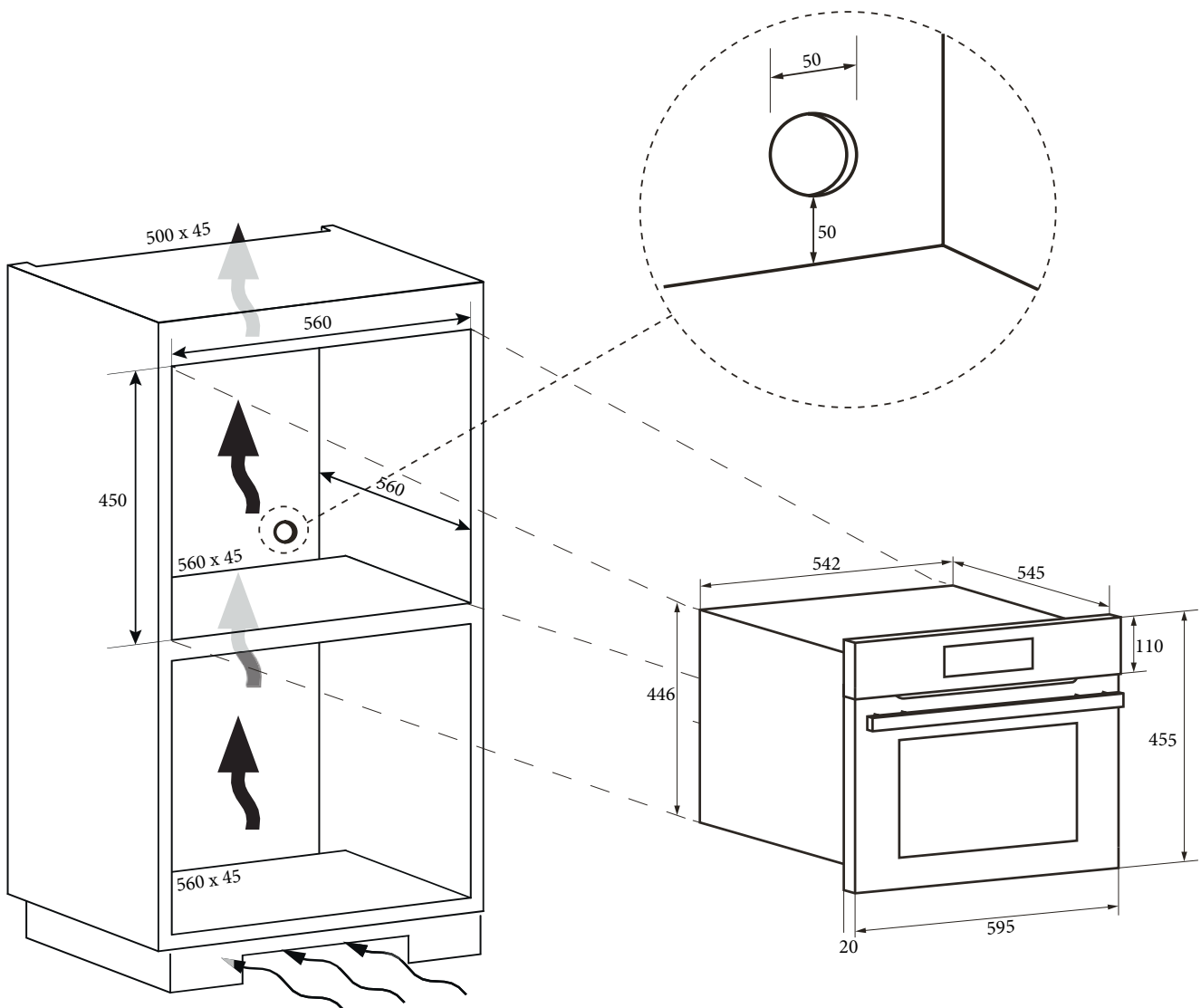
V mnohých krajinách je k dispozícii domáci zber veľkých zariadení spadajúcich do kategórie OEEZ. V prípade zakúpenia nového spotrebiča môžete vrátiť starý spotrebič maloobchodnému predajcovi, ktorý musí zabezpečiť jeho bezplatný odvoz, pokiaľ ide o spotrebič rovnakého typu a disponujúceho rovnakými funkciami ako zakúpené zariadenie.

## VYHLÁSENIE O ZHODE

Označením tohto spotrebiča značkou **CE** potvrdzujeme zhodu so všetkými príslušnými európskymi bezpečnostnými, zdravotnými a ekologickými požiadavkami, ktoré platia v rámci právnych predpisov pre tento produkt..



# Installation



**NOTE:**

It is not recommended to install the oven under cooktop.

If this is necessary, be sure to leave a large enough gap for the cooktop according to the manufacturer's instructions.

**REMARQUE :**

Il est déconseillé d'installer le four sous la table de cuisson.

Si cela est nécessaire, assurez-vous de laisser un espace suffisant pour la table de cuisson conformément aux instructions du fabricant.

**NOTA:**

Si sconsiglia l'installazione del forno sotto il piano cottura.

Se è necessario, lasciare spazio a sufficienza per il piano di cottura, attenendosi alle istruzioni del produttore.

**NOTA:**

No se recomienda instalar el horno debajo de una placa de cocción.

Si esto es necesario, asegúrese de dejar un espacio lo suficientemente grande para la placa de acuerdo con las instrucciones del fabricante.

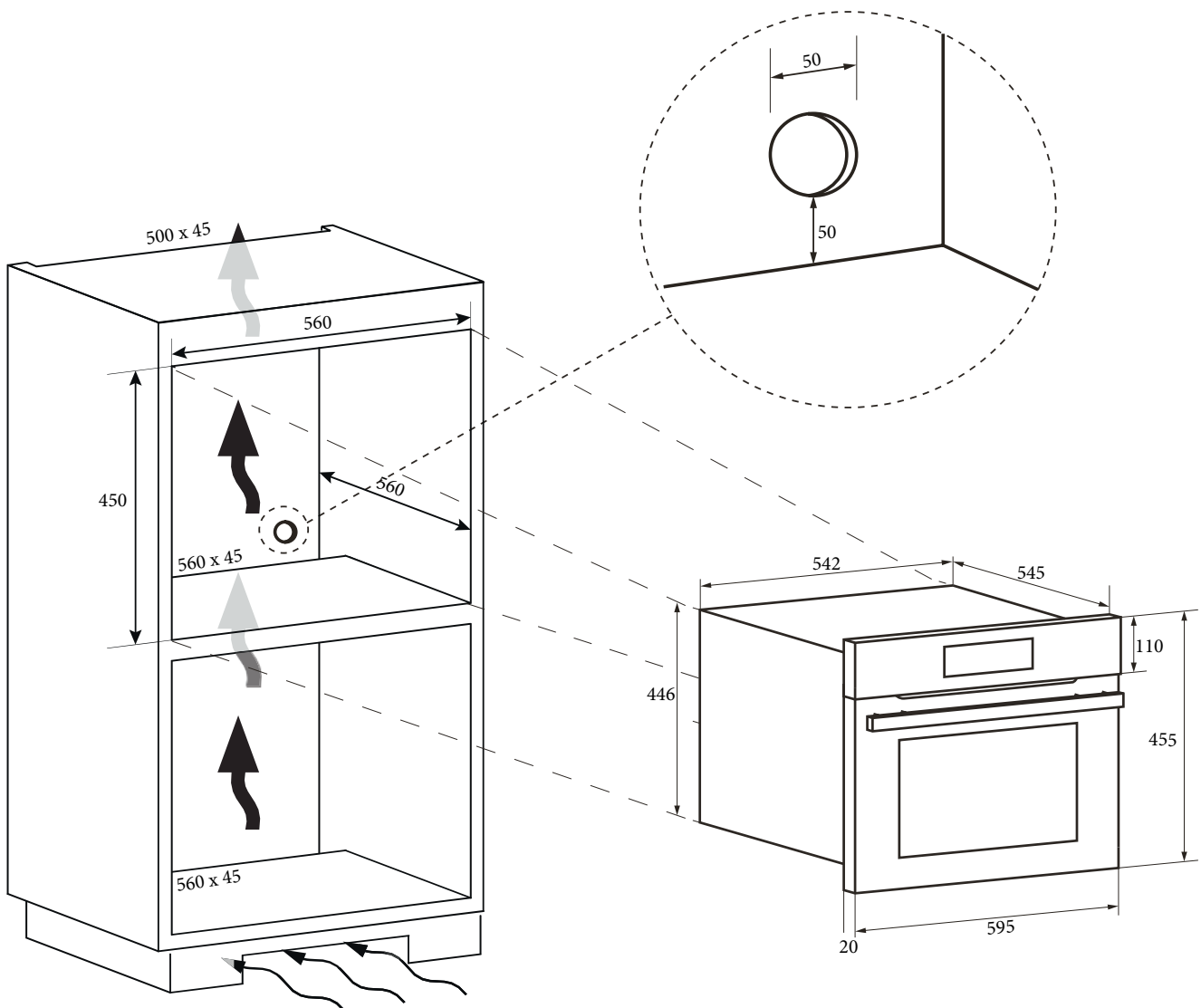
**HINWEIS:**

Es wird nicht empfohlen, den Ofen unter dem Kochfeld zu installieren.

Wenn dies erforderlich ist, achten Sie darauf, dass Sie einen ausreichend großen Spalt für das Kochfeld gemäß den Anweisungen des Herstellers lassen.

## INSTALLATION

# Installation



## OPMERKING:

Het is niet aan te raden om de oven onder een fornuis te installeren.

Als dit nodig is, zorg er dan voor dat u een grote ruimte overlaat voor het fornuis volgens de aanwijzingen van de fabrikant achterlaat.

## UWAGA;

Nie zaleca się instalowania piekarnika pod płytą grzewczą.

Jeśli jest to konieczne, należy pamiętać o pozostawieniu wystarczająco dużego odstępu dla płyty grzewczej, zgodnie z instrukcjami producenta.

## ПРИМЕЧАНИЕ.

Не рекомендуется устанавливать духовой шкаф под варочной панелью.

Если потребуется такой вариант установки, убедитесь в том, что для варочной панели оставлен достаточно большой зазор в соответствии с инструкциями производителя.

## POZNÁMKA:

Nedoporučuje se instalovat troubu pod varnou desku.

Je-li to nutné, musíte nechat dostatečně velkou mezeru pro varnou desku podle pokynů výrobce.

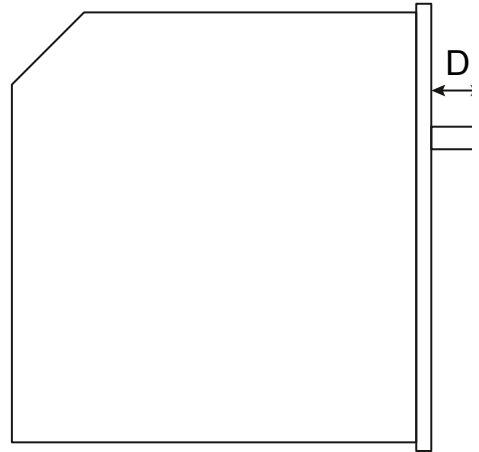
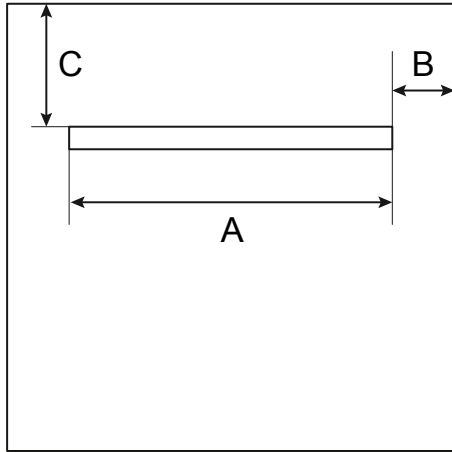
## POZNÁMKA:

Neodporúčame vám, aby ste rúru inštalovali pod varnú dosku.

Ak je to potrebné, nezabudnite podľa pokynov výrobcu ponechať dostatočne veľkú medzeru pre varnú dosku.

## INSTALLATION





MODEL	A	B	C	D	E	NOTES
SERIES 4	572 mm	11,5 mm	145 mm	42 mm	28 mm	
SERIES 6	570 mm	12,5 mm	144 mm	43,2 mm	30 mm	

## INSTALLATION





70009897