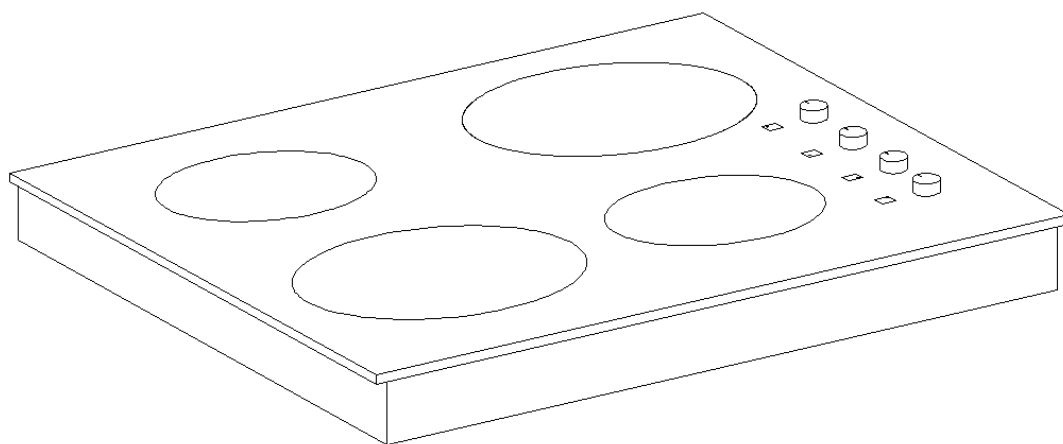


CHK64C

Ceramic Hob

Instruction Manual



Content

1.....	Safety instructions
2.....	Description of the Ceramic hob surface layout
3.....	Installation
4.....	Using the ceramic hob
5.....	Hob guidelines
6.....	Maintenance and cleaning
7.....	Environmental note

Safety instructions

This User Instruction Manual contains important information, including safety & installation points, which will enable you to get the most out of your appliance. Please keep it in a safe place so that it is easily available for future reference; for you or any person not familiar with the operation of the appliance. These instructions shall also be available in an alternative format, e.g. on a website or on request from the user in a format such as a DVD.



Caution!

- Do not use the ceramic hob until you have read this instruction manual. The ceramic hob is intended for household use only.
- The appliance becomes hot during operation. Take care not to touch the hot surface.
- Always keep children away from the ceramic hob.
- While in operation direct contact with the ceramic hob may cause burns!
- Ensure that small items of household equipment, including connection leads, do not touch the hob as the insulation material of this equipment is usually not resistant to high temperatures.
- Do not leave the ceramic hob unattended when frying. Oils and fats may catch fire due to overheating or boiling over.
- Do not switch on the hob until a pan has been placed on it.
- Do not put pans weighing over 25kg on the hob.
- Do not use the ceramic hob in the event of a technical fault. Any faults must be fixed by an appropriately qualified and authorized person.
- In the event of any incident caused by a technical fault, disconnect the power and report the fault to the service centre to be repaired.
- The rules and provisions contained in this instruction manual should be strictly observed. Do not allow anybody who is not familiar with the contents of this instruction manual to operate the ceramic hob.
- The ceramic hob should not be cleaned using steam cleaning equipment.
- **IMPORTANT:** The adjacent furniture or housing and all materials used in the installation must be able to withstand a minimum temperature of 85°C above the ambient temperature of the room it is located in, whilst in use.
- Any damage caused by the appliance being installed in contravention of this temperature limit, or by placing adjacent cabinet materials closer than 4mm to the appliance, will be the liability of the owner.
- This appliance complies with all current European safety legislation. We do wish to emphasize that this compliance does not remove the fact that the appliance surfaces will become hot during use and retain heat after operation.

Child Safety

- We strongly recommend that babies and young children are prevented from being near to the appliance and not allowed to touch the appliance at any time.
- If it is necessary for younger family members to be in the kitchen, please ensure that they are kept under close supervision at all times.

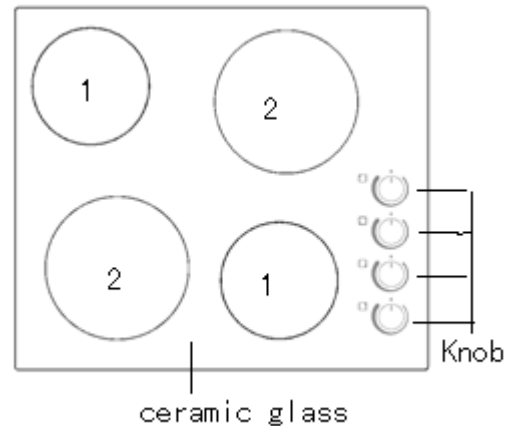
General Safety

- Children less than 8 years of age shall be kept away unless continuously supervised.
- This appliance can be used by children aged from 8 years and above and persons with reduced physical, sensory or mental capabilities or lack of experience and knowledge if they have been given supervision or instruction concerning use of the appliance in a safe way and understand the hazards involved. Children shall not play with the appliance. Cleaning and user maintenance shall not be made by children without supervision.
- **NEVER** try to extinguish a fire with water, but switch off the appliance and then cover flame e.g. with a lid or a fire blanket.

- **WARNING:** Danger of fire: do not store items on the cooking surfaces.
- Means for disconnection must be incorporated in the fixed wiring in accordance with the wiring rules.
- Do not allow electrical fittings or cables to come into contact with areas on the appliance that get hot.
- Do not use the appliance to heat the room it is located in or to dry clothing.
- Do not install the appliance next to curtains or soft furnishings.
- If the supply cord is damaged, it must be replaced by the manufacturer, its service agent or similarly qualified persons in order to avoid a hazard.
- The appliance is not intended to be operated by means of an external timer or separate remote-control system.
- This product can be worked but not through outside timer and remote control.

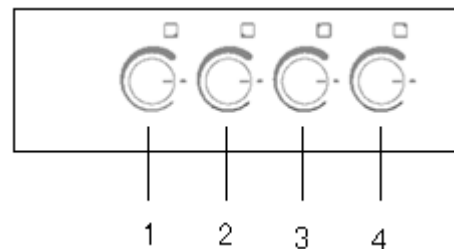
Description of the Ceramic hob surface layout

- 1) 1.20 kW hyperspeed zones (diameter 160 mm)
- 2) 1.80 kW hyperspeed zones (diameter 200 mm)



Control panel layout

1. Cooking zone rear left control knob
2. Cooking zone front left control knob
3. Cooking zone rear right control knob
4. Cooking zone front right control knob



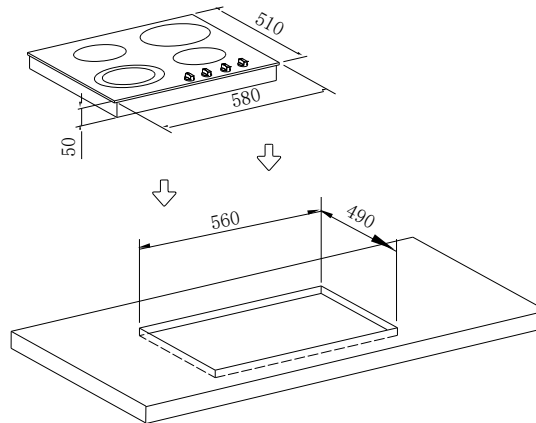
Installation

Installing the ceramic hob

- The kitchen area should be dry and aired and equipped with efficient ventilation. When installing the ceramic, easy access to all control elements should be ensured.
- This is a Y-type design built-in ceramic, which means that its back wall and one side wall can be placed next to a high piece of furniture or a wall. Coating or veneer used on fitted furniture must be applied with a heat-resistant adhesive (100°C). This prevents surface deformation or detachment of the coating.
- Hoods should be installed according to the manufacturer's instructions.

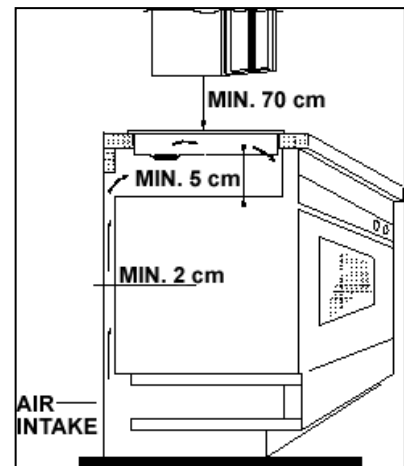
Assembly of ceramic hob :

- Make an opening with the dimensions given in the diagram for the hob to be mounted on the worktop .
- Check seal for perfect fit and overall cover. Lower the ceramic hob into place and align correctly.
- Using a standard screwdriver, tighten the tension clamps evenly starting at the centre and moving diagonal, until the built-in rim is tight on the worktop.

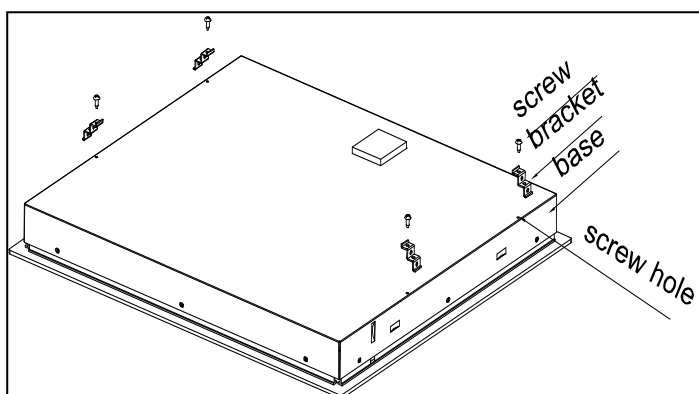


Cut a hole in the worktop that corresponds with the drawing shown above.

- **IMPORTANT:** You must observe the ventilation requirements shown in the drawing opposite.
- **IMPORTANT:** There are ventilation holes around the outside of the hob. YOU MUST ensure that these holes are not blocked by the work top, when you put the hob into position (see drawing opposite).
- **IMPORTANT:** Do not use a silicon sealant to seal the appliance against the aperture. This will make it difficult to remove the hob from the aperture in future, particularly if it needs to be serviced.

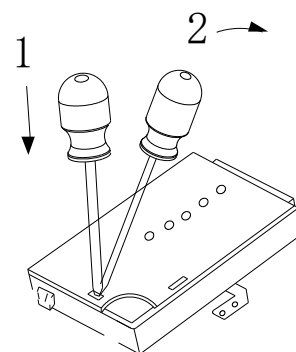


- Carefully turn the hob back over and then gently lower it into the aperture hole that you have cut out.
- There are holes on the base or the sides of the hob that you can fix the four brackets to. There are three holes in each one of the brackets.
- You should place the bracket on the underneath of the hob, in a position that is appropriate for the aperture that you have cut out. Using the screws provided, fix the bracket to the hob. These screws MUST be securely tightened.



Fitting guidelines

The ceramic hob is manufactured to work with three-phase alternating current (400V3N~50Hz). The voltage rating of the ceramic hob heating elements is 230V. Adapting the ceramic hob to operate with one-phase current is possible by appropriate bridging in the connection box according to the connection diagram below. The connection diagram is also found on the cover of the connection box. Remember that the connection wire should match the connection type and the power rating of the ceramic hob.



The connection cable must be secured in a strain-relief clamp.

Warning!

Remember to connect the safety circuit to the connection box terminal marked with . The electricity supply for the ceramic hob must have a safety switch which enables the power to be cut off in case of emergency. The distance between the working contacts of the safety switch must be at least 3mm. Before connecting the ceramic hob to the power supply it is important to read the information on the data plate and the connection diagram.

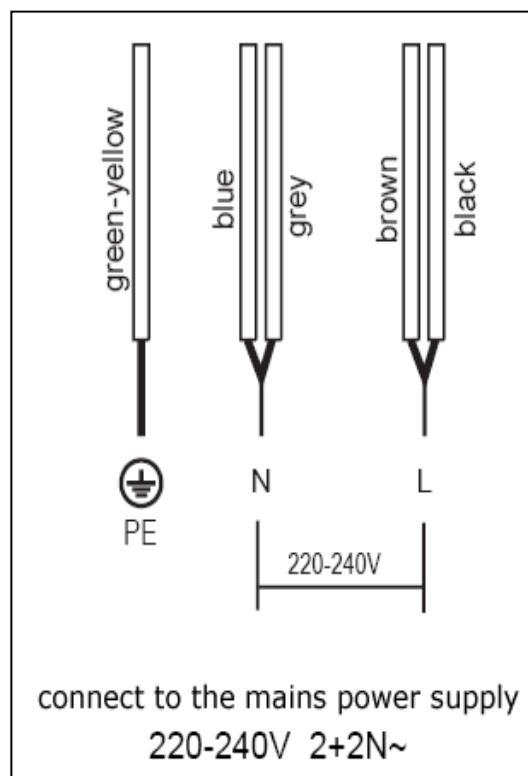
CONNECTION DIAGRAM			
Caution! Voltage of heating elements is 230V Caution! In the event of any connection the safety wire must be connected to the PE terminal			Recommended type of connection lead
1	For 230 V earthed one-phase connection, bridges connect 1-2 terminals, safety wire to		H05VV-F 3G2.5
2	For 400/230V earthed two-phase connection, the safety wire to		H05VV-F 4G2.5
L1=R,L2=S,L3=T,N=earth terminal, PE= safety wire terminal			

- ✧ The cable connections must be in accordance with the diagram located on the bottom of the hob .
- ✧ You should use a good quality screwdriver to carefully, fully tighten ALL of the terminal screws.

- ✧ If when the hob is first switched on, only two of the zones work, you should recheck that the terminal screws are all fully tightened. This should be done before contacting the Customer Care Department.
- ✧ **IMPORTANT:** The appliance must NOT be connected to the mains supply by means of a 13A plug and socket.
- ✧ The cable can be looped if necessary, but make sure that is not kinked or trapped when the hob is in position. Care must be taken to avoid the cable being in contact with hot parts of the appliance.

Replacing the mains supply cable

- ✧ If the mains supply cable is damaged, then it must be replaced by an appropriate replacement.
- ✧ The mains supply cable should be replaced in accordance with the following instructions:
 - Switch the appliance off at the control switch.
 - Open the terminal block on the underside of the hob.
 - Unscrew the terminal screws fixing the cable.
 - The “green-yellow” earth wire must be connected to the terminal marked \perp . It must be about 10 mm longer than the live and neutral wires.
 - The “blue” neutral wire must be connected to the terminal marked with letter (N) - the live wire must be connected to the terminal marked with letter (L).



Using the ceramic hob

Before first use



IMPORTANT: You should clean the ceramic hob surface (see “Maintenance and cleaning” section).

- ✓ You should switch on one cooking zone at a time, for 5 minutes at the maximum setting. This will help to eliminate any new smell that exists and evaporate any humidity that has formed on the heating elements during transit.
- ✓ Do not burn off more than one zone at once.
- ✓ You must place a saucepan filled half full with cold water on each zone as you burn it off.

Important!

The inside of the oven should only be washed with warm water and a small amount of washing-up liquid.

How to use the hot plate

Put the pot in center of the heating zone, Turn the knob clockwise and anticlockwise to turn on the hob.

High temperature indication lamp:

When the glass plate is too hot, the high temperature indication lamp will light up, don't touch the glass plate until the indication lamp goes out.

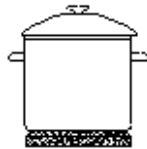
Shut down:after using,please turn the knob to “OFF”,the hob will stop heating.



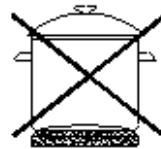
wrong



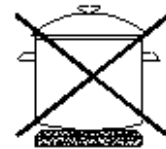
wrong



right



wrong



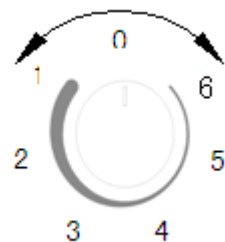
wrong

Caution!

- Ensure the heating plate is clean-a soiled zone does not transfer all of the heat.
- Protect the plate against corrosion.
- Switch off the plate against corrosion.
- Do not leave pans with prepared dishes based on fats and oils unattended on the switched-on plate; hot fat can spontaneously catch fire.

Heat level selection

- 0 Switch off
- 1 MIN. Warming up
- 2 Stewing vegetables, slow cooking
- 3 Cooking soups ,larger dishes
- 4 Slow frying
- 5 Grilling meat, fish
- 6 MAX. Fast heating up, fast cooking, frying



- ✚ **IMPORTANT:** The hob power should be off when the alarm silences. If you have finished cooking, you should turn the selector knob to 0.

The stainless ornamental rings can be cleaned using washing liquids or gentle liquid scrubbing agents and wiped dry.

The surface of the hotplates should be regularly polished with white mineral oil or silicone oil. Never use animal or vegetable fats like butter, lard, oil etc. for the purpose.

The enamel working plate should be cleaned using warm water with a bit of washing liquid. Larger stains can be removed using gentle scrubbing liquids.



Caution!

All repairs and regulatory activities should be carried out by the appropriate service centre or by an appropriately authorized fitter.



IMPORTANT: If your appliance appears not to be operating correctly, Please contact with dealer.

Hob guidelines

- ✧ The first few times the hob top is used, it may give off an acrid, burning smell. This smell will disappear completely with repeated use.
- ✧ The worktop is fitted with cooking areas of different diameter and power.
- ✧ The positions where the heat will radiate from are clearly marked on the hob top. The saucepans must be positioned exactly on these zones for efficient heating to occur. Pans should have the same diameter as the cooking zone that they are being used on.
- ✧ You should not use saucepans with rough bottoms, as this can scratch the ceramic surface.
- ✧ Before use, make sure that the bottoms of the saucepans are clean and dry.
- ✧ When cold, the bottom of the pans should be slightly concave, as they expand when hot and lie flat on the surface of the hob. This will allow the heat to transfer more easily.
- ✧ The best thickness for the bottom of the pans is 2 – 3 mm of enamelled steel and 4 – 6 mm for stainless steel with sandwich type bottoms.
- ✧ If these rules are not followed, then there will be a great loss of heat and energy. Heat not absorbed by the saucepan, will spread to the hob, frame and surrounding cabinets.
- ✧ Preferably cover pans with a lid to permit cooking at a lower heat.
- ✧ Always cook vegetables and potatoes, etc. in as little water to reduce cooking times.
- ✧ Food or liquid that has high sugar content may damage the hob top if it comes into contact with the ceramic hob surface. Any spillages should be wiped up immediately, however this may not prevent the hob surface from becoming damaged.
- ✚ **IMPORTANT:** The ceramic hob surface is tough; however it is not unbreakable and can be damaged. Especially if pointed or hard objects are allowed to fall on it with some force.

- DO NOT USE THE HOB IF THE SURFACE BECOMES BROKEN OR CRACKED. YOU SHOULD SWITCH OFF THE APPLIANCE TO AVOID THE POSSIBILITY OF ELECTRIC SHOCK AND CONTACT THE BAUMATIC CUSTOMER CARE DEPARTMENT IMMEDIATELY.

Maintenance and cleaning



Cleaning operations must only be carried out when the hob is cool.

The appliance should be disconnected from your mains supply before commencing any cleaning process.

Cleaning the ceramic hob top



Any residues that are left on the hob top surface from cleaning agents will damage it. You should remove any residues with warm water mixed with a little washing up liquid.



Abrasive cleaners or sharp objects will damage the hob surface; you should clean it using warm water mixed with a little washing up liquid.



You may find it easier to clean some deposits whilst the hob surface is still warm. However you should take care not to burn yourself if cleaning the hob surface when it is still warm.

After each use

- ◆ Wipe the appliance over with a damp cloth.
- ◆ Dry the appliance by rubbing the surface with a clean cloth.

Cleaning table

Type of deposit	Remove immediately?	Remove when the appliance has cooled down?	What should I use to remove the deposit?
Sugar or food/liquid containing sugar	Yes	No	Ceramic hob scraper
Tin foil or plastic	Yes	No	Ceramic hob scraper
Fat splashes	No	Yes	Ceramic hob cleaner
Metallic discolouration	No	Yes	Ceramic hob cleaner
Water splashes or water rings	No	Yes	Ceramic hob cleaner

Important!

The inside of the hob should only be washed with warm water and a small amount of washing-up liquid.

Caution!

Ensure the heating plate is clean-a soiled zone does not transfer all of the heat.
Protect the hob against corrosion.
Switch off the hob against corrosion.
Do not leave pans with prepared dishes based on fats and oils unattended on the switched-on plate; hot fat can spontaneously catch fire.



IMPORTANT: If your appliance appears not to be operating correctly, Please contact with dealer.

DO NOT ATTEMPT TO REPAIR THE APPLIANCE YOURSELF.

Please note that if an engineer is asked to attend whilst the product is under guarantee and finds that the problem is not the result of an appliance fault, then you may be liable for the cost of the call out charge.

The appliance must be accessible for the engineer to perform any necessary repair. If your appliance is installed in such a way that an engineer is concerned that damage will be caused to the appliance or your kitchen, then he will not complete a repair.

Environmental note

Note: Before discarding an old appliance, switch off and disconnect it from the power supply. Cut off and render any plug useless. Cut the cable off directly behind the appliance to prevent misuse. This should be undertaken by a competent person.

This appliance is marked according to the European directive 2002/96/EC on Waste electrical and Electronic Equipment (WEEE). By ensuring this product is disposed of correctly, you will help prevent potential negative consequences for the environment and human health, which could otherwise be caused by inappropriate waste handling of this product.

